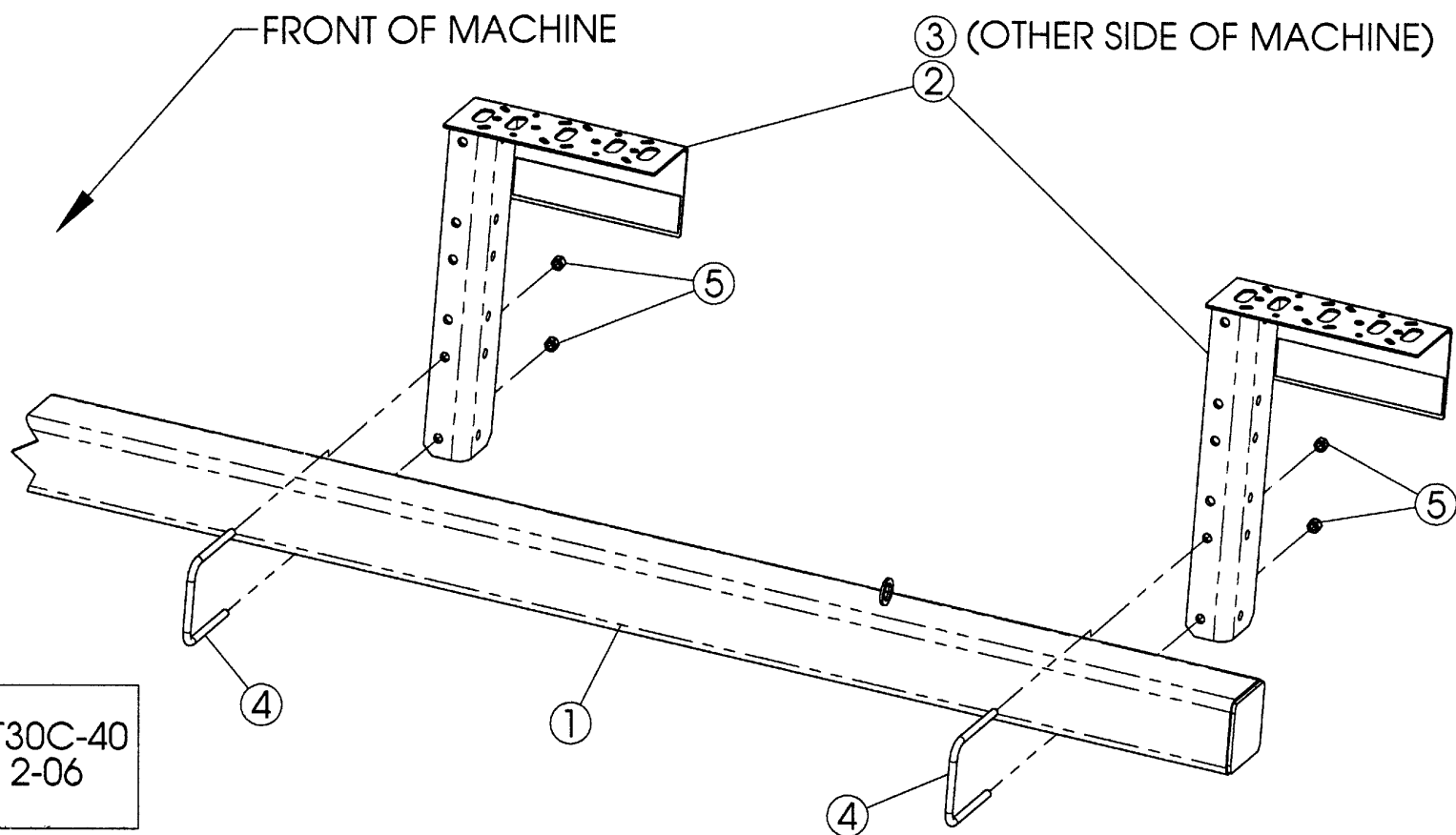


5 SHANK MACHINE WITHOUT LEVELER

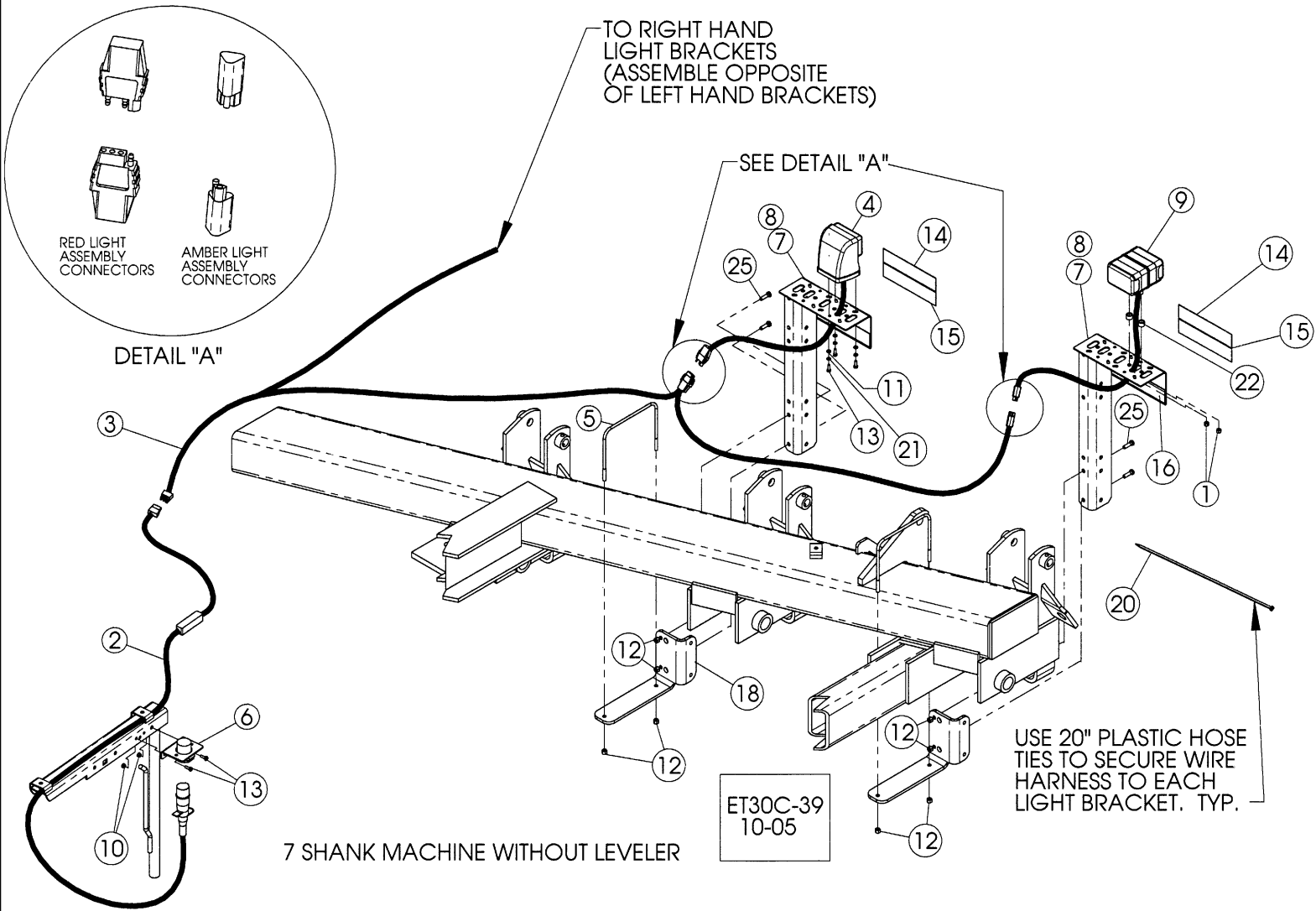
04-01 WARNING AND TAILLIGHT KIT 5 SHANK WITHOUT LEVELER

сылка	Номер детали	Кол-во	Описание
1	86992212	4	NUT, LOCK, 5/16 Stover, gd C, ZP
2	87446676	1	HARNESS, WIRE, Front
3	87446758	1	HARNESS, WIRE, Rear
4	87446791	2	LAMP, Single Red
5	87459889	4	BRACKET, 3/8 x 8.68 x 7, U-Bolt
6	27601214	1	HOLDER, Plug
7	87460060	1	BRACKET, Light Assembly, Lh, 5 Shank, Inc. Reflectors
8	87460061	1	BRACKET, Light Assembly, Rh, 5 Shank, Inc. Reflectors
9	87446792	2	LAMP, Amber
10	86992211	2	NUT, LOCK, 0.25, ZP, Stover, gd C
11	495-81102	6	WASHER, .266" x 1/2" x .060", ZND, .266 x .500 x .061
12	231-4246	15	NUT, LOCK, 3/8"-16, GB, 0.375 ZP, Lock, gd B
13	413-412	8	BOLT, Hex, 1/4"-20 x 3/4", G5, Full Thd, 0.25 x 0.75, ZP, gd 5
14	311865A1	4	REFLECTOR, ASAE, Fluorescent, 2 x 9
15	311863A1	4	REFLECTOR, ASAE, Red, 2 x 9
16	311864A1	4	REFLECTOR, ASAE, Amber, 2 x 9
17	395080A1	2	PLATE, Backking
18	87459890	4	BRACKET, Light, Bolt On
19	413-648	4	BOLT, Hex, 3/8"-16 x 3", G5, 0.375 x 3, ZP, gd 5
20	30007000		UAR STRAP, CABLE, 20
21	492-11025	6	WASHER, LOCK, 1/4",
22	87449661	4	SPACER, Bushing, Amber Light
23	87328901	1	BRACKET, Light, Short, Lh, Inc. Reflectors
24	87328899	1	BRACKET, Light, Short, Rh, Inc. Reflectors
25	413-620	4	BOLT, Hex, 3/8"-16 x 1 1/4", G5, Full Thd, 0.375 x 1.25, ZP, gd 5



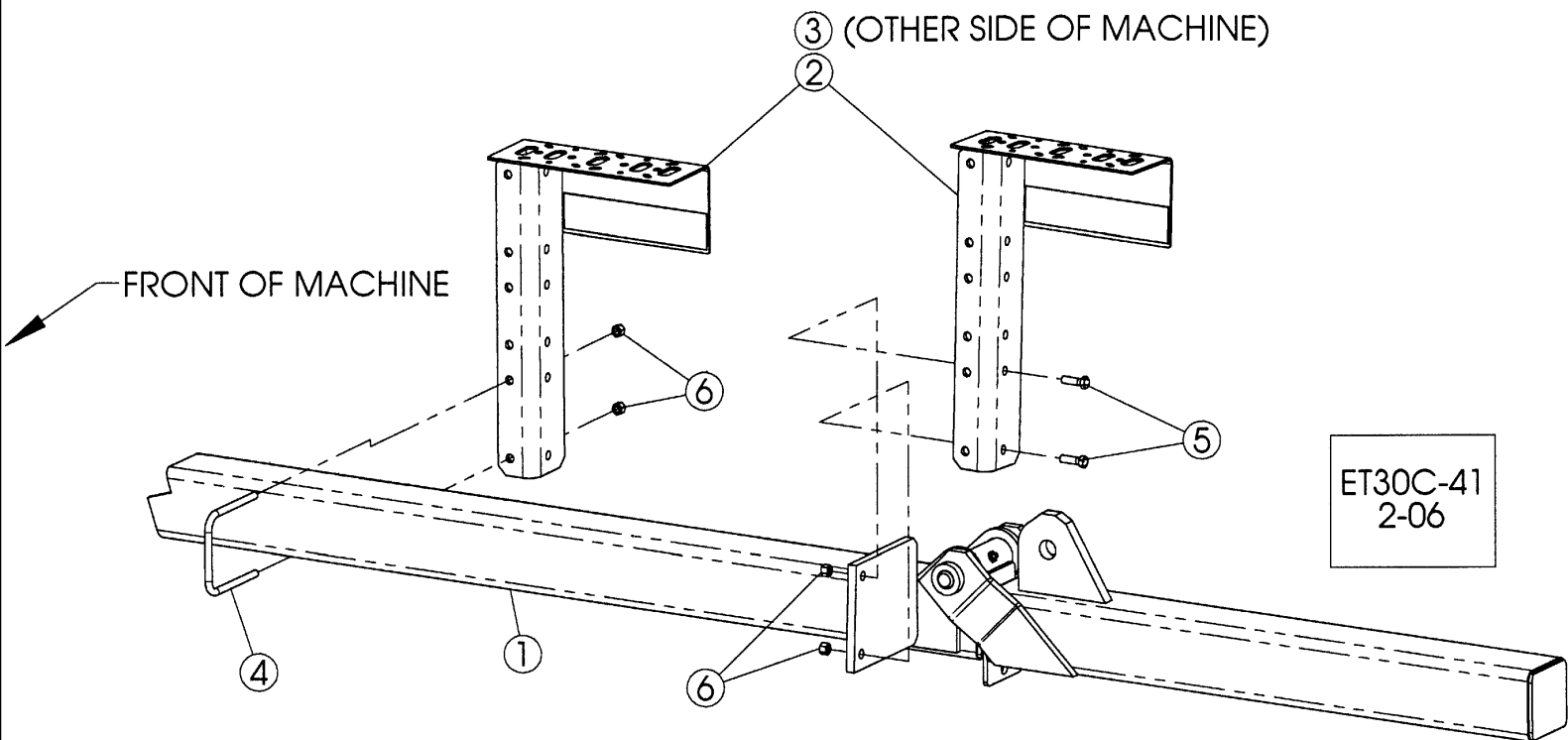
LIGHT BRACKET LAYOUT FOR 5 SHANK MACHINE WITH LEVELER OPTION

сылка	Номер детали	Кол-во	Описание
1	87355968	1	TUBE, RIGID, Rear Leveler Bar, 159.50
2	87328901	2	BRACKET, Light, Short, Lh With Reflectors
3	87328899	2	BRACKET, Light, Short, Rh With Reflectors
4	16309091	2	U-BOLT, 3/8 x 4 x 4, ZND
5	86992213	4	NUT, LOCK, Stover



04-03 WARNING AND TAILLIGHT KIT 7 SHANK WITHOUT LEVELER

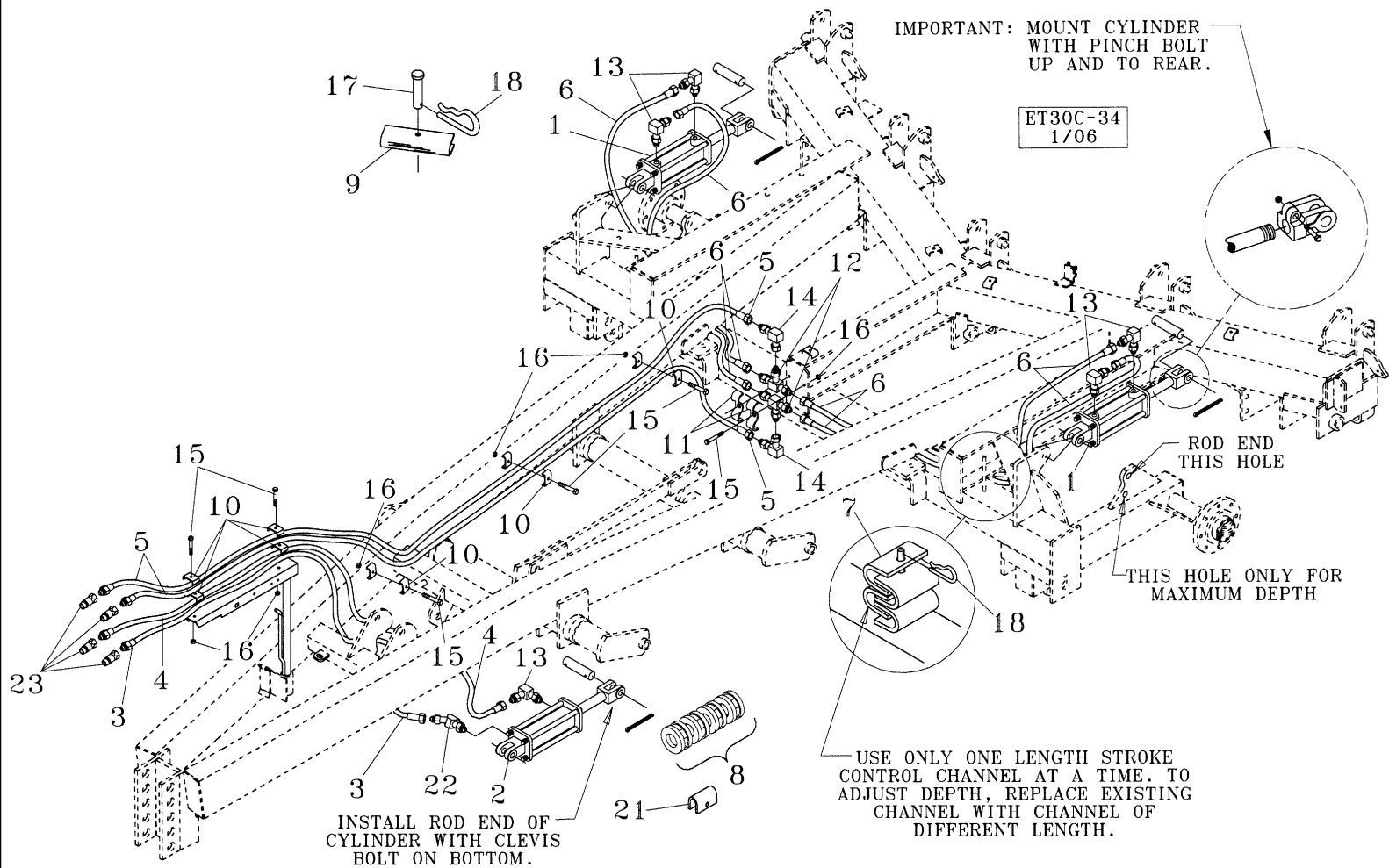
сылка	Номер детали	Кол-во	Описание
1	86992212	4	NUT, LOCK, 5/16 Stover, gd C, ZP
2	87446676	1	HARNESS, WIRE, Front
3	87446758	1	HARNESS, WIRE, Rear
4	87446791	2	LAMP, Single, Red
5	87459889	4	BRACKET, 3/8 x 8.68 x 7, U-Bolt
6	27601214	1	HOLDER, Plug
7	87328898	1	BRACKET, Light Assembly, Lh, 7 Shank, Inc. Reflectors
8	87328897	1	BRACKET, Light Assembly, Rh, 7 Shank, Inc. Reflectors
9	87446792	2	LAMP, Amber
10	86992211	2	NUT, LOCK, 0.25, ZP, Stover, gd C
11	495-81102	6	WASHER, .266" x 1/2" x .060", ZND, .266 x .500 x .061
12	231-4246	15	NUT, LOCK, 3/8"-16, GB, 0.375, ZP, Lock, gd B
13	413-412	8	BOLT, Hex, 1/4"-20 x 3/4", G5, Full Thd, 0.25 x 0.75, ZP, gd 5
14	311865A1	4	REFLECTOR, ASAE, Fluorescent, 2 x 9
15	311863A1	4	REFLECTOR, ASAE, Red, 2 x 9
16	311864A1	4	REFLECTOR, ASAE, Amber, 2 x 9
18	87459890	4	BRACKET, Light, Bolt On
20	30007000		UAR STRAP, CABLE, 20, Hose Tie
21	492-11025	6	WASHER, LOCK, 1/4",
22	87449661	4	SPACER, Bushing, Amber Light
25	413-620	4	BOLT, Hex, 3/8"-16 x 1 1/4", G5, Full Thd, 0.375 x 1.25, ZP, gd 5



LIGHT BRACKET LAYOUT FOR 7 SHANK MACHINE WITH LEVELER OPTION

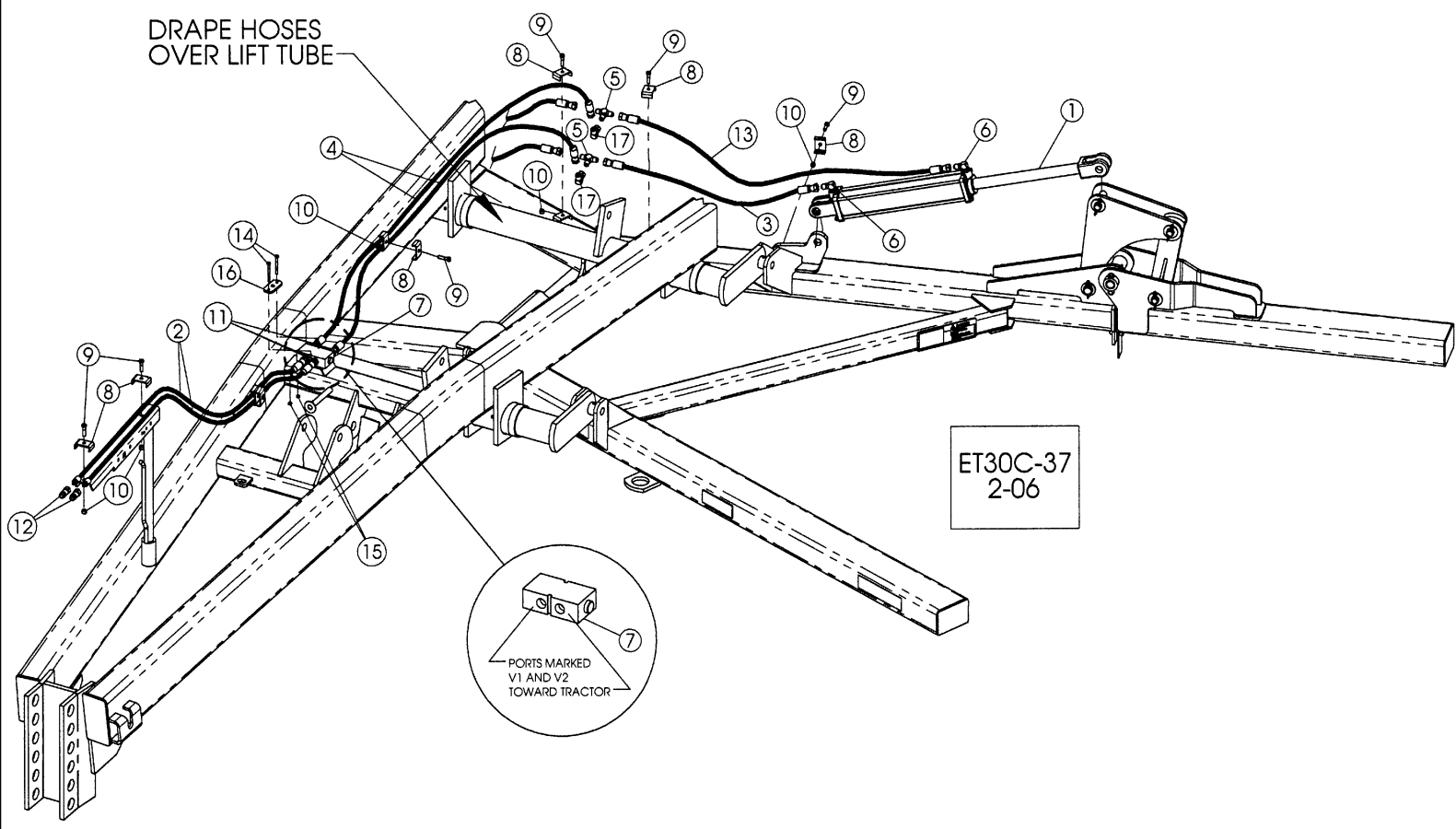
04-04 WARNING AND TAILLIGHT KIT 7 SHANK WITH LEVELER

сылка	Номер детали	Кол-во	Описание
1	87332645	1	TUBE, SUPPORT, Rear Leveler Bar
2	87328901	1	BRACKET, Light, Short, Lh With Reflectors
3	87328899	1	BRACKET, Ligth, Short, Rh With Reflectors
4	16309091	1	U-BOLT, 3/8 x 4 x 4
5	413-620	2	BOLT, Hex, 3/8"-16 x 1 1/4", G5, Full Thd, 0.375 x 1.25, ZP, gd 5
6	86992213	4	NUT, LOCK, Stover



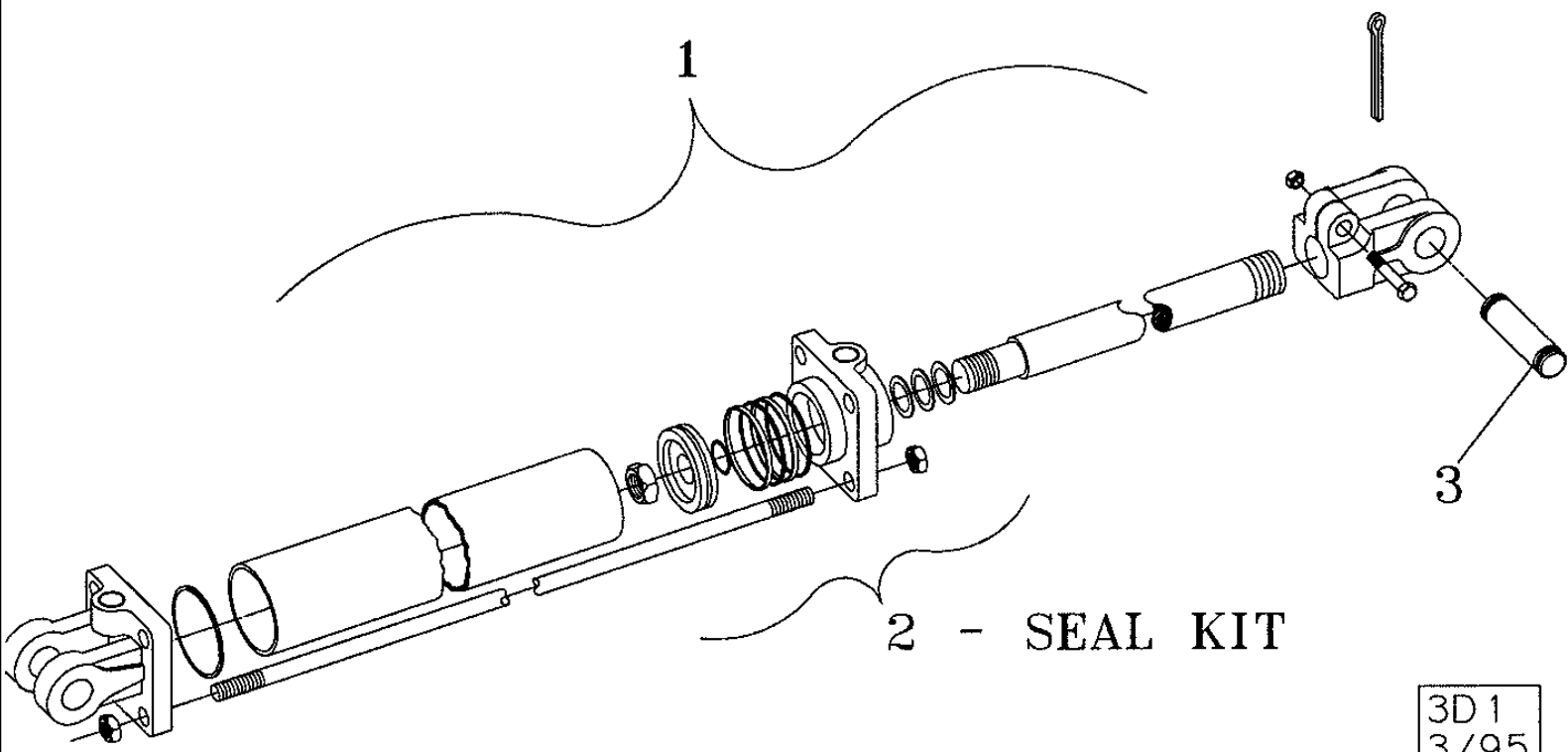
08-01 MAIN FRAME HYDRAULIC

сылка	Номер детали	Кол-во	Описание
1	87374723	2	CYLINDER, 3 x 12, 3000 PSI, 5 Shank
1	87374728	2	CYLINDER, 3-1/2 x 12, 3000 PSI, 7 Shank
2	25330081	1	CYLINDER ASSY., 3 x 8, 3000 PSI
3	25610716	1	HOSE ASSY., 3/8 x 144
4	25610717	1	HOSE ASSY., 3/8 x 150
5	25610849	2	HOSE ASSY., 1/2 x 260, ASN JFH0033979
5	25610903	2	HOSE ASSY., 1/2 x 245, BSN JFH0033978
6	25600664	4	HOSE ASSY., 3/8 x 60
7	09900250B	1	KIT, 1-1/4 Rod, Main Lift, Blue, 5 Shank
7	09900240B	1	KIT, 1-1/2 Rod, Main Lift, Blue, 7 Shank
8	25800010	1	CYLINDER, 1-1/4 Rod, Disc Or Coulter Kit
9	09967021	2	KIT, Cylinder Stop, 11-1/2, Transport
10	06200125	5	CLAMP, HOSE,
11	22530601	2	CLAMP, HOSE, Double
12	218-594	2	TEE, 3/4"-16, 37e, Tube, Side Swivel
13	218-5106	5	ELBOW, 90e, 3/4"-16, 37e x 3/4"-16, O-Ring, 3/4, JICM x 3/4 SAEM, 90
14	218-5230	2	ELBOW, 90e, 3/4"-16, 37e x 3/4"-16, 37e Fem Sw, 3/4 JICM x 3/4 JICF, 90
15	424-624	7	BOLT, Hex, 3/8"-16 x 1 1/2", G2, 3/8 x 1-1/2, NC
16	425-106	7	NUT, 3/8"-16, G5,
17	14810251	5	PIN, HEADED, 5/8 x 3-1/8, Clevis
18	14720411	7	PIN, SPLIT (COTTER), 1/8 x 2, Hair
21	09650207	1	STAY, Cylinder Stop, 4-1/2, Disc
22	218-5136	1	ELBOW, 45e, 3/4"-16, 37e x 3/4"-16, O-Ring, 3/4 JICM x 3/4 SAEM x 45 Swivel
23	25705041	4	COUPLING, Male, ISO-3/4, SAEF Hydraulic



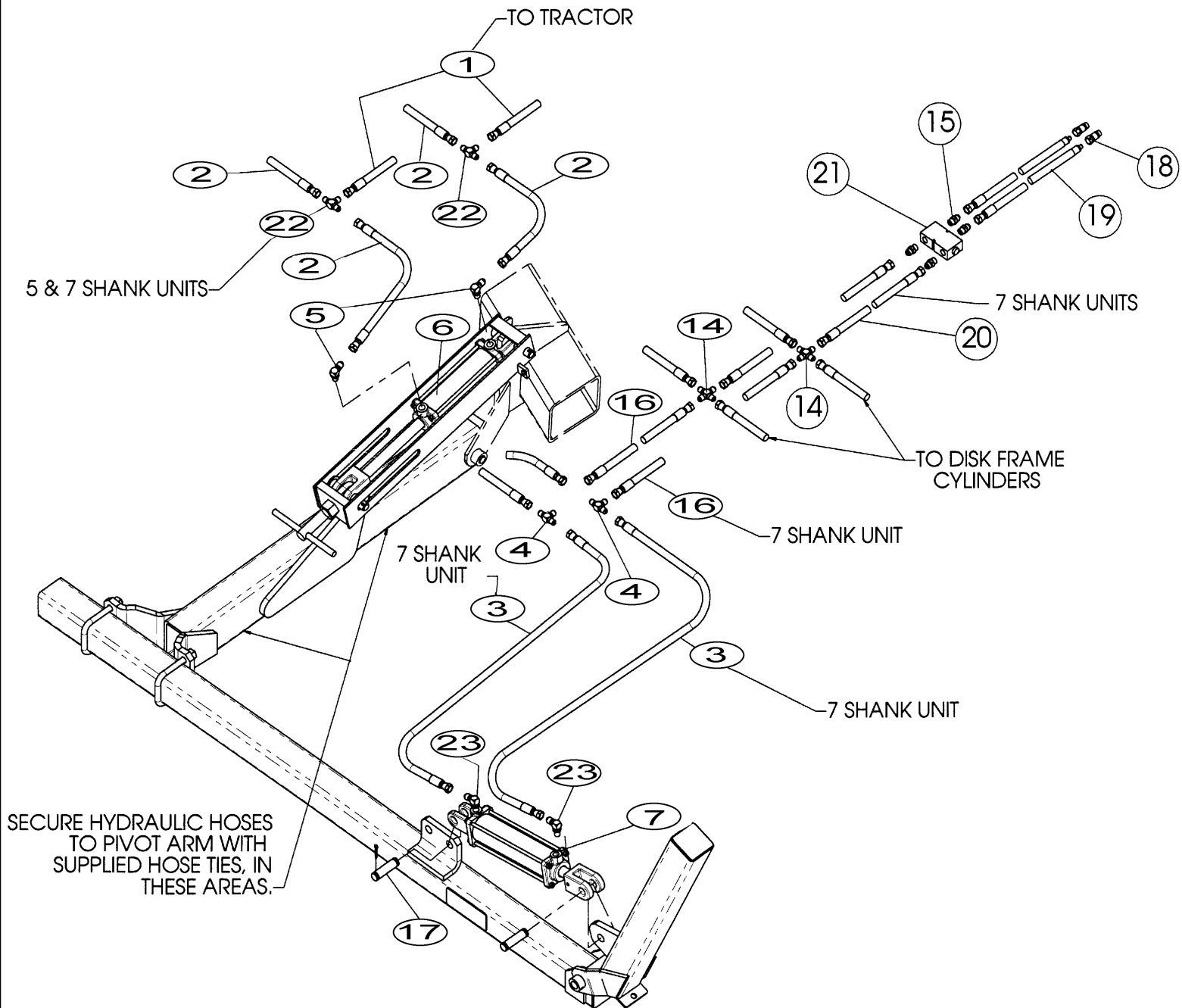
08-02 DISC ATTACHMENT HYDRAULICS

сылка	Номер детали	Кол-во	Описание
1	25330160	2	CYLINDER ASSY., 3 x 16, 3000 PSI, BSN JFH0033978
1	25325161	2	CYLINDER, 3-1/2 x 16, 3000 PSI, ASN JFH0033979
2	25610716	2	HOSE ASSY., 3/8 x 144, BSN JFH0033978
2	147779C1	2	HOSE ASSY., 1/4 X 145, ASN JFH0033979
3	25600642	2	HOSE ASSY., 3/8 x 42, BSN JFH0033978
3	1284278C1	2	HOSE, 1/4 x 41, ASN JFH0033979
4	25600607	2	HOSE ASSY., 3/8 x 76, BSN JFH0033978
4	97478C1	2	HOSE ASSY., 1/4 x 75, ASN JFH0033979
5	218-594	2	TEE, 3/4"-16, 37e, 3/4, 16 JICM, BSN JFH0033978
5	218-593	2	TEE, 9/16"-18, 37e, , ASN JFH0033979
6	218-5106	4	ELBOW, 90e, 3/4"-16, 37e x 3/4"-16, O-Ring, 3/4 SAEM x 3/4 JICM, 90, BSN JFH0033978
6	218-5105	4	ELBOW, 90e, 9/16"-18, 37e x 9/16"-18, O-Ring, , ASN JFH0033979
7	298624A1	1	VALVE,
8	06200125	6	CLAMP, HOSE,
9	413-624	6	BOLT, Hex, 3/8"-16 x 1 1/2", G5, 3/8 x 1-1/2, NC
10	425-106	6	NUT, 3/8"-16, G5,
11	218-5059	4	CONNECTOR, HYD., 3/4"-16, 37e x 3/4"-16, O-Ring, 3/4 SAEM x 3/4 JICM, BSN JFH0033978
11	218-5058	4	CONNECTOR, HYD., 9/16"-18, 37e x 3/4"-18, O-Ring, , ASN JFH0033979
12	25705041	2	COUPLING, Male ISO, 3/4 SAEF, Hydraulic
13	25600664	2	HOSE ASSY., 3/8 x 60, BSN JFH0033978
13	1277717C1	2	HOSE, 1/4 x 60, ASN JFH0033979
14	413-444	2	BOLT, Hex, 1/4"-20 x 2 3/4", G5, 1/4 x 2-3/4, NC, Hex
15	86992211	2	NUT, LOCK, 1/4, NC, Stover
16	09987521	1	PLATE, Top
17	218-5230	2	ELBOW, 90e, 3/4"-16, 37e x 3/4"-16, 37e Fem Sw, 3/4 JICM x 3/4 JICF, 90 Swivel, BSN JFH0033978
17	218-980	2	ELBOW, 90e, 9/16"-18, 37e x 9/16"-18, 37e Fem Sw, , ASN JFH0033979



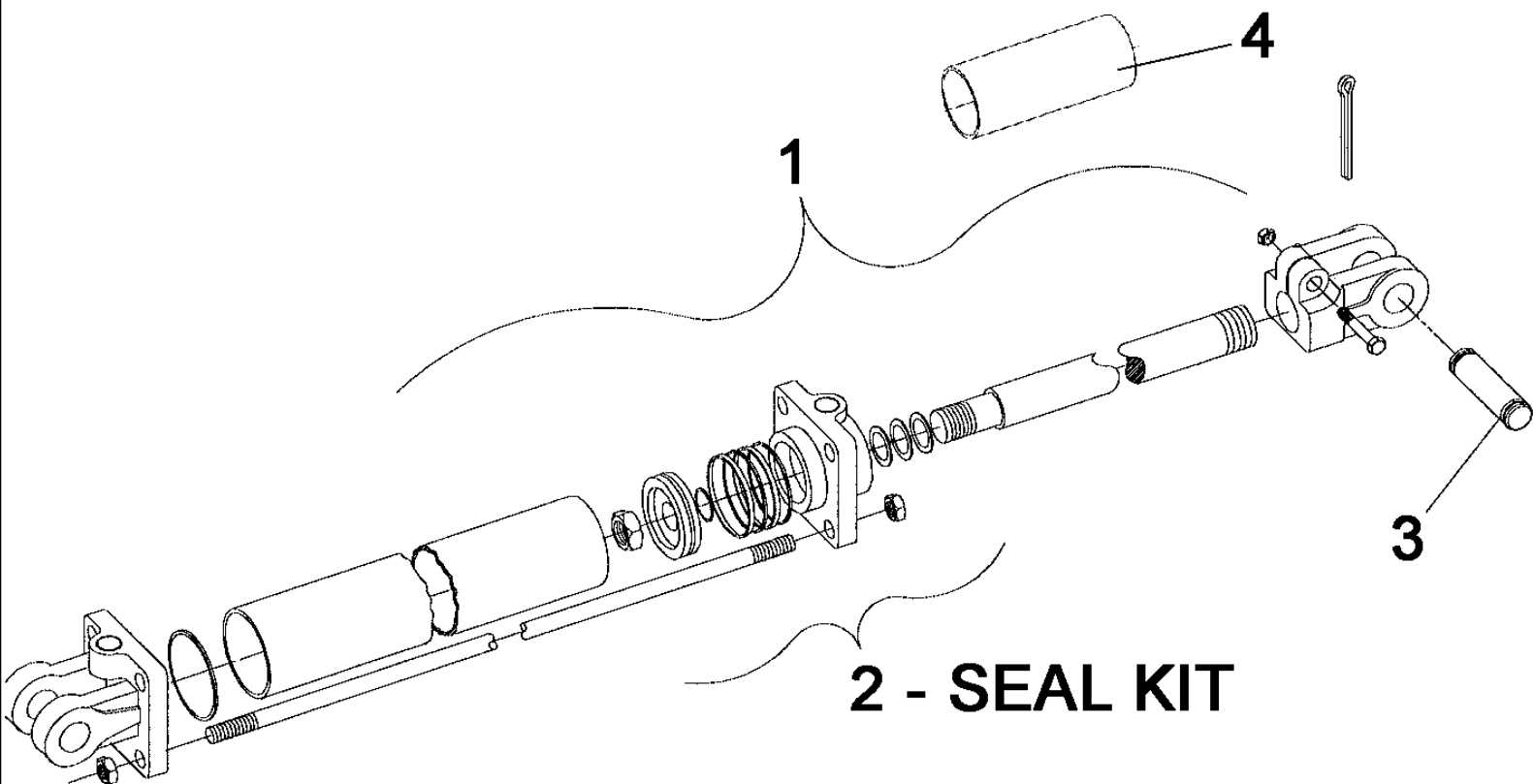
3D1
3/95

сылка	Номер детали	Кол-во	Описание
1	25330160	1	CYLINDER ASSY., 3 x 16, Disc Wings, SAE Ports, 20-1/4 Closed, BSN JFH0033978
1	25330081	1	CYLINDER ASSY., 3 x 8, Disc Lift, SAE Ports, 20-1/4 Closed
1	87374723	1	CYLINDER, 3 x 12, SAE Ports, 22-1/4 Closed
1	87374728	1	CYLINDER, 3-1/2 x 12, SAE Ports, 22-1/4 Closed
1	25325161	1	CYLINDER, 2-1/2 x 16, 3000 PSI, ASN JFH0033979
2	25833007	1	KIT, SEALS, 1-1/4, Dia, Rod 3, Used on Disc Wings, & 5 Shank Main Lift
2	25833527	1	SEAL, HYD-CYLINDER, 1-1/2, Dia, Rod 3-1/2, Used on Disk Lift
3	25890100	1	KIT, 1 Clevis Bag, Used For Disc Attachment
3	220553A1	1	Clevis Bag, Used For Main Frame



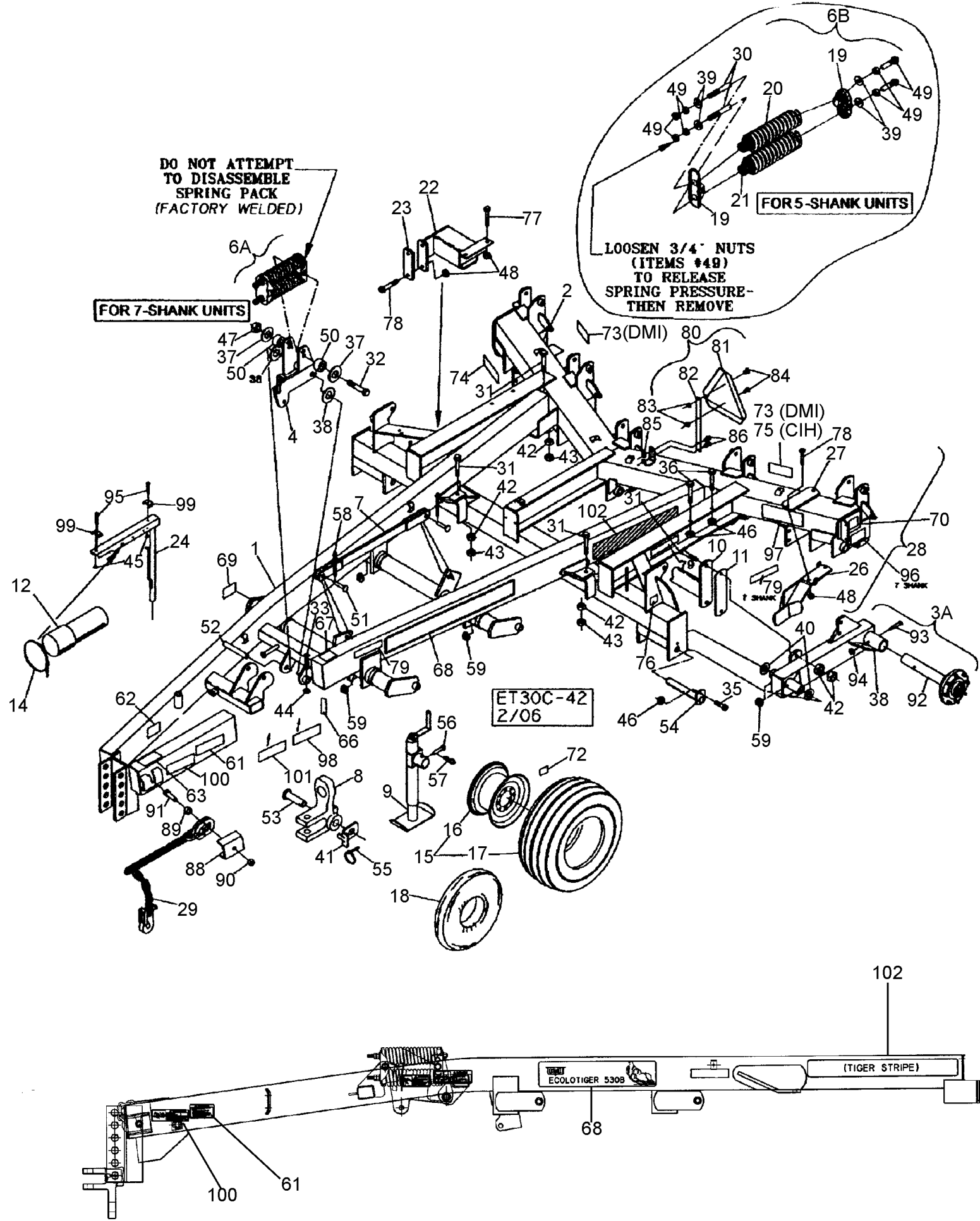
08-04 DISC LEVELER HYDRAULICS

сылка	Номер детали	Кол-во	Описание
1	25610701	2	HOSE ASSY., 3/8 x 310
2	25600692	4	HOSE ASSY., 3/8 x 108
3	25600814		UAR HOSE ASSY., 3/8 x 148, 7 Shank, BSN JFH0033978
3	97646C1		UAR HOSE ASSY., 1/4 x 150, 7 Shank, ASN JFH0033979
4	218-594	2	TEE, 3/4"-16, 37e, 3/4-14 JICM, BSN JFH0033978
4	218-593	2	TEE, 9/16"-18, 37e, 9/16, ASN JFH0033979
5	218-5106	4	ELBOW, 90e, 3/4"-16, 37e x 3/4"-16, O-Ring, 3/8 JICM x 3/4 SAEM, 90
6	25330083	2	CYLINDER ASSY., 3 x 8, Main Lift, 3000 PSI
7	25330101	2	CYLINDER, 3 x 10, Wing Lift, 3000 PSI
8	06200125		UAR CLAMP, HOSE,
9	30007000		UAR STRAP, CABLE, 20, Hose Tie, Not Shown
10	289862C1		UAR CLAMP, 6, Hose Tie, Not Shown
12	413-624		UAR BOLT, Hex, 3/8"-16 x 1 1/2", G5, 3/8 x 1-1/2, Hex, 1 Clamp
12	413-636		UAR BOLT, Hex, 3/8"-16 x 2 1/4", G5, 3/8 x 2-1/4, Hex, 2 Clamps
12	413-648		UAR BOLT, Hex, 3/8"-16 x 3", G5, 3/8 x 3, NC, Hex, 3 Clamps
12	413-664		UAR BOLT, Hex, 3/8"-16 x 4", G5, 3/8 x 4, NC, Hex, 4 Clamps
13	425-106		UAR NUT, 3/8"-16, G5,
14	218-654	2	CONNECTION, 4 WAY, 3/4"-16, 37e, 3/4-16 JICM, 7 Shank Disc Frame Only, BSN JFH0033978
14	218-653	2	CONNECTION, 4 WAY, 9/16"-18, 37e, 7 Shank Disc Frame Only, ASN JFH0033979
15	218-5059	1	CONNECTOR, HYD., 3/4"-16, 37e x 3/4"-16, O-Ring, 3/4 SAEM 3/4-16 JICM Adapter, BSN JFH0033978
15	218-5058	1	CONNECTOR, HYD., 9/16"-18, 37e x 3/4"-18, O-Ring, , ASN JFH0033979
16	25600739	2	HOSE ASSY., 3/8 x 86-1/2, BSN JFH0033978
16	97479C1	2	HOSE ASSY., 1/4 x 85, ASN JFH0033979
17	25890100	2	KIT, 1 Dia., Bag, 2 Pins
18	25705041	2	COUPLING, ISO, Male
19	25610716	1	HOSE ASSY., 3/8 x 144, BSN JFH0033978
19	147779C1	2	HOSE ASSY., 1/4 x 145, ASN JFH0033979
20	25600607	1	HOSE ASSY., 3/8 x 76, BSN JFH0033978
20	97478C1	1	HOSE ASSY., 1/4 x 75, ASN JFH0033979
21	298624A1	1	VALVE, Double, Piloted Check
22	218-594	2	TEE, 3/4"-16, 37e,
23	218-5106	4	ELBOW, 90e, 3/4"-16, 37e x 3/4"-16, O-Ring, , BSN JFH0033978
23	218-5128	4	ELBOW, 90e, 9/16"-18, 37e x 3/4"-16, O-Ring, , ASN JFH0033979



08-05 DISC LEVELER HYDRAULIC CYLINDERS

сылка	Номер детали	Кол-во	Описание
1	25330083	1	CYLINDER ASSY., 3 x 8, 20-1/4 Closed, 3000 PSI, Main Lift
1	25330101	1	CYLINDER, 3 x 10, 20-1/4 Closed, 3000 PSI, Wing Lift
2	25833007	1	KIT, SEALS, Seal, 1-1/4 Dia, 3 Rod, Main Lift And Wing Lift
3	25890100	1	KIT, 1 Dia., Bag, Main Lift And Wing Lift
4	09102959	1	TUBE, Stroke Control, Main Lift Only



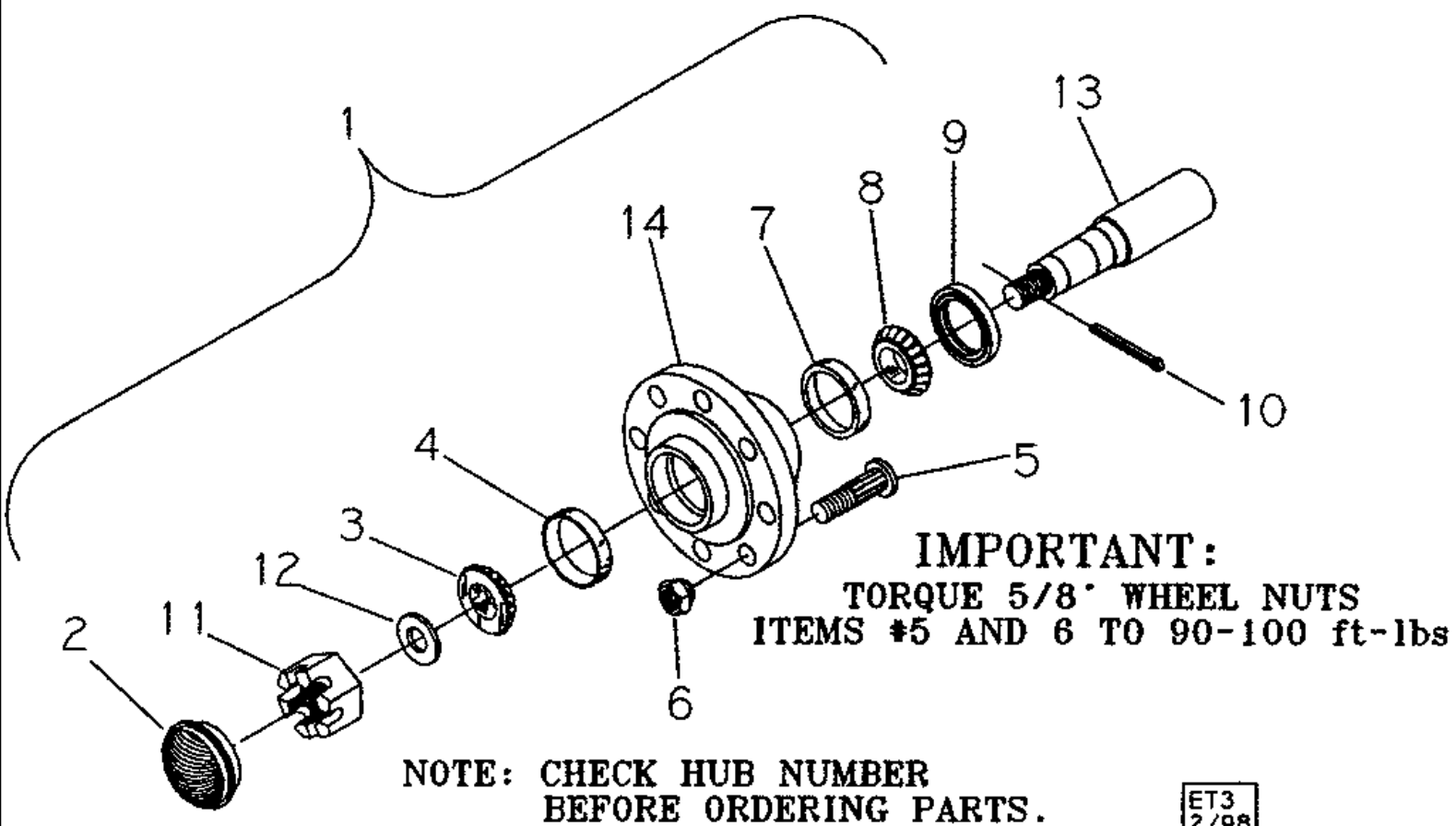
сылка	Номер детали	Кол-во	Описание
1	87330856	1	FRAME ASSY, Pull, 5 Shank, Blue
1	87386365	1	FRAME ASSY, Pull, 7 Shank, Blue
2	87328449	1	FRAME ASSY, Main Frame, 5 Shank, Blue
2	87327326	1	FRAME ASSY, Main Frame, 7 Shank, Blue
3A	09984530	1	BAR ASSY., Spindle Arm With Hub, Rh, 530C
3A	09984510	1	BAR ASSY., Spindle Arm With Hub, Lh, 530C
3A	87330822	1	HUB ASSY., Spindle Arm With Hub, Lh, 730C
3A	87330821	1	HUB ASSY., Spindle Arm With Hub, Rh, 730C
3B	09984512	1	BAR ASSY., Spindle Arm Without Hub, Lh, 530C
3B	09984531	1	BAR ASSY., Spindle Arm Without Hub, Rh, 530C
3B	87330823	1	ARM ASSY., Spindle Arm Without Hub, Rh, 730C
3B	87330834	1	ARM ASSY., Spindle Arm Without Hub, Lh. 730C
4	09983951	1	BAR ASSY., Cylinder Link
6A	87443458	1	CASTING, Relief Assembly, 7 Shank, Does Not Disassemble
6B	09900085	1	SPRING BOX, Relief Assembly, 5 Shank, Does Not Disassemble
7	87326784	1	LINK, CONNECTING, Lift Link
8	20092310	1	CLEVIS, Combo
9	32230000	1	JACK, 3000#, Swivel
10	09984470	1	BAR ASSY., Torque Tube
11	09967141		UAR WEDGE, Torque Tube
12	30026030	1	TUBE, Manual Canister
14	214-1452	1	CLAMP, HOSE, #52, 2.81/3.75 Type F Worm, Worm Gear
15	NSS	2	NOT SERVICED SEPARATELY, 16.5 x 16.1, 14 Ply, Tubeless Assembly, 5 Shank, White, 10014170
15	NSS	2	NOT SERVICED SEPARATELY, 16.5 x 16.1, 14 Ply, Tube Assembly, 5 Shank, White, 10014169
15	NSS	2	NOT SERVICED SEPARATELY, 16.5 x 16.1, FI (LR"E"), Tubeless Assembly, 7 Shank, White, 87330633
15	NSS	2	NOT SERVICED SEPARATELY, 16.5 x 16.1, (FI (LR"E")), Tube Assembly, 7 Shank, White, 87330634
15	NSS	2	NOT SERVICED SEPARATELY, 14 x 16.1, 87330639
15	10016222	2	WHEEL, LAND, 425/65R x 22.5 Tire & Wheel Assembly, Option, White
16	10114169	2	WHEEL, LAND, 14 x 16.1, 8 Hole, White, 5 Shank
16	10113222	2	WHEEL, LAND, 13.00 x 22.5, 8 Bolt, White, Option
17	NSS	2	NOT SERVICED SEPARATELY, 16.5L x 16.1, 14 Ply Tire, 11016174, 5 Shank
17	NSS	2	NOT SERVICED SEPARATELY, 16.5L x 16.1, FI (LR"E") Tire, 87326812, 7 Shank
17	NSS	2	NOT SERVICED SEPARATELY, 425/65R x 22.5 Tire, 11016221, Option
18	NSS	2	NOT SERVICED SEPARATELY, 16.5 x 16.1 Tube, 11516161
19	20090133	2	HINGE, Double Casting, 7 Shank Only
20	24162506	2	SPRING, Compression, 7 Shank Only
21	24143816	2	SPRING, Compression, 7 Shank Only
22	87461258	1	MOUNTING PARTS, Lead Shank, Rh
22	87461257	1	MOUNTING PARTS, Lead Shank, Lh
23	09576610	2	LINKAGE, Flat
24	05302150	1	STAND, Hose
26	87515015	1	BLADE, SCRAPER, Mud Scraper, Lh
26	87515016	1	BLADE, SCRAPER, Mud Scraper, Rh
27	09983240	2	BRACKET, Mounting Flat

09-01 MAIN FRAME ASSEMBLY

сылка	Номер детали	Кол-во	Описание
29	87393082	1	CHAIN, 20,200 lb. ASE Safety
29	87389757	1	CHAIN, 30,400 lb, ASE Safety
30	16510820	2	ROD, THREADED, 5 Shank Only
31	413-1448	10	BOLT, Hex, 7/8"-9 x 3", G5, 7/8 x 3, NC, Hex, gd 5
32	16901025	2	SCREW, 5/8 x 7-1/2, NC, Hex
33	413-740	1	BOLT, Hex, 7/16"-14 x 2 1/2", G5, 7/16 x 2-1/2, NC, Hex
34	413-616	2	BOLT, Hex, 3/8"-16 x 1", G5, Full Thd, 3/8 x 1, NC, Hex
35	413-1032	2	BOLT, Hex, 5/8"-11 x 2", G5, 5/8 x 2, NC, Hex
36	413-1080	4	BOLT, Hex, 5/8"-11 x 5", G5, 5/8 x 5, NC, Hex
37	495-21069	4	WASHER, 5/8", 5/8 Standard
38	17620020		UAR BUSHING, 1-1/4, Machine
39	495-81028	4	WASHER, 21/32" x 1 1/2" x .240", 5 Shank Only
40	17627010	4	BUSHING, 1-5/8 x 14 ga
41	09967531	1	BRACKET, Klik Pin
42	425-1014	14	NUT, 7/8"-9, G5,
43	425-1414	6	NUT, Jam, 7/8"-9, G5,
44	86992214	1	NUT, LOCK, 7/16, NC, Stover
45	425-106	4	NUT, 3/8"-16, G5,
46	425-1010	6	NUT, 5/8"-11, G5, 5/8, NC, Hex
47	86992216	2	NUT, LOCK, 5/8, NC, Stover
48	425-1012	12	NUT, 3/4"-10, G5, 3/4, NC, Hex
49	25-1010	8	NUT, 5/8"-11, G5, 5 Shank Only
50	44006200	4	BUSHING, 5/8, Special, H.T.
51	14816201	2	PIN, SMALL, 1 Dia x 2-3/32, EL
52	14892066	1	PIN, 1-1/4 Dia x 8-1/2
53	14820520	1	PIN, HITCH, 1-5/8
54	09983475	2	BAR ASSY., Pin
55	D33805	1	PIN, Klik
56	14810251	1	PIN, HEADED, 5/8 Dia x 3-1/8, Clevis
57	14720411	1	PIN, SPLIT (COTTER), 1/8 x 2, Hair
58	432-1624	2	PIN, SPLIT (COTTER), 1/4" x 1 1/2", 1/4" x 1 1/2"
59	219-86	9	NIPPLE, LUBE, 1/8" x .62" lg, Drive, 1/8, NPT, Straight
61	18534228	1	DECAL, Caution
62	18534262	1	DECAL, Level Frame
63	18534140	1	DECAL, Warning
66	18534240	1	DECAL, Red/Green
67	18534241	1	DECAL, Information
68	87380871	1	DECAL, Lh, Blue, 5 Shank, BSN JFH0033978
68	87380872	1	DECAL, Rh, Blue, 5 Shank, BSN JFH0033978
68	87380873	1	DECAL, 7 Shank, Lh, Blue, BSN JFH0033978
68	87380874	1	DECAL, 7 Shank, Rh, Blue, BSN JFH0033978
68	18532031	1	DECAL, 5 Shank, Lh, Blue, ASN JFH0033979
68	18532032	1	DECAL, 5 Shank, Rh, Blue, ASN JFH0033979
68	18532033	1	DECAL, 7 Shank, Lh, Blue, ASN JFH0033979
68	18532034	1	DECAL, 7 Shank,, Rh, Blue, ASN JFH0033979

09-01 MAIN FRAME ASSEMBLY

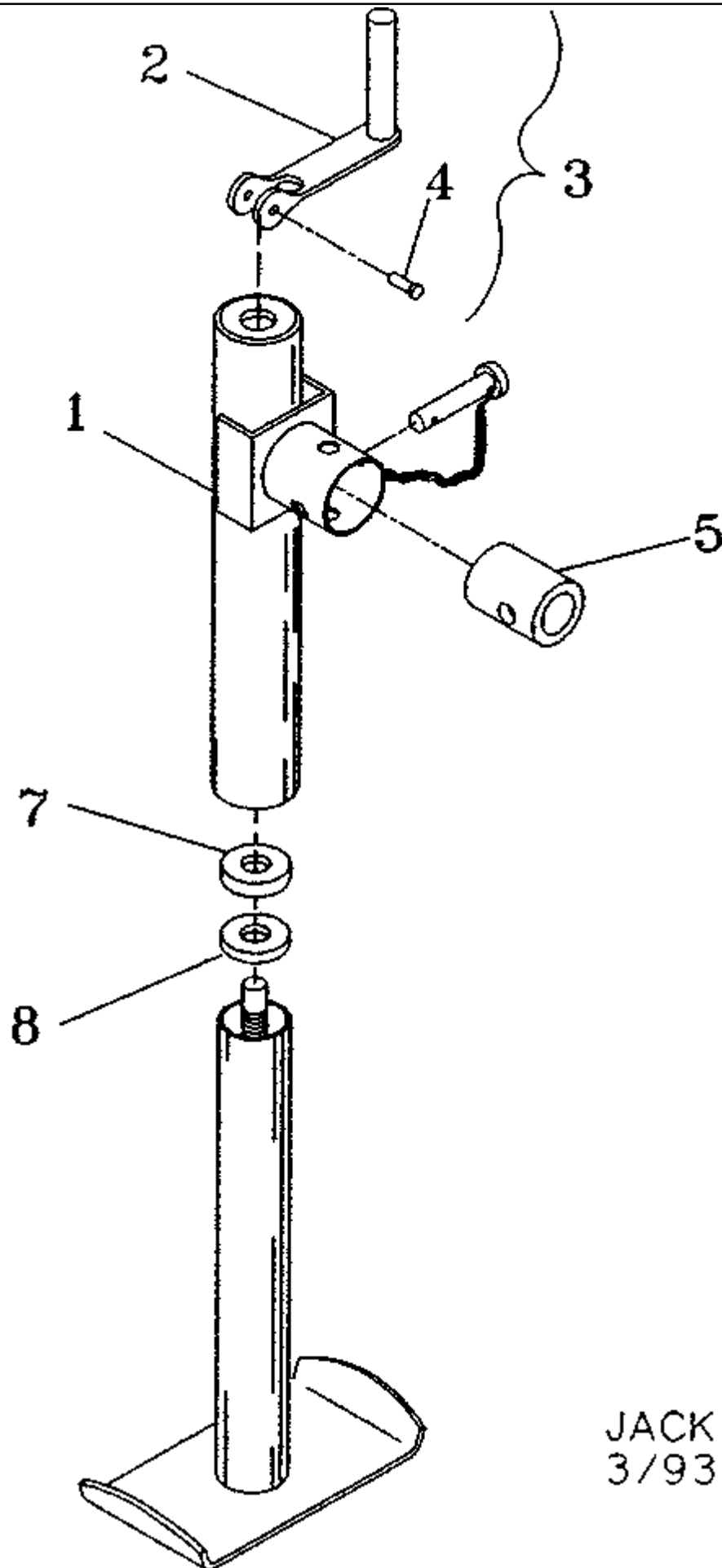
сылка	Номер детали	Кол-во	Описание
69	18534258	1	DECAL, Depth Indicator
70	87354390	1	DECAL, Bolt Torque & Tire Inflation, 5 Shank
70	87354401	1	DECAL, Bolt Torque & Tire Inflation, 7 Shank
72	18534164	2	DECAL, Tire Inflation, 425/65R Tire, Option
73	18534259		UAR DECAL, DMI Logo
74	18534307	1	DECAL, Helping Plants Thrive
76	87444766	1	PLATE, Serial
77	413-1232	4	BOLT, Hex, 3/4"-10 x 2", G5, 3/4 x 2, NC, Hex, gd 5
78	413-12136	8	BOLT, Hex, 3/4"-10 x 8 1/2", G5, 3/4 x 8-1/2, NC, Hex, gd 5
79	311864A1	4	REFLECTOR, Yellow
80	18581004	1	PRODUCT GRAPHIC, SMV, Inc. 81 - 86
81	311860A1	1	EMBLEM, SMV
82	09983415	1	BRACKET, SMV
83	86992211	2	NUT, LOCK, 1/4, NC, Hex
84	413-412	2	BOLT, Hex, 1/4"-20 x 3/4", G5, Full Thd, 1/4 x 3/4, NC, gd 5
85	86992213	2	NUT, LOCK, 3/8, NC, Hex
86	413-616	2	BOLT, Hex, 3/8"-16 x 1", G5, Full Thd, 3/8 x 1-1/4, NC, gd 5
87	NSS	1	NOT SERVICED SEPARATELY, Touch Up, Blue, 12000460
88	04681210	1	BRACKET,
89	04681211	1	BUSHING,
90	86992219	1	NUT, LOCK, 1, NC, Stover
91	413-1648	1	BOLT, Hex, 1"-8 x 3", G5, 1 x 3, NC, Hex
92	28560803	2	HUB ASSY., 60-8, 7 Shank
92	87330629	2	STUB AXLE/STRG.SPINDLE, 80-8, 7 Shank
93	413-880	2	BOLT, Hex, 1/2"-13 x 5", G5, 1/2 x 4-1/2, NC, Hex, gd 5, ZP
94	86992215	2	NUT, LOCK, 1/2, NC, Stover
95	413-648		UAR BOLT, Hex, 3/8"-16 x 3", G5, 3/8 x 3, NC, Hex
95	413-664		UAR BOLT, Hex, 3/8"-16 x 4", G5, 3/8 x 4, NC, Hex
96	18534227	2	DECAL, Danger
97	18534343	1	DECAL, Yeild-Till
98	18534333	1	DECAL, Danger
99	06200125		UAR CLAMP, HOSE,
100	18534347	1	DECAL, Warning, Towing
101	18534277	2	DECAL, Warning
102	18532035	2	DECAL, Tiger



ET3
2/98

09-02 HUB AND SPINDLE ASSEMBLIES

сылка	Номер детали	Кол-во	Описание
1	28660800	1	HUB ASSY., 60-8, 8-Bolt, Inc. 2 - 9, 5 Shank Transport
1	28560803	1	HUB ASSY., With Spindle, 5 Shank
1	87330629	1	STUB AXLE/STRG.SPINDLE, 80-8, 7 Shank
2	28460800	1	DUST CAP, 5 & 7 Shank, Transport
3	663557R1	1	BEARING, CONE, 1.62, Bore, Timken LM501349, 5 & 7 Shank Transport
4	663558R1	1	BEARING, CUP, 2.89, OD, Timken LM501310, 5 & 7 Shank Transport
5	87343929	8	BOLT, 5/8-18 x 2.5, 80-8, 7 Shank
5	366021R2	8	BOLT, 5/8 x 2-1/4, NF, Wheel, 5 Shank Transport
6	554480R1	8	NUT, 5/8, NF, Wheel, 5 & 7 Shank Transport
7	625743C1	1	BEARING, CUP, 3.54, OD, Timken JLM506810, 5 & 7 Shank Transport
8	3216619R91	1	BEARING, 2.165, Bore, Timken JLM506848, 5 Shank Transport
9	21932750	1	SEAL, OIL, 2.75, ID x 3.75, OD, CR531108, 5 & 7 Shank Transport
10	432-1232	1	PIN, SPLIT (COTTER), 3/16" x 2", 5 & 7 Shank Transport
11	425-1316	1	NUT, SLOTTED, 1"-14, G5, 1, NF, 5 & 7 Shank Transport
12	17916100	1	WASHER, SPECIAL, 1, Dia, Special, Heavy, 5 & 7 Shank Transport
13	87330631	1	STUB AXLE/STRG.SPINDLE, 7 Shank Transport
13	28860803	1	SPINDLE, 5 Shank
14	28760800	1	HUB ASSY., 60-8, With Cups, 5 Shank Transport
14	87330630	1	HUB ASSY., 80-8, With Cups, Inc. 4 -5, 7, & 19, 7 Shank

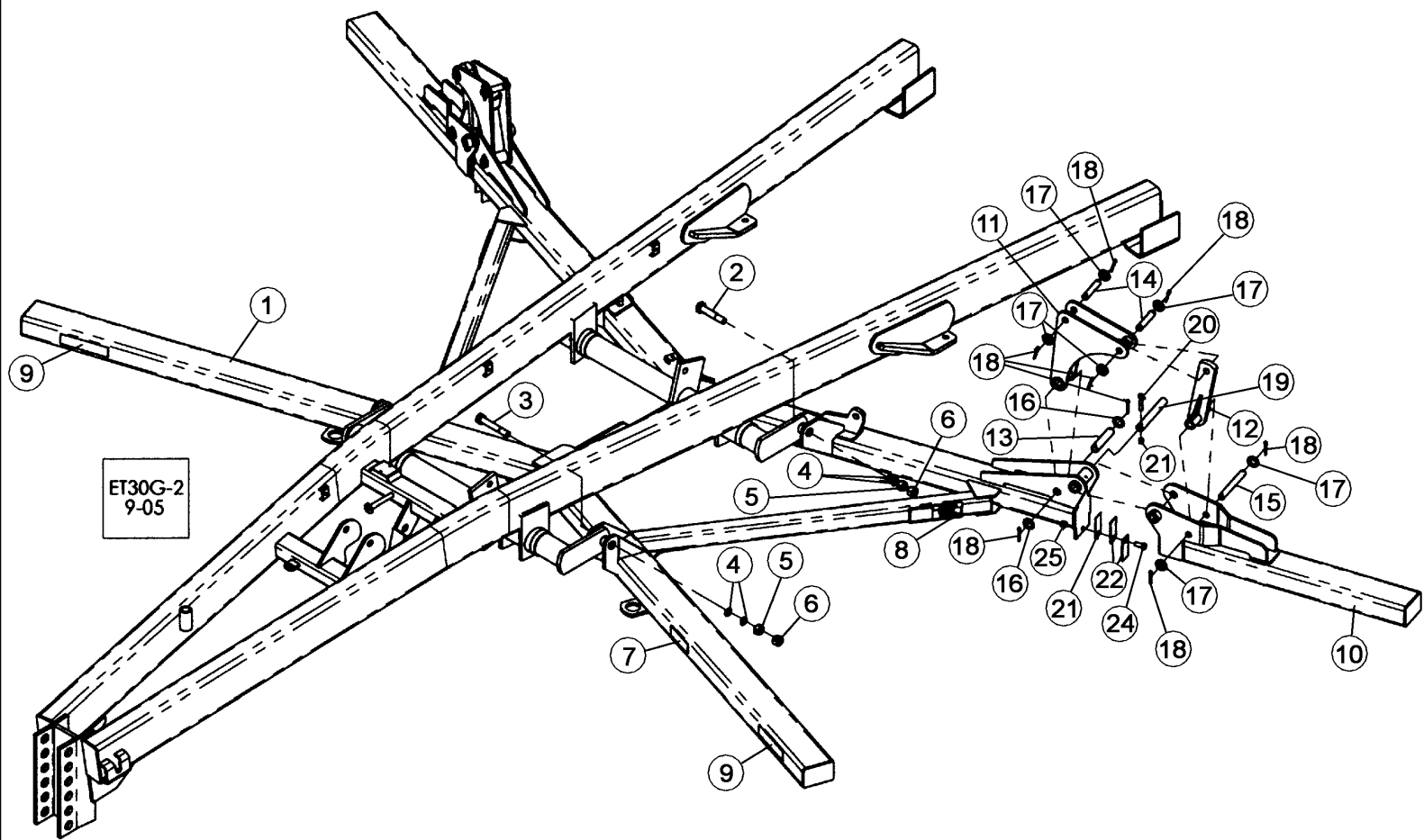


JACK
3/93

730C DMI ECOLO-TIGER®

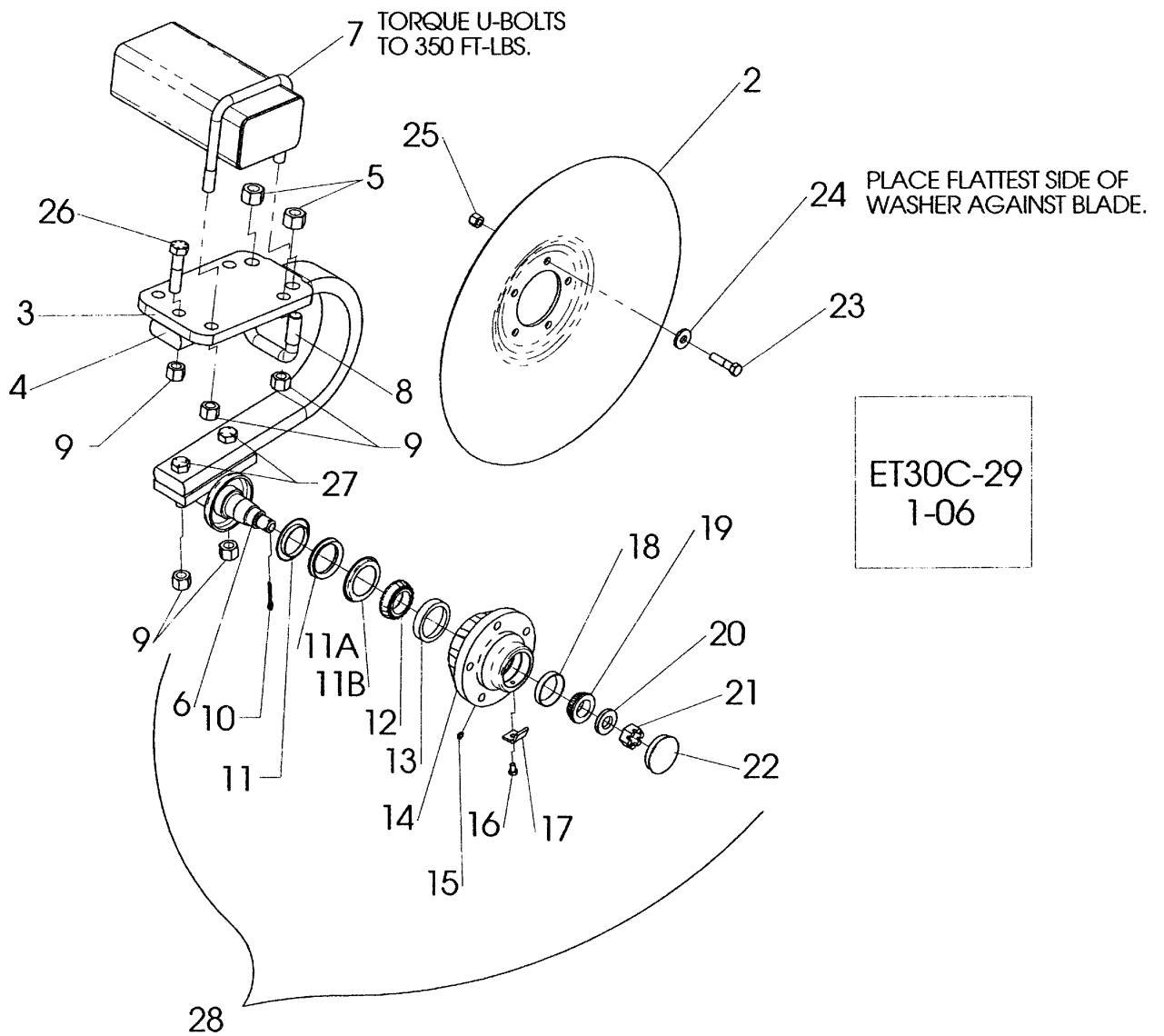
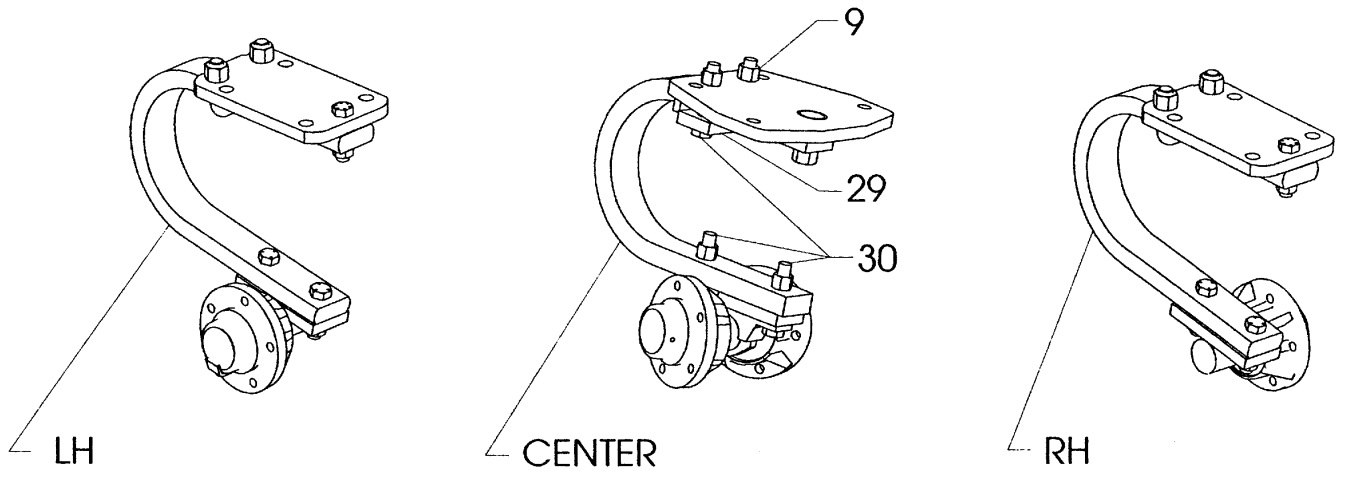
09-03 JACK ASSEMBLY

сылка	Номер детали	Кол-во	Описание
1	32230000	1	JACK, 3000 lb
2	NSS	1	NOT SERVICED SEPARATELY, Handle
3	32230100	1	PACKAGE, Handle Kit, Inc. 2, 4, & 9
4	NSS	1	NOT SERVICED SEPARATELY, 1/4 x 1, NC, Standard, Hex Bolt
7	NSS	1	NOT SERVICED SEPARATELY, Thrust Bearing
8	NSS	1	NOT SERVICED SEPARATELY, Thrust Washer
9	NSS	1	NOT SERVICED SEPARATELY, 1/4, Lock Nut



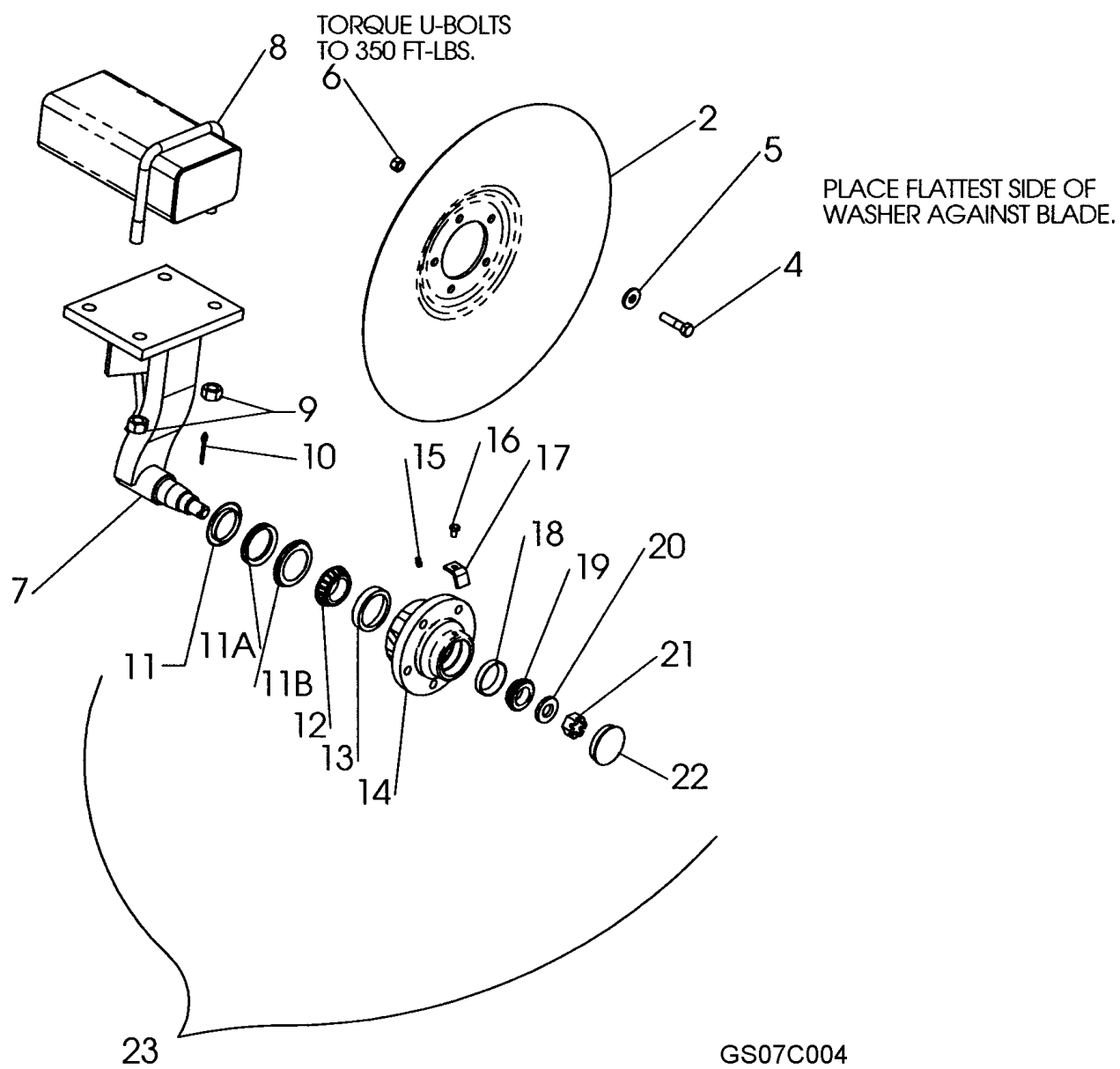
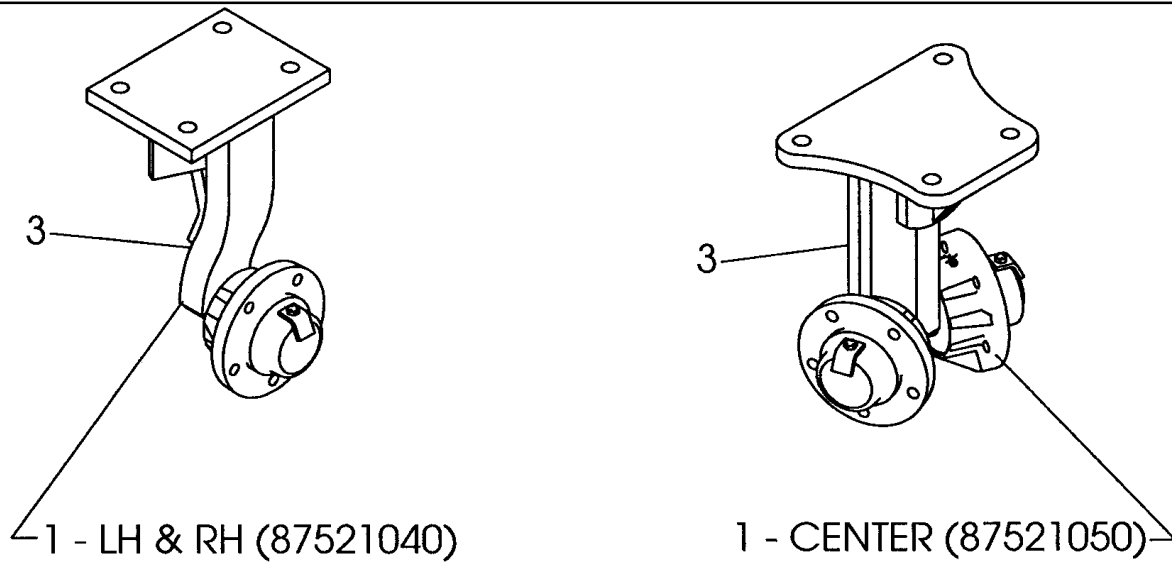
09-04 DISK FRAME

сылка	Номер детали	Кол-во	Описание
1	87332668	1	FRAME ASSY, With Decals, 5 Shank, BSN JFH0033978
1	87329126	1	FRAME ASSY, With Decals, 7 Shank, BSN JFH0033978
1	87528579	1	FRAME ASSY, With Decals, 5 Shank, ASN JFH0033979
1	87528571	1	With Decals, 7 Shank, ASN JFH0033979
2	16901623	2	BOLT, 1 x 5.25, NC, A325, Hex, ZND
3	16901626	2	BOLT, 1 x 6.25, NC, A325, Hex, ZND
4	17616021	8	BUSHING, 14 ga, ZND
5	425-1016	4	NUT, 1"-8, G5, 1.00, NC, Hex, gd 5, ZND
6	86992219	4	NUT, LOCK, Stover, gd C, ZP, 1 NC
7	18534223	2	DECAL, Torque
8	18534227	2	DECAL, Crushing
9	311864A1	2	REFLECTOR, Yellow, 2 x 9
10	87339032	2	FRAME ASSY, Disk Wing, 7 Shank, BSN JFH0033978
10	87563100	2	Disk Wing, 7 Shank, ASN JFH0033979
11	87339088	2	LINK BLOCK, Disk Fold, 7 Shank, BSN JFH0033978
11	87583087	2	Disk Fold, 7 Shank, ASN JFH0033979
12	87339105	2	LINK BLOCK, Disk Fold, 7 Shank
13	87342432	2	PIN, CLEVIS, Disk Frame, 1-3/4 x 6-1/4, 7 Shank
14	87342430	4	PIN, CLEVIS, Disc Wing Cylinder, 1 x 3-1/4, 7 Shank
15	87342431	2	PIN, CLEVIS, 1 x 8-1/2, 7 Shank
16	496-81009	2	WASHER, 1 5/16" x 1 63/64" x .180", HDN, 1.984 OD, 1.312 ID, ZP, 7 Shank
17	495-11106	12	WASHER, 1", SAE, 2 OD, 1.062 ID, ZP, 7 Shank
18	432-1632	14	PIN, SPLIT (COTTER), 1/4" x 2", 1/4 x 2, ZP, 7 Shank
19	87394432	2	PIN, Wing Hinge, 1-1/4 x 8-1/4, 7 Shank
20	413-844	2	BOLT, Hex, 1/2"-13 x 2 3/4", G5, 0.5 x 2.75, ZP, gd 5, 7 Shank
21	86992215	2	NUT, LOCK, 0.5, ZP, Stover, gd C, 7 Shank
22	09661455	2	SHIM, 076, 1.059 Thick, 7 Shank
23	09661456	4	SHIM, 1201, .113 Thick, 7 Shank
24	413-1024	2	BOLT, Hex, 5/8"-11 x 1 1/2", G5, Full Thd, 0.625 x 1.5, ZP, gd 5, 7 Shank
25	231-42410	2	NUT, LOCK, 5/8"-11, GB, 0.625, ZP, gd C, 7 Shank



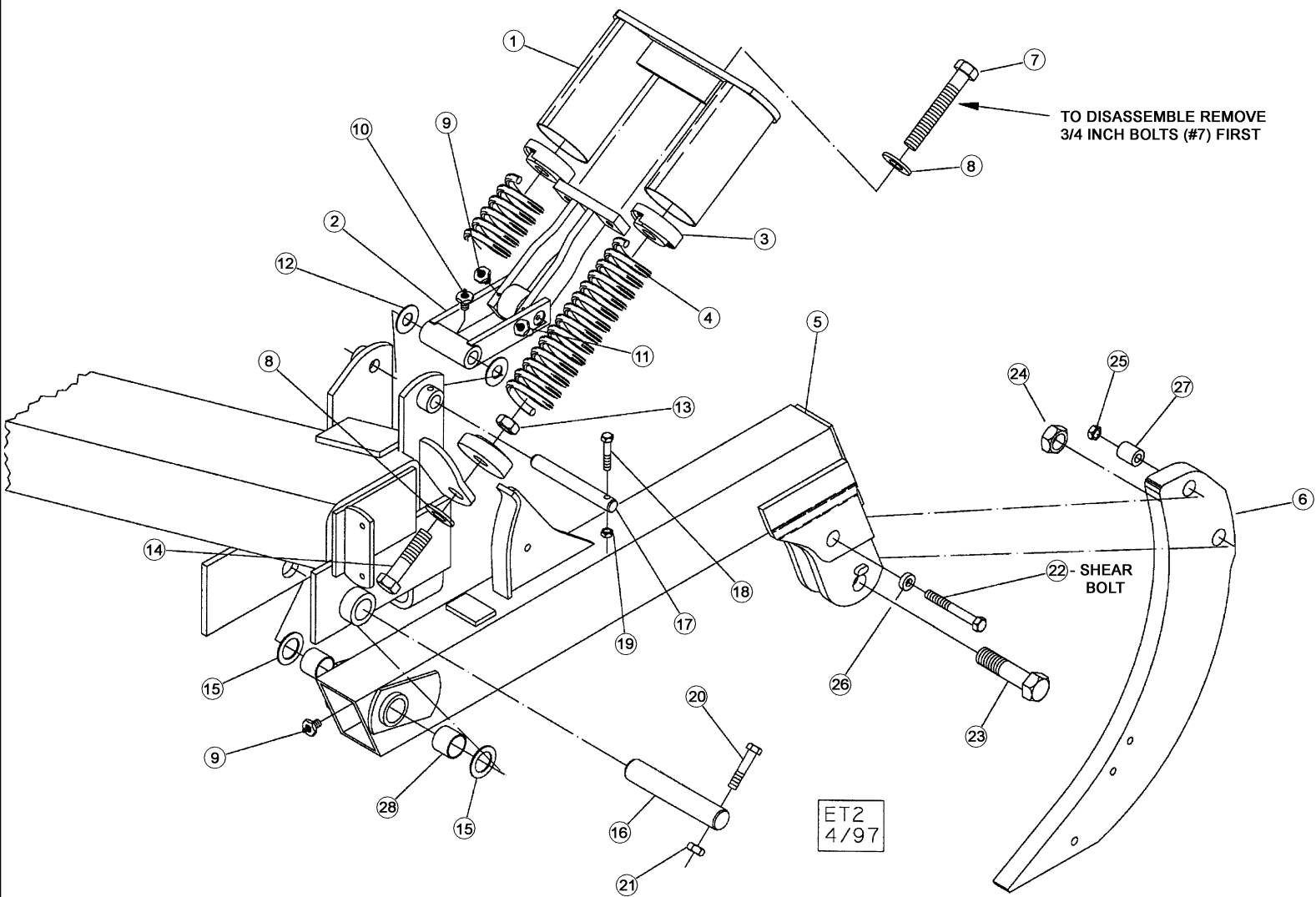
09-05 CUSHION DISC MOUNT ASSEMBLY

сылка	Номер детали	Кол-во	Описание
1	87329119		UAR MOUNTING PARTS, Center, Cushion Mount, Assembly
1	87541406		UAR SHANK, Rh, Cushion Mount Assembly
1	87541407		UAR SHANK, Lh, Cushion Mount Assembly
2	87457567		UAR BLADE, TILLAGE, 22, Blade
2	87457566		UAR BLADE, TILLAGE, 24, Blade
3	87394229	1	PLATE, Flat
3	87329424	1	PLATE ASSY., Flat, Center Mount Only
4	87429835	1	HANGER, Bearing, Painted, R & L
4	87328544	1	OUTRIGGER BEARING, Painted, Center
5	86992218	2	NUT, LOCK, Stover, gd C, ZP, 7/8 NC
6	09987810	1	SHANK, Hub & Spindle Assembly
6	87328289	1	STUB AXLE/STRG.SPINDLE, Center Hub & Spindle Assembly
7	87427182	1	U-BOLT, 3/4 x 4 x 7-1/2
8	87518250	2	U-BOLT, .875 x 3.06 x 3
9	86992217	7	NUT, LOCK, 3/4, NC, Stover, gd C
10	432-1024	1	PIN, SPLIT (COTTER), 5/32" x 1 1/2", 5/32" x 1 1/2, ZP
11	87415558	1	SEAL, Retainer
11A	87415557	1	SEAL,
11B	87415559	1	SEAL, Counterface
12	663557R91	1	BEARING, CONE, 1.625, Timken LM501349
13	663558R1	1	BEARING, CUP, 2.892, Timken LM501310
14	28705006	1	HUB, With Cups
15	219-87	1	NIPPLE, LUBE, 1/4"-28 x .56" lg, Drive,
16	413-58	1	BOLT, Hex, 5/16"-18 x 1/2", G5, Full Thd, 5/16 x 1/2, NC, Hex
17	87541117	1	DUST CAP, Dust Cap
18	651817R1	1	BEARING, CUP, 2.33, Timken LM67010
19	651818R91	1	BEARING, CONE, 1.25, Timken LM67048
20	17915000	1	WASHER, 7/8, H.T., Black
21	425-1314	1	NUT, SLOTTED, 7/8"-14, G5,
22	28490001	1	HUB CAP, Dust
23	426-832	5	BOLT, Hex, 1/2"-13 x 2", G8, 1/2 x 2, NC, Hex, gd 8
24	496-41053	5	WASHER, 17/32" x 1 1/4" x 3/16", 9/16 x 1-3/8, OD, Special
25	86992215	1	NUT, LOCK, 1/2, NC, Stover
26	426-1248	1	BOLT, Hex, 3/4"-10 x 3", G8, L&R
26	320-21448	1	BOLT, CARRIAGE, 7/8"-9 x 3", G8, Center
27	413-1248	2	BOLT, Hex, 3/4"-10 x 3", G5, 3/4 x 3, NC, Hex, For Use Without Stop, gd 5
28	87329469		UAR HUB ASSY., Complete, R & L
28	87328335	1	HUB ASSY., Complete, Center



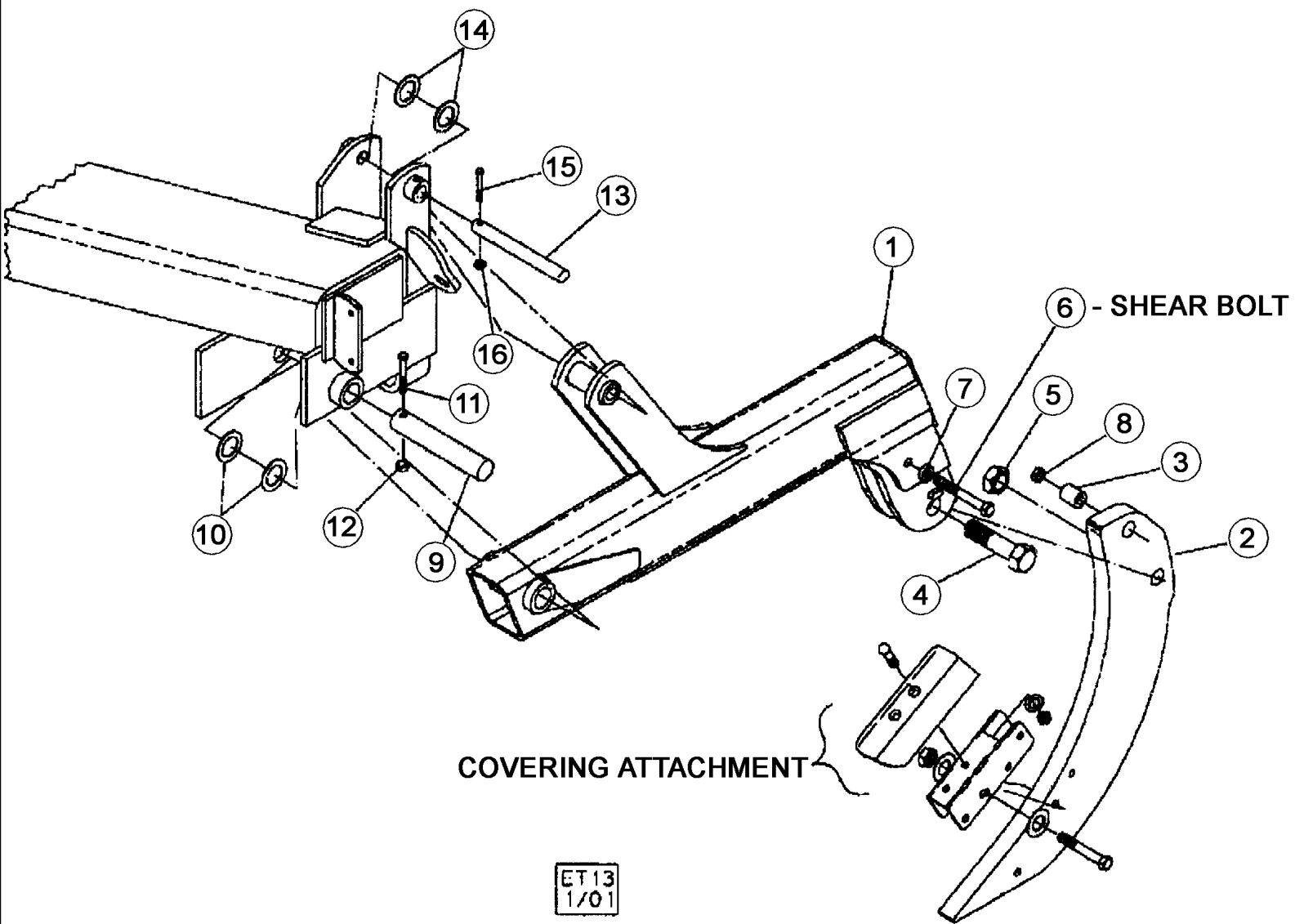
09-06 RIGID DISC MOUNT ASSEMBLY

сылка	Номер детали	Кол-во	Описание
1	87521050		UAR Rigid Mount Assembly, Center
1	87521040		UAR Rigid Mount Assembly, Rh And Lh
2	87457567		UAR BLADE, TILLAGE, 22
2	87457566		UAR BLADE, TILLAGE, 24
3	87532148	1	MOUNTING PARTS, Disk Outer, Lh And Rh
3	87533999	1	Disk, Center
4	426-832	1	BOLT, Hex, 1/2"-13 x 2", G8, 1/2 x 2, Gd 8
5	496-41053	1	WASHER, 17/32" x 1 1/4" x 3/16", 9/16 ID x 1-3/8 OD, ZND
6	86992215	1	NUT, LOCK, 1/2 Stover, Gd C, ZND
7	09987810	1	SHANK, Hub And Spindle
7	87328289	1	STUB AXLE/STRG.SPINDLE, Center Assembly
8	87427182	2	U-BOLT, 3/4 x 4 x 7-1/2
9	86992217	7	NUT, LOCK, 3/4, NC, Stover, Gd C
10	432-1024	1	PIN, SPLIT (COTTER), 5/32" x 1 1/2", 5/32 x 1-1/2, ZP
11	87415558	1	SEAL, Retainer
11A	87415557	1	SEAL,
11B	87415559	1	SEAL, Counterface
12	663557R91	1	BEARING, CONE, 1.625, LM501349
13	663558R1	1	BEARING, CUP, 2.892, LM501310
14	28705012	1	HUB ASSY., With Cups
15	219-87	1	NIPPLE, LUBE, 1/4"-28 x .56" lg, Drive, 1/4-28, Self Tap
16	413-58	1	BOLT, Hex, 5/16"-18 x 1/2", G5, Full Thd, 5/16 NC x 1/2, Gd 5, ZND
17	09970770	1	RETAINER, Dust Cap
18	651817R1	1	BEARING, CUP, 2.33, LM67010
19	651818R91	1	BEARING, CONE, 1.25, LM67048
20	17915000	1	WASHER, 7/8, H.T., Black
21	425-1314	1	NUT, SLOTTED, 7/8"-14, G5, 7/8, Hex, Gd 5
22	28490001	1	HUB CAP,
23	87329469		UAR HUB ASSY., Complete, Lh And Rh
23	87328665		UAR Complete, Center



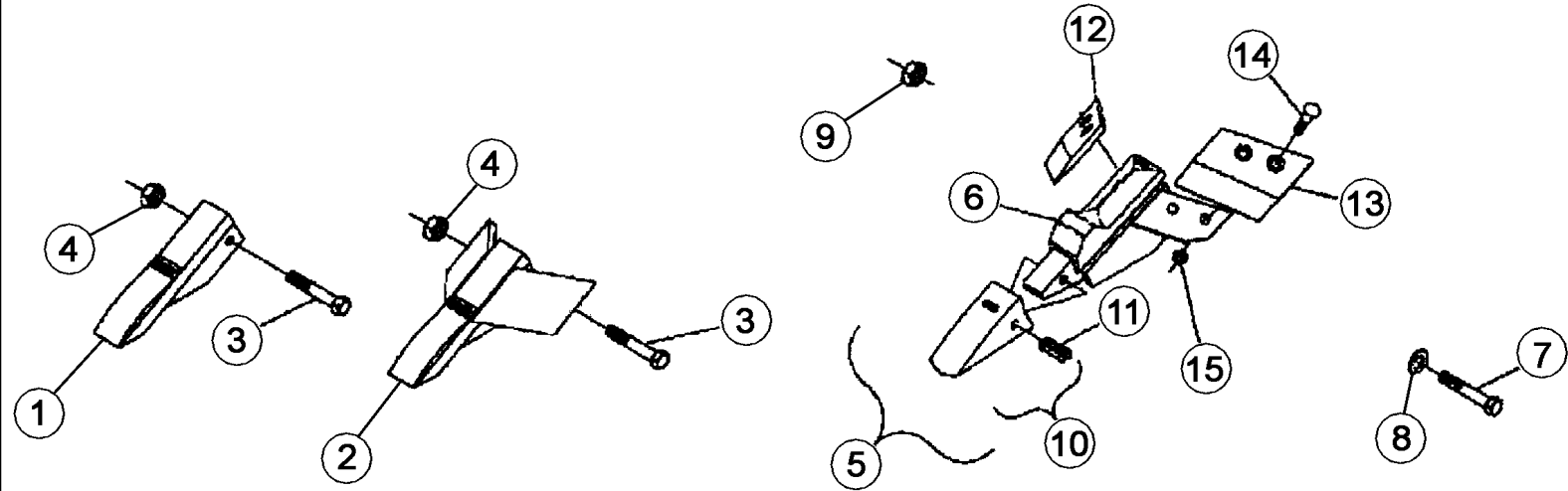
09-07 MAIN FRAME AUTO-RESET ASSEMBLY

сылка	Номер детали	Кол-во	Описание
1	09984675	1	SPRING BOX, Auto-Reset Canister
2	09984650	1	LINK/SHACKLE, Auto-Reset
3	20090090	4	SPRING BOX, Casting
4	24162501	2	SPRING, COIL, Compression
5	09984645	1	BEAM ASSY., Inc. 39 & 41
6	09983476	1	SHANK, Hard Surfaced, Inc. 40
7	16901225	2	SCREW, 3/4 x 6-1/2, NC, Hex, gd 5
8	17413011	4	WASHER, SPECIAL, 3/4, Standard
9	219-87	2	NIPPLE, LUBE, 1/4"-28 x .56" lg, Drive,
10	219-86	1	NIPPLE, LUBE, 1/8" x .62" lg, Drive, 1/8, NPT, Self-Tapping
11	219-40	1	NIPPLE, LUBE, 65c, 1/8" NPT x 7/8" lg, 1/8 x 65, Self Tapping
12	17616020	2	WASHER, 1 Dia, Machine, 14 ga
13	425-1012	1	NUT, 3/4"-10, G5, 3/4, NC, Hex
14	413-1248	2	BOLT, Hex, 3/4"-10 x 3", G5, 3/4 x 3, NC, Hex, gd 5
15	17627010	2	BUSHING, 1-5/8, Dia, 14 ga
16	14892671	1	PIN, SPECIAL, 1-5/8, Dia, H.T.
17	00148150	1	PIN, SPECIAL, 1, Dia
18	413-636	1	BOLT, Hex, 3/8"-16 x 2 1/4", G5, 3/8 x 2-1/4, NC, Hex, gd 5
19	231-4246	1	NUT, LOCK, 3/8"-16, GB, 3/8, NC, Hex
20	413-848	1	BOLT, Hex, 1/2"-13 x 3", G5, 1/2 x 3, NC, Hex, gd 5
21	86992215	1	NUT, LOCK, 1/2, NC, Stover
22	413-1080	1	BOLT, Hex, 5/8"-11 x 5", G5, 5/8 x 5, NC, Hex, gd 5
23	16902016	1	BOLT, 1-1/4 x 4, NC, Hex, gd 5
24	25-1420	1	NUT, Jam, 1 1/4"-7, G5, 1-1/4, NC, Jam
25	425-1010	1	NUT, 5/8"-11, G5, 5/8, NC, Hex
26	44006520	2	BUSHING, LARGE, 1-5/16
27	44006530	1	BUSHING, LARGE, 1-1/2
28	44016250	2	SPACER, 1-5/8



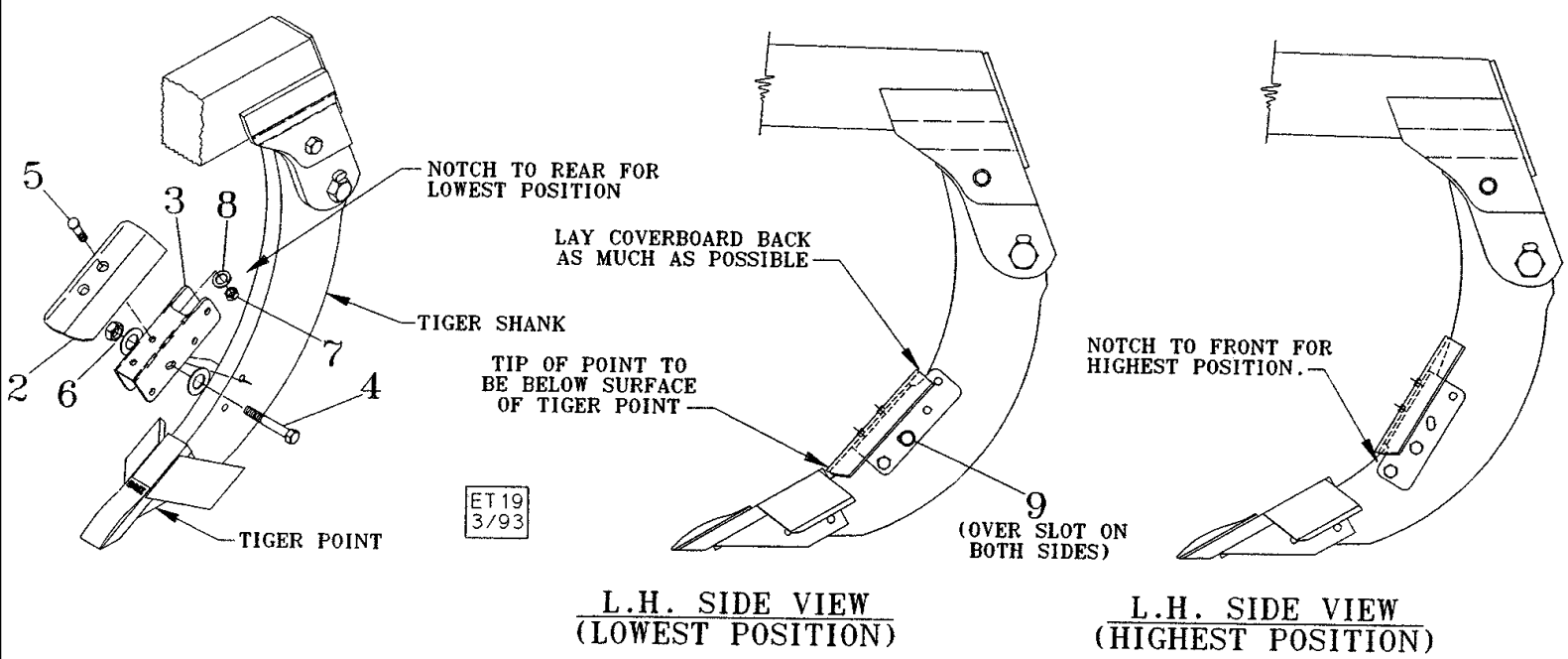
09-08 MAIN FRAME SHEAR BOLT ASSEMBLY

сылка	Номер детали	Кол-во	Описание
1	09967360	1	BEAM ASSY., Shear Bolt, ASN JFH0005894
2	09983476	1	SHANK, Hard Surfaced, Inc. 3
3	44006530	1	BUSHING, LARGE, 1-1/2
4	16902016	1	BOLT, 1-1/4 x 4, NC, Hex, gd 5
5	25-1420	1	NUT, Jam, 1 1/4"-7, G5, 1-1/4, NC, Jam
6	413-1080	1	BOLT, Hex, 5/8"-11 x 5", G5, 5/8 x 5, NC, Hex, gd 5
7	44006520	1	BUSHING, LARGE, 1-5/16
8	86992216	1	NUT, LOCK, 5/8, NC, ASN JFH0005894
9	14892671	1	PIN, SPECIAL, 1-5/8, BSN JFH003286
10	17620030	2	BUSHING, 1-1/4, Machine, 10 ga, ASN JFH0005894
11	413-636	1	BOLT, Hex, 3/8"-16 x 2 1/4", G5, 3/8 x 2-1/4, NC, Hex, BSN JFH003286
12	86992213	1	NUT, LOCK, 3/8, NC
13	00148150	1	PIN, SPECIAL, 1
14	17616020	2	WASHER, 1, Machine
15	413-848	1	BOLT, Hex, 1/2"-13 x 3", G5, 1/2 x 3, NC, Hex
16	86992215	1	NUT, LOCK, 1/2, NC, BSN JFH003286
23	413-848	1	BOLT, Hex, 1/2"-13 x 3", G5, 1/2 x 3, NC, Hex, gd 5
26	495-21056	1	WASHER, 1/2", 1/2, Standard
38	413-636	1	BOLT, Hex, 3/8"-16 x 2 1/4", G5, 3/8 x 2-1/4, NC, Hex

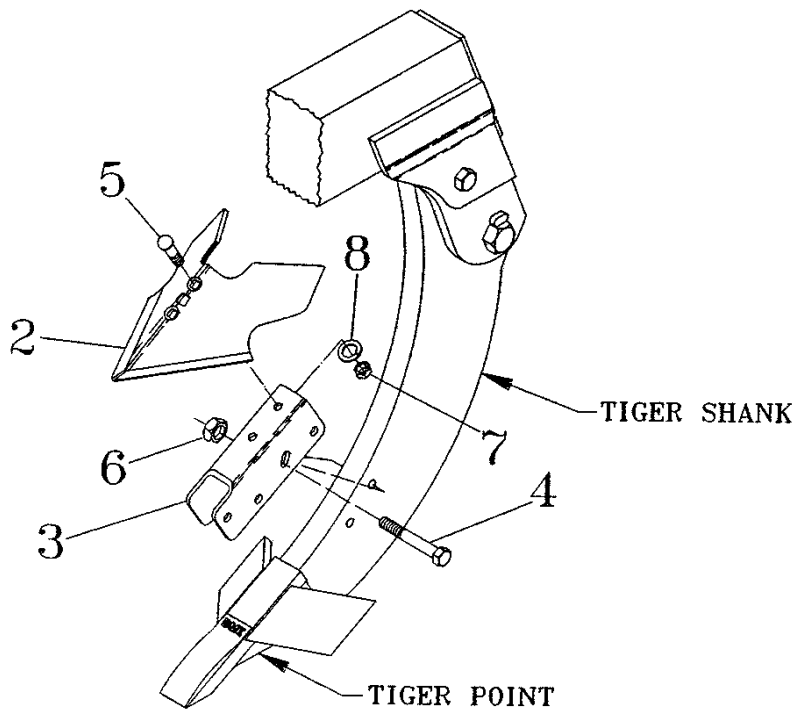


09-09 MAIN FRAME SHANK POINTS

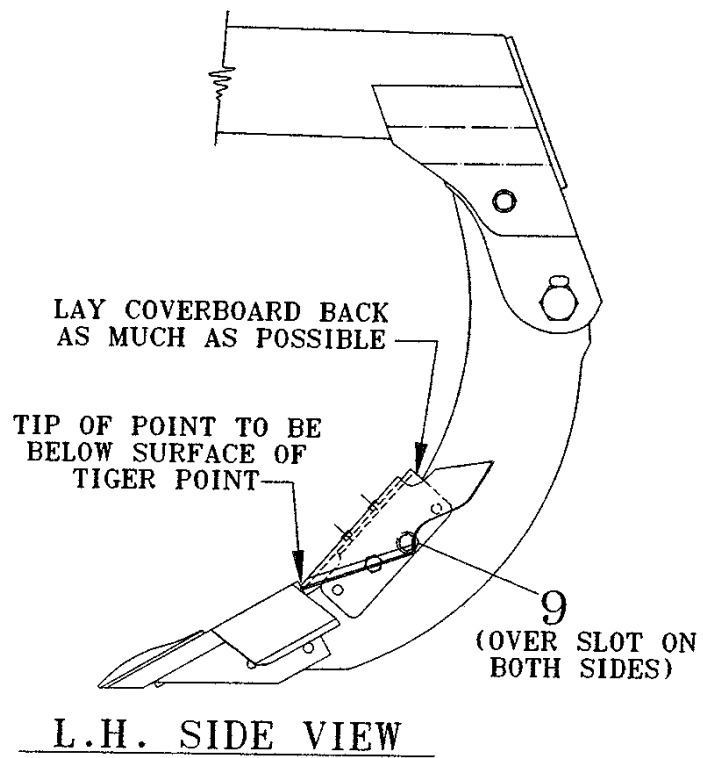
сылка	Номер детали	Кол-во	Описание
1	87460071	1	SHANK, POINT RIPPER, 2 x 1.5, Straight, Does Not Include Hardware
2	87460074	1	SHANK, POINT RIPPER, 7 x 1.5, Tiger, Does Not Include Hardware
2	87460072	1	SHANK, POINT RIPPER, 10 x 1.5, Tiger, Does Not Include Hardware
3	413-844	1	BOLT, Hex, 1/2"-13 x 2 3/4", G5, 1/2 x 2-3/4, Hex, gd 5
4	425-108	1	NUT, 1/2"-13, G5, 1/2, NC, gd 5
5	87460159	1	SHANK, POINT RIPPER, 10 x 1.5, Tiger, Replacable Tip, Does Not Include Hardware
6	87460073	1	SHANK, POINT RIPPER, Replacable Base, Does Not Include Hardware
7	413-848	1	BOLT, Hex, 1/2"-13 x 3", G5, 1/2 x 3, NC, gd 5
8	495-21056	1	WASHER, 1/2", 1/2, Standard
9	425-168	1	NUT, 1/2"-13, G5, Hvy, 1/2, Heavy, Hex
10	87412311	1	TIP, Replacable, Inc. 11
11	245466A1	1	SPLIT PIN/SAFETY PIN, 3/8, Flex
12	09907002	1	FRAME, Rh, Wing, Inc. 14 & 15
13	09907003	1	FRAME, Lh, Wing, Inc. 14 & 15
14	16208065	4	BOLT, PLOW, 1/2 x 1-1/2, NC
15	231-5148	4	NUT, Flg, USR, 1/2"-13,



сылка	Номер детали	Кол-во	Описание
1	09990040		UAR MOLDBOARD, Covering Kit Complete, 4
2	33310076	1	LANDSIDE, 4, With Hardware
3	09965000	1	BRACKET, 1-1/2 Shank
4	413-848	2	BOLT, Hex, 1/2"-13 x 3", G5, 1/2 x 3
5	420-2720	2	BOLT, PLOW, 7/16"-14 x 1 1/4", G8, 7/16 x 1-1/4, NC, gd 8
6	425-108	2	NUT, 1/2"-13, G5, 1/2, NC, Hex
7	425-107	2	NUT, 7/16"-14, G5, 7/16, NC, Hex
8	492-11044	2	WASHER, LOCK, 7/16", 7/16"
9	495-21056	2	WASHER, 1/2", 1/2, Flat

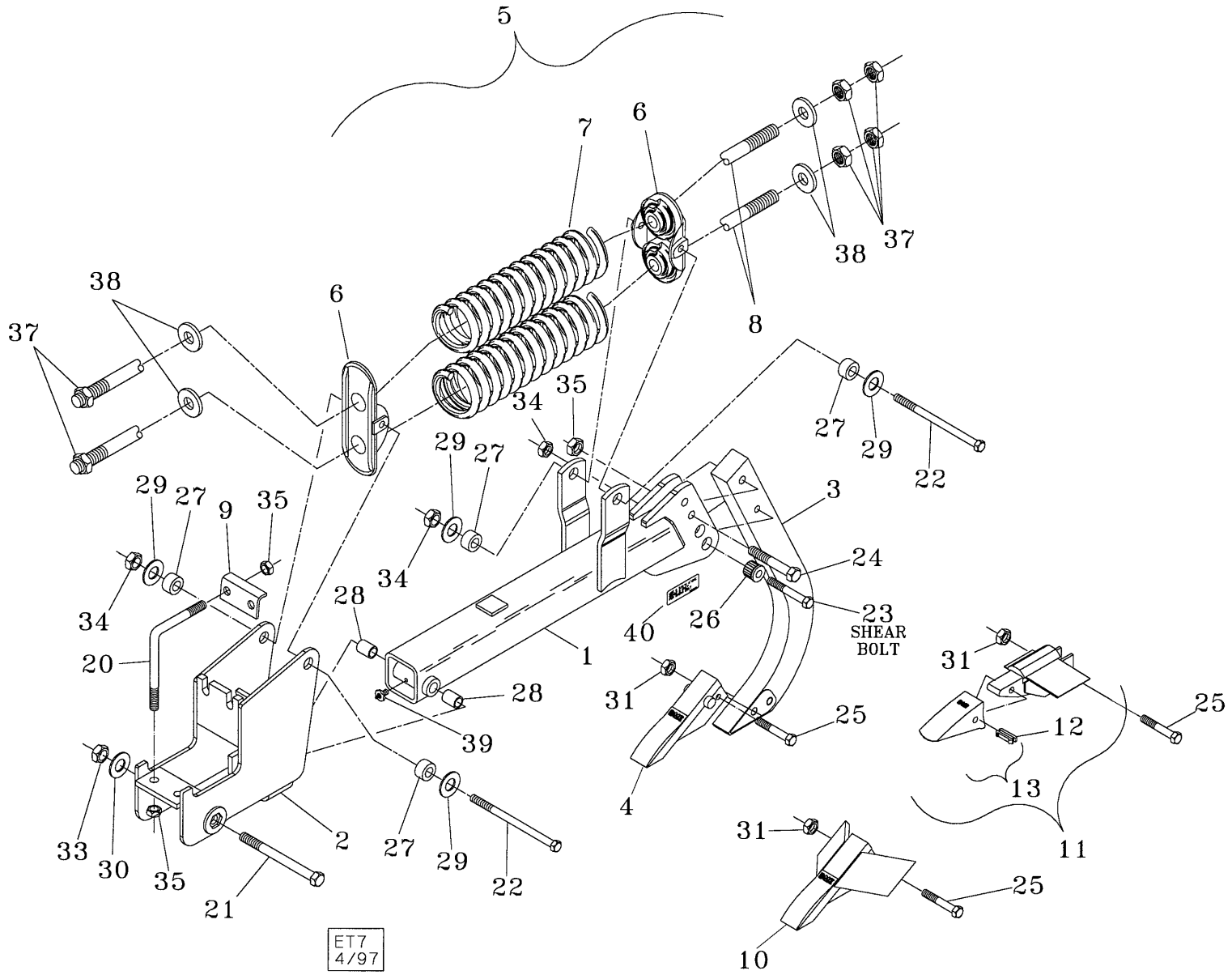


ET20
3/93



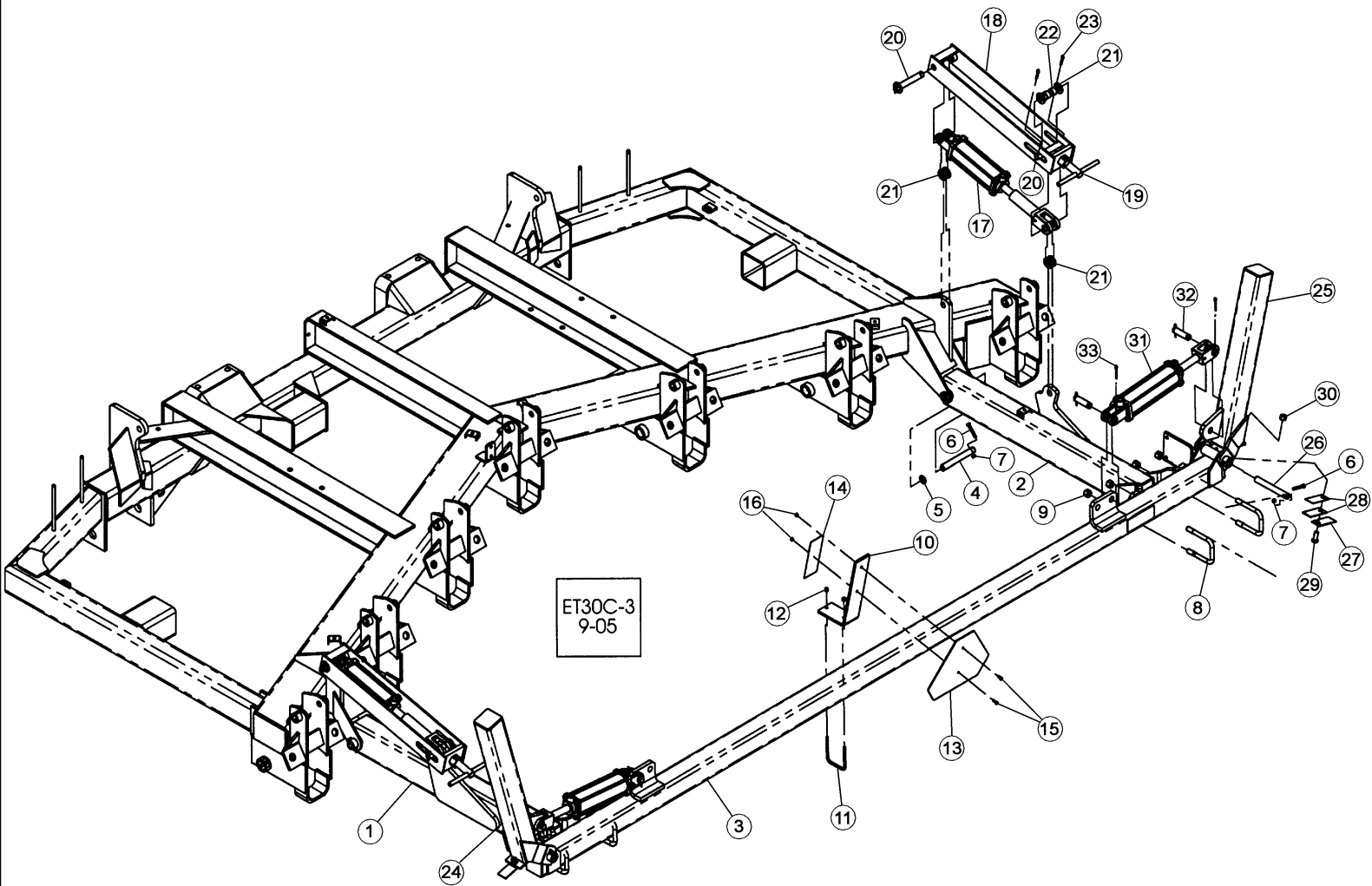
09-11 6 & 8 COVERING ATTACHMENTS

сылка	Номер детали	Кол-во	Описание
1	09990035		UAR MOLDBOARD, 6, Covering
1	09990030		UAR MOLDBOARD, 8, Covering
2	33310081	1	LANDSIDE, 6, With Hardware
2	33310070	1	MOLDBOARD, 8, With Hardware
3	09965000	1	BRACKET, 1-1/2 Shank
4	413-848	2	BOLT, Hex, 1/2"-13 x 3", G5, 1/2 x 3
5	420-2720	2	BOLT, PLOW, 7/16"-14 x 1 1/4", G8, 7/16 x 1-1/4, NC, gd 8
6	425-108	2	NUT, 1/2"-13, G5, 1/2, NC, Hex
7	425-107	2	NUT, 7/16"-14, G5, 7/16, NC, Hex
8	492-11044	2	WASHER, LOCK, 7/16", 7/16"
9	495-21056	2	WASHER, 1/2", 1/2, Flat



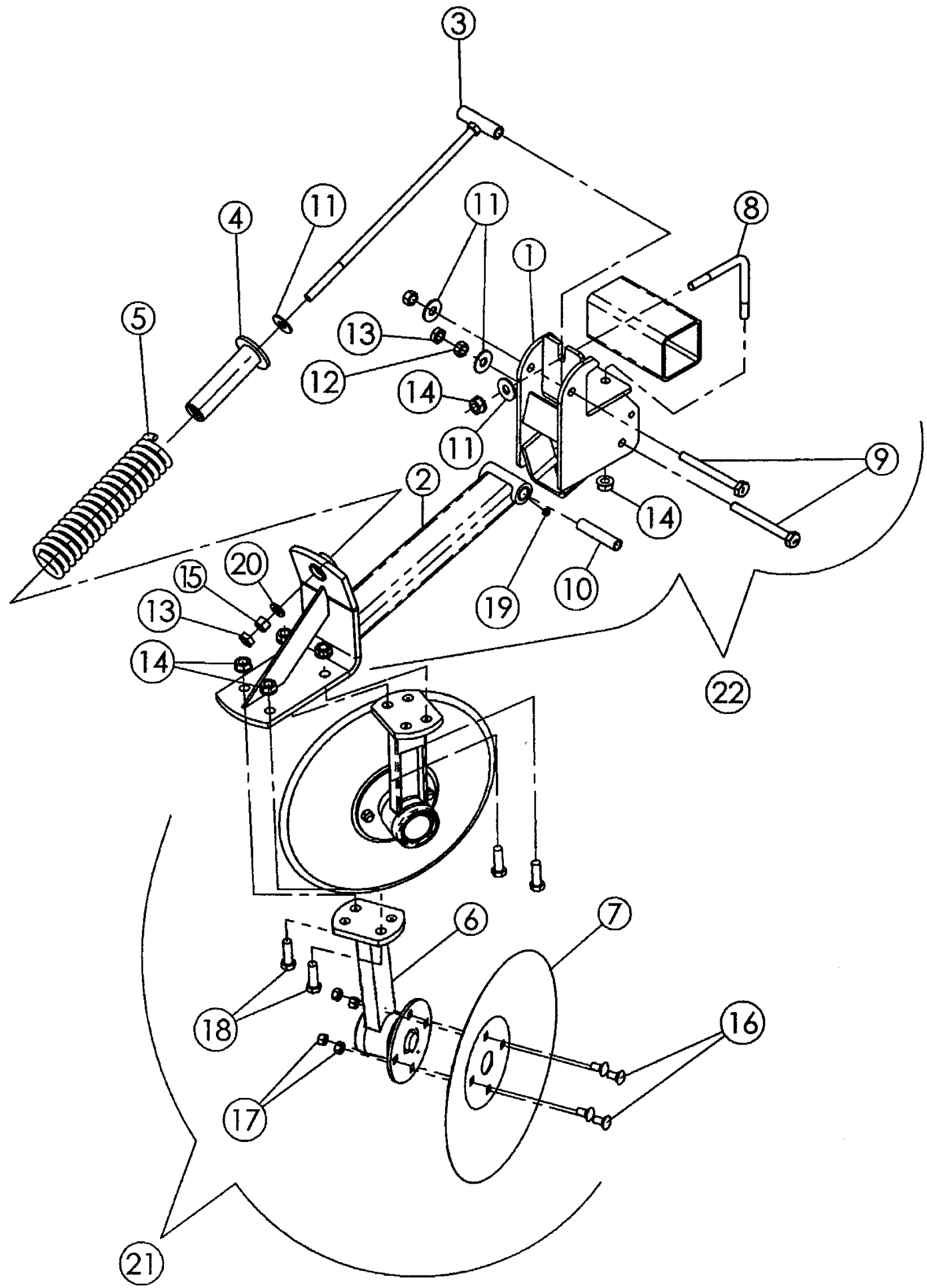
09-12 LEAD SHANK ASSEMBLY

сылка	Номер детали	Кол-во	Описание
1	09984810	1	BAR ASSY., Lead Shank, Beam
2	09984820	1	SHANK, Mount
3	33010010	1	SHANK, Heat Treated
4	87460075	1	SHANK, POINT RIPPER, , Does Not Include Hardware
5	09984815	1	SPRING, Assembly
6	20090133	2	HINGE, Double, Casting
7	24162506	2	SPRING, Compression
8	16510720	2	ROD, 5/8, Threaded
9	09561200	1	PLATE,
10	87460070	1	SHANK, POINT RIPPER, 7, Tiger, Does Not Include Hardware
11	87460158	1	SHANK, POINT RIPPER, 7, Replacable Tip Tiger, Does Not Include Hardware
12	245466A1	1	SPLIT PIN/SAFETY PIN, 3/8, Flex
13	87412311	1	TIP, Replacable
14	09900012	1	SHANK, Complete Lead, Less Point
20	87427193	2	BOLT, SPECIAL, 3/4, NC x 7-9/16, Square
21	16901435	1	BOLT, 7/8 x 7-3/4, NC, Hex, gd 5
22	16901025	2	SCREW, 5/8 x 7-1/2, NC, Hex, gd 5
23	413-1072	1	BOLT, Hex, 5/8"-11 x 4 1/2", G5, Shear
24	16901215	1	BOLT, 3/4 x 3-3/4, NC, A325
25	413-836	1	BOLT, Hex, 1/2"-13 x 2 1/4", G5, 1/2 x 2-1/4, NC, Hex, gd 5
26	44006511	4	BUSHING, LARGE, 5/8, Serrated, Painted
27	44006200	2	BUSHING, H.T., Painted
28	51200158	2	BUSHING, 7/8, ID, Hardened
29	495-21069	4	WASHER, 5/8", 5/8, Standard
30	17414012	1	WASHER, 7/8, ID
31	425-108	1	NUT, 1/2"-13, G5, 1/2, NC, Hex
33	86992216	1	NUT, LOCK, 7/8, NC, Hex
34	425-1010	3	NUT, 5/8"-11, G5, 5/8, NC, Hex
35	425-1012	5	NUT, 3/4"-10, G5, 3/4-10, NC, Hex, gd 5
37	25-1010	6	NUT, 5/8"-11, G5,
38	495-81028	4	WASHER, 21/32" x 1 1/2" x .240", 5/8 x 1/4, Thick
39	219-86	1	NIPPLE, LUBE, 1/8" x .62" lg, Drive, 1/8, NPT, Self-Tapping
40	18534233	1	DECAL, Shear Bolt



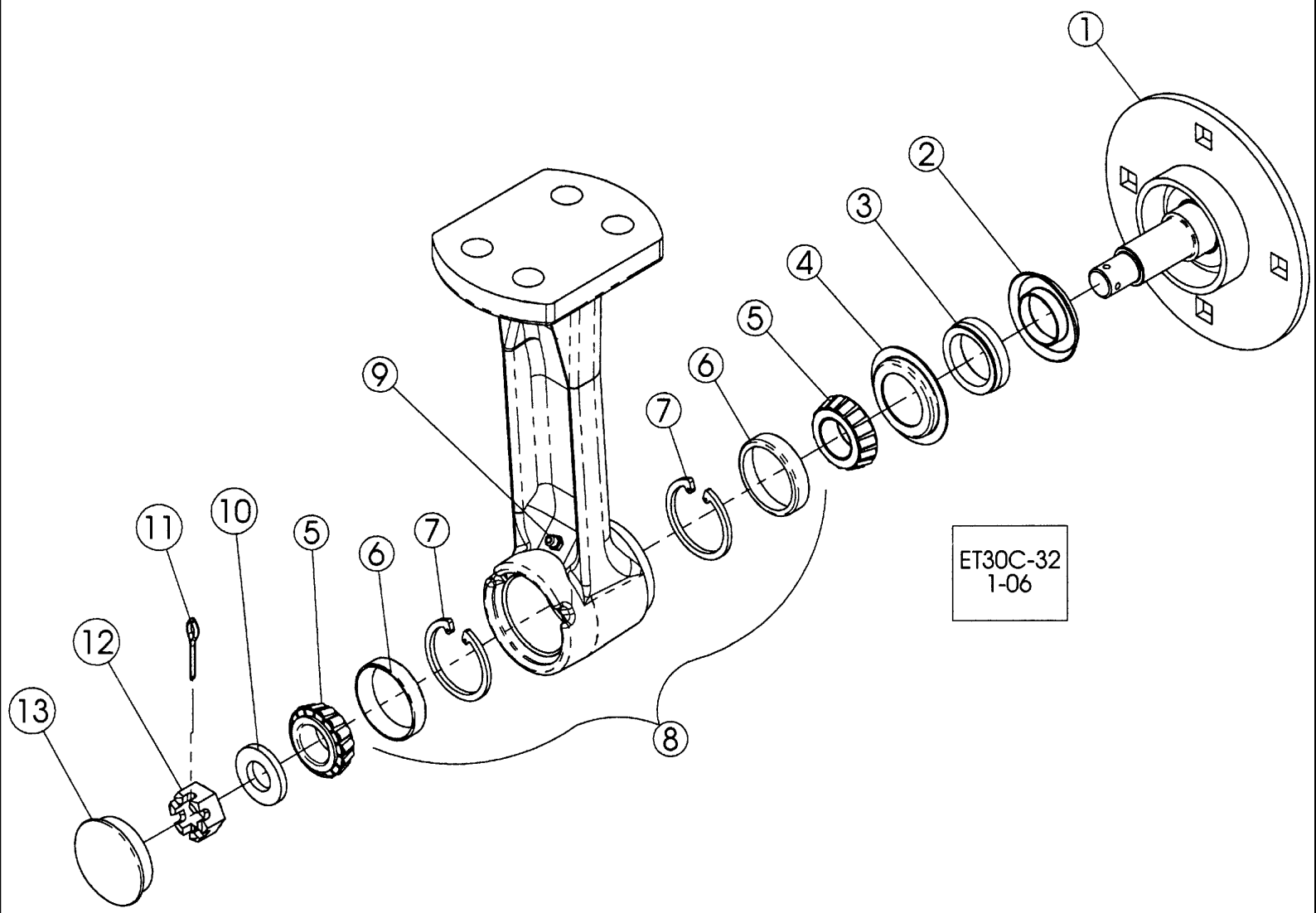
09-13 HYDRAULIC LEVELER BAR

сылка	Номер детали	Кол-во	Описание
1	87331553	1	ARM ASSY., Pivot Weldment, Lh, BSN JFH0033978
1	87541339	1	Pivot Weldment, Lh, ASN JFH0033979
2	87332115	1	ARM ASSY., Pivot Weldment, Rh, BSN JFH0033978
2	87541340	1	Pivot Weldment, Rh, ASN JFH0033979
3	87332645	1	TUBE, SUPPORT, Rear Leveler, 7 Shank
3	87355968	1	TUBE, RIGID, Rear Leveler, 5 Shank
4	14891665	2	PIN, HITCH, 1 Painted, BSN JFH0033978
4	413-16136	2	BOLT, Hex, 1"-8 x 8 1/2", G5, , ASN JFH0033979
5	17616020	4	WASHER, 1 ID, 14 Ga
6	413-640	2	BOLT, Hex, 3/8"-16 x 2 1/2", G5, 3/8 x 2-1/2
7	425-106	2	NUT, 3/8"-16, G5,
8	87427185	4	U-BOLT, 3/4 x 4, Square
9	86992217	8	NUT, LOCK, 3/4
10	09102570	1	PRODUCT GRAPHIC, SMV Bracket
11	16309091	1	U-BOLT, 3/8 x 4 x 4, Square
12	86992213	2	NUT, LOCK, 3/8
13	311860A1	1	EMBLEM, SMV, ASAE, With Steel Plate
14	09102450	1	INDICATOR, Depth Leveler
15	413-412	2	BOLT, Hex, 1/4"-20 x 3/4", G5, Full Thd, 1/4 x 3/4
16	86992211	2	NUT, LOCK, 1/4
17	25330083	2	CYLINDER ASSY., 3 x 8 With Stop
18	87332498	2	STOP, Cylinder Depth Adjust, BSN JFH0033978
18	87550891	2	STOP, Cylinder Depth Adjust, ASN JFH0033979
19	429723A1	2	SCREW,
20	429719A1	4	PIN, 1 Cylinder
21	495-11106	16	WASHER, 1", SAE, 2 OD x 1.062 ID
22	09102904	4	SPACER, 1 x 3/4
23	432-1624	6	PIN, SPLIT (COTTER), 1/4" x 1 1/2", 1/4 x 1-1/2
24	87331911	1	LEVELLING DEVICE, Wing, Lh
25	87331913	1	LEVELLING DEVICE, Wing, Rh
26	14891661	2	PIN, SPECIAL, 1
27	09661455	2	SHIM,
28	09661456	4	SHIM,
29	413-1024	2	BOLT, Hex, 5/8"-11 x 1 1/2", G5, Full Thd, 5/8 x 1-1/2
30	231-42410	2	NUT, LOCK, 5/8"-11, GB, 5/8
31	25330101	2	CYLINDER, 3 x 10
32	25890100	4	KIT, 1, Cylinder
33	432-1232	8	PIN, SPLIT (COTTER), 3/16" x 2",
34	86992219	2	NUT, LOCK, 1 Stover, Gd C, ZP



09-14 DISC LEVELER

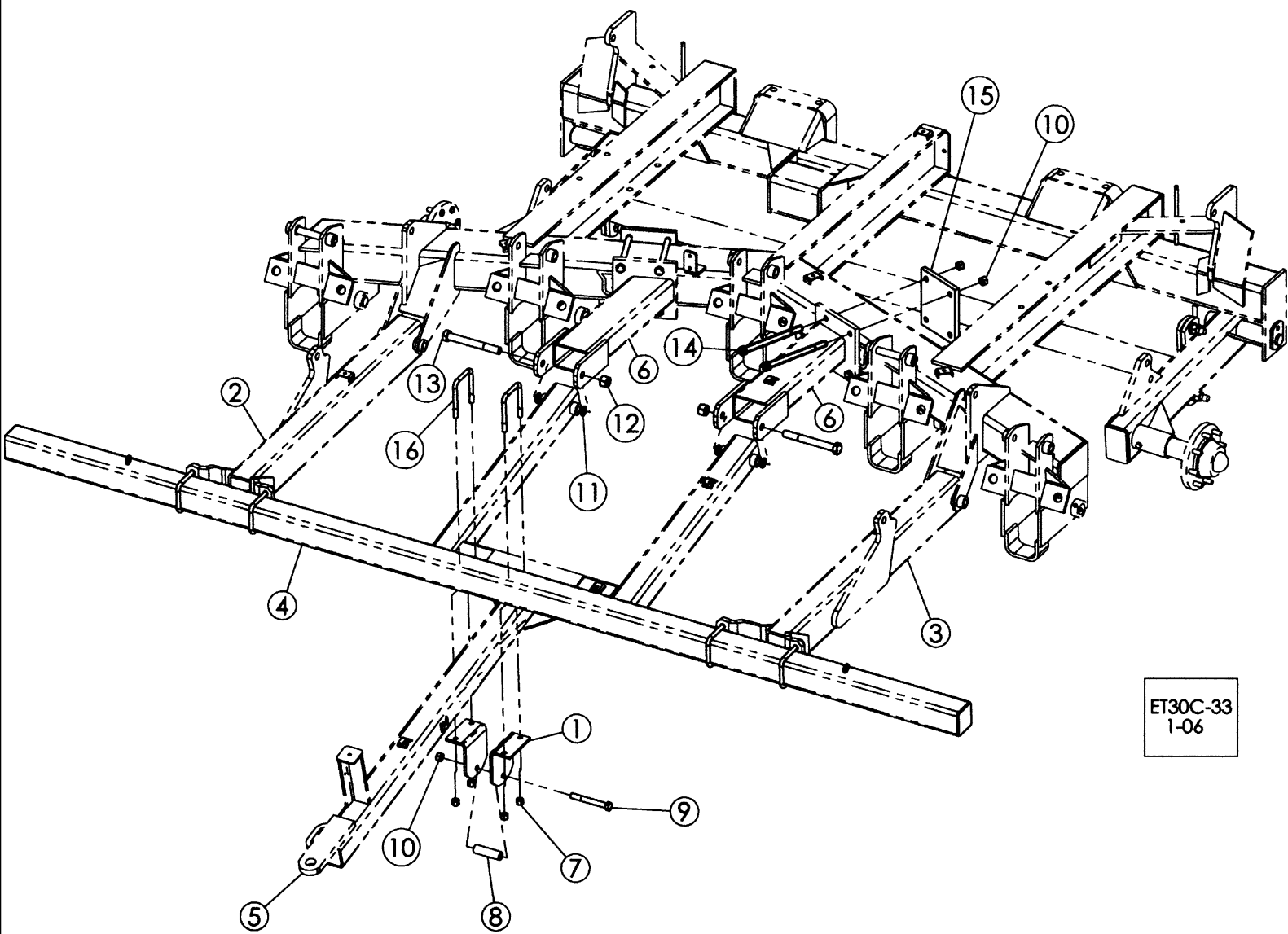
сылка	Номер детали	Кол-во	Описание
1	09103200	1	LEVELLING DEVICE, Mount
2	09103300	1	LEVELLING DEVICE, Pivot
3	09103250	1	LEVELLING DEVICE, T
4	09103020	1	RETAINER, Long Spring
5	24146820	1	SPRING, Compression
6	87328481	2	HUB ASSY., Disc Spindle
7	443628A1	2	DISC, PLOW, 18, Blade
8	87427190	1	BOLT, SPECIAL, 5-5/16, Square
9	16901022	2	SCREW, 5/8 x 6, NC, Hex, A325
10	09103030	1	PLUG, Heat Treated, Bushing
11	495-21069	4	WASHER, 5/8", 5/8, Flat
12	86992216	2	NUT, LOCK, 5/8, NC, Hex
13	425-1410	2	NUT, Jam, 5/8"-11, G5, 5/8, NC, Hex, Jam
14	231-53410	6	NUT, LOCK, Flg, 5/8"-11,
15	425-1010	1	NUT, 5/8"-11, G5, 5/8, NC, Hex
16	433-816	8	BOLT, CARRIAGE, Short NK, 1/2"-13 x 1", G5, 1/2 x 1, NC, Carriage
17	425-108	8	NUT, 1/2"-13, G5, 1/2, NC
18	413-1032	4	BOLT, Hex, 5/8"-11 x 2", G5, 5/8 x 2, NC, Hex
19	219-86	1	NIPPLE, LUBE, 1/8" x .62" lg, Drive, 1/8, NPT, Self Tap
20	17411011	1	WASHER, 5/8, Flat
21	09102020	1	DISC, PLOW, Leveler, With 1 Blade, Inc. 6 - 7 And 22
21	09102099	1	DISC, PLOW, Leveler, With 2 Blades, Inc. 6 - 7 And 22
22	09103000	1	BRACKET, Leveler, Without Blades, Disc Spindle Assemblies, And Hardware



ET30C-32
1-06

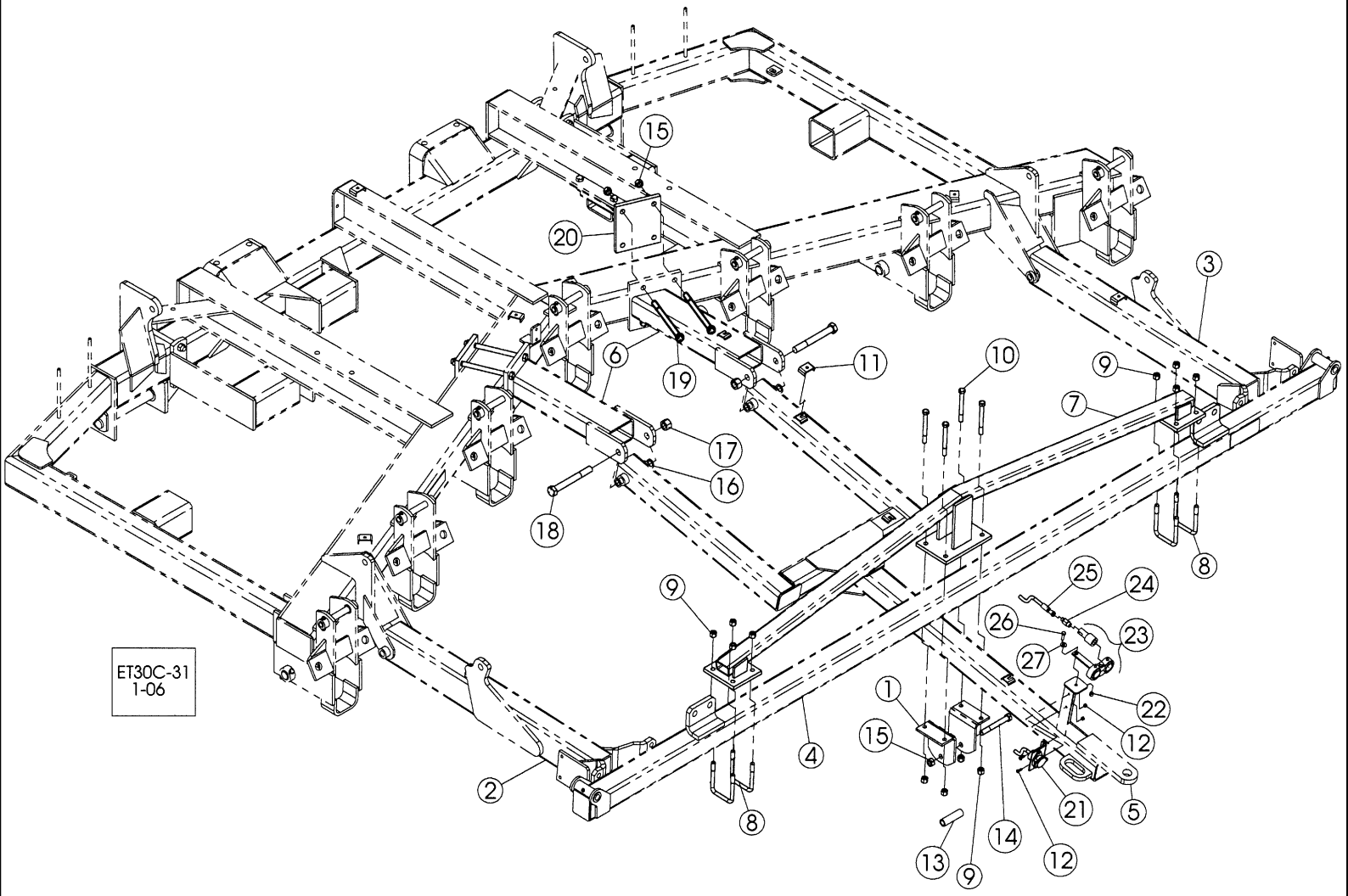
09-15 DISC LEVELER HUB AND SPINDLE

сылка	Номер детали	Кол-во	Описание
1	87377044	1	STUB AXLE/STRG.SPINDLE, Complete
2	87328282	1	SEAL, Counterface
3	87328281	1	SEAL, V
4	87328280	1	RETAINER, SEAL,
5	463911R91	2	BEARING, CONE, 1.00 Bore, L44643
6	572564R1	2	BEARING, CUP, 1.980
7	14610208	2	RETAINER, Snap Ring, 2.078 OD x .125
8	20092001	1	AXLE, Disc Spindle Machine
9	219-87	1	NIPPLE, LUBE, 1/4"-28 x .56" lg, Drive, 1/8, NPT
10	17412001	1	WASHER, .75 ID, HT, Black
11	432-816	1	PIN, SPLIT (COTTER), 1/8" x 1",
12	425-1312	1	NUT, SLOTTED, 3/4"-16, G5, 3/4
13	28420021	1	CAP, Grease



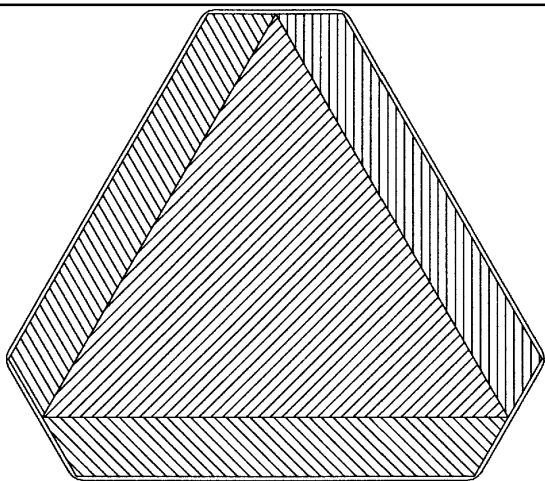
ET30C-33
1-06

сылка	Номер детали	Кол-во	Описание
1	09967727	2	BAR ASSY., Pivot Guide
2	87331553	1	ARM ASSY., Pivot Weldment, Lh
3	87332115	1	ARM ASSY., Pivot Weldment, Rh
4	87355968	1	TUBE, RIGID, Rear Leveler Bar
5	09967720	1	BRACKET, Rear Assy
6	87334769	2	PEDESTAL, Weld, Rear Hitch
7	86992216	4	NUT, LOCK, 0.625, ZP, Stover, gd C
8	09967728	1	SPACER, Bushing
9	413-1296	1	BOLT, Hex, 3/4"-10 x 6", G5, 3/4 x 6.00 H, gd 5, ZND
10	425-1012	9	NUT, 3/4"-10, G5, 3/4 NC, Hex, gd 5, ZND
11	17616011	4	BUSHING, LARGE, 1 Machine, 10 ga, ZND
12	86992219	2	NUT, LOCK, Stover, gd C, ZP, 1 NC
13	413-16136	2	BOLT, Hex, 1"-8 x 8 1/2", G5, 1 NC x 8.50 H, gd 5, ZND
14	16901245	8	BOLT, 3.4 NC x 10.50 H, gd 5, ZND
15	09967735	2	PLATE, Mount
16	87427161	2	U-BOLT, 5/8 x 4 x 5-1/2., ZND

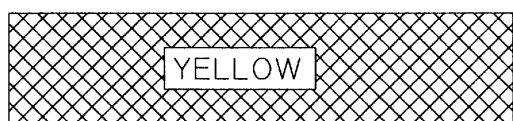


ET30C-31
1-06

сылка	Номер детали	Кол-во	Описание
1	09967727	2	BAR ASSY., Pivot Guide
2	87331553	1	ARM ASSY., Pivot Weldment, Lh
3	87332115	1	ARM ASSY., Pivot Weldment, Rh
4	87332645	1	TUBE, SUPPORT, Rear Leveler Bar
5	09967720	1	BRACKET, Pivot, Rear Assy
6	87334769	2	PEDESTAL, Rear Hitch
7	87398411	1	TRUSS ROD, Rear Hitch Truss
8	87427161	4	U-BOLT, 5/8 NC x 4 x 5.5 ZND
9	86992216	12	NUT, LOCK, 0.625, ZP, Stover, gr C
10	413-1096	4	BOLT, Hex, 5/8"-11 x 6", G5, 0.625 x 6, ZP, gr 5
11	06200125	2	CLAMP, HOSE,
12	413-412	3	BOLT, Hex, 1/4"-20 x 3/4", G5, Full Thd, 1/4 NC x 3/4 H, gd 5, ZND
13	09967728	1	SPACER, Rear Hitch
14	413-1296	1	BOLT, Hex, 3/4"-10 x 6", G5, 3/4 x 6.00 H, gd 5, ZND
15	425-1012	9	NUT, 3/4"-10, G5, 3/4 NC, Hex gd 5, ZND
16	17616011	4	BUSHING, LARGE, Machine, 10 ga, ZND
17	86992219	2	NUT, LOCK, Stover, gd C, ZP, 1 NC
18	413-16136	2	BOLT, Hex, 1"-8 x 8 1/2", G5, 1 NC x 8.50 H Bolt, gd 5, ZND
19	16901245	8	BOLT, 3/4 NC x 10.50 H, gd 5 ZND
20	09967735	2	PLATE, Mount
21	87446763	1	HARNESS, WIRE, Rear Hitch
22	86992211	2	NUT, LOCK, Stover, gd C, ZP, 1/4 NC
23	25705020	1	COUPLING, QUICK, FEMALE,
24	218-5058	2	CONNECTOR, HYD., 9/16"-18, 37e x 3/4"-18, O-Ring, 3/4 SAEM, 9/16 JICM
25A	25600428	2	HOSE ASSY., 1/4 x 425
25B	25600422	2	HOSE ASSY., 1/4 x 30
26	413-620	1	BOLT, Hex, 3/8"-16 x 1 1/4", G5, Full Thd, 3/8 x 1-1/4 H, gd 5, ZND
27	495-21044	1	WASHER, 3/8",



① PART NO. - 311860A1



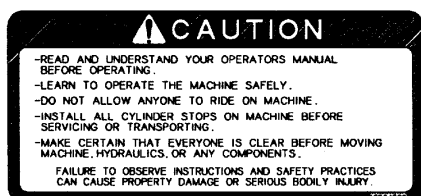
② PART NO. 311864A1



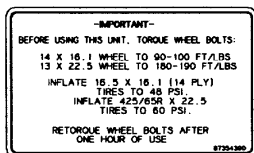
③ PART NO. 311865A1



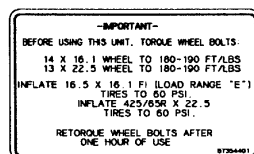
④ PART NO. 311863A1



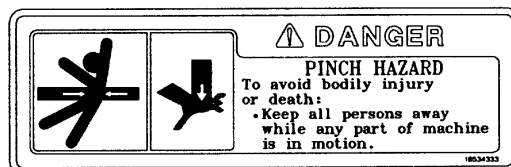
⑤ PART NO. - 18534228



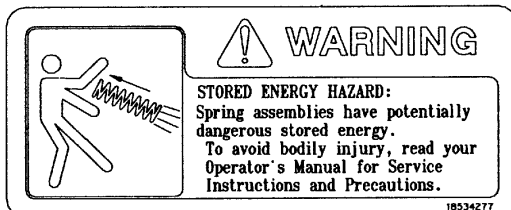
⑥ PART NO. - 87354390
5-SHANK UNITS ONLY



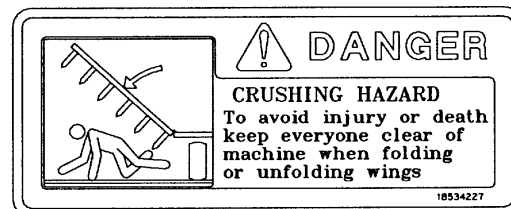
⑦ PART NO. - 87354401
7-SHANK UNITS ONLY



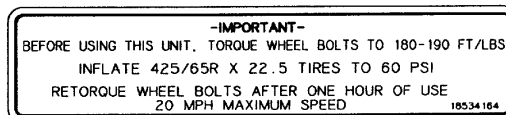
⑧ PART NO. - 18534333



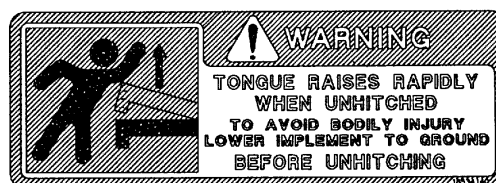
⑨ PART NO. - 18534277



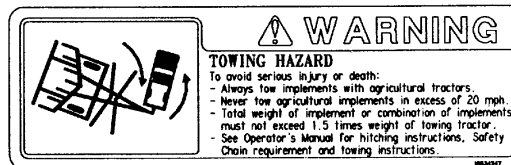
⑩ PART NO. - 18534227



⑪ PART NO. - 18534164

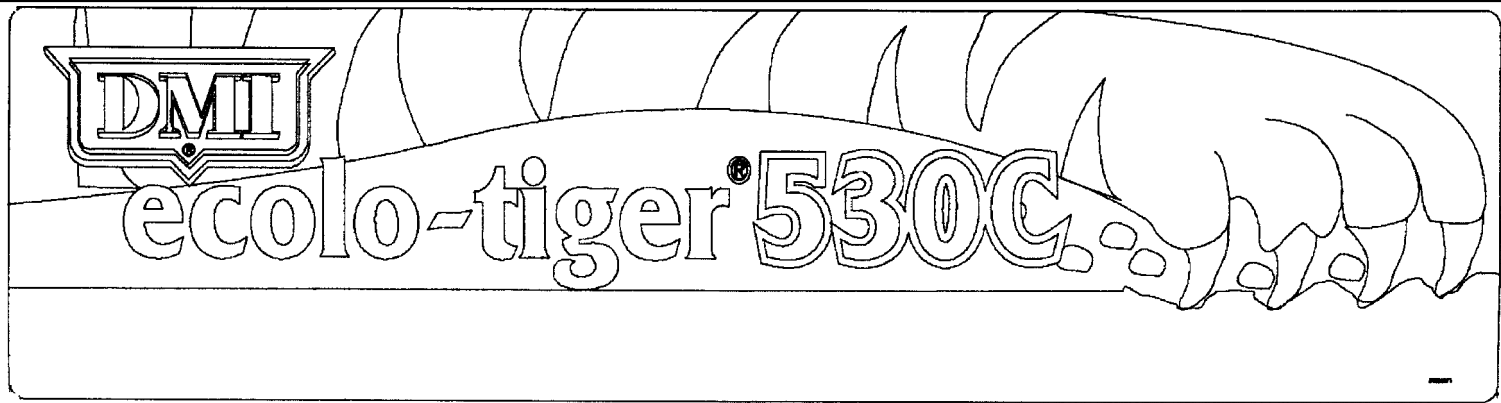


⑫ PART NO. - 18534140

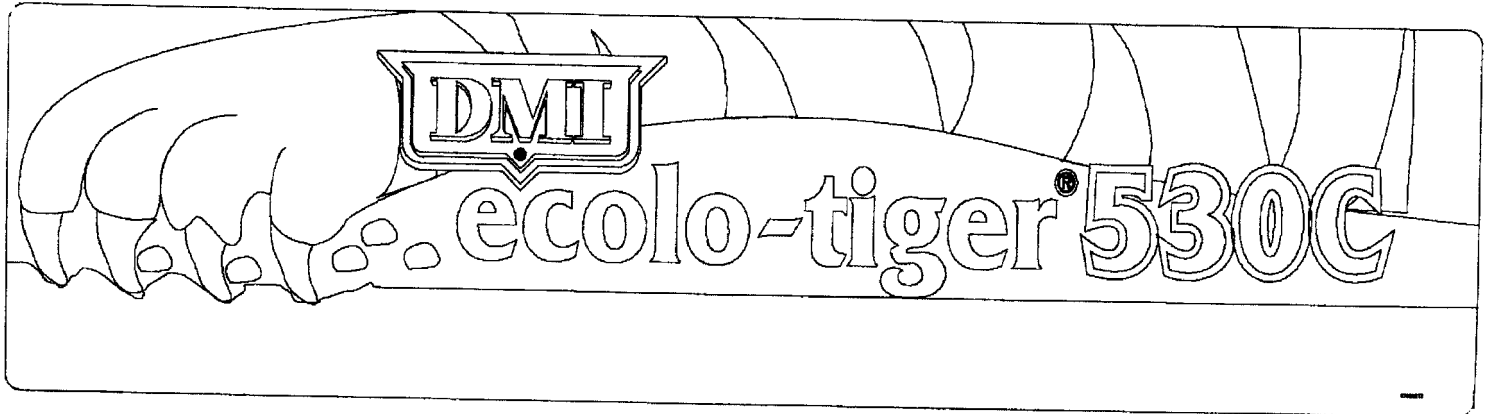


⑬ PART NO. - 18534347

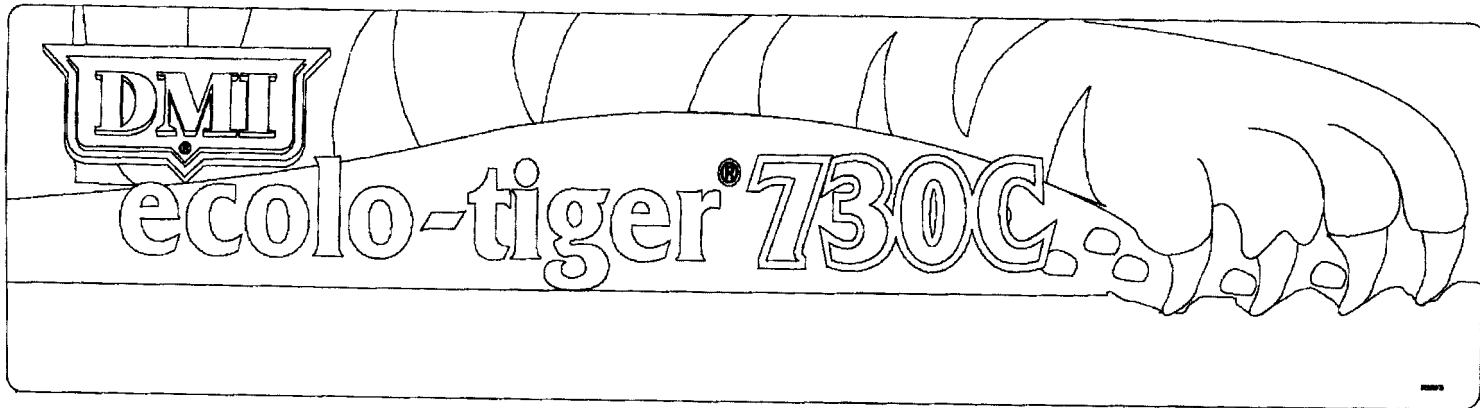
сылка	Номер детали	Кол-во	Описание
1	311860A1	1	EMBLEM, SMV, ASAE, With Steel Plate
2	311864A1	1	REFLECTOR, Yellow, ASAE, 2 x 9
3	311865A1	1	REFLECTOR, Fluorescent, ASAE, 2 x 9
4	311863A1	1	REFLECTOR, Red, ASAE, 2 x 9
5	18534228	1	DECAL, Caution, Pull Type
6	87354390	1	DECAL, Bolt Torque And Tire Information, 5 Shank
7	87354401	1	DECAL, Bolt Torque And Tire Information, 7 Shank
8	18534333	1	DECAL, Danger
9	18534277	1	DECAL, Warning, Spring Compression
10	18534227	1	DECAL, Danger
11	18534164	1	DECAL, Bolt Torque And Tire Information
12	18534140	1	DECAL, Warning
13	18534347	1	DECAL, Towing Hazard



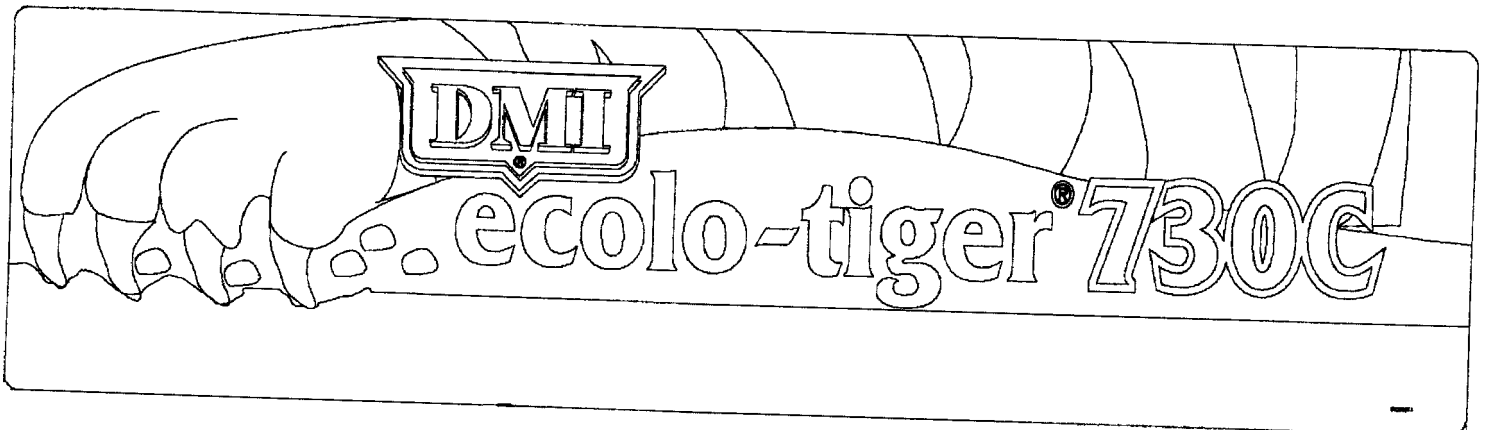
1



2



3



4

09-19 DECALS

сылка	Номер детали	Кол-во	Описание
1	87380871	1	DECAL, Lh, Blue, 5 Shank, BSN JFH0033978
2	87380872	1	DECAL, Rh, Blue, 5 Shank, BSN JFH0033978
3	87380873	1	DECAL, Lh, Blue, 7 Shank, BSN JFH0033978
4	87380874	1	DECAL, Rh, Blue, 7 Shank, BSN JFH0033978



ECOLO-TIGER 530B

18532031

1



ECOLO-TIGER 530B

18532032

2



ECOLO-TIGER 730B

18532033

3



ECOLO-TIGER 730B

18532034

4

09-20 DECALS

сылка	Номер детали	Кол-во	Описание
1	18532031	1	DECAL, Lh, Blue, 5 Shank, ASN JFH0033979
2	18532032	1	DECAL, Rh, Blue, 5 Shank, ASN JFH0033979
3	18532033	1	DECAL, Lh, Blue, 7 Shank, ASN JFH0033979
4	18532034	1	DECAL, Rh, Blue, 7 Shank, ASN JFH0033979

