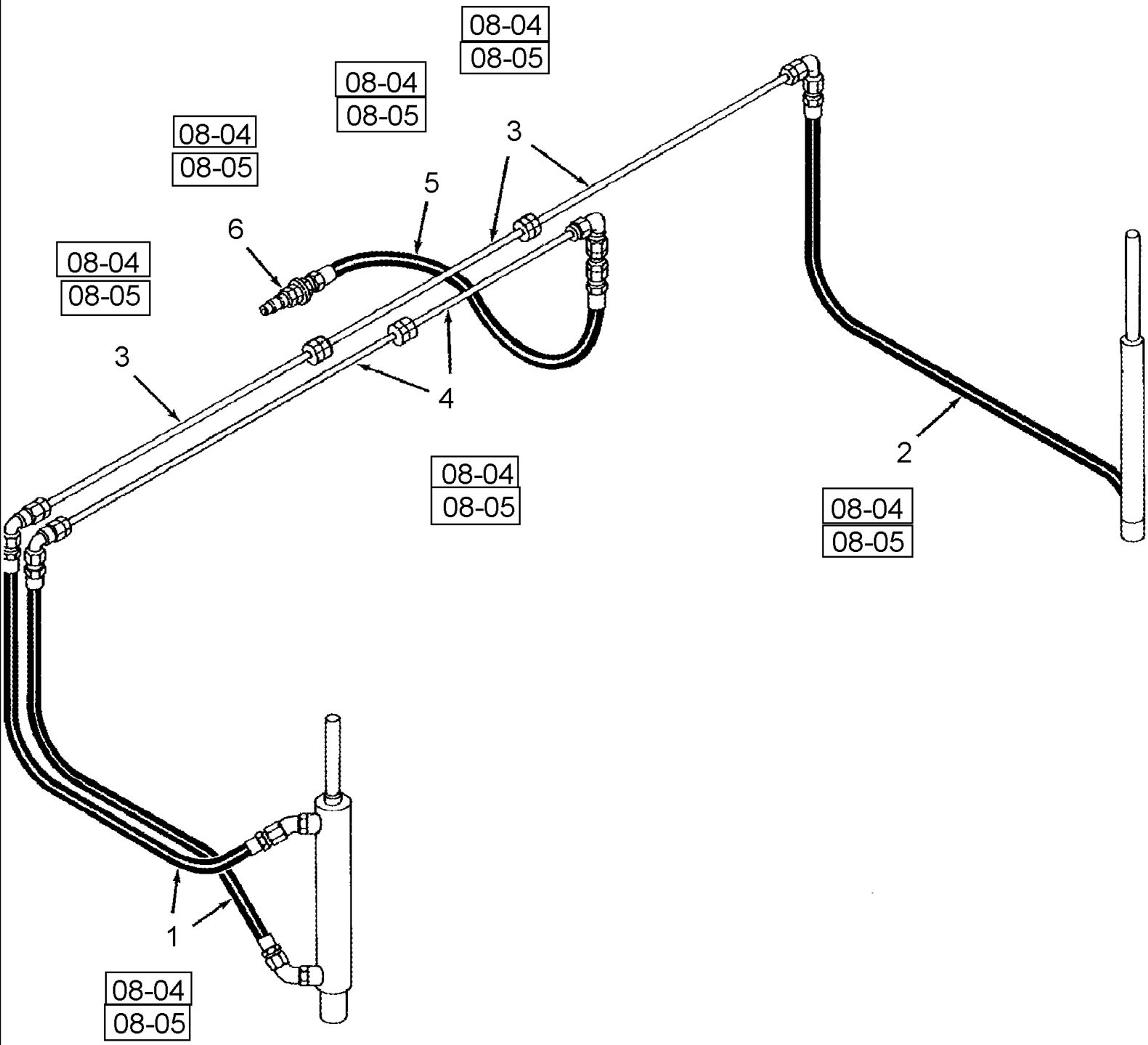


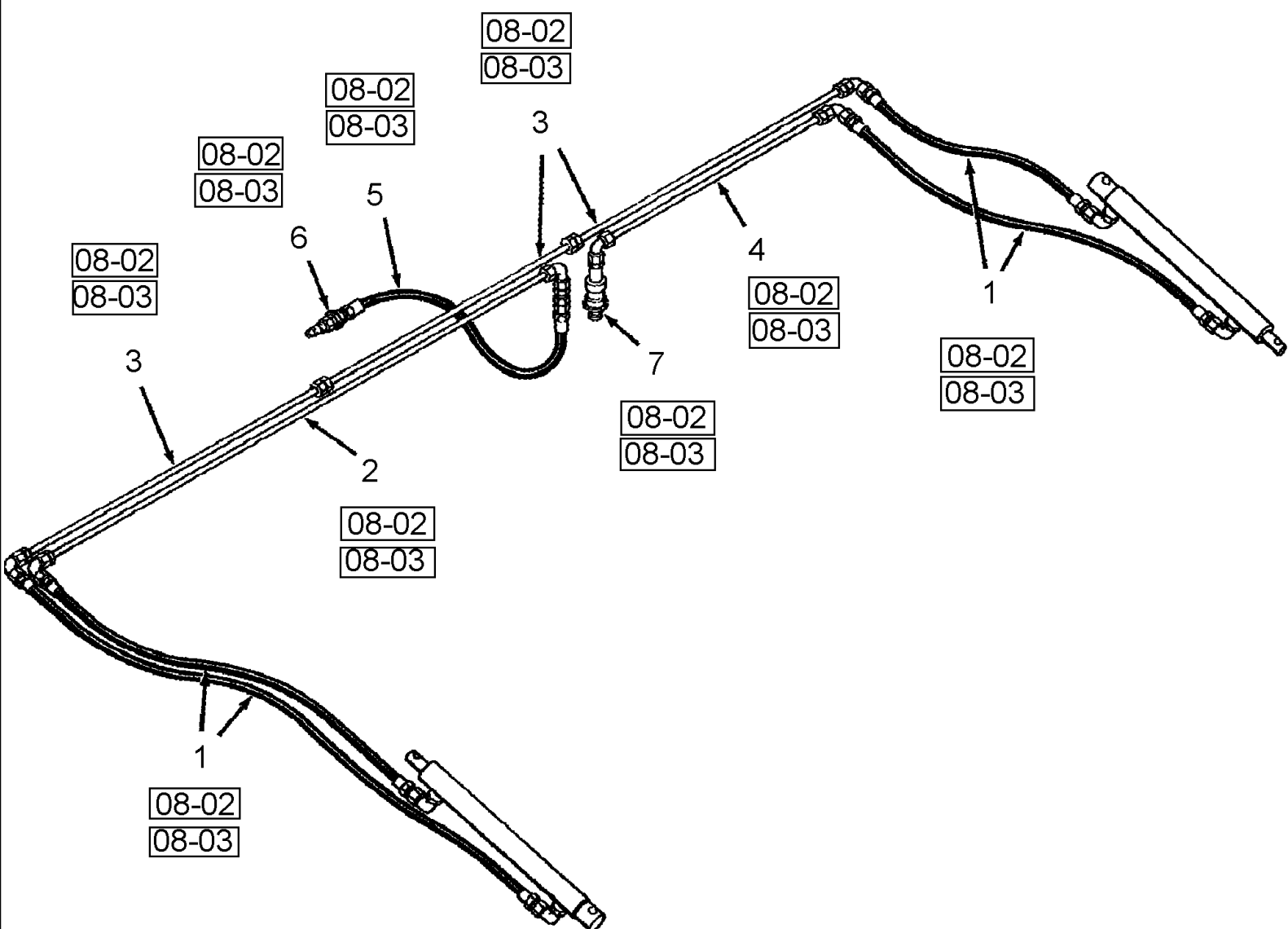
01-01 PICTORIAL INDEX, REEL DRIVE HYDRAULIC SYSTEM

сылка	Номер детали	Кол-во	Описание
2	REF		INSTRUCTION, Tube, See figure 08-01
3	REF		INSTRUCTION, Hose to combine, See figure 08-01
4	REF		INSTRUCTION, Coupling male, See figure 08-01
5	REF		INSTRUCTION, Coupling Female, See figure 08-01

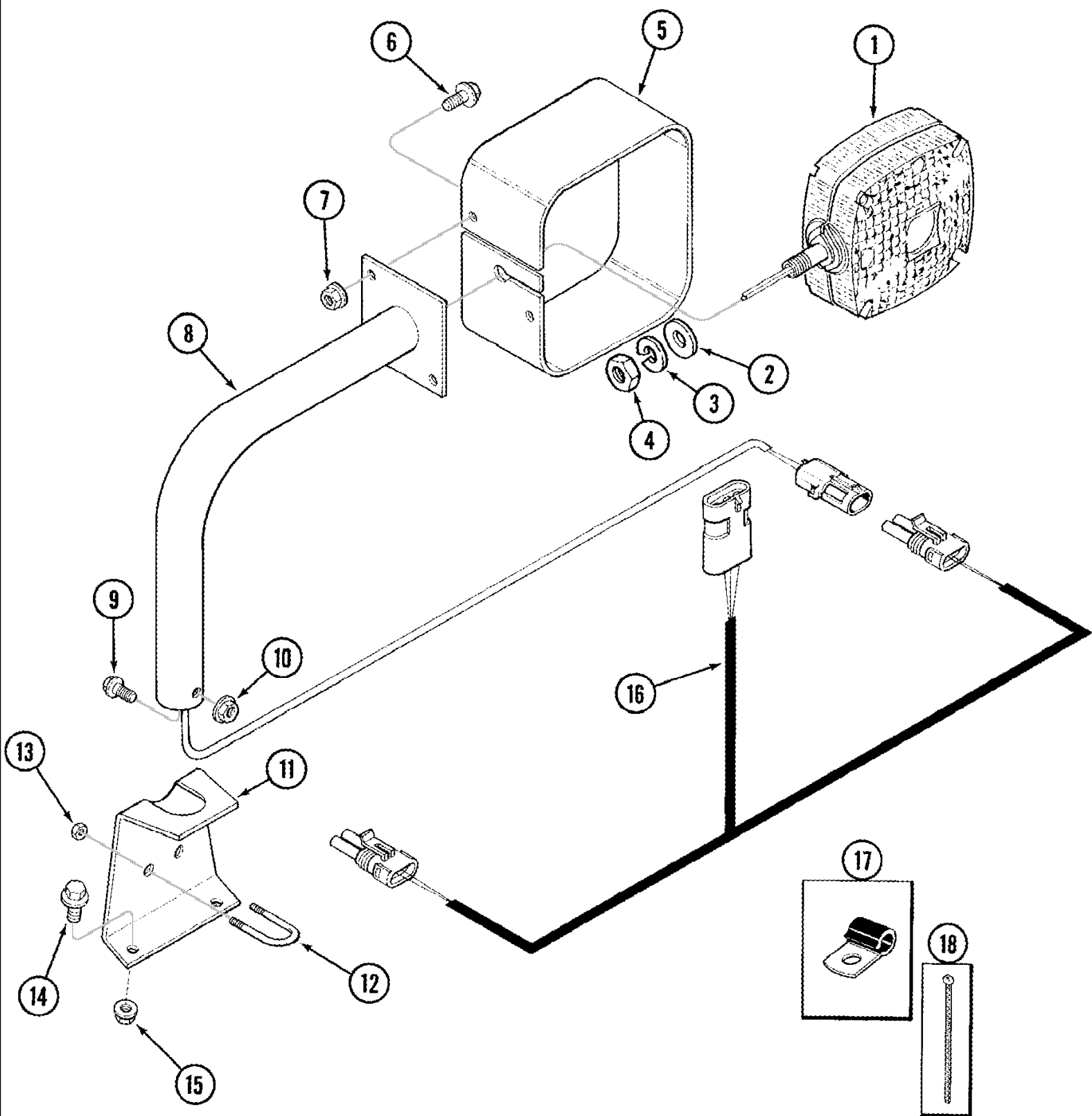


01-02 PICTORIAL INDEX, REEL LIFT HYDRAULIC SYSTEM

сылка	Номер детали	Кол-во	Описание
1	REF		INSTRUCTION, Master Cylinder Hose 15.0, 16.5, 17.5 and 20.0 foot, See figure 08-04
1	REF		INSTRUCTION, Master Cylinder Hose 22.5, 25.0 and 30.0 foot, See figure 08-05
2	REF		INSTRUCTION, Slave Cylinder Tube 15.0, 16.5, 17.5 and 20.0 foot, See figure 08-04
2	REF		INSTRUCTION, Slave Cylinder Tube 22.5, 25.0 and 30.0 foot, See figure 08-05
3	REF		INSTRUCTION, Cylinder to Cylinder Tube 15.0, 16.5, 17.5 and 20.0 foot, See figure 08-04
3	REF		INSTRUCTION, Cylinder to Cylinder Tube 22.5, 25.0 and 30.0 foot, See figure 08-05
4	REF		INSTRUCTION, Master Cylinder Hose 15.0, 16.5, 17.5 and 20.0 foot, See figure 08-04
4	REF		INSTRUCTION, Master Cylinder Hose 22.5, 25.0 and 30.0 foot, See figure 08-05
5	REF		INSTRUCTION, To Combine Coupling 15.0, 16.5, 17.5 and 20.0 foot, See figure 08-04
5	REF		INSTRUCTION, To Combine Coupling Hose 22.5, 25.0 and 30.0 foot, See figure 08-05
6	REF		INSTRUCTION, Male Coupling 15.0, 16.5, 17.5 and 20.0 foot, See figure 08-04
6	REF		INSTRUCTION, Male Coupling 22.5, 25.0 and 30.0 foot, See figure 08-05



сылка	Номер детали	Кол-во	Описание
1	REF		INSTRUCTION, Right Hose 22.5, 25.0 and 30.0 foot, See figure 08-03
2	REF		INSTRUCTION, Right Tube 15.0, 16.5, 17.5 and 20.0 foot, See figure 08-02
2	REF		INSTRUCTION, Right Tube 22.5, 25.0 and 30.0 foot, See figure 08-03
3	REF		INSTRUCTION, Cylinder to Cylinder Tube 15.0, 16.5, 17.5 and 20.0 foot, See figure 08-02
3	REF		INSTRUCTION, Cylinder to Cylinder Tube 22.5, 25.0 and 30.0 foot, See figure 08-03
4	REF		INSTRUCTION, Left Tube 15.0, 16.5, 17.5 and 20.0 foot, See figure 08-02
4	REF		INSTRUCTION, Left Tube 22.5, 25.0 and 30.0 foot, See figure 08-03
5	REF		INSTRUCTION, To Combine Hose 15.0, 16.5, 17.5 and 20.0 foot, See figure 08-02
5	REF		INSTRUCTION, To Combine Hose 22.5, 25.0 and 30.0 foot, See figure 08-03
6	REF		INSTRUCTION, Male Coupling 15.0, 16.5, 17.5 and 20.0 foot, See figure 08-02
6	REF		INSTRUCTION, Male Coupling 22.5, 25.0 and 30.0 foot, See figure 08-03
7	REF		INSTRUCTION, Female Coupling 15.0, 16.5, 17.5 and 20.0 foot, See figure 08-02
7	REF		INSTRUCTION, FemaleCoupling 22.5, 25.0 and 30.0 foot, See figure 08-03

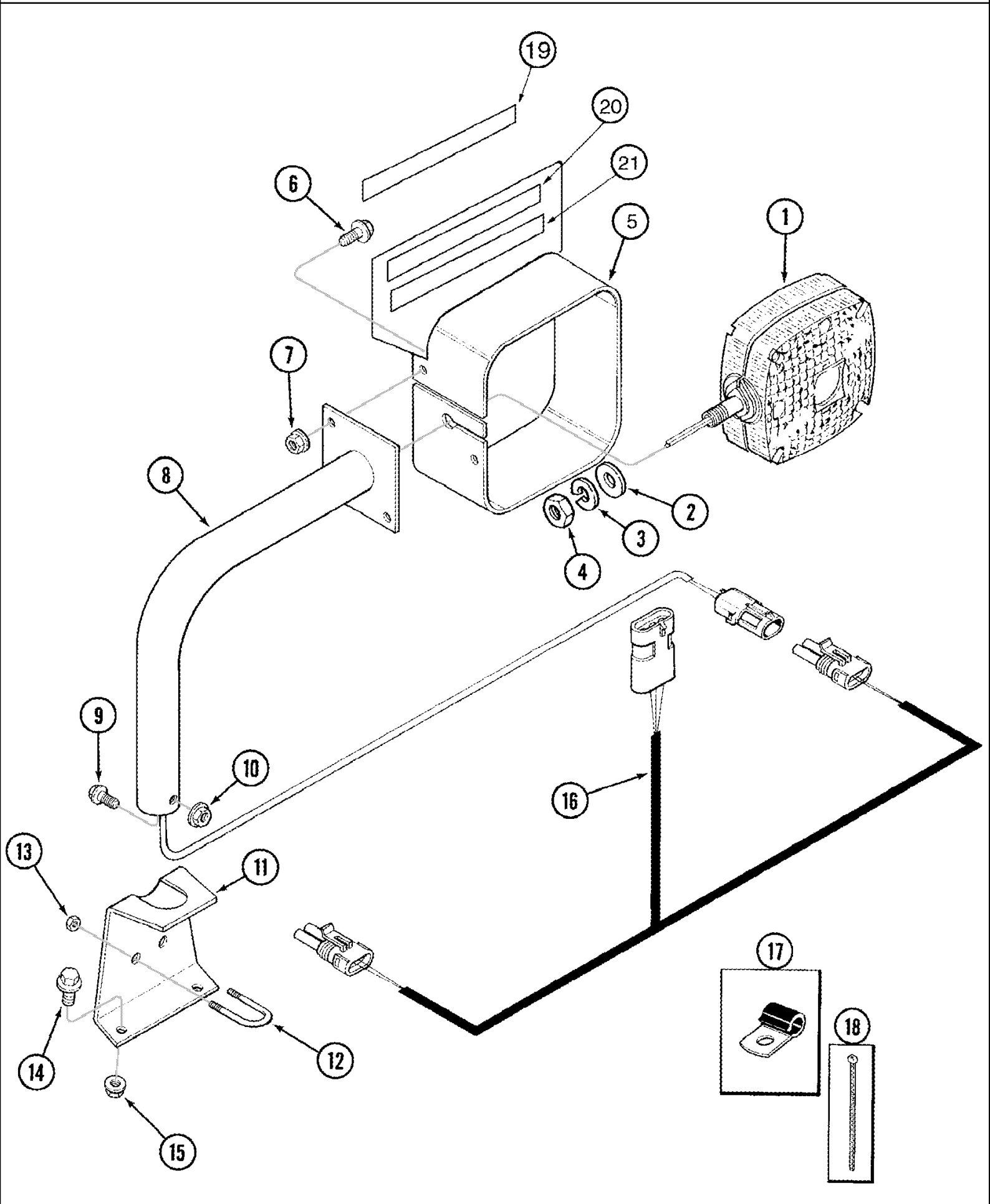


1020 GRAIN HEADER (P.I.N. JJC0315001 TO JJC0350294) (-10/04)

04-01 WIRING HARNESS AND LAMP MOUNTING BSN JJC0304999

сылка	Номер детали	Кол-во	Описание
1	134454A1	2	LAMP, warning amber, Includes 2 - 4
2	87364	2	WASHER, 1/2", SAE,
3	80679	2	WASHER, LOCK, 1/2",
4	280963	2	NUT, 1/2"-20, G5,
5	126890A1	2	SHIELD, marker light
6	145913	4	BOLT, Hex Flg, 5/16"-18 x 3/4", Serr,
7	145458	4	NUT, Flg, USR, 5/16"-18,
8	127031A1	2	SUPPORT, marker light
9	256873	2	BOLT, Hex Flg, 5/16"-18 x 1/2", Serr,
10	145458	2	NUT, Flg, USR, 5/16"-18,
11	127057A2	2	BRACKET, marker light, BSN JJC0350294
12	140374A1	2	U-BOLT, UR 5/16" x 1 5/16" x 1 13/16" NC
13	231-4215	4	NUT, LOCK, 5/16"-18, GB,
14	255918	4	BOLT, Hex Flg, 3/8"-16 x 3/4", Serr,
15	247780	4	NUT, Flg, USR, 3/8"-16,
16	128896A1	1	HARNESS, WIRE, lamp, marker lights
17	516-23127	2	CLAMP, J, 9/16" Insul, 3/8" Bolt,
18	435437A1	2	STRAP, CABLE, 3/16" x 7 1/4",

BSN JJC0304999



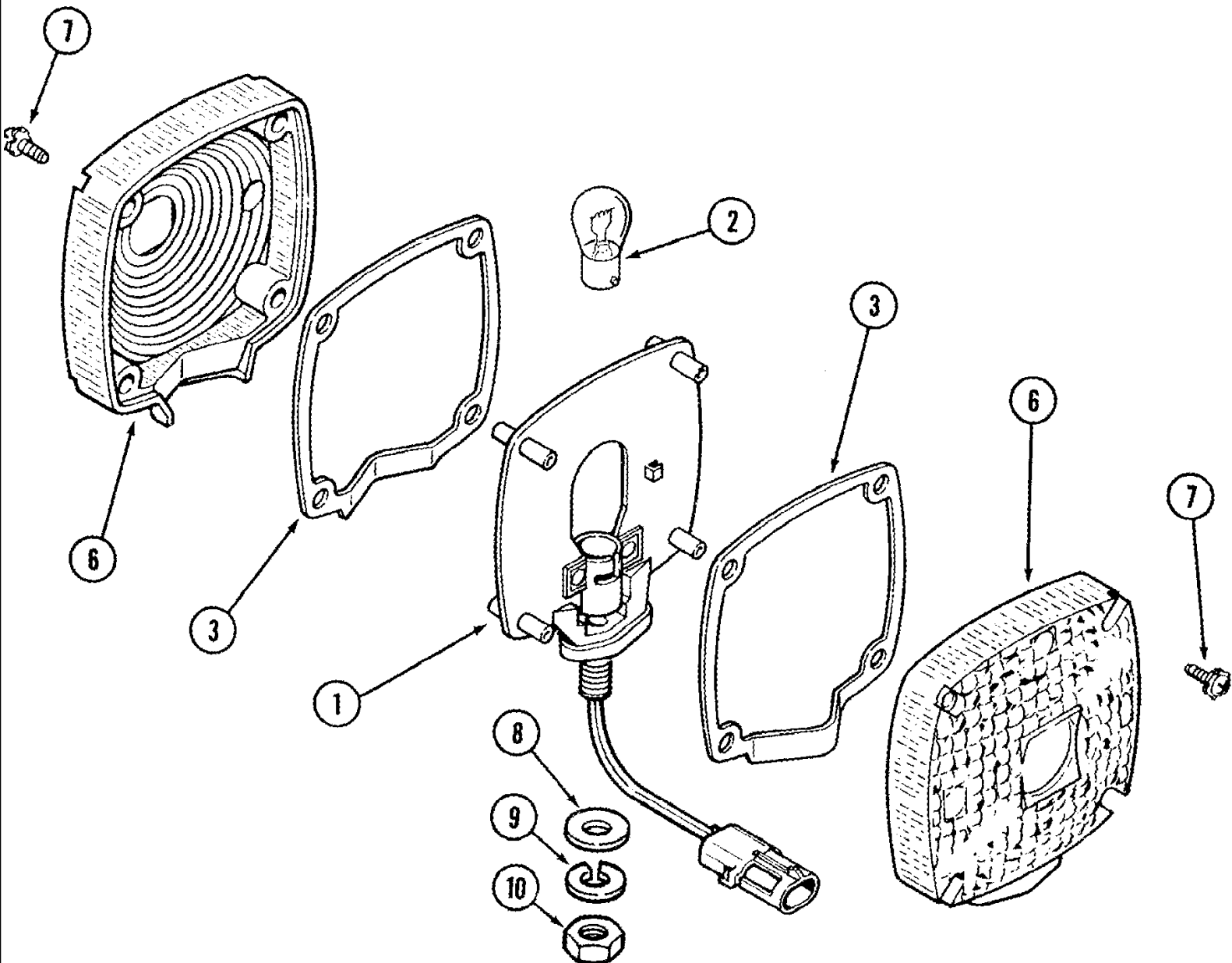
1020 GRAIN HEADER (P.I.N. JJC0315001 TO JJC0350294) (-10/04)

04-02 WIRING HARNESS AND LAMP MOUNTING ASN JJC0305000

сылка	Номер детали	Кол-во	Описание
1	134454A1	2	LAMP, warning amber, Includes 2 - 4
2	87364	2	WASHER, 1/2", SAE,
3	80679	2	WASHER, LOCK, 1/2",
4	280963	2	NUT, 1/2"-20, G5,
5	390636A1	2	BRACKET, marker light
6	145913	4	BOLT, Hex Flg, 5/16"-18 x 3/4", Serr,
7	145458	4	NUT, Flg, USR, 5/16"-18,
8	127031A1	2	SUPPORT, marker light
9	256873	2	BOLT, Hex Flg, 5/16"-18 x 1/2", Serr,
10	145458	2	NUT, Flg, USR, 5/16"-18,
11	127057A2	2	BRACKET, marker light, BSN JJC0350294
12	140374A1	2	U-BOLT, UR 5/16" x 1 5/16" x 1 13/16" NC
13	231-4215	4	NUT, LOCK, 5/16"-18, GB,
14	255918	4	BOLT, Hex Flg, 3/8"-16 x 3/4", Serr,
15	247780	4	NUT, Flg, USR, 3/8"-16,
16	128896A1	1	HARNESS, WIRE, lamp, marker lights
17	516-23127	2	CLAMP, J, 9/16" Insul, 3/8" Bolt,
18	435437A1	2	STRAP, CABLE, 3/16" x 7 1/4",
19	311864A1	1	REFLECTOR, retroreflective amber
20	311863A1	1	REFLECTOR, retroreflective red
21	311865A1	1	REFLECTOR, fluorescent orange

ASN JJC0305000

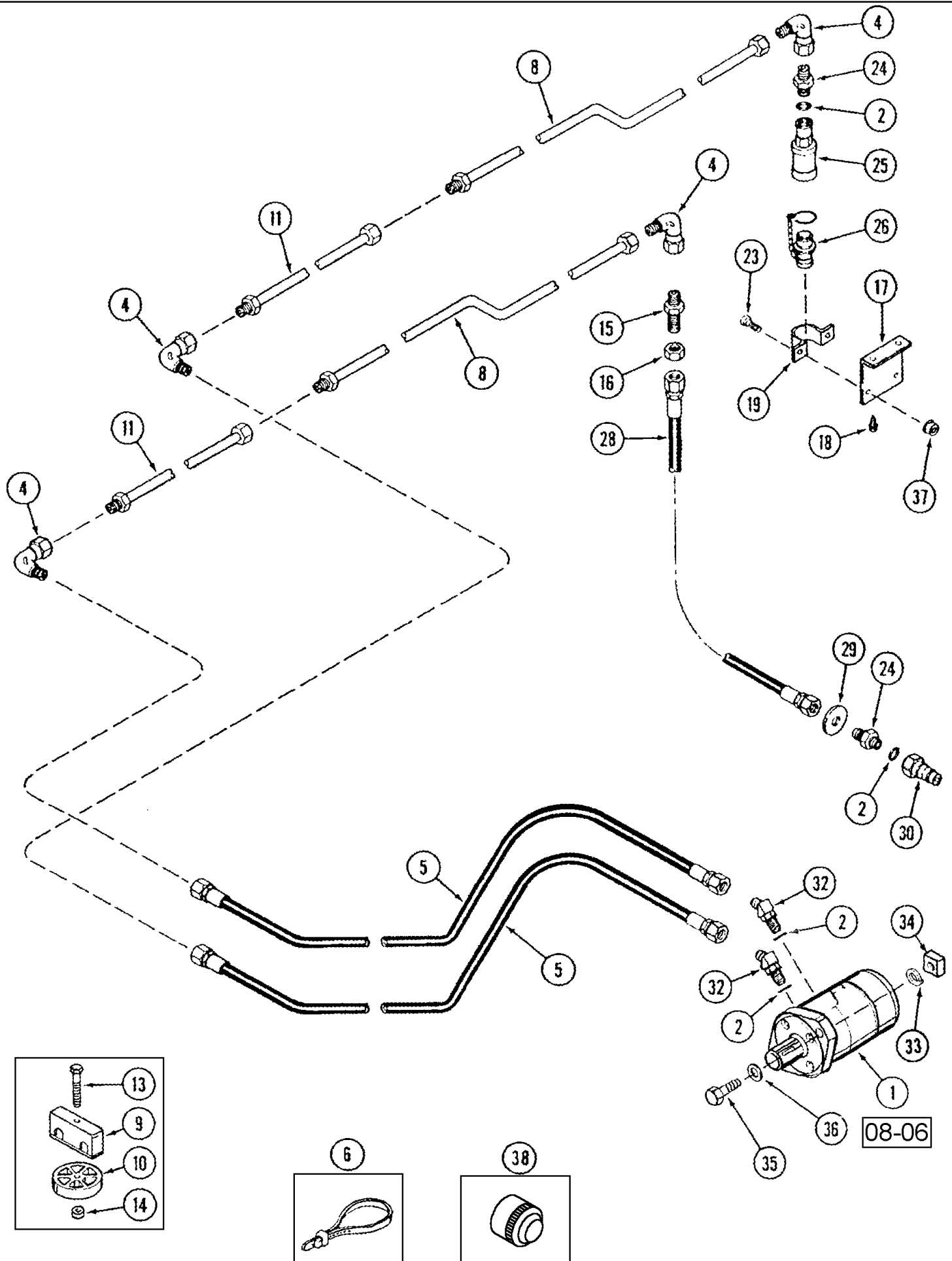
04-03 WARNING LIGHT



04-03 WARNING LIGHT

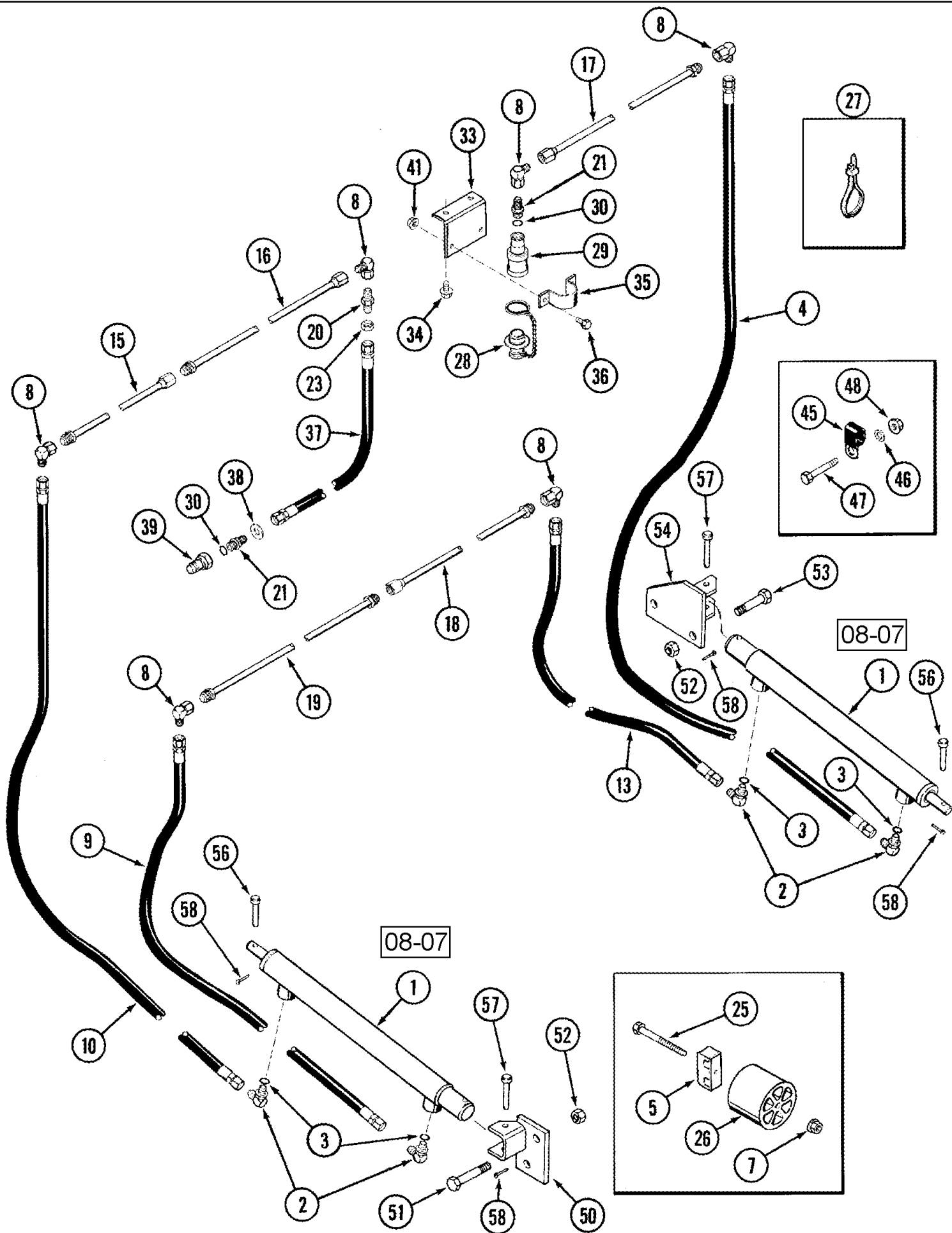
сылка	Номер детали	Кол-во	Описание
0	134454A1	2	LAMP, warning amber, Includes 1 - 10
1	NSS	1	NOT SERVICED SEPARATELY, Body, Lamp
2	529068	1	BULB, #1156, 12V,
3	A43731	2	GASKET, sealing, lens
4	A44202	1	KIT, lens replacement, Not Shown, Includes 6, 7
6	F63434	2	LENS, amber, turn signal light, flasher
7	87016394	8	SCREW, SELF TAP, Cross Pan Hd, #8 x 5/8",
8	87364	1	WASHER, 1/2", SAE,
9	80679	1	WASHER, LOCK, 1/2",
10	280963	1	NUT, 1/2"-20, G5,

08-01 REEL DRIVE MOTOR SYSTEM



08-01 REEL DRIVE MOTOR SYSTEM

сылка	Номер детали	Кол-во	Описание
1	130409A1	1	MOTOR, HYDRAULIC, reel drive, See figure 08-06
2	167269	4	O-RING, 10-1, 90 Duro, .755" ID x .097" Thk,
4	248974	4	ELBOW, 90e, 3/4"-16, 37e x 3/4"-16, 37e Fem Sw,
5	131057A1	2	HOSE, 1270 mm (50") long, hydraulic, 3/8 ID (Pick-up reel)
6	87557087	2	STRAP, CABLE, 11" with stainless locking clip
8	1338406C1	2	TUBE, HYD, reel drive
9	1301178C1	X	CLAMP, tube
10	1326572C1	X	SPACER, 10 mm, long
11	1338408C1	2	TUBE, HYD, reel drive (15.0 foot)
11	1338409C1	2	TUBE, HYD, reel drive (16.5 foot)
11	1316443C1	2	TUBE, HYD, reel drive, 17.5 foot
11	1338410C1	2	TUBE, HYD, reel drive (20.0 foot)
11	1338411C1	2	TUBE, HYD, reel drive (22.5 foot)
11	1338412C1	2	TUBE, HYD, reel drive (25.0 foot)
11	1338413C1	2	TUBE, HYD, reel drive (30.0 foot)
13	87404	X	BOLT, Hex, 1/4"-20 x 2", G5,
14	9626558	X	NUT, LOCK, Flg, 1/4"-20,
15	264654	1	FITTING, Blkhd, 3/4"-16, 37e x 3/4"-16, 37e,
16	524036	1	NUT, LOCK, Blkhd, 3/4"-16,
17	1316779C2	1	SUPPORT,
18	87034817	2	SCREW, SELF TAP, Hex Wash Hd, 5/16" x 3/4",
19	1321398C3	1	CLAMP, quick disconnect
23	88542	2	BOLT, Hex, 1/4"-20 x 1/2", G5, Full Thd,
24	218-5060	2	CONNECTOR, HYD., 3/4"-16, 37e x 7/8"-14, O-Ring,
25	1282338C91	1	COUPLING, QUICK, FEMALE, 7/8 NF, Self-Sealing
26	1954133C1	1	DUST CAP, plug assembly
28	1316829C1	1	HOSE, 965 mm (38") long, hydraulic, 3/8" ID
29	1345266C1	1	WASHER, lock, white, special
30	1272399C2	1	COUPLING, QUICK, MALE, self sealing, male, 7/8" NF
32	9610689	2	ELBOW, 45e, 3/4"-16 x 7/8"-14, O-Ring,
33	80679	2	WASHER, LOCK, 1/2",
34	129-857	2	NUT, Sq, 1/2"-13,
35	9707516	2	BOLT, Hex, 1/2"-13 x 1 3/4", G5,
36	396-41053	2	WASHER, 17/32" x 1 1/4" x .188", HDN,
37	523282	2	NUT, Flg, USR, 1/4"-20,
38	251636A1	3	CAP, fitting aluminum 1/2" with seal

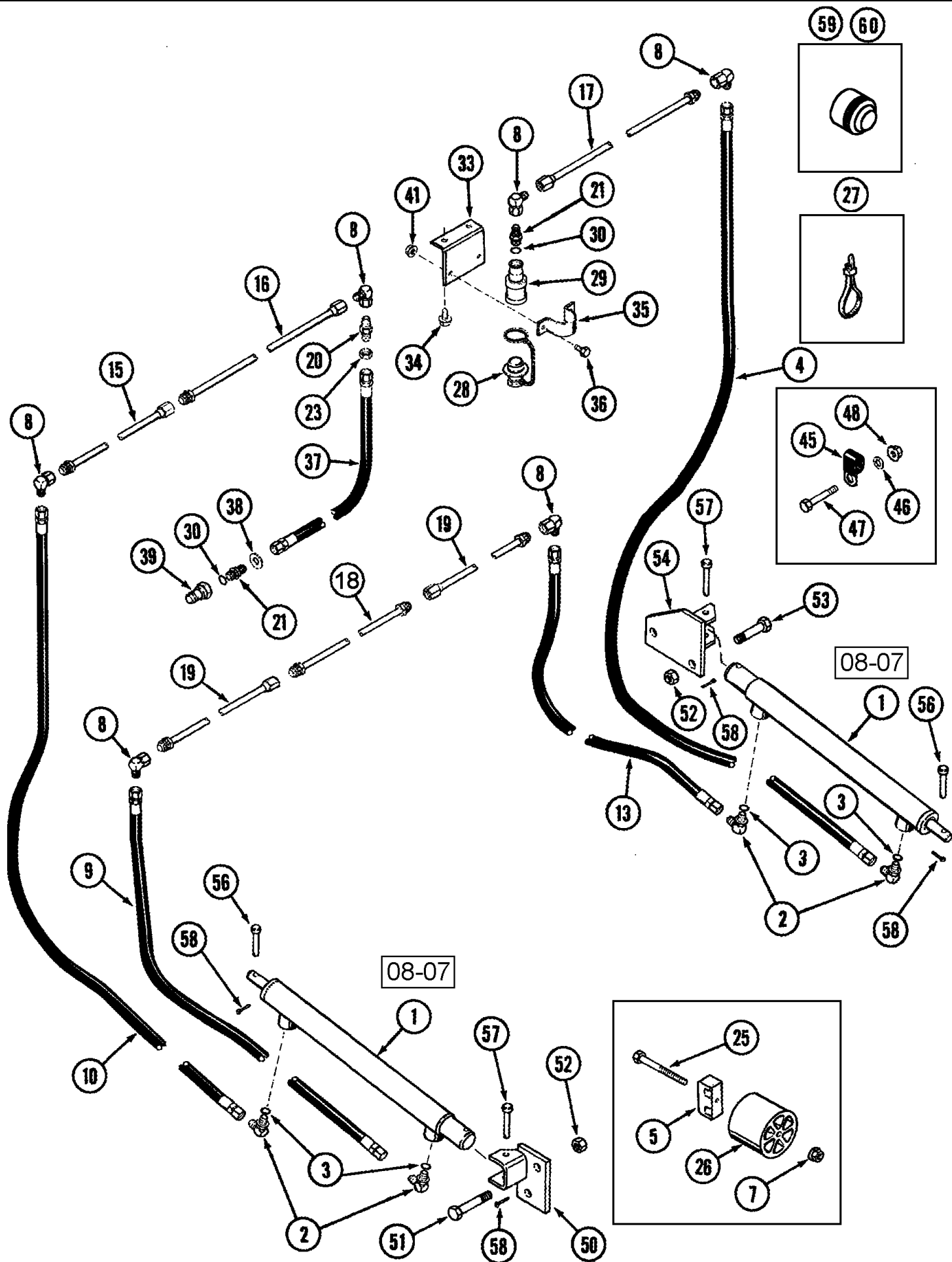


сылка	Номер детали	Кол-во	Описание
1	277402A1	2	CYLINDER ASSY., pickup reel, See figure 08-07
2	76344	4	ELBOW, 90°, 9/16"-18, 37° x 9/16"-18, O-Ring,
3	9617873	4	O-RING, 6-1, 90 Duro, .468" ID x .078" Thk,
4	1277506C1	1	HOSE, 1194 mm (47 inch) long, hydraulic, 1/4 ID, Pick-up Reel
5	183825C1	4	CLAMP, 3/8" tubes
7	9626558	4	NUT, LOCK, Flg, 1/4"-20,
8	86629586	6	ELBOW, 90°, 9/16"-18, 37° x 9/16"-18, 37° Fem Sw,
9	141425A2	1	HOSE, 1/4" x 57"
10	147876C1	1	HOSE, hyd 1/4" x 45" fl 3/8" fjc x 3/8" fjc
13	147875C1	1	HOSE, 890 mm (35") long, hydraulic, 1/4 ID
15	1338414C1	1	TUBE, HYD, reel lift (15.0 foot)
15	1338415C1	1	TUBE, HYD, reel lift (16.5 foot)
15	1338416C1	1	TUBE, HYD, reel lift (17.5 foot)
15	1316596C1	1	TUBE, HYD, reel lift (20.0 foot)
16	1338420C1	1	TUBE, HYD, reel lift
17	138333A1	1	TUBE, fore and aft (15.0 foot)
17	1326831C2	1	TUBE, fore and aft (16.5 foot)
17	138334A1	1	TUBE, fore and aft (17.5 foot)
17	138335A1	1	TUBE, fore and aft (20.0 foot)
18	1316601C1	1	TUBE, HYD, reel lift (15.0 foot)
18	1338417C1	1	TUBE, HYD, reel lift (16.5 foot)
18	1316604C1	1	TUBE, HYD, 3/8" x 100", 17.5 foot
18	1338420C1	1	TUBE, HYD, reel lift, 20.0 foot
19	1338418C1	1	TUBE, HYD, reel lift (15.0 and 17.5 foot)
19	1338421C1	1	TUBE, HYD, reel lift, 16.5 and 20.0 foot
20	86513087	1	FITTING, Blkhd, 9/16"-18, 37° x 9/16"-18, 37°,
21	525646	2	CONNECTOR, HYD., 9/16"-18, 37° x 7/8"-14, O-Ring,
23	86525	1	NUT, LOCK, Blkhd, 9/16"-18,
25	280317	4	BOLT, Hex, 1/4"-20 x 3", G5,
26	1326573C1	4	SPACER, 45 mm long
27	435437A1	12	STRAP, CABLE, 3/16" x 7 1/4",
28	1954133C1	1	DUST CAP, plug assembly
29	1282338C91	1	COUPLING, QUICK, FEMALE, 7/8 NF, Self-Sealing
30	167269	2	O-RING, 10-1, 90 Duro, .755" ID x .097" Thk,
33	1316779C2	1	SUPPORT,
34	87034817	2	SCREW, SELF TAP, Hex Wash Hd, 5/16" x 3/4",
35	1321398C3	1	CLAMP, quick disconnect
36	88542	2	BOLT, Hex, 1/4"-20 x 1/2", G5, Full Thd,
37	1254527C2	1	HOSE, 940 mm (37") long, hydraulic, 1/4 id
38	1541792C1	1	WASHER, LOCK, red, special
39	1272399C2	1	COUPLING, QUICK, MALE, self sealing, male, 7/8" NF
41	523282	2	NUT, Flg, USR, 1/4"-20,
45	485093C1	2	CLAMP,
46	80701	2	WASHER, 1/4",
47	87845	2	BOLT, Hex, 1/4"-20 x 2 1/2", G5,

1020 GRAIN HEADER (P.I.N. JJC0315001 TO JJC0350294) (-10/04)

08-02 REEL FORE AND AFT HYDRAULIC SYSTEM - 15.0, 16.5, 17.5 AND 20.0 FOOT

сылка	Номер детали	Кол-во	Описание
48	9626558	2	NUT, LOCK, Flg, 1/4"-20,
50	1316318C3	1	SUPPORT, bracket RH cylinder, BSN JJC0350294
51	88043	2	BOLT, Hex, 1/2"-13 x 3 1/4", G5,
52	231-4118	4	NUT, LOCK, 1/2"-13, GB,
53	87339	2	BOLT, Hex, 1/2"-13 x 3", G5,
54	280387A1	1	SUPPORT, bracket LH cylinder mount, BSN JJC0350294
56	439-5628	2	PIN, HEADED, 3/8" x 1 3/4",
57	439-1636	2	PIN, HEADED, 3/8" x 2 1/2", G2,
58	80756	4	PIN, SPLIT (COTTER), 1/8" x 3/4",

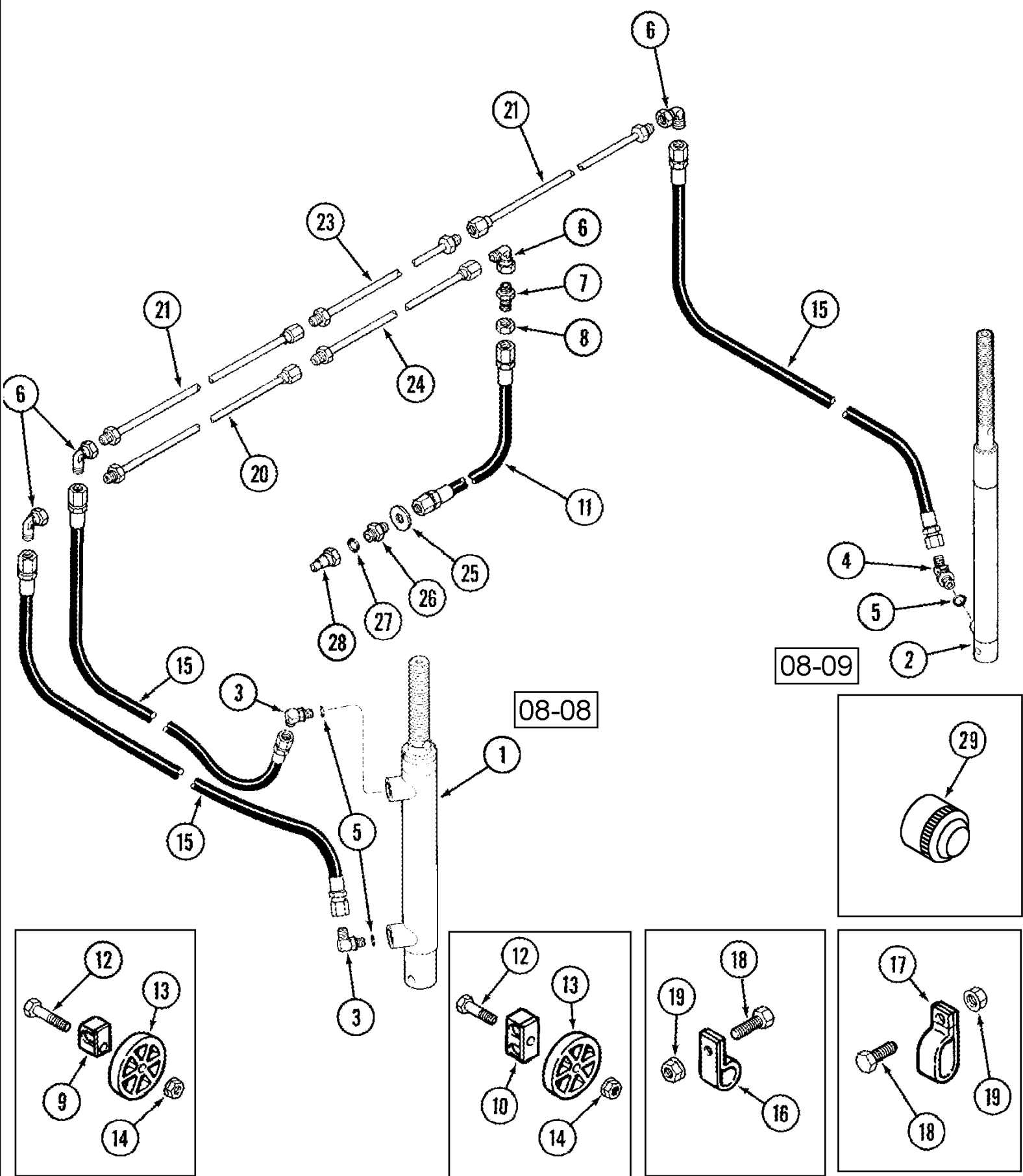


сылка	Номер детали	Кол-во	Описание
1	277402A1	2	CYLINDER ASSY., pickup reel, See figure 08-07
2	76344	4	ELBOW, 90°, 9/16"-18, 37° x 9/16"-18, O-Ring,
3	9617873	4	O-RING, 6-1, 90 Duro, .468" ID x .078" Thk,
4	1277506C1	1	HOSE, 1194 mm (47 inch) long, hydraulic, 1/4 ID, Pick-up Reel
5	183825C1	6	CLAMP, 3/8" tubes
7	9626558	6	NUT, LOCK, Flg, 1/4"-20,
8	86629586	6	ELBOW, 90°, 9/16"-18, 37° x 9/16"-18, 37° Fem Sw,
9	141425A2	1	HOSE, 1/4" x 57"
10	812382C1	1	HOSE, hyd 1/4" x 1270 mm (50") long
10	147876C1	1	HOSE, hyd 1/4" x 45" fl 3/8" fjc x 3/8" fjc
13	147875C1	1	HOSE, 890 mm (35") long, hydraulic, 1/4 ID
15	1316598C1	1	TUBE, HYD, reel lift (22.5 and 25.0 foot)
15	1338421C1	1	TUBE, HYD, reel lift, 30.0 foot
16	1338420C1	1	TUBE, HYD, reel lift, 22.5 and 25.0 foot
16	1338420C1	1	TUBE, HYD, reel lift, 30.0 foot
17	1316602C2	1	TUBE, HYD, fore and aft (22.5 foot)
17	138338A1	1	TUBE, fore and aft (25.0 foot)
17	1338420C1	1	TUBE, HYD, reel lift, 30.0 foot, Longer Tube
17A	1338414C1	1	TUBE, HYD, reel lift (15.0 foot)
18	1316597C1	1	TUBE, HYD, reel lift (22.5 foot)
18	1316601C1	1	TUBE, HYD, reel lift (25.0 foot)
18	1316604C1	1	TUBE, HYD, 3/8" x 100", 30.0 foot
19	1316603C1	2	TUBE, HYD, reel lift (22.5 foot)
19	1316605C1	2	TUBE, HYD, 3/8" x 119 1/2", 25.0 foot
19	1338420C1	2	TUBE, HYD, reel lift, 30.0 foot
20	86513087	1	FITTING, Blkhd, 9/16"-18, 37° x 9/16"-18, 37°,
21	525646	2	CONNECTOR, HYD., 9/16"-18, 37° x 7/8"-14, O-Ring,
23	86525	1	NUT, LOCK, Blkhd, 9/16"-18,
25	280317	6	BOLT, Hex, 1/4"-20 x 3", G5,
26	1326573C1	6	SPACER, 45 mm long
27	435437A1	2	STRAP, CABLE, 3/16" x 7 1/4",
28	1954133C1	1	DUST CAP, plug assembly
29	1282338C91	1	COUPLING, QUICK, FEMALE, 7/8 NF, Self-Sealing
30	167269	2	O-RING, 10-1, 90 Duro, .755" ID x .097" Thk,
33	1316779C2	1	SUPPORT,
34	87034817	2	SCREW, SELF TAP, Hex Wash Hd, 5/16" x 3/4",
35	1321398C3	1	CLAMP, quick disconnect
36	88542	2	BOLT, Hex, 1/4"-20 x 1/2", G5, Full Thd,
37	1254527C2	1	HOSE, 940 mm (37") long, hydraulic, 1/4 id
38	1541792C1	1	WASHER, LOCK, red, special
39	1272399C2	1	COUPLING, QUICK, MALE, self sealing, male, 7/8" NF
41	523282	2	NUT, Flg, USR, 1/4"-20,
45	485093C1	2	CLAMP,
46	80701	2	WASHER, 1/4",
47	87845	2	BOLT, Hex, 1/4"-20 x 2 1/2", G5,

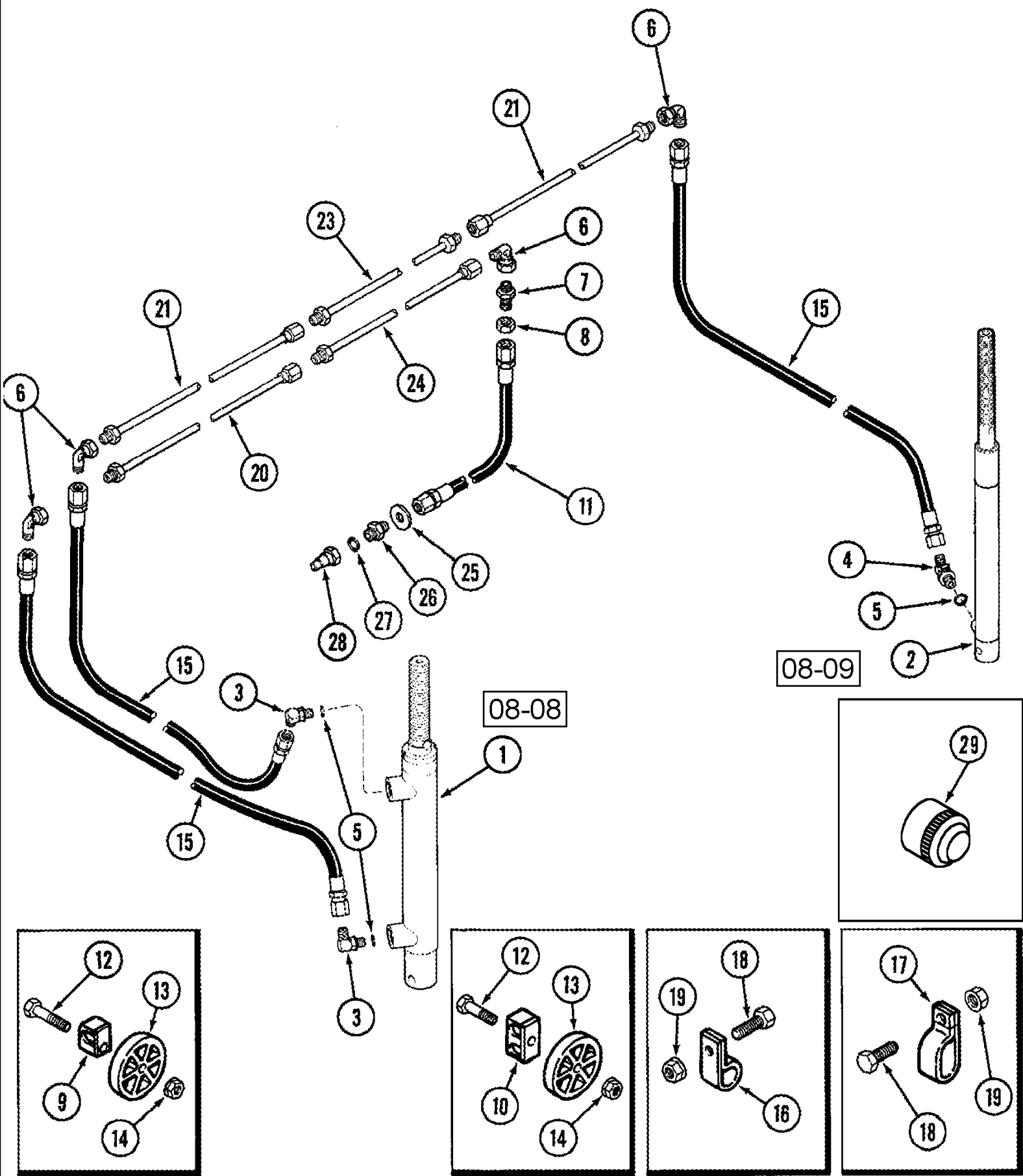
1020 GRAIN HEADER (P.I.N. JJC0315001 TO JJC0350294) (-10/04)

08-03 REEL FORE AND AFT HYDRAULIC SYSTEM - 22.5, 25.0 AND 30.0 FOOT

сылка	Номер детали	Кол-во	Описание
48	9626558	2	NUT, LOCK, Flg, 1/4"-20,
50	1316318C3	1	SUPPORT, bracket RH cylinder, BSN JJC0350294
51	88043	2	BOLT, Hex, 1/2"-13 x 3 1/4", G5,
52	231-4118	4	NUT, LOCK, 1/2"-13, GB,
53	87339	2	BOLT, Hex, 1/2"-13 x 3", G5,
54	280387A1	1	SUPPORT, bracket LH cylinder mount, BSN JJC0350294
56	439-5628	2	PIN, HEADED, 3/8" x 1 3/4",
57	439-1636	2	PIN, HEADED, 3/8" x 2 1/2", G2,
58	80756	4	PIN, SPLIT (COTTER), 1/8" x 3/4",
59	251635A1	5	CAP, fitting aluminum 3/8" with seal
60	251637A1	1	CAP, fitting aluminum 5/8" with seal



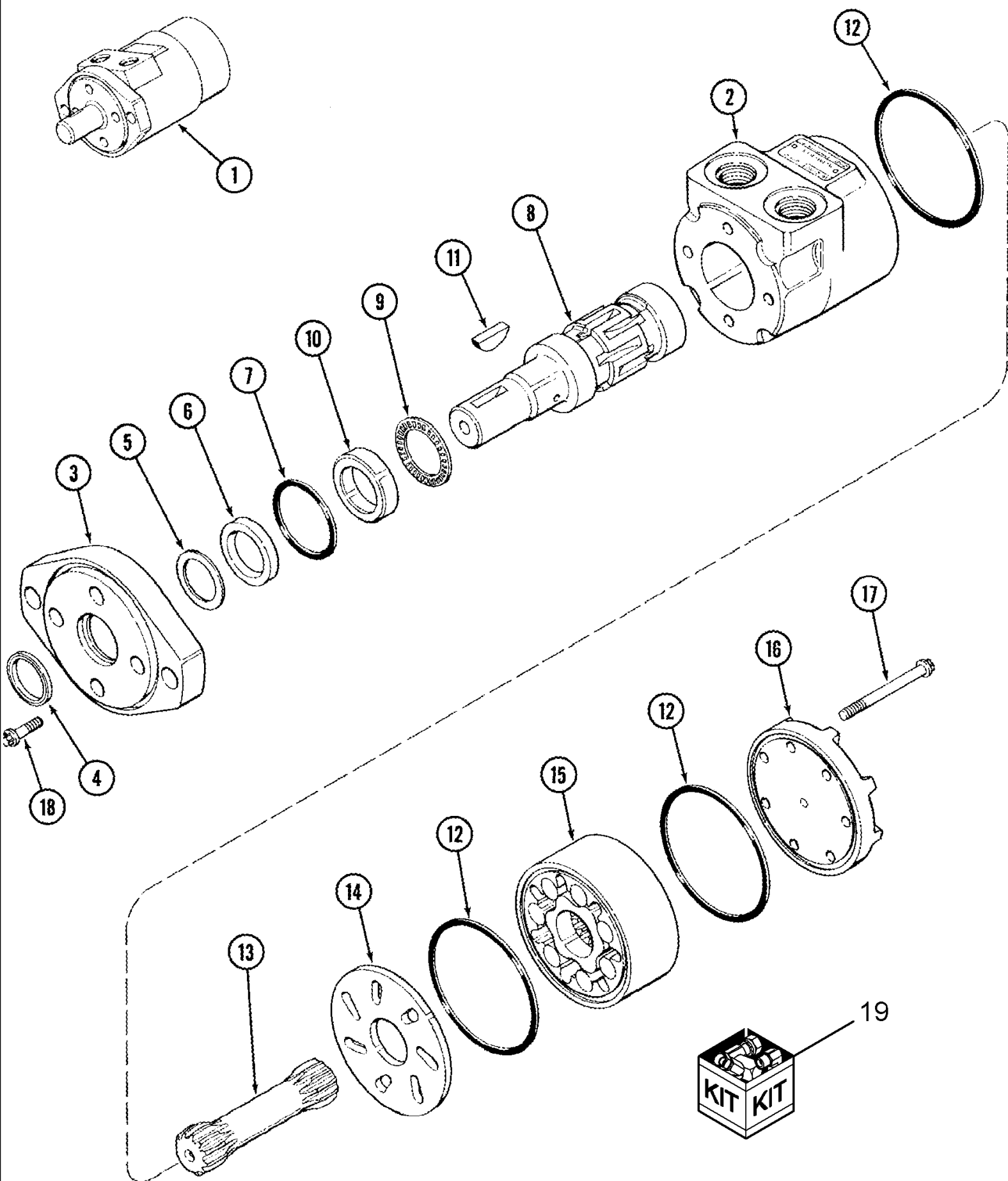
сылка	Номер детали	Кол-во	Описание
1	128723A2	1	HYDRAULIC CYLINDER, 1 1/2" x 9 3/8", Reel Lift Master, See figure 08-08, BSN JJC0350294
2	128726A1	1	HYDRAULIC CYLINDER, 1 x 9 3/8", Reel Lift Slave, See figure 08-09, BSN JJC0350294
3	76344	2	ELBOW, 90е, 9/16"-18, 37е x 9/16"-18, O-Ring,
4	330346	1	ELBOW, 45е, 9/16"-18, 37е x 9/16"-18, O-Ring,
5	9617873	3	O-RING, 6-1, 90 Duro, .468" ID x .078" Thk,
6	86629586	4	ELBOW, 90е, 9/16"-18, 37е x 9/16"-18, 37е Fem Sw,
7	86513087	1	FITTING, Blkhd, 9/16"-18, 37е x 9/16"-18, 37е, , BSN JJC0350294
8	86525	1	NUT, LOCK, Blkhd, 9/16"-18,
9	183821C1	1	CLAMP, tube, single, 3/8" OD tube
10	183825C1	3	CLAMP, 3/8" tubes
11	1254527C2	1	HOSE, 940 mm (37") long, hydraulic, 1/4 id
12	280164	4	BOLT, Hex, 1/4"-20 x 1 3/4", G5,
13	1326572C1	4	SPACER, 10 mm, long
14	9626558	4	NUT, LOCK, Flg, 1/4"-20,
15	147875C1	3	HOSE, 890 mm (35") long, hydraulic, 1/4 ID
16	86637979	1	CLAMP, 13/16", Insul, 3/8" Bolt,
17	485093C1	1	CLAMP,
18	9706726	2	BOLT, Hex Flg, 3/8"-16 x 1", Serr,
19	247780	2	NUT, Flg, USR, 3/8"-16,
20	1338418C1	1	TUBE, HYD, reel lift (15.0 and 17.5 foot)
20	1338421C1	1	TUBE, HYD, reel lift, 16.5 and 20.0 foot
21	1316601C1	1	TUBE, HYD, reel lift (15.0 foot)
21	1338417C1	1	TUBE, HYD, reel lift (16.5 foot)
21	1316604C1	1	TUBE, HYD, 3/8" x 100", 17.5 foot
21	1338420C1	1	TUBE, HYD, reel lift, 20.0 foot
23	1338419C1	1	TUBE, HYD, reel lift
24	1338414C1	1	TUBE, HYD, reel lift (15.0 foot)
24	1338415C1	1	TUBE, HYD, reel lift (16.5 foot)
24	1338416C1	1	TUBE, HYD, reel lift (17.5 foot)
24	1316596C1	1	TUBE, HYD, reel lift (20.0 foot)
25	1541804C1	1	WASHER, black, special
26	525646	1	CONNECTOR, HYD., 9/16"-18, 37е x 7/8"-14, O-Ring,
27	167269	1	O-RING, 10-1, 90 Duro, .755" ID x .097" Thk,
28	1272399C2	1	COUPLING, QUICK, MALE, self sealing, male, 7/8" NF
29	251635A1	4	CAP, fitting aluminum 3/8" with seal



1020 GRAIN HEADER (P.I.N. JJC0315001 TO JJC0350294) (-10/04)

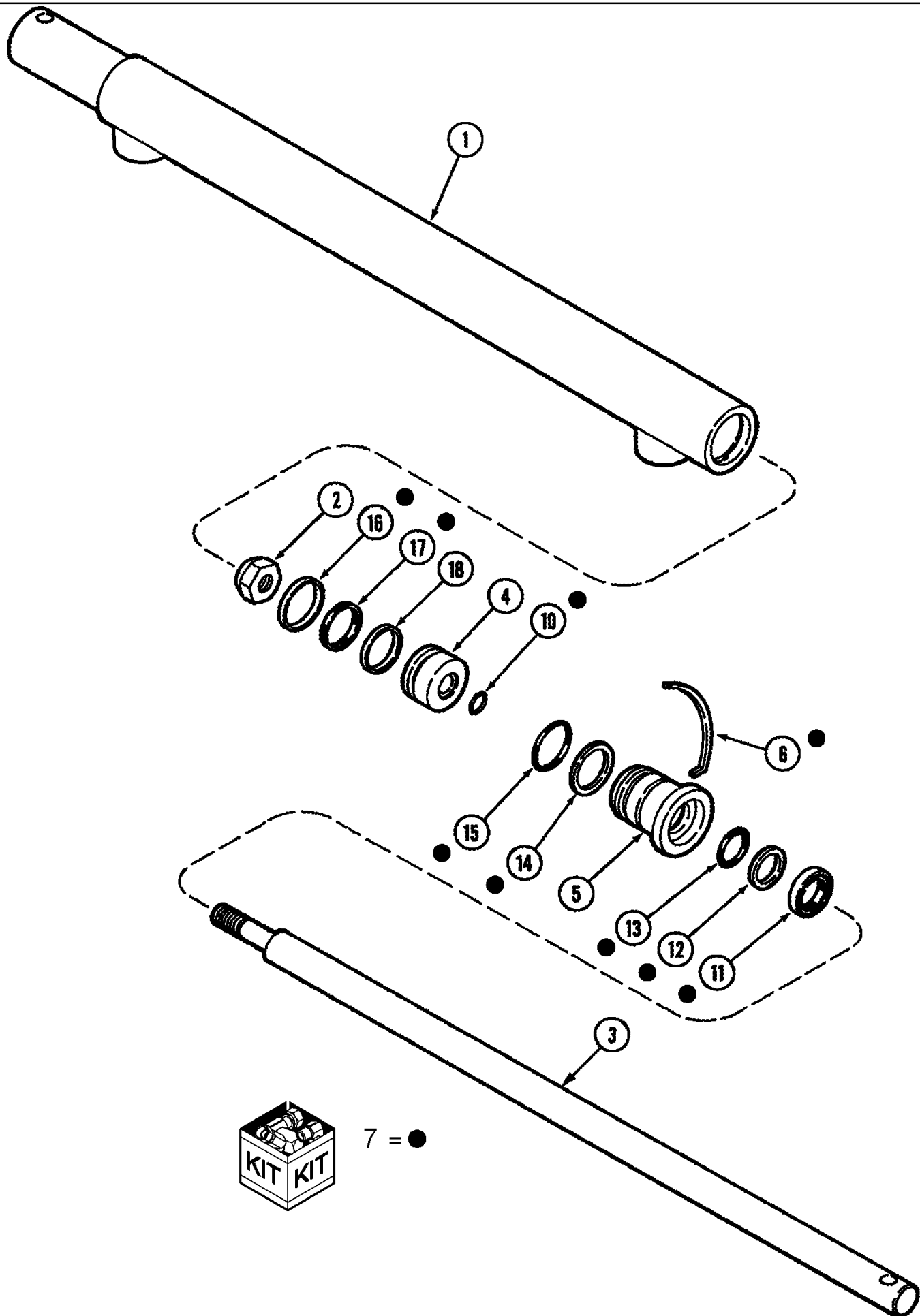
08-05 REEL LIFT HYDRAULIC SYSTEM - 22.5, 25.0 AND 30.0 FOOT

сылка	Номер детали	Кол-во	Описание
1	128723A2	1	HYDRAULIC CYLINDER, 1 1/2" x 9 3/8", Reel Lift Master, See figure 08-08, BSN JJC0350294
2	128726A1	1	HYDRAULIC CYLINDER, 1 x 9 3/8", Reel Lift Slave, See figure 08-09, BSN JJC0350294
3	76344	2	ELBOW, 90e, 9/16"-18, 37e x 9/16"-18, O-Ring,
4	330346	1	ELBOW, 45e, 9/16"-18, 37e x 9/16"-18, O-Ring,
5	9617873	3	O-RING, 6-1, 90 Duro, .468" ID x .078" Thk,
6	86629586	4	ELBOW, 90e, 9/16"-18, 37e x 9/16"-18, 37e Fem Sw,
7	86513087	1	FITTING, Blkhd, 9/16"-18, 37e x 9/16"-18, 37e, , BSN JJC0350294
8	86525	1	NUT, LOCK, Blkhd, 9/16"-18,
9	183821C1	2	CLAMP, tube, single, 3/8" OD tube
10	183825C1	4	CLAMP, 3/8" tubes
11	1254527C2	1	HOSE, 940 mm (37") long, hydraulic, 1/4 id
12	280164	6	BOLT, Hex, 1/4"-20 x 1 3/4", G5,
13	1326572C1	6	SPACER, 10 mm, long
14	9626558	6	NUT, LOCK, Flg, 1/4"-20,
15	147875C1	3	HOSE, 890 mm (35") long, hydraulic, 1/4 ID
16	86637979	1	CLAMP, 13/16", Insul, 3/8" Bolt,
17	485093C1	1	CLAMP,
18	9706726	2	BOLT, Hex Flg, 3/8"-16 x 1", Serr,
19	247780	2	NUT, Flg, USR, 3/8"-16,
20	1316597C1	1	TUBE, HYD, reel lift (22.5 foot)
20	1316601C1	1	TUBE, HYD, reel lift (25.0 foot)
20	1316604C1	1	TUBE, HYD, 3/8" x 100", 30.0 foot
21	1316603C1	2	TUBE, HYD, reel lift (22.5 foot)
21	1316605C1	2	TUBE, HYD, 3/8" x 119 1/2", 25.0 foot
21	1338420C1	2	TUBE, HYD, reel lift, 30.0 foot
23	1316598C1	1	TUBE, HYD, reel lift (22.5 and 25.0 foot)
23	1338421C1	1	TUBE, HYD, reel lift, 30.0 foot
24	1338419C1	1	TUBE, HYD, reel lift
25	1541804C1	1	WASHER, black, special
26	525646	1	CONNECTOR, HYD., 9/16"-18, 37e x 7/8"-14, O-Ring,
27	167269	1	O-RING, 10-1, 90 Duro, .755" ID x .097" Thk,
28	1272399C2	1	COUPLING, QUICK, MALE, self sealing, male, 7/8" NF
29	251635A1	4	CAP, fitting aluminum 3/8" with seal



08-06 REEL DRIVE MOTOR

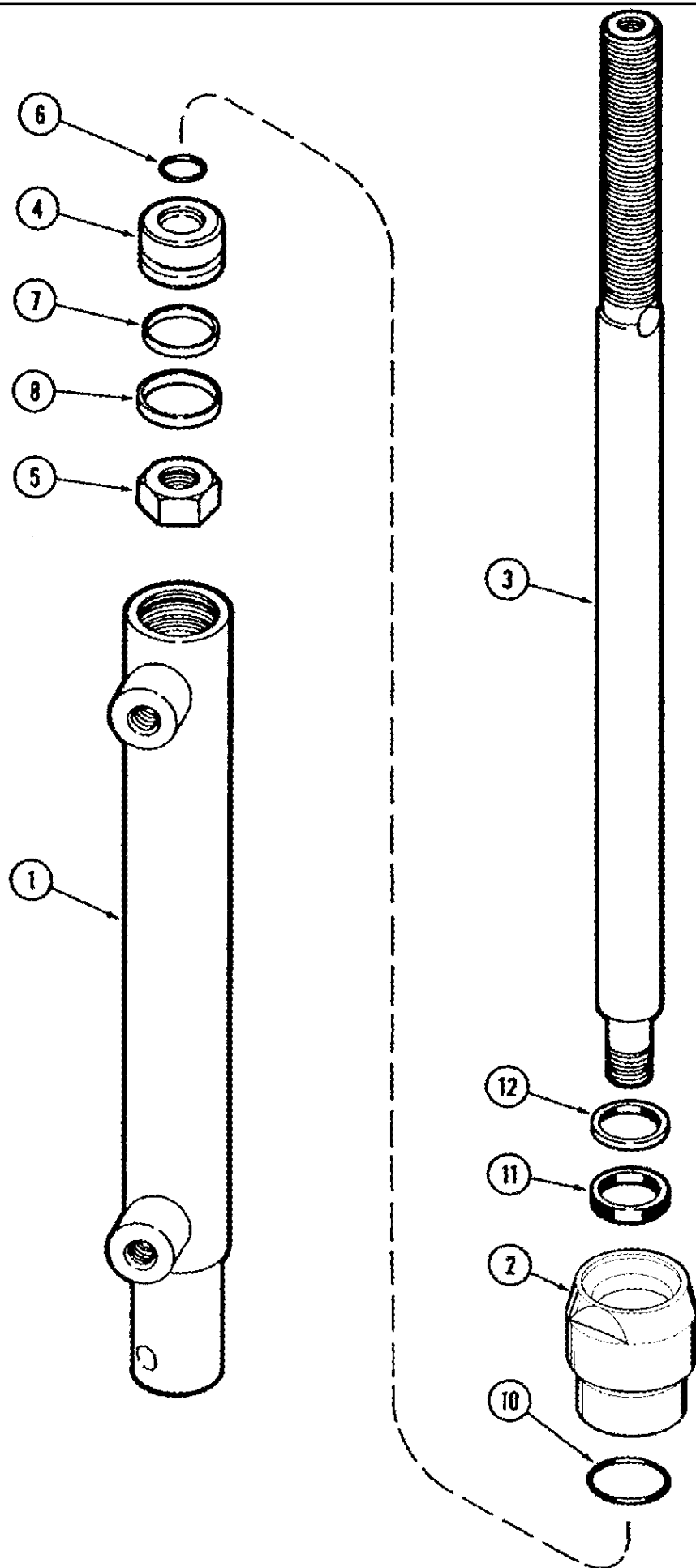
сылка	Номер детали	Кол-во	Описание
1	130409A1	1	MOTOR, HYDRAULIC, reel drive, Includes 2 - 18
2	NSS	1	NOT SERVICED SEPARATELY, Housing
3	NSS	1	NOT SERVICED SEPARATELY, Cover
4	NSS	1	NOT SERVICED SEPARATELY, Seal
5	NSS	1	NOT SERVICED SEPARATELY, Washer
6	NSS	1	NOT SERVICED SEPARATELY, Seal
7	NSS	1	NOT SERVICED SEPARATELY, Ring
8	NSS	1	NOT SERVICED SEPARATELY, Shaft Assy
9	NSS	1	NOT SERVICED SEPARATELY, Bearing, Thrust
10	NSS	1	NOT SERVICED SEPARATELY, Spacer
11	47471	1	WOODRUFF KEY, #15, 1/4" x 1", HT,
12	NSS	3	NOT SERVICED SEPARATELY, Ring
13	NSS	1	NOT SERVICED SEPARATELY, Link
14	NSS	1	NOT SERVICED SEPARATELY, Plate
15	NSS	1	NOT SERVICED SEPARATELY, Rotor Assy
16	NSS	1	NOT SERVICED SEPARATELY, Cover
17	NSS	7	NOT SERVICED SEPARATELY, Bolt
18	NSS	4	NOT SERVICED SEPARATELY, Bolt
19	87036584	1	KIT, SEALS, Auger Drive Motor



1020 GRAIN HEADER (P.I.N. JJC0315001 TO JJC0350294) (-10/04)

08-07 REEL FORE AND AFT CYLINDER PICKUP REEL

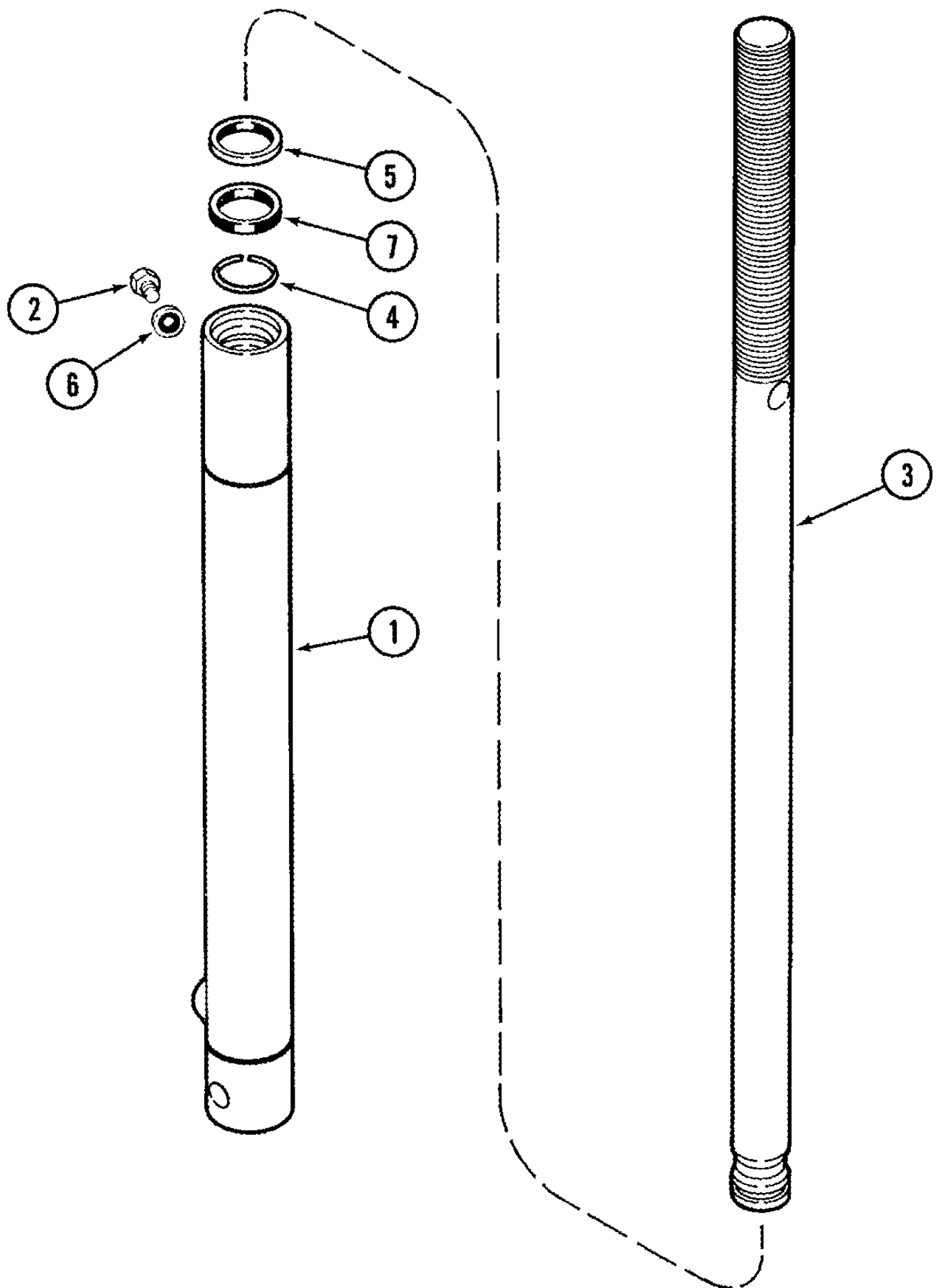
сылка	Номер детали	Кол-во	Описание
0	277402A1	2	CYLINDER ASSY., pickup reel, Includes 1 - 17
1	NSS	1	NOT SERVICED SEPARATELY, Body
2	232-4617	1	NUT, LOCK, 7/16"-20, GC,
3	294168A1	1	ROD, PISTON, pickup reel
4	370181A1	1	PISTON,
5	108996C1	1	CYLINDER HEAD, front
6	547549R1	1	RING, LOCKING, front head
7	370183A1	1	KIT, SEALS, hydraulic cylinder, Includes 6 - 17
10	9993141	1	O-RING, -012, 90 Duro, .364" ID x .070" Thk,
11	108999C1	1	WIPER, rod
12	108997C1	1	BACK-UP RING,
13	238-6116	1	O-RING, -116, 90 Duro, .737" ID x .103" Thk,
14	108998C1	1	BACK-UP RING,
15	238-6121	1	O-RING, -121, 90 Duro, 1.049" ID x .103" Thk,
16	532529R2	1	O-RING, quad
17	239-5119	1	O-RING, Rect, .938" ID x 1.125" OD, CI 5,
18	370180A1	1	RING, wear
19	164380	1	O-RING, -119, 70 Duro, .924" ID x .103" Thk, , Not Shown



1020 GRAIN HEADER (P.I.N. JJC0315001 TO JJC0350294) (-10/04)

08-08 REEL LIFT MASTER CYLINDER

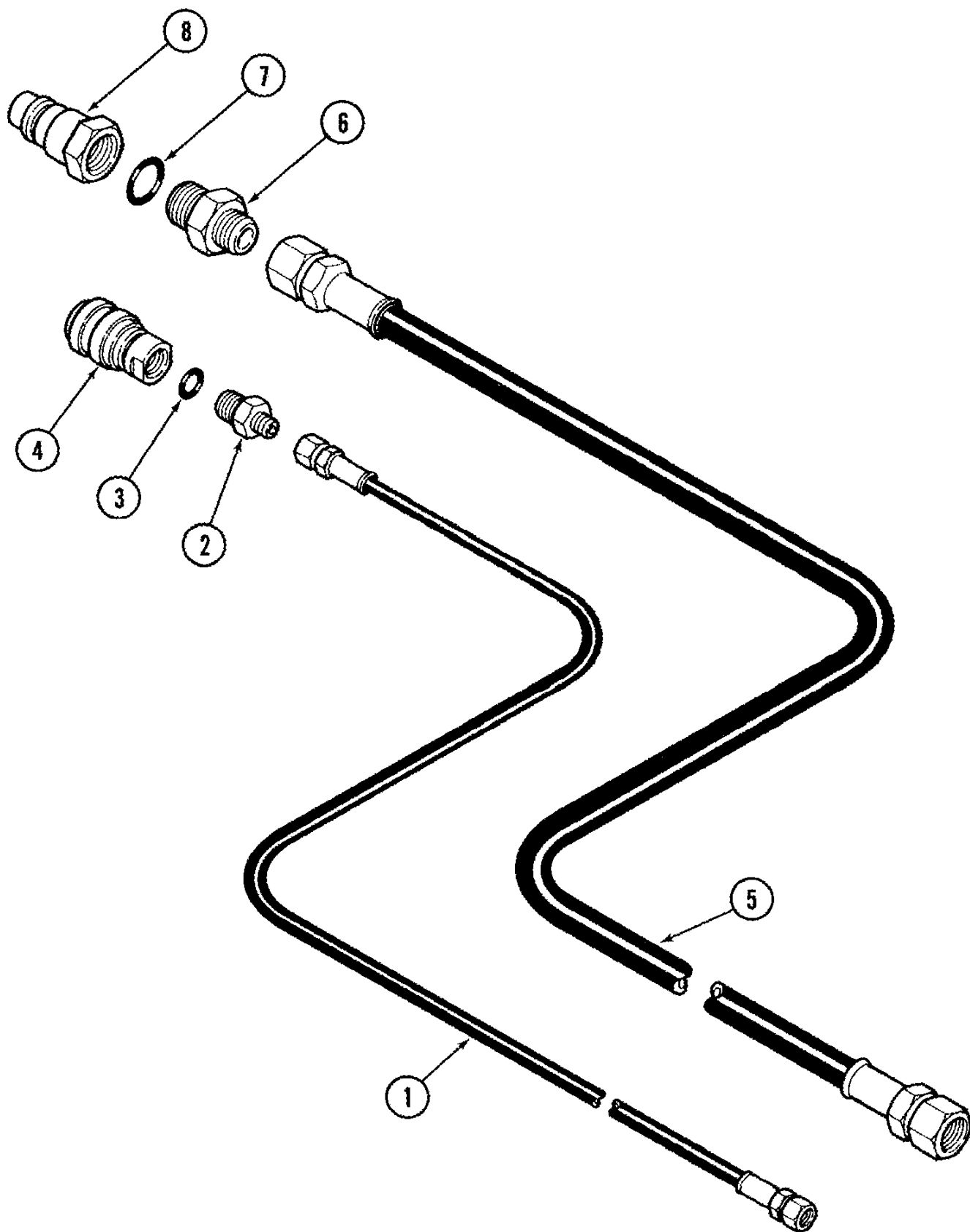
сылка	Номер детали	Кол-во	Описание
0	128723A2	1	HYDRAULIC CYLINDER, 1 1/2" x 9 3/8", Reel Lift Master, Includes 1 - 12, BSN JJC0350294
1	NSS	1	NOT SERVICED SEPARATELY, Body
2	547384R2	1	CYLINDER HEAD, front
3	128724A1	1	ROD, PISTON,
4	547333R3	1	PISTON,
5	548033R1	1	NUT, LOCK, hex jam, 3/4"-16
6-12	547388R94	1	KIT, SEALS, cylinder, Includes 6 - 12
6	238-6017	1	O-RING, -017, 90 Duro, .676" ID x .070" Thk,
7	238-5123	1	O-RING, -123, 70 Duro, 1.174" ID x .103" Thk,
8	547383R2	1	SEAL, ring
10	238-6126	1	O-RING, -126, 90 Duro, 1.375" ID x .103" Thk,
11	1272317C1	1	SEAL, rod
12	564808R91	1	WIPER, seal, shaft



1020 GRAIN HEADER (P.I.N. JJC0315001 TO JJC0350294) (-10/04)

08-09 REEL LIFT SLAVE CYLINDER

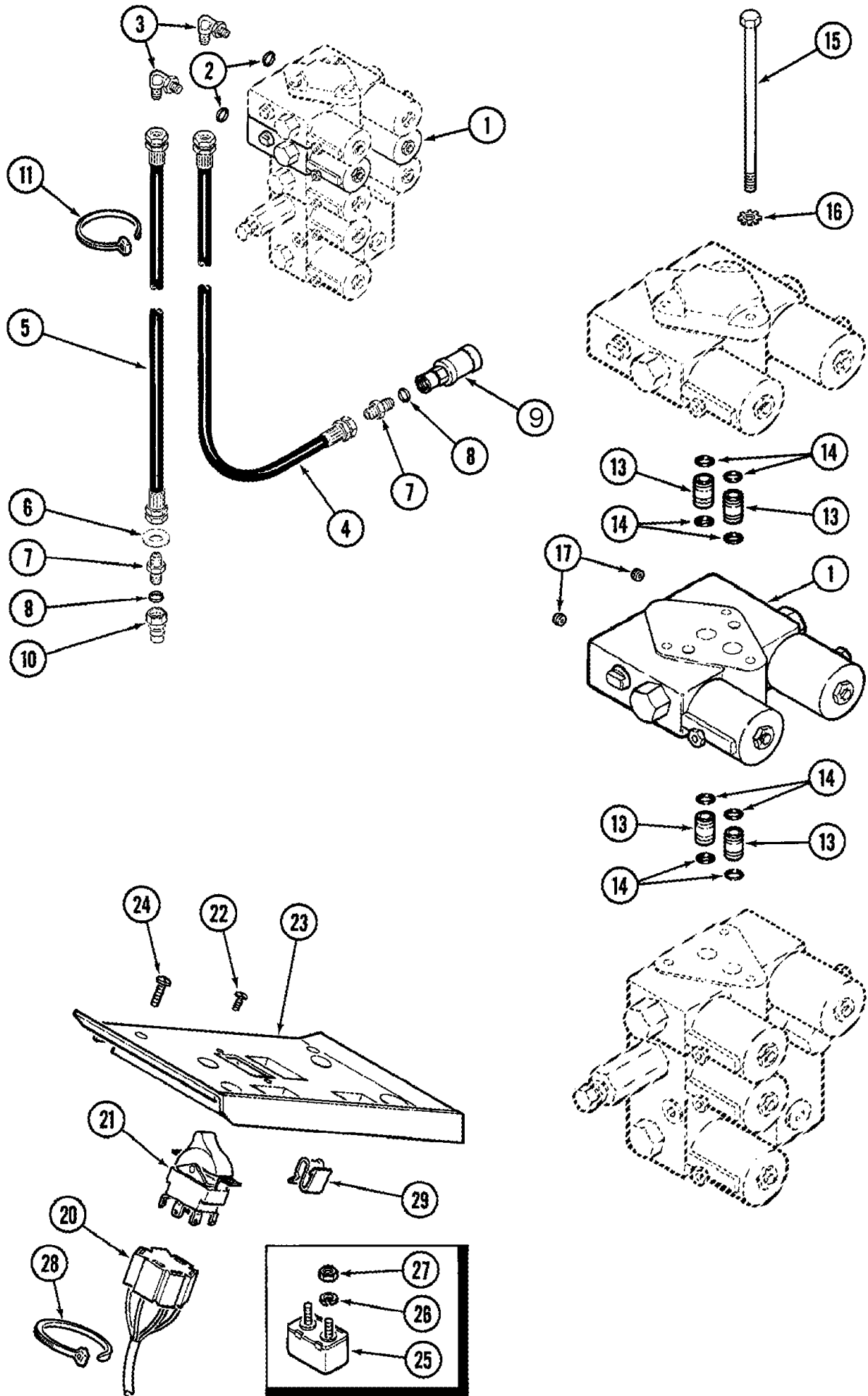
сылка	Номер детали	Кол-во	Описание
0	128726A1	1	HYDRAULIC CYLINDER, 1 x 9 3/8", Reel Lift Slave, Includes 1 - 7, BSN JJC0350294
1	NSS	1	NOT SERVICED SEPARATELY, Body
2	463-1104	1	SCREW, Hex Hd, #10-24 x 1/4",
3	128727A1	1	ROD, PISTON,
4	145190C1	1	RING, SNAP,
5-7	532531R92	1	KIT, SEALS, cylinder, Includes 5 - 7
5	532773R1	1	WIPER, rod
6	533145R1	1	WASHER, rubber bonded
7	119185C1	1	SEAL, rod, Use with cylinder 128726A1
7	389500A1	1	SEAL, rod, Use with cylinder 87045528



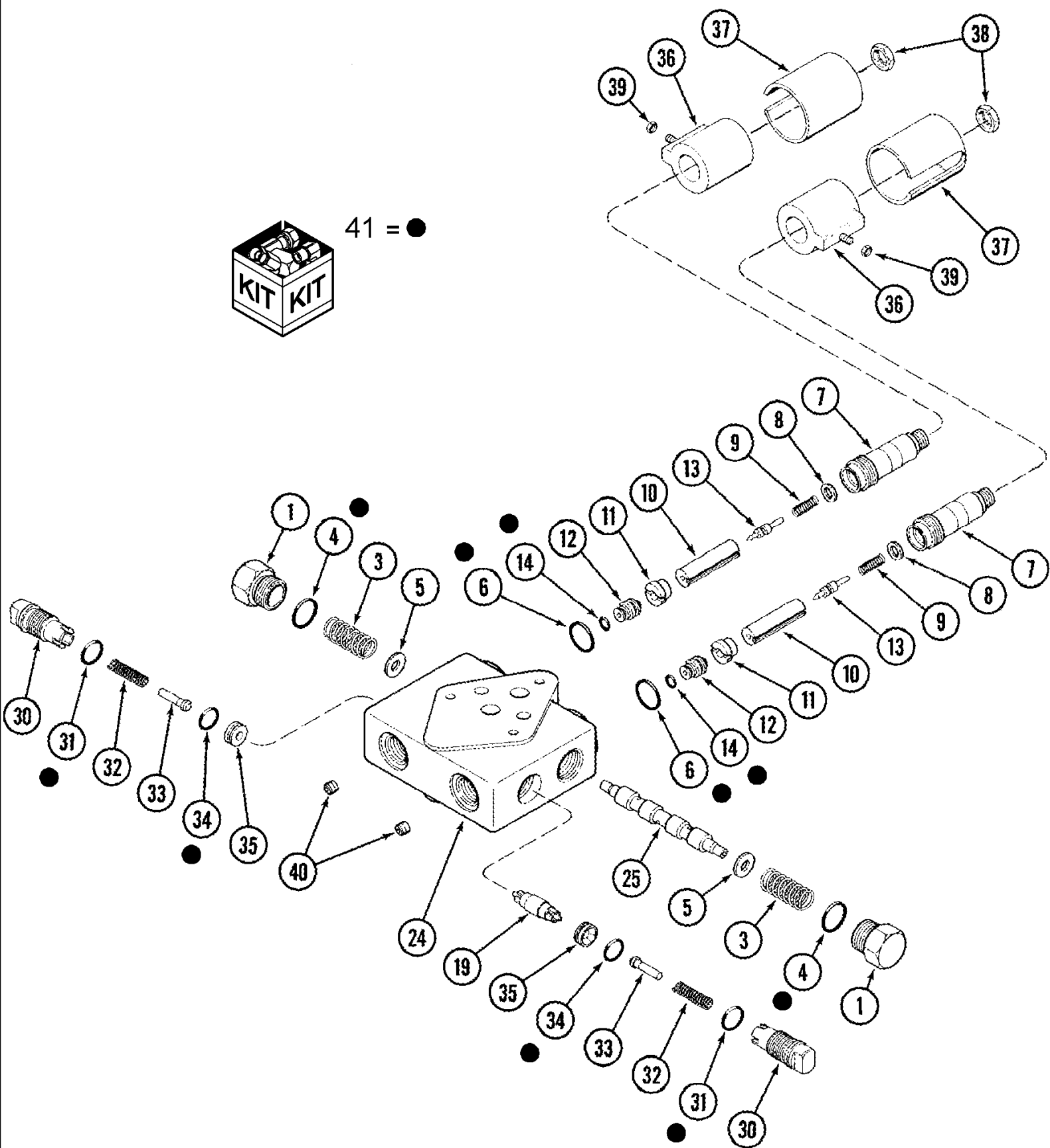
1020 GRAIN HEADER (P.I.N. JJC0315001 TO JJC0350294) (-10/04)

08-10 HEADER TO COMBINE CONNECTING HOSES 1400 SERIES COMBINES

сылка	Номер детали	Кол-во	Описание
0	1326596C91	1	PACKAGE, hydraulic hose completing, Includes 1 - 8
1	179202C1	1	HOSE, 1727 mm (68") long, header to combine reel lift
2	76350	1	CONNECTOR, HYD., 9/16"-18, 37e x 9/16"-18, O-Ring,
3	9617873	1	O-RING, 6-1, 90 Duro, .468" ID x .078" Thk,
4	187563C1	1	COUPLING, QUICK, FEMALE, 9/16"-18
5	D51685	2	HOSE, reel drive, 1676 mm (66 in)
6	218-5060	1	CONNECTOR, HYD., 3/4"-16, 37e x 7/8"-14, O-Ring,
7	167269	1	O-RING, 10-1, 90 Duro, .755" ID x .097" Thk,
8	395149R1	1	COUPLING, QUICK, MALE, male, 7/8 inch NF
8	1272399C2	1	COUPLING, QUICK, MALE, self sealing, male, 7/8" NF

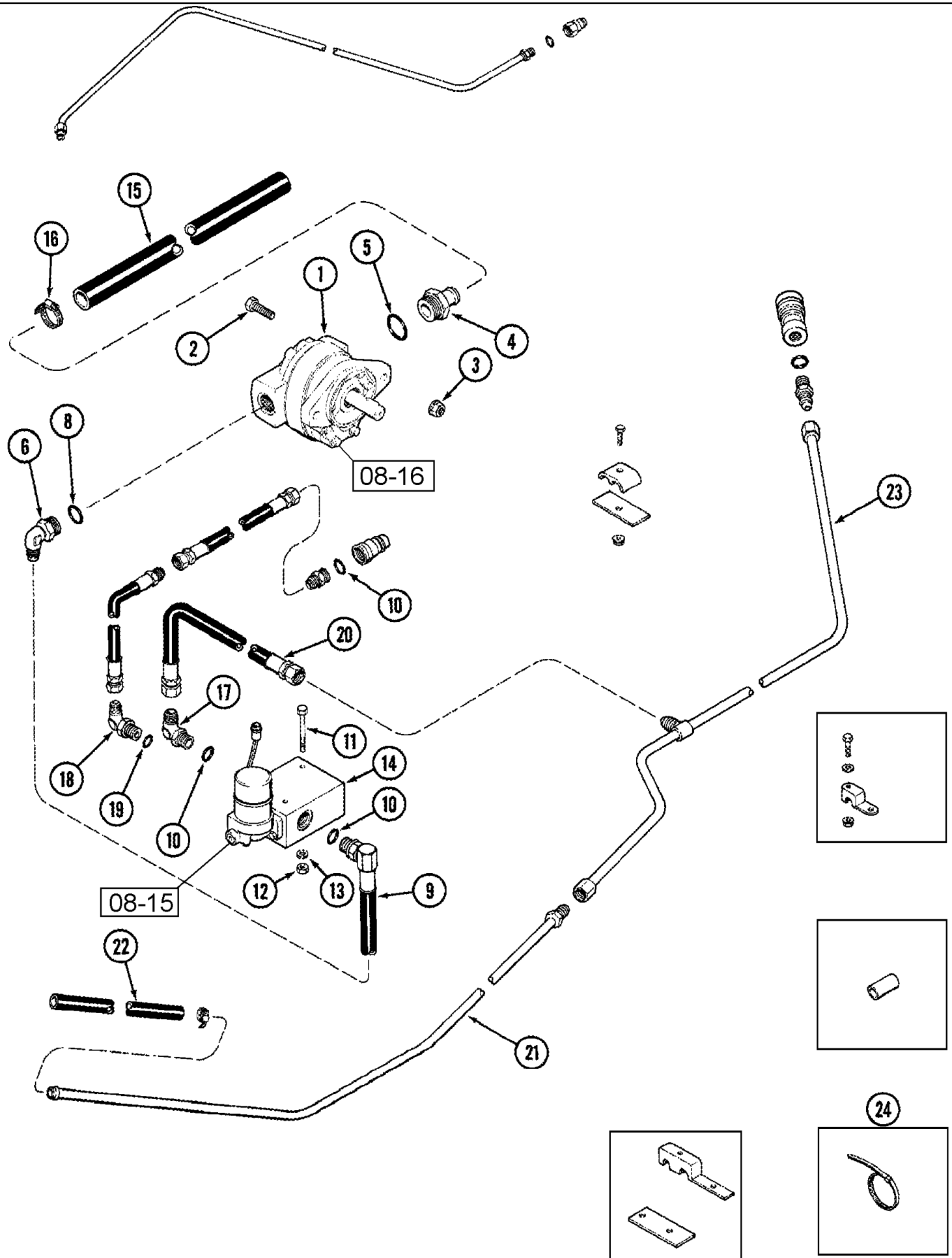


сылка	Номер детали	Кол-во	Описание
0	1957287C2	1	PACKAGE, hydraulic reel fore and aft completing, Includes 1 - 29
1	124857A1	1	VALVE, double piloted
2	237-6008	2	O-RING, 8-1, 90 Duro, .644" ID x .087" Thk,
3	76347	2	ELBOW, 90°, 9/16"-18, 37° x 3/4"-16, O-Ring,
4	1321591C1	1	HOSE, reel, 2400 mm (94 1/2") long, 5/16 ID
5	1284369C1	1	HOSE, hydraulic 3/8" x 130" long
6	1541792C1	1	WASHER, LOCK, red, special
7	525646	2	CONNECTOR, HYD., 9/16"-18, 37° x 7/8"-14, O-Ring,
8	167269	2	O-RING, 10-1, 90 Duro, .755" ID x .097" Thk,
9	1282338C91	1	COUPLING, QUICK, FEMALE, 7/8 NF, Self-Sealing
10	1272399C2	1	COUPLING, QUICK, MALE, self sealing, male, 7/8" NF
11	87557084	5	STRAP, CABLE, 14" with stainless locking clip
13	1301630C2	2	TUBE, through
14	9993141	6	O-RING, -012, 90 Duro, .364" ID x .070" Thk,
15	424-496	3	BOLT, Hex, 1/4"-20 X 6, G2,
16	493-41026	3	WASHER, LOCK, Ext Tooth, 1/4",
17	1301637C1	2	ORIFICE, valve
20	1866277R1	1	ARMATURE, wiring
21	1301175C1	1	SWITCH, fore and aft
22	281007	2	SCREW, Cross Pan Hd, #6-32 x 1/2",
23	1301940C3	1	COVER, console extension
24	24613R1	4	SCREW, SELF TAP, Cross Oval Hd, #8 x 3/4",
25	262965C91	1	BREAKER, circuit, 10 ampere
26	80684	2	WASHER, LOCK, #10,
27	87825	2	NUT, #10-32,
28	435437A1	3	STRAP, CABLE, 3/16" x 7 1/4",
29	537024R1	1	CLIP, edge

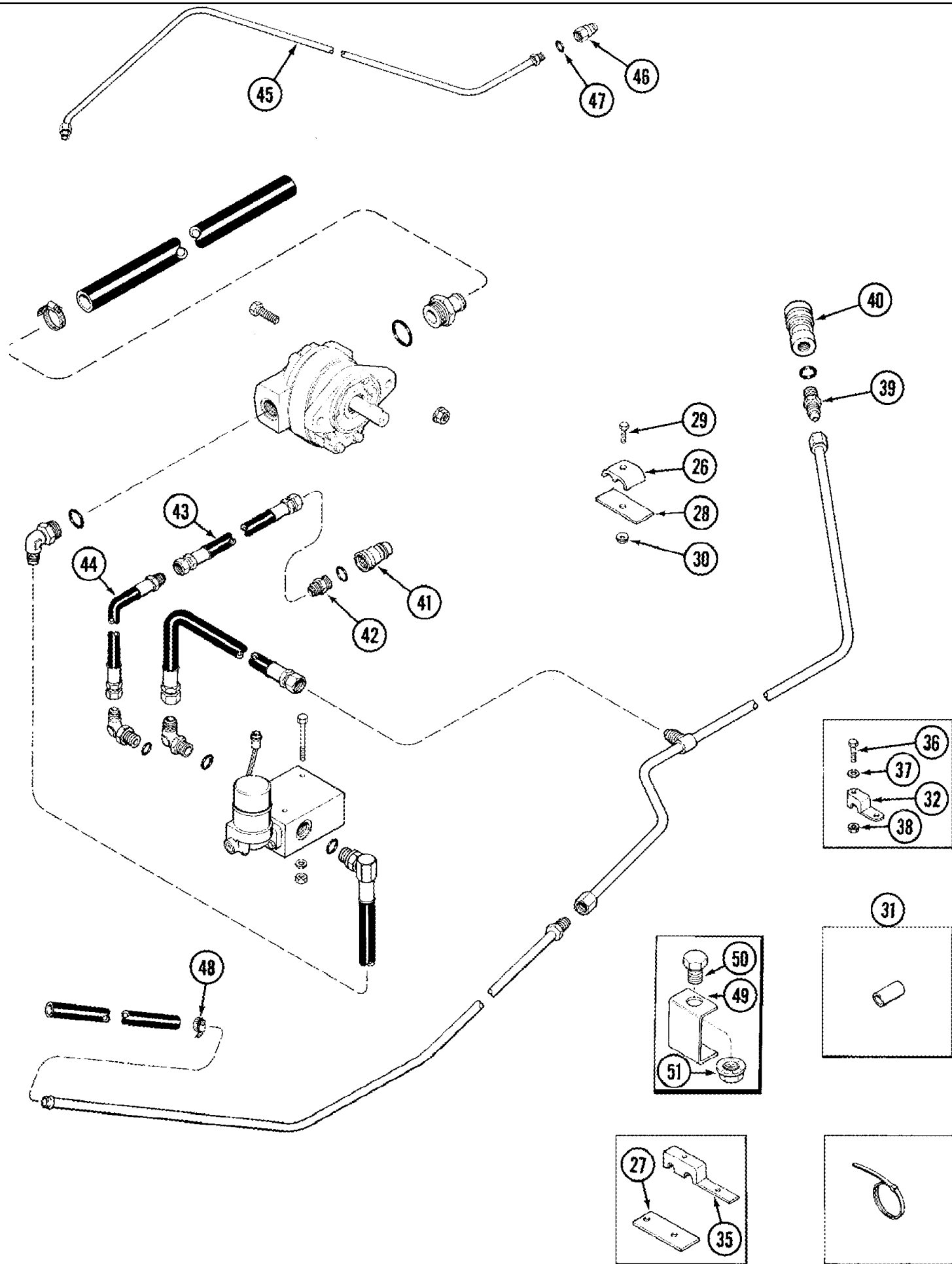


08-12 CONTROL VALVE ASSY - REEL FORE AND AFT ATTACHMENT - 1400 SERIES COMBINES

сылка	Номер детали	Кол-во	Описание
0	124857A1	1	VALVE, double piloted, Includes 1 - 39
1	100475A1	2	PLUG, end cap
3	100474A1	2	SPRING, spool centering return
4	167269	2	O-RING, 10-1, 90 Duro, .755" ID x .097" Thk,
5	1301687C1	2	RETAINER, spring
6	238-6019	2	O-RING, -019, 90 Duro, .801" ID x .070" Thk,
7	1301627C3	2	SLEEVE, poppet
8	1301624C1	2	BUSHING, pole
9	1301640C1	2	SPRING, poppet
10	1301648C1	2	ARMATURE, bushing
11	1301624C1	2	BUSHING, pole
12	1301625C1	2	ORIFICE, piston
13	110550A1	2	POPPET, VALVE,
14	238-6010	2	O-RING, -010, 90 Duro, .239" ID x .070" Thk,
19	124777A1	1	SPOOL, shuttle
24	NSS	1	NOT SERVICED SEPARATELY, Body
25	NSS	1	NOT SERVICED SEPARATELY, Spool
30	124775A1	1	CAP, check valve
31	238-6114	1	O-RING, -114, 90 Duro, .612" ID x .103" Thk,
32	1272887C1	1	SPRING, poppet, spool
33	124771A1	1	POPPET, VALVE, spool
34	9992298	1	O-RING, -014, 90 Duro, .489" ID x .070" Thk,
35	1267163C1	1	SEAT, washer
36	1301633C1	2	COIL, solenoid
37	1301632C1	2	CAP, cover, coil
38	107825	2	NUT, Stamped, 1/2"-20,
39	225-20210	2	NUT, #10-32, Brass,
40	1301637C1	2	ORIFICE, valve
41	1282278C2	1	KIT, SEALS, valve, Includes 4, 6, 14, 31, 34

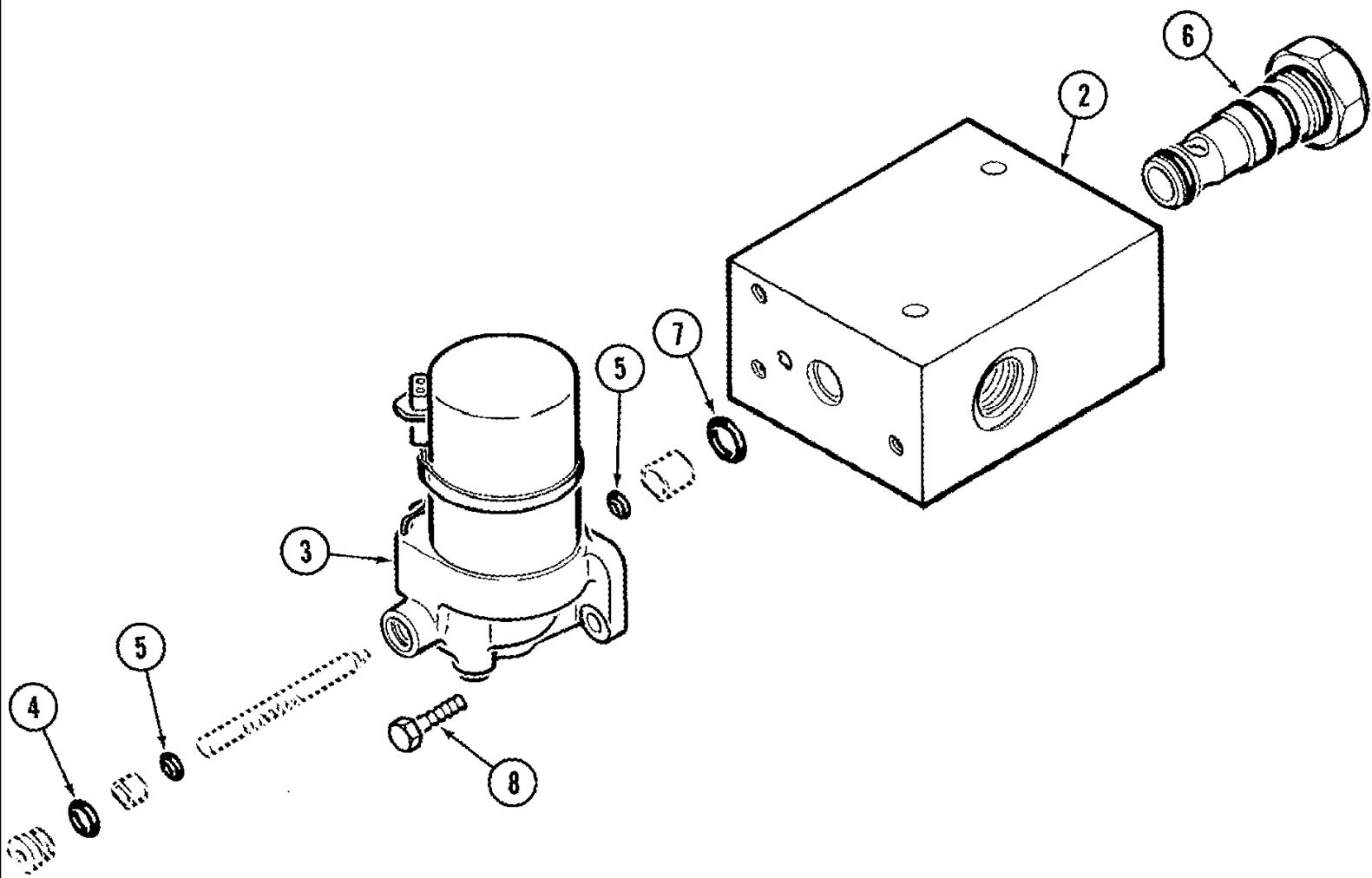


сылка	Номер детали	Кол-во	Описание
1	1272633C91	1	PUMP, HYDRAULIC, reel drive, See figure 08-16
2	86512179	2	BOLT, Hex Flg, 1/2"-13 x 1 1/2", Serr,
3	86512371	2	NUT, Flg, USR, 1/2"-13,
4	1282383C1	1	FITTING, 1 5/8-12 x 1 flared
5	570186	1	O-RING, 20-1, 90 Duro, 1.475" ID x .116" Thk,
6	84570	1	ELBOW, 90e, 7/8"-14, 37e x 1 1/16"-12, O-Ring,
8	167266	1	O-RING, 12-1, 90 Duro, .924 ID x .116" Thk,
9	1315460C1	1	HOSE, pump pressure, 900 mm (35 inch) long, hydraulic, 1/2 ID
10	167269	X	O-RING, 10-1, 90 Duro, .755" ID x .097" Thk,
11	280275	2	BOLT, Hex, 5/16"-18 x 3 1/4", G5,
12	9635082	2	NUT, 5/16"-18, G5,
13	10516674	2	WASHER, LOCK, 5/16",
14	1282369C91	1	VALVE, reel drive, See figure 08-15
14	1282369C92	1	VALVE, reel drive, See figure 08-15
15	198303C1	1	HOSE, reel drive suction, Cut From S118401X
16	86536660	2	CLAMP, HOSE, #16, 0.81/1.50 Type F Worm,
17	164910	1	ELBOW, 90e, 7/8"-14, 37e x 7/8"-14, O-Ring,
18	218-5106	1	ELBOW, 90e, 3/4"-16, 37e x 3/4"-16, O-Ring,
19	237-6008	1	O-RING, 8-1, 90 Duro, .644" ID x .087" Thk,
20	1317073C1	1	HOSE, 635 mm (25") long, hydraulic, 1/2 ID
21	196746C1	1	TUBE, HYD, reel drive return, 1460E Combine, 1440E Combine
21	187830C1	1	TUBE, HYD, reel drive return, 1480E Combine
22	NSS	1	NOT SERVICED SEPARATELY, Hose, Cut From S118576
23	1312411C1	1	TUBE, reel drive return, 1460E Combine, 1440E Combine
23	1325306C1	1	TUBE, reel drive return, 1480E Combine
24	87557084	1	STRAP, CABLE, 14" with stainless locking clip



сылка	Номер детали	Кол-во	Описание
26	165601C1	X	CLAMP, reservoir drain tube, retaining, 13/32" diameter hole
26	165602C1	X	CLAMP, retaining, 11/32" diameter hole
27	196868C2	X	SUPPORT, plate, 1460E Combine with 47 inch feeder, 1460E Combine with 54.5 inch feeder, 1440E Combine with 47 inch feeder
28	573186R1	X	PLATE, support, tube, 1480E Combine with 54.5 inch feeder
29	87657	X	BOLT, Hex, 5/16"-18 x 1 1/4", G5,
29	424-628	X	BOLT, Hex, 3/8"-16 x 1 3/4", G2,
30	145458	X	NUT, Flg, USR, 5/16"-18,
30	247780	X	NUT, Flg, USR, 3/8"-16,
31	163490C1	X	INSULATOR, RUBBER, 3/8 ID x 1 13/64" long
31	163491C1	X	INSULATOR, RUBBER, 1/2 ID x 1 13/64" long
31	163492C1	X	INSULATOR, RUBBER, 5/8 ID x 1 13/64" long, tube clamp
32	183821C1	X	CLAMP, tube, single, 3/8" OD tube
32	183822C1	X	CLAMP, 5/8" OD
35	121714C1	X	CLAMP, 3/4 x 5/8
36	87716	X	BOLT, Hex, 1/4"-20 x 1 1/4", G5,
36	280164	X	BOLT, Hex, 1/4"-20 x 1 3/4", G5,
37	87361	X	WASHER, 1/4", SAE,
38	523282	X	NUT, Flg, USR, 1/4"-20,
39	218-5062	1	CONNECTOR, HYD., 7/8"-14, 37e x 7/8"-14, O-Ring,
40	395150R91	1	COUPLING, QUICK, FEMALE, self sealing, Alternate with A177478
40	A177478	1	COUPLING, QUICK, FEMALE, , Alternate with 395150R91
41	395149R1	1	COUPLING, QUICK, MALE, male, 7/8 inch NF, Alternate with 1272399C2
41	1272399C2	1	COUPLING, QUICK, MALE, self sealing, male, 7/8" NF, Alternate with 395149R1
42	218-5060	1	CONNECTOR, HYD., 3/4"-16, 37e x 7/8"-14, O-Ring,
43	196878C1	1	HOSE, 1422 mm (56") long, hydraulic, 3/8 ID, 1440E Combine with 47 inch feeder, 1460E Combine with 47 inch feeder
43	179411C1	1	HOSE, 1549 mm (61") long, hydraulic, 3/8 ID, 1460E Combine with 54.5 inch feeder, 1480E Combine with 54.5 inch feeder
44	1317169C1	1	HOSE, 686 mm (27") long, hydraulic, 3/8 ID
45	1312410C1	1	TUBE, HYD, reel lift, 1460E Combine with 54.5 inch feeder, 1460E Combine with 47 inch feeder, 1440E Combine with 47 inch feeder
46	187562C1	1	COUPLING, QUICK, MALE, 9/16"-18
47	9617873	1	O-RING, 6-1, 90 Duro, .468" ID x .078" Thk,
48	86625021	2	CLAMP, HOSE, #12, 0.69/1.25 Type F Worm,
49	1312409C1	X	SUPPORT, pipe
50	11106231	X	BOLT, Hex, M10 x 25, 10.9, Full Thd,
51	43435	X	NUT, M10, Flg Ser,

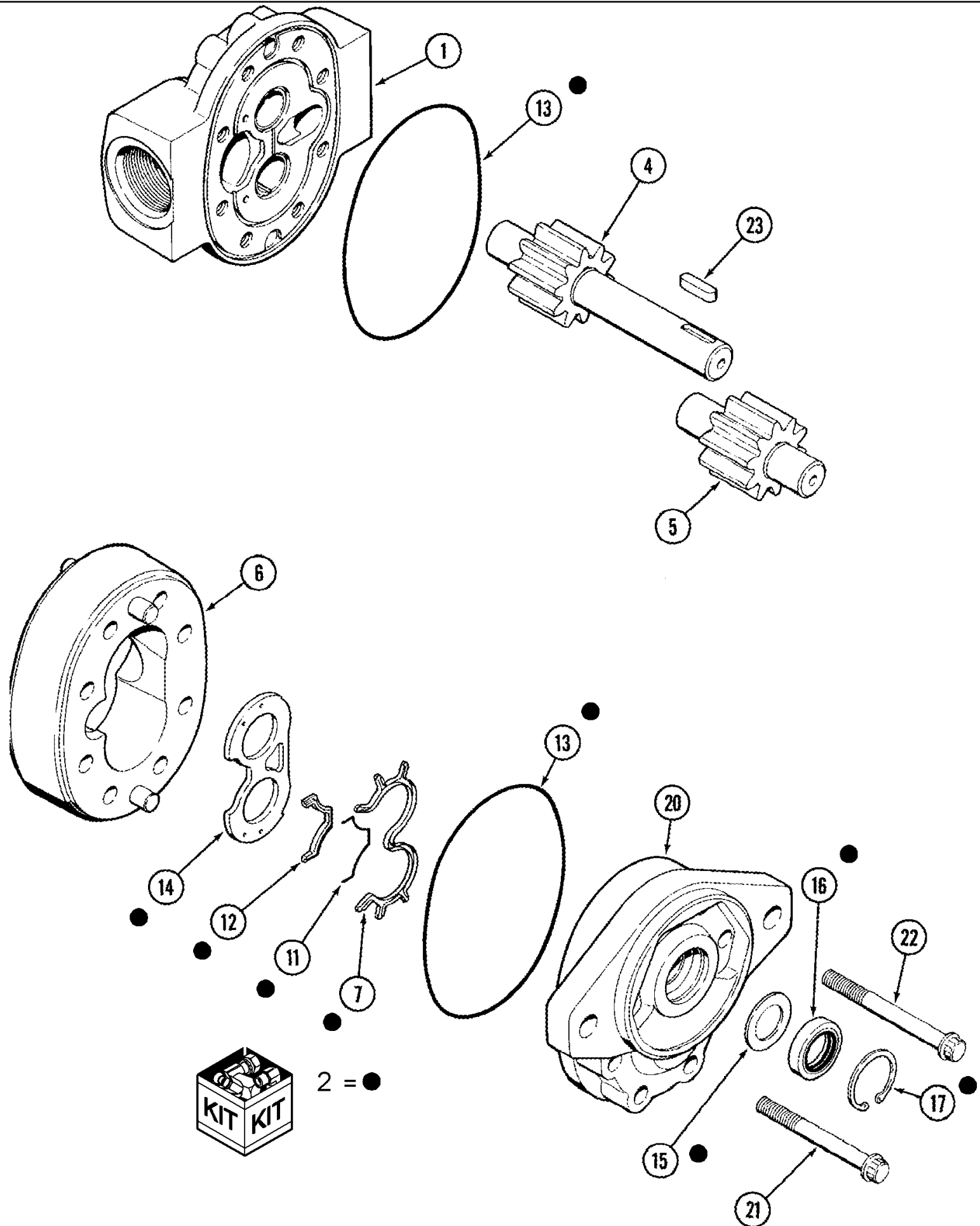
08-15 REEL DRIVE VALVE



08-15 REEL DRIVE VALVE

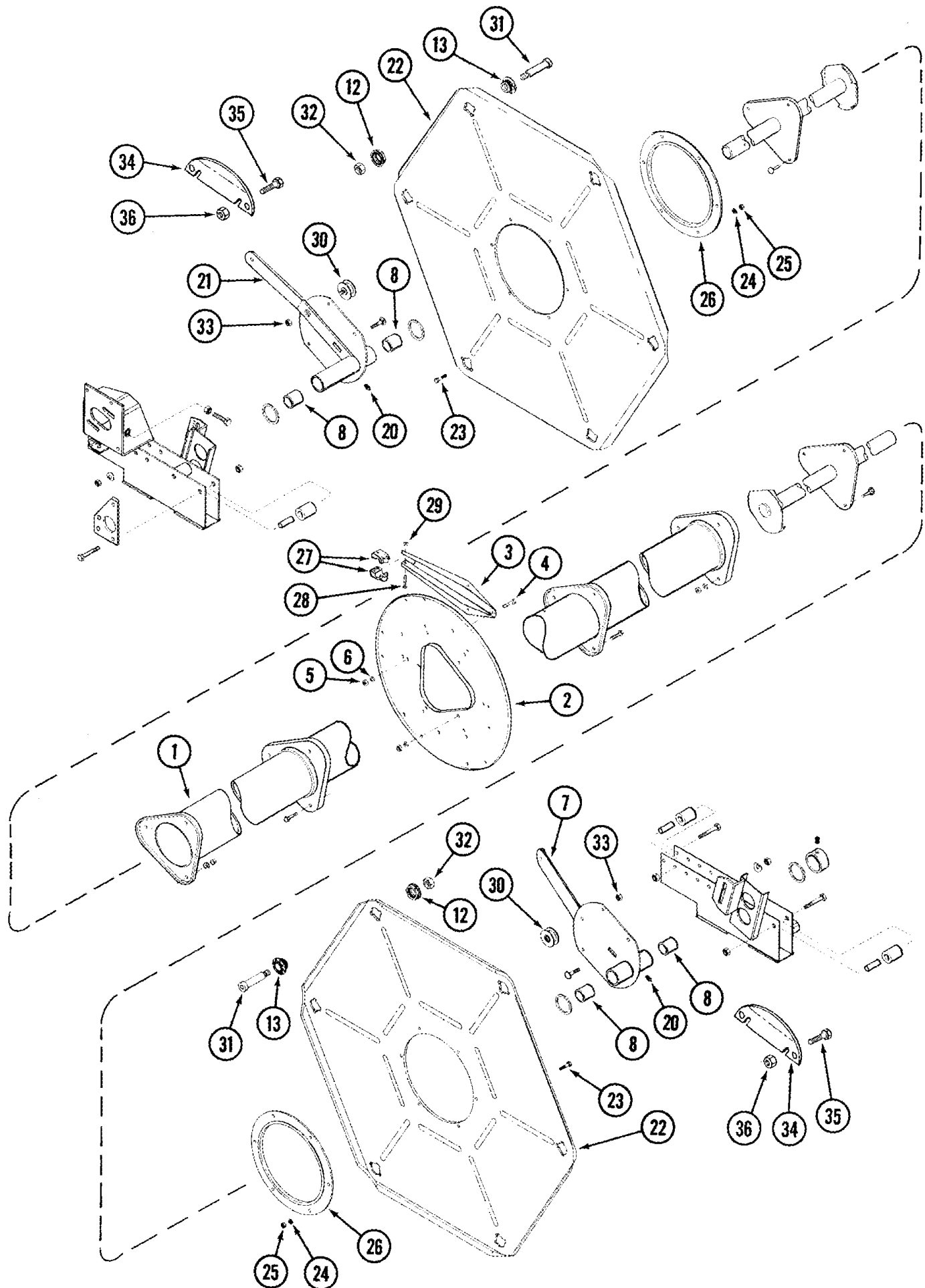
сылка	Номер детали	Кол-во	Описание
0	1282369C91	1	VALVE, reel drive, Includes 2 - 8
0	1282369C92	1	VALVE, reel drive, Includes 2 - 8
2	NSS	1	NOT SERVICED SEPARATELY, Body
3	1301336C2	1	MOTOR, ELECTRIC, valve, Includes 4, 5
3	1301336C3	1	MOTOR, ELECTRIC, with bracket, Includes 4, 5
4	165202	1	O-RING, 4-1, 90 Duro, .351" ID x .072" Thk,
5	9825770	2	O-RING, -011, 90 Duro, .301" ID x .070" Thk,
6	1301996C1	1	VALVE, compensator
7	238-5016	1	O-RING, -016, 70 Duro, .614" ID x .070" Thk,
8	86533411	3	BOLT, Hex, 1/4"-20 x 7/8", G5, Full Thd,

08-16 REEL DRIVE PUMP



08-16 REEL DRIVE PUMP

сылка	Номер детали	Кол-во	Описание
0	1272633C91	1	PUMP, HYDRAULIC, reel drive, Includes 1 - 23
0	1949288C1	1	REMAN-HYDRAUL PUMP, , Only for North America
0	1949289C1	1	CORE-HYDRAULIC PUMP, , Return Number
1	NSS	1	NOT SERVICED SEPARATELY, Housing
2	92586C1	1	KIT, SEALS, , Includes 7 - 17
4	NSS	1	NOT SERVICED SEPARATELY, Gear Assy
5	NSS	1	NOT SERVICED SEPARATELY, Gear Assy
6	NSS	1	NOT SERVICED SEPARATELY, Body
7	NSS	1	NOT SERVICED SEPARATELY, Gasket, Plate
11	NSS	1	NOT SERVICED SEPARATELY, O-Ring
12	NSS	1	NOT SERVICED SEPARATELY, Seal
13	238-6159	2	O-RING, -159, 90 Duro, 4.977" ID x .103" Thk,
14	NSS	1	NOT SERVICED SEPARATELY, Plate
15	NSS	1	NOT SERVICED SEPARATELY, Washer
16	A25139	1	SEAL, shaft
17	100-21137	1	RING, SNAP, 1.375", Int, #137,
20	NSS	1	NOT SERVICED SEPARATELY, Housing
21	166-55	4	SCREW, 12 Pt Flg, 3/8"-16 x 3 1/2", G8,
22	166-59	4	SCREW, 12 Pt Flg, 3/8"-16 x 3 3/4", G8,
23	H233445	1	KEY,

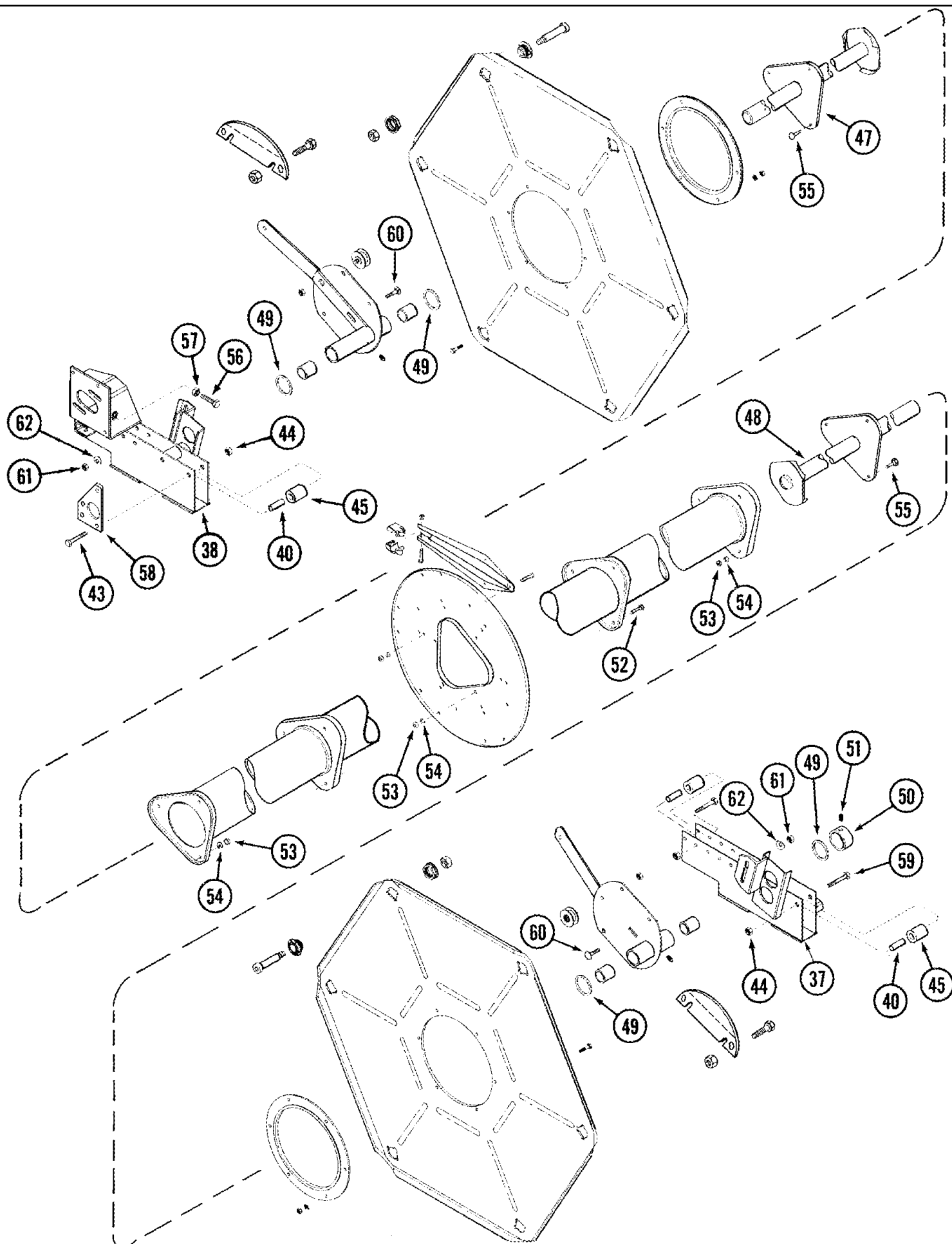


1020 GRAIN HEADER (P.I.N. JJC0315001 TO JJC0350294) (-10/04)

09A-01 PICKUP REEL 6 BAT WITH STEEL TINES - BSN JJC0324999

сылка	Номер детали	Кол-во	Описание
1	1326602C1	1	SHAFT, center (15.0 foot)
1	1326838C1	1	SHAFT, center (16.5 foot)
1	1316273C1	1	SHAFT, center (17.5 foot)
1	1316274C1	1	SHAFT, center (20.0 foot)
1	1316275C1	1	SHAFT, center (22.5 foot)
1	1316276C1	1	SHAFT, center (25.0 foot)
1	1316277C1	1	SHAFT, center (30.0 foot)
2	167653C1	X	PLATE, reel arm (15.0 and 17.5 foot)
2	180248C1	X	PLATE, reel arm (20.0, 22.5, 25.0 and 30.0 foot)
3	1326650C1	X	ARM, reel
4	88574	X	BOLT, Hex, 5/16"-18 x 1/2", G5, Full Thd,
5	9635082	X	NUT, 5/16"-18, G5,
6	10516674	X	WASHER, LOCK, 5/16",
7	114938A2	1	FRAME, eccentric roller
8	167666C1	4	BUSHING, roller frame
12	114951A1	12	BEARING, CUP tapered roller bearing (Female thread)
13	114952A1	12	BEARING, CONE tapered roller bearing (Male thread)
20	80720	2	NIPPLE, LUBE, 30c, 1/8"-27 NPT x .91" lg,
21	175571A3	1	HOUSING, eccentric roller
22A	253430A1	1	SHIELD, eccentric with bearings, Not Shown, Includes 22, 23, 24, 25, 26, 12, 13
22	NSS	2	NOT SERVICED SEPARATELY, Shield
23	120104	12	BOLT, Hex, M8 x 20, 8.8,
24	87016617	12	WASHER, LOCK, M8,
25	43362	12	NUT, M8, CI 10,
26	167661C1	2	RING, eccentric control
27	1326656C1	X	BUSHING, reel arm
28	280164	X	BOLT, Hex, 1/4"-20 x 1 3/4", G5,
29	20356	X	NUT, LOCK, 1/4"-20, GB,
30	114941A1	6	BEARING, NEEDLE,
31	114942A1	12	SCREW, socket head, shoulder, special
32	100038	12	SAFETY NUT, M12 x 1.75, CI 8,
33	100037	6	NUT, M10 x 1.5, CI 8,
34	292108A1	4	SHIELD, eccentric roller plate HCC
35	11106231	4	BOLT, Hex, M10 x 25, 10.9, Full Thd,
36	100037	4	NUT, M10 x 1.5, CI 8,

BSN JJC0324999

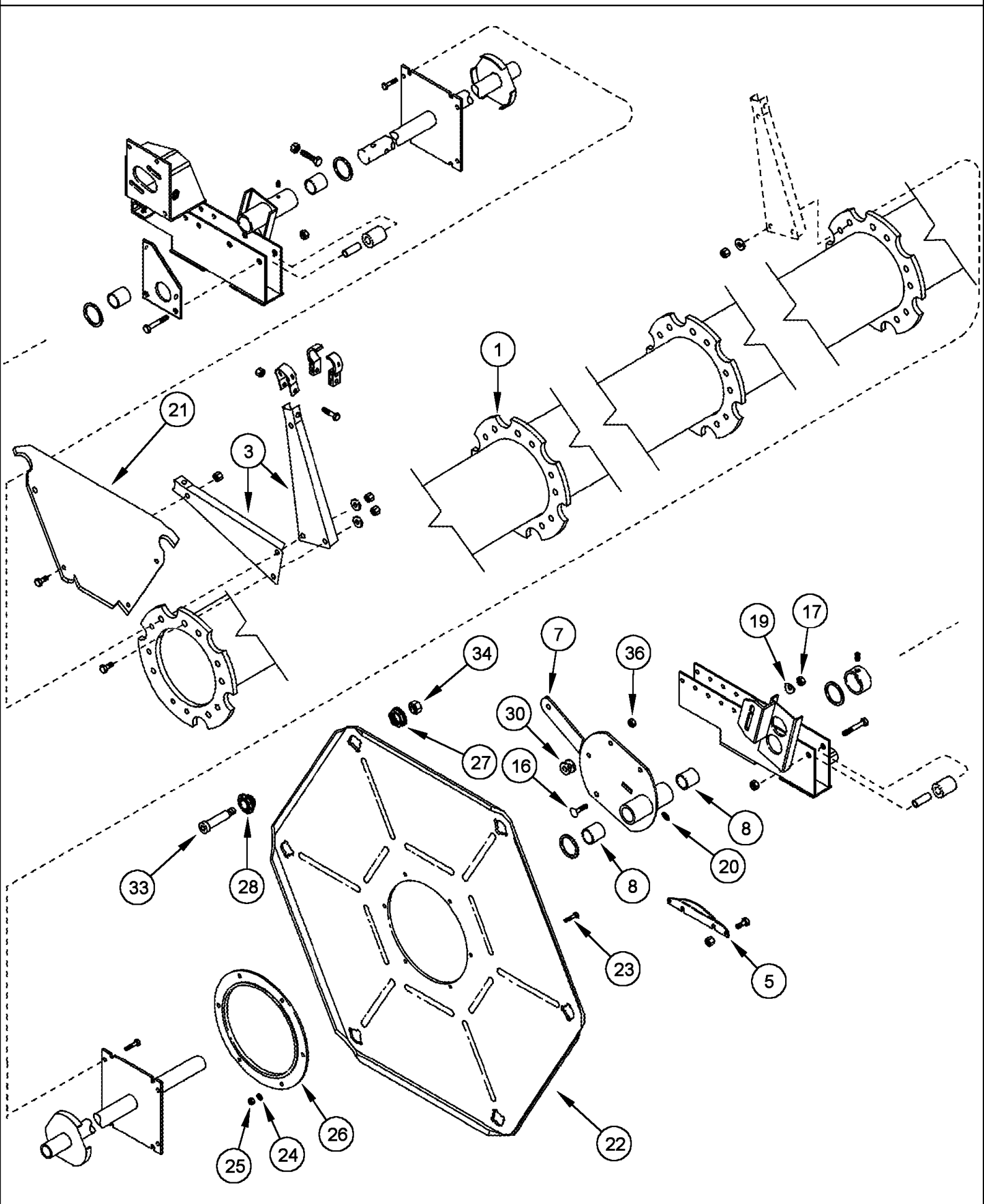


1020 GRAIN HEADER (P.I.N. JJC0315001 TO JJC0350294) (-10/04)

09A-02 PICKUP REEL 6 BAT WITH STEEL TINES - BSN JJC0325000

сылка	Номер детали	Кол-во	Описание
37	277363A1	1	BRACKET, pickup reel support, LH
38	277361A2	1	BRACKET, pickup reel support, RH
40	280505A1	5	SPACER, 3/4"
43	88043	5	BOLT, Hex, 1/2"-13 x 3 1/4", G5,
44	9636698	5	NUT, LOCK, 1/2"-13, GB,
45	1316328C1	4	BUSHING, reel support
47	185519C1	1	SHAFT, driving end (15.0 and 17.5 foot)
47	185520C1	1	SHAFT, driving end (20.0 and 22.5 foot)
47	180134C1	1	SHAFT, driving end (25.0 and 30.0 foot)
48	185522C1	1	SHAFT, driven end (15.0 and 17.5 foot)
48	185523C1	1	SHAFT, driven end (20.0 and 22.5 Foot)
48	180135C1	1	SHAFT, driven end (25.0 and 30.0 foot)
49	495-81089	4	WASHER, 1 21/32" x 2 1/4" x .120",
50	114943A1	1	COLLAR, locking, Includes 51
51	878-1106	2	SET SCREW, Hex Soc, M10 x 6, Cup Pt,
52	88434	X	BOLT, Hex, 3/8"-16 x 3/4", G5, Full Thd,
53	9637692	X	NUT, LOCK, 3/8"-16, GB,
54	80680	X	WASHER, LOCK, 3/8",
55	80280503	6	BOLT, CARRIAGE, Short NK, 3/8"-16 x 1", G5, Full Thd,
56	280234	1	BOLT, Hex, 1/2"-13 x 3", G5, Full Thd,
57	280431	1	NUT, 1/2"-13, G5,
58	280262A1	1	SUPPORT, shield, outer
59	88043	2	BOLT, Hex, 1/2"-13 x 3 1/4", G5,
60	811-12040	2	BOLT, CARRIAGE, Short NK, M12 x 40, CI8.8, Full Thd,
61	337475	2	NUT, M12, CI 10,
62	114944A1	2	WASHER, SPRING, belleville, 12 mm

BSN JJC0325000

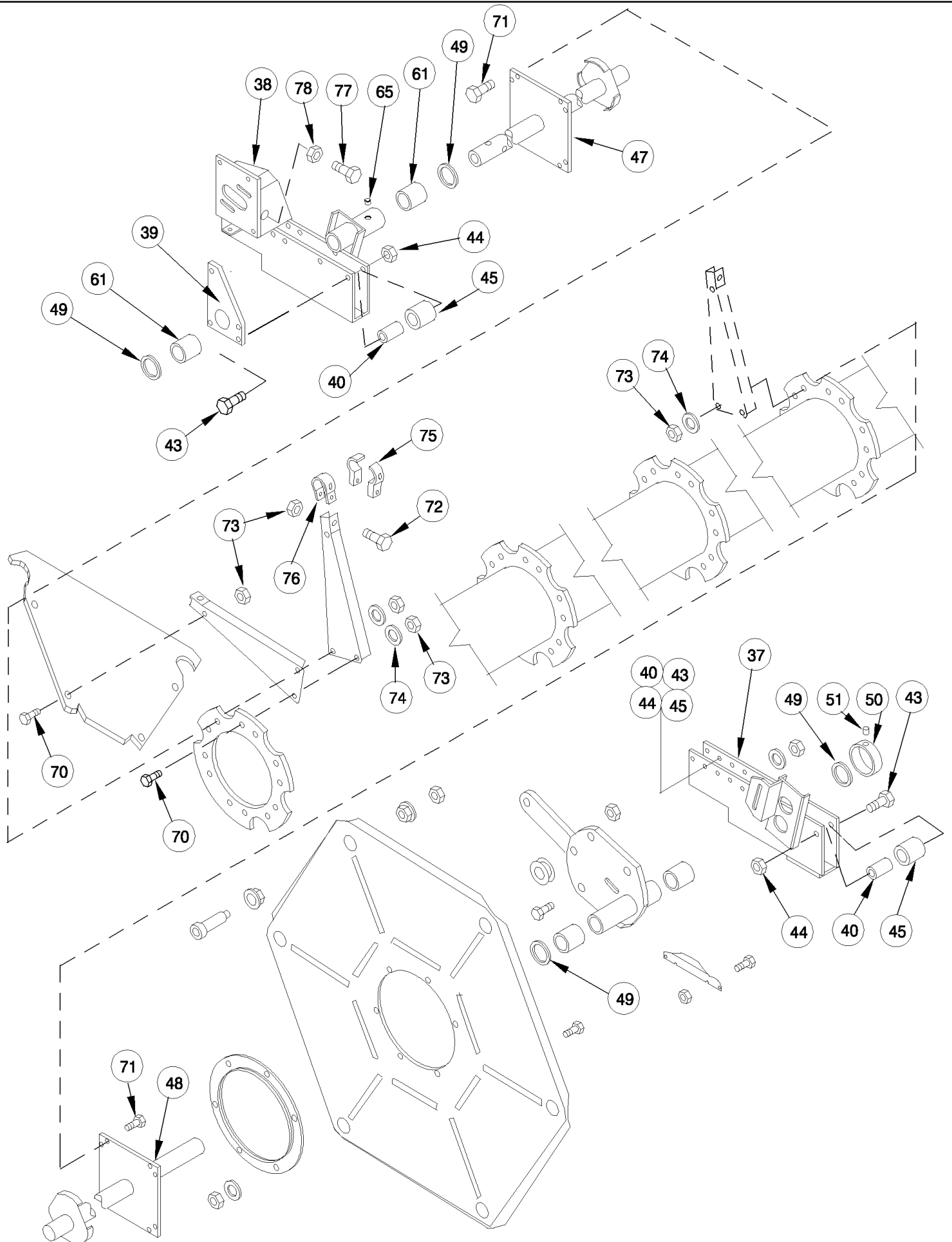


1020 GRAIN HEADER (P.I.N. JJC0315001 TO JJC0350294) (-10/04)

09A-03 PICKUP REEL WITH PLASTIC TINES - 15.0, 16.5, 17.5 AND 20.0 FOOT HEADERS - BSN JJC0324999

сылка	Номер детали	Кол-во	Описание
1	1989399C1	1	SHAFT, center tube (15.0 foot)
1	1989400C1	1	SHAFT, center tube (16.5 foot)
1	1989401C1	1	SHAFT, center tube (17.5 foot)
1	1994811C1	1	SHAFT, center tube (20.0 foot)
3	1347083C1	X	ARM, reel
5	292108A1	2	SHIELD, eccentric roller plate HCC
7	114938A2	1	FRAME, eccentric roller
8	167666C1	2	BUSHING, roller frame
16	811-12040	1	BOLT, CARRIAGE, Short NK, M12 x 40, CI8.8, Full Thd,
17	337475	1	NUT, M12, CI 10,
19	114944A1	1	WASHER, SPRING, belleville, 12 mm
20	80720	1	NIPPLE, LUBE, 30€, 1/8"-27 NPT x .91" lg,
21	1989433C2	6	SHIELD, RH end
21	283590A1	6	GUARD, sheet, non eccentric end, Australia and Europe
22A	253430A1	1	SHIELD, eccentric with bearings, Not Shown, Includes 22 - 28
22	NSS	1	NOT SERVICED SEPARATELY, Shield
23	120104	6	BOLT, Hex, M8 x 20, 8.8,
24	87016617	6	WASHER, LOCK, M8,
25	43362	6	NUT, M8, CI 10,
26	167661C1	1	RING, eccentric control
27	114951A1	6	BEARING, CUP tapered roller bearing (Female thread)
28	114952A1	6	BEARING, CONE tapered roller bearing (Male thread)
30	114941A1	3	BEARING, NEEDLE,
33	114942A1	6	SCREW, socket head, shoulder, special
34	100038	6	SAFETY NUT, M12 x 1.75, CI 8,
36	100037	3	NUT, M10 x 1.5, CI 8,

BSN JJC0324999

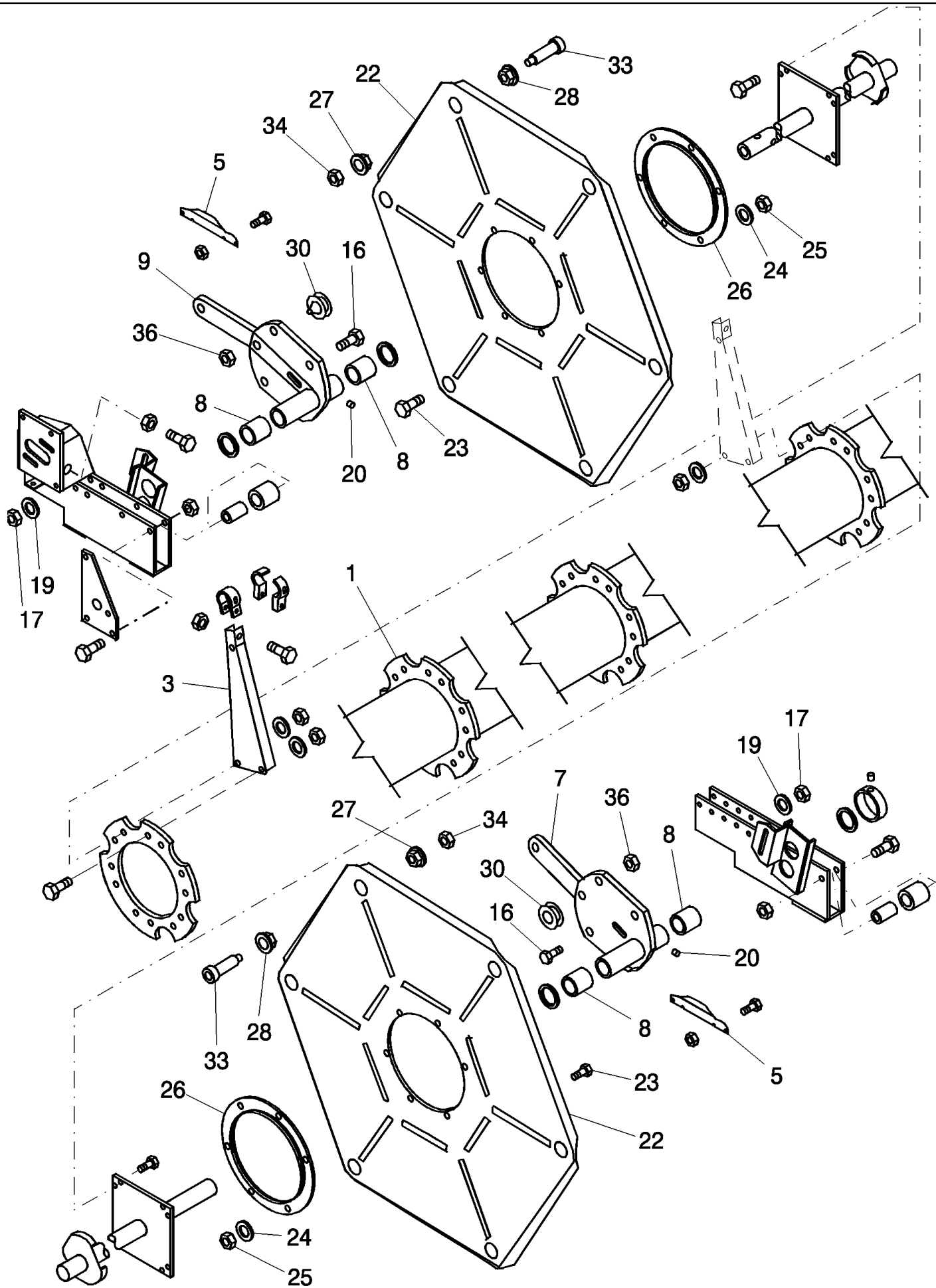


1020 GRAIN HEADER (P.I.N. JJC0315001 TO JJC0350294) (-10/04)

09A-04 PICKUP REEL WITH PLASTIC TINES - 15.0, 16.5, 17.5 AND 20.0 FOOT HEADERS - BSN JJC0324999

сылка	Номер детали	Кол-во	Описание
37	277363A1	1	BRACKET, pickup reel support, LH
38	277361A2	1	BRACKET, pickup reel support, RH
39	280262A1	1	SUPPORT, shield, outer
40	280505A1	5	SPACER, 3/4"
43	88043	5	BOLT, Hex, 1/2"-13 x 3 1/4", G5,
44	9636698	5	NUT, LOCK, 1/2"-13, GB,
45	1316328C1	4	BUSHING, reel support
47	1989426C2	1	SHAFT, driving end
48	1989424C2	1	SHAFT, driven end
49	495-81089	4	WASHER, 1 21/32" x 2 1/4" x .120",
50	114943A1	1	COLLAR, locking, Includes 51
51	878-1106	2	SET SCREW, Hex Soc, M10 x 6, Cup Pt,
61	167666C1	2	BUSHING, roller frame
65	80720	1	NIPPLE, LUBE, 30с, 1/8"-27 NPT x .91" lg,
70	11106231	X	BOLT, Hex, M10 x 25, 10.9, Full Thd,
71	43140	8	BOLT, Hex, M10 x 30, 8.8, Full Thd,
72	120113	X	BOLT, Hex, M10 x 50, 8.8, Full Thd,
73	832-41310	X	NUT, LOCK, M10 x 1.5, Cl 10,
74	140028	X	WASHER, LOCK, M10,
75	1347084C1	X	BEARING, reel arm
76	1347085C1	X	STRAP, bearing
77	280234	1	BOLT, Hex, 1/2"-13 x 3", G5, Full Thd,
78	280431	1	NUT, 1/2"-13, G5,

BSN JJC0324999

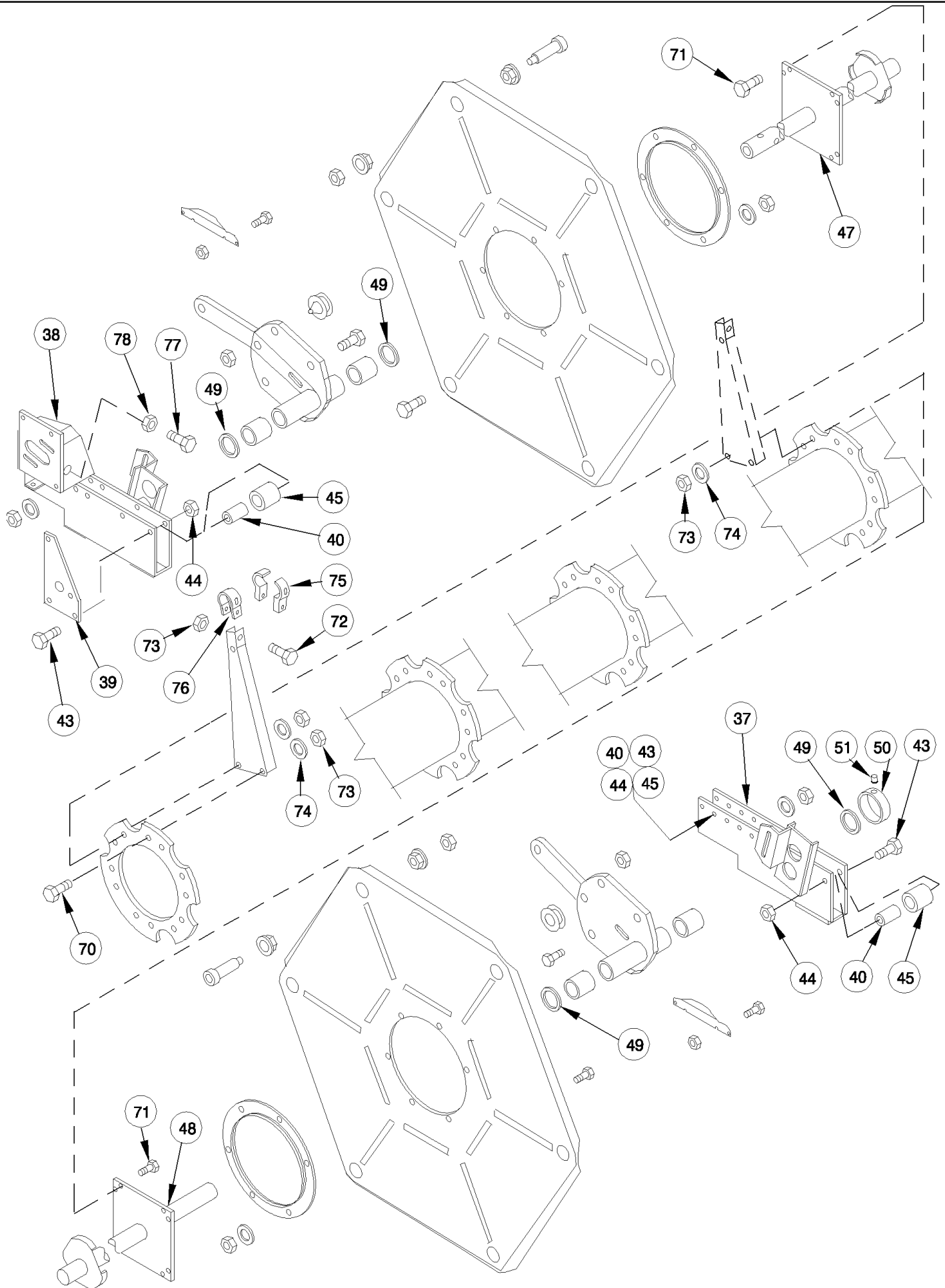


1020 GRAIN HEADER (P.I.N. JJC0315001 TO JJC0350294) (-10/04)

09A-05 PICKUP REEL WITH PLASTIC TINES - 22.5, 25.0 AND 30.0 FOOT HEADERS - BSN JJC0325000

сылка	Номер детали	Кол-во	Описание
1	1347091C1	1	SHAFT, center, tube (22.5 foot)
1	1347092C1	1	SHAFT, center, tube (25.0 foot)
1	1347093C1	1	SHAFT, center, tube (30.0 foot)
3	1347083C1	X	ARM, reel
5	292108A1	2	SHIELD, eccentric roller plate HCC
7	114938A2	1	FRAME, eccentric roller
8	167666C1	4	BUSHING, roller frame
9	175571A3	1	HOUSING, eccentric roller
16	811-12040	2	BOLT, CARRIAGE, Short NK, M12 x 40, CI8.8, Full Thd,
17	337475	2	NUT, M12, CI 10,
19	114944A1	2	WASHER, SPRING, belleville, 12 mm
20	80720	2	NIPPLE, LUBE, 30с, 1/8"-27 NPT x .91" lg,
21	253430A1	1	SHIELD, eccentric with bearings, Not Shown, Includes 22 - 28
22	NSS	2	NOT SERVICED SEPARATELY, Shield
23	120104	12	BOLT, Hex, M8 x 20, 8.8,
24	87016617	12	WASHER, LOCK, M8,
25	43362	12	NUT, M8, CI 10,
26	167661C1	2	RING, eccentric control
27	114951A1	12	BEARING, CUP tapered roller bearing (Female thread)
28	114952A1	12	BEARING, CONE tapered roller bearing (Male thread)
30	114941A1	6	BEARING, NEEDLE,
33	114942A1	12	SCREW, socket head, shoulder, special
34	100038	12	SAFETY NUT, M12 x 1.75, CI 8,
36	100037	6	NUT, M10 x 1.5, CI 8,

BSN JJC0325000

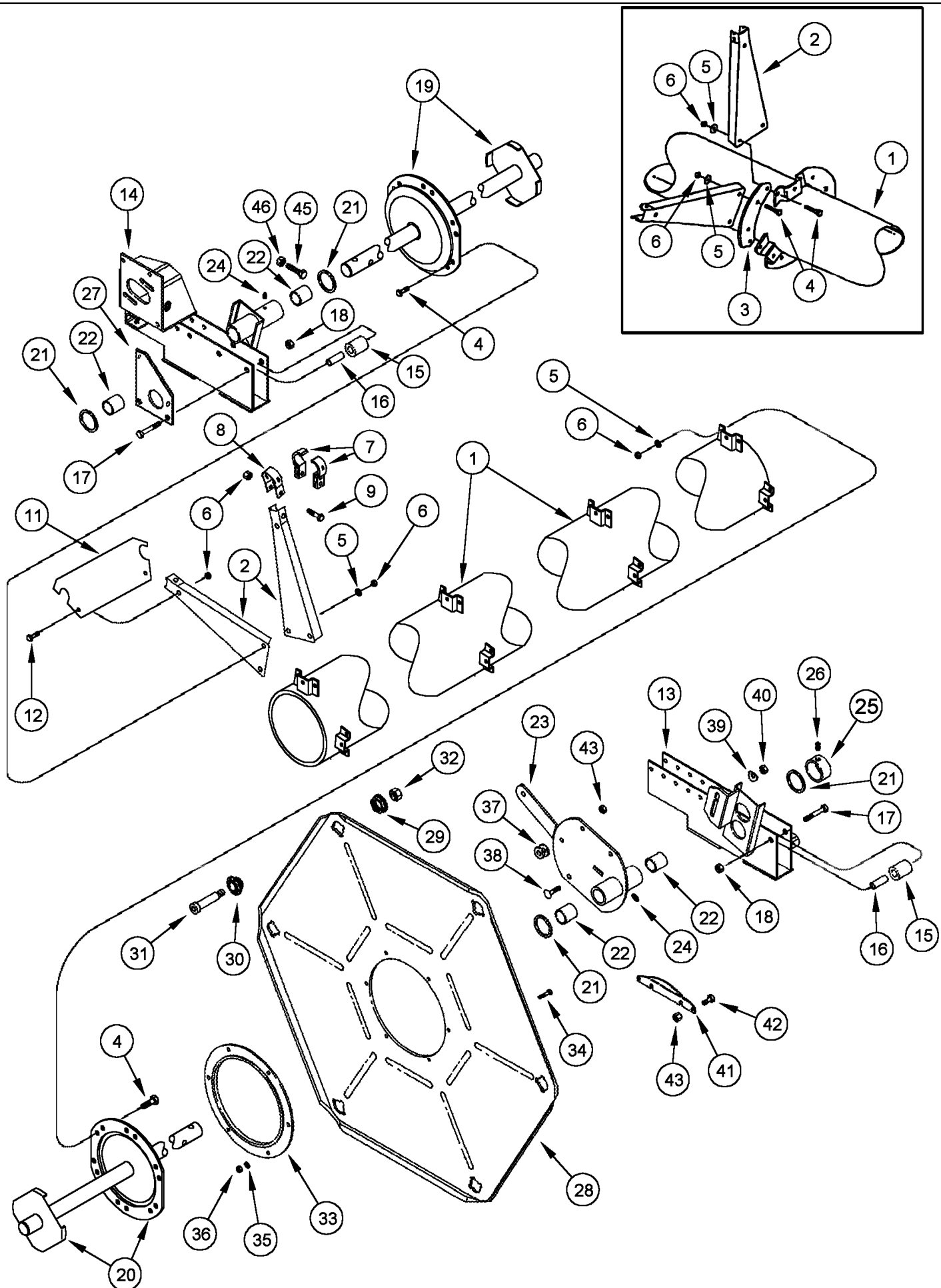


1020 GRAIN HEADER (P.I.N. JJC0315001 TO JJC0350294) (-10/04)

09A-06 PICKUP REEL WITH PLASTIC TINES - 22.5, 25.0 AND 30.0 FOOT HEADERS - BSN JJC0325000

сылка	Номер детали	Кол-во	Описание
37	277363A1	1	BRACKET, pickup reel support, LH
38	277358A2	1	BRACKET, pickup reel support, RH
39	280262A1	1	SUPPORT, shield, outer
40	280505A1	5	SPACER, 3/4"
43	88043	5	BOLT, Hex, 1/2"-13 x 3 1/4", G5,
44	9636698	5	NUT, LOCK, 1/2"-13, GB,
45	1316328C1	4	BUSHING, reel support
47	1989428C2	1	SHAFT, driving end
48	1989425C2	1	SHAFT, driven end
49	495-81089	4	WASHER, 1 21/32" x 2 1/4" x .120",
50	114943A1	1	COLLAR, locking, Includes 51
51	878-1106	2	SET SCREW, Hex Soc, M10 x 6, Cup Pt,
70	11106231	X	BOLT, Hex, M10 x 25, 10.9, Full Thd,
71	43140	8	BOLT, Hex, M10 x 30, 8.8, Full Thd,
72	120113	X	BOLT, Hex, M10 x 50, 8.8, Full Thd,
73	832-41310	X	NUT, LOCK, M10 x 1.5, Cl 10,
74	140028	X	WASHER, LOCK, M10,
75	1347084C1	X	BEARING, reel arm
76	1347085C1	X	STRAP, bearing
77	280234	1	BOLT, Hex, 1/2"-13 x 3", G5, Full Thd,
78	280431	1	NUT, 1/2"-13, G5,

BSN JJC0325000



1020 GRAIN HEADER (P.I.N. JJC0315001 TO JJC0350294) (-10/04)

09A-07 PICKUP REEL 6 BAT WITH PLASTIC OR STEEL TINES - ASN JJC0325000

сылка	Номер детали	Кол-во	Описание
1	427452A1	1	SHAFT, 15.0 foot center tube
1	427453A1	1	SHAFT, 16.5 foot center tube
1	427454A1	1	SHAFT, 17.5 foot center tube
1	427455A1	1	SHAFT, 20.0 foot center tube
1	427456A1	1	SHAFT, 22.5 foot center tube
1	427457A1	1	SHAFT, 25.0 foot center tube
1	427458A1	1	SHAFT, 30.0 foot center tube
2	1347083C1	X	ARM, reel
3	427418A1	X	PLATE, spider arm anchor
4	43140	8	BOLT, Hex, M10 x 30, 8.8, Full Thd,
5	140028	X	WASHER, LOCK, M10,
6	832-41310	X	NUT, LOCK, M10 x 1.5, CI 10,
7	1347084C1	X	BEARING, reel arm
8	1347085C1	X	STRAP, bearing
9	120113	X	BOLT, Hex, M10 x 50, 8.8, Full Thd,
11	1989433C2	6	SHIELD, RH end
12	11106231	X	BOLT, Hex, M10 x 25, 10.9, Full Thd,
13	277363A1	1	BRACKET, pickup reel support, LH
14	277361A2	1	BRACKET, pickup reel support, RH, 15.0, 16.5, 17.5 and 20.0 Foot Headers
14	277358A2	1	BRACKET, pickup reel support, RH, 22.5, 25.0 and 30.0 Foot Headers
15	1316328C1	4	BUSHING, reel support
16	280505A1	3	SPACER, 3/4"
17	88043	3	BOLT, Hex, 1/2"-13 x 3 1/4", G5,
18	9636698	3	NUT, LOCK, 1/2"-13, GB,
19	427411A1	1	SHAFT, driving end, 15.0, 20.0 and 22.5 foot, 15.0, 16.5, 17.5 and 20.0 Foot Headers
19	291313A1	1	SHAFT, drive end HCC ML LVL2 pickup reel, 22.5, 25.0 and 30.0 Foot Headers
20	427412A1	1	SHAFT, driven end 8" OD
21	495-81089	4	WASHER, 1 21/32" x 2 1/4" x .120",
22	167666C1	4	BUSHING, roller frame
23	114938A2	1	FRAME, eccentric roller
24	80720	2	NIPPLE, LUBE, 30c, 1/8"-27 NPT x .91" lg,
25	114943A1	1	COLLAR, locking, Includes 26
26	878-1106	2	SET SCREW, Hex Soc, M10 x 6, Cup Pt,
27	280262A1	1	SUPPORT, shield, outer
28	NSS	1	NOT SERVICED SEPARATELY, Shield
29	114951A1	6	BEARING, CUP tapered roller bearing (Female thread)
30	114952A1	6	BEARING, CONE tapered roller bearing (Male thread)
31	114942A1	6	SCREW, socket head, shoulder, special
32	100038	6	SAFETY NUT, M12 x 1.75, CI 8,
33	167661C1	1	RING, eccentric control
34	120104	6	BOLT, Hex, M8 x 20, 8.8,
35	87016617	6	WASHER, LOCK, M8,
36	43362	6	NUT, M8, CI 10,
37	114941A1	3	BEARING, NEEDLE,
38	811-12040	1	BOLT, CARRIAGE, Short NK, M12 x 40, CI8.8, Full Thd,

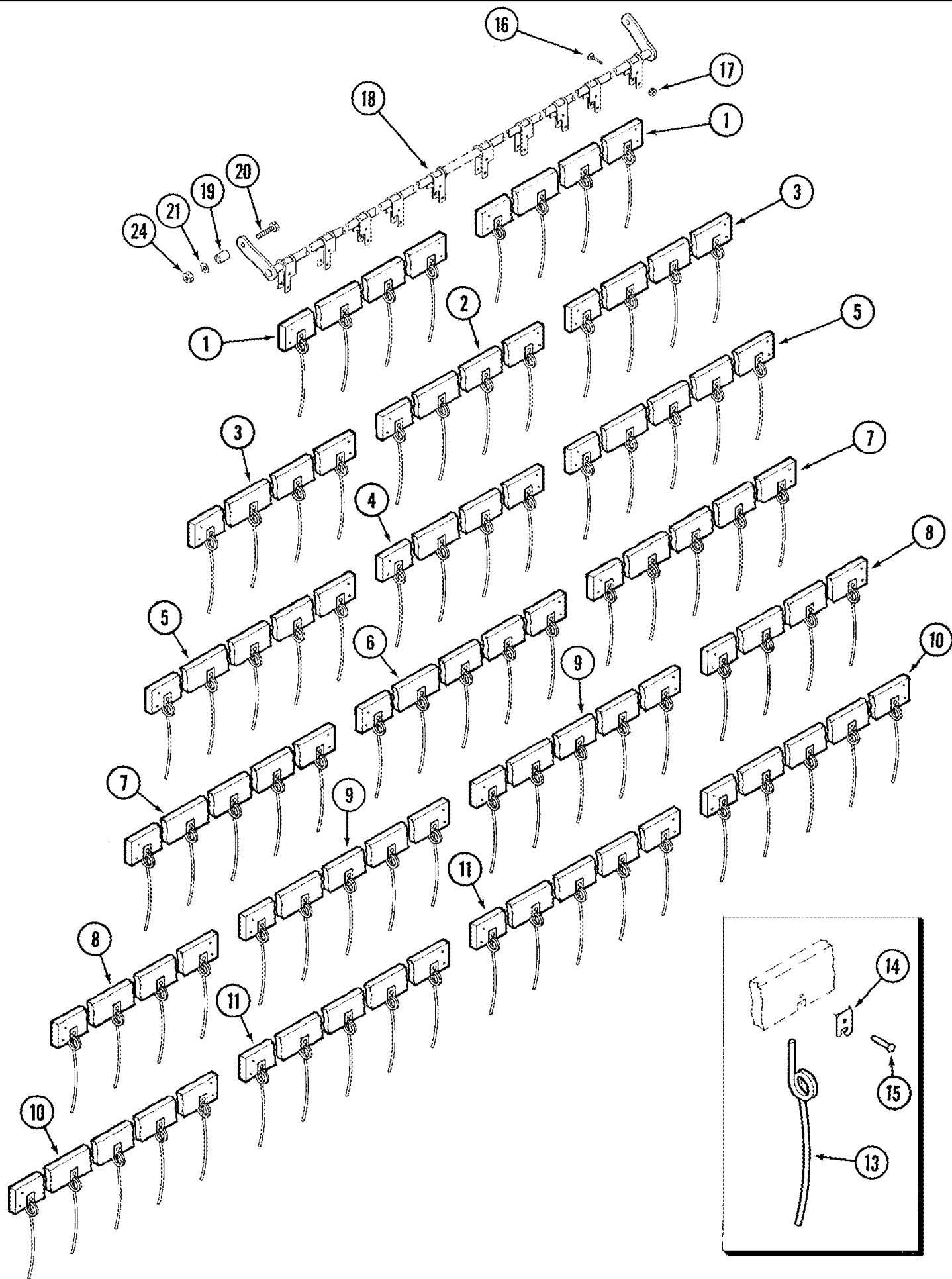
ASN JJC0325000

1020 GRAIN HEADER (P.I.N. JJC0315001 TO JJC0350294) (-10/04)

09A-07 PICKUP REEL 6 BAT WITH PLASTIC OR STEEL TINES - ASN JJC0325000

сылка	Номер детали	Кол-во	Описание
39	114944A1	1	WASHER, SPRING, belleville, 12 mm
40	337475	1	NUT, M12, CI 10,
41	292108A1	2	SHIELD, eccentric roller plate HCC, BSN JJC0350294
42	11106231	4	BOLT, Hex, M10 x 25, 10.9, Full Thd,
43	100037	X	NUT, M10 x 1.5, CI 8,
45	280234	1	BOLT, Hex, 1/2"-13 x 3", G5, Full Thd,
46	280431	1	NUT, 1/2"-13, G5,
47	253430A1	1	SHIELD, eccentric with bearings, Not Shown, Includes 28 - 30

ASN JJC0325000

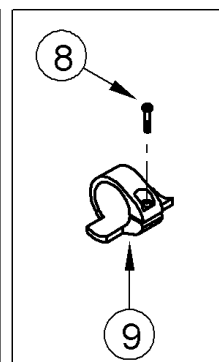
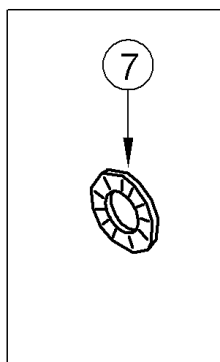
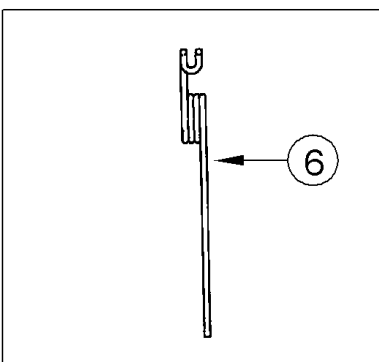
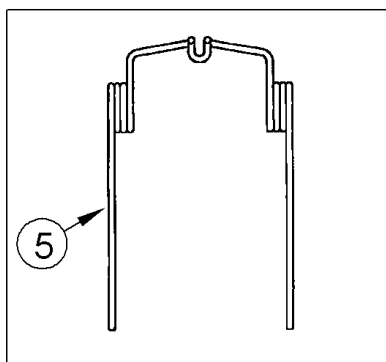
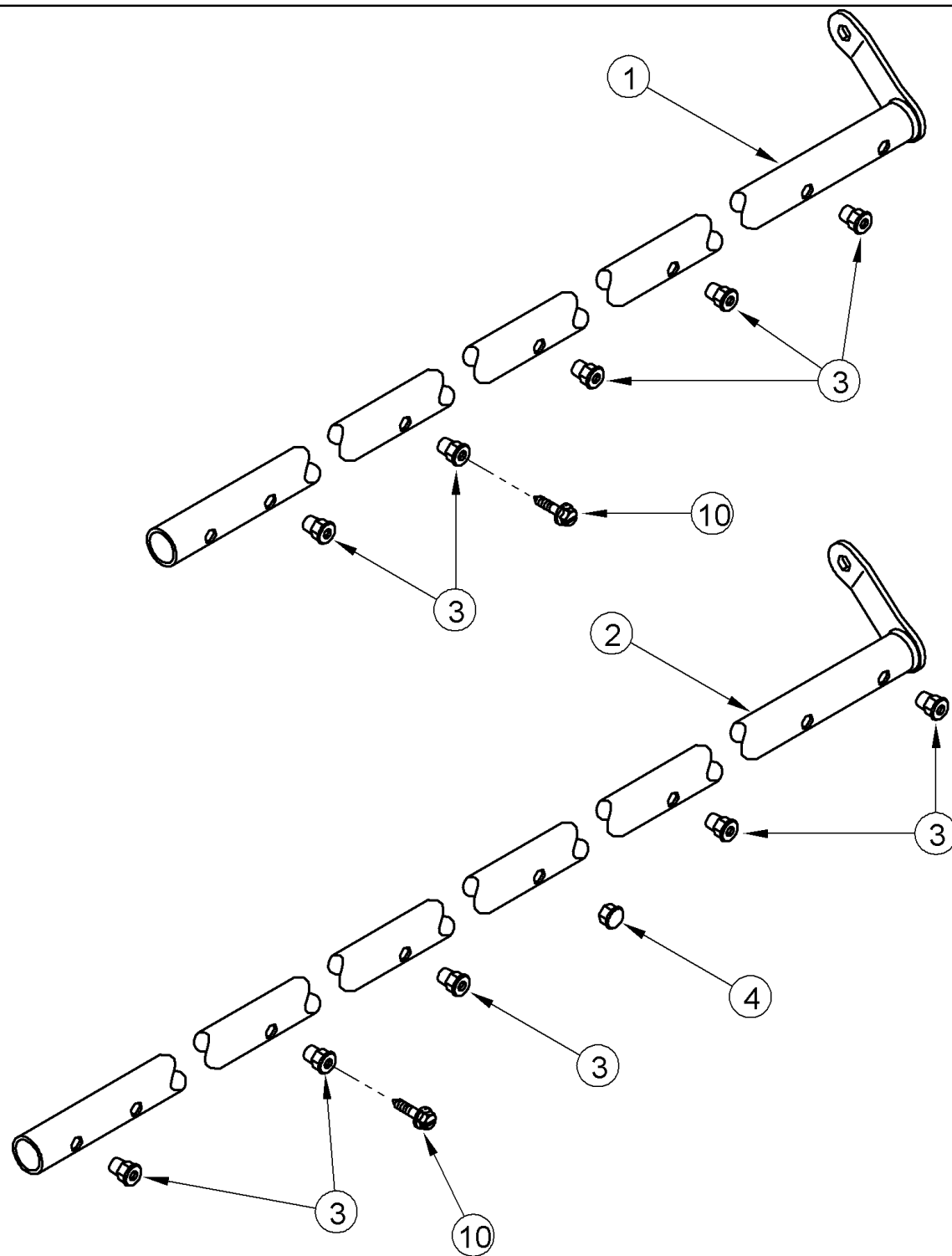


1020 GRAIN HEADER (P.I.N. JJC0315001 TO JJC0350294) (-10/04)

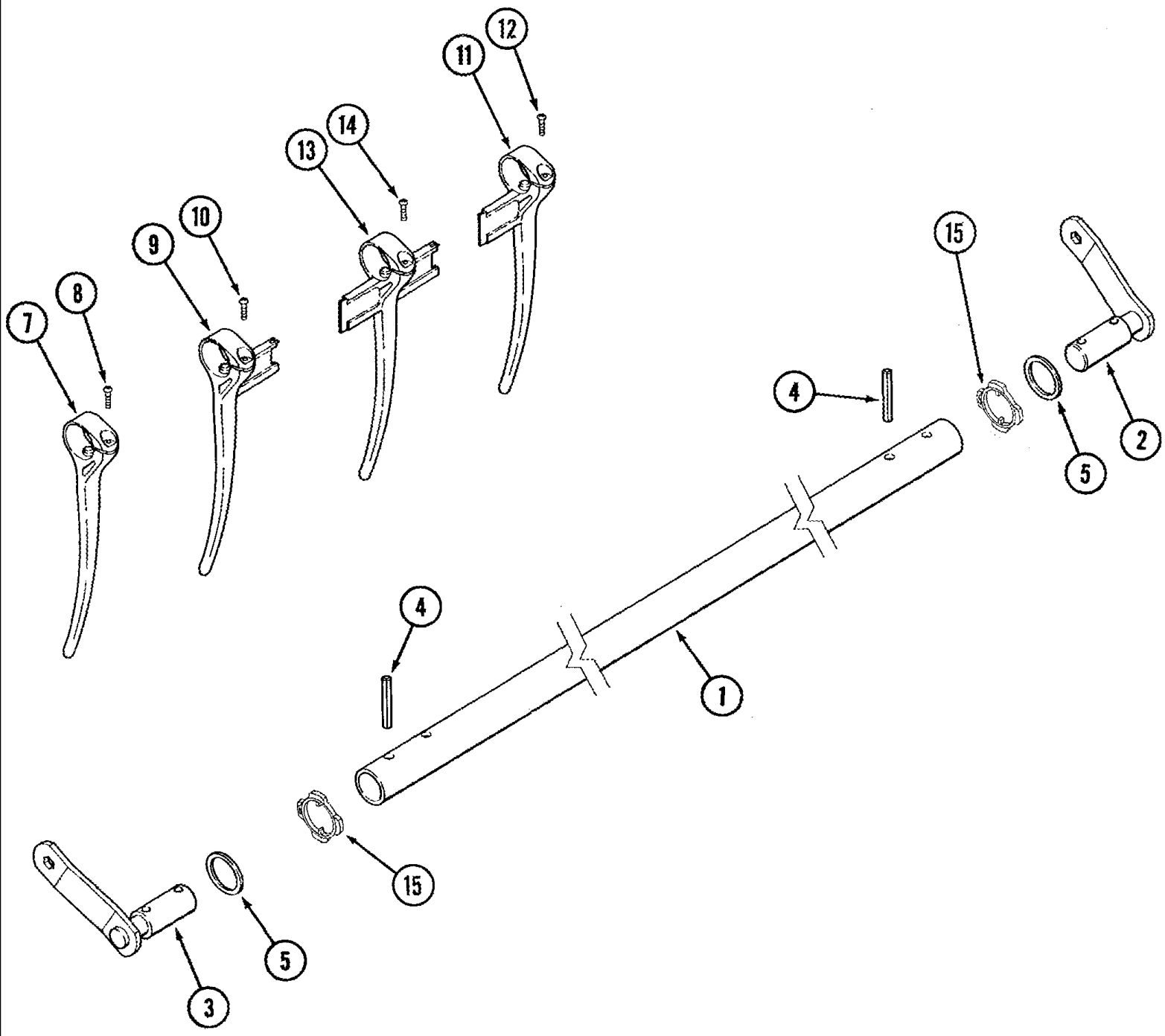
09A-08 PICKUP REEL BAT AND STEEL TINE ASSY - BSN JJC0324999

сылка	Номер детали	Кол-во	Описание
1	1326605C91	12	BAT, with steel tines (15.0 foot), Includes 13, 14, 15
2	1316258C91	6	BAT, with steel tines (17.5 foot), Includes 13, 14, 15
3	1316259C91	12	BAT, with steel tines (17.5 and 20.0 foot), Includes 13, 14, 15
4	1316259C91	6	BAT, with steel tines (17.5 and 20.0 foot), Includes 13, 14, 15
5	1316260C91	12	BAT, with steel tines (20.0 foot), Includes 13, 14, 15
6	1316265C91	6	BAT, with steel tines (22.5 foot), Includes 13, 14, 15
7	185864C91	12	BAT, with steel tines (22.5 foot), Includes 13, 14, 15
8	598170R91	12	BAT, with steel tines (25.0 foot), Includes 13, 14, 15
9	167676C91	12	BAT, with steel tines (25.0 foot), Includes 13, 14, 15
10	1316264C91	12	BAT, with steel tines (30.0 foot), Includes 13, 14, 15
11	1316265C91	12	BAT, with steel tines (22.5 foot), Includes 13, 14, 15
12	598188R91	12	BAT, with steel tines (16.5 foot), Includes 13, 14, 15, Not Shown
13	598171R1	X	TINE, tooth
14	592616R1	X	CLIP,
15	23055R1	X	RIVET, Tr Hd, 3/16" x 1",
16	412-422	X	BOLT, CARRIAGE, Short NK, 1/4"-20 x 1 3/8", G2,
17	230-4114	X	NUT, LOCK, 1/4"-20, GA,
18	1326604C1	6	SHAFT, bat (15.0 foot)
18	1326842C1	6	SHAFT, bat (16.5 foot)
18	1316267C1	6	SHAFT, bat (17.5 foot)
18	1316268C1	6	SHAFT, bat (20.0 foot)
18	1316269C1	6	SHAFT, bat (22.5 foot)
18	1316270C1	6	SHAFT, bat (25.0 foot)
18	1316271C1	6	SHAFT, bat (30.0 foot)
19	1316568C1	12	SPACER, .51 X .84 X 1.12 tube, 52 Inch Reel With Steel Tines
20	9706716	12	BOLT, Hex, 1/2"-13 x 2", G5, , 52 Inch Reel With Steel Tines
21	495-81024	12	WASHER, 17/32" x 1 1/4" x .060", , 52 Inch Reel With Steel Tines
24	231-4118	12	NUT, LOCK, 1/2"-13, GB, , 52 Inch Reel With Steel Tines

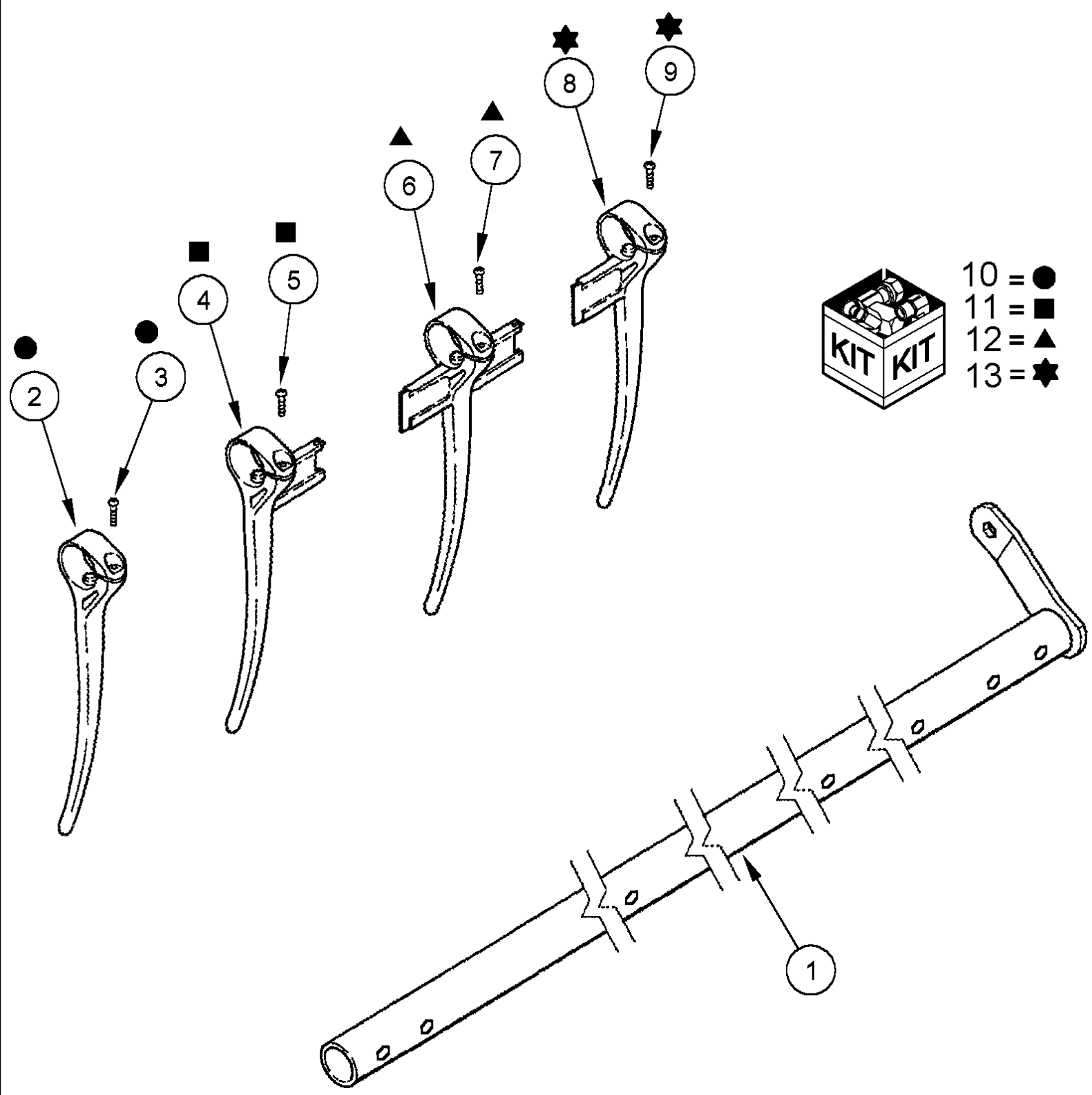
BSN JJC0324999



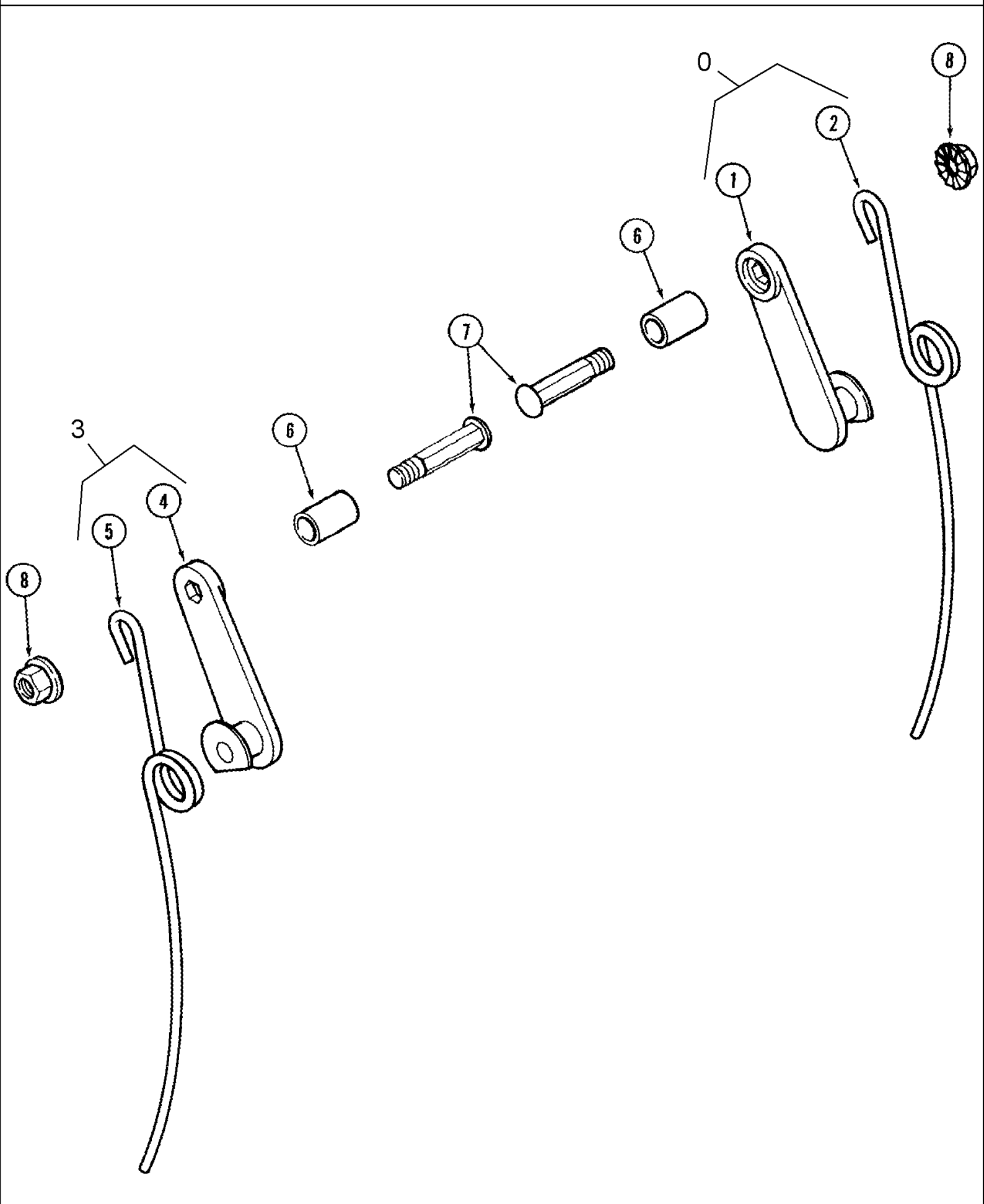
сылка	Номер детали	Кол-во	Описание
1	427438A1	3	TINE BAR, 15.0 foot with retainer outboard, Includes 3 (15)
1	427440A1	3	TINE BAR, 16.5 foot with retainer outboard
1	427442A1	3	TINE BAR, 17.5 foot with retainer outboard, Includes 3 (18)
1	427444A1	3	TINE BAR, 20.0 foot with retainer outboard, Includes 3 (21)
1	427447A1	3	TINE BAR, 22.5 foot with retainer outboard, Includes 3 (24)
1	427448A1	3	TINE BAR, 25.0 foot with retainer outboard, Includes 3 (25)
1	427451A1	3	TINE BAR, 30.0 foot with retainer outboard, Includes 3 (32)
2	427439A1	3	TINE BAR, 15.0 foot with retainer inboard, Includes 3 (17), 4
2	427441A1	3	TINE BAR, 16.5 foot with retainer inboard, Includes 3 (18), 4
2	427443A1	3	TINE BAR, 17.5 foot with retainer inboard, Includes 3 (20), 4
2	427445A1	3	TINE BAR, 20.0 foot with retainer inboard, Includes 3 (22), 4
2	427446A1	3	TINE BAR, 22.5 foot with retainer inboard, Includes 3 (25), 4
2	427449A1	3	TINE BAR, 25.0 foot with retainer inboard, Includes 3 (27), 4
2	427450A1	3	TINE BAR, 30.0 foot with retainer inboard, Includes 3 (32), 4
3	NSS	X	NOT SERVICED SEPARATELY, Threaded Inserts (M8 Threads)
3A	430246A1	1	TOOL, threaded insert installation, Not Illustrated
4	430501A1	1	PLUG, plastic 12.7 OD x 10.3 ID
5	427459A1	X	PACKAGE, double coil tine 5 pieces
6	427460A1	X	PACKAGE, single coil tine 10 pieces
7	427414A1	X	WASHER, Special 21/64 x 23/32 x 1/16"
8	9671714	X	BOLT, Hex Flg, M8 x 25, 8.8,
9	427415A1	X	STRAP, thrust retainer
10	126173A1	X	SCREW, SELF TAP, hex washer head, slotted, special, 3.5 x 1.3 x 16 mm
11	427417A1	X	PACKAGE, threaded insert, Includes 3, Not Shown



сылка	Номер детали	Кол-во	Описание
1	1989429C1	6	TUBE, tine support (15.0 foot)
1	1989430C1	6	TUBE, tine support (16.5 foot)
1	1989431C1	6	TUBE, tine support (17.5 foot)
1	1994813C1	6	TUBE, tine support (20.0 foot)
1	1347080C1	6	TUBE, tine support (22.5 foot)
1	1347081C1	6	TUBE, tine support (25.0 foot)
1	1347082C2	6	TUBE, tine support (30.0 foot)
2	1347094C1	6	BRACKET, crank arm, LH
3	1347095C1	6	ARM, crank arm, RH (double eccentric)
4	838-1840	X	PIN, LOCK, M8 x 4. Slotted,
5	1989468C1	X	WASHER, 35.6 x 46 x 2.0 mm
6	1989441C1	X	KIT, tine, end, Not Shown, Includes 7, 8
7	NSS	6	NOT SERVICED SEPARATELY, Tine, End
8	126173A1	6	SCREW, SELF TAP, hex washer head, slotted, special, 3.5 x 1.3 x 16 mm
9A	1989439C1	X	KIT, tine, RH, Not Shown, Includes 9, 10
9	NSS	6	NOT SERVICED SEPARATELY, Tine, Right Hand Bat
10	126173A1	6	SCREW, SELF TAP, hex washer head, slotted, special, 3.5 x 1.3 x 16 mm
11A	1989440C1	X	KIT, tine, LH, Not Shown, Includes 11, 12
11	NSS	6	NOT SERVICED SEPARATELY, Tine, Left Hand Bat
12	126173A1	6	SCREW, SELF TAP, hex washer head, slotted, special, 3.5 x 1.3 x 16 mm
13A	1989438C1	X	KIT, tine, full, Not Shown, Includes 13, 14
13	NSS	10	NOT SERVICED SEPARATELY, Tine, Full Bat
14	126173A1	10	SCREW, SELF TAP, hex washer head, slotted, special, 3.5 x 1.3 x 16 mm
15	126748A1	X	WASHER, THRUST, plastic



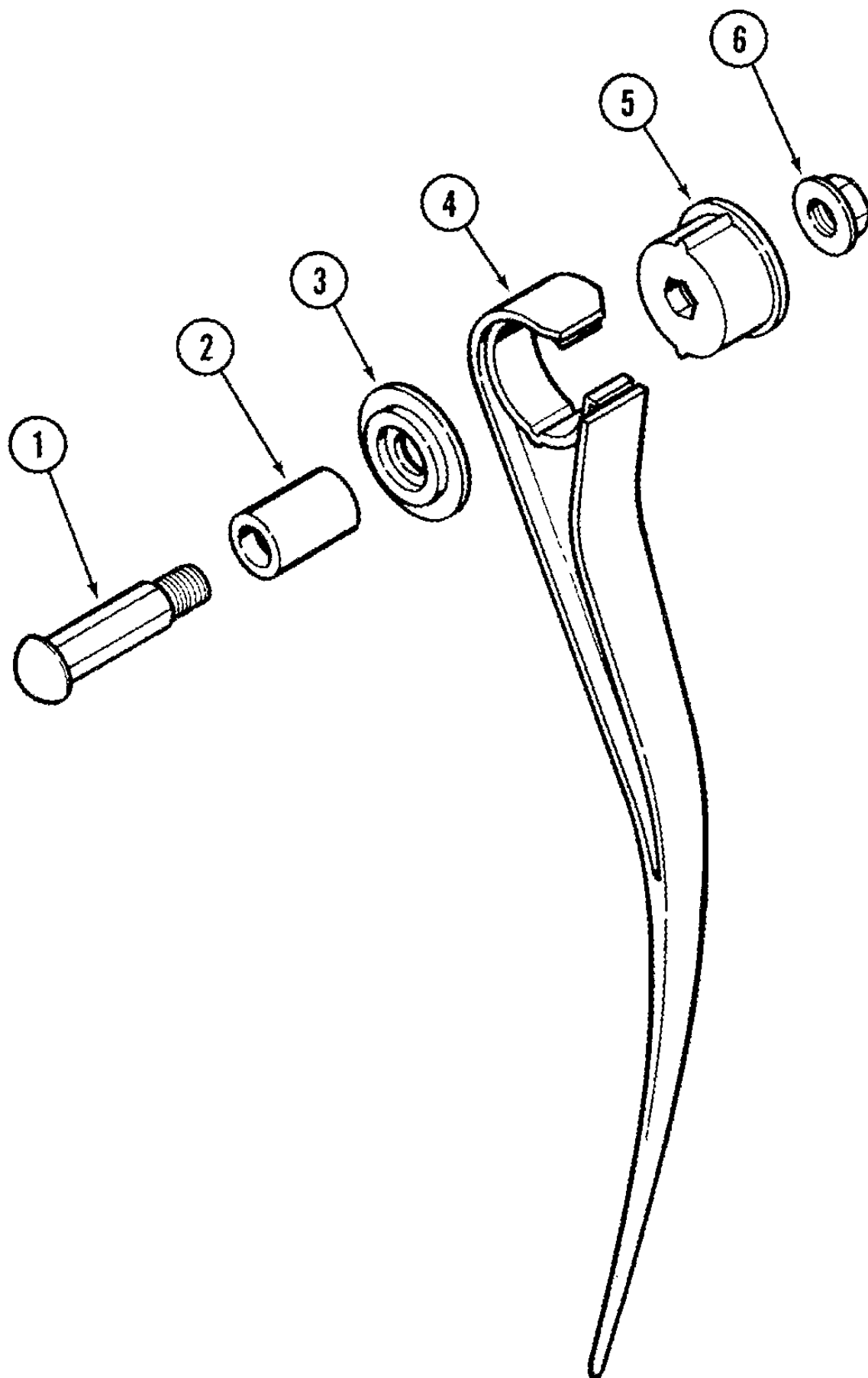
сылка	Номер детали	Кол-во	Описание
1	427425A1	6	TUBE, bat 15.0 foot plastic tine
1	427426A1	6	TUBE, bat 16.5 foot plastic tine
1	427427A1	6	TUBE, bat 17.5 foot plastic tine
1	427428A1	6	TUBE, bat 20.0 foot plastic tine
1	427429A1	6	TUBE, bat 22.5 foot plastic tine
1	427430A1	6	TUBE, bat 25.0 foot plastic tine
1	427431A1	6	TUBE, bat 30.0 foot plastic tine
2	NSS	10	NOT SERVICED SEPARATELY, Tines (Fingers)
3	126173A1	10	SCREW, SELF TAP, hex washer head, slotted, special, 3.5 x 1.3 x 16 mm
4	NSS	10	NOT SERVICED SEPARATELY, Tines (Fingers)
5	126173A1	10	SCREW, SELF TAP, hex washer head, slotted, special, 3.5 x 1.3 x 16 mm
6	NSS	10	NOT SERVICED SEPARATELY, Tines (Fingers)
7	126173A1	10	SCREW, SELF TAP, hex washer head, slotted, special, 3.5 x 1.3 x 16 mm
8	NSS	10	NOT SERVICED SEPARATELY, Tines (Fingers)
9	126173A1	10	SCREW, SELF TAP, hex washer head, slotted, special, 3.5 x 1.3 x 16 mm
10	410859A1	X	PACKAGE, REPAIR, reel tine end, Includes 2, 3
11	410858A1	X	PACKAGE, REPAIR, reel tine RH, Includes 4, 5
12	410856A1	X	PACKAGE, REPAIR, reel tine full, Includes 6, 7
13	410857A1	X	PACKAGE, REPAIR, reel tine LH, Includes 8, 9



1020 GRAIN HEADER (P.I.N. JJC0315001 TO JJC0350294) (-10/04)

09A-12 PICKUP REEL 6 BAT WITH STEEL TINES, AUXILIARY

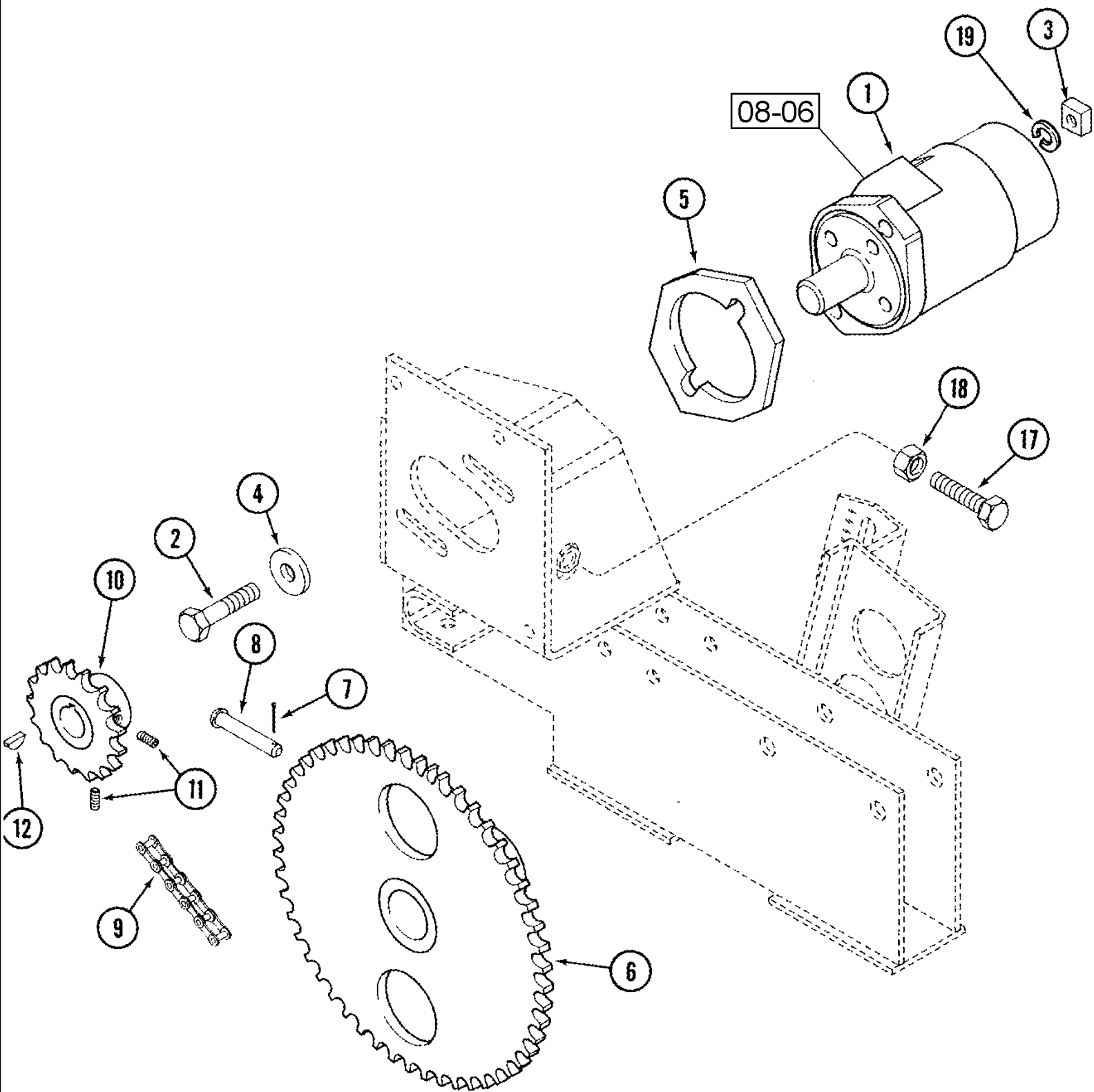
сылка	Номер детали	Кол-во	Описание
0	167605C91	6	TINE, auxiliary pickup, LH, Includes 1, 2
1	592627R21	1	STRAP, finger
2	167652C1	1	TINE, LH
3	167606C91	6	TINE, auxiliary pickup, RH, Includes 4, 5
4	592627R21	1	STRAP, finger
5	167651C1	1	TINE, RH
6	598246R1	12	SPACER, 9/16 ID x 1 1/4"
7	827385C1	12	BOLT, round head hex shank, special, 1/2 NF x 2 1/2"
8	827386C1	12	NUT, LOCK, hex flange, 1/2" NF



1020 GRAIN HEADER (P.I.N. JJC0315001 TO JJC0350294) (-10/04)

09A-13 PICKUP REEL 6 BAT WITH PLASTIC TINES, AUXILIARY

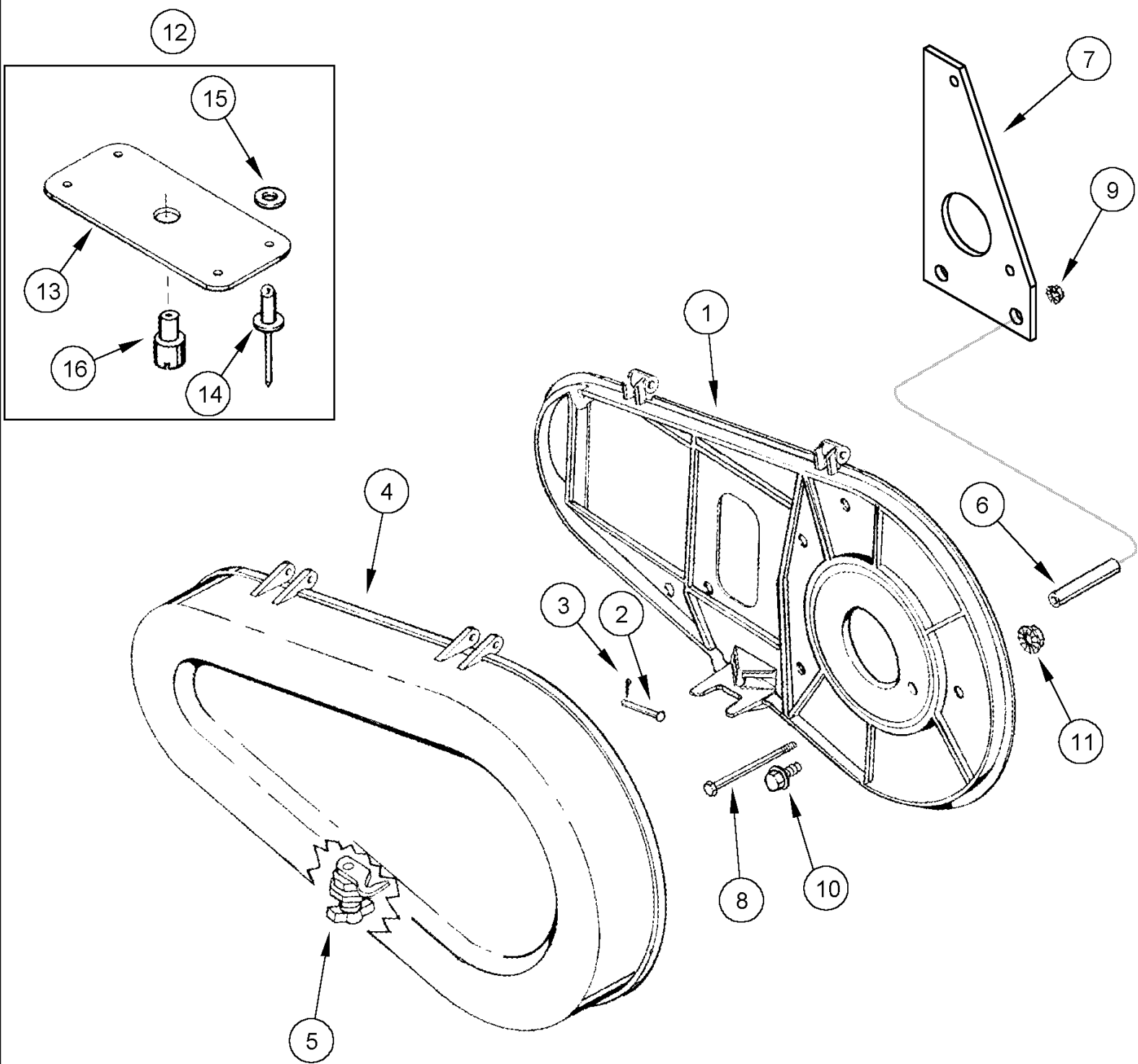
сылка	Номер детали	Кол-во	Описание
1	827385C1	12	BOLT, round head hex shank, special, 1/2 NF x 2 1/2"
2	598246R1	12	SPACER, 9/16 ID x 1 1/4"
3	1970591C1	12	RETAINER, auxiliary tine
4	1970590C1	12	TINE, plastic, auxiliary
5	1970592C1	12	SUPPORT, auxiliary tine
6	827386C1	12	NUT, LOCK, hex flange, 1/2" NF



09A-14 REEL DRIVE PICKUP REEL

сылка	Номер детали	Кол-во	Описание
1	130409A1	1	MOTOR, HYDRAULIC, reel drive, See figure 08-06
2	9707516	2	BOLT, Hex, 1/2"-13 x 1 3/4", G5,
3	129-857	2	NUT, Sq, 1/2"-13,
4	396-21053	2	WASHER, 17/32" x 1 1/16" x .134",
5	1308371C1	1	SHIM, bar, motor
5	1308371C2	1	SHIM, hydraulic reel drive motor
6	129973A2	1	SPROCKET, driven, 51 tooth, BSN JJC0350294
7	280251	2	PIN, SPLIT (COTTER), 3/32" x 1",
8	27-7278	2	PIN, CLEVIS, 7/16" x 2.781", , BSN JJC0350294
9	NSS	1	NOT SERVICED SEPARATELY, Chain Assy, Use 67 links of 1791D, 1 x 241-1315, 2 x 241-1715
9	1791D	X	CHAIN (AGRICULTURE), roller, #50 (10 foot bulk)
9	241-1315	1	LINK, CONNECTING, #50 single pitch
9	241-1715	2	LINK, CONNECTING, #50 single pitch offset
10	129967A1	1	SPROCKET, drive, 17 tooth, BSN JJC0350294
11	484-1386	2	SET SCREW, Hex Soc, 3/8"-24 x 3/8",
12	47471	1	WOODRUFF KEY, #15, 1/4" x 1", HT,
17	280234	1	BOLT, Hex, 1/2"-13 x 3", G5, Full Thd,
18	280431	1	NUT, 1/2"-13, G5,
19	80679	2	WASHER, LOCK, 1/2",

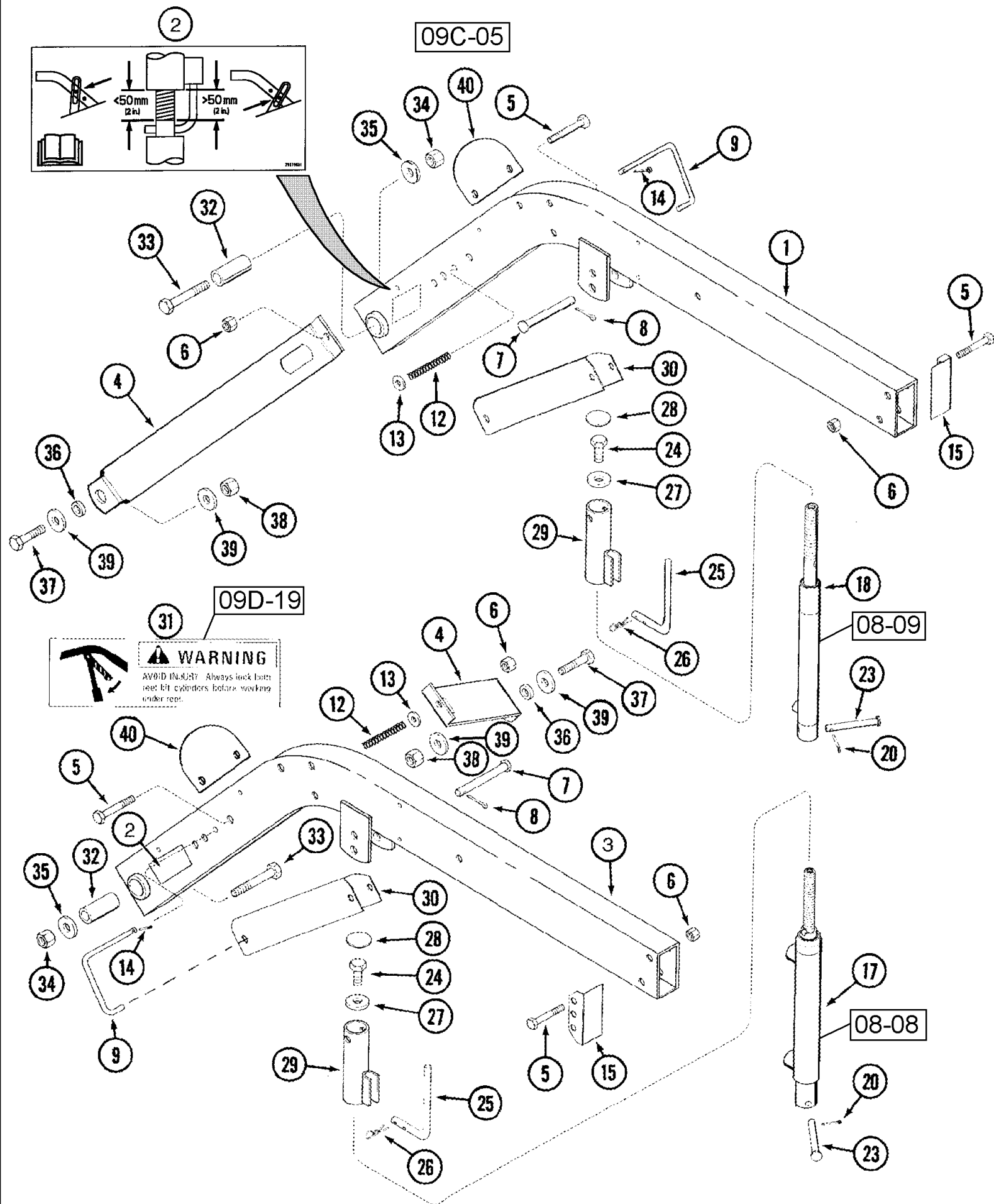
09A-15 REEL DRIVE SHIELD



09A-15 REEL DRIVE SHIELD

сылка	Номер детали	Кол-во	Описание
1	258980A1	1	SUPPORT, reel drive shield, inner
2	86624075	2	PIN, HEADED, 1/4" x 1 3/4", G2,
3	280250	2	PIN, SPLIT (COTTER), 3/32" x 3/4",
4	258981A1	1	SHIELD, reel drive
5	291944A1	1	LATCH, reel drive shield
6	465593R1	1	SPACER, 3/8" Pipe x 2 1/2",
7	280262A1	1	SUPPORT, shield, outer
8	280275	1	BOLT, Hex, 5/16"-18 x 3 1/4", G5,
9	145458	1	NUT, Flg, USR, 5/16"-18,
10	145913	X	BOLT, Hex Flg, 5/16"-18 x 3/4", Serr,
11	145458	X	NUT, Flg, USR, 5/16"-18,
12	NSS	1	NOT SERVICED SEPARATELY, Package, Latch, Australia Only, Includes 13 - 16
13	291637A1	1	SUPPORT, shield latch access
14	151-506	4	RIVET, Pop, 1/8" x .400", Stainless,
15	292035A1	4	WASHER, rivet back-up
16	291945A1	1	LATCH, reel drive shield

09A-16 REEL SUPPORT ARMS AND LIFT CYLINDERS



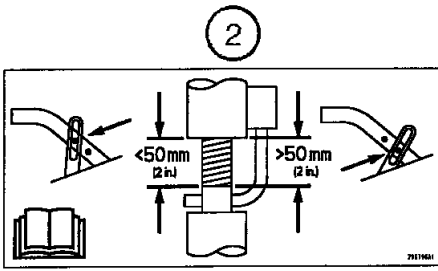
09C-05

09D-19

08-09

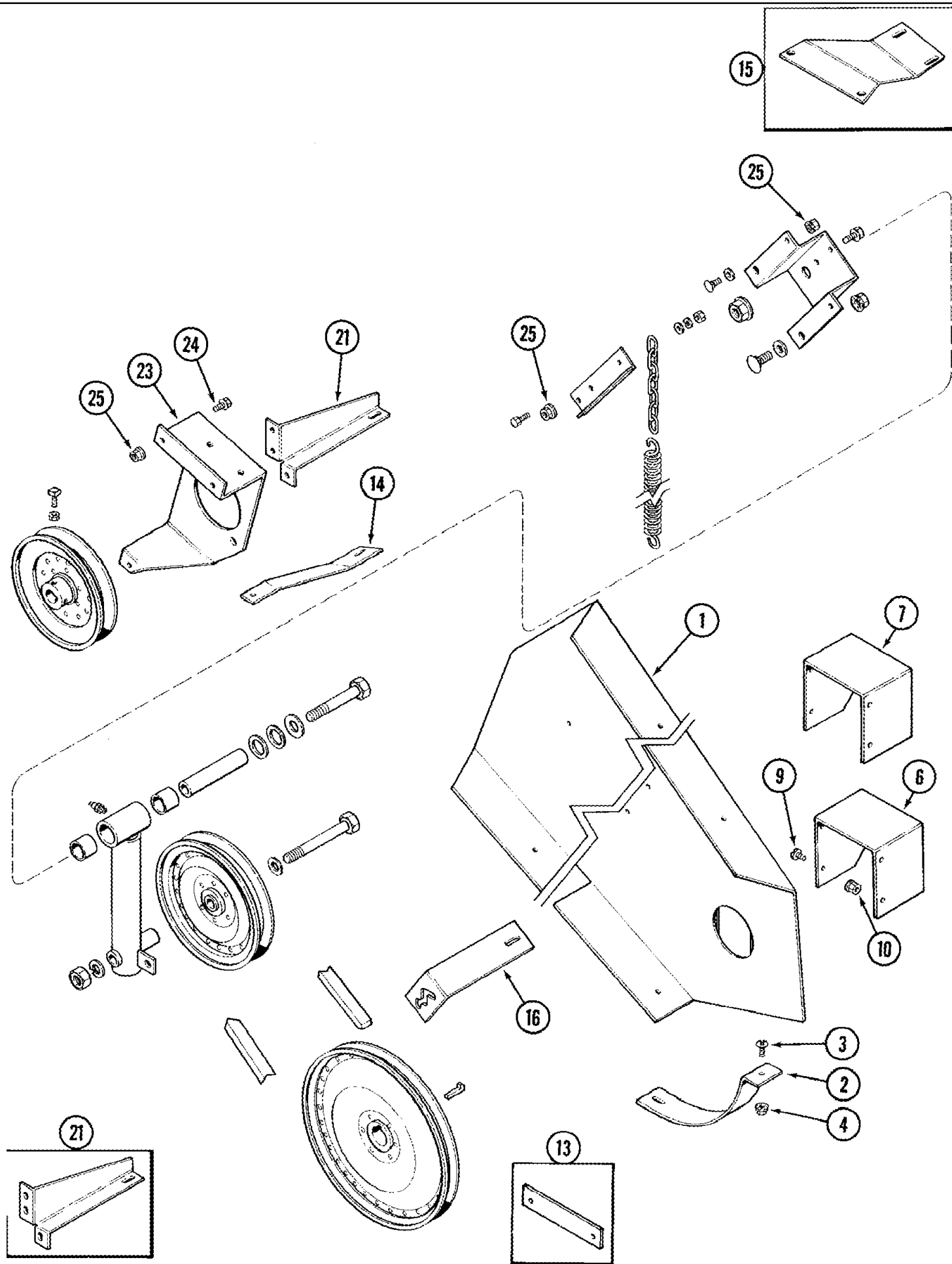
08-08

WARNING
AVOID INJURY! Always lock both reel lift cylinders before working under reel.

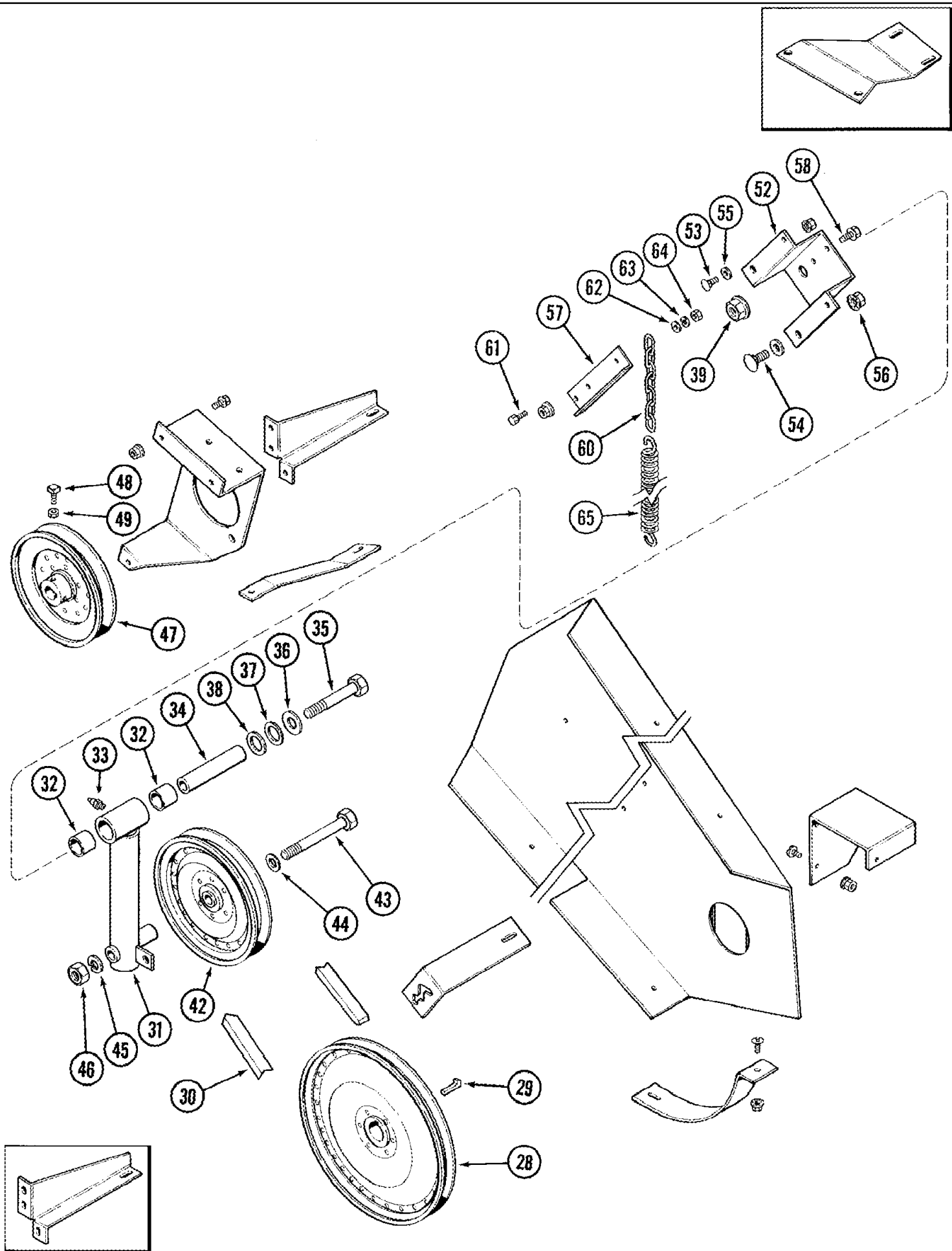


09A-16 REEL SUPPORT ARMS AND LIFT CYLINDERS

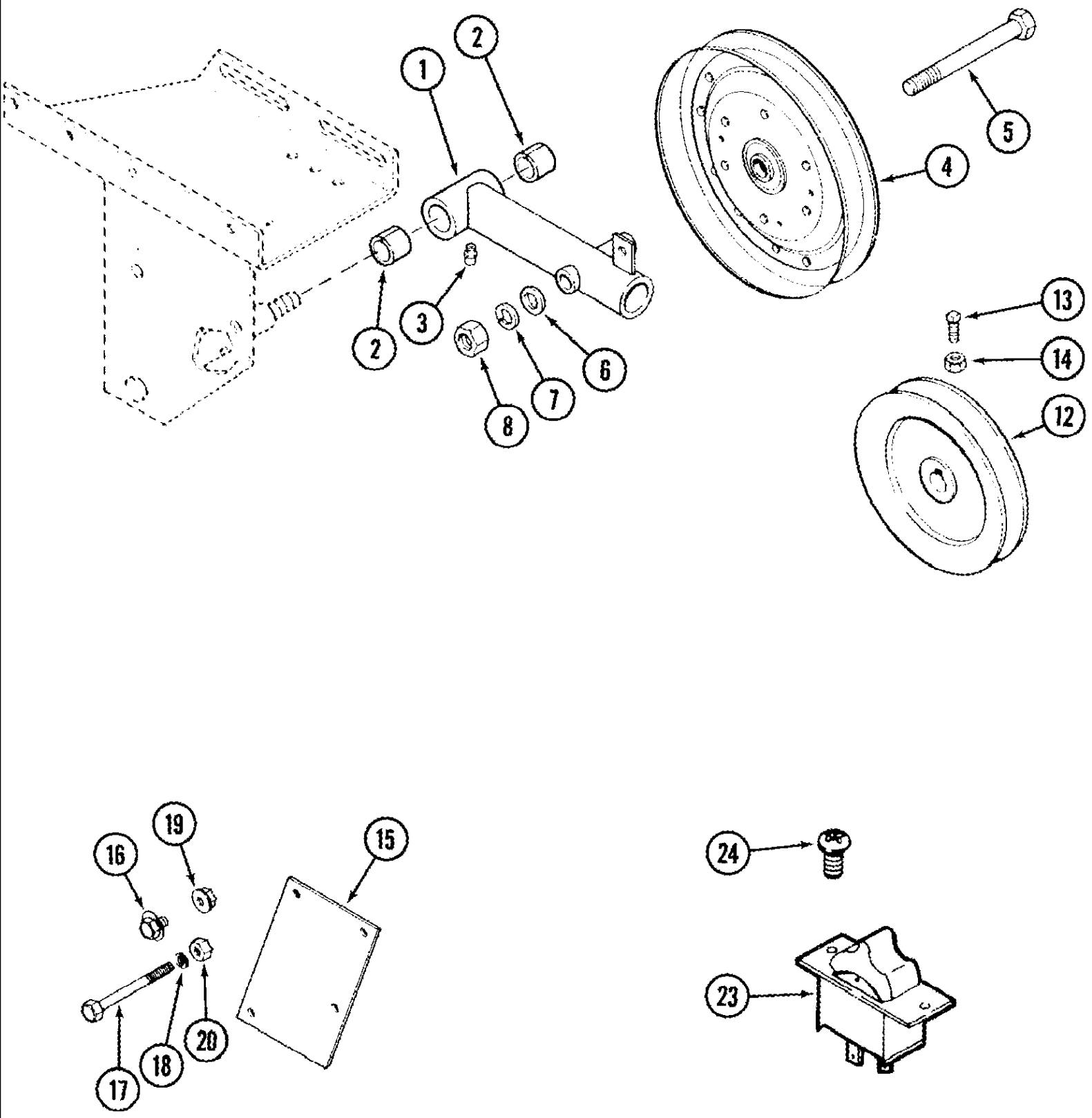
сылка	Номер детали	Кол-во	Описание
1	304197A1	1	ARM, reel support LH, Includes 2
2	296796A1	2	DECAL, auger lift bracket
3	304198A1	1	ARM, reel support RH, Includes 2
4	128428A3	2	SUPPORT, brace, reel arm, BSN JJC0350294
5	87339	4	BOLT, Hex, 1/2"-13 x 3", G5,
6	231-4118	4	NUT, LOCK, 1/2"-13, GB,
7	86979987	2	PIN, HEADED, 1/2" x 3", G5,
8	394818	2	PIN, SPLIT (COTTER), M5 x 25,
9	1320928C1	2	ROD, stand support
12	M296	2	SPRING,
13	87362	2	WASHER, 5/16" SAE,
14	80756	2	PIN, SPLIT (COTTER), 1/8" x 3/4",
15	1305175C4	2	BRACKET, reflector
17	128723A2	1	HYDRAULIC CYLINDER, 1 1/2" x 9 3/8", Reel Lift Master, See figure 08-08, BSN JJC0350294
18	128726A1	1	HYDRAULIC CYLINDER, 1 x 9 3/8", Reel Lift Slave, See figure 08-09, BSN JJC0350294
20	394818	2	PIN, SPLIT (COTTER), M5 x 25,
23	86979987	2	PIN, HEADED, 1/2" x 3", G5,
24	9627879	2	BOLT, Hex, 1/2"-13 x 3/4", G5, Full Thd,
25	1320927C2	2	ROD, cylinder adjusting, BSN JJC0350294
26	87045537	2	SPLIT PIN/SAFETY PIN, .148 x 3 5/16"
27	396-41066	2	WASHER, 21/32" x 1 1/2" x .188", HDN,
28	1316193C1	2	PLUG, button, BSN JJC0350294
29	128729A1	2	TUBE, reel arm adjusting, BSN JJC0350294
30	144672A2	1	SUPPORT, lift cylinder, LH, with decal, Includes 31, BSN JJC0350294
30	144673A2	1	SUPPORT, lift cylinder, RH, with decal, Includes 31, BSN JJC0350294
31	185067A1	1	DECAL, warning, avoid injury, always lock both reel lift cylinders, See figure 09D-19
32	128427A1	2	SPACER, reel arm
33	88007	2	BOLT, Hex, 3/4"-10 x 4 1/2", G5,
34	231-41112	2	NUT, LOCK, 3/4"-10, GB,
35	496-21081	2	WASHER, 13/16" x 1 1/2" x .179", HDN,
36	128426A1	2	SPACER, reel arm strap
37	9627896	2	BOLT, Hex, 5/8"-11 x 1 3/4", G5,
38	85700693	2	NUT, LOCK, 5/8"-11, GC,
39	496-41066	4	WASHER, 21/32" x 1 1/2" x .188", HDN, , BSN JJC0350294
40	183064A1	2	SHIELD, auger lift bracket, See figure 09C-05, BSN JJC0350294



сылка	Номер детали	Кол-во	Описание
1	189459C3	1	SHIELD, pump drive, 1440E Combine with 47 inch feeder, 1460E Combine with 47 inch feeder
1	189460C3	1	SHIELD, pump drive, 1460E Combine with 54.5 inch feeder, 1480E Combine with 54.5 inch feeder
2	189470C1	1	SUPPORT, shield, upper LH
3	477-73108	X	SCREW, Sltd Serr Truss Hd, 5/16"-18 x 1/2",
3	135270	X	BOLT, Slotted Tr Hd, 5/16"-18 x 3/4",
4	145458	X	NUT, Flg, USR, 5/16"-18,
6	197646C1	1	SHIELD, feeder jackshaft LH, 1460E Combine with 47 inch feeder, 1440E Combine with 47 inch feeder
6	189730C1	1	SHIELD, feeder jackshaft LH, 1460E Combine with 54.5 inch feeder, 1480E Combine with 54.5 inch feeder
7	179253C1	1	SHIELD, feeder jackshaft LH, 1480E Combine with 54.5 inch feeder, 1460E Combine with 47 inch feeder
9	477-82508	4	SCREW, Sltd Serr Truss Hd, 1/4"-20 x 1/2",
10	523282	4	NUT, Flg, USR, 1/4"-20,
13	203672C1	1	SUPPORT, shield, lower, 1480E Combine with 54.5 inch feeder
14	189468C2	1	SUPPORT, shield, lower rear, 1460E Combine with 47 inch feeder, 1440E Combine with 47 inch feeder
15	189469C1	1	SUPPORT, shield, lower rear, 1460E Combine with 54.5 inch feeder, 1480E Combine with 54.5 inch feeder
16	189464C2	1	SUPPORT, shield, upper front
NS	87364	X	WASHER, 1/2", SAE, , Not Shown
NS	80679	X	WASHER, LOCK, 1/2", , Not Shown
NS	280431	X	NUT, 1/2"-13, G5, , Not Shown
21	189466C1	1	SUPPORT, shield, upper rear
23	198409C2	1	SUPPORT, reel drive pump
24	9706726	X	BOLT, Hex Flg, 3/8"-16 x 1", Serr,
25	247780	X	NUT, Flg, USR, 3/8"-16,



сылка	Номер детали	Кол-во	Описание
28	176562C2	1	PULLEY, drive, feeder jackshaft pump, 13-1/2" OD
29	Q1497	1	KEY, Gib, 3/8" Sq x 2",
30	197411C1	1	BELT, reel drive, 132", 1440E Combine with 47 inch feeder, 1460E Combine with 47 inch feeder
30	197414C2	1	BELT, reel drive, 146", 1460E Combine with 54.5 inch feeder, 1480E Combine with 54.5 inch feeder
31	195528C92	1	ARM, pump tightener, Includes 32
32	583346R1	2	BUSHING, tightener arm
33	87414	1	NIPPLE, LUBE, 1/4"-28 x .56" lg, Drive,
34	198410C1	1	SPACER, tightener arm
35	86977740	1	BOLT, Hex, 5/8"-11 x 4", G5,
36	495-81026	1	WASHER, 21/32" x 1 1/2" x .060",
37	86624169	1	WASHER, 1 1/32" x 1 1/2" x .060",
38	86624170	1	WASHER, 1 1/32" x 1 1/2" x .120",
39	231-51410	1	NUT, Flg, USR, 5/8"-11,
42	674966R91	1	PULLEY, idler, belt, 8-3/4" OD
43	424-1080	1	BOLT, Hex, 5/8"-11 x 5", G2,
44	495-81175	1	WASHER, 21/32" x 1" x .120",
45	86729275	1	WASHER, LOCK, 5/8",
46	280374	1	NUT, 5/8"-11, G5,
47	193252C1	1	PULLEY, pump driven, 7.5" OD, 7/8" ID
48	87616	X	SET SCREW, Sq Hd, 3/8"-16 x 3/4",
49	87016560	X	NUT, Jam, 3/8"-16, G5,
52	195526C1	1	SUPPORT, pivot anchor, 1440E Combine with 47 inch feeder, 1460E Combine with 54.5 inch feeder, 1460E Combine with 47 inch feeder
52	195527C1	1	SUPPORT, pivot anchor, 1460E Combine with 54.5 inch feeder
53	80280503	X	BOLT, CARRIAGE, Short NK, 3/8"-16 x 1", G5, Full Thd,
54	88707	X	BOLT, CARRIAGE, Short NK, 1/2"-13 x 1 1/4", G5, Full Thd,
55	86624188	X	WASHER, 17/32" x 1 1/16" x .134",
56	232-5138	X	NUT, Flg, USR, 1/2"-13, G8,
57	195531C1	1	SUPPORT, spring anchor
58	255918	X	BOLT, Hex Flg, 3/8"-16 x 3/4", Serr,
60	167570C1	1	CHAIN, finger stop
61	86505867	1	BOLT, Hex, 1/4"-20 x 1", G5,
62	87361	2	WASHER, 1/4", SAE,
63	80682	1	WASHER, LOCK, 1/4",
64	7770	1	NUT, 1/4"-20, G5,
65	P303	1	SPRING, reel drive idler pulley arm

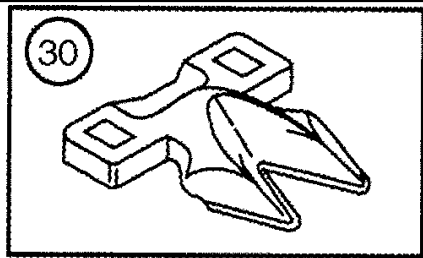


1020 GRAIN HEADER (P.I.N. JJC0315001 TO JJC0350294) (-10/04)

09A-19 REEL DRIVES 1440E, 1460E AND 1480E COMBINES PREVIOUSLY EQUIPPED WITH 825 HEADER

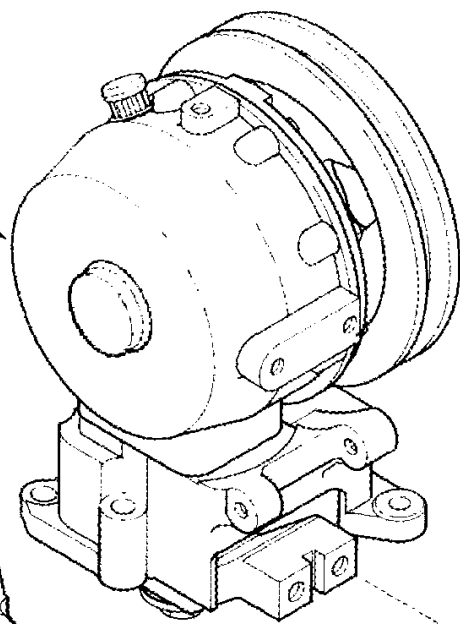
сылка	Номер детали	Кол-во	Описание
1	195528C92	1	ARM, pump tightener, Includes 2
2	583346R1	2	BUSHING, tightener arm
3	87414	1	NIPPLE, LUBE, 1/4"-28 x .56" lg, Drive,
4	674966R91	1	PULLEY, idler, belt, 8-3/4" OD
5	424-1080	1	BOLT, Hex, 5/8"-11 x 5", G2,
6	495-81175	1	WASHER, 21/32" x 1" x .120",
7	86729275	1	WASHER, LOCK, 5/8",
8	280374	2	NUT, 5/8"-11, G5,
12	193252C1	1	PULLEY, pump driven, 7.5" OD, 7/8" ID
13	87616	2	SET SCREW, Sq Hd, 3/8"-16 x 3/4",
14	87016560	2	NUT, Jam, 3/8"-16, G5,
15	1315461C1	1	BRACKET, reel speed valve
16	145913	2	BOLT, Hex Flg, 5/16"-18 x 3/4", Serr,
17	413-522	2	BOLT, Hex, 5/16"-18 x 1 3/8", G5,
18	10516674	2	WASHER, LOCK, 5/16",
19	145458	2	NUT, Flg, USR, 5/16"-18,
20	9635082	2	NUT, 5/16"-18, G5,
23	1301176C2	1	SWITCH, reel speed
24	342-10610	X	SCREW, Cross Oval Hd, #6-32 x 5/8",

09B-01 KNIFE GUARDS AND CUTTER BAR 1.5 INCH KNIFE



09B-10
09B-11

13



09B-03

1

15

14

8

9

21

6

5

19

20

8

9

6

5

2

24

18

7

23

27

28

16

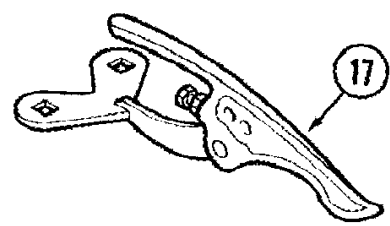
22

26

4

8

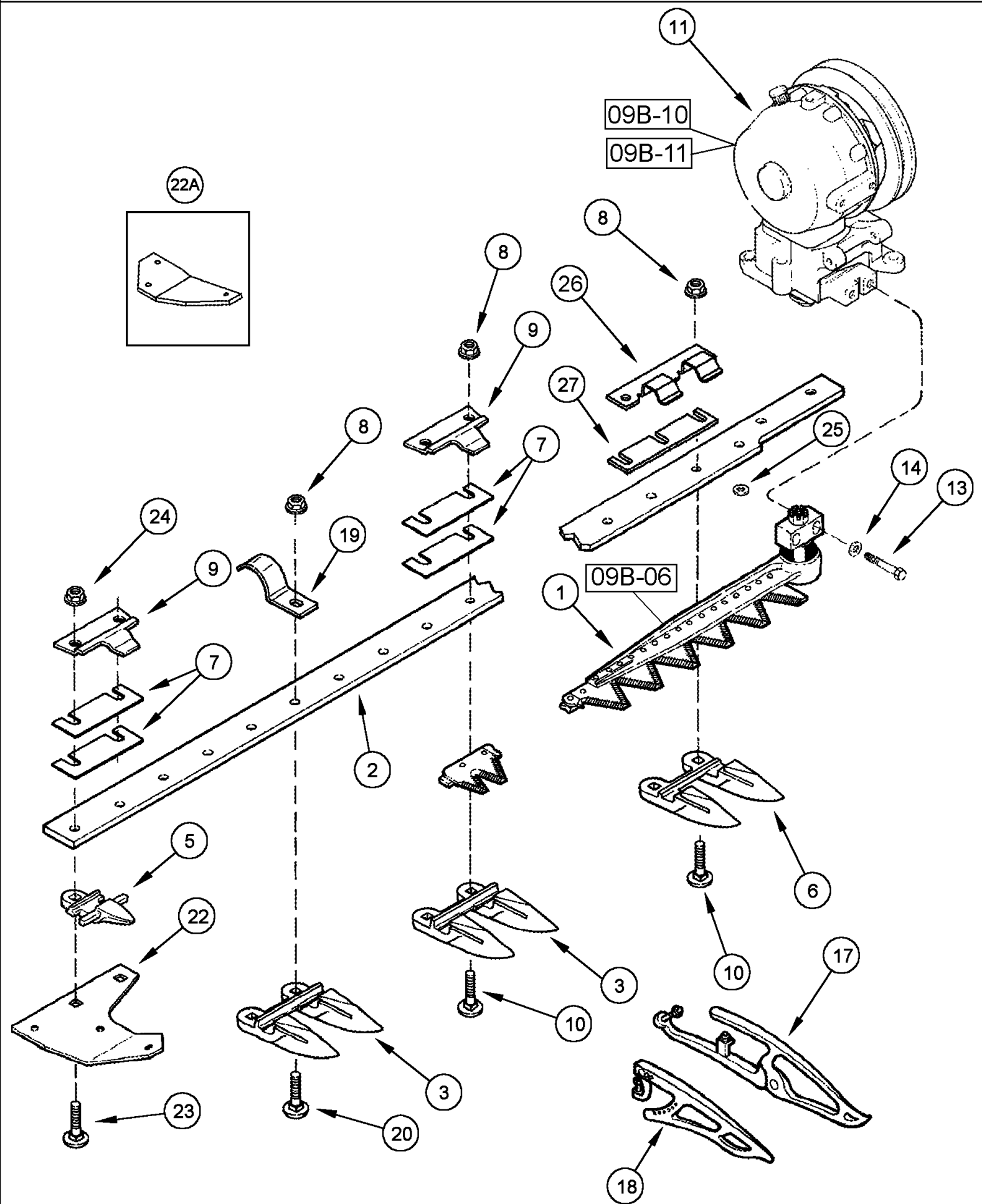
17



09B-01 KNIFE GUARDS AND CUTTER BAR 1.5 INCH KNIFE

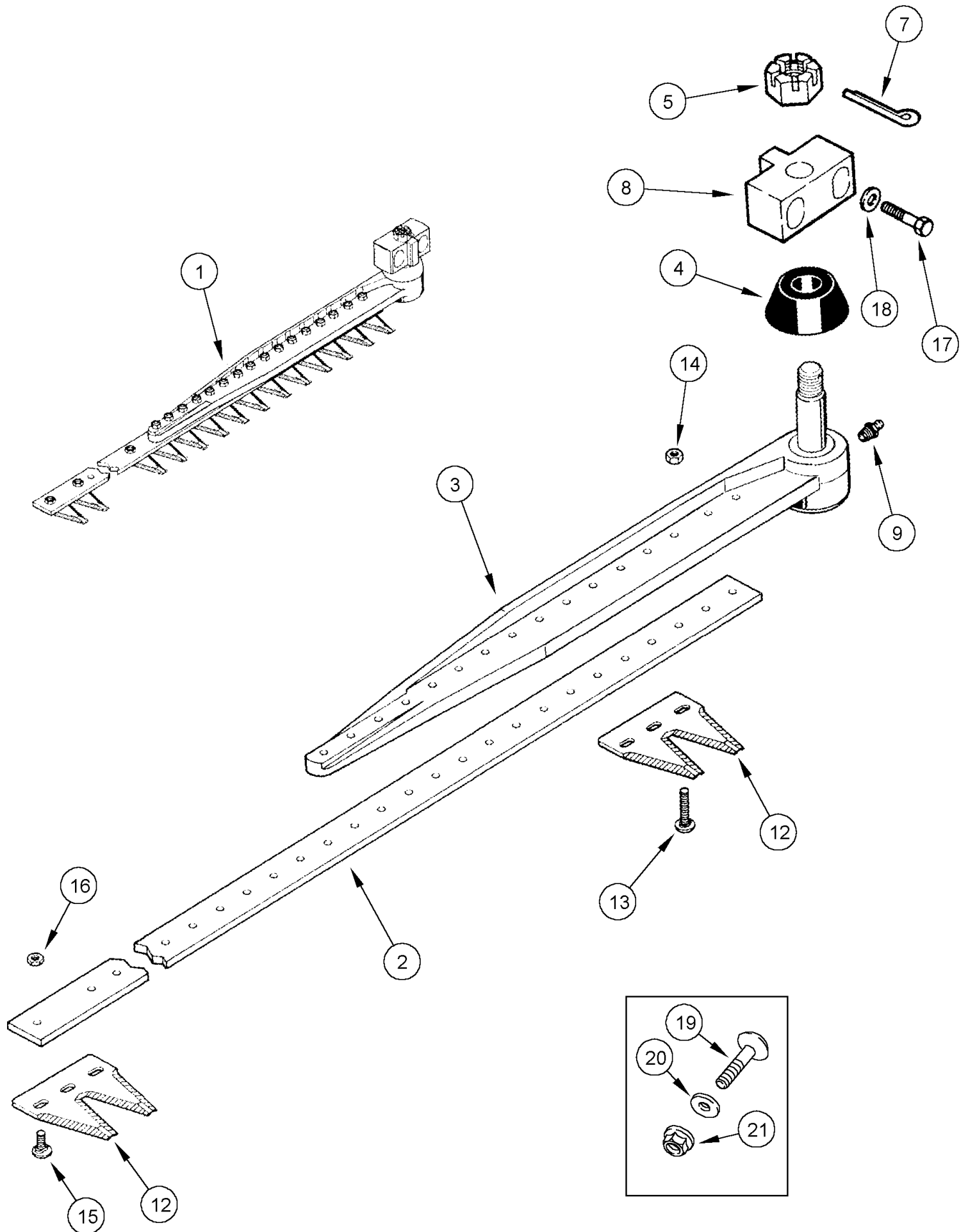
сылка	Номер детали	Кол-во	Описание
1	REF	1	INSTRUCTION, Knife Assy, See figure 09B-03
2	1307412C1	1	CUTTERBAR, 15.0 foot
2	1326813C1	1	CUTTERBAR, 16.5 foot
2	1307413C1	1	CUTTERBAR, 17.5 foot, BSN JJC0350294
2	1307414C1	1	CUTTERBAR, 20.0 foot, BSN JJC0350294
2	1307415C1	1	CUTTERBAR, 22.5 foot, BSN JJC0350294
2	1307416C1	1	CUTTERBAR, 25.0 foot, BSN JJC0350294
2	1307417C1	1	CUTTERBAR, 30.0 foot, BSN JJC0350294
4	86502115	X	BOLT, CARRIAGE, Short NK, 7/16"-14 x 2 1/4", G5,
5	1316040C1	X	SHIM, 4 1/2" x 1 1/2" x .067
6	1316039C1	X	SHIM, 4 1/2' x 1 1/2" x .016"
7	100170	2	BOLT, CARRIAGE, Short NK, 7/16"-14 x 2 1/2", G5,
8	1313463C1	X	NUT, LOCK, hex small flange, 7/16" NC, BSN JJC0350294
9	101001A2	X	CLIP, KNIFE, hold down
13	REF	1	INSTRUCTION, Box Assy, See figure(s) 09B-10, 09B-11
14	280355	2	BOLT, Hex, 5/8"-11 x 2 1/4", G8,
15	396-21066	2	WASHER, 21/32" x 1 5/16" x .150", HDN,
16	86502115	2	BOLT, CARRIAGE, Short NK, 7/16"-14 x 2 1/4", G5,
17	1326538C91	X	LIFTER, GRAIN,
18	1316688C4	1	SUPPORT, crop deflector, right-hand, BSN JJC0350294
19	1313160C2	X	CLAMP, 1 1/2"
20	86502115	X	BOLT, CARRIAGE, Short NK, 7/16"-14 x 2 1/4", G5,
21	104155A1	X	SHIM, .093", hold down clip
22	1989552C1	X	GUARD, knife, 4 point
23	100999A1	1	GUARD, 2 point, left-hand (15.0, 20.0, 25.0 and 30.0 foot)
24	101000A1	1	GUARD, 2 point, right-hand (15.0, 20.0, 25.0 and 30.0 foot)
26	86502115	X	BOLT, CARRIAGE, Short NK, 7/16"-14 x 2 1/4", G5,
27	495-81287	1	WASHER, 17/32" x 1 1/4" x .120",
28	1957435C3	1	DEFLECTOR, crop, left-hand, BSN JJC0350294
30	112428A1	2	CLIP, KNIFE, hold down LH 1 1/2"

09B-02 KNIFE GUARDS AND CUTTER BAR 3 INCH KNIFE



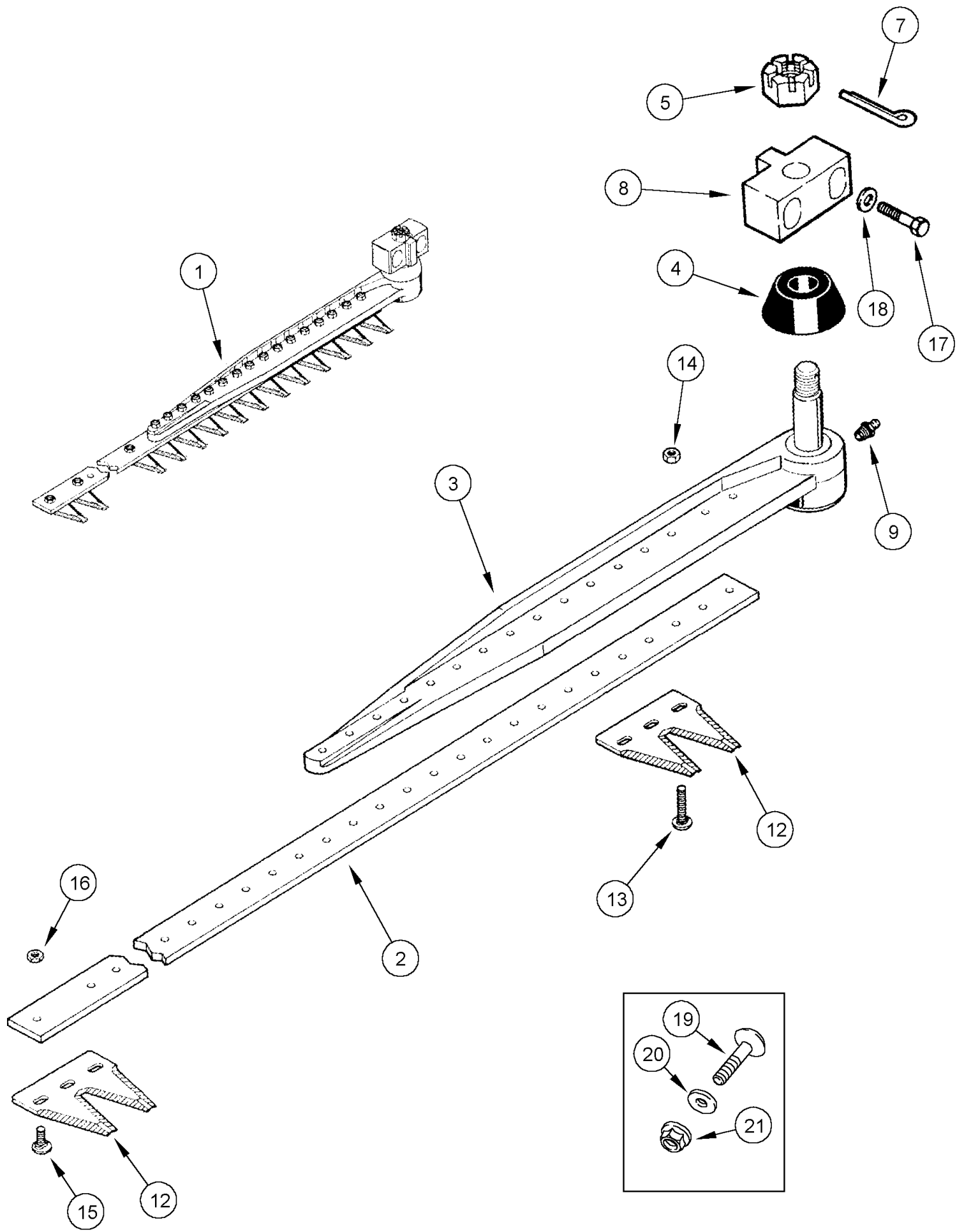
09B-02 KNIFE GUARDS AND CUTTER BAR 3 INCH KNIFE

сылка	Номер детали	Кол-во	Описание
1	REF	1	INSTRUCTION, Knife Assy, See figure 09B-06
2	1307412C1	1	CUTTERBAR, 15.0 foot
2	1326813C1	1	CUTTERBAR, 16.5 foot
2	1307413C1	1	CUTTERBAR, 17.5 foot, BSN JJC0350294
2	1307414C1	1	CUTTERBAR, 20.0 foot, BSN JJC0350294
2	1307415C1	1	CUTTERBAR, 22.5 foot, BSN JJC0350294
2	1307416C1	1	CUTTERBAR, 25.0 foot, BSN JJC0350294
2	1307417C1	1	CUTTERBAR, 30.0 foot, BSN JJC0350294
3	1307299C2	X	GUARD, knife 3" double
3	334305A1	X	GUARD, knife, 3" double
5	1338269C1	2	GUARD, stub (15.0, 20.0, 25.0 and 30.0 foot)
6	1326787C3	3	GUARD, knife 3" special LH, BSN JJC0350294
7	1316039C1	X	SHIM, 4 1/2' x 1 1/2" x .016"
8	1313463C1	X	NUT, LOCK, hex small flange, 7/16" NC
9	1307280C3	X	CLIP, KNIFE, hold down, low arch
10	86508778	X	BOLT, CARRIAGE, Short NK, 7/16"-14 x 1 3/4", G5,
11	REF	1	INSTRUCTION, Box Assy, See figure(s) 09B-10, 09B-11
13	280355	2	BOLT, Hex, 5/8"-11 x 2 1/4", G8,
14	396-21066	2	WASHER, 21/32" x 1 5/16" x .150", HDN,
17	608787R91	X	LIFTER, GRAIN,
18	163417C91	X	LIFTER, GRAIN, heavy duty
19	1313160C2	X	CLAMP, 1 1/2"
20	88586	X	BOLT, CARRIAGE, Short NK, 7/16"-14 x 1 1/2", G5,
22	1326342C4	1	DEFLECTOR, crop, No Longer Available, Order 363164A1 and 363170A1 Shoe
22	363164A1	1	DEFLECTOR, crop 3", BSN JJC0350294
22A	363170A1	1	SKID/SHOE, polyskid RH crop deflector
23	434-732	2	BOLT, CARRIAGE, Short NK, 7/16"-14 x 2", G5,
24	231-4117	2	NUT, LOCK, 7/16"-14, GB,
25	495-81287	1	WASHER, 17/32" x 1 1/4" x .120",
26	375900A1	1	CLIP, KNIFE, hold down LH 3"
27	379093A1	2	SHIM, 3" knife, head hold down



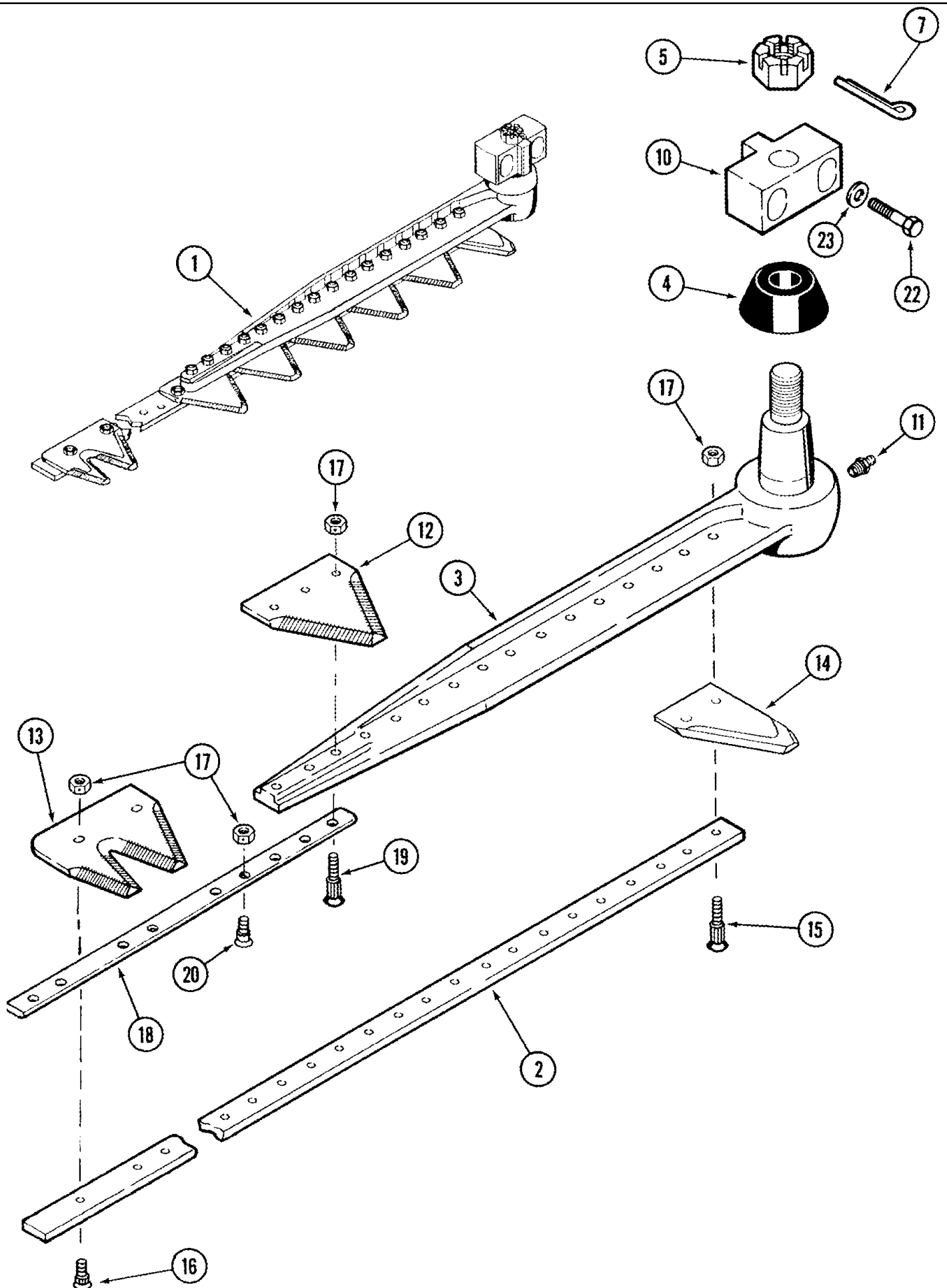
09B-03 KNIFE ASSEMBLY - 1.5 INCH BOLTED FINE SERRATIONS

сылка	Номер детали	Кол-во	Описание
1	1970504C6	1	KNIFE ASSY, 17.5 foot, Includes 2 - 16
1	1970400C5	1	KNIFE ASSY, 20.0 foot, Includes 2 - 16
2	NSS	1	NOT SERVICED SEPARATELY, Bar
3	1313795C94	1	HEAD, KNIFE, , Includes 4
3	1313795C95	1	HEAD, KNIFE, , Includes 4
4	1345491C2	1	DUST CAP, cover
5	86637930	1	NUT, SLOTTED, 5/8"-18, G5,
7	80708	1	PIN, SPLIT (COTTER), 1/8" x 1 1/2",
8	1313797C1	1	BLOCK, knife head
8	1313797C2	1	BLOCK, knife head
9	87414	1	NIPPLE, LUBE, 1/4"-28 x .56" lg, Drive,
12	1970390C4	X	KNIFE SECTION, overserrated, 1 1/2"
12	191257A1	X	KNIFE SECTION, overserrated 1 1/2", chrome , if used
13	1970506C1	16	BOLT, CARRIAGE, #12-24 x 1 1/8"
14	1954816C1	16	NUT, LOCK, hex lock, No. 12-24
15	1970505C1	X	BOLT, CARRIAGE, #12-24 x 17/32"
16	1970507C2	X	NUT, LOCK, hex lock, #12-24
17	280355	1	BOLT, Hex, 5/8"-11 x 2 1/4", G8,
18	396-21066	1	WASHER, 21/32" x 1 5/16" x .150", HDN,
19	88546	1	BOLT, Hex, 3/8"-16 x 2 1/4", G5, , For bolting extra knife to header
20	80702	1	WASHER, 3/8", , For bolting extra knife to header
21	247780	1	NUT, Flg, USR, 3/8"-16, , For bolting extra knife to header

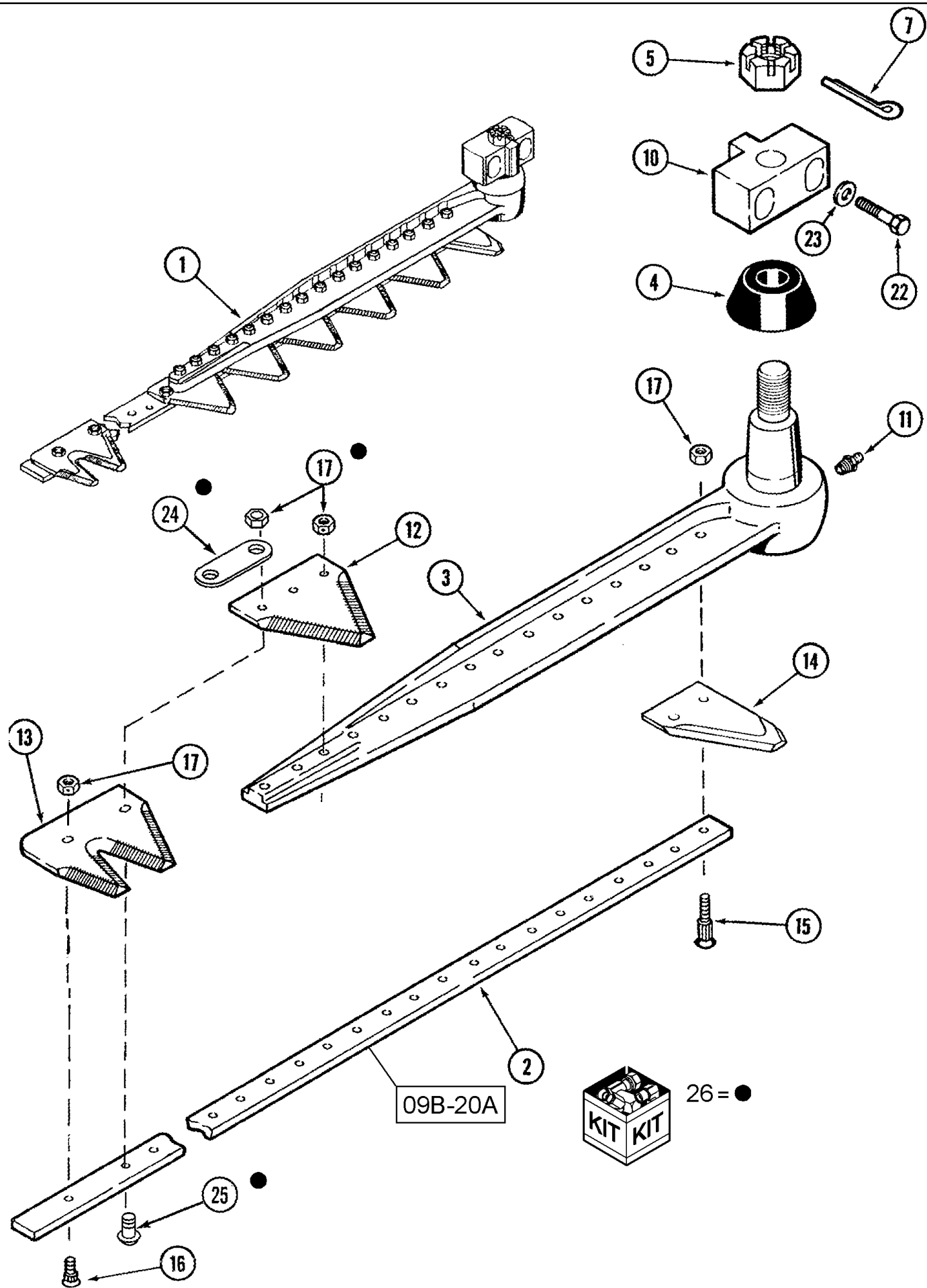


09B-04 KNIFE ASSEMBLY - 1.5 INCH BOLTED COARSE SERRATIONS

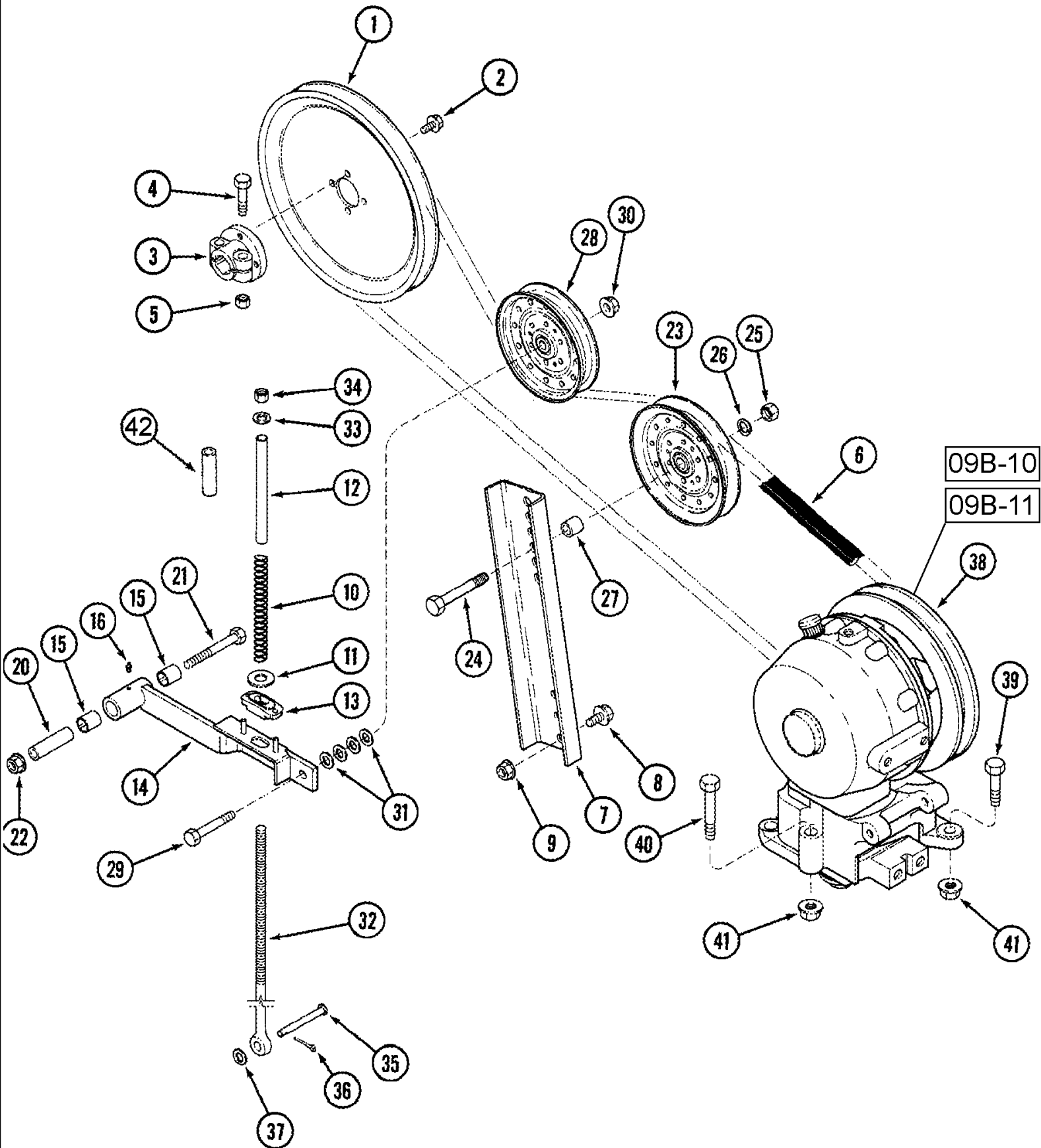
сылка	Номер детали	Кол-во	Описание
1	398746A1	1	KNIFE ASSY, 1 1/2" coarse, 15.0 foot, Includes 2 - 16
1	398746A2	1	KNIFE ASSY, 1 1/2" coarse with autotemp, 15.0 foot, Includes 2 - 16
1	398747A1	1	KNIFE ASSY, 1 1/2" coarse, 16.5 foot, Includes 2 - 16
1	398747A2	1	KNIFE ASSY, 1 1/2" coarse, 16.5 foot, Includes 2 - 16
1	398748A1	1	KNIFE ASSY, 1 1/2" coarse, 17.5 foot, Includes 2 - 16
1	398748A2	1	KNIFE ASSY, 1 1/2" coarse with autotemp, 17.5 foot, Includes 2 - 16
1	398749A1	1	KNIFE ASSY, 1 1/2" coarse, 20.0 foot, Includes 2 - 16
1	398749A2	1	KNIFE ASSY, 1 1/2" 20.0 foot, Includes 2 - 16
1	398750A1	1	KNIFE ASSY, 1 1/2" coarse, 22.5 foot, Includes 2 - 16
1	398750A2	1	KNIFE ASSY, 1 1/2" coarse, 22.5 foot, Includes 2 - 16
1	398751A1	1	KNIFE ASSY, 1 1/2" coarse with autotemp, 25.0 foot, Includes 2 - 16
1	398751A2	1	KNIFE ASSY, 1 1/2" 25.0 foot, Includes 2 - 16
1	398752A1	1	KNIFE ASSY, 1 1/2" coarse, 30.0 foot, Includes 2 - 16
1	398752A2	1	KNIFE ASSY, 1 1/2" 30.0 foot, Includes 2 - 16
2	NSS	1	NOT SERVICED SEPARATELY, Bar
3	1313795C94	1	HEAD, KNIFE, , Includes 4
3	1313795C95	1	HEAD, KNIFE, , Includes 4
4	1345491C2	1	DUST CAP, cover
5	86637930	1	NUT, SLOTTED, 5/8"-18, G5,
7	80708	1	PIN, SPLIT (COTTER), 1/8" x 1 1/2",
8	1313797C1	1	BLOCK, knife head
8	1313797C2	1	BLOCK, knife head
9	87414	1	NIPPLE, LUBE, 1/4"-28 x .56" lg, Drive,
12	394618A1	X	KNIFE SECTION, 1 1/2" austempered coarse serrations
13	1970506C1	16	BOLT, CARRIAGE, #12-24 x 1 1/8"
14	1954816C1	16	NUT, LOCK, hex lock, No. 12-24
15	1970505C1	X	BOLT, CARRIAGE, #12-24 x 17/32"
16	1970507C2	X	NUT, LOCK, hex lock, #12-24
17	280355	1	BOLT, Hex, 5/8"-11 x 2 1/4", G8,
18	396-21066	1	WASHER, 21/32" x 1 5/16" x .150", HDN,
19	88546	1	BOLT, Hex, 3/8"-16 x 2 1/4", G5, , For bolting extra knife to header
20	80702	1	WASHER, 3/8", , For bolting extra knife to header
21	247780	1	NUT, Flg, USR, 3/8"-16, , For bolting extra knife to header



сылка	Номер детали	Кол-во	Описание
1	1307281C99	1	KNIFE ASSY, 3", 15.0 foot, Includes 2 - 17
1	87439540	1	KNIFE ASSY, 3" coarse, 15.0 foot, Includes 2 - 17
1	1326835C9	1	KNIFE ASSY, 3" 16.5 foot, Includes 2 - 17
1	87439541	1	KNIFE ASSY, 3" coarse, 16.5 foot, Includes 2 - 17
1	87439542	1	KNIFE ASSY, 3" coarse, 17.5 foot, Includes 2 - 17
1	1307283C99	1	KNIFE ASSY, 3", 20.0 foot, Includes 2 - 17
1	87439543	1	KNIFE ASSY, 3" coarse, 20.0 foot, Includes 2 - 17
1	1307284C99	1	KNIFE ASSY, 3", 22.5 foot, Includes 2 - 17
1	87439544	1	KNIFE ASSY, 3" coarse, 22.5 foot, Includes 2 - 17
1	376534A1	1	KNIFE ASSY, 3" bolted coarse 25', Includes 2 - 17, See figure 09B-20 For Modular Knives
1	376535A1	1	KNIFE ASSY, 3" bolted coarse 30', Includes 2 - 17, See figure 09B-21 For Modular Knives
2	NSS	1	NOT SERVICED SEPARATELY, Bar
3	1316161C94	1	HEAD, KNIFE, , Includes 4
3	1316161C95	1	HEAD, KNIFE, , Includes 4
4	1345491C2	1	DUST CAP, cover
5	86637930	1	NUT, SLOTTED, 5/8"-18, G5,
7	80708	1	PIN, SPLIT (COTTER), 1/8" x 1 1/2",
10	1313797C1	1	BLOCK, knife head
10	1313797C2	1	BLOCK, knife head
11	87414	1	NIPPLE, LUBE, 1/4"-28 x .56" lg, Drive,
12	112074A1	X	KNIFE SECTION, overserrated, 3"
12	191256A1	X	KNIFE SECTION, overserrated 3", chrome, if used
13	324070A1	1	KNIFE SECTION, RH end
14	1316030C2	1	KNIFE SECTION, 3", plain half
15	1979166C1	16	SCREW, #12-24 x 1 1/8"
16	700708646	X	BOLT AND NUT, #12-24 x 5/8" slot bt hd
17	1954816C1	X	NUT, LOCK, hex lock, No. 12-24
17	1954816C1	9	NUT, LOCK, hex lock, No. 12-24
18	227455A1	1	STRAP, knife back reinforcement, if used
19	227456A1	3	SCREW, #12-24 x 1 1/4" CSK HSKT
20	227457A1	6	SCREW, #12-24 x .13/16" CSK HSKT
21	227213A1	1	KIT, knife back reinforcement, Not Shown, Includes 17 - 20
22	280355	1	BOLT, Hex, 5/8"-11 x 2 1/4", G8,
23	396-21066	1	WASHER, 21/32" x 1 5/16" x .150", HDN,



сылка	Номер детали	Кол-во	Описание
1	1307281C99	1	KNIFE ASSY, 3", 15.0 foot, Includes 2 - 17
1	87439540	1	KNIFE ASSY, 3" coarse, 15.0 foot, Includes 2 - 17
1	1326835C9	1	KNIFE ASSY, 3" 16.5 foot, Includes 2 - 17
1	87439541	1	KNIFE ASSY, 3" coarse, 16.5 foot, Includes 2 - 17
1	87439542	1	KNIFE ASSY, 3" coarse, 17.5 foot, Includes 2 - 17
1	1307283C99	1	KNIFE ASSY, 3", 20.0 foot, Includes 2 - 17
1	87439543	1	KNIFE ASSY, 3" coarse, 20.0 foot, Includes 2 - 17
1	1307284C99	1	KNIFE ASSY, 3", 22.5 foot, Includes 2 - 17
1	87439544	1	KNIFE ASSY, 3" coarse, 22.5 foot, Includes 2 - 17
1	376534A1	1	KNIFE ASSY, 3" bolted coarse 25', Includes 2 - 17, See figure 09B-20 For Modular Knives
1	376534A2	1	KNIFE ASSY, 3" bolted coarse 25', See figure 09B-20 For Modular Knives, Includes 2 - 17
1	376534A3	1	KNIFE ASSY, 3" coarse, 25.0 foot, Includes 2 - 17, See figure 09B-20 For Modular Knives
1	376535A1	1	KNIFE ASSY, 3" bolted coarse 30', See figure 09B-20 For Modular Knives, Includes 2 - 17
1	376535A2	1	KNIFE ASSY, 3" bolted coarse 30', Includes 2 - 17, See figure 09B-20 For Modular Knives
1	376535A3	1	KNIFE ASSY, 3" coarse, 30.0 foot, See figure 09B-20 For Modular Knives, Includes 2 - 17
2	NSS	1	NOT SERVICED SEPARATELY, Bar
3	1316161C94	1	HEAD, KNIFE, , Includes 4
3	1316161C95	1	HEAD, KNIFE, , Includes 4
4	1345491C2	1	DUST CAP, cover
5	86637930	1	NUT, SLOTTED, 5/8"-18, G5,
7	80708	1	PIN, SPLIT (COTTER), 1/8" x 1 1/2",
10	1313797C1	1	BLOCK, knife head
10	1313797C2	1	BLOCK, knife head
11	87414	1	NIPPLE, LUBE, 1/4"-28 x .56" lg, Drive,
12	112074A1	X	KNIFE SECTION, overserrated, 3"
12	191256A1	X	KNIFE SECTION, overserrated 3", chrome, if used
13	148200C1	1	KNIFE SECTION, overserrated, double right-hand
14	1316030C2	1	KNIFE SECTION, 3", plain half
15	1979166C1	16	SCREW, #12-24 x 1 1/8"
16	700708646	X	BOLT AND NUT, #12-24 x 5/8" slot bt hd
17	1954816C1	X	NUT, LOCK, hex lock, No. 12-24
22	280355	1	BOLT, Hex, 5/8"-11 x 2 1/4", G8,
23	396-21066	1	WASHER, 21/32" x 1 5/16" x .150", HDN,
24	321848A1	X	STRAP, knife reinforcing, 3" knives
25	87423458	X	BOLT, #12-24 NC x .70" knurled neck
26	321849A1	1	KIT, reinforcing strap for 3" knives, Includes 17, 24, 25
26	321849A2	1	KIT, reinforcing strap for 3" knives, Includes 17, 24, 25

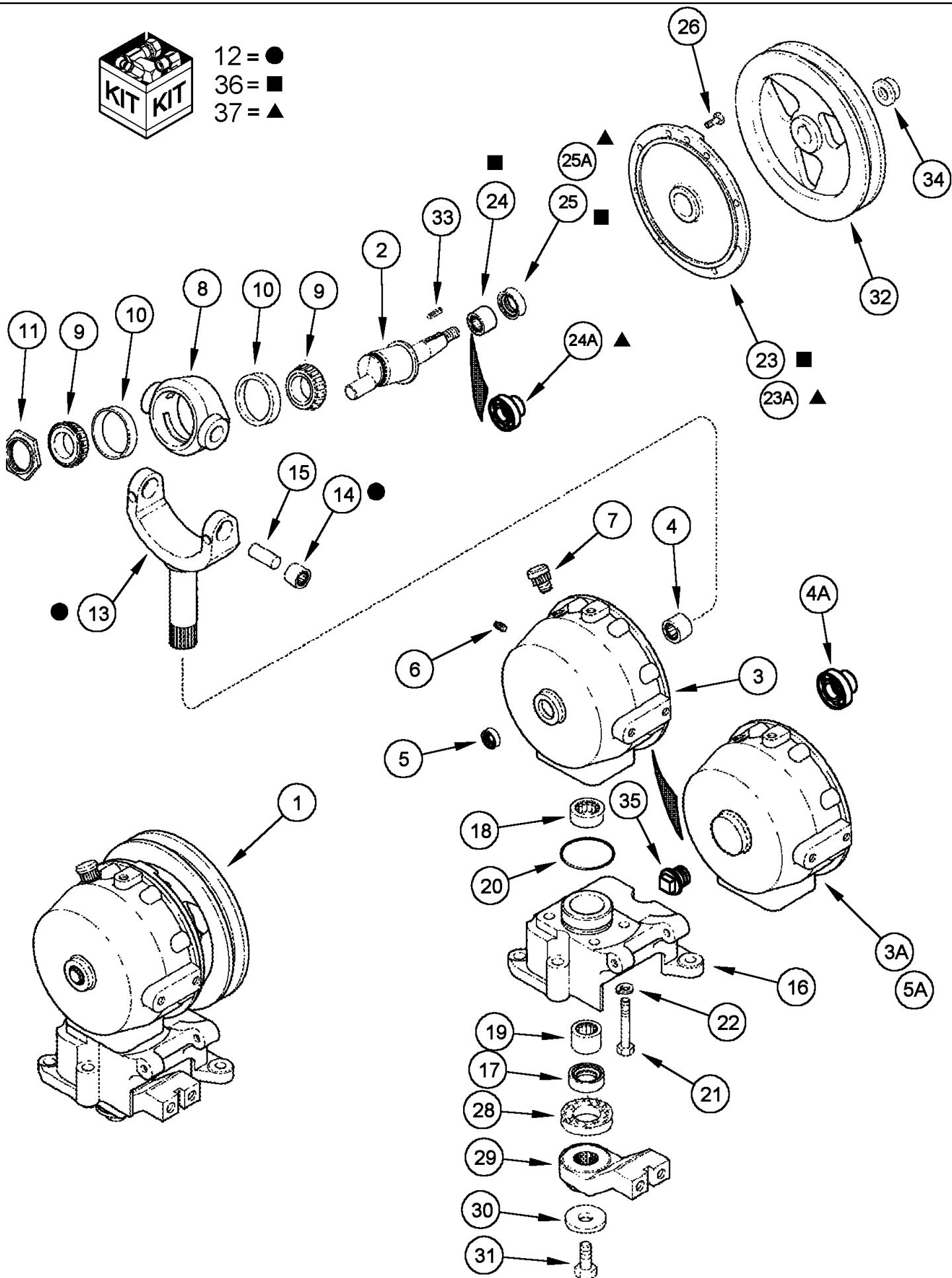


09B-09 KNIFE DRIVE

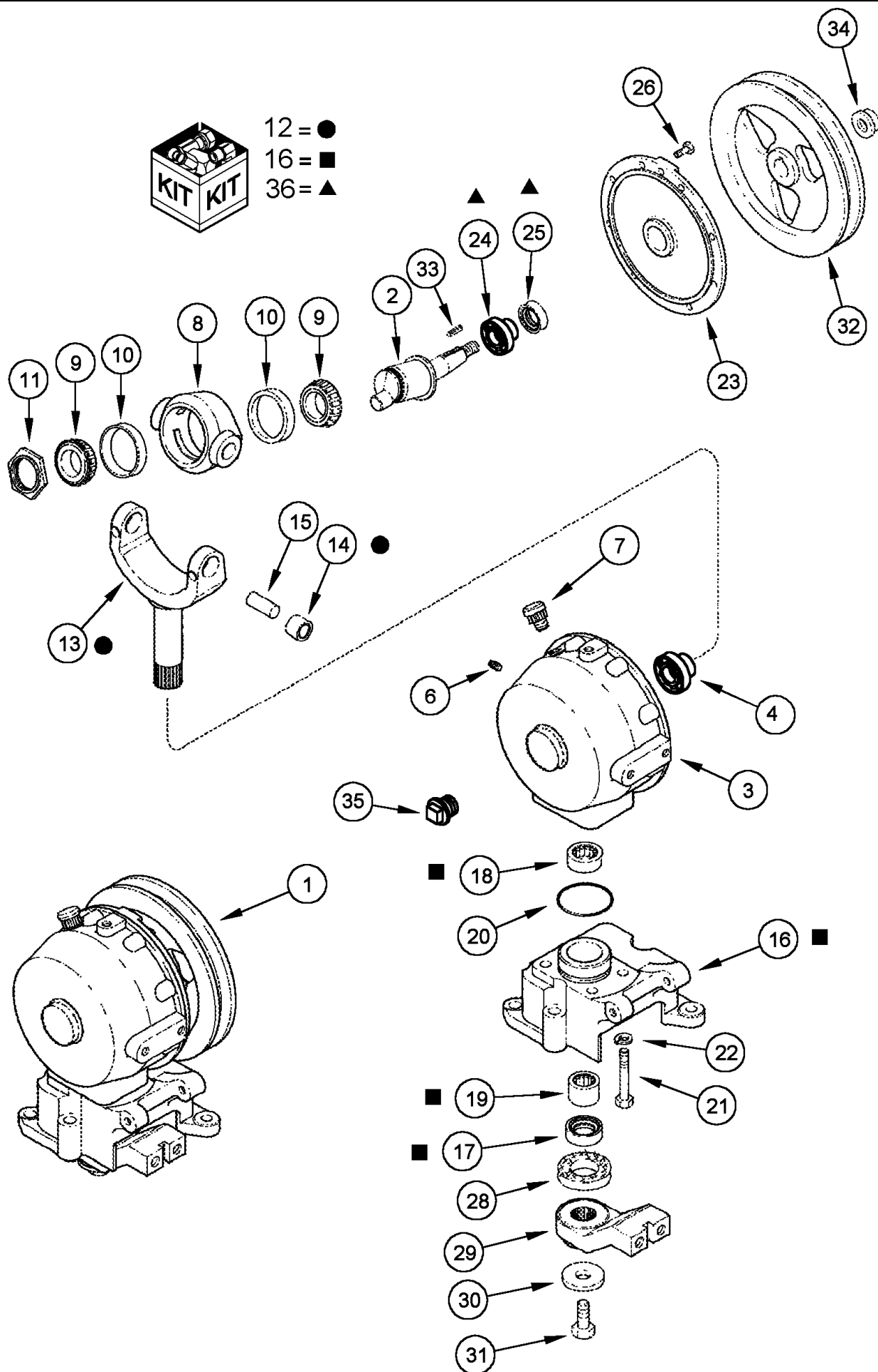
сылка	Номер детали	Кол-во	Описание
1	125957A1	1	PULLEY, drive, 400 rpm, 213 mm OD (Standard on 1.5" knife), 400 rpm
1	126012A1	1	PULLEY, drive, 460 rpm, 245 mm OD, 460 rpm
1	125959A1	1	PULLEY, drive, 500 rpm, 267 mm OD, 500 rpm
1	125962A1	1	PULLEY, drive, 600 RPM, 12 17/32" od, 600 rpm
2	133587A1	4	SCREW, hex flange, self-locking, special, 3/8 NC x 3/4"
3	125966A1	1	HUB, auger and knife drive
4	9706716	2	BOLT, Hex, 1/2"-13 x 2", G5,
5	280431	2	NUT, 1/2"-13, G5,
6	247430A1	1	BELT, knife drive, 105 5/8", Used With 400 rpm
6	247428A1	1	BELT, knife drive, 108.2", Used With 460 rpm, 500 rpm
6	319905A1	1	BELT, knife drive 111.85" OC 600 rpm
7	138435A1	1	SUPPORT, stationary idler pulley
7	87450192	1	SUPPORT, stationary idler pully
8	87034823	3	BOLT, Hex Flg, 1/2"-13 x 1", G8, Full Thd,
9	86512371	3	NUT, Flg, USR, 1/2"-13,
10	1315247C1	1	SPRING, idler tension
11	87365	1	WASHER, 5/8", SAE,
12	178858A1	1	TUBE, tightener spring
13	1307259C2	1	GUIDE, finger
14	138439A1	1	ARM, knife drive idler, Includes 15, 16, BSN JJC0350294
15	289588R1	2	BUSHING,
16	87414	1	NIPPLE, LUBE, 1/4"-28 x .56" lg, Drive,
20	1320826C1	1	BUSHING, idler arm
21	86505992	1	BOLT, Hex, 1/2"-13 x 3 3/4", G5,
22	232-5318	1	NUT, LOCK, Flg, 1/2"-13,
23	673214R91	1	PULLEY, 7 5/16" (186 mm) OD, BSN JJC0350294
24	87630	1	BOLT, Hex, 5/8"-11 x 2 1/2", G5,
25	280374	1	NUT, 5/8"-11, G5,
26	86729275	1	WASHER, LOCK, 5/8",
27	575098R1	1	SPACER, 7/8" Tube x 5/8",
28	1338456C1	1	PULLEY, idler, 6" OD
29	87972	1	BOLT, Hex, 1/2"-13 x 2 1/2", G5,
30	232-5318	1	NUT, LOCK, Flg, 1/2"-13,
31	495-81287	5	WASHER, 17/32" x 1 1/4" x .120",
32	1307324C1	1	EYEBOLT, knife drive tightener
33	495-81287	1	WASHER, 17/32" x 1 1/4" x .120",
34	280431	3	NUT, 1/2"-13, G5,
35	86624070	1	PIN, HEADED, 1/2" x 1 1/2", G2,
36	394818	1	PIN, SPLIT (COTTER), M5 x 25,
37	495-81287	1	WASHER, 17/32" x 1 1/4" x .120",
38	REF	1	INSTRUCTION, Box Assy, See figure(s) 09B-10, 09B-11
39	86508732	4	BOLT, Hex, 5/8"-11 x 2", G8,
40	426-1056	1	BOLT, Hex, 5/8"-11 x 3 1/2", G8,
41	232-53110	5	NUT, LOCK, Flg, 5/8"-11,
42	188861A1	1	SPACER, 5", idler spring, inner



- 12 = ●
- 36 = ■
- 37 = ▲

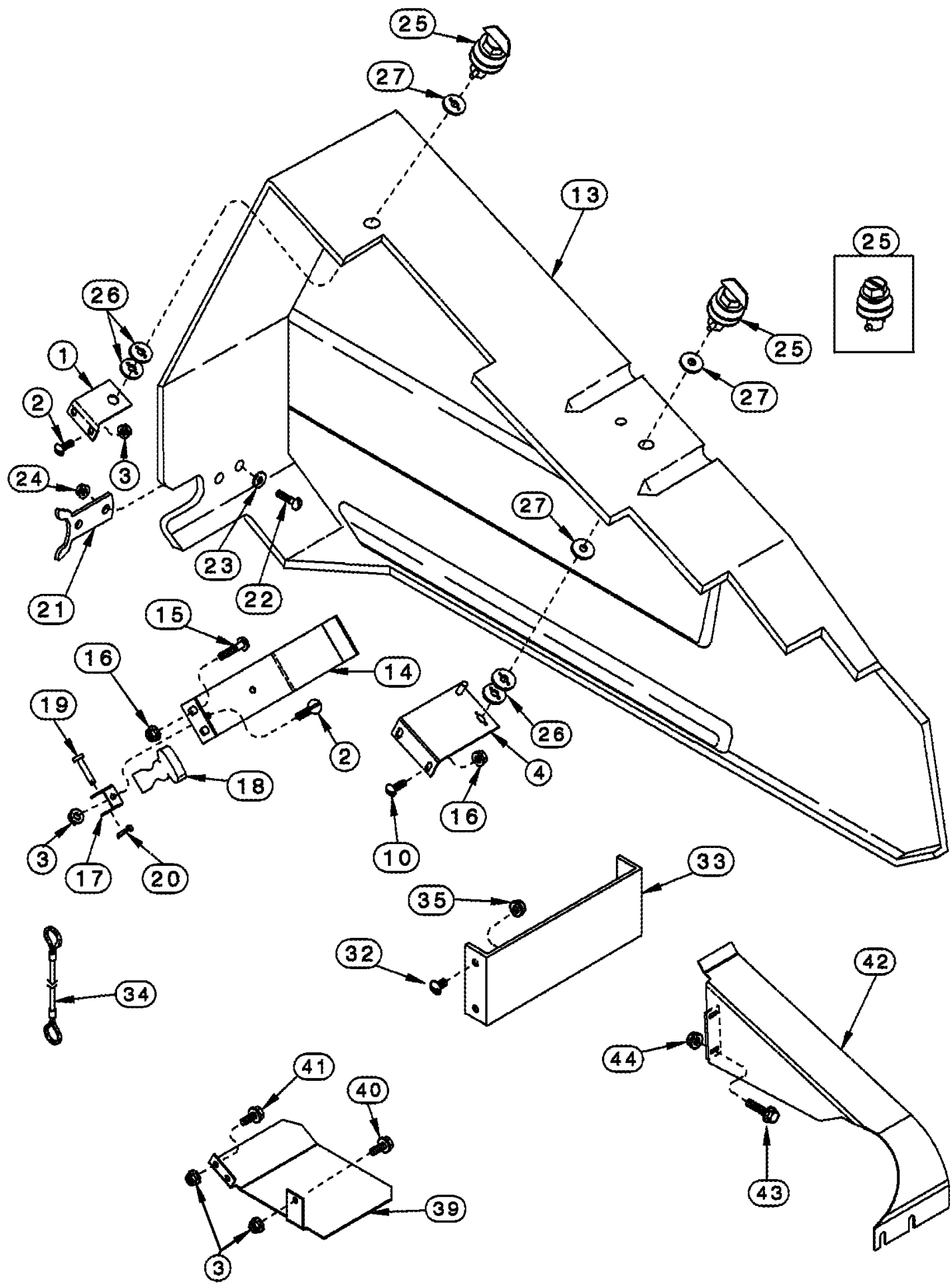


сылка	Номер детали	Кол-во	Описание
1	133157A3	1	WOBBLE BOX, knife drive, Rework of Left Hand Endsheets NOT Required, Includes 2 - 35
2	182581A1	1	SHAFT, wobble
3	130820A2	1	HOUSING, knife box, No Longer Available, Order 398816A1, Includes 4, 5
3A	398816A1	1	HOUSING, wobble box
4	140436A1	1	BEARING, NEEDLE, wobble shaft inner, Used With 130820A2 Housing
4A	394681A1	1	BEARING, NEEDLE, 50 mm #75960
5	544667R91	1	SEAL, OIL, Used With 130820A2 Housing
5A	NSS	1	NOT SERVICED SEPARATELY, Housing
6	217-407	1	PLUG, Hex Hd, 3/8"-18,
7	219-436	1	BREATHER, 3/8"-18 NPT, Short, w/washer,
8	62520C2	1	TRUNNION,
9	287902	2	BEARING, CONE, LM104949
10	287066	2	BEARING, CUP, LM104911
11	133466A1	1	NUT, bearing lock, special
12	130822A2	1	YOKE, trunnion, wobble shaft, Includes 13, 14A
13	182580A1	1	YOKE, trunnion, wobble shaft
14	A12652	2	BEARING, NEEDLE,
15	141162A1	2	STUD, trunnion
16	128962A1	1	SUPPORT, wobble box, Includes 17 - 19
17	101295C1	1	SEAL, oil
18	205369R91	1	BEARING, NEEDLE, B-2610
19	166957R91	1	BEARING, NEEDLE, B-2620
20	86977781	1	O-RING, -231, 70 Duro, 2.609" ID x .139" Thk,
21	136322C1	4	BOLT, hex dry lock, special, 5/8 NC x 2 1/4", G8
22	86729275	4	WASHER, LOCK, 5/8",
23	62526C1	1	COVER,
24	F60368	1	BEARING, NEEDLE, auger
25	62527C1	1	SEAL, oil
23A	394678A1	1	COVER, knife drive box
24A	394680A1	1	BEARING, NEEDLE, 60 mm #75959
25A	62527C1	1	SEAL, oil
26	117045C1	8	BOLT, SPECIAL, 3/8-16 x 1" G5 Dry-Loc
28	116955C1	1	SEAL, FELT, 1 5/8" x 3" x 9/16"
29	126314A2	1	ARM, knife crank with counterweight
30	116954C1	1	WASHER, flat, special, 5/32" x 2 13/32" x 5/16"
31	88692	1	BOLT, Hex, 3/4"-10 x 1 1/2", G5,
32	138775A1	1	PULLEY, driven, knife
33	Q53	1	KEY, 1/4" Sq x 1", Par,
34	414089C1	1	NUT, LOCK, Flg, 5/8"-18,
35	50057K	1	PLUG, separator housing
36	130821A1	1	COVER, wobble box, No Longer Available, Replaced With 130821A2 Below, Includes 23 - 25
37	130821A2	1	COVER, wobble box, Includes 23A, 24A, 25A



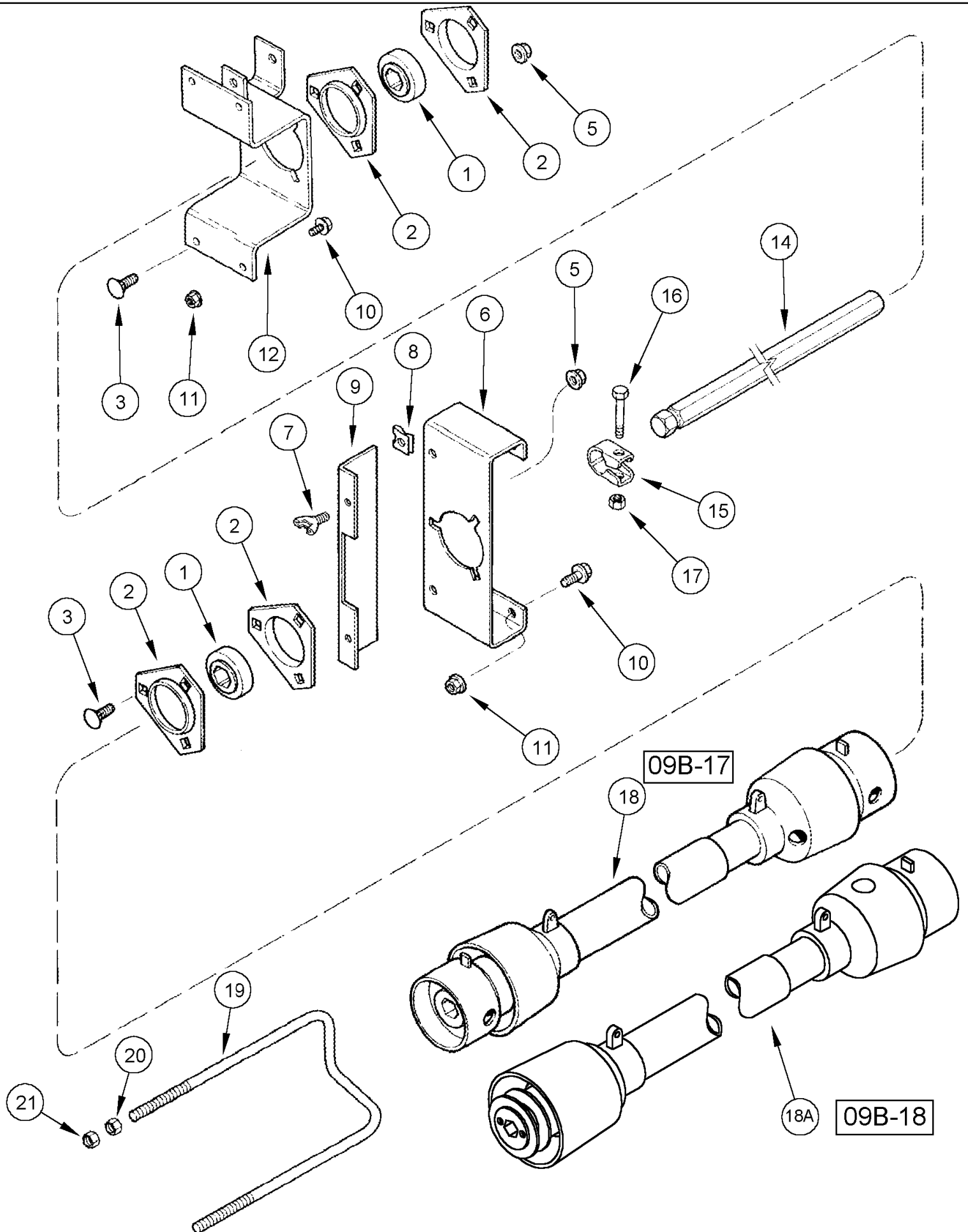
сылка	Номер детали	Кол-во	Описание
1	398290A1	1	WOBBLE BOX, knife drive, Rework of Left Hand Endsheets WILL Be Required on BSN JJC0325165, Includes 2 - 35
1	398290A2	1	WOBBLE BOX, knife drive, Includes 2 - 35
2	394674A1	1	SHAFT, wobble
3	398816A1	1	HOUSING, wobble box, Includes 4, 5
4	394681A1	1	BEARING, NEEDLE, 50 mm #75960
5	NSS	1	NOT SERVICED SEPARATELY, Housing
6	217-407	1	PLUG, Hex Hd, 3/8"-18,
7	219-436	1	BREATHER, 3/8"-18 NPT, Short, w/washer,
8	394679A1	1	TRUNNION, wobble box
8	394679A2	1	TRUNNION, knife drive box
9	287902	2	BEARING, CONE, LM104949
10	287066	2	BEARING, CUP, LM104911
11	133466A1	1	NUT, bearing lock, special
12	130822A3	1	YOKE, wobble box, Includes 13, 14
13	394672A1	1	YOKE, knife box
14	709063	2	BUSHING, bronze 1.13" OD 1.0" ID
15	394613A2	2	STUD, trunnion knife drive box
16	128962A1	1	SUPPORT, wobble box, Includes 17, 18, 19
17	101295C1	1	SEAL, oil
18	205369R91	1	BEARING, NEEDLE, B-2610
19	166957R91	1	BEARING, NEEDLE, B-2620
20	86977781	1	O-RING, -231, 70 Duro, 2.609" ID x .139" Thk,
21	136322C1	4	BOLT, hex dry lock, special, 5/8 NC x 2 1/4", G8
22	86729275	4	WASHER, LOCK, 5/8",
23	394678A1	1	COVER, knife drive box
24	394680A1	1	BEARING, NEEDLE, 60 mm #75959
25	62527C1	1	SEAL, oil
26	117045C1	8	BOLT, SPECIAL, 3/8-16 x 1" G5 Dry-Loc
28	116955C1	1	SEAL, FELT, 1 5/8" x 3" x 9/16"
29	126314A2	1	ARM, knife crank with counterweight
30	116954C1	1	WASHER, flat, special, 5/32" x 2 13/32" x 5/16"
31	88692	1	BOLT, Hex, 3/4"-10 x 1 1/2", G5,
32	138775A1	1	PULLEY, driven, knife
33	Q53	1	KEY, 1/4" Sq x 1", Par,
34	414089C1	1	NUT, LOCK, Flg, 5/8"-18,
35	50057K	1	PLUG, separator housing
36	130821A2	1	COVER, wobble box, Includes 23, 24, 25

09B-12 KNIFE DRIVE SHIELDS AND SUPPORTS



09B-12 KNIFE DRIVE SHIELDS AND SUPPORTS

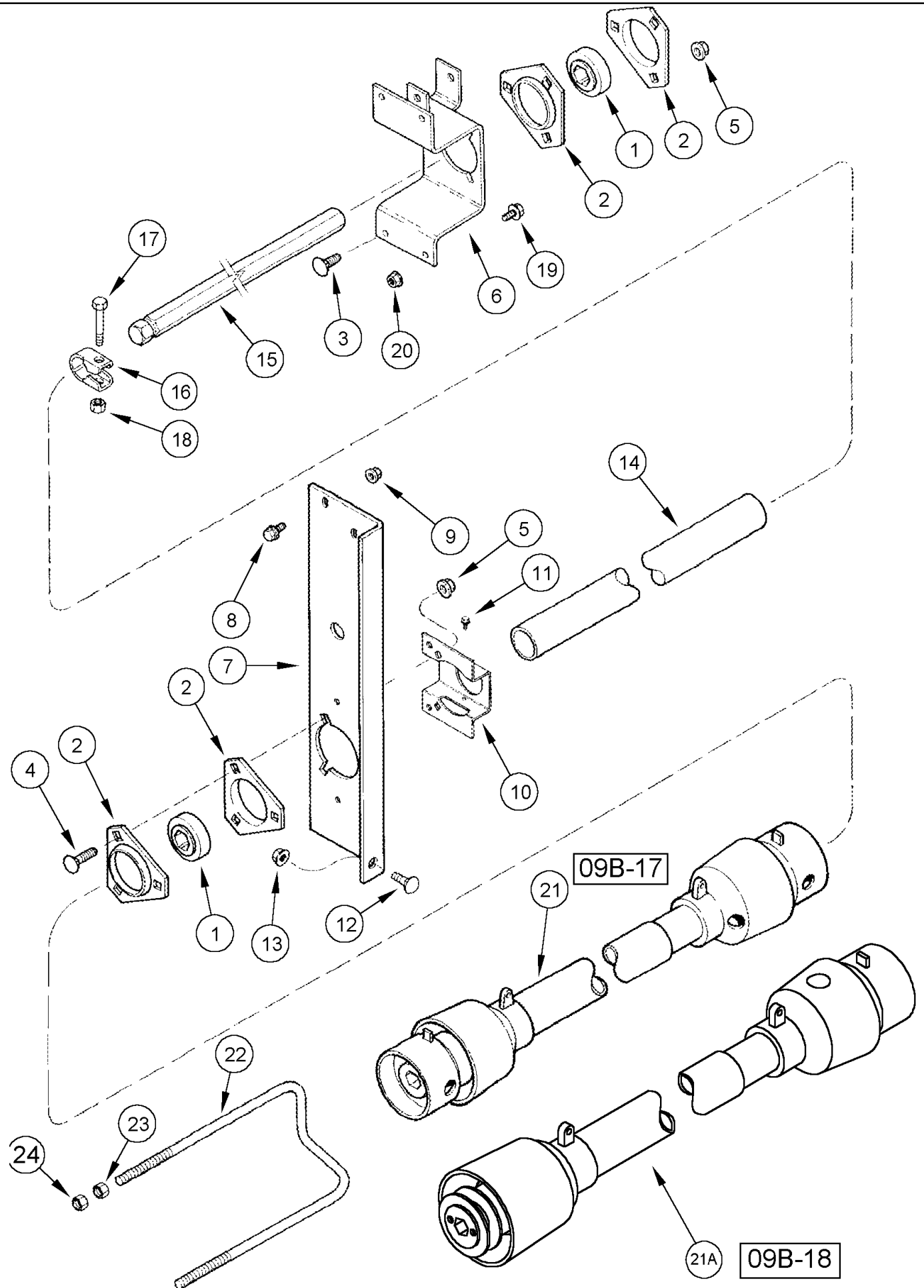
сылка	Номер детали	Кол-во	Описание
1	1316510C2	1	SUPPORT, upper shield
2	135270	4	BOLT, Slotted Tr Hd, 5/16"-18 x 3/4",
3	145458	7	NUT, Flg, USR, 5/16"-18,
4	1326758C1	1	SUPPORT, shield, upper front
10	255918	2	BOLT, Hex Flg, 3/8"-16 x 3/4", Serr,
13	1316693C4	1	SHIELD, drive LH
14	1326386C2	1	SUPPORT, shield, lower rear, LH, BSN JJC0350294
15	255918	2	BOLT, Hex Flg, 3/8"-16 x 3/4", Serr,
16	247780	2	NUT, Flg, USR, 3/8"-16,
17	188103C2	1	BRACKET, Hook Anchor, BSN JJC0350294
18	494307C1	1	LATCH, hook
19	439-1424	1	PIN, HEADED, 1/4" x 1 1/2", G2,
20	80755	1	PIN, SPLIT (COTTER), 1/8" x 1",
21	L105124	1	HOOK, LATCH, , BSN JJC0350294
22	470-11012	2	SCREW, Slotted Pan Hd, #10-24 x 3/4",
23	495-81101	2	WASHER, 7/32" x 3/4" x .060",
24	523310	2	NUT, flange, #10-24
25	1326408C2	2	FASTENER, stud, shield
25	252117A1	1	FASTENER, shield, Australia Only
26	1326407C1	4	RETAINER, shield stud
27	495-81023	X	WASHER, 17/32" x 1 1/4" x .030",
33	131988A1	1	SUPPORT, shield, front LH, BSN JJC0350294
34	126396A1	1	CABLE, shield anchor
35	247780	2	NUT, Flg, USR, 3/8"-16,
39	291789A2	1	SHIELD, knife drive, lower rear, BSN JJC0350294
40	86512168	1	BOLT, Hex Flg, 5/16"-18 x 1", Serr,
41	145913	2	BOLT, Hex Flg, 5/16"-18 x 3/4", Serr,
42	256144A1	1	SHIELD, knife drive belt, BSN JJC0350294
43	523292	2	BOLT, Hex Flg, 1/4"-20 x 3/4", Serr,
44	523282	2	NUT, Flg, USR, 1/4"-20,
32	477-73816	2	SCREW, Slt'd Serr Truss Hd, 3/8" x 1",



1020 GRAIN HEADER (P.I.N. JJC0315001 TO JJC0350294) (-10/04)

09B-13 KNIFE JACKSHAFT DRIVE - 15 AND 16.5 FOOT HEADERS

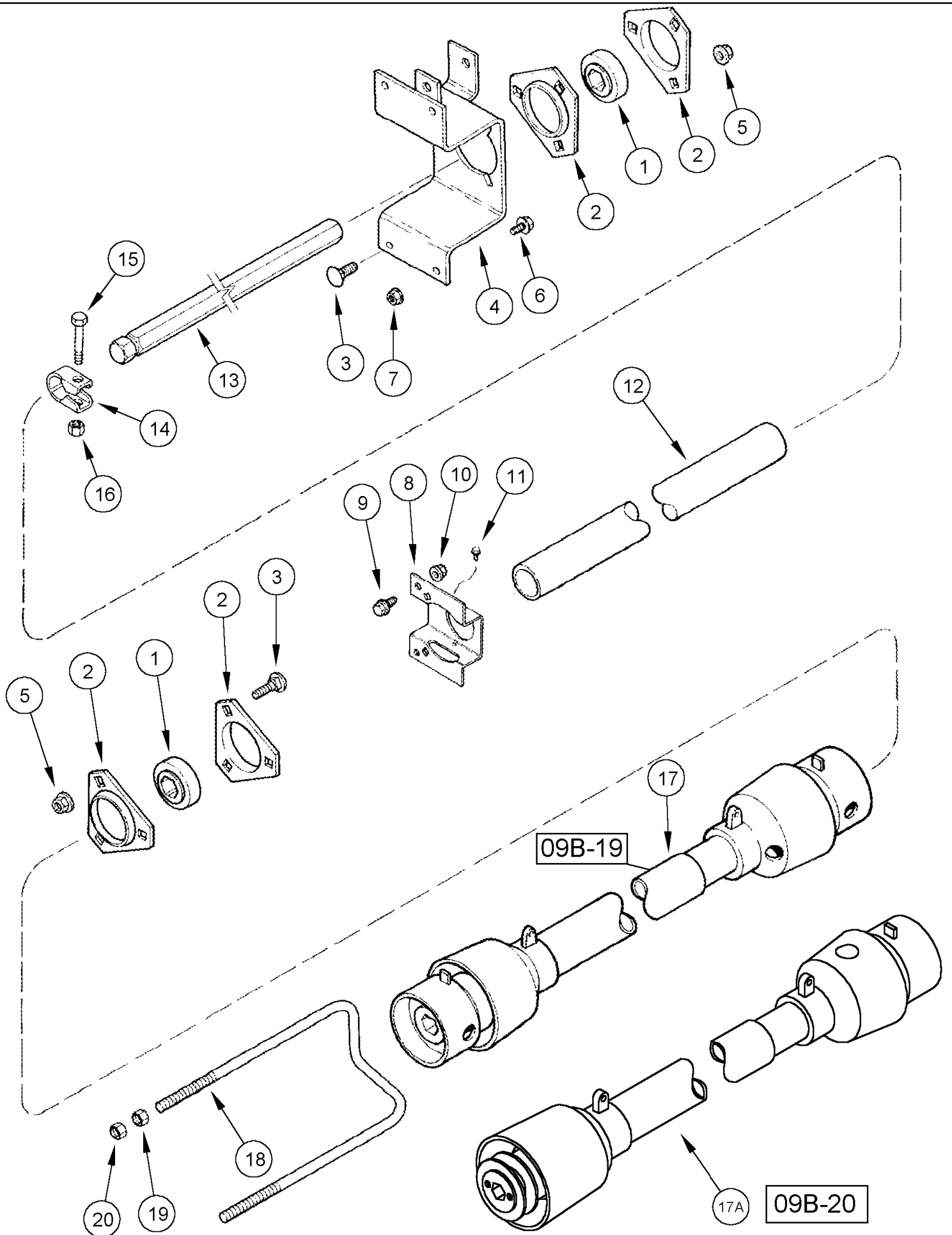
сылка	Номер детали	Кол-во	Описание
1	156816C91	2	BEARING, BALL,
2	180955C1	4	FLANGE, bearing, BSN JJC0350294
3	80280503	6	BOLT, CARRIAGE, Short NK, 3/8"-16 x 1", G5, Full Thd,
5	247780	6	NUT, Flg, USR, 3/8"-16,
6	1320892C1	1	SUPPORT, jackshaft 15.0 foot
7	183-123	2	SCREW, thumb with shoulder, 5/16 NC x 3/4 inch
8	488837C1	2	NUT, 5/16" speed
9	1326597C1	1	SHIELD, clutch 15.0 and 16.5 foot
10	9706726	5	BOLT, Hex Flg, 3/8"-16 x 1", Serr,
10	86512174	1	BOLT, Hex Flg, 3/8"-16 x 1 1/4", Serr,
11	247780	6	NUT, Flg, USR, 3/8"-16,
12	138653A1	1	SUPPORT, knife drive, BSN JJC0350294
14	125969A2	1	JACKSHAFT, 15.0 and 16.5 foot
15	225265R1	1	CLAMP, auger bed gear, BSN JJC0350294
16	87972	1	BOLT, Hex, 1/2"-13 x 2 1/2", G5,
17	9636698	1	NUT, LOCK, 1/2"-13, GB,
18	1313569C92	1	SHAFT, DRIVE, auger (With decals), See figure 09B-17, BSN JJC0323603
18A	1313569C94	1	SHAFT, DRIVE, PTO knife, See figure 09B-18, ASN JJC0323604
19	138005A1	1	HANGER, drive line
20	280431	2	NUT, 1/2"-13, G5,
21	231-4118	2	NUT, LOCK, 1/2"-13, GB,



1020 GRAIN HEADER (P.I.N. JJC0315001 TO JJC0350294) (-10/04)

09B-14 KNIFE JACKSHAFT DRIVE - 17.5 AND 20.0 FOOT HEADERS

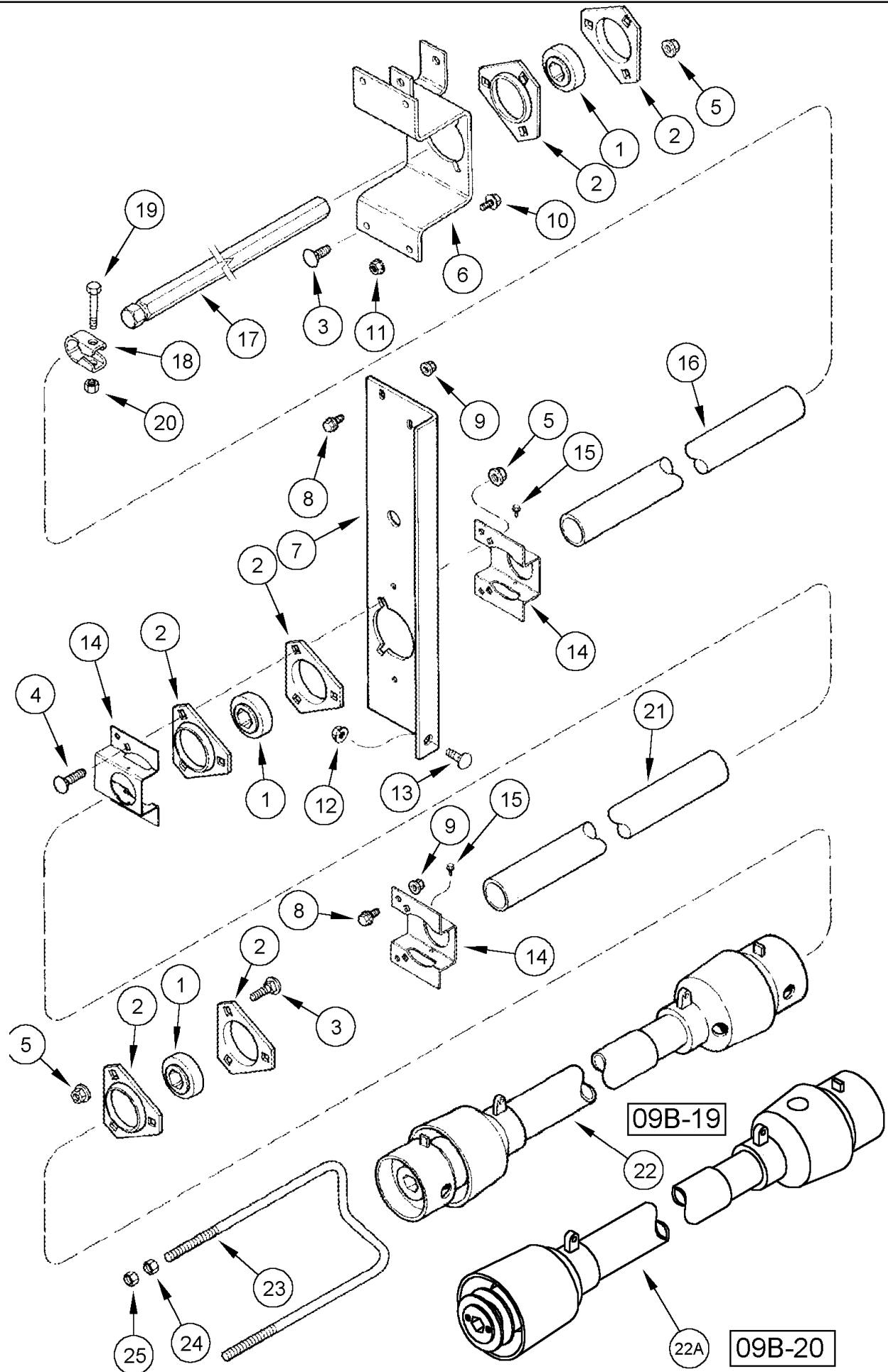
сылка	Номер детали	Кол-во	Описание
1	156816C91	2	BEARING, BALL,
2	180955C1	4	FLANGE, bearing, BSN JJC0350294
3	80280503	3	BOLT, CARRIAGE, Short NK, 3/8"-16 x 1", G5, Full Thd,
4	86508749	3	BOLT, CARRIAGE, Short NK, 3/8"-16 x 1 1/4", G5, Full Thd,
5	247780	6	NUT, Flg, USR, 3/8"-16,
6	138653A1	1	SUPPORT, knife drive
7	1307339C2	1	SUPPORT, jackshaft, BSN JJC0350294
8	145913	2	BOLT, Hex Flg, 5/16"-18 x 3/4", Serr,
9	145458	2	NUT, Flg, USR, 5/16"-18,
10	125992A1	1	SUPPORT, jackshaft, BSN JJC0350294
11	282-1448	1	SCREW, SELF TAP, Hex Wash Hd, #8 x 1/2",
12	280499	1	BOLT, CARRIAGE, Short NK, 1/2"-13 x 1", G5, Full Thd,
13	86512371	1	NUT, Flg, USR, 1/2"-13,
14	125982A1	1	SHIELD, jackshaft 17.5 foot
14	125983A1	1	SHIELD, jackshaft 20.0 foot
15	125970A2	1	JACKSHAFT, 17.5 foot
15	125971A2	1	JACKSHAFT, 20.0 foot
16	225265R1	1	CLAMP, auger bed gear, BSN JJC0350294
17	87972	1	BOLT, Hex, 1/2"-13 x 2 1/2", G5,
18	9636698	1	NUT, LOCK, 1/2"-13, GB,
19	9706726	3	BOLT, Hex Flg, 3/8"-16 x 1", Serr,
20	247780	6	NUT, Flg, USR, 3/8"-16,
21	1313569C92	1	SHAFT, DRIVE, auger (With decals), See figure 09B-17, BSN JJC0323603
21A	1313569C94	1	SHAFT, DRIVE, PTO knife, See figure 09B-18, ASN JJC0323604
22	138005A1	1	HANGER, drive line
23	280431	2	NUT, 1/2"-13, G5,
24	231-4118	2	NUT, LOCK, 1/2"-13, GB,



1020 GRAIN HEADER (P.I.N. JJC0315001 TO JJC0350294) (-10/04)

09B-15 KNIFE JACKSHAFT DRIVE - 22.5 AND 25.0 FOOT HEADERS

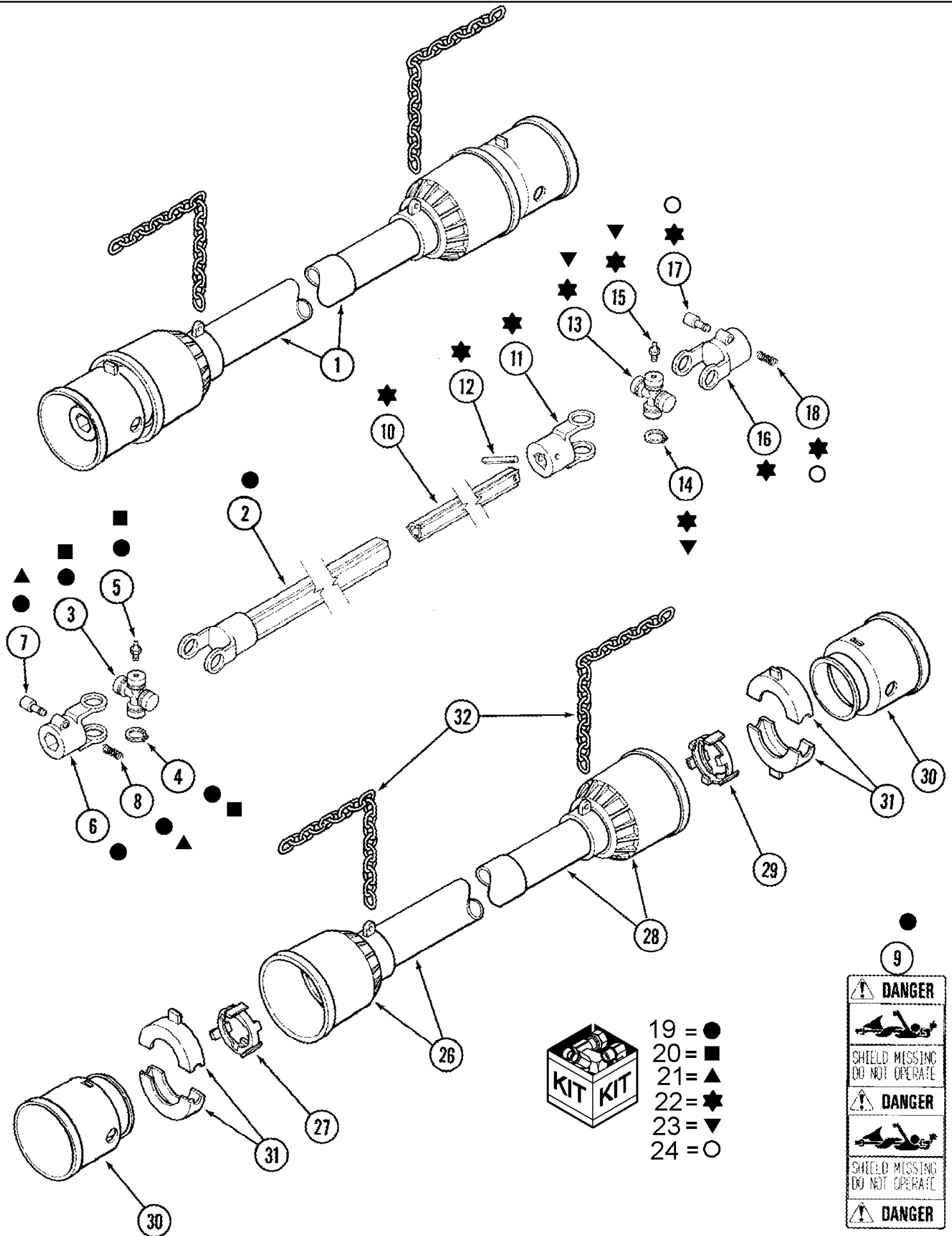
сылка	Номер детали	Кол-во	Описание
1	156816C91	2	BEARING, BALL,
2	180955C1	4	FLANGE, bearing, BSN JJC0350294
3	80280503	6	BOLT, CARRIAGE, Short NK, 3/8"-16 x 1", G5, Full Thd,
4	138654A1	1	SUPPORT, knife drive, BSN JJC0350294
5	247780	6	NUT, Flg, USR, 3/8"-16,
6	9706726	3	BOLT, Hex Flg, 3/8"-16 x 1", Serr,
7	247780	4	NUT, Flg, USR, 3/8"-16,
8	125992A1	1	SUPPORT, jackshaft, BSN JJC0350294
9	145913	2	BOLT, Hex Flg, 5/16"-18 x 3/4", Serr,
10	145458	2	NUT, Flg, USR, 5/16"-18,
11	282-1448	1	SCREW, SELF TAP, Hex Wash Hd, #8 x 1/2",
12	125989A1	1	SHIELD, jackshaft 30.0 foot
12	178164A1	1	TUBE, jackshaft shield, 25.0 foot LH
13	125972A2	1	JACKSHAFT, 22.5 foot
13	125973A2	1	JACKSHAFT, 25.0 foot
14	225265R1	1	CLAMP, auger bed gear, BSN JJC0350294
15	87972	1	BOLT, Hex, 1/2"-13 x 2 1/2", G5,
16	9636698	1	NUT, LOCK, 1/2"-13, GB,
17	1313570C92	1	SHAFT, DRIVE, auger (With decals), See figure 09B-19, BSN JJC0323603
17A	1313570C94	1	SHAFT, DRIVE, PTO, knife, See figure 09B-20, BTW JJC0323604 & JJC0350294
18	138005A1	1	HANGER, drive line
19	280431	2	NUT, 1/2"-13, G5,
20	231-4118	2	NUT, LOCK, 1/2"-13, GB,



1020 GRAIN HEADER (P.I.N. JJC0315001 TO JJC0350294) (-10/04)

09B-16 KNIFE JACKSHAFT DRIVE - 30.0 FOOT HEADER

сылка	Номер детали	Кол-во	Описание
1	156816C91	3	BEARING, BALL,
2	180955C1	6	FLANGE, bearing, BSN JJC0350294
3	80280503	6	BOLT, CARRIAGE, Short NK, 3/8"-16 x 1", G5, Full Thd,
4	86508749	3	BOLT, CARRIAGE, Short NK, 3/8"-16 x 1 1/4", G5, Full Thd,
5	247780	9	NUT, Flg, USR, 3/8"-16,
6	138654A1	1	SUPPORT, knife drive, BSN JJC0350294
7	1307339C2	1	SUPPORT, jackshaft, BSN JJC0350294
8	145913	5	BOLT, Hex Flg, 5/16"-18 x 3/4", Serr,
9	145458	5	NUT, Flg, USR, 5/16"-18,
10	9706726	3	BOLT, Hex Flg, 3/8"-16 x 1", Serr,
11	247780	6	NUT, Flg, USR, 3/8"-16,
12	280499	1	BOLT, CARRIAGE, Short NK, 1/2"-13 x 1", G5, Full Thd,
13	86512371	1	NUT, Flg, USR, 1/2"-13,
14	125992A1	3	SUPPORT, jackshaft, BSN JJC0350294
15	282-1448	2	SCREW, SELF TAP, Hex Wash Hd, #8 x 1/2",
16	125985A1	1	SHIELD, jackshaft 25 and 30 foot
17	125974A2	1	JACKSHAFT, 30.0 foot
18	225265R1	1	CLAMP, auger bed gear, BSN JJC0350294
19	87972	1	BOLT, Hex, 1/2"-13 x 2 1/2", G5,
20	9636698	1	NUT, LOCK, 1/2"-13, GB,
21	125988A1	1	SHIELD, jackshaft 20.0 foot
22	1313570C92	1	SHAFT, DRIVE, auger (With decals), See figure 09B-19, BSN JJC0323603
22A	1313570C94	1	SHAFT, DRIVE, PTO, knife, See figure 09B-20, BTW JJC0323604 & JJC0350294
23	138005A1	1	HANGER, drive line
24	280431	2	NUT, 1/2"-13, G5,
25	231-4118	2	NUT, LOCK, 1/2"-13, GB,



9

! DANGER

SHIELD MISSING
DO NOT OPERATE

! DANGER

SHIELD MISSING
DO NOT OPERATE

! DANGER

сылка	Номер детали	Кол-во	Описание
1	1313569C92	1	SHAFT, DRIVE, auger (With decals), Includes 2 - 32
2	NSS	1	NOT SERVICED SEPARATELY, Tube Assy
3	NSS	1	NOT SERVICED SEPARATELY, Joint, Universal
4	278643	4	RING, SNAP, M24, Int,
5	933756R1	2	NIPPLE, LUBE, M6 x 1,
6	NSS	1	NOT SERVICED SEPARATELY, Yoke
7	NSS	1	NOT SERVICED SEPARATELY, Pin
8	NSS	1	NOT SERVICED SEPARATELY, Spring
9	1326528C1	1	DECAL, Danger, shield missing, do not operate
10	NSS	1	NOT SERVICED SEPARATELY, Tube
11	NSS	1	NOT SERVICED SEPARATELY, Yoke
12	838-5845	1	PIN, LOCK, M8 x 45, Slotted,
13	NSS	1	NOT SERVICED SEPARATELY, Joint, Universal
14	278643	4	RING, SNAP, M24, Int,
15	933756R1	2	NIPPLE, LUBE, M6 x 1,
16	NSS	1	NOT SERVICED SEPARATELY, Yoke
17	NSS	1	NOT SERVICED SEPARATELY, Pin
18	NSS	1	NOT SERVICED SEPARATELY, Spring
19	1326658C92	1	SHAFT, DRIVE, female, Includes 2 - 9
20	1330586C1	1	KIT, REPAIR, cross and bearing, Includes 3 - 5
21	1311950C1	1	KIT, push pin, yoke, Includes 7, 8
22	1326623C92	1	SHAFT, DRIVE, male, Includes 10 - 18
23	1330586C1	1	KIT, REPAIR, cross and bearing, Includes 13 - 15
24	1311950C1	1	KIT, push pin, yoke, Includes 17, 18
26	1326627C92	1	SHIELD, INNER, outer female, Includes 27
27	NSS	1	NOT SERVICED SEPARATELY, Bearing, Support
28	1326630C92	1	SHIELD, OUTER, inner male, Includes 29
29	NSS	1	NOT SERVICED SEPARATELY, Bearing, Support
30	1326625C91	2	SHIELD, outer yoke, Includes 31
31	NSS	1	NOT SERVICED SEPARATELY, Collar
32	1326632C1	2	CHAIN, safety

13

⚠ DANGER

SHIELD MISSING
DO NOT OPERATE

⚠ DANGER

SHIELD MISSING
DO NOT OPERATE

⚠ DANGER

18

⚠

ROTATING DRIVELINE
CONTACT CAN CAUSE DEATH
KEEP AWAY!
DO NOT OPERATE WITHOUT

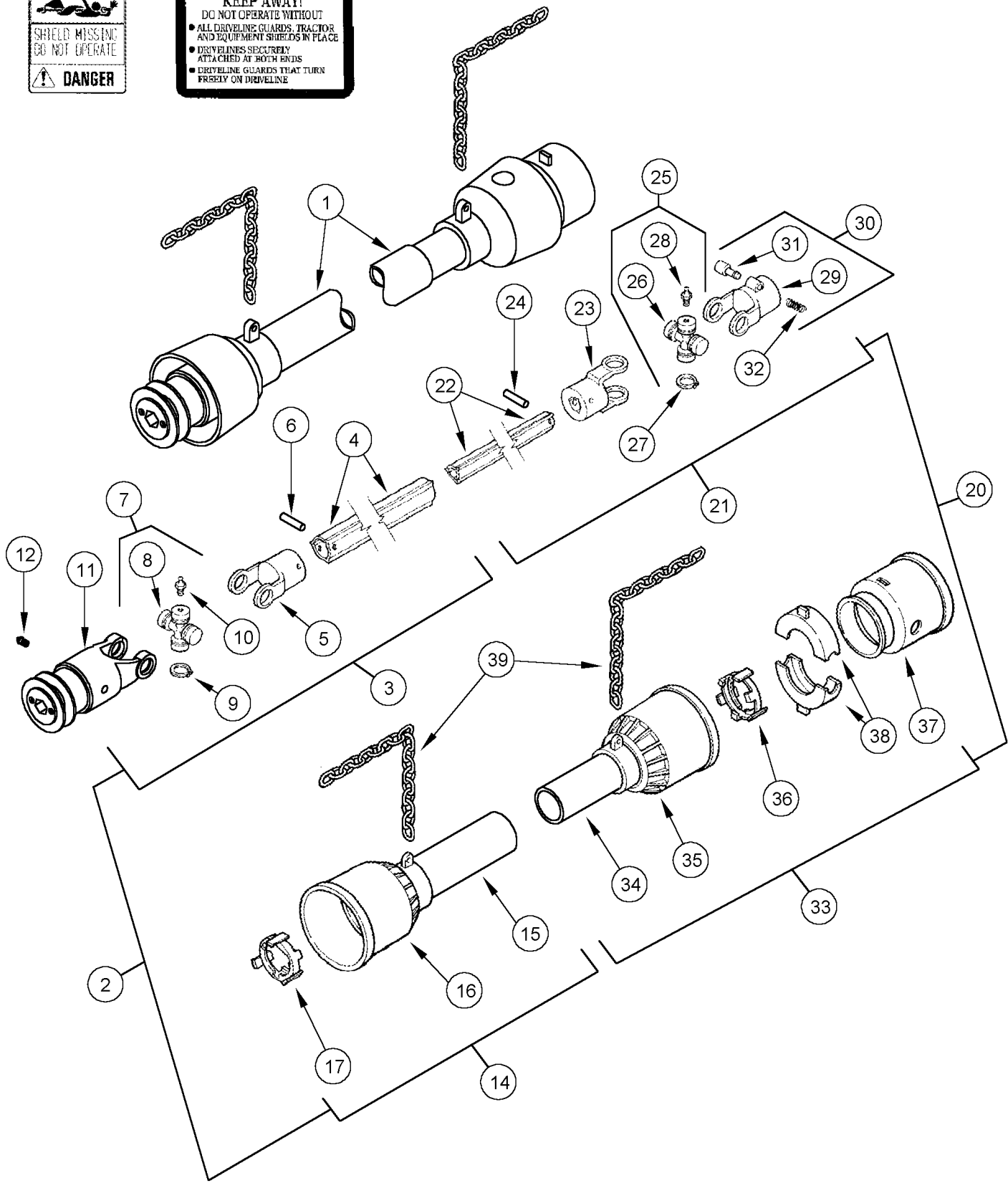
- ALL DRIVELINE GUARDS, TRACTOR AND EQUIPMENT SHIELDS IN PLACE
- DRIVELINES SECURELY ATTACHED AT BOTH ENDS
- DRIVELINE GUARDS THAT TURN FREELY ON DRIVELINE

19

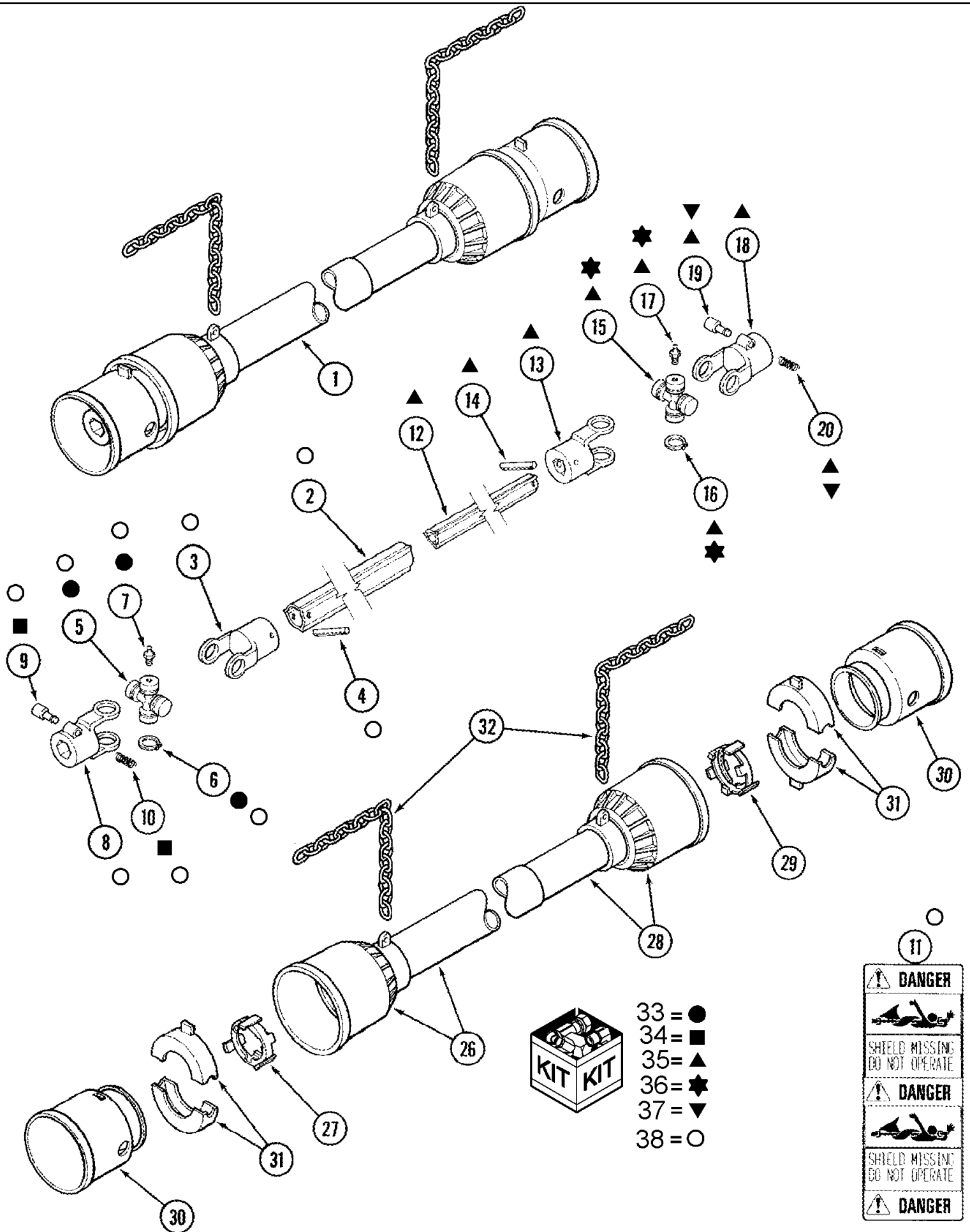
LUBRICATION

10E 50E 10E 50E

MADE IN ITALY



сылка	Номер детали	Кол-во	Описание
1	1313569C94	1	SHAFT, DRIVE, PTO knife, Includes 2 - 39
2	86984228	1	SHAFT, DRIVE, inboard half with shield, female, Includes 3, 14
3	86984229	1	SHAFT, female half, Includes 4 - 13
4	86984230	1	SHAFT, female
5	1545200C1	1	YOKE, Female Tube
6	838-5855	1	PIN, LOCK, M8 x 55, Slotted,
7	1330586C1	1	KIT, REPAIR, cross and bearing, Includes 8 - 10
8	NSS	1	NOT SERVICED SEPARATELY, Cross, Yoke with Bearings
9	800-21240	4	RING, SNAP, M240, Int,
10	321204	2	NIPPLE, LUBE, M6 x 1, 16mm lg,
11	368285A2	1	COLLAR, yoke, inboard shaft with coupler, Includes 12
12	321204	1	NIPPLE, LUBE, M6 x 1, 16mm lg,
13	1326528C1	1	DECAL, Danger, shield missing, do not operate
14	86984231	1	SHIELD, INNER, female half shaft, Includes 15 - 19
15	NSS	1	NOT SERVICED SEPARATELY, Tube, Shield
16	433495A1	1	SHIELD, PTO driveline quick attach coupler
17	1544660C1	1	BEARING, shield support
18	80672C1	1	DECAL, danger, rotating driveline
19	433531A1	1	DECAL, PTO driveline lubrication
19	433531A2	1	DECAL, PTO driveline lubrication
20	86984232	1	SHAFT, outboard half with shield, male, Includes 21, 33
21	1326623C93	1	SHAFT, DRIVE, male, Includes 22 - 30
22	86984233	1	SHAFT, male
23	1545199C1	1	YOKE, inner shaft
24	838-5845	1	PIN, LOCK, M8 x 45, Slotted,
25	1330586C1	1	KIT, REPAIR, cross and bearing, Includes 26 - 28
26	NSS	1	NOT SERVICED SEPARATELY, Cross, Yoke with Bearings
27	800-21240	4	RING, SNAP, M240, Int,
28	321204	2	NIPPLE, LUBE, M6 x 1, 16mm lg,
29	1325022C1	1	YOKE, drive shaft, Includes 30
30	1311950C1	1	KIT, push pin, yoke, Includes 31, 32
31	NSS	1	NOT SERVICED SEPARATELY, Pin, Latch
32	NSS	1	NOT SERVICED SEPARATELY, Spring, Latch Pin Return
33	1326630C92	1	SHIELD, OUTER, inner male, Includes 34 - 38
34	NSS	1	NOT SERVICED SEPARATELY, Tube, Shield
35	86985325	1	SHIELD, INNER, PTO driveline cone with collar
36	1544650C1	1	BEARING, Shield Support
37	1326625C91	1	SHIELD, outer yoke, Includes 38
38	NSS	1	NOT SERVICED SEPARATELY, Bearing, Split
39	1326632C1	2	CHAIN, safety



11

! DANGER

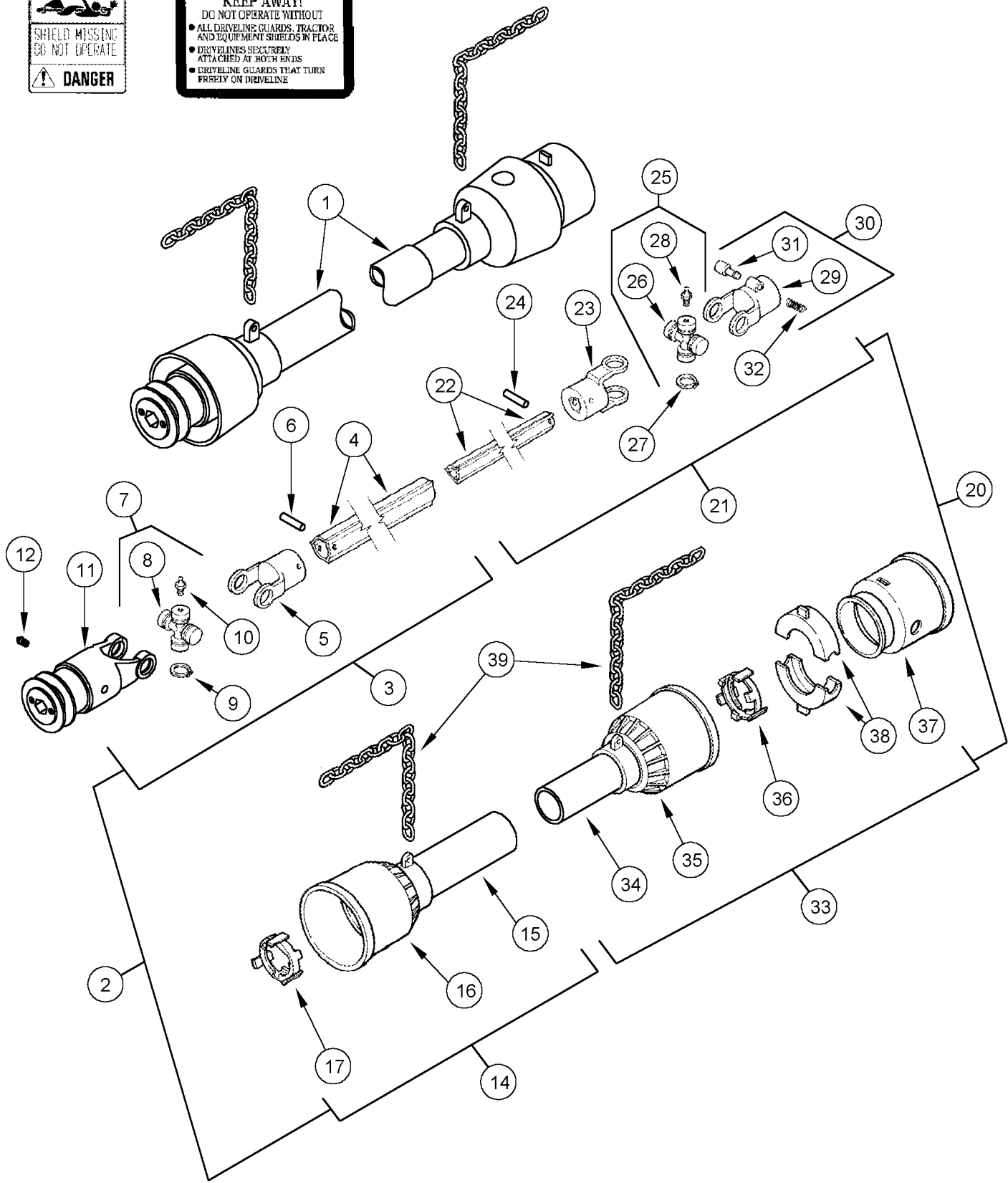
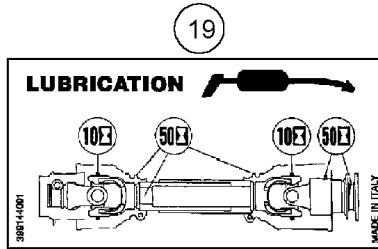
 SHIELD MISSING
DO NOT OPERATE

! DANGER

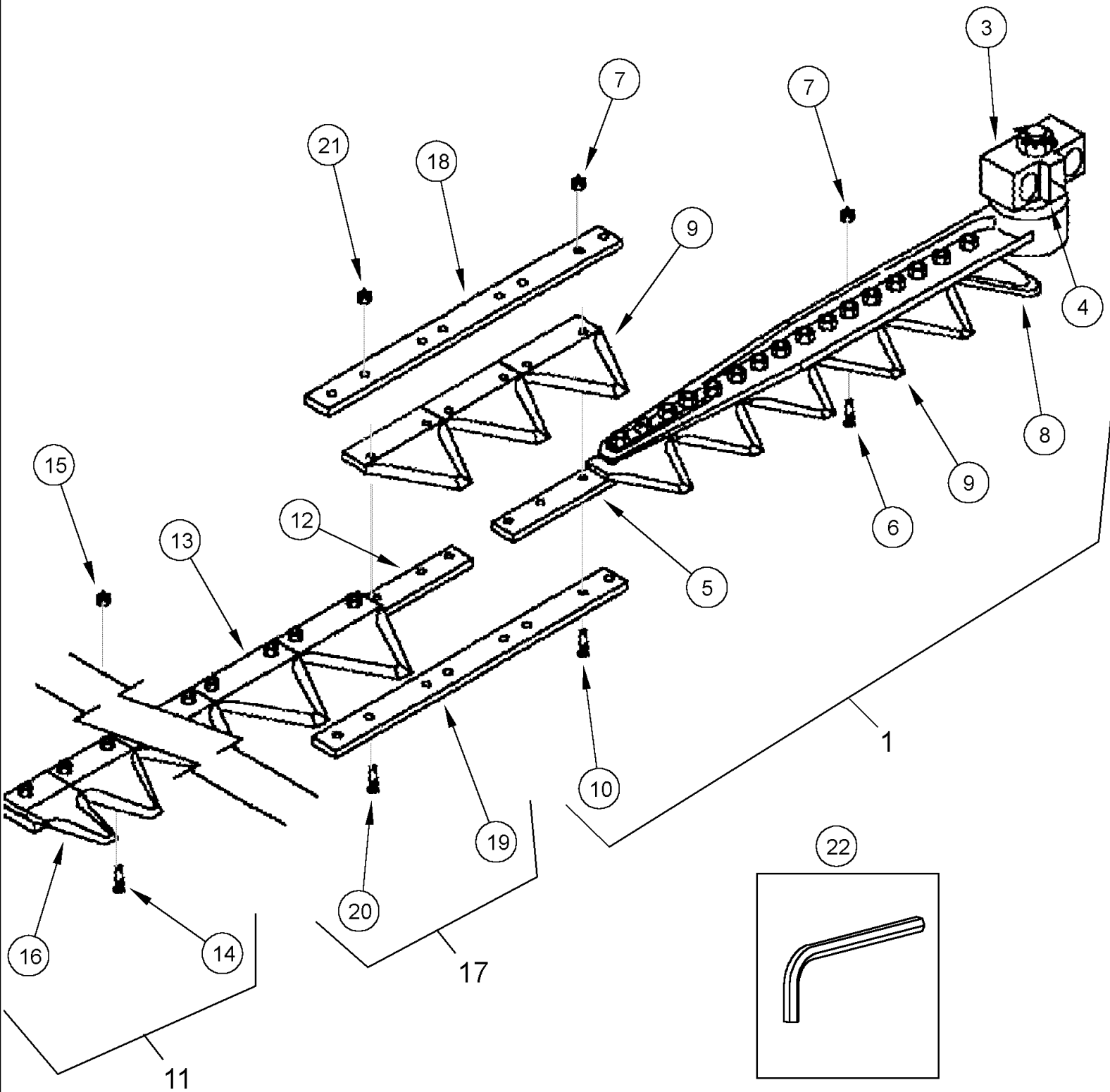
 SHIELD MISSING
DO NOT OPERATE

! DANGER

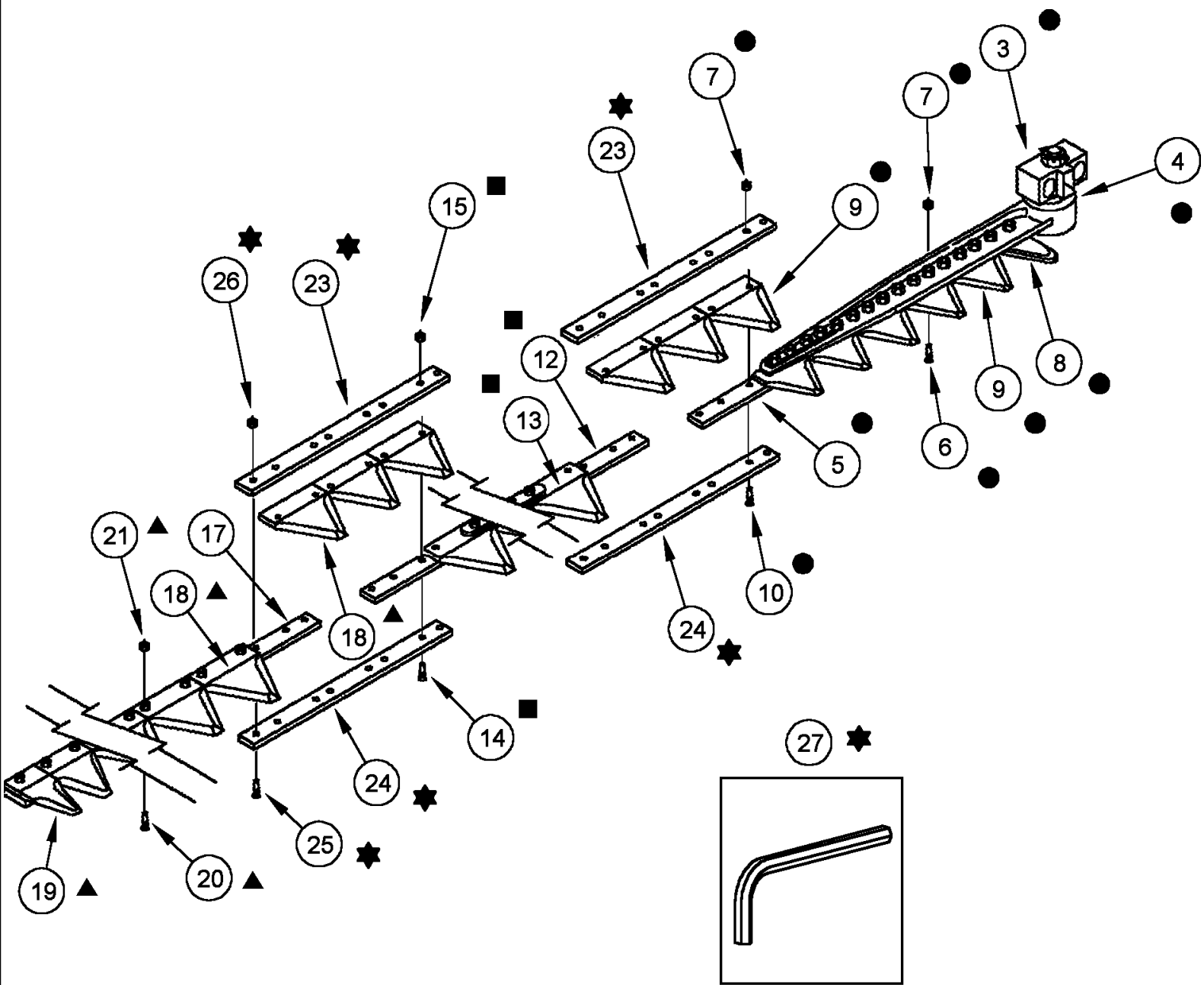
сылка	Номер детали	Кол-во	Описание
1	1313570C92	1	SHAFT, DRIVE, auger (With decals), Includes 2 - 32, BSN JJC0323603
2	NSS	1	NOT SERVICED SEPARATELY, Tube
3	NSS	1	NOT SERVICED SEPARATELY, Yoke
4	838-5855	1	PIN, LOCK, M8 x 55, Slotted,
5	NSS	1	NOT SERVICED SEPARATELY, Joint, Universal
6	278643	4	RING, SNAP, M24, Int,
7	933756R1	2	NIPPLE, LUBE, M6 x 1,
8	NSS	1	NOT SERVICED SEPARATELY, Yoke
9	NSS	1	NOT SERVICED SEPARATELY, Pin
10	NSS	1	NOT SERVICED SEPARATELY, Spring
11	1326528C1	1	DECAL, Danger, shield missing, do not operate
12	NSS	1	NOT SERVICED SEPARATELY, Tube
13	NSS	1	NOT SERVICED SEPARATELY, Yoke
14	838-5845	1	PIN, LOCK, M8 x 45, Slotted,
15	NSS	1	NOT SERVICED SEPARATELY, Joint, Universal
16	278643	4	RING, SNAP, M24, Int,
17	933756R1	2	NIPPLE, LUBE, M6 x 1,
18	NSS	1	NOT SERVICED SEPARATELY, Yoke
19	NSS	1	NOT SERVICED SEPARATELY, Pin
20	NSS	1	NOT SERVICED SEPARATELY, Spring
26	1326628C91	1	SHIELD, OUTER, outer female, Includes 27
27	NSS	1	NOT SERVICED SEPARATELY, Bearing, Support
28	1326631C92	1	SHIELD, OUTER, , Includes 29
29	NSS	1	NOT SERVICED SEPARATELY, Bearing, Support
30	1326625C91	2	SHIELD, outer yoke, Includes 31
31	NSS	1	NOT SERVICED SEPARATELY, Collar
32	1326632C1	2	CHAIN, safety
33	1330586C1	1	KIT, REPAIR, cross and bearing, Includes 5 - 7
34	1311950C1	1	KIT, push pin, yoke, Includes 9, 10
35	1326624C91	1	SHAFT, DRIVE, male, Includes 12 - 20
36	1330586C1	1	KIT, REPAIR, cross and bearing, Includes 15 - 17
37	1311950C1	1	KIT, push pin, yoke, Includes 19, 20
38	1326659C91	1	SHAFT, DRIVE, female, Includes 2 -11




сылка	Номер детали	Кол-во	Описание
1	1313570C94	1	SHAFT, DRIVE, PTO, knife, Includes 2 - 39, BTW JJC0323604 & JJC0350294
2	368266A1	1	SHAFT, female half inboard end with shield, Includes 3, 14
3	86984910	1	SHAFT, female half, Includes 4 - 13
4	86985320	1	TUBE, female, telescoping, Includes 13
5	1545200C1	1	YOKE, Female Tube
6	838-5855	1	PIN, LOCK, M8 x 55, Slotted,
7	1330586C1	1	KIT, REPAIR, cross and bearing, Includes 8 - 10
8	NSS	1	NOT SERVICED SEPARATELY, Cross, Yoke with Bearing
9	800-21240	1	RING, SNAP, M240, Int,
10	321204	1	NIPPLE, LUBE, M6 x 1, 16mm lg,
11	368285A2	1	COLLAR, yoke, inboard shaft with coupler, Includes 12
12	321204	1	NIPPLE, LUBE, M6 x 1, 16mm lg,
13	1326528C1	1	DECAL, Danger, shield missing, do not operate
14	86985803	1	SHIELD, OUTER, female half shaft, kit, Includes 15 - 19
15	NSS	1	NOT SERVICED SEPARATELY, Tube, Shield, Includes 23
16	433495A1	1	SHIELD, PTO driveline quick attach coupler
17	1544660C1	1	BEARING, shield support
18	80672C1	1	DECAL, danger, rotating driveline
19	433531A1	1	DECAL, PTO driveline lubrication
19	433531A2	1	DECAL, PTO driveline lubrication
20	368283A1	1	SHAFT, male half outboard end with shielding, Includes 21, 33
21	1326624C91	1	SHAFT, DRIVE, male, Includes 22 - 30
22	86985321	1	TUBE, male, telescoping
23	1545199C1	1	YOKE, inner shaft
24	838-5845	1	PIN, LOCK, M8 x 45, Slotted,
25	1330586C1	1	KIT, REPAIR, cross and bearing, Includes 26 - 28
26	NSS	1	NOT SERVICED SEPARATELY, Cross, Yoke with Bearings
27	800-21240	4	RING, SNAP, M240, Int,
28	321204	2	NIPPLE, LUBE, M6 x 1, 16mm lg,
29	1325022C1	1	YOKE, drive shaft, Includes 30
30	1311950C1	1	KIT, push pin, yoke, Includes 31, 32
31	NSS	1	NOT SERVICED SEPARATELY, Pin Latch
32	NSS	1	NOT SERVICED SEPARATELY, Spring, Latch Pin Return
33	1326631C92		SHIELD, OUTER, , Includes 34 - 38
34	NSS	1	NOT SERVICED SEPARATELY, Tube, Shield
35	86985325	1	SHIELD, INNER, PTO driveline cone with collar
36	1544650C1	1	BEARING, Shield Support
37	1326625C91	1	SHIELD, outer yoke
38	NSS	1	NOT SERVICED SEPARATELY, Bearing, Split
39	1326632C1	2	CHAIN, safety

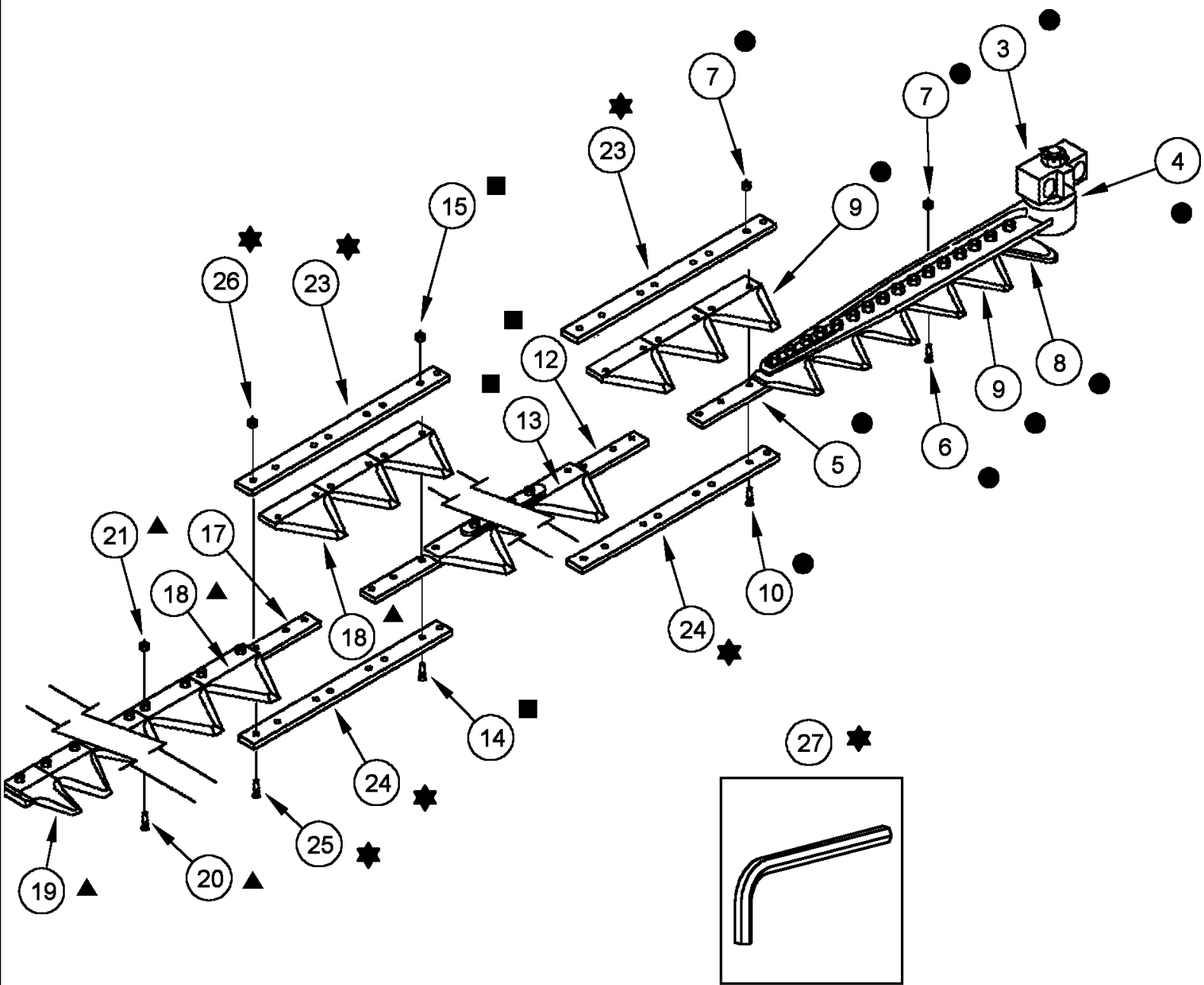



сылка	Номер детали	Кол-во	Описание
0	371605A1	1	KNIFE ASSY, 15.0 foot modular, Includes 2 - 22
1	371639A1	1	KNIFE ASSY, segment, Includes 3 - 10
3	1316161C94	1	HEAD, KNIFE, , Includes 4
3	1316161C95	1	HEAD, KNIFE, , Includes 4
4	1345491C2	1	DUST CAP, cover
5	NSS	1	NOT SERVICED SEPARATELY, Bar, Knifeback
6	1979166C1	16	SCREW, #12-24 x 1 1/8"
7	1954816C1	66	NUT, LOCK, hex lock, No. 12-24
8	1316030C2	1	KNIFE SECTION, 3", plain half
9	826720C3	33	KNIFE SECTION, 3" fine overserrated
10	700708646	50	BOLT AND NUT, #12-24 x 5/8" slot bt hd
11	371628A1	1	KNIFE ASSY, 15.0 foot RH end segment, Includes 12 -16
12	NSS	1	NOT SERVICED SEPARATELY, Bar, Knifeback
13	826720C3	25	KNIFE SECTION, 3" fine overserrated
14	700708646	51	BOLT AND NUT, #12-24 x 5/8" slot bt hd
15	1954816C1	51	NUT, LOCK, hex lock, No. 12-24
16	324070A1	1	KNIFE SECTION, RH end
17	371658A1	1	KIT, modular knife splice, Includes 18 - 22
18	371681A1	1	STRAP, modular knife top splice
19	371668A1	1	STRAP, modular knife bottom splice
20	227457A1	10	SCREW, #12-24 x .13/16" CSK HSKT
21	1954816C1	10	NUT, LOCK, hex lock, No. 12-24
22	NSS	1	NOT SERVICED SEPARATELY, Tool, Hex Socket



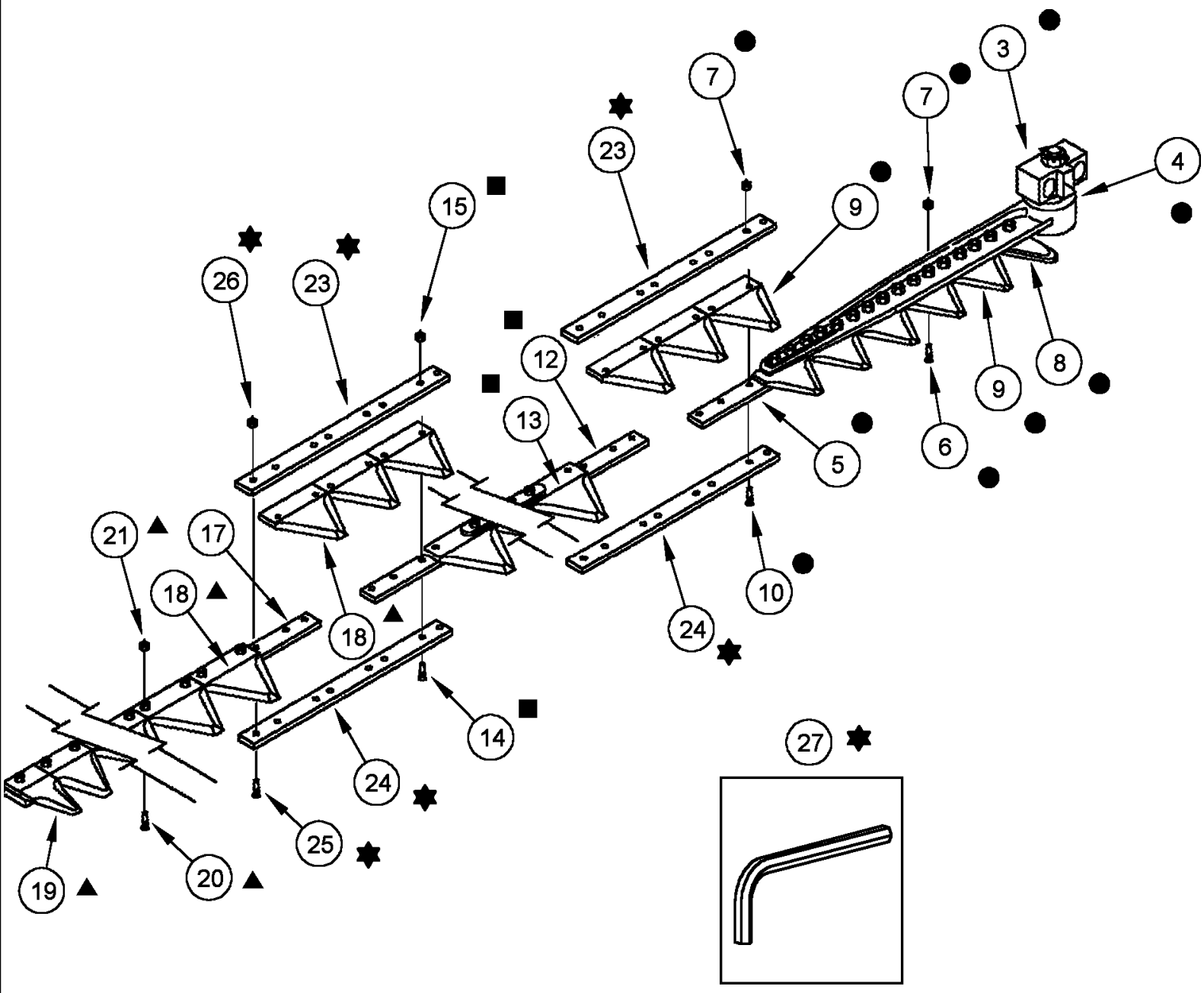
- 1 = ●
 - 11 = ■
 - 16 = ▲
 - 22 = ★
- 


сылка	Номер детали	Кол-во	Описание
0	371606A1	1	KNIFE ASSY, 17.5 foot modular, Includes 2 - 27
1	371639A1	1	KNIFE ASSY, segment, Includes 3 - 10
3	1316161C94	1	HEAD, KNIFE, , Includes 4
3	1316161C95	1	HEAD, KNIFE, , Includes 4
4	1345491C2	1	DUST CAP, cover
5	NSS	1	NOT SERVICED SEPARATELY, Bar, Knifeback
6	1979166C1	16	SCREW, #12-24 x 1 1/8"
7	1954816C1	66	NUT, LOCK, hex lock, No. 12-24
8	1316030C2	1	KNIFE SECTION, 3", plain half
9	826720C3	33	KNIFE SECTION, 3" fine overserrated
10	700708646	50	BOLT AND NUT, #12-24 x 5/8" slot bt hd
11	371625A1	1	KNIFE ASSY, segment, center, Includes 12 -15
12	NSS	1	NOT SERVICED SEPARATELY, Bar, Knifeback
13	826720C3	34	KNIFE SECTION, 3" fine overserrated
14	700708646	60	BOLT AND NUT, #12-24 x 5/8" slot bt hd
15	1954816C1	60	NUT, LOCK, hex lock, No. 12-24
16	371629A1	1	KNIFE ASSY, 17.5 foot RH end segment, Includes 18 - 21
17	NSS	1	NOT SERVICED SEPARATELY, Bar, Knifeback
18	826720C3	1	KNIFE SECTION, 3" fine overserrated
19	324070A1	1	KNIFE SECTION, RH end
20	700708646	3	BOLT AND NUT, #12-24 x 5/8" slot bt hd
21	1954816C1	3	NUT, LOCK, hex lock, No. 12-24
22	371658A1	2	KIT, modular knife splice, Includes 23 - 27
23	371668A1	1	STRAP, modular knife bottom splice
24	371681A1	1	STRAP, modular knife top splice
25	227457A1	10	SCREW, #12-24 x .13/16" CSK HSKT
26	1954816C1	10	NUT, LOCK, hex lock, No. 12-24
27	NSS	1	NOT SERVICED SEPARATELY, Tool, Hex Socket



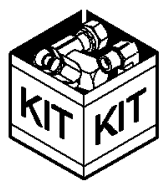
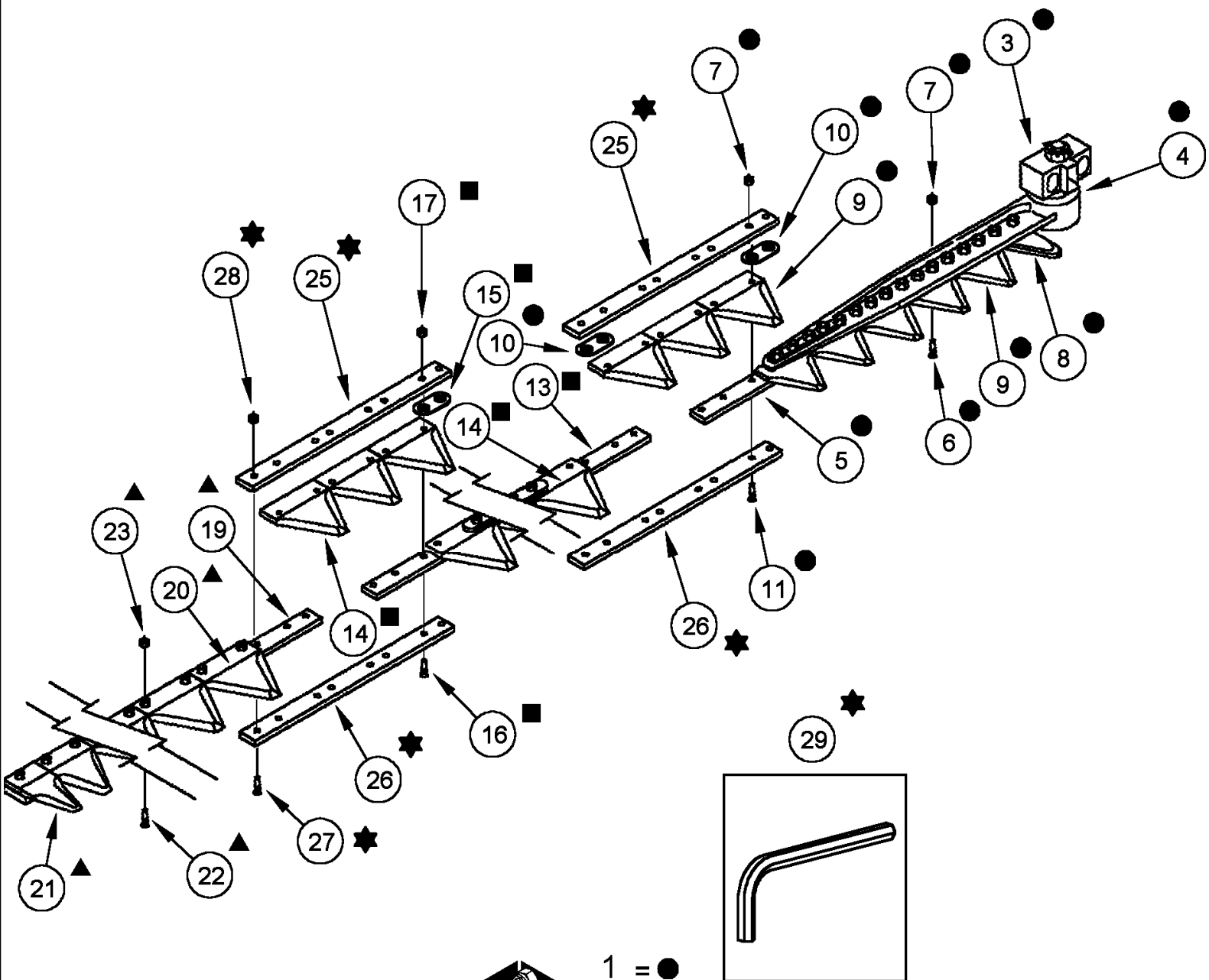
- 
- 1 = ●
 - 11 = ■
 - 16 = ▲
 - 22 = ★

сылка	Номер детали	Кол-во	Описание
0	371607A1	1	KNIFE ASSY, 20.0 foot modular, Includes 2 - 27
1	371639A1	1	KNIFE ASSY, segment, Includes 2 - 9
3	1316161C94	1	HEAD, KNIFE, , Includes 4
3	1316161C95	1	HEAD, KNIFE, , Includes 4
4	1345491C2	1	DUST CAP, cover
5	NSS	1	NOT SERVICED SEPARATELY, Bar, Knifeback
6	1979166C1	16	SCREW, #12-24 x 1 1/8"
7	1954816C1	66	NUT, LOCK, hex lock, No. 12-24
8	1316030C2	1	KNIFE SECTION, 3", plain half
9	826720C3	33	KNIFE SECTION, 3" fine overserrated
10	700708646	50	BOLT AND NUT, #12-24 x 5/8" slot bt hd
11	371625A1	1	KNIFE ASSY, segment, center, Includes 12 -15
12	NSS	1	NOT SERVICED SEPARATELY, Bar, Knifeback
13	826720C3	34	KNIFE SECTION, 3" fine overserrated
14	700708646	60	BOLT AND NUT, #12-24 x 5/8" slot bt hd
15	1954816C1	60	NUT, LOCK, hex lock, No. 12-24
16	371630A1	1	KNIFE ASSY, 20.0 foot RH end segment, Includes 17 - 21
17	NSS	1	NOT SERVICED SEPARATELY, Bar, Knifeback
18	826720C3	11	KNIFE SECTION, 3" fine overserrated
19	324070A1	1	KNIFE SECTION, RH end
20	700708646	23	BOLT AND NUT, #12-24 x 5/8" slot bt hd
21	1954816C1	23	NUT, LOCK, hex lock, No. 12-24
22	371658A1	2	KIT, modular knife splice, Includes 23 - 27
23	371681A1	1	STRAP, modular knife top splice
24	371668A1	1	STRAP, modular knife bottom splice
25	227457A1	10	SCREW, #12-24 x .13/16" CSK HSKT
26	1954816C1	10	NUT, LOCK, hex lock, No. 12-24
27	NSS	1	NOT SERVICED SEPARATELY, Tool, Hex Socket

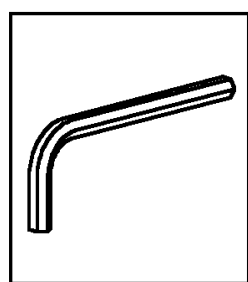


- 
- 1 = ●
 - 11 = ■
 - 16 = ▲
 - 22 = ★

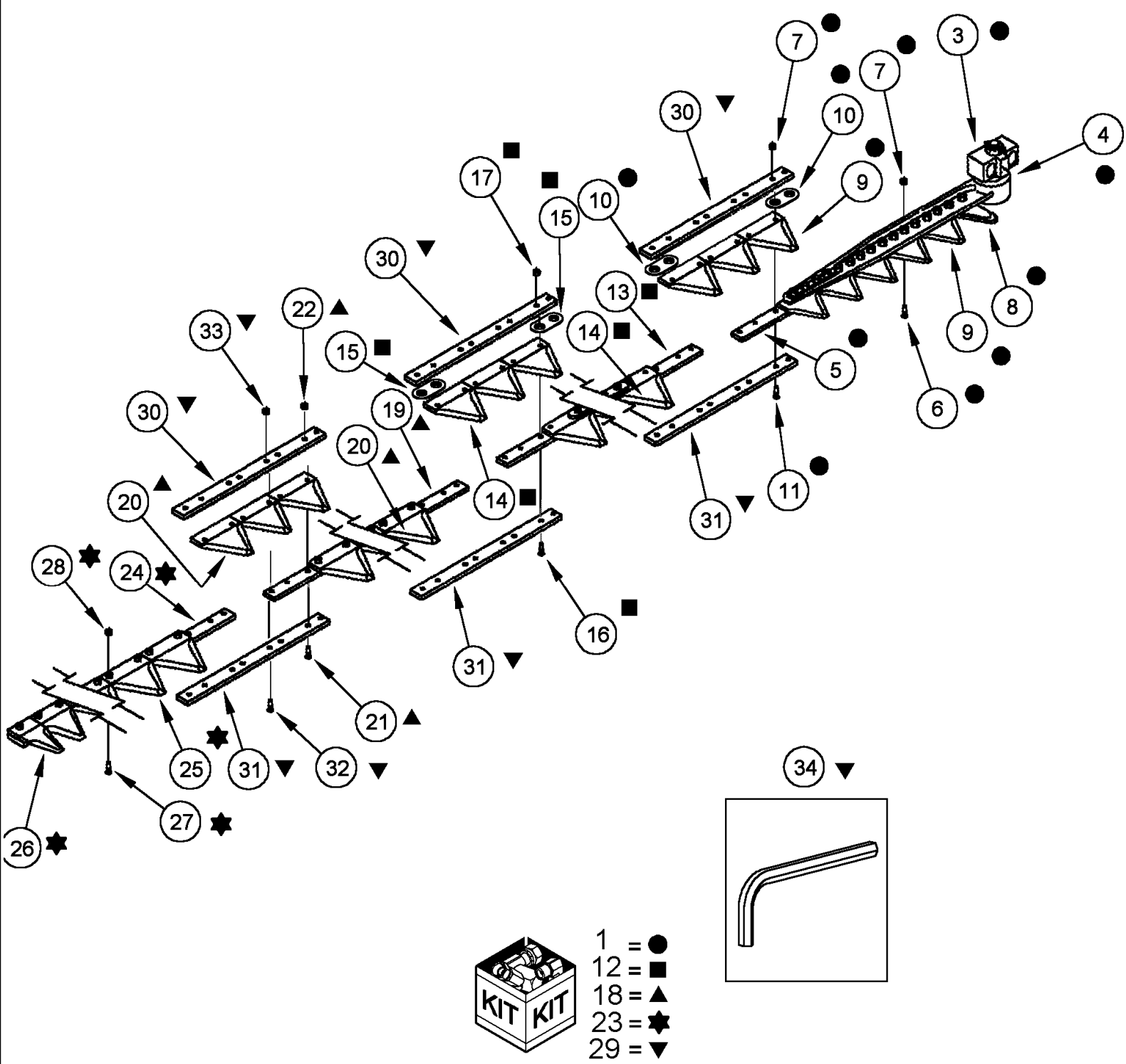
сылка	Номер детали	Кол-во	Описание
0	371608A1	1	KNIFE ASSY, 22.5 foot modular, Includes 2 - 27
1	371639A1	1	KNIFE ASSY, segment, Includes 3 - 10
3	1316161C94	1	HEAD, KNIFE, , Includes 3
3	1316161C95	1	HEAD, KNIFE, , Includes 4
4	1345491C2	1	DUST CAP, cover
5	NSS	1	NOT SERVICED SEPARATELY, Bar, Knifeback
6	1979166C1	16	SCREW, #12-24 x 1 1/8"
7	1954816C1	66	NUT, LOCK, hex lock, No. 12-24
8	1316030C2	1	KNIFE SECTION, 3", plain half
9	826720C3	33	KNIFE SECTION, 3" fine overserrated
10	700708646	50	BOLT AND NUT, #12-24 x 5/8" slot bt hd
11	371625A1	1	KNIFE ASSY, segment, center, Includes 12 -15
12	NSS	1	NOT SERVICED SEPARATELY, Bar, Knifeback
13	826720C3	34	KNIFE SECTION, 3" fine overserrated
14	700708646	60	BOLT AND NUT, #12-24 x 5/8" slot bt hd
15	1954816C1	60	NUT, LOCK, hex lock, No. 12-24
16	371631A1	1	KNIFE ASSY, 22.5 foot RH end segment, Includes 17 - 21
17	NSS	1	NOT SERVICED SEPARATELY, Bar, Knifeback
18	826720C3	21	KNIFE SECTION, 3" fine overserrated
19	324070A1	1	KNIFE SECTION, RH end
20	700708646	43	BOLT AND NUT, #12-24 x 5/8" slot bt hd
21	1954816C1	43	NUT, LOCK, hex lock, No. 12-24
22	371658A1	2	KIT, modular knife splice, Includes 23 - 27
23	371681A1	1	STRAP, modular knife top splice
24	371668A1	1	STRAP, modular knife bottom splice
25	227457A1	10	SCREW, #12-24 x .13/16" CSK HSKT
26	1954816C1	10	NUT, LOCK, hex lock, No. 12-24
27	NSS	1	NOT SERVICED SEPARATELY, Tool, Hex Socket



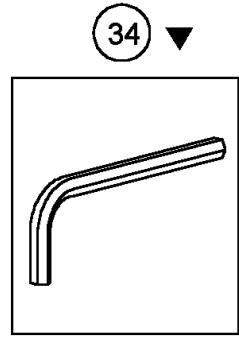
- 1 = ●
- 12 = ■
- 18 = ▲
- 24 = ★



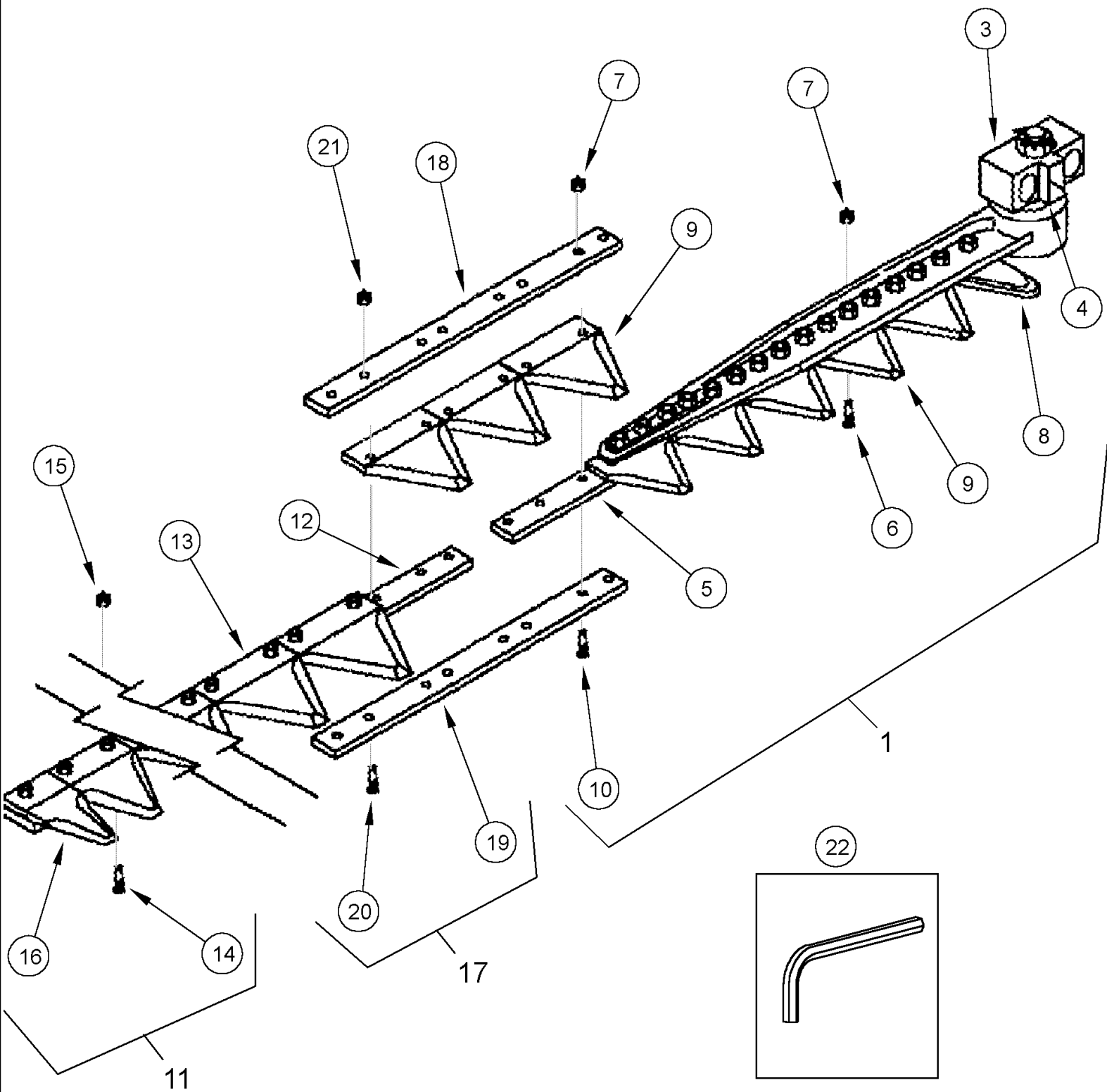
сылка	Номер детали	Кол-во	Описание
0	371609A1	1	KNIFE ASSY, 25.0 foot modular, Includes 2 - 29
0	451834A2	1	KNIFE ASSY, modular, 25.0 foot, Includes 2 - 29
1	371623A1	1	KNIFE ASSY, segment, Includes 3 - 11
1	371623A2	1	KNIFE ASSY, segment, Includes 3 - 11
3	1316161C94	1	HEAD, KNIFE, , Includes 4
3	1316161C95	1	HEAD, KNIFE, , Includes 4
4	1345491C2	1	DUST CAP, cover
5	NSS	1	NOT SERVICED SEPARATELY, Bar, Knifeback
6	1979166C1	16	SCREW, #12-24 x 1 1/8"
7	1954816C1	66	NUT, LOCK, hex lock, No. 12-24
8	1316030C2	1	KNIFE SECTION, 3", plain half
9	826720C3	33	KNIFE SECTION, 3" fine overserrated
10	321848A1	25	STRAP, knife reinforcing, 3" knives
11	700708646	50	BOLT AND NUT, #12-24 x 5/8" slot bt hd
12	371626A1	1	KNIFE ASSY, segment, center, Includes 13 -17
13	NSS	1	NOT SERVICED SEPARATELY, Bar, Knifeback
14	826720C3	34	KNIFE SECTION, 3" fine overserrated
15	321848A1	21	STRAP, knife reinforcing, 3" knives
16	700708646	60	BOLT AND NUT, #12-24 x 5/8" slot bt hd
17	1954816C1	60	NUT, LOCK, hex lock, No. 12-24
18	371632A1	1	KNIFE ASSY, 25.0 foot RH end segment, Includes 19 - 23
19	NSS	1	NOT SERVICED SEPARATELY, Bar, Knifeback
20	826720C3	31	KNIFE SECTION, 3" fine overserrated
21	324070A1	1	KNIFE SECTION, RH end
22	700708646	63	BOLT AND NUT, #12-24 x 5/8" slot bt hd
23	1954816C1	63	NUT, LOCK, hex lock, No. 12-24
24	371658A1	2	KIT, modular knife splice, Includes 25 - 29
25	371681A1	1	STRAP, modular knife top splice
26	371668A1	1	STRAP, modular knife bottom splice
27	227457A1	10	SCREW, #12-24 x .13/16" CSK HSKT
28	1954816C1	10	NUT, LOCK, hex lock, No. 12-24
29	NSS	1	NOT SERVICED SEPARATELY, Tool, Hex Socket



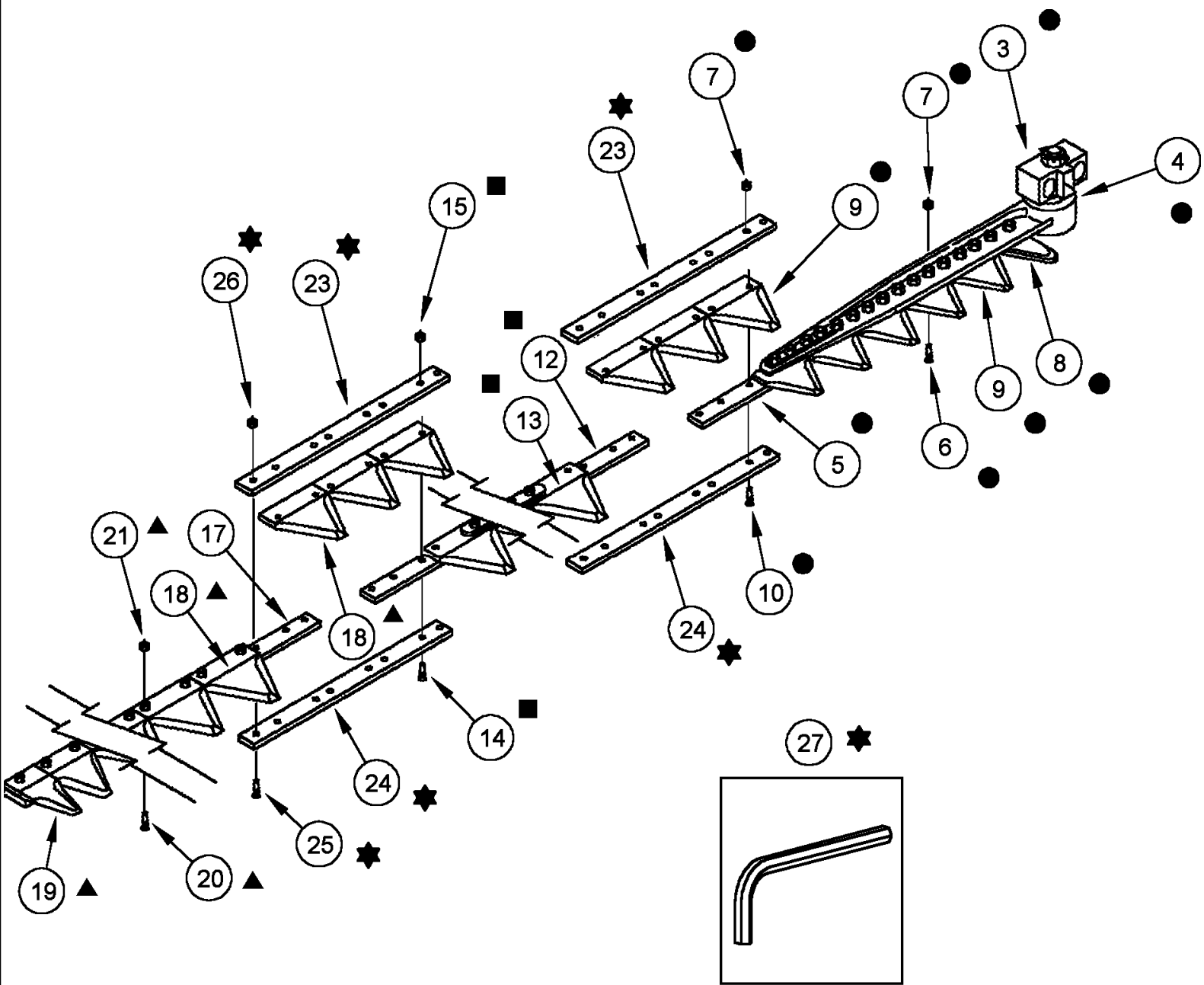
- 1 = ●
- 12 = ■
- 18 = ▲
- 23 = ★
- 29 = ▼




сылка	Номер детали	Кол-во	Описание
0	371610A1	1	KNIFE ASSY, 30.0 foot modular, Includes 2 - 34
0	371623A1	1	KNIFE ASSY, segment, Includes 3 - 11
1	371623A2	1	KNIFE ASSY, segment, Includes 3 - 11
3	1316161C94	1	HEAD, KNIFE, , Includes 4
3	1316161C95	1	HEAD, KNIFE, , Includes 4
4	1345491C2	1	DUST CAP, cover
5	NSS	1	NOT SERVICED SEPARATELY, Bar, Knifeback
6	1979166C1	16	SCREW, #12-24 x 1 1/8"
7	1954816C1	66	NUT, LOCK, hex lock, No. 12-24
8	1316030C2	1	KNIFE SECTION, 3", plain half
9	826720C3	33	KNIFE SECTION, 3" fine overserrated
10	321848A1	25	STRAP, knife reinforcing, 3" knives
11	700708646	50	BOLT AND NUT, #12-24 x 5/8" slot bt hd
12	371626A1	1	KNIFE ASSY, segment, center, Includes 13 -17
13	NSS	1	NOT SERVICED SEPARATELY, Bar, Knifeback
14	826720C3	34	KNIFE SECTION, 3" fine overserrated
15	321848A1	21	STRAP, knife reinforcing, 3" knives
16	700708646	60	BOLT AND NUT, #12-24 x 5/8" slot bt hd
17	1954816C1	60	NUT, LOCK, hex lock, No. 12-24
18	371625A1	1	KNIFE ASSY, segment, center, Includes 19 - 22
19	NSS	1	NOT SERVICED SEPARATELY, Bar, Knifeback
20	826720C3	31	KNIFE SECTION, 3" fine overserrated
21	700708646	60	BOLT AND NUT, #12-24 x 5/8" slot bt hd
22	1954816C1	60	NUT, LOCK, hex lock, No. 12-24
23	371636A1	1	KNIFE ASSY, 30.0 foot RH end segment, Includes 24 - 28
24	NSS	1	NOT SERVICED SEPARATELY, Bar, Knifeback
25	826720C3	17	KNIFE SECTION, 3" fine overserrated
26	324070A1	1	KNIFE SECTION, RH end
27	700708646	35	BOLT AND NUT, #12-24 x 5/8" slot bt hd
28	1954816C1	35	NUT, LOCK, hex lock, No. 12-24
29	371658A1	3	KIT, modular knife splice, Includes 30 - 34
30	371681A1	1	STRAP, modular knife top splice
31	371668A1	1	STRAP, modular knife bottom splice
32	227457A1	10	SCREW, #12-24 x .13/16" CSK HSKT
33	1954816C1	10	NUT, LOCK, hex lock, No. 12-24
34	NSS	1	NOT SERVICED SEPARATELY, Tool, Hex Socket

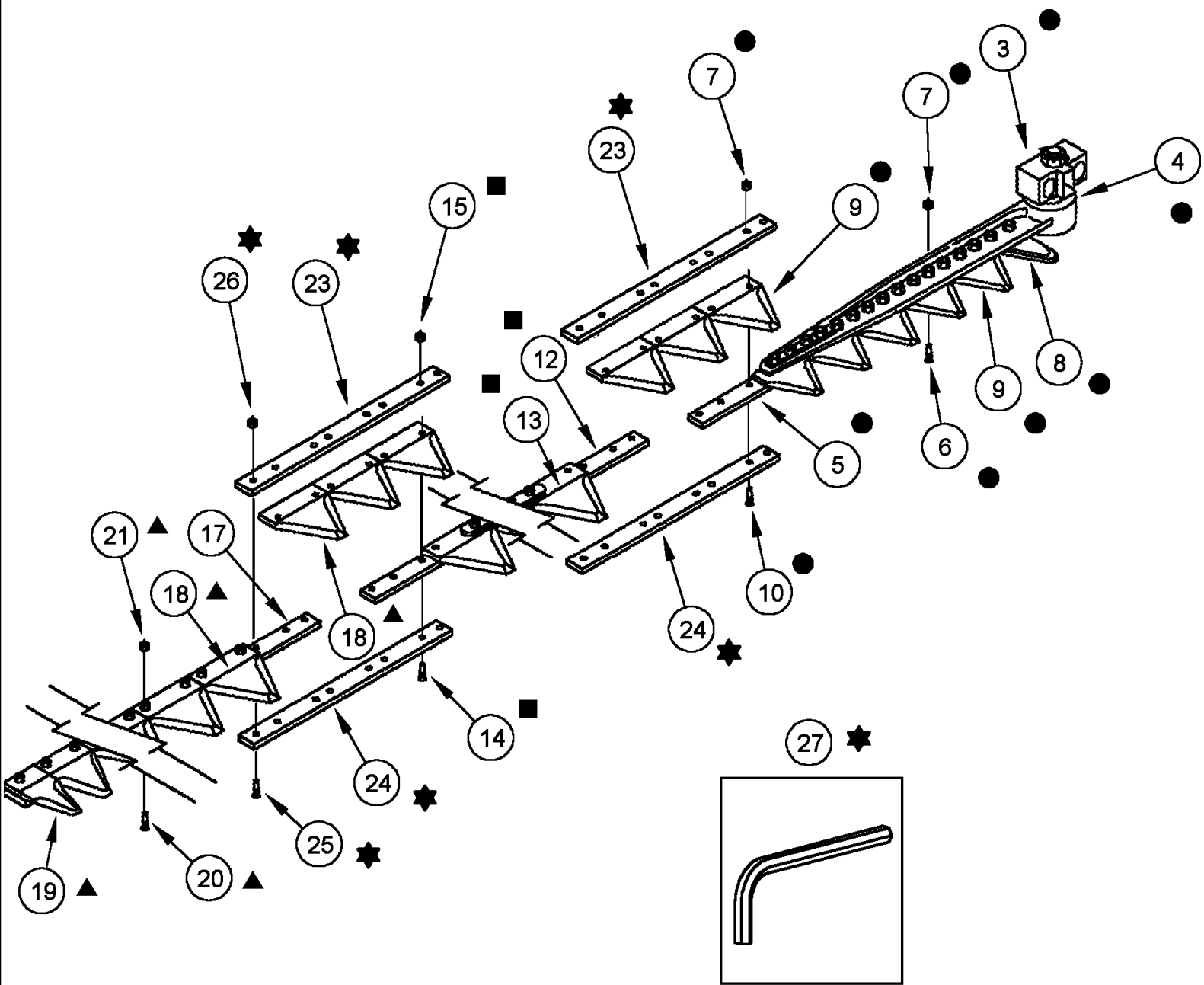



сылка	Номер детали	Кол-во	Описание
0	371613A1	1	KNIFE ASSY, 15.0 foot modular, Includes 2 - 22
0	371613A2	1	KNIFE ASSY, 15.0 foot modular, Includes 2 - 22
1	371638A1	1	HEAD, segment, Includes 3 - 10
1	371638A2	1	KNIFE ASSY, head segment, Includes 3 - 10
3	1316161C94	1	HEAD, KNIFE, , Includes 4
3	1316161C95	1	HEAD, KNIFE, , Includes 4
4	1345491C2	1	DUST CAP, cover
5	NSS	1	NOT SERVICED SEPARATELY, Bar, Knifeback
6	1979166C1	16	SCREW, #12-24 x 1 1/8"
7	1954816C1	66	NUT, LOCK, hex lock, No. 12-24
8	1316030C2	1	KNIFE SECTION, 3", plain half
9	112074A1	33	KNIFE SECTION, overserrated, 3"
10	700708646	50	BOLT AND NUT, #12-24 x 5/8" slot bt hd
11	371645A1	1	KNIFE ASSY, 15.0 foot RH end segment, Includes 12 -16
12	NSS	1	NOT SERVICED SEPARATELY, Bar, Knifeback
13	112074A1	25	KNIFE SECTION, overserrated, 3"
14	700708646	51	BOLT AND NUT, #12-24 x 5/8" slot bt hd
15	1954816C1	51	NUT, LOCK, hex lock, No. 12-24
16	148200C1	1	KNIFE SECTION, overserrated, double right-hand
17	371658A1	1	KIT, modular knife splice, Includes 18 - 22
18	371681A1	1	STRAP, modular knife top splice
19	371668A1	1	STRAP, modular knife bottom splice
20	227457A1	10	SCREW, #12-24 x .13/16" CSK HSKT
21	1954816C1	10	NUT, LOCK, hex lock, No. 12-24
22	NSS	1	NOT SERVICED SEPARATELY, Tool, Hex Socket



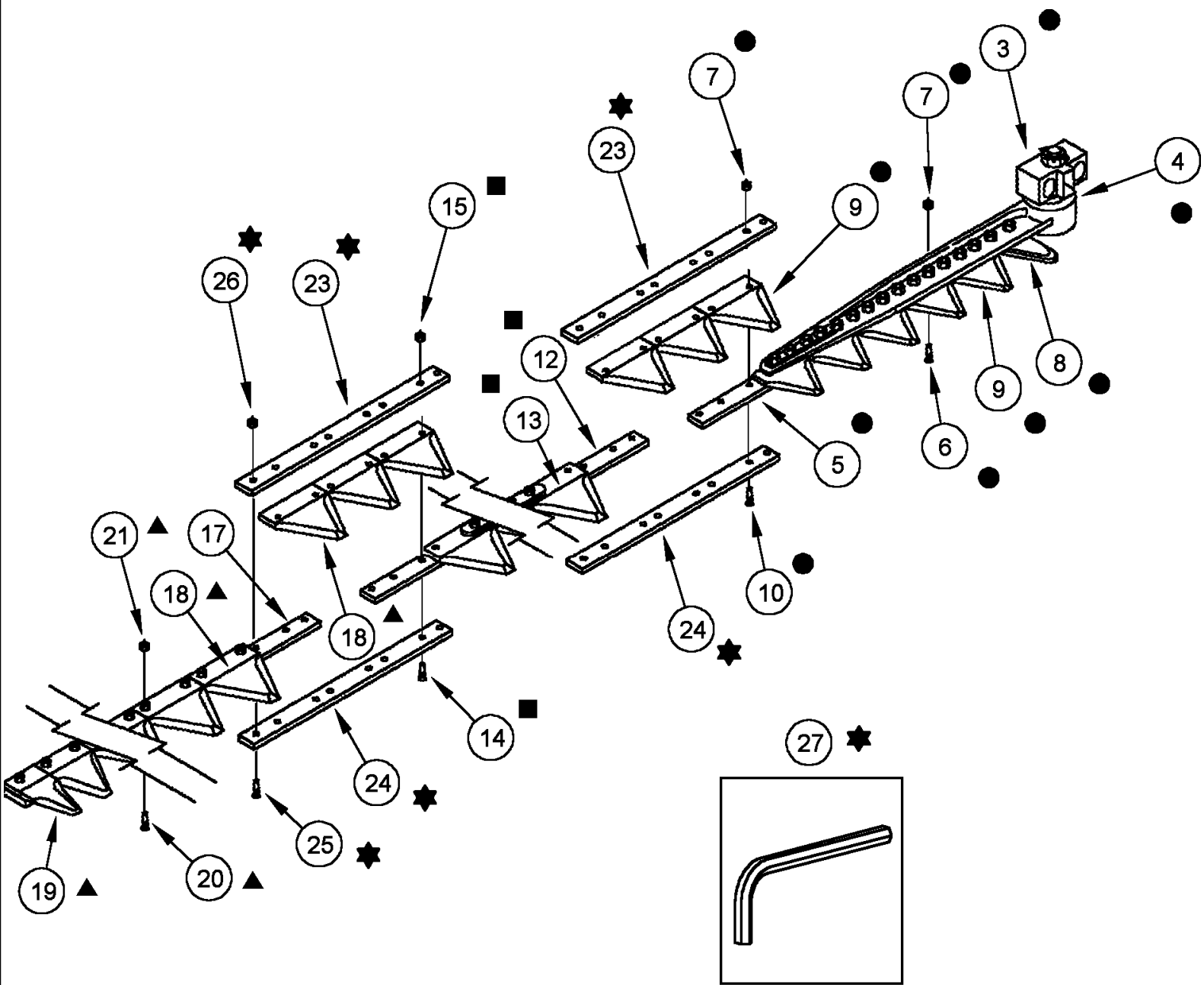
- 
- 1 = ●
 - 11 = ■
 - 16 = ▲
 - 22 = ★


сылка	Номер детали	Кол-во	Описание
0	371618A1	1	KNIFE ASSY, 17.5 foot modular, Includes 2 - 27
0	371618A2	1	KNIFE ASSY, 17.5 foot modular, Includes 2 - 27
1	371638A1	1	HEAD, segment, Includes 3 - 10
1	371638A2	1	KNIFE ASSY, head segment, Includes 3 - 10
3	1316161C94	1	HEAD, KNIFE, , Includes 4
3	1316161C95	1	HEAD, KNIFE, , Includes 4
4	1345491C2	1	DUST CAP, cover
5	NSS	1	NOT SERVICED SEPARATELY, Bar, Knifeback
6	1979166C1	16	SCREW, #12-24 x 1 1/8"
7	1954816C1	66	NUT, LOCK, hex lock, No. 12-24
8	1316030C2	1	KNIFE SECTION, 3", plain half
9	112074A1	33	KNIFE SECTION, overserrated, 3"
10	700708646	50	BOLT AND NUT, #12-24 x 5/8" slot bt hd
11	371643A1	1	KNIFE ASSY, segment, center, Includes 12 -15
12	NSS	1	NOT SERVICED SEPARATELY, Bar, Knifeback
13	112074A1	34	KNIFE SECTION, overserrated, 3"
14	700708646	60	BOLT AND NUT, #12-24 x 5/8" slot bt hd
15	1954816C1	60	NUT, LOCK, hex lock, No. 12-24
16	371646A1	1	KNIFE ASSY, 17.5 foot RH end segment, Includes 17 - 21
17	NSS	1	NOT SERVICED SEPARATELY, Bar, Knifeback
18	112074A1	1	KNIFE SECTION, overserrated, 3"
19	148200C1	1	KNIFE SECTION, overserrated, double right-hand
20	700708646	3	BOLT AND NUT, #12-24 x 5/8" slot bt hd
21	1954816C1	3	NUT, LOCK, hex lock, No. 12-24
22	371658A1	2	KIT, modular knife splice, Includes 23 - 27
23	371681A1	1	STRAP, modular knife top splice
24	371668A1	1	STRAP, modular knife bottom splice
25	227457A1	10	SCREW, #12-24 x .13/16" CSK HSKT
26	1954816C1	10	NUT, LOCK, hex lock, No. 12-24
27	NSS	1	NOT SERVICED SEPARATELY, Tool, Hex Socket



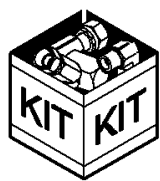
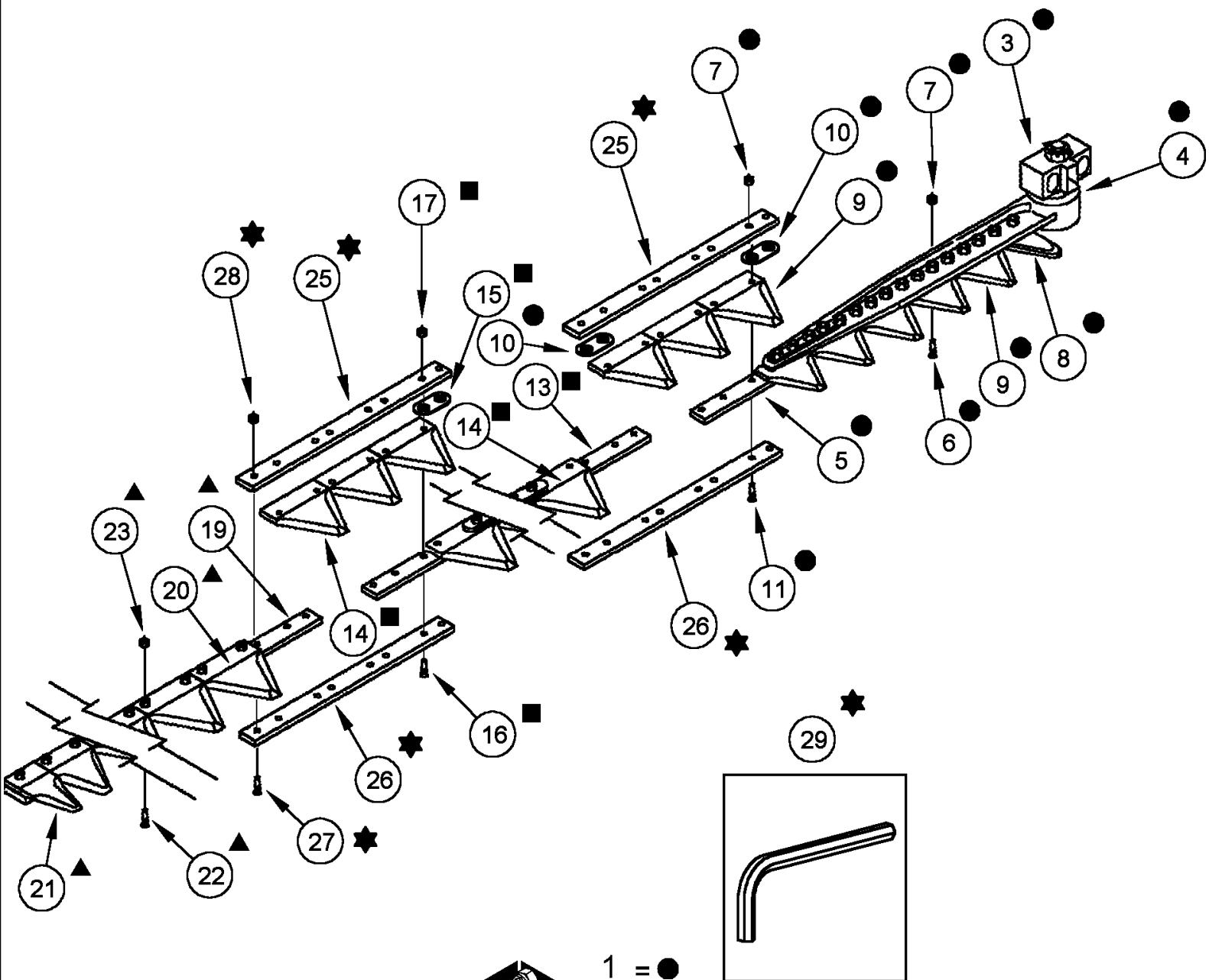
- 
- 1 = ●
 - 11 = ■
 - 16 = ▲
 - 22 = ★

сылка	Номер детали	Кол-во	Описание
0	371619A1	1	KNIFE ASSY, 20.0 foot modular, Includes 2 - 27
0	371619A2	1	KNIFE ASSY, 20.0 foot modular, Includes 2 - 27
1	371638A1	1	HEAD, segment, Includes 3 - 10
1	371638A2	1	KNIFE ASSY, head segment, Includes 3 - 10
3	1316161C94	1	HEAD, KNIFE, , Includes 4
3	1316161C95	1	HEAD, KNIFE, , Includes 4
4	1345491C2	1	DUST CAP, cover
5	NSS	1	NOT SERVICED SEPARATELY, Bar, Knifeback
6	1979166C1	16	SCREW, #12-24 x 1 1/8"
7	1954816C1	66	NUT, LOCK, hex lock, No. 12-24
8	1316030C2	1	KNIFE SECTION, 3", plain half
9	112074A1	33	KNIFE SECTION, overserrated, 3"
10	700708646	50	BOLT AND NUT, #12-24 x 5/8" slot bt hd
11	371643A1	1	KNIFE ASSY, segment, center, Includes 12 -15
12	NSS	1	NOT SERVICED SEPARATELY, Bar, Knifeback
13	112074A1	34	KNIFE SECTION, overserrated, 3"
14	700708646	60	BOLT AND NUT, #12-24 x 5/8" slot bt hd
15	1954816C1	60	NUT, LOCK, hex lock, No. 12-24
16	371647A1	1	KNIFE ASSY, 20.0 foot RH end segment, Includes 17 - 21
17	NSS	1	NOT SERVICED SEPARATELY, Bar, Knifeback
18	112074A1	11	KNIFE SECTION, overserrated, 3"
19	148200C1	1	KNIFE SECTION, overserrated, double right-hand
20	700708646	23	BOLT AND NUT, #12-24 x 5/8" slot bt hd
21	1954816C1	23	NUT, LOCK, hex lock, No. 12-24
22	371658A1	2	KIT, modular knife splice, Includes 23 - 27
23	371681A1	1	STRAP, modular knife top splice
24	371668A1	1	STRAP, modular knife bottom splice
25	227457A1	10	SCREW, #12-24 x .13/16" CSK HSKT
26	1954816C1	10	NUT, LOCK, hex lock, No. 12-24
27	NSS	1	NOT SERVICED SEPARATELY, Tool, Hex Socket

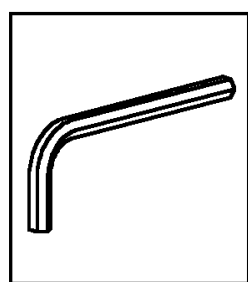


- 
- 1 = ●
 - 11 = ■
 - 16 = ▲
 - 22 = ★

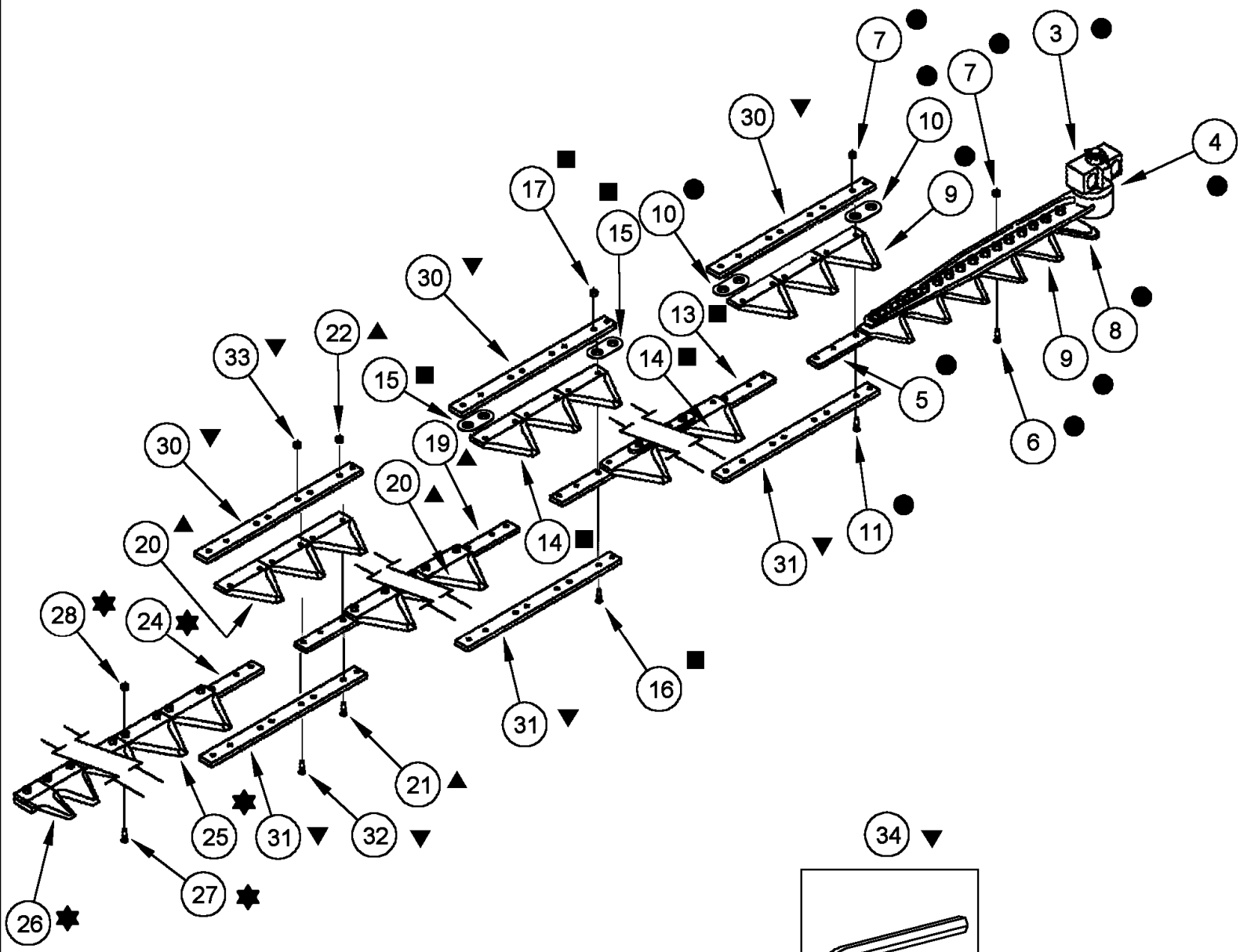
сылка	Номер детали	Кол-во	Описание
0	371620A1	1	KNIFE ASSY, 22.5 foot modular, Includes 2 - 27
0	371620A2	1	KNIFE ASSY, 22.5 foot modular, Includes 2 - 27
1	371638A1	1	HEAD, segment, Includes 3 - 10
1	371638A2	1	KNIFE ASSY, head segment, Includes 3 - 10
3	1316161C94	1	HEAD, KNIFE, , Includes 4
3	1316161C95	1	HEAD, KNIFE, , Includes 4
4	1345491C2	1	DUST CAP, cover
5	NSS	1	NOT SERVICED SEPARATELY, Bar, Knifeback
6	1979166C1	16	SCREW, #12-24 x 1 1/8"
7	1954816C1	66	NUT, LOCK, hex lock, No. 12-24
8	1316030C2	1	KNIFE SECTION, 3", plain half
9	112074A1	33	KNIFE SECTION, overserrated, 3"
10	700708646	50	BOLT AND NUT, #12-24 x 5/8" slot bt hd
11	371643A1	1	KNIFE ASSY, segment, center, Includes 12 -15
12	NSS	1	NOT SERVICED SEPARATELY, Bar, Knifeback
13	112074A1	34	KNIFE SECTION, overserrated, 3"
14	700708646	60	BOLT AND NUT, #12-24 x 5/8" slot bt hd
15	1954816C1	60	NUT, LOCK, hex lock, No. 12-24
16	371649A1	1	KNIFE ASSY, 22.5 foot RH end segment, Includes 17 - 21
17	NSS	1	NOT SERVICED SEPARATELY, Bar, Knifeback
18	112074A1	21	KNIFE SECTION, overserrated, 3"
19	148200C1	1	KNIFE SECTION, overserrated, double right-hand
20	700708646	43	BOLT AND NUT, #12-24 x 5/8" slot bt hd
21	1954816C1	43	NUT, LOCK, hex lock, No. 12-24
22	371658A1	2	KIT, modular knife splice, Includes 23 - 27
23	371681A1	1	STRAP, modular knife top splice
24	371668A1	1	STRAP, modular knife bottom splice
25	227457A1	10	SCREW, #12-24 x .13/16" CSK HSKT
26	1954816C1	10	NUT, LOCK, hex lock, No. 12-24
27	NSS	1	NOT SERVICED SEPARATELY, Tool, Hex Socket



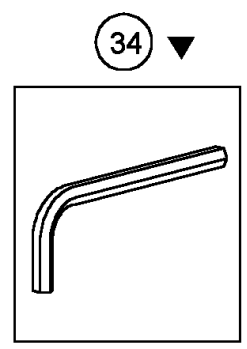
- 1 = ●
- 12 = ■
- 18 = ▲
- 24 = ★



сылка	Номер детали	Кол-во	Описание
0	371621A1	1	KNIFE ASSY, 25.0 foot modular, Includes 2 - 29
0	371621A2	1	KNIFE ASSY, 25.0 foot modular, Includes 2 - 29
0	371621A3	1	KNIFE ASSY, 25.0 foot modular, Includes 2 - 29
1	371642A1	1	HEAD, segment, Includes 3 - 10
1	371642A2	1	KNIFE ASSY, segment, Includes 3 - 10
1	371642A3	1	KNIFE ASSY, segment, Includes 3 - 10
3	1316161C94	1	HEAD, KNIFE, , Includes 4
3	1316161C95	1	HEAD, KNIFE, , Includes 4
4	1345491C2	1	DUST CAP, cover
5	NSS	1	NOT SERVICED SEPARATELY, Bar, Knifeback
6	1979166C1	16	SCREW, #12-24 x 1 1/8"
7	1954816C1	66	NUT, LOCK, hex lock, No. 12-24
8	1316030C2	1	KNIFE SECTION, 3", plain half
9	112074A1	33	KNIFE SECTION, overserrated, 3"
10	321848A1	25	STRAP, knife reinforcing, 3" knives
11	700708646	50	BOLT AND NUT, #12-24 x 5/8" slot bt hd
12	371644A1	1	KNIFE ASSY, segment, center, Includes 13 -17
12	371644A2	1	KNIFE ASSY, segment, center, Includes 13 -17
13	NSS	1	NOT SERVICED SEPARATELY, Bar,Knifeback
14	112074A1	34	KNIFE SECTION, overserrated, 3"
15	321848A1	21	STRAP, knife reinforcing, 3" knives
16	700708646	60	BOLT AND NUT, #12-24 x 5/8" slot bt hd
17	1954816C1	60	NUT, LOCK, hex lock, No. 12-24
18	371650A1	1	KNIFE ASSY, 25.0 foot RH end segment, Includes 19 - 23
19	NSS	1	NOT SERVICED SEPARATELY, Bar, Knifeback
20	112074A1	31	KNIFE SECTION, overserrated, 3"
21	148200C1	1	KNIFE SECTION, overserrated, double right-hand
22	700708646	63	BOLT AND NUT, #12-24 x 5/8" slot bt hd
23	1954816C1	63	NUT, LOCK, hex lock, No. 12-24
24	371658A1	2	KIT, modular knife splice, Includes 25 - 29
25	371681A1	1	STRAP, modular knife top splice
26	371668A1	1	STRAP, modular knife bottom splice
27	227457A1	10	SCREW, #12-24 x .13/16" CSK HSKT
28	1954816C1	10	NUT, LOCK, hex lock, No. 12-24
29	NSS	1	NOT SERVICED SEPARATELY, Tool, Hex Socket

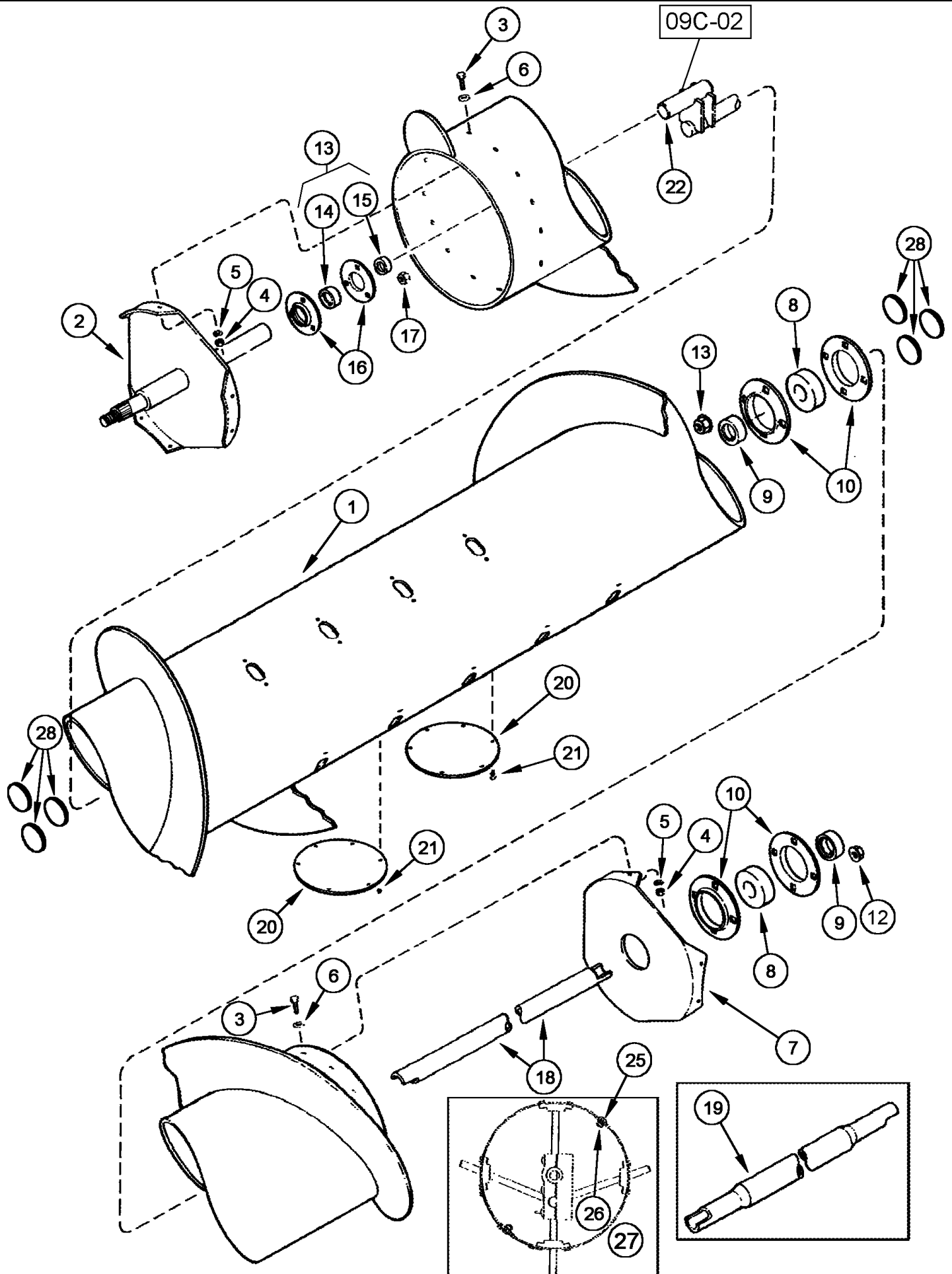


- 1 = ●
- 12 = ■
- 18 = ▲
- 23 = ★
- 29 = ▼



сылка	Номер детали	Кол-во	Описание
0	371622A3	1	KNIFE ASSY, 30.0 foot modular, Includes 2 - 34
1	371642A3	1	KNIFE ASSY, segment, Includes 3 - 11
3	1316161C94	1	HEAD, KNIFE, , Includes 4
3	1316161C95	1	HEAD, KNIFE, , Includes 4
4	1345491C2	1	DUST CAP, cover
5	NSS	1	NOT SERVICED SEPARATELY, Bar, Knifeback
6	1979166C1	16	SCREW, #12-24 x 1 1/8"
7	1954816C1	66	NUT, LOCK, hex lock, No. 12-24
8	1316030C2	1	KNIFE SECTION, 3", plain half
9	112074A1	33	KNIFE SECTION, overserrated, 3"
10	321848A1	25	STRAP, knife reinforcing, 3" knives
11	700708646	50	BOLT AND NUT, #12-24 x 5/8" slot bt hd
12	371644A1	1	KNIFE ASSY, segment, center, Includes 13 -17
12	371644A2	1	KNIFE ASSY, segment, center, Includes 13 -17
13	NSS	1	NOT SERVICED SEPARATELY, Bar,Knifeback
14	112074A1	34	KNIFE SECTION, overserrated, 3"
15	321848A1	21	STRAP, knife reinforcing, 3" knives
16	700708646	60	BOLT AND NUT, #12-24 x 5/8" slot bt hd
17	1954816C1	60	NUT, LOCK, hex lock, No. 12-24
18	371643A1		KNIFE ASSY, segment, center, Includes 19 - 22
19	NSS	1	NOT SERVICED SEPARATELY, Bar, Knifeback
20	112074A1	34	KNIFE SECTION, overserrated, 3"
21	700708646	60	BOLT AND NUT, #12-24 x 5/8" slot bt hd
22	1954816C1	60	NUT, LOCK, hex lock, No. 12-24
23	371652A1	1	KNIFE ASSY, 30.0 foot RH end segment, Includes 24 - 28
24	NSS	1	NOT SERVICED SEPARATELY, Bar, Knifeback
25	112074A1	17	KNIFE SECTION, overserrated, 3"
26	148200C1	1	KNIFE SECTION, overserrated, double right-hand
27	700708646	35	BOLT AND NUT, #12-24 x 5/8" slot bt hd
28	1954816C1	35	NUT, LOCK, hex lock, No. 12-24
29	371658A1	3	KIT, modular knife splice, Includes 30 - 34
30	371668A1	1	STRAP, modular knife bottom splice
31	371681A1	1	STRAP, modular knife top splice
32	227457A1	10	SCREW, #12-24 x .13/16" CSK HSKT
33	1954816C1	10	NUT, LOCK, hex lock, No. 12-24
34	NSS	1	NOT SERVICED SEPARATELY, Tool, Hex Socket

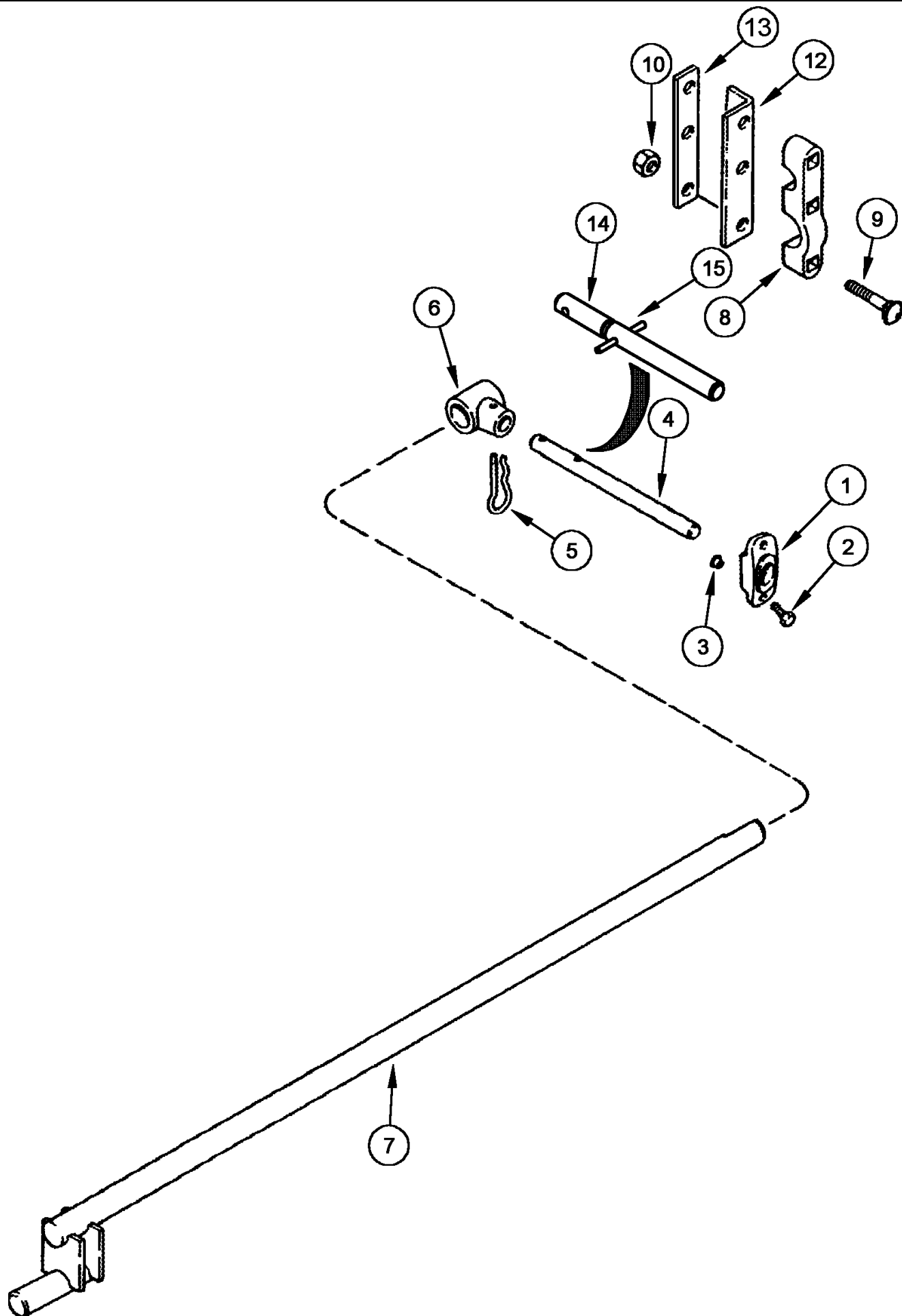
09C-01 AUGER ASSEMBLY



1020 GRAIN HEADER (P.I.N. JJC0315001 TO JJC0350294) (-10/04)

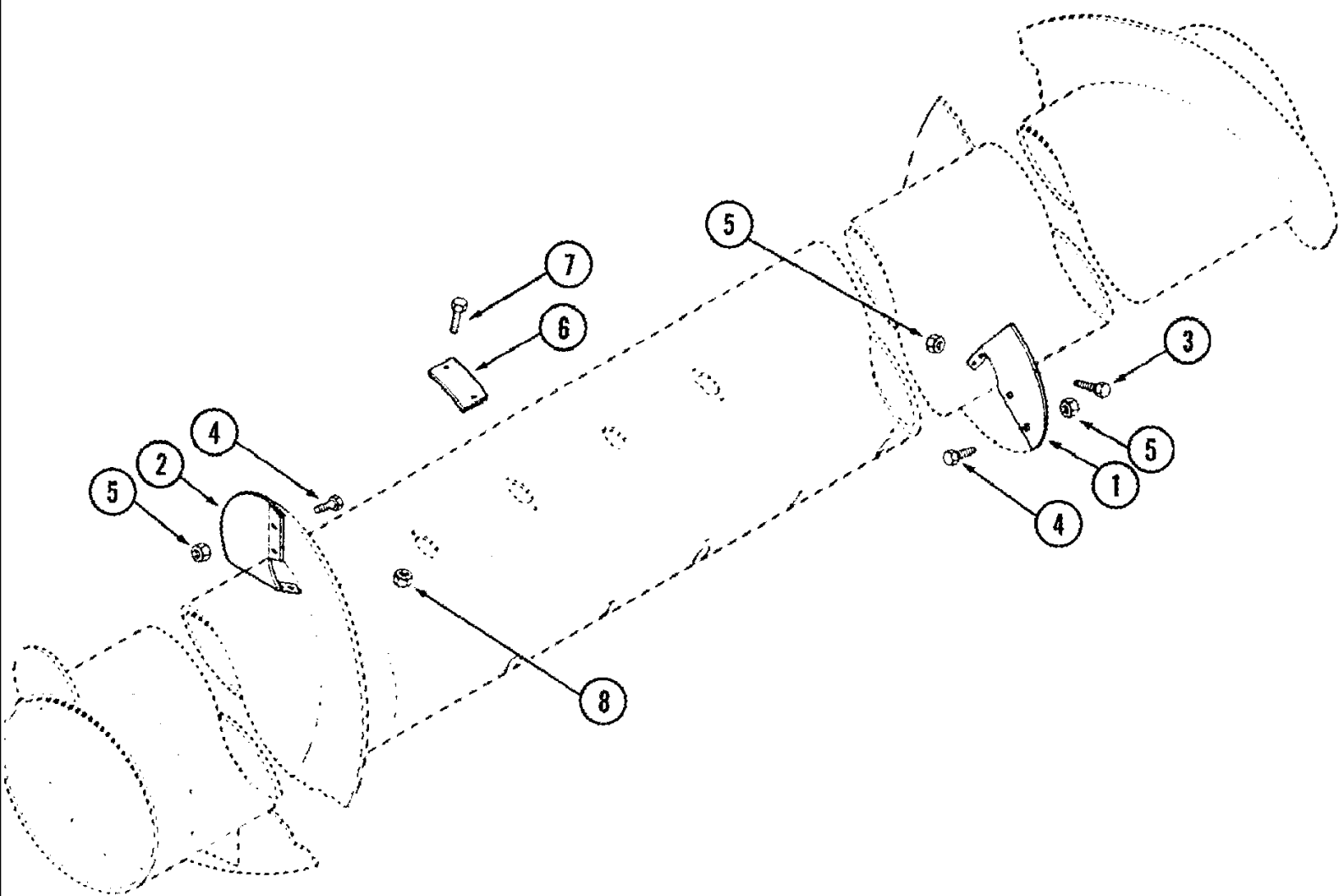
09C-01 AUGER ASSEMBLY

сылка	Номер детали	Кол-во	Описание
1	106001A2	1	AUGER, 15.0 foot
1	106002A2	1	AUGER, 16.5 foot
1	106003A2	1	AUGER, 17.5 foot, BSN JJC0350294
1	106004A2	1	AUGER, 20.0 foot, BSN JJC0350294
1	322193A1	1	AUGER, with flight extension 22.5 foot, BSN JJC0350294
1	322192A1	1	AUGER, with flight extension 25.0 foot, BSN JJC0350294
1	349016A1	1	AUGER, header 5 piece, 25.0 foot, Latin America Only
1	322191A2	1	AUGER, 30.0 foot (3 piece), BSN JJC0350294
1	359655A1	1	AUGER, header, 5 piece, with extension, Latin America Only
2	106024A1	1	SHAFT, drive
3	9670285	12	BOLT, Hex, 3/8"-16 x 1", G8, Full Thd,
4	429-106	12	NUT, 3/8"-16, G8,
5	80680	12	WASHER, LOCK, 3/8",
6	396-21041	12	WASHER, 13/32" x 13/16" x .09", HDN,
7	1307256C1	1	RETAINER, auger LH
8	52443	2	BEARING, BALL,
9	455112R11	2	COLLAR, locking, bearing, with set screw
10	663562R1	4	FLANGE, bearing, Alternate with 1307583C1
10	1307583C1	4	FLANGE, bearing 80 mm 4 bolt, Alternate with 663562R1
12	232-5318	8	NUT, LOCK, Flg, 1/2"-13,
13	204807C91		BEARING, BALL, , Includes 14, 15
14	214366C91	1	BEARING, BALL, double flange mount
15	38260	1	COLLAR, lock 1" bore 1 1/2" OD
16	937517R1	2	FLANGE, bearing
17	231-5315	3	NUT, LOCK, Flg, 5/16"-18,
18	1307262C1	1	TUBE, finger adjusting (15.0 foot)
18	1326828C1	1	TUBE, finger adjusting (16.5 foot)
18	1307263C1	1	TUBE, finger adjusting (17.5 foot)
18	1307264C1	1	TUBE, finger adjusting (20.0 foot)
18	1307265C1	1	TUBE, finger adjusting (22.5 foot)
19	1307266C1	1	TUBE, finger adjusting (25.0 foot), BSN JJC0350294
19	1307267C1	1	TUBE, finger adjusting (30.0 foot), BSN JJC0350294
20	184505C1	2	COVER, handhole
21	281-1478	12	SCREW, SELF TAP, Hex Wash Hd, 1/4" x 1/2",
22	REF	1	INSTRUCTION, Shaft Assy, See figure 09C-02
25	477-73812	2	SCREW, Sltd Serr Truss Hd, 3/8" x 3/4",
26	247780	2	NUT, Flg, USR, 3/8"-16,
27	495-81145	2	WASHER, 13/32" x 1 3/4" x .120",
28	353-417	6	PLUG, Dome, 2.000" hole, Nylon,



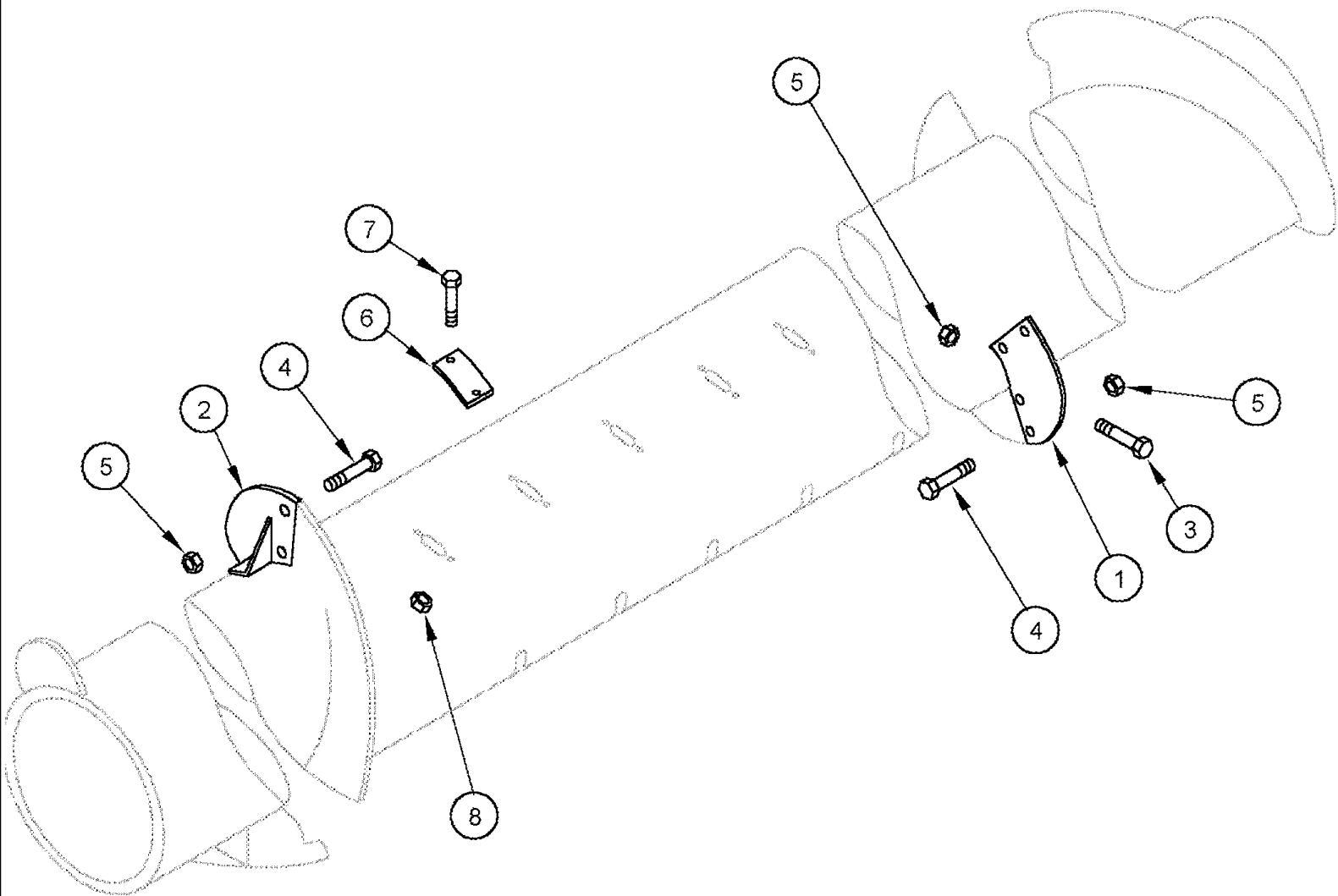
09C-02 AUGER FINGERS, RETRACTABLE

сылка	Номер детали	Кол-во	Описание
1	1307259C2	X	GUIDE, finger
2	88542	X	BOLT, Hex, 1/4"-20 x 1/2", G5, Full Thd,
3	127550	X	NUT, Tee, 1/4"-20,
4	1320699C1	X	FINGER, retractable, BSN JJC0327999
5	185309A1	X	SPLIT PIN/SAFETY PIN, quick attachable
6	1308425C1	X	HUB, auger finger
7	1316383C1	1	SHAFT, auger finger
8	1326467C1	1	CLAMP, finger shaft
9	280504	3	BOLT, CARRIAGE, Short NK, 1/2"-13 x 2 1/4", G5,
10	231-4118	3	NUT, LOCK, 1/2"-13, GB,
12	1320698C1	1	ANGLE, auger finger shaft, BSN JJC0327999
13	87441009	1	PLATE, auger tube
14	NSS	1	NOT SERVICED SEPARATELY, Finger
15	38-1822	1	PIN, LOCK, 1/8" x 1 3/8", Slotted,
16	434295A2	X	FINGER, auger retractable, Includes 14, 15, Not Shown, ASN JJC0328000



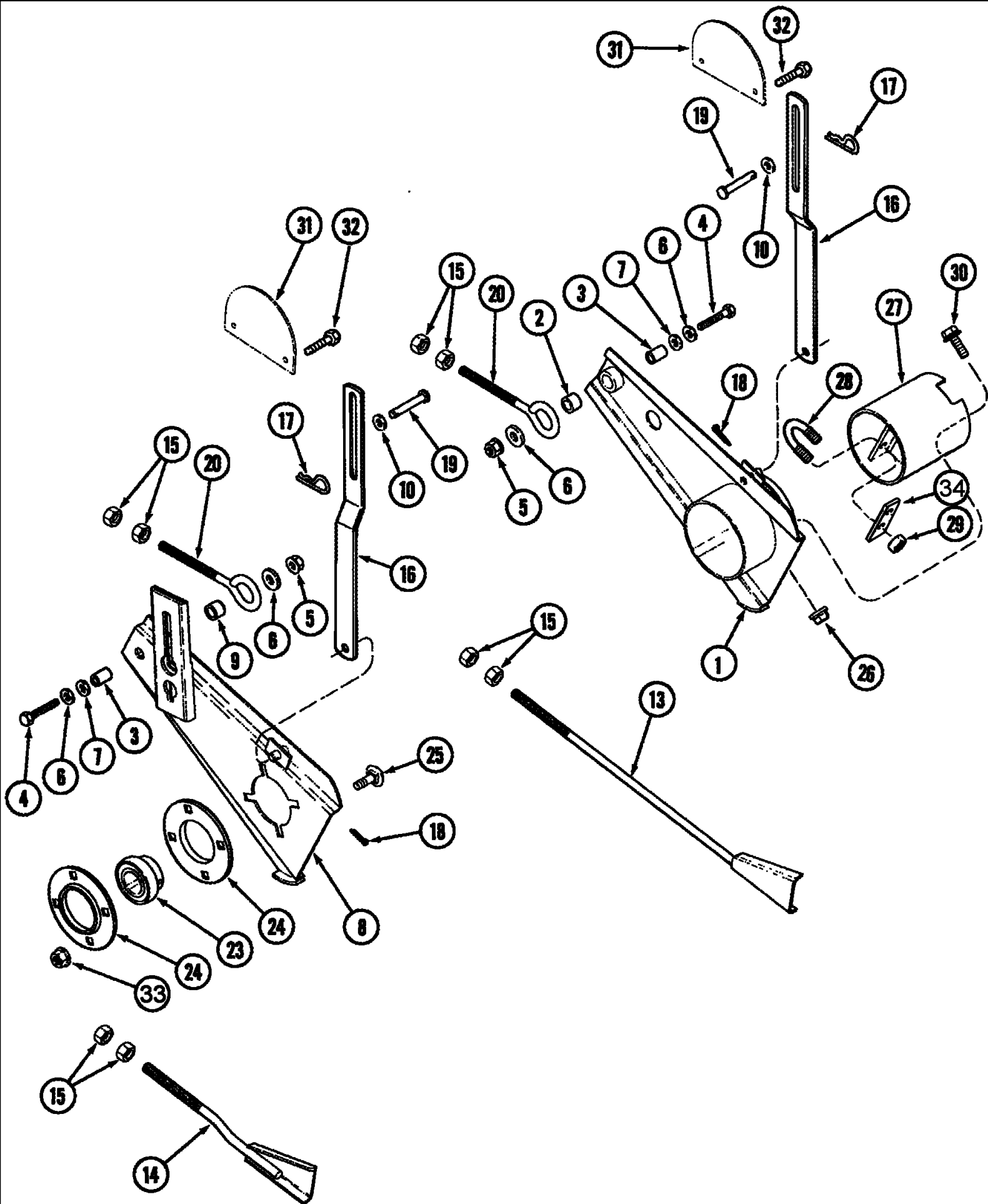
09C-03 FLIGHT EXTENSION LONG

сылка	Номер детали	Кол-во	Описание
1	1308445C2	1	EXTENSION, auger flight LH
2	1308446C2	1	EXTENSION, auger flight, RH
3	87034823	2	BOLT, Hex Flg, 1/2"-13 x 1", G8, Full Thd,
4	280499	4	BOLT, CARRIAGE, Short NK, 1/2"-13 x 1", G5, Full Thd,
5	232-5318	6	NUT, LOCK, Flg, 1/2"-13,
6	167823C1	2	COVER,
7	9707580	4	BOLT, Hex, 1/4"-20 x 3/4", G5, Full Thd,
8	20356	4	NUT, LOCK, 1/4"-20, GB,



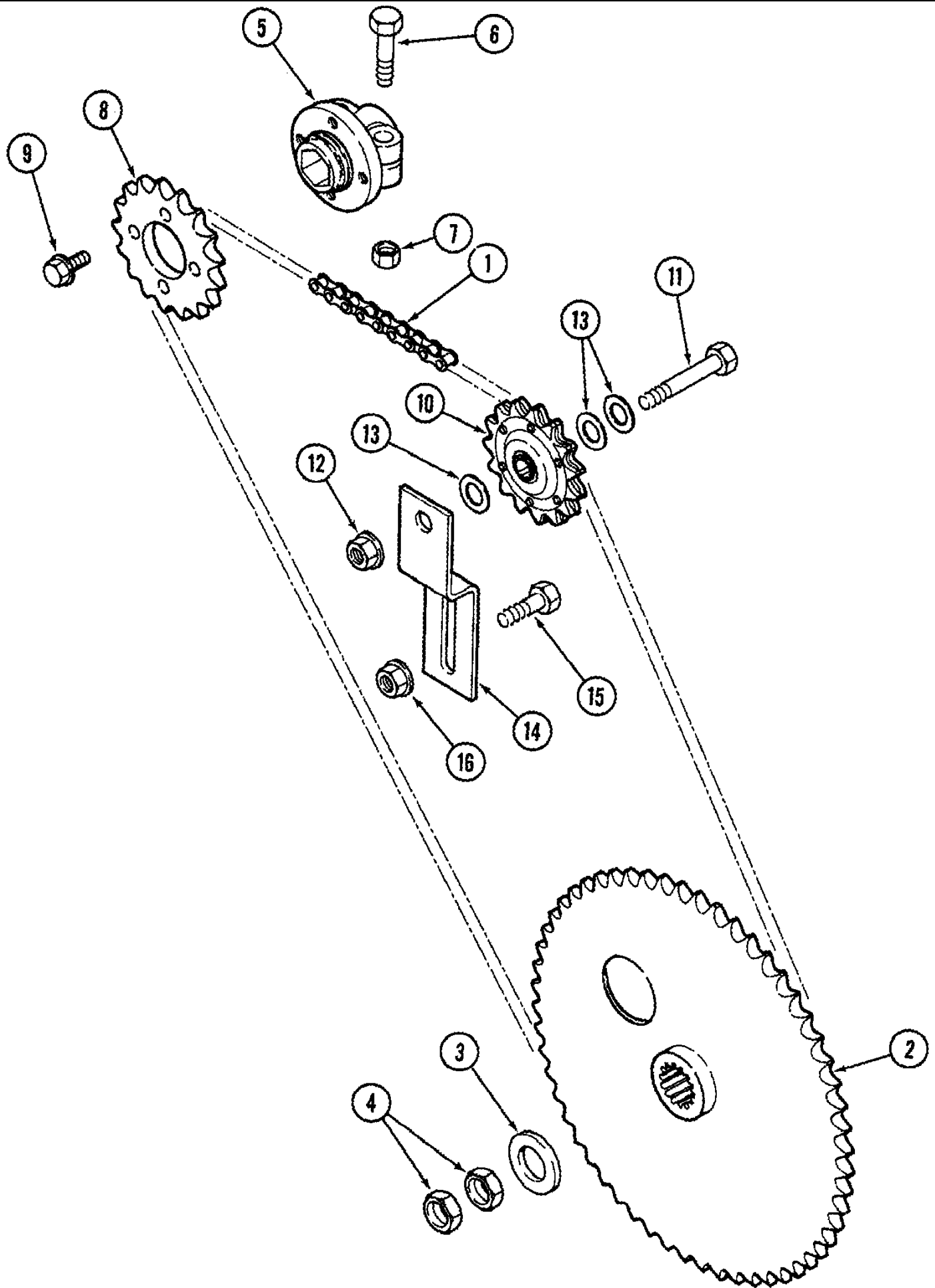
сылка	Номер детали	Кол-во	Описание
1	321820A1	1	EXTENSION, auger flight LH
2	321819A1	1	EXTENSION, auger flight RH
3	30944	2	BOLT, Hex Flg, 1/2"-13 x 1", Serr,
4	280499	4	BOLT, CARRIAGE, Short NK, 1/2"-13 x 1", G5, Full Thd,
5	232-5318	6	NUT, LOCK, Flg, 1/2"-13,
6	167823C1	2	COVER,
7	9707580	4	BOLT, Hex, 1/4"-20 x 3/4", G5, Full Thd,
8	20356	4	NUT, LOCK, 1/4"-20, GB,
9	86512371	X	NUT, Flg, USR, 1/2"-13, , Not Shown, Used to plug slots when short extensions are not used.
10	80700	X	WASHER, 1/2", , Used to plug slots when short extensions are not used., Not Shown
11	280499	X	BOLT, CARRIAGE, Short NK, 1/2"-13 x 1", G5, Full Thd, , Not Shown, Used to plug slots when short extensions are not used.

09C-05 AUGER SUPPORTS



09C-05 AUGER SUPPORTS

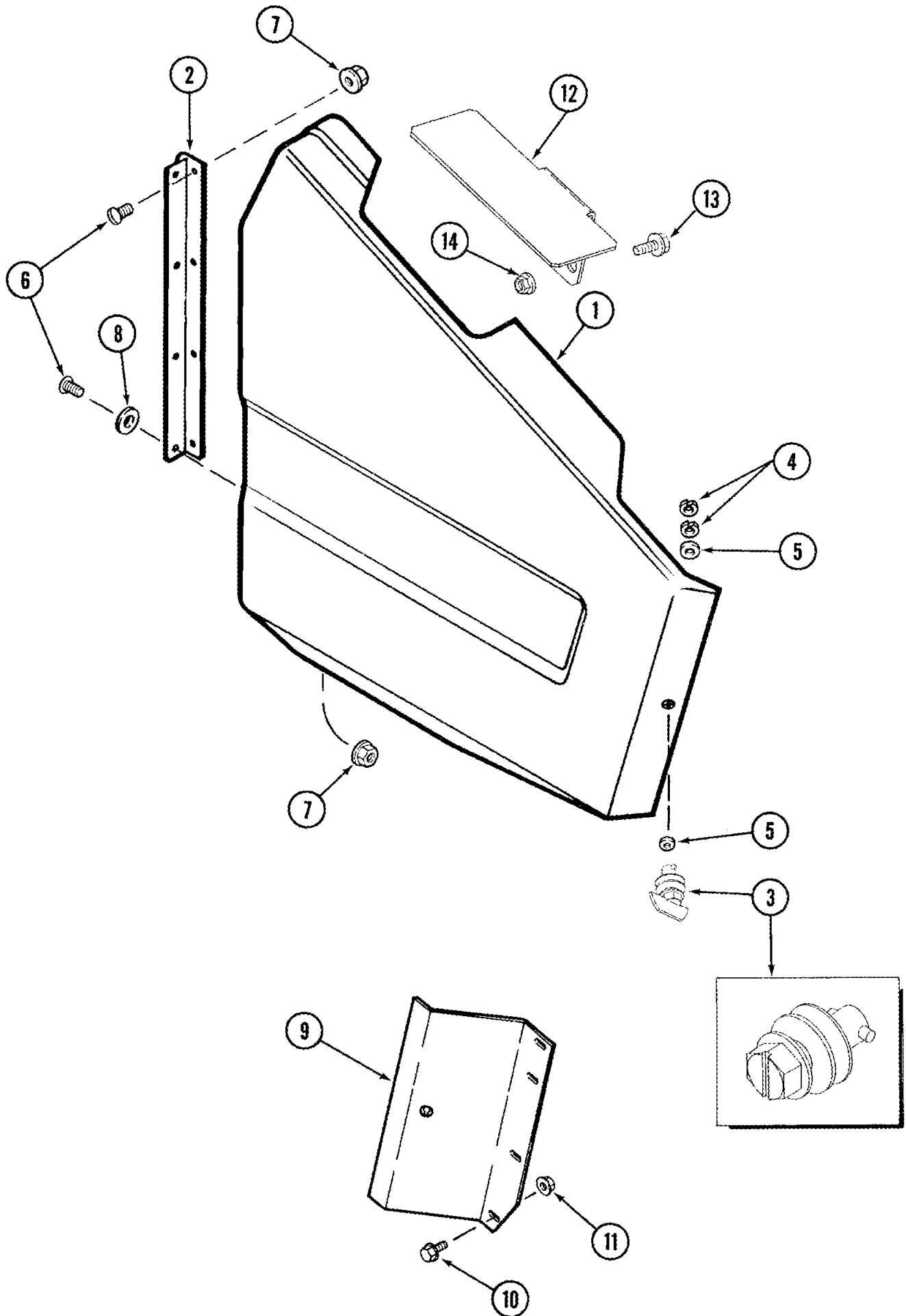
сылка	Номер детали	Кол-во	Описание
1	87585175	1	BRACKET, auger, LH, Includes 2
2	189971C1	1	BUSHING, pivot
3	1968840C1	2	SPACER, 3/4" OD x 1 1/16", auger pivot
4	9706716	2	BOLT, Hex, 1/2"-13 x 2", G5,
5	86521610	2	NUT, LOCK, Flg, 1/2"-13,
6	87364	4	WASHER, 1/2", SAE,
7	87381	X	WASHER, 3/4", SAE,
8	128429A2	1	SUPPORT, bracket, RH auger, Includes 9
9	189971C1	1	BUSHING, pivot
10	86624188	2	WASHER, 17/32" x 1 1/16" x .134",
13	128199A1	1	SUPPORT, auger adjusting LH
14	133822A1	1	SUPPORT, auger adjusting, RH
15	280431	8	NUT, 1/2"-13, G5,
16	1320723C3	2	SUPPORT, bracket, auger lift
17	87045537	2	SPLIT PIN/SAFETY PIN, .148 x 3 5/16"
18	432-1218	2	PIN, SPLIT (COTTER), 3/16" x 1 1/8",
19	439-5844	2	PIN, HEADED, 1/2" x 2 3/4", G5,
20	127870A1	2	EYEBOLT, auger pivot
23	52443	1	BEARING, BALL,
24	663562R1	2	FLANGE, bearing, Alternate with 1307583C1
24	1307583C1	2	FLANGE, bearing 80 mm 4 bolt, Alternate with 663562R1
25	280499	4	BOLT, CARRIAGE, Short NK, 1/2"-13 x 1", G5, Full Thd,
26	86521610	2	NUT, LOCK, Flg, 1/2"-13,
27	1320695C2	1	TUBE, auger finger adjuster
28	1307195C2	1	U-BOLT, 1/2" NC
29	9636698	2	NUT, LOCK, 1/2"-13, GB,
30	30944	2	BOLT, Hex Flg, 1/2"-13 x 1", Serr,
31	183064A1	2	SHIELD, auger lift bracket, BSN JJC0350294
32	87034817	4	SCREW, SELF TAP, Hex Wash Hd, 5/16" x 3/4",
33	86512371	4	NUT, Flg, USR, 1/2"-13,
34	87441010	1	PLATE, auger tube



09C-06 AUGER DRIVE

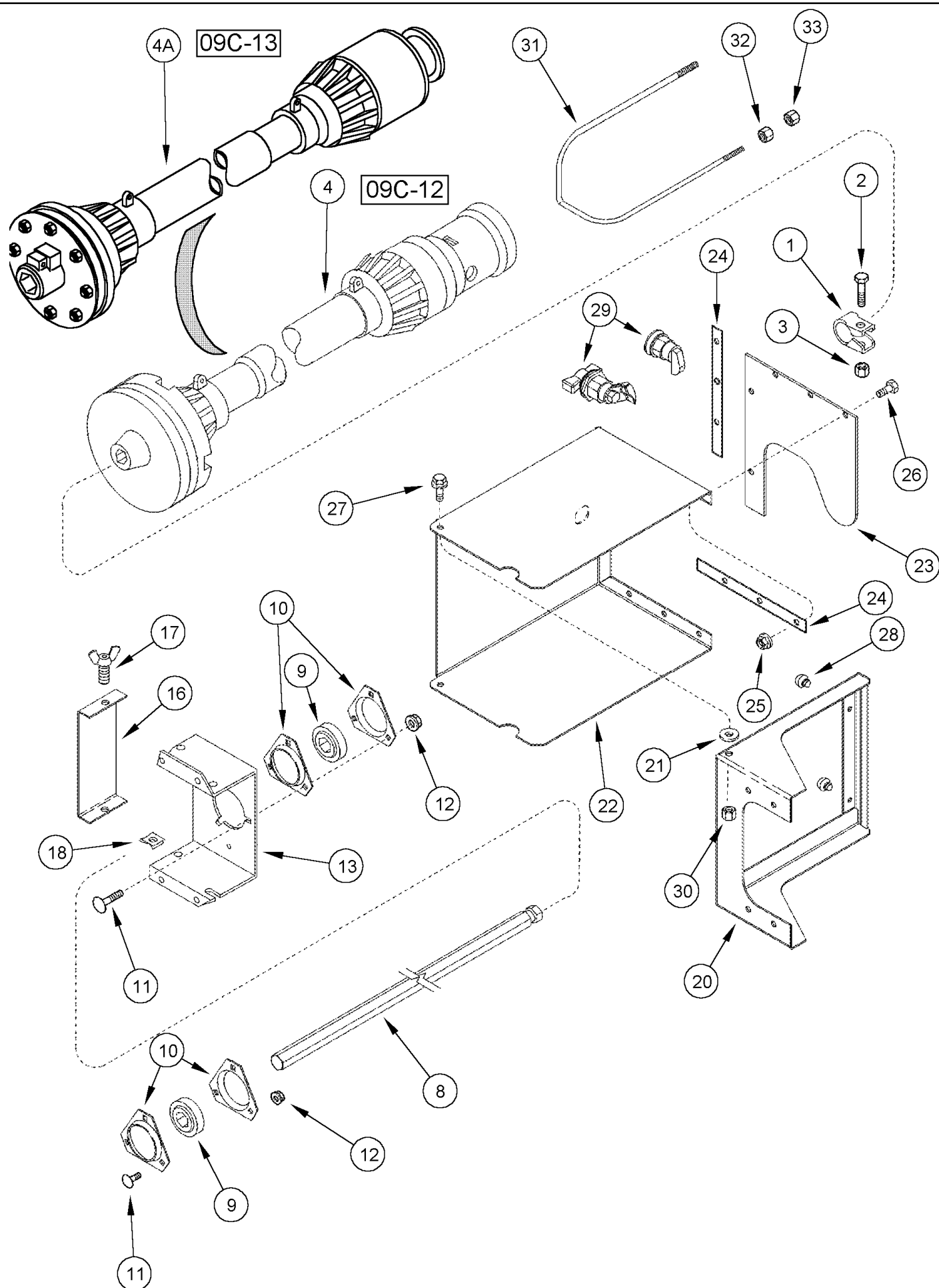
сылка	Номер детали	Кол-во	Описание
1	NSS	1	NOT SERVICED SEPARATELY, Chain Assy, With 56 T Sprocket Use 85 links of 611362R91, 2 x 241-1316, With 50 T Sprocket Use 83 links of 611362R91, 1 x 241-1316, With 40 T Sprocket Use 79 links of 611362R91, 1 x 241-1316, With 45 T Sprocket Use 81 links of 611362R91, 1 x 241-1316
1	611362R91	X	CHAIN (AGRICULTURE), roller, #60 (10 foot bulk)
1	241-1316	X	LINK, CONNECTING, #60 single pitch
1	241-1116	X	LINK, CONNECTING, #60
2	106055A2	1	SPROCKET, Auger Driven 56T (Standard), BSN JJC0350294
2	106056A1	1	SPROCKET, auger drive 50T (Optional)
2	106057A1	1	SPROCKET, auger drive 45T (Optional)
2	106058A1	1	SPROCKET, auger drive 40T (Optional)
3	496-21106	1	WASHER, 1 1/16" x 2" x .209",
4	425-1416	2	NUT, Jam, 1"-8, G5,
5	125966A1	1	HUB, auger and knife drive
6	9706716	2	BOLT, Hex, 1/2"-13 x 2", G5,
7	280431	2	NUT, 1/2"-13, G5,
8	125990A1	1	SPROCKET, auger drive, 17 tooth
9	1319250C1	4	SCREW, hex flange, special, 3/8" NC x 1"
10	179013A1	1	SPROCKET, idler, 15 tooth, BSN JJC0350294
11	87975	1	BOLT, Hex, 1/2"-13 x 2 1/4", G5,
12	131-943	1	NUT, Flg, 1/2"-13, G5,
13	87364	3	WASHER, 1/2", SAE,
14	128261A3	1	BRACKET, idler sprocket
15	87670	1	BOLT, Hex, 1/2"-13 x 1 1/4", G5, Full Thd,
16	131-943	1	NUT, Flg, 1/2"-13, G5,
17	495-81213	2	WASHER, 1 13/32" x 2" x .060",

09C-07 AUGER DRIVE SHIELDS AND SUPPORTS



09C-07 AUGER DRIVE SHIELDS AND SUPPORTS

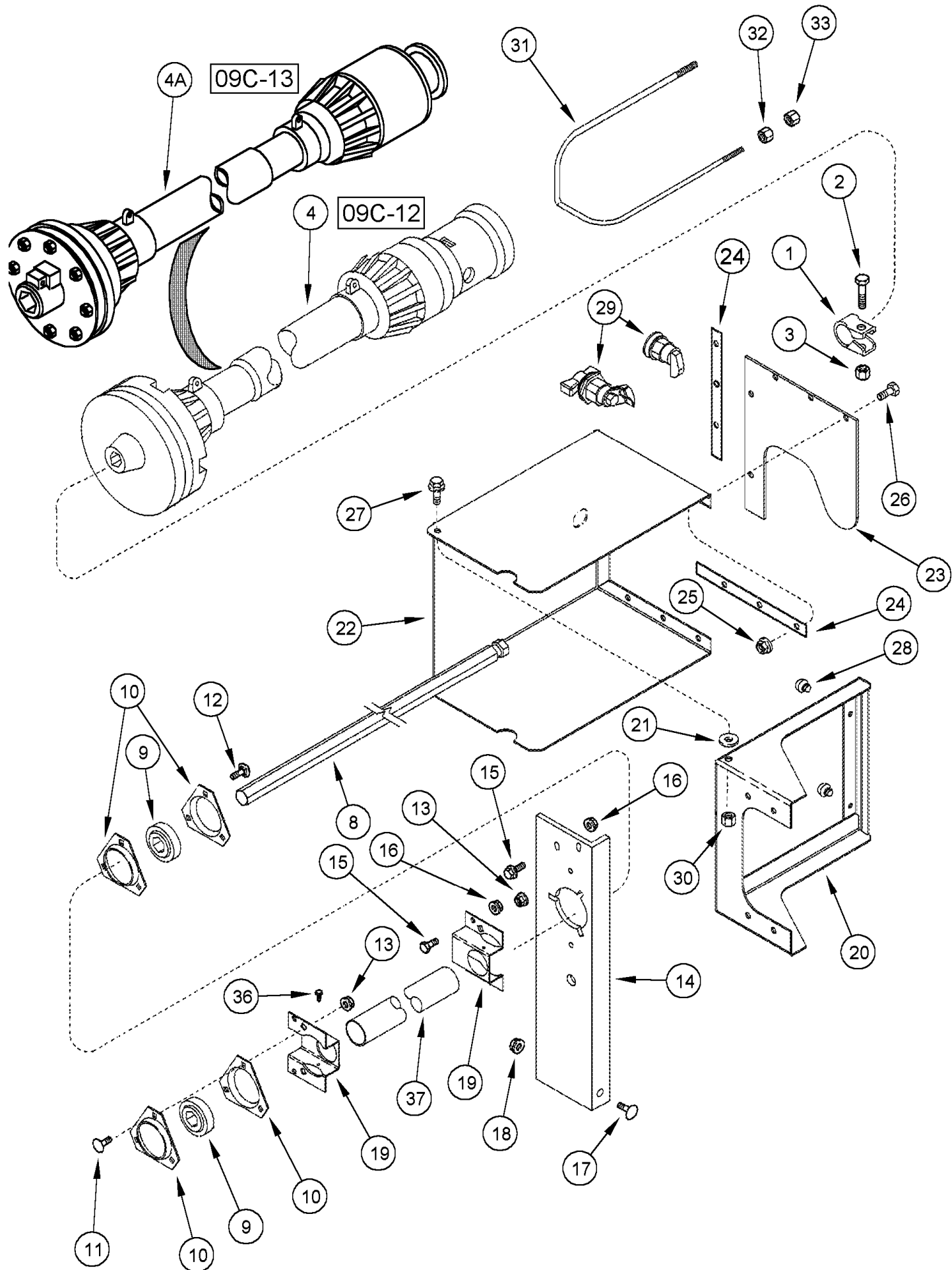
сылка	Номер детали	Кол-во	Описание
1	1316566C3	1	SHIELD, end, RH
2	1326230C2	1	HINGE,
3	1326408C2	1	FASTENER, stud, shield
3	252117A1	1	FASTENER, shield, Australia Only
4	1326407C1	2	RETAINER, shield stud
5	495-81023	6	WASHER, 17/32" x 1 1/4" x .030",
6	477-82508	8	SCREW, Slt'd Serr Truss Hd, 1/4"-20 x 1/2",
7	523282	8	NUT, Flg, USR, 1/4"-20,
8	87361	4	WASHER, 1/4", SAE,
9	134434A1	1	BRACKET, auger shield, front, BSN JJC0350294
10	9706726	2	BOLT, Hex Flg, 3/8"-16 x 1", Serr,
11	247780	2	NUT, Flg, USR, 3/8"-16,
12	249051A1	1	SHIELD, cover, chain, BSN JJC0350294
13	477-73812	2	SCREW, Slt'd Serr Truss Hd, 3/8" x 3/4",
14	247780	2	NUT, Flg, USR, 3/8"-16,



1020 GRAIN HEADER (P.I.N. JJC0315001 TO JJC0350294) (-10/04)

09C-08 AUGER JACKSHAFT DRIVE - 15.0 AND 16.5 FOOT HEADERS

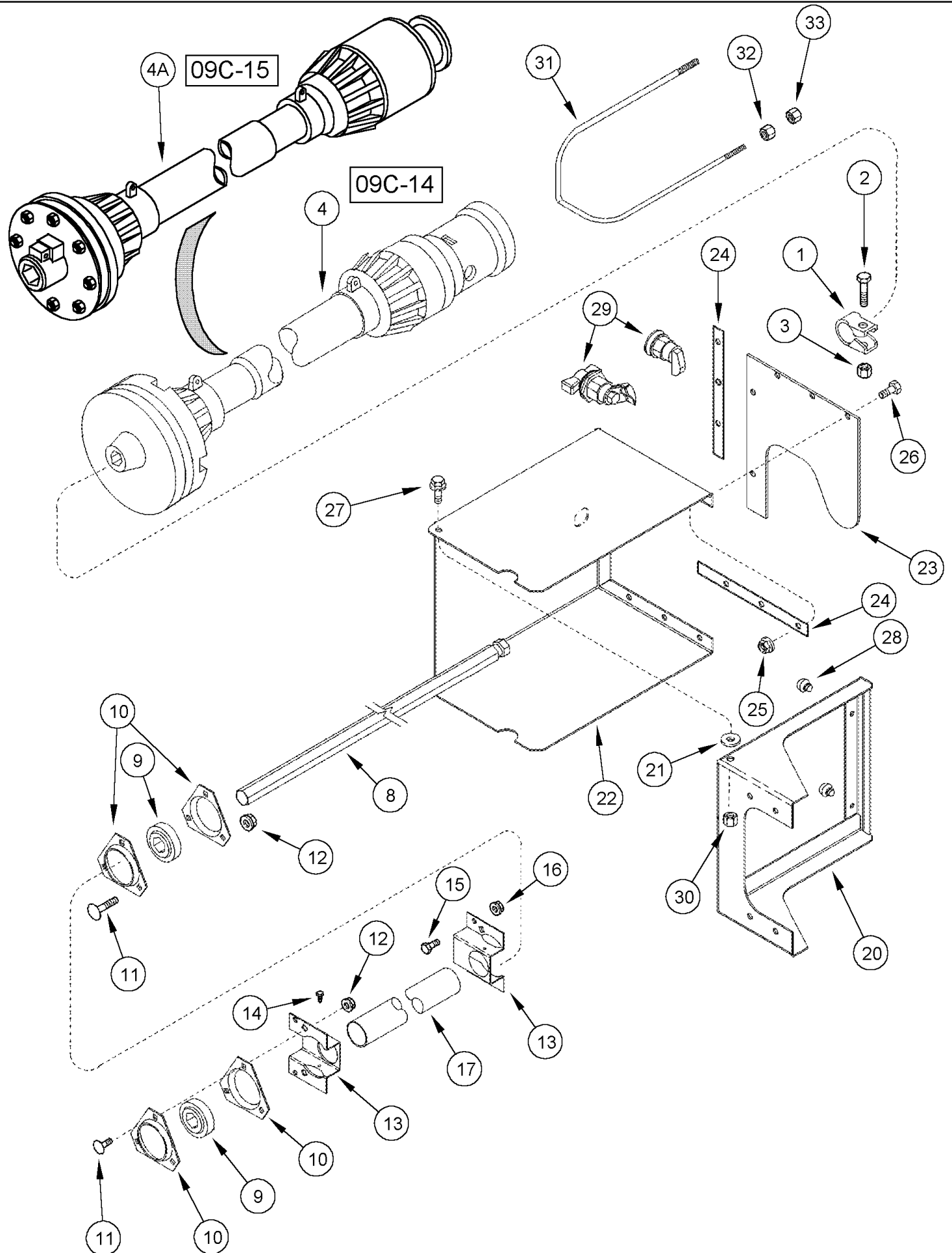
сылка	Номер детали	Кол-во	Описание
1	225265R1	1	CLAMP, auger bed gear, BSN JJC0350294
2	87972	1	BOLT, Hex, 1/2"-13 x 2 1/2", G5,
3	231-4118	1	NUT, LOCK, 1/2"-13, GB,
4	106044A1	1	SHAFT, DRIVE, auger RH, See figure 09C-12, BSN JJC0323603
4A	106044A3	1	SHAFT, DRIVE, PTO auger, See figure 09C-13, ASN JJC0323604
8	125975A1	1	JACKSHAFT, 15.0 and 16.5 foot
9	156816C91	2	BEARING, BALL,
10	180955C1	4	FLANGE, bearing, BSN JJC0350294
11	80280503	6	BOLT, CARRIAGE, Short NK, 3/8"-16 x 1", G5, Full Thd,
12	247780	6	NUT, Flg, USR, 3/8"-16,
13	106084A3	1	SUPPORT, jackshaft 15.0 and 16.5 foot
16	106087A1	1	SHIELD, cover
17	183-123	2	SCREW, thumb with shoulder, 5/16 NC x 3/4 inch
18	488837C1	2	NUT, 5/16" speed
19	247089A1	1	SHIELD, auger slip clutch, Includes 20 - 30, Not Shown
20	251170A1	1	SHIELD, auger slip clutch
21	254233A2	2	WASHER, SPECIAL, shoulder
22	247087A1	1	DOOR, auger slip clutch shield, BSN JJC0350294
23	251031A1	1	GUARD, auger slip clutch
24	251046A1	2	STRIP, SEALING, auger slip clutch
25	523282	5	NUT, Flg, USR, 1/4"-20,
26	477-82512	5	SCREW, Sltd Serr Truss Hd, 1/4"-20 x 3/4",
27	86521550	2	BOLT, Hex Flg, 1/4"-20 x 3/4", G5, Full Thd,
28	259019A1	2	BUMPER, plug
29	276013A1	1	LATCH, shield
29	143347A1	1	LATCH, engine cover, Australia Only
30	9626558	2	NUT, LOCK, Flg, 1/4"-20,
31	138005A1	1	HANGER, drive line
32	280431	2	NUT, 1/2"-13, G5,
33	231-4118	2	NUT, LOCK, 1/2"-13, GB,



1020 GRAIN HEADER (P.I.N. JJC0315001 TO JJC0350294) (-10/04)

09C-09 AUGER JACKSHAFT DRIVE 17.5 AND 20.0 FOOT HEADER

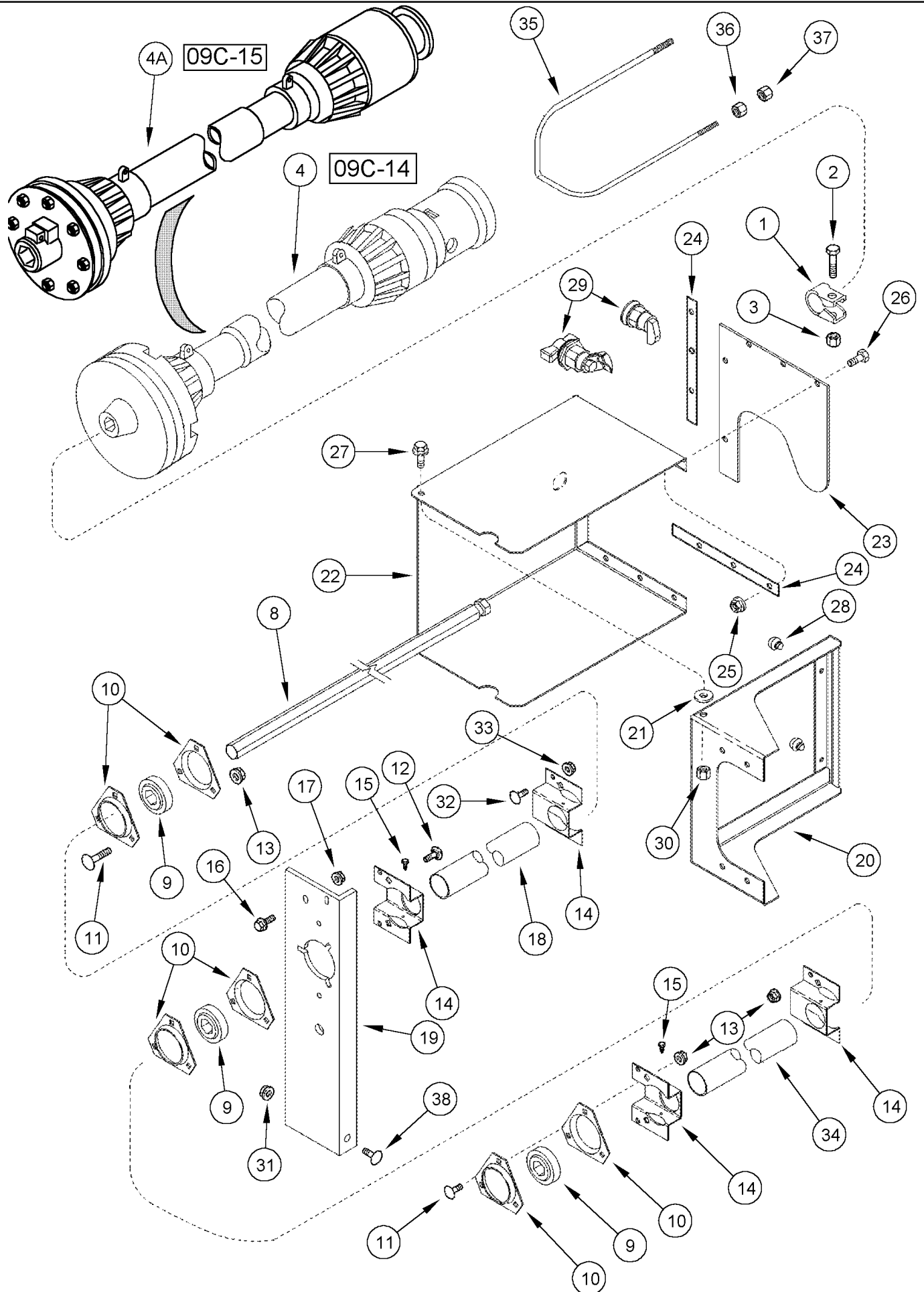
сылка	Номер детали	Кол-во	Описание
1	225265R1	1	CLAMP, auger bed gear, BSN JJC0350294
2	87972	1	BOLT, Hex, 1/2"-13 x 2 1/2", G5,
3	231-4118	1	NUT, LOCK, 1/2"-13, GB,
4	106044A1	1	SHAFT, DRIVE, auger RH, See figure 09C-12, BSN JJC0323603
4A	106044A3	1	SHAFT, DRIVE, PTO auger, See figure 09C-13, ASN JJC0323604
8	125976A1	1	JACKSHAFT, auger 17.5 foot
8	125977A1	1	JACKSHAFT, auger 20.0 foot
9	156816C91	2	BEARING, BALL,
10	180955C1	4	FLANGE, bearing, BSN JJC0350294
11	80280503	3	BOLT, CARRIAGE, Short NK, 3/8"-16 x 1", G5, Full Thd,
12	86508749	3	BOLT, CARRIAGE, Short NK, 3/8"-16 x 1 1/4", G5, Full Thd,
13	247780	9	NUT, Flg, USR, 3/8"-16,
14	128416A2	1	SUPPORT, jackshaft bearing RH, BSN JJC0350294
15	145913	2	BOLT, Hex Flg, 5/16"-18 x 3/4", Serr,
15	256873	1	BOLT, Hex Flg, 5/16"-18 x 1/2", Serr,
16	145458	3	NUT, Flg, USR, 5/16"-18,
17	280499	1	BOLT, CARRIAGE, Short NK, 1/2"-13 x 1", G5, Full Thd,
18	86512371	1	NUT, Flg, USR, 1/2"-13,
19	125992A1	2	SUPPORT, jackshaft, BSN JJC0350294
20	251170A1	1	SHIELD, auger slip clutch
21	254233A2	2	WASHER, SPECIAL, shoulder
22	247087A1	1	DOOR, auger slip clutch shield, BSN JJC0350294
23	251031A1	1	GUARD, auger slip clutch
24	251046A1	2	STRIP, SEALING, auger slip clutch
25	523282	5	NUT, Flg, USR, 1/4"-20,
26	477-82512	5	SCREW, Sltd Serr Truss Hd, 1/4"-20 x 3/4",
26	523292	3	BOLT, Hex Flg, 1/4"-20 x 3/4", Serr,
27	86521550	2	BOLT, Hex Flg, 1/4"-20 x 3/4", G5, Full Thd,
28	259019A1	2	BUMPER, plug
29	276013A1	1	LATCH, shield
29	143347A1	1	LATCH, engine cover, Australia Only
30	9626558	2	NUT, LOCK, Flg, 1/4"-20,
31	138005A1	1	HANGER, drive line
32	280431	2	NUT, 1/2"-13, G5,
33	231-4118	2	NUT, LOCK, 1/2"-13, GB,
36	282-1448	2	SCREW, SELF TAP, Hex Wash Hd, #8 x 1/2",
37	125987A1	1	SHIELD, jackshaft 17.5 foot
37	125988A1	1	SHIELD, jackshaft 20.0 foot
38	247089A1	1	SHIELD, auger slip clutch, Includes 20 - 30, Not Shown



1020 GRAIN HEADER (P.I.N. JJC0315001 TO JJC0350294) (-10/04)

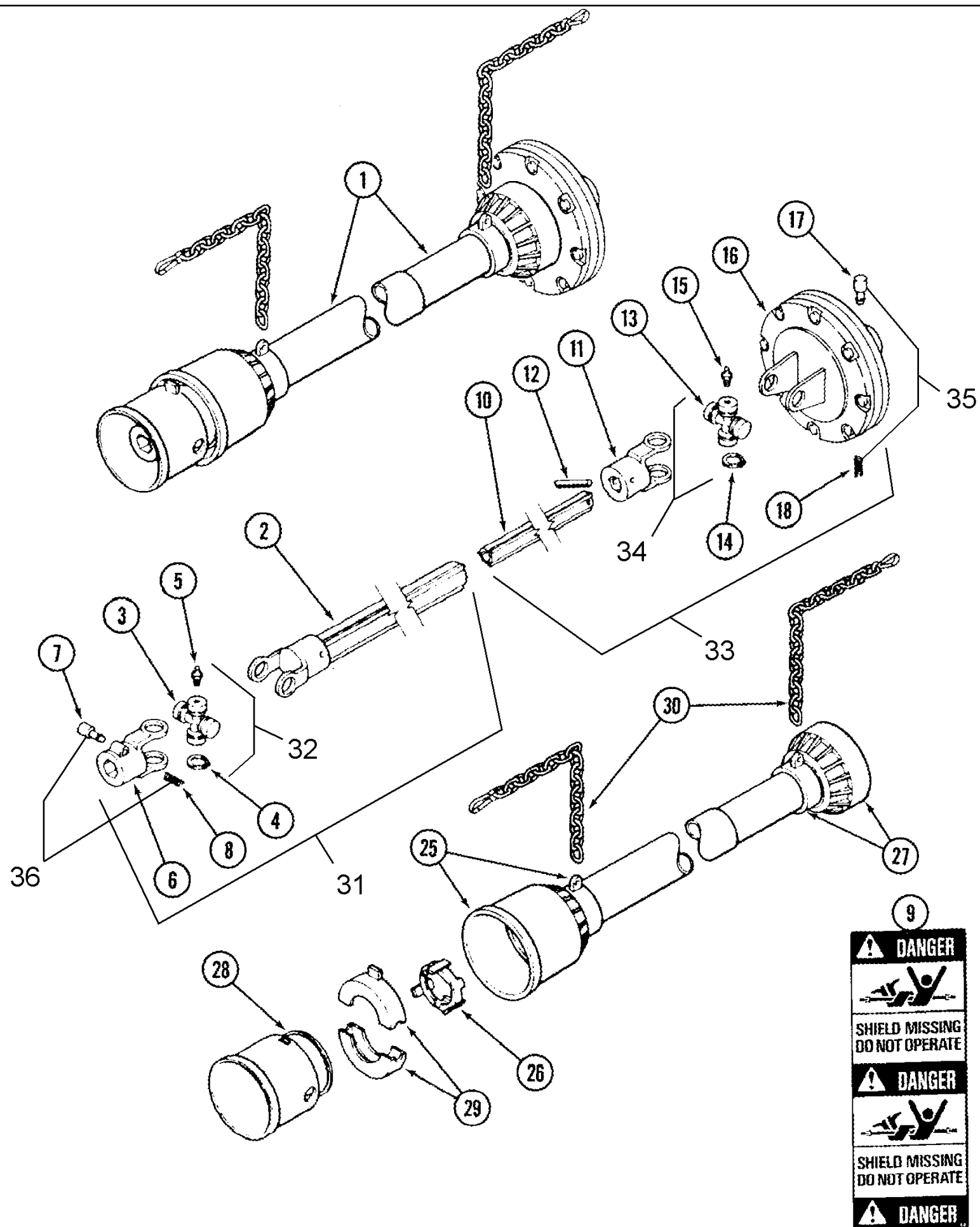
09C-10 AUGER JACKSHAFT DRIVE 22.5 AND 25.0 FOOT HEADER

сылка	Номер детали	Кол-во	Описание
1	225265R1	1	CLAMP, auger bed gear, BSN JJC0350294
2	87972	1	BOLT, Hex, 1/2"-13 x 2 1/2", G5,
3	231-4118	1	NUT, LOCK, 1/2"-13, GB,
4	106043A1	1	SHAFT, DRIVE, auger RH, See figure 09C-14, BSN JJC0323603
4A	106043A3	1	SHAFT, DRIVE, PTO auger, See figure 09C-15, ASN JJC0323604
8	125978A1	1	JACKSHAFT, auger 22.5 foot
8	125979A1	1	JACKSHAFT, auger 25.0 foot
9	156816C91	2	BEARING, BALL,
10	180955C1	4	FLANGE, bearing, BSN JJC0350294
11	80280503	6	BOLT, CARRIAGE, Short NK, 3/8"-16 x 1", G5, Full Thd,
12	247780	6	NUT, Flg, USR, 3/8"-16,
13	125992A1	2	SUPPORT, jackshaft, BSN JJC0350294
14	282-1448	2	SCREW, SELF TAP, Hex Wash Hd, #8 x 1/2",
15	256873	2	BOLT, Hex Flg, 5/16"-18 x 1/2", Serr,
16	145458	3	NUT, Flg, USR, 5/16"-18,
17	125984A1	1	SHIELD, jackshaft 22.5 foot
17	125985A1	1	SHIELD, jackshaft 25 and 30 foot
18	247089A1	1	SHIELD, auger slip clutch, Not Shown, Includes 20 - 30
20	251170A1	1	SHIELD, auger slip clutch
21	254233A2	2	WASHER, SPECIAL, shoulder
22	247087A1	1	DOOR, auger slip clutch shield, BSN JJC0350294
23	251031A1	1	GUARD, auger slip clutch
24	251046A1	2	STRIP, SEALING, auger slip clutch
25	523282	5	NUT, Flg, USR, 1/4"-20,
26	477-82512	5	SCREW, Sltd Serr Truss Hd, 1/4"-20 x 3/4",
27	86521550	7	BOLT, Hex Flg, 1/4"-20 x 3/4", G5, Full Thd,
28	259019A1	2	BUMPER, plug
29	276013A1	1	LATCH, shield
29	143347A1	1	LATCH, engine cover, Australia Only
30	9626558	2	NUT, LOCK, Flg, 1/4"-20,
31	138005A1	1	HANGER, drive line
32	280431	2	NUT, 1/2"-13, G5,
33	231-4118	2	NUT, LOCK, 1/2"-13, GB,



09C-11 AUGER JACKSHAFT DRIVE 30.0 FOOT HEADER

сылка	Номер детали	Кол-во	Описание
1	225265R1	1	CLAMP, auger bed gear, BSN JJC0350294
2	87972	1	BOLT, Hex, 1/2"-13 x 2 1/2", G5,
3	231-4118	1	NUT, LOCK, 1/2"-13, GB,
4	106043A1	1	SHAFT, DRIVE, auger RH, See figure 09C-14, BSN JJC0323603
4A	106043A3	1	SHAFT, DRIVE, PTO auger, See figure 09C-15, ASN JJC0323604
8	125980A1	1	JACKSHAFT, auger 30.0 foot
9	156816C91	3	BEARING, BALL,
10	180955C1	6	FLANGE, bearing, BSN JJC0350294
11	80280503	6	BOLT, CARRIAGE, Short NK, 3/8"-16 x 1", G5, Full Thd,
12	86508749	3	BOLT, CARRIAGE, Short NK, 3/8"-16 x 1 1/4", G5, Full Thd,
13	247780	9	NUT, Flg, USR, 3/8"-16,
14	125992A1	4	SUPPORT, jackshaft, BSN JJC0350294
15	282-1448	2	SCREW, SELF TAP, Hex Wash Hd, #8 x 1/2",
16	145913	2	BOLT, Hex Flg, 5/16"-18 x 3/4", Serr,
17	145458	2	NUT, Flg, USR, 5/16"-18,
18	125989A1	1	SHIELD, jackshaft 30.0 foot
19	128416A2	1	SUPPORT, jackshaft bearing RH, BSN JJC0350294
20	251170A1	1	SHIELD, auger slip clutch
21	254233A2	2	WASHER, SPECIAL, shoulder
22	247087A1	1	DOOR, auger slip clutch shield, BSN JJC0350294
23	251031A1	1	GUARD, auger slip clutch
24	251046A1	2	STRIP, SEALING, auger slip clutch
25	523282	5	NUT, Flg, USR, 1/4"-20,
26	477-82512	5	SCREW, Sltd Serr Truss Hd, 1/4"-20 x 3/4",
27	86521550	7	BOLT, Hex Flg, 1/4"-20 x 3/4", G5, Full Thd,
28	259019A1	2	BUMPER, plug
29	276013A1	1	LATCH, shield
29	143347A1	1	LATCH, engine cover, Australia Only
30	9626558	2	NUT, LOCK, Flg, 1/4"-20,
31	86512371	1	NUT, Flg, USR, 1/2"-13,
32	256873	2	BOLT, Hex Flg, 5/16"-18 x 1/2", Serr,
33	145458	2	NUT, Flg, USR, 5/16"-18,
34	125985A1	1	SHIELD, jackshaft 25 and 30 foot
35	138005A1	1	HANGER, drive line
36	280431	2	NUT, 1/2"-13, G5,
37	231-4118	2	NUT, LOCK, 1/2"-13, GB,
38	280499	1	BOLT, CARRIAGE, Short NK, 1/2"-13 x 1", G5, Full Thd,
39	247089A1	1	SHIELD, auger slip clutch, Includes 20 - 30, Not Shown



9

⚠ DANGER


SHIELD MISSING
DO NOT OPERATE

⚠ DANGER


SHIELD MISSING
DO NOT OPERATE

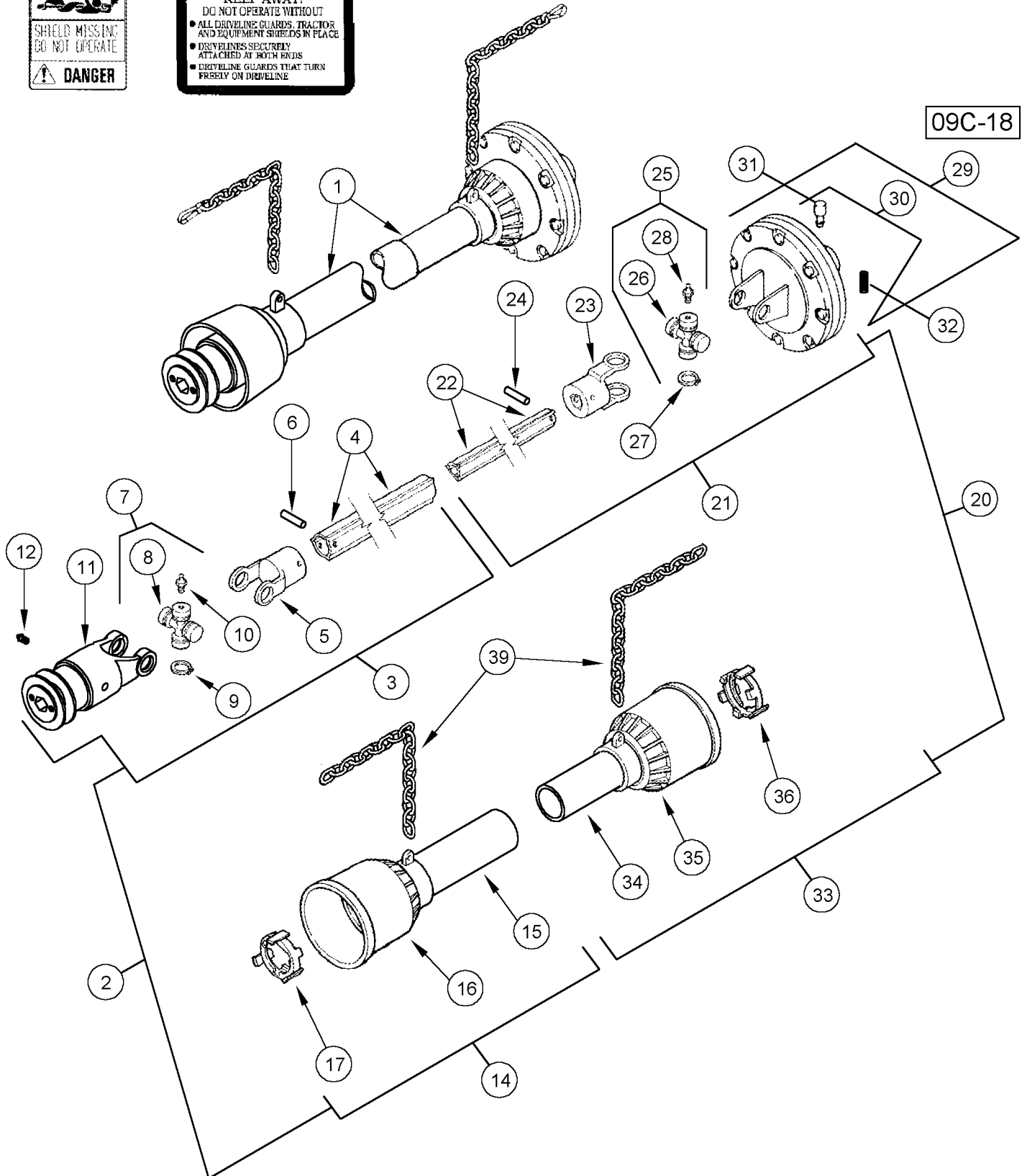
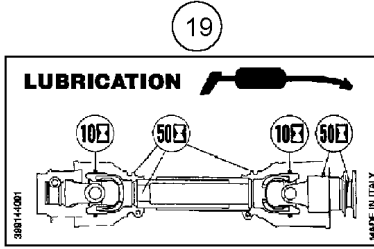
⚠ DANGER

1020 GRAIN HEADER (P.I.N. JJC0315001 TO JJC0350294) (-10/04)

09C-12 DRIVE SHAFT 15.0, 16.5, 17.5 AND 20.0 FOOT HEADER - BSN JJC0323604

сылка	Номер детали	Кол-во	Описание
1	106044A1	1	SHAFT, DRIVE, auger RH, Includes 2 - 30
2	NSS	1	NOT SERVICED SEPARATELY, Tube Assy
3	NSS	1	NOT SERVICED SEPARATELY, Joint, Universal
4	278643	4	RING, SNAP, M24, Int,
5	933756R1	2	NIPPLE, LUBE, M6 x 1,
6	NSS	1	NOT SERVICED SEPARATELY, Yoke
7	NSS	1	NOT SERVICED SEPARATELY, Pin
8	NSS	1	NOT SERVICED SEPARATELY, Spring
9	1326528C1	1	DECAL, Danger, shield missing, do not operate
10	NSS	1	NOT SERVICED SEPARATELY, Tube
11	NSS	1	NOT SERVICED SEPARATELY, Yoke
12	838-5845	1	PIN, LOCK, M8 x 45, Slotted,
13	NSS	1	NOT SERVICED SEPARATELY, Joint, Universal
14	278643	4	RING, SNAP, M24, Int,
15	933756R1	2	NIPPLE, LUBE, M6 x 1,
16	106089A1	1	CLUTCH, drive shaft, See figure 09C-17
17	NSS	1	NOT SERVICED SEPARATELY, Pin
18	NSS	1	NOT SERVICED SEPARATELY, Spring
25	106104A1	1	SHIELD, OUTER, outer female shaft, Includes 26
26	NSS	1	NOT SERVICED SEPARATELY, Bearing, Support
27	106106A1	1	SHIELD, INNER, inner male shaft
28	1326625C91	1	SHIELD, outer yoke
29	NSS	1	NOT SERVICED SEPARATELY, Collar
30	1326632C1	2	CHAIN, safety
31	106108A1	1	SHAFT, female drive, Includes 2 - 9
32	1330586C1	1	KIT, REPAIR, cross and bearing, Includes 3 - 5
33	106110A1	1	SHAFT, male drive, Includes 10 - 18
34	1330586C1	1	KIT, REPAIR, cross and bearing, Includes 13 - 15
35	1311950C1	1	KIT, push pin, yoke, Includes 17, 18
36	1311950C1	1	KIT, push pin, yoke, Includes 7, 8

BSN JJC0323604

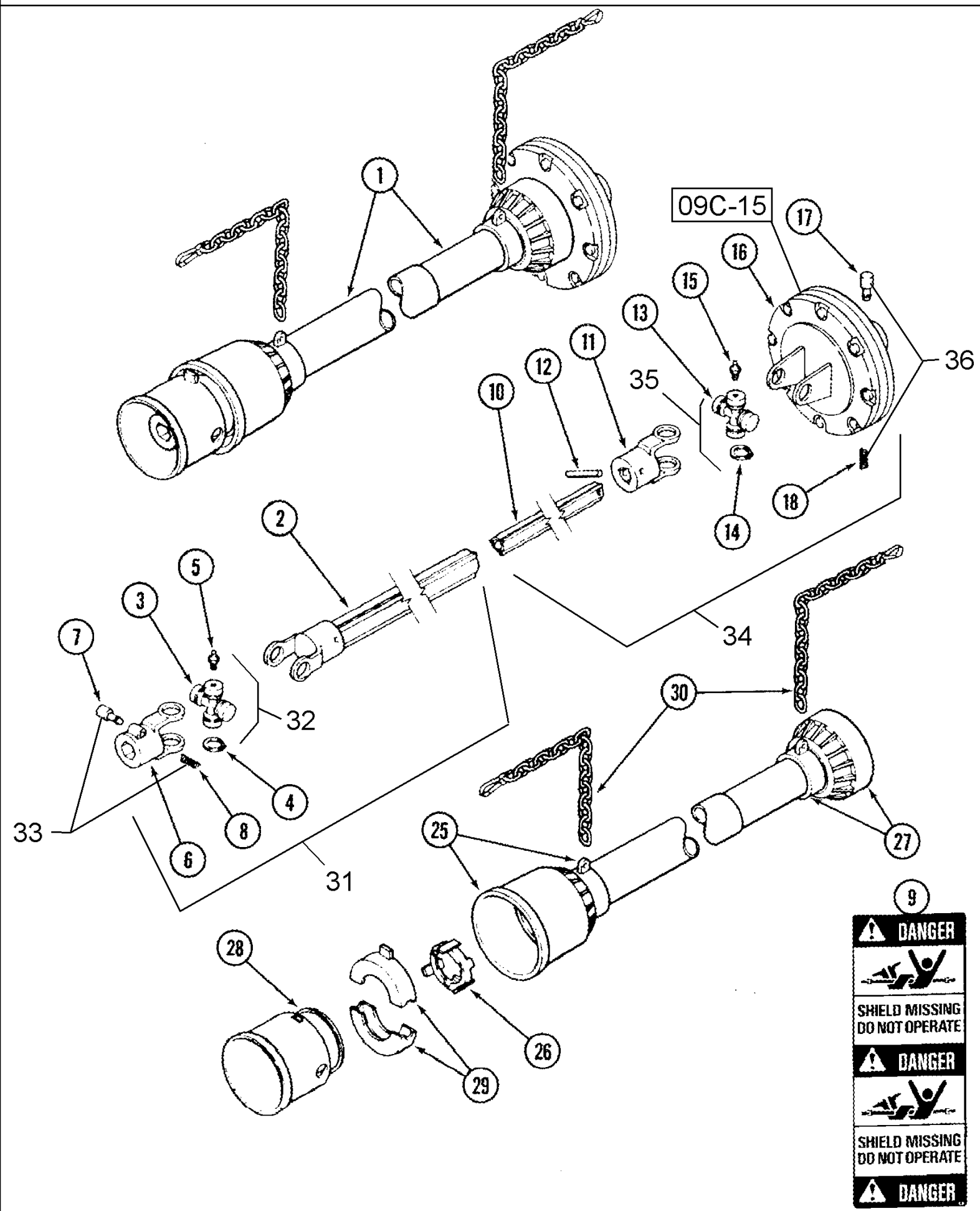


1020 GRAIN HEADER (P.I.N. JJC0315001 TO JJC0350294) (-10/04)

09C-13 DRIVE SHAFT 15.0, 16.5, 17.5 AND 20.0 FOOT HEADER - ASN JJC0323604

сылка	Номер детали	Кол-во	Описание
1	106044A3	1	SHAFT, DRIVE, PTO auger, Includes 2 - 37
2	86984228	1	SHAFT, DRIVE, inboard half with shield, female, Includes 3, 14
3	86984229	1	SHAFT, female half, Includes 4 - 13
4	86984230	1	SHAFT, female
5	1545200C1	1	YOKE, Female Tube
6	838-5855	1	PIN, LOCK, M8 x 55, Slotted,
7	1330586C1	1	KIT, REPAIR, cross and bearing, Includes 8 - 10
8	NSS	1	NOT SERVICED SEPARATELY, Cross, Yoke with Bearings
9	800-21240	4	RING, SNAP, M240, Int,
10	321204	2	NIPPLE, LUBE, M6 x 1, 16mm lg,
11	368285A2	1	COLLAR, yoke, inboard shaft with coupler, Includes 12
12	321204	1	NIPPLE, LUBE, M6 x 1, 16mm lg,
13	1326528C1	1	DECAL, Danger, shield missing, do not operate
14	86985326	1	SHIELD, female half shaft, kit, Includes 15 - 19
15	NSS	1	NOT SERVICED SEPARATELY, Tube, Shield
16	433495A1	1	SHIELD, PTO driveline quick attach coupler
17	1544660C1	1	BEARING, shield support
18	80672C1	1	DECAL, danger, rotating driveline
19	433531A1	1	DECAL, PTO driveline lubrication
19	433531A2	1	DECAL, PTO driveline lubrication
20	86984302	1	SHAFT, outboard half with shield, Includes 21, 33
21	106110A2	1	SHAFT, male drive, Includes 22 - 37
22	86984233	1	SHAFT, male
23	1545199C1	1	YOKE, inner shaft
24	838-5845	1	PIN, LOCK, M8 x 45, Slotted,
25	1330586C1	1	KIT, REPAIR, cross and bearing, Includes 26 - 28
26	NSS	1	NOT SERVICED SEPARATELY, Cross, Yoke with Bearings
27	800-21240	4	RING, SNAP, M240, Int,
28	321204	2	NIPPLE, LUBE, M6 x 1, 16mm lg,
29	106089A2	1	CLUTCH ASSEMBLY, drive shaft, See figure 09C-18, Includes 30
30	1311950C1	1	KIT, push pin, yoke, Includes 31, 32
31	NSS	1	NOT SERVICED SEPARATELY, Pin, Latch
32	NSS	1	NOT SERVICED SEPARATELY, Spring, Latch Pin Return
33	106106A2	1	SHIELD, INNER, inner male shaft, Includes 34 - 37
34	NSS	1	NOT SERVICED SEPARATELY, Tube, Shield
35	86984322	1	SHIELD, male shaft cone with collar
36	1544650C1	1	BEARING, Shield Support
39	1326632C1	2	CHAIN, safety

JJC0323604



1020 GRAIN HEADER (P.I.N. JJC0315001 TO JJC0350294) (-10/04)

09C-14 DRIVE SHAFT 22.5, 25.0 AND 30.0 FOOT HEADER - BSN JJC0323604

сылка	Номер детали	Кол-во	Описание
1	106043A1	1	SHAFT, DRIVE, auger RH, Includes 2 - 30, BSN JJC0323603
2	NSS	1	NOT SERVICED SEPARATELY, Tube Assy
3	NSS	1	NOT SERVICED SEPARATELY, Joint, Universal
4	278643	4	RING, SNAP, M24, Int,
5	933756R1	2	NIPPLE, LUBE, M6 x 1,
6	NSS	1	NOT SERVICED SEPARATELY, Yoke
7	NSS	1	NOT SERVICED SEPARATELY, Pin
8	NSS	1	NOT SERVICED SEPARATELY, Spring
9	1326528C1	1	DECAL, Danger, shield missing, do not operate
10	NSS	1	NOT SERVICED SEPARATELY, Tube
11	NSS	1	NOT SERVICED SEPARATELY, Yoke
12	838-5845	1	PIN, LOCK, M8 x 45, Slotted,
13	NSS	1	NOT SERVICED SEPARATELY, Joint, Universal
14	278643	4	RING, SNAP, M24, Int,
15	933756R1	2	NIPPLE, LUBE, M6 x 1,
16	106089A1	1	CLUTCH, drive shaft, See figure 09C-17
17	NSS	1	NOT SERVICED SEPARATELY, Pin
18	NSS	1	NOT SERVICED SEPARATELY, Spring
25	106103A1	1	SHIELD, OUTER, outer female shaft, Includes 26
26	NSS	1	NOT SERVICED SEPARATELY, Bearing, Support
27	106105A1	1	SHIELD, INNER, inner male shaft
28	1326625C91	1	SHIELD, outer yoke, Includes 29
29	NSS	1	NOT SERVICED SEPARATELY, Collar
30	1326632C1	2	CHAIN, safety
31	106107A1	1	SHAFT, female drive, Includes 2 - 9
32	1330586C1	1	KIT, REPAIR, cross and bearing, Includes 3 - 5
33	1311950C1	1	KIT, push pin, yoke, Includes 7, 8
34	106109A1	1	SHAFT, male drive, Includes 10 - 18
35	1330586C1	1	KIT, REPAIR, cross and bearing, Includes 13 - 15
36	1311950C1	1	KIT, push pin, yoke, Includes 17, 18

BSN JJC0323604

13

⚠ DANGER

SHIELD MISSING
DO NOT OPERATE

⚠ DANGER

SHIELD MISSING
DO NOT OPERATE

⚠ DANGER

18

⚠

**ROTATING DRIVELINE
CONTACT CAN CAUSE DEATH
KEEP AWAY!**

DO NOT OPERATE WITHOUT

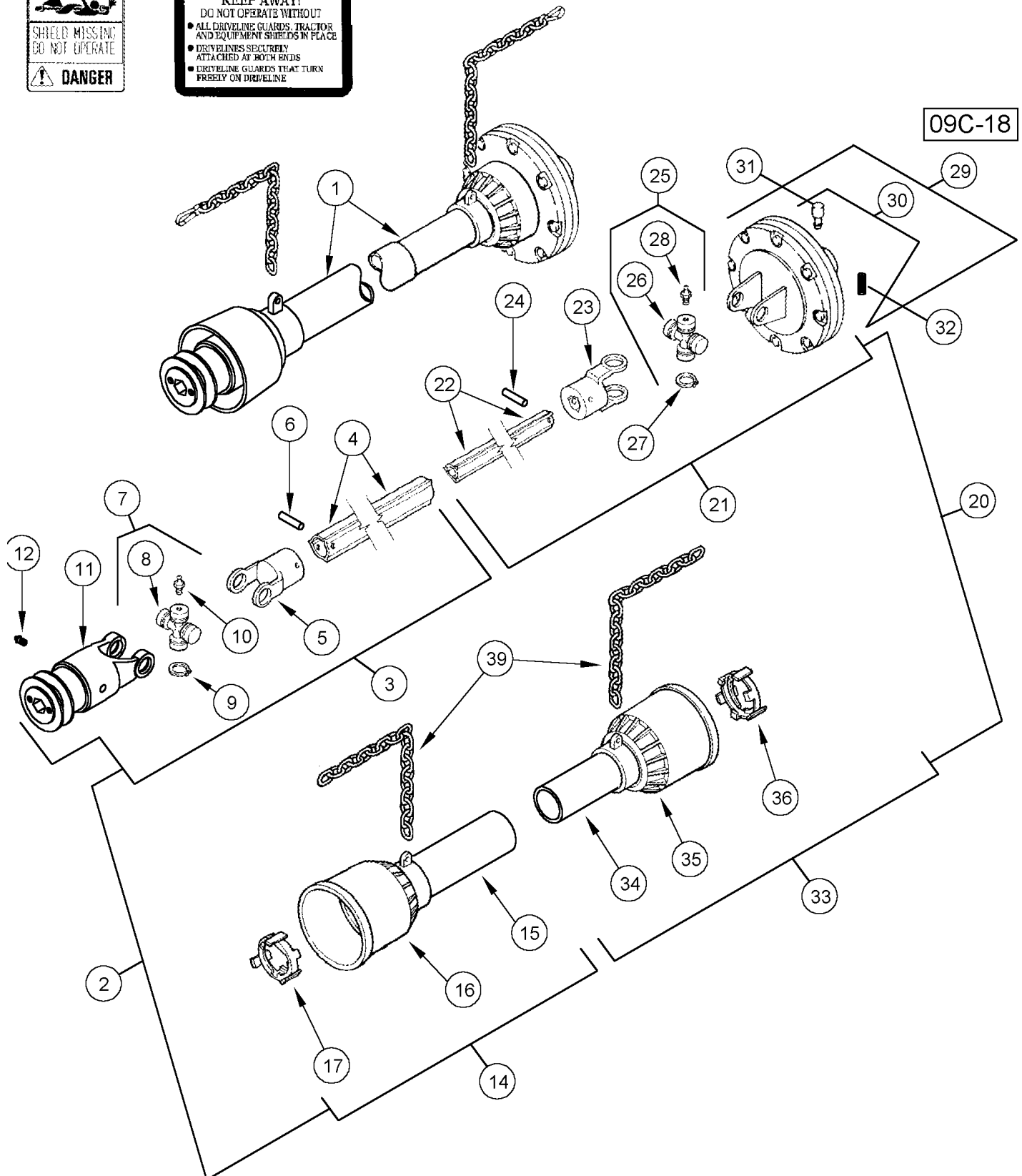
- ALL DRIVELINE GUARDS, TRACTOR AND EQUIPMENT SHIELDS IN PLACE
- DRIVELINES SECURELY ATTACHED AT BOTH ENDS
- DRIVELINE GUARDS THAT TURN FREELY ON DRIVELINE

19

LUBRICATION

10E 50E 10E 50E

MADE IN ITALY

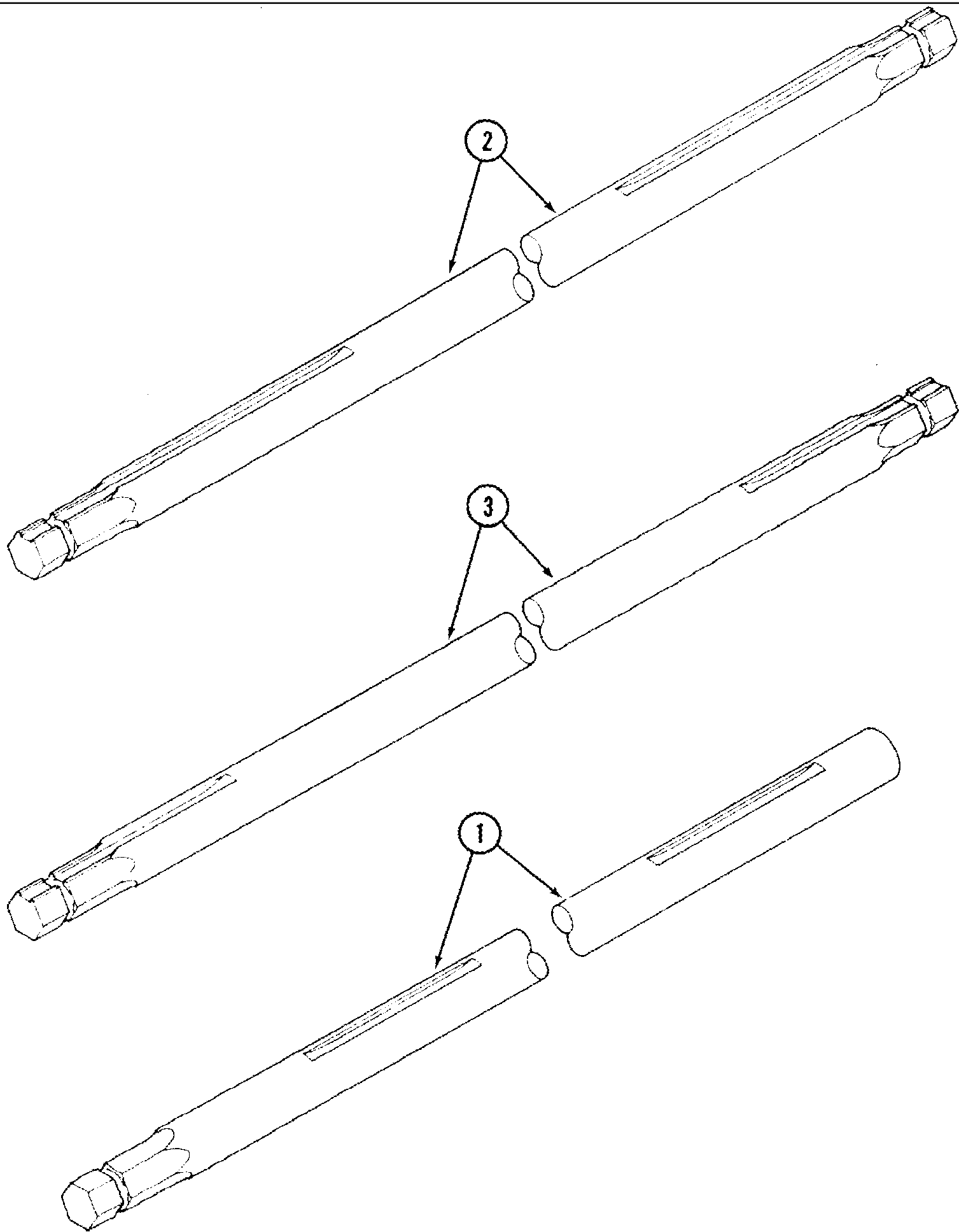


1020 GRAIN HEADER (P.I.N. JJC0315001 TO JJC0350294) (-10/04)

09C-15 DRIVE SHAFT 22.5, 25.0 AND 30.0 FOOT HEADER - ASN JJC0323604

сылка	Номер детали	Кол-во	Описание
1	106043A3	1	SHAFT, DRIVE, PTO auger, Includes 2 - 39, ASN JJC0323604
2	86984378	1	SHAFT, DRIVE, inboard half, Includes 3, 14
3	86984910	1	SHAFT, female half, Includes 4 - 13
4	86984491	1	SHAFT, female cardan telescoping
5	1545200C1	1	YOKE, Female Tube
6	838-5855	1	PIN, LOCK, M8 x 55, Slotted,
7	1330586C1	1	KIT, REPAIR, cross and bearing, Includes 8 - 10
8	NSS	1	NOT SERVICED SEPARATELY, Cross, Yoke with Bearings
9	800-21240	4	RING, SNAP, M240, Int,
10	321204	2	NIPPLE, LUBE, M6 x 1, 16mm lg,
11	368285A2	1	COLLAR, yoke, inboard shaft with coupler, Includes 12
12	321204	1	NIPPLE, LUBE, M6 x 1, 16mm lg,
13	86984492	1	SHIELD, female half shaft, kit
14	86984492	1	SHIELD, female half shaft, kit, Includes 15 - 19
15	NSS	1	NOT SERVICED SEPARATELY, Tube, Shield
16	433495A1	1	SHIELD, PTO driveline quick attach coupler
17	1544660C1	1	BEARING, shield support
18	80672C1	1	DECAL, danger, rotating driveline
19	433531A1	1	DECAL, PTO driveline lubrication
19	433531A2	1	DECAL, PTO driveline lubrication
20	86984493	1	SHIELD, outboard half shaft with shield, male, Includes 21, 33
21	106109A2	1	SHAFT, male drive, Includes 22 - 32
22	86984494	1	SHAFT, male cardan telescoping
23	1545199C1	1	YOKE, inner shaft
24	838-5845	1	PIN, LOCK, M8 x 45, Slotted,
25	1330586C1	1	KIT, REPAIR, cross and bearing, Includes 26 - 28
26	NSS	1	NOT SERVICED SEPARATELY, Cross, Yoke with Bearings
27	800-21240	4	RING, SNAP, M240, Int,
28	321204	2	NIPPLE, LUBE, M6 x 1, 16mm lg,
29	106089A2	1	CLUTCH ASSEMBLY, drive shaft, See figure 09C-18, Includes 30
30	1311950C1	1	KIT, push pin, yoke, Includes 31, 32
31	NSS	1	NOT SERVICED SEPARATELY, Pin, Latch
32	NSS	1	NOT SERVICED SEPARATELY, Spring Latch Pin Return
33	106105A2	1	SHIELD, INNER, inner male shaft, Includes 34 - 39
34	NSS	1	NOT SERVICED SEPARATELY, Tube, Shield
35	86984322	1	SHIELD, male shaft cone with collar
36	1544650C1	1	BEARING, Shield Support
39	1326632C1	2	CHAIN, safety

JJC0323604

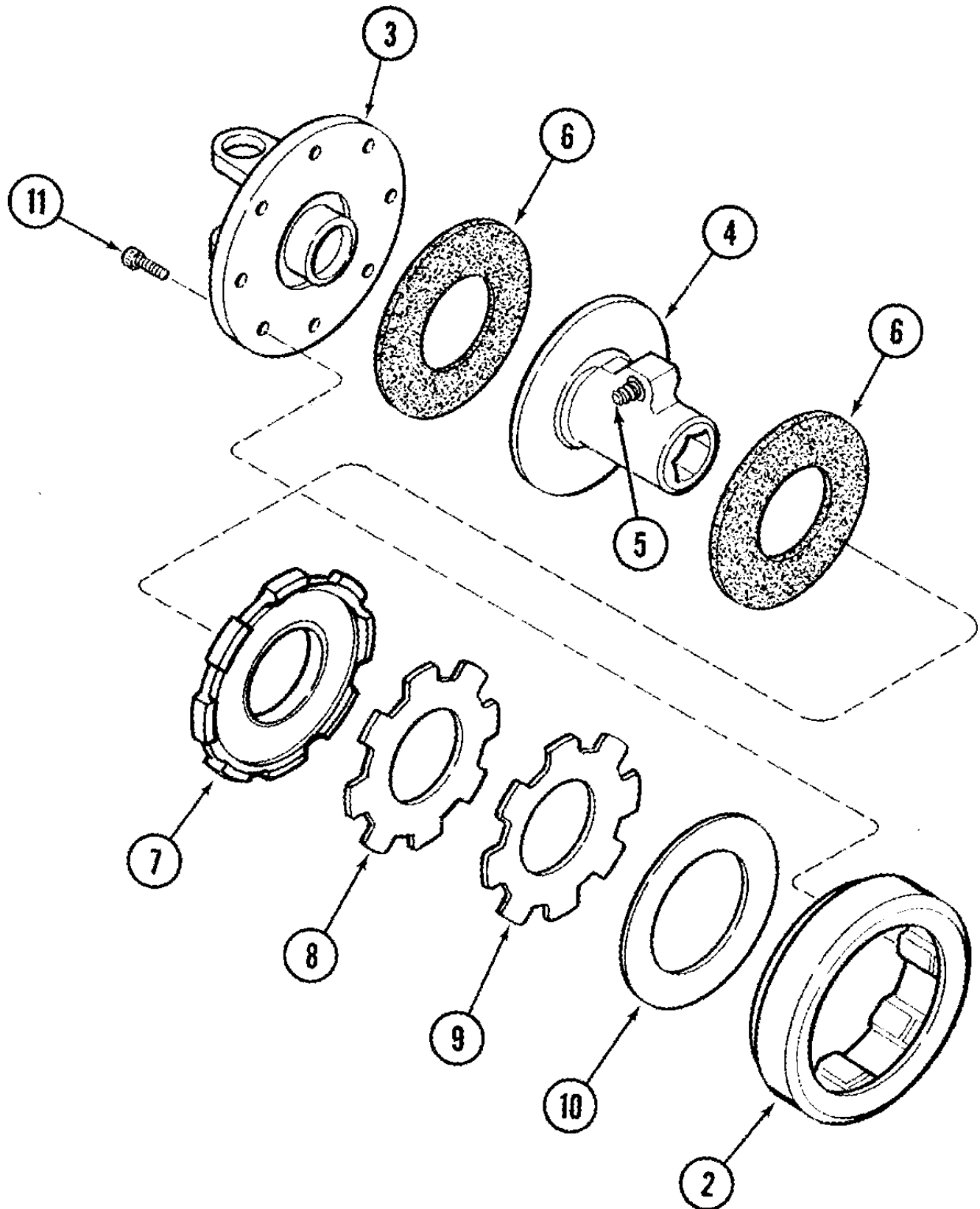


1020 GRAIN HEADER (P.I.N. JJC0315001 TO JJC0350294) (-10/04)

09C-16 FEEDER JACKSHAFT 1420, 1440, 1460 AND 1480 COMBINES, 1982 SEASON AND PRIOR

сылка	Номер детали	Кол-во	Описание
-------	--------------	--------	----------

1	184596C2	1	JACKSHAFT, feeder, 1420 Combine
2	195560C3	1	JACKSHAFT, feeder, 1440 and 1460 combine
3	195559C3	1	JACKSHAFT, feeder, 1480 combine

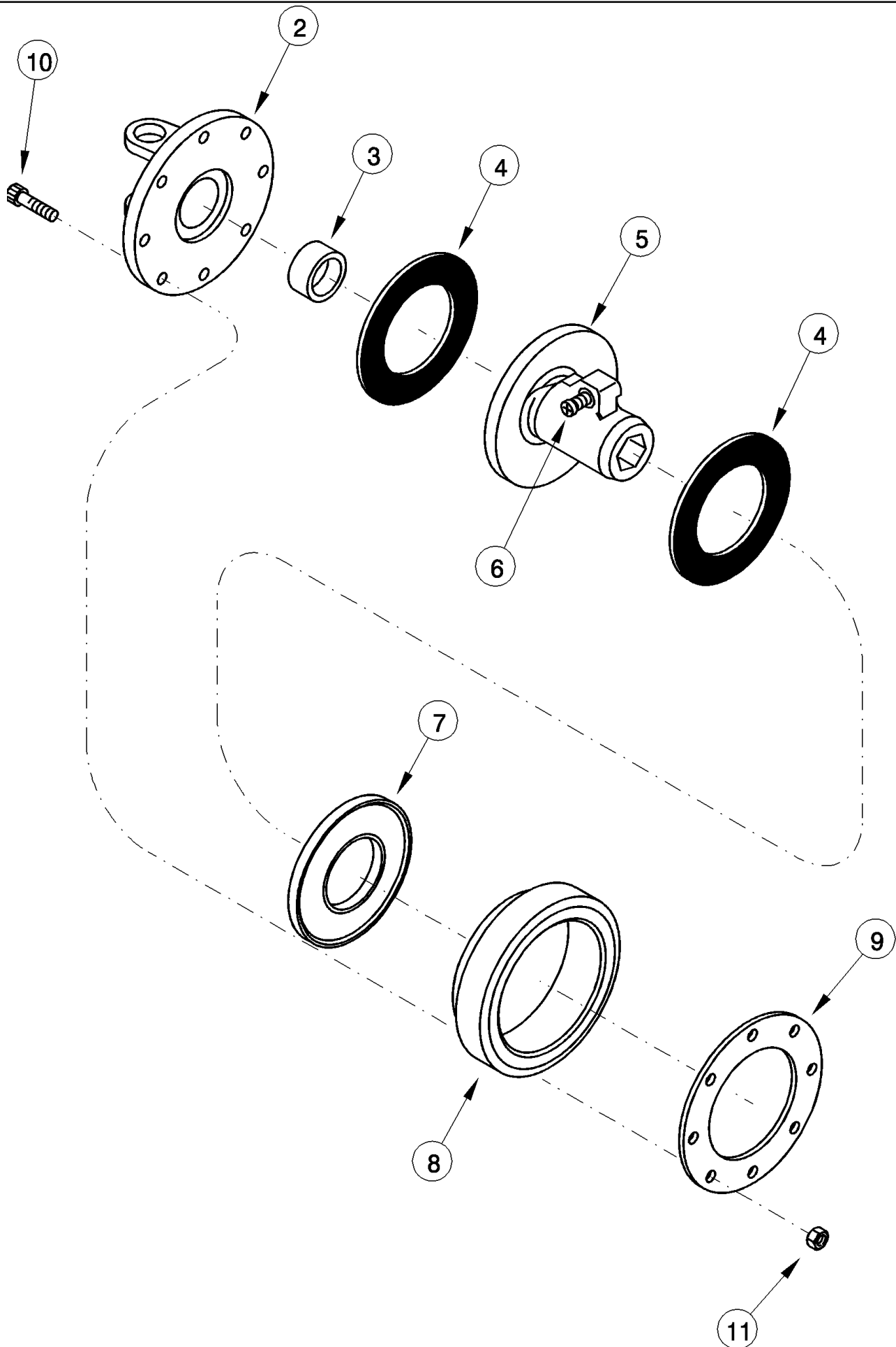


1020 GRAIN HEADER (P.I.N. JJC0315001 TO JJC0350294) (-10/04)

09C-17 SLIP CLUTCH AUGER DRIVE SHAFT - BSN JJC0323604

сылка	Номер детали	Кол-во	Описание
0	106089A1	1	CLUTCH, drive shaft, Includes 2 -11
2	224579A1	1	HOUSING, slip clutch
3	224587A2	1	YOKE, flange cover, auger drive
4	224585A1	1	HUB, , Includes 5
5	1311950C1	1	KIT, push pin, yoke
6	224584A1	2	PLATE, friction
7	224582A1	1	PLATE, pressure
8	224643A1	1	DISC, internal
9	224581A1	1	WASHER, SPRING, Belleville
10	224580A1	1	RING, SNAP,
11	86512138	8	SCREW, Hex Soc Hd, M8 x 20, 12.9,

BSN JJC0323604



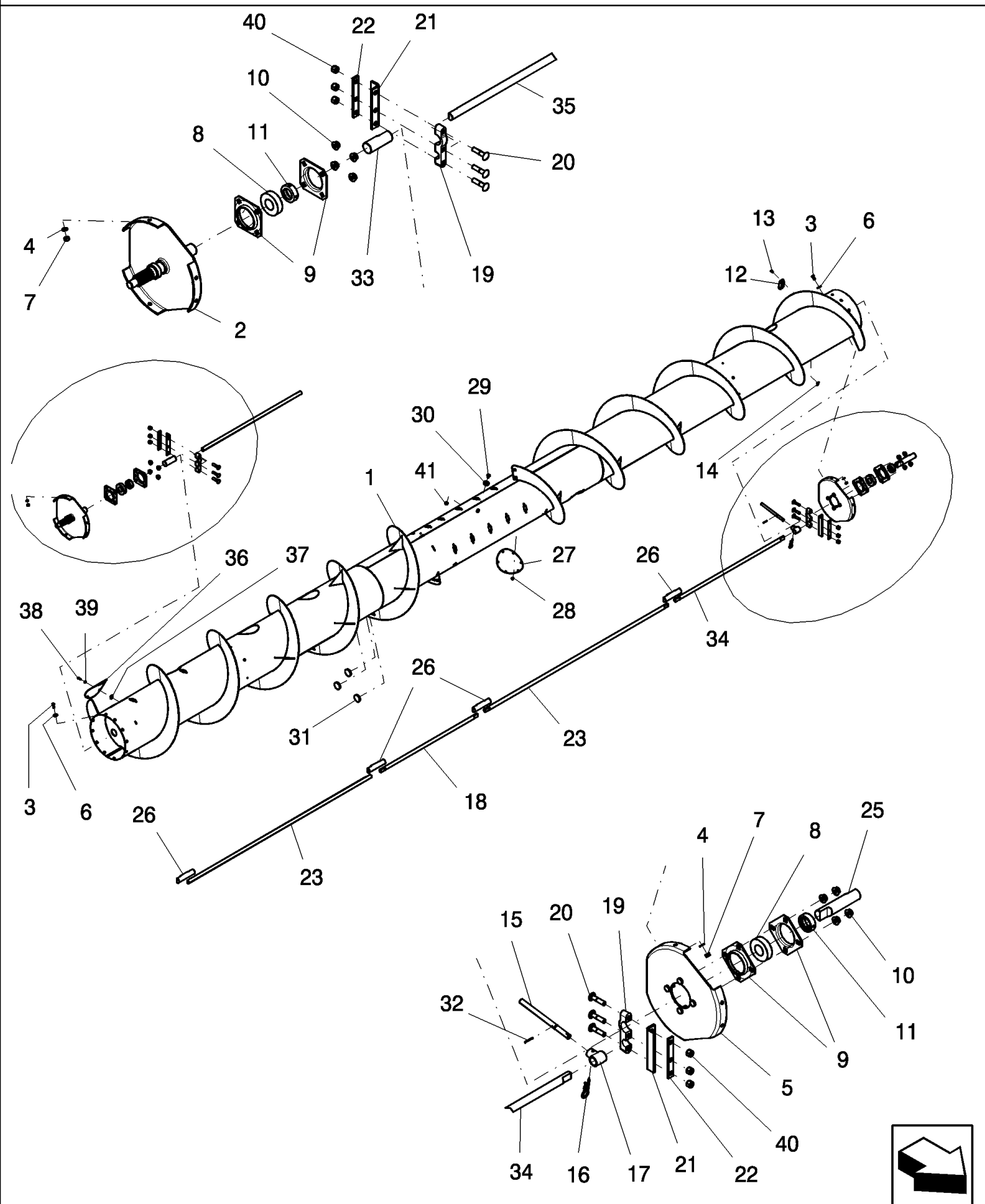
1020 GRAIN HEADER (P.I.N. JJC0315001 TO JJC0350294) (-10/04)

09C-18 SLIP CLUTCH AUGER DRIVE SHAFT - ASN JJC0323604

сылка	Номер детали	Кол-во	Описание
0	106089A2	1	CLUTCH ASSEMBLY, drive shaft, Includes 2 - 11
2	86984908	1	FLANGE, slip clutch yoke
3	86984909	1	BUSHING, PTO Slip Clutch
4	224584A2	2	CLUTCH PLATE, friction
5	86984912	1	HUB, slip clutch, Includes 6
6	1311950C1	1	KIT, push pin, yoke, Includes 6A, 6B
6A	NSS	1	NOT SERVICED SEPARATELY, Pin, Latch, Not Illustrated
6B	NSS	1	NOT SERVICED SEPARATELY, Spring, Latch Pin Return, Not Illustrated
7	86984911	1	PLATE, slip clutch thrust
8	86984914	1	COVER, slip clutch, ring
9	86984913	1	PLATE, spring, slip clutch belleville washer
10	386045	8	BOLT, Hex, M8 x 45, 8.8,
11	832-41308	8	NUT, LOCK, M8 x 1.25, CI 10,

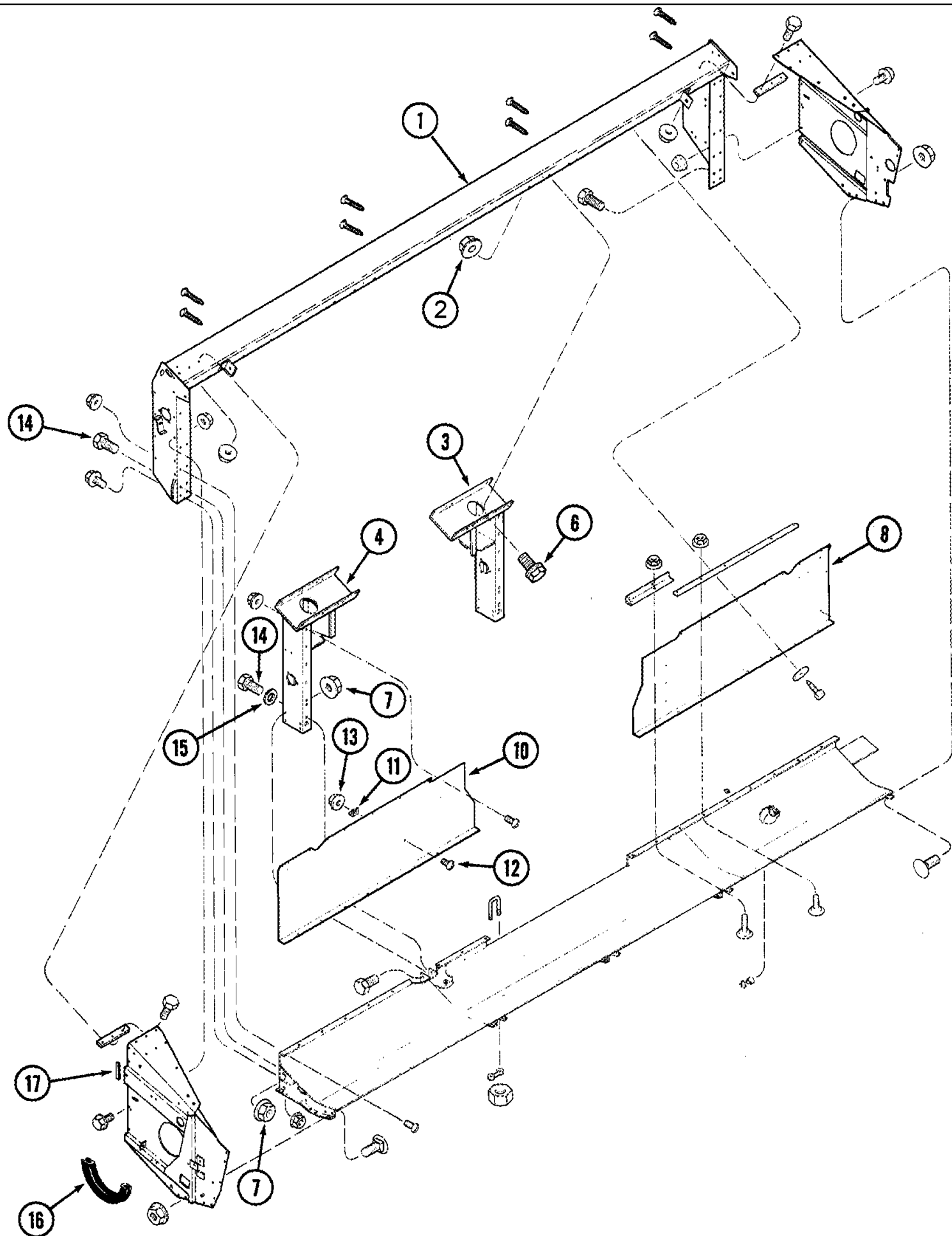
ASN JJC0323604

09C-19 AUGER ASSEMBLY - FULL FINGERED



09C-19 AUGER ASSEMBLY - FULL FINGERED

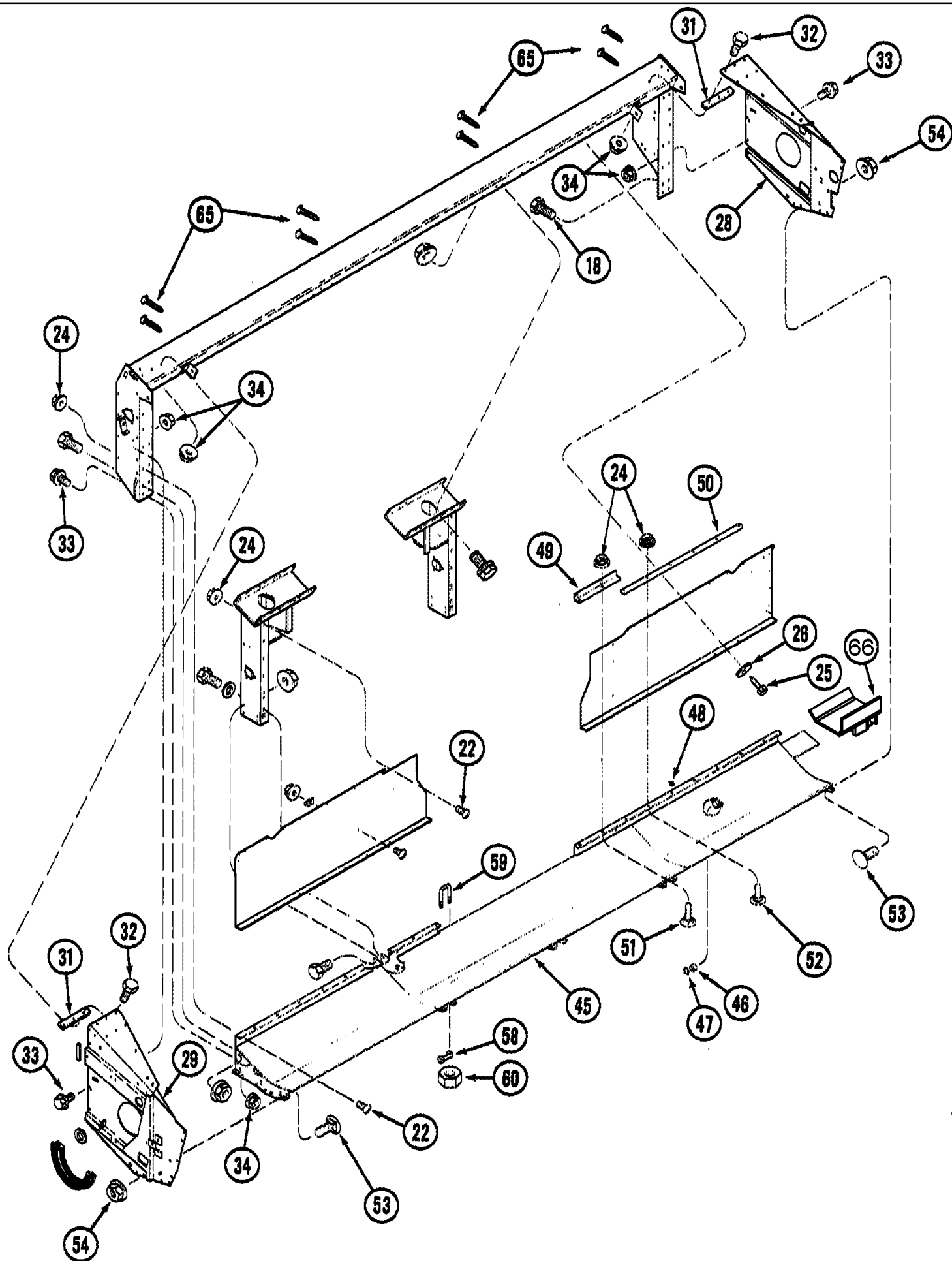
сылка	Номер детали	Кол-во	Описание
0	87519880	1	AUGER, 25.0 foot full fingered with extension
1	87395785	1	AUGER, 30.0 foot full fingered
2	435404A1	1	SHAFT, auger drive
3	9670285	12	BOLT, Hex, 3/8"-16 x 1", G8, Full Thd,
4	80680	12	WASHER, LOCK, 3/8",
5	1307256C1	1	RETAINER, auger LH
6	86624186	12	WASHER, 13/32" x 1 1/8" x .134",
7	429-106	12	NUT, 3/8"-16, G8,
8	52443	6	BEARING, BALL,
9	1307583C1	12	FLANGE, bearing 80 mm 4 bolt
10	231-5348	24	NUT, LOCK, Flg, 1/2"-13,
11	455112R11	6	COLLAR, locking, bearing, with set screw
12	1307259C2	30,32	GUIDE, finger, 30 Used on 25' Model, 32 Used on 30' Model
13	88542	60,64	BOLT, Hex, 1/4"-20 x 1/2", G5, Full Thd, , 60 Used on 25' Model, 64 Used on 30' Model
14	127550	60,64	NUT, Tee, 1/4"-20, , 60 Used on 25' Model, 64 Used on 30' Model
15	440430A1	30,32	FINGER, auger, 30 Used on 25' Model, 32 Used on 30' Model
16	185309A1	30,32	SPLIT PIN/SAFETY PIN, quick attachable, 30 Used on 25' Model, 32 Used on 30' Model
17	1308425C1	30,32	HUB, auger finger, 30 Used on 25' Model, 32 Used on 30' Model
18	435252A1	1	SHAFT, auger finger main 993 mm
19	1326467C1	10	CLAMP, finger shaft
20	280504	30	BOLT, CARRIAGE, Short NK, 1/2"-13 x 2 1/4", G5,
21	1320698C1	10	ANGLE, auger finger shaft
22	87441009	10	PLATE, auger tube
23	435254A1	2	SHAFT, auger finger LH end 1877 mm
25	444038A1	1	SHAFT, auger finger, adjusting, 175 mm
26	444036A1	4	SHAFT, auger finger 162 mm
27	87450151	2	COVER, auger drum
28	281-1478	12	SCREW, SELF TAP, Hex Wash Hd, 1/4" x 1/2",
29	477-73812	2	SCREW, Sltd Serr Truss Hd, 3/8" x 3/4",
30	495-81143	2	WASHER, 13/32" x 1 1/2" x .120",
31	353-417	6	PLUG, Dome, 2.000" hole, Nylon,
32	38-1822	30,32	PIN, LOCK, 1/8" x 1 3/8", Slotted, , 30 Used on 25' Model, 32 Used on 30' Model
33	435255A1	1	SHAFT, auger finger RH end 100 mm
34	87500981	1	SHAFT, auger finger 1115 mm, Used on 25' model
34	435254A1	1	SHAFT, auger finger LH end 1877 mm, Used on 30' model
35	87501827	1	SHAFT, auger finger 1010 mm, Used on 25' model
35	435253A1	1	SHAFT, auger finger RH end 1772 mm, Used on 30' model
36	87017844	10,12	COVER, , 10 Used on 25' Model, 12 Used on 30' Model
37	86014250	20,24	NUT, Spring, M6 x 1, 20 Used on 25' Model, 24 Used on 30' Model
38	120100	20,24	BOLT, Hex, M6 x 20, 8.8, , 20 Used on 25' Model, 24 Used on 30' Model
39	322357	20,24	WASHER, SPRING, Belleville, M6, , 20 Used on 25' Model, 24 Used on 30' Model
40	9636698	30	NUT, LOCK, 1/2"-13, GB,
41	231-5146	2	NUT, Flg, USR, 3/8"-16,



1020 GRAIN HEADER (P.I.N. JJC0315001 TO JJC0350294) (-10/04)

09D-01 MAIN FRAME 15.0, 16.5, 17.5 AND 20.0 FOOT HEADER (PART 1 OF 2)

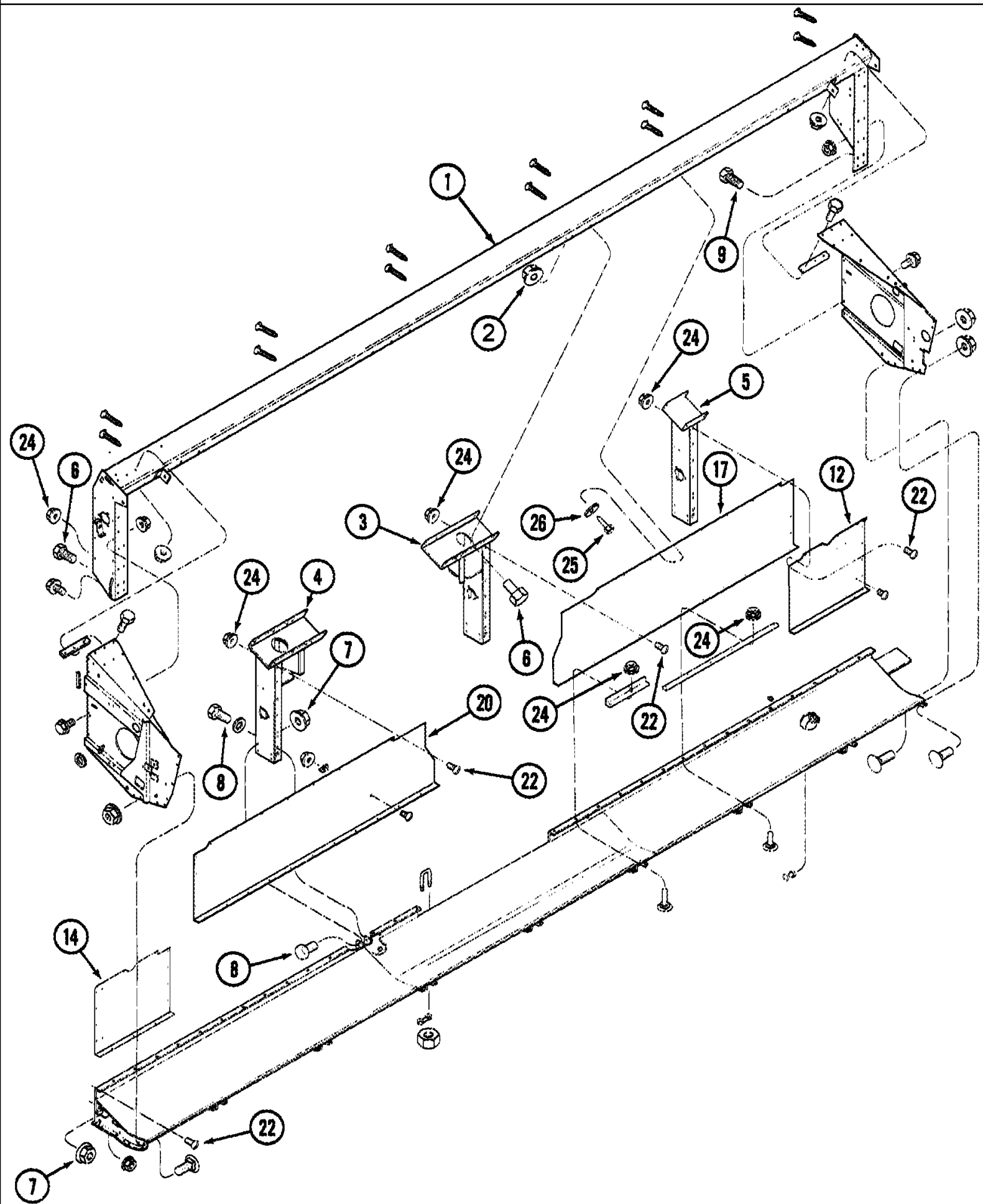
сылка	Номер детали	Кол-во	Описание
1	125995A3	1	BEAM, main 15.0 foot
1	125997A3	1	BEAM, main 16.5 foot
1	125999A3	1	BEAM, main 17.5 foot, BSN JJC0350294
1	126000A3	1	BEAM, main 20.0 foot, BSN JJC0350294
2	87301492	12	NUT, Flg, USR, 1/2"-13, G8, , BSN JJC0350294
3	1307374C7	1	POST, vertical LH, BSN JJC0350294
4	1307375C7	1	POST, vertical RH, BSN JJC0350294
6	87034823	12	BOLT, Hex Flg, 1/2"-13 x 1", G8, Full Thd, , BSN JJC0350294
7	232-5138	18	NUT, Flg, USR, 1/2"-13, G8,
8	1326056C93	1	SHIELD, back with decal, LH 15.0 foot, Includes Decal
8	1326802C3	1	SUPPORT, back with decal LH, Includes Decal
8	1326058C93	1	SHIELD, backsheet 17.5 foot LH, Includes Decal
8	1326060C93	1	SHIELD, backsheet 20.0 foot LH, Includes Decal
10	1326057C94	1	SHIELD, back with decal, RH 15.0 foot, Includes Decal
10	1326803C4	1	SUPPORT, back with decal RH, Includes Decal
10	1326059C94	1	SHIELD, backsheet 17.5 foot RH, Includes Decal
10	1326061C94	1	SHIELD, backsheet 20.0 foot RH, Includes Decal
11	133973A1	4	ANGLE, shield chain, BSN JJC0350294
12	477-73108	5	SCREW, Slt'd Serr Truss Hd, 5/16"-18 x 1/2",
13	145458	4	NUT, Flg, USR, 5/16"-18,
14	9790143	20	BOLT, Hex, 1/2"-13 x 1", G8, Full Thd,
15	496-41066	2	WASHER, 21/32" x 1 1/2" x .188", HDN,
16	135370A1	1	STRIP, PROTECTION, 194 mm (7-5/8 in), Cut From 1330108CX
17	87435C1	1	STRIP, PROTECTION, 76 mm (3") long, cut from 1330108CX bulk



1020 GRAIN HEADER (P.I.N. JJC0315001 TO JJC0350294) (-10/04)

09D-02 MAIN FRAME 15.0, 16.5, 17.5 AND 20.0 FOOT HEADER (PART 2 OF 2)

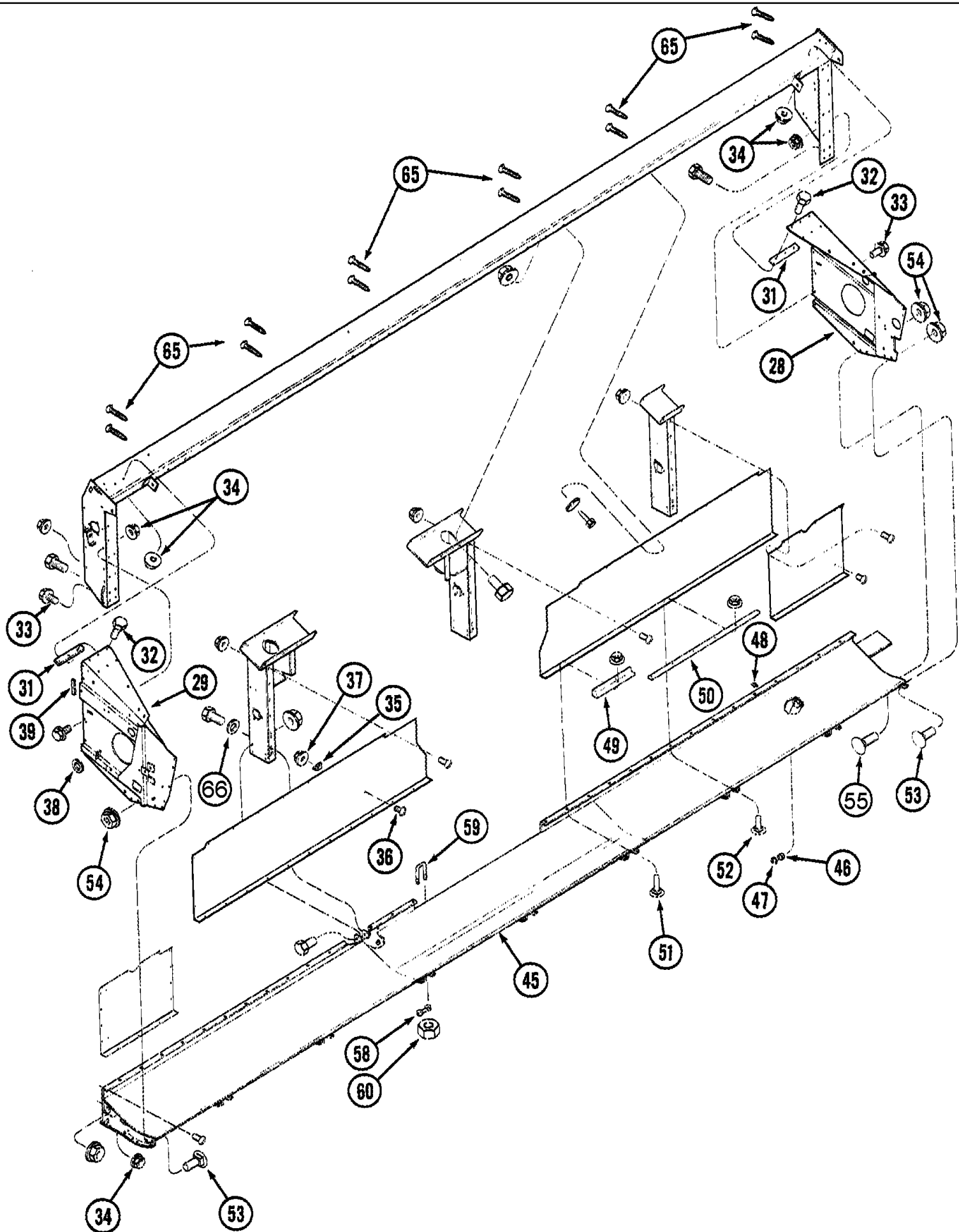
сылка	Номер детали	Кол-во	Описание
18	280853	2	BOLT, Hex, 1/2"-13 x 1 1/4", G8, Full Thd,
22	135270	X	BOLT, Slotted Tr Hd, 5/16"-18 x 3/4",
24	145458	X	NUT, Flg, USR, 5/16"-18,
25	87034817	X	SCREW, SELF TAP, Hex Wash Hd, 5/16" x 3/4",
26	87013351	X	WASHER, .344" x 1 1/4" x .120",
28	131176A3	1	SUPPORT, LH end sheet, Includes 31, BSN JJC0350294
29	130817A4	1	SUPPORT, endsheet RH, Includes 31
31	1313966C1	2	BAR, shim
32	86512174	6	BOLT, Hex Flg, 3/8"-16 x 1 1/4", Serr,
33	255918	12	BOLT, Hex Flg, 3/8"-16 x 3/4", Serr,
34	247780	24	NUT, Flg, USR, 3/8"-16,
45	1307500C95	1	BEAM, lower, 15.0 foot, Includes 46, 47
45	1326806C5	1	BEAM ASSY., lower 16.5 foot, Includes 46, 47
45	1307501C96	1	BEAM, lower flex 17.5 foot, Includes 46, 47, BSN JJC0350294
45	1307502C96	1	BEAM, lower flex 20.0 foot, Includes 46, 47, BSN JJC0350294
46	1316827C1	1	BUSHING, pivot
47	86013223	1	RING, SNAP, 1.625", Int, #162,
48	87414	1	NIPPLE, LUBE, 1/4"-28 x .56" lg, Drive,
49	1316564C1	2	ANGLE, , BSN JJC0350294
50	189825C2	X	STRIPPER, auger, adjustable, BSN JJC0350294
51	88992	X	BOLT, CARRIAGE, Short NK, 5/16"-18 x 1", G5, Full Thd,
52	280497	X	BOLT, CARRIAGE, Short NK, 5/16"-18 x 3/4", G5, Full Thd,
53	280499	4	BOLT, CARRIAGE, Short NK, 1/2"-13 x 1", G5, Full Thd,
54	232-5318	4	NUT, LOCK, Flg, 1/2"-13,
58	1307371C1	2	LATCH, bar feeder dogbone, BSN JJC0350294
59	177134C3	2	U-BOLT, 5/8"-11, 4.6" ID Height, 2.18" ID Width
60	86520346	4	NUT, LOCK, 5/8"-11, GB,
65	145913	X	BOLT, Hex Flg, 5/16"-18 x 3/4", Serr,
66	1313980C91	1	PIVOT, inner



1020 GRAIN HEADER (P.I.N. JJC0315001 TO JJC0350294) (-10/04)

09D-03 MAIN FRAME 22.5, 25.0 AND 30.0 FOOT HEADER (PART 1 OF 2)

сылка	Номер детали	Кол-во	Описание
1	126002A3	1	BEAM, main 22.5 foot, BSN JJC0350294
1	126004A3	1	BEAM, main 25.0 foot, BSN JJC0350294
1	126005A3	1	BEAM, main 30.0 foot, BSN JJC0350294
2	87301492	40	NUT, Flg, USR, 1/2"-13, G8, , BSN JJC0350294
3	1307374C7	1	POST, vertical LH, BSN JJC0350294
4	1307375C7	1	POST, vertical RH, BSN JJC0350294
5	1307376C6	1	POST, intermediate LH, BSN JJC0350294
5	128414A4	1	POST, intermediate RH, BSN JJC0350294
6	87034823	40	BOLT, Hex Flg, 1/2"-13 x 1", G8, Full Thd, , BSN JJC0350294
7	232-5138	14	NUT, Flg, USR, 1/2"-13, G8,
8	9790143	38	BOLT, Hex, 1/2"-13 x 1", G8, Full Thd,
9	280853	2	BOLT, Hex, 1/2"-13 x 1 1/4", G8, Full Thd,
12	1307093C1	1	SHEET, back LH 22.5 foot, BSN JJC0350294
12	1307095C1	1	SHEET, back LH 25.0 foot
12	1307097C1	1	SHEET, back LH 30.0 foot, BSN JJC0350294
14	1307094C1	1	SHEET, back RH 22.5 foot, BSN JJC0350294
14	1307096C1	1	SHEET, back RH 25.0 foot, BSN JJC0350294
14	1307098C1	1	SHEET, back RH 30.0 foot, BSN JJC0350294
17	1326062C93	1	SHIELD, backsheet center LH, Includes Decal
20	1326063C94	1	SHIELD, backsheet center RH, Includes Decal
22	135270	X	BOLT, Slotted Tr Hd, 5/16"-18 x 3/4",
22	477-73108	1	SCREW, Sltd Serr Truss Hd, 5/16"-18 x 1/2",
24	145458	X	NUT, Flg, USR, 5/16"-18,
25	87034817	X	SCREW, SELF TAP, Hex Wash Hd, 5/16" x 3/4",
26	87013351	X	WASHER, .344" x 1 1/4" x .120",

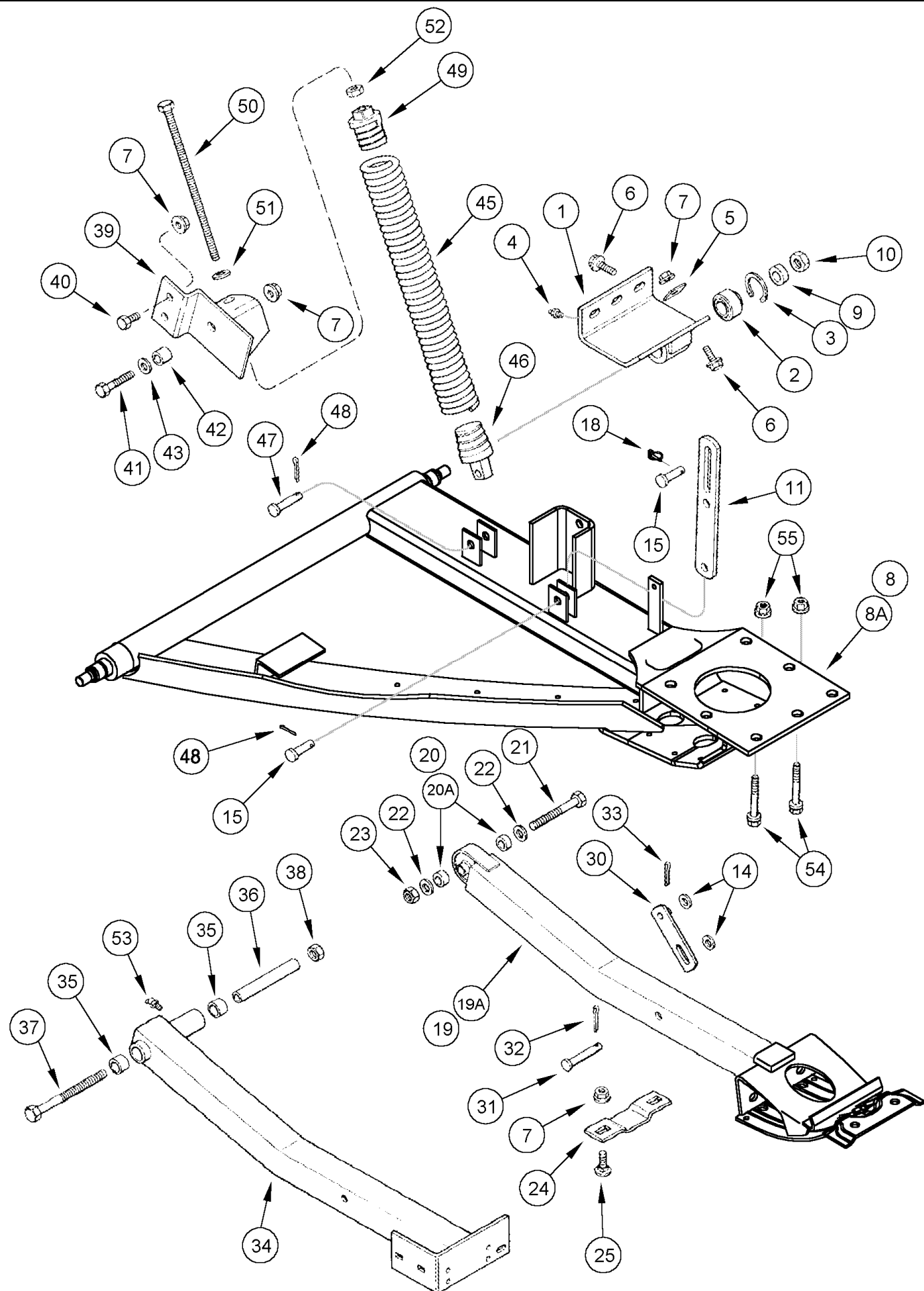


1020 GRAIN HEADER (P.I.N. JJC0315001 TO JJC0350294) (-10/04)

09D-04 MAIN FRAME 22.5, 25.0 AND 30.0 FOOT HEADER (PART 2 OF 2)

сылка	Номер детали	Кол-во	Описание
28	131176A3	1	SUPPORT, LH end sheet, Includes 31, BSN JJC0350294
29	130817A4	1	SUPPORT, endsheet RH, Includes 31
31	1313966C1	2	BAR, shim
32	86512174	6	BOLT, Hex Flg, 3/8"-16 x 1 1/4", Serr,
33	255918	12	BOLT, Hex Flg, 3/8"-16 x 3/4", Serr,
34	247780	18	NUT, Flg, USR, 3/8"-16,
35	133973A1	4	ANGLE, shield chain, BSN JJC0350294
36	477-73108	4	SCREW, Sltd Serr Truss Hd, 5/16"-18 x 1/2",
37	145458	4	NUT, Flg, USR, 5/16"-18,
38	135370A1	1	STRIP, PROTECTION, 194 mm (7-5/8 in), Cut From 1330108CX, Cut From 1330108CX
39	87435C1	1	STRIP, PROTECTION, 76 mm (3") long, cut from 1330108CX bulk, Cut From 1330108CX
45	1307503C95	1	BEAM, lower flex 22.5 foot, Includes 46, 47, BSN JJC0350294
45	1307504C95	1	BEAM, lower flex 25.0 foot, Includes 46, 47, BSN JJC0350294
45	1307505C95	1	BEAM, lower flex 30.0 foot, Includes 46, 47, BSN JJC0350294
46	1316827C1	1	BUSHING, pivot
47	86013223	1	RING, SNAP, 1.625", Int, #162,
48	87414	1	NIPPLE, LUBE, 1/4"-28 x .56" lg, Drive,
49	1316564C1	2	ANGLE, , BSN JJC0350294
50	189825C2	X	STRIPPER, auger, adjustable, BSN JJC0350294
51	88992	4	BOLT, CARRIAGE, Short NK, 5/16"-18 x 1", G5, Full Thd,
52	280497	X	BOLT, CARRIAGE, Short NK, 5/16"-18 x 3/4", G5, Full Thd,
53	280499	X	BOLT, CARRIAGE, Short NK, 1/2"-13 x 1", G5, Full Thd,
54	86512371	17	NUT, Flg, USR, 1/2"-13,
55	88707	2	BOLT, CARRIAGE, Short NK, 1/2"-13 x 1 1/4", G5, Full Thd,
58	1307371C1	2	LATCH, bar feeder dogbone, BSN JJC0350294
59	177134C3	2	U-BOLT, 5/8"-11, 4.6" ID Height, 2.18" ID Width
60	86520346	4	NUT, LOCK, 5/8"-11, GB,
65	145913	12	BOLT, Hex Flg, 5/16"-18 x 3/4", Serr,
66	496-41066	4	WASHER, 21/32" x 1 1/2" x .188", HDN,
73	496-41066	4	WASHER, 21/32" x 1 1/2" x .188", HDN,

09D-05 MAIN FRAME SUPPORTS



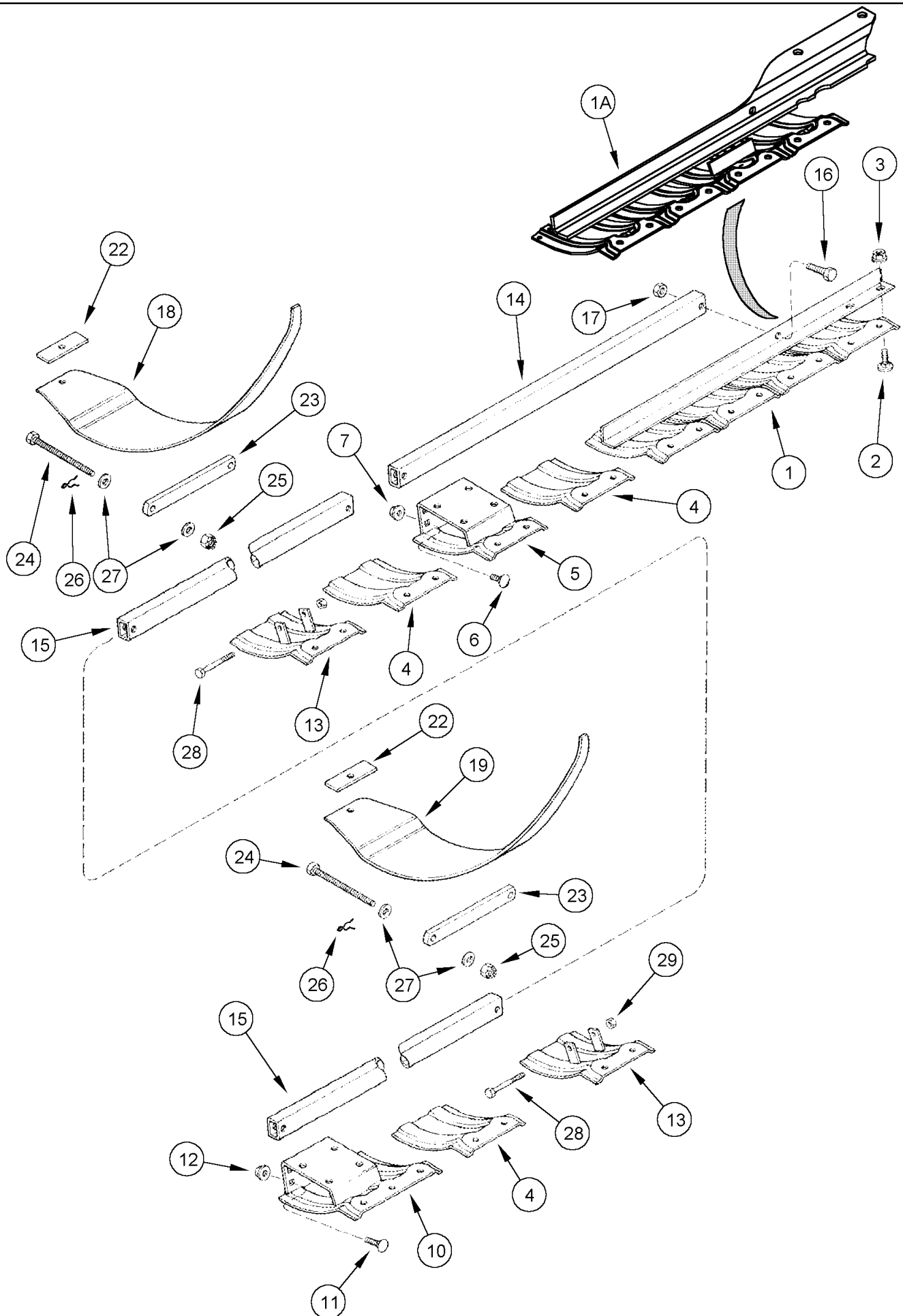
09D-05 MAIN FRAME SUPPORTS

сылка	Номер детали	Кол-во	Описание
1	1313979C91	1	SUPPORT, pivot, outer, Includes 2, 3
2	1316827C1	1	BUSHING, pivot
3	86013223	1	RING, SNAP, 1.625", Int, #162,
4	87414	1	NIPPLE, LUBE, 1/4"-28 x .56" lg, Drive,
5	199408C1	X	SHIM, .032", support
6	84209	5	BOLT, Hex Flg, 1/2"-13 x 1 1/4", Serr,
7	86512371	X	NUT, Flg, USR, 1/2"-13,
8	128452A2	1	SUPPORT, runner, LH, No Longer Available, Order 393724A1 Below, Also Order 390539A1 Skid Assy For 16.5, 17.5 and 22.5 Foot Headers, Also Order 390538A1 Skid Assy For 15.0, 20.0 25.0 and 30.0 Foot Headers, BSN JJC0323603
8A	393724A1	1	SUPPORT, runner LH, ASN JJC0323604
9	1316828C1	1	SPACER, support
10	85700693	2	NUT, LOCK, 5/8"-11, GC,
11	130867A1	1	STRAP, down stop, LH, BSN JJC0350294
14	87364	X	WASHER, 1/2", SAE,
15	86624070	2	PIN, HEADED, 1/2" x 1 1/2", G2,
18	A33497	1	PIN, LINCH, Klik
19	1989223C3	X	SUPPORT, runner, inner, No Longer Available, Order 392423A3 Below
19A	392423A3	X	SUPPORT, runner, inner 02
20	577715R1	X	SPACER, 7/8" Tube x 3/8",
20	87305411	X	SPACER 0.657 0.875 0.406 LG ZND, ASN OCT 05
20A	441943A1	X	SPACER, 7/8" Tube x .406", , Used with 392423A3 Support
21	16445	X	BOLT, Hex, 5/8"-11 x 3 3/4", G5,
22	495-81177	X	WASHER, 21/32" x 1" x .030",
23	85700693	X	NUT, LOCK, 5/8"-11, GC,
24	1316681C2	X	SUPPORT, plate, runner lockout, BSN JJC0350294
25	280499	X	BOLT, CARRIAGE, Short NK, 1/2"-13 x 1", G5, Full Thd,
30	1316302C2	X	ARM, downstop
31	439-5844	X	PIN, HEADED, 1/2" x 2 3/4", G5,
32	394818	X	PIN, SPLIT (COTTER), M5 x 25,
33	80755	X	PIN, SPLIT (COTTER), 1/8" x 1",
34	1316677C3	1	SUPPORT, RH runner, Includes 35
34	1316677C4	1	SUPPORT, runner RH, Includes 35
35	551068R1	2	BUSHING, .887 ID x .875 long
36	1316883C2	1	SPACER, 5/8" x 5"
37	88264	1	BOLT, Hex, 5/8"-11 x 6", G5,
38	85700693	1	NUT, LOCK, 5/8"-11, GC,
39	137928A1	1	SUPPORT, spring, LH
40	87034823	2	BOLT, Hex Flg, 1/2"-13 x 1", G8, Full Thd,
41	87975	1	BOLT, Hex, 1/2"-13 x 2 1/4", G5,
42	610399R1	1	SPACER, 1/2" X-Strng Pipe x 7/8",
42	87342195	1	SPACER 1/2 X 0.875 XSTRG PIPE, ASN OCT 05
43	87364	1	WASHER, 1/2", SAE,
45	1313103C1	1	SPRING, C .406 WR 2.5 OD 16.6L, BSN JJC0350294
46	1313104C1	1	PLUG, support, spring lower

09D-05 MAIN FRAME SUPPORTS

сылка	Номер детали	Кол-во	Описание
47	439-5832	1	PIN, HEADED, 1/2" x 2",
48	394818	2	PIN, SPLIT (COTTER), M5 x 25,
49	124366A1	1	NUT, SPECIAL, spring, upper
50	124365A1	1	BOLT, 5/8" x 10" UNC G5
51	396-31066	1	WASHER, 21/32" x 1 5/16" x .188", HDN,
52	280374	1	NUT, 5/8"-11, G5,
53	87414	1	NIPPLE, LUBE, 1/4"-28 x .56" lg, Drive,
54	414077C1	2	BOLT, hex flange, special, 5/8 NC x 1 3/4"
55	414089C1	2	NUT, LOCK, Flg, 5/8"-18,

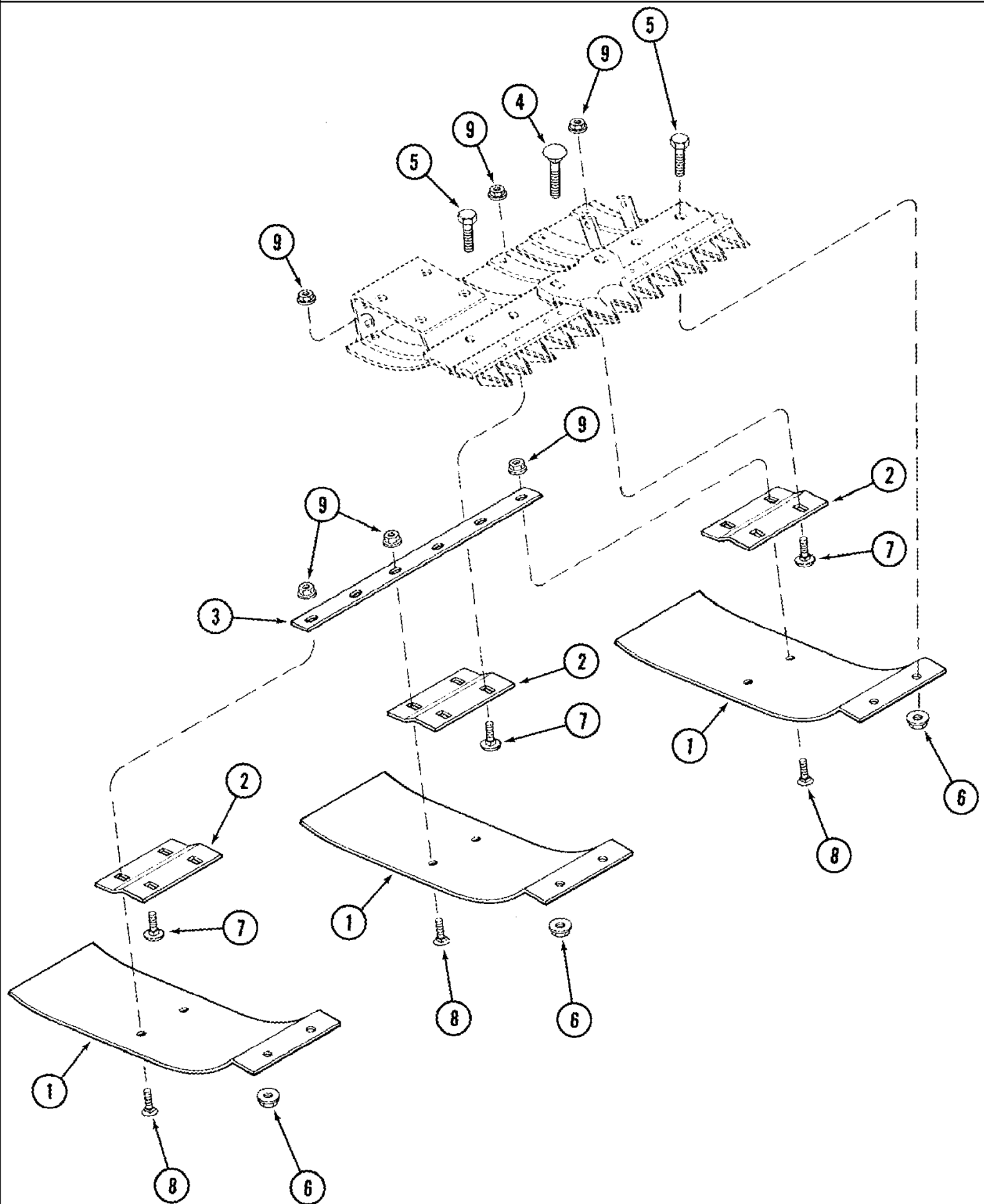
09D-06 CUTTER BAR SKIDS AND SUPPORT SPRINGS



09D-06 CUTTER BAR SKIDS AND SUPPORT SPRINGS

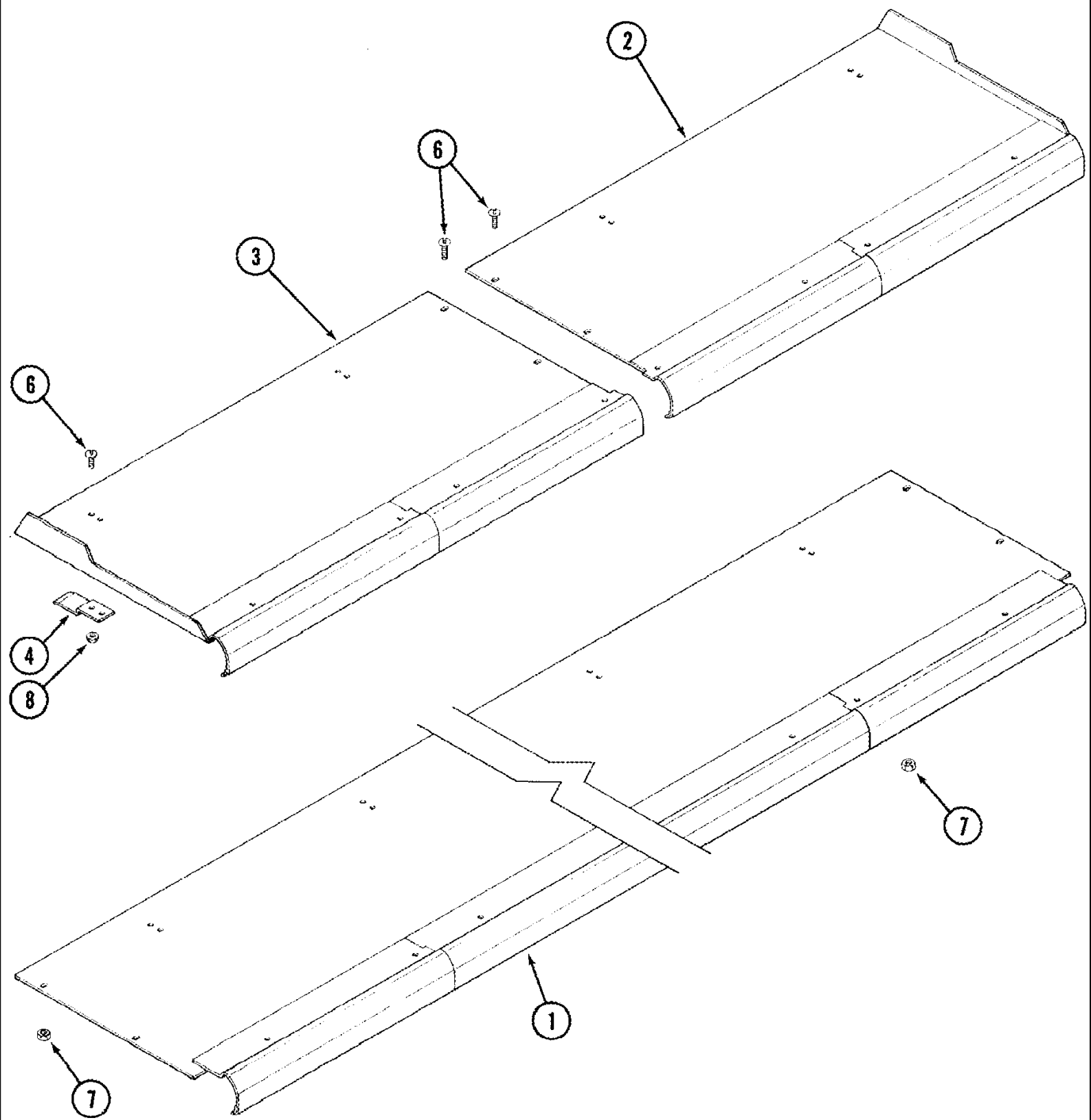
сылка	Номер детали	Кол-во	Описание
1	128512A1	1	SKID/SHOE, LH (15.0, 20.0, 25.0 and 30.0 foot), BSN JJC0323603
1	128514A2	1	SKID/SHOE, LH, 16.5, 17.5 and 22.5 foot, BSN JJC0323603
1A	390538A2	1	SKID/SHOE, 15.0, 20.0, 25.0 and 30.0 foot, ASN JJC0323604
1A	390539A2	1	SKID/SHOE, 16.5, 17.5 and 22.5 foot, ASN JJC0323604
2	280499	2	BOLT, CARRIAGE, Short NK, 1/2"-13 x 1", G5, Full Thd,
3	232-5318	2	NUT, LOCK, Flg, 1/2"-13,
4	251206A2	X	SHOE, cutterbar skid narrow, BSN JJC0350294
5	1307398C5	1	SUPPORT, skid, runner16.5, 17.5 and 22.5 foot
6	80280503	X	BOLT, CARRIAGE, Short NK, 3/8"-16 x 1", G5, Full Thd,
7	247780	X	NUT, Flg, USR, 3/8"-16,
10	1316335C6	1	SUPPORT, skid, RH runner, 15.0, 20.0, 25.0 and 30.0 Foot Headers
11	80280503	4	BOLT, CARRIAGE, Short NK, 3/8"-16 x 1", G5, Full Thd,
12	247780	4	NUT, Flg, USR, 3/8"-16,
13	1307466C4	X	SUPPORT, skid, spring
14	1320908C2	X	TUBE, cutter bar, lockout
15	1320914C2	2	TUBE, cutter bar (15.0 foot)
15	1320913C2	2	TUBE, cutter bar (17.5 foot)
15	1320912C2	2	TUBE, cutter bar (20.0 foot)
15	1320911C2	2	TUBE, cutter bar (16.5 and 22.5 foot)
15	1320910C2	2	TUBE, cutter bar (25.0 foot)
15	1320909C2	2	TUBE, cutter bar (30.0 foot)
16	88436	X	BOLT, Hex, 3/8"-16 x 2", G5,
17	704734	X	NUT, LOCK, Flg, 3/8"-16,
18	1307469C1	X	LEAF, SPRING, cutter bar support, BSN JJC0350294
19	1307468C2	1	LEAF, SPRING, cutter bar support, right-hand, BSN JJC0350294
22	1316387C1	X	BAR, spring support
23	1305054C2	X	BAR, spring adjusting
24	323794A1	X	BOLT, 1/2 x 5 1/2" UNC G8 with 6 1/4" thread and with hole
25	425-128	X	NUT, SLOTTED, 1/2"-13, G5,
26	86637813	X	PIN, 1/8" x 1", Coiled,
27	396-21053	X	WASHER, 17/32" x 1 1/16" x .134",
28	88731	X	BOLT, Hex, 5/16"-18 x 3", G5,
29	280736	X	NUT, LOCK, 5/16"-18, GC,

09D-07 AUXILIARY CUTTER BAR PLATES



09D-07 AUXILIARY CUTTER BAR PLATES

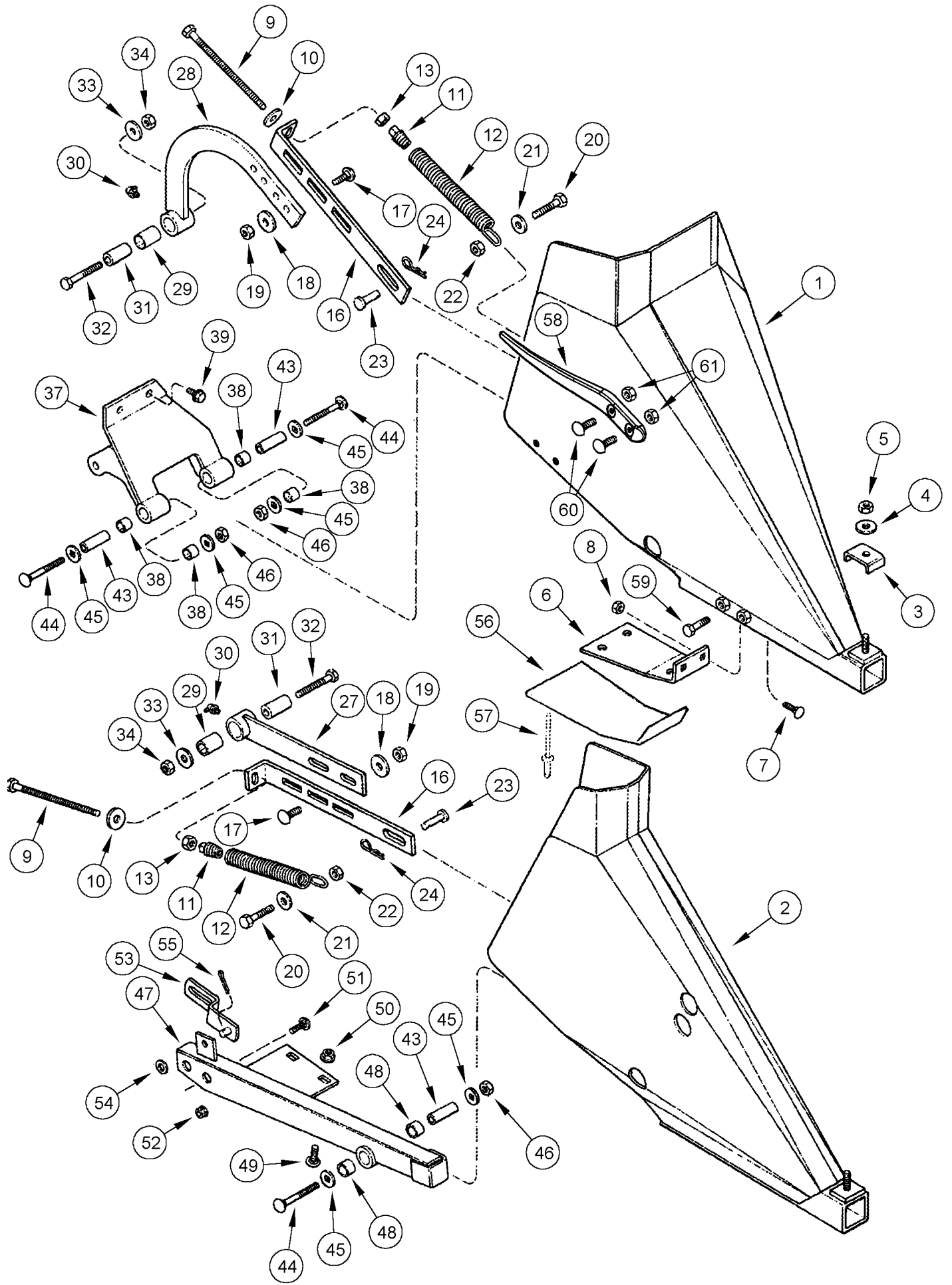
сылка	Номер детали	Кол-во	Описание
1	1970379C2	3	PLATE, SKID, cutter bar, auxiliary
2	1970431C1	3	SHIELD, skid, auxiliary
3	1977119C1	1	BAR, skid support
4	434-736	4	BOLT, CARRIAGE, Short NK, 7/16"-14 x 2 1/4", G5,
5	413-728	4	BOLT, Hex, 7/16"-14 x 1 3/4", G5,
6	1313463C1	6	NUT, LOCK, hex small flange, 7/16" NC
7	80280503	6	BOLT, CARRIAGE, Short NK, 3/8"-16 x 1", G5, Full Thd,
8	420-2620	6	BOLT, CARRIAGE, 3/8"-16 x 1 1/4", G8, Full Thd,
9	247780	12	NUT, Flg, USR, 3/8"-16,



09D-08 BOTTOM SHEETS

сылка	Номер детали	Кол-во	Описание
1	1313156C2	1	SHIELD, center, bottom
2	1313132C2	1	SHIELD, LH, bottom, (15.0 foot)
2	1326814C2	1	SHIELD, left-hand, bottom, (16.5 foot)
2	1313133C2	1	SHIELD, left-hand, bottom, (17.5 foot)
2	1313134C2	1	SHIELD, left-hand, bottom, (20.0 foot)
2	1313135C2	1	SHIELD, left-hand, bottom, (22.5 foot)
2	1313136C2	1	SHIELD, left-hand, bottom, (25.0 foot)
2	1313137C2	1	SHIELD, left-hand, bottom, (30.0 foot)
3	1313138C2	1	SHIELD, right-hand, bottom, (15.0 foot)
3	1326815C2	1	SHIELD, right-hand, bottom, (16.5 foot)
3	1313139C2	1	SHIELD, RH, bottom, 17.5 foot
3	1313140C2	1	SHIELD, right-hand, bottom, (20.0 foot)
3	1313141C2	1	SHIELD, right-hand, bottom, (22.5 foot)
3	1313142C2	1	SHIELD, right-hand, bottom, (25.0 foot)
3	1313143C2	1	SHIELD, right-hand, bottom, (30.0 foot)
4	1307580C2	X	CLIP, bottom sheet rear
6	477-82508	X	SCREW, Slted Serr Truss Hd, 1/4"-20 x 1/2",
7	9626558	4	NUT, LOCK, Flg, 1/4"-20,
8	523282	X	NUT, Flg, USR, 1/4"-20,

09D-09 DIVIDERS



09D-09 DIVIDERS

сылка	Номер детали	Кол-во	Описание
1	1316060C5	1	DIVIDER, LH, BSN JJC0350294
2	1316061C2	1	DIVIDER, RH, BSN JJC0350294
3	1316709C2	2	CLAMP, wing tube
4	185129C1	2	WASHER, special, 17/32 x 1 1/2 x 3/16"
5	231-4118	2	NUT, LOCK, 1/2"-13, GB,
6	1316847C3	1	SUPPORT, plate, knife head guard
7	80280503	2	BOLT, CARRIAGE, Short NK, 3/8"-16 x 1", G5, Full Thd,
8	9637692	2	NUT, LOCK, 3/8"-16, GB,
9	480556C1	2	BOLT, Hex, 1/2"-13 x 8", G5, , BSN JJC0350294
10	86624188	2	WASHER, 17/32" x 1 1/16" x .134",
11	1316731C2	2	PLUG, spring
12	1316732C1	2	SPRING, divider pivot, BSN JJC0350294
13	280431	2	NUT, 1/2"-13, G5,
16	1316585C2	2	SUPPORT, link, lower divider pivot, BSN JJC0350294
17	88530	4	BOLT, CARRIAGE, Short NK, 1/2"-13 x 1 3/4", G5,
18	86624188	4	WASHER, 17/32" x 1 1/16" x .134",
19	231-4118	4	NUT, LOCK, 1/2"-13, GB,
20	280355	2	BOLT, Hex, 5/8"-11 x 2 1/4", G8,
21	396-31066	2	WASHER, 21/32" x 1 5/16" x .188", HDN,
22	280374	2	NUT, 5/8"-11, G5,
23	439-51224	2	PIN, HEADED, 3/4" x 1 1/2",
24	1978738C1	2	PIN, SPLIT (COTTER), 11/64" x 3 51/64"
27	1316787C93	1	LINK, divider pivot RH, Includes 29, 30
28	136881A2	1	LINK, divider pivot LH, Includes 29, 30, BSN JJC0350294
29	559317R1	1	BUSHING, 1 1/8 x 1 x 1 1/2 long
30	87415	1	NIPPLE, LUBE, 90с, 1/4" NPT x .75" lg, Drive,
31	1326465C2	2	BUSHING, link pivot
32	87339	2	BOLT, Hex, 1/2"-13 x 3", G5,
33	185129C1	2	WASHER, special, 17/32 x 1 1/2 x 3/16"
34	231-4118	3	NUT, LOCK, 1/2"-13, GB,
37	140387A1	1	SUPPORT, divider, LH, Includes 38
37	87450167	1	SUPPORT, divider pivot LH, Includes 38
38	1280291C1	4	BUSHING, 19 mm (3/4 in) dia
39	87034823	4	BOLT, Hex Flg, 1/2"-13 x 1", G8, Full Thd,
43	1316782C1	3	BUSHING, divider pivot
44	280268	3	BOLT, CARRIAGE, Short NK, 1/2"-13 x 3 1/4", G5,
45	498-81006	6	WASHER, 17/32" x 1 1/4" x .120", Sq Hole,
46	231-4118	3	NUT, LOCK, 1/2"-13, GB,
47	1316322C92	1	SUPPORT, divider, RH, Includes 48
48	1280291C1	2	BUSHING, 19 mm (3/4 in) dia
49	280499	4	BOLT, CARRIAGE, Short NK, 1/2"-13 x 1", G5, Full Thd,
50	86512371	4	NUT, Flg, USR, 1/2"-13,
51	80280503	2	BOLT, CARRIAGE, Short NK, 3/8"-16 x 1", G5, Full Thd,
52	247780	2	NUT, Flg, USR, 3/8"-16,
53	1316674C3	1	ARM, downstop, RH

09D-09 DIVIDERS

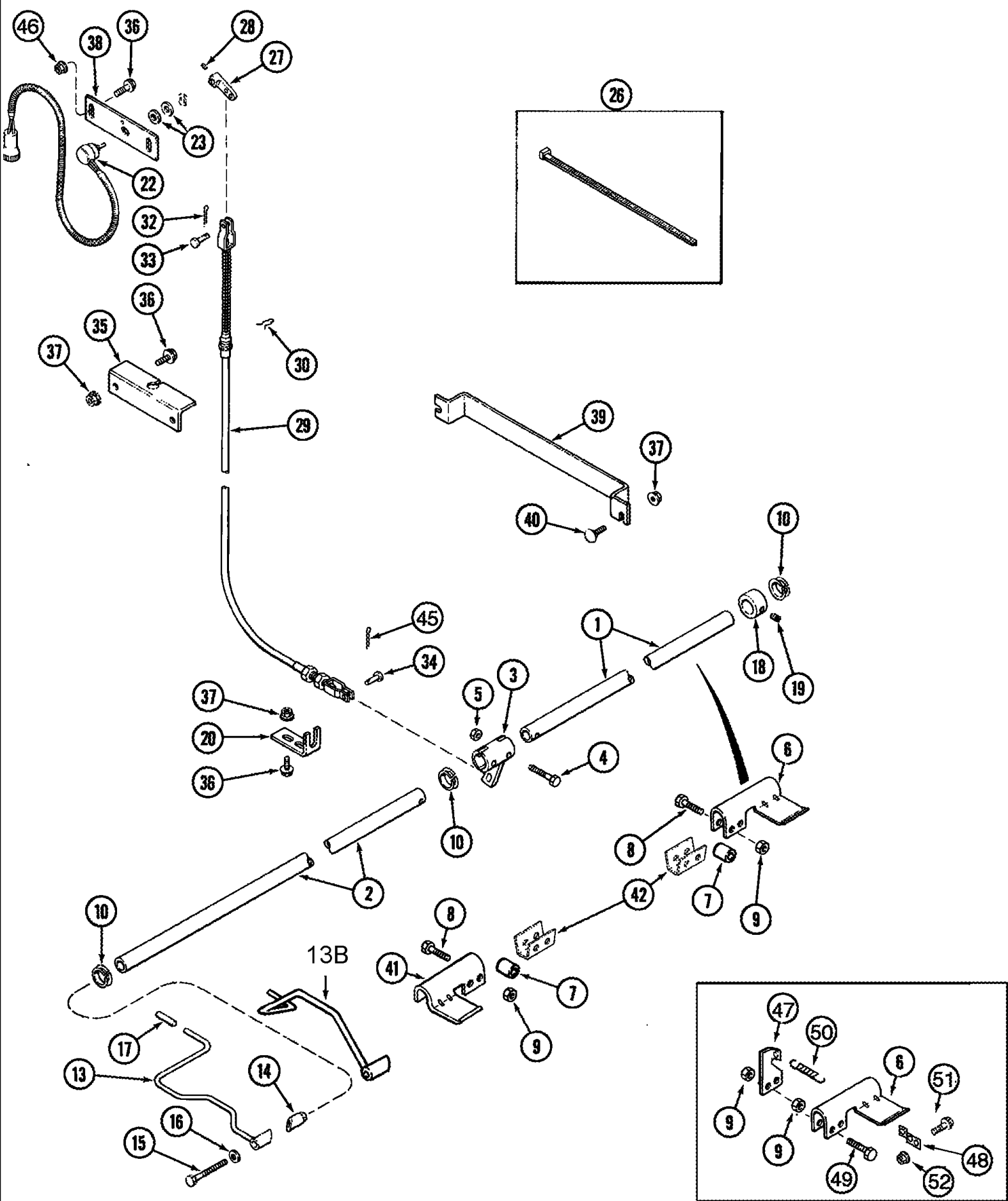
сылка	Номер детали	Кол-во	Описание
54	87364	2	WASHER, 1/2", SAE,
55	80755	2	PIN, SPLIT (COTTER), 1/8" x 1",
56	244874A1	1	SKID/SHOE, poly knife head guard
56	377588A1	1	SKID/SHOE, poly knife heavy duty guard
57	87013355	4	RIVET, Pop, 1/4" x 3/4",
58	394417A1	6	DEFLECTOR, crop
59	477-82508	4	SCREW, Sltd Serr Truss Hd, 1/4"-20 x 1/2",
60	477-82516	8	SCREW, Sltd Serr Truss Hd, 1/4"-20 x 1",
61	9626558	8	NUT, LOCK, Flg, 1/4"-20,

09D-10 WING DIVIDERS AND ROD DIVIDERS



09D-10 WING DIVIDERS AND ROD DIVIDERS

сылка	Номер детали	Кол-во	Описание
1	87017761	2	SUPPORT ASSY., upper wing
2	477-73820	8	SCREW, Slt'd Serr Truss Hd, 3/8"-16 x 1 1/4",
3	145458	8	NUT, Flg, USR, 5/16"-18,
4	1307691C1	2	TUBE, wing, lower, BSN JJC0350294
5	1307692C2	2	TUBE, wing, upper
6	88275	2	BOLT, Hex, 5/16"-18 x 1 1/2", G5,
7	88436	2	BOLT, Hex, 3/8"-16 x 2", G5,
8	280736	2	NUT, LOCK, 5/16"-18, GC,
9	1300176C1	2	CLAMP, tie rod, Includes 10, 11
9	430399A1	2	CLAMP, 1 1/8" wing divider
10	280185	2	BOLT, CARRIAGE, Short NK, 1/2"-13 x 2", G5,
11	231-4118	2	NUT, LOCK, 1/2"-13, GB,
13	86627644	6	SUPPORT, inner/outer wing, BSN JJC0350294
14	135270	16	BOLT, Slotted Tr Hd, 5/16"-18 x 3/4",
15	145458	16	NUT, Flg, USR, 5/16"-18,
16	1313163C1	4	BRACKET, support, BSN JJC0350294
17	86997191	4	U-BOLT, 1/2"-13, 1-21/32" x 3-5/64"
18	231-4118	8	NUT, LOCK, 1/2"-13, GB,
19	87571655	2	SUPPORT ASSY., inner wing
20	1316826C1	2	PIPE, wing support, inner, BSN JJC0350294
21	87017760	2	SUPPORT ASSY., outer wing
22	1307693C1	2	PIPE, wing support, outer
23	88275	4	BOLT, Hex, 5/16"-18 x 1 1/2", G5,
24	280736	4	NUT, LOCK, 5/16"-18, GC,
25	1316201C2	2	SUPPORT, wing divider-flex
26	1316649C1	2	DIVIDER POINT, wing, BSN JJC0350294
27	280722	4	BOLT, CARRIAGE, Short NK, 3/8"-16 x 2 1/2", G5,
28	9637692	4	NUT, LOCK, 3/8"-16, GB,
29	1307689C1	4	TINE, wing, inner
33	1307684C2	2	CLAMP,
34	477-82512	4	SCREW, Slt'd Serr Truss Hd, 1/4"-20 x 3/4",
35	20356	4	NUT, LOCK, 1/4"-20, GB,
36	140649A1	2	SUPPORT, divider, BSN JJC0322399
36A	368963A1	2	SUPPORT, tube, short, divider, ASN JJC0322400
37	131686A1	2	ROD, divider, BSN JJC0322399
37A	369442A1	2	ROD, divider with reflector, Includes 38, ASN JJC0322400
37A	368941A1	2	ROD, divider without reflector, ASN JJC0322400
38	369441A1	1	REFLECTOR, divider rod
39	477-73124	2	SCREW, Slt'd Serr Truss Hd, 5/16"-18 x 1 1/2",
40	700121908	2	SPACER, 1/4 X 3/8"
41	231-5315	2	NUT, LOCK, Flg, 5/16"-18,
42	410-7616	2	BOLT, Hex Flg, 3/8"-16 x 1", Serr, G8,
43	9637692	2	NUT, LOCK, 3/8"-16, GB,
100	87361577		clamp assy 1.125 in with bolt, includes 9, 10, 11



1020 GRAIN HEADER (P.I.N. JJC0315001 TO JJC0350294) (-10/04)

09D-11 HEADER HEIGHT CONTROL - BSN JJC0327999

сылка	Номер детали	Кол-во	Описание
1	1320298C3	1	TUBE, sensor, LH (15.0 foot)
1	1326819C3	1	TUBE, sensor, LH (16.5 foot)
1	1320299C3	1	TUBE, sensor, LH (17.5 foot), BSN JJC0350294
1	1320300C3	1	TUBE, sensor, LH (20.0 foot), BSN JJC0350294
1	1320301C3	1	TUBE, sensor, LH (22.5 foot), BSN JJC0350294
1	1320302C3	1	TUBE, sensor, LH (25.0 foot), BSN JJC0350294
1	1320303C3	1	TUBE, sensor, LH (30.0 foot), BSN JJC0350294
2	1307604C2	1	TUBE, sensor, RH (15.0 foot)
2	1326820C2	1	TUBE, sensor, RH (16.5 foot)
2	1307605C2	1	TUBE, sensor, RH (17.5 foot), BSN JJC0350294
2	1307606C2	1	TUBE, sensor, RH (20.0 foot), BSN JJC0350294
2	1307607C2	1	TUBE, sensor, RH (22.5 foot), BSN JJC0350294
2	1307608C2	1	TUBE, sensor, RH (25.0 foot), BSN JJC0350294
2	1307609C2	1	TUBE, sensor, RH (30.0 foot), BSN JJC0350294
3	310964A2	1	ARM, connector
4	9707515	2	BOLT, Hex, 5/16"-18 x 1 3/4", G5,
5	280736	2	NUT, LOCK, 5/16"-18, GC,
6	1307610C2	X	SUPPORT, height control
7	567987R1	X	SPACER, 5/8" Tube x 11/16",
8	88044	X	BOLT, Hex, 3/8"-16 x 1 1/2", G5,
9	9637692	X	NUT, LOCK, 3/8"-16, GB,
10	1313081C1	X	BUSHING, pivot
13	126339A1	1	INDICATOR, ROD - no longer available order 126339A2
13B	126339A2	1	INDICATOR, rod, BSN JJC0350294
14	1316572C1	1	PLUG, indicator rod, beveled
15	87845	1	BOLT, Hex, 1/4"-20 x 2 1/2", G5,
16	87361	1	WASHER, 1/4", SAE,
17	1326543C1	1	CAP, indicator end
18	1308482C1	1	COLLAR, sensing tube
19	86632577	1	SET SCREW, Hex Soc, 1/4"-20 x 1/4",
20	1320312C2	1	ANGLE, cable anchor
22	127360A2	1	POTENTIOMETER, height control
22	1301147C91	1	POTENTIOMETER, for combines with "electro hydraulic", Used on 1400 Series Combines with Electrohydraulics
23	87016	2	WASHER, 3/8", SAE,
26	87557087	1	STRAP, CABLE, 11" with stainless locking clip
27	1968782C1	1	ARM, potentiometer control, Alternate with 131175A1
27	131175A1	1	ARM, potentiometer control, Alternate with 1968782C1
28	483-1084	1	SET SCREW, Hex Soc, #8-32 x 1/4",
29	302942A2	1	CABLE, auto header height control
30	148151	1	PIN, SPLIT (COTTER), Hairpin, 716",
32	280236	1	PIN, SPLIT (COTTER), 1/16" x 1/2",
33	86596057	1	PIN, CLEVIS, 3/16" x .580",
34	439-1412	1	PIN, HEADED, 1/4" x 3/4",
35	1308301C2	1	BRACKET, height control cable, BSN JJC0350294

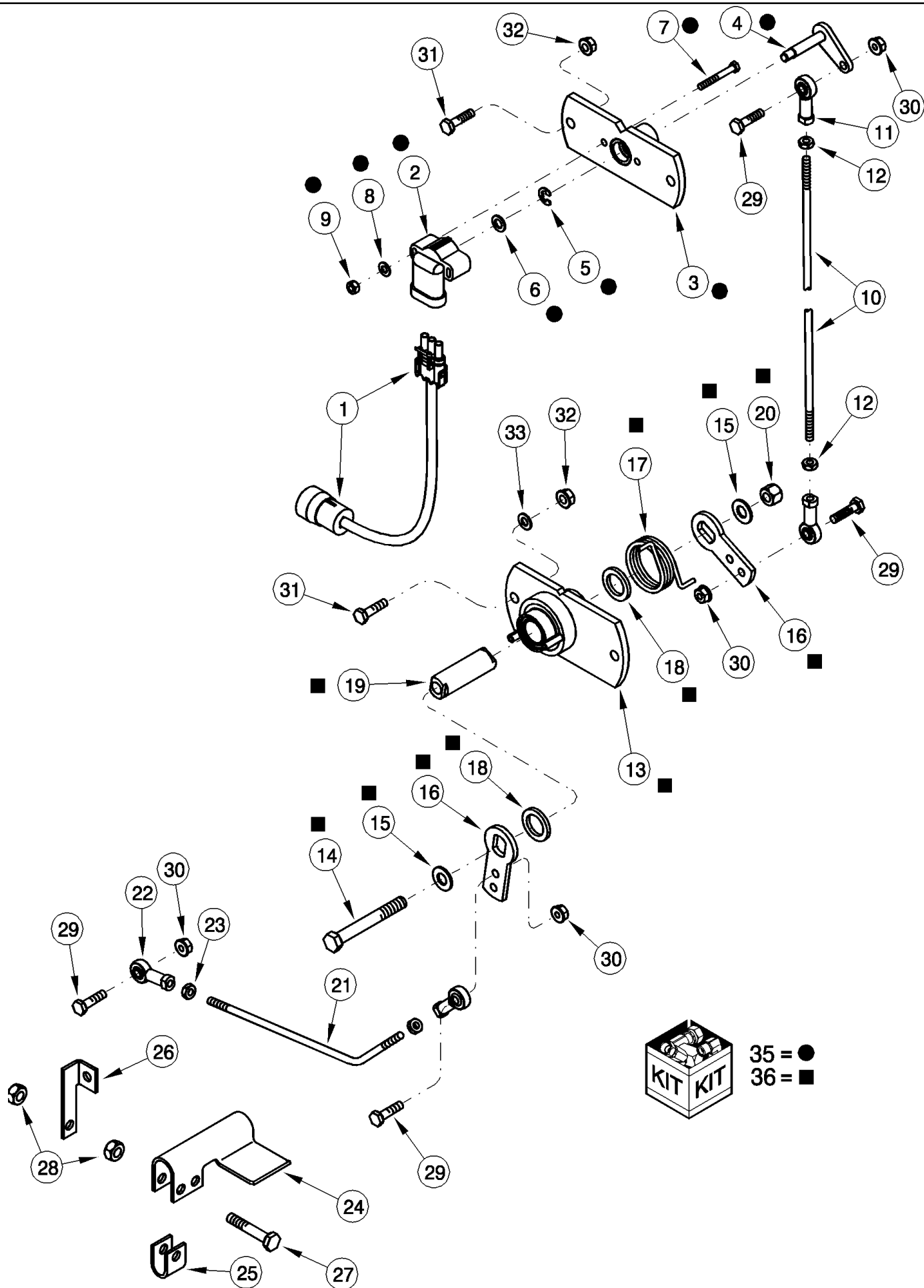
BSN JJC0327999

1020 GRAIN HEADER (P.I.N. JJC0315001 TO JJC0350294) (-10/04)

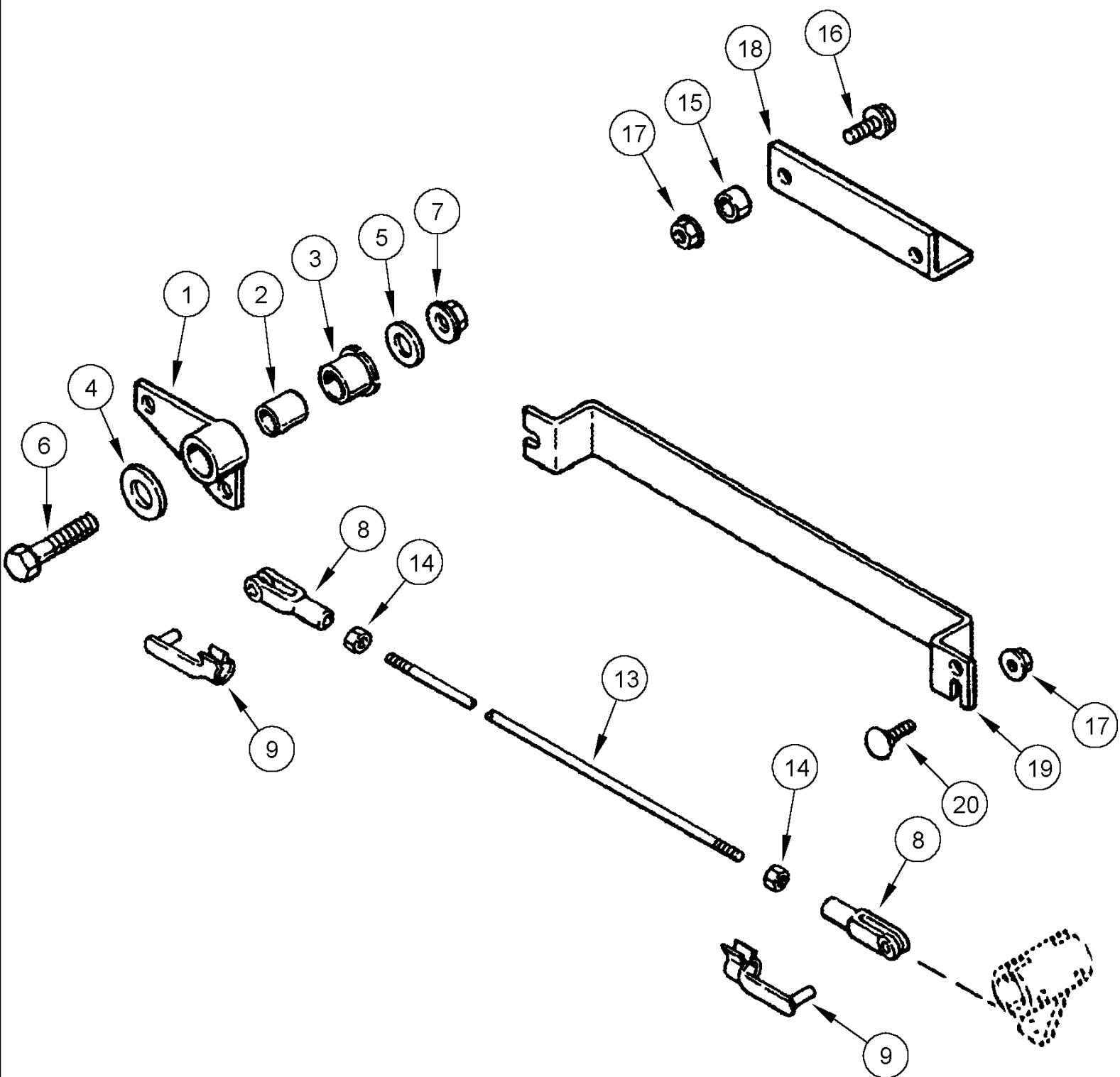
09D-11 HEADER HEIGHT CONTROL - BSN JJC0327999

сылка	Номер детали	Кол-во	Описание
36	145913	6	BOLT, Hex Flg, 5/16"-18 x 3/4", Serr,
37	145458	4	NUT, Flg, USR, 5/16"-18,
38	1308299C5	1	STRAP, potentiometer
39	1320313C1	1	SUPPORT, linkage shield
39	1320313C2	1	SUPPORT, shield, height control linkage, BSN JJC0350294
40	280497	1	BOLT, CARRIAGE, Short NK, 5/16"-18 x 3/4", G5, Full Thd,
41	185230A1	1	SUPPORT, height control, LH
42	189956A1	1	SPACER, support
45	80756	1	PIN, SPLIT (COTTER), 1/8" x 3/4",
46	86521605	1	NUT, Flg, 5/16"-18, G5,
47	335593A1	1	BRACKET, auto header height control spring assist
48	335592A1	1	BRACKET, auto header height control spring assist
49	88436	2	BOLT, Hex, 3/8"-16 x 2", G5,
50	D124939	1	SPRING, extension .067 wire .68 OD x 3.3 long
51	135270	2	BOLT, Slotted Tr Hd, 5/16"-18 x 3/4",
52	145458	2	NUT, Flg, USR, 5/16"-18,

BSN JJC0327999



сылка	Номер детали	Кол-во	Описание
1	434709A1	1	ARMATURE, HARNESS header height
1	434795A1	AR	HARNESS, WIRE, auto header height control pigtail, for 1400/1600 only, not illustrated
1	87412210	AR	HARNESS, WIRE, adapter with resistors (use with 1400 & 1600) not illustrated
2	86616339	1	SENSOR, auto header height control
3	432843A1	1	SUPPORT, auto header height control upper pivot, Includes 3A, Not Illustrated
3A	432024A1	2	BUSHING, 5/16" ID x 3/8" long
4	431034A1	1	ARM, auto header height control sensor
5	103-3431	1	RING, LOCKING, #31, Ext, E-Type,
6	239809A1	1	WASHER, 5/16"
7	463-11024	2	SCREW, Hex Hd, #10-24 x 1 1/2",
8	88612	2	WASHER, #10,
9	230-42409	2	NUT, LOCK, #10-24, GA,
10	431037A1	1	ROD, auto header height control upper control, Includes 11, 12
11	431039A1	2	ROD, end, 1/4" adjustable
12	86976064	2	NUT, Jam, 1/4"-28, G5,
13	432845A1	1	SUPPORT, lower pivot, Includes 13A, 13B
13A	432023A1	2	BUSHING, 3/4" ID x 3/4" long, Not Illustrated
13B	438-31624	2	PIN, 1/4" x 1 1/2", Coiled,
14	280161	1	BOLT, Hex, 3/8"-16 x 3", G5,
15	87016	2	WASHER, 3/8", SAE,
16	431040A1	2	ARM, auto header height control linkage
17	432842A1	1	SPRING, lower pivot return
18	431041A1	2	SEAL, lower pivot dust
19	431045A1	1	SHAFT, auto header height control lower pivot
20	9637692	1	NUT, LOCK, 3/8"-16, GB,
21	431046A1	1	ROD, auto header height control lower, Includes 22, 23
22	431039A1	2	ROD, end, 1/4" adjustable
23	86976064	2	NUT, Jam, 1/4"-28, G5,
24	1307610C2	X	SUPPORT, height control
25	189956A1	X	SPACER, support
26	335593A1	1	BRACKET, auto header height control spring assist
27	88436	X	BOLT, Hex, 3/8"-16 x 2", G5,
28	9637692	X	NUT, LOCK, 3/8"-16, GB,
29	86505867	4	BOLT, Hex, 1/4"-20 x 1", G5,
30	9626558	4	NUT, LOCK, Flg, 1/4"-20,
31	145913	4	BOLT, Hex Flg, 5/16"-18 x 3/4", Serr,
32	145458	4	NUT, Flg, USR, 5/16"-18,
33	131-440	4	NUT, Retainer 5/16, Bolt Pushon
34	291207C1	2	CLAMP, 15 1/2", Not Shown
35	432846A1	1	SUPPORT, auto header height control lower pivot, Includes 2 - 9
36	432844A1	1	SUPPORT, auto header height control upper sensor, Includes 13 - 20

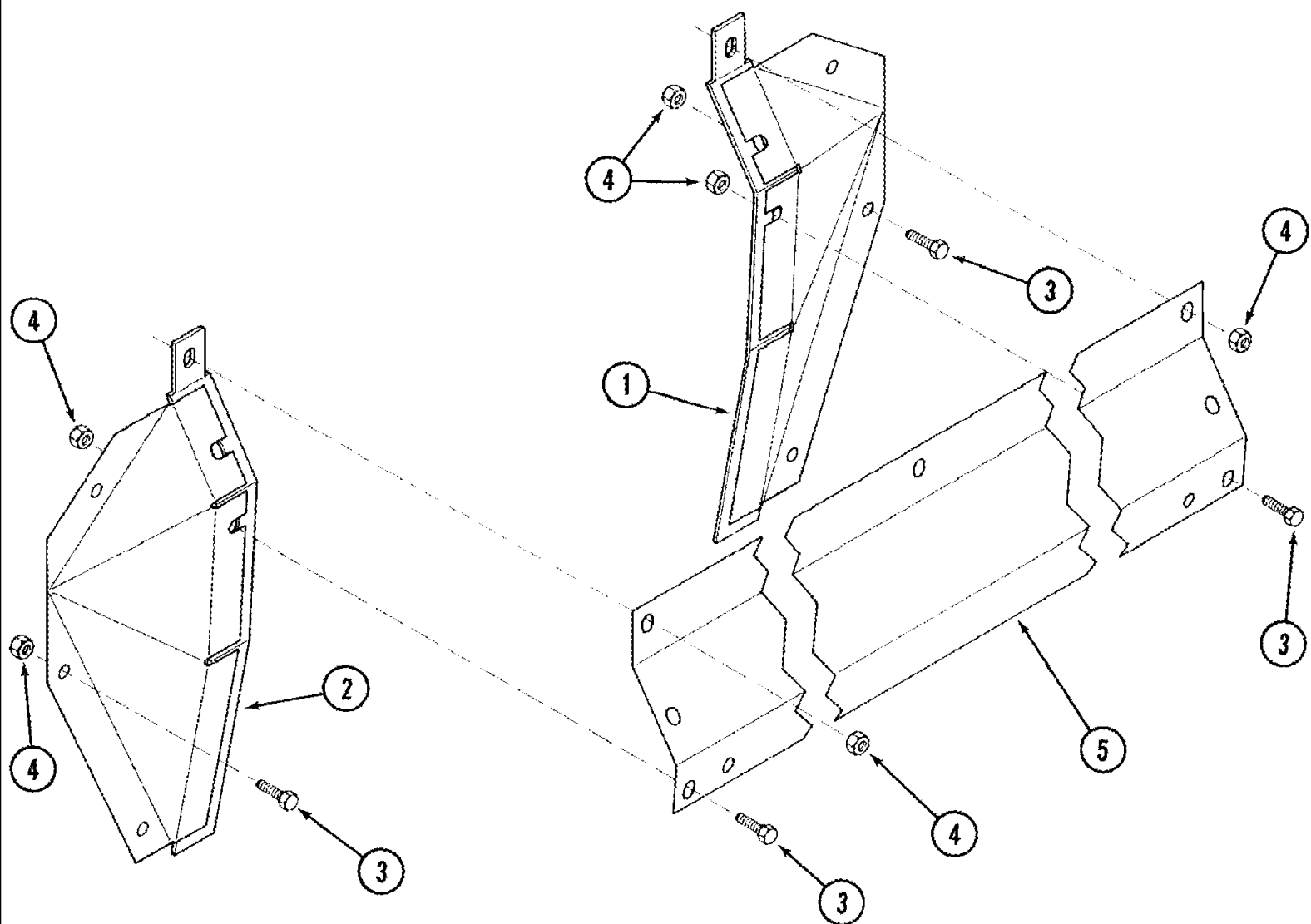


1020 GRAIN HEADER (P.I.N. JJC0315001 TO JJC0350294) (-10/04)

09D-13 HEADER HEIGHT CONTROL - 1420, 1440, 1460 AND 1480 COMBINES WITHOUT ELECTROHYDRAULICS

сылка	Номер детали	Кол-во	Описание
1	1320304C1	1	LEVER, linkage arm
2	487704R1	1	SPACER, 3/4" Tube x 1 3/16",
3	185062R1	1	BUSHING,
4	86624157	1	WASHER, 25/32" x 1 1/2" x .060",
5	87364	1	WASHER, 1/2", SAE,
6	87975	1	BOLT, Hex, 1/2"-13 x 2 1/4", G5,
7	86512371	1	NUT, Flg, USR, 1/2"-13,
8	B92555	2	CLEVIS,
9	B92556	2	PIN, CLEVIS,
13	1320308C1	1	STUD, linkage rod
14	86509309	2	NUT, 1/4"-28, G5,
15	27825R1	2	SPACER, 1/2" Tube x 1/2",
16	409-7520	2	BOLT, Hex Flg, 5/16"-18 x 1 1/4", Serr,
17	145458	3	NUT, Flg, USR, 5/16"-18,
18	1308301C1	1	BRACKET, cable mounting
18	1308301C2	1	BRACKET, height control cable, BSN JJC0350294
19	1320313C2	1	SUPPORT, shield, height control linkage, BSN JJC0350294
20	280497	1	BOLT, CARRIAGE, Short NK, 5/16"-18 x 3/4", G5, Full Thd,

1420, 1440, 1460 AND 1480 COMBINES WITHOUT ELECTROHYDRAULICS

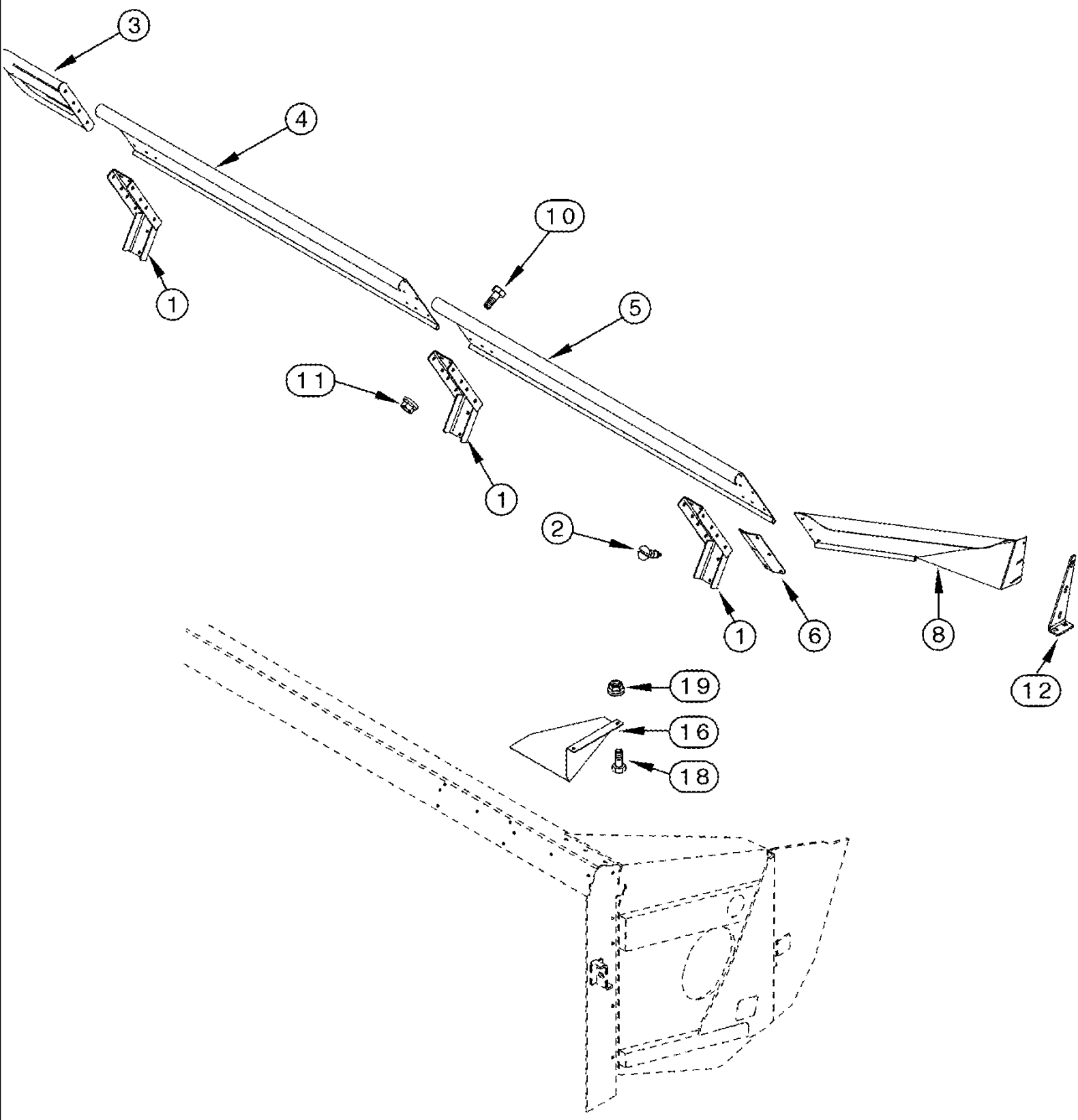


1020 GRAIN HEADER (P.I.N. JJC0315001 TO JJC0350294) (-10/04)

09D-14 FEEDER FACE DEFLECTOR - 1420, 1440, 1460 AND 1480 COMBINES

сылка	Номер детали	Кол-во	Описание
1	184853C1	1	DEFLECTOR, LH Front
2	184854C1	1	DEFLECTOR, RH front
3	135270	11	BOLT, Slotted Tr Hd, 5/16"-18 x 3/4",
4	145458	11	NUT, Flg, USR, 5/16"-18,
5	181669C1	1	SHIELD, feeder adapter, 1480 Combine
5	1319220C1	1	SHIELD, feeder adapter, 1420, 1440 and 1460 Combines

09D-15 SHIELDS - RIGHT HAND SIDE

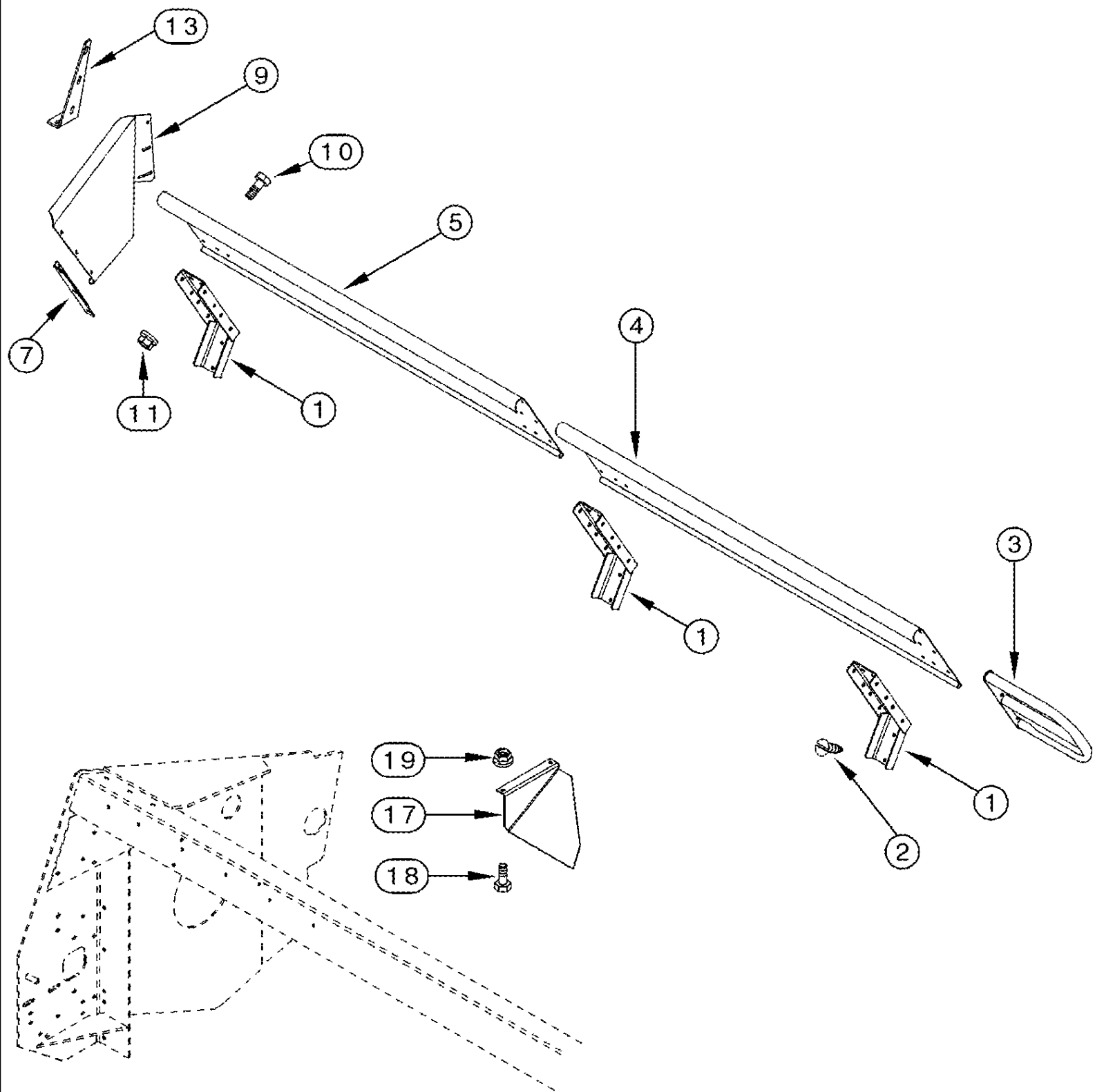


1020 GRAIN HEADER (P.I.N. JJC0315001 TO JJC0350294) (-10/04)

09D-15 SHIELDS - RIGHT HAND SIDE

сылка	Номер детали	Кол-во	Описание
1	255412A2	X	SUPPORT, backsheet
2	145913	X	BOLT, Hex Flg, 5/16"-18 x 3/4", Serr,
3	255416A2	1	SHIELD, center
4	257147A2	1	SHIELD, 762 mm (30"), 15.0, 20.0 and 22.5 Foot Headers
4	278345A2	1	SHIELD, 1143 mm (45"), 17.5 Foot Header
4	255407A2	1	SHIELD, 1524 mm (60"), 25.0 and 30.0 Foot Headers
5	278345A2	1	SHIELD, 1143 mm (45"), 22.5 Foot Header
5	255407A2	1	SHIELD, 1524 mm (60"), 30.0 Foot Header
6	295583A1	1	BRACKET, corner right
8	295585A1	1	SHEET, corner RH
10	135270	X	BOLT, Slotted Tr Hd, 5/16"-18 x 3/4",
11	145458	X	NUT, Flg, USR, 5/16"-18,
12	295586A1	1	BRACKET, right front
16	259464A2	1	SHEET, guard, corner lower, RH
18	477-73812	2	SCREW, Slted Serr Truss Hd, 3/8" x 3/4",
19	247780	2	NUT, Flg, USR, 3/8"-16,

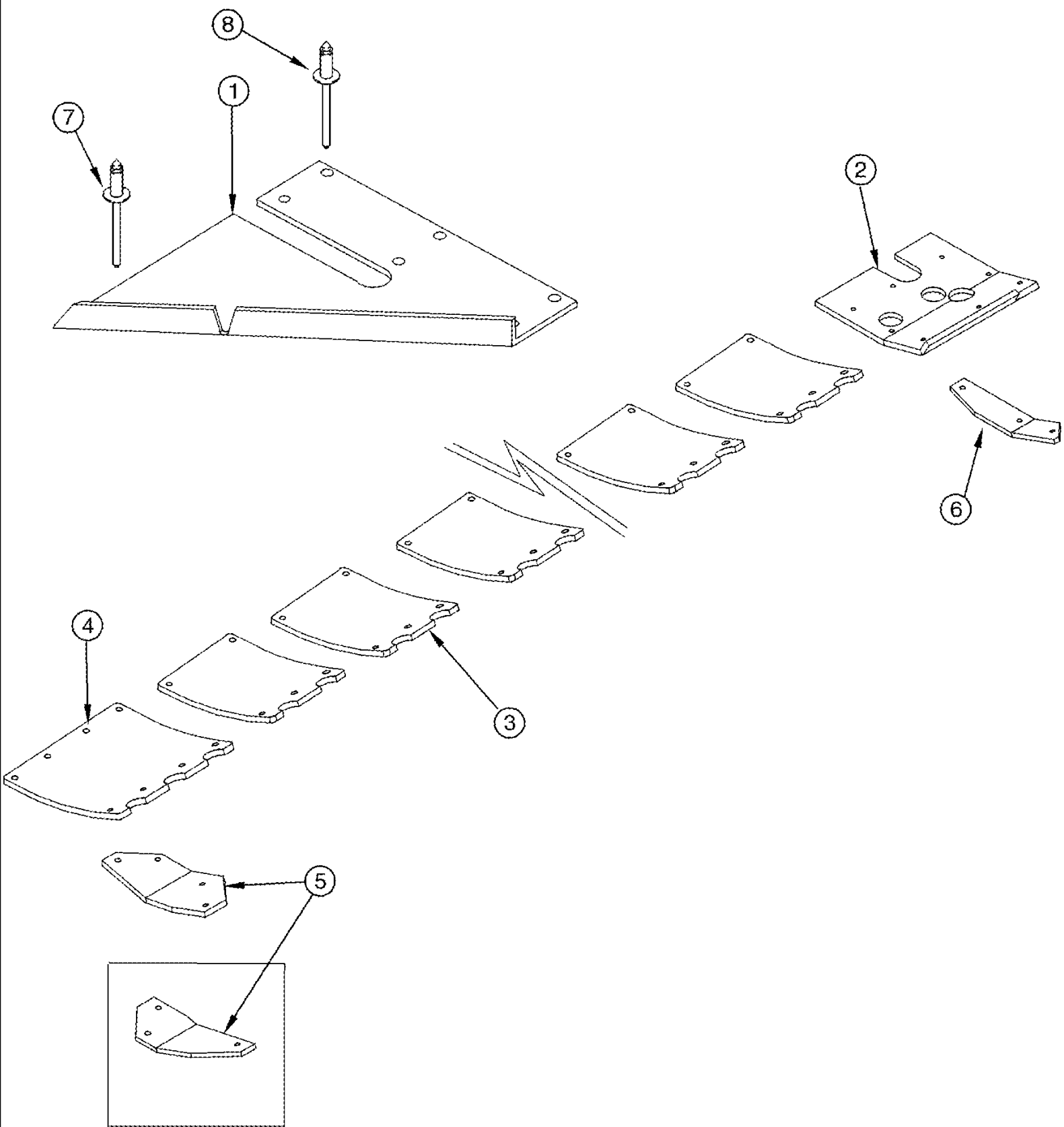
09D-16 SHIELDS - LEFT HAND SIDE



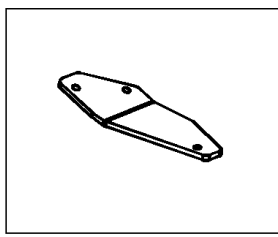
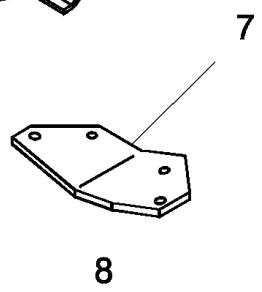
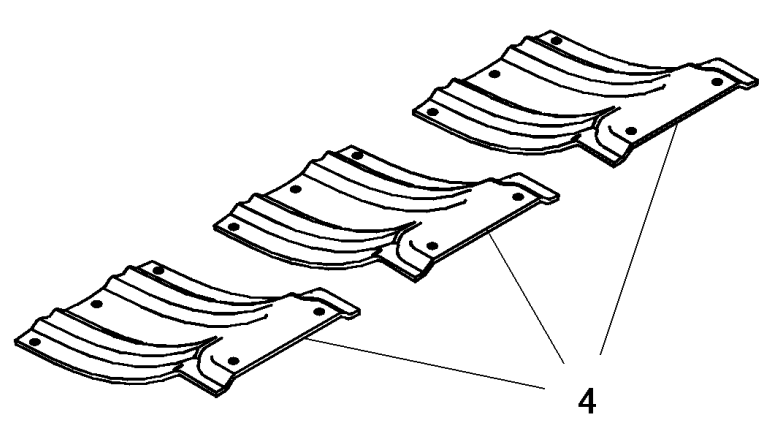
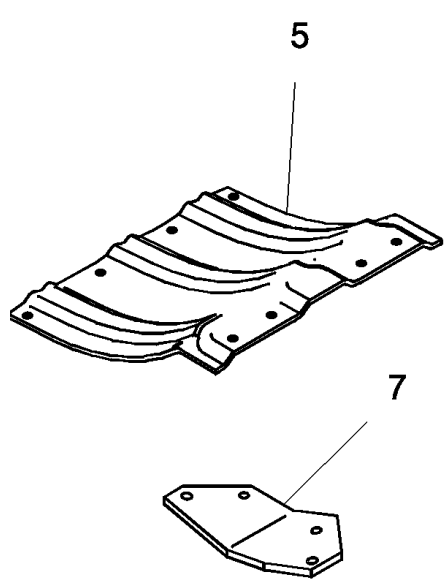
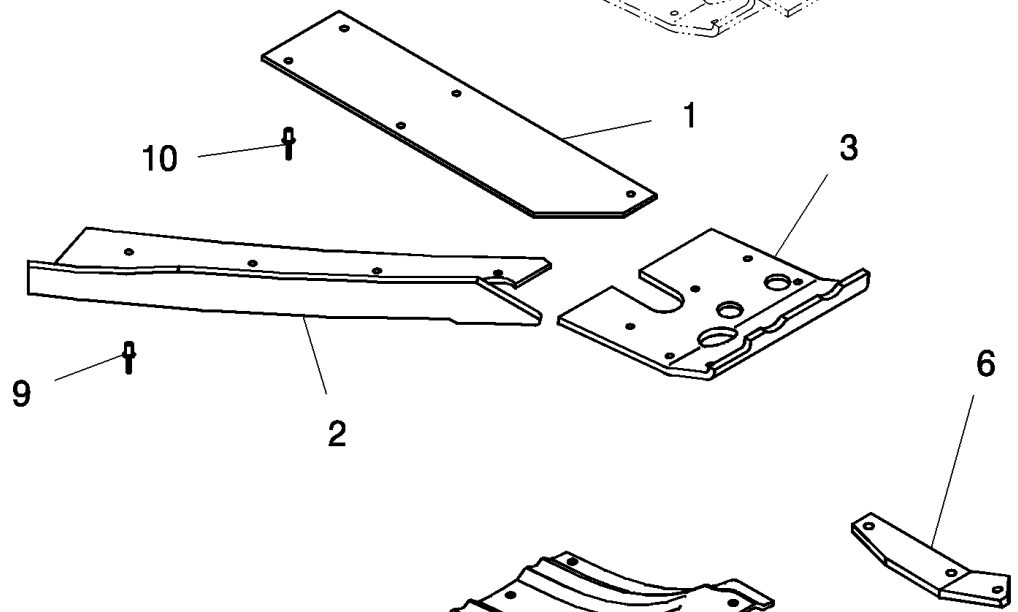
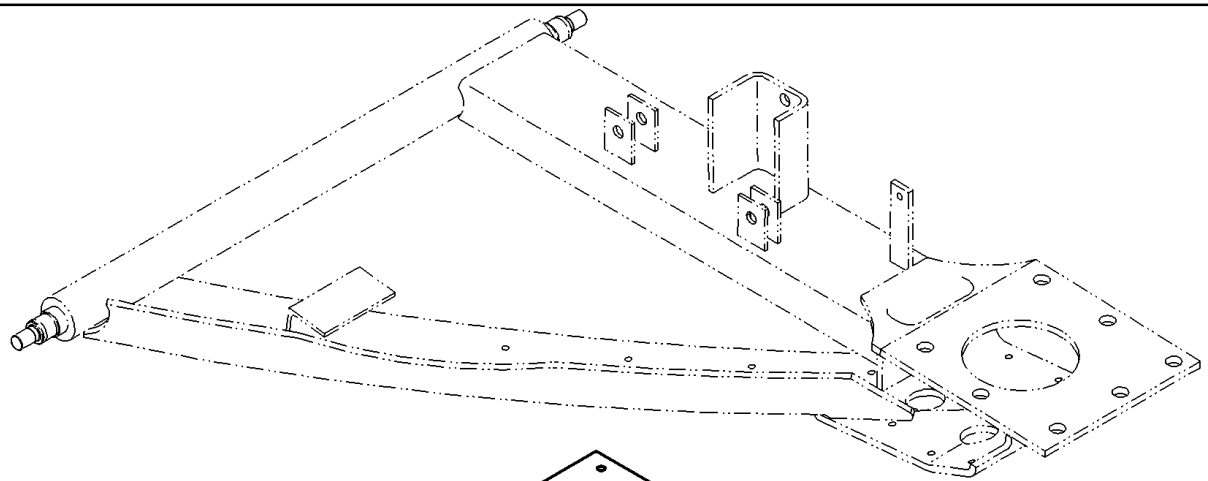
1020 GRAIN HEADER (P.I.N. JJC0315001 TO JJC0350294) (-10/04)

09D-16 SHIELDS - LEFT HAND SIDE

сылка	Номер детали	Кол-во	Описание
1	255412A2	X	SUPPORT, backsheet
2	145913	X	BOLT, Hex Flg, 5/16"-18 x 3/4", Serr,
3	255416A2	1	SHIELD, center
4	257147A2	1	SHIELD, 762 mm (30"), 15.0, 20.0 and 22.5 Foot Headers
4	278345A2	1	SHIELD, 1143 mm (45"), 17.5 Foot Header
4	255407A2	1	SHIELD, 1524 mm (60"), 25.0 and 30.0 Foot Headers
5	257147A2	1	SHIELD, 762 mm (30"), 20.0 and 22.5 Foot Headers
5	255407A2	1	SHIELD, 1524 mm (60"), 30.0 Foot Header
7	295582A1	1	BRACKET, corner left
9	295584A1	1	SHEET, corner, LH
10	135270	X	BOLT, Slotted Tr Hd, 5/16"-18 x 3/4",
11	145458	X	NUT, Flg, USR, 5/16"-18,
13	295587A1	1	BRACKET, left front
17	259465A2	1	SHEET, guard, corner lower, LH
18	477-73812	2	SCREW, Sltd Serr Truss Hd, 3/8" x 3/4",
19	247780	2	NUT, Flg, USR, 3/8"-16,



сылка	Номер детали	Кол-во	Описание
1	244872A1	1	STABILIZER, polyskid LH runner
2	244871A1	1	SKID/SHOE, poly LH runner
3	244860A1	X	SKID/SHOE, poly single
4	244862A1	1	SKID/SHOE, poly 1 1/2"
5	244865A1	1	SKID/SHOE, poly RH crop deflector, 1 1/2" knife
5	363170A1	1	SKID/SHOE, polyskid RH crop deflector, 3" knife
6	244868A1	1	SKID/SHOE, poly LH crop deflector
7	151-569	X	RIVET, Pop, 1/4" x 5/8", , Use with 1, 2, 3, 4
8	87013355	20	RIVET, Pop, 1/4" x 3/4", , Use with 1, 5, 6



1020 GRAIN HEADER (P.I.N. JJC0315001 TO JJC0350294) (-10/04)

09D-18 POLY-SKID ATTACHMENT - ASN JJC0322584

сылка	Номер детали	Кол-во	Описание
1	394676A1	1	SKID/SHOE, A-frame tube
2	394675A1	1	SKID/SHOE, diagonal brace
3	377582A1	1	SKID/SHOE, poly LH
4	377580A1	X	SKID/SHOE, poly single 5 3/4" x 7 3/4"
5	377581A1	1	SKID/SHOE, poly, 1 1/2" x 8 5/8" x 7 3/4"
6	377585A1	1	SKID/SHOE, poly RH, Assemble with (6) 151-570 Rivets, Required for 1-1/2 Inch Knife Headers ONLY
7	377586A1	1	SKID/SHOE, poly RH, Assemble with (4) 151-570 Rivets, Required for 3 Inch Knife Headers ONLY
8	377584A1	1	SKID/SHOE, poly RH, Required for 1-1/2 Inch Knife Headers ONLY
9	151-569	X	RIVET, Pop, 1/4" x 5/8",
10	87013355	X	RIVET, Pop, 1/4" x 3/4",

ASN JJC0322584

1

1020

2

WARNING



Keep drive line shields in place. Drive line shield should turn freely. Check daily before starting equipment.

3

DANGER



Rest the header on the ground or set the safety lock before going under unit.

4

WARNING



**ROTATING DRIVELINE CONTACT CAN CAUSE DEATH
KEEP AWAY!**

DO NOT OPERATE WITHOUT


- ALL DRIVELINE GUARDS, TRACTOR AND EQUIPMENT SHIELDS IN PLACE
- DRIVELINES SECURELY ATTACHED AT BOTH ENDS
- DRIVELINE GUARDS THAT TURN FREELY ON DRIVELINE

101



5

105




6

100



7

10



WARNING

AVOID INJURY. Always lock both reel lift cylinders before working under reel.

1020 GRAIN HEADER (P.I.N. JJC0315001 TO JJC0350294) (-10/04)

09D-19(01) DECALS - ENGLISH LANGUAGE

сылка	Номер детали	Кол-во	Описание
1	1316998C2	1	DECAL, 1020 model designation
2	298422A1	2	DECAL, Warning Keep Shields In Place
3	298426A1	2	DECAL, Danger Crush Hazard
4	80672C1	1	DECAL, danger, rotating driveline
5	179245C1	3	DECAL, lubrication - 10 hours
6	179246C1	3	DECAL, lubrication - 50 hours
7	179244C1	4	DECAL, instructions, grease - 100 hours
10	185067A1	2	DECAL, warning, avoid injury, always lock both reel lift cylinders

1

1020

2

⚠ Avertissement



laisser les garnis d'arbre d'entraînement en place. Ils doivent pouvoir tourner librement. Les vérifier avant chaque journée de travail.

4

⚠ DANGER



LE CONTACT AVEC UN ARBRE DE TRANSMISSION EN ROTATION PEUT ENTRAÎNER LA MORT
NE PAS S'APPROCHER!
NE PAS UTILISER:

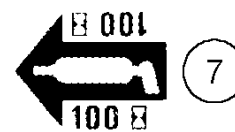
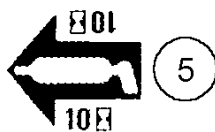
- SANS LES GARNIS DE L'AIRBIE.
- UN TRACTEUR ET/OU LE OUTIL.
- SI AIRBIES DE TRANSMISSION NE SONT PAS FERMEMENT FIXÉS AUX DEUX EXTRÉMITÉS.
- SANS UN GARANT DE L'AIRBIE DE TRANSMISSION TOURNANT LIBREMENT SUR L'AIRBIE.

3

⚠ DANGER



Abaisser la plate-forme au sol ou engager le verrouillage avant de travailler sous la plate-forme.



10

⚠ Avertissement



ÉVITER LES BLESSURES. Toujours coiler les deux vétrins avant de travailler sous le robotteur.

1020 GRAIN HEADER (P.I.N. JJC0315001 TO JJC0350294) (-10/04)

09D-19(02) DECALS - FRENCH LANGUAGE

сылка	Номер детали	Кол-во	Описание
0	299010A2	1	KIT, DECALS, French, Includes 2, 3, 4, 10
2	298423A1	2	DECAL, Warning Keep Shields In Place, QU-FRENCH
3	298427A1	2	DECAL, Danger Crush Hazard, QU-FRENCH
4	353718A1	2	DECAL, danger, Rotating Driveline
10	298989A1	2	DECAL, warning, safety lock, QU-FRENCH

1

1020

2

ADVERTENCIA



Mantener los protectores de las líneas de transmisión en su lugar. Los protectores de la línea de transmisión deben girar con libertad. Realizar las comprobaciones a diario, antes de hacer el equipo.

4

PELIGRO




LÍNEA DE TRANSMISIÓN GIRATORIA
EL CONTACTO PUEDE CAUSAR LA MUERTE
¡MANTENERSE ALEJADO!

NO OPERAR SIN:


- Que todos los protectores de las líneas de transmisión, del tractor y del equipo estén en su lugar;
- Que ambos extremos de las líneas de transmisión estén firmemente acopladas;
- Que los protectores de las líneas de transmisión giren libremente sobre las líneas de transmisión.

3

PELIGRO



Apoyar el cabezal en el suelo o ajustar la traba de seguridad antes de situarse bajo la unidad.



100

10

5



50

50

6




100

100

7

10



ADVERTENCIA

EVITAR LAS LESIONES. Trabaja siempre ambos cilindros de levantamiento por bobino antes de realizar cualquier trabajo bajo la bobina.

1020 GRAIN HEADER (P.I.N. JJC0315001 TO JJC0350294) (-10/04)

09D-19(03) DECALS - SPANISH LANGUAGE

сылка	Номер детали	Кол-во	Описание
0	299013A2	1	KIT, DECALS, Latin America and Spanish, Includes 2, 3, 4, 10
2	298424A1	2	DECAL, Warning Keep Shields In Place
3	298428A1	2	DECAL, Danger Crush Hazard
4	308950A1	2	DECAL, Outer, Guard, Latin American Spanish
10	298987A1	2	DECAL, warning, safety lock

1

1020

2

⚠️ ADVERTÊNCIA



Mantenha as proteções da linha de direção no lugar. As proteções da linha de direção devem poder mover-se livremente. Verifique diariamente antes de dar a partida no equipamento.

4

⚠️ PERIGO



CARDANS-
O CONTATO PODE CAUSAR A MORTE
NÃO SE APROXIME!
NÃO OPERAR A MENOS QUE:

- Todas as proteções dos cardans, do trator e do equipamento estejam no lugar.
- Ambas as extremidades dos cardans estejam firmemente acopladas.
- As proteções dos cardans girem livremente sobre os cardans.

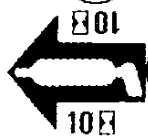
3

⚠️ PERIGO



Coloque o bobino no chão e engate a trava de segurança antes de posicionar-se sob a unidade.

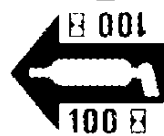
5



6




7



10

⚠️ ADVERTÊNCIA



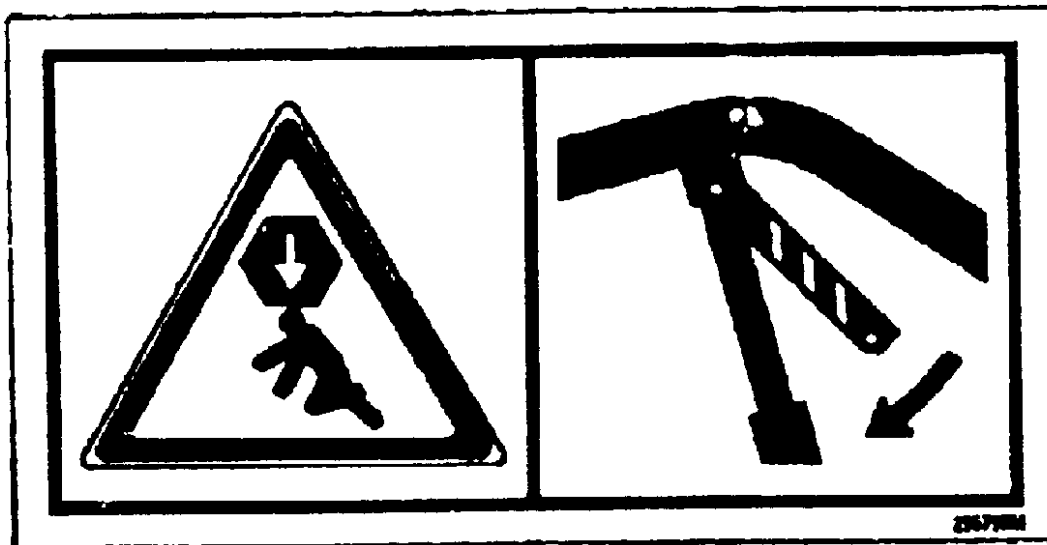
EVITE FERIMENTOS. Sempre trave ambos os cilindros de elevação da bobina antes de trabalhar sob a bobina.

1020 GRAIN HEADER (P.I.N. JJC0315001 TO JJC0350294) (-10/04)

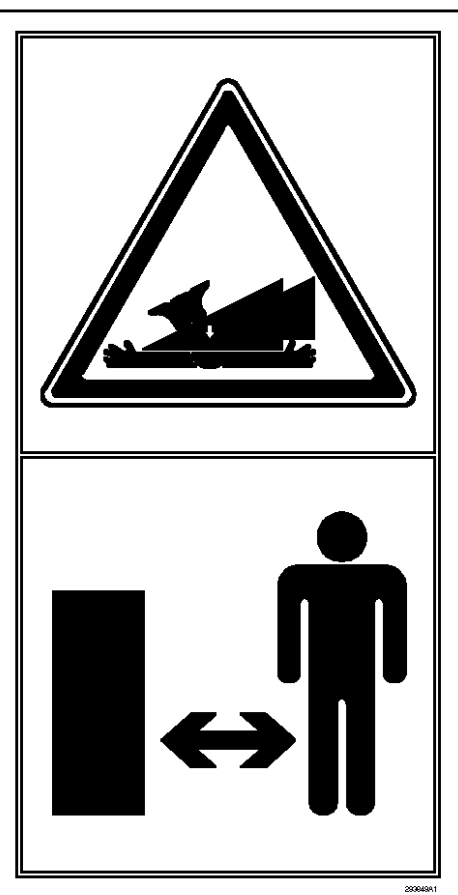
09D-19(04) DECALS - PORTUESE LANGUAGE

сылка	Номер детали	Кол-во	Описание
0	299016A3	1	KIT, DECALS, Latin American and Portuguese, Includes 2, 3, 4, 10
2	298425A2	2	DECAL, warning, keep shields in place Portuguese
3	298429A2	2	DECAL, danger, header crush Portuguese
4	308949A2	2	DECAL, danger, driveline Portuguese
10	298988A2	2	DECAL, warning, safety lock Portuguese

1

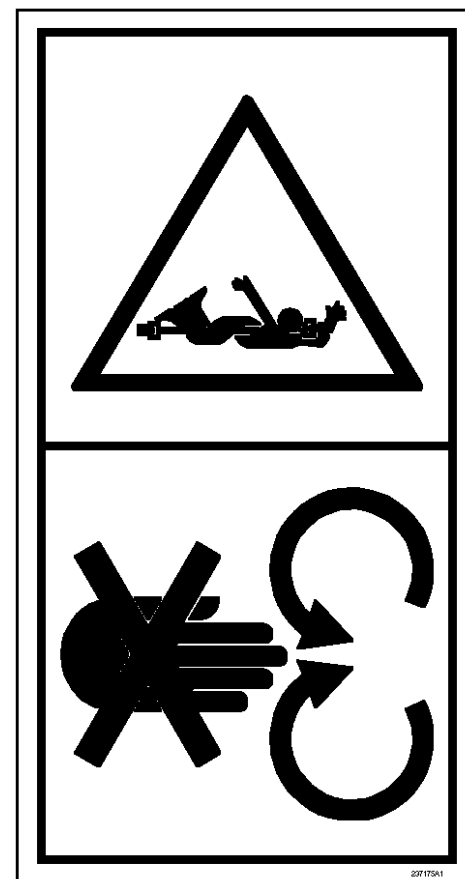


2



2206481

3



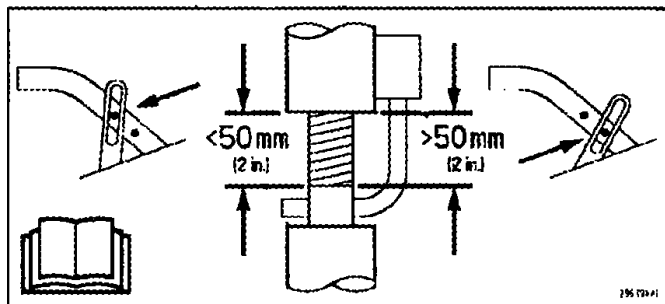
2217561

1020 GRAIN HEADER (P.I.N. JJC0315001 TO JJC0350294) (-10/04)

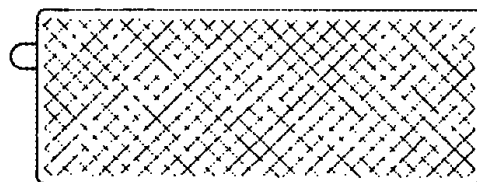
09D-19(05) DECALS - EUROPEAN NON-WORD

сылка	Номер детали	Кол-во	Описание
0	298430A2	1	KIT, DECALS, European, non-word, Includes 1 - 3
1	296797A1	2	DECAL, warning, safety lock
2	293849A1	2	DECAL, Danger Crush Hazard
2	87027712	2	DECAL, header crush safety
3	237175A1	4	DECAL, Warning Keep Shields In Place

14

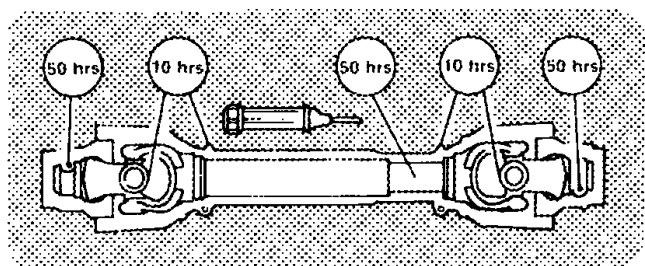


15

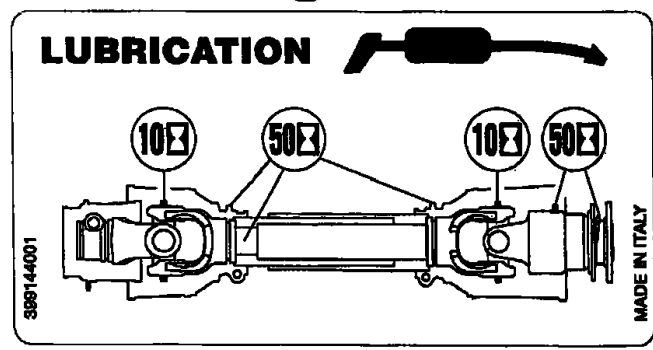


20

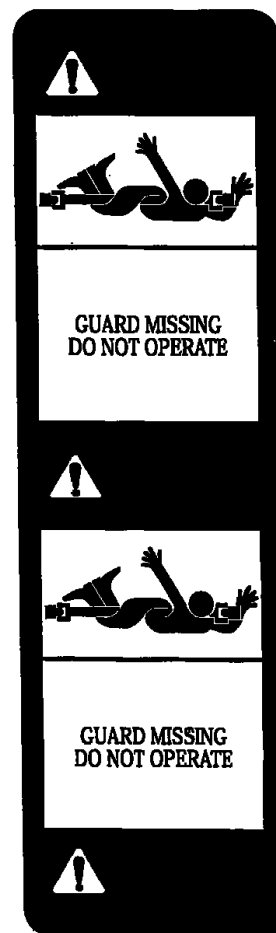
LUBRICATION INSTRUCTIONS



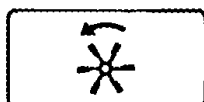
21



19



24

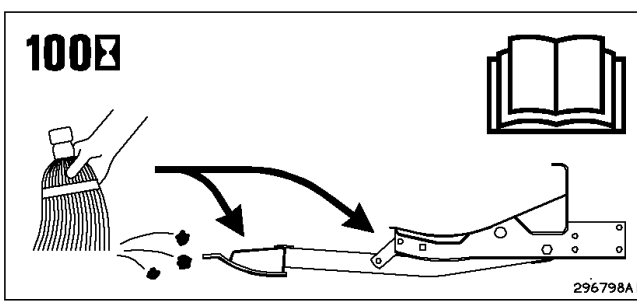
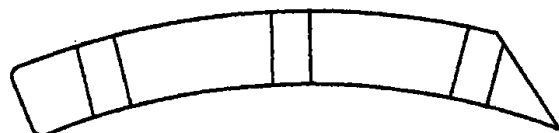


25



27

26



1020 GRAIN HEADER (P.I.N. JJC0315001 TO JJC0350294) (-10/04)

09D-20 DECALS - ENGLISH LANGUAGE

сылка	Номер детали	Кол-во	Описание
14	296796A1	2	DECAL, auger lift bracket
15	1284374C1	2	REFLECTOR, red
15	1284365C2	2	REFLECTOR, amber 1.97" x 4.3"
19	1326528C1	2	DECAL, Danger, shield missing, do not operate
20	1326752C1	2	DECAL, lubrication instruction, BSN JJC0323603
21	433531A1	2	DECAL, PTO driveline lubrication, BTW JJC0323604 & JJC0304189
21	433531A2	2	DECAL, PTO driveline lubrication, ASN JJC0304190
24	1326618C1	1	DECAL, drive identification
25	1326619C1	1	DECAL, fore/aft detent
26	137708A1	1	DECAL, header height
27	296798A1	1	DECAL, information, clean skids

