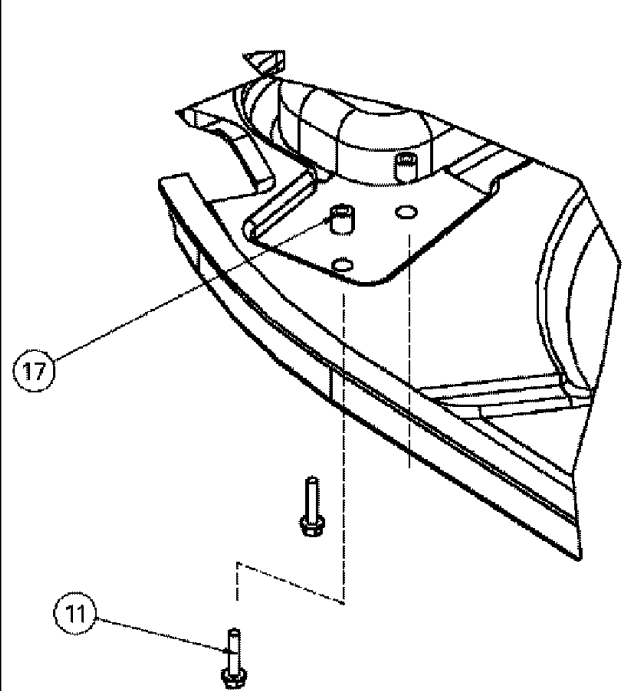


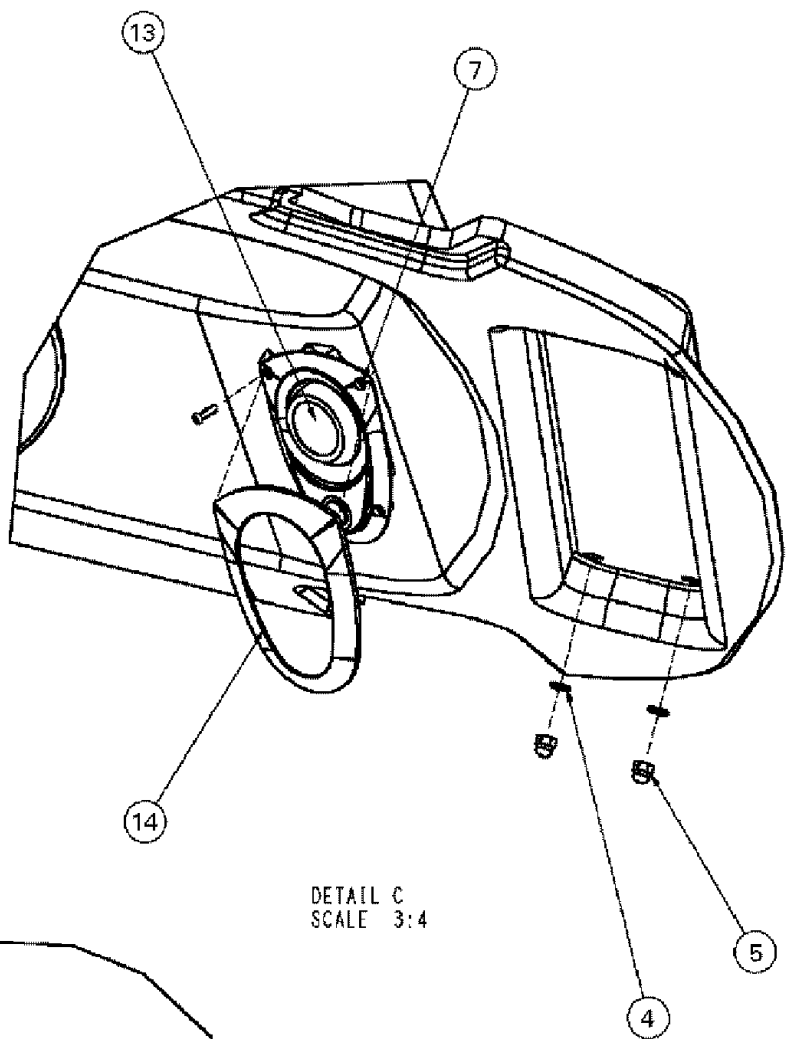
## 4420 PATRIOT SPRAYER

## 01-001(01) CONSOLE ASSEMBLY, OVERHEAD

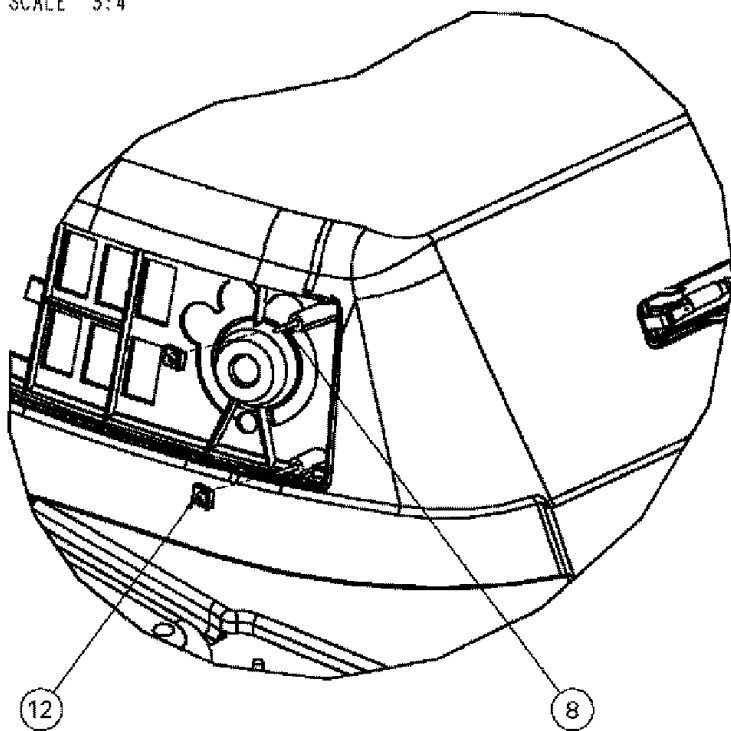
Ref	Part Number	Qty	Description
1	431228A1	1	PANEL, OVERHEAD
2	360830A3	1	LINING, ROOF, HEADLINER/A, CAB
3	431495A1	1	DECAL, OVERHEAD LIGHT PANEL
4	297856A1	8	PIPE, WASHER, FLAT 6.6 X 12.0 X 1.6
5	834-502	8	NUT, Crown, M6, Cl8,
6	1983391C1	3	LAMP, LIGHT, DOME
7	260-54310	4	SCREW, SELF TAPPING, Cross Pan Hd, #6 x 5/8",
8	1270741C1	10	SCREW, SELF TAPPING, Cross Pan Hd, #8 x 1",
11	555-12	2	BOLT, Hex Flg, M6 x 30, 10.9,
12	177269A1	8	NUT, SPRING, M4.2 X 1.0 PLN
13	372892A1	1	LAMP, MAP
14	360364A1	1	BEZEL, MAP LIGHT
15	83882C91	1	LAMP, CAP INTERIOR
16	358683A1	2	GRILLE, SPEAKER
17	02-3010T1	2	SPACER, TUBE



DETAIL A  
SCALE 3:4



DETAIL C  
SCALE 3:4



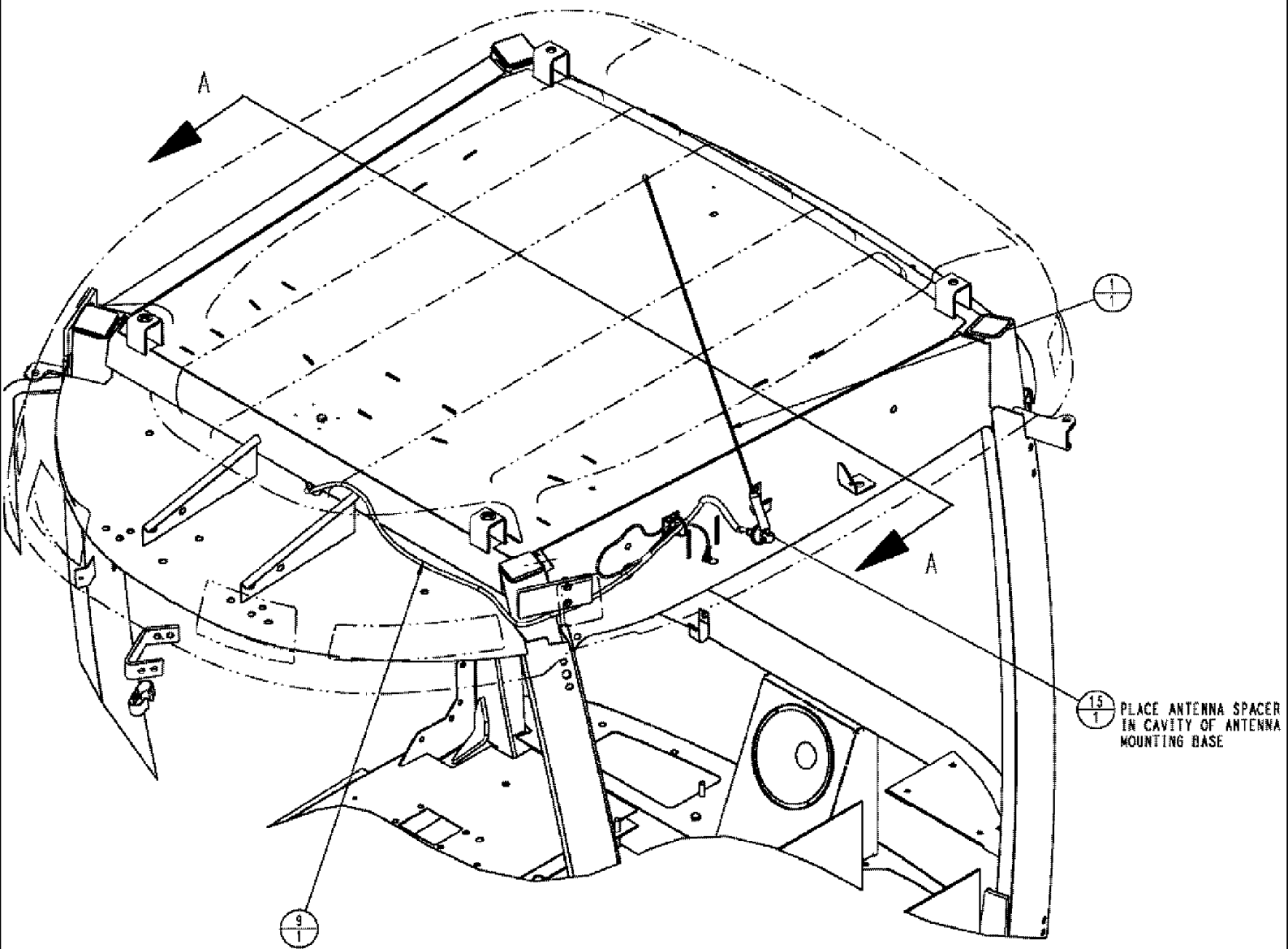
DETAIL B  
SCALE 3:4

## 4420 PATRIOT SPRAYER

## 01-001(02) CONSOLE ASSEMBLY, OVERHEAD

Ref	Part Number	Qty	Description
1	431228A1	1	PANEL, OVERHEAD
2	360830A3	1	LINING, ROOF, HEADLINER/A, CAB
3	431495A1	1	DECAL, OVERHEAD LIGHT PANEL
4	297856A1	8	PIPE, WASHER, FLAT 6.6 X 12.0 X 1.6
5	834-502	8	NUT, Crown, M6, CI8,
6	1983391C1	3	LAMP, LIGHT, DOME
7	260-54310	4	SCREW, SELF TAPPING, Cross Pan Hd, #6 x 5/8",
8	1270741C1	10	SCREW, SELF TAPPING, Cross Pan Hd, #8 x 1",
11	555-12	2	BOLT, Hex Flg, M6 x 30, 10.9,
12	177269A1	8	NUT, SPRING, M4.2 X 1.0 PLN
13	372892A1	1	LAMP, MAP
14	360364A1	1	BEZEL, MAP LIGHT
15	83882C91	1	LAMP, CAP INTERIOR
16	358683A1	2	GRILLE, SPEAKER
17	02-3010T1	2	SPACER, TUBE

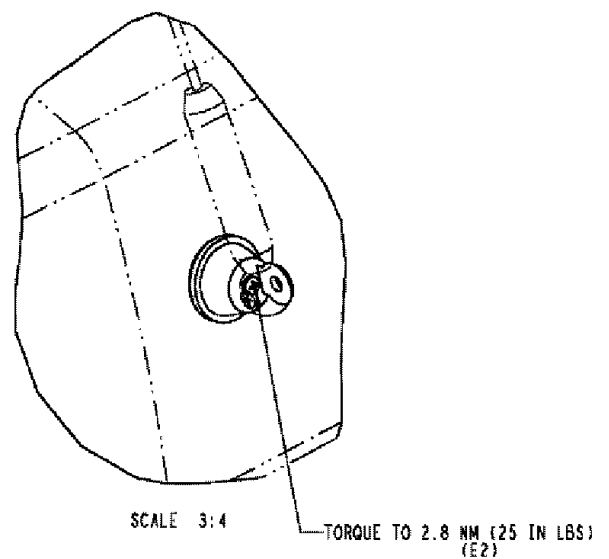
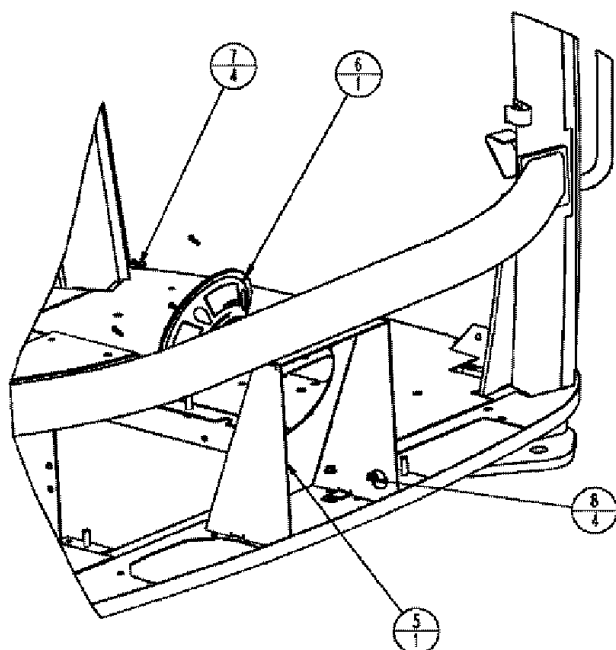
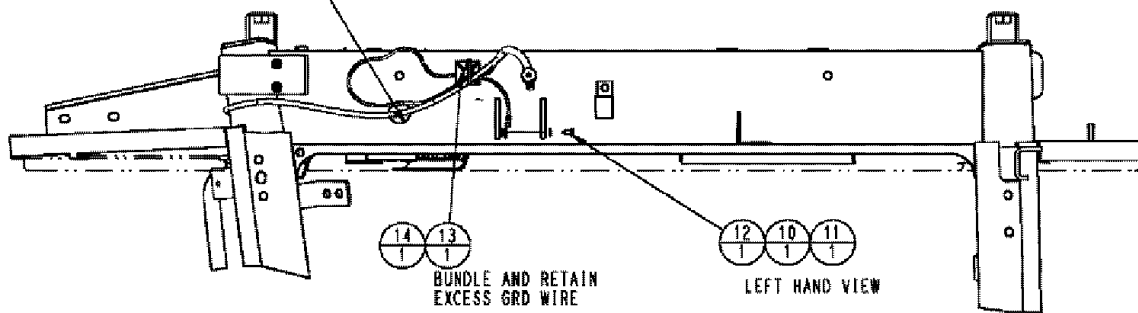
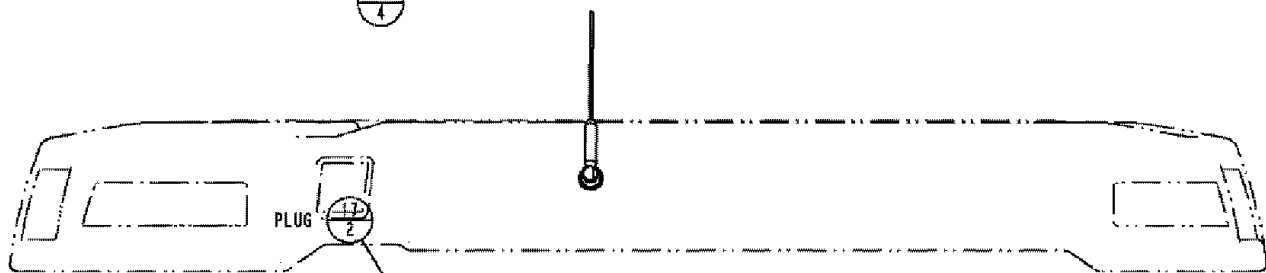
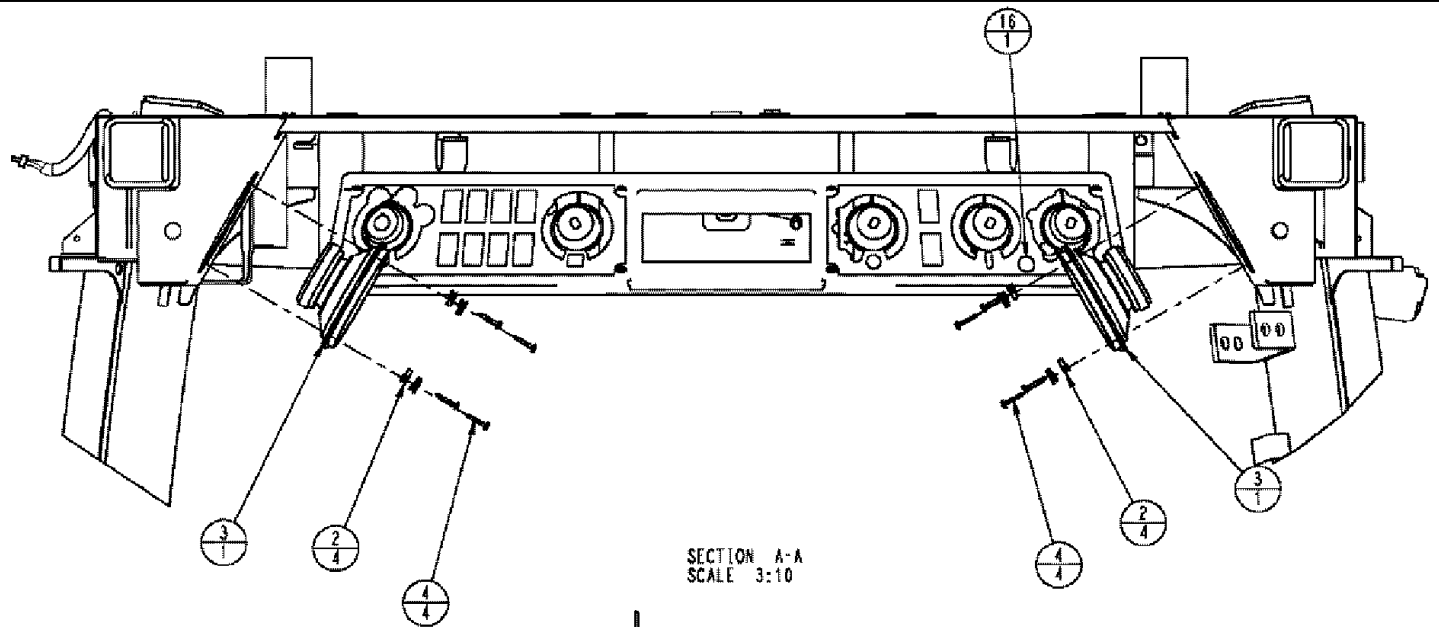




## 4420 PATRIOT SPRAYER

## 01-002(01) SPEAKER GROUP

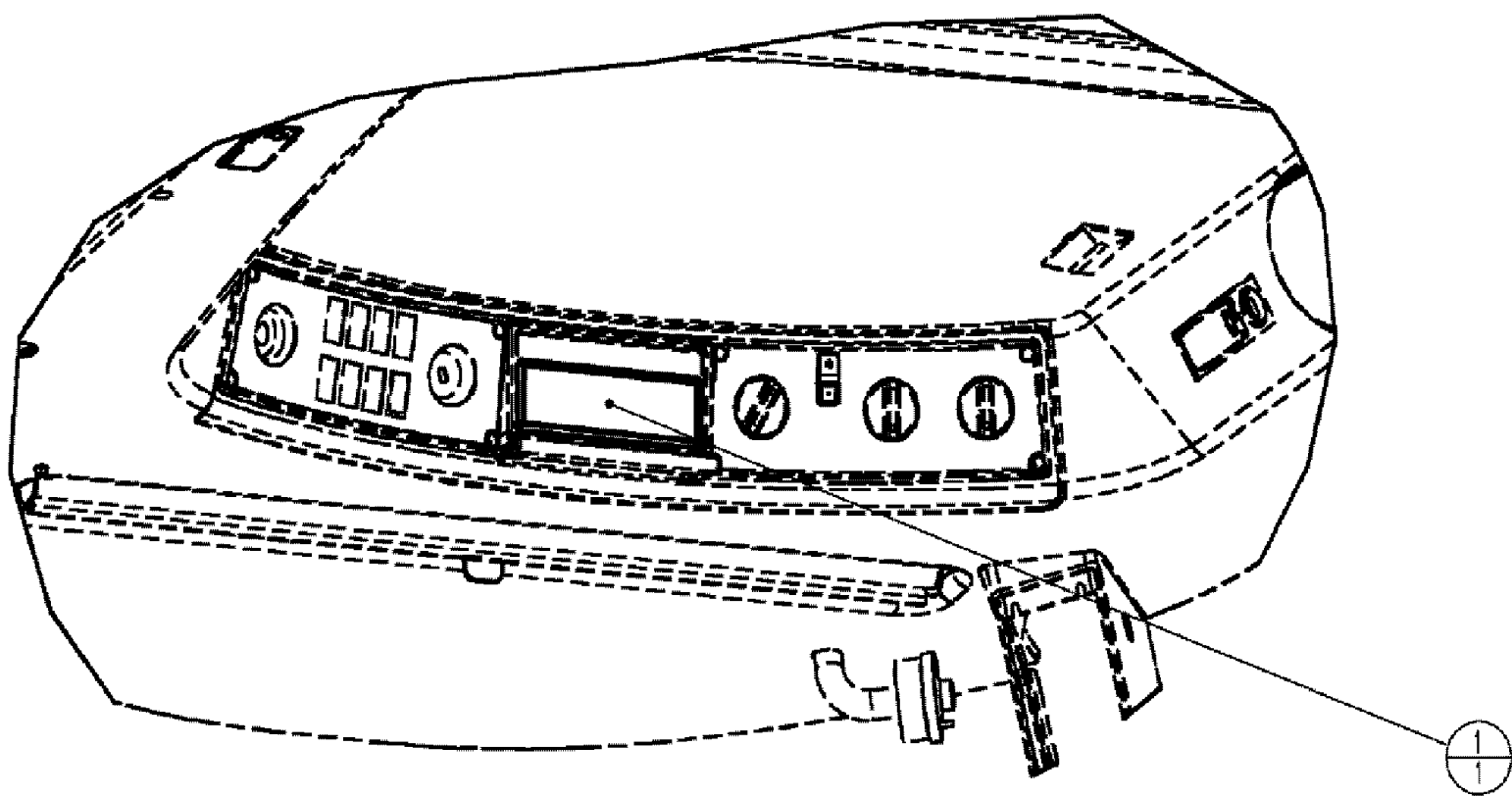
Ref	Part Number	Qty	Description
1	360215A1	1	ANTENNA, RADIO
2	177269A1	8	NUT, SPRING, M4.2 X 1.0 PLN
3	87621241	2	SPEAKER, COAXIAL
4	1270741C1	8	SCREW, SELF TAPPING, Cross Pan Hd, #8 x 1",
5	87537767	1	HOUSING, SPEAKER, 8 INCH
6	87659034	1	SPEAKER, SUBWOOFER, 8 IN.
7	760-14316	4	SCREW, SELF TAPPING, Pan Hd, M4.2 x 16,
8	825-5148	4	NUT, M8, Flg Ser,
9	360432A2	1	HARNESS, ENT RADIO ANTENNA
10	893-11006	1	WASHER, LOCK, Ext Tooth, M6,
11	895-11006	1	WASHER, M6,
12	779-14613	1	SCREW, SELF TAPPING, Hex Hd, M6.3 x 13,
13	22-823	1	ADHESIVE, MOUNT, BACKED
14	50-2037T1	1	STRAP, TIE, CABLE
15	87343754	1	SPACER, ANTENNA MOUNTING
16	446562A1	1	DECAL,
17	353-422	2	PLUG, Dome, 1.250" hole, Nylon,
	87271797	AR	(OPTIONAL) SEE FIG. 11-070



## 4420 PATRIOT SPRAYER

## 01-002(02) SPEAKER GROUP

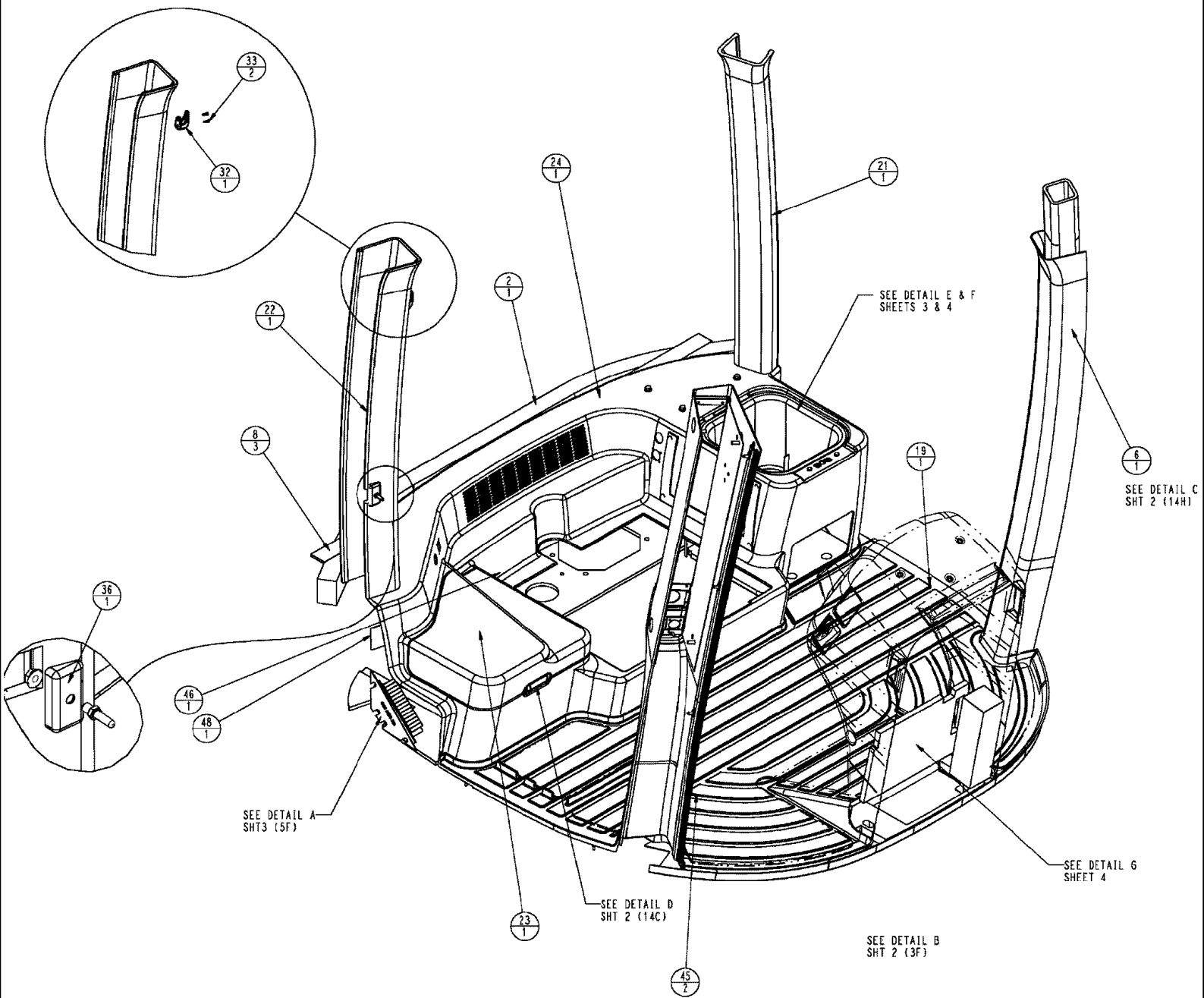
Ref	Part Number	Qty	Description
1	360215A1	1	ANTENNA, RADIO
2	177269A1	8	NUT, SPRING, M4.2 X 1.0 PLN
3	87621241	2	SPEAKER, COAXIAL
4	1270741C1	8	SCREW, SELF TAPPING, Cross Pan Hd, #8 x 1",
5	87537767	1	HOUSING, SPEAKER, 8 INCH
6	87659034	1	SPEAKER, SUBWOOFER, 8 IN.
7	760-14316	4	SCREW, SELF TAPPING, Pan Hd, M4.2 x 16,
8	825-5148	4	NUT, M8, Flg Ser,
9	360432A2	1	HARNESS, ENT RADIO ANTENNA
10	893-11006	1	WASHER, LOCK, Ext Tooth, M6,
11	895-11006	1	WASHER, M6,
12	779-14613	1	SCREW, SELF TAPPING, Hex Hd, M6.3 x 13,
13	22-823	1	ADHESIVE, MOUNT, BACKED
14	50-2037T1	1	STRAP, TIE, CABLE
15	87343754	1	SPACER, ANTENNA MOUNTING
16	446562A1	1	DECAL,
17	353-422 87271797	2	PLUG, Dome, 1.250" hole, Nylon, (OPTIONAL) SEE FIG. 11-070



4420 PATRIOT SPRAYER

01-003 RADIO READY FITOUT GROUP

Ref	Part Number	Qty	Description
1	1535219C1	1	COVER, DIN RADIO OPENING



## 4420 PATRIOT SPRAYER

## 01-004(01) INTERIOR TRIM, DELUXE

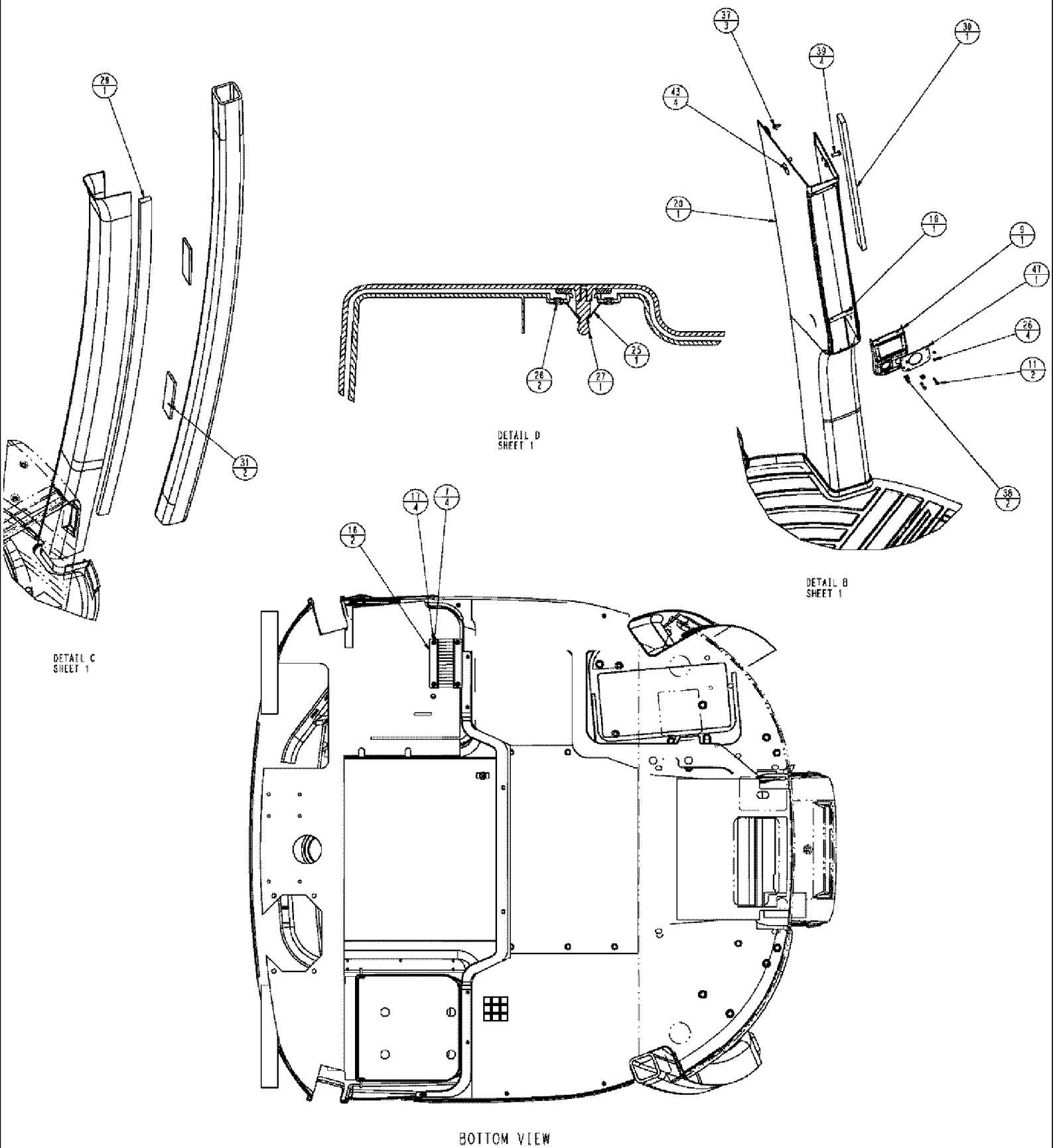
Ref	Part Number	Qty	Description
3	60-7021T1	4	FOAM, CABLE CLAMP
4	291835A4	1	BRACKET, CLAMP, CABLE
5	895-25006	4	WASHER, M6 x 18 x 1.6, CST ZND
6	360827A2	1	PAD, RUBBER, COVER, LEFT A POST INTERIOR
7	895-11006	8	WASHER, M6, 6.6 X 12 X 1.6MM CST ZND
8	259461A1	3	FOAM, REAR ROPS
9	414926A1	1	BEZEL, RH A POST
10	303158A5	1	SUPPORT, BRACKET
11	260-16516	2	SCREW, SELF TAPPING, Cross Pan Hd, #10 x 1", PNH XREC, END AB PTF
12	628-6020	6	BOLT, Hex, M6 x 20, 10.9, Full Thd, TO HD PTF
13	308955A2	1	BRACKET, REAR SUPPORT
14	87608402	1	MAT, FLOOR, BUDDY STORAGE
15	291836A3	1	BRACKET, CLAMP, CABLE
16	308579A1	2	BRACKET, ANGLE, CABLE ACCESS
17	829-1406	12	NUT, M6, CI 10, ZND
18	855-8030	5	BOLT, Hex Flg, M8 x 30, 10.9, Full Thd, HD PTF
19	87561589	1	MAT, FLOOR,
20	358334A4	1	COVER, RH A -POST ROPS
21	360826A3	1	PAD, RUBBER, LEFT C POST INTERIOR
22	377385A3	1	COVER, RH C-POST ROPS
23	380756A2	1	COVER, ELECTRONICS
24	358327A4	1	CONSOLE, REAR
25	1961435C1	1	LATCH, CAB SKIRT SPRING
26	151-553	6	RIVET, Pop, 1/8" x .337", BLIND BRK MDRL ZND
27	1977929C1	1	STUD, BALL
28	119308A2	1	ASH TRAY, STORAGE
29	349366A2	1	FOAM, TAPE
30	355371A2	1	TAPE, ADHESIVE, FOAM
31	356717A1	2	TAPE, ADHESIVE, FOAM
32	114549A1	1	COAT HOOK,
33	765-17316	2	SCREW, SELF TAPPING, Oval Hd, M4.2 x 16, TPG XREC ST BZN
34	369937A1	1	NET, CARGO
35	369929A1	5	FASTENER, CHRISTMAS TREE
36	371554A1	1	BRACKET, DOOR
37	376553A1	3	FASTENER, CHRISTMAS TREE
38	177269A1	2	NUT, SPRING
39	627-8020	4	BOLT, Hex, M8 x 20, 10.9, THD TO HD ZND
40	384758A1	1	INSULATION, FOAM, BARRIER, FRONT CONSOLE
41	384786A2	1	FOAM, FRONT CONSOLE
42	381027A1	1	INSULATION, FOAM, ACOUSTICAL
43	376597A2	5	COVER, DECAL, HOLE
44	394772A1	1	PAD SET, FLOOR PROTECTION
45	64-146	2	PLUG, CAP, .500IN HOLE BLACK POLY.



## 4420 PATRIOT SPRAYER

## 01-004(01) INTERIOR TRIM, DELUXE

Ref	Part Number	Qty	Description
46	345-103	1	LOCTITE, ADHESIVE, 1 OZ SILICONE
47	416119A2	1	CONTROLLER PORT
48	325228A1	1	DECAL, SERIAL NUMBER
49	307026A1	1	SHIELD, CABLE ACCESS
50	825-2410	1	NUT, M10 x 1.5, Flg, CI 8,
51	830-1110	1	NUT, Weld, M10, TAB STYLE 2M
52	561-707	1	SCREW, Hex Soc, Shoulder, M10 12 X 30mm, CI12.9, ZND
	87409368	1	FILTER, CAB, RECIRCULATION, ASSOCIATED PART OF INTERIOR TRIM GROUP
	87408613	1	FILTER, CAB, RECIRCULATION, ASSOCIATED PART OF INTERIOR TRIM GROUP
	87561589	1	MAT, FLOOR, POWER SHIFT, ASSOCIATED PART OF INTERIOR TRIM GROUP



## 4420 PATRIOT SPRAYER

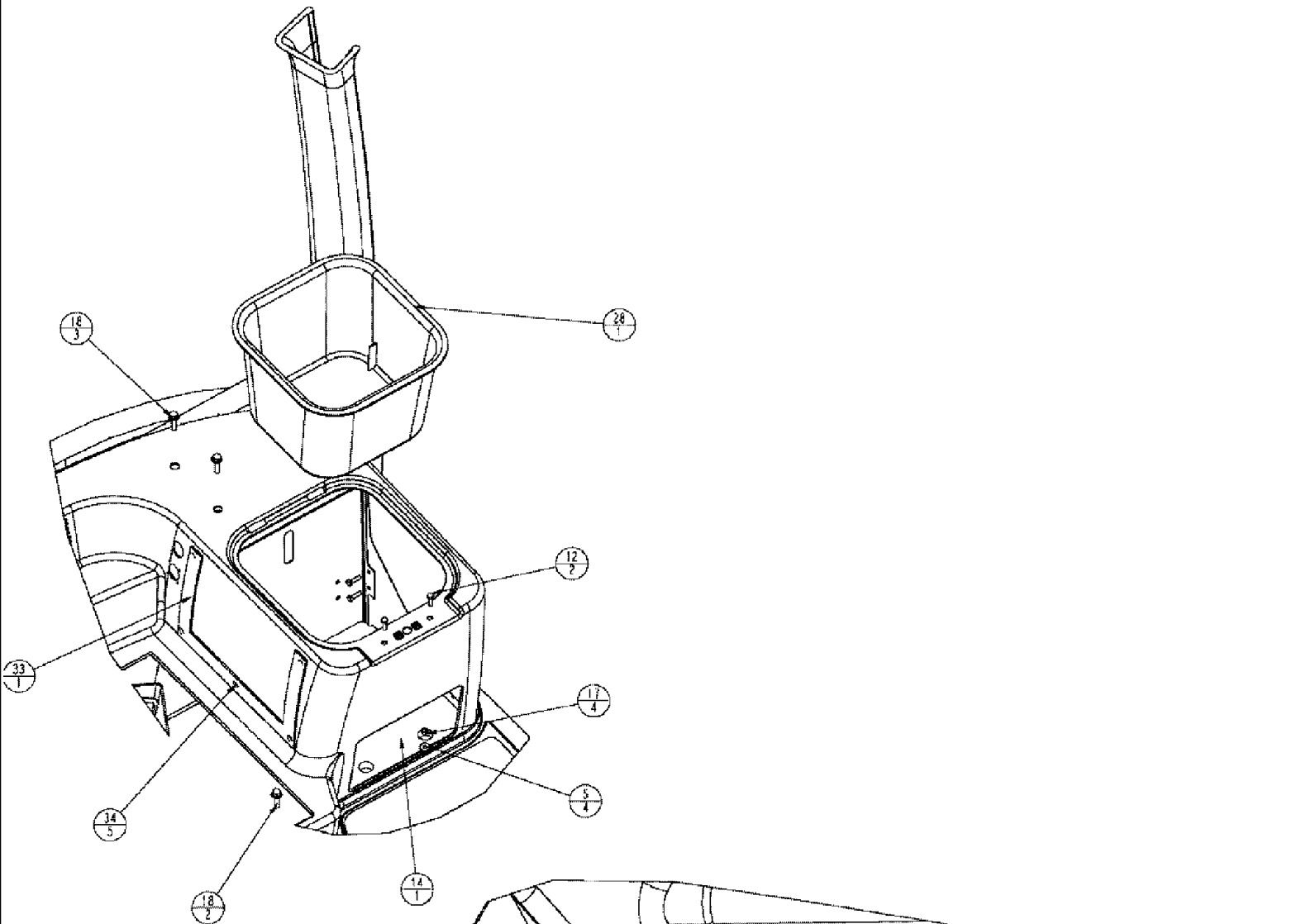
## 01-004(02) INTERIOR TRIM, DELUXE

Ref	Part Number	Qty	Description
1	410864A1	1	INSULATOR, REAR FLOOR
2	283094A1	1	FILTER, CAB RECIRCULATION
3	60-7021T1	4	FOAM, CABLE CLAMP
4	291835A4	1	BRACKET, CLAMP, CABLE
5	895-25006	4	WASHER, M6 x 18 x 1.6, CST ZND
6	360827A2	1	PAD, RUBBER, COVER, LEFT A POST INTERIOR
7	895-11006	8	WASHER, M6, 6.6 X 12 X 1.6MM CST ZND
8	259461A1	3	FOAM, REAR ROPS
9	414926A1	1	BEZEL, RH A POST
10	303158A5	1	SUPPORT, BRACKET
11	260-16516	2	SCREW, SELF TAPPING, Cross Pan Hd, #10 x 1", PNH XREC, END AB PTF
12	628-6020	6	BOLT, Hex, M6 x 20, 10.9, Full Thd, TO HD PTF
13	308955A2	1	BRACKET, /W, REAR SUPPORT
14	87608402	1	MAT, FLOOR, BUDDY STORAGE
15	291836A3	1	BRACKET, CLAMP, CABLE
16	308579A1	2	BRACKET, ANGLE, CABLE ACCESS
17	829-1406	12	NUT, M6, CI 10, ZND
18	855-8030	5	BOLT, Hex Flg, M8 x 30, 10.9, Full Thd, HD PTF
19	87561589	1	MAT, FLOOR,
20	358334A4	1	COVER, RH A -POST ROPS
21	360826A3	1	PAD, RUBBER, LEFT C POST INTERIOR
22	377385A3	1	COVER, RH C-POST ROPS
23	380756A2	1	COVER, ELECTRONICS
24	358327A4	1	CONSOLE, REAR
25	1961435C1	1	LATCH, CAB SKIRT SPRING
26	151-553	6	RIVET, Pop, 1/8" x .337", BLIND BRK MDRL ZND
27	1977929C1	1	STUD, BALL
28	119308A2	1	ASH TRAY, STORAGE
29	349366A2	1	FOAM, TAPE
30	355371A2	1	TAPE, ADHESIVE, FOAM
31	356717A1	2	TAPE, ADHESIVE, FOAM
32	114549A1	1	COAT HOOK,
33	765-17316	2	SCREW, SELF TAPPING, Oval Hd, M4.2 x 16, TPG XREC ST BZN
34	369937A1	1	NET, CARGO
35	369929A1	5	FASTENER, CHRISTMAS TREE
36	371554A1	1	BRACKET, DOOR
37	376553A1	3	FASTENER, CHRISTMAS TREE
38	177269A1	2	NUT, SPRING
39	627-8020	4	BOLT, Hex, M8 x 20, 10.9, THD TO HD ZND
40	384758A1	1	INSULATION, FOAM, BARRIER, FRONT CONSOLE
41	384786A2	1	FOAM, FRONT CONSOLE
42	381027A1	1	INSULATION, FOAM, ACOUSTICAL
43	376597A2	5	COVER, DECAL, HOLE

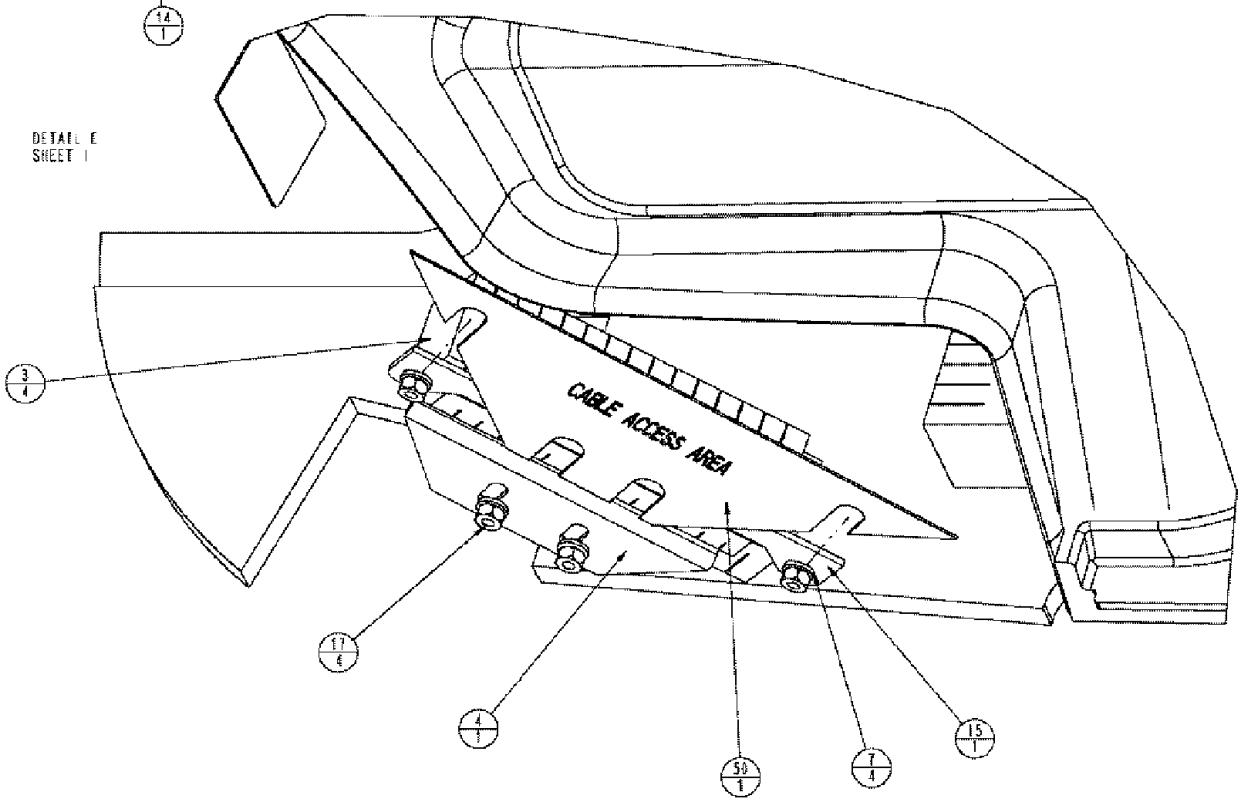
## 4420 PATRIOT SPRAYER

## 01-004(02) INTERIOR TRIM, DELUXE

Ref	Part Number	Qty	Description
44	394772A1	1	PAD SET, FLOOR PROTECTION
45	64-146	2	PLUG, CAP .500IN HOLE BLACK POLY.
46	345-103	1	LOCTITE, ADHESIVE, 1 OZ SILICONE
47	416119A2	1	CONTROLLER PORT
48	325228A1	1	DECAL, SERIAL NUMBER
49	307026A1	1	SHIELD, CABLE ACCESS
50	825-2410	1	NUT, M10 x 1.5, Flg, CI 8,
51	830-1110	1	NUT, Weld, M10, TAB STYLE 2M
52	561-707	1	SCREW, Hex Soc, Shoulder, M10 12 X 30mm, CI12.9, ZND
	87409368	1	FILTER, CAB, RECIRCULATION, ASSOCIATED PART OF INTERIOR TRIM GROUP
	87408613	1	FILTER, CAB, RECIRCULATION, ASSOCIATED PART OF INTERIOR TRIM GROUP
	87561589	1	MAT, FLOOR, POWER SHIFT, ASSOCIATED PART OF INTERIOR TRIM GROUP



DETAIL E  
SHEET 1



DETAIL A  
SHEET 1

## 4420 PATRIOT SPRAYER

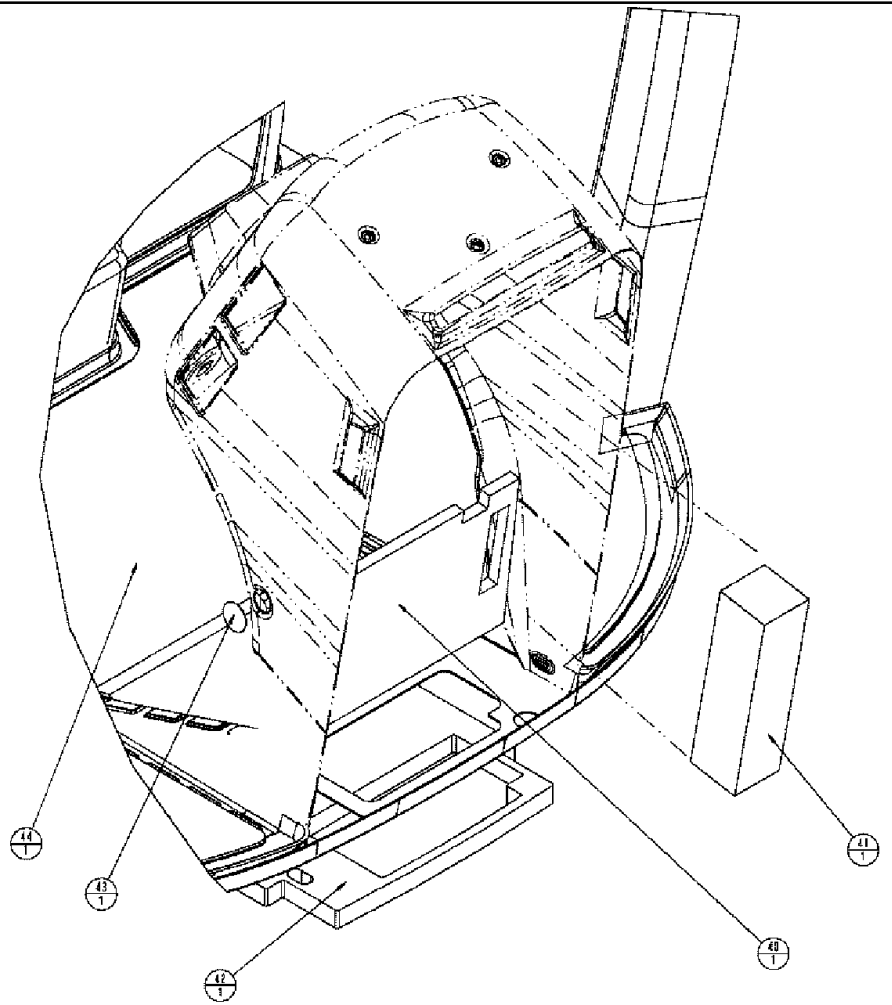
## 01-004(03) INTERIOR TRIM, DELUXE

Ref	Part Number	Qty	Description
1	410864A1	1	INSULATOR, REAR FLOOR
2	283094A1	1	FILTER, CAB RECIRCULATION
3	60-7021T1	4	FOAM, CABLE CLAMP
4	291835A4	1	BRACKET, CLAMP, CABLE
5	895-25006	4	WASHER, M6 x 18 x 1.6, CST ZND
6	360827A2	1	PAD, RUBBER, COVER, LEFT A POST INTERIOR
7	895-11006	8	WASHER, M6, 6.6 X 12 X 1.6MM CST ZND
8	259461A1	3	FOAM, REAR ROPS
9	414926A1	1	BEZEL, RH A POST
10	303158A5	1	SUPPORT, BRACKET
11	260-16516	2	SCREW, SELF TAPPING, Cross Pan Hd, #10 x 1", PNH XREC, END AB PTF
12	628-6020	6	BOLT, Hex, M6 x 20, 10.9, Full Thd, TO HD PTF
13	308955A2	1	BRACKET, REAR SUPPORT
14	87608402	1	MAT, FLOOR, BUDDY STORAGE
15	291836A3	1	BRACKET, CLAMP, CABLE
16	308579A1	2	BRACKET, ANGLE, CABLE ACCESS
17	829-1406	12	NUT, M6, CI 10, ZND
18	855-8030	5	BOLT, Hex Flg, M8 x 30, 10.9, Full Thd, HD PTF
19	87561589	1	MAT, FLOOR,
20	358334A4	1	COVER, RH A -POST ROPS
21	360826A3	1	PAD, RUBBER, LEFT C POST INTERIOR
22	377385A3	1	COVER, RH C-POST ROPS
23	380756A2	1	COVER, ELECTRONICS
24	358327A4	1	CONSOLE, REAR
25	1961435C1	1	LATCH, CAB SKIRT SPRING
26	151-553	6	RIVET, Pop, 1/8" x .337", BLIND BRK MDRL ZND
27	1977929C1	1	STUD, BALL
28	119308A2	1	ASH TRAY, STORAGE
29	349366A2	1	FOAM, TAPE
30	355371A2	1	TAPE, ADHESIVE, FOAM
31	356717A1	2	TAPE, ADHESIVE, FOAM
32	114549A1	1	COAT HOOK,
33	765-17316	2	SCREW, SELF TAPPING, Oval Hd, M4.2 x 16, TPG XREC ST BZN
34	369937A1	1	NET, CARGO
35	369929A1	5	FASTENER, CHRISTMAS TREE
36	371554A1	1	BRACKET, DOOR
37	376553A1	3	FASTENER, CHRISTMAS TREE
38	177269A1	2	NUT, SPRING
39	627-8020	4	BOLT, Hex, M8 x 20, 10.9, THD TO HD ZND
40	384758A1	1	INSULATION, FOAM, BARRIER, FRONT CONSOLE
41	384786A2	1	FOAM, FRONT CONSOLE
42	381027A1	1	INSULATION, FOAM, ACOUSTICAL
43	376597A2	5	COVER, DECAL, HOLE

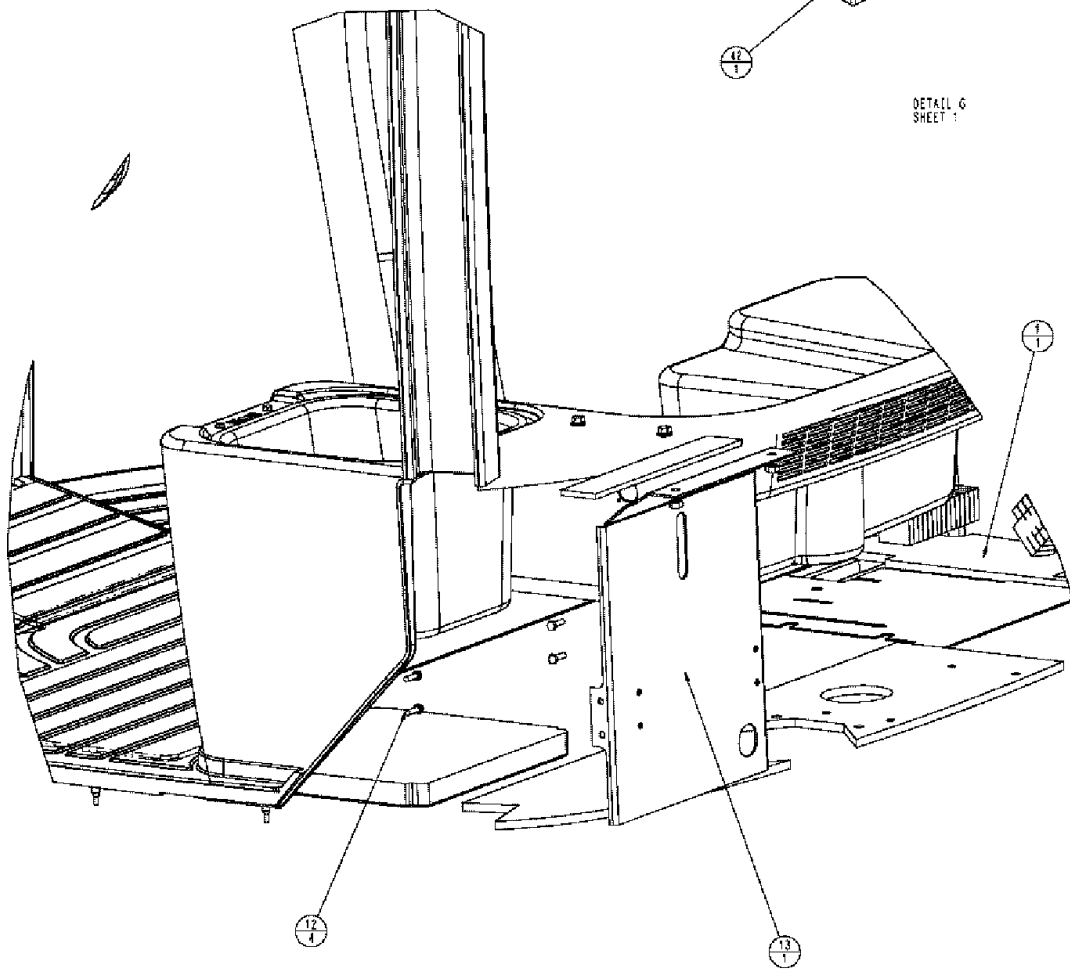
## 4420 PATRIOT SPRAYER

## 01-004(03) INTERIOR TRIM, DELUXE

Ref	Part Number	Qty	Description
44	394772A1	1	PAD SET, FLOOR PROTECTION
45	64-146	2	PLUG, CAP, .500IN HOLE BLACK POLY.
46	345-103	1	LOCTITE, ADHESIVE, 1 OZ SILICONE
47	416119A2	1	CONTROLLER PORT
48	325228A1	1	DECAL, SERIAL NUMBER
49	307026A1	1	SHIELD, CABLE ACCESS
50	825-2410	1	NUT, M10 x 1.5, Flg, CI 8,
51	830-1110	1	NUT, Weld, M10, TAB STYLE 2M
52	561-707	1	SCREW, Hex Soc, Shoulder, M10 12 X 30mm, CI12.9, ZND
	87409368	1	FILTER, CAB, RECIRCULATION, ASSOCIATED PART OF INTERIOR TRIM GROUP
	87408613	1	FILTER, CAB, RECIRCULATION, ASSOCIATED PART OF INTERIOR TRIM GROUP
	87561589	1	MAT, FLOOR, POWER SHIFT, ASSOCIATED PART OF INTERIOR TRIM GROUP



DETAIL G  
SHEET 1



DETAIL F  
SHEET 1



## 4420 PATRIOT SPRAYER

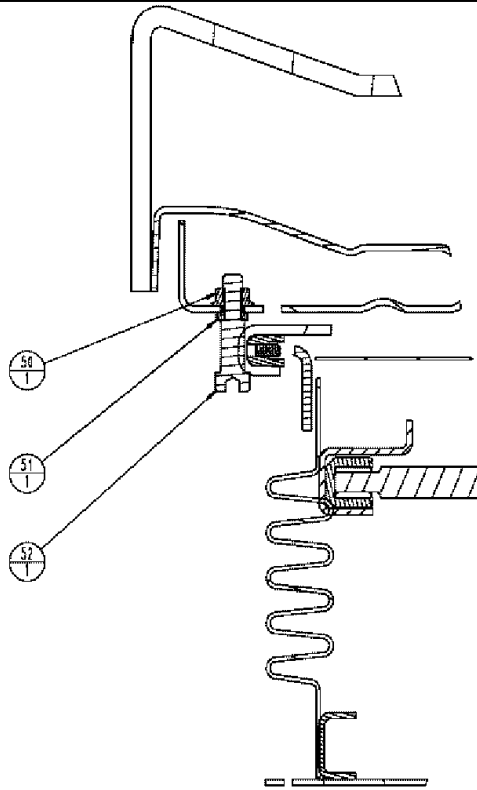
## 01-004(04) INTERIOR TRIM, DELUXE

Ref	Part Number	Qty	Description
1	410864A1	1	INSULATOR, REAR FLOOR
2	283094A1	1	FILTER, CAB RECIRCULATION
3	60-7021T1	4	FOAM, CABLE CLAMP
4	291835A4	1	BRACKET, CLAMP, CABLE
5	895-25006	4	WASHER, M6 x 18 x 1.6, CST ZND
6	360827A2	1	PAD, RUBBER, COVER, LEFT A POST INTERIOR
7	895-11006	8	WASHER, M6, 6.6 X 12 X 1.6MM CST ZND
8	259461A1	3	FOAM, REAR ROPS
9	414926A1	1	BEZEL, RH A POST
10	303158A5	1	SUPPORT, BRACKET
11	260-16516	2	SCREW, SELF TAPPING, Cross Pan Hd, #10 x 1", PNH XREC, END AB PTF
12	628-6020	6	BOLT, Hex, M6 x 20, 10.9, Full Thd, TO HD PTF
13	308955A2	1	BRACKET, REAR SUPPORT
14	87608402	1	MAT, FLOOR, BUDDY STORAGE
15	291836A3	1	BRACKET, CLAMP, CABLE
16	308579A1	2	BRACKET, ANGLE, CABLE ACCESS
17	829-1406	12	NUT, M6, CI 10, ZND
18	855-8030	5	BOLT, Hex Flg, M8 x 30, 10.9, Full Thd, HD PTF
19	87561589	1	MAT, FLOOR,
20	358334A4	1	COVER, RH A -POST ROPS
21	360826A3	1	PAD, RUBBER, LEFT C POST INTERIOR
22	377385A3	1	COVER, RH C-POST ROPS
23	380756A2	1	COVER, ELECTRONICS
24	358327A4	1	CONSOLE, REAR
25	1961435C1	1	LATCH, CAB SKIRT SPRING
26	151-553	6	RIVET, Pop, 1/8" x .337", BLIND BRK MDRL ZND
27	1977929C1	1	STUD, BALL
28	119308A2	1	ASH TRAY, STORAGE
29	349366A2	1	FOAM, TAPE
30	355371A2	1	TAPE, ADHESIVE, FOAM
31	356717A1	2	TAPE, ADHESIVE, FOAM
32	114549A1	1	COAT HOOK,
33	765-17316	2	SCREW, SELF TAPPING, Oval Hd, M4.2 x 16, TPG XREC ST BZN
34	369937A1	1	NET, CARGO
35	369929A1	5	FASTENER, CHRISTMAS TREE
36	371554A1	1	BRACKET, DOOR
37	376553A1	3	FASTENER, CHRISTMAS TREE
38	177269A1	2	NUT, SPRING
39	627-8020	4	BOLT, Hex, M8 x 20, 10.9, THD TO HD ZND
40	384758A1	1	INSULATION, FOAM, BARRIER, FRONT CONSOLE
41	384786A2	1	FOAM, FRONT CONSOLE
42	381027A1	1	INSULATION, FOAM, ACOUSTICAL
43	376597A2	5	COVER, DECAL, HOLE

## 4420 PATRIOT SPRAYER

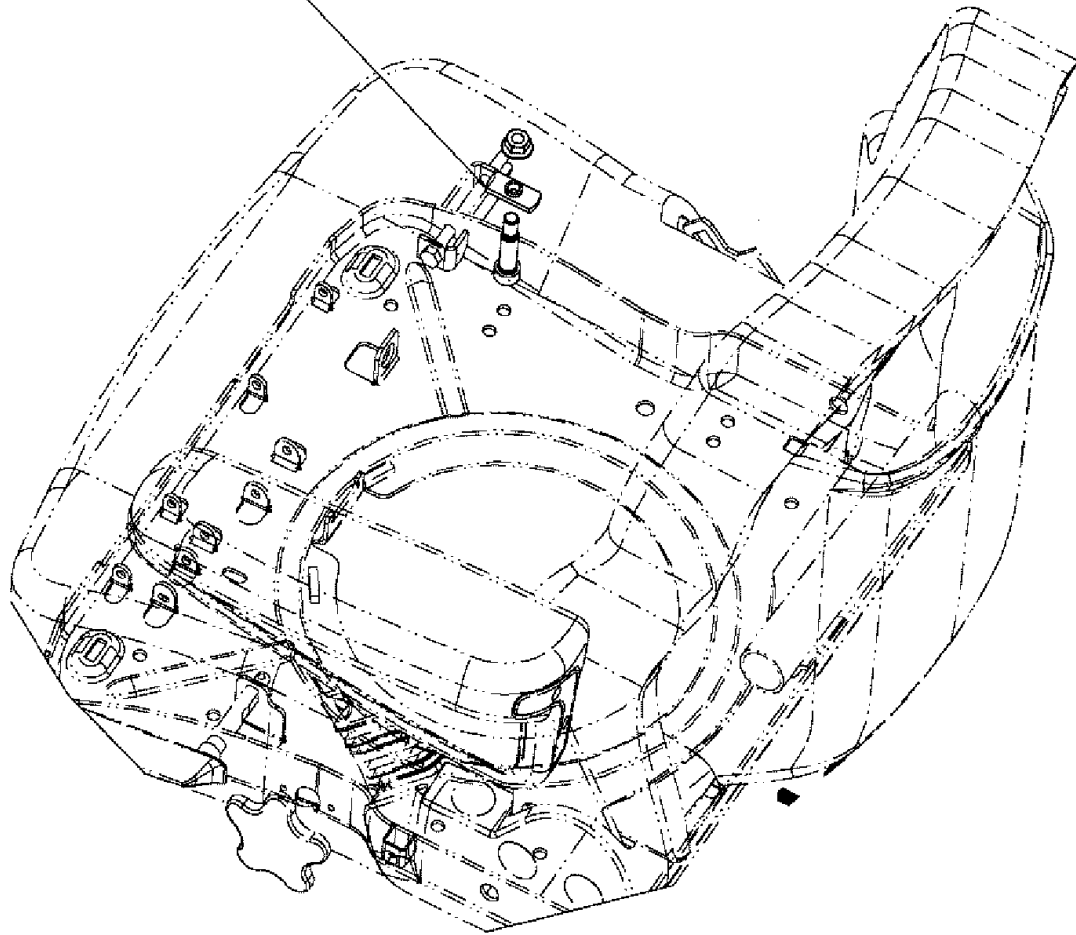
## 01-004(04) INTERIOR TRIM, DELUXE

Ref	Part Number	Qty	Description
44	394772A1	1	PAD SET, FLOOR PROTECTION
45	64-146	2	PLUG, CAP, .500IN HOLE BLACK POLY.
46	345-103	1	LOCTITE, ADHESIVE, 1 OZ SILICONE
47	416119A2	1	CONTROLLER PORT
48	325228A1	1	DECAL, SERIAL NUMBER
49	307026A1	1	SHIELD, CABLE ACCESS
50	825-2410	1	NUT, M10 x 1.5, Flg, CI 8,
51	830-1110	1	NUT, Weld, M10, TAB STYLE 2M
52	561-707	1	SCREW, Hex Soc, Shoulder, M10 12 X 30mm, CI12.9, ZND
	87409368	1	FILTER, CAB, RECIRCULATION, ASSOCIATED PART OF INTERIOR TRIM GROUP
	87408613	1	FILTER, CAB, RECIRCULATION, ASSOCIATED PART OF INTERIOR TRIM GROUP
	87561589	1	MAT, FLOOR, POWER SHIFT, ASSOCIATED PART OF INTERIOR TRIM GROUP



SEE SECTION E  
FOR ASSEMBLY DETAIL

SECTION E-E  
(SEAT SWIVEL STOP HARDWARE  
VIEWED FROM FRONT OF SEAT)



SCALE 3:4  
(SEAT SWIVEL STOP HARDWARE)

## 4420 PATRIOT SPRAYER

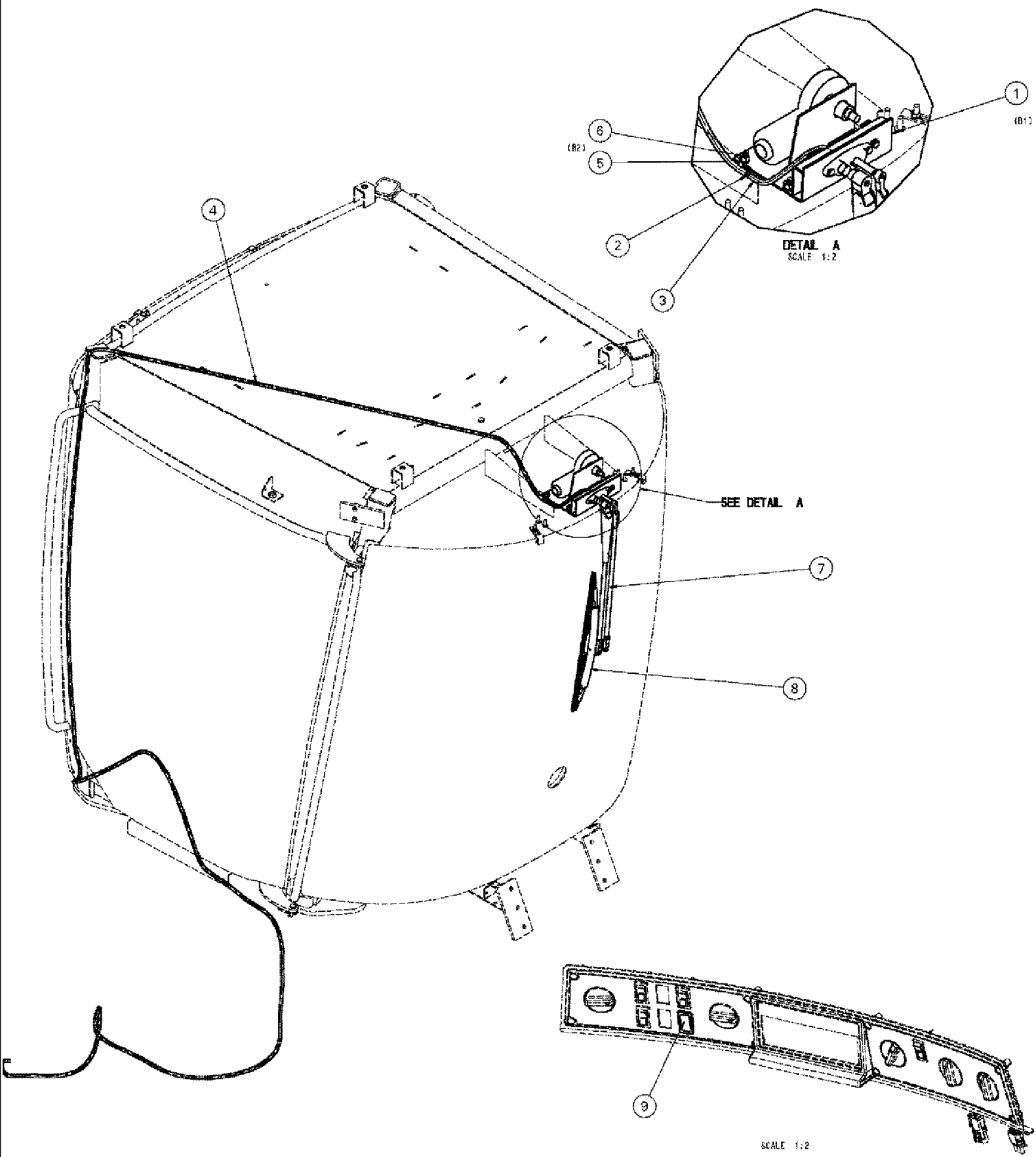
## 01-004(05) INTERIOR TRIM, DELUXE

Ref	Part Number	Qty	Description
1	410864A1	1	INSULATOR, REAR FLOOR
2	283094A1	1	FILTER, CAB RECIRCULATION
3	60-7021T1	4	FOAM, CABLE CLAMP
4	291835A4	1	BRACKET, CLAMP, CABLE
5	895-25006	4	WASHER, M6 x 18 x 1.6, CST ZND
6	360827A2	1	PAD, RUBBER, COVER, LEFT A POST INTERIOR
7	895-11006	8	WASHER, M6, 6.6 X 12 X 1.6MM CST ZND
8	259461A1	3	FOAM, REAR ROPS
9	414926A1	1	BEZEL, RH A POST
10	303158A5	1	SUPPORT, BRACKET
11	260-16516	2	SCREW, SELF TAPPING, Cross Pan Hd, #10 x 1", PNH XREC, END AB PTF
12	628-6020	6	BOLT, Hex, M6 x 20, 10.9, Full Thd, TO HD PTF
13	308955A2	1	BRACKET, REAR SUPPORT
14	87608402	1	MAT, FLOOR, BUDDY STORAGE
15	291836A3	1	BRACKET, CLAMP, CABLE
16	308579A1	2	BRACKET, ANGLE, CABLE ACCESS
17	829-1406	12	NUT, M6, CI 10, ZND
18	855-8030	5	BOLT, Hex Flg, M8 x 30, 10.9, Full Thd, HD PTF
19	87561589	1	MAT, FLOOR,
20	358334A4	1	COVER, RH A -POST ROPS
21	360826A3	1	PAD, RUBBER, LEFT C POST INTERIOR
22	377385A3	1	COVER, RH C-POST ROPS
23	380756A2	1	COVER, ELECTRONICS
24	358327A4	1	CONSOLE, REAR
25	1961435C1	1	LATCH, CAB SKIRT SPRING
26	151-553	6	RIVET, Pop, 1/8" x .337", BLIND BRK MDRL ZND
27	1977929C1	1	STUD, BALL
28	119308A2	1	ASH TRAY, STORAGE
29	349366A2	1	FOAM, TAPE
30	355371A2	1	TAPE, ADHESIVE, FOAM
31	356717A1	2	TAPE, ADHESIVE, FOAM
32	114549A1	1	COAT HOOK,
33	765-17316	2	SCREW, SELF TAPPING, Oval Hd, M4.2 x 16, TPG XREC ST BZN
34	369937A1	1	NET, CARGO
35	369929A1	5	FASTENER, CHRISTMAS TREE
36	371554A1	1	BRACKET, DOOR
37	376553A1	3	FASTENER, CHRISTMAS TREE
38	177269A1	2	NUT, SPRING
39	627-8020	4	BOLT, Hex, M8 x 20, 10.9, THD TO HD ZND
40	384758A1	1	INSULATION, FOAM, BARRIER, FRONT CONSOLE
41	384786A2	1	FOAM, FRONT CONSOLE
42	381027A1	1	INSULATION, FOAM, ACOUSTICAL
43	376597A2	5	COVER, DECAL, HOLE

## 4420 PATRIOT SPRAYER

## 01-004(05) INTERIOR TRIM, DELUXE

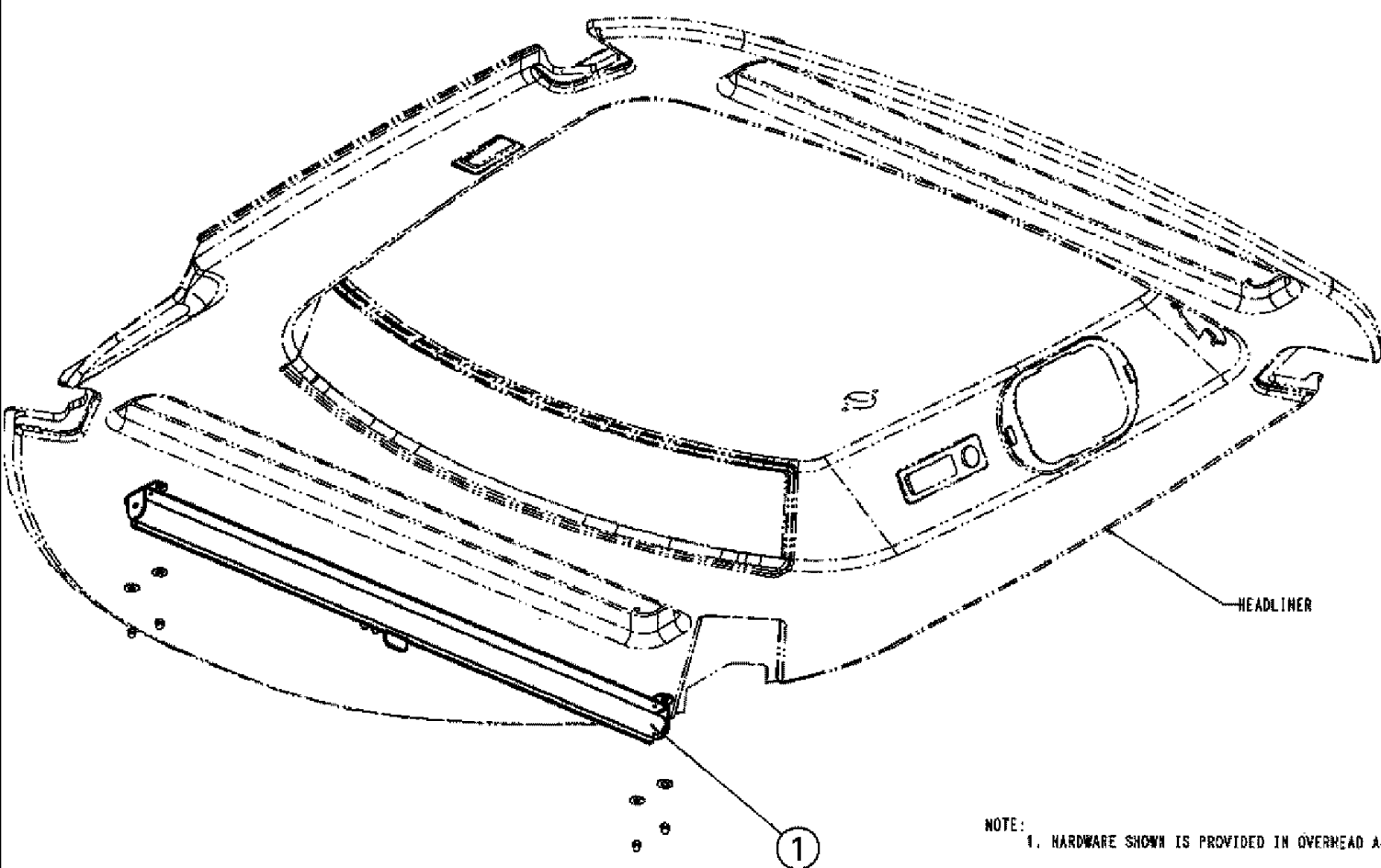
Ref	Part Number	Qty	Description
44	394772A1	1	PAD SET, FLOOR PROTECTION
45	64-146	2	PLUG, CAP, .500IN HOLE BLACK POLY.
46	345-103	1	LOCTITE, ADHESIVE, 1 OZ SILICONE
47	416119A2	1	CONTROLLER PORT
48	325228A1	1	DECAL, SERIAL NUMBER
49	307026A1	1	SHIELD, CABLE ACCESS
50	825-2410	1	NUT, M10 x 1.5, Flg, CI 8,
51	830-1110	1	NUT, Weld, M10, TAB STYLE 2M
52	561-707	1	SCREW, Hex Soc, Shoulder, M10 12 X 30mm, CI12.9, ZND
	87409368	1	FILTER, CAB, RECIRCULATION, ASSOCIATED PART OF INTERIOR TRIM GROUP
	87408613	1	FILTER, CAB, RECIRCULATION, ASSOCIATED PART OF INTERIOR TRIM GROUP
	87561589	1	MAT, FLOOR, POWER SHIFT, ASSOCIATED PART OF INTERIOR TRIM GROUP



## 4420 PATRIOT SPRAYER

## 01-005 FRONT UPPER WIPER GROUP

Ref	Part Number	Qty	Description
1	248812A4	1	WIPER MOTOR, TOP, FRONT & REAR
2	31-2364	1	FITTING, REDUCER, BLK NYLON (FNT/REAR)
3	04-1056T1	1	HOSE, 200 MM
4	31-2936	1	HOSE, 4775 MM
5	895-11008	3	WASHER, M8 x 16 x 1.6, CST ZND
6	832-10408	3	NUT, LOCK, M8 x 1.25, CI 8, PREV TRQ NON-MET ZND
7	334714A2	1	ARM, WIPER 20 INCH
8	353273A1	1	BLADE, FRONT WIPER, 24 INCH
9	126844A1	1	PLUG, COVER, SWITCH HOLE



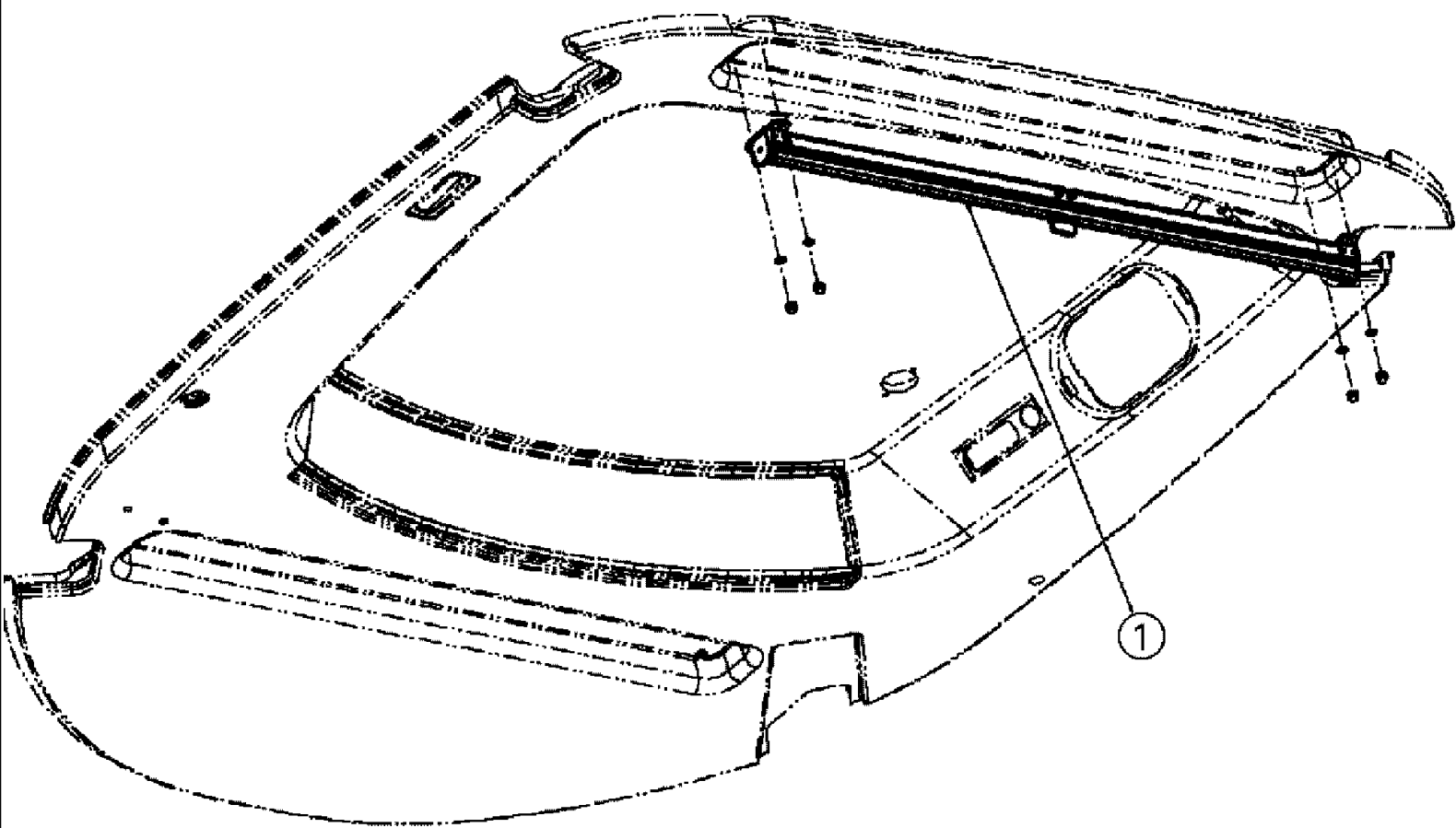
NOTE:  
1. HARDWARE SHOWN IS PROVIDED IN OVERHEAD ASSEMBLY.



4420 PATRIOT SPRAYER

01-006 BLIND ASSEMBLY, FRONT SCISSOR

Ref	Part Number	Qty	Description
1	246324A1	1	VISOR, SUN, BLIND, SCISSOR

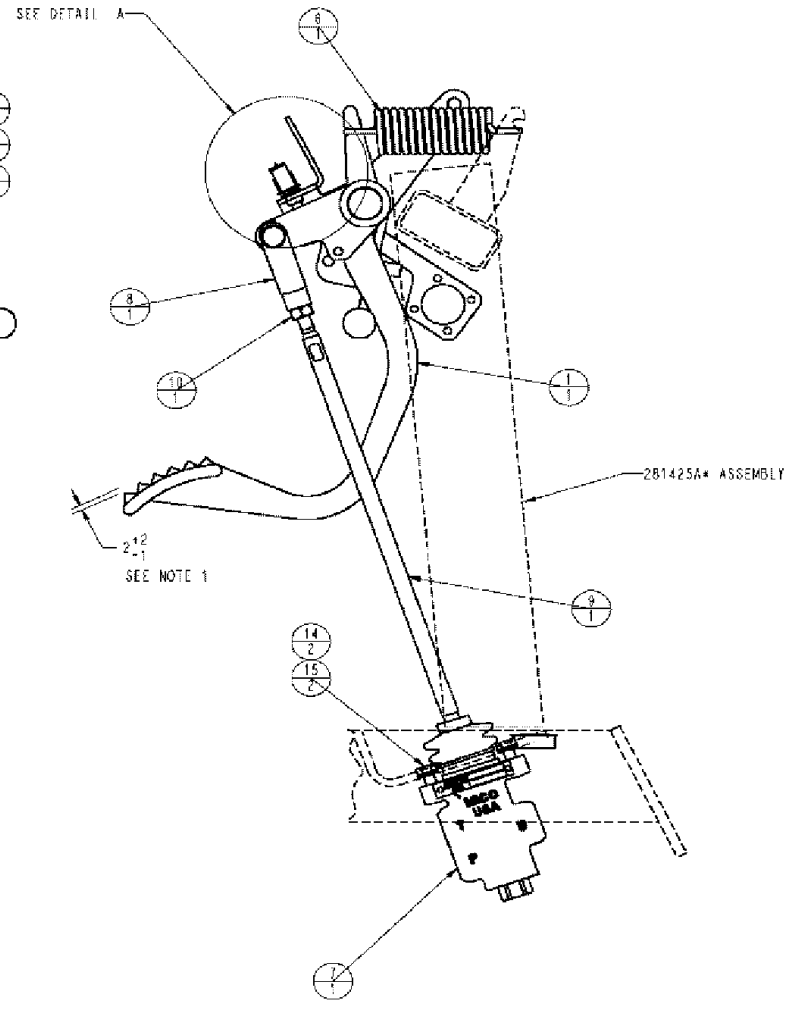
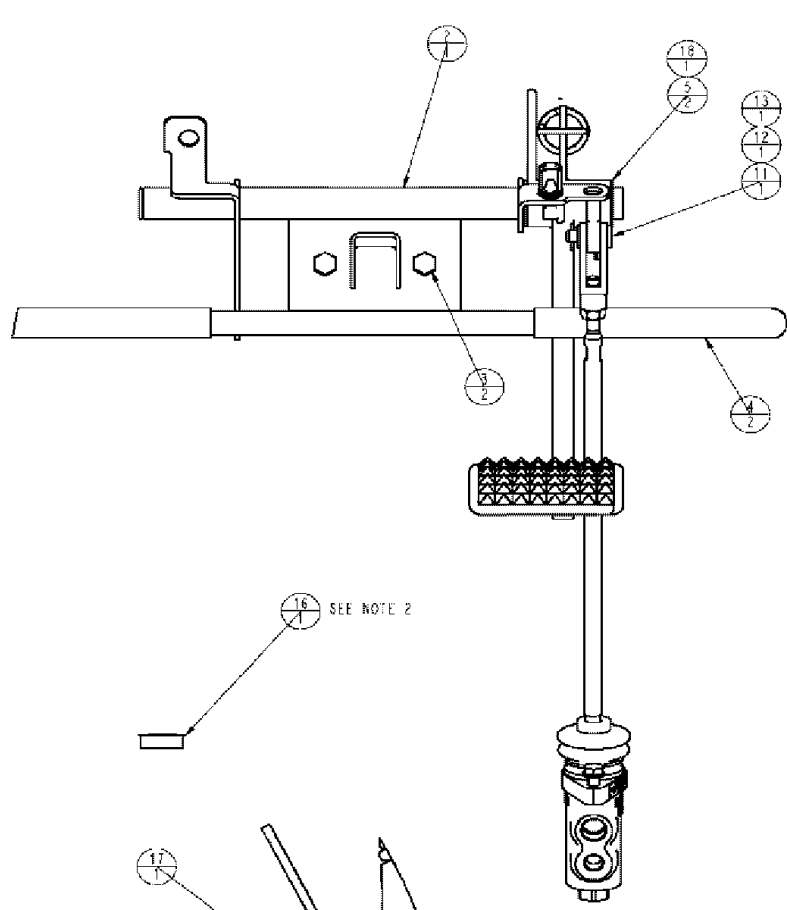


NOTE:  
1. HARDWARE SHOWN IS PROVIDED IN OVERHEAD ASSEMBLY.

4420 PATRIOT SPRAYER

01-007 BLIND ASSEMBLY, REAR SCISSOR

Ref	Part Number	Qty	Description
1	389093A1	1	VISOR, SUN, BLIND, SCISSOR



16 SEE NOTE 2

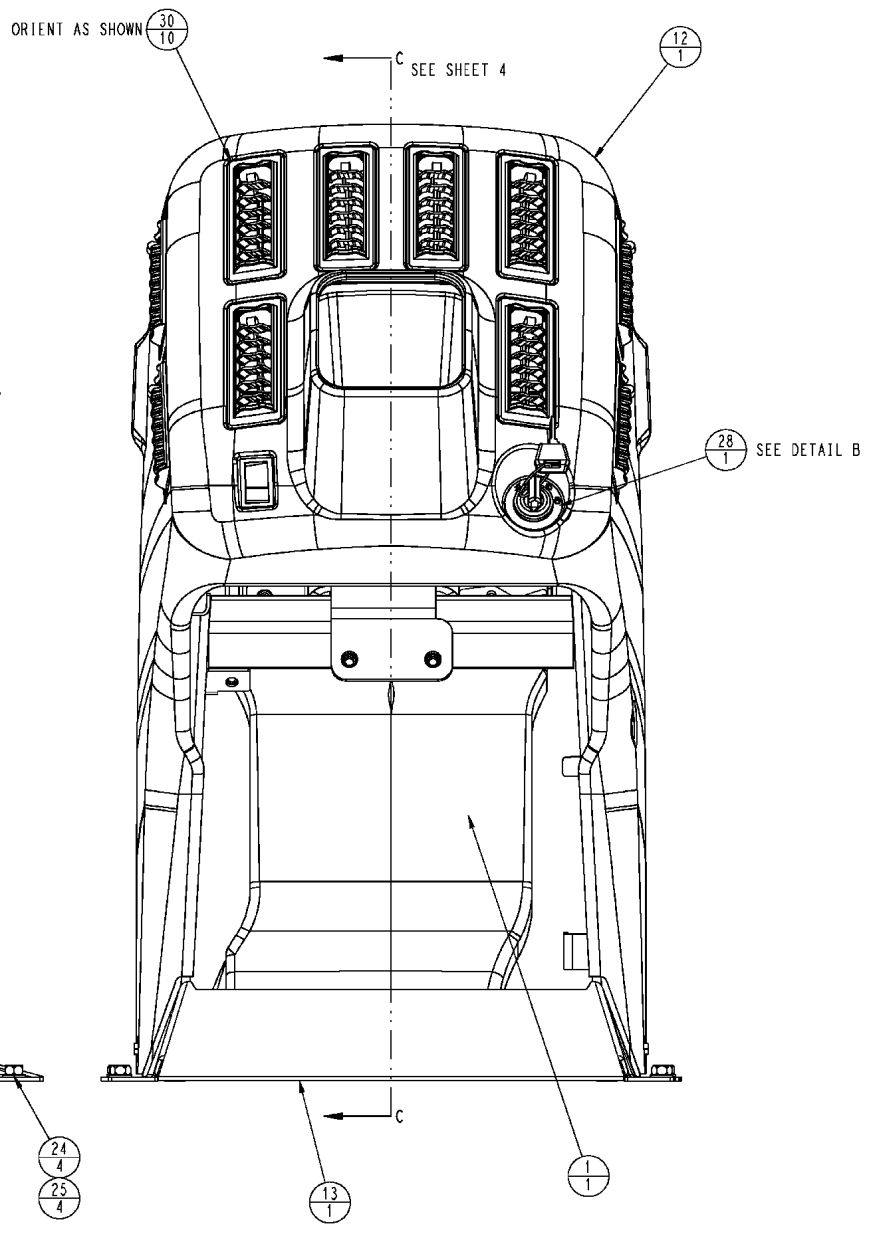
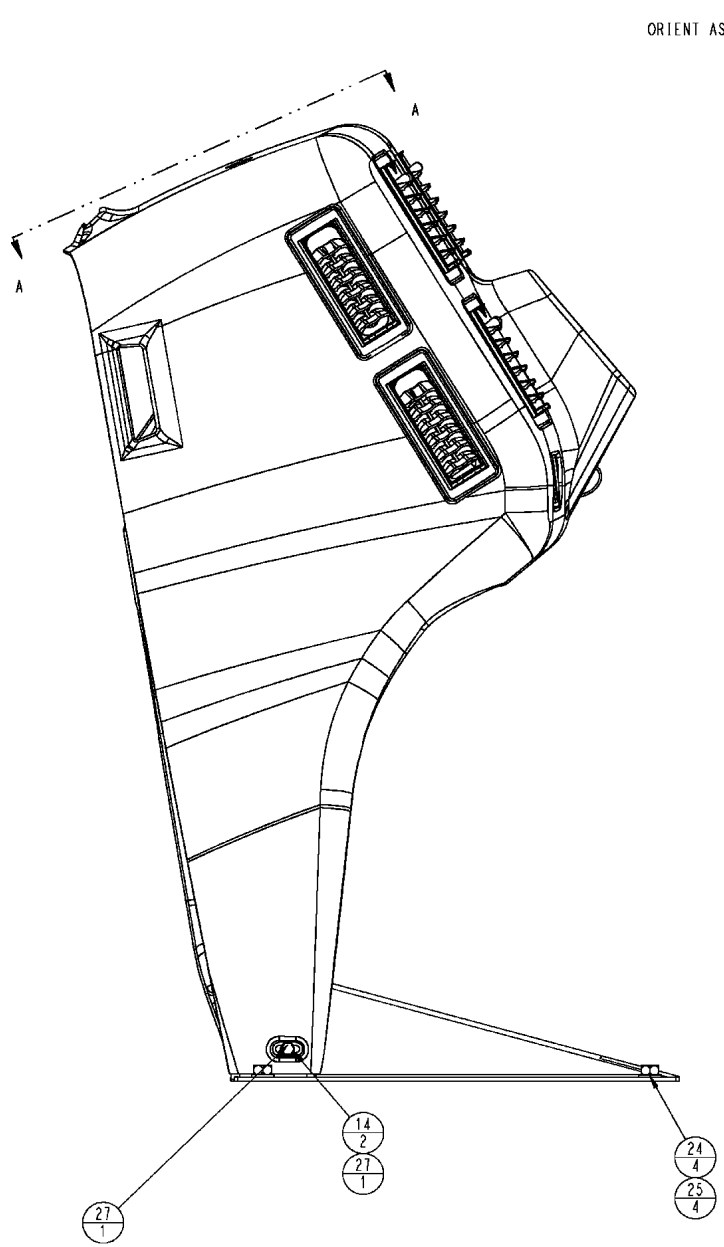
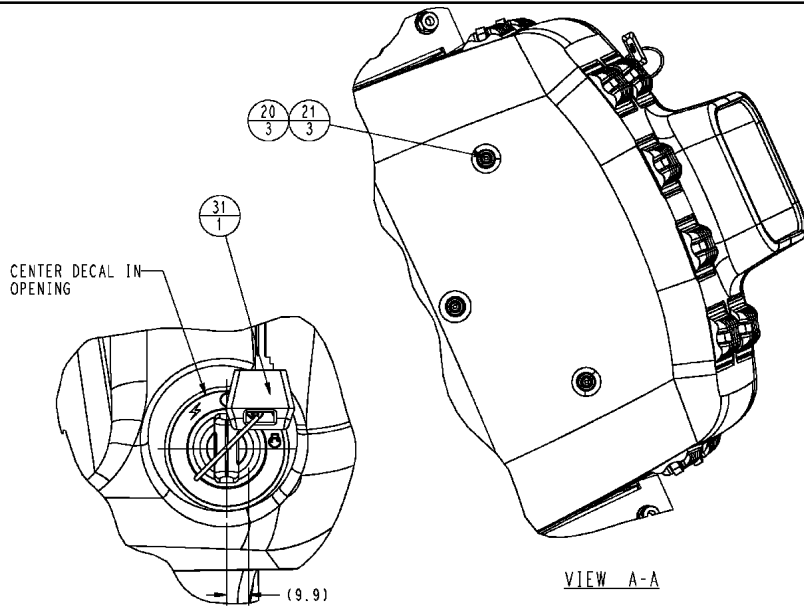
ADJUST SWITCH SUCH THAT  
BUTTON IS DEPRESSED  
 $2.42 \pm 0.13$   
WHEN PEDAL IS AT REST

DETAIL A  
SCALE 1:1

## 4420 PATRIOT SPRAYER

## 01-008 BRAKE CONTROL

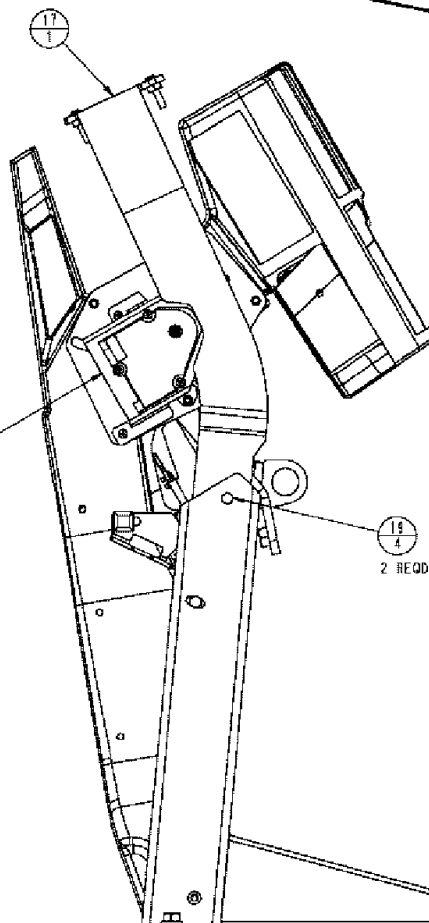
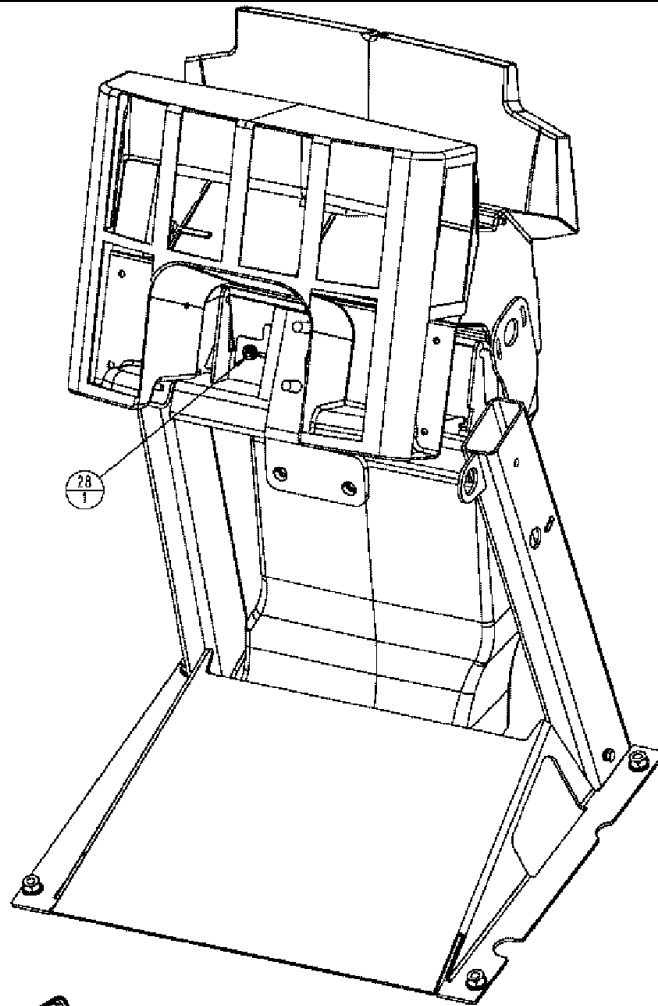
Ref	Part Number	Qty	Description
1	222462A2	1	PEDAL, MACHINED
2	370247A3	1	SUPPORT, ASSY, PEDAL
3	614-10025	2	BOLT, Hex, M10 x 25, 8.8, Full Thd, THD TO HD ZND
4	321961A1	2	MOLDING, RUBBER
5	281093A1	2	WASHER, FLAT
6	278210A1	1	SPRING, EXTENSION
7	380930A1	1	VALVE, BRAKE
8	713-1110	1	CLEVIS, REG ADJ M10 X 40 PLN
9	380955A1	1	ROD, BRAKE, THREADED
10	829-1410	1	NUT, M10, CI 10, ZND
11	729-1030	1	PIN, CLEVIS, M10 x 30, HDN PHC
12	895-18010	1	WASHER, M10 x 18 x 1.6, CST ZND
13	733-2512	1	PIN, SPLIT (COTTER), M2.5 x 12, ZN
14	895-11008	2	WASHER, M8 x 16 x 1.6, CST ZND
15	627-8025	4	BOLT, Hex, M8 x 25, 10.9, THD TO HD ZND
16	353-422	1	PLUG, Dome, 1.250" hole, Nylon,
17	279265A2	1	SWITCH, DIFF LOCK BRAKE
18	281893A1	1	BEARING, PEDAL



## 4420 PATRIOT SPRAYER

## 01-009(01) FRONT CONSOLE, HVAC ASSEMBLY

Ref	Part Number	Qty	Description
1	87433098	1	DUCT, AIR, PLENUM, A/C-HEAT
2	257059A2	1	PLATE, SUPPORT
3	281138A2	1	GUIDE, PLATE
4	281139A1	1	GUIDE, PLATE
5	246476A1	2	VENT, LOUVER, AIR PLENUM
6	275601A1	1	LINK, ASSY
7	832-10404	1	NUT, LOCK, M4 x .7, CI 8, PREV TRQ NON-MET ZND
8	840-1416	1	SCREW, Cross Pan Hd, M4 x 16, PHD TYPE H CLASS 4.8 ZND
9	840-148	3	SCREW, Cross Pan Hd, M4 x 8, PHD TYPE H CLASS 4.8 ZND
10	895-11004	1	WASHER, M4, 4.3 X 9 X 0.8MM CST ZND
11	60-2416T1	3	BEARING, NYLON,
12	360446A1	1	CONSOLE, FRONT
13	281425A5	1	SUPPORT, WELDMENT, STEERING
14	628-6012	2	BOLT, Hex, M6 x 12, 10.9, Full Thd, THD TO HD PHC
15	277438A1	1	SUPPORT, BRACKET
16	275602A1	1	ACTUATOR, MOTOR
	87377103	1	MOTOR, ELECTRIC, KIT, ACTUATOR, SERVICE PARTS FOR REF. 16
17	280566A1	1	SUPPORT, FRONT CONSOLE
18	760-14316	1	SCREW, SELF TAPPING, Pan Hd, M4.2 x 16, END C ZND
19	627-6016	4	BOLT, Hex, M6 x 16, 10.9, THD TO HD ZND
20	195-81023	3	WASHER, #12, .250 X .562 X .04
21	436276A1	3	SCREW, BUTTON HEAD
22	281140A1	1	WASHER, SHOULDER
23	840-1410	1	SCREW, Cross Pan Hd, M4 x 10,
24	895-11010	4	WASHER, M10 x 20 x 2,
25	829-1310	4	NUT, M10, CI 10,
26	301098A1	2	CLIP, SNAP-IN
27	895-11006	2	WASHER, M6,
28	353849A1	1	DECAL, KEYSWITCH
29	A67295	1	PLUG, CONTROL CABLE
30	363882A1	10	DIFFUSER, W/O HOLES NOPOP WH
31	363914A1	1	SWITCH, IGNITION, W/PADDED KEYS
32	446687A1	2	FOAM, LOUVER DAMPNER

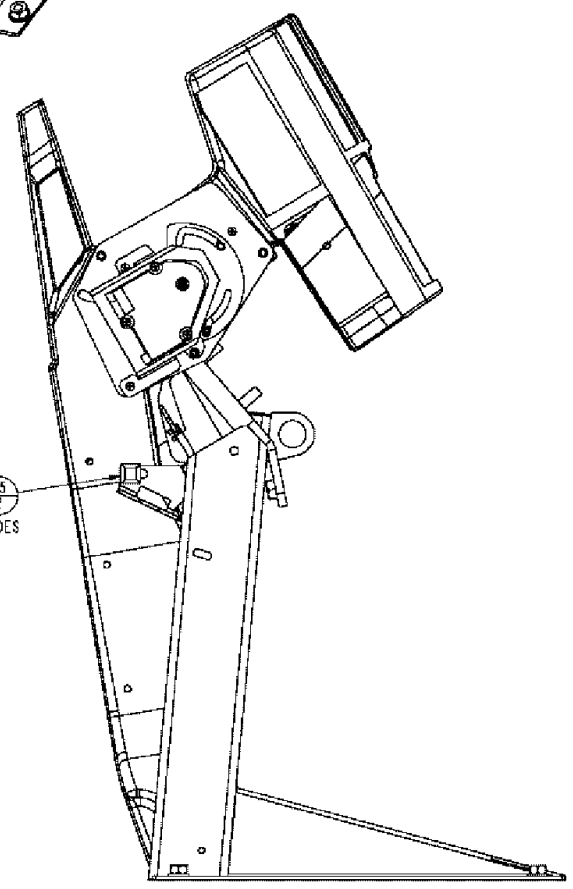


(ITEMS REMOVED FOR CLARITY)

SEE SHEET 3 FOR EXPLODED ASSEMBLY DETAIL

12  
4  
2 REQD, BOTH SIDES

25  
2  
BOTH SIDES



(ITEMS REMOVED FOR CLARITY)

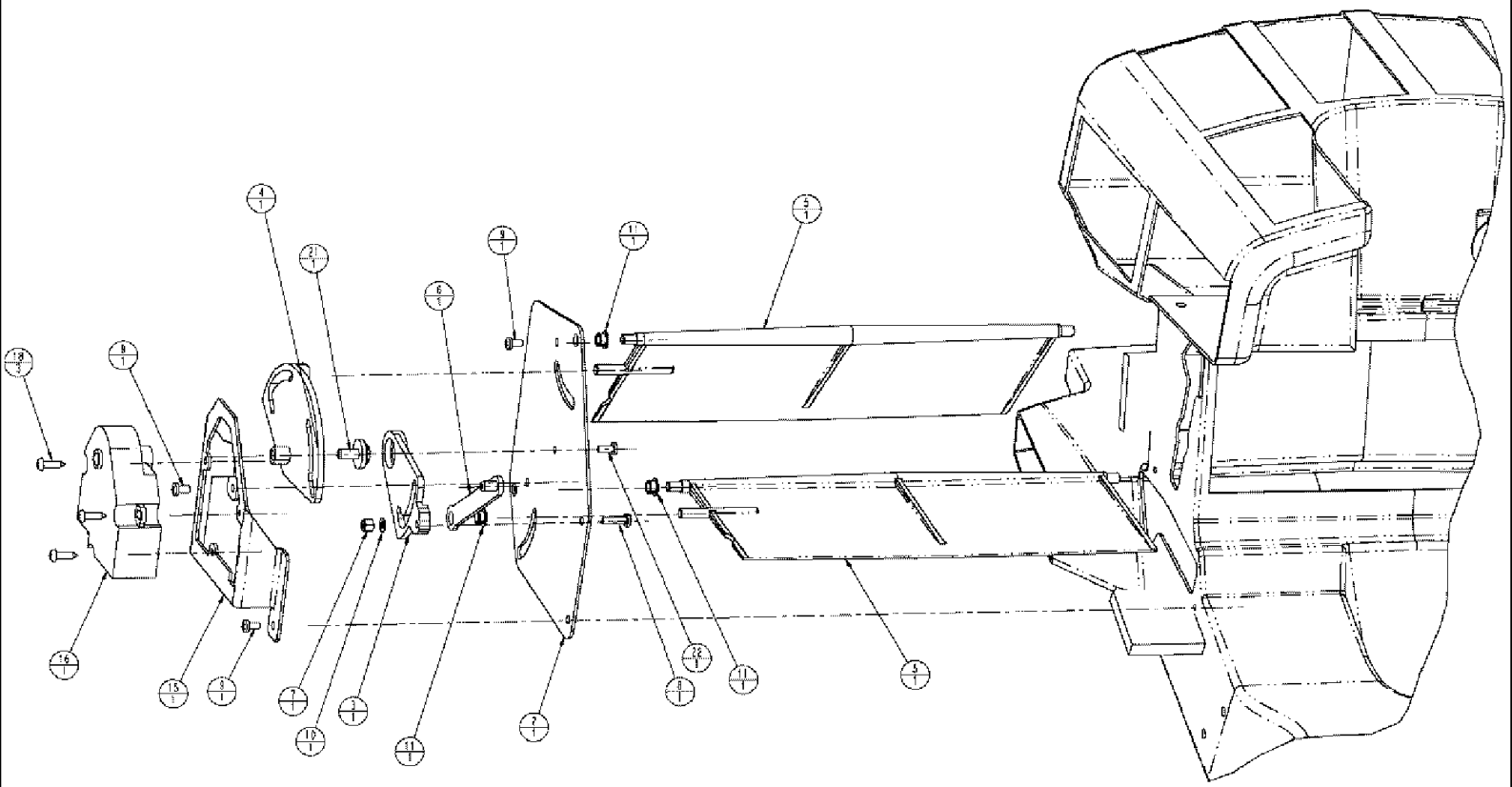
(ITEMS REMOVED FOR CLARITY)



## 4420 PATRIOT SPRAYER

## 01-009(02) FRONT CONSOLE, HVAC ASSEMBLY

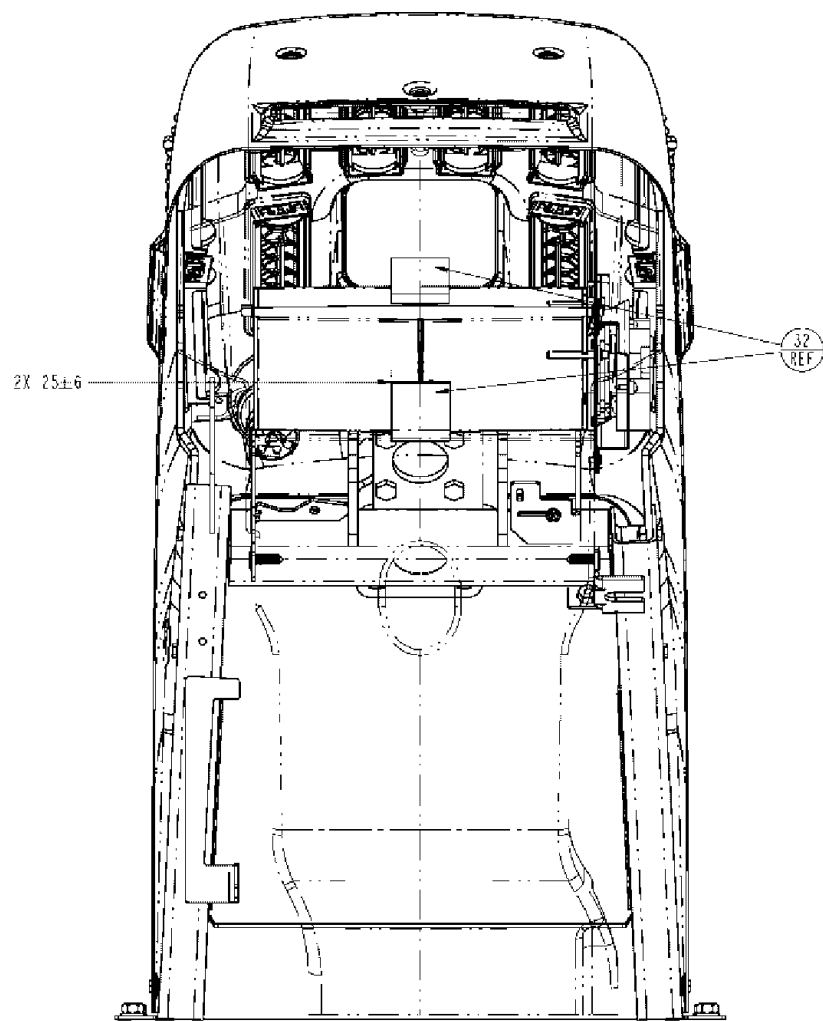
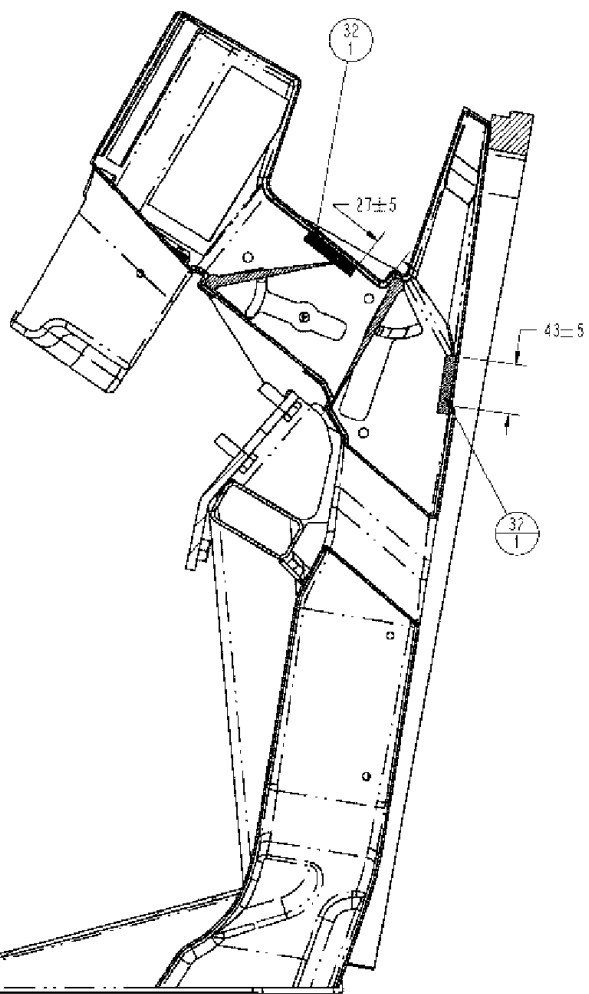
Ref	Part Number	Qty	Description
1	87433098	1	DUCT, AIR, PLENUM, A/C-HEAT
2	257059A2	1	PLATE, SUPPORT
3	281138A2	1	GUIDE, PLATE
4	281139A1	1	GUIDE, PLATE
5	246476A1	2	VENT, LOUVER, AIR PLENUM
6	275601A1	1	LINK, ASSY
7	832-10404	1	NUT, LOCK, M4 x .7, CI 8, PREV TRQ NON-MET ZND
8	840-1416	1	SCREW, Cross Pan Hd, M4 x 16, PHD TYPE H CLASS 4.8 ZND
9	840-148	3	SCREW, Cross Pan Hd, M4 x 8, PHD M4 X 8 TYPE H CLASS 4.8 ZND
10	895-11004	1	WASHER, M4, 4.3 X 9 X 0.8MM CST ZND
11	60-2416T1	3	BEARING, NYLON,
12	360446A1	1	CONSOLE, FRONT
13	281425A5	1	SUPPORT, WELDMENT, STEERING
14	628-6012	2	BOLT, Hex, M6 x 12, 10.9, Full Thd, THD TO HD PHC
15	277438A1	1	SUPPORT, BRACKET
16	275602A1	1	ACTUATOR, MOTOR
	87377103	1	MOTOR, ELECTRIC, KIT, ACTUATOR, SERVICE PARTS FOR REF. 16
17	280566A1	1	SUPPORT, FRONT CONSOLE
18	760-14316	1	SCREW, SELF TAPPING, Pan Hd, M4.2 x 16, END C ZND
19	627-6016	4	BOLT, Hex, M6 x 16, 10.9, THD TO HD ZND
20	436276A1	3	SCREW, BUTTON HEAD
21	281140A1	1	WASHER, SHOULDER
22	840-1410	1	SCREW, Cross Pan Hd, M4 x 10, PHD TYPE H CLASS 4.8 ZND
23	895-11010	4	WASHER, M10 x 20 x 2, CST ZND
24	829-1310	4	NUT, M10, CI 10, PHC
25	301098A1	2	CLIP, SNAP-IN
26	895-11006	2	WASHER, M6, 6.6 X 12 X 1.6MM CST ZND
27	353849A1	1	DECAL, KEY SWITCH
28	A67295	1	PLUG, CONTROL CABLE
29	363931A1	10	VENT, LOUVER ASSY, SMALL W/ POP WHEAT
30	284150A2	1	STRIP, RUBBER, SEAL, DASH
31	363914A1	1	SWITCH, IGNITION, W/PADDED KEYS
32	446687A1	2	FOAM, LOUVER DAMPNER



## 4420 PATRIOT SPRAYER

## 01-009(03) FRONT CONSOLE, HVAC ASSEMBLY

Ref	Part Number	Qty	Description
1	87433098	1	DUCT, AIR, PLENUM, A/C-HEAT
2	257059A2	1	PLATE, SUPPORT
3	281138A2	1	GUIDE, PLATE
4	281139A1	1	GUIDE, PLATE
5	246476A1	2	VENT, LOUVER, AIR PLENUM
6	275601A1	1	LINK, ASSY
7	832-10404	1	NUT, LOCK, M4 x .7, CI 8, PREV TRQ NON-MET ZND
8	840-1416	1	SCREW, Cross Pan Hd, M4 x 16, PHD TYPE H CLASS4.8 ZND
9	840-148	3	SCREW, Cross Pan Hd, M4 x 8, PHD M4X8 TYPE H CLASS4.8 ZND
10	895-11004	1	WASHER, M4, 4.3 X 9 X 0.8MM CST ZND
11	60-2416T1	3	BEARING, NYLON,
12	360446A1	1	CONSOLE, FRONT
13	281425A5	1	SUPPORT, WELDMENT, STEERING
14	628-6012	2	BOLT, Hex, M6 x 12, 10.9, Full Thd, THD TO HD PHC
15	277438A1	1	SUPPORT, BRACKET
16	275602A1	1	ACTUATOR, MOTOR
	87377103	1	MOTOR, ELECTRIC, KIT, ACTUATOR, SERVICE PARTS FOR REF. 16
17	280566A1	1	SUPPORT, /W, FRONT CONSOLE
18	760-14316	1	SCREW, SELF TAPPING, Pan Hd, M4.2 x 16, END C ZND
19	627-6016	4	BOLT, Hex, M6 x 16, 10.9, THD TO HD ZND
20	436276A1	3	SCREW, BUTTON HEAD
21	281140A1	1	WASHER, SHOULDER
22	840-1410	1	SCREW, Cross Pan Hd, M4 x 10, PHD TYPE H CLASS4.8 ZND
23	895-11010	4	WASHER, M10 x 20 x 2, CST ZND
24	829-1310	4	NUT, M10, CI 10, PHC
25	301098A1	2	CLIP, SNAP-IN
26	895-11006	2	WASHER, M6, 6.6 X 12 X 1.6MM CST ZND
27	353849A1	1	DECAL, KEY SWITCH
28	A67295	1	PLUG, CONTROL CABLE
29	363931A1	10	VENT, LOUVER ASSY, SMALL W/ POP WHEAT
30	284150A2	1	STRIP, RUBBER, SEAL, DASH
31	363914A1	1	SWITCH, IGNITION, W/PADDED KEYS
32	446687A1	2	FOAM, LOUVER DAMPNER

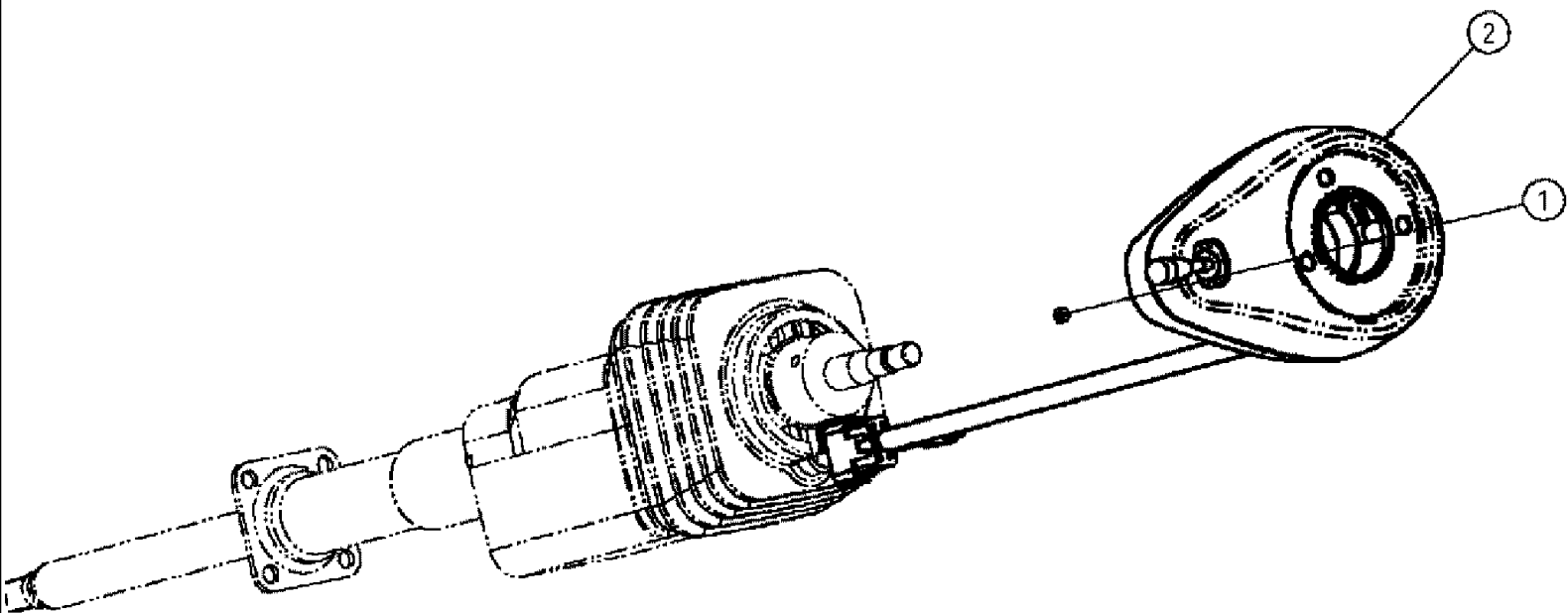


SECTION C C

## 4420 PATRIOT SPRAYER

## 01-009(04) FRONT CONSOLE, HVAC ASSEMBLY

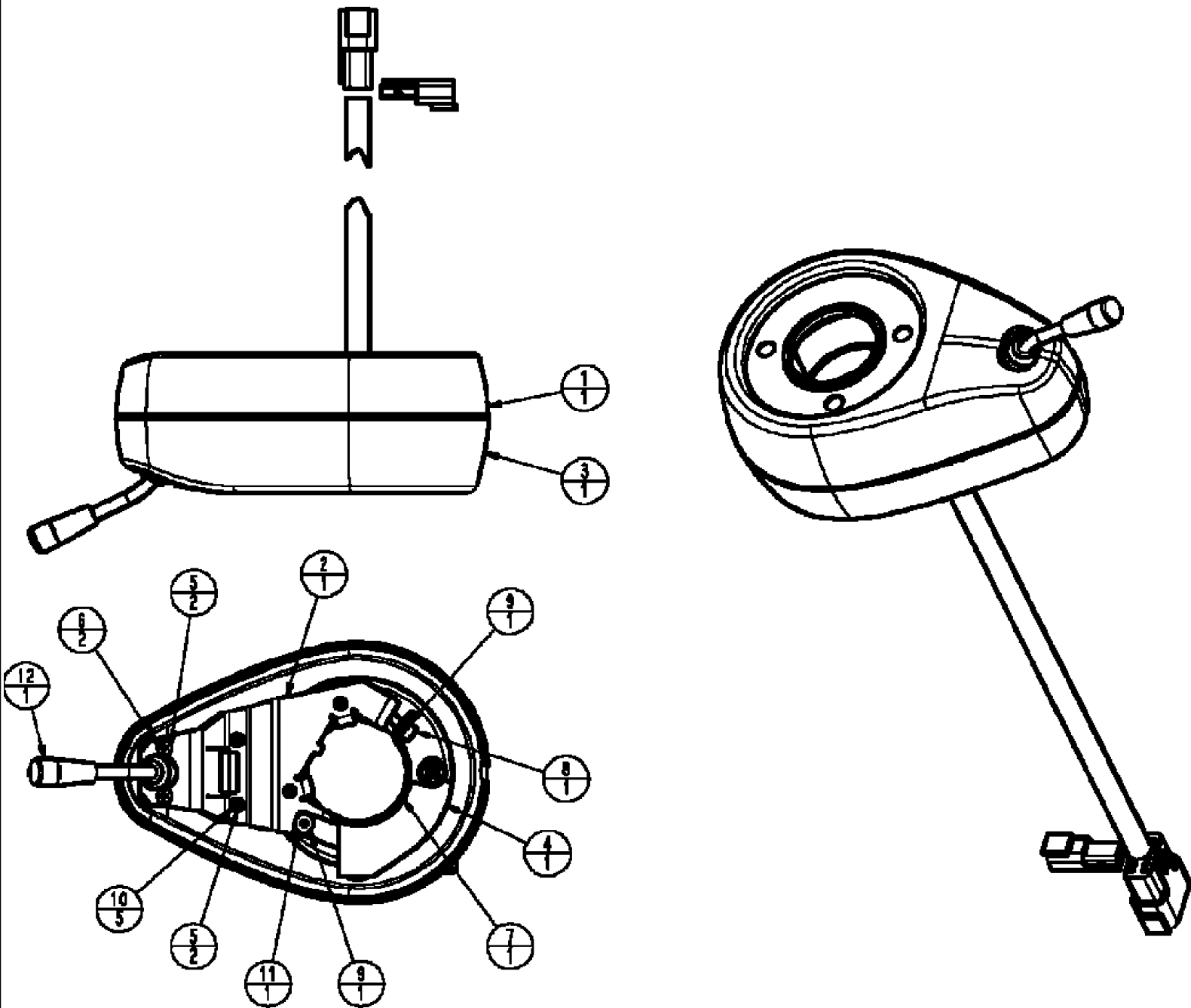
Ref	Part Number	Qty	Description
1	87433098	1	DUCT, AIR, PLENUM, A/C-HEAT
2	257059A2	1	PLATE, SUPPORT
3	281138A2	1	GUIDE, PLATE
4	281139A1	1	GUIDE, PLATE
5	246476A1	2	VENT, LOUVER, AIR PLENUM
6	275601A1	1	LINK, ASSY
7	832-10404	1	NUT, LOCK, M4 x .7, CI 8, PREV TRQ NON-MET ZND
8	840-1416	1	SCREW, Cross Pan Hd, M4 x 16, PHD TYPE H CLASS 4.8 ZND
9	840-148	3	SCREW, Cross Pan Hd, M4 x 8, PHD M4 X 8 TYPE H CLASS 4.8 ZND
10	895-11004	1	WASHER, M4, 4.3 X 9 X 0.8MM CST ZND
11	60-2416T1	3	BEARING, NYLON,
12	360446A1	1	CONSOLE, FRONT
13	281425A5	1	SUPPORT, WELDMENT, STEERING
14	628-6012	2	BOLT, Hex, M6 x 12, 10.9, Full Thd, THD TO HD PHC
15	277438A1	1	SUPPORT, BRACKET
16	275602A1	1	ACTUATOR, MOTOR
	87377103	1	MOTOR, ELECTRIC, KIT, ACTUATOR, SERVICE PARTS FOR REF. 16
17	280566A1	1	SUPPORT, /W, FRONT CONSOLE
18	760-14316	1	SCREW, SELF TAPPING, Pan Hd, M4.2 x 16, END C ZND
19	627-6016	4	BOLT, Hex, M6 x 16, 10.9, THD TO HD ZND
20	436276A1	3	SCREW, BUTTON HEAD
21	281140A1	1	WASHER, SHOULDER
22	840-1410	1	SCREW, Cross Pan Hd, M4 x 10, PHD TYPE H CLASS 4.8 ZND
23	895-11010	4	WASHER, M10 x 20 x 2, CST ZND
24	829-1310	4	NUT, M10, CI 10, PHC
25	301098A1	2	CLIP, SNAP-IN
26	895-11006	2	WASHER, M6, 6.6 X 12 X 1.6MM CST ZND
27	353849A1	1	DECAL, KEY SWITCH
28	A67295	1	PLUG, CONTROL CABLE
29	363931A1	10	VENT, LOUVER ASSY, SMALL W/ POP WHEAT
30	284150A2	1	STRIP, RUBBER, SEAL, DASH
31	363914A1	1	SWITCH, IGNITION, W/PADDED KEYS
32	446687A1	2	FOAM, LOUVER DAMPNER



4420 PATRIOT SPRAYER

01-010 STEERING & POD ASSEMBLY

Ref	Part Number	Qty	Description
1	253679A1	1	RING, MAGNET
2	412350A1	1	ASSEMBLY, POD, SELF CANCELLING TURN, SEE FIG.01-011

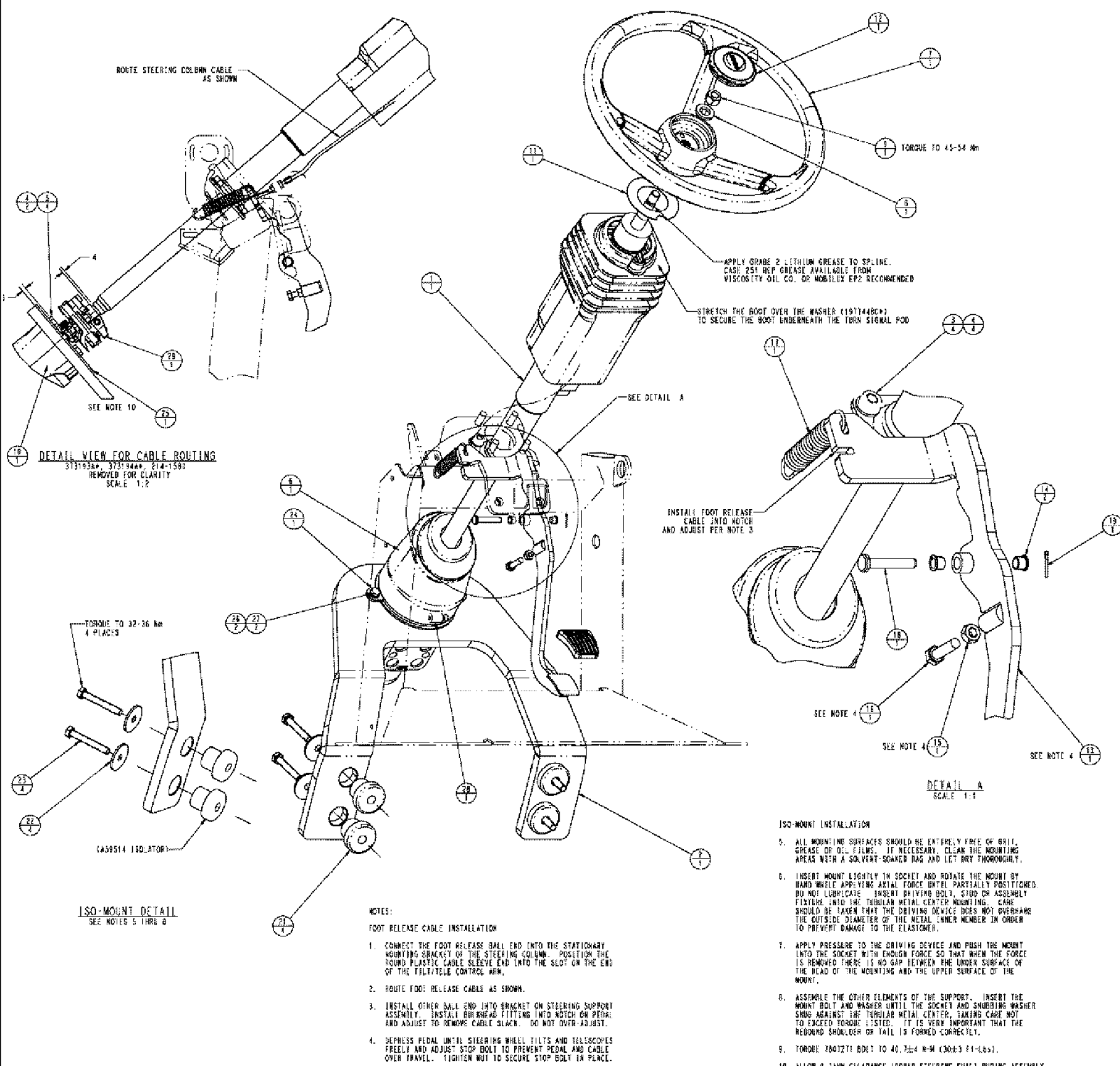




## 4420 PATRIOT SPRAYER

## 01-011 POD ASSEMBLY, SELF CANCEL TURN

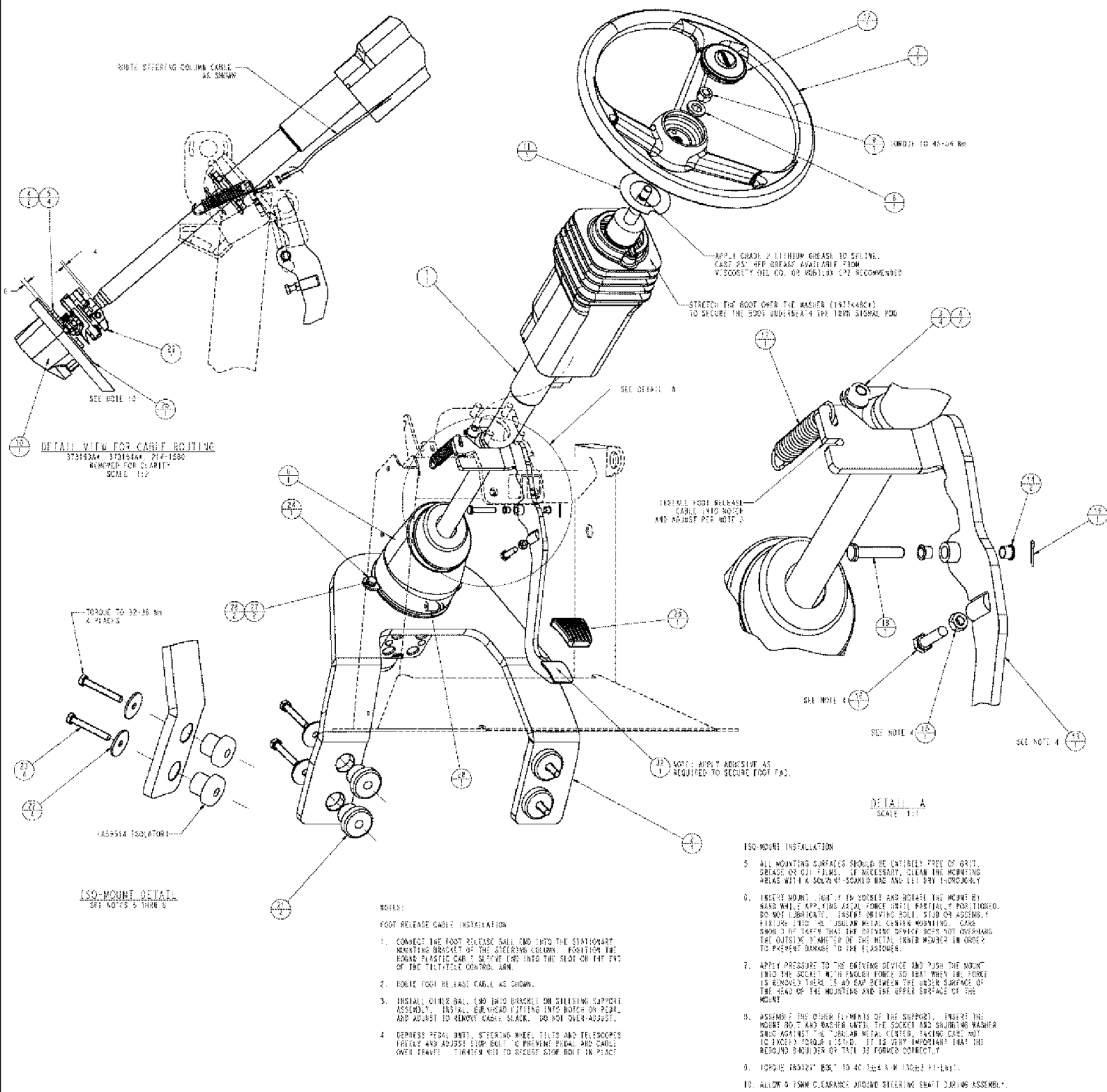
Ref	Part Number	Qty	Description
1	253396A2	1	HOUSING, TURN SIGNAL LOWER
2	253397A2	1	SUPPORT, BRACKET, TURN SIGNAL
3	253395A1	1	HOUSING, TURN SIGNAL UPPER
4	280529A1	1	SENSOR, MODULE, SELF CANCELLING TURN
5	892-11004	4	WASHER, LOCK, M4,
6	840-146	2	SCREW, Cross Pan Hd, M4 x 6, TYPE H 4
7	144628A1	1	SUPPORT, CLAMP, F/N/R CONTROL POD
8	864-5025	1	SCREW, Hex Soc Hd, M5 x 25, 8.8, Z
9	893-16005	2	WASHER, LOCK, Int Tooth, M5,
10	87343623	5	SCREW,
11	760-14413	1	SCREW, SELF TAPPING, Pan Hd, M4.8 x 13, H, END C
12	284777A1	1	SWITCH, UNIVERSAL W/ DIPP



## 4420 PATRIOT SPRAYER

## 01-012 STEERING CONTROL, DELUXE

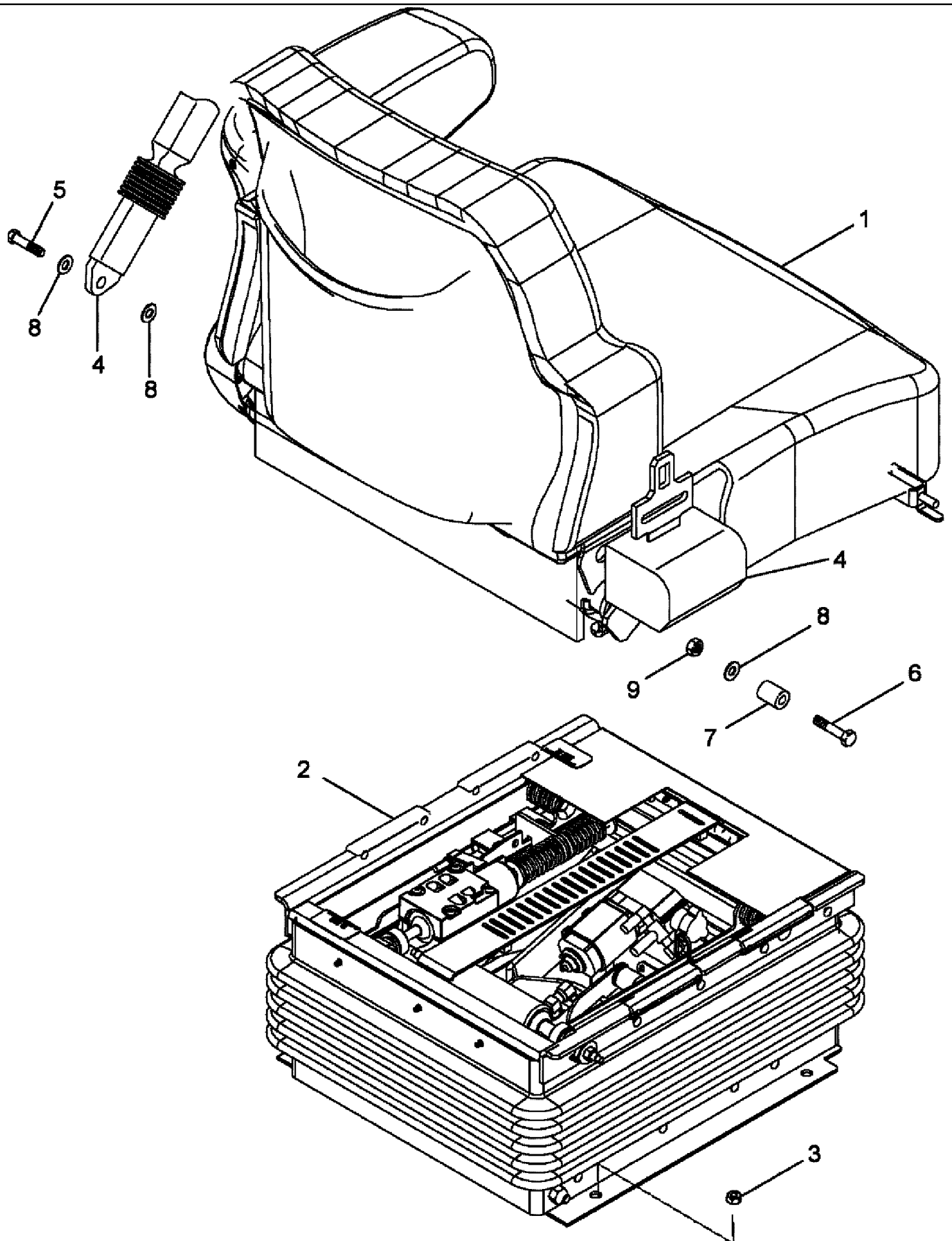
Ref	Part Number	Qty	Description
1	86983411	1	STEERING COLUMN, ADJUSTABLE
2	343214A1	1	PLATE, PUMP SUPPORT
3	829-1410	4	NUT, M10, CI 10, ZND
4	895-11010	6	WASHER, M10 x 20 x 2, CST ZND
5	627-10030	4	BOLT, Hex, M10 x 30, 10.9, Full Thd,
6	373193A1	1	BOOT, STEERING
7	301200A1	1	WHEEL (STEERING), DELUXE
8	896-11016	1	WASHER, M17.5 x 30 x 4, HT, ZND HDN
9	825-11414	1	NUT, M14 x 1.5, CI 8, ZND
10	87267311	1	PUMP, STEERING SERIES 10
11	1977448C2	1	WASHER, SUPPORT, BOOT
12	361024A3	1	CAP, ASSY, DELUXE STEERING
	378914A1	1	STEERING WHEEL, ASSOCIATED PART OF CAP ASSY, P/N 361024A3
	87613502	1	INSERT, INSERT, CASE IH, ASSOCIATED PART OF CAP ASSY, P/N 361024A3
14	311748A3	1	PEDAL, ASSY, STEERING ADJUST
15	282892A1	2	BUSHING, BEARING, NYLON
16	829-1508	1	NUT, M8, CI 10, BZN
17	514-633	1	BOLT, Hex, M8 x 30, 8.8, Full Thd, SCREW
18	311812A1	1	SPRING, EXTENSION
19	729-845	1	PIN, CLEVIS, M8 x 45, PHC
20	733-2012	1	PIN, SPLIT (COTTER), M2 x 12, ZN
21	323657A1	1	PAD, FOOT RELEASE PEDAL
22	A59514	4	BUSHING, RUBBER, MOUNT, FRONT
23	495-81145	4	WASHER, 13/32" x 1 3/4" x .120", CST ZND
24	627-10070	4	BOLT, Hex, M10 x 70, 10.9, Full Thd, ZND
25	373194A1	1	HOUSING, BOOT MOUNTING
26	86983451	1	SEAL, STEERING COLUMN
27	895-11008	2	WASHER, M8 x 16 x 1.6, CST ZND
28	627-8020	2	BOLT, Hex, M8 x 20, 10.9, ZND
29	214-1580	1	CLAMP, HOSE, #80, 4.62/5.50 Type F Worm, W/liner,
30	L100096	1	COUPLING, BUSHING, STEERING NOISE
31	7807271	2	SCREW, CAP LOCK, 12 PT
31	450945A1	1	STOP DEVICE, PUMP SHAFT



## 4420 PATRIOT SPRAYER

## 01-013 STEERING CONTROL, LUXURY

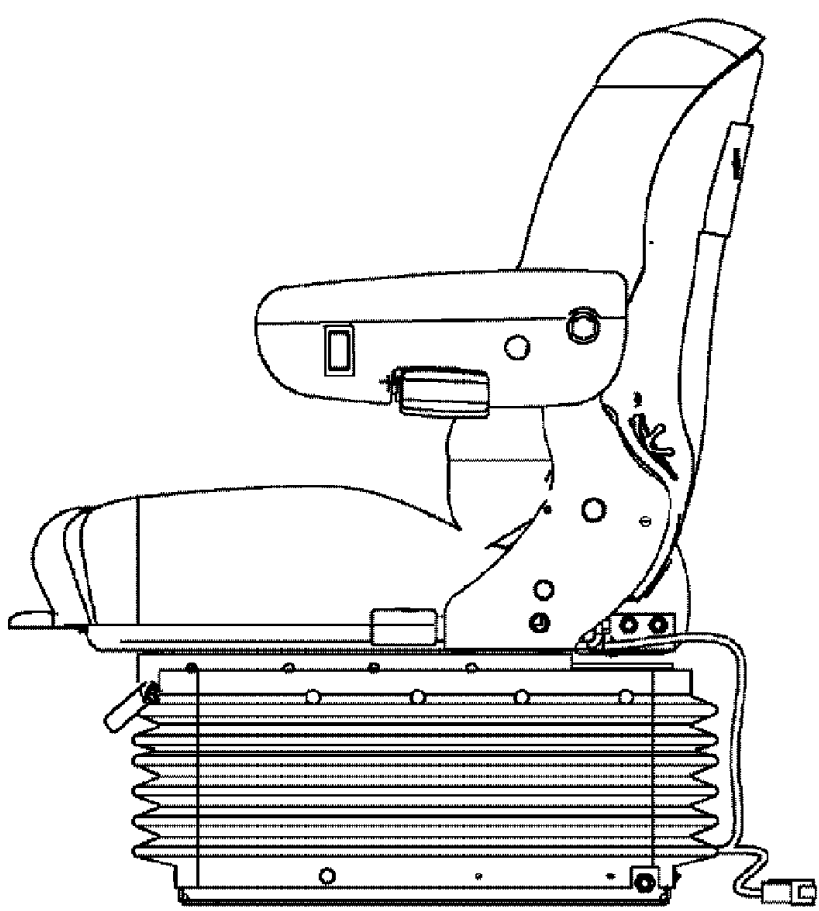
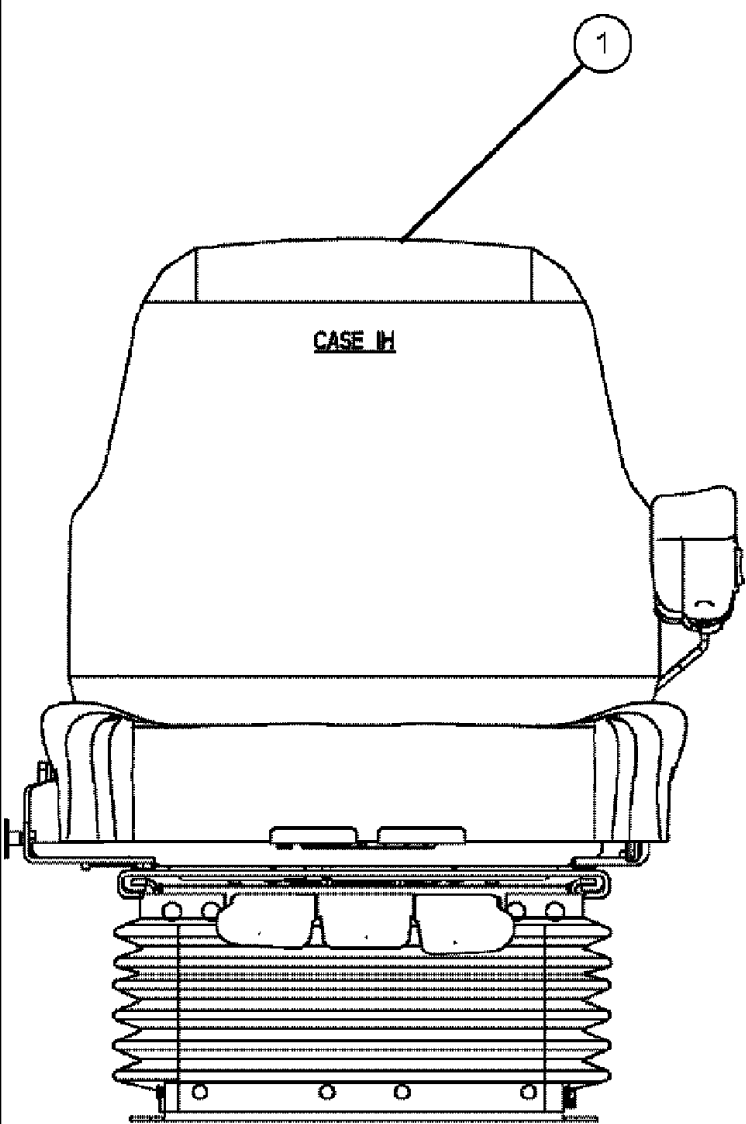
Ref	Part Number	Qty	Description
1	86983411	1	STEERING COLUMN, ADJUSTABLE
2	343214A1	1	PLATE, PUMP SUPPORT
3	829-1410	4	NUT, M10, CI 10, ZND
4	895-11010	6	WASHER, M10 x 20 x 2, CST ZND
5	627-10030	4	BOLT, Hex, M10 x 30, 10.9, Full Thd,
6	373193A1	1	BOOT, STEERING
7	359033A1	1	WHEEL (STEERING), PREMIUM
8	896-11016	1	WASHER, M17.5 x 30 x 4, HT, ZND HDN
9	825-11414	1	NUT, M14 x 1.5, CI 8, ZND
10	87267311	1	PUMP, STEERING SERIES 10
11	1977448C2	1	WASHER, SUPPORT, BOOT
12	361024A3	1	CAP, ASSY, DELUXE STEERING
	378914A1	1	STEERING WHEEL, ASSOCIATED PART OF CAP ASSY, P/N 361024A3
	87613502	1	INSERT, CASE IH, ASSOCIATED PART OF CAP ASSY, P/N 361024A3
13	311748A3	1	PEDAL, ASSY, STEERING ADJUST
14	282892A1	2	BUSHING, BEARING, NYLON
15	829-1508	1	NUT, M8, CI 10, BZN
16	514-633	1	BOLT, Hex, M8 x 30, 8.8, Full Thd,
17	311812A1	1	SPRING, EXTENSION
18	729-845	1	PIN, CLEVIS, M8 x 45, PHC
19	733-2012	1	PIN, SPLIT (COTTER), M2 x 12, ZN
20	323657A1	1	PAD, FOOT RELEASE PEDAL
21	A59514	4	BUSHING, RUBBER, MOUNT, FRONT
22	495-81145	4	WASHER, 13/32" x 1 3/4" x .120", CST ZND
23	627-10070	4	BOLT, Hex, M10 x 70, 10.9, Full Thd, ZND
24	373194A1	1	HOUSING, BOOT MOUNTING
25	86983451	1	SEAL, STEERING COLUMN
26	895-11008	2	WASHER, M8 x 16 x 1.6, CST ZND
27	627-8020	2	BOLT, Hex, M8 x 20, 10.9, ZND
28	214-1580	1	CLAMP, HOSE, #80, 4.62/5.50 Type F Worm, W/liner,
29	L100096	1	COUPLING, BUSHING, STEERING NOISE
30	7807271	2	SCREW, CAP LOCK, 12 PT
31	450945A1	1	STOP DEVICE, PUMP SHAFT



## 4420 PATRIOT SPRAYER

## 01-014 SEAT ASSEMBLY, CLOTH

Ref	Part Number	Qty	Description
1	87347872	1	SEAT, BACK, CLOTH, WITHOUT HEAT, SEE FIG.01-016
2	87395380	1	SUSPENSION, WITHOUT POSITIVE REPNSE SUSP, SEE FIG.01-017
3	825-2408	4	NUT, M8 x 1.25, Flg, CI 8,
4	444877A1	1	SEAT BELT,
5	806-12030	1	BOLT, Hex, Lock, M12 x 30, CI 10.9,
6	806-12040	1	BOLT, Hex, Lock, M12 x 40, CI 10.9,
7	87313413	1	TUBE SPACER,
8	896-11012	3	WASHER, M13.5 x 24.5 x 3, HT,
9	829-1312	1	NUT, M12 x 1.75, CI 10,

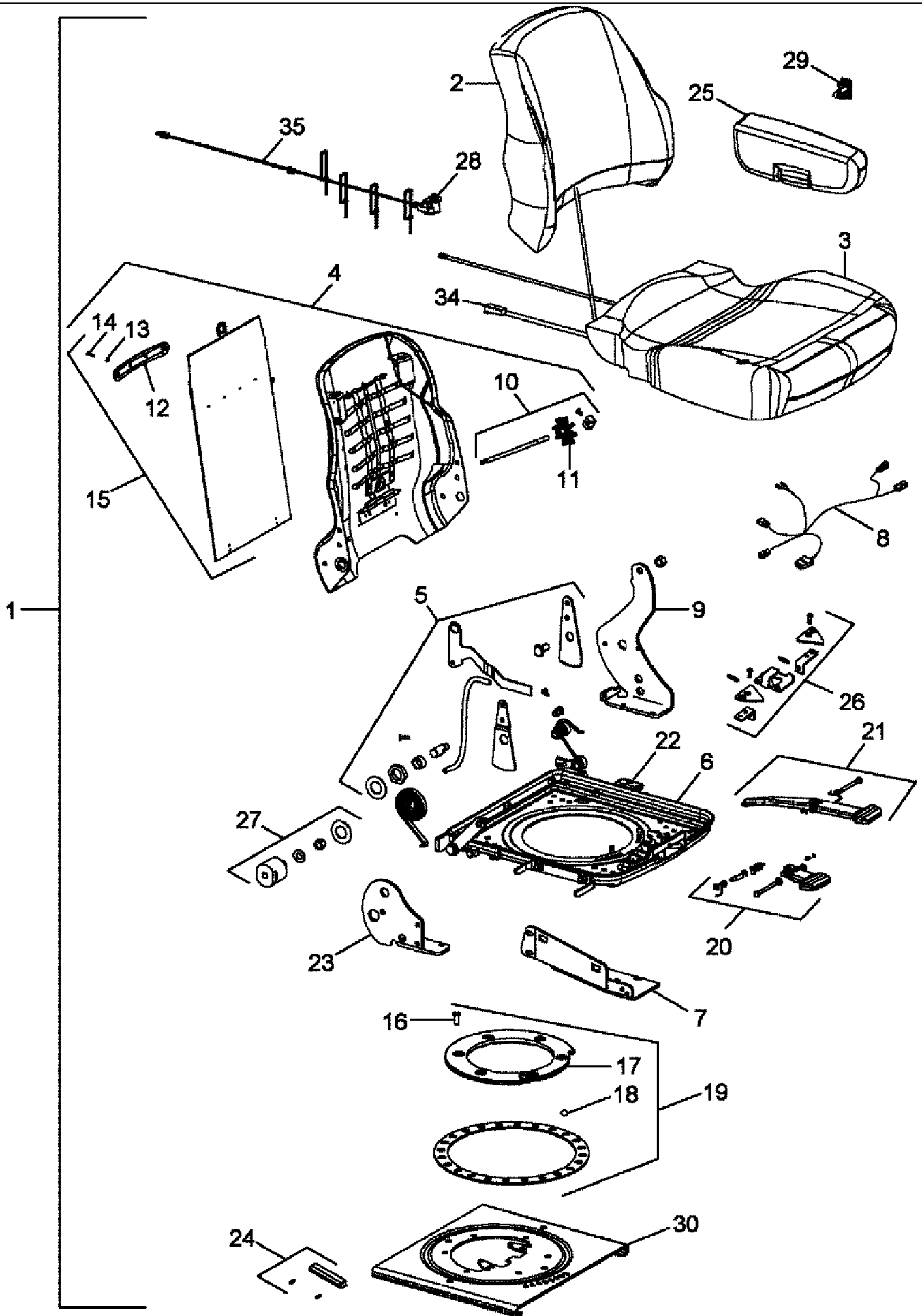




## 4420 PATRIOT SPRAYER

## 01-015 SEAT ASSEMBLY, LEATHER

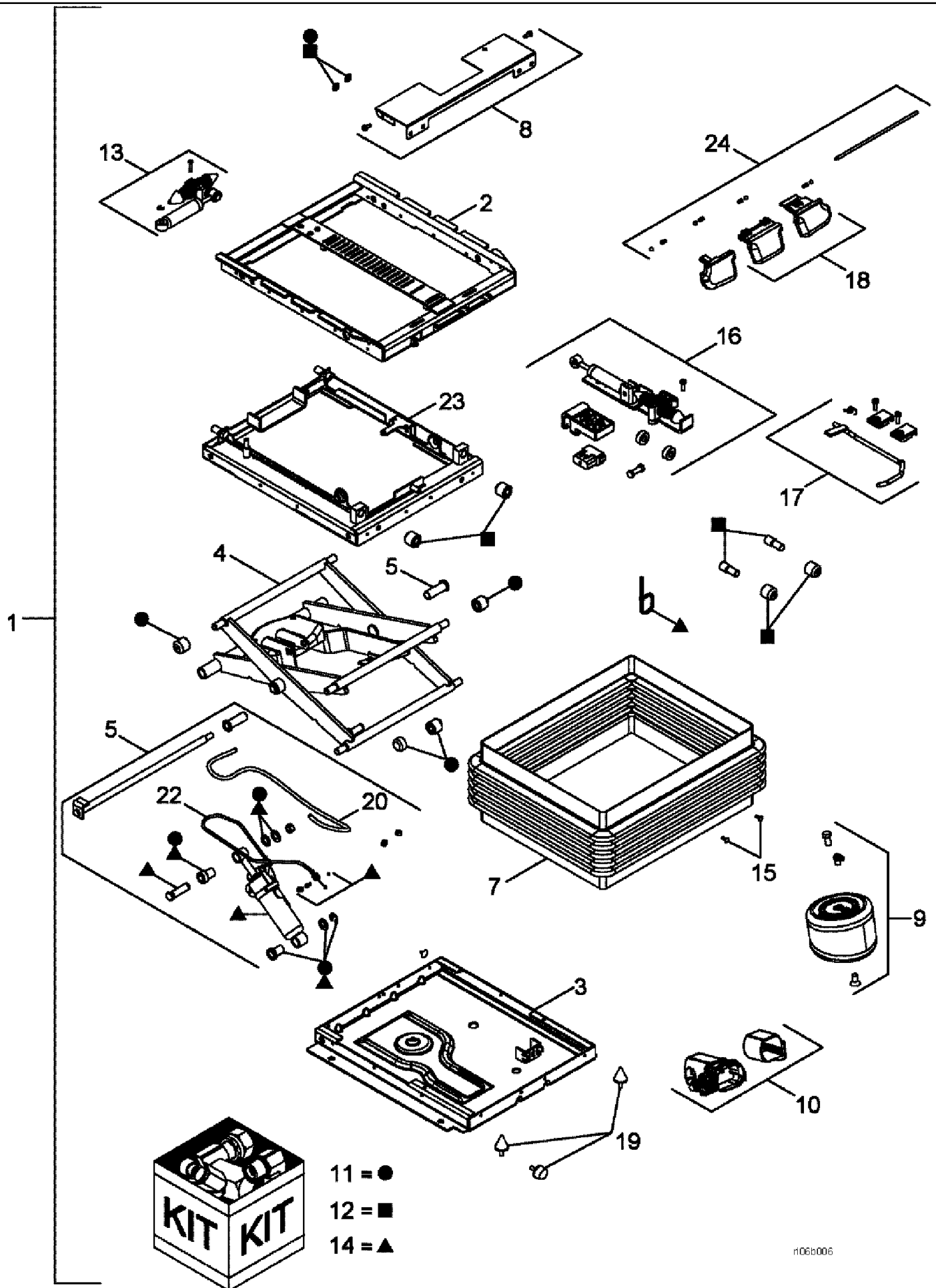
Ref	Part Number	Qty	Description
1	87542352	1	SEAT, DRIVER, CASE IH LEATHER
3	825-2408	4	NUT, M8 x 1.25, Flg, CI 8,
4	444877A1	1	SEAT BELT,
5	806-12030	1	BOLT, Hex, Lock, M12 x 30, CI 10.9,
6	806-12040	1	BOLT, Hex, Lock, M12 x 40, CI 10.9,
7	87313413	1	TUBE SPACER,
8	896-11012	3	WASHER, M13.5 x 24.5 x 3, HT,
9	829-1312	1	NUT, M12 x 1.75, CI 10,



## 4420 PATRIOT SPRAYER

## 01-016 CUSHION ASSEMBLY, SEAT

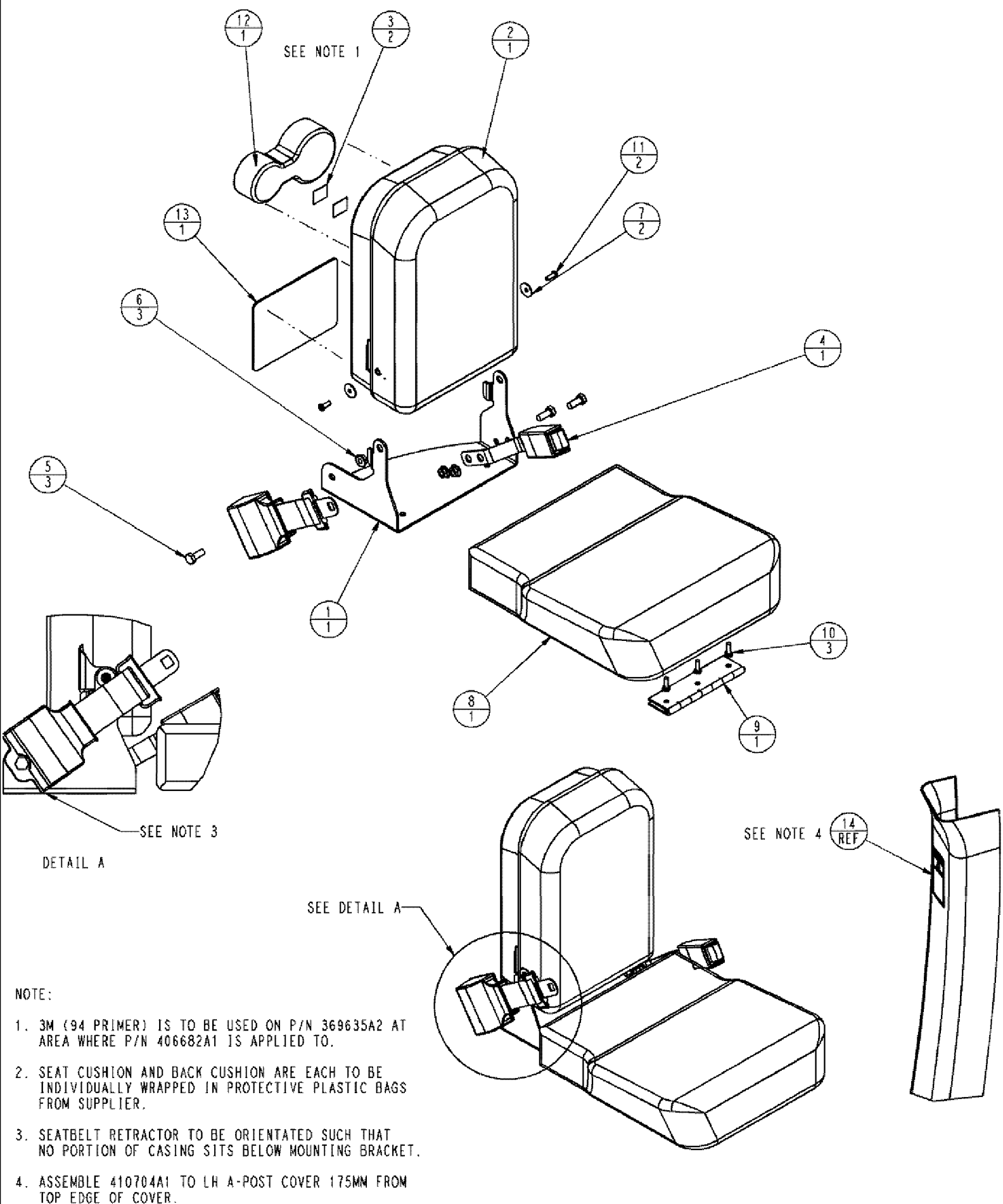
Ref	Part Number	Qty	Description
1	87347872	1	SEAT, BACK, COLTH, WITHOUT HEAT, (INCLUDES REFS. 1-30, 34, 35)
2	373476A1	1	CUSHION, CLOTH WITHOUT HEAT
3	87347893	1	CUSHION, SEAT, CLOTH WITHOUT HEAT, (INCLUDES REF. 34)
4	86994155	1	ASSEMBLY, BACKREST, (INCLUDES REFS. 10, 15)
5	86994165	1	SEAT ACCESSORY, RECLINER KIT, (INCLUDES REF. 22)
6	NSS	1	NOT SERVICED SEPARATELY, PAN, SEAT
7	86994157	1	BRACKET, CONSOLE MOUNT, FRONT
8	87347944	1	KIT, SERVICE, HARNESS, SEAT AND SUSPENSION
9	NSS	1	NOT SERVICED SEPARATELY, BRACKET
10	87308130	1	SEAT BACK ADJUST. DEVICE, LUMBAR
11	87037462	1	SEAT BACK ADJUST. DEVICE, LUMBAR
12	NSS	1	NOT SERVICED SEPARATELY, SUPPORT, MANUAL HOLDER
13	NSS	4	NOT SERVICED SEPARATELY, WASHER, 1/8 X 23/64 X 3/64
14	NSS	4	NOT SERVICED SEPARATELY, RIVET, POP 1/8
15	86994172	1	KIT, SERVICE, OPER MANUAL, CLOTH, (INCLUDES REFS. 12, 13, 14)
16	NSS	6	NOT SERVICED SEPARATELY, BOLT, SWIVEL, RETAINER
17	NSS	1	NOT SERVICED SEPARATELY, RETAINER, SWIVEL
18	NSS	24	NOT SERVICED SEPARATELY, BALL 1/2
19	87347936	1	KIT, SERVICE, SWIVEL, (INCLUDES REFS. 16, 17, 18)
20	87347942	1	KIT, SERVICE, SWIVEL CONTROL
21	87347941	1	KIT, SERVICE, SLIDE CONTROL
22	87416475	1	KNOB, RECLINER CONTROL
23	NSS	1	NOT SERVICED SEPARATELY, BRACKET
24	302016A1	1	PACKAGE, SERVICE, SLIDE PUCKS
25	87347939	1	KIT, SERVICE, ARMREST LH, CLOTH WITHOUT HEAT
26	87347934	1	LATCH, SLIDE
27	87396230	1	BUSHING, KIT, CONSOLE
28	87300397	1	SWITCH, OPERATOR'S PRESENCE
29	87347940	1	KIT, SERVICE, AIR CONTROL
30	87347956	1	KIT, SERVICE, SWIVEL
34	NSS	1	NOT SERVICED SEPARATELY, HARNESS
35	NSS	1	NOT SERVICED SEPARATELY, HARNESS



## 4420 PATRIOT SPRAYER

## 01-017 SUSPENSION ASSEMBLY, SEAT

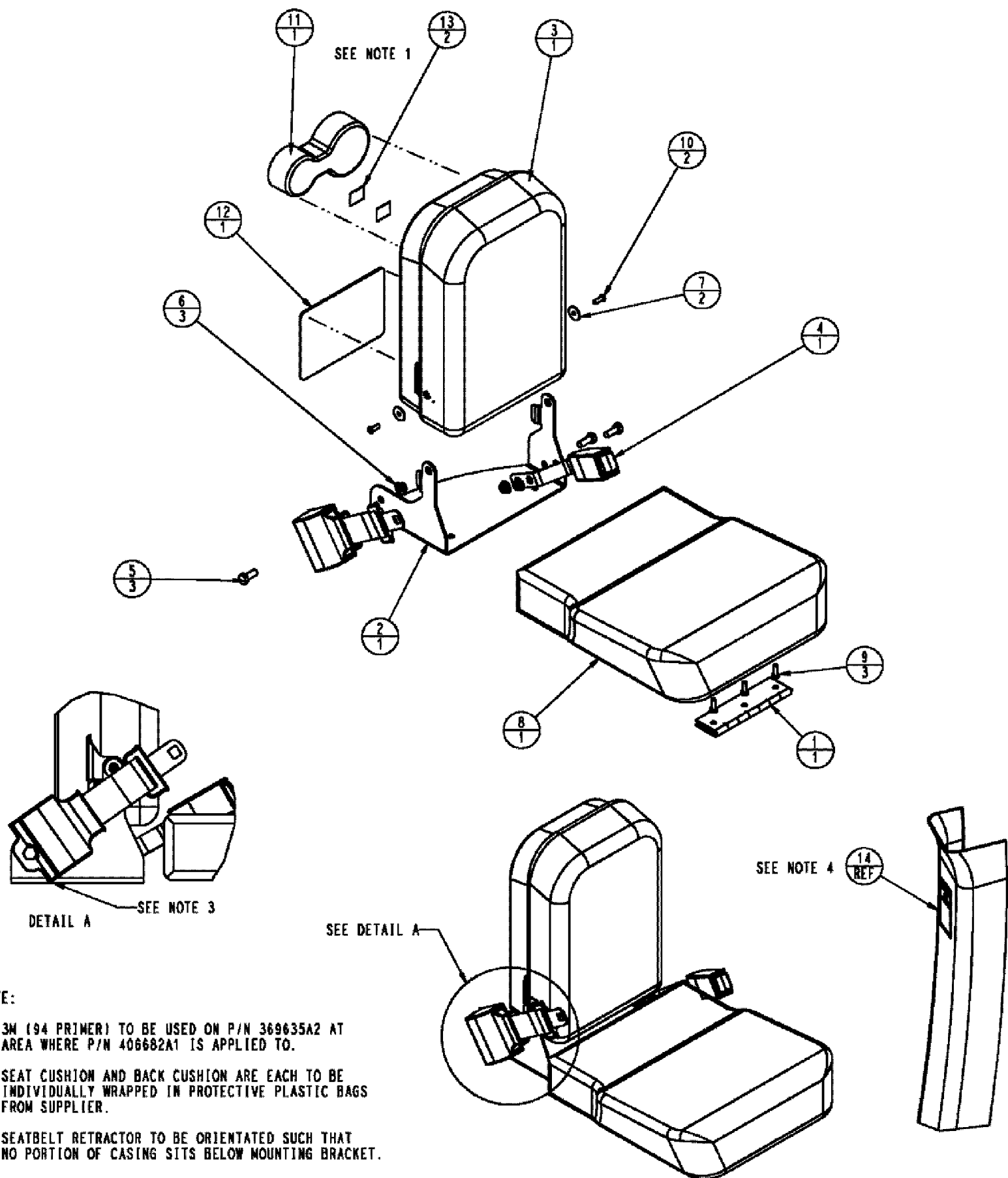
Ref	Part Number	Qty	Description
1	87395380	1	SUSPENSION, (INCLUDES REFS. 2-24)
2	87395392	1	HOUSING, UPPER
3	333275A1	1	HOUSING, LOWER
4	333276A1	1	ARM,
5	302033A1	1	SHAFT,
6	87347944	1	KIT, SERVICE, HARNESS NOT SHOWN
7	87347943	1	KIT, SERVICE, SUSPENSION BOOT
8	302029A2	1	PLATE,
9	333279A2	1	KIT, AIR SPRING
10	87347951	1	KIT, SERVICE, AIR COMPRESSOR
11	87347945	1	KIT, SERVICE, SUSPENSION BEARING AND ROLLERS
12	87347946	1	KIT, SERVICE, ISOLATOR ROLLERS
13	87395394	1	ISOLATOR, LATERAL ISOLATOR SHOCK ABSORBER
14	447956A1	1	PACKAGE,SERVICE, SUSPENSION SHOCK ABSORBER
15	333659A1	1	PACKAGE,SERVICE, BOOT, PIN
16	87395395	1	ISOLATOR, FORE AND AFT SHOCK ABSORBER
17	373470A2	1	PACKAGE,SERVICE, FORE AND AFT ISOLATOR CONTROL
17	373470A1	1	PACKAGE,SERVICE, ORE AND AFT ISOLATOR CONTROL
18	373473A1	1	PACKAGE,SERVICE, LATERAL ISOLATOR CONTROL
19	333295A1	1	PACKAGE,SERVICE, SUSPENSION BUMPER
20	87396231	1	TUBE, PLASTIC-RUBBER, TUBE AND FITTING
21	333296A1	1	PACKAGE,SERVICE, FORE & AFT ISOLATER SHOCK BLOCK NOT SHOWN
22	87347955	1	CABLE, SUSPENSION SHOCK CABLE
23	87395393	1	HOUSING,
24	373469A1	1	PACKAGE,SERVICE, KNOBS, SUSPENSION



## 4420 PATRIOT SPRAYER

## 01-018 INSTRUCTIONAL SEAT ASSEMBLY, CLOTH

Ref	Part Number	Qty	Description
1	249707A2	1	BRACKET, INSTRUCTIONAL SEAT
2	359383A1	1	SEAT ASSY., REAR CUSHION
3	406682A1	2	FASTENER, DUAL LOCK
4	281926A2	1	BELT, SEAT, INSTRUCTIONAL SEAT
5	627-10025	3	BOLT, Hex, M10 x 25, 10.9, Full Thd, ZND
6	825-2410	3	NUT, M10 x 1.5, Flg, Cl 8,
7	895-15006	2	WASHER, M6 x 25 x 1.6, CST ZND
8	358340A1	1	CUSHION, INSTRUCTIONAL SEAT
9	365674A1	1	HINGE, INSTRUCTIONAL SEAT
10	426-412	3	BOLT, Hex, 1/4"-20 x 3/4", G8, Full Thd, ZND
11	906051R1	2	SCREW, Hex Soc But Hd, M6 x 1 x 10, 12.9, BZN
12	369635A2	1	HOLDER, INSERT, CUP
13	394828A1	1	PLATE, INSERT, INSTRUCTIONAL SEAT
14	410704A1	RF	DECAL, INSTRUCTIONAL SEAT



## NOTE:

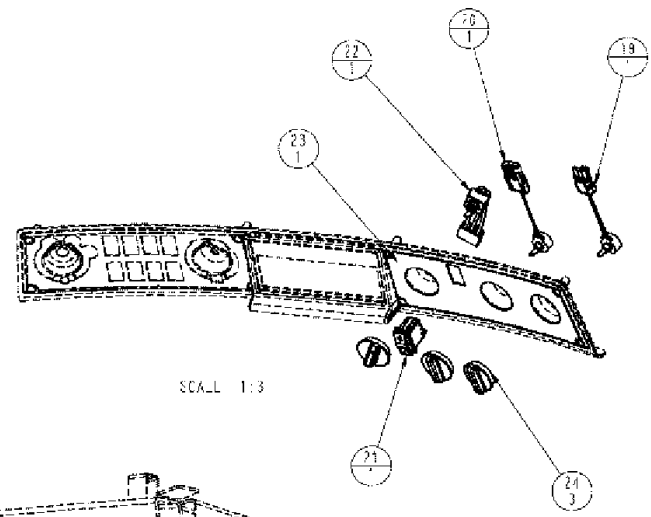
1. 3M (94 PRIMER) TO BE USED ON P/N 369635A2 AT AREA WHERE P/N 406682A1 IS APPLIED TO.
2. SEAT CUSHION AND BACK CUSHION ARE EACH TO BE INDIVIDUALLY WRAPPED IN PROTECTIVE PLASTIC BAGS FROM SUPPLIER.
3. SEATBELT RETRACTOR TO BE ORIENTATED SUCH THAT NO PORTION OF CASING SITS BELOW MOUNTING BRACKET.
4. ASSEMBLE 410704A1 TO LH A-POST COVER 175MM FROM TOP EDGE OF COVER.



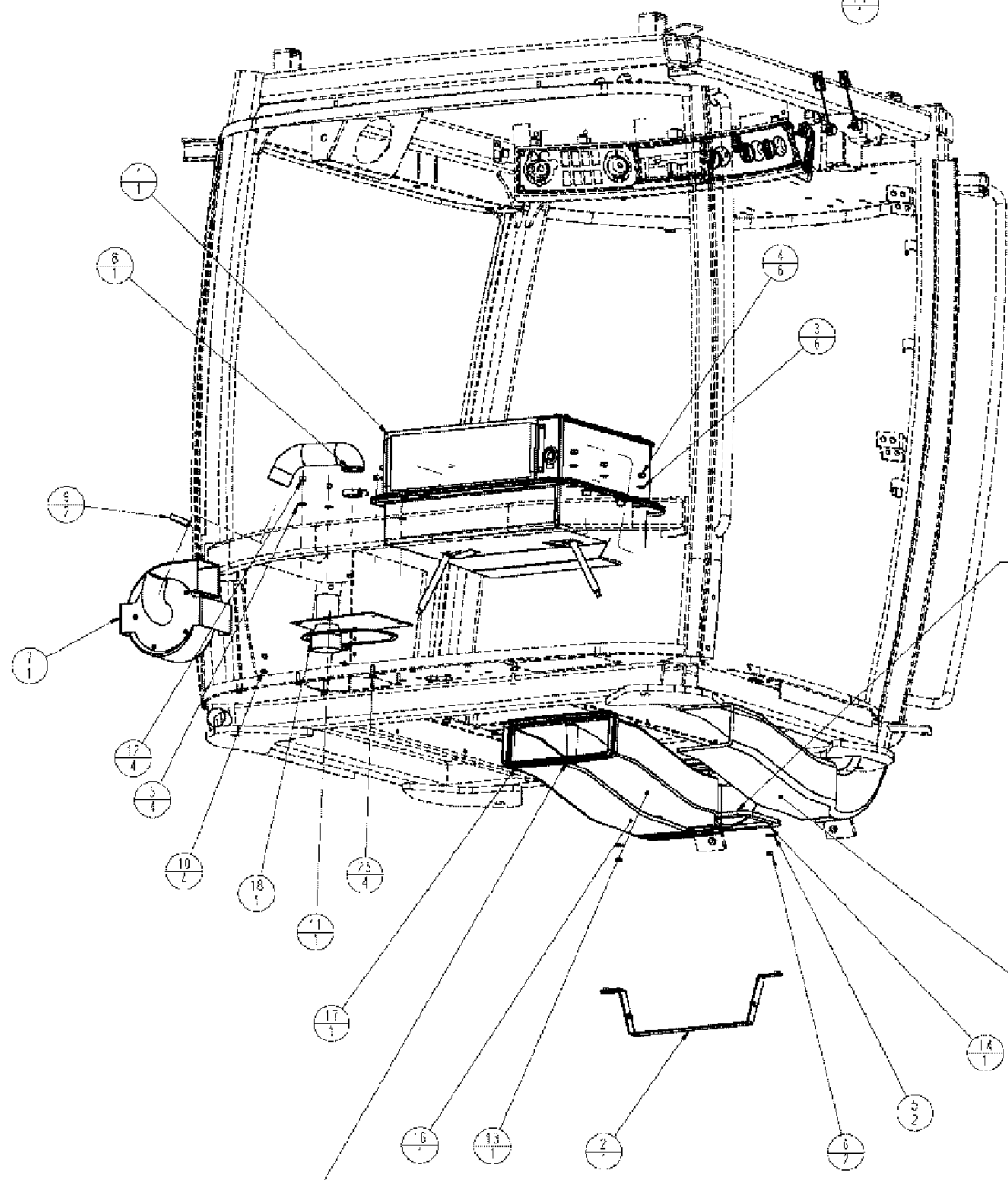
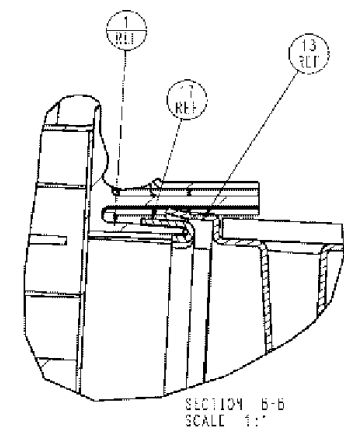
## 4420 PATRIOT SPRAYER

## 01-019 INSTRUCTIONAL SEAT ASSEMBLY, LEATHER

Ref	Part Number	Qty	Description
1	365674A1	1	HINGE, INSTRUCTIONAL SEAT
2	249707A2	1	BRACKET, INSTRUCTIONAL SEAT
3	359845A1	1	SEAT ASSY., REAR CUSHION
4	281926A2	1	BELT, SEAT, INSTRUCTIONAL SEAT
5	627-10025	3	BOLT, Hex, M10 x 25, 10.9, Full Thd, ZND
6	825-2410	3	NUT, M10 x 1.5, Flg, Cl 8,
7	895-15006	2	WASHER, M6 x 25 x 1.6, CST ZND
8	359176A1	1	CUSHION, INSTRUCTIONAL SEAT
9	426-412	3	BOLT, Hex, 1/4"-20 x 3/4", G8, Full Thd, ZND
10	906051R1	2	SCREW, Hex Soc But Hd, M6 x 1 x 10, 12.9, BZN
11	369635A2	1	HOLDER, INSERT, CUP
12	394828A1	1	PLATE, INSERT, INSTRUCTIONAL SEAT
13	406682A1	2	FASTENER, DUAL LOCK
14	410704A1	RF	DECAL, INSTRUCTIONAL SEAT



SCALE 1:3



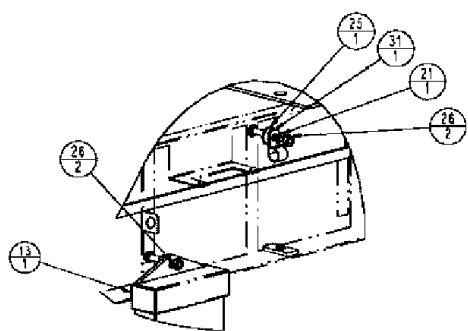
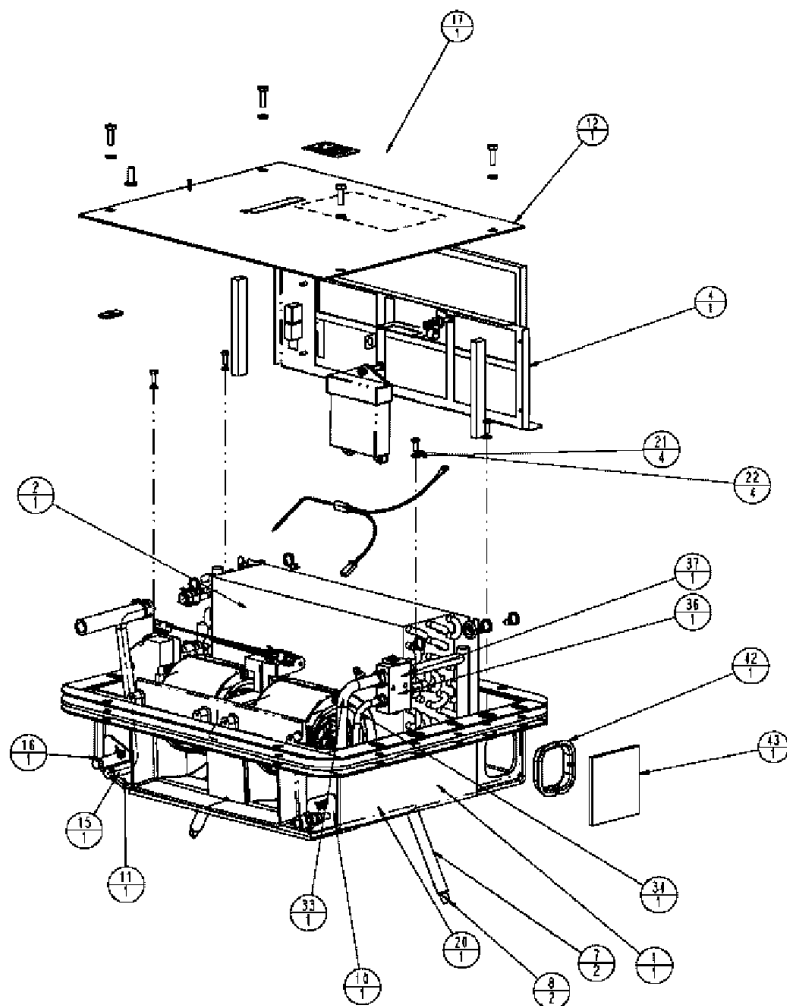
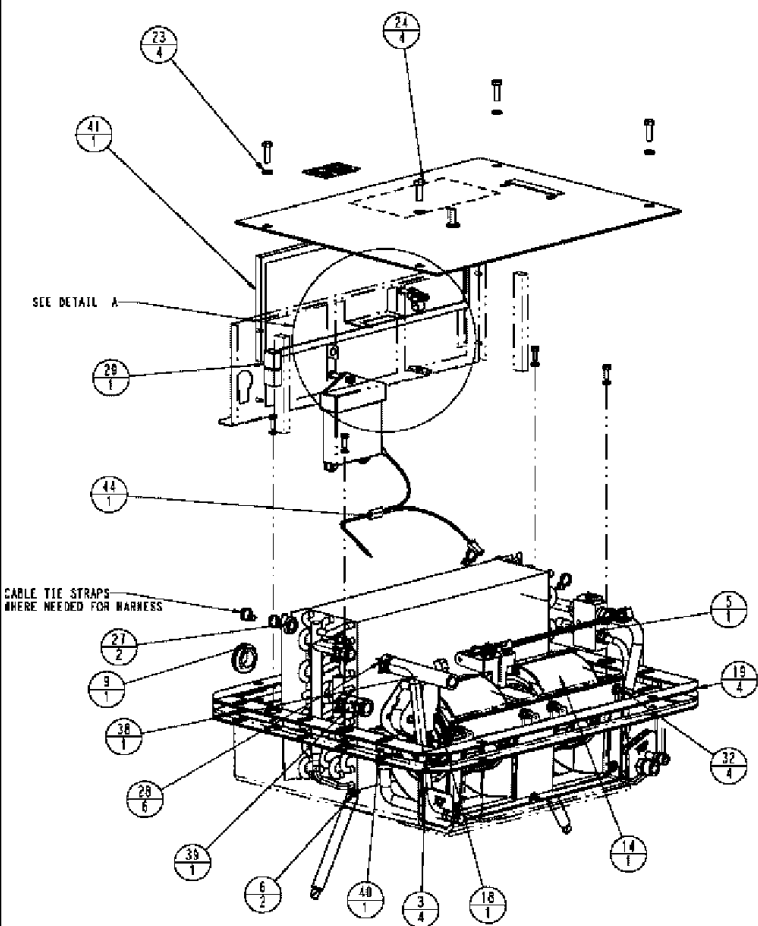
SEAL IS TO BE AFFIXED TO DUCT

SEAL IS TO BE AFFIXED TO HVAC COOL AIR OUTLET  
BEFORE INSTALLATION OF DUCT  
SEE SECTION B-B

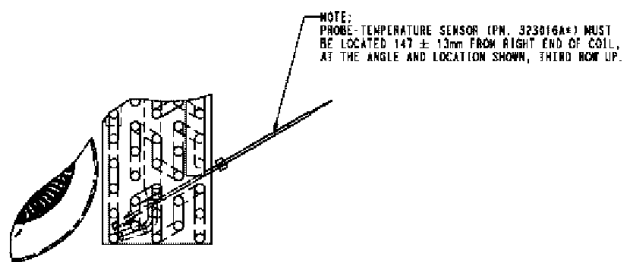
## 4420 PATRIOT SPRAYER

## 01-020 HVAC, GROUP

Ref	Part Number	Qty	Description
1	87580872	1	AIR CONDITIONER, HVAC/A,STD PACKAGE, SEE FIG.01-021
	87365877	1	AIR CONDITIONER, HVAC/A,STD PACKAGE, INDICATES OLD PART NUMBER OR CAN ORDER NEWER PART NUMBER LISTED ABOVE
2	384950A2	1	BRACKET, DUCT (WELD)
3	895-11010	6	WASHER, M10 x 20 x 2, CST ZND
4	829-1410	6	NUT, M10, CI 10, ZND
5	829-15008	6	WASHER, 9 X 20 X 1.6MM CST ZND
6	829-1408	2	NUT, M8, CI 10, ZND
7	307432A3	1	BLOWER,
	307104A3	1	SUPPORT, BLOWER, PARTS OF BLOWER ASSY, P/N 307432A3
	313282A1	1	SEAL, , PARTS OF BLOWER ASSY, P/N 307432A3
	87107380	1	BLOWER, , PARTS OF BLOWER ASSY, P/N 307432A3
	840-258	5	SCREW, Cross Pan Hd, M5 x 8, , PARTS OF BLOWER ASSY, P/N 307432A3
8	307024A4	1	HOSE, FILTER
9	214-1436	2	CLAMP, HOSE, #36, 1.81/2.75 Type F Worm,
10	627-6012	4	BOLT, Hex, M6 x 12, 10.9, THD TO HD, ZND
11	393282A2	1	PLATE ASSY., WELDMENT
12	832-46408	4	NUT, LOCK, M8 x 1.25, CI 8, PREV TRQ METAL M8 CL
13	327851A1	1	DUCT, HVAC
14	278967A3	1	GASKET, SEAL, DUCT TO CAB FLOOR
15	328051A2	1	INSULATION, FOAM, HVAC DUCT
16	328052A2	1	INSULATION, FOAM, HVAC DUCT
17	359670A2	1	SEAL, DUCT TO CAB FLOOR
18	359586A1	1	SEAL, FILTER (FLOOR PANEL)
19	345439A1	1	POTENTIOMETER, VENT MOTOR CCM
20	418107A1	1	POTENTIOMETER, TEMPERATURE CONTROL
21	87405636	1	SWITCH, A/C CUTOFF
22	92100C2	1	SWITCH, BLOWER MOTOR
23	87450973	1	DECAL, STD, OVERHEAD PANEL HVAC
24	1331046C2	3	CAP, WASHER, KNOB, SWITCH PANEL
25	627-8025	4	BOLT, Hex, M8 x 25, 10.9, THD TO HD, ZND



DETAIL A  
SCALE 1:2



VIEW OF LEFT END OF COIL  
SCALE 1:2

NOTE: TEMPERATURE SENSOR (PN. 323016A\*) MUST BE LOCATED 147 ± 13mm FROM RIGHT END OF COIL, AT THE ANGLE AND LOCATION SHOWN, THIRD ROW UP.

## 4420 PATRIOT SPRAYER

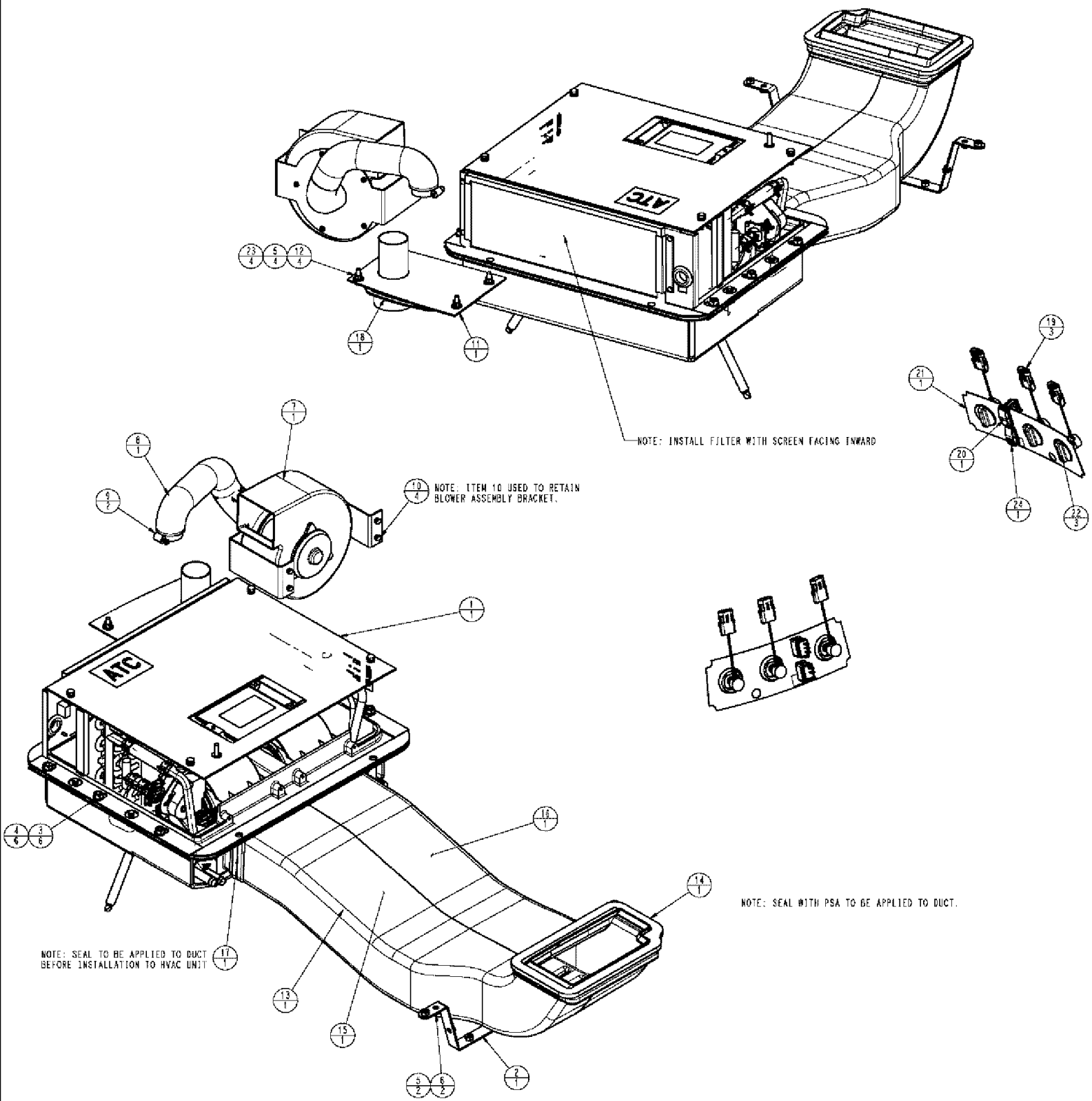
## 01-021 AIR CONDITIONING, STANDARD UNIT

Ref	Part Number	Qty	Description
1	322996A1	1	BOX, EVAPORATOR
2	86990262	1	CORE, COMBO EVAP AND HEATER
3	322994A1	4	GASKET, MOUNTING
4	87306776	1	CASE ASSY., CASE/A, TOP HVAC
	38675A1	1	FILTER, ELEMENT, , SERVICE PARTS FOR REF. 4
5	386535A1	1	VALVE, THRM EXPANSION, HFC-134A
6	1250522C3	2	ELBOW, FITTING, DRAIN
7	1977334C1	2	HOSE, CONDENSAT
8	109239C2	2	VALVE, CONDENSATE DRAIN
9	248-2381	1	GROMMET, 1" ID x 1 3/8" Groove Dia,
10	322989A1	1	GROMMET, BULKHEAD, A/C
11	322990A1	1	GROMMET, BULKHEAD, HEATER
12	87324951	1	GASKET, TOP COVER
13	87429903	1	CONTROL, MODULE, CLIMATE
14	323611A1	1	BLOWER,
	323610A1	1	BLOWER, CAB 12 VOLT, ASSOCIATED PART OF BLOWER ASSY, P/N 323611A1
	360032A1	1	BRACKET, RESISTOR SHEETS, ASSOCIATED PART OF BLOWER ASSY, P/N 323611A1
	401360A1	1	RESISTOR, BLOWER 12 V, ASSOCIATED PART OF BLOWER ASSY, P/N 323611A1
15	322985A1	1	PIPE, TUBE, OUTLET
16	322987A1	1	PIPE, TUBE, INLET
17	87306495	1	COVER, /W TOP HVAC
18	427356A1	1	VALVE, CONTROL, ASSY, HEATER
19	322995A1	4	GASKET, MOUNTING
20	324484A1	1	INSULATOR, INSULATION, HVAC PACKAGE
21	892-11006	5	WASHER, LOCK, M6,
22	614-6016	4	BOLT, Hex, M6 x 16, 8.8, ZND
23	892-11008	4	WASHER, LOCK, M8,
24	627-8025	4	BOLT, Hex, M8 x 25, 10.9,
25	493-81002	1	WASHER, LOCK, Ext-Int Tooth, 1/4",
26	829-1406	4	NUT, M6, CI 10, ZND
27	248-1243	2	GROMMET, 1/2" ID x 13/16" Groove Dia, Diag Cut,
28	1954736C1	6	CLAMP, HOSE, NO. 24
29	105849A1	1	RELAY, 20 AMP
30	87323959	1	HARNESS,
31	515-21127	1	CLAMP, 1/2", Insul, 1/4" Bolt,
32	281-14512	4	SCREW, SELF TAPPING, Hex Wash Hd, #10 x 3/4",
33	322839A1	1	PIPE, ASSY
34	322840A1	1	PIPE, ASSY
35	87323829	1	SWITCH, PRESSURE, LOW
36	128484A1	1	O-RING, 7/16 ID X 1/16
37	128485A1	1	O-RING, 9/16 ID X 1/16
38	1321290C2	1	HOSE, CUT FROM : 97252CX, 127 MM (5 IN)
39	324022A1	1	HOSE, CUT FROM : 97252CX, 54 MM (2-1/8 IN)

## 4420 PATRIOT SPRAYER

## 01-021 AIR CONDITIONING, STANDARD UNIT

Ref	Part Number	Qty	Description
40	324023A1	1	HOSE, CUT FROM : 97252CX, 64 MM (2-1/2 IN)
41	386751A1	1	FILTER, CAB HVAC
42	368313A1	1	PLASTIC PLUG, HVAC
43	87306773	1	INSULATION, FOAM, FOIL SIDE
44	323016A1	1	SENSOR, THERMISTER KYSOR

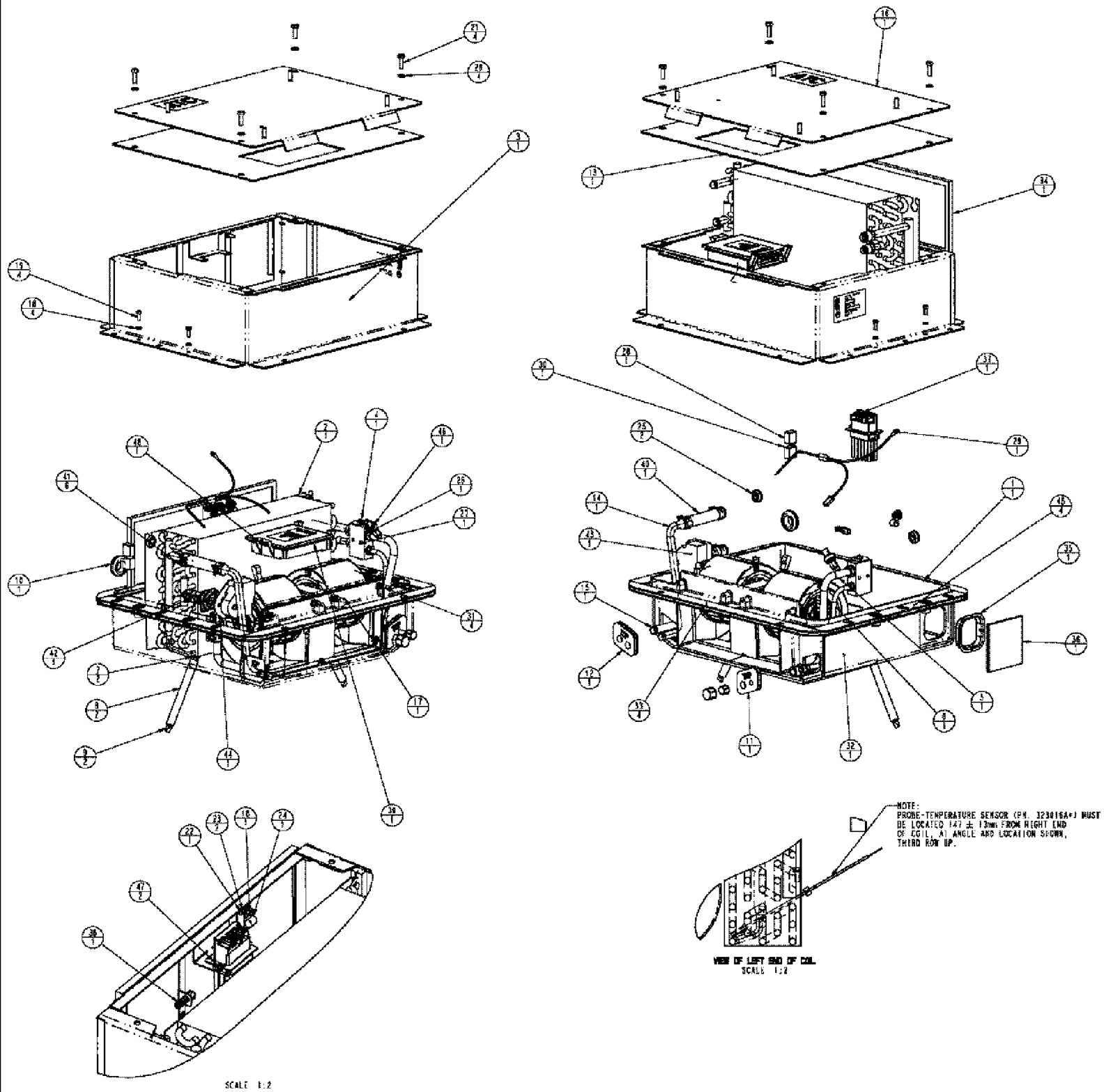


## 4420 PATRIOT SPRAYER

## 01-022 AIR CONDITIONING, ATC

Ref	Part Number	Qty	Description
1	87365878	1	AIR CONDITIONER, HVAC/A ATC UNIT, SEE FIG.01-023-01
2	384950A2	1	BRACKET, DUCT (WELD)
3	895-11010	6	WASHER, M10 x 20 x 2, FLAT
4	829-1410	6	NUT, M10, CI 10, ZND
5	895-15008	6	WASHER, M8 x 20 x 1.6, ZN
6	829-1408	2	NUT, M8, CI 10, -EC- ZND
7	307432A3	1	BLOWER, ASSY
	307104A3	1	SUPPORT, BLOWER, PARTS OF BLOWER ASSY, P/N 307432A3
	313282A1	1	SEAL, , PARTS OF BLOWER ASSY, P/N 307432A3
	87107380	1	BLOWER, , PARTS OF BLOWER ASSY, P/N 307432A3
	840-258	5	SCREW, Cross Pan Hd, M5 x 8, , PARTS OF BLOWER ASSY, P/N 307432A3
8	307024A4	1	HOSE, FILTER, HOSE
9	214-1436	2	CLAMP, HOSE, #36, 1.81/2.75 Type F Worm,
10	627-6012	4	BOLT, Hex, M6 x 12, 10.9, ZND TH
11	393282A2	1	PLATE ASSY., WELDMENT
12	832-46408	4	NUT, LOCK, M8 x 1.25, CI 8, PREV TRQ METAL
13	327851A1	1	DUCT, HVAC
14	278967A3	1	GASKET, DUCT
15	328051A2	1	INSULATION, FOAM, DUCT
16	328052A2	1	INSULATION, FOAM, DUCT
17	359670A2	1	SEAL, FOAM
18	359586A1	1	SEAL, FOAM
19	418107A1	3	POTENTIOMETER, OVERHEAD CO
20	87454558	1	SWITCH, AUTO/MANUAL CLIMATE
21	87600163	1	DECAL, DELUXE OVERHEAD PANEL
22	1331046C2	3	CAP, WASHER, KNOB, SWITCH PANEL
23	627-8025	4	BOLT, Hex, M8 x 25, 10.9, ZND TH
24	87305994	1	SWITCH, DEMIST/DEFROST





## 4420 PATRIOT SPRAYER

## 01-023 HVAC/A, ATC UNIT

Ref	Part Number	Qty	Description
1	322996A1	1	BOX, EVAPORATOR KYSOR HVAC
2	86990262	1	CORE, COMBO, EVAP AND HTR
3	87306776	1	CASE ASSY., /A, TOP HVAC
4	386535A1	1	VALVE, THRM EXP HFC-134A
5	322839A1	1	PIPE, A/C SUCTION KYSOR H
6	322840A1	1	PIPE, A/C LIQUID KYSOR HVA
7	1250522C3	2	ELBOW, FITTING, DRAIN
8	1977334C1	2	HOSE, CONDENSATE
9	109239C2	2	VALVE, CONDENSAT DRA
10	248-2381	1	GROMMET, 1" ID x 1 3/8" Groove Dia, #81 1 ID RUBBER
11	322989A1	1	GROMMET, BULKHEAD A/C A/C
12	322990A1	1	GROMMET, BULKHEAD HTR. HE
13	87324951	1	GASKET, TOP COVER - HVAC
14	322985A1	1	PIPE, TUBE, HEATER OUTLET MU7-KY
15	322987A1	1	PIPE, TUBE, HEATER INLET MU7-KY
16	87306495	1	COVER, /W TOP HVAC
17	323610A1	1	BLOWER, CAB 12 VOLT
18	892-11006	5	WASHER, LOCK, M6, SPRING LOCK 6MM Z
19	86980359	4	BOLT, M6-1 X 16, HH, 8.8, DOR R
20	892-11008	4	WASHER, LOCK, M8, SPRING LOCK
21	627-8025	4	BOLT, Hex, M8 x 25, 10.9, ZND TH
22	493-81002	1	WASHER, LOCK, Ext-Int Tooth, 1/4", 1/4 .742 OD EXT-IN
23	829-1406	2	NUT, M6, CI 10, ZND
24	515-21127	1	CLAMP, 1/2", Insul, 1/4" Bolt,
25	248-1243	2	GROMMET, 1/2" ID x 13/16" Groove Dia, Diag Cut, 44 .5ID X .812GR
26	128485A1	1	O-RING, 14.00ID HNBR
27	128484A1	1	O-RING, 10.82 ID HNBR
28	105849A1	1	RELAY, 20 AMP CONT D
29	323016A1	1	SENSOR, THERMISTOR KYSOR
30	87323958	1	HARNESS, WIRE ATC
31	281-14512	4	SCREW, SELF TAPPING, Hex Wash Hd, #10 x 3/4",
32	324484A1	1	INSULATOR, INSULATION, HVAC PACKAGE-
33	322995A1	4	GASKET, FLANGE SEAL KYSOR
34	386751A1	1	FILTER, SCREEN, CAB HVAC
35	368313A1	1	PLASTIC PLUG, HVAC
36	87306773	1	INSULATION, FOAM, FOIL SIDE
37	87306706	1	TERMINAL CONNECTOR, DRIVER BLOWER LINEAR
38	87454442	1	SENSOR, THERM CAB RTN AIR
39	87365870	1	ATC W/SW LOADED
40	1321290C2	1	HOSE, HEATER OUTLET TO VA
41	1954736C1	6	CLAMP, HOSE, 24 BLK PHOSPH
42	324022A1	1	HOSE, SUPPLY-54MM LONG SE
43	427356A1	1	VALVE, CONTROL, ASSY, HEATER VALVE

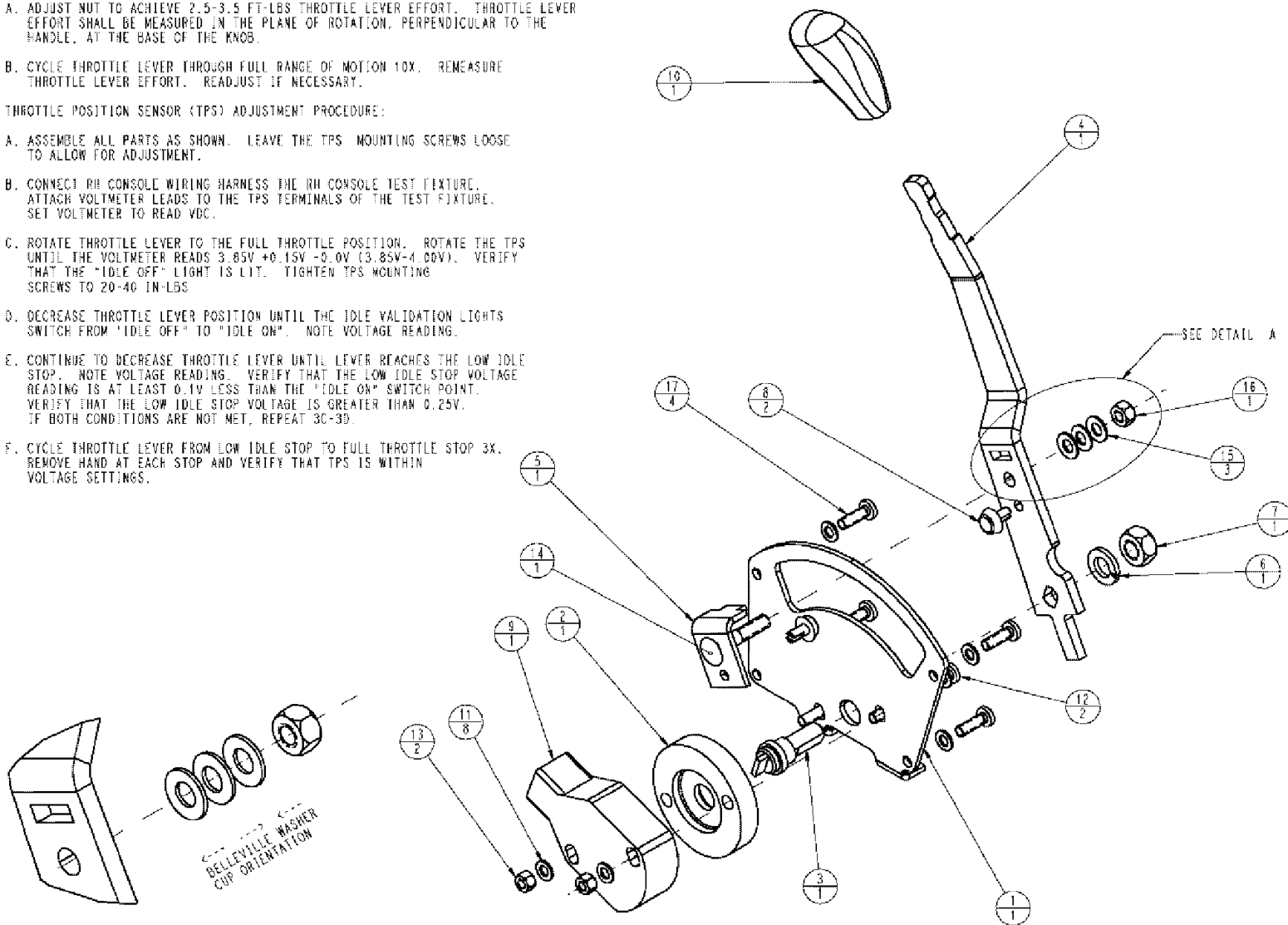
4420 PATRIOT SPRAYER

01-023 HVAC/A, ATC UNIT

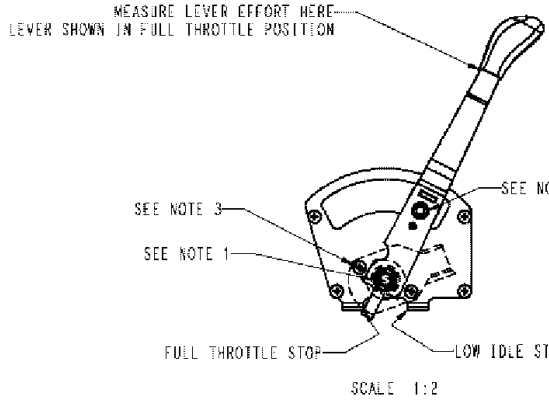
Ref	Part Number	Qty	Description
44	324023A1	1	HOSE, SUPPLY-64MM LONG SE
45	322994A1	4	GASKET, FLANGE SEALKYSOR
46	87323829	1	SWITCH, PRESSURE, A/C LOW
47	280-1448	2	SCREW, SELF TAPPING, Hex Wash Hd, #8 x 1/2", USE, 86637790
48	832-46404	1	NUT, LOCK, M4 x .7, CI 8, USE, 87344029

NOTES:

1. TORQUE THROTTLE LEVER MOUNTING NUT TO 20-30 FT-LBS.
2. THROTTLE LEVER EFFORT ADJUSTMENT PROCEDURE
  - A. ADJUST NUT TO ACHIEVE 2.5-3.5 FT-LBS THROTTLE LEVER EFFORT. THROTTLE LEVER EFFORT SHALL BE MEASURED IN THE PLANE OF ROTATION, PERPENDICULAR TO THE HANDLE, AT THE BASE OF THE KNOB.
  - B. CYCLE THROTTLE LEVER THROUGH FULL RANGE OF MOTION 10X. REMEASURE THROTTLE LEVER EFFORT. READJUST IF NECESSARY.
3. THROTTLE POSITION SENSOR (TPS) ADJUSTMENT PROCEDURE:
  - A. ASSEMBLE ALL PARTS AS SHOWN. LEAVE THE TPS MOUNTING SCREWS LOOSE TO ALLOW FOR ADJUSTMENT.
  - B. CONNECT RH CONSOLE WIRING HARNESS THE RH CONSOLE TEST FIXTURE. ATTACH VOLTMETER LEADS TO THE TPS TERMINALS OF THE TEST FIXTURE. SET VOLTMETER TO READ VDC.
  - C. ROTATE THROTTLE LEVER TO THE FULL THROTTLE POSITION. ROTATE THE TPS UNTIL THE VOLTMETER READS  $3.85V \pm 0.15V - 0.0V$  ( $3.85V-4.00V$ ). VERIFY THAT THE "IDLE OFF" LIGHT IS LIT. TIGHTEN TPS MOUNTING SCREWS TO 20-40 IN-LBS.
  - D. DECREASE THROTTLE LEVER POSITION UNTIL THE IDLE VALIDATION LIGHTS SWITCH FROM "IDLE OFF" TO "IDLE ON". NOTE VOLTAGE READING.
  - E. CONTINUE TO DECREASE THROTTLE LEVER UNTIL LEVER REACHES THE LOW IDLE STOP. NOTE VOLTAGE READING. VERIFY THAT THE LOW IDLE STOP VOLTAGE READING IS AT LEAST 0.1V LESS THAN THE "IDLE ON" SWITCH POINT. VERIFY THAT THE LOW IDLE STOP VOLTAGE IS GREATER THAN 0.25V. IF BOTH CONDITIONS ARE NOT MET, REPEAT 3C-3D.
  - F. CYCLE THROTTLE LEVER FROM LOW IDLE STOP TO FULL THROTTLE STOP 3X. REMOVE HAND AT EACH STOP AND VERIFY THAT TPS IS WITHIN VOLTAGE SETTINGS.



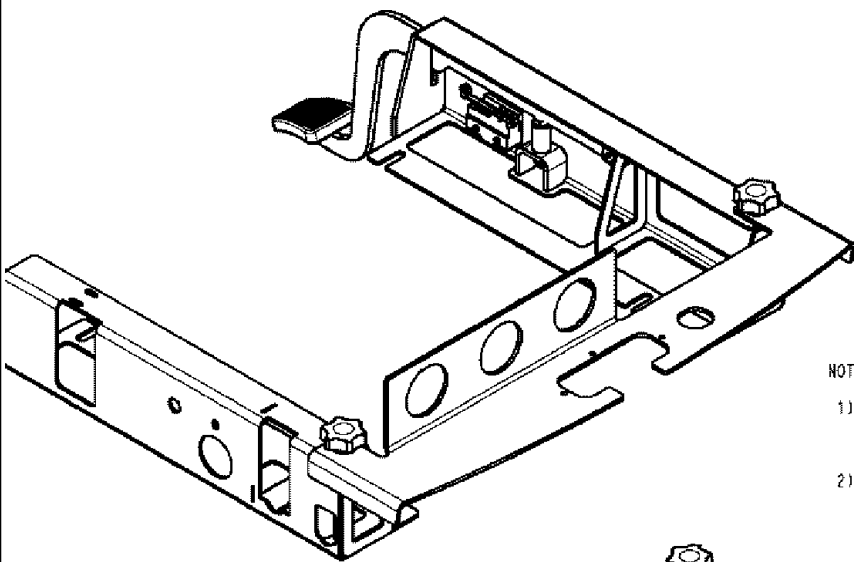
DETAIL A  
SCALE 2:1



## 4420 PATRIOT SPRAYER

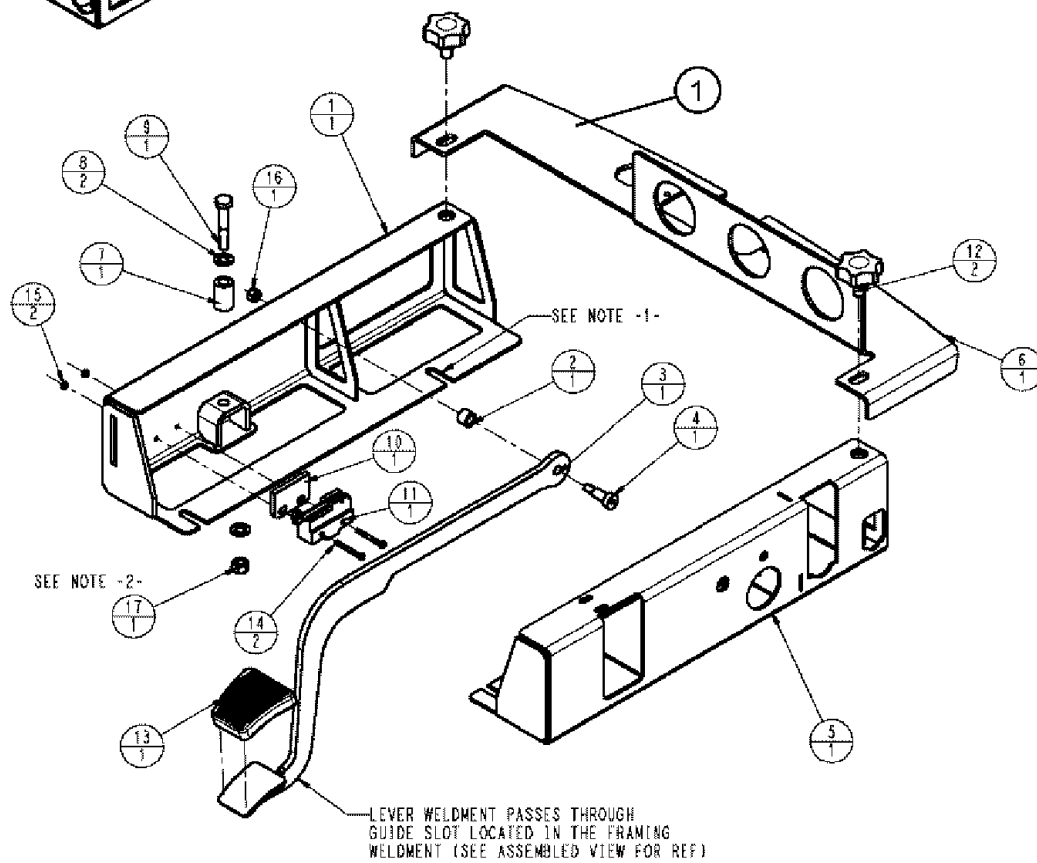
## 01-024 CONSOLE THROTTLE ASSEMBLY

Ref	Part Number	Qty	Description
1	344988A1	1	PLATE, THROTTLE CONTROL
2	302688A1	1	SPACER, POTENTIOMETER
3	344990A1	1	PIN, DRIVE
4	344989A1	1	LEVER, THROTTLE
5	344991A1	1	BRACKET, FRICTION GLIDE
6	892-11010	1	WASHER, LOCK, M10,
7	829-1410	1	NUT, M10, CI 10, ZND
8	259040A1	2	INSERT, GLIDE, FRICTION DEVICE
9	231426A1	1	POTENTIOMETER,
10	134071A1	1	KNOB, THROTTLE CNTRL
11	895-11005	8	WASHER, M5 x 10 x 1, FLAT
12	840-1550	2	SCREW, Cross Pan Hd, M5 x 50, HEAD
13	832-46405	2	NUT, M5-0.8, TLN, 8.8
14	811-6035	1	BOLT, CARRIAGE, Short NK, M6 x 35, CI 8.8, Full Thd, ZND
15	343204A1	3	WASHER, BELLVILLE .255 ID
16	832-46406	1	NUT, LOCK, M6 x 1, CI 8, TLN
17	840-1516	4	SCREW, Cross Pan Hd, M5 x 16, PNHD, ZND



## NOTES:

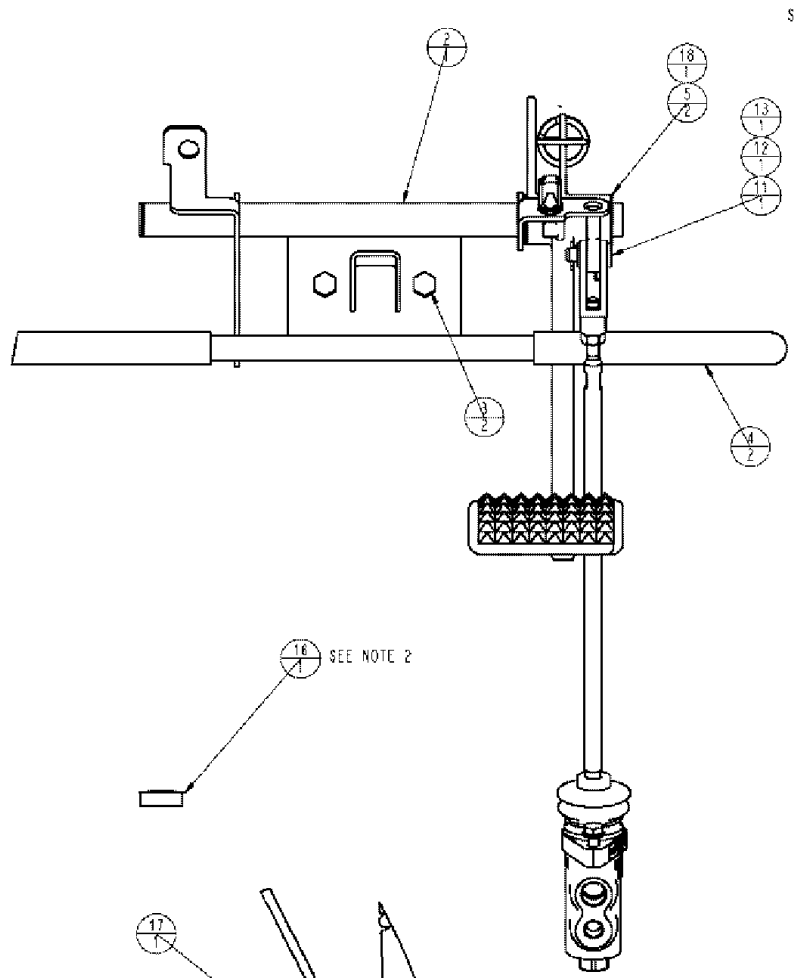
- 1) ITEMS 1 & 5 ARE SECURED TO THE OPERATOR SEAT MOUNTING STUDS ON THE HVAC COVER. OPERATOR SEAT MOUNTS ON TOP OF ITEMS 4 & 5. USE FASTENERS PROVIDED WITH OPERATOR SEAT ASSEMBLY TO FASTEN ITEMS 4 & 5 AND OPERATOR SEAT TO HVAC COVER.
- 2) ITEMS 7, 8, 9 & 17 ARE USED AS A GUIDE FOR THE EXTENSION SPRING. NUT SHALL BE THREADED ONTO BOLT SUFFICIENTLY TO REMOVE LASH YET STILL MAINTAIN FREE HEIGHT OF SPRING. DO NOT COMPRESS SPRING.



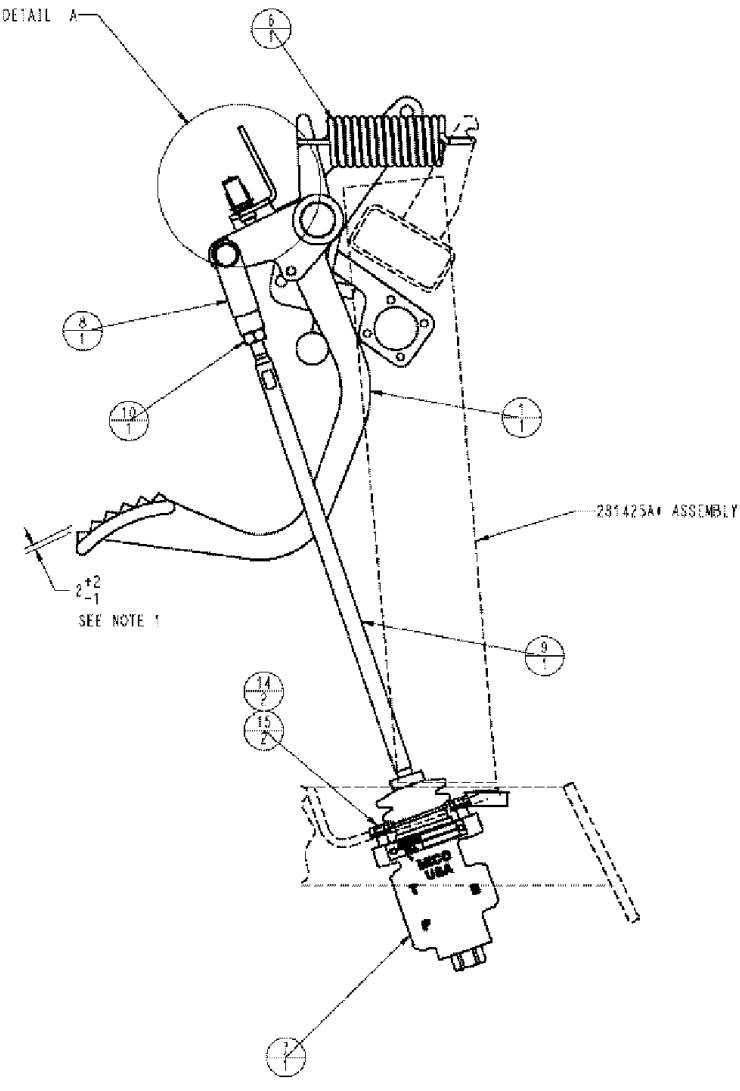
## 4420 PATRIOT SPRAYER

## 01-025 TRACTION CONTROL GROUP

Ref	Part Number	Qty	Description
1	87269340	1	FRAME, SEAT COWLING, LH
2	BN324429	1	SPACER, TUBE
3	BN324433	1	LEVER, WLD, TRAC CNTRL
4	BN324431	1	BOLT, M6-1, SHLDR BLT, 8 X 16
5	342840A1	1	FRAME, EAT COWLING, RH
6	87271609	1	SUPPORT, WIRE HARNESS
7	BN324420	1	SPRING, DIE 5/8 X 11/32 X 1.00
8	895-11008	2	WASHER, M8 x 16 x 1.6, FLAT
9	86980384	1	BOLT, HD, M8 X 4.5, CL8.8 DOR
10	87269472	1	SPACER, SWITCH
11	BN324434	1	HARNESS, GRP, TRAC CNTRL
12	394133A1	2	KNOB, BATTERY COVER
13	323657A1	1	PAD, FOOT RELEASE PEDAL
14	840-1330	2	BOLT, Cross Pan Hd, M3 x 30, PAN HEAD, 4.8
15	824-1403	2	NUT, M3, CI 5, HEX NUT, 4.8
16	832-46406	1	NUT, LOCK, M6 x 1, CI 8, NUT, PREV TRQ METAL M6 CL
17	832-46408	1	NUT, LOCK, M8 x 1.25, CI 8, NUT, PREV TRQ METAL M8 CL



SEE DETAIL A



2<sup>+2</sup>  
-1  
SEE NOTE 1

16 SEE NOTE 2

ADJUST SWITCH SUCH THAT  
BUTTON IS DEPRESSED  
2.42±0.13  
WHEN PEDAL IS AT REST

DETAIL A  
SCALE 1:1



## 4420 PATRIOT SPRAYER

## 01-026 PARK BRAKE GROUP

Ref	Part Number	Qty	Description
1	222462A2	1	PEDAL, CONTROL
2	370247A3	1	SUPPORT, PEDAL
3	614-10025	2	BOLT, Hex, M10 x 25, 8.8, Full Thd, USE, 86980400
4	321961A1	2	MOLDING, RUBBER
5	281093A1	2	WASHER, FLAT
6	278210A1	1	SPRING, EXTENSION
7	380930A1	1	VALVE, BRAKE ASSY
8	713-1110	1	CLEVIS, REG ADJ M10X40 PLN
9	380955A1	1	ROD, BRAKE, THREADED
10	829-1410	1	NUT, M10, CI 10, ZND
11	729-1030	1	PIN, CLEVIS, M10 x 30, PHC
12	895-18010	1	WASHER, M10 x 18 x 1.6,
13	733-2512	1	PIN, SPLIT (COTTER), M2.5 x 12,
14	895-11008	2	WASHER, M8 x 16 x 1.6, CS
15	87342022	2	BOLT, M8 X 25 10.9
16	353-422	1	PLUG, Dome, 1.250" hole, Nylon, BLA
17	279265A2	1	SWITCH, DIFF. LOCK BRAKE
18	281893A1	1	BEARING, PEDAL

**ART**

**NOT**

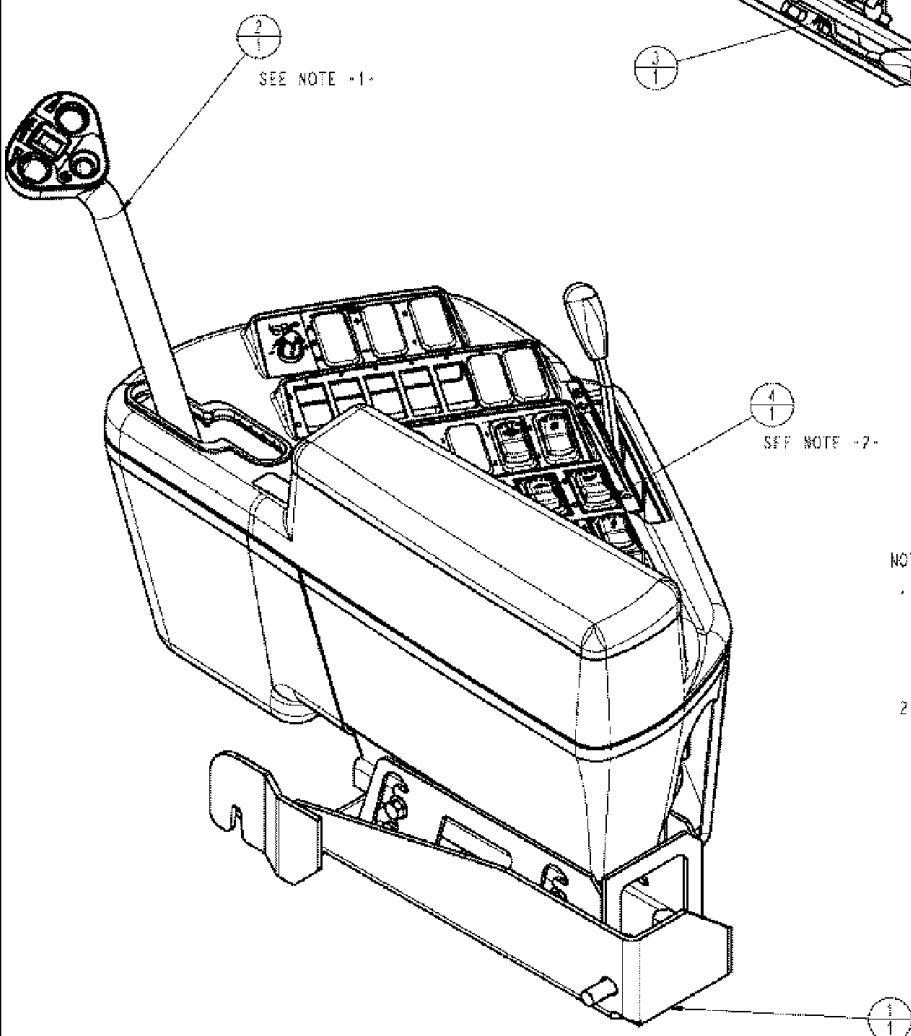
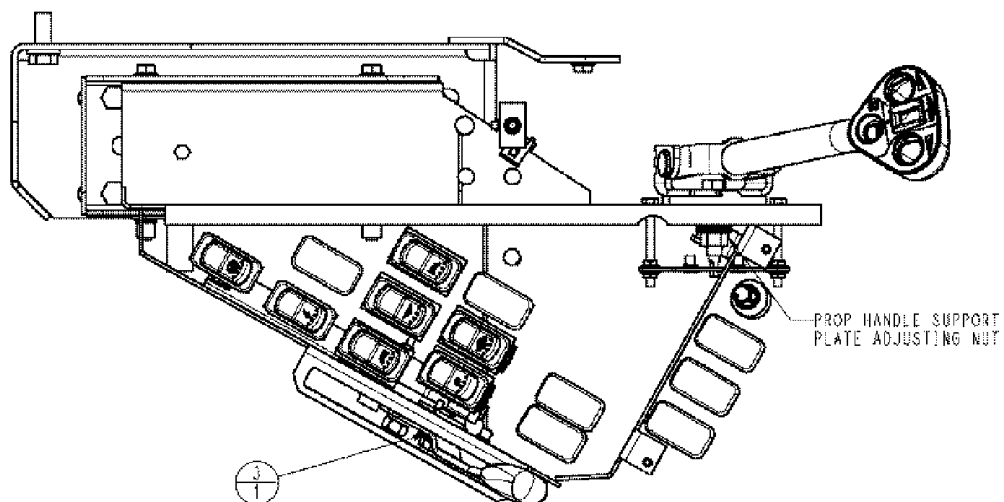
**AVAILABLE**

## 4420 PATRIOT SPRAYER

## 01-027 MAIN CAB ELECTRICAL PACKAGE

Ref	Part Number	Qty	Description
	87342588	1	ELECTRICAL ASSY, CAB SEE FIG. 12-002
	373457A1	1	HARNESS, CAB ROOF
	87564429	1	FRONT DASH, TIER
	345262A1	1	SWITCH, WIPER/WASHER
	87442098	1	SWITCH, LIGHTS, HEADLIGHT/HAZARD
	177250A1	1	SWITCH, LIGHTS, ROTARY
	1331046C2	2	CAP, WASHER, KNOB, SWITCH PANEL
	126844A1	5	PLUG, COVER, SWITCH HOLE
	227739A2	2	CONNECTOR, ELEC, HARNESS, AUX POWER
	383986A1	12	RIVET, BLK, FLEXALOY ABA44
	895-11003	12	WASHER, M3, 3.2 X 7 X 0.5MM CST ZND
	893-11010	2	WASHER, LOCK, Ext Tooth, M10, ZND
	895-11010	4	WASHER, M10 x 20 x 2, CST ZND
	829-1410	2	NUT, M10, CI 10, ZND
	895-11006	4	WASHER, M6, 6.6 X 12 X 1.6MM CST ZND
	840-1616	2	SCREW, Cross Pan Hd, M6 x 16, PHD, TYPE H CLASS 4.8 ZND
	895-11008	3	WASHER, M8 x 16 x 1.6, CST ZND
	829-1408	3	NUT, M8, CI 10, ZND
	864-4010	6	SCREW, Hex Soc Hd, M4 x 10, 8.8, ZND
	863-6020	2	SCREW, Hex Soc Hd, M6 x 20, 12.9, PHC
	892-11006	2	WASHER, LOCK, M6, SPRING LOCK REG 6MM ZND
	829-1406	2	NUT, M6, CI 10, ZND
	87452321	1	OUTLET, LIGHTER
	388813A1	2	OUTLET, CASCO POWER
	87538890	1	DECAL, FUSE/RELAY
	413190A1	1	PRESSURE DATA
	87541092	1	SWITCH, CAB DOME
	895-18012	1	WASHER, M12 x 20 x 2, ZN
	87562465	1	HARNESS, PORTABLE AUDIO CONNECTION

TOP VIEW

SOME ITEMS ARE BLANKED  
FOR BETTER VISIBILITY

## NOTES:

1) TORQUE PROP HANDLE SUPPORT PLATE ADJUSTING NUT (SEE TOP VIEW) SUCH THAT A BREAK LOOSE FORCE OF 4-5 LBS IS REQUIRED TO ROTATE THE PROP HANDLE. BREAK LOOSE FORCE SHOULD BE MEASURED AT THE BASE OF THE PROP HANDLE CUP, NORMAL TO THE PROP HANDLE SHAFT AND IN THE PLANE OF ROTATION OF THE PROP HANDLE SUPPORT PLATE.

2) REFERENCE 87271937 FOR SWITCH LOCATION INFORMATION.

## 4420 PATRIOT SPRAYER

## 01-028 CONSOLE, RH CONTROL

Ref	Part Number	Qty	Description
1	343260A1	1	CONSOLE SUB ASSY, SEE FIG.01-034
2	87270247	1	PROP CONTR ASSY, COL SEE FIG.01-036-01,02
3	343261A1	1	THROTTLE ASSY, SEE FIG.01-024
4	87271937	1	CONSOLE ELECT, SEE FIG.01-031 & 01-032
	87272471	1	RH COMP, SEE FIG.01-029

1

RELAY NUMBER	FUNCTION DESCRIPTION
RP4-A	SPREAD/HOLD
RP4-B	LH LEVEL DOWN
RP4-C	LH LEVEL UP
RP4-D	LH INNER OUT
RP4-E	LH INNER IN
RP4-F	FOAM MARKER
RP5-A	RH LEVEL DOWN
RP5-B	RH LEVEL UP
RP5-C	RH INNER IN
RP5-D	RH INNER OUT
RP5-E	NEUTRAL
RP5-F	MASTER PWR

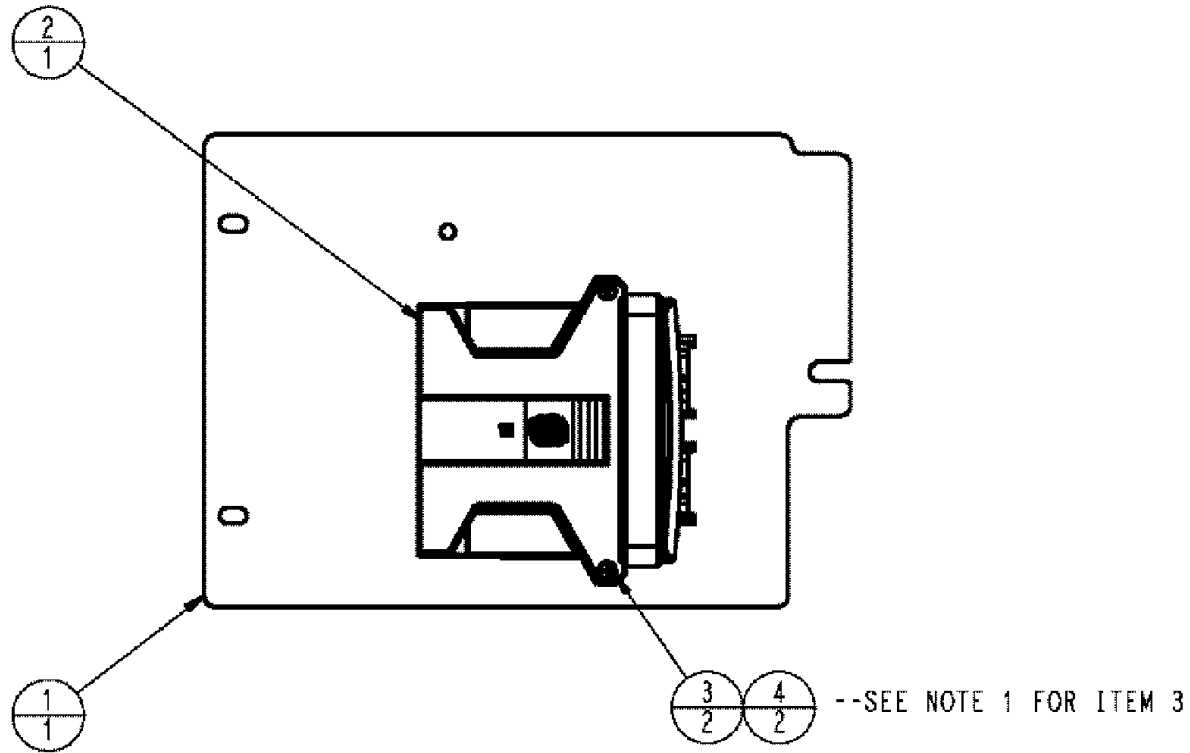
## RH CONSOLE (FUSES)

FUSE NO.	AMP/ SIZE	CIRCUIT IDENTIFICATION
18	10	NEUTRAL/REVERSE SWITCH
20	15	B. SECT. SW / PROD. VALVE / GPS
21		UNUSED
42	15	NEUT. / AUTO CNTR / MAST. PWR
43	10	ACC POWER (FRAME)

4420 PATRIOT SPRAYER

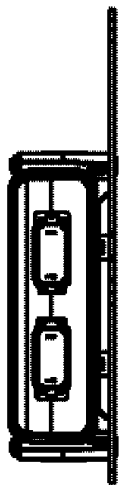
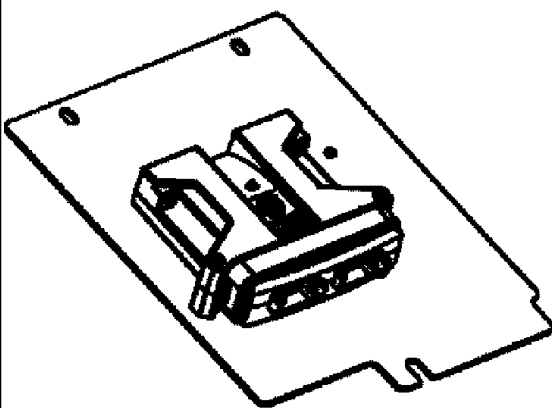
01-029 RH COMP GROUP

Ref	Part Number	Qty	Description
	121412A1	1	FUSE, ATM 10
	121413A1	2	FUSE, ATM 15
	87272139	1	PLATE, CNTRLR, SEE FIG.01-030
1	87272470	1	DECAL, FUSE/RELAY



NOTE:

1. PRESS-FIT INSERT SPACER ITEM 3 INTO PLATE ITEM 1 BEFORE ASSEMBLY

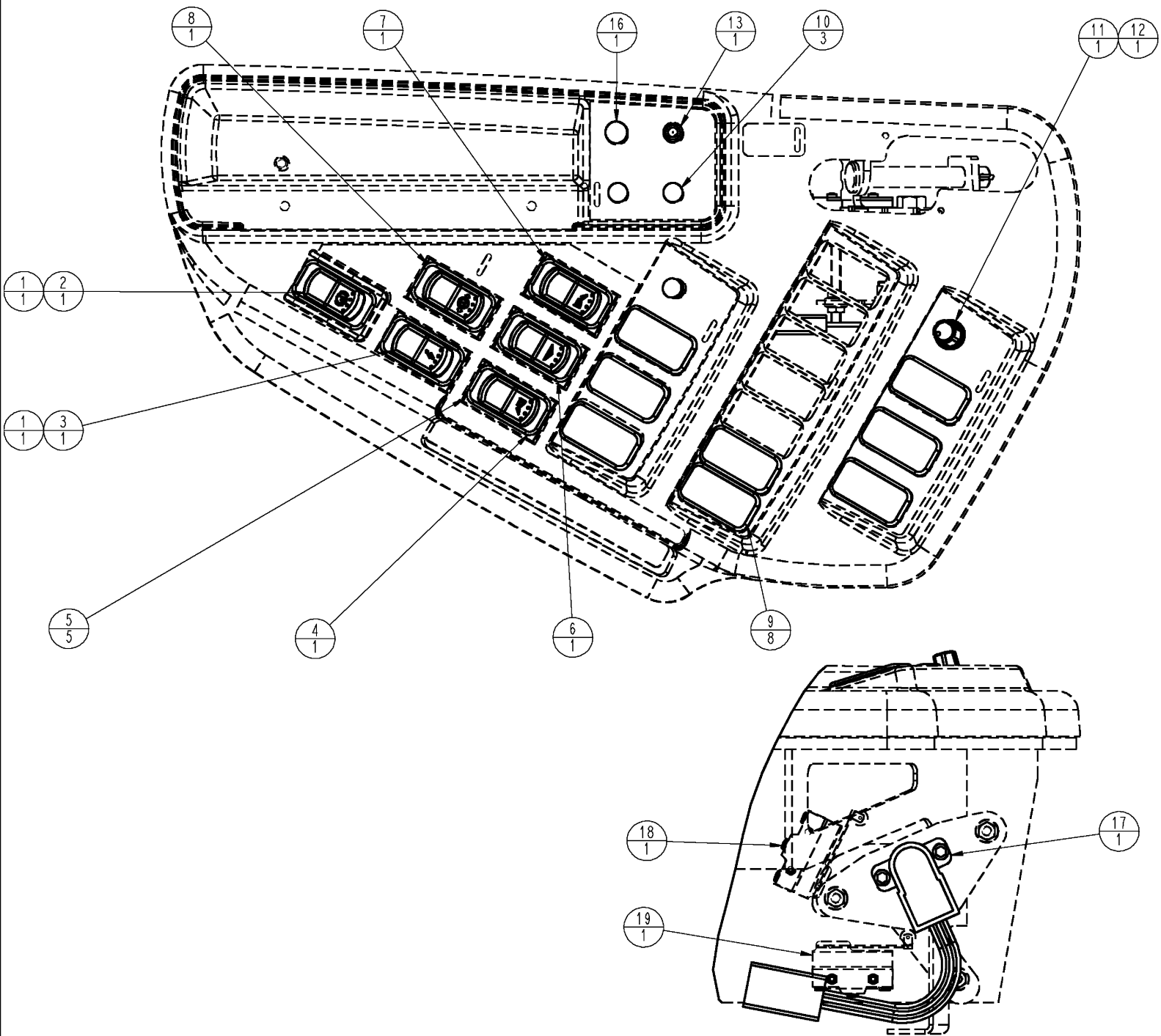




## 4420 PATRIOT SPRAYER

## 01-030 PLATE ASSEMBLY, CONTROLLER

Ref	Part Number	Qty	Description
1	87615429	1	CONTROLLER MOUNT
2	87681788	1	ELECTRONIC UNIT, CONTROL, PLUS, 1
	87597414	1	SERVICE, PLUS 1, ASSOCIATED PART OF CONTROLLER, P/N 87681788
3	429219A1	2	SPACER, PRESS FIT
4	87343617	2	SCREW, M5 X 50, PHD H 4.8 DOR

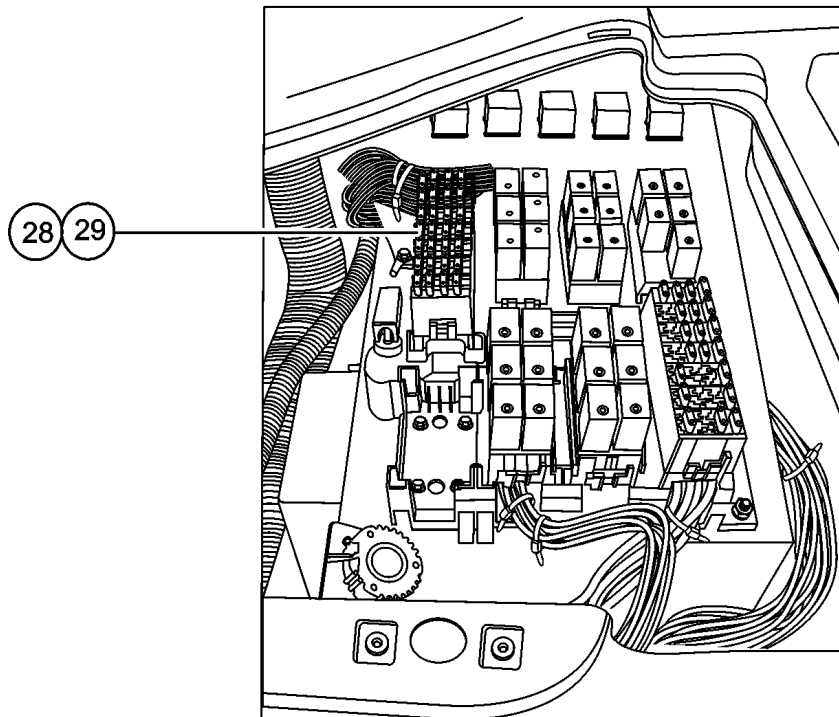
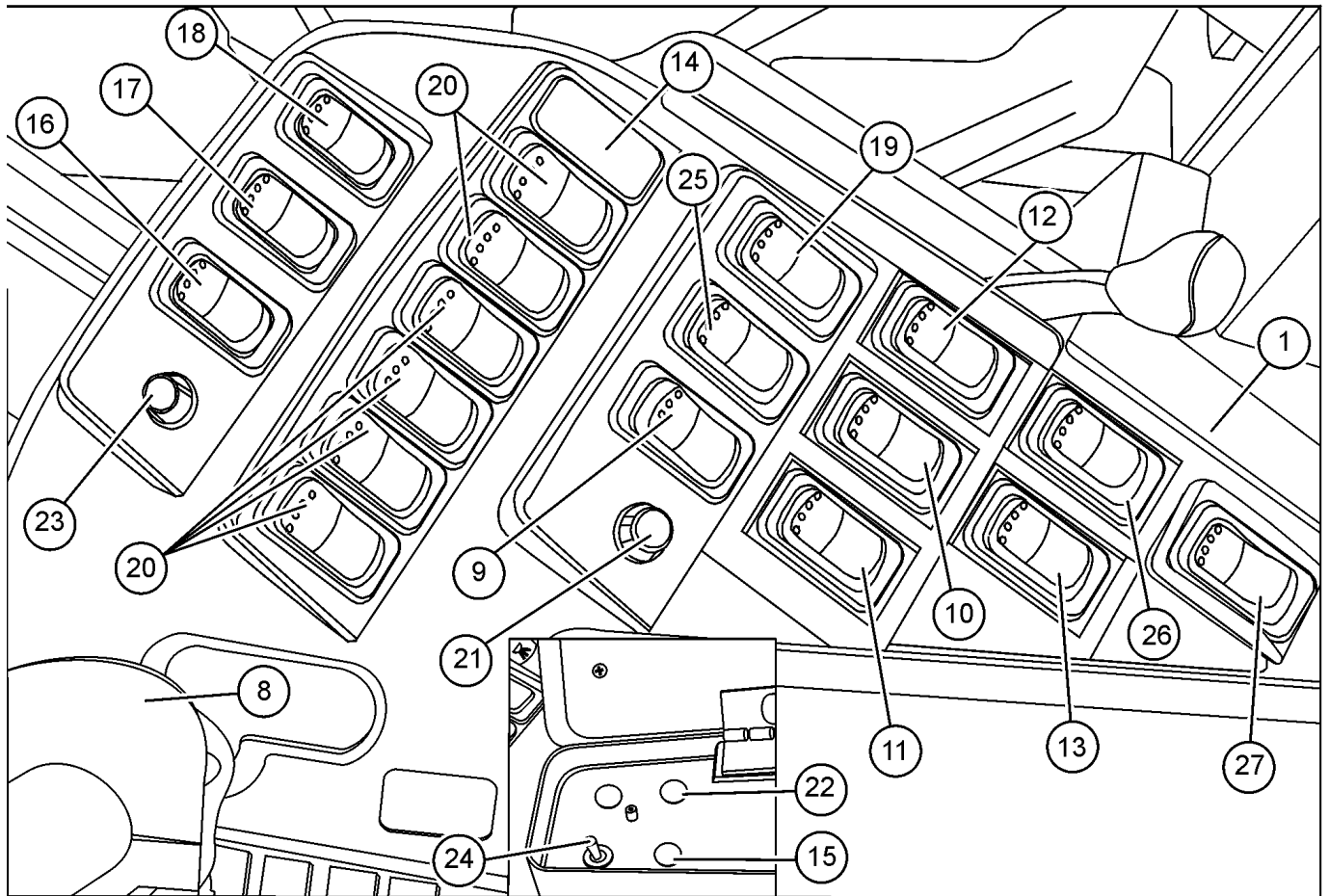


## 4420 PATRIOT SPRAYER

## 01-031 RH CONSOLE, ELECTRIC

Ref	Part Number	Qty	Description
1	87388415	2	SWITCH, DPDT, ROCKER, ON-NO (REF. 1, USED WITH REFS. 2 & 3)
2	BN322904	1	SWITCH, ROCKER, PARK
3	BN325000	1	SWITCH, ROCKER, MAIN POWER
4	BN321915	1	SWITCH, BOOM FOLD RH
5	BN325825	5	SPACER, SWITCH
6	BN321914	1	SWITCH, BOOM HEIGHT
7	BN321913	1	SWITCH, BOOM FOLD LH
8	BN321916	1	SWITCH, SPARGE PRESS
9	BN322626	8	PLUG, PANEL SW
10	353-402	3	PLUG, Dome, .375" hole, Nylon, BLK
11	BN325618	1	POTENTIOMETER, ASSY
12	118780A1	1	KNOB, CONSOLE CONTROL
13	BN323620	1	SWITCH, ASSY, AXLE IN/OUT
14	87272472	1	HARDWARE, SEE FIG 01-033
15	87272473	1	HARNESSES, SEE FIG.12-028
16	282056A1	1	PLUG, DOUBLE D
17	BN322638	1	SENSOR, ROTARY POS
18	BN323495	1	ADAPTER, REVERSE
19	BN323496	1	ADAPTER, NEUT. SAFETY SW

RH COVER ASSEMBLY W/SWITCHES



## 4420 PATRIOT SPRAYER

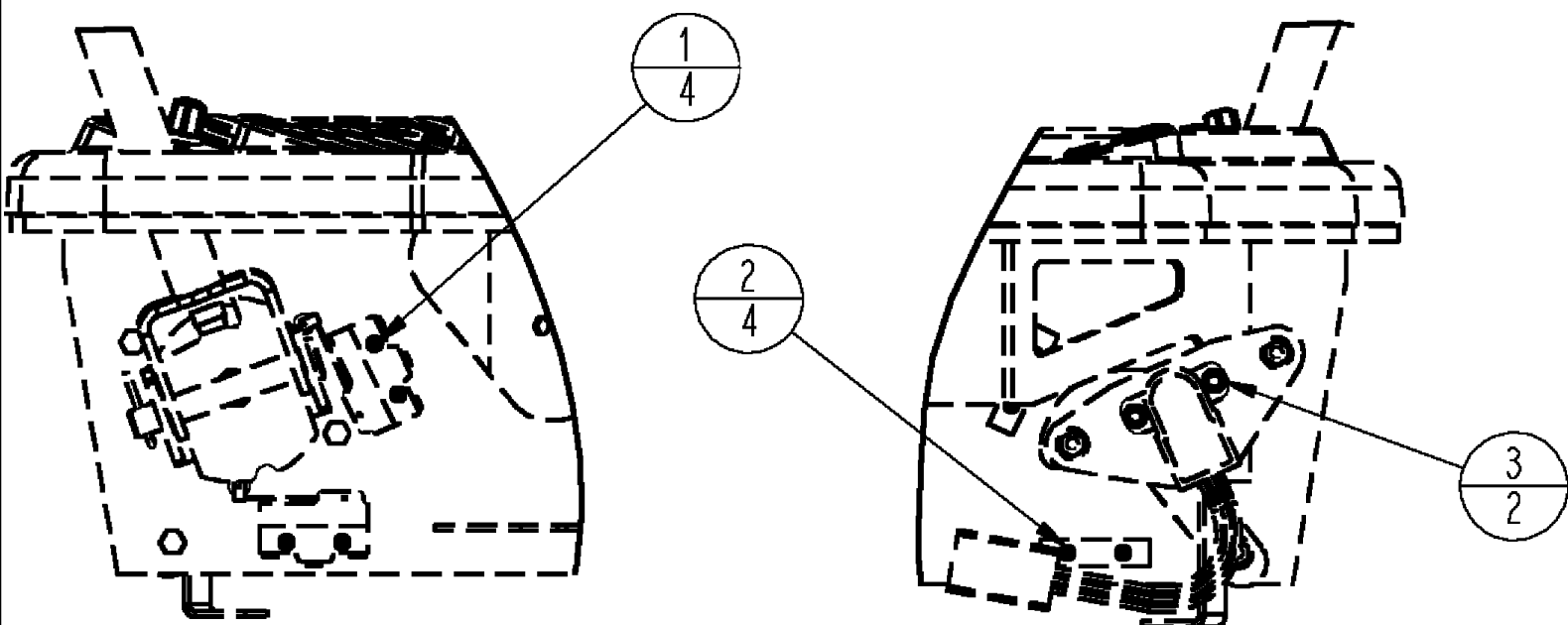
## 01-032 RH COVER ASSEMBLY W/SWITCHES

Ref	Part Number	Qty	Description
1	321614	1	CONTROL
2	87267346	1	PRODUCT CONTRO, SEE FIG.01-035
3	87267346	1	BOOM SECTION, SEE FIG.01-035
4	87267346	1	FOAM CONTROL, SEE FIG.01-035
5	87267346	1	BOOM POSITION, SEE FIG.01-035
6	87267346	1	WHEEL SPACING, SEE FIG.01-035
7	87267346	1	CONSOLE, PROPULSION CONTROL, SEE FIG.01-035
8	128833A2	1	GUIDE, PROPULSION CONTROL LEVER
	184001A1	1	CONSOLE, ADAPTER, REVERSE, SEE FIG.01-033, ASSOCIATED PART OF GUIDE, P/N 128833A2
	184001A1	1	CONSOLE, ADAPTER, NEUTRAL SAFETY SWITCH, SEE FIG.01-033, ASSOCIATED PART OF GUIDE, P/N 128833A2
	BN322638	1	SENSOR, ASSY, ROTARY POS, ASSOCIATED PART OF GUIDE, P/N 128833A2
9	BN321912	1	SWITCH, ASM, FOAM ACTIVATE
10	BN321914	1	SWITCH, ASM, BOOM HEIGHT
	BN325825	1	SPACER, SWITCH, ASSOCIATED PART OF SWITCH, P/N BN321914
11	BN321913	1	SWITCH, ASM, BOOM FOLD, LH
	BN325825	1	SPACER, SWITCH, ASSOCIATED PART OF SWITCH, ASM, BOOM FOLD, LH, P/N BN321913
12	BN321915	1	SWITCH, ASM, BOOM FOLD, RH
	BN325825	1	SPACER, SWITCH, ASSOCIATED PART OF SWITCH, ASM, BOOM FOLD, RH, P/N BN321915
13	BN321916	1	SWITCH, ASM, SPARGE PRESSURE
	BN325825	1	SPACER, SWITCH, ASSOCIATED PART OF SWITCH, ASM, SPARGE PRESSURE, P/N BN321916
14	BN322626	1	PLUG, PANEL, NGR
15	282056A1	1	PLUG, DOUBLE D
16	BN321907	1	SWITCH, AIM COMMAND SYSTEM SET
17	BN321908	1	SWITCH, ASM, AIM COMMAND PRESSURE ADJUST
18	BN321909	1	SWITCH, PRESSURE, ASM, AIM COMMAND PRESSURE SET
19	BN321911	1	SWITCH, ASM, FENCE ROW
20	BN321910	6	SWITCH, ASM, BOOM SECTION
21	118780A1	1	KNOB, FOAM CONTROL
22	353-402	3	PLUG, Dome, .375" hole, Nylon, BLACK
23	BN325618	1	POTENTIOMETER, ASSY
24	BN323620	1	SWITCH, ASSY, AXLE IN/OUT
25	87397310	1	ASSY, SEE FIG.12-058
26	BN325000	1	SWITCH, MAIN POWER
	87388415	1	SWITCH, DPDT, ROCKER, ON-NO, ASSOCIATED PART OF SWITCH, MAIN POWER, P/N BN325000
27	BN322904	1	SWITCH, ROCKER, PARK BRAKE
	87388415	1	SWITCH, DPDT,ROCKER,ON-NO, ASSOCIATED PART OF SWITCH, ROCKER, PARK BRAKE, P/N BN322904
	87272472	1	HARDWARE NOT SHOWN
28	121412A1	5	FUSE, ATM 10
29	121413A1	2	FUSE, ATM 15
	87272473	1	RH CONSOLE, SEE FIG.12-028

4420 PATRIOT SPRAYER

01-032 RH COVER ASSEMBLY W/SWITCHES

Ref	Part Number	Qty	Description
	87272473	1	RH COMPART, SEE FIG.12-028

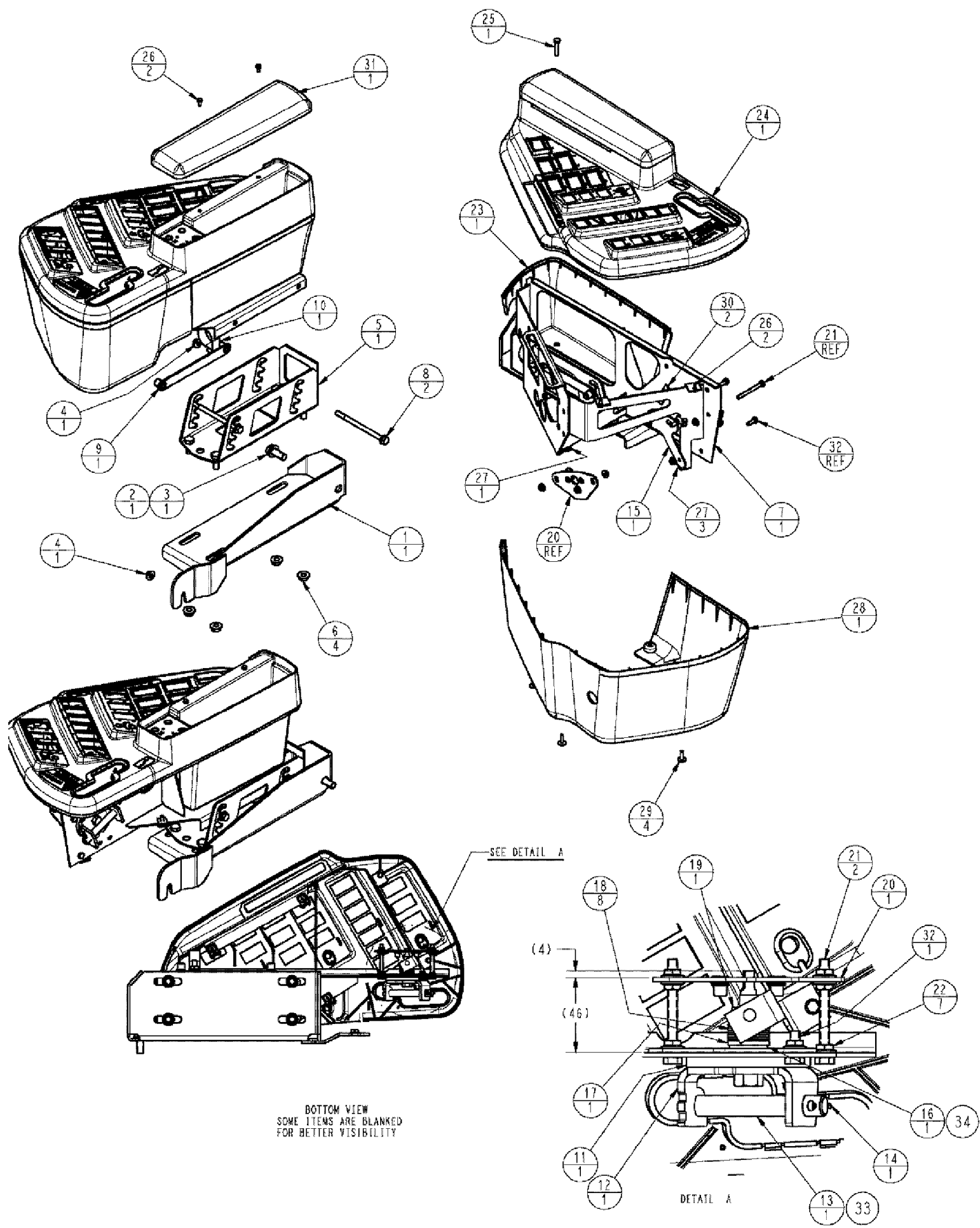


## 4420 PATRIOT SPRAYER

## 01-033 HARDWARE, RH CONSOLE GROUP

Ref	Part Number	Qty	Description
1	86511818	4	SCREW, Cross Pan Hd, M3 x 30,
2	824-1403	4	NUT, M3, CI 5,
3	87343613	2	SCREW, PHD M5 X 35 TYPE H CL 4.8 DOR





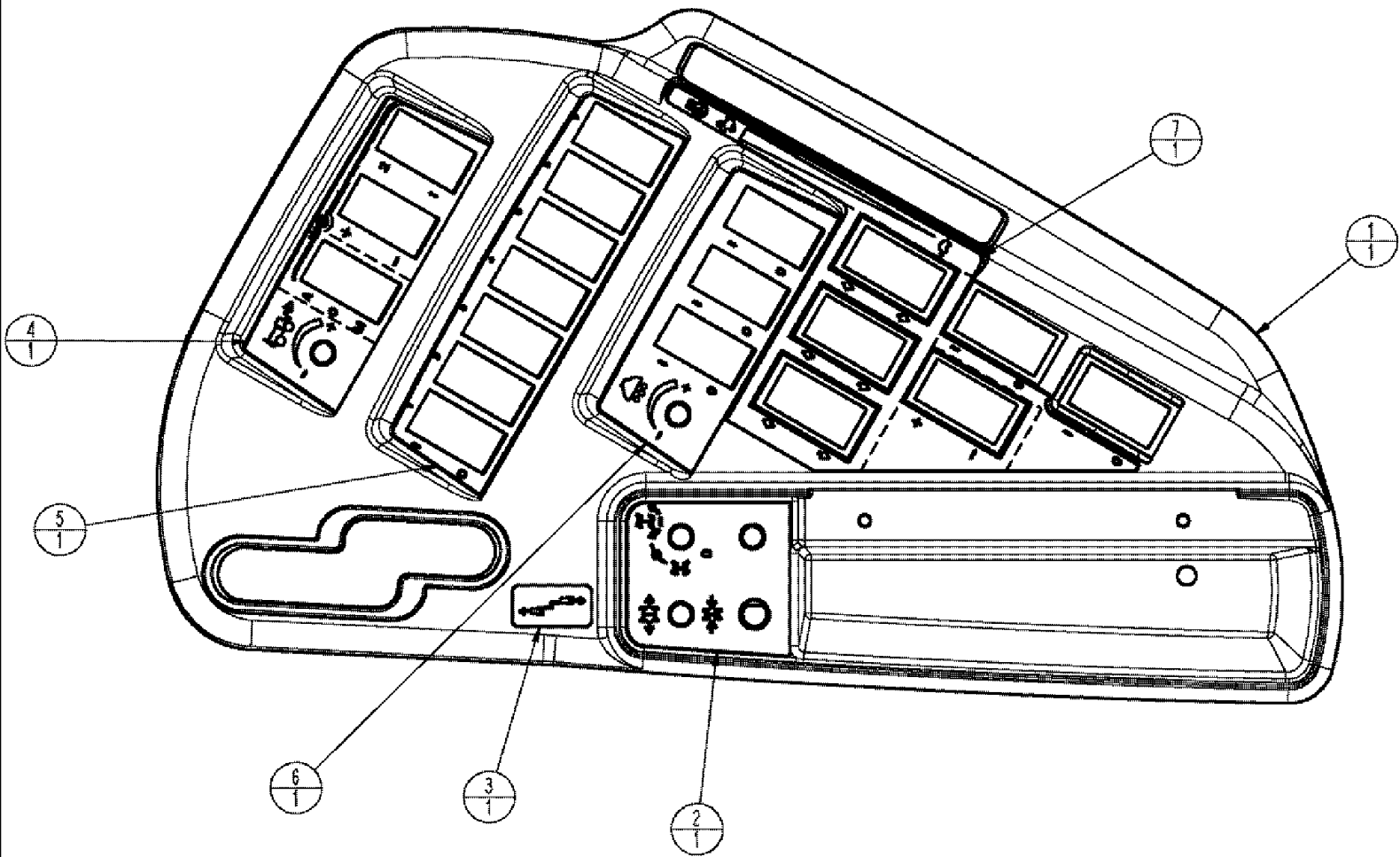
BOTTOM VIEW  
SOME ITEMS ARE BLANKED  
FOR BETTER VISIBILITY

DETAIL A

## 4420 PATRIOT SPRAYER

## 01-034 RH CONSOLE SUB ASSEMBLY

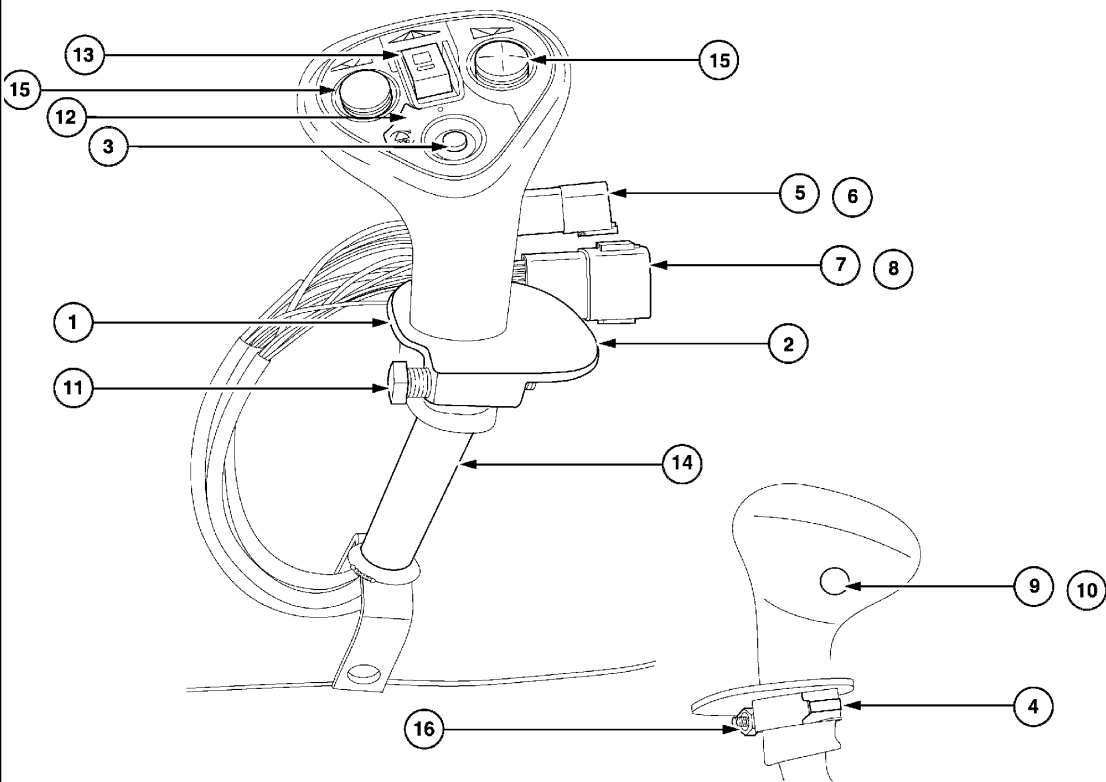
Ref	Part Number	Qty	Description
1	BN317670	1	PLATE, MOUNTING, SPX CONTROL CONSOLE
2	86981496	1	WASHER, M13.5 x 24.5 x 3, HT, HTS DOR
3	86980420	1	BOLT, M12-1.75 X 30, HH, 8.8, DORREPL
4	86981461	2	NUT, HEX FLANGE M8 8 DOR
5	BN321613	1	SLIDE, WELDMENT, LOWER
6	87344219	4	NUT, FLANGE M10 8.8 DOR
7	86986776	1	FRAME, ASSY, RH CONSOLE
8	87344205	2	BOLT, FLANGE M8 X 120 HVY 10.9 DOR
9	BN323138	1	ASSY, CONSOLE
10	515-23365	1	CLAMP, 1 7/16", Insul, 3/8" Bolt, 36.5MM P INSUL 10.3MM HOLE ZND
11	251090A1	1	WASHER, WEAR
12	87578140	1	SUPPORT, PROP LEVER CONTROL
13	27-8343	1	PIN, CLEVIS, 1/2" x 3 7/16", 1/2 X 3.438 PLN HDN CLEVIS
14	432-816	1	PIN, SPLIT (COTTER), 1/8" x 1", ZN
15	87563477	1	SPACER, CORRECTIONAL, PROPEL HANDLE
16	159688R91	1	BEARING, THRUST, PUMP CONTROL ACTUATING ARM
17	87529248	1	WASHER, 0.469 X 1 X 0.105 HTS DOR HDN
18	1994980C1	8	WASHER, BELLEVILLE
19	BN305066	1	SCREW, 7/16-14, FLN, G8
20	BN318707	1	PLATE, MOUNTING, POTENTOIMETER
21	87342146	2	BOLT, M6 X 60 FULL 8.8 DOR
22	825-5146	7	NUT, M6, Flg Ser, SERRATED FLANGE
23	130412A1	1	COVER, SKIRT, CONSOLE REAR
24	87267346	1	ASSY, RH CON, SPX, SEE FIG.01-035
25	87342145	1	BOLT, HEX HD M6 X 30 FULL CL8.8 DOR
26	87343621	4	SCREW, M4 X 10 HWH 4.8 DOR
27	131-642	4	NUT, Tinn, U, #10, REPLACED BY 87016567
28	118321A2	1	SKIRT, CONSOLE COVER FRONT
29	357481A1	4	SCREW, TAPPING 10 No
30	342938A1	2	PLATE, PRP SWITCH BACKING
31	128970A3	1	ARMREST, ASSY, CONSOLE
32	86980359	1	BOLT, M6-1 X 16, HH, 8.8, DOR REPL
33	128593A1	1	SPRING, PROPULSION HANDLE TORSION
34	331-439	AR	1 CC PETROLEUM JELLY, 0.1



## 4420 PATRIOT SPRAYER

## 01-035 COVER ASSEMBLY, RH CONSOLE

Ref	Part Number	Qty	Description
1	87267349	1	DECAL, RH CON COVER W/Z GATE
2	378608A1	1	DECAL, WHEEL SPACING
3	87267350	1	DECAL, PROP CONTROL
4	87266890	1	DECAL, AIM COMMAND
5	87266886	1	DECAL, BOOM SECTION
6	87266885	1	DECAL, FOAM CONTROL
7	87266893	1	DECAL, CONTROL PROPULSION



## 4420 PATRIOT SPRAYER

## 01-036(01) PROP CONTROL LEVER ASSEMBLY, COLOR

Ref	Part Number	Qty	Description
1	113314A2	1	LEVER, CONTROL, SUPPORT, PALM REST, LH, SEE FIG.01-037
2	113314A2	1	LEVER, CONTROL, SUPPORT, PALM REST, RH, SEE FIG.01-037
3	127597A1	1	SWITCH, UNLOADER
4	113314A2	1	LEVER, CONTROL, CLIP, PALM REST, SEE FIG.01-037
5	225350C1	1	CONNECTOR, ELEC, 6 PIN TYPE LY
6	225353C1	1	WEDGE, TYPE W6P
7	225388C1	1	CONNECTOR, ELEC, 12-PIN TYPE NA
8	225390C1	1	WEDGE, TYPE W12P
9	260-54310	1	SCREW, SELF TAPPING, Cross Pan Hd, #6 x 5/8", PN HD CR TYP B
10	282056A1	1	PLUG, DOUBLE D ALTERNATE ACCUMULATOR SW
11	113314A2	1	LEVER, CONTROL, KNOB, PALM REST, SEE FIG.01-037
12	87267361	1	PLATE ASSY, PROP CNTRL, SEE FIG.01-038
13	BN321530	1	SWITCH, SPRAY ON/OFF
14	113314A2	1	LEVER, CONTROL, SUB ASSY, PROP CNTRL, SEE FIG.01-037
15	BN324896	2	SWITCH, ASSY, BOOM CONTROL
16	BN50054	1	NUT, 1/4-20, HH, SS

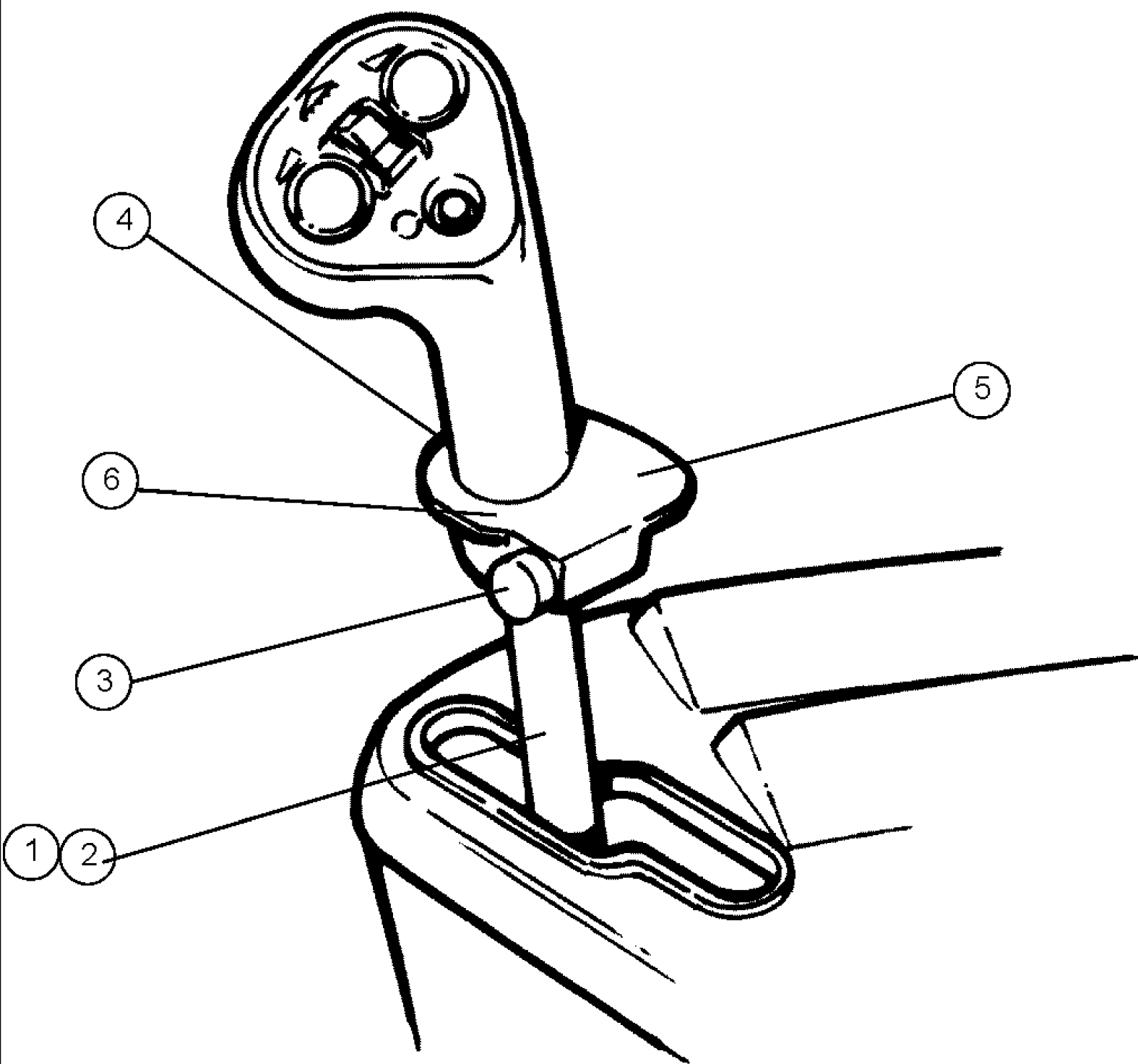


## 4420 PATRIOT SPRAYER

## 01-036(02) PROP CONTROL LEVER ASSEMBLY, COLOR

Ref	Part Number	Qty	Description
1	113314A2	1	LEVER, CONTROL, SUPPORT, PALM REST, LH, SEE FIG.01-037
2	113314A2	1	LEVER, CONTROL, SUPPORT, PALM REST, RH, SEE FIG.01-037
3	127597A1	1	SWITCH, UNLOADER
4	113314A2	1	LEVER, CONTROL, CLIP, PALM REST, SEE FIG.01-037
5	225350C1	1	CONNECTOR, ELEC, 6 PIN TYPE LY
6	225353C1	1	WEDGE, TYPE W6P
7	225388C1	1	CONNECTOR, ELEC, 12-PIN TYPE NA
8	225390C1	1	WEDGE, TYPE W12P
9	260-54310	1	SCREW, SELF TAPPING, Cross Pan Hd, #6 x 5/8", 6-20 X 5/8 PN HD CR TYP B
10	282056A1	1	PLUG, DOUBLE D ALTERNATE ACCUMULATOR SW
11	113314A2	1	LEVER, CONTROL, KNOB, PALM REST, SEE FIG.01-037
12	87267361	1	PLATE ASSY, PROP CNTRL, SEE FIG.01-038
13	BN321530	1	SWITCH, SPRAY ON/OFF
14	113314A2	1	LEVER, CONTROL, SUB ASSY, PROP CNTRL, SEE FIG.01-037
15	BN324896	2	SWITCH, ASSY, BOOM CONTROL
16	BN50054	1	NUT, 1/4-20, HH, SS

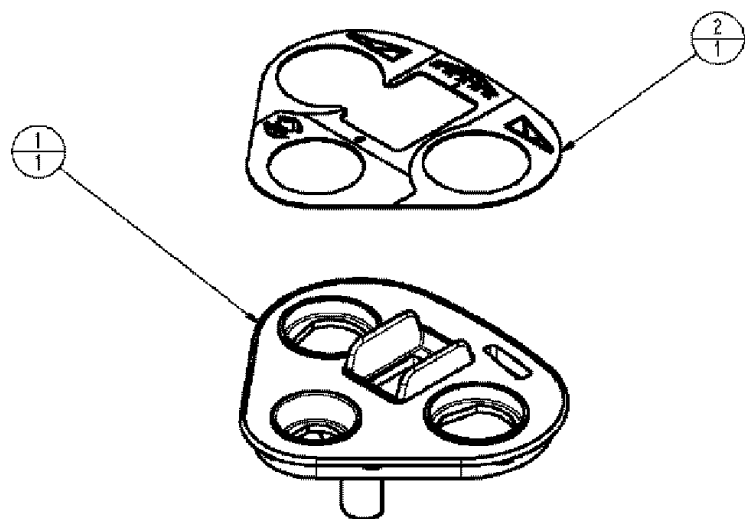
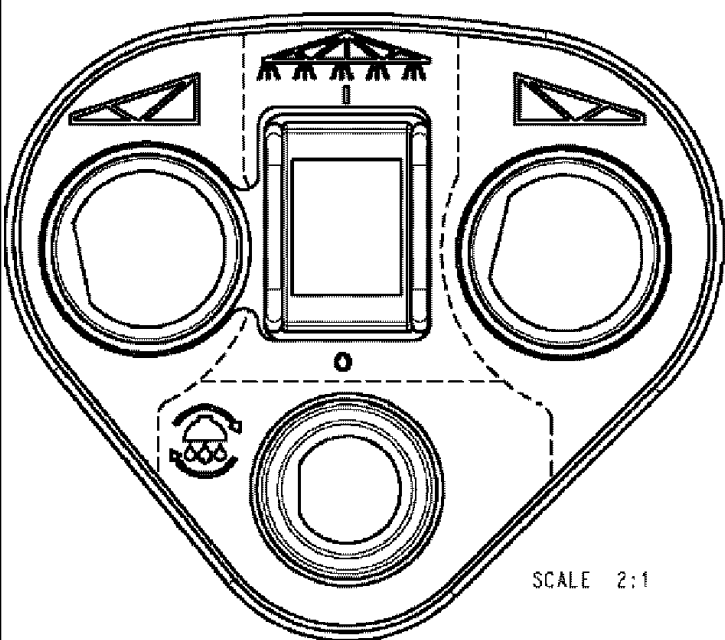




## 4420 PATRIOT SPRAYER

## 01-037 LEVER SUB ASSEMBLY PROPEL CONTROL

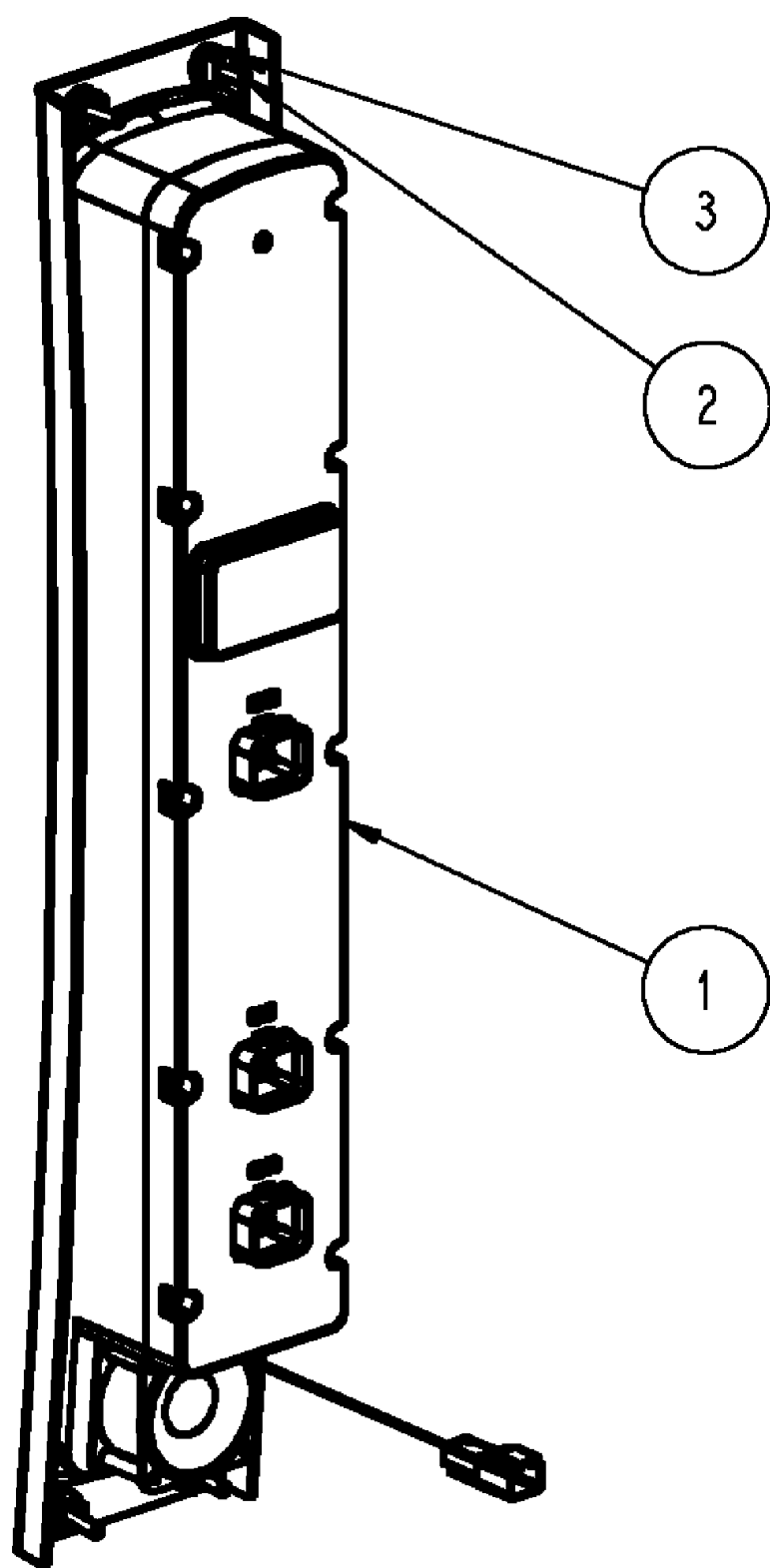
Ref	Part Number	Qty	Description
1	87267517	1	HANDLE, CUP CONTROL ASSY
2	113316A1	1	CHANNEL, PROP CNTRL LVR
3	86987885	1	KNOB, PALM REST
4	1343962C1	1	CLIP, ELECTRICAL, PALM
5	116152A1	1	SUPPORT, PALM REST RH
6	116150A1	1	SUPPORT, PALM REST LH



4420 PATRIOT SPRAYER

01-038 PROP CONTROL PLATE ASSEMBLY

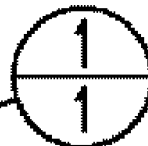
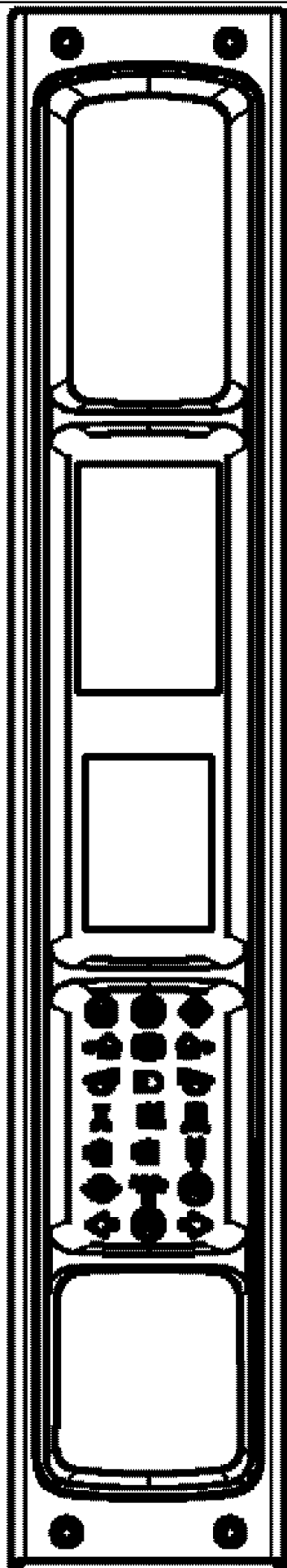
Ref	Part Number	Qty	Description
1	389521A1	1	PLATE, PROP CONTROL LEVER
2	87266895	1	DECAL, PROP CNTRL



## 4420 PATRIOT SPRAYER

## 01-039 INSTRUMENT ASSEMBLY, ICU

Ref	Part Number	Qty	Description
1	87323225	1	ICU2 INST STANDARD, SEE FIG.01-040
2	260-16516	4	SCREW, SELF TAPPING, Cross Pan Hd, #10 x 1", 10-16 X 1.0 PHCR TAP
3	177269A1	4	NUT, NUT, SPRING



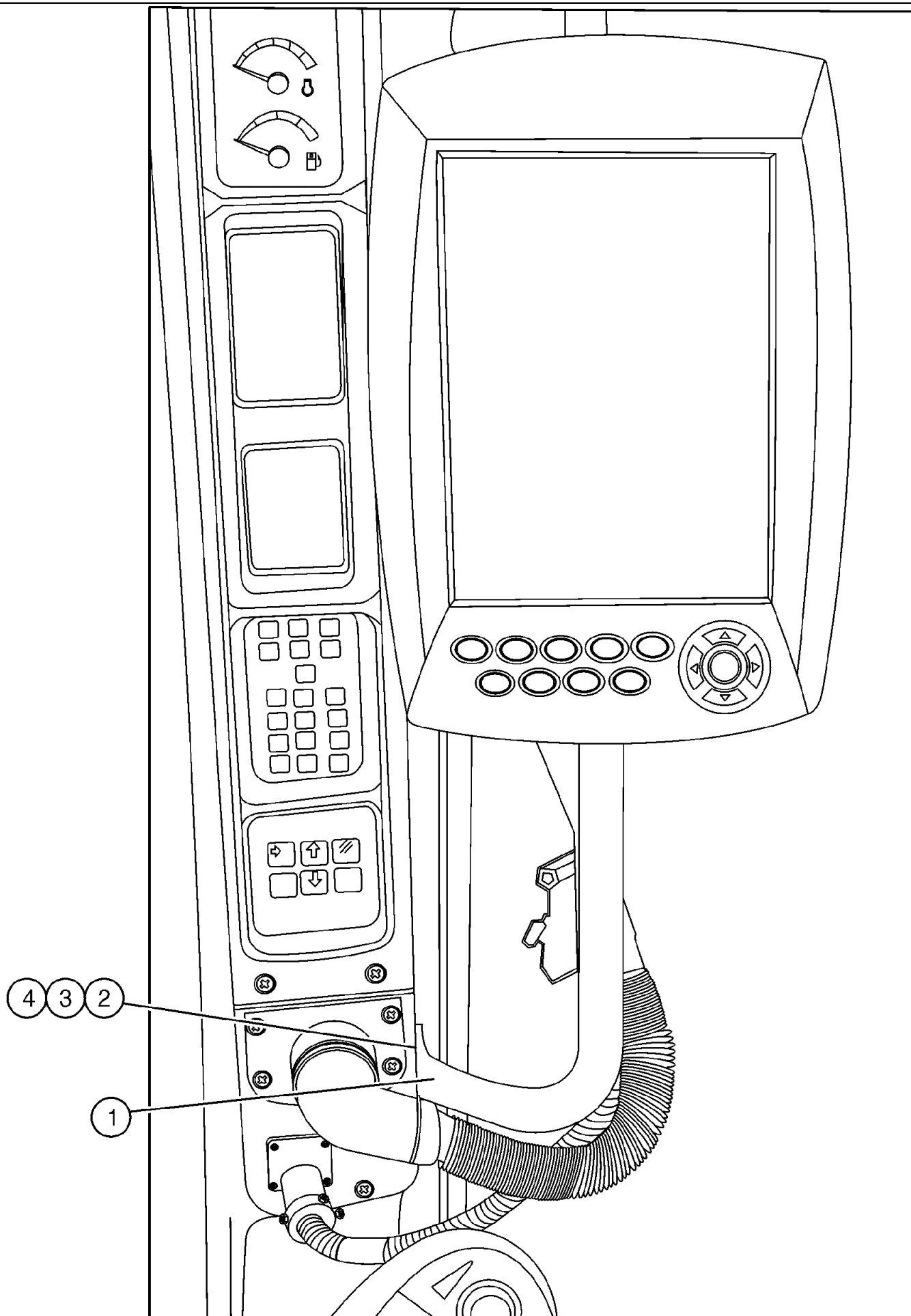
NOTES:  
ITEM 2 NOT SHOWN

4420 PATRIOT SPRAYER

01-040 INSTRUMENT PACKAGE, ICU

Ref	Part Number	Qty	Description
	87270529	1	CONTROL UNIT, MODULE, ICU2 INST
	87544183	1	ICU2

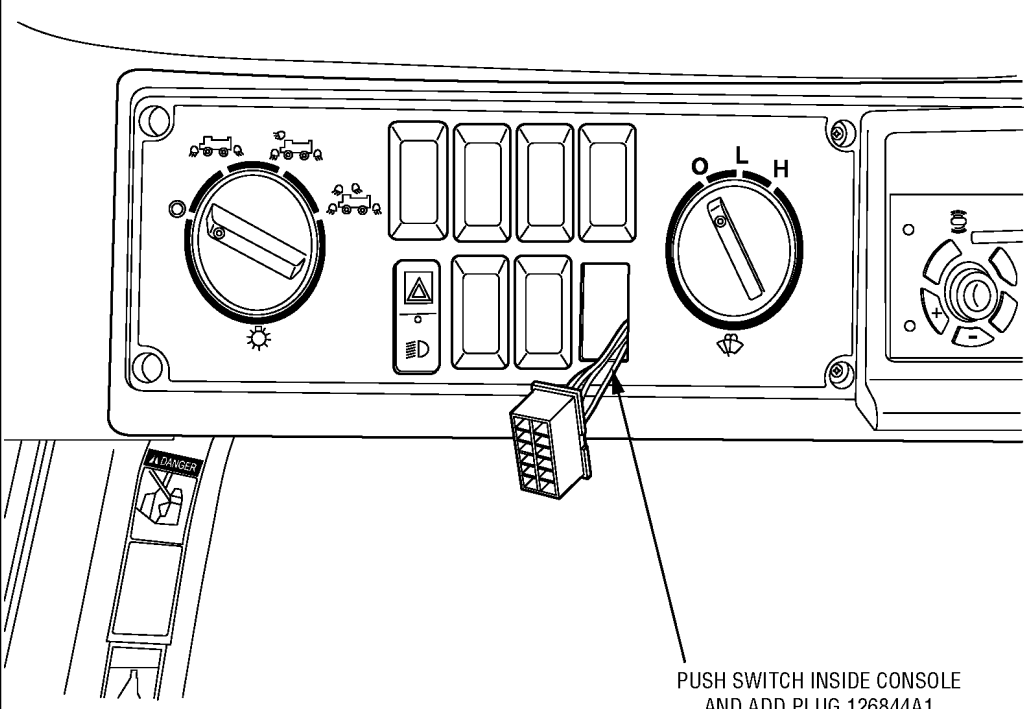




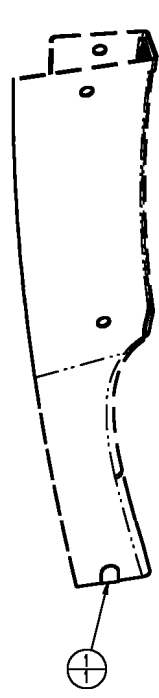
## 4420 PATRIOT SPRAYER

## 01-041 MONITOR MOUNTING GROUP

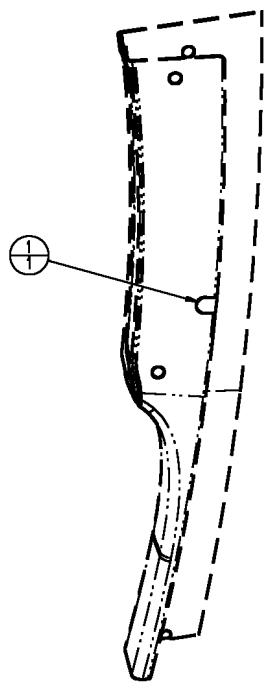
Ref	Part Number	Qty	Description
1	369275A1	1	TUBE, MONITOR
2	371838A1	2	SPACER, STANDOFF, ROUND
3	827-8040	2	BOLT, Hex, M8 x 40, 10.9, ZND
4	895-11008	2	WASHER, M8 x 16 x 1.6,



PUSH SWITCH INSIDE CONSOLE  
AND ADD PLUG 126844A1



LEFT SIDE OF A POST

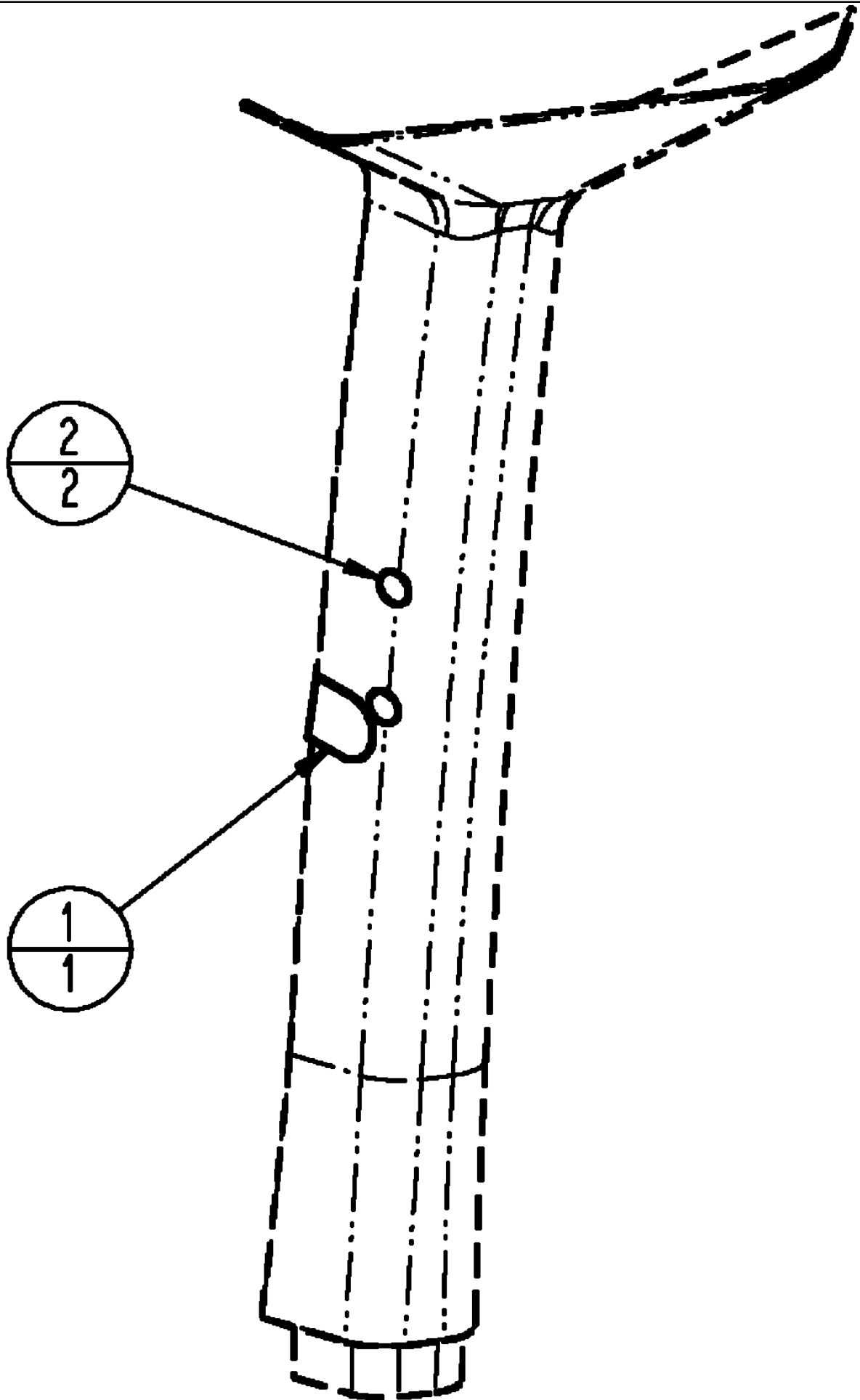


RIGHT SIDE OF A POST

4420 PATRIOT SPRAYER

01-042 NO SELECT, AUTOGUIDANCE GROUP

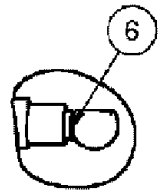
Ref	Part Number	Qty	Description
1	87751236	1	DECAL, HOLE COVER
2	126844A1	1	PLUG, SWITCH HOLE



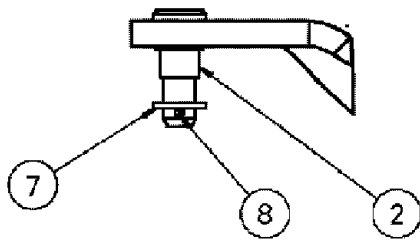
4420 PATRIOT SPRAYER

01-043 DECAL ASSEMBLY, AUTOGUIDANCE

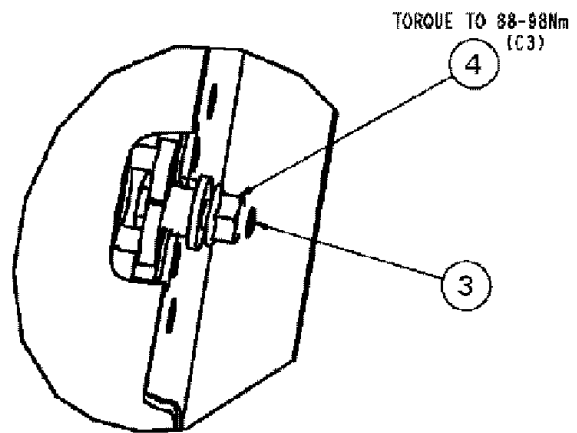
Ref	Part Number	Qty	Description
1	87751236	1	DECAL, HOLE COVER
2	93199C1	2	FASTENER, RATCHET



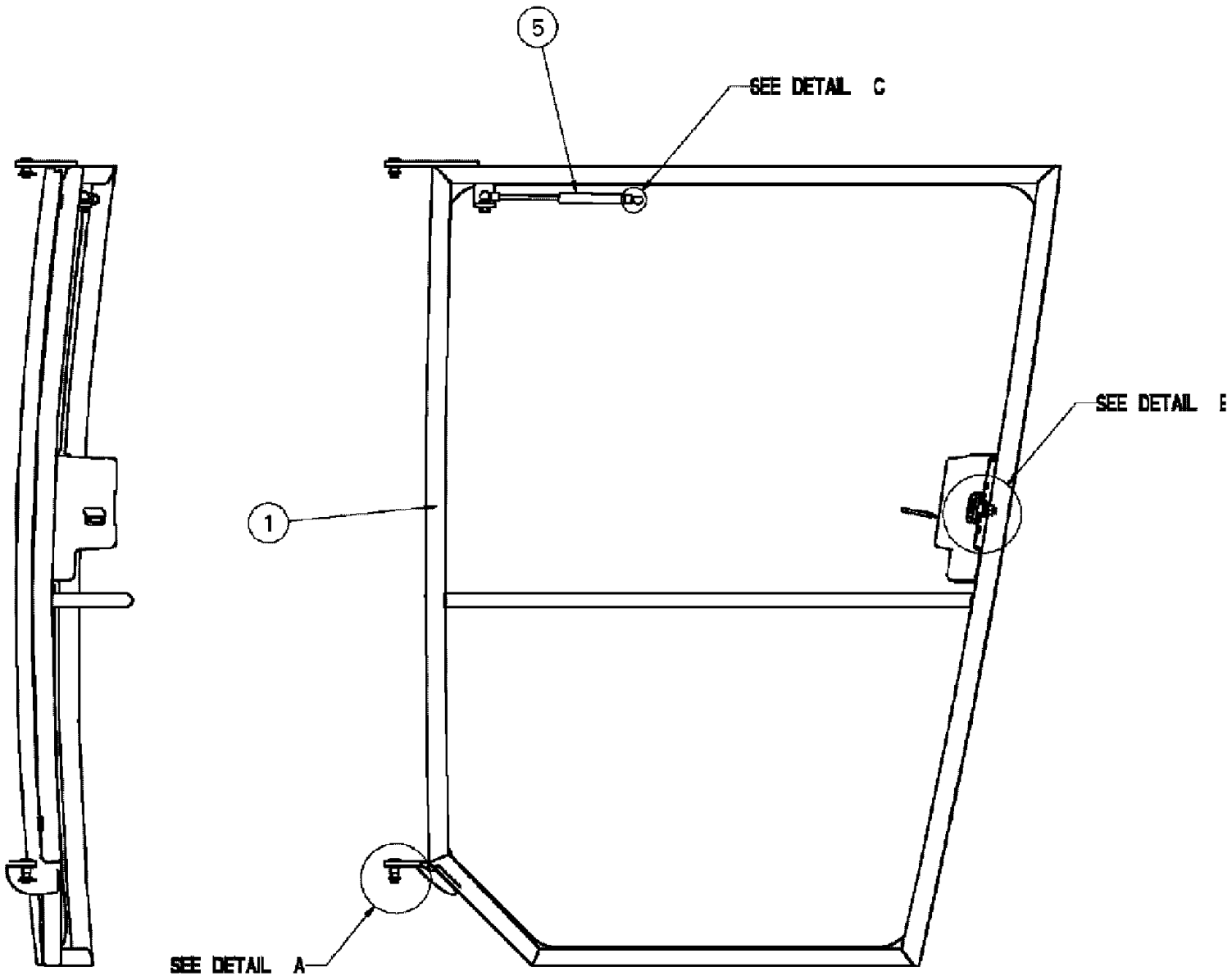
DETAIL C  
SCALE 1:1



DETAIL A  
SCALE 1:1



DETAIL B (B6)  
SCALE 1:1



## 4420 PATRIOT SPRAYER

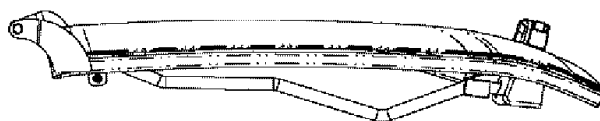
## 02-001 DOOR GROUP

Ref	Part Number	Qty	Description
1	391880A4	1	DOOR ASSY., SEE FIG. 02-002-01
2	388764A1	2	BUSHING, FLANGED
3	R51754	1	CATCH, BOLT, HOOD LATCH STRIKER PIN
4	231-5347	1	NUT, LOCK, 7/16"-14, G5, PREV TRQ FLG .438UNC GR F ZND
5	1280263C1	1	CYLINDER ASSY., STRUT, GAS
6	3233348R1	2	CLIP, RETAINER BALL STUD
7	895-18012	2	WASHER, M12 x 20 x 2, CST ZND
8	733-3220	2	PIN, SPLIT (COTTER), M3.2 x 20, ZN



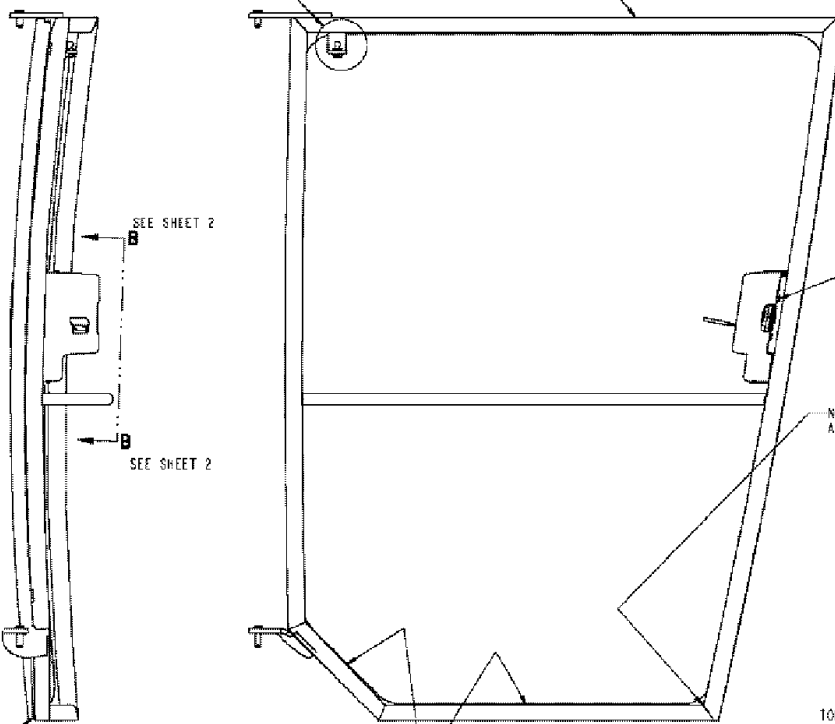
NOTE:

1. LOCATE SPACERS (87268C1) TO MATCH CLAMPING AND GLASS VARIATION. THIS WILL PREVENT THE GLASS FROM CONTACTING THE DOOR FRAME.
2. URETHANE ADHESIVE PROCESS:
  - A. AGITATE PRIMERS FOR 45 MINUTES PRIOR TO BONDING TO SURFACES. ONCE AGITATED CHECK FOR SETTLING. IF SETTLING OCCURS, MANUALLY STIR SOLIDS BACK INTO SOLUTION AND RE-AGITATE FOR 10 MINUTES BEFORE USE.
  - B. CLEAN BONDING AREA OF GLASS FACE WITH CLEAN PAD AND GLASS CLEANING PRIMER (349-108).
  - C. APPLY  $30 \pm 2$  mm WIDE BAND OF GLASS PRIMER (349-110) TO GLASS BONDING AREA. ALLOW SURFACE TO DRY FOR 30 SECONDS MIN.
  - D. APPLY METAL PRIMER (349-108) TO THE DOOR WELDMENT. THIS SURFACE MUST BE FREE OF OIL AND DUST PRIOR TO APPLICATION.  
  
FOR AREAS NEEDING CLEANING USE CLEAN PAD WITH RUBBING ALCOHOL. DO NOT REUSE PAD. ALLOW SURFACE TO DRY FULLY BEFORE APPLYING METAL PRIMER.
  - E. APPLY 5 mm TO 8 mm CONTINUOUS BEAD OF URETHANE ADHESIVE (345-184) TO PRIMED SURFACE. ADHESIVE MAY BE APPLIED TO EITHER PRIMED GLASS OR THE PRIMED METAL, NOT TO BOTH.  
  
MINIMUM GAP BETWEEN GLASS AND FRAME TO BE 3mm AFTER CLAMPING GLASS IN THE INSTALLED POSITION AROUND ENTIRE PERIMETER. (104)
  - F. INSTALL GLASS IMMEDIATELY AFTER APPLYING THE ADHESIVE. GLASS EDGES SHOULD NOT CONTACT THE METAL FRAME AT ANY POINT. IF ADHESIVE HAS BEEN APPLIED AND GLASS IS NOT INSTALLED IN LESS THAN 2 MINUTES, IT MUST BE REMOVED AND REAPPLIED.
  - G. GREEN STRENGTH HANDLING TIME IS APPROXIMATELY 3 TO 4 HOURS AT 21°C (70°F) DEPENDING UPON THE RELATIVE HUMIDITY.
  - H. WATER SPRAY MAY BE USED ON THE INSTALLED GLAZING TO SPEED UP THE CURE.
  - I. GLASS CLEANING PRIMER (349-109) MAY BE USED TO CLEAN EXCESS ADHESIVE FROM THE GLASS.
  - J. IN HUMID WEATHER, IF ADHESIVE SKINS OVER TOO QUICKLY, USE 55302 ADHESIVE. IN DRY WEATHER, USE 57302 ADHESIVE TO SPEED UP THE CURE.
  - K. APPLY SILICONE BEAD (345-103) IN AREAS INDICATED BETWEEN WELDMENT AND GLASS TO FILL ANY GAPS.
3. UNLESS OTHERWISE SPECIFIED TORQUE BOLTS PER CS-87001



NOTE: SEAL EDGE COSMETICALLY BETWEEN GLASS AND FRAME. EDGE MUST BE WATER TIGHT ALONG ALL (5) OUTER SURFACES. SEE NOTE 2K.

SEE DETAIL A



NOTE: TORQUE SCREW (ITEM 12) TO 9.5 TO 10.6 N-m (4X1) (63)

NOTE: TRANSITION BETWEEN SEALED AND NON-SEALED EDGES TO BE SMOOTH

TORQUE TO 50-56Nm (02) (5 REF)

DETAIL A  
SCALE 1:1

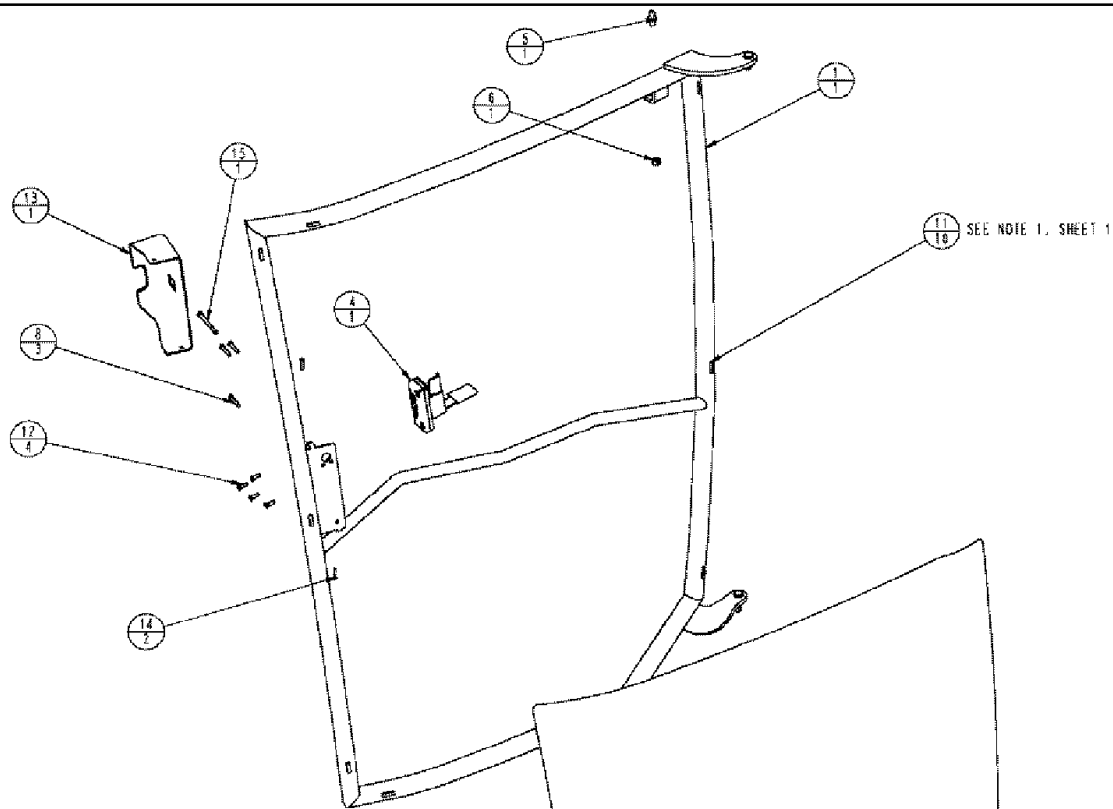
NOTE: GLASS TO BE FLUSH WITH EDGE OF FRAME OR IN FROM FRAME ALL AROUND.

NOTE: COSMETICALLY SEAL THESE EDGES BETWEEN GLASS AND FRAME USING SILICONE - SEE NOTE 2K.

## 4420 PATRIOT SPRAYER

## 02-002(01) DOOR ASSEMBLY

Ref	Part Number	Qty	Description
1	391879A2	1	DOOR, WELDMENT
2	358904A2	1	GLASS, CAB, LH DOOR
3	60-7083T1	1	HANDLE, CAB DOOR
4	382777A1	1	LATCH, DOOR
5	3234063R1	1	BALL JOINT, STUD
6	403749A1	1	NUT, M10 CLASS 8 CENTER LOCK ZND
7	425-104	1	NUT, 1/4"-20, G5, HEX .250-20 GR5 ZND
8	805-6035	3	BOLT, Hex, Lock, M6 x 35, CI 10.9, ZND
9	194174A1	1	GASKET, DOOR HANDLE
10	194175A1	1	GASKET, DOOR HANDLE
11	97268C1	10	SPACER, GLASS BONDED
12	569-4	4	SCREW, Hex Soc Flat Hd, M6 x 20, 8.8, DIN 7991
13	359680A2	1	COVER, DOOR LATCH
14	260-16516	2	SCREW, SELF TAPPING, Cross Pan Hd, #10 x 1", PNH XREC END AB PTF
15	426-448	1	BOLT, Hex, 1/4"-20 x 3", G8, ZND
16	349-109	AR	PAINT, PRIMER, CLEAR, 7.4mL
17	349-110	AR	PAINT, PRIMER, GLASS BLACK, 7.4mL
18	349-108	AR	METAL BLACK, 7.4mL
19	345-184	AR	ADHESIVE, URETHANE, 444ml
20	345-103	AR	LOCTITE, SILICONE, BLACK, 148ml

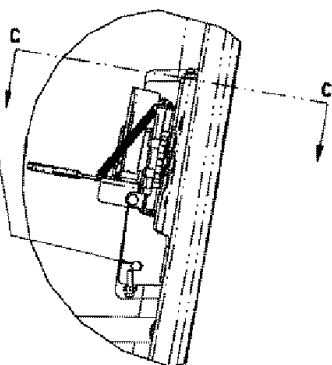


SEE NOTE 1, SHEET 1

**SECTION C-C**  
(LATCH COVER REMOVED)  
SCALE 1:2

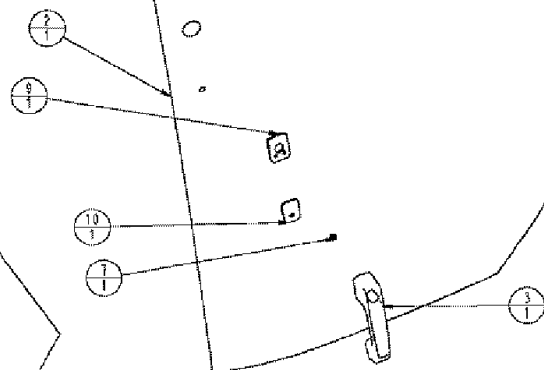
NOTE: ADJUST ROD SO THAT NO FREE PLAY IS EVIDENT IN LATCH LEVER. PRIOR TO TORQUING NUT, INSERT KEY IN KNOB AND FULLY DEPRESS BUTTON. TORQUE NUT TO 8.1 Nm TO 9.5 Nm (72 IN-LBS TO 84 IN-LBS). RELEASE BUTTON AND REMOVE KEY. REPEAT PROCESS IF NUT NEEDS TO BE LOOSENED AND RE-TORQUED

NOTE: TORQUE BOLTS TO 1.7 Nm TO 2.3 Nm (15 TO 20 IN-LBS). TORQUE WILL BE DEPENDENT UPON THE CURVATURE OF THE GLASS.



**VIEW B-B**  
(LATCH COVER REMOVED)  
SCALE 1:2

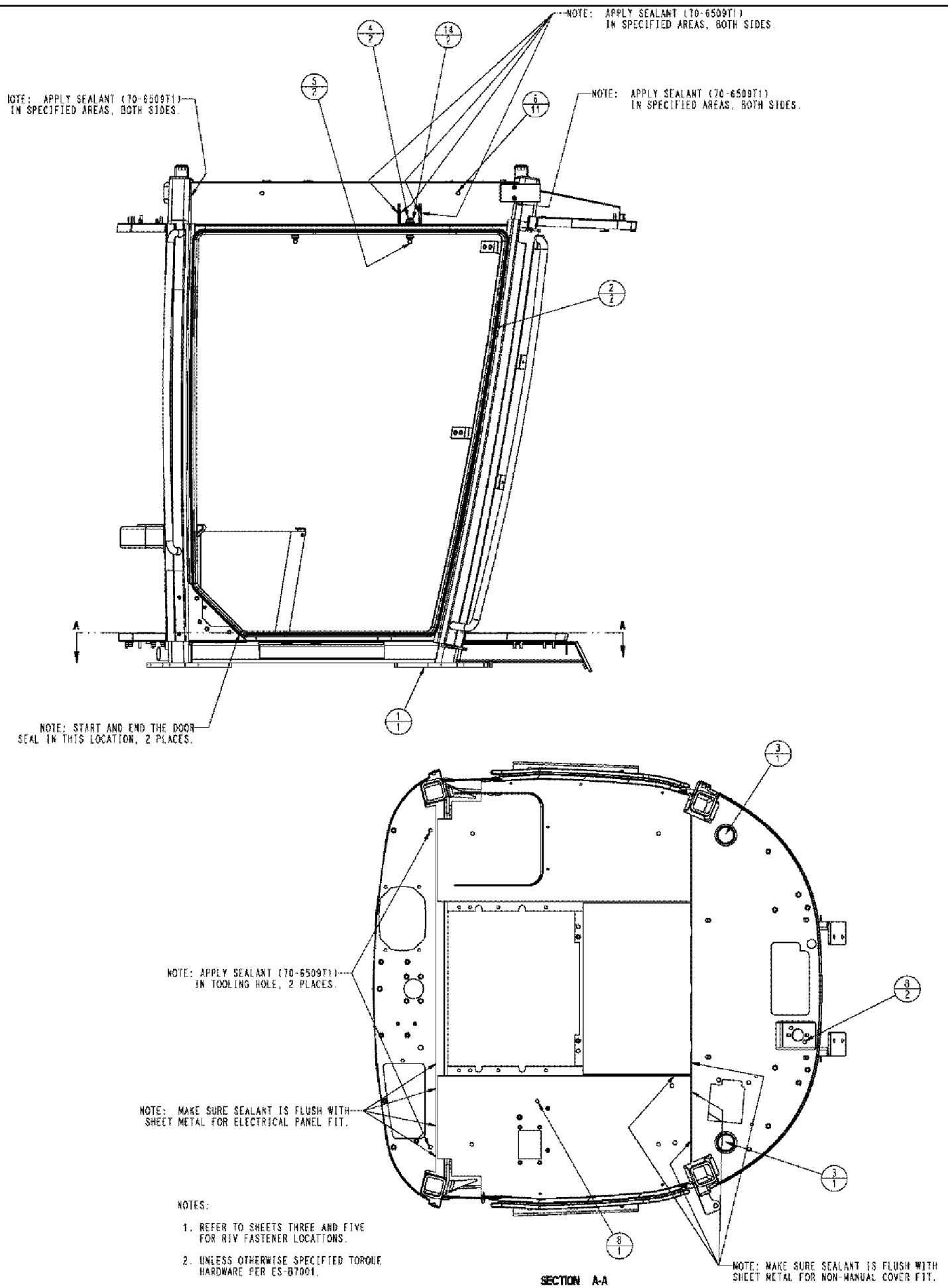
NOTE: WHEN PROPERLY ADJUSTED:  
1. MANUALLY ENGAGE THE LATCH ARMS TOGETHER.  
2. DEPRESS THE HANDLE BUTTON BY 6mm TO 9mm.  
3. LATCH ARMS SHOULD THEN RELEASE FOR PROPER ACTUATION OF THE BUTTON AND DOOR LATCH LEVER.



## 4420 PATRIOT SPRAYER

## 02-002(02) DOOR ASSEMBLY

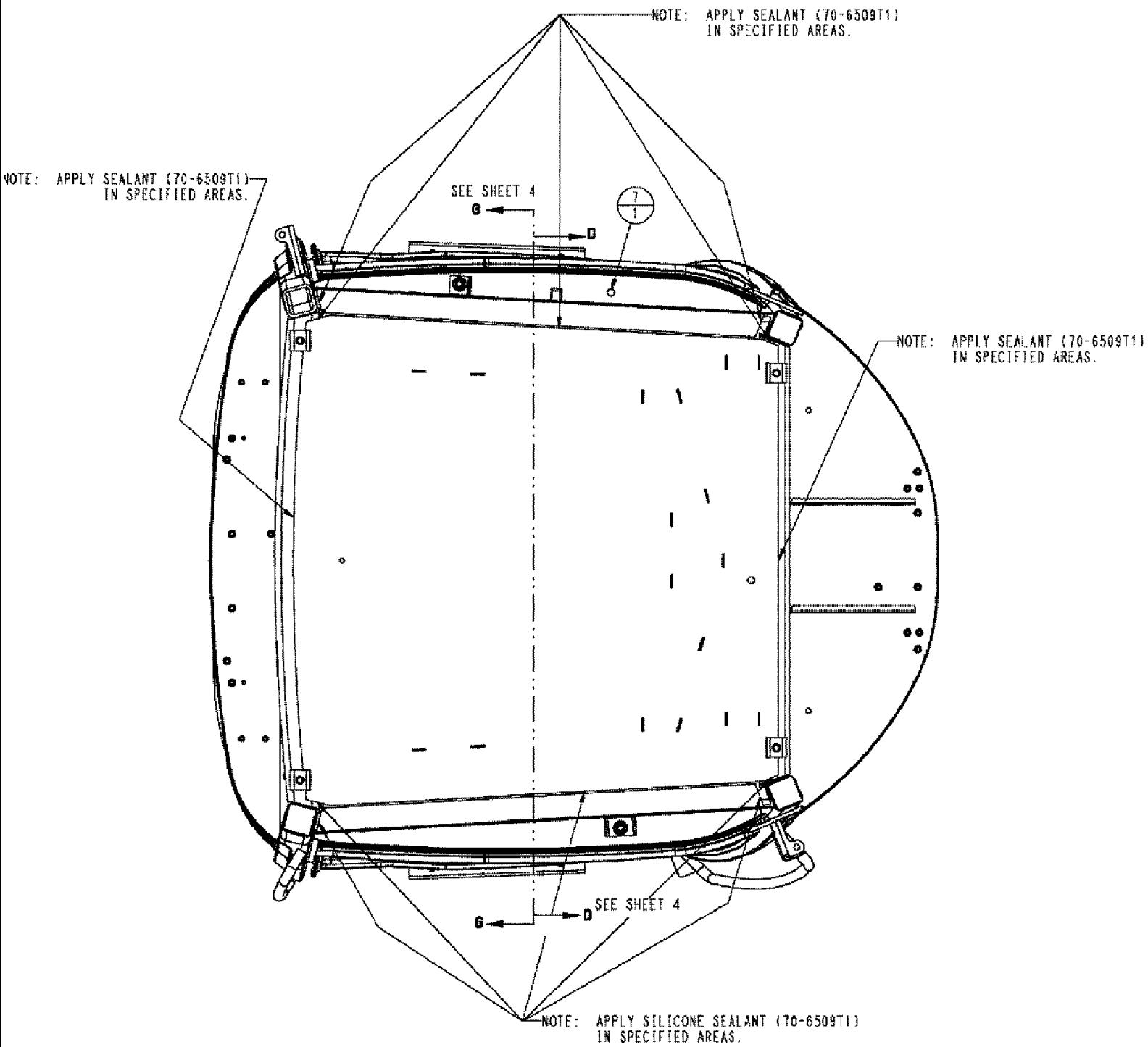
Ref	Part Number	Qty	Description
1	391879A2	1	DOOR, WELDMENT
2	358904A2	1	GLASS, CAB, LH DOOR
3	60-7083T1	1	HANDLE, CAB DOOR
4	382777A1	1	LATCH, DOOR
5	3234063R1	1	BALL JOINT, STUD
6	403749A1	1	NUT, M10 CLASS 8 CENTER LOCK ZND
7	425-104	1	NUT, 1/4"-20, G5, HEX .250-20 GR5 ZND
8	805-6035	3	BOLT, Hex, Lock, M6 x 35, CI 10.9, ZND
9	194174A1	1	GASKET, DOOR HANDLE
10	194175A1	1	GASKET, DOOR HANDLE
11	97268C1	10	SPACER, GLASS BONDED
12	569-4	4	SCREW, Hex Soc Flat Hd, M6 x 20, 8.8, DIN 7991
13	359680A2	1	COVER, DOOR LATCH
14	260-16516	2	SCREW, SELF TAPPING, Cross Pan Hd, #10 x 1", PNH XREC END AB PTF
15	426-448	1	BOLT, Hex, 1/4"-20 x 3", G8, ZND
16	349-109	AR	PAINT, PRIMER, CLEAR, 7.4 ml
17	349-110	AR	PAINT, PRIMER, GLASS BLACK, 7.4 ml
18	349-108	AR	METAL, BLACK, 7.4 ml
19	345-184	AR	ADHESIVE, URETHANE, 444ml
20	345-103	AR	LOCTITE, SILICONE, BLACK, 148ml



## 4420 PATRIOT SPRAYER

## 02-003(01) CAB EXTERIOR GROUP

Ref	Part Number	Qty	Description
1	87674720	1	W/STRUCTURE
2	390360A1	2	SEAL, DOOR
3	353-593	2	PLUG, BUTTON RECESSED NOM 2.500 BLK
4	442085A1	2	MOUNTING PARTS, BALL STUD
5	3234063R1	2	BALL JOINT, STUD
6	64-146	11	PLUG, CAP .500 IN. HOLE BLACK POLY
7	353-407	1	PLUG, Dome, .687" hole, Nylon, BLACK
8	353-402	3	PLUG, Dome, .375" hole, Nylon, BLACK
9	408567A1	31	STUD, THREADED CAPTIVE
10	440570A1	18	STUD, THREADED CAPTIVE
11	379540A1	8	INSERT, THREADED KNURLED OPEN
12	408566A1	17	INSERT, THREADED KNURLED OPEN
13	404287A1	14	INSERT, THREADED KNURLED OPEN
14	829-2416	2	NUT, M16 x 2, Flg, CI 10, ZND
15	70-6509T1	AR	SEALANT, SIKAFLEX-221 WHITE POLYURETHANE, 761ML
	408568A1	4	STUD, M6 X 25



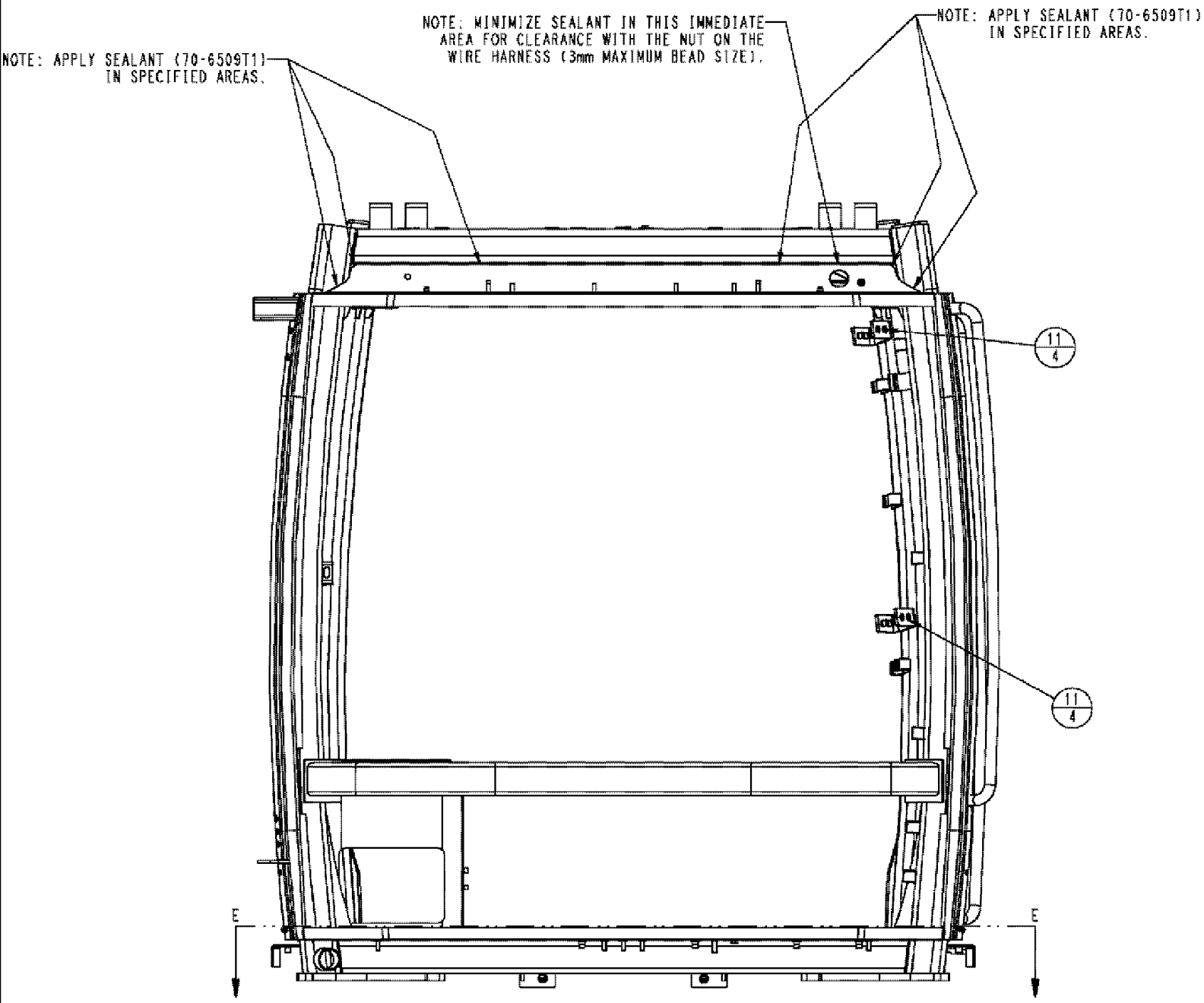
**ROOF OF CAB  
SEALING INSTRUCTIONS**

## 4420 PATRIOT SPRAYER

## 02-003(02) CAB EXTERIOR GROUP

Ref	Part Number	Qty	Description
1	87674720	1	CAB, W/STRUCTURE
2	390360A1	2	SEAL, DOOR
3	353-593	2	PLUG, BUTTON RECESSED NOM 2.500 BLK
4	442085A1	2	MOUNTING PARTS, BALL STUD
5	3234063R1	2	BALL JOINT, STUD
6	64-146	11	PLUG, CAP .500 IN. HOLE BLACK POLY
7	353-407	1	PLUG, Dome, .687" hole, Nylon, BLACK
8	353-402	3	PLUG, Dome, .375" hole, Nylon, BLACK
9	408567A1	31	STUD, THREADED CAPTIVE
10	440570A1	18	STUD, THREADED CAPTIVE
11	379540A1	8	INSERT, THREADED KNURLED OPEN
12	408566A1	17	INSERT, THREADED KNURLED OPEN
13	404287A1	14	INSERT, THREADED KNURLED OPEN
14	829-2416	2	NUT, M16 x 2, Flg, CI 10, ZND
15	70-6509T1	AR	SEALANT, SIKAFLEX-221 WHITE POLYURETHANE, 761ML
	408568A1	4	STUD, M6 X 25



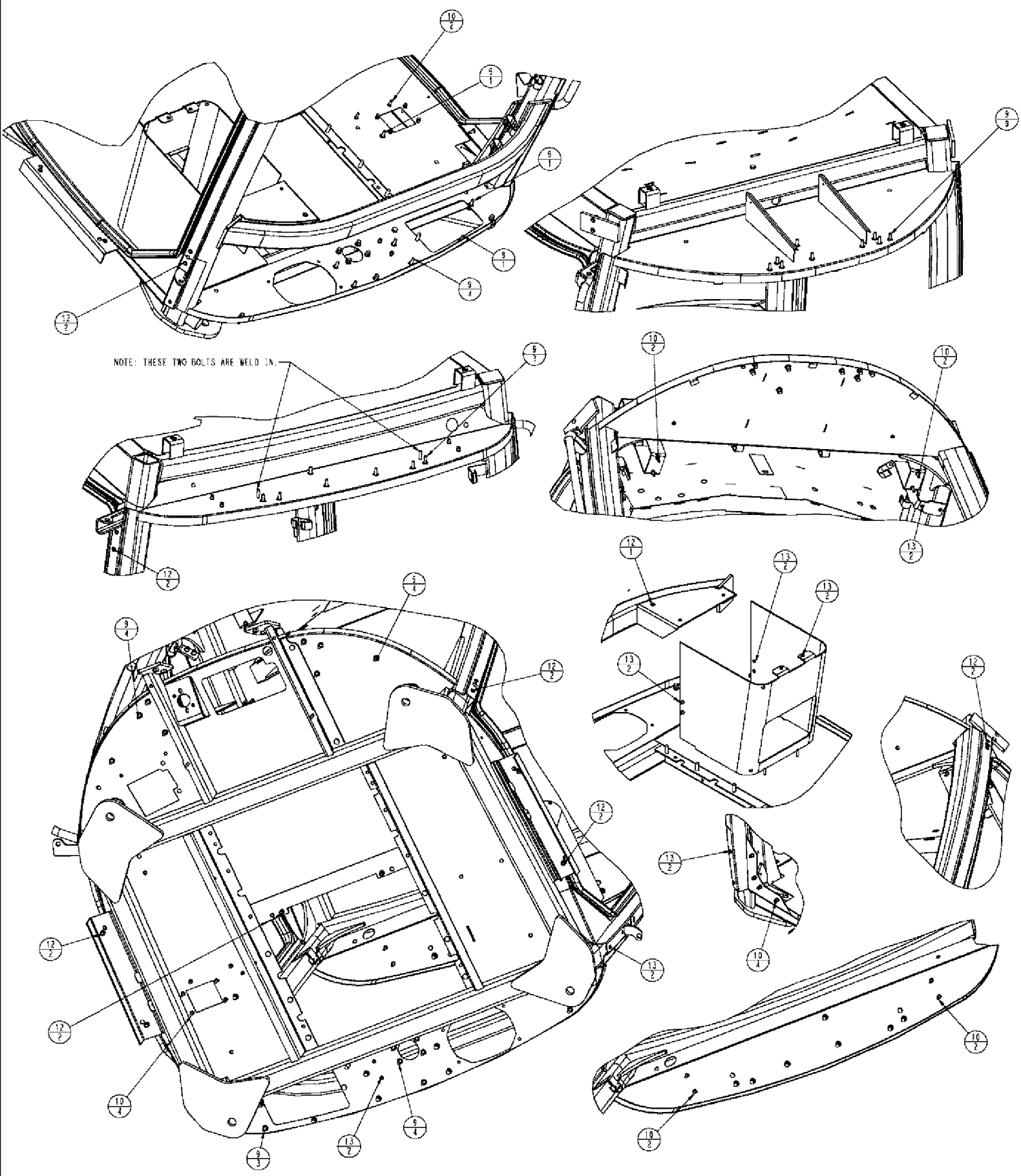


REAR OF CAB  
SEALING INSTRUCTIONS

## 4420 PATRIOT SPRAYER

## 02-003(03) CAB EXTERIOR GROUP

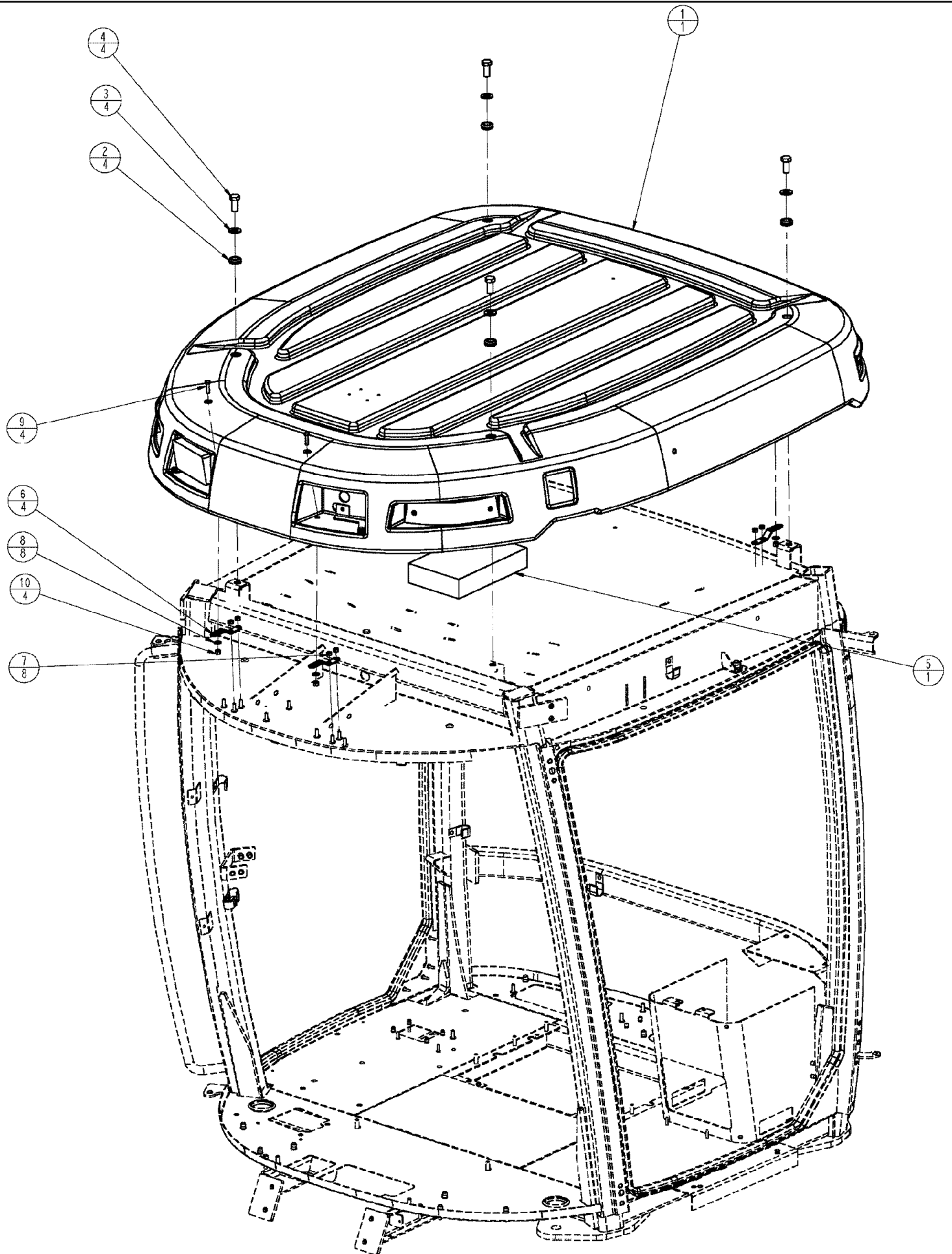
Ref	Part Number	Qty	Description
1	87674720	1	CAB, W/STRUCTURE
2	390360A1	2	SEAL, DOOR
3	353-593	2	PLUG, BUTTON RECESSED NOM 2.500 BLK
4	442085A1	2	MOUNTING PARTS, BALL STUD
5	3234063R1	2	BALL JOINT, STUD
6	64-146	11	PLUG, CAP .500 IN. HOLE BLACK POLY
7	353-407	1	PLUG, Dome, .687" hole, Nylon, BLACK
8	353-402	3	PLUG, Dome, .375" hole, Nylon, BLACK
9	408567A1	31	STUD, THREADED CAPTIVE
10	440570A1	18	STUD, THREADED CAPTIVE
11	379540A1	8	INSERT, THREADED KNURLED OPEN
12	408566A1	17	INSERT, THREADED KNURLED OPEN
13	404287A1	14	INSERT, THREADED KNURLED OPEN
14	829-2416	2	NUT, M16 x 2, Flg, CI 10, ZND
15	70-6509T1	AR	SEALANT, SIKAFLEX-221 WHITE POLYURETHANE, 761ML
	408568A1	4	STUD, M6 X 25



## 4420 PATRIOT SPRAYER

## 02-003(04) CAB EXTERIOR GROUP

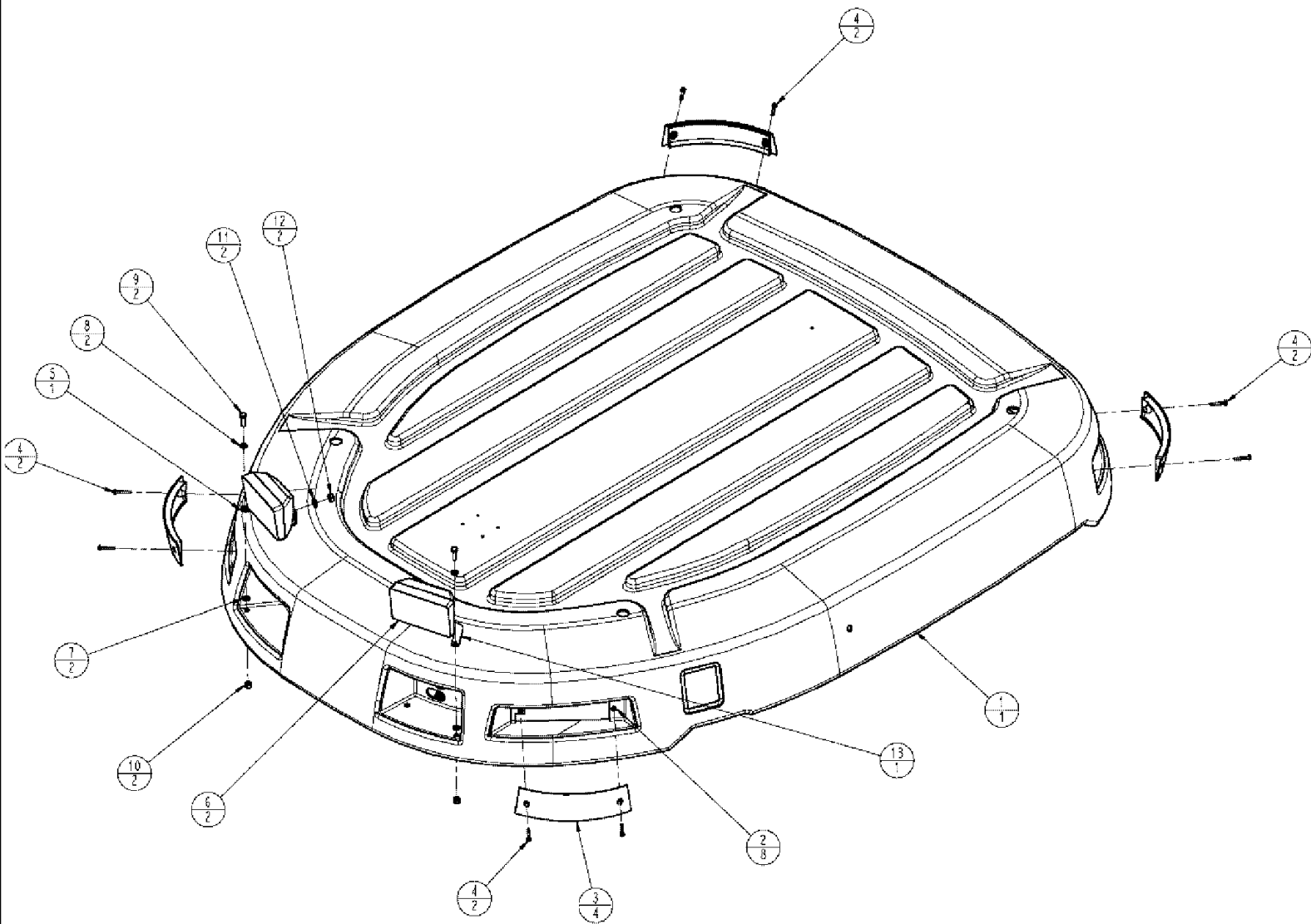
Ref	Part Number	Qty	Description
1	87674720	1	W/STRUCTURE
2	390360A1	2	SEAL, DOOR
3	353-593	2	PLUG, BUTTON RECESSED NOM 2.500 BLK
4	442085A1	2	MOUNTING PARTS, BALL STUD
5	3234063R1	2	BALL JOINT, STUD
6	64-146	11	PLUG, CAP .500 IN. HOLE BLACK POLY
7	353-407	1	PLUG, Dome, .687" hole, Nylon, BLACK
8	353-402	3	PLUG, Dome, .375" hole, Nylon, BLACK
9	408567A1	31	STUD, THREADED CAPTIVE
10	440570A1	18	STUD, THREADED CAPTIVE
11	379540A1	8	INSERT, THREADED KNURLED OPEN
12	408566A1	17	INSERT, THREADED KNURLED OPEN
13	404287A1	14	INSERT, THREADED KNURLED OPEN
14	829-2416	2	NUT, M16 x 2, Flg, CI 10, ZND
15	70-6509T1	AR	SEALANT, SIKAFLEX-221 WHITE POLYURETHANE, 761ML
	408568A1	4	STUD, M6 X 25



## 4420 PATRIOT SPRAYER

## 02-004 EXTERIOR TRIM GROUP

Ref	Part Number	Qty	Description
1	87626973	1	GROUP, SEE FIG.02-005
2	361191A1	4	GROMMET, MOUNT, ISO
3	895-15016	4	WASHER, M16 x 34 x 3, ZND
4	627-16035	4	BOLT, Hex, M16 x 35, 10.9, THD TO HD ZND
5	355716A3	1	FOAM, SUPPORT
6	364156A1	4	BRACKET, ROOF SUPPORT
7	829-1408	8	NUT, M8, CI 10, ZND
8	895-15008	8	WASHER, M8 x 20 x 1.6, ZND
9	627-8030	4	BOLT, Hex, M8 x 30, 10.9, ZND
10	412250	4	NUT, LOCK, M8 x 1.25, CI 8, P/T NON-MTL M8 8 ZND

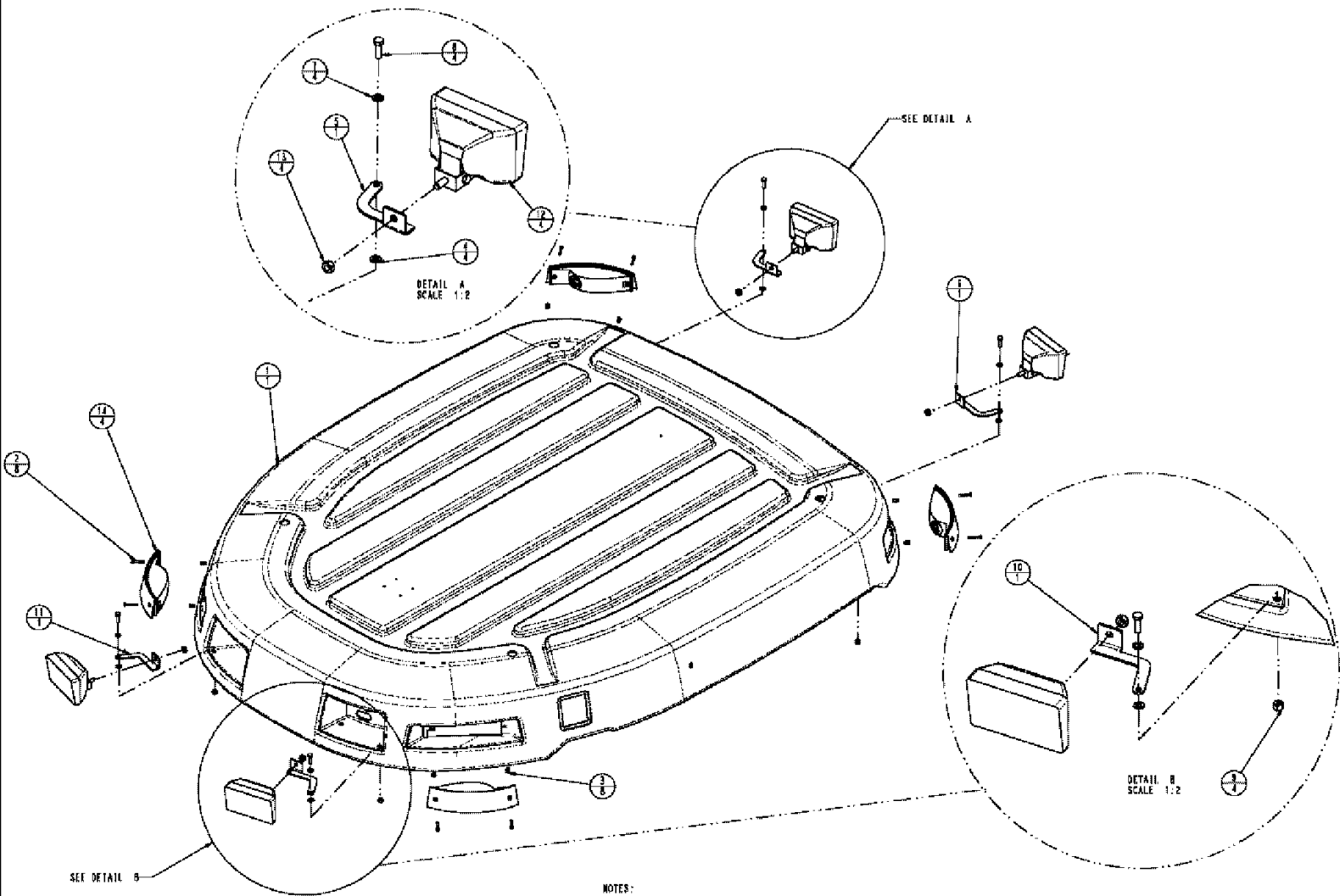


## 4420 PATRIOT SPRAYER

## 02-005 ROOF GROUP

Ref	Part Number	Qty	Description
1	335986A1	1	ROOF, F/A CAB, SEE FIG.02-006
2	451165A1	8	INSERT, THREADED,
3	320246A1	4	LAMP, LIGHT HAZARD, LF, RR
4	86546084	8	SCREW, Cross Pan Hd, M5 x 35, PNH, TYPE H 4.8 ZND
5	353561A1	1	BRACKET, SCREW, M5 X 35 PHD FULL H 4.8 ZND
6	92269C1	2	LAMP, WORK, LIGHT ASSY, FLOOD 80 X 3055W
7	355532A1	2	WASHER, NYLON
8	86639309	2	WASHER, M8 x 16 x 1.6, CST PLN
9	43234	2	BOLT, Hex, M8 x 25, 10.9,
10	412250	2	NUT, LOCK, M8 x 1.25, CI 8, P/T NONMTL, ZND
11	140028	2	WASHER, M10, HELICAL SPRING, 10 REG ZNM
12	86500689	2	NUT, M10, CI 10, ZND
13	353560A1	1	BRACKET, BRACKET, FRONT LEFT





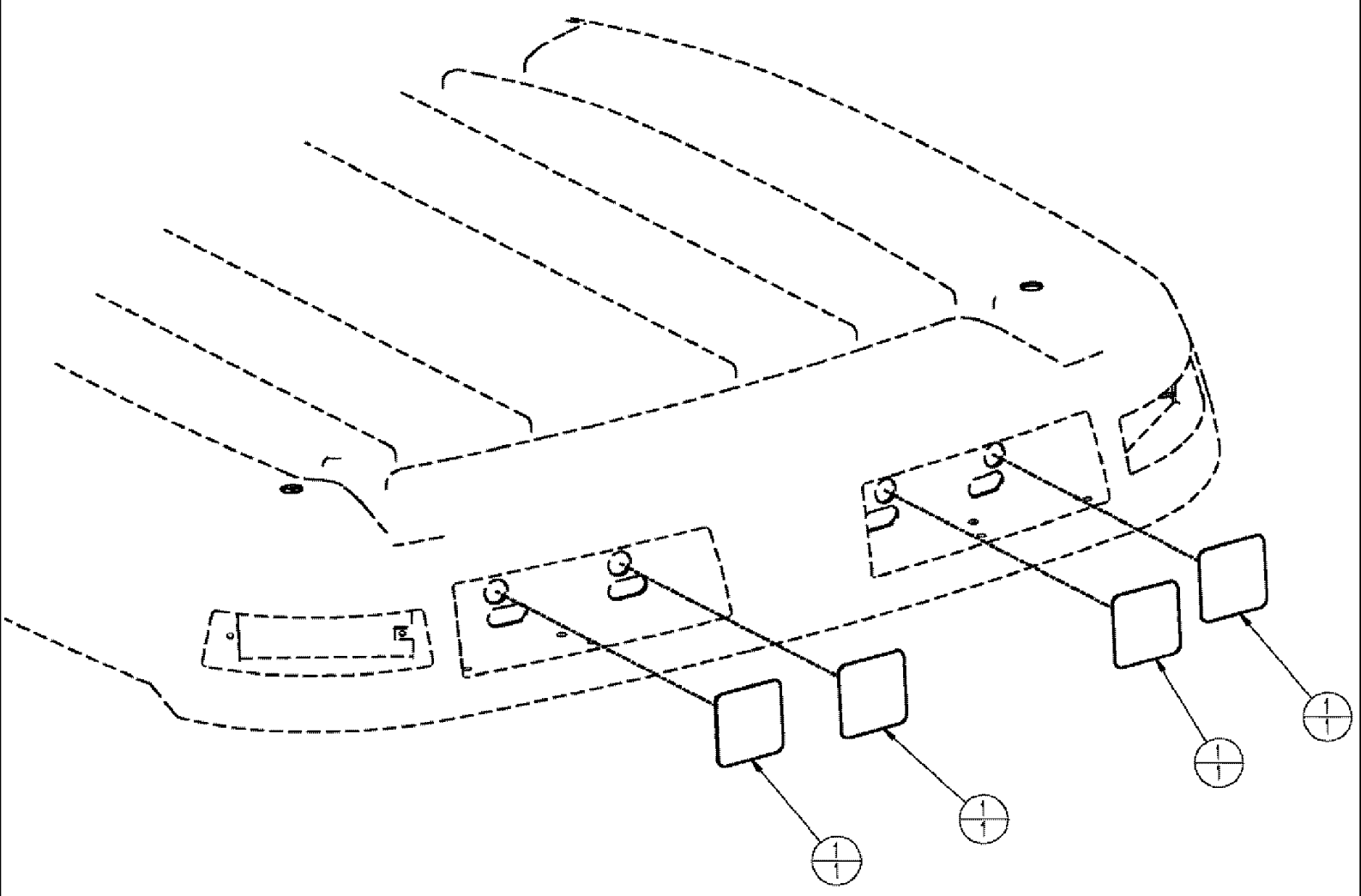
NOTES:

1. PART NUMBER 320249A1 HOUSING AND LENS MUST BE FLIPPED TO ACHIEVE THE CORRECT ORIENTATION. FRONT LEFT TO REAR RIGHT. FRONT RIGHT TO REAR LEFT.
2. PRIOR TO HAZARD LIGHT INSTALLATION, THREADED INSERTS MUST BE APPLIED IN EIGHT PLACES USING THE MANUFACTURERS TOOL.
3. TORQUE SPECIFICATION: UNLESS OTHERWISE SPECIFIED TORQUE ALL M6 HARDWARE TO 39.0 - 44.0 N•m  
M10 HARDWARE TO 77.0 - 81.0 N•m  
PREVAILING TORQUE NUT SHOULD NOT APPLY

## 4420 PATRIOT SPRAYER

02-006 ROOF/A, CAB

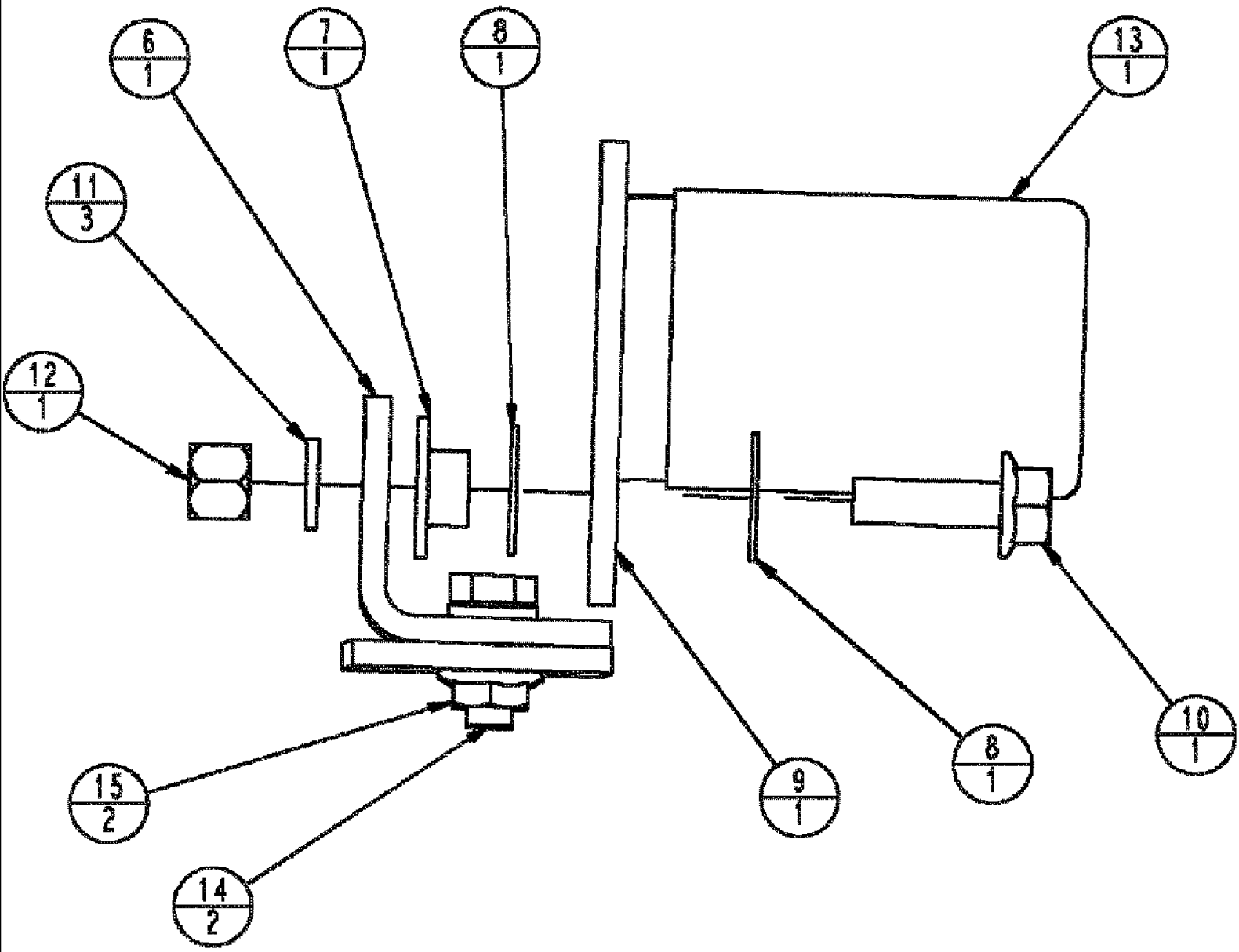
Ref	Part Number	Qty	Description
1	87394823	1	ROOF, F/A, CAB
2	87343613	8	SCREW, M5 X 35 PHD H 4.8
3	451165A1	8	INSERT, THREADED, KNURLED OPEN
4	355532A1	4	WASHER, NYLON
5	353563A1	1	BRACKET, REAR RIGHT
6	353562A1	1	BRACKET, REAR LEFT
7	895-10008	4	WASHER, M8 x 16 x 1.6, 9 X 17 X 1.6MM P
8	87342022	4	BOLT, M8 X 25 10.9
9	832-46408	4	NUT, LOCK, M8 x 1.25, CI 8, PREV TRQ METAL M8 CL
10	353560A1	1	BRACKET, LEFT FRONT
11	353561A1	1	BRACKET, FRONT RIGHT
12	92269C1	4	LAMP, WORK, FLOOD, 80 X 30 HALOGEN
13	829-1410	4	NUT, M10, CI 10, ZND
14	320246A1	4	LAMP, HAZARD, LF, RR



4420 PATRIOT SPRAYER

02-007 DECAL COVER GROUP

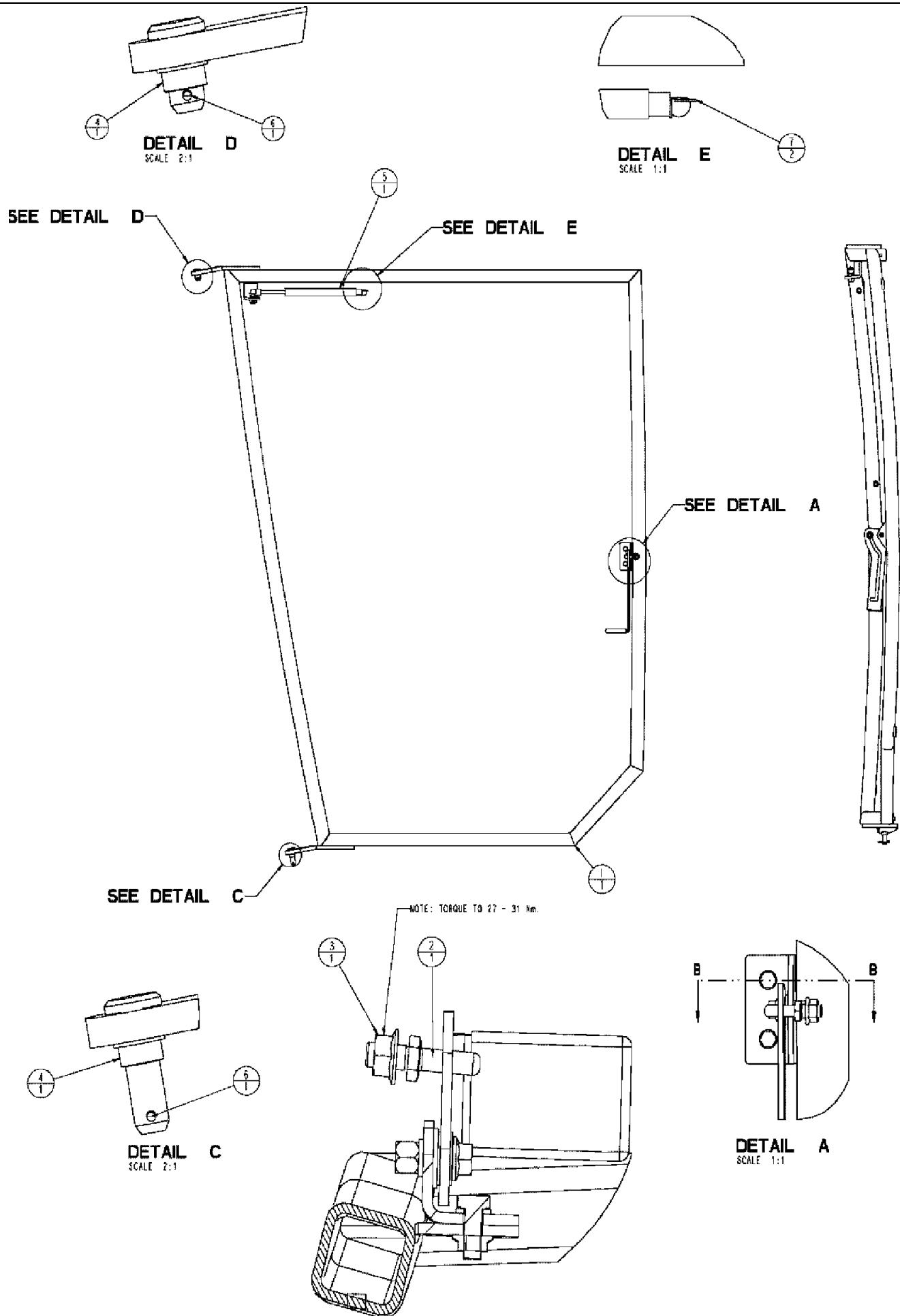
Ref	Part Number	Qty	Description
1	392149A1	4	DECAL, COVER



## 4420 PATRIOT SPRAYER

## 02-008 LATCH, RH DOOR

Ref	Part Number	Qty	Description
6	87420877	1	BRACKET, LATCH MOUNTING
7	87422906	1	BUSHING, M6
8	87423414	2	WASHER, NYLON
9	87418389	1	LATCH ASSY., RH DOOR
10	844-6020	1	BOLT, Hex Flg, M6 x 20, 8.8, ZND
11	895-11006	3	WASHER, M6, CST ZND
12	832-10406	1	NUT, LOCK, M6 x 1, CI 8, PREV TRQ NON-MET ZND
13	87423716	1	CAP, VINYL
14	627-6016	2	BOLT, Hex, M6 x 16, 10.9, THD TO HD ZND
15	825-2406	2	NUT, M6 x 1, Flg, CI 8, ZND

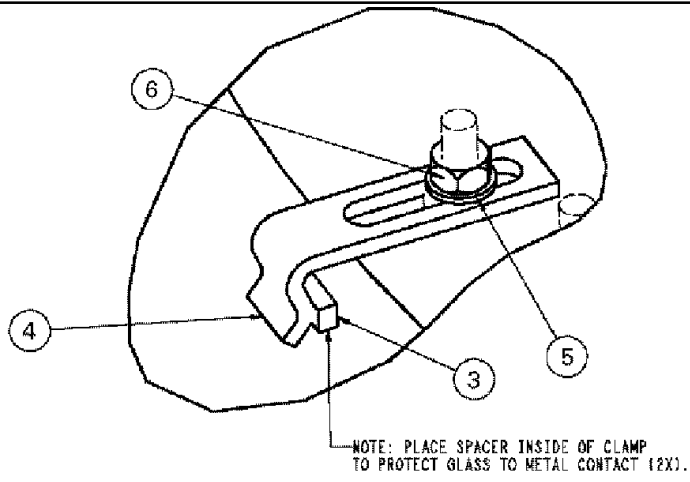


## 4420 PATRIOT SPRAYER

## 02-009 WINDOW GROUP

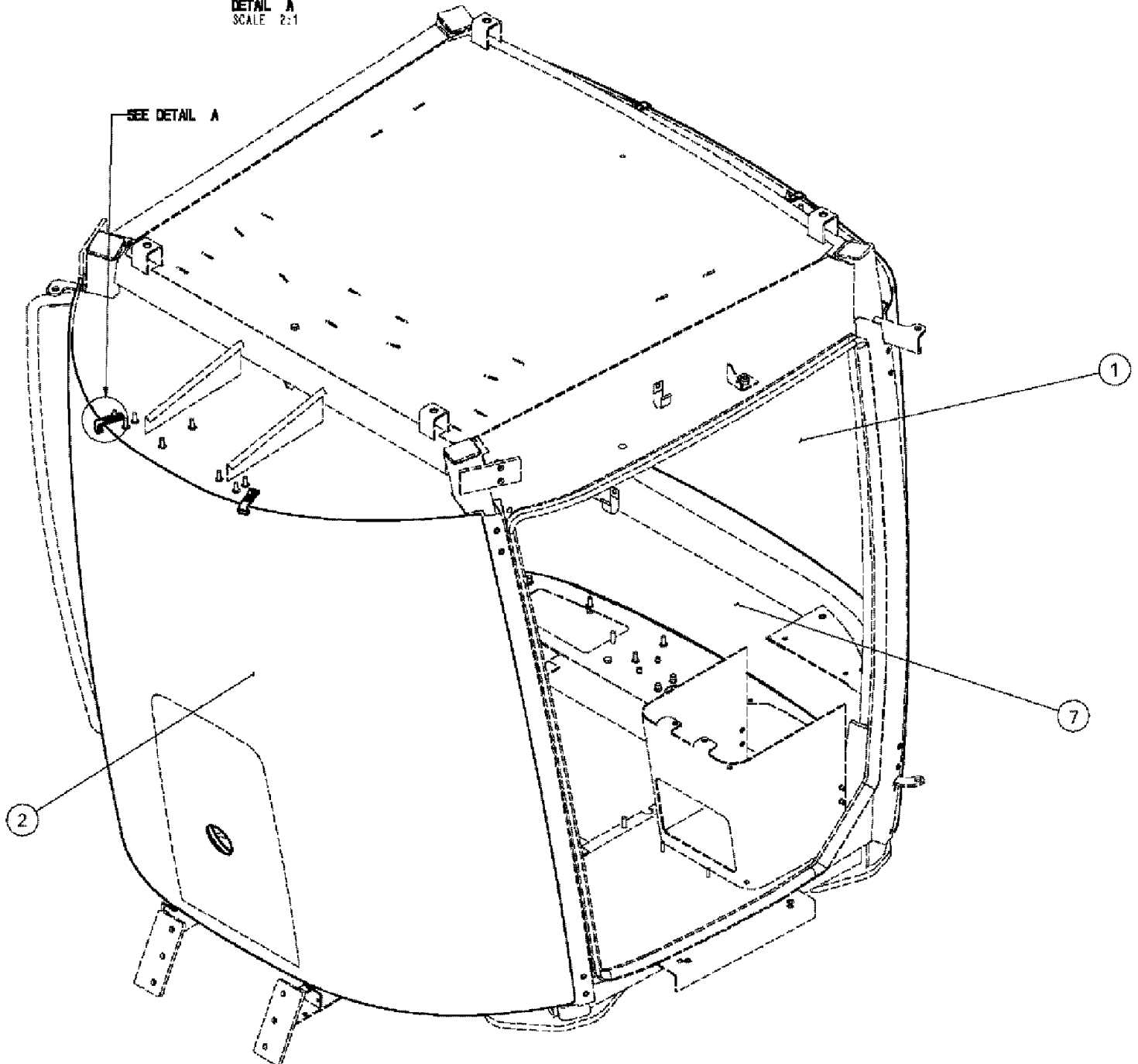
Ref	Part Number	Qty	Description
1	389175A3	1	WINDOW ASSY,
2	87423532	1	PIN, RH DOOR CATCH
3	832-4748	1	NUT, LOCK, M8 x 1.25, Flg, CI 8, PREV TRQ FLG ZND
4	87429877	2	BUSHING, FLANGED
5	87423389	1	DAMPER, GAS CYLINDER
6	733-3220	1	PIN, SPLIT (COTTER), M3.2 x 20, ZN
7	3233348R1	2	CLIP, RETAINER BALL STUD
	87418389	1	LATCH ASSY., LATCH, RH DOOR, SEE FIG.02-008





**FRONT ROOF CLAMP LOCATION**

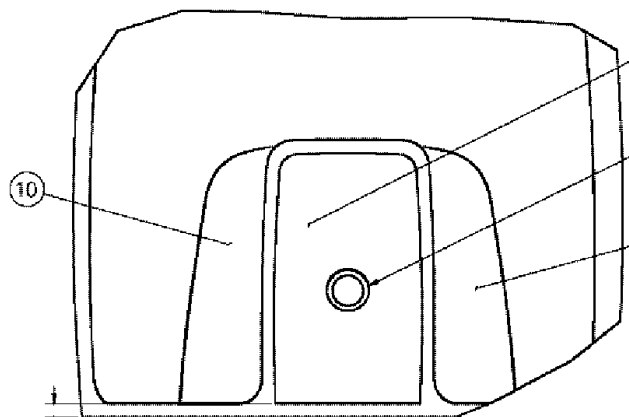
DETAIL A  
SCALE 2:1



## 4420 PATRIOT SPRAYER

## 02-010(01) GLASS MOUNTING GROUP

Ref	Part Number	Qty	Description
1	181240A2	1	GLASS, REAR
2	181241A3	1	GLASS, WINDSHIELD
3	97268C1	48	SPACER, GLASS BONDED
4	117707A3	7	CLAMP, WINDOW
5	895-11008	6	WASHER, M8 x 16 x 1.6, CST ZND
6	829-1408	6	NUT, M8, CI 10, ZND
7	259462A1	1	INSULATION, FOAM, BARRIER
8	283531A1	1	INSULATION, FOAM, BARRIER
9	430244A1	1	DECAL, WINDOW, FRONT RH
10	430353A1	1	DECAL, WINDOW, FRONT LH
11	349-109	AR	PAINT, PRIMER, CLEAR (ESSEX 43520A1), 18.3ml
12	349-110	AR	PAINT, PRIMER, GLASS BLACK (ESSEX 43520A1), 18.3ml
13	349-141	AR	PAINT, PRIMER, METAL BLACK, 18.3ml
14	345-103	AR	LOCTITE, SILICONE, BLACK (PERM 6M), 378ml
15	345-184	AR	ADHESIVE, URETHANE (ESSEX 57302), 1102ml

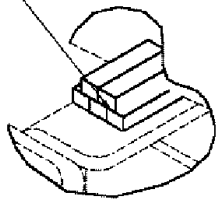


NOTE: INSTALL ON FRONT WINDSHIELD USING PRESSURE SENSITIVE ADHESIVE (PSA).

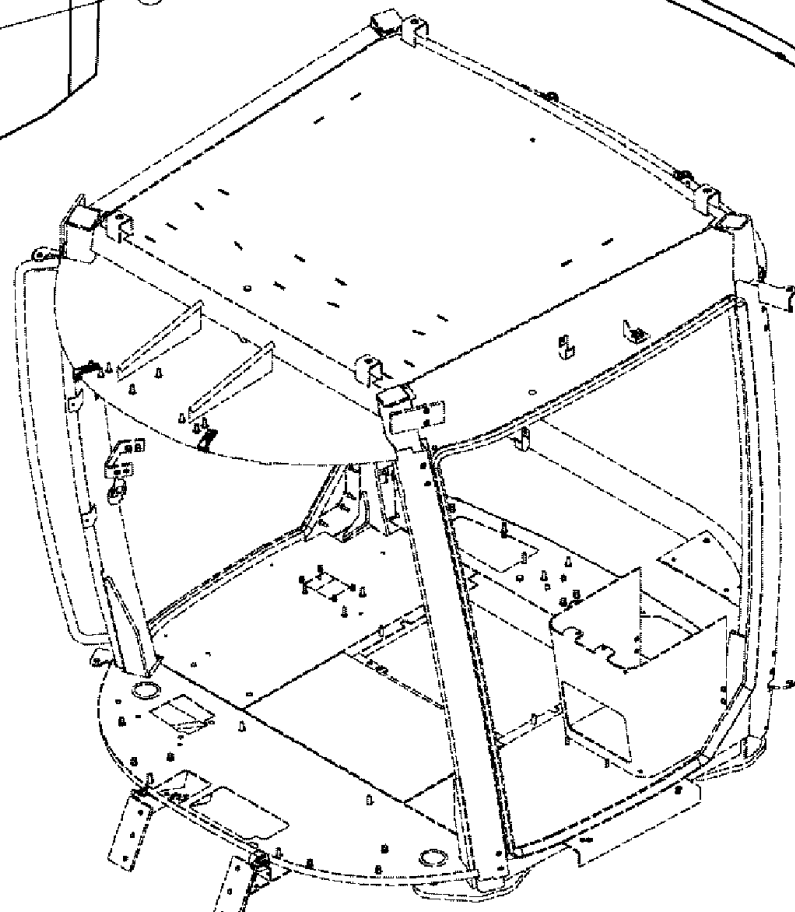
NOTE: PLACE FOAM PIECE CENTERED ABOUT THE HOLE IN THE GLASS.

FRONT FOAM INSTALLATION

NOTE: CENTER 5 SPACERS ON EACH FRONT CHANNEL (2 PLACES).

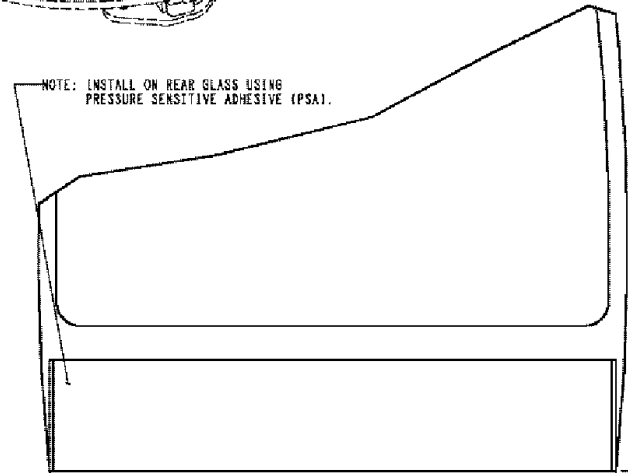
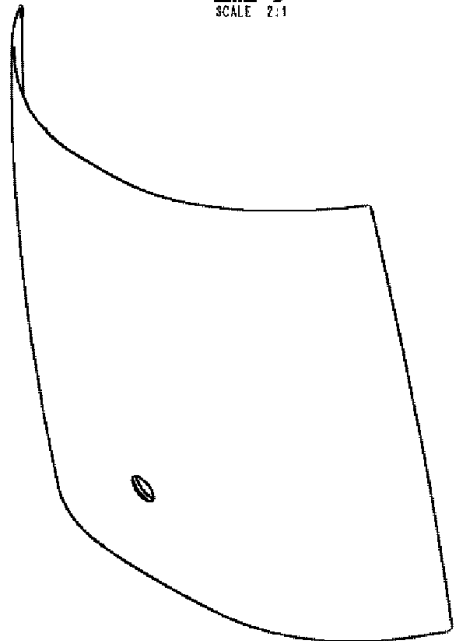


DETAIL B  
SCALE 2:1



SEE DETAIL B

NOTE: INSTALL ON REAR GLASS USING PRESSURE SENSITIVE ADHESIVE (PSA).



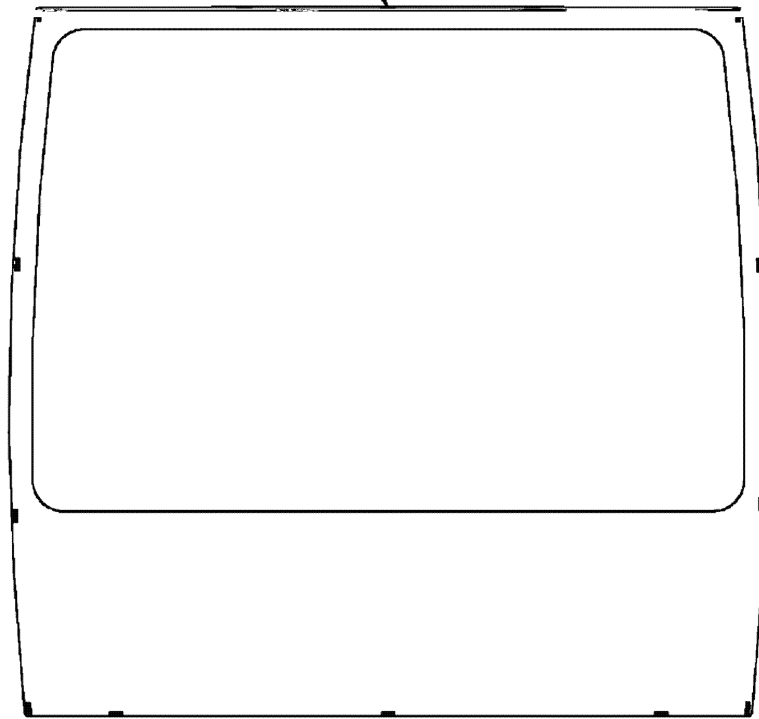
REAR FOAM INSTALLATION

## 4420 PATRIOT SPRAYER

## 02-010(02) GLASS MOUNTING GROUP

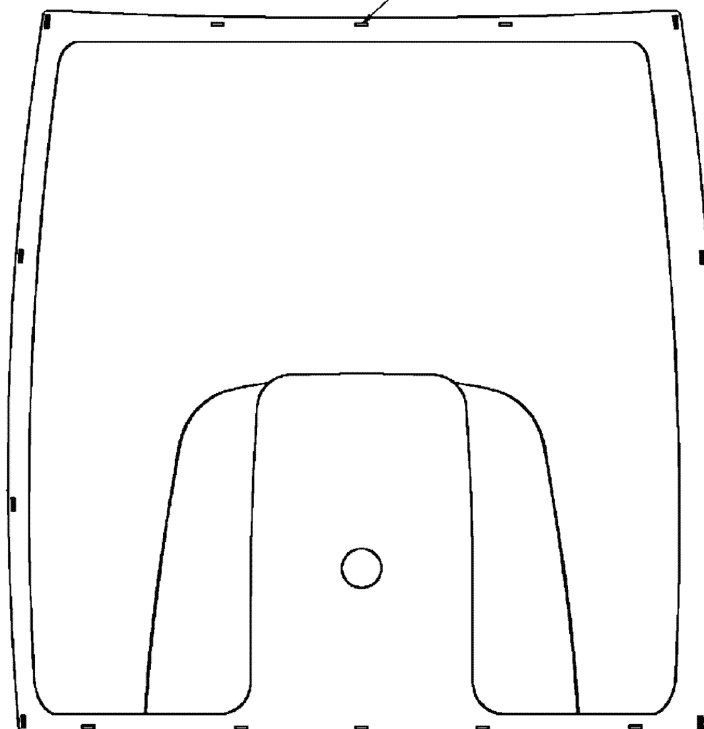
Ref	Part Number	Qty	Description
1	181240A2	1	GLASS, REAR
2	181241A3	1	GLASS, WINDSHIELD
3	97268C1	48	SPACER, GLASS BONDED
4	117707A3	7	CLAMP, WINDOW
5	895-11008	6	WASHER, M8 x 16 x 1.6, CST ZND
6	829-1408	6	NUT, M8, CI 10, ZND
7	259462A1	1	INSULATION, FOAM, BARRIER
8	283531A1	1	INSULATION, FOAM, BARRIER
9	430244A1	1	DECAL, WINDOW, FRONT RH
10	430353A1	1	DECAL, WINDOW, FRONT LH
11	349-109	AR	PAINT, PRIMER, CLEAR (ESSEX 43520A1), 18.3ml
12	349-110	AR	PAINT, PRIMER, GLASS BLACK (ESSEX 43520A1), 18.3ml
13	349-141	AR	PAINT, PRIMER, METAL BLACK, 18.3ml
14	345-103	AR	LOCTITE, SILICONE, BLACK (PERM 6M), 378ml
15	345-184	AR	ADHESIVE, URETHANE (ESSEX 57302), 1102ml

NOTE: SPACE THE 14 SPACERS EQUALLY ABOUT THE PERIMETER OF THE REAR GLASS. SPACERS TO BE PLACED ON THE GLASS NEXT TO THE ROUNDED EDGE.



REAR GLASS SPACER INSTALLATION

NOTE: SPACE THE 14 SPACERS EQUALLY ABOUT THE FRONT WINDSHIELD. SPACERS TO BE PLACED ON THE GLASS NEXT TO THE ROUNDED EDGE.



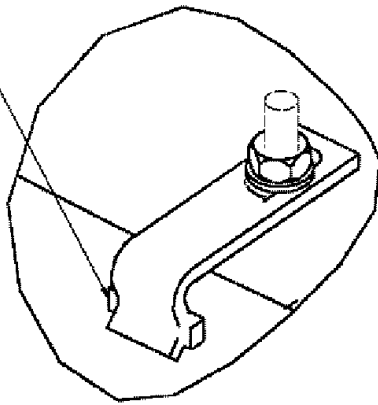
FRONT WINDSHIELD SPACER INSTALLATION

## 4420 PATRIOT SPRAYER

## 02-010(03) GLASS MOUNTING GROUP

Ref	Part Number	Qty	Description
1	181240A2	1	GLASS, REAR
2	181241A3	1	GLASS, WINDSHIELD
3	97268C1	48	SPACER, GLASS BONDED
4	117707A3	7	CLAMP, WINDOW
5	895-11008	6	WASHER, M8 x 16 x 1.6, CST ZND
6	829-1408	6	NUT, M8, CI 10, ZND
7	259462A1	1	INSULATION, FOAM, BARRIER
8	283531A1	1	INSULATION, FOAM, BARRIER
9	430244A1	1	DECAL, WINDOW, FRONT RH
10	430353A1	1	DECAL, WINDOW, FRONT LH
11	349-109	AR	PAINT, PRIMER, CLEAR (ESSEX 43520A1), 18.3ml
12	349-110	AR	PAINT, PRIMER, GLASS BLACK (ESSEX 43520A1), 18.3ml
13	349-141	AR	PAINT, PRIMER, METAL BLACK, 18.3ml
14	345-103	AR	LOCTITE, SILICONE, BLACK (PERM 6M), 378ml
15	345-184	AR	ADHESIVE, URETHANE (ESSEX 57302), 1102ml

NOTE: PLACE SPACER INSIDE OF CLAMP TO PROTECT GLASS TO METAL CONTACT (2X).

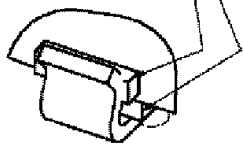


REAR ROOF CLAMP LOCATION

DETAIL C  
SCALE 2:1

SEE DETAIL C

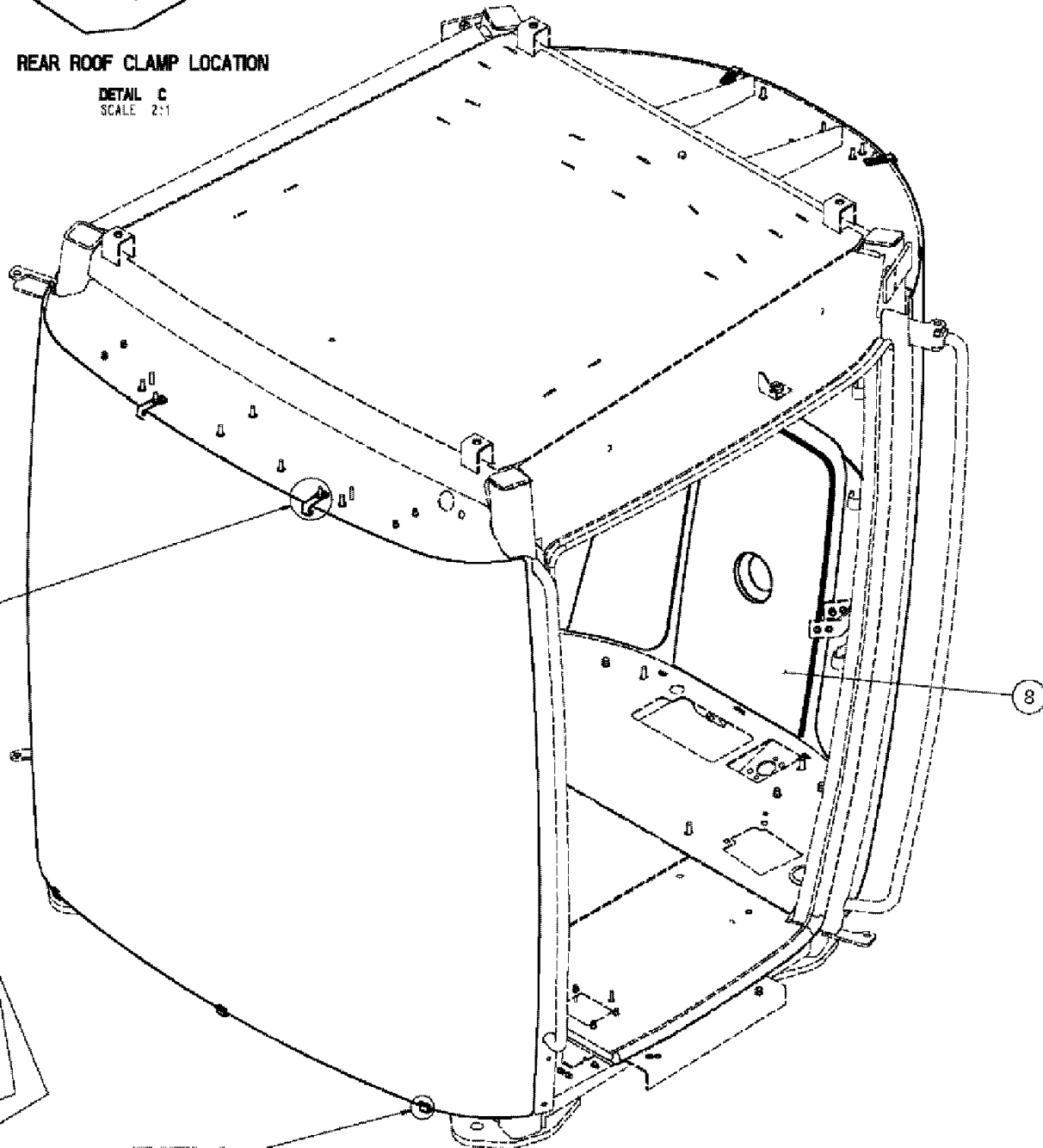
NOTE: PLACE SPACER ON TOP OF CLAMP AND INSIDE OF CLAMP TO PROTECT GLASS TO METAL CONTACT (3X).



SEE DETAIL D

REAR FLOOR CLAMP LOCATION

DETAIL D  
SCALE 2:1

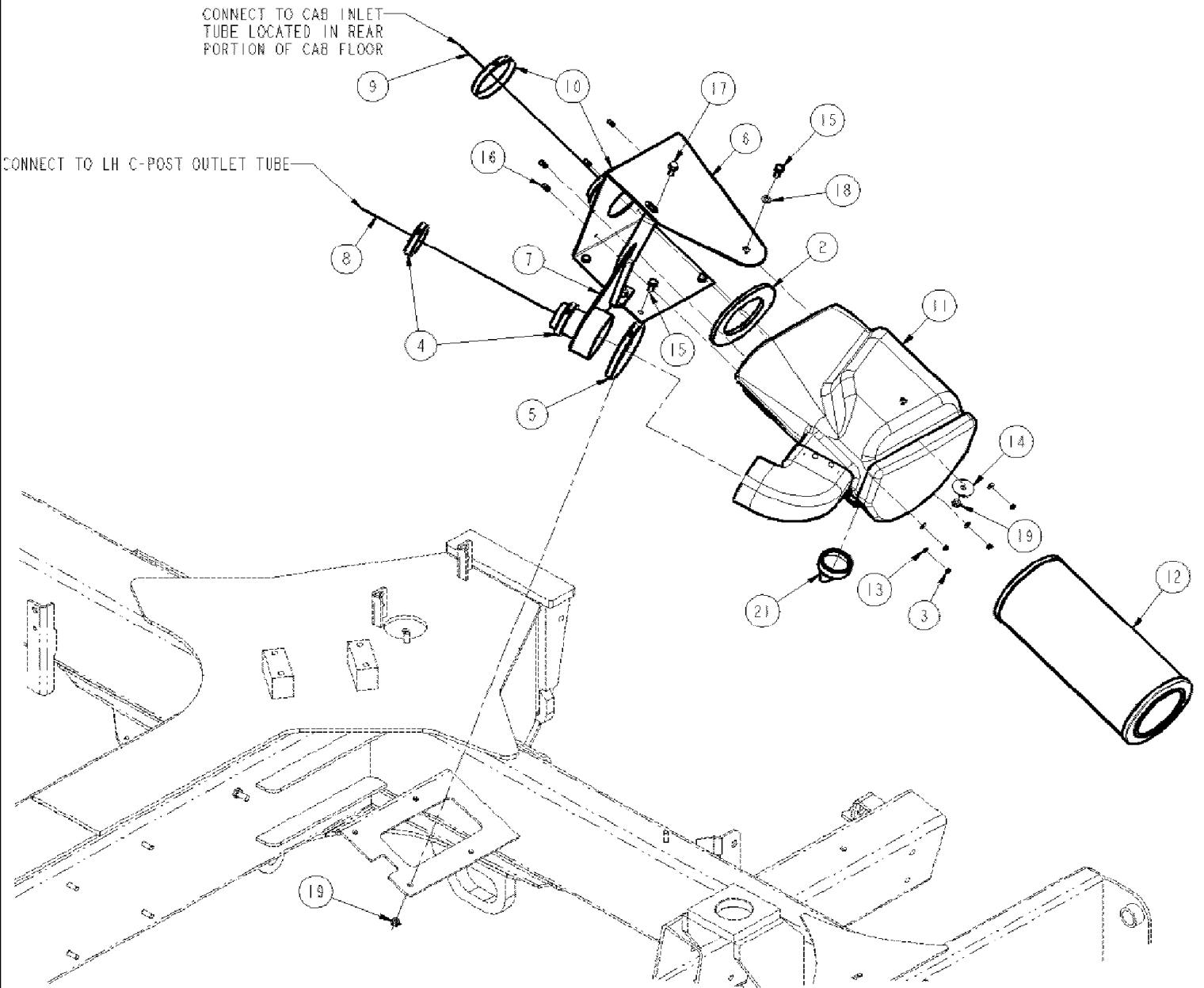


## 4420 PATRIOT SPRAYER

## 02-010(04) GLASS MOUNTING GROUP

Ref	Part Number	Qty	Description
1	181240A2	1	GLASS, REAR
2	181241A3	1	GLASS, WINDSHIELD
3	97268C1	48	SPACER, GLASS BONDED
4	117707A3	7	CLAMP, WINDOW
5	895-11008	6	WASHER, M8 x 16 x 1.6, CST ZND
6	829-1408	6	NUT, M8, CI 10, ZND
7	259462A1	1	INSULATION, FOAM, BARRIER
8	283531A1	1	INSULATION, FOAM, BARRIER
9	430244A1	1	DECAL, WINDOW, FRONT RH
10	430353A1	1	DECAL, WINDOW, FRONT LH
11	349-109	AR	PAINT, PRIMER, CLEAR (ESSEX 43520A1), 18.3ml
12	349-110	AR	PAINT, PRIMER, GLASS BLACK (ESSEX 43520A1), 18.3ml
13	349-141	AR	PAINT, PRIMER, METAL BLACK, 18.3ml
14	345-103	AR	LOCTITE, SILICONE, BLACK (PERM 6M), 378ml
15	345-184	AR	ADHESIVE, URETHANE (ESSEX 57302), 1102ml

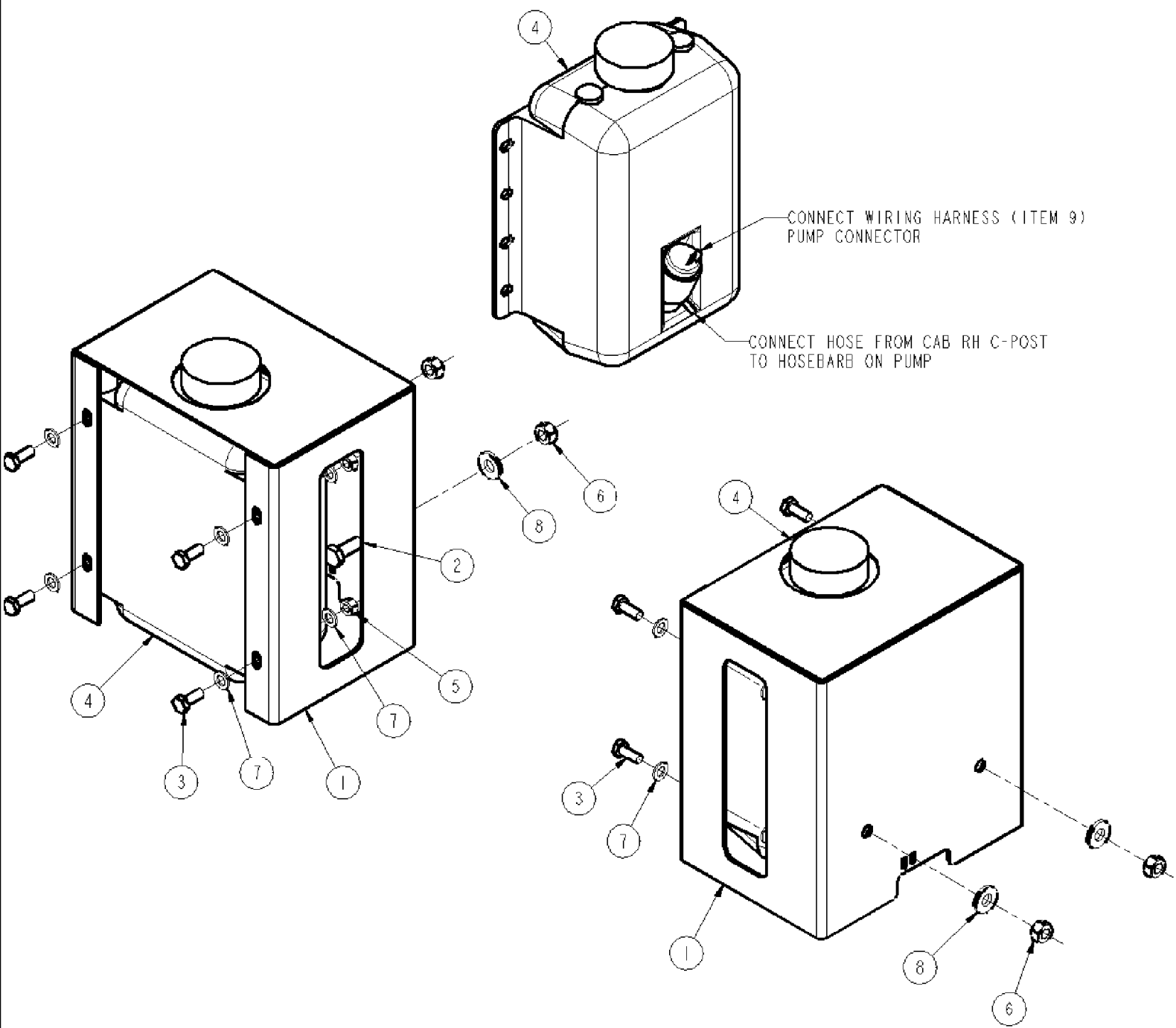




## 4420 PATRIOT SPRAYER

## 02-011 CAB FILTER GROUP

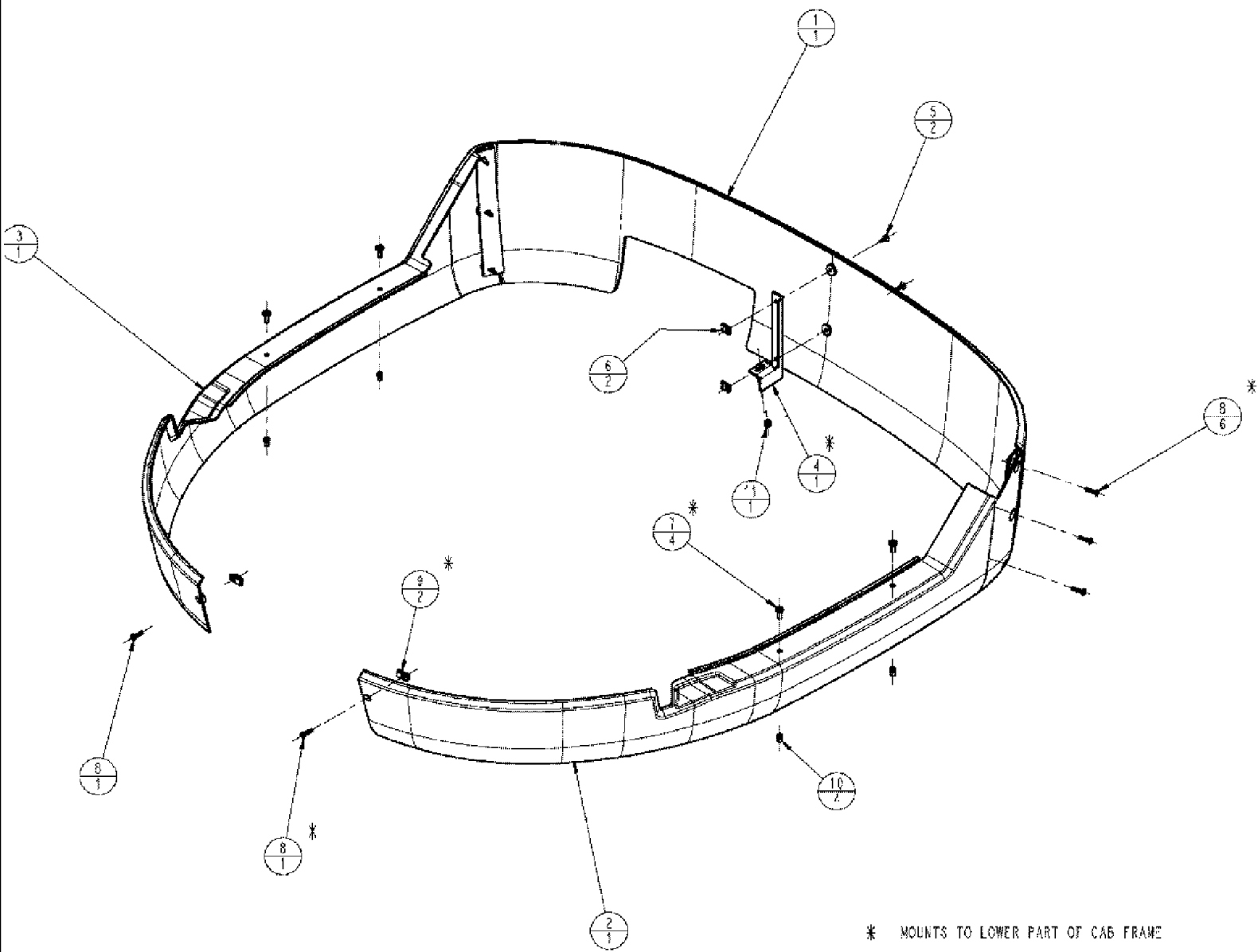
Ref	Part Number	Qty	Description
2	255219A2	1	GASKET, BRACKET TO HSING
3	825-1405	4	NUT, M5, CI 8,
4	BN310448	2	CLAMP, HOSE, #28,304 SS
5	BN324269	1	CLAMP, HOSE, #52, 304 SS
6	BN323644	1	SUPPORT, FILTER HOUSING
7	BN324249	1	SUPPORT, ELBOW
8	BN324258	1	HOSE, FILTER INLET
9	BN324266	1	HOSE, FILTER OUTLET
10	343199A1	2	CLAMP, HOSE, #44, 304SS
11	BN324282	1	FILTER, CAB, HSNG ASSY
12	87267363	1	FILLER, CAB, CHARCOAL, RADIO
	87267364	1	DECAL, CAB FILTER SERVICE (LOCATED ON WINDSHIELD), ASSOCIATED PART OF FILTER, P/N 87267363
13	87529301	4	WASHER, 5.6 X 10 X 1MM CST DOR
14	495-81121	1	WASHER, .344" x 1 1/2" x .060",
15	614-8020	5	BOLT, Hex, M8 x 20, 8.8,
16	840-1512	4	SCREW, Cross Pan Hd, M5 x 12, PNH C/R
17	855-8020	2	BOLT, Hex Flg, M8 x 20, 10.9, HHFN, PTF
18	895-11008	1	WASHER, M8 x 16 x 1.6, FLAT
19	832-46408	5	NUT, LOCK, M8 x 1.25, CI 8, PREV TRQ METAL CL
20	BN315870	AR	SEALANT, CAULK, 11OZ., BLACK, G-FLEX, 0.2
21	A184597	1	POPPET, VALVE, VACUATOR



## 4420 PATRIOT SPRAYER

## 02-012 WINDSHIELD WASHER GROUP

Ref	Part Number	Qty	Description
	BN309265	1	CABLE, TIE
1	BN324504	1	BRACKET, MOUNT, WASH BOTTLE, WLD
2	614-10025	2	BOLT, Hex, M10 x 25, 8.8, Full Thd,
3	614-8020	4	BOLT, Hex, M8 x 20, 8.8,
4	BN67979	1	BOTTLE, W/SHIELD WASH 12V.
	BN319829	1	CAP, VENTED, ASSOCIATED PART OFW/SHIELD WASH BOTTLE 12V, P/N BN67979
	BN98901	1	PUMP, 12V. ASSY, ASSOCIATED PART OFW/SHIELD WASH BOTTLE 12V, P/N BN67979
5	832-46408	4	NUT, LOCK, M8 x 1.25, CI 8, PREV TRQ METAL
6	832-46410	2	NUT, LOCK, M10 x 1.5, CI 8,
7	895-11008	8	WASHER, M8 x 16 x 1.6, FLAT
8	896-15010	2	WASHER, M10 x 24.5 x 3, HT,

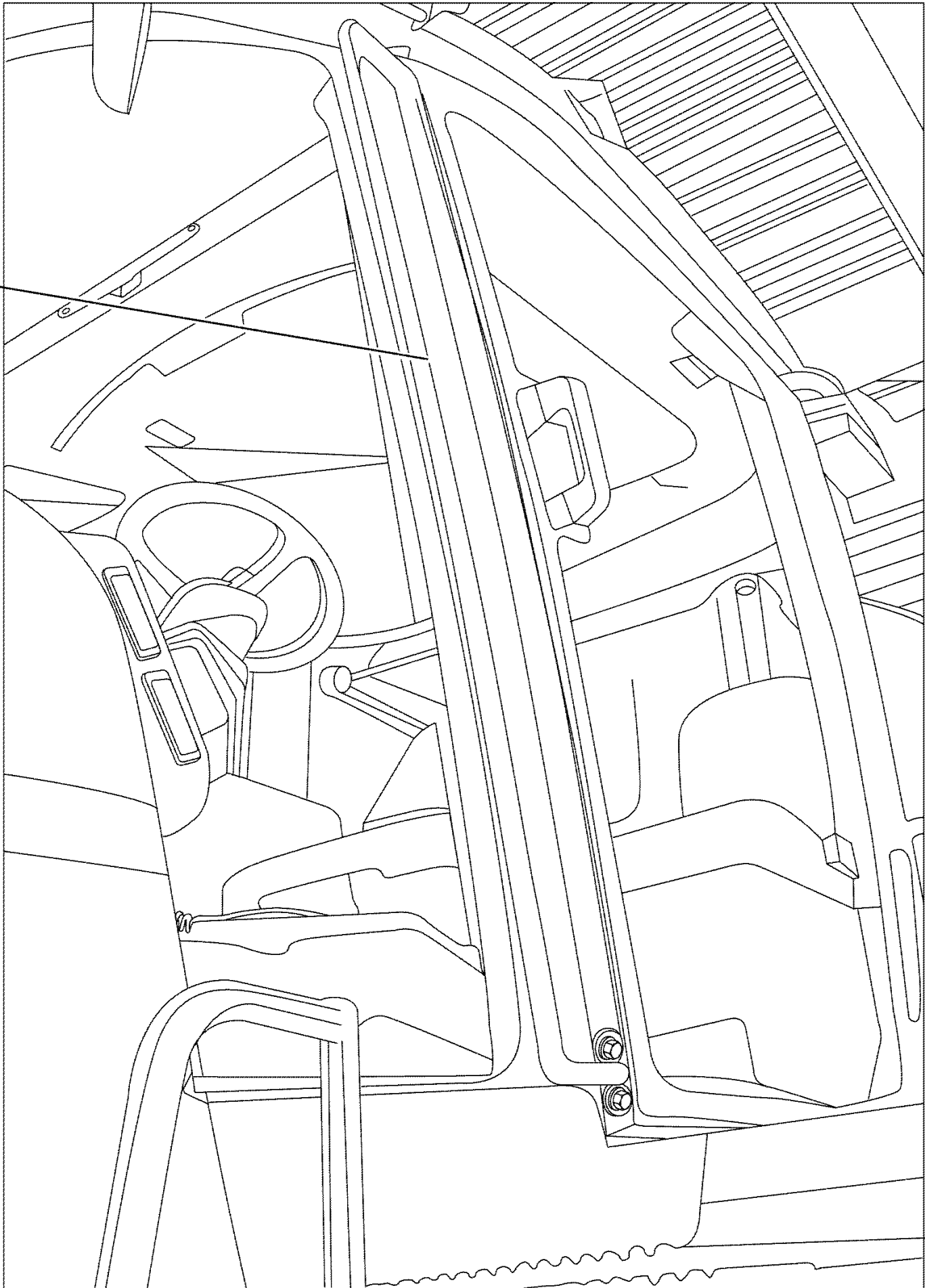


## 4420 PATRIOT SPRAYER

## 02-013 CAB SKRIT GROUP

Ref	Part Number	Qty	Description
1	323562	1	CAB, REAR
2	323563	1	CAB, LH
3	341235A3	1	SKIRT, CAB, RH
4	341574A3	1	BRACKET, SKIRT
5	357481A1	2	SCREW, #10-16 X 3/4 PH TRUSS
6	131-642	2	NUT, Tinn, U, #10, SPEED
7	87343620	4	SCREW, PHD M8 X 20 TYPE Z
8	87343619	8	SCREW, PHD M6 X 25, TYPE H
9	404882A1	2	FASTENER, NUT, M6 SPRING, WIDE RANGE
10	404287A1	4	INSERT, M6 X 1.0 THREADED
11	86980514	1	NUT, PREV TRQ METAL M8 CL

- 1
- 2
- 3

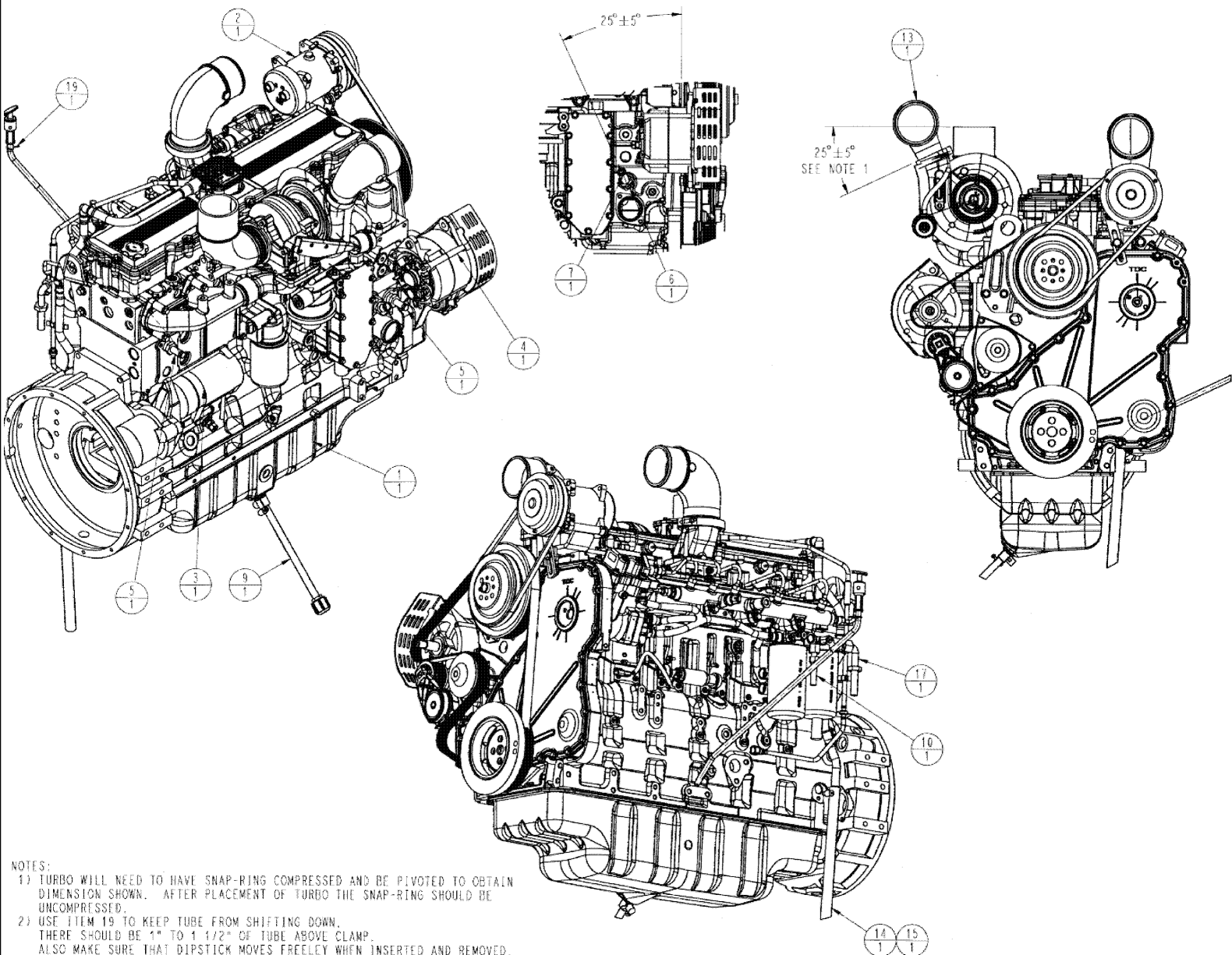


4420 PATRIOT SPRAYER

02-014 GRAB RAIL GROUP

Ref	Part Number	Qty	Description
1	BN324027	1	HANDRAIL, WLD, CAB POST
2	855-8020	4	BOLT, Hex Flg, M8 x 20, 10.9, HHFN, PTF
3	195-81005	4	WASHER, 3/8" x 7/8" x .083",

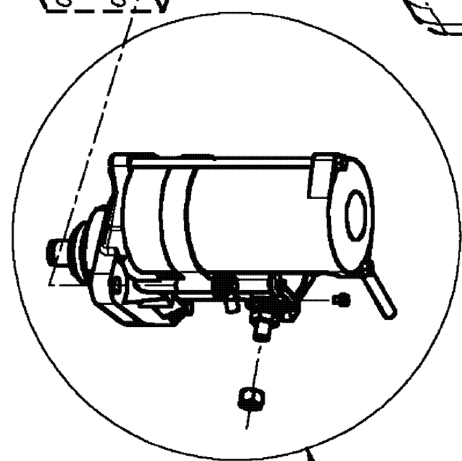
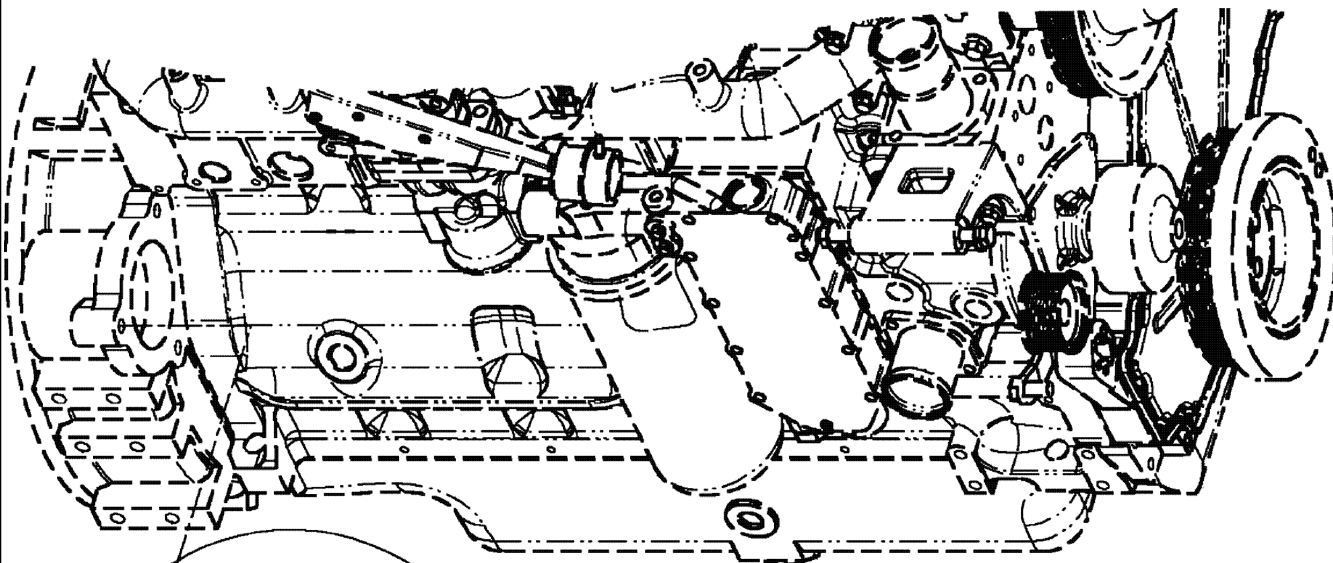




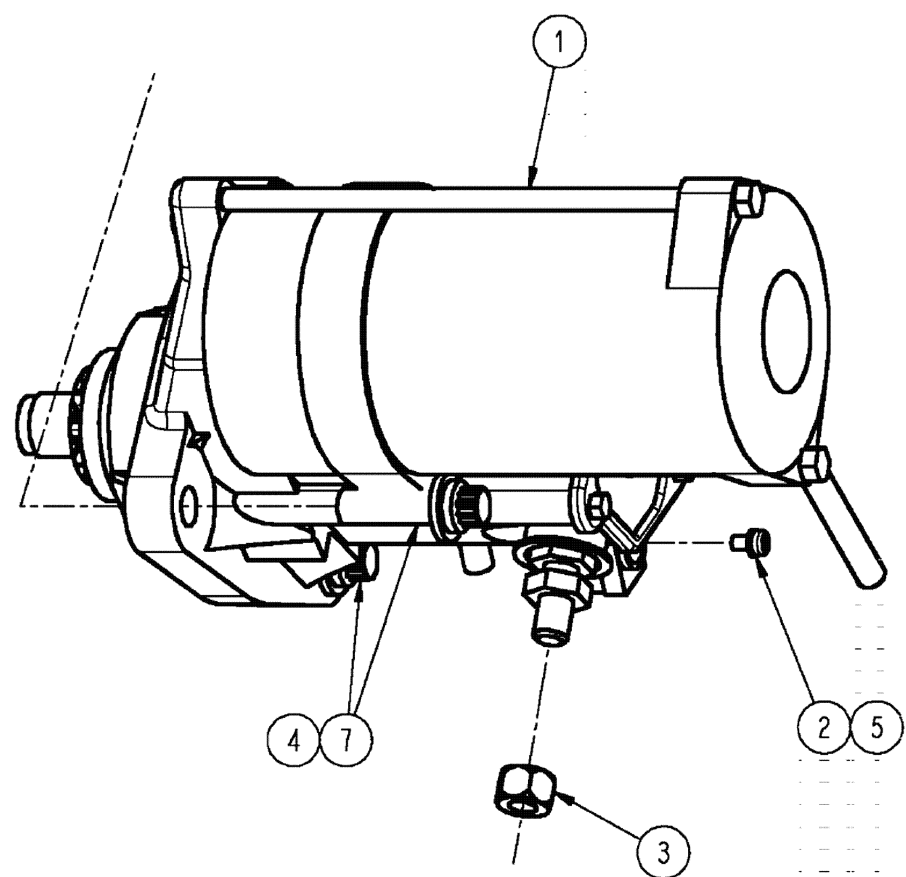
## 4420 PATRIOT SPRAYER

## 03-001 ENGINE GROUP

Ref	Part Number	Qty	Description
1	87434109	1	ENGINE, 8.3L 285 HP T3
2	BN324270	1	GROUP, A/C, SEE FIG.03-048
3	BN324040	1	GROUP, ENGINE, SEE FIG.03-002
4	87634472	1	GROUP, ENGINE, SEE FIG.03-003
5	217-381	2	FITTING, 5/8" Hose X 3/4" NPTF Beaded,
6	BN317988	1	FITTING, 12MP-12FP
7	217-145	1	ELBOW, 45c, 3/4" Hose x 3/4" NPTF Beaded,
8	87521716	1	BELT, POLYVEE
9	87584970	1	DRAIN KIT, SEE FIG.03-049
10	87573449	1	FITTING, 8GS-8FJX
13	BN319006	1	ELBOW GRP, SEE FIG.03-042
14	87328014	1	CRANKCASE BREATHER
15	214-1420	1	CLAMP, HOSE, #20, 0.81/1.75 Type F Worm,
17	87535395	1	FITTING, 10-10, ORFS, 90ELB SHORT FEMALE
19	214-1308	1	CLAMP, HOSE, #8, 1/2", Spring,



SEE DETAIL A

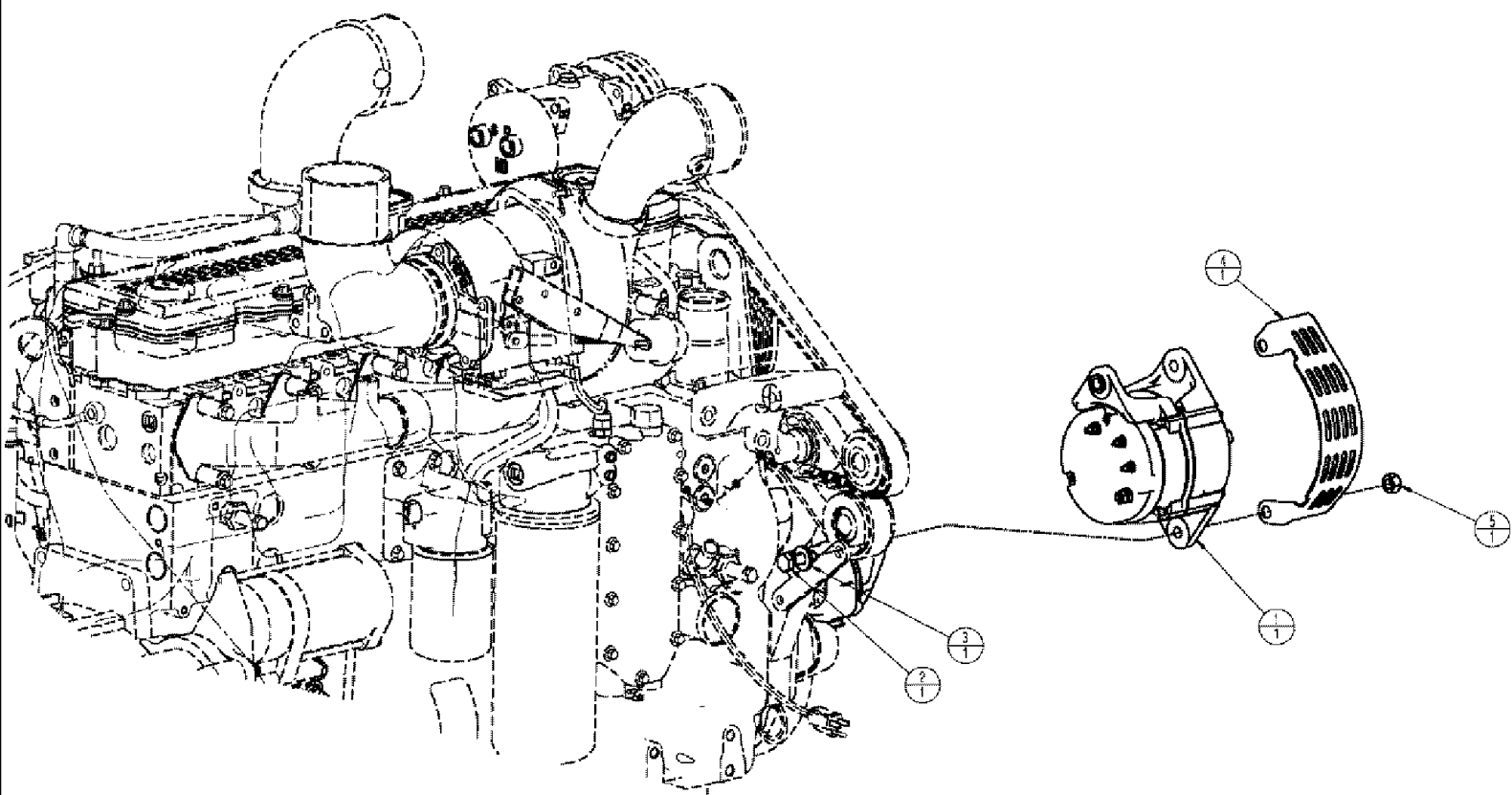


DETAIL A  
SCALE 1:2

## 4420 PATRIOT SPRAYER

## 03-002 STARTER GROUP,ENGINE

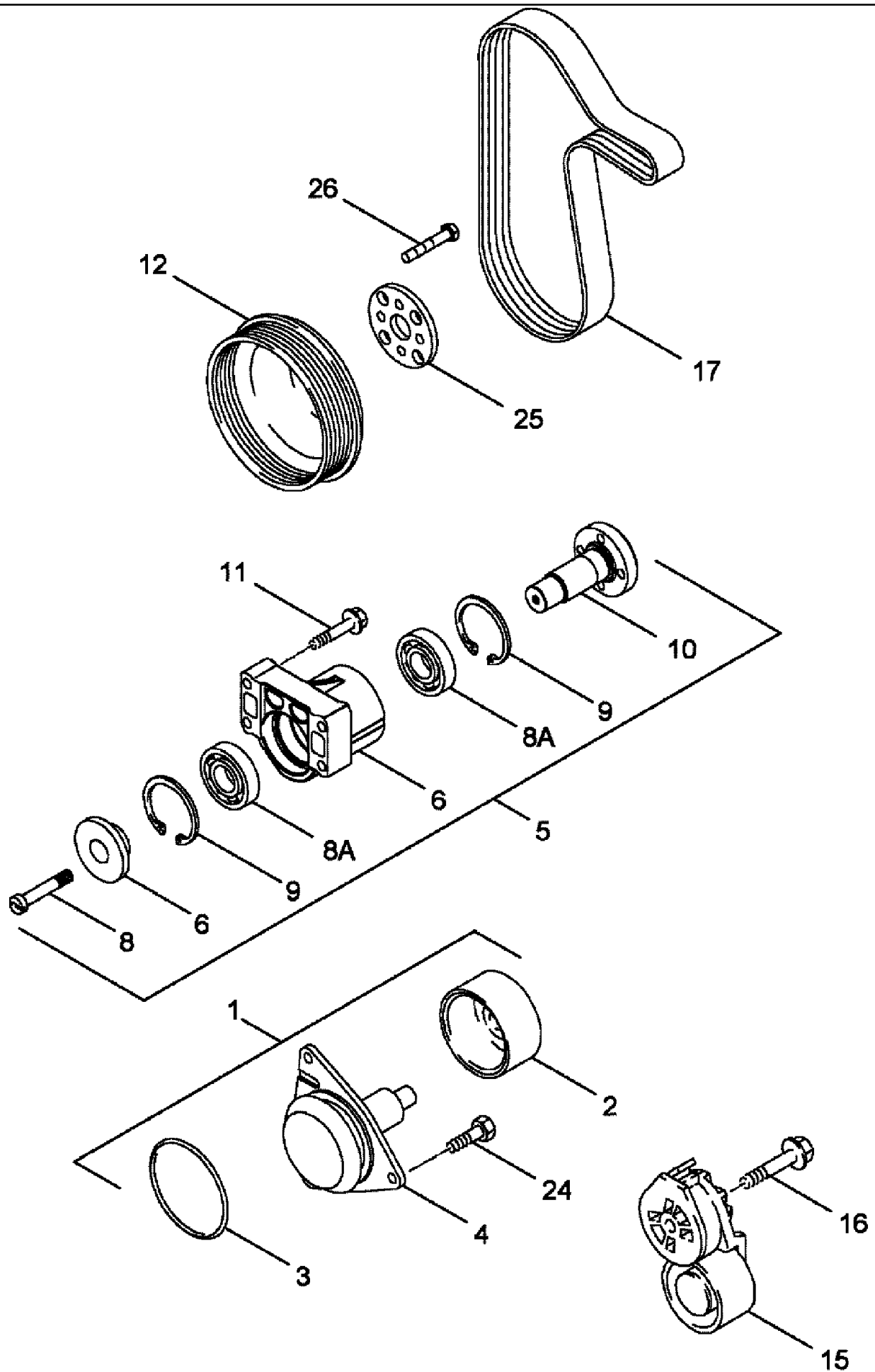
Ref	Part Number	Qty	Description
1	193432A2	1	MOTOR, STARTER, 12V
2	258820A1	1	SCREW, M5 X 8
3	832-46412	1	NUT, LOCK, M12 x 1.75, CI 8,
4	868-12040	3	SCREW, 12 pt, Flg Hd, M12 x 40, 12.9,
5	892-11005	1	WASHER, LOCK, M5,
7	896-11012	3	WASHER, M13.5 x 24.5 x 3, HT,



## 4420 PATRIOT SPRAYER

## 03-003 ALTERNATOR GROUP,ENGINE

Ref	Part Number	Qty	Description
1	87645567	1	ALTERNATOR, 175A 14V
2	87310191	1	BOLT, 1/2-13 X 1-1/2 GR5 DOR
3	87529310	1	WASHER, 13.5 X 28 X 4 HDN DOR
4	87272904	1	GUARD, ALTERNATOR
5	87343666	1	NUT, 1/2-13 GR 5 DOR

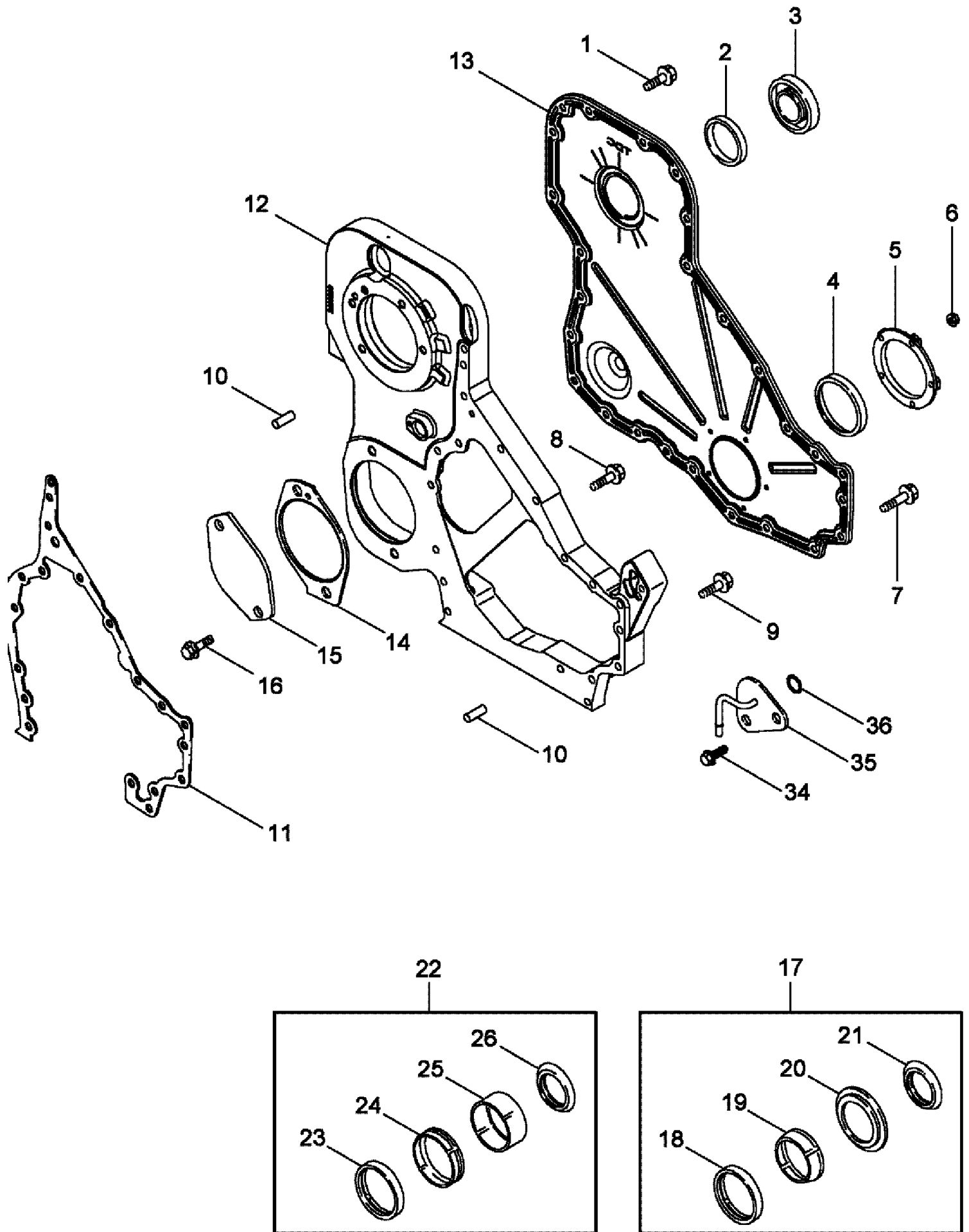


## 4420 PATRIOT SPRAYER

## 03-004 WATER PUMP,FAN DRIVE, AND BELT TENSIONER

Ref	Part Number	Qty	Description
1	87308650	1	KIT, WATER PUMP REPAIR, (INCLUDES REFS. 2-4)
2	NSS	1	NOT SERVICED SEPARATELY, PULLEY, WATER PUMP
3	238-5244	1	O-RING, -244, 70 Duro, 4.234" ID x .139" Thk,
4	NSS	1	NOT SERVICED SEPARATELY, PUMP, WATER
5	J942896	1	SUPPORT, FAN, (REFS. 6-10)
6	NSS	1	NOT SERVICED SEPARATELY, SUPPORT
7	NSS	1	NOT SERVICED SEPARATELY, RETAINER
8	J907769	1	BOLT,
8A	NSS	1	NOT SERVICED SEPARATELY, BEARING, BALL
9	100-21250	1	RING, SNAP, 2.50", Int, #250,
10	NSS	1	NOT SERVICED SEPARATELY, HUB, FAN
11	844-10050	4	BOLT, Hex Flg, M10 x 50, 8.8,
12	J926854	1	PULLEY, FAN
15	87531512	1	TENSIONER, BELT,
16	J282433	1	BOLT, M10 x 85
17	87521716	1	BELT, FAN
24	87351192	3	BOLT, M8 x 25, 8.8, FULL THD
25	J915490	1	PLATE,
26	844-10025	4	BOLT, Hex Flg, M10 x 25, 8.8, Full Thd,

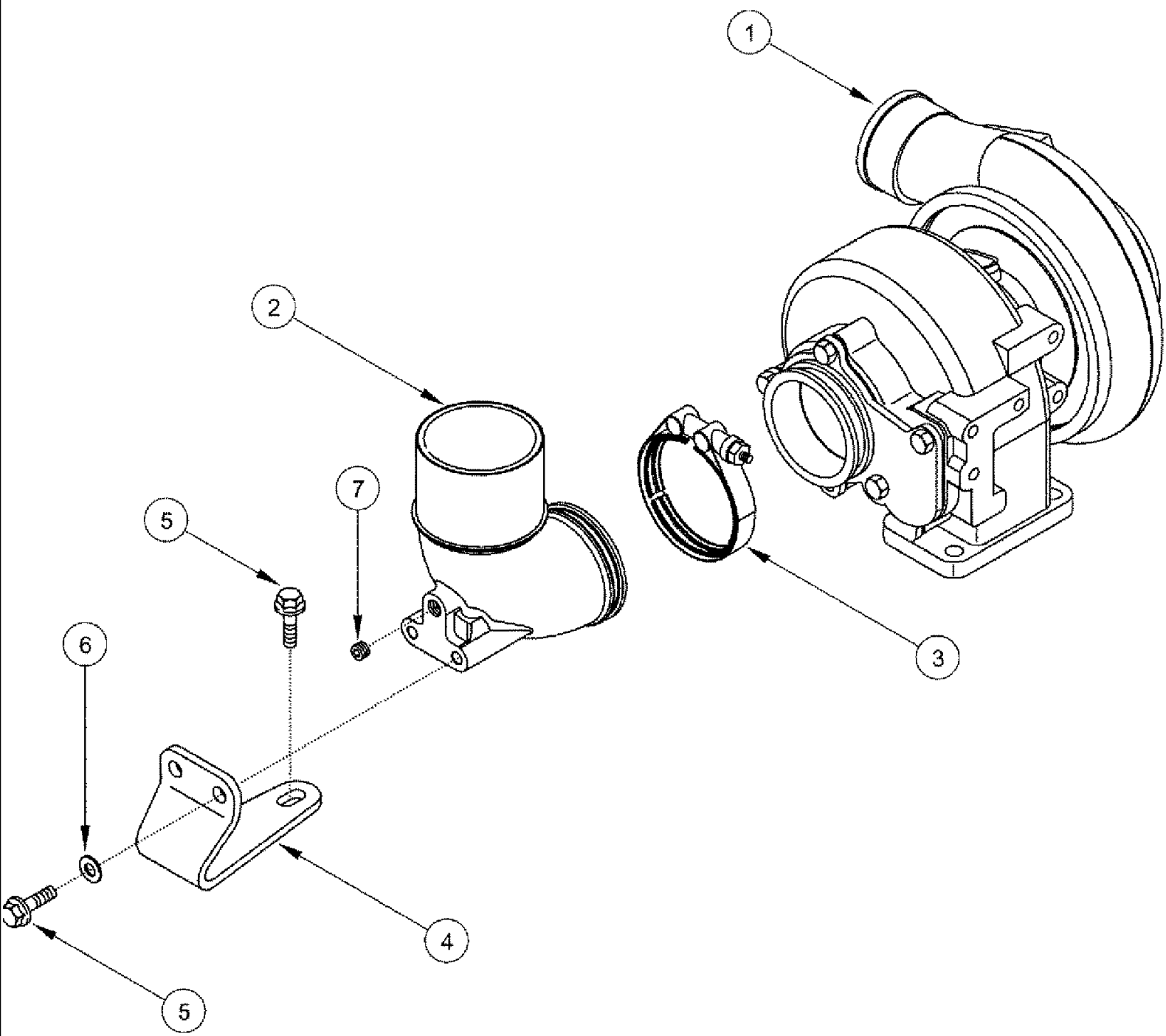




## 4420 PATRIOT SPRAYER

## 03-005 FRONT GEAR COVER

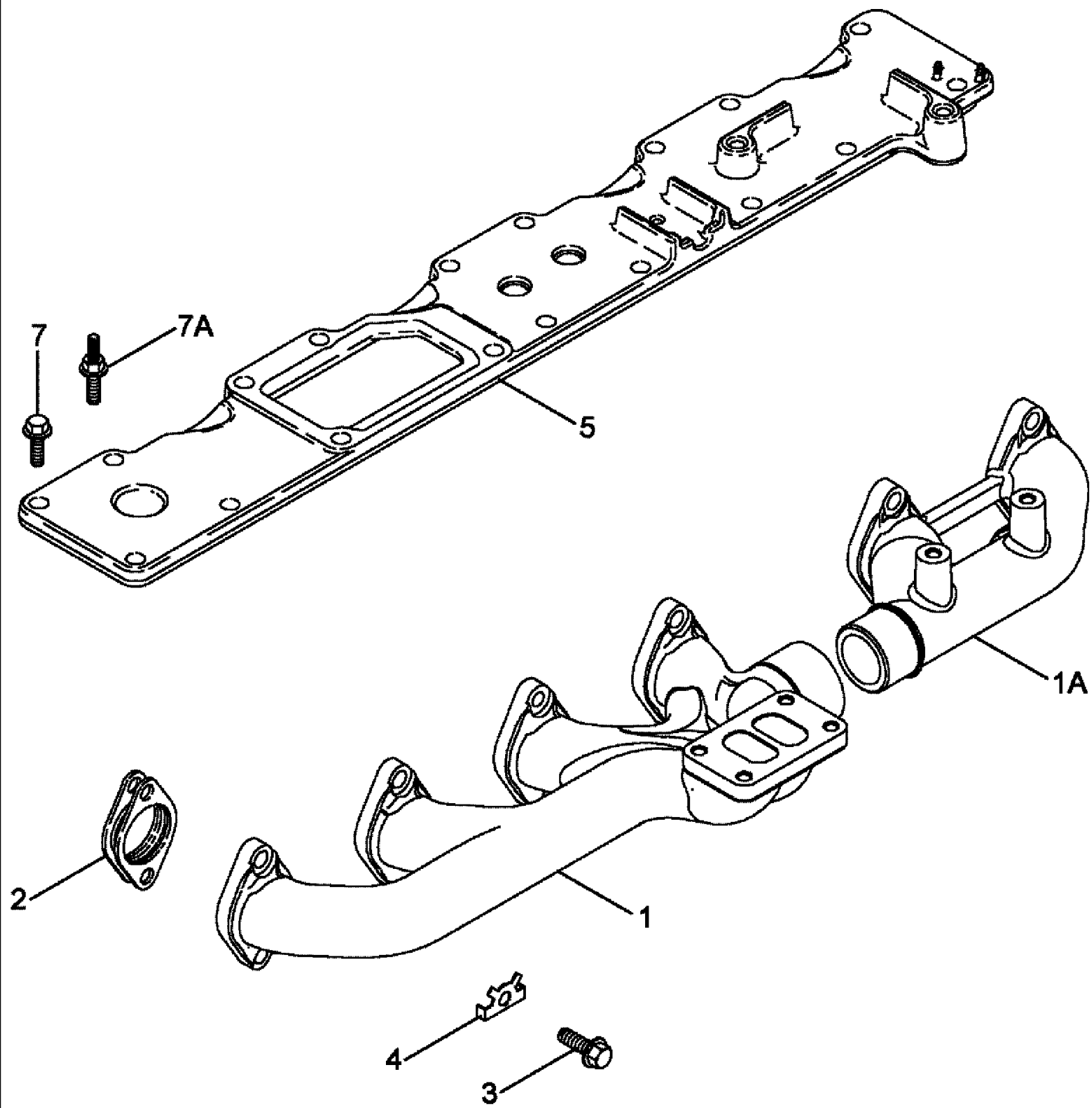
Ref	Part Number	Qty	Description
1	845-8016	15	BOLT, Hex Flg, M8 x 16, 8.8, Full Thd,
2	J903475	1	SEAL,
3	J903463	1	COVER, FRONT ACCESS
4	NSS	1	NOT SERVICED SEPARATELY, SEAL, (ORDER A77790 OR A77808)
5	J941786	1	CARRIER,
6	J938077	5	NUT, M6
7	J926863	11	BOLT, M8 X 50
8	J943885	3	BOLT, M8 X 40
9	J926846	3	BOLT, M8 X 20
11	J944293	1	GASKET,
12	87349295	1	HOUSING, TRANSMISSION
13	87350310	1	COVER,
14	J940245	1	GASKET,
15	J940246	1	COVER, PLATE, ACCESSORY DRIVE
16	854-12025	2	BOLT, Hex Flg, M12 x 25, 10.9,
17	A77790	1	KIT, SEALS, CRANKSHAFT, FRONT, (INCLUDES REFS. 22-25)
18	NSS	1	NOT SERVICED SEPARATELY, SEAL
19	NSS	1	NOT SERVICED SEPARATELY, TOOL
20	NSS	1	NOT SERVICED SEPARATELY, TOOL
21	J918113	1	SHIELD,
22	A77808	1	KIT, SERVICE, CRANKSHAFT, FRONT (INCLUDES REFS. 27-30)
23	NSS	1	NOT SERVICED SEPARATELY, KIT, SERVICE
24	NSS	1	NOT SERVICED SEPARATELY, SLEEVE
25	NSS	1	NOT SERVICED SEPARATELY, TOOL
26	J924987	1	SHIELD,
27	J920706	1	PLUG, NOT SHOWN
28	217-438	2	PLUG, Hex Soc, 1/2"-14, NOT SHOWN
29	217-441	1	PLUG, Hex Soc, 3/4"-14 NPTF, NOT SHOWN
34	854-12030	2	BOLT, Hex Flg, M12 x 1.75 x 30, 10.9,
35	87358314	1	CONNECTION, 3 WAY, OIL DRAIN
36	J906696	1	SEAL,



## 4420 PATRIOT SPRAYER

## 03-006 EXHAUST SYSTEM

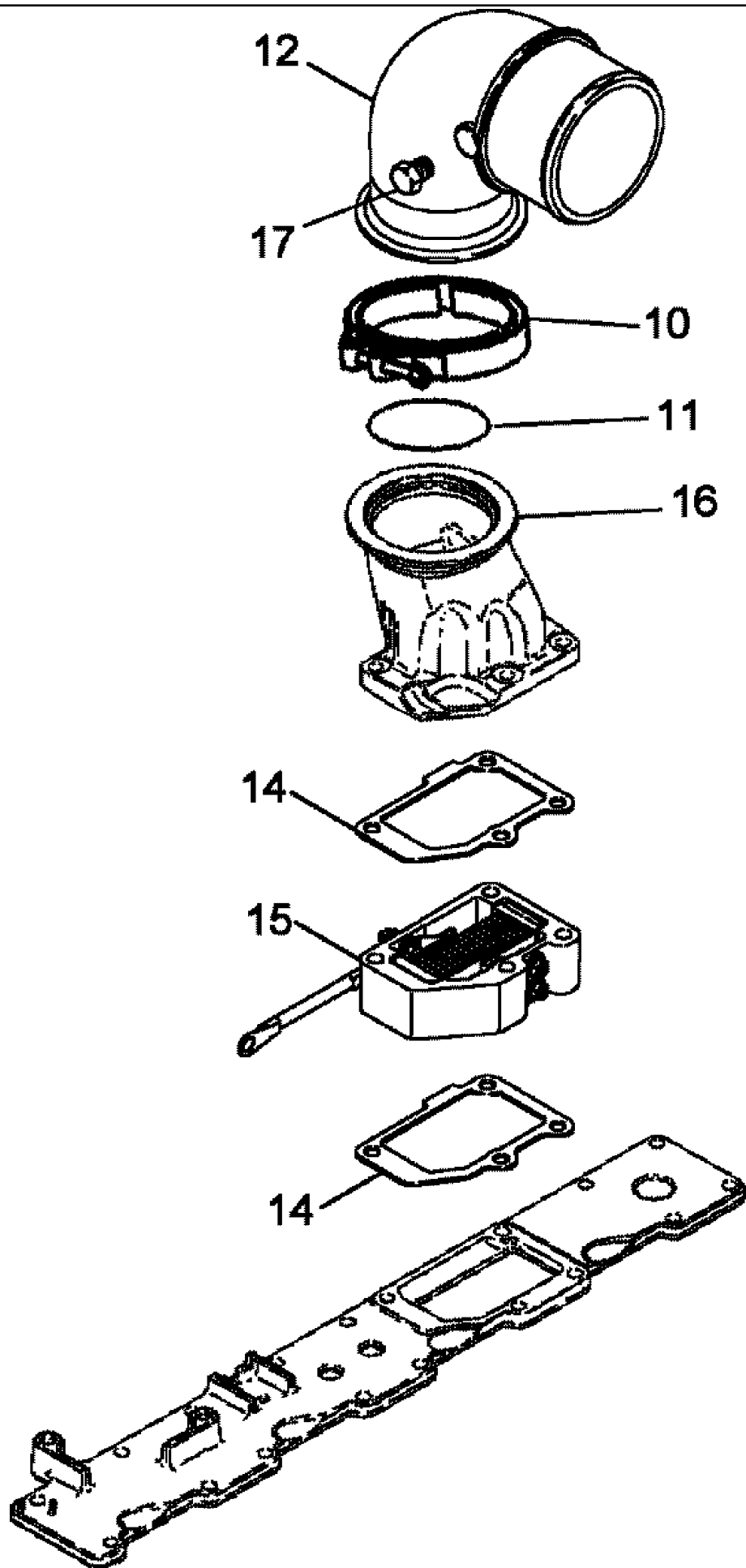
Ref	Part Number	Qty	Description
1	NSS	1	NOT SERVICED SEPARATELY, TURBOCHARGER SYSTEM - ENGINE, SEE FIG.03-009
2	A173668	1	ELBOW, TURBOCHARGER EXHAUST
3	A170807	1	CLAMP, RETAINING, SPECIAL
4	J944060	1	BRACE, BRACKET - EXHAUST OUTLET CONNECTION
5	844-10025	4	BOLT, Hex Flg, M10 x 25, 8.8, Full Thd,
6	495-81009	2	WASHER, .469" x 1" x .120",
7	217-432	1	PLUG, Hex Soc, 1/4"-18,



## 4420 PATRIOT SPRAYER

## 03-007 MANIFOLDS

Ref	Part Number	Qty	Description
1	87344862	1	MANIFOLD, EXHAUST,
1A	87344861	1	MANIFOLD, EXHAUST,
2	J937479	6	GASKET, MANIFOLD, EXHAUST
3	J944593	12	BOLT, 10 X 70 MM - EXHAUST
4	J945252	12	SPACER, EXHAUST
5	87340282	1	COVER, ASSY, INTAKE MANIFOLD
7	845-8030	18	BOLT, Hex Flg, M8 x 30, 8.8, Intake
7A	87340279	1	SCREW, M8 X 35, INTAKE

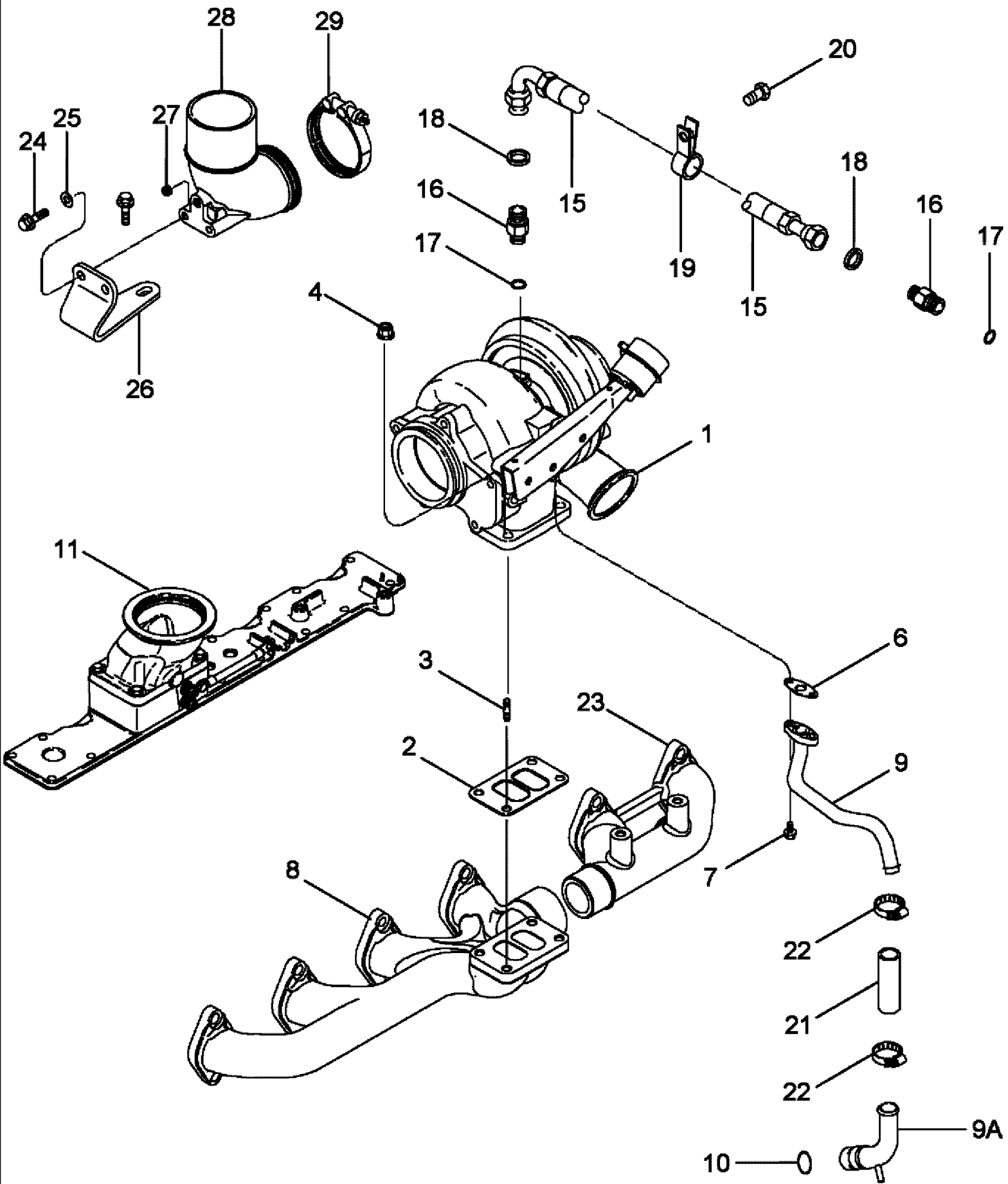


## 4420 PATRIOT SPRAYER

## 03-008 INTAKE SYSTEM, CHARGE AIR COOLER

Ref	Part Number	Qty	Description
10	J067979	1	CLAMP, TURBO OUTLET
11	87350420	1	SEAL,
12	87350416	1	ELBOW, CONNECTION, TURBO OUTLET
14	87335272	1	GASKET,
15	87335271	1	HEATER, AIR INTAKE
16	87340026	1	CONNECTOR, MULTIPOLE,
17	845-8080	4	BOLT, Hex Flg, M8 x 80, 8.8,

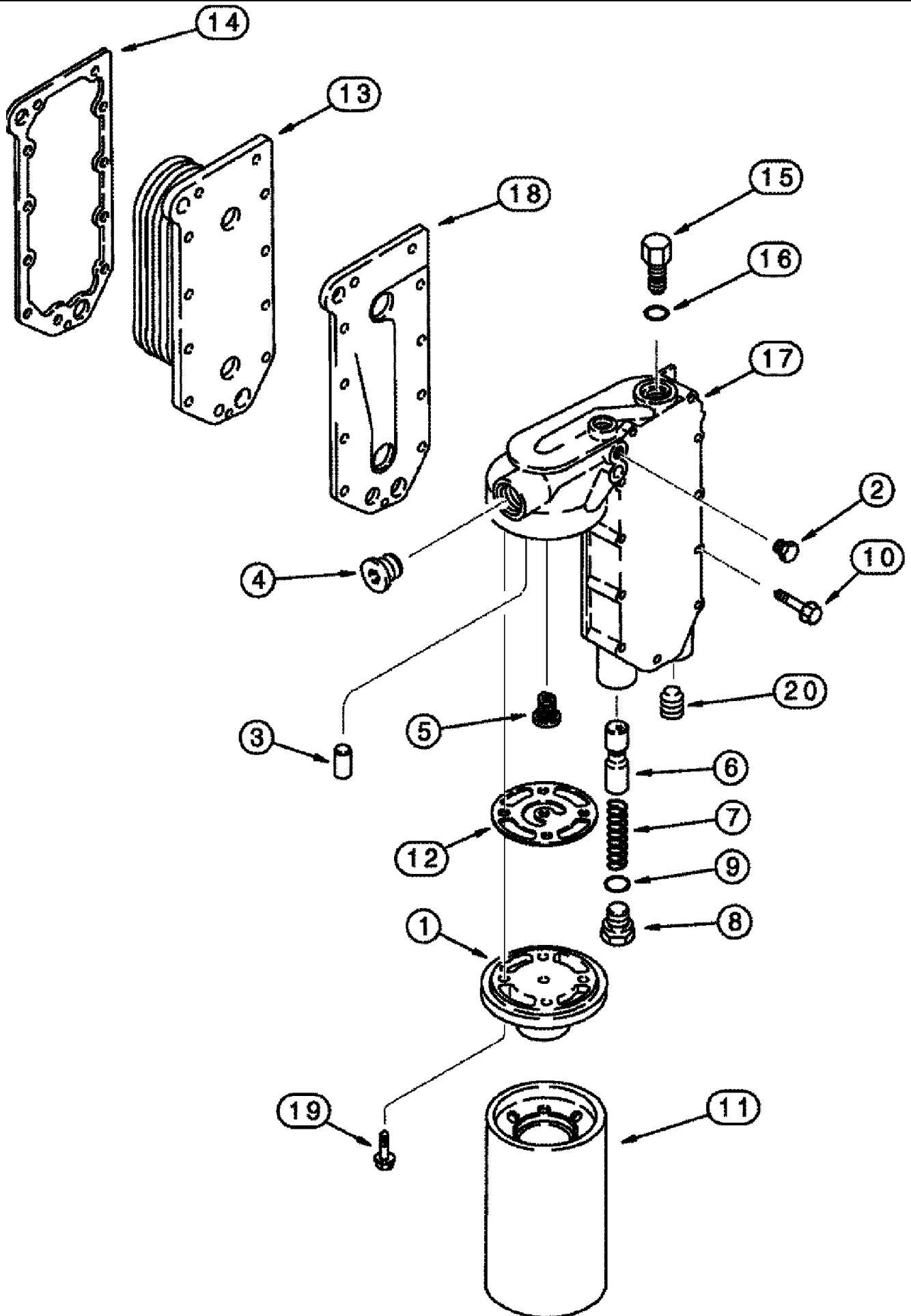




## 4420 PATRIOT SPRAYER

## 03-009 TURBOCHARGER SYSTEM

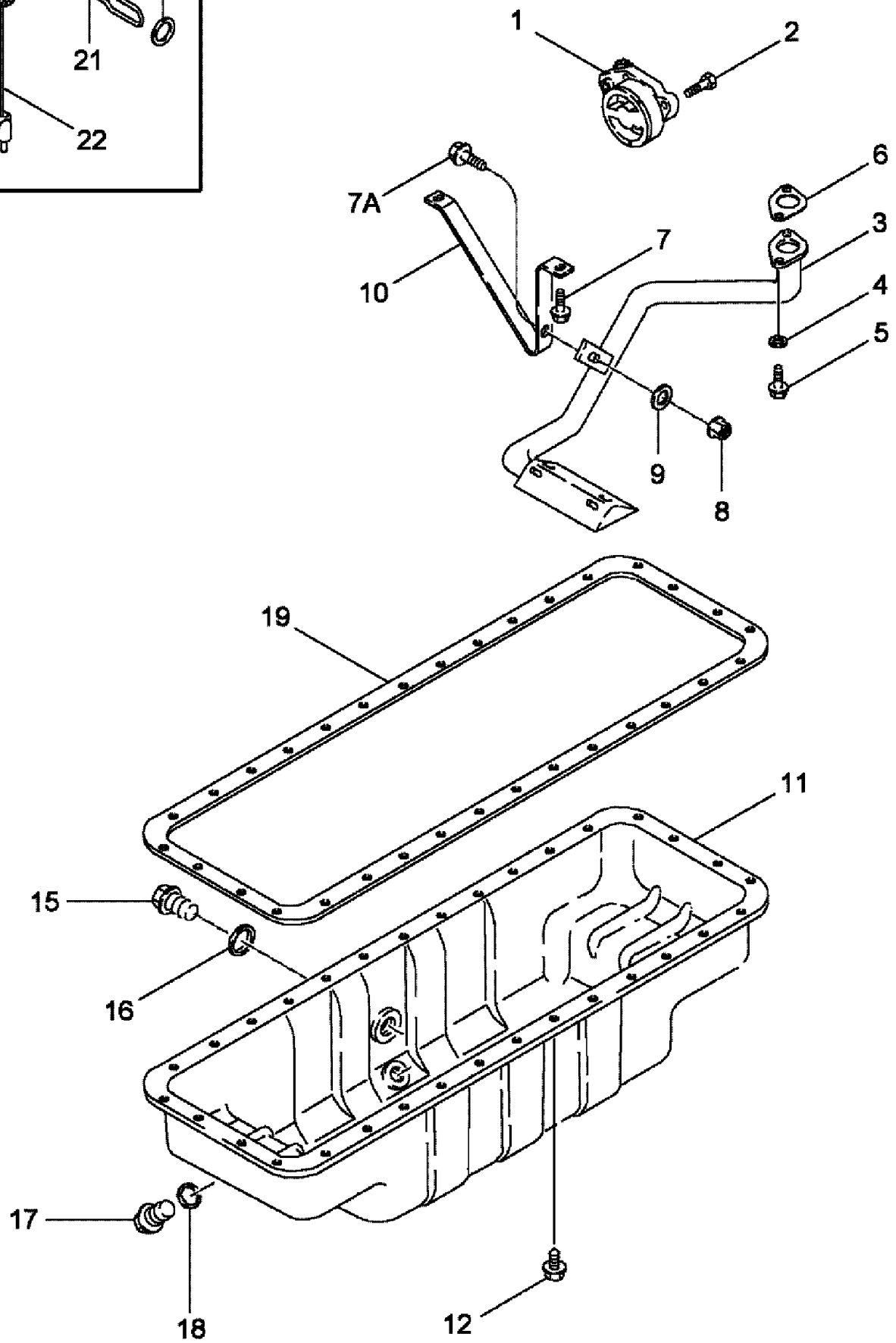
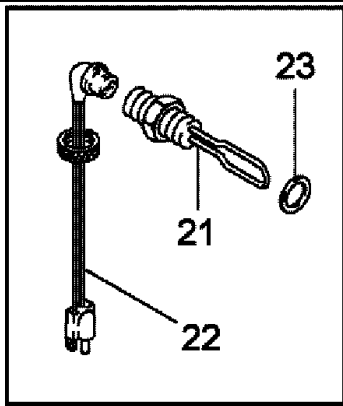
Ref	Part Number	Qty	Description
1	87355317	1	TURBOCHARGER,
2	J901356	1	GASKET, TURBO MOUNT
3	J818823	4	STUD, M10 X 1.5
4	J818824	4	NUT, M10
6	J937706	1	GASKET, OIL DRAIN
7	845-8020	2	BOLT, Hex Flg, M8 x 20, 8.8, Full Thd,
8	NSS	1	NOT SERVICED SEPARATELY, EXHAUST, SEE FIG.03-007
9	86993028	1	TUBE, TURBO DRAIN AT TURBO
9A	J945108	1	TUBE, TURBO DRAIN
10	238-7018	1	O-RING, -018, CI 7, .739" ID x .070" Thk,
11	87340282	1	COVER, ASSY, INTAKE
15	87345099	1	HOSE, FLEXIBLE, 533 MM
16	J922789	2	CONNECTOR, HYD., MALE (INCLUDES REFS. 17 & 18)
17	J678603	1	O-RING, 9MM X 2MM
19	87434675	1	CLAMP,
20	615-8012	1	BOLT, Hex, M8 x 12, 8.8, Full Thd,
21	J286499	1	HOSE, 76MM (3 IN), TURBO DRAIN TUBE
22	214-1512	2	CLAMP, HOSE, #12, .69/1.25 Type F Worm, W/liner,
23	NSS	1	NOT SERVICED SEPARATELY, EXHAUST, SEE FIG.03-007
24	844-10025	4	BOLT, Hex Flg, M10 x 25, 8.8, Full Thd,
25	495-81009	2	WASHER, .469" x 1" x .120",
26	J944060	1	BRACE,
27	217-432	1	PLUG, Hex Soc, 1/4"-18,
28	A173668	1	ELBOW, TURBO EXHAUST, SEE SEE FIG.03-006
29	A170807	1	CLAMP,



## 4420 PATRIOT SPRAYER

## 03-010 OIL FILTER AND COOLER

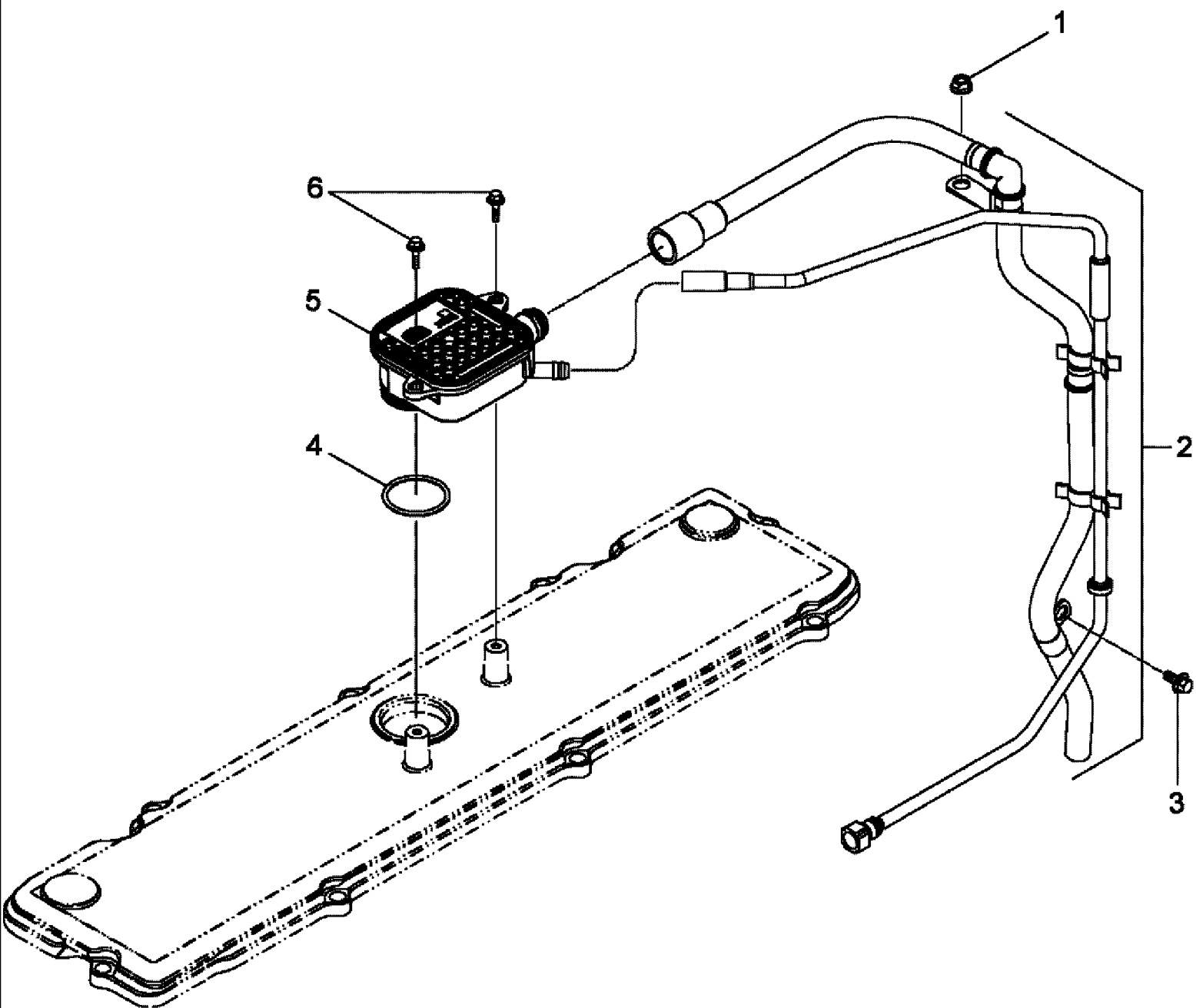
Ref	Part Number	Qty	Description
1	87340627	1	HEAD, FILTER, ASSY
2	J906619	2	PLUG, 1/8 PT
3	A77722	1	PIN,
4	217-441	1	PLUG, Hex Soc, 3/4"-14 NPTF,
5	J936365	1	VALVE, PRESSURE RELIEF,
6	J945967	1	PLUNGER,
7	87340755	1	SPRING,
8	J931084	1	PLUG, 24 MM, (INCLUDES REF. 9)
9	J930911	1	O-RING, 3/4 ID X 1/16
10	87421315	8	SCREW, M8 X 65, 10.9
10	87409553	1	BOLT, WITH STUD, M8
11	366700A1	1	FILTER, ENGINE OIL,
12	87447957	1	GASKET,
13	87452245	1	CORE-OIL COOLER,
14	J918174	1	GASKET,
15	J934410	1	VALVE, BY-PASS, (INCLUDES REF. 16)
16	A77724	1	O-RING,
17	87314031	1	COVER,
18	J929011	1	GASKET,
19	J907860	4	BOLT, M8 X 25
20	217-466	1	PLUG, DRAIN, Sq Soc, 1/2"-14, NTPF,



## 4420 PATRIOT SPRAYER

## 03-011 OIL PUMP, PAN-OIL PAN HEATER

Ref	Part Number	Qty	Description
	JR991123	1	REMAN-PUMP, ENGINE OIL,
	JC991123	1	CORE-PUMP, ENGINE OIL,
1	J991123	1	PUMP, ENGINE OIL,
2	J900677	4	BOLT, M8 X 30
3	J921719	1	TUBE,
4	J926865	2	SPACER,
5	845-6030	2	BOLT, Hex Flg, M6 x 30, 8.8,
6	87447959	1	GASKET,
7	845-6015	2	BOLT, Hex Flg, M6 x 15, 8.8, Full Thd,
7A	845-6020	1	BOLT, Hex Flg, M6 x 20, 8.8, Full Thd,
8	825-2406	1	NUT, M6 x 1, Flg, Cl 8,
9	J910960	1	WASHER,
10	J927611	1	BRACKET, BRACE
11	87351053	1	PAN, ENGINE OIL, ASSY
12	J907860	32	BOLT, M8 X 21
16	J902425	1	WASHER,
17	J924147	1	PLUG, M18
18	J920773	1	WASHER, SEALING,
19	87308050	1	GASKET, PAN
	A77580	1	KIT, SERVICE, HEATER (ALSO ORDER REF. 23) - ENGINE OIL HEATER (120 VOLT), WHEN KIT A77580 OR A77666 IS ORDERED, REF. 23, J902425 WASHER ALSO MUST BE ORDERED
21	NSS	AR	NOT SERVICED SEPARATELY, ELEMENT - HEATER, ENGINE OIL HEATER (120 VOLT)
22	196466A1	1	CABLE, ELECTRIC, ENGINE BLOCK HEATER - ENGINE OIL HEATER (120 VOLT)
23	J902425	1	WASHER, SEALING, PLUG - ENGINE OIL HEATER (120 VOLT), WHEN KIT A77580 OR A77666 IS ORDERED, REF. 23, J902425 WASHER ALSO MUST BE ORDERED
	A77666	1	KIT, SERVICE, HEATER (ALSO ORDER REF. 23) - 240 VOLT, WHEN KIT A77580 OR A77666 IS ORDERED, REF. 23, J902425 WASHER ALSO MUST BE ORDERED
21	NSS	1	NOT SERVICED SEPARATELY, ELEMENT - HEATER, 240 VOLT
22	J905114	1	CABLE, ELECTRIC, ENGINE BLOCK HEATER, 6 FOOT- 240 VOLT
23	J902425	1	WASHER, SEALING, PLUG - 240 VOLT, WHEN KIT A77580 OR A77666 IS ORDERED, REF. 23, J902425 WASHER ALSO MUST BE ORDERED

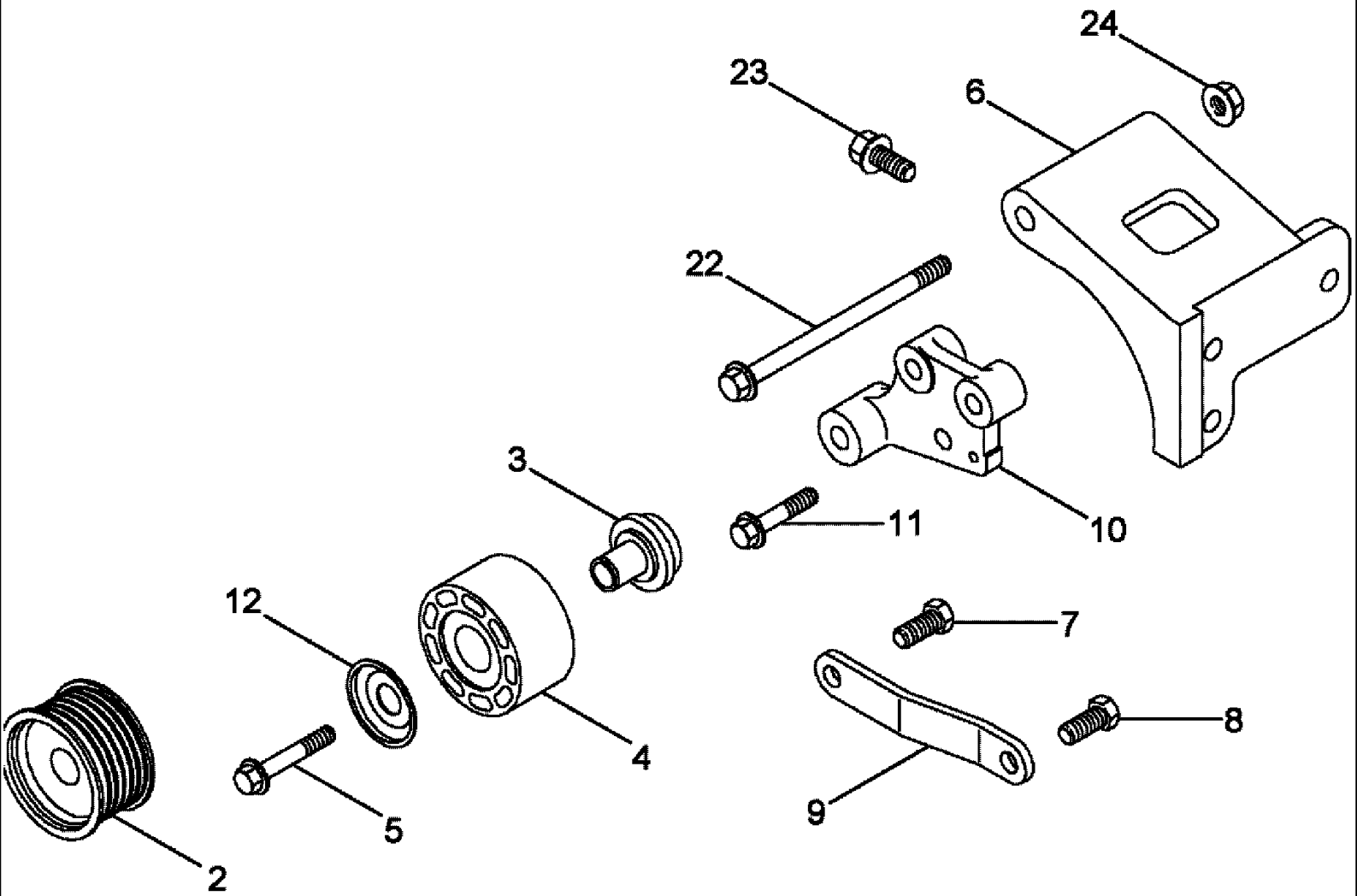


## 4420 PATRIOT SPRAYER

## 03-012 CRANKCASE BREATHER

Ref	Part Number	Qty	Description
1	J900589	1	NUT, M8 X 1.25
2	87338653	1	TUBE, ASSY
3	J925883	1	SCREW, M8 X 16, 10.9
4	87338651	1	O-RING, SEAL
5	87338649	1	BREATHER, (INCLUDES REF. 4)
6	J901865	2	BOLT, Hex Flg, M6 x 20, 8.8, Full Thd,

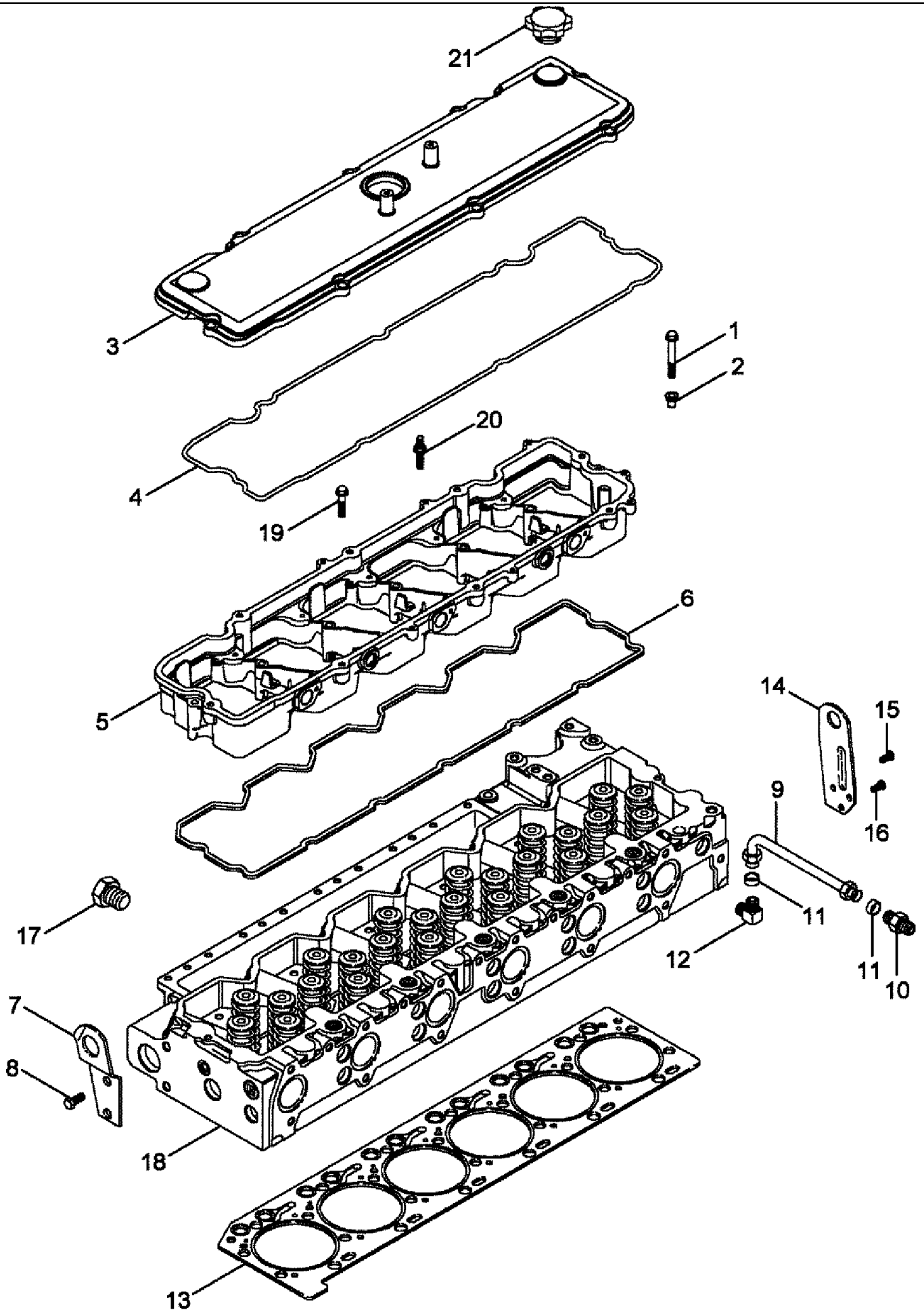




## 4420 PATRIOT SPRAYER

## 03-013 ALTERNATOR-MOUNTING

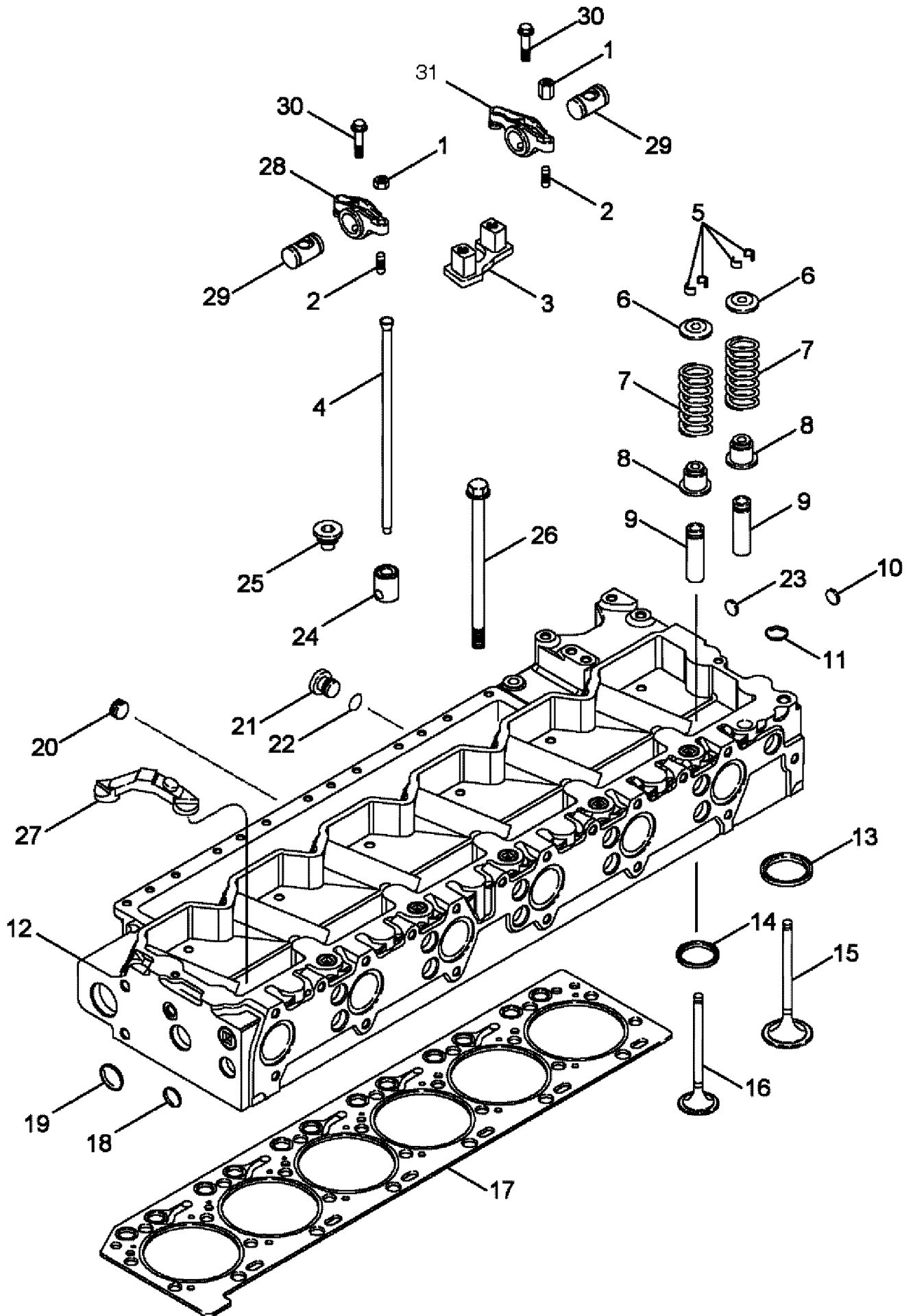
Ref	Part Number	Qty	Description
2	J965146	1	
3	J935229	1	SHAFT, IDLER
4	87531752	1	PULLEY, IDLER
5	87531758	1	BOLT,
6	J944405	1	SUPPORT, ALTERNATOR
7	326-816	1	BOLT, Hex, 1/2"-13 x 1", G8, Full Thd,
8	854-10030	1	BOLT, Hex Flg, M10 x 30, 10.9,
9	J944407	1	BRACE,
10	87531751	1	SUPPORT, IDLER PULLY
11	87531764	3	BOLT,
12	87531753	1	SHIELD, DUST
22	87030021	1	BOLT, Hex Flg, M12 x 150, 10.9,
23	844-10030	3	BOLT, Hex Flg, M10 x 30, 8.8, Full Thd,
24	829-2412	1	NUT, M12 x 1.75, Flg, Cl 10,



## 4420 PATRIOT SPRAYER

## 03-014 CYLINDER HEAD AND COVER

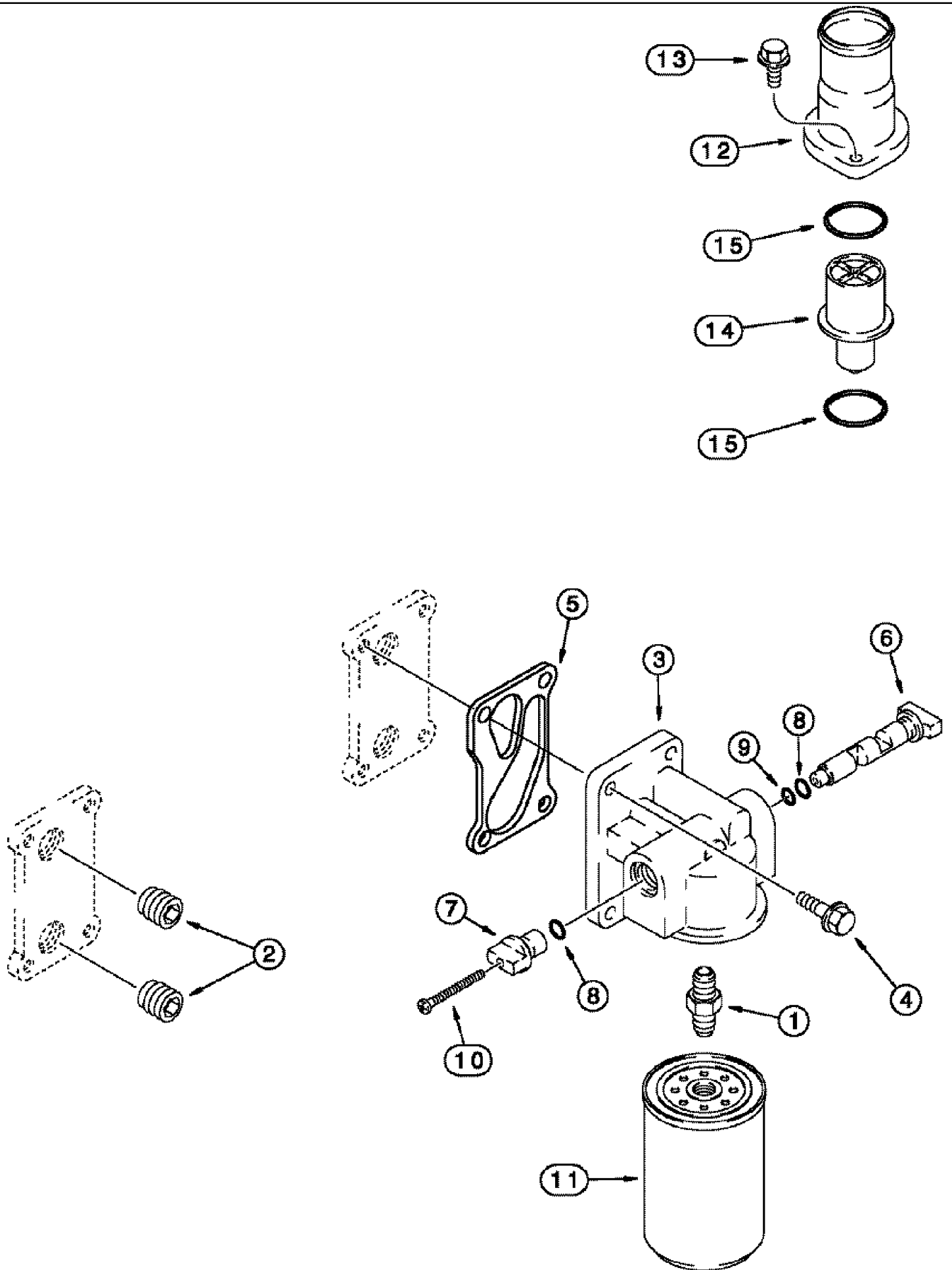
Ref	Part Number	Qty	Description
1	845-8035	8	BOLT, Hex Flg, M8 x 35, 8.8,
2	87342136	8	ISOLATOR,
3	87516364	1	COVER ASSY,
4	87345861	1	GASKET,
5	87344767	1	HOUSING, ROCKER
6	87344755	1	GASKET, ROCKER LEVER HOUSING
7	87340305	1	BRACKET, LIFT, FRONT
8	844-12025	2	BOLT, Hex Flg, M12 x 25, 8.8,
9	J924589	1	TUBE, (INCLUDES REF. 18)
10	87026319	1	CONNECTOR, HYD., 1/2"-24 x 1/8" NPTF w/Nut,
11	222-153	2	SLEEVE, 1/4" Tube,
12	87026320	1	ELBOW, 90°, 1/2"-24 Fem x 1/8"-27 NPTF,
13	87737237	1	GASKET, CYLINDER HEAD, STANDARD
14	87340301	1	BRACKET, LIFT, REAR
15	854-10020	2	BOLT, Hex Flg, M10 x 20, 10.9,
16	87340324	1	BOLT,
17	J906619	1	PLUG, 1/8 PT
18	87652995	1	HEAD ASSY., WITH VALVES
19	845-8075	7	BOLT, Hex Flg, M8 x 75, 8.8,
20	87340279	1	SCREW, M8 X 35
21	87429619	1	CAP, FILLER,



## 4420 PATRIOT SPRAYER

## 03-015 CYLINDER HEAD AND VALVE MECHANISM

Ref	Part Number	Qty	Description
	87652995	1	HEAD ASSY., WITH VALVES (INCLUDES REFS. 1-8)
1	A77902	1	NUT, 3/8 - 24 NF
2	NSS	1	NOT SERVICED SEPARATELY, INSERT
3	J941140	6	SUPPORT,
4	87435955	12	ROD, PUSH,
5	J900250	48	SCREW, COLLET, VALVE
6	J944452	24	RETAINER, ROTATER, VALVE
7	J944711	24	SPRING, VALVE,
8	87352235	12	SEAL,
8	J943888	12	SEAL,
9	J948102	24	GUIDE, VALVE,
10	A77590	2	PLUG, EXPANSION
11	87344079	6	PLUG,
12	NSS	1	NOT SERVICED SEPARATELY, HEAD ASSY, CYL
13	J940152	12	INSERT, INTAKE
14	87344002	12	INSERT, EXHAUST
15	87343688	12	VALVE, ENGINE, INLET, STD,
16	87343693	12	VALVE, ENG EXHAUST, STD,
17	87737237	1	GASKET, CYLINDER HEAD,
18	87344118	2	PLUG, EXPANSION 30 MM
19	J945093	1	PLUG, EXPANSION
20	217-438	1	PLUG, Hex Soc, 1/2"-14,
21	J678923	1	PLUG, 10 MM, (INCLUDES REF. 22)
22	637-72081	1	O-RING, CI 7, 8.1MM ID x 1.6 Thk,
23	87344108	1	PLUG, EXPANSION
24	87435851	12	TAPPET,
25	87644763	12	GUIDE,
26	87344126	26	BOLT, M14 X 160
27	J943445	12	VALVE,
28	87435953	6	ROCKER ARM, LEVER
29	87435951	6	SHAFT,
30	J943933	12	SCREW,
31	87435952	6	ROCKER ARM, LEVER

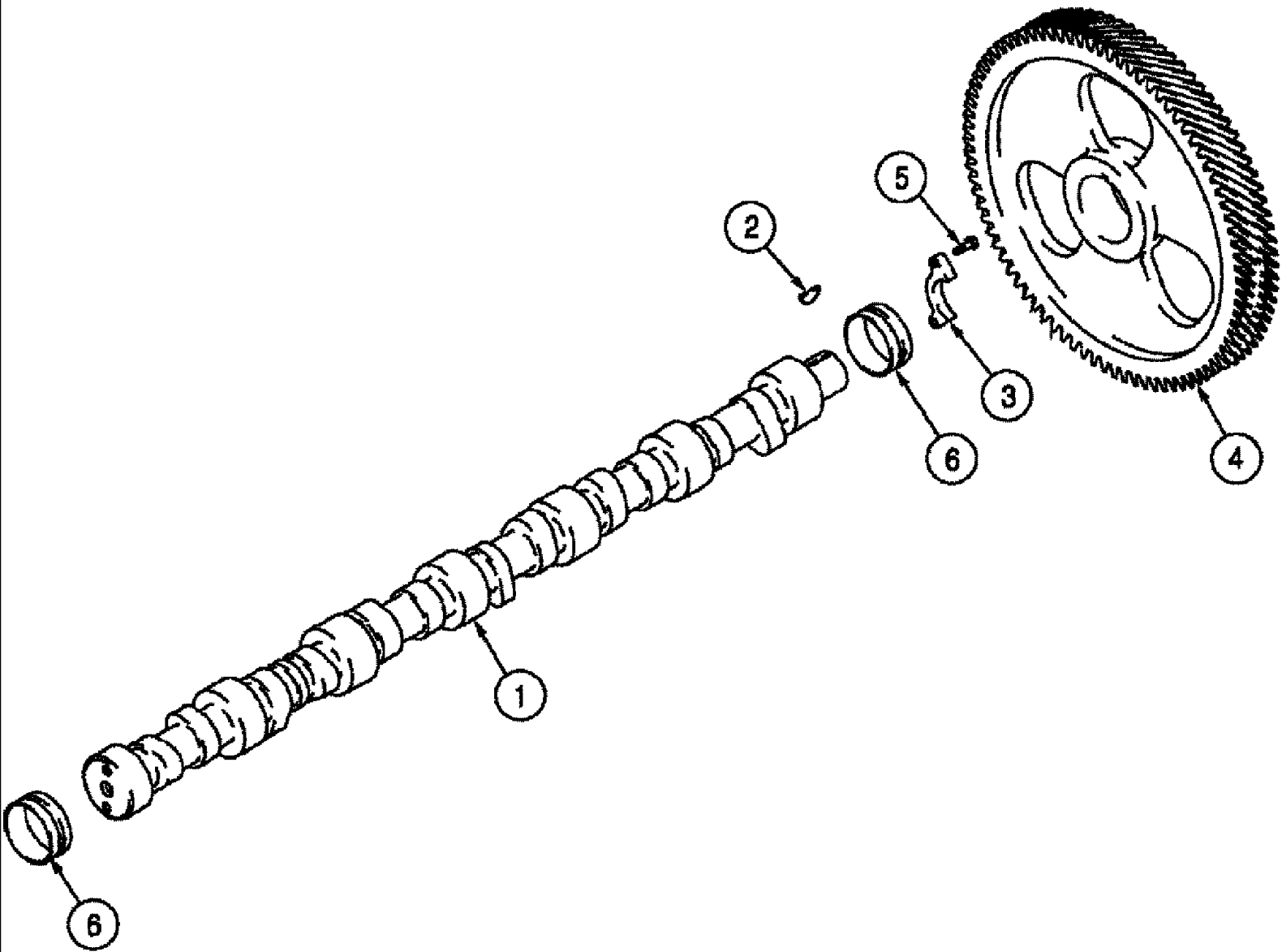


## 4420 PATRIOT SPRAYER

## 03-016 COOLANT FILTER-THERMOSTAT

Ref	Part Number	Qty	Description
1	A77623	1	ADAPTER,
2	217-441	2	PLUG, Hex Soc, 3/4"-14 NPTF,
3	J943738	1	HEAD, FILTER,
4	845-8025	4	BOLT, Hex Flg, M8 x 25, 8.8,
5	87612306	1	GASKET,
6	J943739	1	VALVE, SHUT-OFF,
7	J943740	1	VALVE, SHUT-OFF,
8	87423041	2	O-RING,
9	238-5013	1	O-RING, -013, 70 Duro, .426" ID x .070" Thk,
10	J944454	1	SCREW,
11	J100304	1	FILTER, ELEMENT,
12	J944429	1	OUTLET, CONNECTOR
13	845-8025	2	BOLT, Hex Flg, M8 x 25, 8.8,
14	J940632	1	THERMOSTAT, (INCLUDES REF. 15)
15	238-5227	2	O-RING, -227, 70 Duro, 2.109" ID x .139" Thk,

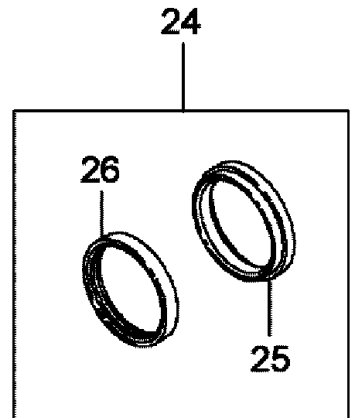
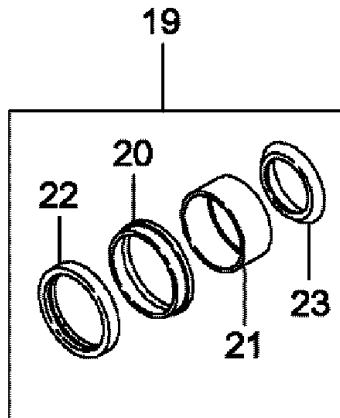
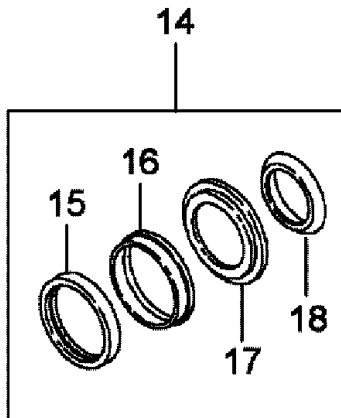
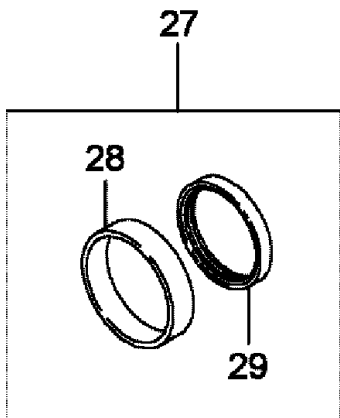
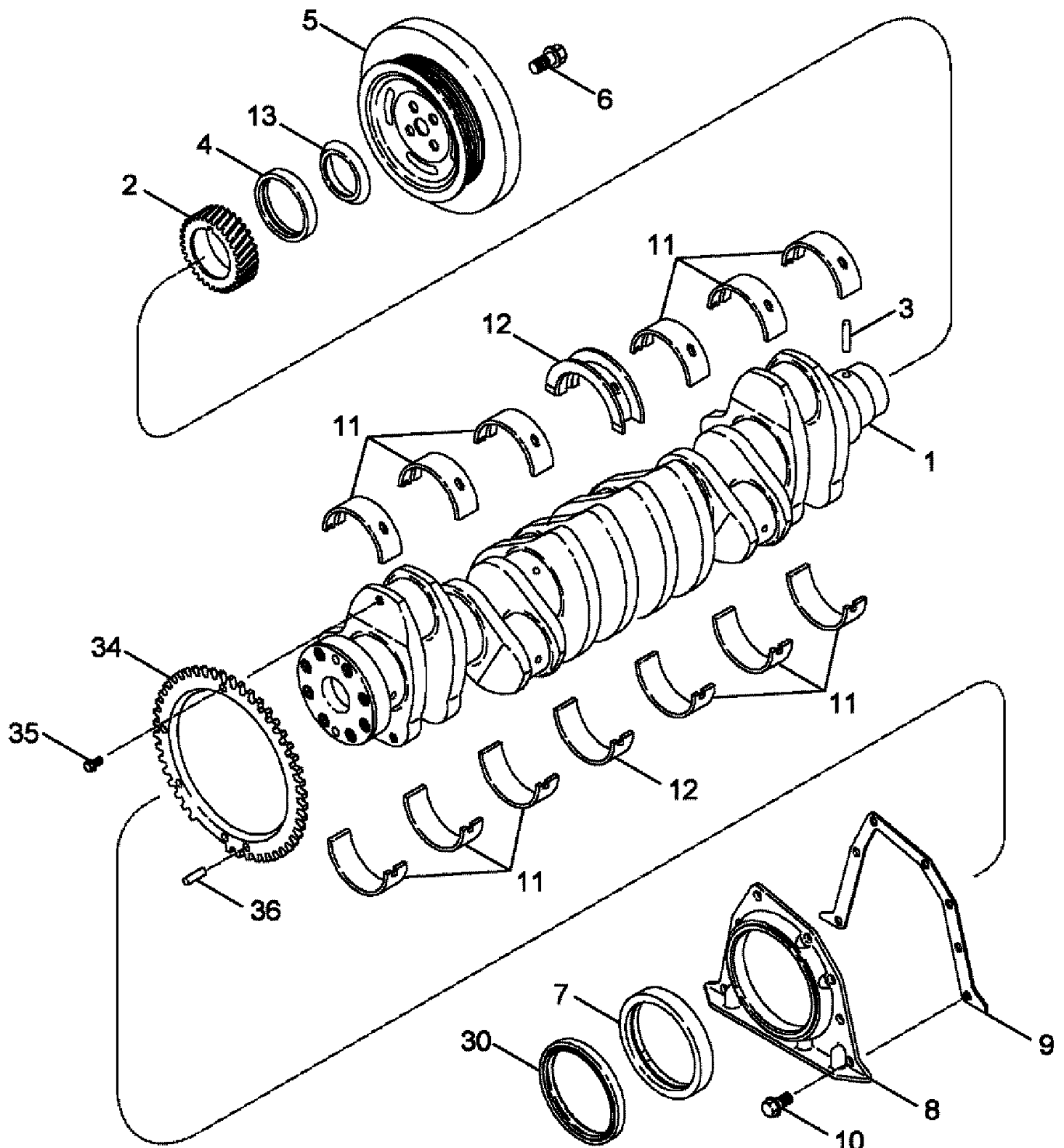




## 4420 PATRIOT SPRAYER

## 03-017 CAMSHAFT

Ref	Part Number	Qty	Description
1	87342996	1	CAMSHAFT, (INCLUDES REF. 2)
2	87453128	1	PIN,
3	J944001	1	SUPPORT, CAMSHAFT THRUST
4	87342988	1	GEAR, CAMSHAFT
5	J900227	2	SCREW, Hex, M8 x 1.25 x 22,
6	J945329	7	BEARING, CAMSHAFT,



## 4420 PATRIOT SPRAYER

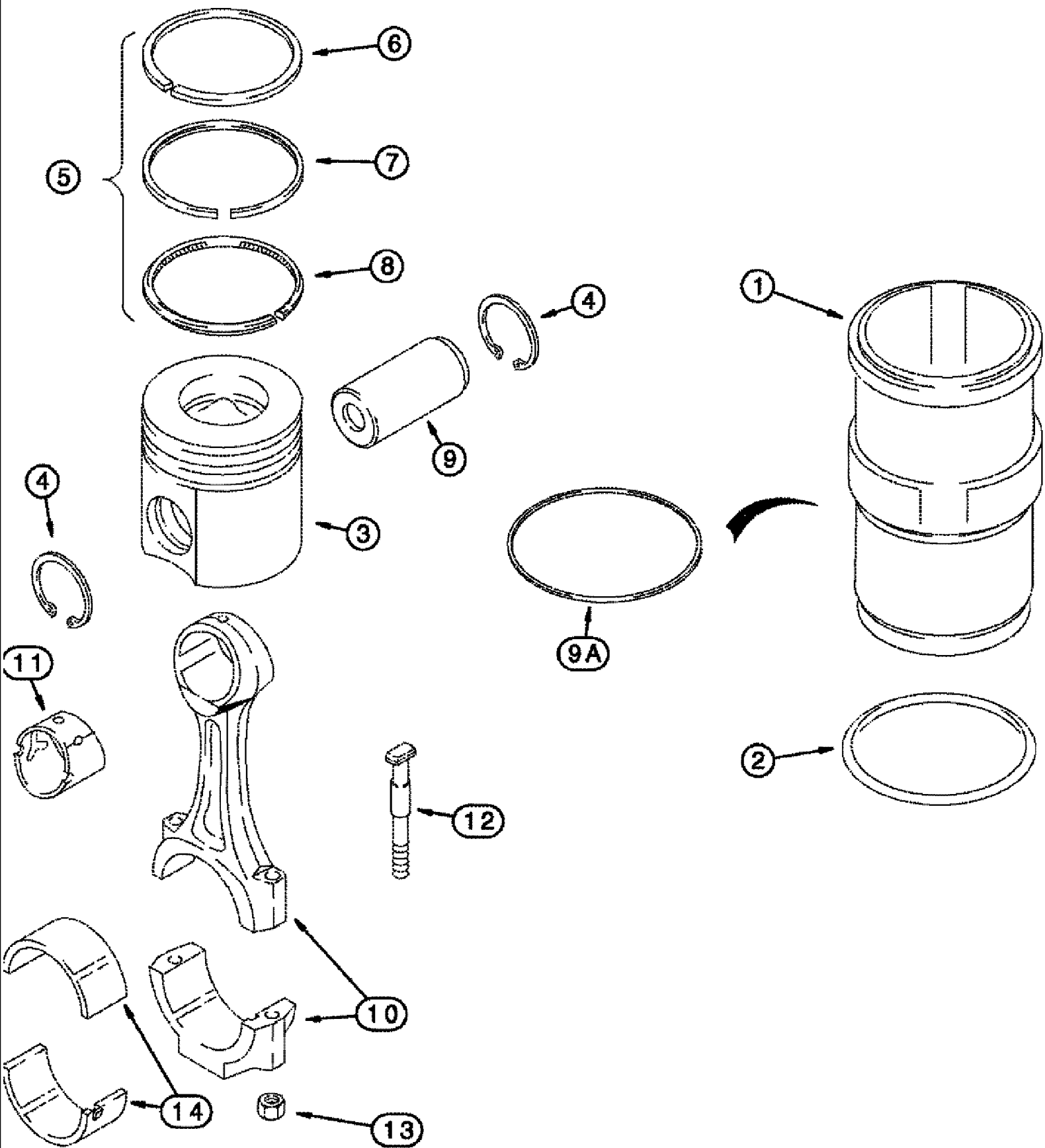
## 03-018 CRANKSHAFT

Ref	Part Number	Qty	Description
	87342925	1	REMAN-CRANKSHAFT,
	87337253	1	CORE-CRANKSHAFT,
1	87335711	1	CRANKSHAFT, CRANKCASE ASSY, WITH SPEED INDICATOR RING, (INCLUDES REFS. 34 & 35)
2	J918776	1	GEAR,
3	J904483	1	PIN,
4	NSS	1	NOT SERVICED SEPARATELY, SEAL, (ORDER A77790, REF. 14)
5	J925570	1	DAMPER,
6	J906733	1	BOLT, M14 X 35
7	NSS	1	NOT SERVICED SEPARATELY, SEAL, (ORDER J934486, REF. 24)
8	J933384	1	COVER, REAR,
9	87447962	1	GASKET,
10	87409160	8	SCREW, M6 X 16, 10.9
11	J945930	6	BEARING, CRANKSHAFT, MAIN, STANDARD
11	J945931	6	BEARING, CRANKSHAFT, MAIN, UNDERSIZE 0.25 MM
11	J945932	6	BEARING, CRANKSHAFT, MAIN, UNDERSIZE 0.50 MM
11	J945933	6	BEARING, CRANKSHAFT, MAIN, UNDERSIZE 0.75 MM
11	J945934	6	BEARING, CRANKSHAFT, MAIN, UNDERSIZE 1.00 MM
12	J945929	1	BEARING, CRANKSHAFT, THRUST, STANDARD
12	J945922	1	BEARING, CRANKSHAFT, THRUST, UNDERSIZE 0.25 MM
12	J945923	1	BEARING, CRANKSHAFT, THRUST, UNDERSIZE 0.50 MM
12	J945924	1	BEARING, CRANKSHAFT, THRUST, UNDERSIZE 0.75 MM
12	J945925	1	BEARING, CRANKSHAFT, THRUST, UNDERSIZE 1.00 MM
12	J945926	1	BEARING, CRANKSHAFT, THRUST, STANDARD, OVERSIZE 0.25 MM
12	J945927	1	BEARING, CRANKSHAFT, THRUST, STANDARD, OVERSIZE 0.50 MM
12	J945928	1	BEARING, CRANKSHAFT, THRUST, UNDERSIZE 0.50MM, OVERSIZE 0.50 MM
13	J918113	1	SHIELD, (ORDER A777790, REF 14)
14	A77790	1	KIT, SEALS, CRANKSHAFT, FRONT, (INCLUDES REFS. 15-18)
15	NSS	1	NOT SERVICED SEPARATELY, SEAL
16	NSS	1	NOT SERVICED SEPARATELY, TOOL
17	NSS	1	NOT SERVICED SEPARATELY, TOOL
18	J918113	1	SHIELD,
19	A77808	1	KIT, SERVICE, CRANKSHAFT, FRONT (INCLUDES REFS. 20-23)
20	NSS	1	NOT SERVICED SEPARATELY, SLEEVE
21	NSS	1	NOT SERVICED SEPARATELY, TOOL
22	NSS	1	NOT SERVICED SEPARATELY, SEAL
23	J924987	1	SHIELD,
24	J934486	1	KIT, SERVICE, CRANKSHAFT, REAR (INCLUDES REFS. 24A, 25, 26)
24A	NSS	1	NOT SERVICED SEPARATELY, KIT, SERVICE
25	NSS	1	NOT SERVICED SEPARATELY, TOOL
26	NSS	1	NOT SERVICED SEPARATELY, SEAL
27	A77810	1	KIT, SERVICE, CRANKSHAFT, REAR (INCLUDES REFS. 28, 29)
28	NSS	1	NOT SERVICED SEPARATELY, SLEEVE
29	NSS	1	NOT SERVICED SEPARATELY, SEAL

4420 PATRIOT SPRAYER

03-018 CRANKSHAFT

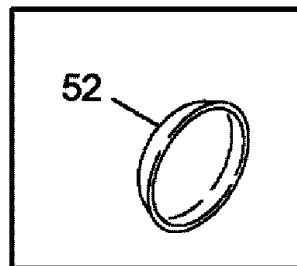
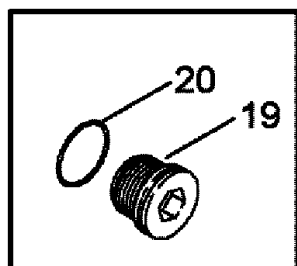
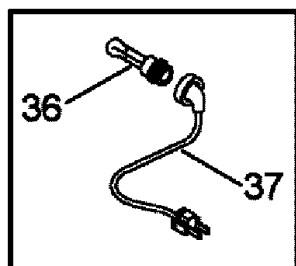
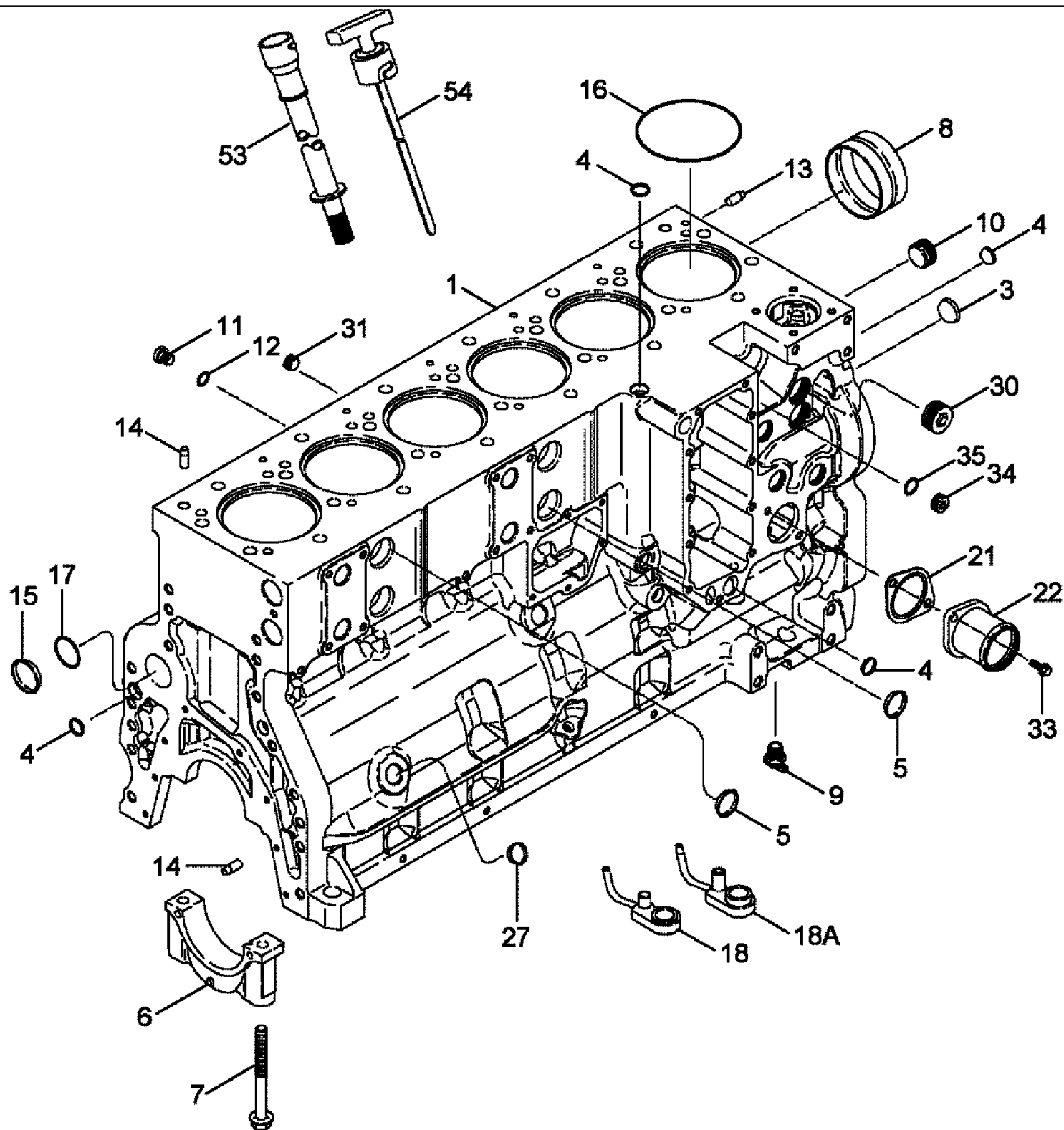
Ref	Part Number	Qty	Description
30	J933262	1	SEAL, OIL, DUST
34	87335719	1	RING, SPEED INDICATOR
35	87335729	4	BOLT, M6 X 1 X12
36	J329899	1	DOWEL, PIN



## 4420 PATRIOT SPRAYER

## 03-019 PISTONS, CONNECTING RODS

Ref	Part Number	Qty	Description
	87343262	6	KIT, SLEEVE, STANDARD, (INCLUDES REFS. 1-8)
1	J948095	1	SLEEVE CYLINDER,
2	J907177	1	O-RING,
3	NSS	1	NOT SERVICED SEPARATELY, PISTON
4	100-21175	2	RING, SNAP, 1.75", Int, #175,
5	87343194	1	KIT, PISTON RINGS, (INCLUDES REFS. 6-8)
6	NSS	1	NOT SERVICED SEPARATELY, RING, TOP
7	NSS	1	NOT SERVICED SEPARATELY, RING, MIDDLE
8	NSS	1	NOT SERVICED SEPARATELY, RING, BOTTOM
9	87342670	6	PIN, PISTON,
9A	J924445	AR	SHIM, 0.254 MM (0.010 IN)
9A	J924446	AR	SHIM, 0.381 MM (0.015 IN)
9A	J924447	AR	SHIM, 0.508 MM (0.020 IN)
9A	J924448	AR	SHIM, 0.762 MM (0.030 IN)
9A	J924449	AR	SHIM, 1.016 MM (0.040 IN)
	87342975	1	CORE-ROD CONNECTING,
	87342865	6	ROD, CONNECTING, (INCLUDES REFS. 10-13)
10	NSS	1	NOT SERVICED SEPARATELY, ROD
11	87343250	1	BUSHING,
12	J928870	2	BOLT,
13	J934864	2	NUT,
14	87356776	6	KIT, SERVICE, BEARING LINER, STANDARD
14	87356813	6	KIT, SERVICE, BEARING LINER, UNDERSIZE 0.25 MM
14	87356833	6	KIT, SERVICE, BEARING LINER, UNDERSIZE 0.50 MM
14	87356848	6	KIT, SERVICE, BEARING LINER, UNDERSIZE 0.75 MM
14	87356862	6	KIT, SERVICE, BEARING LINER, UNDERSIZE 1.00 MM



(1) Note: Less Starter, Alternator, Fan, Fan Belt, Air Cleaner, Muffler, Exhaust Manifold, Flywheel and Housing, Oil Fill and Dipstick, Fuel Injection Pump, Injectors and Lines, Front Pulley, Belt Tensioner, Turbocharger and Aftercooler. (2) Note: Basic engines and reman engines are generic engines. The engines are complete internally; however, externally all parts are not supplied with the engines. Check the configuration of the engine being removed, with the configuration of the engine being installed. For any external components not supplied with the engine being installed, reuse those parts from the engine that has just been removed. Do not return



## 4420 PATRIOT SPRAYER

## 03-020 ENGINE-CYLINDER BLOCK

Ref	Part Number	Qty	Description
	87351542	1	ENGINE, BASIC, SERVICE, TIER 3
1	87336996	1	CYLINDER BLOCK, ASSY, STRIPPED, (INCLUDES REFS. 1-8)
3	A77586	3	PLUG, 43 MM
4	A77506	4	PLUG, 21 MM
5	J905401	4	PLUG, 35 MM
6	87444056	7	CAP, MAIN BEARING
7	87444059	14	BOLT, M14 X 128
8	J945329	7	BEARING, CAMSHAFT, BUSHING
	87338079	1	KIT, (INCLUDES REFS. 9-20)
9	217-103	2	COCK, DRAIN, 1/4 PT
10	217-443	1	PLUG, Hex Soc, 1"-11 1/2 NPTF,
11	J678923	6	PLUG, 10 MM, (INCLUDES REF. 12)
12	637-72081	1	O-RING, CI 7, 8.1MM ID x 1.6 Thk,
13	J900257	4	PIN, 16 MM
14	J901846	8	PIN,
15	41-3044	2	PLUG, Exp, 2 3/4", 70 MM
16	J907177	6	O-RING,
17	J926048	2	O-RING, 66 MM ID
18	87739191	6	NOZZLE,
18A	87673839	6	NOZZLE,
19	J678921	1	PLUG, 14 MM, (INCLUDES REF. 20)
20	J678912	1	O-RING,
21	J945603	1	GASKET, WATER INLET
22	J913030	1	FITTING, CONNECTOR, HYD, WATER INLET
27	A77530	4	PLUG, 1-13/64 OD
30	217-441	5	PLUG, Hex Soc, 3/4"-14 NPTF,
31	217-438	6	PLUG, Hex Soc, 1/2"-14,
33	845-8020	2	BOLT, Hex Flg, M8 x 20, 8.8, Full Thd,
34	313244A1	2	PLUG, HEX SOCKET, 22 MM (INCLUDES REF. 35)
35	313246A1	1	O-RING, 19 ID X 2.2MM
	NSS	1	NOT SERVICED SEPARATELY, KIT, ENGINE BLOCK HEATER, SEE FIG. 03-011
36	196466A1	1	CABLE, ELECTRIC, ELEMENT - HEATER
37	NSS	1	NOT SERVICED SEPARATELY, CABLE, ELECTRIC, 1829 MM (72 IN)
41	J900956	3	PLUG, NOT SHOWN
42	87338185	1	BOLT, NOT SHOWN
43	217-438	1	PLUG, Hex Soc, 1/2"-14,
44	87337018	6	BOLT, NOT SHOWN
45	J678923	6	PLUG, NOT SHOWN
46	637-72081	1	O-RING, CI 7, 8.1MM ID x 1.6 Thk, NOT SHOWN
47	J678921	1	PLUG, NOT SHOWN
48	J678912	1	O-RING, NOT SHOWN
49	A77586	3	PLUG, NOT SHOWN
50	J909025	6	SCREW, M8 X 1.25 X 55 NOT SHOWN

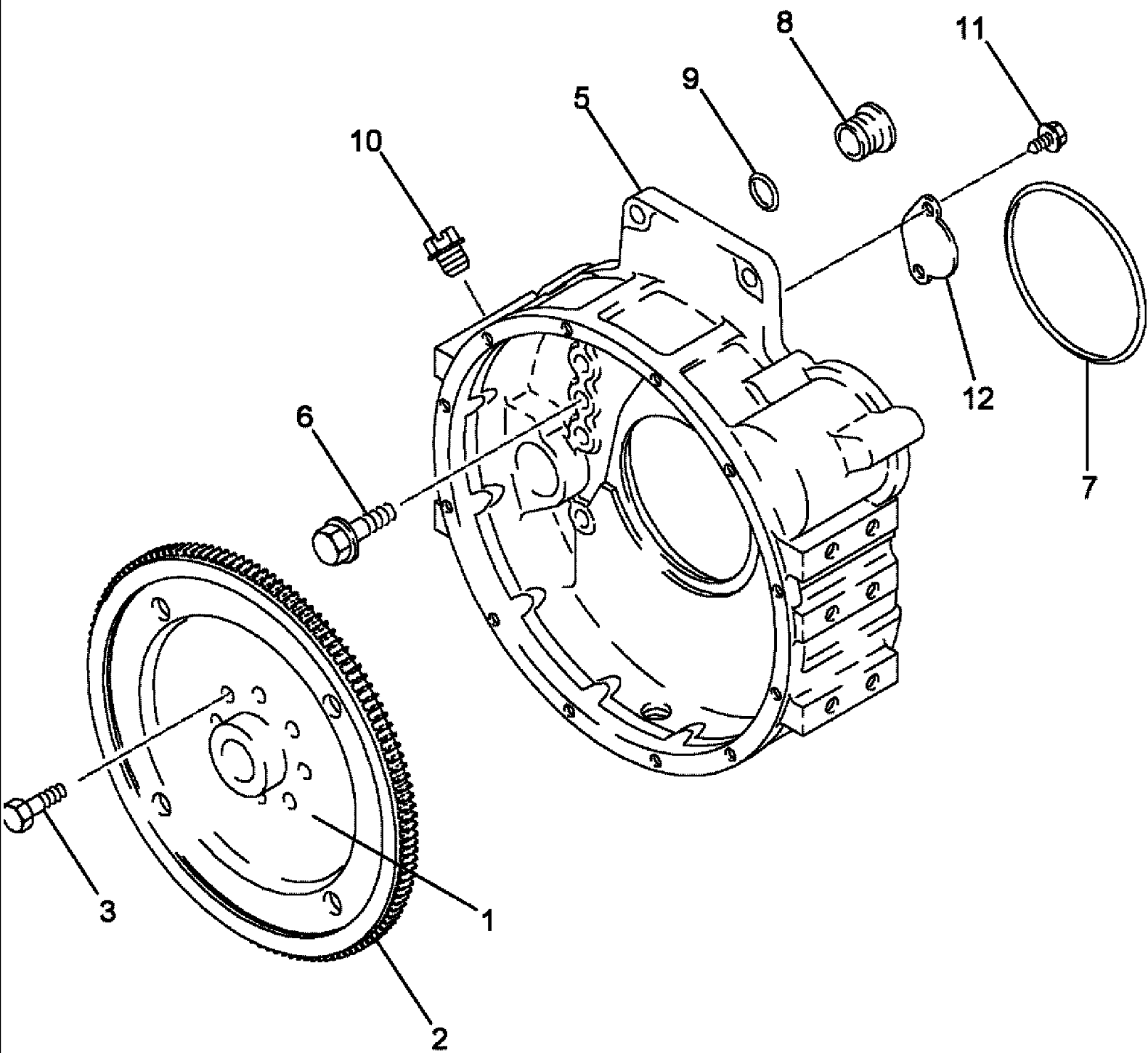
(1) Note: Less Starter, Alternator, Fan, Fan Belt, Air Cleaner, Muffler, Exhaust Manifold, Flywheel and Housing, Oil Fill and Dipstick, Fuel Injection Pump, Injectors and Lines, Front Pulley, Belt Tensioner, Turbocharger and Aftercooler. (2) Note: Basic engines and reman engines are generic engines. The engines are complete internally; however, externally all parts are not supplied with the engines. Check the configuration of the engine being removed, with the configuration of the engine being installed. For any external components not supplied with the engine being installed, reuse those parts from the engine that has just been removed. Do not return

## 4420 PATRIOT SPRAYER

## 03-020 ENGINE-CYLINDER BLOCK

Ref	Part Number	Qty	Description
51	J943670	1	FITTING, NOT SHOWN
52	J943808	1	PLUG,
53	87350622	1	TUBE, ASSY
54	87350502	1	DIPSTICK,

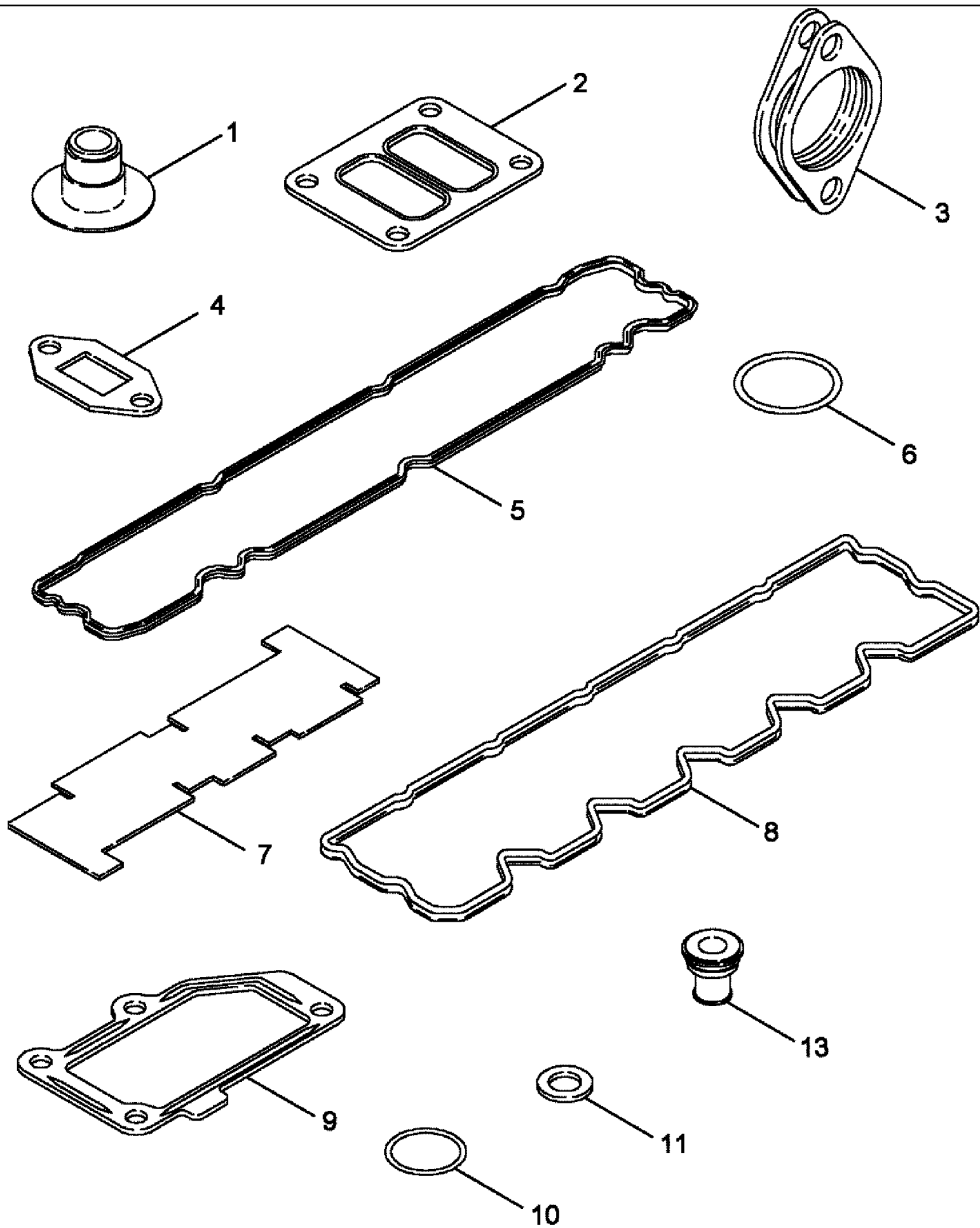
(1) Note: Less Starter, Alternator, Fan, Fan Belt, Air Cleaner, Muffler, Exhaust Manifold, Flywheel and Housing, Oil Fill and Dipstick, Fuel Injection Pump, Injectors and Lines, Front Pulley, Belt Tensioner, Turbocharger and Aftercooler. (2) Note: Basic engines and reman engines are generic engines. The engines are complete internally; however, externally all parts are not supplied with the engines. Check the configuration of the engine being removed, with the configuration of the engine being installed. For any external components not supplied with the engine being installed, reuse those parts from the engine that has just been removed. Do not return



## 4420 PATRIOT SPRAYER

## 03-021 FLYWHEEL AND BACKING PLATE

Ref	Part Number	Qty	Description
1	87690903	1	FLYWHEEL, (INCLUDES REF. 2)
2	J905427	1	GEAR,
3	4894641	8	SCREW, Wash Hd, M12 x 1.25 x 31,
5	J908799	1	HOUSING,
6	854-12040	12	BOLT, Hex Flg, M12 x 40, 10.9,
7	J912473	1	SEALRING,
8	J910248	1	PLUG, (INCLUDES REF. 9)
9	238-5212	1	O-RING, -212, 70 Duro, .859" ID x .139" Thk,
10	353-225	1	PLUG, Sltd Hd, 3/4"-16,
11	J912072	2	SCREW, SELF TAPPING,
12	J925234	1	PLATE,



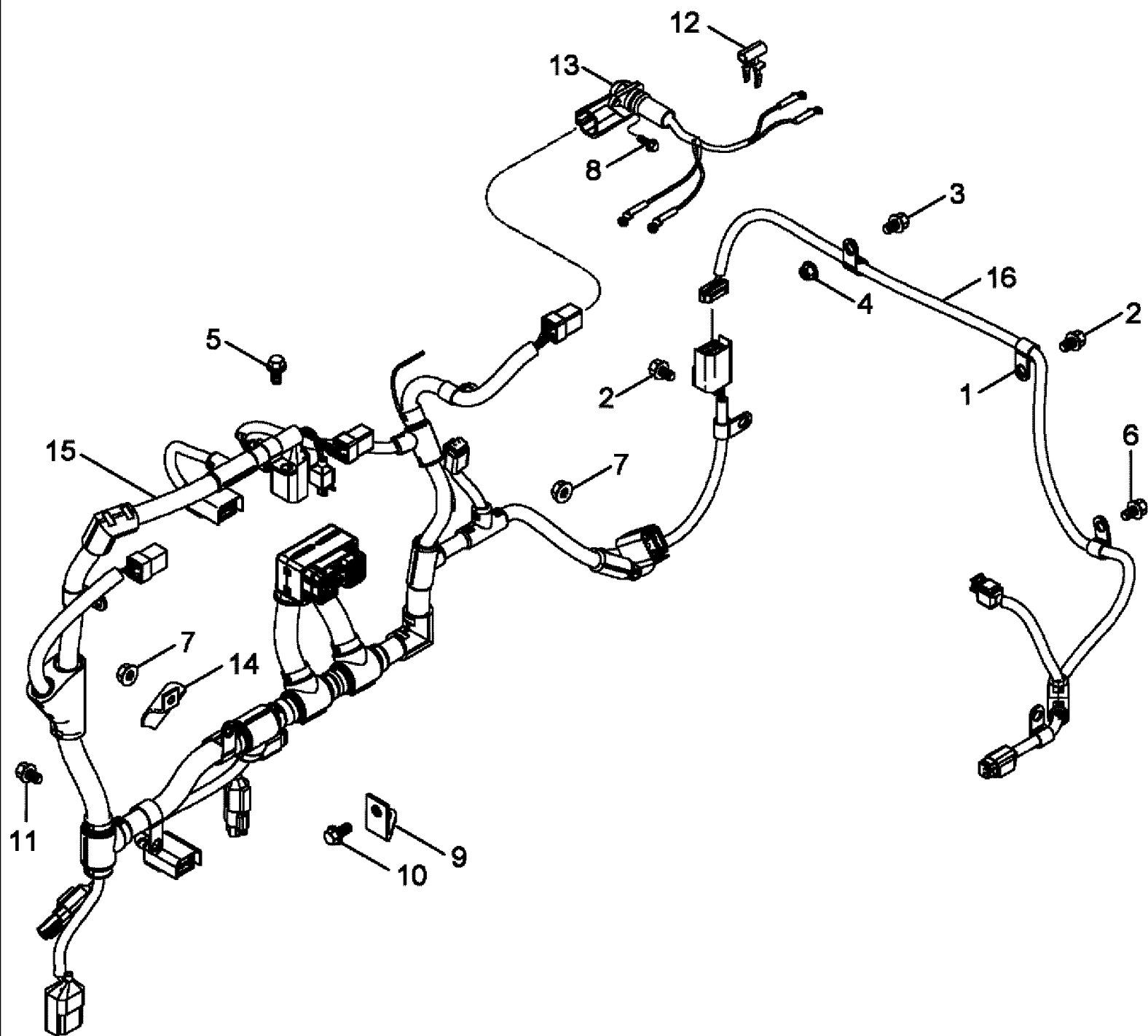
When the valve grind gasket kit is ordered, also order the required cylinder head gasket.

4420 PATRIOT SPRAYER

03-022 GASKET KIT-VALVE GRIND

Ref	Part Number	Qty	Description
	87348974	1	KIT, GASKET, VALVE GRIND, (INCLUDES REFS. 1-13)
1	J943888	12	SEAL, VALVE STEM
2	J901356	1	GASKET, TURBOCHARGER
3	J937479	6	GASKET, MANIFOLD, EXHAUST
4	J937706	1	GASKET, OIL DRAIN
5	87345861	1	GASKET, VALVE COVER
6	87348322	6	SEAL,
7	87404692	1	GAUGE, CYLINDER HEAD
8	87344755	1	GASKET, ROCKER LEVEL HOUSING
9	87335272	2	GASKET,
10	J678603	1	O-RING,
11	313262A1	1	SEAL,
13	87342136	5	ISOLATOR,

When the valve grind gasket kit is ordered, also order the required cylinder head gasket.

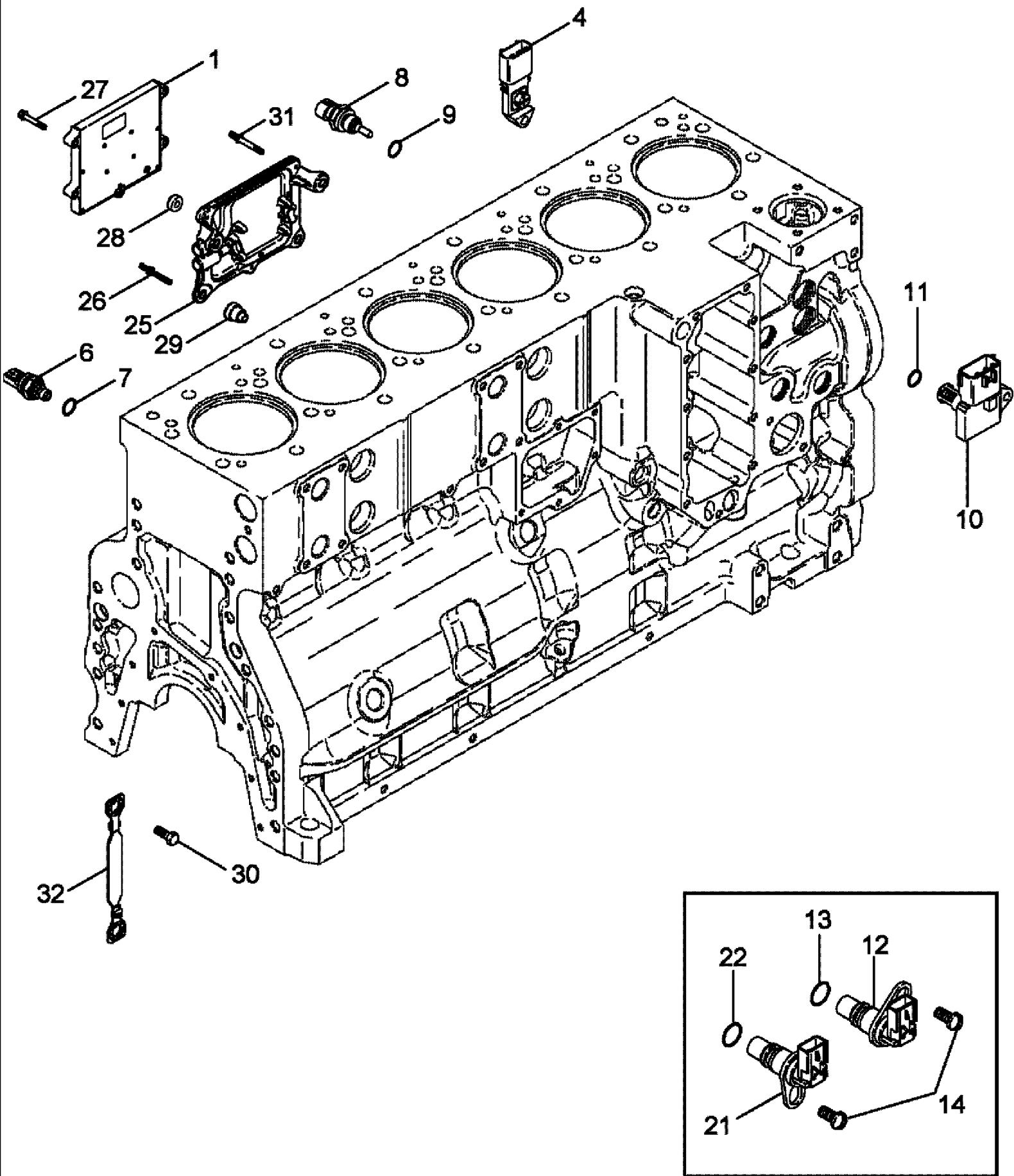


## 4420 PATRIOT SPRAYER

## 03-023 HARNESS-ENGINE CONTROL MODULE

Ref	Part Number	Qty	Description
1	515-23127	1	CLAMP, 1/2", Insul, 3/8" Bolt,
2	313490A1	2	BOLT, M10 X 14
3	615-8012	1	BOLT, Hex, M8 x 12, 8.8, Full Thd,
4	825-2408	1	NUT, M8 x 1.25, Flg, CI 8,
5	845-6010	1	BOLT, Hex Flg, M6 x 10, 8.8, Full Thd,
6	97010C1	1	BOLT, SPREADER, M6 X 12
7	825-2406	3	NUT, M6 x 1, Flg, CI 8,
8	845-6015	3	BOLT, Hex Flg, M6 x 15, 8.8, Full Thd,
9	J919294	1	SUPPORT, TUBE FUEL SUPPLY
10	87346341	1	BOLT,
11	J925883	1	SCREW, M8 X 16, 10.9
12	87346212	8	CLIP, WIRE,
13	87346235	1	HARNESS, WIRE, INJECTOR WIRING
14	87346319	1	BRACE,
15	87481082	1	HARNESS, WIRE, ENGINE ECM
16	87346339	1	HARNESS, WIRE, TEMP SENSOR

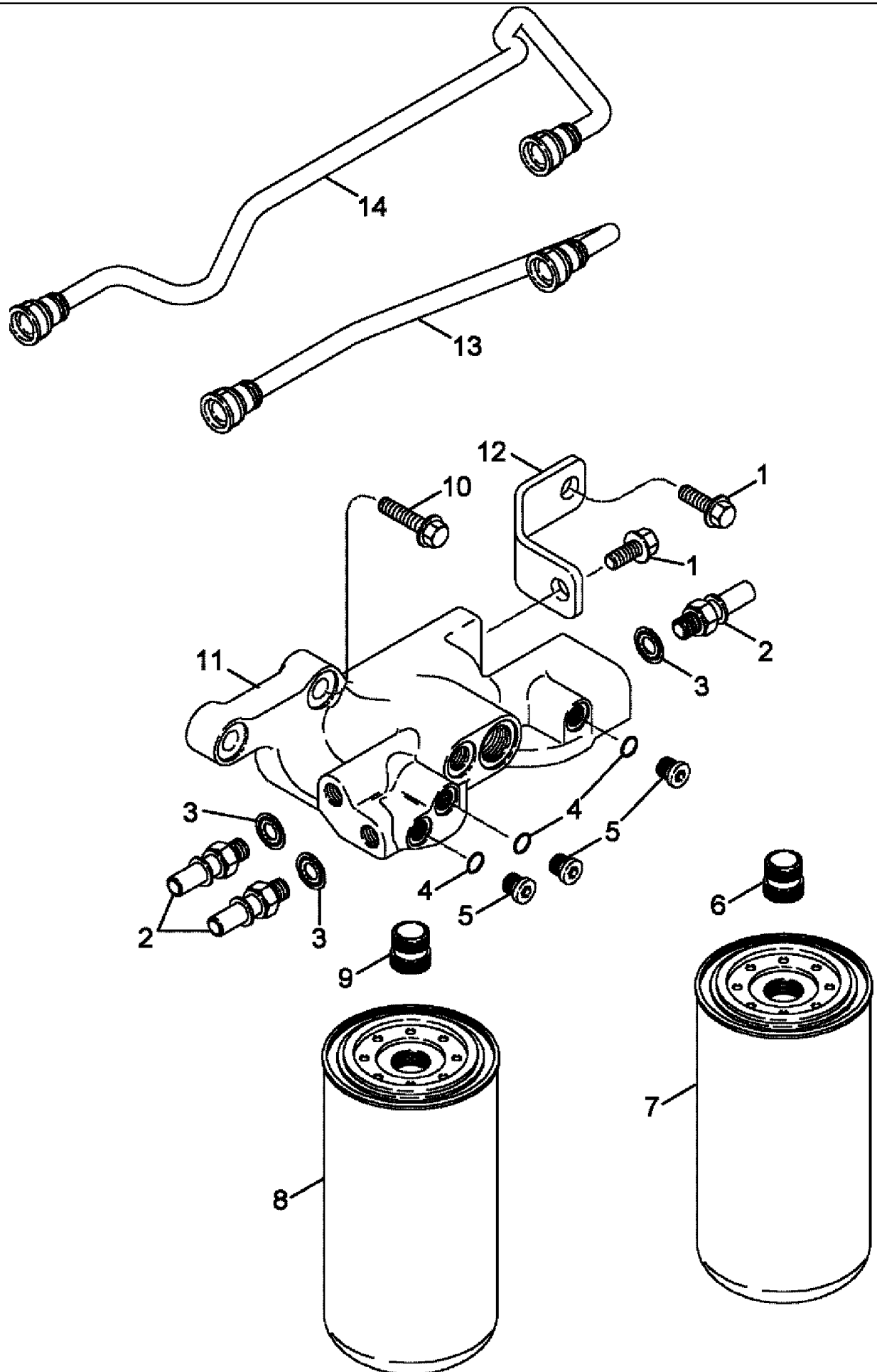




## 4420 PATRIOT SPRAYER

## 03-024 ENGINE-CONTROL MODULE

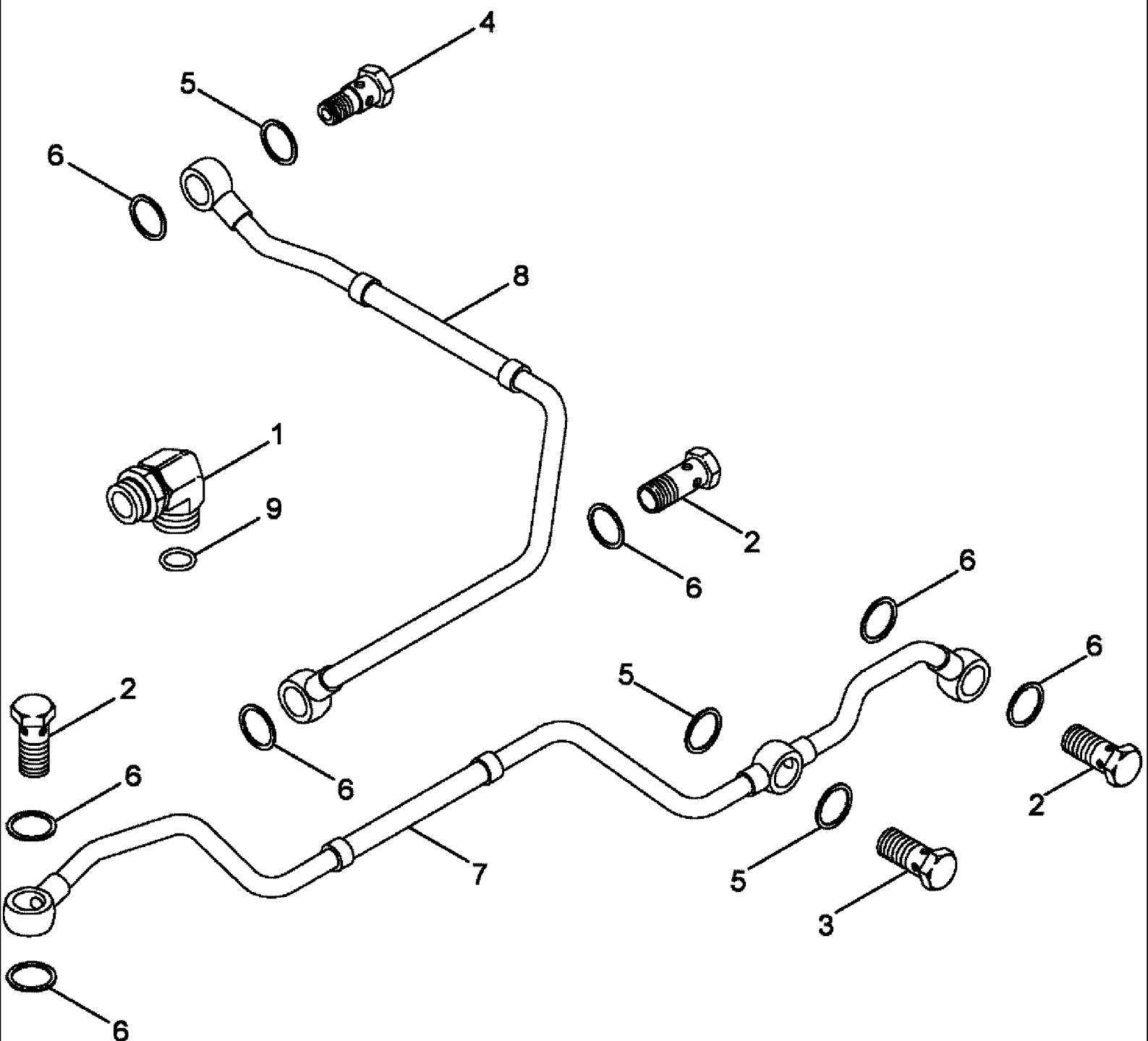
Ref	Part Number	Qty	Description
1	87342193	1	MODULE, ELECTRONIC CONTROL
4	87341871	1	SENSOR, PRESSURE, (INCLUDES REF. 5)
5	J330202	1	O-RING, 11.3 ID X 2.2 MM
6	87568842	1	SENSOR, PRESSURE, (INCLUDES REF. 7)
7	87390019	1	O-RING
	87385019	AR	O-RING, SEAL, ASSOCIATED PART OF SEAL, P/N 87390019
8	87470173	1	SENSOR, TEMPERATURE, (INCLUDES REF. 9)
9	87341887	1	O-RING, 11.3 ID X 2.2 MM
10	87342029	1	SENSOR, (INCLUDES REF. 11)
11	87342065	1	SEAL, RUBBER, 11.3 X 2.2 MM
12	87352952	1	SENSOR, POSITION, (INCLUDES REF. 13)
13	87352938	1	O-RING,
21	87341787	1	SENSOR, (INCLUDES REF. 22)
22	87352938	1	O-RING,
25	87341857	1	COOLER, ASSY
26	J944816	3	SCREW,
27	845-8045	4	BOLT, Hex Flg, M8 x 45, 8.8,
28	87341822	4	ISOLATOR,
29	87341823	4	ISOLATOR,
30	845-8040	2	BOLT, Hex Flg, M8 x 40, 8.8,
31	87341816	1	SCREW,
32	87341820	1	STRAP, GROUND, HARNESS, WIRE
	845-8020	1	BOLT, Hex Flg, M8 x 20, 8.8, Full Thd, NOT SHOWN
	J920854	1	SCREW, Hex Hd, M5 x .8 x 20, w/LW, NOT SHOWN
	87341845	1	SCREW, NOT SHOWN
	J900589	1	NUT, M8 X 1.25, NOT SHOWN
	845-6015	1	BOLT, Hex Flg, M6 x 15, 8.8, Full Thd, NOT SHOWN



## 4420 PATRIOT SPRAYER

## 03-025 FUEL FILTER AND CONNECTIONS

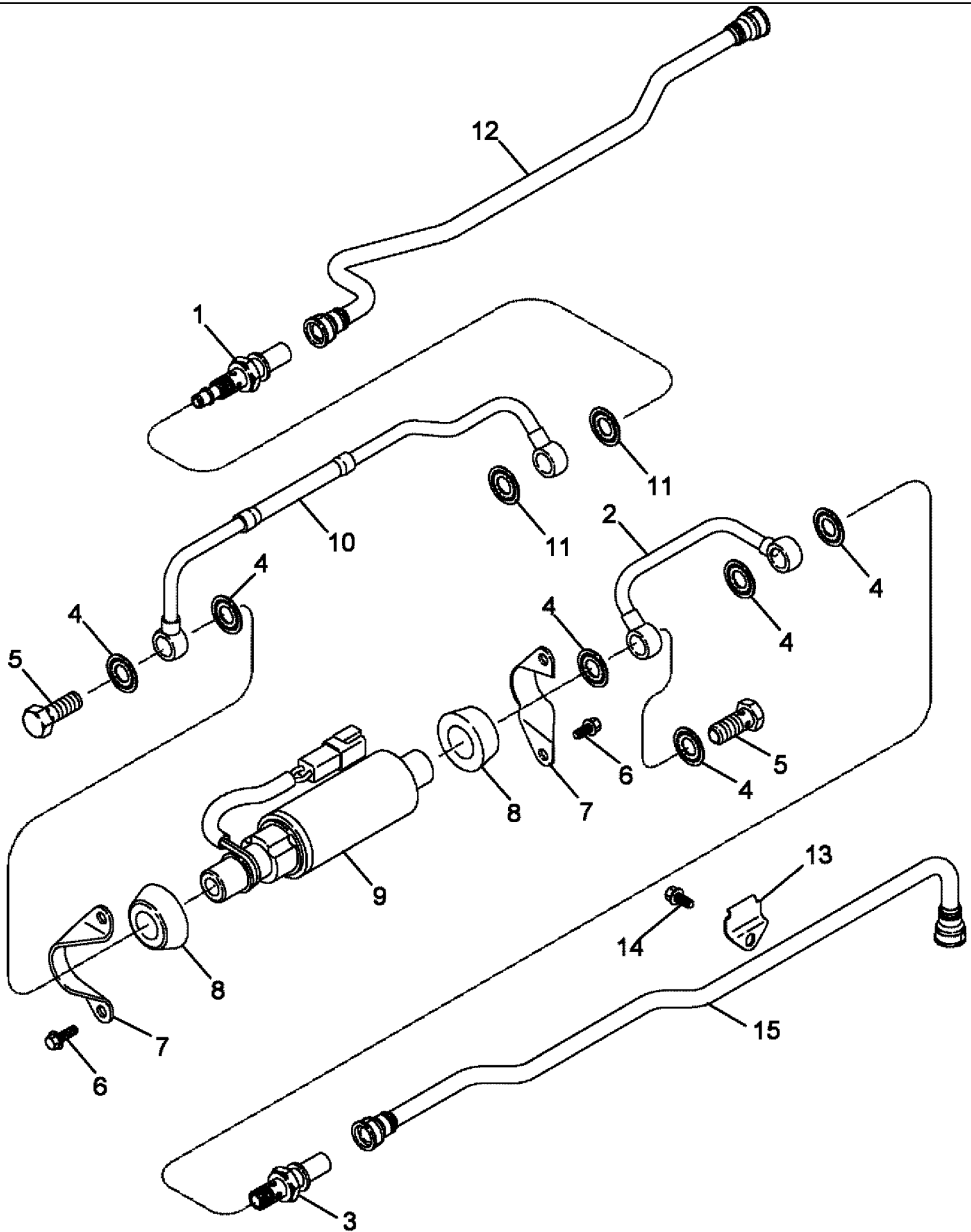
Ref	Part Number	Qty	Description
1	844-10020	2	BOLT, Hex Flg, M10 x 20, 8.8,
2	87349484	3	ADAPTER,
3	87346600	3	WASHER, SEALING,
4	637-72081	3	O-RING, CI 7, 8.1MM ID x 1.6 Thk,
5	J678923	3	PLUG, 10 MM
6	87356155	1	ADAPTER,
7	87356193	1	FILTER, FUEL,
8	87349761	1	FILTER, FUEL,
9	87349753	1	ADAPTER,
10	87349727	2	BOLT,
11	87516348	1	HEAD, FILTER,
12	87356110	1	BRACKET,
13	87341273	1	TUBE ASSY., FUEL SUPPL
14	87341277	1	TUBE, ASSY, FUEL SUPPLY
	326380A1	1	ELBOW, NOT SHOWN



## 4420 PATRIOT SPRAYER

## 03-026 FUEL DRAIN

Ref	Part Number	Qty	Description
1	J3062138	1	(INCLUDES REF. 9)
2	J903035	3	BOLT, BANJO,
3	J924725	1	BOLT, BANJO,
4	87346562	1	VALVE, CHECK,
5	87417767	3	WASHER, SEALING, RING, PACKING
6	87346600	7	WASHER, SEALING,
7	87515937	1	TUBE, FUEL DRAIN
8	87515950	1	TUBE, FUEL DRAIN
9	237-8008	1	O-RING, 8-1, CI 8, .644" ID x .087" Thk,

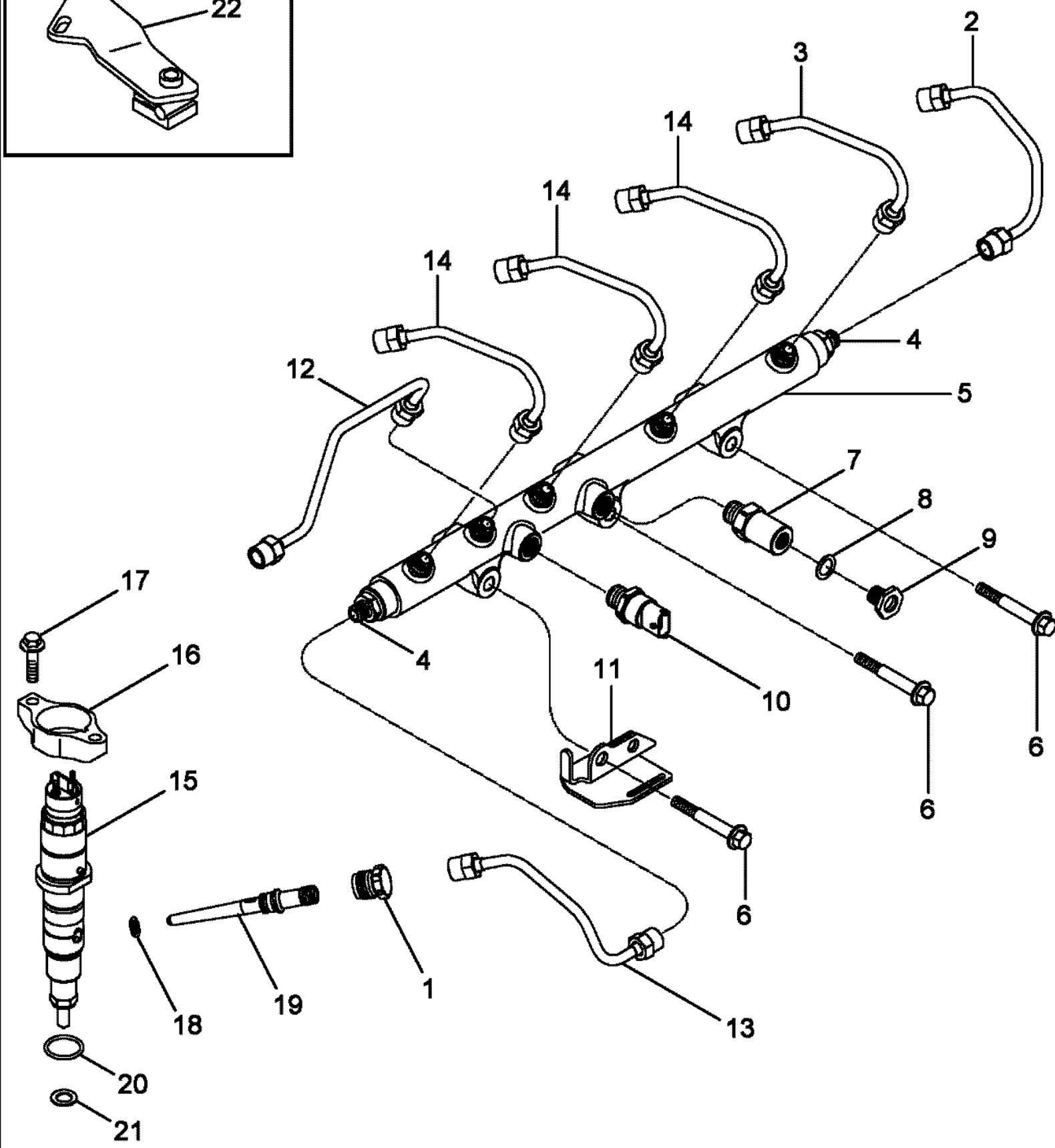
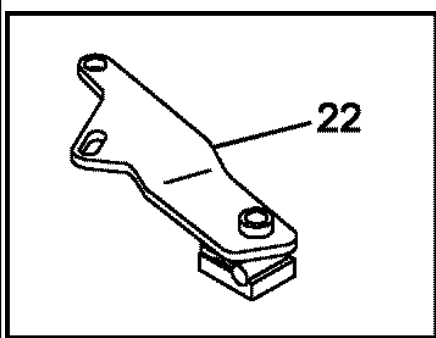


## 4420 PATRIOT SPRAYER

## 03-027 PUMP FUEL TRANSFER

Ref	Part Number	Qty	Description
1	87346904	1	VALVE, CHECK,
2	87346902	1	TUBE ASSY., FUEL SUPPLY
3	87346936	1	ADAPTER,
4	87346600	6	WASHER, SEALING,
5	J903035	2	BOLT, BANJO,
6	845-6015	4	BOLT, Hex Flg, M6 x 15, 8.8, Full Thd,
7	87346733	2	BRACKET,
8	87346917	2	ISOLATOR,
9	87346909	1	PUMP, FUEL INJECTION,
10	87346734	1	TUBE ASSY., FUEL SUPPLY
11	87417767	2	WASHER, SEALING, RING, PACKING
12	87339066	1	TUBE ASSY.,
13	87339057	1	BRACKET,
14	J925883	1	SCREW,
15	87339061	1	TUBE ASSY.,

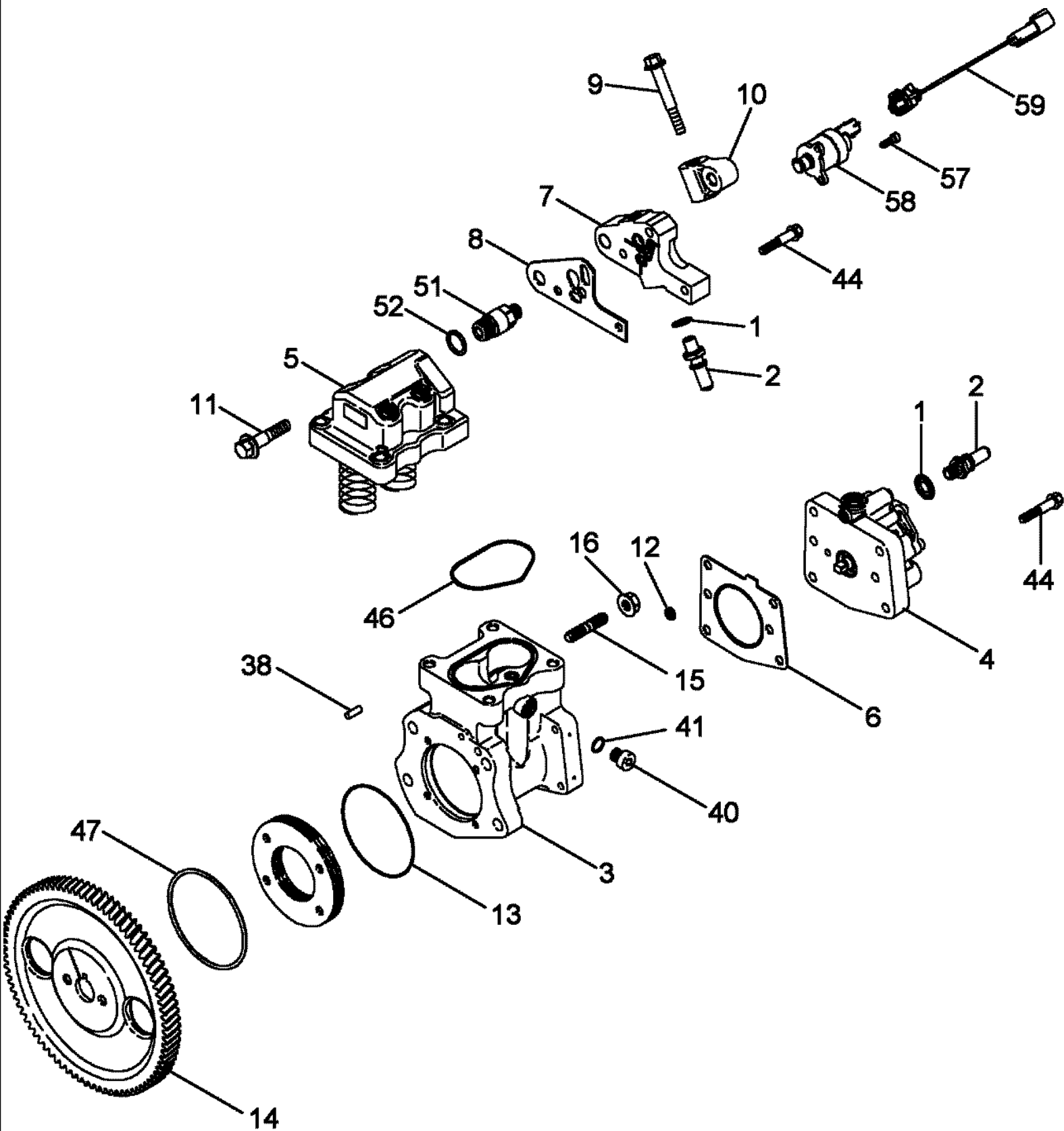




## 4420 PATRIOT SPRAYER

## 03-028 FUEL INJECTION SYSTEM

Ref	Part Number	Qty	Description
1	87347221	6	RETAINER,
2	87348184	1	TUBE, ASSY
3	87248175	1	ASSY
4	87348150	2	FITTING, HIGH PRESSURE FUEL
5	87347257	1	KIT, MANIFOLD
6	854-10070	3	BOLT, Hex Flg, M10 x 70, 10.9,
7	87347275	1	VALVE, PRESSURE RELIEF,
8	87348161	1	WASHER, SEALING,
9	87348154	1	ADAPTER,
10	87727942	1	SENSOR,
11	87348302	1	BRACKET, TUBE
12	87348190	1	TUBE, ASSY
13	87348171	1	TUBE, ASSY
14	87348283	3	TUBE, ASSY
15	87538119	6	INJECTOR, FUEL SYSTEM,
16	87343005	6	CLAMP,
17	87343006	12	BOLT,
18	87348322	6	SEAL,
19	87348301	6	FITTING, CONNECTOR, (INCLUDES REF. 18)
20	NSS	6	NOT SERVICED SEPARATELY, SEAL
21	J923261	6	WASHER,
22	87526423	1	



## 4420 PATRIOT SPRAYER

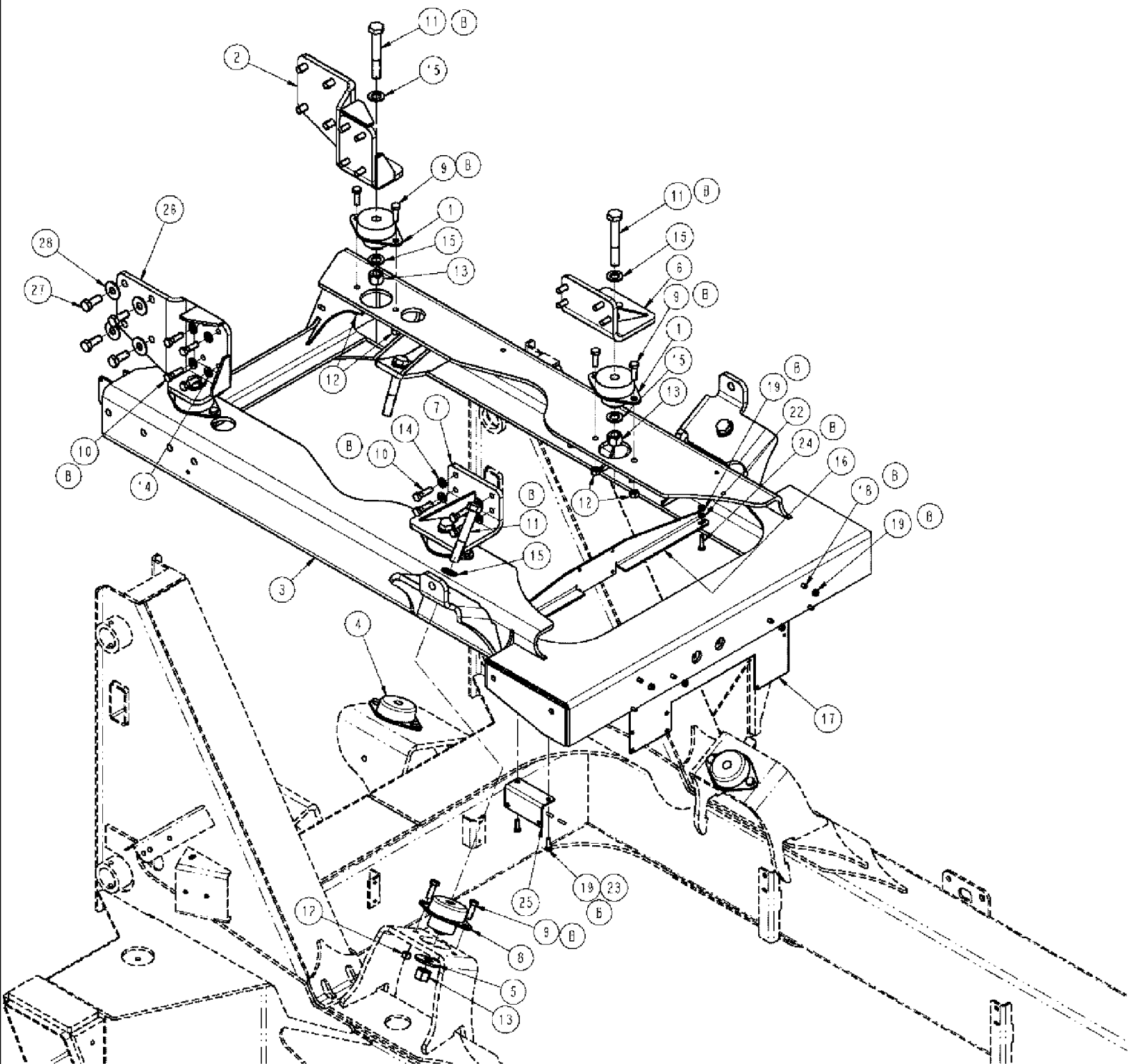
## 03-029 FUEL INJECTION,PUMP AND DRIVE

Ref	Part Number	Qty	Description
1	87346600	3	WASHER, SEALING,
2	87349484	3	ADAPTER,
3	87351467	1	BODY, FUEL PUMP
4	87351478	1	PUMP, FUEL,
5	87684601	1	HEAD, FUEL PUMP
	J867641	4	O-RING, SEAL , SERVICE PARTS FOR REF. 5
	J867651	2	SEAL, SEAL, SERVICE PARTS FOR REF. 5
	87351522	1	FITTING, HIGH PRESSURE FUEL, SERVICE PARTS FOR REF. 5
	87351523	1	WASHER, SEALING, , SERVICE PARTS FOR REF. 5
	87351524	2	WASHER, SEALING, , SERVICE PARTS FOR REF. 5
	87351525	2	PLUG, O RING, SERVICE PARTS FOR REF. 5
	87351528	2	PLUG, THREADED, SERVICE PARTS FOR REF. 5
	87351531	2	WASHER, SEALING, , SERVICE PARTS FOR REF. 5
6	87377387	1	GASKET, COVER PLATE
7	87351486	1	ADAPTER, FUEL PUMP
8	87351493	1	GASKET, FUEL PUMP TO GEAR PUMP
9	844-10070	1	BOLT, Hex Flg, M10 x 70, 8.8,
10	87346420	1	SUPPORT,
11	854-12050	1	BOLT, Hex Flg, M12 x 50, 10.9,
12	J926722	1	SEAL,
13	238-7241	2	O-RING, -241, CI 7, 3.859" ID x .139" Thk,
14	J942764	1	GEAR, FUEL PUMP
15	86991263	4	STUD, M10 X 55 MM (2-5/32 IN)
16	825-2410	4	NUT, M10 x 1.5, Flg, CI 8,
38	J329899	1	DOWEL, PIN
39	J330252	1	WASHER, NOT SHOWN
40	J678923	3	PLUG, (INCLUDES ITEM 41)
41	637-72081	1	O-RING, CI 7, 8.1MM ID x 1.6 Thk,
42	J867640	1	O-RING, NOT SHOWN
43	J926593	1	NUT, M20 X 1.5 NOT SHOWN
44	854-8040	7	BOLT, Hex Flg, M8 x 40, 10.9,
45	87351459	4	SCREW, NOT SHOWN
46	J4010636	1	O-RING, PUMP BODY
47	87351514	1	SEAL,
48	87351521	4	BOLT, NOT SHOWN
49	J867641	4	O-RING, NOT SHOWN
50	J867651	2	SEAL, NOT SHOWN
51	87351522	1	FITTING, HIGH PRESSURE
52	87351523	1	WASHER, SEALING,
53	87351524	2	WASHER, SEALING, NOT SHOWN
54	87351525	2	PLUG, NOT SHOWN
55	87351528	2	PLUG, NOT SHOWN
56	87351531	2	WASHER, SEALING, NOT SHOWN

## 4420 PATRIOT SPRAYER

## 03-029 FUEL INJECTION,PUMP AND DRIVE

Ref	Part Number	Qty	Description
57	87351533	3	SCREW,
58	87351534	1	ACTUATOR, ETR FUEL
59	NSS	1	NOT SERVICED SEPARATELY, HARNESS, WIRE, (ORDER 87351534)
60	87351536	1	ADAPTER, FUEL PUMP, NOT SHOWN
61	87351504	1	HUB, ASSY, DISTRIBUTOR DRIVE, NOT SHOWN

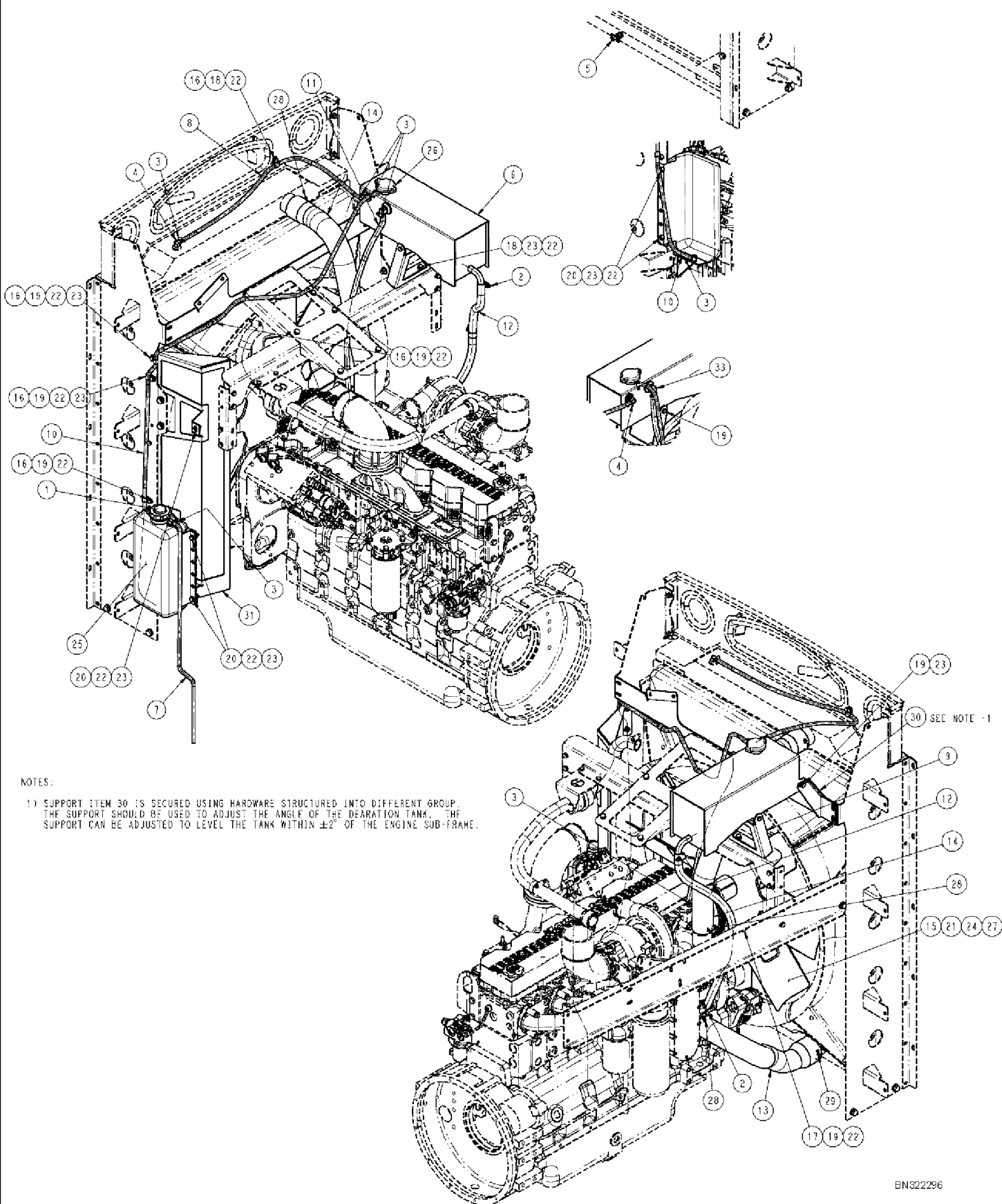


## 4420 PATRIOT SPRAYER

## 03-030 ENGINE MOUNTING GROUP

Ref	Part Number	Qty	Description
1	BN304252	4	MOUNTING PARTS, MOTOR 778
2	87265495	2	PLATE, MOUNTING, ENGINE/GEAR BOX LH
3	87268621	1	PLATE, MOUNTING, WLDMNT, ENGINE MOUNT
4	BN322889	2	PLATE, MOUNTING, CENTER BONDED
5	BN322925	4	WASHER, REBOUND M20
6	87266227	1	PLATE, MOUNTING, WELDMENT, ENGINE, LH
7	87266228	1	PLATE, MOUNTING, WELDMENT, ENGINE, RH
8	BN324263	2	PLATE, MOUNTING, CENTER BONDED
9	87342014	16	BOLT, M12 X 35,10.9
10	87022683	16	BOLT, Hex, M12 x 40, 10.9, Full Thd,
11	87341998	8	BOLT, M20 X 130,10.9
12	86980516	16	NUT, P/T ALL MTL M12 8 DOR
13	87024336	8	NUT, P/T ALL MTL M20-2.5 10 DOR
14	86981496	16	WASHER, M13.5 x 24.5 x 3, HT,
15	896-11020	12	WASHER, M20 x 37.5 x 4, HT,
16	87739925	1	MOUNT,VALVE
17	342909A1	1	PLATE, MOUNTING, HYD VALVES
18	86980379	4	BOLT, M8-1.25 X 20, HH, 8.8, DO
19	86980514	8	NUT, M8 CL8 P/T ALL METAL
20	BN307971	0.12	SEALANT, PRIMER - THREAD
21	BN1243001	0.1	LOCTITE, 243-31 REMOVABLE
22	895-11008	2	WASHER, M8 x 16 x 1.6,
23	86980380	2	BOLT, M8-1.25 X 25,HH,8.8,DO
24	86980381	2	BOLT, M8-1.25 X 30,HH,8.8,DO
25	87266513	1	BRACKET, SUPPORTING, MOUNT, RETURN MANIFOLD
26	87266705	1	PLATE, MOUNTING, ENGINE GEAR BOX RH
27	87605320	8	BOLT, 5/8-11 X 1-1/2 5 DOR
28	87529306	8	WASHER, 17.5 X 30 X 4MM HDN DOR

(FRONT LOWER END OF RADIATOR)



NOTES:

- 1) SUPPORT ITEM 30 IS SECURED USING HARDWARE STRUCTURED INTO DIFFERENT GROUP. THE SUPPORT SHOULD BE USED TO ADJUST THE ANGLE OF THE DEAIRATION TANK. THE SUPPORT CAN BE ADJUSTED TO LEVEL THE TANK WITHIN  $\pm 2^\circ$  OF THE ENGINE SUB-FRAME.

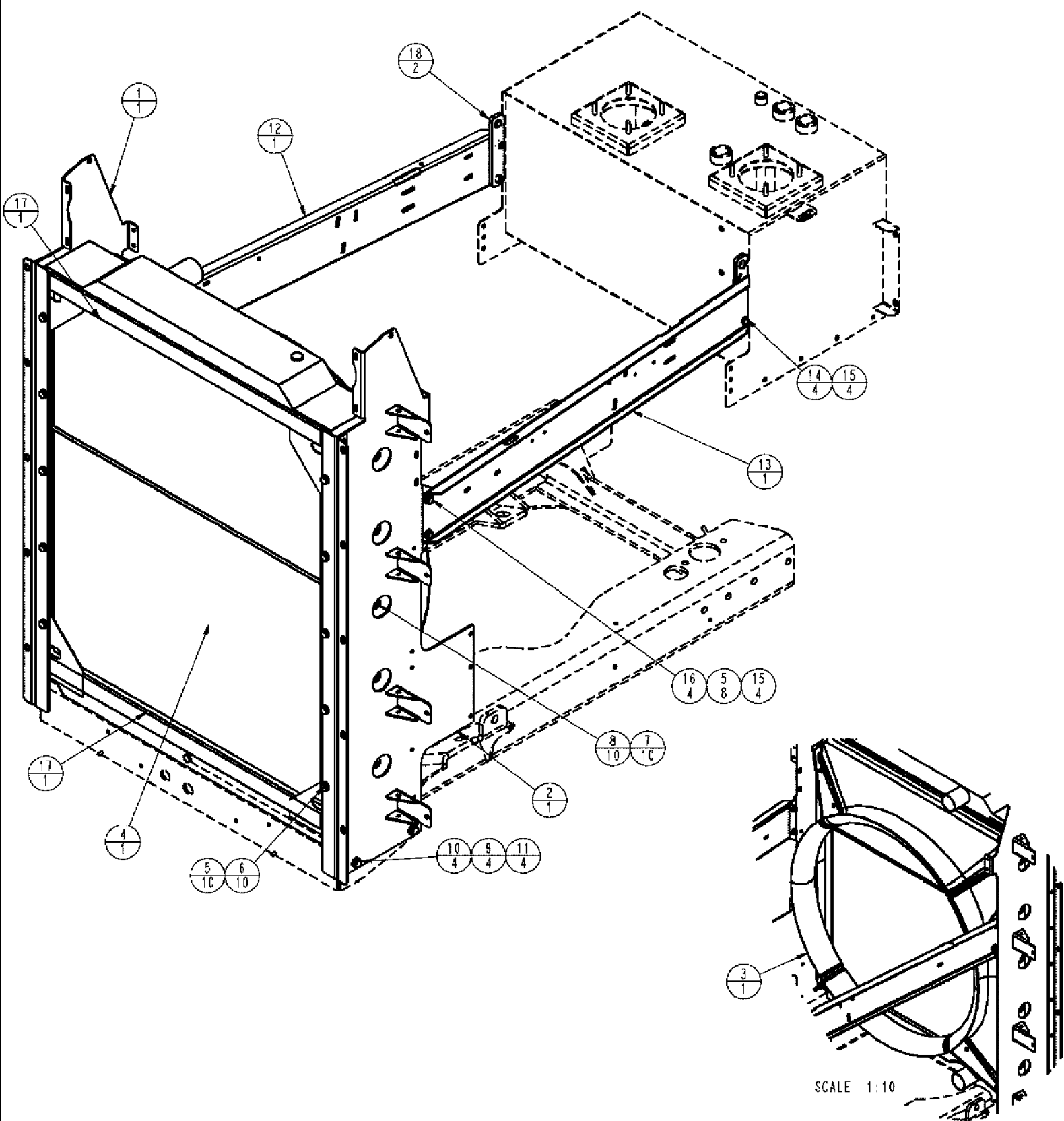
SEE NOTE -1



## 4420 PATRIOT SPRAYER

## 03-031 RADIATOR GROUP COMPONENTS

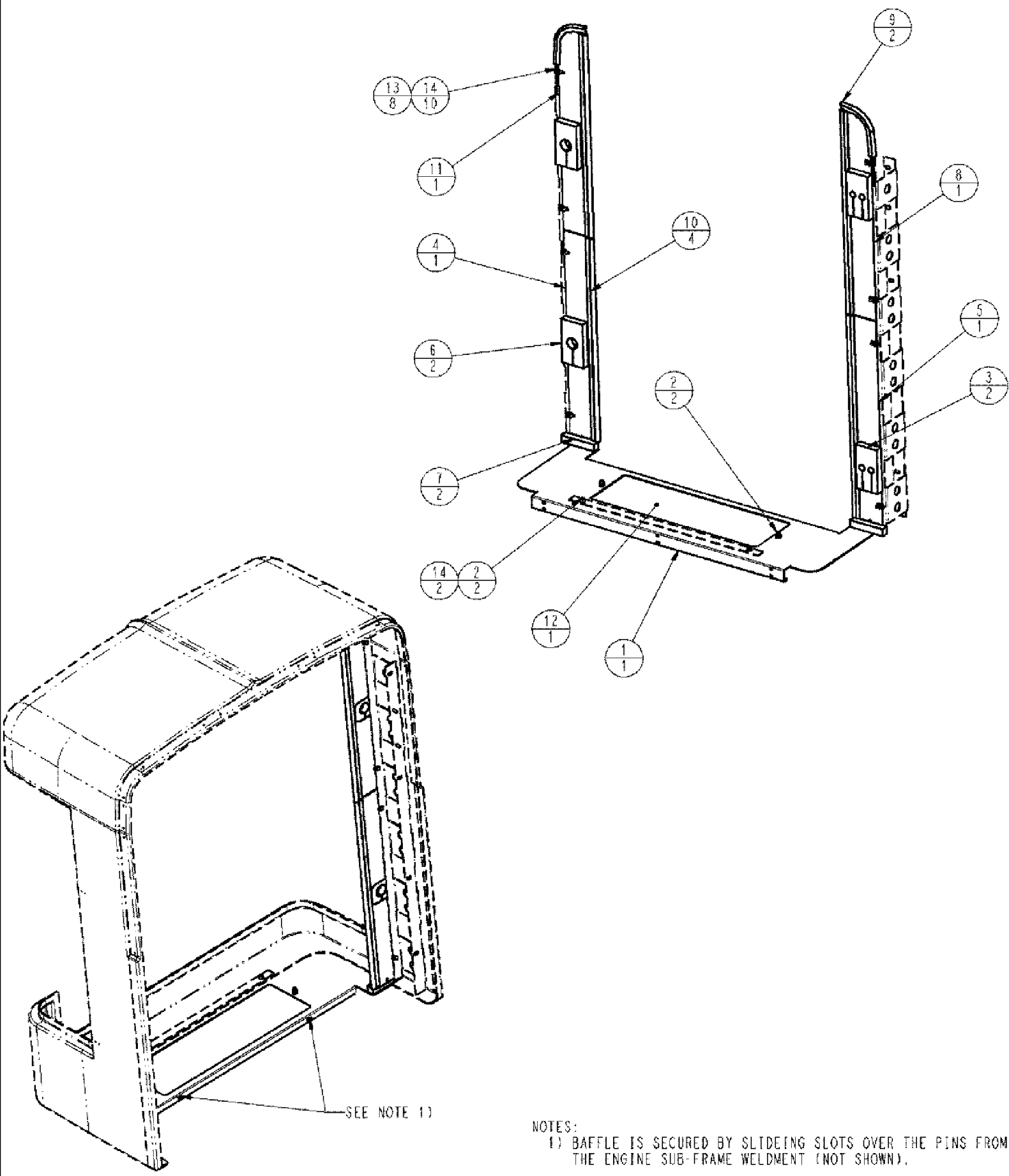
Ref	Part Number	Qty	Description
1	86507190	1	CAP, COOLANT RECOVERY BOTL
2	214-1412	2	CLAMP, HOSE, #12, 0.69/1.25 Type F Worm,
3	214-1704	7	CLAMP, HOSE, #4, 0.25/0.62 Type M Worm,
4	217-291	2	FITTING, 90e, 5/16" Hose x 1/8" NPTF, Barbed,
5	217-92	1	COCK, DRAIN, VALVE, 1/4" WEATHERHEAD
6	87265331	1	TANK, WLD, DEARATION
7	BN314262	1	HOSE, 5/16 X 36 RUBBER
8	BN315971	1	HOSE (METRES), 5/16" X 40"
9	86986821	1	PLATE, MOUNTING, DEARATION TANK
10	BN323163	1	5/16" ID X 80.75"
11	87266290	1	FUEL, 3/8" X 26.5"
12	BN324042	1	3/4" ID X 38"
13	BN324097	1	HOSE, RADIATOR, LOWER
14	BN324098	1	HOSE, RADIATOR, UPPER
15	343228A1	1	FAN, 32 INCH, 778D
16	515-22127	6	CLAMP, 1/2", Insul, 5/16" Bolt,
17	515-23254	1	CLAMP, 1", Insul, 3/8" Bolt,
18	614-8016	3	BOLT, Hex, M8 x 16, 8.8,
19	614-8020	10	BOLT, Hex, M8 x 20, 8.8,
20	614-8025	5	BOLT, Hex, M8 x 25, 8.8,
21	814-10110	4	BOLT, Hex, M10 x 110, 8.8,
22	832-46408	15	NUT, LOCK, M8 x 1.25, CI 8, PREV TRQ METAL
23	895-11008	14	WASHER, M8 x 16 x 1.6, FLAT
24	896-11010	4	WASHER, M10 x 21.5 x 2.5, HT, FLAT
25	90-7717T2	1	RESERVOIR, COOLANT RECOVERY
26	A170241	1	CAP, RADIATOR,
27	A184524	1	SPACER, FAN 80MM
28	L115548	3	CLAMP, 2.5" WORM
29	L115549	1	CLAMP, 3.125" WORM
30	86986822	1	SUPPORT, DEARATION TANK
31	87267486	1	GUARD, WELDMENT, FAN
33	217-132	1	ELBOW, 90e, 3/8" Hose x 1/4" NPTF Beaded, HOSE BARB, 1/4MPT X3/8 X 90 DEG



## 4420 PATRIOT SPRAYER

## 03-032 RADIATOR MOUNT AND SHROUD

Ref	Part Number	Qty	Description
1	87268877	1	PLATE, MOUNTING, RADIATOR WLD, RH
2	87268878	1	PLATE, MOUNTING, RADIATOR WLD, LH
3	303464A2	1	DEFLECTOR, SHROUD, FAN
4	87266225	1	RADIATOR,
5	87529312	18	WASHER, 11 X 24 X 3MM HDN DOR
6	86980399	10	BOLT, HEX HD M10 X 20, CL8.8 DOR
7	87529304	10	WASHER, WASHER, 6.6 X 25 X 1.6MM, CST DOR
8	86980360	10	BOLT, HEX HD M6 X 20, CL8.8 DOR
9	86981496	4	WASHER, M13.5 x 24.5 x 3, HT,
10	86980420	4	BOLT, HEX HD M12 X 30, CL8.8 DOR
11	86980516	4	NUT, PREV TRQ, METAL M12 CL8 DOR
12	87268913	1	SUPPORT, CHANNEL, RH
13	87536156	1	SUPPORT, CHANNEL, LH
14	86980401	4	BOLT, HEX HD M10 X 30, CL8.8 DOR
15	86980515	8	NUT, LOCK, M10 x 1.5, CI 8, PREV TRQ, METAL
16	86980400	4	BOLT, Hex, M10 x 25, 8.8,
17	BN324818	2	INSULATION, FOAM, SEAL
18	343219A1	2	FITTING



SEE NOTE 1)

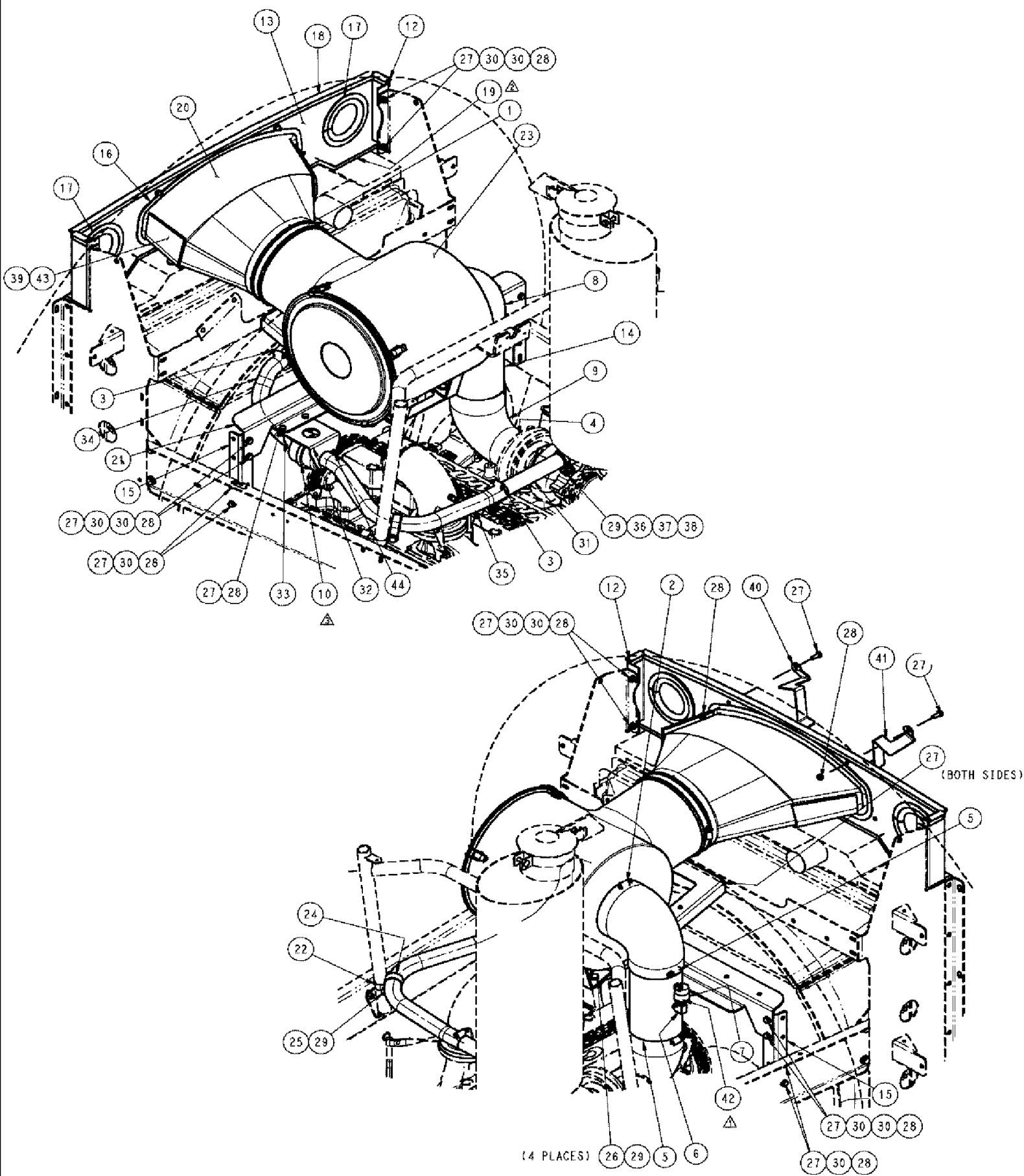
NOTES:

1) BAFFLE IS SECURED BY SLIDING SLOTS OVER THE PINS FROM THE ENGINE SUB-FRAME WELDMENT (NOT SHOWN).

## 4420 PATRIOT SPRAYER

## 03-033 RADIATOR GROUP,BAFFLING

Ref	Part Number	Qty	Description
1	87267789	1	BAFFLE, WLD LOWER RADIATOR
2	8680379	4	HEX HD, M8 X 20 CL8.8 DOR
3	87270178	2	SEAL, FOAM
4	87284519	1	BLADE, BAFFLE, RADIATOR, SIDES
5	87270181	1	BAFFLE, RADIATOR, SIDES
6	87270179	2	SEAL, FOAM
7	BN324105	2	INSULATION, FOAM, SEAL
8	87270180	1	BAFFLE, RADIATOR, SIDES
9	BN324816	2	SEAL, CLIP ON
10	87270182	4	SEAL, CLIP ON
11	87384522	1	BAFFLE, RADIATOR, SIDES
12	86986384	1	COVER, LOWER RAD ACCESS
13	86980514	8	NUT, PREV TRQ METAL M8 CL8 DOR
14	87529315	12	WASHER, 9 X 16 X 1.6MM CS

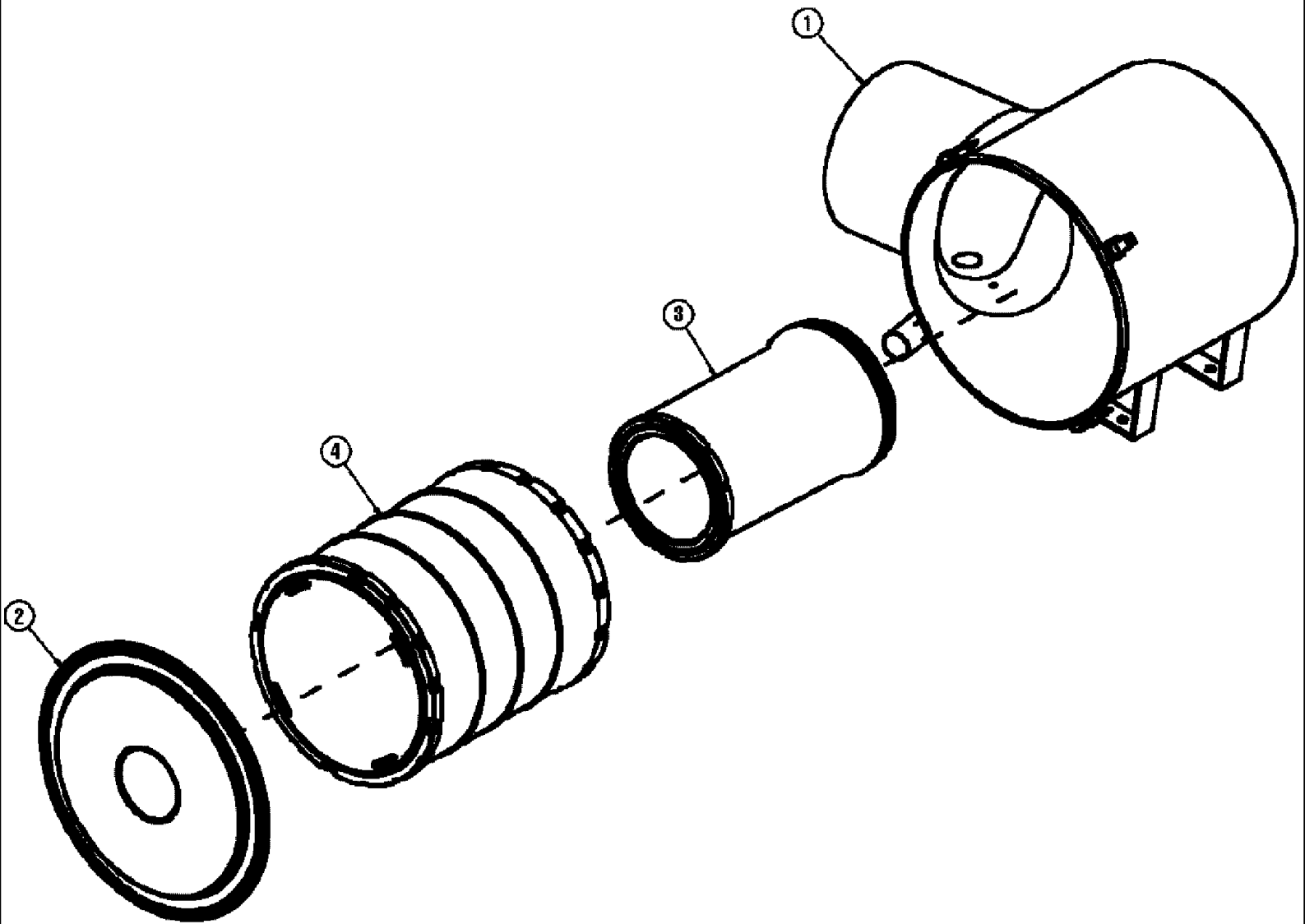


- NOTES:
- 1) INSTALL ITEM 42 WITH GROOVE IN THE HEX AWAY FROM THE INTAKE DUCT.
  - 2) INSTALL ITEM 19 FLUSH WITH FRONT SIDE OF RADIATOR TOP TANK.
  - 3) INSTALL ITEM 10 WITH ARROW POINTING TO MUFFLER AND SHOWING THROUGH HOLE IN ITEM 32.

## 4420 PATRIOT SPRAYER

## 03-034 MOUNT GROUP,AIR CLEANER

Ref	Part Number	Qty	Description
1	214-31160	1	CLAMP, HOSE, 9.25/10.125 HD Worm, W/liner, 10.0 WORM W/LINER
2	214-32104	1	CLAMP, HOSE, 5.75/5.625 HD Worm, W/liner, 6.50 WORM W/LINER
3	214-3232	2	CLAMP, HOSE, 1.25/2.125 HD Worm, W/liner,
4	214-3272	1	CLAMP, HOSE, 3.75/4.625 HD Worm, W/liner,
5	214-3288	2	CLAMP, HOSE, 4.75/5.625 HD Worm, W/liner,
6	217-1050	1	ELBOW, 1/8"-27 NPTF Female,
7	279492A1	1	SWITCH, AIR RESTRICTION
8	BN305658	1	ELBOW, REDUCER 6" X 5" X90
9	BN306335	1	ELBOW, 90 DEGREE 5 X 4
10	307123A1	1	VALVE, ASPIRATOR EXHAUST
11	BN323164	1	HOSE, 1-1/2" X 24" EPDM
12	87265507	2	SEAL, CLIP ON
13	87265502	1	BAFFLE, CAC TUBES
14	BN324221	1	TUBE, AIR INTAKE
15	BN324247	2	PLATE, MOUNTING, AIR CLEANER SPPRT
16	87265503	1	SEAL, CLIP ON
17	87265504	2	SEAL, CLIP ON
18	BN324814	1	SEAL, CLIP ON
19	BN324815	1	INSULATION, FOAM, SEAL
20	BN325298	1	DUCT, AIR FILTER
21	BN325393	1	SUPPORT, AIR CLEANER
22	515-23302	1	CLAMP, 1 3/16", Insul, 3/8" Bolt,
23	363786A1	1	AIR CLEANER, SEE FIG.03-035
24	515-23412	1	CLAMP, 1 5/8", Insul, 3/8" Bolt,
25	614-10020	1	BOLT, Hex, M10 x 20, 8.8, Full Thd,
26	614-10025	4	BOLT, Hex, M10 x 25, 8.8, Full Thd,
28	832-46408	16	NUT, LOCK, M8 x 1.25, CI 8,
29	832-46410	1	NUT, LOCK, M10 x 1.5, CI 8,
30	895-11008	20	WASHER, M8 x 16 x 1.6, FLAT
31	344304A1	1	TUBE, ASPIRATOR
32	344302A1	1	PLATE, MOUNTING, ASPIRATOR VALVE
33	344303A1	1	PLATE, MOUNTING, ASPIRATOR VALVE
34	87265505	1	HOSE, 1.5 (L9) X 15"
35	87265737	1	HOSE, 1.5 (L9) X 27"
36	334985A1	1	CLAMP, EXHAUST
37	614-10035	1	BOLT, Hex, M10 x 35, 8.8, Full Thd,
38	87529312	2	WASHER, 11 X 24 3MM HDN DOR
39	87265501	1	INSULATION, FOAM, REFLECTIVE
40	87265735	1	SUPPORT, AIR DUCT, LH
41	87265736	1	SUPPORT, AIR DUCT, RH
42	D36264	1	FITTING, ADAPTER AIR CLEA
43	BN54039	AR	ADHESIVE, SPRAY 18 OZ., 0.2
44	214-1520	2	CLAMP, HOSE, #20, .81/1.75 Type F Worm, W/liner,

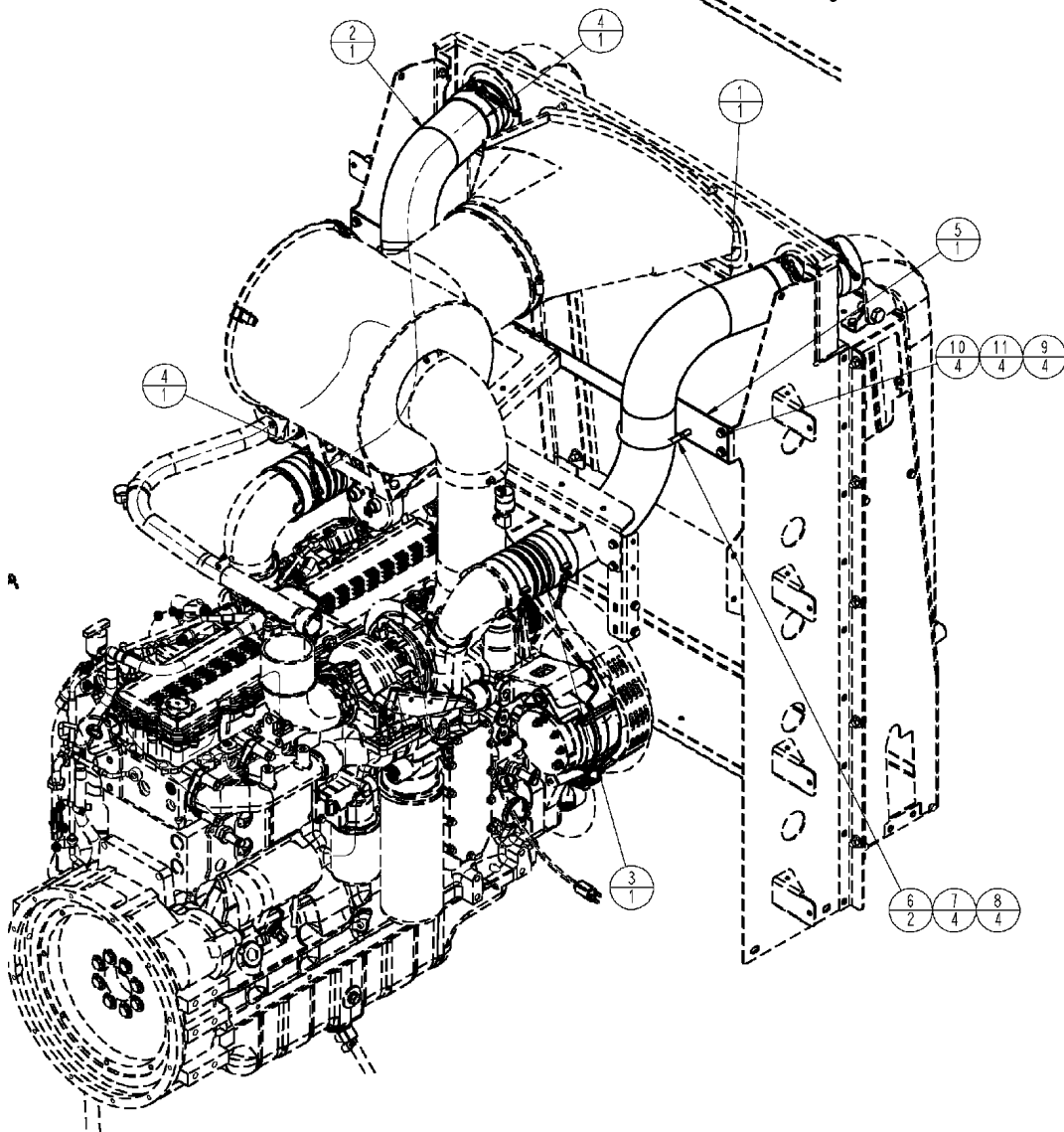
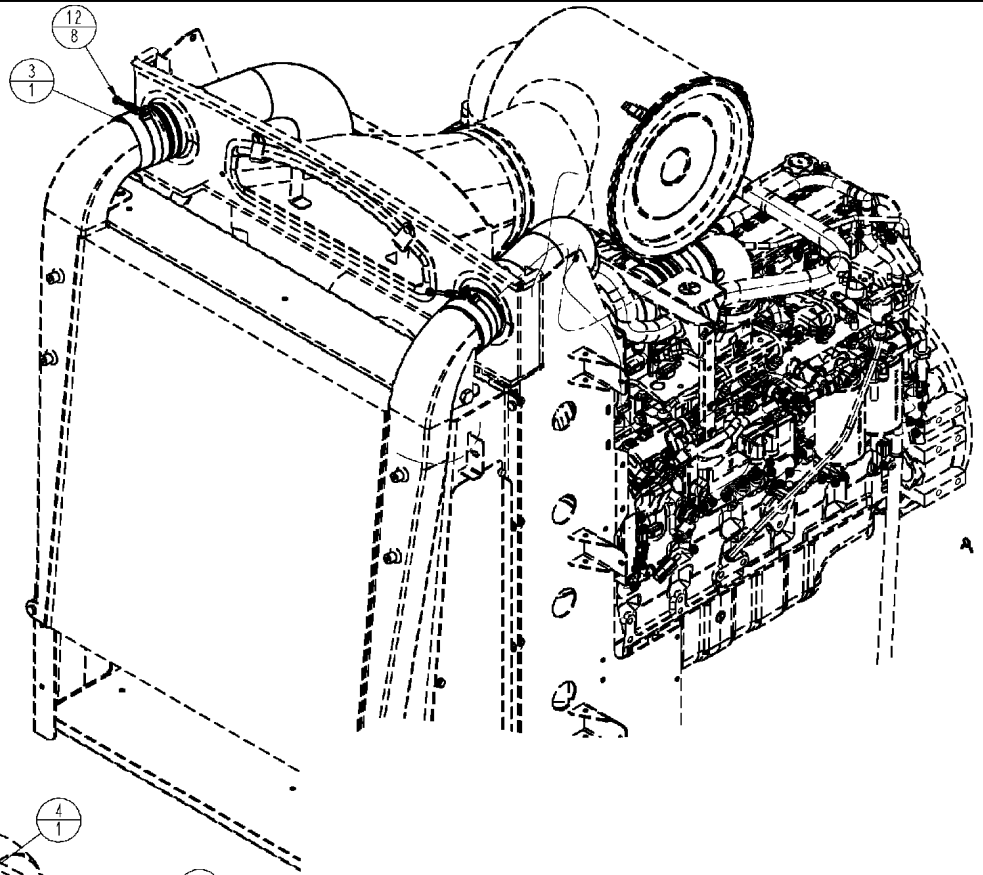




4420 PATRIOT SPRAYER

03-035 AIR CLEANER ASSEMBLY

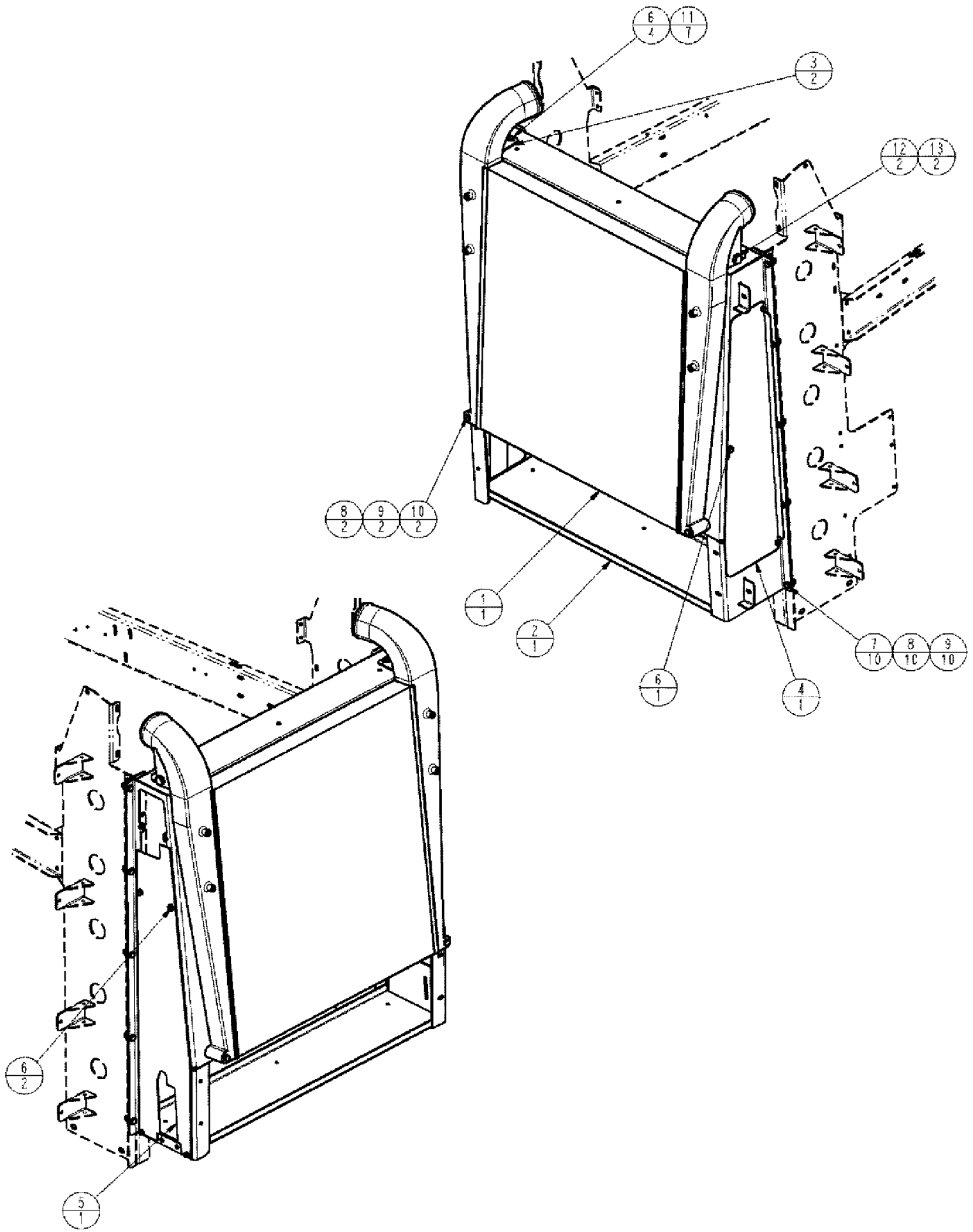
Ref	Part Number	Qty	Description
1	379553A1	1	BODY, ASSEMBLY, AIR CLEANER
2	379554A1	1	COVER, AIR CLEANER
3	367350A1	1	FILTER, SAFETY
4	367349A1	1	FILTER, PRIMARY



## 4420 PATRIOT SPRAYER

## 03-036 TUBES GROUP,AIR INTAKE

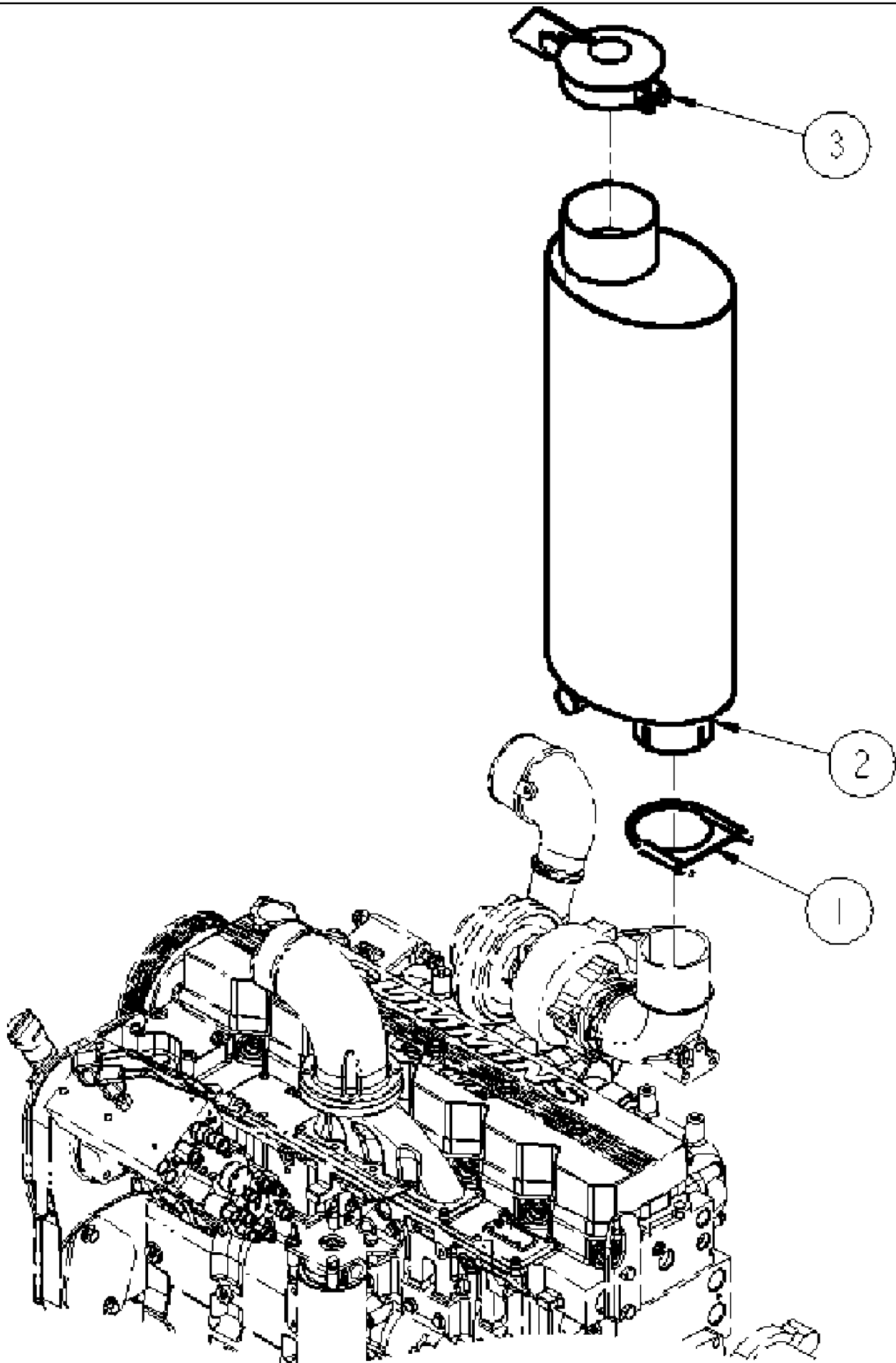
Ref	Part Number	Qty	Description
1	BN323865	1	TUBE, CAC, IN
2	87271816	1	TUBE, CAC OUT
3	251400A1	2	BELLOWS, CAC
4	87306140	2	BELLOWS, CAC
5	87267788	1	SUPPORT, CAC TUBES
6	BN324240	2	U-BOLT, ROUND
7	87529312	4	WASHER, 11 X 24 X 3MM HDN DOR
8	86980515	4	NUT, LOCK, M10 x 1.5, CI 8,
9	87529315	4	WASHER, 9 X 17 X 2MM HDN DOR
10	86980379	4	BOLT, M8-1.25 X 20, HH, 8.8, DOR
11	86980514	4	NUT, P/T ALL MTL M8 8 DOR
12	BN300760	8	CLAMP, CONSTANT TORQ, 4.25



## 4420 PATRIOT SPRAYER

## 03-037 MOUNT GROUP,CAC

Ref	Part Number	Qty	Description
1	437398A1	1	COOLER, CHARGE AIR, TURB
2	87267476	1	PLATE, MOUNTING, FRAME, COOLER
3	BN324237	2	PLATE, MOUNTING, CAC
4	87267574	1	DOOR, LH ACCESS
5	87384510	1	COVER, ACCESS HOLE, RH
6	86980379	7	BOLT, M8-1.25 X 20, HH .8 .8, DO
7	86980400	10	BOLT, Hex, M10 x 25, 8.8,
8	87529312	12	WASHER, 11 X 24 X 3MM HTS DOR
9	86980515	12	NUT, LOCK, M10 x 1.5, CI 8,
10	86980409	4	BOLT, HEX HD M10 X 90 DOR
11	87529315	7	WASHER, 9 X 17 X 2MM HDN DOR
12	86980444	2	BOLT, M16-2 X 40, HH, 8.8, DOR
13	86980517	2	NUT, M16 CL8 P/T ALL METAL



4420 PATRIOT SPRAYER

03-038 EXHAUST GROUP

Ref	Part Number	Qty	Description
1	BN25927	1	CLAMP, SPECIAL, 4" MUFFLER
2	87581011	1	MUFFLER, EXHAUST
3	BN7146489	1	CAP, RAIN , EXHAUST, 5

**ART**

**NOT**

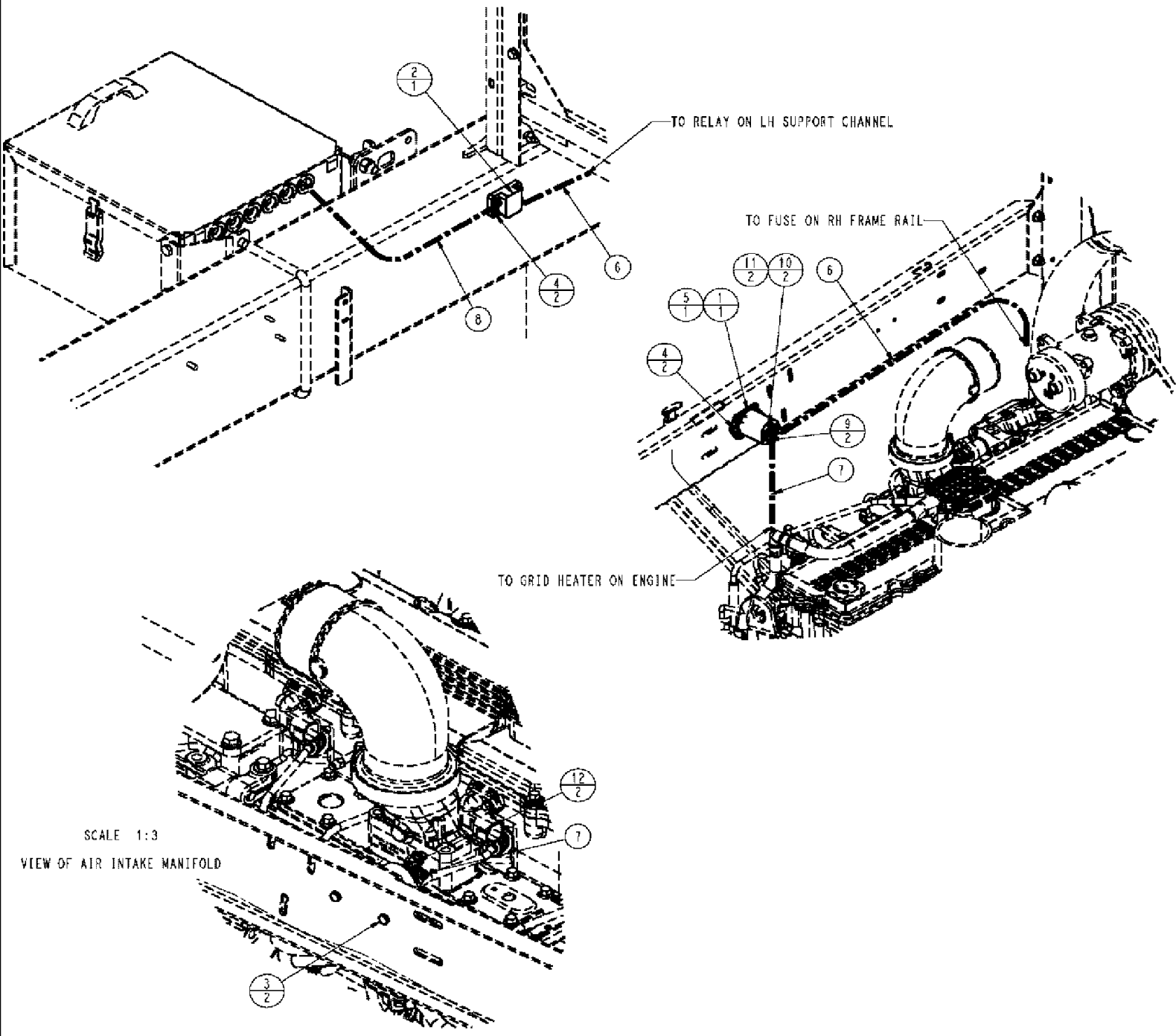
**AVAILABLE**



4420 PATRIOT SPRAYER

03-039 INTERMEDATE START, GROUP

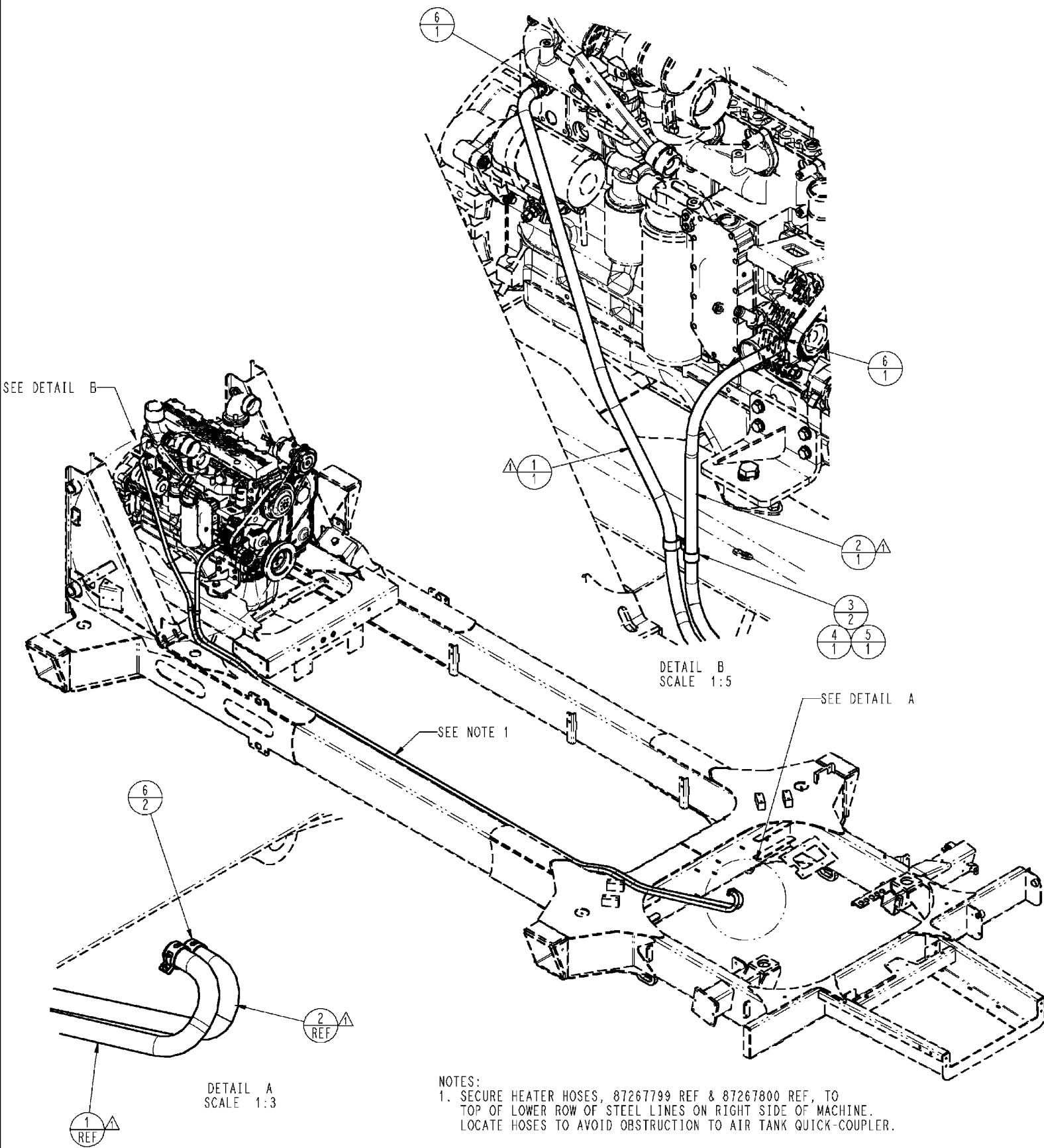
Ref	Part Number	Qty	Description
	178149A1	1	SWITCH, SOLENOID, KIT, SWITCH WITH BARRIER
	515-24190	1	CLAMP, 3/4", Insul, 7/16" Bolt,
	825-15146	2	SERRATED FLANGE M6



## 4420 PATRIOT SPRAYER

## 03-040 GRID HEATER, GROUP

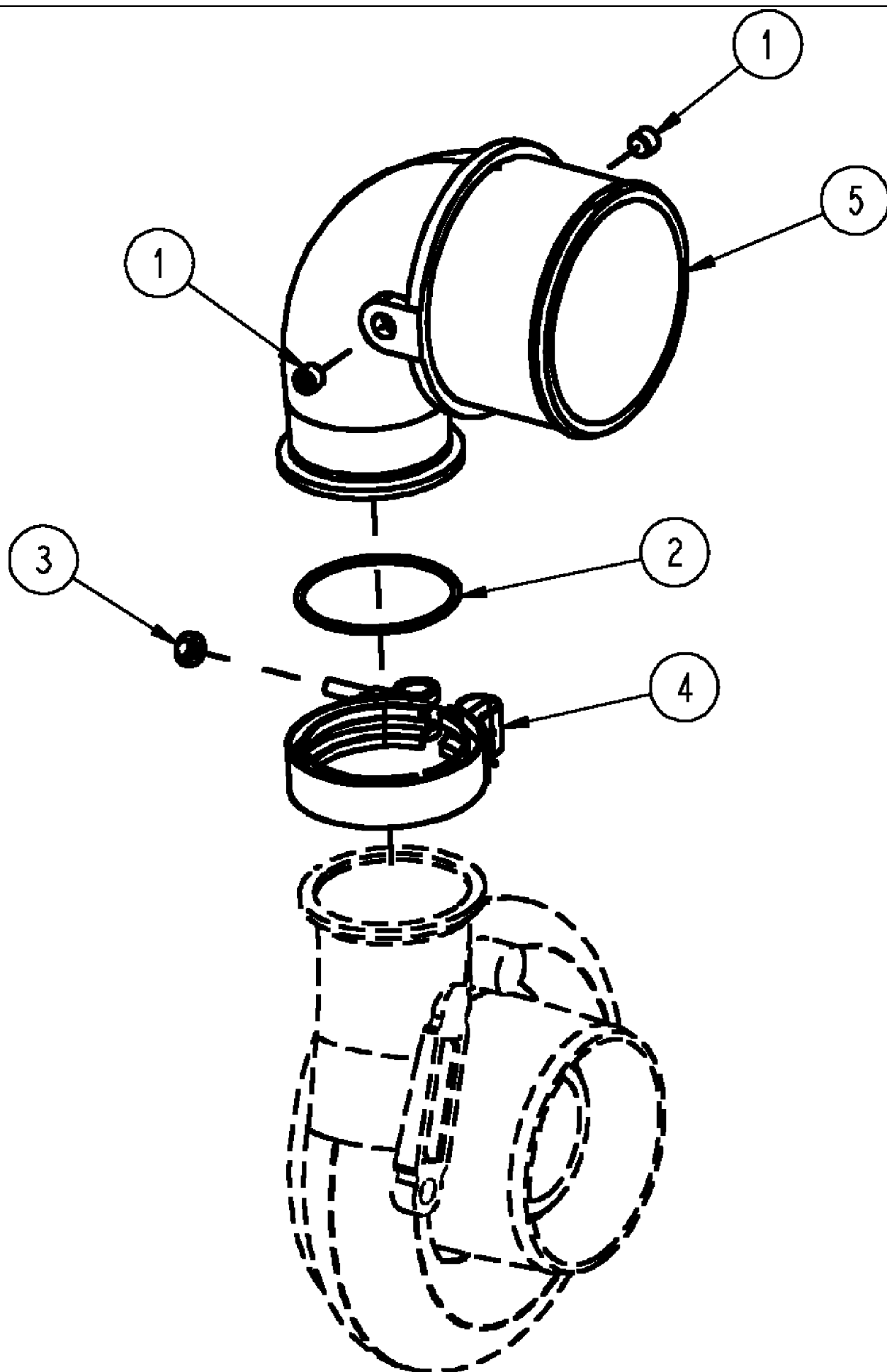
Ref	Part Number	Qty	Description
1	87455571	1	SOLENOID, 200A GRID HEATER
2	BN69860	1	CIRCUIT BREAKER, 150A
3	86980360	2	BOLT, HEX HD M6 X 20 CL8.8 DOR
4	86980513	4	NUT, PREV TRQ METAL M6 CL8 DOR
5	87341554	1	COVER, GLOWPLUG RELAY
6	87389429	1	CABLE, FUSE TO GRID RELAY
7	87389427	1	CABLE, RELAY TO GRID HEATER
8	87391923	1	CABLE, BATTERY TO FUSE
9	231-5145	2	NUT, Flg, USR, 5/16"-18,
10	824-1405	2	NUT, M5, CI 5,
11	895-11005	2	WASHER, M5 x 10 x 1,
12	825-5146	2	NUT, M6, Flg Ser,



## 4420 PATRIOT SPRAYER

## 03-041 HEATER GROUP

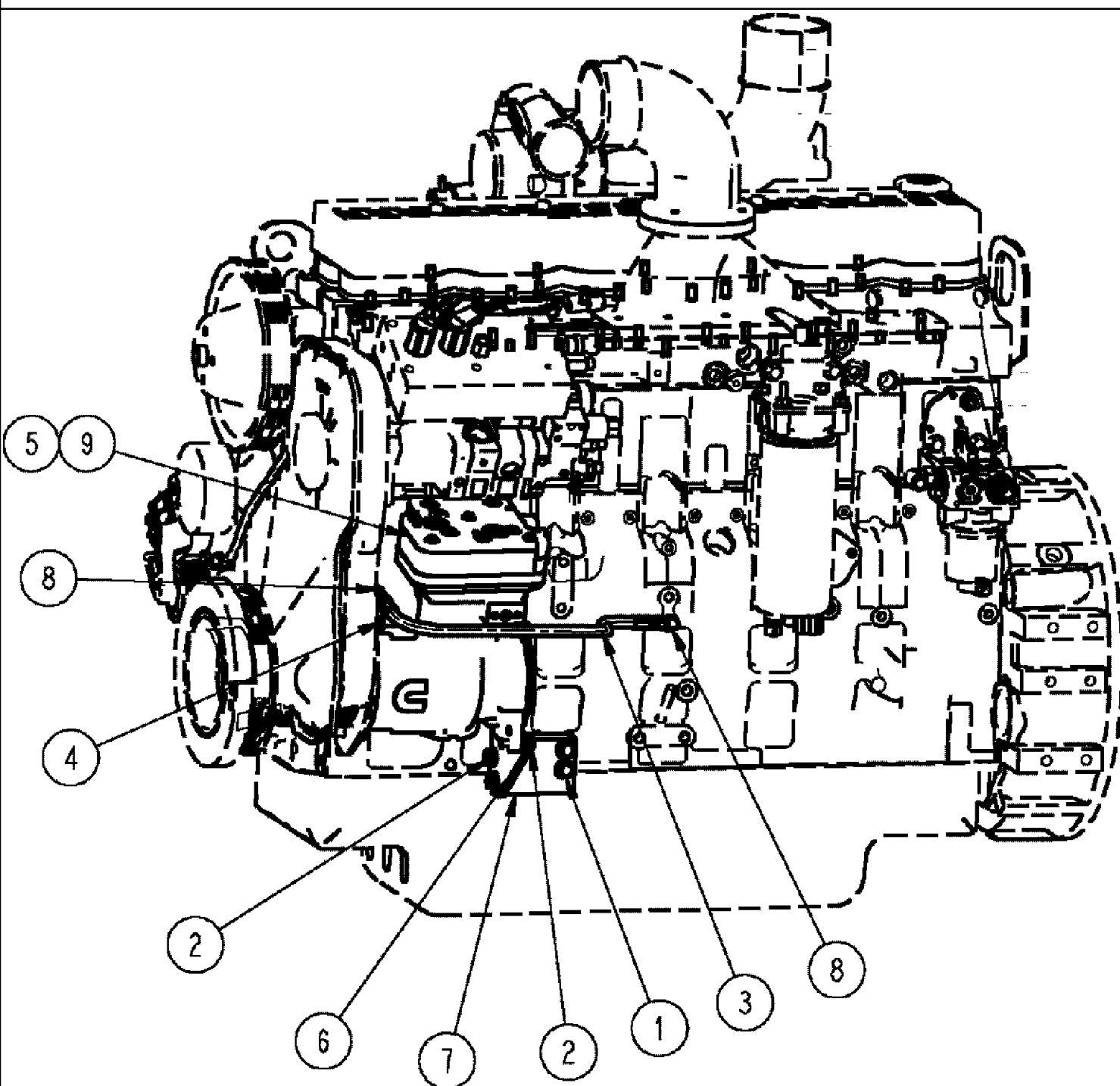
Ref	Part Number	Qty	Description
1	87267799	1	HOSE, HTR, 5/8" ID/216" SUPPLY
2	87267800	1	HOSE, HTR, 5/8" ID/198" RETURN
3	515-23254	2	CLAMP, 1", Insul, 3/8" Bolt,
4	86980380	1	BOLT, M8-1.25 X 25, HH, 8.8, DOR
5	86980514	1	NUT, P/T ALL MTL M8 8 DOR
6	1954736C1	4	CLAMP, HOSE, (5/8 HEATER HOSE)



## 4420 PATRIOT SPRAYER

## 03-042 TURBO ELBOW GROUP

Ref	Part Number	Qty	Description
1	J008465	2	PLUG, 1/8 NPT, INT HEX, SEAL
2	J883284	1	O-RING, SEAL
3	J923041	1	NUT,
4	J923060	1	CLAMP,
5	J883977	1	ELBOW, TURBO X 4, 90 D



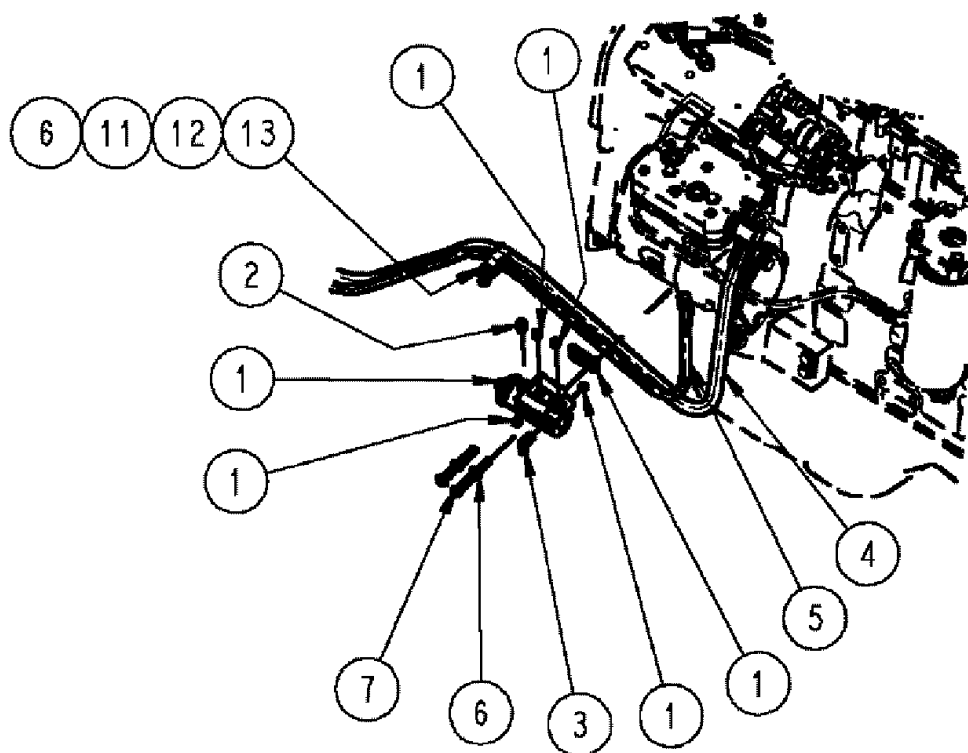
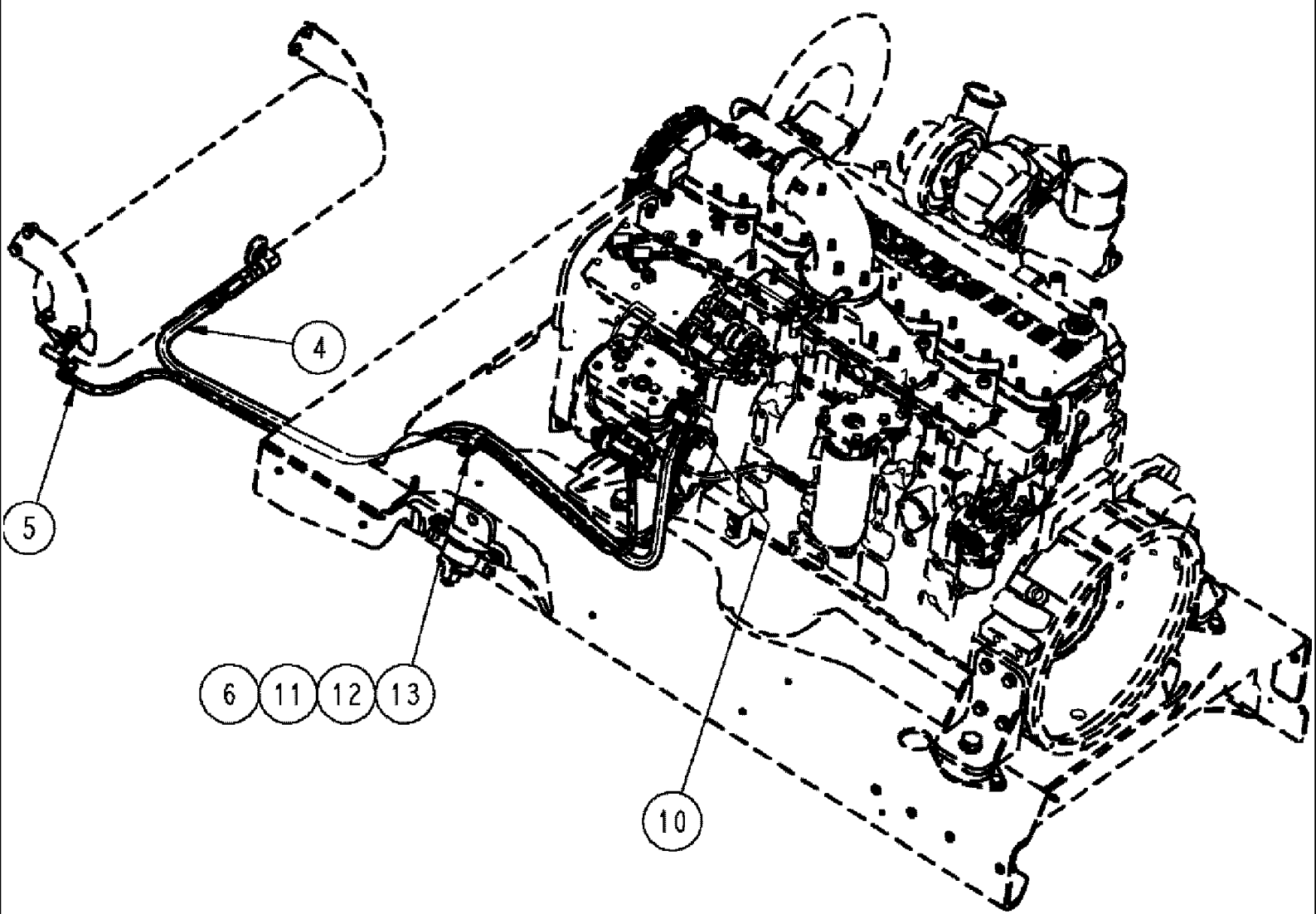
TIMING THE CUMMINS BY WABCO AIR COMPRESSOR TO THE QSC ENGINE:  
 POSITION THE ENGINE AT #1 TOP DEAD CENTER (TDC) WHEN TIMING THE  
 AIR COMPRESSOR TO THE ENGINE. WITH THE AIR COMPRESSOR REMOVED,  
 STAND IT UP IN A VERTICAL POSITION AND VIEWING THE COMPRESSOR FROM  
 THE GEAR END, ROTATE THE GEAR SO THE "1" TIMING MARK IS AT THE  
 3 O'CLOCK POSITION. THE CUMMINS BY WABCO COMPRESSOR WILL HAVE  
 A DIVOT ON THE HOUSING AT THE 3 O'CLOCK POSITION TO AID IN TIMING THE  
 COMPRESSOR. ONCE THE COMPRESSOR IS TIMED CORRECTLY, REINSTALL THE  
 COMPRESSOR PER THE "TROUBLESHOOTING AND REPAIR MANUAL, QSC  
 ENGINE" BULLETIN 3666245-01).



## 4420 PATRIOT SPRAYER

## 03-043 AIR COMPRESSOR GROUP

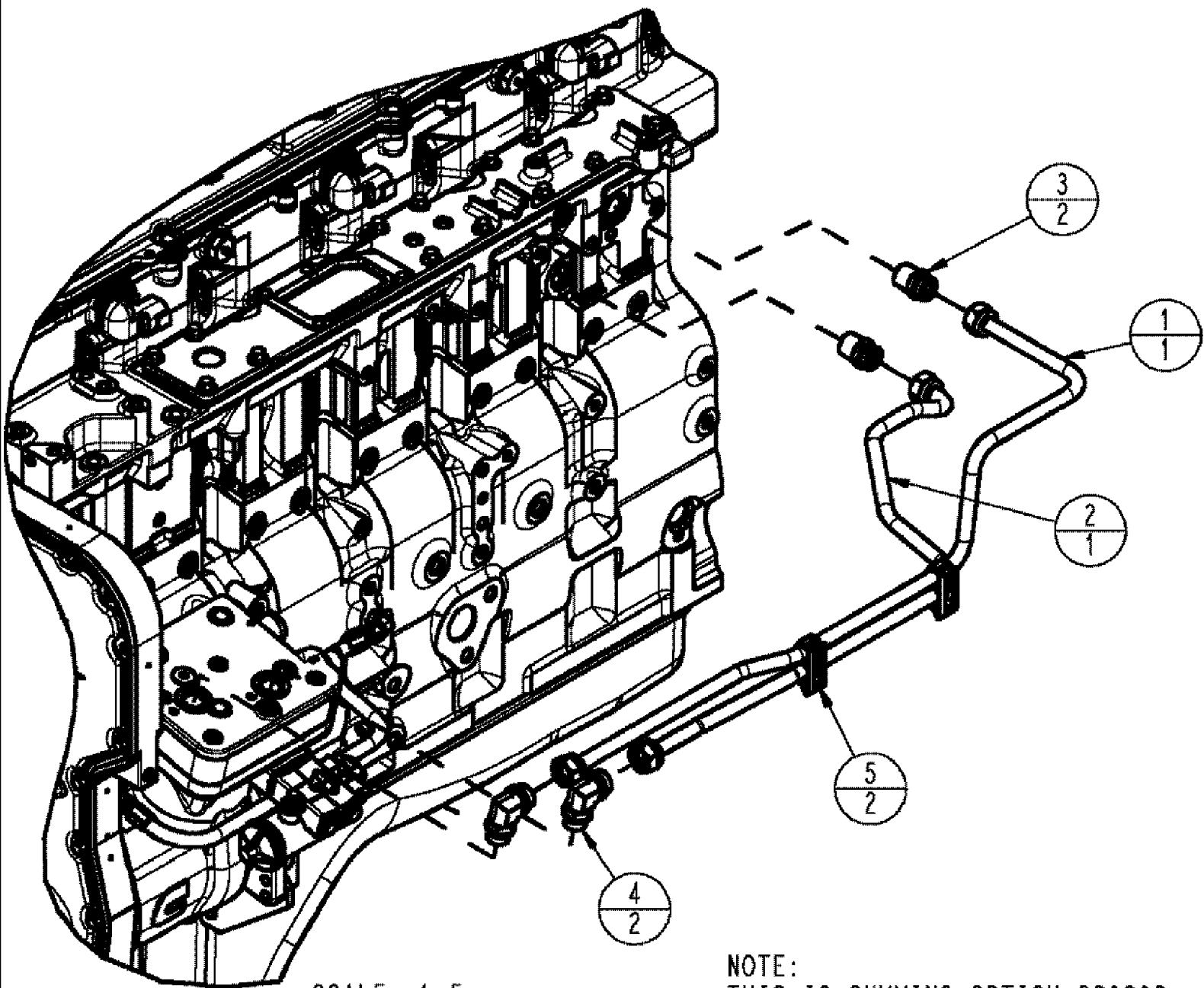
Ref	Part Number	Qty	Description
1	J900634	2	BOLT, Hex Flg, M10 x 50, 10.9,
2	J903112	4	BOLT, Hex Flg, M10 x 30, 10.9,
3	J906747	1	HOSE ASSY., FLEXABLE
4	J920447	2	SCREW, BLT-FLG, M12 X 40, 10.9
5	J940245	1	GASKET, HYDRAULIC
6	J942911	1	BRACKET, AIR COMPRESSOR
7	J944000	1	SPACER, MOUNTING
8	J945212	2	ELBOW, PLAIN UNION
9	4933782	1	HEAT EXCHANGER, COMPRESSOR, 18.7 CFM



## 4420 PATRIOT SPRAYER

## 03-044 GOVERNOR GROUP,AIR COMPRESSOR

Ref	Part Number	Qty	Description
1	BN2290733	1	GOVERNOR, AIR 275491
2	BN2293227	1	BREATHER, 301370 1/8 NPT
3	BN2290148	1	FITTING, 4MJ-2MP90
	BN312106	1	FITTING, 2024-2-6, INDICATES OLD PART NUMBER OR CAN ORDER NEWER PART NUMBER LISTED ABOVE
4	87267785	1	HOSE, ASSY,-10 X 66"
5	BN314859	1	HOSE, ASSY, -4 X 60
	87267786	1	HOSE, ASSY,-6 X 60", INDICATES OLD PART NUMBER OR CAN ORDER NEWER PART NUMBER LISTED ABOVE
6	895-11008	3	WASHER, M8 x 16 x 1.6, FLAT
7	814-8075	2	BOLT, Hex, M8 x 75, 8.8,
10	BN67865	1	ADAPTER, 90 #10JICX#12 O-RING
11	L101181	1	CLAMP, DOUBLE
12	614-8025	1	BOLT, Hex, M8 x 25, 8.8,
13	832-46408	1	NUT, LOCK, M8 x 1.25, CI 8,



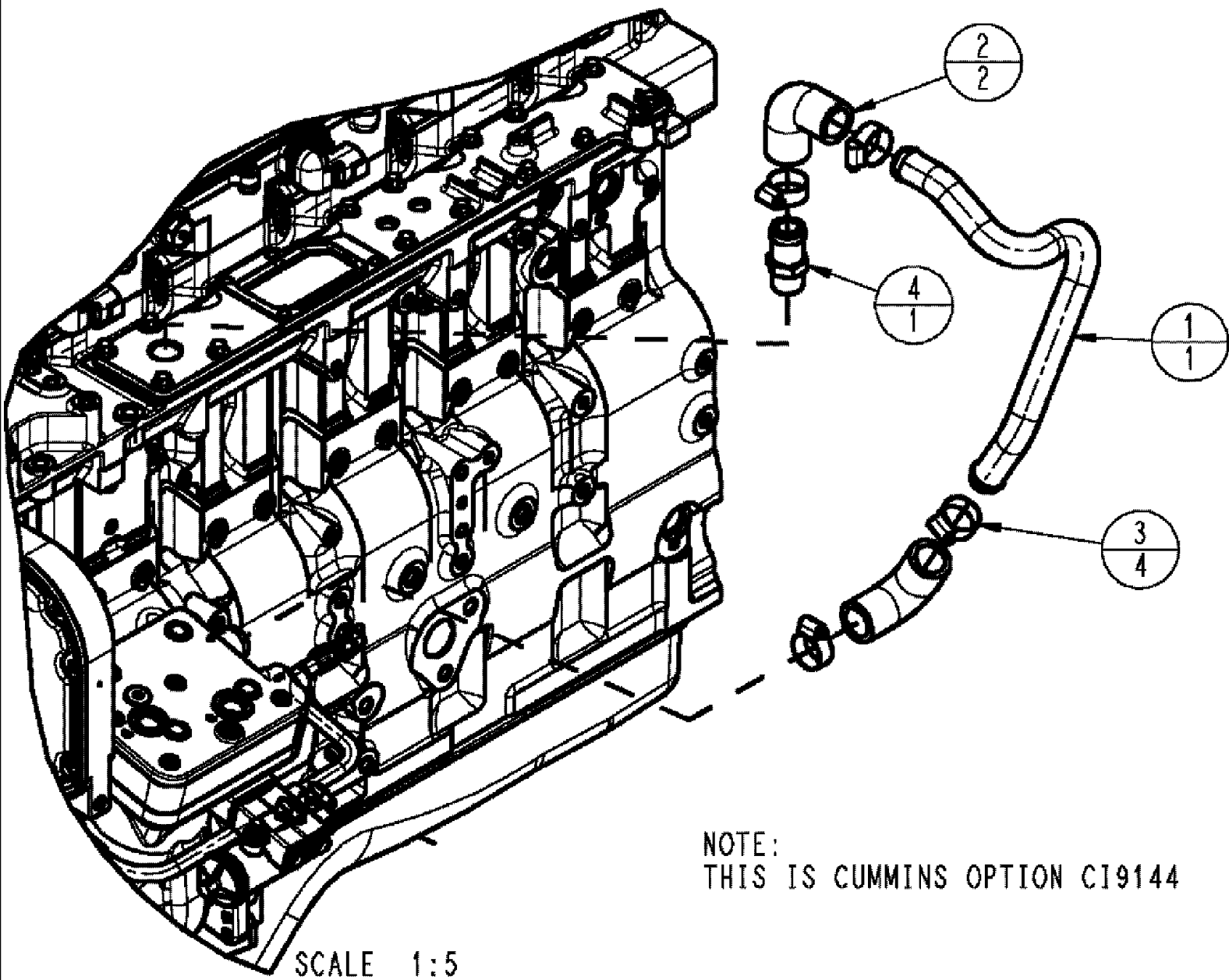
SCALE 1:5

NOTE:  
THIS IS CUMMINS OPTION CC9292

## 4420 PATRIOT SPRAYER

## 03-045 COOLANT LINES,AIR COMPRESSOR

Ref	Part Number	Qty	Description
1	J974938	1	TUBE, COMP WATER OUTLET
2	J974940	1	TUBE, COMP WATER INLET
3	J204994	2	CONNECTION, MALE
4	BN4022705	2	ELBOW, MALE UNION
5	J943520	2	CLAMP, TUBE

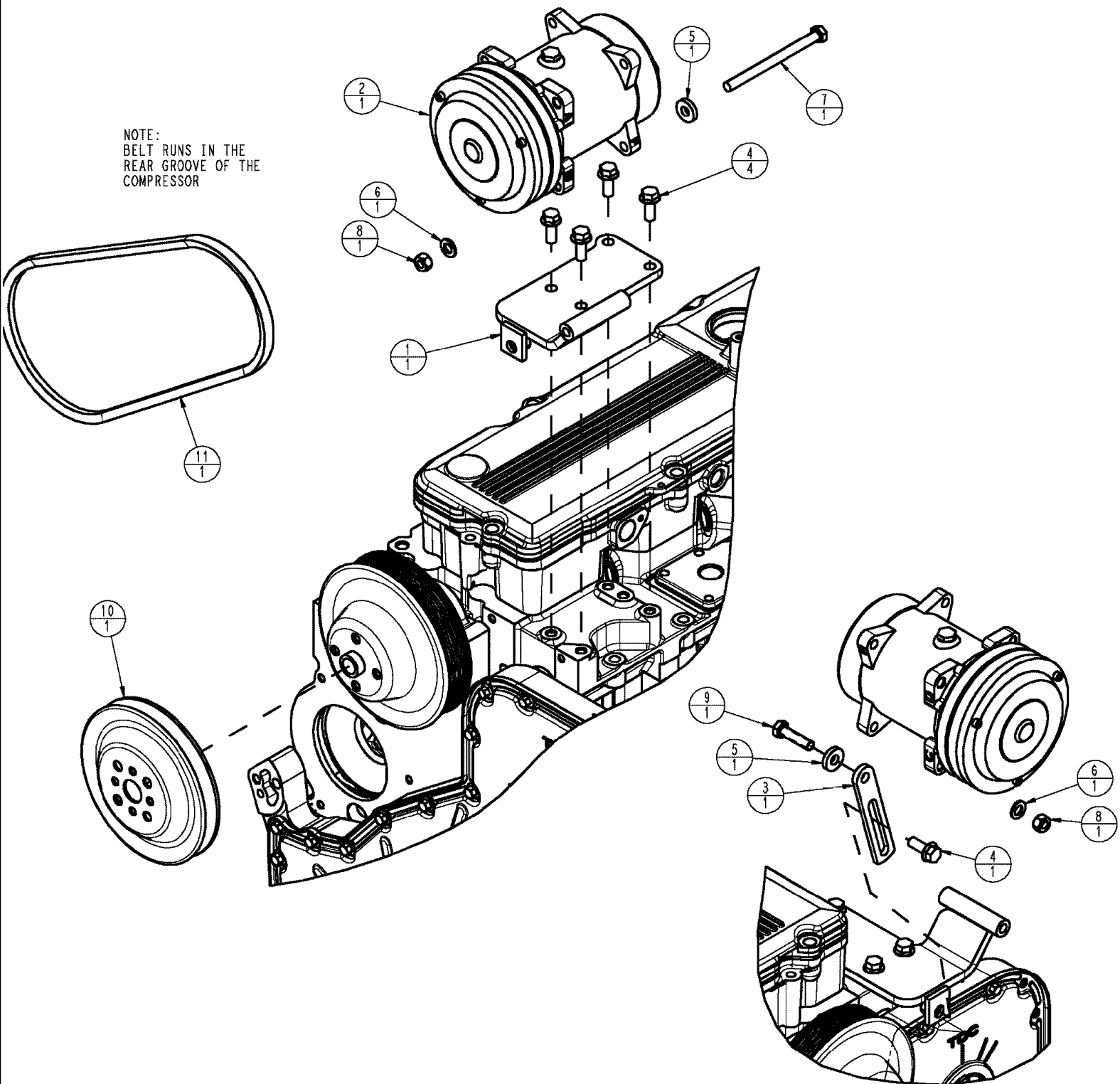


## 4420 PATRIOT SPRAYER

## 03-046 AIR INTAKE TUBE,AIR COMPRESSOR

Ref	Part Number	Qty	Description
1	87538528	1	TUBE ASSY., COMPRESSOR AIR INLET
2	J024481	2	ELBOW, HOSE
3	214-1416	4	CLAMP, HOSE, #16, 0.81/1.50 Type F Worm,
4	J971672	1	COUPLING, PLAIN HOSE

NOTE:  
BELT RUNS IN THE  
REAR GROOVE OF THE  
COMPRESSOR

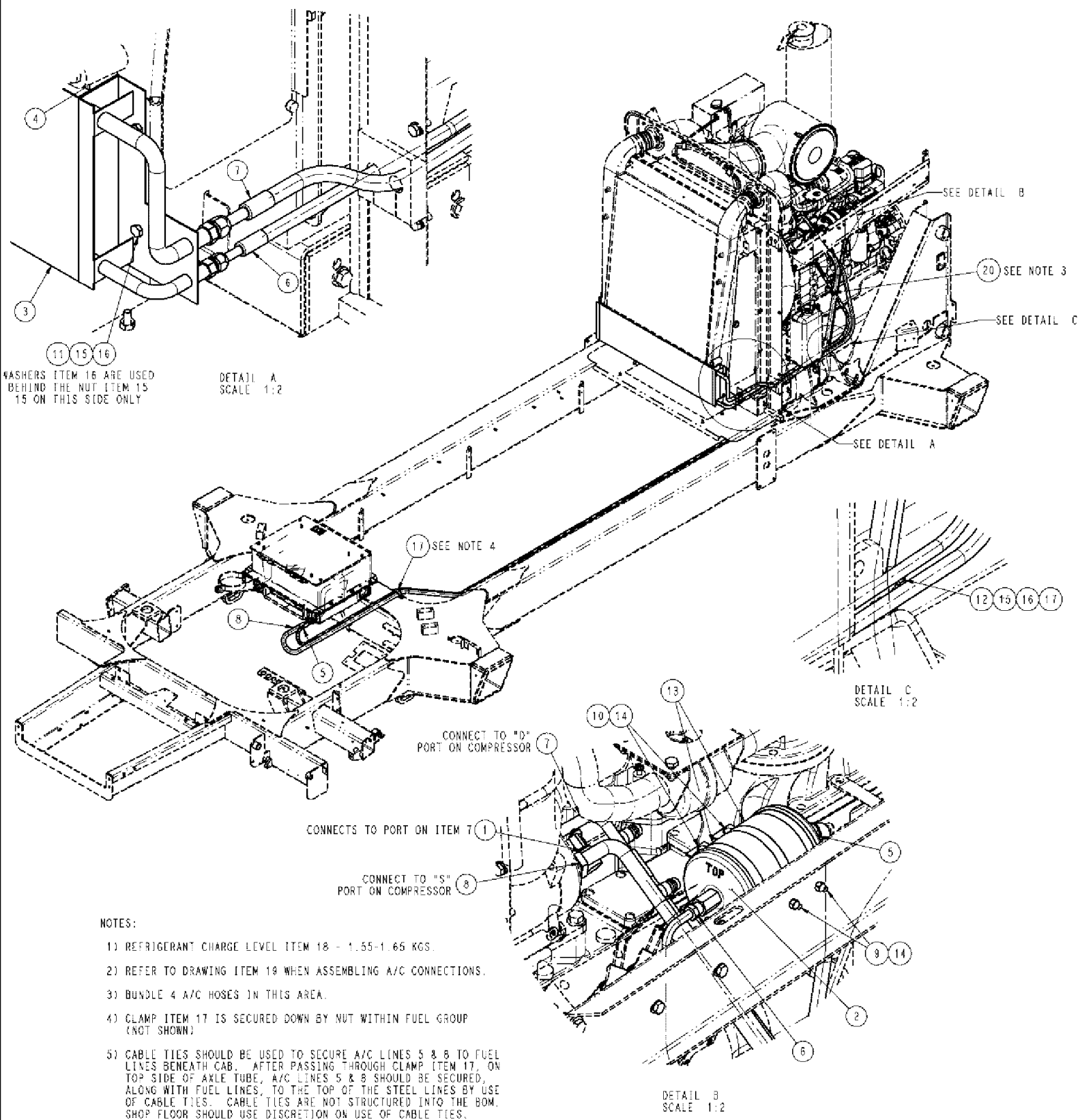




## 4420 PATRIOT SPRAYER

## 03-047 COMPRESSOR GROUP,A/C

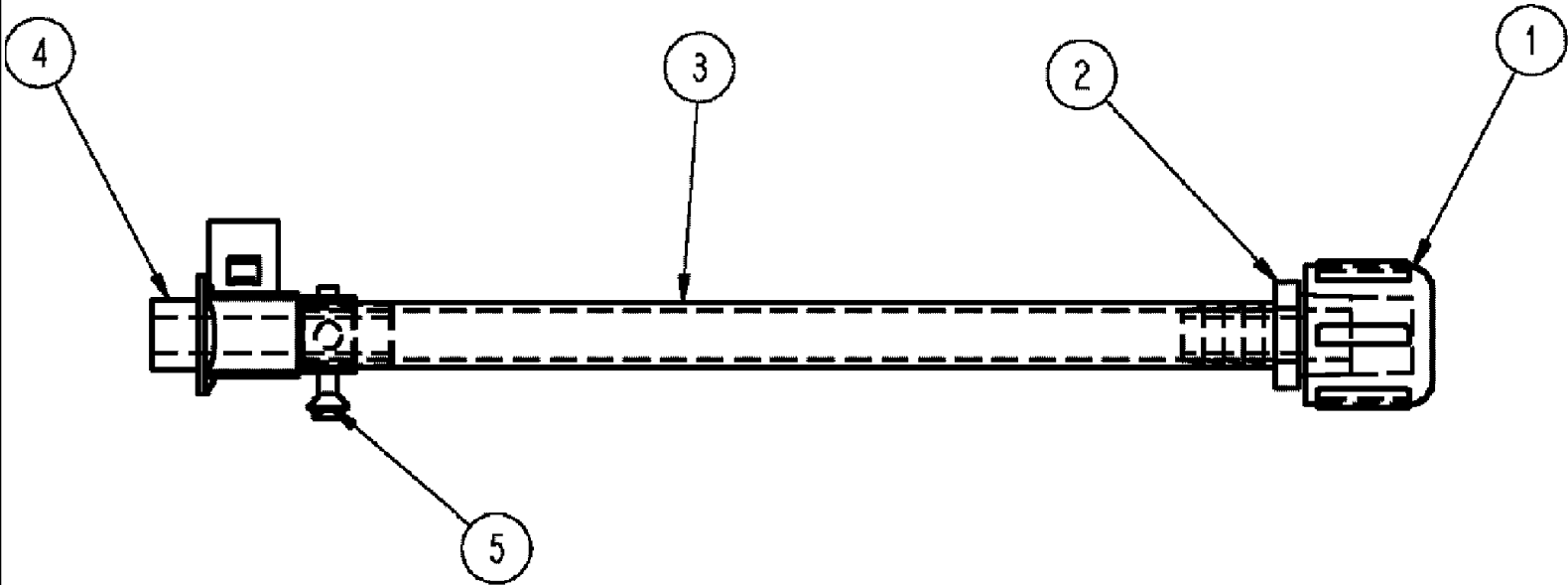
Ref	Part Number	Qty	Description
1	87272605	1	MOUNTING PARTS, A/C COMPRESSOR
2	86993462	1	COMPRESSOR, AIRCOND, 12V
	128483A1	1	O-RING, (5/16 ID) HNBR (GREEN), ASSOCIATED PART OF COMPRESSOR, P/N 86993462
	135324A2	1	CLUTCH, EC- ASSY, AC COM, ASSOCIATED PART OF COMPRESSOR, P/N 86993462
3	84716C1	1	SUPPORT, STRAP, ADJUSTING COMP
4	905-10025	5	BOLT, Hex Serr Flg, M10 x 25,
5	3120737R1	2	WASHER, 10.8 X 25 X 5MM
6	895-11010	2	WASHER, M10 x 20 x 2,
7	86980413	1	BOLT, M10-1.5 X 130,HH,8.8
8	86980515	2	NUT, LOCK, M10 x 1.5, CI 8, PREV TRQ, METAL
9	86980403	1	BOLT, M10-1.5 X 40,HH,8.8
10	J919624	1	PULLEY, COMPRESSOR DRIVE
11	1250587C1	1	BELT, A/C



## 4420 PATRIOT SPRAYER

## 03-048 A/C GROUP

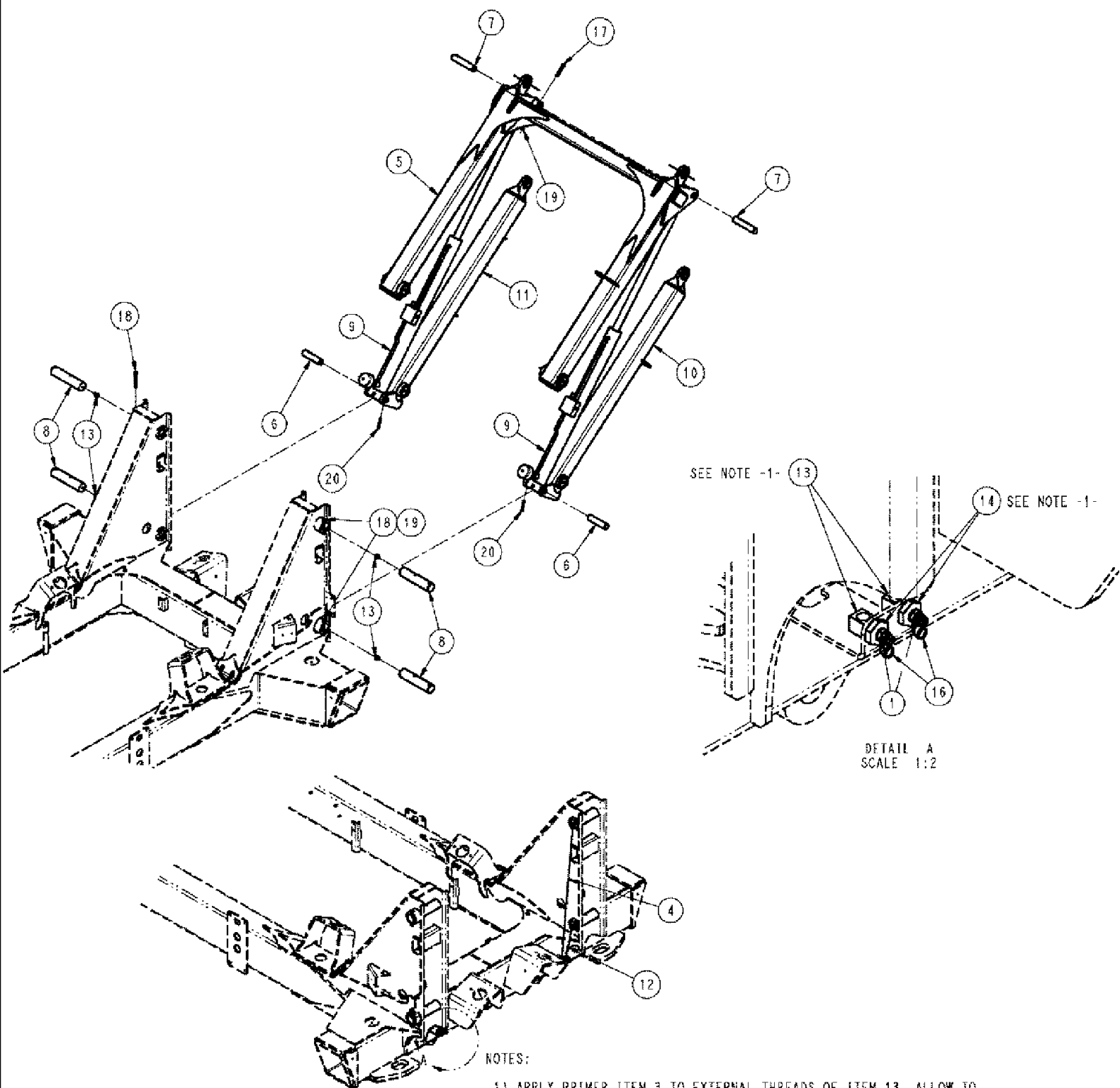
Ref	Part Number	Qty	Description
1	284273A2	1	SWITCH, HIGH PRESS (N.C.)
2	295006A1	1	RECEIVER-DRYER, HOR. MNT
3	BN323863	1	CONDENSER, A/C
4	BN324238	1	INSULATION, FOAM, SEAL
5	BN325737	1	HOSE, ASSY, CAB TO DRYER
6	BN325738	1	HOSE, ASSY, DRYER TO COND
7	BN325739	1	HOSE, ASSY, COND. TO COMP.
8	BN325740	1	HOSE, ASSY, COMP. TO CAB
9	614-6016	2	BOLT, Hex, M6 x 16, 8.8,
10	814-6030	2	BOLT, Hex, M6 x 30, 8.8,
11	614-8020	4	BOLT, Hex, M8 x 20, 8.8,
12	614-8030	1	BOLT, Hex, M8 x 30, 8.8,
13	70-6589T1	2	SUPPORT, BRACKET, REC'VR DRYER MNT
14	832-46406	4	NUT, LOCK, M6 x 1, CI 8,
15	832-46408	1	NUT, LOCK, M8 x 1.25, CI 8,
16	895-11008	3	WASHER, M8 x 16 x 1.6,
17	R54363	2	CLAMP, DOUBLE, DIA. 23.8
18	331-578	AR	FLUID, REFRIGERANT, 1KG, HFC-134, 1.65
20	BN309265	1	CABLE, TIE



## 4420 PATRIOT SPRAYER

## 03-049 OIL DRAIN KIT

Ref	Part Number	Qty	Description
1	BN73571	1	CAP, 3/4 POLY NPT
2	87584983	1	.75MP.62HB, PP BANJO
3	87584973	1	DRAIN, HOSE, FUEL, 5/8" X 18"
4	1330429C1	1	VALVE, DRAIN, OIL
	214-1410	1	CLAMP, HOSE, #10, 0.56/1.06 Type F Worm, NOT SHOWN



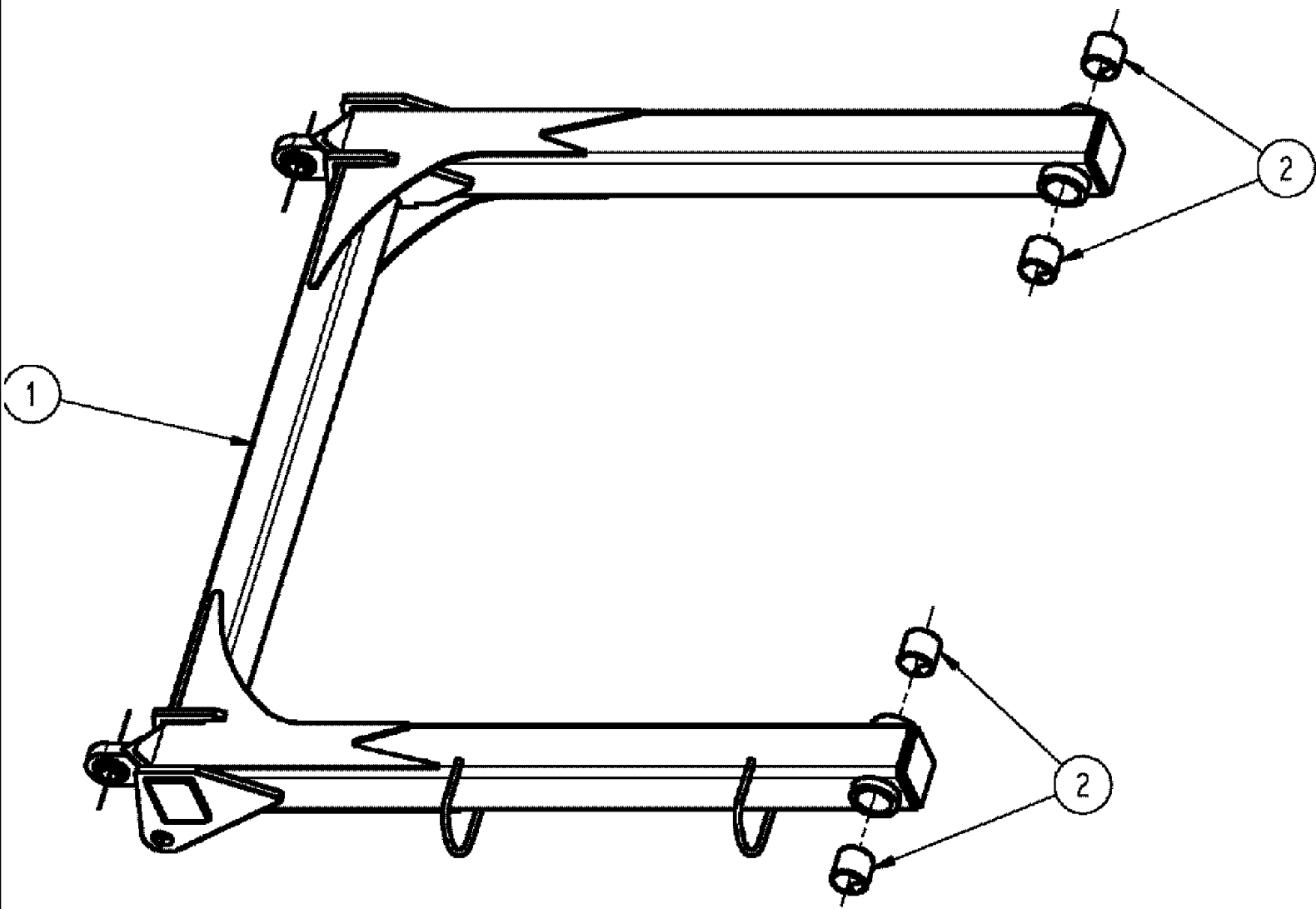
NOTES:

- 1) APPLY PRIMER ITEM 3 TO EXTERNAL THREADS OF ITEM 13, ALLOW TO DRY, APPLY LOCTITE ITEM 2 TO THREADS AND ASSEMBLE NUT ITEM 14. (LOCTITE NOT REQUIRED ON 90 DEG FITTINGS FOR LINKAGE PINS)
- 2) AFTER ASSEMBLY IS COMPLETE FILL ALL ZERKS WITH GREASE ITEM 15.

## 4420 PATRIOT SPRAYER

## 04-001 HITCH GROUP, BOOMS

Ref	Part Number	Qty	Description
1	BN10465	4	NIPPLE, LUBE, ZERK, 1/4"-28 STR
4	BN316482	2	HOSE, GREASE-1/8" X 40"
5	87266343	1	UPPER, SEE FIG 04-002
6	BN321135	2	PIN,
7	343874A1	2	PIN,
8	343354A1	4	PIN, BOOM HITCH, 2"
9	87267881	2	CYLINDER, GRP, PARA-LINKS, SEE FIG 07-012
10	87266344	1	LOWER LH, SEE FIG 04-004
11	87266345	1	LOWER RH, SEE FIG 04-003
12	BN35810	2	HOSE, GREASE, 16"
13	BN53569	8	ELBOW, GREASE, 1/8 NPT BH90
14	BN53570	4	BULKHEAD, LOCKNUT
15	331-37	0.5	SPARE PART, GREASE, 1 LB LITHIUM # 2 GR
16	BN69951	4	CAP, GREASE
17	86980407	2	BOLT, M10-1.5 X 70, HH, 8.8, DO
18	86980409	4	BOLT, M10-1.5 X 90, HH, 8.8, DO
19	86980515	6	NUT, LOCK, M10 x 1.5, CI 8, ALL META
20	838-3860	2	PIN, LOCK, M8 x 60, Slotted, COIL SPRING

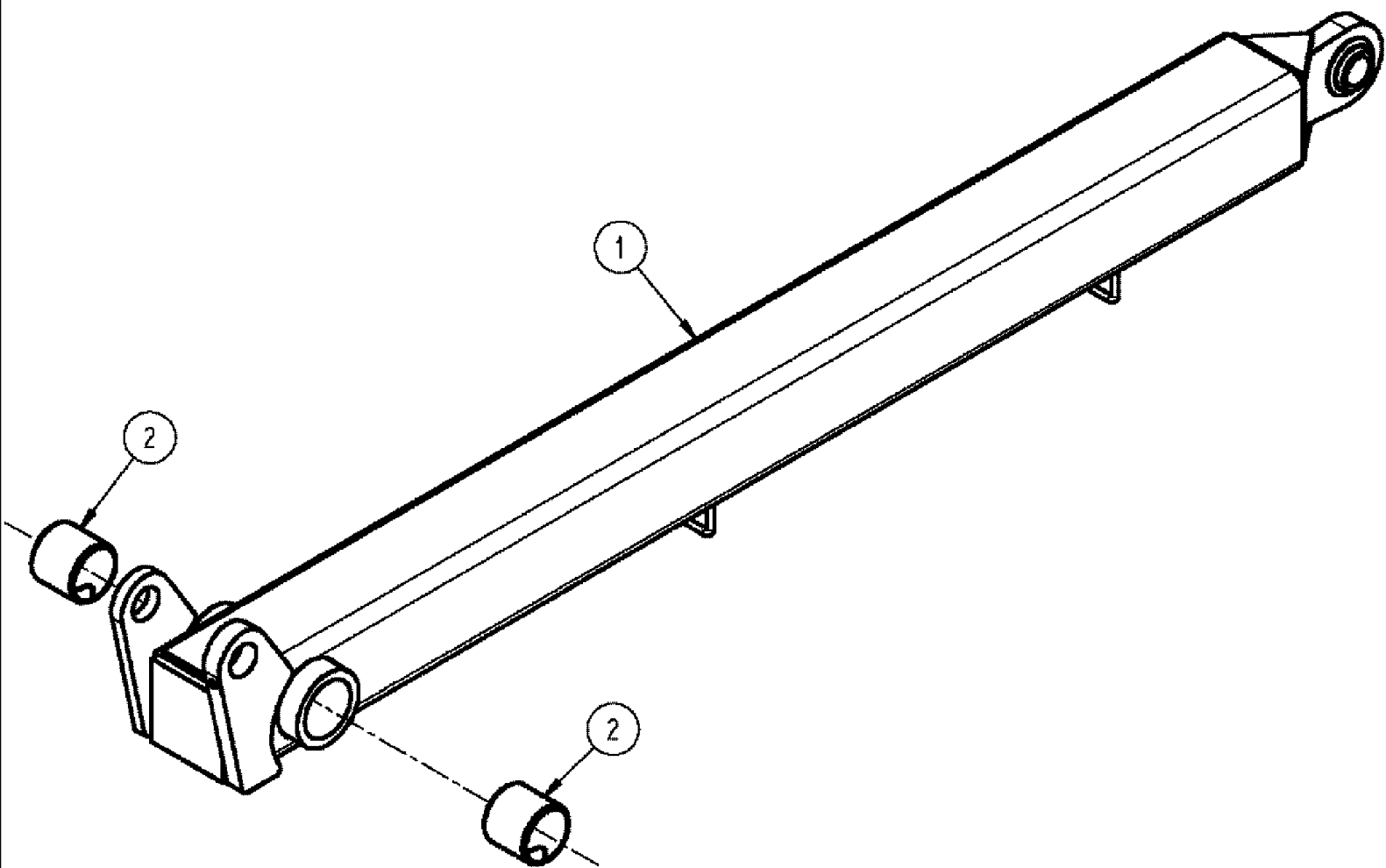




4420 PATRIOT SPRAYER

04-002 PARALLEL LINK GROUP, UPPER

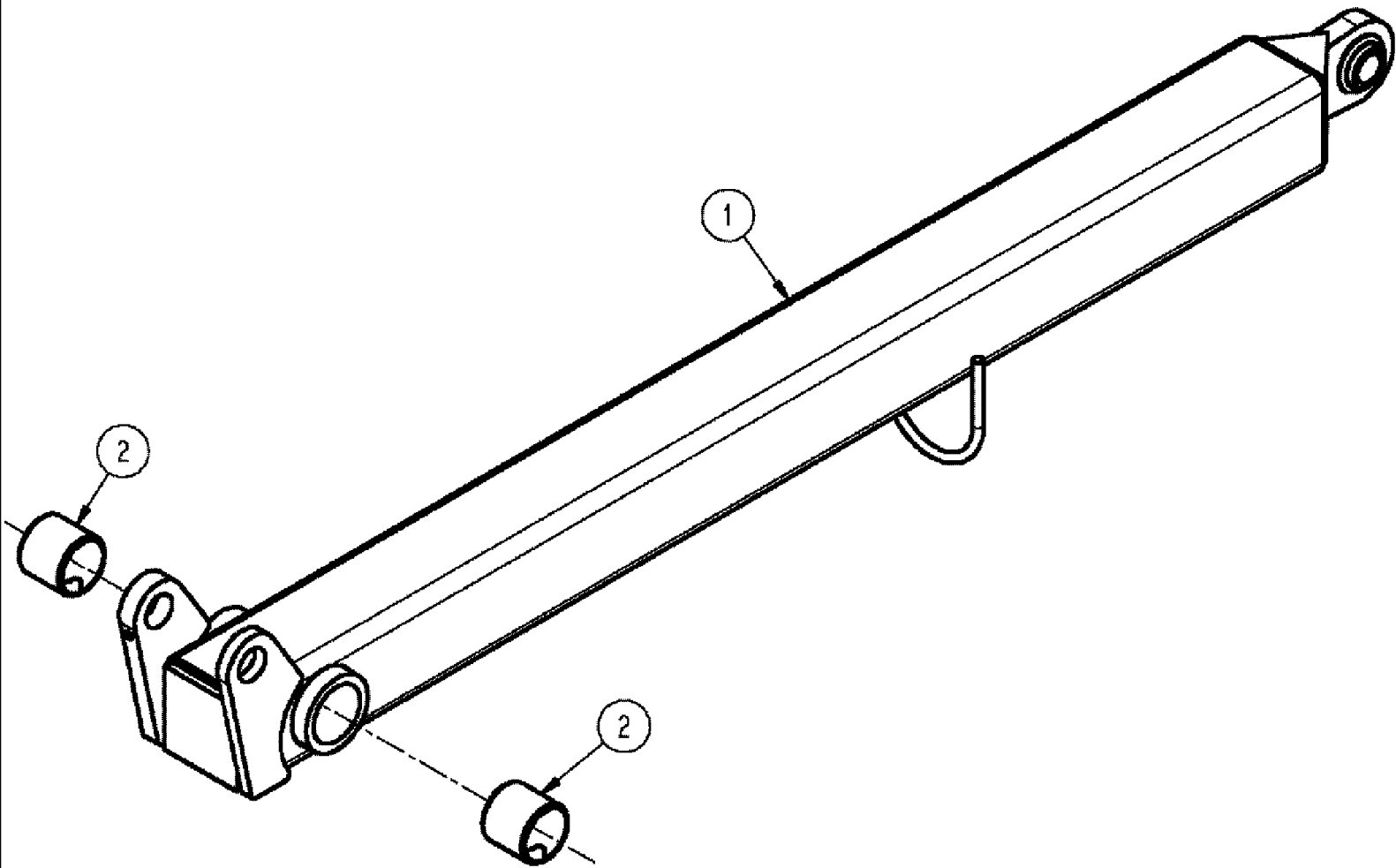
Ref	Part Number	Qty	Description
1	87269369	1	HITCH, W/M, UPPER LINK
2	BN321132	4	BUSHING, SPRING



4420 PATRIOT SPRAYER

04-003 LINK GROUP, PARALLEL, LOWER RH

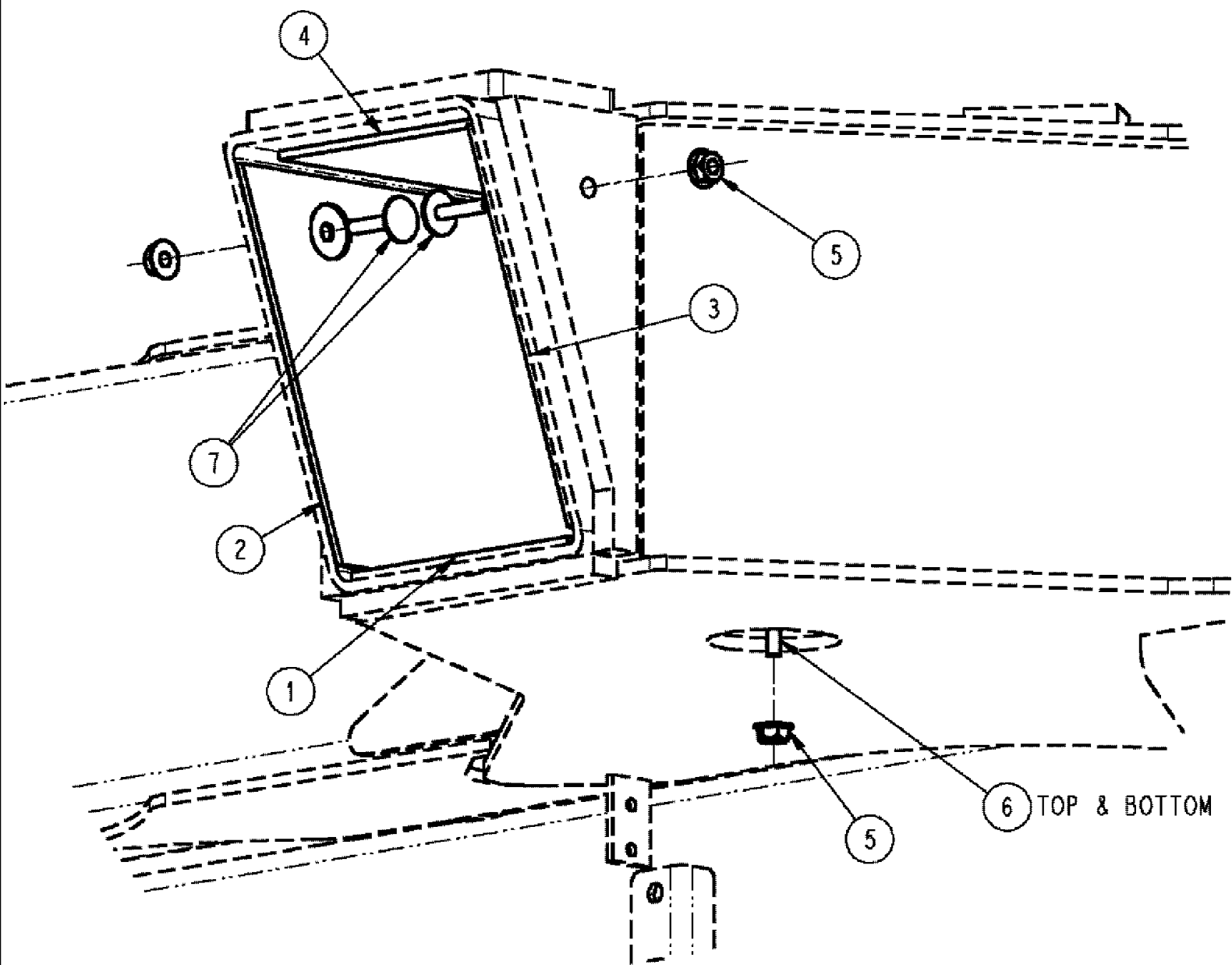
Ref	Part Number	Qty	Description
1	87269368	1	LINK, LOWER, W/M, RH
2	BN321132	2	BUSHING, SPRING



4420 PATRIOT SPRAYER

04-004 LINK GROUP, PARALLEL, LOWER LH

Ref	Part Number	Qty	Description
1	87269367	1	LINK, LOWER, W/M, LH
2	BN321132	2	BUSHING, SPRING



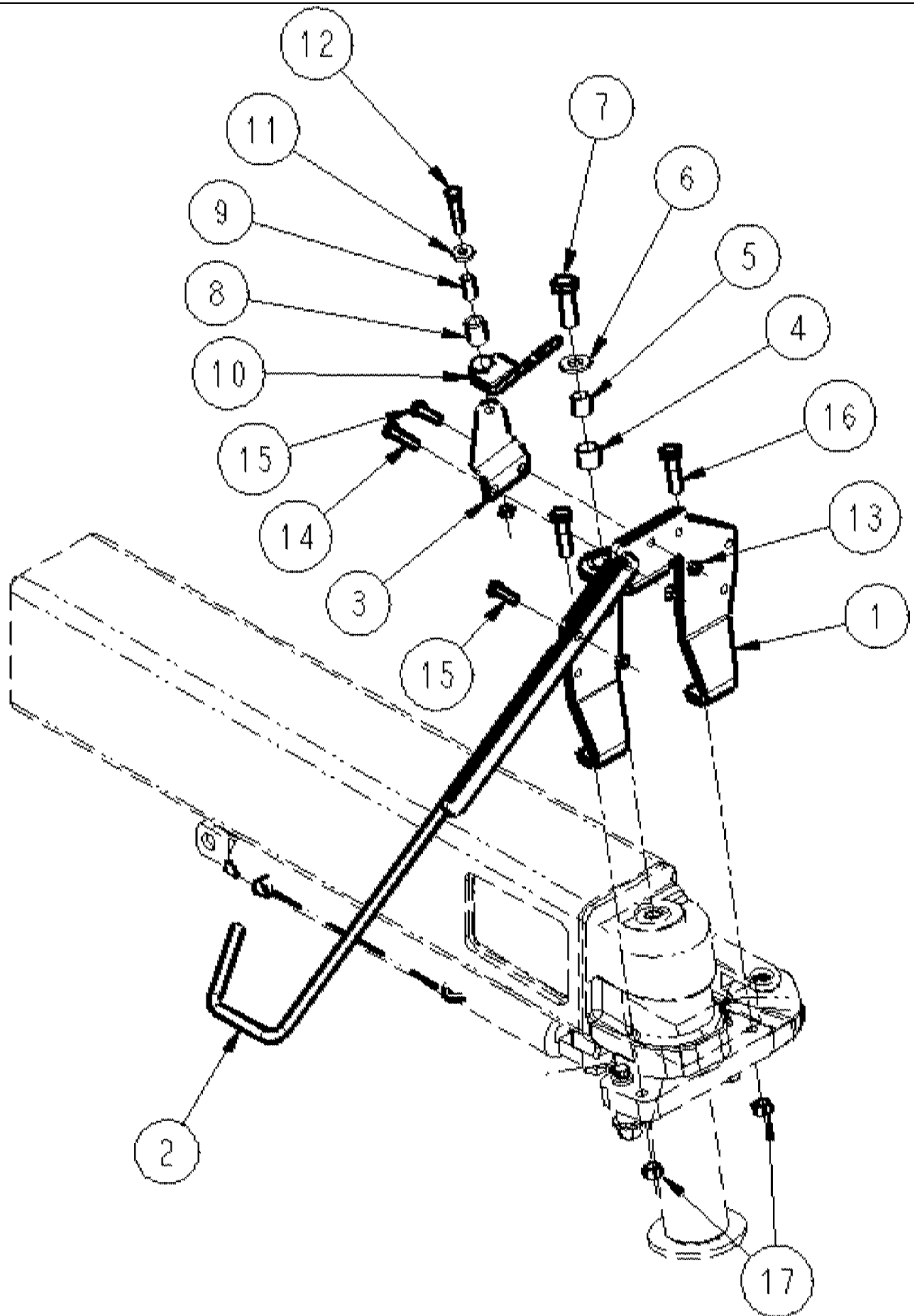
NOTES:

-FRONT RH CORNER SHOWN, INSERTS ARE SECURED AS SHOWN FOR BOTH SIDES FRONT AND BACK.

## 4420 PATRIOT SPRAYER

## 04-005 AXLE LINER GROUP

Ref	Part Number	Qty	Description
1	BN323811	4	LINER, AXLE TUBE BOTTOM
2	342028A1	4	LINER, LINER, TUBE, LF-RR
3	342029A1	4	LINER, LINER, TUBE, RF-LR
4	342030A1	4	AXLE, LINER, TUBE TOP
5	BN50057	16	NUT, 5/16-18 WHIZ LOCK SS
6	BN50779	8	BOLT, 5/16-18 X 1, EH
7	BN50930	8	BOLT, 5/16-18 X 1.5, EH

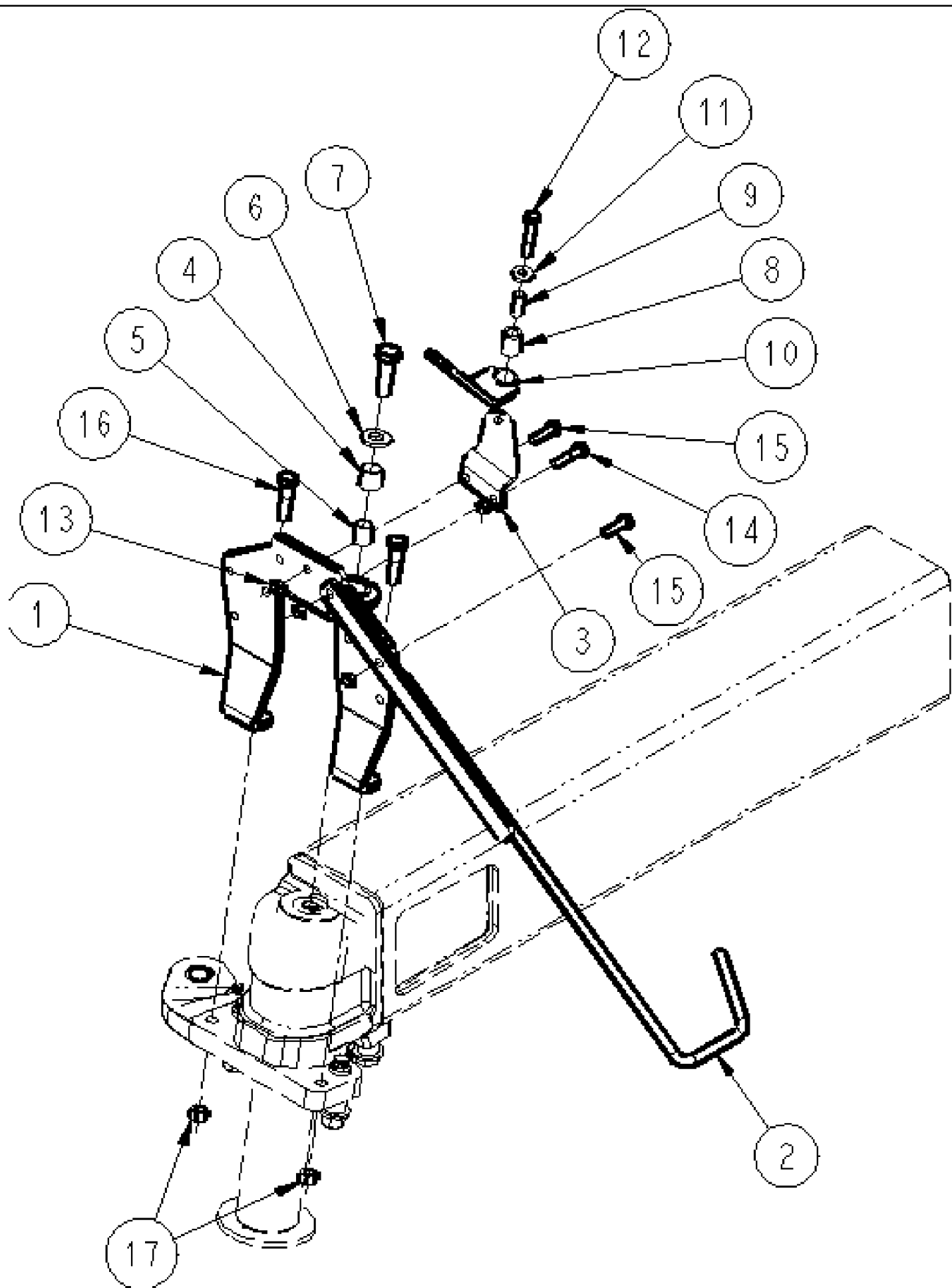




## 4420 PATRIOT SPRAYER

## 04-006 HOSE PIVOT GROUP, LF

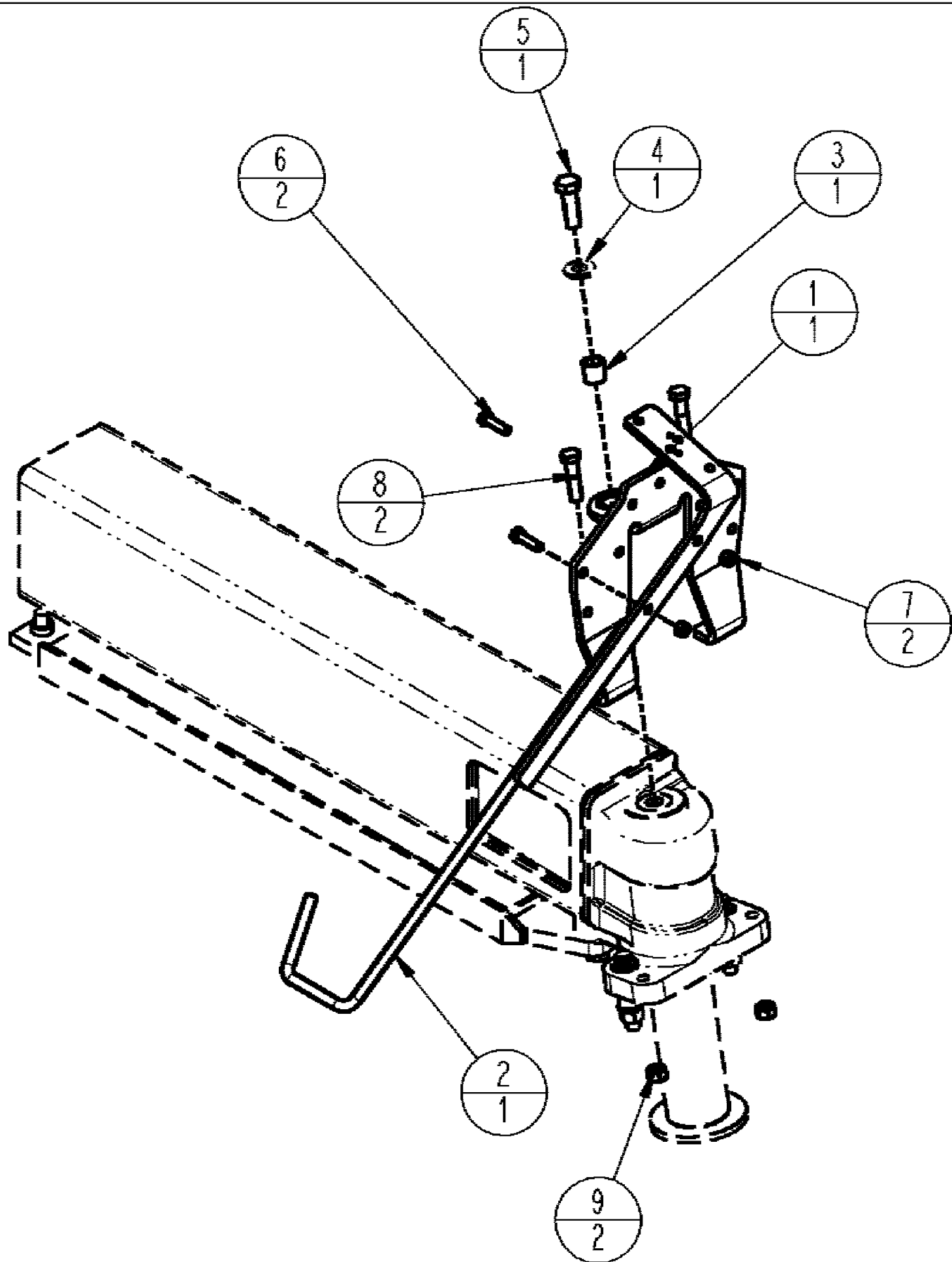
Ref	Part Number	Qty	Description
1	87266807	1	PLATE, MOUNTING, WLD HOSE PIVOT
2	BN325088	1	STOP, HOSES, WELDMENT
3	BN321283	1	BRACKET, LF HOSE SUPPORT
4	87376798	1	PIVOT, BUSHING, HOSE
5	87266809	1	SPACER, TUBE
6	87310608	1	WASHER, 22 X 44 X 5MM HDN DOR
7	614-20060	1	BOLT, Hex, M20 x 60, 8.8,
8	BN313618	1	BUSHING, UHMW
9	BN313619	1	BUSHING, TUBE
10	BN323696	1	SUPPORT, HOSE, WLDMNT, LH
11	BN313639	1	WASHER, M12, 30MM OD
12	814-12070	1	BOLT, Hex, M12 x 70, 8.8,
13	832-46412	4	NUT, LOCK, M12 x 1.75, CI 8,
14	814-12050	1	BOLT, Hex, M12 x 50, 8.8,
15	614-12040	2	BOLT, Hex, M12 x 40, 8.8, Full Thd,
16	814-16065	2	BOLT, Hex, M16 x 65, 8.8,
17	832-46416	2	NUT, LOCK, M16 x 2, CI 8,



## 4420 PATRIOT SPRAYER

## 04-007 HOSE PIVOT GROUP, RF

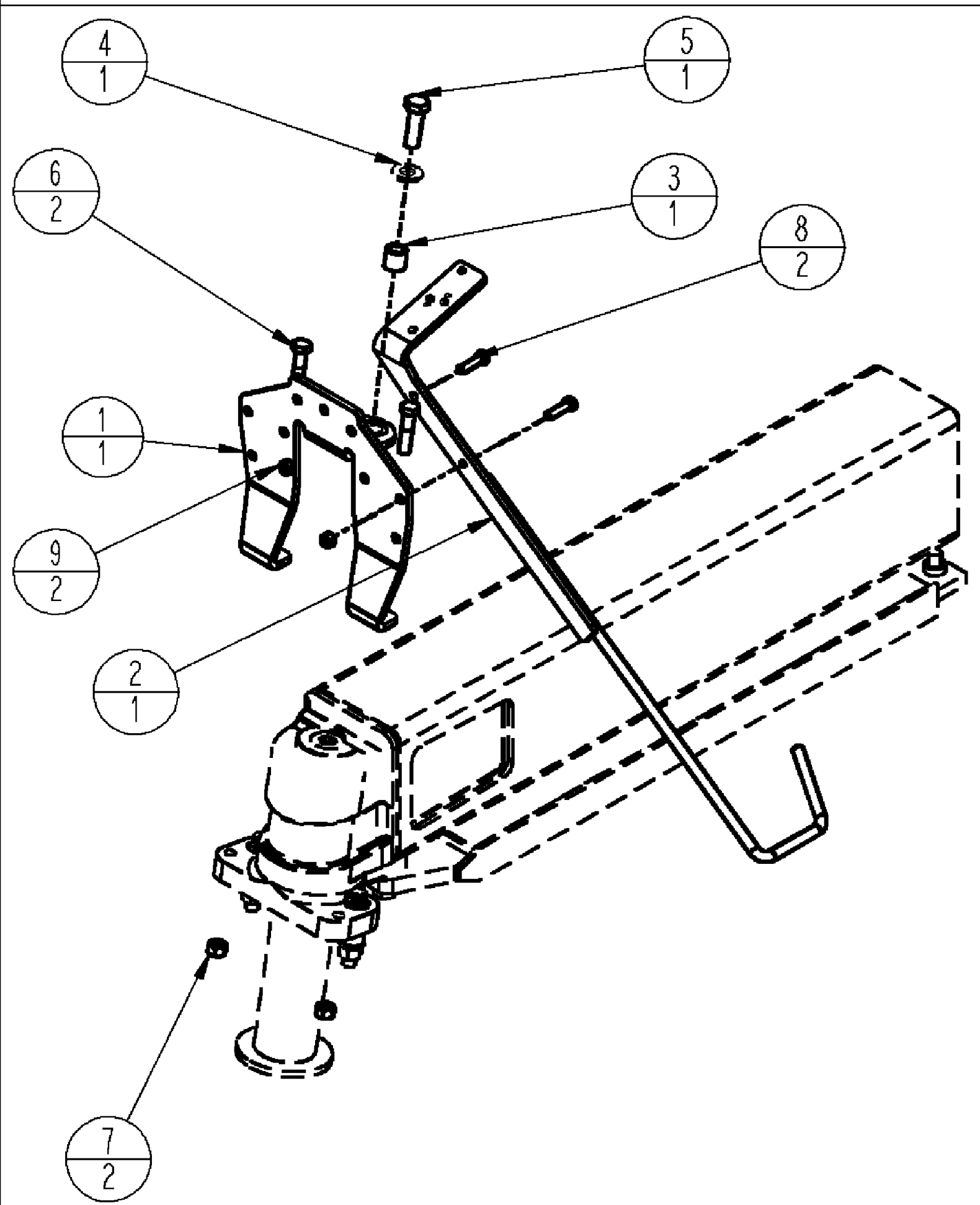
Ref	Part Number	Qty	Description
1	87266807	1	PLATE, MOUNTING, WLD HOSE PIVOT
2	BN325088	1	STOP, HOSES, WELDMENT
3	BN321286	1	BRACKET, RF HOSE SUPPORT
4	87376798	1	PIVOT, BUSHING, HOSE
5	87266809	1	SPACER, TUBE,
6	87310608	1	WASHER, 22 X 44 X 5MM HDN DOR
7	614-20060	1	BOLT, Hex, M20 x 60, 8.8,
8	BN313618	1	BUSHING, UHMW
9	BN313619	1	BUSHING, TUBE
10	BN323697	1	SUPPORT, HOSE, WLDMNT, RH
11	BN313639	1	WASHER, M12, 30MM OD
12	814-12070	1	BOLT, Hex, M12 x 70, 8.8,
13	832-46412	4	NUT, LOCK, M12 x 1.75, CI 8,
14	814-12050	1	BOLT, Hex, M12 x 50, 8.8,
15	614-12040	2	BOLT, Hex, M12 x 40, 8.8, Full Thd,
16	814-16065	2	BOLT, Hex, M16 x 65, 8.8,
17	832-46416	2	NUT, LOCK, M16 x 2, CI 8,



## 4420 PATRIOT SPRAYER

## 04-008 NON PIVOT HOSE MOUNT GROUP, LR

Ref	Part Number	Qty	Description
1	87266807	1	PLATE, MOUNTING, WLD HOSE PIVOT
2	87615322	1	MOUNT
3	87390349	1	PIVOT, BUSHING, HOSE
4	87310608	1	WASHER, 22 X 44 X 5MM HDN DOR
5	86980460	1	BOLT, M20-2.5 X 60, HH, 8.8 DOR
6	86980423	2	BOLT, M12-1.75 X 40, HH, 8.8, DOR
7	86980516	2	NUT, P/T ALL MTL M12 8 DOR
8	873341829	2	M16 X 65 8.8 DOR
9	86980517	2	NUT, P/T ALL MTL M16 8 DOR



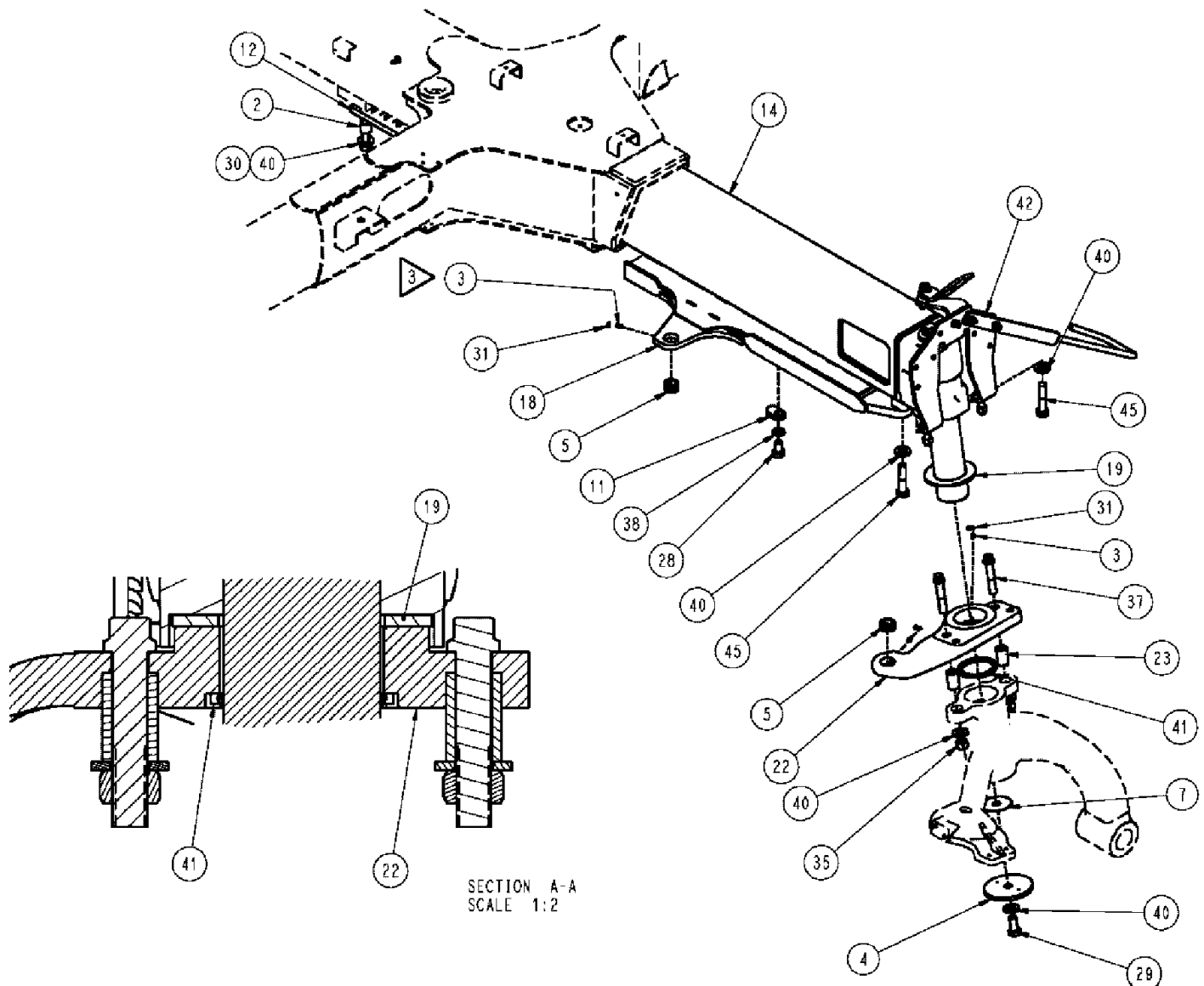
## 4420 PATRIOT SPRAYER

## 04-009 NON PIVOT HOSE MOUNT GROUP, RR

Ref	Part Number	Qty	Description
1	87266807	1	PLATE, MOUNTING, WLD HOSE PIVOT
2	87615326	1	HOSE MOUNT RH
3	87390349	1	PIVOT, BUSHING, HOSE
4	87310608	1	WASHER, 22 X 44 X 5MM HDN DOR
5	86980460	1	BOLT, M20-2.5 X 60, HH, 8.8 DOR
6	873341829	2	M16 X 65 8.8 DOR
7	86980517	2	NUT, P/T ALL MTL M16 8 DOR
8	86980423	2	BOLT, M12-1.75 X 40, HH, 8.8, DOR
9	86980516	2	NUT, P/T ALL MTL M12 8 DOR

## NOTES:

- 1) PRELUBRICATE THRUST WASHER ITEM 19 USING CLEAN GREASE ITEM 25.
- 2) CLEAN BORE IN CYLINDER SUPPORT OF RECEIVER ITEM 18, STEERING ARM ITEM 22 AND OTHER SURFACES OF SPHERICAL BEARING ITEM 5 WITH SOLVENT. APPLY PRIMER ITEM 6 TO BEARING AND BORE SURFACES. ALLOW TO DRY. APPLY LOCTITE ITEM 24 TO OUTER SURFACES OF SPHERICAL BEARING AND PRESS FIT INTO BORES. BEARINGS SHOULD BE LOCATED  $2 \pm 1.5$ MM FROM EITHER FACE OF STEERING ARM AND RECEIVER.
- 3) APPLY GREASE ITEM 25 TO SPHERICAL BEARINGS ITEM 5, VIA GREASE ZERKS ITEM 3, UNTIL GREASE PURGES FROM THE BEARING.
- 4) ASSEMBLY OF BOLTS WITHOUT LOCK NUTS OR LOCK WASHERS:  
APPLY PRIMER ITEM 6 TO THREADED AREAS (BOLT & TAPPED AREA), ALLOW TO DRY.  
APPLY LOCTITE ITEM 1 TO BOLT THREADS AND TAPPED AREA, ASSEMBLE.
- 6) INSTALL SHIMS ITEM 7 AS NEEDED TO OBTAIN  $.01'' - .08''$  OF FREE PLAY IN THE ASSEMBLY.
- 7) TORQUE ITEMS 30 & 45 TO  $230 \pm 10$  LB-FT.
- 8) APPLY ANTI-SIEZE ITEM 26 TO DOWELS ITEMS 2 & 23.
- 9) APPLY GREASE ITEM 25 TO STEERING ARM ITEM 22, VIA GREASE ZERKS ITEM 3, UNTIL GREASE PURGES FROM ASSEMBLY.
- 10) TORQUE ITEMS 29 & 37 TO  $425 \pm 15$  LB-FT.
- 11) INSTALL SEAL ITEM 41 AND STEERING ARM ITEM 22 TO ENSURE GREASE PURGES THROUGH THRUST WASHER ITEM 19. (SEE SECTION A-A FOR SEAL ORIENTATION)
- 12) THESE PARTS ARE USED TO MOUNT AXLE ADJUST CYLINDER, SEE AXLE HYD GRP.

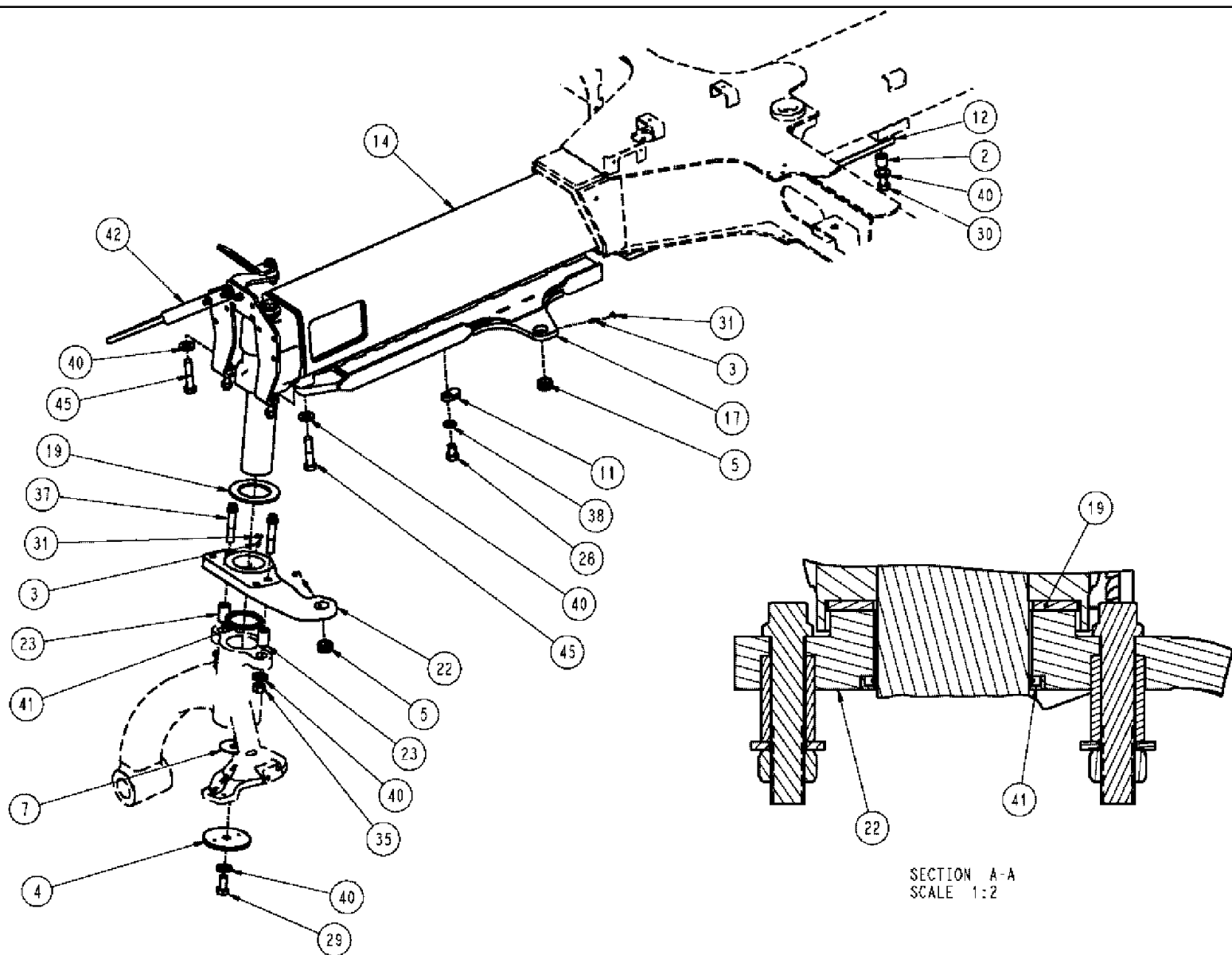




## 4420 PATRIOT SPRAYER

## 04-010 AXLE GROUP, STEER, RF

Ref	Part Number	Qty	Description
2	BN301998	1	DOWEL, HOLLOW
3	BN302051	3	NIPPLE, LUBE, FITTING GREASE 8MM X 1 STR
4	BN302052	1	WASHER,
5	1316827C1	2	BUSHING, PIVOT
7	BN312604	1	SPACER, SHIM - AXLE
11	BN320759	1	STOP, TAB, AXLE ADJUST
12	87540210	1	SLIDE, BAR, AXLE
14	342187A1	1	BEAM, AXLE WELDMENT, FRONT
18	87265738	1	SLIDE, WLD, AXLE ADJ, RF
19	86986933	1	WASHER, THRUST,
22	86986935	1	ARM, STEERING, RH, MACHINED
23	342939A1	2	SLEEVE, DOWEL, HOLLOW
28	87635862	1	BOLT, M20 X 35, FULL, 10.9 DOR
29	87342019	1	BOLT, M20 X 40, HH, 10.9
30	87342045	1	BOLT, M20 X 55, FULL,10.9
31	BN69951	3	CAP, GREASE
35	87024336	2	NUT, M20 10 MET P/T DOR
37	87268646	2	BOLT, M20-2.5 X 100, 12PT, 12.9, DRL
38	892-11020	1	WASHER, LOCK, M20, LW, ZND
40	87529307	6	WASHER, 22 X 37 X 4MM HDN DOR
41	343883A1	1	SEAL,
42	86986257	1	RF, SEE FIG 04-007
45	87342001	2	BOLT, M20 X 90,10.9



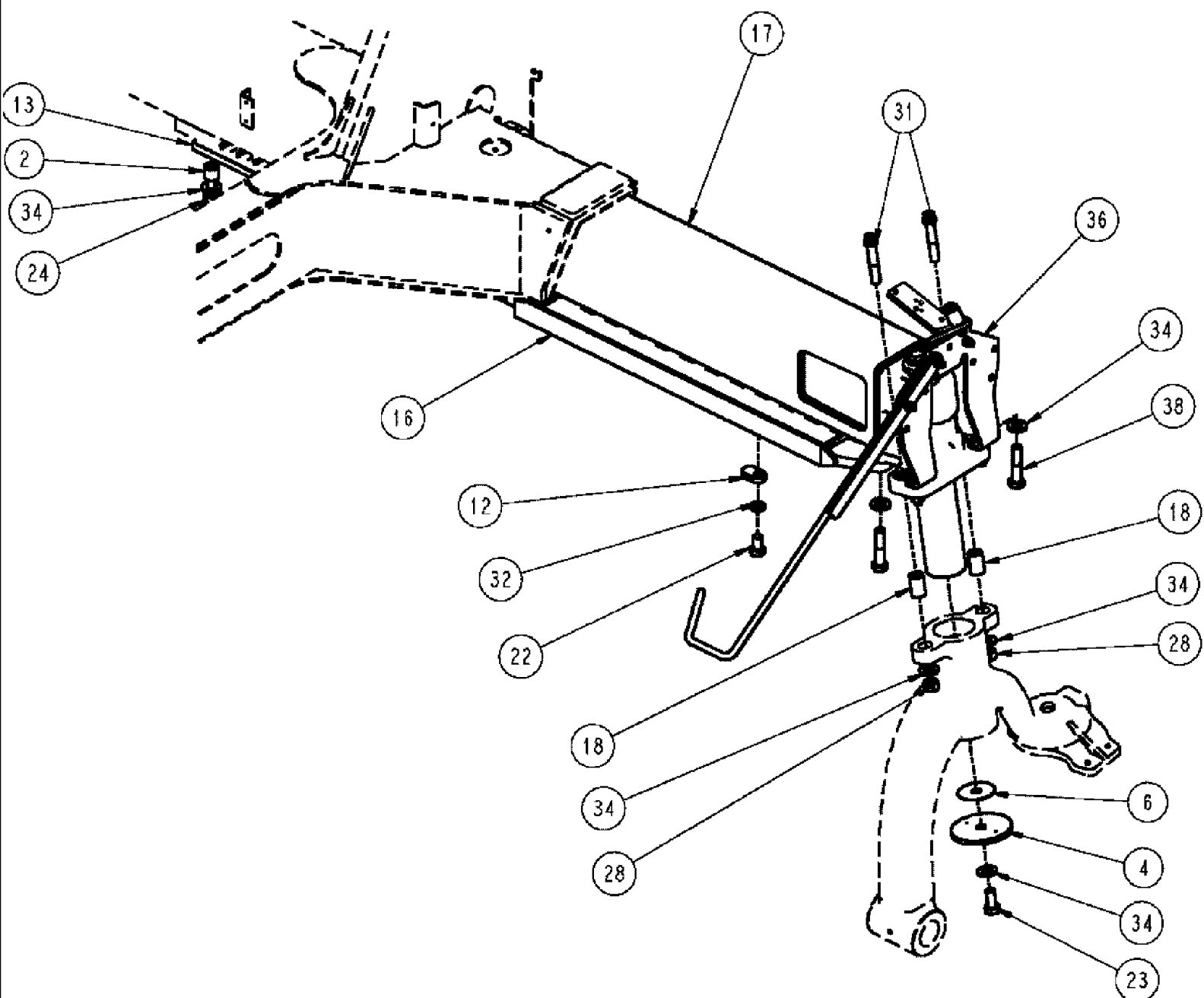
## NOTES:

- 1) PRELUBRICATE THRUST WASHER ITEM 19 USING CLEAN GREASE ITEM 25.
- 2) CLEAN BORE IN CYLINDER SUPPORT OF RECEIVER ITEM 18, STEERING ARM ITEM 22 AND OTHER SURFACES OF SPHERICAL BEARING ITEM 5 WITH SOLVENT, APPLY PRIMER ITEM 6 TO BEARING AND BORE SURFACES, ALLOW TO DRY. APPLY LOCTITE ITEM 24 TO OUTER SURFACES OF SPHERICAL BEARING AND PRESS FIT INTO BORES. BEARINGS SHOULD BE LOCATED  $2\pm 1.5$ MM FROM EITHER FACE OF STEERING ARM AND RECEIVER.
- 3) APPLY GREASE ITEM 25 TO SPHERICAL BEARINGS ITEM 5, VIA GREASE ZERKS ITEM 3, UNTIL GREASE PURGES FROM THE BEARING.
- 4) ASSEMBLY OF BOLTS WITHOUT LOCK NUTS OR LOCK WASHERS:  
APPLY PRIMER ITEM 6 TO THREADED AREAS (BOLT & TAPPED AREA), ALLOW TO DRY.  
APPLY LOCTITE ITEM 1 TO BOLT THREADS AND TAPPED AREA, ASSEMBLE.
- 6) INSTALL SHIMS ITEM 7 AS NEEDED TO OBTAIN .01"-.08" OF FREE PLAY IN THE ASSEMBLY.
- 7) TORQUE ITEMS 30 & 45 TO  $230\pm 10$  LB-FT.
- 8) APPLY ANTI-SIEZE ITEM 26 TO DOWELS ITEMS 2 & 23.
- 9) APPLY GREASE ITEM 25 TO STEERING ARM ITEM 22, VIA GREASE ZERKS ITEM 3, UNTIL GREASE PURGES FROM ASSEMBLY.
- 10) TORQUE ITEMS 29 & 37 TO  $425\pm 15$  LB-FT.
- 11) INSTALL SEAL ITEM 41 AND STEERING ARM ITEM 22 TO ENSURE GREASE PURGES THROUGH THRUST WASHER ITEM 19. (SEE SECTION A-A FOR SEAL ORIENTATION)
- 12) THESE PARTS ARE USED TO MOUNT AXLE ADJUST CYLINDER, SEE AXLE HYD GRP.

## 4420 PATRIOT SPRAYER

## 04-011 AXLE GROUP, STEER, LF

Ref	Part Number	Qty	Description
2	BN301998	1	DOWEL, HOLLOW
3	BN302051	3	NIPPLE, LUBE, 8MM X 1 STR
4	BN302052	1	WASHER,
5	1316827C1	2	BUSHING, SELF-ALIGNING
7	BN312604	1	SPACER, SHIM - AXLE
11	BN320759	1	STOP, TAB, AXLE ADJUST
12	87540210	1	SLIDE, BAR, AXLE
14	342187A1	1	BEAM, AXLE WELDMENT, FRONT
17	87265739	1	SLIDE, WLD, AXLE ADJ, LF
19	86986933	1	WASHER, THRUST,
22	86986934	1	ARM, STEERING, LH, MACHINED
23	342939A1	2	SLEEVE, DOWEL, HOLLOW
28	87635862	1	BOLT, M20 X 35, FULL, 10.9 DOR
29	87342019	1	BOLT, M20 X 40, HH, 10.9
30	87342045	1	BOLT, M20X55, HH, 10.9
31	BN69951	3	CAP, GREASE
35	87024336	2	NUT, M20 10 MET P/T DOR
37	87268646	2	BOLT, M20-2.5 X 100, 12 PT, 12.9, DRL
38	892-11020	1	WASHER, LOCK, M20, LW, ZND
40	87529307	6	WASHER, 22 X 37 X 4MM HDN DOR
41	343883A1	1	SEAL,
42	86986256	1	LF, SEE FIG 04-006
45	87342001	2	BOLT, M20 X 90, 10.9



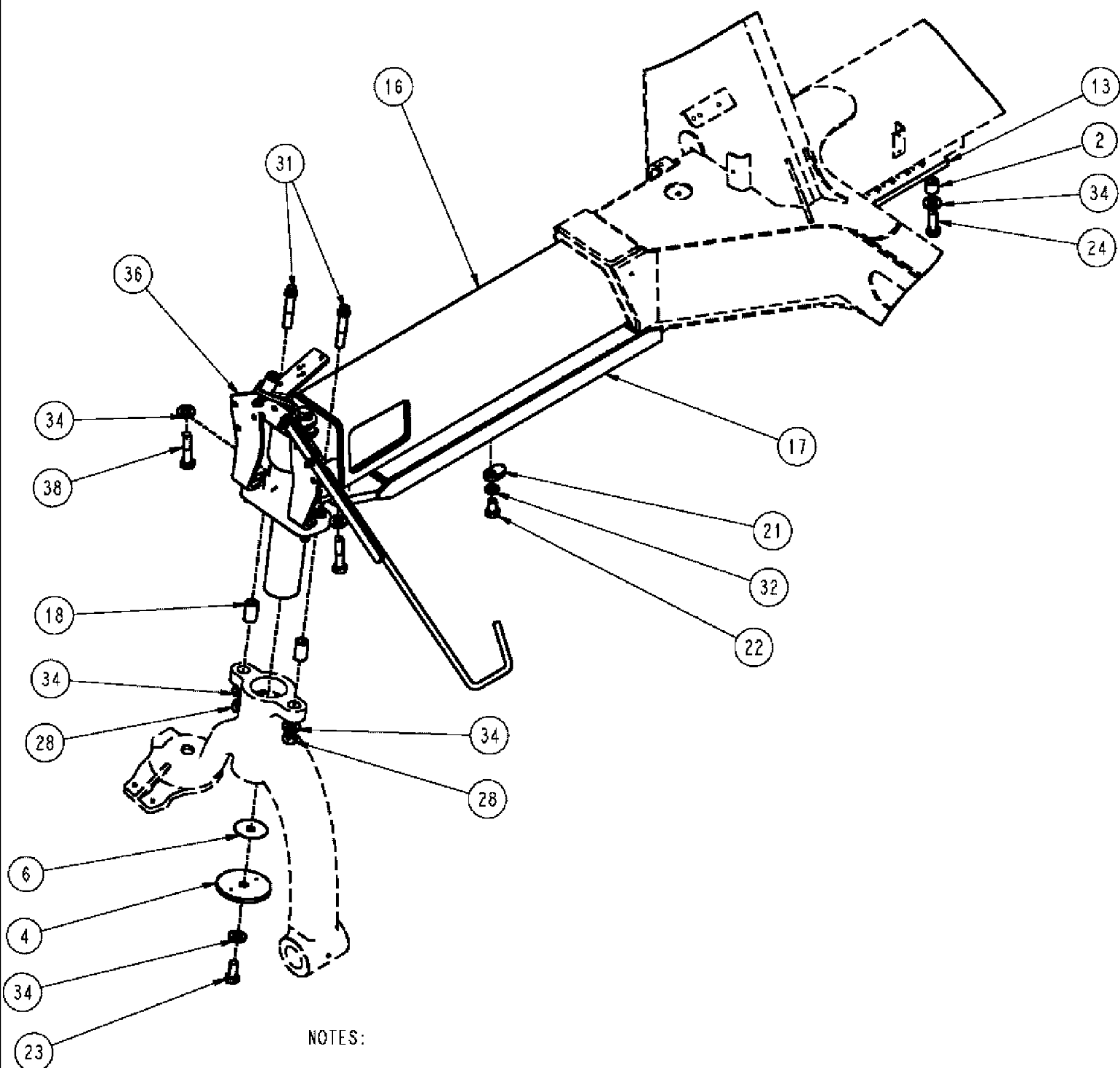
## NOTES:

- 1) APPLY GREASE ITEM 19 TO AXLE TUBE SURFACES OF ITEM 17 BEFORE ASSEMBLY.
- 2) ASSEMBLY OF BOLTS:  
APPLY PRIMER ITEM 5 TO THREADED AREAS (BOLT & TAPPED AREA), ALLOW TO DRY,  
APPLY LOCTITE ITEM 1 TO BOLT THREADS AND TAPPED AREA, ASSEMBLE.
- 3) APPLY ITEM 6 AS NEEDED TO OBTAIN BETWEEN .25-2 MM OF FREE PLAY IN THE ASSEMBLY.
- 5) TORQUE ITEMS 24 & 38 TO 230 LB-FT  $\pm$  10 LB-FT.
- 6) APPLY ANTI-SIEZE ITEM 20 TO ITEMS 2 & 18 PRIOR TO ASSEMBLY.
- 7) THESE PARTS ARE USED TO MOUNT AXLE ADJUST CYLINDER, SEE AXLE HYD GRP.

## 4420 PATRIOT SPRAYER

## 04-012 AXLE GROUP, NON STEER, LR

Ref	Part Number	Qty	Description
2	BN301998	1	DOWEL, HOLLOW
4	BN302052	1	WASHER,
6	BN312604	1	SPACER, SHIM, AXLE
12	BN320759	1	STOP, TAB, AXLE ADJUST
13	87540210	1	SLIDE, BAR, AXLE
16	87268928	1	SLIDE, WLD, AXLE ADJ, LR
17	342730A1	1	BEAM, AXLE WELDMENT, REAR
18	342939A1	2	SLEEVE, DOWEL, HOLLOW
22	87635862	1	BOLT, M20 X 35, FULL, 10.9 DOR
23	86980457	1	BOLT, M20-2.5 X 40, HH, 8.8
24	87342045	1	BOLT, M20 X 55, FULL, 10.9
28	87024336	2	NUT, M20 10 MET P/T DOR
31	87268646	2	BOLT, M20-2.5 X 100, 12 PT, 12.9, DRL
32	892-11020	1	WASHER, LOCK, M20, SPRING
34	87529307	6	WASHER, 22 X 37 X 4MM HDN DOR
36	87615319	1	LR, SEE FIG. 04-008 , ASN 22002
36	86986710	1	LR, INDICATES OLD PART NUMBER OR CAN ORDER NEWER PART NUMBER LISTED ABOVE
38	87342001	2	BOLT, M20 X 90, 10.9



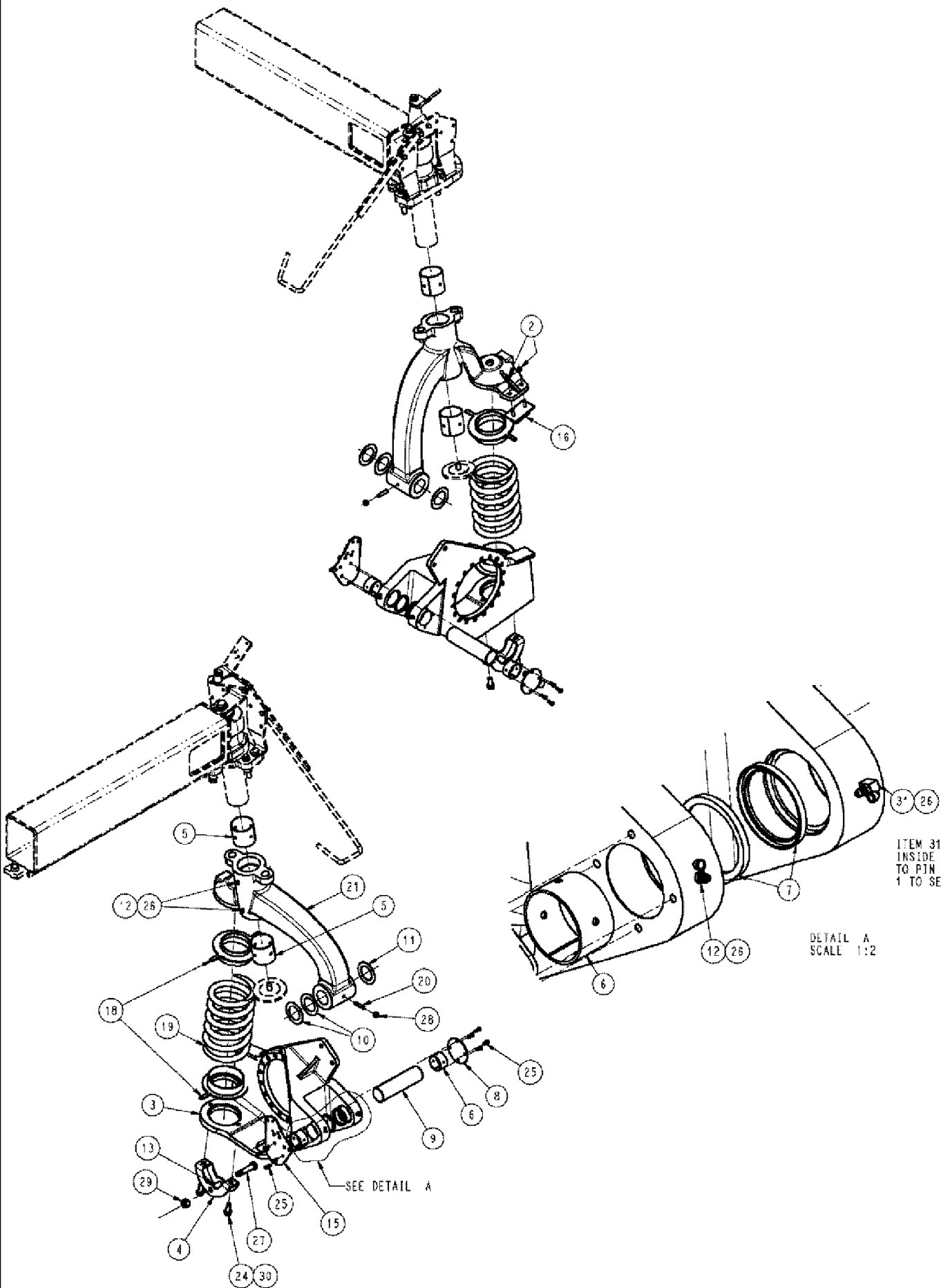
## NOTES:

- 1) APPLY GREASE ITEM 19 TO AXLE TUBE SURFACES OF ITEM 17 BEFORE ASSEMBLY.
- 2) ASSEMBLY OF BOLTS:  
APPLY PRIMER ITEM 5 TO THREADED AREAS (BOLT & TAPPED AREA), ALLOW TO DRY,  
APPLY LOCTITE ITEM 1 TO BOLT THREADS AND TAPPED AREA, ASSEMBLE.
- 3) APPLY ITEM 6 AS NEEDED TO OBTAIN BETWEEN .25-2 MM OF FREE PLAY IN THE ASSEMBLY.
- 5) TORQUE ITEMS 24 & 38 TO 230 LB-FT  $\pm$  10 LB-FT.
- 6) APPLY ANTI-SIEZE ITEM 20 TO ITEMS 2 & 18 PRIOR TO ASSEMBLY.
- 7) THESE PARTS ARE USED TO MOUNT AXLE ADJUST CYLINDER, SEE AXLE HYD GRP.

## 4420 PATRIOT SPRAYER

## 04-013 AXLE GROUP, NON STEER, RR

Ref	Part Number	Qty	Description
2	BN301998	1	DOWEL, HOLLOW
4	BN302052	1	WASHER,
6	BN312604	1	SPACER, SHIM, AXLE
12	BN320759	1	STOP, TAB, AXLE ADJUST
13	87540210	1	SLIDE, BAR, AXLE
16	87268927	1	SLIDE, WLD, AXLE ADJ, LR
17	342730A1	1	BEAM, AXLE WELDMENT, REAR
18	342939A1	2	SLEEVE, DOWEL, HOLLOW
22	627-20035	1	BOLT, M20-2.5 X 35, HH, 10.9
23	86980457	1	BOLT, M20-2.5 X 40,HH, 8.8
24	87342045	1	BOLT, M20 X 55, FULL, 10.9
28	87024336	2	NUT, M20 10 MET P/T DOR
31	87268646	2	BOLT, M20-2.5 X 100, 12 PT, 12.9, DRL
32	892-11020	1	WASHER, LOCK, M20, SPRING
34	87529307	6	WASHER, 22 X 37 X 4MM HDN DOR
36	87615325	1	RR, SEE 04-009 , ASN 22002
36	86986711	1	RR, INDICATES OLD PART NUMBER OR CAN ORDER NEWER PART NUMBER LISTED ABOVE
38	87342001	2	BOLT, M20 X 90, 10.9



ITEM 31 SHOULD POINT TO THE INSIDE OF CASTING PARALLEL TO PIN  $\pm 30^\circ$  USE ITEMS 17 AND 1 TO SECURE

DETAIL A  
SCALE 1:2

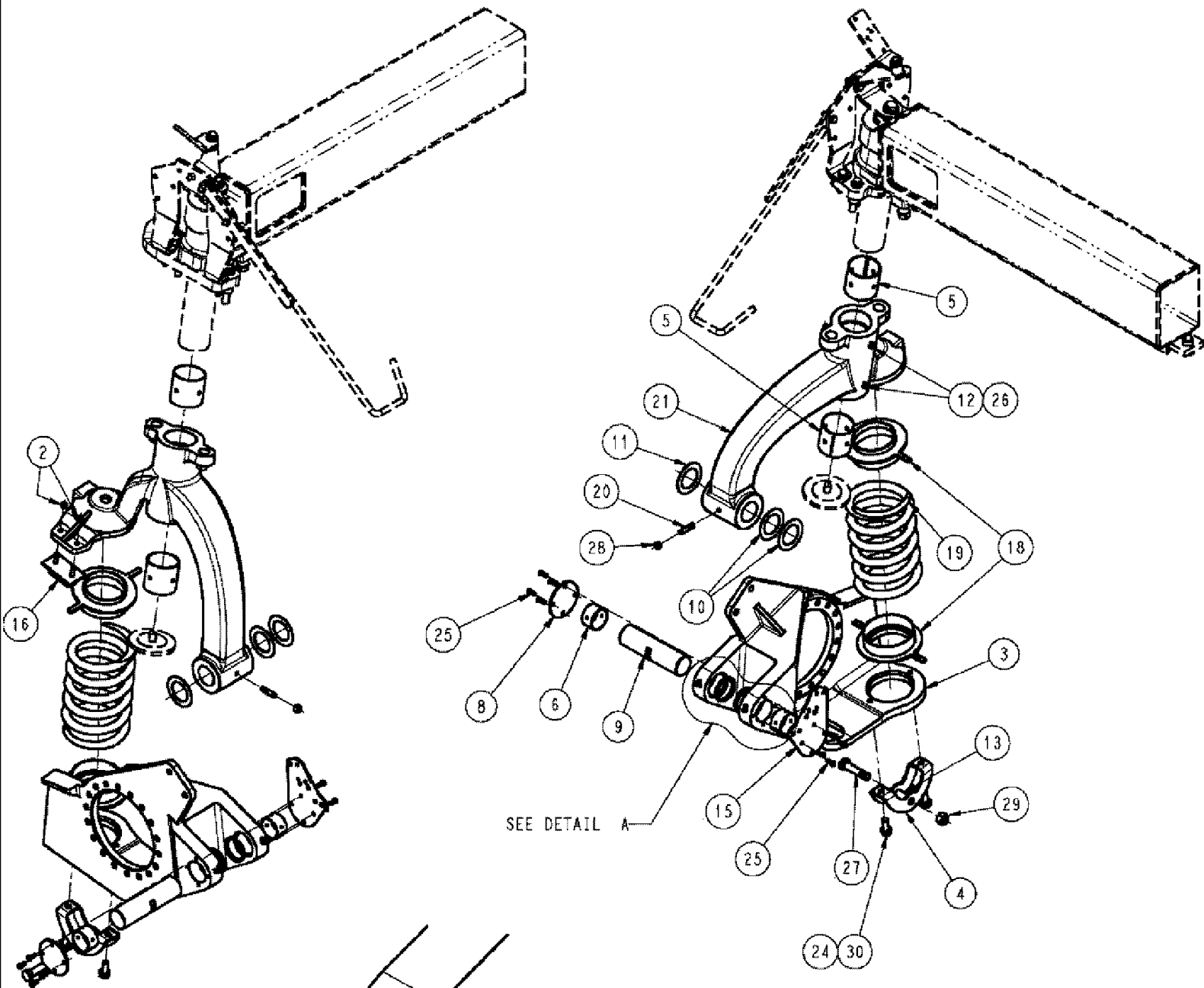
SEE DETAIL A



## 4420 PATRIOT SPRAYER

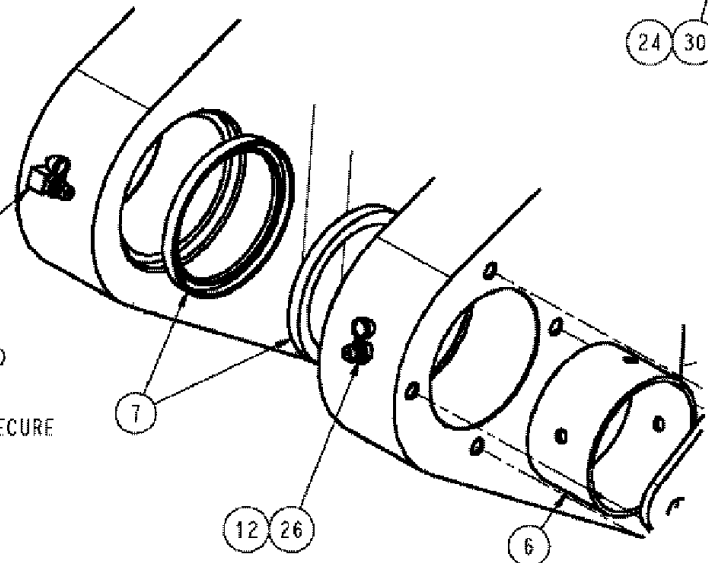
## 04-014 STRUT GROUP, LEFT

Ref	Part Number	Qty	Description
1	BN1243001	0.01	LOCTITE, 243-31 REMOVABLE
2	BN50759	2	NUT, 3/8-16, NLN, SS EM-620C BLACK EVERLUBE
3	BN300991	1	HOUSING, TRAILING LINK, LH
4	BN302031	1	MOUNTING PARTS, SHOCK, LOWER
5	344042A1	2	BEARING, SLEEVE
6	87552137	2	BEARING COVER, BEARING SLEEVE LOWER
7	BN302044	2	SEAL, LOWER
8	BN302045	1	CAP,
9	BN302046	1	SHAFT, LOWER
10	BN302047	2	SHIM, BUSH, MACH, WIDE, 2.5 ID X 18GA
11	BN302048	1	SHIM, BUSH, MACH.WIDE, 2.5 ID X 14GA
12	BN302051	3	NIPPLE, LUBE, FITTING GREASE 8MM X 1 STR
13	87269215	1	SPACER, SHOCK, SUSPENSION
15	86986092	1	DUST CAP, SUSPENSION
16	BN306889	1	BUMPER, JOUNCE, 2.5 X 4.5 X 1.5
17	BN307971	AR	SEALANT, PRIMER - THREAD, 0.02
18	BN316108	2	MOUNTING PARTS, WELDMENT, ADAPTOR, SPRING
19	87267913	1	SPRING, COIL, SUSPENSION
20	BN321041	1	SET OF SCREW, SET M12 X 55, 1.75 CPT
21	86986254	1	ARM, SUSPENSION, UPPER, LH
22	BN55015	AR	NIPPLE, LUBE, LITHIUM 12-GRADE #2, 0.125
23	BN55084	AR	HOSE, FLEXIBLE, CAULK-11 OZ WHITE G-FLEX, 0.1
24	614-16040	2	BOLT, Hex, M16 x 40, 8.8,
25	614-8020	8	BOLT, Hex, M8 x 20, 8.8,
26	BN69951	4	CAP, GREASE
27	87269216	1	BOLT, SHOCK, M20-2.5, DOR
28	829-4412	1	NUT, Thin, M12 x 1.75, CI 05,
29	832-46420	1	NUT, LOCK, M20 x 2.5, CI 8,
30	87310607	2	WASHER, 17.5 X 34 X 5 MM HDN DOR
31	713608R91	1	NIPPLE, LUBE, 90c, M8 x 1, FITTING



ITEM 31 SHOULD POINT TO THE INSIDE OF CASTING PARALLEL TO PIN  $\pm 30^\circ$  USE ITEM 17 AND 1 TO SECURE

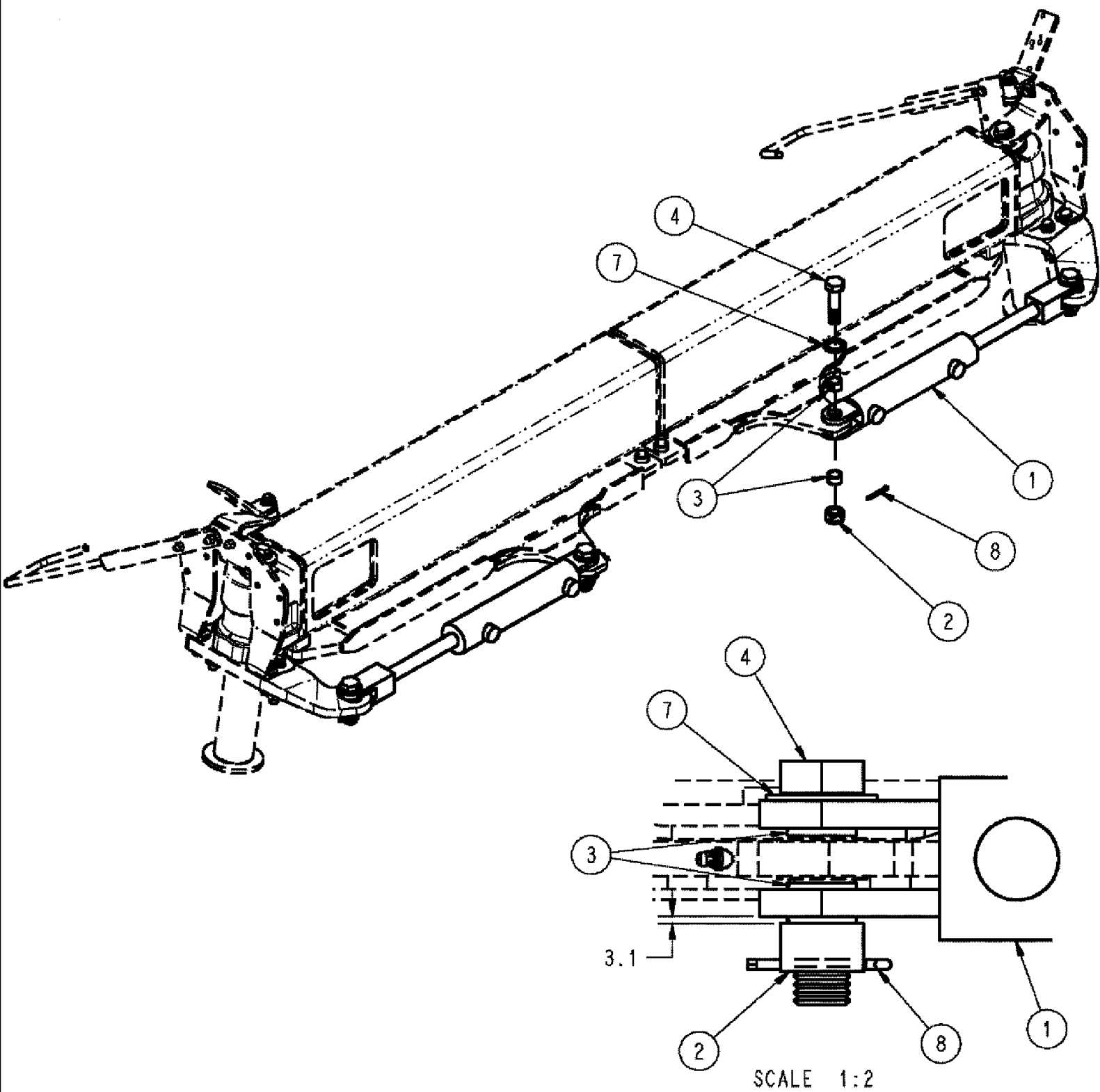
DETAIL A  
SCALE 1:2



## 4420 PATRIOT SPRAYER

## 04-015 STRUT GROUP, RIGHT

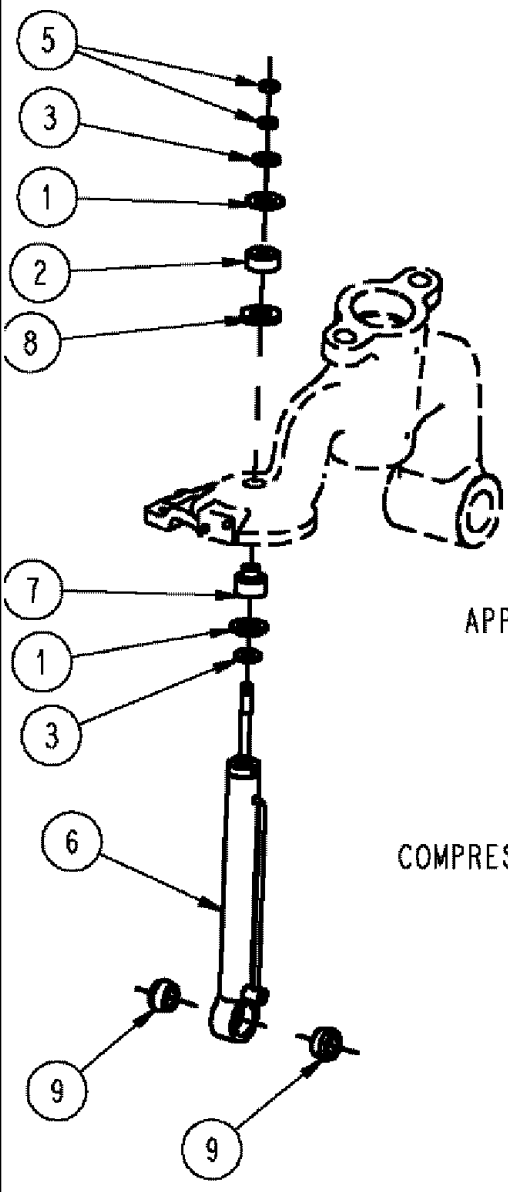
Ref	Part Number	Qty	Description
1	BN1243001	AR	LOCTITE, 243-31 REMOVABLE, 0.1
2	BN50759	2	NUT, 3/8-16, NLN, SS EM-620C BLACK EVERLUBE
3	BN300992	1	HOUSING, TRAILING LINK, RH
4	BN302031	1	MOUNTING PARTS, SHOCK, LOWER
5	344042A1	2	BEARING, SLEEVE
6	87552137	2	BEARING COVER, BEARING SLEEVE LOWER
7	BN302044	2	SEAL, LOWER
8	BN302045	1	CAP,
9	BN302046	1	SHAFT, LOWER
10	BN302047	2	SHIM, BUSH, MACH, WIDE, 2.5 ID X 18GA
11	BN302048	1	SHIM, BUSH, MACH.WIDE, 2.5 ID X 14GA
12	BN302051	3	NIPPLE, LUBE, FITTING GREASE 8MMX1 STR
13	87269215	1	SPACER, SHOCK, SUSPENSION
15	86986092	1	DUST CAP, SUSPENSION
16	BN306889	1	BUMPER, JOUNCE, 2.5 X 4.5 X 1.5
17	BN307971	0.02	SEALANT, PRIMER - THREAD
18	BN316108	2	MOUNTING PARTS, WELDMENT, ADAPTOR, SPRING
19	87267913	1	SPRING, COIL, SUSPENSION
20	BN321041	1	SET OF SCREW, M12 X 55, 1.75 CPT
21	86986252	1	ARM, SUSPENSION, UPPER, RH
22	BN55015	AR	NIPPLE, LUBE, GREASE-LITHIUM 12-GRADE #2, 0.125
23	BN55084	AR	HOSE, FLEXIBLE, CAULK-11 OZ WHITE G-FLEX, 0.1
24	614-16040	2	BOLT, Hex, M16 x 40, 8.8,
25	614-8020	8	BOLT, Hex, M8 x 20, 8.8,
26	BN69951	4	CAP, GREASE
27	87269216	1	BOLT, SHOCK, M20-2.5, DOR
28	829-4412	1	NUT, Thin, M12 x 1.75, CI 05,
29	832-46420	1	NUT, LOCK, M20 x 2.5, CI 8,
30	87310607	2	WASHER, 17.5 X 34 X 5 MM HDN DOR
31	713608R91	1	NIPPLE, LUBE, 90c, M8 x 1, FITTING, C M8 X 1 LUB DIN 71412



## 4420 PATRIOT SPRAYER

## 04-016 CYLINDER GROUP, 2 WHEEL STEER

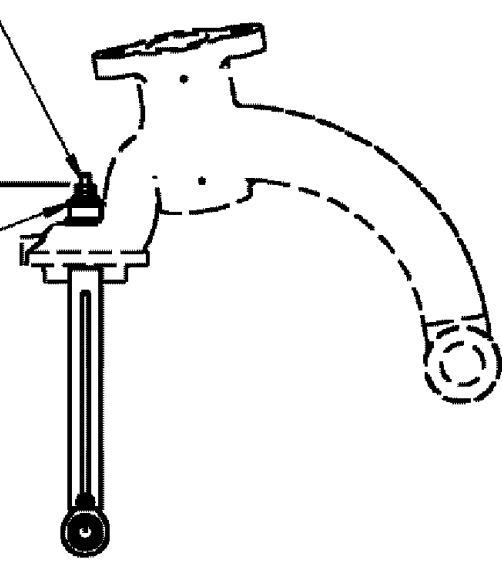
Ref	Part Number	Qty	Description
1	87267921	2	CYLINDER, HYD 2.50 x 10 x 1.25, SEE FIG 07-002
2	425-1216	4	NUT, SLOTTED, 1"-8, G5, 1-8, HH, SLOTTED, G5
3	87269214	8	BUSHING, SPRING
4	87270947	4	BOLT, STEERING, 1-8, DOR"
7	495-81278	4	WASHER, 1 5/16" x 2" x .109",
8	BN50601	4	PIN, SPLIT (COTTER), 3/16 X 2



APPLY ANTI-SEIZE (10) TO THREADS  
BEFORE ASSEMBLY OF NUTS.

COMPRESS RUBBER AND URETHANE 3 MM.

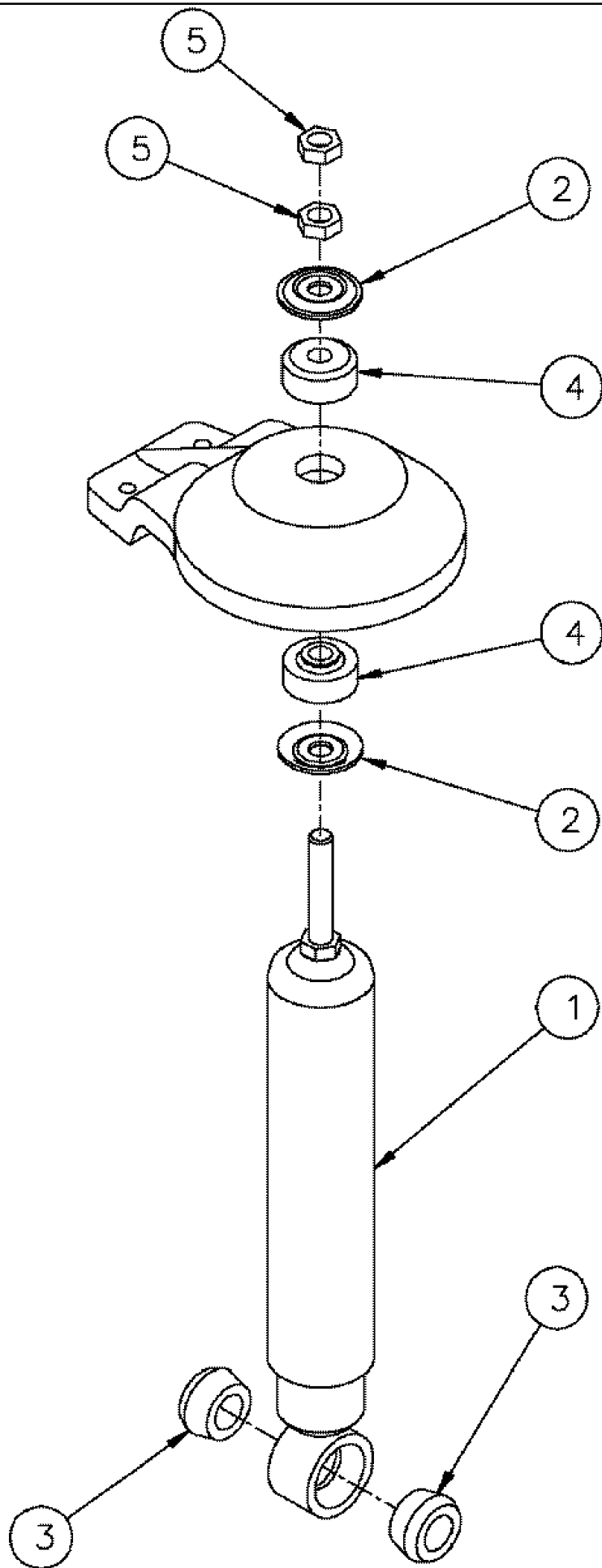
(4)



## 4420 PATRIOT SPRAYER

## 04-017 SUSPENSION CYLINDER GROUP

Ref	Part Number	Qty	Description
1	BN313440	2	WASHER, RETAINER
2	BN313532	1	BUSHING, URETHANE (RED)
3	BN313204	2	WASHER, SPRING, HARDEN 5/8
5	329-1510	2	NUT, Jam, 5/8"-18, G8,
6	BN320608	1	CYLINDER ASSY., HYD 1.38 X 10.38 X.88, SEE FIG 07-011
7	BN321661	1	BUSHING, PILOT LONG SHOCK
8	BN321990	1	WASHER, SPRING HARDEN 1"
9	87269274	2	SLEEVE, BUSHING, LOWER SHOCK
10	BN55077	AR	ANTISEIZE, COMPOUND, 0.05





## 4420 PATRIOT SPRAYER

## 04-018 SUSPENSION SHOCK ASSEMBLY

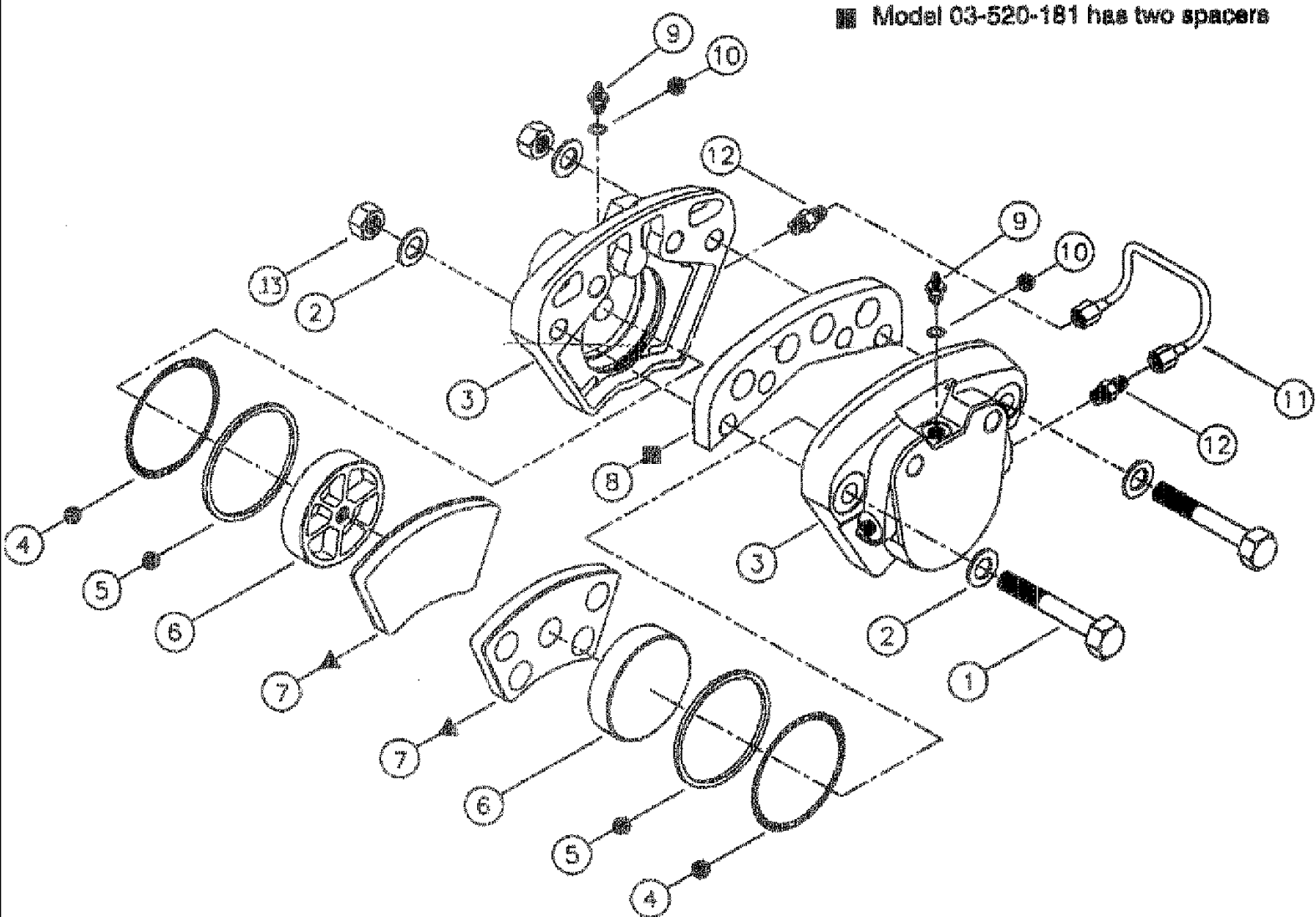
Ref	Part Number	Qty	Description
1	343351A1	1	SHOCK ABSORBER, SINGLE POSITION, AR
2	BN313440	2	WASHER, RETAINER
3	BN313441	2	BUSHING,
4	BN324082	2	BUSHING, SHOCK INNER
5	BN329-1510	2	5/8-18 HEX JAM GR. 8
6	BN55077	AR	ANTISEIZE, COMPOUND, 0.05

REPAIR KIT #314703 (INCLUDES  
ITEMS 4, 5, 10).

LINING KIT #314704 (INCLUDES  
ITEM 7).

ITEMS 1, 2, AND 13 SUPPLIED WITH  
ASSEMBLY FROM VENDOR

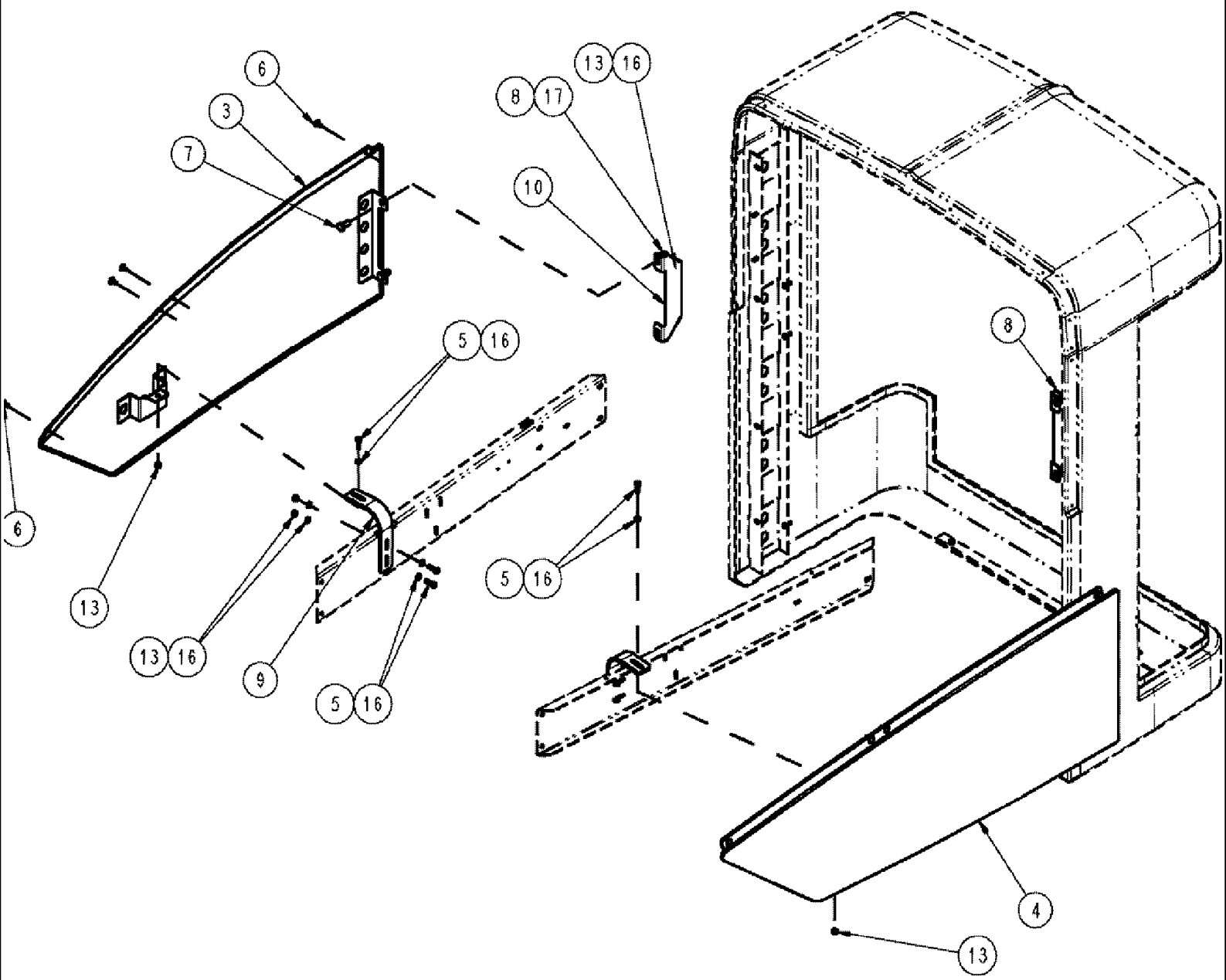
- Items Included in Repair Kit
- ▲ Items Included in Lining Kit
- Model 03-520-181 has two spacers



## 4420 PATRIOT SPRAYER

## 04-019 BRAKE CALIPER ASSEMBLY

Ref	Part Number	Qty	Description
	343996A1	1	CALIPER, MICO, 02-520-250 (COMPLETE BRAKE)
	S107710	1	SCREW, BLEEDER PLUG
11	87271759	1	TUBE, ASSEMBLY
12	87271760	2	CONNECTOR, HYD.,
9-10	87271758	2	BLEEDER, ASSEMBLY
	BN314703	1	KIT, BRAKE REPAIR
	BN314704	1	KIT, BRAKE LINING
	BN314017	1	SPACER, DISC BRAKE (14 GA)



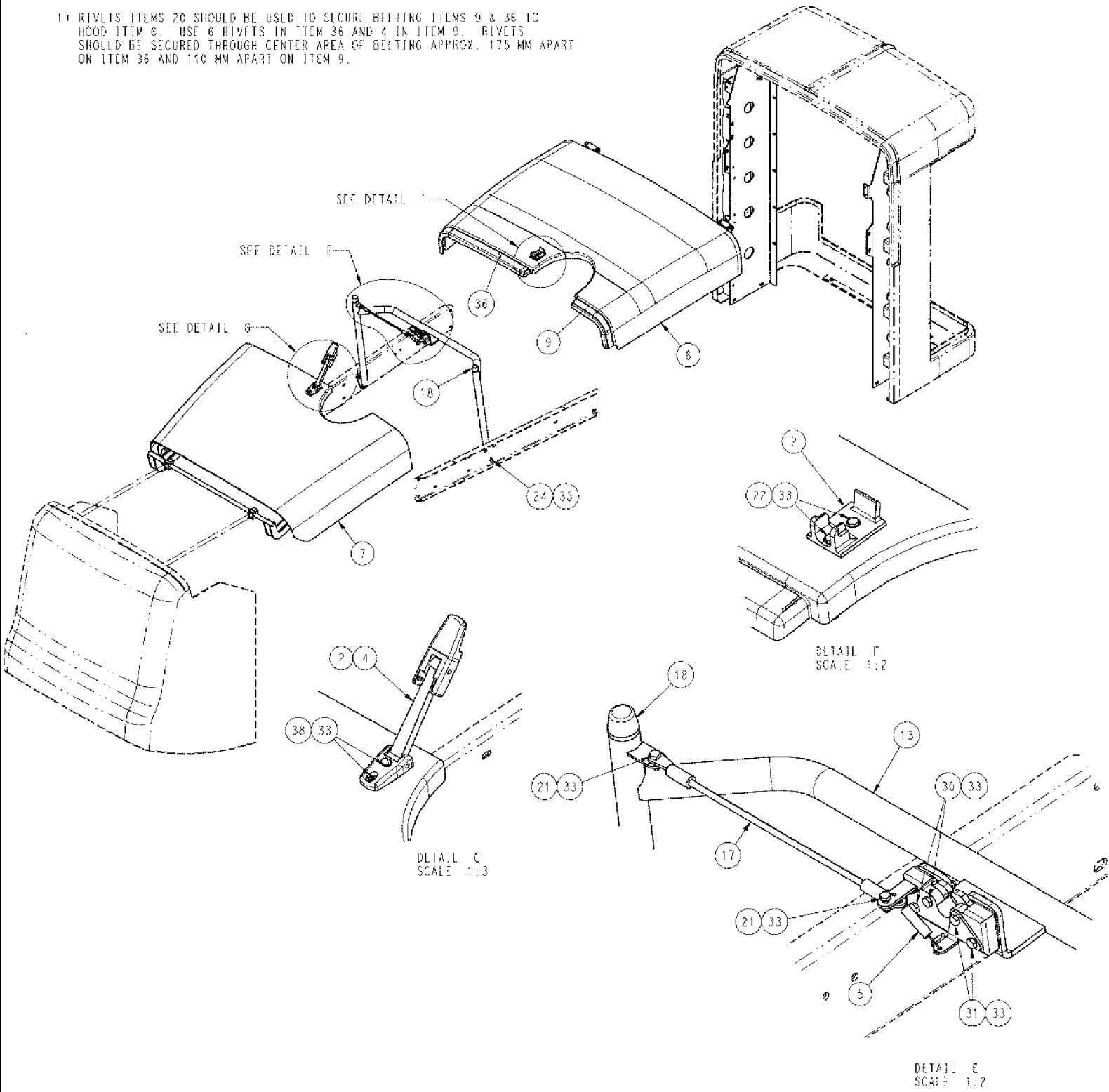
## 4420 PATRIOT SPRAYER

## 04-020 HOOD MOUNT GROUP, ENGINE, SIDE

Ref	Part Number	Qty	Description
3	87266220	1	HOOD, ENGINE, SIDE, LH, COMPLETE
4	87266223	1	HOOD, ENGINE, SIDE, RH, COMPLETE
5	86981496	6	WASHER, M13.5 x 24.5 x 3, HT,
6	87268898	8	RIVET, NYLON, BLK, 1/4 X .80LG
7	614-12025	4	BOLT, Hex, M12 x 25, 8.8,
8	83246412	4	M12-1.75, TLN, CL8
9	87268911	2	PLATE, MOUNTING, SIDE HOODS
10	87270147	2	PLATE, MOUNTING, SIDE HOODS
13	832-46408	10	NUT, LOCK, M8 x 1.25, CI 8,
16	895-11008	14	WASHER, M8 x 16 x 1.6,
17	86981496	4	WASHER, M13.5 x 24.5 x 3, HT,

NOTES:

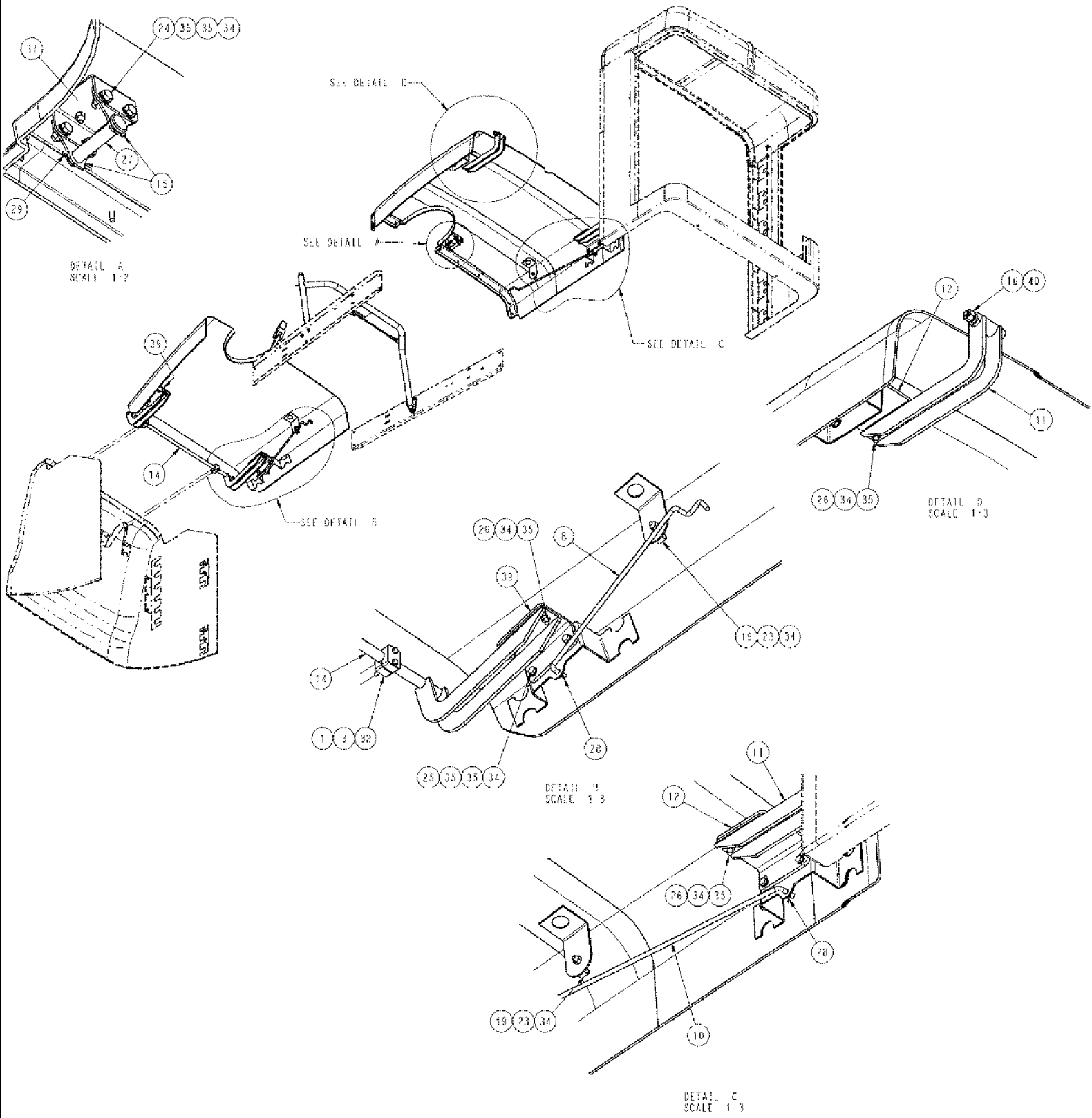
1) RIVETS ITEMS 20 SHOULD BE USED TO SECURE BEFITTING ITEMS 9 & 36 TO HOOD ITEM 6. USE 6 RIVETS IN ITEM 36 AND 4 IN ITEM 9. RIVETS SHOULD BE SECURED THROUGH CENTER AREA OF BEFITTING APPROX. 175 MM APART ON ITEM 36 AND 110 MM APART ON ITEM 9.



## 4420 PATRIOT SPRAYER

## 04-021(01) HOOD GROUP, TOP ACCESS

Ref	Part Number	Qty	Description
1	BN309485	2	PLATE, TOP, SINGLE, SIZE 2
2	BN310732	1	LATCH, HOOD, 543
3	BN315164	2	CLAMP, PAIR, SNGL, 5/8 TUBE
4	BN315616	1	LATCH, MOUNT
5	318159A1	1	LATCH, HOOD
6	87266778	1	HOOD, ENGINE, TOP,FRT, COMPLETE
7	BN319577	1	HOOD, ENGINE, TOP, REAR, COMP
8	BN322420	1	ROD, REAR HOOD PROP
9	BN322436	1	BELT, COTTON, 1.25" X 14"
10	BN322641	1	ROD, FRONT HOOD PROP
11	87268875	2	HINGE, ENGINE HOOD
12	87266788	2	PLATE, MOUNTING, ENGINE HOOD
13	BN323984	1	FRAME, HOOD/LATCH SUPPORT
14	87266524	1	HINGE, REAR ENGINE HOOD
15	BN324871	2	PLATE, MOUNTING, TAB, LATCH PIN
16	561-705	2	SCREW, Hex Soc, Shoulder, M12 16 X 60mm, CI12.9,
17	BN325687	1	LATCH, LANYARD, HOOD
18	363226A1	2	BUMPER, DOOR
19	516-2295	2	CLAMP, J, 7/16" Insul, 5/16" Bolt,
20	BN52346	10	RIVET, POP 1/8" X .5 SS
21	614-6016	2	BOLT, Hex, M6 x 16, 8.8,
22	614-6020	2	BOLT, Hex, M6 x 20, 8.8,
23	614-8016	2	BOLT, Hex, M8 x 16, 8.8,
24	614-8020	10	BOLT, Hex, M8 x 20, 8.8,
25	614-8025	8	BOLT, Hex, M8 x 25, 8.8,
26	614-8030	8	BOLT, Hex, M8 x 30, 8.8,
27	728-1680	1	PIN, CLEVIS, M16 x 80,
28	733-2520	2	PIN, SPLIT (COTTER), M2.5 x 20,
29	733-4032	1	PIN, SPLIT (COTTER), M4 x 32,
30	814-6035	2	BOLT, Hex, M6 x 35, 8.8,
31	814-6040	2	BOLT, Hex, M6 x 40, 8.8,
32	814-6050	4	BOLT, Hex, M6 x 50, 8.8,
33	832-46406	14	NUT, LOCK, M6 x 1, CI 8,
34	832-46408	22	NUT, LOCK, M8 x 1.25, CI 8,
35	895-11008	38	WASHER, M8 x 16 x 1.6,
36	BN322442	1	BELT, COTTON, 1.25 X 29.5"
37	86986059	1	PLATE, MOUNTING, LATCH/PIN
38	864-6020	2	SCREW, Hex Soc Hd, M6 x 20, 8.8,
39	87266777	2	PLATE, MOUNTING, ENGINE HOOD
40	832-46412	2	NUT, LOCK, M12 x 1.75, CI 8,

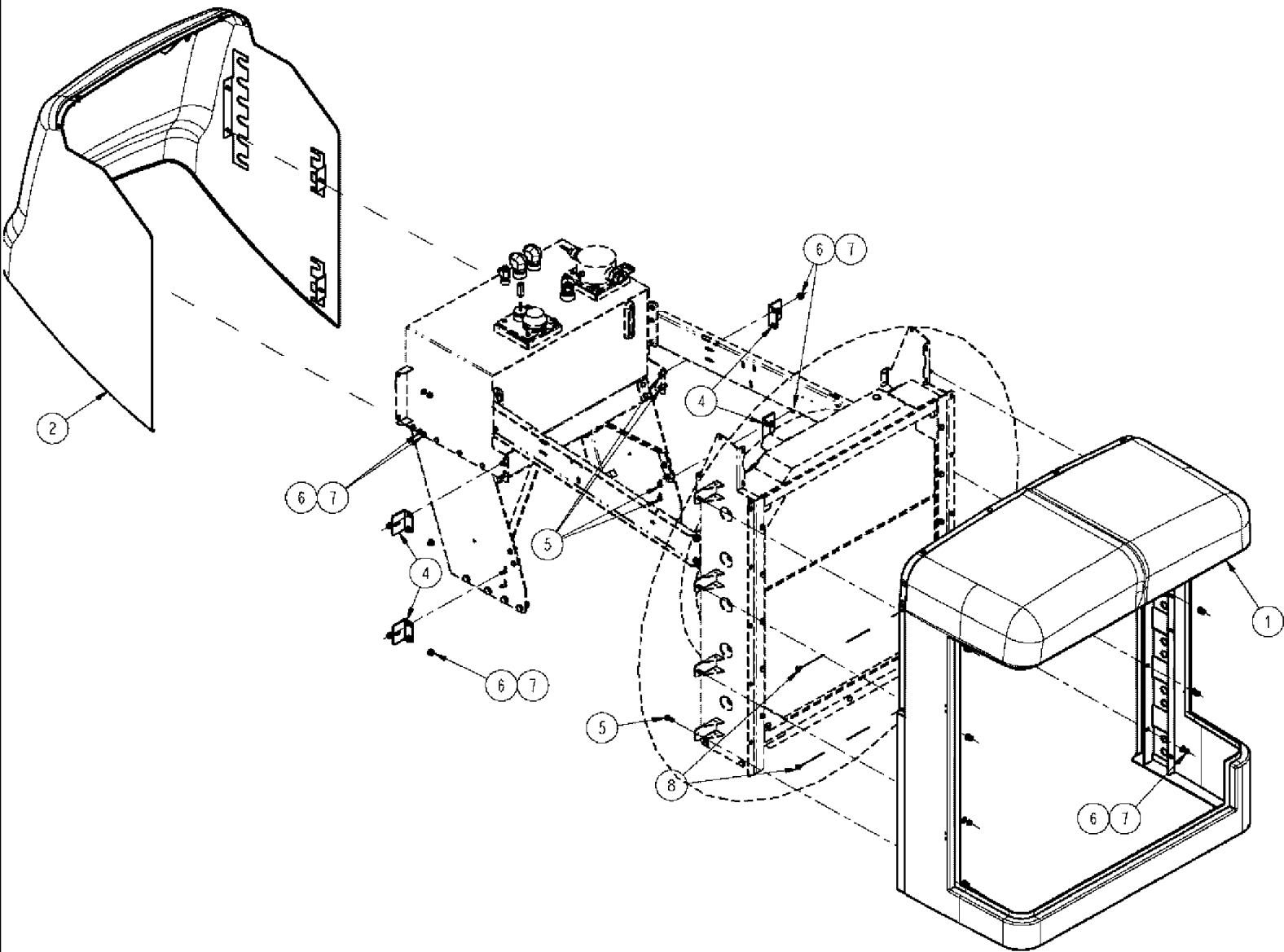




## 4420 PATRIOT SPRAYER

## 04-021(02) HOOD GROUP, TOP ACCESS

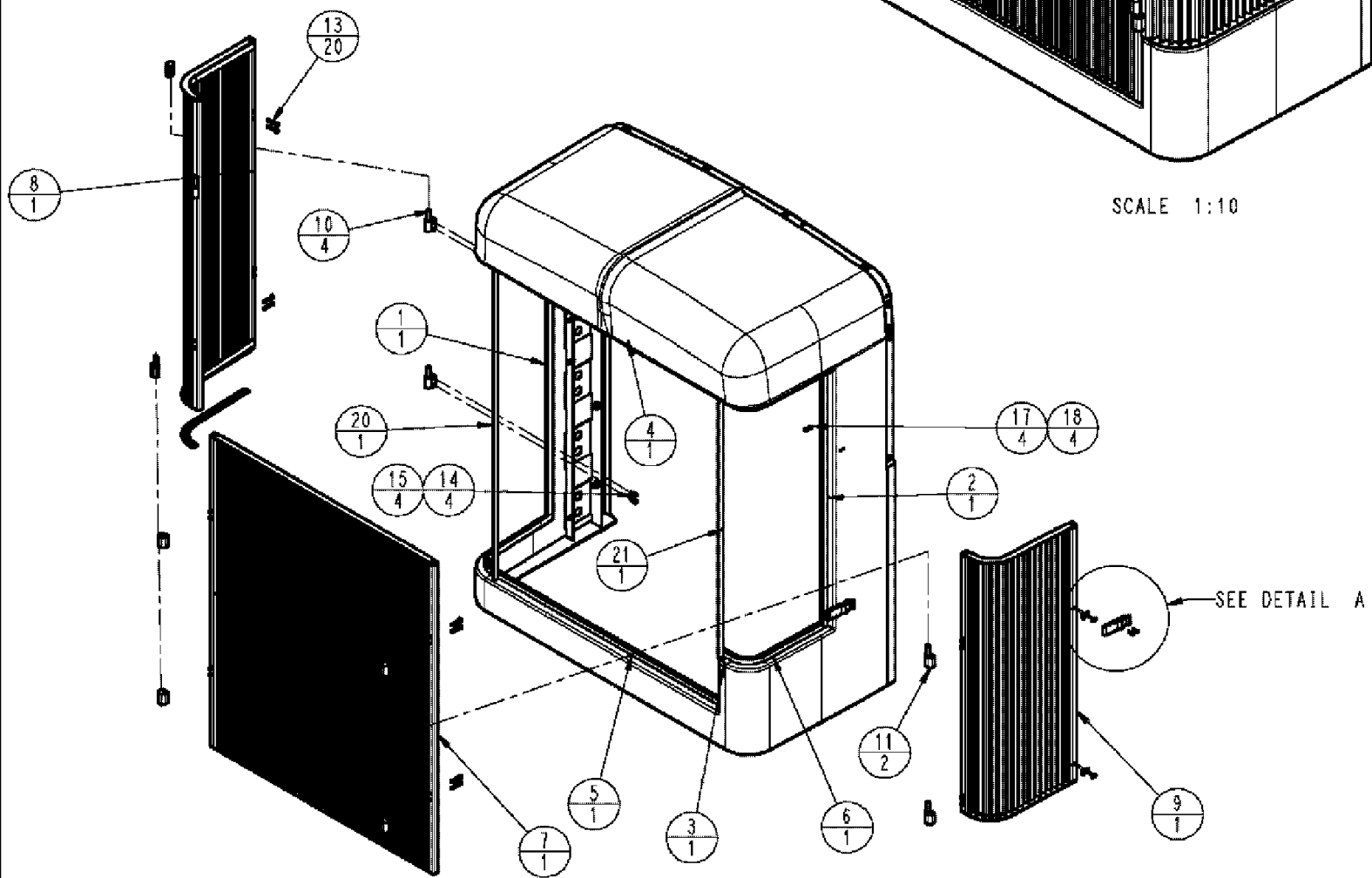
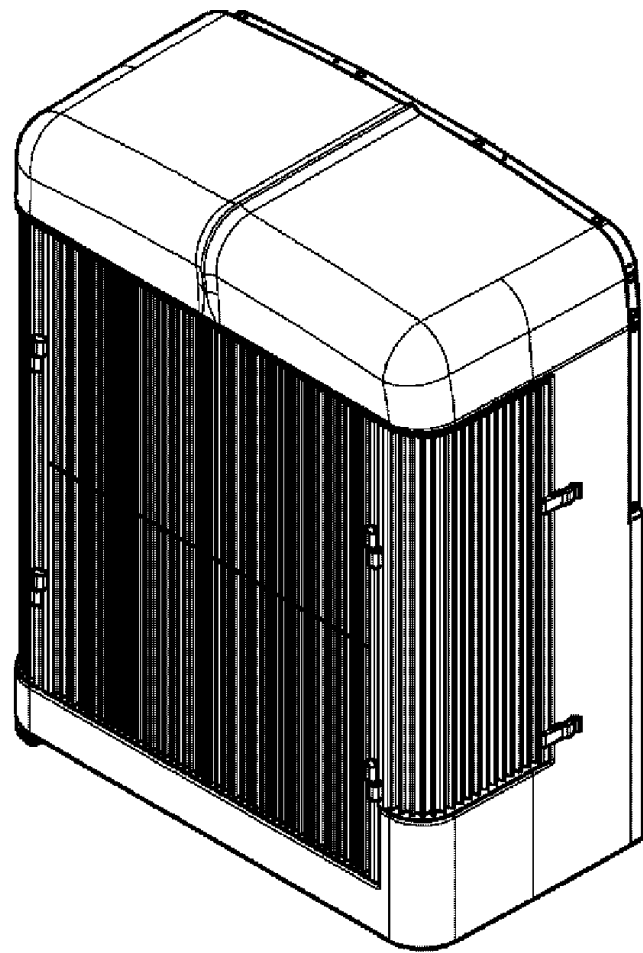
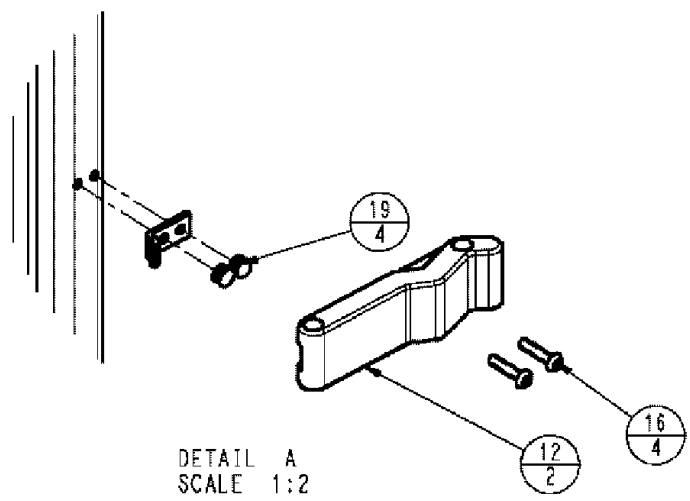
Ref	Part Number	Qty	Description
1	BN309485	2	PLATE, TOP, SINGLE, SIZE 2
2	BN310732	1	LATCH, HOOD, 543
3	BN315164	2	CLAMP, PAIR, SNGL, 5/8 TUBE
4	BN315616	1	LATCH, MOUNT
5	318159A1	1	LATCH, HOOD
6	87266778	1	HOOD, ENGINE, TOP, FRT, COMPLETE
7	BN319577	1	HOOD, ENGINE, TOP, REAR, COMP
8	BN322420	1	ROD, REAR HOOD PROP
9	BN322436	1	BELT, COTTON, 1.25" X 14"
10	BN322641	1	ROD, FRONT HOOD PROP
11	87266779	2	HINGE, ENGINE HOOD
12	87266788	2	PLATE, MOUNTING, ENGINE HOOD
13	BN323984	1	FRAME, HOOD/LATCH SUPPORT
14	87266524	1	HINGE, REAR ENGINE HOOD
15	BN324871	2	PLATE, MOUNTING, TAB, LATCH PIN
16	561-705	2	SCREW, Hex Soc, Shoulder, M12 16 X 60mm, CI12.9,
17	BN325687	1	LATCH, LANYARD, HOOD
18	363226A1	2	BUMPER, DOOR
19	516-2295	2	CLAMP, J, 7/16" Insul, 5/16" Bolt,
20	BN52346	10	RIVET, POP 1/8" X .5 SS
21	614-6016	2	BOLT, Hex, M6 x 16, 8.8,
22	614-6020	2	BOLT, Hex, M6 x 20, 8.8,
23	614-8016	2	BOLT, Hex, M8 x 16, 8.8,
24	614-8020	10	BOLT, Hex, M8 x 20, 8.8,
25	614-8025	8	BOLT, Hex, M8 x 25, 8.8,
26	614-8030	8	BOLT, Hex, M8 x 30, 8.8,
27	728-1680	1	PIN, CLEVIS, M16 x 80,
28	733-2520	2	PIN, SPLIT (COTTER), M2.5 x 20,
29	733-4032	1	PIN, SPLIT (COTTER), M4 x 32,
30	814-6035	2	BOLT, Hex, M6 x 35, 8.8,
31	814-6040	2	BOLT, Hex, M6 x 40, 8.8,
32	814-6050	4	BOLT, Hex, M6 x 50, 8.8,
33	832-46406	14	NUT, LOCK, M6 x 1, CI 8,
34	832-46408	22	NUT, LOCK, M8 x 1.25, CI 8,
35	895-11008	38	WASHER, M8 x 16 x 1.6, FLAT
36	BN322442	1	BELT, COTTON, 1.25 X 29.5"
37	86986059	1	PLATE, MOUNTING, LATCH/PIN
38	864-6020	2	SCREW, Hex Soc Hd, M6 x 20, 8.8,
39	87266777	2	PLATE, MOUNTING, ENGINE HOOD
40	832-46412	2	NUT, LOCK, M12 x 1.75, CI 8,



## 4420 PATRIOT SPRAYER

## 04-022 HOOD MOUNT GROUP, ENGINE, FRONT &amp; REAR

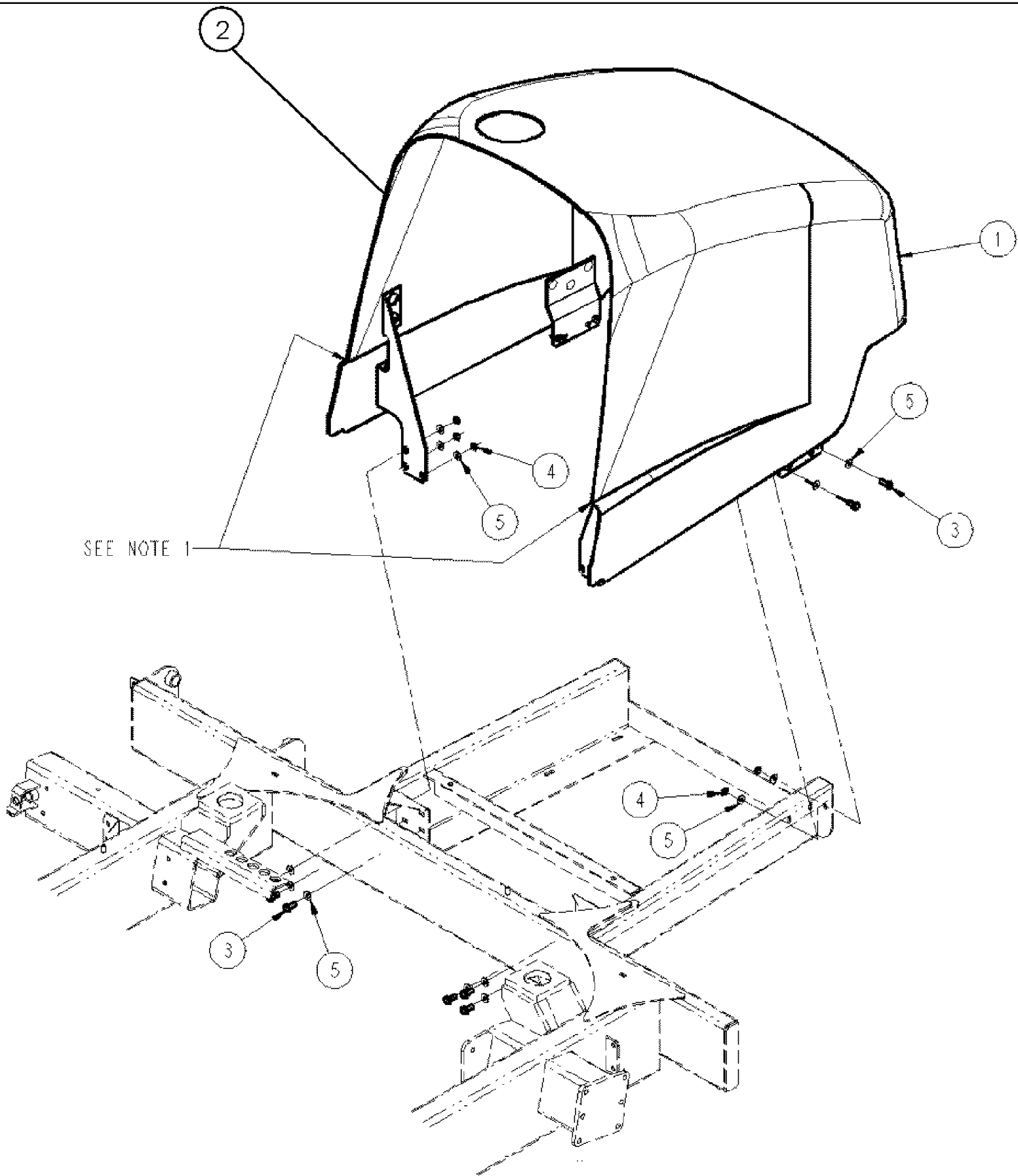
Ref	Part Number	Qty	Description
1	87270148	1	HOOD, ENGINE, FRONT, COMPLETE
2	87270139	1	HOOD, ENGINE, REAR, COMPLETE
4	87270138	4	PLATE, MOUNTING, HOOD
5	614-10025	16	BOLT, Hex, M10 x 25, 8.8, Full Thd,
6	832-46410	24	NUT, LOCK, M10 x 1.5, CI 8,
7	896-11010	24	WASHER, M10 x 21.5 x 2.5, HT, FLAT
8	BN308098	4	SEAL, BELTING - HOOD
9	BN52346	8	RIVET, POP 1/8" X .5 SS NOT SHOWN



## 4420 PATRIOT SPRAYER

## 04-023 GRILLE MOUNT GROUP, ENGINE

Ref	Part Number	Qty	Description
1	BN322642	1	INSULATION, FOAM, SEAL
2	BN322643	1	INSULATION, FOAM, SEAL
3	BN322644	1	INSULATION, FOAM, SEAL
4	BN323609	1	INSULATION, FOAM, SEAL
5	BN324874	1	INSULATION, FOAM, SEAL
6	BN324875	1	INSULATION, FOAM, SEAL
7	BN324876	1	GRILLE, WLD, CENTER
8	87267793	1	GRILLE, WLD, RH
9	BN322404	1	GRILLE, WLD, LH
10	BN306290	4	HINGE, NYLON,TYPE A, M6
11	BN306286	2	HINGE, NYLON,TYPE B, M6
12	BN307683	2	LATCH, SOFTW/CONCEAL KEEP
13	86980363	20	BOLT, M6-1 X 35, HH, 8.8
14	87529314	4	WASHER, 6.6 X 12.5 X 2MM HDN DOR
15	87343625	4	SCREW, M6 X 16, HEX SOC
16	87610705	4	SCREW, PHD, TYPE 1, #8-32 X .750 SST
17	225-14108	4	NUT, #8-32,
18	895-11004	4	WASHER, M4,
19	151-515	4	RIVET, Pop, .146" x .425",
20	87267631	1	SEAL, FOAM
21	87267632	1	SEAL, FOAM



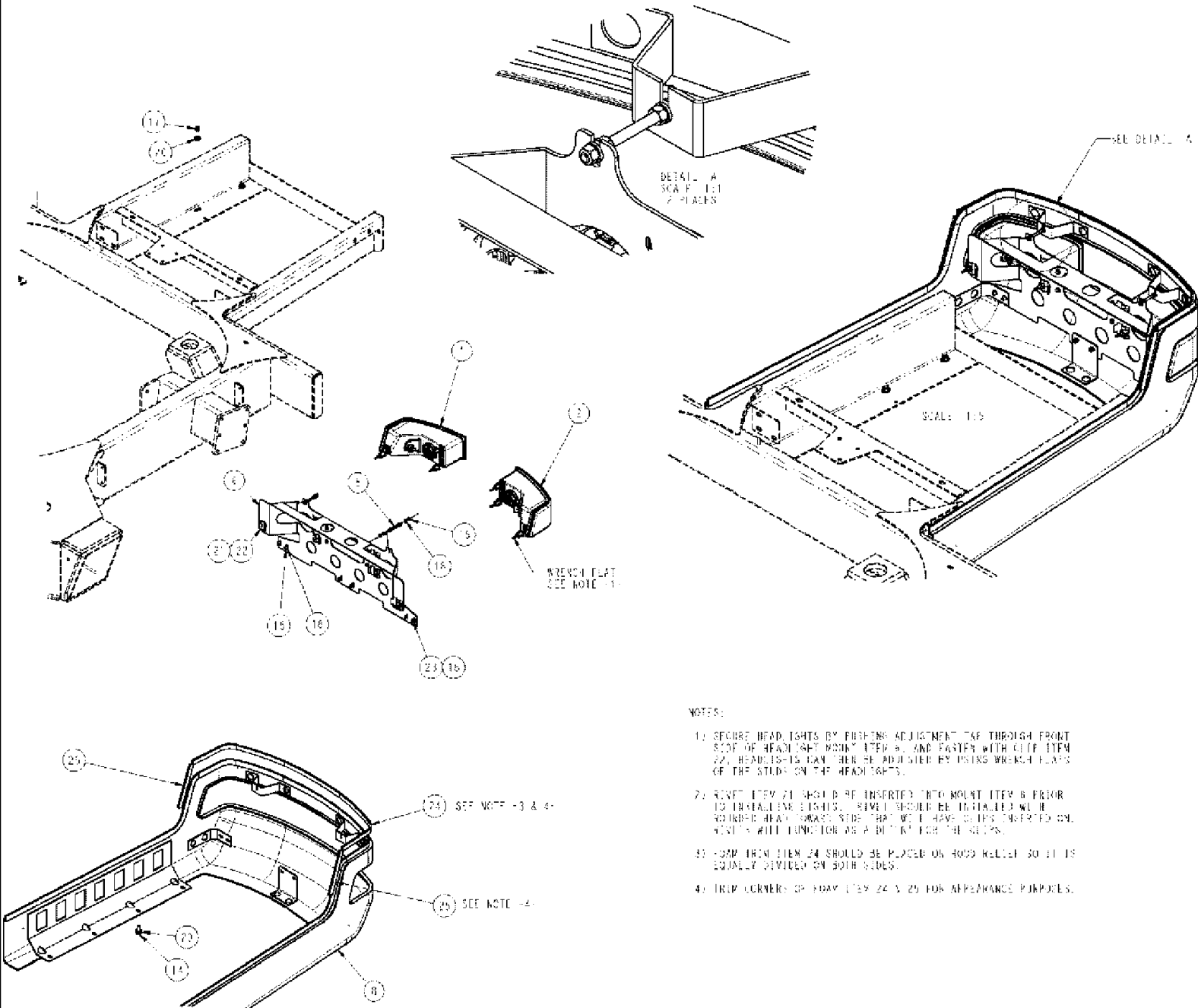
NOTES:

- 1) TRIMSEAL ITEM 2 SHOULD BE SECURED TO REAR EDGE OF HOOD FROM THE EDGE OF THE OUTSET ON ONE SIDE TO THE OUTSET ON THE OTHER SIDE.

## 4420 PATRIOT SPRAYER

## 04-024 HOOD GROUP, UPPER

Ref	Part Number	Qty	Description
1	343698A1	1	HOOD, UPPER, COMPLETE
2	BN2395049	6.87	SEAL, TRIMSEAL, P/N 75000317C
3	614-10025	10	BOLT, Hex, M10 x 25, 8.8, Full Thd,
4	832-46410	10	NUT, LOCK, M10 x 1.5, Cl 8,
5	896-15010	20	WASHER, M10 x 24.5 x 3, HT,



NOTES:

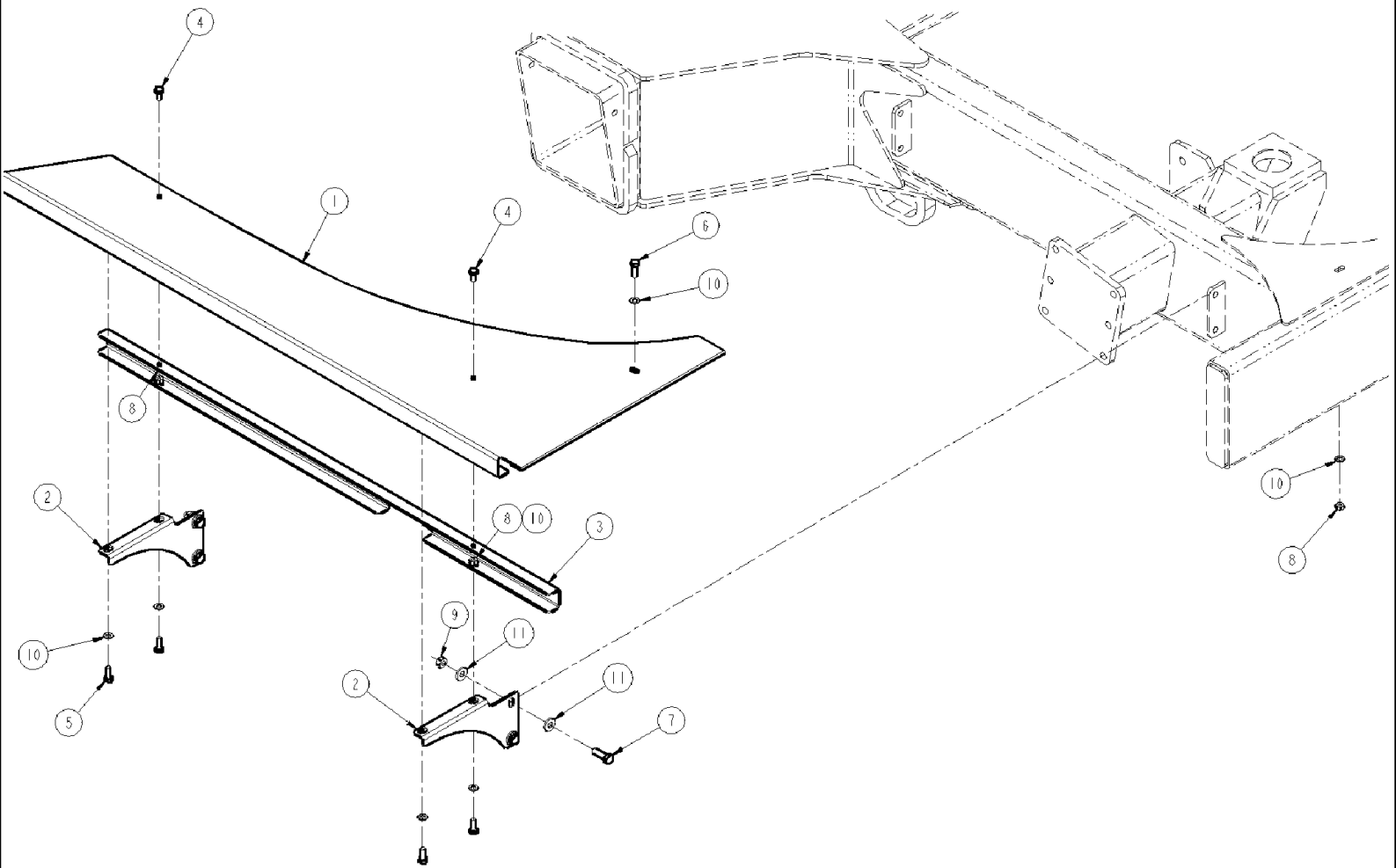
- 1) SECURE HEAD LIGHTS BY PUSHING ADJUSTMENT TAB THROUGH FRONT SLOT OF HEAD LIGHT MOUNT ITEM 6, AND FASTEN WITH CLIP ITEM 22. HEADLIGHTS CAN THEN BE ADJUSTED BY USING WRENCH FLATS OF THE STUDS ON THE HEADLIGHTS.
- 2) REMIT ITEM 21 SHOULD BE INSERTED INTO MOUNT ITEM 6 PRIOR TO INSTALLING LIGHTS. REMIT SHOULD BE INSTALLED WITH ROUNDED REAR (WASHER SIDE) THAT WILL HAVE STUDS INSERTED ON VENTS WILL FUNCTION AS A BUSH FOR THE LIGHTS.
- 3) FOAM TRIM ITEM 24 SHOULD BE PLACED ON HOOD RELIEF SO IT IS EQUALLY DIVIDED ON BOTH SIDES.
- 4) TRIM CORNERS OF FOAM ITEM 24 & 25 FOR APPEARANCE PURPOSES.



## 4420 PATRIOT SPRAYER

## 04-025 HOOD GROUP, LOWER

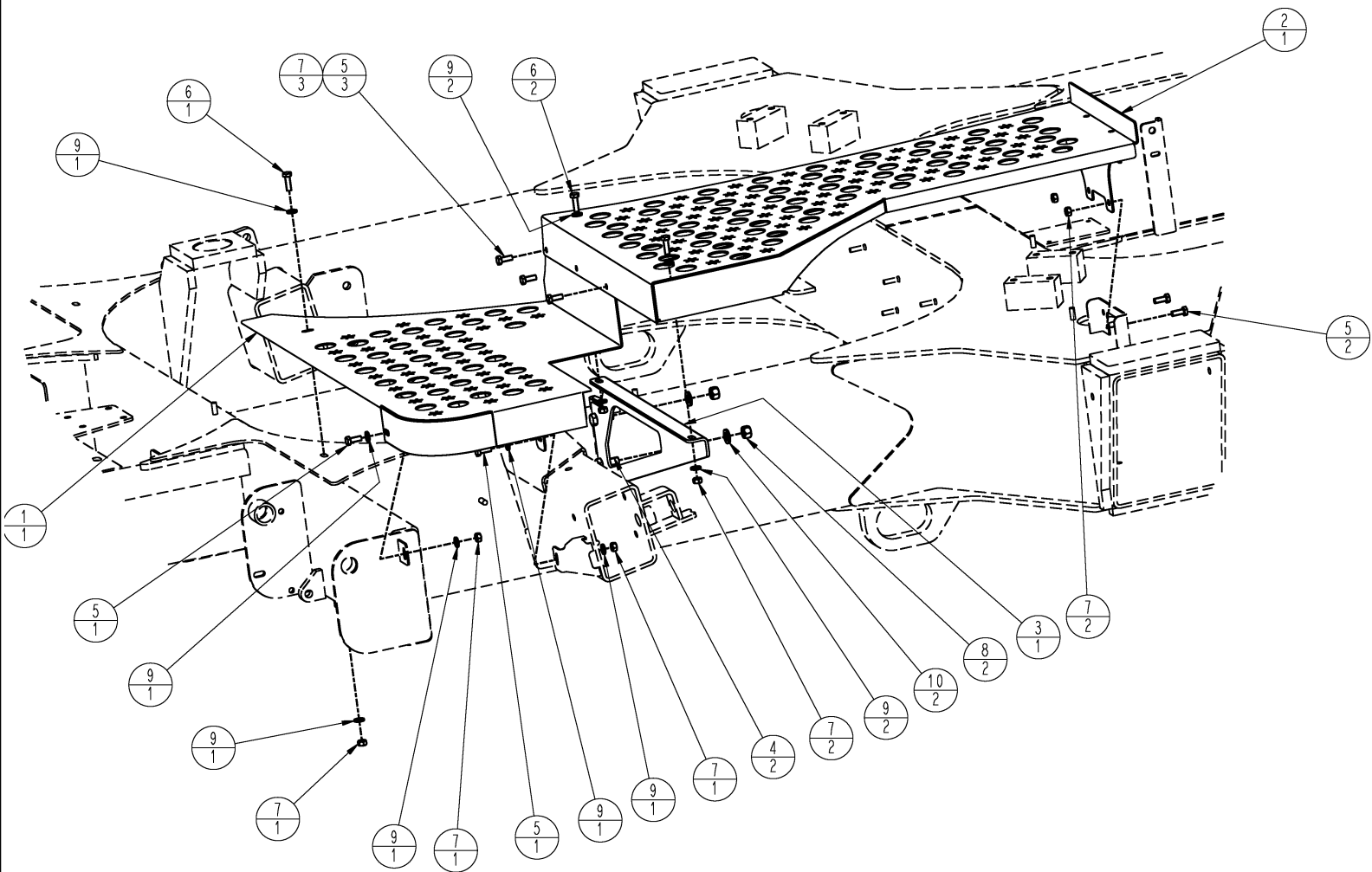
Ref	Part Number	Qty	Description
1	232449A2	1	HEADLIGHT, LEFT, RH DIP ROE
2	232448A2	1	HEADLIGHT, RIGHT, RH DIP ROE
5	BN316956	2	PIN, LIGHT ADJUST
6	344306A1	1	BRACKET, SUPPORTING, HEADLIGHT MOUNT
8	343699A1	1	HOOD, LOWER, COMPLETE
14	614-10025	8	BOLT, Hex, M10 x 25, 8.8, Full Thd,
15	832-46406	14	NUT, LOCK, M6 x 1, CI 8,
17	832-46410	8	NUT, LOCK, M10 x 1.5, CI 8,
18	87529314	20	WASHER, 6.6 X 12.5 X 2MM HDN DOR
20	896-15010	16	WASHER, M10 x 24.5 x 3, HT, FLAT
21	151-509	6	RIVET, Pop, 3/16" x .325",
22	259713A1	6	CLIP, LIGHT MOUNTING
23	614-6020	6	BOLT, Hex, M6 x 20, 8.8,
24	342538A1	1	FOAM, FUEL TANK HOOD
25	87531216	2	FOAM, HOOD, LOWER FUEL TANK



## 4420 PATRIOT SPRAYER

## 04-026 PLATFORM GROUP, EMERGENCY EXIT

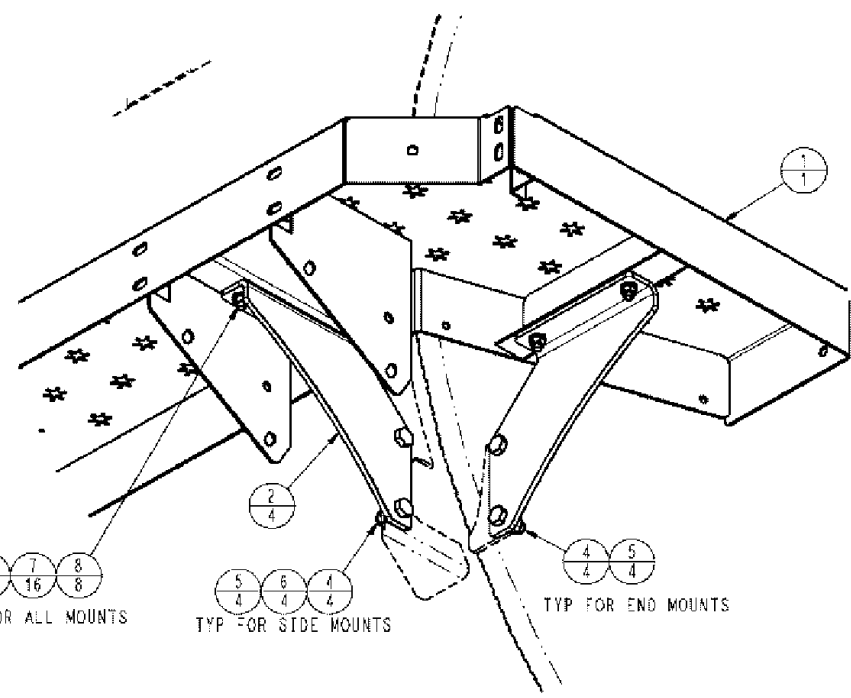
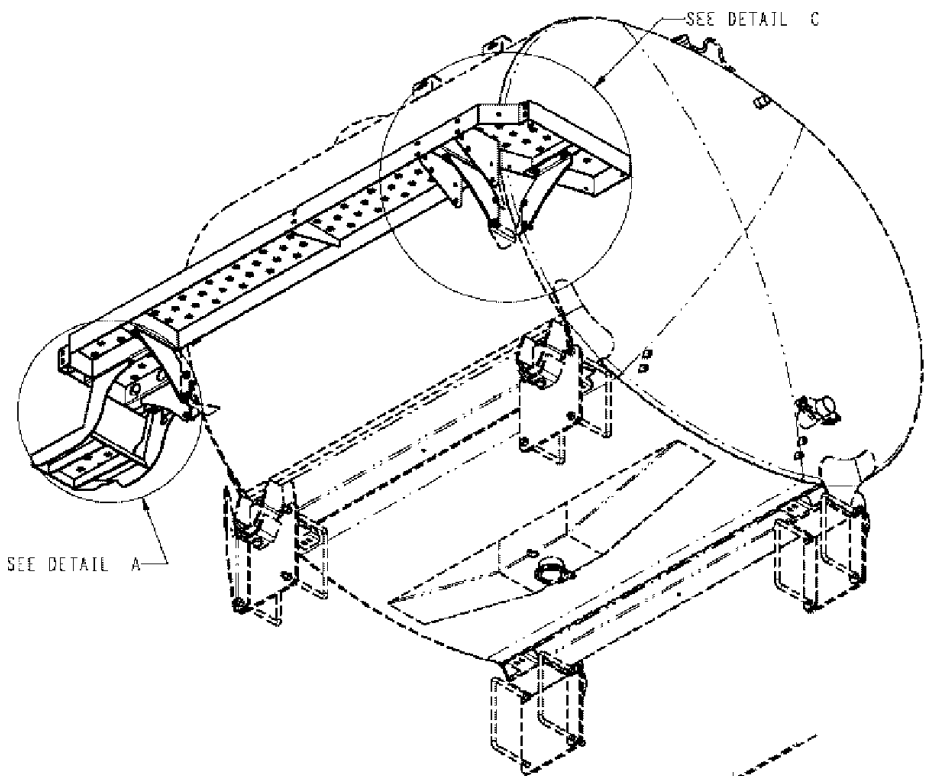
Ref	Part Number	Qty	Description
1	BN322766	1	PLATFORM, EMERGENCY EXIT
2	BN322795	2	BRACKET, WALKWAY SUPPORT
3	BN322796	1	CHANNEL, WALKWAY SUPPORT
4	614-8016	2	BOLT, Hex, M8 x 16, 8.8,
5	614-8020	4	BOLT, Hex, M8 x 20, 8.8,
6	614-8025	1	BOLT, Hex, M8 x 25, 8.8,
7	614-10030	4	BOLT, Hex, M10 x 30, 8.8,
8	832-46408	7	NUT, LOCK, M8 x 1.25, Cl 8,
9	832-46410	4	NUT, LOCK, M10 x 1.5, Cl 8,
10	895-11008	10	WASHER, M8 x 16 x 1.6,
11	896-15010	8	WASHER, M10 x 24.5 x 3, HT,



## 4420 PATRIOT SPRAYER

## 04-027 WALKWAY GROUP, LH FRONT

Ref	Part Number	Qty	Description
1	BN324308	1	EXTENSION, WALKWAY WELDMENT, LOWER
2	342016A1	1	EXTENSION, WLD, UPPER
3	87474250	1	FRONT WALKWAY
4	614-12030	2	BOLT, Hex, M12 x 30, 8.8,
5	614-8020	7	BOLT, Hex, M8 x 20, 8.8,
6	614-8025	3	BOLT, Hex, M8 x 25, 8.8,
7	832-46408	10	NUT, LOCK, M8 x 1.25, CI 8,
8	832-46412	2	NUT, LOCK, M12 x 1.75, CI 8,
9	895-11008	10	WASHER, M8 x 16 x 1.6, FLAT
10	86981496	2	WASHER, M13.5 x 24.5 x 3, HT,



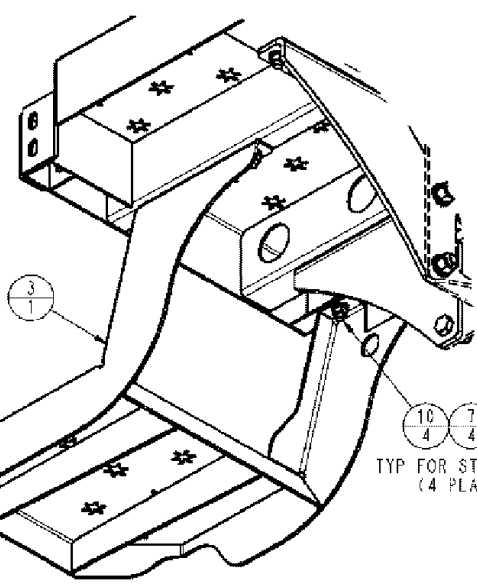
$\frac{9}{8}$   $\frac{7}{16}$   $\frac{8}{8}$   
TYP FOR ALL MOUNTS

$\frac{5}{4}$   $\frac{6}{4}$   $\frac{4}{4}$   
TYP FOR SIDE MOUNTS

$\frac{4}{4}$   $\frac{5}{4}$   
TYP FOR END MOUNTS

$\frac{10}{4}$   $\frac{7}{4}$   $\frac{9}{4}$   
TYP FOR STEP MOUNTS  
(4 PLACES)

DETAIL C  
SCALE 1:3

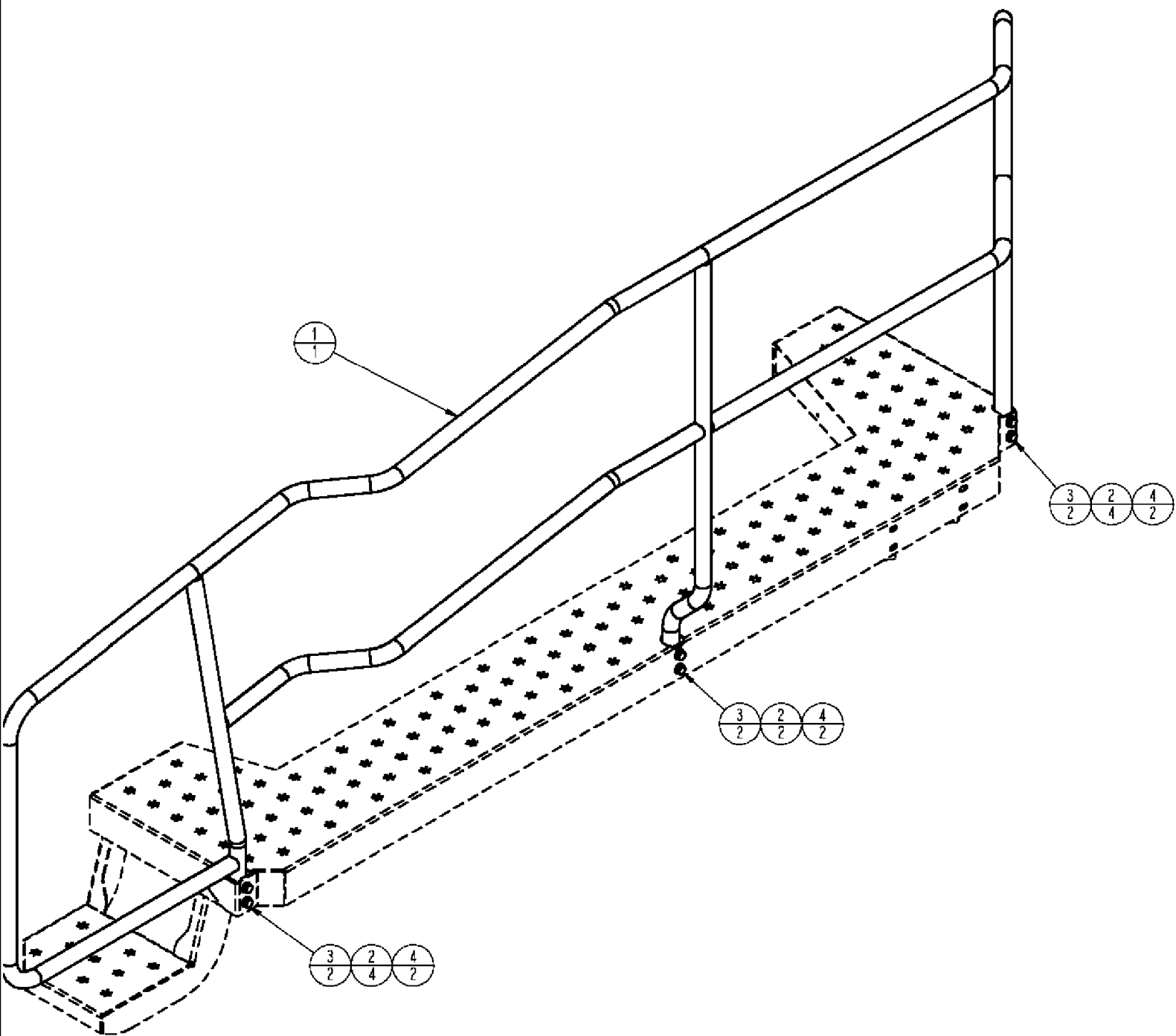


DETAIL A  
SCALE 1:3

## 4420 PATRIOT SPRAYER

## 04-028 WALKWAY &amp; HANDRAIL GROUP, MID

Ref	Part Number	Qty	Description
1	87265511	1	FLOOR, DECKPLATE, WLD, LH CENTER
2	BN324248	4	WALKWAY
3	87268615	1	STEP, WELDMENT
4	86980420	8	BOLT, M12-1.75 X 30, HH, 8.8, DOR
5	86980516	8	NUT, P/T ALL MTL, M12, 8 DOR
6	86981496	4	WASHER, M13.5 x 24.5 x 3, HT,
7	87529315	20	WASHER, 9 X 17 X 2MM, HDN, DOR
8	86980380	8	BOLT, M8-1.25 X 25, HH, 8.8, DOR
9	832-46408	12	NUT, LOCK, M8 x 1.25, CI 8,
10	86980379	4	BOLT, M8-1.25 X 20, HH, 8.8, DOR

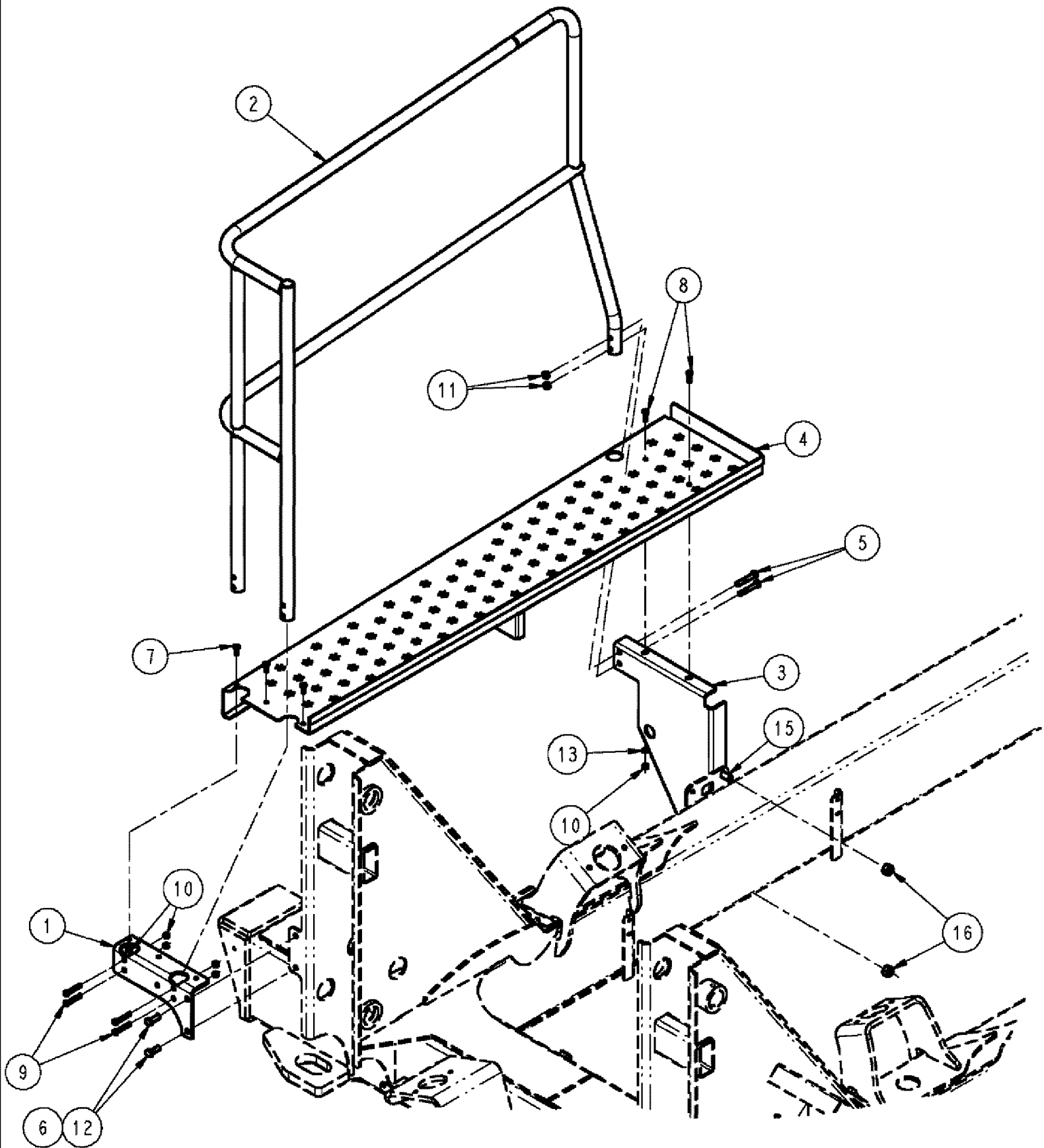




4420 PATRIOT SPRAYER

04-029 HANDRAIL GROUP, MID

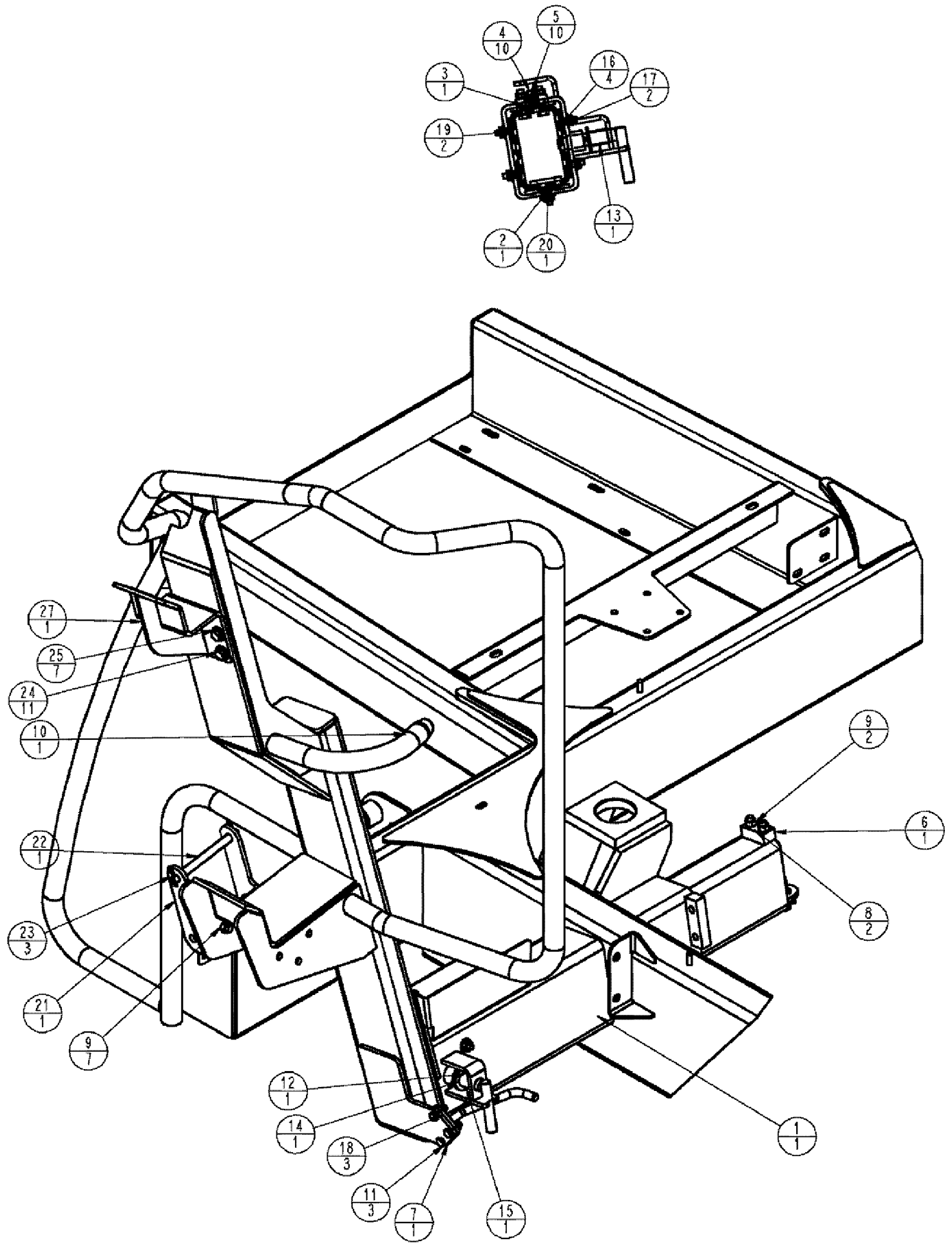
Ref	Part Number	Qty	Description
1	87265527	1	HANDRAIL, WELDMENT, MID
2	896-11010	10	WASHER, M10 x 21.5 x 2.5, HT,
3	86980406	6	BOLT, M10-1.5 X 60, HH, 8.8, DOR
4	86980515	6	NUT, LOCK, M10 x 1.5, CI 8,



## 4420 PATRIOT SPRAYER

## 04-030 WALKWAY GROUP, LH REAR

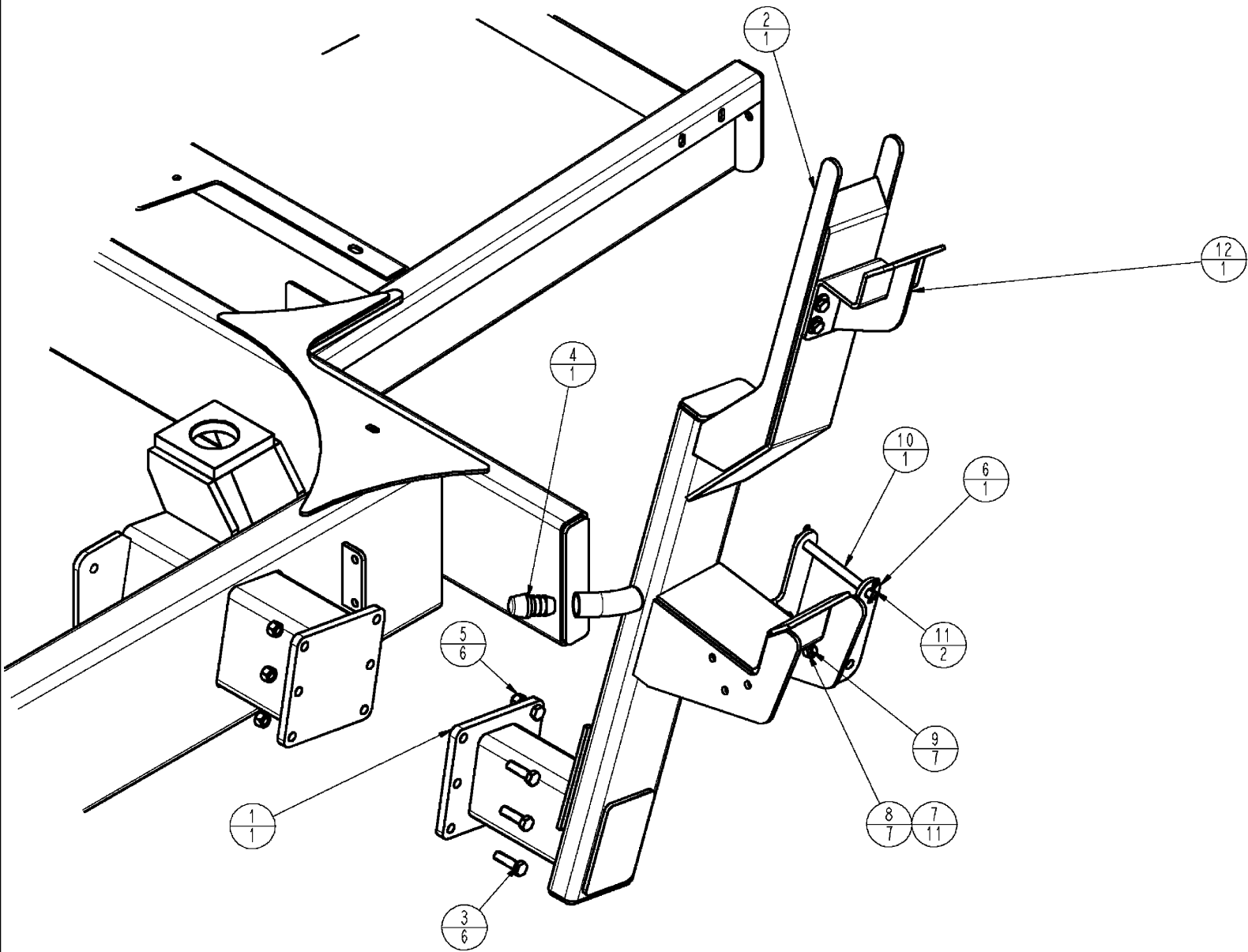
Ref	Part Number	Qty	Description
1	BN319132	1	BRACKET, WALKWAY MOUNT
2	87265528	1	HANDRAIL, WLD, LH REAR
3	87265635	1	SUPPORT, WALKWAY
4	87265529	1	EXTENSION, WALKWAY, WLD, LH REAR
5	614-10060	2	BOLT, Hex, M10 x 60, 8.8, Full Thd,
6	614-12030	2	BOLT, Hex, M12 x 30, 8.8,
7	614-8020	3	BOLT, Hex, M8 x 20, 8.8,
8	614-8025	2	BOLT, Hex, M8 x 25, 8.8,
9	814-8050	4	BOLT, Hex, M8 x 50, 8.8,
10	832-46408	9	NUT, LOCK, M8 x 1.25, CI 8,
11	832-46410	2	NUT, LOCK, M10 x 1.5, CI 8,
12	832-46412	2	NUT, LOCK, M12 x 1.75, CI 8,
13	895-11008	2	WASHER, M8 x 16 x 1.6, FLAT
15	614-16040	2	BOLT, Hex, M16 x 40, 8.8,
16	832-46416	2	NUT, LOCK, M16 x 2, CI 8,



## 4420 PATRIOT SPRAYER

## 04-031 HANDRAIL GROUP, LH FRONT

Ref	Part Number	Qty	Description
1	87608482	1	CRADLE, WELDMENT, LH BOOM
2	BN321039	1	LINER, BOTTOM
3	BN321038	1	LINER, TOP
4	BN50779	10	BOLT, 5/16-18 X 1, EH DOR
5	BN50057	10	NUT, HEX PREV TORQUE
6	BN321925	1	STOP, BOOM CRADLE
7	BN322051	1	HOOK, WELDMENT LH
8	86980403	2	BOLT, HEX HD M10 X 40 CL8.8 DOR
9	86980515	9	NUT, LOCK, M10 x 1.5, CI 8,
10	363226A1	1	BUMPER, DOOR
11	86980380	3	BOLT, HEX HD M10 X 40 CL8.8 DOR
12	BN321930	1	PIN, WELDMENT, CRADLE STOP
13	BN31937	1	SPRING,
14	BN31444	1	PIN, ROLL, SPRING, 8 X 50MM, ZND HEAVY
15	87528981	1	WASHER, .812 X 1.500 X .119 IN CST DOR
16	BN323397	4	LINER, CRADLE SLIDE
17	342581A1	2	SHIM, CRADLE LINER, SIDE
18	86980514	3	NUT, PREV TRQ METAL M8 CL8 DOR
19	342582A1	2	SHIM, CRADLE LINER, SIDE
20	342580A1	1	SHIM, CRADLE LINER, BOTTOM
21	342585A1	1	PLATE, BOOM LOCK
22	342586A1	1	PIN, BOOM LOCK
23	BN71006	3	CLIP, HAIRPIN, 1/8" #11
24	87529312	11	WASHER, 11 X 24 X 3MM HTS DOR
25	86980401	7	BOLT, HEX HD M10X30 CL8.8 DOR
26	343700A1	1	ROD, CRADLE PRY
27	87608486	1	CRADLE, W/M, TOP BOOM

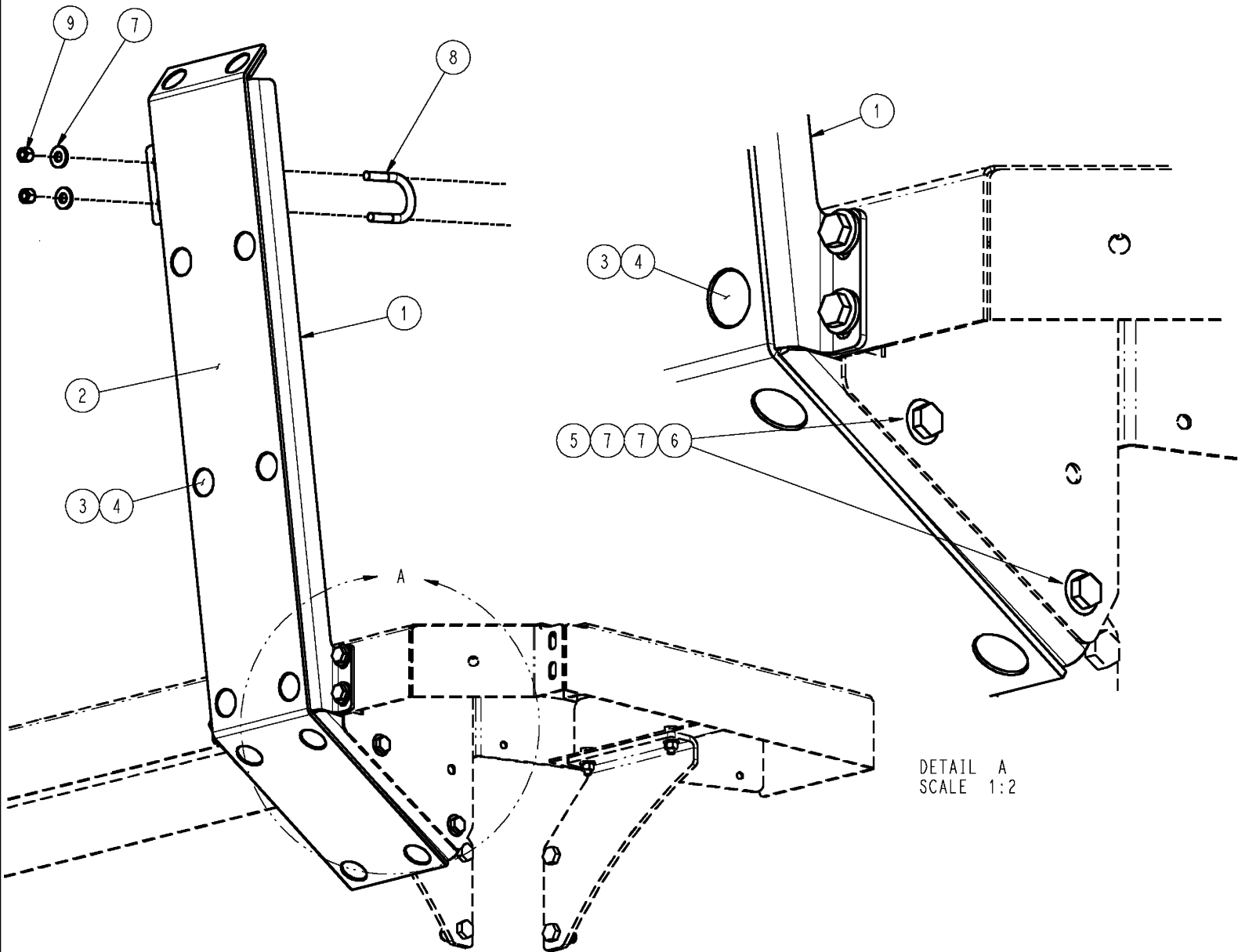


NOTES:  
ITEM 24 87549647 NOT SHOWN. VIEW DRAWING  
87549647 TO LOCATE.

## 4420 PATRIOT SPRAYER

## 04-032 CRADLE GROUP, RH

Ref	Part Number	Qty	Description
1	87619440	1	CRADLE/HANDRAIL
2	87608489	1	CRADLE, WLD, RH BOOM
3	86980423	6	BOLT, HEX HD M12 X 40, CL8.8 DOR
4	363226A1	1	BUMPER, DOOR
5	86980516	6	NUT, PREV TRQ, METAL M12 CL8 DOR
6	342585A1	1	PLATE, BOOM LOCK
7	87529312	11	WASHER, 11 X 24 X 3MM HTS DOR
8	86980401	7	BOLT, HEX HD M10X30 CL8.8 DOR
9	86980515	7	NUT, LOCK, M10 x 1.5, CI 8,
10	342586A1	1	PIN, BOOM LOCK
11	BN70006	2	CLIP, 1/8" #11
12	87608486	1	CRADLE, W/M, TOP BOOM
24	87549647	1	RH, BOOM MOUNTED SEE FIG. 04-036



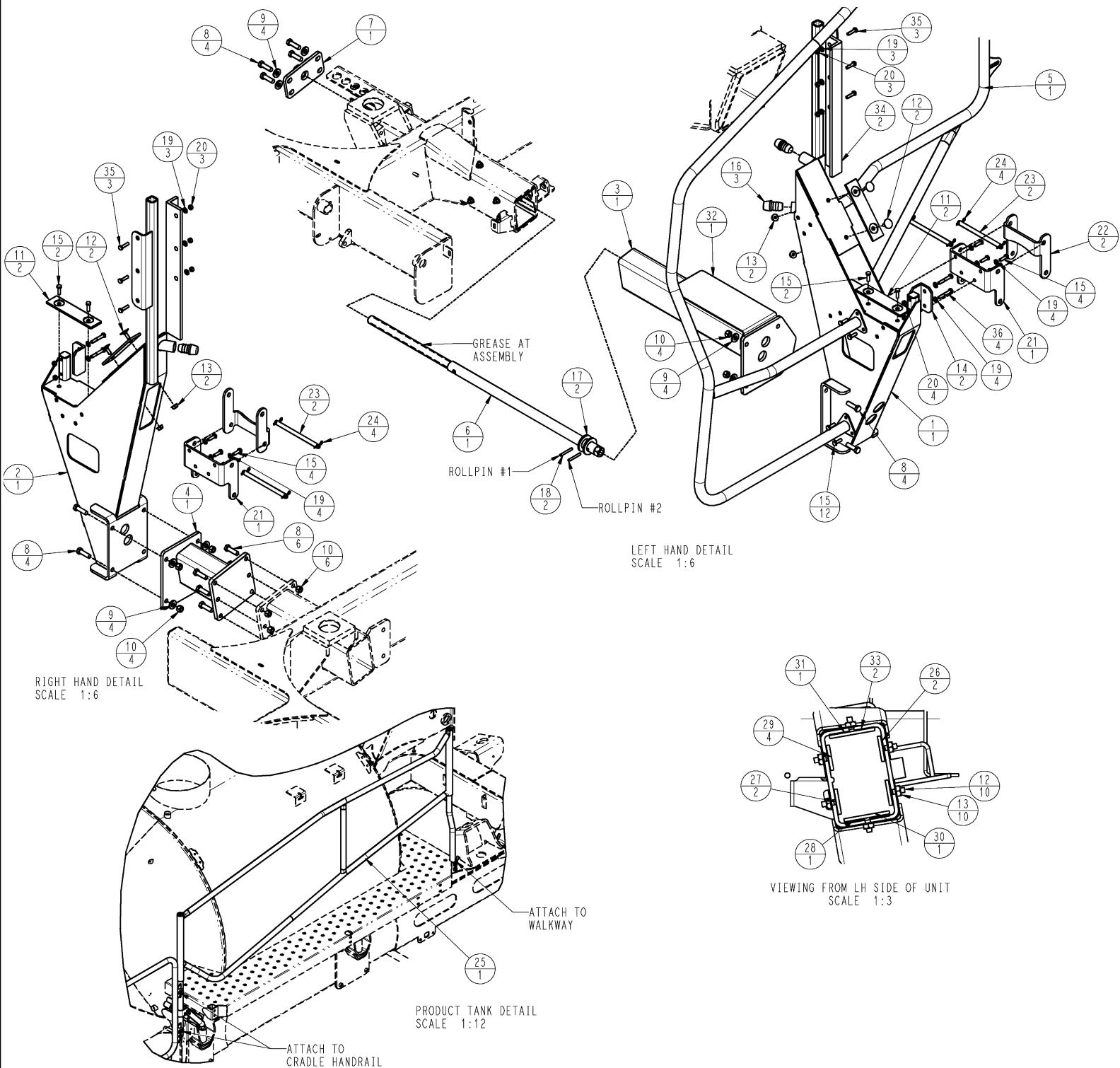
DETAIL A  
SCALE 1:2



## 4420 PATRIOT SPRAYER

## 04-033 WALKWAY PROTECTOR GROUP

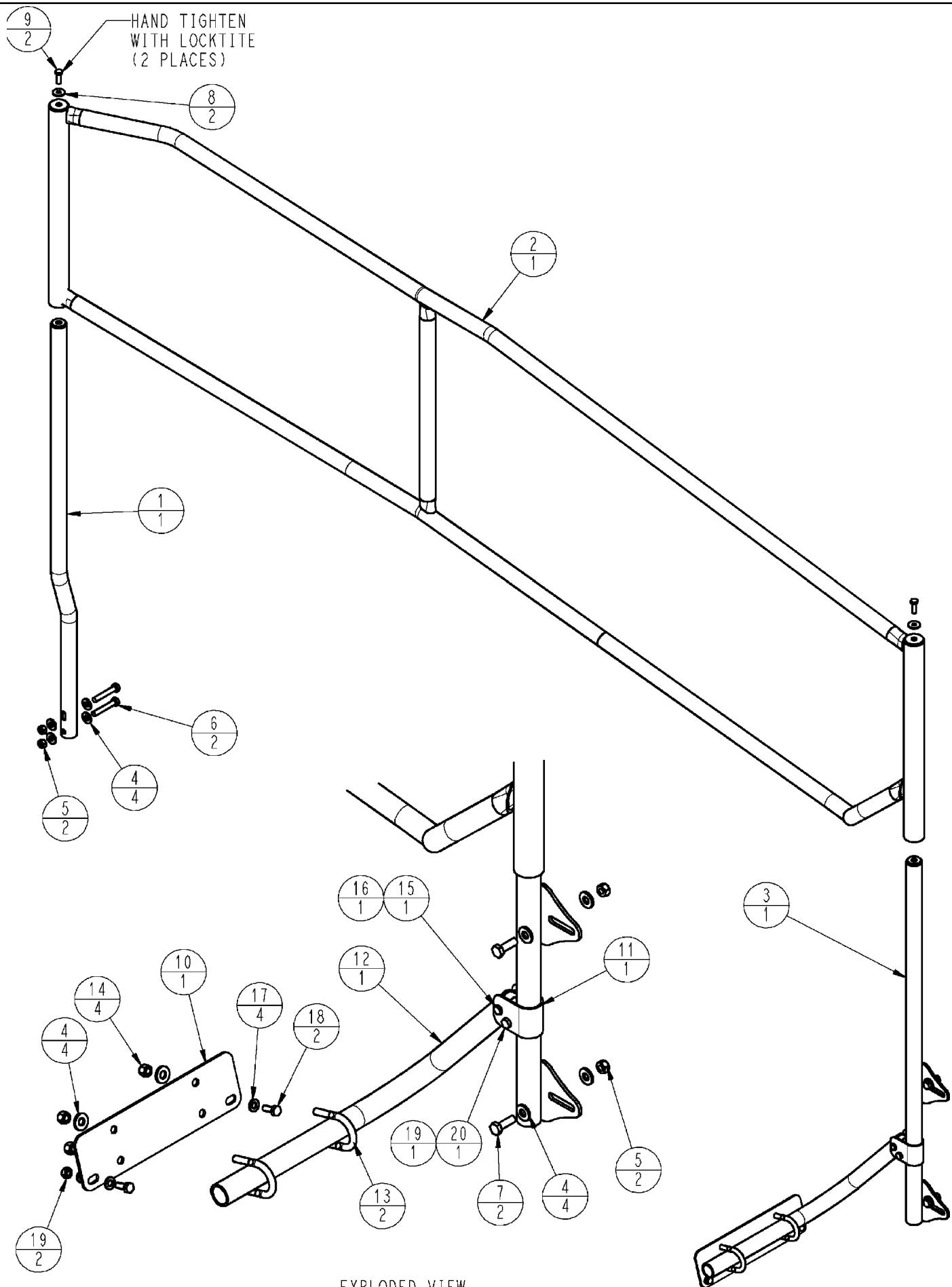
Ref	Part Number	Qty	Description
1	87265733	1	GUIDE, WELDMENT, BOOM
2	BN313030	1	GUIDE, LINER BOOM
3	BN50014	12	BOLT, 5/16-18 X .75, EH
4	BN50057	12	NUT, 5/16-18 WHIZ LOCK SS
5	86980400	8	BOLT, Hex, M10 x 25, 8.8,
6	86980515	8	NUT, LOCK, M10 x 1.5, Cl 8,
7	87529312	18	WASHER, FLAT
8	87267464	1	U-BOLT, 3/8 X 1.5 ID X 2.50
9	87343970	2	NUT, WASHER, 11 X 21 X 2.5MM Z



## 4420 PATRIOT SPRAYER

## 04-034 CRADLE/HANDRAIL ASSEMBLY, 120' BOOM

Ref	Part Number	Qty	Description
1	87543913	1	BOOM, LH
2	87543914	1	BOOM, RH
3	87543915	1	EXTENSION, LH
4	87543916	1	EXTENSION, RH
5	87546318	1	120FT BOOM CRADLE
6	87547170	1	THREADED, CRADLE SLIDE
7	87547172	1	CRADLE SLIDE
8	86980423	18	BOLT, M12-1.75 X 40, HH, 8.8
9	87529310	12	WASHER, 13.5 X 28 X 4 HDN DOR
10	86980516	14	NUT, P/T ALL MTL M12 8 DOR
11	87270797	4	PAD, BOOM REST
12	BN50779	14	BOLT, 5/16-18 X 1, EH
13	BN50057	14	NUT, 5/16-18 WHIZ LOCK SS
14	87715010	2	ANGLE, LOWER
15	86980380	24	BOLT, M8-1.25 X 25, HH, 8.8, DOR
16	363226A1	3	BUMPER, _87317653
17	87529309	2	33 X 56 X 5MM HDN DOR
18	87020818	2	PIN, LOCK, 1/4" x 2", Slotted,
19	87529315	18	WASHER, 9 X 17 X 2MM HDN DOR
20	86980514	10	NUT, P/T ALL MTL M8 8 DOR
21	87486704	2	LOWER-BOOM
22	87620212	2	UPPER
23	87620384	4	BOOM LOCK
24	BN71006	8	CLIP, HAIRPIN, 1/8", #11
25	87715076	1	GROUP, MID PIVOT, SEE FIG 04-035
26	342581A1	2	SHIM, CRADLE LINER, SIDES
27	342582A1	2	SHIM, CRADLE LINER, SIDES
28	342580A1	1	SHIM, CRADLE LINER, BTM
29	BN323397	4	LINER, CRADLE SLIDE
30	BN321039	1	LINER, BOTTOM
31	BN321038	1	LINER, TOP
32	87681160	1	PLATE, FRONT WALKWAY
33	87664090	2	SHIM, CRADLE LINER, BOTTOM
34	87478090	2	ANGLE, UPPER
35	86980381	6	BOLT, HEX, HD, M8 X 50 CL8.8 DOR
36	86980385	4	BOLT, HEX HD, M8 X 30 CL8.8 DOR

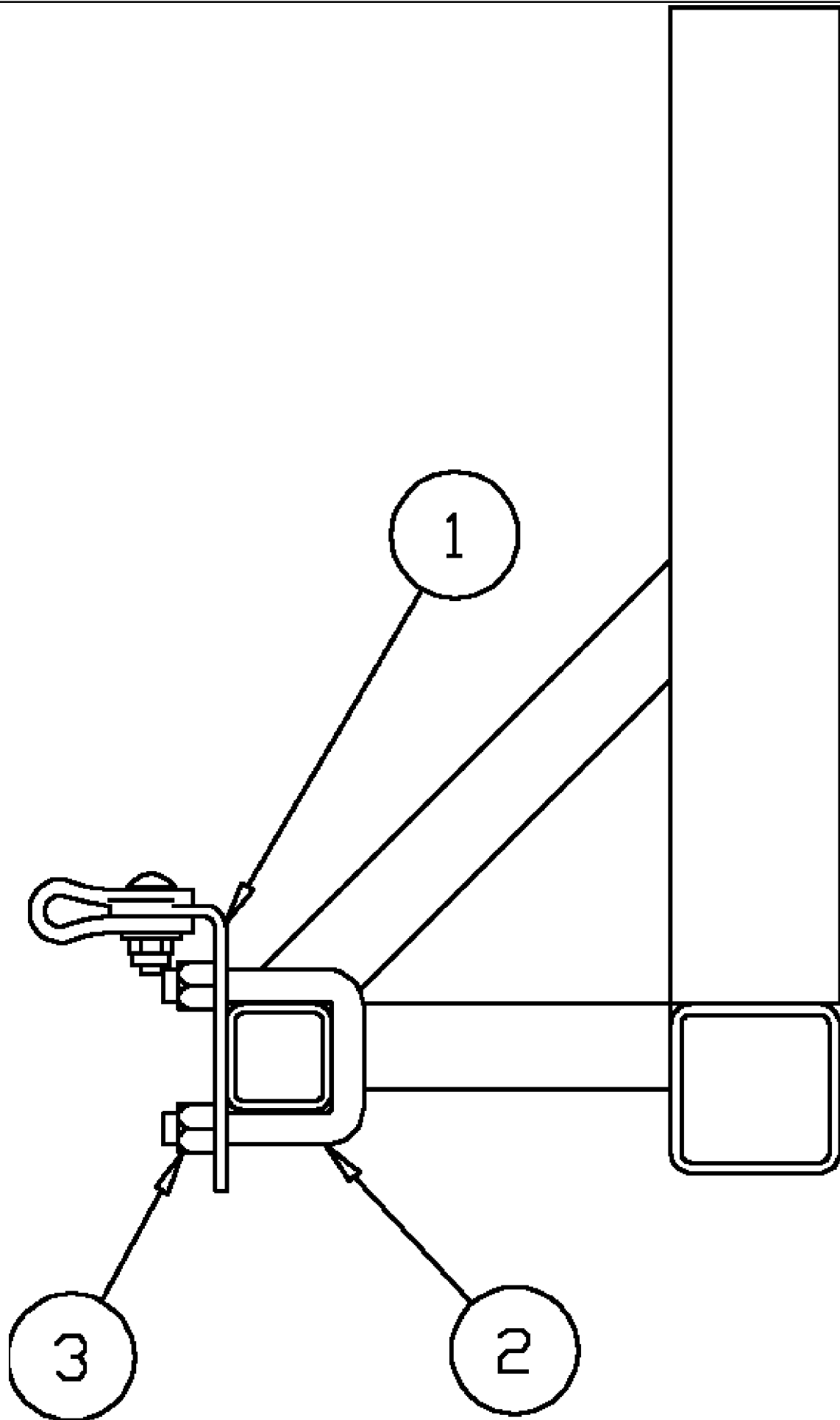


EXPLODED VIEW  
SCALE 1:4

## 4420 PATRIOT SPRAYER

## 04-035 HANDRAIL GROUP, MID PIVOT, 120' BOOM

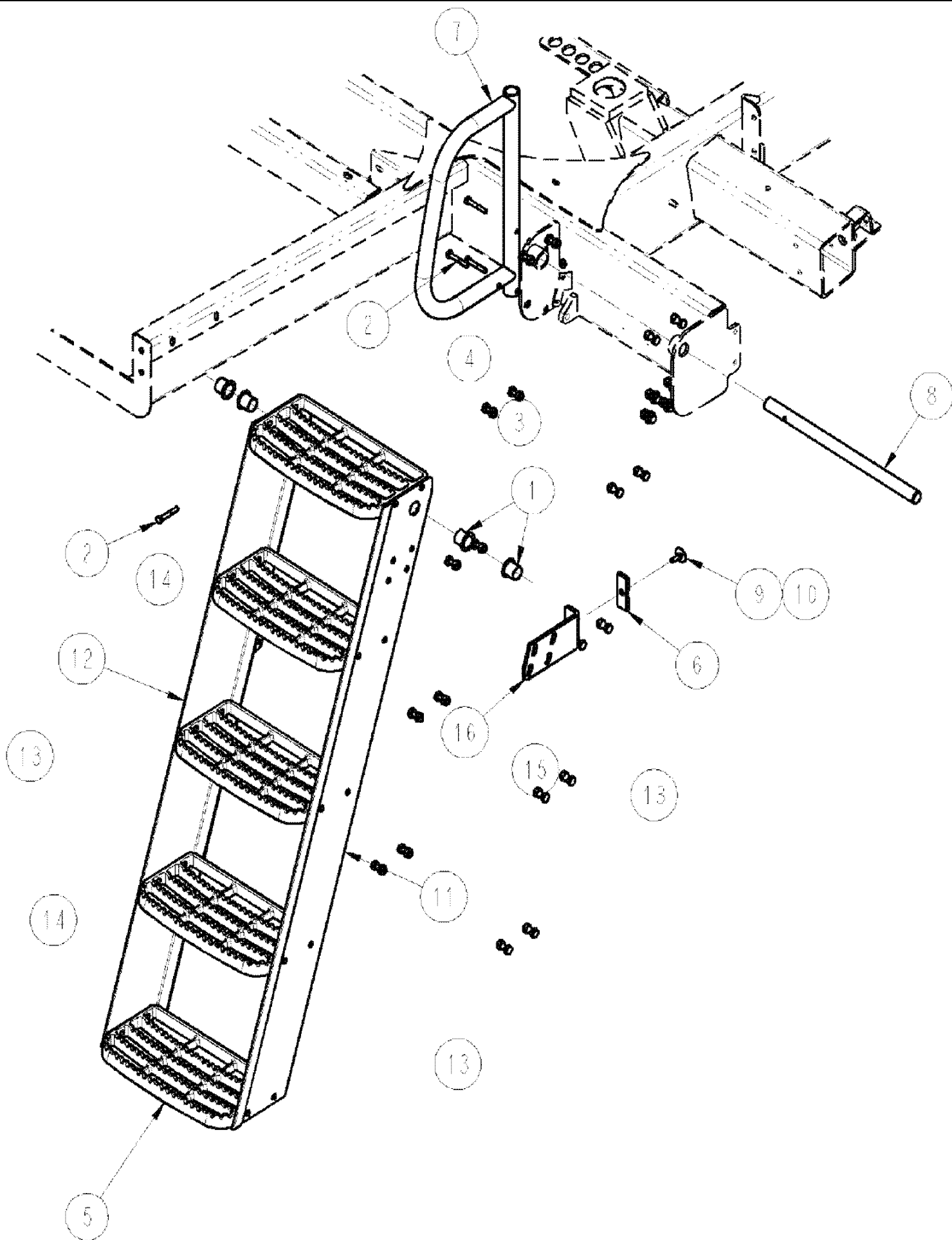
Ref	Part Number	Qty	Description
1	87711628	1	REAR, HANDRAIL
2	87711626	1	MID PIVOT
3	87711627	1	FRONT, HANDRAIL
4	87529312	12	WASHER, 11 X 24 X 3MM, HTS, DOR
5	86980515	4	NUT, LOCK, M10 x 1.5, CI 8,
6	86980406	2	BOLT, HEX HD, M10 X60, CL8.8, DOR
7	86980401	2	BOLT, HEX HD, M10 X 30, CL8.8, DOR
8	87528983	2	WASHER, 8.4 X 25 X 2MM, CST, DOR
9	87342022	2	BOLT, HEX HD, M8 X 25, CL10.9, DOR
10	87471544	1	MOUNT□, HANDRAIL SUPPORT
11	87471546	1	ANCHOR, HANDRAIL SUPPORT
12	87471545	1	TUBE, HANDRAIL SUPPORT
13	87267464	2	U-BOLT, 3/8 X 1.5ID X 2.50
14	87343970	4	NUT, PREV TORQ ALL MTL 3/8-16 GR 8 DOR
15	87344039	1	PIN, CLEVIS M8 X 60 HTS DOR
16	19-5380	1	PIN, HAIR
17	87529315	4	WASHER, 9 X 17 2MM HDN DOR
18	86980379	2	BOLT,
19	86980514	3	NUT, P/T ALL MTL M8 8 DOR
20	86980385	1	BOLT, M8-1.25 X 50, HH, 8.8, DOR



4420 PATRIOT SPRAYER

04-036 DOOR STOP, RH, BOOM MOUNTED

Ref	Part Number	Qty	Description
1	87552355	1	
2	BN319918	2	U-BOLT, 3/8 X 1.31 I.D.
3	BN50759	4	NUT, 3/8-16, NLN, SS

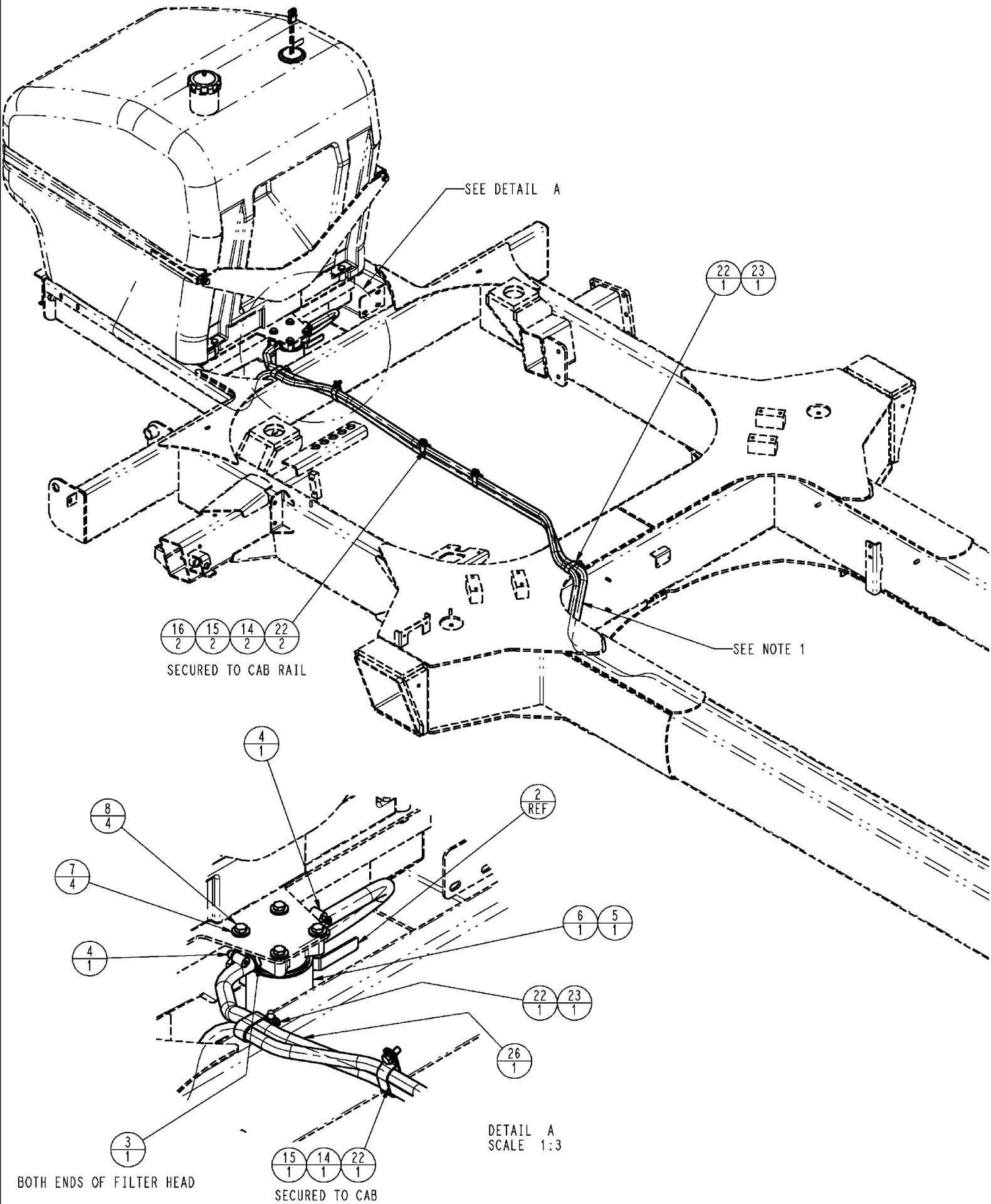




## 4420 PATRIOT SPRAYER

## 04-037 LADDER/RAIL GROUP, FRONT

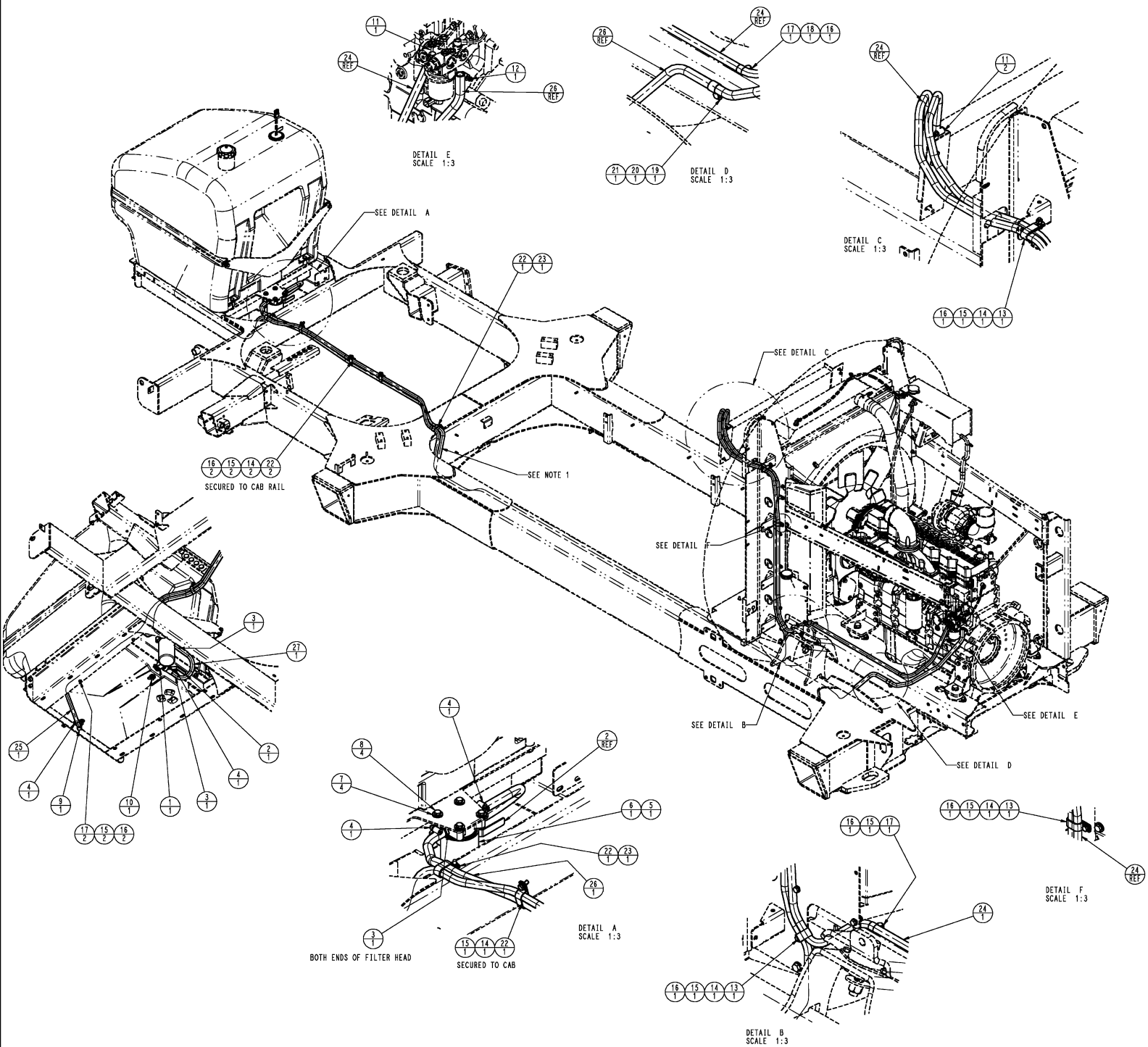
Ref	Part Number	Qty	Description
1	BN321159	4	BUSHING,
2	814-8050	4	BOLT, Hex, M8 x 50, 8.8,
3	832-46408	4	NUT, LOCK, M8 x 1.25, CI 8,
4	895-11008	1	WASHER, M8 x 16 x 1.6, FLAT
5	87270245	5	STEP, BLACK ALUMINUM
6	BN320307	1	PAD, LADDER STOP
7	BN320316	1	HANDRAIL, LADDER
8	BN320322	1	PIN, LADDER PIVOT
9	BN50057	1	NUT, 5/16-18 WHIZ LOCK SS
10	BN50779	1	BOLT, 5/16-18 X 1, EH
11	342268A1	1	BRACKET, SUPPORTING, LADDER STEPS
12	342269A1	1	BRACKET, SUPPORTING, MOUNT, WLDT LADDER STEPS
13	614-10025	20	BOLT, Hex, M10 x 25, 8.8, Full Thd,
14	832-46410	20	NUT, LOCK, M10 x 1.5, CI 8,
15	896-15010	4	WASHER, M10 x 24.5 x 3, HT, FLAT
16	BN323392	1	STOP, LADDER



## 4420 PATRIOT SPRAYER

## 04-038(01) TANK GROUP, FITTINGS &amp; LINES

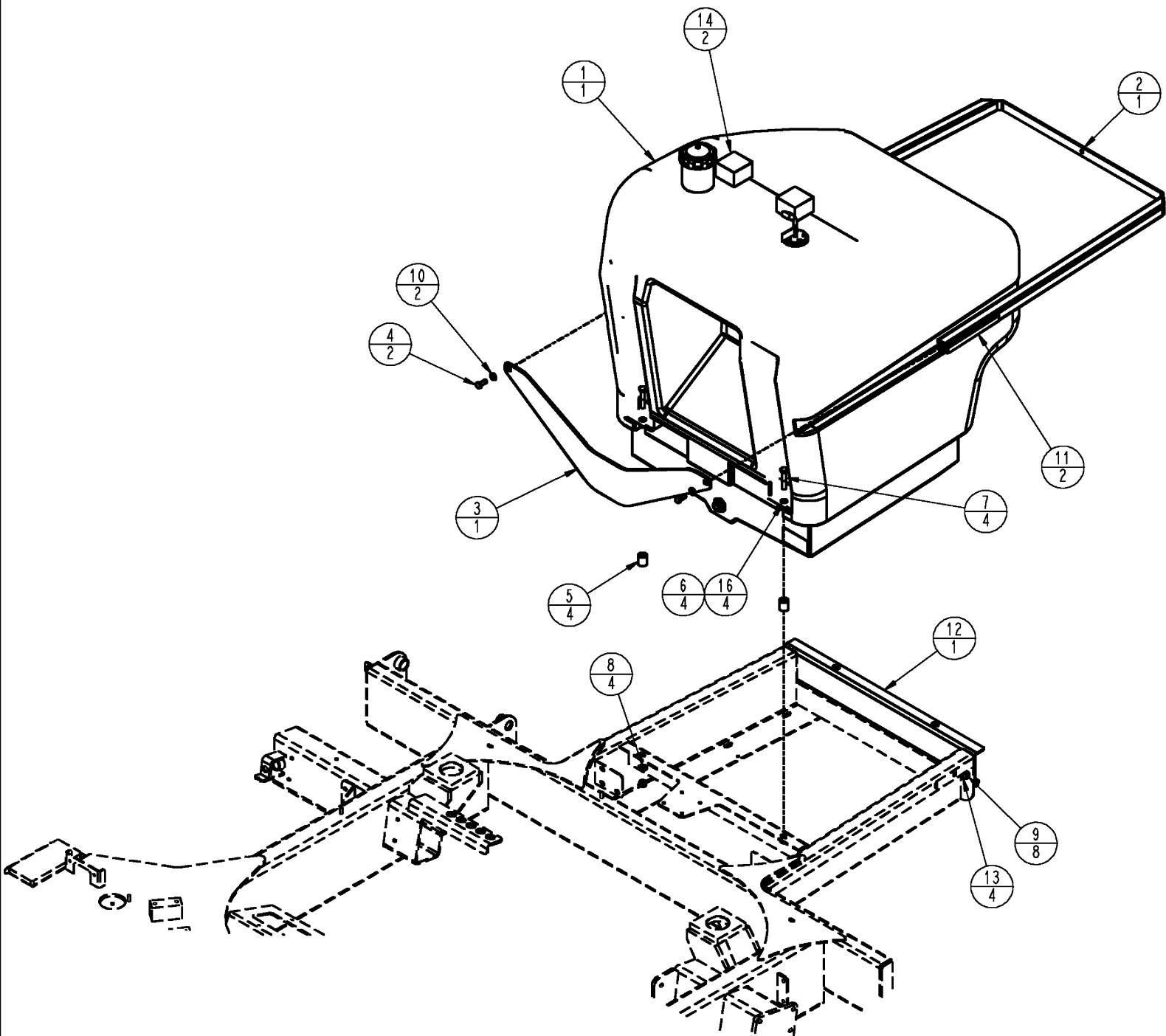
Ref	Part Number	Qty	Description
1	217-1226	1	ELBOW, 90e, 1/2"-14 Male,
2	87265539	1	BALL, VALVE, 1/2" NPT FULL
3	217-153	3	FITTING, 5/8" Hose X 1/2" NPTF Beaded, HOSEBARB
4	214-1410	4	CLAMP, HOSE, #10, 0.56/1.06 Type F Worm,
5	BN319386	1	FILTER, HEAD, HORZ MOUNT
6	BN319388	1	FILTER, FUEL, STRAINER
7	87529312	4	WASHER, 11 X 24 3MM HDN DOR
8	87342574	4	BOLT, 3/8-16 X 3/4 8 DOR
9	217-133	1	ELBOW, 90e, 1/2" Hose x 3/8" NPTF Beaded, HOSEBARB
9	87267778	1	HOSE, 1/2 X 128, FUEL
10	217-406	1	PLUG, Hex Hd, 1/4"-18,
11	214-1408	3	CLAMP, HOSE, #08, 0.50/0.91 Type F Worm,
12	214-1412	1	CLAMP, HOSE, #12, 0.69/1.25 Type F Worm,
13	L101181	3	CLAMP, DOUBLE
14	87529315	6	WASHER, 9 X 17 X 2MM HDN DOR
15	86980379	9	BOLT, M8-1.25 X 20 HH,8.8,DOR
16	86980514	9	NUT, P/T ALL MTL M8 8 DOR
17	515-22190	4	CLAMP, 3/4", Insul, 5/16" Bolt,
18	86980380	1	BOLT, M8-1.25 X 25,HH,8.8,DOR
19	515-24238	1	CLAMP, 15/16", Insul, 7/16" Bolt,
20	86980400	1	BOLT, Hex, M10 x 25, 8.8,
21	86980515	1	NUT, LOCK, M10 x 1.5, CI 8,
22	R54363	5	CLAMP, 15/16 DOUBLE
23	87344227	2	NUT, SERRATED M8 SPL DOR
24	87267778	1	HOSE, 1/2 X 128, FUEL
25	87756792	1	HOSE, FUEL, PAT 4420
26	87756815	1	HOSE, FUEL, PAT 4420
27	87266325	1	HOSE, FUEL, 5/8 X 15



## 4420 PATRIOT SPRAYER

## 04-038(02) TANK GROUP, FITTINGS &amp; LINES

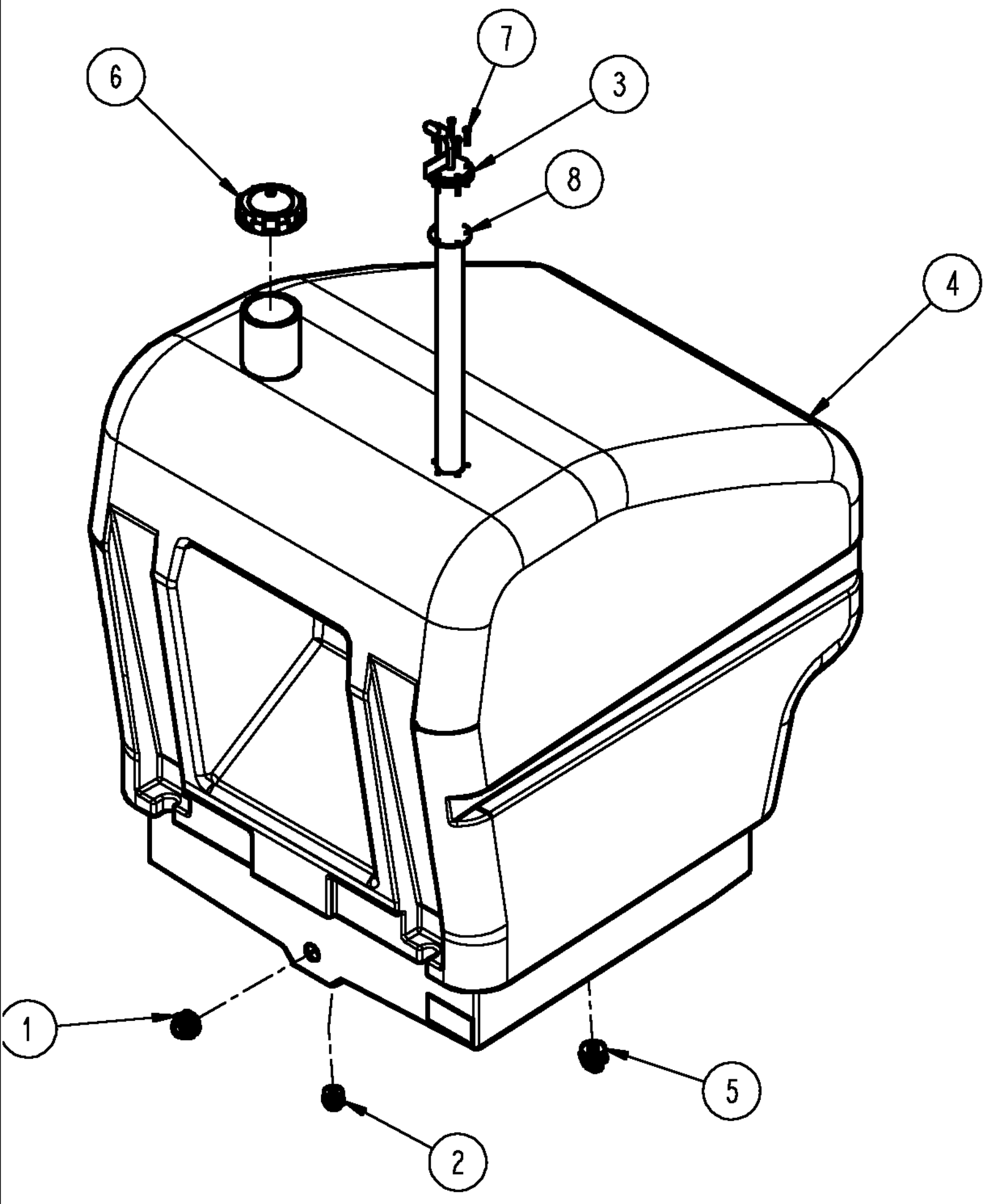
Ref	Part Number	Qty	Description
1	217-1226	1	ELBOW, 90e, 1/2"-14 Male,
2	87265539	1	BALL, VALVE, 1/2" NPT FULL
3	217-153	3	FITTING, 5/8" Hose X 1/2" NPTF Beaded, HOSEBARB
4	214-1410	4	CLAMP, HOSE, #10, 0.56/1.06 Type F Worm,
5	BN319386	1	FILTER, HEAD, HORZ MOUNT
6	BN319388	1	FILTER, FUEL, STRAINER
7	87529312	4	WASHER, 11 X 24 3MM HDN DOR
8	87342574	4	BOLT, 3/8-16 X 3/4 8 DOR
9	217-133	1	ELBOW, 90e, 1/2" Hose x 3/8" NPTF Beaded, HOSEBARB
9	87267778	1	HOSE, 1/2 X 128, FUEL
10	217-406	1	PLUG, Hex Hd, 1/4"-18,
11	214-1408	3	CLAMP, HOSE, #08, 0.50/0.91 Type F Worm,
12	214-1412	1	CLAMP, HOSE, #12, 0.69/1.25 Type F Worm,
13	L101181	3	CLAMP, DOUBLE
14	87529315	6	WASHER, 9 X 17 X 2MM HDN DOR
15	86980379	9	BOLT, M8-1.25 X 20 HH,8.8,DOR
16	86980514	9	NUT, P/T ALL MTL M8 8 DOR
17	515-22190	4	CLAMP, 3/4", Insul, 5/16" Bolt,
18	86980380	1	BOLT, M8-1.25 X 25,HH,8.8,DOR
19	515-24238	1	CLAMP, 15/16", Insul, 7/16" Bolt,
20	86980400	1	BOLT, Hex, M10 x 25, 8.8,
21	86980515	1	NUT, LOCK, M10 x 1.5, CI 8,
22	R54363	5	CLAMP, 15/16 DOUBLE
23	87344227	2	NUT, SERRATED M8 SPL DOR
24	87267778	1	HOSE, 1/2 X 128, FUEL
25	87756792	1	HOSE, FUEL, PAT 4420
26	87756815	1	HOSE, FUEL, PAT 4420
27	87266325	1	HOSE, FUEL, 5/8 X 15



## 4420 PATRIOT SPRAYER

## 04-039 MOUNT, FUEL TANK GROUP

Ref	Part Number	Qty	Description
1	87268550	1	FUEL TANK, FITTINGS GROUP, SEE FIG 04-040
2	342022A1	1	SUPPORT, BRACE, WLD, FUEL TANK
3	342024A1	1	SUPPORT, BRACE, FUEL TANK CROSS
4	614-10025	2	BOLT, Hex, M10 x 25, 8.8, Full Thd,
5	BN67653	4	TANK, TB, RD, BUSHING
6	BN67652	4	WASHER, FLAT, TANK HOLD DOWN
7	814-12060	4	BOLT, Hex, M12 x 60, 8.8,
8	87529310	4	WASHER, 13.5 X 28 X 4MM ZND
9	86980516	8	NUT, M12 CL8
10	87529312	2	WASHER, 11 X 24 X 3MM HDN DOR
11	BN322644	2	INSULATION, FOAM, SEAL
12	343142A1	1	PLATE, MOUNTING, FUEL TANK, HORN
13	86980420	4	BOLT, M12-1.75 X 30, HH, 8.8
14	86986299	2	FOAM, HOOD SIDE SUP, 3XXX
16	BN320693	4	NYLON SLEEVE 4 W/HOLE

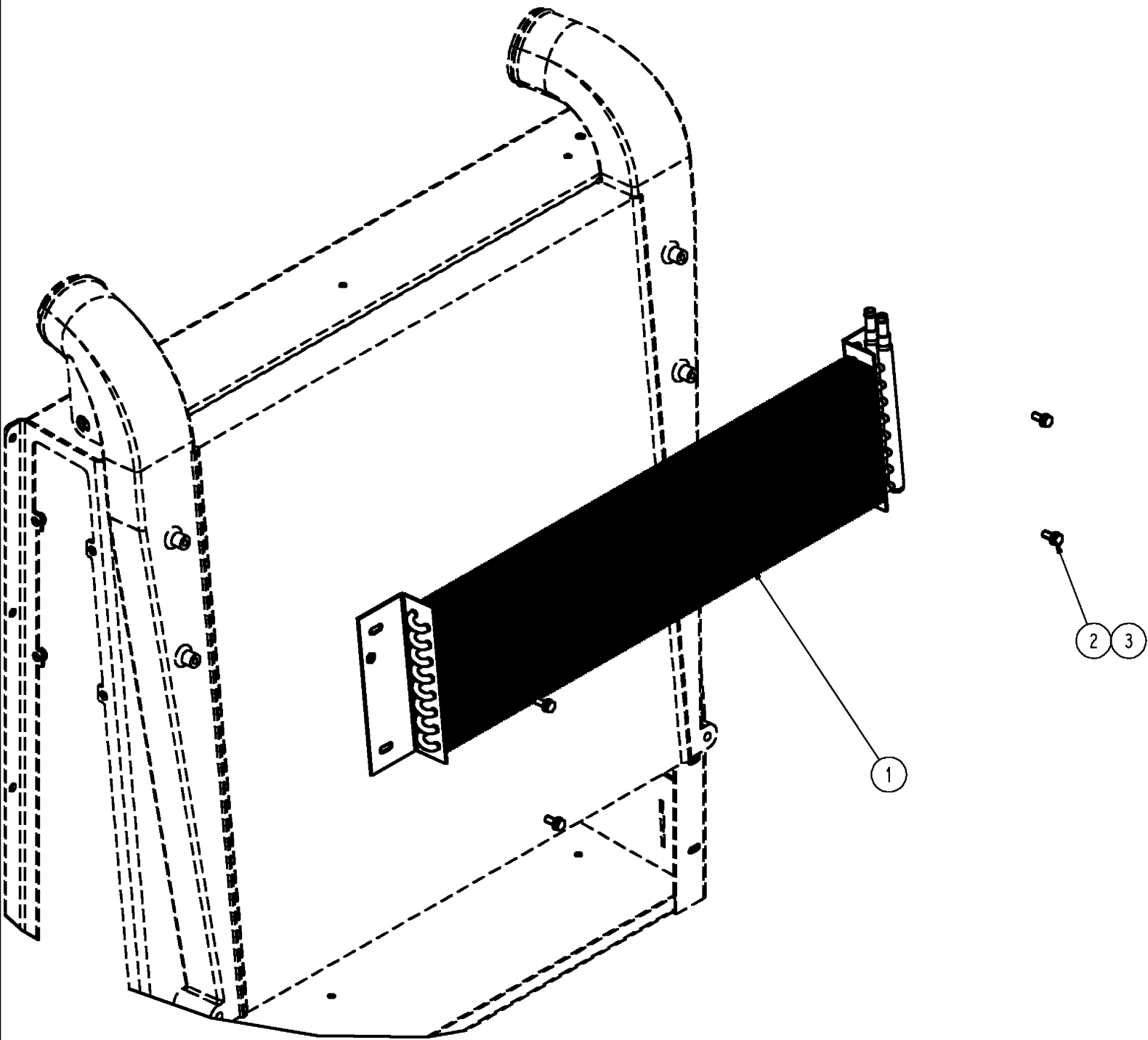




## 4420 PATRIOT SPRAYER

## 04-040 TANK, FITTINGS GROUP

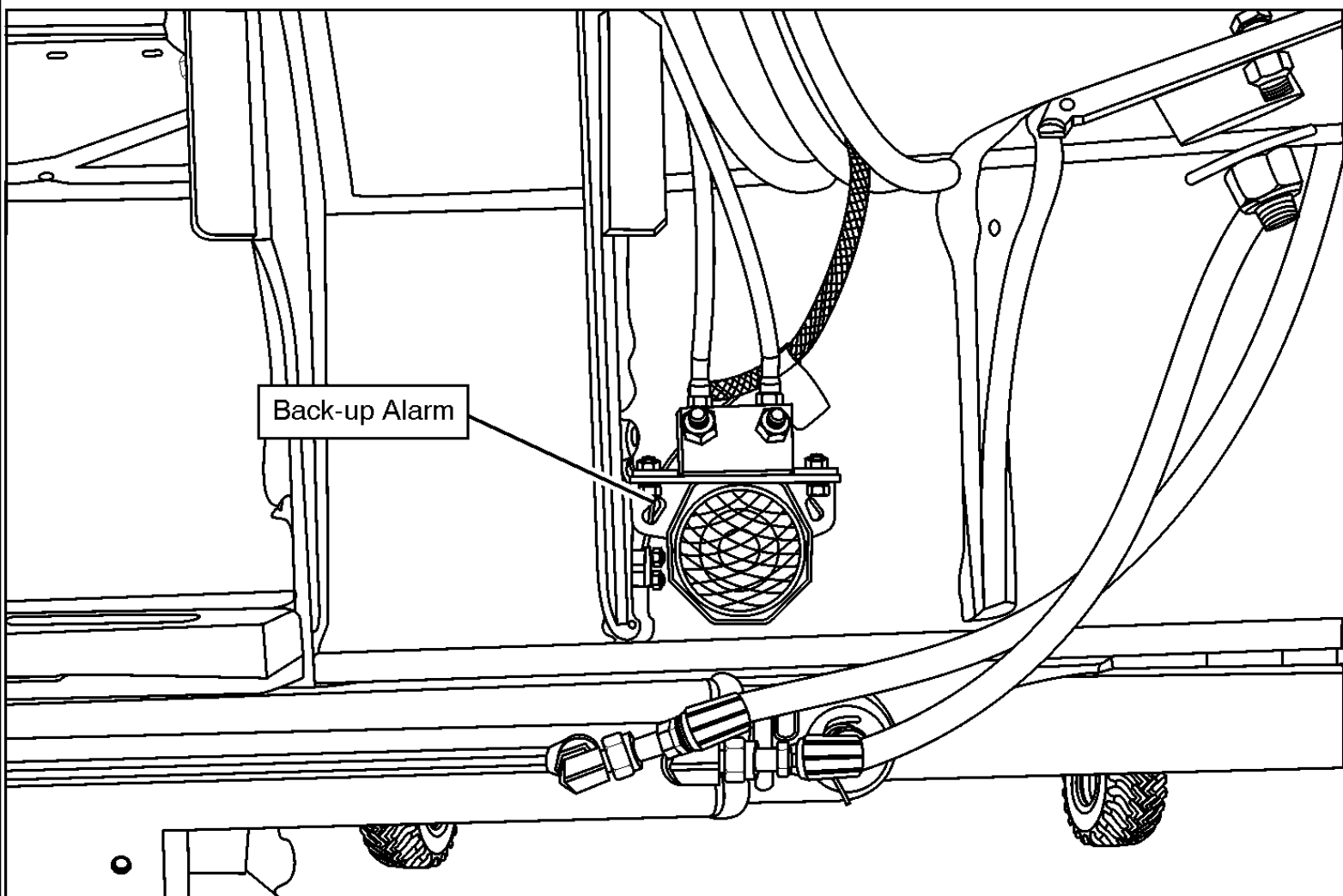
Ref	Part Number	Qty	Description
1	344475A1	1	FITTING, FUEL TK 1/2 NPTF
2	BN306082	1	FITTING, ASSY, SHORT TANK
3	87268555	1	SENDER UNIT, FUEL
4	87268549	1	FUEL, FINISH
5	405109A1	1	FITTING, OR SEAL 3/8 NPT
6	BN68502	1	CAP, FUEL, LOCKABLE, VENTED "DIESEL"
7	614-5020	5	BOLT, Hex, M5 x 20, 8.8, Full Thd,
8	87268404	1	GASKET, FUEL SENDER



4420 PATRIOT SPRAYER

04-041 COOLER, FUEL GROUP

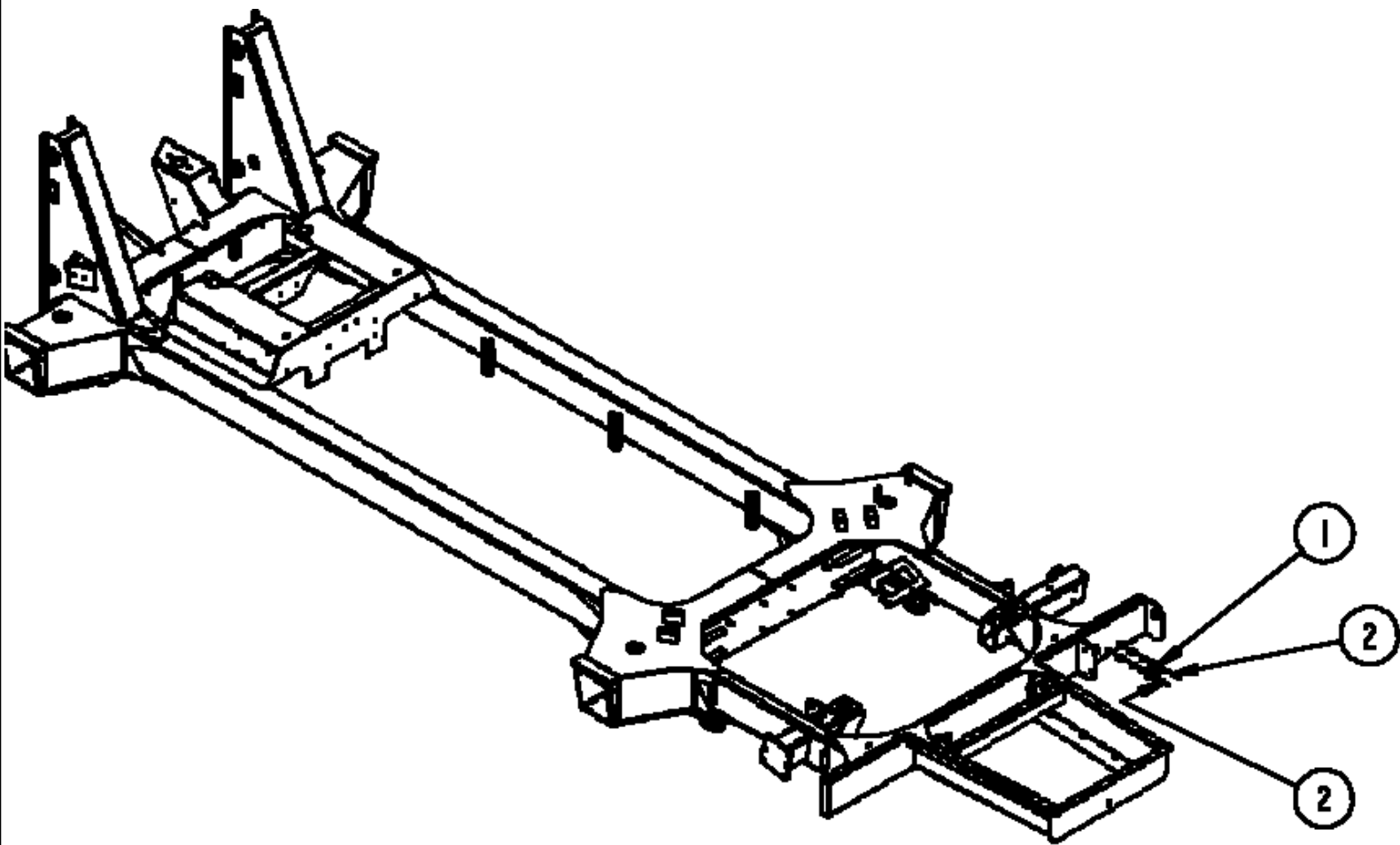
Ref	Part Number	Qty	Description
1	87332463	1	COOLER, FUEL,
2	86980379	4	BOLT, M8-1.25 X 20, HH, 8.8, DO
3	895-11008	4	WASHER, M8 x 16 x 1.6,



## 4420 PATRIOT SPRAYER

## 04-042 AUDIBLE ALARM GROUP

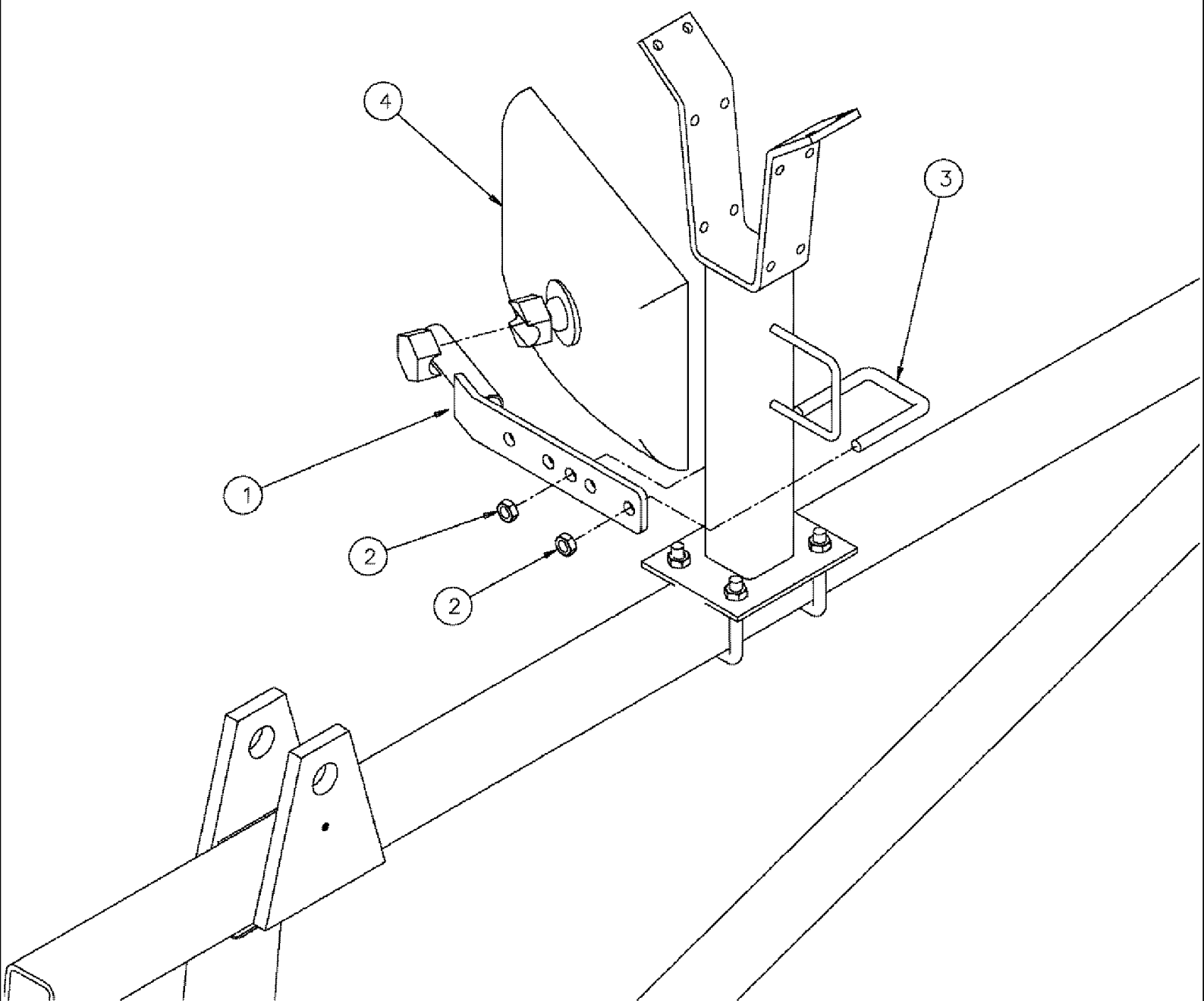
Ref	Part Number	Qty	Description
	87714969	1	HORN, W/BREATHER
	614-8020	2	BOLT, Hex, M8 x 20, 8.8,
	86980359	1	BOLT, M6-1 X 16, HH, 8.8, DOR R
	86980514	4	NUT, M8 CL8 P/T ALL METAL
	87342002	2	BOLT, M8 X 35 10.9
	895-11008	6	WASHER, M8 x 16 x 1.6,



4420 PATRIOT SPRAYER

04-043 SERIAL PLATE GROUP

Ref	Part Number	Qty	Description
1	321-7089	1	PLATE, S/N (STAINLESS)
2	BN52346	2	RIVET, POP 1/8" X .5 SS



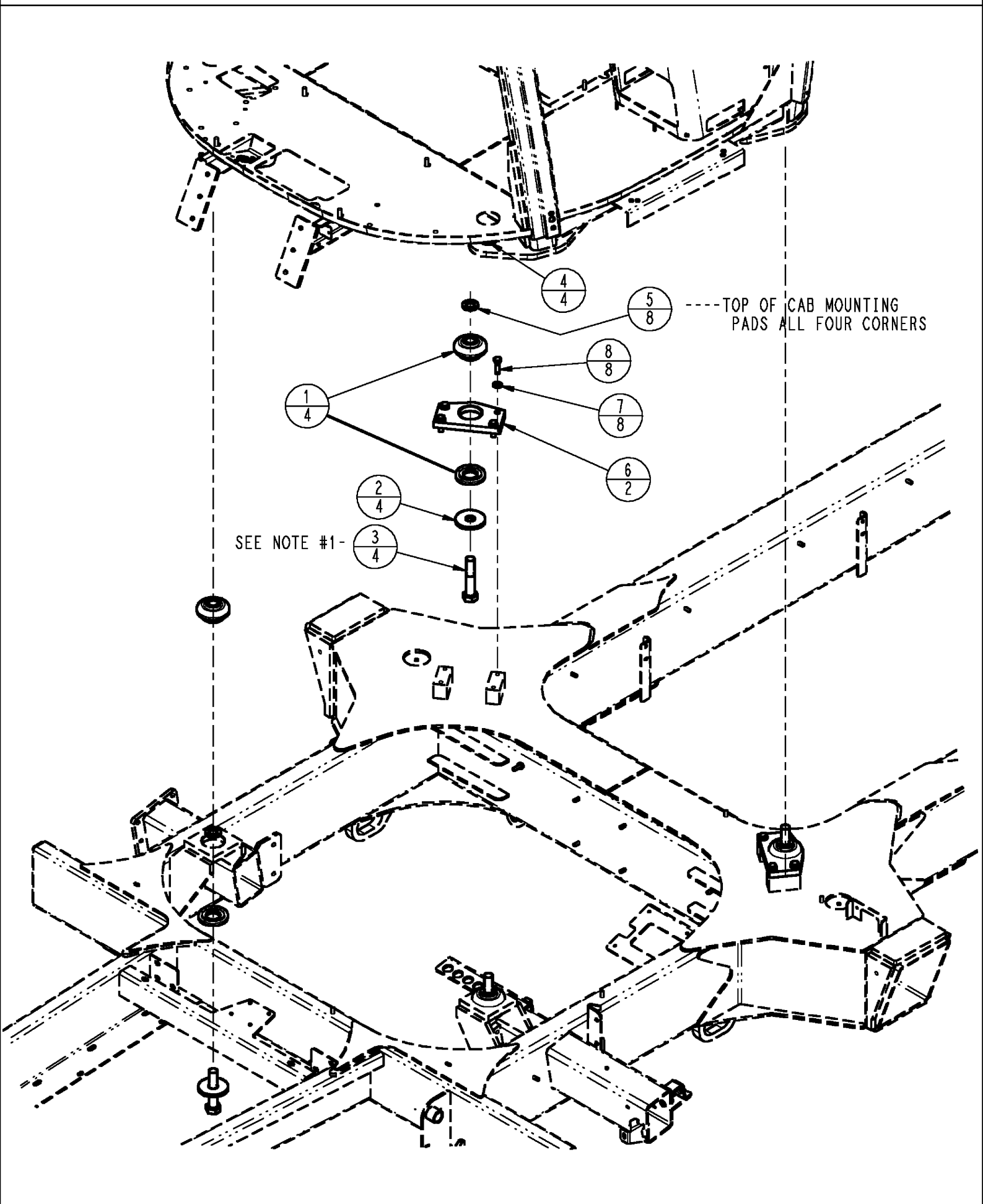
NOTE:  
TUBE MOUNT ON REAR OF MIRROR  
WILL BE USED TO MOUNT MIRROR TO  
MOUNTING BASE.



4420 PATRIOT SPRAYER

04-044 MIRROR GROUP, BOOM

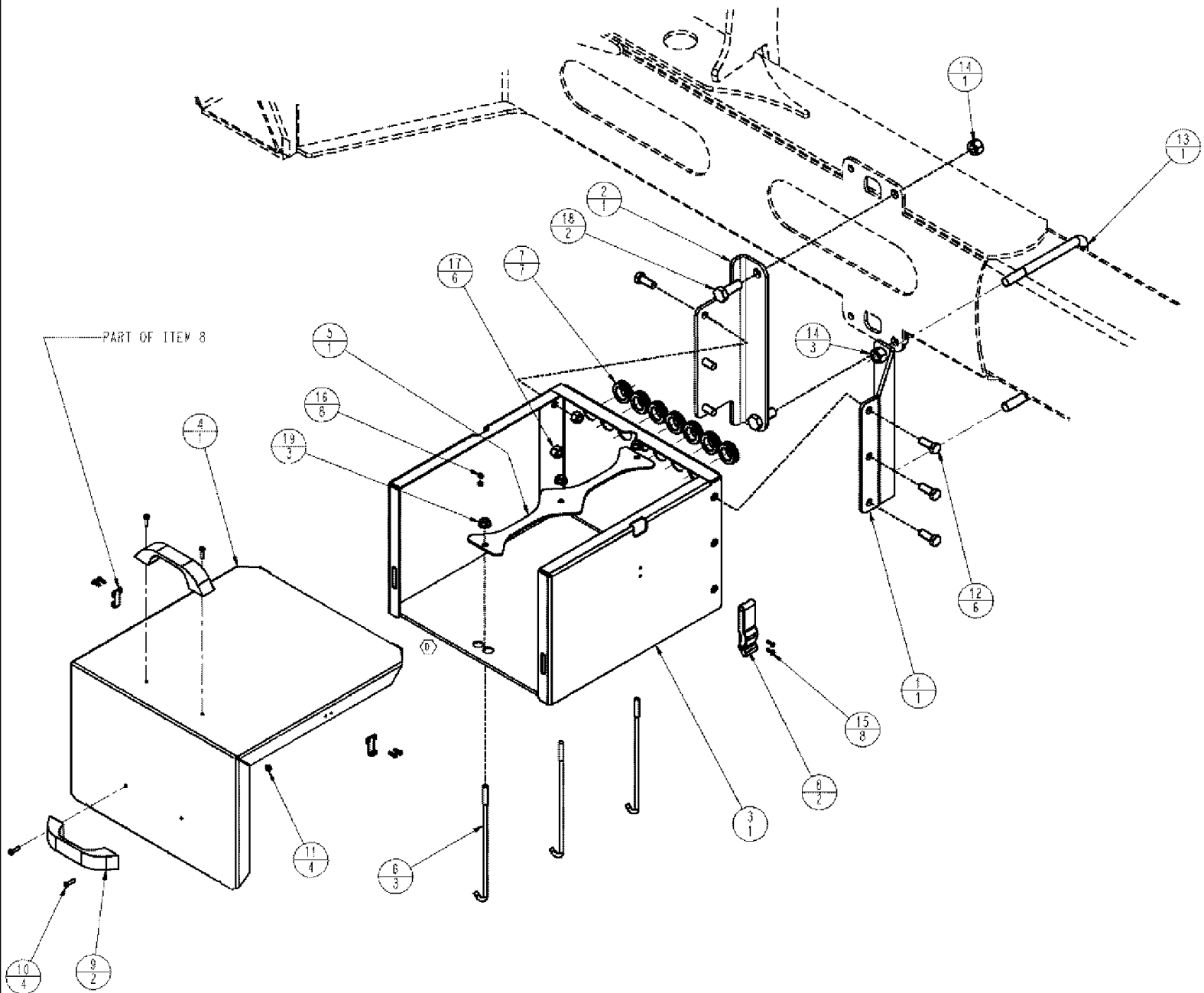
Ref	Part Number	Qty	Description
1	87268396	2	PLATE, MOUNTING, MIRROR, BOOM BAS
2	231-4146	4	NUT, LOCK, 3/8"-16, GB,
3	BN319919	2	U-BOLT, SQ BND 2.06 ID X 3/8
4	87268397	2	MIRROR, HEAD, R 450MM



## 4420 PATRIOT SPRAYER

## 04-045 CAB MOUNTING GROUP

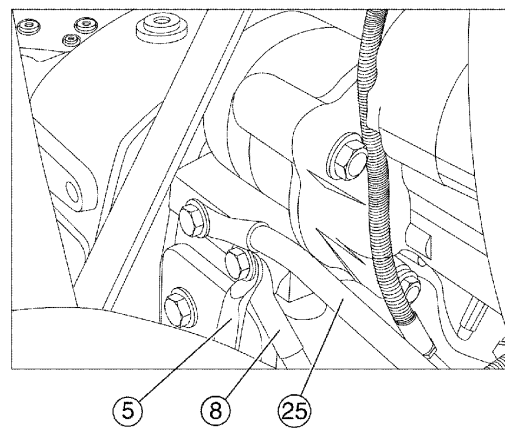
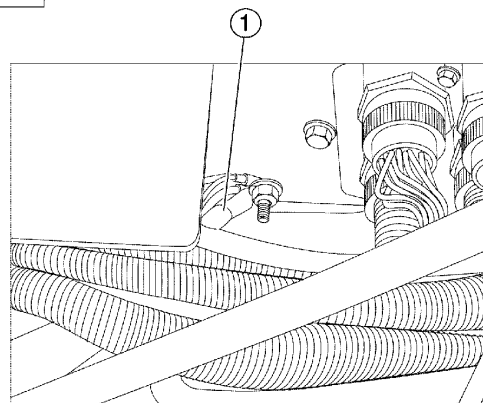
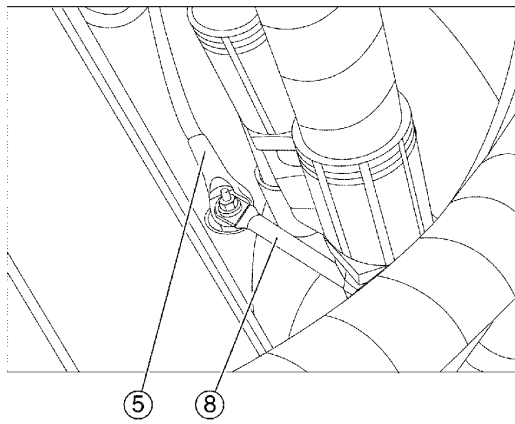
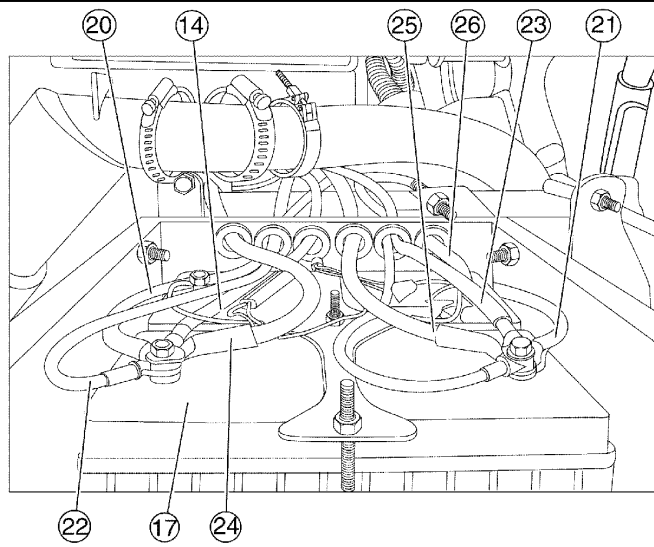
Ref	Part Number	Qty	Description
1	377678A1	4	MOUNT, RUBBER, CAB ISOLATOR
2	371043A1	4	WASHER, SNUBBER, STEEL
3	87342028	4	BOLT, HEX HD M24 X 120 CL10.9 DOR
4	832-10424	4	NUT, LOCK, M24 x 3, CI 8,
5	87529311	8	WASHER, 26 X 44 X 5MM HTS DOR HDN
6	BN323368	2	BRACKET, MOUNT
7	86981496	8	WASHER, M13.5 x 24.5 x 3, HT,
8	87022683	8	BOLT, Hex, M12 x 40, 10.9, Full Thd,



## 4420 PATRIOT SPRAYER

## 04-046 BATTERY BOX GROUP

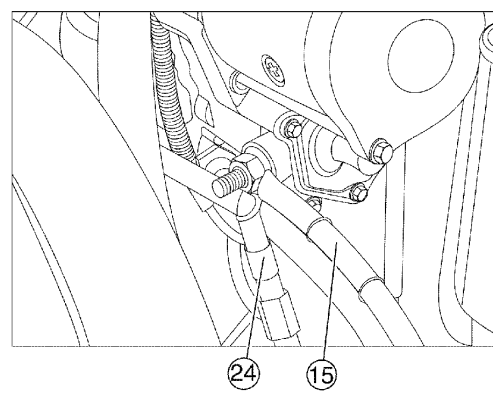
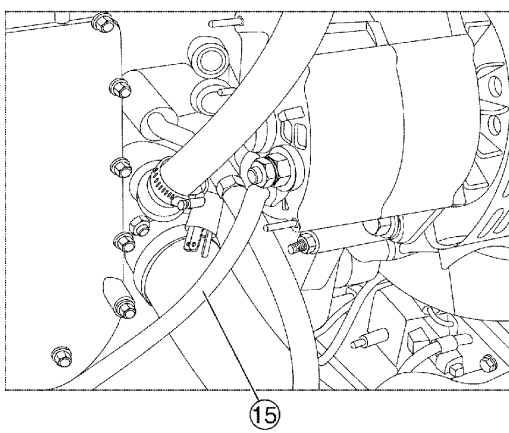
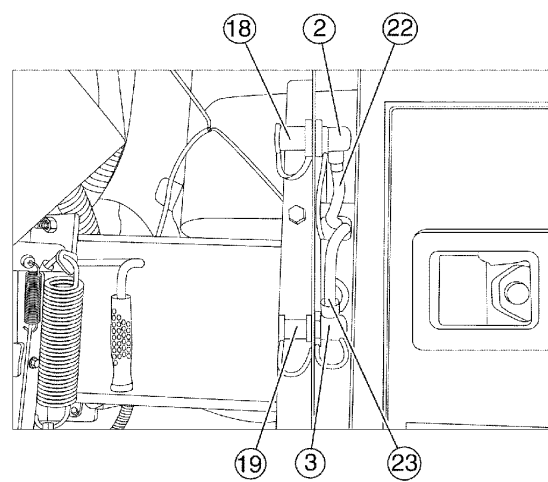
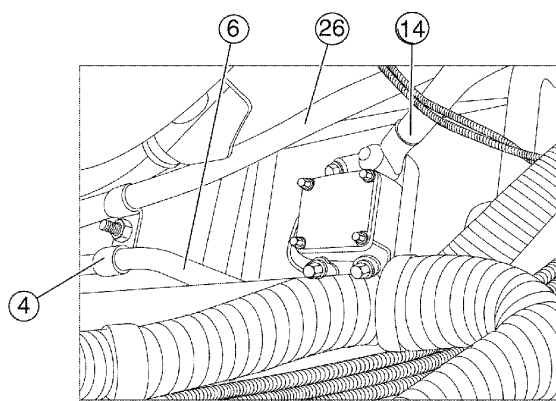
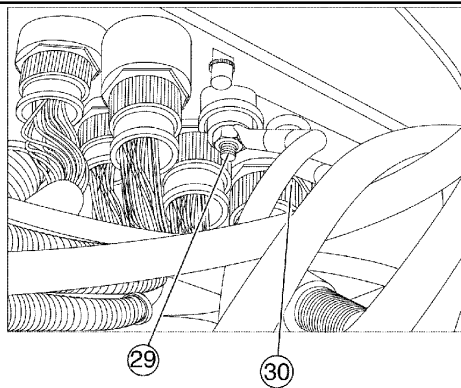
Ref	Part Number	Qty	Description
1	BN325941	1	PLATE, MOUNTING, BATTERY BOX
2	343276A1	1	PLATE, MOUNTING, BATTERY BOX
3	BN321475	1	BOX, BATTERY, WELDMENT
4	BN321511	1	COVER, WELDMENT, BATT BOX
5	BN321501	1	CLAMP, HOLDDOWN, BATTERY
6	87691876	3	ROD, BATTERY HOLD DOWN
7	BN2290753	7	GROMMET, 2870 (7/8 HOLE)
8	BN306240	2	LATCH, SOFT W/ REV. KEEPER
9	BN311626	2	HANDLE, MOLDED GRAB, BLACK
10	BN311631	4	BOLT, 10-24 X .75, BSH, SS
11	BN310266	4	NUT, 10-24, NLN, SS
12	86980420	6	BOLT, HEX HD M12 X 30 CL8.8 DOR
13	BN325918	1	U-BOLT, M16 X 256 ID X 187 IL
14	86980517	4	NUT, P/T ALL MTL M16 8 DOR
15	87342151	8	BOLT, M4 X 12 FULL 8.8 DOR
16	87344029	8	NUT, P/T ALL MTL M4 8 DOR
17	86980516	6	NUT, P/T ALL MTL M12 8 DOR
18	86980444	2	BOLT, M16-2 X 40, HH, 8.8, DORREPL
19	BN50057	3	NUT, 5/16-18 WHIZ LOCK SS



## 4420 PATRIOT SPRAYER

## 04-047(01) BATTERY GROUP W/CABLES

Ref	Part Number	Qty	Description
1	BN307097	1	CABLE, BATTERY 1/0 BLK (CAB GND STUD TO FRAME STUD)
2	342119A1	5	BOOT, BATTERY, RED
3	342463A1	1	BOOT, BATTERY, BLACK
4	344067A1	5	PIPE CLAMP, DOUBLE, C/MTG
5	344068A1	1	CABLE, 2/0 BLK, ENG/FRAME (ENGINE BLOCK TO FRAME STUD)
7	344494A1	1	CABLE, BATT 1/0 RED 2420m
8	344495A1	1	CABLE, BATT 1/0 BLK 1020m (ENGINE BLOCK TO FRAME)
11	614-10025	1	BOLT, Hex, M10 x 25, 8.8, Full Thd,
12	614-12030	1	BOLT, Hex, M12 x 30, 8.8,
13	832-46410	3	NUT, LOCK, M10 x 1.5, Cl 8,
14	86986021	1	CABLE, 1/0 RED, BATT/FUSE (BATTERY #1 TO 150A FUSE)
15	87676071	1	CABLE, 1/0 RED, ALT/STRTR
16	896-11010	1	WASHER, M10 x 21.5 x 2.5, HT, FLAT
17	91734C1	2	BATTERY, 12V, 950CCA, STUD
18	582785C91	1	CONNECTOR, TERMINAL, JUMP, BAT, POS, W/CAP
19	A187583	1	STUD, TERM, JUMP, BAT, NEG, W/CAP
20	BN320013	1	CABLE, POS, BATT/BATT (BATTERY #1 TO BATTERY #2)
21	BN320014	1	CABLE, NEG, BATT/BATT (BATTERY #1 TO BATTERY #2)
22	BN320843	1	CABLE, BATT. 1/0 RED 86 (BATTERY #2 TO EXTERNAL BATTERY TERM)
23	BN320844	1	CABLE, BATT. 1/0 BLK 86 (BATTERY #2 TO EXTERNAL BATTERY TERM)
24	BN322077	1	CABLE, BATT. 2/0 RED 103 (BATTERY #1 TO STARTER)
25	BN322079	1	CABLE, BATT. 2/0 BLK 113 (BATTERY #1 TO ENGINE BLOCK)
26	BN322080	1	CABLE, BATT. 1/0 BLK 123 (BATTERY #1 TO CAB)
27	515-23254	1	CLAMP, 1", Insul, 3/8" Bolt,
28	BN50062	4	NUT, 3/8-16, WLN, SS
29	582785C91	1	CONNECTOR, TERMINAL, STUD, ASSY
30	A187583	1	STUD, TEMINAL ASSY
	87344227	3	NUT, SERRATED M8 SPL DOR

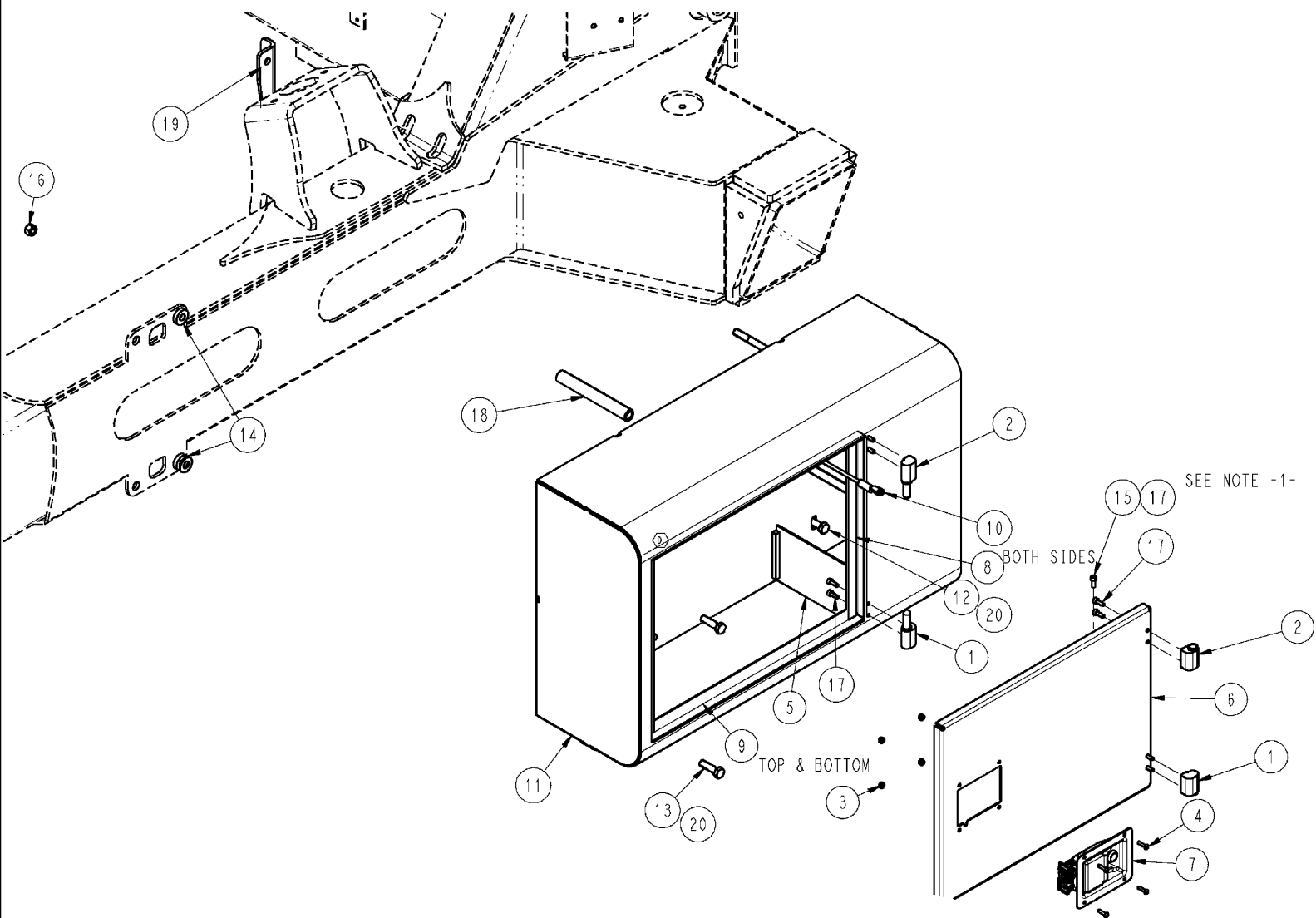




## 4420 PATRIOT SPRAYER

## 04-047(02) BATTERY GROUP W/CABLES

Ref	Part Number	Qty	Description
1	BN307097	1	CABLE, BATT. 1/0 BLK (CAB GND STUD TO FRAME STUD)
2	342119A1	5	BOOT, BATTERY, RED
3	342463A1	1	BOOT, BATTERY, BLACK
4	344067A1	5	PIPE CLAMP, DOUBLE, C/MTG
5	344068A1	1	CABLE, 2/0 BLK, ENG/FRAME (ENGINE BLOCK TO FRAME STUD)
7	344494A1	1	CABLE, BATT 1/0 RED 2420m
8	344495A1	1	CABLE, BATT 1/0 BLK 1020m (ENGINE BLOCK TO FRAME)
11	614-10025	1	BOLT, Hex, M10 x 25, 8.8, Full Thd,
12	614-12030	1	BOLT, Hex, M12 x 30, 8.8,
13	832-46410	3	NUT, LOCK, M10 x 1.5, Cl 8,
14	86986021	1	CABLE, 1/0 RED, BATT/FUSE (BATTERY #1 TO 150A FUSE)
15	86986022	1	CABLE, 1/0 RED, ALT/STRTR (ALTERNATOR TO STARTER)
16	896-11010	1	WASHER, M10 x 21.5 x 2.5, HT, FLAT
17	91734C1	2	BATTERY, 12V, 950CCA, STUD
18	BN306555	1	TERMINAL CONNECTOR, JUMP, BAT, POS, W/CAP
19	BN306556	1	TERMINAL CONNECTOR, TERM, JUMP, BAT, NEG, W/CAP
20	BN320013	1	CABLE, POS, BATT/BATT (BATTERY #1 TO BATTERY #2)
21	BN320014	1	CABLE, NEG, BATT/BATT (BATTERY #1 TO BATTERY #2)
22	BN320843	1	CABLE, BATT. 1/0 RED 86 (BATTERY #2 TO EXTERNAL BATTERY TERM)
23	BN320844	1	CABLE, BATT. 1/0 BLK 86 (BATTERY #2 TO EXTERNAL BATTERY TERM)
24	BN322077	1	CABLE, BATT. 2/0 RED 103 (BATTERY #1 TO STARTER)
25	BN322079	1	CABLE, BATT. 2/0 BLK 113 (BATTERY #1 TO ENGINE BLOCK)
26	BN322080	1	CABLE, BATT. 1/0 BLK 123 (BATTERY #1 TO CAB)
27	515-23254	1	CLAMP, 1", Insul, 3/8" Bolt,
28	BN50062	4	NUT, 3/8-16, WLN, SS
29	582785C91	1	CONNECTOR, TERMINAL, STUD, ASSY
30	A187583	1	STUD, TEMINAL ASSY
	87344227	3	NUT, SERRATED M8 SPL DOR



SCALE 1:5

## NOTES:

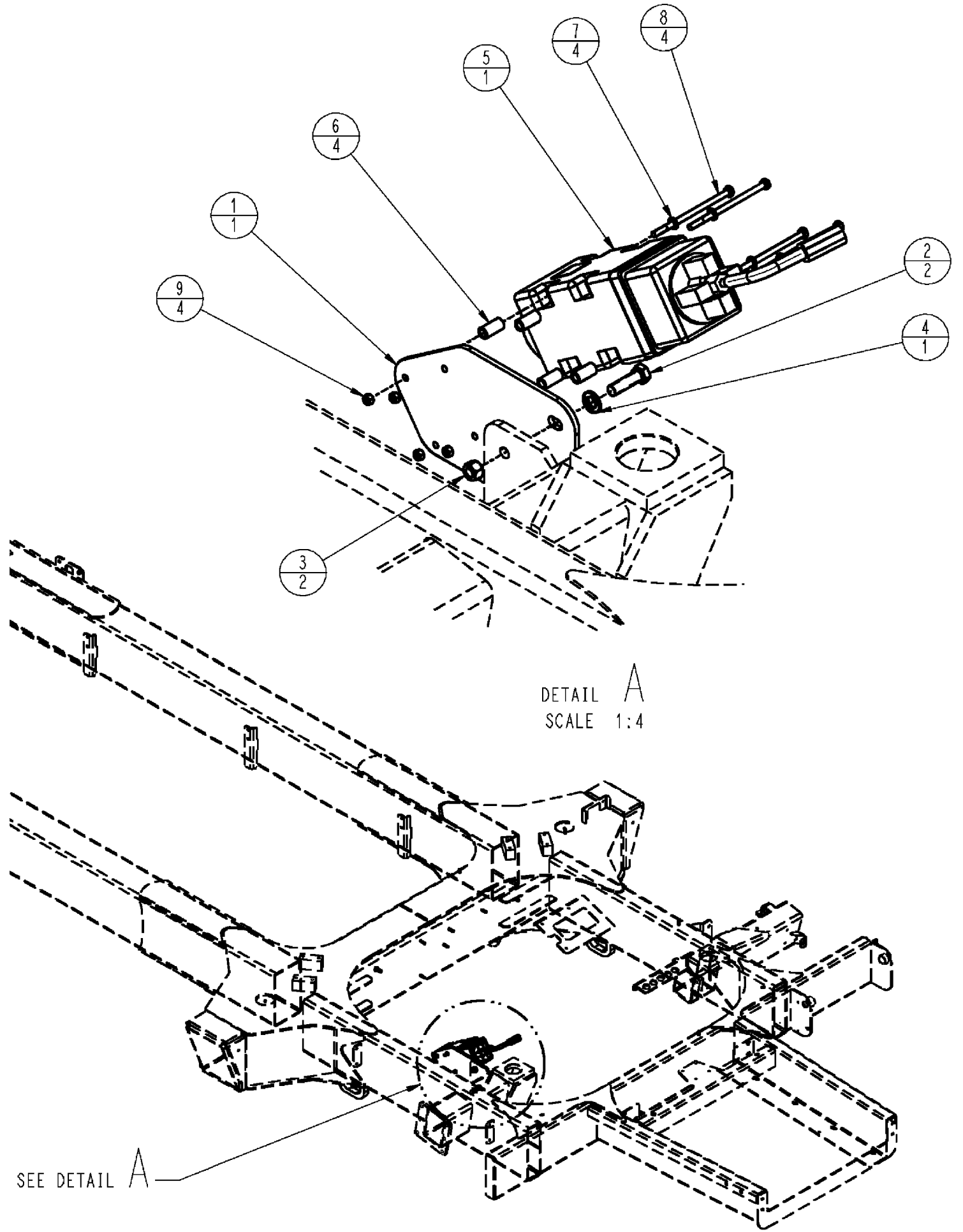
1) LANYARD ITEM 10 IS SECURED TO BOX AND DOOR BY USE OF TABS AND HARDWARE ITEMS 15 & 17. TIGHTEN HARDWARE JUST ENOUGH TO ELIMINATE PLAY. LANYARD MUST STILL BE ALLOWED TO ROTATE FOR OPENING AND CLOSING THE DOOR.

2: ADD LOCTITE ITEM 21 TO BOLTS TO SECURE M12 NUTS ITEM 16.

## 4420 PATRIOT SPRAYER

## 04-048 STORAGE BOX GROUP, LH

Ref	Part Number	Qty	Description
1	BN306286	1	HINGE, NYLON, TYPE B, M6
2	BN306290	1	HINGE, NYLON, TYPE A, M6
3	BN310266	4	NUT, 10-24, NLN, SS
4	BN311631	4	BOLT, 10-24 X .75, BSH, SS
5	BN323911	1	DIVIDER, STORAGE BOX
6	BN323918	1	DOOR, WLD, STORAGE BOX LH
7	BN323944	1	LATCH, PADDLE HANDLE
8	BN323948	2	SEAL, TRIM
9	BN323949	2	SEAL, TRIM
10	F64526	1	CABLE, ASSY, DOOR
11	87267620	1	BOX, WLDMNT, LH
12	814-12200	2	BOLT, Hex, M12 x 200, 8.8,
13	614-12040	2	BOLT, Hex, M12 x 40, 8.8, Full Thd,
14	87266323	2	SPACER,
15	832-46406	2	NUT, LOCK, M6 x 1, CI 8,
16	86980516	4	NUT, P/T ALL MTL M12 8 DOR
17	864-6016	10	SCREW, Hex Soc Hd, M6 x 16, 8.8,
18	87266322	1	SPACER, TUBE
19	87266320	1	SUPPORT, BRACE, BOX MOUNT
20	87528989	1	WASHER, M12 X 30MM X 2.5 DOR



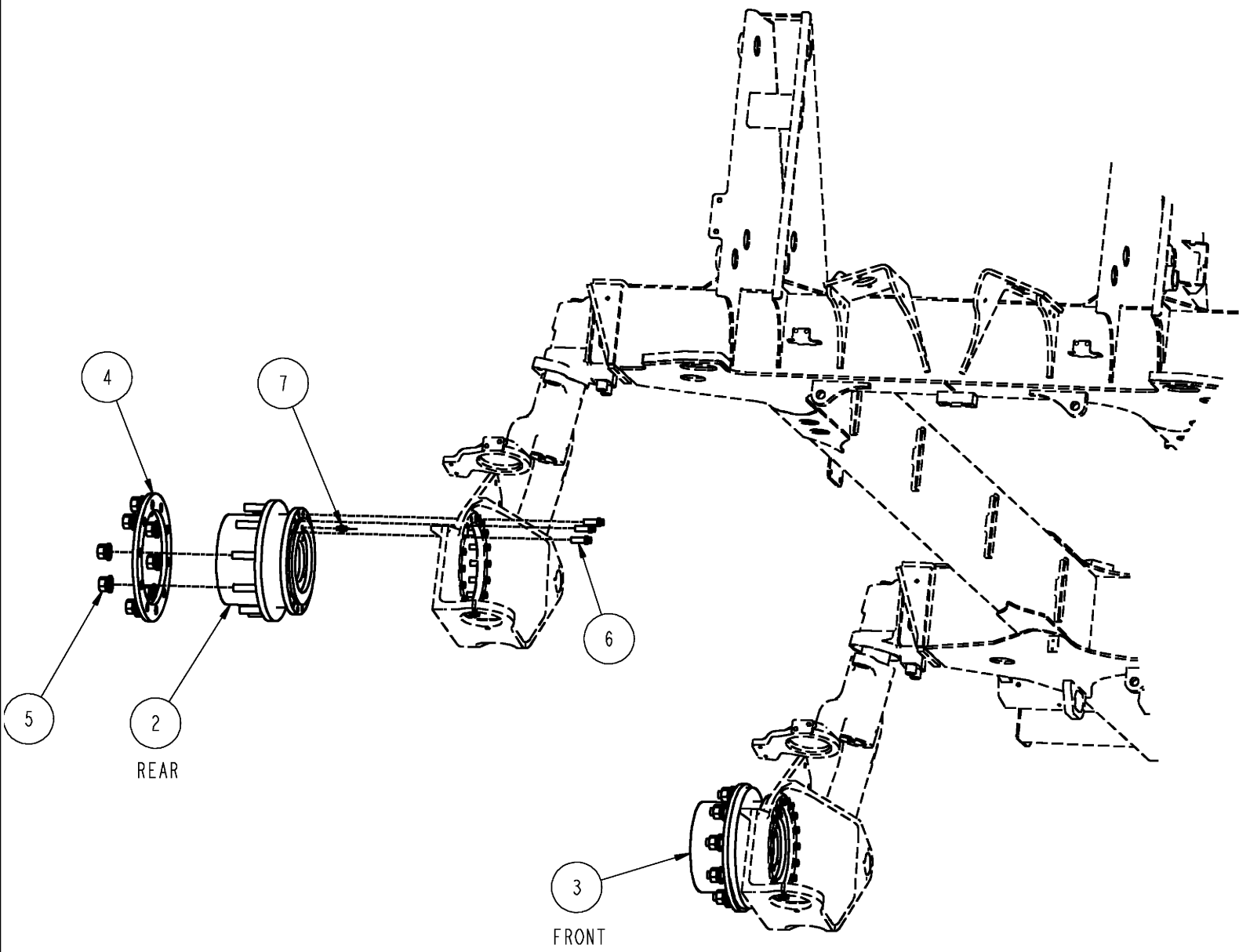
DETAIL A  
SCALE 1:4

SEE DETAIL A

## 4420 PATRIOT SPRAYER

## 04-049 SPEED SENSOR GROUP

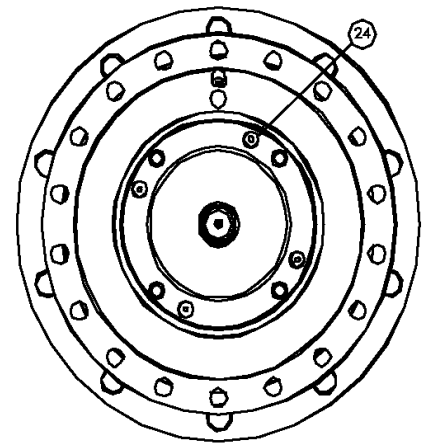
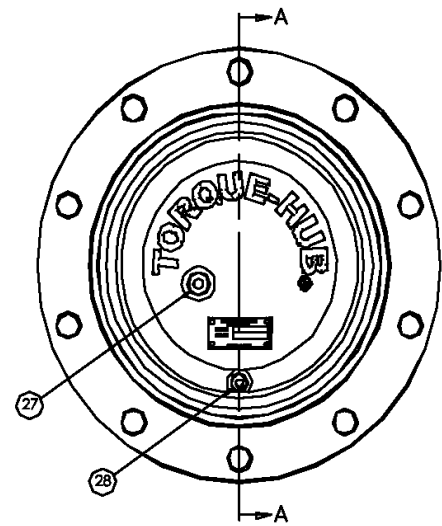
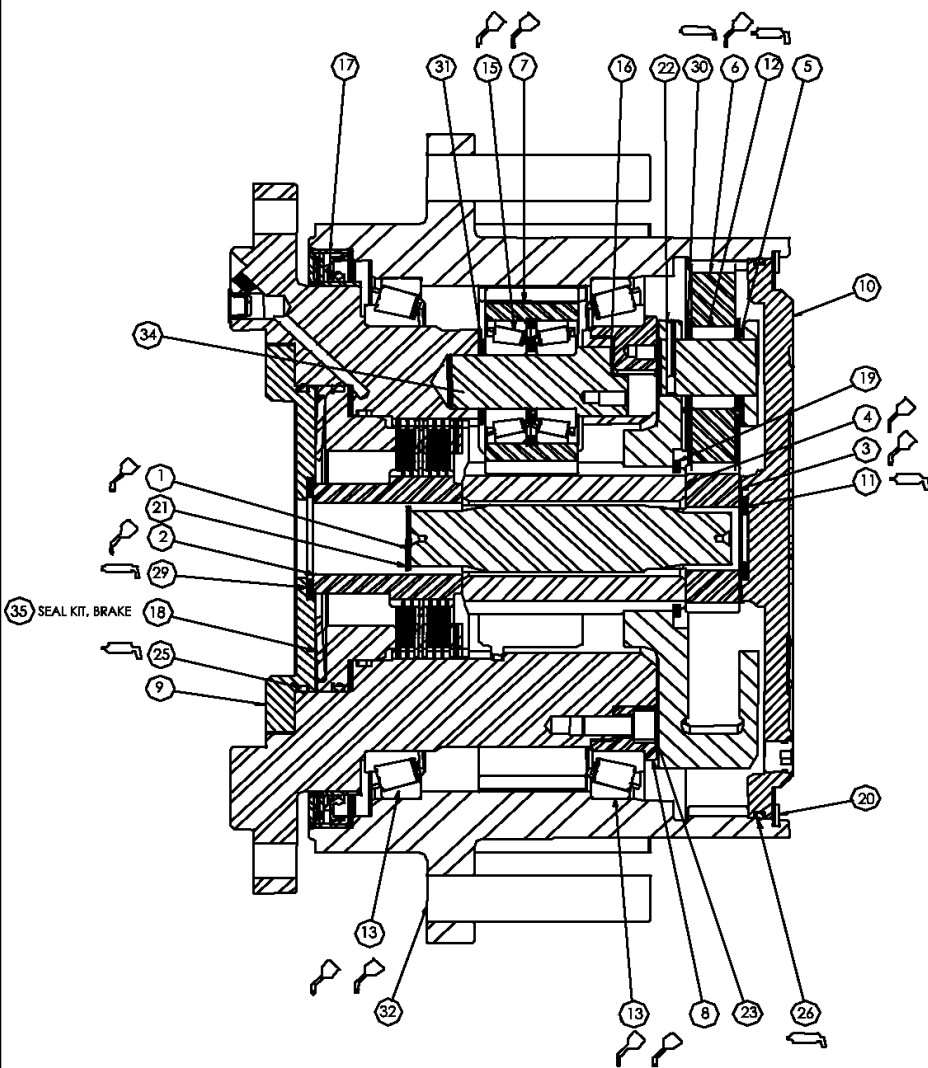
Ref	Part Number	Qty	Description
1	BN322487	1	BRACKET, SPEED SENSOR
2	86980423	2	BOLT, M12-1.75 X 40, HH, 8.8, DORREPL
3	86980516	2	NUT, P/T ALL MTL M12 8 DOR
4	86981496	1	WASHER, M13.5 x 24.5 x 3, HT,
5	228760A1	1	RADAR, TRUE GROUND
6	BN311760	4	SPACER, RADAR GUN MOUNT
7	87529314	4	WASHER, 6.6 X 12.5 X 2MM HDN DOR
8	86980371	4	BOLT, M6-1 X 110, HH, 8.8, DORREPL
9	86980513	4	NUT, P/T ALL MTL M6 8 DOR



## 4420 PATRIOT SPRAYER

## 05-001 GEAR RATIO GROUP

Ref	Part Number	Qty	Description
2	BN325888	2	PLANET CARRIER, PLANETARY 28 1 SEE FIG 05-003
3	BN325887	2	PLANET CARRIER, PLANETARY 21 1 SEE FIG 05-002
4	BN306152	2	SPACER, WHEEL HUB
5	BN315229	40	NUT, FLANG,WHL,22MM DORRL
6	BN304226	72	BOLT, M16-2X45,FH,10.9
7	BN305432	4	ADAPTER, -4MFFOR-M12X1.5

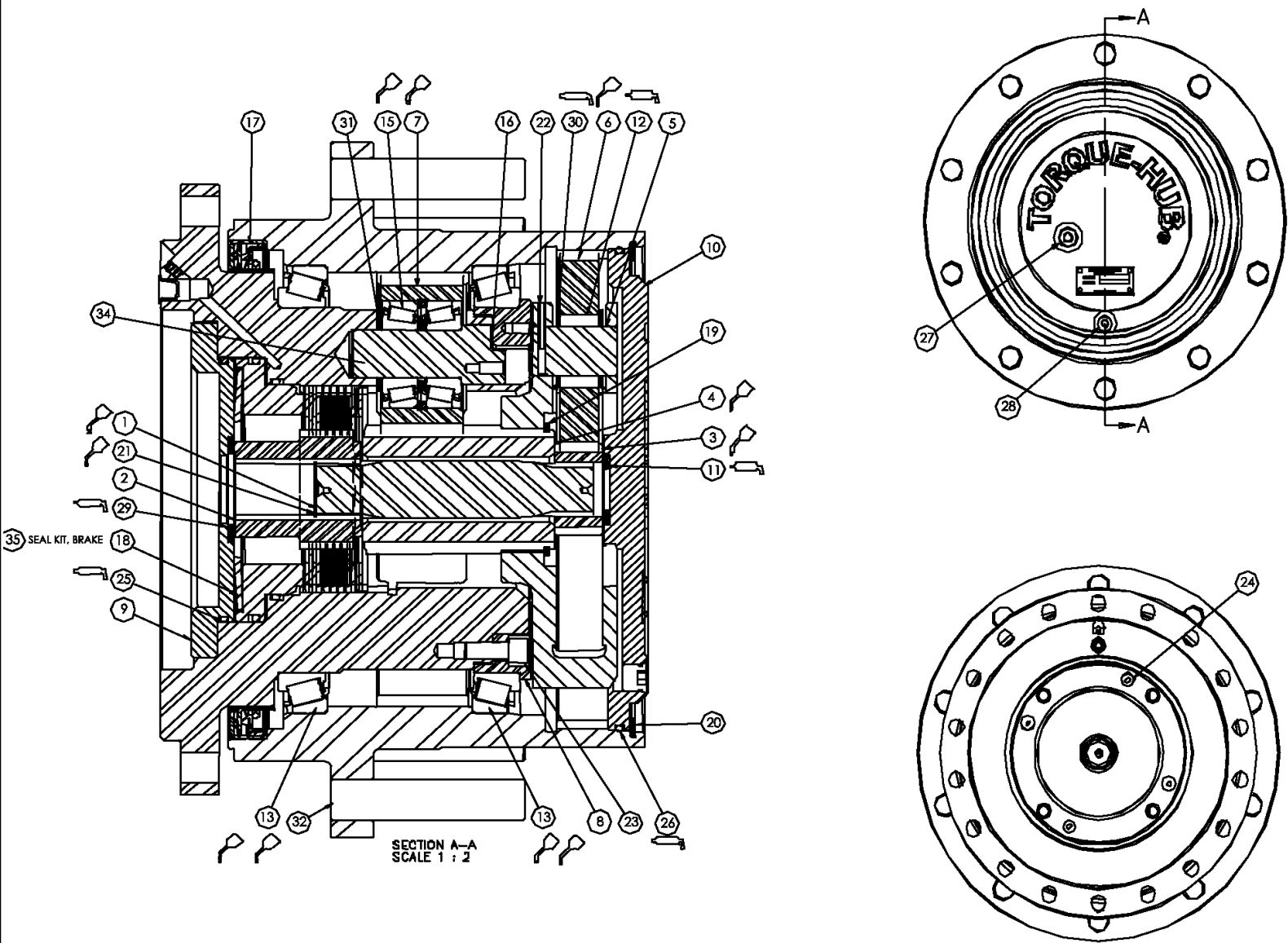




## 4420 PATRIOT SPRAYER

## 05-002 GEARBOX, PLANETARY 21:1

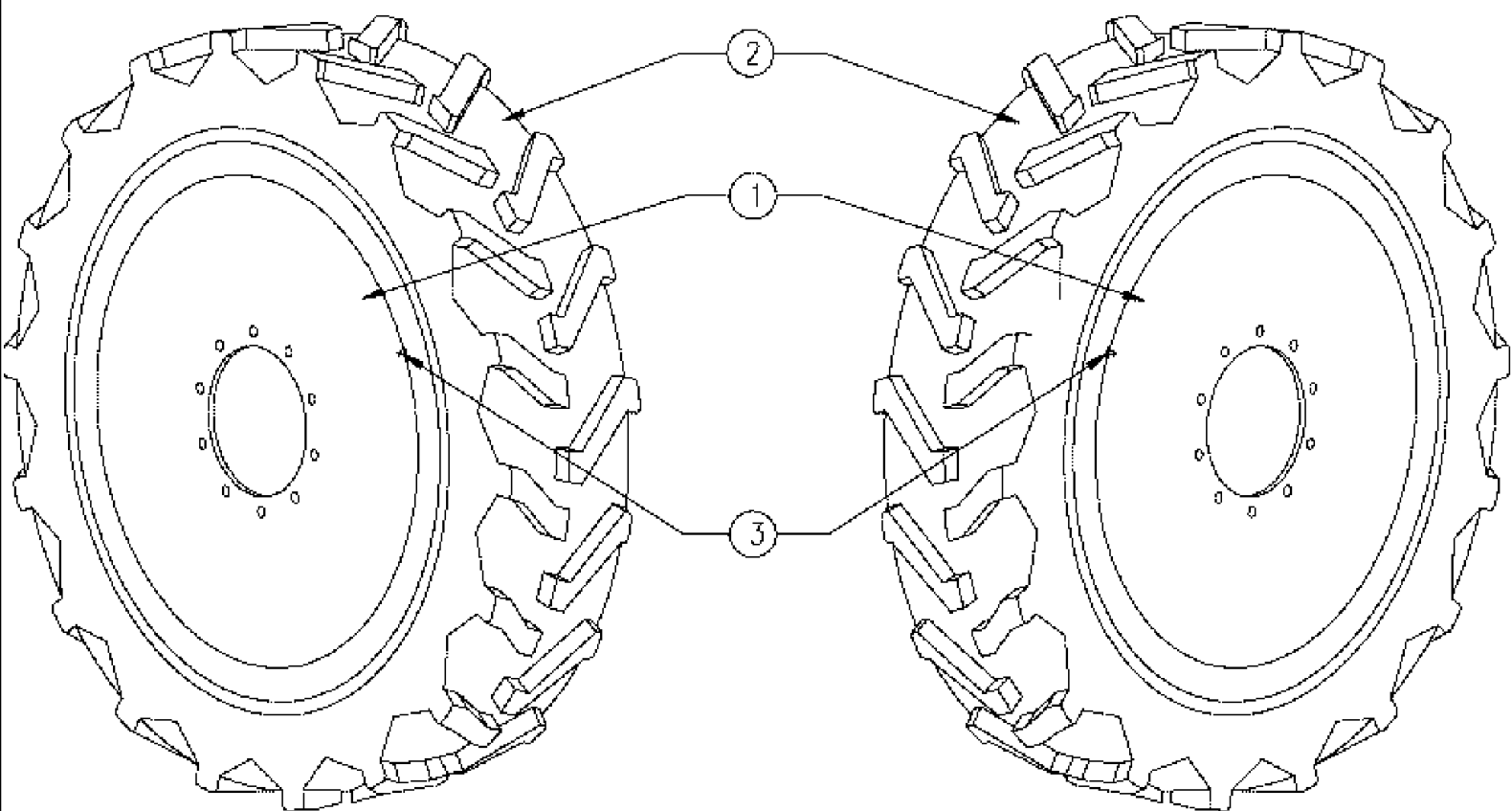
Ref	Part Number	Qty	Description
1	87270191	1	SHAFT, INPUT
2	87270192	1	COUPLING,
3	87270193	1	SUN GEAR,
4	87270195	1	SUN GEAR,
5	87270196	3	SHAFT, PLANET
6	87270199	3	GEAR, PLANETARY,
7	87270201	3	GEAR, PLANETARY,
8	87270204	1	BEARING, CARRIER (6.143, 6.850)
9	87270205	1	ADAPTER, MOUNTING
10	87270206	1	COVER, PLATE
11	87270208	1	WASHER, THRUST, (.882, .1245)
12	87270209	48	BEARING, NEEDLE,
13	87271162	2	BEARING SET, CONE & CUP, TAPERED
15	87270212	3	BEARING, TAPERED-ASSY
16	87270213	3	SHIM, STEEL
17	87382451	1	SEAL, OIL, SPINDLE, C14 HUB
18	87270216	1	BRAKE, INPUT
19	87270217	1	RING, EXT
20	87270218	1	RING, RET, INT
21	87270219	1	RING, RET, INT
22	87270221	3	ROLL, PIN
23	87270223	15	BOLT, SKT-UNC
24	87270224	4	BOLT, FLAT HD-HEX SKT
25	87270225	1	RING, VITON O-RING
26	87270226	1	RING, VITON O-RING
27	87270228	1	PLUG, PIPE, MAG
28	87270229	1	PLUG, PIPE, O-RING
29	87270230	1	WASHER, THRUST,
30	87270231	6	WASHER, THRUST,
31	87270232	3	WASHER, THRUST,
32	87270233	10	STUD, DOUBLE END
34	87570209	3	SHAFT, PLANE.-OUTPUT STAGE
35	87573001	1	KIT, SEALS, BRAKE-HUB CO14



## 4420 PATRIOT SPRAYER

## 05-003 GEARBOX, PLANETARY 28:1

Ref	Part Number	Qty	Description
1	87270191	1	SHAFT, INPUT
2	87270192	1	COUPLING,
3	87270194	1	GEAR, SUN
4	87270195	1	SUN GEAR,
5	87270196	3	SHAFT, PLANET
6	87270200	3	GEAR, PLANETARY,
7	87270201	3	GEAR, PLANETARY,
8	87270204	1	BEARING, CARRIER (6.143, 6.850)
9	87270205	1	ADAPTER, MOUNTING
10	87270206	1	COVER, PLATE
11	87270208	1	WASHER, THRUST, (.882, .1245)
12	87270209	48	BEARING, NEEDLE,
13	87271162	2	BEARING SET, CONE & CUP, TAPERED
15	87270212	3	BEARING, TAPERED-ASSY
16	87270213	3	SHIM, STEEL
17	87382451	1	SEAL, OIL, SPINDLE, C14 HUB
18	87270216	1	BRAKE, INPUT
19	87270217	1	RING, RET, EXT
20	87270218	1	RING, RET, INT
21	87270219	1	RING, RET, INT
22	87270221	3	ROLL, PIN,
23	87270223	15	BOLT, SKT-UNC
24	87270224	4	BOLT, FLAT HD-HEX SKT
25	87270225	1	RING, VITON O-RING
26	87270226	1	RING, VITON O-RING
27	87270228	1	PLUG, PIPE, MAG
28	87270229	1	PLUG, PIPE, O-RING
29	87270230	1	WASHER, THRUST,
30	87270231	6	WASHER, THRUST,
31	87270232	3	WASHER, THRUST,
32	87270233	10	STUD, DOUBLE END
34	87570209	3	SHAFT, PLANE.-OUTPUT STAGE
35	87573001	1	KIT, SEALS, BRAKE-HUB CO14



RIGHT SIDE

LEFT SIDE

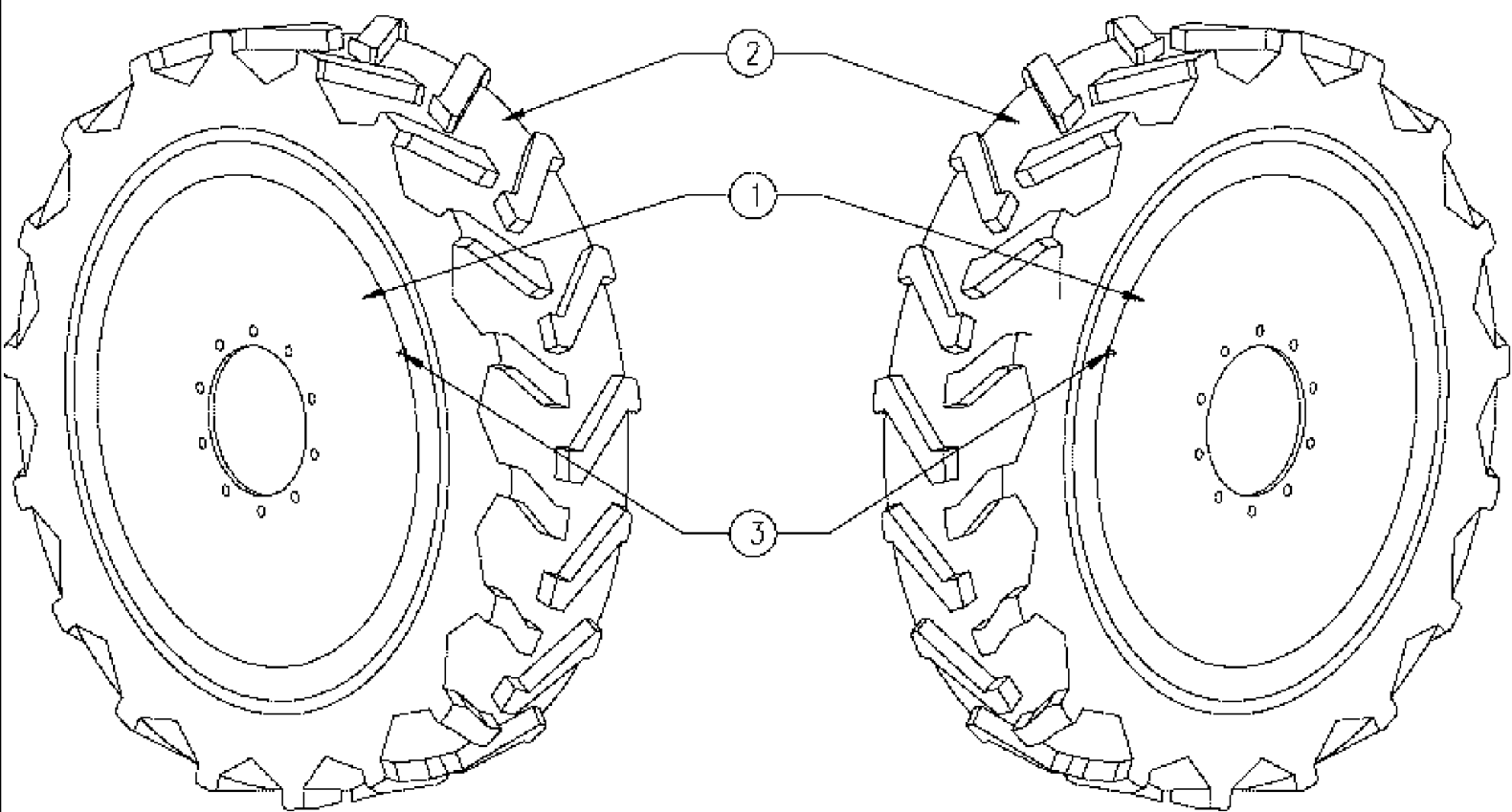
NOTE: Contact your local tire dealer for tire warranty and replacement tires.

## 4420 PATRIOT SPRAYER

05-004 TIRE KIT, 320/90 R46 LI 153

Ref	Part Number	Qty	Description
	87268375	2	320-90R46LH
1	BN323843	1	WHEEL, 10 X 46, 10 HOLE
2	87268419	1	TYRE/TIRE, 320/90R46, LI 153A8
3	362766A1	1	VALVE STEM, TUBELESS TIRE
	87268374	2	320-90R46RH
1	BN323843	1	WHEEL, 10 X 46, 10 HOLE
2	87268419	1	TYRE/TIRE, 320/90R46, LI 153A8
3	362766A1	1	VALVE STEM, TUBELESS TIRE

NOTE: Contact your local tire dealer for tire warranty and replacement tires.



RIGHT SIDE

LEFT SIDE

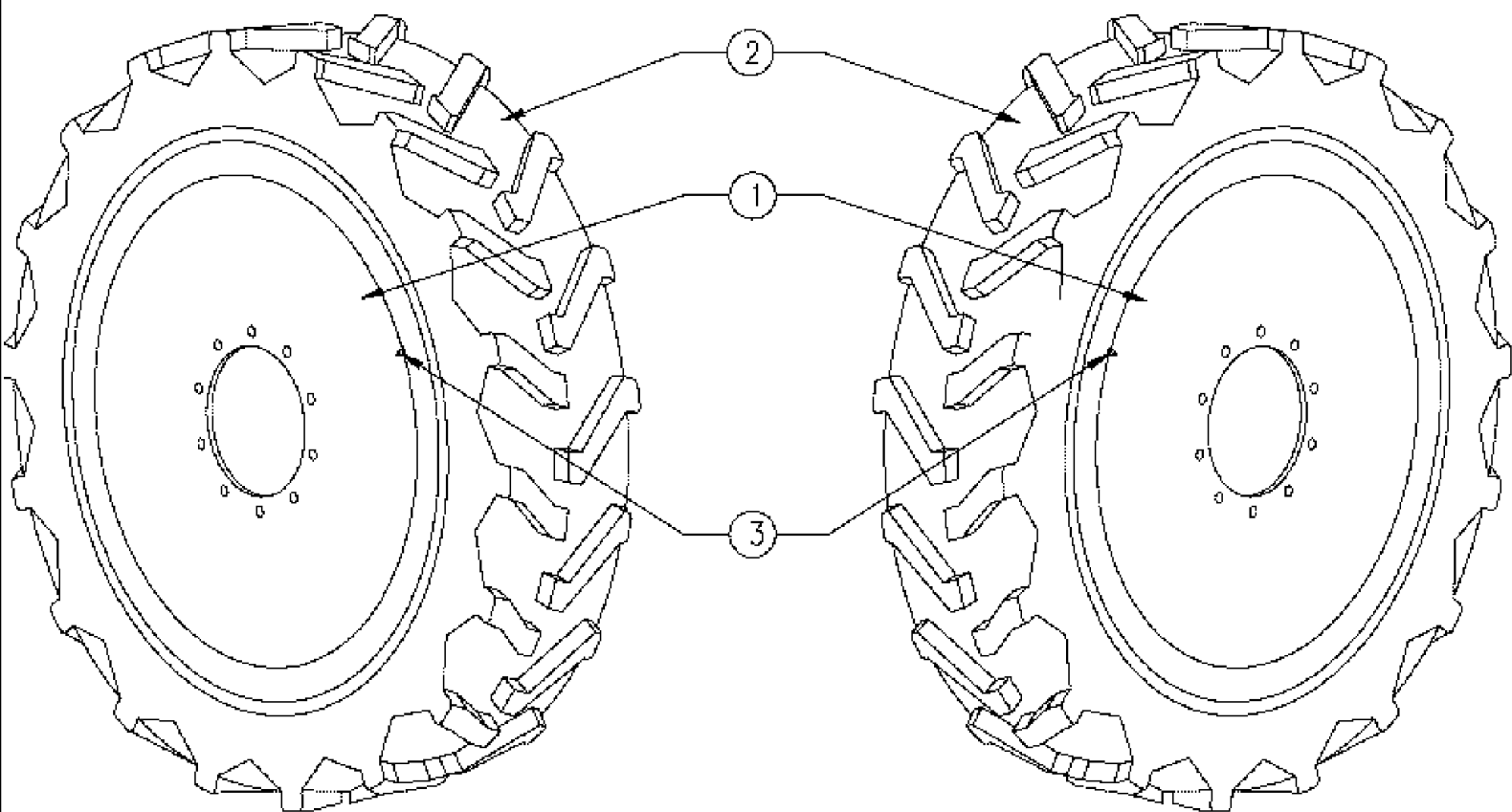
NOTE: Contact your local tire dealer for tire warranty and replacement tires.

## 4420 PATRIOT SPRAYER

05-005 TIRE KIT, 380/90 R46 LI 159

Ref	Part Number	Qty	Description
	87268373	2	380/90R46 LI LH
1	BN323634	1	WHEEL, W12 X 46
2	87268418	1	380/90R46 LI 159A8
3	362766A1	1	VALVE STEM, TUBELESS TIRE
	87268371	2	380/90R46 LI RH
1	BN323634	1	WHEEL, W12 X 46
2	87268418	1	380/90R46 LI 159A8
3	362766A1	1	VALVE STEM, TUBELESS TIRE

NOTE: Contact your local tire dealer for tire warranty and replacement tires.



RIGHT SIDE

LEFT SIDE

NOTE: Contact your local tire dealer for tire warranty and replacement tires.

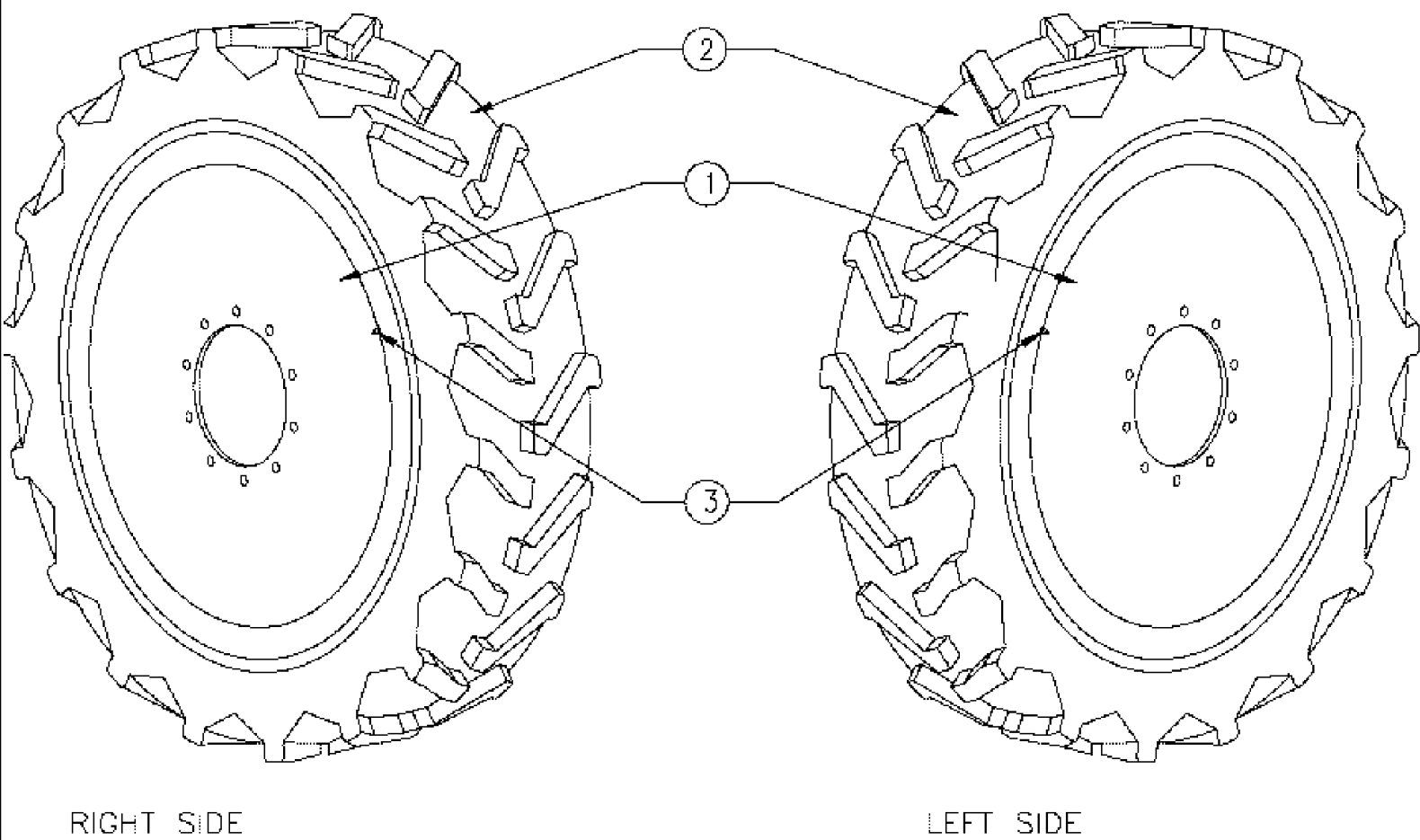


## 4420 PATRIOT SPRAYER

## 05-006 TIRE KIT, 650/65R38

Ref	Part Number	Qty	Description
	87651826	AR	650/65R38 RH
	BN323842	1	WHEEL ASSY, 38 X 18, 10 HOLE
	87651823	1	650/65R38 (MICHELIN)
	362766A1	1	VALVE STEM, TUBELESS TIRE
	87651825	AR	650/65R38 LH
	BN323842	1	WHEEL ASSY, 38 X 18, 10 HOLE
	87651823	1	650/65R38 (MICHELIN)
	362766A1	1	VALVE STEM, TUBELESS TIRE

NOTE: Contact your local tire dealer for tire warranty and replacement tires.



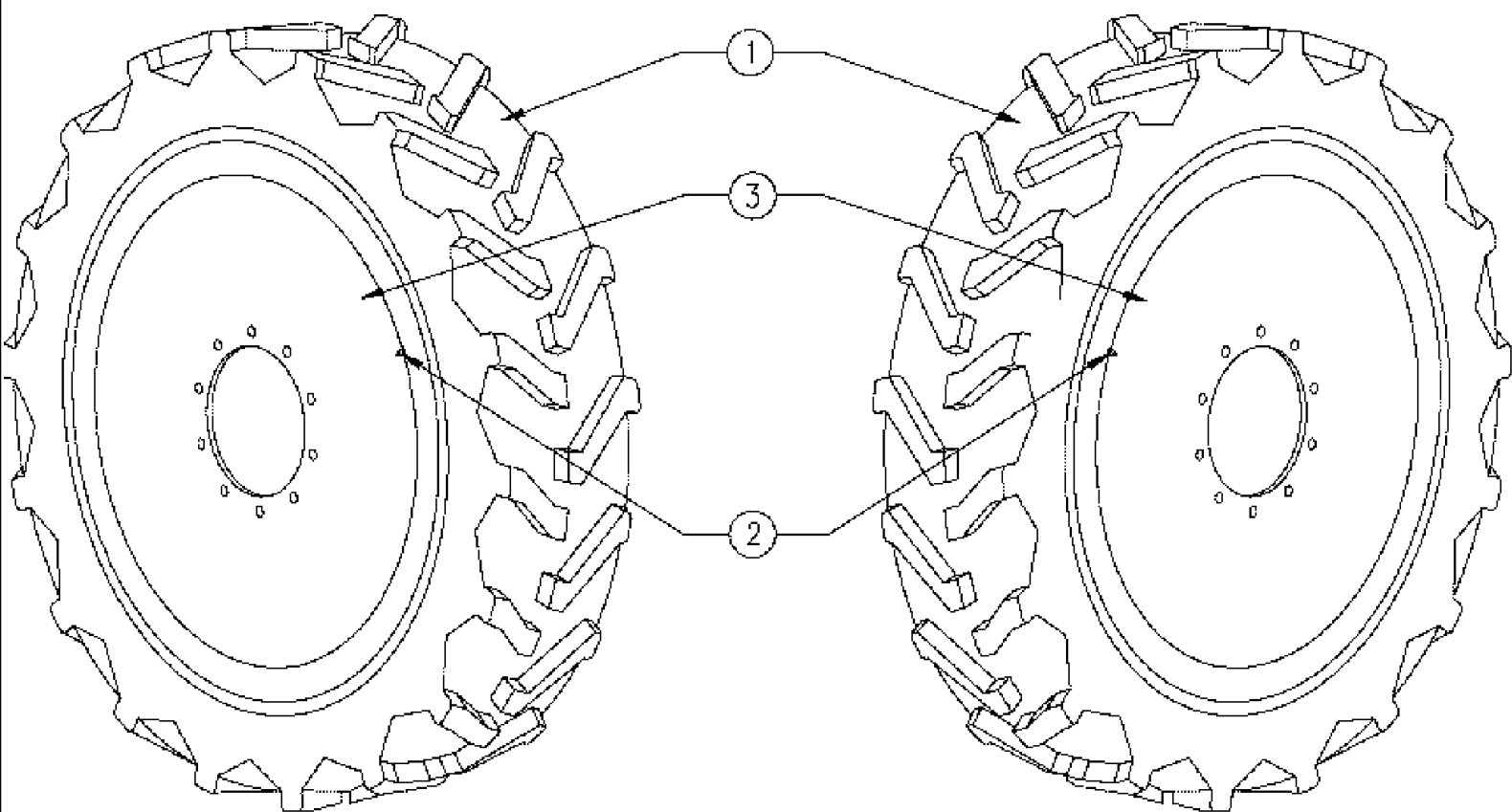
NOTE: Contact your local tire dealer for tire warranty and replacement tires.

## 4420 PATRIOT SPRAYER

## 05-007 TIRE KIT, 520/85 R38

Ref	Part Number	Qty	Description
	342264A1	AR	520/85 R38 RH
1	BN323842	1	WHEEL ASSY, 38 X 18, 10 HOLE
2	311648A1GY	1	520/85R38, 155A8/B,
3	362766A1	1	VALVE STEM, TUBELESS TIRE
	342265A1	AR	MTD 520/85 R38 LH
1	BN323842	1	WHEEL ASSY, 38 X 18, 10 HOLE
2	311648A1GY	1	520/85R38, 155A8/B
3	362766A1	1	VALVE STEM, TUBELESS TIRE

NOTE: Contact your local tire dealer for tire warranty and replacement tires.



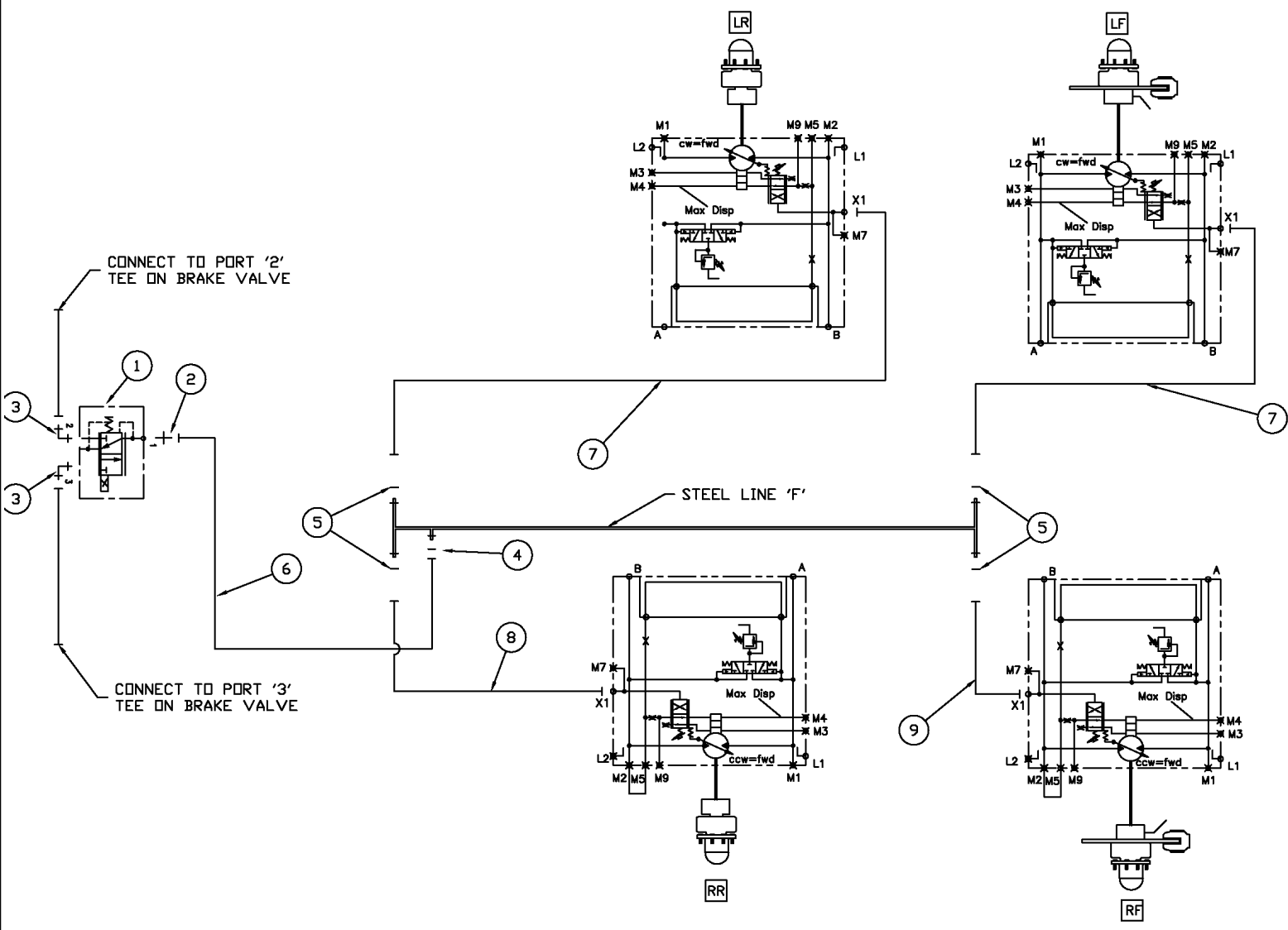
RIGHT SIDE

LEFT SIDE

## 4420 PATRIOT SPRAYER

05-008 TIRE KIT, 380/90R46, LI 155

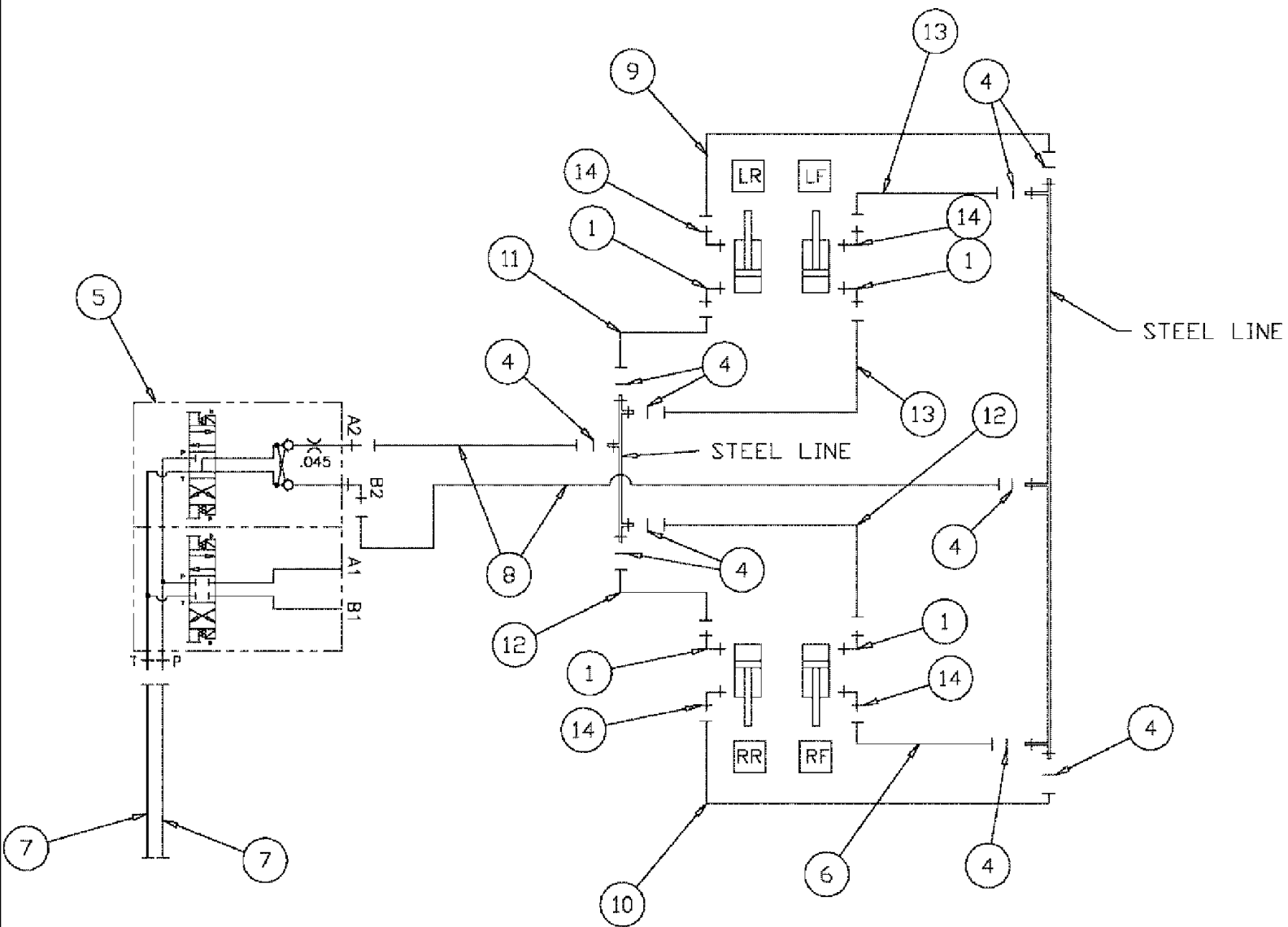
Ref	Part Number	Qty	Description
	87471704	2	TIRE/WHEEL LH
1	87624250	1	380/90R46, 157A8/B
2	362766A1	1	VALVE STEM,
3	BN323634	1	WHEEL, W12 X 46
	87471702	2	TIRE/WHEEL RH
1	87624250	1	380/90R46, 157A8/B
2	362766A1	1	VALVE STEM,
3	BN323634	1	WHEEL, W12 X 46



## 4420 PATRIOT SPRAYER

## 06-001 DRIVE CONTROL HYDRAULIC GROUP

Ref	Part Number	Qty	Description
1	87272002	1	VALVE, HYDRAULIC, VALVE MOTOR CONTROL, SEE FIG 06-040
2	BN302646	1	FITTING, 6MOR-6MB
3	BN302549	2	ELBOW, 4MOR-6MBX90
4	BN305411	1	O-RING, FOR -4 FFOR
5	BN305412	4	O-RING, FOR -6 FFOR
6	87268131	1	HOSE, ASSY, -4 X 47"
7	BN325850	2	HOSE ASSY., -4 X 169"
8	BN325849	1	HOSE ASSY., -4 X 149"
9	86986088	1	HOSE, ASSY, -4 X 141"
10	87529314	4	WASHER, 6.6 X 12.5 X 2MM HDN DOR
12	86980513	2	NUT, M6 CL8 P/T ALL METAL
11	86980366	2	BOLT, M6-1X50,HH,8.8,DOR



NOTES:

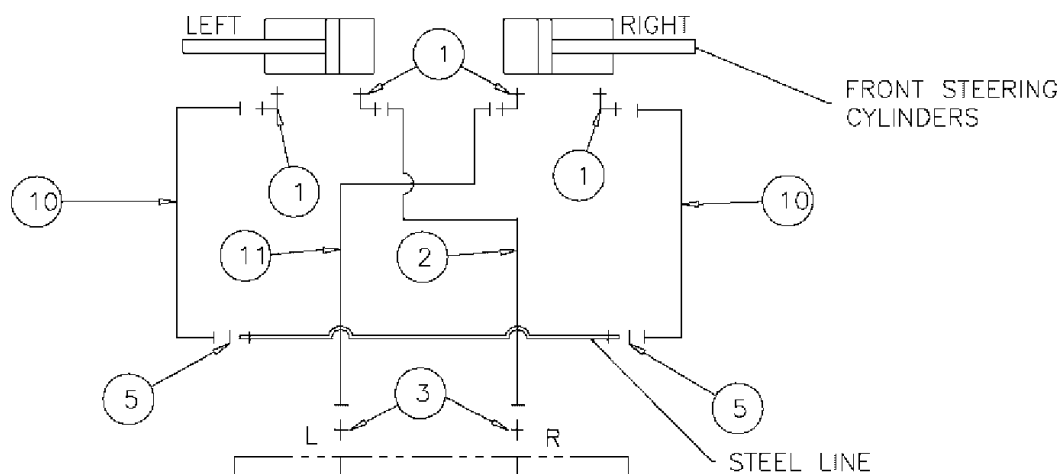
- 1) USE HARDWARE ITEMS 2 & 3 TO SECURE VALVE ITEM 5.



## 4420 PATRIOT SPRAYER

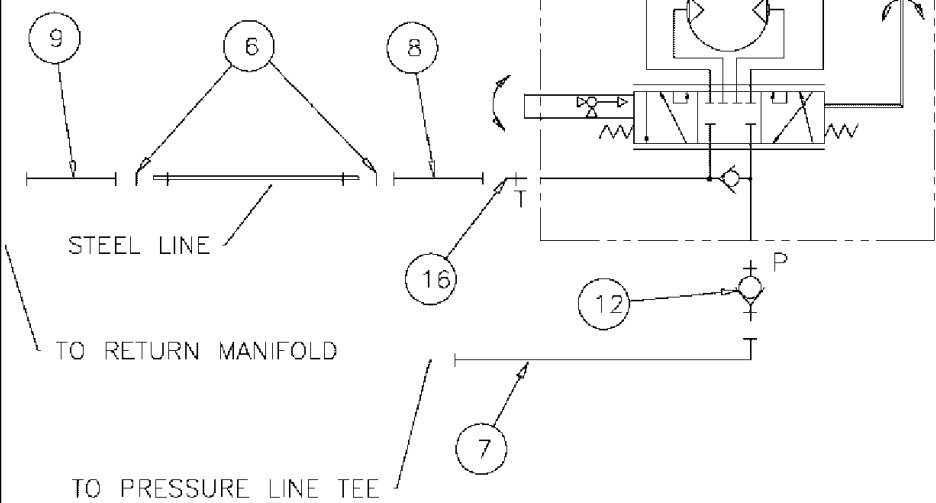
## 06-002 HYDRAULIC GROUP, STANDARD AXLE

Ref	Part Number	Qty	Description
1	BN302553	4	ELBOW, 6MOR-6MBX90
2	86980411	2	BOLT, M10-1.5 X 110, HH, 8.8, DOR
3	86980515	2	NUT, LOCK, M10 x 1.5, CI 8, P/T ALL METAL
4	BN305412	10	O-RING, FOR -6 FFOR
5	87270167	1	VALVE, HYDRAULIC, 2-BANK, W/FTGS, SEE FIG 06-038
6	BN317622	1	HOSE ASSY., -6X59"
7	BN307824	2	HOSE ASSY.,
8	BN307814	2	HOSE ASSY.,
9	BN322523	1	HOSE ASSY., -6 X 55"
10	BN320874	1	HOSE ASSY., -6 X 64"
11	BN313337	1	HOSE, -6 X 50"
12	BN307873	2	HOSE ASSY.,
13	BN322525	2	HOSE ASSY., -6 X 48"
14	BN302419	4	FITTING, 6MOR-6MBX90 LL



NOTES:

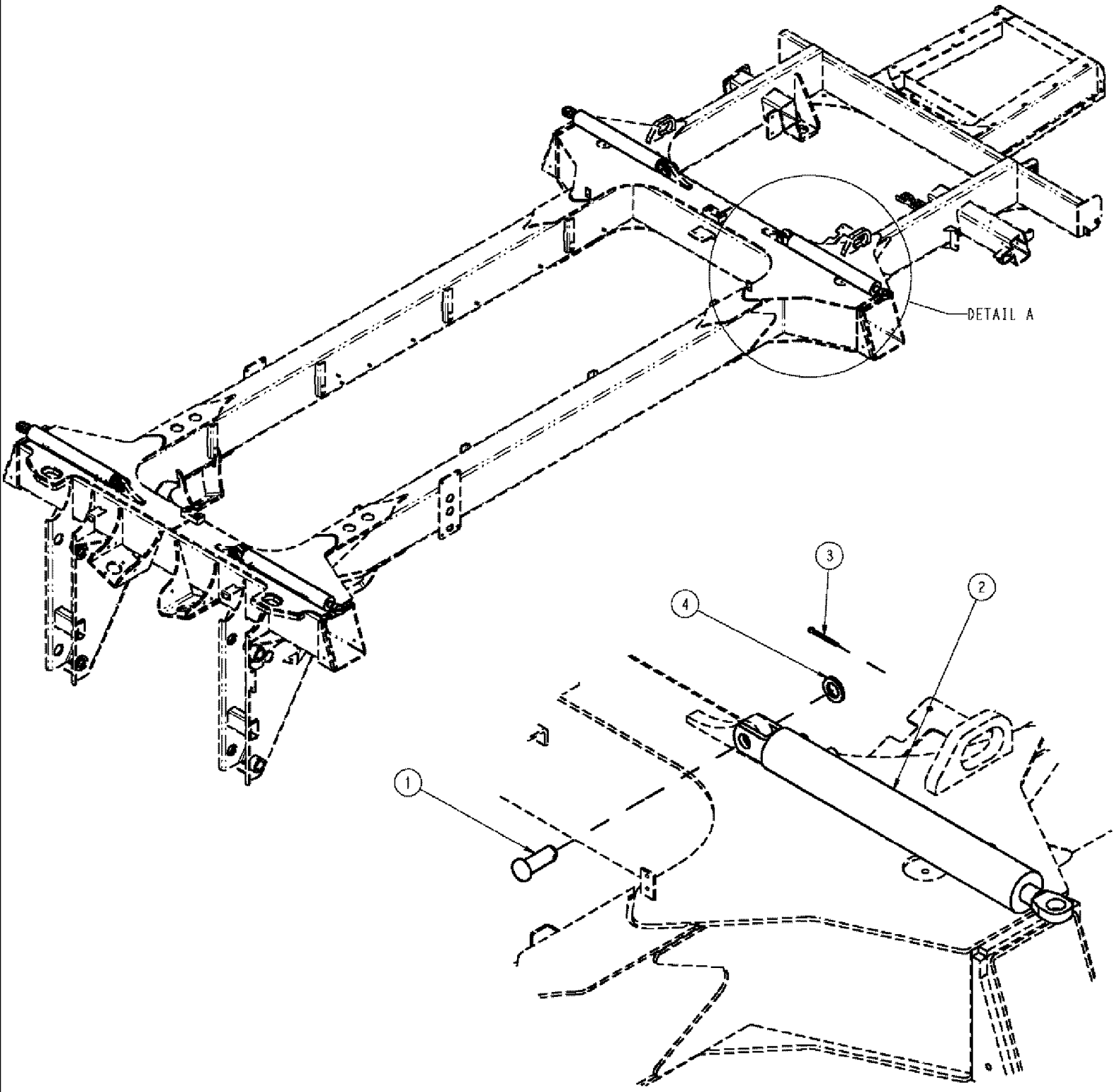
-USE ITEMS (13) (14) (15) & (4) TO FASTEN STEERING CYL HOSES (11) TO HOSE SUPPORTS WHICH ARE LOCATED ON BOTH SIDES.



## 4420 PATRIOT SPRAYER

## 06-003 HYDRAULIC GROUP, 2WS

Ref	Part Number	Qty	Description
1	BN302553	4	ELBOW, 6MOR-6MBX90
2	87267163	1	HOSE, ASSY., -6 X 140"
3	BN302647	2	FITTING, 6MOR-8MB
4	86980513	4	NUT, M6 CL8 P/T ALL METAL
5	BN305412	2	O-RING, FOR -6 FFOR
6	BN305413	2	O-RING, FOR -8 FFOR
7	BN321024	1	HOSE ASSY., -6 X 92"
8	BN321023	1	HOSE ASSY., -8 X 88"
9	BN307840	1	HOSE ASSY.,
10	BN307821	2	HOSE ASSY.,
11	87267162	1	HOSE, -6 X 116"
12	BN311751	1	VALVE, -8 MORB/-6MORS
13	BN29785	2	PLATE, COVER-PLATE SGL(1/2" TUBE
14	BN315164	2	CLAMP, PAIR, SNGL, 5/8 TUBE
15	86980366	4	BOLT, M6-1 X 50, HH, 8.8, DOR
16	BN302650	1	FITTING, 8MOR-8MB

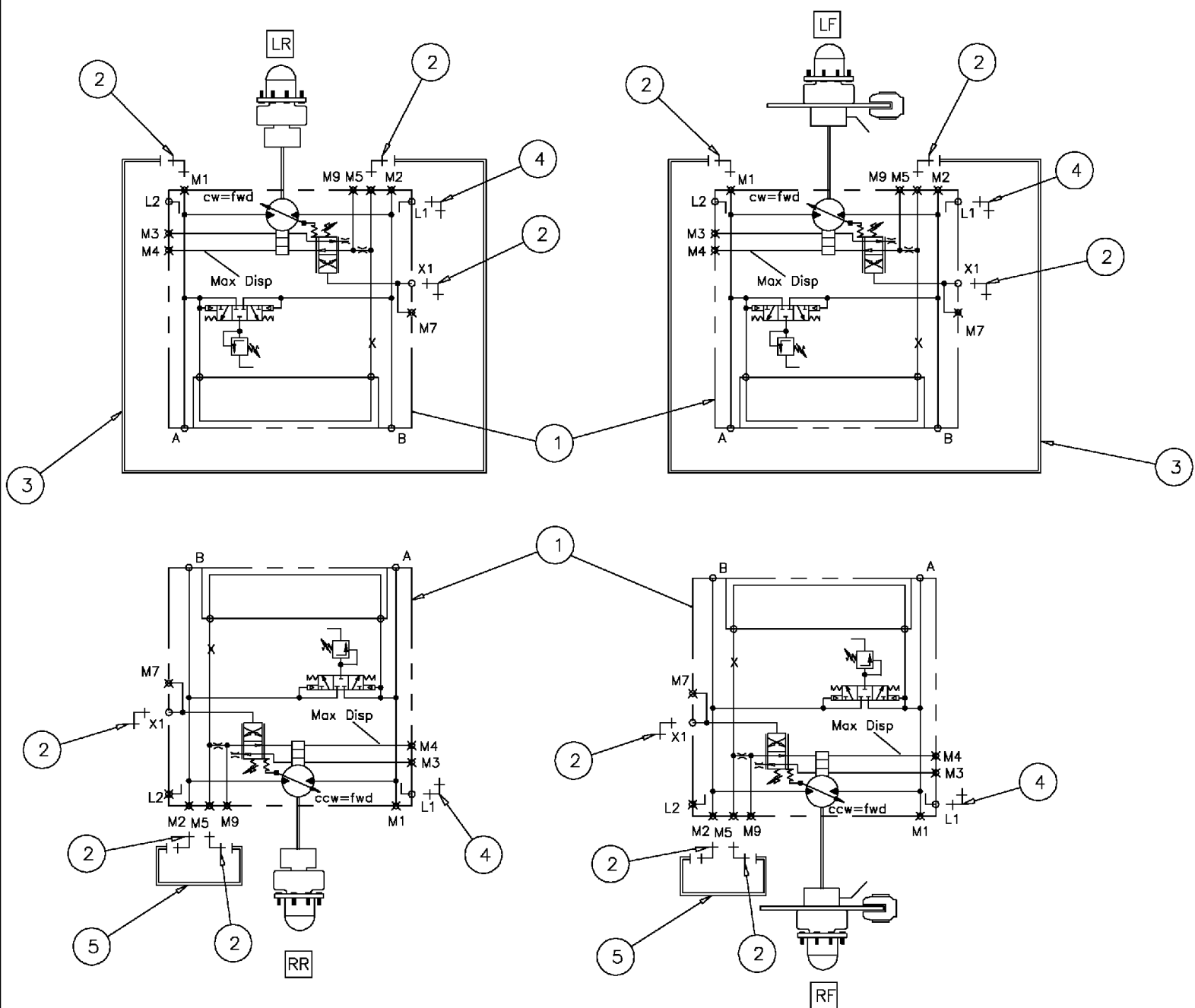


SCALE 1:5  
DETAIL A

## 4420 PATRIOT SPRAYER

## 06-004 CYLINDER, AXLE GROUP

Ref	Part Number	Qty	Description
1	439-51644	4	PIN, HEADED, 1" x 2 3/4", G5, CAST
2	87267921	4	CYLINDER, HYD, 2.5 X 20 X 1, SEE FIG. 07-002
3	BN50601	4	PIN, SPLIT (COTTER), -3/16 X 2
4	896-11024	4	WASHER, M24 x 44.5 x 5, HT, FLAT



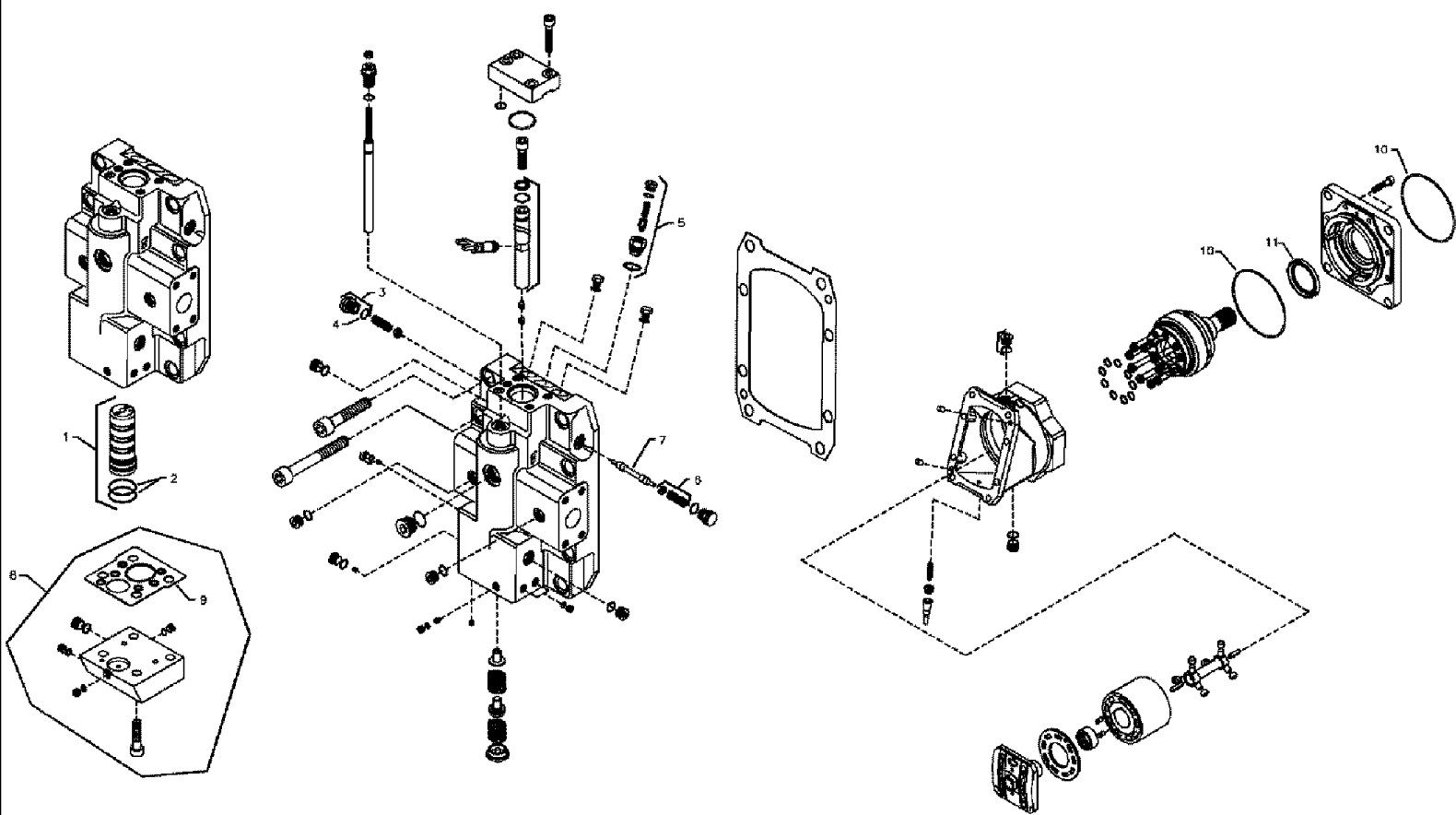
NOTES:

- 1) USE HARDWARE (6) TO SECURE MOTORS (1). TORQUE TO 87/ 97 FT LBS.

## 4420 PATRIOT SPRAYER

## 06-005 WHEEL MOTOR GROUP

Ref	Part Number	Qty	Description
1	BN325931	4	MOTOR, HYDRAULIC, MOTOR SERIES 51 80 CC SAE, SEE FIG 06-006
2	BN302549	12	ELBOW, 4MOR-6MBX90
3	BN320668	2	TUBE, JUMPER M1 M2 .049 W
4	BN302568	4	ELBOW, 12MOR-12MBX90
5	BN320669	2	TUBE, JUMPER M2 M5 .049 W
6	87013798	16	SCREW, 12 Pt Hd, M12 x 50, 12.9,

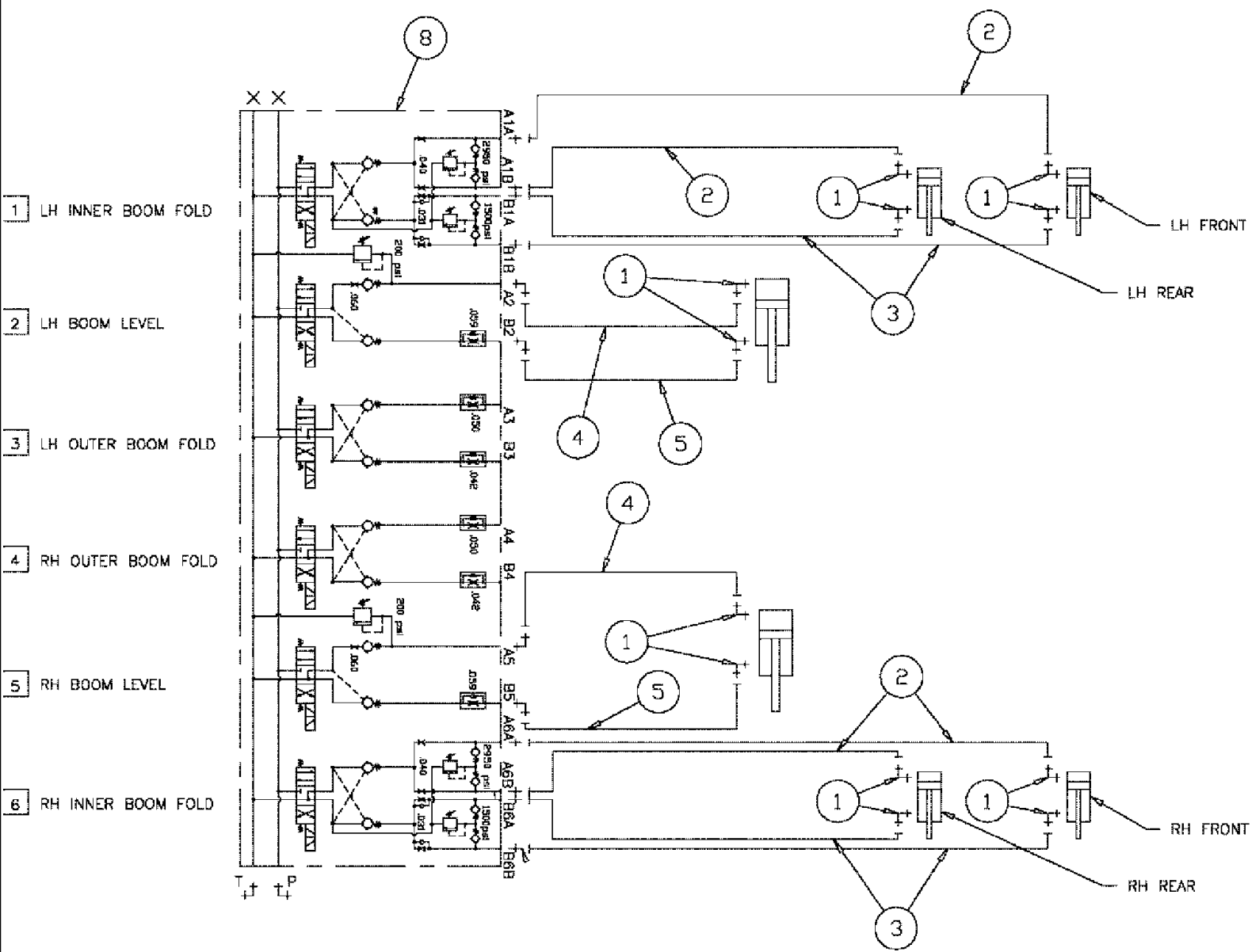




## 4420 PATRIOT SPRAYER

06-006 MOTOR, SERIES 51

Ref	Part Number	Qty	Description
1	87270306	1	BODY, VALVE, BUSHING ASSEMBLY
2	87270307	2	O-RING,
3	BN446048	2	PLUG, -6, 9/16-18
4	BN98019	2	O-RING, -SAE -6, BUNA N
5	BN322139	1	VALVE, CHECK, CHARGE RELIEF ORIFICE
6	87270308	2	GUIDE, SPRING ASSEMBLY
7	87270309	1	PISTON,
8	87270310	1	VALVE, CONTROL, KIT
9	87270311	1	SEAL, GASKET-O-RING
10	87270312	2	O-RING,
11	BN65547	1	SEAL, LIP SHAFT 100CC



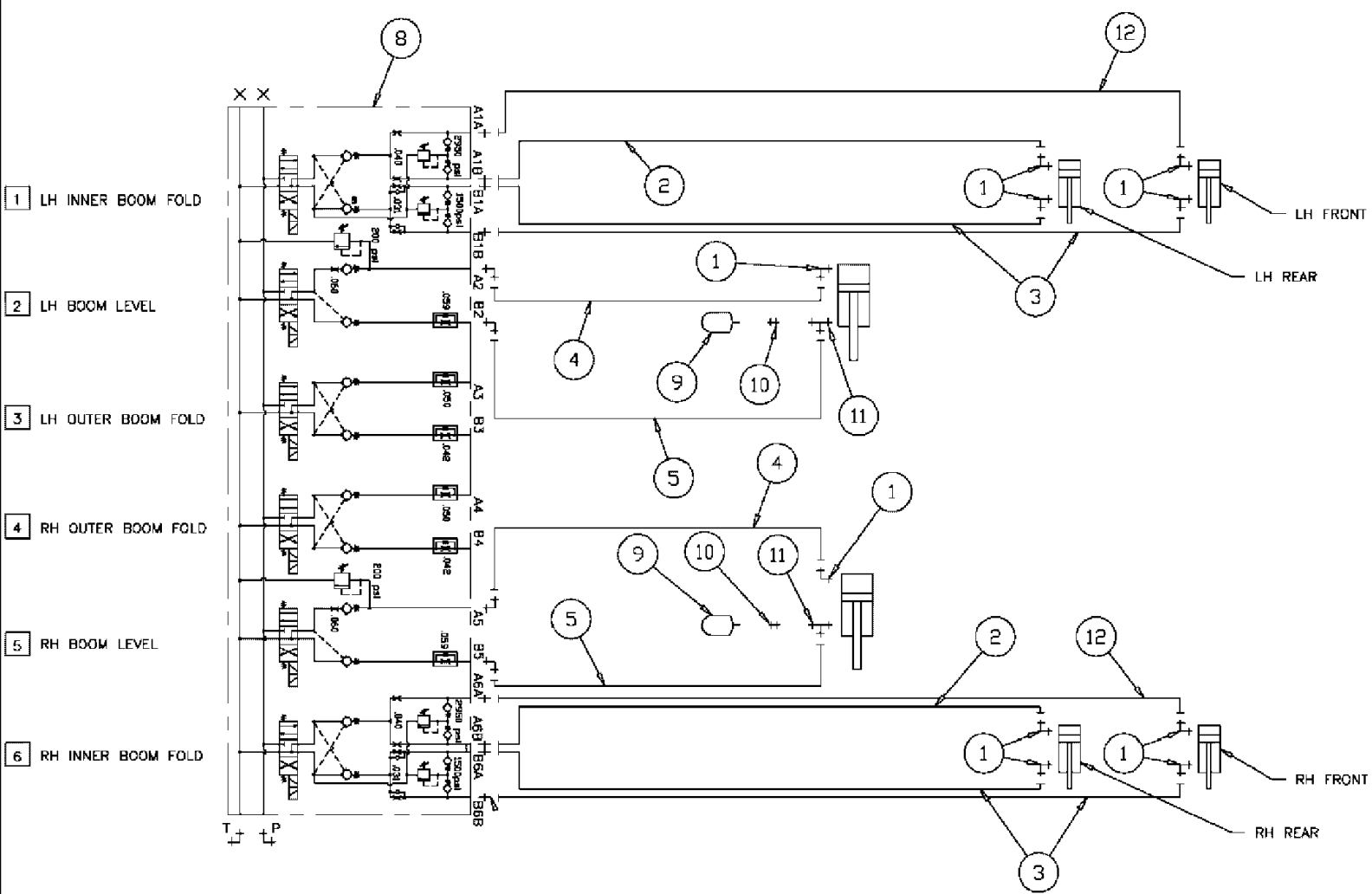
NOTES:

1. USE ITEMS 6 & 7 TO FASTEN THE VALVE BANK 8 TO THE CENTER SECTION.

## 4420 PATRIOT SPRAYER

## 06-007 HYDRAULIC GROUP, 60' STANDARD BOOM

Ref	Part Number	Qty	Description
1	BN302553	12	ELBOW, 6MOR-6MBX90
2	342591A1	4	HOSE ASSY., -6 X 40"
3	BN320874	4	HOSE ASSY., -6 X 64"
4	BN324327	2	HOSE ASSY., -6 X 64"
5	BN324328	2	HOSE ASSY., -6 X 90"
7	86980516	2	NUT, M12 CL8 P/T ALL META
8	87270169	1	VALVE, HYDRAULIC, 6-BANK W/FTGS, SEE FIG 06-035



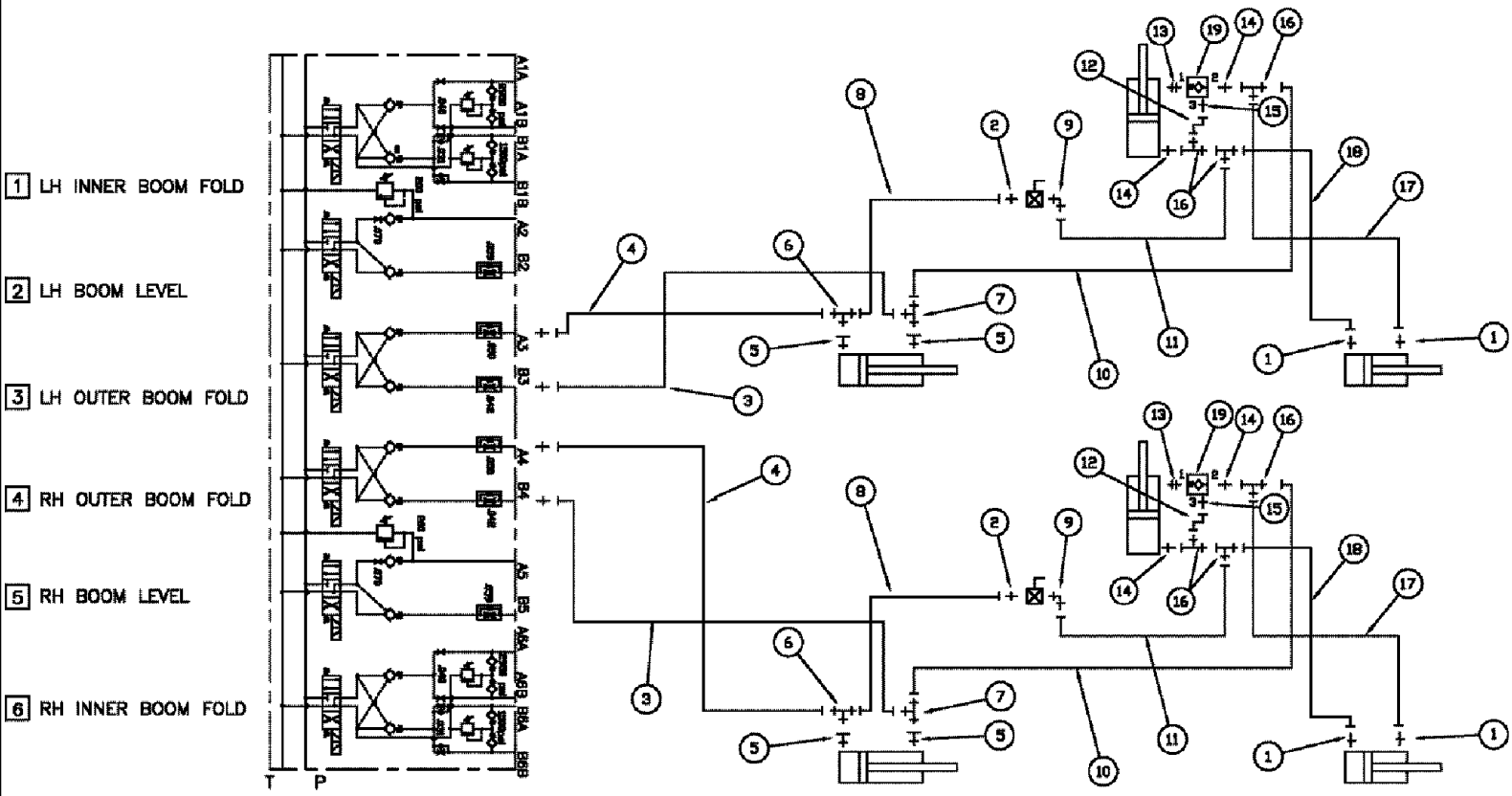
NOTES:

1. USE ITEMS 6 & 7 TO FASTEN THE VALVE BANK 8 TO THE CENTER SECTION.

## 4420 PATRIOT SPRAYER

## 06-008 HYDRAULIC GROUP, 120' BOOM

Ref	Part Number	Qty	Description
1	BN302553	10	ELBOW, 6MOR-6MBX90
2	342591A1	2	HOSE ASSY., -6 X 40
3	BN320874	4	HOSE ASSY., -6 X 64
4	BN307875	2	HOSE ASSY.,
5	BN307872	2	HOSE ASSY.,
6	86980432	2	BOLT, M12-1.75 X 120, HH, 8.8, DOR
7	86980516	2	NUT, P/T ALL MTL M12 8 DOR
8	87270169	1	VALVE, HYDRAULIC, 6-BANK, W/FTG, SEE FIG 06-035
9	87585943	2	ACCUM 10 CU IN HYDAC
10	BN314785	2	CONNECTION, SWIVEL, PARK6 F65OL-S
11	BN302583	2	FITTING, 6MOR-6MOR-6MBX
12	BN317622	2	HOSE ASSY., -6 X 59



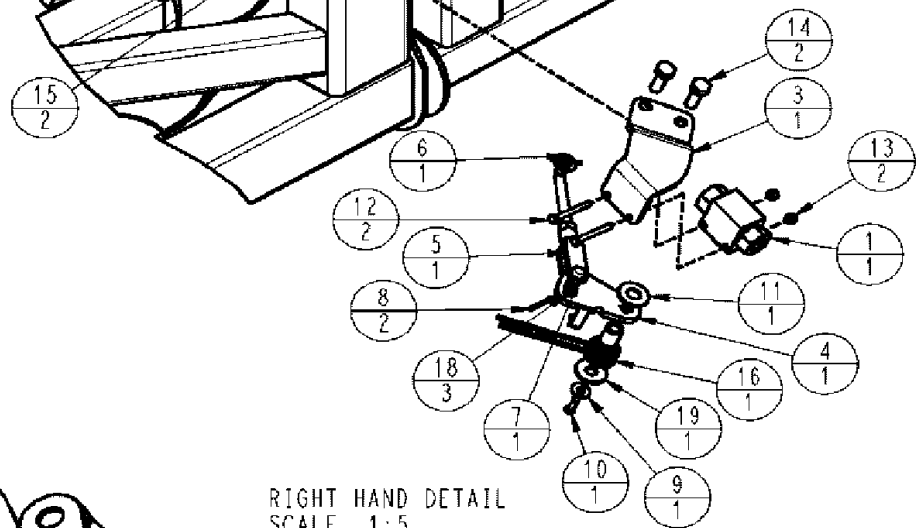
## 4420 PATRIOT SPRAYER

## 06-009 HYDRAULIC GROUP, OUTER, 120' BOOM

Ref	Part Number	Qty	Description
1	BN302647	4	FITTING, 6MOR-8MB
2	BN302646	2	FITTING, 6MOR-6MB
3	87600247	2	-6 X 330"
4	87600246	2	-6 X 310"
5	218-5314	4	ADAPTER, 1/2" NPT Male x 1/2" Fem ORB,
6	BN302536	2	FITTING, 6MOR-6MBX-6MOR
7	BN302583	2	FITTING, 6MOR-6MOR-6MBX
8	BN325308	2	HOSE ASSY., -6 X 36"
9	BN302553	2	ELBOW, 6MOR-6MBX90
10	87734443	2	HOSE, ASSY, -6 X 4826MM
11	87734444	2	HOSE, ASSY, -6 X 5004MM
12	87734445	2	HOSE, ASSY, -6 X 305MM
13	BN310595	2	FITTING, 4MB-4MB
14	201-125	4	CONNECTOR, HYD., 11/16"-16 ORFS x 7/16"-20 ORB,
15	BN302640	2	FITTING, 4MOR-4MB
16	BN302435	6	FITTING, 6MOR-6MOR-6FORX
17	BN316764	2	HOSE, ASSY, -6 X 48"
18	87734446	2	HOSE, ASSY, -6 X 737MM
19	87733800	2	VALVE, CHECK, PO 5 GPM SEE FIG. 06-043

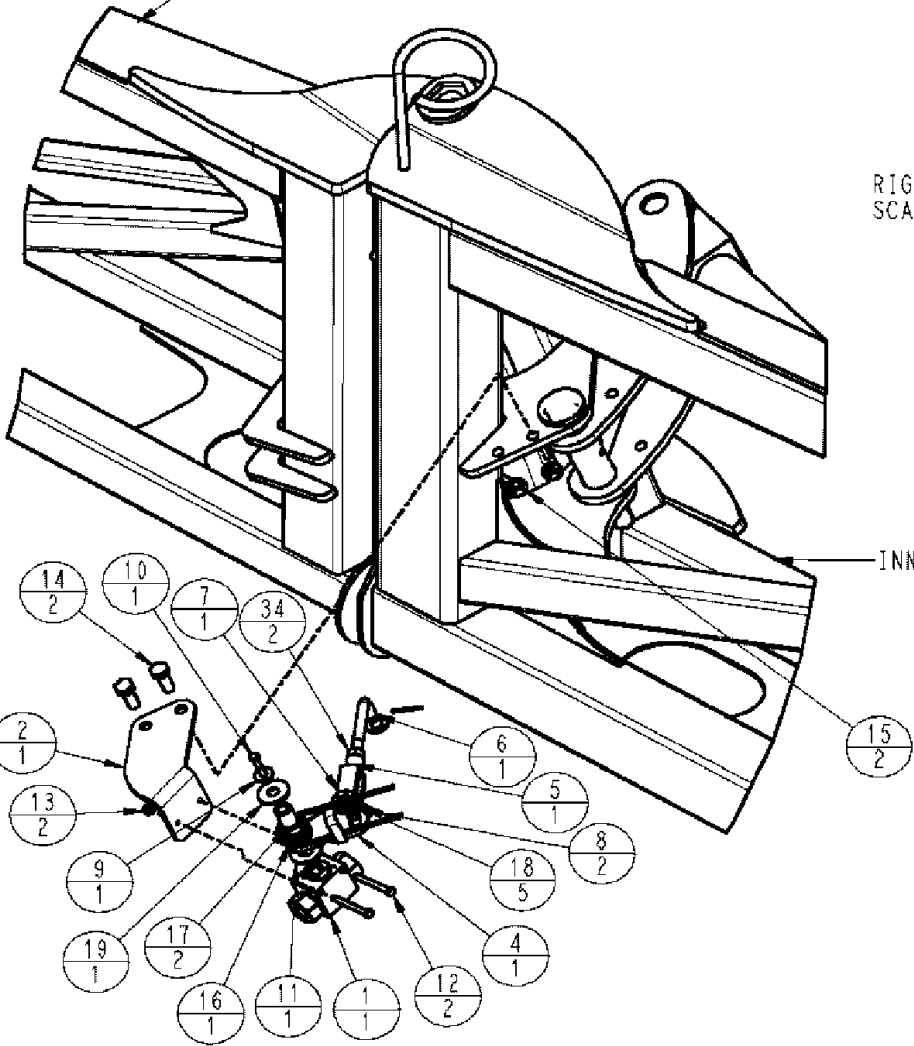
INNER BOOM RH

MID BOOM RH



MID BOOM LH

INNER BOOM LH

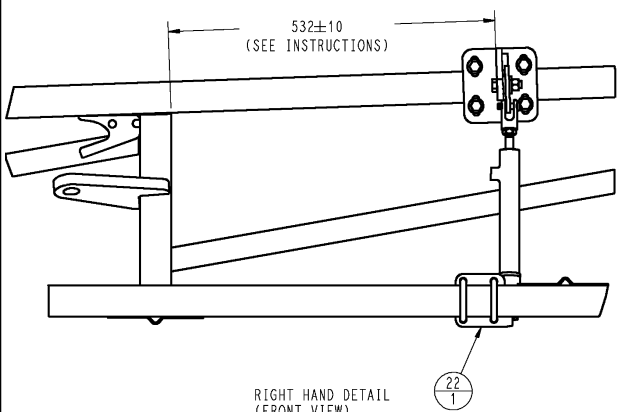




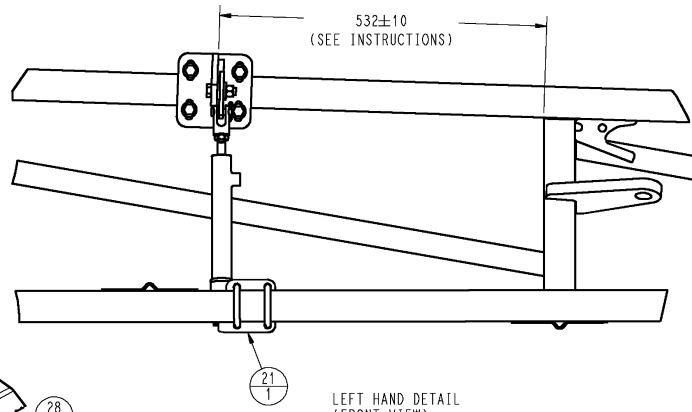
## 4420 PATRIOT SPRAYER

## 06-010(01) HYDRAULIC LOCK GROUP, 120' BOOM

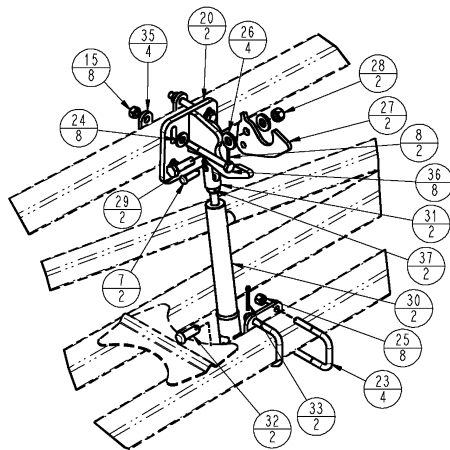
Ref	Part Number	Qty	Description
1	87599630	2	VALVE, BALL, 2-WAY, MANUAL
2	87675563	1	MOUNTING PARTS, LOCK VALVE, LH
3	87675564	1	MOUNTING PARTS, LOCK VALVE, RH
4	87730798	2	ACTUATOR, VALVE
5	86625043	2	CLEVIS, ADJUSTABLE, 3/8"-24 x 2 1/2", REG ADJ
6	87735870	2	BOLT, SPECIAL, 3/8"-24 UNF
7	439-1620	4	PIN, HEADED, 3/8" x 1 1/4", G2, 375 X 1.250, GR2, ZND
8	733-2520	6	PIN, SPLIT (COTTER), M2.5 x 20, ZN
9	87529302	2	WASHER, 6.6 X 18 X 1.6MM, CST, DOR
10	87270794	2	BOLT, CSHH, 8.8P, M5 X 30
11	87528989	2	WASHER, 13.5 X 30 X 2.5MM, CST, DOR
12	86508567	4	BOLT, Hex, M5 x 45, 8.8, HD, DOR
13	87344030	4	NUT, PREV TRQ, METAL M5, CL8, DOR
14	86980400	4	BOLT, Hex, M10 x 25, 8.8, HEX DOR
15	86980515	12	NUT, LOCK, M10 x 1.5, Cl 8, PREV TRQ, METAL, DOR
16	306255A2	2	SPRING, TORSION
17	87732339	2	TUBE, 625 OD X .125 WALL X 20MM
18	87529298	8	WASHER, 11 X 21 X 2MM, CST, DOR
19	86981677	2	WASHER, M10 x 30 x 2.5, CST, DOR
20	87730683	2	CATCH, BOOM LOCK
21	87730686	1	ANCHOR, LH
22	87730687	1	ANCHOR, RH
23	425254A1	4	U-BOLT, .38 X 2.00 X 3.00, ZP
24	87529312	8	WASHER, 11 X 24 X 3MM, HTS DOR
25	87343974	8	NUT, PREV TRQ 3/8, GRC DOR
26	87529310	4	WASHER, 13.5 X 28 X 4 MM HTS DOR
27	87730688	2	HOOK, BOOM LOCK
28	86980516	2	NUT, PREV TRQ, METAL, M12, CL8, DOR
29	86980423	2	BOLT, HEX HD, M12 X 40, CL8.8, DOR
30	87266443	2	HYDRAULIC CYLINDER, CYLINDER, HYD, 1 X 6 X 0.5, ROD
31	BN21982	2	CLEVIS, 1" DIA, CRS X 1.87
32	439-1824	2	PIN, HEADED, 1/2" x 1 1/2", G2, ZND
33	733-4020	2	PIN, SPLIT (COTTER), M4 x 20, ZN
34	87343675	2	NUT, HEX, .375-24UNF, GR5 DOR
35	BN308039	4	PLATE, SPACER
36	86980409	8	BOLT, HEX HD M10 X 90, CL8.8 DOR
37	BN50075	2	NUT, 1/2-20 HEX SS



RIGHT HAND DETAIL  
(FRONT VIEW)  
SCALE 1:5



LEFT HAND DETAIL  
(FRONT VIEW)  
SCALE 1:5



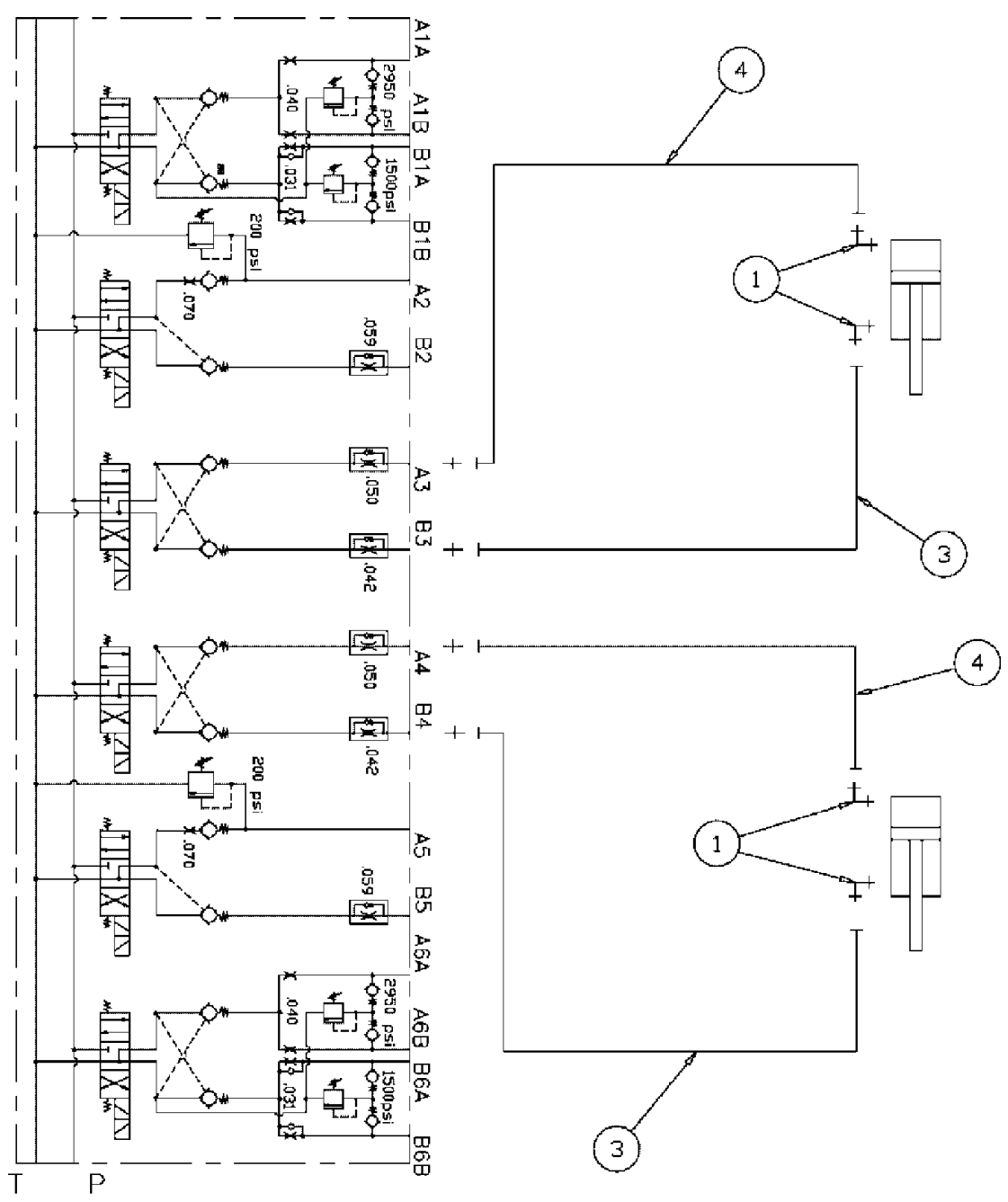
HOOK DETAIL  
SCALE 1:5

## 4420 PATRIOT SPRAYER

## 06-010(02) HYDRAULIC LOCK GROUP, 120' BOOM

Ref	Part Number	Qty	Description
1	87599630	2	VALVE, BALL, 2-WAY, MANUAL
2	87675563	1	MOUNTING PARTS, LOCK VALVE, LH
3	87675564	1	MOUNTING PARTS, LOCK VALVE, RH
4	87730798	2	ACTUATOR, VALVE
5	86625043	2	CLEVIS, ADJUSTABLE, 3/8"-24 x 2 1/2", REG ADJ
6	87735870	2	BOLT, SPECIAL, 3/8"-24 UNF
7	439-1620	4	PIN, HEADED, 3/8" x 1 1/4", G2, ZND
8	733-2520	6	PIN, SPLIT (COTTER), M2.5 x 20, ZN
9	87529302	2	WASHER, 6.6 X 18 X 1.6MM, CST, DOR
10	87270794	2	BOLT, CSHH, 8.8P, M5 X 30
11	87528989	2	WASHER, 13.5 X 30 X 2.5MM, CST, DOR
12	86508567	4	BOLT, Hex, M5 x 45, 8.8, DOR
13	87344030	4	NUT, PREV TRQ, METAL M5, CL8, DOR
14	86980400	4	BOLT, Hex, M10 x 25, 8.8, DOR
15	86980515	12	NUT, LOCK, M10 x 1.5, Cl 8, DOR
16	306255A2	2	SPRING, TORSION
17	87732339	2	TUBE, .625 OD X .125 WALL X 20MM
18	87529298	8	WASHER, 11 X 21 X 2MM, CST, DOR
19	86981677	2	WASHER, M10 x 30 x 2.5, DOR
20	87730683	2	CATCH, BOOM LOCK
21	87730686	1	ANCHOR, LH
22	87730687	1	ANCHOR, RH
23	425254A1	4	U-BOLT, .38 X 2.00 X 3.00, ZP
24	87529312	8	WASHER, 11 X 24 X 3MM, HTS DOR
25	87343974	8	NUT, PREV TRQ 3/8, GRC DOR
26	87529310	4	WASHER, 13.5 X 28 X 4 MM HTS DOR
27	87730688	2	HOOK, BOOM LOCK
28	86980516	2	NUT, PREV TRQ, METAL, M12, CL8, DOR
29	86980423	2	BOLT, HEX HD, M12 X 40, CL8.8, DOR
30	87266443	2	HYDRAULIC CYLINDER, CYLINDER, HYD, 1 X 6 X 0.5, ROD
31	BN21982	2	CLEVIS, 1" DIA, CRS X 1.87
32	439-1824	2	PIN, HEADED, 1/2" x 1 1/2", G2, ZND
33	733-4020	2	PIN, SPLIT (COTTER), M4 x 20, ZN
34	87343675	2	NUT, HEX, .375-24UNF, GR5 DOR
35	BN308039	4	PLATE, SPACER
36	86980409	8	BOLT, HEX HD M10 X 90, CL8.8 DOR
37	BN50075	2	NUT, 1/2-20 HEX SS

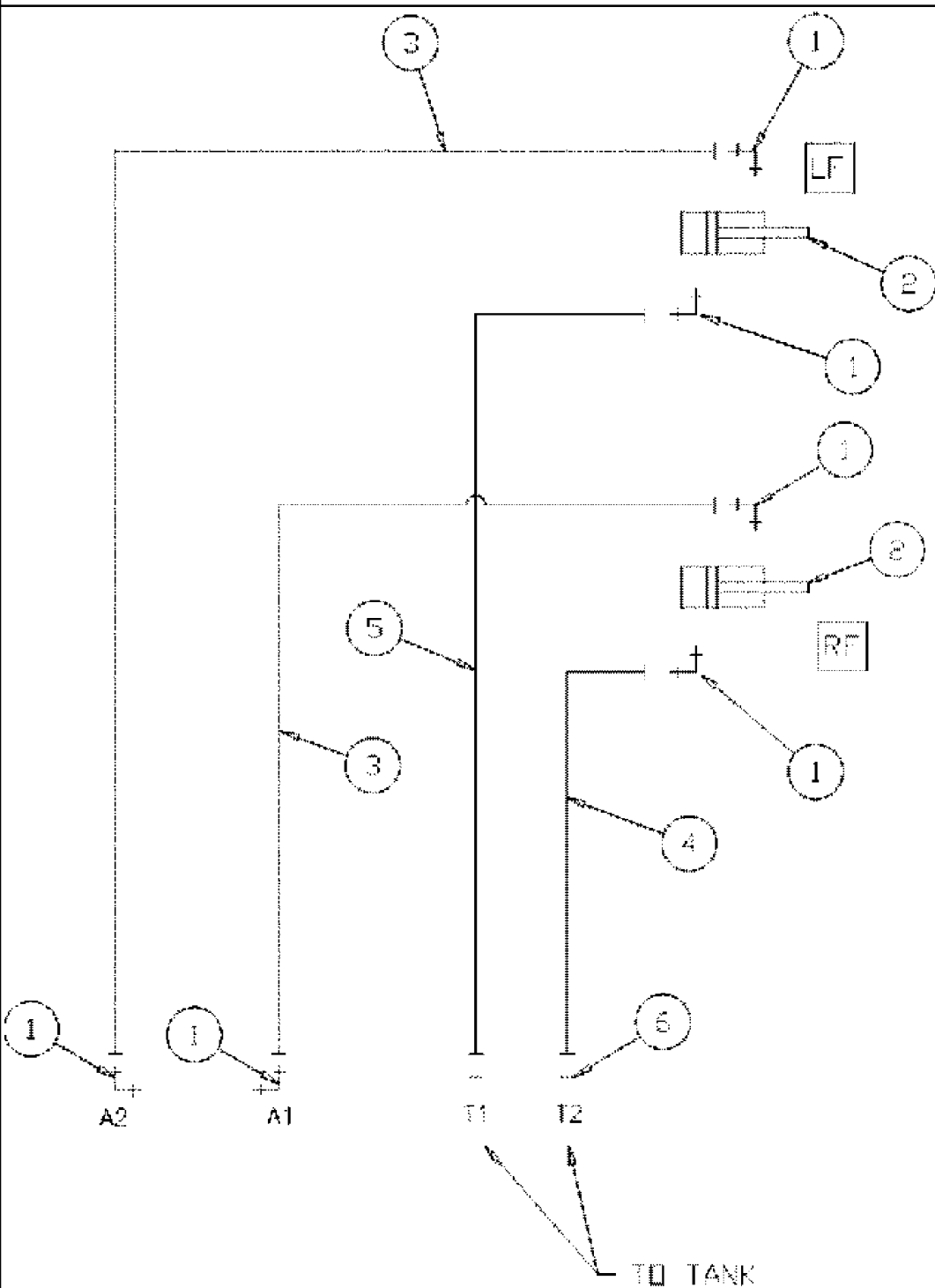
- 1 LH INNER BOOM FOLD
- 2 LH BOOM LEVEL
- 3 LH OUTER BOOM FOLD
- 4 RH OUTER BOOM FOLD
- 5 RH BOOM LEVEL
- 6 RH INNER BOOM FOLD



4420 PATRIOT SPRAYER

06-011 HYDRAULIC GROUP, OUTER FOLD, NO CYLINDER

Ref	Part Number	Qty	Description
1	BN302553	4	ELBOW, 6MOR-6MBX90
3	BN307879	2	HOSE ASSY.,
4	BN307880	2	HOSE ASSY.,



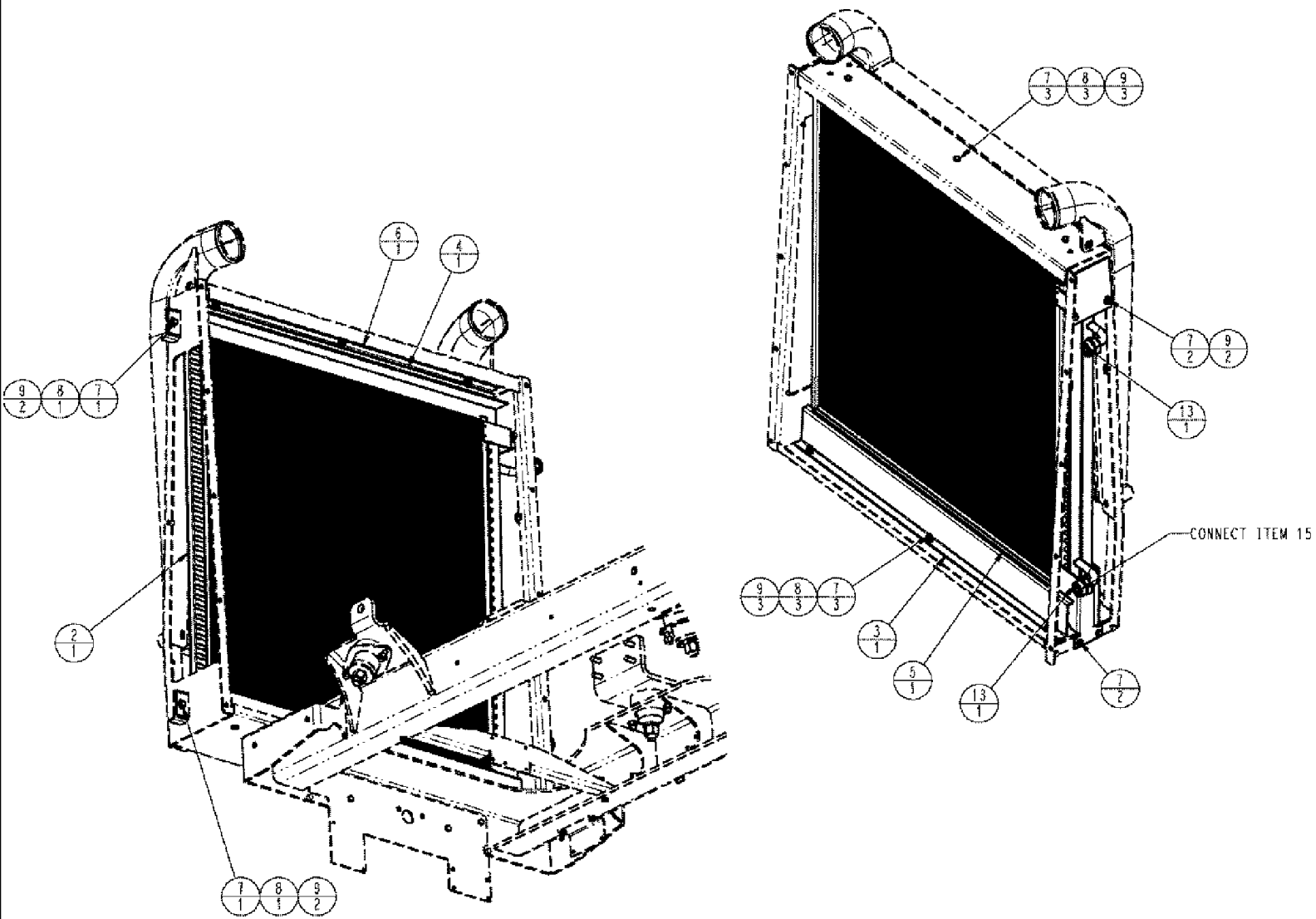
## NOTES:

1. SHOCK ASSY (7) (NOT SHOWN) TO BE USED FOR REAR SUSPENSION.
2. SECURE SLEEVES (8) (NOT SHOWN) AROUND HOSES (3) (4) (5) WHERE THEY PASS THROUGH THE TRAILING LINK.

## 4420 PATRIOT SPRAYER

## 06-012 ACTIVE SUSPENSION GROUP

Ref	Part Number	Qty	Description
1	BN320547	6	WHEEL, 4MOR-4MBX90
2	87269275	2	SUSPENSION, SEE FIG 04-017
3	87574410	2	HOSE, -4 X 133
4	BN313061	1	HOSE, -4 X 200
5	BN307828	1	HOSE ASSY.,
6	BN305411	2	O-RING, FOR -4 FFOR
7	BN313250	2	SUSPENSION, SHOCK ASSY, SEE FIG 04-018
8	BN322741	2	SLEEVE, HOSE, 1.42 ID X 12

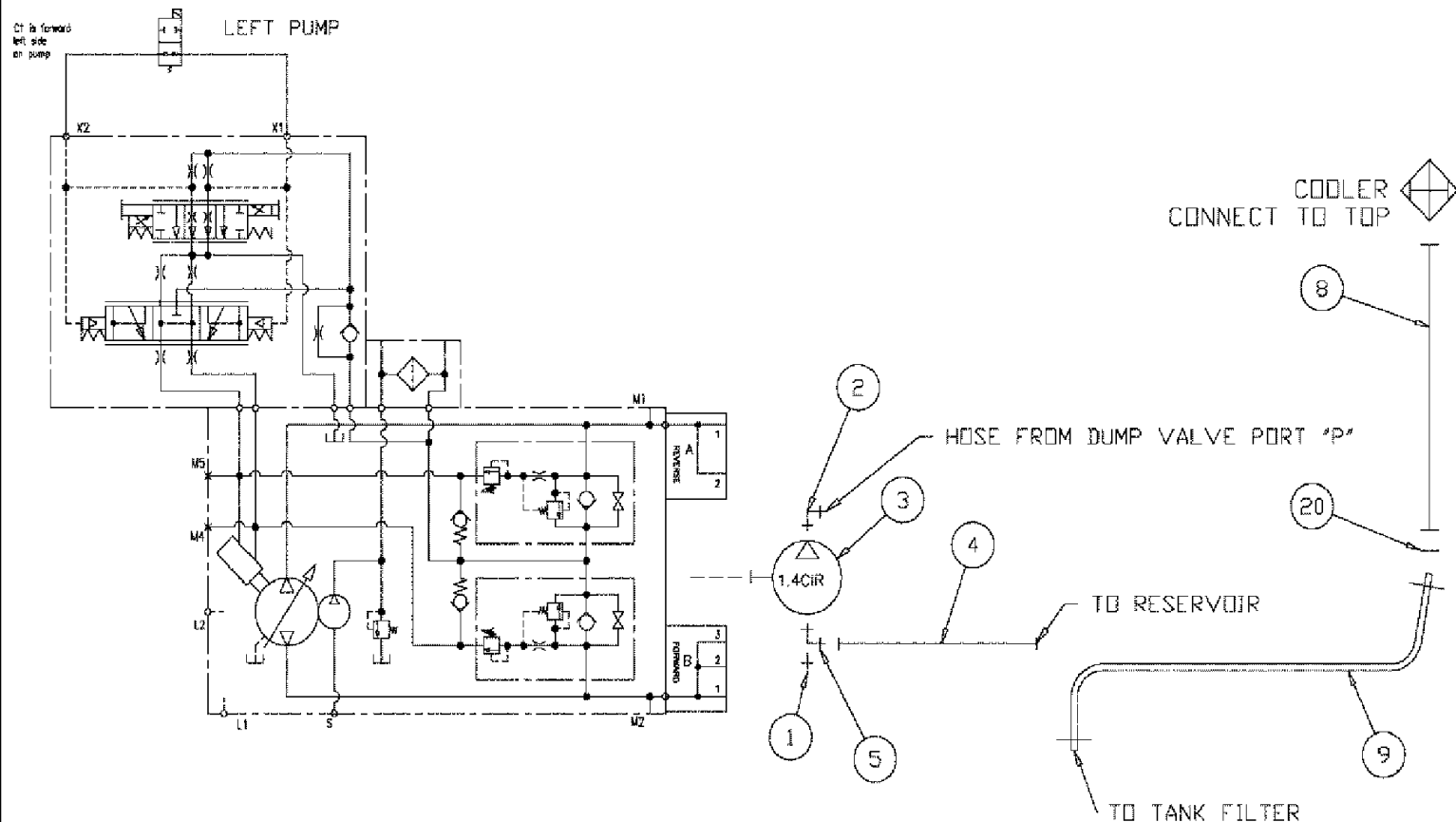




## 4420 PATRIOT SPRAYER

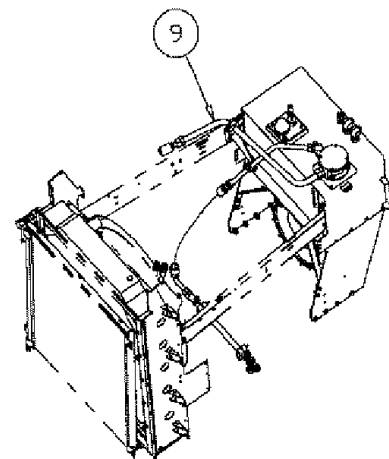
## 06-013 OIL COOLER/MANIFOLD GROUP

Ref	Part Number	Qty	Description
2	87271989	1	COOLER, OIL,
3	87384506	1	BRACKET, SUPPORTING, MOUNT, SEAL, LOWER
4	BN324183	1	SEAL, OIL COOLER
5	87384504	1	OIL COOLER
6	BN324184	1	PLATE, MOUNTING, SEAL, UPPER
7	86980379	14	BOLT, HEX HD M8 X 20 CL 8.8 DOR
8	86980514	10	NUT, PREV TRQ, METAL M8, CL8, DOR
9	87529315	12	WASHER, 9 X 17 X 2MM, HTS, DOR
13	BN53730	2	O-RING, .062 X .938IN, CLASS 6
15	BN307791	1	HOSE ASSY., -16 X 49.5"



NOTES:

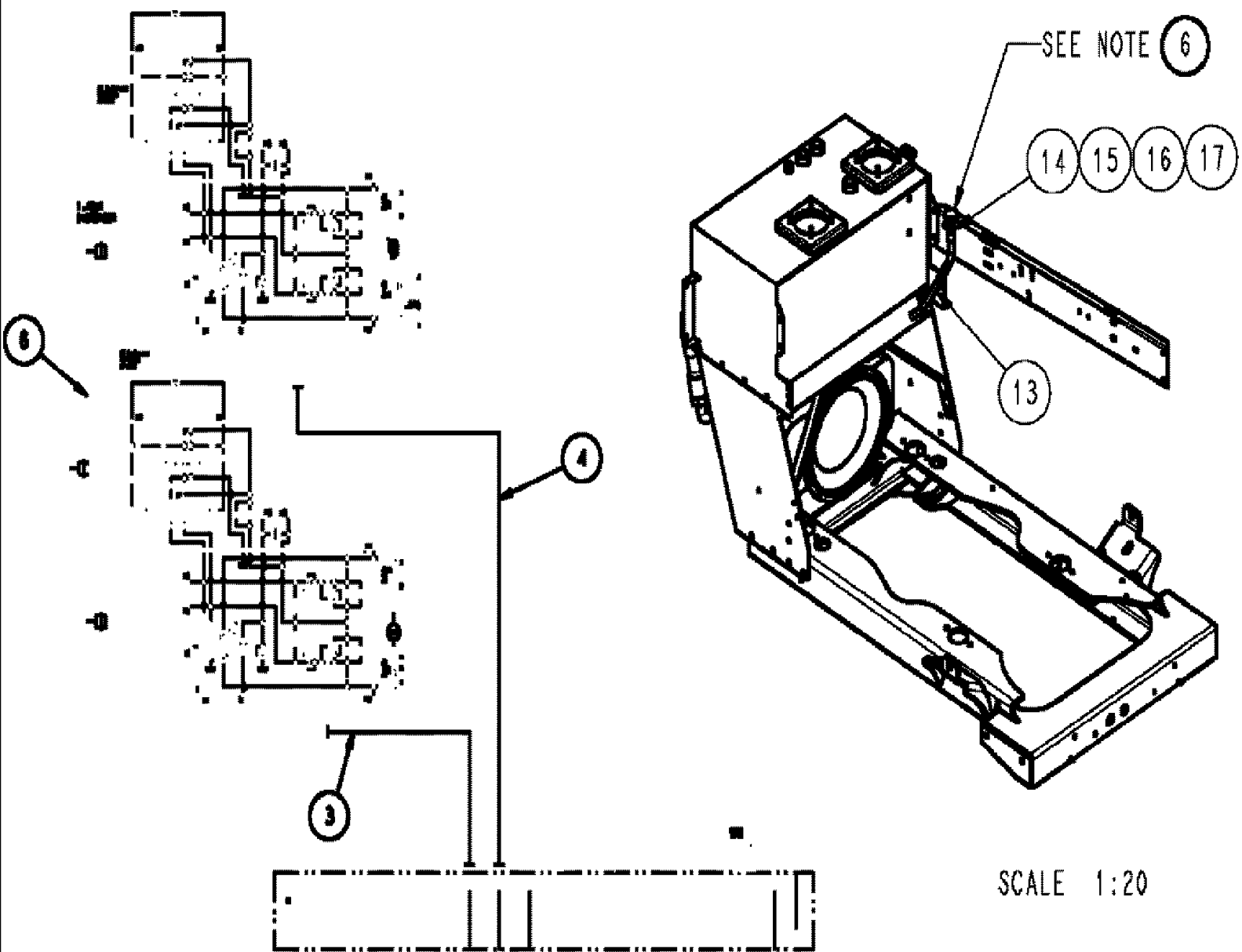
- 1) USE HARDWARE 6 & 7 TO MOUNT PUMP 3.
- 2) USE COMPONENTS 10, 11 & 12 TO SECURE HOSE 8 TO TOP SIDE OF RH CHANNEL RUNNING FROM RADIATOR MOUNT TO THE STEEL LINE.
- 3) ITEM 13 IS FASTENED TO RH CHANNEL USING ITEMS 12, 18 & 19.
- 4) ITEMS 14, 15, 16 & 17 ARE USED TO SECURE ITEM 9 TO ITEM 13.



## 4420 PATRIOT SPRAYER

## 06-014 PUMP GROUP, DED

Ref	Part Number	Qty	Description
1	BN302583	1	FITTING, 6MOR- 6MOR- 6MBX
2	BN53590	1	FITTING, 12MOR-10MBX90
3	87266244	1	PUMP, GEAR 1.39 CU IN LH
4	87385792	1	HOSE, -20 X 23.5"
5	BN313173	1	ADAPTER, MACHINED
6	87529312	2	WASHER, 11 X 24 X 3MM HDN DOR
7	BN50368	2	BOLT, 3/8-16 X 1.25, HH, G8
8	87272401	1	HOSE, ASSY -16 X 46"
9	87270165	1	TUBE, STEEL LINE RETURN
10	515-23381	1	CLAMP, 1 1/2", Insul, 3/8" Bolt,
11	86980379	1	BOLT, M8-1.25 X 20, HH, 8.8, DO
12	86980514	3	NUT, M8 CL8 P/T ALL METAL
13	87272221	1	BRACKET, STEEL LINE
14	BN307082	1	CLAMP, PAIR 1.25" TUBE
15	BN307083	1	PLATE, TOP, CLAMP-1.25" TUBE
16	86980369	2	BOLT, M6-1 X 80, HH, 8.8, DOR R
17	86980513	2	NUT, M6 CL8 P/T ALL METAL
18	895-11008	4	WASHER, M8 x 16 x 1.6, CS
19	86980380	2	BOLT, M8-1.25 X 25, HH, 8.8, DO
20	BN305415	1	O-RING, FOR -20 FFOR



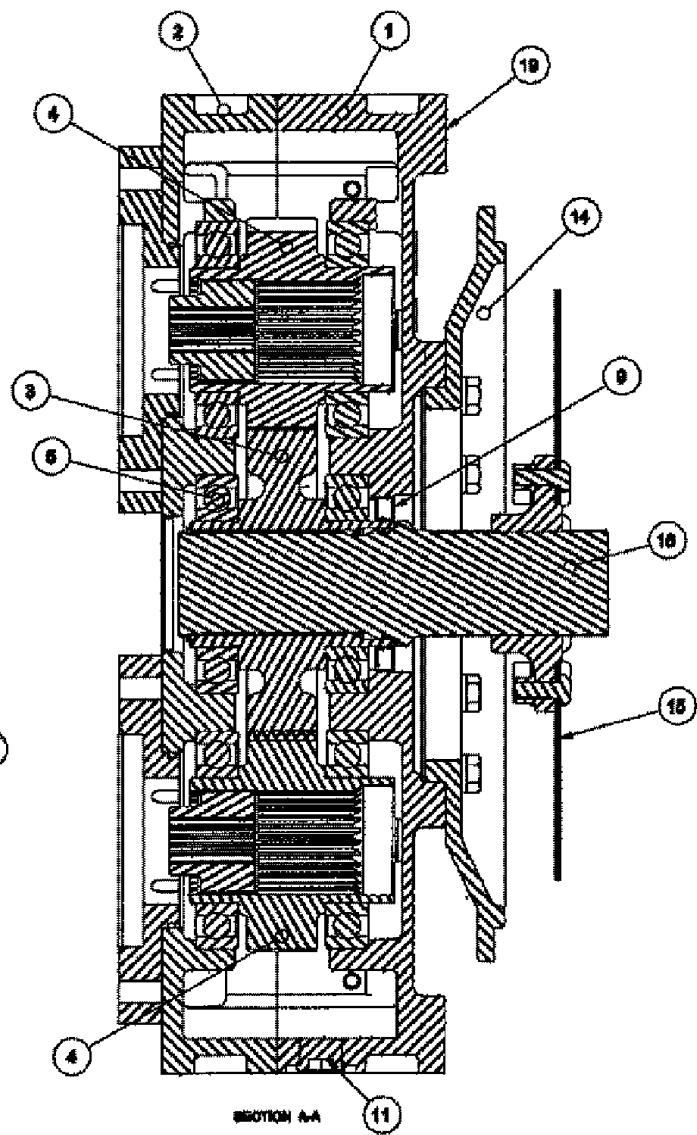
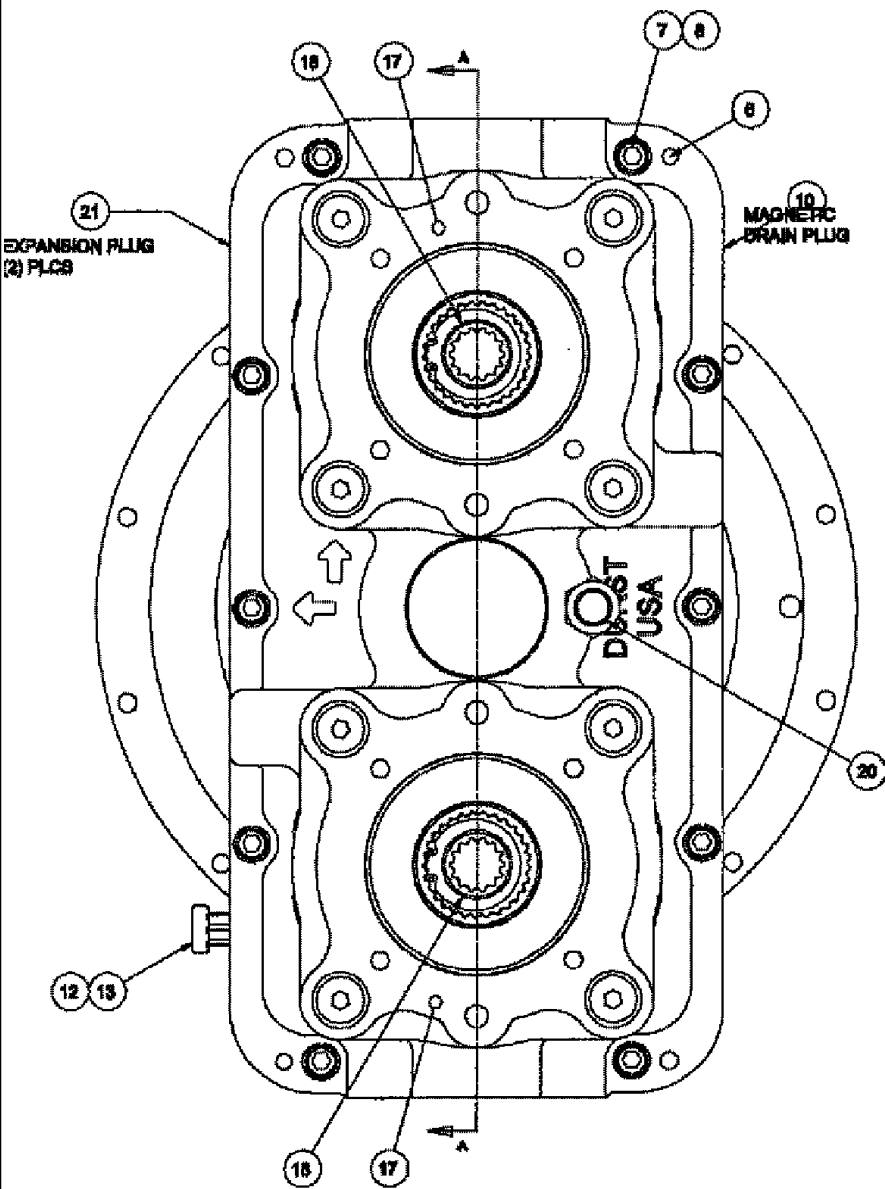
## NOTE:

1. GEAR OIL ITEM (7) SHOULD BE ADDED TO DRIVE PUMP ITEM (6)
2. BOLT ITEM (5) IS USED TO SECURE DRIVE PLATE TO FLYWHEEL
3. BOLT (8) & WASHER (11) ARE USED TO SECURE PUMP TO GEAR BOX.  
ASSEMBLE WITH PRIMER ITEM (2) AND LOCTITE ITEM (1)  
AND TORQUE TO 50-57 FT-LBS
4. BOLT (9) IS USED TO SECURE DRIVE PUMP (6)
5. SPLINE GREASE ITEM (12) SHOULD BE APPLIED TO SPLINE ON DRIVE PUMP (6)
6. REMOVE BREATHER FROM TOP OF GEARBOX AND THREAD INTO HOSE ITEM (13)  
REMOVE FITTING FROM TOP OF GEARBOX AND DISCARD. THREAD END  
OF HOSE ITEM (13) INTO TOP OF GEARBOX AND SECURE TO RAIL WITH FASTENERS (14) (15) (16) (17)

## 4420 PATRIOT SPRAYER

## 06-015 PUMP DRIVE GROUP

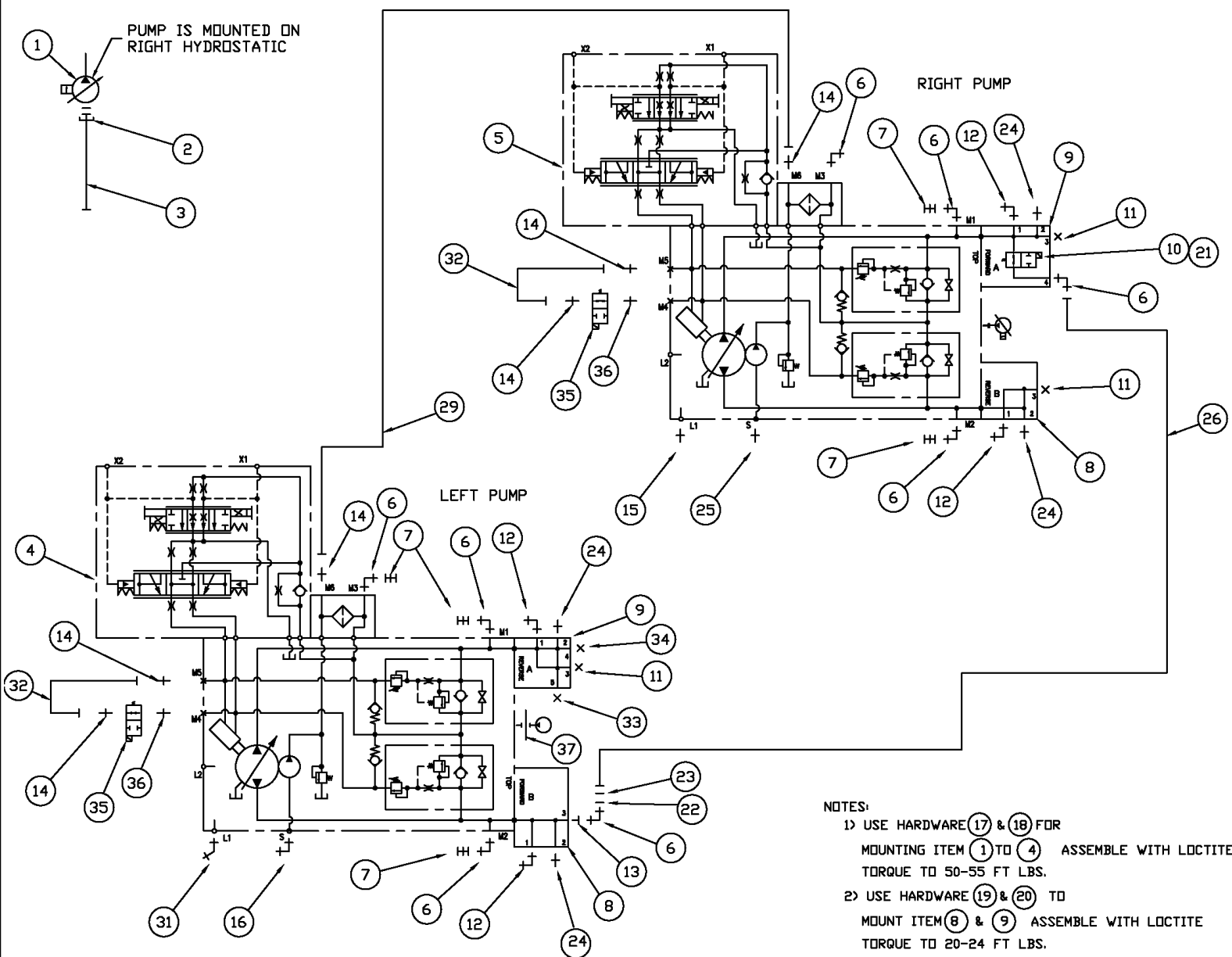
Ref	Part Number	Qty	Description
3	87545978	1	HOSE, ASSY, -20 x 29
4	343995A1	1	HOSE ASSY., -20 X 15.50 IN
5	87342574	8	BOLT, 3/8-16X3/4 8
6	87270172	1	PUMP, DRIVE 2 PUMP 1.40 UP SPL, SEE FIG 06-016
7	87272005	3	SYNTHETIC SHC629
8	87342928	8	BOLT, 1/2-13X1-1/2 8
9	86980401	12	BOLT, M10-1.5X30, HH, 8.8, DO
11	87529240	8	WASHER, .531 X 1.062 X .134 HDN DOR
12	BN55089	0.1	COUPLING, GREASE-14 OZ TUB
13	87592184	1	HOSE, -08 X 30
14	515-23254	1	CLAMP, 1", Insul, 3/8" Bolt, 25.4MM P INSUL 10.3MM
15	86980400	1	BOLT, Hex, M10 x 25, 8.8, M10-1.5X25, HH, 8.8, DOR
16	87529312	1	WASHER, 11 X 24 X 3MM HDN DOR
17	86980515	1	NUT, LOCK, M10 x 1.5, CI 8, P/T ALL MTL



## 4420 PATRIOT SPRAYER

06-016 DRIVE-2 PUMP, 1.40 UP

Ref	Part Number	Qty	Description
14	87272928	1	ADAPTER, ENGINE-DRIVE PUMP
15	87565603	1	PLATE, DRIVE ASSY DURST
16	87272931	1	SHAFT, PUMP
17	87272929	2	PAD, PUMP
18	87272930	2	SPLINE, PUMP
	87565601	1	KIT, SEALS, KIT, ASSOCIATED PART OF PUMP, SPLINE, P/N 87272930
	BN312705	2	O-RING, ARP 158 VITON, ASSOCIATED PART OF PUMP, SPLINE, P/N 87272930
	87565602	1	SEAL, SHAFT DURST #012042,, ASSOCIATED PART OF PUMP, SPLINE, P/N 87272930
	87564747	2	O-RING, .139 X 3.859 241 7 , ASSOCIATED PART OF PUMP, SPLINE, P/N 87272930

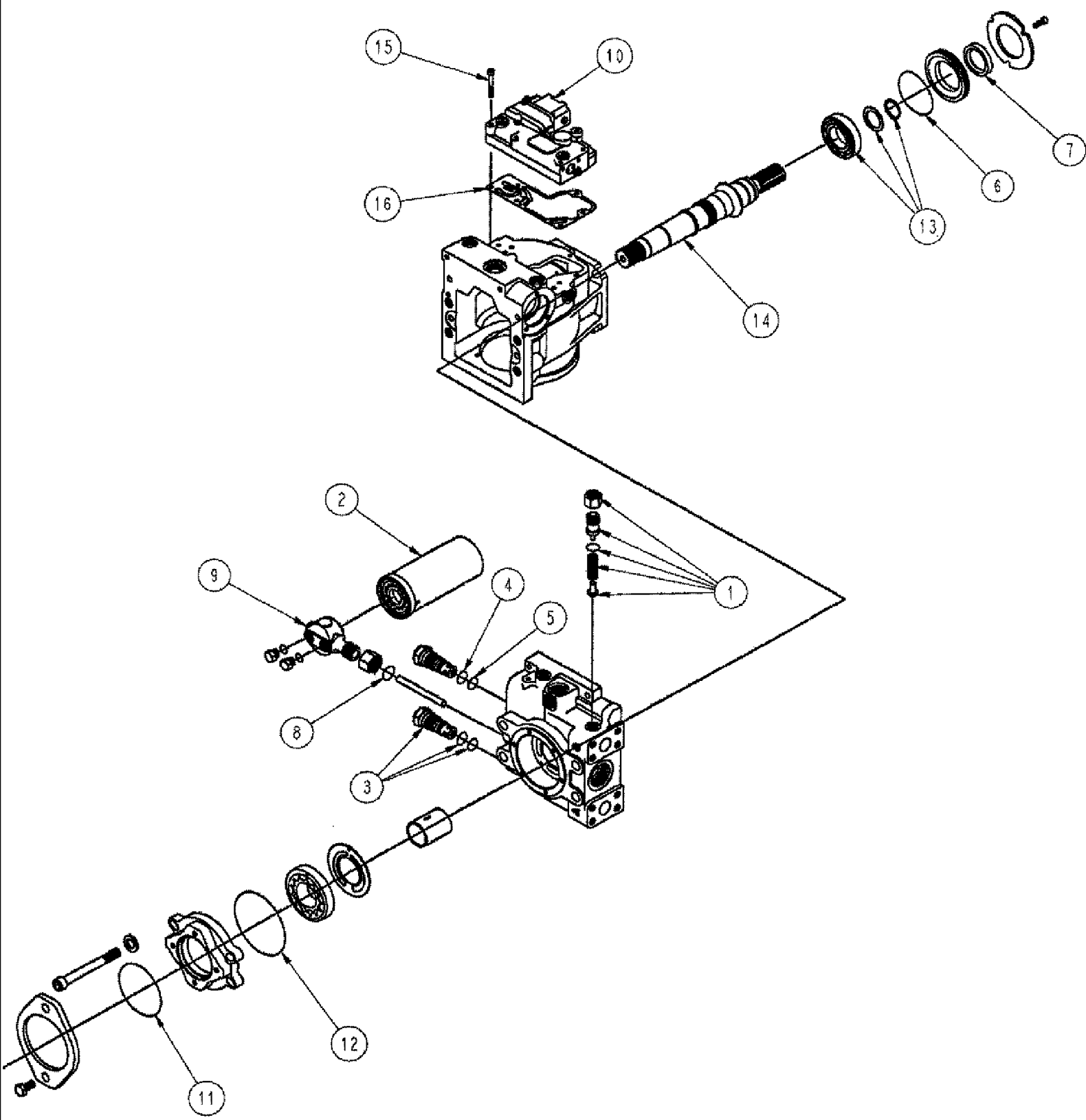




## 4420 PATRIOT SPRAYER

## 06-017 HYDROSTATIC PUMP GROUP

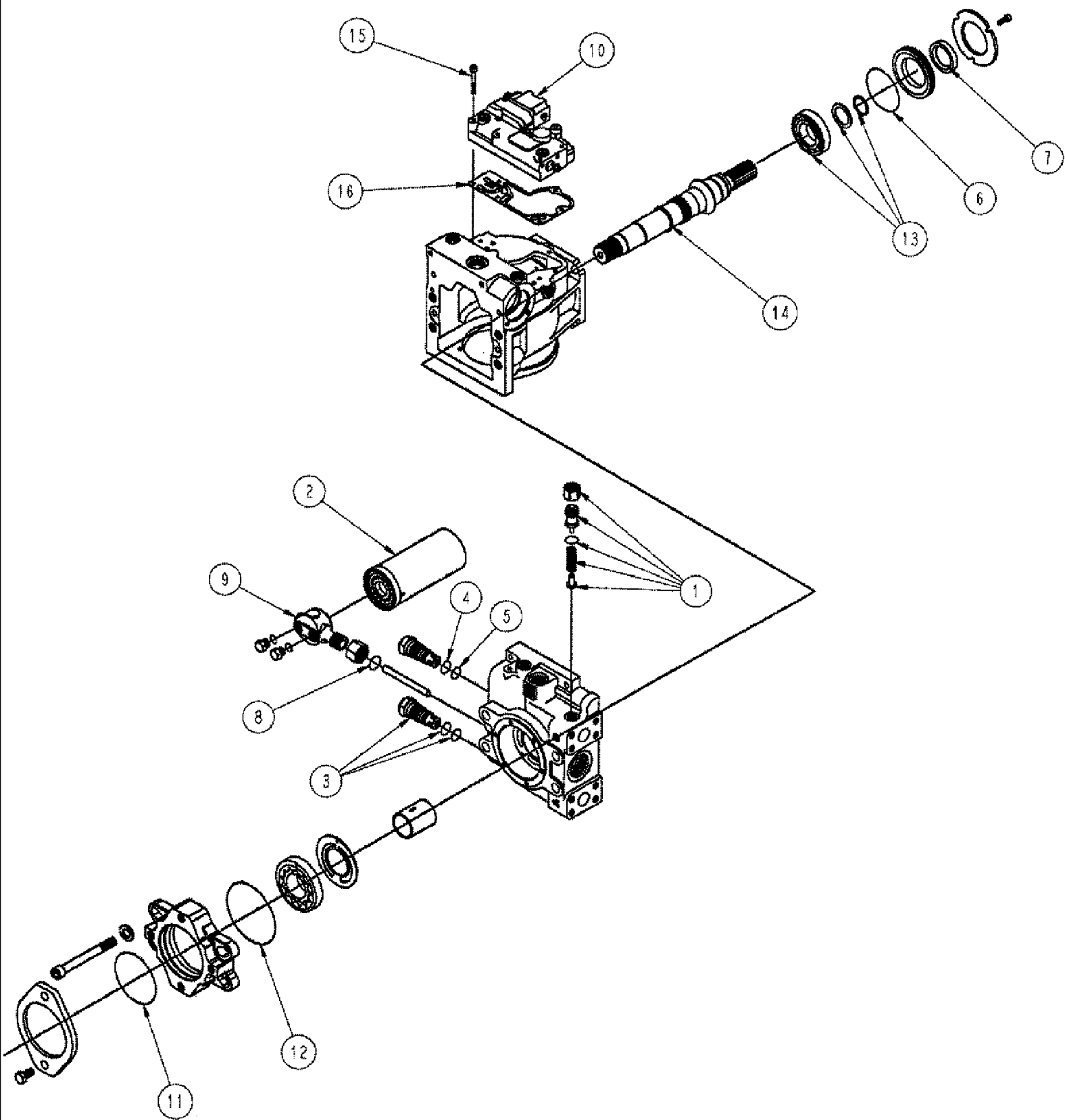
Ref	Part Number	Qty	Description
1	BN316492	1	PUMP, PRES COMP. 1.16
2	BN316599	1	KIT, HYD PUMP REPAIR, 1-1/4 SPLITFLGE CO 61
3	343888A1	1	HOSE, ASSY, -20 X 20
4	87544310	1	PUMP, HYD S90 W/11T EDC, SEE FIG 06-018
5	87544311	1	PUMP, HYD S90 W/13T EDC, SEE FIG 06-019
6	BN302553	8	ELBOW, 6MOR-6MBX90
7	BN307993	5	NIPPLE, LUBE, DIAGNOSTIC NIPPLE-6FFOR
8	87544315	2	MANIFOLD, BLOCK W/O CAVITY
9	87544316	2	MANIFOLD, BLOCK W/ CAVITY
10	BN300304	1	VALVE, SOLENOID TRACTION
11	BN60479	3	PLUG, 1 5/16-12 O-RING-HEX
12	BN302574	4	ELBOW, 16MOR-16MBX90
13	87271986	1	PLUG, SAE -16 REWK 9/16-18
14	BN302646	6	FITTING, 6MOR-6MB
15	BN302655	1	FITTING, 12MOR-12MB
16	BN302576	1	FITTING, 20MOR-16MBX90
17	87529310	2	WASHER, 13.5 X 28 X 4 HDN DOR
18	87342927	2	BOLT, 1/2-13 X 1-1/4 8 DOR
19	87342892	16	BOLT, 7/16-14 X 2-3/4 5 DOR
20	BN52317	4	O-RING, ARP219 90DURO BUNA
21	87267935	1	COIL, 12V, DC CAP012HE
22	87265840	1	ORIFICE, .075 - 6 DISC
23	BN305412	3	O-RING, FOR -6 FFOR
24	BN57223	4	FITTING, 16MOR-16MB
25	BN302659	1	FITTING, 20MOR-16MB
26	BN319237	1	HOSE, ASSY, -6 X 17
29	87552875	1	HOSE, ASSY, -6 X 28"
31	BN302639	1	ELBOW, 12MOR-12MBX45
32	87560255	2	HOSE, ASSY, -6 X 15
33	BN21243	1	PLUG, O-RING 7/8-14 HEX
34	BN446048	1	PLUG, HEX O-RING -6, 9/16-18
35	87544312	2	VALVE, SHUNT DEUTSCH, SEE FIG 06-020
36	BN313038	2	FITTING, 6MB-6MB
37	14461081	1	O-RING, -152, CI 7, 3.237" ID x .103" Thk,



## 4420 PATRIOT SPRAYER

## 06-018 PUMP, HYDROSTATIC S90 W/11T

Ref	Part Number	Qty	Description
1	BN300952	1	KIT, CHARGE RELIEF KIT
2	N14232	1	FILTER, ELEMENT-HYD, CASE
3	BN65540	2	VALVE, MULTI-FUNCTION VALVE 90S
4	BN65541	2	O-RING, M/F, VALVE, UPPER
5	BN65542	2	O-RING, M/F, VALVE LOWER
6	BN65544	1	O-RING, SHAFT 75CC
7	BN65546	1	SEAL, LIP, SHAFT 75CC
8	BN68470	1	O-RING, FILTER HEAD, 90PUMP
9	BN69597	1	MOUNTING PARTS, FILTER, 90 SE, HEAD
10	87575874	1	CONTROL, CONTROL
11	BN312704	1	O-RING, SAE A PAD
12	BN312705	1	O-RING, AUX FLANGE
13	BN312706	1	BEARING, ROLLER,
14	BN312707	1	SHAFT, 14T 12/24
15	87575875	6	SCREW,
16	87607504	1	GASKET, EDC



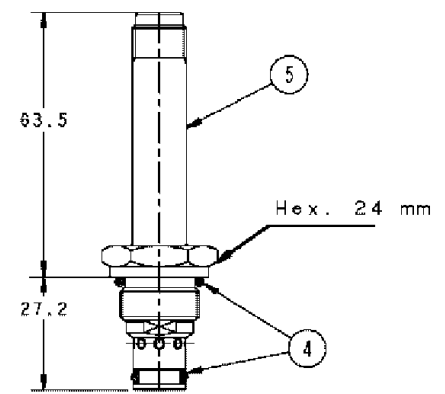
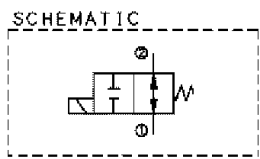
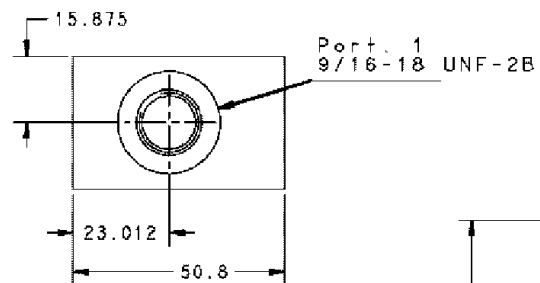
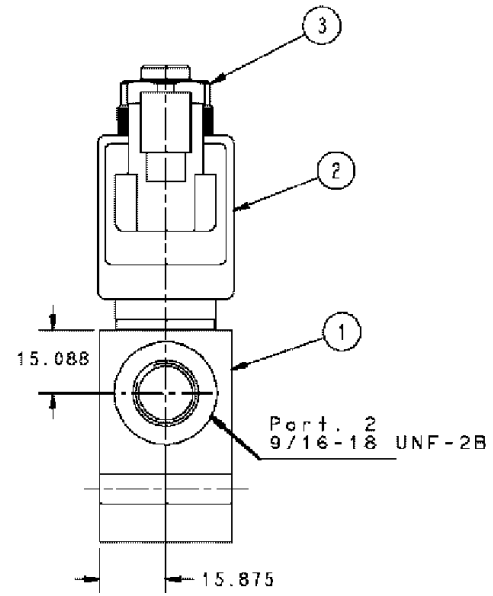
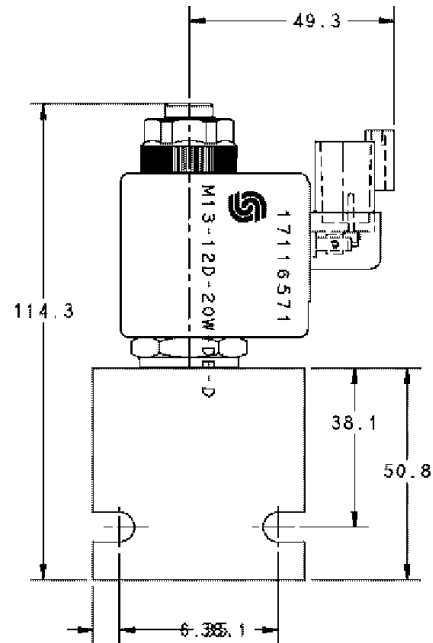
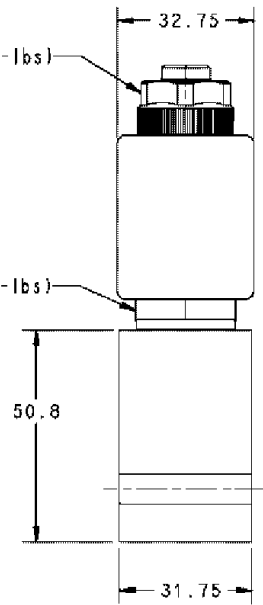
## 4420 PATRIOT SPRAYER

## 06-019 PUMP, HYDROSTATIC S90 W/13T

Ref	Part Number	Qty	Description
1	BN300952	1	KIT, CHARGE RELIEF
2	N14232	1	FILTER, ELEMENT-HYD CASE
3	BN65540	2	VALVE, MULTI-FUNCTION 90S
4	BN65541	2	O-RING, M/F, VALVE, UPPER
5	BN65542	2	O-RING, M/F, VALVE LOWER
6	BN65544	1	O-RING, SHAFT 75CC
7	BN65546	1	SEAL, LIP, SHAFT 75CC
8	BN68470	1	O-RING, FILTER HEAD, 90 PUMP
9	BN69597	1	MOUNTING PARTS, FILTER T, 90 SE, HEAD
10	87575874	1	CONTROL, CONTROL
11	238-5045	1	O-RING, -045, 70 Duro, 3.989" ID x .070" Thk, CLASS 5
12	BN312705	1	O-RING, AUX FLANGE
13	BN312706	1	BEARING, ROLLER,
14	BN312707	1	SHAFT, 14T 12/24
15	87575875	6	SCREW,
16	87607504	1	GASKET, EDC

TORQUE TO 4-6 Nm (35-53 in-lbs)

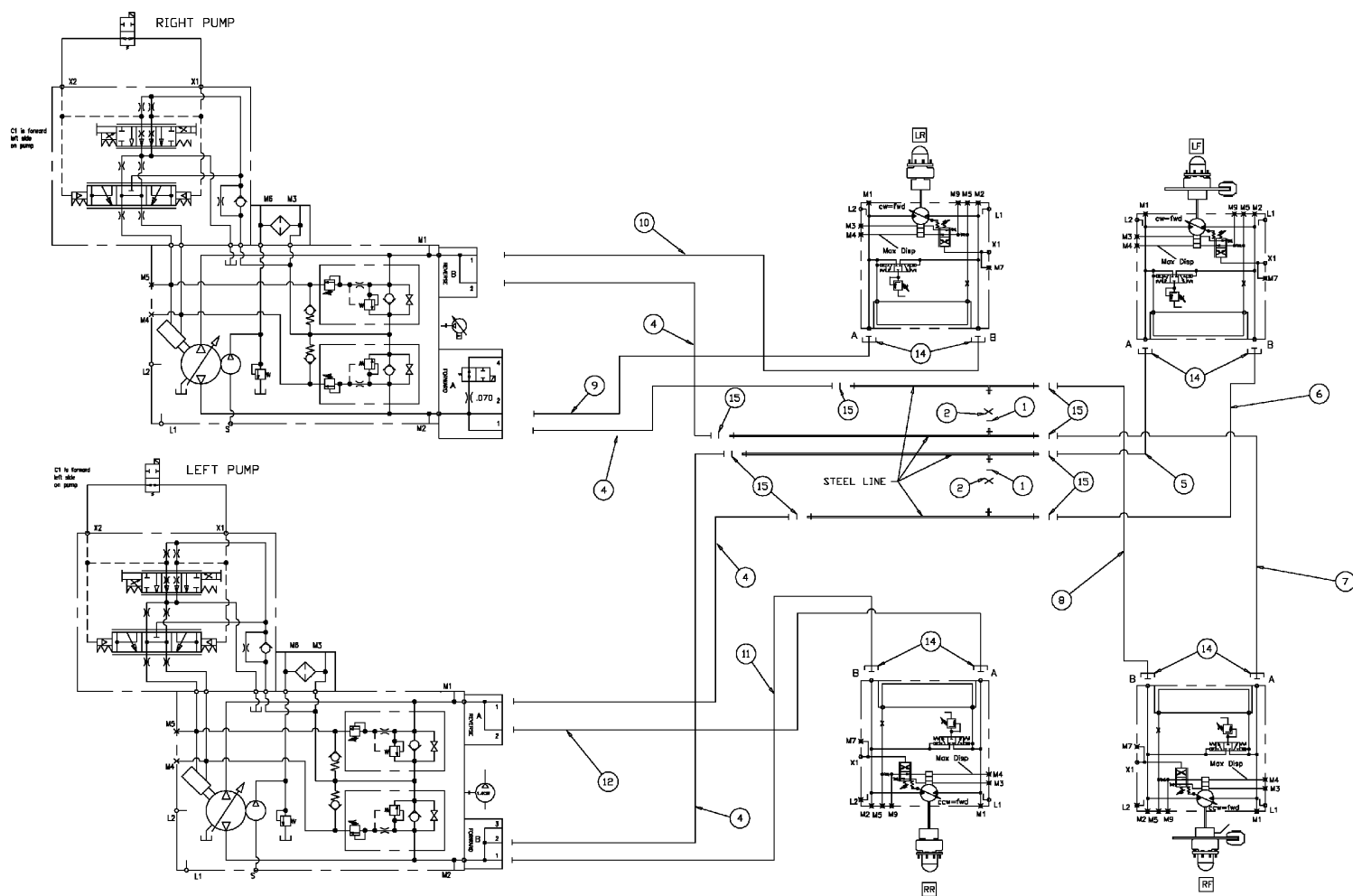
TORQUE TO 35-40Nm (26-30 ft-lbs)



## 4420 PATRIOT SPRAYER

## 06-020 VALVE, SHUNT

Ref	Part Number	Qty	Description
1	87575868	1	BODY, VALVE,
2	87575869	2	VALVE, HYDRAULIC, COIL, SHUNT
3	87575870	1	NUT, SHUNT VALVE
4	87575871	1	KIT, REPAIR, SEAL, VALVE
5	87575872	1	CARTRIDGE, ACTUATOR, SHUNT VALVE



NOTES:

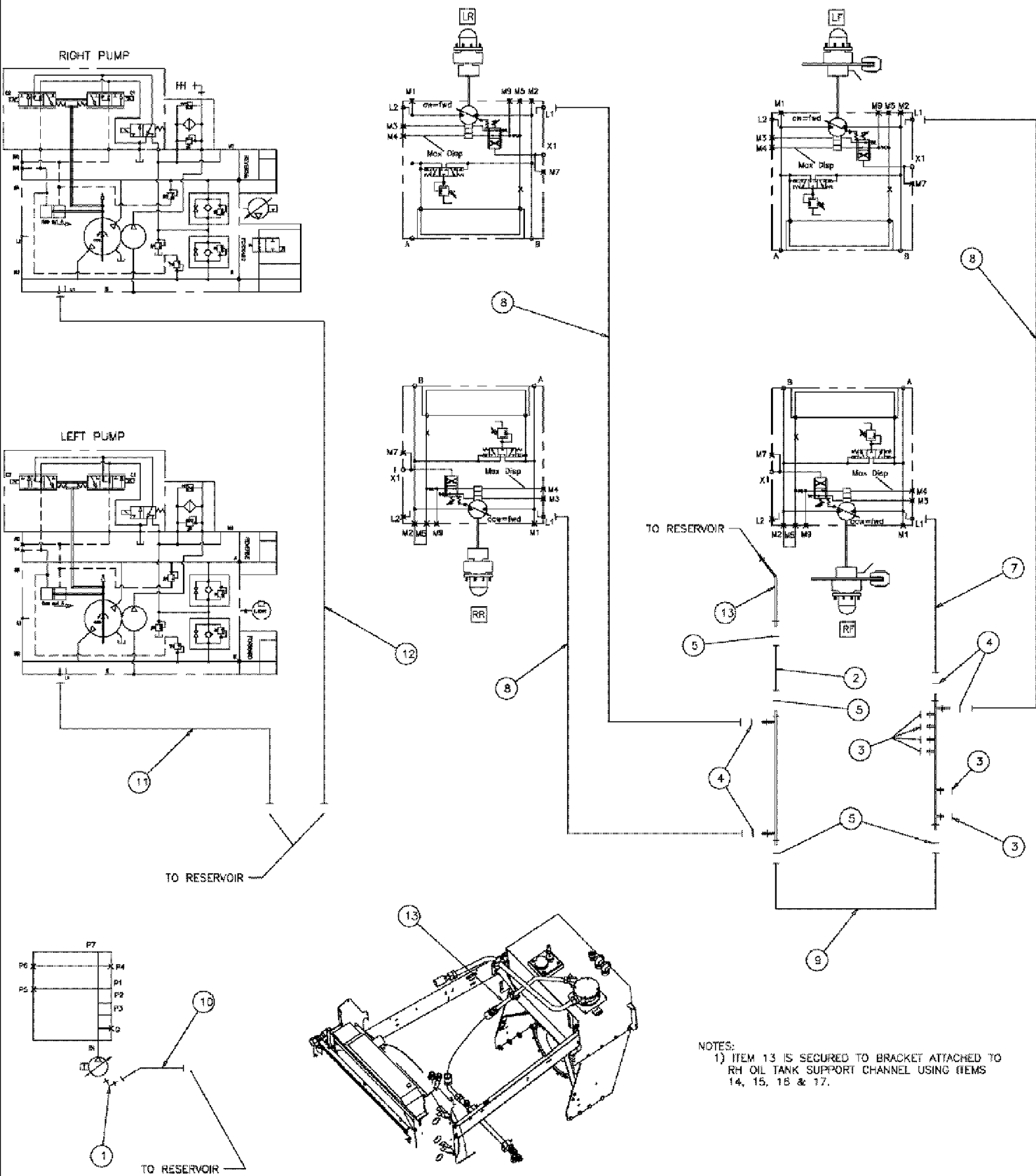
- 1) USE ITEMS 3 & 19 TO SECURE DRIVE LINE HOSES TO HOSE PIVOTS AND TRAILING LINKS FOR ALL CORNERS OF THE MACHINE.
- 2) USE CLAMPS ITEMS 13 TO SECURE HOSES OTHER THAN THE DRIVE LINE HOSES TO THE HOSE PIVOTS ON ALL CORNERS OF THE MACHINE. SECURE CLAMPS OVER ITEM 3 BY USE OF NUT ITEM 19.
- 3) USE ITEMS 16, 17 & 18 TO SECURE DRIVE LINE HOSES TO THE PARA-LINK TOWERS IN THE REAR OF THE MACHINE.
- 4) USE ITEMS 16, 17, 20 & 21 TO SECURE DRIVE LINE HOSES TO THE FRAME ENGINE MOUNTS IN THE REAR OF THE MACHINE.



## 4420 PATRIOT SPRAYER

## 06-021 HYDRAULIC DRIVE LOOP GROUP

Ref	Part Number	Qty	Description
1	BN305411	2	O-RING, FOR -4 FFOR
2	BN305425	2	CAP, 4 FFOR
3	BN320383	16	CLAMP, 1.25" W/320382
4	342930A1	4	HOSE, ASSY, -16 X 66"
5	BN307796	1	HOSE ASSY.,
6	BN307797	1	HOSE ASSY.,
7	BN307798	1	HOSE ASSY.,
8	87546259	1	HOSE, ASSY, -16 x 182
9	BN307801	1	HOSE ASSY.,
10	BN307803	1	HOSE ASSY.,
11	87546260	1	HOSE, ASSY, -16 X 194
13	515-23508	4	CLAMP, 2", Insul, 3/8" Bolt, 50.8MM P INSUL
12	BN307803	1	HOSE ASSY.,
14	BN52315	8	KIT, 1" SPLIT FLANGE CODE 62
15	BN53730	8	O-RING, ARP 021 BUNA-N
16	BN67495	5	CLAMP, DUAL (1 1/2" TUBE)
17	86980514	5	NUT, M8 CL8 P/T ALL METAL
18	86980388	3	BOLT, M8-1.25 X 80, HH, 8.8, DO
20	87529315	2	WASHER, 9 X 17 X 2MM HDN
21	86980389	2	BOLT, M8-1.25 X 90, HH, 8.8

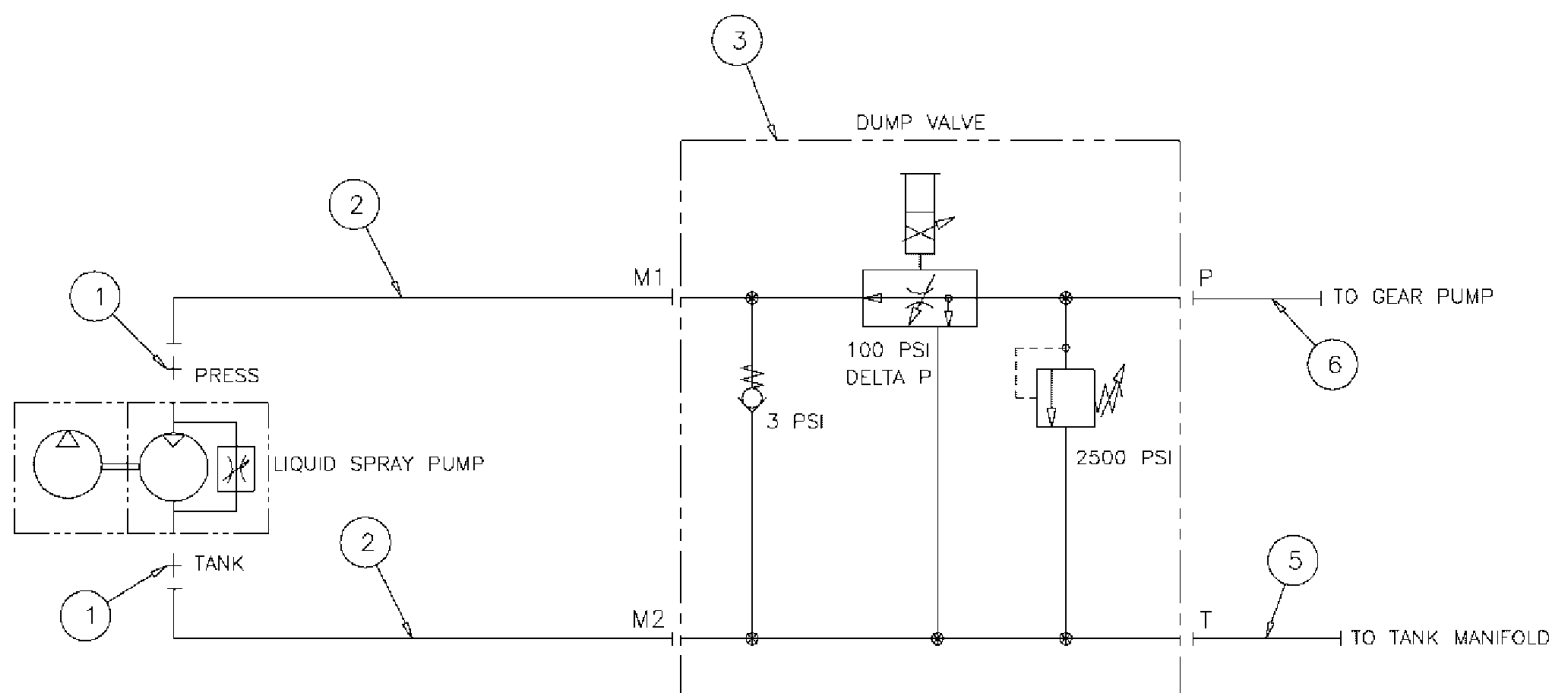


NOTES:  
 1) ITEM 13 IS SECURED TO BRACKET ATTACHED TO  
 RH OIL TANK SUPPORT CHANNEL USING ITEMS  
 14, 15, 16 & 17.

## 4420 PATRIOT SPRAYER

## 06-022 CASE DRAIN HYDRAULIC GROUP

Ref	Part Number	Qty	Description
1	BN302558	1	ELBOW, 8MOR-8MBX90
2	87272402	1	HOSE, ASSY, -16 X 75"
3	BN305411	6	O-RING, FOR -4 FFOR
4	BN53894	4	O-RING, STANDARD #018
5	BN53730	3	O-RING, ARP STANDARD #021
7	86986086	1	HOSE, ASSY -12 X 160"
8	BN307807	3	HOSE ASSY.,
9	BN307811	1	HOSE ASSY., -#16 X 35"
10	BN312045	1	HOSE, -08 X 46
11	343884A1	1	HOSE, ASSY -12 X 36"
12	87270158	1	HOSE, ASSY -12 X 31"
13	87270166	1	TUBE, STEEL LINE CASE RETURN
14	BN307080	1	CLAMP, PAIR- 1"TUBE
15	BN307081	1	PLATE, TOP ,CLAMP-1"TUBE
16	87342146	2	BOLT, M6 X 60 FULL 8.8
17	86980513	2	NUT, M6 CL8 P/T ALL METAL



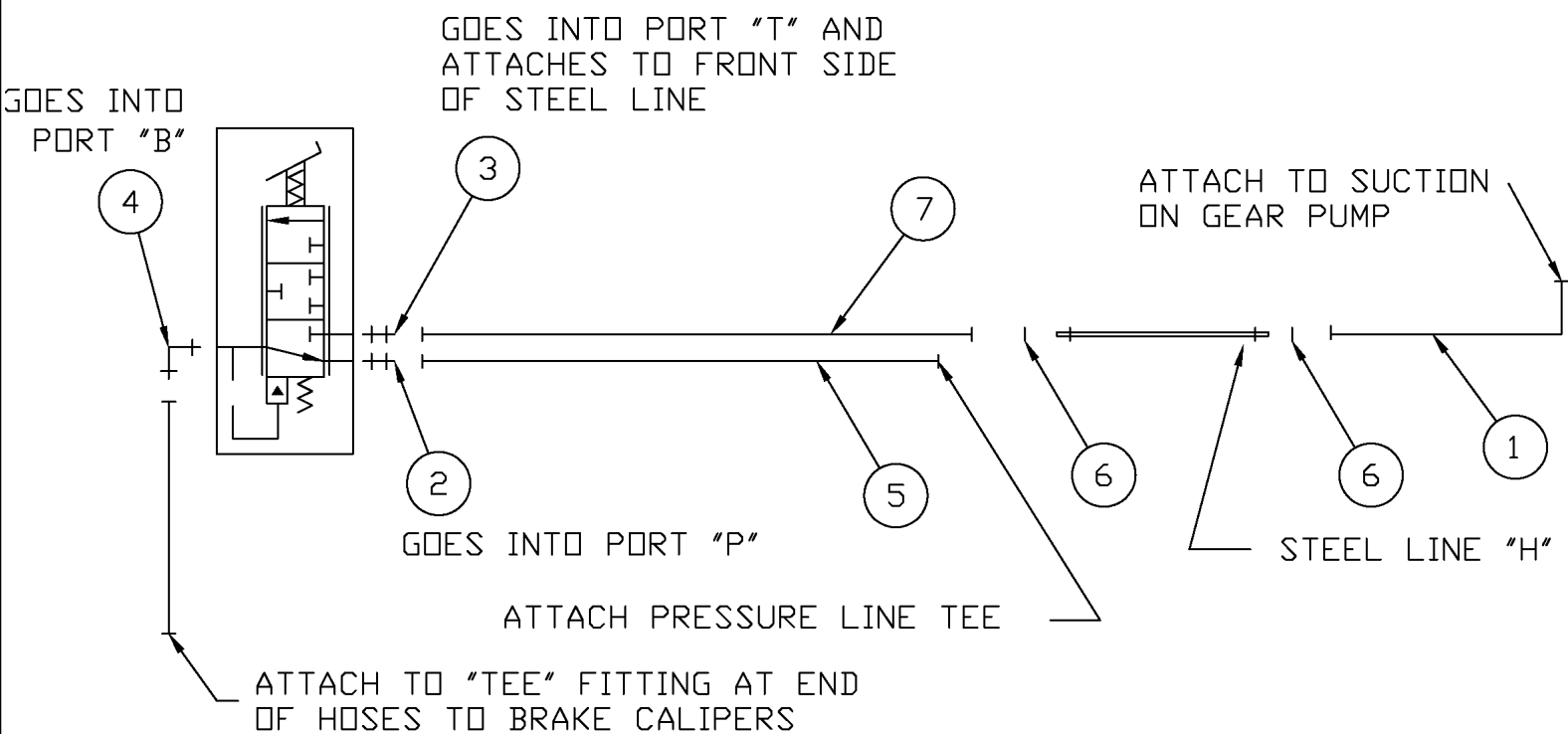
## NOTES:

- 1) USE HARWARE 4 & 7 TO MOUNT 3 TO REAR SIDE OF PLATE ON THE THE ENGINE SUB-FRAME PLATFORM.

## 4420 PATRIOT SPRAYER

## 06-023 PRODUCT PUMP HYDRAULIC GROUP

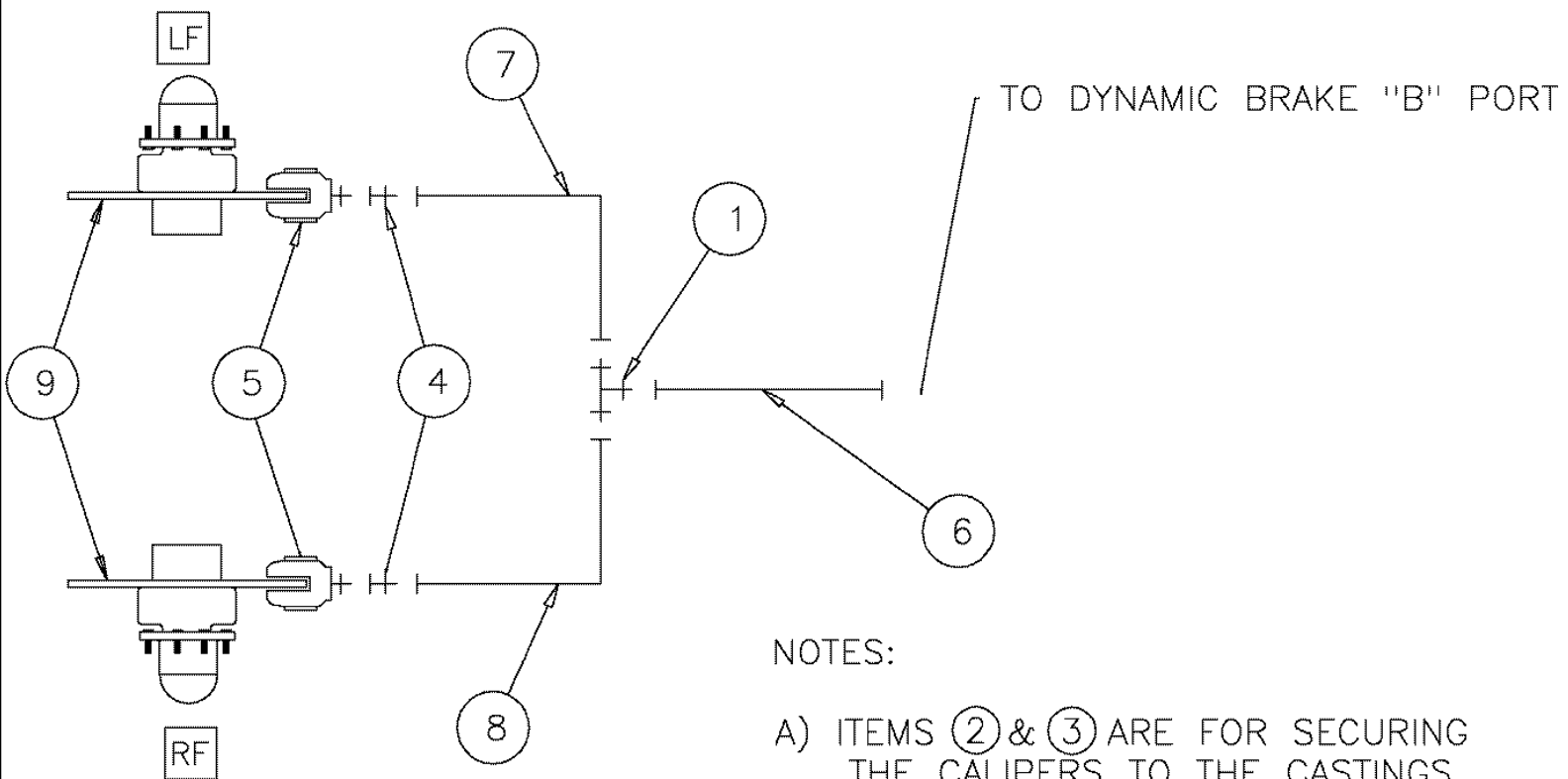
Ref	Part Number	Qty	Description
1	BN307930	2	ADAPTER, -8MB-10MFFOR
2	87267699	2	HOSE, ASSY, -12 X 30"
3	342100A1	1	VALVE, PRODUCT, W/FTNGS, SEE FIG 06-033
4	832-46406	2	NUT, LOCK, M6 x 1, CI 8, TLN
5	BN324672	1	HOSE ASSY., 12 X 36"
6	86986097	1	HOSE, ASSY -12 X 90"
7	814-6100	2	BOLT, Hex, M6 x 100, 8.8, HH



## 4420 PATRIOT SPRAYER

## 06-024 BRAKE PEDAL HYDRAULIC GROUP

Ref	Part Number	Qty	Description
1	87651667	1	ASSY,-4 X 63
2	BN302641	1	FITTING, 4MOR-6MB
3	BN302647	1	FITTING, 6MOR-8MB
4	BN302549	1	ELBOW, 4MOR- 6MBX90
5	BN307827	1	HOSE ASSY.,
6	BN305411	2	O-RING, FOR -4 FFOR
7	BN325315	1	HOSE ASSY., -4 X 72"



NOTES:

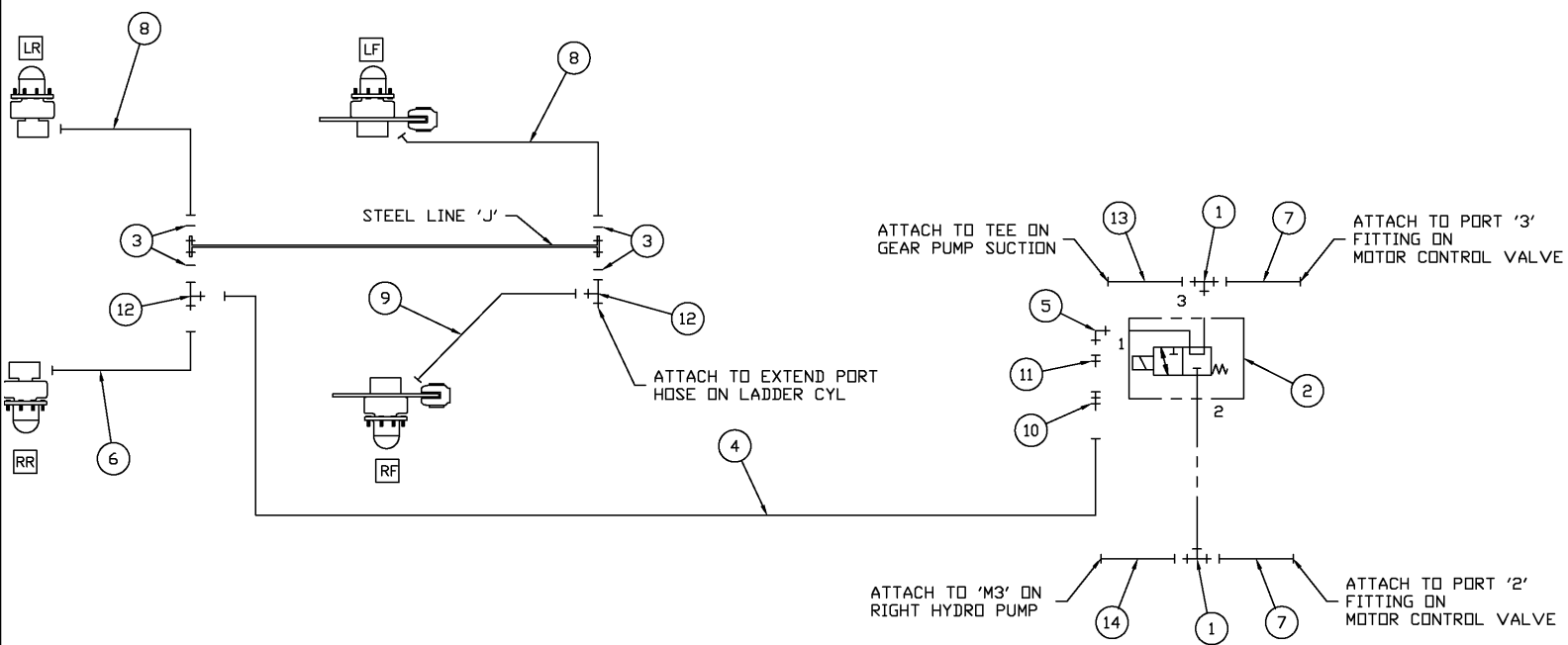
- A) ITEMS ② & ③ ARE FOR SECURING THE CALIPERS TO THE CASTINGS.



## 4420 PATRIOT SPRAYER

## 06-025 BRAKE GROUP, DYNAMIC

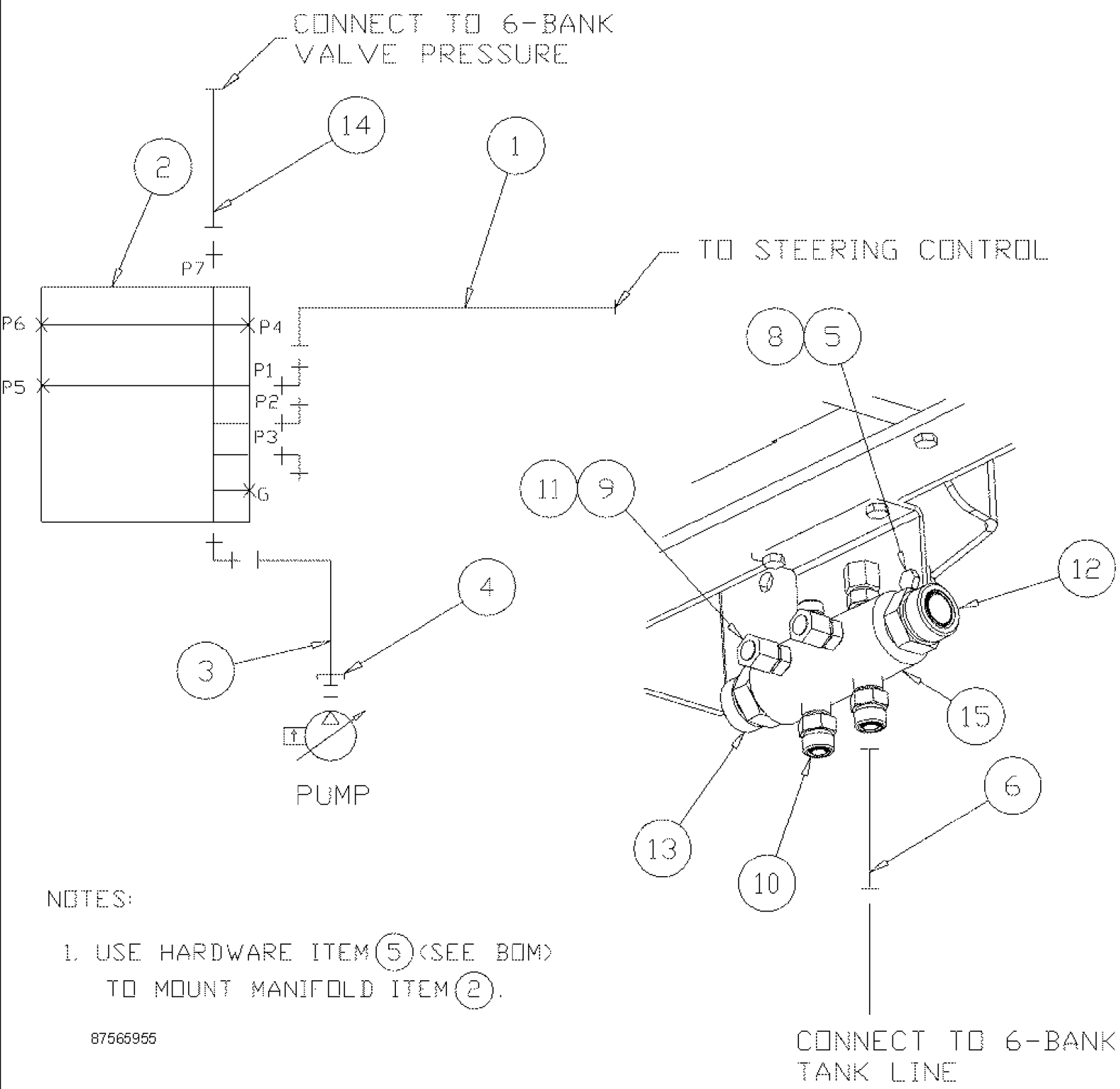
Ref	Part Number	Qty	Description
1	BN302511	1	FITTING, 4MOR-4MOR-4MOR
2	87341864	4	BOLT, M16-2 X 160, HH, 10.9
3	832-46416	4	NUT, LOCK, M16 x 2, CI 8, P/T ALL METAL
4	BN306947	2	ADAPTER, 4MB-4MFFOR LONG
5	BN307717	2	PACKAGE, BRAKE CALIPER ASSY, SEE FIG 04-019
6	87269302	1	HOSE, ASSY, -04 X 70"
7	BN307829	1	HOSE ASSY.,
8	BN324552	1	HOSE ASSY., -4 X 140"
9	BN301666	2	BRAKE DISC, 27.875 DIA.



## 4420 PATRIOT SPRAYER

## 06-026 PARK BRAKE GROUP

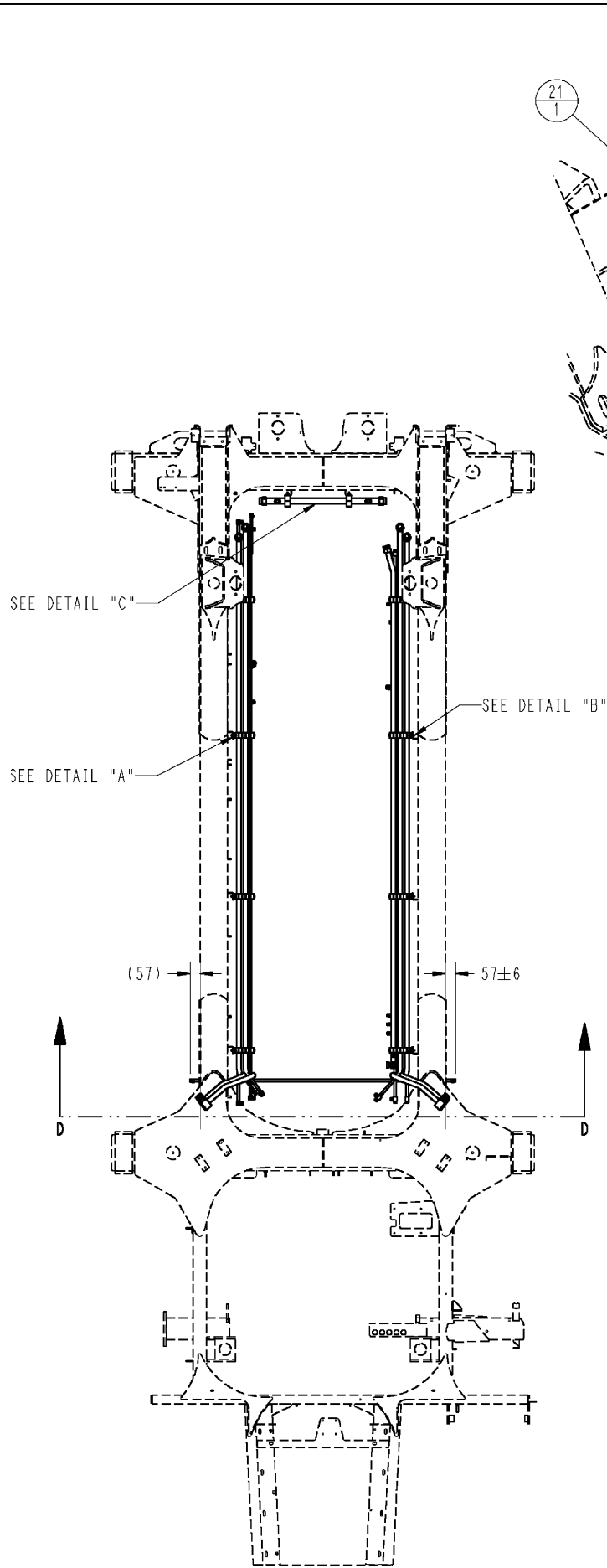
Ref	Part Number	Qty	Description
1	BN302536	2	FITTING, 6MOR-6MBX-6MOR, PLATE PER
2	87271739	1	VALVE SECTION, HYD, BRAKE - W/DEUT
	431548A1	1	VALVE, , SERVICE PARTS FOR REF. 2
	87269968	1	COIL, , SERVICE PARTS FOR REF. 2
	87269976	1	KIT, SEALS, SK08-3X-MM, SERVICE PARTS FOR REF. 2
3	BN305412	4	O-RING, FOR -6 FFOR
4	87739926	1	ASSY, -6 X 610MM
5	BN302553	1	ELBOW, 6MOR-6MBX90
6	BN325851	1	HOSE ASSY., -4 X 141"
7	BN319237	2	HOSE, ASSY,-6 X 17
8	BN325853	2	HOSE ASSY., -4 X 168"
9	86986091	1	HOSE, ASSY, -4 X 135"
10	BN307992	1	COUPLING, DIAGNOSTIC -4MNPT
11	BN307993	1	NIPPLE, LUBE, DIAGNOSTIC -6FFOR
12	BN302435	2	FITTING, 6MOR-6MOR-6FORX
13	87645589	1	ASSY -6 X 90
14	BN307838	1	HOSE ASSY.,
15	86980366	2	BOLT, M6-1X50,HH,8.8,DOR
16	86980513	2	NUT, P/T ALL MTL M6 8 DOR
17	87529302	4	WASHER, 6.6 X 18 X 1.6MM CST DOR



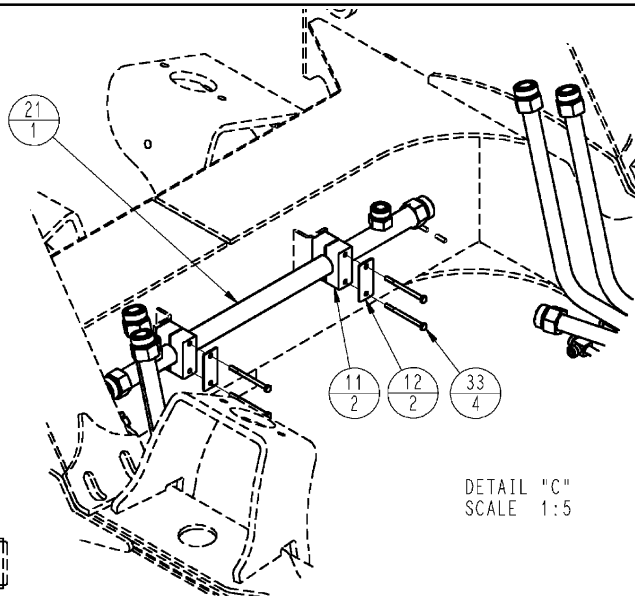
## 4420 PATRIOT SPRAYER

## 06-027 MANIFOLD GROUP

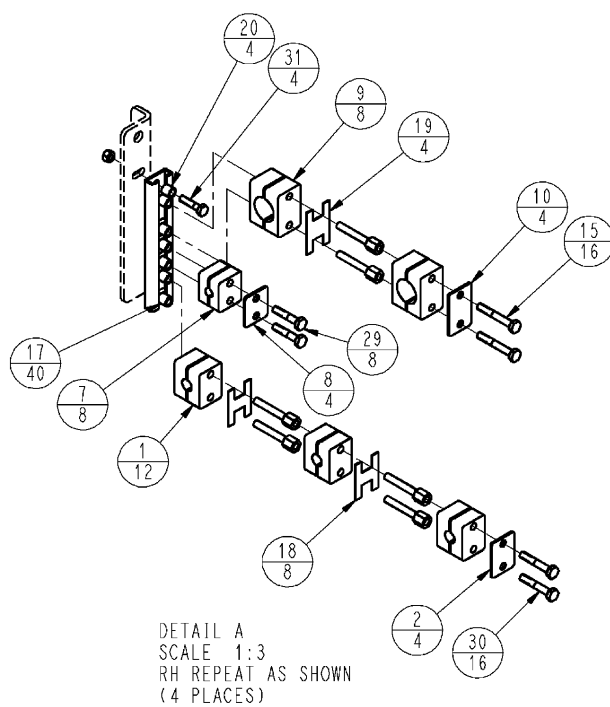
Ref	Part Number	Qty	Description
1	343293A1	1	HOSE, ASSY, -6 X 24"
2	BN323902	1	MANIFOLD, PRESS. COMP, SEE FIG 06-032
3	86986084	1	HOSE, ASSY, -12 X 98"
4	BN316600	1	KIT, 3/4 SPLIT FLANGE CO 61
5	86980379	6	BOLT, M8-1.25 X 20, HH, 8.8, DO
6	86986371	1	HOSE, ASSY, -8 X 154"
8	86980514	2	NUT, M8 CL8 P/T ALL METAL
9	BN305412	4	O-RING, FOR -6 FFOR
10	BN305413	2	O-RING, FOR -8 FFOR
11	BN305426	3	CAP, -6 FFOR
12	BN53730	1	O-RING, ARP 021 BUNA-N
13	BN53894	1	O-RING, -ARP STANDARD #018
14	BN309867	1	HOSE, -08 X 142
15	BN307639	1	MANIFOLD, - HYD. RETURN



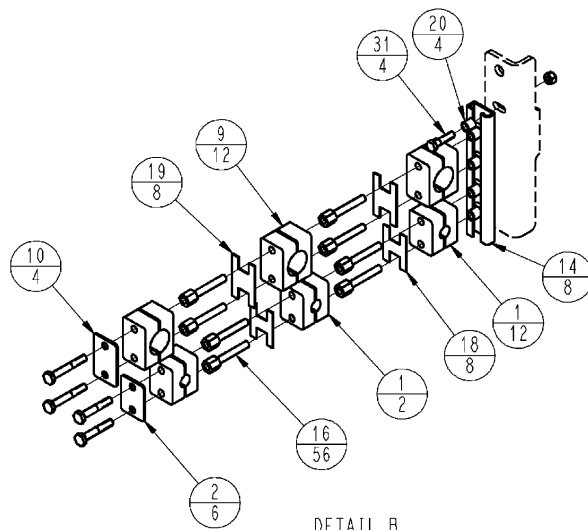
TOP VIEW OF FRAME AND STEEL LINES  
REFER TO DETAILS FOR ASSEMBLY



DETAIL "C"  
SCALE 1:5



DETAIL A  
SCALE 1:3  
RH REPEAT AS SHOWN  
(4 PLACES)

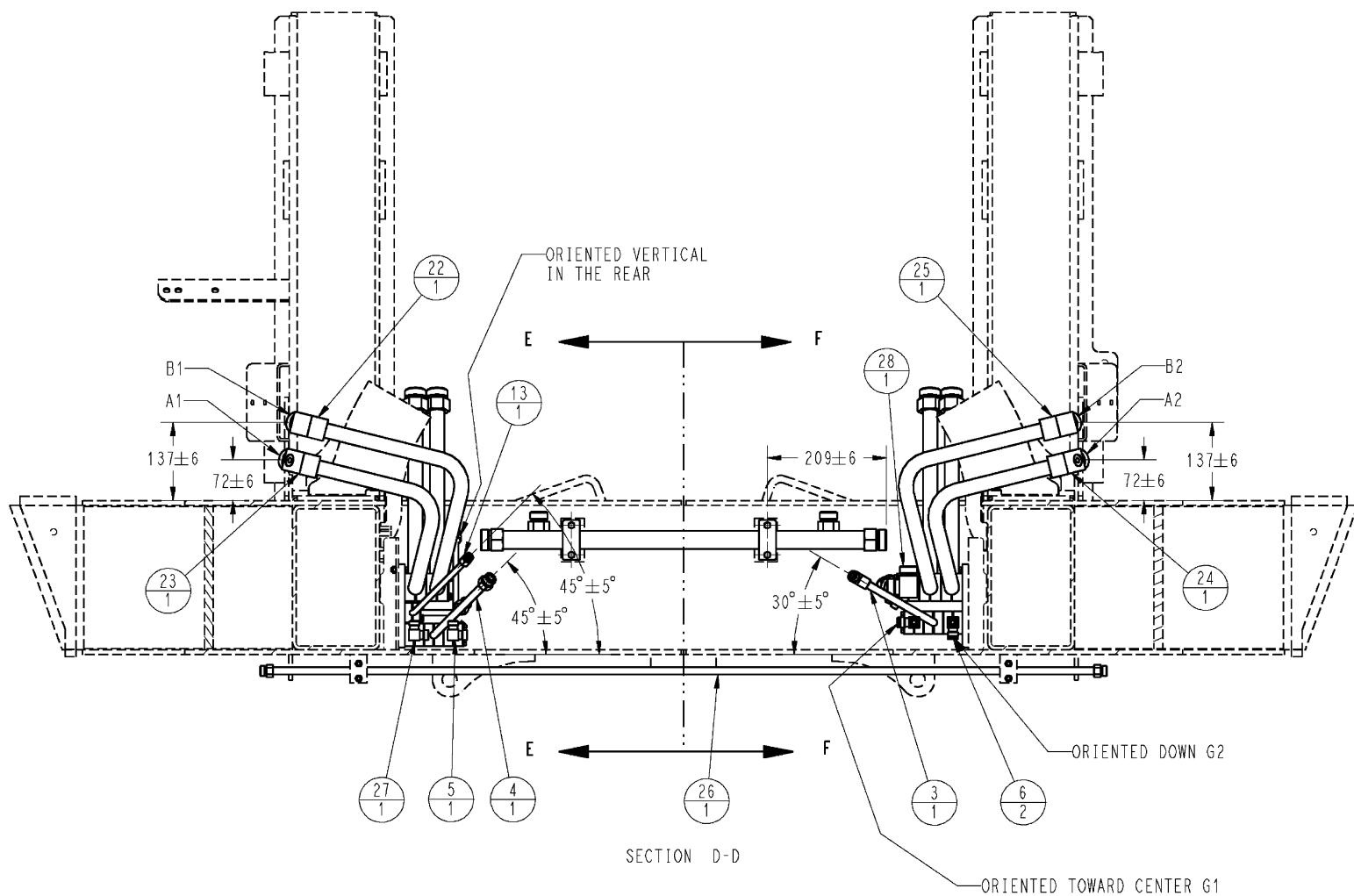
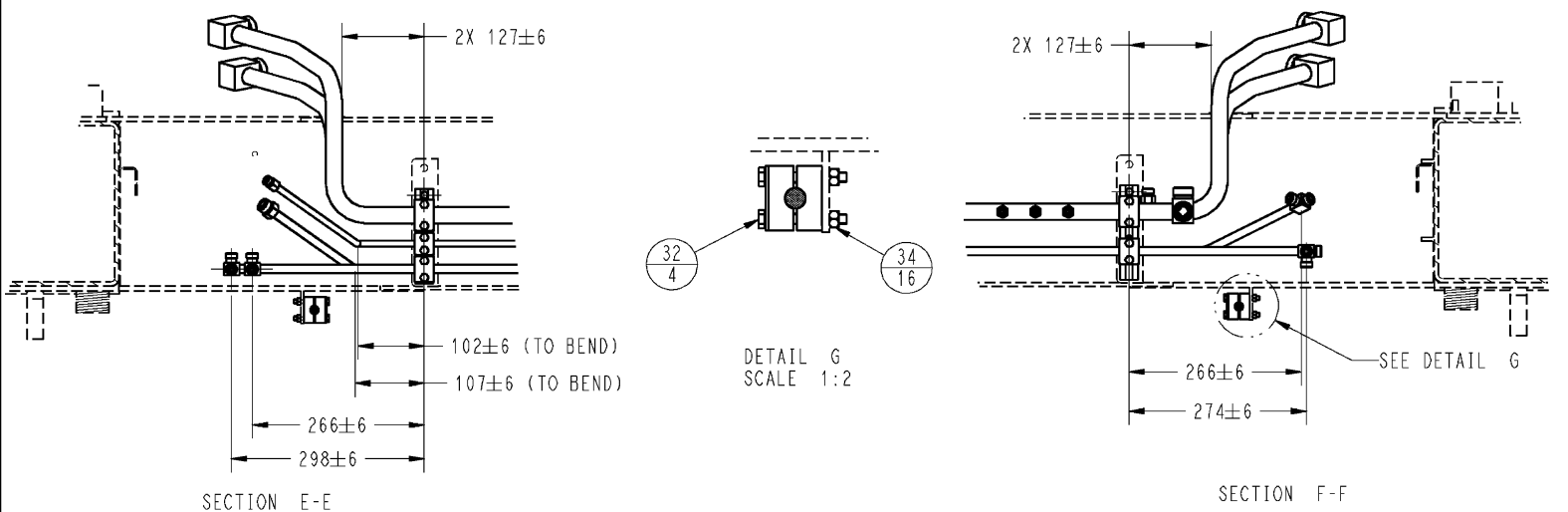


DETAIL B  
SCALE 1:3  
LH REPEAT AS SHOWN  
(4 PLACES)

## 4420 PATRIOT SPRAYER

## 06-028(01) STEEL LINES GROUP

Ref	Part Number	Qty	Description
1	BN29783	26	CLAMP, SINGLE-1/2" TUBE
2	BN29785	10	PLATE, COVER- SGL 1/2" TUBE
3	BN305996	1	TUBE, STR & DYN BRAKE PRS
4	BN305997	1	TUBE, STEERING RETURN
5	BN306003	1	TUBE, MOTOR SERVO CONTROL
6	BN306004	2	TUBE, AXLE ADJUST
7	BN307078	4	CLAMP, PAIR-3/8 TUBE
8	BN307079	4	PLATE, TOP, CLAMP-3/8" TUBE
9	BN307080	20	CLAMP, PAIR- 1"TUBE
10	BN307081	8	PLATE, TOP, CLAMP-1" TUBE
11	BN307082	2	CLAMP, PAIR 1.25" TUBE
12	BN307083	2	PLATE, TOP, CLAMP-1.25" TUBE
13	BN309602	1	TUBE, BRAKE LINE - RETURN
14	BN313247	8	RAIL, STD DUTY
15	87342609	16	BOLT,
17	BN313262	40	NUT, C-RAIL (1/4"-20)
16	BN313261	56	BOLT, STACKING 1/4 X 1.12
18	BN313264	16	PLATE, SAFETY-1/2" TUBE
19	BN313265	12	PLATE, SAFETY-1"TUBE
20	BN316101	8	SPACER, C-RAIL, HYD. TUBE
21	BN319659	1	TUBE, STL, RETURN MANIFOLD
22	87570217	1	TUBE, HYD, DRIVE PRESSURE, B
23	87570218	1	TUBE, HYD, DRIVE PRESSURE, A
24	87570219	AR	TUBE, HYD, DRIVE PRESSURE, A
25	87570220	AR	TUBE, HYD, DRIVE PRESSURE, B
26	BN324491	1	TUBE, STEEL, HYD LINE
27	BN324574	1	TUBE, PARK BRAKE
28	BN325316	1	TUBE, CASE DRAIN & RETURN
29	87342607	8	BOLT, 1/4-20 X 1-1/4,5
30	87342608	16	BOLT, 1/4-20 X 1-1/25, 5
31	86980361	8	BOLT, M6-1 X 25, HH, 8.8, DOR
32	86980366	4	BOLT, M6-1 X 50, HH, 8.8, DOR
33	86980369	4	BOLT, M6-1 X 80, HH, 8.8, DOR
34	86980513	16	NUT, BOLT, M6-1,TLN, CL8 P/T ALL METAL

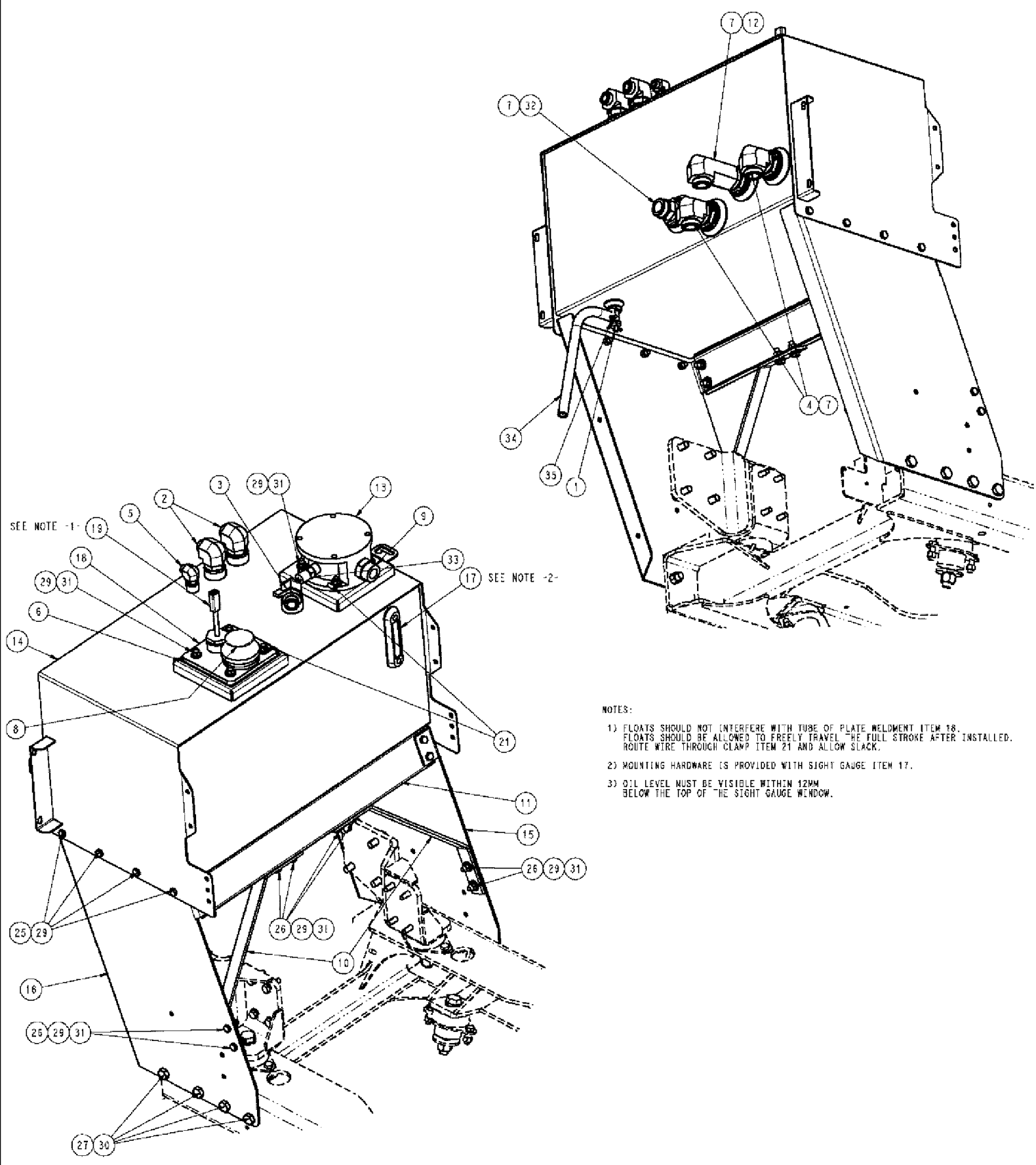




## 4420 PATRIOT SPRAYER

## 06-028(02) STEEL LINES GROUP

Ref	Part Number	Qty	Description
1	BN29783	26	CLAMP, SINGLE-1/2" TUBE
2	BN29785	10	PLATE, COVER- SGL 1/2" TUBE
3	BN305996	1	TUBE, STR & DYN BRAKE PRS
4	BN305997	1	TUBE, STEERING RETURN
5	BN306003	1	TUBE, MOTOR SERVO CONTROL
6	BN306004	2	TUBE, AXLE ADJUST
7	BN307078	4	CLAMP, PAIR-3/8 TUBE
8	BN307079	4	PLATE, TOP, CLAMP-3/8" TUBE
9	BN307080	20	CLAMP, PAIR- 1"TUBE
10	BN307081	8	PLATE, TOP, CLAMP-1" TUBE
11	BN307082	2	CLAMP, PAIR 1.25" TUBE
12	BN307083	2	PLATE, TOP, CLAMP-1.25" TUBE
13	BN309602	1	TUBE, BRAKE LINE - RETURN
14	BN313247	8	RAIL, STD DUTY
15	87342609	16	BOLT,
16	BN313261	56	BOLT, STACKING 1/4 X 1.12
17	BN313262	40	NUT, C-RAIL (1/4"-20)
18	BN313264	16	PLATE, SAFETY-1/2" TUBE
19	BN313265	12	PLATE, SAFETY-1"TUBE
20	BN316101	8	SPACER, C-RAIL, HYD. TUBE
21	BN319659	1	TUBE, STL, RETURN MANIFOLD
22	87570217	1	TUBE, HYD, DRIVE PRESSURE, B
23	87570218	1	TUBE, HYD, DRIVE PRESSURE, A
24	87570219	AR	TUBE, HYD, DRIVE PRESSURE, A
25	87570220	AR	TUBE, HYD, DRIVE PRESSURE, B
26	BN324491	1	TUBE, STEEL, HYD LINE
27	BN324574	1	TUBE, PARK BRAKE
28	BN325316	1	TUBE, CASE DRAIN & RETURN
29	87342607	8	BOLT, 1/4-20 X 1-1/4,5
30	87342608	16	BOLT, 1/4-20 X 1-1/25, 5
31	86980361	8	BOLT, M6-1 X 25, HH, 8.8, DOR
32	86980366	4	BOLT, M6-1 X 50, HH, 8.8, DOR
33	86980369	4	BOLT, M6-1 X 80, HH, 8.8, DOR
34	86980513	16	NUT, BOLT, M6-1,TLN, CL8 P/T ALL METAL



SEE NOTE -1-

SEE NOTE -2-

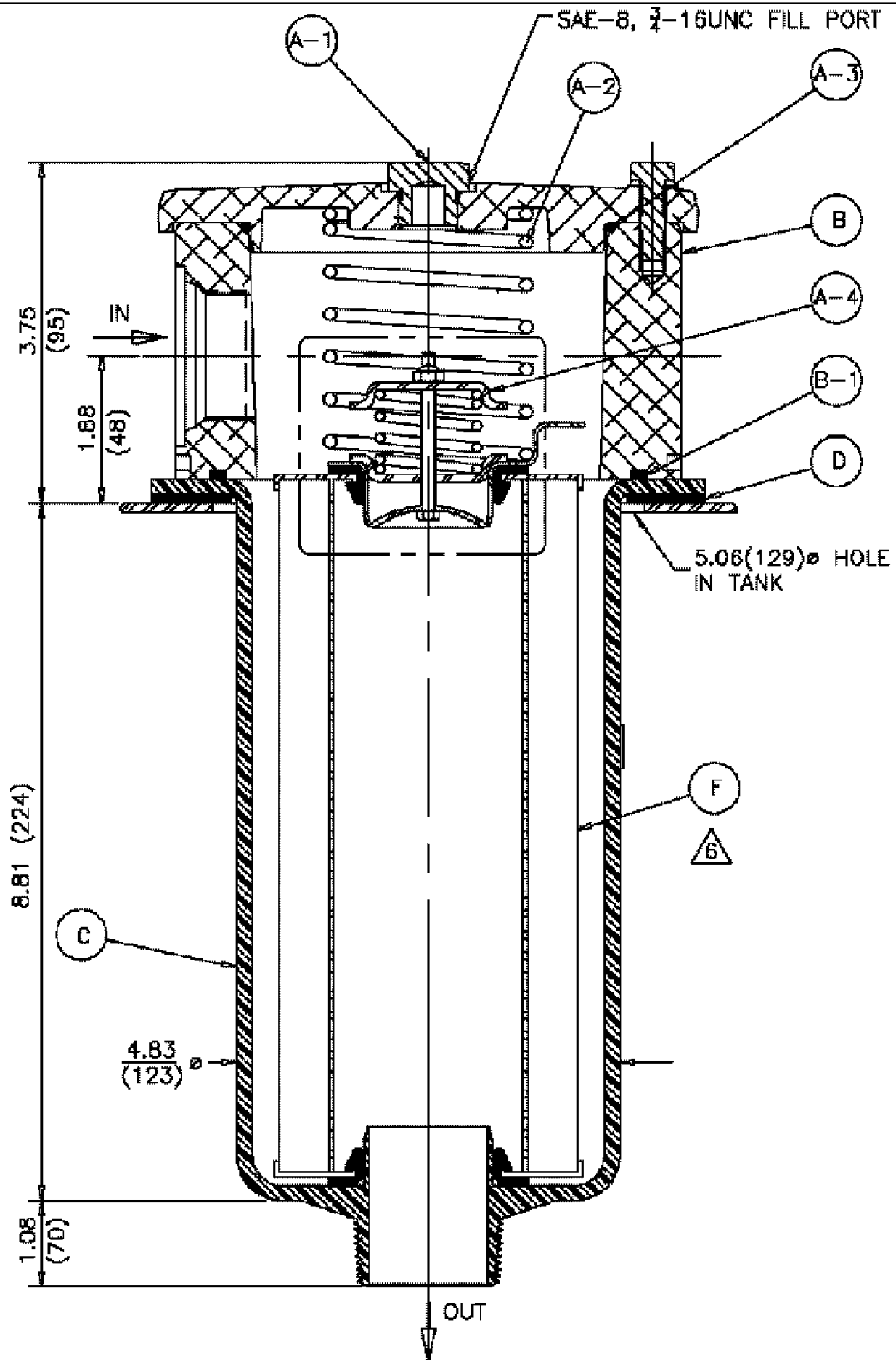
NOTES:

- 1) FLOATS SHOULD NOT INTERFERE WITH TUBE OF PLATE WELDMENT ITEM 18. FLOATS SHOULD BE ALLOWED TO FREELY TRAVEL THE FULL STROKE AFTER INSTALLED. ROUTE WIRE THROUGH CLAMP ITEM 21 AND ALLOW SLACK.
- 2) MOUNTING HARDWARE IS PROVIDED WITH SIGHT GAUGE ITEM 17.
- 3) OIL LEVEL MUST BE VISIBLE WITHIN 12MM BELOW THE TOP OF THE SIGHT GAUGE WINDOW.

## 4420 PATRIOT SPRAYER

## 06-029 OIL TANK GROUP

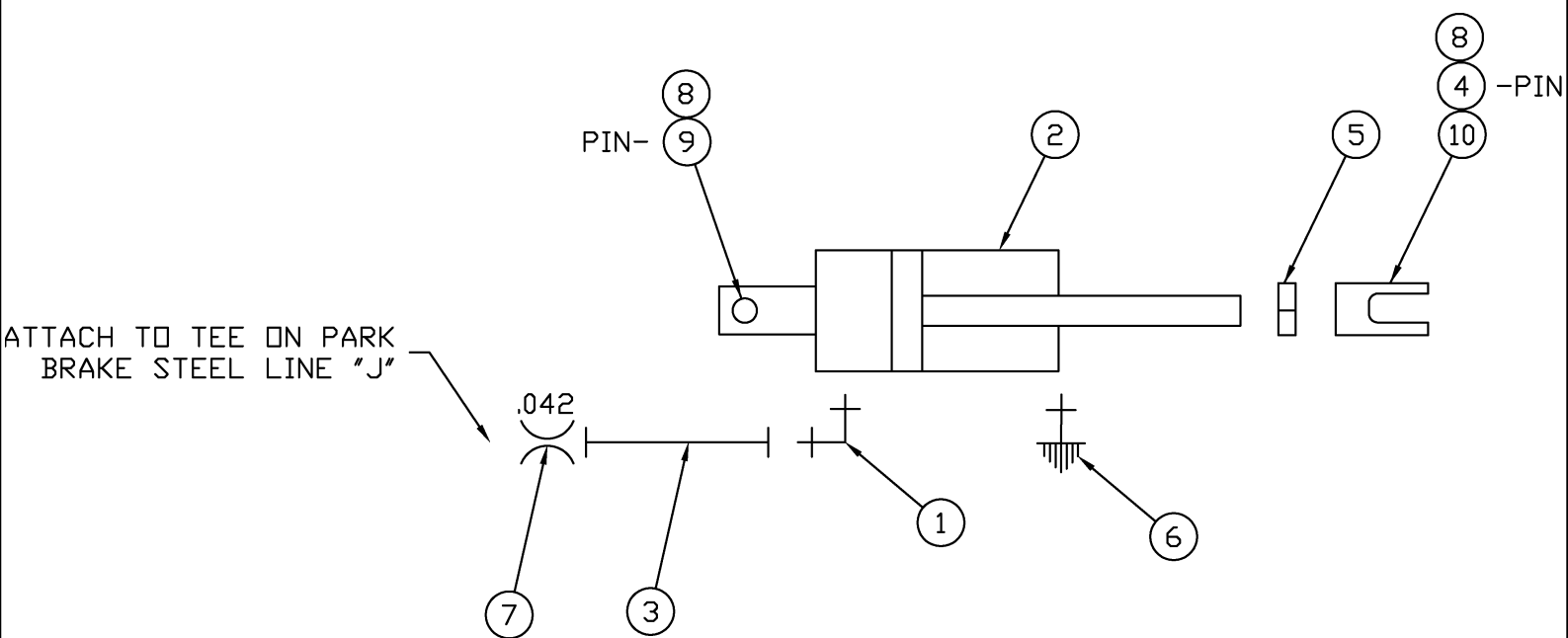
Ref	Part Number	Qty	Description
1	87105048	1	DRAINCOCK/TAP, SUPPLY, VALVE, HYDRAULIC
2	BN302570	2	ELBOW, 12MOR-16MBX90
3	BN302574	1	ELBOW, 16MOR-16MBX90
4	BN302577	3	ELBOW, 20MOR-20MBX90
5	BN302588	1	8MOR-8MBX90
6	87272095	1	GASKET, COVER PLATE
7	BN303528	4	STRAINER ASSY., -32MBx-20FB, 100
8	BN304339	1	FILTER, AIR, PRESS VALVE
9	BN302660	1	FITTING, 20MOR-20MB
10	343915A1	2	SUPPORT, TANK LEG
11	86986999	1	CHANNEL, HYD TANK
12	BN302425	1	FITTING, 20 MOR - 20 MBX 90 LONG
13	87267807	1	FILTER, OIL IN-TANK, SEE FIG 06-030
14	87272073	1	TANK, OIL, WELDMENT
15	87266518	1	PLATE, MOUNTING, HYD TANK, LH
16	87266519	1	PLATE, MOUNTING, HYD TANK, RH
17	BN322594	1	GAUGE, SIGHT W/TEMPERATURE
18	87272099	1	PLATE, TEMP LEVEL, WLDM'T
19	BN323888	1	INDICATOR, MULTI-LEVEL OIL
21	515-2363	2	CLAMP, M6.3, Insul, 3/8" Bolt,
25	86980400	8	BOLT, Hex, M10 x 25, 8.8, DO
26	86980401	12	BOLT, M10-1.5 X 30, HH, 8.8, DO
27	86980444	8	BOLT, M16-2 X 40, HH, 8.8, DORR
29	86980515	28	NUT, LOCK, M10 x 1.5, CI 8, M10 CL8 P/T ALL META
30	86980517	8	NUT, M16 CL8 P/T ALL META
31	87529312	20	WASHER, 11 X 24 X 3MM HDN
32	BN302660	1	FITTING, 20MOR-20MB
33	87267808	1	SWITCH, PRESSURE, 25 PSI N/C
34	129096A1	1	HOSE, RESERVOIR DRAIN
35	214-1412	1	CLAMP, HOSE, #12, 0.69/1.25 Type F Worm,



## 4420 PATRIOT SPRAYER

## 06-030 FILTER, TANK

Ref	Part Number	Qty	Description
A-1	87272027	1	CAP, W/FILL PORT, OIL FILTR
A-2	87272028	1	SPRING, COMPRESS, OIL FILTR
A-4	87272029	1	FILTER ASSY., BYPASS, OIL
B	87272030	1	HEAD, FILTER, OIL
C	87272031	1	BOWL, FILTER, OIL HOUSING
D	87272032	1	KIT, SEALS, BUNA, OIL FILTER
F	87272033	1	FILTER, ELEMENT, OIL



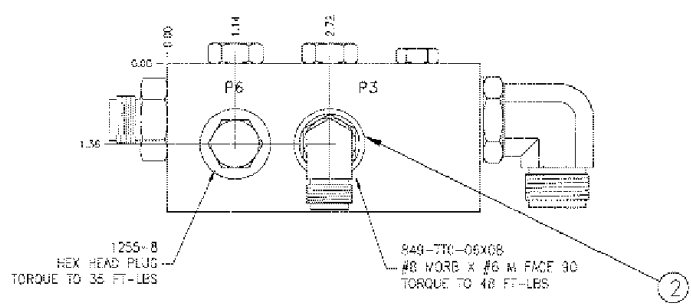
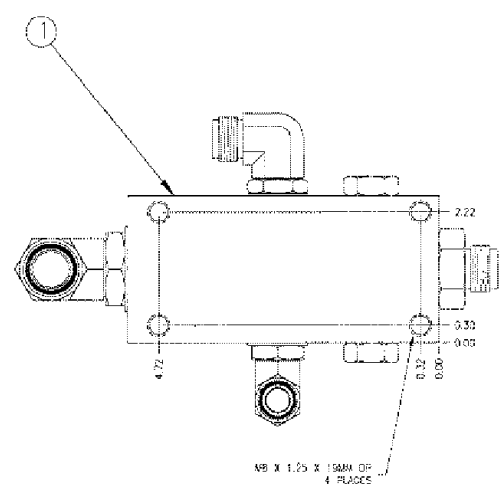
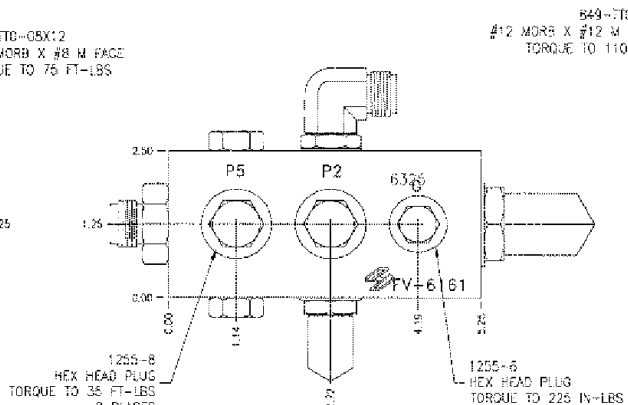
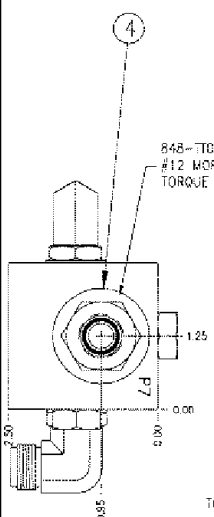
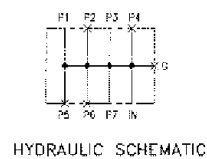
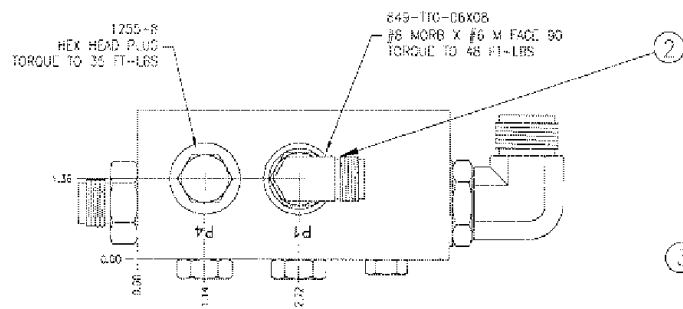
NOTES:

- 1) USE HDWE 11, 12 & 13 TO SECURE HOSES TO WELD STUDS ON FRAME.

## 4420 PATRIOT SPRAYER

## 06-031 LADDER, HYDRAULIC LIFT

Ref	Part Number	Qty	Description
1	BN302547	1	ELBOW, 4MOR-4MBX90
2	87266443	1	HYDRAULIC CYLINDER, CYLINDER, 1 X 6, SAE PORTS, SEE FIG. 07-010
3	87686433	1	ASSY,-4 X 2946 MM
4	439-1620	1	PIN, HEADED, 3/8" x 1 1/4", G2, CLEVIS
5	BN50075	1	NUT, -1/2-20 HEX SS
6	87267314	1	BREATHER, SINTERED -4 SAE
7	BN313268	1	ORIFICE, .042-6 DISK
8	432-812	2	PIN, SPLIT (COTTER), 1/8" x 3/4",
9	439-1824	1	PIN, HEADED, 1/2" x 1 1/2", G2, CLEVIS
10	BN21982	1	CLEVIS, -1" DIA. CRS X 1.87
11	515-23254	3	CLAMP, 1", Insul, 3/8" Bolt,
12	86980514	3	NUT, P/T ALL MTL M8 8 DOR
13	87529315	3	WASHER, SINTERED -4 SAE





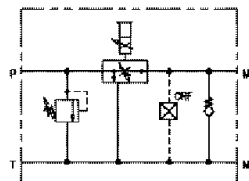
4420 PATRIOT SPRAYER

06-032 MANIFOLD, PRESSURE COMP

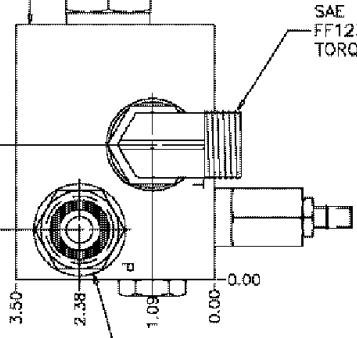
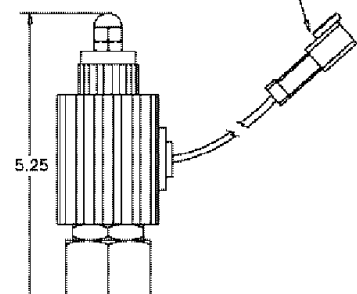
Ref	Part Number	Qty	Description
1	BN326042	1	BODY, ALUMINUM
2	BN302554	2	FITTING, 6MOR-8MBX90
3	BN302568	1	ELBOW, 12MOR-12MBX90
4	BN302652	1	FITTING, 8MOR-12MB

3E3364 (DEUTSCH DT04-2P) SHROUD  
 816728 MALE PIN (2 PER)  
 3E3365 RETAINER  
 CUT LEAD WIRES TO 10 INCHES

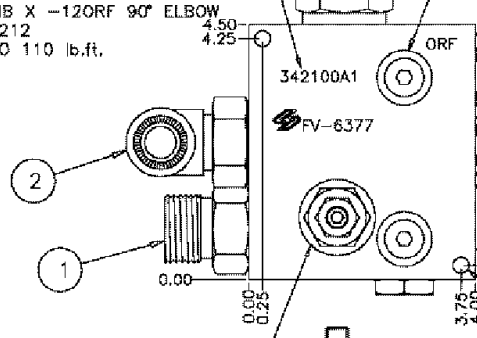
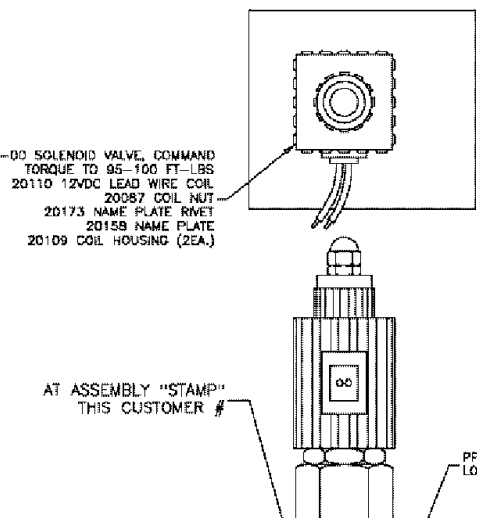
EMF10-16-N-20-0-00 SOLENOID VALVE, COMMAND  
 TORQUE TO 95-100 FT-LBS  
 20110 12VDC LEAD WIRE COIL  
 20087 COIL NUT  
 20173 NAME PLATE RIVET  
 20158 NAME PLATE  
 20109 COIL HOUSING (2EA.)



HYDRAULIC SCHEMATIC

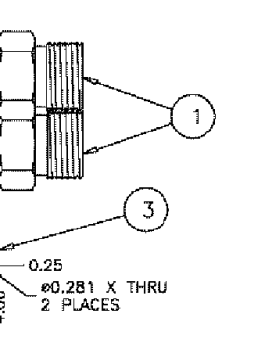


SAE -12MB X -12ORF STRAIGHT  
 FF1231-1212  
 TORQUE TO 110 lb.ft.

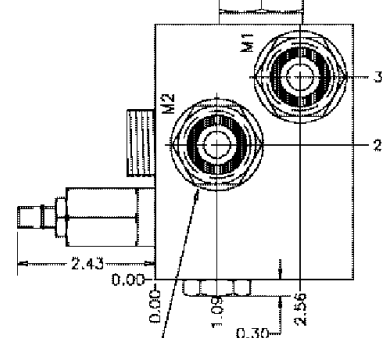
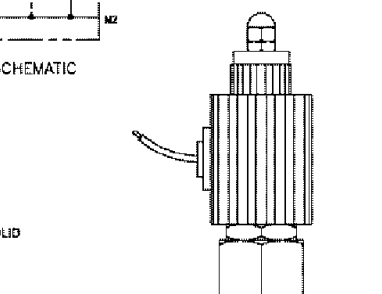


AD4G2HZN RELIEF VALVE, STERLING  
 SET TO 2500 PSI @ 1 GPM  
 TORQUE TO 37 FT-LBS

PFLUG106-27 1/16-27 PIPE PLUG, SOLID  
 LOCATED UNDER, #6 EPDM PLUG

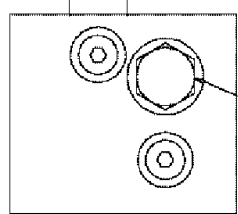


SAE -12MB X -12ORF STRAIGHT  
 FF1231-1212  
 TORQUE TO 110 lb.ft.  
 2 PLACES



SAE -12MB X -12ORF STRAIGHT  
 FF1231-1212  
 TORQUE TO 110 lb.ft.  
 2 PLACES

NOTE:  
 ANODIZE PER MIL-A-8625F TYPE II CLASS 2, BLACK



DD4B2-0.2N CHECK VALVE, STERLING  
 TORQUE TO 37 FT-LBS

AT ASSEMBLY "STAMP"  
 THIS CUSTOMER #

SAE -12MB X -12ORF 90° ELBOW  
 FF1238-1212  
 TORQUE TO 110 lb.ft.

342100A1  
 FV-6377

2

1

1

3

3.57

2.38

2.43

0.00

1.09

0.30

2.56

NOTE:

ANODIZE PER MIL-A-8625F TYPE II CLASS 2, BLACK

DD4B2-0.2N CHECK VALVE, STERLING  
 TORQUE TO 37 FT-LBS

AT ASSEMBLY "STAMP"  
 THIS CUSTOMER #

SAE -12MB X -12ORF 90° ELBOW  
 FF1238-1212  
 TORQUE TO 110 lb.ft.

342100A1  
 FV-6377

2

1

1

3

3.57

2.38

2.43

0.00

1.09

0.30

2.56

NOTE:

ANODIZE PER MIL-A-8625F TYPE II CLASS 2, BLACK

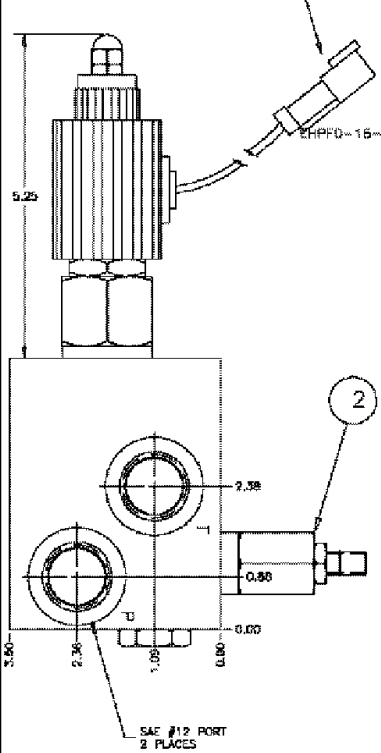
DD4B2-0.2N CHECK VALVE, STERLING  
 TORQUE TO 37 FT-LBS

4420 PATRIOT SPRAYER

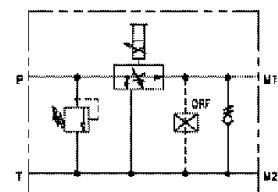
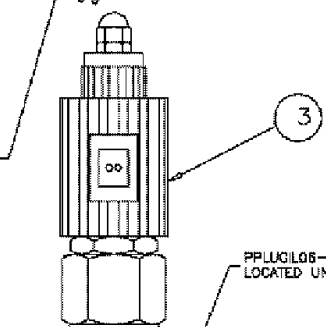
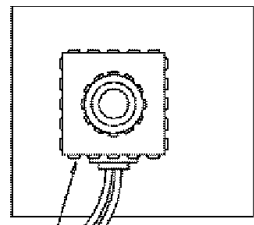
06-033 PRODUCT CONTROL VALVE

Ref	Part Number	Qty	Description
1	BN302655	3	FITTING, 12MOR-12MB
2	BN302568	1	ELBOW, 12MOR-12MBX90
3	86986093	1	VALVE, PRODUCT, W/O FTNGS, SEE FIG 06-034

CUT WIRES 10 INCHES  
 3E3364 DEUTSCH RECEPTACLE  
 3E3385 DEUTSCH WEDGE  
 ST8729 DEUTSCH PINS, MALE (2 PER)

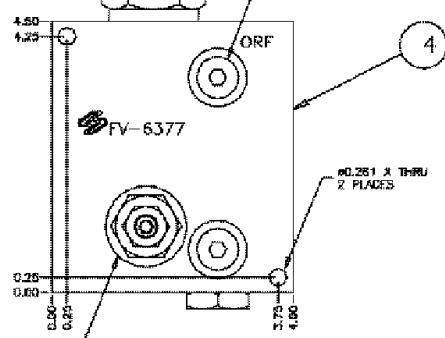


EHPPD-15-N-20-0-00 SOLENOID VALVE, COMMAND  
 TORQUE TO 95-100 FT-LBS  
 20110 12VDC LEAD WIRE COIL  
 20087 COIL NUT  
 20173 NAME PLATE RIVET  
 2015B NAME PLATE  
 20109 COIL HOUSING (2EA)

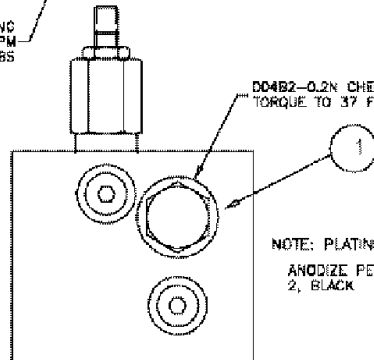


PPLUGL06-27 1/16-27 PIPE PLUG, SOLID  
 LOCATED UNDER #6 EPCO PLUG

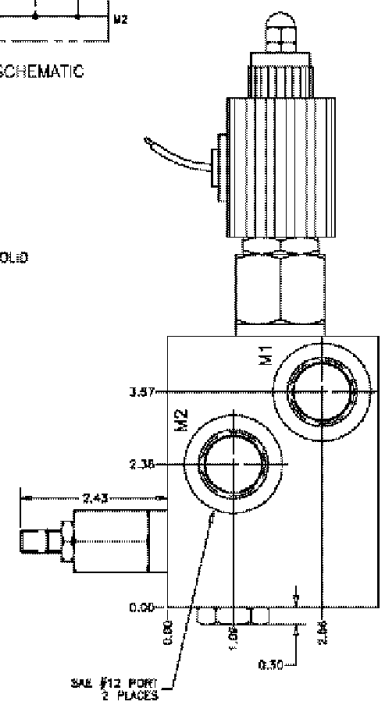
AC4C2H2N RELIEF VALVE, STERLING  
 SET TO 2500 PSI @ 1 GPM  
 TORQUE TO 37 FT-LBS



DD4B2-0.2N CHECK VALVE, STERLING  
 TORQUE TO 37 FT-LBS



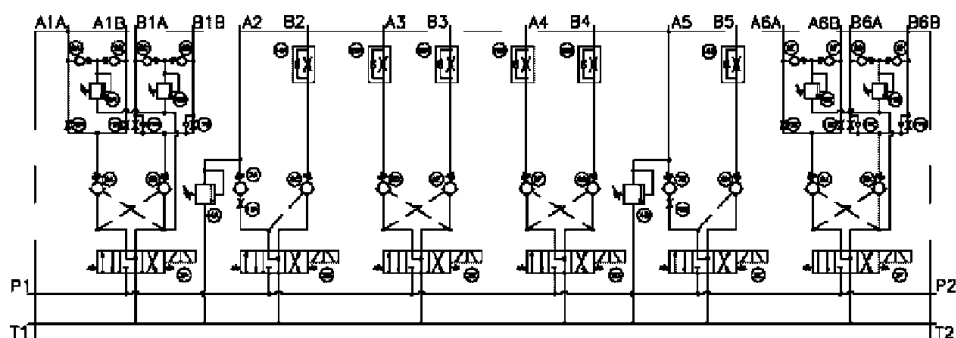
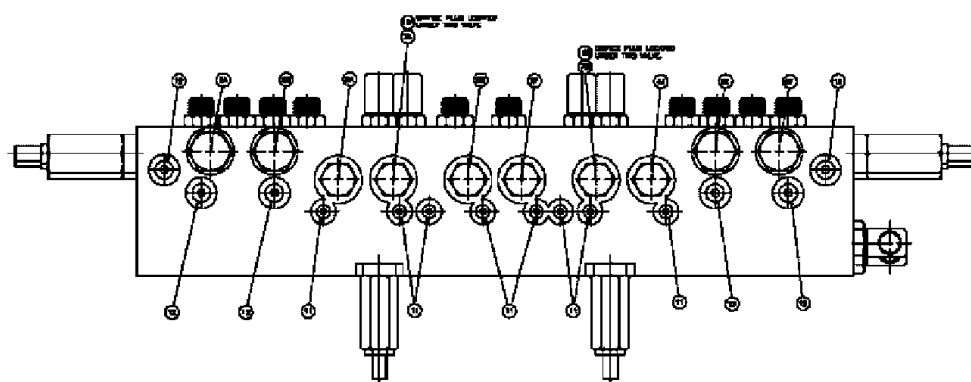
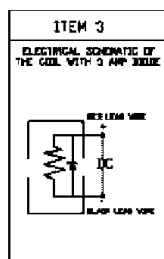
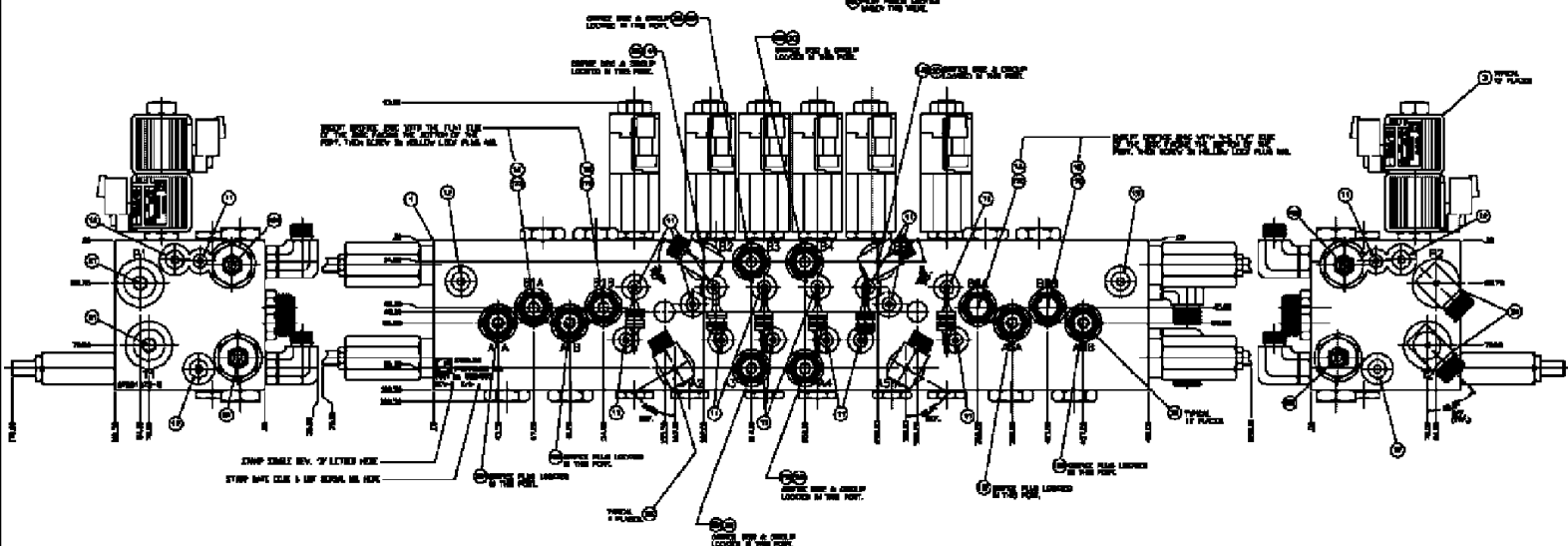
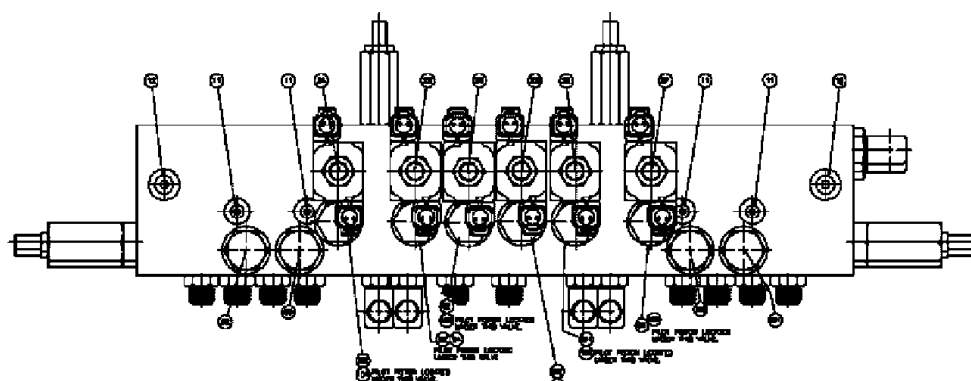
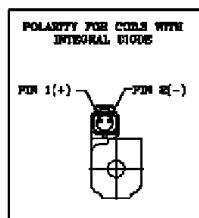
NOTE: PLATING SPEC  
 ANODIZE PER MIL-A-8625F TYPE II CLASS  
 2, BLACK



## 4420 PATRIOT SPRAYER

## 06-034 VALVE PRODUCT W/O FITTINGS

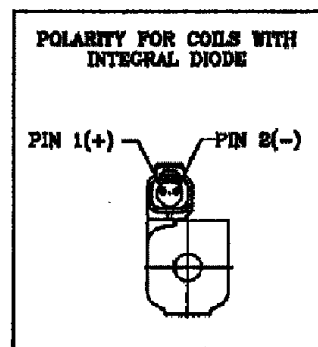
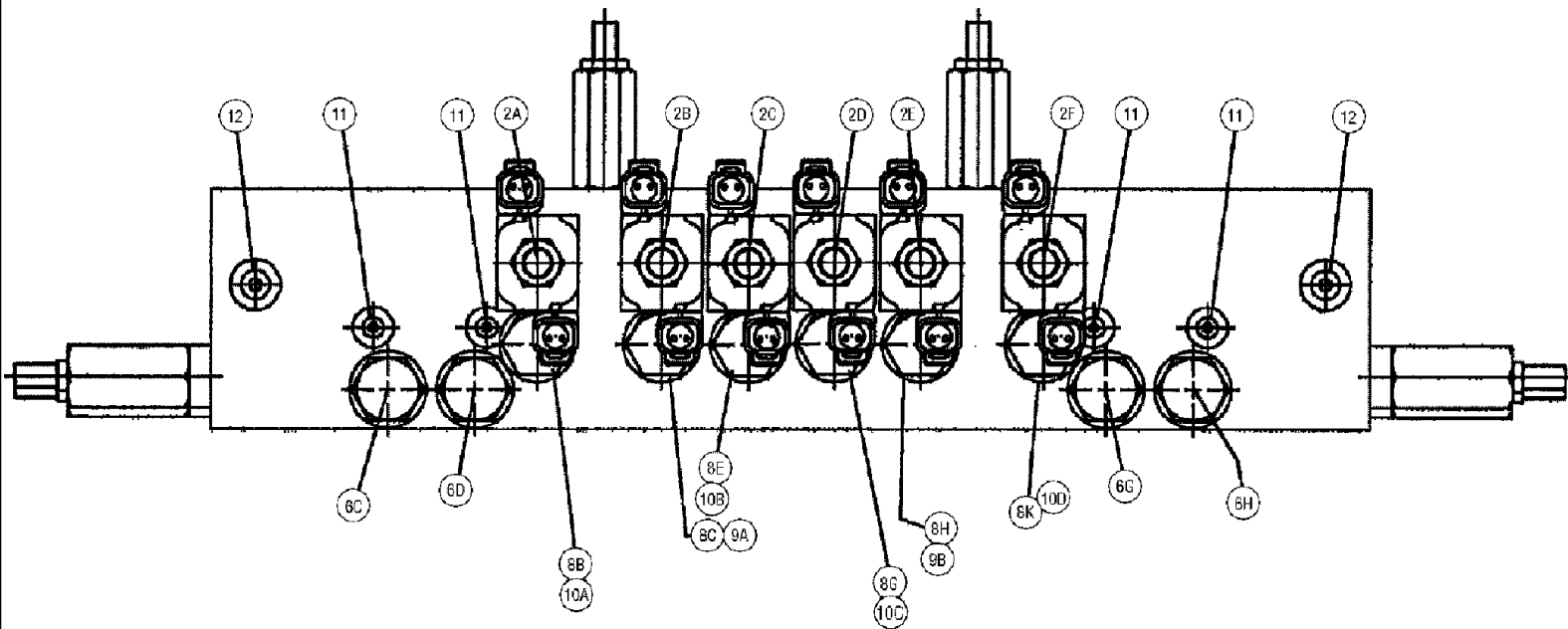
Ref	Part Number	Qty	Description
1	BN314658	1	VALVE, CHECK
2	BN306273	1	VALVE, PRESSURE RELIEF, 2500 PSI
3	86986094	1	SOLENOID, VALVE, COMMAND
	87270915	1	KIT, REPAIR, COIL KIT 12 VDC DEUTSCH, ASSOCIATED PART OF SOLENOID VALVE, P/N 86986094
	87270922	1	CARTRIDGE, PWM CARTRIDGE EHPFD 20GPM, ASSOCIATED PART OF SOLENOID VALVE, P/N 86986094
4	86986095	1	VALVE, HYDRAULIC, VALVE BODY PWM



## 4420 PATRIOT SPRAYER

## 06-035 VALVE, 6-SECTION, W/FITTINGS

Ref	Part Number	Qty	Description
1	87270619	1	BANK W/O FITTINGS, SEE FIG 06-036
22	BN302646	12	FITTING, 6MOR-6MB
23	BN302553	4	ELBOW, 6MOR-6MBX90
24	BN302558	2	ELBOW, 8MOR-8MBX90

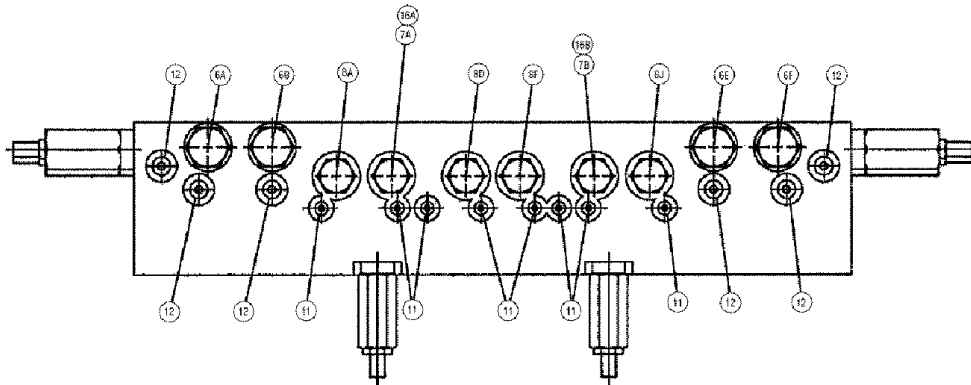
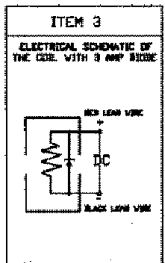
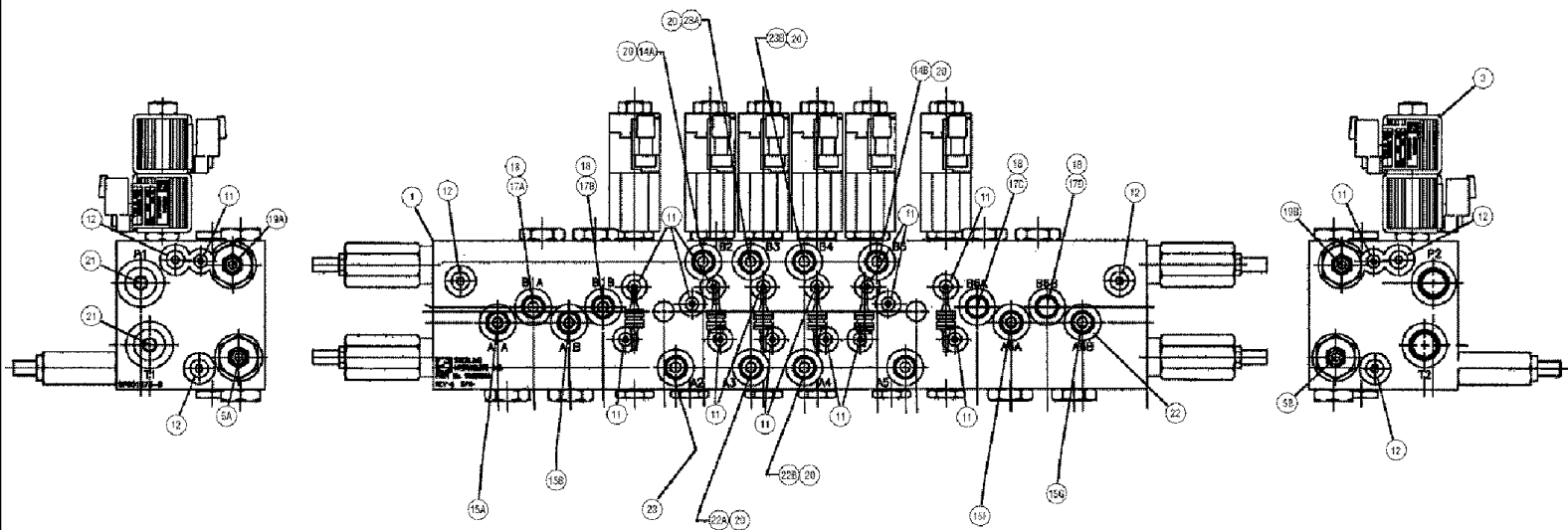




## 4420 PATRIOT SPRAYER

## 06-036(01) VALVE, 6-SECTION, W/O FITTINGS

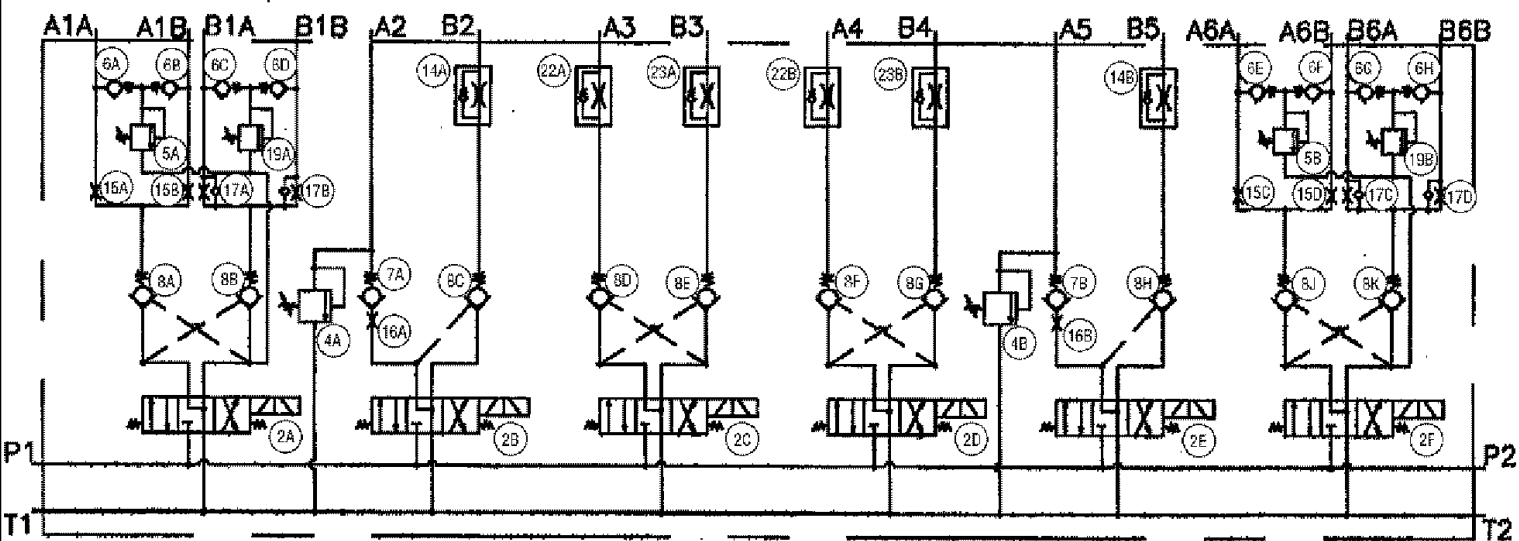
Ref	Part Number	Qty	Description
1	343291A1	1	VALVE, HYDRAULIC, BLOCK
2	343278A1	6	VALVE, 3/4 WAY SOLENOID
3	87267925	12	COIL, 12V DC CCP012HE
4	343283A1	2	VALVE, RELIEF, 200 PSI
5	343284A1	2	VALVE, RELIEF, 2950 PSI
6	BN314658	8	VALVE, CHECK
7	343285A1	2	VALVE, CHECK, 3 PSI
8	87590496	10	VALVE, CHECK, 100 PSI
9	343286A1	2	PISTON, PILOT SINGLE
10	343280A1	4	PISTON, PILOT DOUBLE
11	86632547	36	PLUG, Hex Soc, 5/16"-24 ORB,
12	218-5207	14	PLUG, Hex Soc, 7/16"-20 ORB, SOC HD
14	343282A1	2	PLUG, ORIFICE, .059
15	343281A1	6	PLUG, ORIFICE, .039
16	343287A1	2	PLUG, ORIFICE, .069
17	343288A1	4	DISC, ORIFICE, .03
18	343289A1	4	PLUG, HOLLOW LOCK
19	343290A1	2	VALVE, RELIEF, 1500PSI
20	87272010	6	ORIFICE, RING RETAINING STERLING
22	87523862	2	ORIFICE, DISC, .050
23	87523863	2	ORIFICE, DISC, .042



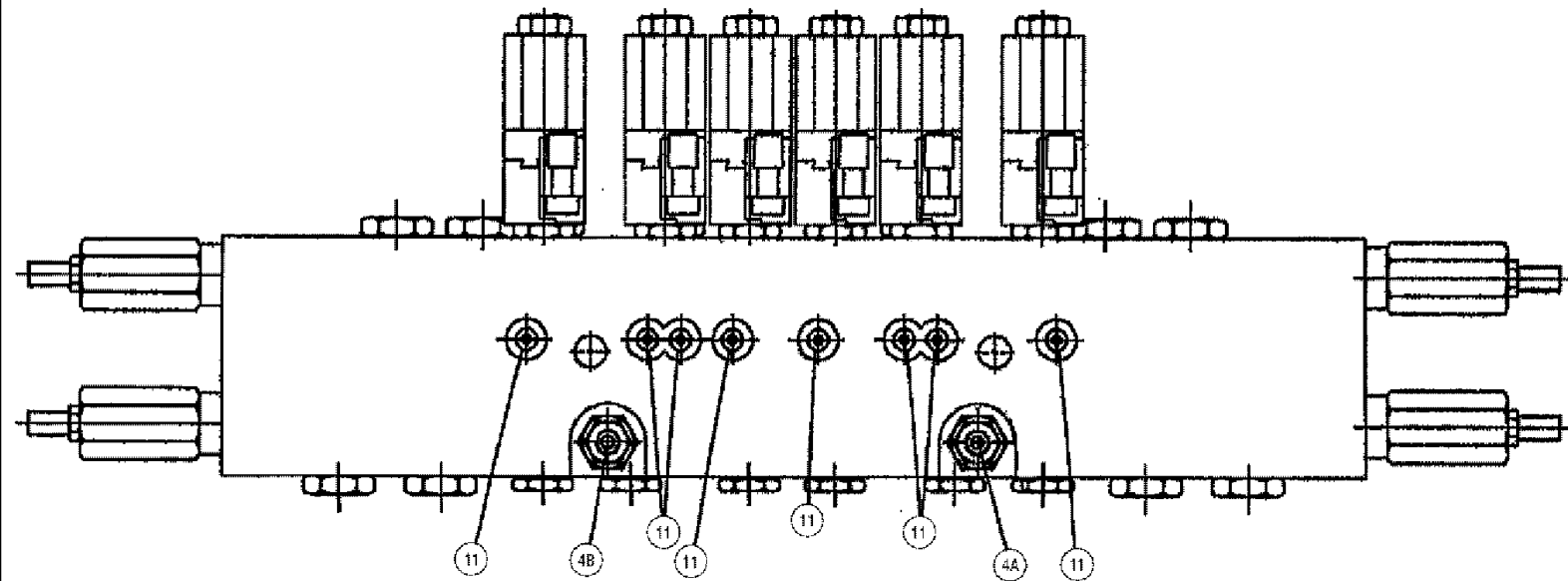
## 4420 PATRIOT SPRAYER

## 06-036(02) VALVE, 6-SECTION, W/O FITTINGS

Ref	Part Number	Qty	Description
1	343291A1	1	VALVE, HYDRAULIC, BLOCK
2	343278A1	6	VALVE, 3/4 WAY SOLENOID
3	87267925	12	COIL, 12V DC CCP012HE
4	343283A1	2	VALVE, RELIEF 200 PSI
5	343284A1	2	VALVE, RELIEF 2950 PSI
6	BN314658	8	VALVE, CHECK
7	343285A1	2	VALVE, CHECK 3 PSI
8	87590496	10	VALVE, CHECK 100 PSI
9	343286A1	2	PISTON, PILOT SINGLE
10	343280A1	4	PISTON, PILOT DOUBLE
11	86632547	36	PLUG, Hex Soc, 5/16"-24 ORB,
12	218-5207	14	PLUG, Hex Soc, 7/16"-20 ORB,
14	343282A1	2	PLUG, ORIFICE .059
15	343281A1	6	PLUG, ORIFICE .039
16	343287A1	2	PLUG, ORIFICE .069
17	343288A1	4	DISC, ORIFICE .03
18	343289A1	4	PLUG, HOLLOW LOCK
19	343290A1	2	VALVE, RELIEF 1500PSI
20	87272010	6	ORIFICE, RING RETAINING STERLING
22	87523862	2	ORIFICE, DISC .050
23	87523863	2	ORIFICE, DISC .042



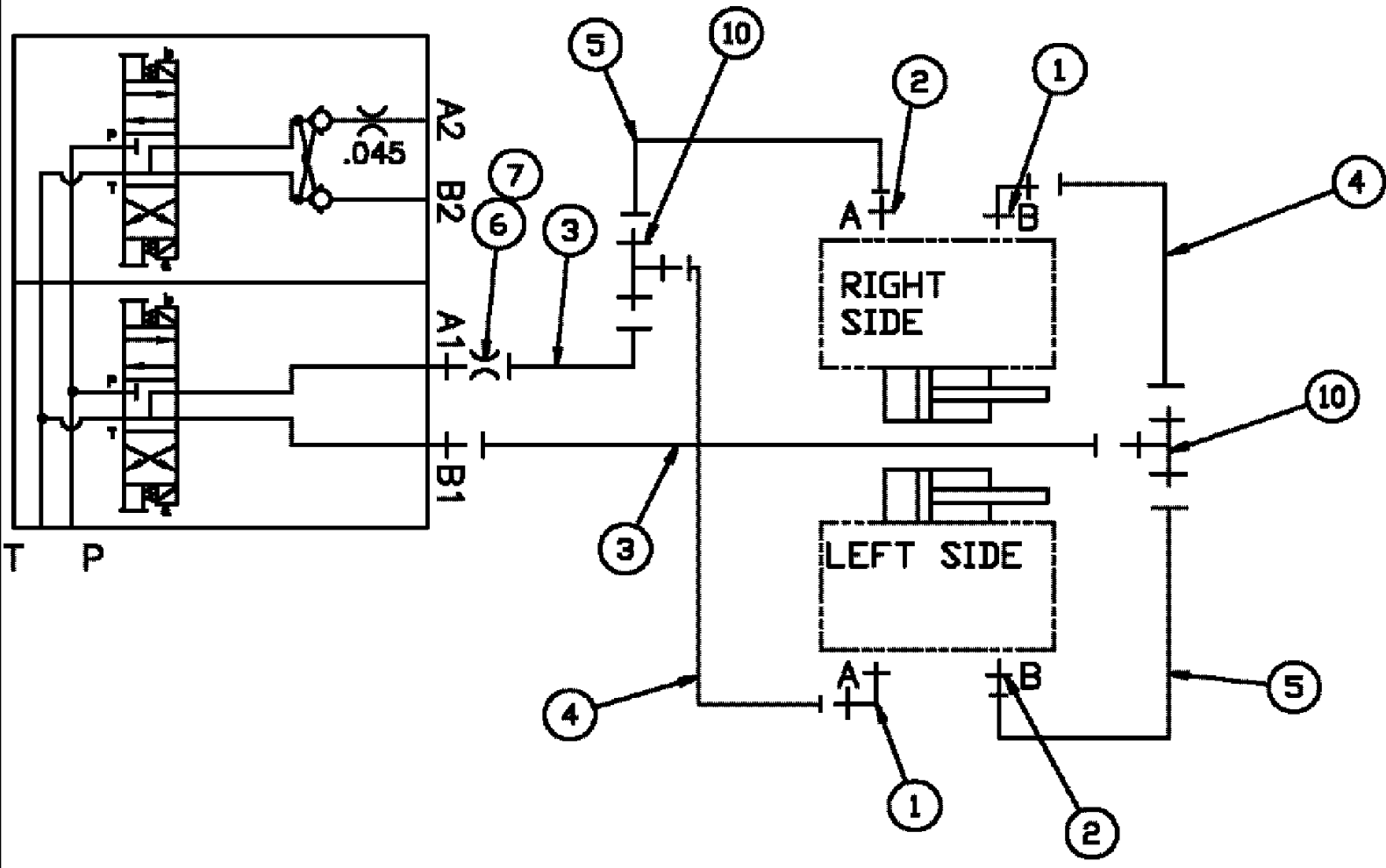
P1,P2,T1,T2.....SAE #8  
 ALL OTHERS.....SAE #6



## 4420 PATRIOT SPRAYER

06-036(03) VALVE, 6-SECTION, W/O FITTINGS

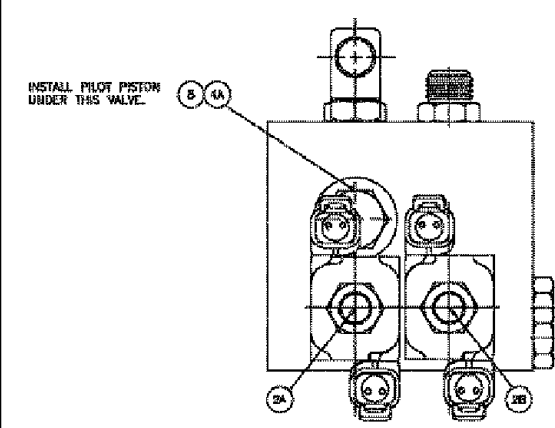
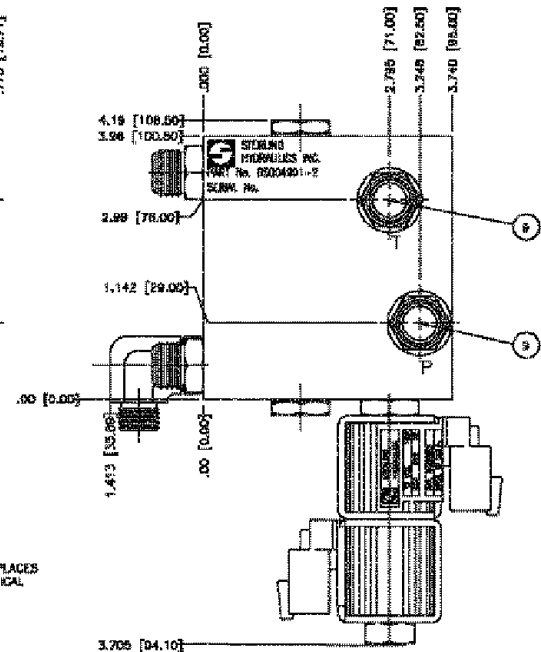
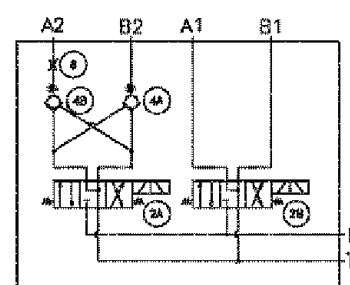
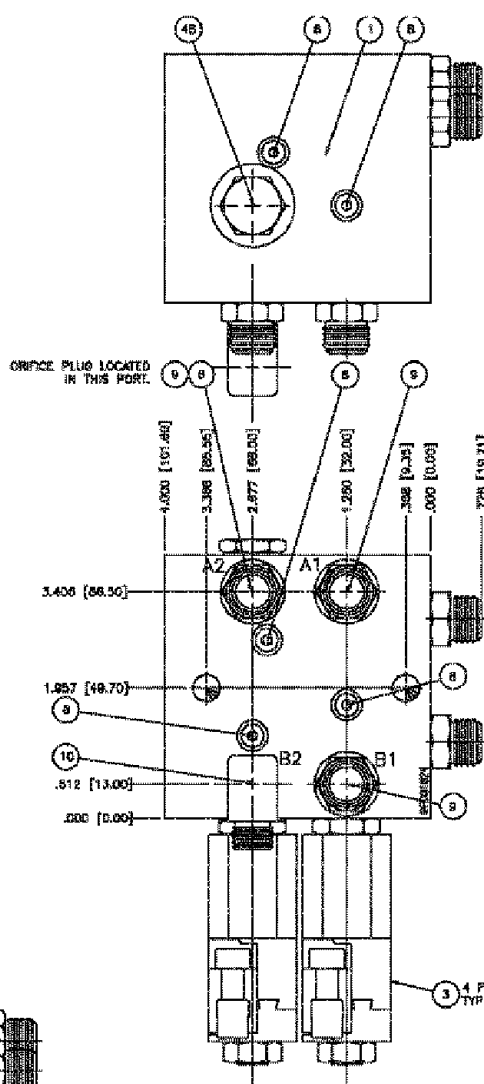
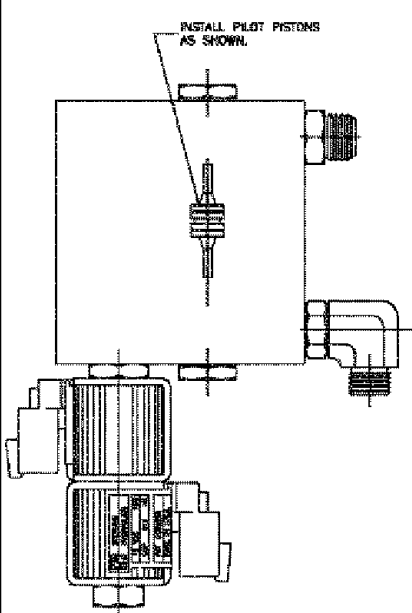
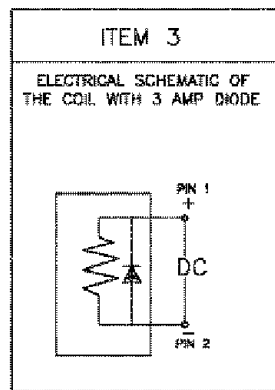
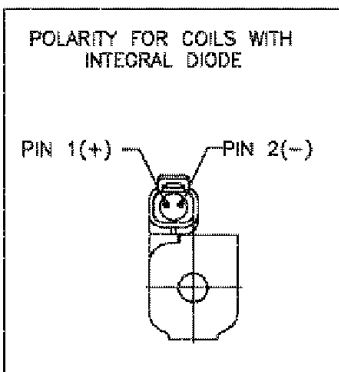
Ref	Part Number	Qty	Description
1	343291A1	1	VALVE, HYDRAULIC, BLOCK
2	343278A1	6	VALVE, 3/4 WAY SOLENOID
3	87267925	12	COIL, 12V DC CCP012HE
4	343283A1	2	VALVE, RELIEF 200 PSI
5	343284A1	2	VALVE, RELIEF 2950 PSI
6	BN314658	8	VALVE, CHECK
7	343285A1	2	VALVE, CHECK 3 PSI
8	87590496	10	VALVE, CHECK 100 PSI
9	343286A1	2	PISTON, PILOT SINGLE
10	343280A1	4	PISTON, PILOT DOUBLE
11	86632547	36	PLUG, Hex Soc, 5/16"-24 ORB,
12	218-5207	14	PLUG, Hex Soc, 7/16"-20 ORB, SOC HD
14	343282A1	2	PLUG, ORIFICE .059
15	343281A1	6	PLUG, ORIFICE .039
16	343287A1	2	PLUG, ORIFICE .069
17	343288A1	4	DISC, ORIFICE .03
18	343289A1	4	PLUG, HOLLOW LOCK
19	343290A1	2	VALVE, RELIEF 1500PSI
20	87272010	6	ORIFICE, RING RETAINING STERLING
22	87523862	2	ORIFICE, DISC, .050
23	87523863	2	ORIFICE, DISC, .042



## 4420 PATRIOT SPRAYER

## 06-037 BOOM HITCH HYDRAULIC GROUP

Ref	Part Number	Qty	Description
1	BN302553	2	ELBOW, 6MOR-6MBX90
2	BN302646	2	FITTING, 6MOR-6MB
3	BN313336	2	HOSE, -6 X 30"
4	86986082	2	HOSE, ASSY, -6 X 50"
5	BN313337	2	HOSE, ASSY, -6 X 50"
6	BN316688	1	ORIFICE, .140, -6, DISK
7	BN305412	1	O-RING, FOR -6, FFOR
10	BN302512	2	FITTING, 6MOR-6MOR-6MOR

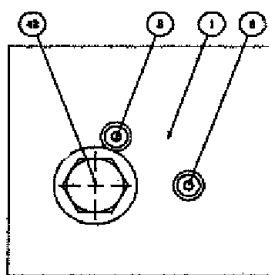
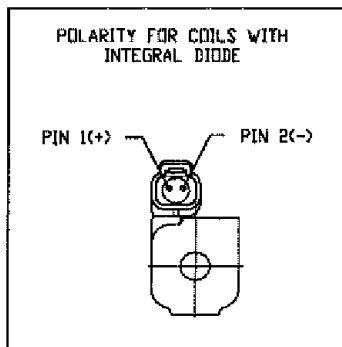




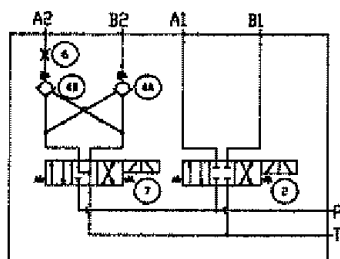
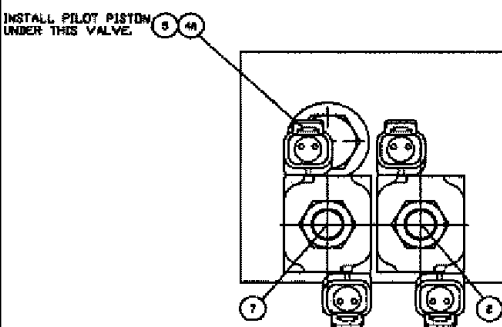
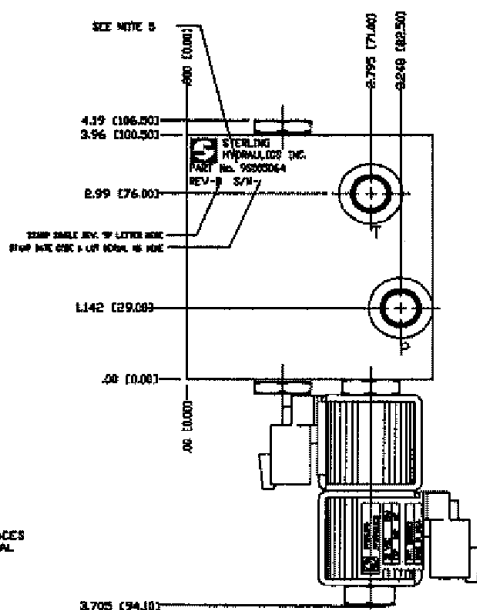
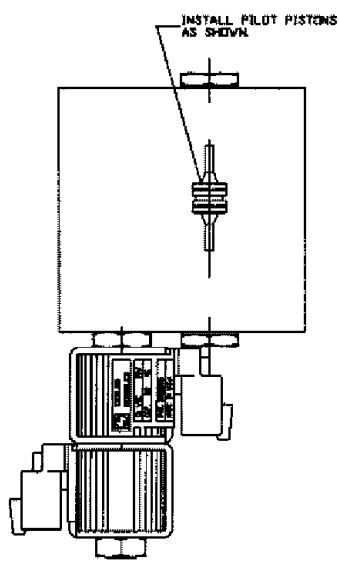
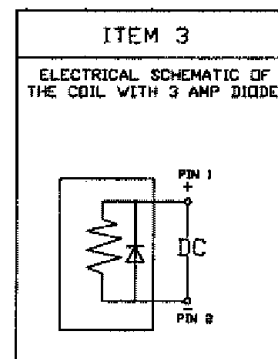
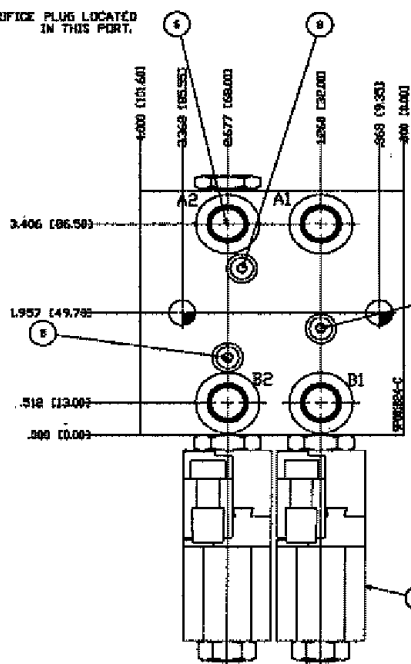
4420 PATRIOT SPRAYER

06-038 VALVE, 2-BANK WITH FITTINGS

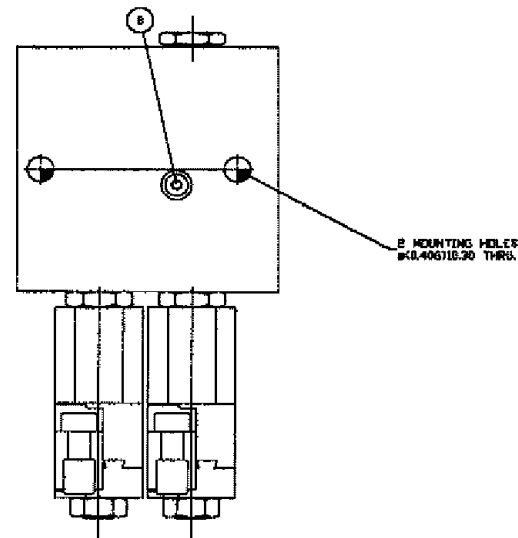
Ref	Part Number	Qty	Description
1	87270617	1	2 BANK W/O FITTINGS, SEE FIG 06-039
9	BN302646	5	FITTING, MOR-6MB
10	BN302553	16	ELBOW, MOR-6MBX90



DRIFTE PLUG LOCATED IN THIS PORT.



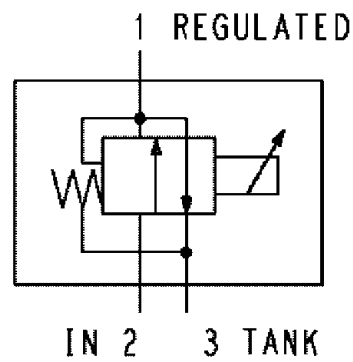
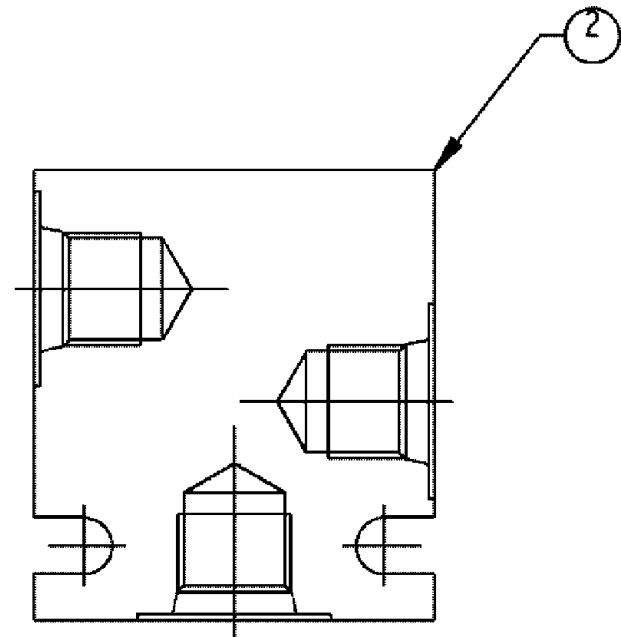
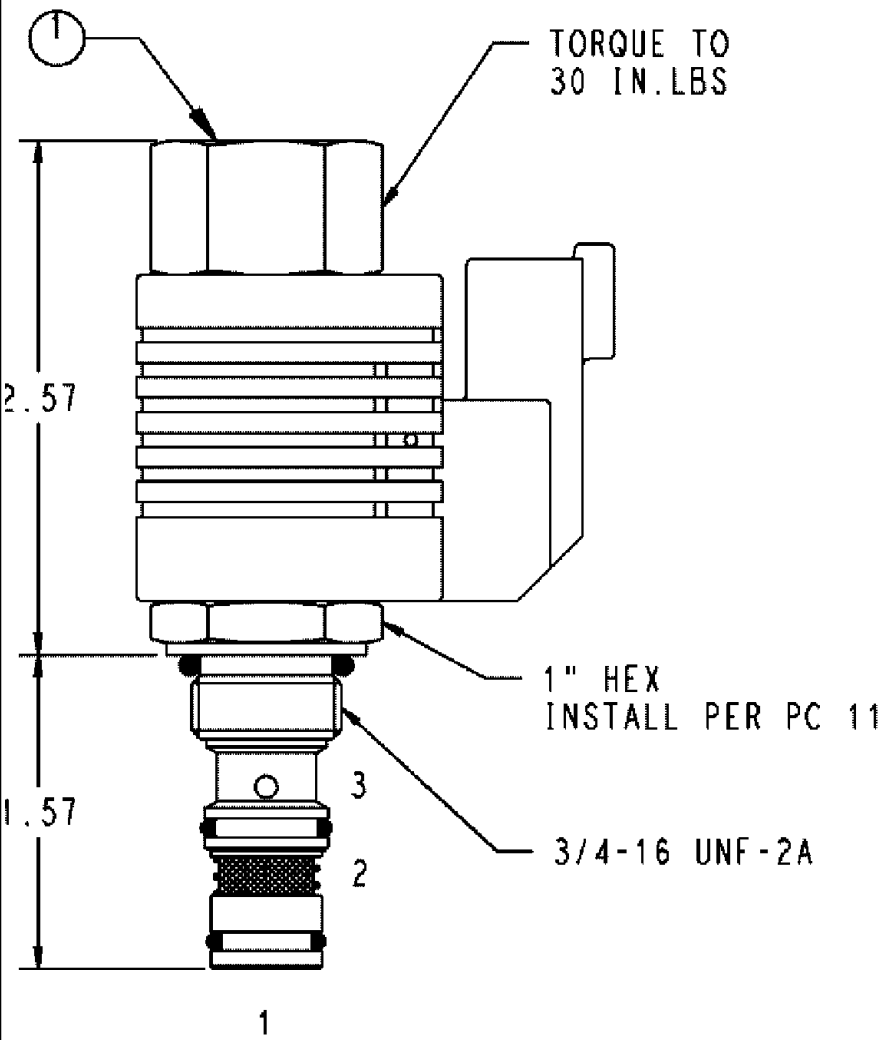
PORTS:  
ALL PORTS.....SAE #6



## 4420 PATRIOT SPRAYER

## 06-039 VALVE, 2-BANK W/O FITTINGS

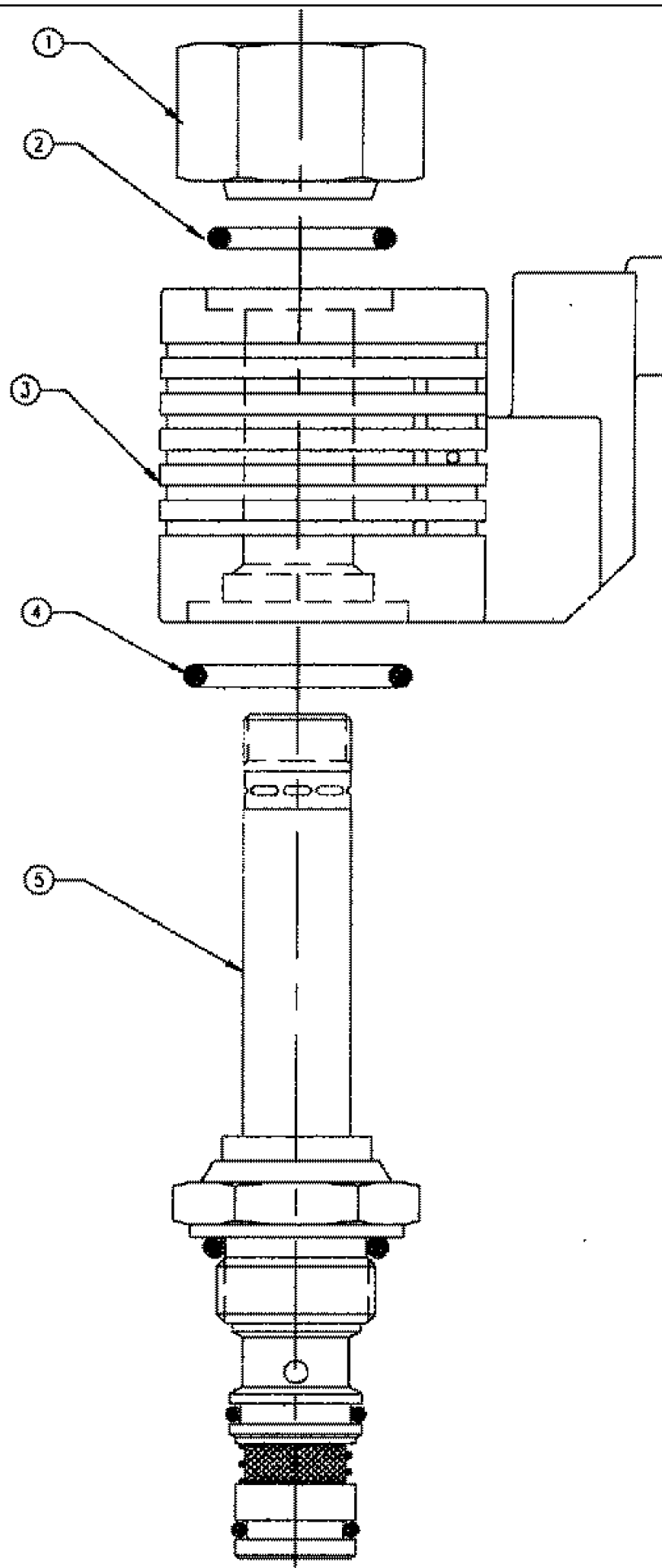
Ref	Part Number	Qty	Description
1	87268645	1	M/C
2	87558232	1	VALVE, HYDRAULIC, 3/4 CLOSED CENTER
3	87267925	4	COIL, 12V DC CCP012HE
4	87590496	2	VALVE, CHECK 100 PSI-8
5	343280A1	1	PISTON, PILOT DOUBLE
6	343281A1	1	PLUG, ORIFICE .039
7	343278A1	1	VALVE, 3/4 WAY SOLENOID
8	218-5205	6	PLUG, Hex Soc, 5/16"-24 ORB, INTERNAL SAE -2



4420 PATRIOT SPRAYER

06-040 SERVO VALVE

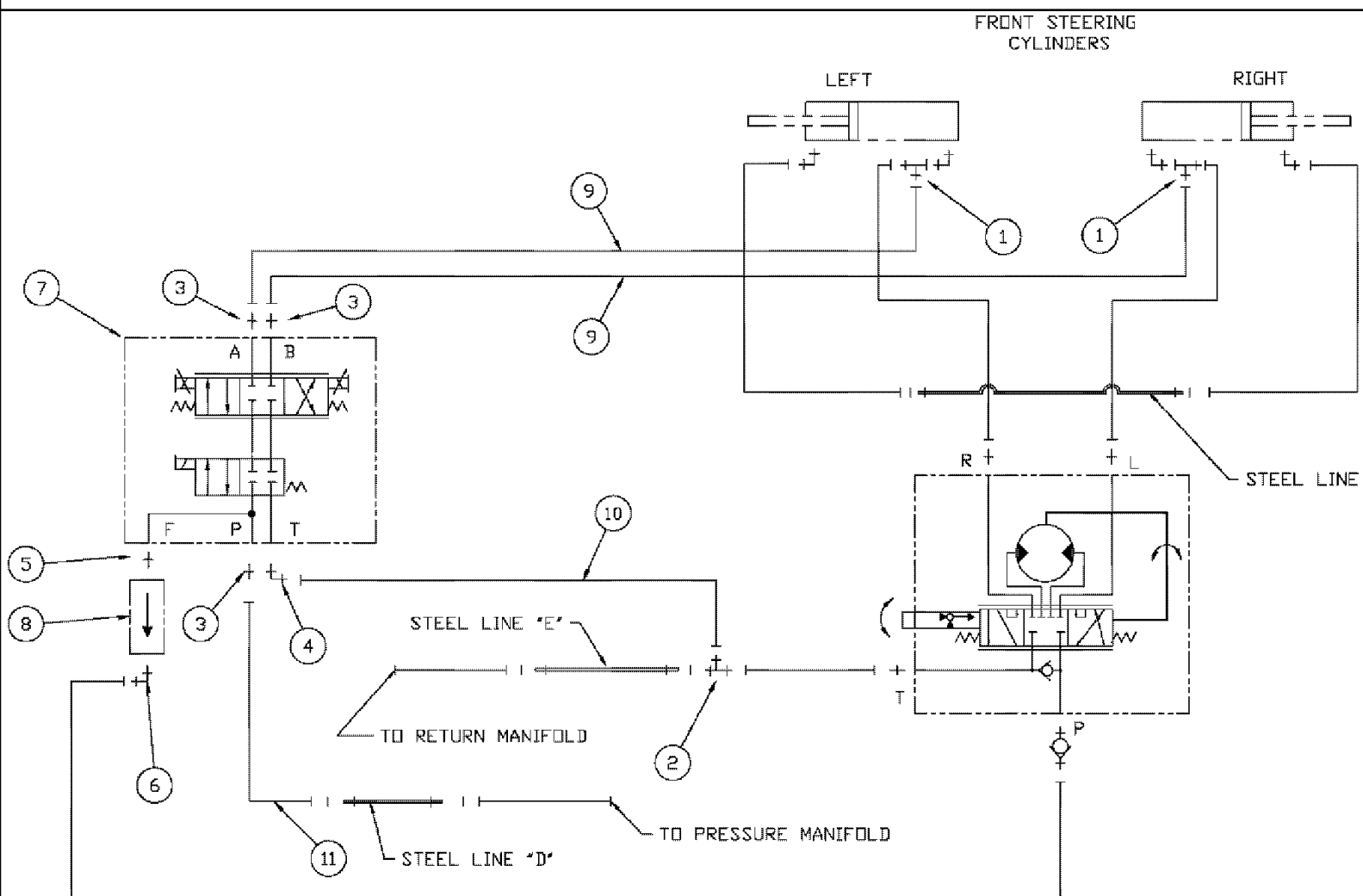
Ref	Part Number	Qty	Description
1	87272307	1	REDUCING PRESSURE, SEE FIG. 06-041
2	87272308	1	VALVE, HYDRAULIC, BODY
3	87272309	1	KIT, REPAIR, SEAL, VALVE



## 4420 PATRIOT SPRAYER

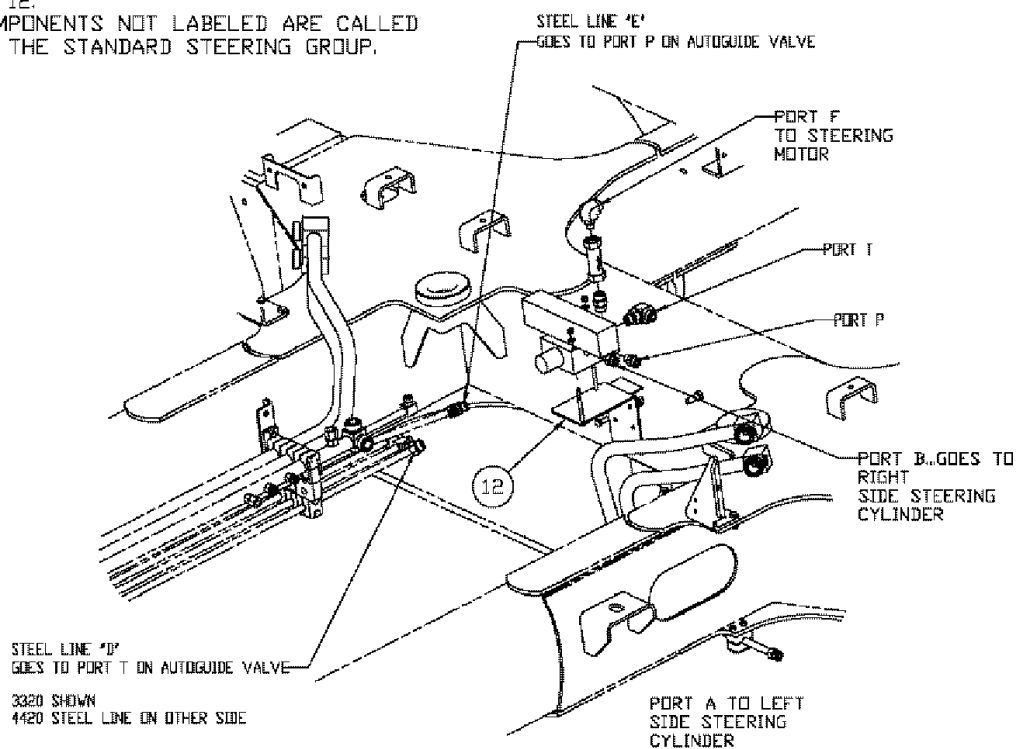
## 06-041 VALVE REDUCING PRESSURE

Ref	Part Number	Qty	Description
1	87272310	1	NUT, COIL
2	238-5115	1	O-RING, -115, 70 Duro, .674" ID x .103" Thk, EC, 11/16 X 7/8
3	87272311	1	COIL,
4	238-5118	1	O-RING, -118, 70 Duro, .862" ID x .103" Thk, 7.8 X 1-1/16 CL
5	87272312	1	ACTUATOR, ASSY



NOTES:

- 1) USE ITEMS 13, 15 & 16 TO MOUNT ITEM 12 TO MOUNT ON FRAME.
- 2) USE ITEMS 14, 15 & 16 TO SECURE ITEM 7 TO ITEM 12.
- 3) ALL COMPONENTS NOT LABELED ARE CALLED OUT IN THE STANDARD STEERING GROUP.

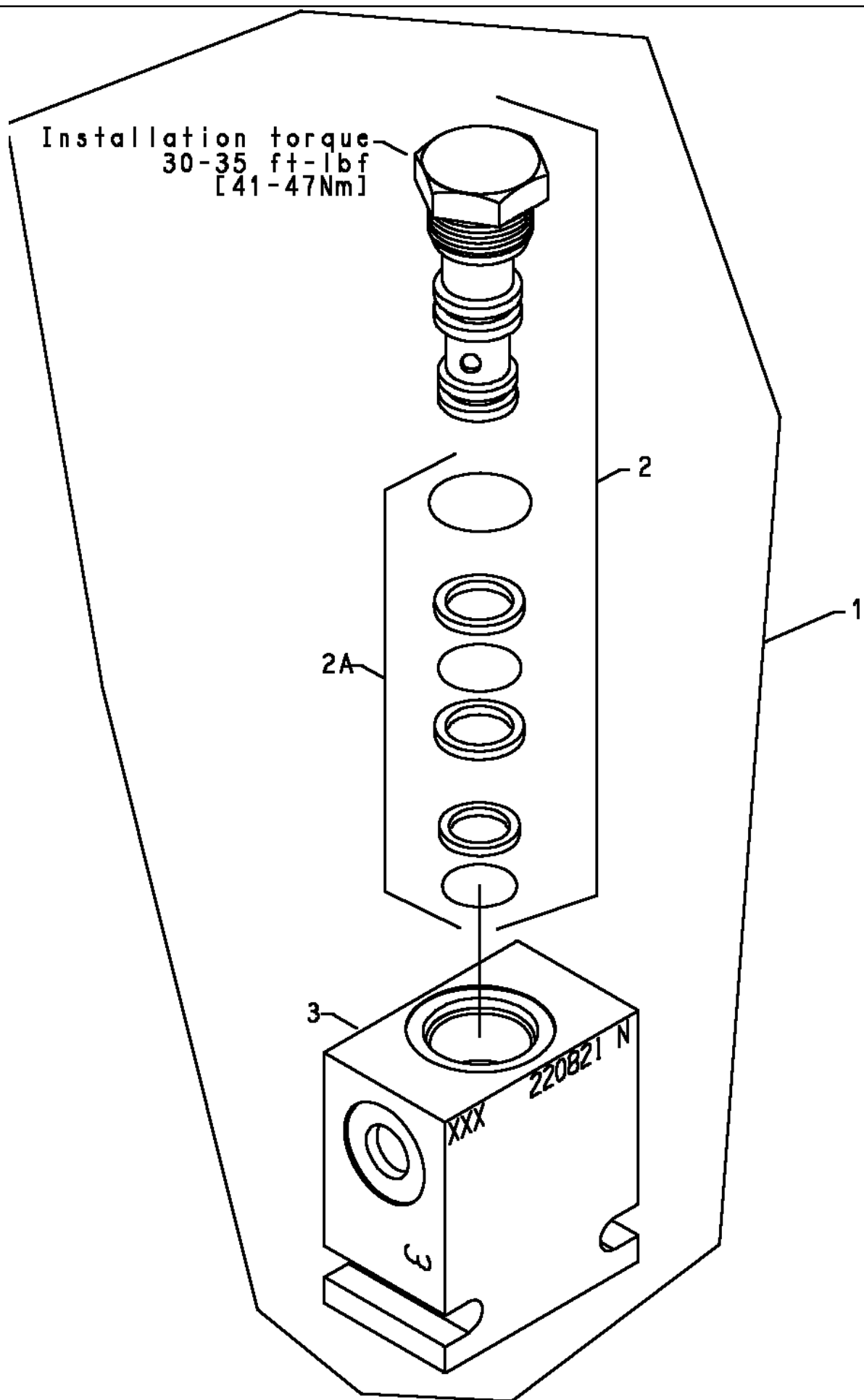




## 4420 PATRIOT SPRAYER

## 06-042 HYDRAULIC GROUP, AUTO GUIDE

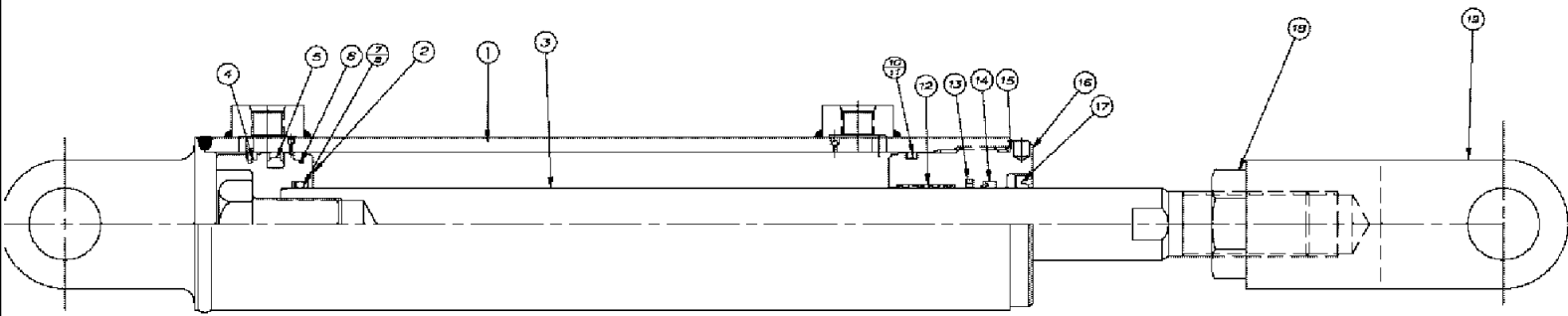
Ref	Part Number	Qty	Description
1	BN302435	2	FITTING, 6MOR-6MOR-6FORX
2	BN302436	1	FITTING, 8MOR-8MOR-8FORX
3	BN302646	3	FITTING, 6MOR-6MB
4	BN302558	1	ELBOW, 8MOR-8MBX90
5	BN322765	1	FITTING, 8MB, ADAPTER
6	BN302554	1	FITTING, 6MOR-8MBX90
7	87609218	1	VALVE, AUTO GUIDE
	87726186	1	MANIFOLD VALVE, VALVE, MANIFOLD, ASSOCIATED PART OF VALVE, P/N 87609218
8	87590181	1	SWITCH, FLOW
9	BN320874	2	HOSE ASSY., -6 X 64"
10	BN309746	1	HOSE, 08 X 25
11	BN314945	1	HOSE ASSY.,
12	87609209	1	PLATE, MOUNTING, AUTO GUIDANCE
13	86980360	2	BOLT, M6-1 X 20, HH, 8.8, DOR
14	86980368	2	BOLT, M6-1 X 70, HH, 8.8, DOR
15	86980513	4	NUT, P/T ALL MTL M6 8 DOR
16	87529314	4	WASHER, 6.6 X 12.5 X 2MM



4420 PATRIOT SPRAYER

06-043 CHECK VALVE

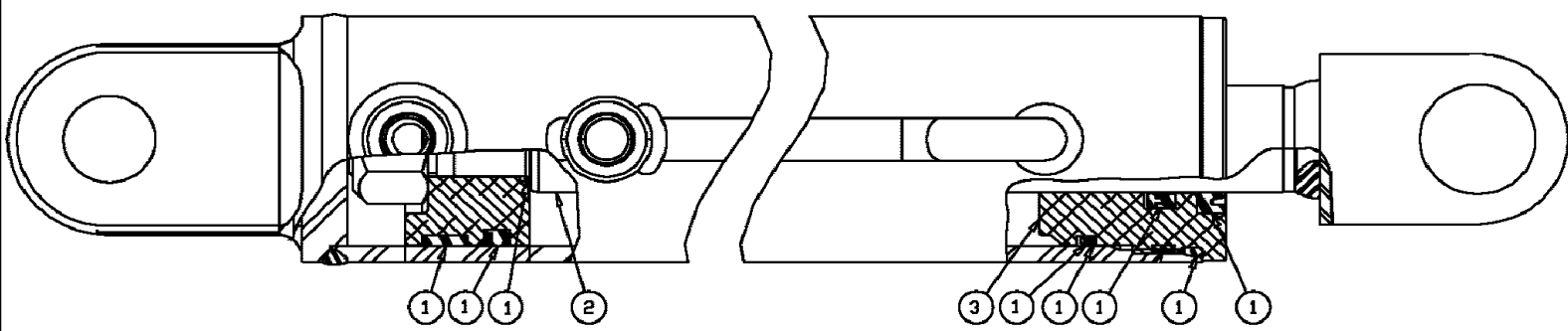
Ref	Part Number	Qty	Description
2	87733801	1	PO CARTRIDGE 5GPM
2A	87733822	1	SEAL KIT CP485-2
3	87733802	1	BODY CP08-3L-4S



## 4420 PATRIOT SPRAYER

## 07-001 STEERING

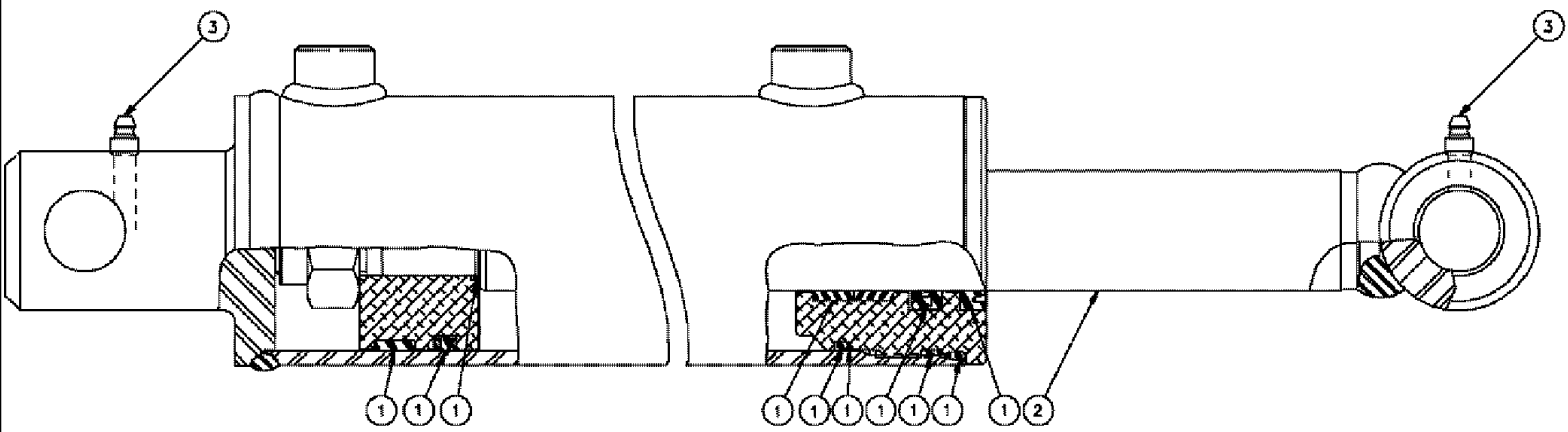
Ref	Part Number	Qty	Description
1	87266308	1	CYLINDER, CASE ASSY
2	86986242	1	PLUNGER, PISTON
3	BN324210	1	SHAFT,
4	86986284	2	RING, WEAR, 2.500 B X .16W
5	86986286	1	PISTON, SEAL
6	238-5034	2	O-RING, -034, 70 Duro, 2.114" ID x .070" Thk, ARP 034 BUNA-N 70
7	238-5218	1	O-RING, -218, 70 Duro, 1.234" ID x .139" Thk, 1-1/4 X 1-1/2
8	86986285	2	RING, BACK-UP
9	86986241	1	SCREW, CAP, NOT SHOWN
10	238-5228	1	O-RING, -228, 70 Duro, 2.234" ID x .139" Thk, 2-1/4 X 2-1/2
11	G109297	1	BACK-UP RING, ARP 228 PLOY
12	86986281	1	STOP, WEAR RING, 1.25" ROD
13	86986282	1	RING, STEP SEAL, 1.25" ROD
14	86986283	1	SHANK, U-CUP, 1.25" ROD
15	238-5141	1	O-RING, -141, 90 Duro, 2.3" ID x .103" Thk, 2-5/16 X 2-1/2
16	86986280	1	SCRAPER, GLAND
17	D95141	1	WIPER,
18	86986240	1	NUT, JAM
19	87266309	1	EYE, CLEVIS
	BN324211	1	KIT, SEALS,



4420 PATRIOT SPRAYER

07-002 AXLE ADJUST

Ref	Part Number	Qty	Description
1	87266795	1	SEAL, KIT
2	87267923	1	ROD, WELDMENT
3	87550911	1	COVER, HEAD GLAND, RMT #060FN00

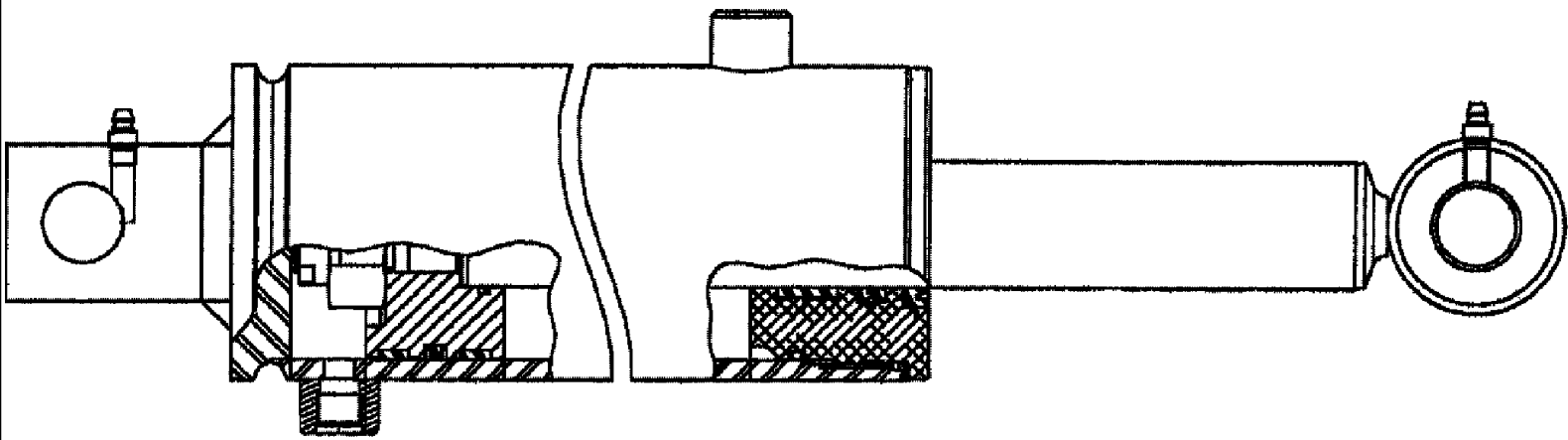




4420 PATRIOT SPRAYER

07-003 BOOM LEVEL

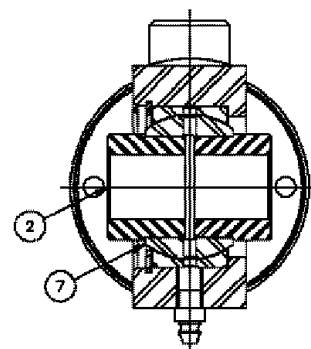
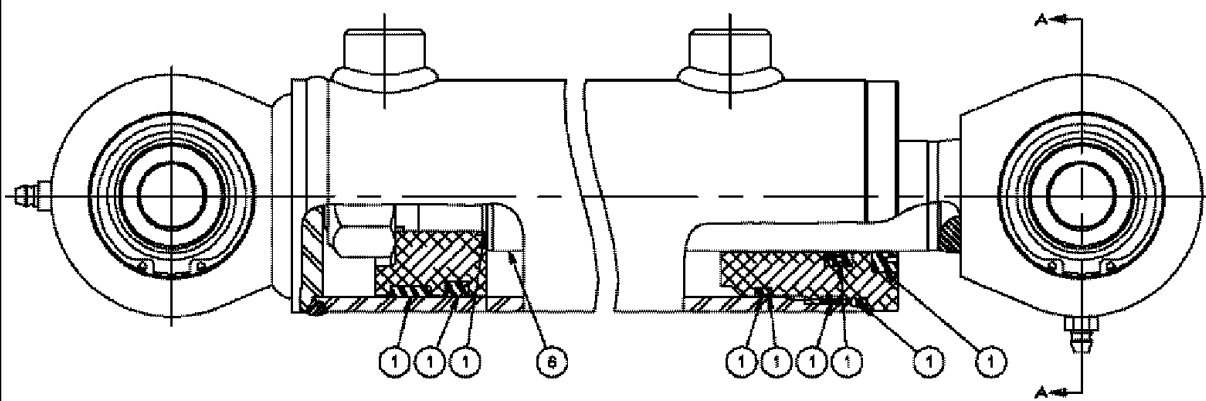
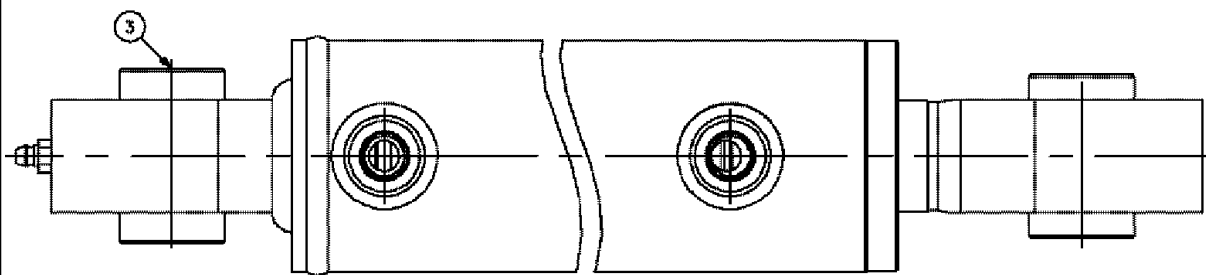
Ref	Part Number	Qty	Description
1	87270349	1	KIT, SEAL, CYL
2	87270350	1	ROD, WELD'T, CYL
3	BN302051	2	NIPPLE, LUBE, FITTING GREASE 8MM X 1 STR



4420 PATRIOT SPRAYER

07-004 BOOM LEVEL CYLINDER, 120' BOOM

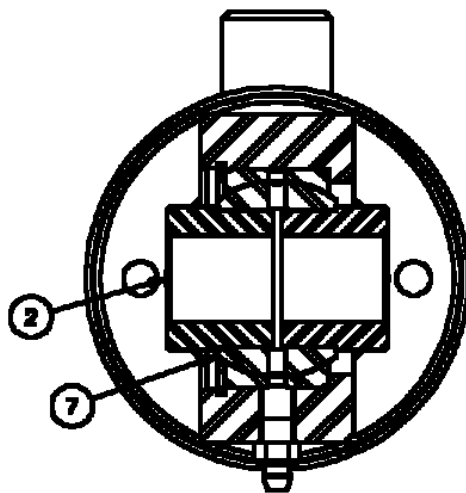
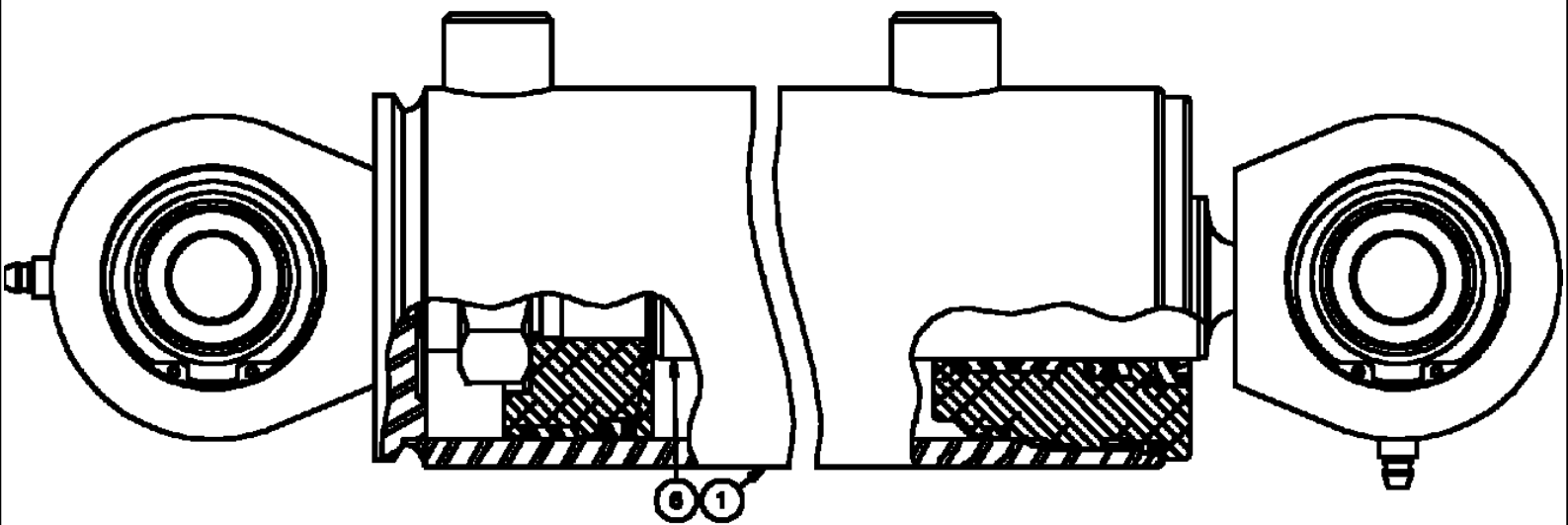
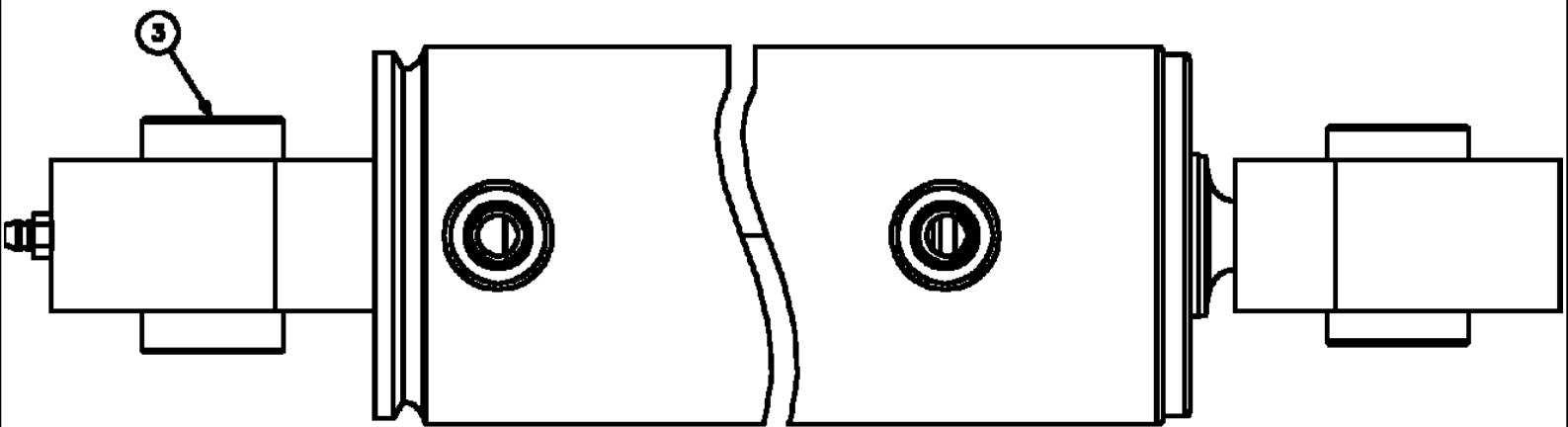
Ref	Part Number	Qty	Description
	87622033	1	KIT, SEALS, CYL
	87622034	1	ROD, WLDM'T, CYL
	BN302051	2	NIPPLE, LUBE, FITTING, 8MM X 1 STR



4420 PATRIOT SPRAYER

07-005 INNER BOOM FOLD

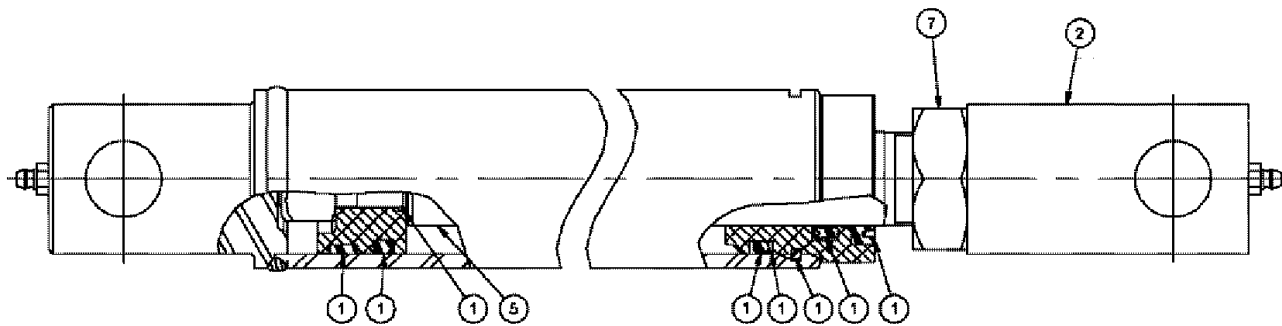
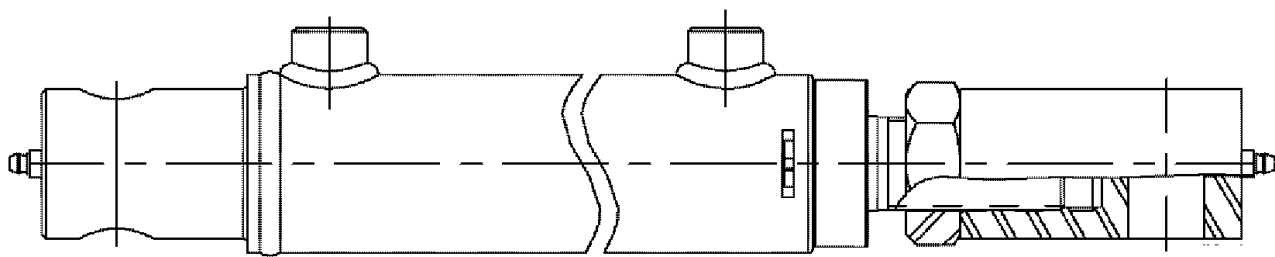
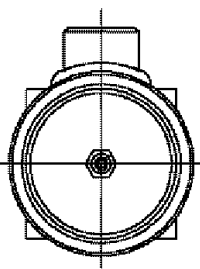
Ref	Part Number	Qty	Description
1	87267940	1	SEAL, KIT, 1.375" X 2.50"
2	87269921	2	SPACER, CYL, ROD END
3	87269922	2	SPACER, CYL, BLIND END
6	87267943	1	ROD, WELDMENT
7	87266307	2	BEARING, SPHERICAL, CYL



## 4420 PATRIOT SPRAYER

## 07-006 INNER BOOM FOLD CYLINDER, 120' BOOM

Ref	Part Number	Qty	Description
1	87270349	1	KIT, SEAL, CYL. #87266461/235
2	87269921	2	SPACER, CYL, ROD END
3	87269922	2	SPACER, CYL, BLIND END
6	87272767	1	ROD, CONNECTING, WLDM'T, CYL87272004
7	87266307	2	BEARING, SPHERICAL, CYL





4420 PATRIOT SPRAYER

07-007 OUTER BOOM FOLD

Ref	Part Number	Qty	Description
1	87267938	1	SEAL, KIT, 1.25" X 2.00"
2	87269923	1	ROD, END, CYL
5	87267941	1	ROD, THREADED
7	BN2294429	1	NUT, JAM 1 1/4- 12NF

**ART**

**NOT**

**AVAILABLE**

## 4420 PATRIOT SPRAYER

## 07-008 OUTER BOOM FOLD CYLINDER

Ref	Part Number	Qty	Description
	9628503	8	NUT, 3/8"-16, G5,
	87577841	1	KIT, SEALS, CYL, 2.5IN W/PSP SEALS
	87577842	1	SHAFT, CYL, 1.25 X 16 MONARCH
	87409409	1	HEAD, CYLINDER FRONT
	439277A1	1	PISTON, CYL, 2.5 MONARCH
	87577843	1	TUBE, CYL, 2.5 X 16 MONARCH
	87577844	4	TIE-ROD, THREADED, 2.5 X 16 MONARCH
	3326	1	PIN, CYL 1 X 2.88
	103-1698	2	RING, SNAP, #98, Ext, RTNG EXT HD 98 PLTD
	6944	1	PLUG, Hex Soc, 3/4"-16 ORB, CYL .75-16 UNF
	7997	1	CLEVIS, CYL 1 PIN
	425038A1	1	NUT, CYL PISTON, 2/2.5/2.75 MON
	87314803	1	SET SCREW, 3/8-16 X 1/2 CUP AST PLN
	87409437	1	HEAD, CYLINDER BASE

**ART**

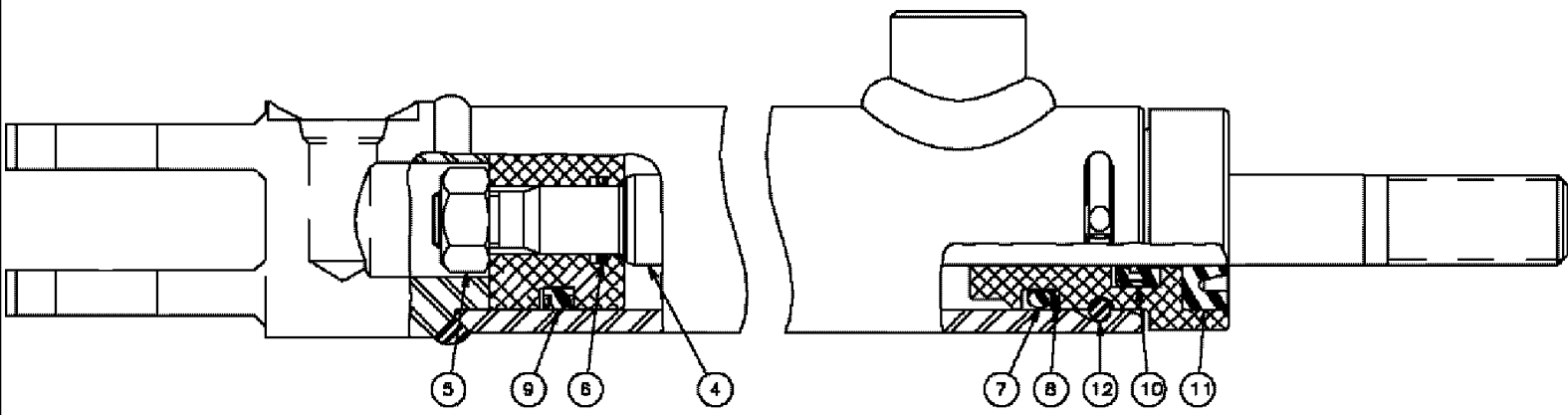
**NOT**

**AVAILABLE**

## 4420 PATRIOT SPRAYER

## 07-009 MID BOOM FOLD CYLINDER

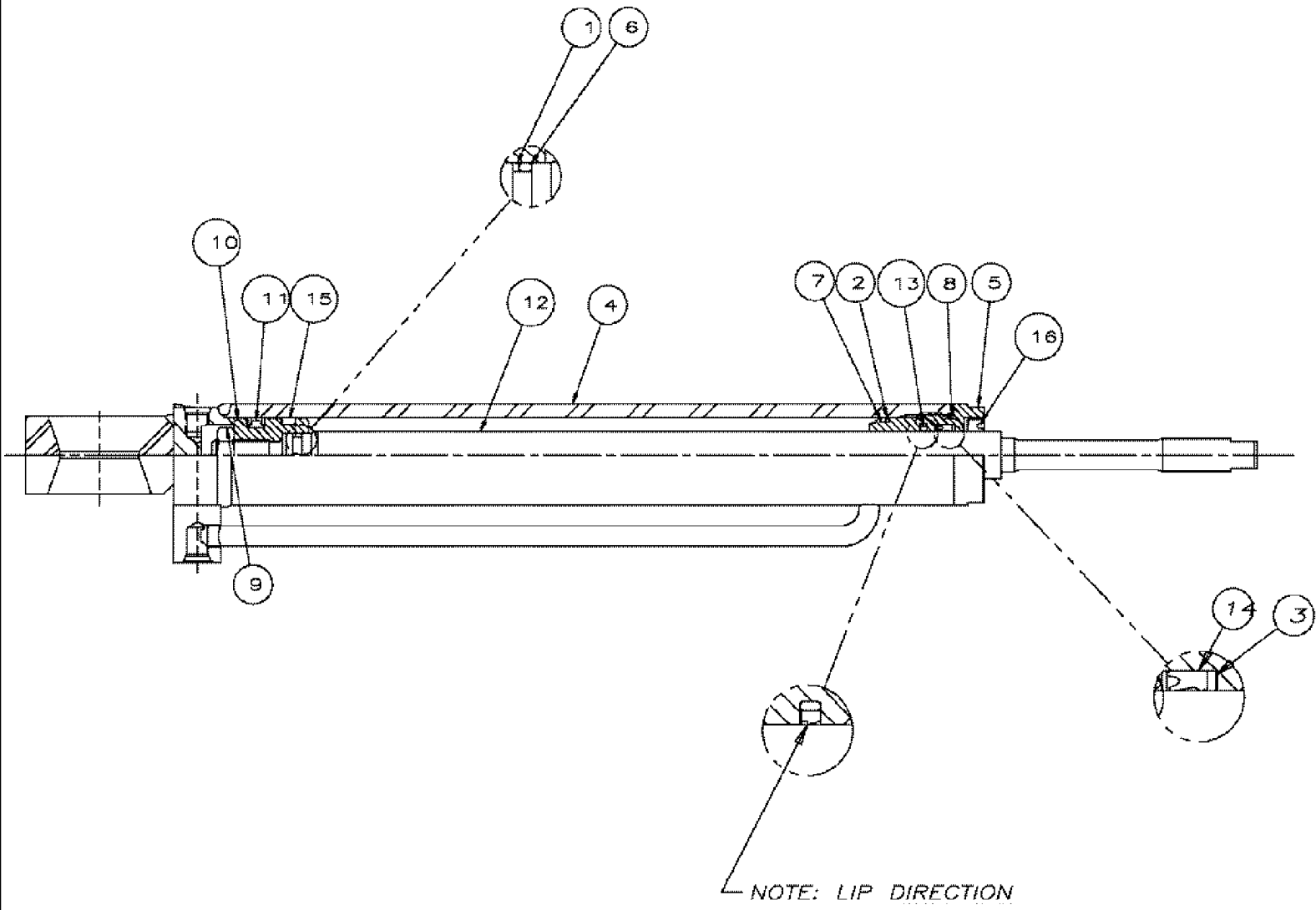
Ref	Part Number	Qty	Description
	232-46316	1	NUT, LOCK, 1"-14, GC, REPLACE BY 87314800
	25-1110	8	NUT, 5/8"-18, G5, HEX FINE TH
	83-1388	1	SET SCREW, Hex Soc, 3/8"-16 x 1/2", USE 87314803
	86590562	1	PLUG, Hex Soc, 3/4"-16 ORB, ORB-HD
	87409039	1	KIT, SEALS, HYD CYL
	87409387	1	CLEVIS, CYLINDER ROD
	87409417	1	HEAD, CYLINDER FRONT
	87409430	4	HEAD, CYLINDER BASE
	87409492	4	TIE-ROD, THREADED, BOLT, HYD CYLINDER TIE
	87548067	1	SHAFT, CYL 1.5 X 20.9
	87548069	1	PISTON, CYL 3.5



4420 PATRIOT SPRAYER

07-010 FRONT LADDER FOLD

Ref	Part Number	Qty	Description
4	87268691	1	KIT, SEALS, 1" (REFS. 6-12)
	87268695	1	ROD, CYLINDER

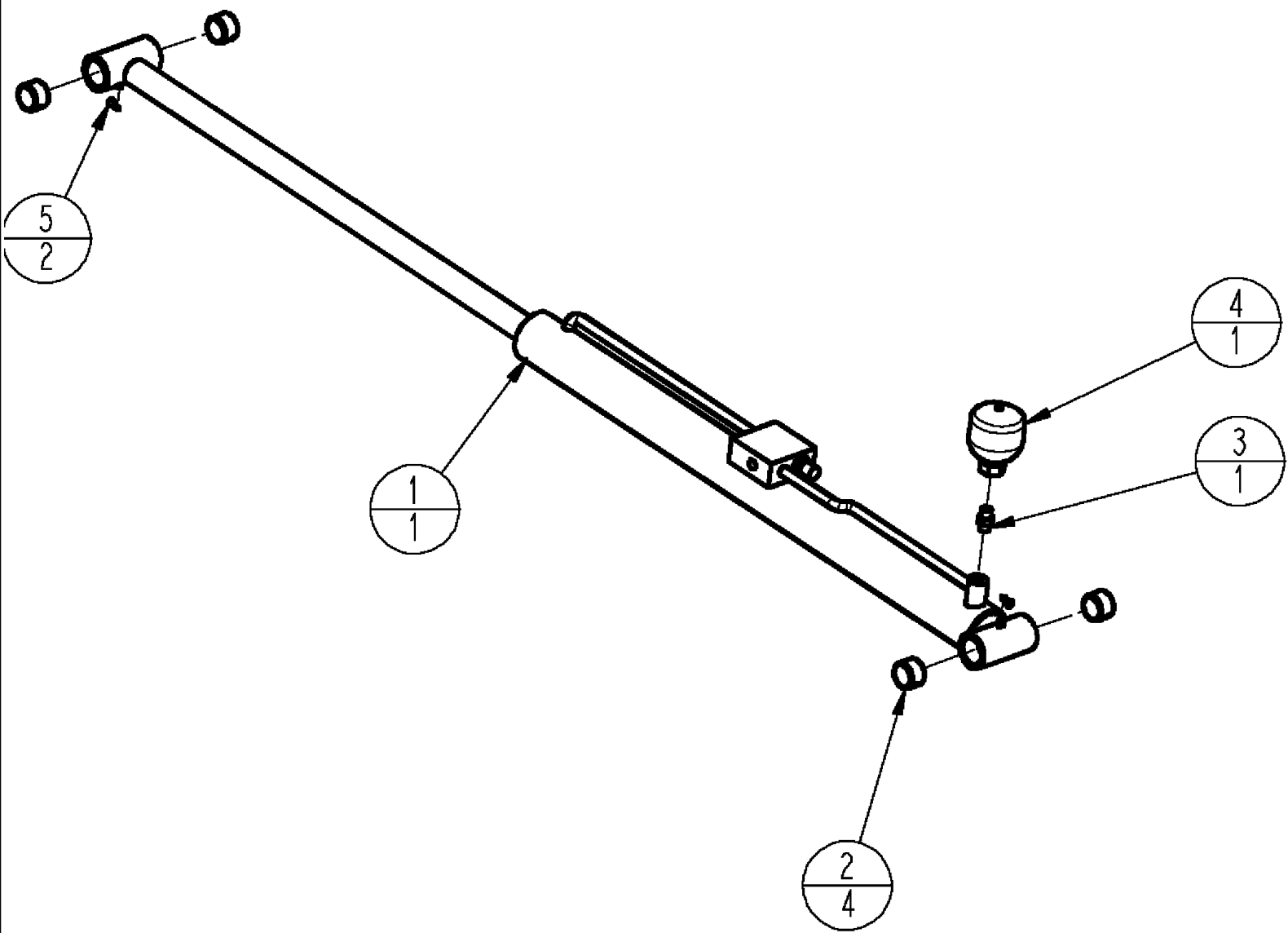




## 4420 PATRIOT SPRAYER

## 07-011 SUSPENSION

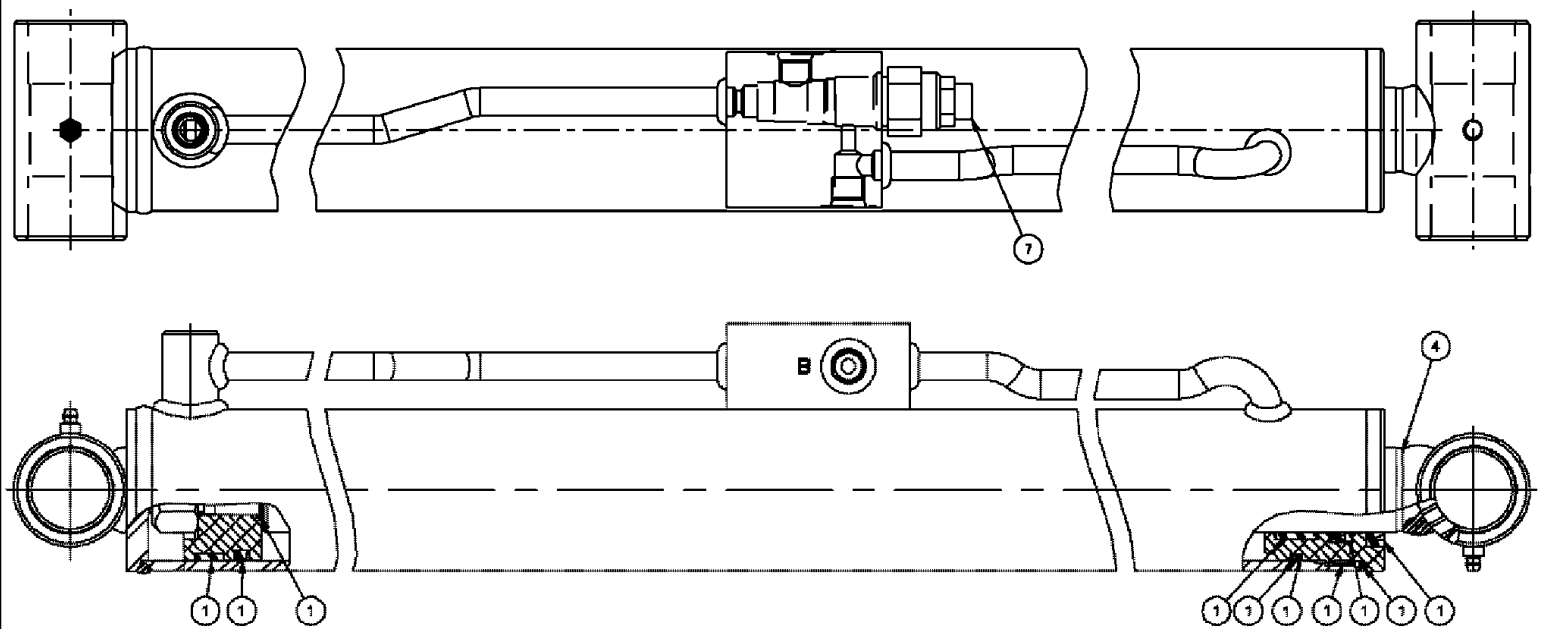
Ref	Part Number	Qty	Description
	86986214	1	SEAL, KIT
1	86986190	1	RING, BACK-UP
2	86986191	1	RING, BACK-UP
3	86986290	1	RING, BACK-UP
4	86986208	1	CYLINDER, CASE ASSY
5	86986192	1	RING, GLAND
6	238-5114	1	O-RING, -114, 70 Duro, .612" ID x .103" Thk,
7	238-6123	1	O-RING, -123, 90 Duro, 1.174" ID x .103" Thk,
8	238-6125	1	O-RING, -125, 90 Duro, 1.237" ID x .103" Thk, 1-5/16 X 1-1/2
9	86986193	1	NUT, JAM
10	86986194	1	PLUNGER, PISTON
11	86986195	1	PISTON, SEAL
12	86986196	1	AXLE, SHAFT
13	86986197	1	RING, STEP SEAL
14	86986205	1	SEAL, ROD
15	86986206	1	RING, WEAR
16	86986207	1	WIPER BLADE,



## 4420 PATRIOT SPRAYER

## 07-012 CYLINDER GROUP, PARALLEL LINKS

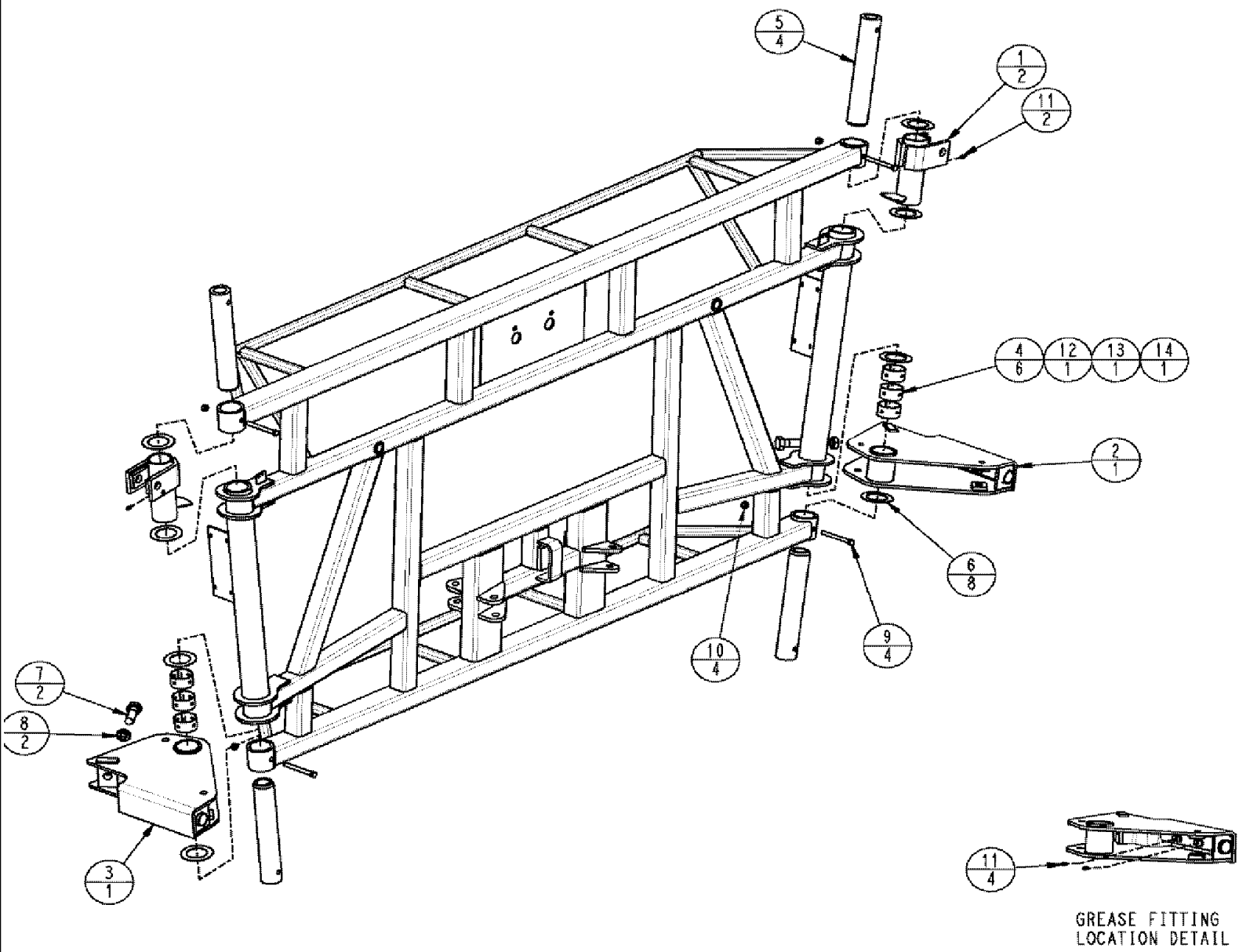
Ref	Part Number	Qty	Description
1	87266459	1	CYLINDER, HYD 2.5 X 32.28 X 1.5, SEE FIG 07-013
2	BN321131	4	BUSHING, SPRING
3	BN313038	1	FITTING, 6MB-6MB
4	87267325	1	ACCUMULATOR, 10 CU. 825PSI
5	BN69951	2	CAP, GREASE



4420 PATRIOT SPRAYER

07-013 BOOM HEIGHT

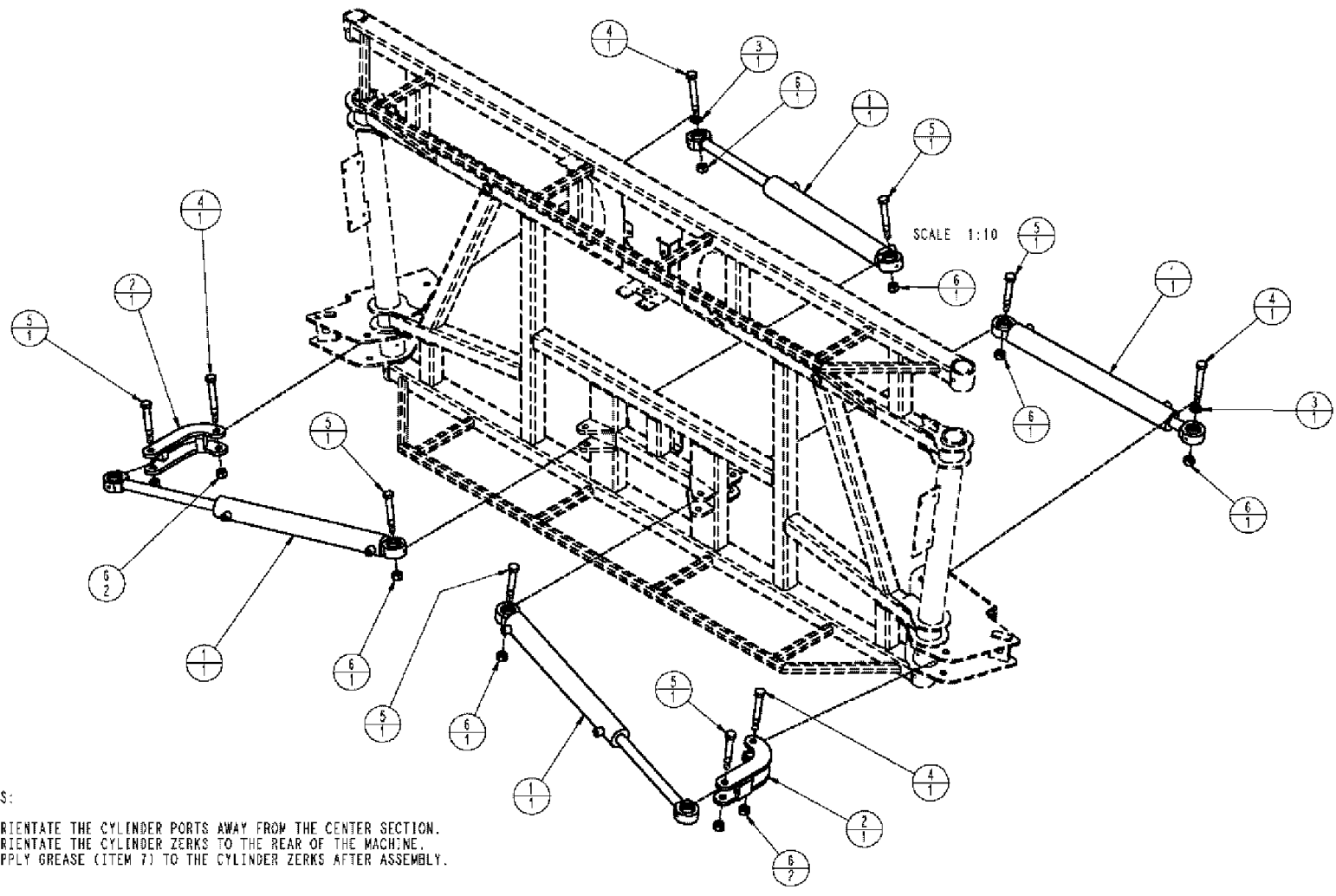
Ref	Part Number	Qty	Description
1	87267939	1	SEAL, KIT, 1.50" X 2.50"
4	87267942	1	CYLINDER, ROD WELDMENT
7	87557834	1	VALVE, HYDRAULIC, C BALANCE 2200 PSI



## 4420 PATRIOT SPRAYER

## 08-001 MAST PIVOT ASSEMBLY

Ref	Part Number	Qty	Description
1	BN306666	2	MOUNTING PARTS, CYL. MOUNT
2	87268416	1	PIVOT, INNER BOOM, LH
3	87268417	1	PIVOT, INNER BOOM, RH
4	87552137	6	BEARING COVER, SLEEVE LOWER
5	BN306646	4	TUBE, RND INNER PIVOT
6	BN302048	8	SHIM, MACH. WIDE, 2.5ID X 14GA
7	87644287	2	BOLT, 1-14 X 3 GRD 8 DOR
8	87310319	2	NUT, JAM 1-14 GR 8 DOR
9	86980431	4	M12-1.75 X 110, HH, 8.8
10	86980516	4	NUT, P/T ALL MTL M12 8 DOR
11	BN302051	6	NIPPLE, LUBE, 8MM X 1 STR
12	331-37	AR	SPARE PART, FLUID, 1 LB LITHIUM # 2 GREASE, 0.25
13	BN307971	AR	SEALANT, PRIMER, THREAD, 0.05
14	B17243	AR	THREAD 50 ML LOCTITE 271, 0.02



NOTES:

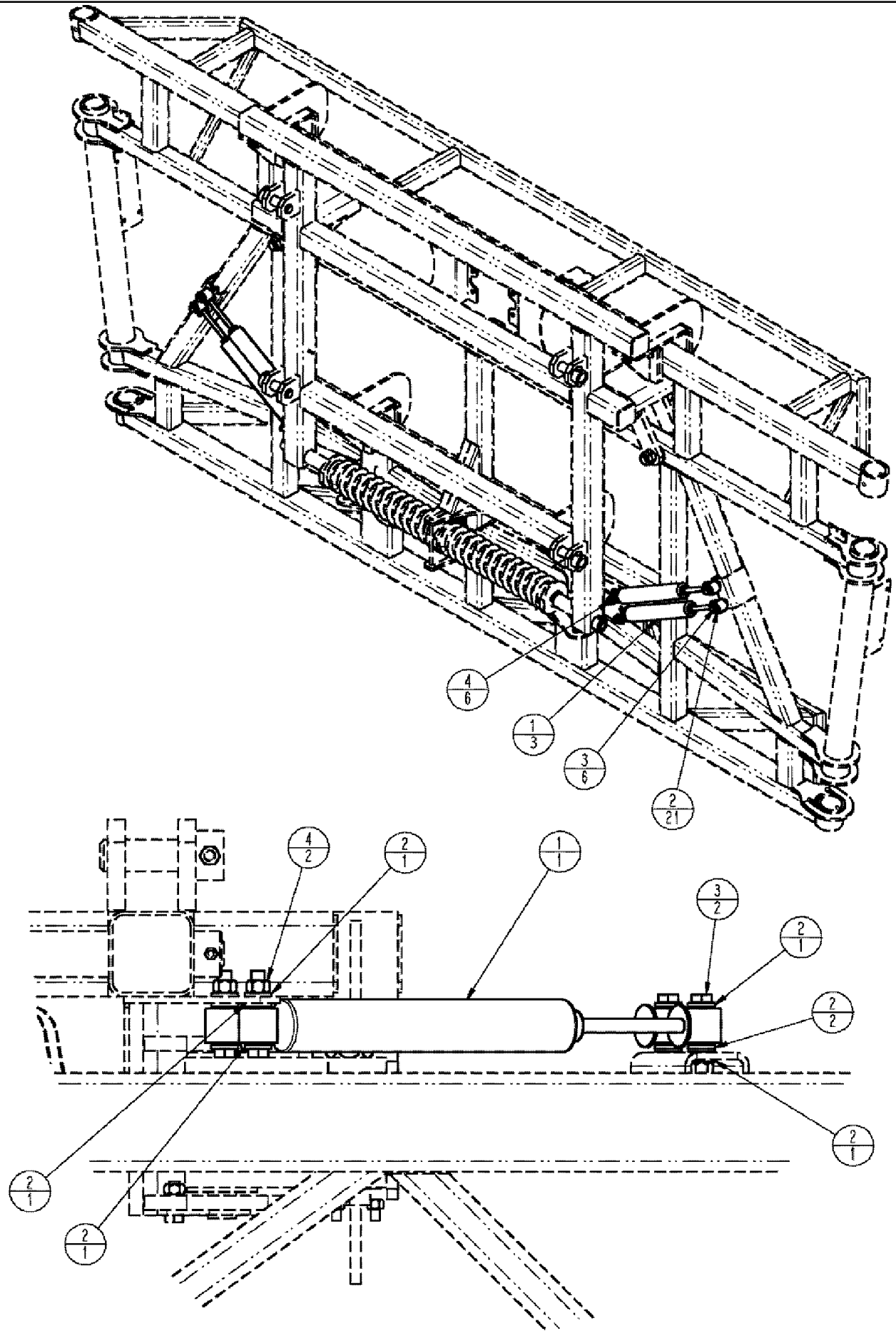
1. ORIENTATE THE CYLINDER PORTS AWAY FROM THE CENTER SECTION.
2. ORIENTATE THE CYLINDER ZERKS TO THE REAR OF THE MACHINE.
3. APPLY GREASE (ITEM 7) TO THE CYLINDER ZERKS AFTER ASSEMBLY.



## 4420 PATRIOT SPRAYER

## 08-002 PIVOT GROUP, LOWER CENTER SECTION

Ref	Part Number	Qty	Description
1	87266460	4	CYLINDER, HYD 2.5 X 21.62 X 1.375, SEE FIG 07-005
2	87272752	2	ARM, SUPPORTING, INNER BREAKAWAY
3	87529307	2	WASHER, 22 X 37 X 4MM HDN
4	BN31280	4	M20 X 125 SHANK, CUTOFF
5	BN310279	6	BOLT, M20 X 108 SHANK, CUTOFF
6	86980518	10	NUT, P/T ALL MTL M20 8 DO
7	331-37	AR	SPARE PART, GREASE-LITHIUM 12-GRADE #2, 0.2

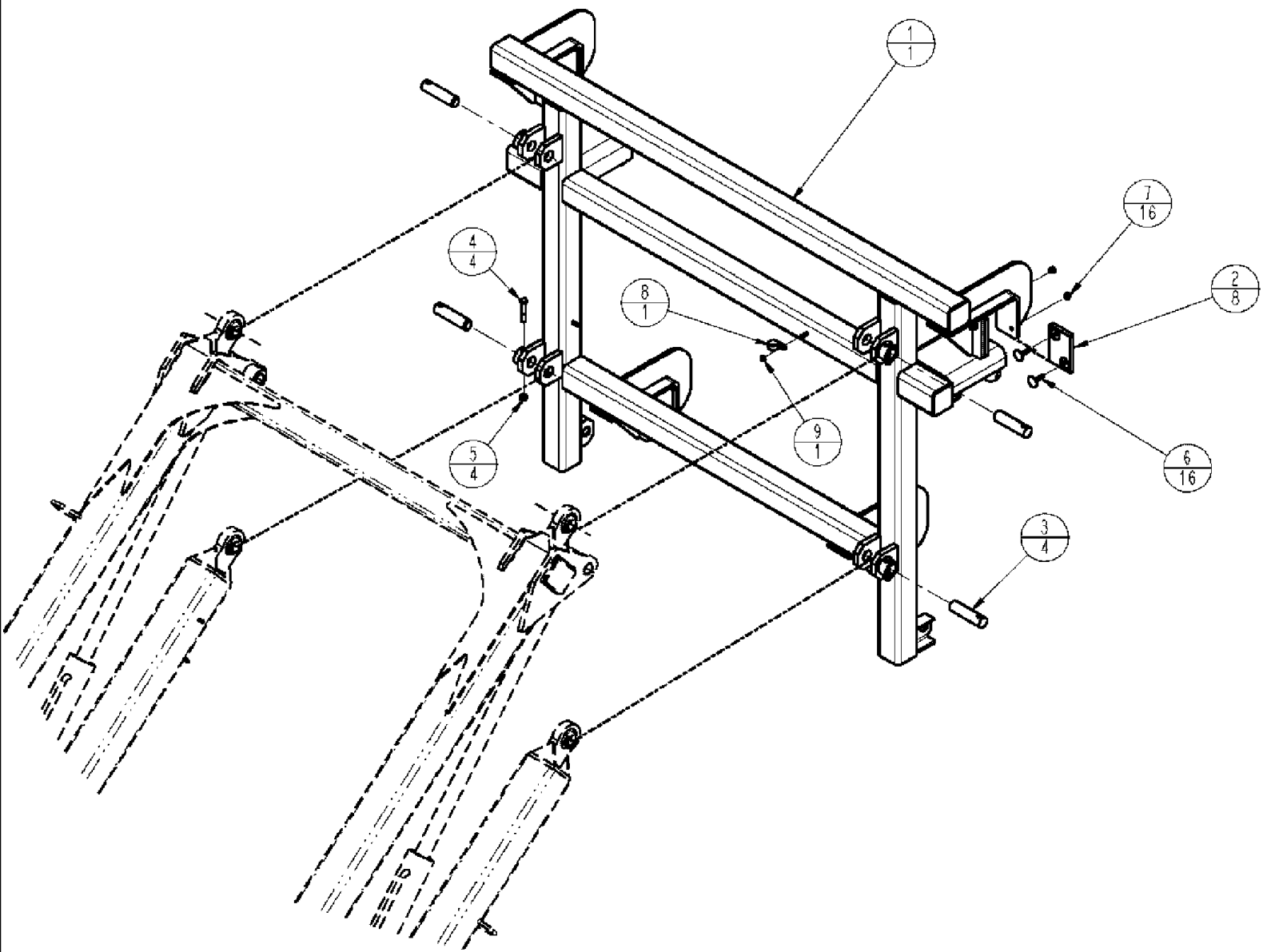


SCALE 1:3  
BOTTOM VIEW OF CENTER SECTION

## 4420 PATRIOT SPRAYER

## 08-003 STABILIZER SHOCKS GROUP

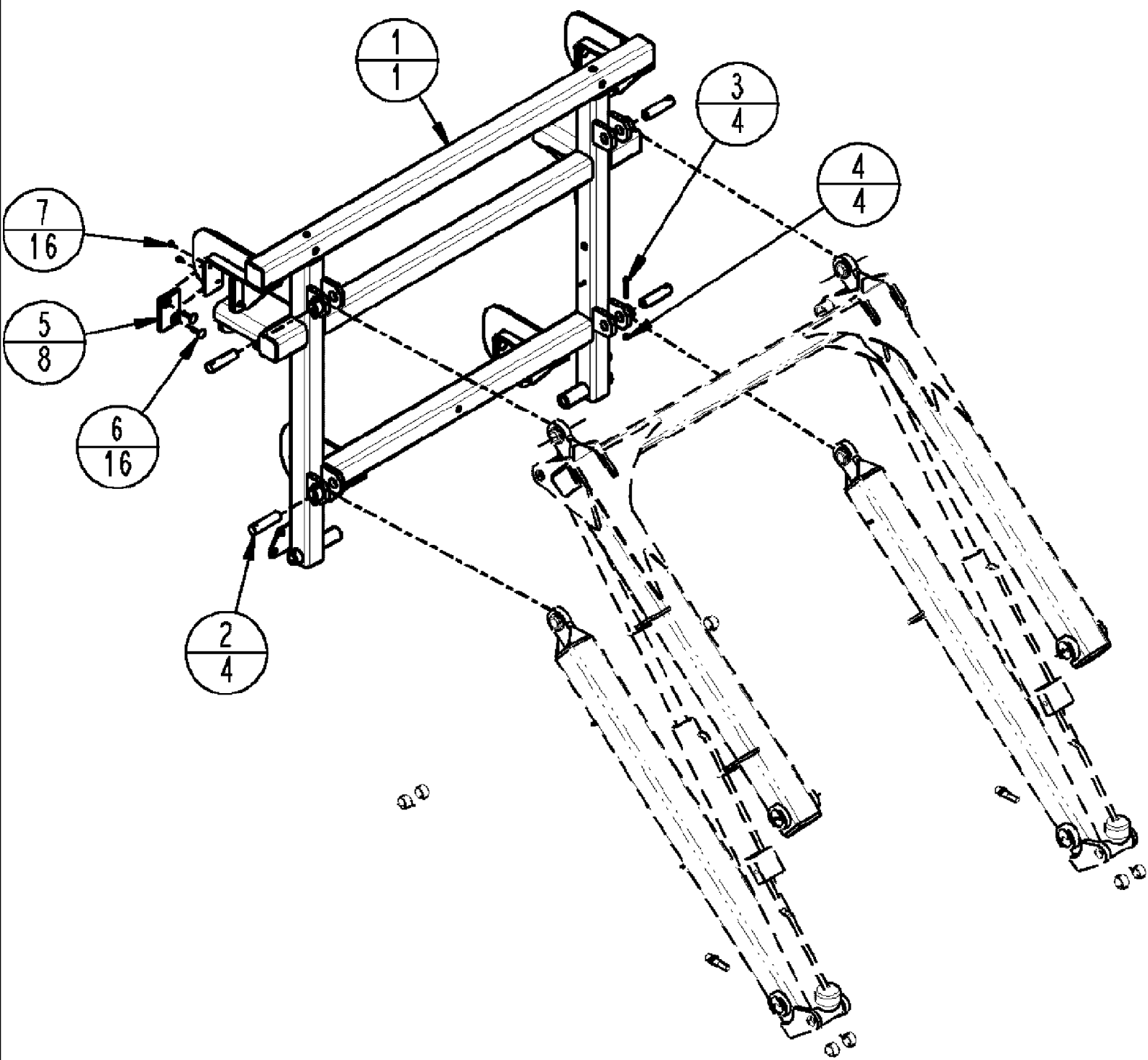
Ref	Part Number	Qty	Description
1	87632215	4	SHOCK ABSORBER, STEERING STABILIZER
2	86981496	28	WASHER, M13.5 x 24.5 x 3, HT,
3	86980427	8	BOLT, M12-1.75 X 70, HH, 8.8, D
4	86980516	8	NUT, P/T ALL MTL M12 8 DO



## 4420 PATRIOT SPRAYER

## 08-004 MAST GROUP

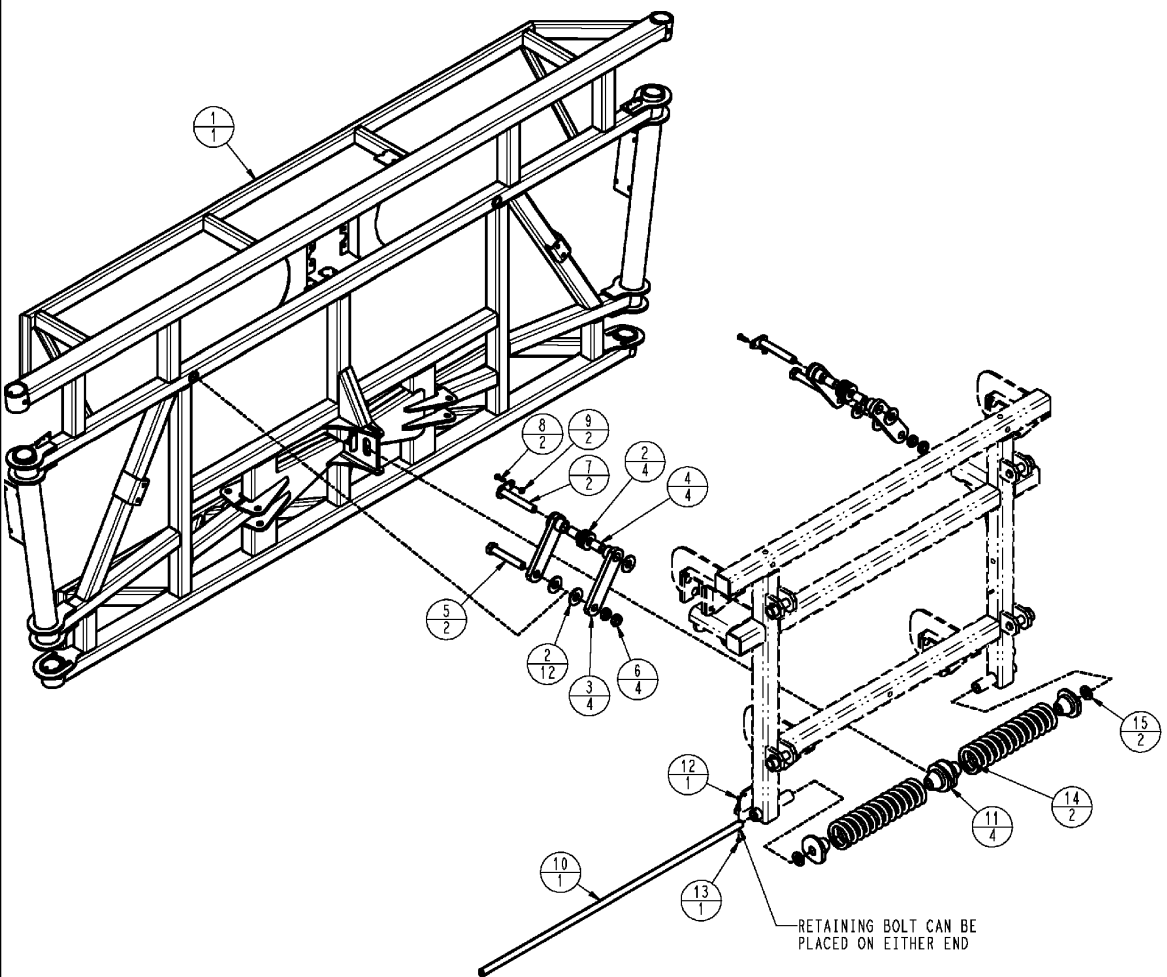
Ref	Part Number	Qty	Description
1	BN321111	1	MAST ASSEMBLY, WELDMENT
2	BN306777	8	PAD, BOOM SLIDE
3	BN307221	4	PIN, 1.125 OD X4.38
4	86980406	4	BOLT, M10-1.5 X 60, HH, 8.8, DOR
5	86980515	4	NUT, LOCK, M10 x 1.5, CI 8,
6	BN50930	16	BOLT, 5/16-18 X 1.5,EH
7	87343959	16	NUT, PREV TORQ, ALL MTL 5/16-18 DOR
8	515-21254	1	CLAMP, 25 .4MM P INSUL
9	825-5146	1	NUT, M6, Flg Ser,



## 4420 PATRIOT SPRAYER

## 08-005 MAST MOUNTING, 120' BOOM

Ref	Part Number	Qty	Description
1	87537532	1	MAST ASSEMBLY,
2	BN307221	4	PIN, 1.125 OD X 4.38
3	87695424	4	M10 X 60 10.9 DOR
4	87344003	4	NUT, P/T ALL MTL M10 10 DOR
5	BN306777	8	PAD, BOOM SLIDE
6	BN50930	16	BOLT, 5/16-18 X 1.5, EH
7	87343959	16	NUT, PREV TORQ ALL MTL 5/16-18 GR B DOR

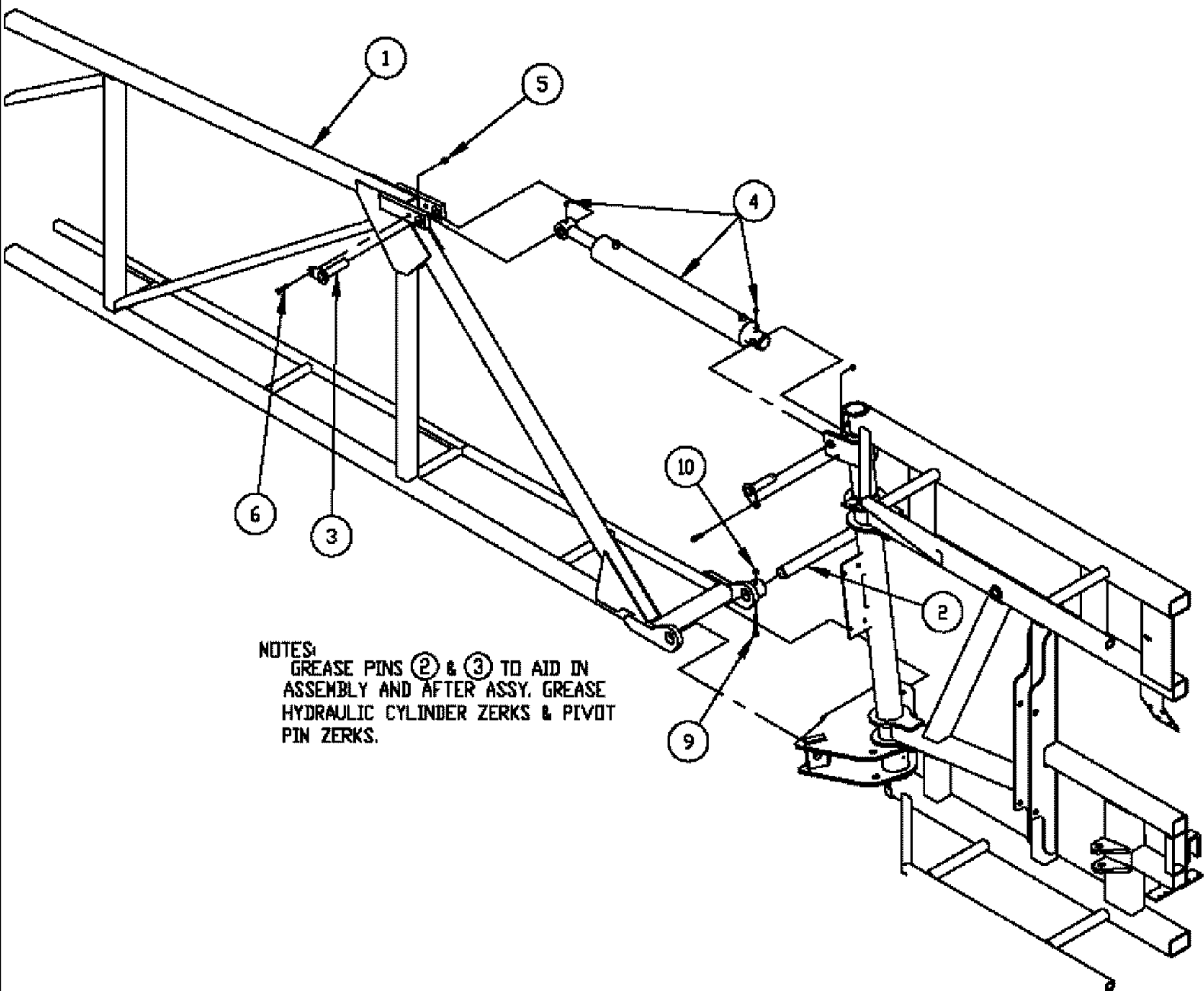




## 4420 PATRIOT SPRAYER

## 08-006 CENTER SECTION MOUNTING, 120' BOOM

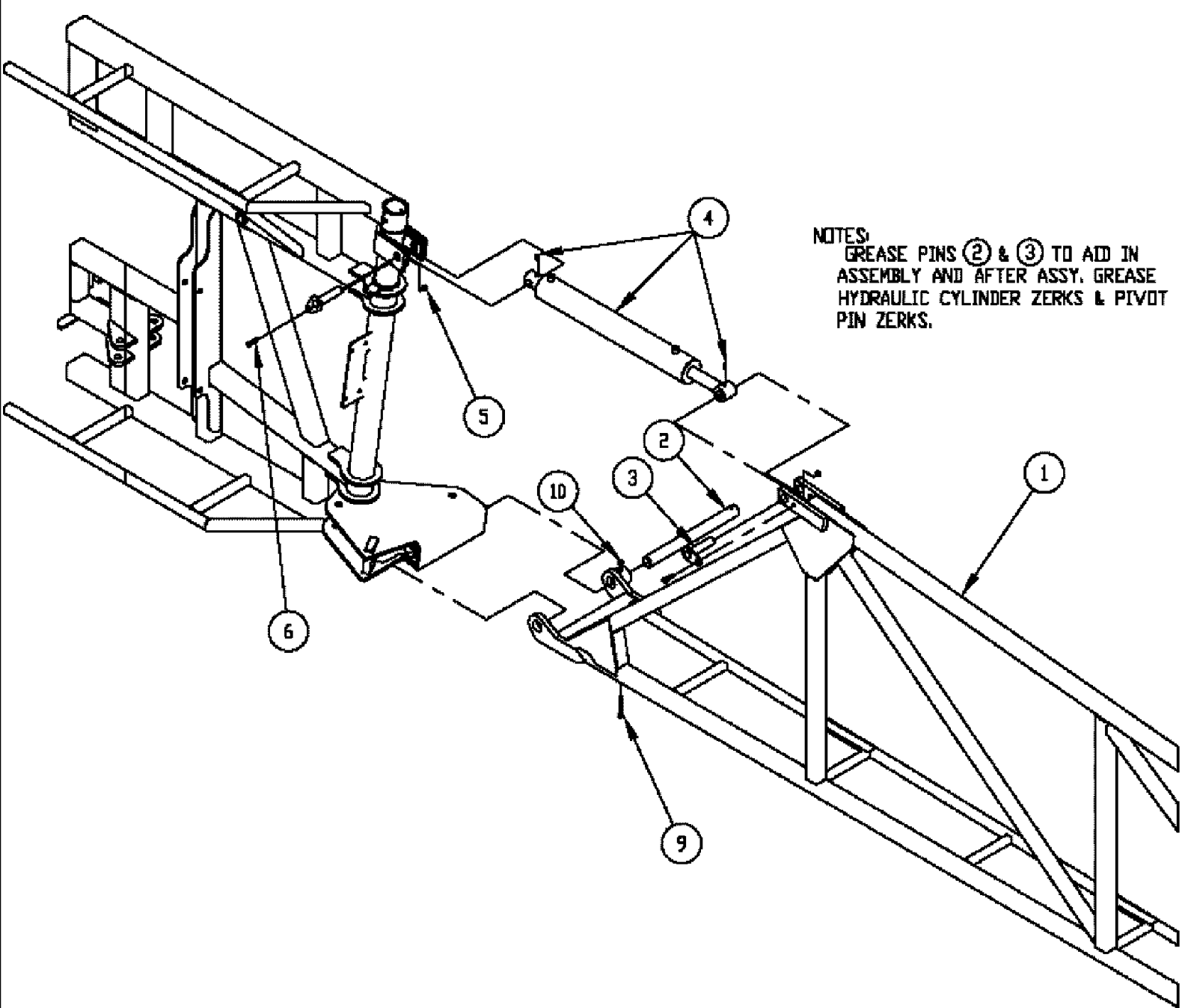
Ref	Part Number	Qty	Description
1	87537733	1	MAST ASSEMBLY, CENTER SECTION, WIDE
2	87529124	16	WASHER, 1.062 X 2.50 X .165 CST, DOR
3	87707145	4	HANGER, CENTER BOOM, WELDMENT
4	87714127	4	INSERT BUSHING
5	87310330	2	SCREW, BOLT, 1-14 X 6 GR5 DOR
6	87310319	4	NUT, JAM 1-14 GR 8 DOR
7	BN306785	2	PIN, WELDMENT
8	87695423	2	M10 X 30 FULL 10.9 DOR
9	87344003	2	NUT, P/T ALL MTL M10 10 DOR
10	87543736	1	SPRING RETAINER
11	87536126	4	SPRING
12	86980385	1	BOLT, M8-1.25 X 50, HH, 8.8, DOR
13	86980514	1	NUT, P/T ALL MTL M8 8 DOR
14	87700743	2	SPRING, COMPRESSION, BOOM
15	87529235	2	WASHER, 1.062 X 2.00 X .209 HDN DOR



## 4420 PATRIOT SPRAYER

## 08-007 WING, LEFT GROUP, 60' BOOM

Ref	Part Number	Qty	Description
1	BN326077	1	FRAME, WELDMENT, INNER SEC., LH
2	BN326079	1	PIN, BOOM PIVOT
3	BN305621	2	PIN, WELDMENT
4	87266461	1	CYLINDER ASSY., HYD 3.00 X 21 X 1.50, SEE FIG. 07-003
5	86980515	2	NUT, LOCK, M10 x 1.5, CI 8,
6	86980402	2	BOLT, M10-1.5 X 35, HH, 8.8, DOR REPL TYLER
8	331-37	AR	SPARE PART, LITHIUM 2 GREASE, 0.1
9	87342784	1	BOLT, 3/8 X 3.5 DOR
10	87343970	1	NUT, PT 3/8-16 DIR B

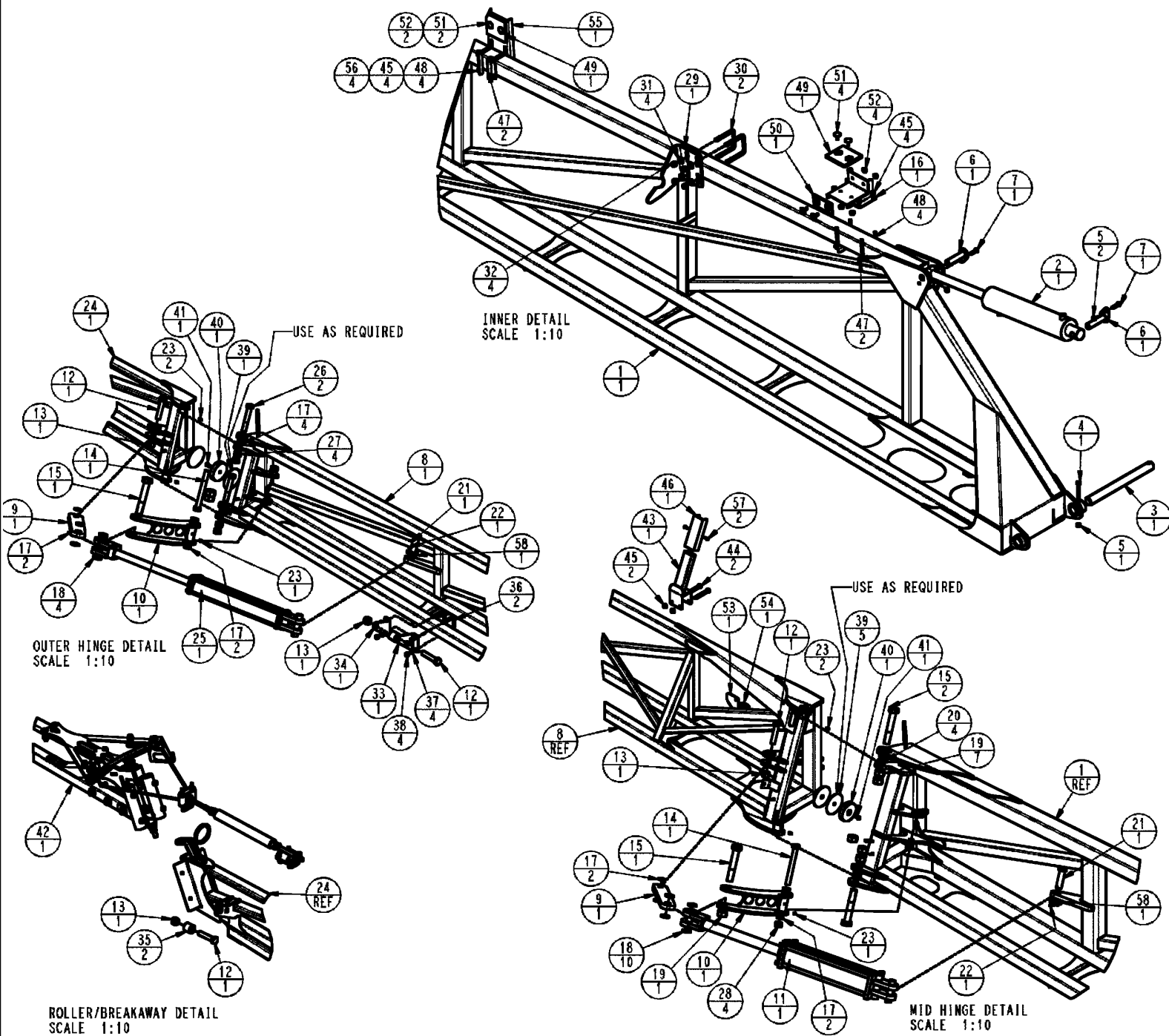


NOTES:  
GREASE PINS ② & ③ TO AID IN  
ASSEMBLY AND AFTER ASSY. GREASE  
HYDRAULIC CYLINDER ZERKS & PIVOT  
PIN ZERKS.

## 4420 PATRIOT SPRAYER

## 08-008 WING, RIGHT GROUP, 60' BOOM

Ref	Part Number	Qty	Description
1	BN326099	1	FRAME, WELDMENT, INNER SEC, RH
2	BN326079	1	PIN, BOOM PIVOT
3	BN305621	2	PIN, WELDMENT
4	87266461	1	CYLINDER ASSY., HYD 3.00 X 21 X 1.50, SEE FIG. 07-003
5	86980515	2	NUT, LOCK, M10 x 1.5, CI 8,
6	86980402	2	BOLT, M10-1.5 X 35, HH, 8.8, DOR REPL TYLER
8	331-37	AR	SPARE PART, LITHIUM 2 GREASE, 0.1
9	87342784	1	BOLT, 3/8 X 3.5 DOR
10	BN305606	1	3/8-16 GR B DOR



## 4420 PATRIOT SPRAYER

## 08-009 INNER BOOM MOUNTING, RH, 120' BOOM

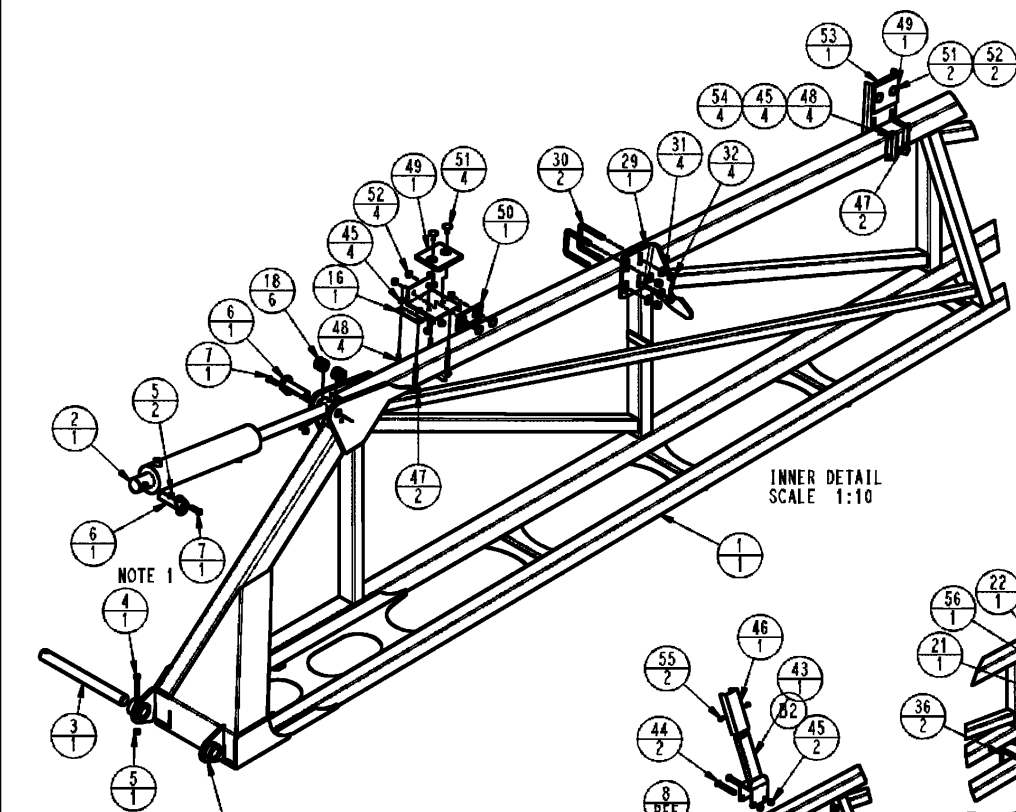
Ref	Part Number	Qty	Description
1	87397253	1	BOOM, EXTENSION, INNER, RH
2	87566312	1	HYDRAULIC CYLINDER, HYD 3.50 X 14.50 X 1.62, SEE FIG 07-004
3	BN326079	1	PIN, BOOM PIVOT
4	87698857	1	BOLT, M10 X 80 10.9 DOR
5	87344003	3	NUT, P/T ALL MTL M10 10 DOR
6	BN305621	2	PIN, WELDMENT
7	87315279	2	BOLT, Hex, M10 x 1.5 x 35, CI 10.9, Full Thd,
8	87398606	1	BOOM, EXTENSION, MID, RH
9	87560768	2	ARM, SUPPORTING, SINGLE
10	87560769	2	ARM, SUPPORTING, DOUBLE
11	87446384	1	HYDRAULIC CYLINDER, 3.5 X 16 MON 3000 PSI, SEE FIG 07-009
12	87310194	4	BOLT, 3/4-10 X 3-1/2 GR5 DOR
13	87310323	4	NUT, PREV TORQ ALL MTL 3/4-10 GR B DOR
14	87564718	2	BOLT, 3/4-10 X 7 GRD 5 DOR
15	87698751	4	BOLT, 1-8 X 6 GRD 8 DOR
16	87666132	1	SUPPORT, WELDMENT, RH UPPER CRADLE
17	87564720	12	WASHER, 781 X 1.250 X .075 CST DOR
18	87564721	14	WASHER, 1.016 X 1.50 X .134 CST DOR
19	87343673	8	NUT, 1-8 GR 8 DOR
20	87564722	4	WASHER, 1.016 X 1.50 X .075 CST DOR
21	810751C1	2	PIN,
22	432-1228	2	PIN, SPLIT (COTTER), 3/16" x 1 3/4",
23	219-8	6	NIPPLE, LUBE, 1/4"-28 NPT x .54" lg,
24	87527652	1	BOOM, EXTENSION, OUTER, RH
25	87505171	1	HYDRAULIC CYLINDER, 2.5 X 16 MON 3000PSI 1 PIN, SEE FIG 07-008
26	87698750	2	BOLT, 3/4-10 X 4-1/2 GRD 8 DOR
27	87310317	4	NUT, 3/4-10 GR 8 DOR
28	87343671	4	NUT, 3/4-10 GR 5 DOR
29	87543855	1	CRADLE, REST, INNER BOOM, RH
30	1404	2	U-BOLT, .5 3.125W 4.25D
31	87528989	4	WASHER, M12 X 30MM X 2.5DOR
32	87343983	4	NUT, PREV TORQ. ALL MTL 1/2-13 GR C DOR
33	87543857	1	INNER BOOM ROLLER RH
34	87543856	1	INNER BOOM ROLLER LH
35	87503700	2	ROLLER, 19.45ID X 38.1OD 36MMLG
36	425254A1	2	U-BOLT, .375 2.063W 2.815D
37	87529298	4	WASHER, 11 X 21 X 2MM CST DOR
38	87343974	4	NUT, PREV TORQ. ALL MTL 3/8-16 GR C DOR
39	87501591	6	WASHER, 10ID 102 OD 1.9MM ZND
40	87501590	2	BUMPER, POLY 89MM OD X 19MM TK
41	86980380	2	BOLT, M8- 1.25 X 25,HH,8.8,DOR
42	87706481	1	BOOM BREAKAWAY ASSEMBLY, SEE FIG 08-021
43	87621178	1	STOP, BOOM BREAKAWAY

## 4420 PATRIOT SPRAYER

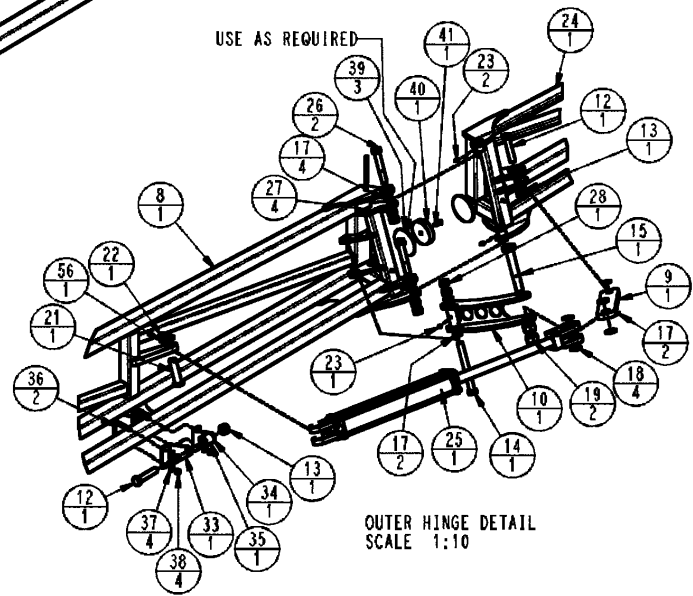
## 08-009 INNER BOOM MOUNTING, RH, 120' BOOM

Ref	Part Number	Qty	Description
44	86980408	2	BOLT, M10-1.5 X 80, HH, 8.8, DOR
45	86980515	10	NUT, LOCK, M10 x 1.5, CI 8,
46	87573707	1	CHANNEL, SNAP-ON- 1 X 2 X 6
47	87666126	4	MOUNTING PARTS, PLATE, CRADLE
48	86980410	8	BOLT, M10-1.5 X 100, HH, 8.8, DORREPL
49	BN320995	2	PAD, BOOM REST, BOTTOM
50	BN319335	1	PAD, BOOM REST
51	BN50779	6	BOLT, 5/16-18 X 1.0 EH0DOR
52	BN50057	6	NUT, 5/16-18 WHIZ LOCK SS
53	87681832	1	STOP, DOOR
54	363226A1	1	BUMPER, 87317653, DOOR
55	87705378	1	PLATE, BOOM STOP
56	86981677	4	WASHER, M10 x 30 x 2.5, 11 X 30 X 2.5 MM CST DOR
57	86625170	2	SCREW, HEX WSHR, HD, TPG, # 10 X .75
58	87529235	2	WASHER,



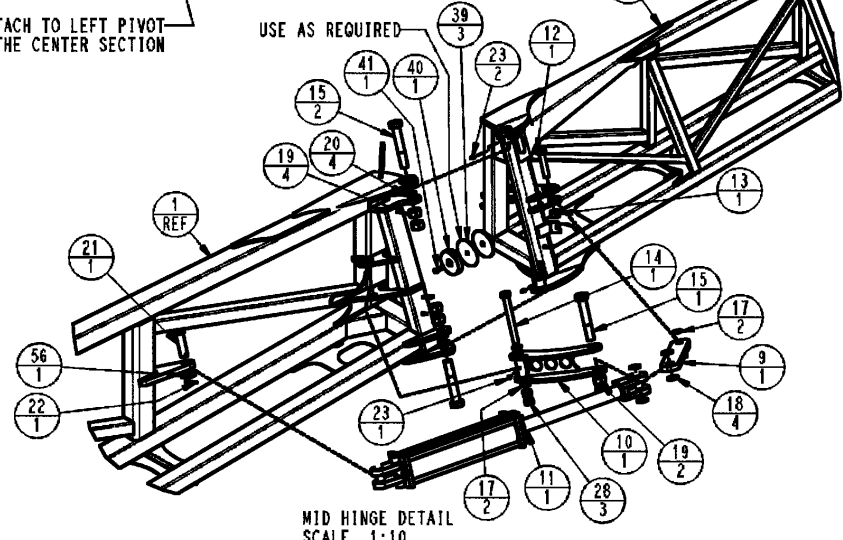


INNER DETAIL SCALE 1:10

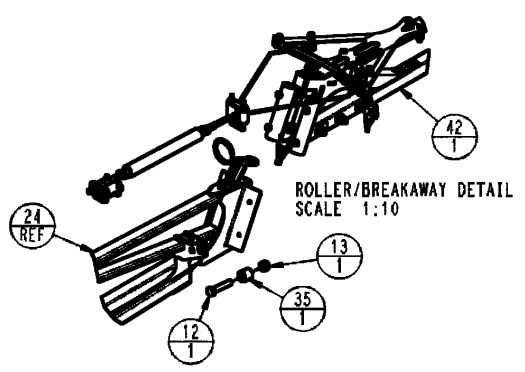


OUTER HINGE DETAIL SCALE 1:10

ATTACH TO LEFT PIVOT ON THE CENTER SECTION



MID HINGE DETAIL SCALE 1:10



ROLLER/BREAKAWAY DETAIL SCALE 1:10

USE AS REQUIRED

USE AS REQUIRED

NOTE 1

## 4420 PATRIOT SPRAYER

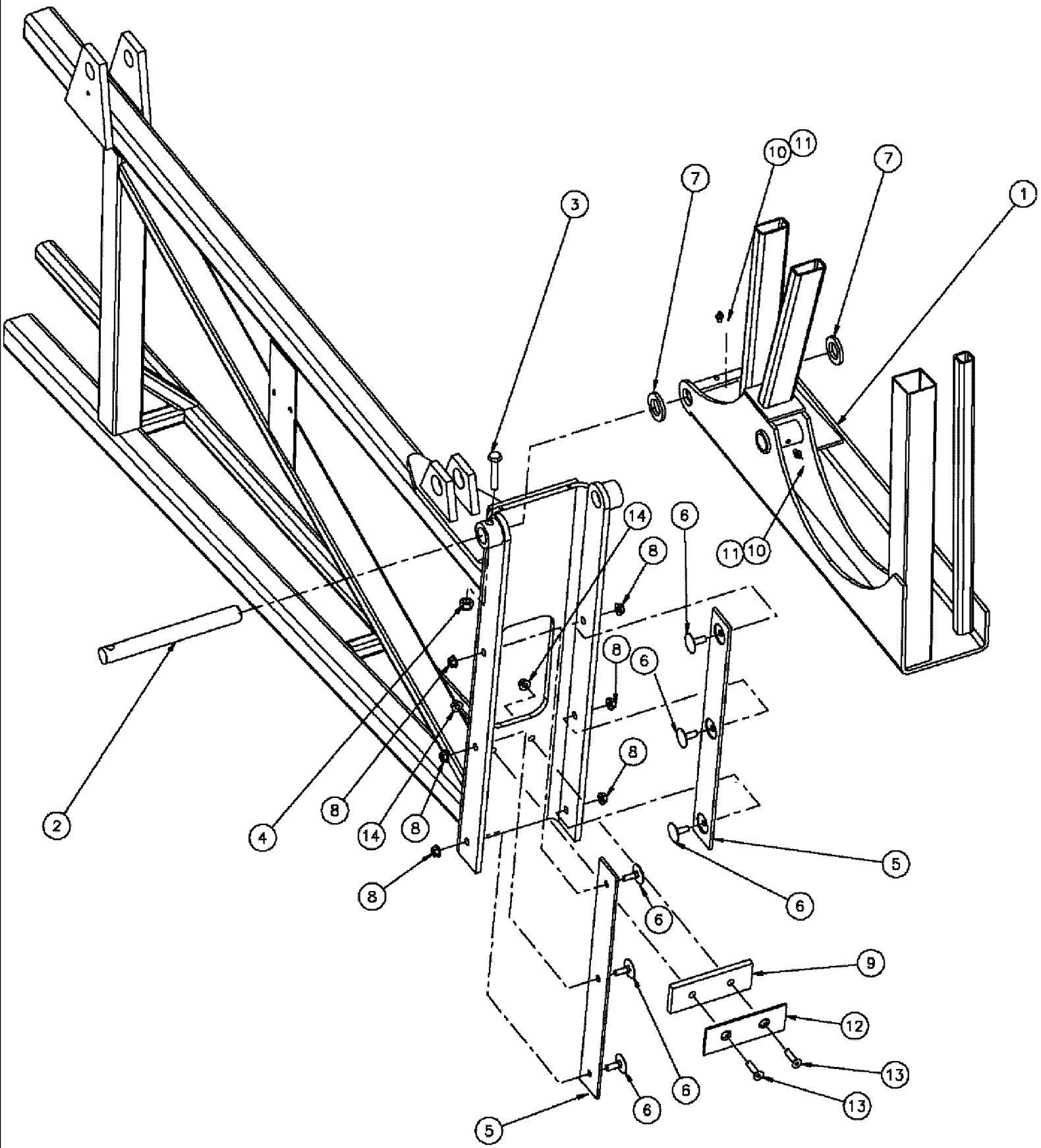
## 08-010 INNER BOOM MOUNTING, LH, 120' BOOM

Ref	Part Number	Qty	Description
1	87397252	1	BOOM, EXTENSION, BOOM, INNER, LH
2	87566312	1	HYDRAULIC CYLINDER, HYD 3.50 X 14.50 X 1.62, SEE FIG. 07-004
3	BN326079	1	PIN, BOOM PIVOT
4	87698857	1	BOLT, M10 X 80 10.9 DOR
5	87344003	3	NUT, P/T ALL MTL M10 10 DOR
6	BN305621	2	PIN, WELDMENT
7	87315279	2	BOLT, Hex, M10 x 1.5 x 35, Cl 10.9, Full Thd,
8	87398605	1	BOOM, EXTENSION, MIDDLE LEFT WLDMT
9	87560768	1	ARM, SUPPORTING, SINGLE
10	87560769	2	ARM, SUPPORTING, DOUBLE
11	87446384	1	HYDRAULIC CYLINDER, 3.5 X 16 MON 3000 PSI SEE FIG.07-009
12	87310194	4	BOLT, 3/4-10 X 3-1/2 GR5 DOR
13	87310323	4	NUT, PREV TORQ ALL MTL 3/4-10 GR B DOR
14	87564718	2	BOLT, 3/4-10 X 7 GRD 5 DOR
15	87698751	4	BOLT, 1-8 X 6 GRD 8 DOR
16	87666131	1	SUPPORT, WELDMENT, LH UPPER CRADLE
17	87564720	12	WASHER, .781 X 1.250 X .075 CST DOR
18	87564721	14	WASHER, 1.016 X 1.50 X .134 CST DOR
19	87343673	8	NUT, 1-8 GR 8 DOR
20	87564722	4	WASHER, 1.016 X 1.50 X .075 CST DOR
21	810751C1	2	PIN,
22	432-1228	2	PIN, SPLIT (COTTER), 3/16" x 1 3/4",
23	219-8	6	NIPPLE, LUBE, 1/4"-28 NPT x .54" lg,
24	87527651	1	BOOM, EXTENSION, OUTER LH
25	87505171	1	HYDRAULIC CYLINDER, 2.5 X 16 MON 3000PSI 1 PIN, SEE FIG. 07-008
26	87698750	2	BOLT, 3/4-10 X 4-1/2 GRD 8 DOR
27	87310317	4	NUT, 3/4-10 GR 8 DOR
28	87343671	4	NUT, 3/4-10 GR 5 DOR
29	87543854	1	CRADLE, REST, INNER BOOM, LH
30	1404	2	U-BOLT, US .5 3.125W 4.25D
31	87528989	4	WASHER, M12 X 30MM X 2.5 DOR
32	87343983	4	NUT, PREV TORQ. ALL MTL 1/2-13 GR C DOR
33	87543856	1	INNER BOOM ROLLER LH
34	87543857	1	INNER BOOM ROLLER RH
35	87503700	2	ROLLER, 19.45 ID X 38.1OD 36MMLG
36	425254A1	2	U-BOLT, US .375 2.063W 2.815D
37	87529298	4	WASHER, 11 X 21 X 2MM CST DOR
38	87343974	4	NUT, PREV TORQ. ALL MTL 3/8-16 GR C DOR
39	87501591	6	WASHER, 10 ID 102 OD 1.9MM ZND
40	87501590	2	BUMPER, POLY, 89MM OD X 19MM, TK
41	86980380	2	BOLT, M8- 1.25 X 25, HH, 8.8, DOR
42	87706481	1	SEE FIG. 08-021
43	87621178	1	STOP, BOOM BREAKAWAY

## 4420 PATRIOT SPRAYER

## 08-010 INNER BOOM MOUNTING, LH, 120' BOOM

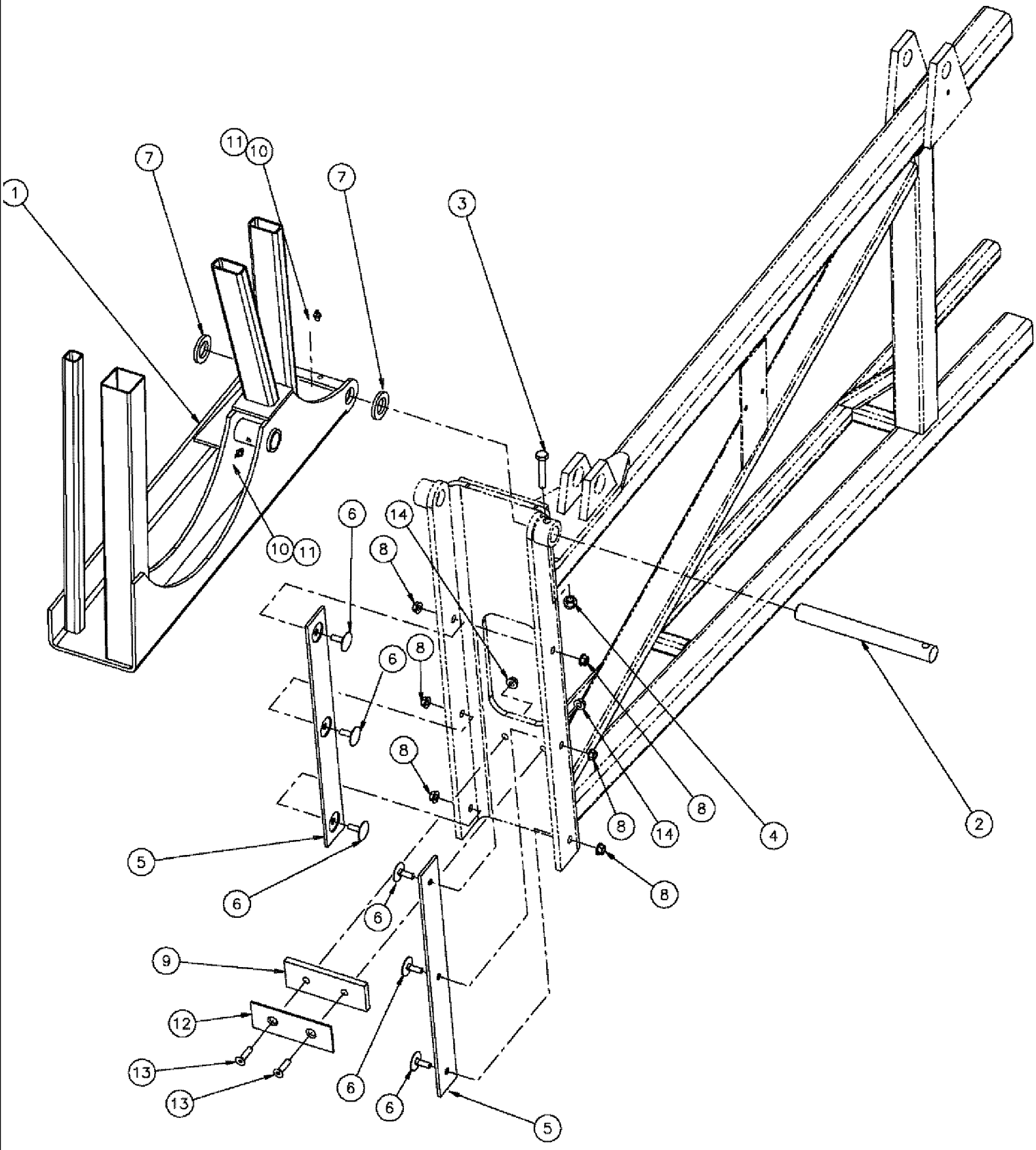
Ref	Part Number	Qty	Description
44	86980408	2	BOLT, M10-1.5 X 80, HH, 8.8, DOR
45	86980515	10	NUT, LOCK, M10 x 1.5, CI 8, P/T ALL MTL M10 8 DOR
46	87573707	1	CHANNEL, SNAP-ON-1 X 2 X 6
47	87666126	4	MOUNTING PARTS, PLATE, CRADLE
48	86980410	8	BOLT, M10-1.5 X 100, HH, 8.8, DORREPL
49	BN320995	2	PAD, BOOM REST, BOTTOM
50	BN319335	1	PAD, BOOM REST
51	BN50779	6	BOLT, 5/16-18X1.0 EH-DOR
52	BN50057	6	NUT, 5/16-18 WHIZ LOCK SS
53	87705378	1	PLATE, BOOM STOP
54	86981677	4	WASHER, M10 x 30 x 2.5,
55	86625170	2	SCREW, HEX WSHR, HD, TPG, # 10 X .75
56	87229235	2	



## 4420 PATRIOT SPRAYER

## 08-011 OUTER BOOM ASSEMBLY, RH, 60-90'

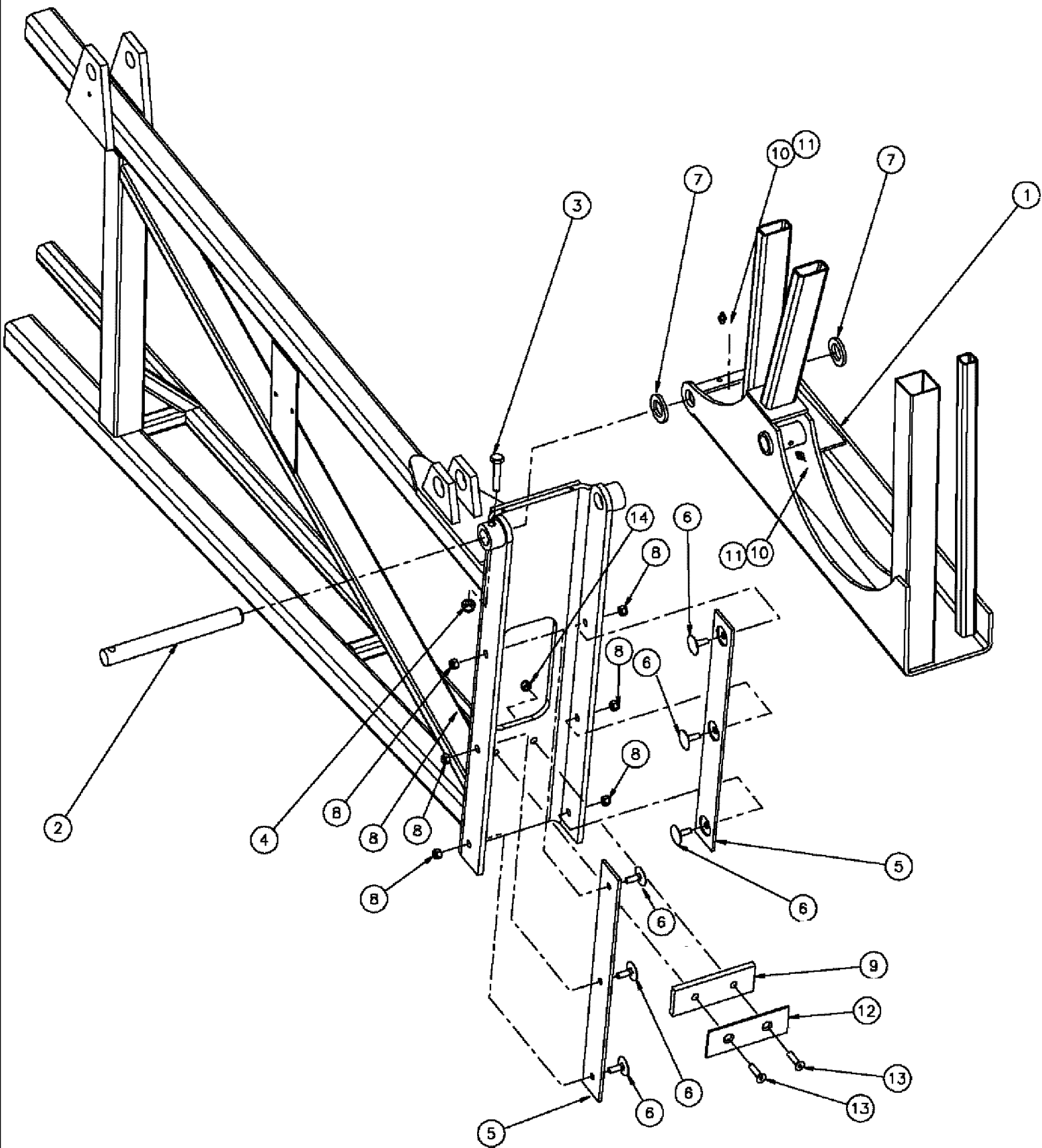
Ref	Part Number	Qty	Description
1	BN320278	1	BOOM, WLDMT, RH OUTER-90'
2	BN307893	1	PIN, V-FOLD
3	439-5632	1	PIN, HEADED, 3/8" x 2", G2,
4	432-816	1	PIN, SPLIT (COTTER), 1/8" x 1",
5	BN69856	2	PLATE, LINER-PLSTIC, 3/16 X 2 X 17.50
6	BN50014	6	BOLT, 5/16-18 X .75, EH
7	896-11024	2	WASHER, M24 x 44.5 x 5, HT, FLAT
8	BN50057	6	NUT, 5/16-18 WHIZ LOCK SS
9	BN305437	1	BUMPER, RUBBER, 2 X 5.5 X .38
10	BN302051	2	NIPPLE, LUBE, FITTING, 8MM X 1 STR
12	87266608	1	PLATE, STEEL, FOLD BUMPER
13	280591	2	SCREW, Hex Soc Flat Hd, 5/16"-18 x 1 1/4",
14	BN55361	2	NUT, 5/16-18, NLN, SS



## 4420 PATRIOT SPRAYER

## 08-012 OUTER BOOM ASSEMBLY, LH, 60-90'

Ref	Part Number	Qty	Description
1	BN320279	1	BOOM, WLDMT, LH OUTER-90'
2	BN307893	1	PIN, V-FOLD
3	439-5632	1	PIN, HEADED, 3/8" x 2", G2,
4	432-816	1	PIN, SPLIT (COTTER), 1/8" x 1",
5	BN69856	2	PLATE, LINER-PLSTIC 3/16 X 2 X 17.50
6	BN50014	6	BOLT, 5/16-18 X .75,EH
7	896-11024	2	WASHER, M24 x 44.5 x 5, HT, FLAT
8	BN50057	6	NUT, 5/16-18 WHIZ LOCK SS
9	BN305437	1	BUMPER, RUBBER, 2 X 5.5 X .38
10	BN302051	2	NIPPLE, LUBE, FITTING, 8MM X 1 STR
12	87266608	1	PLATE, STEEL, FOLD BUMPER
13	280591	2	SCREW, Hex Soc Flat Hd, 5/16"-18 x 1 1/4",
14	BN55361	2	NUT, 5/16-18, NLN, SS

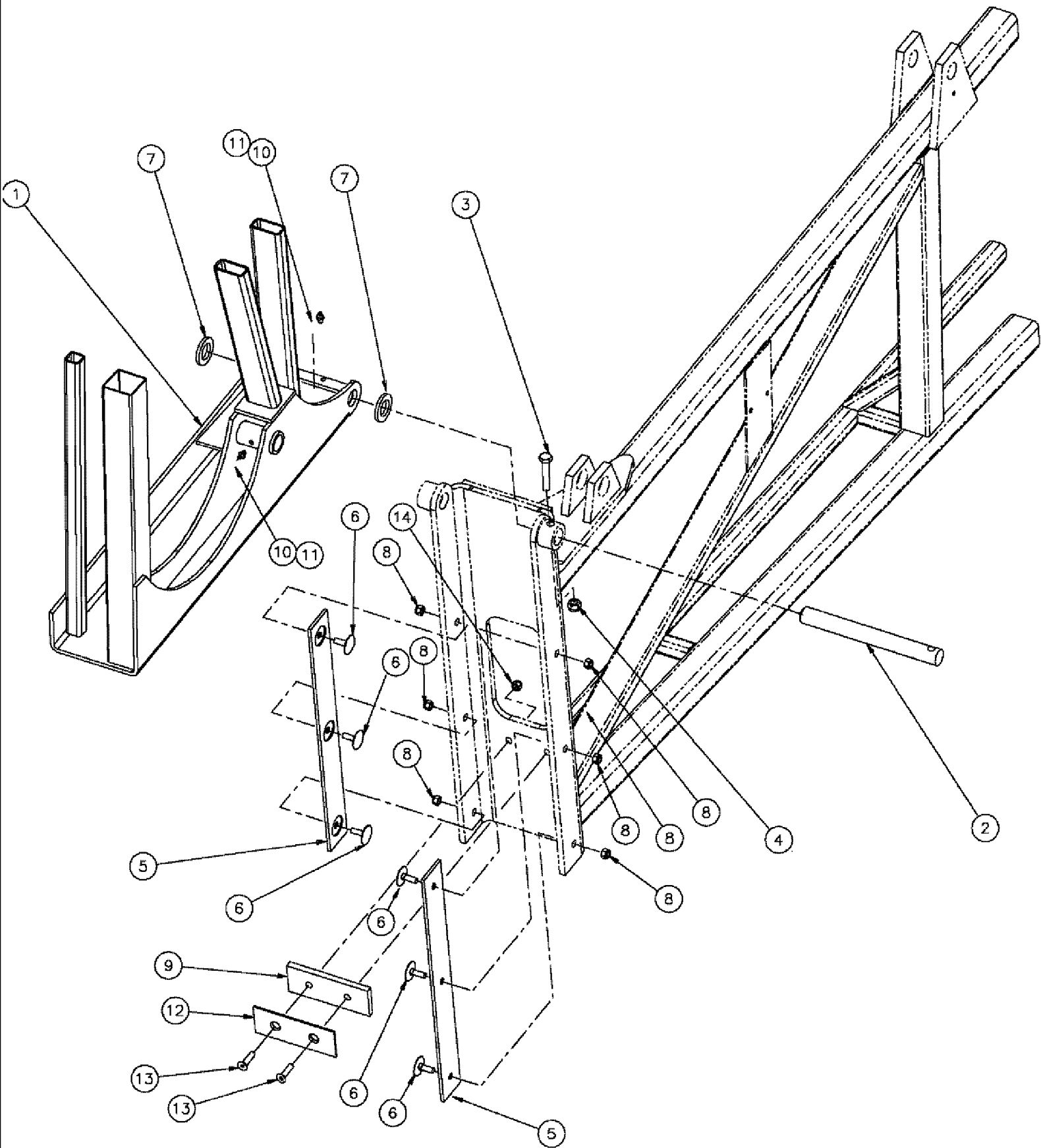




## 4420 PATRIOT SPRAYER

## 08-013 OUTER BOOM ASSEMBLY, RH, 80'

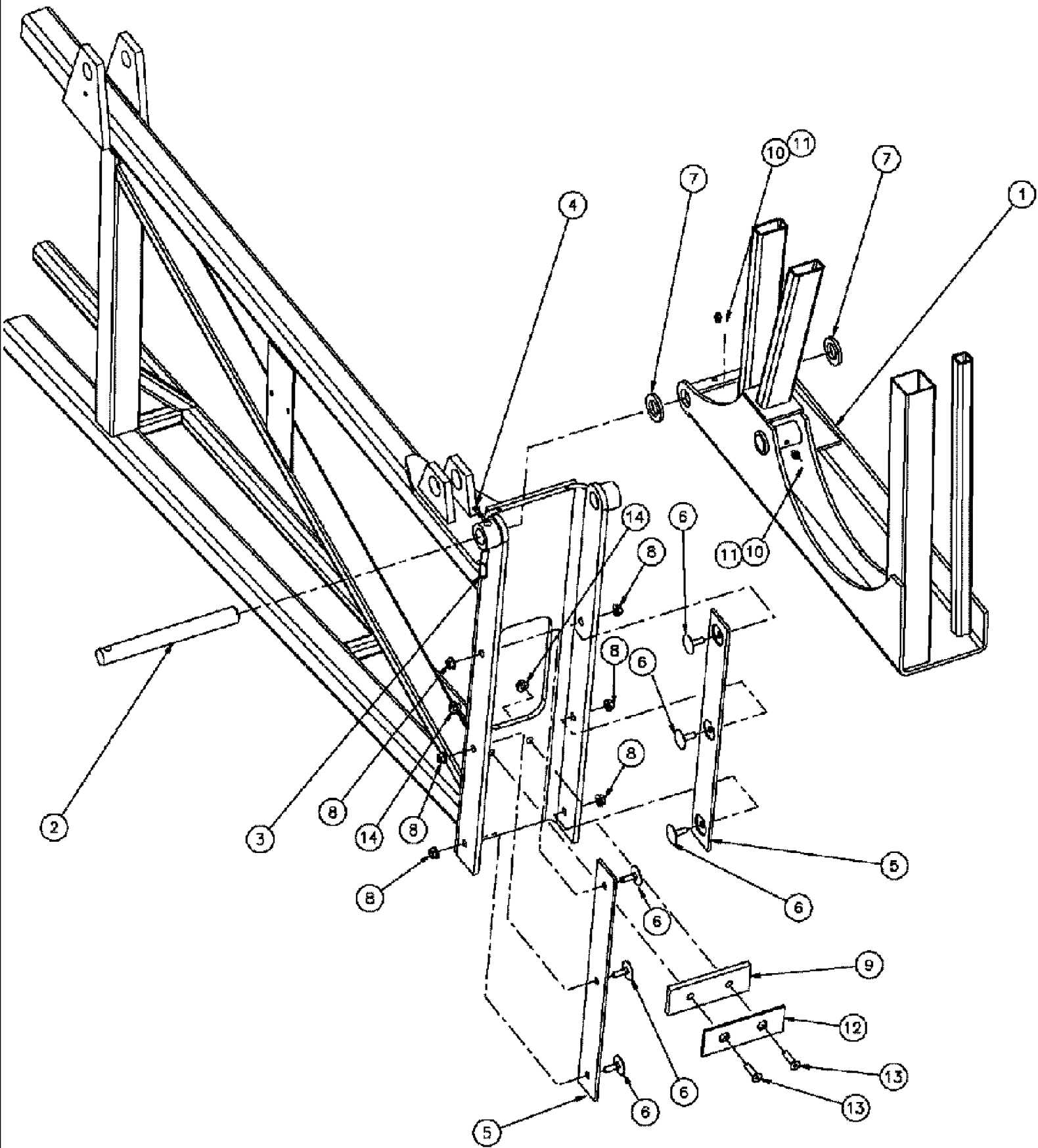
Ref	Part Number	Qty	Description
1	BN320280	1	BOOM, WLDMT, RH OUTER-80'
2	BN307893	1	PIN, V-FOLD
3	439-5632	1	PIN, HEADED, 3/8" x 2", G2,
4	432-816	1	PIN, SPLIT (COTTER), 1/8" x 1",
5	BN69856	2	PLATE, LINER-PLASTIC 3/16 X 2 X 17.50
6	BN50014	6	BOLT, 5/16-18 X .75, EH
7	896-11024	2	WASHER, M24 x 44.5 x 5, HT, FLAT
8	BN50057	6	NUT, 16-18 WHIZ LOCK SS
9	BN305437	1	BUMPER, RUBBER, 2 X 5.5 X .38
10	BN302051	2	NIPPLE, LUBE, 8MM X 1 STR
11	BN55015	0.1	NIPPLE, LUBE, LITHIUM, 12-GRADE # 2
12	87266608	1	PLATE, STEEL, FOLD BUMPER
13	280591	2	SCREW, Hex Soc Flat Hd, 5/16"-18 x 1 1/4",
14	BN55361	2	NUT, 5/16-18, NLN, SS



## 4420 PATRIOT SPRAYER

## 08-014 OUTER BOOM ASSEMBLY, LH, 80'

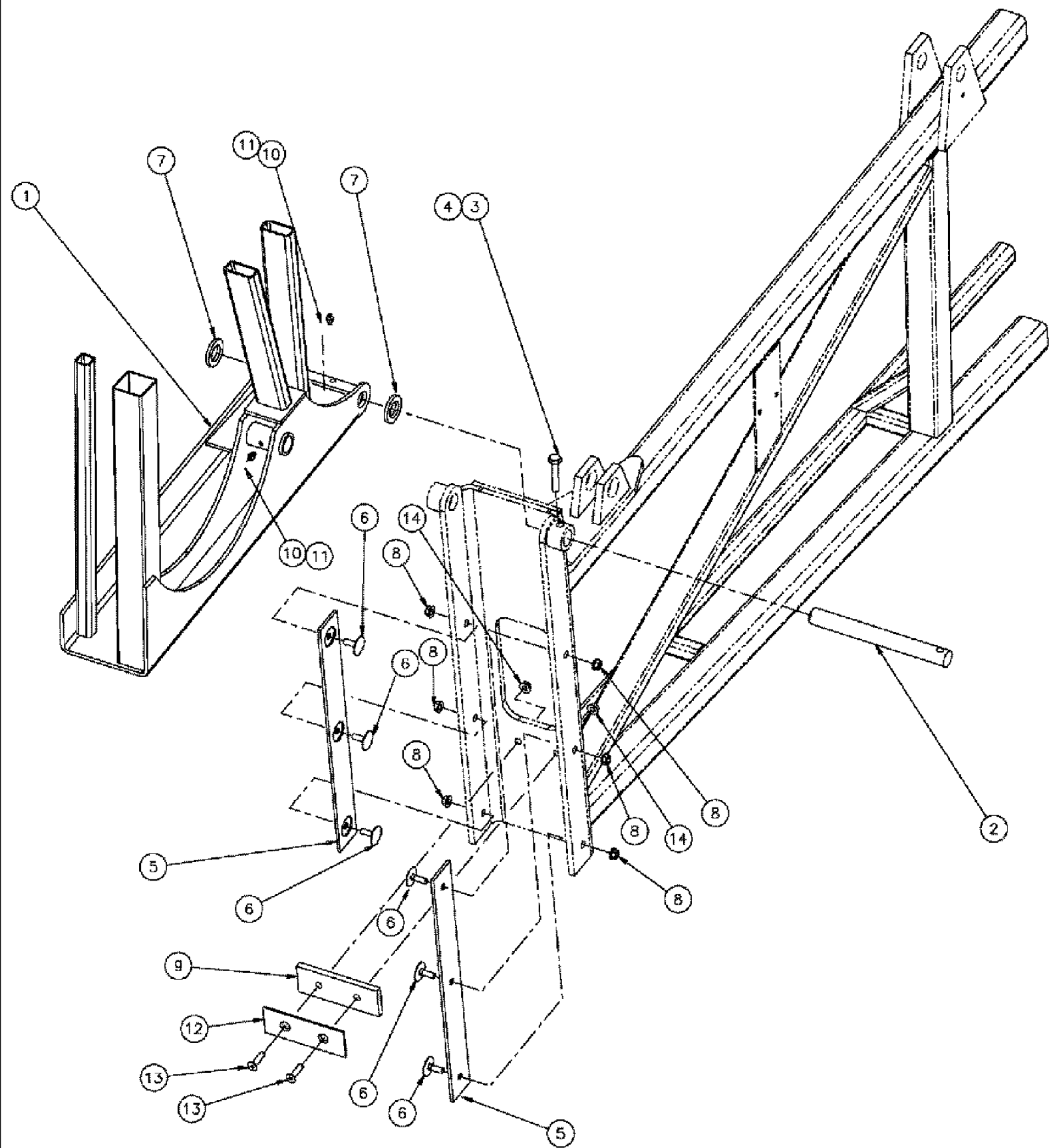
Ref	Part Number	Qty	Description
1	BN320281	1	BOOM, WLDMT, LH OUTER-80'
2	BN307893	1	PIN, V-FOLD
3	439-5632	1	PIN, HEADED, 3/8" x 2", G2,
4	432-816	1	PIN, SPLIT (COTTER), 1/8" x 1",
5	BN69856	2	PLATE, LINER-PLSTIC 3/16 X 2 X 17.50
6	BN50014	6	BOLT, 5/16-18 X .75,EH
7	896-11024	2	WASHER, M24 x 44.5 x 5, HT, FLAT
8	BN50057	6	NUT, 5/16-18 WHIZ LOCK SS
9	BN305437	1	BUMPER, RUBBER, 2 X 5.5 X .38
10	BN302051	2	NIPPLE, LUBE, 8MM X 1 STR
11	BN55015	0.1	NIPPLE, LUBE, LITHIUM 12-GRADE # 2
12	87266608	1	PLATE, STEEL, FOLD BUMPER
13	280591	2	SCREW, Hex Soc Flat Hd, 5/16"-18 x 1 1/4",
14	BN55361	2	NUT, 5/16-18, NLN, SS



## 4420 PATRIOT SPRAYER

## 08-015 OUTER BOOM ASSEMBLY, RH, 100'

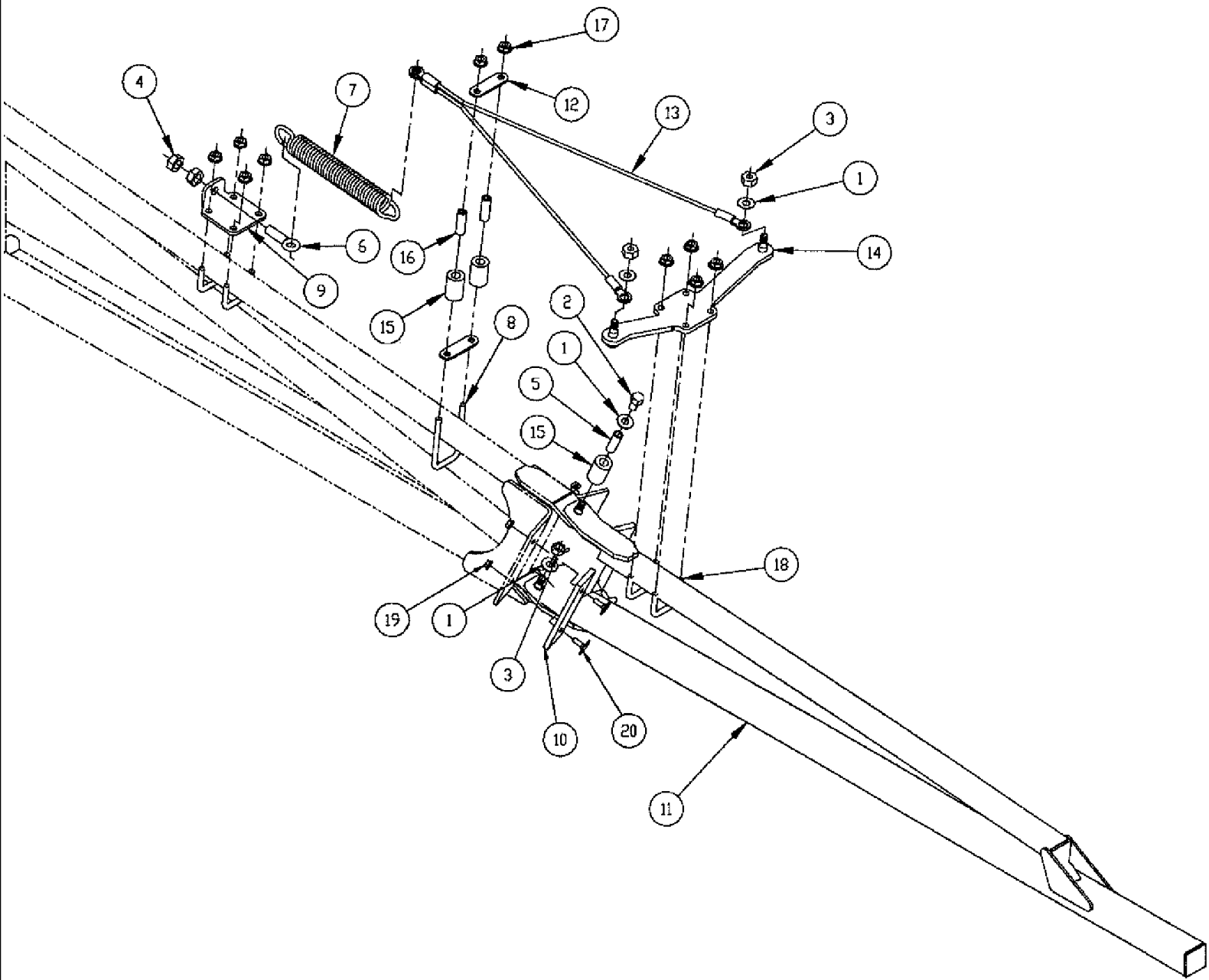
Ref	Part Number	Qty	Description
1	87683498	AR	BOOM, OUTER, RH, 100FT
2	BN307893	1	PIN, V-FOLD
3	87344036	1	PIN, HEADED, 3/8 X 1-55/64 5
4	432-816	1	PIN, SPLIT (COTTER), 1/8" x 1",
5	BN69856	2	PLATE, LINER-PLSTIC 3/16 X 2 X 17.50
6	BN50014	6	BOLT, 5/16-18 X .75,EH
7	87529311	2	WASHER, 26 X 44 X 5MM ZND
8	BN50057	6	NUT, 5/16-18 WHIZ LOCK SS
9	BN305437	1	BUMPER, RUBBER 2 X 5.5 X .38
10	BN302051	2	NIPPLE, LUBE, 8MM X 1 STR
11	331-37	AR	SPARE PART, GREASE, 1 LB LITHIUM # 2 GR, 0.25
12	87266608	1	PLATE, STEEL, FOLD BUMPER
13	280591	2	SCREW, Hex Soc Flat Hd, 5/16"-18 x 1 1/4",
14	BN55361	2	NUT, 5/16-18, NLN, SS



## 4420 PATRIOT SPRAYER

## 08-016 OUTER BOOM ASSEMBLY, LH, 100'

Ref	Part Number	Qty	Description
1	87683496	1	BOOM, OUTER, LH, 100FT
2	BN307893	1	PIN, V-FOLD
3	87344036	1	PIN, HEADED, 3/8 X 1-55/64 5
4	432-816	1	PIN, SPLIT (COTTER), 1/8" x 1",
5	BN69856	2	PLATE, LINER-PLSTIC 3/16 X 2 X 17.50
6	BN50014	6	BOLT, 5/16-18 X .75, EH
7	87529311	2	WASHER, 26 X 44 X 5MM ZND
8	BN50057	6	NUT, 5/16-18 WHIZ LOCK SS
9	BN305437	1	BUMPER, RUBBER 2 X 5.5 X .38
10	BN302051	2	NIPPLE, LUBE, 8MM X 1 STR
11	331-37	AR	SPARE PART, GREASE, 1 LB LITHIUM #2 GR, 0.1
12	87266608	1	PLATE, STEEL, FOLD BUMPER
13	280591	2	SCREW, Hex Soc Flat Hd, 5/16"-18 x 1 1/4",
14	BN55361	2	NUT, 5/16-18, NLN, SS

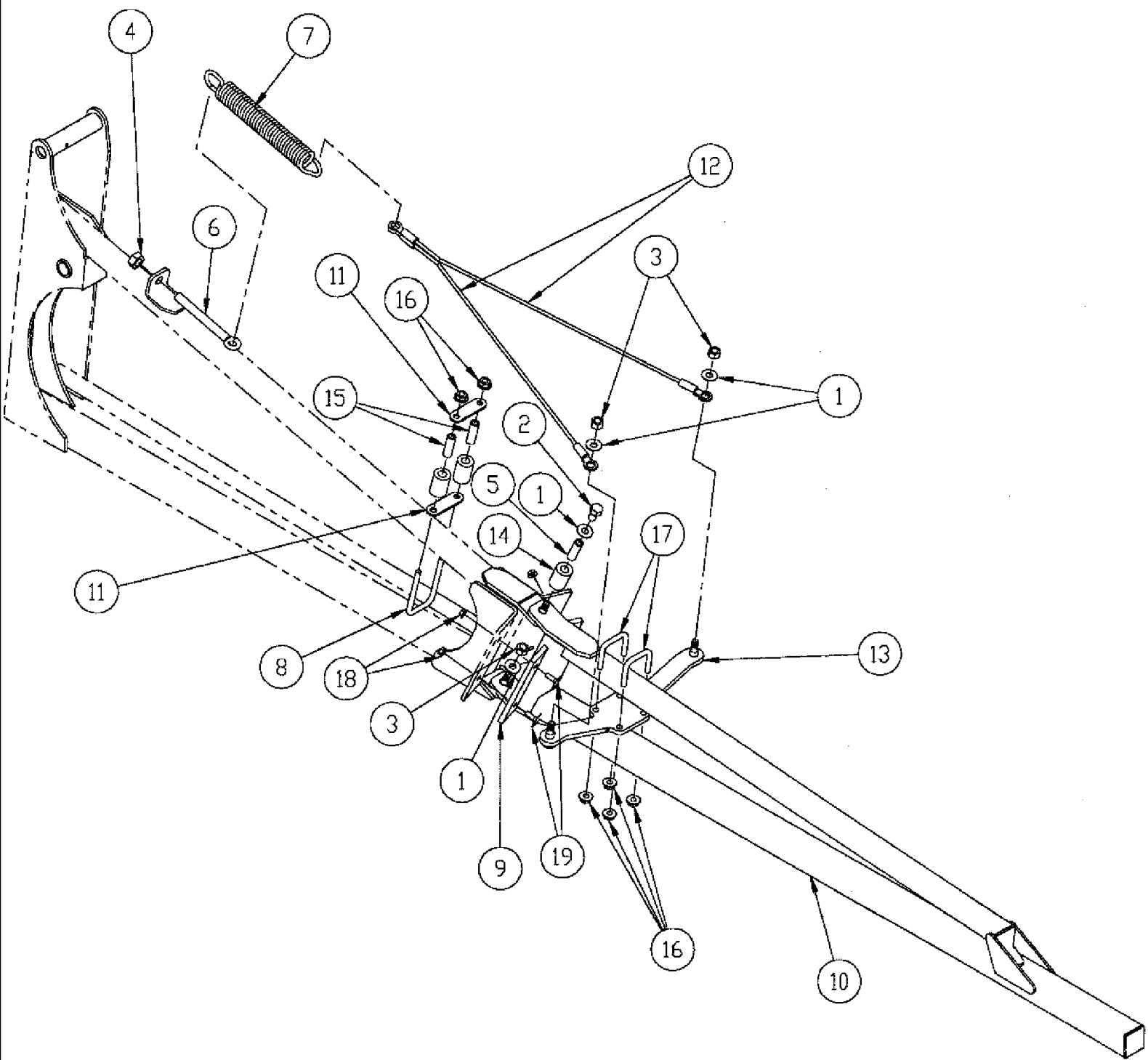




## 4420 PATRIOT SPRAYER

## 08-017 BOOM BREAKAWAY ASSEMBLY, 60-90'

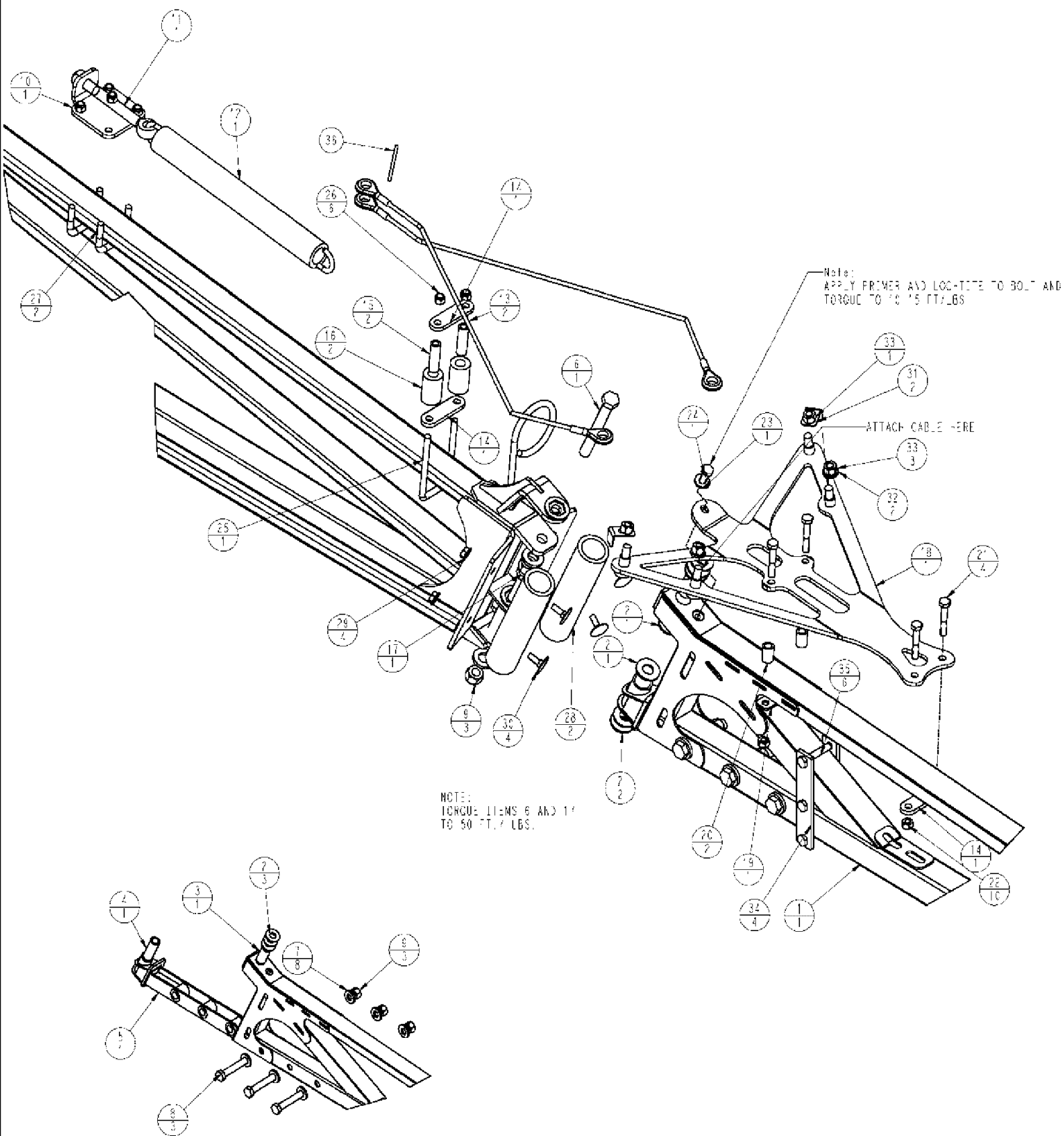
Ref	Part Number	Qty	Description
1	86981496	4	WASHER, M13.5 x 24.5 x 3, HT,
2	614-12030	1	BOLT, Hex, M12 x 30, 8.8,
3	832-46412	3	NUT, LOCK, M12 x 1.75, CI 8,
4	832-46416	2	NUT, LOCK, M16 x 2, CI 8,
5	BN304675	1	NUT, RND CONNECT, M12 X 40
6	BN304678	1	EYEBOLT, M16 x 160
7	BN305410	1	SPRING, 1.67 X 0.283 X 12
8	BN305434	1	U-BOLT, 3/8 X 2 X4.5
9	BN311733	1	ANCHOR, BREAKAWAY
10	BN312172	2	BUMPER, BREAKAWAY
11	BN325289	1	FRAME, BOOM WELDMENT, BREAKAWAY
12	BN308039	2	PLATE, SPACER
13	87271165	2	CABLE, BREAKAWAY
14	BN309505	1	ANGLE, WELDMENT, BREAKAWAY
15	87265981	3	ROLLER, BOOM BREAKAWAY
16	BN310055	2	BUSHING,
17	BN50759	10	NUT, 3/8-16, NLN, SS
18	BN68062	4	U-BOLT, 3/8--SQ BND-2.06ID
19	BN50057	4	NUT, 5/16-18 WHIZ LOCK SS
20	BN50779	4	BOLT, 5/16-18 X 1, EH



## 4420 PATRIOT SPRAYER

## 08-018 BOOM BREAKAWAY ASSEMBLY, 80'

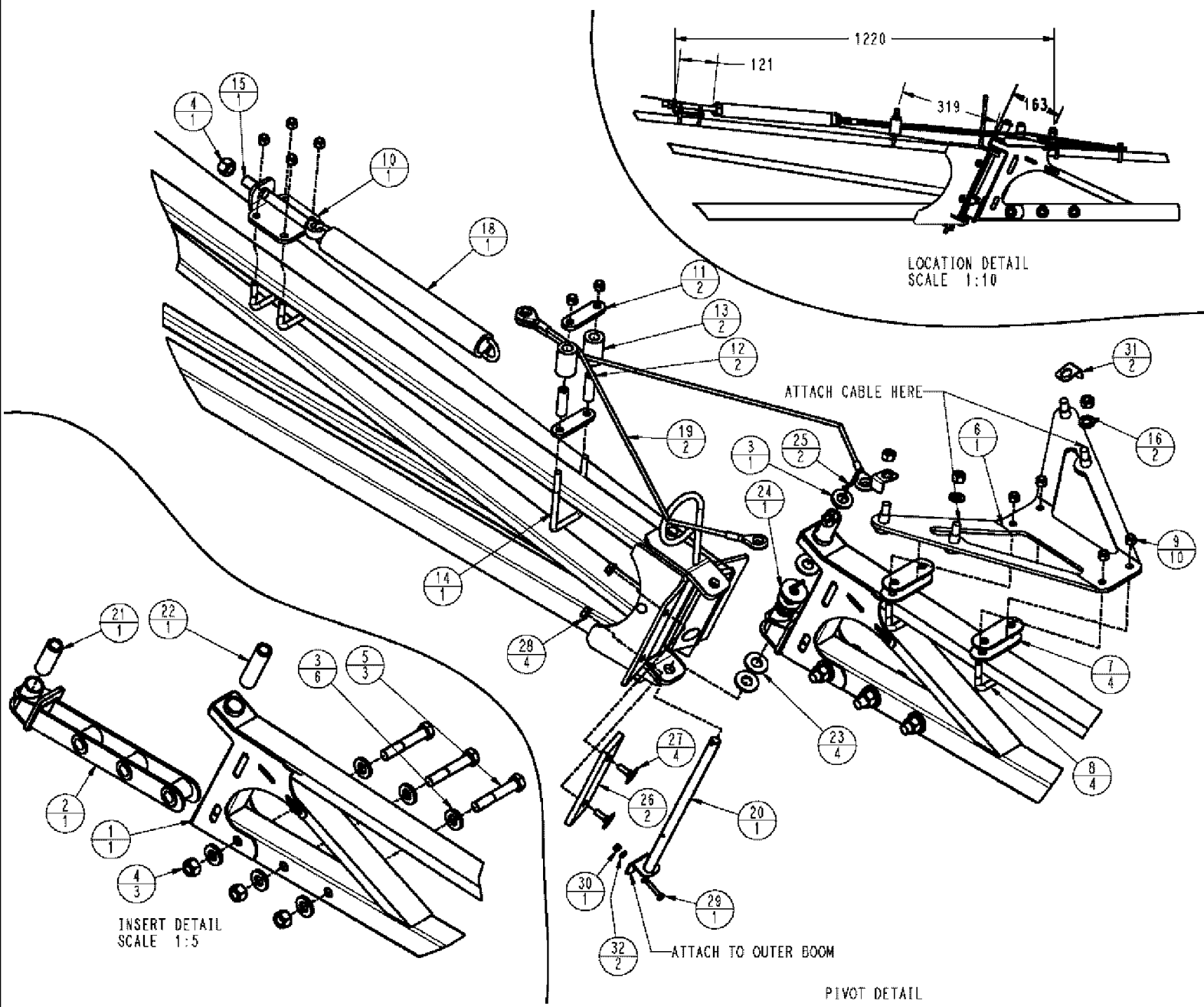
Ref	Part Number	Qty	Description
1	BN300500	4	WASHER, M12, FW, 10.9
2	627-12035	1	BOLT, Hex, M12 x 35, 10.9,
3	832-46412	3	NUT, LOCK, M12 x 1.75, CI 8,
4	832-46416	1	NUT, LOCK, M16 x 2, CI 8,
5	BN304675	1	NUT, RND CONNECT M12 X 40
6	BN304678	1	EYEBOLT, M16 x 160
7	BN305410	1	SPRING, 1.67 X 0.283 X 12
8	BN305434	1	U-BOLT, 3/8 X 2 X 4.5
9	BN312172	2	BUMPER, BREAKAWAY
10	BN325289	1	FRAME, BOOM WLDMT, BREAKAWAY
11	BN308039	2	PLATE, SPACER
12	87271165	2	CABLE, BREAKAWAY
13	BN309505	1	ANGLE, WELDMENT, BREAKAWAY
14	87265981	3	ROLLER, BOOM BREAKAWAY
15	BN310055	2	BUSHING,
16	BN50759	6	NUT, 3/8-16, NLN, SS
17	BN68062	2	U-BOLT, 3/8--SQ BND-2.06ID
18	BN50057	4	NUT, 5/16-18 WHIZ LOCK SS
19	BN50779	4	BOLT, 5/16-18 X 1, EH



## 4420 PATRIOT SPRAYER

## 08-019 BOOM BREAKAWAY ASSEMBLY, 100'

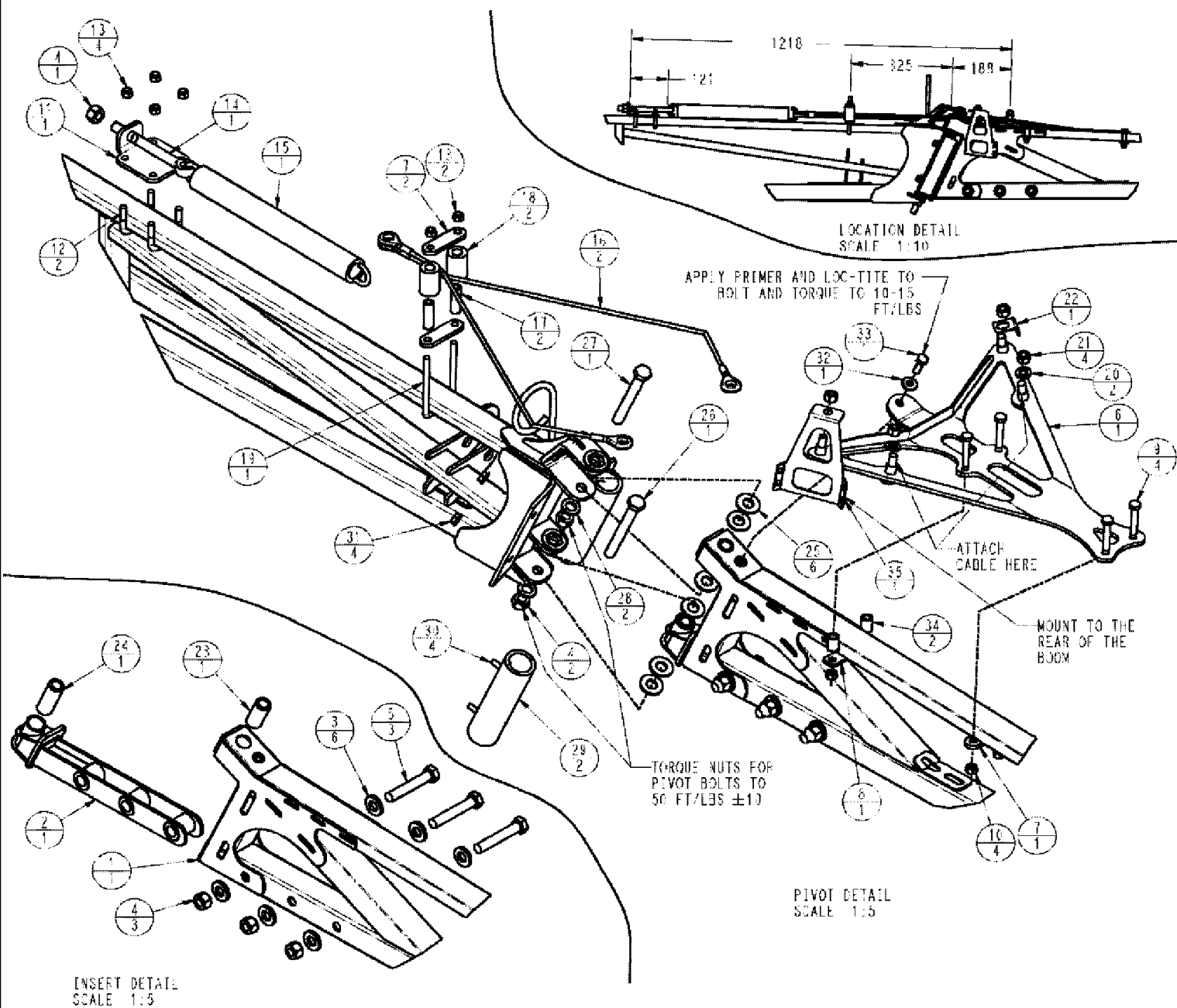
Ref	Part Number	Qty	Description
1	87686306	1	BOOM, BREAKAWAY, 100'
2	87272614	7	WASHER, 38 OD X 17 X 3.2, NYLON
3	87637173	1	BUSHING, UPPER HINGE 100
4	87272899	1	BUSHING, 25 OD X 16 ID X 68 NYLATRON
5	87272889	1	EXTENSION, INSERT, PIVOT
6	86980451	1	BOLT, HEX HD M16 X 130 CL8.8 DOR
7	87310607	8	WASHER, 17.5 X 34.0 X 5MM HDN DOR
8	86980510	3	BOLT, M16-2 X 90, HH, 8.8, DORREPL
9	86980517	6	NUT, P/T ALL MTL M16 8 DOR
10	BN311733	1	ANCHOR, BREAKAWAY
11	BN304678	1	EYEBOLT, M16 X 160
12	BN305410	1	SPRING, 1.67 X 0.283 X 12
13	87271165	2	CABLE, BREAKAWAY
14	BN308039	3	PLATE, SPACER
15	BN310055	2	BUSHING,
16	87265981	2	ROLLER, BOOM BREAKAWAY
17	87341861	1	BOLT, HEX HD M16 X 140 CL10.9 DOR
18	87704989	1	ARM, BREAKAWAY
	87704990	1	PLATE, ASSOCIATED PART OF ARM, BREAKAWAY, P/N 87704989
	BN304676	4	BOLT, SPECIAL, SHOULDER , (M12)16 X 20, ASSOCIATED PART OF ARM, BREAKAWAY, P/N 87704989
19	87620862	2	PLATE, 2 1/2" INCH TUBE
20	87706359	2	BUSHING, SPACER
21	87341824	4	BOLT, HEX HD, M10 X 55, CL8.8, DOR
22	86980515	10	NUT, LOCK, M10 x 1.5, CI 8,
23	87529312	1	WASHER, 11 X 24 X 3MM, HTS, DOR HD
24	86980401	1	BOLT, HEX HD, M10 X 30, CL8.8, DOR
25	BN305434	1	U-BOLT, 3/8 X 2 X4.5
26	BN50759	6	NUT, 3/8-16, NLN, SS
27	BN68062	2	U-BOLT, 3/8--SQ BND-2.06ID
28	87706358	2	HOSE,
29	BN50057	4	NUT, HEX, PREV, TRQ
30	BN50779	4	BOLT, 5/16-18 X 1.0 EH-DOR
31	87520135	4	RETAINER, CABLE,
32	86981496	2	WASHER, M13.5 x 24.5 x 3, HT,
33	86980516	4	NUT, PREV TRQ METAL M12 CL8 DOR
34	87707554	4	BRACKET, SUPPORTING, SPRAYBAR MOUNT
35	86980408	6	BOLT, M10-1.5 X 80, HH, 8.8, DOR



## 4420 PATRIOT SPRAYER

08-020 BOOM BREAKAWAY ASSEMBLY, 100' "BEFORE SERIAL # 21501"

Ref	Part Number	Qty	Description
1	87272900	1	BOOM, BREAKAWAY WLDMT
2	87272889	1	EXTENSION, INSERT, PIVOT
3	8731607	8	17.5 X 34 X 5MM
4	86980517	4	NUT, PREV TRQ METAL M16 CL 8.8 DOR
5	86980510	3	BOLT, M16-2 X 90, HH, 8.8, DL
6	87592129	1	ARM, BREAKAWAY
	87592127	1	, ASSOCIATED PART OF ARM, BREAKAWAY, P/N 87592129
	BN304676	4	BOLT, SPECIAL, SHOULDER, M12 16 X 20, ASSOCIATED PART OF ARM, BREAKAWAY, P/N 87592129
7	87272755	4	SPACER, X38X100, POLY
8	BN68062	4	U-BOLT, 3/8--SQ BND-2.06ID
9	BN50759	10	NUT, 3/8-16, NLN, SS
10	BN311733	1	ANCHOR, BREAKAWAY
11	BN308039	2	PLATE, SPACER
12	BN310055	2	BUSHING,
13	87265981	2	ROLLER, BOOM BREAKAWAY
14	BN305434	1	U-BOLT, 3/8 X 2 X4.5
15	BN304678	1	EYEBOLT, M16 X 160
16	86981496	2	WASHER, M13.5 x 24.5 x 3, HT,
17	86980516	4	NUT, M12 CL8 P/T ALL META
18	BN305410	1	SPRING, 1.67 X 0.283 X 12
19	87271165	2	CABLE, BREAKAWAY
20	87385271	1	PIN, BREAKAWAY PIVOT
21	87272899	1	BUSHING, 25 OD X 16 ID X 68, NYLATRON
22	87272898	1	BUSHING, 25 OD X 16 ID X 92, NYLATRON
23	87272614	3	WASHER, 38 OD X 17 ID X 3.2 T, UHMV
24	9511052	1	WASHER, M12 x 44 x 4, P 86588446
25	838-1428	3	PIN, LOCK, M4 x 28, Slotted,
26	BN312172	2	BUMPER, BREAKAWAY
27	BN50779	4	BOLT, 5/16-18 X 1,EH
28	BN50057	4	NUT, HEX, PT
29	86980361	1	BOLT, M6-1 X 25, HH, 8.8, DOR R
30	86980513	1	NUT, PT M6, CL8
31	87520135	2	RETAINER, CABLE,
32	896-11006	1	WASHER, M6 x 13 x 2, HT,

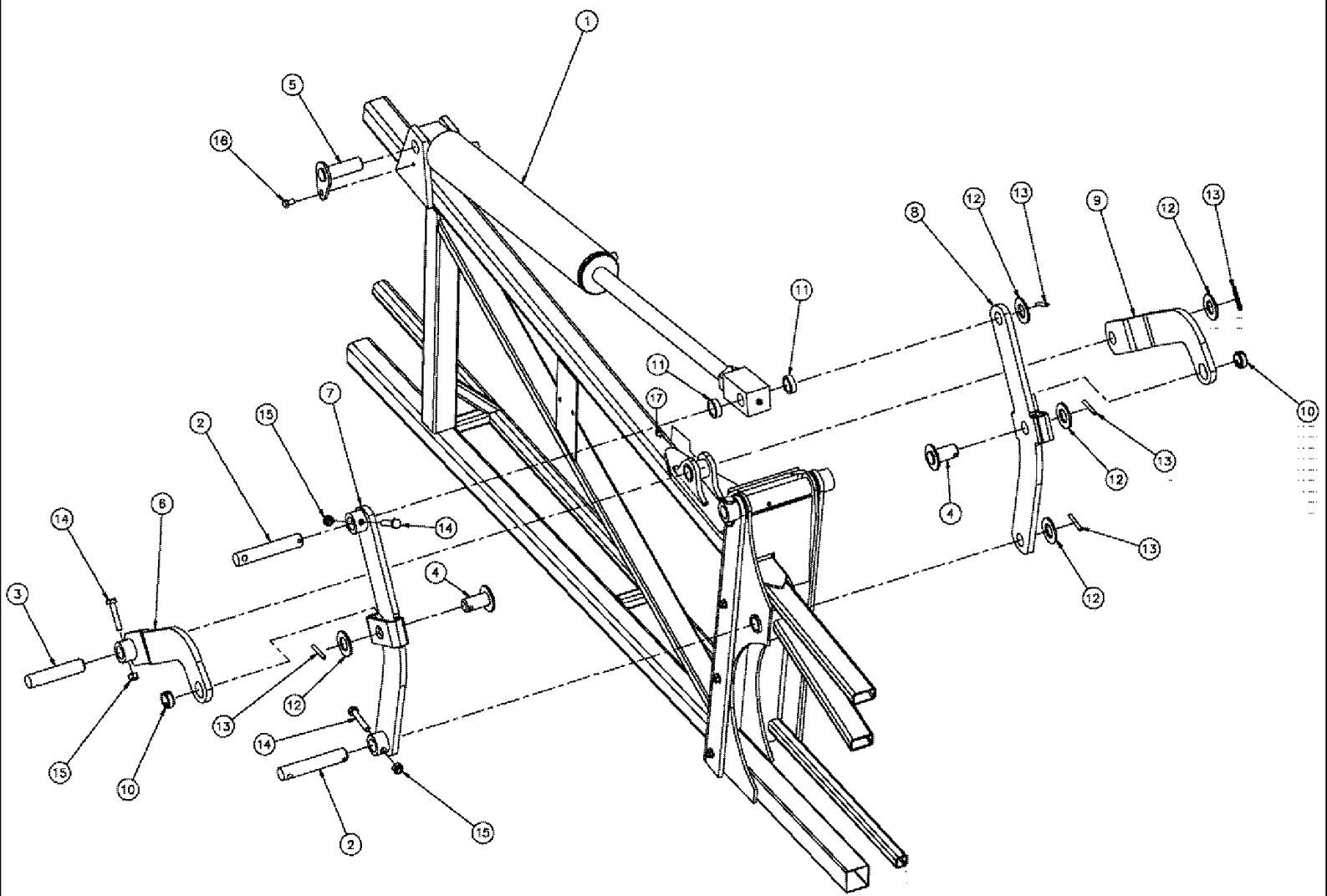




## 4420 PATRIOT SPRAYER

## 08-021 BOOM BREAKAWAY ASSEMBLY, 120' BOOM

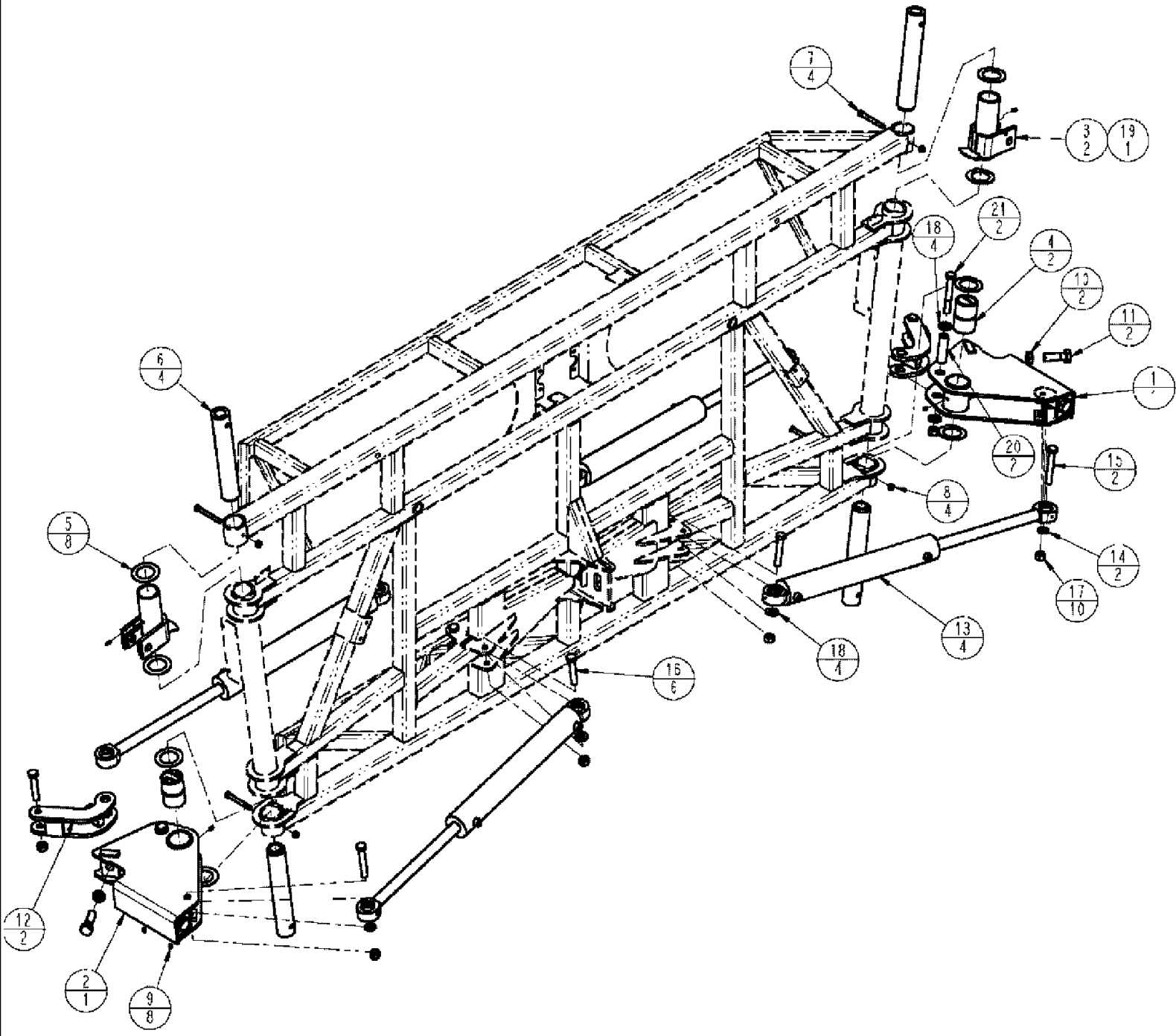
Ref	Part Number	Qty	Description
1	87704806	1	BOOM, WLDMT, BREAKAWAY
2	87272889	1	EXTENSION, INSERT, PIVOT
3	87310607	6	WASHER, 17.5 X 34.0 X 5MM, HDN, DOR
4	86980517	6	NUT, P/T ALL MTL M16 8 DOR
5	86980510	3	BOLT, M16-2 X 90, HH, 8.8, DOR
6	87704989	1	ARM, BEAKAWAY
7	BN308039	3	PLATE, SPACER
8	87620862	1	PLATE, 2 1/2" INCH TUBE
9	87341824	4	BOLT, HEX HD, M10 X 55, CL8.8, DOR
10	86980515	4	NUT, LOCK, M10 x 1.5, CI 8,
11	BN311733	1	ANCHOR, BREAKAWAY
12	BN68062	2	U-BOLT, 3/8
13	BN50759	6	NUT, 3/8-16, NLN, SS
14	BN304678	1	EYEBOLT, M16 X 160
15	BN305410	1	SPRING, 1.67 X 0.283 X 12
16	87271165	2	CABLE, BREAKAWAY
17	BN310055	2	BUSHING,
18	87265981	2	ROLLER, BOOM BREAKAWAY
19	BN305434	1	U-BOLT, 2" ID X 4.50 IL
20	86981496	2	WASHER, M13.5 x 24.5 x 3, HT,
21	86980516	4	NUT, PREV TRQ METAL, M12, CL8, DOR
22	87520135	1	RETAINER, CABLE,
23	87637173	1	BUSHING, 25 OD X 16 ID X 53, NYLATRON
24	87272899	1	BUSHING, 25 OD X 16 ID X 68, NYLATRON
25	87272614	6	WASHER, 38 OD X 17 ID X 3.2 T, UHMW
26	87341861	1	BOLT, HEX HD, M16 X 140 CL10.9 DOR
27	86980451	1	BOLT, HEX HD, M16 X 130 CL8.8 DOR
28	87529306	2	WASHER, 17.5 X 30 X 4MM, HTS, DOR, HDN
29	87706358	2	HOSE, HOSE
30	BN50779	4	BOLT, 5/16-18 X 1, DOR
31	BN50057	4	NUT, HEX, PREV, TRQ
32	87529312	1	WASHER, 11 X 24 X 3MM, HTS, DOR HDN
33	86980401	1	BOLT, HEX HD, M10 X 30, CL8.8, DOR
34	87706359	2	BUSHING, SPACER
35	87729496	1	SUPPORT, RETAINER, BREAKAWAY HOSE



## 4420 PATRIOT SPRAYER

## 08-022 HINGE GROUP, OUTER TIPS

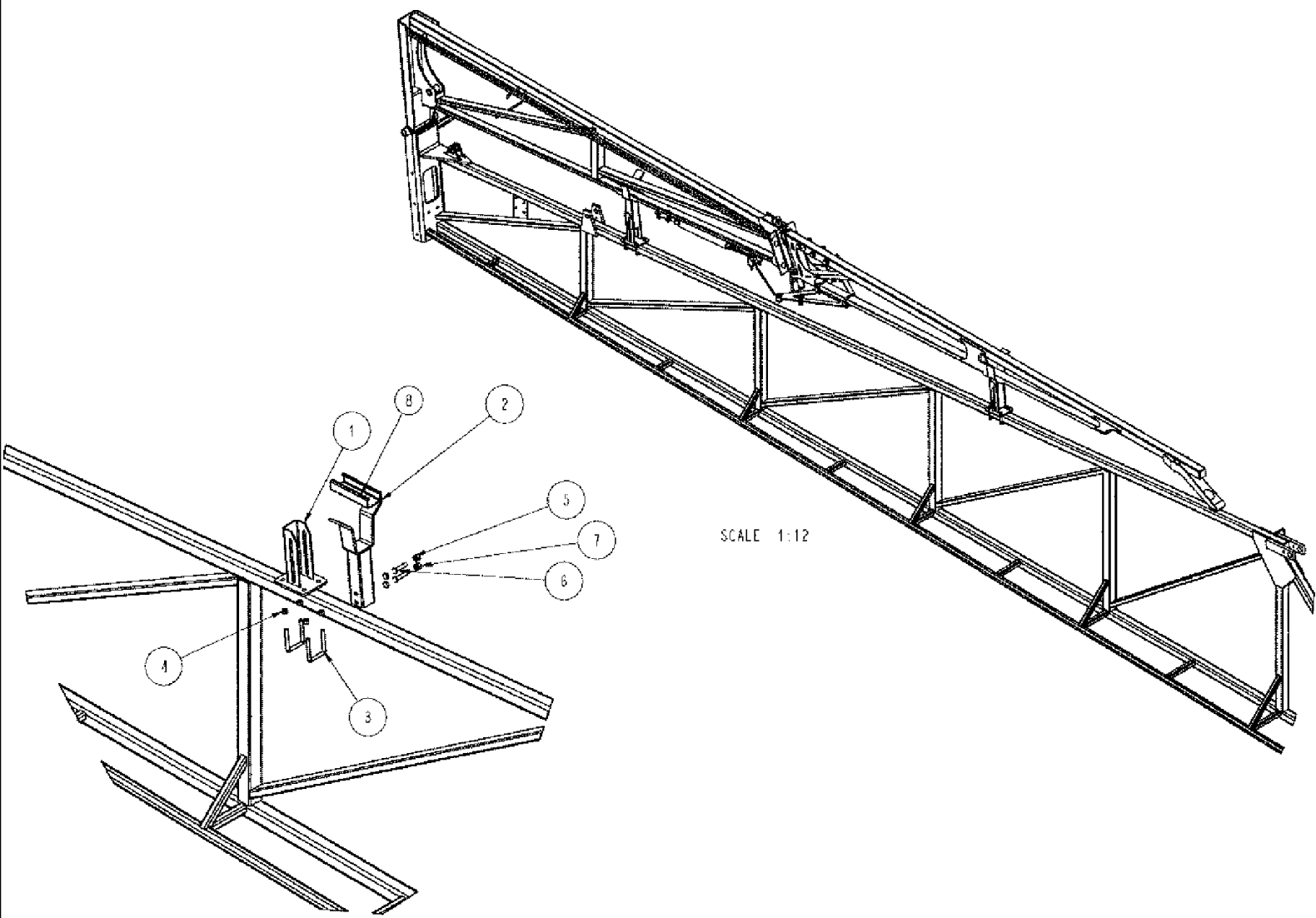
Ref	Part Number	Qty	Description
1	87266449	1	CYLINDER, HYD 2 X 20 X 1.25 SEE FIG. 07-007
2	BN307218	2	PIN, 1 ODX5.63 ETD150
3	BN307217	1	PIN, 1 OD X 4.63 ETD150
4	BN310118	2	PIN, WELDMENT
5	BN307223	1	PIN, WELDMENT, CYL
6	BN305624	1	LINKAGE, WELDMENT, BAR
7	BN305623	1	LINKAGE, WELDMENT, BAR
8	BN305622	1	LINKAGE, WELDMENT, BAR
9	BN311368	1	LINKAGE, FORMED LH
10	BN69918	2	BUSHING, SPRING (CONNEX)
11	BN311573	2	BUSHING, SPACER
12	87528986	5	WASHER, 10GA 1.03" ID X 2.0
13	BN52330	5	PIN, ROLL, 1/4 X 1 3/4
14	87341824	3	BOLT, M10-1.5 X 55,8.8
15	86980515	3	NUT, LOCK, M10 x 1.5, CI 8,
16	86980378	1	BOLT, M8-1.25 X 16,HH, 8.8, DO
17	BN302051	1	NIPPLE, LUBE, FITTING GREASE 8MMX1 STR



## 4420 PATRIOT SPRAYER

## 08-023 HINGE GROUP, 120' BOOM

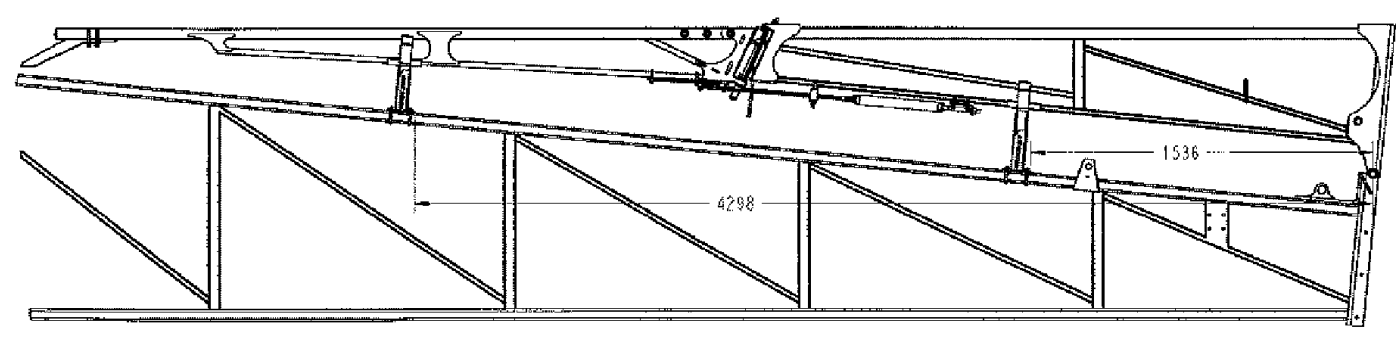
Ref	Part Number	Qty	Description
1	87709500	1	PIVOT, INNER, LH
2	87709501	1	PIVOT, INNER, RH
3	87543409	2	MOUNTING PARTS, UPPER CYLINDER
4	87675983	2	BUSHING, GROOVED, BOOM PIVOT
5	BN302048	8	SHIM, BUSH, MACH.WIDE, 2.5 ID X 14GA
6	BN306646	4	TUBE, RND INNER PIVOT
7	87695425	4	M12 X 110 10.9 DOR
8	87695422	4	NUT, P/T ALL MTL M12 10 DOR
9	BN302051	8	NIPPLE, LUBE, 8MM X 1 STR
10	87310319	2	NUT, JAM 1-14 GR 8 DOR
11	87644287	2	BOLT, 1-14 X 3 GRD 8 DOR
12	87708068	2	ARM, INNER BREAKAWAY
13	87272004	4	HYDRAULIC CYLINDER, 3.00 X 21.63 X 1.5 SEE FIG.07-006
14	87529307	2	WASHER, 22 X 37 X 4MM HDN
15	BN310280	2	BOLT, M20 X 125 SHANK, CUTOFF
16	BN310279	6	BOLT, M20 X 108 SHANK, CUTOFF
17	86980518	1	NUT, P/T ALL MTL M20 8 DOR
18	87310608	8	WASHER, 22 X 44 X 5MM HDN
19	331-37	1	SPARE PART, GREASE, 1 LB LITHIUM #2 GR
20	87708067	2	BUSHING, PIVOT
21	87341999	2	BOLT, M20 X 140 10.9 DOR



SCALE 1:12

SCALE 3:20

NOTE: 100' BOOM SHOWN DIMENSIONS  $\pm$  10MM  
90' BOOM CRADLE MEASUREMENTS ARE 1739 AND 3751  $\pm$  10MM



SCALE 1:12

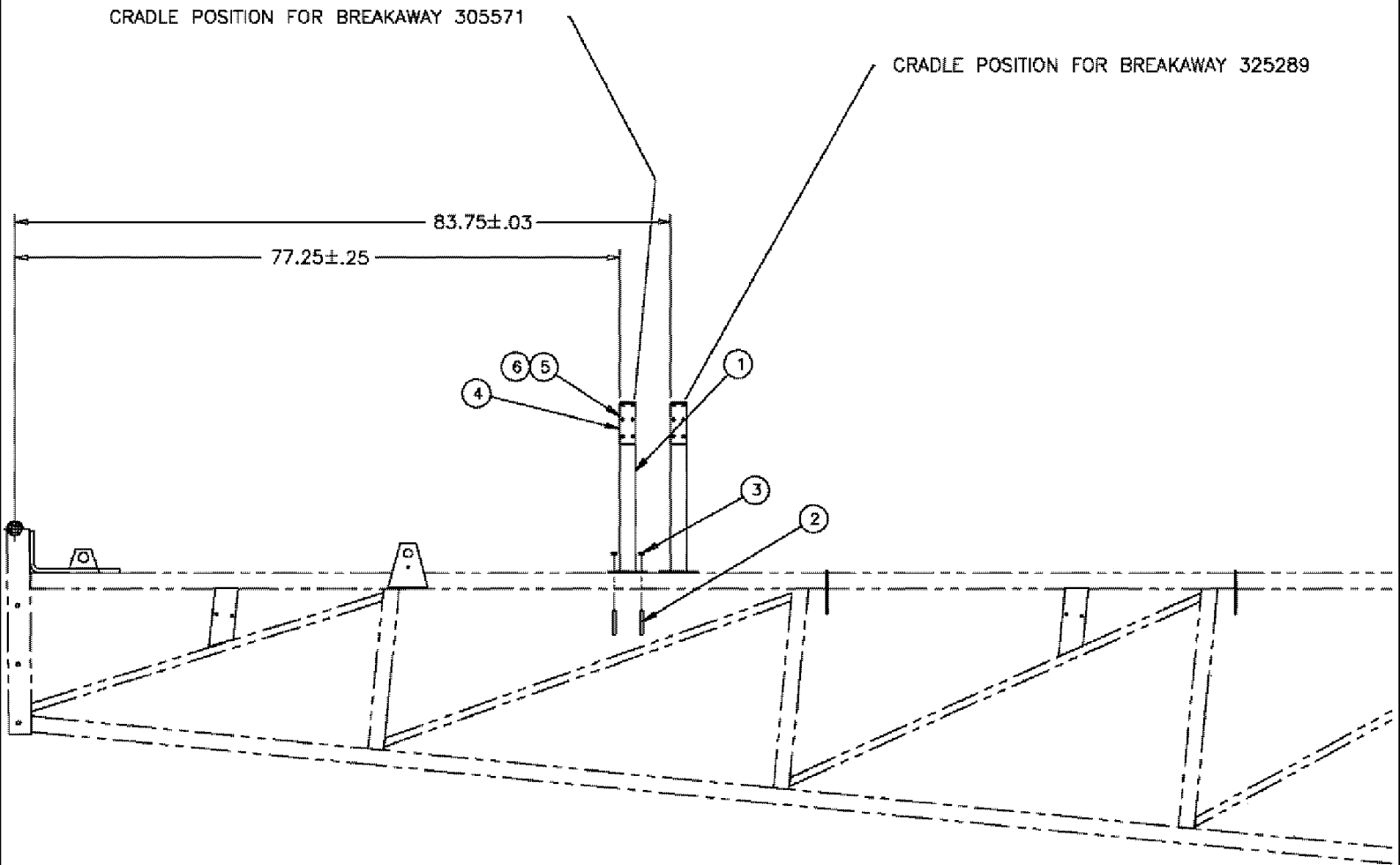
## 4420 PATRIOT SPRAYER

## 08-024 OUTER CRADLE ASSEMBLY 90'- 100'

Ref	Part Number	Qty	Description
1	87568915	2	SUPPORT, UPPER CRADLE, WELDMENT
2	87568911	2	SUPPORT, LOWER CRADLE, WELDMENT
3	319919	4	U-BOLT, SQ BND 2.06 ID X 3/8
4	87343970	8	NUT, PREV TORQ, ALL MTL, 3/8-16 GR B DOR
5	87529312	8	WASHER, 11 X 24 X 3MM, HDN, DOR
6	86980408	4	BOLT, M10, 1.5 X 80, HH, 8.8, DOR
7	86980515	4	NUT, LOCK, M10 x 1.5, CI 8,
8	87573707	2	CHANNEL, SNAP-ON-" X 2" X 6"
9	86625170	4	SCREW, TAPPING 10-16 X 3/4 BSD/2 HWHD HEX

CRADLE POSITION FOR BREAKAWAY 305571

CRADLE POSITION FOR BREAKAWAY 325289

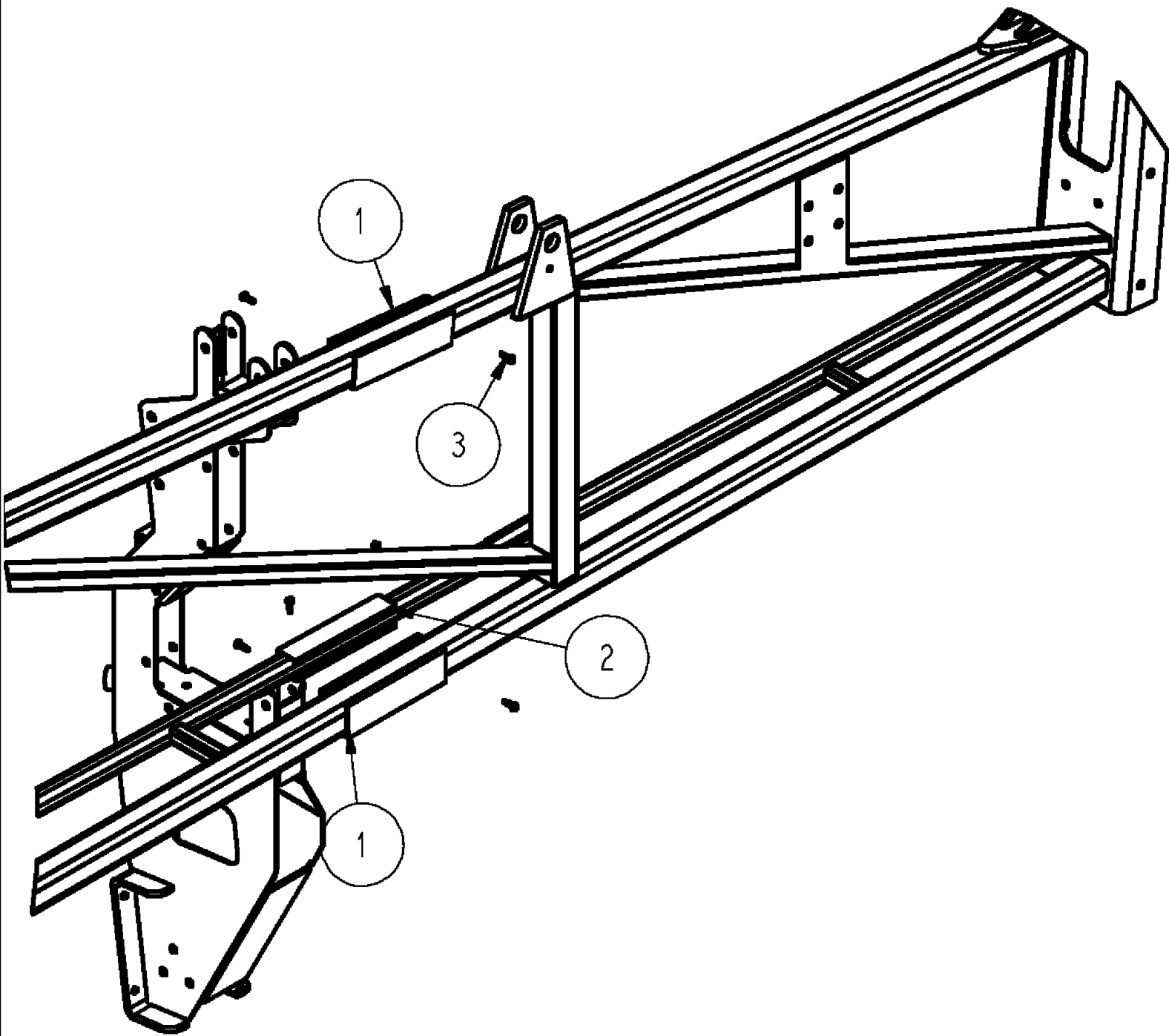




## 4420 PATRIOT SPRAYER

## 08-025 OUTER CRADLE GROUP, 80'

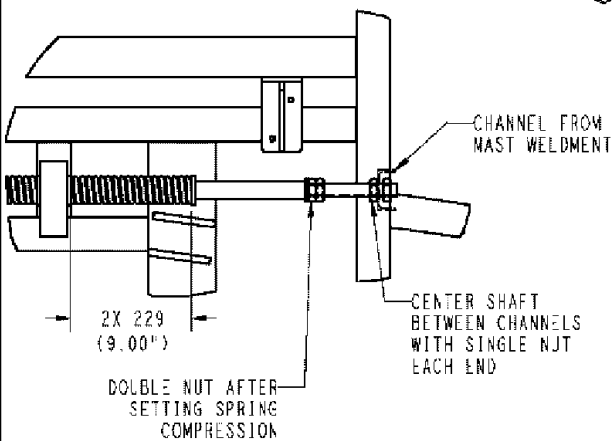
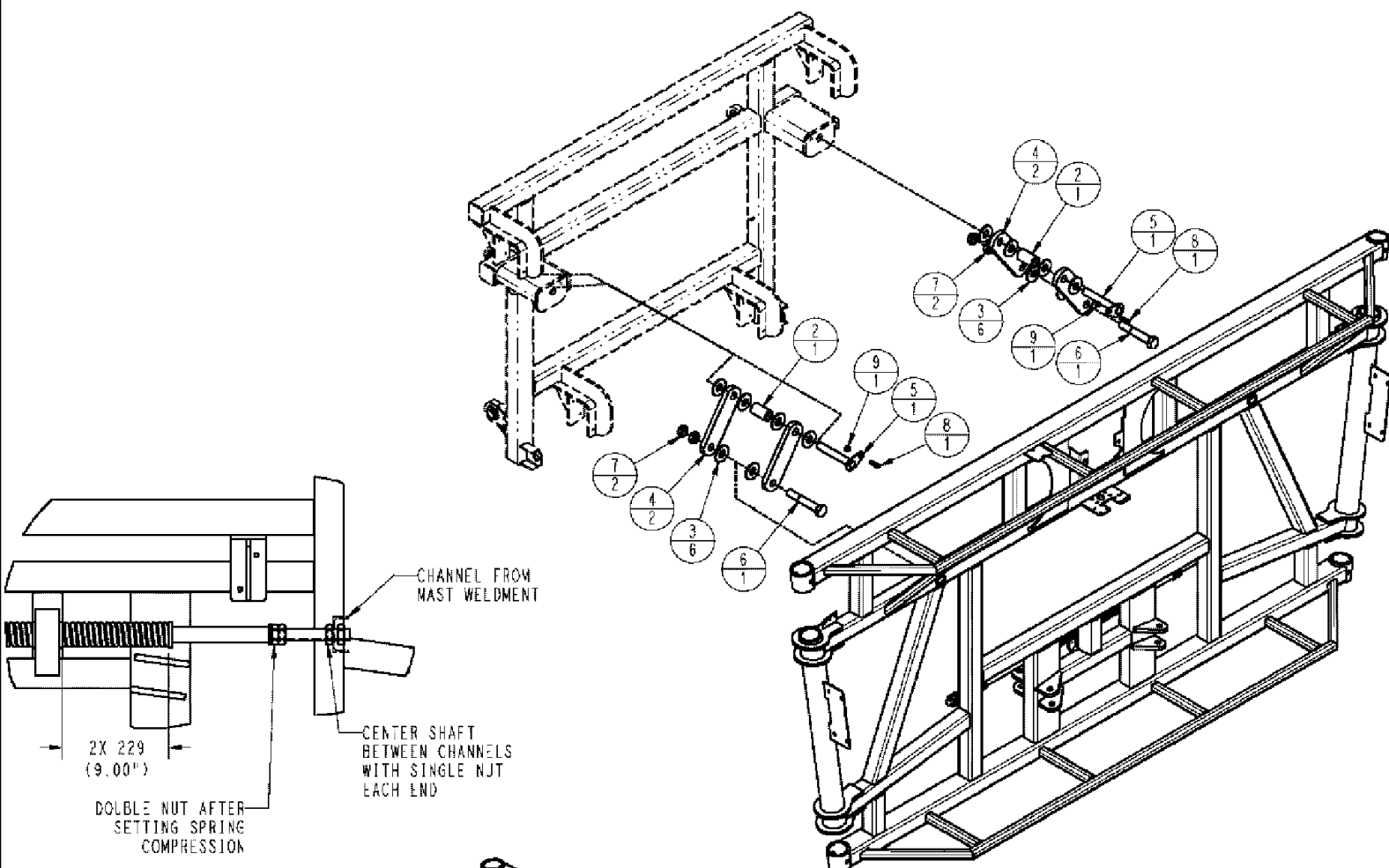
Ref	Part Number	Qty	Description
1	342670A1	1	CRADLE, W/M OUTER 80'
2	BN319919	2	U-BOLT, SQ BND 2.06 ID X 3/8
3	231-4146	4	NUT, LOCK, 3/8"-16, GB,
4	87267514	1	LINER, BOOM OUTER CRADLE
5	BN55359	12	NUT, 1/4-20, NLN, SS
6	BN1912839C	12	BOLT, FLH SOC 1/4-20 X 1



4420 PATRIOT SPRAYER

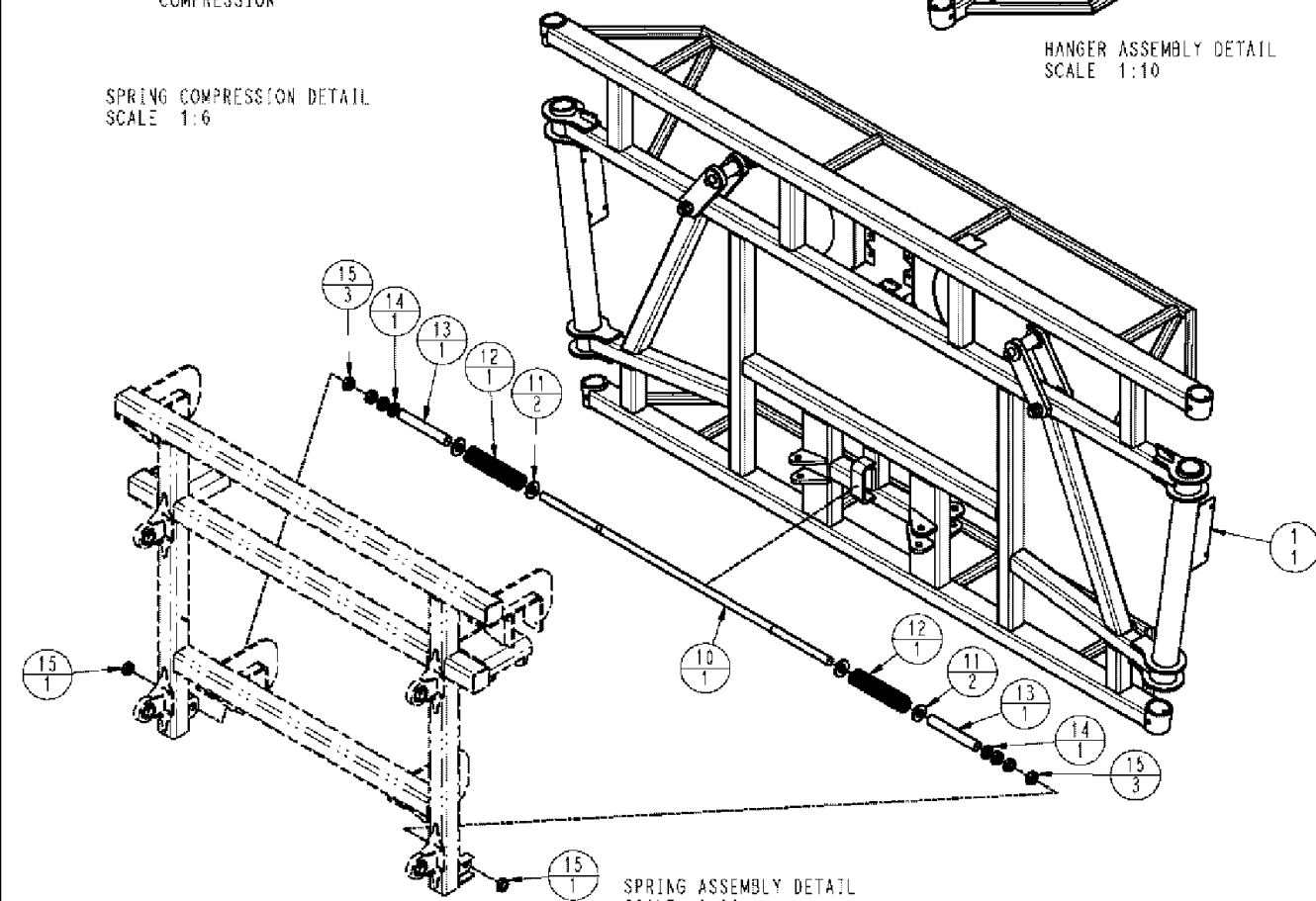
08-026 PROTECTORS, INNER BOOM

Ref	Part Number	Qty	Description
1	87602661	2	SNAP-ON, 2 X 2 X 8
2	87602663	1	SNAP-ON, 1.25 X 1.25 X 8
3	86625170	6	SCREW, HEX WSHR HD TPG #10 X .75 END 2



SPRING COMPRESSION DETAIL  
SCALE 1:6

HANGER ASSEMBLY DETAIL  
SCALE 1:10

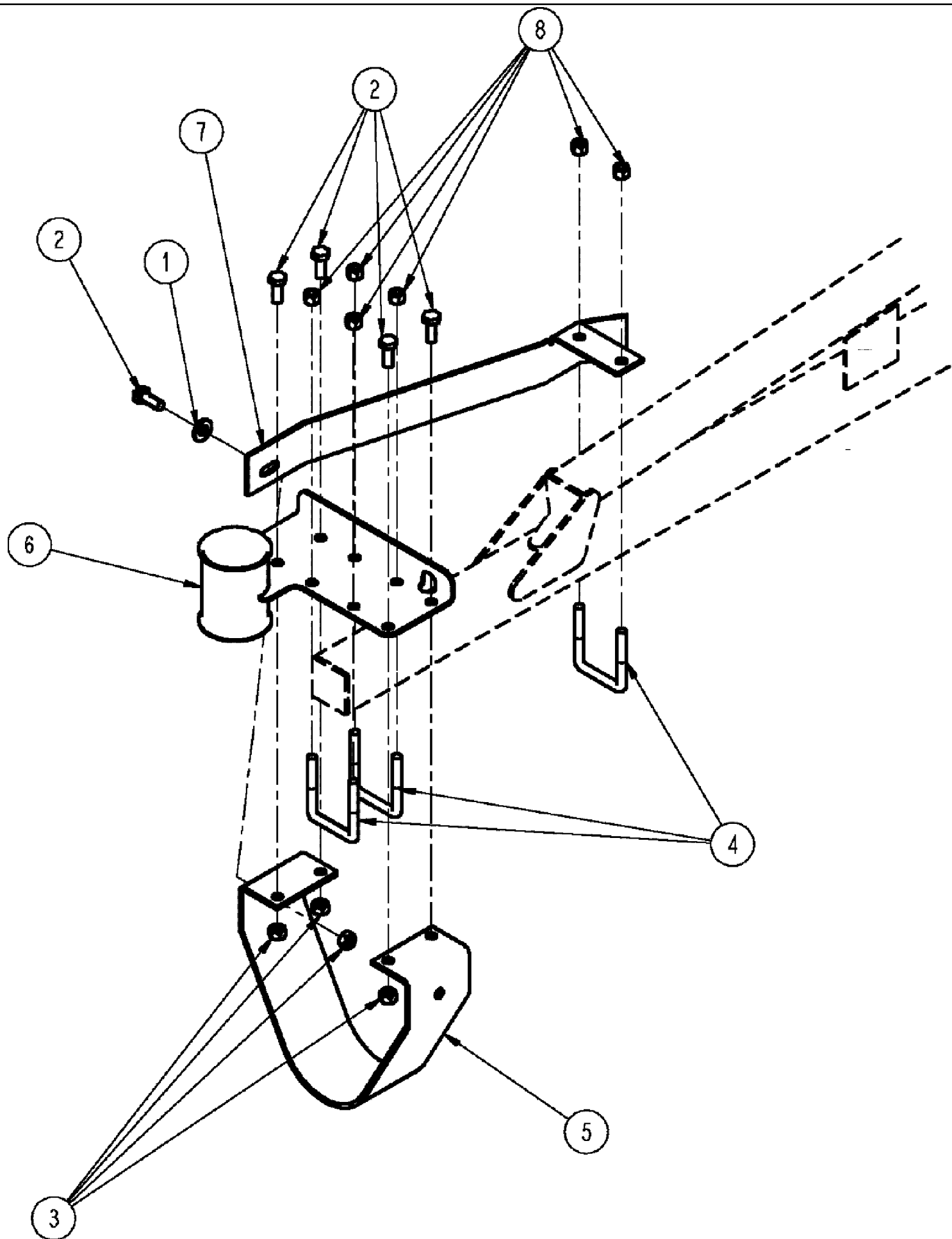


SPRING ASSEMBLY DETAIL  
SCALE 1:10

## 4420 PATRIOT SPRAYER

## 08-027 BOOM, CENTER SECTION GROUP

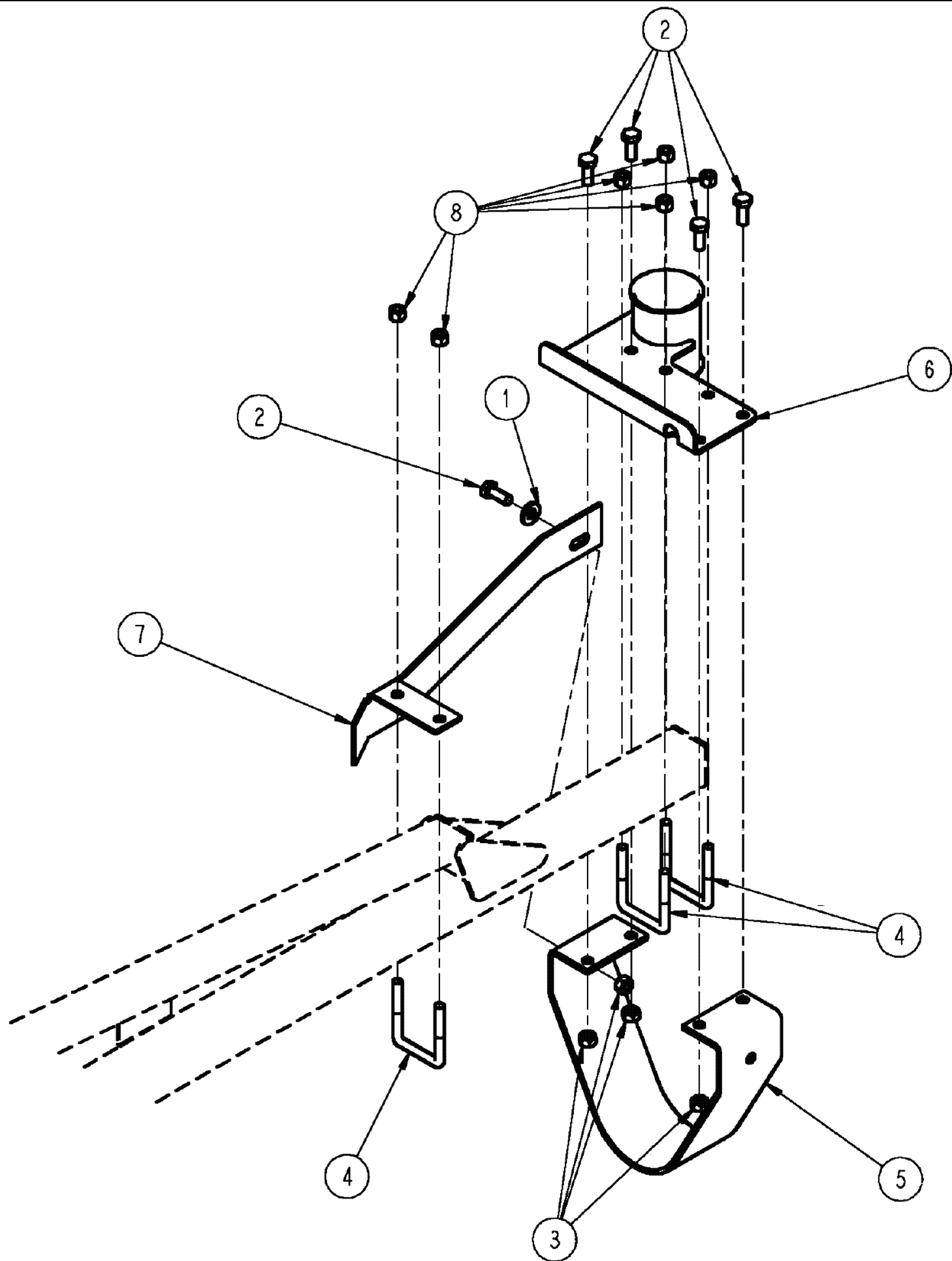
Ref	Part Number	Qty	Description
1	87272748	1	FRAMEWORK, CENTER SECTION WLDMT
2	BN308003	2	BUSHING, HANGER
3	87529124	12	WASHER, 1.062 X 2.50 X .16
4	BN29505	4	LINK, HANGER-3/4 X 3 HRFB X 10.50
5	BN306785	2	PIN, WELDMENT
6	87310330	2	SCREW, BOLT, 1-14 X 6 GR5 DOR
7	87310319	4	NUT, JAM 1-14 GRADE 8 DOR
8	86980401	2	BOLT, 10-1.5 X 30, HH, 8.8, DO
9	87529124	2	WASHER, NUT, M10 CL8 P/T ALL META
10	BN306783	1	SHAFT, THREADED 1"
11	896-16024	4	WASHER, M24 x 56.5 x 6, HT,
12	BN27328	2	SPRING, SPRING-1.75 OD X 11 COMPR
13	BN306784	2	TUBE, RND SPACER 1.25 X 12g
14	87529311	2	WASHER, 26 X 44 X 5MM HDN
15	87343879	8	NUT, JAM 1-8 5



## 4420 PATRIOT SPRAYER

## 08-028 SKID GROUP, LEFT

Ref	Part Number	Qty	Description
1	896-15010	1	WASHER, M10 x 24.5 x 3, HT, FLAT
2	614-10025	5	BOLT, Hex, M10 x 25, 8.8, Full Thd,
3	832-46410	5	NUT, LOCK, M10 x 1.5, CI 8,
4	BN319919	3	U-BOLT, SQ BND 2.06 ID X 3/8
5	BN313335	1	SKID/SHOE, BOOM BREAKAWAY
6	87266616	1	PLATE, MOUNTING, W/M, OUTER LT FM DR
7	BN319660	1	GUARD, LH OUTER BOOM SKID
8	231-4146	6	NUT, LOCK, 3/8"-16, GB,

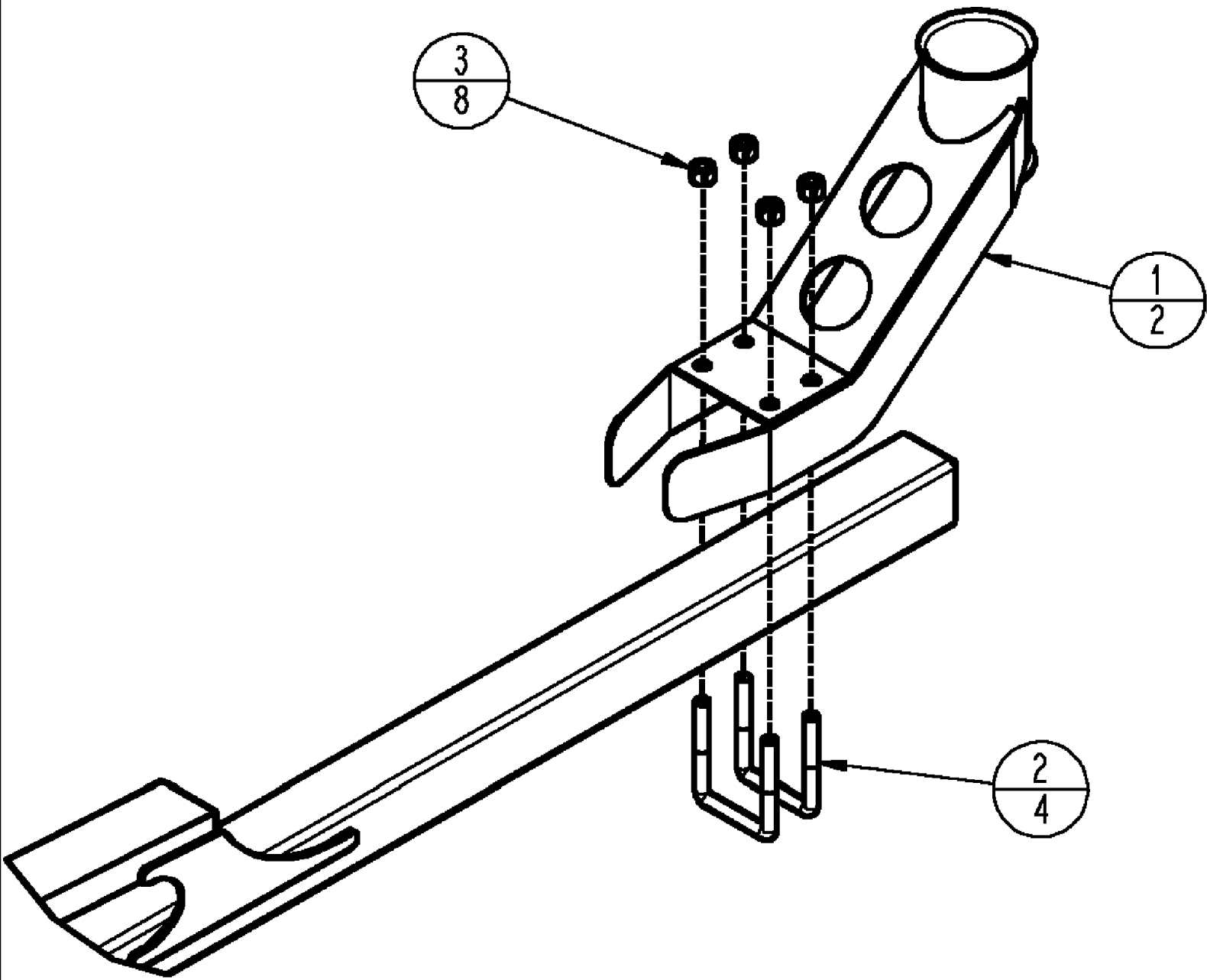




## 4420 PATRIOT SPRAYER

## 08-029 SKID GROUP, RIGHT

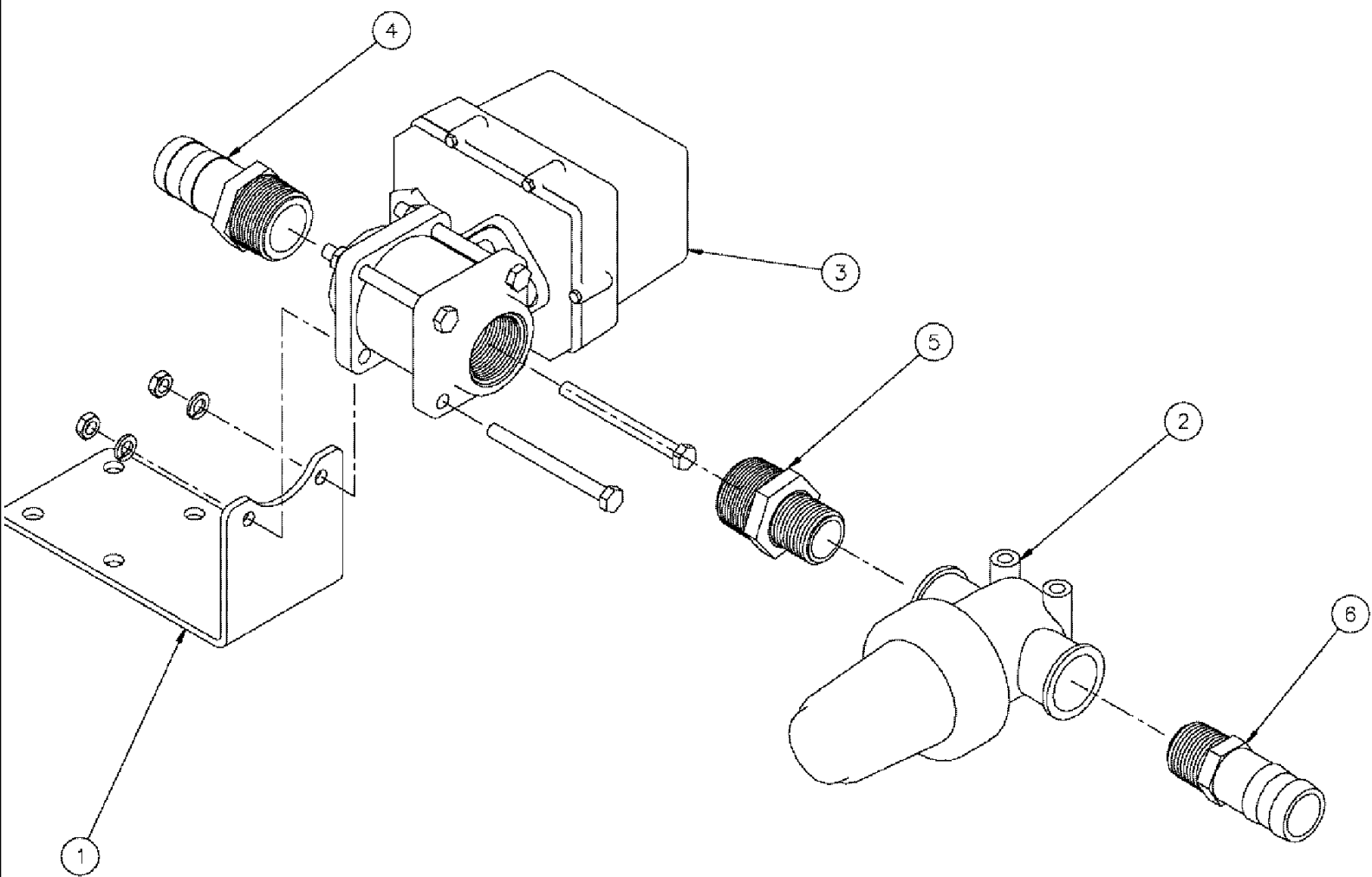
Ref	Part Number	Qty	Description
1	896-15010	1	WASHER, M10 x 24.5 x 3, HT, FLAT
2	86980400	5	BOLT, Hex, M10 x 25, 8.8,
3	832-46410	5	NUT, LOCK, M10 x 1.5, CI 8,
4	BN319919	3	U-BOLT, SQ BND 2.06 ID X 3/8
5	BN313335	1	SKID/SHOE, BOOM BREAKAWAY
6	87266615	1	MOUNTING PARTS, W/M, OUTER RT FM DR
7	BN319662	1	GUARD, RH OUTER BOOM SKID
8	87343970	6	NUT, PT 3/8-16 DIR B



4420 PATRIOT SPRAYER

08-030 GUARD TIP, GROU

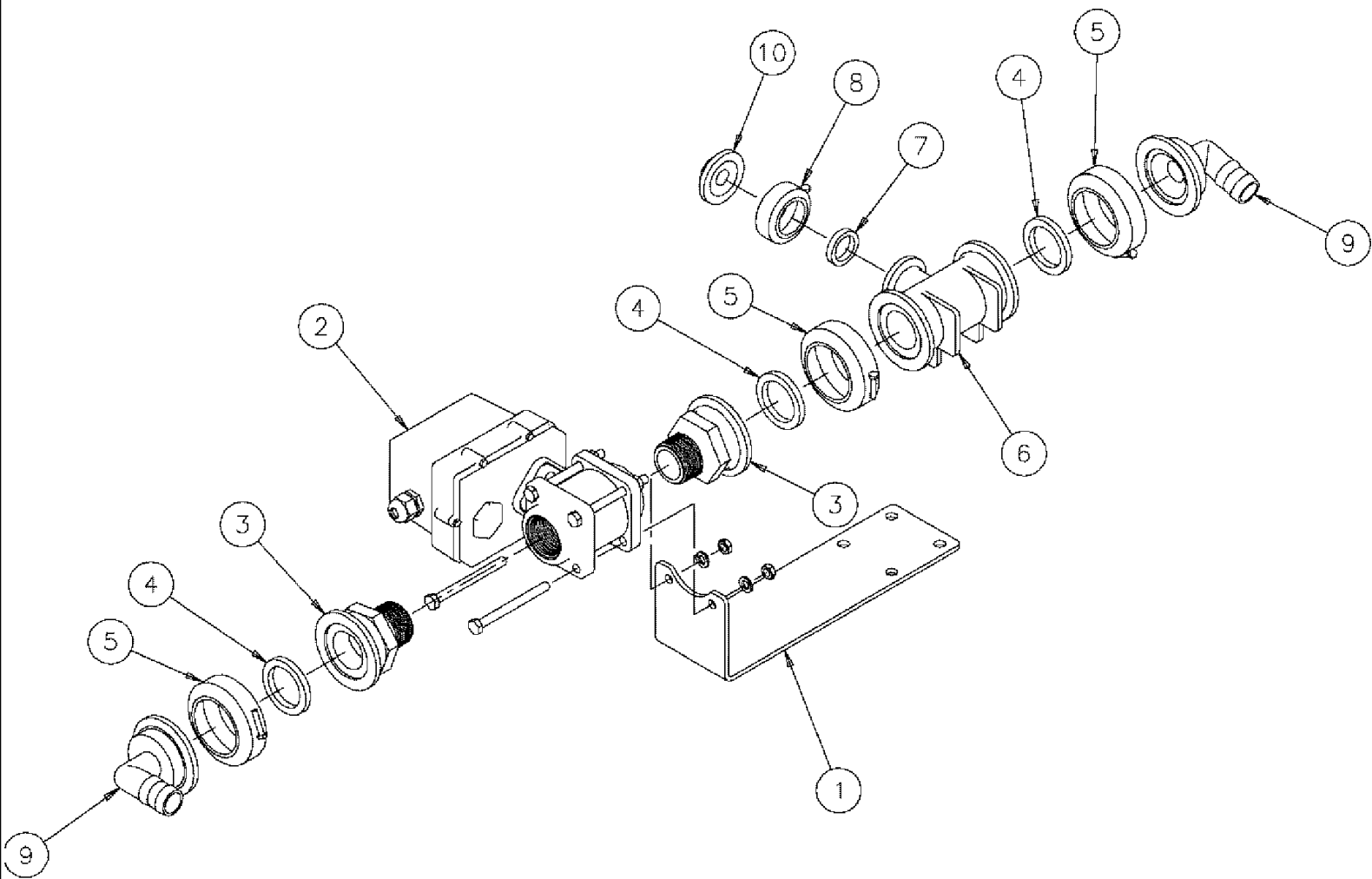
Ref	Part Number	Qty	Description
1	87636023	1	GUARD, TIP
3	BN319919	4	U-BOLT, 3/8 X 2.06 ID
4	87343970	8	NUT, PT 3/8-16 DIR B



## 4420 PATRIOT SPRAYER

## 09-001 VALVE PLUMBING GROUP, 5 &amp; 6 SECTION

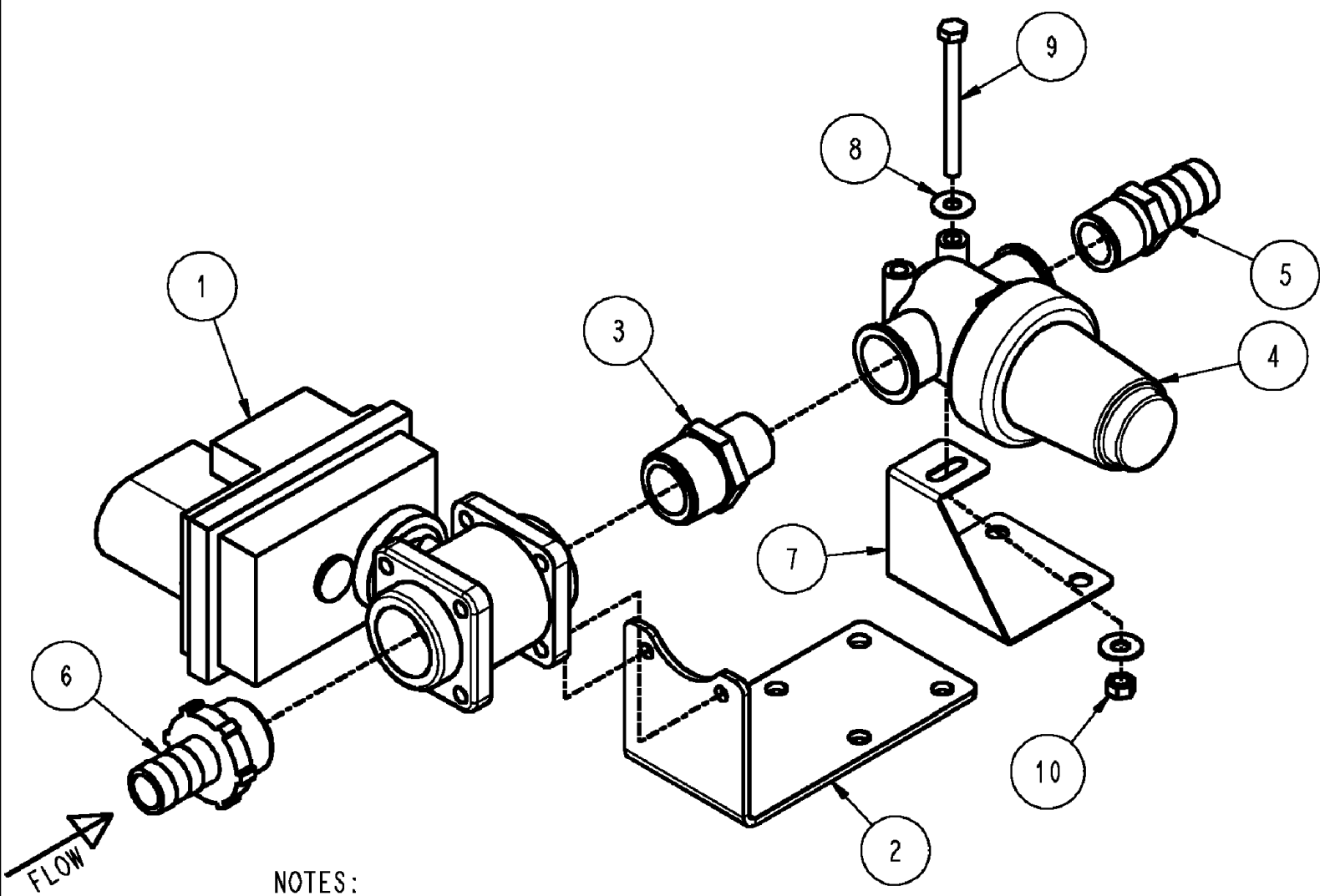
Ref	Part Number	Qty	Description
1	BN319996	1	BRACKET, NPT BALL VALVE
2	BN320072	1	STRAINER ASSY., 1" NPT 50M POLY, SEE FIG 09-012
3	87268179	1	VALVE, 1.25" BALL, ELECTRIC, SEE FIG 09-004
4	BN73660	1	FITTING, BARB, 1 1/4NPT X1 1/4HS
5	BN73656	1	NIPPLE, LUBE, 1.25 X 1 POLY
6	BN321509	1	FITTING, BARB, 100MPT X 125HS



## 4420 PATRIOT SPRAYER

09-002 VALVE PLUMBING GROUP, 5 SECTION, CENTER, HV, 20" OFF CTR

Ref	Part Number	Qty	Description
1	342641A1	1	SPACER, BRACKET, VALVE , HV BOOM
2	87268179	1	VALVE, 1.25" BALL,ELECTRIC, SEE FIG 09-004
3	BN306902	2	FITTING, STR 2" FLANGE X 1.25 MALE
4	BN303204	3	GASKET, 2" EPDM
5	BN303199	3	CLAMP, 2" STD FLG
6	BN303191	1	TEE, 2FL X 1FL
7	BN303205	1	GASKET, 1
8	BN303203	1	CLAMP, 1FL
9	BN322003	2	ELBOW, BARB-2" FLGX1" HOSE
10	BN306897	1	PLUG, FLANGE 1 INCH



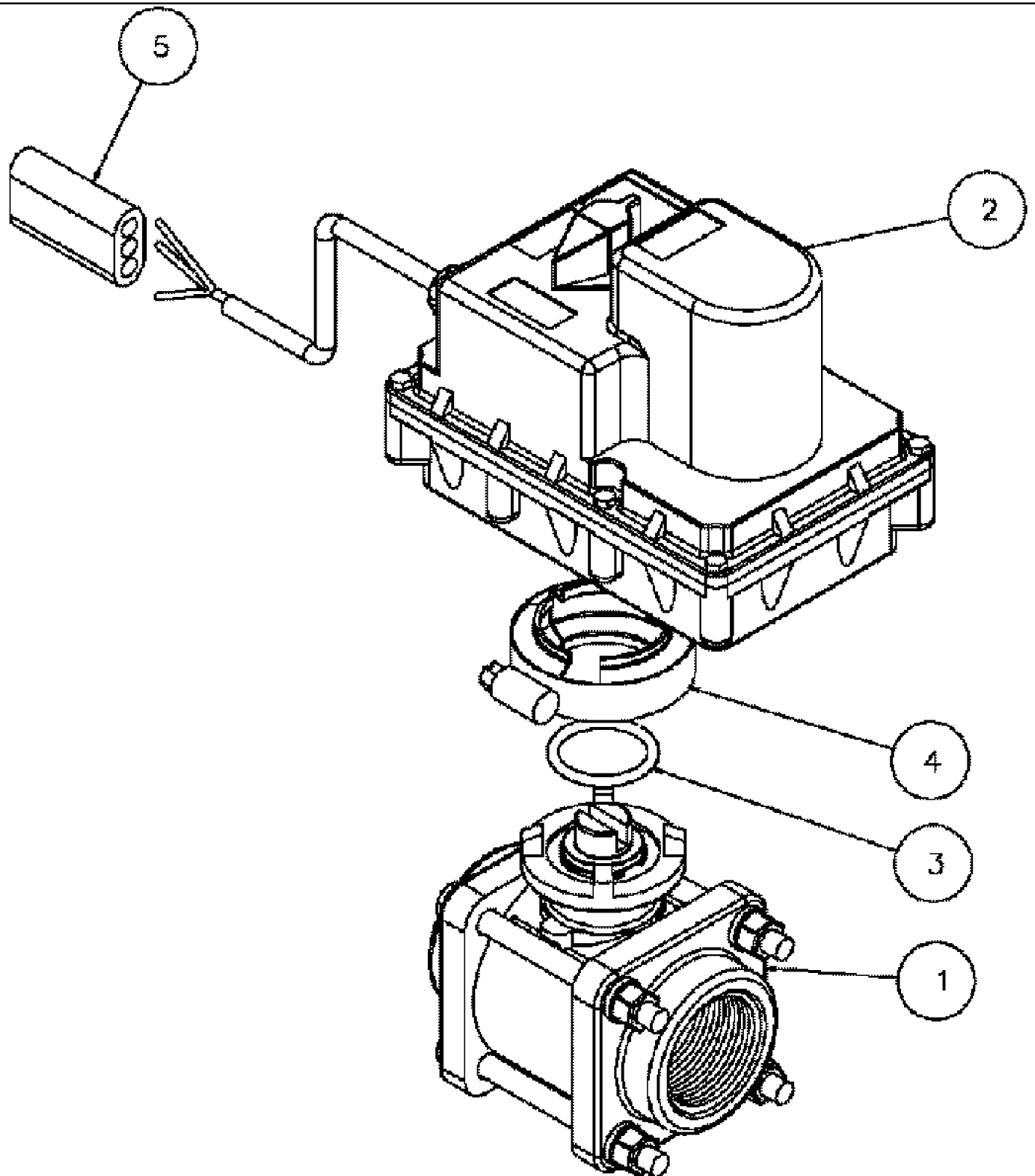
NOTES:  
1) VALVE BODY BOLT TORQUE IS  
50-70 IN-LBS FOR ITEM 1



## 4420 PATRIOT SPRAYER

## 09-003 VALVE PLUMBING GROUP, 5 SECTION, CENTER

Ref	Part Number	Qty	Description
1	87268179	1	VALVE, VALVE, 1.25" BALL, ELECTRIC, SEE FIG. 09-004
2	BN319996	1	BRACKET, NPT BALL VALVE
3	BN73656	1	NIPPLE, LUBE, 1.25 X 1 POLY
4	BN320072	1	STRAINER ASSY., 1" NPT 50M POLY, SEE FIG 09-014
5	BN53476	1	FITTING, STR, 1.0MP1.0HB, PP
6	BN73657	1	FITTING, BARB, 1-1/4NPT X 1HS
7	BN320060	1	BRACKET, STRAINER, CTR
8	BN50142	2	WASHER, 5/16, FW, SS
9	BN320109	1	BOLT, 5/16-18 X 3.5, HH, SS
10	BN55361	1	NUT, 5/16-18, NLN, SS



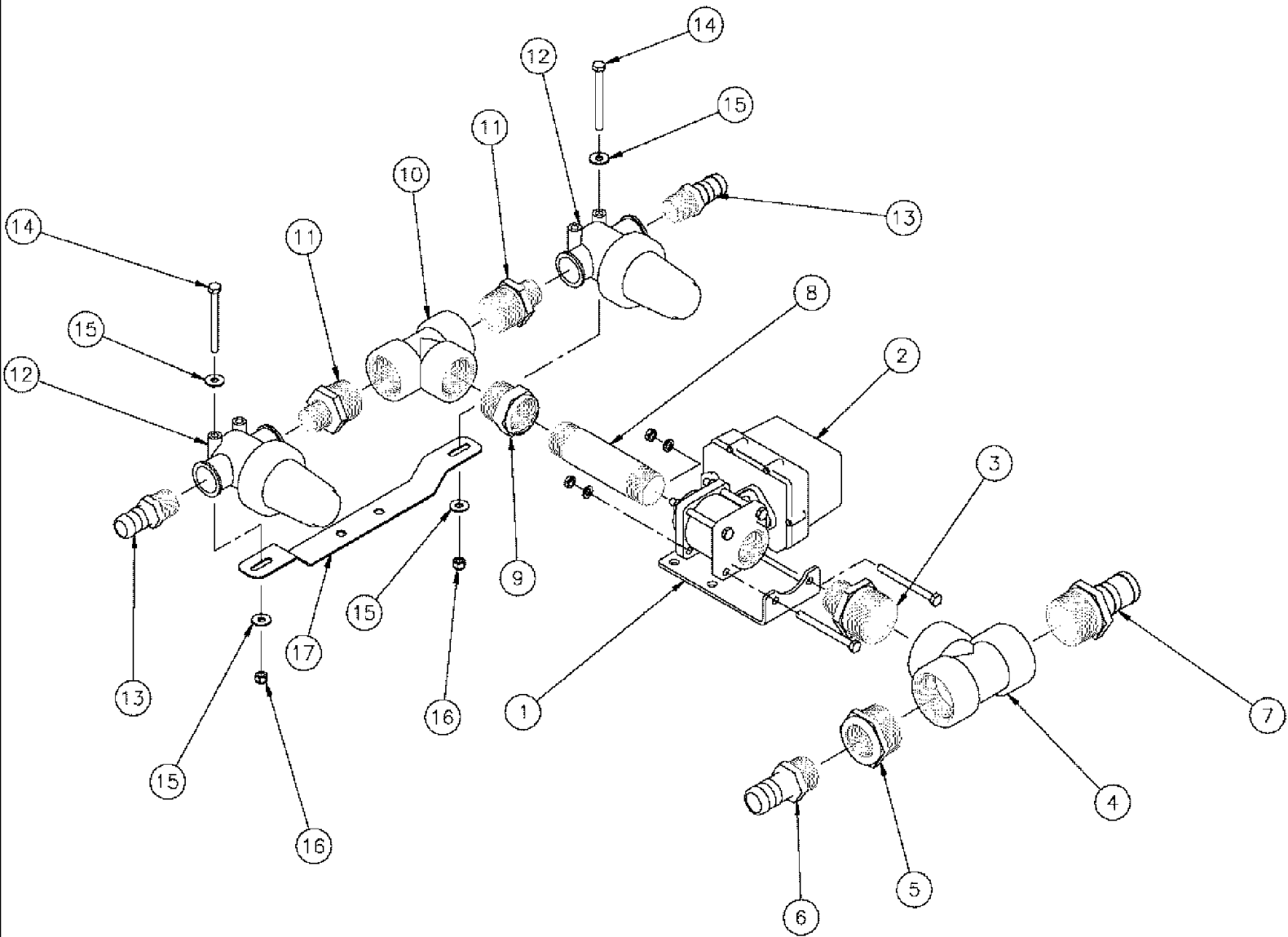
**Connector/Wire Connection:**

- "A" = Red
- "B" = Black
- "C" = White

## 4420 PATRIOT SPRAYER

## 09-004 VALVE, 1.25 BALL ELECTRIC

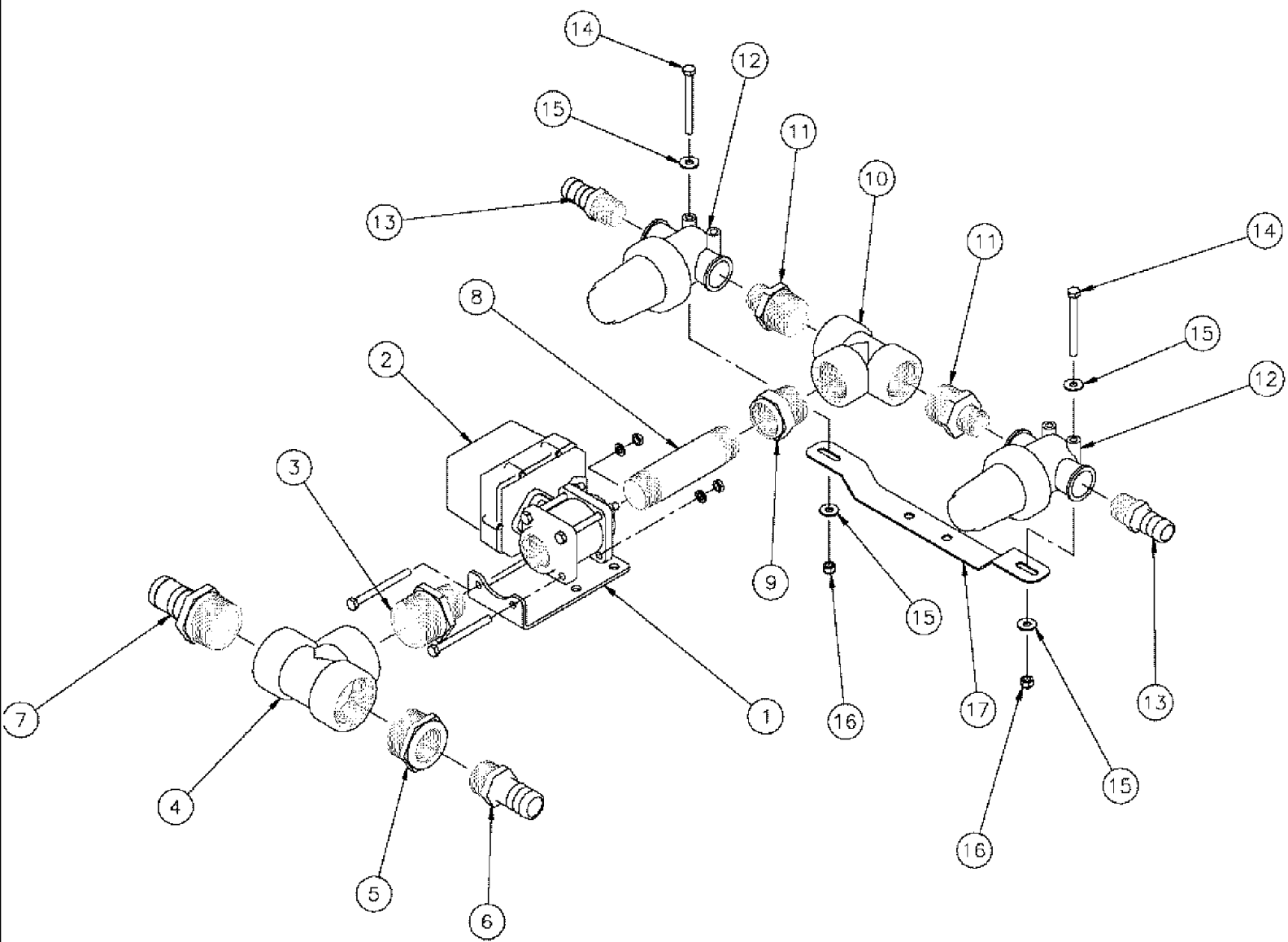
Ref	Part Number	Qty	Description
1	87268180	1	VALVE, 1.25 ball SUB ASSY
2	87268181	1	MOTOR, 3/4 SEC, WIRE
3	87268182	1	O-RING, 216EPDM
4	BN303203	1	CLAMP, 1" FLG MANIFOLD
5	245484C1	1	CONNECTOR, ELEC, ASSY, 3 WAY SIZE
	225125C1	3	CONNECTOR, ELEC, SEAL 1.0 WIRE SIZE, ASSOCIATED PART OF CONNECTOR ASSEMBLY, 3 WAY SIZE, P/N 245484C1
	225119C1	3	PIN, ELECT TERMINAL, TERMINAL, WP MALE, ASSOCIATED PART OF CONNECTOR ASSEMBLY, 3 WAY SIZE, P/N 245484C1



## 4420 PATRIOT SPRAYER

## 09-005 VALVE PLUMBING GROUP, 5 SECTION

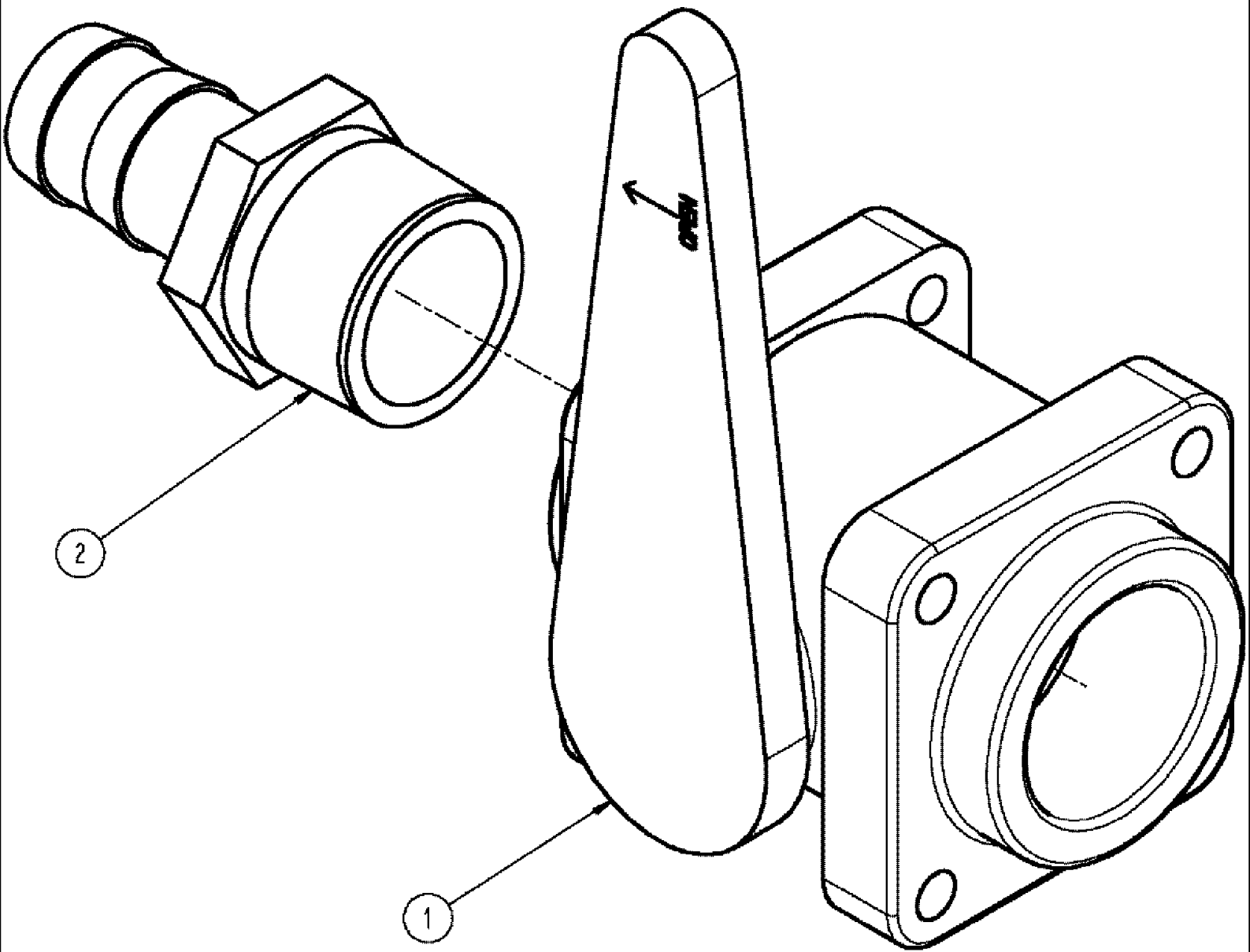
Ref	Part Number	Qty	Description
1	BN320992	1	BRACKET, NPT BALL VALVE
2	BN321454	1	VALVE, 1.25" BALL, ELECTRIC, SEE FIG 09-004
3	BN317158	1	NIPPLE, LUBE, 2" X 1.25" REDUC
4	BN73779	1	TEE, POLY PIPE
5	BN73755	1	BUSHING, 2 X 1.25
6	BN73660	1	FITTING, 1 1/4 NPT X 1 1/4HS
7	BN305163	1	FITTING, 2" MPT X 1.5" BRB
8	BN321466	1	NIPPLE, LUBE, 1.25 X 6, POLY
9	BN73726	1	BUSHING, BRONZE, 1 1/2 X 1 1/4 POLY
10	BN73714	1	TEE, 1.5" POLY
11	BN73741	2	NIPPLE, LUBE, 1.5 X 1 POLY
12	BN320072	2	STRAINER ASSY., 1" NPT 50M POLY, SEE FIG. 09-012
13	BN53476	2	FITTING, POLY 1" NPT X 1" HS
14	BN320109	2	BOLT, HH, SS
15	BN50142	4	WASHER, FW, SS
16	BN55361	2	NUT, NLN, SS
17	BN320993	1	BRACKET, STRAINER, TWO 1"



## 4420 PATRIOT SPRAYER

## 09-006 VALVE PLUMBING GROUP, 5 SECTION

Ref	Part Number	Qty	Description
1	BN320992	1	BRACKET, NPT BALL VALVE
2	87268179	1	VALVE, 1.25" BALL, ELECTRIC, SEE FIG. 09-004
3	BN317158	1	NIPPLE, LUBE, 2" X 1.25" REDUC
4	BN73779	1	TEE, 2" POLY PIPE
5	BN73755	1	BUSHING, REDUCER 2 X 1.25
6	BN73660	1	FITTING, BARB, 1 1/4NPT X1 1/4HS
7	BN305163	1	FITTING, 2" MPT X 1.5" BRB
8	BN321466	1	NIPPLE, LUBE, 1.25 X 6, POLY
9	BN73726	1	BUSHING, BRONZE, 1 1/2 X 1 1/4 POLY
10	BN73714	1	TEE, 1.5" TEE POLY
11	BN73741	2	NIPPLE, LUBE, 1.5" X 1" POLY
12	BN320072	2	STRAINER ASSY., 1" NPT 50M POLY, SEE FIG. 09-012
13	BN53476	2	FITTING, POLY 1" NPT X 1" HS
14	BN320109	2	BOLT, HH, SS
15	BN50142	4	WASHER, FW, SS
16	BN55361	2	NUT, NLN, SS
17	BN320993	1	BRACKET, STRAINER, TWO 1"

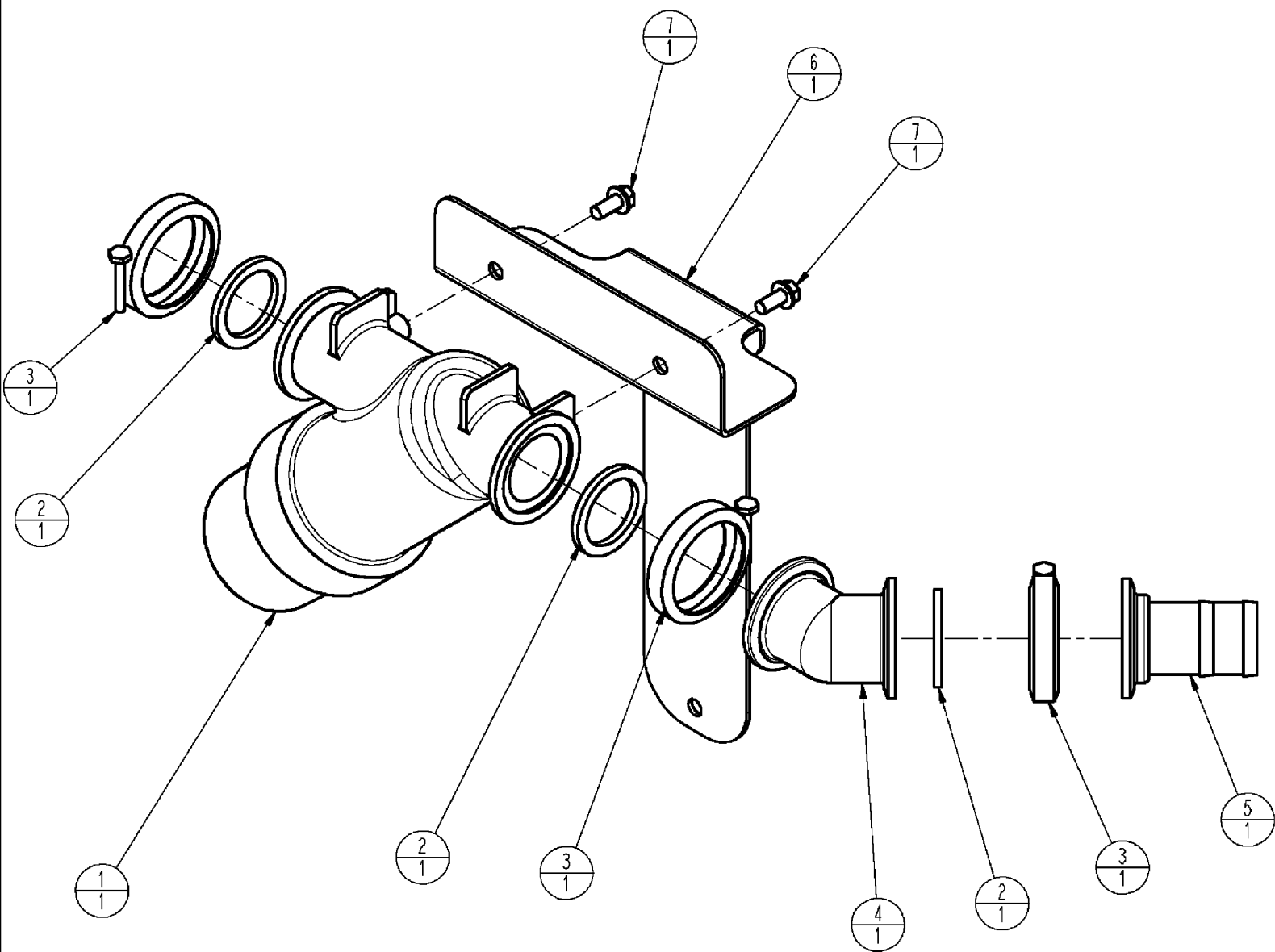




4420 PATRIOT SPRAYER

09-007 VALVE PLUMBING GROUP, LO-FLOW

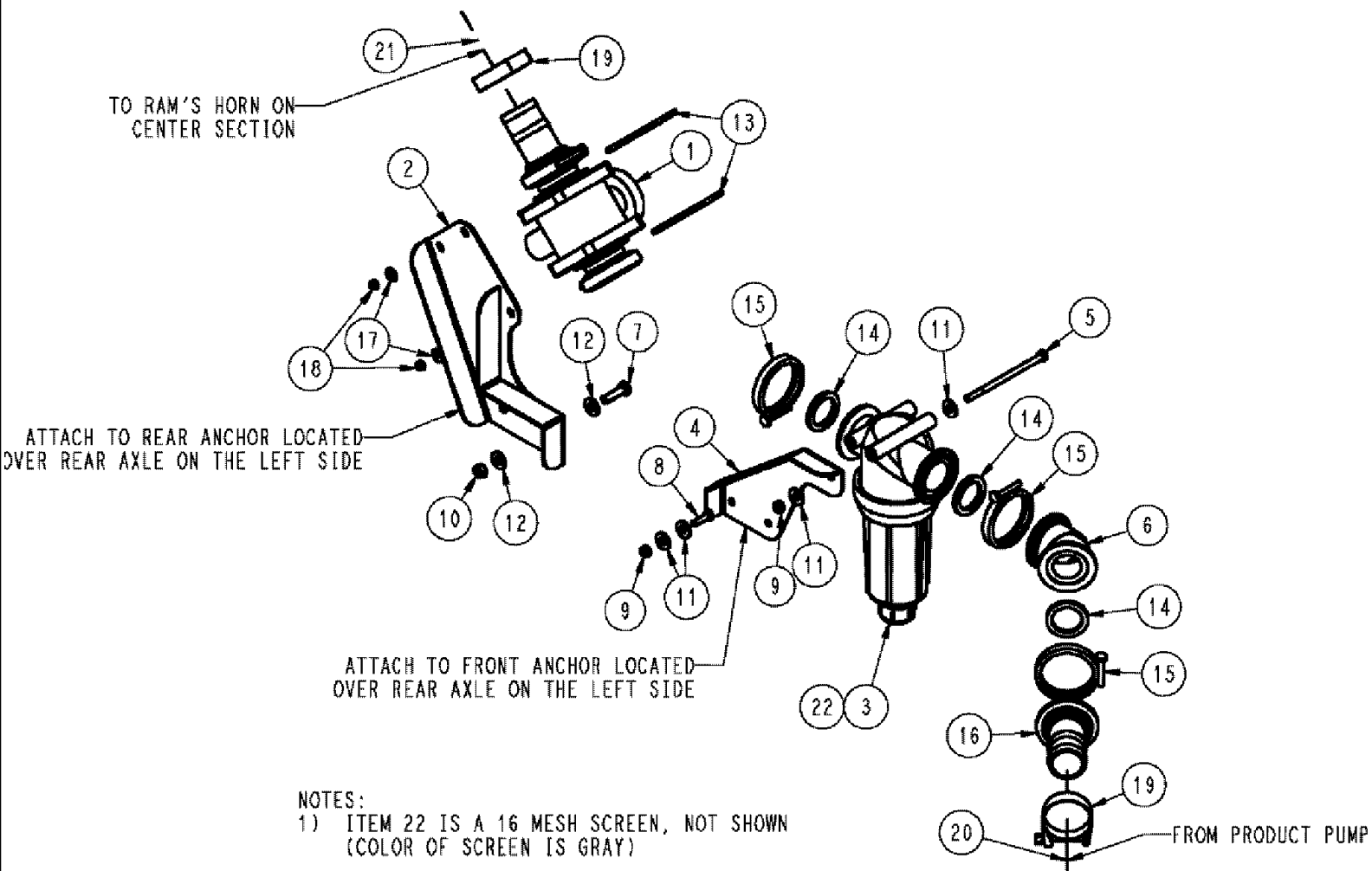
Ref	Part Number	Qty	Description
1	BN322253	1	VALVE, 1.5" BALL (RWK)
2	BN73740	1	FITTING, BARB, 1-1/2NPT X 1-1/4HB



## 4420 PATRIOT SPRAYER

## 09-008 STRAINER PLUMBING GROUP

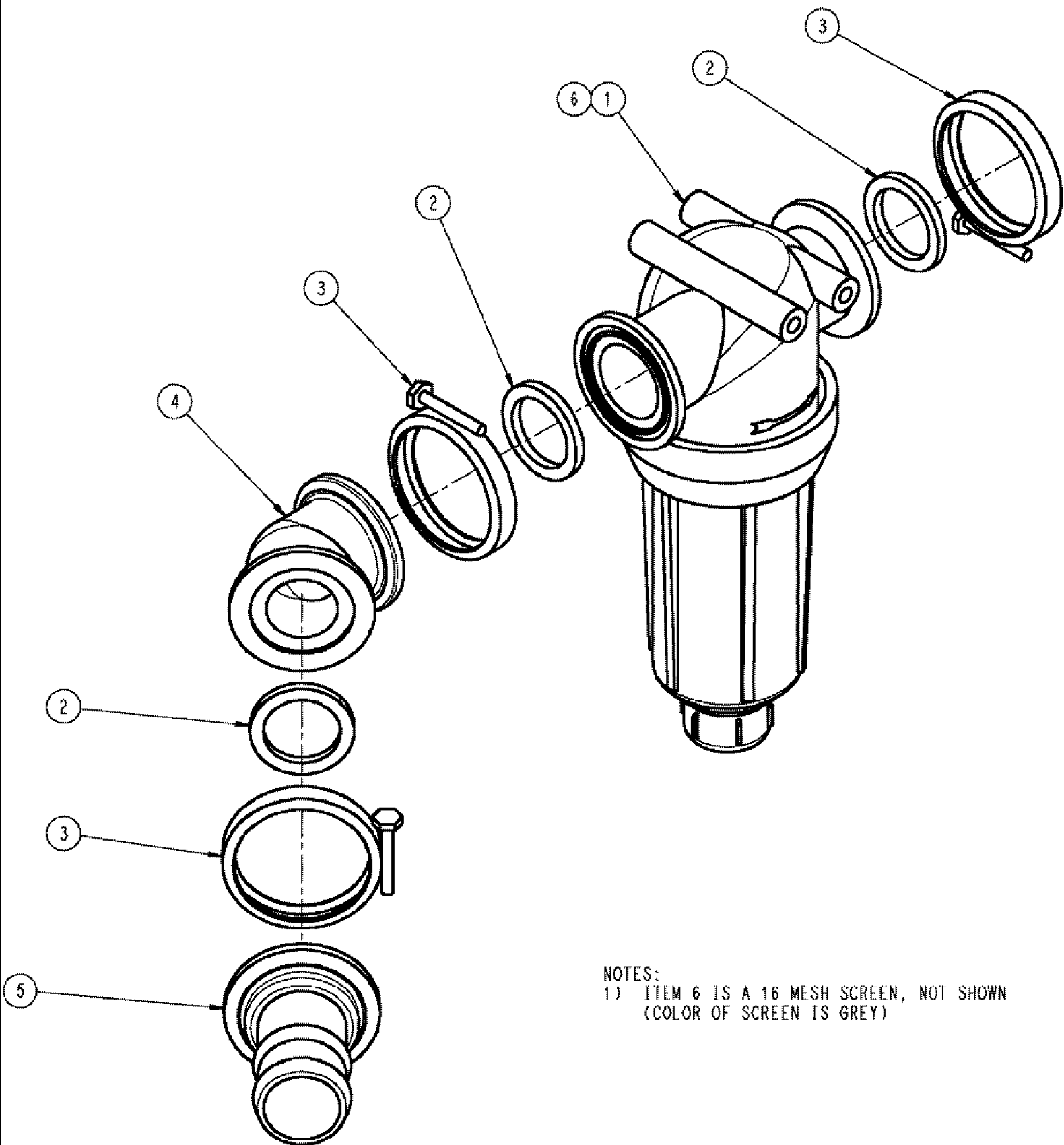
Ref	Part Number	Qty	Description
1	87706933	1	STRAINER, ELEMENT, 2.2 FB, 10 MESH, SS, Y, PP
2	87267537	1	PLATE, STRAINER MOUNT
3	87303739	2	SCREW, 3/8-12 X 1, H/WHD AB
4	BN313772	3	GASKET, 2" FULL PORT EPDM
5	BN313773	3	CLAMP, 2" FULL PORT
6	87267540	1	FITTING, ELBOW, MANIFOLD 2" X 45 FP
7	BN318600	1	FITTING, BARB, 2" FULL FLG X 2" HOSE



## 4420 PATRIOT SPRAYER

## 09-009 STRAINER GROUP

Ref	Part Number	Qty	Description
1	87268153	1	PLUMBING, THROTTLE VALVE, SEE FIG 09-020
2	87268270	1	BRACKET, THROTTLE VALVE
3	87265489	1	ELEMENT, STRNR, 2" FLS
4	87268608	1	BRACKET, MOUNT, STRAINER
5	86980394	2	PIN, Hex, M8 x 140, 8.8,
6	87265590	1	FITTING, 45, 2 FLG, PY
7	614-10035	2	BOLT, Hex, M10 x 35, 8.8, Full Thd,
8	614-8025	2	BOLT, Hex, M8 x 25, 8.8,
9	832-46408	4	NUT, LOCK, M8 x 1.25, CI 8, PREV TRQ METAL
10	832-46410	2	NUT, LOCK, M10 x 1.5, CI 8,
11	BN300506	8	WASHER, M8, FW, SS
12	BN300507	4	WASHER, M10, FW, SS
13	BN303201	2	U-BOLT, 1/4 X 2.38R X 3.75
14	BN303204	3	GASKET, 2" EPDM
15	BN303199	3	CLAMP, 2" STD FLG
16	BN303198	1	FITTING, BARB,STR -2" FLG X 2" HOSE
17	BN50138	4	WASHER, 1/4, FW, SS
18	BN55359	4	NUT, 1/4-20, NLN, SS
19	BN2403358	4	CLAMP, T-BOLT BAND 2 1/2"
20	BN316635	1	HOSE, 2' X 86" SPARGE
21	BN53825	1	HOSE, 2" ID X 10 FT-SUCTION
22	87268604	1	SCREEN, 16 MESH, SS, GRAY



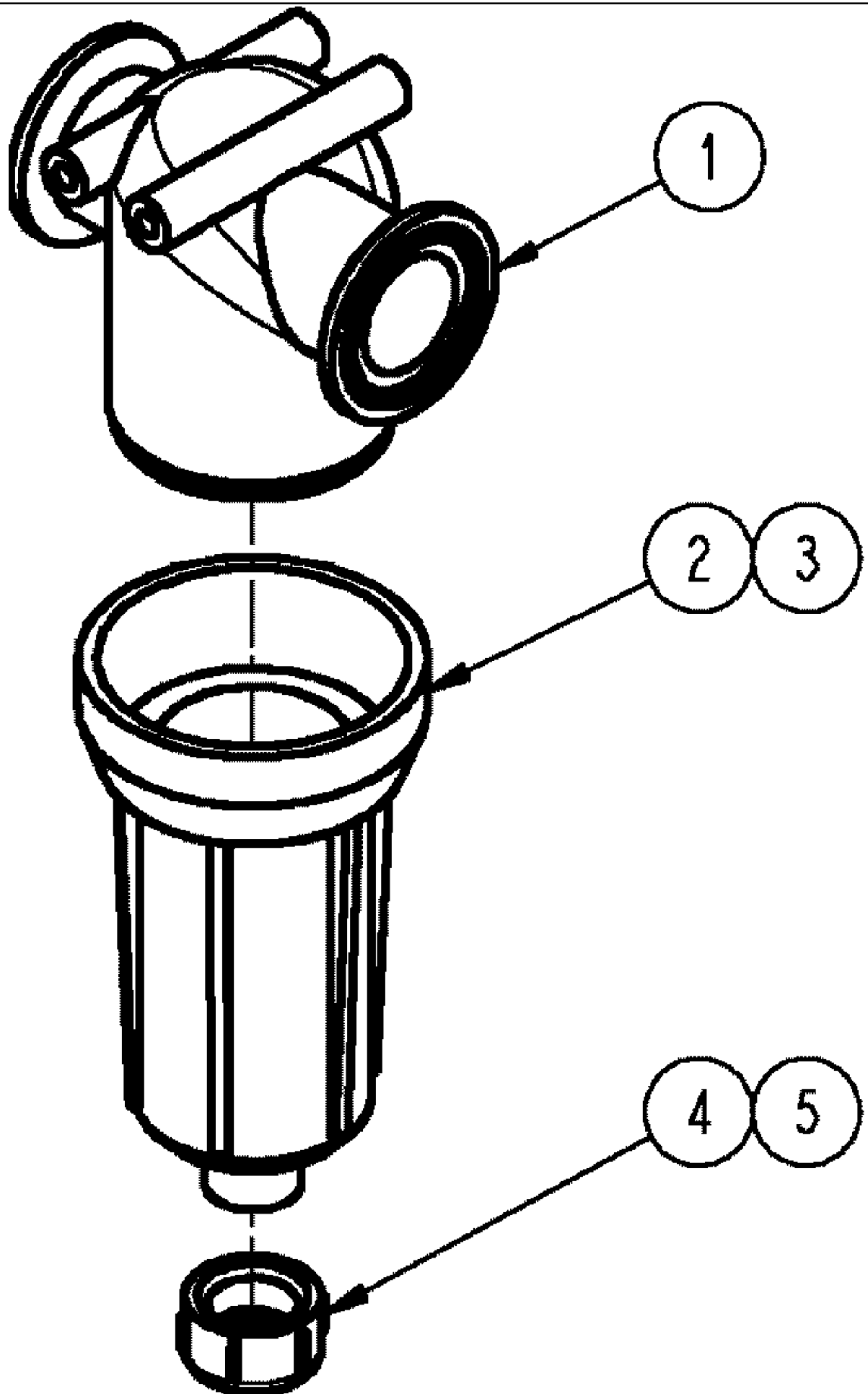
NOTES:

1) ITEM 6 IS A 16 MESH SCREEN, NOT SHOWN  
(COLOR OF SCREEN IS GREY)

## 4420 PATRIOT SPRAYER

## 09-010 STRAINER PLUMBING GROUP, LO-FLOW

Ref	Part Number	Qty	Description
1	87265489	1	ELEMENT, STRNR, 2" FLS, SEE FIG. 09-011
2	BN303204	3	GASKET, 2" EPDM
3	BN303199	3	CLAMP, 2" STD FLG
4	87265590	1	FITTING, 45, 2FLG, PY
5	BN303198	1	FITTING, BARB, STR -2" FLG X 2" HOSE
6	87268604	1	SCREEN, 16 MESH, SS, GRAY

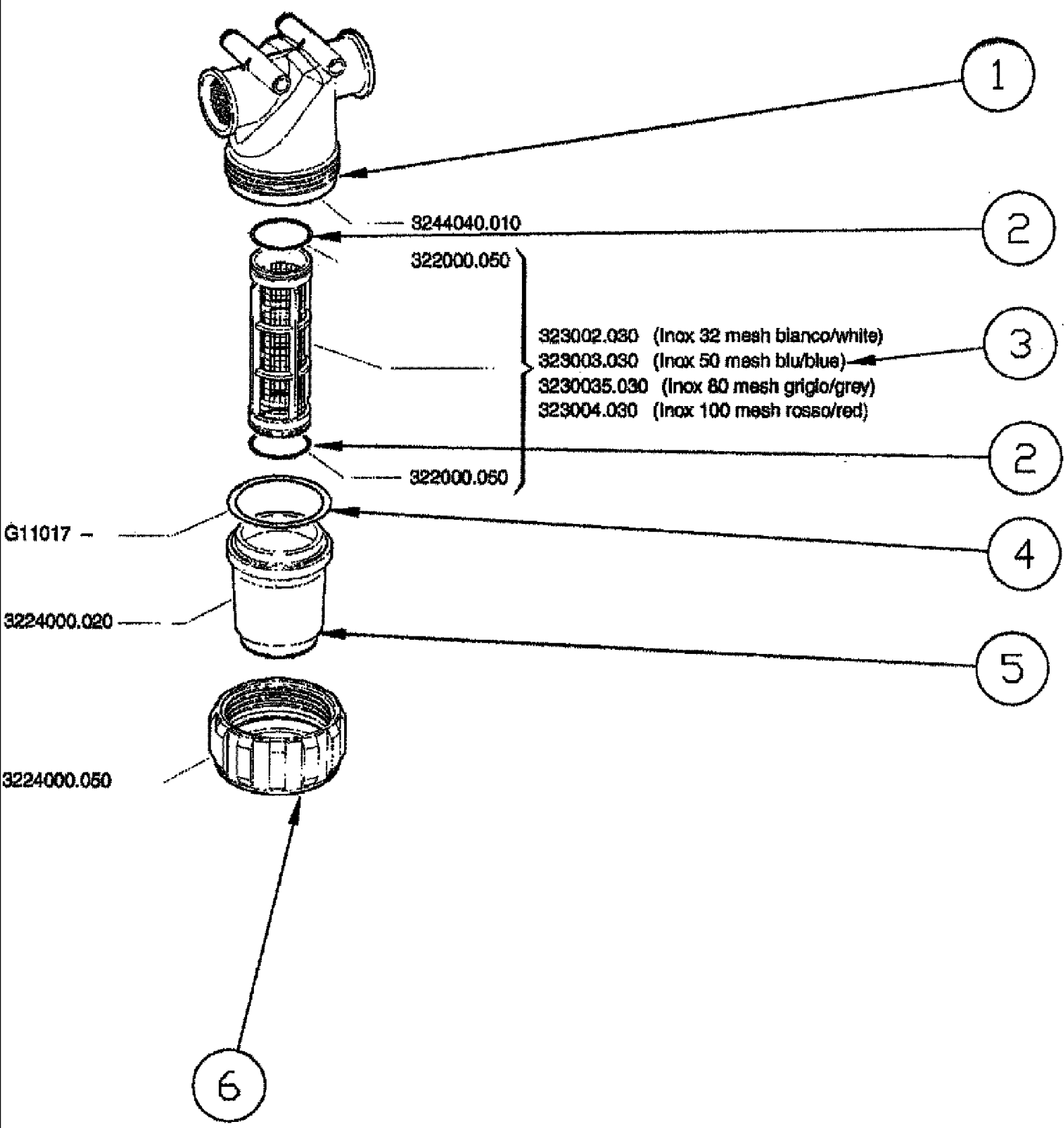




4420 PATRIOT SPRAYER

09-011 STRAINER, 2" FLS

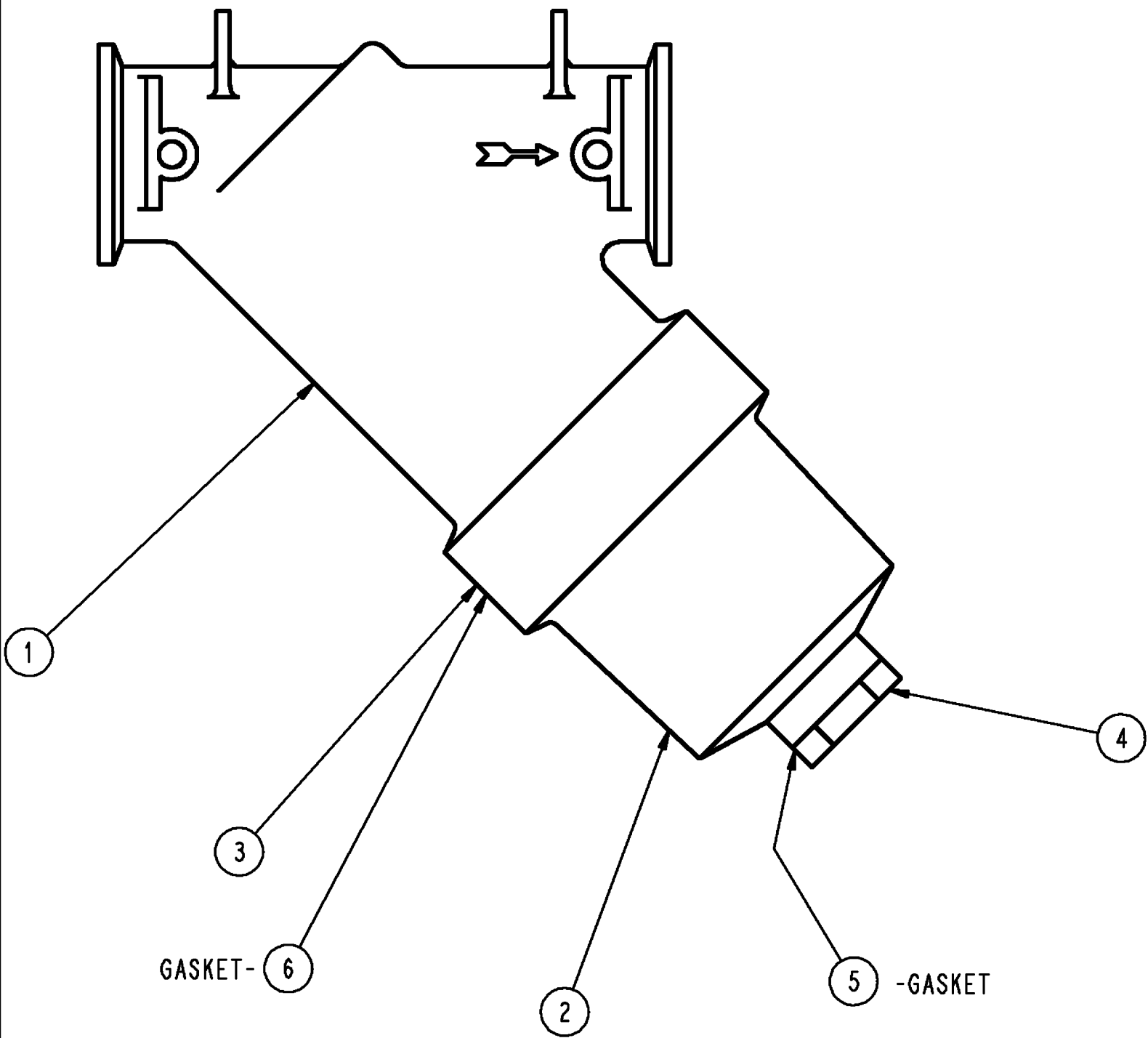
Ref	Part Number	Qty	Description
1	87268603	1	HEAD, STRAINER
2	87268606	1	PAN, BOWL, GRAY
3	87268605	1	GASKET, EPDM, BOWL
4	87265585	1	COVER, CAP, 1" NPT, W/O-RING GROOVE
5	87270666	1	LINING, SUPPORT, GASKET, EPDM CAP



## 4420 PATRIOT SPRAYER

## 09-012 STRAINER, 1" NPT 50M POLY

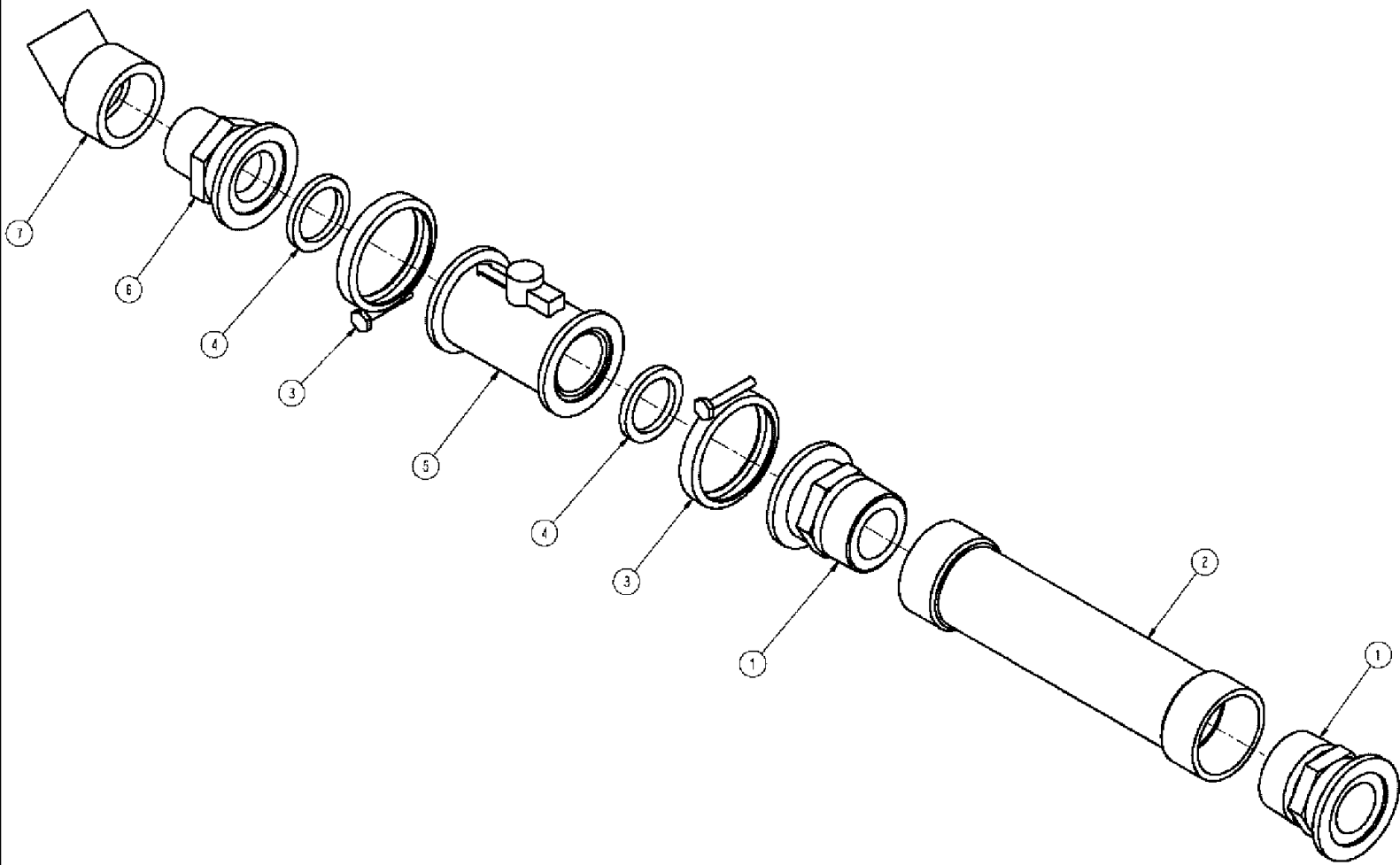
Ref	Part Number	Qty	Description
1	87270124	1	HEAD, ARAG STRAINER HEAD
2	87270125	2	O-RING, STRAINER GASKET
3	87270126	1	FILTER, STRAINER, STRAINER 50M
4	87270127	1	GASKET, BODY ARAG
5	87270128	1	BODY, STRAINER
6	87270129	1	NUT, NUT, ARAG STRAINER



## 4420 PATRIOT SPRAYER

09-013 STRAINER, ELEMENT, 2.2FLB, PP

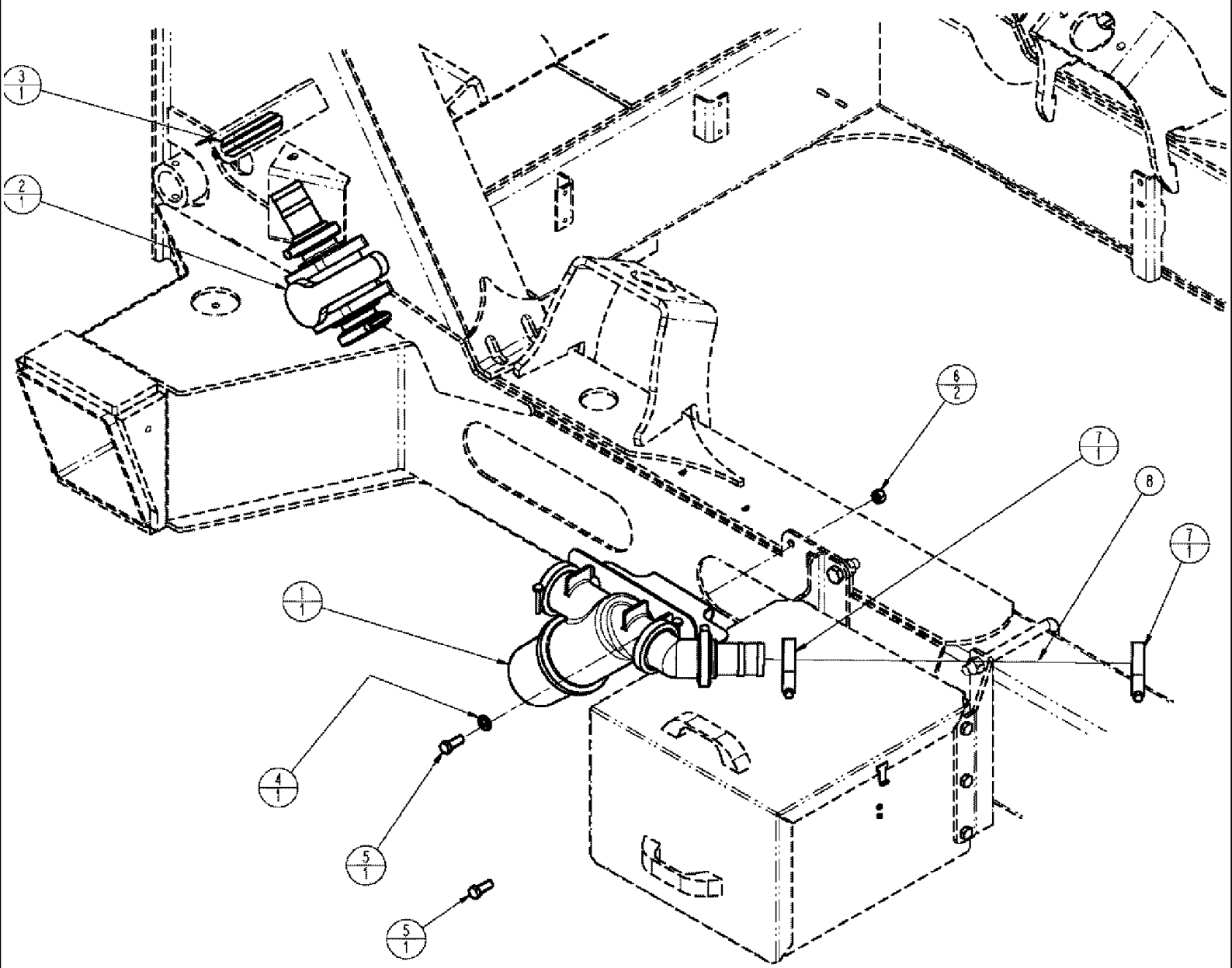
Ref	Part Number	Qty	Description
1	87706934	1	BODY, 2" FP - MANIFOLD STRAINER
2	87706935	1	CAP, ASSY, 2" FP - MANIFOLD STRNR W/PLUG & GSKT
3	87706937	1	RING, SCREW-ON, 2" FP - MANIFOLD STRNR
4	87706931	1	PLUG,
5	87706932	1	
6	87706938	1	O-RING,



## 4420 PATRIOT SPRAYER

## 09-014 FLOWMETER PLUMBING, LO-FLOW

Ref	Part Number	Qty	Description
1	BN303185	2	ADAPTER, MANIFOLD, 2" FLG X 2" NPT
2	87268152	1	PIPE, PLUMBING, W/M, STANDARD
3	BN303199	2	CLAMP, CLAMP, 2" STD FLG
4	BN303204	2	GASKET, GASKET, 2" EPDM
5	87271267	1	INSTRUMENT, MEASURING, FLOWMETER, RFM60P H/P W/D, SEE FIG. 09-017
6	BN303190	1	MANIFOLD, MANIFOLD, 2" FLG X 1.5" NPT
7	BN310467	1	ELBOW, ELBOW 1.5" NPT POLY, 45

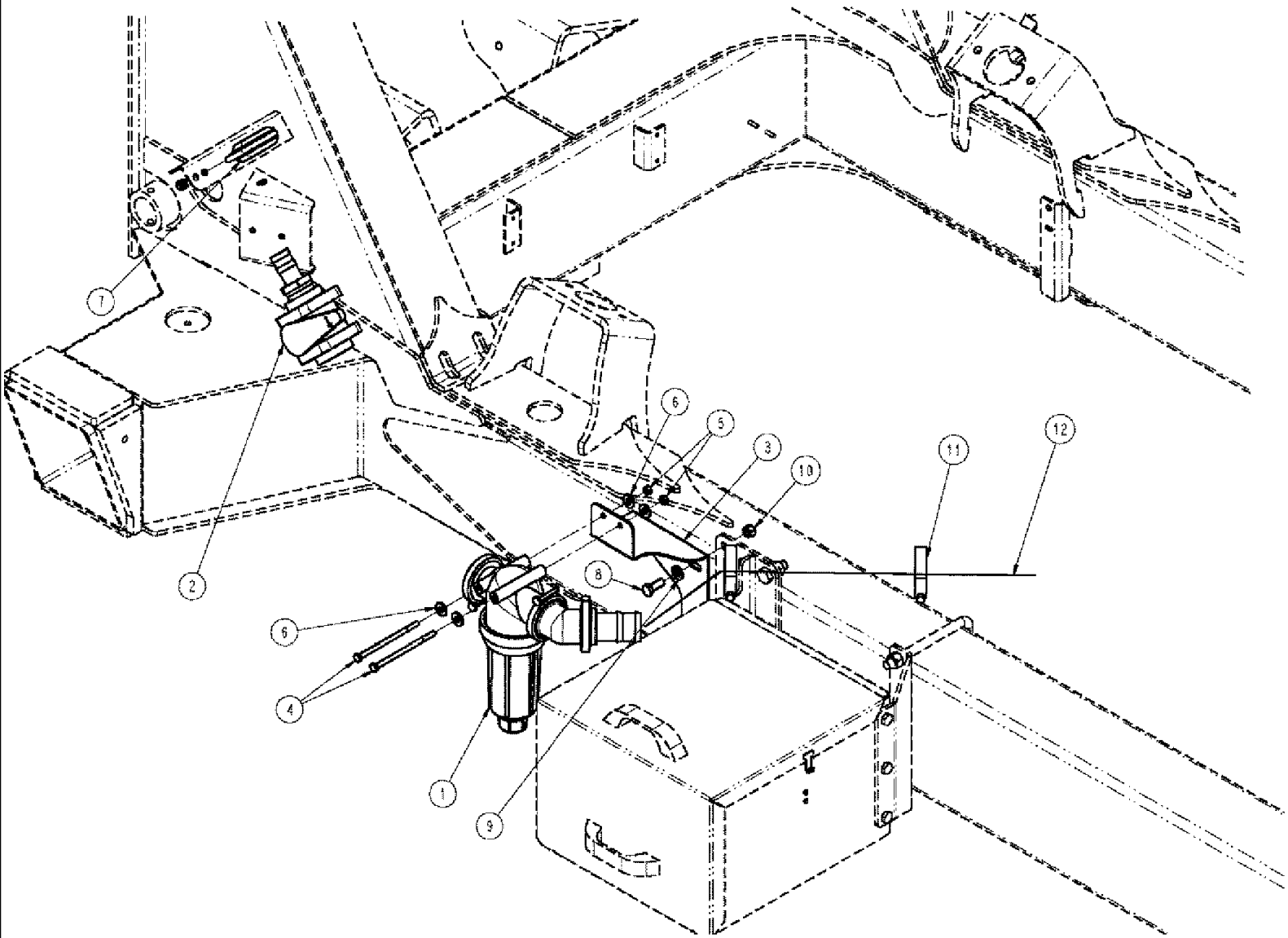




## 4420 PATRIOT SPRAYER

## 09-015 STRAINER PLUMBING MOUNT GROUP

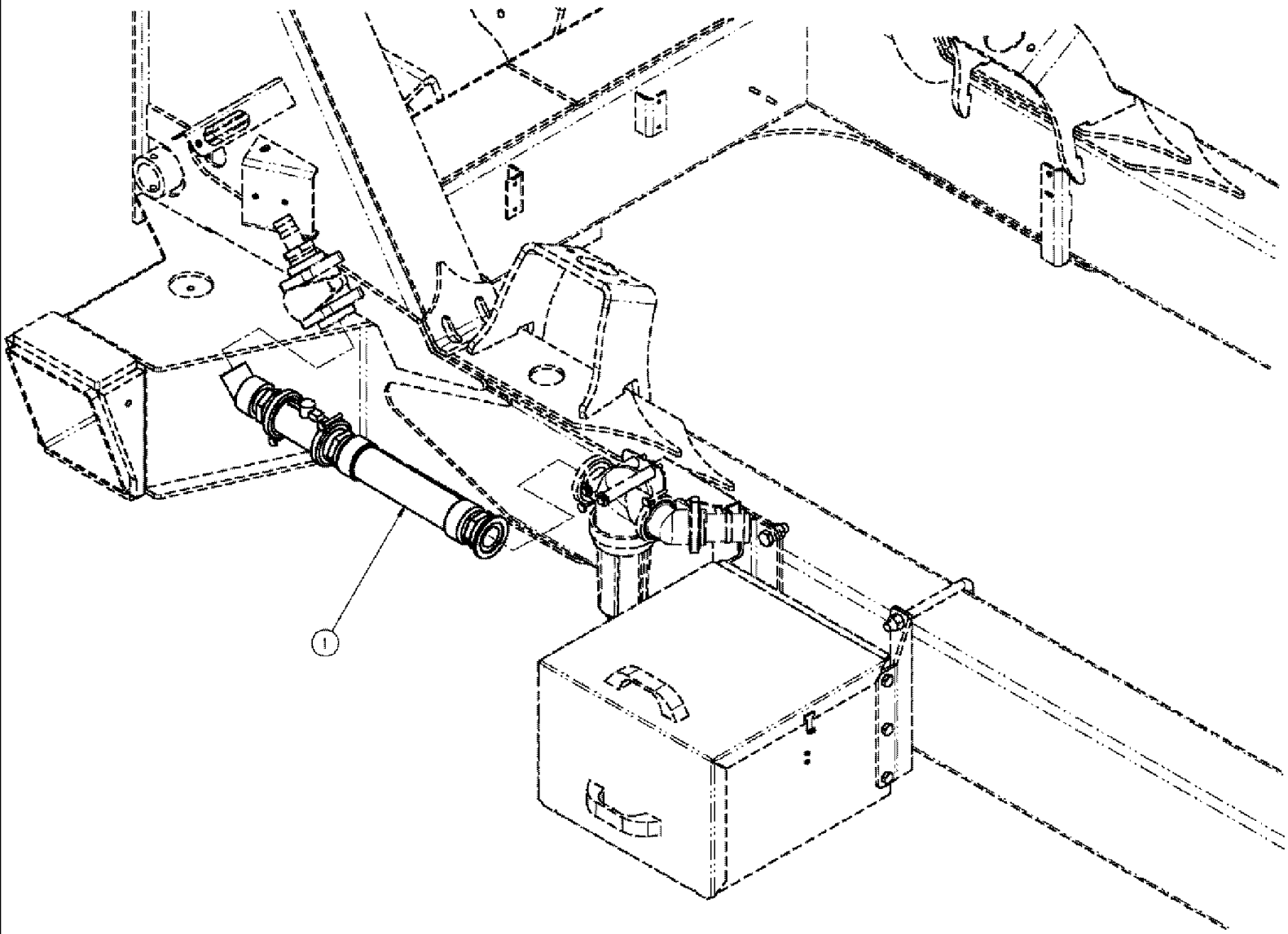
Ref	Part Number	Qty	Description
1	87267536	1	STRAINER ASSY., PLUMBING GROUP SEE FIG. 09-008
2	87268153	1	THROTTLE VALVE, SEE FIG. 09-020
3	BN320384	1	U-BOLT, CLAMP, 2" PIPE
4	86981496	1	WASHER, M13.5 x 24.5 x 3, HT, HTS DOR
5	86980420	2	BOLT, M12- 1.75 X 30, HH, 8.8, DORREPL
6	86980516	2	NUT, P/T ALL MTL M12 8 DOR
7	BN2403358	2	CLAMP, T-BOLT BAND 2 1/2
8	BN68377	1	HOSE, 2 EPDM X 50



## 4420 PATRIOT SPRAYER

## 09-016 PLUMBING, LO-FLOW MOUNTING

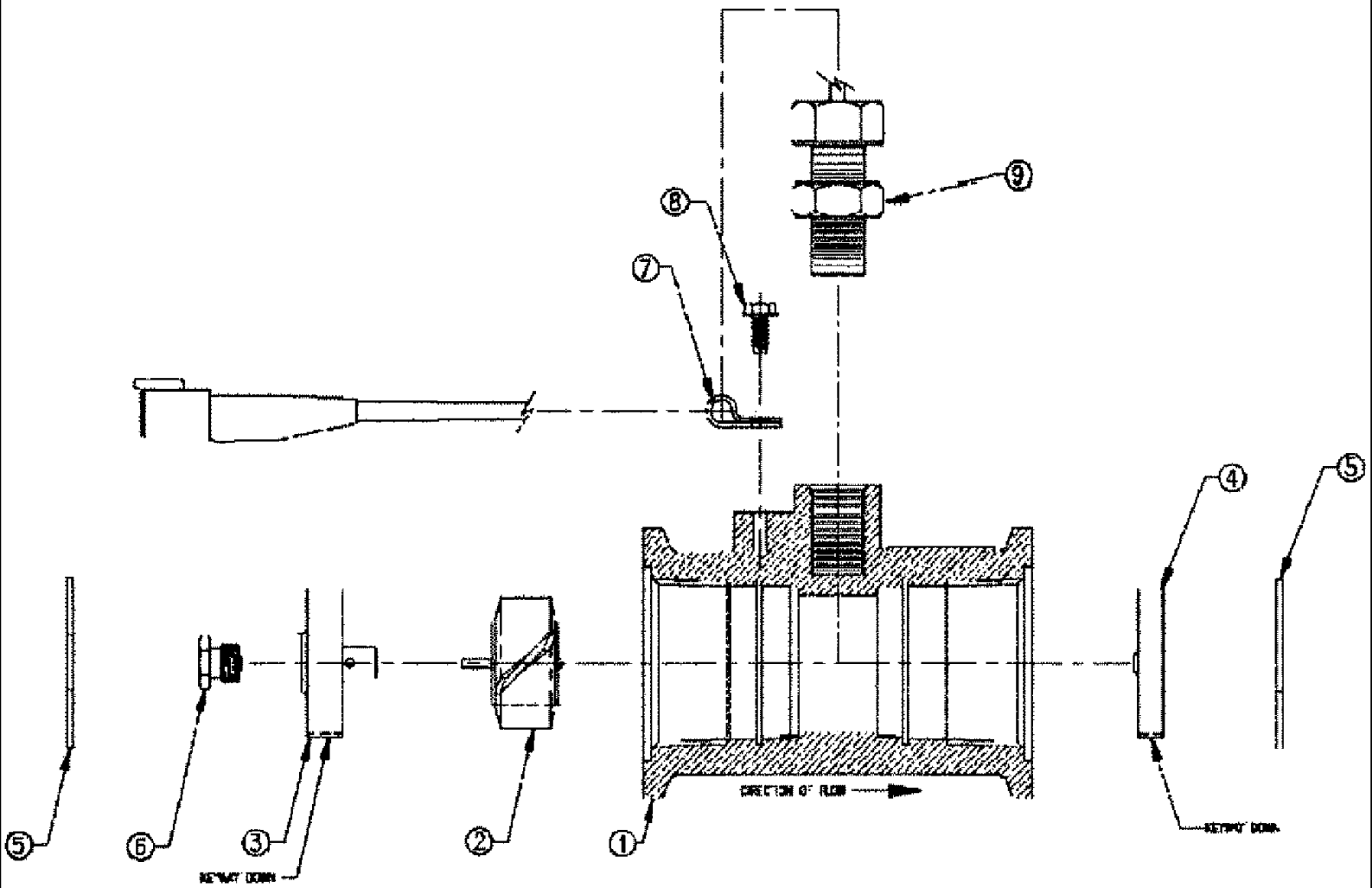
Ref	Part Number	Qty	Description
1	87265466	1	PLUMBING GROUP, SEE FIG. 09-010
2	87265467	1	PLUMBING GROUP, LO, SEE FIG. 09-007
3	87265468	1	MOUNTING PARTS, STRAINER, TEEJET
4	86980394	2	PIN, Hex, M8 x 140, 8.8, DL
5	832-46408	2	NUT, LOCK, M8 x 1.25, CI 8, NUT, PREV TRQ METAL M8 CL
6	BN300506	4	WASHER, M8, FW, SS
7	BN320371	1	CLAMP, U-BOLT 1.25 PIPE
8	614-12030	2	BOLT, Hex, M12 x 30, 8.8,
9	86981496	1	WASHER, M13.5 x 24.5 x 3, HT, DOR
10	86980516	2	NUT, P/T ALL MTL M12 8 DOR
11	BN2403358	2	CLAMP, T-BOLT BAND 2 1/2"
12	BN68377	1	HOSE, 2" EPDM X 50"



4420 PATRIOT SPRAYER

09-017 FLOWMETER, LO-FLOW MOUNT

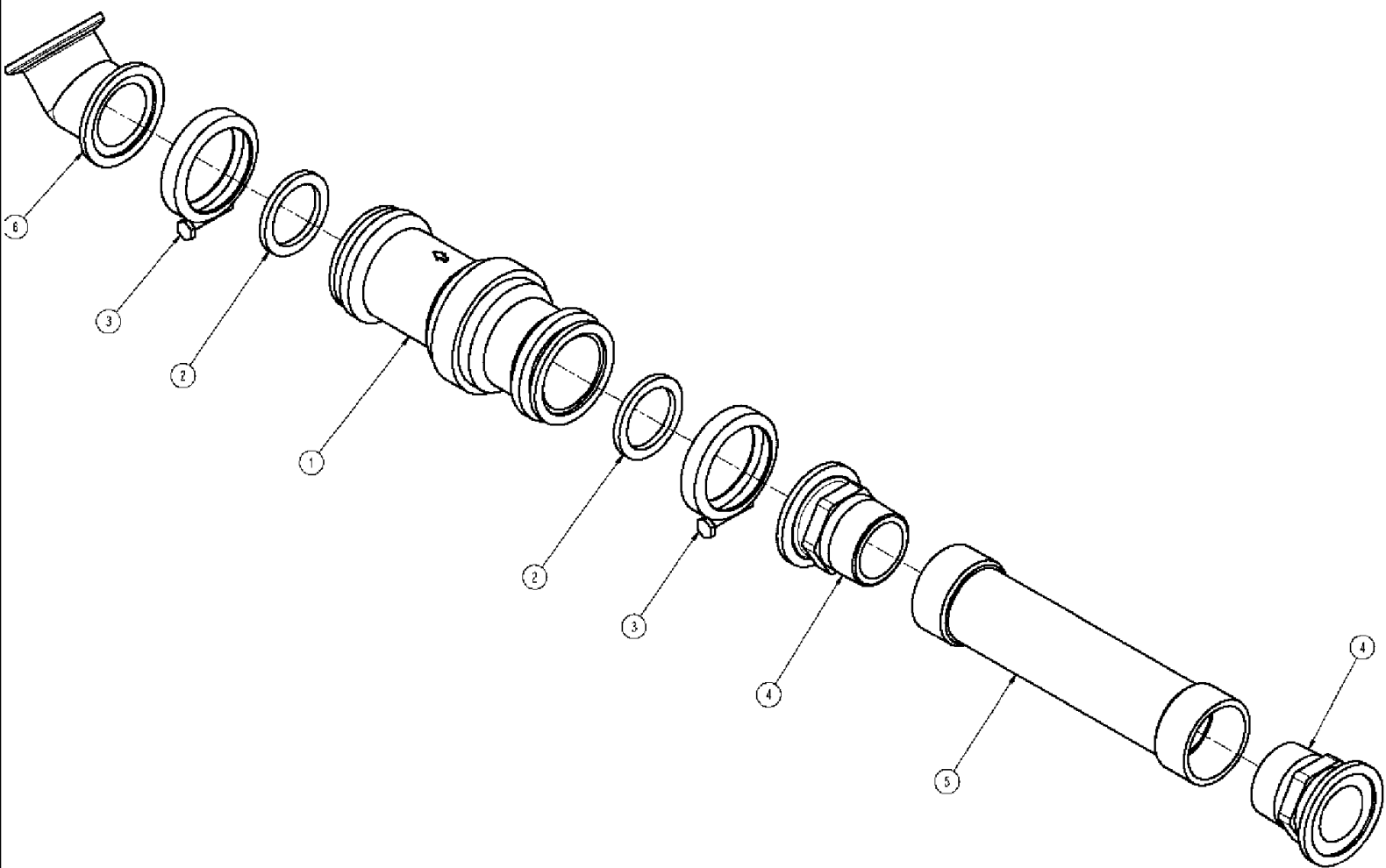
Ref	Part Number	Qty	Description
1	87265593	1	GAUGE, FLOWMETER, PLUMBING, LO, SEE FIG. 09-014



## 4420 PATRIOT SPRAYER

## 09-018 FLOWMETER RFM 60

Ref	Part Number	Qty	Description
1	87515995	1	BODY, RFM 60
2	87515996	1	MAGNET, ROTOR, ASSY
3	87515998	1	HUB, BEARING ASSEMBLY, UPSTREAM
4	87516000	1	HUB, ASSEMBLY, DOWNSTREAM
5	87516001	2	RING, INTERNAL RETAINING
6	87516002	1	STUD, BEARING
7	87516003	1	CLAMP, WIRE, CABLE
9	87516007	1	SENSOR, ASSY, EXTERNAL

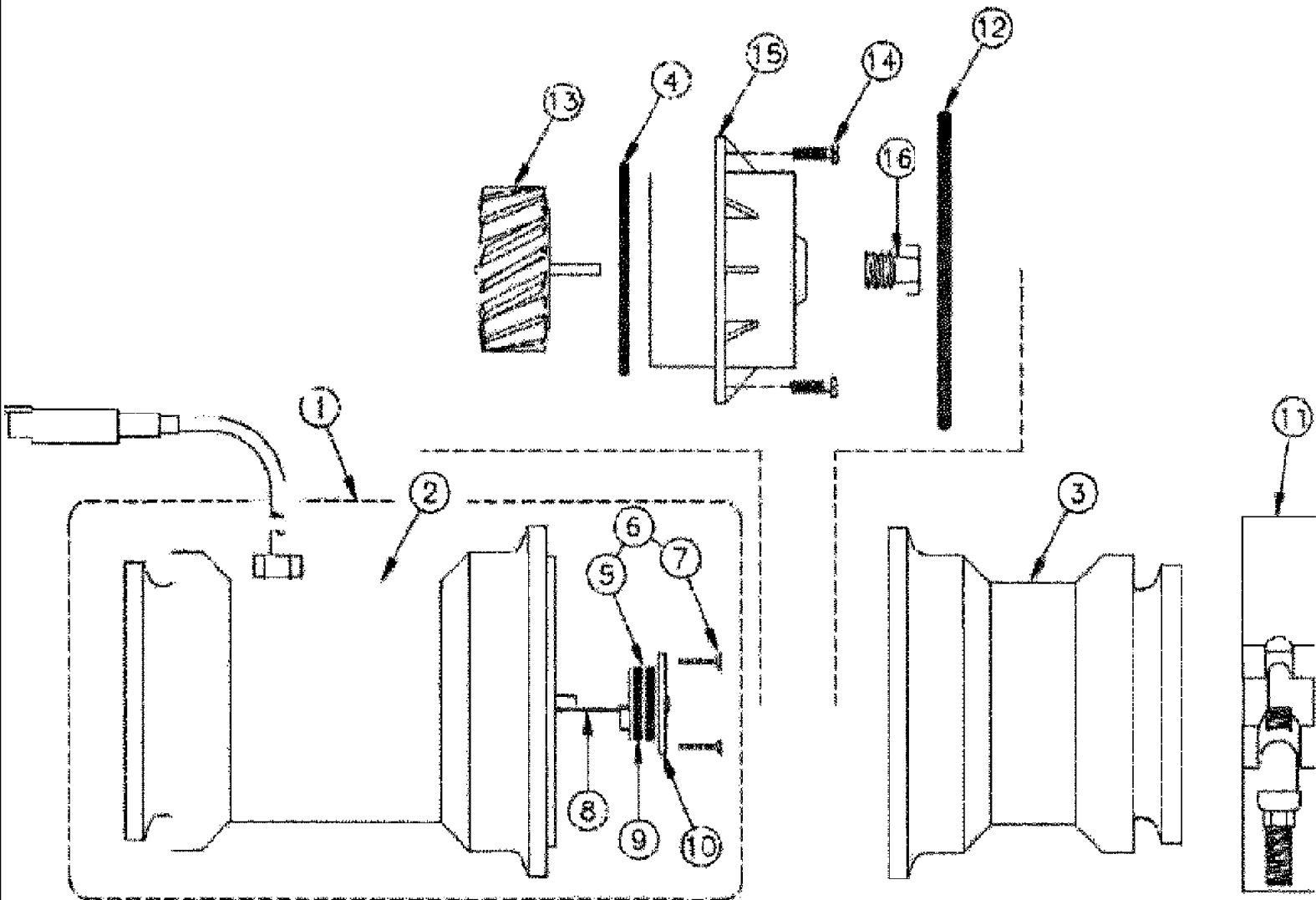




## 4420 PATRIOT SPRAYER

## 09-019 FLOWMETER, STANDARD PLUMBING

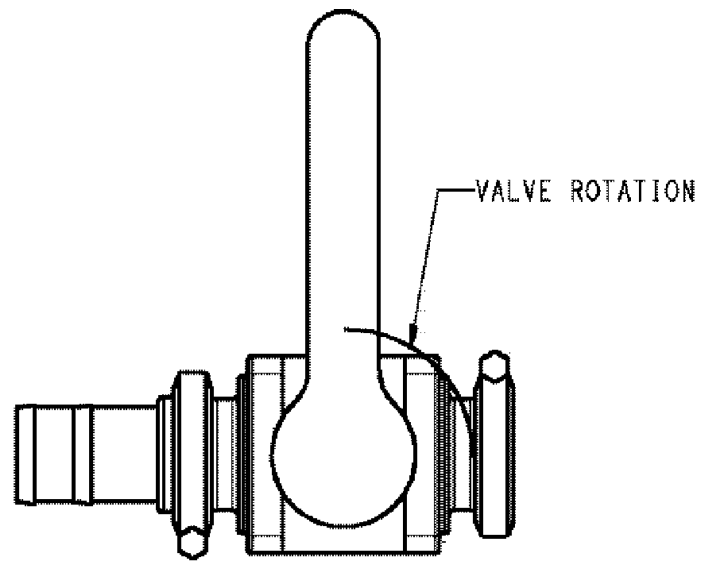
Ref	Part Number	Qty	Description
1	87265851	1	HYDROMETER, FLOWMETER, RFM-100, H/P, SEE FIG. 09-019
2	BN313772	2	GASKET, 2" FULL PORT EPDM
3	BN313773	2	CLAMP, 2" FULL PORT
4	BN314241	2	MANIFOLD, 2" FULL PORT
5	87268152	1	PIPE, PLUMBING, W/M, STANDARD
6	87267540	1	FITTING, ELBOW, MANIFOLD 2" X 45 FP



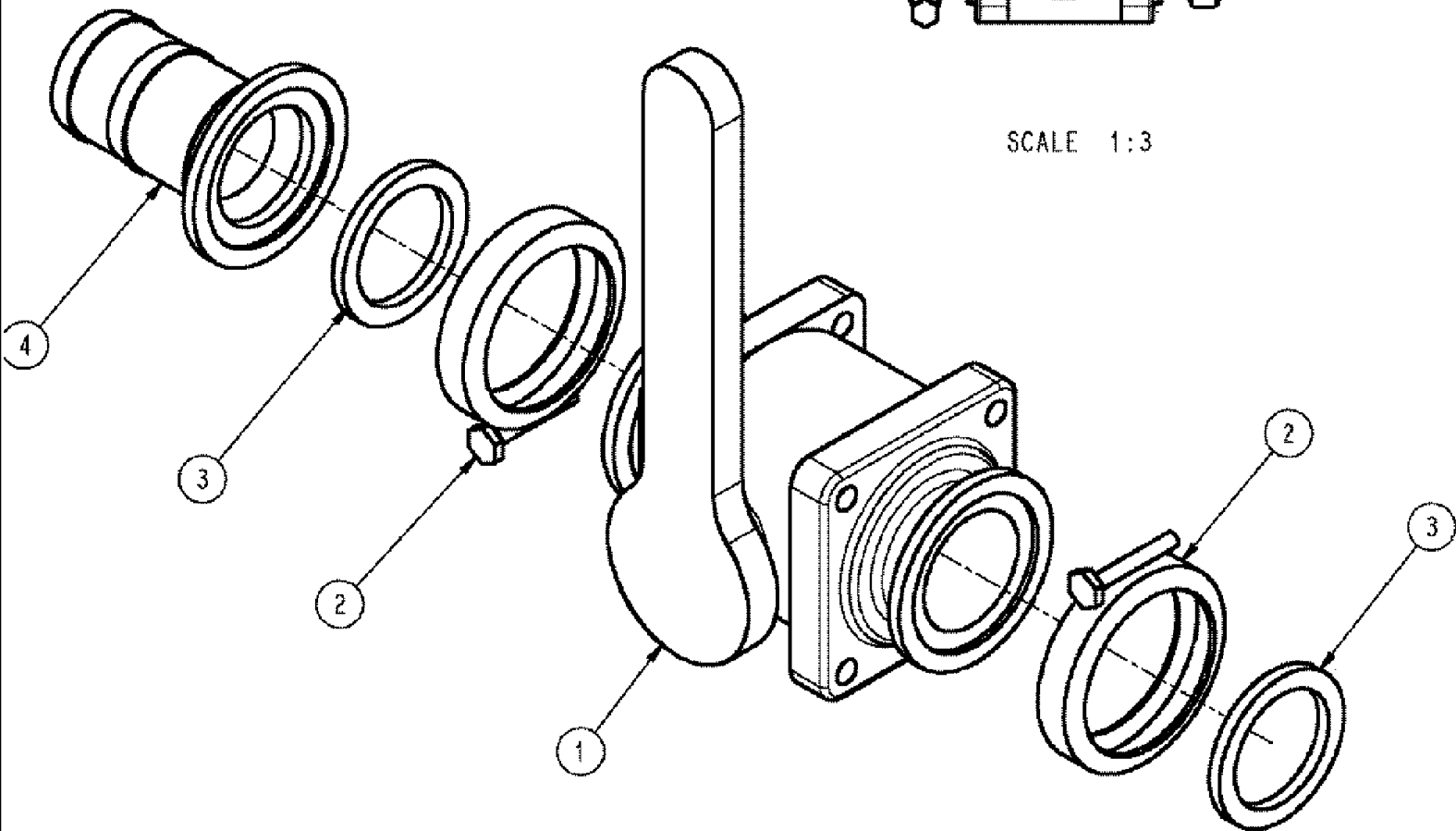
## 4420 PATRIOT SPRAYER

09-020 FLOWMETER RFM 100

Ref	Part Number	Qty	Description
1	87521159	1	ASSEMBLY
2	87521162	1	OUTLET
3	87521164	1	INLET
4	87521166	2	VITON
5	87521168	1	PC ASSY
6	87521174	1	PC ASSY KIT
8	87521177	1	PC ASSEMBLY
10	87521180	1	END BEARING ASSY
11	87521190	1	RETAINER
12	87521192	1	VITON
13	87521193	1	TURBINE
15	87521201	1	BEARING, TURBINE
16	87521203	1	STUD ASSEMBLY



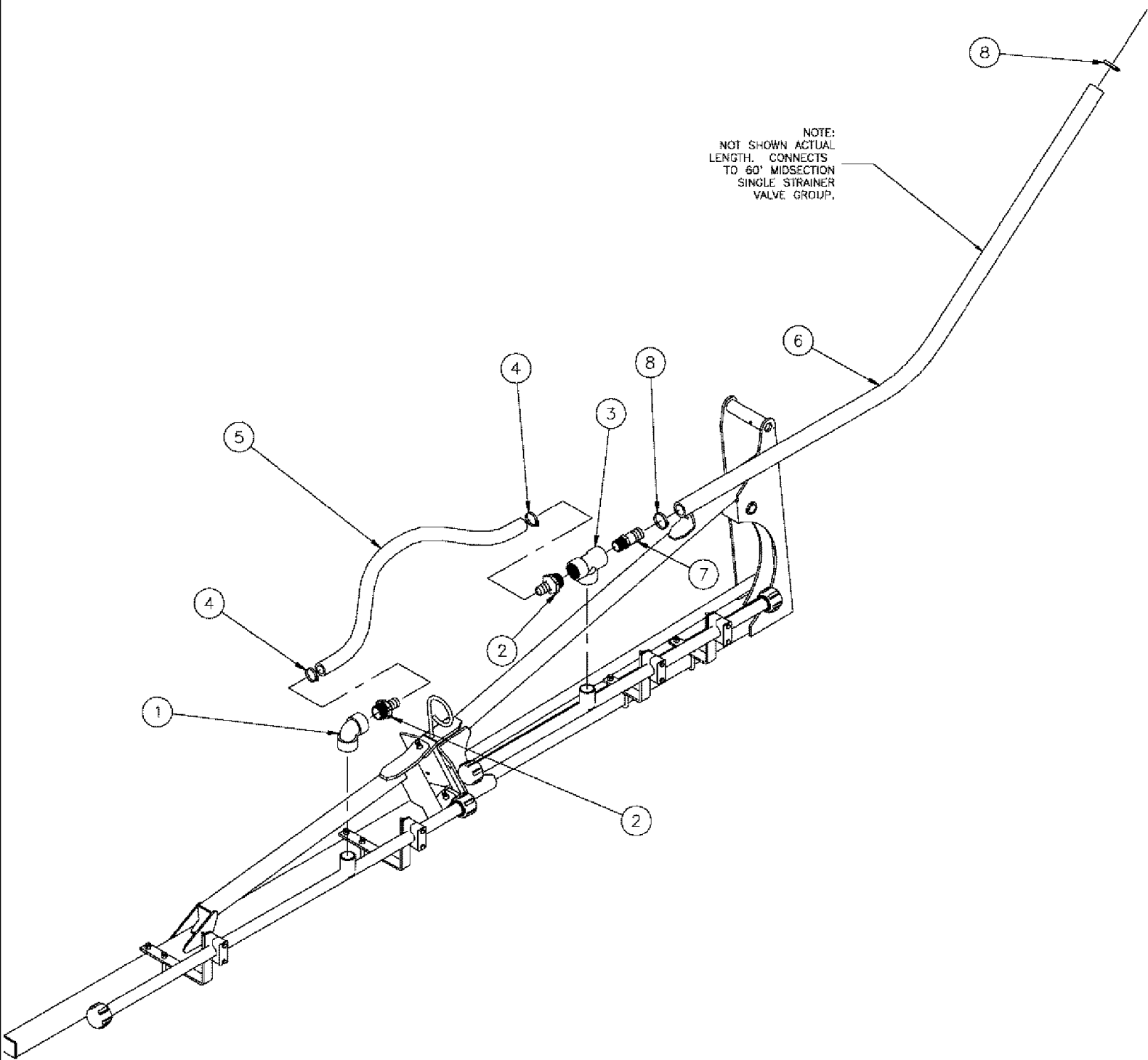
SCALE 1:3



4420 PATRIOT SPRAYER

09-021 THROTTLE VALVE PLUMBING

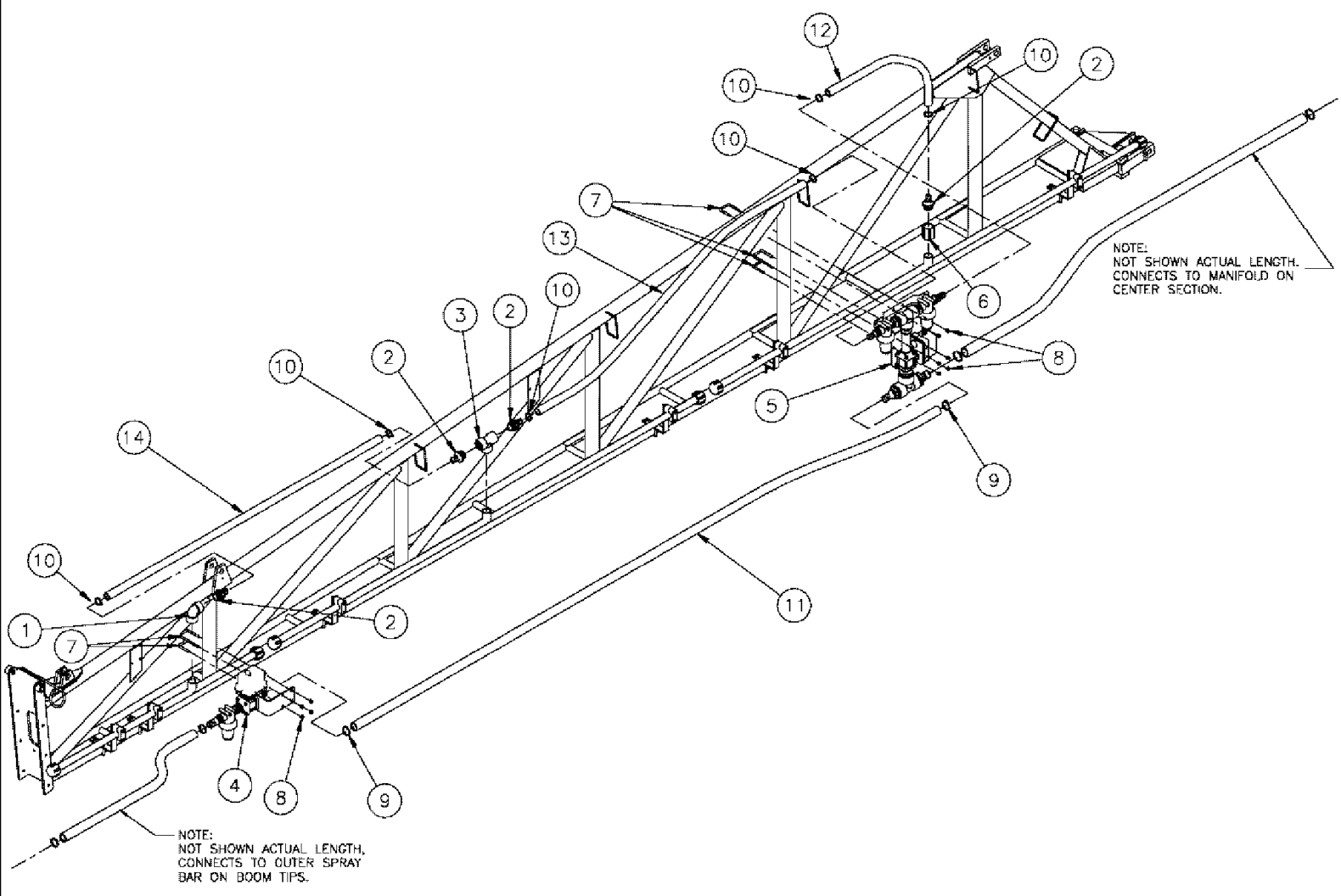
Ref	Part Number	Qty	Description
1	87268158	1	VALVE, 2" FP MFLD, THROTTLE
2	BN313773	2	CLAMP, 2" FULL PORT
3	BN313772	2	GASKET, 2" FULL PORT EPDM
4	BN318600	1	FITTING, BARB, 2" FULL FLG X 2" HOSE



## 4420 PATRIOT SPRAYER

09-022 BOOM PLUMBING GROUP, 5 SECTION, 80'

Ref	Part Number	Qty	Description
1	BN313202	1	ELBOW, 1 1/4" NPT 90 DEG
2	BN73657	2	FITTING, BARB, 1-1/4NPT X1HS
3	BN73662	1	TEE, 1 1/4 PIPE POLY
4	BN310447	2	CLAMP, HOSE, 20,304 SS
5	BN53747	1	HOSE, 1" EPDM X 48.0"
6	342229A1	1	HOSE, 1-1/4" X 80" SUCTION
7	BN73660	1	FITTING, BARB, 1 1/4NPT X1 1/4HS
8	BN320156	2	CLAMP, HOSE, 24, 304 SS

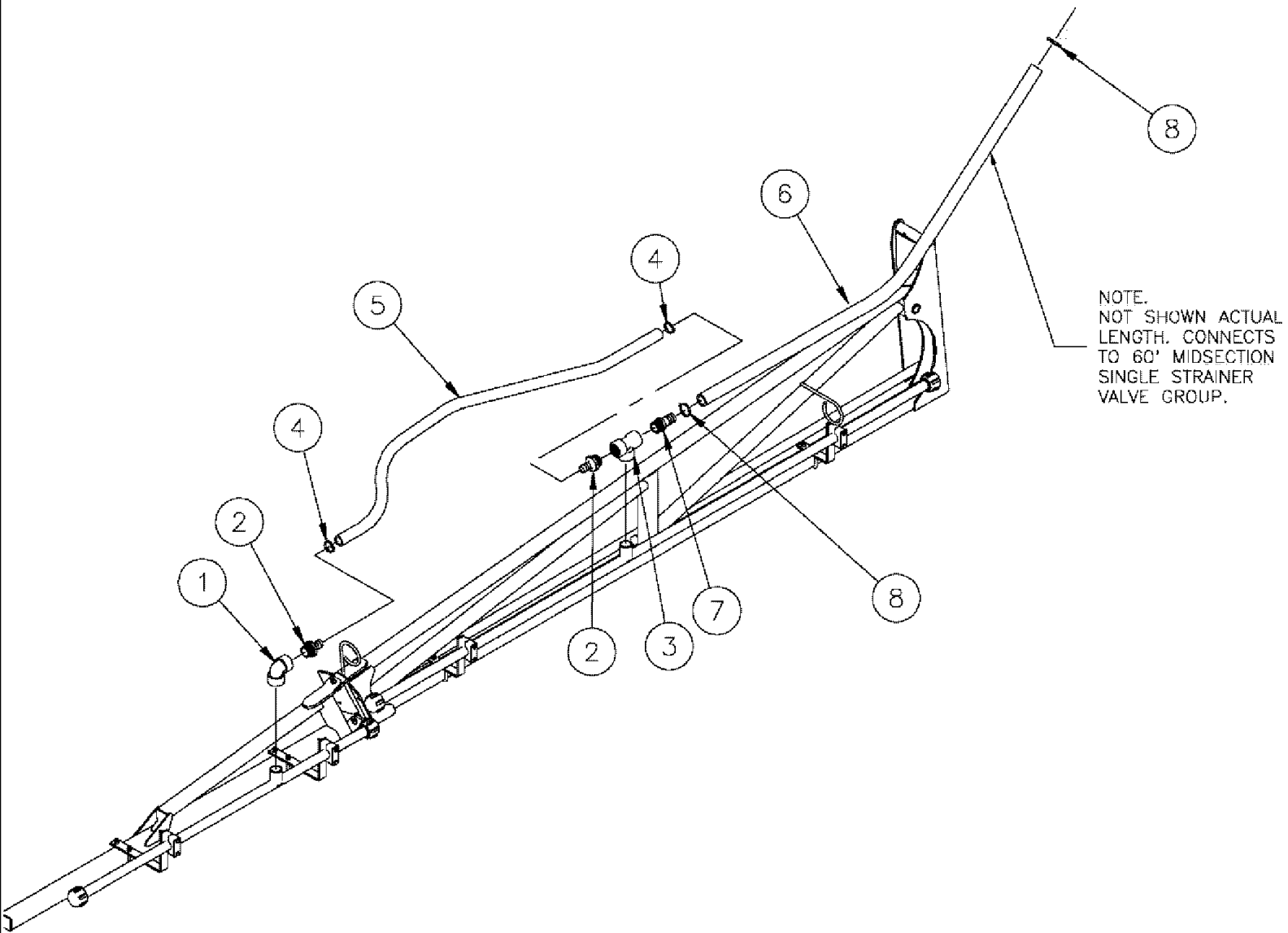




## 4420 PATRIOT SPRAYER

## 09-023 BOOM PLUMBING GROUP, 5 SECTION MID

Ref	Part Number	Qty	Description
1	BN313202	1	ELBOW, 1 1/4" NPT 90 DEG
2	BN73657	4	FITTING, BARB, 1-1/4NPT X1HS
3	BN73662	1	TEE, 1 1/4 PIPE POLY
4	BN321452	1	VALVE, PLBG GRP, 5 SECT, SEE FIG. 09-001
4	BN321453	1	VALVE, PLBG GRP, 5 SECT, SEE FIG. 09-001
5	BN321454	1	VALVE, PLBG GRP, 5 SECT, SEE FIG. 09-005
6	BN305269	1	COUPLING, 1 1/4" POLY
7	BN319919	5	U-BOLT, SQ BND 2.06 ID X 3/8
8	BN50759	10	NUT, 3/8-16, NLN, SS
9	BN320156	2	CLAMP, HOSE, #24, 304 SS
10	BN310447	6	CLAMP, HOSE, #20, 304 SS
11	BN321478	1	HOSE, 1.25" X 156", EPDM
12	BN53850	1	HOSE, EPDM 1" ID X 36"
13	BN321476	1	HOSE, 1" X 79", EPDM
14	BN320876	1	HOSE, 1" X 75", EPDM

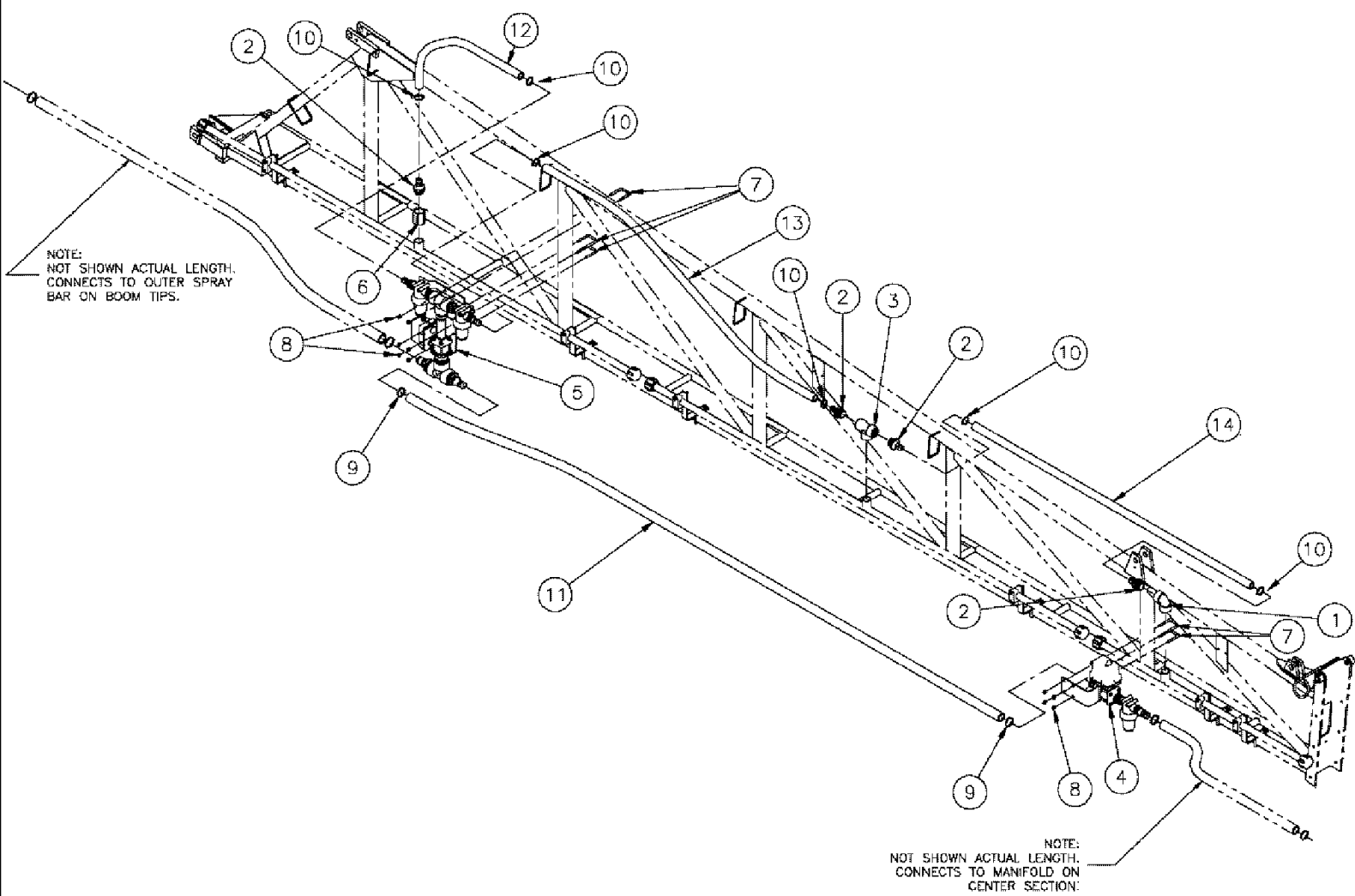


NOTE.  
NOT SHOWN ACTUAL  
LENGTH. CONNECTS  
TO 60' MIDSECTION  
SINGLE STRAINER  
VALVE GROUP.

## 4420 PATRIOT SPRAYER

## 09-024 BOOM PLUMBING GROUP, 5 SECTION 90'

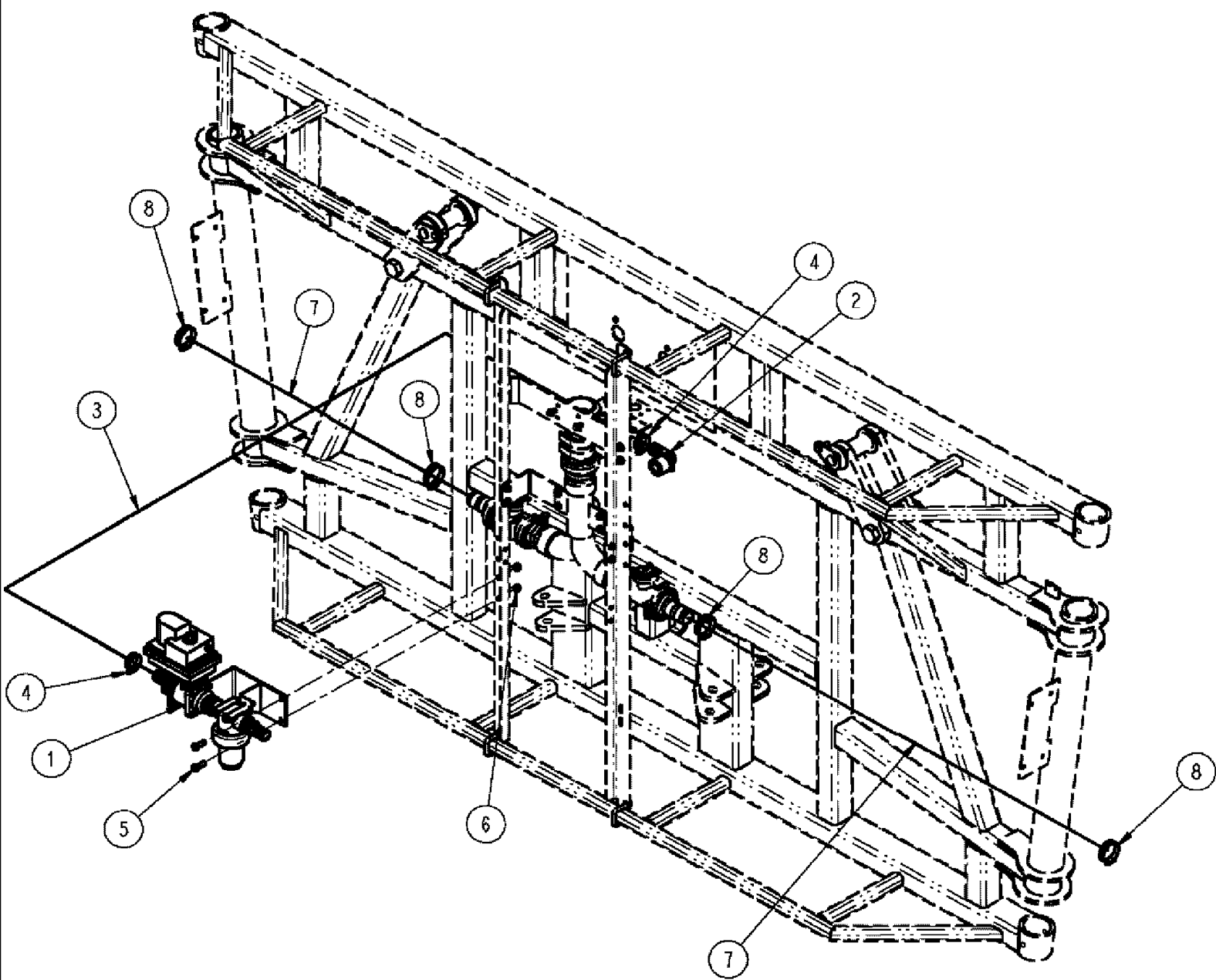
Ref	Part Number	Qty	Description
1	BN313202	1	ELBOW, 1 1/4" NPT 90 DEG
2	BN73657	2	FITTING, BARB, 1-1/4NPT X 1 HS
3	BN73662	1	TEE, 1 1/4 PIPE POLY
4	BN310447	2	CLAMP, HOSE, #20, 304 SS
5	BN321636	1	HOSE, 1" X 78", EPDM
6	87383454	1	HOSE, 1-1/4"
7	BN73660	1	FITTING, BARB 1 1/4NPT X 1 1/4 HS
8	BN320156	2	CLAMP, HOSE, #24,304 SS



## 4420 PATRIOT SPRAYER

## 09-025 BOOM PLUMBING GROUP, 5 SECTION MID

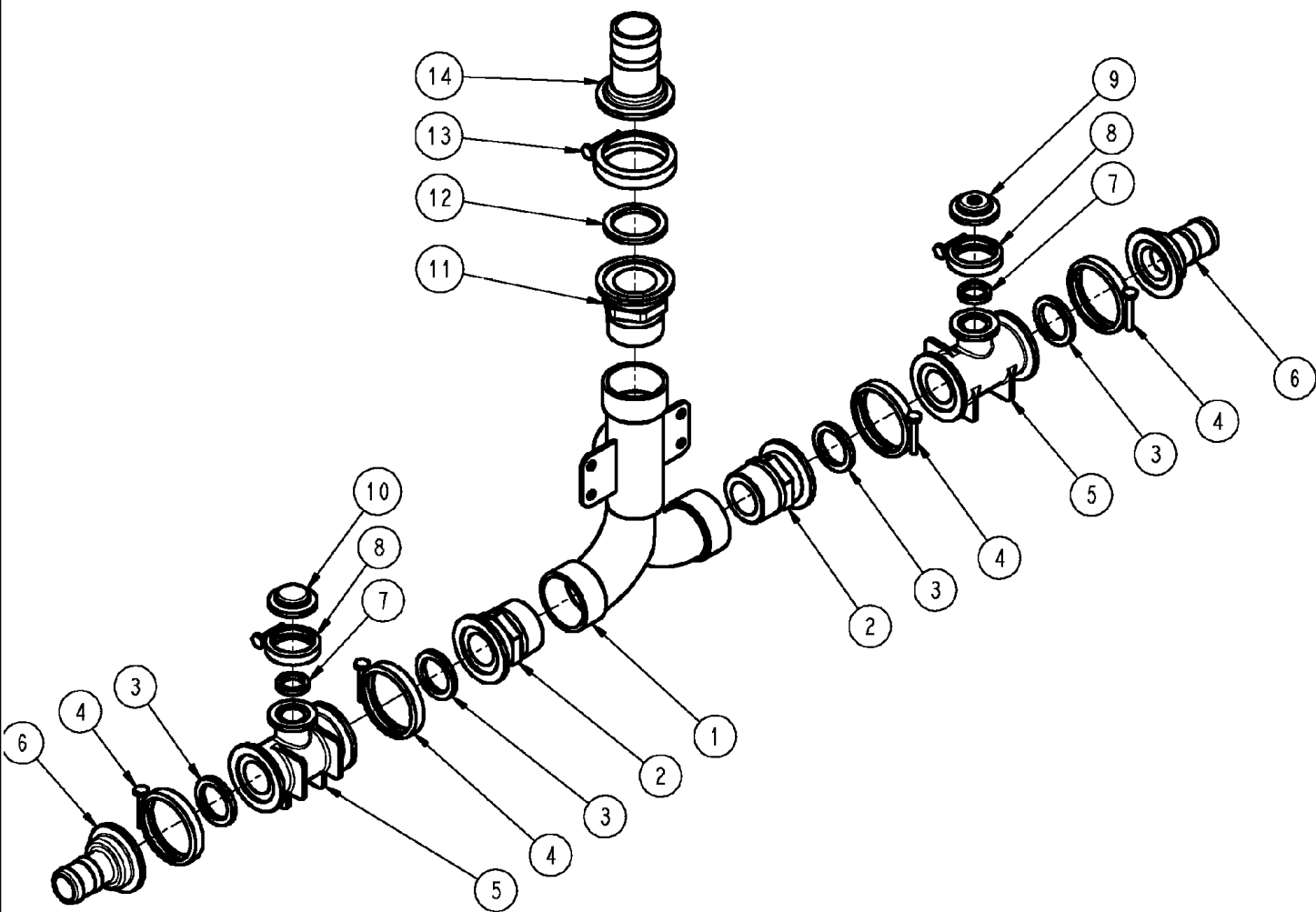
Ref	Part Number	Qty	Description
1	BN313202	1	ELBOW, 1 1/4" NPT 90 DEG
2	BN73657	4	FITTING, BARB, 1-1/4 NPT X 1 HS
3	BN73662	1	TEE, 1 1/4" PIPE POLY
4	BN321452	1	VALVE, PLBG GRP, 5 SECT, SEE FIG.09-001
4	BN321453	1	VALVE, PLBG GRP, 5 SECT, SEE FIG.09-001
5	BN321455	1	VALVE, PLBG GRP, 5 SECT, SEE FIG.09-006
6	BN305269	1	COUPLING, 1 1/4" POLY
7	BN319919	5	U-BOLT, SQ BND 2.06 ID X 3/8
8	BN50759	10	NUT, 3/8-16, NLN, SS
9	BN320156	2	CLAMP, HOSE, #24, 304 SS
10	BN310447	6	CLAMP, HOSE, #20, 304 SS
11	BN321478	1	HOSE, 1.25" X 156", EPDM
12	BN53850	1	HOSE, EPDM 1" ID X 36"
13	BN321476	1	HOSE, 1" X 79", EPDM
14	BN320876	1	HOSE, 1" X 75", EPDM



## 4420 PATRIOT SPRAYER

## 09-026 BOOM PLUMBING GROUP, 5 SECTION, CENTER SECTION

Ref	Part Number	Qty	Description
1	BN325195	1	VALVE, PLBG GRP 5 SEC CTR, SEE FIG. 09-003
2	BN53475	1	FITTING, BARB, 1" NPT X 1" HS, 90D
3	BN69394	1	HOSE, 1" EPDM X 44.00"
4	BN75990	2	CLAMP, SS-#16 .81 TO 1.5 A
5	BN50254	2	BOLT, 3/8-16 X 1, HH, SS
6	BN50759	2	NUT, 3/8-16, NLN, SS
7	342076A1	2	HOSE, 1.5" X 147", EPDM
8	BN310448	4	CLAMP, HOSE, #28, 304 SS

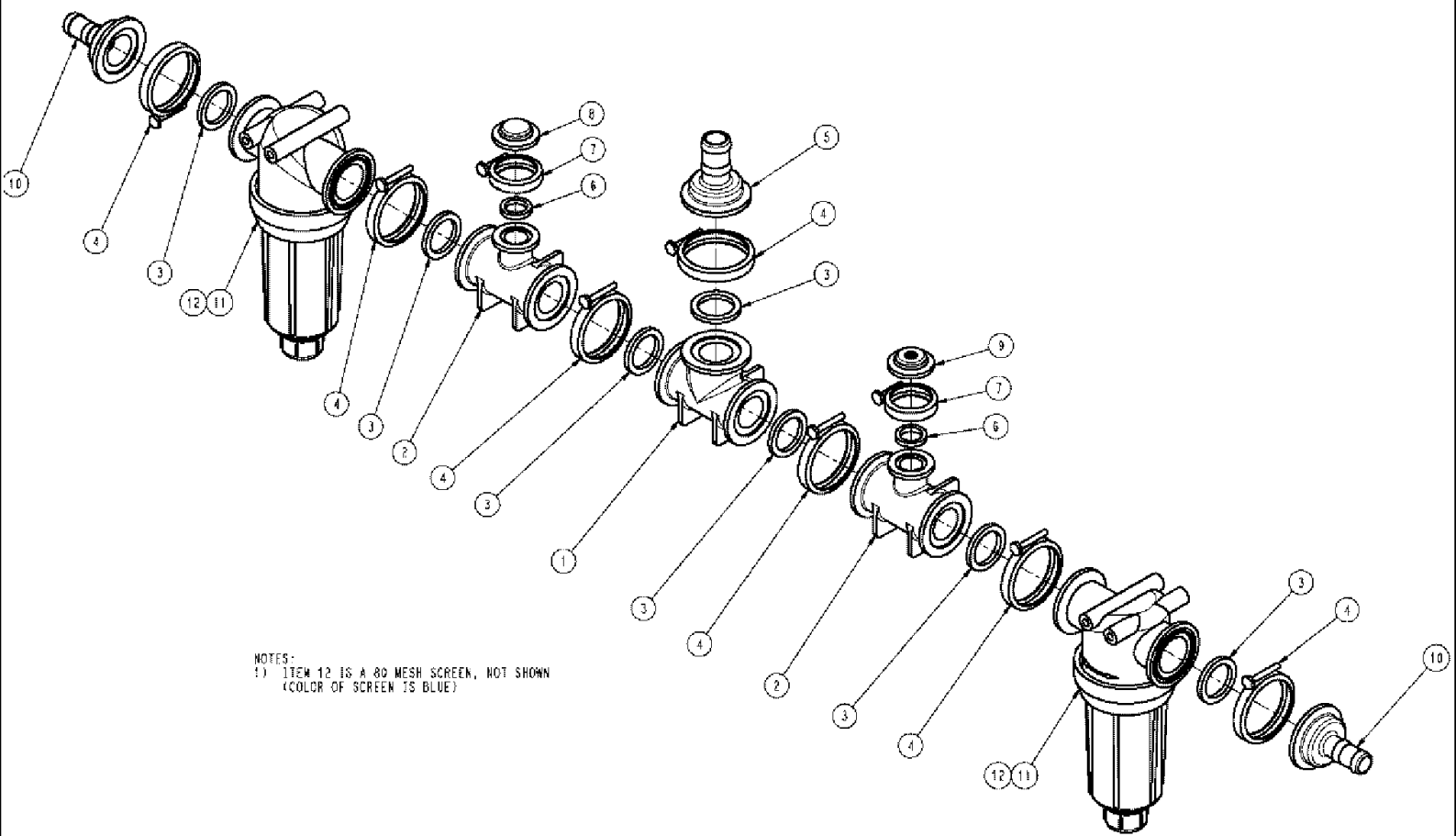




## 4420 PATRIOT SPRAYER

## 09-027 MANIFOLD GROUP, 5 AND 6 SECTION

Ref	Part Number	Qty	Description
1	BN319213	1	MANIFOLD, 3-WAY
2	BN303185	2	ADAPTER, MANIFOLD, 2" FLG X 2" NPT
3	BN303204	4	GASKET, 2" EPDM
4	BN303199	4	CLAMP, 2" STD FLG
5	BN303191	2	TEE, 2" FLG X 1 "FLG
6	BN306901	2	FITTING, BARB, 2" FLG X 1.5" HOSE
7	BN303205	2	GASKET, 1" FLG MANIFOLD
8	BN303203	2	CLAMP, 1" FLG MANIFOLD
9	BN324133	1	PLUG, 1" FLG W/ 1/4" NPT
10	BN306897	1	PLUG, 1" FLG
11	BN314241	1	MANIFOLD, 2" FULL PORT
12	BN313772	1	GASKET, 2" FULL PORT EPDM
13	BN313773	1	CLAMP, 2" FULL PORT
14	BN318600	1	FITTING, BARB, 2" FULL FLG X 2" HOSE

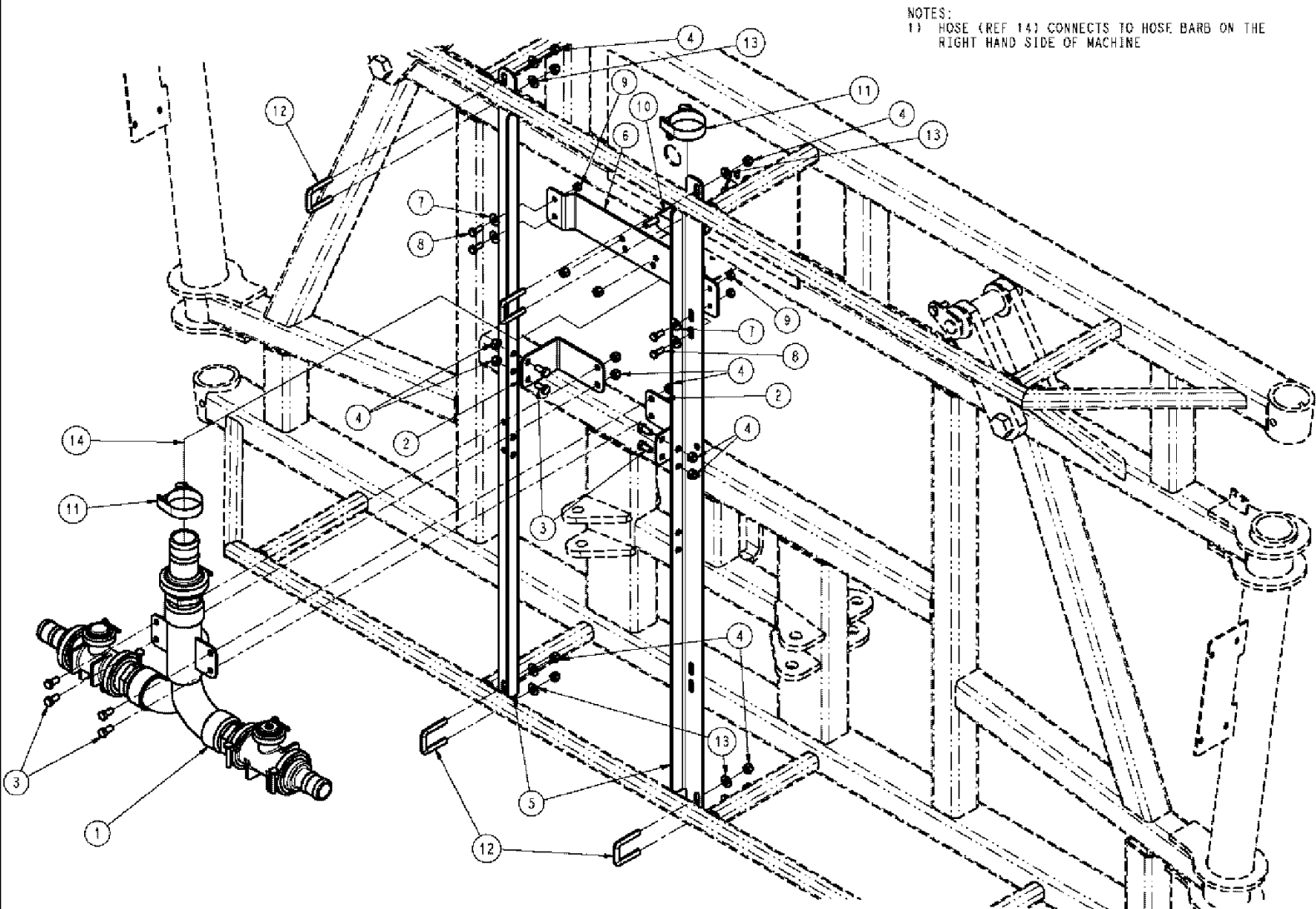


NOTES:  
1) ITEM 12 IS A 80 MESH SCREEN, NOT SHOWN  
(COLOR OF SCREEN IS BLUE)

## 4420 PATRIOT SPRAYER

## 09-028 MANIFOLD, CENTER SECTION, LO-FLOW

Ref	Part Number	Qty	Description
1	BN303196	1	TEE, 2" FLG
2	BN303191	2	TEE, 2" FLG X 1" FLG
3	BN303204	7	GASKET, 2" EPDM
4	BN303199	7	CLAMP, 2" STD FLG
5	BN306900	1	STRAINER ASSY., STR 2" FLANGE X 1.25 HB
6	BN303205	2	GASKET, 1" FLG MANIFOLD
7	BN303203	2	CLAMP, 1" FLG MANIFOLD
8	BN306897	1	PLUG, 1" FLG
9	BN324133	1	PLUG, 1" FLG W/ 1/4" NPT
10	BN317966	2	STRAINER ASSY., STR 2" FLANGE X 1" HB
11	87265489	2	ELEMENT, STRNR, 2" FLS, SEE FIG. 09-011
12	87265492	2	SCREEN, 80 MESH, SS, BLUE

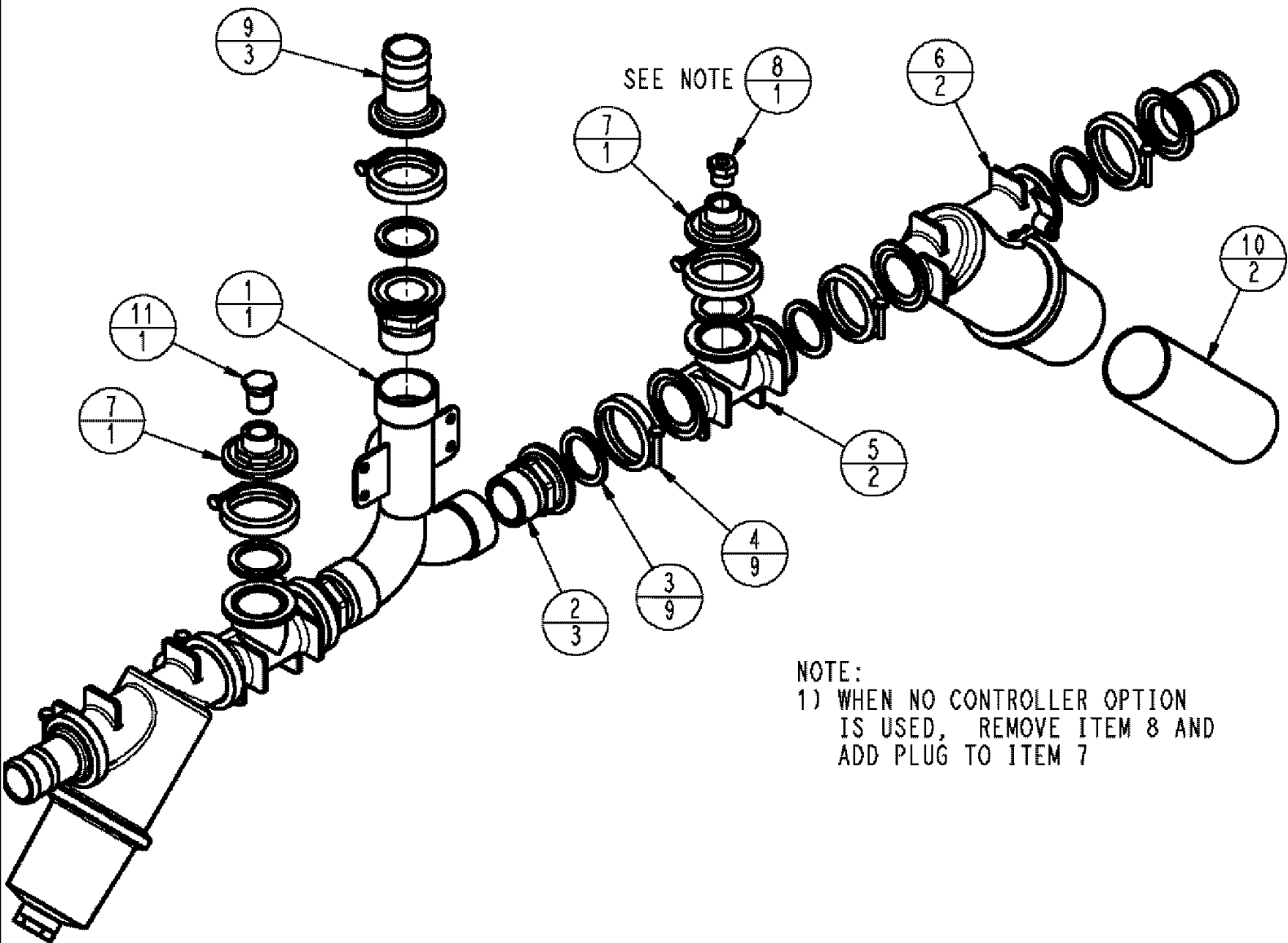


NOTES:  
1) HOSE (REF 14) CONNECTS TO HOSE BARB ON THE  
RIGHT HAND SIDE OF MACHINE

## 4420 PATRIOT SPRAYER

## 09-029 MANIFOLD SUPPORT GROUP, 5-6 SECTION

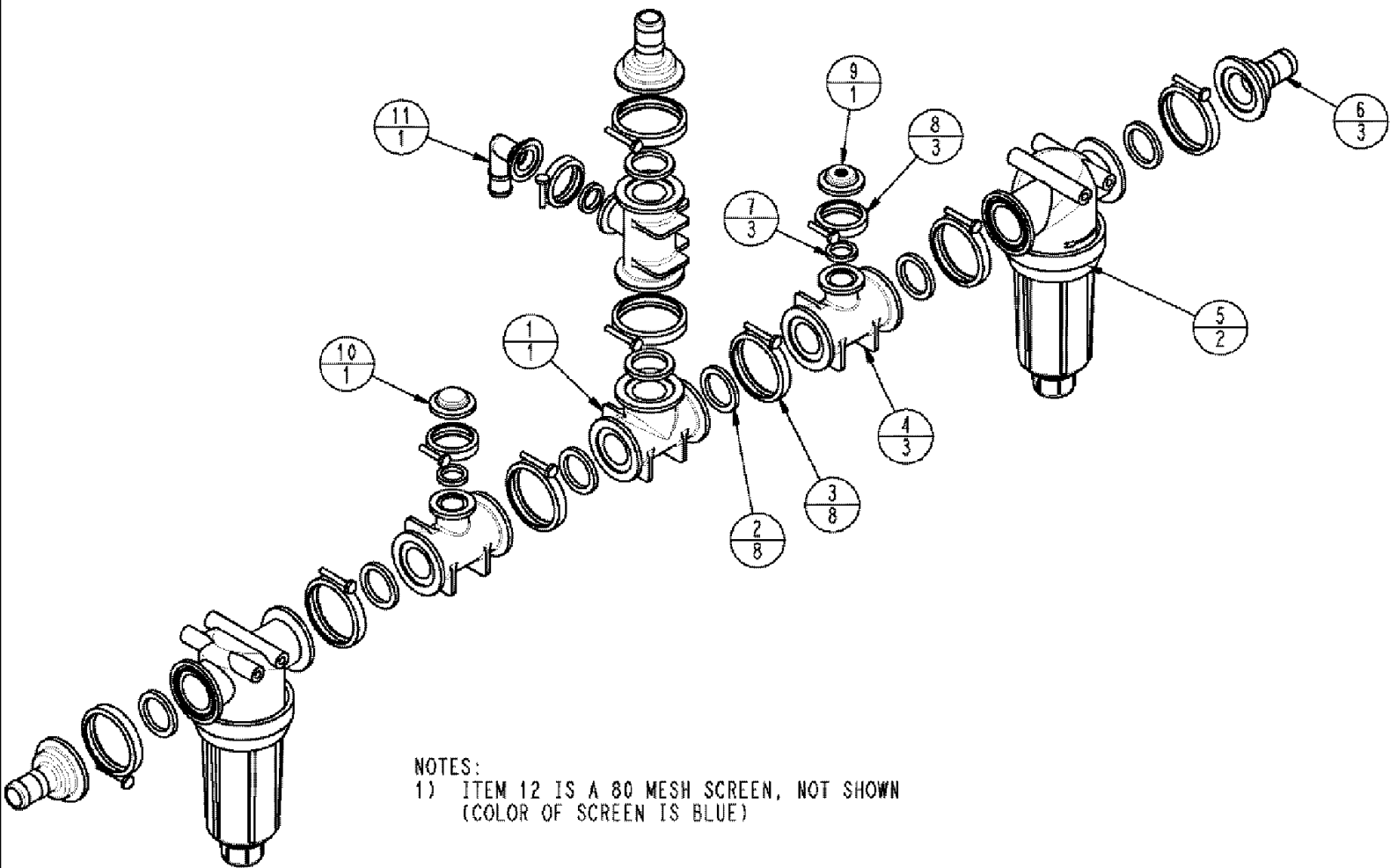
Ref	Part Number	Qty	Description
1	87267541	1	GRP 5 & 6 SEC, SEE FIG. 09-026
2	BN325193	2	BRACKET, 3-WAY MANIFOLD
3	BN50250	8	BOLT, 3/8-16 X.75, HH, SS
4	BN50759	16	NUT, 3/8-16, NLN, SS
5	87267543	2	SUPPORT, MOUNT, MANIFOLD 778D
6	BN325194	1	BRACKET, SUPPORTING, MOUNT, CLAMP, 5 SECT, CTR
7	BN50142	4	WASHER, 5/16, FW, SS
8	BN50476	4	BOLT, 5/16-18 X .75, HH, SS
9	BN55361	4	NUT, 5/16-18, NLN, SS
10	BN320384	1	U-BOLT, CLAMP, U-BOLT--2" PIPE
11	BN2403358	2	CLAMP, T-BOLT BAND 2 1/2"
12	BN319918	4	U-BOLT, SQ BND 1.31 ID X 3/8
13	BN50146	8	WASHER, 3/8, FW, SS
14	BN320784	1	HOSE, EPDM 2" ID X 13.0'



## 4420 PATRIOT SPRAYER

## 09-030 MANIFOLD GROUP, 7 SECTION, 120' BOOM

Ref	Part Number	Qty	Description
1	BN319213	1	MANIFOLD, 3-WAY
2	BN314241	3	MANIFOLD, 2" FULL PORT
3	BN313772	9	GASKET, 2" FULL PORT EPDM
4	BN313773	9	CLAMP, 2" FULL PORT
5	BN322550	2	TEE, 2" FLANGED
6	87633429	2	STRAINER, ELEMENT, 2.2 FLB, Y, PP SEE FIG. 09-013
7	87623375	2	PLUG, 2.2FLB WITH .75FP, PP
8	BN73550	1	BUSHING, REDUCER, .75MP .25FP, PP
9	BN318600	3	FITTING, BARB, 2" FULL FLG X 2" HOSE
10	87633430	2	SCREEN, FILTER, 50 MESH, SS, LS
11	BN73553	1	PLUG, .75MP, PP

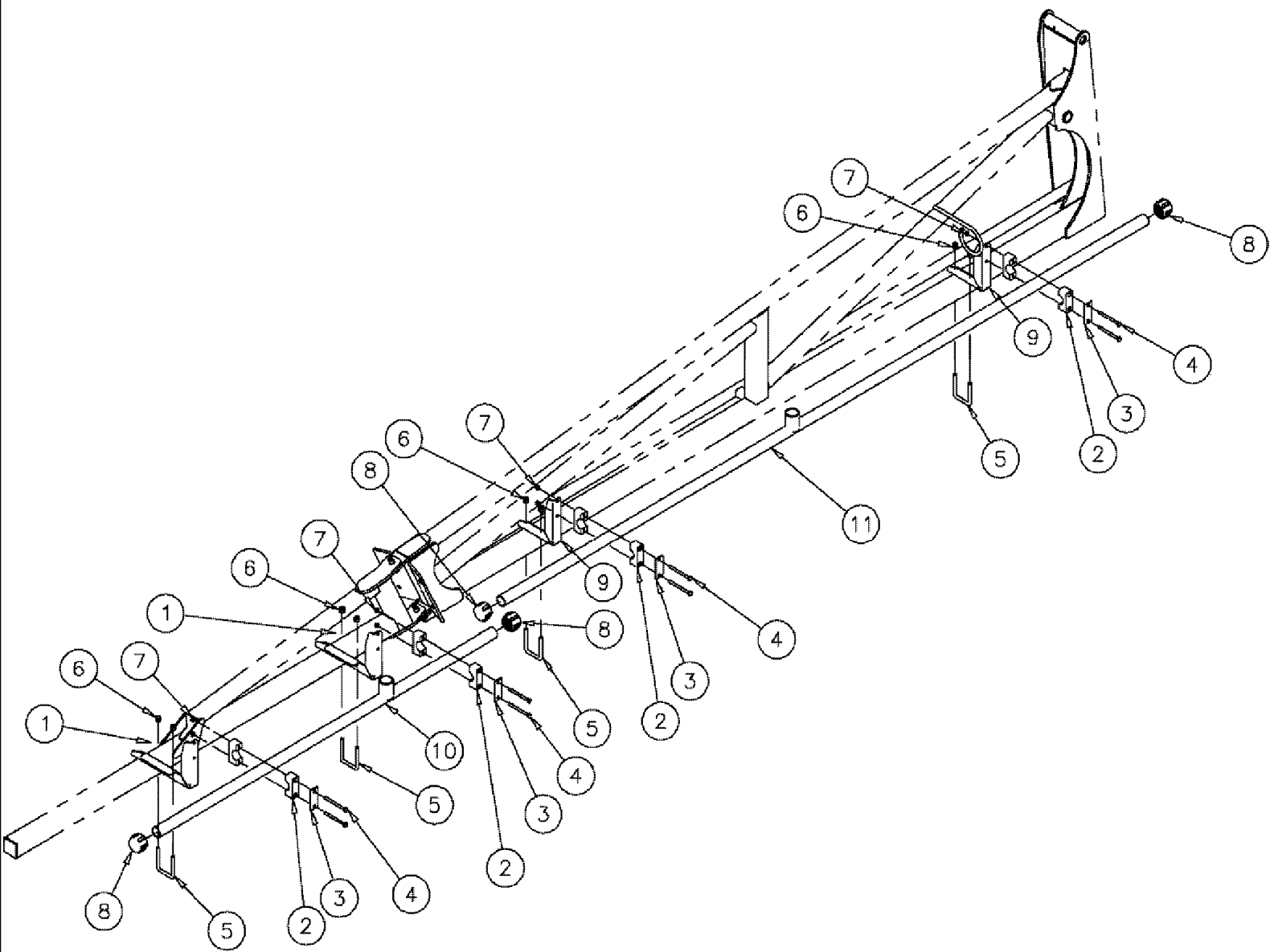




## 4420 PATRIOT SPRAYER

## 09-031 MANIFOLD GROUP, 7 SECTION, LO-FLOW, 120' BOOM

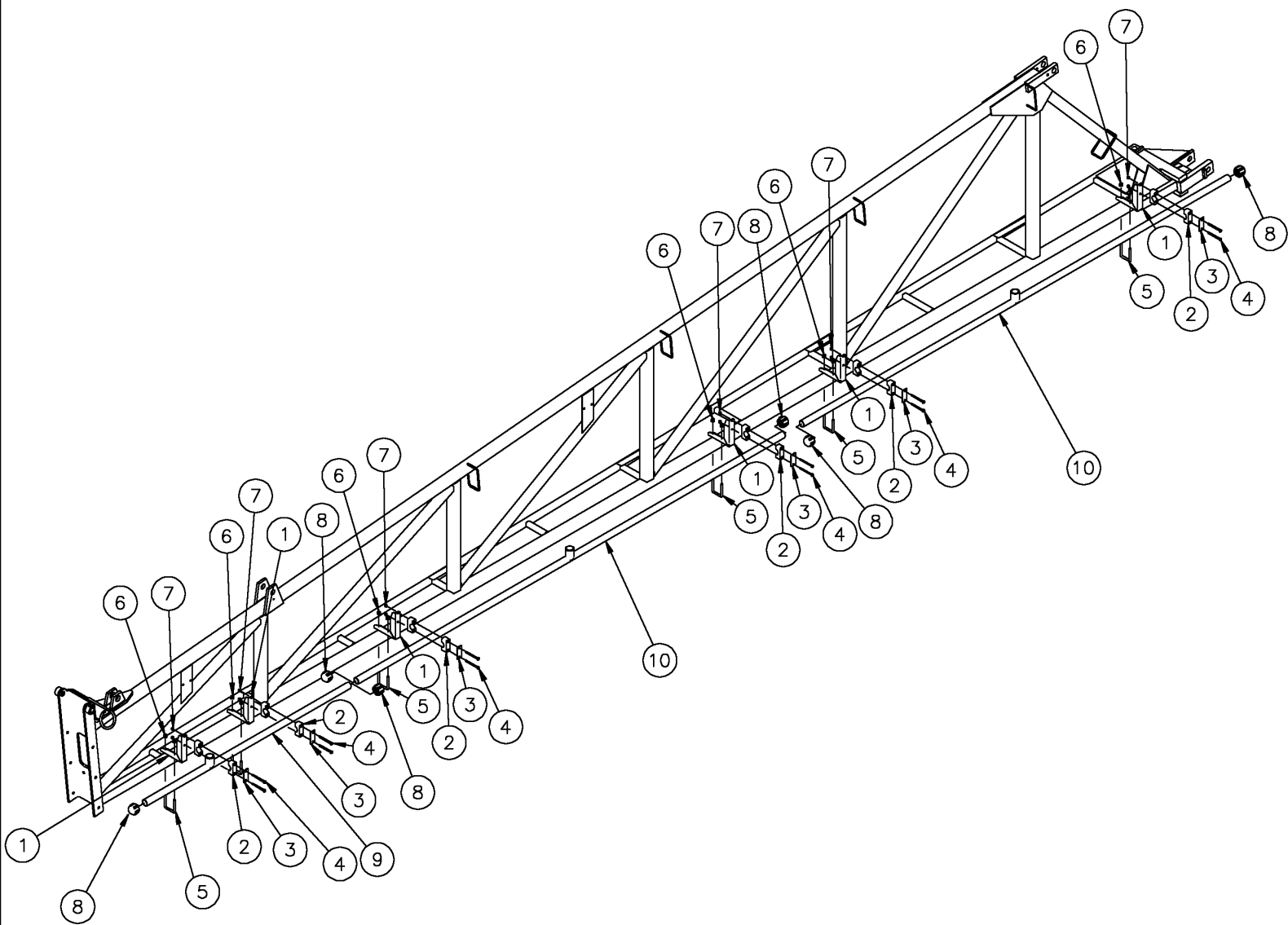
Ref	Part Number	Qty	Description
1	BN303196	1	TEE, 2.0 FLB, PP
2	BN303204	8	GASKET, TEE, 2.0 FLB, PP
3	BN303199	8	CLAMP, 2FLB,STD
4	BN303191	3	TEE, 2.0 FLB 2.0 FLB 1.0 FLB, PP
5	87267538	2	2 FLS, SEE FIG. 09-011
6	BN306900	3	STRAINER ASSY., 2.0 FLB 1.25HB, PP
7	BN303205	3	GASKET, 1.0 FLB, EPDM
8	BN303203	3	CLAMP, 1.0 FLB
9	BN324133	1	PLUG, 1.0FLB W/.25FP, PP
10	BN306897	1	PLUG, 1.0FLB, PP
11	BN303194	1	ELBOW, FTG, 90, 1.0 FLB 1.0 HB, PP
12	87265492	2	SCREEN, 80 MESH,SS,BLUE



## 4420 PATRIOT SPRAYER

09-032 NOZZLE SPACING GROUP, 5 SECTION 90', 20/30" ON CENTER PLBG

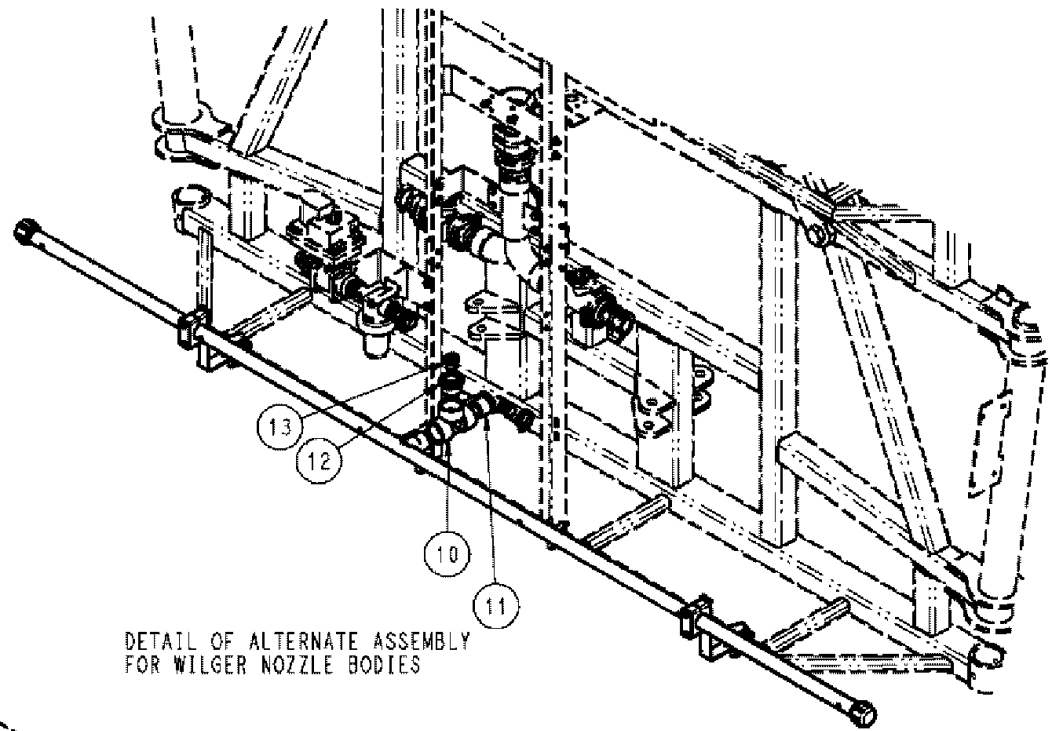
Ref	Part Number	Qty	Description
1	87562807	2	BRACKET, SUPPORTING, MOUNT, SPRAYBAR
2	BN67054	4	CLAMP, 1.315" OD (PP)
3	BN309483	4	PLATE, TOP, SINGLE, SIZE 5
4	BN55381	8	BOLT, 1/4-20 X 3.25, HH, SS
5	BN319919	4	U-BOLT, SQ BND 2.06 ID X 3/8
6	BN50759	8	NUT, 3/8-16, NLN, SS
7	BN55359	8	NUT, 1/4-20, NLN, SS
8	BN73606	4	CAP, 1" POLY PIPE CAP
9	BN323957	2	BRACKET, MOUNT WDMT, SPRAY BAR
10	86986640	1	PIPE, TUBE WLDT, 20/30" SP X 4
11	86986642	1	TUBE, WLDT, 20/30" SP X 7



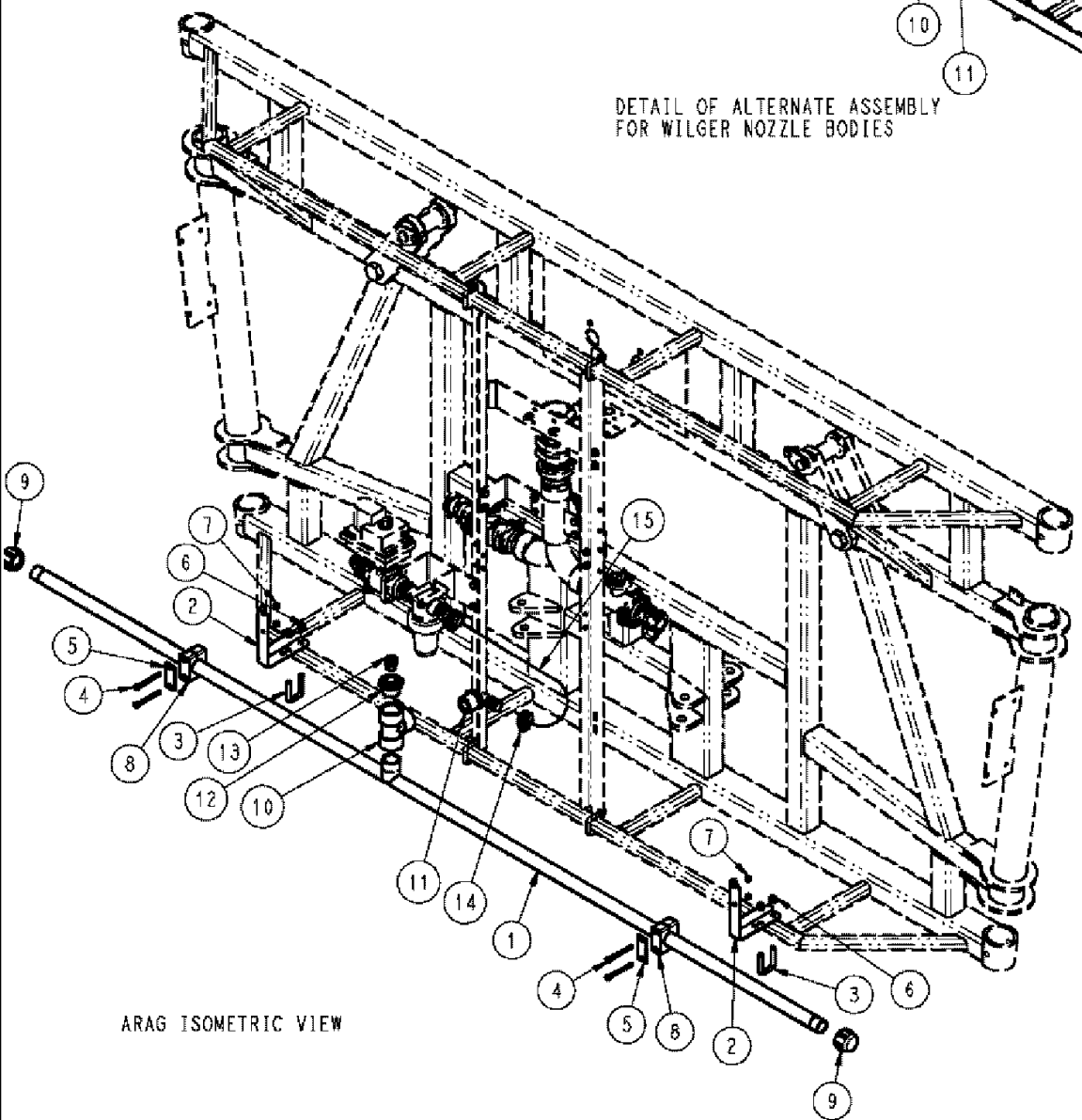
## 4420 PATRIOT SPRAYER

## 09-033 NOZZLE SPACING GROUP, 5 SECTION MID, 20/30" ON CENTER PLBG

Ref	Part Number	Qty	Description
1	BN323957	6	BRACKET, MOUNT WDMT, SPRAY BAR
2	BN67054	6	CLAMP, 1.315" OD (PP)
3	BN309483	6	PLATE, TOP, SINGLE, SIZE 5
4	BN55381	12	BOLT, 1/4-20 X 3.25, HH, SS
5	BN319919	6	U-BOLT, SQ BND 2.06 ID X 3/8
6	BN50759	12	NUT, 3/8-16, NLN, SS
7	BN55359	12	NUT, 1/4-20, NLN, SS
8	BN73606	6	CAP, 1" POLY PIPE CAP
9	86986640	1	PIPE, WLDT, 20/30" SP X 4
10	86986637	2	PIPE, WLDT, 20/30" SP X 8



DETAIL OF ALTERNATE ASSEMBLY FOR WILGER NOZZLE BODIES

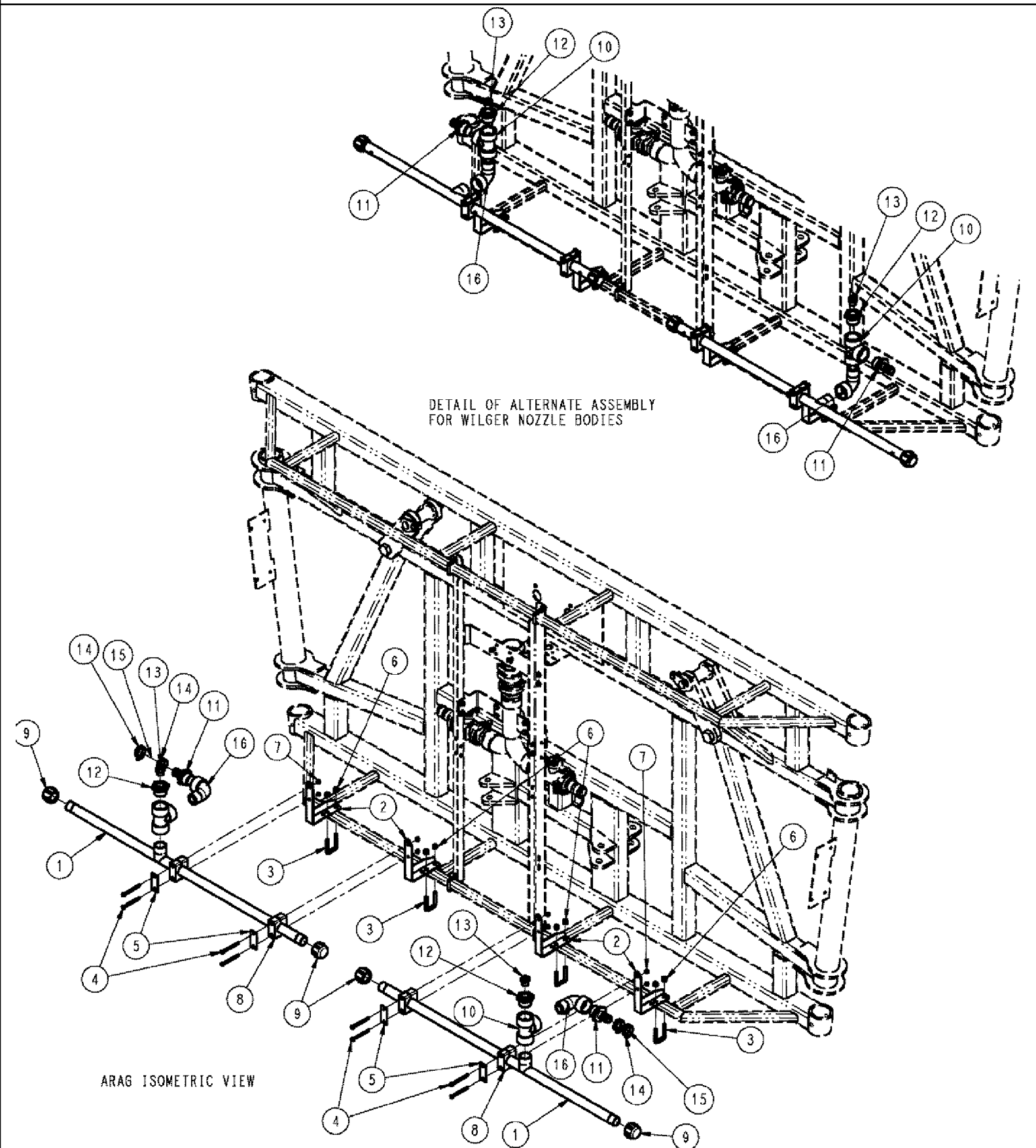


ARAG ISOMETRIC VIEW

## 4420 PATRIOT SPRAYER

## 09-034 SPRAYBAR, CS, 20" OFF, 5 SECTION

Ref	Part Number	Qty	Description
1	87266668	1	PIPE, SPRAY BAR WLDMT, SS (20 X 6)
2	BN323957	2	BRACKET, MOUNT WDMT, SPRAY BAR
3	BN319918	2	U-BOLT, SQ BND 1.31 ID X 3/8
4	BN67050	4	BOLT, 1/4-20 X 3, HH, SS
5	BN309483	2	PLATE, TOP, SINGLE, SIZE 5
6	BN50759	4	NUT, 3/8-16, NLN, SS
7	BN55359	4	NUT, 1/4-20, NLN, SS
8	BN67054	2	CLAMP, 1.315" OD (PP)
9	BN73606	2	CAP, 1" POLY PIPE CAP
10	BN73662	1	TEE, 1 1/4 PIPE POLY
11	BN2296590	1	ELBOW, FTG, 90, 1.25MP1.0HB, PP
12	BN73653	1	BUSHING, RED 1 1/4 X 3/4 POLY
13	BN73550	1	BUSHING, 3/4 X 1/4 RED. POLY
14	BN75990	2	CLAMP, SS-#16 .81 TO 1.5 A
15	BN66855	1	HOSE, 1" EPDM X 26.00"



## NOTES:

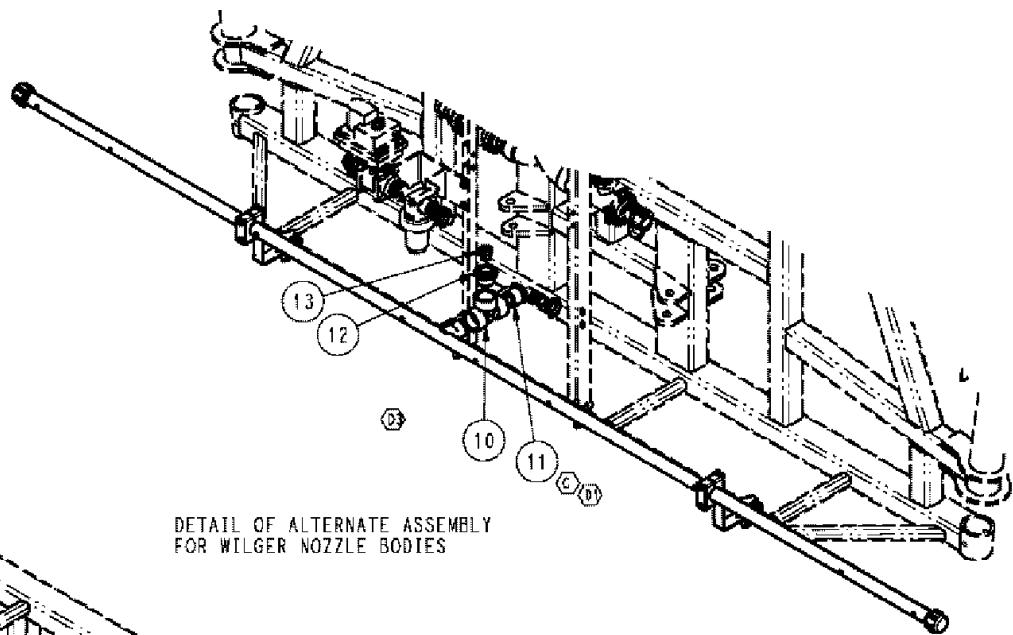
- 1) SPRAYBAR ARE ROTATED 90 DEGREES FROM UPRIGHT POSITION FOR THE WILGER SPRAY NOZZLES. ORIENTATION FOR THE WILGER NOZZLES IS SHOWN IN THE DETAIL ON THE LOWER RIGHT, CONSULT TOTAL BUILD ORDER FOR THE PARTICULAR MACHINE BEFORE ORIENTATION OCCURS, AS THIS HAS AN EFFECT ON THE WHOLE PROCESS.



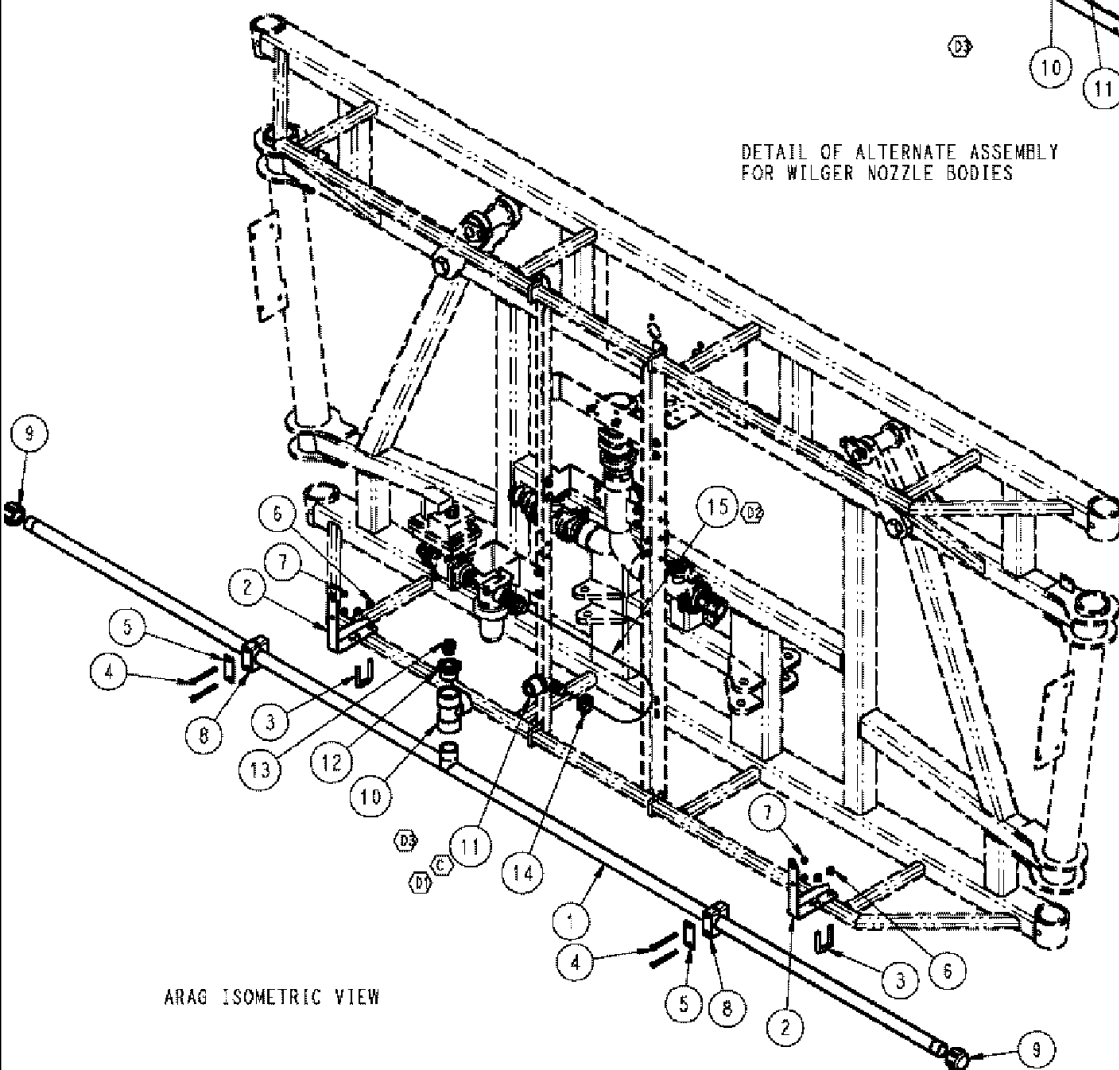
## 4420 PATRIOT SPRAYER

## 09-035 SPRAYBAR, CS, 20" OFF, 6 SECTION

Ref	Part Number	Qty	Description
1	87266669	2	PIPE, SPRAY BAR WLDMT, SS (20 X 3)
2	BN323957	4	BRACKET, MOUNT WDMT, SPRAY BAR
3	BN319918	4	U-BOLT, SQ BND 1.31 ID X 3/8
4	BN67050	8	BOLT, 1/4-20 X 3, HH, SS
5	BN309483	4	PLATE, TOP, SINGLE, SIZE 5
6	BN50759	8	NUT, 3/8-16, NLN, SS
7	BN55359	8	NUT, 1/4-20, NLN, SS
8	BN67054	4	CLAMP, 1.315" OD (PP)
9	BN73606	4	CAP, 1" POLY PIPE CAP
10	BN73662	2	TEE, 1-1/4 PIPE POLY
11	BN73657	2	FITTING, BARB, 1-1/4NPT X 1 HS
12	BN73653	2	BUSHING, RED 1 1/4 X 3/4 POLY
13	BN73550	2	BUSHING, 3/4 X 1/4 RED. POLY
14	BN75990	4	CLAMP, SS-#16 .81 TO 1.5 A
15	BN323217	2	HOSE, 1" X 140", EPDM
16	BN324890	2	ELBOW, 90, 1.25 NPT STRT



DETAIL OF ALTERNATE ASSEMBLY  
FOR WILGER NOZZLE BODIES

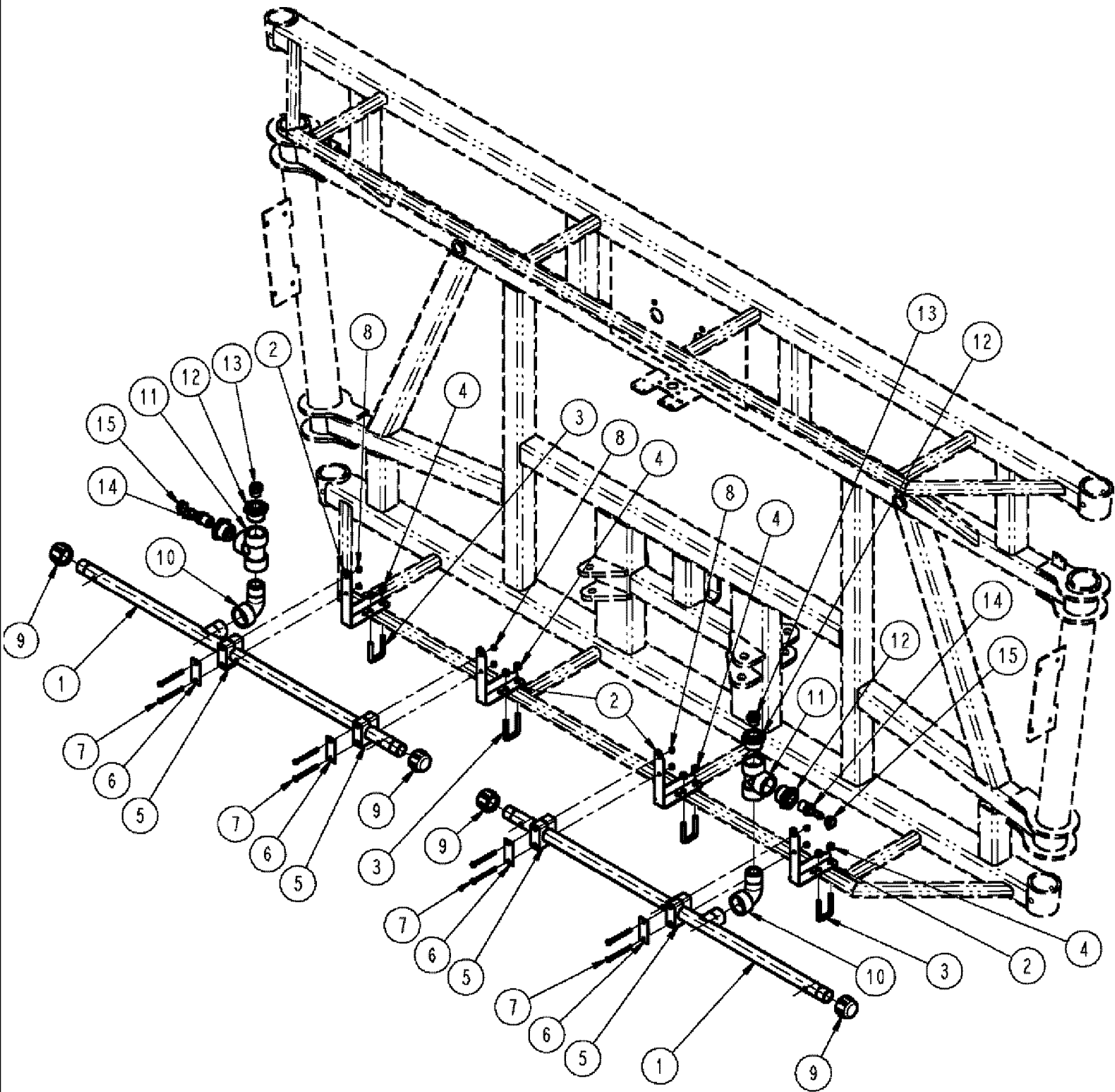


ARAG ISOMETRIC VIEW

## 4420 PATRIOT SPRAYER

## 09-036 SPRAYBAR, CS 20/30", 5 SECTION

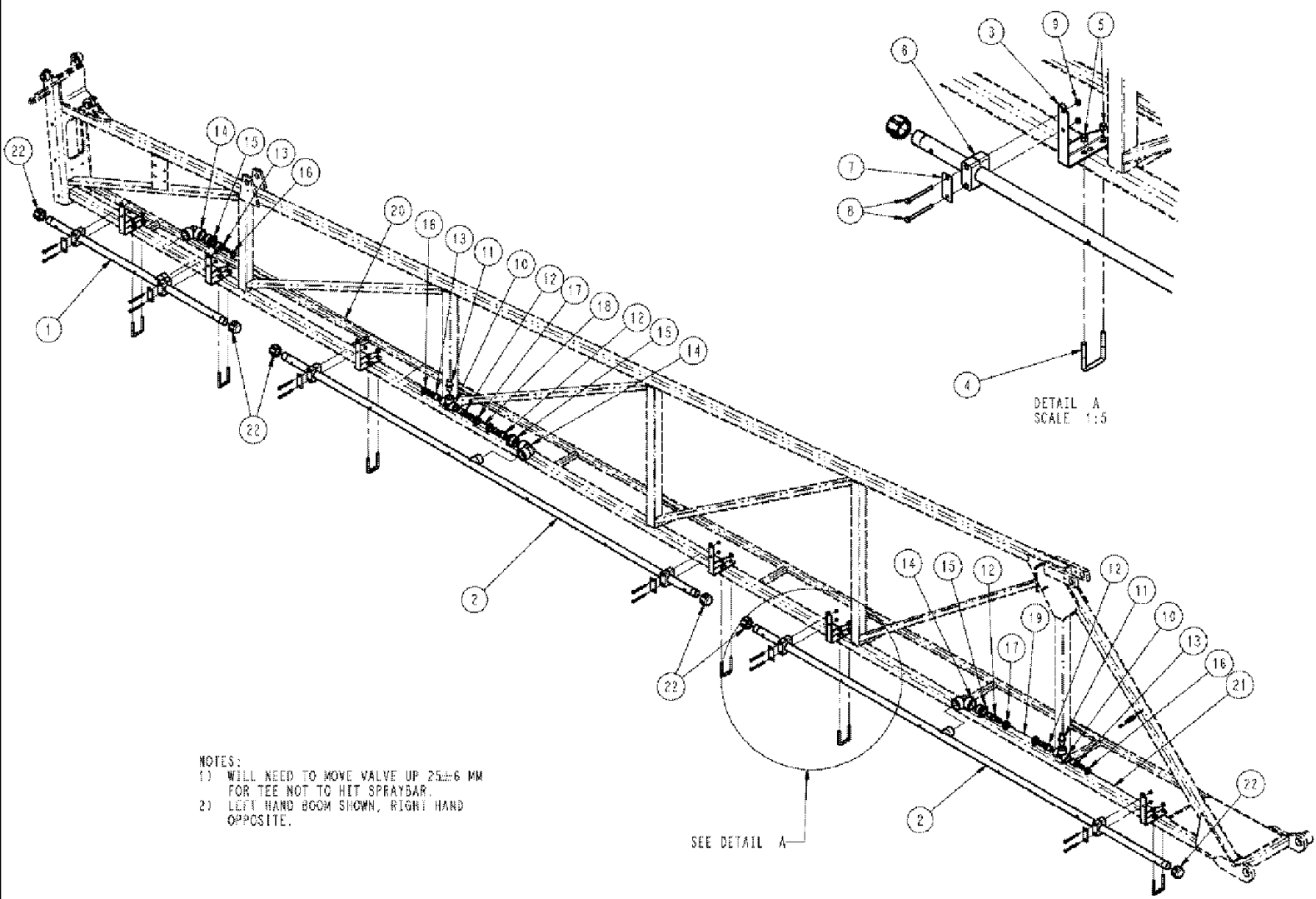
Ref	Part Number	Qty	Description
1	86986634	1	TUBE, W/M, 20/30" SP X 9
2	BN323957	2	BRACKET, MOUNT WDMT, SPRAY BAR
3	BN319918	2	U-BOLT, SQ BND 1.31 ID X 3/8
4	BN67050	4	BOLT, 1/4-20 X 3, HH, SS
5	BN309483	2	PLATE, TOP, SINGLE, SIZE 5
6	BN50759	4	NUT, 3/8-16, NLN, SS
7	BN55359	4	NUT, 1/4-20, NLN, SS
8	BN67054	2	CLAMP, 1.315" OD (PP)
9	BN73606	2	CAP, 1" POLY PIPE CAP
10	BN73662	1	TEE, 1 1/4 PIPE POLY
11	BN2296590	1	ELBOW, FTG, 90, 1.25MP1.0HB, PP
12	BN73653	1	BUSHING, -RED 1 1/4 X 3/4 POLY
13	BN73550	1	BUSHING, 3/4 X 1/4 RED. POLY
14	BN75990	2	CLAMP, SS-#16 .81 TO 1.5 A
15	BN66855	1	HOSE, 1" EPDM X 26.00"



## 4420 PATRIOT SPRAYER

09-037 SPRAYBAR, CS, 20" OFF, 6 SECTION, LO-FLOW

Ref	Part Number	Qty	Description
1	87266669	2	PIPE, SPRAY BAR WLDMT, SS (20 X 3)
2	BN323957	4	BRACKET, MOUNT WDMT, SPRAY BAR
3	BN319918	4	U-BOLT, SQ BND 1.31 ID X 3/8
4	BN50759	8	NUT, 3/8-16, NLN, SS
5	BN67054	4	CLAMP, 1.315" OD (PP)
6	BN309483	4	PLATE, TOP, SINGLE, SIZE 5
7	BN67050	8	BOLT, 1/4-20 X 3, HH, SS
8	BN55359	8	NUT, 1/4-20, NLN, SS
9	BN73606	4	CAP, 1" POLY PIPE
10	BN324890	2	ELBOW, 90, 1.25 NPT STRT
11	BN73662	2	TEE, 1 1/4 PIPE POLY
12	BN73653	4	BUSHING, RED 1 1/4 X 3/4 POLY
13	BN73550	2	BUSHING, 3/4 X 1/4 RED. POLY
14	BN73568	2	FITTING, HB, 3/4"NPT X 1/2" HS
15	BN324022	2	CLAMP, HOSE, #8, 304 SS

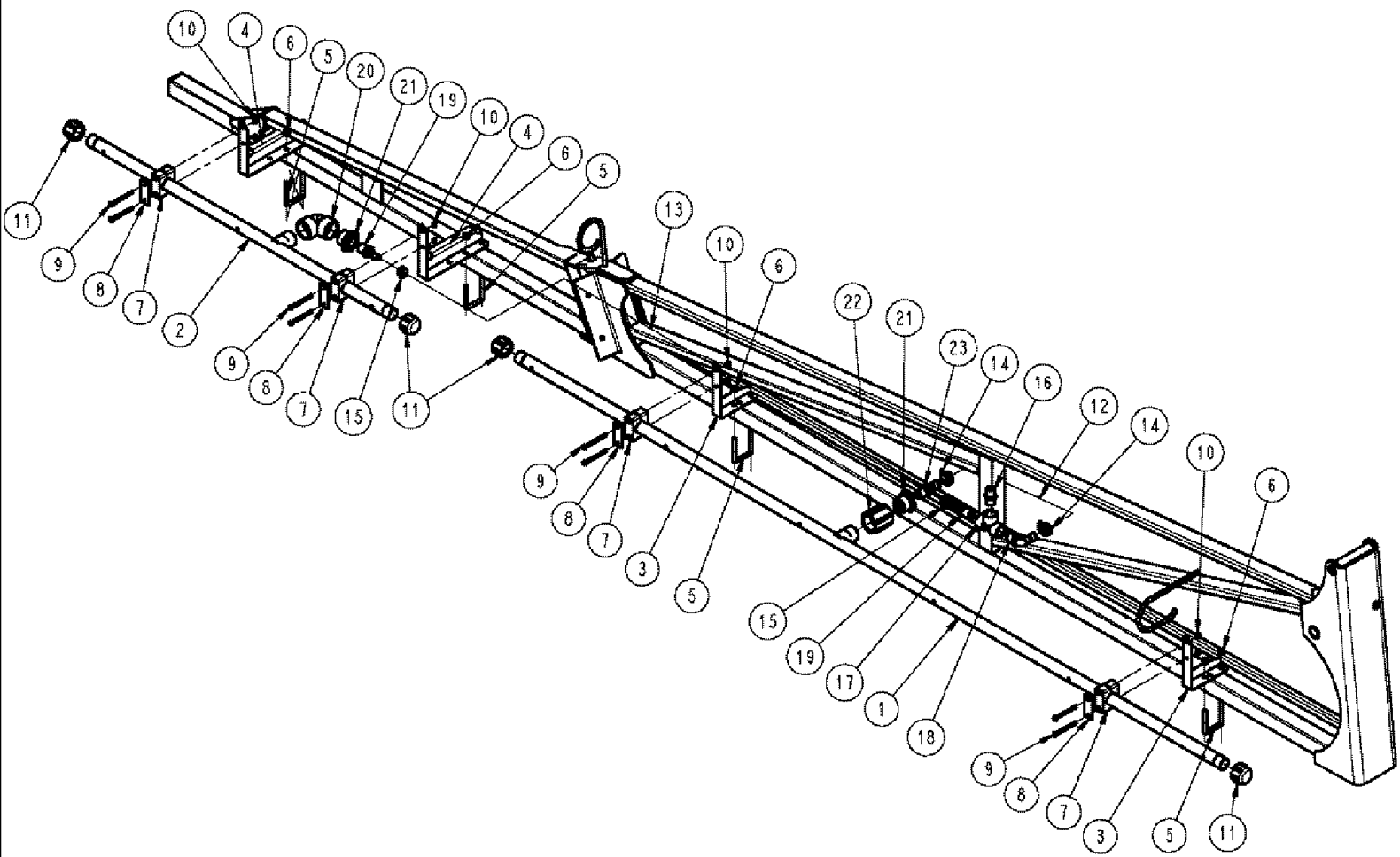


- NOTES:  
 1) WILL NEED TO MOVE VALVE UP 25±6 MM FOR TEE NOT TO HIT SPRAYBAR.  
 2) LEFT HAND BOOM SHOWN, RIGHT HAND OPPOSITE.

## 4420 PATRIOT SPRAYER

09-038 SPRAYBAR, MID, 20" OFF, 6 SECTION, LO-FLOW

Ref	Part Number	Qty	Description
1	87266669	1	PIPE, SPRAY BAR WLDMT, SS (20 X 3)
2	87266668	2	PIPE, SPRAY BAR WLDMT, SS (20 X 6)
3	BN323957	6	BRACKET, MOUNT WDMT, SPRAY BAR
4	BN319919	6	U-BOLT, SQ BND 2.06 ID X 3/8
5	BN50759	12	NUT, 3/8-16, NLN, SS
6	BN67054	6	CLAMP, 1.315" OD (PP)
7	BN309483	6	PLATE, TOP, SINGLE, SIZE 5
8	BN67050	12	BOLT, 1/4-20 X 3, HH, SS
9	BN55359	12	NUT, 1/4-20, NLN, SS
10	BN73560	2	TEE, 3/4" POLY PIPE
11	BN73565	2	NIPPLE, LUBE, 3/4 SHORT PI POLY
12	BN73561	4	FITTING, BARB, 3/4 NPT X 3/4 HS
13	BN73568	3	FITTING, FT,HB,3/4" NPT X 1/2" HS
14	BN313202	3	ELBOW, 1 1/4" NPT 90 DEG
15	BN73653	3	BUSHING, RED 1 1/4 X 3/4 POLY
16	BN324022	3	CLAMP, HOSE, #8, 304 SS
17	BN310446	4	CLAMP, HOSE, #12, 304 SS
18	BN53853	1	HOSE, EPDM 3/4" ID X 12"
19	BN53859	1	EPDM 3/4" ID X 13.5"
20	BN321050	1	1/2" X 54" EPDM
21	BN54225	1	HOSE, 1/2" X 77" EPDM
22	BN73606	6	CAP, 1" POLY PIPE CAP

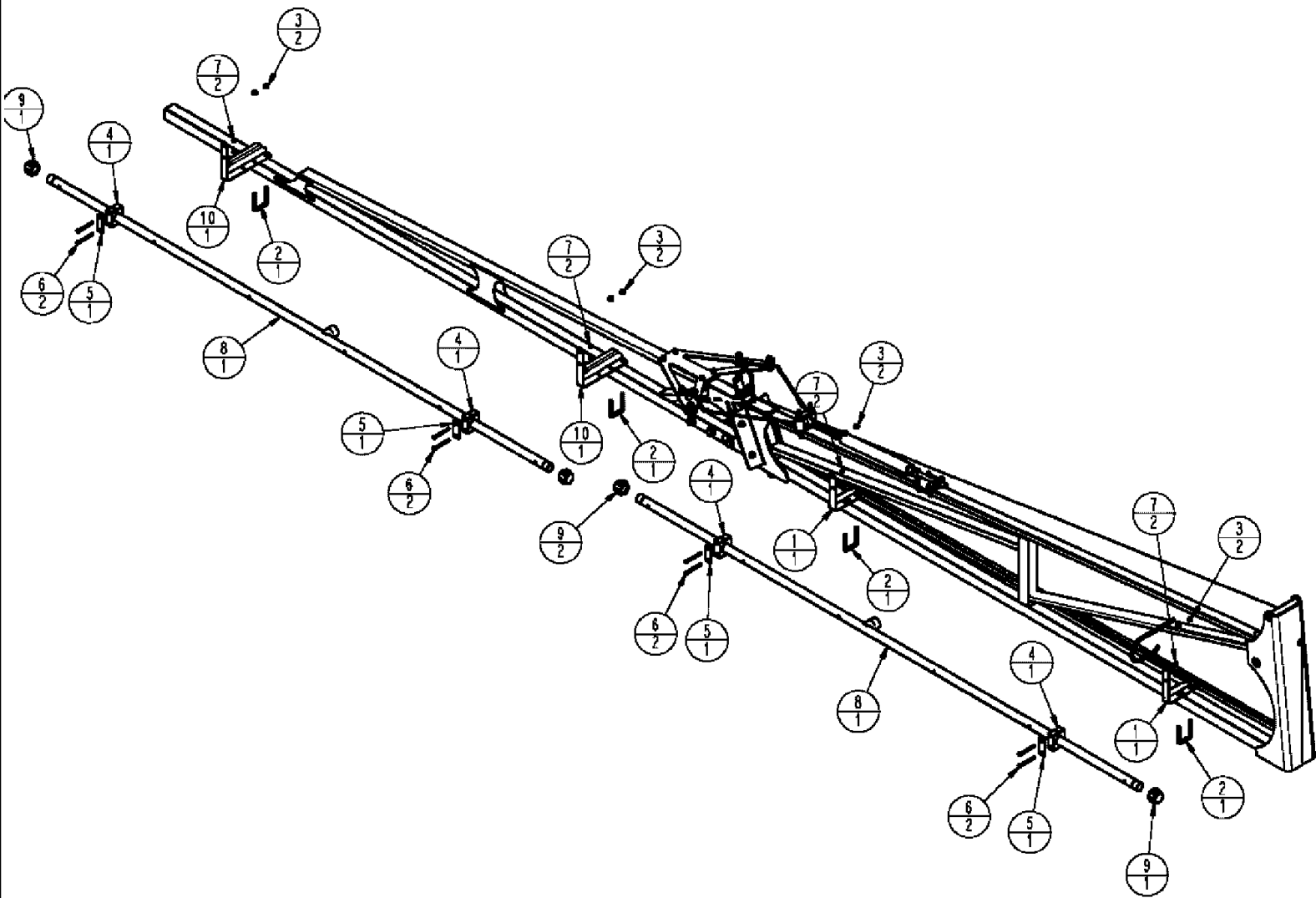




## 4420 PATRIOT SPRAYER

## 09-039 SPRAYBAR, OUTER, 20" OFF, 6 SECTION, LO-FLOW

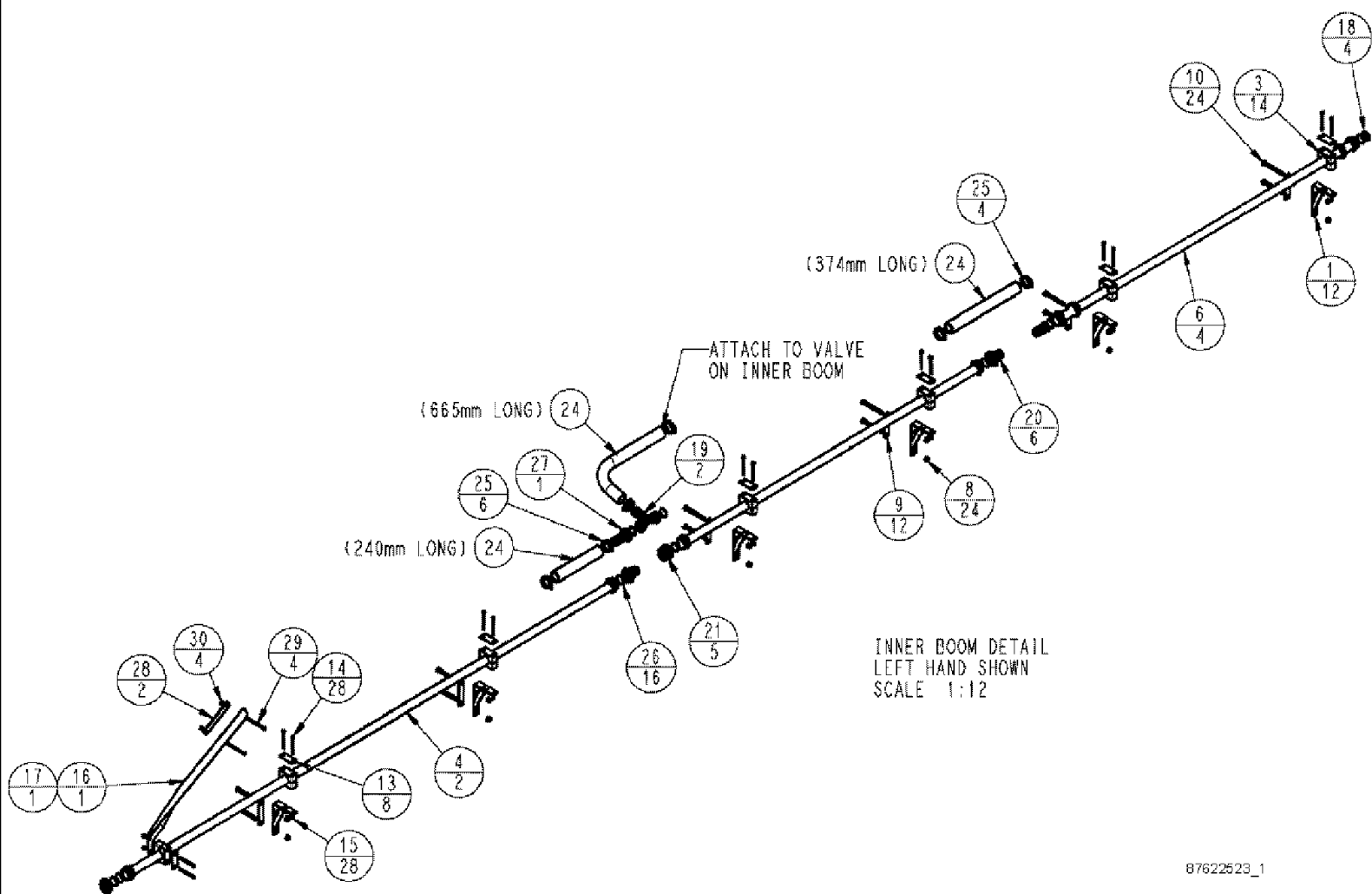
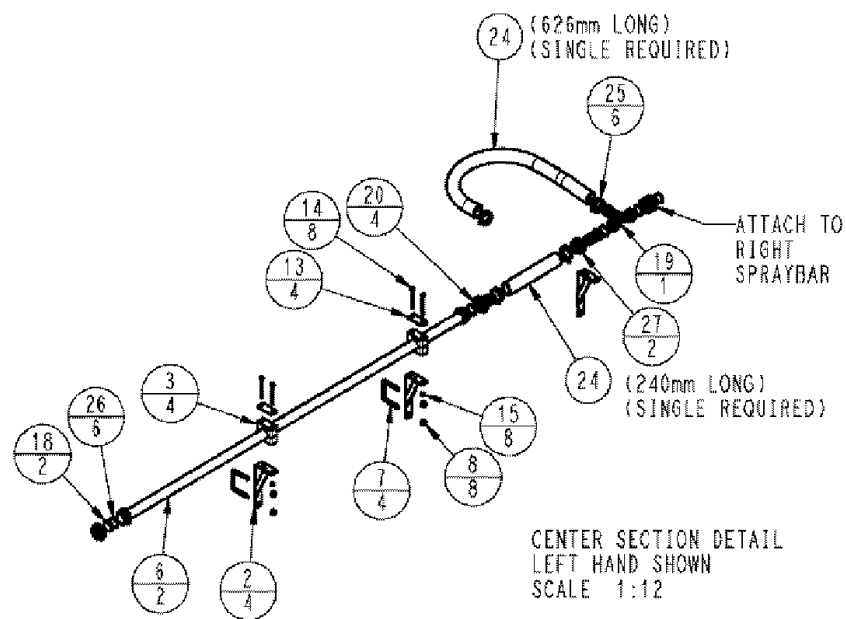
Ref	Part Number	Qty	Description
1	87266668	1	PIPE, SPRAY BAR WLDMT, SS (20 X 6)
2	87266669	1	PIPE, SPRAY BAR WLDMT, SS (20 X 3)
3	BN323957	2	BRACKET, MOUNT WDMT, SPRAY BAR
4	87562807	2	BRACKET, SUPPORTING, MOUNT, SPRAYBAR
5	BN319919	4	U-BOLT, SQ BND 2.06 ID X 3/8
6	BN50759	8	NUT, 3/8-16, NLN, SS
7	BN67054	4	CLAMP, 1.315" OD (PP)
8	BN309483	4	PLATE, TOP, SINGLE, SIZE 5
9	BN67050	8	BOLT, 1/4-20 X 3, HH, SS
10	BN55359	8	NUT, 1/4-20, NLN, SS
11	BN73606	4	CAP, 1" POLY PIPE CAP
12	BN53863	1	EPDM 3/4" ID X 21"
13	87265498	1	1/2" X 85" EPDM
14	BN310446	2	CLAMP, HOSE, #12, 304 SS
15	BN324022	2	CLAMP, HOSE, #8, 304 SS
16	BN73565	1	NIPPLE, LUBE, 3/4 SHORT PI POLY
17	BN73560	1	TEE, -3/4" POLY PIPE
18	BN73562	1	FITTING, BARB , 3/4 NPT X 3/4 HS, 90D
19	BN73568	2	FITTING, HB, 3/4" NPT X 1/2" HS
20	BN313202	1	ELBOW, 1 1/4" NPT 90 DEG
21	BN73653	2	BUSHING, RED 1 1/4 X 3/4 POLY
22	BN305269	1	COUPLING, 1 1/4" POLY
23	BN73561	1	FITTING, BARB, 3/4NPT X 3/4 HS



## 4420 PATRIOT SPRAYER

09-040 SPRAYBAR, 100' OUTER, 20' OFF CL

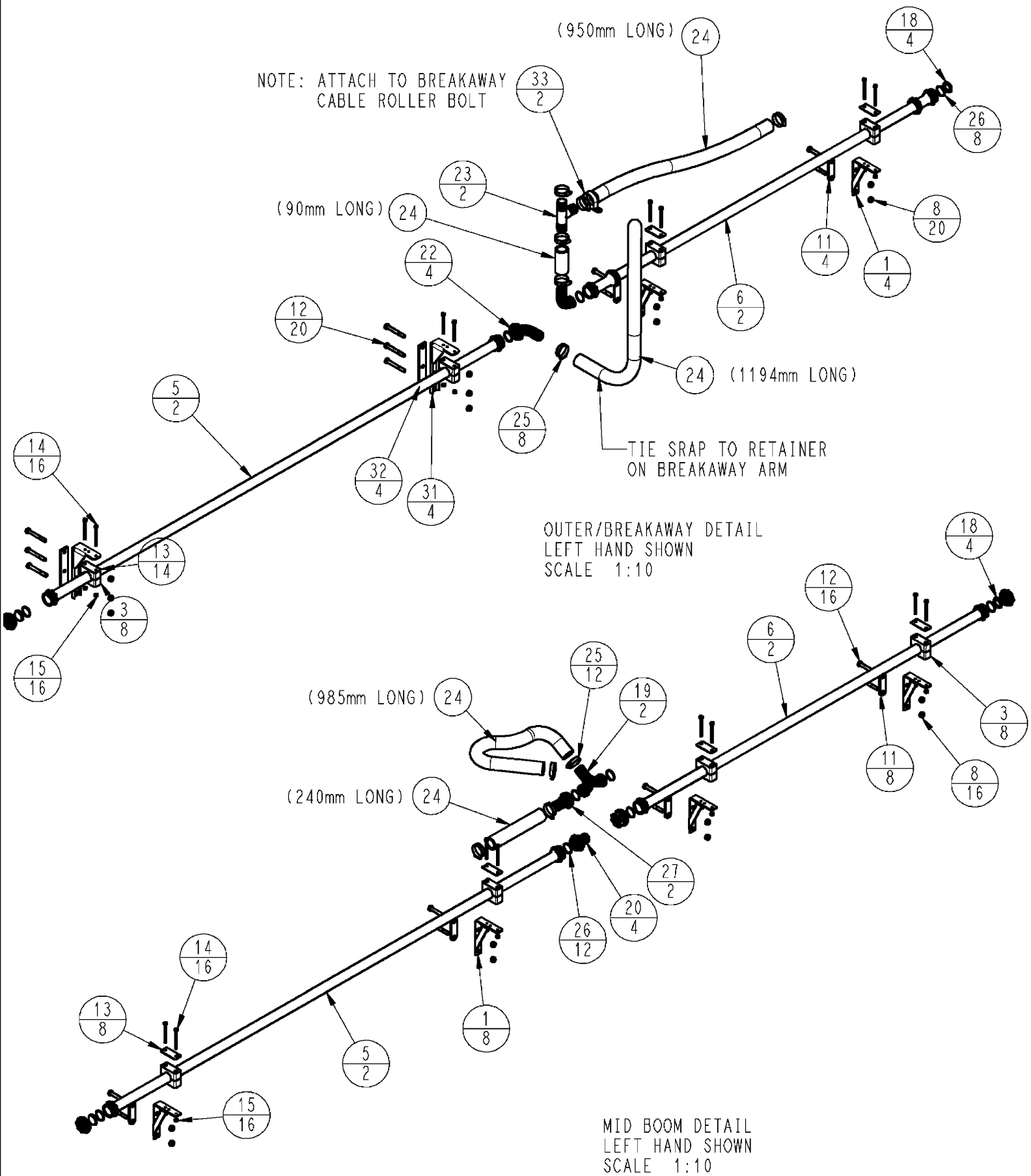
Ref	Part Number	Qty	Description
1	BN323957	2	BRACKET, MOUNT WDMT, SPRAY BAR
2	BN319919	4	U-BOLT, 3/8 X 2.06 ID
3	BN50759	8	NUT, 3/8-16, NLN, SS
4	BN67054	4	CLAMP, 1.315" OD 9PP0
5	BN309483	4	PLATE, TOP, SINGLE, SIZE 5
6	BN67050	8	BOLT, 1/4-20X3, HH, SS
7	BN55359	8	NUT, 1/4-20, NLN, SS
8	87266668	2	PIPE, SPRAY BAR WDMT, SS920X60
9	BN73606	4	CAP, 1.00FP, PP
10	87562807	2	BRACKET, SUPPORTING, MOUNT, SPRAYBAR



## 4420 PATRIOT SPRAYER

09-041(01) SPRAYBAR PLUMBING, TWS, 20" OFFSET, 120' BOOM

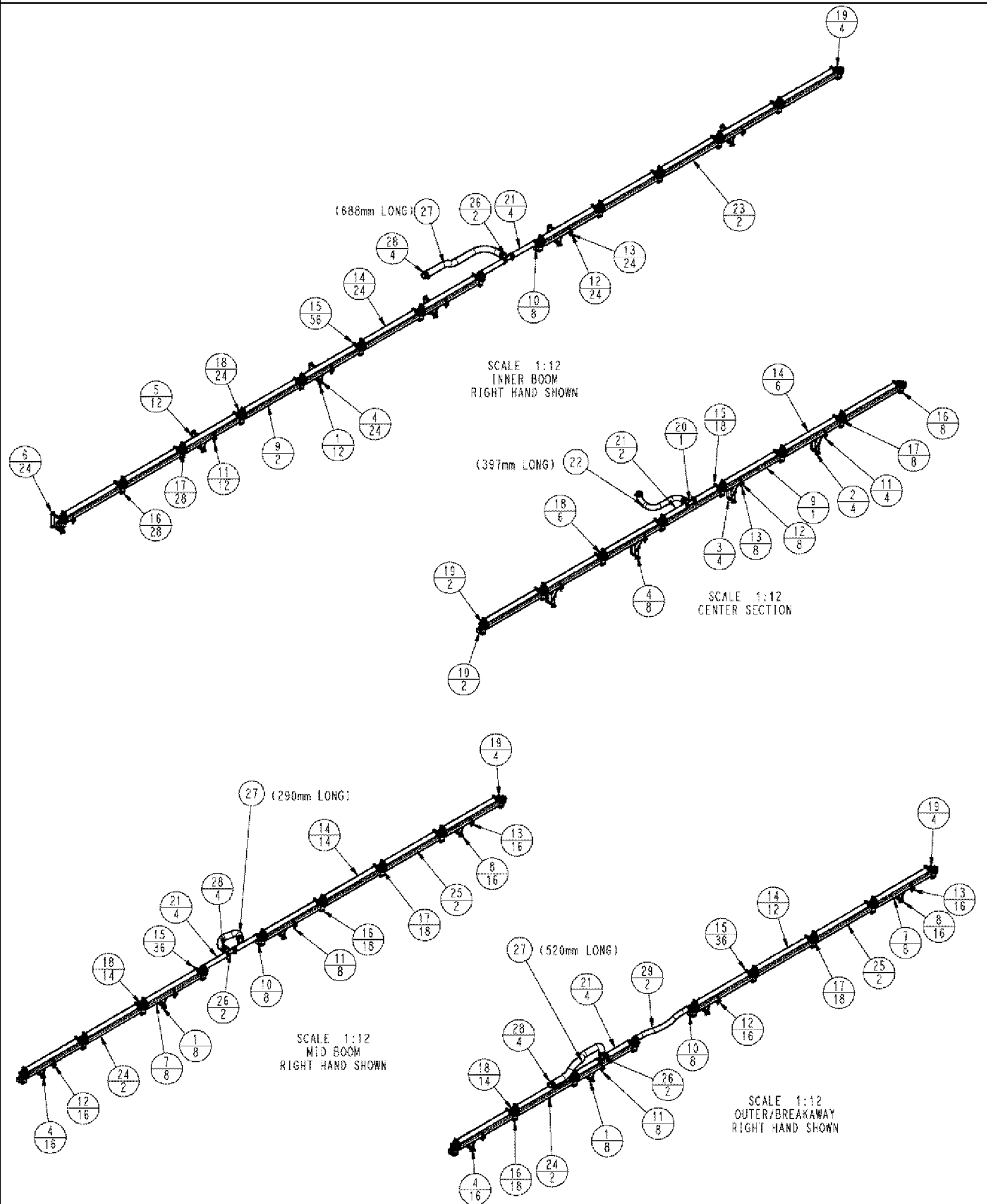
Ref	Part Number	Qty	Description
1	87484196	24	SPRAYBAR WELDMENT
2	87586920	4	MOUNTING PARTS, SPRAYBAR, CS
3	BN67054	34	CLAMP, 1.315" OD (PP)
4	87671762	2	BOOM, SPRAYBAR, 20 X 6, TWS, ASM
5	87671763	4	BOOM, SPRAYBAR, 20 X 5, TWS, ASM
6	87671764	10	BOOM, SPRAYBAR, 20 X 4, TWS, ASM
7	87586548	4	U-BOLT, 64MM ID X 64
8	86980515	68	NUT, LOCK, M10 x 1.5, CI 8, P/T ALL MTL M10 8 DO
9	87484194	12	BACKER, SPRAYER MOUNT
10	86980410	24	BOLT, M10-1.5 X 100, HH, 8.8, D
11	BN308039	12	PLATE, SPACER
12	86980408	36	BOLT, M10-1.5 X 80, HH, 8.8, DO
13	BN309483	34	PLATE, TOP, SINGLE, SIZE 5
14	BN67050	68	BOLT, 1/4-20 X 3, HH, SS
15	BN55359	68	NUT, 1/4-20, NLN, SS
16	87672998	1	SPRAYBAR, EXTENDED, LH
17	87672999	1	SPRAYBAR, EXTENDED, RH
18	87630099	14	FITTING, PLUG, 1TWS, PP
19	87630101	5	FITTING, TEE, 1.25MP1.25MP1.25HB, PP
20	87630096	14	FITTING, STR, 1TWS1.25HB, PP
21	87630102	5	FITTING, CPLG,1.25FP, 1TWS, PP
22	87630097	4	FITTING, FTG,90, 1TWS1.25HB, PP
23	BN317579	2	TEE, 1.25HB, PP
24	BN29563	34	SLEEVE, HOSE-BLK-1.25" EPDM-DISCH
25	BN320156	36	CLAMP, HOSE, #24,304 SS
26	87629044	42	O-RING, .139 X 1.234 218
27	87638736	5	FITTING, NUT, QUICK, 1.25FP, TWS, PP 2
28	87673096	2	PLATE, 4.50 IN TUBE
29	86980370	4	M6-1X90, HH, 8.8, DOR R
30	86980513	4	NUT, P/T ALL MTL M6 8 DOR
31	87707089	4	BRACKET, SUPPORTING, SPRAYBAR
32	87707554	2	BRACKET, SUPPORTING, SPRAYBAR, MOUNT, SHORT
33	515-23508	2	CLAMP, 2", Insul, 3/8" Bolt,



## 4420 PATRIOT SPRAYER

09-041(02) SPRAYBAR PLUMBING, TWS, 20" OFFSET, 120' BOOM

Ref	Part Number	Qty	Description
1	87484196	24	SPRAYBAR WELDMENT
2	87586920	4	MOUNTING PARTS, SPRAYBAR,CS
3	BN67054	34	CLAMP, 1.315" OD (PP)
4	87671762	2	BOOM, SPRAYBAR, 20 X 6, TWS, ASM
5	87671763	4	BOOM, SPRAYBAR, 20 X 5, TWS, ASM
6	87671764	10	BOOM, SPRAYBAR, 20 X 4, TWS, ASM
7	87586548	4	U-BOLT, 64MM ID X 64
8	86980515	68	NUT, LOCK, M10 x 1.5, CI 8, P/T ALL MTL M10 8 DO
9	87484194	12	BACKER, SPRAYBAR MOUNT
10	86980410	24	BOLT, M10-1.5 X 100, HH, 8.8, D
11	BN308039	12	PLATE, SPACER
12	86980408	36	BOLT, M10-1.5 X 80, HH, 8.8, DO
13	BN309483	34	PLATE, TOP, SINGLE, SIZE 5
14	BN67050	68	BOLT, 1/4-20X3, HH, SS
15	BN55359	68	NUT, 1/4-20, NLN, SS
16	87672998	1	SPRAYBAR, EXTENDED, LH
17	87672999	1	SPRAYBAR, EXTENDED, RH
18	87630099	14	FITTING, PLUG, 1TWS, PP
19	87630101	5	FITTING, TEE, 1.25MP1.25MP1.25HB, PP
20	87630096	14	FITTING, STR, 1TWS1.25HB, PP
21	87630102	5	FITTING, CPLG,1.25FP, 1TWS, PP
22	87630097	4	FITTING, FTG,90, 1TWS1.25HB, PP
23	BN317579	2	TEE, 1.25HB, PP
24	BN29563	34	SLEEVE, HOSE-BLK-1.25" EPDM-DISCH
25	BN320156	36	CLAMP, HOSE, #24, 304 SS
26	87629044	42	O-RING, .139 X 1.234 218
27	87638736	5	FITTING, NUT, QUICK, 1.25FP, TWS, PP 2
28	87673096	2	PLATE, 4.50 IN TUBE
29	86980370	4	M6-1 X 90, HH, 8.8, DOR R
30	86980513	4	NUT, P/T ALL MTL M6 8 DOR
31	87707089	4	BRACKET, SUPPORTING, SPRAYBAR
32	87707554	2	BRACKET, SUPPORTING, SPRAYBAR, MOUNT, SHORT
33	515-23508	2	CLAMP, 2", Insul, 3/8" Bolt,

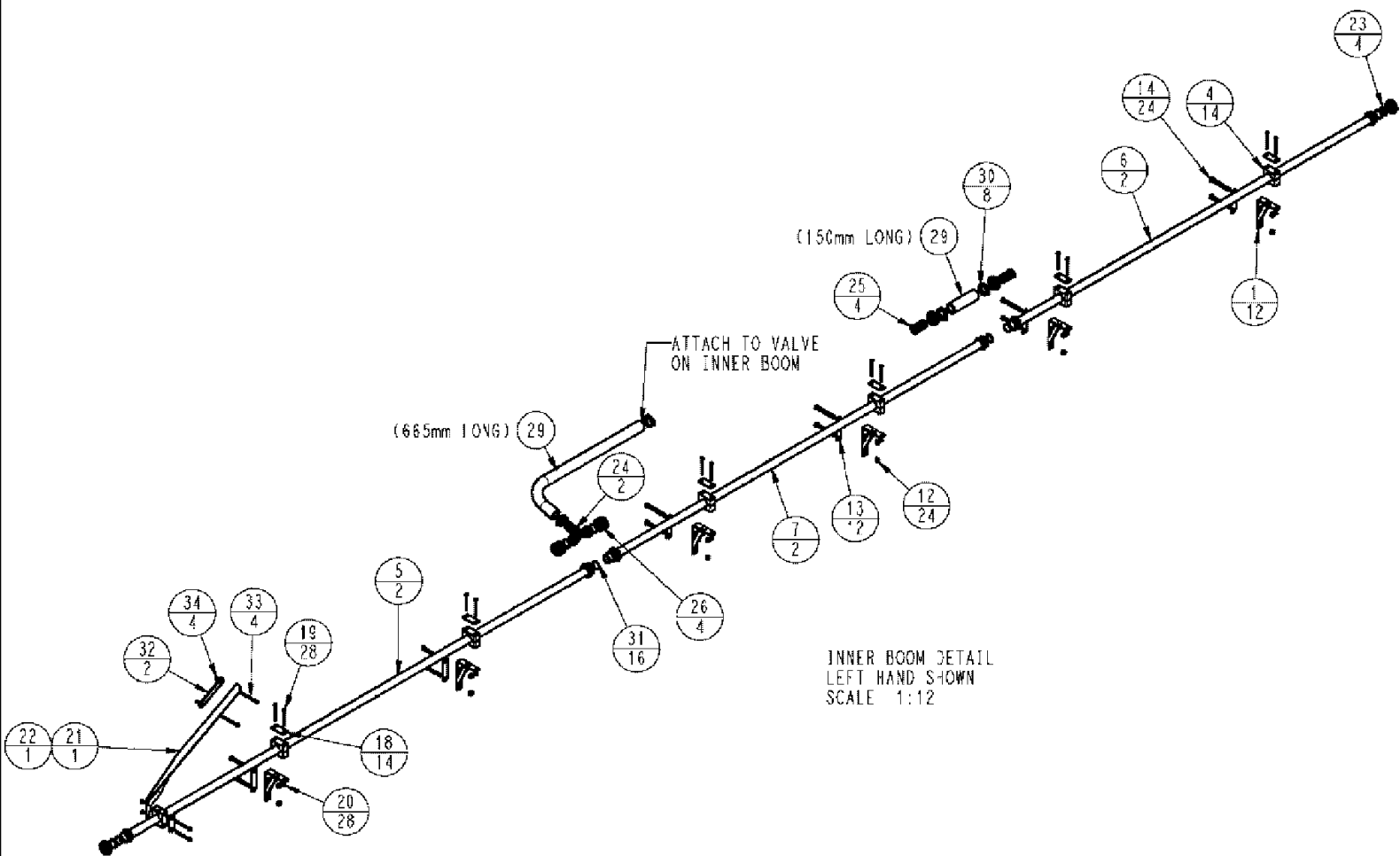
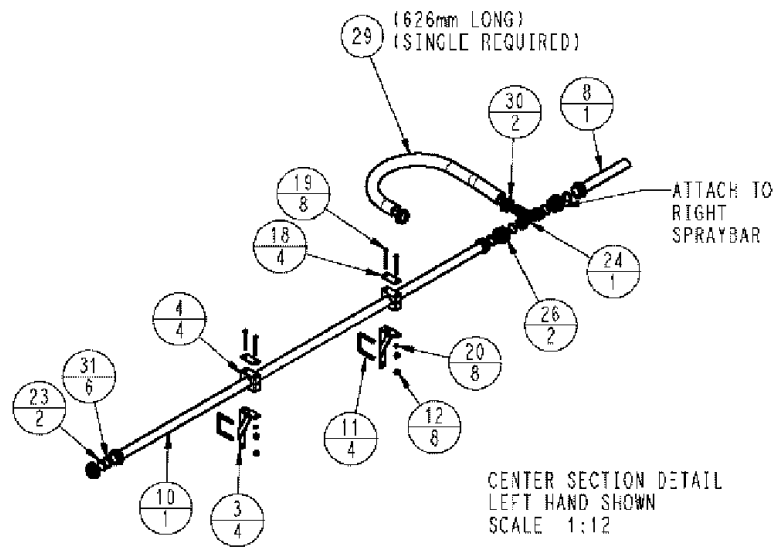




## 4420 PATRIOT SPRAYER

09-042 PLUMBING, SPRAY NOZZLE MOUNTING, 7 SECTION, LO-FLOW

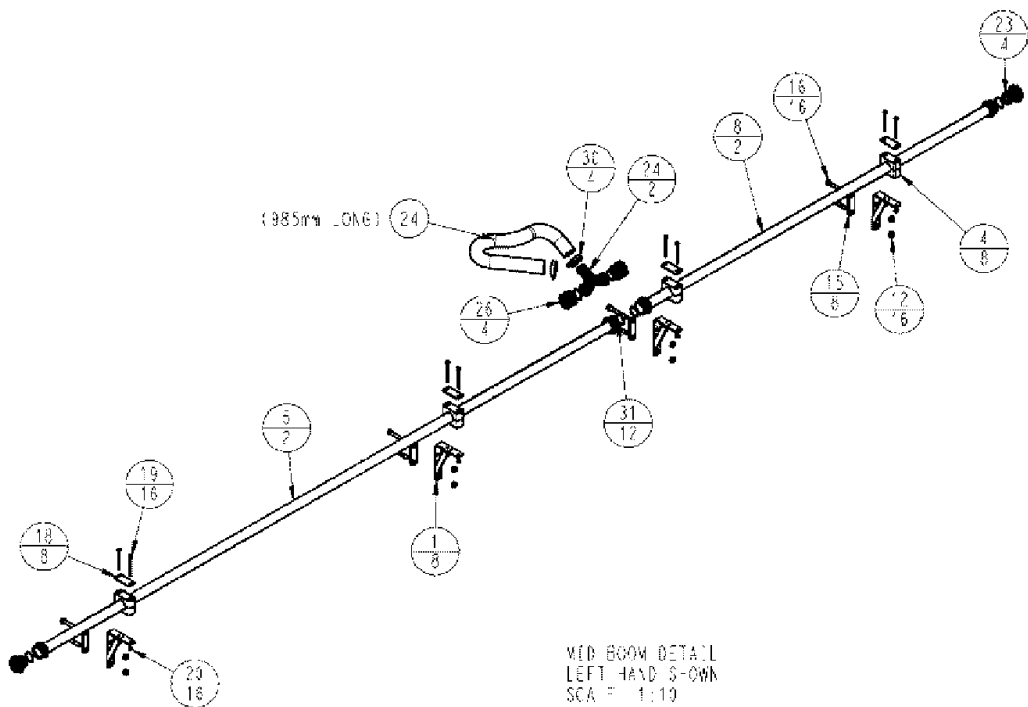
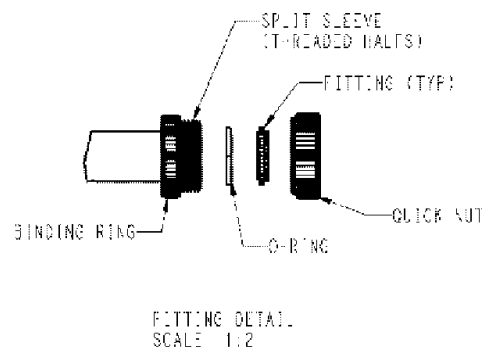
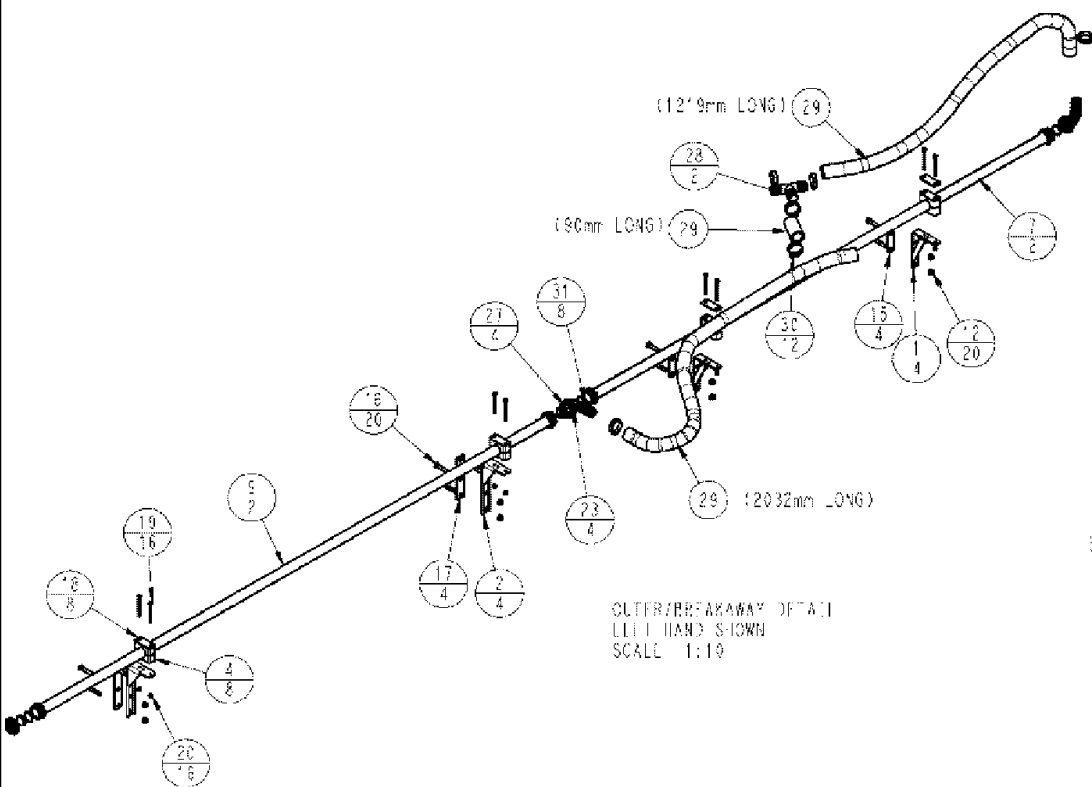
Ref	Part Number	Qty	Description
1	87550651	28	MOUNTING PARTS, SPRAYBAR
2	87586920	4	MOUNTING PARTS, SPRAYBAR, CENTER SECTION
3	87586548	4	U-BOLT, SQ BND, 10 X 64 ID X 64 IL, DOR
4	86980515	64	NUT, LOCK, M10 x 1.5, CI 8, PREV TRQ METAL
5	87632103	12	PLATE, 3" INCH TUBE
6	86980410	24	BOLT, HEX HD M10 X 100 CL8.8 DOR
7	BN308039	16	PLATE, SPACER
8	86980408	32	BOLT, HEX HD M10 X 80 CL8.8 DOR
9	87663139	3	NOZZLE MOUNT, 8 NOZ
10	BN32823	26	PLUG, TUBING FITS 1 X 1 X 14 GA.
11	BN23149	32	U-BOLT, 1/4--SQ BND-1.1" ID
12	BN50138	64	WASHER, 1/4" FLAT SS
13	BN55359	64	NUT, 1/4" - 20 NYLON SS
14	BN53738	56	HOSE (METRES), EPDM 3/4" ID X 18.5"
15	BN310466	146	KIT, FIP, CLAMP, HOSE, #12, 304 SS, ABA STYLE
16	87268381	72	TUBE, MOUNT, .75" SQ. TUBE, 1" SQ
17	87268382	72	ADAPTER, COMBO-CLIP MOUNT
18	87268383	58	FITTING, TEE, .75HB .75HB .38MP
19	87268384	14	FITTING, 90, .38MP .75HB
20	BN317236	1	TEE, 3/4" X 3/4" X 3/4" HB
21	BN53862	14	EPDM 3/4" ID X 8.5"
22	BN27905	1.3	HOSE, BLK-3/4" EPDM-DISCHARG
23	87664116	2	NOZZLE MOUNT, 6 NOZ
24	87664117	4	NOZZLE MOUNT, 4 NOZ
25	87664149	4	NOZZLE MOUNT, 5 NOZ
26	87664074	6	TEE, .75HB .75HB 1.0HB, PP
27	BN53479	10	SLEEVE, HOSE-BLK, 1.00" EPDM-DISCH
28	BN75990	12	CLAMP, HOSE #16, 304 SS, ABA STYLE
29	BN53857	2	HOSE (METRES), EPDM 3/4" ID X 18.5"



## 4420 PATRIOT SPRAYER

09-043(01) SPRAYBAR PLUMBING, TWS, 7 SECTION, 20"/ 30", 120' BOOM

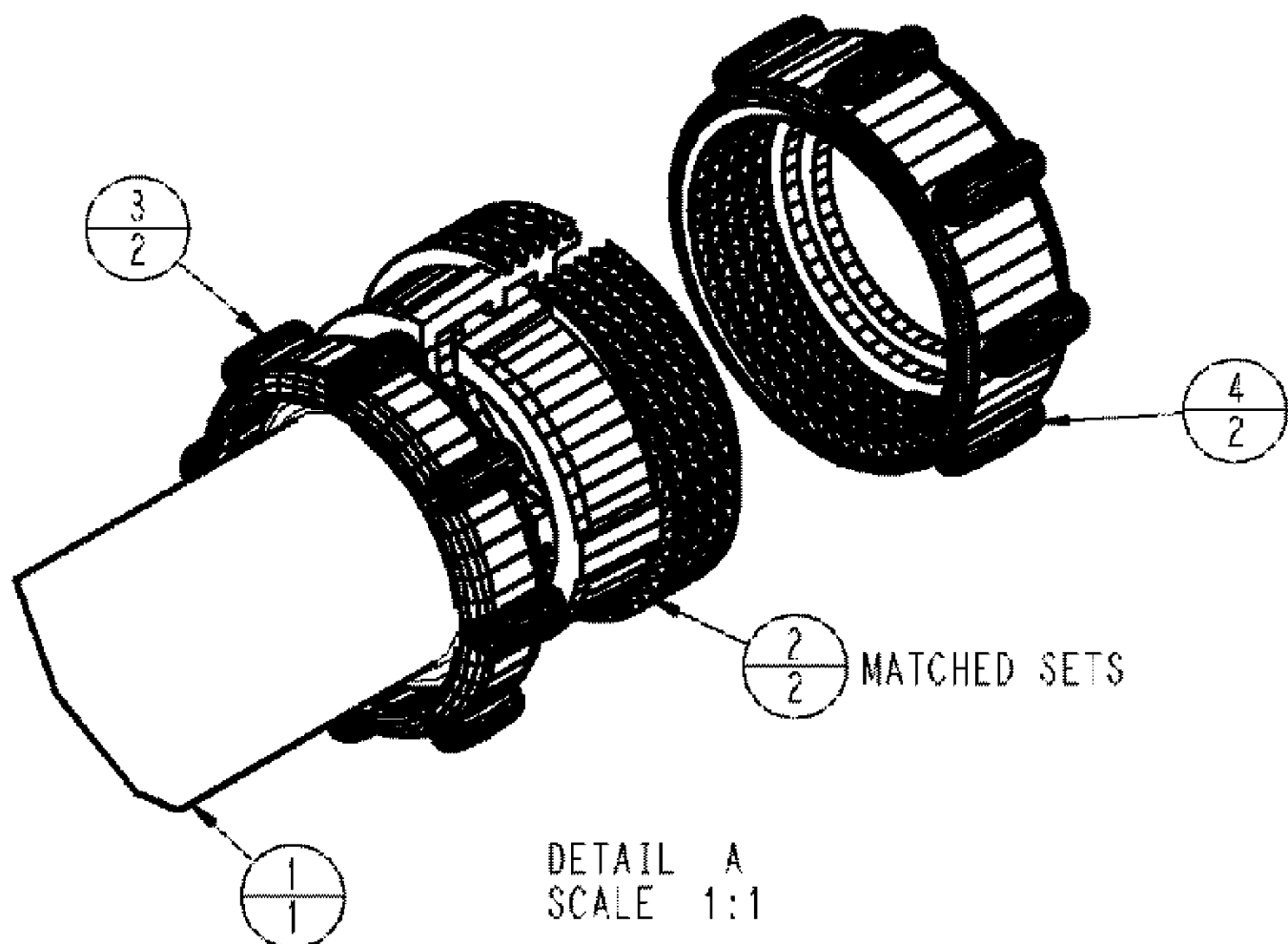
Ref	Part Number	Qty	Description
1	87484196	24	SPRAYBAR WELDMENT
2	87707089	4	BRACKET, SUPPORTING, SPRAYBAR
3	87586920	4	MOUNTING PARTS, SPRAYBAR, CENTER SECTION
4	BN67054	34	CLAMP, 1.315" OD (PP)
5	87696872	4	BOOM, SPRAYBAR, 20/30 X 7 LONG,TWS,ASM
	87673497	4	BOOM, SPRAYBAR, 20/30 X 7 LONG SEE FIG.09-043, PARTS OF SPRAYBAR, P/N 87696872
6	87696868	2	BOOM, SPRAYBAR, 20/30 X 5, TWS, ASM
	87673493	2	BOOM, SPRAYBAR, 20/30 X 5, TWS SEE FIG.09-043, PARTS OF SPRAYBAR, P/N 87696868
7	87696870	4	BOOM, SPRAYBAR, 20/30 X 6 LONG, TWS, ASM
	87673495	4	BOOM, SPRAYBAR, 20/30 X 6 LONG SEE FIG.09-043, PARTS OF SPRAYBAR, P/N 87696870
8	87696867	3	BOOM, SPRAYBAR, 10 X 7, TWS, ASM
	87673492	3	BOOM, SPRAYBAR, 10 X 7, TWS SEE FIG.09-043, PARTS OF SPRAYBAR, P/N 87696867
9	87696871	2	BOOM, SPRAYBAR, 20/30 X 7 SHORT, TWS,ASM
	87673496	2	BOOM, SPRAYBAR, 20/30 X 7 SHORT SEE FIG.09-043, PARTS OF SPRAYBAR, P/N 87696871
10	87696869	1	BOOM, SPRAYBAR, 20/30 X 6 SHORT, TWS,ASM
	87673494	1	BOOM, SPRAYBAR, 20/30 X 6 SHORT SEE FIG.09-043, PARTS OF SPRAYBAR, P/N 87696869
11	87586548	4	U-BOLT, SQ BND
12	86980515	68	NUT, LOCK, M10 x 1.5, CI 8, PREV TRQ METAL
13	87484194	12	BACKER, SPRAYBAR MOUNT
14	86980410	24	BOLT, HEX HD, M10 X 100 CL8.8, DOR
15	BN308039	12	PLATE, SPACER
16	86980408	36	BOLT, HEX HD, M10 X 80, CL8.8, DOR
17	87707554	4	BRACKET, SUPPORTING, SPRAYBAR MOUNT
18	BN309483	34	PLATE, COVER, SINGLE, SIZE 5
19	BN67050	68	BOLT, 1/4"-20 X 3" SS
20	BN55359	68	NUT, 1/4"-20 NYLON SS
21	87672998	1	SPRAYBAR EXTENDED, LH
22	87672999	1	SPRAYBAR EXTENDED, RH
23	87630099	14	FITTING, PLUG, 1 TWS, PP
24	87630101	5	FITTING, TEE, 1.25MP, 1.25MP, 1.25HB, PP
25	87630096	4	FITTING, STR, 1TWS, 1.25 HB, PP
26	87630102	10	FITTING, CPLG, 1.25FP, 1.83AT,1TWS,PP
27	87630097	4	FITTING, FTG, 90 1TWS, 1.25HB,PP
28	BN317579	2	TEE, TEE, HOSEBARB, 1.25" HOSE
29	BN29563	35.83	SLEEVE, HOSE, BLK, 1.25", EPDM-DISCH
30	BN320156	26	CLAMP, HOSE, #24, 304 SS
31	87629044	42	O-RING, 1.25 X 1.250 IN, CLASS 3
32	87673096	2	PLATE, 4-1/2" INCH TUBE
33	86980370	4	HEX HD, M6 X 90, CL8.8, DOR
34	86980513	4	NUT, PREV TRQ, METAL, M6, CL8, DOR



## 4420 PATRIOT SPRAYER

09-043(02) SPRAYBAR PLUMBING, TWS, 7 SECTION, 20"/30", 120' BOOM

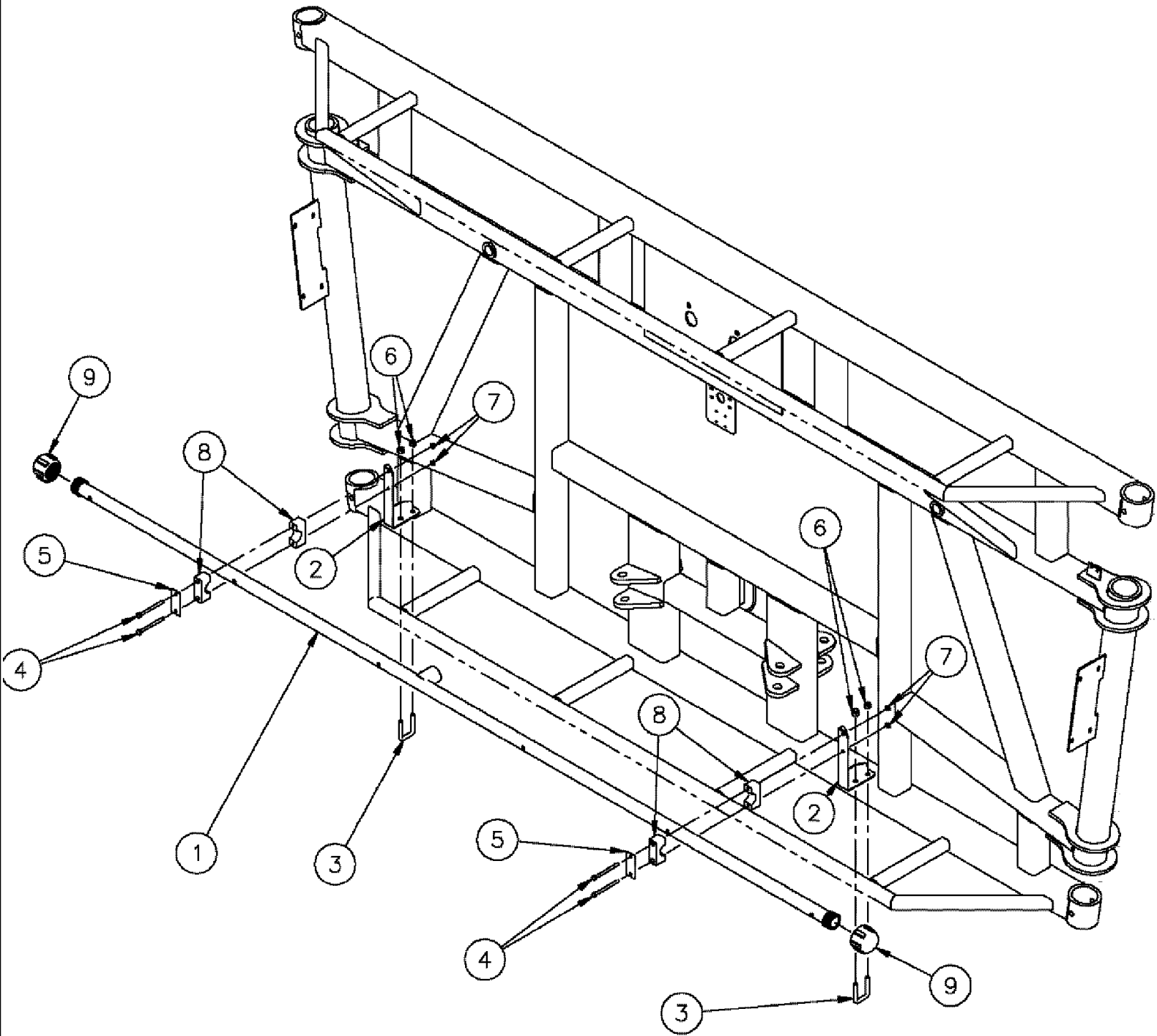
Ref	Part Number	Qty	Description
1	87550651	24	MOUNTING PARTS, SPRAYBAR
2	87707089	4	BRACKET, SUPPORTING, SPRAYBAR
3	87586920	4	MOUNTING PARTS, SPRAYBAR, CENTER SECTION
4	BN67054	34	CLAMP, 1.315" OD (PP)
5	87696872	4	BOOM, SPRAYBAR, 20/30 X 7 LONG, TWS, ASM
	87673497	4	BOOM, SPRAYBAR, 20/30 X 7 LONG, SEE FIG. 09-043, PARTS OF SPRAYBAR, P/N 87696872
6	87696868	2	BOOM, SPRAYBAR, 20/30 X 5, TWS, ASM
	87673493	2	BOOM, SPRAYBAR, 20/30 X 5, TWS, SEE FIG. 09-043, PARTS OF SPRAYBAR, P/N 87696868
7	87696870	4	BOOM, SPRAYBAR, 20/30 X 6 LONG, TWS, ASM
	87673495	4	BOOM, SPRAYBAR, 20/30 X 6 LONG SEE FIG. 09-043, PARTS OF SPRAYBAR, P/N 87696870
8	87696867	3	BOOM, SPRAYBAR, 10 X 7, TWS, ASM
	87673492	3	BOOM, SPRAYBAR, 10 X 7, TWS SEE FIG. 09-043, PARTS OF SPRAYBAR, P/N 87696867
9	87696871	2	BOOM, SPRAYBAR, 20/30 X 7 SHORT, TWS,ASM
	87673496	2	BOOM, SPRAYBAR, 20/30 X 7 SHORT, SEE FIG. 09-043, PARTS OF SPRAYBAR, P/N 87696871
10	87696869	1	BOOM, SPRAYBAR, 20/30 X 6 SHORT, TWS,ASM
	87673494	1	BOOM, SPRAYBAR, 20/30 X 6 SHORT SEE FIG. 09-043, PARTS OF SPRAYBAR, P/N 87696869
11	87586548	4	U-BOLT, SQ BND
12	86980515	68	NUT, LOCK, M10 x 1.5, CI 8, PREV TRQ METAL
13	87632103	12	PLATE, 3" TUBE
14	86980410	24	BOLT, HEX HD, M10 X 100 CL8.8, DOR
15	BN308039	12	PLATE, SPACER
16	86980408	36	BOLT, HEX HD, M10 X 80, CL8.8, DOR
17	87707554	4	BRACKET, SUPPORTING, SPRAYBAR MOUNT
18	BN309483	34	PLATE, COVER, SINGLE, SIZE 5
19	BN67050	68	BOLT, 1/4"-20 X 3" SS
20	BN55359	68	NUT, 1/4"-20 NYLON SS
21	87672998	1	SPRAYBAR EXTENDED, LH
22	87672999	1	SPRAYBAR EXTENDED, RH
23	87630099	14	FITTING, PLUG, 1 TWS, PP
24	87630101	5	FITTING, TEE, 1.25MP, 1.25MP, 1.25HB, PP
25	87630096	4	FITTING, STR, 1TWS, 1.25 HB, PP
26	87630102	10	FITTING, CPLG, 1.25FP, 1.83AT, 1TWS, PP
27	87630097	4	FITTING, FTG, 90 1TWS, 1.25HB,PP
28	BN317579	2	TEE, TEE, HOSEBARB, 1.25" HOSE
29	BN29563	35.83	SLEEVE, HOSE, BLK, 1.25", EPDM-DISCH
30	BN320156	26	CLAMP, HOSE, #24, 304 SS
31	87629044	42	O-RING, 1.25 X 1.250 IN, CLASS 3
32	87673096	2	PLATE, 4-1/2" INCH TUBE
33	86980370	4	HEX HD, M6 X 90, CL8.8, DOR
34	86980513	4	NUT, PREV TRQ, METAL, M6, CL8, DOR



## 4420 PATRIOT SPRAYER

## 09-044 SPRAYBARS

Ref	Part Number	Qty	Description
1	87673492	1	BOOM, SPRAYBAR, 10 X 7, TWS
1	87673493	1	BOOM, SPRAYBAR, 20/30 X 5 LONG, TWS
1	87673494	1	BOOM, SPRAYBAR, 20/30 X 6 SHORT, TWS
1	87673495	1	BOOM, SPRAYBAR, 20/30 X 6 LONG, TWS
1	87673496	1	BOOM, SPRAYBAR, 20/30 X 7 SHORT, TWS
1	87673497	1	BOOM, SPRAYBAR, 20/30 X 7 LONG, TWS
2	87630104	2	FITTING, SPLIT SLEEVE, 1TWS, PP
3	87630103	2	FITTING, BINDING RING, 1TWS, PP
4	87630105	2	FITTING, NUT, QUICK, 1TWS, PP

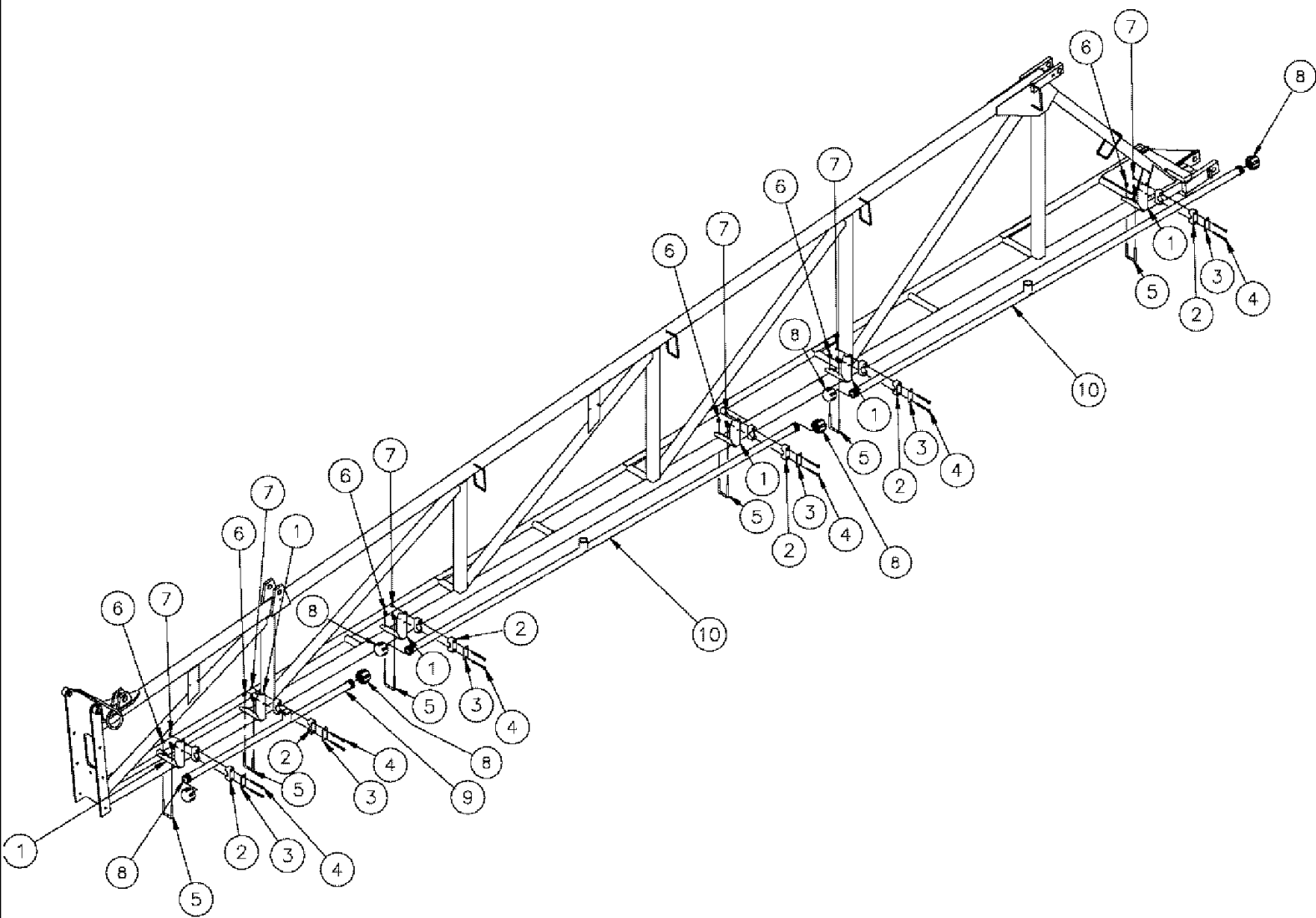




## 4420 PATRIOT SPRAYER

## 09-045 NOZZLE SPACING GROUP, 5 SECTION, 20" OFF, CENTER SECTION

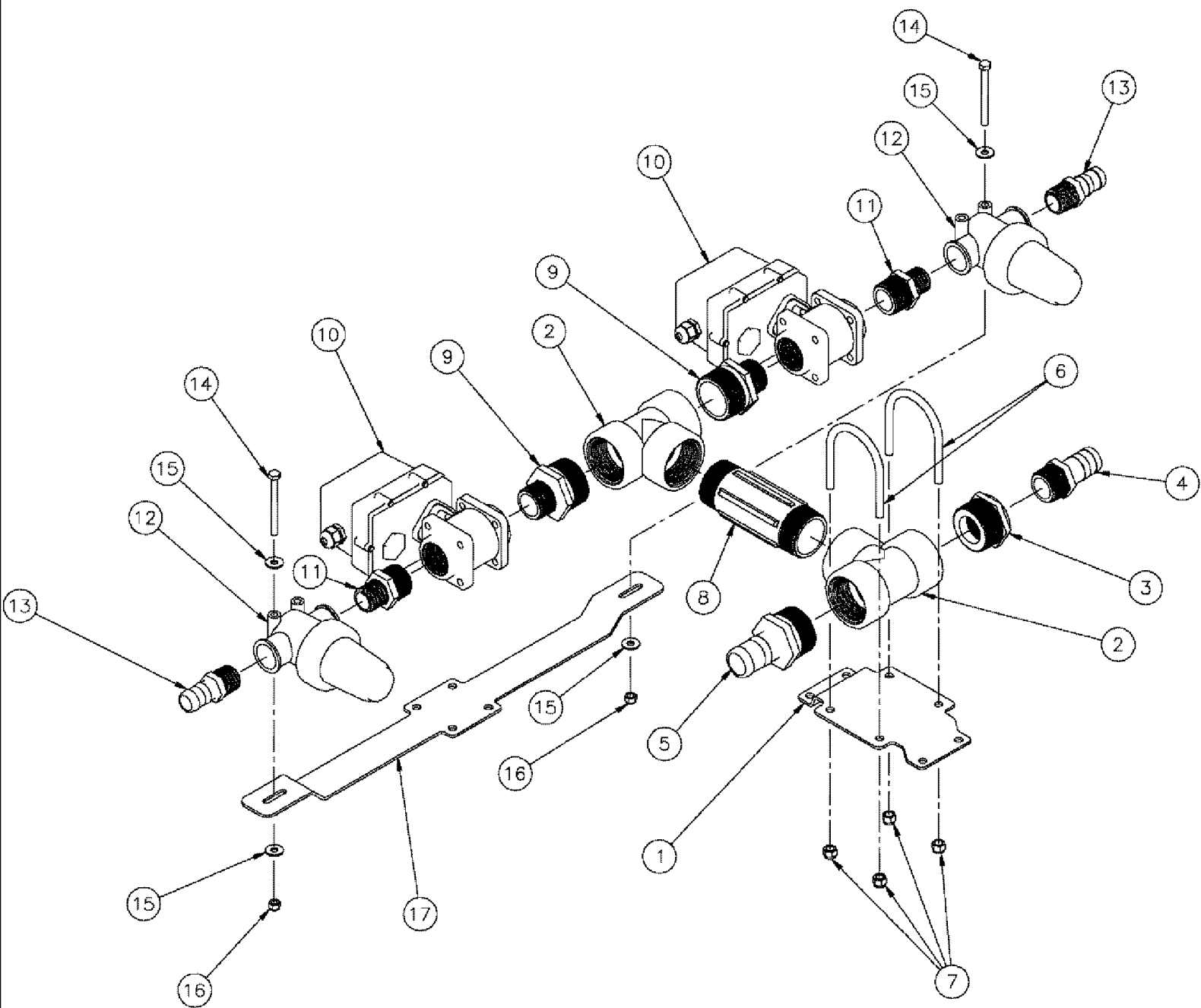
Ref	Part Number	Qty	Description
1	BN320271	1	TUBE, WLDT, 20" SP X 6 EA
2	BN323965	2	BOOM, MOUNT WDMT, SPRAY BAR
3	BN319918	2	U-BOLT, SQ BND 1.31 ID X 3/8
4	BN55381	4	BOLT, 1/4-20 X 3.25, HH, SS
5	BN309483	2	PLATE, SINGLE, SIZE 5
6	BN50759	4	NUT, 3/8-16, NLN, SS
7	BN55359	4	NUT, 1/4-20, NLN, SS
8	BN67054	2	CLAMP, 1.315" OD (P)
9	BN21618	2	CAP, 1.25"



## 4420 PATRIOT SPRAYER

## 09-046 NOZZLE SPACING GROUP, 5 &amp; 6 SECTION MID, 20" OFF CL PLBG

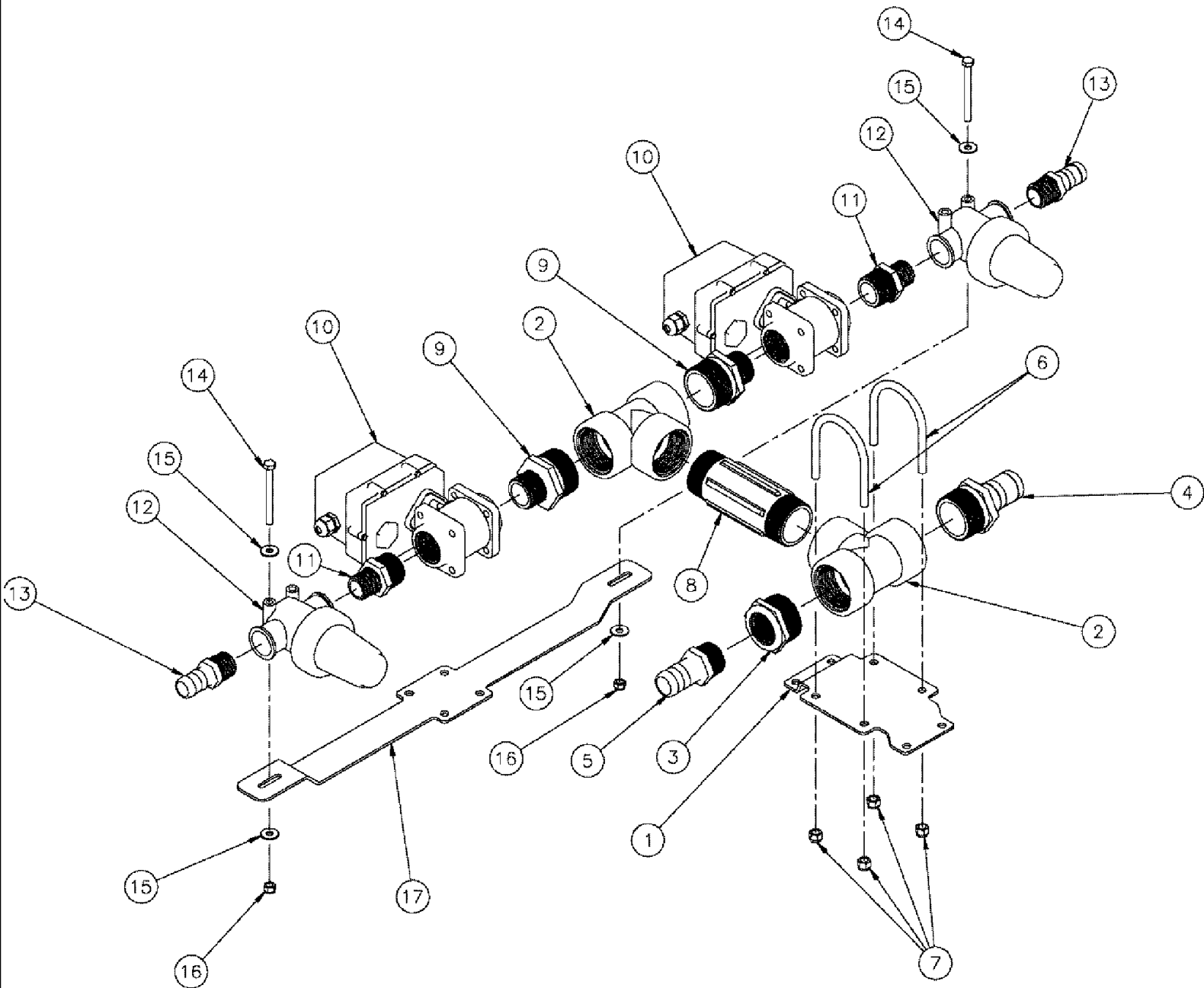
Ref	Part Number	Qty	Description
1	BN323957	6	BRACKET, MOUNT WDMT, SPRAY BAR
2	BN67054	6	CLAMP, 1.315" OD (PP)
3	BN309483	6	PLATE, TOP, SINGLE, SIZE 5
4	BN55381	12	BOLT, 1/4-20 X 3.25, HH, SS
5	BN319919	6	U-BOLT, SQ BND 2.06 ID X 3/8
6	BN50759	12	NUT, 3/8-16, NLN, SS
7	BN55359	12	NUT, 1/4-20, NLN, SS
8	BN21618	6	CAP, 1.25"
9	BN320273	1	TUBE, WLDT, 20" SP X 3 EA
10	BN320271	2	TUBE, WLDT, 20" SP X 6 EA



## 4420 PATRIOT SPRAYER

## 09-047 VALVE PLUMBING GROUP, 6 SECTION, INNER RIGHT BOOM, 2 STRAINER

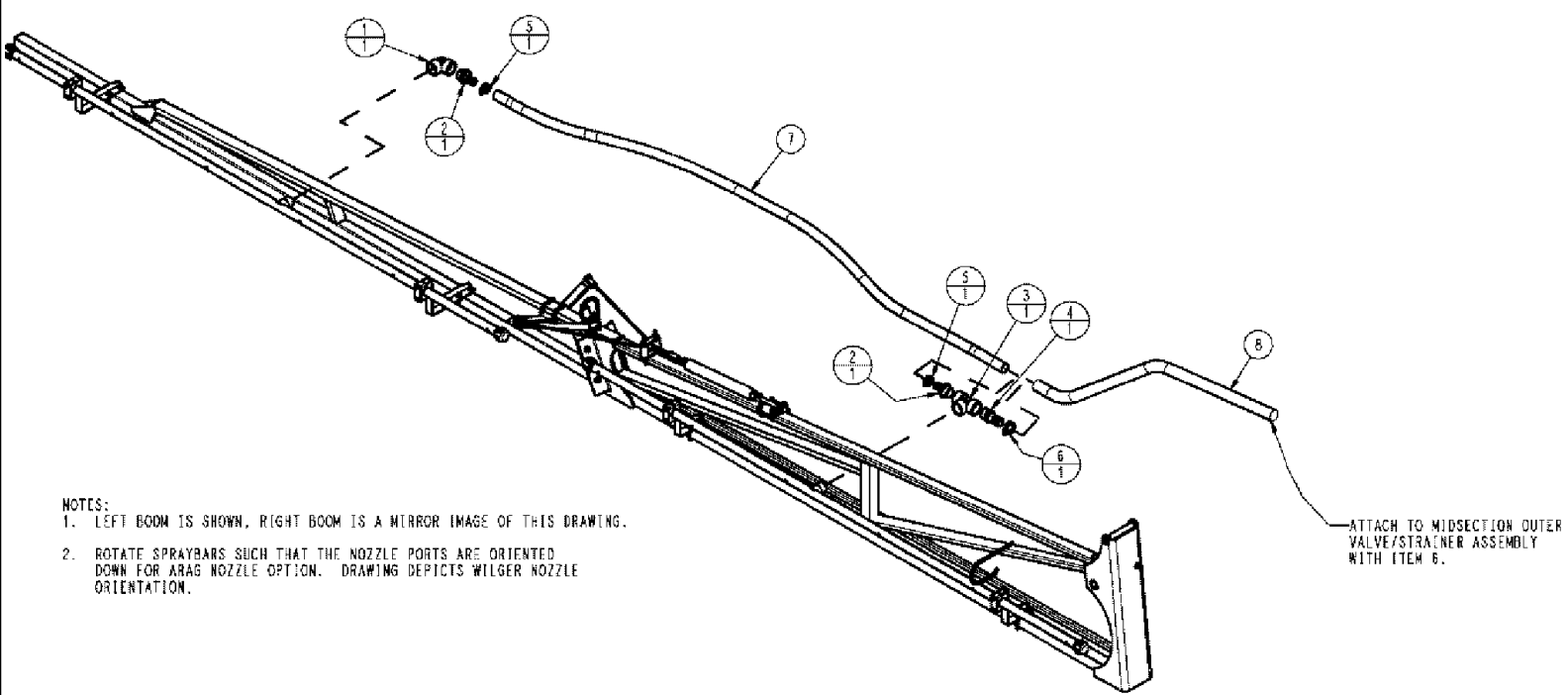
Ref	Part Number	Qty	Description
1	BN323107	1	BRACKET, 5 SEC T-SUPPORT
2	BN73779	2	TEE, 2" POLY PIPE
3	BN73755	1	BUSHING, REDUCER -BUSHING 2 X 1.25
4	BN73660	1	FITTING, BARB 1 1/4 NPT X 1 1/4 HS
5	BN305163	1	FITTING, 2" MPT X 1.5" BRB
6	BN320385	2	U-BOLT, 2.98 ID X 3/8-16
7	BN50759	4	NUT, 3/8-16, NLN, SS
8	BN73790	1	NIPPLE, LUBE, 2"NPT X 6" POLY
9	BN317158	2	NIPPLE, LUBE, 2" X 1.25" REDUC
10	87268179	2	VALVE, 1.25" BALL, ELECTRIC, SEE FIG.09-004
11	BN73656	2	NIPPLE, LUBE, 1.25 X 1 POLY
12	BN320072	2	STRAINER ASSY., 1" NPT 50M POLY, SEE FIG.09-012
13	BN53476	2	FITTING, BARB, POLY 1" NPT X 1" HS
14	BN320109	2	BOLT, 5/16-18 X 3.5, HH, SS
15	BN50142	4	WASHER, 5/16, FW, SS
16	BN55361	2	NUT, 5/16-18, NLN, SS
17	BN323106	1	BRACKET, 5 SEC 2 STRAINER



## 4420 PATRIOT SPRAYER

## 09-048 VALVE PLUMBING GROUP, 6 SECTION, INNER LEFT BOOM, 2 STRAINER

Ref	Part Number	Qty	Description
1	BN323107	1	BRACKET, 5 SEC T-SUPPORT
2	BN73779	2	TEE, 2" POLY PIPE
3	BN73755	1	BUSHING, REDUCER 2 X 1.25
4	BN305163	1	FITTING, 2" MPT X 1.5" BRB
5	BN73660	1	FITTING, BARB, 1 1/4NPT X 1 1/4HS
6	BN320385	2	U-BOLT, 2.98 ID X 3/8-16
7	BN50759	4	NUT, 3/8-16, NLN, SS
8	BN73790	1	NIPPLE, LUBE, 2" NPT X 6" POLY
9	BN317158	2	NIPPLE, LUBE, 2" X 1.25" REDUC
10	87268179	2	VALVE, 1.25" BALL, ELECTRIC, SEE FIG.09-004
11	BN73656	2	NIPPLE, LUBE, 1.25 X 1 POLY
12	BN320072	2	STRAINER ASSY., 1" NPT 50M POLY, SEE FIG.09-012
13	BN53476	2	FITTING, BARB, POLY 1" NPT X 1" HS
14	BN320109	2	BOLT, 5/16-18 X 3.5, HH, SS
15	BN50142	4	WASHER, 5/16, FW, SS
16	BN55361	2	NUT, 5/16-18, NLN, SS
17	BN323106	1	BRACKET, 5 SEC 2 STRAINER



- NOTES:
- 1. LEFT BOOM IS SHOWN, RIGHT BOOM IS A MIRROR IMAGE OF THIS DRAWING.
  - 2. ROTATE SPRAYBARS SUCH THAT THE NOZZLE PORTS ARE ORIENTED DOWN FOR ARAG NOZZLE OPTION. DRAWING DEPICTS WILGER NOZZLE ORIENTATION.

SCALE 1:12

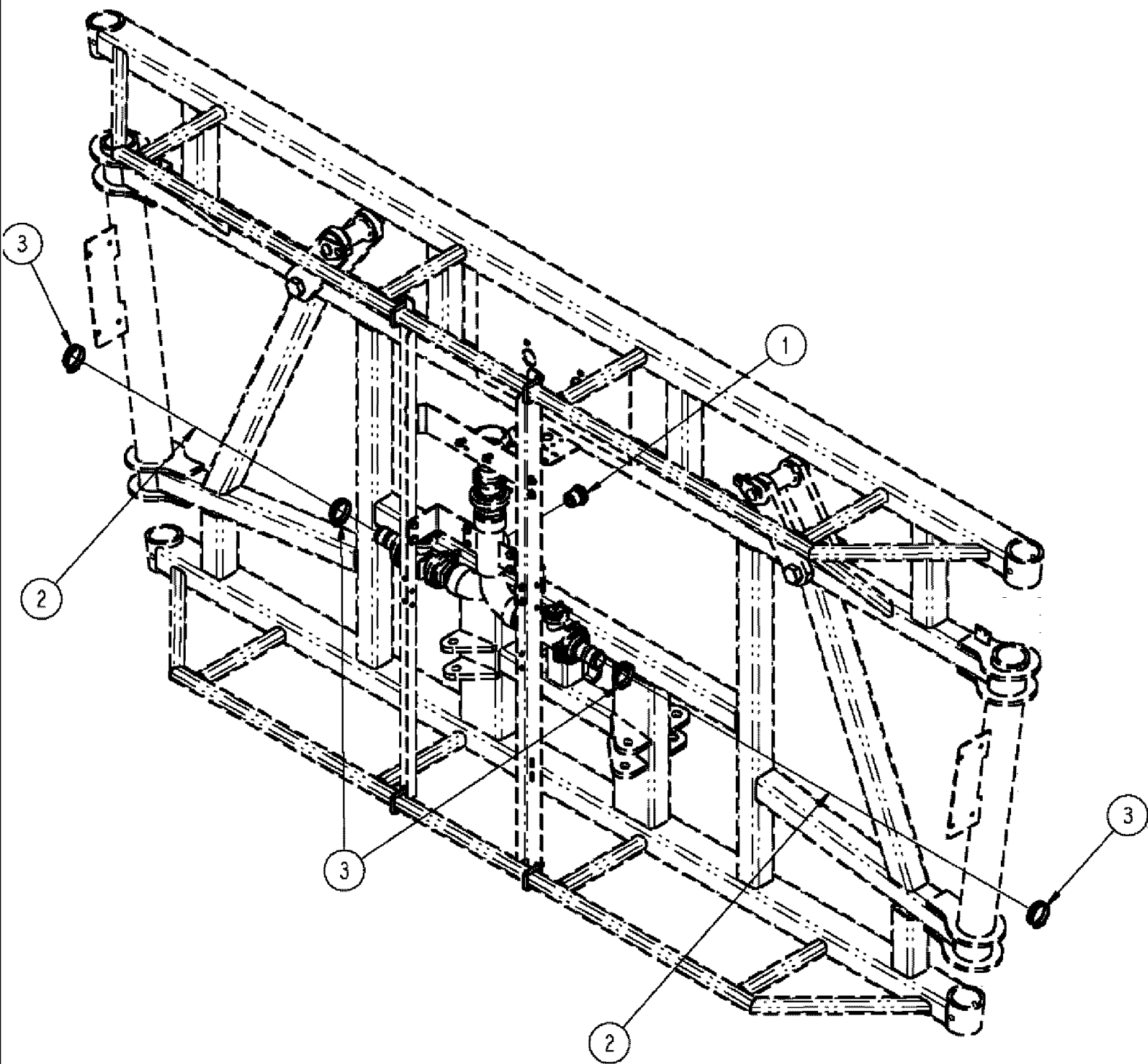
ATTACH TO MIDSECTION OUTER VALVE/STRAINER ASSEMBLY WITH ITEM 6.



## 4420 PATRIOT SPRAYER

09-049 BOOM PLUMBING GROUP, 5-6 SECTION 100'

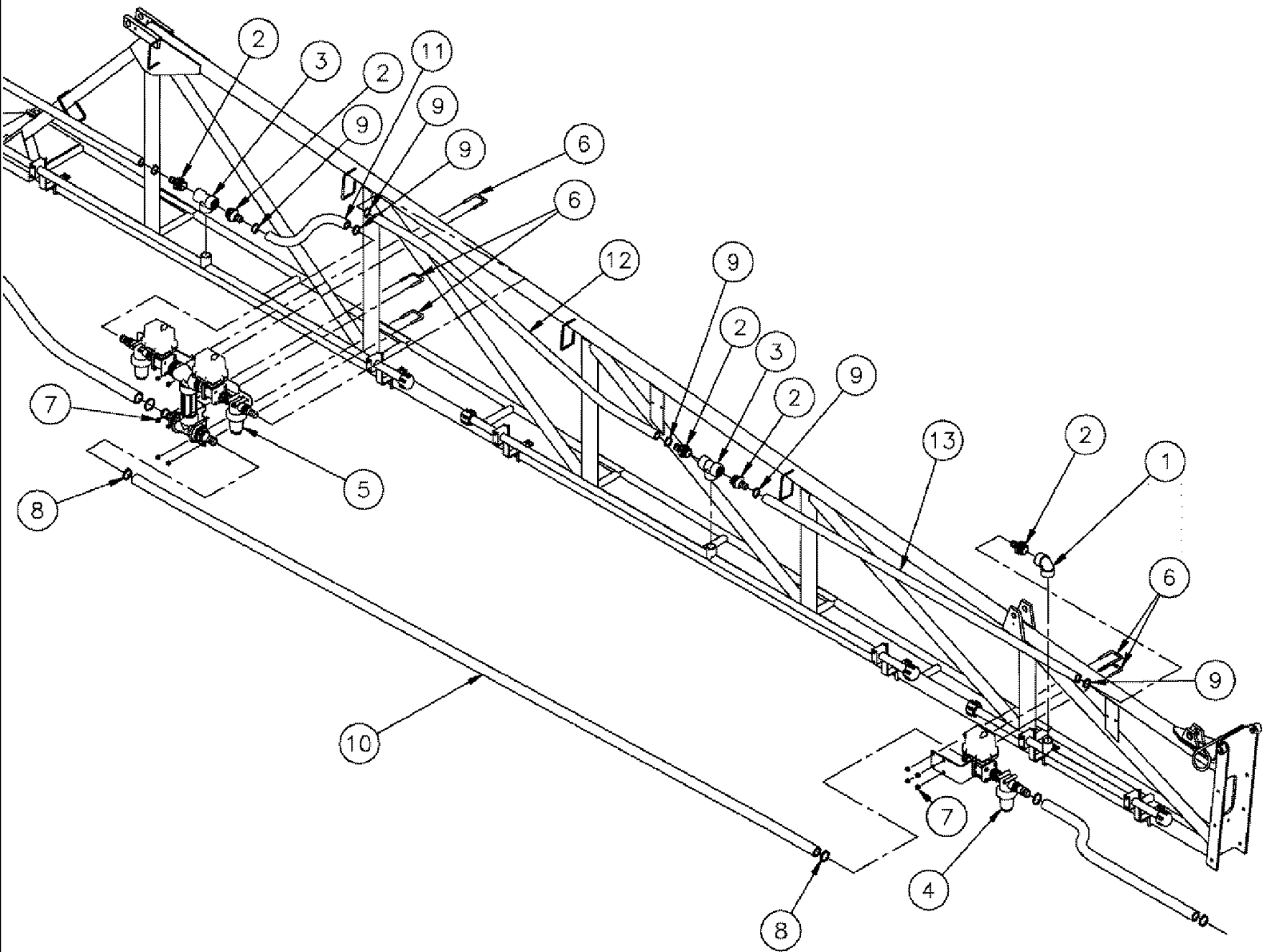
Ref	Part Number	Qty	Description
1	BN313202	1	ELBOW, FTG, 90,1.25FP,PP
2	BN73657	2	FITTING, STR, 1.25MP1.0HB,PP
3	BN73662	1	TEE, 1.25FP, PP
4	BN73660	1	FITTING, STR, 1.25MP1.25HB, PP
5	BN310447	2	CLAMP, HOSE, #20, 304 SS
6	BN320156	2	CLAMP, HOSE, #24, 304 SS
7	BN53844	1	HOSE, EPDM 1" ID X 120"
8	87383454	1	1-1/4"



4420 PATRIOT SPRAYER

09-050 BOOM PLUMBING GROUP, 6 SECTION CENTER

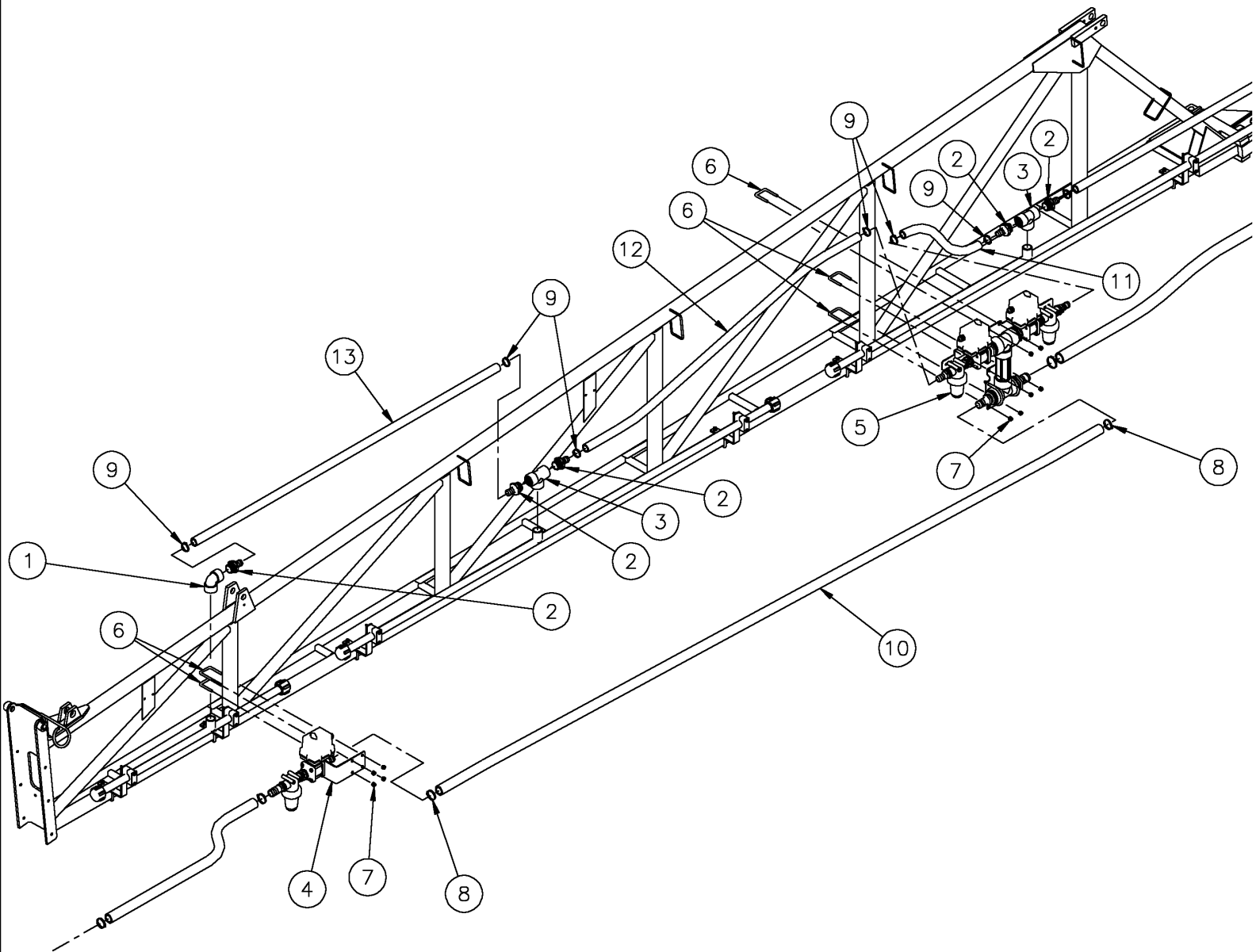
Ref	Part Number	Qty	Description
1	BN73604	1	PLUG, 1" PIPE POLY
2	342076A1	2	HOSE, 1.5" X 147", EPDM
3	BN310448	4	CLAMP, HOSE, #28, 304 SS



## 4420 PATRIOT SPRAYER

## 09-051 BOOM PLUMBING GROUP, 6 SEC MID

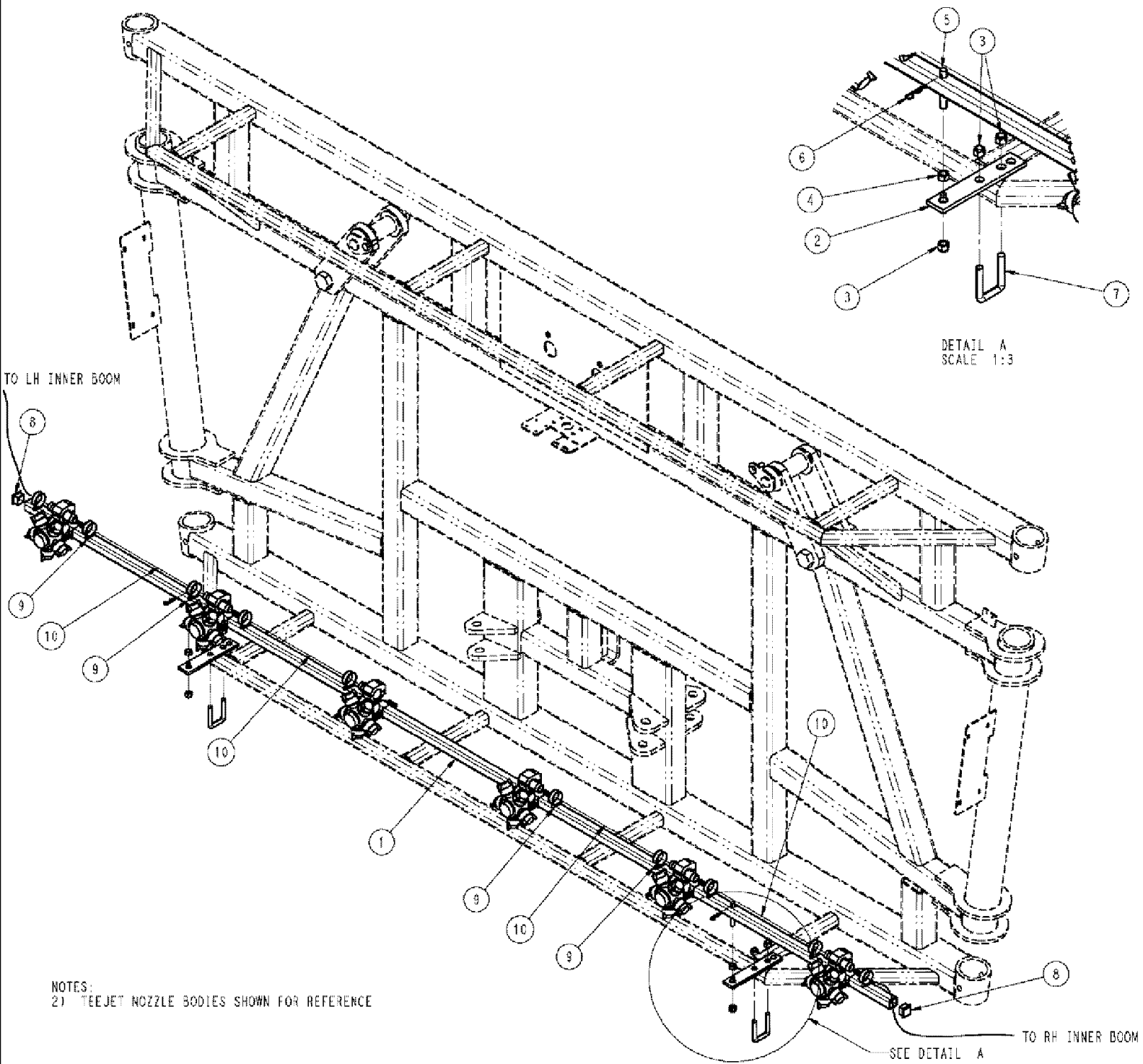
Ref	Part Number	Qty	Description
1	BN313202	1	ELBOW, 1 1/4" NPT 90 DEG
2	BN73657	5	FITTING, BARB, 1-1/4NPT X 1 HS
3	BN73662	2	TEE, 1 1/4 PIPE POLY
4	BN321452	1	VALVE, PLBG GRP, 5 & 6 SECT, LH, SEE FIG. 09-001
4	BN321453	1	VALVE, PLBG GRP, 5 & 6 SECT, RH, SEE FIG. 09-001
5	BN323105	1	6 SECT, SEE FIG. 09-046
6	BN319919	5	U-BOLT, SQ BND 2.06 ID X 3/8
7	BN50759	10	NUT, 3/8-16, NLN, SS
8	BN320156	2	CLAMP, HOSE, #24, 304 SS
9	BN310447	8	CLAMP, HOSE, #20,304 SS
10	BN321478	1	HOSE, 1.25" X 156", EPDM
11	BN53850	1	HOSE, EPDM 1"ID X 36"
12	BN321476	1	HOSE, 1" X 79", EPDM
13	BN320876	1	HOSE, 1" X 75", EPDM



## 4420 PATRIOT SPRAYER

## 09-052 BOOM PLUMBING GROUP, 6 SEC MID

Ref	Part Number	Qty	Description
1	BN313202	1	ELBOW, 1 1/4" NPT 90 DEG
2	BN73657	5	FITTING, BARB, 1-1/4NPT X 1 HS
3	BN73662	2	TEE, 1/4 PIPE POLY
4	BN321452	1	VALVE, PLBG GRP, 5 & 6 SECT, SEE FIG.09-001
4	BN321453	1	VALVE, PLBG GRP, 5 & 6 SECT, SEE FIG.09-001
5	BN323105	1	VALVE PLBG GRP, 6 SECT, SEE FIG.09-046
6	BN319919	5	U-BOLT, SQ BND 2.06 ID X 3/8
7	BN50759	10	NUT, 3/8-16, NLN, SS
8	BN320156	2	CLAMP, HOSE, #24, 304 SS
9	BN310447	8	CLAMP, HOSE, #20, 304 SS
10	BN321478	1	HOSE, 1.25" X 156", EPDM
11	BN53850	1	HOSE, EPDM 1"ID X 36"
12	BN321476	1	HOSE, 1" X 79", EPDM
13	BN320876	1	HOSE, 1" X 75", EPDM

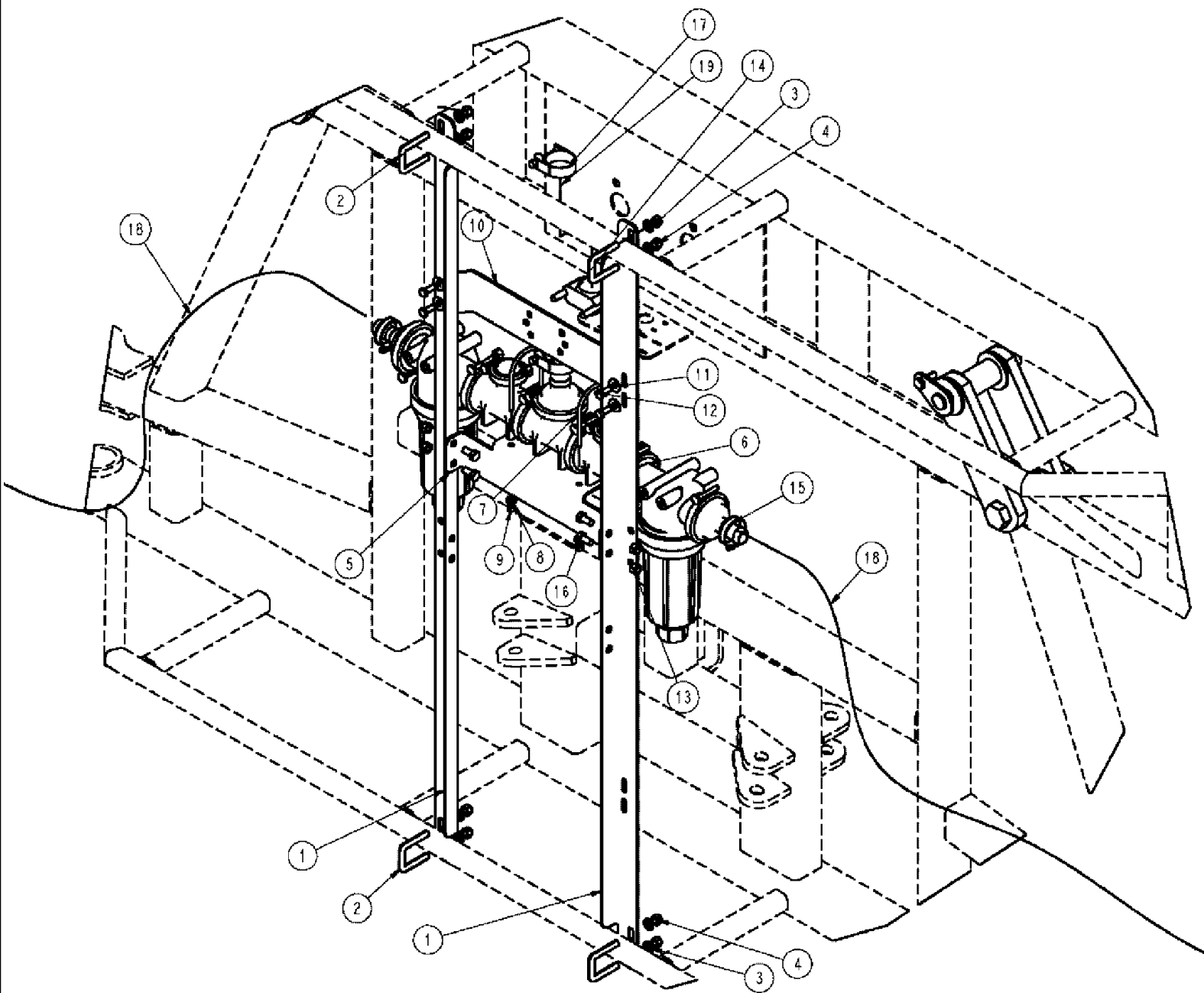




## 4420 PATRIOT SPRAYER

## 09-053 BOOM, CENTER SECTION PLUMBING, 6 SECTION, LO-FLOW

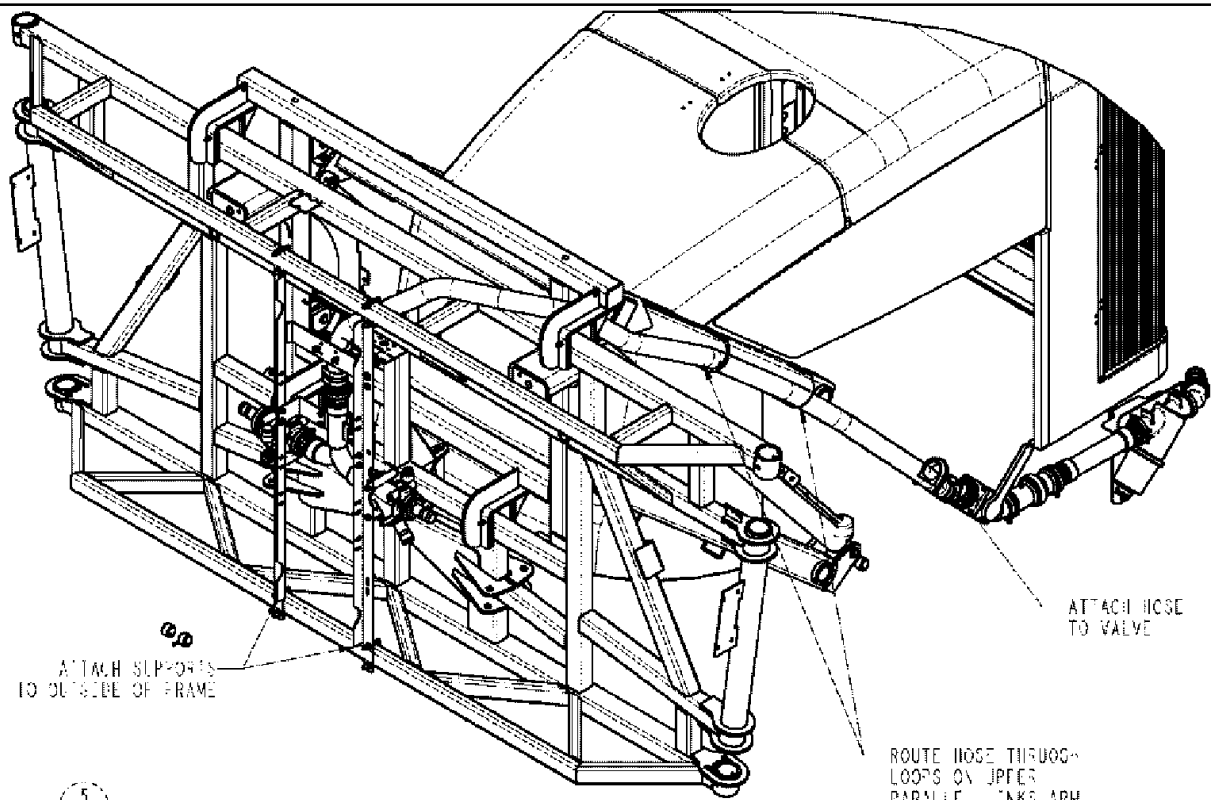
Ref	Part Number	Qty	Description
1	87268203	1	TUBE, CENTER SECTION, BOOM
2	BN67279	2	BRACKET, DRY BOOM MOUNT
3	BN50759	6	NUT, 3/8-16, NLN, SS
4	BN50064	4	NUT, 3/8-16, HX, SS
5	BN29599	2	PIN, REWORK BOLT 3/8 X 2.75
6	BN71006	2	CLIP, HAIRPIN-1/8" #11
7	BN319919	2	U-BOLT, SQ BND 2.06 ID X 3/8
8	BN32823	2	PLUG, CA-TUBING-FITS 1 X 1 X 14G
9	BN310446	10	CLAMP, HOSE, #12, 304 SS
10	BN53738	4	HOSE (METRES), EPDM 3/4" ID X 18.5"



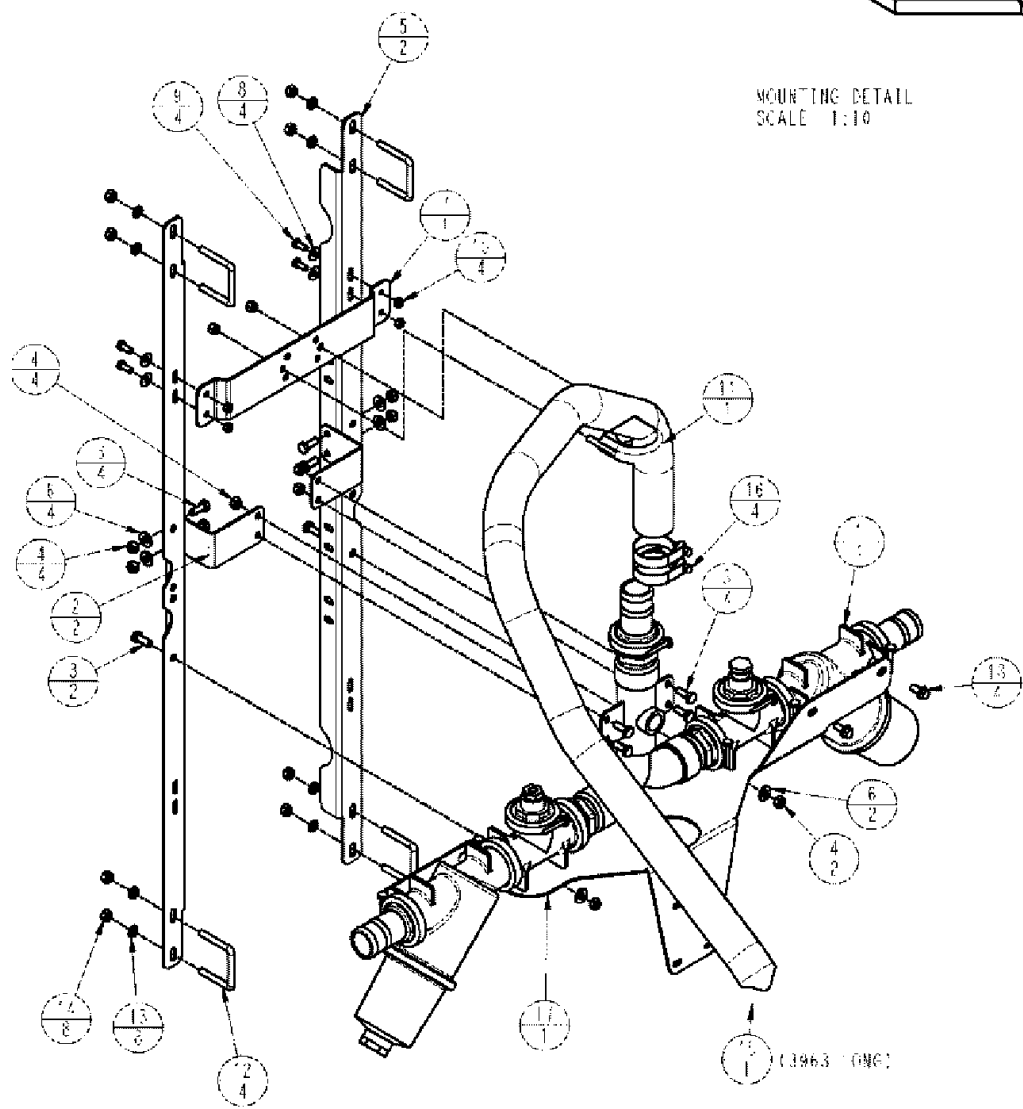
## 4420 PATRIOT SPRAYER

## 09-054 PLUMBING, CENTER SECTION, 6 SECTION, LO-FLOW

Ref	Part Number	Qty	Description
1	87267543	2	SUPPORT, MOUNT, MANIFOLD 778D
2	BN319918	4	U-BOLT, SQ BND 1.31 ID X 3/8
3	BN50146	8	WASHER, 3/8, FW, SS
4	BN50759	12	NUT, 3/8-16, NLN, SS
5	87265454	1	SUPPORT, MOUNT, MANIFOLD, LO
6	87272051	1	CNTR SECTION, LO, SEE FIG. 09-027
7	BN303201	2	U-BOLT, 1/4 X 2.38R X 3.75
8	495-11028	4	WASHER, 1/4", SAE, .281 X .625 X .065ZND
9	231-4144	4	NUT, LOCK, 1/4"-20, GB, HH, TLN
10	BN325194	1	BRACKET, SUPPORTING, MOUNT, CLAMP, 5 SECT, CTR
11	BN50142	8	WASHER, 5/16, FW, SS
12	BN50476	4	BOLT, 5/16-18 X .75,HH,SS
13	BN55361	4	NUT, 5/16-18, NLN, SS
14	BN320371	1	CLAMP, U-BOLT 1.25 PIPE
15	BN320156	2	CLAMP, HOSE, #24, 304 SS
16	BN50250	4	BOLT, 3/8-16 X .75, HH, SS
17	BN53810	2	CLAMP, HOSE, 1.75" ID "T" BOLT
18	BN319019	2	HOSE, EPDM, 1" X 105"
19	87265473	1	HOSE, 1-1/4" X 156"SUCTION



MOUNTING DETAIL  
SCALE 1:10

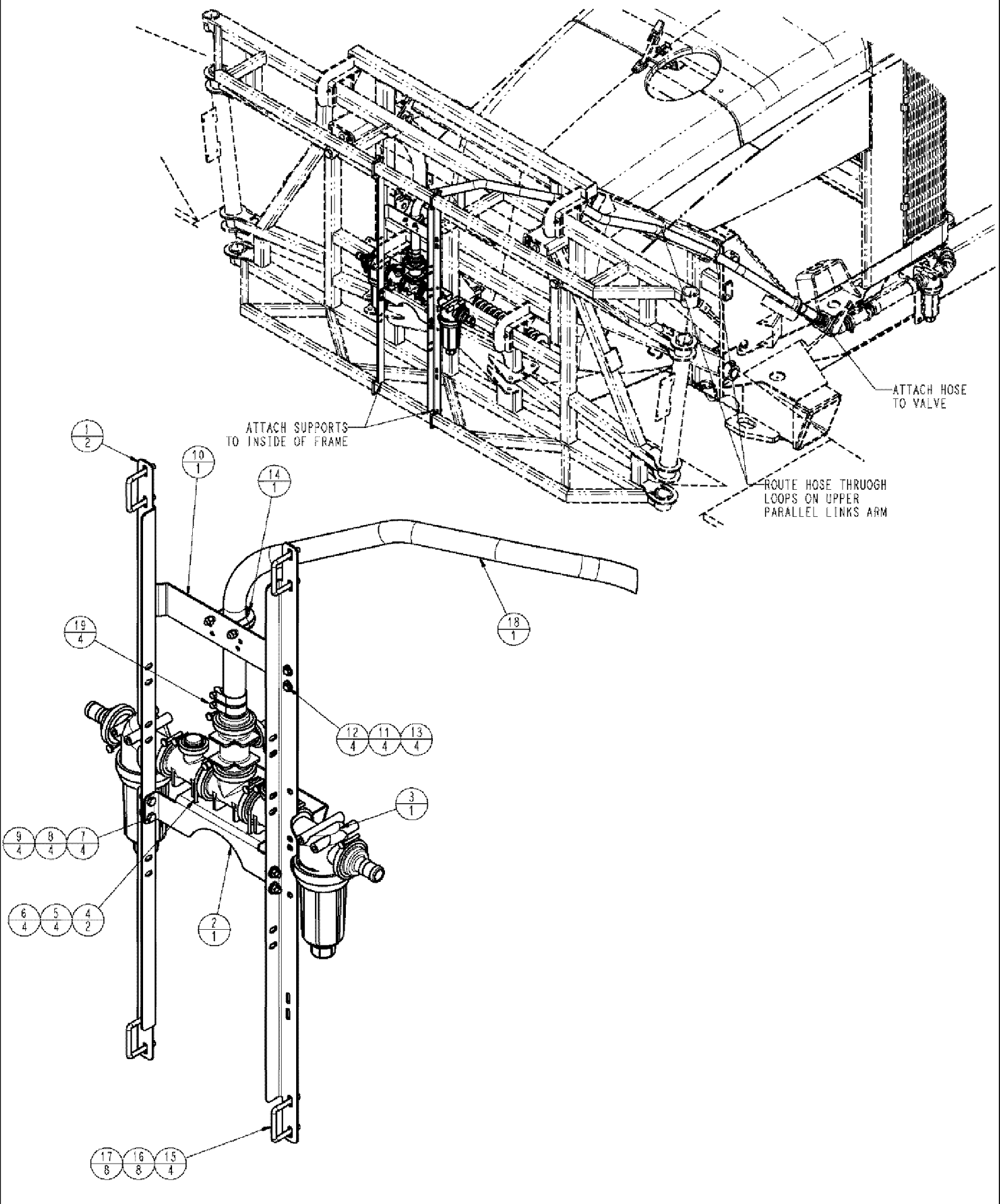


ASSEMBLY DETAIL  
SCALE 1:5

## 4420 PATRIOT SPRAYER

## 09-055 CENTER SECTION PLUMBING, 7 SECTION, 120' BOOM

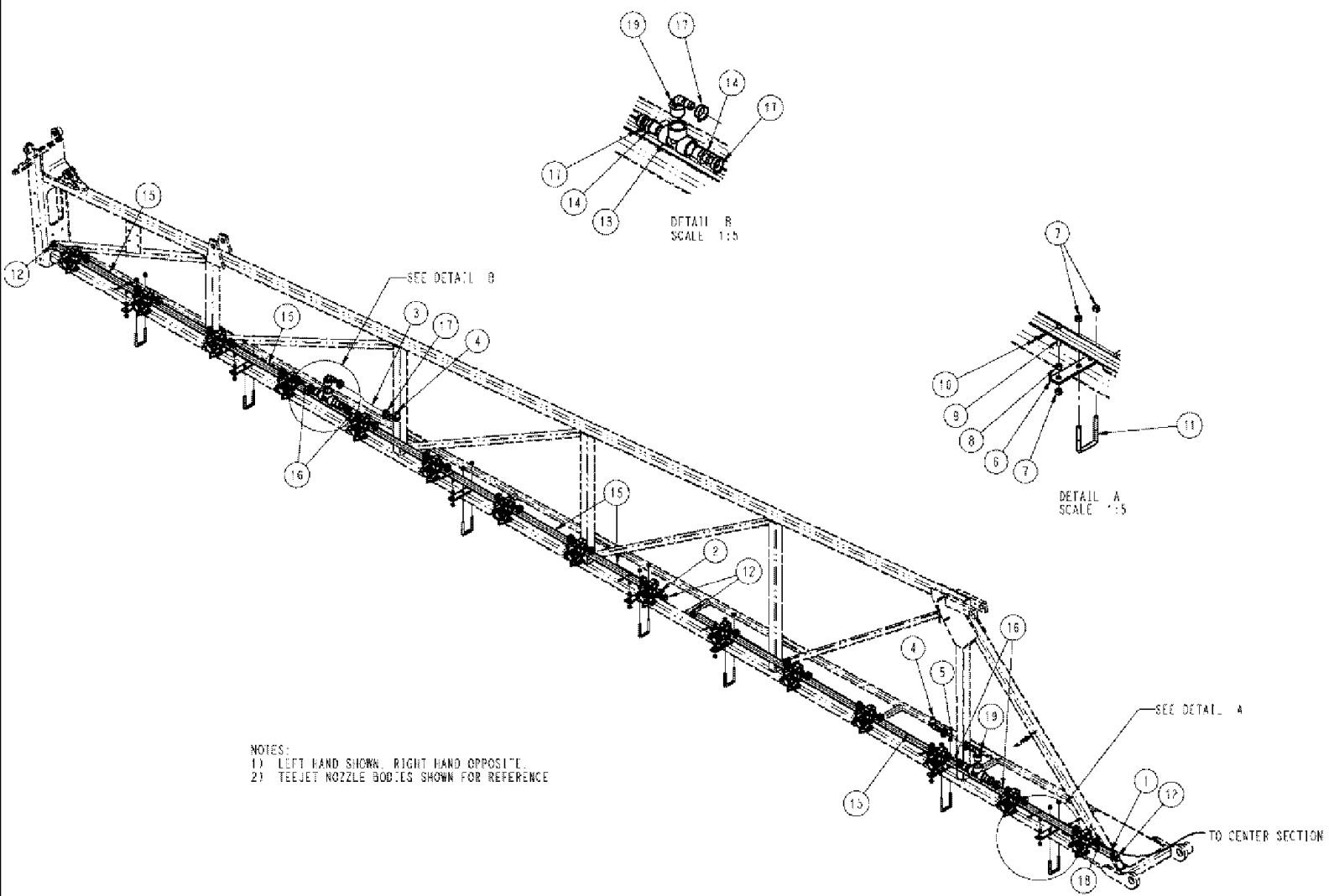
Ref	Part Number	Qty	Description
1	NSS	1	NOT SERVICED SEPARATELY, MANIFOLD GROUP, 7 SECTION, SEE FIG.09-029
2	BN325193	2	BRACKET, 3-WAY MANIFOLD
3	86980400	10	BOLT, Hex, M10 x 25, 8.8, M10-1.5 X 25, HH, 8.8, DO
4	86980515	10	NUT, LOCK, M10 x 1.5, CI 8, PREV TRQ, METAL M10 CL8, DOR
5	87586830	2	CENTER SECTION
6	87529312	6	WASHER, 11 X 24 X 3MM, HTS, DOR
7	BN325194	1	BRACKET, SUPPORTING, MOUNT, CLAMP 5 SEC, CTR
8	BN50142	4	WASHER, 5/16 FLAT
9	BN50476	4	BOLT, 5/16-18 X .75 SS, HH
10	BN55361	4	NUT, 5/16-18, NYLON SS
11	BN320384	1	U-BOLT, CLAMP
12	87586548	4	U-BOLT, SQ BND, 10 X 64 ID X 64 IL, DOR
13	BN50146	8	WASHER, 3/8 FLAT
14	87344003	8	NUT, METAL M10 CL10, DOR
15	BN29564	13	HOSE, FLEXIBLE, BLK, 2" EPDM, SUCTION
16	BN2403358	4	CLAMP, T BOLT
17	87623632	1	SUPPORT, STRAINERS
18	87344050	4	SCREW, HWHD TPG 3/8 X 1



## 4420 PATRIOT SPRAYER

## 09-056 CENTER SECTION PLUMBING, 7 SECTION, LO-FLOW, 120' BOOM

Ref	Part Number	Qty	Description
1	87586830	2	MANIFOLD, CENTER SECTION
2	87663460	1	PLATE, MOUNTING, MANIFOLD, LO
3	87662603	1	CNTR SECTION, LO, SEE FIG.09-030
4	BN303201	2	U-BOLT, 1/4 X 2.38R X 3.75
5	87529236	4	WASHER, 0.281 X 0.625 X 0.065 HTS DOR HDN
6	87343957	4	NUT, PREV TORQ ALL MTL 1/4- 20 GR B DOR
7	86980400	4	BOLT, Hex, M10 x 25, 8.8, DOR REPL
8	87529312	4	WASHER, 11 X 24 X 3MM HDN DOR
9	86980515	4	NUT, LOCK, M10 x 1.5, CI 8, P/T ALL MTL
10	BN325194	1	BRACKET, SUPPORTING, MOUNT, CLAMP, 5 SECT, CTR
11	BN50142	4	WASHER, 5/16, FW, SS
12	BN50476	4	BOLT, 5/16-18 X .75, HH, SS
13	BN55361	4	NUT, 5/16-18, NLN, SS
14	BN320371	1	CLAMP, U-BOLT 1.25 PIPE
15	87586548	4	U-BOLT, 64MM ID X 64
16	BN50146	8	WASHER, 3/8, FW, SS
17	87344003	8	NUT, P/T ALL MTL M10 10 DOR
18	87265473	1	HOSE, 1-1/4 X 156 SUCTION
19	BN53810	4	CLAMP, HOSE, T-BOLT,1.62-1.87

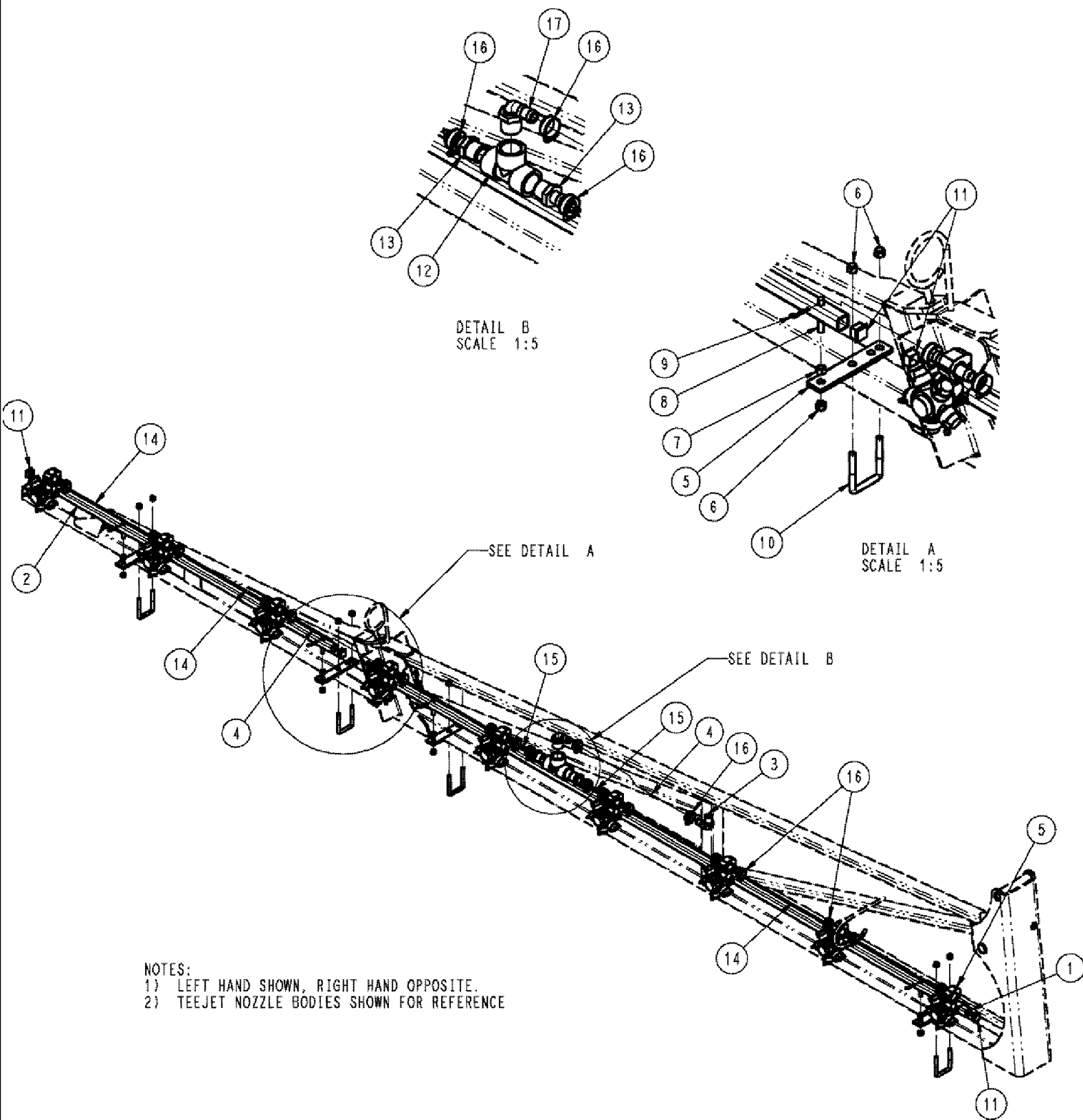




## 4420 PATRIOT SPRAYER

09-057 BOOM. MID PLUMBING, 6 SECTION, LO-FLOW

Ref	Part Number	Qty	Description
1	BN67277	1	TUBE, NOZZLE MOUNT
2	BN67275	1	TUBE, NOZZLE MOUNT
3	BN53852	1	HOSE, EPDM 3/4" ID X 17"
4	BN73562	2	FITTING, BARB, 3/4 NPT X 3/4 HS, 90D
5	BN53916	1	3/4" ID EPDM X 4"
6	BN67279	7	BRACKET, DRY BOOM MOUNT
7	BN50759	21	NUT, 3/8-16, NLN, SS
8	BN50064	7	NUT, 3/8-16, HX, SS
9	BN29599	7	PIN, REWORK BOLT 3/8 X 2.75
10	BN71006	7	CLIP, HAIRPIN-1/8" #11
11	BN319919	7	U-BOLT, SQ BND 2.06 ID X 3/8
12	BN32823	4	PLUG, TUBING-FITS 1 X 1 X 14G
13	BN73629	2	TEE, 1" POLY PIPE
14	BN53666	4	FITTING, HOSEBARB-1 NPT X 3/4 HOSE
15	BN53738	11	HOSE (METRES), EPDM 3/4" ID X 18.5"
16	BN53737	4	HOSE, EPDM 3/4" ID X 7.5"
17	BN310446	34	CLAMP, HOSE, #12, 304 SS
18	BN53914	1	HOSE, 3/4" ID EPDM X 60"
19	BN73684	2	FITTING, BARB- 90,1" MPT X 3/4" BARB

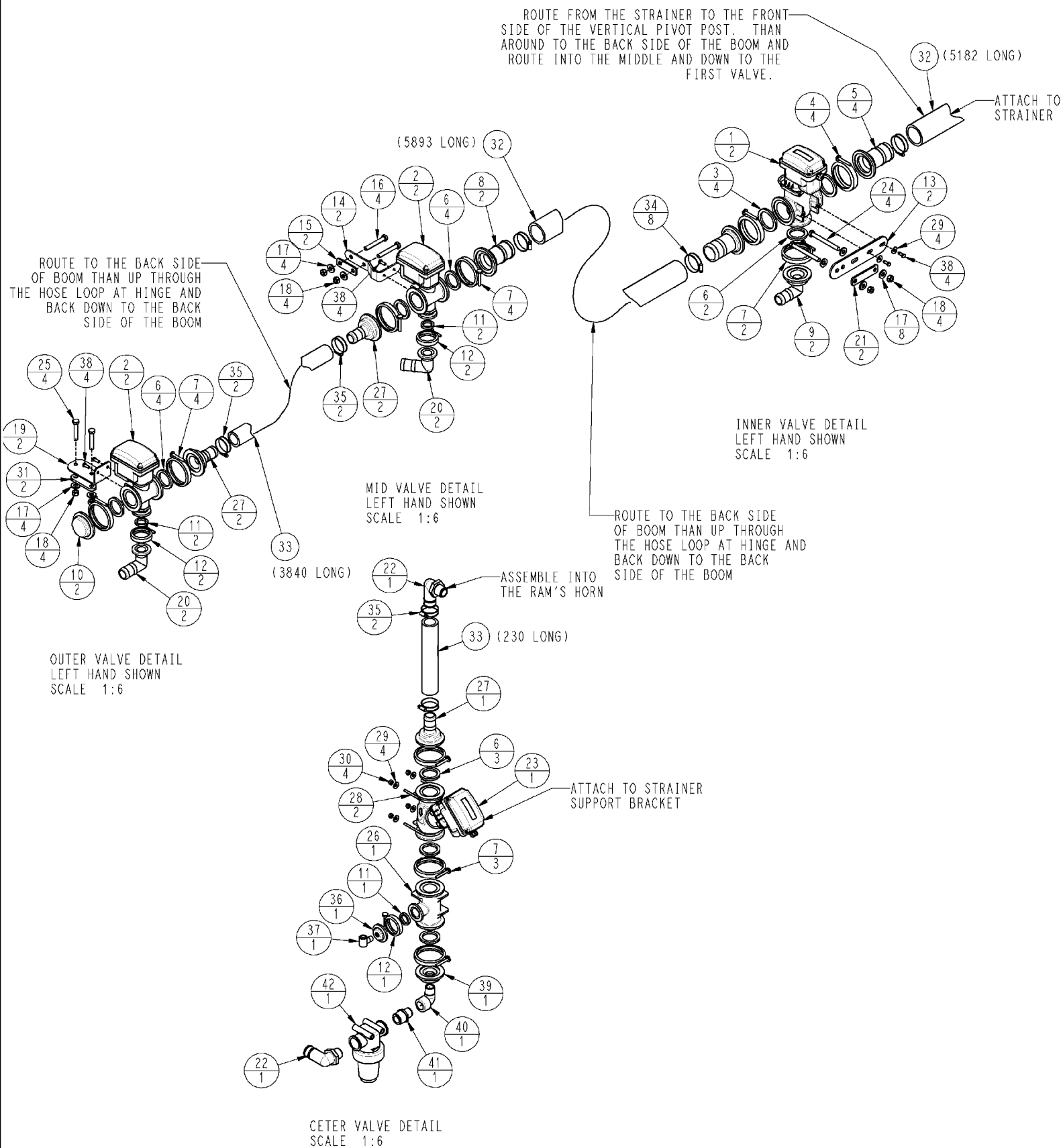


NOTES:  
1) LEFT HAND SHOWN, RIGHT HAND OPPOSITE.  
2) TEEJET NOZZLE BODIES SHOWN FOR REFERENCE

## 4420 PATRIOT SPRAYER

## 09-058 BOOM, OUTER PLUMBING, 6 SECTION, LO-FLOW

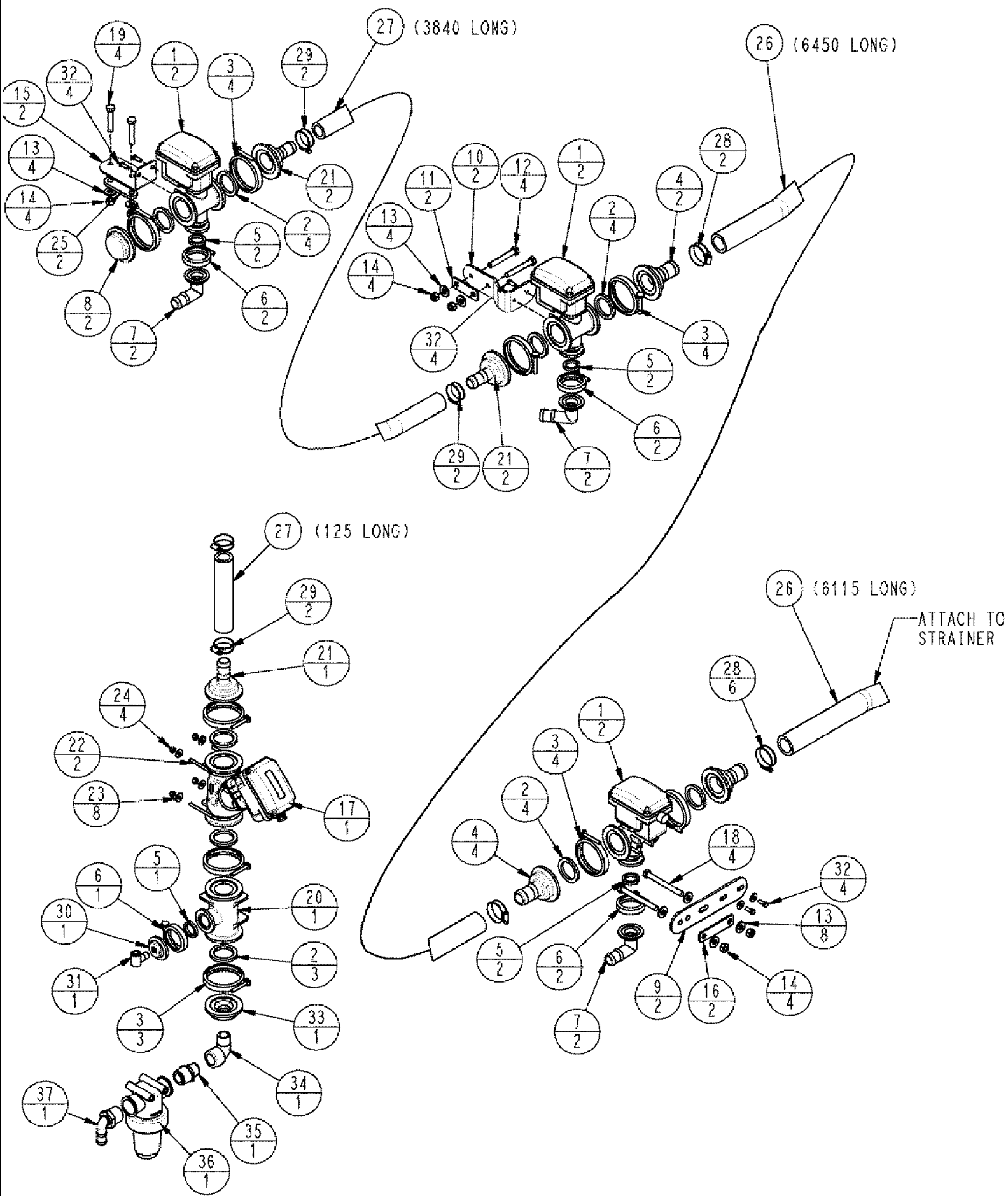
Ref	Part Number	Qty	Description
1	87268204	1	TUBE, OUTER SECTION, BOOM
2	87268205	1	TUBE, OUTER BREAKAWAY, BOOM
3	BN73562	1	FITTING, BARB, 3/4 NPT X 3/4 HS, 90D
4	BN53857	2	HOSE (METRES), EPDM 3/4" ID X 26"
5	BN67279	4	BRACKET, DRY BOOM MOUNT
6	BN50759	12	NUT, 3/8-16, NLN, SS
7	BN50064	4	NUT, 3/8-16, HX, SS
8	BN29599	4	PIN, REWORK BOLT 3/8 X 2.75
9	BN71006	4	CLIP, HAIRPIN-1/8" #11
10	BN319919	4	U-BOLT, SQ BND 2.06 ID X 3/8
11	BN32823	4	PLUG, TUBING-FITS 1 X 1 X 14G
12	BN73629	1	TEE, 1" POLY PIPE
13	BN53666	2	FITTING, HOSEBARB-1 NPT X 3/4 HOSE
14	BN53738	6	HOSE (METRES), EPDM 3/4" ID X 18.5"
15	BN53737	2	HOSE, EPDM 3/4" ID X 7.5"
16	BN310446	20	CLAMP, HOSE, #12, 304 SS
17	BN73684	1	FITTING, BARB- 90,1"MPTX3/4"BARB



## 4420 PATRIOT SPRAYER

## 09-059 BOOM VALVE PLUMBING, 7 SECTION

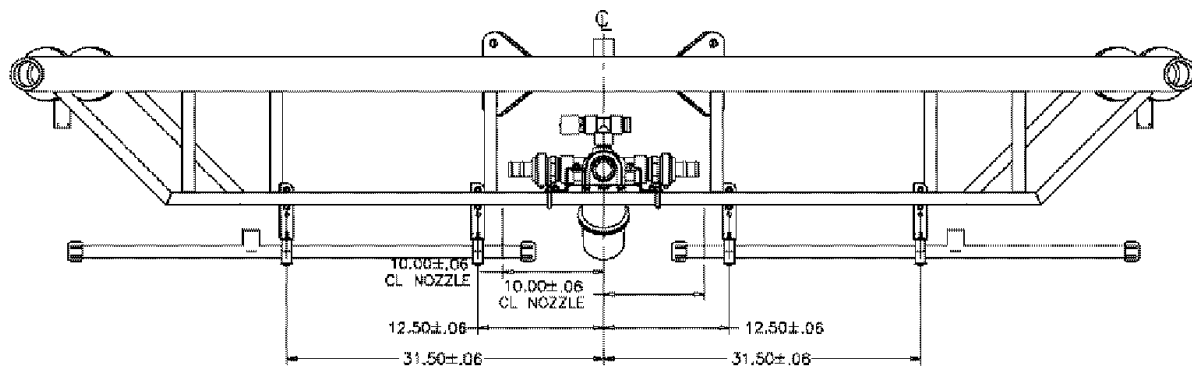
Ref	Part Number	Qty	Description
1	87624338	2	VALVE, RESTRICTOR, ELE, 2.2FLB2FLB, PP
2	87632830	4	VALVE, RESTRICTOR, ELE, 2FLB1FLB.75FP, PP
3	BN313772	4	GASKET, 2" FULL PORT EPDM
4	BN313773	4	CLAMP, 2" FULL PORT
5	BN318600	4	FITTING, 2" FULL FLG X 2" HOSE
6	BN303204	13	GASKET, 2" EPDM
7	BN303199	13	CLAMP, 2" STD FLG
8	BN303198	2	FITTING, 2.0FLB2.0HB, PP
9	BN303189	2	ELBOW, BARB-2" FLG X 1.25" HS
10	BN304317	2	PLUG, 2.0FLB, PP
11	BN303205	5	GASKET, 1" FLG MANIFOLD
12	BN303203	5	CLAMP, 1" FLG MANIFOLD
13	87625607	2	BOOM VALVE
14	87625608	2	MOUNTING PARTS, BOOM VALVE
15	87628243	2	1-1/2" INCH TUBE
16	86980407	4	BOLT, HEX HD M10 X 70 CL8.8 DOR
17	87529312	16	WASHER, 11 X 24 X 3MM HTS DOR HDN
18	86980515	12	NUT, LOCK, M10 x 1.5, CI 8,
19	87628244	2	BOOM VALVE, OUTER
20	87575511	4	1.0FLB1.25HB, PP
21	87620862	2	PLATE, 2-1/2" INCH TUBE
22	BN67315	2	FITTING, 90, 1.0MP1.25HB, PP
23	87624339	1	VALVE, RESTRICTOR, 2FLB, PP
24	86980410	4	BOLT, HEX HD M10 X 100 CL8.8 DOR
25	87341824	4	BOLT, HEX HD M10 X 55 CL8.8 DOR
26	BN303191	1	TEE, 2" FLANGED
27	BN306900	5	STRAINER ASSY., 2" FLANGE X 1.25 HB
28	BN303201	2	U-BOLT, 1/4 X 2.38D X 3.75
29	BN50138	8	WASHER, 1/4" FLAT SS
30	BN55359	4	NUT, 1/4"-20 NYLON SS
31	BN308039	2	PLATE, SPACER
32	BN53841	1	HOSE, BLK, 2" EPDM SUCTION
33	BN29563	1	SLEEVE, BLK, 1.25" EPDM-DISCH
34	BN310448	8	CLAMP, HOSE, #28, 304 SS ABA STYLE
35	BN320156	6	CLAMP, HOSE, #24, 304 SS ABA STYLE
36	BN324133	1	PLUG, 1.0LB W/.25FP, PP
37	BN73017	1	ELBOW, 90, STREET, 1/4, SS
38	BN52033	12	BOLT, 1/4" X 5/8"
39	344407A1	1	PLUG, 2.0FLB WITH .75FP, PP
40	BN73566	1	ELBOW, 90-STREET-3/4" POLY
41	BN73649	1	NIPPLE, LUBE, 1" SHORT POLY PIPE
42	BN320072	1	STRAINER ASSY., 1" NPT 50M POLY



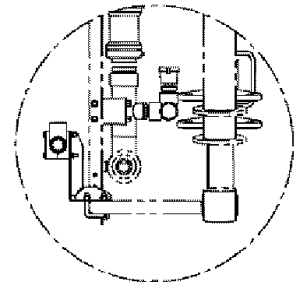
## 4420 PATRIOT SPRAYER

## 09-060 BOOM VALVE PLUMBING, 7 SECTION, LO-FLOW, 120' BOOM

Ref	Part Number	Qty	Description
1	87632830	6	VALVE, RESTRICTOR, VLV, PLGR, ELE, 2FLB 1FLB.75FP
2	BN303204	15	GASKET, 2.0FLB, EPDM
3	BN303199	15	CLAMP, 2FLB,STD
4	BN306900	6	STRAINER ASSY., 2.0FLB1.25HB, PP
5	BN303205	7	GASKET, 1.0FLB, EPDM
6	BN303203	7	CLAMP, 1.0FLB
7	87575511	6	FTG, 90, 1.0FLB1.25HB,PP
8	BN304317	2	PLUG, 2.0FLB, PP
9	87625607	2	BOOM VALVE
10	87625608	2	MOUNTING PARTS, BOOM VALVE, BENT
11	87628243	2	1.5 IN TUBE
12	86980407	4	BOLT, M10-1.5 X 70, HH, 8.8, DOR
13	87529312	16	WASHER, 11 X 24 X 3MM HDN DOR
14	86980515	12	NUT, LOCK, M10 x 1.5, CI 8, P/T ALL MTL M10 8 DOR
15	87628244	2	BOOM VALVE, OUTER
16	87620862	2	PLATE, 2.5 IN TUBE
17	87624339	1	VALVE, RESTRICTOR, PLGR, ELE, 2FLB, PP
18	86980410	4	BOLT, M10-1.5 X 100, HH, 8.8, DORREPL
19	87341824	4	BOLT, M10 X 55 8.8 DOR
20	BN303191	1	TEE, 2.0FLB2.0FLB1.0FLB, PP
21	BN317966	5	STRAINER ASSY., 2.0FLB1.0HB, PP
22	BN303201	2	U-BOLT, 1/4 X 2.38R X 3.75
23	BN50138	8	WASHER, 1/4, FW, SS
24	BN55359	4	NUT, 1/4-20, NLN, SS
25	BN308039	2	PLATE, SPACER
26	BN29563	82.5	SLEEVE, HOSE-BLK-1.25 EPDM-DISCH
27	BN53479	26	SLEEVE, HOSE-BLK-1 EPDM-DISCHARG
28	BN320156	8	CLAMP, HOSE, 24, 304 SS
29	BN75990	6	CLAMP, SS- 16 .81 TO 1.5 A
30	BN324133	1	PLUG, 1.0FLB W/.25FP, PP
31	BN73017	1	ELBOW, 90 STREET-1/4 SS
32	BN52033	12	BOLT, 1/4-20 X .625, HH, SS
33	344407A1	1	PLUG, 2.0FLB W/ .75FP,PP
34	BN73566	1	ELBOW, FTG, 90,.75MP.75FP,PP
35	BN73649	1	NIPPLE, LUBE, RDCR,1.0MP.75MP,PP
36	BN320072	1	STRAINER ASSY., 1 NPT 50M POLY
37	BN67315	1	FITTING, 90, 1.0MP1.25HB,PP



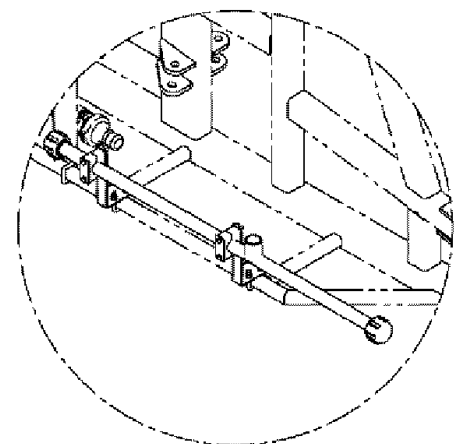
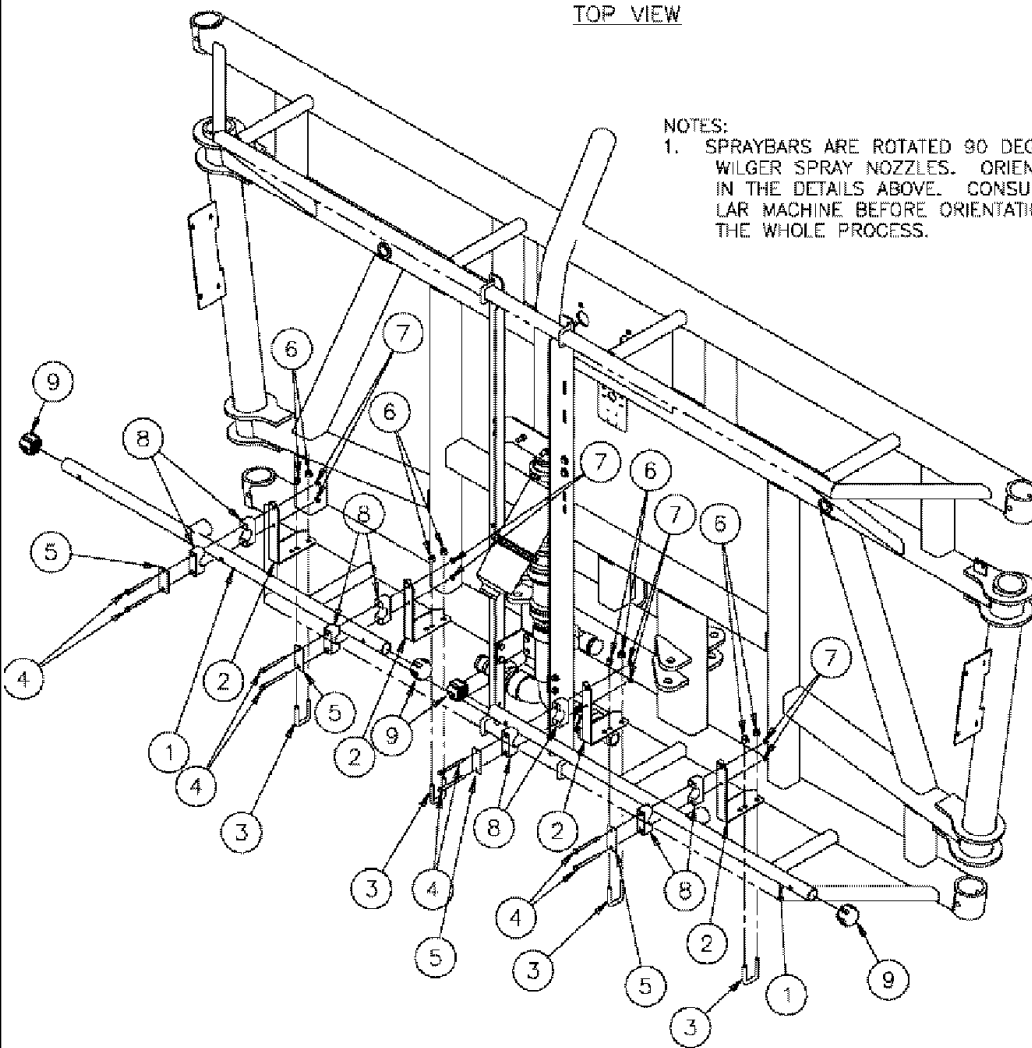
TOP VIEW



ARAG SIDE VIEW

NOTES:

1. SPRAYBARS ARE ROTATED 90 DEGREES FROM UPRIGHT POSITION FOR THE WILGER SPRAY NOZZLES. ORIENTATION FOR THE ARAG NOZZLES IS SHOWN IN THE DETAILS ABOVE. CONSULT TOTAL BUILD ORDER FOR THE PARTICULAR MACHINE BEFORE ORIENTATION OCCURS, AS THIS HAS AN EFFECT ON THE WHOLE PROCESS.



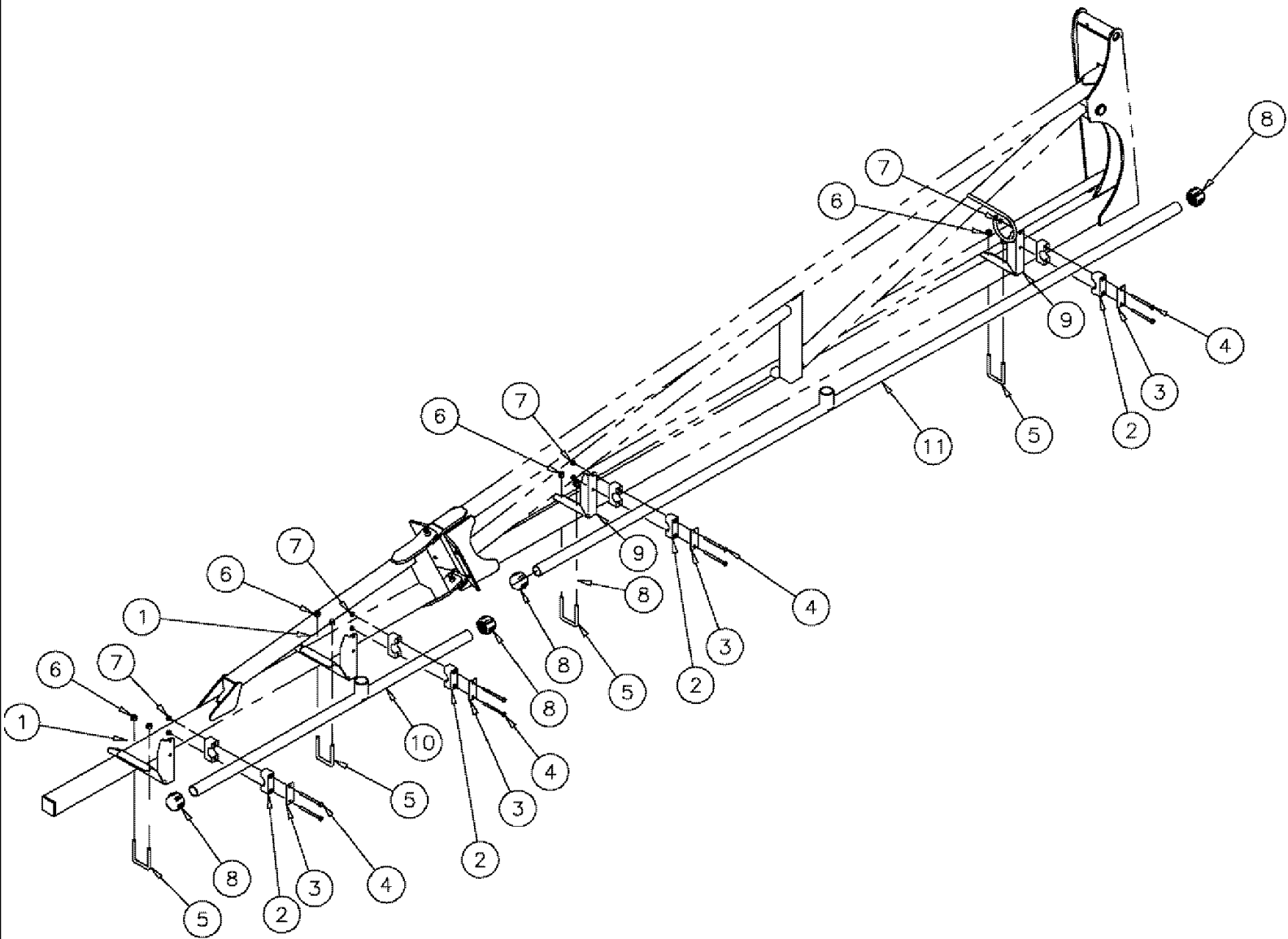
ARAG ISOMETRIC VIEW



## 4420 PATRIOT SPRAYER

09-061 NOZZLE SPACING GROUP, 6 SECTION CENTER, 20" OFF

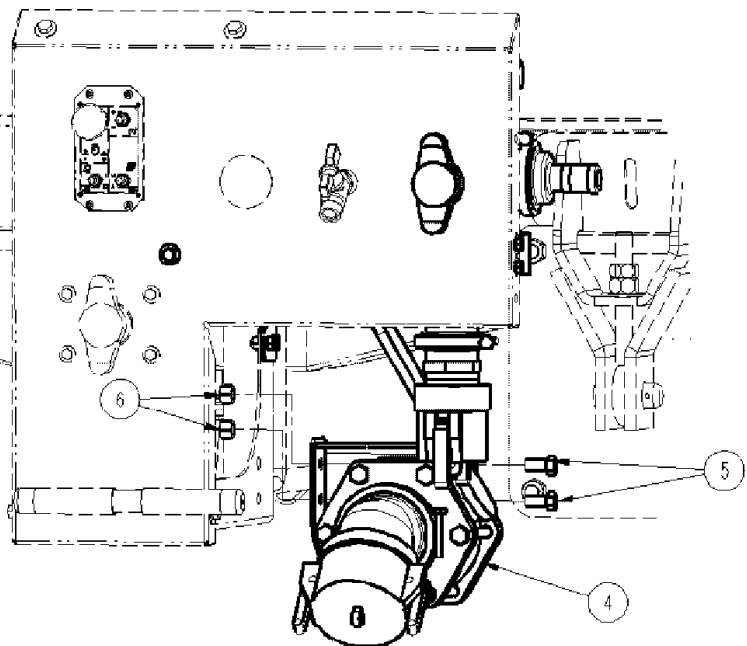
Ref	Part Number	Qty	Description
1	87266669	2	PIPE, SPRAY BAR WLDMT, SS (20 X 3)
2	BN323957	4	BRACKET, MOUNT WDMT, SPRAY BAR
3	BN319918	4	U-BOLT, SQ BND 1.31 ID X 3/8
4	BN67050	8	BOLT, 1/4-20 X 3, HH, SS
5	BN309483	4	PLATE, TOP, SINGLE, SIZE 5
6	BN50759	8	NUT, 3/8-16, NLN, SS
7	BN55359	8	NUT, 1/4-20, NLN, SS
8	BN67054	4	CLAMP, 1.315" OD (PP)
9	BN73606	4	CAP, 1" POLY PIPE CAP



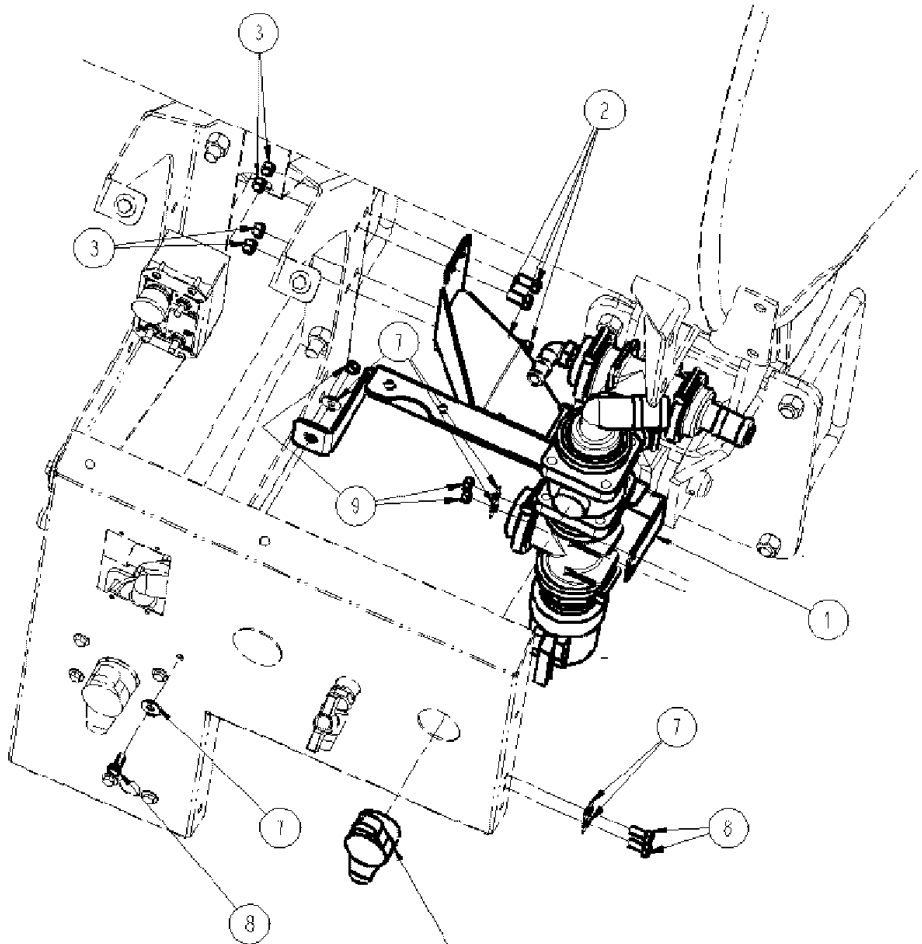
## 4420 PATRIOT SPRAYER

09-062 NOZZLE SPACING GROUP, 90' OUTER, 20" OFF

Ref	Part Number	Qty	Description
1	87562807	2	BRACKET, SUPPORTING, MOUNT, SPRAYBAR
2	BN67054	4	CLAMP, 1.315" OD (PP)
3	BN309483	4	PLATE, TOP, SINGLE, SIZE 5
4	BN55381	8	BOLT, 1/4-20 X 3.25, HH, SS
5	BN319919	4	U-BOLT, SQ BND 2.06 ID X 3/8
6	BN50759	8	NUT, 3/8-16, NLN, SS
7	BN55359	8	NUT, 1/4-20, NLN, SS
8	BN21618	4	CAP, 1.25"
9	BN323957	2	BRACKET, MOUNT WDMT, SPRAY BAR
10	BN320273	1	TUBE, WLDT, 20" SP X 3 EA
11	BN320271	1	TUBE, WLDT, 20" SP X 6 EA



3" FILL ASSEMBLY



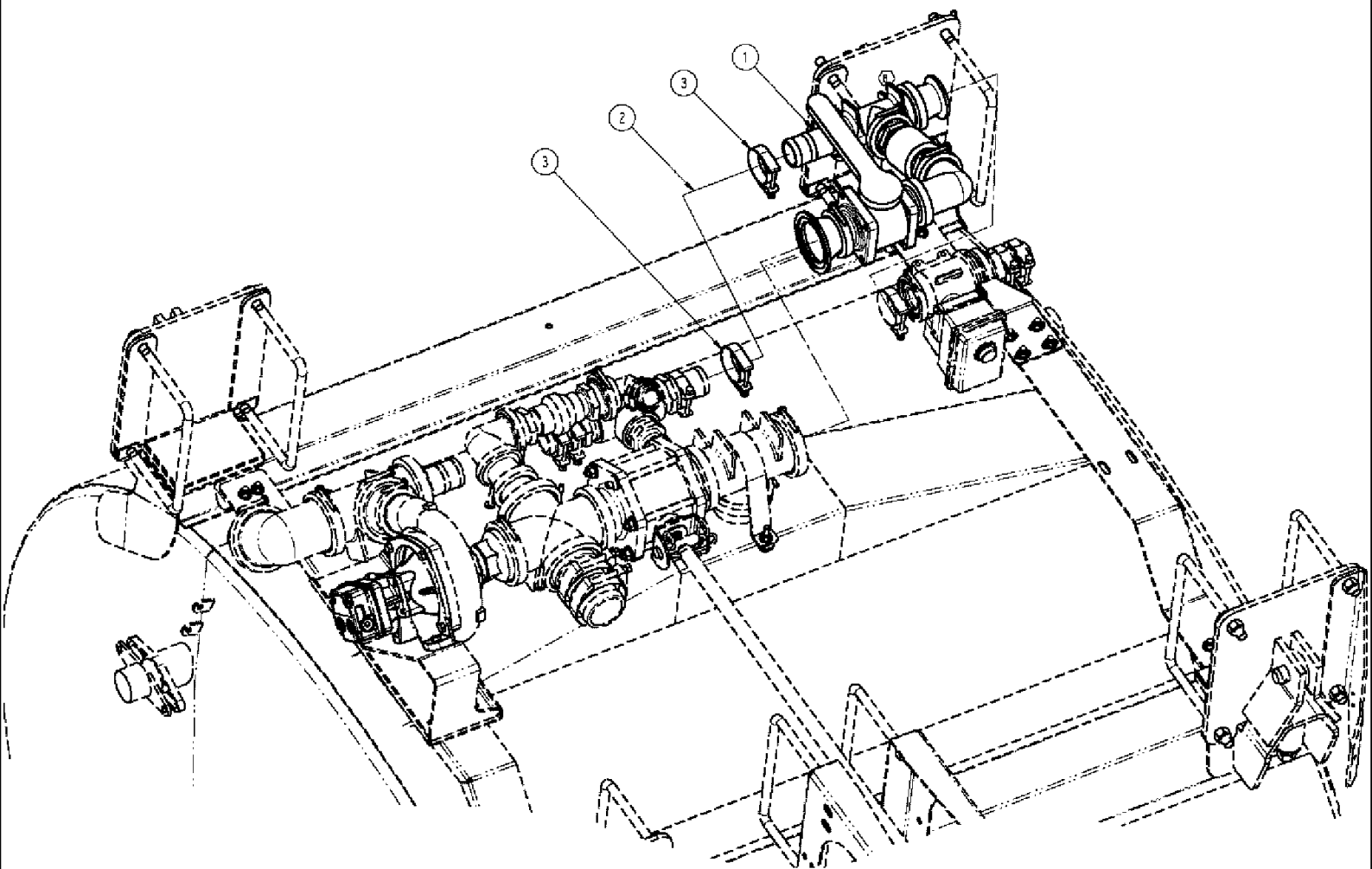
HANDLE NEEDS TO BE REMOVED AND REINSTALLED

2" FILL ASSEMBLY  
(PANEL SHOWN MOVE FORWARD FOR CLARITY.)  
(3" FILL ASSEMBLY 1343026A1) NOT SHOWN FOR CLARITY.)

## 4420 PATRIOT SPRAYER

## 09-063 PRESSURE FILL GROUP PLUMBING

Ref	Part Number	Qty	Description
1	342625A1	1	2 " RINSE, SEE FIG, 09-064
2	BN50250	4	BOLT, 3/8-16 X .75, HH, SS
3	BN50759	4	NUT, 3/8-16, NLN, SS
4	343026A1	1	3" PRESSURE, SEE FIG 09-063
5	BN50691	2	BOLT, 1/2-13 X 1, HH, SS
6	BN320390	2	NUT, 1/2-13, TL NUT, G5, DORRL
7	BN50142	6	WASHER, 5/16, FW, SS
8	BN50476	3	BOLT, 5/16-18 X .75,HH,SS
9	BN55361	3	NUT, 5/16-18, NLN, SS



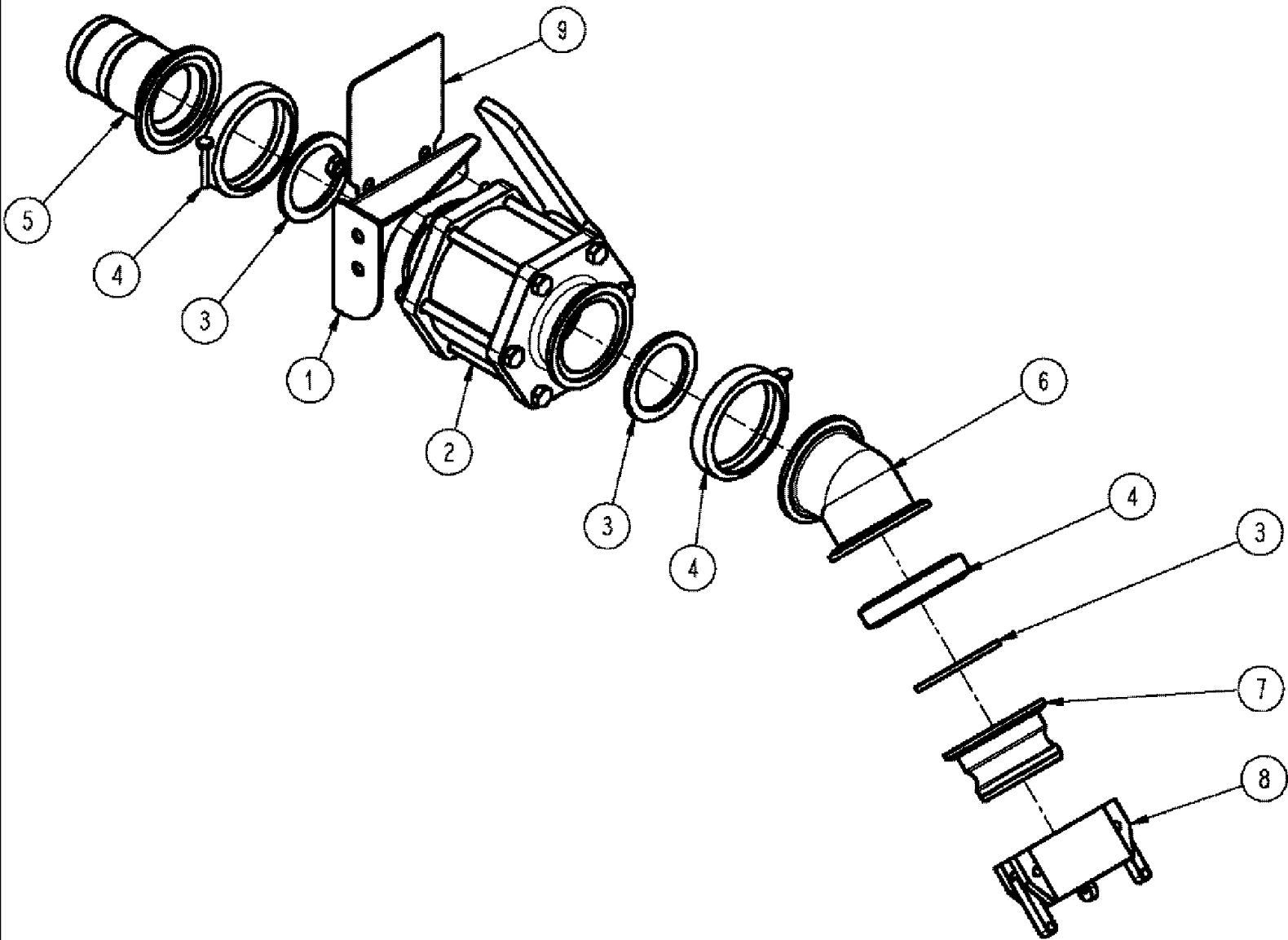
## NOTES:

1. DISCARD 3" BANJO CAP FROM END OF SUMP TEE (PN BN321079, BANJO PN W300PLG).
2. DISCARD 2" FLANGED HOSEBARB FROM ELECTRIC SPARGE VALVE (PN BN303198, BANJO PN W200BRB).
3. REUSE 2" AND 3" BANJO CLAMP AND GASKETS FOR NEW ASSEMBLY.
4. USE NEW 2" EPDM HOSE AND CLAMPS FOR SHORTER HOSE.

4420 PATRIOT SPRAYER

09-064 SUCTION FILL GROUP

Ref	Part Number	Qty	Description
1	87268175	1	PLUMBING, SUCTION 2", SEE FIG. 09-072
2	87266610	1	HOSE, 2" X 10", EPDM
3	BN2403358	2	CLAMP, BOLT BAND 2 1/2"

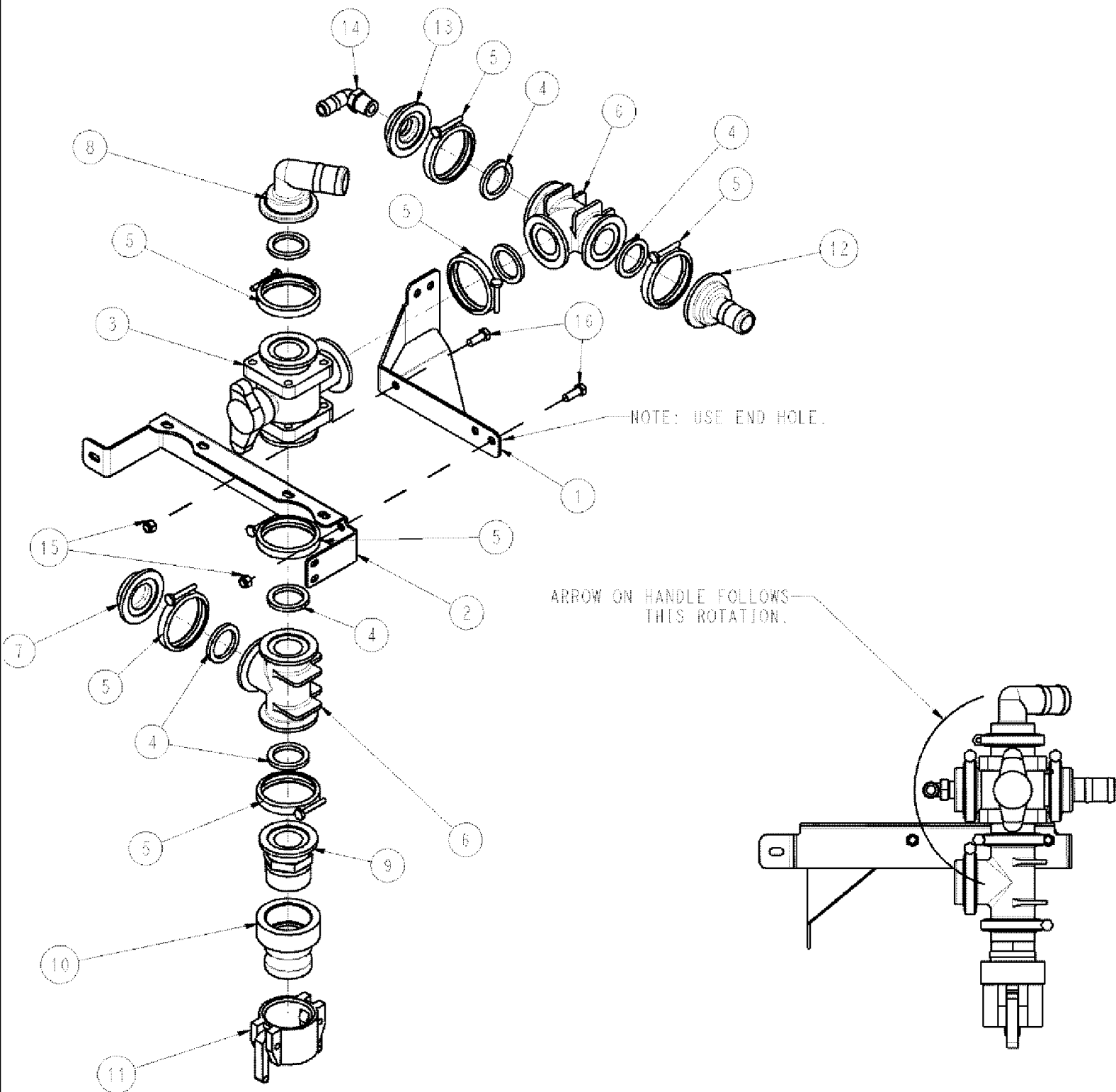




## 4420 PATRIOT SPRAYER

## 09-065 FILL, 3" PLUMBING ASSEMBLY

Ref	Part Number	Qty	Description
1	343420A1	1	PLATE, MOUNTING, W/M FILL 3" X 90 778D
2	BN321070	1	VALVE, BALL -3" FLG
3	BN321073	3	GASKET, MANIFOLD-3"
4	BN321074	3	CLAMP, MANIFOLD-3"
5	BN321075	1	MANIFOLD, BARB, STR -"FLG
6	87266599	1	ELBOW, MANIFOLD 3" X 45
7	343025A1	1	ELBOW, ADAPTER, 3" MAN. X 3" CAM
8	BN2393384	1	CAP, COUPLER 3" DUST POLY
9	343188A1	1	PLATE, DECAL TANK FILL



## 4420 PATRIOT SPRAYER

## 09-066 FILL GROUP, 2" RINSE PLUMBING

Ref	Part Number	Qty	Description
1	343423A1	1	PLATE, MOUNTING, W/M FILL 2" 778D
2	343023A1	1	PLATE, MNT LOAD STA, 778D
3	BN324998	1	VALVE, 2" FLG X 2" FLG BL
4	BN303204	7	GASKET, 2" EPDM
5	BN303199	7	CLAMP, 2" STD FLG
6	BN303196	2	TEE, 2" FLG
7	BN304317	1	PLUG, 2" FLANGE
8	BN304321	1	ELBOW, BARB, 90 -2" FLG X 1.5" HOSE
9	BN303185	1	ADAPTER, MANIFOLD, 2" FLG X 2" NPT
10	BN304330	1	ADAPTER, 2" CAM X 2" NPT
11	BN22901	1	CAP, 2" CAM LEVER
12	BN306900	1	STRAINER ASSY., 2" FLANGE X 1.25 HB
13	344407A1	1	PLUG, 2" FLG X 3/4" NPT
14	BN73562	1	FITTING, BARB, 3/4 NPT X 3/4 HS, 90D
15	BN50759	2	NUT, 3/8-16, NLN, SS
16	BN50254	2	BOLT, 3/8-16 X 1, HH, SS

**ART**

**NOT**

**AVAILABLE**

## 4420 PATRIOT SPRAYER

## 09-067 90' KNOCKDOWN TUBE PACKAGE

Ref	Part Number	Qty	Description
	231-4146	104	NUT, LOCK, 3/8"-16, GB,
	BN24486	1	TUBE, 1 X 1 X 12GA X 124.0
	BN25936	2	TUBE, HYD, 1 X 1 X 12GA X 64.62
	BN29599	26	PIN, REWORK BOLT 3/8 X 2.75
	BN319919	24	U-BOLT, SQ BND 2.06 ID X 3/8
	BN32823	18	PLUG, TUBING-FITS 1 X 1 X 14
	BN67274	2	TUBE, NOZZLE MOUNT
	BN67275	2	TUBE, NOZZLE MOUNT
	BN67277	2	TUBE, NOZZLE MOUNT
	BN67279	26	BRACKET, DRY BOOM MOUN
	BN67284	2	U-BOLT, 3/8--SQ BND-1.25ID
	BN68213	4	BAR, NOZZLE BAR SPACER-BRKAW
	BN71006	26	CLIP, HAIRPIN-1/8" #11

**ART**

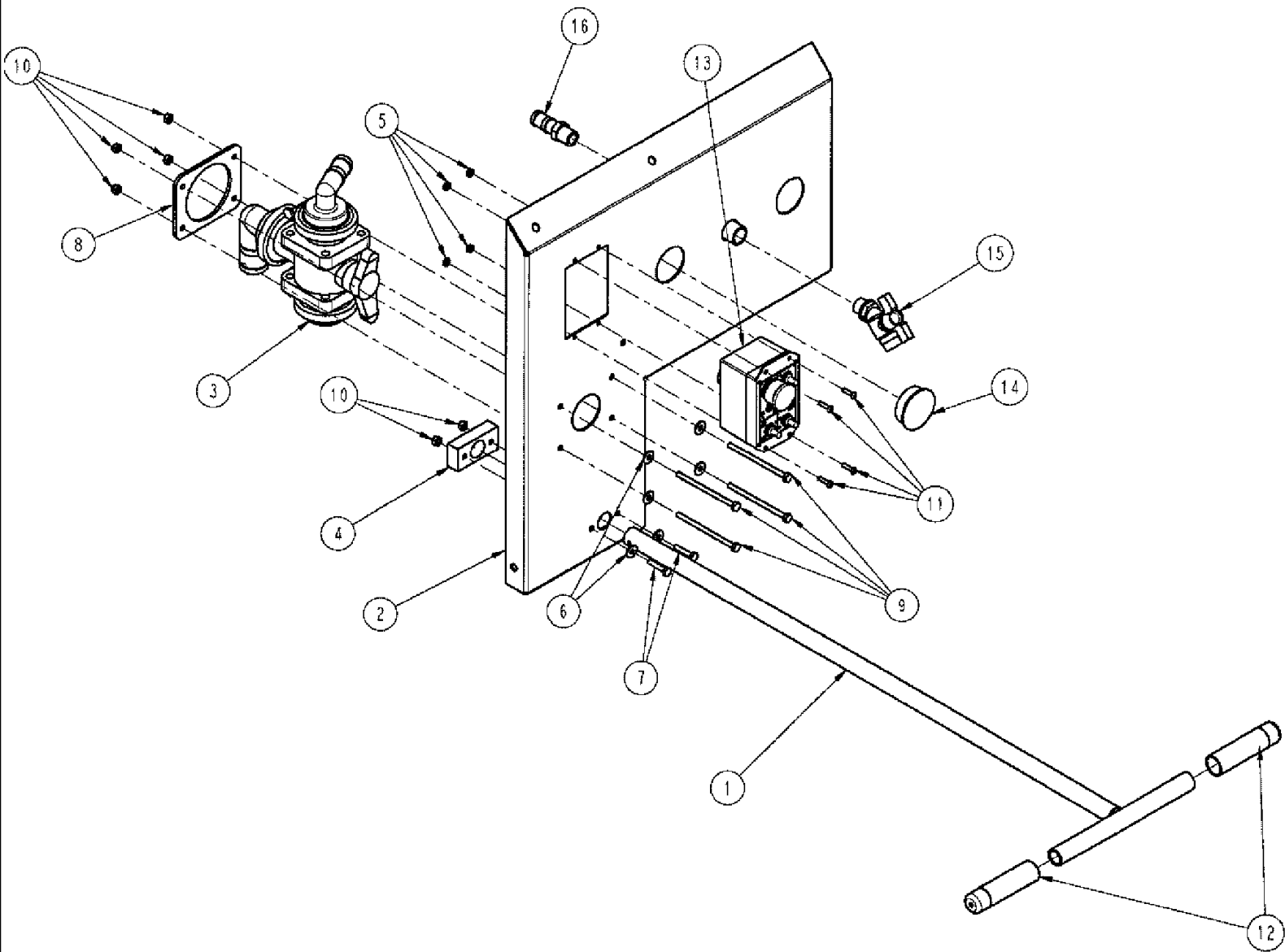
**NOT**

**AVAILABLE**

## 4420 PATRIOT SPRAYER

## 09-068 90' KNOCKDOWN FITTING PACKAGE

Ref	Part Number	Qty	Description
	BN319118	1	3/4" I.D. X 80' EPDM
	BN53666	12	FITTING, HOSEBARB-1 NPT X 3/4 HOSE
	BN53668	6	COUPLING, 1" FML, HS SHK
	BN68699	97	NOZZLE, W/CAP-(5-W.75 DBL)
	BN69475	12	NOZZLE, W/CAP-(5-W.75 SGL)
	BN73629	6	TEE, 1" POLY PIPE
	BN74448	109	CLAMP, 1" SQUARE TUBING
	BN75978	122	CLAMP, SS-#12 ADJ HS.56-1.25

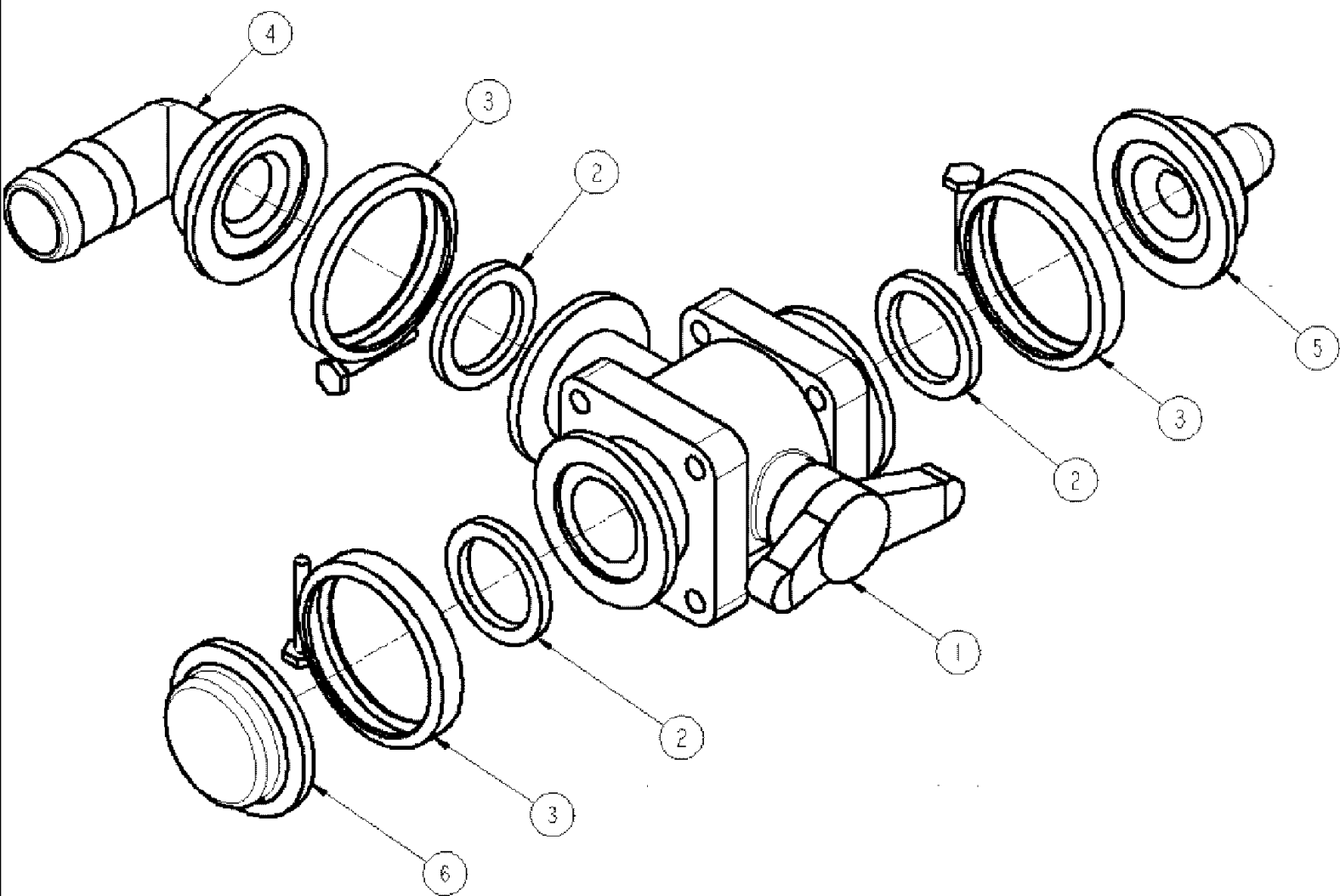




## 4420 PATRIOT SPRAYER

## 09-069 PLATE GROUP, OPERATOR STATION

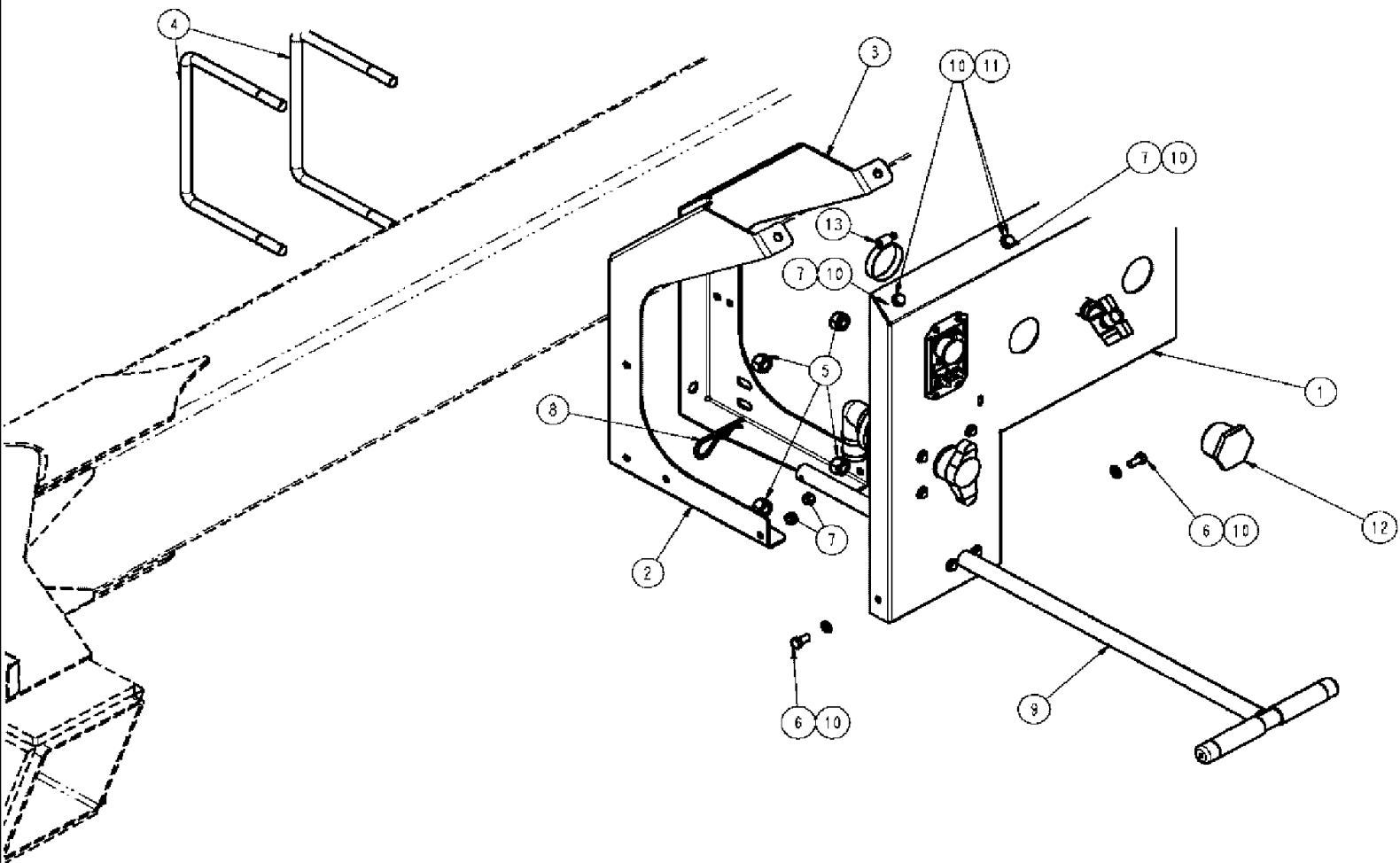
Ref	Part Number	Qty	Description
1	343411A1	1	HANDLE, W/M 3" VALVE 778D
2	344398A1	1	PLATE, MOUNTING, WLDT, OPER. STA. PLATE
3	343413A1	1	VALVE GRP, CHEM/RINSE 778D, SEE FIG. 09-068
4	BN323177	1	BUSHING, VALVE HANDLE EXT
5	BN310266	4	NUT, 10-24, NLN, SS
6	BN50138	6	WASHER, 1/4, FW, SS
7	BN50688	2	BOLT, 1/4-20 X 1.25, HH, SS
8	BN323367	1	PLATE, VALVE HOLDER
9	BN311764	4	BOLT, 1/4-20 X 4.25, HH, SS
10	BN55359	6	NUT, 1/4-20, NLN, SS
11	BN311631	4	BOLT, 10-24 X .75, BSH, SS
12	BN323880	2	GRIP, HANDLE, 1" ID VINYL
13	87266536	1	CONTROL UNIT, REMOTE STATION RELOAD CTR, SEE FIG. 09-070
14	BN2397660	1	PLUG, DASH 2" #2403
15	BN53817	1	VALVE, PLASTIC 1/2NPT-DRAI
16	BN322536	1	ADAPTER, BARB, 1/2" MPT X 3/4" HS



## 4420 PATRIOT SPRAYER

## 09-070 VALVE GROUP CHEM/RINSE

Ref	Part Number	Qty	Description
1	BN324998	1	VALVE, 2" FLG X 2" FLG BL
2	BN303204	3	GASKET, 2" EPDM
3	BN303199	3	CLAMP, 2" STD FLG
4	BN304321	1	ELBOW, BARB, 90 -2" FLG X 1.5" HOSE
5	BN322003	1	ELBOW, BARB-2" FLG X 1" HOSE
6	BN304317	1	PLUG, 2" FLANGE

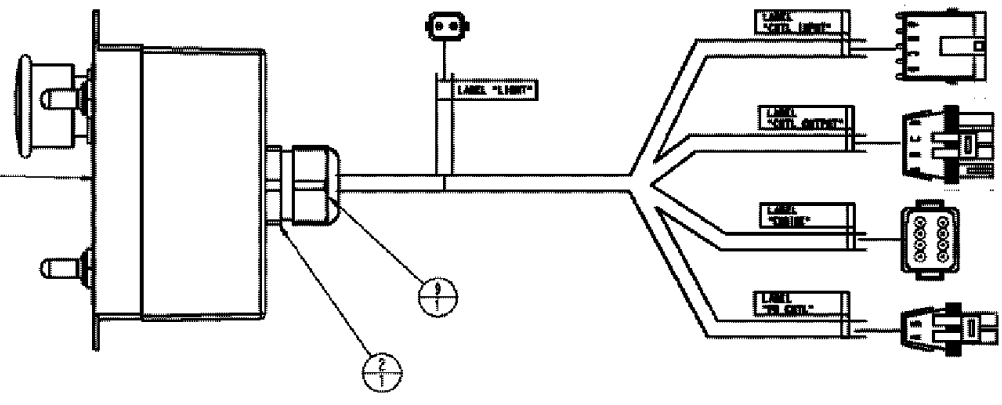
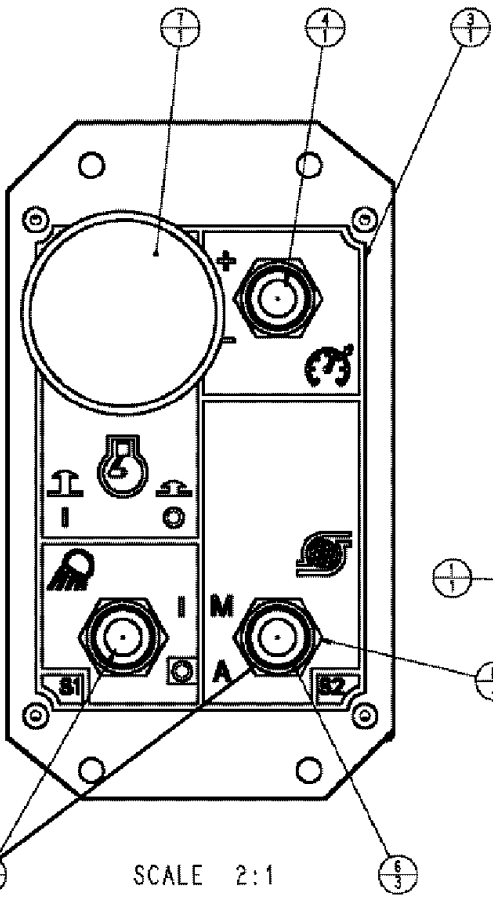
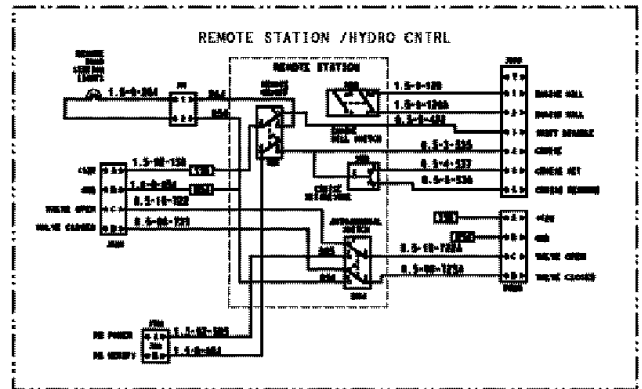


## 4420 PATRIOT SPRAYER

## 09-071 OPERATION STATION GROUP

Ref	Part Number	Qty	Description
1	344399A1	1	OPER STA 778D, SEE FIG.09-067
2	343414A1	1	PLATE, MOUNTING, W/M OP. STA LH 778D
3	343418A1	1	PLATE, MOUNTING, W/M OP. STA RH 778D
4	BN325918	2	U-BOLT,
5	832-46416	4	NUT, LOCK, M16 x 2, CI 8, TLN
6	BN50250	2	BOLT, 3/8-16 X .75, HH, SS
7	BN50759	4	NUT, 3/8-16, NLN, SS
8	BN71007	1	CLIP, HAIRPIN -3/16" #8
9	87270634	1	SPACER, BUSHING PLASTIC
10	BN50146	6	WASHER, 3/8, FW, SS
11	BN50254	2	BOLT, 3/8-16 X 1,HH,SS
12	BN73794	1	PLUG, 2.0, MP, PP
13	BN76056	1	CLAMP, HOSE #36

\*\*\* SCHEMATIC IS AUTO CAD FILE B7266536 \*\*\*

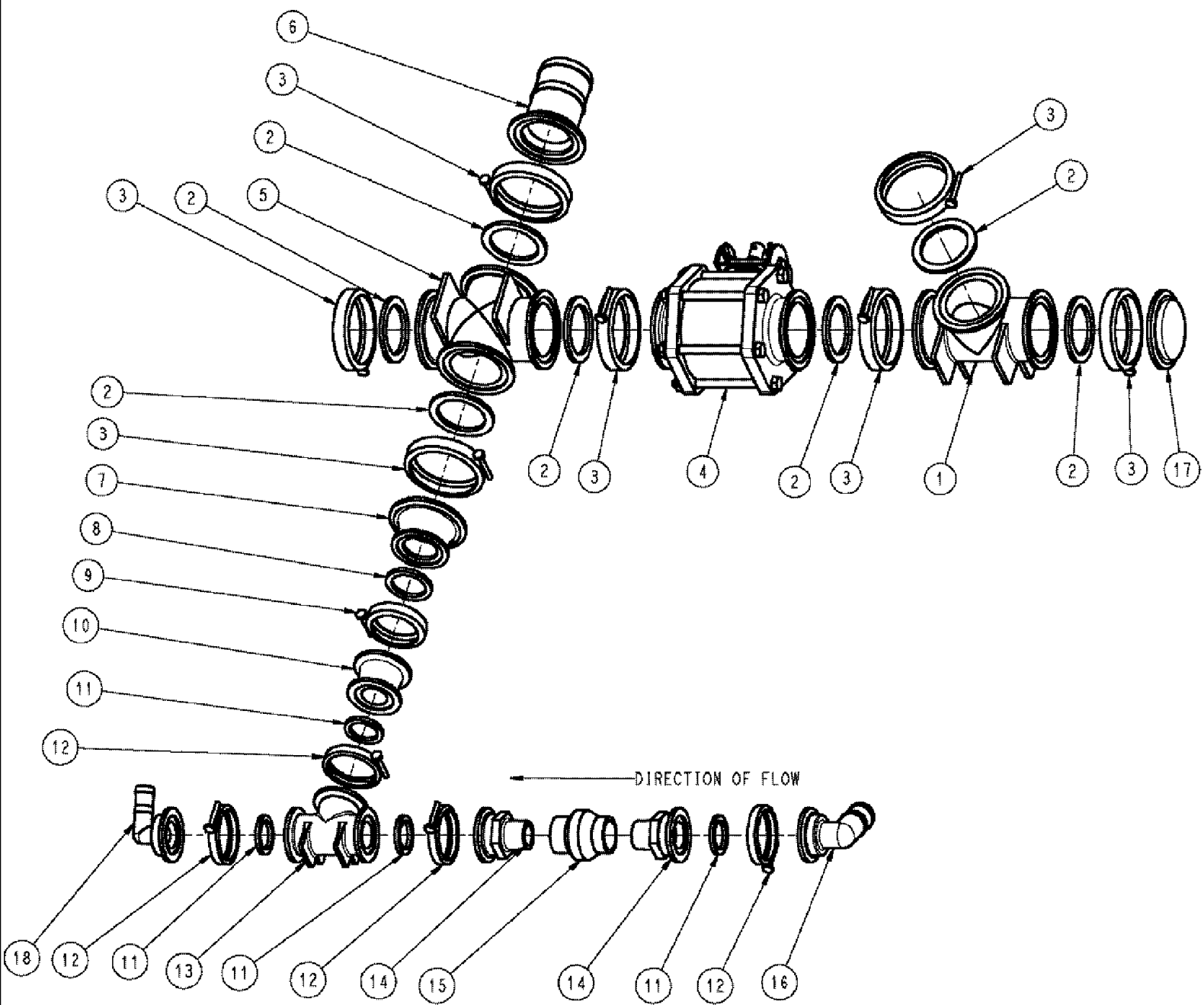


SCALE 2:1

4420 PATRIOT SPRAYER

09-072 REMOTE STATION RELOAD CENTER

Ref	Part Number	Qty	Description
1	86986403	1	SHIELD, ENCLOSURE, W/REWORK
2	BN66117	1	NUT, STRAIN RELIEF-SHIFT CABLE
3	86986405	1	DECAL, REMOTE STATION
4	BN29445	1	SWITCH, TOGGLE (ON) OFF (ON)
5	BN24129	2	SWITCH, ON-NONE-ON DPDT
6	343660A1	3	COVER, SWITCH, BLK, TOGGLE
7	86986404	1	SWITCH, PUSH/PULL, SEALED
8	BN324373	3	NUT, 1/2 TOGGLE SWITCH
9	87266537	1	HARNESS, REMOTE MODULE

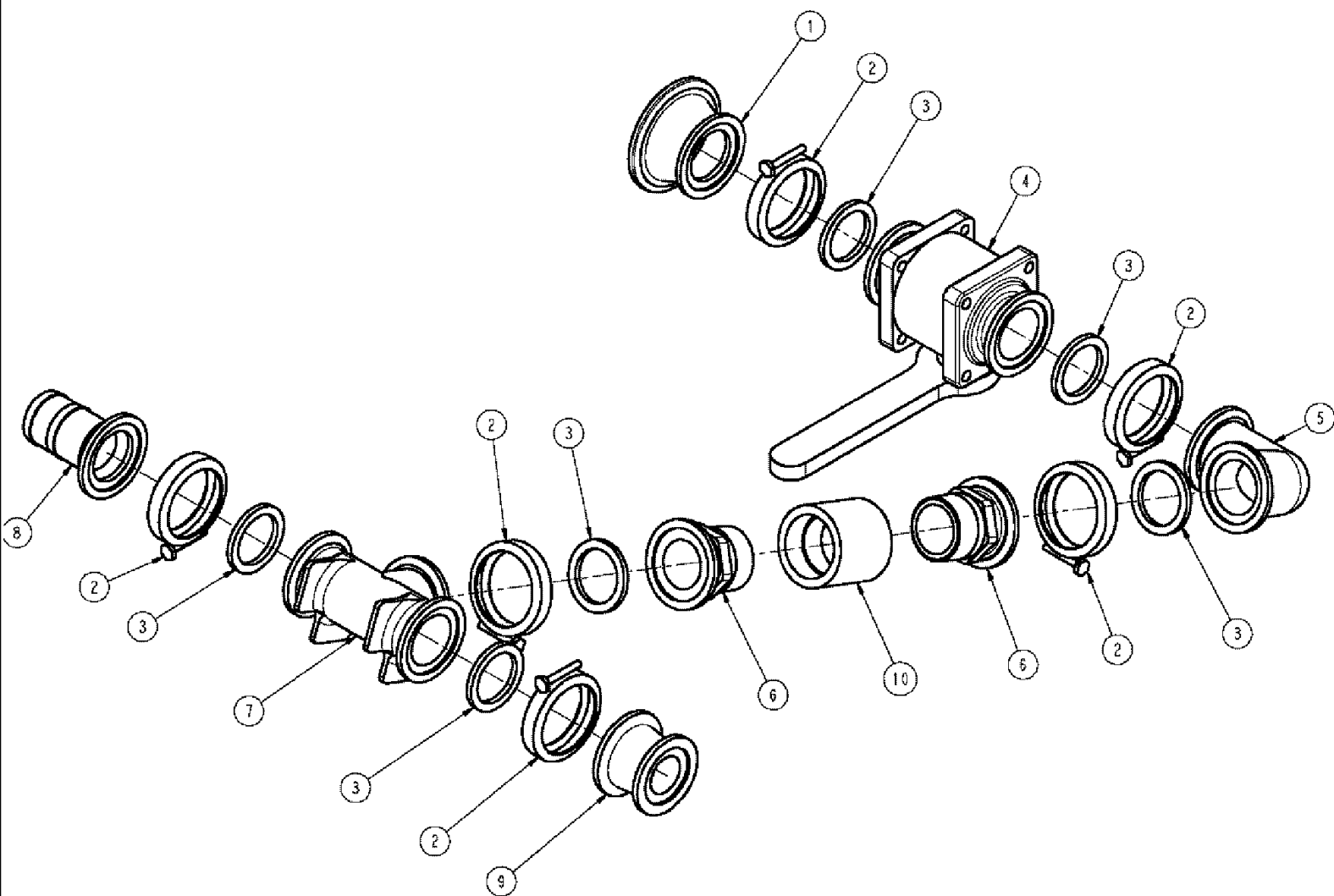




## 4420 PATRIOT SPRAYER

## 09-073 PLUMBING GROUP, UNDER SUMP

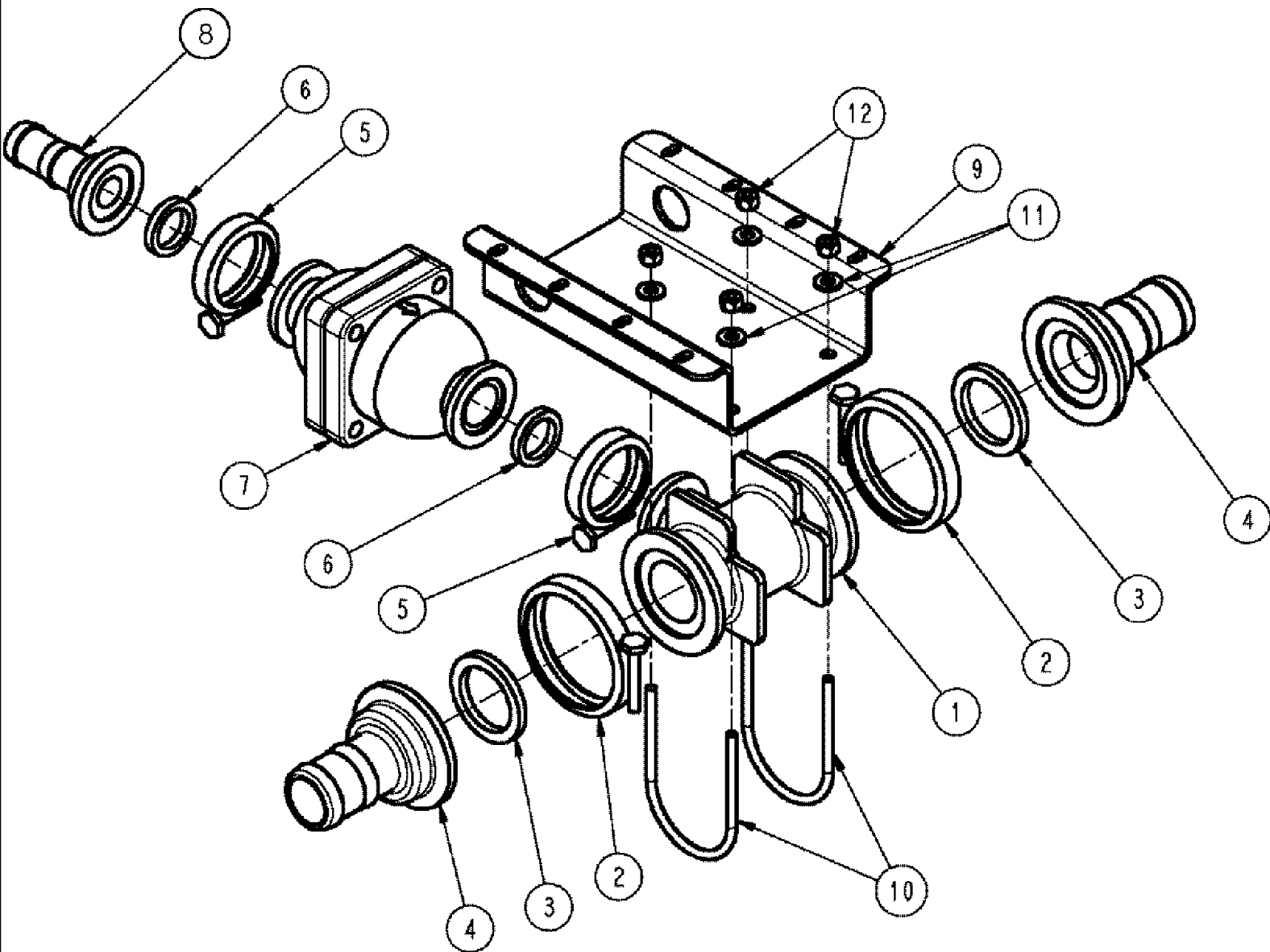
Ref	Part Number	Qty	Description
1	BN321071	1	TEE, MANIFOLD-3"
2	BN321073	7	GASKET, MANIFOLD-3"
3	BN321074	7	CLAMP, MANIFOLD-3"
4	BN322929	1	VALVE, 3" MANIFOLD BALL
5	BN321076	1	CROSS, MANIFOLD-3" FLG
6	BN321075	1	MANIFOLD, BARB, STR -3" FLG
7	BN321072	1	REDUCER, 3" FLG X 2"FP FLG
8	BN313772	1	GASKET, 2" FULL PORT EPDM
9	BN313773	1	CLAMP, 2" FULL PORT
10	BN322100	1	REDUCER, 2"FP FLG X 2" FLG
11	BN303204	4	GASKET, 2" EPDM
12	BN303199	4	CLAMP, 2" STD FLG
13	BN303196	1	TEE, 2" FLG
14	BN306902	2	FITTING, MANIFOLD, 2" FLG X 1.25" NPT
15	BN24567	1	VALVE, (CHECK) 1 1/4" NPT
16	BN304321	1	ELBOW, BARB, 90 -2" FLG X 1.5" HOSE
17	BN321079	1	PLUG, MANIFOLD-3"
18	BN322003	1	ELBOW, BARB-2" FLG X 1" HOSE



## 4420 PATRIOT SPRAYER

## 09-074 SUCTION PLUMBING, 2"

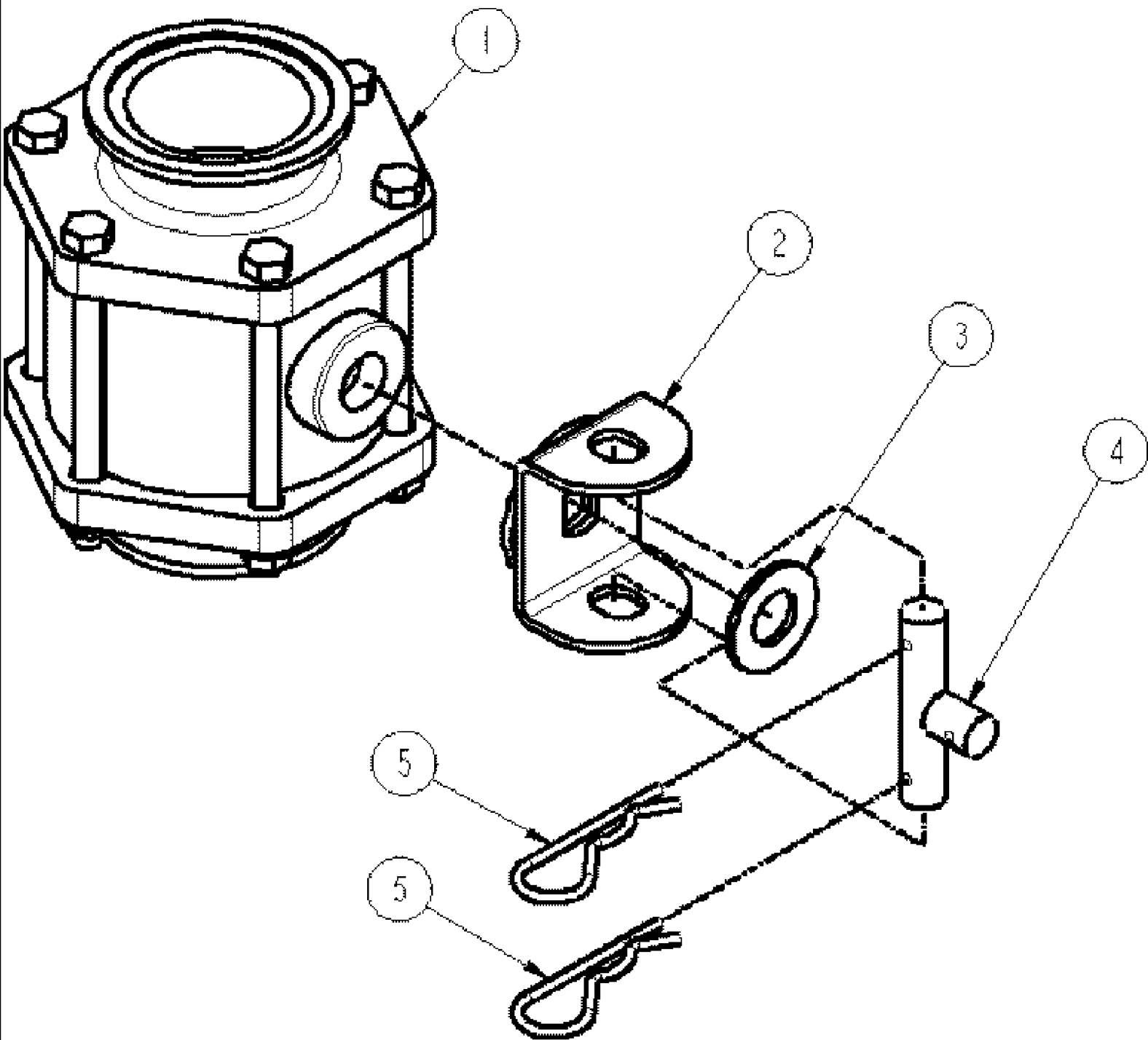
Ref	Part Number	Qty	Description
1	BN321072	1	REDUCER, 3" FLG X 2" FP FLG
2	BN313773	6	CLAMP, 2" FULL PORT
3	BN313772	6	GASKET, 2" FULL PORT EPDM
4	BN324057	1	VALVE, 2" FP MFLD, POLY
5	BN316710	1	FITTING, ELBOW, 2" F. F. FULL PORT
6	BN314241	2	MANIFOLD, 2" FULL PORT
7	BN322550	1	TEE, 2" FULL PORT FLG
8	BN318600	1	FITTING, BARB, 2" FULL FLG X 2" HOSE
9	BN322100	1	REDUCER, 2" FP FLG X 2" FLG
10	BN2403363	1	COUPLING, 2" POLY



## 4420 PATRIOT SPRAYER

## 09-075 PSI RELIEF PLUMBING

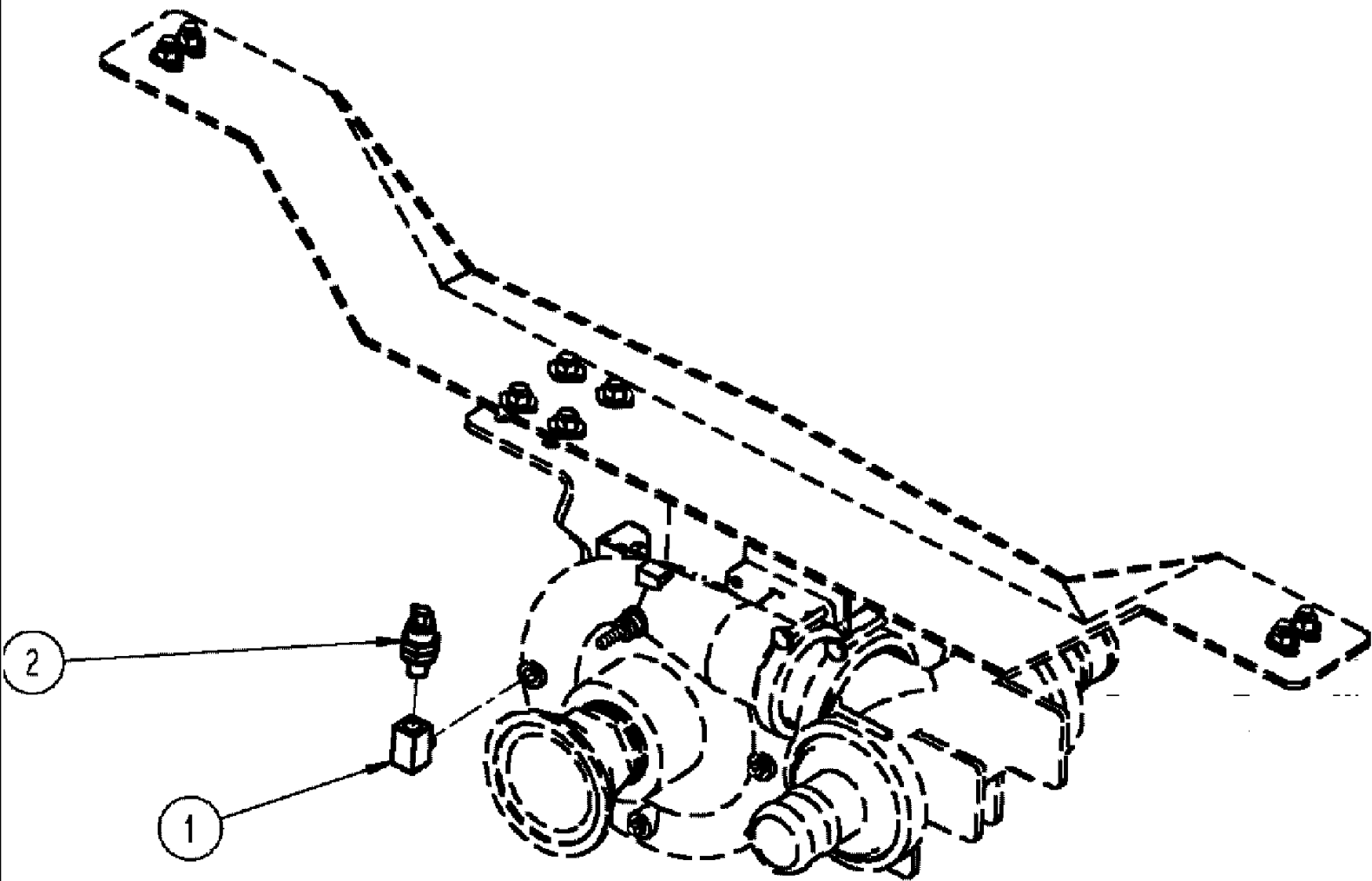
Ref	Part Number	Qty	Description
1	BN303191	1	TEE, 2" FLG X 1" FLG
2	BN303199	2	CLAMP, 2" STD FLG
3	BN303204	2	GASKET, 2" EPDM
4	BN306901	2	FITTING, BARB, 2" FLG X 1.5" HOSE
5	BN303203	2	CLAMP, 1" FLG MANIFOLD
6	BN303205	2	GASKET, 1" FLG MANIFOLD
7	87268172	1	VALVE, CHECK, 1" MFD 100PSIG
8	BN304319	1	FITTING, 1" FLNG X 1" BARB
9	87265474	1	PLATE, MOUNTING, RELIEF VALVE
10	BN303201	2	U-BOLT, 1/4 X 2.38R X 3.75
11	495-11028	4	WASHER, 1/4", SAE, .281 X .625 X .065 ZND
12	231-4144	4	NUT, LOCK, 1/4"-20, GB, HH, TLN



## 4420 PATRIOT SPRAYER

## 09-076 VALVE, 3" MANIFOLD BALL

Ref	Part Number	Qty	Description
1	BN321070	1	VALVE, BALL -3" FLG
2	BN323899	1	PLATE, WM ROTATION VALVE
3	BN323898	1	WASHER, 3" VAVLE HANDLE
4	BN323341	1	PIN, W/M VALVE HANDLE
5	BN71007	2	CLIP, HAIRPIN --3/16" # 8

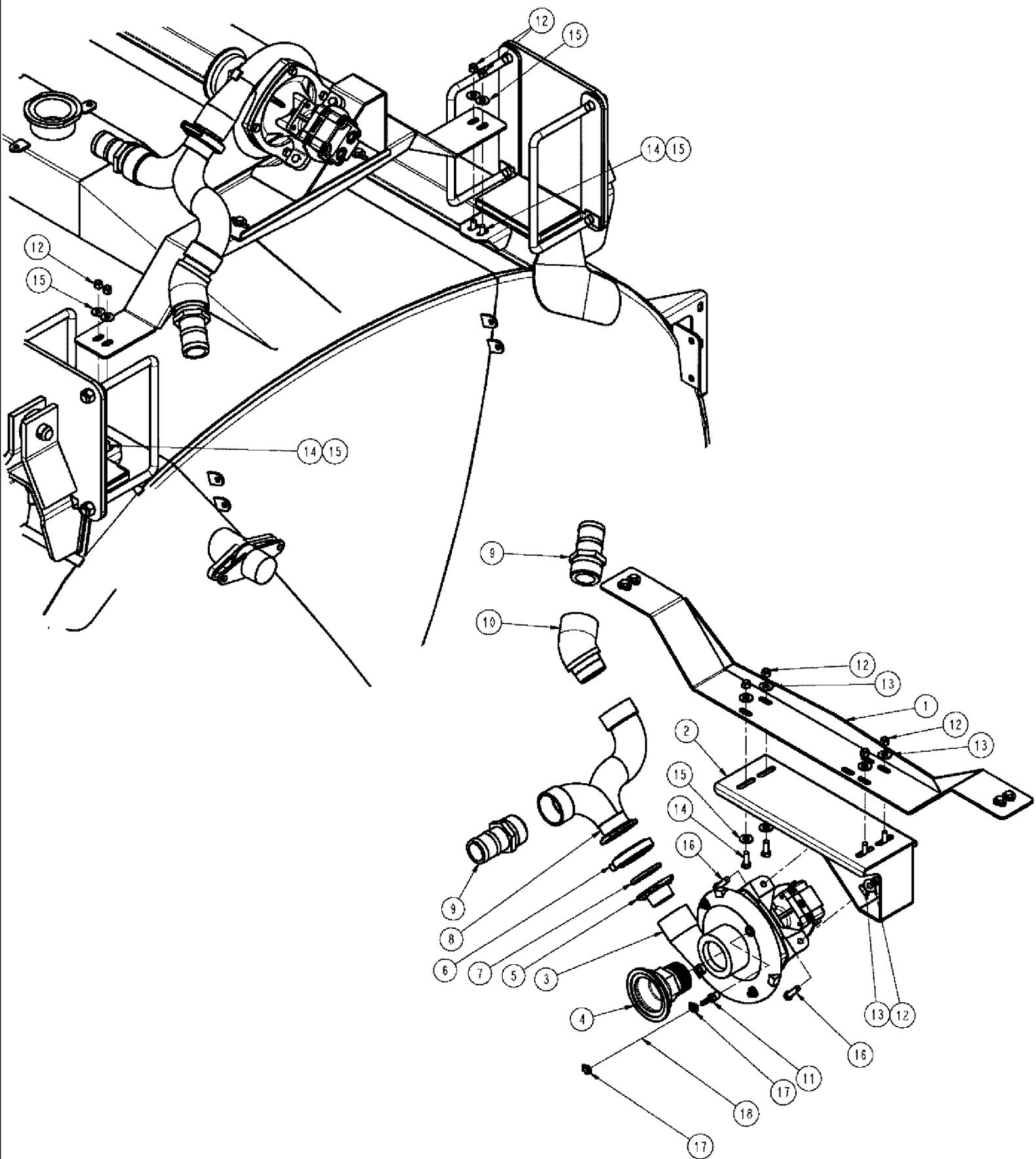




4420 PATRIOT SPRAYER

09-077 PRESSURE SENDER GROUP, PUMP

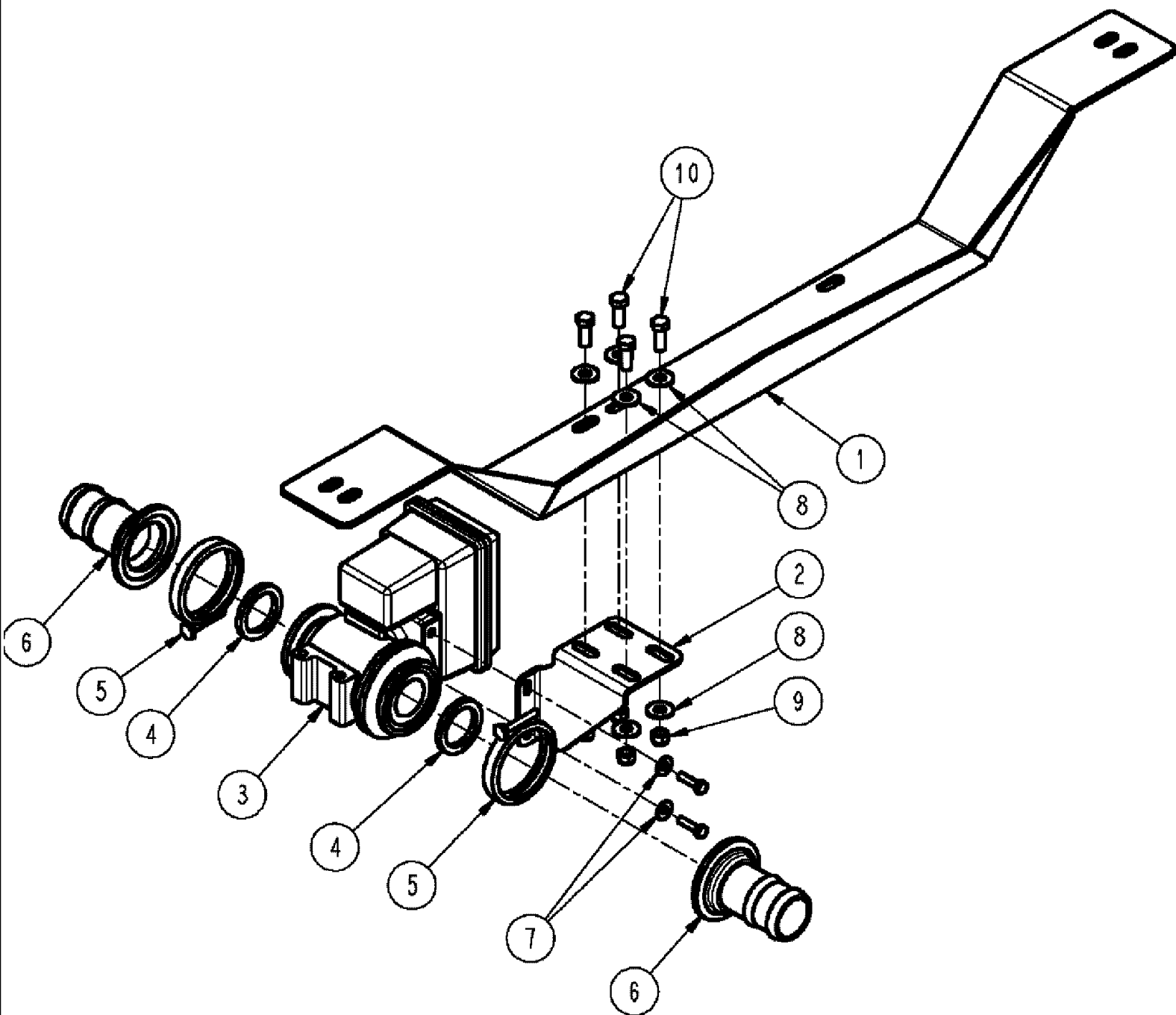
Ref	Part Number	Qty	Description
1	217-1028	1	ELBOW, 90e, 1/8"-27 Male x 1/4"-18 Female,
2	86986400	1	SWITCH, PRESSURE, PMLF



## 4420 PATRIOT SPRAYER

## 09-078 PUMP GROUP, HYPRO, STANDARD

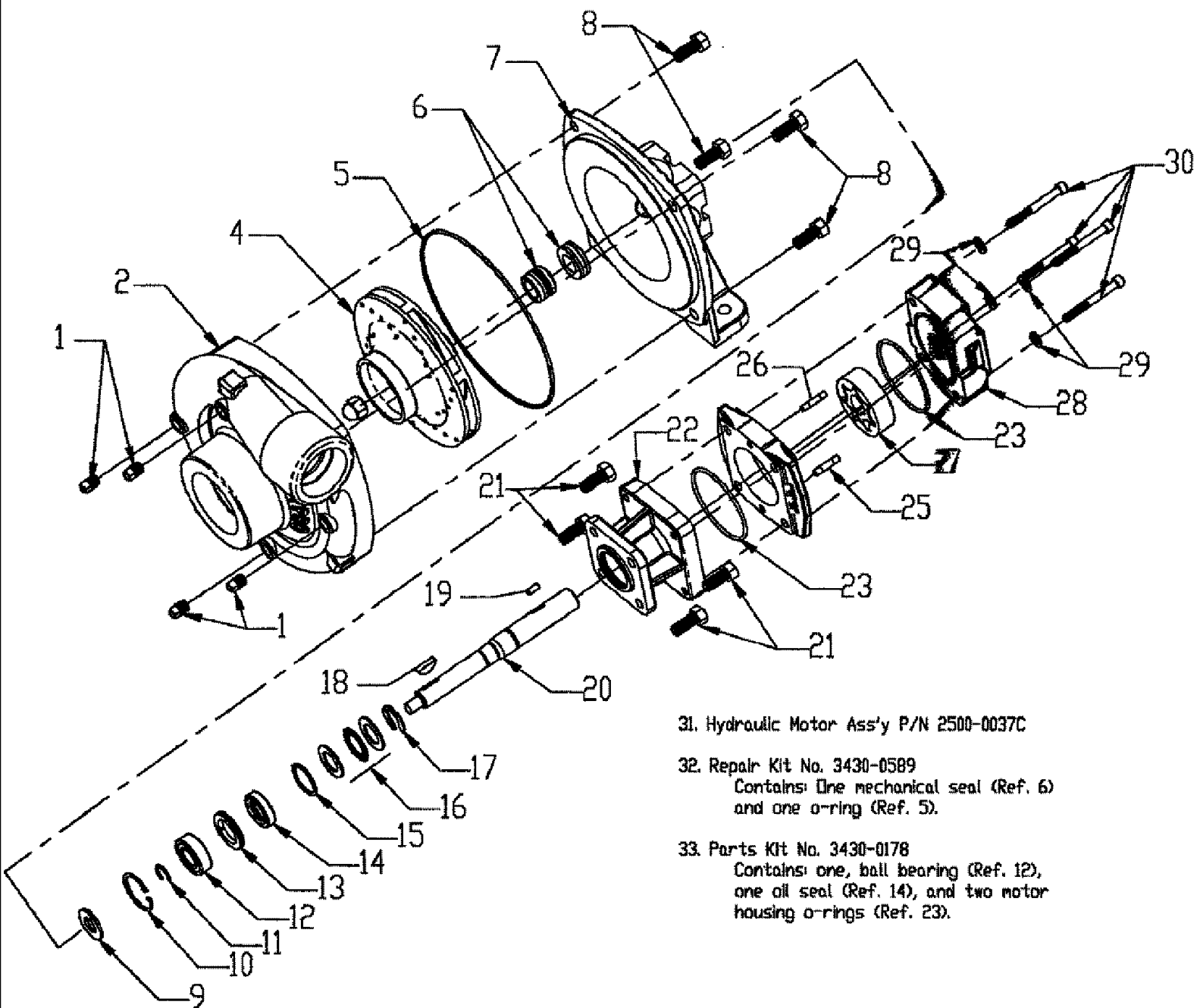
Ref	Part Number	Qty	Description
1	87268147	1	BRACKET, SPAND, PLUMBING SUPPORT
2	87268146	1	SUPPORT, W/M, PRODUCT PUMP
3	87268178	1	PUMP, HYPRO, STANDARD FLOW, SEE FIG 09-078
4	87267235	1	ADAPTER, 3" FLG X 2" NPT
5	BN322254	1	ADAPTER, MANFOLD2FPX1.5 NPT
6	BN313773	1	CLAMP, 2" FULL PORT
7	BN313772	1	GASKET, 2" FULL PORT EPDM
8	87268195	1	MANIFOLD, W/M PRODUCT PLMB
9	BN73781	2	FITTING, HOSEBARB-2 NPT X 2 HOSE
10	BN73793	1	ELBOW, 45 STR-2" NPT POLY
11	BN72040	1	FITTING, BARB, 1/8" NPT X 1/4" ID HS
12	BN50759	10	NUT, 3/8-16, NLN, SS
13	495-21044	10	WASHER, 3/8",
14	BN50254	8	BOLT, 3/8-16 X 1, HH, SS
15	BN50146	8	WASHER, 3/8, FW, SS
16	BN50260	2	BOLT, 3/8-16 X 1.5, HH, SS
17	BN76094	2	CLAMP, HOSE, SS---# M4
18	BN318772	1	HOSE (METRES), .25" ID X 126.5" EPDM



## 4420 PATRIOT SPRAYER

## 09-079 SPARGE VALVE GROUP

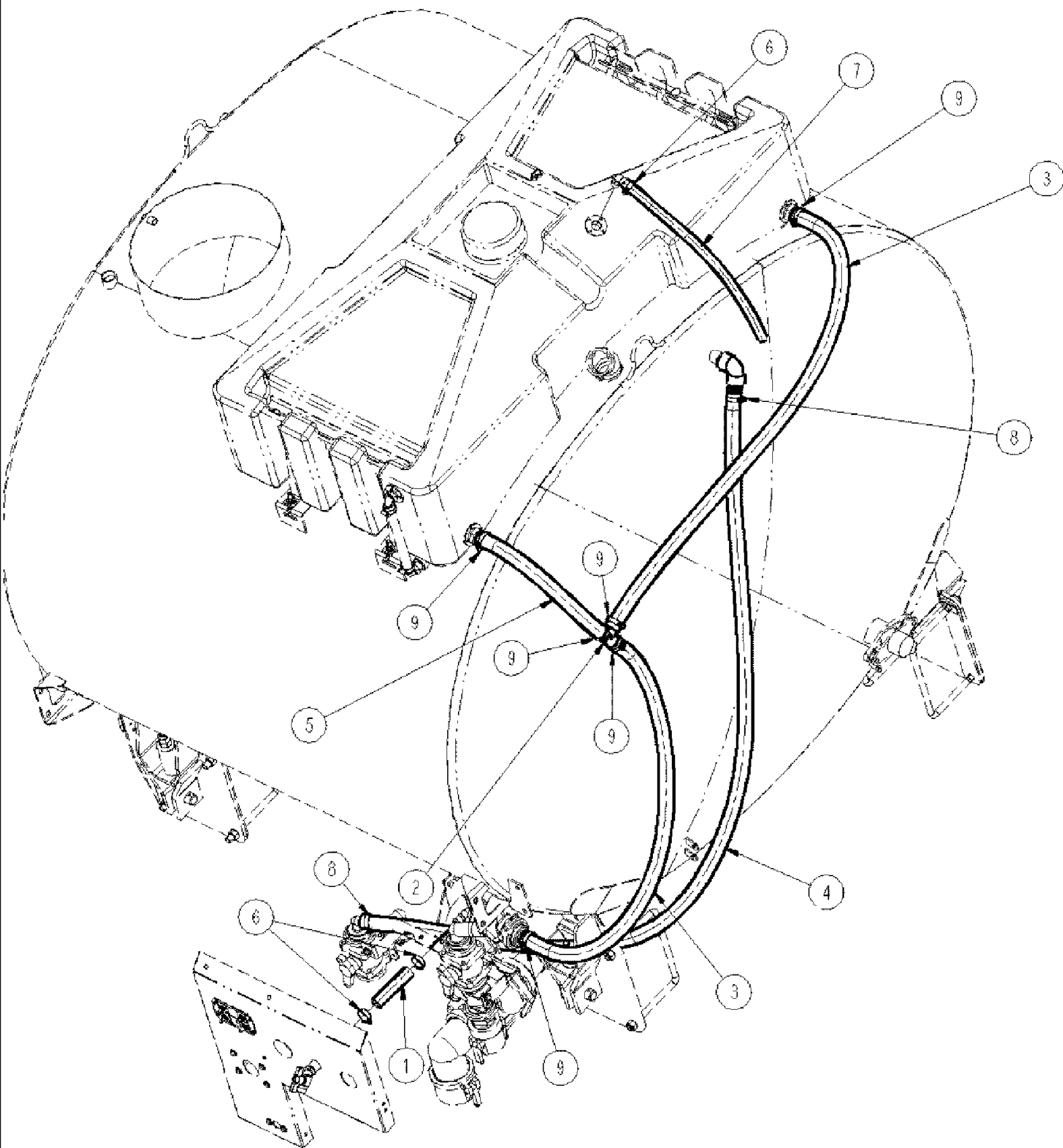
Ref	Part Number	Qty	Description
1	87268147	1	BRACKET, SPAND, PLUMBING SUPPORT
2	87268149	1	BRACKET, SUPPORTING, MOUNT, SPARGE VALVE
3	87268174	1	VALVE, .1-1/2" BALL, ELECT
4	BN303204	2	GASKET, 2" EPDM
5	BN303199	2	CLAMP, 2" STD FLG
6	BN303198	2	FITTING, BARB.STR -2" FLG X2" HOSE
7	BN50138	2	WASHER, 1/4, FW, SS
8	BN50146	8	WASHER, 3/8, FW, SS
9	BN50759	4	NUT, 3/8-16, NLN, SS
10	BN50254	4	BOLT, 3/8-16 X 1, HH, SS



## 4420 PATRIOT SPRAYER

## 09-080 PUMP, HYPRO, STANDARD FLOW

Ref	Part Number	Qty	Description
3	87265477	1	NUT, HYPRO PUMP, IMPELLER
4	344031A1	1	IMPELLER, HYPRO PUMP
31	87265475	1	PUMP, HYD MOTOR, HYPRO INCLUDES REFS. 9- 20 & 22-30
32	87265476	1	SEAL, KIT, HYPRO PUMP, INCLUDES REFS. 5 & 6
33	BN311827	1	KIT, SHAFT SEAL, INCLUDES REFS. 12, 14 & 23

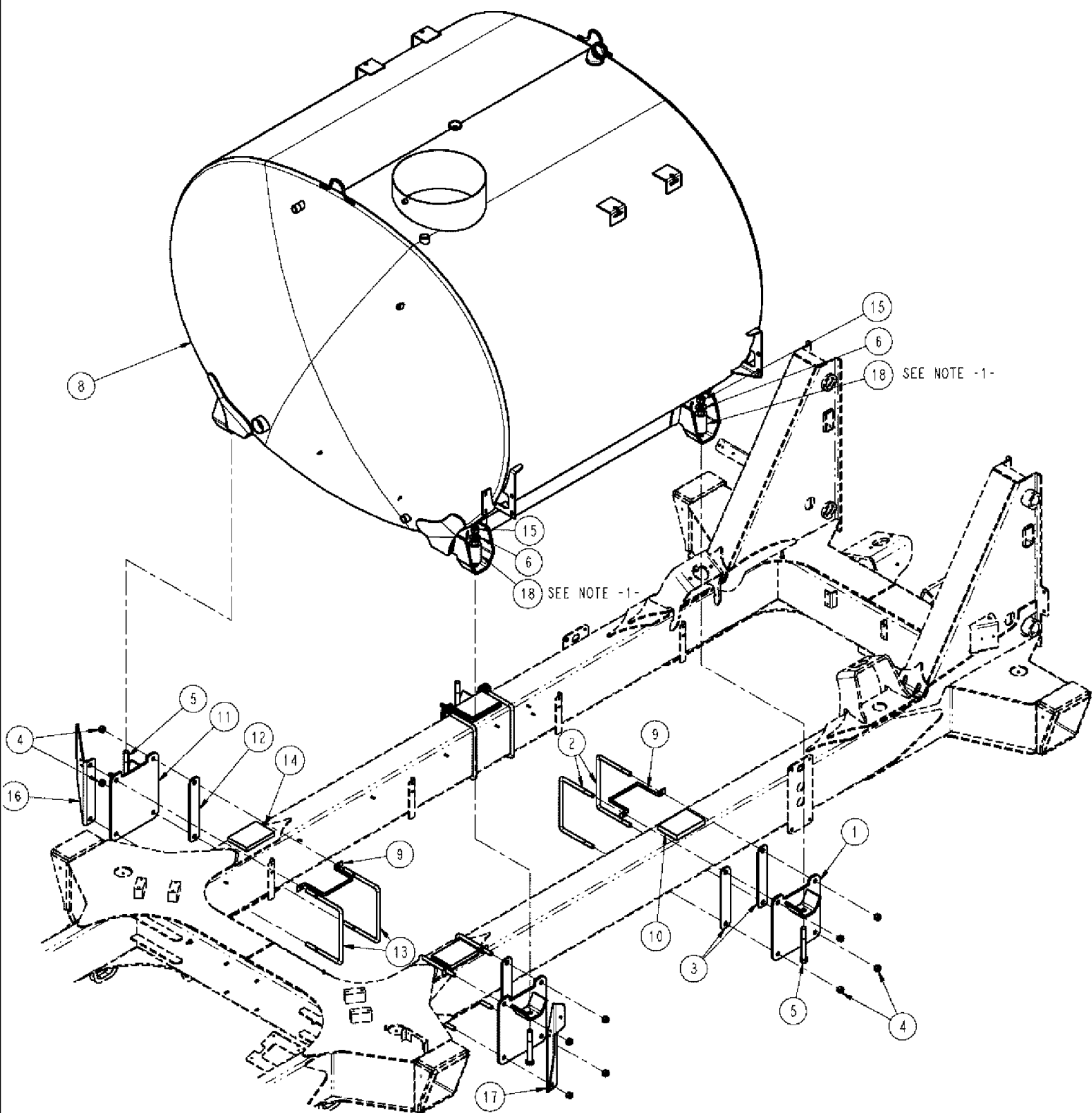




## 4420 PATRIOT SPRAYER

## 09-081 HOSING GROUP, RINSE

Ref	Part Number	Qty	Description
1	343747A1	1	HOSE, 3/4" X 5" EPDM
2	BN317579	1	TEE, HOSE BARB-1.25" HOSE
3	BN324916	2	HOSE, 1.25" X 57", TYPE K
4	BN53821	1	HOSE, EPDM 1" ID X 100"
5	BN324914	1	HOSE, 1.25" X 19" TYPE K
6	BN310446	3	CLAMP, HOSE, # 12, 304 SS
7	BN323133	1	3/4" X 96"CLEAR
8	BN310447	2	CLAMP, HOSE, #20, 304 SS
9	BN320156	6	CLAMP, HOSE, #24, 304 SS



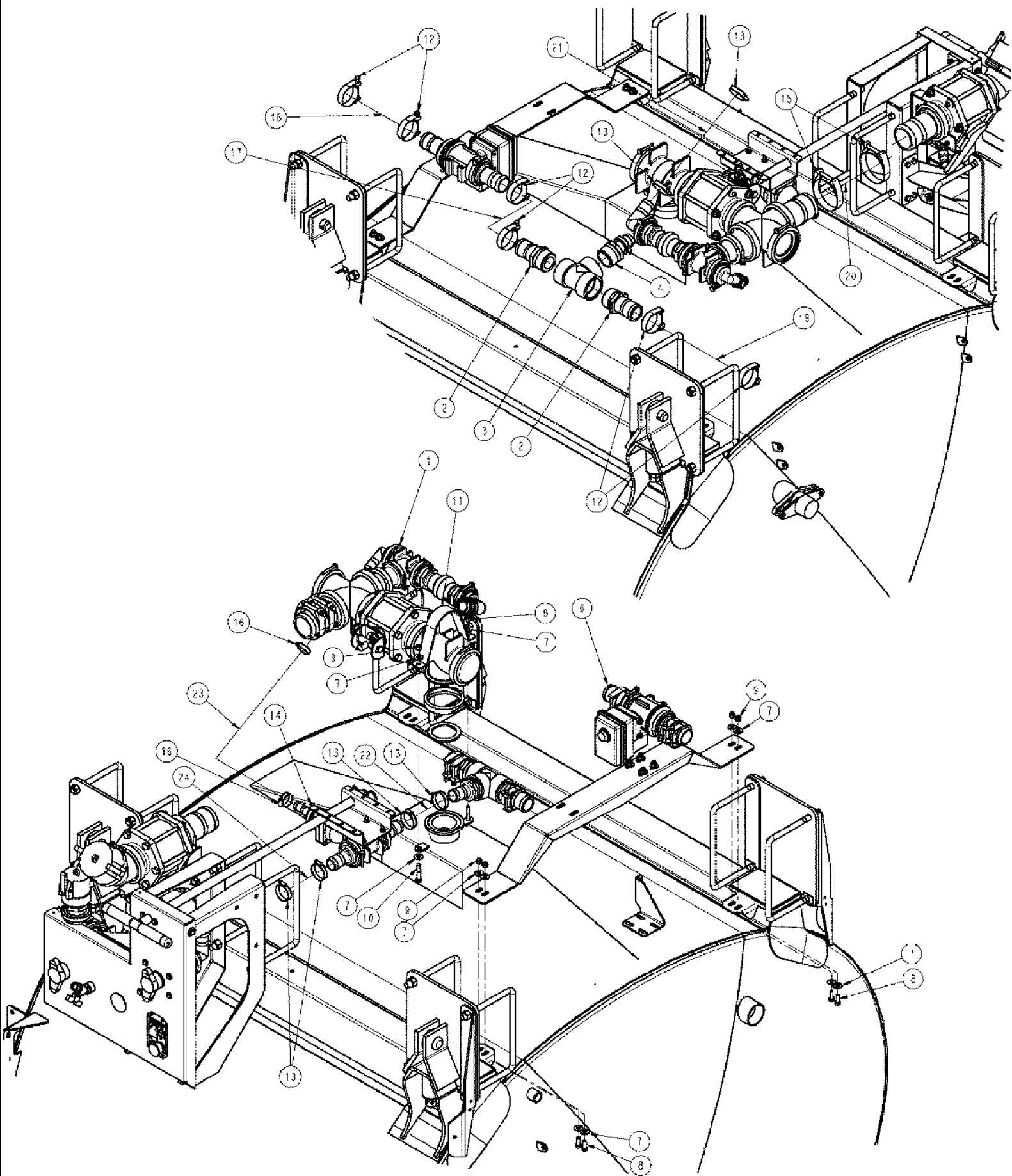
## NOTES:

- 1) COMPRESS SPRING TO  $92 \pm 3$  MM TO ALLOW FRAME TO FLOAT AND PREVENT TANK FROM BECOMING A STRUCTURAL MEMBER.
- 2) ITEMS 1 AND 11 TO BE CENTERD ON TANK MOUNTS, NO CONTACT ALLOWED. NOMINAL CLEARANCE OF 5MM.

## 4420 PATRIOT SPRAYER

## 09-082 TANK MOUNT GROUP

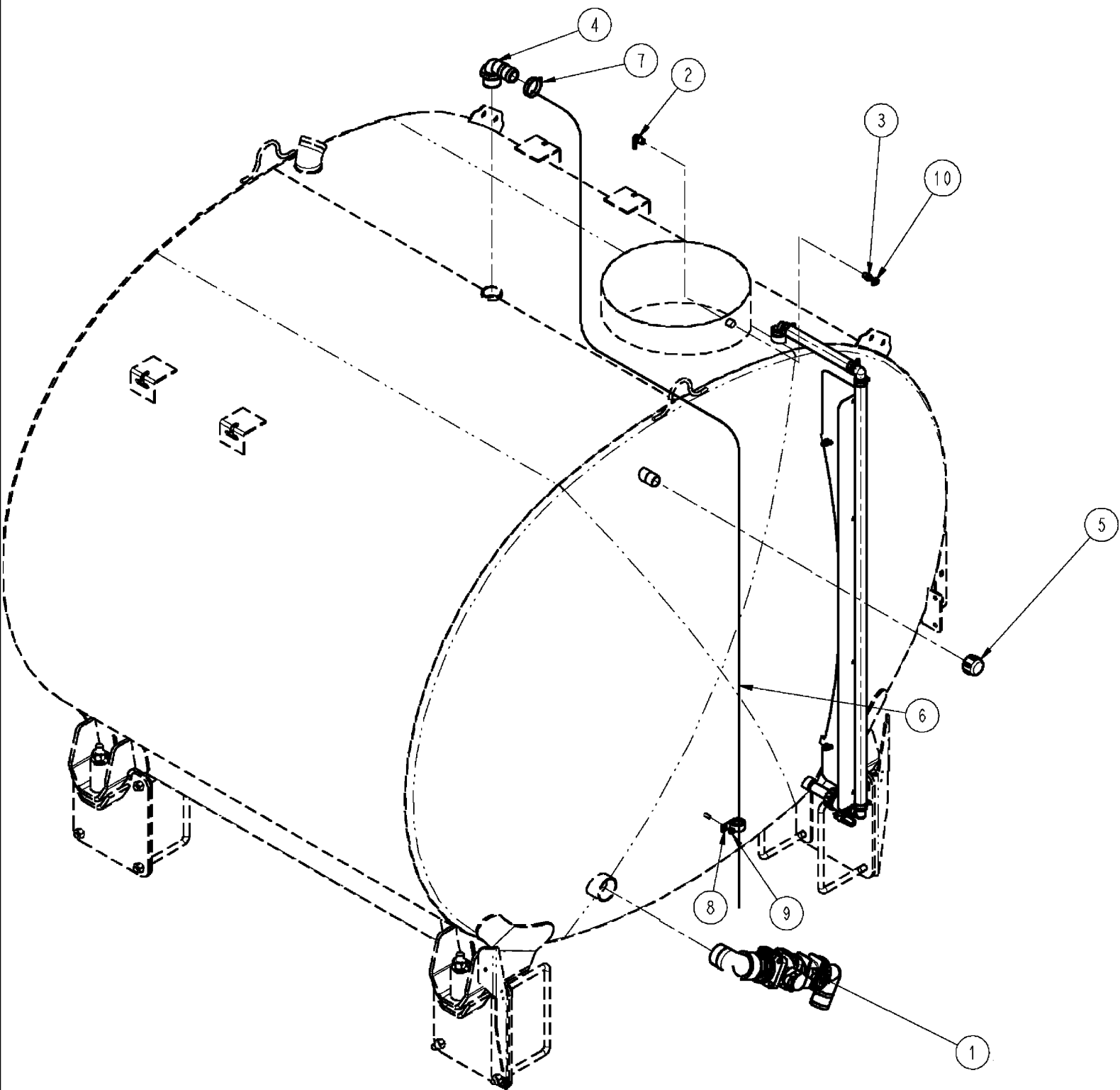
Ref	Part Number	Qty	Description
1	87269351	2	SUPPORT, MOUNT, W/D, REAR TANK
2	BN325918	4	U-BOLT, M16 X 256 ID X 187 IL
3	BN325921	4	FRAME
4	832-10416	16	NUT, LOCK, M16 x 2, CI 8,
5	87310605	4	BOLT, M20-2.5 X 180, CL, 10.9
6	87310608	4	WASHER, 22 X 44 X 5MM HDN DOR
8	87268187	1	TANK, W/M 1200 GAL, PARTS
9	343010A1	4	STRAP, HARNESS, TANK PAD 778D
10	343009A1	2	SHANK, PAD - MOUNT, TANK 778D
11	87269352	2	BRACKET, MOUNT, W/M/FRONT TANK
12	343013A1	2	PLATE, FRONT SPACER 778D
13	343008A1	4	U-BOLT, 10.5" X 6"
14	343014A1	2	BASE, PAD- MOUNT, TANK FRONT
15	832-41420	4	NUT, LOCK, M20 x 2.5, CI 10,
16	BN325933	1	DRIVE HOSES, RH
17	BN325932	1	DRIVE HOSES, LH
18	BN312850	4	SPRING, 1" ID X 4" LG-DIE



## 4420 PATRIOT SPRAYER

## 09-083 1200 GALLON TANK, BOTTOM PLUMBING

Ref	Part Number	Qty	Description
1	87268193	1	UNDER SUMP, SEE FIG 09-071
2	BN73781	2	FITTING, HOSEBARB-2 NPT X 2 HOSE
3	BN73779	1	TEE, 2" POLY PIPE
4	BN305163	1	FITTING, 2" MPT X 1.5" BRB
6	87268148	1	VALVE GROUP, SEE FIG 09-077
7	BN50146	12	WASHER, 3/8, FW, SS
8	BN50254	4	BOLT, 3/8-16 X 1, HH, SS
9	BN50759	6	NUT, 3/8-16, NLN, SS
10	BN50267	2	BOLT, 3/8-16 X 2, HH, SS
11	BN323887	1	STRAP, 3" TEE UNDER SUMP
12	BN2403358	6	CLAMP, T-BOLT BAND 2 1/2"
13	BN310448	6	CLAMP, HOSE, # 28, 304 SS
14	87268197	1	VALVE, PRESSURE RELIEF, PLUMBING, PSI, SEE FIG 09-073
15	BN2403395	2	CLAMP, T-BOLT BAND 3.56"
16	BN75990	2	CLAMP, SS-# 16 .81 TO 1.5 A
17	86986356	1	HOSE, 2" X 18" EPDM
18	BN53755	1	HOSE, 1.5" X 21" SUCTION
19	BN324204	1	HOSE, 2" EPDM X 12" POLY YN
20	86986355	1	3" X 23" S/D EPDM
21	BN324533	1	HOSE, 1 1/2" X 60", SUCT.
22	87268198	1	HOSE, 1-1/2" X 13" SUCTION
23	BN66859	1	HOSE, 1" EPDM X 23.00"
24	87268199	1	HOSE, 1-1/2" X 33" SUCTION

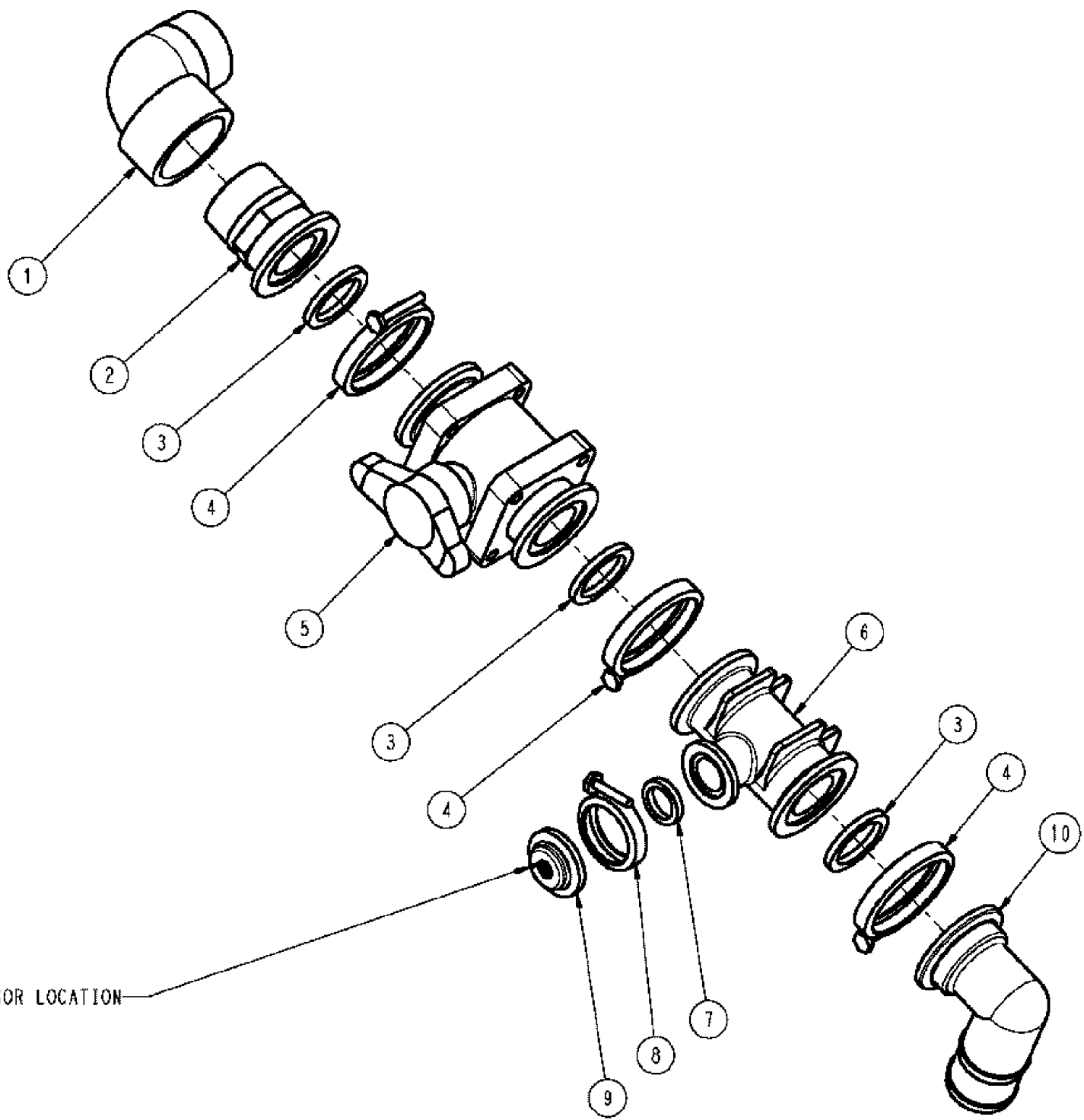


NOTE: ORIENT SPARGE PRESSURE SENSOR SO THAT VENT HOLE AND WIRING POINT TOWARD GROUND.

## 4420 PATRIOT SPRAYER

## 09-084 1200 GALLON TANK, FRONT PLUMBING

Ref	Part Number	Qty	Description
1	87268192	1	TANK SPARGE, SEE FIG. 09-083
2	BN73412	1	FITTING, BARB, 1/4NPT X 1/4HS, 90D
3	BN53433	1	FITTING, HB, 1/4" NPT X 1/4" HS, STL
4	BN73723	1	FITTING, BARB, 1.5", 90D, POLY
5	BN73606	1	CAP, 1" POLY PIPE
6	87268177	1	HOSE, KANIFLEX, 1.5" X 120"
7	BN310448	1	CLAMP, HOSE, HOSE, # 28, 304 SS
8	515-23365	1	CLAMP, 1 7/16", Insul, 3/8" Bolt,
9	832-46408	1	NUT, LOCK, M8 x 1.25, CI 8,
10	BN76094	1	CLAMP, HOSE, SS-M4



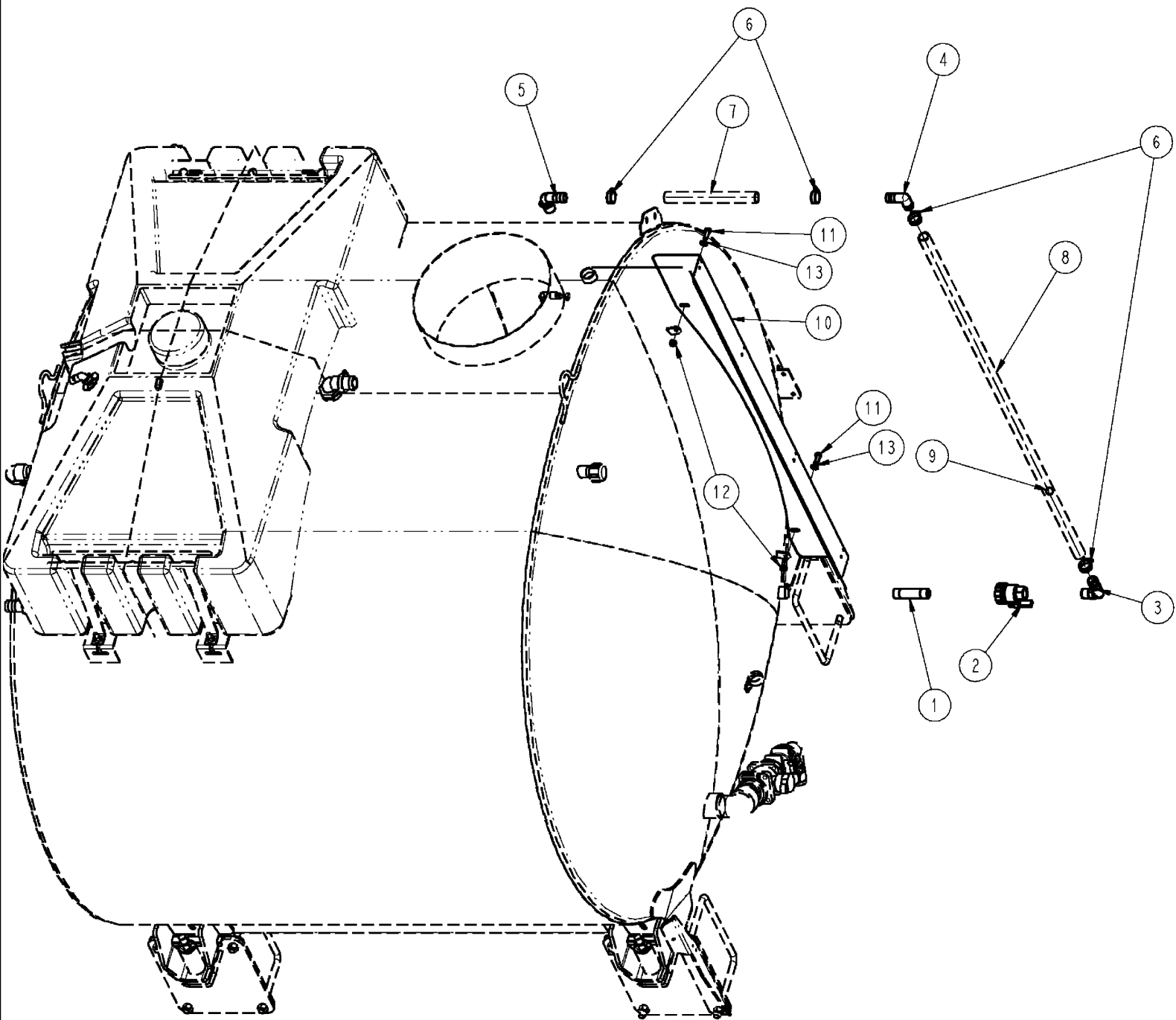
PRESS. SENSOR LOCATION



## 4420 PATRIOT SPRAYER

## 09-085 TANK SPARGE PLUMBING

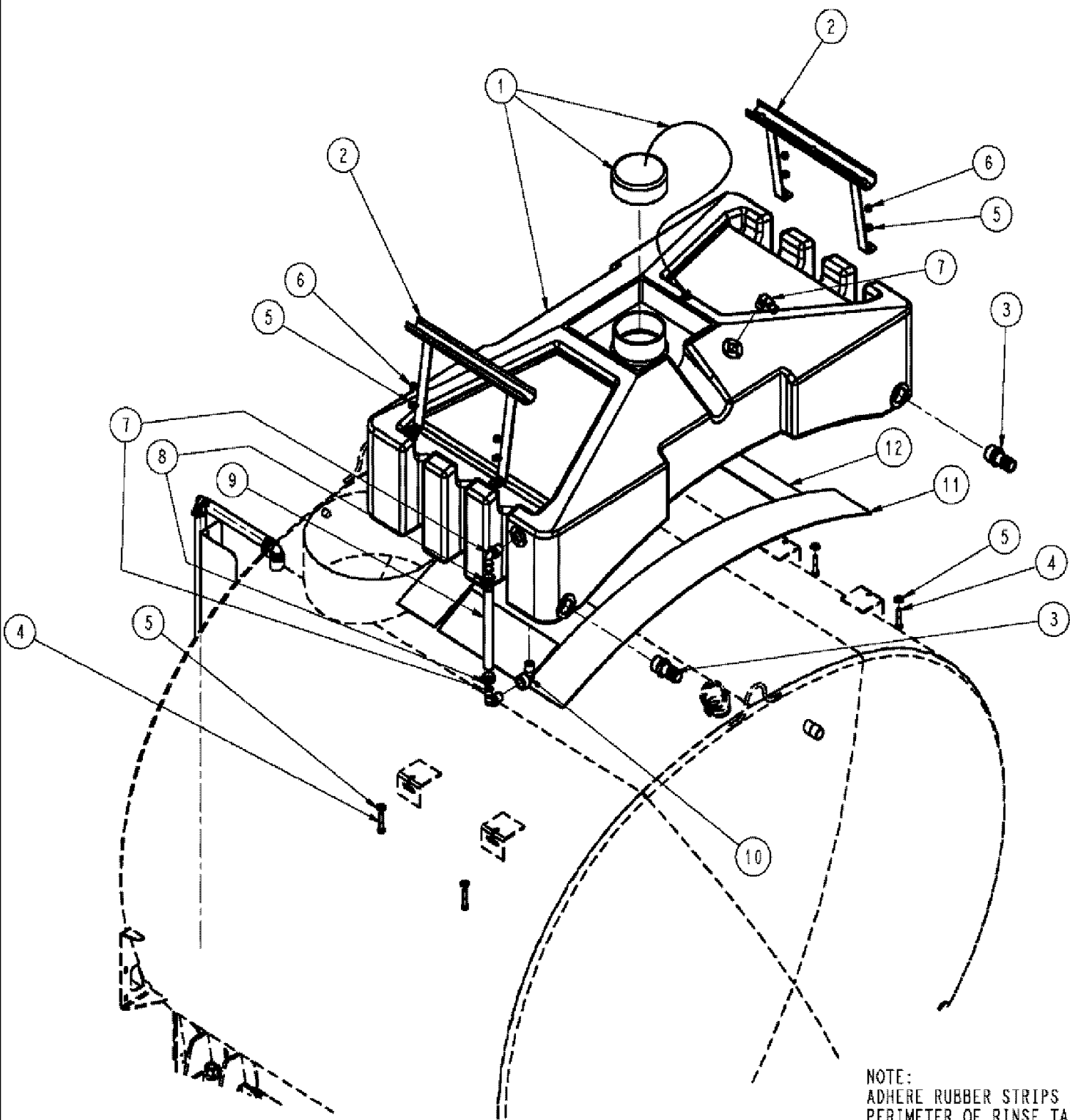
Ref	Part Number	Qty	Description
1	BN73785	1	ELBOW, 90-STREET 2" POLY
2	BN303185	1	ADAPTER, MANIFOLD, 2" FLG X 2"NPT
3	BN303204	3	GASKET, 2" EPDM
4	BN303199	3	CLAMP, 2" STD FLG
5	BN304328	1	VALVE, BALL, 2" FL, W/T HNDL
6	BN303191	1	TEE, 2" FLG X 1" FLG
7	BN303205	1	GASKET, 1" FLG MANIFOLD
8	BN303203	1	CLAMP, 1" FLG MANIFOLD
9	BN324133	1	PLUG, 1" FLG W/ 1/4" NPT
10	BN306898	1	ELBOW, 2" FLANGE X 2" HB



## 4420 PATRIOT SPRAYER

## 09-086 SIGHT GAUGE GROUP

Ref	Part Number	Qty	Description
1	BN73576	1	NIPPLE, LUBE, 3/4 X 4 POLY
2	BN324588	1	VALVE, BALL 3/4" SU POLY
3	BN326113	1	FITTING, BARB ASSY, HOSE-W/PIN
4	342685A1	1	END FITTING, HOSEBARB, 1" 90 WITH PIN
5	BN53475	1	FITTING, BARB, 1"NPT X 1" HS, 90D
6	BN310447	4	CLAMP, HOSE, # 20, 304 SS
7	87267519	1	1" X 12" CLEAR
8	342673A1	1	HOSE, 1" ID X 55" CLEAR
9	BN326104	1	BALL, 3/4" POLY (FLOATNG)
10	87267525	1	SIGHT GAUGE
11	BN50254	2	BOLT, 3/8-16 X 1, HH, SS
12	BN50759	2	NUT, 3/8-16, NLN, SS
13	BN50146	2	WASHER, 3/8,FW,SS

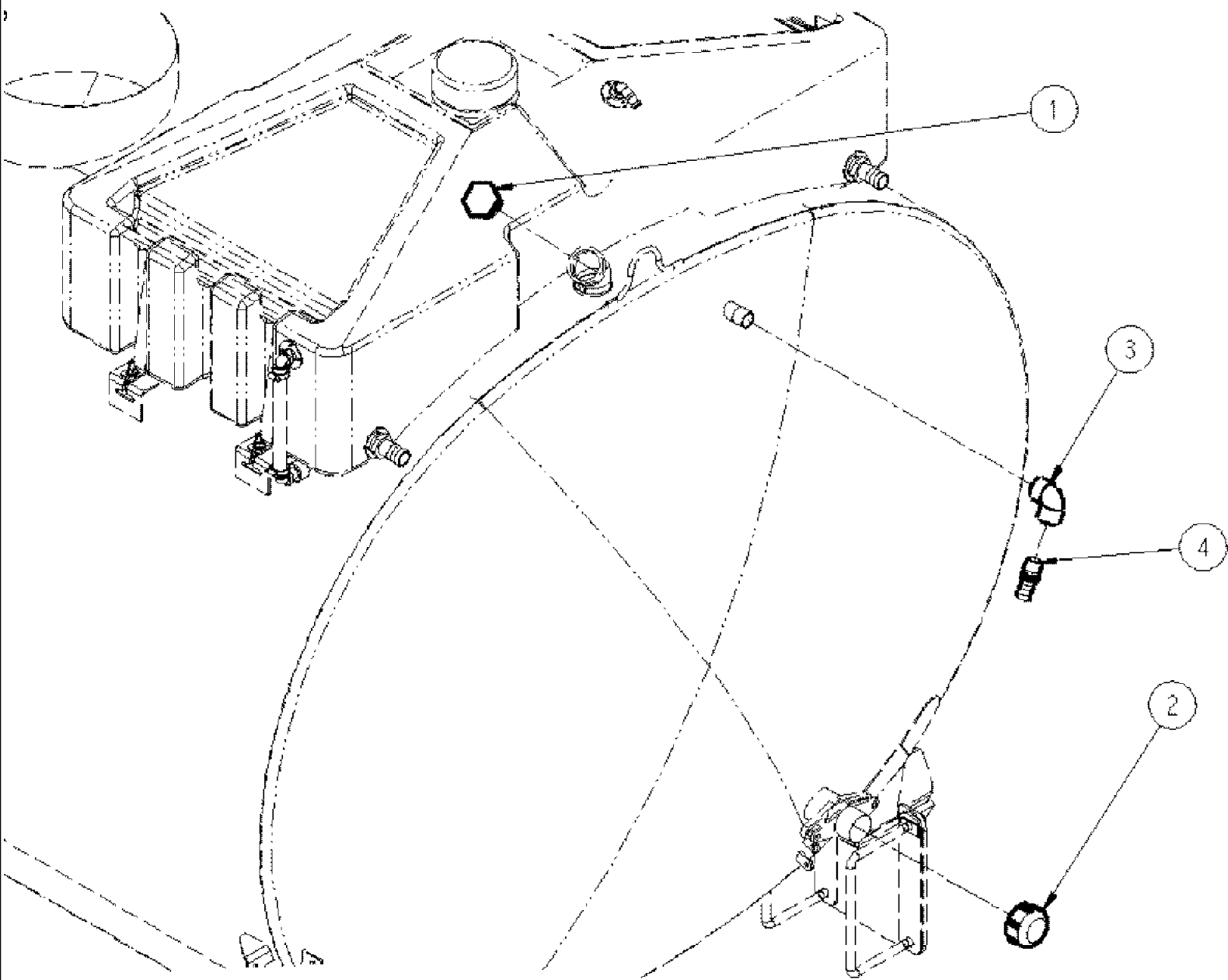


NOTE:  
ADHERE RUBBER STRIPS AROUND  
PERIMETER OF RINSE TANK BOTTOM  
ITEMS 11 AND 12

## 4420 PATRIOT SPRAYER

## 09-087 RINSE TANK GROUP, PLUMBING &amp; INST

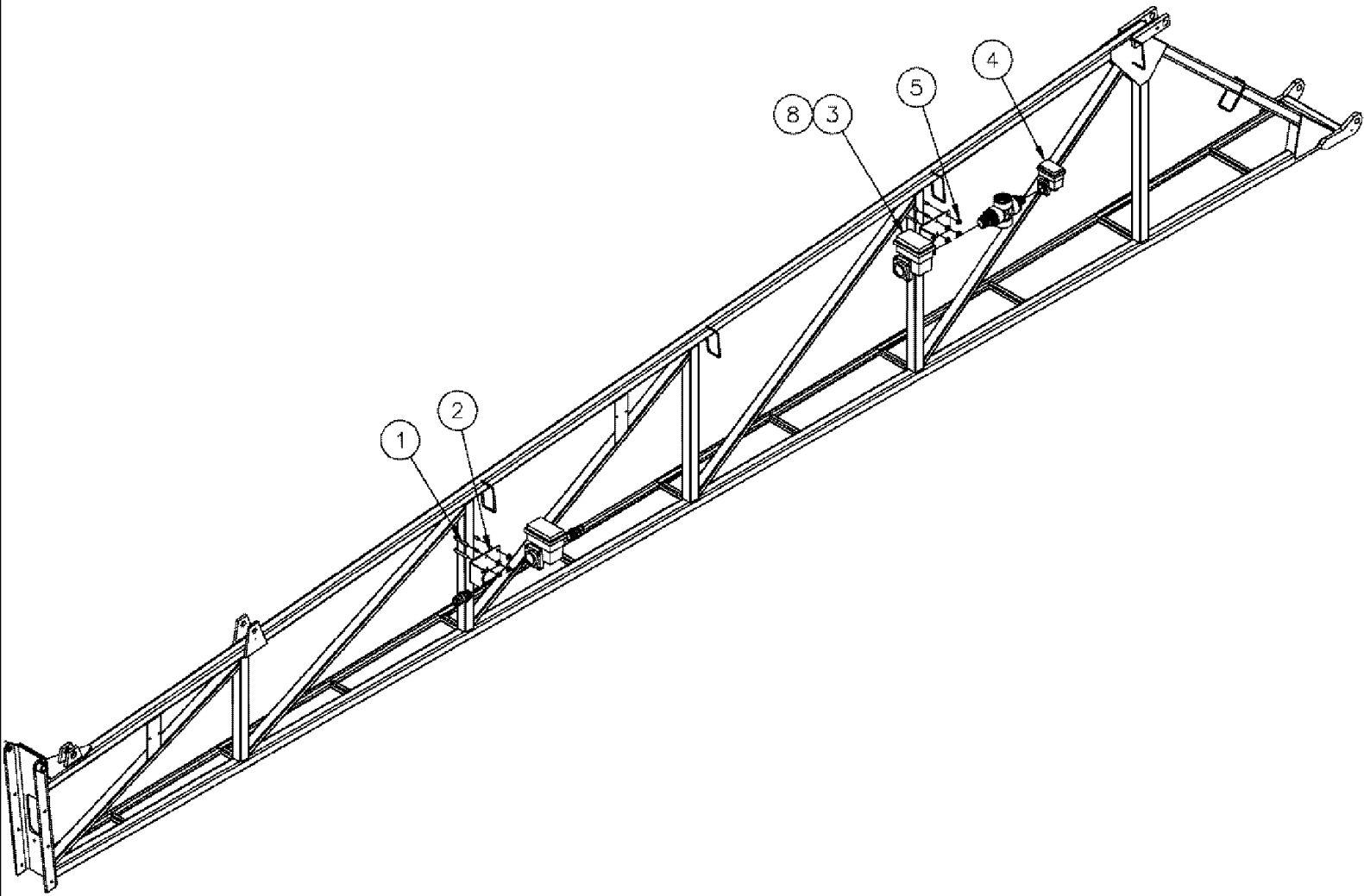
Ref	Part Number	Qty	Description
1	BN321007	1	CAP, TANK, TOP MOUNT, EL, 70 GAL
	BN314276	1	COVER, (35 GAL POLY TANK), SERVICE PARTS FOR REF. 1
2	BN323384	2	BRACKET, HOLDDOWN WDMT, RINS TNK
3	BN73660	2	FITTING, BARB 1 1/4NPT X1 1/4HS
4	BN50267	4	BOLT, 3/8-16 X 2, HH, SS
5	BN50146	8	WASHER, 3/8, FW, SS
6	BN50759	4	NUT, 3/8-16, NLN, SS
7	BN73562	3	FITTING, BARB, 3/4NPT X 3/4 HS, 90D
8	BN310446	2	CLAMP, HOSE, #12, 304 SS
9	BN322785	1	HOSE, CLEAR 3/4 ID X 11"
10	BN73566	1	ELBOW, 90-STREET-3/4"POLY
11	87380012	2	STRIP, RUBBER, MAST, .51 X 6 X 1/8
12	87380016	2	STRIP, RUBBER, MAST, .14 X 6 X 1/8



## 4420 PATRIOT SPRAYER

## 09-088 REAR TANK PLUMBING, RINSE

Ref	Part Number	Qty	Description
1	BN73794	1	PLUG, 2" POLY PIPE
2	BN2293320	1	CAP, 2" POLY
	87272500	1	GASKET, GASKET, 2" SPARGE TUBE, ASSOCIATED PART OF CAP, 2" POLY, P/N BN2293320
3	BN73742	1	ELBOW, 90D, X 1 POLY
4	BN53476	1	FITTING, BARB, POLY 1" NPT X 1" HS

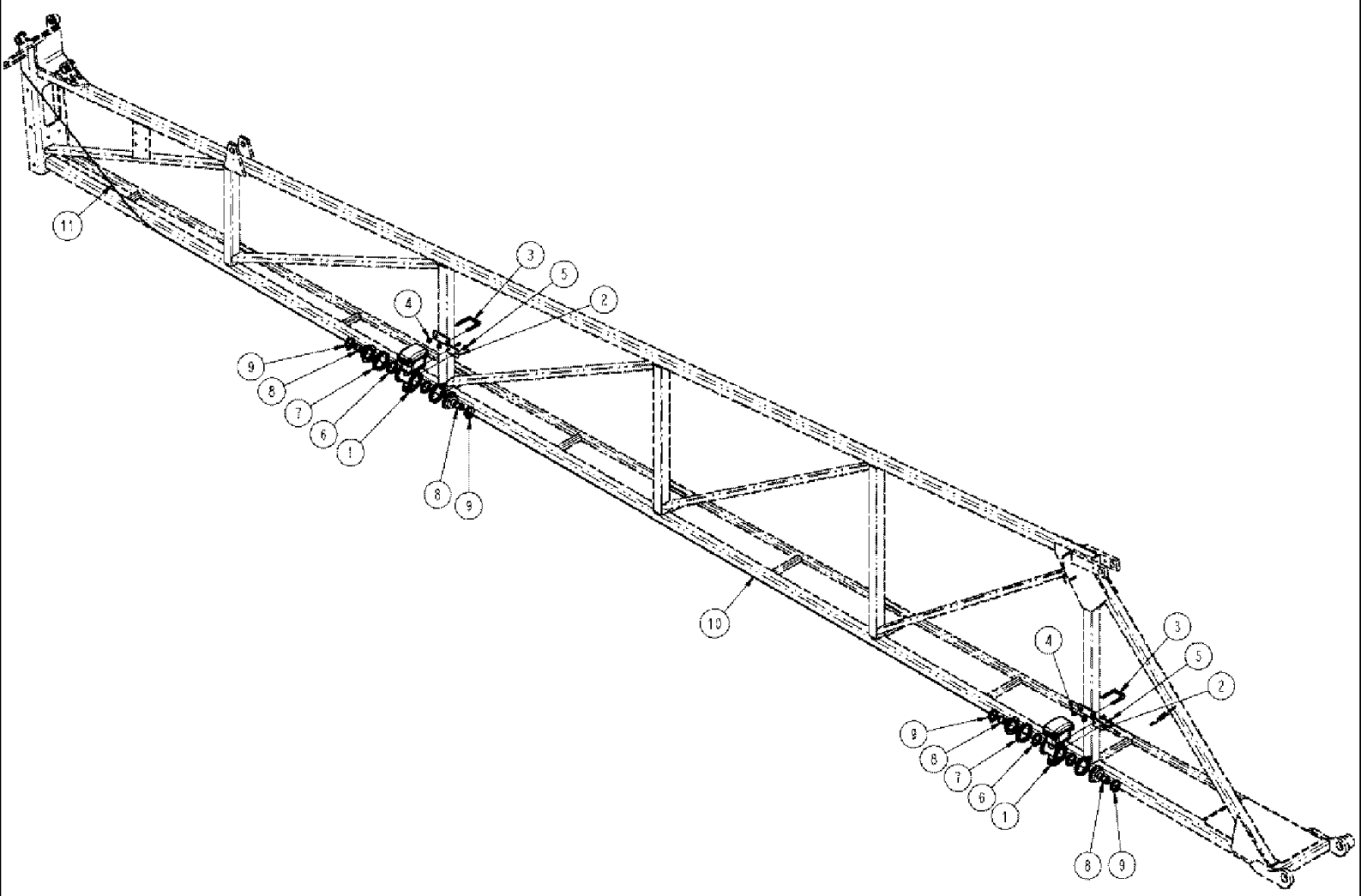




## 4420 PATRIOT SPRAYER

## 09-089 BOOM, RH - LH CONTROL VALVES

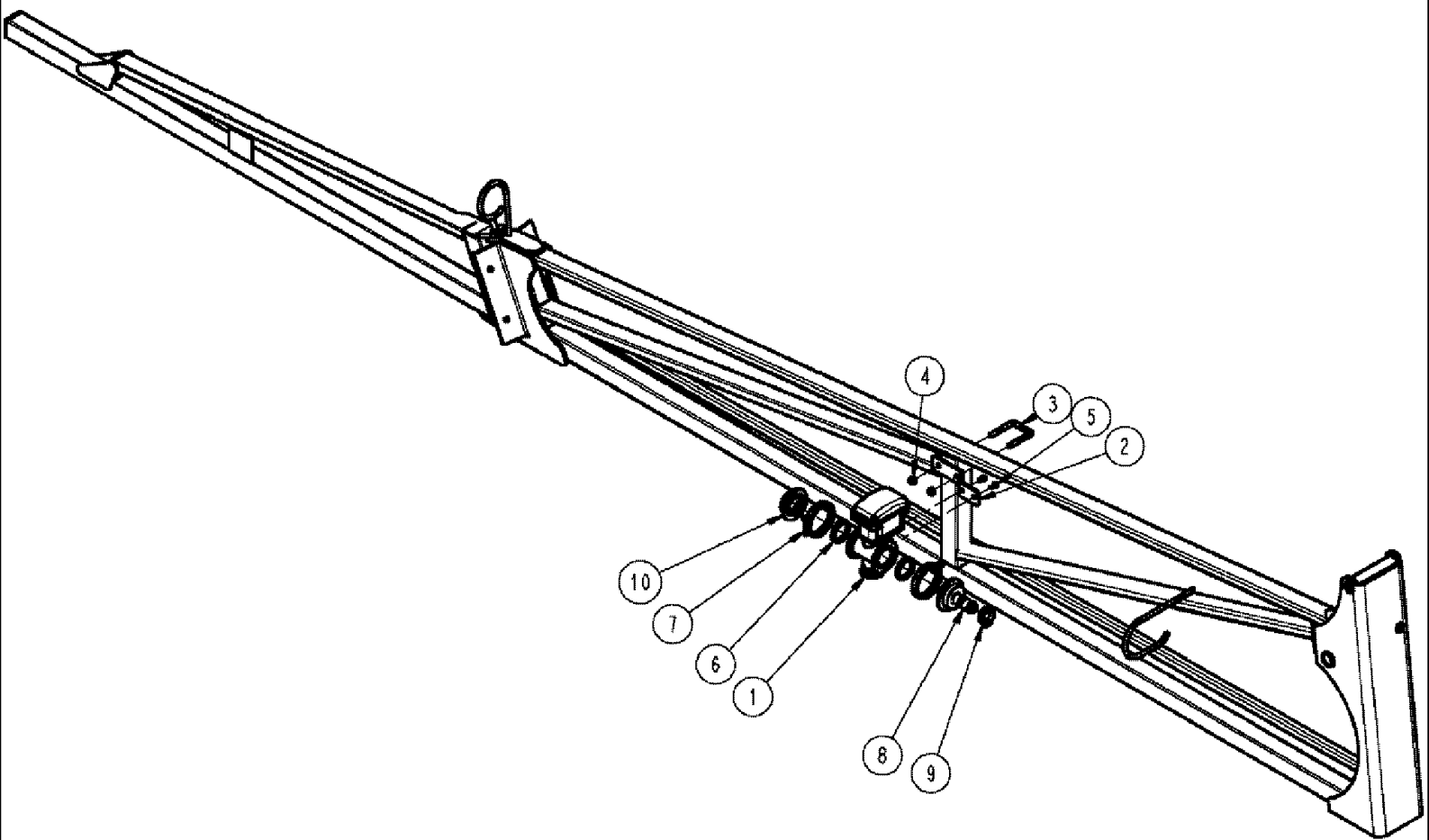
Ref	Part Number	Qty	Description
1	BN319919	4	U-BOLT, SQ BND 2.06 ID X 3/8
2	BN318032	2	VALVE, MOUNT, BALL
3	BN316588	2	VALVE, 1 1/2 ELEC. KZCO
4	87268179	2	VALVE, 1.25" ELEC BALL, SEE FIG. 09-004
5	BN50062	8	NUT, 3/8-16, WLN, SS
8	86982113	4	BOLT, M10 X 110 SS HEX



## 4420 PATRIOT SPRAYER

## 09-090 BOOM VALVE GROUP, MID, LO-FLOW

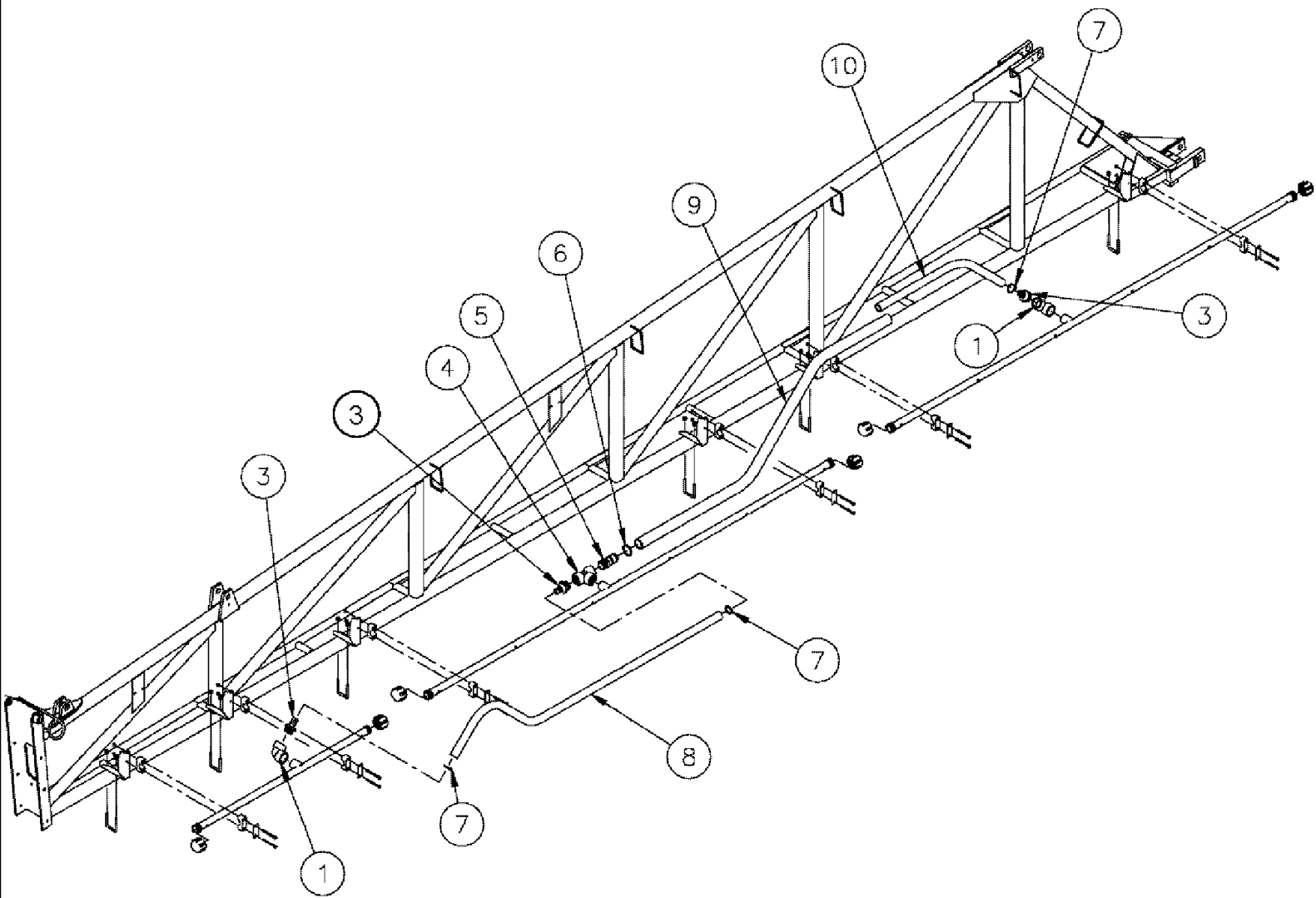
Ref	Part Number	Qty	Description
1	87268840	2	VALVE, MANIFOLD-BOOM, SEE FIG. 09-094
2	87265462	2	MOUNTING PARTS, RAVEN VALVE
3	BN319919	2	U-BOLT, SQ BND 2.06 ID X 3/8
4	BN50759	4	NUT, 3/8-16, NLN, SS
5	BN50697	4	BOLT, 1/4-20 X .5, HH, SS
6	BN303204	2	GASKET, 2" EPDM
7	BN303199	2	CLAMP, 2" STD FLG
8	BN317966	4	STRAINER ASSY., 2" FLANGE X 1" HB
9	BN75990	4	CLAMP, SS-#16 .81 TO 1.5 A
10	BN324925	2	HOSE, 1" X 152", EPDM



## 4420 PATRIOT SPRAYER

## 09-091 BOOM VALVE GROUP, OUTER, LO-FLOW

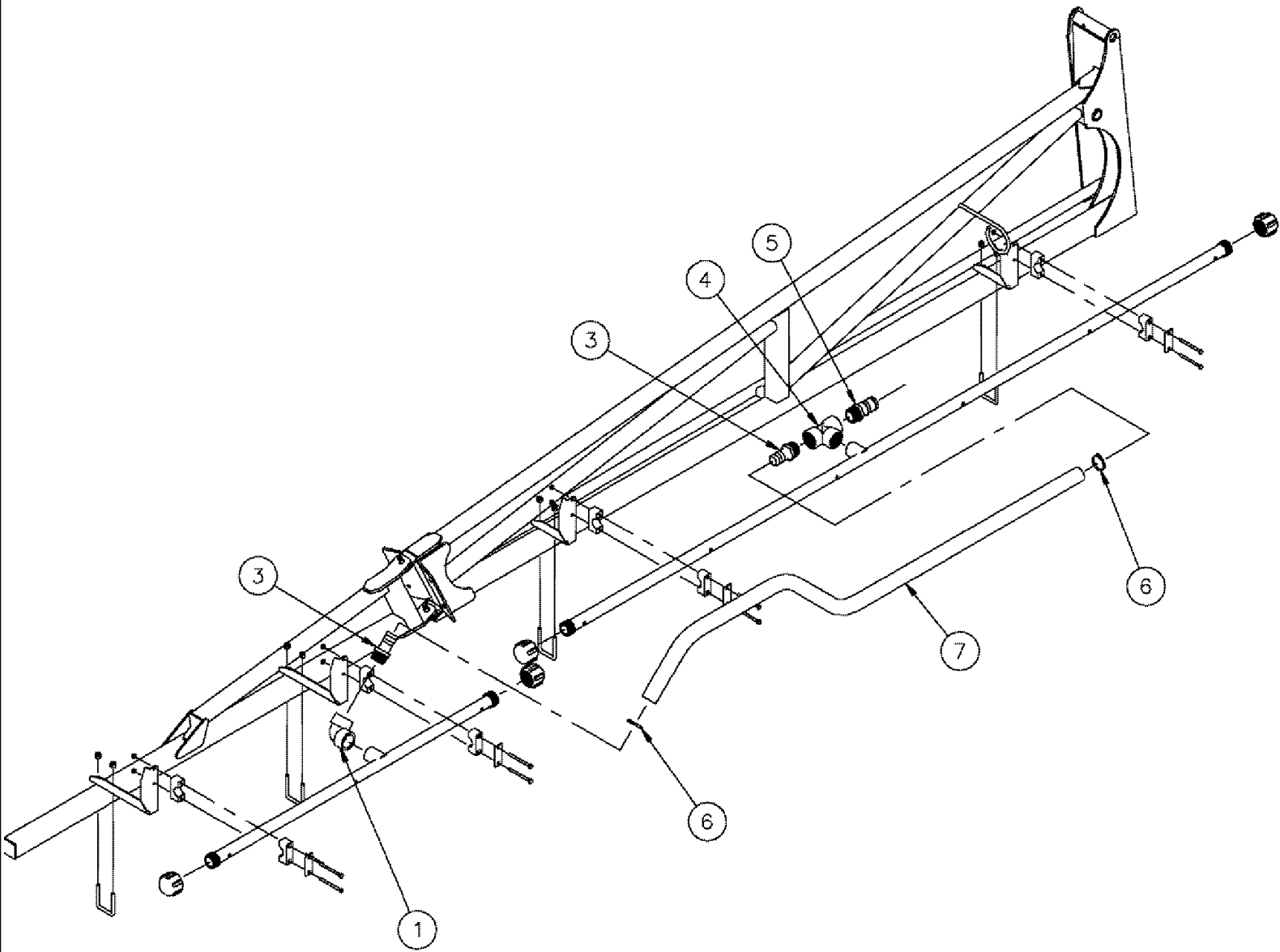
Ref	Part Number	Qty	Description
1	87268840	1	VALVE, MANIFOLD-BOOM, SEE FIG. 09-094
2	87265462	1	MOUNTING PARTS, RAVEN VALVE
3	BN319919	1	U-BOLT, SQ BND 2.06 ID X 3/8
4	BN50759	2	NUT, 3/8-16, NLN, SS
5	BN50697	2	BOLT, 1/4-20 X .5, HH, SS
6	BN303204	1	GASKET, 2" EPDM
7	BN303199	1	CLAMP, 2" STD FLG
8	BN317966	1	STRAINER ASSY., 2" FLANGE X 1" HB
9	BN75990	1	CLAMP, SS-#16 .81 TO 1.5 A
10	BN304317	1	PLUG, 2" FLANGE



## 4420 PATRIOT SPRAYER

## 09-092 HIGH VOLUME PLUMBING, RH - LH WING

Ref	Part Number	Qty	Description
1	BN313202	2	ELBOW, 1 1/4" NPT 90 DEG
3	BN73657	3	FITTING, BARB, 1-1/4 NPT X 1HS
4	BN73662	1	TEE, 1 1/4 PIPE POLY
5	BN2294412	1	NIPPLE, LUBE, HOSE 1.25 NPT X 1.50
6	BN310448	2	CLAMP, HOSE, # 28,304 SS
7	BN310447	3	CLAMP, HOSE, # 20, 304 SS
8	BN318054	1	HOSE, EPDM 1" ID X 70"
9	BN318053	1	HOSE, EPDM 1 1/2" X 72"
10	BN318052	1	HOSE, EPDM 1" ID X 37"

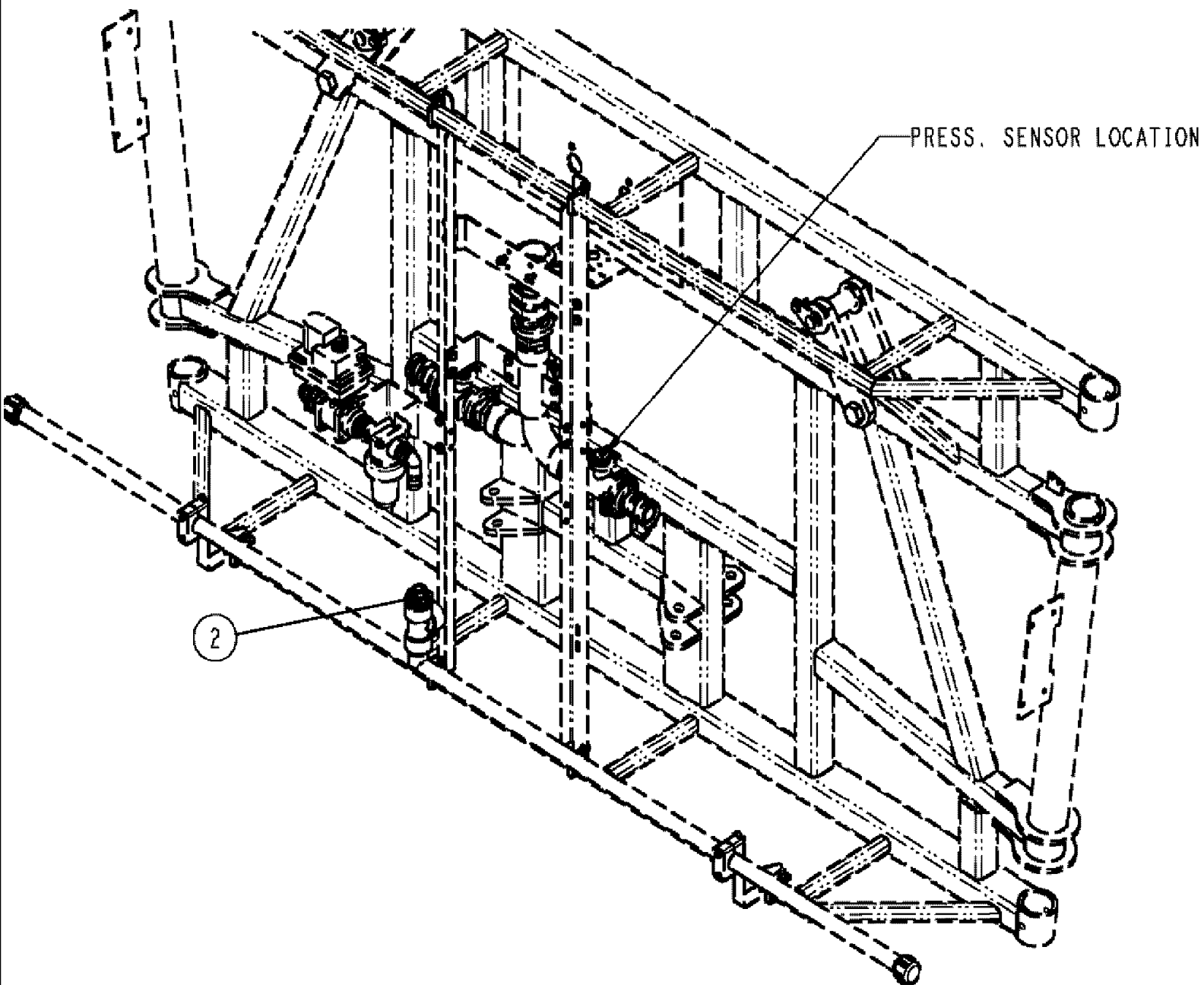




## 4420 PATRIOT SPRAYER

## 09-093 HIGH VOLUME PLUMBING, 90' OUTER

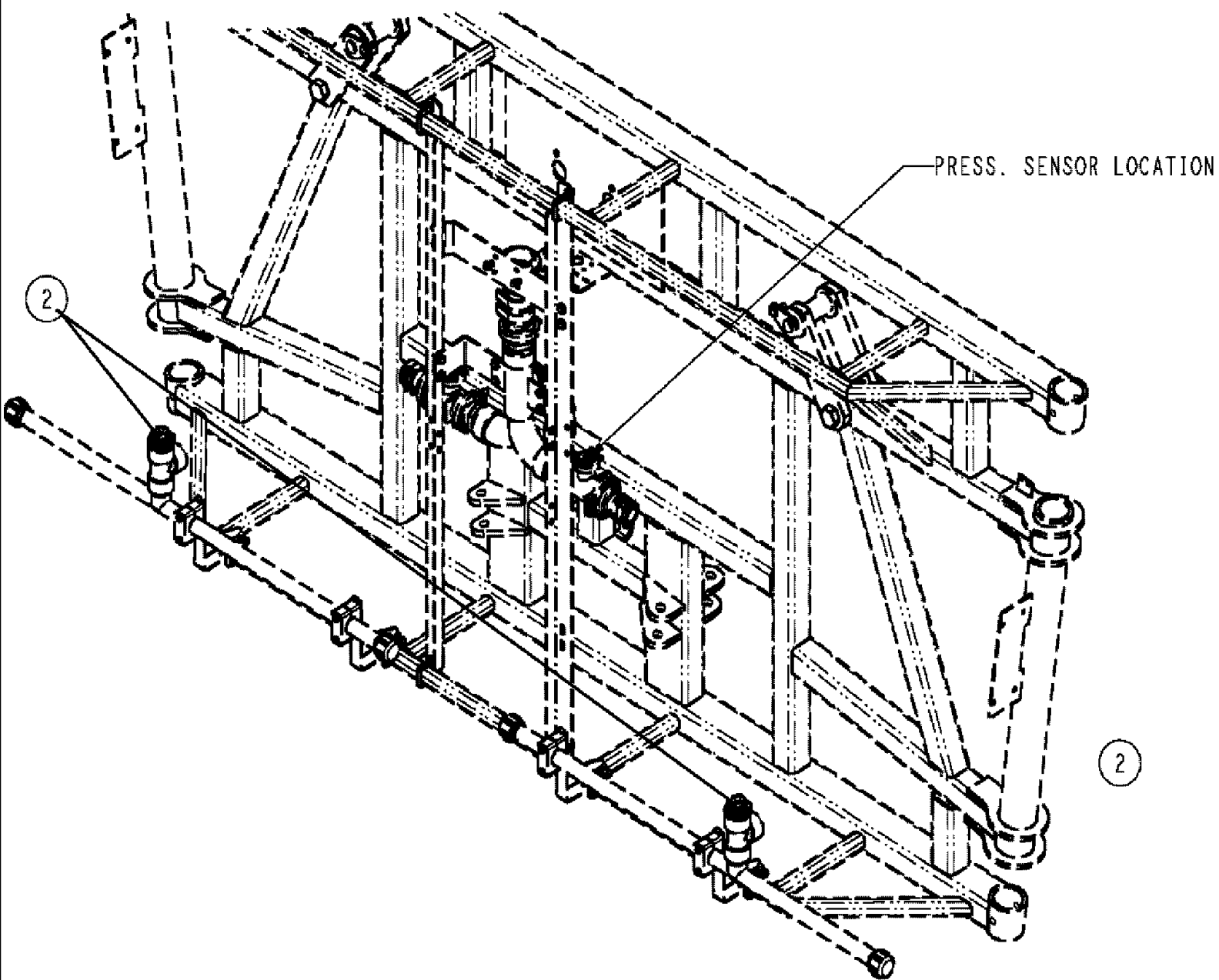
Ref	Part Number	Qty	Description
1	BN313202	1	ELBOW, 1 1/4" NPT 90 DEG
3	BN73660	2	FITTING, BARB 1 1/4 NPT X1 1/4 HS
4	BN73662	1	TEE, 1 1/4 PIPE POLY
5	BN2294412	1	NIPPLE, LUBE, HOSE 1.25NPTX1.50
6	BN320156	2	CLAMP, HOSE, # 24, 304 SS
7	BN318055	1	HOSE, EPDM 1 1/4" X 75"



4420 PATRIOT SPRAYER

09-094 ELECTRICAL, 5 SECTION PLUMBING, CS

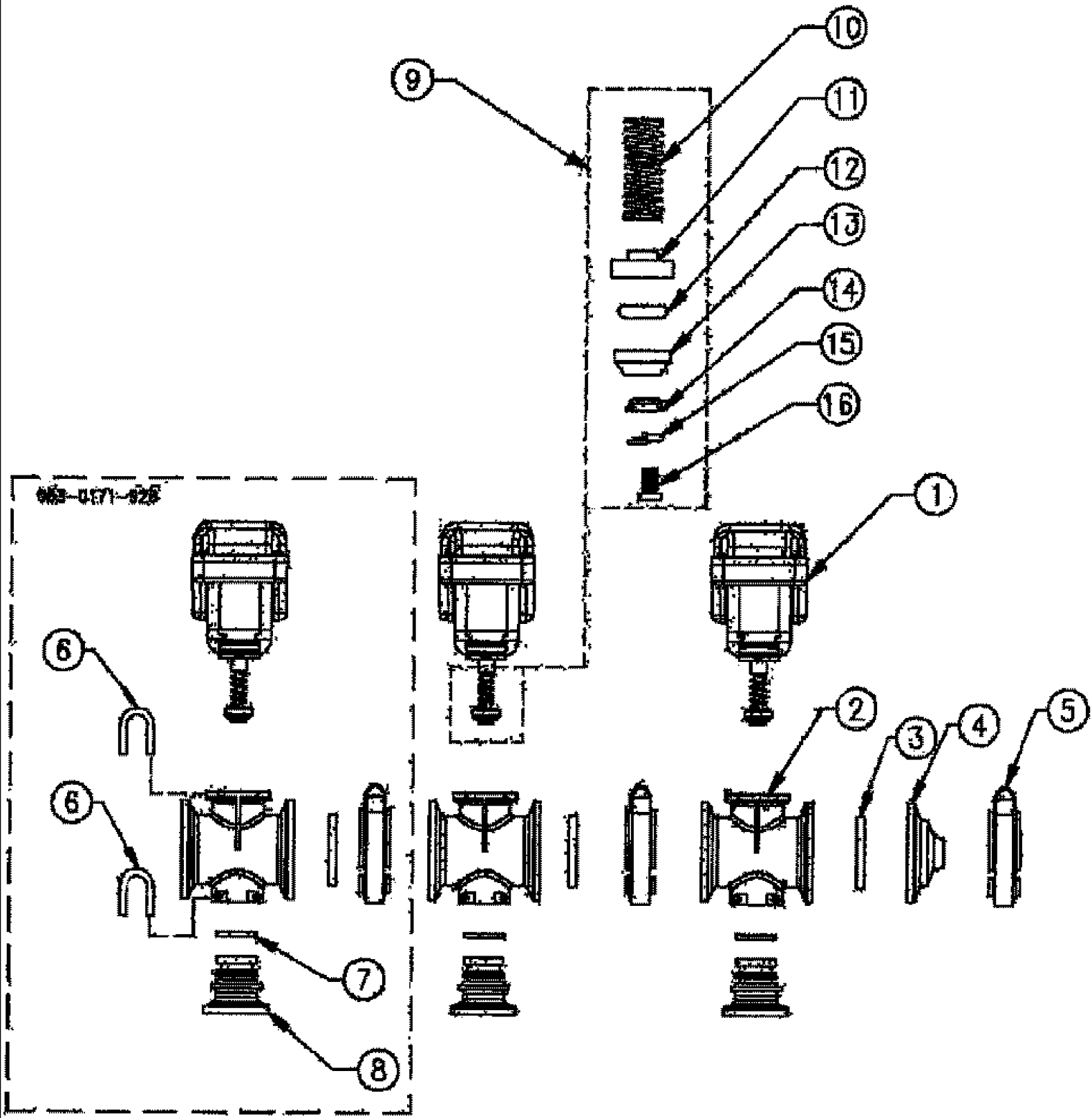
Ref	Part Number	Qty	Description
2	86986400	1	SWITCH, PRESSURE, PMLF



4420 PATRIOT SPRAYER

09-095 ELECTRICAL, 6 SECTION PLUMBING, CS

Ref	Part Number	Qty	Description
2	86986400	2	SWITCH, PRESSURE, PMLF



## 4420 PATRIOT SPRAYER

## 09-096 VALVE, MANIFOLD BOOM

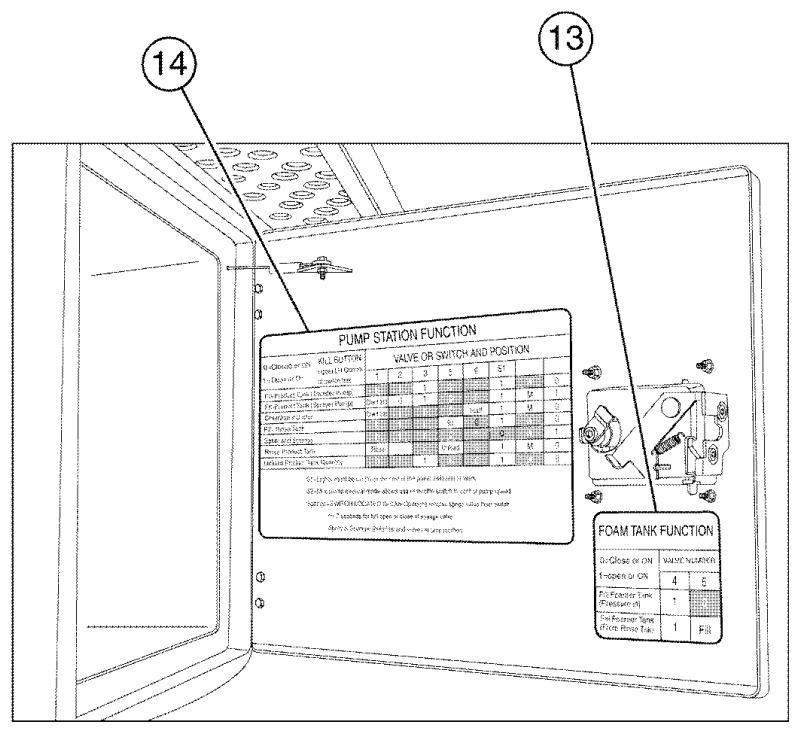
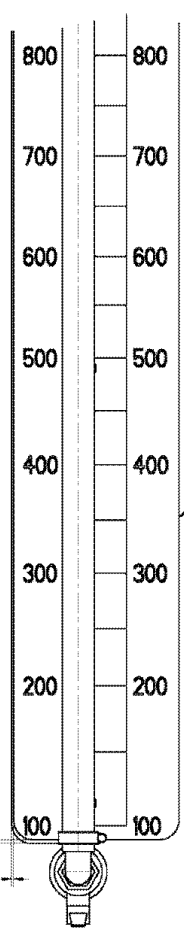
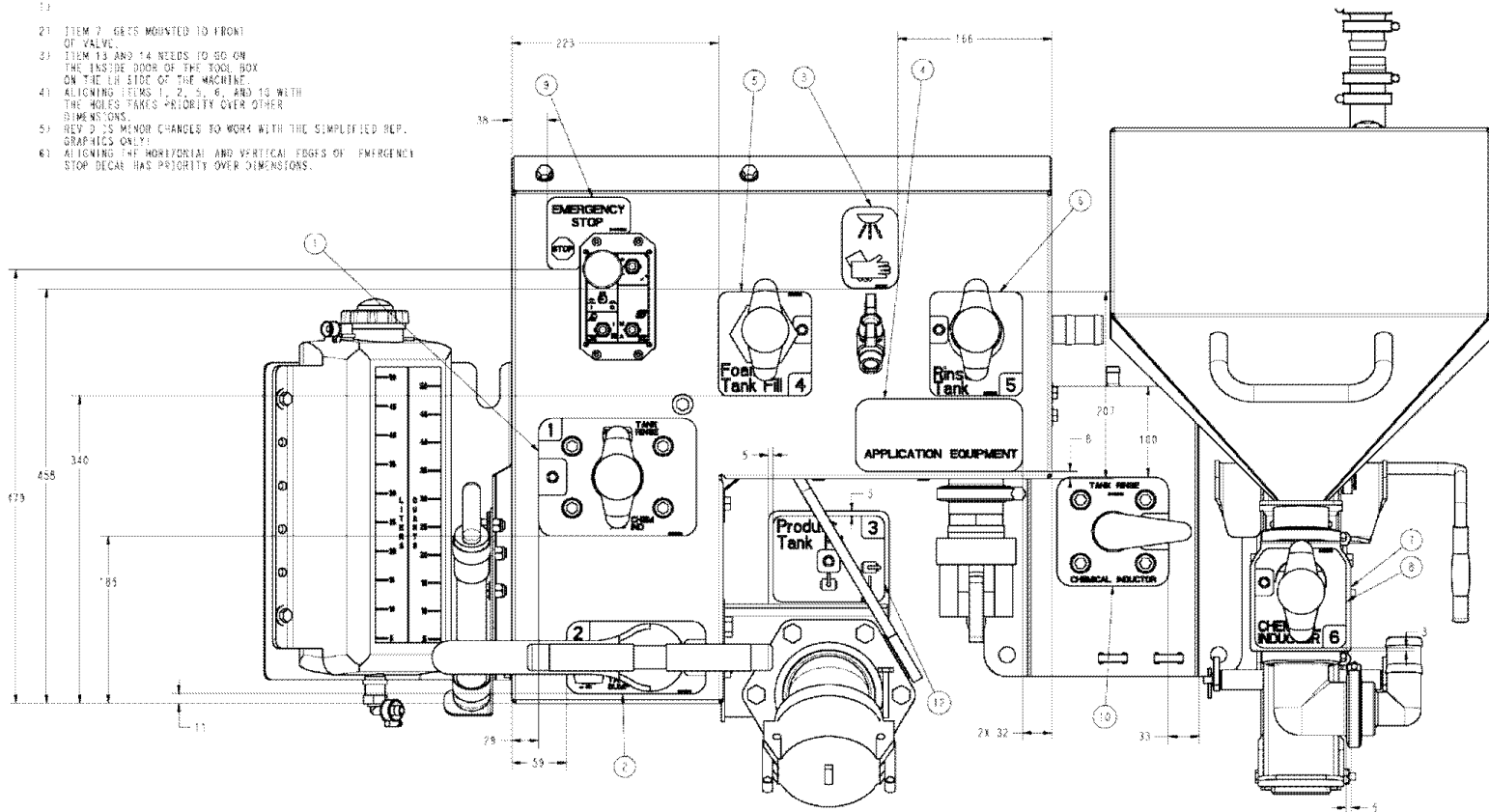
Ref	Part Number	Qty	Description
1	87271156	1	MOTOR, ASSY
2	87271157	1	BODY,
3	BN303204	1	GASKET, 2.0FLB, EPDM
5	BN303199	1	CLAMP, 2FLB, STD
6	87271158	2	CLIP,
7	87271159	1	O-RING,
8	87271160	1	OUTLET,
9	87271161	1	PLUNGER, KIT, SEAT, INCLUDES REFS. 10 - 16

# 4420 PATRIOT SPRAYER

## 10-001 APPLICATION GROUP

**NOTES:**

- 2) ITEM 7, 8ETS MOUNTED TO FRONT OF VALVE.
- 3) ITEM 13 AND 14 NEEDS TO GO ON THE INSIDE DOOR OF THE TOOL BOX ON THE LH SIDE OF THE MACHINE.
- 4) ALIGNING ITEMS 1, 2, 5, 6, AND 10 WITH THE HOLES PARES PRIORITY OVER OTHER DIMENSIONS.
- 5) REV D'S MINOR CHANGES TO WORK WITH THE SIMPLIFIED REP. GRAPHICS ONLY!
- 6) ALIGNING THE HORIZONTAL AND VERTICAL EDGES OF EMERGENCY STOP DECAL HAS PRIORITY OVER DIMENSIONS.



**PUMP STATION FUNCTION**

ALL BUTTONS: 1 = 200 PSI, 3 = 400 PSI, 5 = 600 PSI, 6 = 800 PSI

VALVE OR SWITCH AND POSITION	1	2	3	4	5	6	7
1 - Close or ON	1	1	1	1	1	1	1
2 - Open or OFF	1	1	1	1	1	1	1
3 - Close or ON	1	1	1	1	1	1	1
4 - Open or OFF	1	1	1	1	1	1	1
5 - Close or ON	1	1	1	1	1	1	1
6 - Open or OFF	1	1	1	1	1	1	1
7 - Close or ON	1	1	1	1	1	1	1
8 - Open or OFF	1	1	1	1	1	1	1

10 - 100 PSI, 20 - 200 PSI, 30 - 300 PSI, 40 - 400 PSI, 50 - 500 PSI, 60 - 600 PSI, 70 - 700 PSI, 80 - 800 PSI

**FOAM TANK FUNCTION**

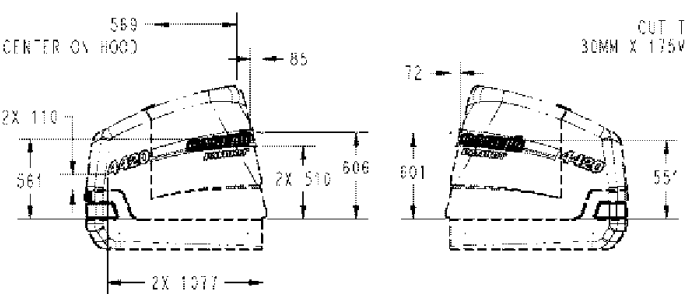
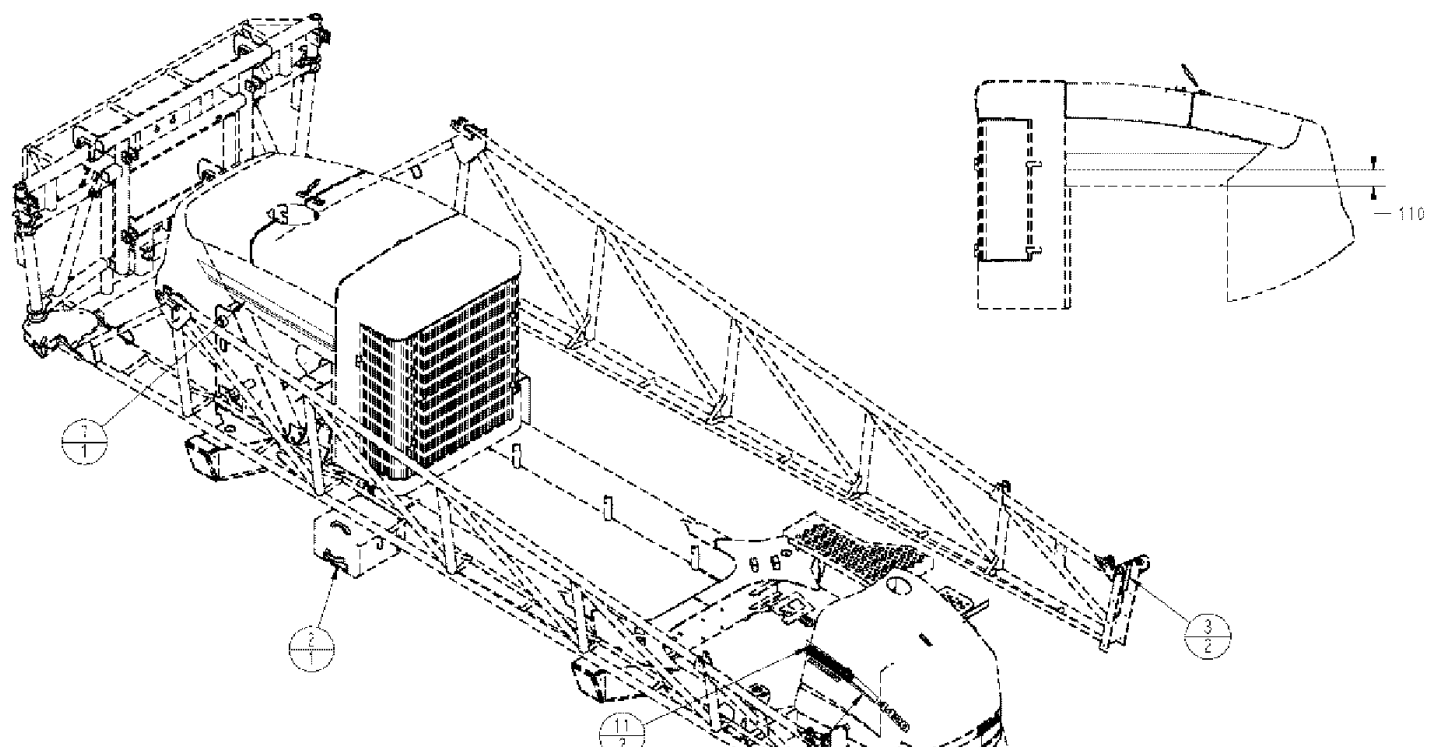
VALVE OR SWITCH AND POSITION	1	2	3	4	5
1 - Close or ON	1	1	1	1	1
2 - Open or OFF	1	1	1	1	1
3 - Close or ON	1	1	1	1	1
4 - Open or OFF	1	1	1	1	1
5 - Close or ON	1	1	1	1	1
6 - Open or OFF	1	1	1	1	1



## 4420 PATRIOT SPRAYER

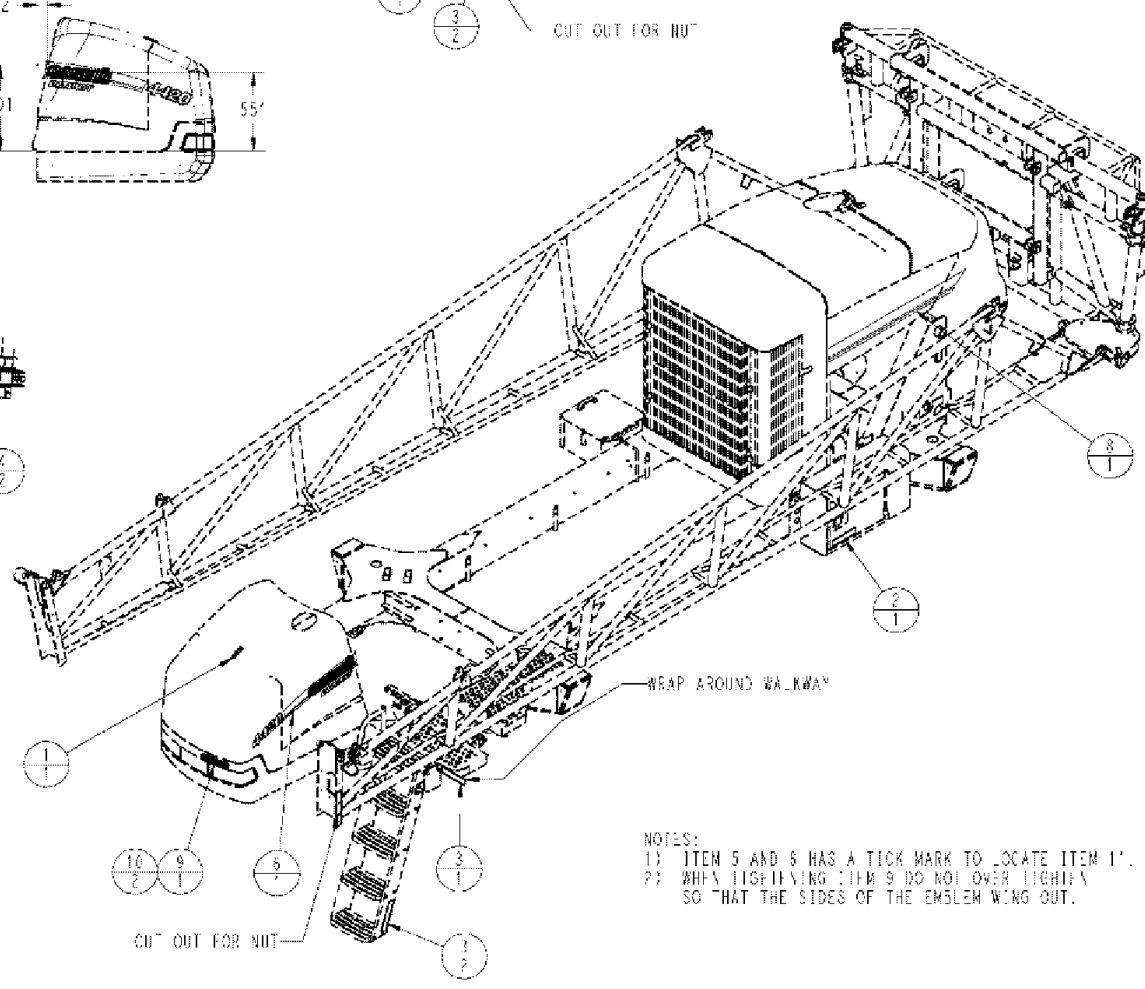
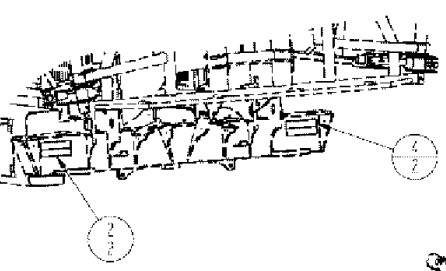
## 10-001 APPLICATION GROUP

Ref	Part Number	Qty	Description
1	343182A1	1	DECAL, PUMP STATION 778D
2	343183A1	1	DECAL, TANK SUMP 778D
3	BN323729	1	DECAL, HAND WASH
4	87653647	1	DECAL, CASE APPLICATION EQ
5	343185A1	1	DECAL, FOAM TANK FILL 778D
6	343186A1	1	DECAL, RINSE TANK 778D
7	BN320997	1	BRACKET, PLATE, MTG-DECAL (SS)
8	343187A1	1	DECAL, CHEMICAL IND. 778D
9	344405A1	1	DECAL, EMERGENCY STOP
10	344403A1	1	DECAL, CHEM IND TANK 778D
12	343184A1	1	DECAL, PROD TANK FILL 778D
13	343189A1	1	DECAL, FOAMER FUNCTION778D
14	343736A1	1	DECAL, STA. FUNCTION 778D
15	87266004	1	DECAL, SIGHT GAUGE, GALLONS



CUT TO 30MM X 175MM

CUT OUT FOR NUT



WRAP AROUND WALKWAY

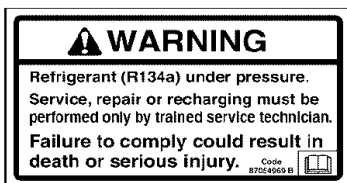
CUT OUT FOR NUT

- NOTES:
- 1) ITEM 5 AND 6 HAS A TICK MARK TO LOCATE ITEM 1'
  - 2) WHEN TIGHTENING ITEM 9 DO NOT OVER TIGHTEN SO THAT THE SIDES OF THE EMBLEM WING OUT.

## 4420 PATRIOT SPRAYER

## 10-002 APPEARANCE GROUP

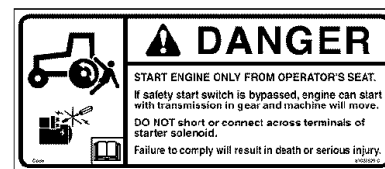
Ref	Part Number	Qty	Description
1	1968108C2	1	GUIDE, TRIM- HOOD SIGHT
2	311863A1	4	REFLECTOR, RETRO, RED
3	311864A1	9	REFLECTOR, RETRO, AMBER
4	311865A1	2	REFLECTOR, FLUOR, ORANGE
5	87636747	1	DECAL, 4420, RH FRONT
6	87636748	1	DECAL, 4420, LH FRONT
7	87636749	1	DECAL, CASE IH, RH REAR
8	87636750	1	DECAL, CASE IH, LH REAR
9	87557775	1	EMBLEM, MEDALLION, CASE-IH LOGO
10	86625060	2	NUT, Self, Threading, 1/4",
11	87558404	2	DECAL, CASE IH REAR



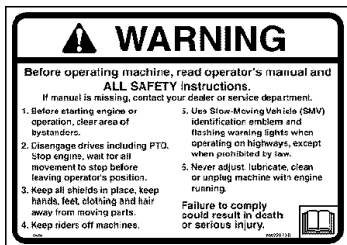
Decal 1



Decal 2



Decal 3



Decal 4



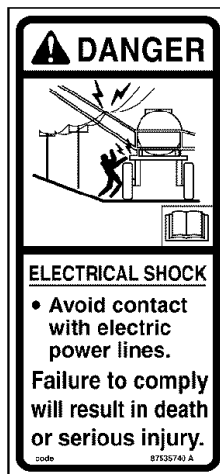
Decal 5



Decal 6



Decal 7



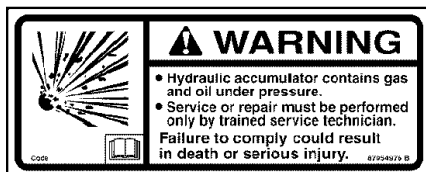
Decal 8



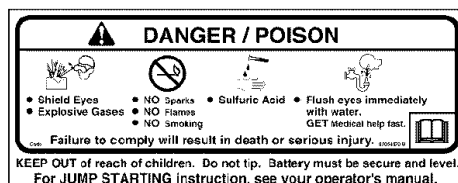
Decal 9



Decal 10



Decal 11



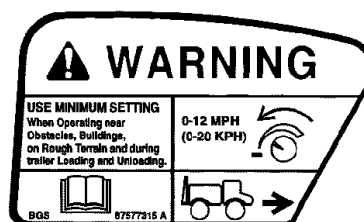
Decal 12



Decal 13



Decal 14

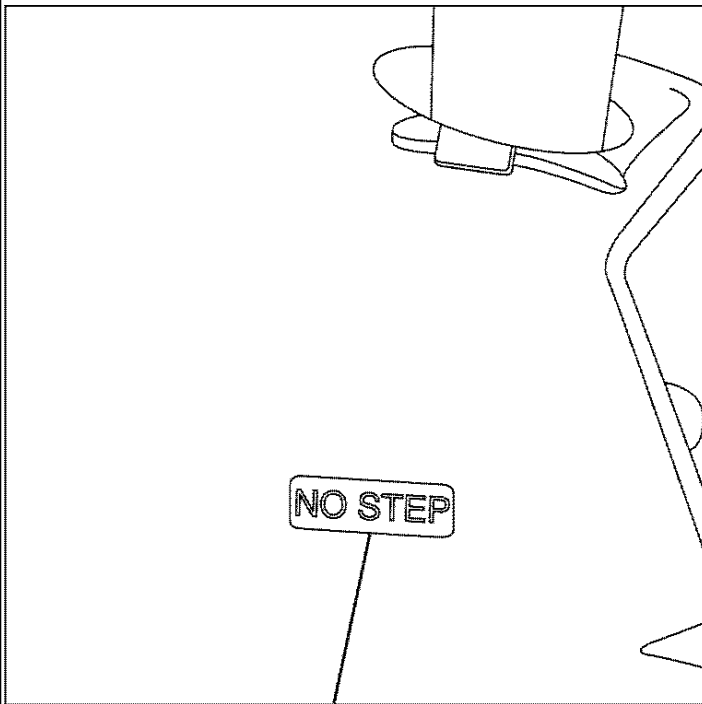


Decal 15

## 4420 PATRIOT SPRAYER

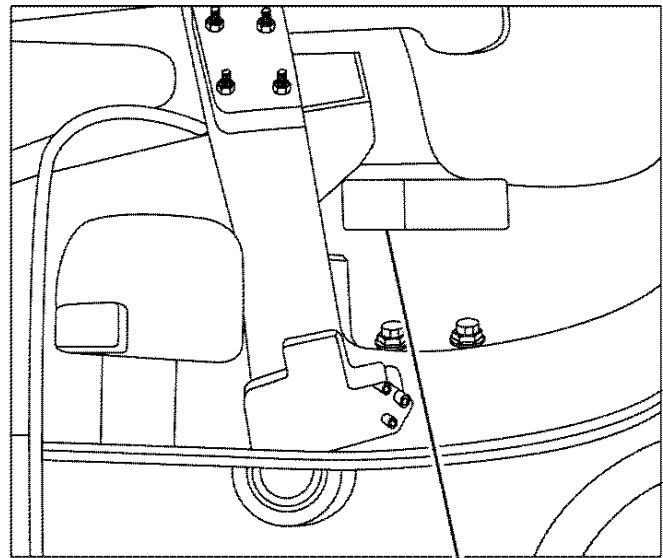
## 10-003 SAFETY GROUP

Ref	Part Number	Qty	Description
1	87054969	1	DECAL, WARN-REFRIGERANT
2	333088A1	1	DECAL, PROTECTIVE CLOTHING
3	87033529	1	DECAL, SIGN-DANGER
4	86622073	1	DECAL, SIGN-WARNING
5	87266217	2	DECAL, DECAL,OIL DRAIN
6	86501511	2	DECAL, SIGN-FAN WARNING
7	87271146	1	DECAL, DO NOT DRINK
8	87535740	1	DECAL, ELECTRICAL SHOCK
9	87666473	1	WARNING WEIGHT
10	629086	1	DECAL, SIGN-DANGER
11	87054976	2	DECAL, WARNING-ACCUMULATOR
12	87054970	1	DECAL, DANGER-BATTERY
13	87013363	1	DECAL, SIGN-RADIATOR CAP
14	410704A1	1	DECAL, WARNING-INSTRUCTIONAL SEAT
15	87577315	1	DECAL, SPEED SAFETY



2/1

LOCATED ON ENGINE HOOD (FRONT FOLDING SECTION)



1/1

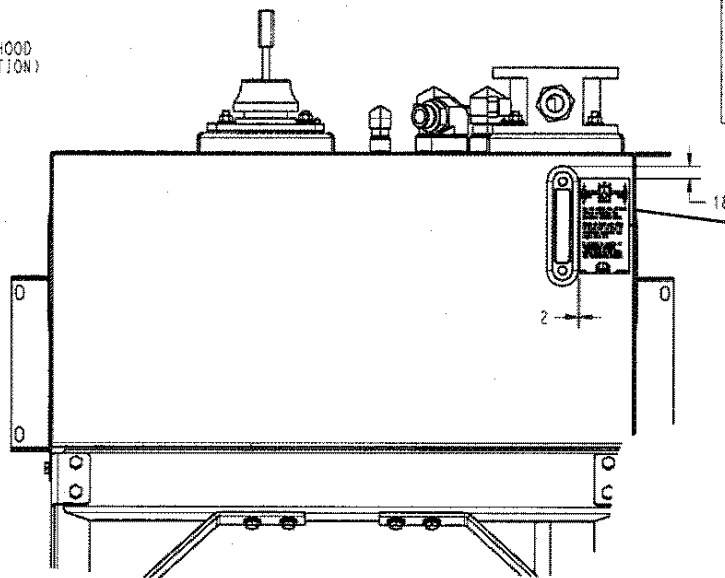
LOCATED ON LH WALKWAY

Torque wheel nuts to 450 ft. lbs. Check daily.



2530

NO STEP



3/1

Do not adjust the oil level without completing the procedure outlined below.

Check oil level only after at least half an hour of continuous operation and engine shut off.

If oil level is outside of "OPERATING RANGE", adjust level to be within the "OPERATING RANGE".

Code

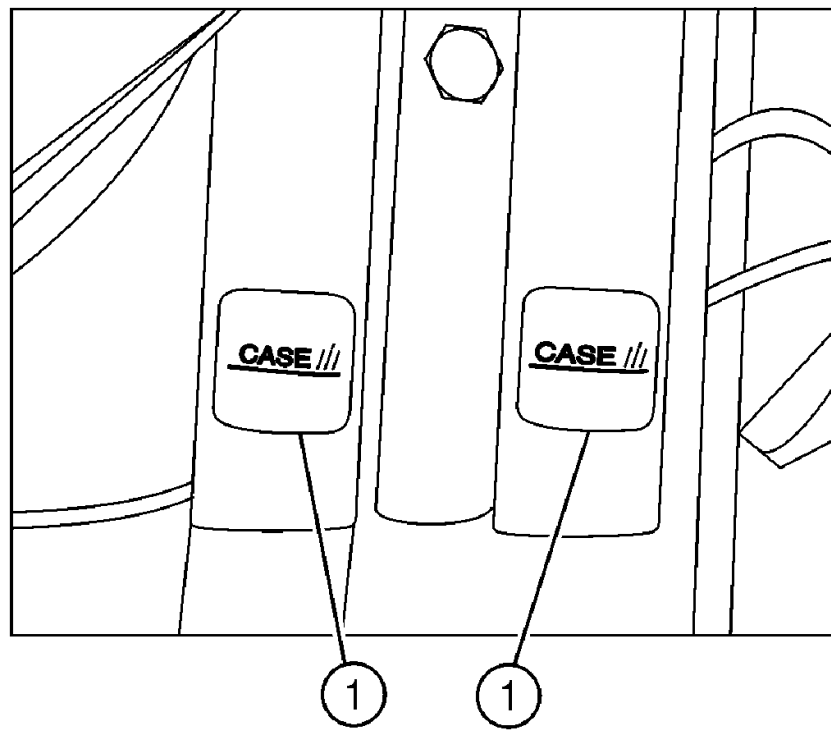
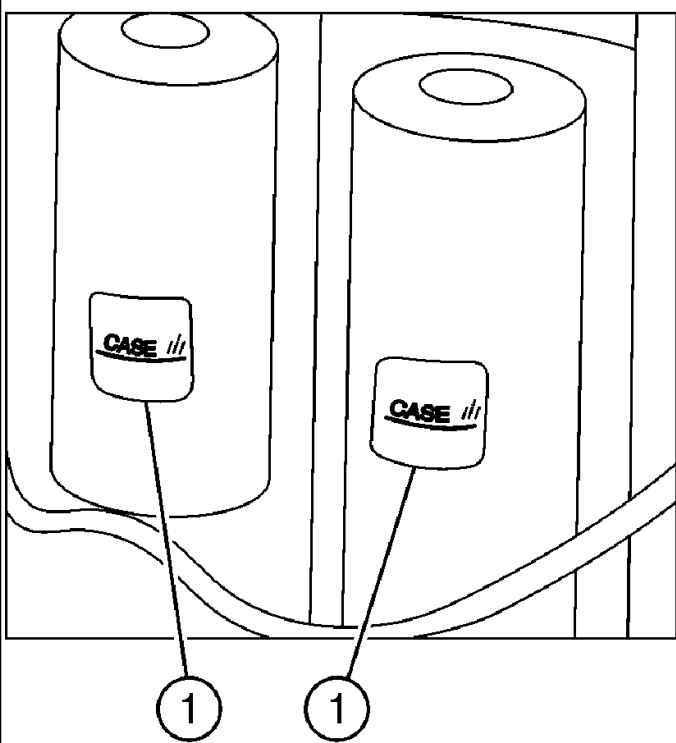
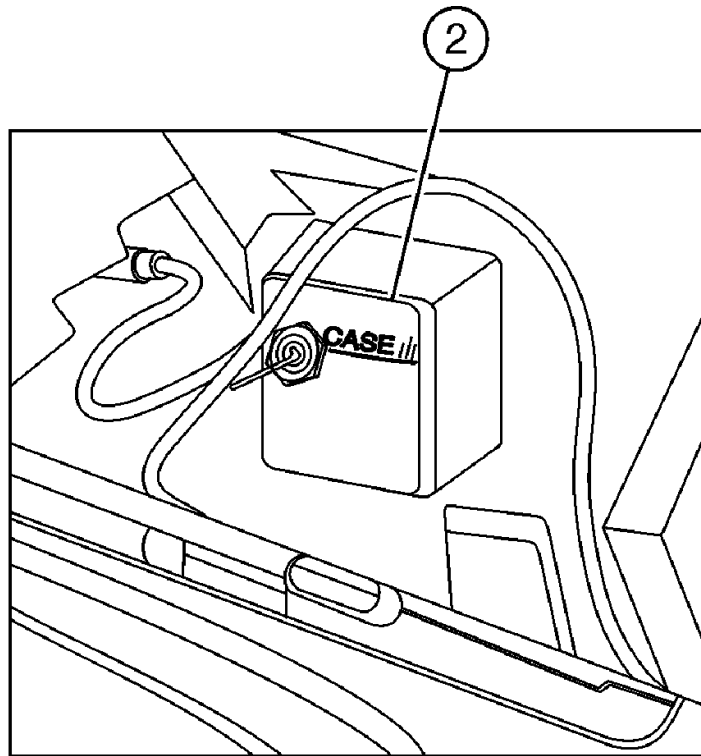


8768376 A

4420 PATRIOT SPRAYER

10-004 OPERATIONAL GROUP

Ref	Part Number	Qty	Description
1	BN312660	1	DECAL, TORQ.
2	1968008C1	1	DECAL, NO STEP
3	87611379	1	DECAL, HYDRAULIC OIL LEVEL

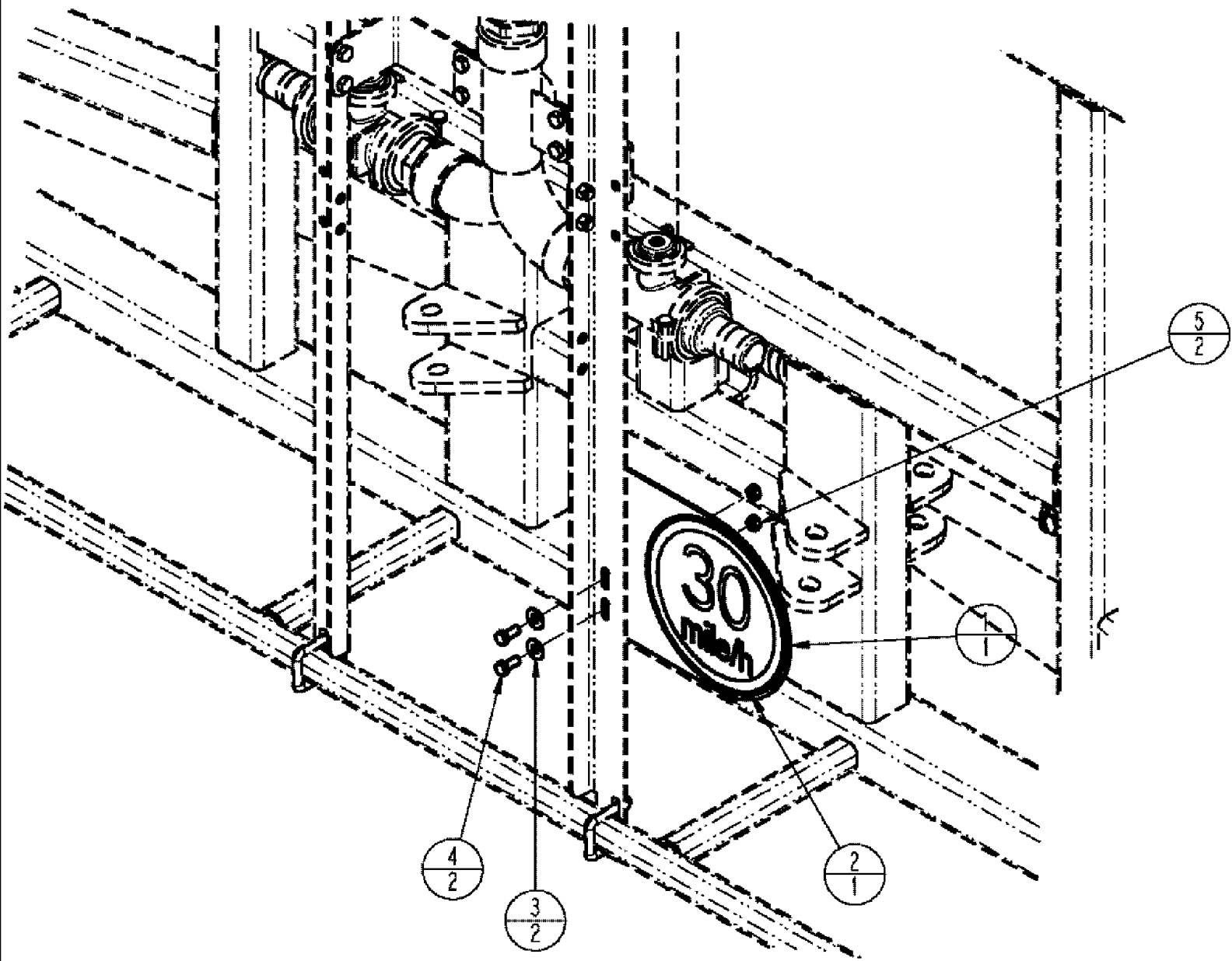




4420 PATRIOT SPRAYER

10-005 ENGINE DECAL GROUP

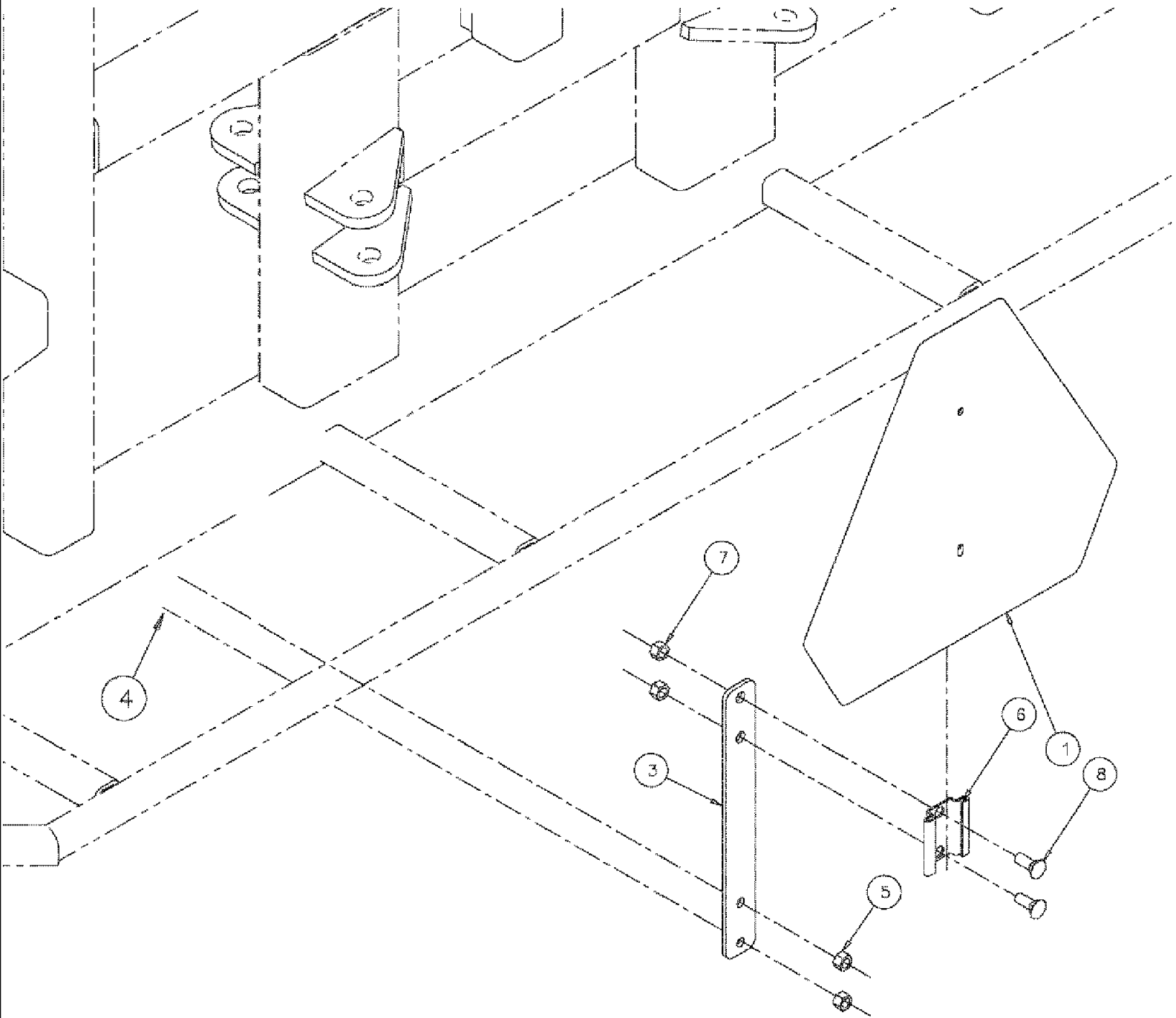
Ref	Part Number	Qty	Description
1	87405724	3	DECAL, "CASE IH" 50 X 50MM
2	87802966	1	EMBLEM CASE/IH, PLATE ASS'Y



## 4420 PATRIOT SPRAYER

## 10-006 SPEED IDENTIFICATION SYMBOL

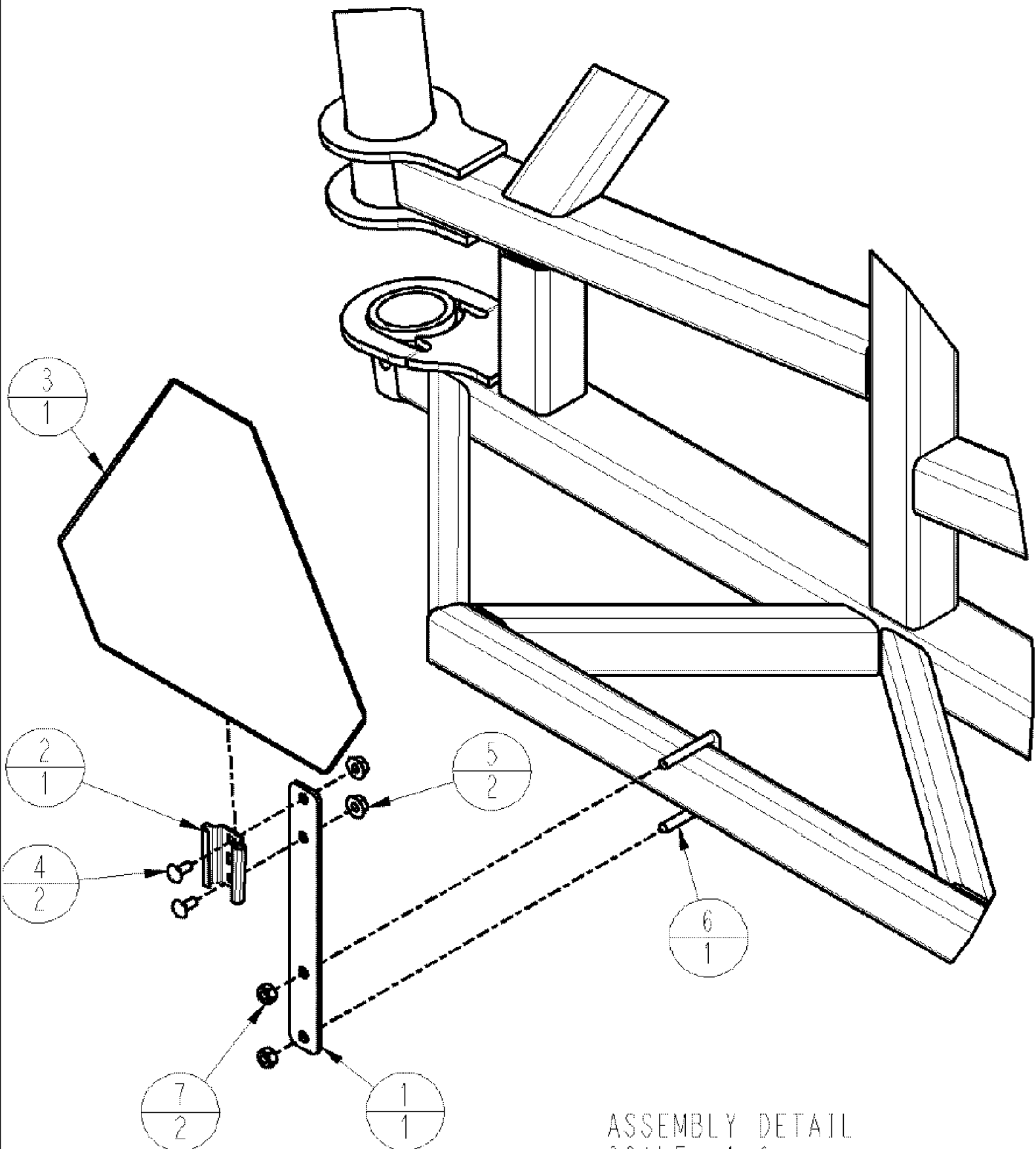
Ref	Part Number	Qty	Description
1	87523676	1	PLATE, SIS MOUNT
2	87522628	1	DECAL, 30MPH SPEED SIGN
3	BN50142	2	WASHER, 5/16, FW, SS
4	BN50476	2	BOLT, 5/16-18 X .75, HH, SS
5	BN55361	2	NUT, 5/16-18, NLN, SS



## 4420 PATRIOT SPRAYER

## 10-007 SMV GROUP

Ref	Part Number	Qty	Description
1	A59450	1	SIGN, WARNING, EMBLEM/A, SMV
3	BN313098	1	MOUNTING PARTS, SMV
4	BN319918	1	U-BOLT, 3/8 X 1.31 ID, DT
5	87343974	2	NUT, PT 3/8-16 DIR C
6	A59457	1	BRACKET, 76984291_SOCKET, SMV
7	BN50057	2	NUT, 5/16-18 WHIZ LOCK SS

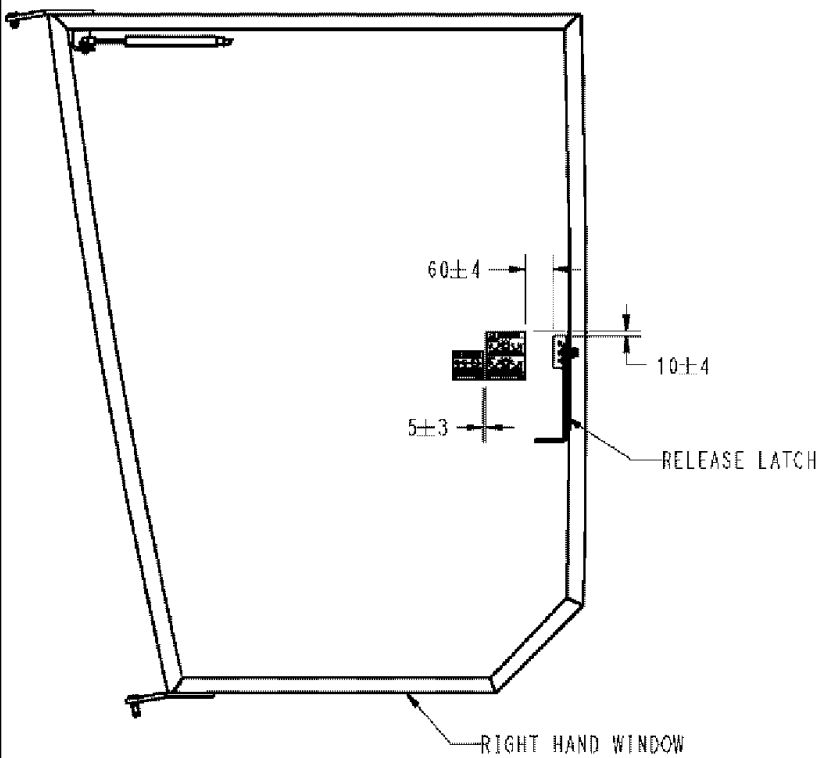


ASSEMBLY DETAIL  
SCALE 1:6

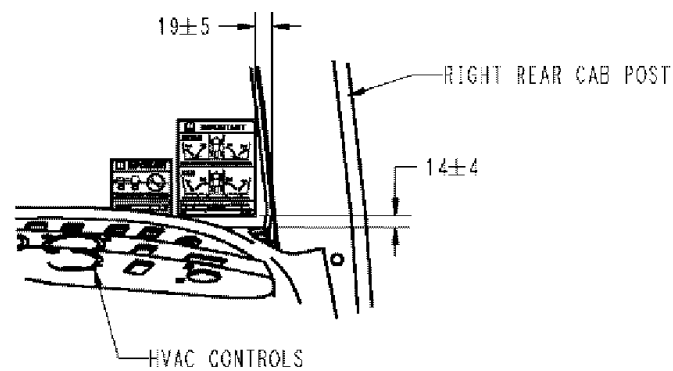
## 4420 PATRIOT SPRAYER

## 10-008 SMV GROUP, 120' BOOM

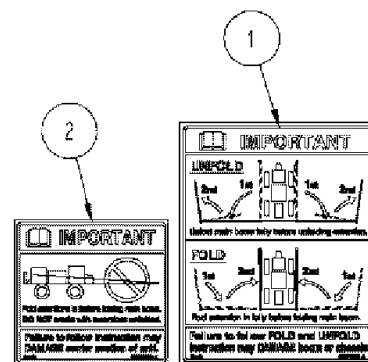
Ref	Part Number	Qty	Description
1	87618518	1	SMV, 120' BOOM
2	A59457	1	BRACKET, 76084291_SOCKET, SMV
3	A59450	1	SIGN, WARNING, EMBLEM/A, SMV
4	BN50222	2	BOLT, 5/16-18X.75, TH, SS, PH
5	BN50057	2	NUT, 5/16-18 WHIZ LOCK SS
6	87586548	1	U-BOLT, 64MM ID X 64
7	86980515	2	NUT, LOCK, M10 x 1.5, CI 8, P/T ALL MTL



PATRIOT 4420  
(AS VIEWED FROM INSIDE CAB)  
SCALE 1:10



PATRIOT 3320  
(AS VIEWED FROM INSIDE CAB)  
SCALE 1:5

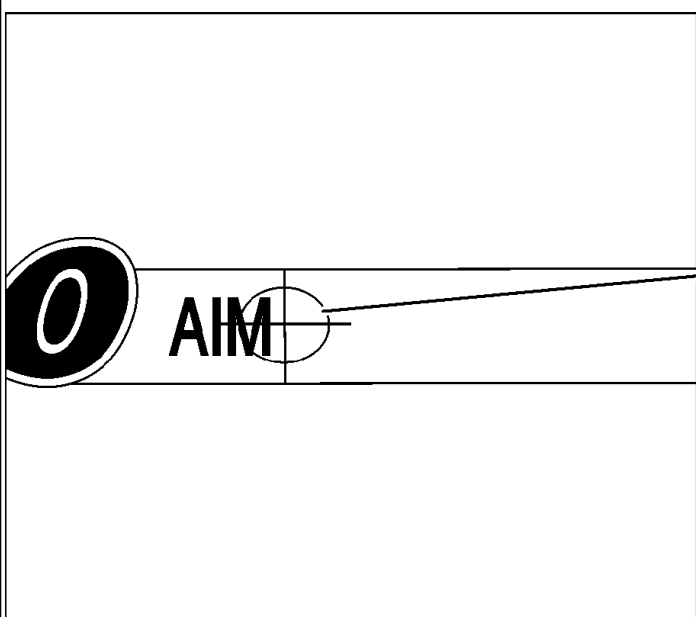




4420 PATRIOT SPRAYER

10-009 DECAL GROUP, 120' BOOM

Ref	Part Number	Qty	Description
1	87677603	1	DECAL, BOOM FOLD
2	87677608	1	DECAL, DAMAGE OF CENTER SECTION



1

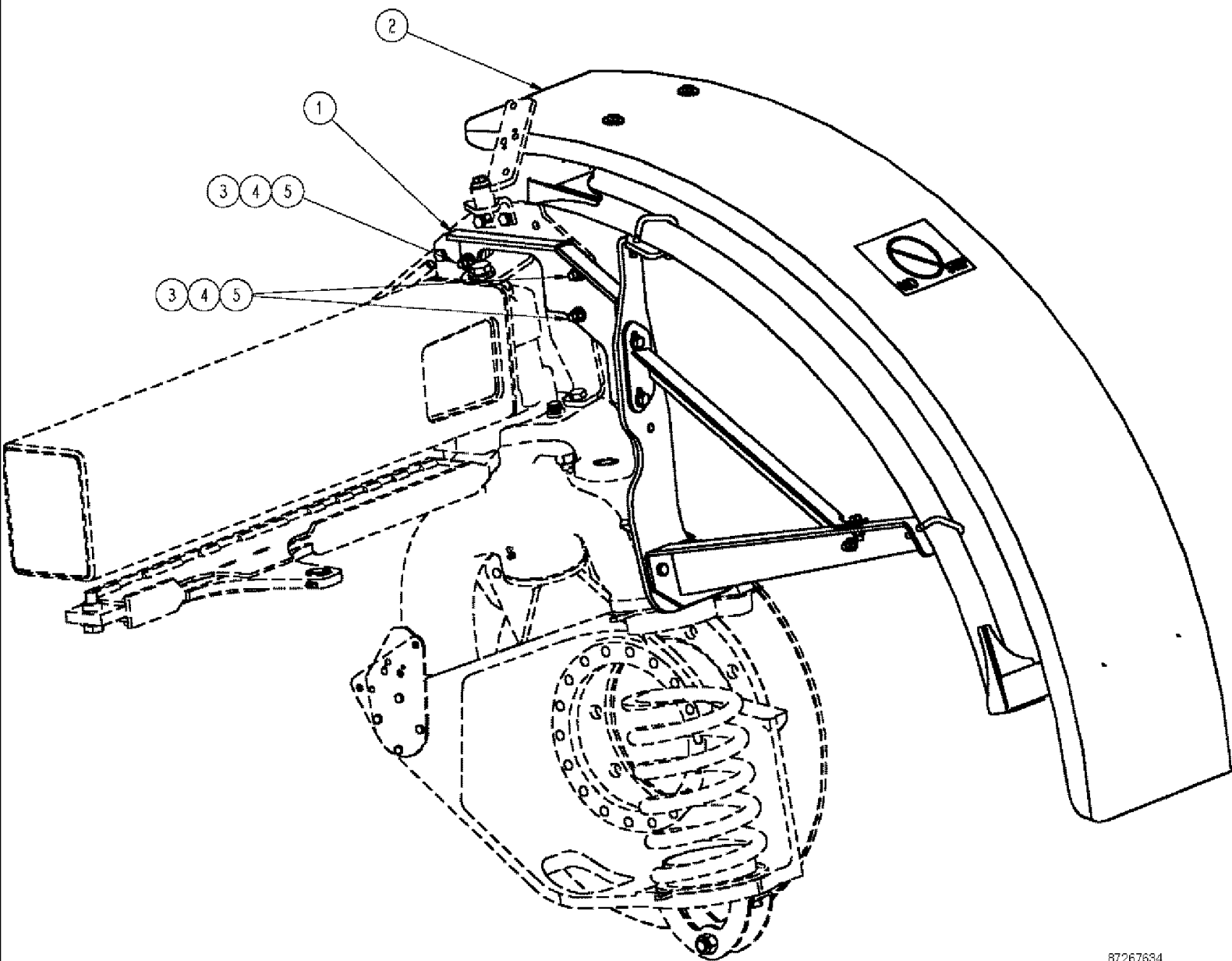
LOCATE DECAL CENTERED ON MODEL  
DECAL JUST BEHIND MODEL NUMBER  
SAME LOCATION ON BOTH SIDES

↙ LH SIDE OF UPPER FRONT HOOD SHOWN

4420 PATRIOT SPRAYER

10-010 AIM COMMAND DECAL GROUP

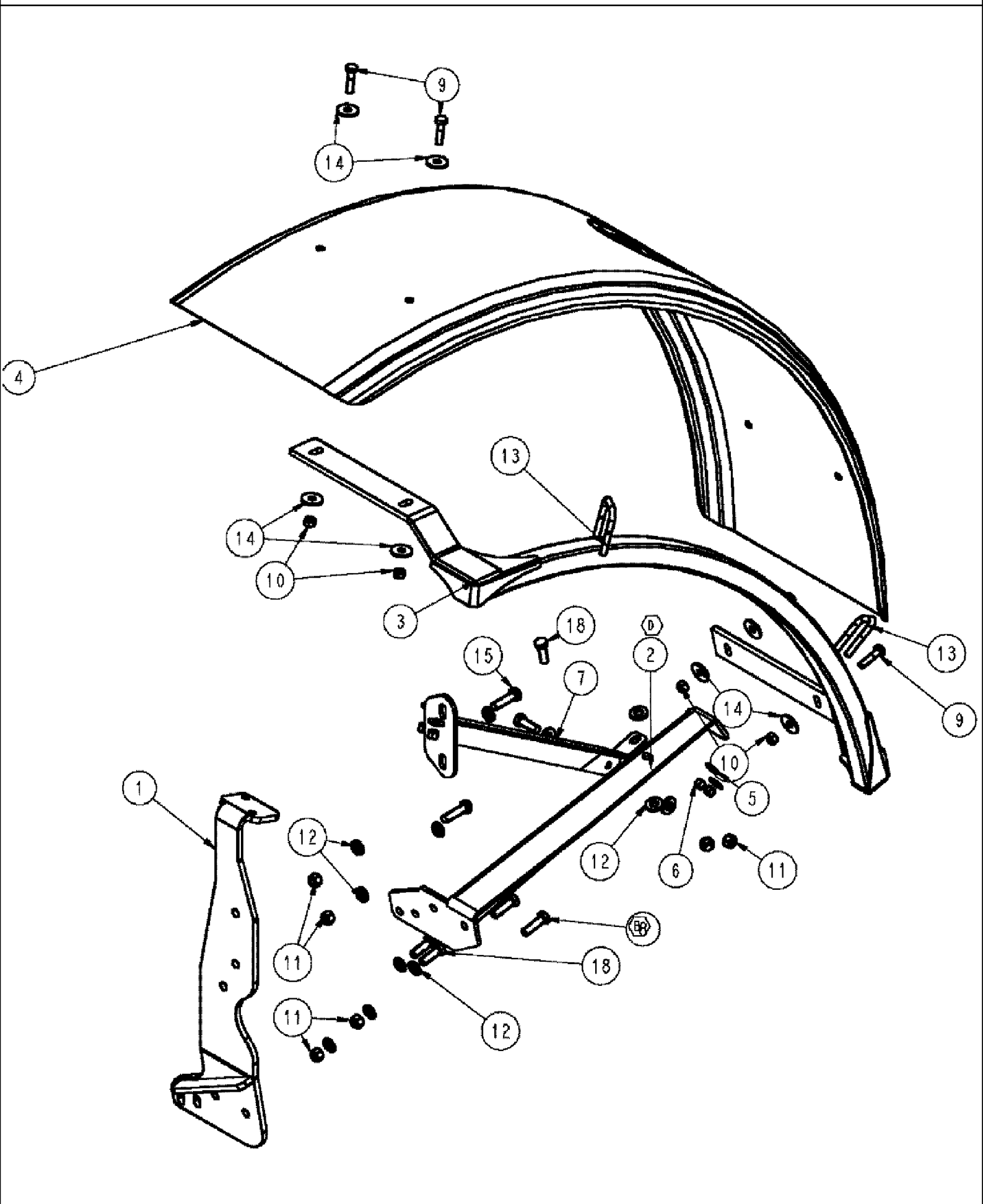
Ref	Part Number	Qty	Description
1	BN324719	2	DECAL, AIM



## 4420 PATRIOT SPRAYER

## 11-001 FENDER GROUP, RH

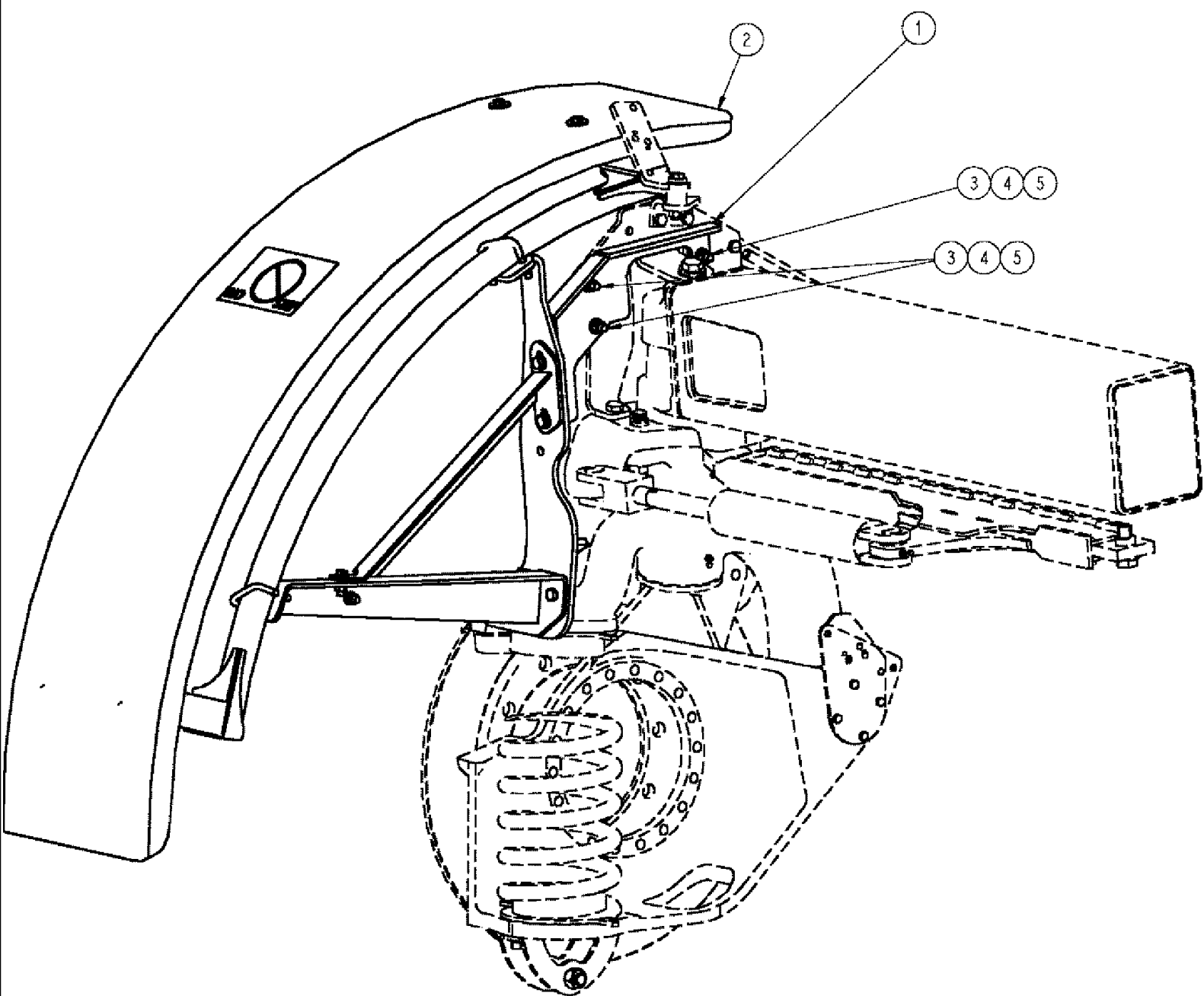
Ref	Part Number	Qty	Description
1	87267630	1	BRACKET, MOUNT, FENDER, RH
2	86986459	1	FENDER ASSY., GRP, RH, SEE FIG. 11-002
3	86981496	6	WASHER, M13.5 x 24.5 x 3, HT,
4	814-12045	3	BOLT, Hex, M12 x 45, 8.8,
5	832-46412	3	NUT, LOCK, M12 x 1.75, CI 8,



## 4420 PATRIOT SPRAYER

## 11-002 FENDER ASSEMBLY, RH

Ref	Part Number	Qty	Description
1	87268334	1	SUPPORT, MOUNT, FENDER RH WELDMENT
2	87268366	1	BRACKET, MOUNT, FENDER, LOWER, RH
3	86986713	1	FRAME, FENDER
4	87665204	1	LONG, HOLES
5	1994980C1	4	WASHER, BELLEVILLE, M10
6	231-4146	4	NUT, LOCK, 3/8"-16, GB,
7	87268377	1	CROSSMEMBER, FENDER RH
8	614-12040	2	BOLT, Hex, M12 x 40, 8.8, Full Thd,
9	BN50260	4	BOLT, 3/8-16 X 1.5, HH, SS
10	BN50759	4	NUT, 3/8-16, NLN, SS
11	86980516	6	NUT, NUT, M12 CL8 P/T ALL METAL
12	896-11012	12	WASHER, M13.5 x 24.5 x 3, HT,
13	BN319919	2	U-BOLT, SQ. BEND 2.06 ID X 3/8
14	BN325184	8	WASHER, 3/8, FW, SS, HVY, SPEC #MS815
15	814-12045	2	BOLT, Hex, M12 x 45, 8.8,
18	86980422	4	BOLT, M12-1.75 X 35, HH, 8.8

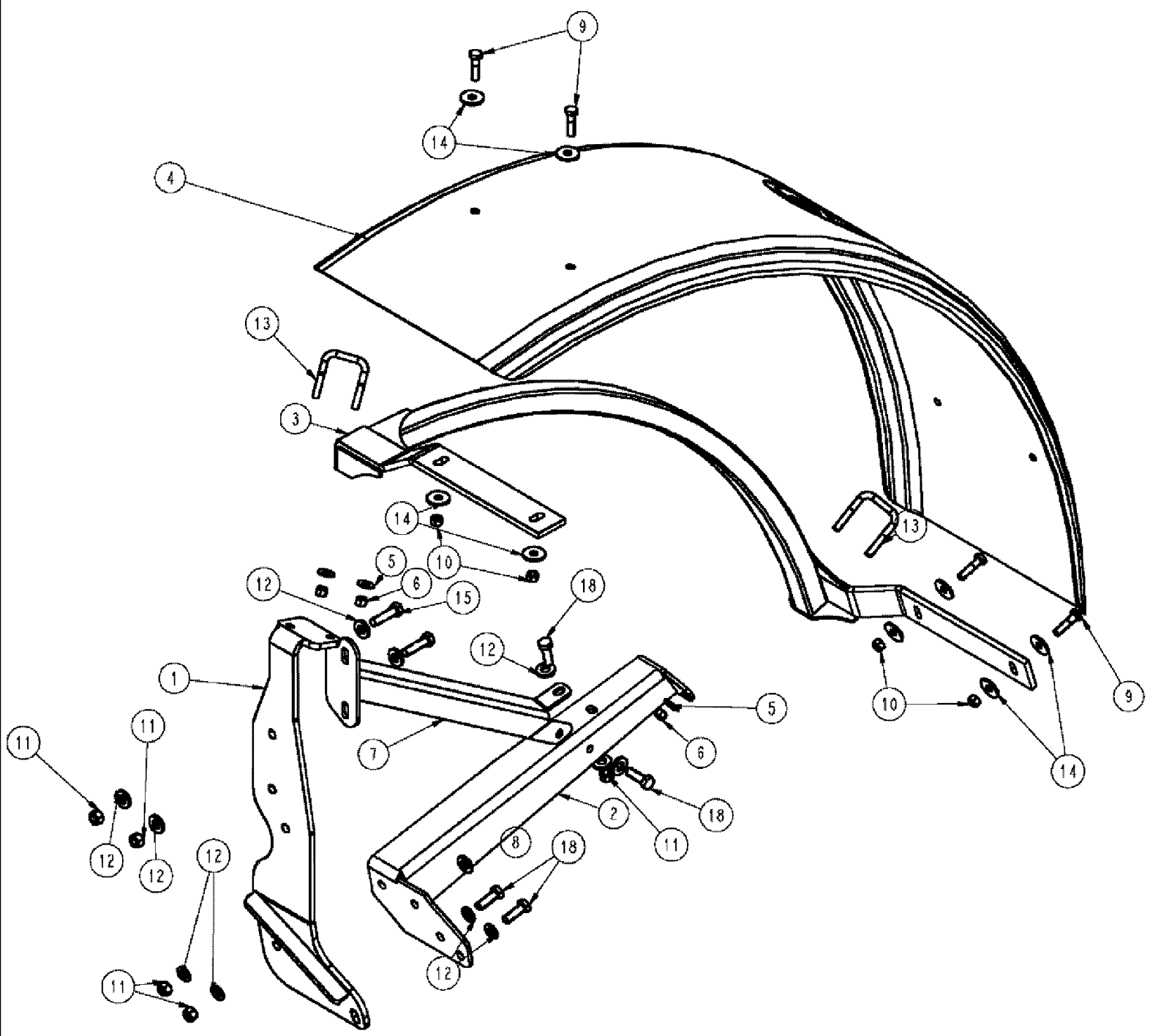




## 4420 PATRIOT SPRAYER

## 11-003 FENDER GROUP, LH

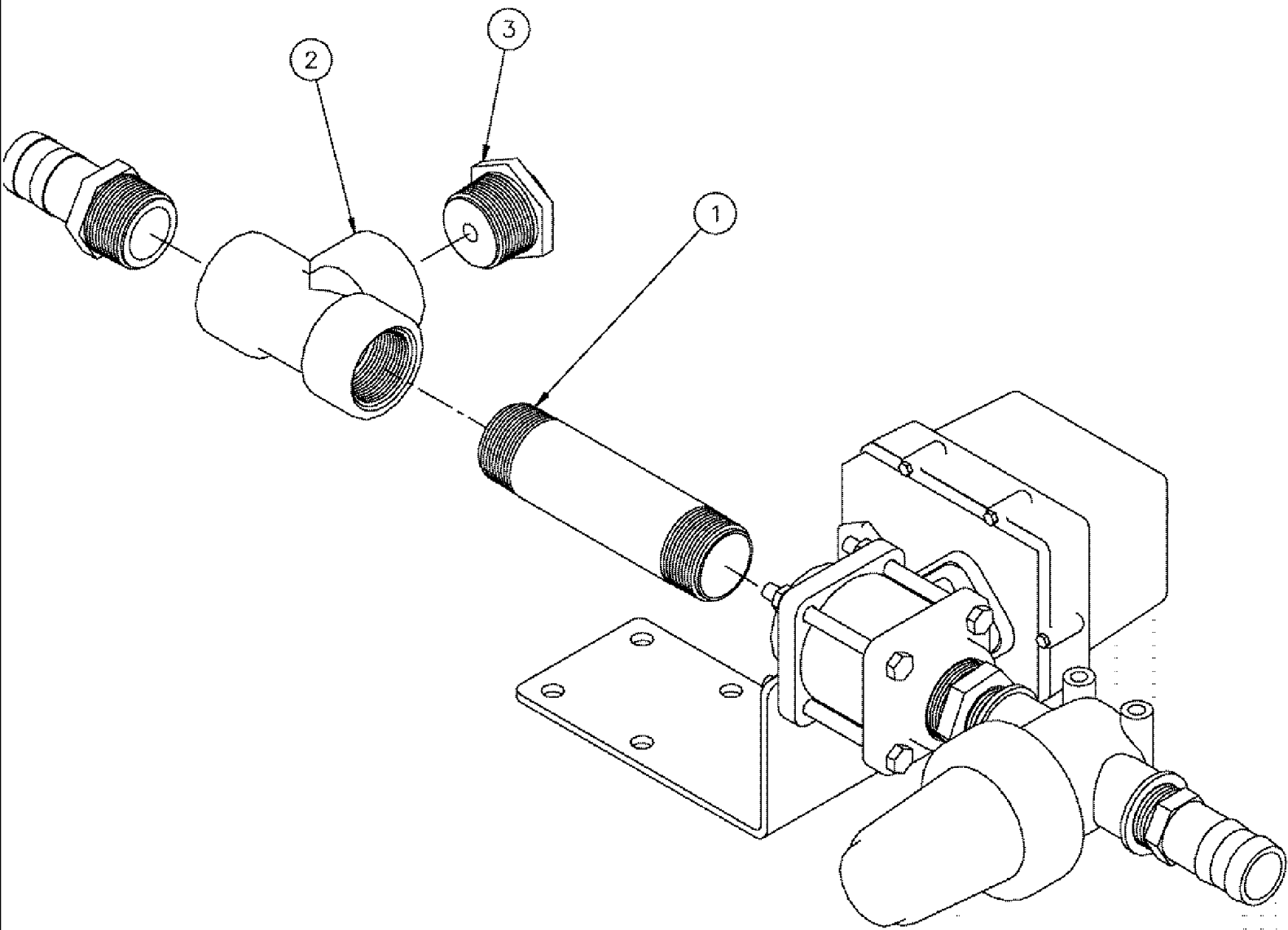
Ref	Part Number	Qty	Description
1	86986706	1	BRACKET, MOUNT, FENDER, LH
2	86986458	1	FENDER ASSY., GRP, LH, SEE FIG. 11-004
3	86981496	6	WASHER, M13.5 x 24.5 x 3, HT,
4	814-12045	3	BOLT, Hex, M12 x 45, 8.8,
5	832-46412	3	NUT, LOCK, M12 x 1.75, CI 8,



## 4420 PATRIOT SPRAYER

## 11-004 FENDER ASSEMBLY, LH

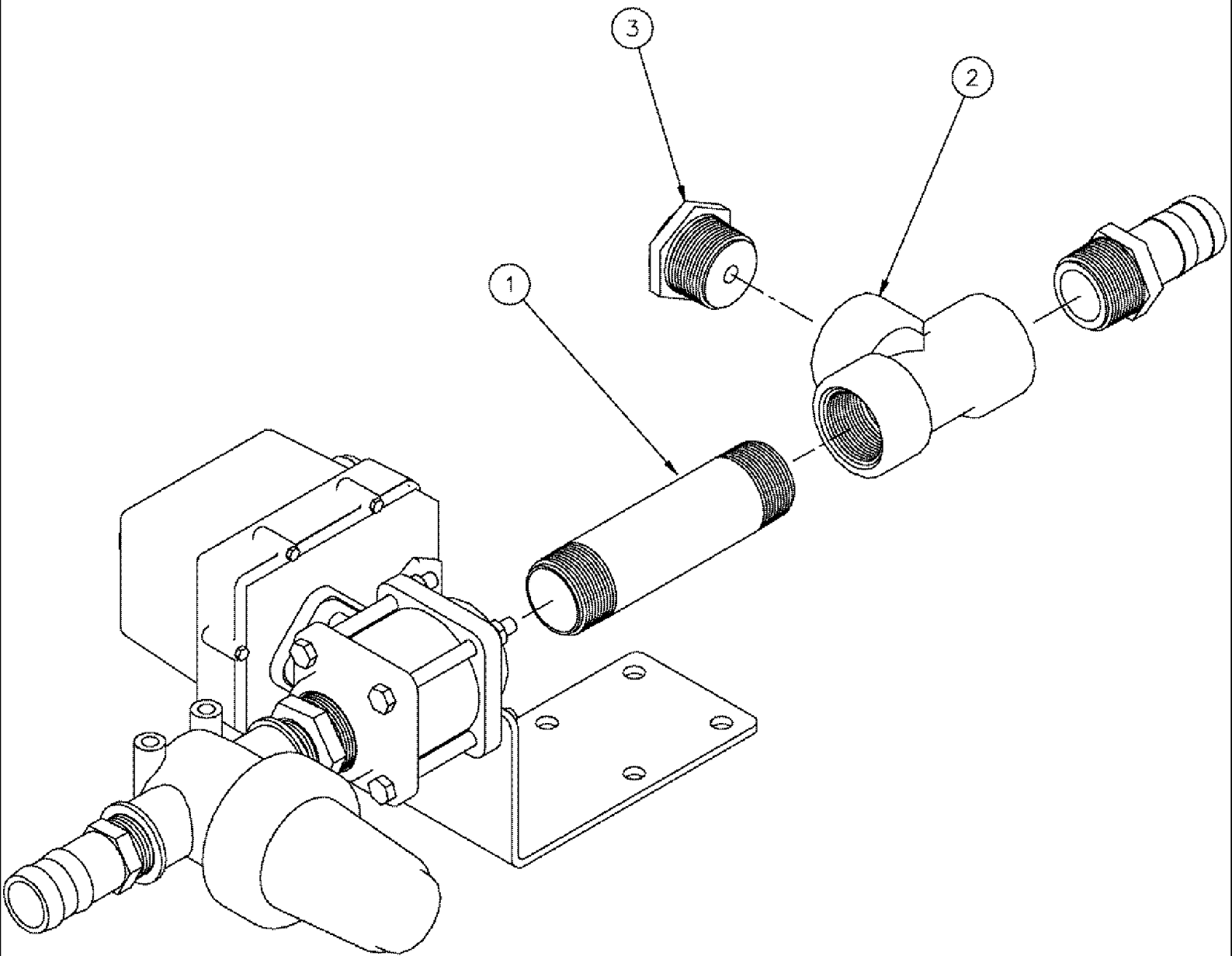
Ref	Part Number	Qty	Description
1	87268333	1	SUPPORT, MOUNT, FENDER LH WELDMENT
2	87268370	1	BRACKET, MOUNT, FENDER, LOWER, LH
3	86986713	1	FRAME, FENDER
4	87665204	1	LONG, HOLES
5	1994980C1	4	WASHER, BELLEVILLE, M10
6	231-4146	4	NUT, LOCK, 3/8"-16, GB,
7	87268326	1	ARM, CROSS BRACE FENDER LH
8	614-12040	2	BOLT, Hex, M12 x 40, 8.8, Full Thd,
9	BN50260	4	BOLT, 3/8-16 X 1.5, HH, SS
10	BN50759	6	NUT, 3/8-16, NLN, SS
11	86980516	6	NUT, M12 CL8 P/T ALL METAL
12	896-11012	12	WASHER, M13.5 x 24.5 x 3, HT,
13	BN319919	2	U-BOLT, SQ BEND 2.06 ID X 3/8
14	BN325184	8	WASHER, 3/8, FW, SS, HVY, SPEC #MS815
15	814-12045	2	BOLT, Hex, M12 x 45, 8.8,
18	86980422	4	BOLT, M12 - 1.75 X 35, HH, 8.8



## 4420 PATRIOT SPRAYER

## 11-005 TEE VALVE GROUP, LEFT BOOM, FENCE ROW

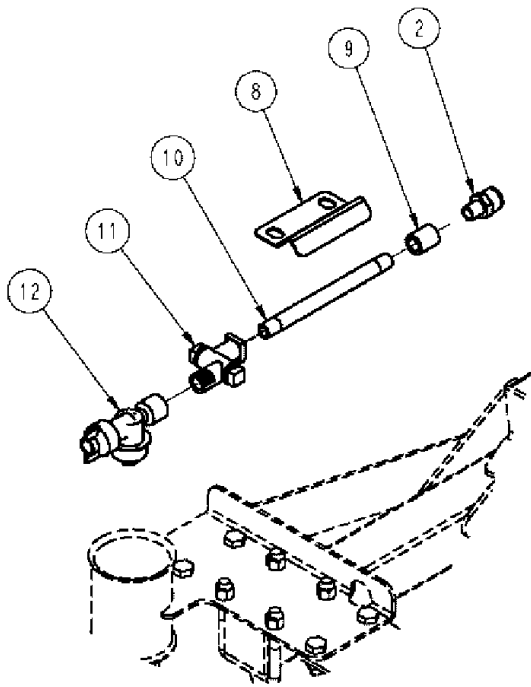
Ref	Part Number	Qty	Description
1	BN323762	1	NIPPLE, LUBE, 1.25 X 4", POLY
2	BN73662	1	TEE, 1 1/4 PIPE POLY
3	BN320968	1	PLUG, RB, 1.25 X .375, POLY



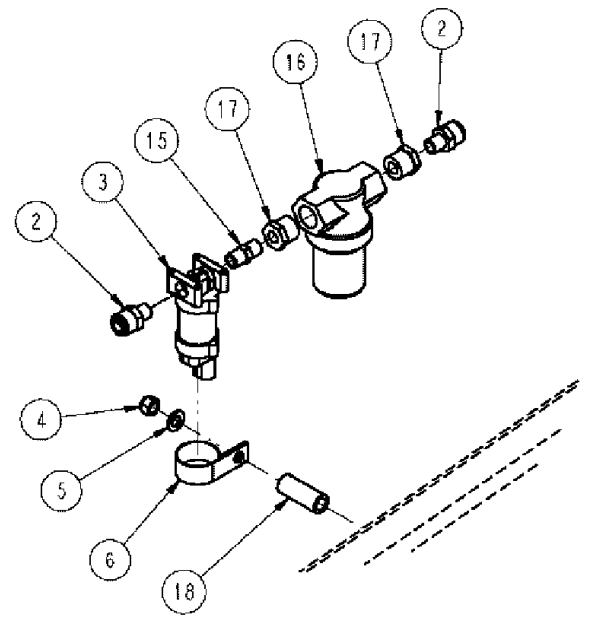
4420 PATRIOT SPRAYER

11-006 TEE VALVE GROUP, RIGHT BOOM, FENCE ROW

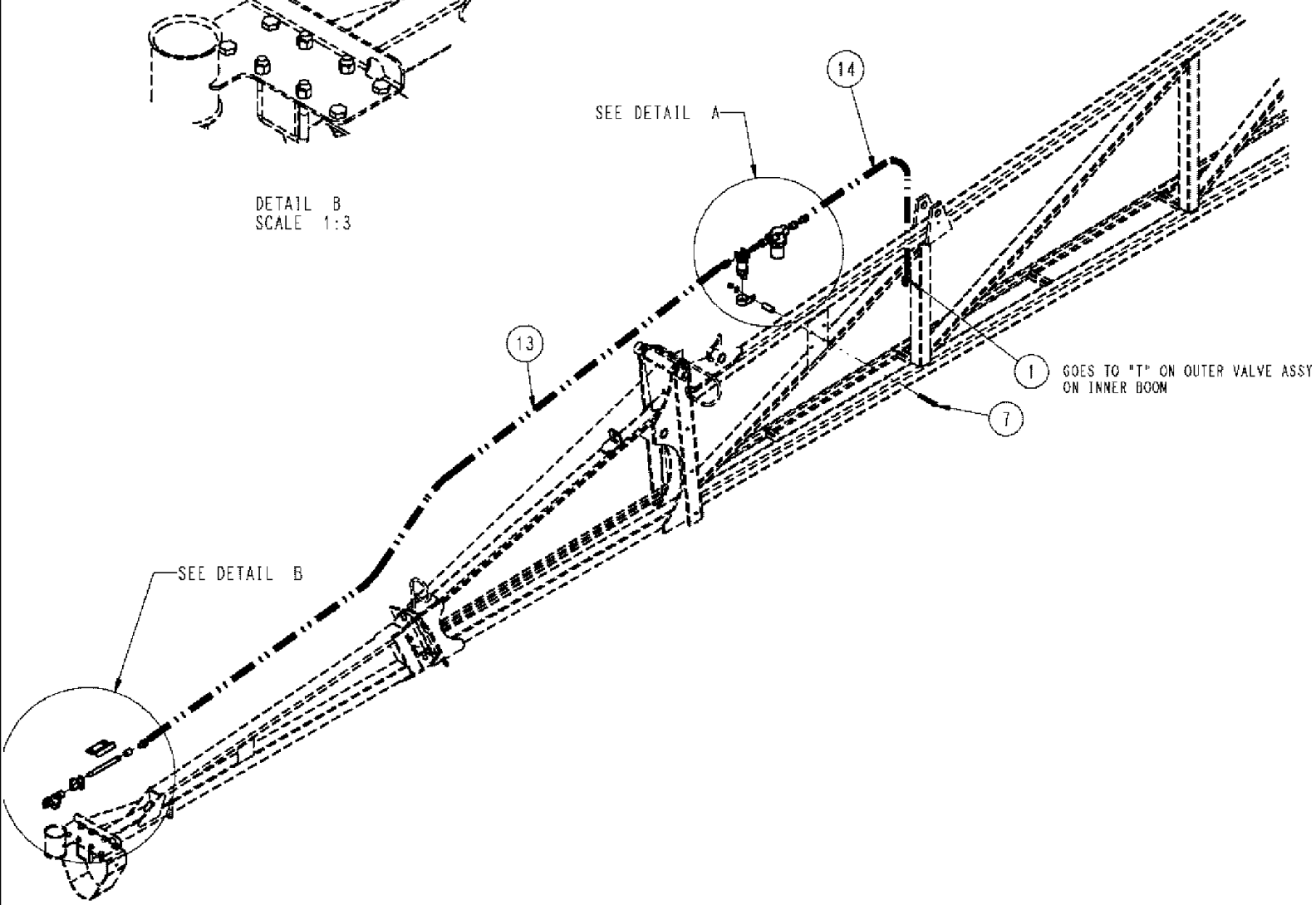
Ref	Part Number	Qty	Description
1	BN323762	1	NIPPLE, LUBE, 1.25 X 4", POLY
2	BN73662	1	TEE, 1 1/4 PIPE POLY
3	BN320968	1	PLUG, RB, 1.25 X .375, POLY



DETAIL B  
SCALE 1:3



DETAIL A  
SCALE 1:3



SEE DETAIL B

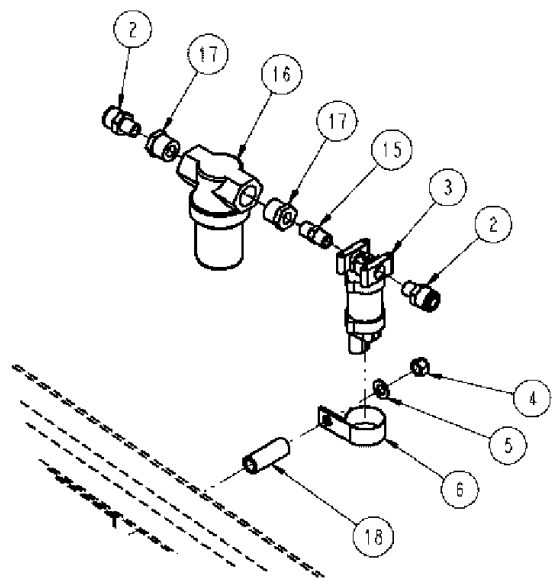
SEE DETAIL A



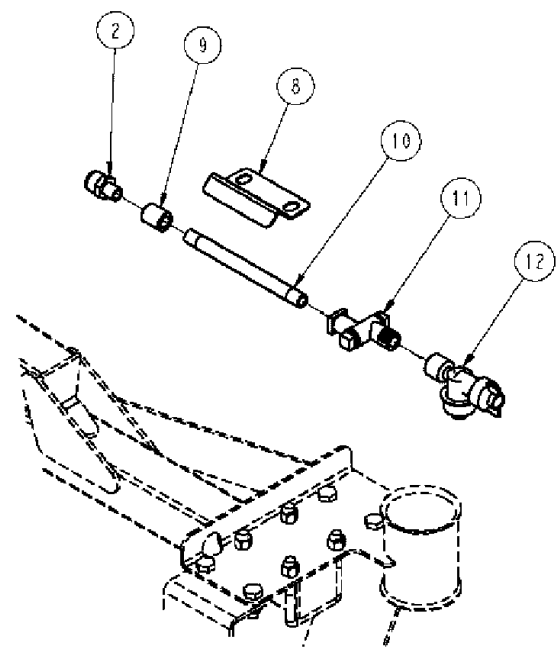
## 4420 PATRIOT SPRAYER

## 11-007 NOZZLE GROUP, LEFT BOOM, 80' FENCE ROW

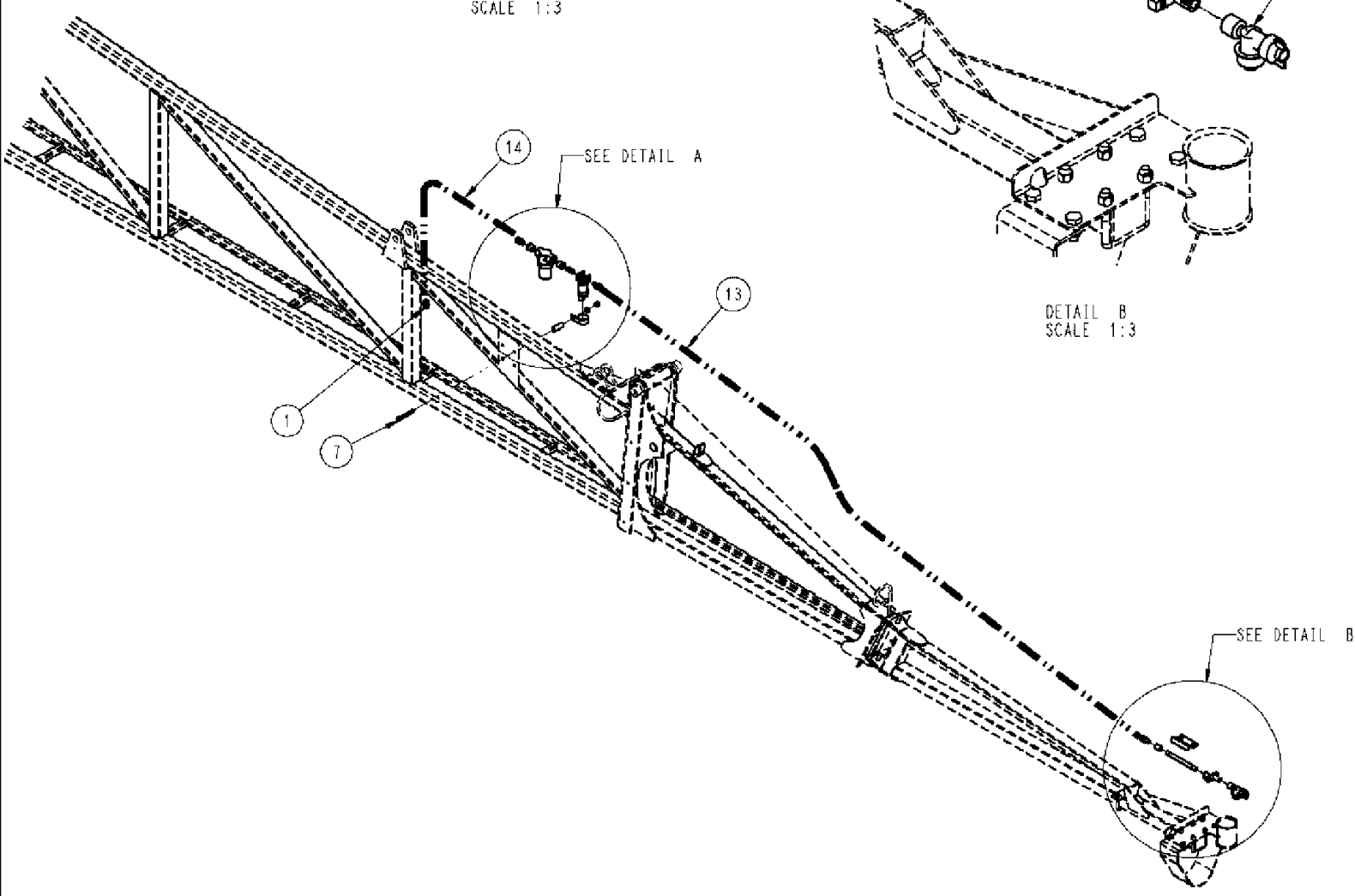
Ref	Part Number	Qty	Description
1	BN2399412	1	CONNECTOR, HYD., TUBE, MC38038
1	BN2399411	1	CONNECTOR, TUBE, ME380140, INDICATES OLD PART NUMBER OR CAN ORDER NEWER PART NUMBER LISTED ABOVE
2	BN2399403	3	CONNECTOR, TUBE, MC38014
3	343778A1	1	SOLENOID, VALVE, 1/4 NPT
4	BN50759	1	NUT, 3/8-16, NLN, SS
5	BN50146	1	WASHER, 3/8, FW, SS
6	515-23365	1	CLAMP, 1 7/16", Insul, 3/8" Bolt,
7	BN50272	1	BOLT, 3/8-16 X 2.75, HH, SS
7	BN50254	1	BOLT, 3/8-16 X 1, HH, SS, INDICATES OLD PART NUMBER OR CAN ORDER NEWER PART NUMBER LISTED ABOVE
8	86986105	1	CLAMP, PLATE, NOZZLE
9	BN73015	1	COUPLING, 1/4" NPT SS FULL
10	BN313361	1	NIPPLE, LUBE, 1/4" NPT X 6.0SS
11	BN313256	1	NOZZLE INJECTION, W/SWIVEL
12	BN313255	1	NOZZLE INJECTION, W/CHECK VALVE
13	BN322081	1	TUBE, BLACK, 3/8 X 160"
14	BN322073	1	TUBE, BLACK, 3/8 X 36"
15	86986808	1	NIPPLE, LUBE, .25 X SHORT, PP
16	87565152	2	STRAINER, ELEMENT, .5FP, 50 MESH, PP
	87577399	1	SCREEN, 50 MESH, SS, SERVICE PARTS FOR REF. 16
	87577400	1	STRAINER, ELEMENT, HEAD, .50MP, SERVICE PARTS FOR REF. 16
	87577401	1	SUCTION BOWL, MINI, BLK, SERVICE PARTS FOR REF. 16
	87577402	1	VITON, SERVICE PARTS FOR REF. 16
17	BN304521	2	REDUCER, .50MP .25FP, PP
18	BN300892	1	TUBE, SPACER, 3/8 BOLT



DETAIL A  
SCALE 1:3



DETAIL B  
SCALE 1:3



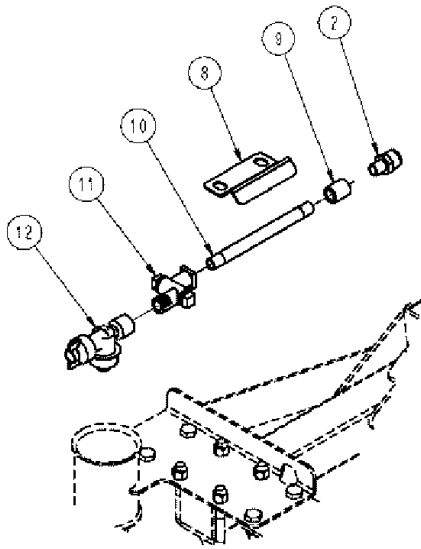
SEE DETAIL A

SEE DETAIL B

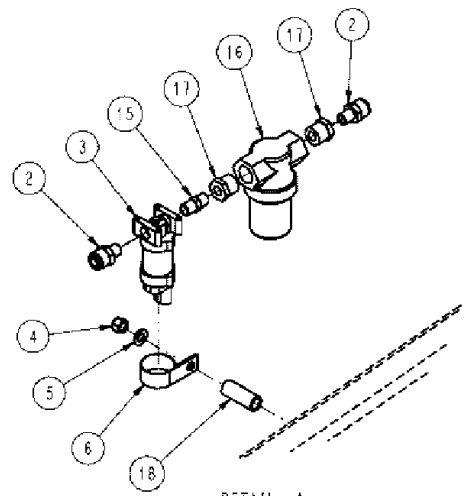
## 4420 PATRIOT SPRAYER

## 11-008 NOZZLE GROUP, RIGHT BOOM, 80'

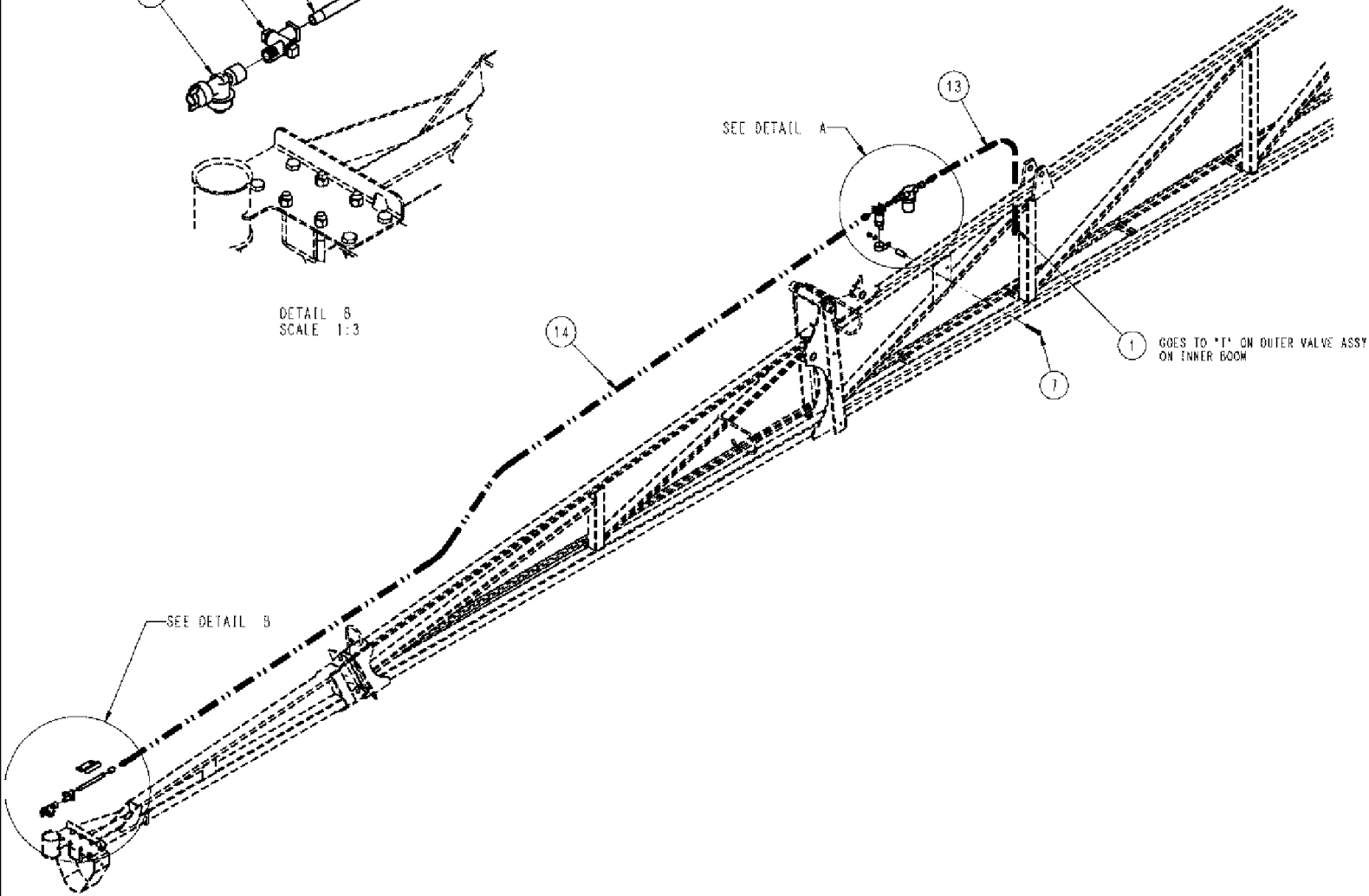
Ref	Part Number	Qty	Description
1	BN2399412	1	CONNECTOR, HYD., TUBE, MC38038
2	BN2399403	3	CONNECTOR, TUBE, MC38014
3	343778A1	1	SOLENOID, VALVE, 1/4 NPT
4	BN50759	1	NUT, 3/8-16, NLN, SS
5	BN50146	1	WASHER, 3/8, FW, SS
6	515-23365	1	CLAMP, 1 7/16", Insul, 3/8" Bolt,
7	BN50272	1	BOLT, 3/8-16 X 2.75, HH, SS
8	86986105	1	CLAMP, PLATE, NOZZLE
9	BN73015	1	COUPLING, 1/4" NPT SS FULL
10	BN313361	1	NIPPLE, LUBE, 1/4" NPT X 6.0SS
11	BN313256	1	NOZZLE INJECTION, W/SWIVEL
12	BN313255	1	NOZZLE INJECTION, W/CHECK VALVE
13	BN322081	1	TUBE, BLACK, 3/8 X 160"
14	BN322073	1	TUBE, BLACK, 3/8 X 36"
15	86986808	1	NIPPLE, LUBE, .25 X SHORT, PP
16	87565152	2	STRAINER, ELEMENT, .5FP, 50MESH, PP
	87577399	1	SCREEN, 50 MESH, SS, SERVICE PARTS FOR REF. 16
	87577400	1	STRAINER, ELEMENT, HEAD, .50MP, SERVICE PARTS FOR REF. 16
	87577401	1	SUCTION BOWL, MINI, BLK, SERVICE PARTS FOR REF. 16
	87577402	1	VITON, SERVICE PARTS FOR REF. 16
17	BN304521	2	REDUCER, .50MP .25FP, PP
18	BN300892	1	TUBE, SPACER, 3/8 BOLT



DETAIL B  
SCALE 1:3



DETAIL A  
SCALE 1:3



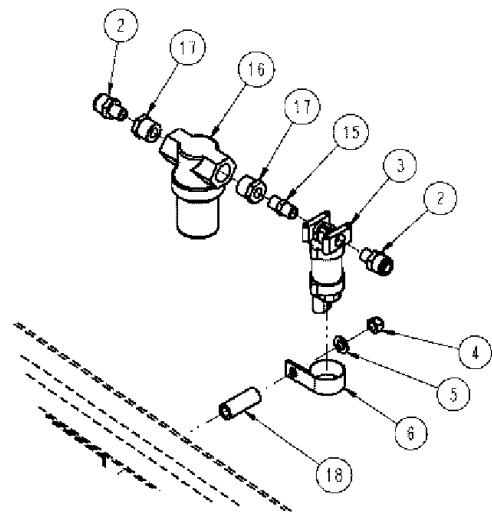
SEC DETAIL A

1 GOES TO 'T' ON OUTER VALVE ASSY ON INNER BOOM

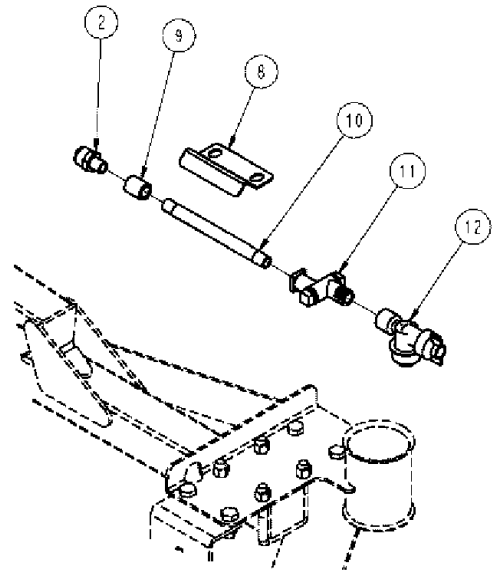
## 4420 PATRIOT SPRAYER

## 11-009 NOZZLE GROUP, LEFT BOOM, 90', FENCE ROW

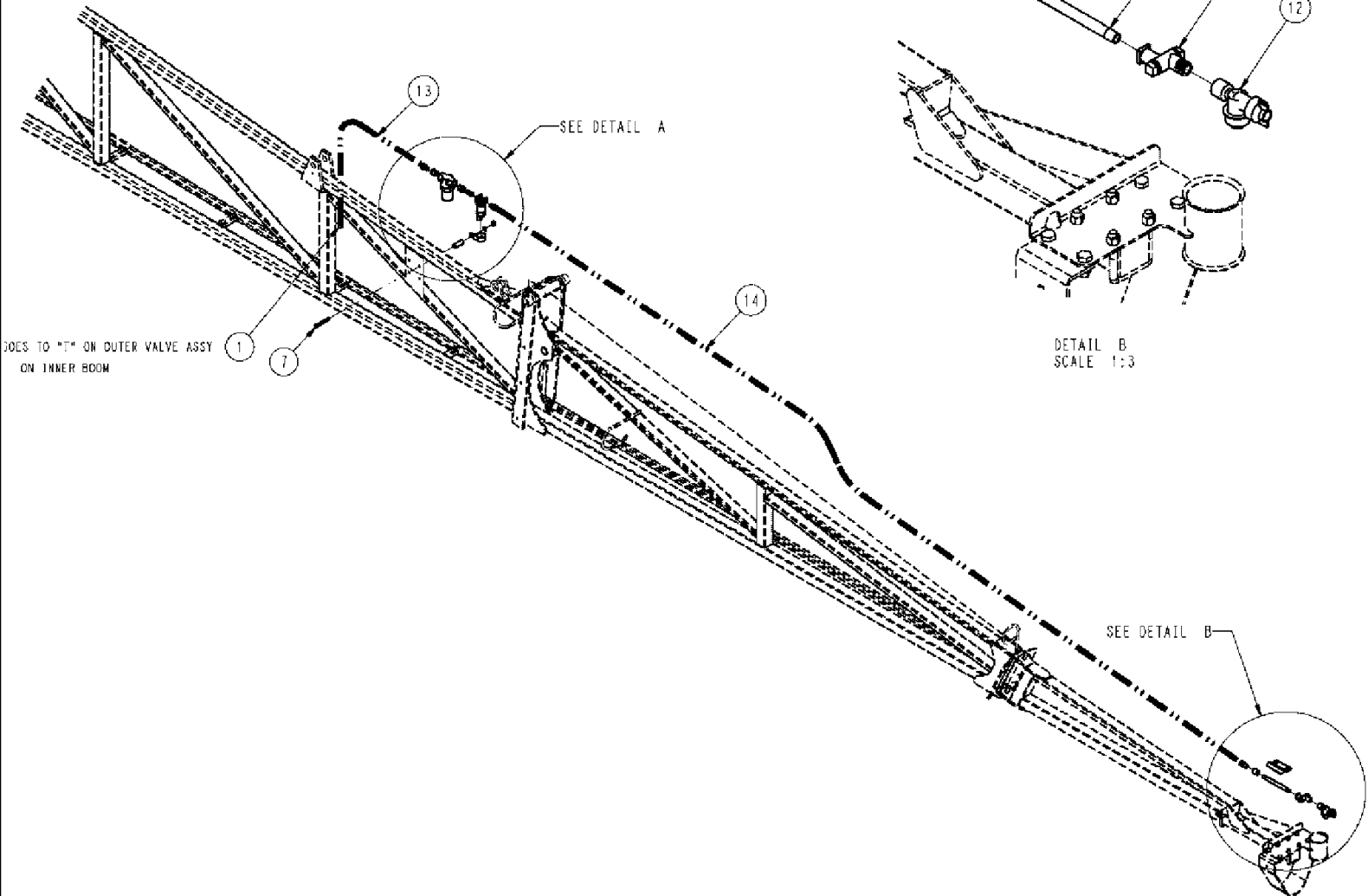
Ref	Part Number	Qty	Description
1	BN2399412	1	CONNECTOR, HYD., TUBE, MC38038
2	BN2399403	3	CONNECTOR, TUBE, MC38014
3	343778A1	1	SOLENOID, VALVE, 1/4 NPT
4	BN50759	1	NUT, 3/8-16, NLN, SS
5	BN50146	1	WASHER, 3/8, FW, SS
6	515-23365	1	CLAMP, 1 7/16", Insul, 3/8" Bolt,
7	BN50272	1	BOLT, 3/8-16 X 2.75, HH, SS
8	86986105	1	CLAMP, PLATE, NOZZLE
9	BN73015	1	COUPLING, 1/4"NPT SS FULL
10	BN313361	1	NIPPLE, LUBE, 1/4" NPT X 6.0SS
11	BN313256	1	NOZZLE INJECTION, W/SWIVEL
12	BN313255	1	NOZZLE INJECTION, W/CHECK VALVE
13	BN322073	1	TUBE, BLACK, 3/8 X 36"
14	BN313230	1	TUBE, BLACK, 3/8 X 220
15	86986808	1	NIPPLE, LUBE, .25XSHORT, PP
16	87565152	2	STRAINER, ELEMENT, .5FP, 50MESH, PP
	87577399	1	SCREEN, 50 MESH, SS, SERVICE PARTS FOR REF. 16
	87577400	1	STRAINER, ELEMENT, HEAD, .50MP, SERVICE PARTS FOR REF. 16
	87577401	1	SUCTION BOWL, MINI, BLK, SERVICE PARTS FOR REF. 16
	87577402	1	VITON, SERVICE PARTS FOR REF. 16
17	BN304521	2	REDUCER, .50MP .25FP, PP
18	BN300892	1	TUBE, SPACER, 3/8 BOLT



DETAIL A  
SCALE 1:3



DETAIL B  
SCALE 1:3



GOES TO "T" ON OUTER VALVE ASSY  
ON INNER BOOM

SEE DETAIL A

SEE DETAIL B

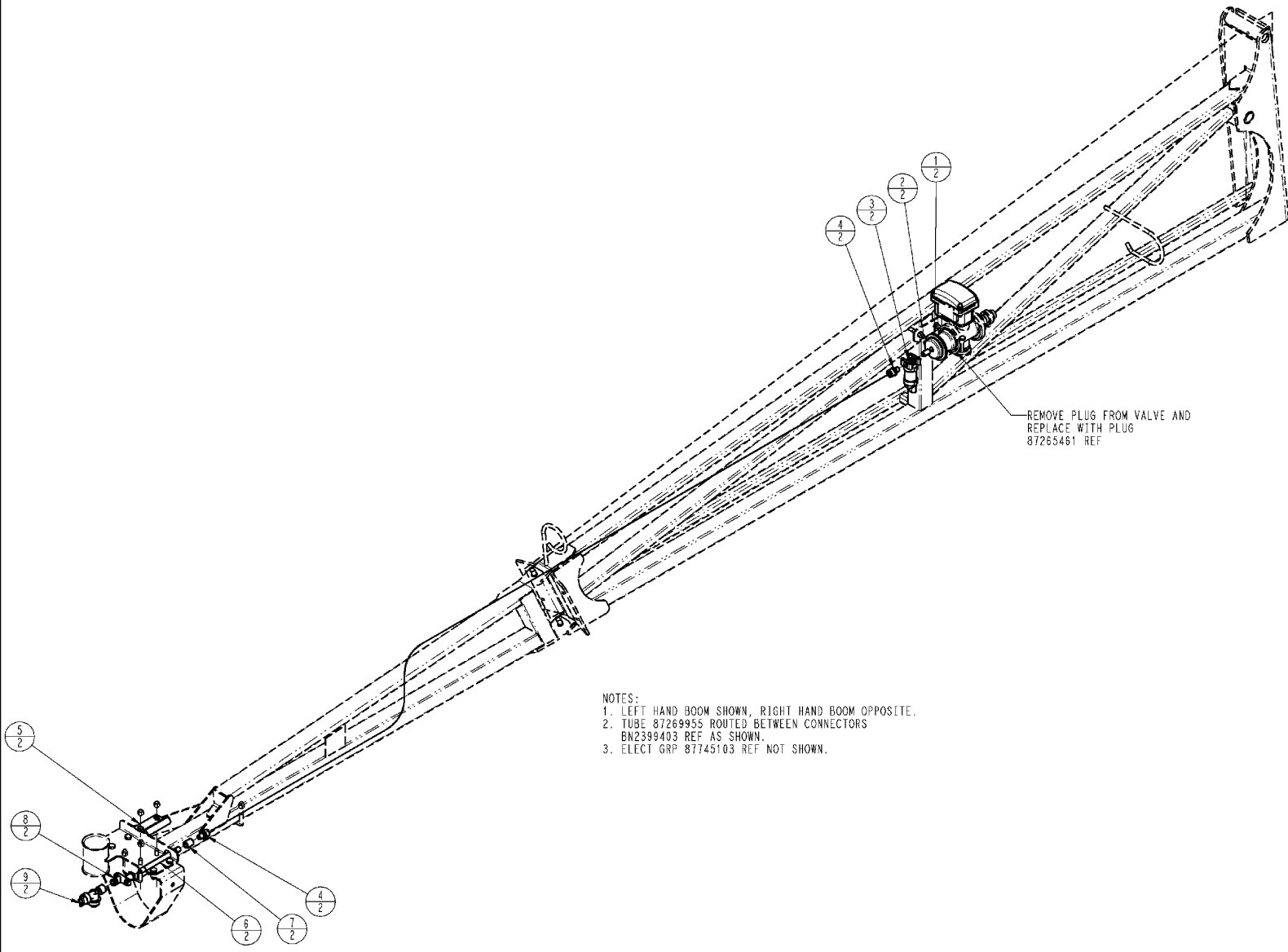
## 4420 PATRIOT SPRAYER

## 11-010 NOZZLE GROUP, RIGHT BOOM, 90', FENCE ROW

Ref	Part Number	Qty	Description
1	BN2399412	1	CONNECTOR, HYD., TUBE, MC38038
2	BN2399403	3	CONNECTOR, TUBE, MC38014
3	343778A1	1	SOLENOID, VALVE, 1/4 NPT
4	BN50759	1	NUT, 3/8-16, NLN, SS
5	BN50146	1	WASHER, 3/8, FW, SS
6	515-23365	1	CLAMP, 1 7/16", Insul, 3/8" Bolt,
7	BN50272	1	BOLT, 3/8-16 X 2.75, HH, SS
8	86986105	1	CLAMP, PLATE, NOZZLE
9	BN73015	1	COUPLING, 1/4" NPT SS FULL
10	BN313361	1	NIPPLE, LUBE, 1/4" NPT X 6.0SS
11	BN313256	1	NOZZLE INJECTION, W/SWIVEL
12	BN313255	1	NOZZLE INJECTION, W/CHECK VALVE
13	BN322073	1	TUBE, BLACK, 3/8 X 36"
14	BN313230	1	TUBE, BLACK, 3/8 X 220
15	86986808	1	NIPPLE, LUBE, .25 X SHORT, PP
16	87565152	2	STRAINER, ELEMENT, .5FP, 50MESH, PP
	87577399	1	SCREEN, 50 MESH, SS, SERVICE PARTS FOR REF. 16
	87577400	1	STRAINER, ELEMENT, HEAD, .50MP, SERVICE PARTS FOR REF. 16
	87577401	1	SUCTION BOWL, MINI, BLK, SERVICE PARTS FOR REF. 16
	87577402	1	VITON, SERVICE PARTS FOR REF. 16
17	BN304521	2	REDUCER, .50MP .25FP, PP
18	BN300892	1	TUBE, SPACER, 3/8 BOLT

# 4420 PATRIOT SPRAYER

## 11-011 NOZZLE, FENCE ROW, 90', LO-FLOW



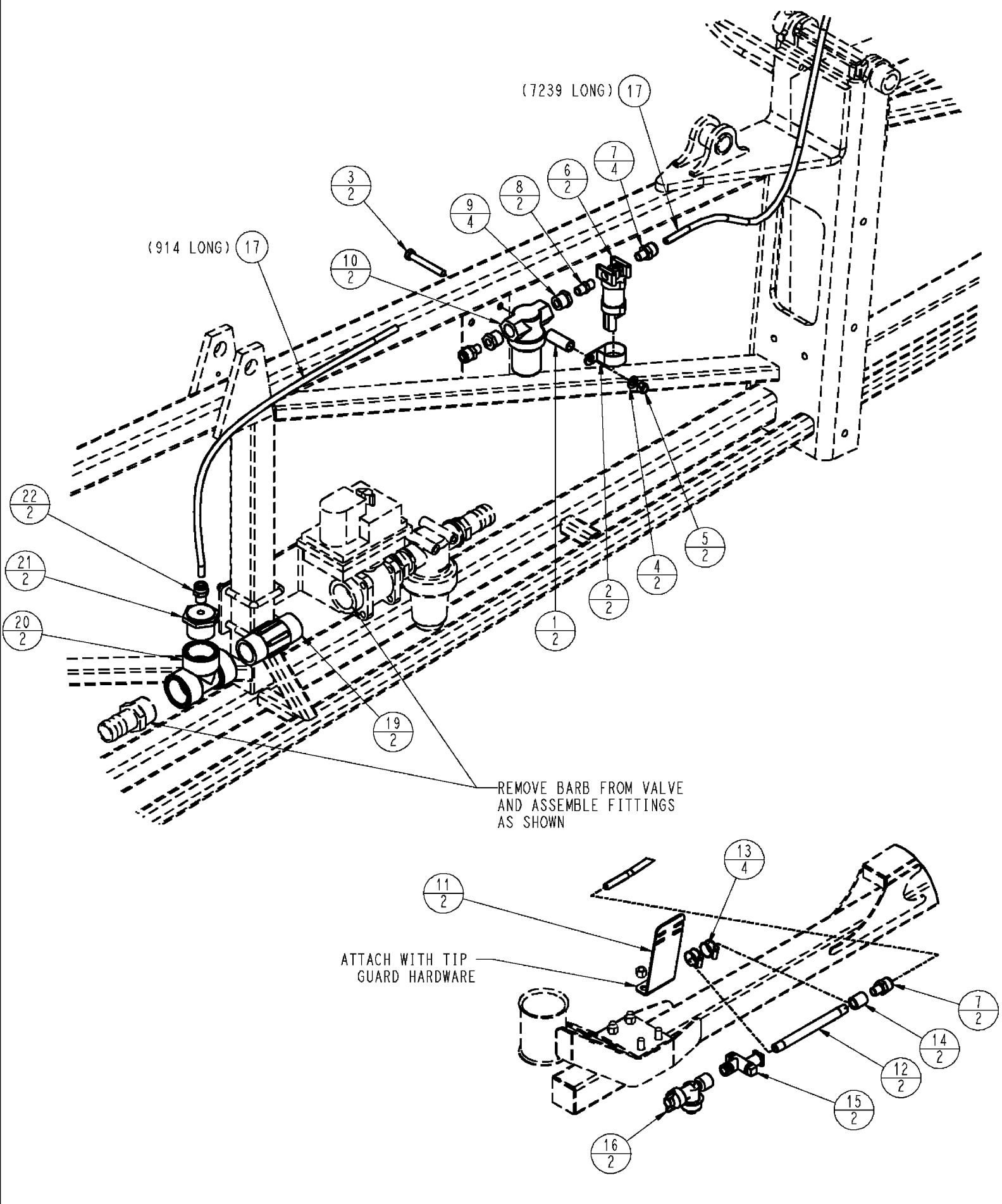
- NOTES:  
1. LEFT HAND BOOM SHOWN, RIGHT HAND BOOM OPPOSITE.  
2. TUBE 87269955 ROUTED BETWEEN CONNECTORS  
BN2399403 REF AS SHOWN.  
3. ELECT GRP 87745103 REF NOT SHOWN.



## 4420 PATRIOT SPRAYER

11-011 NOZZLE, FENCE ROW, 90', LO-FLOW

Ref	Part Number	Qty	Description
1	87265461	2	PLUG, 2 FLG X 1/4 FP
2	BN1420036	2	NIPPLE, LUBE, 1/4 CLOSE SS
3	343778A1	2	SOLENOID, VALVE, 1/4 NPT
4	BN2399403	4	CONNECTOR, TUBE MC38014
5	86986105	2	CLAMP, PLATE, NOZZLE
6	BN313361	2	NIPPLE, LUBE, 1/4" NPT X 6.0SS
7	BN73015	2	COUPLING, 1/4 NPT SS FULL
8	BN313256	2	NOZZLE INJECTION, W/SWIVEL
9	BN313255	2	NOZZLE INJECTION, W/CHECK VALVE
10	87745103	1	ELECT GRP, FENCE ROW SEE FIG 12-055
11	87269955	2	TUBE, 3/8 X 122, SYN BLK



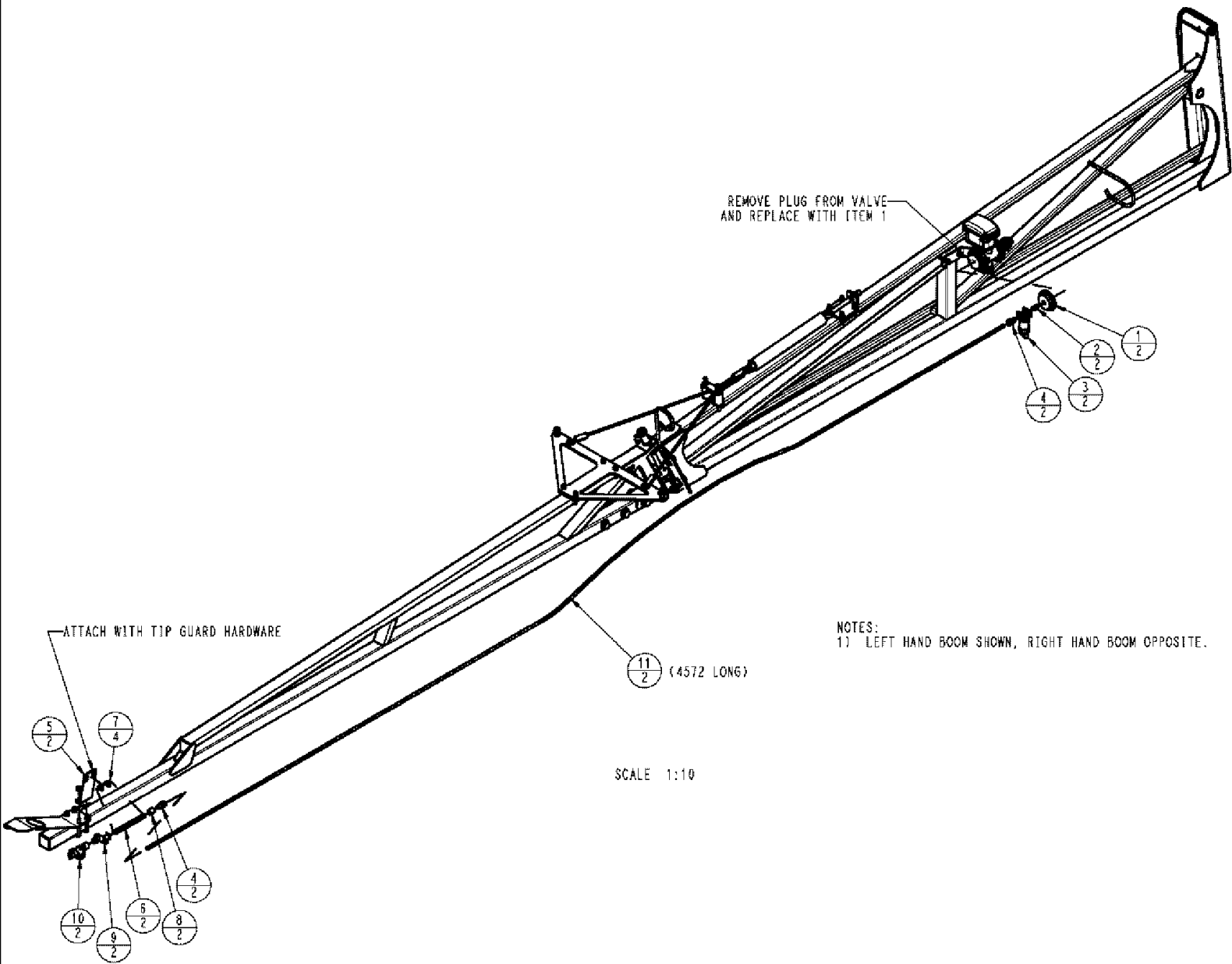
## 4420 PATRIOT SPRAYER

## 11-012 FENCE ROW GROUP, 100' AND 120' BOOM

Ref	Part Number	Qty	Description
1	BN300892	2	TUBE, TUBE, SPACER, 3/8 BOLT
2	515-23365	2	CLAMP, 1 7/16", Insul, 3/8" Bolt,
3	BN50272	2	BOLT, 3/8-16 X 2.75, HH, SS
4	BN50146	2	WASHER, 3/8, FW, SS
5	BN50759	2	NUT, 3/8-16, NLN, SS
6	343778A1	2	SOLENOID, VALVE, 1/4" NPT
7	BN2399403	6	CONNECTOR, TUBE, MC38014
8	86986808	2	NIPPLE, LUBE, .25 X SHORT, PP
9	BN304521	4	REDUCER, .50MP.25FP, PP
10	87565152	2	STRAINER, ELEMENT, .5FP, 50MESH, PP
	87577399	1	SCREEN, SCRN, 50 MESH, SS, SERVICE PARTS FOR REF. 10
	87577400	1	STRAINER, ELEMENT, HEAD, .50MP, SERVICE PARTS FOR REF. 10
	87577401	1	SUCTION BOWL, MINI, BLK, SERVICE PARTS FOR REF. 10
	87577402	1	VITION, SERVICE PARTS FOR REF. 10
11	87380590	2	PLATE, MOUNTING, NOZZLE, FENCE ROW
12	BN313361	2	NIPPLE, LUBE, 1/4" NPT SS FULL
13	BN324022	4	CLAMP, HOSE, 8,304 SS
14	BN73015	2	COUPLING, 1/4" NPT SS FULL
15	BN313256	2	NOZZLE INJECTION, W/SWIVEL
16	BN313255	2	NOZZLE INJECTION, W/CHECK VALVE
17	BN2292088	53.5	TUBE, AIR INTAKE, 3/8 BLACK
18	87745103	1	ELECT GRP, FENCE ROW SEE FIG. 12-013
19	BN323762	2	NIPPLE, LUBE, 1.25 X 4.0,PP
20	BN73662	2	TEE, 1.25FP,PP
21	BN320968	2	PLUG, 1.25MP.38FP,PP
22	BN2399412	2	CONNECTOR, HYD., TUBE MN38038

4420 PATRIOT SPRAYER

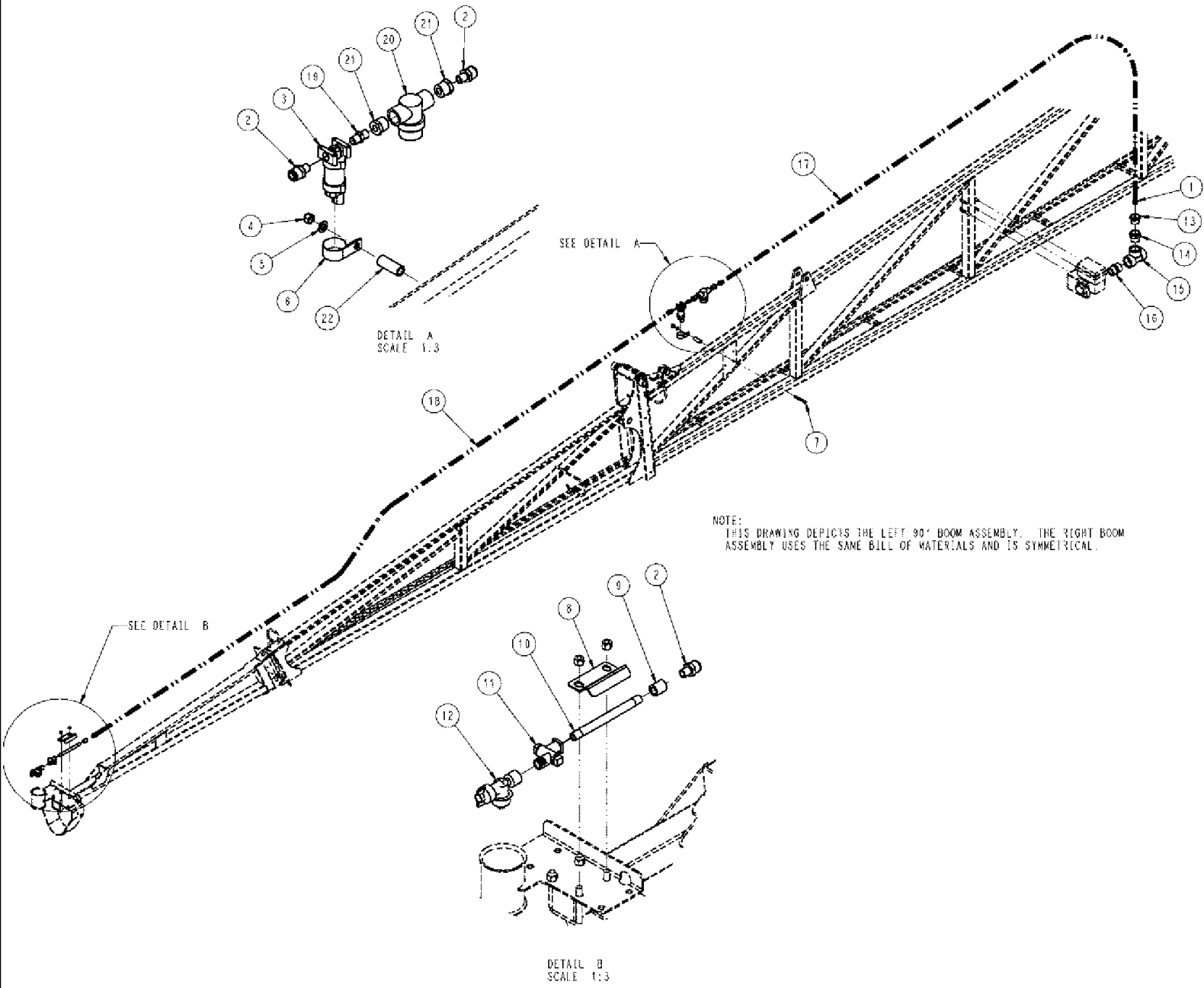
11-013 FENCE ROW GROUP, LO-FLOW, 100' AND 120' BOOM



## 4420 PATRIOT SPRAYER

11-013 FENCE ROW GROUP, LO-FLOW, 100' AND 120' BOOM

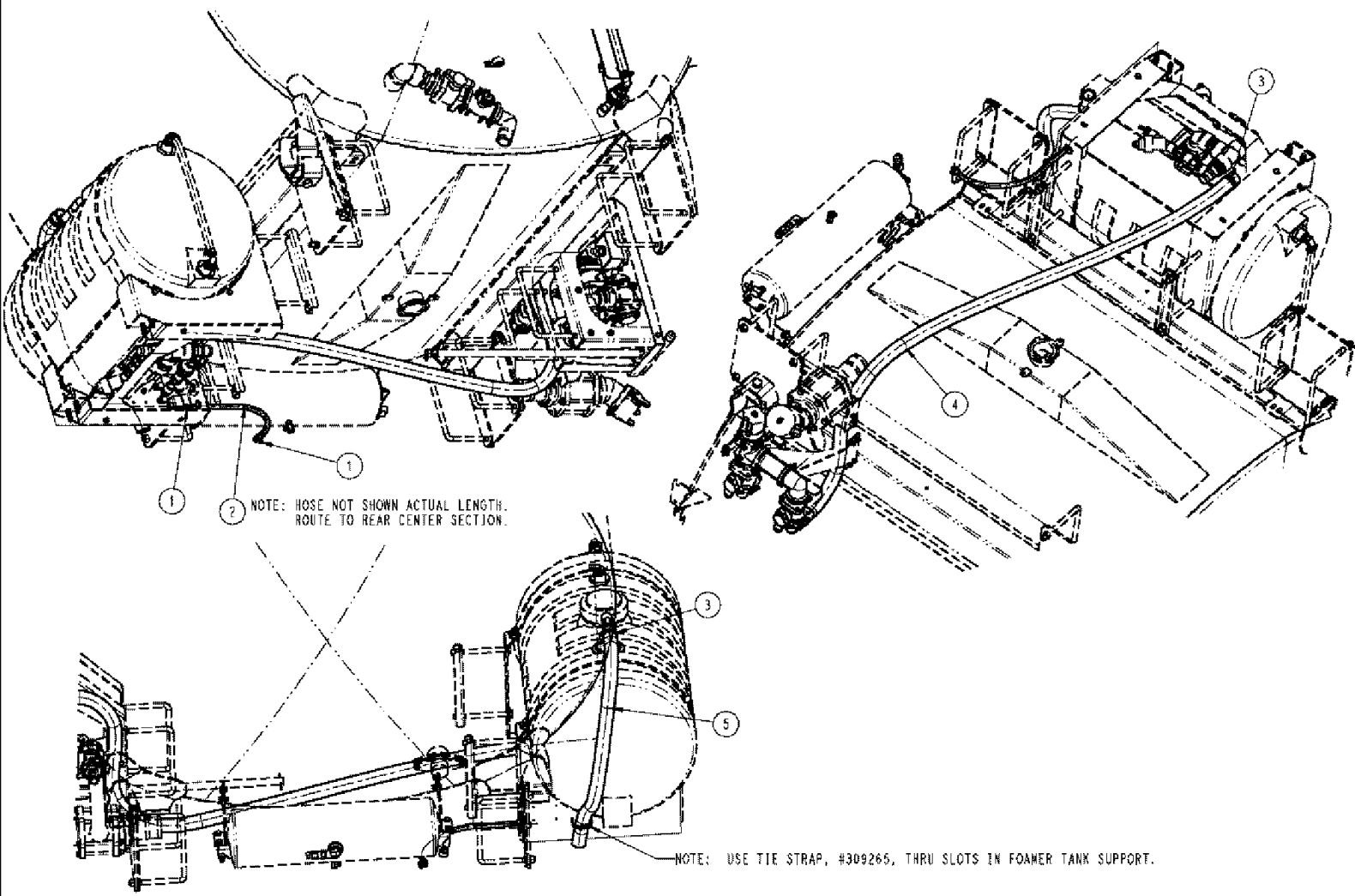
Ref	Part Number	Qty	Description
1	87265461	2	PLUG, TUBE, SPACER, 3/8 BOLT
2	BN1420036	2	NIPPLE, LUBE, STRNR, .50FP, 40MESH, T, PP
3	343778A1	2	SOLENOID, VALVE, 1/4" NPT
4	BN2399403	4	CONNECTOR, TUBE, MC38014
5	87380590	2	PLATE, MOUNTING, NOZZLE, FENCE ROW
6	BN313361	2	NIPPLE, LUBE, 1/4" NPT X 6.0SS
7	BN324022	4	CLAMP, HOSE, 8,304 SS
8	BN73015	2	COUPLING, 1/4" NPT SS FULL
9	BN313256	2	NOZZLE INJECTION, W/SWIVEL
10	BN313255	2	NOZZLE INJECTION, W/CHECK VALVE
11	BN2292088	30	TUBE, AIR INTAKE, AIR 3/8 BLACK
12	87745103	1	GRP, FENCE ROW, LO, SEE FIG. 12-013



## 4420 PATRIOT SPRAYER

## 11-014 NOZZLE SPACING GROUP, HIGH VOLUME, BOOM, FENCE ROW

Ref	Part Number	Qty	Description
1	BN2399412	1	CONNECTOR, HYD., TUBE, MC38038
2	BN2399403	3	CONNECTOR, TUBE, MC38014
3	343778A1	1	SOLENOID, VALVE, 1/4 NPT
4	BN50759	1	NUT, 3/8-16, NLN, SS
5	BN50146	1	WASHER, 3/8, FW, SS
6	515-23365	1	CLAMP, 1 7/16", Insul, 3/8" Bolt,
7	BN50272	1	BOLT, 3/8-16 X 2.75, HH, SS
8	86986105	1	CLAMP, PLATE, NOZZLE
9	BN73015	1	COUPLING, COUPLER -1/4" NPT SS FULL
10	BN313361	1	NIPPLE, LUBE, 1/4" NPT X 6.0SS
11	BN313256	1	NOZZLE INJECTION, W/SWIVEL
12	BN313255	1	NOZZLE INJECTION, W/CHECK VALVE
13	BN320968	1	PLUG, RB, 1.25 X .375, POLY
14	BN73726	1	BUSHING, BRONZE, 1 1/2 X 1 1/4 POLY
15	BN73714	1	TEE, 1.5" TEE POLY
16	BN73715	1	NIPPERS, 1.5" SHORT POLY
17	BN321269	1	HOSE, 3/8" X 8', SYNDFLEX
18	BN313254	1	HOSE, 3/8 SYNDFLEX
19	86986808	1	NIPPLE, LUBE, .25 X SHORT, PP
20	87565152	2	STRAINER, ELEMENT, .5FP, 50MESH, PP
	87577399	1	SCREEN, 50 MESH, SS, SERVICE PARTS FOR REF. 20
	87577400	1	STRAINER, ELEMENT, HEAD, .50MP, SERVICE PARTS FOR REF. 20
	87577401	1	SUCTION BOWL, MINI, BLK, SERVICE PARTS FOR REF. 20
	87577402	1	VITON, SERVICE PARTS FOR REF. 20
21	BN304521	2	REDUCER, .50MP .25FP, PP
22	BN300892	1	TUBE, SPACER, 3/8 BOLT

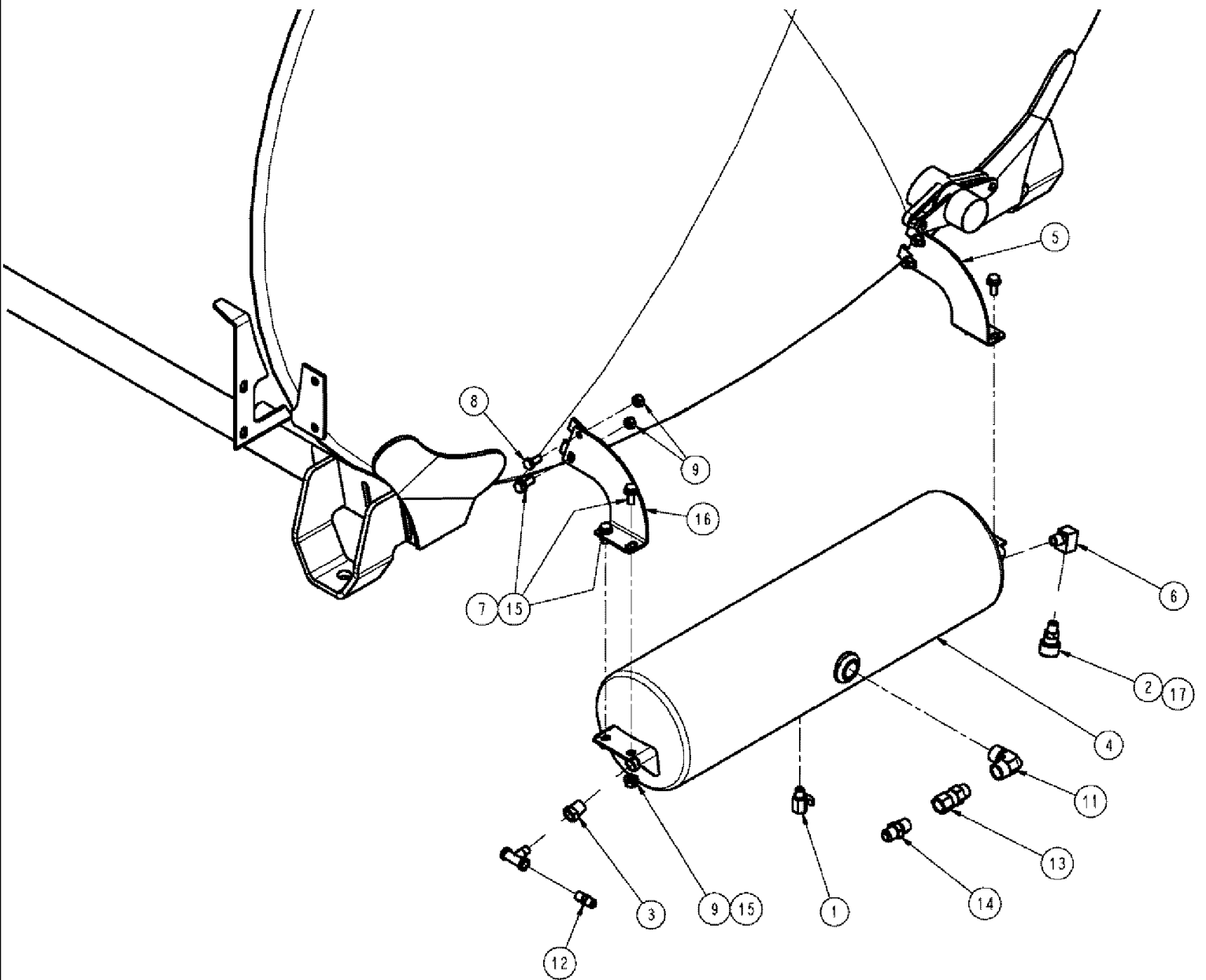




## 4420 PATRIOT SPRAYER

## 11-015 FOAMER HOSING GROUP, TANK

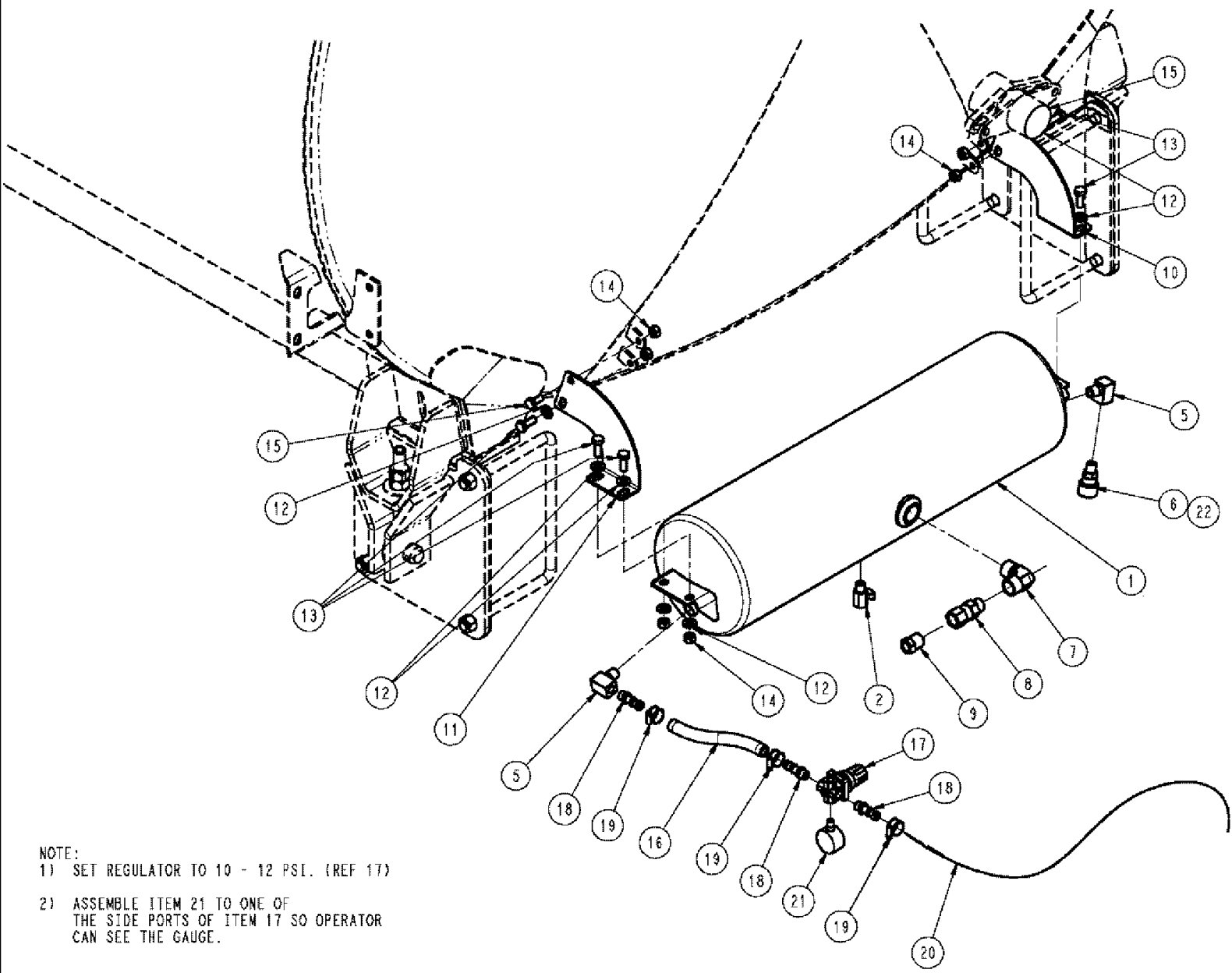
Ref	Part Number	Qty	Description
1	BN324022	2	CLAMP, HOSE, #8, 304 SS
2	342071A1	1	HOSE, 3/8" X 175" CLEAR
3	BN310448	3	CLAMP, HOSE, #28, 304 SS
4	BN318856	1	HOSE, KANIFLEX, 1.5" X 95"
5	BN318858	1	HOSE, KANIFLEX, 1.5" X 38"



## 4420 PATRIOT SPRAYER

## 11-016 AIR TANK GROUP

Ref	Part Number	Qty	Description
1	217-92	1	COCK, DRAIN, VALVE, 1/4 NPTF
2	BN2393326	1	COUPLING, B32
3	87032209	2	BUSHING, RED, 3/8M X 1/4F, BRS
4	BN316553	1	TANK, AIR, 8" DIA X 32"
5	342620A1	1	PLATE, MOUNTING, AIR TANK, RH
6	87032210	1	ELBOW, 90 ST, 3/8M X 1/4F, BRS
7	86980400	6	BOLT, Hex, M10 x 25, 8.8,
8	86980399	2	BOLT, M10-1.5 X 20, HH, 8.8, DO
9	86980515	8	NUT, LOCK, M10 x 1.5, CI 8,
11	BN319011	1	FITTING, NPT -12M-8F 90 DEG
12	BN2290181	1	FITTING, 0103-4-4
	BN2290174	1	FITTING, 0103-4-6
13	BN2295247	1	VALVE, CHECK, AIR #5003980
14	BN316060	1	FITTING, 10MJ-8MP
15	87529312	10	WASHER, 11 X 24 3MM HDN DOR
16	342621A1	1	PLATE, MOUNTING, AIR TANK, LH
17	87267960	1	COVER, DUST COVER, AIR CHUCK

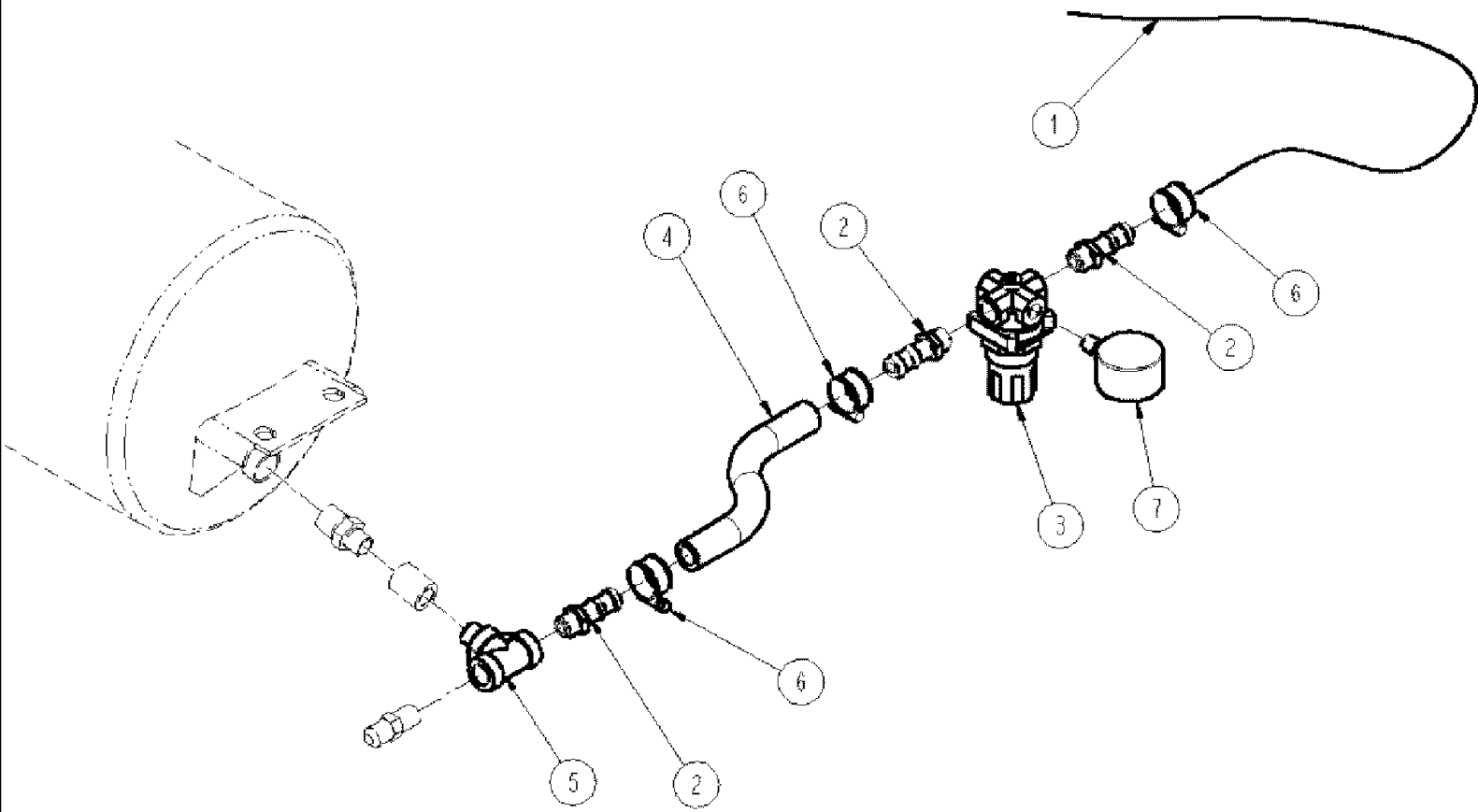


- NOTE:
- 1) SET REGULATOR TO 10 - 12 PSI. (REF 17)
  - 2) ASSEMBLE ITEM 21 TO ONE OF THE SIDE PORTS OF ITEM 17 SO OPERATOR CAN SEE THE GAUGE.

## 4420 PATRIOT SPRAYER

## 11-017 TURBO FOAMER TANK GROUP

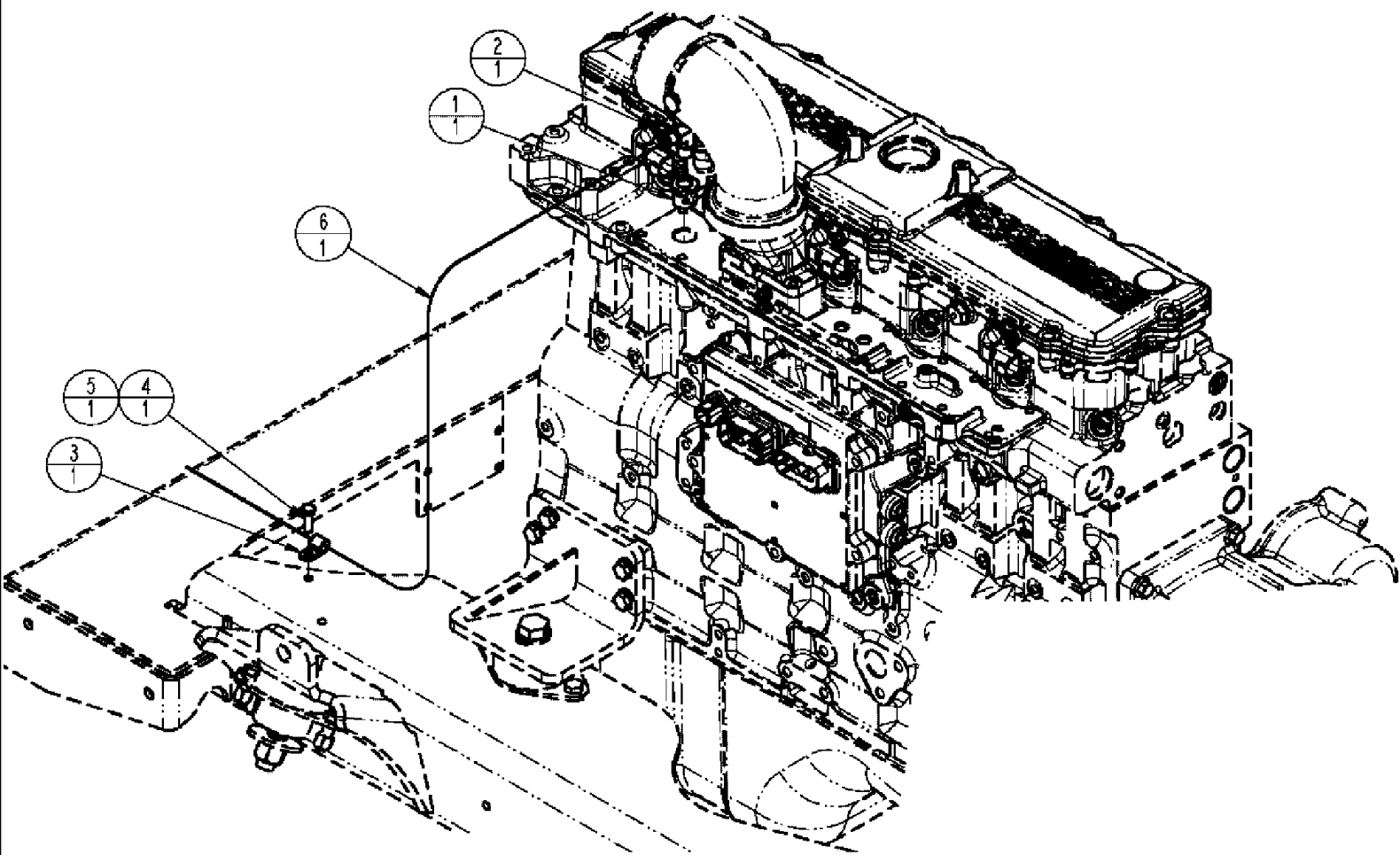
Ref	Part Number	Qty	Description
1	BN316553	1	TANK, AIR, 8" DIA X 32"
2	217-92	1	COCK, DRAIN, VALVE, 1/4 NPTF
5	87032210	2	ELBOW, 90 STREET, 3/8M X 1/4F, BRS
6	BN2393326	1	COUPLING, B32
7	BN319011	1	FITTING, NPT -12M-8F 90DEG
8	BN2295247	1	VALVE, CHECK, AIR #5003980
9	BN51102	1	FITTING, ADPT, 1/2 NPT X 3/8 NPT, STL
10	342620A1	1	PLATE, MOUNTING, AIR TANK, RH
11	342621A1	1	PLATE, MOUNTING, AIR TANK, LH
12	87529312	10	WASHER, 11 X 24 3MM HDN DOR
13	86980400	6	BOLT, Hex, M10 x 25, 8.8,
14	86980515	8	NUT, LOCK, M10 x 1.5, Cl 8,
15	86980399	2	BOLT, M10-1.5 X 20, HH, 8.8
16	BN317965	1	HOSE, DRAIN, OIL HOSE
17	87388151	1	REGULATOR, AIR PRESSURE
18	BN324008	3	FITTING, HB, 1/4MPT X 1/2 HS, POLY
19	BN324022	3	CLAMP, HOSE, #8, 304 SS
20	344408A1	1	HOSE, 1/2" X 214" EPDM
20	BN324024	1	HOSE, 1/2" X 220" EPDM
21	86986803	1	GAUGE, 0-30 PSI, 1/8" NPT
22	87267960	1	COVER, DUST, AIR CHUCK



## 4420 PATRIOT SPRAYER

## 11-018 FOAMER AIR COMP. GROUP

Ref	Part Number	Qty	Description
1	344408A1	1	HOSE, 1/2" X 214" EPDM
2	BN324008	3	FITTING, HB, 1/4MPT X 1/2 HS, POLY
3	87388151	1	REGULATOR, AIR PRESSURE
4	BN317965	1	HOSE, DRAIN, OIL
5	BN21741	1	TEE, 1/4"NPT (F-F-M)--STL
6	BN324022	3	CLAMP, HOSE, #8, 304 SS
7	86986803	1	GAUGE, 0-30 PSI, 1/8" NPT

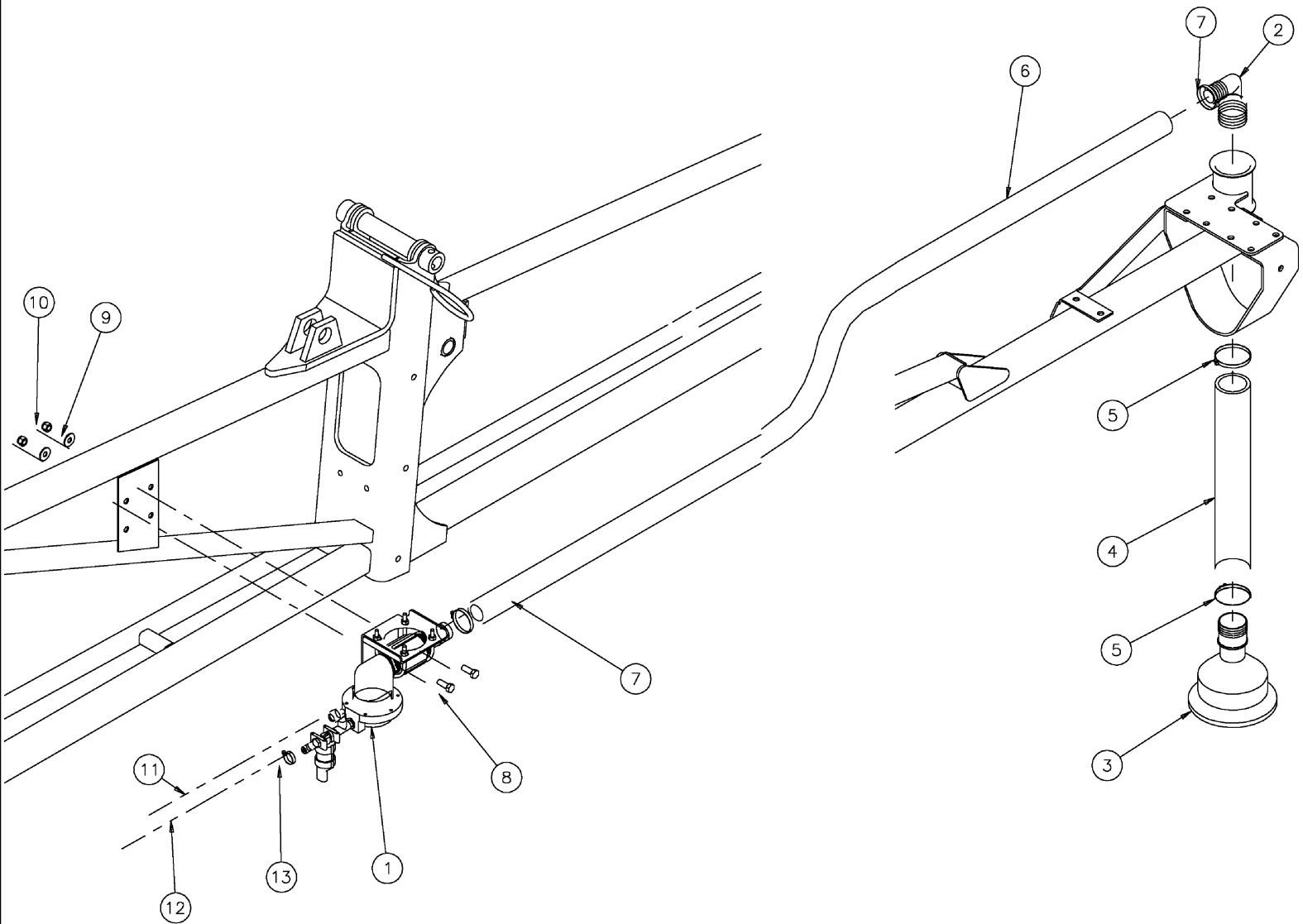




## 4420 PATRIOT SPRAYER

## 11-019 FOAMER TURBO AIR GROUP

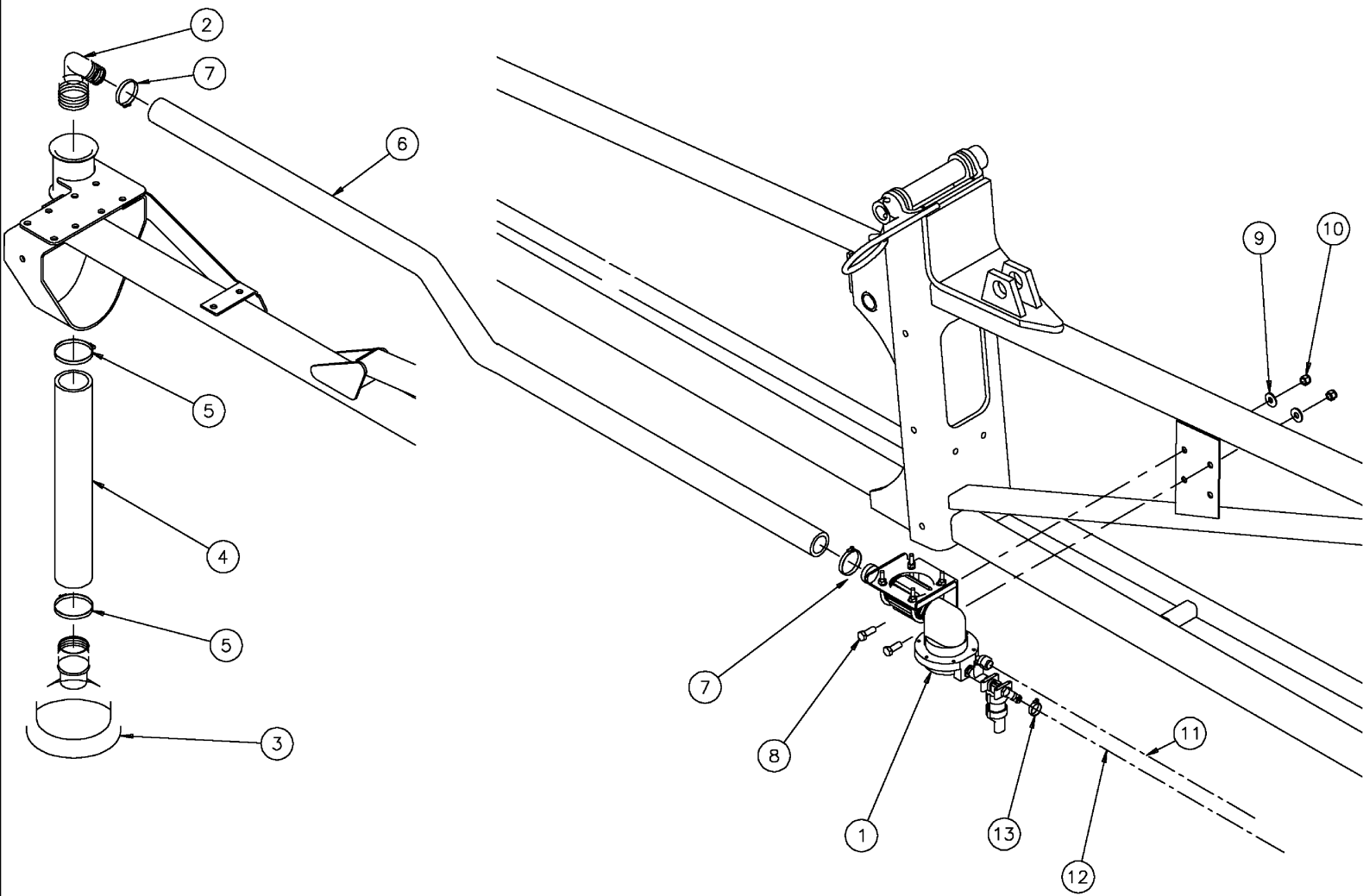
Ref	Part Number	Qty	Description
1	217-46	1	REDUCER, 3/4"-14 NPTF x 3/8"-18 Fem NPTF, BUSHING, PIPE BRASS
2	218-1053	1	ELBOW, 90°, 9/16"-18, 3/8" x 3/8"-18, NPTF,
3	515-22127	1	CLAMP, 1/2", Insul, 5/16" Bolt,
4	86980380	1	BOLT, M8-1.25 X 25, HH, 8.8, DO
5	86980514	1	NUT, M8 CL8 P/T ALL METAL
6	86986293	1	HOSE, ASSY -6 X 100



## 4420 PATRIOT SPRAYER

## 11-022 FOAMER DROP GROUP, RH

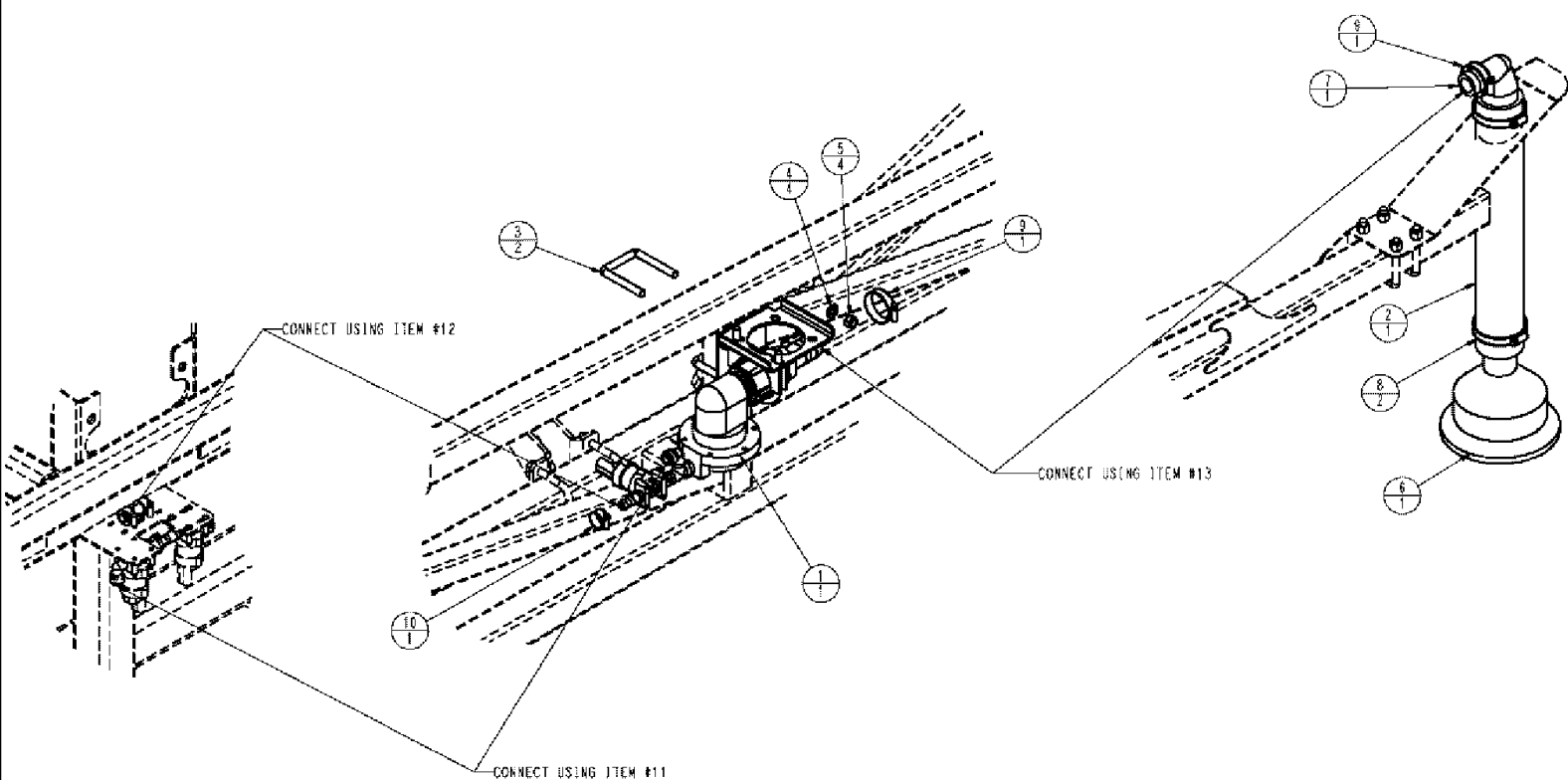
Ref	Part Number	Qty	Description
1	86986098	1	CHAMBER GRP, RH FOAM MIX, SEE FIG 11-028
2	BN310939	1	ELBOW, HOSE-90DEG,2"X 1.25
3	BN2403252	1	ASSEMBLY, BELL, FOAM MARKER
4	87266611	1	HOSE, FOAM DROP, 2" X 16"
5	BN310449	2	CLAMP, HOSE,#32,304 SS
6	BN322098	1	HOSE, 1 1/4 X 161", TYPE K
7	BN320156	2	CLAMP, HOSE, HOSE,#24,304 SS
8	BN50254	4	BOLT, 3/8-16X1,HH,SS
9	BN50146	4	WASHER, 3/8,FW,SS
10	BN50759	4	NUT, 3/8-16,NLN,SS
11	342680A1	1	TUBE, SYNDFLEX,3/8 X 30.5'
12	342681A1	1	HOSE, 1/2" X 30.5' EPDM
13	BN324022	1	CLAMP, HOSE, #8,304 SS



## 4420 PATRIOT SPRAYER

## 11-023 FOAMER DROP GROUP, LH

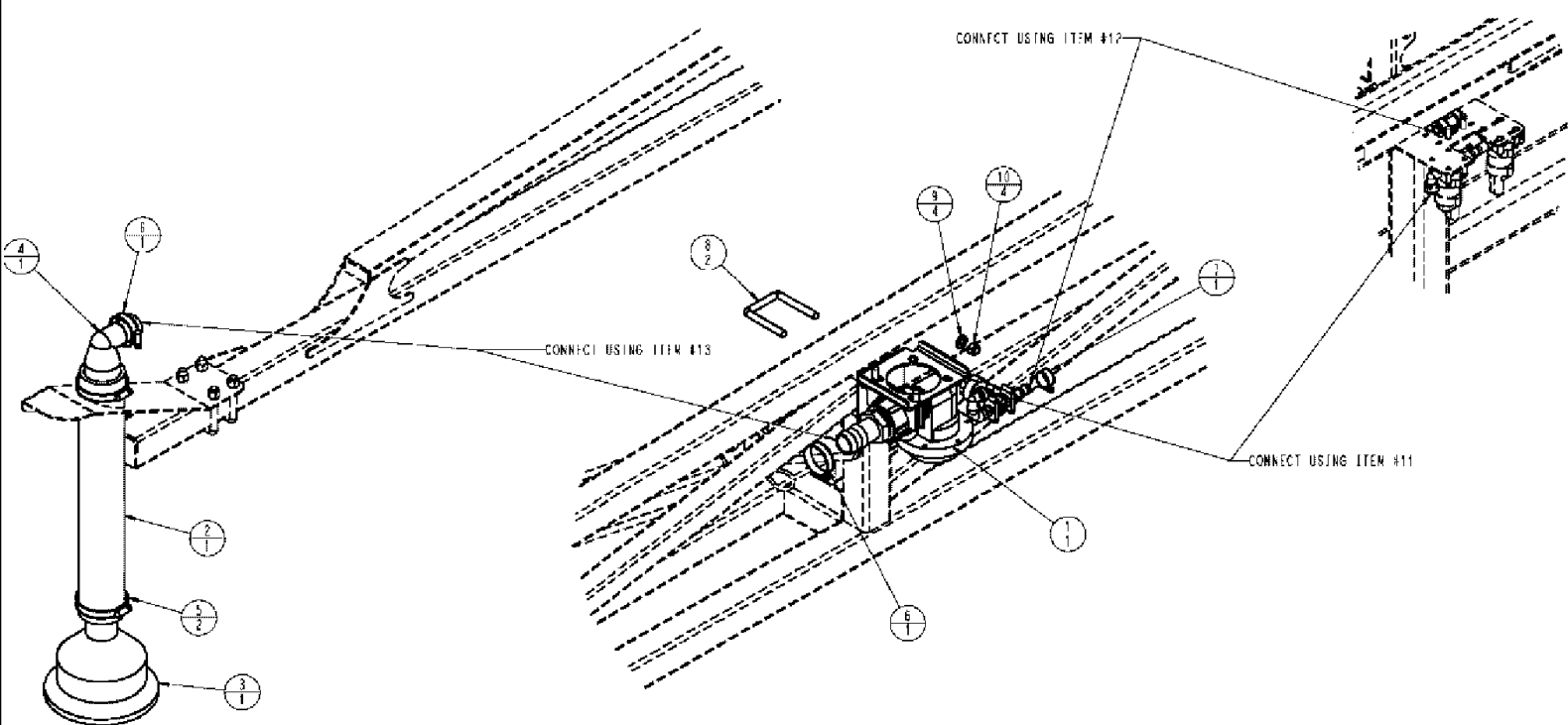
Ref	Part Number	Qty	Description
1	86986099	1	CHAMBER GRP, LH FOAM MIX, SEE FIG 11-027
2	BN310939	1	ELBOW, HOSE-90DEG,2"X 1.25
3	BN2403252	1	ASSEMBLY, BELL, FOAM MARKER
4	87266611	1	HOSE, FOAM DROP, 2" X 16"
5	BN310449	2	CLAMP, HOSE,#32,304 SS
6	BN322098	1	HOSE, 1 1/4 X 161", TYPE K
7	BN320156	2	CLAMP, HOSE, HOSE,#24,304 SS
8	BN50254	4	BOLT, 3/8-16X1,HH,SS
9	BN50146	4	WASHER, 3/8,FW,SS
10	BN50759	4	NUT, 3/8-16,NLN,SS
11	342680A1	1	TUBE, SYNDFLEX,3/8 X 30.5'
12	342681A1	1	HOSE, 1/2" X 30.5' EPDM
13	BN324022	1	CLAMP, HOSE, #8,304 SS



## 4420 PATRIOT SPRAYER

## 11-024 FOAMER DROP GROUP, RIGHT, 120' BOOM

Ref	Part Number	Qty	Description
1	87266741	1	RH FOAM MIX, SEE FIG. 11-026
2	87266611	1	HOSE, FOAM DROP, 2 X 16
3	BN319919	2	U-BOLT, 3/8 X 2.06 ID
4	BN50146	4	WASHER, 3/8, FW, SS
5	BN50759	4	NUT, 3/8-16, NLN, SS EM-620C
6	BN2403252	1	ASSEMBLY, BELL ASSY, FOAM MARKER
7	BN310939	1	ELBOW, FTG, 90, 2.0MP1.25HB, PP
8	BN310449	2	CLAMP, HOSE, #32, 304 SS
9	BN320156	2	CLAMP, HOSE, #24, 304 SS
10	BN324022	1	CLAMP, HOSE, #8, 304 SS
11	BN2292088	44	TUBE, AIR INTAKE, 3/8 BLACK
12	BN54239	44	HOSE, BLK-1/2 EPDM, DISCHA
13	BN310394	AR	HOSE, 1-1/4 SUCTION, OVER, 21.5

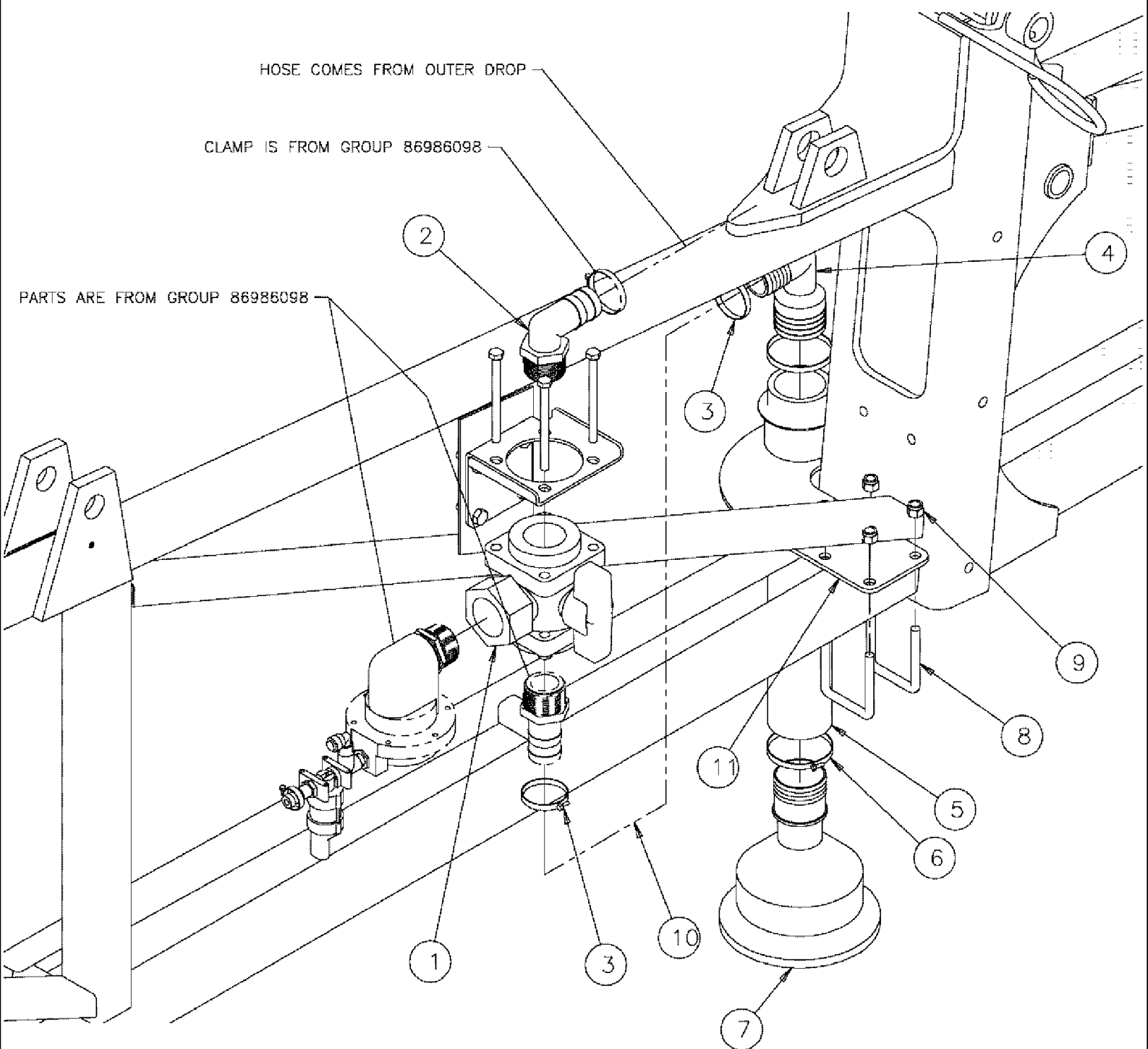




## 4420 PATRIOT SPRAYER

## 11-025 FOAMER DROP GROUP, LEFT, 120' BOOM

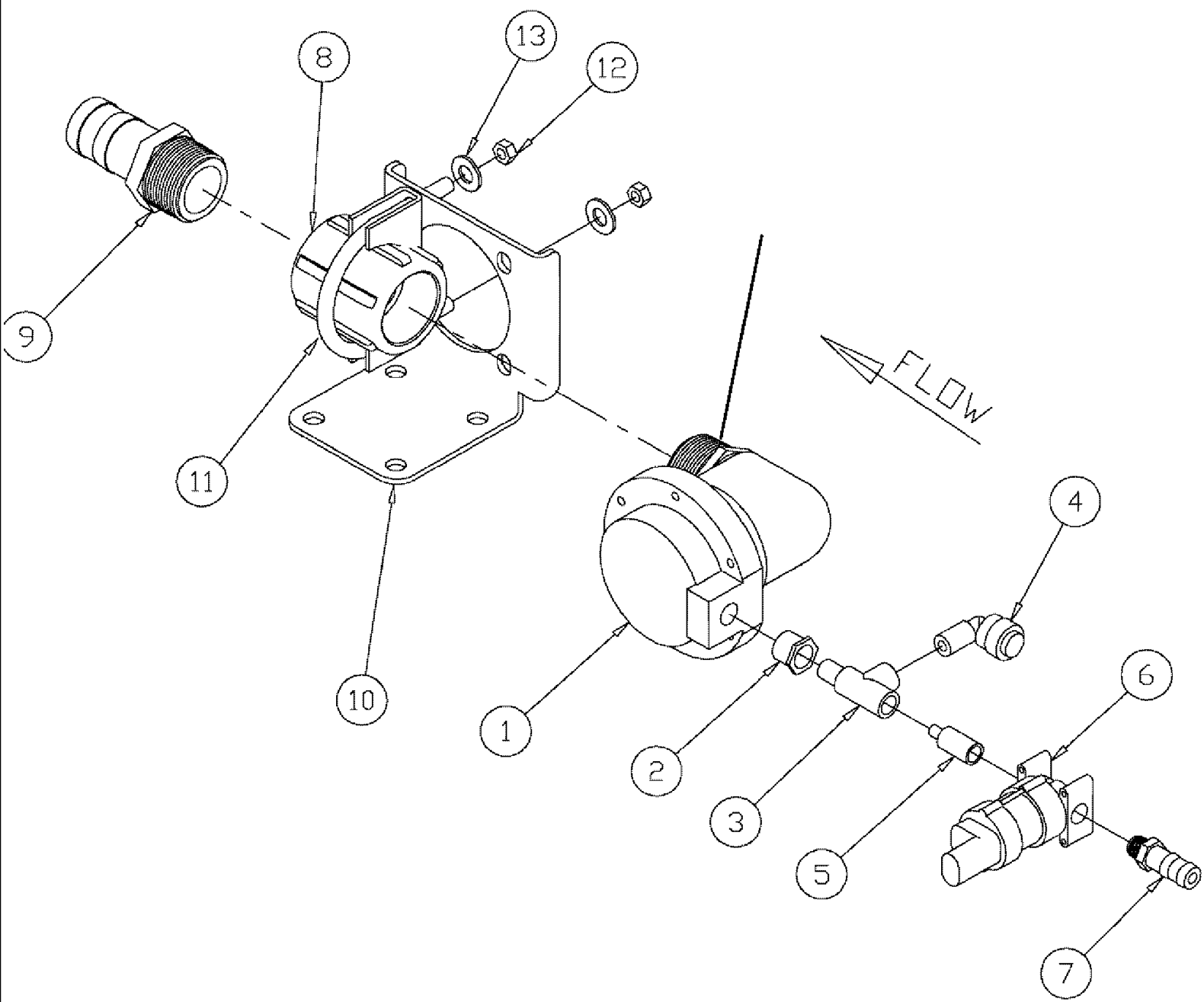
Ref	Part Number	Qty	Description
1	87986099	1	LH FOAM MIX, SEE FIG. 11-027
2	87266611	1	HOSE, FOAM DROP, 2 X 16
3	BN2403252	1	ASSEMBLY, BELL, FOAM MARKER
4	BN310939	1	ELBOW, FTG, 90, 2.0MP, 1.25HB, PP
5	BN310449	2	CLAMP, HOSE, #32, 304 SS
6	BN320156	2	CLAMP, HOSE, #24, 304 SS
7	BN324022	1	CLAMP, HOSE, #8, 304 SS
8	BN319919	2	U-BOLT, 3/8 X 2.06 ID
9	BN50146	4	WASHER, 3/8, FW, SS
10	BN50759	4	NUT, 3/8-16, NLN, SS EM-620C
11	BN2292088	44	TUBE, AIR INTAKE, 3/8 BLACK
12	BN54239	44	HOSE, BLK-1/2 EPDM, DISCHA
13	BN310094	AR	1-1/4 SUCTION, OVER, 21.5



## 4420 PATRIOT SPRAYER

## 11-026 CHAMBER GROUP, RH DUAL DROP

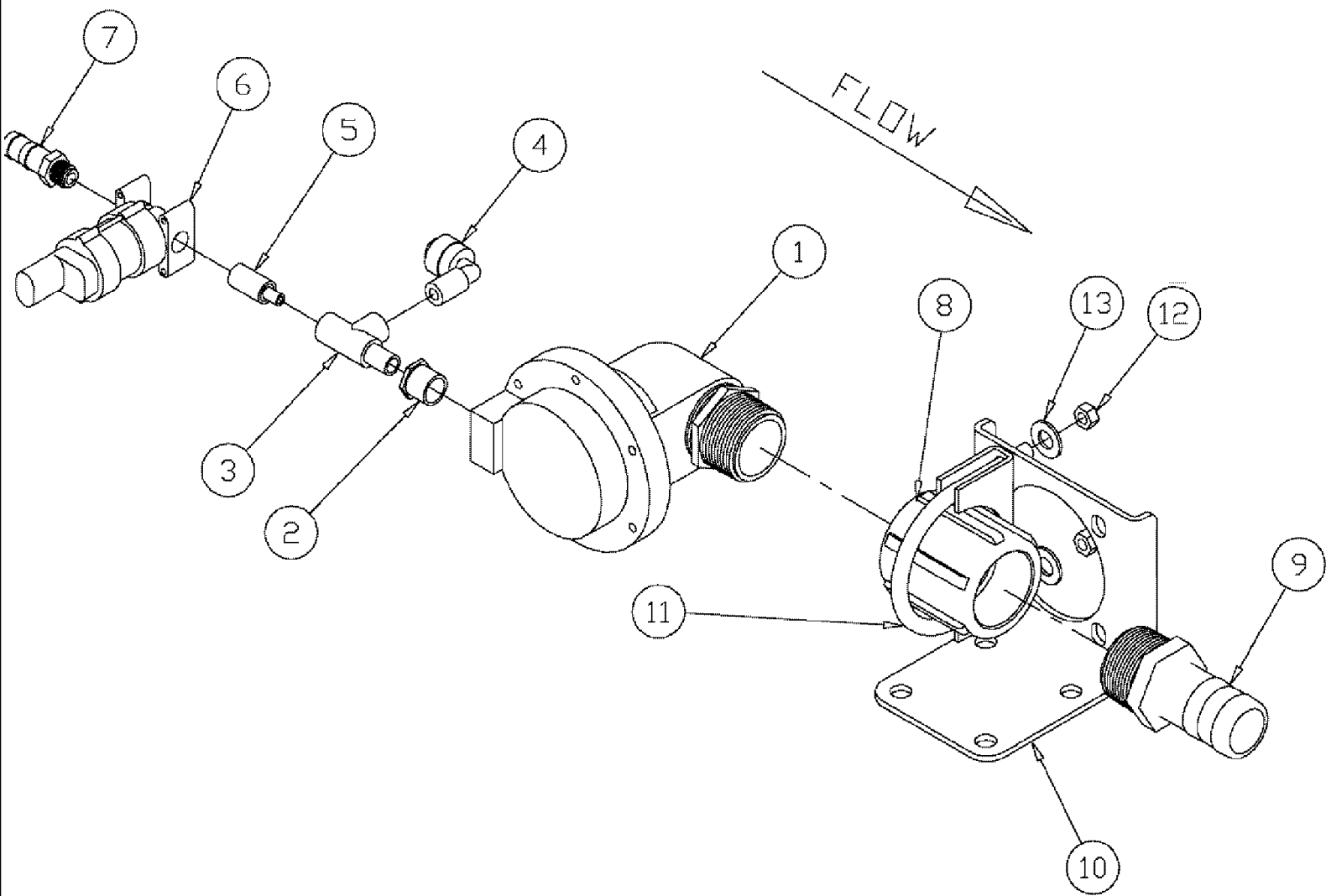
Ref	Part Number	Qty	Description
1	BN311011	1	VALVE, 3-WAY, 1 1/4 SL
2	BN73663	1	FITTING, BARB, 1.25 NPT X 1.25HS, 90D
3	BN320156	2	CLAMP, HOSE, #24, 304 SS
4	BN310939	1	ELBOW, BARB, HOSE-90DEG, 2" X 1.25
5	87266611	1	HOSE, FOAM DROP, 2" X 16"
6	BN310449	2	CLAMP, HOSE, #32, 304 SS
7	BN2403252	1	ASSEMBLY, BELL, FOAM MARKER
8	BN319919	2	U-BOLT, SQ BND 2.06 ID X 3/8
9	BN50759	4	NUT, 3/8-16, NLN, SS
10	BN322089	1	HOSE, 1 1/4 X 32", TYPE K
11	BN313193	1	MOUNTING PARTS, W/M, INNER, FOAMTUBE



## 4420 PATRIOT SPRAYER

## 11-027 CHAMBER GROUP, LH FOAM MIX

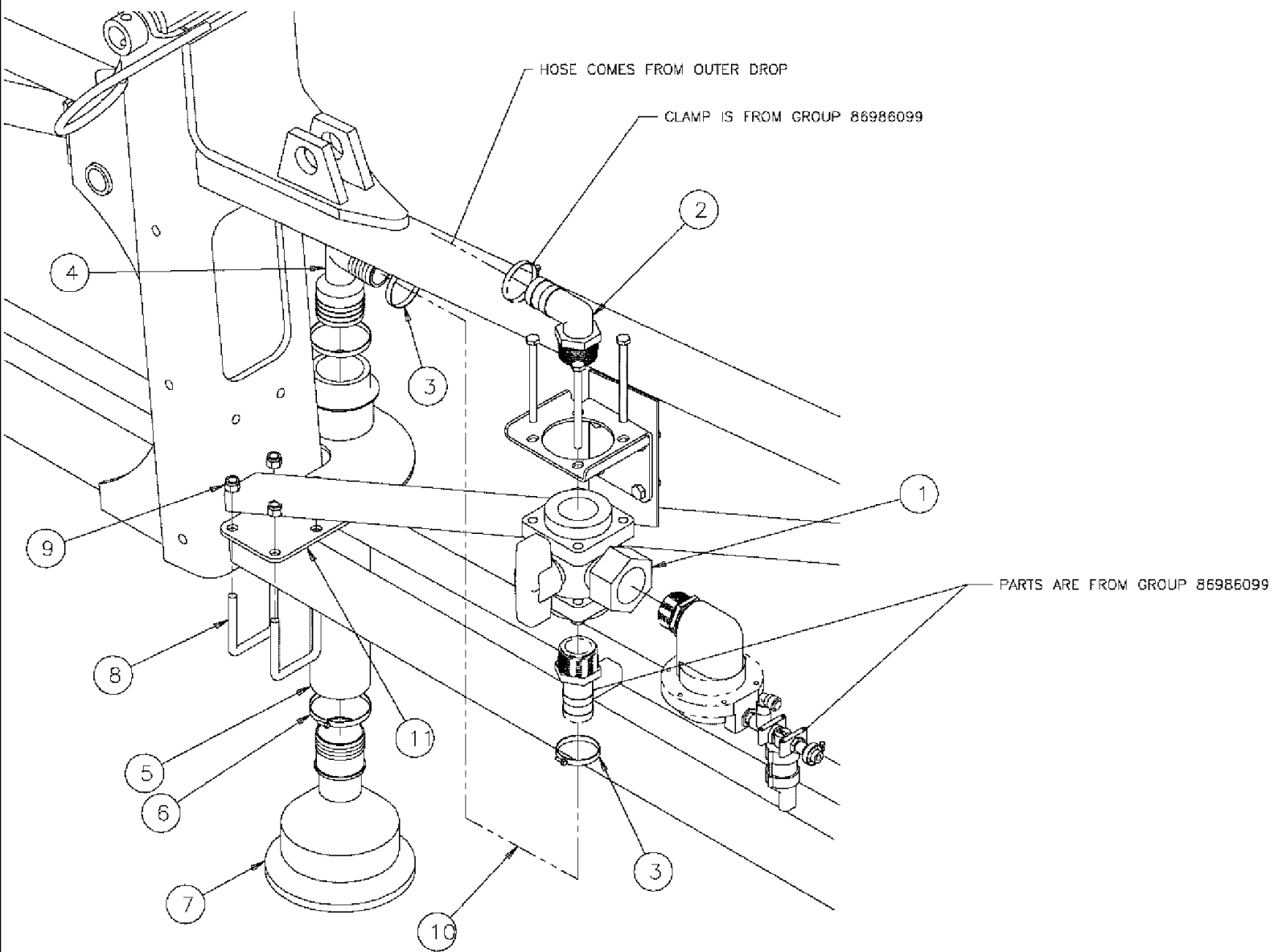
Ref	Part Number	Qty	Description
1	BN307636	1	CHAMBER, FOAM MIXING
2	BN313188	1	BUSHING, 3/8 NPT-1/4NPT, SS
3	BN313189	1	TEE, 4-4-4, NPT, SS
4	BN2399411	1	CONNECTOR, TUBE, ME380140
5	87269827	1	VENTURI, FOAMER ASSY POLY
6	BN307938	1	VALVE, SOLENOID, 1/4 NPT
7	BN324008	1	FITTING, HB, 1/4 MPT X 1/2 HS, POLY
8	BN305269	1	COUPLING, 1 1/4" POLY
9	BN73660	1	FITTING, BARB 1 1/4 NPT X 1 1/4 HS
10	87266740	1	PLATE, FOAMER CHAMBER
11	BN21276	2	CLAMP, 2.5" HEAVY DUTY
12	87343970	2	NUT, PREV TORQ ALL MTL 3/8-16 GR B DOR
13	87529237	2	WASHER, 0.406 X 0.812 X 0.065 HTS DOR HDN



## 4420 PATRIOT SPRAYER

## 11-028 CHAMBER GROUP, RH FOAM MIX

Ref	Part Number	Qty	Description
1	BN307636	1	CHAMBER, FOAM MIXING
2	BN313188	1	BUSHING, 3/8 NPT-1/4 NPT, SS
3	BN313189	1	TEE, 4-4-4, NPT, SS
4	BN2399411	1	CONNECTOR, TUBE, ME380140
5	87269827	1	VENTURI, FOAMER ASSY POLY
6	BN307938	1	VALVE, SOLENOID, 1/4 NPT
7	BN324008	1	FITTING, HB, 1/4 MPT X 1/2 HS, POLY
8	BN305269	1	COUPLING, 1 1/4" POLY
9	BN73660	1	FITTING, BARB 1 1/4 NPT X 1 1/4HS
10	87266740	1	PLATE, FOAMER CHAMBER
11	BN21276	1	CLAMP, 2.5" HEAVY DUTY
12	87343970	2	NUT, PREV TORQ ALL MTL 3/8-16 GR B DOR
13	87529237	2	WASHER, 0.406 X 0.812 X 0.065 HTS DOR HDN

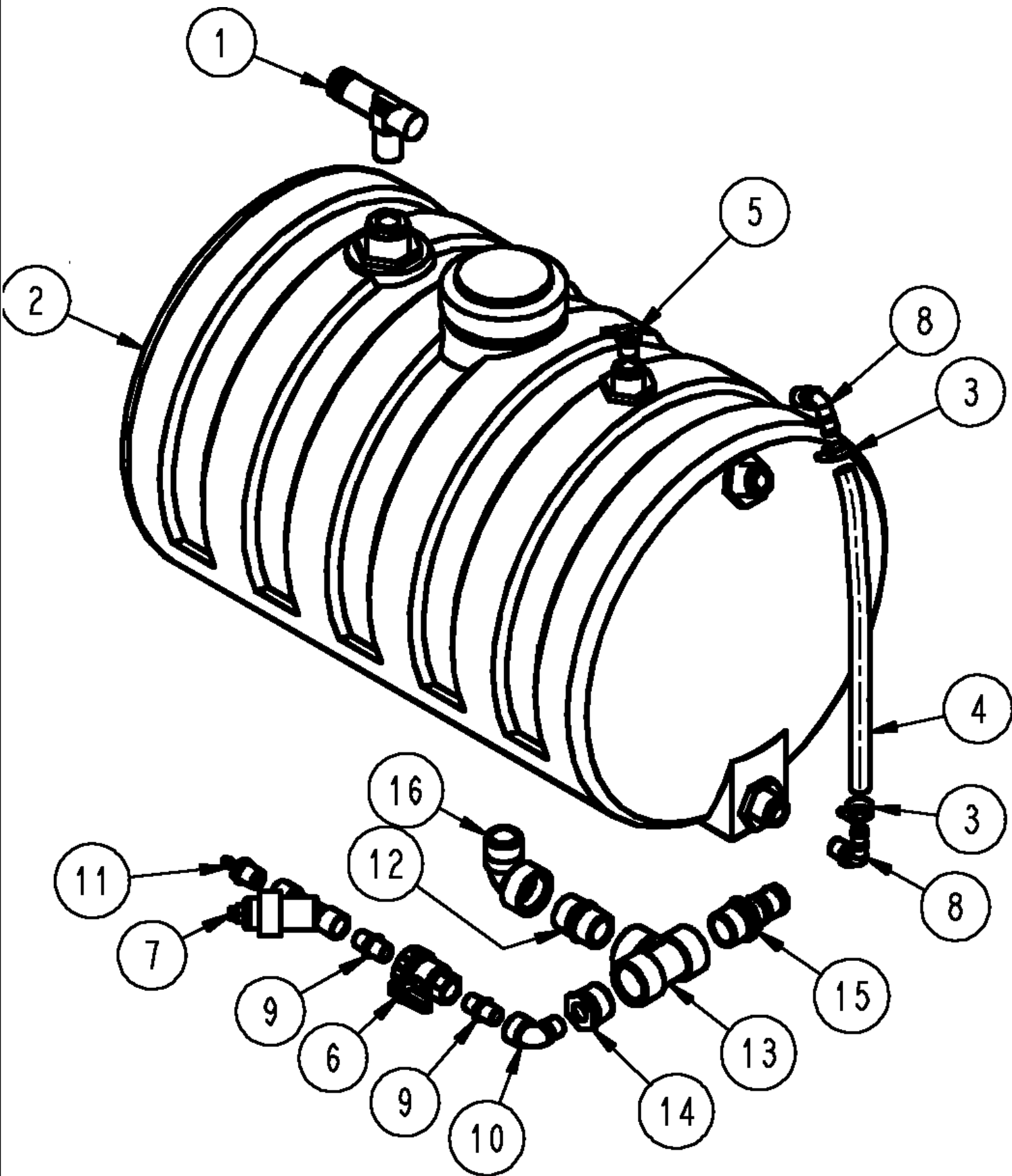




## 4420 PATRIOT SPRAYER

## 11-029 CHAMBER GROUP, LH DUAL DROP

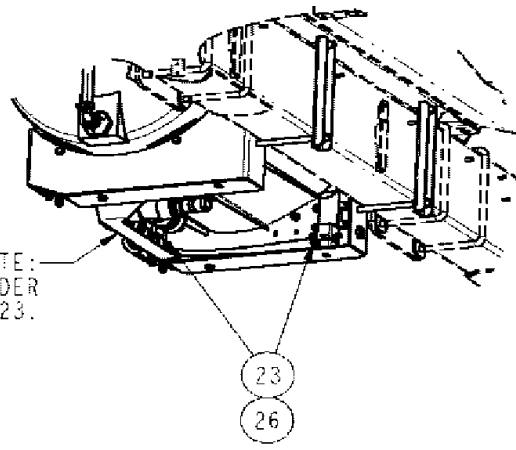
Ref	Part Number	Qty	Description
1	BN311011	1	VALVE, 3-WAY 1 1/4 SL
2	BN73663	1	FITTING, BARB, 1.25 NPT X 1.25HS, 90D
3	BN320156	2	CLAMP, HOSE, #24, 304 SS
4	BN310939	1	ELBOW, BARB, HOSE-90 DEG, 2" X 1.25
5	87266611	1	HOSE, FOAM DROP, 2" X 16"
6	BN310449	2	CLAMP, HOSE, #32, 304 SS
7	BN2403252	1	ASSEMBLY, BELL, FOAM MARKER
8	BN319919	2	U-BOLT, SQ BND 2.06 ID X 3/8
9	BN50759	4	NUT, 3/8-16, NLN, SS
10	BN322089	1	HOSE, 1 1/4 X 32", TYPE K
11	BN313193	1	MOUNTING PARTS, W/M, INNER, FOAMTUBE



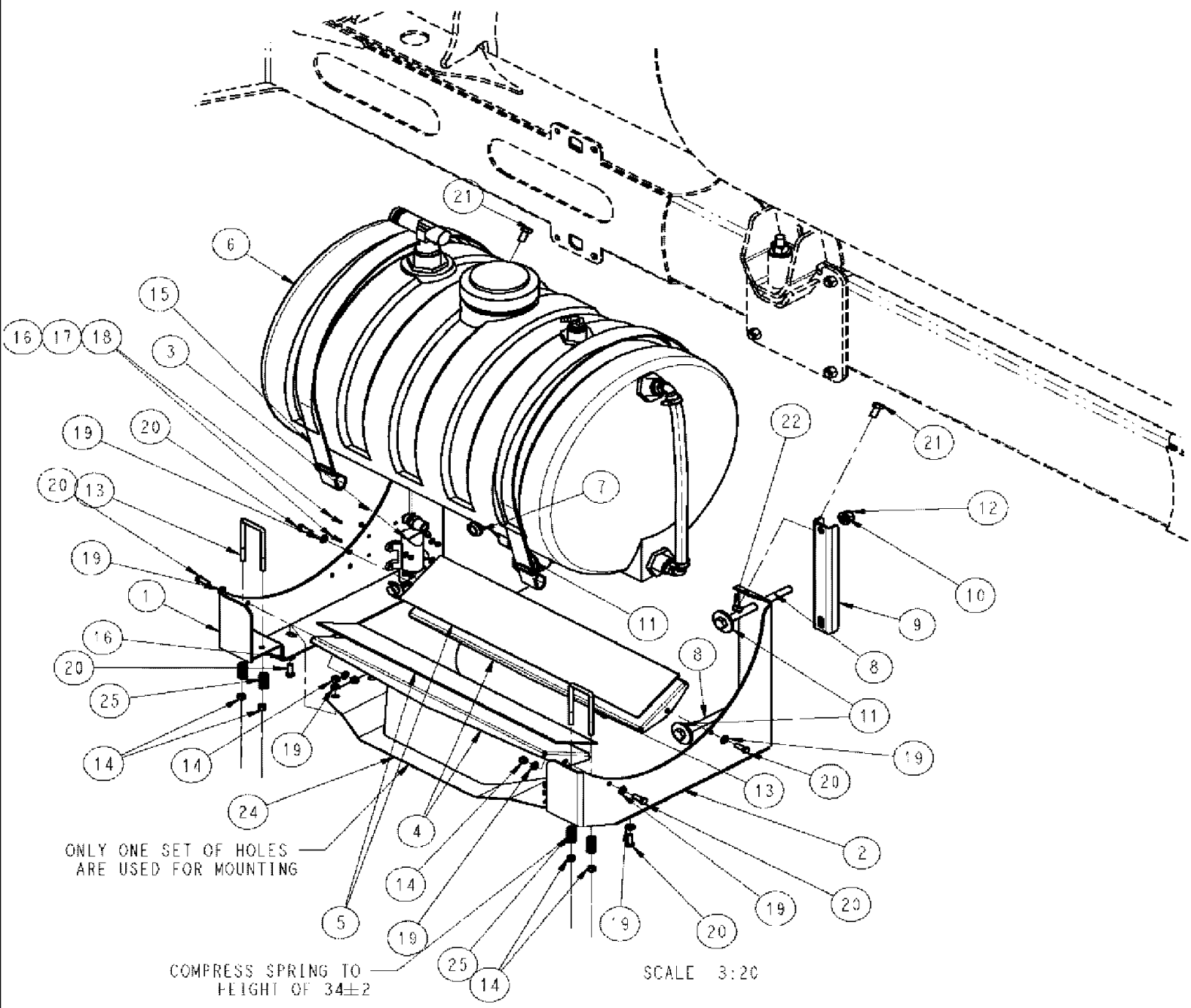
## 4420 PATRIOT SPRAYER

## 11-030 FOAMER TANK PLUMBING GROUP

Ref	Part Number	Qty	Description
1	BN2390521	1	FITTING, ELBOW, HOSE 1 1/2 X 1 MPT
2	87270475	1	TANK, 55 GA, W/ FITTINGS
	BN314276	1	COVER, 6.00, W/BREATHER, PARTS OF TANK, 55 GA, W/FITTINGS, P/N 87270475
3	BN310446	2	CLAMP, HOSE, #12, 304 SS
4	BN319020	1	HOSE, CLEAR VNYL, 3/4" X 21
5	87265956	1	FITTING, HOSEBARB, 3/8" X 3/4" NPT
6	BN324588	1	VALVE, BALL 3/4" SU POLY
7	BN324892	1	STRAINER ASSY., 3/4" "Y" 40 MESH
8	BN73562	2	FITTING, BARB, 3/4 NPT X 3/4 HS, 90D
9	BN73565	2	NIPPLE, LUBE, 3/4 SHORT PI POLY
10	BN73566	1	ELBOW, 90-STREET-3/4"POLY
11	343436A1	1	FITTING, BARB, 3/4 MPT X 3/8 HS
12	BN73715	1	NIPPERS, 1.5" SHORT POLY
13	BN73714	1	TEE, 1.5" TEE POLY
14	BN73716	1	BUSHING, 1.5 X .75 REDUCER POLY
15	BN73725	1	FITTING, BARB, 1.5 NPT X 1.5 HS
16	BN73730	1	FITTING, ELBOW, STRT, 1 1/2" POLY



NOTE:  
TIE STRAP VALVE AND STRAINER UNDER  
FOAMER TANK TO ITEM 23.



ONLY ONE SET OF HOLES  
ARE USED FOR MOUNTING

COMPRESS SPRING TO  
HEIGHT OF 34±2

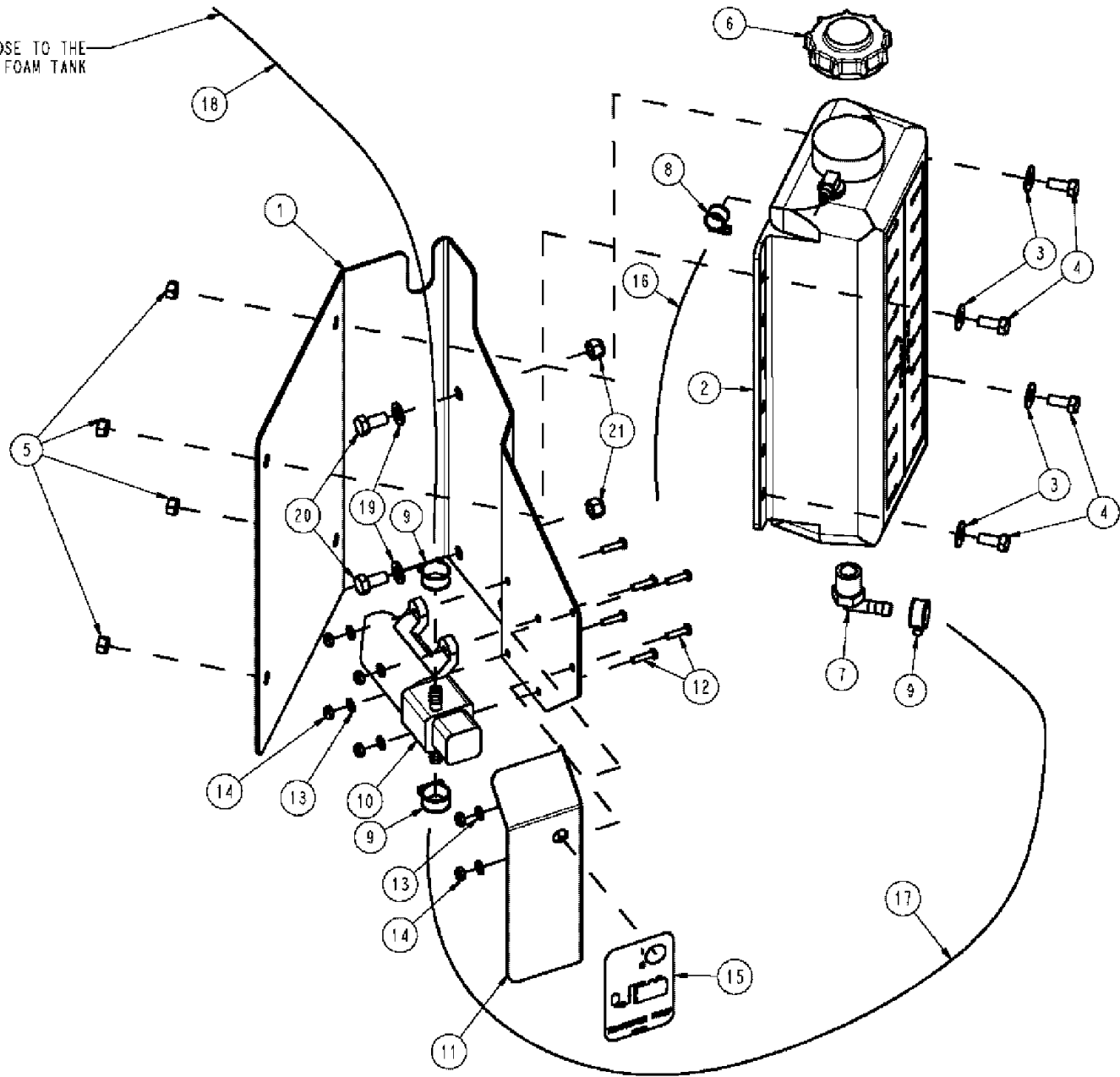
SCALE 3:20

## 4420 PATRIOT SPRAYER

## 11-031 FOAMER TANK GROUP

Ref	Part Number	Qty	Description
1	343434A1	1	SUPPORT, CRADLE, FOAMER REAR 778D
2	343439A1	1	SUPPORT, CRADLE, WLDT, FRONT 778D
3	87727677	1	PUMP, DIAPH, 1 GPM
4	87265766	2	SUPPORT, SPAN, FOAM TANK
5	87265767	2	STRIP, RUBBER, MAST, .3 X 152 X 694
6	87265765	1	H2O TK PLBG GRP, SEE FIG. 11-030
7	248-2178	1	GROMMET, 3/4" ID x 1 1/16" Groove Dia, RUBBER
8	87341828	4	BOLT, M16 X 200 8.8 DOR
9	87269940	2	PLATE, MOUNT SUPPORT
10	87529306	4	WASHER, 17.5 X 30 X 4MM HDN DOR
11	87529305	4	WASHER, 17.5 X 56 X 5MM CST DOR
12	86980517	4	NUT, P/T ALL MTL M16 8 DOR
13	BN305434	2	U-BOLT, 3/8 X 2 X 4.5
14	BN50759	10	NUT, 3/8-16, NLN, SS
15	343448A1	2	STRAP, 2" NYLON WEB, ASSY
16	BN310265	4	WASHER, 10, FW, SS
17	BN300266	4	SPRING,
18	BN311631	4	BOLT, 10-24 X .75, BSH, SS
19	BN50146	12	WASHER, 3/8, FW, SS
20	BN50254	6	BOLT, 3/8-16 X 1, HH, SS
21	BN50691	2	BOLT, 1/2-13 X 1, HH, SS
22	BN55363	2	NUT, 1/2-13, NLN, SS
23	BN324022	2	CLAMP, HOSE, #8, 304 SS
24	87265768	1	SUPPORT, PLBG, FOAM TANK
25	BN300266	4	SPRING,
26	87265769	1	HOSE, 3/8 X 24 CLEAR

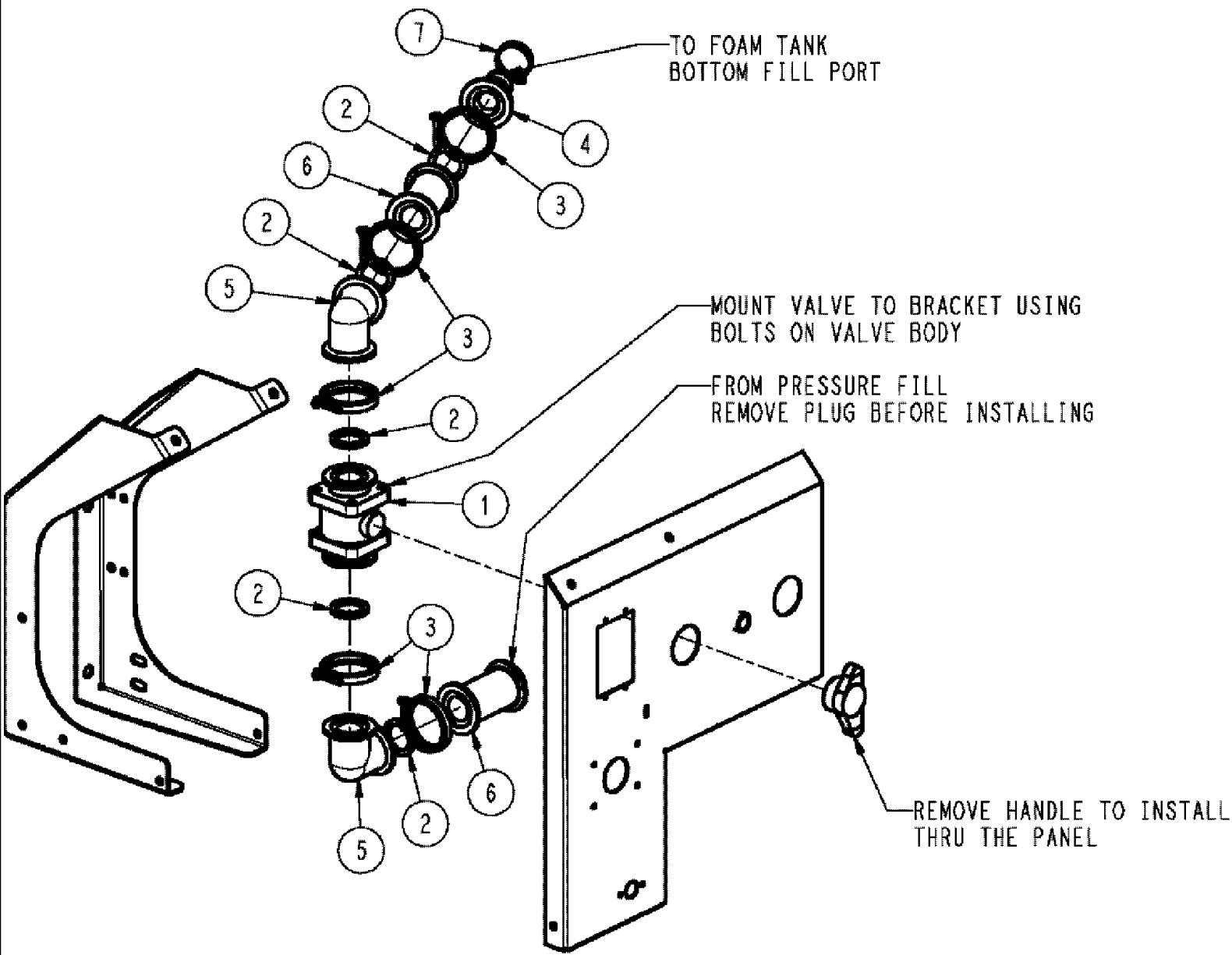
ROUTE AND ATTACH THE HOSE TO THE SMALL TOP PORT OF THE FOAM TANK



## 4420 PATRIOT SPRAYER

## 11-032 FOAMER, TRANSFER PUMP GROUP

Ref	Part Number	Qty	Description
1	87271981	1	PLATE, MOUNTING, TANSFER PUMP
2	BN322944	1	TANK, 6 QT, POLY, NATURAL
3	BN50142	4	WASHER, 5/16, FW, SS
4	BN50476	4	BOLT, 5/16-18 X .75, HH, SS
5	BN55361	4	NUT, 5/16-18, NLN, SS
6	86507190	1	CAP, COOLANT RECOV'Y BOTL
7	BN325981	1	FITTING, 90, .50MP.38HB, PP
8	BN310450	1	CLAMP, HOSE, #3, 304 SS
9	BN324022	3	CLAMP, HOSE, #8, 304 SS
10	87727677	1	PUMP, DIAPH, 1 GPM
11	87271978	1	PANEL, SWITCH, TANSFER PUMP
12	BN311631	6	BOLT, 10-24 X .75, BSH, SS
13	BN310265	6	WASHER, 10, FW, SS
14	BN310266	6	NUT, 10-24, NLN, SS
15	87271976	1	DECAL, TRANSFER PUMP
16	BN50146	3	WASHER, 3/8, FW, SS
17	BN50759	3	NUT, 3/8-16, NLN, SS
18	BN50250	3	BOLT, 3/8-16 X .75, HH, SS
19	87266748	1	HOSE, 3/8" X 10.5" CLEAR
20	86986177	1	HOSE, 3/8" X 100" CLEAR
21	BN324759	1	HOSE, 1/4" X 17" EPDM

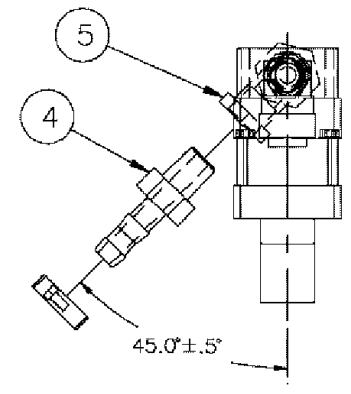
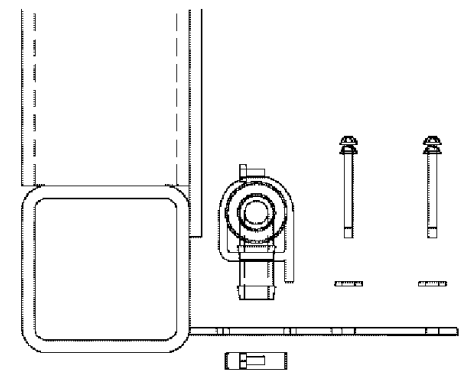
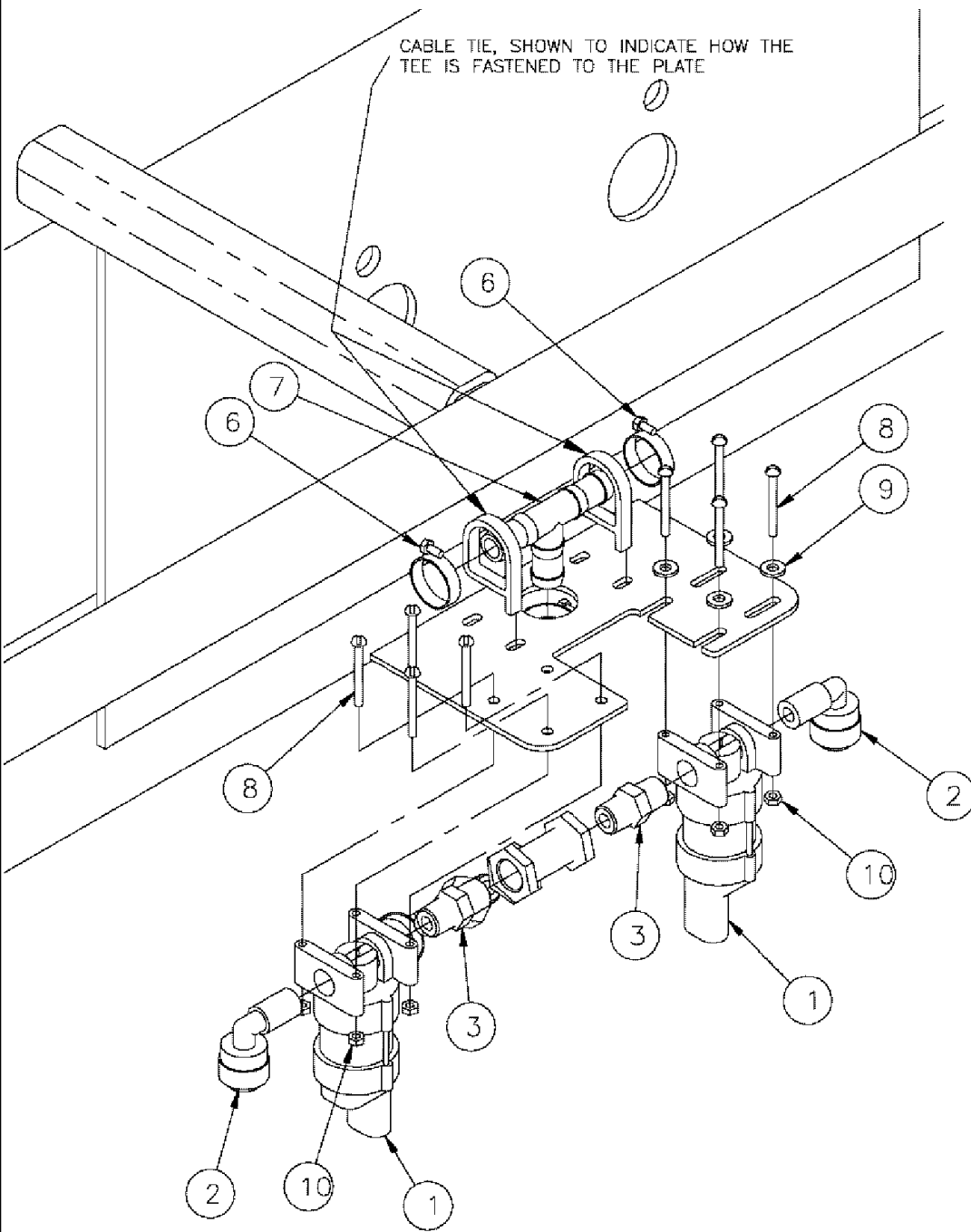




## 4420 PATRIOT SPRAYER

## 11-033 FOAMER STATION GROUP

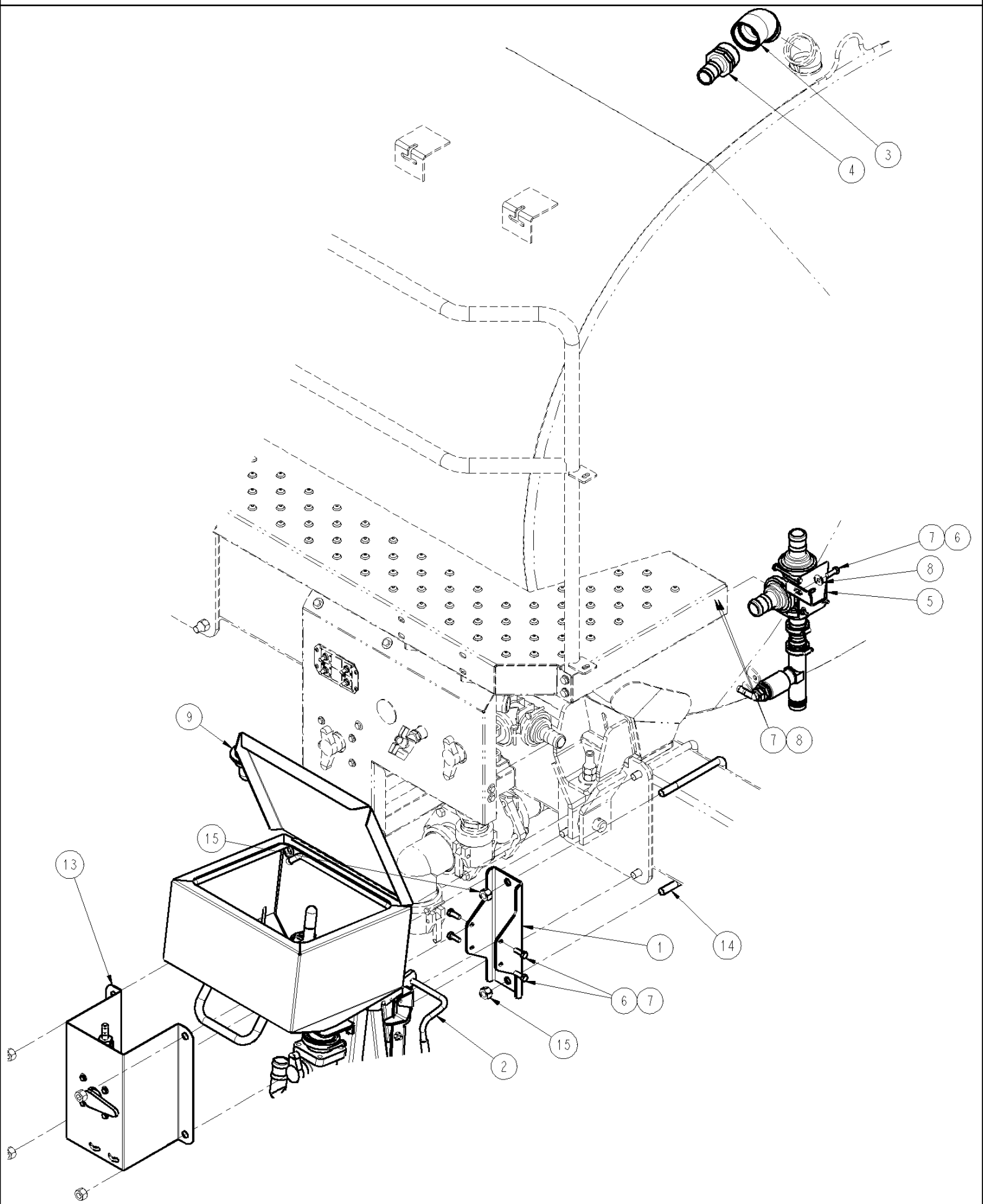
Ref	Part Number	Qty	Description
1	BN304328	1	VALVE, BALL, 2" FL, W/T HNDL
2	BN303204	5	GASKET, 2" EPDM
3	BN303199	5	CLAMP, 2" STD FLG
4	BN306901	1	FITTING, BARB, 2" FLG X 1.5" HOSE
5	BN320903	2	ELBOW, 2" FLANGE, 90 SHORT
6	BN306907	2	FITTING, STR 2" FLANGE X 2" FLANGE
7	BN310448	1	CLAMP, HOSE, #28, 304 SS



## 4420 PATRIOT SPRAYER

## 11-034 SOLENOID GROUP, CENTER SECTION

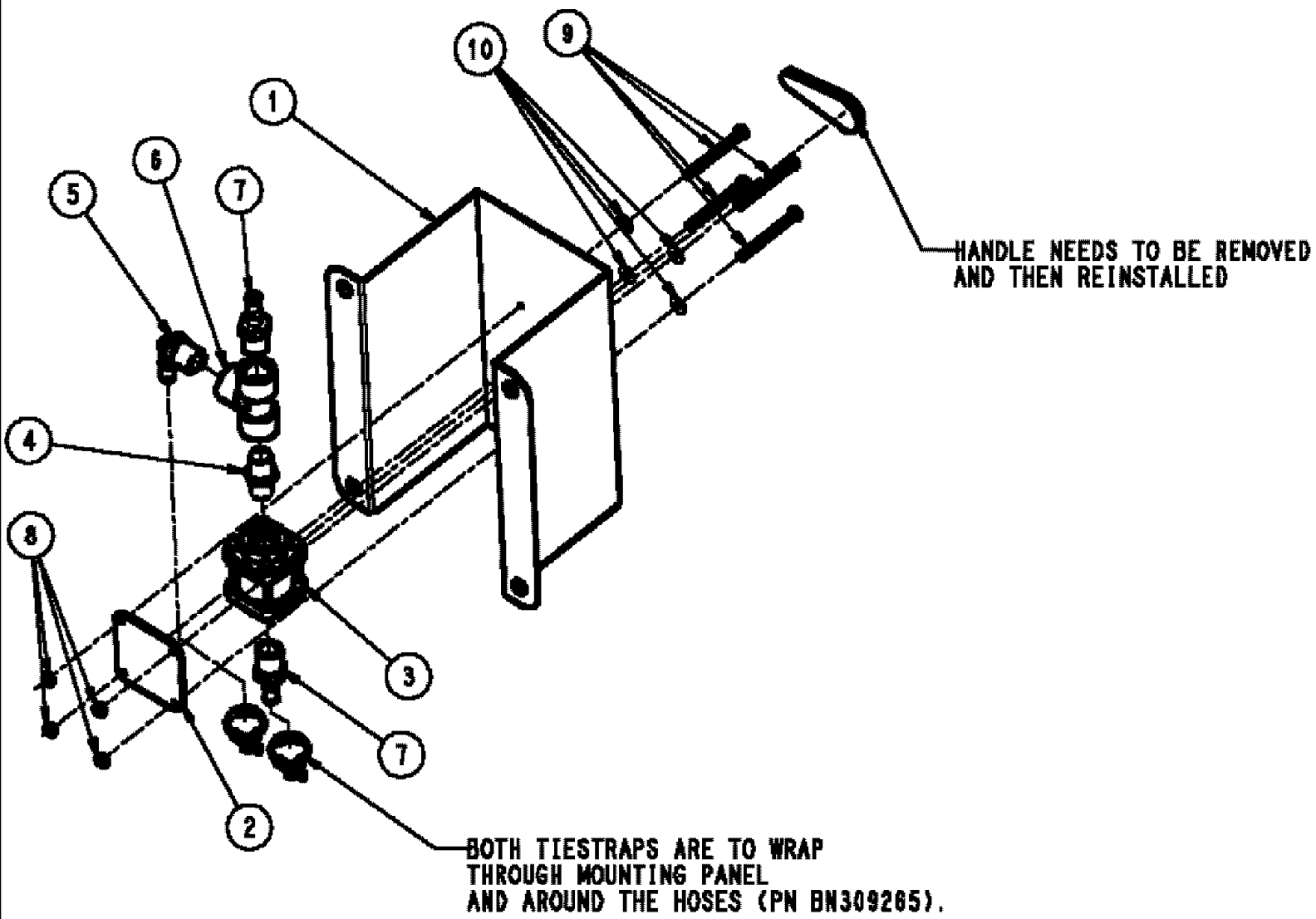
Ref	Part Number	Qty	Description
1	BN307938	2	VALVE, SOLENOID, 1/4 NPT
2	BN2399411	2	CONNECTOR, TUBE, ME380140
3	86986808	2	NIPPLE, LUBE, 1/4" SHORT, POLY
4	86986810	1	FITTING, HOSEBARB, 3/8" X 1/4" NPT
5	86986807	1	TEE, 1/4" POLY
6	BN324022	4	CLAMP, HOSE, #8, 304 SS
7	BN324009	1	TEE, ALL 1/2" HB, POLY
8	BN317051	8	BOLT, 6-32 X 1.25"
9	87529123	4	WASHER, 0.156 X 0.375 X 0.049 CST DOR
10	BN317053	8	NUT, NUT, 6-32 NYLON LOCK



## 4420 PATRIOT SPRAYER

## 11-035 CHEMICAL INDUCTOR GROUP

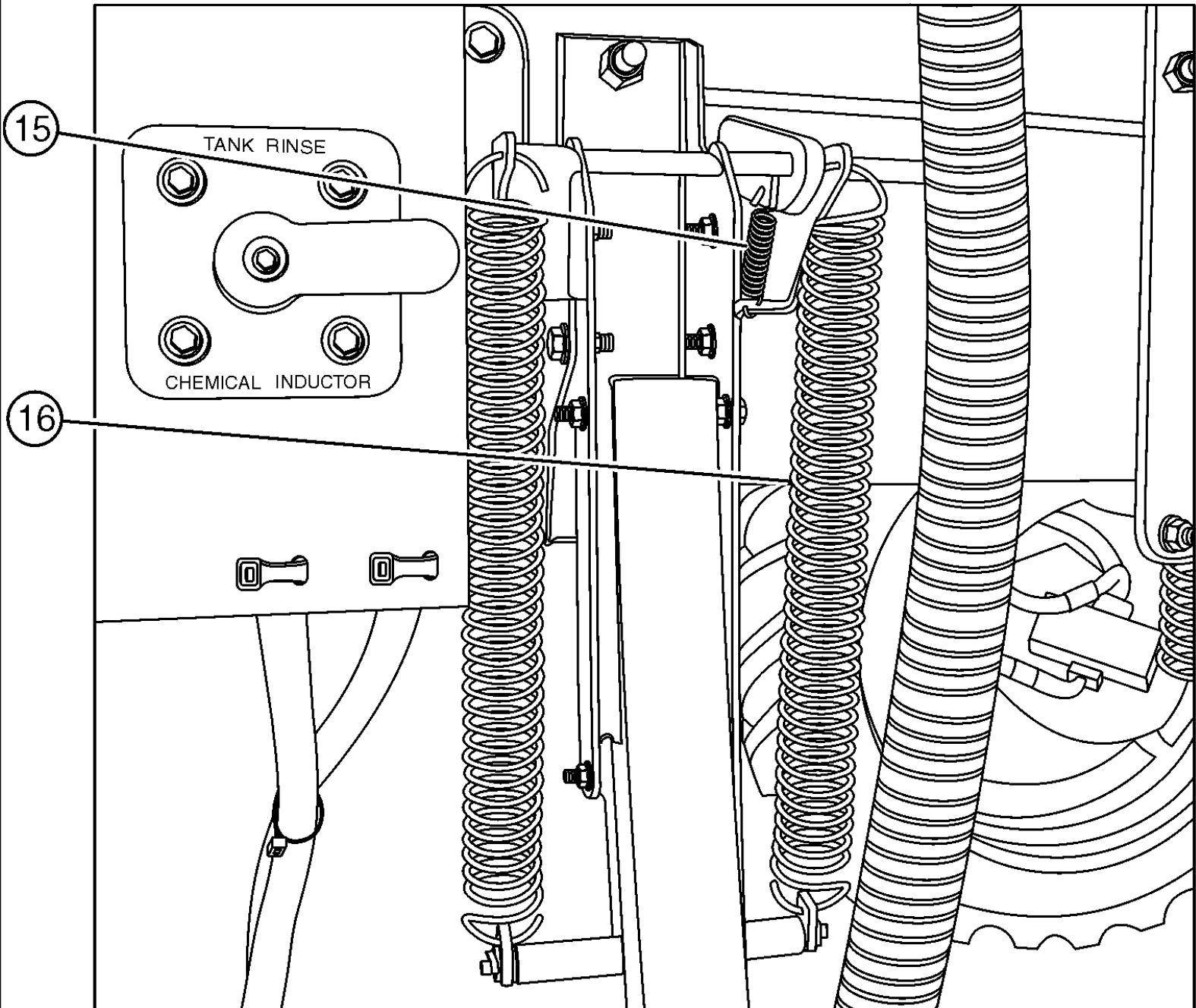
Ref	Part Number	Qty	Description
1	342643A1	1	PLATE, MOUNTING, CHEM IND 778D
2	BN324763	1	TANK, GRP, W/LINKAGE CHEM, SEE FIG. 11-037
3	BN73793	1	ELBOW, 45 STR-2" NPT POLY
4	BN305163	1	FITTING, 2" MPT X 1.5" BRB
5	BN324807	1	TEE, CHEM IND, GROUP, SEE FIG. 11-040
6	BN50254	5	BOLT, 3/8-16X1, HH, SS
7	BN50759	5	NUT, 3/8-16, NLN, SS
8	BN50146	2	WASHER, 3/8, FW, SS
9	BN304321	1	ELBOW, BARB, 90 -2" FLG X1.5" HOSE
13	344402A1	1	SEE FIG. 11-036
14	BN325918	1	U-BOLT,
15	832-46416	2	NUT, LOCK, M16 x 2, CI 8,
	86986354	1	IND HOSING GRP, SEE FIG. 11-68



## 4420 PATRIOT SPRAYER

## 11-036 VALVE BRACKET ASSEMBLY

Ref	Part Number	Qty	Description
1	344401A1	1	BRACKET, SUPPORTING, MOUNT, CHEM. IND VALVE
2	344404A1	1	PLATE, MOUNTING, VALVE HOLDER
3	BN73564	1	VALVE, BALL, .75FP, FULL, PP
4	BN73565	1	NIPPLE, LUBE, .75 X SHORT, PP
5	BN73578	1	FITTING, 90, .75MP.50HB, PP
6	BN73560	1	TEE, .75FP, PP
7	BN73568	2	FITTING, STR, .75MP.50HB, PP
8	BN55359	4	NUT, 1/4-20, NLN, SS
9	BN55367	4	BOLT, 1/4-20 X 3.25, HH, SS
10	BN50138	4	WASHER, 1/4, FW, SS

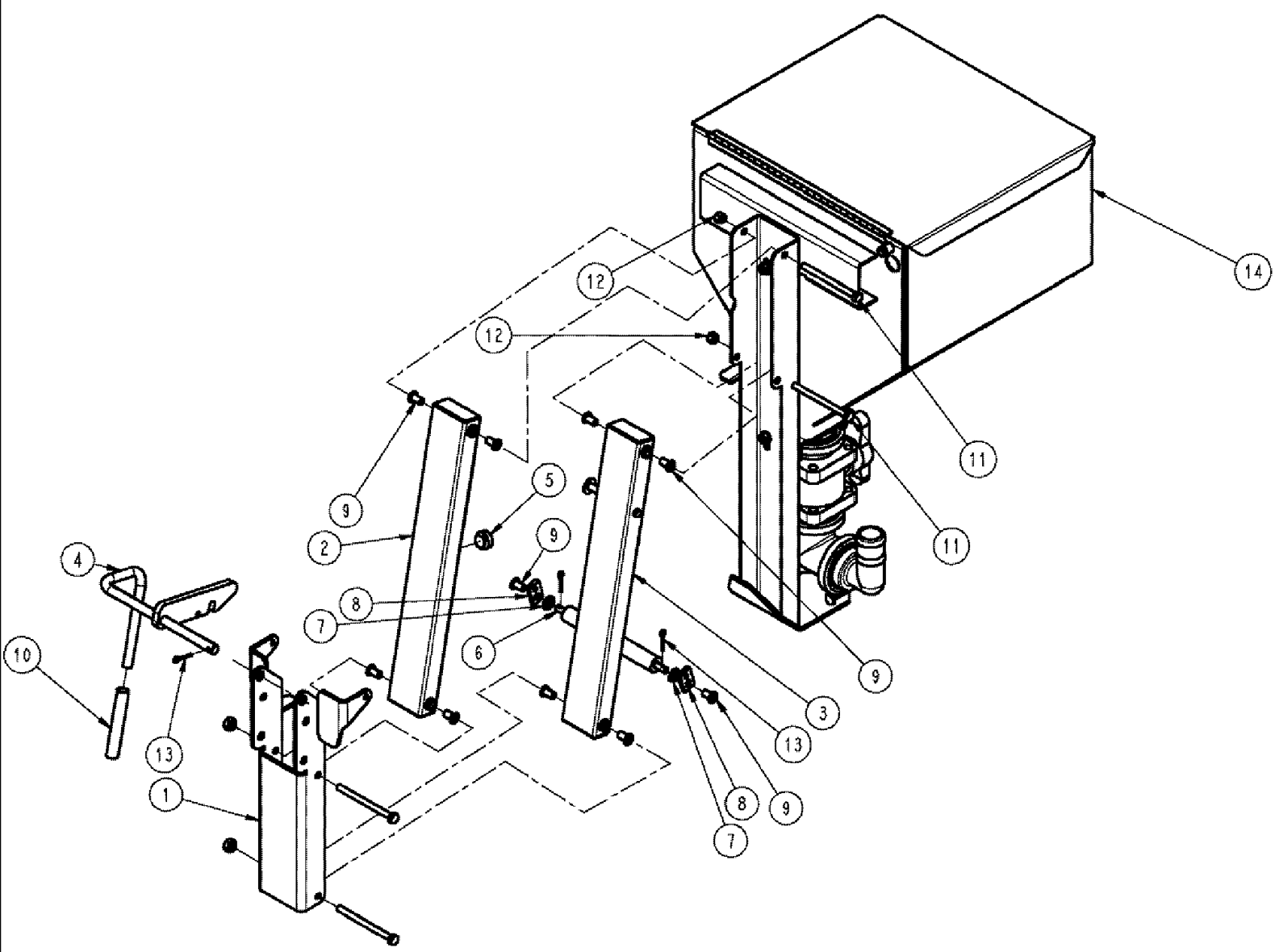




## 4420 PATRIOT SPRAYER

## 11-037(01) TANK GROUP W/LINKAGE

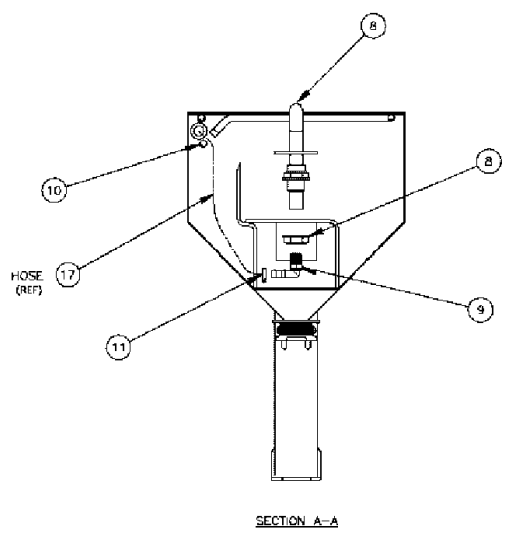
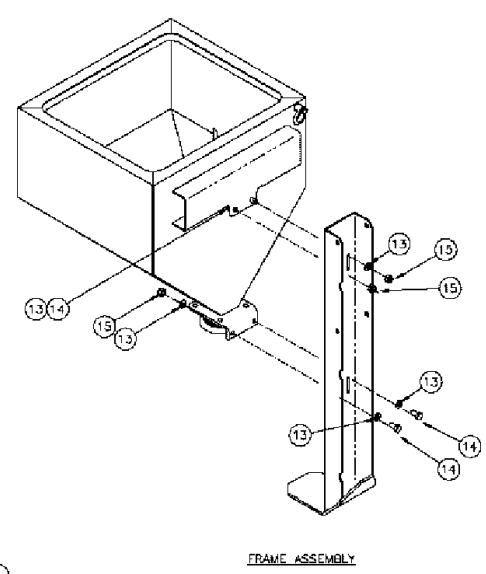
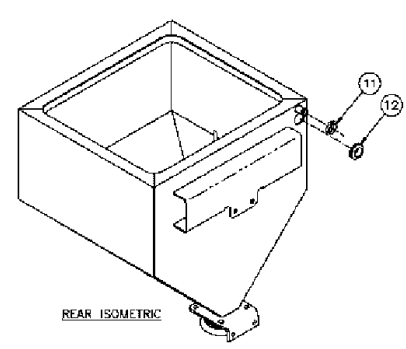
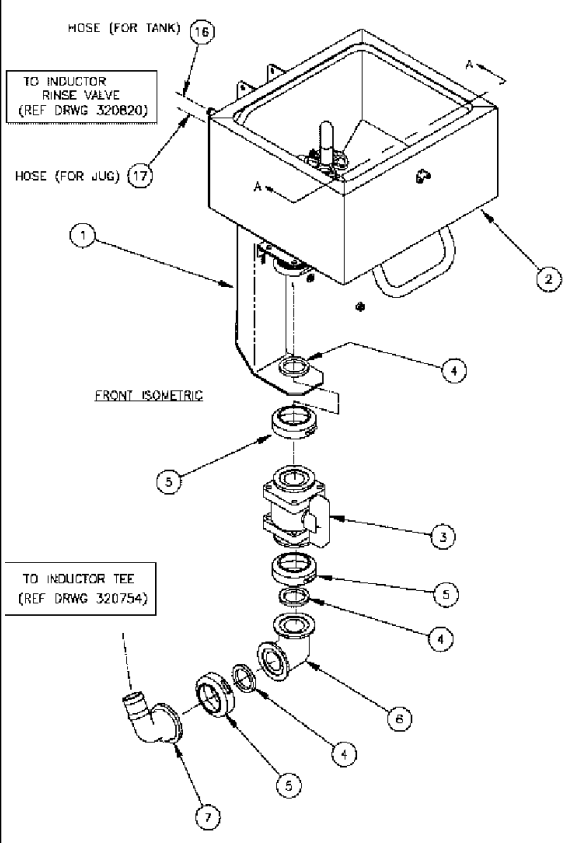
Ref	Part Number	Qty	Description
1	BN324764	1	BRACKET, MOUNT, W/M LINKAGE ARM
2	BN318197	1	ARM, WDMT, LINKAGE (UPR)
3	BN318198	1	ARM, WDMT, LINKAGE (LWR)
4	BN318200	1	LATCH, WDMT, LINKAGE ARM
5	BN319152	1	BUMPER, RUBBER, 1" OD
6	BN319247	1	PIN, SPRING RETENSION
7	BN319150	2	WASHER, 3/8, FW, NYLON
8	BN319106	2	SPRING, TENSION, ADJUSTMENT
9	BN319151	10	BUSHING, 5/16, SHLDER, NYLN
10	BN29274	1	GRIP, BLK-VINYL.5 ID DIA. X 4
11	BN50647	4	BOLT, 5/16-18 X 4, HH, G5
12	231-4145	4	NUT, LOCK, 5/16"-18, GB,
13	BN1630425	3	PIN, SPLIT (COTTER), 1/8 X 1
14	BN320818	1	TANK, W/LIQ PLUMB, SEE FIG 11-038
15	BN311889	1	SPRING, .50 X 2.00 X .067, SS
16	BN71050	2	SPRING, TENSION,



## 4420 PATRIOT SPRAYER

## 11-037(02) TANK GROUP W/LINKAGE

Ref	Part Number	Qty	Description
1	BN324764	1	BRACKET, MOUNT, W/M LINKAGE ARM
2	BN318197	1	ARM, WDMT, LINKAGE (UPR)
3	BN318198	1	ARM, WDMT, LINKAGE (LWR)
4	BN318200	1	LATCH, WDMT, LINKAGE ARM
5	BN319152	1	BUMPER, RUBBER, 1" OD
6	BN319247	1	PIN, SPRING RETENSION
7	BN319150	2	WASHER, 3/8, FW, NYLON
8	BN319106	2	SPRING, TENSION, ADJUSTMENT
9	BN319151	10	BUSHING, 5/16, SHLDER, NYLN
10	BN29274	1	GRIP, BLK-VINYL, .5 ID DIA. X 4
11	BN50647	4	BOLT, 5/16-18 X 4, HH, G5
12	231-4145	4	NUT, LOCK, 5/16"-18, GB,
13	BN1630425	3	PIN, SPLIT (COTTER), 1/8 X 1
14	BN320818	1	TANK, W/LIQ PLUMB, SEE FIG 11-038
15	BN311889	1	SPRING, .50 X 2.00 X .067, SS
16	BN71050	2	SPRING, TENSION,

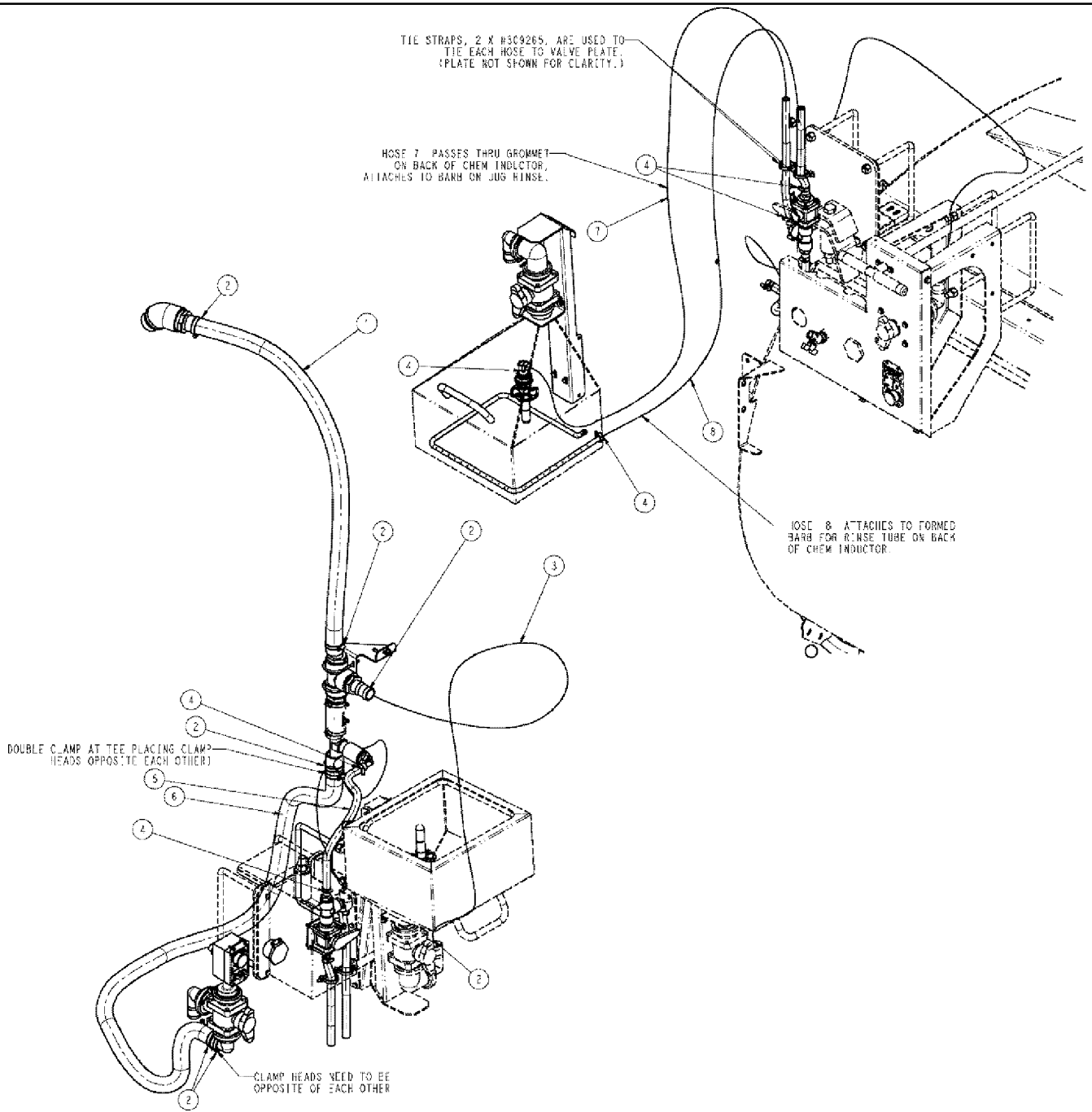


- NOTES:
1. TANK LID AND LATCH PIECES FROM WELDMENT 320863 ARE NOT SHOWN FOR CLARITY.
  2. PART B, #310885, IS A PURCHASED ASSEMBLY. THE TWO (2) BUBBLES INDICATE THE VALVE AND A NUT FROM THE ASSEMBLY.
  3. SECTION A - A: MISC. PARTS NOT SHOWN FOR CLARITY.
  4. REAR ISOMETRIC: MISC. PARTS NOT SHOWN FOR CLARITY.

## 4420 PATRIOT SPRAYER

## 11-038 TANK GROUP, W/LIQ PLUMBING

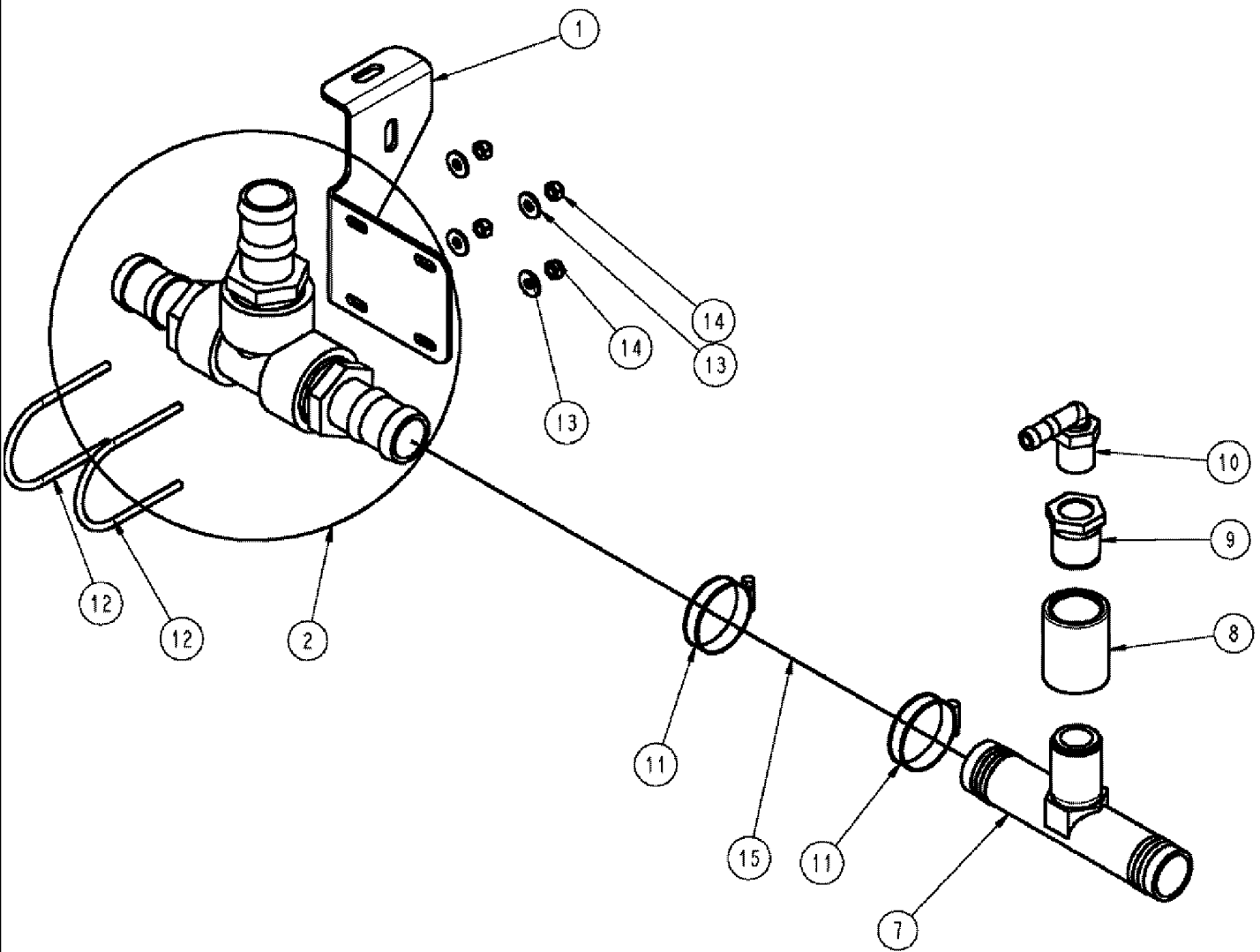
Ref	Part Number	Qty	Description
1	BN322941	1	BRACKET, MOUNT WLDMT, TANK
2	BN320983	1	TANK, INDUCTOR WLDMT 2
3	BN304328	1	VALVE, BALL, 2" FL, W/T HNDL
4	BN303204	3	GASKET, 2" EPDM
5	BN303199	3	CLAMP, 2" STD FLG
6	BN320903	1	ELBOW, 2" FLANGE, 90 SHORT
7	BN304321	1	ELBOW, 2" FLNG X 1.5, 90 HB
8	BN310895	1	VALVE, INDUCTOR JUG RINSE
9	BN73511	1	FITTING, BARB-1/2 NPT X 1/2 HOSE X 90
10	BN311050	1	PLUG, PIPE, 1/8 POLY HEX
12	BN85855	1	GROMMET, LG FOR 1/2" HOSE
13	87529316	8	WASHER, 9 X 21 X 2.5 HDN
14	86980380	4	BOLT, M8-1.25 X 25, HH, 8.8
15	832-46408	4	NUT, LOCK, M8 x 1.25, CI 8, M8 CL8 P/T ALL METAL



## 4420 PATRIOT SPRAYER

## 11-039 CHEMICAL INDUCTOR HOISING GROUP

Ref	Part Number	Qty	Description
1	BN321053	1	HOSE, KANIFLEX, 1.5" X 52"
2	BN310448	8	CLAMP, HOSE, #28, 304 SS
3	86986360	1	HOSE, KANIFLEX, 1.5" X 74"
4	BN324022	6	CLAMP, HOSE, #8, 304 SS
5	BN54228	1	HOSE, .50" ID X 20" EPDM
6	BN321920	1	HOSE, KANIFLEX, 1.5" X 93"
7	BN314453	1	HOSE, 1/2" EPDM X 50"
8	86986361	1	HOSE, 1/2" X 35"EPDM DISCH

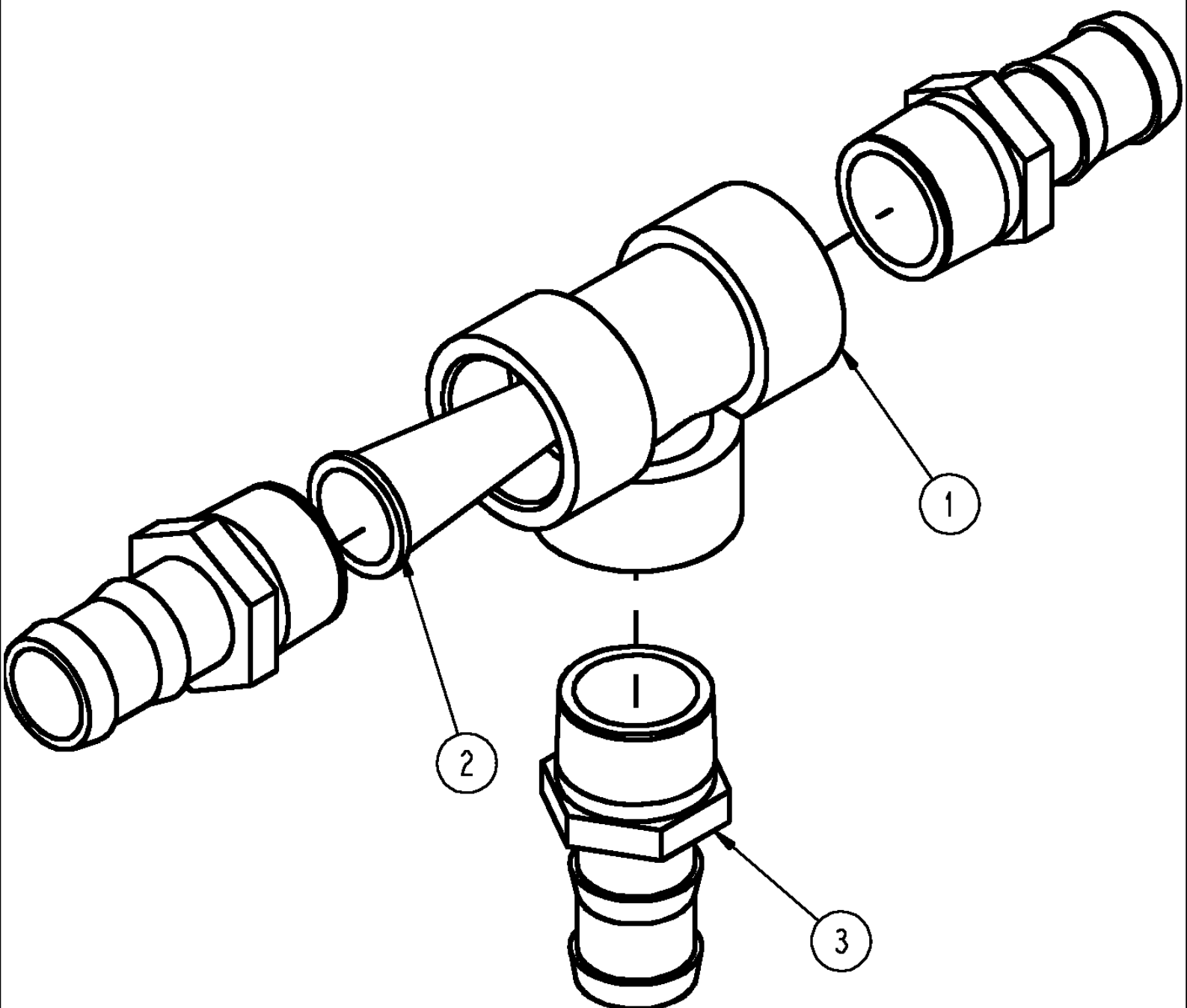




## 4420 PATRIOT SPRAYER

## 11-040 CHEMICAL INDUCTOR TEE GROUP

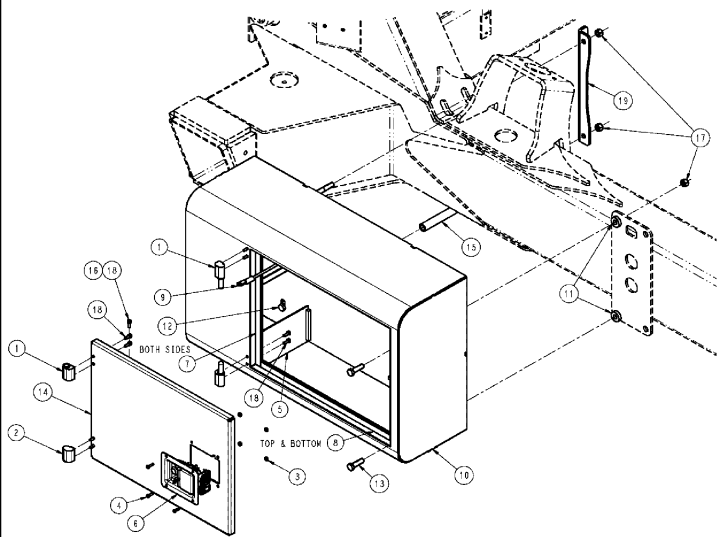
Ref	Part Number	Qty	Description
1	BN320728	1	BRACKET, INDUCTOR TEE
2	87270968	1	VENTURI, SEE FIG. 11-71
7	BN324828	1	TEE, 1-1/2" HS ENDS X 1" MPT
8	BN66968	1	COUPLING, 1" POLY
9	BN53665	1	BUSHING, 1" X .75 POLY
10	BN73578	1	FITTING, BARB, 3/4 NPT X 1/2HB, 90
11	BN310448	4	CLAMP, HOSE, #28, 304 SS
12	BN303201	2	U-BOLT, 1/4 X 2.38R X 3.75
13	BN50138	4	WASHER, 1/4, FW, SS
14	BN55359	4	NUT, 1/4-20, NLN, SS
15	BN324833	1	HOSE, KANIFLEX, 1.5" X 6"



4420 PATRIOT SPRAYER

11-041 VENTURI ASSEMBLY

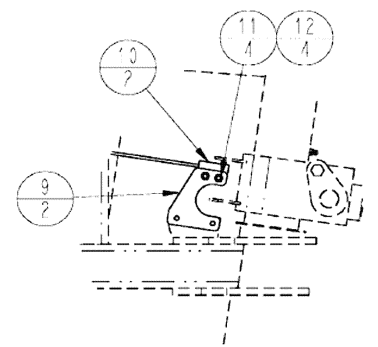
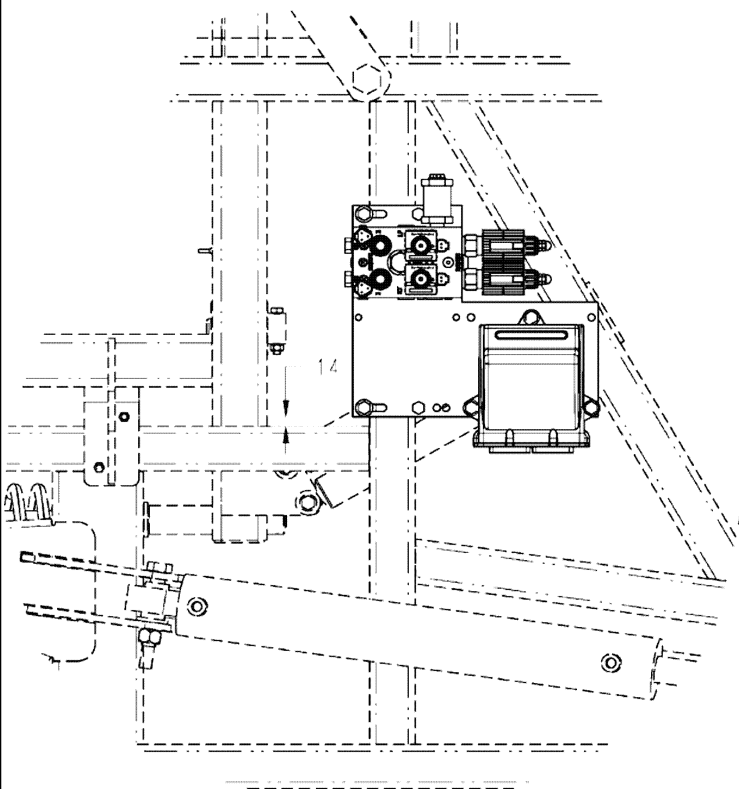
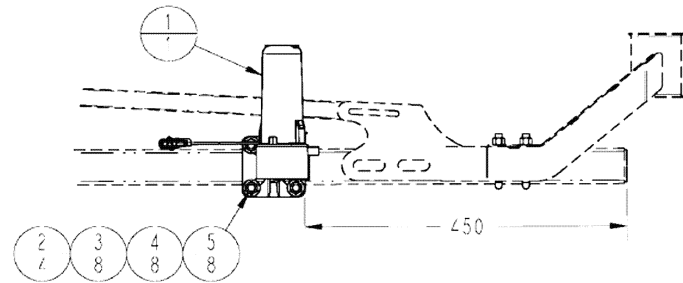
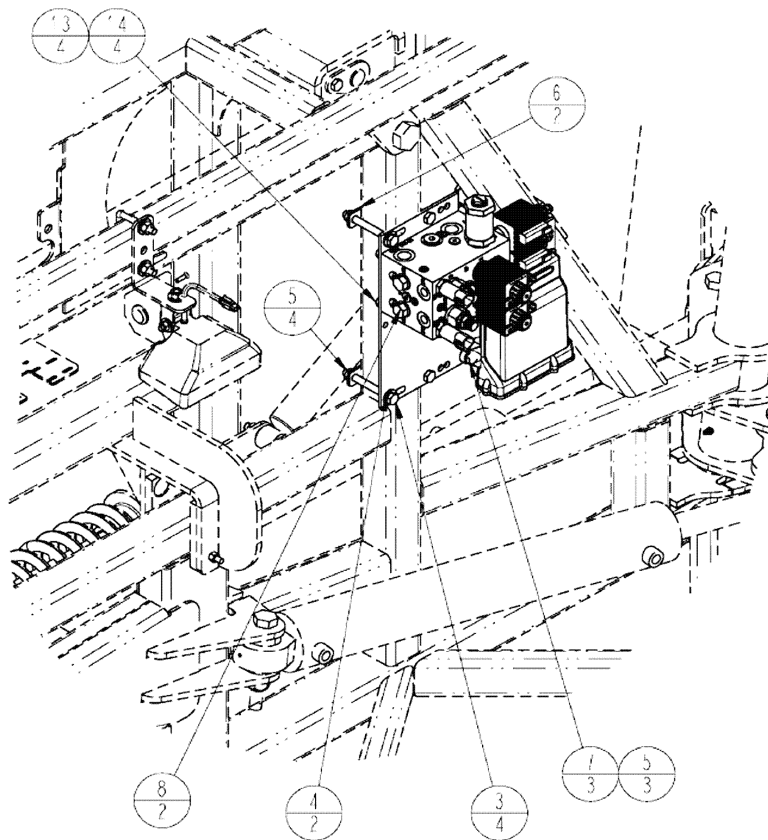
Ref	Part Number	Qty	Description
1	BN73714	1	TEE, 2" FLG
2	21384	1	VENTURI, 1.5 IN SPRAYER
3	BN73725	3	FITTING, BARB, MP 1.5 HB



## 4420 PATRIOT SPRAYER

## 11-042 STORAGE BOX GROUP, RH

Ref	Part Number	Qty	Description
1	BN306286	1	HINGE, NYLON, TYPE B, M6
2	BN306290	1	HINGE, NYLON, TYPE A, M6
3	BN310266	4	NUT, 10-24, NLN, SS
4	BN311631	4	BOLT, 10-24 X.75, BSH, SS
5	BN323911	1	DIVIDER, STORAGE BOX
6	BN323944	1	LATCH, PADDLE HANDLE
7	BN323948	2	SEAL, TRIM
8	BN323949	2	SEAL, TRIM
9	F64526	1	CABLE, DOOR
10	87267621	1	BOX, WLDMNT, RH
11	87266323	2	SPACER,
12	814-12200	2	BOLT, Hex, M12 x 200, 8.8,
13	614-12040	2	BOLT, Hex, M12 x 40, 8.8, Full Thd,
14	342577A1	1	DOOR, WLD, STORAGE BOX R
15	87266322	1	SPACER, TUBE
16	832-46406	2	NUT, LOCK, M6 x 1, CI 8,
17	832-46412	4	NUT, LOCK, M12 x 1.75, CI 8,
18	864-6016	10	SCREW, Hex Soc Hd, M6 x 16, 8.8, M6 X 16, HEX SOC SCREW
19	87266320	1	SUPPORT, BRACE, BOX MOUNT



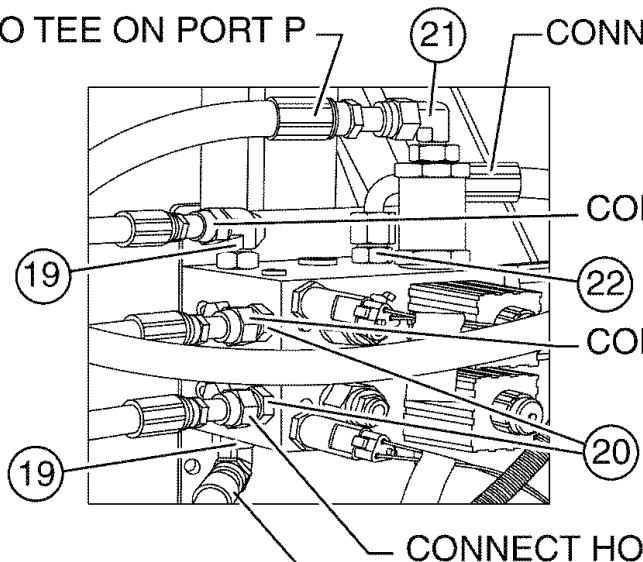
## 4420 PATRIOT SPRAYER

## 11-043(01) AUTOBOOM, ULTRAGLIDE

Ref	Part Number	Qty	Description
1	87722923	1	KIT, SERVICE, HEIGHT CONTROL, SEE FIG. 11-044
2	BN308039	4	PLATE, SPACER
3	86980409	12	BOLT, M10-1.5 X 90, HH, 8.8, DOR
4	87529312	10	WASHER, 11 X 24 X 3MM HDN DOR
5	86980515	15	NUT, LOCK, M10 x 1.5, CI 8,
6	87620862	2	PLATE, 2.5 IN, TUBE
7	86980401	3	BOLT, M10-1.5 X 30, HH, 8.8, DOR
8	BN446048	2	PLUG, HEX, ORING, -6, 9/16-18PLATE
9	87723957	2	PLATE, BASE, PROXIMITY, SWITCH
10	BN315498	2	SWITCH, PROXIMITY
11	86980359	4	BOLT, M6-1 X 16, HH, 8.8, DOR
12	86980513	4	NUT, P/T ALL MTL, M6 8 DOR
13	80681	4	WASHER, LOCK, 5/16",
14	86512037	4	BOLT, 5/16-24 X 3/4 FULL GR8
15	BN302435	4	FITTING, 6MOR-6MOR-6FORX PLATE
16	BN302436	2	FITTING, 8MOR-8MOR-8FORX
17	342591A1	4	HOSE ASSY., 6 X 40" PLATE
18	BN309739	2	SLEEVE, 08 X 41
19	BN302554	2	FITTING, 6MOR-8MBX90
20	BN302646	2	FITTING, 6MOR-6MB PLATE
21	BN302558	1	ELBOW, 8MOR-8MBX90 PLATE
22	BN302650	1	FITTING, 8MOR-8MB PLATE
23	225316C1	4	CONNECTOR, ELEC,
24	453132C1	8	PLUG, DEUTSCH, CAVITY SEAL

CONNECT HOSE TO TEE ON PORT P

CONNECT HOSE TO TEE ON PORT T

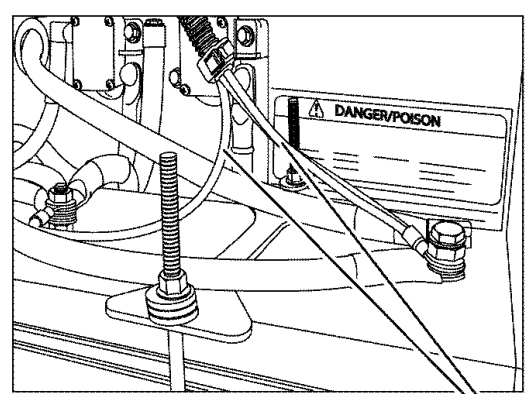
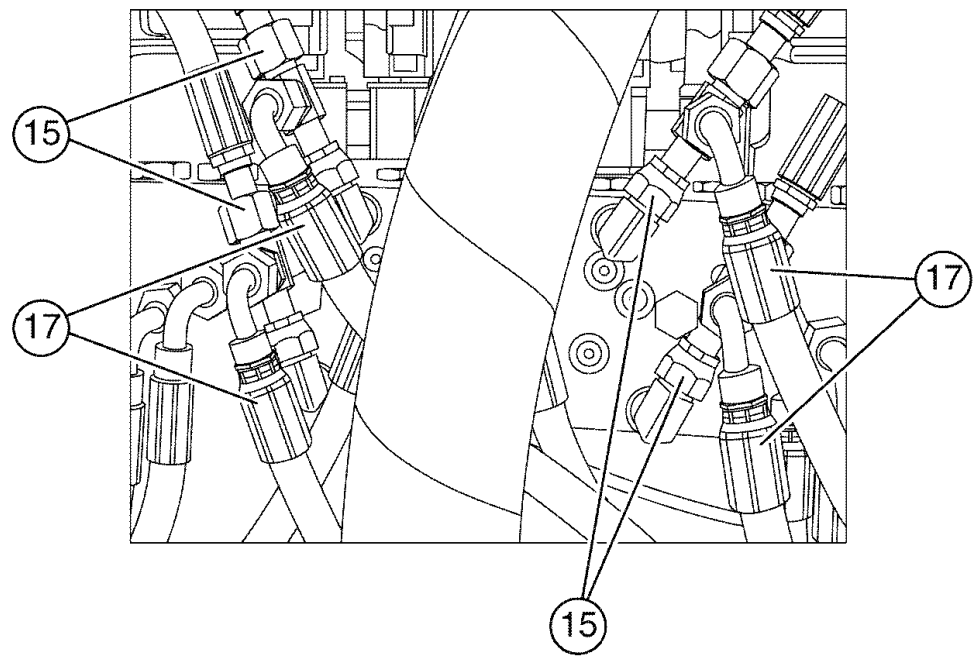


CONNECT HOSE TO TEE ON PORT A2

CONNECT HOSE TO TEE ON PORT B2

CONNECT HOSE TO TEE ON PORT B5

CONNECT HOSE TO TEE ON PORT A5



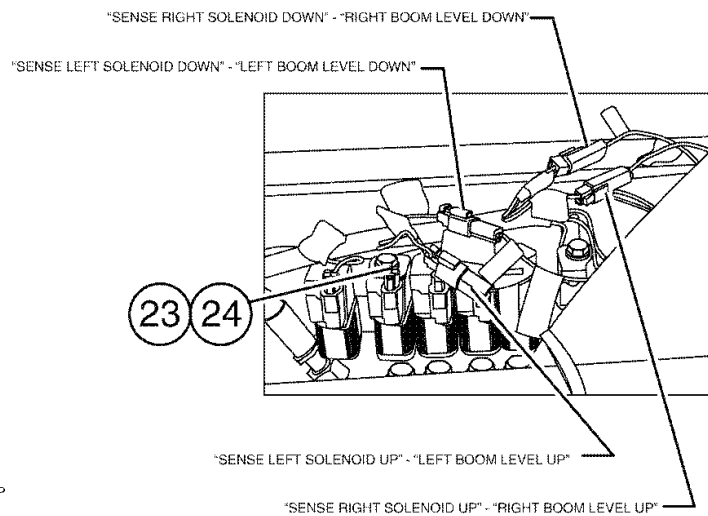
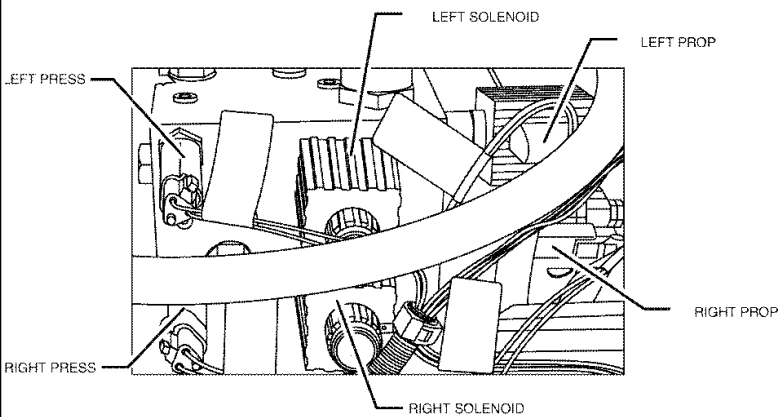
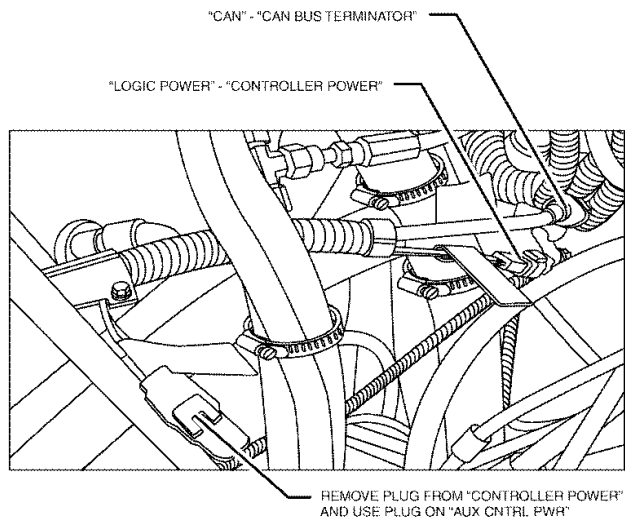
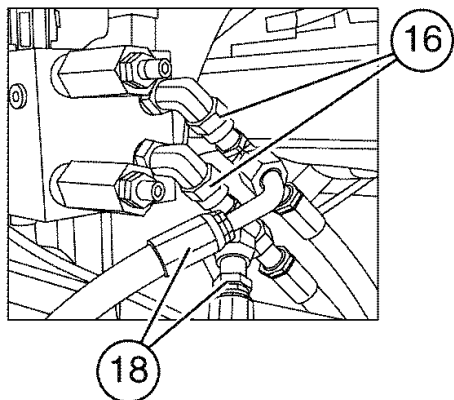
CONNECT POWER AND GROUND TO BATTERY



## 4420 PATRIOT SPRAYER

## 11-043(02) AUTOBOOM, ULTRAGLIDE

Ref	Part Number	Qty	Description
1	87722923	1	KIT, SERVICE, HEIGHT CONTROL, SEE FIG. 11-044
2	BN308039	4	PLATE, SPACER
3	86980409	12	BOLT, M10-1.5 X 90, HH, 8.8, DOR
4	87529312	10	WASHER, 11 X 24 X 3MM HDN DOR
5	86980515	15	NUT, LOCK, M10 x 1.5, CI 8,
6	87620862	2	PLATE, 2.5 IN, TUBE
7	86980401	3	BOLT, M10-1.5X30, HH, 8.8, DOR
8	BN446048	2	PLUG, HEX, ORING, -6,9/16-18PLATE
9	87723957	2	PLATE, BASE, PROXIMITY, SWITCH
10	BN315498	2	SWITCH, PROXIMITY
11	86980359	4	BOLT, M6-1 X 16, HH, 8.8, DOR
12	86980513	4	NUT, P/T ALL MTL, M6 8 DOR
13	80681	4	WASHER, LOCK, 5/16",
14	86512037	4	BOLT, 5/16-24 X 3/4 FULL GR8
15	BN302435	4	FITTING, 6MOR-6MOR-6FORX PLATE
16	BN302436	2	FITTING, 8MOR-8MOR-8FORX
17	342591A1	4	HOSE ASSY., 6 X 40" PLATE
18	BN309739	2	SLEEVE, 08 X 41
19	BN302554	2	FITTING, 6MOR-8MBX90
20	BN302646	2	FITTING, 6MOR-6MB PLATE
21	BN302558	1	ELBOW, 8MOR-8MBX90 PLATE
22	BN302650	1	FITTING, 8MOR-8MB PLATE
23	225316C1	4	CONNECTOR, ELEC,
24	453132C1	8	PLUG, PLUG, DEUTSCH, CAVITY SEAL

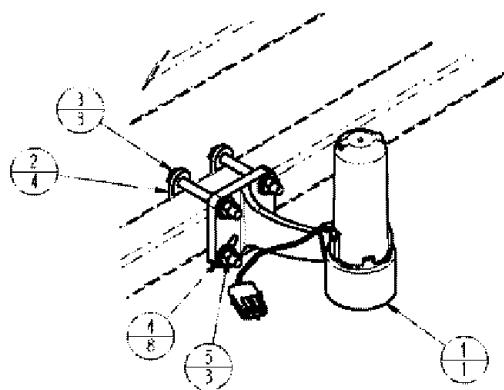
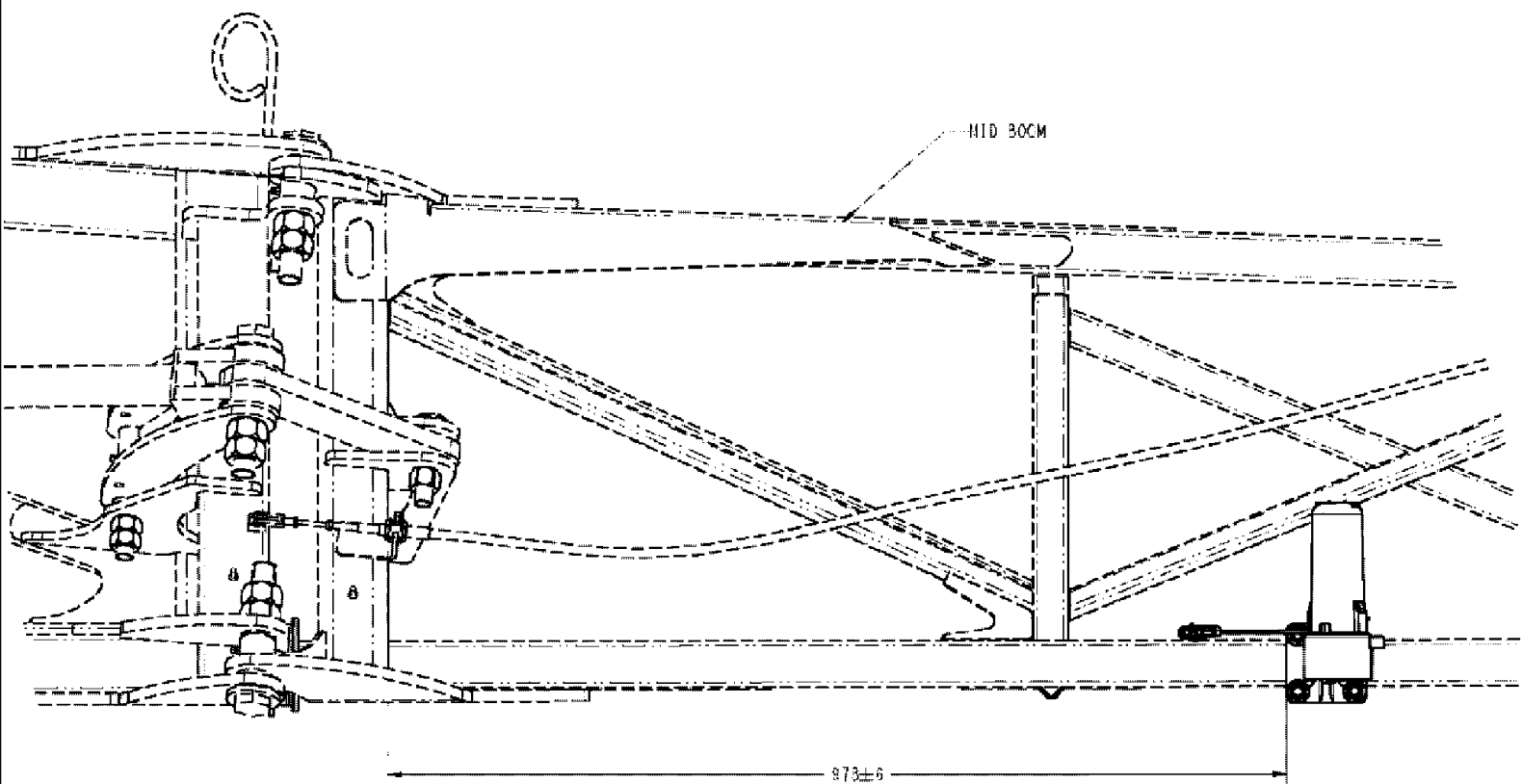


□

## 4420 PATRIOT SPRAYER

## 11-043(03) AUTOBOOM, ULTRAGLIDE

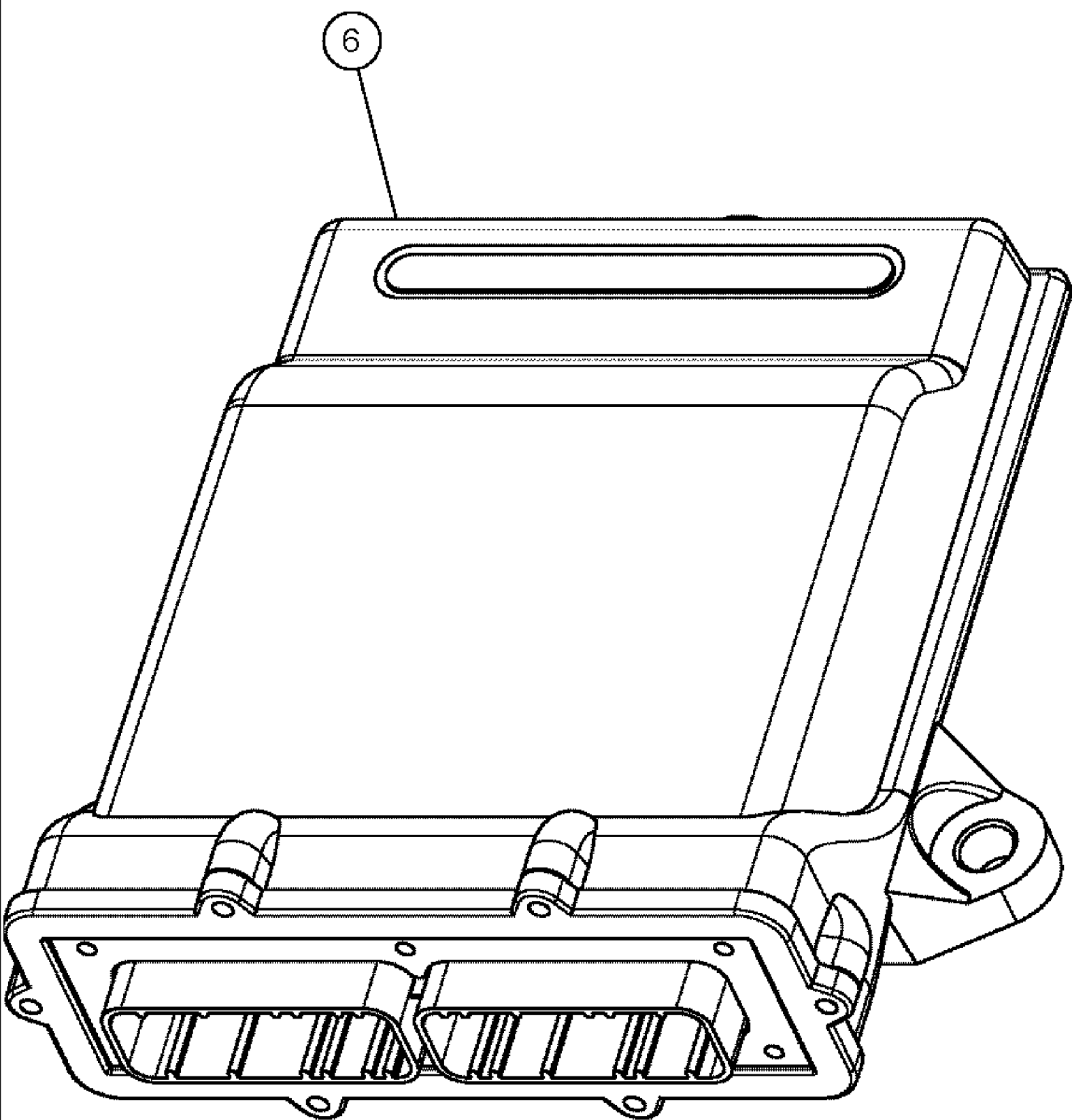
Ref	Part Number	Qty	Description
1	87722923	1	KIT, SERVICE, HEIGHT CONTROL, SEE FIG. 11-044
2	BN308039	4	PLATE, SPACER
3	86980409	12	BOLT, M10-1.5 X 90, HH, 8.8, DOR
4	87529312	10	WASHER, 11 X 24 X 3MM HDN DOR
5	86980515	15	NUT, LOCK, M10 x 1.5, CI 8,
6	87620862	2	PLATE, 2.5 IN, TUBE
7	86980401	3	BOLT, M10-1.5 X 30, HH, 8.8, DOR
8	BN446048	2	PLUG, HEX, ORING, -6, 9/16-18PLATE
9	87723957	2	PLATE, BASE, PROXIMITY, SWITCH
10	BN315498	2	SWITCH, PROXIMITY
11	86980359	4	BOLT, M6-1X16, HH, 8.8, DOR
12	86980513	4	NUT, P/T ALL MTL, M6 8 DOR
13	80681	4	WASHER, LOCK, 5/16",
14	86512037	4	BOLT, 5/16-24 X 3/4 FULL GR8
15	BN302435	4	FITTING, 6MOR-6MOR-6FORX PLATE
16	BN302436	2	FITTING, 8MOR-8MOR-8FORX
17	342591A1	4	HOSE ASSY., 6 X 40" PLATE
18	BN309739	2	SLEEVE, 08 X 41
19	BN302554	2	FITTING, 6MOR-8MBX90
20	BN302646	2	FITTING, 6MOR-6MB PLATE
21	BN302558	1	ELBOW, 8MOR-8MBX90 PLATE
22	BN302650	1	FITTING, 8MOR-8MB PLATE
23	225316C1	4	CONNECTOR, ELEC,
24	453132C1	8	PLUG, DEUTSCH, CAVITY SEAL



## 4420 PATRIOT SPRAYER

## 11-044 AUTOBOOM, DUAL SENSOR

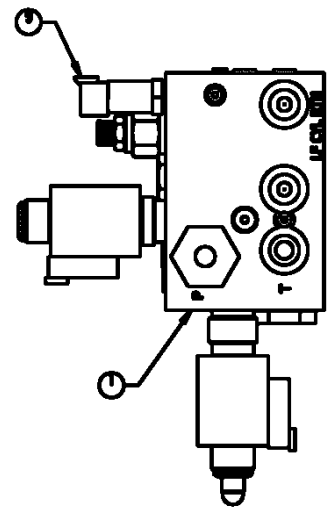
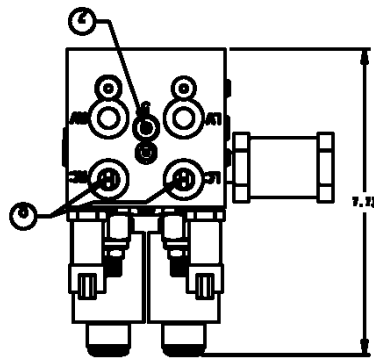
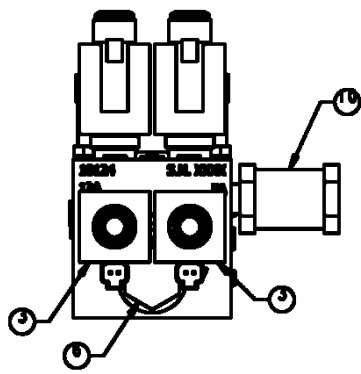
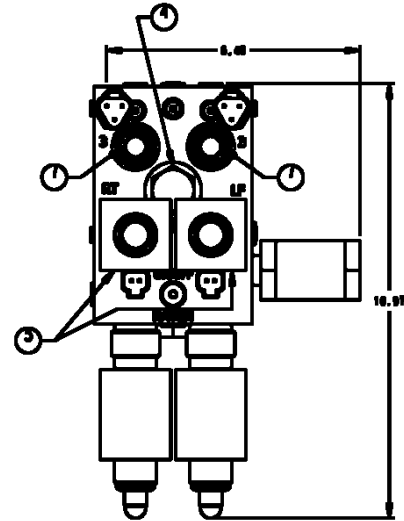
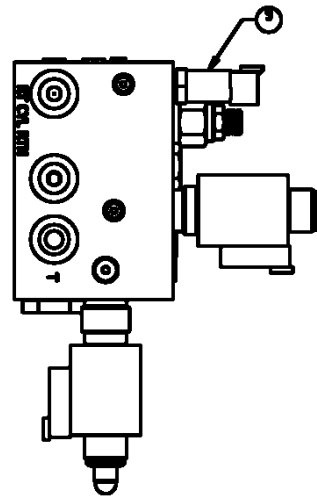
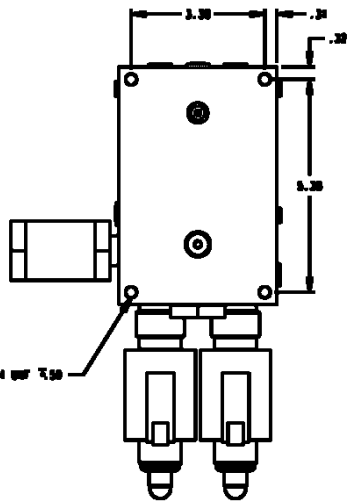
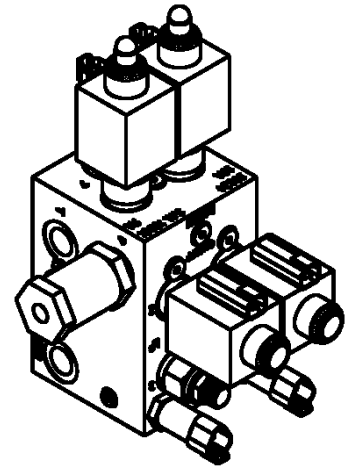
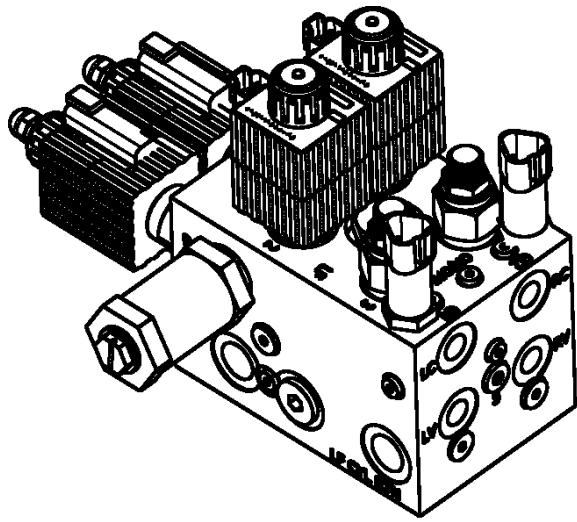
Ref	Part Number	Qty	Description
1	87668162	1	KIT, SERVICE, DUAL SENSOR, KIT
	87710685	1	SENSOR, ULTRASONIC, ASSEMBLY, RIGHT, ASSOCIATED PART OF AUTOBOOM, DUAL SENSOR, KIT, P/N 87668162
	87710686	1	SENSOR, ULTRASONIC, ASSEMBLY, LEFT, RIGHT, ASSOCIATED PART OF AUTOBOOM, DUAL SENSOR, KIT, P/N 87668162
	87718981	1	CABLE, 30FT, ULTRASONIC SENSOR, RIGHT, ASSOCIATED PART OF AUTOBOOM, DUAL SENSOR, KIT, P/N 87668162
2	BN308039	4	PLATE, SPACER
3	86980409	8	BOLT, M10-1.5 X 90, HH, 8.8, DOR
4	87529312	8	WASHER, 11 X 24 X 3MM HDN DOR
5	86980515	8	NUT, LOCK, M10 x 1.5, CI 8, P/T ALL MTL, M10 8 DOR



## 4420 PATRIOT SPRAYER

## 11-045 AUTOBOOM, HEIGHT CONTROL

Ref	Part Number	Qty	Description
	87718973	1	MANUAL, SERVICE, AUTOBOOM, CASE IH
	87710685	1	SENSOR, ULTRASONIC ASSEMBLY, RIGHT, SEE FIG. 11-047
	87710686	1	SENSOR, ULTRASONIC ASSEMBLY, LEFT, SEE FIG. 11-048
	87718266	1	PLATE, MOUNTING, MOUNTING, HYD BLOCK, CAN, AUTOBOOM
	87718974	1	MANUAL, SERVICE, CAN, AUTOBOOM CALIBRATION
6	87717349	1	CONTROL, CAN CONTROL, AUTOBOOM
	87718980	1	CABLE, 60FT, EXTENSION, ULTRASONIC SENSOR
	87718983	1	CABLE, 20FT, CAN, ULTRAGLIDE
	87717363	1	VALVE, HYDRAULIC, HYD, ULTRAGLIDE, SEE FIG. 11-046

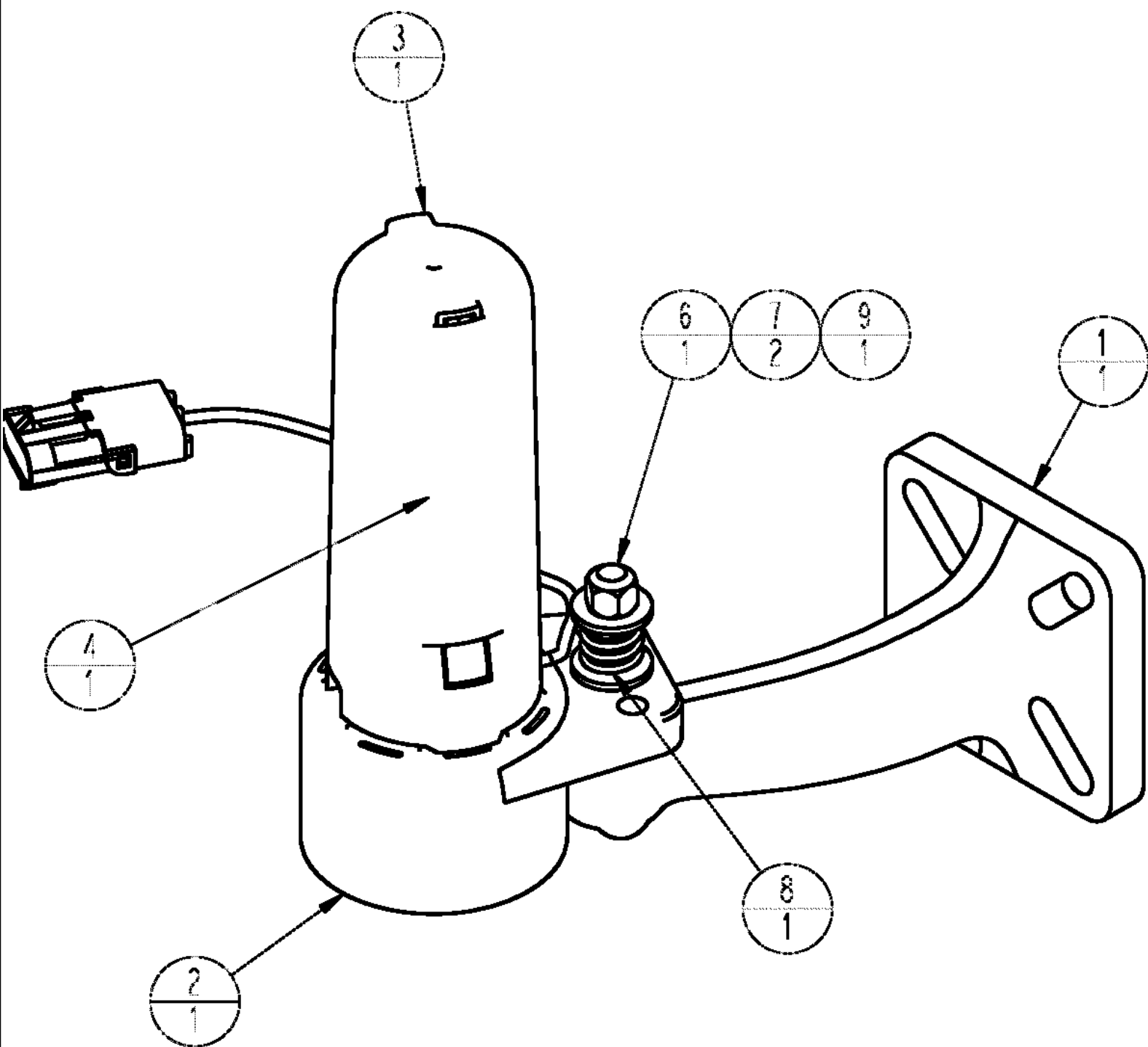




## 4420 PATRIOT SPRAYER

11-046 VALVE, HYDRAULIC, ULTRAGLIDE

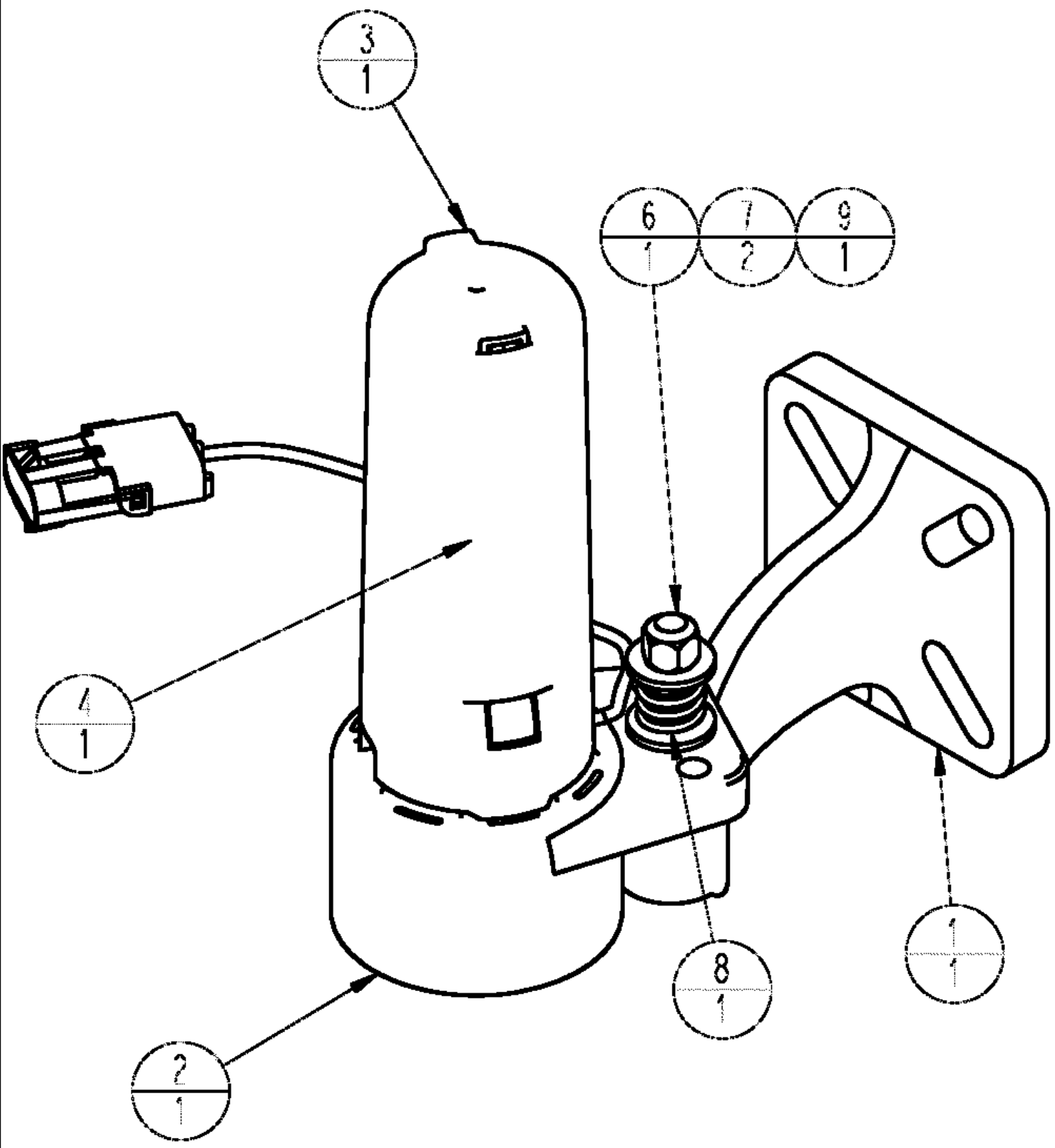
Ref	Part Number	Qty	Description
3	87720875	2	VALVE, HYDRAULIC, HYD, PRESSURE REDUCING/RELIEVING
5	87717371	2	VALVE, SOLENOID, NORMALLY CLOSED, DOUBLE BLOCKER
9	87717374	2	SENDER UNIT, PRESSURE, 3 PIN DEUTSCH
31	87717372	1	COIL, 12V, DEUTSCH COMMAND
32	87717373	1	VALVE, HYDRAULIC, HYD, PRESSURE REDUCING/RELIEVING



## 4420 PATRIOT SPRAYER

## 11-047 SENSOR, ULTRASONIC ASSEMBLY, RIGHT

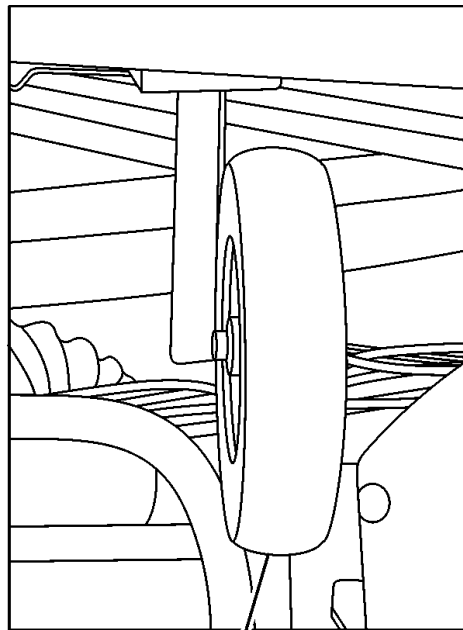
Ref	Part Number	Qty	Description
1	87710735	1	ARM, ULTRASONIC SENSOR
2	87710736	1	HOUSING, HOUSING, ULTRASONIC SENSOR
3	87710737	1	COVER, ULTRASONIC SENSOR
4	87710738	1	SENSOR, ULTRASONIC PROGRAMED
6	281006	1	BOLT, CARRIAGE, Short NK, 5/16"-18 x 3", G5,
7	95-21038	2	WASHER, 5/16",
8		1	SPRING, COMPRESSION
9	86050277	1	NUT, LOCK, 5/16"-18, GB,



## 4420 PATRIOT SPRAYER

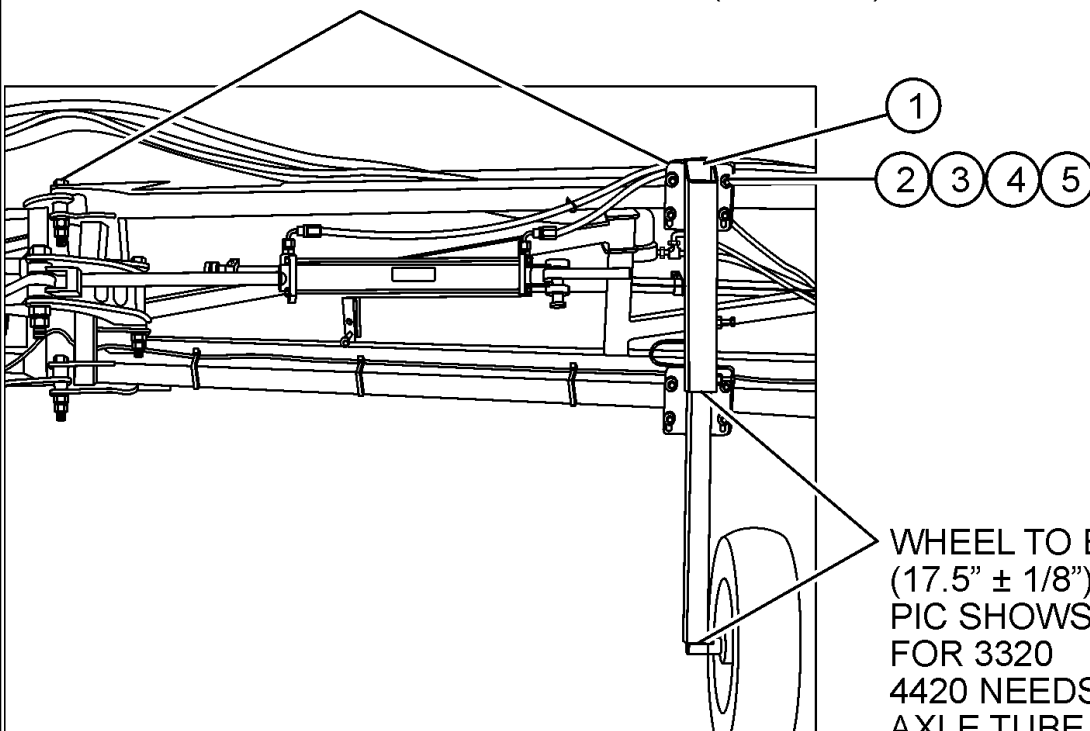
## 11-048 SENSOR, ULTRASONIC ASSEMBLY, LEFT

Ref	Part Number	Qty	Description
1	87710735	1	ARM, ULTRASONIC SENSOR
2	87710736	1	HOUSING, HOUSING, ULTRASONIC SENSOR
3	87710737	1	COVER, ULTRASONIC SENSOR
4	87710738	1	SENSOR, ULTRASONIC PROGRAMED
6	281006	1	BOLT, CARRIAGE, Short NK, 5/16"-18 x 3", G5,
7	95-21038	2	WASHER, 5/16",
8	87711151	1	SPRING, COMPRESSION
9	86050277	1	NUT, LOCK, 5/16"-18, GB,



ON 3320 VERIFY THAT WHEEL DOES NOT HIT  
EITHER WALKWAY NOR HANDRAIL.  
IN CRADLE OUT & CRADLE IN POSITIONS

FROM HINGE CENTER TO INSIDE OF TUBE IS  
3320 - 1346MM  $\pm$  3MM (52 1/4"  $\pm$  1/8")  
4420 - 1041MM  $\pm$  3MM (41"  $\pm$  1/8")

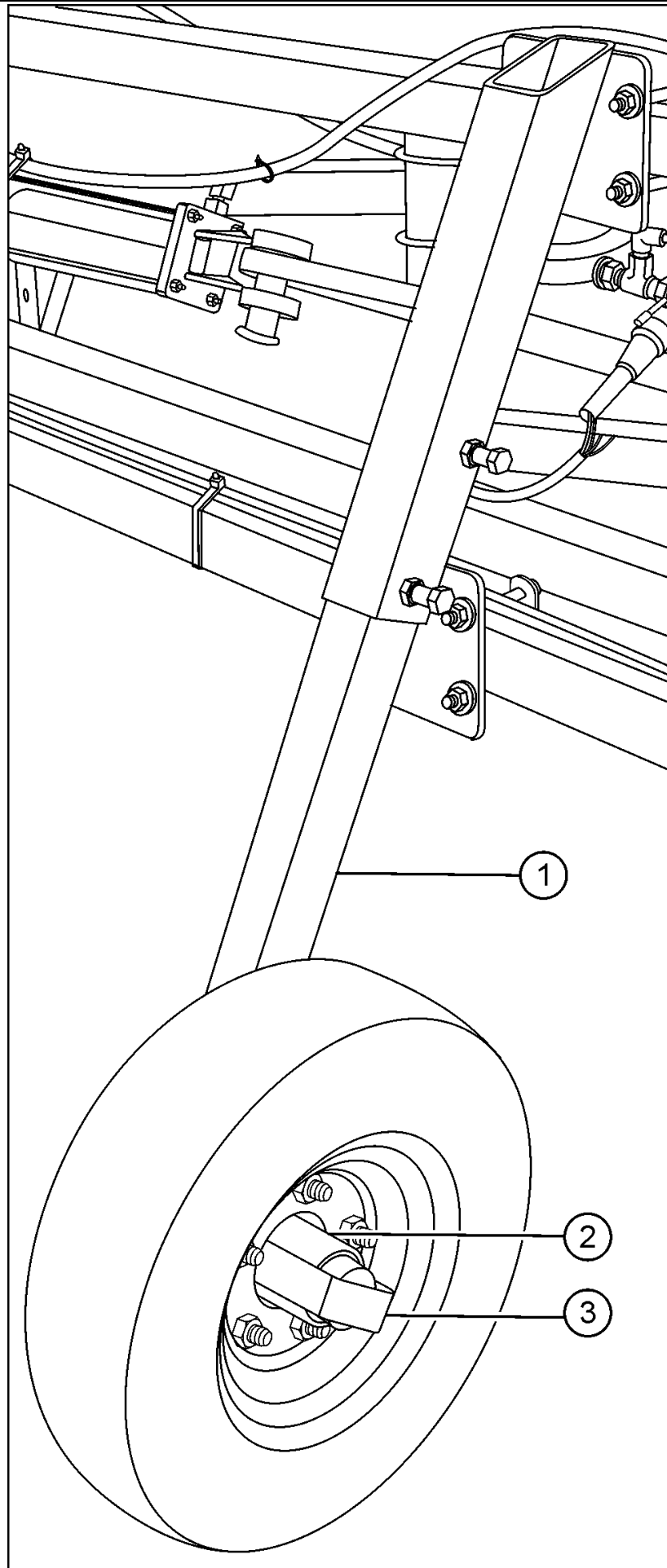


WHEEL TO BE EXTENDED 444MM  $\pm$  3MM  
(17.5"  $\pm$  1/8")  
PIC SHOWS WHEEL ORIENTATION  
FOR 3320  
4420 NEEDS TO BE ASSEMBLED WITH  
AXLE TUBE ROTATED 180°

## 4420 PATRIOT SPRAYER

## 11-049 AUTOBOOM, 120', WHEEL

Ref	Part Number	Qty	Description
1	87629616	1	TYRE/TIRE, WHEELS 120', SEE FIG. 11-050
2	BN308039	8	PLATE, SPACER
3	86980409	16	BOLT, M10-1.5 X 90, HH, 8.8, DOR
4	87529312	16	WASHER, 11 X 24 X 3MM HDN DOR
5	86980515	16	NUT, LOCK, M10 x 1.5, CI 8, P/T ALL MTL, M10 8 DOR

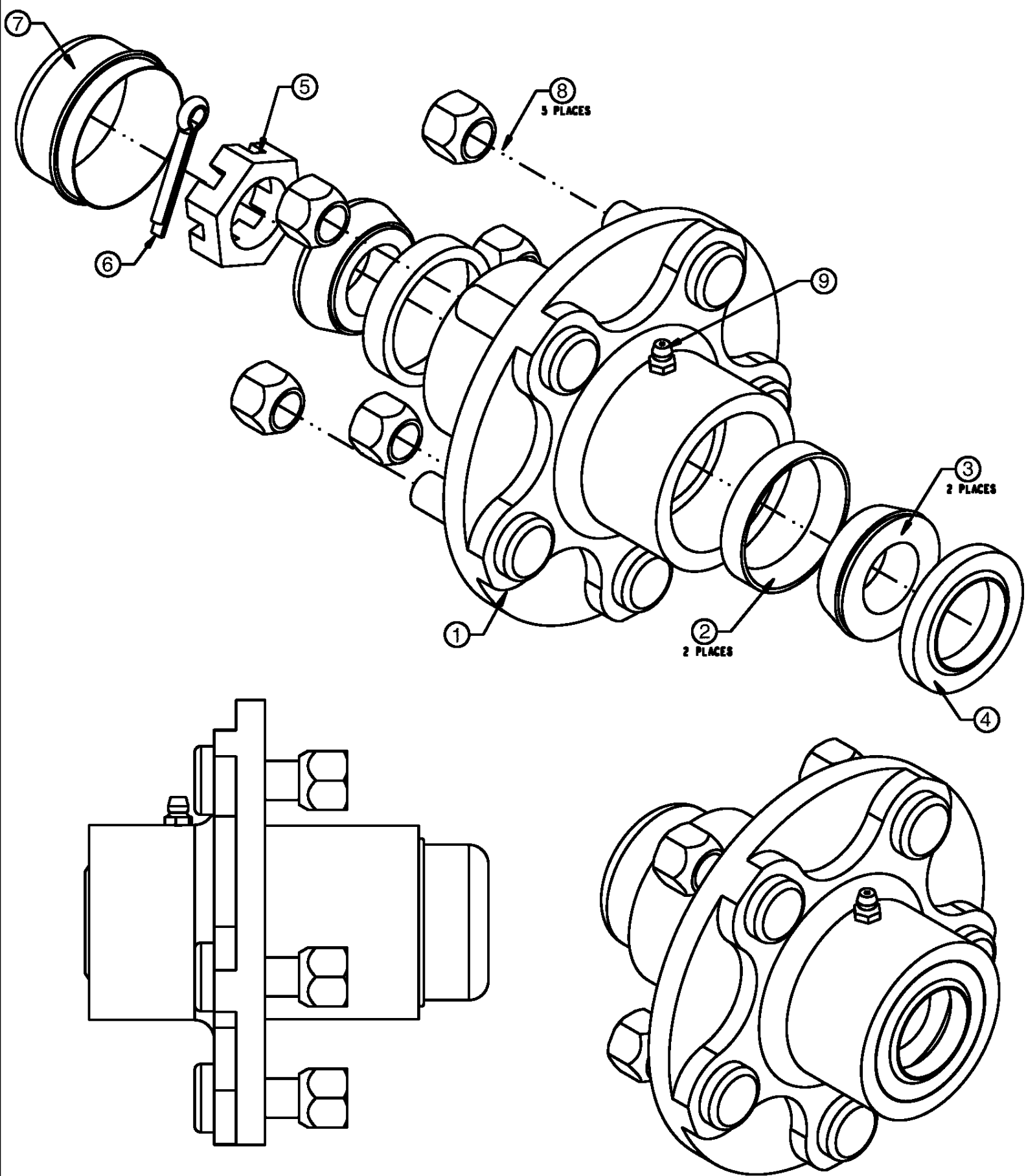




## 4420 PATRIOT SPRAYER

11-050 AUTOBOOM, WHEEL, 120'

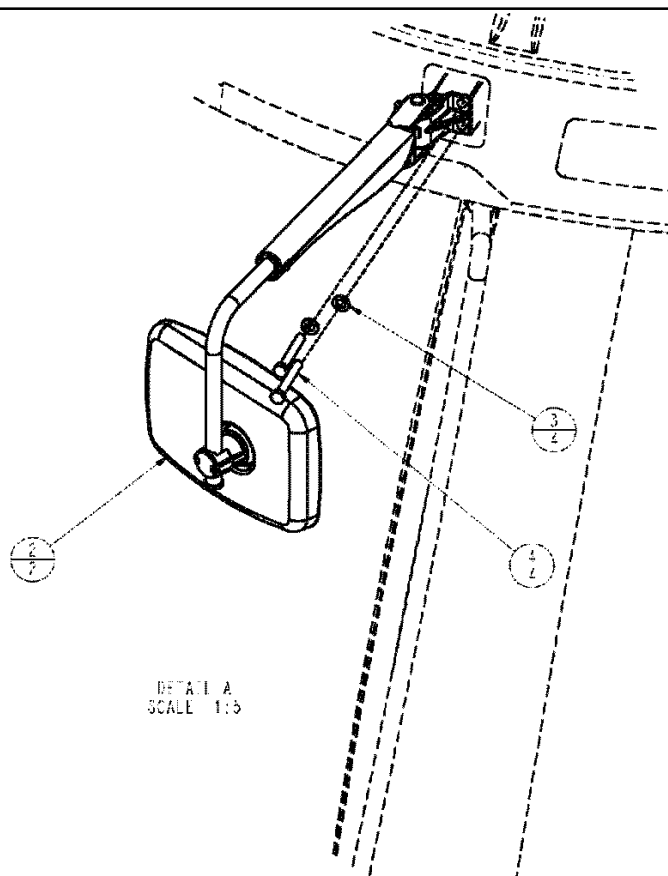
Ref	Part Number	Qty	Description
1	87719426	1	BRACKET, SUPPORTING, WELDMENT, AXLE
2	87711682	1	HUB, ASSEMBLY, 5-BOLT, SEE FIG. 11-051
3	87720308	1	BRACKET, SUPPORTING, HUB RETAINER
4	87719424	1	BRACKET, SUPPORTING, WELDMENT, CASE IH, 120' BOOM
5	87719425	1	TUBE, TYRE/TIRE, SMOOTH



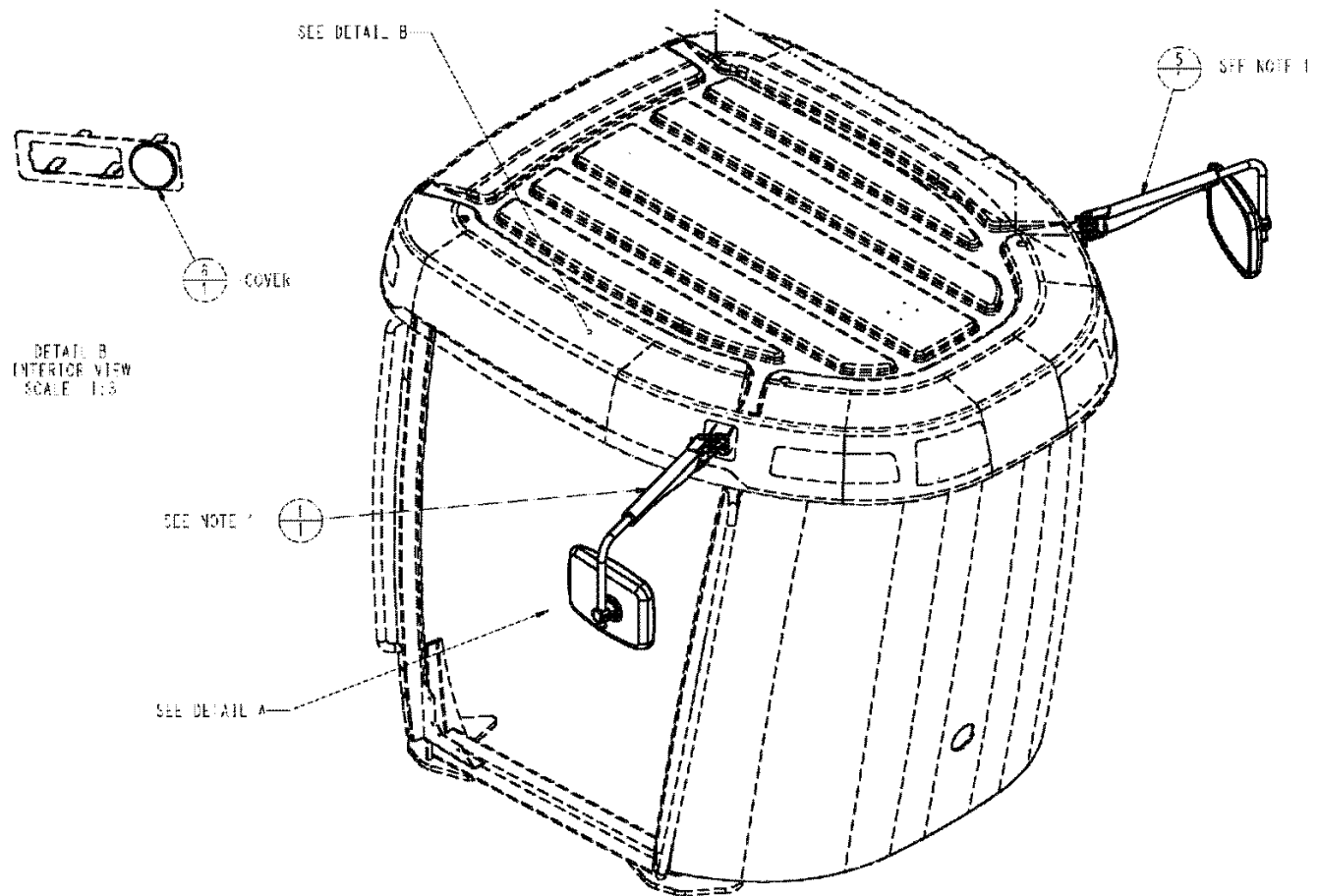
## 4420 PATRIOT SPRAYER

## 11-051 HUB ASSEMBLY, 5-BOLT

Ref	Part Number	Qty	Description
1	87711646	1	HUB, WHEEL, 5 BOLT, AUTOBOOM
2	572564R1	2	BEARING, CUP, 1.980 (L44610) REF 59973
3	463911R91	2	BEARING, CONE, 1.00 (L44643) REF 59972
4	87711647	1	SEAL, 1.25 ID X 1.983 OD X .25 W
5	87711648	1	NUT, 1-14, HUB MOUNTING
6	87400	1	PIN, SPLIT (COTTER), 3/16" x 2",
7	87711649	1	HUB CAP, WHEEL HUB
8	87711650	5	NUT, LUG, CONICAL SEAT
9	BN10151	1	NIPPLE, LUBE, ZERK-GREASE, 1/8 -27 STR.



DETAIL A  
SCALE 1:3



DETAIL B  
INTERIOR VIEW  
SCALE 1:3

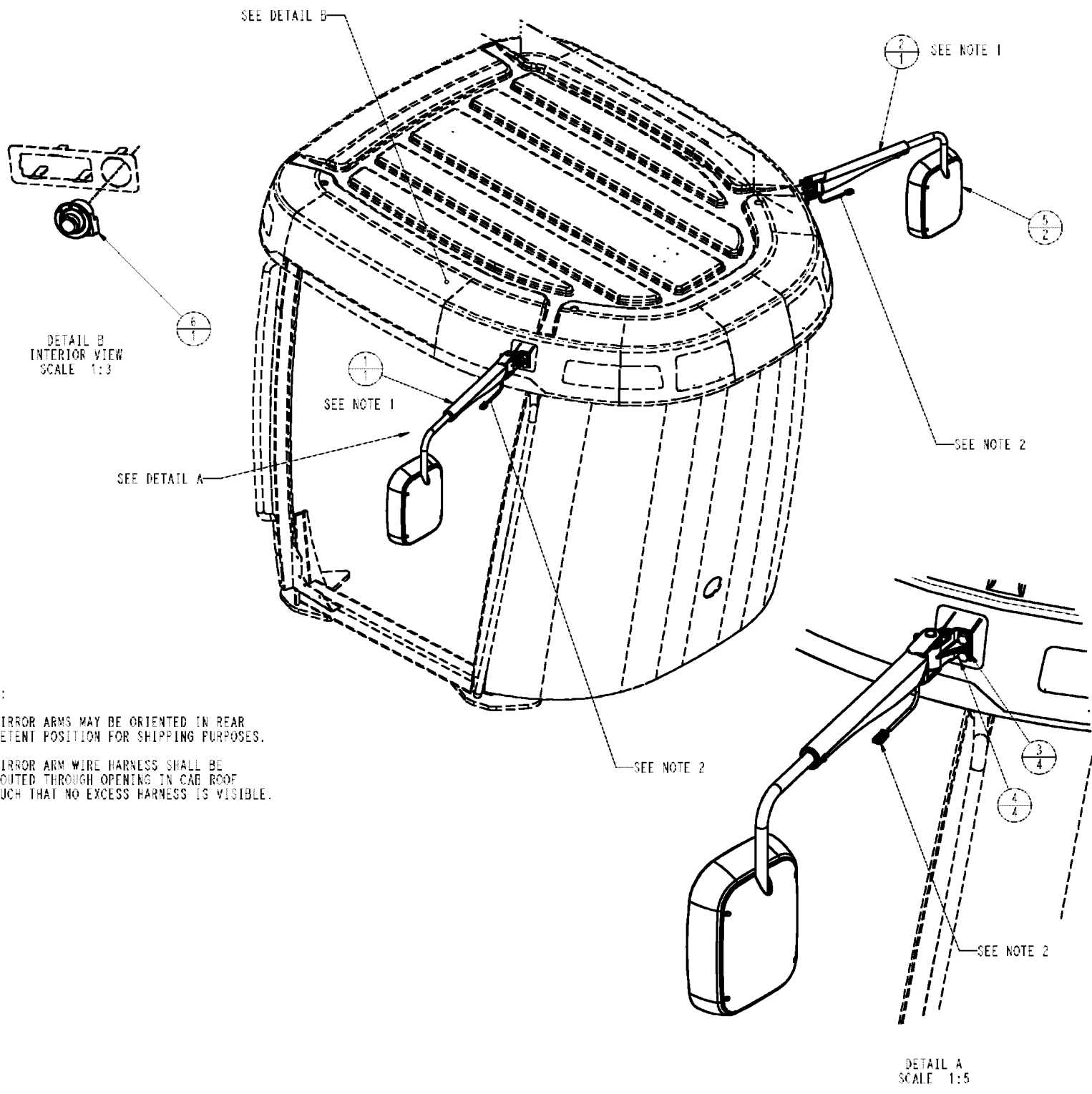
NOTES:

- 1. MIRROR ARMS MAY BE ORIENTED IN REAR DEFENT POSITION FOR SHIPPING PURPOSES.

## 4420 PATRIOT SPRAYER

## 11-052 MIRROR ASSEMBLY, MANUAL

Ref	Part Number	Qty	Description
1	87594291	1	ARM, MIRROR, RH MANUAL
	87268229	1	ARM, MIRROR, RH MANUAL , INDICATES OLD PART NUMBER OR CAN ORDER NEWER PART NUMBER LISTED ABOVE
2	87350494	1	MIRROR ASSY., MIRROR, LH MANUAL
	313140A1	1	ARM, MIRROR, LH MANUAL , INDICATES OLD PART NUMBER OR CAN ORDER NEWER PART NUMBER LISTED ABOVE
3	896-19012	4	WASHER, M12 x 24.5 x 3, HT,
4	514-865	4	BOLT, Hex, M12 x 80, 10.9, M12-1.75 X 80, 10.9, BZN
5	87703118	2	ARM, MANUAL HEAD 1800
	365414A1	2	MIRROR, MANUAL HEAD 1800 , INDICATES OLD PART NUMBER OR CAN ORDER NEWER PART NUMBER LISTED ABOVE
6	280628A1	1	PLUG, COVER MIRROR SWITCH



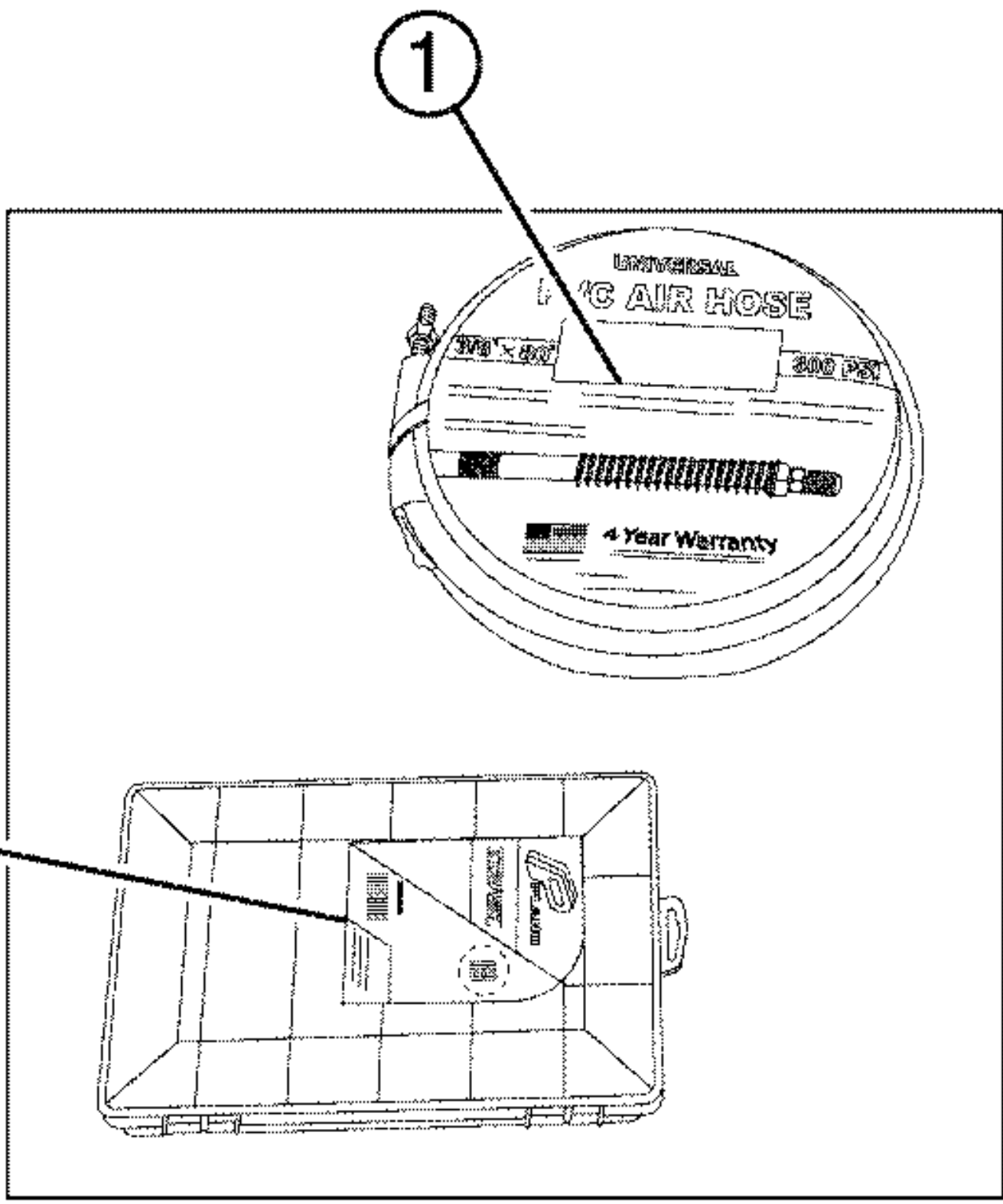
NOTES:

1. MIRROR ARMS MAY BE ORIENTED IN REAR DETENT POSITION FOR SHIPPING PURPOSES.
2. MIRROR ARM WIRE HARNESS SHALL BE ROUTED THROUGH OPENING IN CAB ROOF SUCH THAT NO EXCESS HARNESS IS VISIBLE.

4420 PATRIOT SPRAYER

11-053 ELECTRIC MIRROR

Ref	Part Number	Qty	Description
1	87686673	1	ARM, MIRROR, RH ELECTRIC
	87268227	1	ARM, MIRROR, RH ELECTRIC, INDICATES OLD PART NUMBER OR CAN ORDER NEWER PART NUMBER LISTED ABOVE
2	87703119	1	ARM, MIRROR, LH ELECTRIC
	313142A1	1	ARM, MIRROR, LH ELECTRIC, INDICATES OLD PART NUMBER OR CAN ORDER NEWER PART NUMBER LISTED ABOVE
3	896-19012	4	WASHER, M12 x 24.5 x 3, HT,
4	514-865	4	BOLT, Hex, M12 x 80, 10.9,
5	87363066	2	MIRROR, HEAD, ELECTRICAL
6	280627A1	1	SWITCH, MIRROR

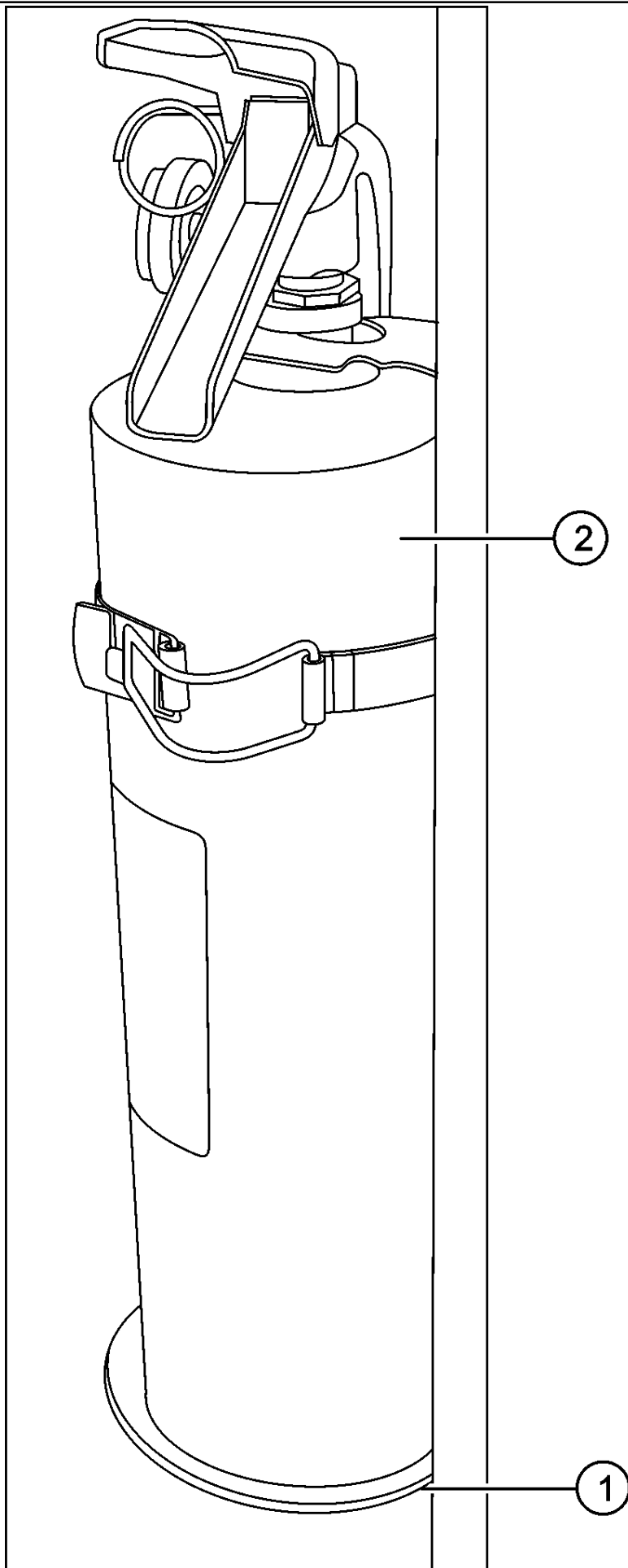




4420 PATRIOT SPRAYER

11-054 ROADSIDE EMERGENCY KIT

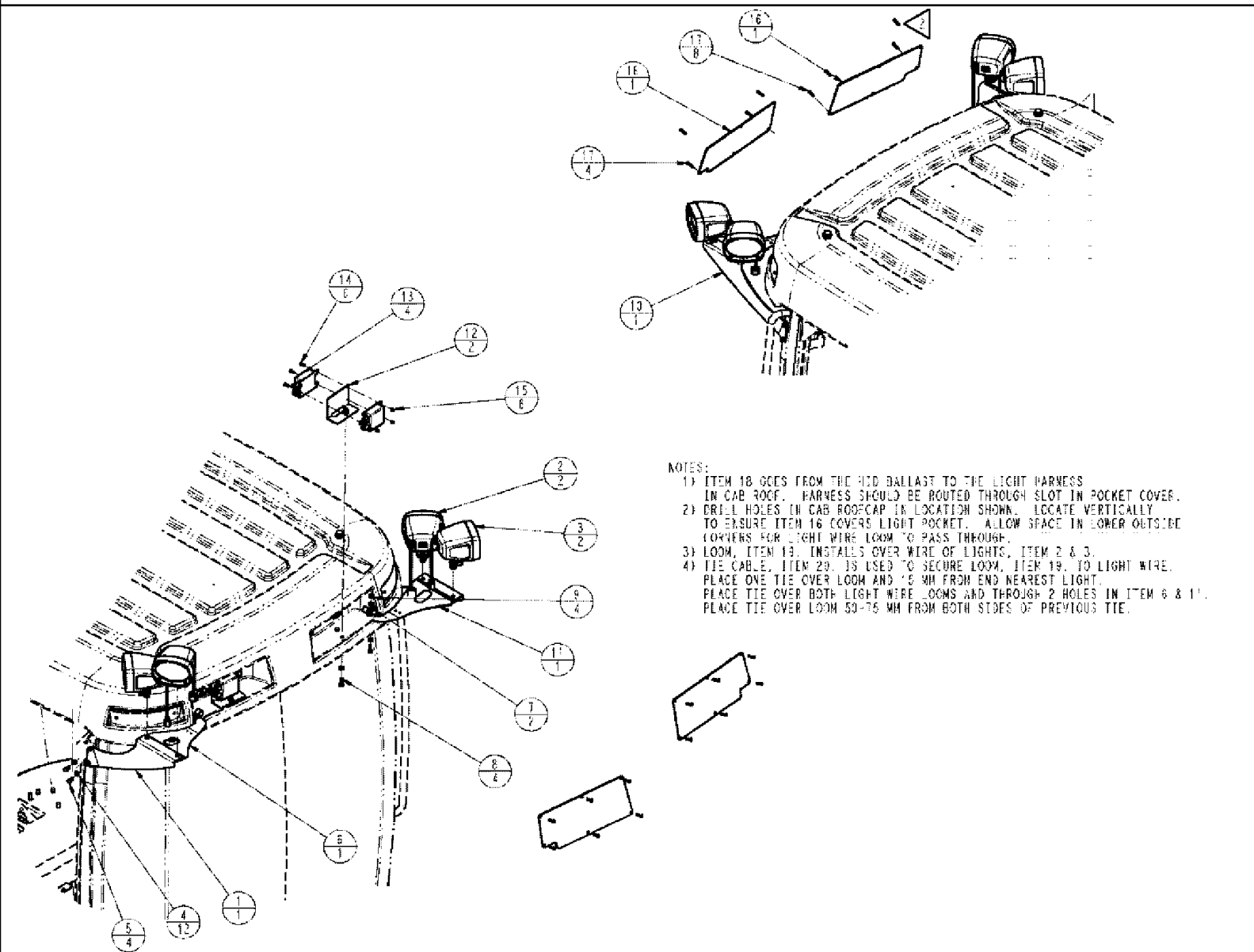
Ref	Part Number	Qty	Description
1	BN2404001	1	HOSE, AIR 3/8" X 50' W/FI
2	BN2404550	1	KIT, REPAIR, PNEUMATIC ACCESSORY



4420 PATRIOT SPRAYER

11-055 FIRE EXTINGUISHER OPTION

Ref	Part Number	Qty	Description
1	406450A1	2	FASTENER, DUAL LOCK
2	BN2293569	1	FIRE EXTINGUISHER,



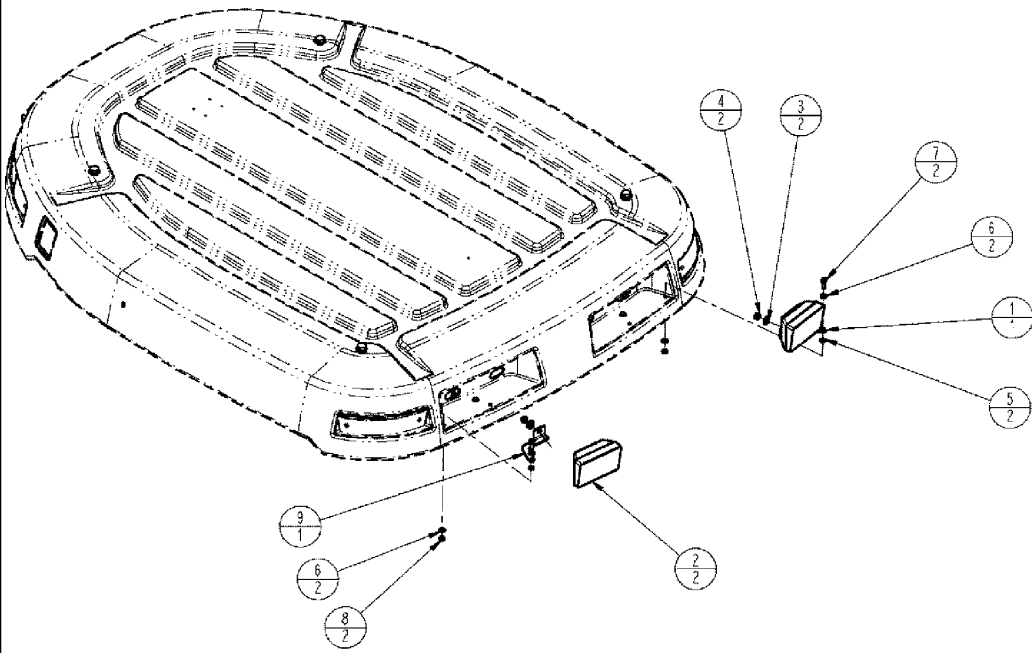
## NOTES:

- 1) ITEM 18 GOES FROM THE HID BALLAST TO THE LIGHT HARNESS IN CAB ROOF. HARNESS SHOULD BE ROUTED THROUGH SLOT IN POCKET COVER.
- 2) DRILL HOLES IN CAB ROOF/CAP IN LOCATION SHOWN. LOCATE VERTICALLY TO ENSURE ITEM 16 COVERS LIGHT POCKET. ALLOW SPACE IN LOWER OUTSIDE CORNERS FOR LIGHT WIRE LOOM TO PASS THROUGH.
- 3) LOOM, ITEM 13, INSTALLS OVER WIRE OF LIGHTS, ITEM 2 & 3.
- 4) TIE CABLE, ITEM 29, IS USED TO SECURE LOOM, ITEM 19, TO LIGHT WIRE. PLACE ONE TIE OVER LOOM AND 19 MM FROM END NEAREST LIGHT. PLACE TIE OVER BOTH LIGHT WIRE LOOMS AND THROUGH 2 HOLES IN ITEM 6 & 11. PLACE TIE OVER LOOM 59-75 MM FROM BOTH SIDES OF PREVIOUS TIE.

## 4420 PATRIOT SPRAYER

## 11-056 LIGHT GROUP, HID, CAB

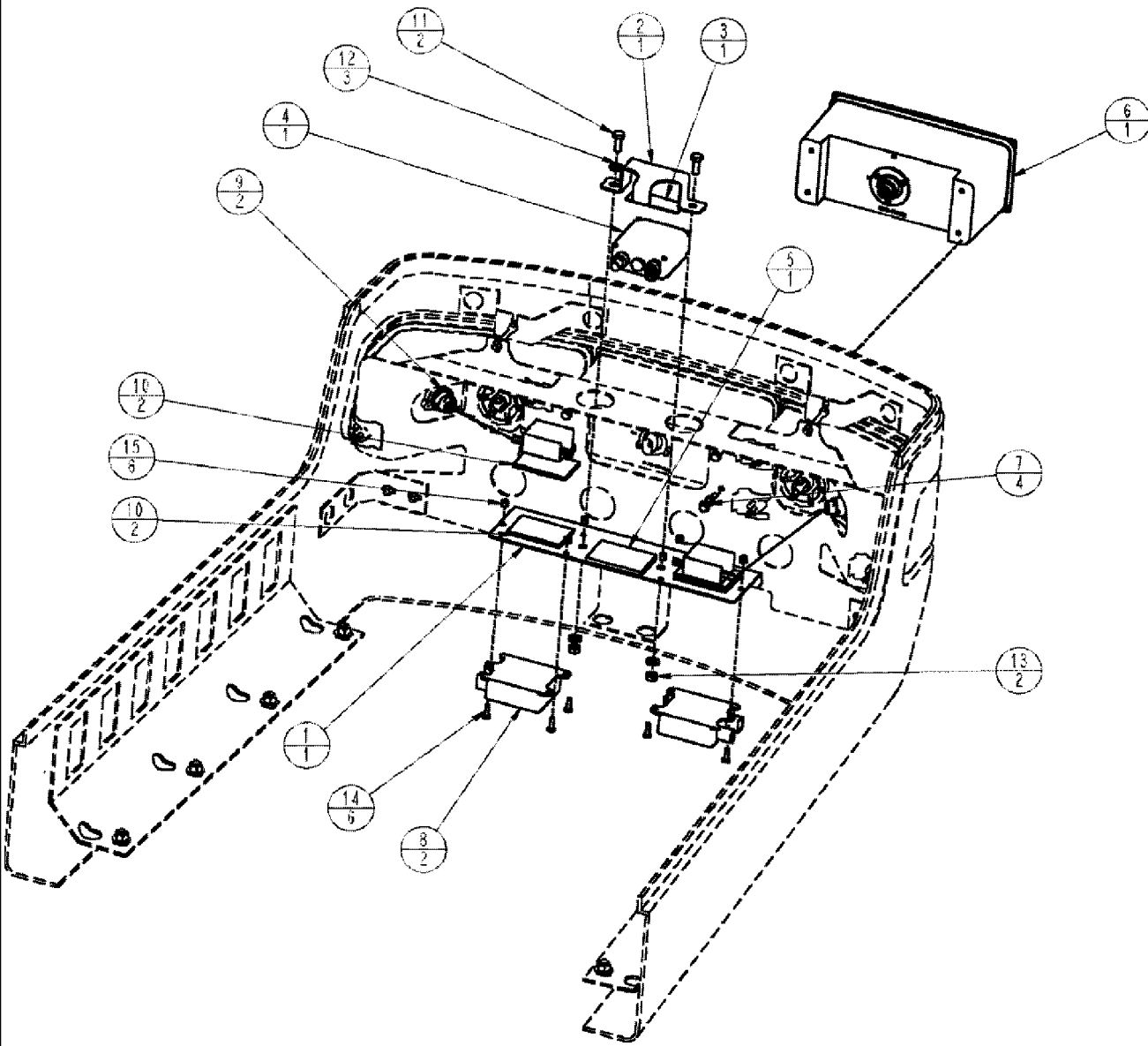
Ref	Part Number	Qty	Description
1	87634475	1	HID LIGHT, LHT
2	87419587	2	LAMP, REAR HID FLOOD
3	87419591	2	LAMP, REAR HID TRAP
4	87529315	12	WASHER, 9 X 17 X 2MM HTS DOR HDN
5	86980379	4	BOLT, HEX HD M8 X 20 CL8.8 DOR
6	87634477	1	HID LIGHT, LH
7	515-24190	2	CLAMP, 3/4", Insul, 7/16" Bolt,
8	86980380	4	BOLT, HEX HD M8 X 25 CL8.8 DOR
9	86980514	4	NUT, PREV TRQ, MTL M8 CL8, DOR
10	87634476	1	HID LIGHT, RH
11	87634478	1	HID LIGHT, RH
12	87646097	2	LIGHT BALLAST
13	447742A1	4	BALLAST, REAR LIGHT
14	87343600	6	SCREW, PHD, M5 X 16 TYPE H CL 4.8 DOR
15	87344030	6	NUT, PREV TRQ, MTL, M5 CL8 DOR
16	87655609	2	CAB LIGHT POCKET
17	87016541	12	SCREW, SELF TAPPING, Cross Pan Hd, #10 x 1",
18	87756563	4	HARNESS, WIRE, HID WORKLT
19	87664097	4	1/4 X 30, BULK, BN63970
20	22-824	10	STRAP, CABLE, 3/16" x 7 1/4", TIE, 7-1/4 IN



## 4420 PATRIOT SPRAYER

## 11-057 LIGHT GROUP HALOGEN

Ref	Part Number	Qty	Description
1	353560A1	1	BRACKET, FRONT, LEFT
2	92269C1	2	LAMP, WORK, ASSY, FLOOD 80X3055W
3	87529312	2	WASHER, 11 X 24 X 3MM, HDN, DOR
4	86980515	2	NUT, LOCK, M10 x 1.5, CI 8, P/T ALL MTL M10 8 DOR
5	355532A1	2	WASHER, NYLON
6	87529315	4	WASHER, 9 X 17 X 2MM, HDN, DOR
7	86980380	2	BOLT, M8-1.25X25, HH, 8.8, DOR
8	86980514	2	NUT, P/T ALL MTL M8 8 DOR
9	353561A1	1	BRACKET, FRONT, RIGHT



NOTES:

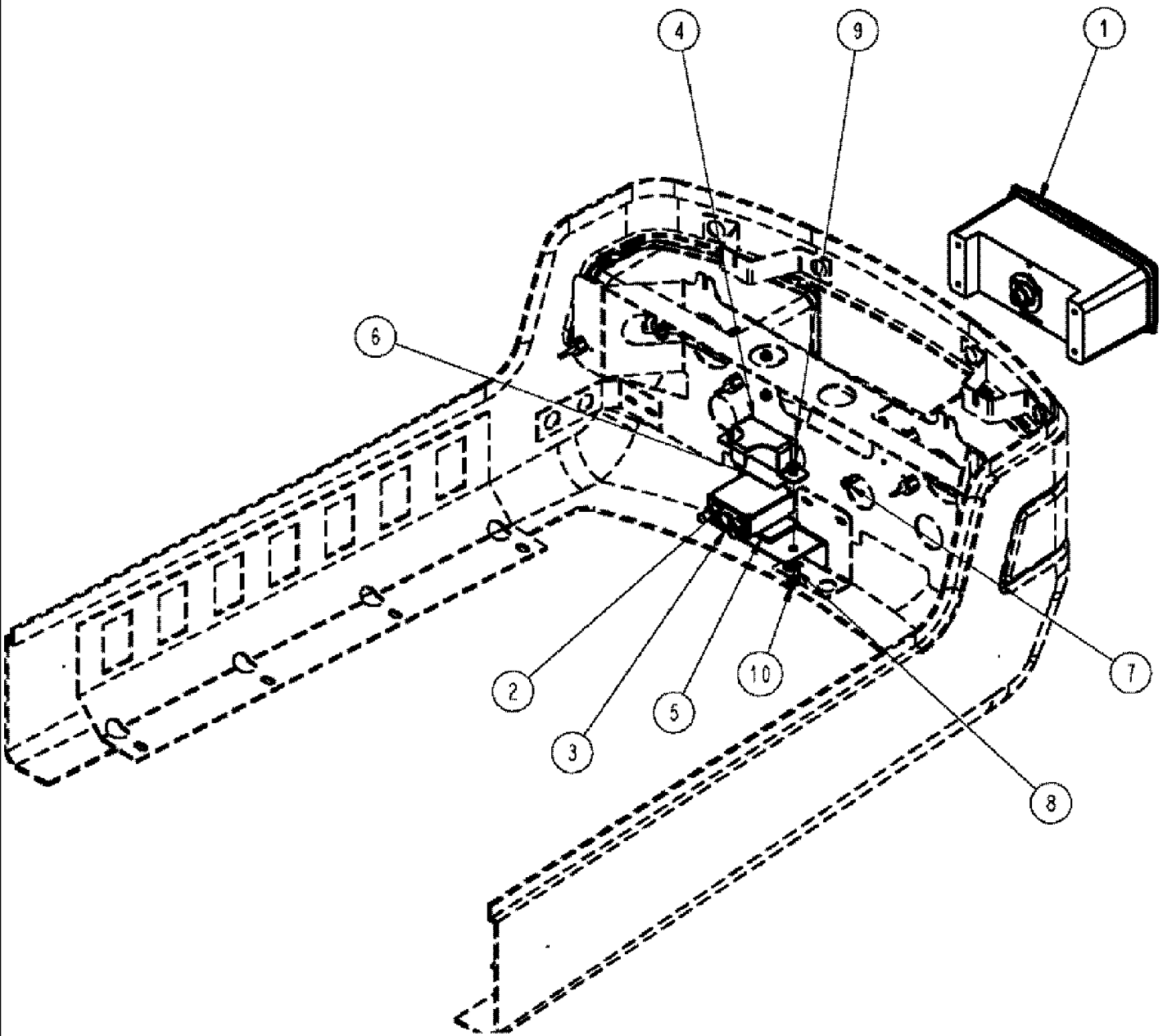
- 1) REPLACE EXISTING HALOGEN BULB WITH HID BULB.  
USE CAUTION TO PREVENT DAMAGE WHILE HANDLING BULBS.



## 4420 PATRIOT SPRAYER

## 11-058 LIGHT GROUP, FRONT, HID

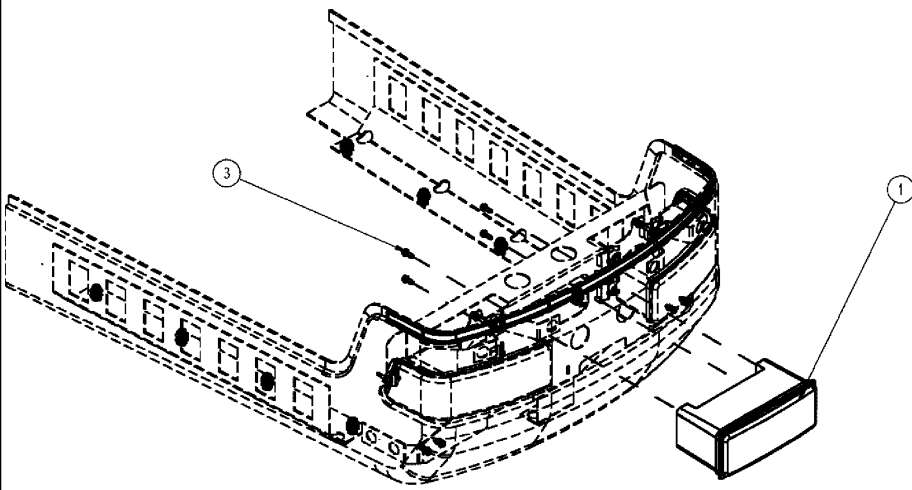
Ref	Part Number	Qty	Description
1	87658593	1	HID BALLAST
2	333645A1	1	CLAMP, MID, HOLD DOWN
3	333644A1	1	GASKET, FOAM, HID CLAMP
4	322332A1	1	BALLAST, LIGHT, CENTER HID
5	333643A1	1	GASKET, FOAM, HID BALLAST
6	232455A2	1	LAMP, WORK, CENTER, HID BALLAST
7	86625224	4	SCREW, TAPPING 1/4-20 X 3/4, TT HWHD HEX CS
8	87371375	2	BALLAST, HID, 35W/12V, D2S/D2R
9	87366792	2	BULB, HALOGEN
10	87646099	4	DUAL LOCK
11	86980379	2	BOLT, M8-1.25 X 20, H, 8.8, DOR
12	87529315	3	WASHER, 9 X 17 X 2MM, HDN, DOR
13	87980514	2	P/T, ALL MTL, M8 8 DOR
14	87343600	6	SCREW, M5 X 16, PHD, H FULL 4.8 DOR
15	87344030	6	NUT, P/T, ALL MTL, M5 8 DOR



4420 PATRIOT SPRAYER

11-059 LIGHT GROUP HID

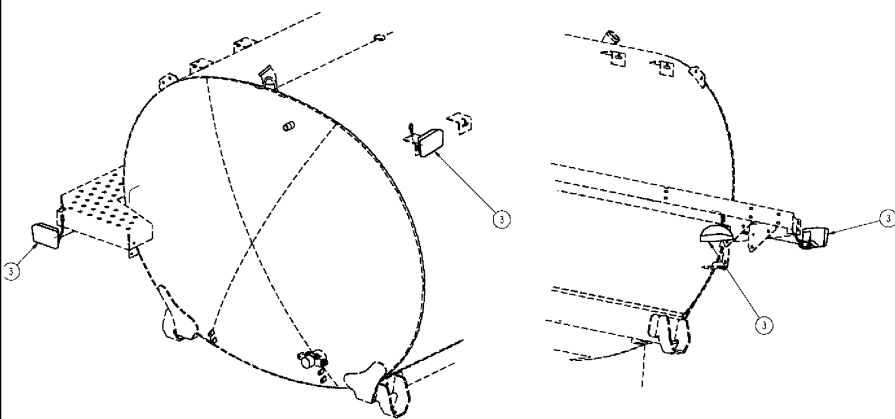
Ref	Part Number	Qty	Description
1	232455A2	1	LAMP, WORK, LIGHT, CENTER HID
2	322332A1	1	BALLAST, LIGHT, CENTER HID
3	87272407	1	PLATE, MOUNTING, HID
4	333645A1	1	CLAMP, HID BALLAST HOLDOWN
5	333643A1	1	GASKET, FOAM HID BALLAST
6	333644A1	1	GASKET, FOAM HID BALLAST HOLDOWN
7	281-54712	4	SCREW, Hex Wash Hd, 1/4"-20 x 3/4",
8	895-11008	4	WASHER, M8 x 16 x 1.6,
9	614-8025	2	BOLT, Hex, M8 x 25, 8.8,
10	832-46408	2	NUT, LOCK, M8 x 1.25, CI 8, PREV TRQ METAL M8 CL



4420 PATRIOT SPRAYER

11-060 LIGHT GROUP HALOGEN

Ref	Part Number	Qty	Description
1	232454A1	1	LIGHT, WORK, CENTER HALOGEN
2	87265150	1	HARNESS, WIRE, ADAPTER C. WKLS
3	281-54712	4	SCREW, Hex Wash Hd, 1/4"-20 x 3/4",

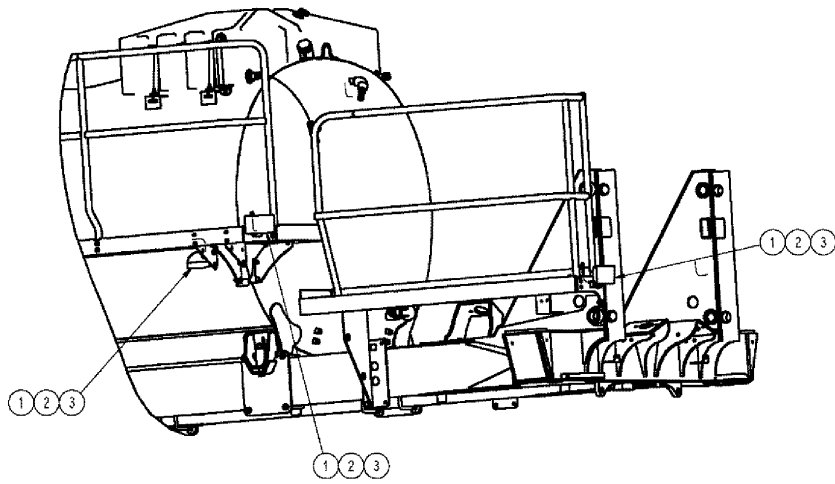
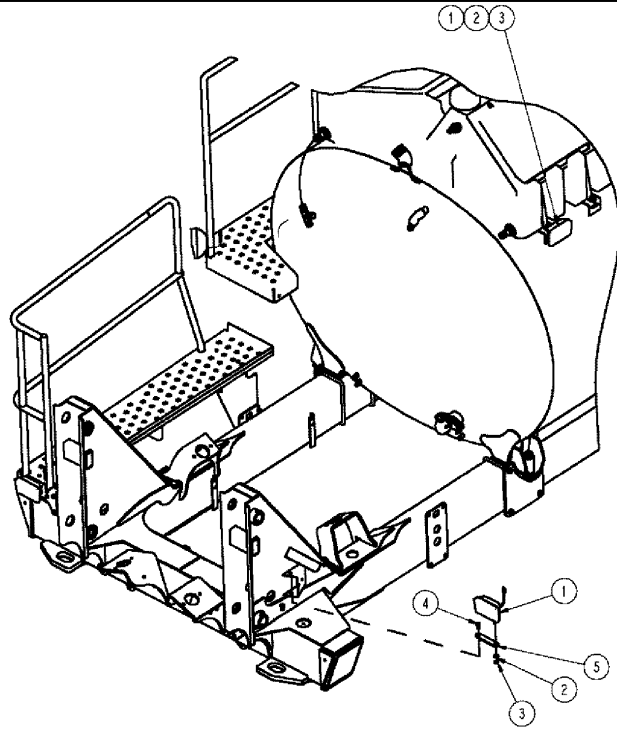


NOTES:  
1) HARNESS PLUGS TO LIGHTS AND MAIN FRAME HARNESS.  
CONNECTOR IS LOCATED MID FRAME AND IS LABELED "MID SHIP LIGHTS".  
2) HARNESS PLUGS TO LIGHT AND TO FULL STATION CONTROL BOX.

4420 PATRIOT SPRAYER

11-061 LIGHT GROUP, REAR

Ref	Part Number	Qty	Description
1	87531695	1	LIGHTS, REAR
2	87270252	1	HARNESS, WIRE, OP STATION LAMP
3	87658615	3	LAMP, FLOOD LIGHTING ASSEMBLY, SEE FIG. 11-065

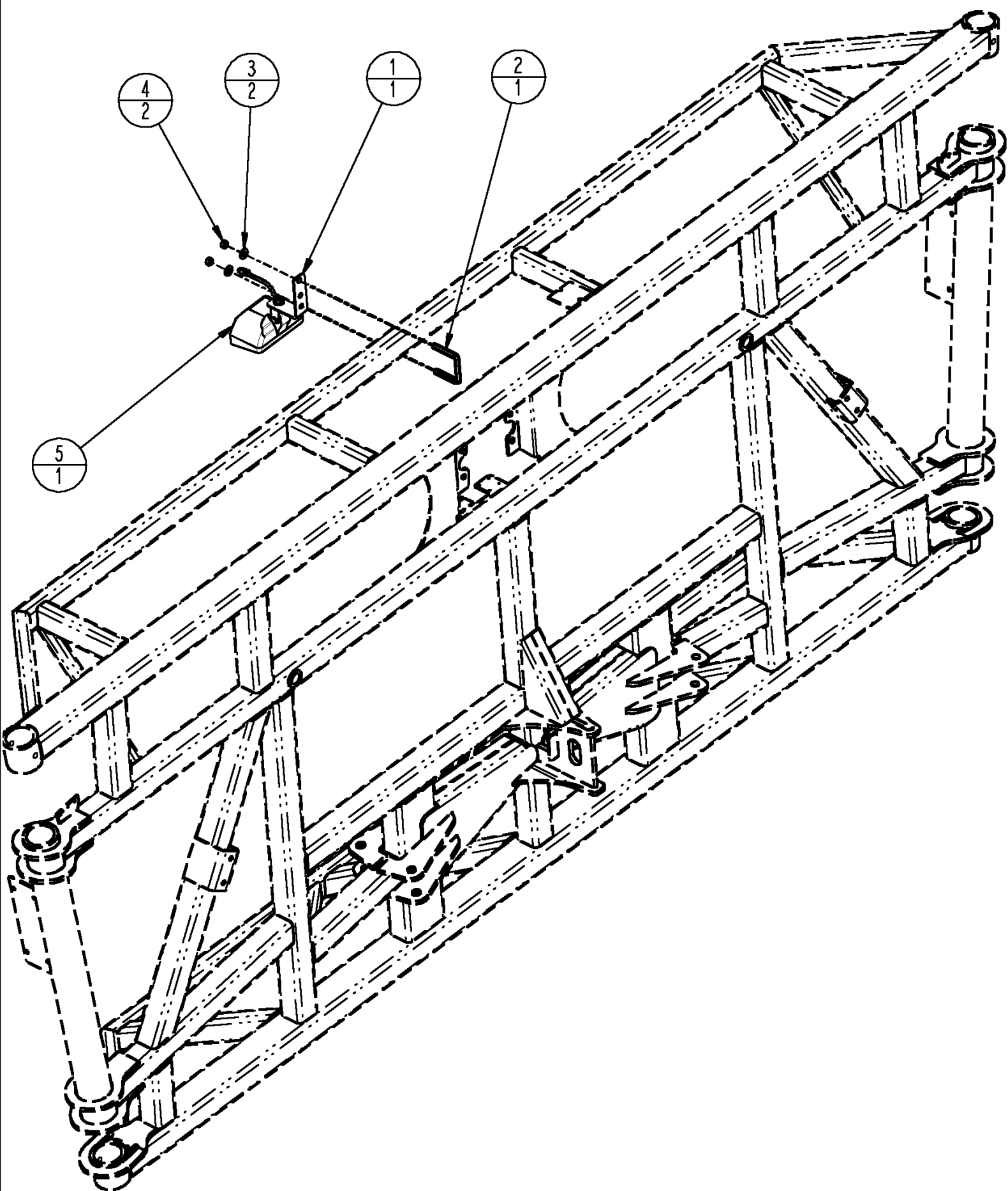




## 4420 PATRIOT SPRAYER

## 11-062 LIGHT GROUP, BOOM

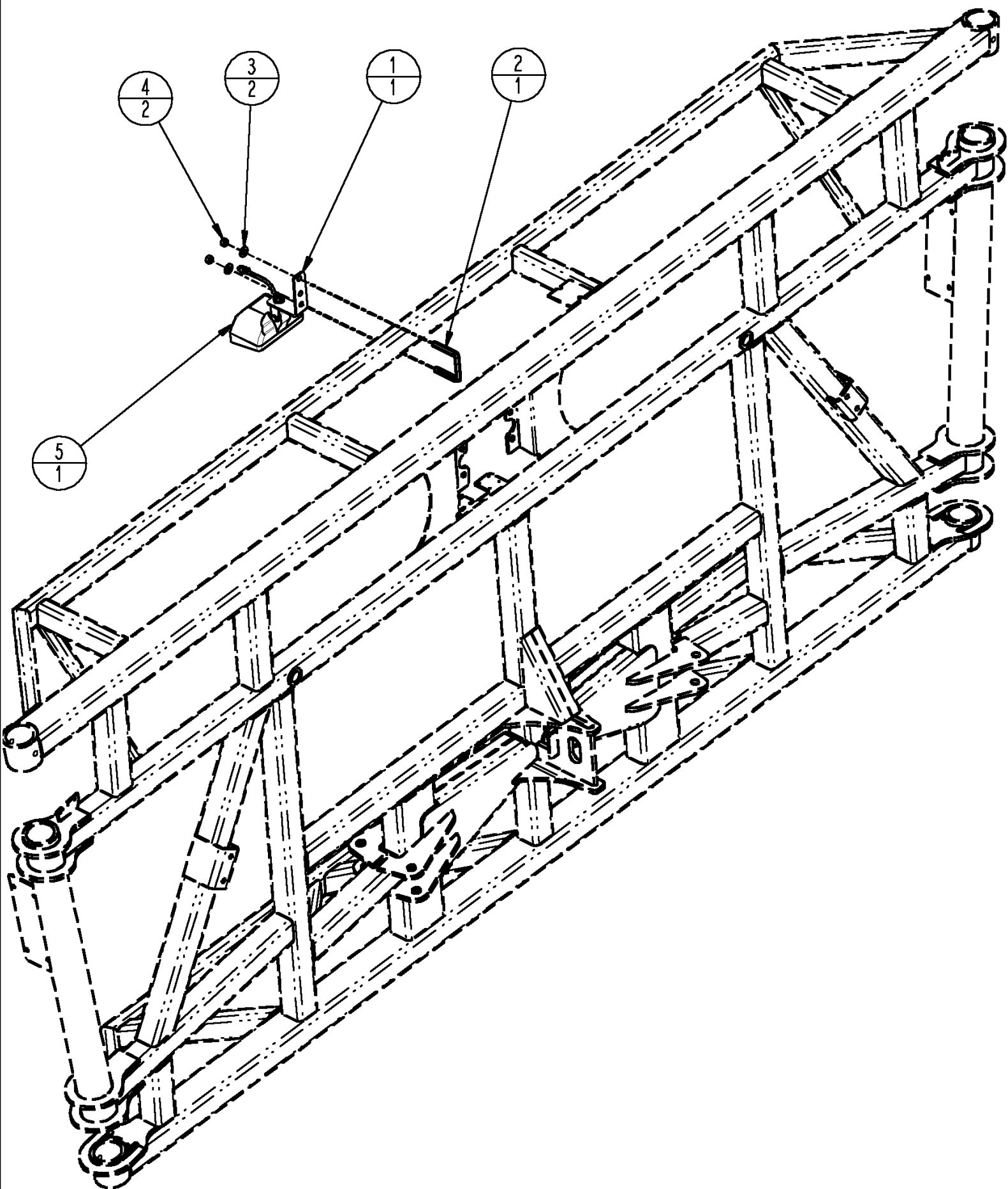
Ref	Part Number	Qty	Description
1	87658615	5	LAMP, LIGHTING ASSEMBLY, SEE FIG. 11-065
2	87529312	6	WASHER, 11 X 24 X 3MM HDN
3	86980515	6	NUT, LOCK, M10 x 1.5, CI 8,
4	86980400	1	BOLT, Hex, M10 x 25, 8.8,
5	342215A1	1	BRACKET, MOUNT, BOOM LIGHT
6	87270252	1	HARNESS, WIRE, OP. STATION LAMP NOT SHOWN
	BN325747	1	HARNESS, BOOM LIGHTS, ASSOCIATED PART OF HARNESS, OP. STATION LAMP, P/N 87270252



## 4420 PATRIOT SPRAYER

## 11-063 LIGHT GROUP, CENTER SECTION

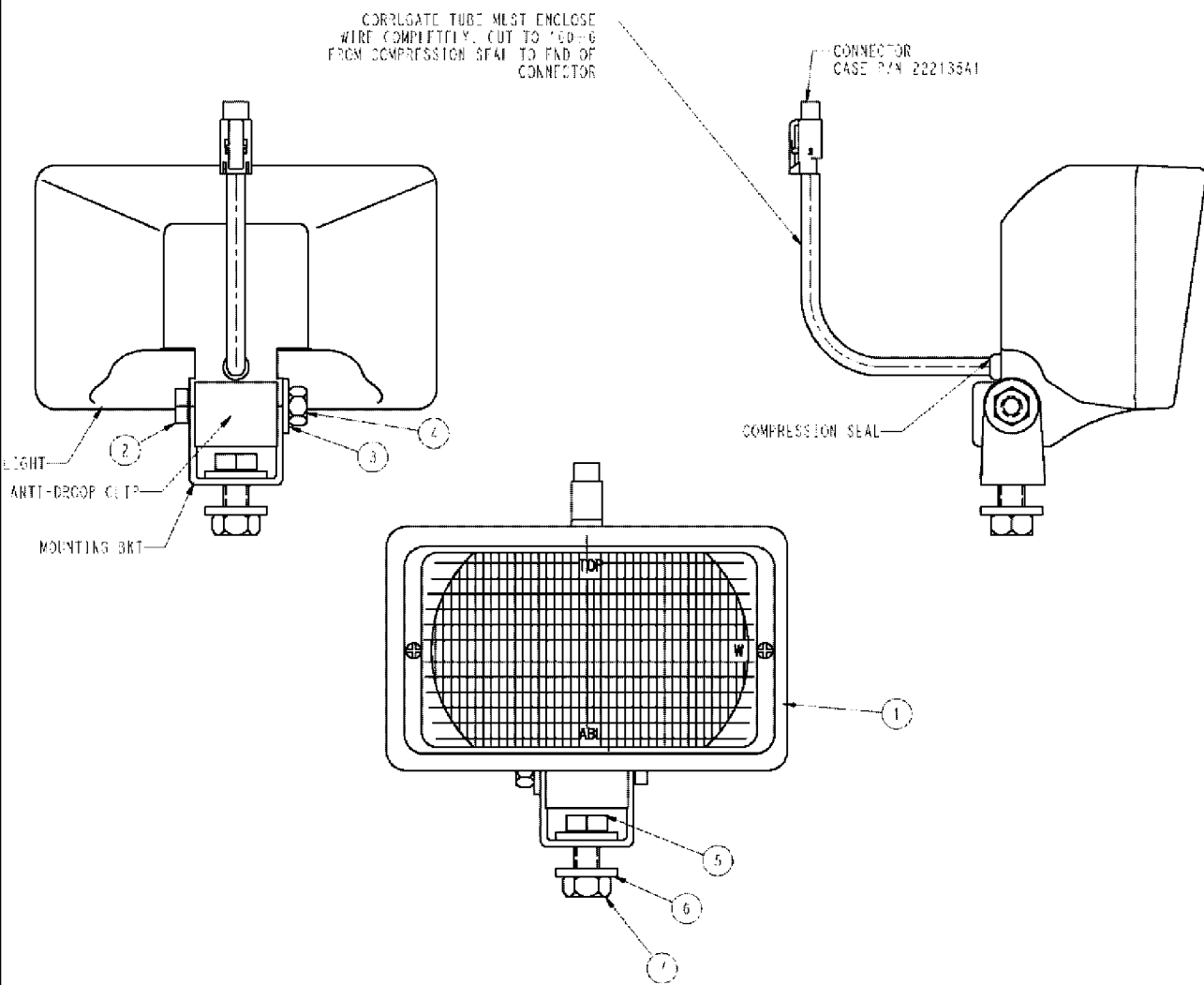
Ref	Part Number	Qty	Description
1	87658595	1	PLATE, MOUNTING, BOOM LIGHT, REAR
2	BN319918	1	U-BOLT, 3/8 X 1.31 ID, DT
3	87529312	2	WASHER, 11 X 24 X 3MM HDN DOR
4	87343974	2	NUT, PREV TORQ ALL MTL 3/8-16 GR C DOR
5	87658615	1	LAMP, FLOOD LIGHTING ASSEMBLY, SEE FIG. 11-065
6	87658598	1	HARNESS, WIRE, LIGHTS, CENTER SECT



## 4420 PATRIOT SPRAYER

## 11-064 LIGHT GROUP, CENTER SECTION, 120'

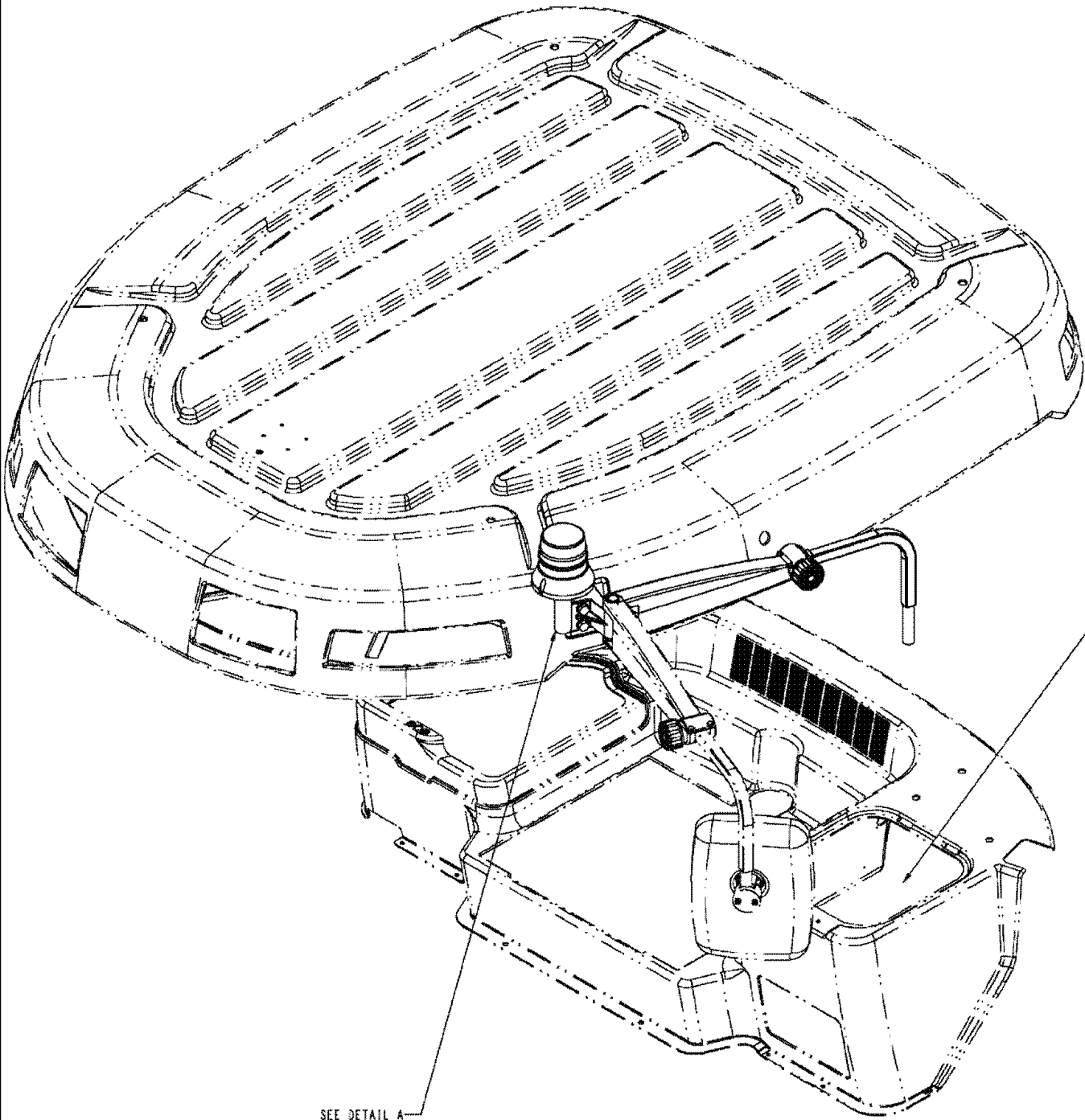
Ref	Part Number	Qty	Description
1	87658595	1	PLATE, MOUNTING, BOOM LIGHT, REAR
2	87586548	1	U-BOLT, 64MM ID X 64
3	87529312	2	WASHER, 11 X 24 X 3MM HDN DOR
4	86980515	2	NUT, LOCK, M10 x 1.5, CI 8,
5	87658615	1	LAMP, FLOOD LIGHTING ASSEMBLY, SEE FIG. 11-065
6	87658598	1	HARNESS, WIRE, LIGHTS, CENTER SECT



## 4420 PATRIOT SPRAYER

## 11-065 FLOOD LIGHTING ASSEMBLY

Ref	Part Number	Qty	Description
1	87658381	1	LIGHT ASSEMBLY
	87658393	1	LAMP, PARTS OF WORK LIGHT ASSEMBLY, P/N 87658381
	92242C2	1	BULB, LAMP, H3-35W, SERVICE PARTS FOR REF. 1
	87658392	1	BRACKET MOUNTING, PARTS OF WORK LIGHT ASSEMBLY, P/N 87658381
	87658412	1	CLIP, ANTI-DROOP, PARTS OF WORK LIGHT ASSEMBLY, P/N 87658381
2	86980385	1	BOLT, M8-1.25 X 50, HH, 8.8, DOR
3	87529316	1	WASHER, 9 X 21 X 2.5 HDN DOR
4	86980514	1	NUT, P/T ALL MTL M8 8 DOR
5	86980400	1	BOLT, Hex, M10 x 25, 8.8,
6	87529312	2	WASHER, 11 X 247 X 3MM HDN DOR
7	86980515	1	NUT, LOCK, M10 x 1.5, CI 8, P/T ALL MTL M10 8 DOR



SEE NOTE 2

SEE DETAIL A  
SHEET 2

NOTE:

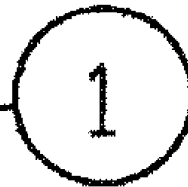
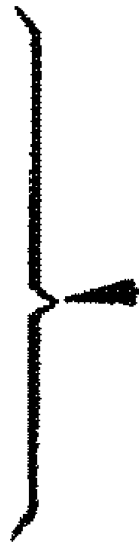
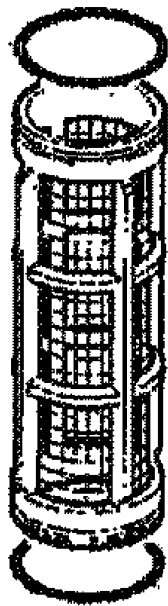
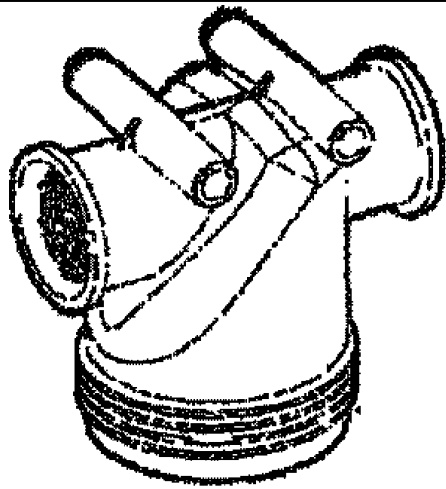
1. MOUNTING HARDWARE FOR MIRRORS IS USED TO ATTACH STROBE BRACKET, ITEM 1.
2. ITEM 2, STROBE LIGHT, IS TO BE STORED IN TRAINER SEAT STORAGE COMPARTMENT FOR SHIPPING FROM CASE.



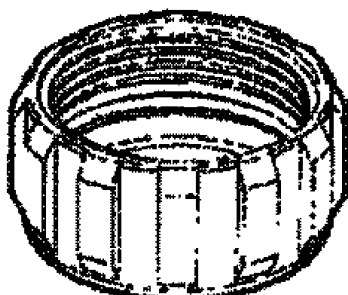
4420 PATRIOT SPRAYER

11-066 BEACON LIGHT

Ref	Part Number	Qty	Description
	279013A3	1	LAMP, STROBE
	383983A1	1	BRACKET, BEACON MOUNTING
	87414325	1	SWITCH, BEACON-STROBE
	878-1066	1	SET SCREW, Hex Soc, M6 x 6, Cup Pt, SET M6 X 6 HEX SOC



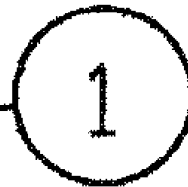
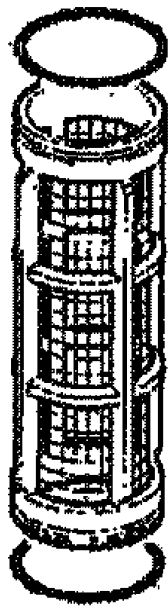
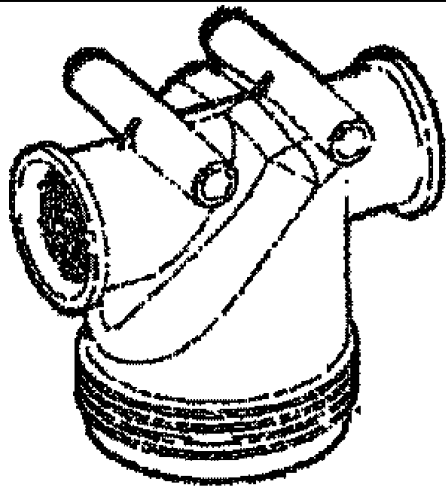
WHEN AIM COMMAND IS  
ORDERED THIS SCREEN IS  
SENT WITH IN THE CAB  
OF UNIT



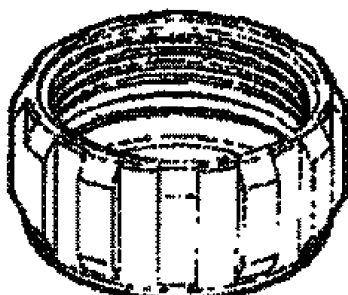
4420 PATRIOT SPRAYER

11-067 GROUP, SCREENS 6 SECTION

Ref	Part Number	Qty	Description
1	87272055	6	SCREEN, 80 MESH GRAY



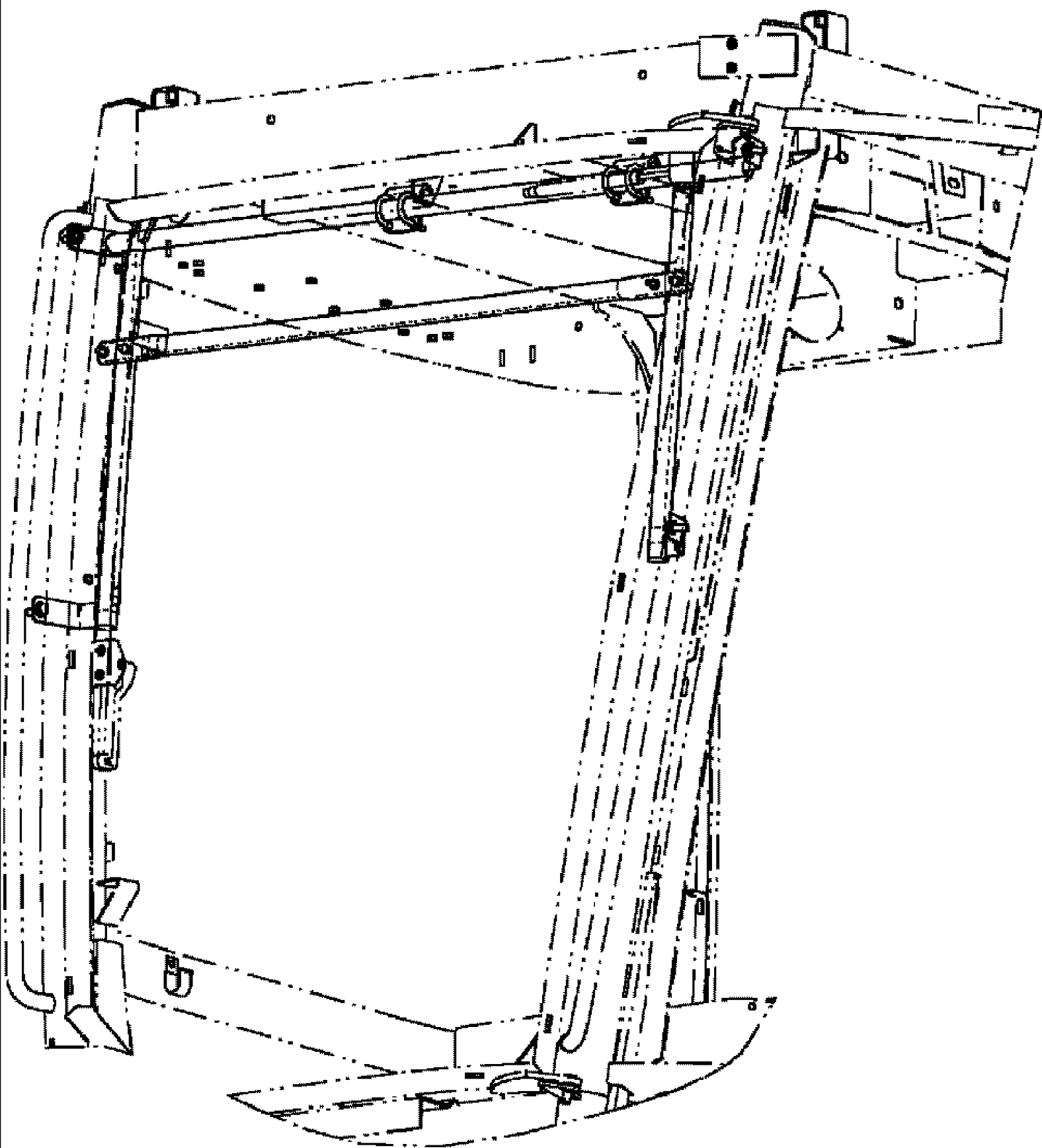
WHEN AIM COMMAND IS  
ORDERED THIS SCREEN IS  
SENT WITH IN THE CAB  
OF UNIT



4420 PATRIOT SPRAYER

11-068 GROUP, SCREENS 5 SECTION

Ref	Part Number	Qty	Description
1	87272055	5	SCREEN, SCREEN, 80 MESH GRAY

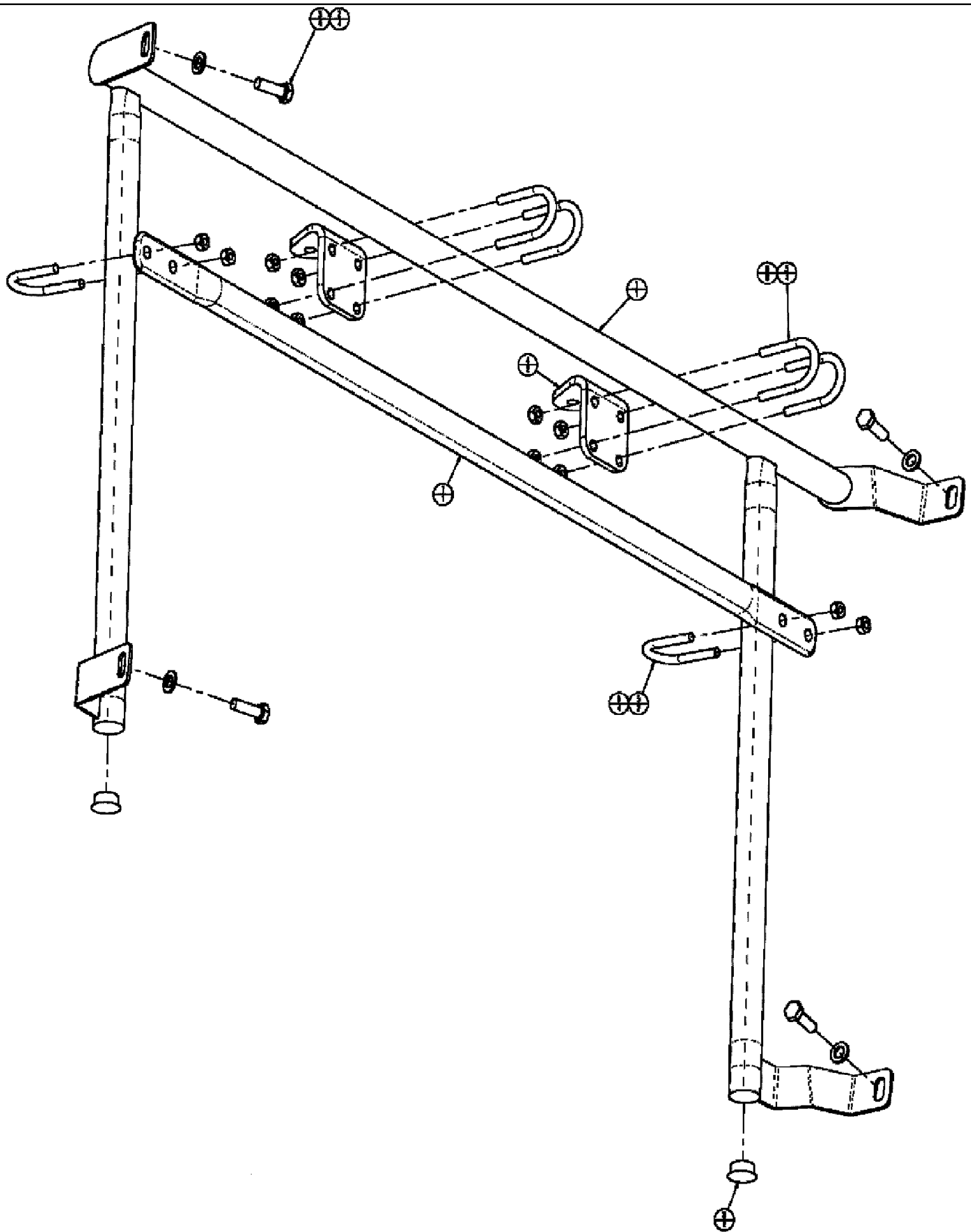


REFERENCE ISOMETRIC VIEW  
SCALE 1:1

## 4420 PATRIOT SPRAYER

## 11-069(01) MONITOR MOUNT, OPTION

Ref	Part Number	Qty	Description
1	409391A2	4	MOUNTING PARTS, MONITOR
2	895-11008	4	WASHER, M8 x 16 x 1.6,
3	627-8025	4	BOLT, Hex, M8 x 25, 10.9,
4	87530660	2	BRACKET, MOUNT MONITOR, PAINTED
5	87526197	6	U-BOLT,
6	425-104	12	NUT, 1/4"-20, G5,
7	87530555	1	TUBE, MOUNT, PAINTED
8	353-408	2	PLUG, Dome, .750" hole, Nylon,

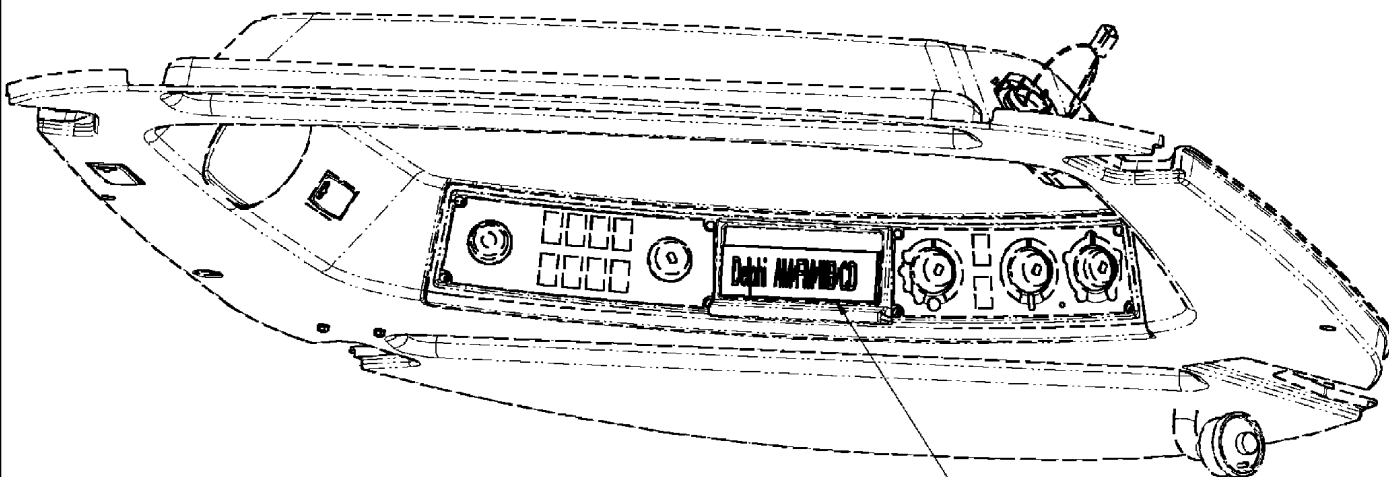




## 4420 PATRIOT SPRAYER

## 11-069(02) MONITOR MOUNT, OPTION

Ref	Part Number	Qty	Description
1	409391A2	4	MOUNTING PARTS, MONITOR
2	895-11008	4	WASHER, M8 x 16 x 1.6,
3	627-8025	4	BOLT, Hex, M8 x 25, 10.9,
4	87530660	2	BRACKET, MOUNT MONITOR, PAINTED
5	87526197	6	U-BOLT,
6	425-104	12	NUT, 1/4"-20, G5,
7	87530555	1	TUBE, MOUNT, PAINTED
8	353-408	2	PLUG, Dome, .750" hole, Nylon,



NOTES:  
INSTALLATION SHOWN FOR FLX  
AND SPX WITH 4WD CAB.

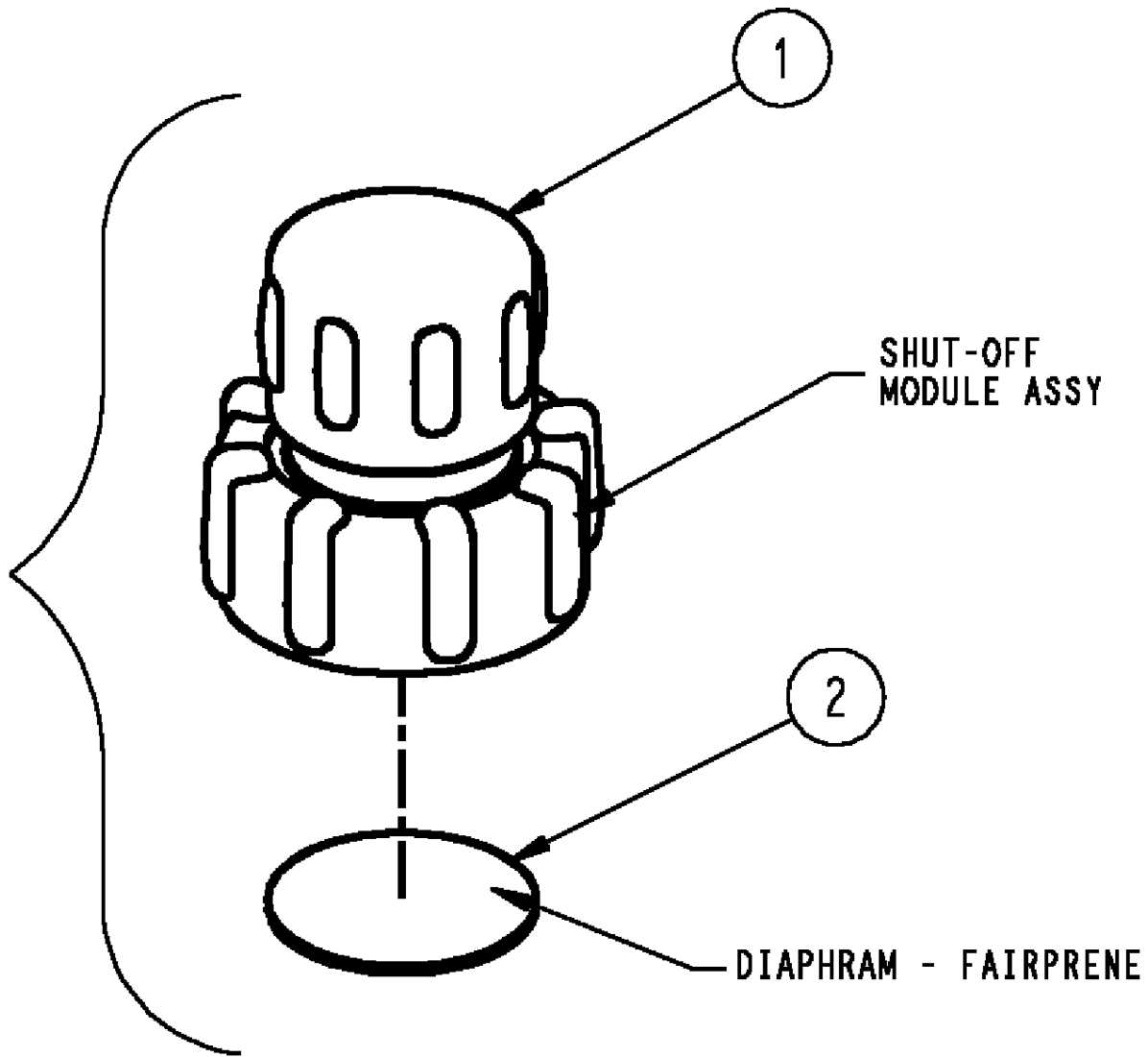


4420 PATRIOT SPRAYER

11-070(01) RADIO GROUP

Ref	Part Number	Qty	Description
1	87552288	1	RADIO, AM/FM/WB SINGLE CD , ASN 22109
	86998223	1	RADIO, DELCO AM/FM/WB/CD, INDICATES OLD PART NUMBER OR CAN ORDER NEWER PART NUMBER LISTED ABOVE

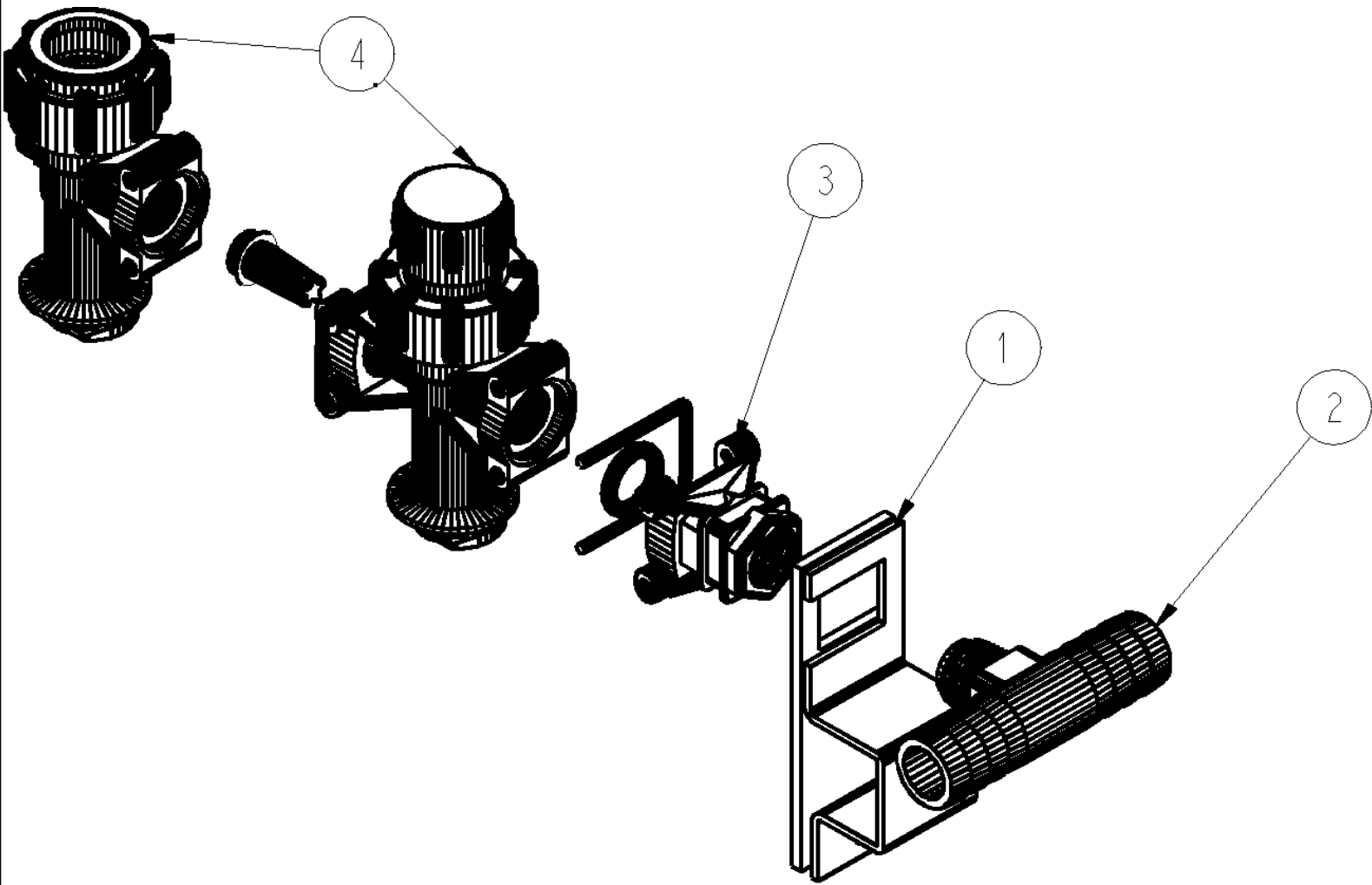
COMBO-RATE  
MANUAL SHUT OFF  
MODULE ASSY  
WITH DIAPHRAM



4420 PATRIOT SPRAYER

11-071 MODULE, SHUT-OFF

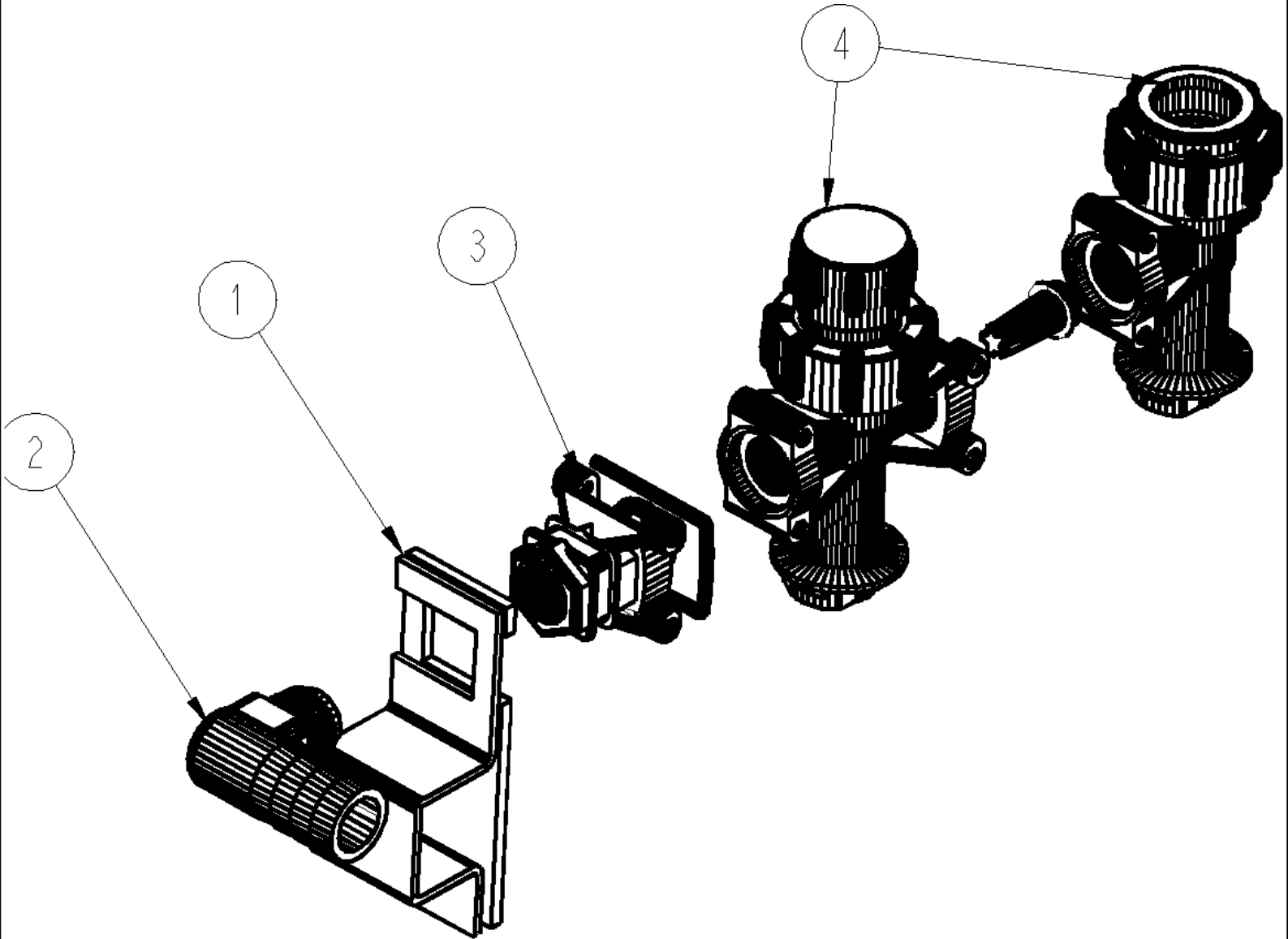
Ref	Part Number	Qty	Description
1	87270667	1	MODULE, SHUT-OFF
2	87270668	1	DIAPHRAGM, FAIRPRENE



## 4420 PATRIOT SPRAYER

## 11-072 2-WAY WILGER, ASSEMBLY

Ref	Part Number	Qty	Description
1	87268381	1	TUBE, 1" SQ. MOUNT WILGER
2	87268383	1	FITTING, 3/8 NPTM X 3/4 SHANK 2 WAY
3	87268382	1	ADAPTER, COMBO CLIP FX 3/8 NPTF
4	BN325221	1	NOZZLE, DUAL WILGER C-R AIM, SEE FIG. 11-075

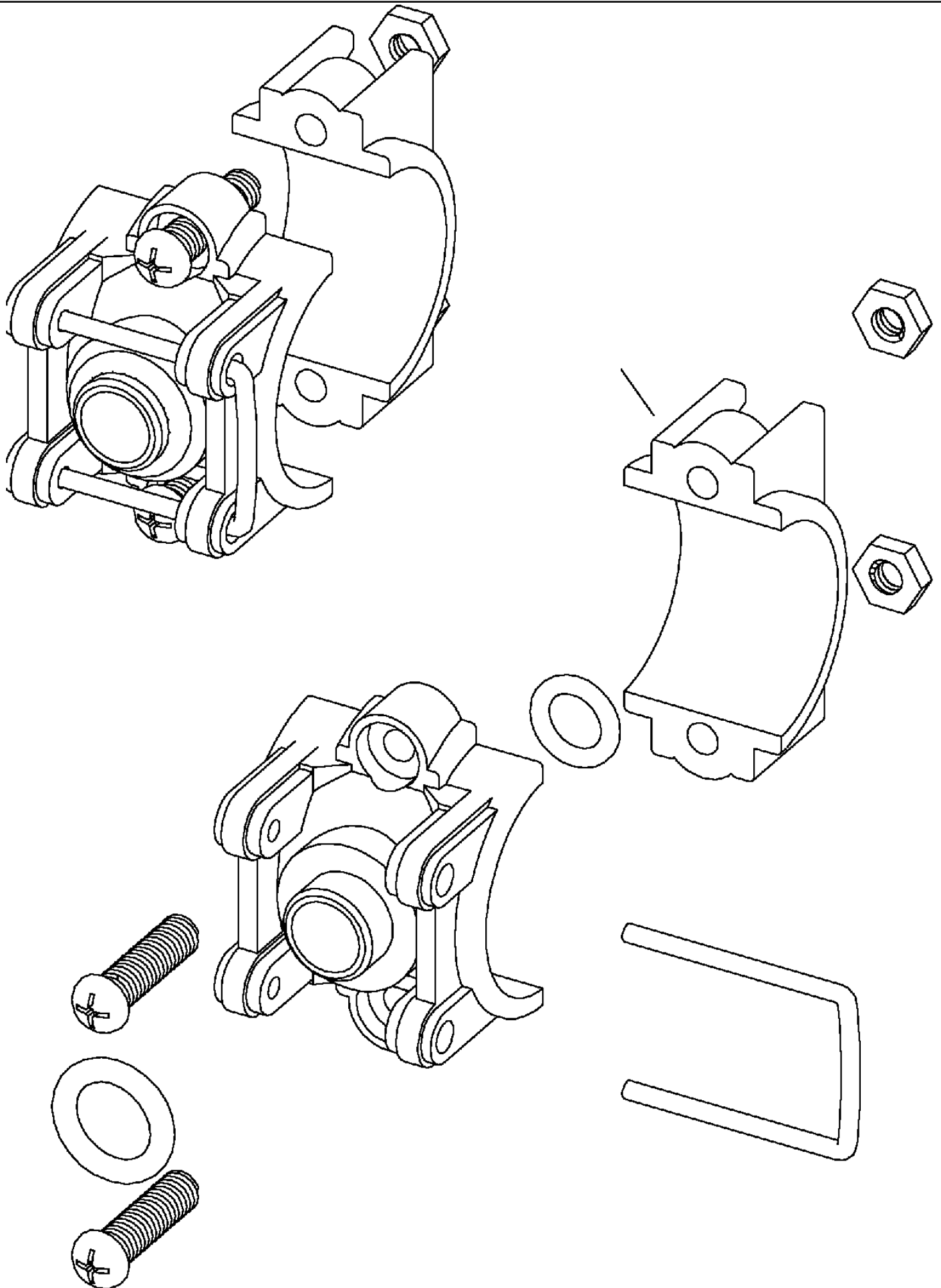




## 4420 PATRIOT SPRAYER

## 11-073 1-WAY WILGER, ASSEMBLY

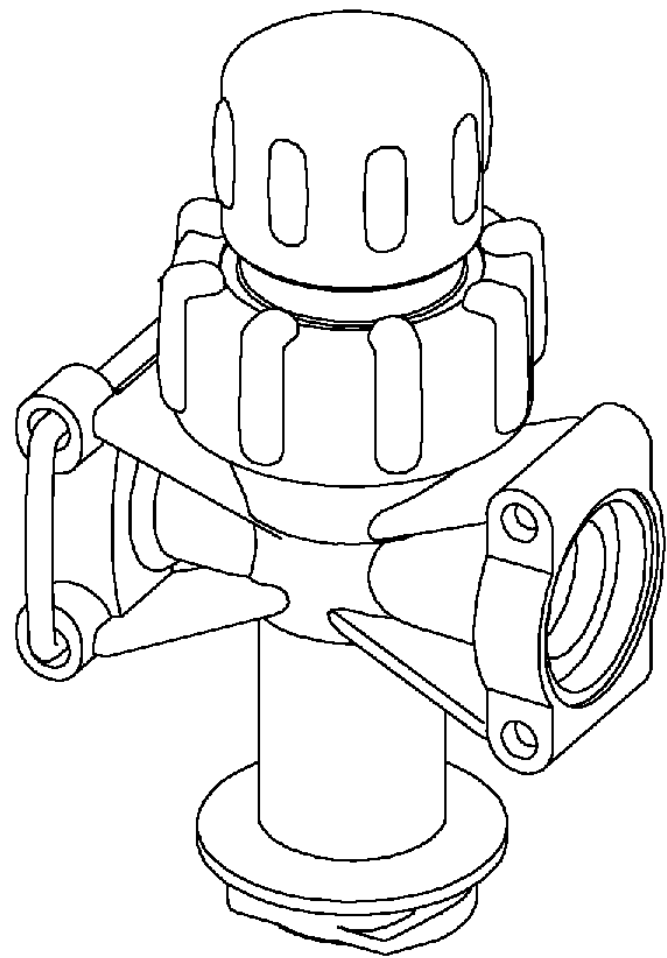
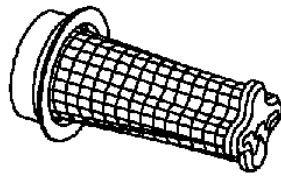
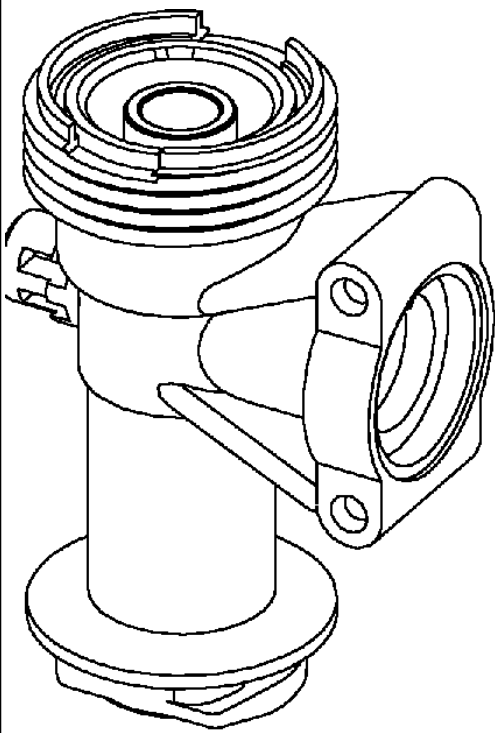
Ref	Part Number	Qty	Description
1	87268381	1	TUBE, 1" SQ. MOUNT WILGER
2	87268384	1	FITTING, 3/8 NPTM X 3/4 SHANK 1 WAY
3	87268382	1	ADAPTER, COMBO CLIP FX 3/8 NPTF
4	BN325221	1	NOZZLE, DUAL WILGER C-R AIM, SEE FIG. 11-075



4420 PATRIOT SPRAYER

11-074 NOZZLE WILGER, SADDLE

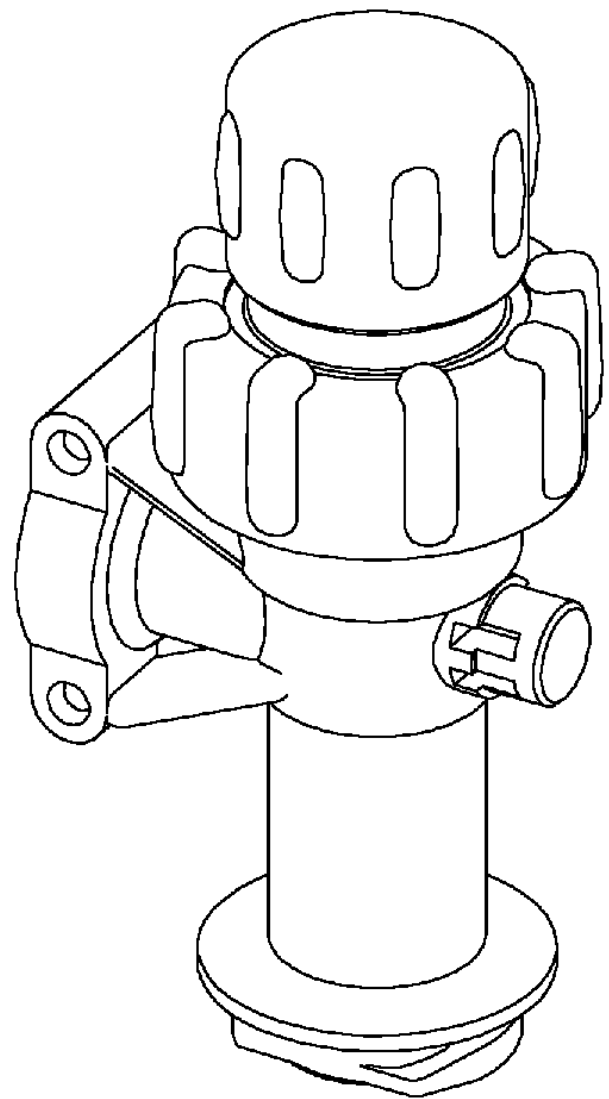
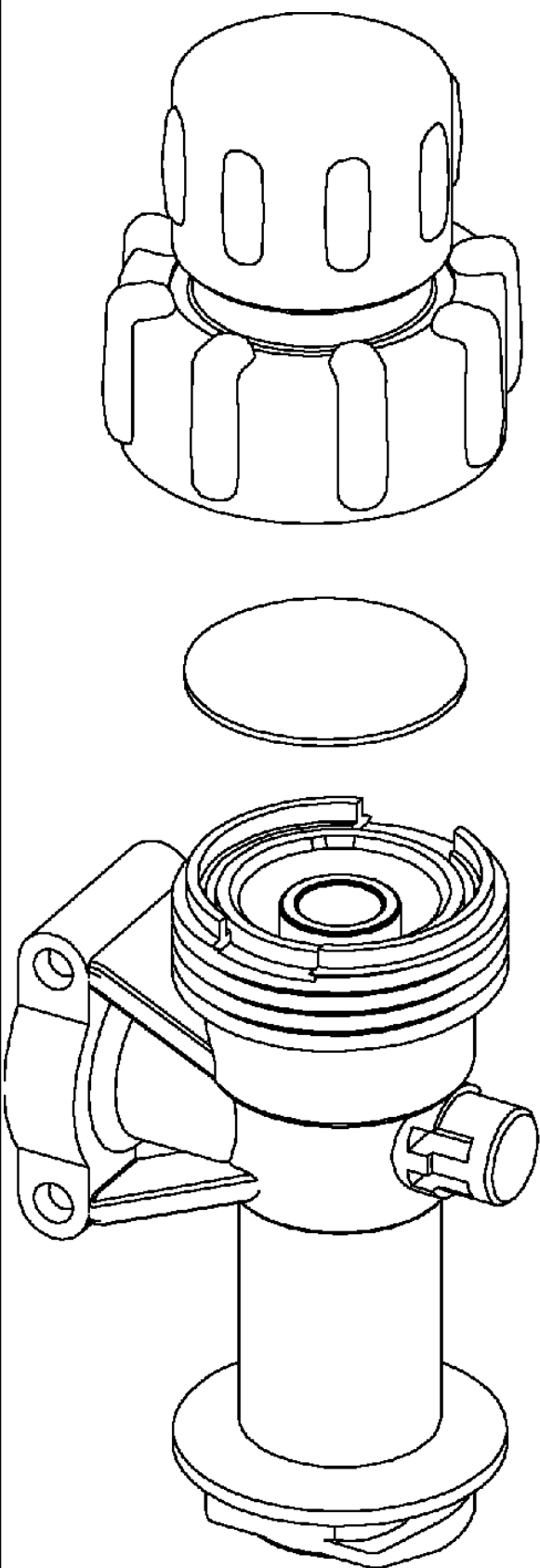
Ref	Part Number	Qty	Description
	BN325220	1	SADDLE, C-R WILGER, W 41200-00



4420 PATRIOT SPRAYER

11-075 NOZZLE, DUAL WILGER

Ref	Part Number	Qty	Description
	BN325221	1	NOZZLE, DUAL WILGER C-R AIM, W 51110-00

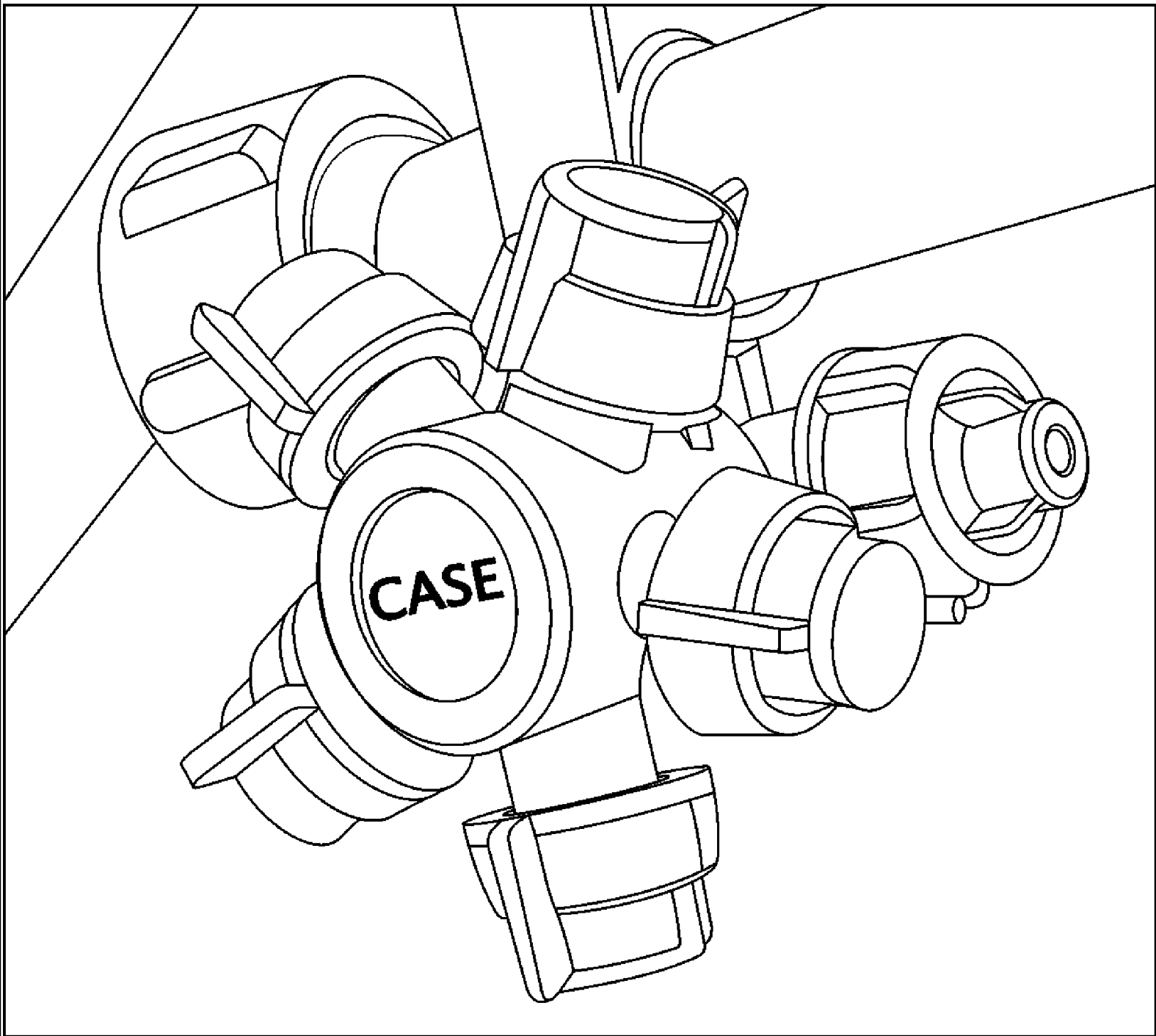


ASSEMBLY VIEW

4420 PATRIOT SPRAYER

11-076 NOZZLE, SINGLE WILGER

Ref	Part Number	Qty	Description
	BN325221	1	NOZZLE, SINGLE WILGER C-R W 41111-00





## 4420 PATRIOT SPRAYER

## 11-077 ARAG NOZZLE-5-WAY

Ref	Part Number	Qty	Description
	BN319275	1	NOZZLE, HOLDER 5-WAY
	BN319276	5	NOZZLE, BLANK CAP
	BN325787	1	BODY
	BN325788	1	O-RING, WET BOOM
	BN325789	2	O-RING, PIVOT
	BN325790	1	SELECTOR
	BN325791	1	CLIP, RETAINING
	BN325792	1	DIAPHRAGM,
	BN325793	1	VALVE, CHECK,
	BN325794	1	VALVE, CHECK, CAP

**ART**

**NOT**

**AVAILABLE**

4420 PATRIOT SPRAYER

11-078 NOZZLE, 20-30, 5 WAY, 120

Ref	Part Number	Qty	Description
	BN318947	97	VALVE, NOZZLE-5-WAY, WET 1 PIPE, SEE FIG. 11-077
	87718926	6	PLUG, SADDLE BLANK, WILGER

**ART**

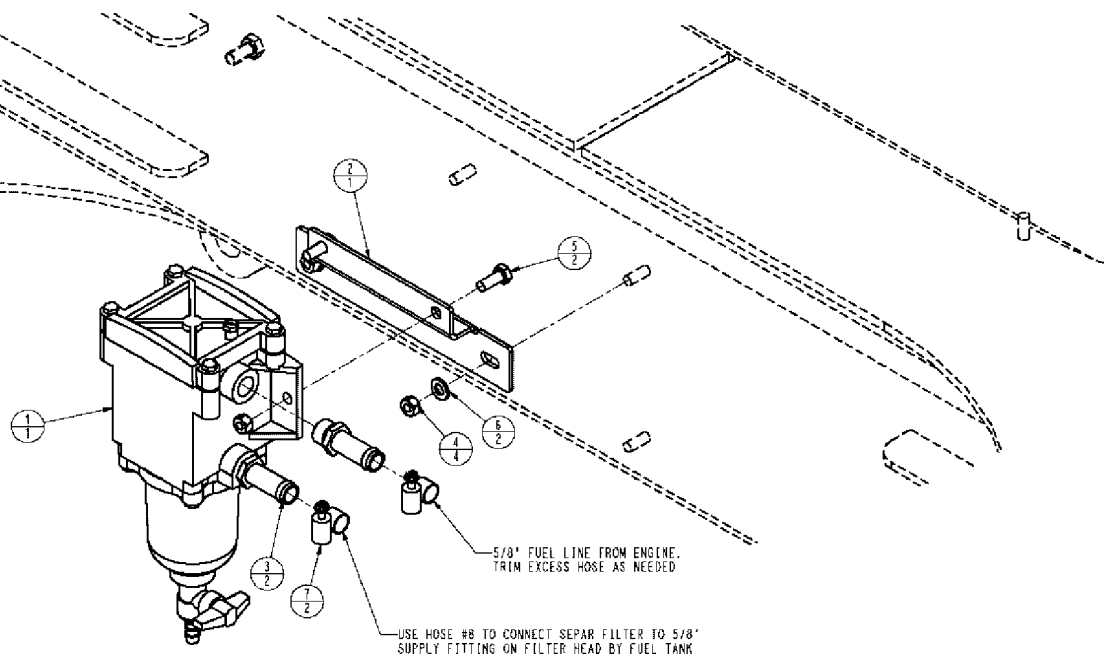
**NOT**

**AVAILABLE**

4420 PATRIOT SPRAYER

11-079 NOZZLE, 20-30, COMBO, 120

Ref	Part Number	Qty	Description
	BN325220	97	SADDLE, C-R WILGER, SEE FIG. 11-074
	BN325221	97	NOZZLE, DUAL WILGER C-R AIM, SEE FIG. 11-075
	87718926	6	PLUG, SADDLE BLANK, WILGER

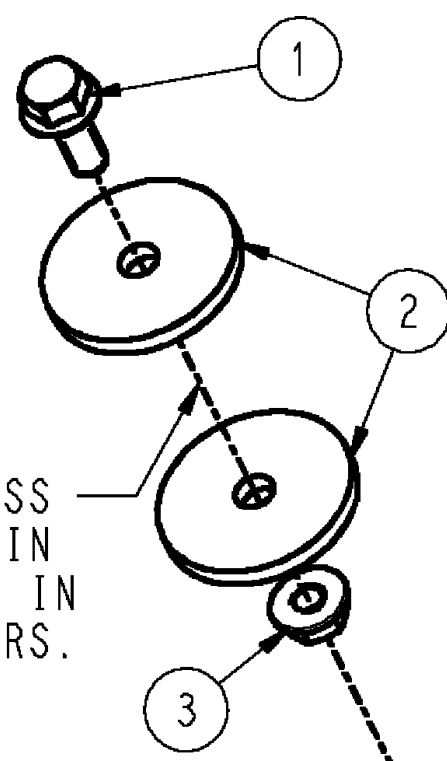


## 4420 PATRIOT SPRAYER

## 11-080 SEPARATOR, FILTER, KIT

Ref	Part Number	Qty	Description
1	336429A2	1	FILTER, FUEL, STRAINER
2	87611144	1	SEPARATOR FILTER
3	217-395	2	FITTING, 5/8" Hose x 3/4"-16 ORB, Beaded, STEM
4	86980514	4	NUT, PREV TRQ METAL M8 CL8 DOR
5	86980379	2	BOLT, HEX HD M8 X 20 CL8.8 DOR
6	87529315	2	WASHER, 9 X 17 X 2MM HTS DOR
7	214-1410	2	CLAMP, HOSE, #10, 0.56/1.06 Type F Worm,
8	87611145	1	5/8 X 84, FUEL

ASSEMBLY IS USED TO SEAL AIM COMMAND HARNESS ELECTRICAL BULKHEAD HOLE. INSTALL ASSEMBLY IN BULKHEAD HOLE "3" WITH BULKHEAD PANEL IN BETWEEN WASHERS.





4420 PATRIOT SPRAYER

11-081 NO AIM COMMAND FITOUT

Ref	Part Number	Qty	Description
1	87344207	1	BOLT, HEX FLG HD FULL M8 X 20 10.9 DOR
2	87529130	2	WASHER, .344 X 1.750 X .179IN CST DOR
3	86981461	1	NUT, HEX FLANGE M8 CLASS8 DOR

**ART**

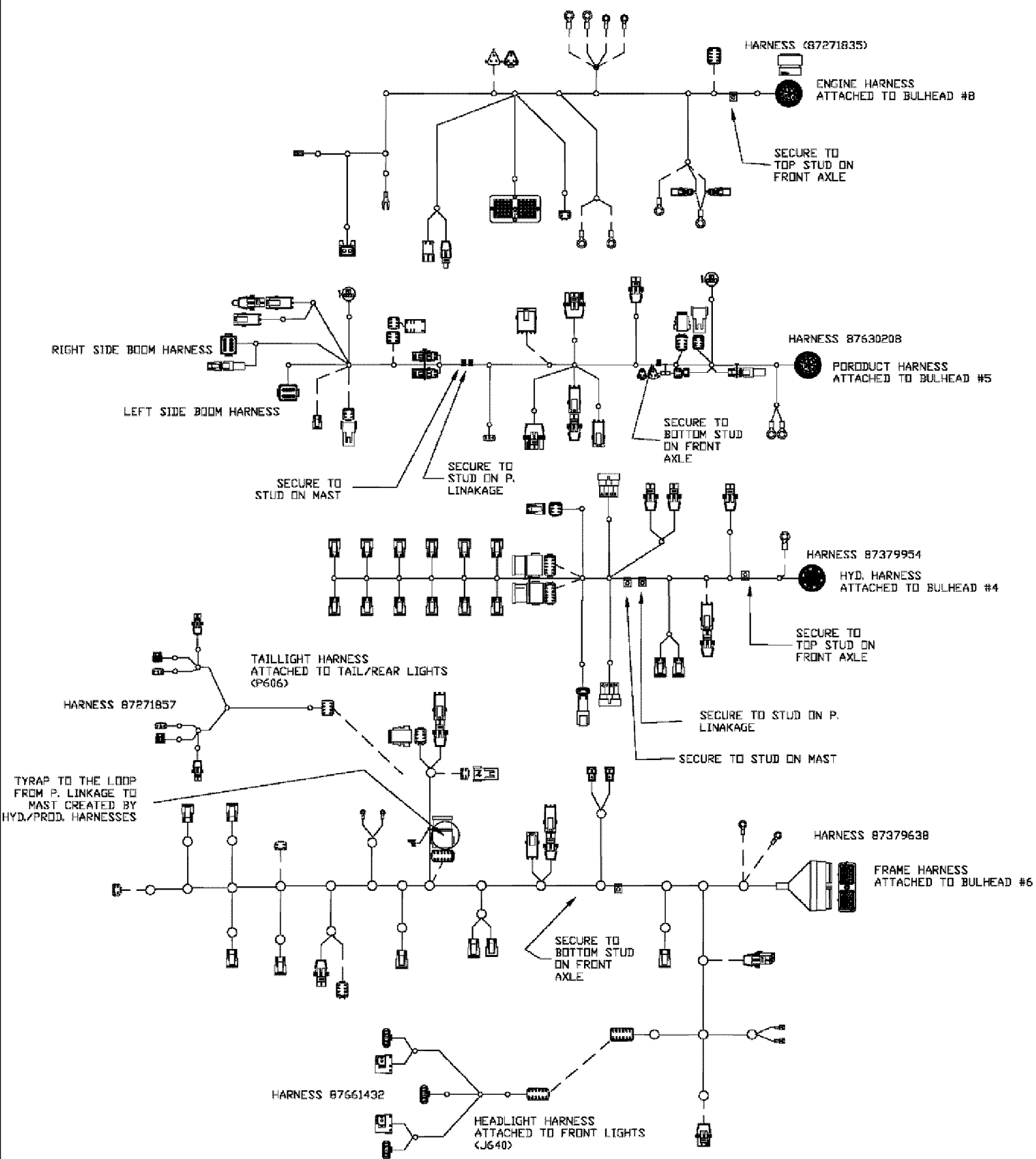
**NOT**

**AVAILABLE**

4420 PATRIOT SPRAYER

11-082 NOSELECT AUTOGUIDANCE GROUP

Ref	Part Number	Qty	Description
1	358334A4	1	COVER, ROPS RH A POST STX
2	87659039	1	4WD CAB AUTOGUIDANCE ROAD SWITCH



HARNESS (87271835)

ENGINE HARNESS ATTACHED TO BULHEAD #8

SECURE TO TOP STUD ON FRONT AXLE

HARNESS 87630208

PRODUCT HARNESS ATTACHED TO BULHEAD #5

SECURE TO BOTTOM STUD ON FRONT AXLE

SECURE TO STUD ON MAST

SECURE TO STUD ON P. LINKAGE

HARNESS 87379954

HYD. HARNESS ATTACHED TO BULHEAD #4

SECURE TO TOP STUD ON FRONT AXLE

SECURE TO STUD ON P. LINKAGE

SECURE TO STUD ON MAST

TAILLIGHT HARNESS ATTACHED TO TAIL/REAR LIGHTS (P606)

HARNESS 87271857

TYRAP TO THE LOOP FROM P. LINKAGE TO MAST CREATED BY HYD./PROD. HARNESSES

HARNESS 87379638

FRAME HARNESS ATTACHED TO BULHEAD #6

SECURE TO BOTTOM STUD ON FRONT AXLE

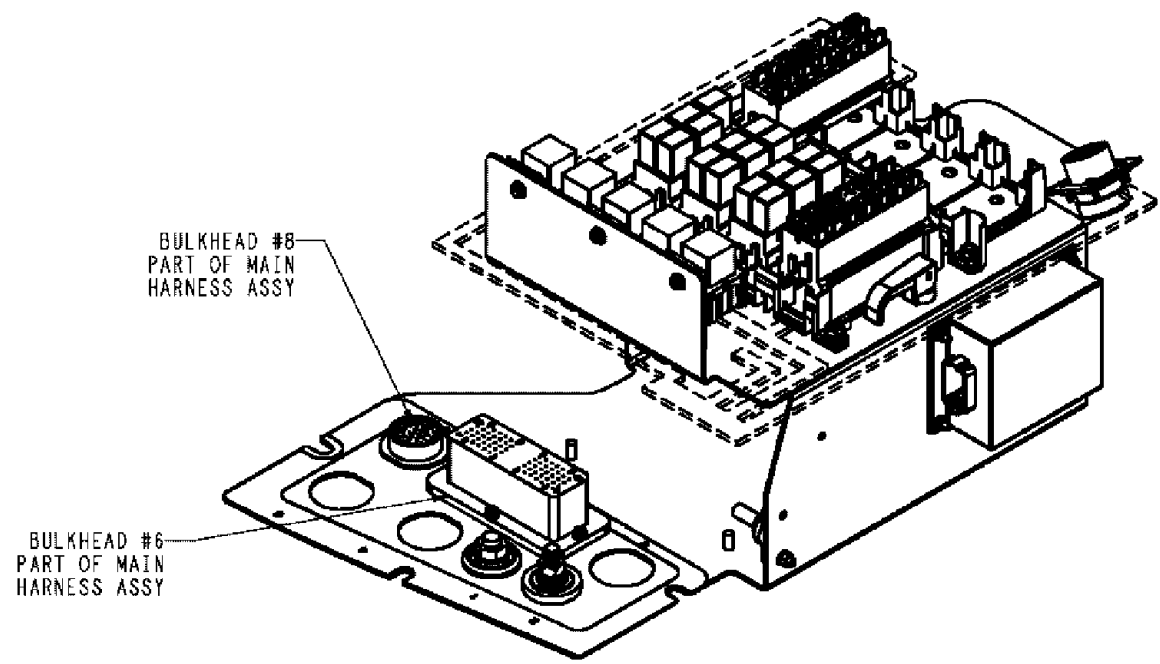
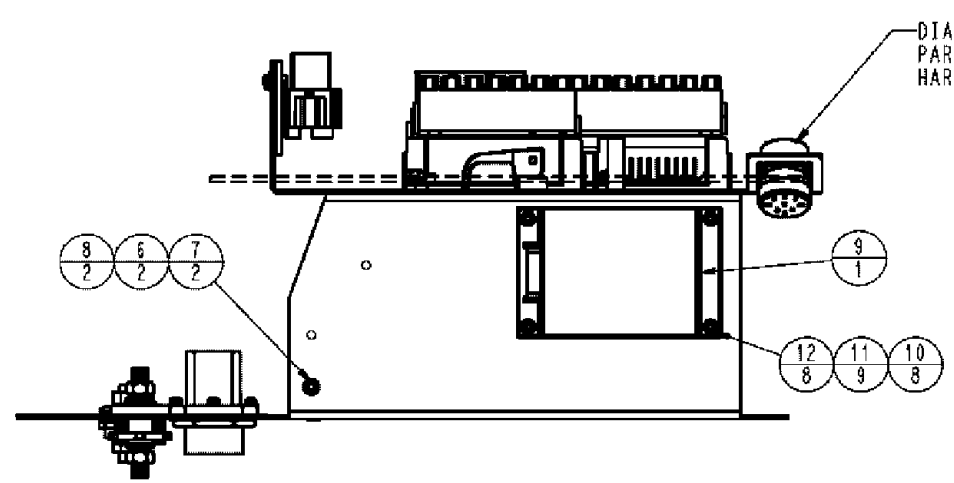
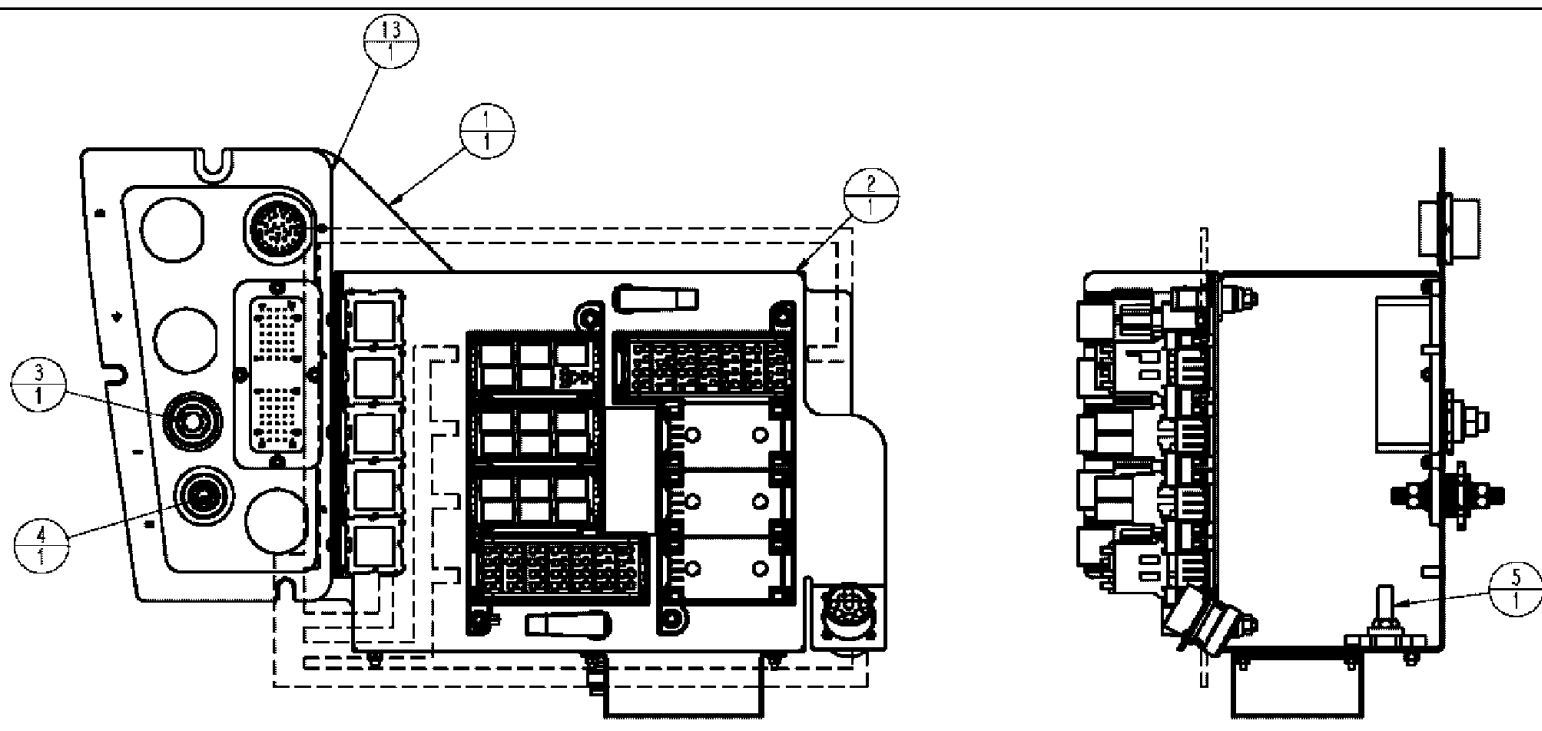
HARNESS 87661432

HEADLIGHT HARNESS ATTACHED TO FRONT LIGHTS (J640)

## 4420 PATRIOT SPRAYER

## 12-001 FRAME ELECTRICAL GROUP

Ref	Part Number	Qty	Description
	343952A1	1	HARNESS MOUNTING GROUP, SEE FIG. 12-012
	87271835	1	HARNESS, WIRE, HARNESS, ELEC ENGINE, SEE FIG. 12-016
	87271857	1	HARNESS, WIRE, EXT, REAR LIGHT, SEE FIG. 12-021
	87756561	1	HARNESS, WIRE, HARNESS, HEAD/WORK LIGHT, SEE FIG. 12-019
	87271934	1	DECAL, BULKHEAD CALLOUT
	87630208	1	HARNESS, WIRE, HARNESS, PRODUCT CONTROL, SEE FIG. 12-017
		1	PWR, BOOM SHUT-OFF, SEE FIG. 12-017, ASSOCIATED PART OF HARNESS, PRODUCT CONTROL, P/N 87630208
	87267294	1	HARNESS, WIRE, TERMINATOR, ASSOCIATED PART OF HARNESS, PRODUCT CONTROL, P/N 87630208
	BN303611	1	TERMINAL, TERMINATOR, ASSOCIATED PART OF HARNESS, PRODUCT CONTROL, P/N 87630208
	87546452	1	HARNESS, FRAME, SEE FIG, 12-020
	87279954	1	HYD CONTROL, SEE FIG. 12-018
	BN322488	1	SENSOR, SPEED GROUP, SEE FIG. 04-049
	87751551	1	CIRCUIT, GROUP, SEE FIG. 12-066



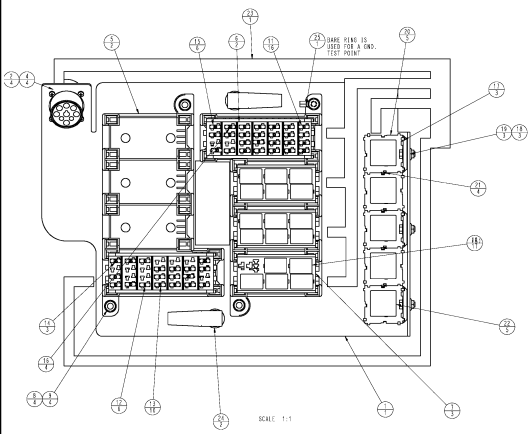
## 4420 PATRIOT SPRAYER

## 12-002 MAIN ELECTRICAL ASSEMBLY

Ref	Part Number	Qty	Description
1	87335210	1	BRACKET, ASSY, MAIN CAB FL
2	87599651	1	SURVEYOR CAB MAIN, SEE FIG. 12-003
3	311430A1	1	BLOCK, JUNCTION ASSEMBLY
4	87109037	1	BLOCK, STUD
5	20-1451T1	1	BLOCK, JUNCTION
6	840-1516	2	SCREW, Cross Pan Hd, M5 x 16, BOLT, USE, 87343600
7	895-11005	2	WASHER, M5 x 10 x 1, FLAT
8	824-1405	2	NUT, M5, CI 5,
9	397346A1	1	FLASHER UNIT, MODULE, INTERFACE
10	895-11004	8	WASHER, M4, 4.4 X 9 X .8MM C
11	892-11004	9	WASHER, LOCK, M4,
12	824-1404	8	NUT, M4, CI 5,
13	87335495	1	DECAL, SPRAYER MAIN ELECT

# 4420 PATRIOT SPRAYER

## 12-003(01) MODULE, CAB MAIN



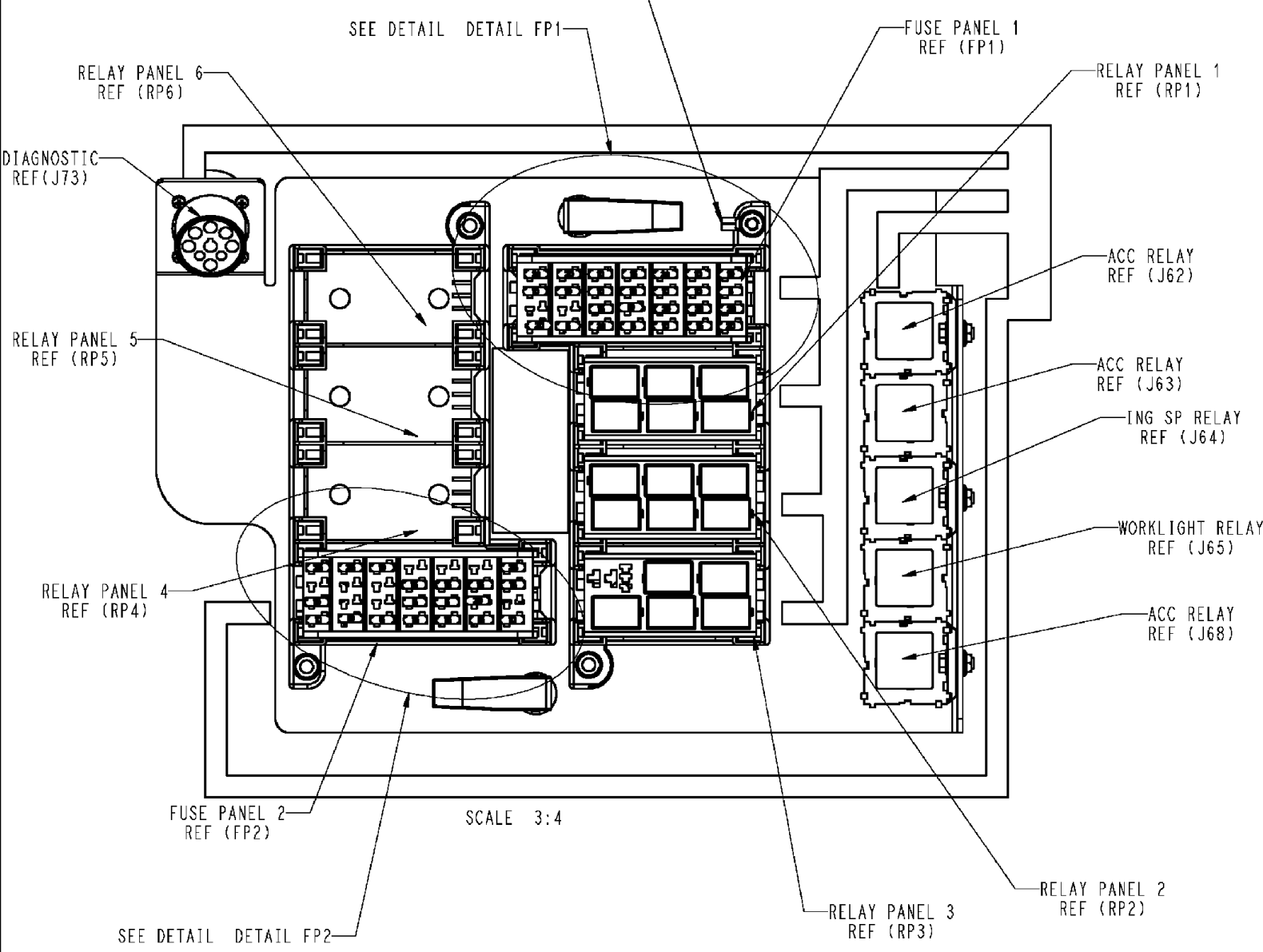


## 4420 PATRIOT SPRAYER

## 12-003(01) MODULE, CAB MAIN

Ref	Part Number	Qty	Description
1	87335614	1	PLATE, BASE, ASSY, ELECTRICAL
2	840-1312	4	SCREW, Cross Pan Hd, M3 x 12,
3	895-11003	4	WASHER, M3, 3.3 X 7 X .5MM CS
4	824-1403	4	NUT, M3, CI 5,
5	191135A1	2	BASE, RELAY/FUSE
6	144421A1	2	BLOCK, CONNECTING, MODULE PACKARD 28WAY MINI
7	144417A1	3	BLOCK, CONNECTING, MODULE, MICRO RELAY
8	87529314	4	WASHER, 6.6 X 12.5 X 2MM HDN DOR
9	829-1406	4	NUT, M6, CI 10,
10	87414866	17	RELAY, BOSCH M30 332 201
11	121412A1	16	FUSE, ATM 10
12	121410A1	7	FUSE, ATM 5
13	121413A1	10	FUSE, ATM 15
14	121415A1	3	FUSE, ATM 25
15	121414A1	2	FUSE, ATM 20
16	121416A1	6	FUSE, ATM 30
17	367147A1	3	BRACKET, MTG, (DILL #59205)
18	841-4512	3	SCREW, Hex Wash Hd, M5 x 12,
19	825-5145	3	NUT, M5, Flg Ser,
20	367145A1	3	BLOCK, GREY TERM DIL59184
21	367146A1	5	WEDGE, LOCK, (DILL #59011)
22	368459A1	4	RELAY, 70A PWR, HELLA 6613
23	87599648	1	CAB SEE FIG, 12-015
24	342478A1	2	LATCH, SWELL

6mm UNINSULATED RING TERMINAL WITH NO WIRE  
INSERTED. PLACE ON STUD ON TOP OF J098.  
THIS IS USED AS A TEST POINT CONNECTION.



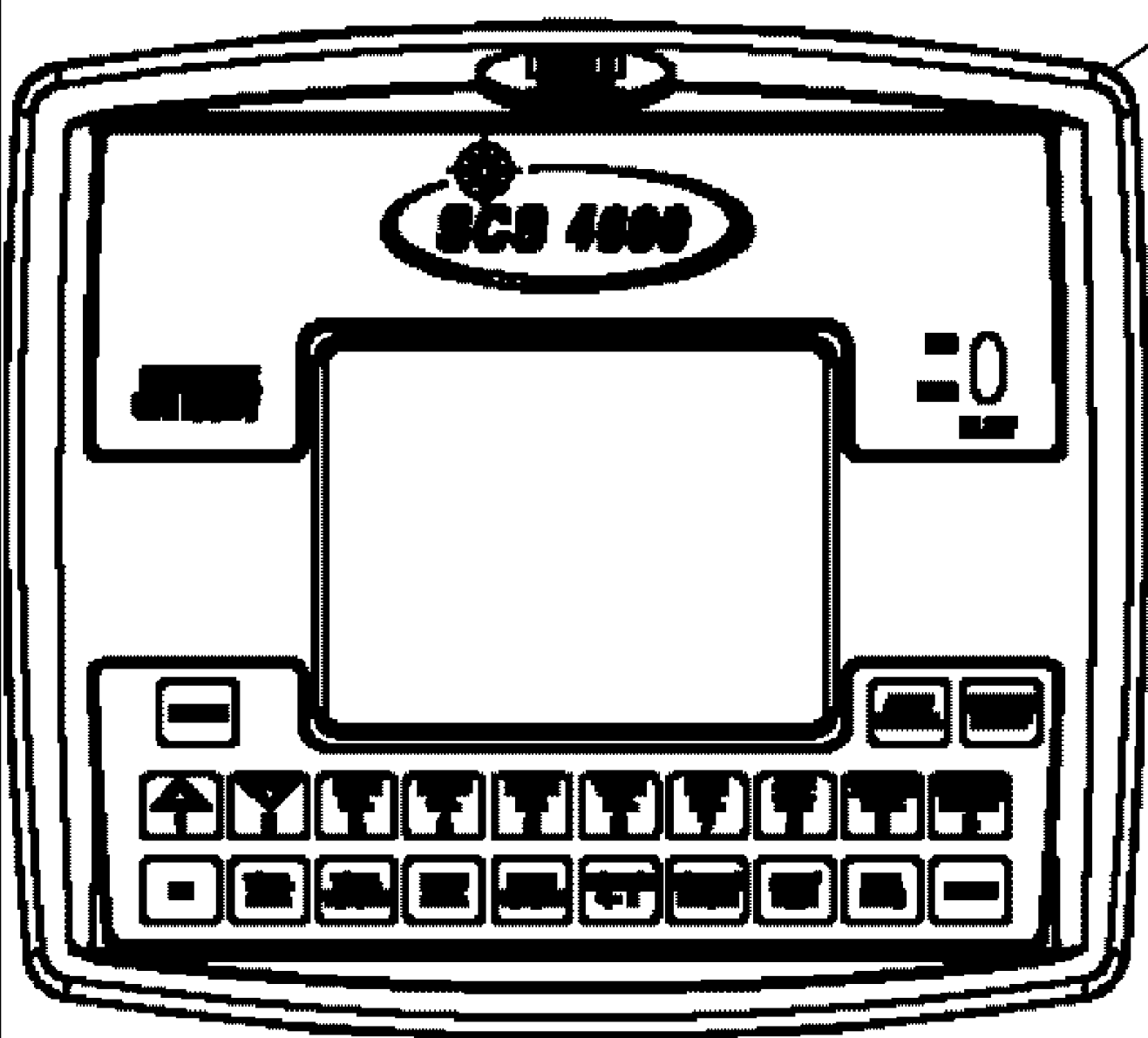
NOTE:  
FUSES 20, 21, 42 & 43  
ARE TO BE INSTALLED  
AT BENSON PLANT.

## 4420 PATRIOT SPRAYER

## 12-003(02) MODULE, CAB MAIN

Ref	Part Number	Qty	Description
1	87335614	1	PLATE, BASE, ASSY, ELECTRICAL
2	840-1312	4	SCREW, Cross Pan Hd, M3 x 12,
3	895-11003	4	WASHER, M3, 3.3 X 7 X .5MM CS
4	824-1403	4	NUT, M3, CI 5,
5	191135A1	2	BASE, RELAY/FUSE
6	144421A1	2	BLOCK, CONNECTING, MODULE PACKARD 28WAY MINI
7	144417A1	3	BLOCK, CONNECTING, MODULE, MICRO RELAY
8	87529314	4	WASHER, 6.6 X 12.5 X 2MM HDN DOR
9	829-1406	4	NUT, M6, CI 10,
10	87414866	17	RELAY, BOSCH M30 332 201
11	121412A1	16	FUSE, ATM 10
12	121410A1	7	FUSE, ATM 5
13	121413A1	10	FUSE, ATM 15
14	121415A1	3	FUSE, ATM 25
15	121414A1	2	FUSE, ATM 20
16	121416A1	6	FUSE, ATM 30
17	367147A1	3	BRACKET, MTG, (DILL #59205)
18	841-4512	3	SCREW, Hex Wash Hd, M5 x 12,
19	825-5145	3	NUT, M5, Flg Ser,
20	367145A1	3	BLOCK, GREY TERM DIL59184
21	367146A1	5	WEDGE, LOCK, (DILL #59011)
22	368459A1	4	RELAY, 70A PWR, HELLA 6613
23	87599648	1	CAB SEE FIG, 12-015
24	342478A1	2	LATCH, SWELL

1

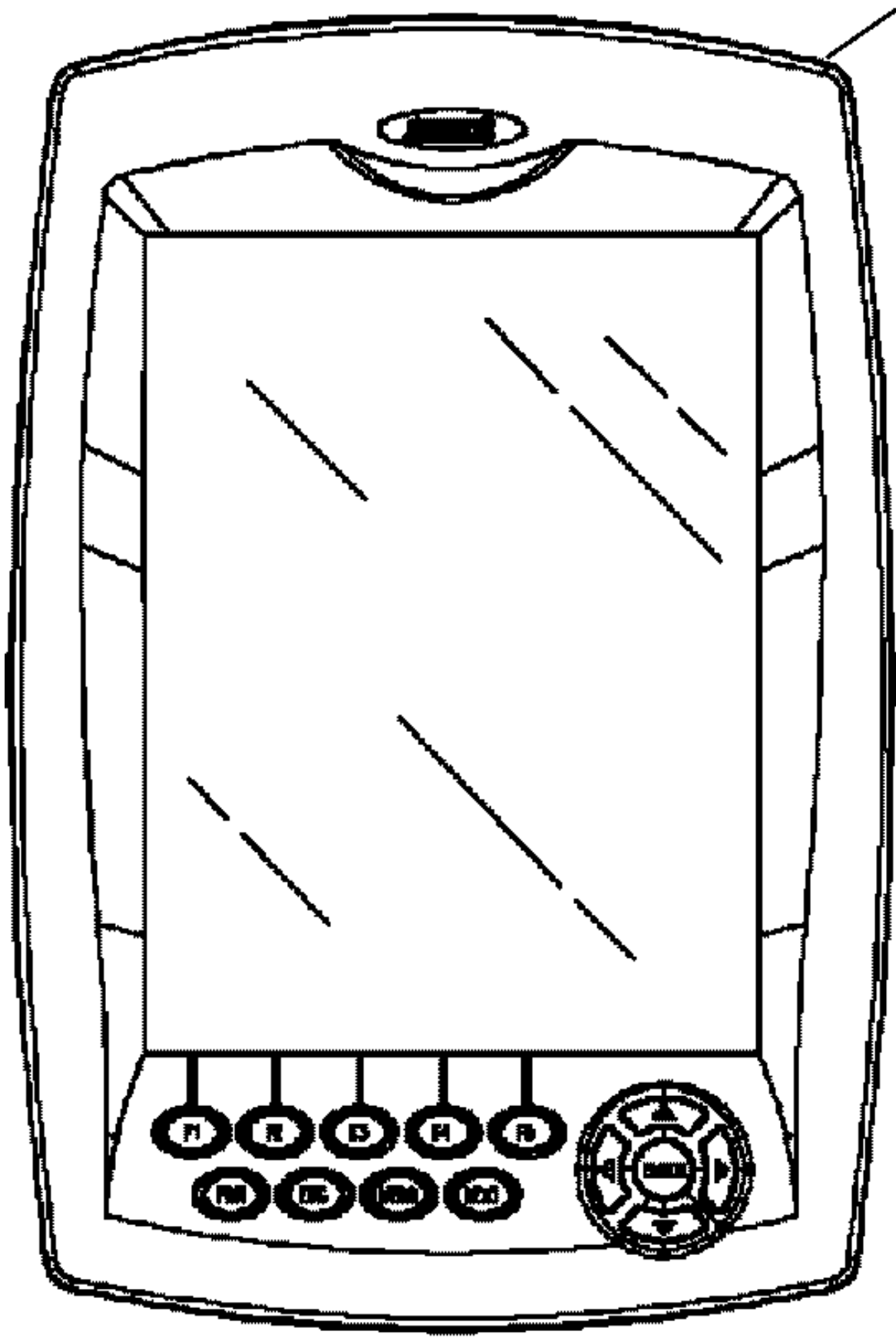


## 4420 PATRIOT SPRAYER

## 12-004 CONTROL KIT, SCS 4600

Ref	Part Number	Qty	Description
	87268794	1	HARNES, WIRE, A-POST, 4600 LIQ
1	87267819	1	CONTROL, SYSTEM, SCS 4600
	87272648	1	SPARE PART, BRACKET, MOUNTING, SERVICE PARTS FOR REF. 1
	87272649	1	SPARE PART, KNOB, CLAMP, 1/4-20 X 3/4", SERVICE PARTS FOR REF. 1
	87272650	1	SPARE PART, DOOR, ENCLOSURE, SERVICE PARTS FOR REF. 1

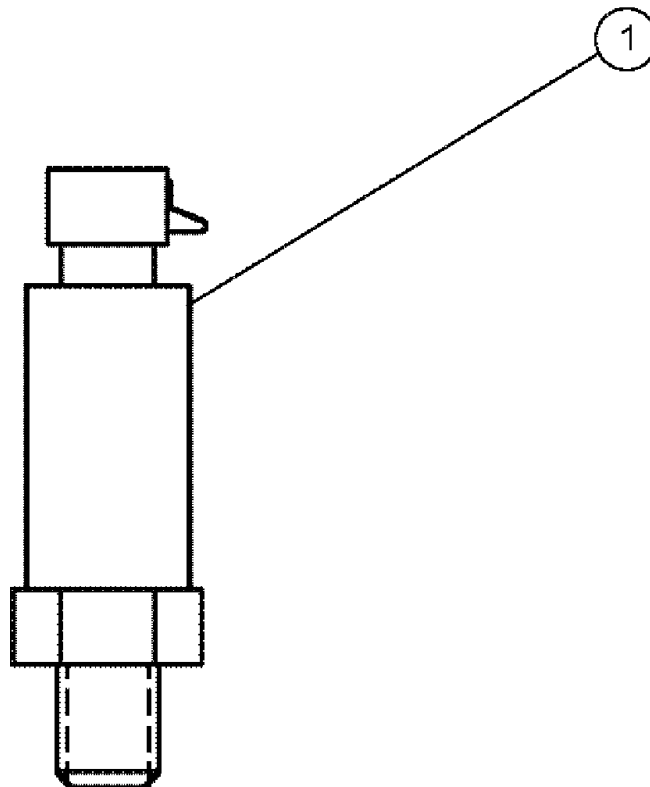
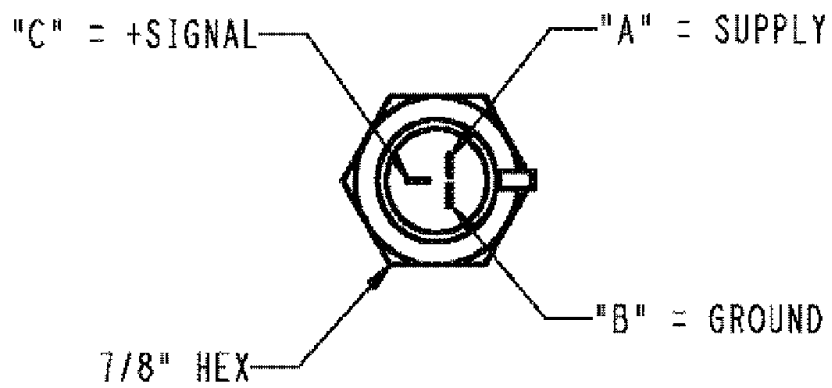
1



## 4420 PATRIOT SPRAYER

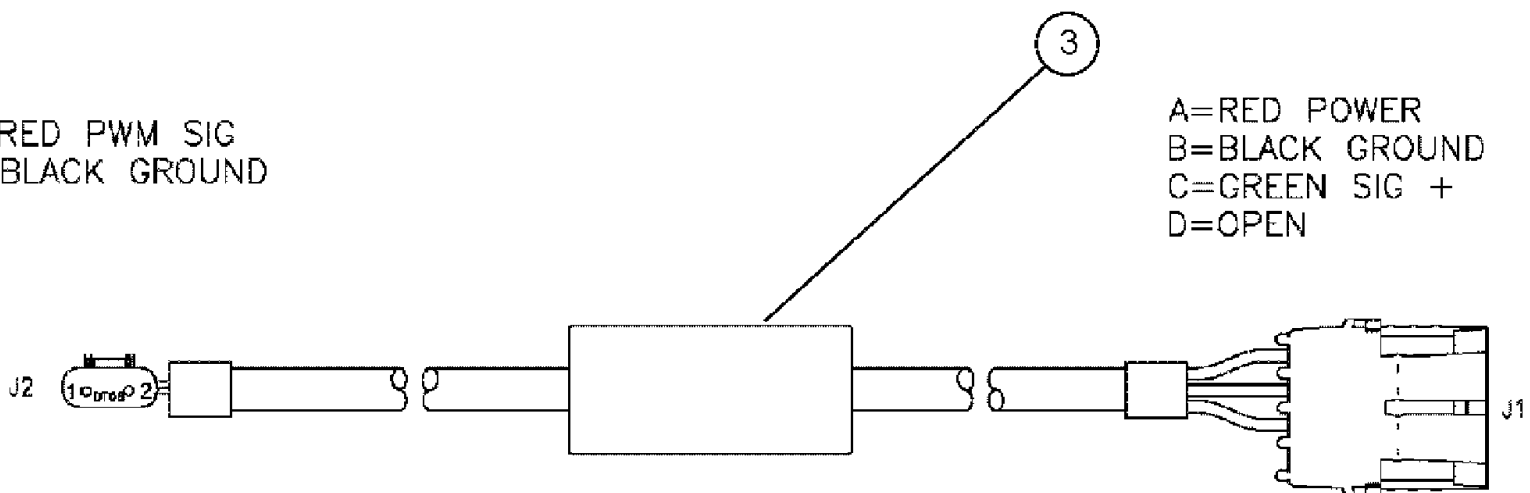
## 12-005 VIPER CONTROL GROUP

Ref	Part Number	Qty	Description
1	87267653	1	CONTROL UNIT, SYSTEM, VIPER
	87272481	1	KIT, REPAIR, VIPER MTG BRACKET
	87272484	1	MANUAL, VIPER LIQ 2
	87270012	1	HARNESS, WIRE, APOST, VIPER
	87341265	1	SOFTWARE, ASSY, 128MB CF W/ ADAPTER



1=RED PWM SIG  
2=BLACK GROUND

A=RED POWER  
B=BLACK GROUND  
C=GREEN SIG +  
D=OPEN

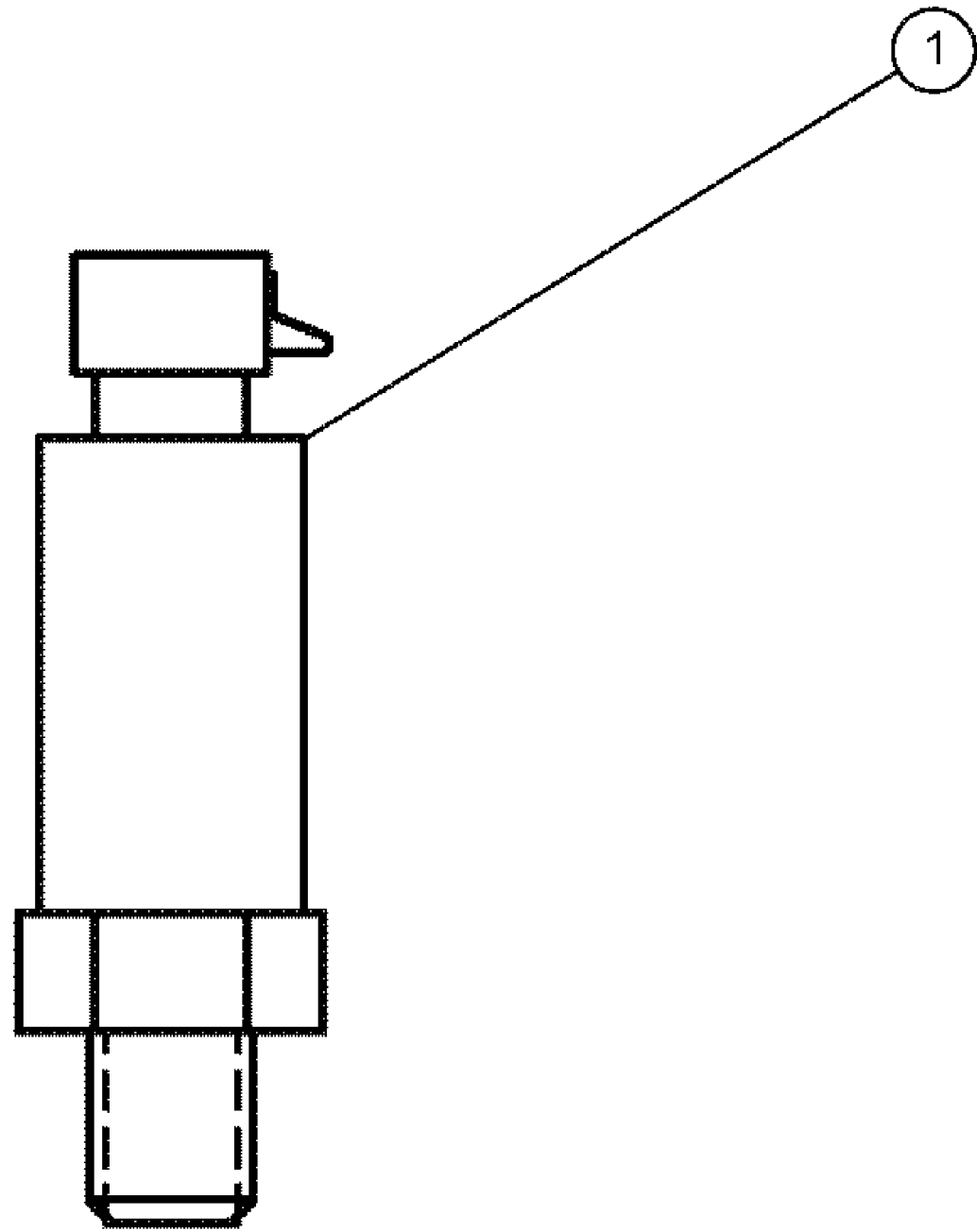
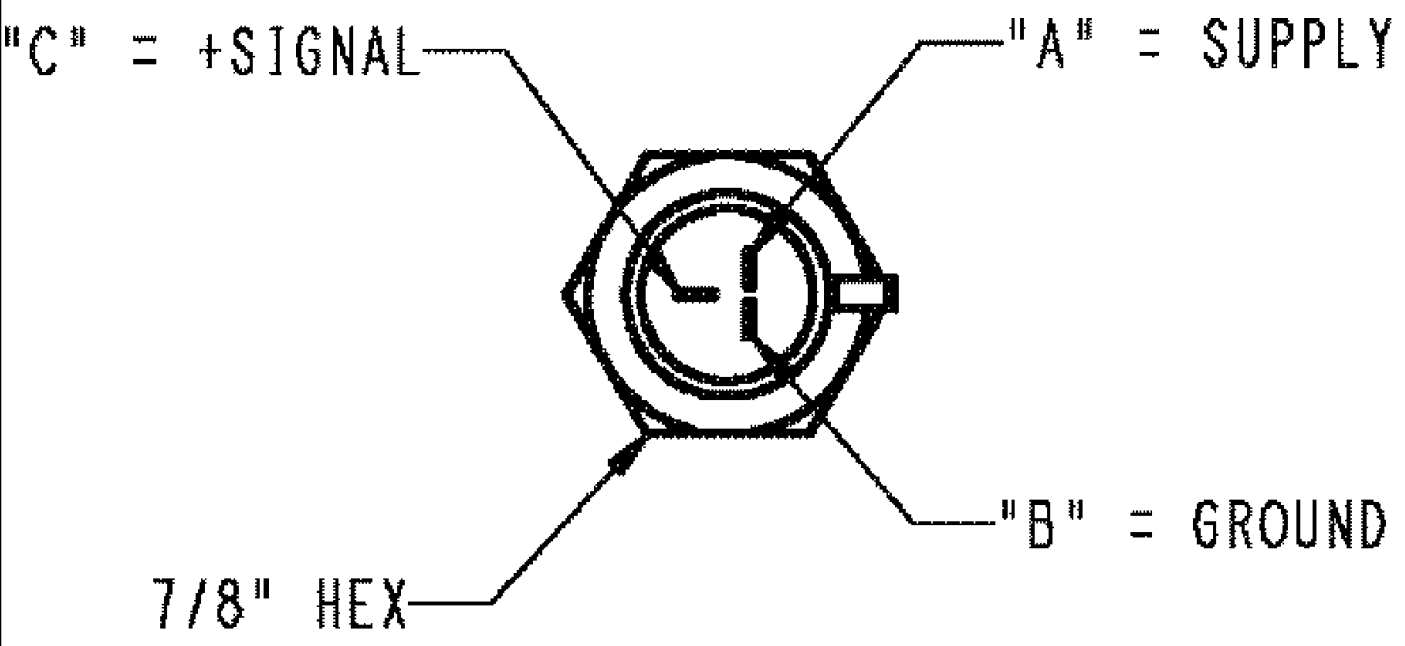




4420 PATRIOT SPRAYER

12-006 CASE IH SCS 4600 CONTROL

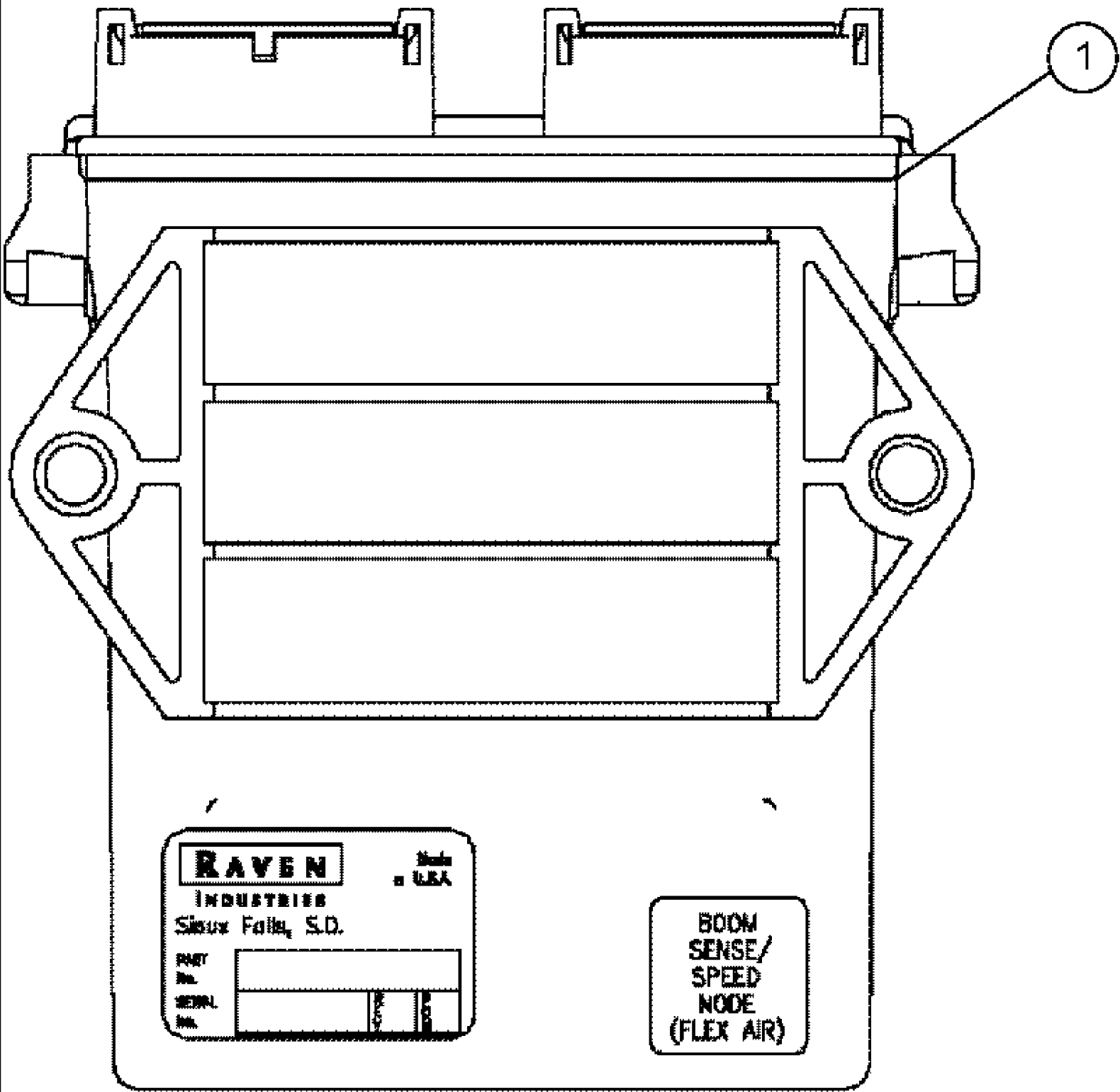
Ref	Part Number	Qty	Description
1	87266753	2	CONTROL, SENSOR, PRESSURE XDUCER
2	87268793	1	CONTROL, KIT, 4600, LIQUID, SEE FIG. 12-004
3	86986043	1	CABLE, VALVE DRIVER



4420 PATRIOT SPRAYER

12-007 CONTROL GROUP, BED VIPER

Ref	Part Number	Qty	Description
1	87266753	2	CONTROL, SENSOR, PRESSURE XDUCER



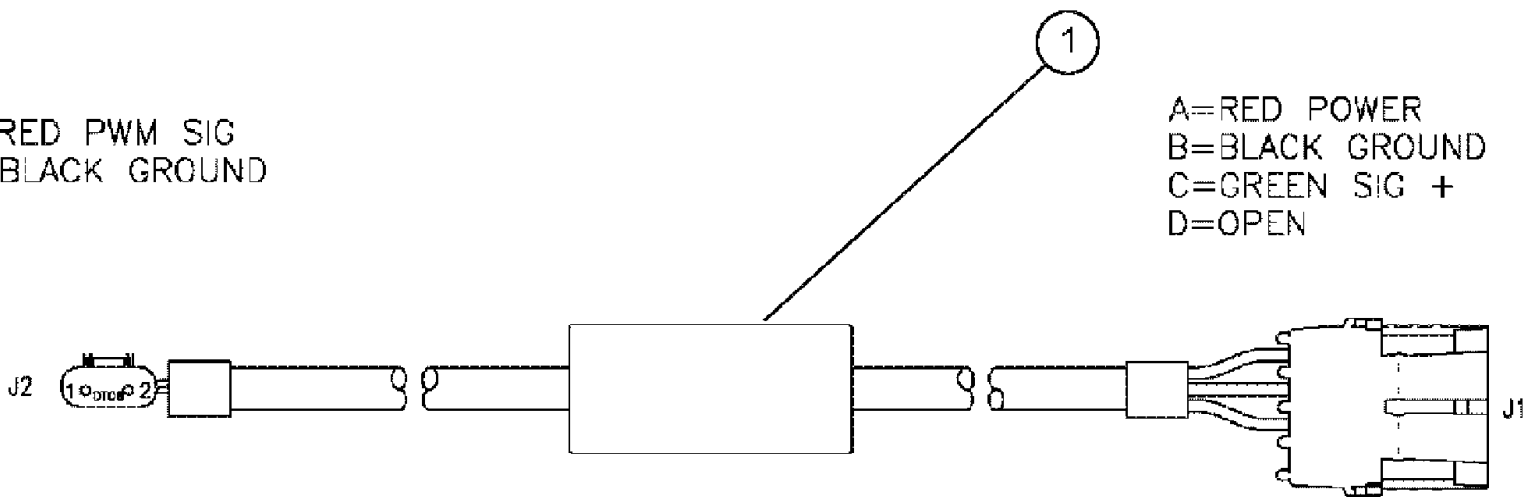
## 4420 PATRIOT SPRAYER

## 12-008 CONTROL GROUP, NODE MOUNTING

Ref	Part Number	Qty	Description
	86980381	4	BOLT, M8-1.25 X 30, HH, 8.8, DO
	86980514	4	NUT, M8 CL8 P/T ALL METAL
1	87268815	1	CONTROL, NODE, CAN BOOM/SPEED
	87271219	1	CONTROL, NODE, LIQ., VIPER
	87529315	1	WASHER, 9 X 17 X 2MM HDN D

1=RED PWM SIG  
2=BLACK GROUND

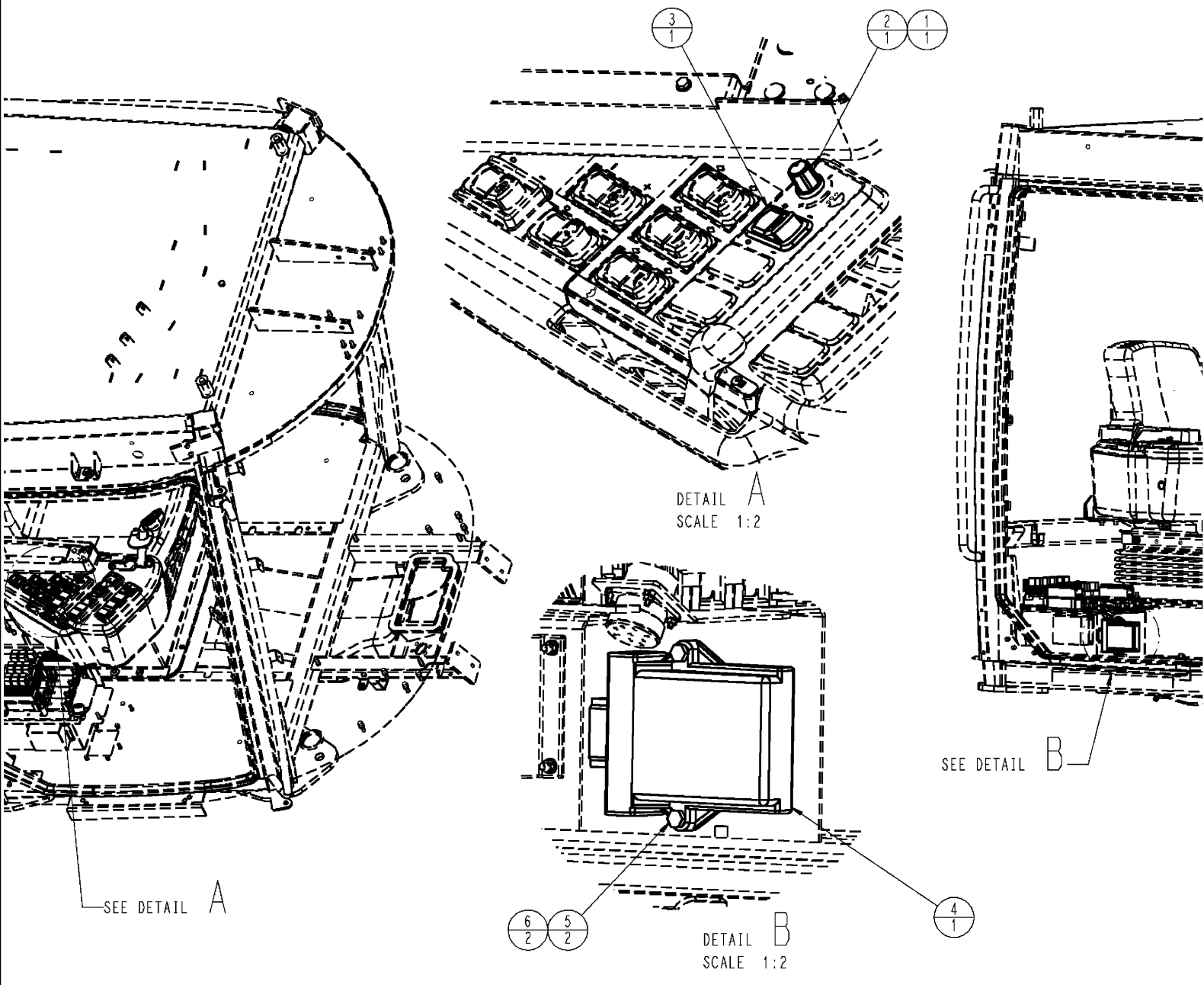
A=RED POWER  
B=BLACK GROUND  
C=GREEN SIG +  
D=OPEN



## 4420 PATRIOT SPRAYER

## 12-009 CASE IH VIPER CONTROL

Ref	Part Number	Qty	Description
1	86986043	1	CABLE, VALVE DRIVER
	87270015	1	CAB VIPER 4410, SEE FIG. 12-005
	87270016	1	BED VIPER 4410, SEE FIG. 12-007
	87270017	1	NODE/MTG VIPER, SEE FIG. 12-008

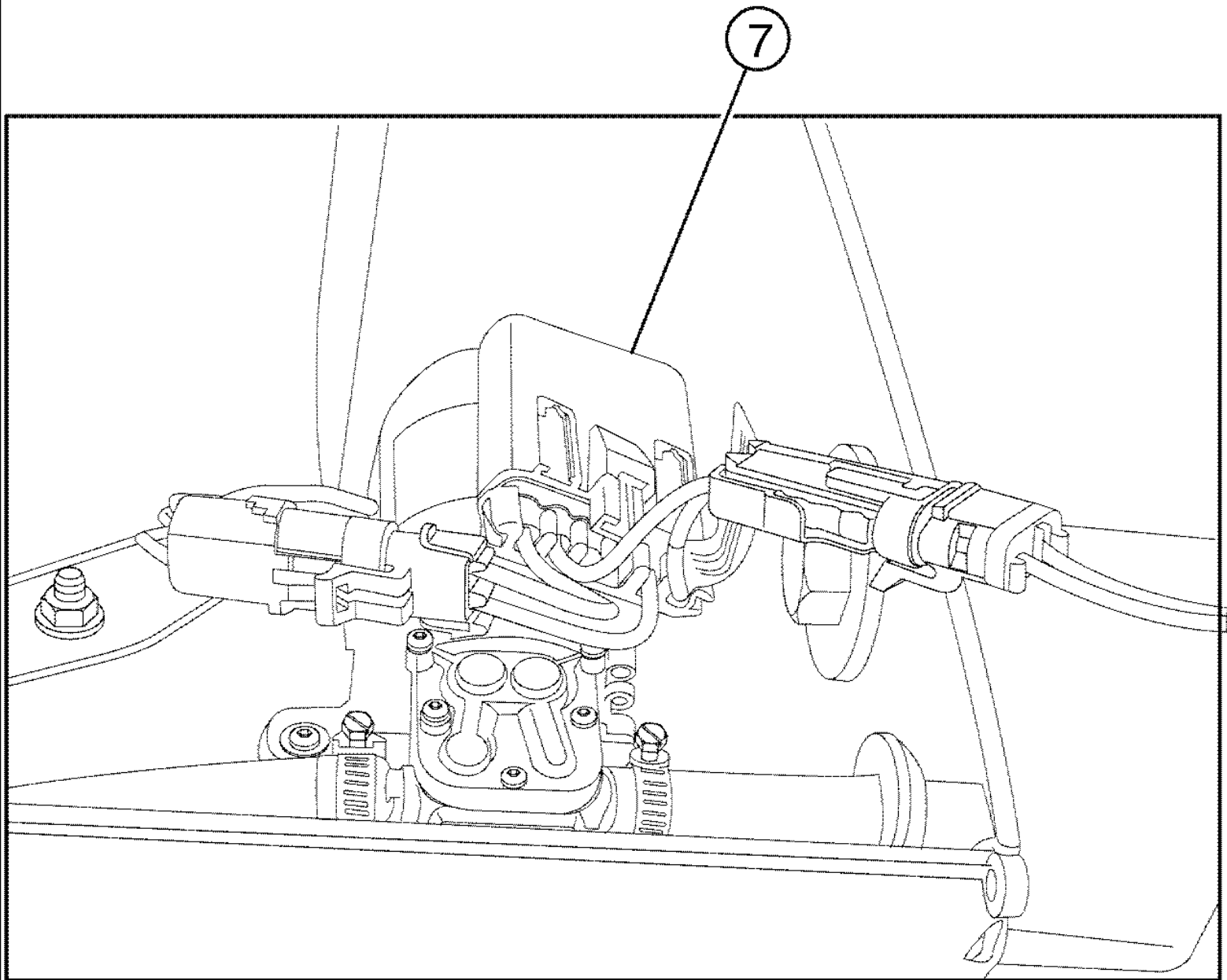




## 4420 PATRIOT SPRAYER

## 12-010(01) FOAMER ELECTRICAL GROUP

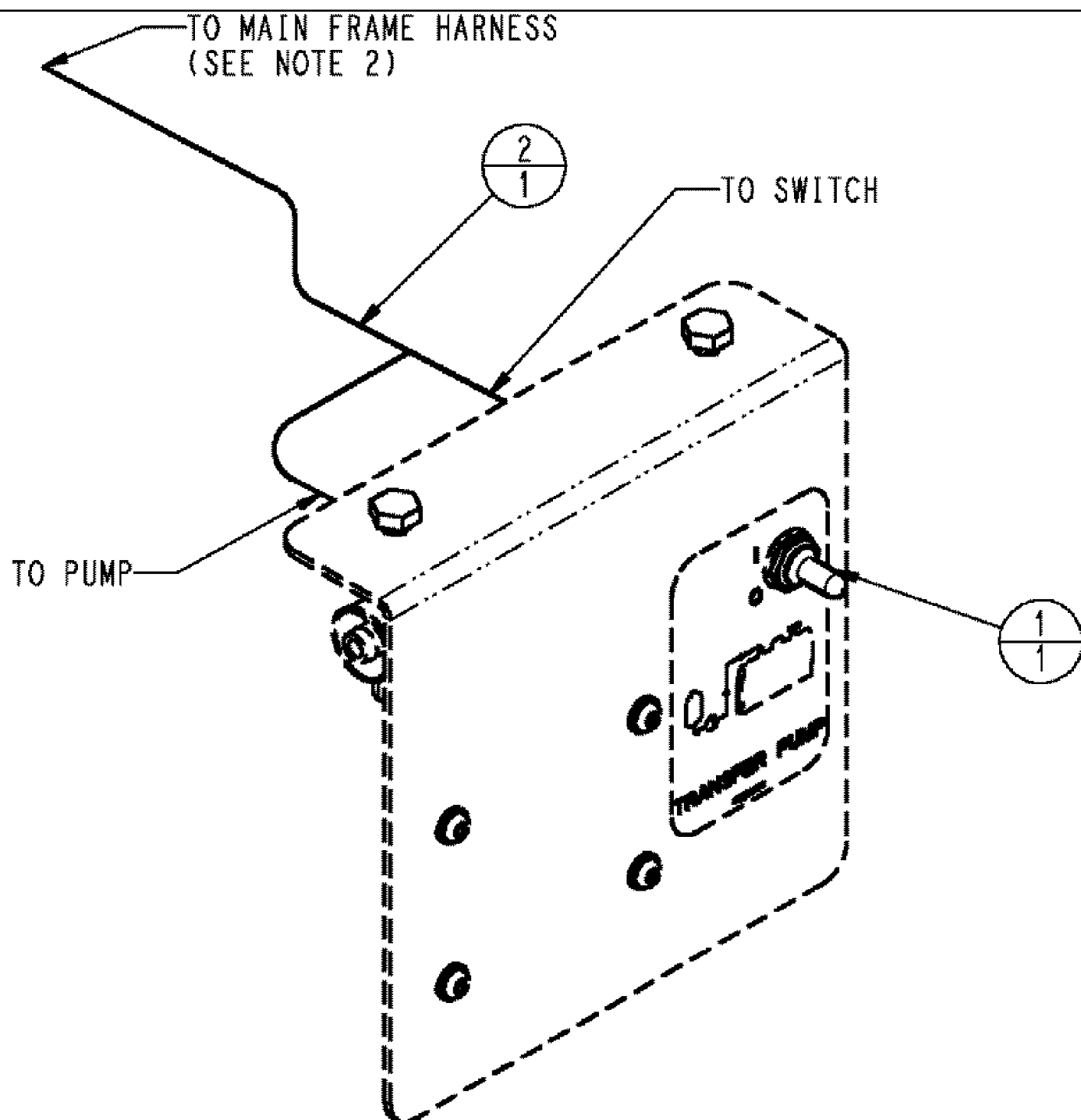
Ref	Part Number	Qty	Description
1	114550A1	1	POTENTIOMETER, 1K INF559, ASSOCIATED PART OF POTENTIOMETER ASSY, 1K, P/N 114550A1
2	118780A1	1	KNOB, CONSOLE POTENTIOMETER
3	BN321912	1	SWITCH, FOAM
4	BN321964	1	CONTROL, FOAM ADVANCE
5	86980362	2	BOLT, M6-1 X 30, HH, 8.8 DOR
6	86511444	2	NUT, M6, Flg Ser, M6 SPL ZNM
7	BN323760	1	SUPPRESSOR, TRANSORB 18V



## 4420 PATRIOT SPRAYER

## 12-010(02) FOAMER ELECTRICAL GROUP

Ref	Part Number	Qty	Description
1	114550A1	1	POTENTIOMETER, 1K INF559, ASSOCIATED PART OF POTENTIOMETER ASSY, 1K, P/N 114550A1
2	118780A1	1	KNOB, CONSOLE POTENTIOMETER
3	BN321912	1	SWITCH, FOAM
4	BN321964	1	CONTROL, FOAM ADVANCE
5	86980362	2	BOLT, M6-1 X 30, HH, 8.8 DOR
6	86511444	2	NUT, M6, Flg Ser, M6 SPL ZNM
7	BN323760	1	SUPPRESSOR, TRANSORB 18V



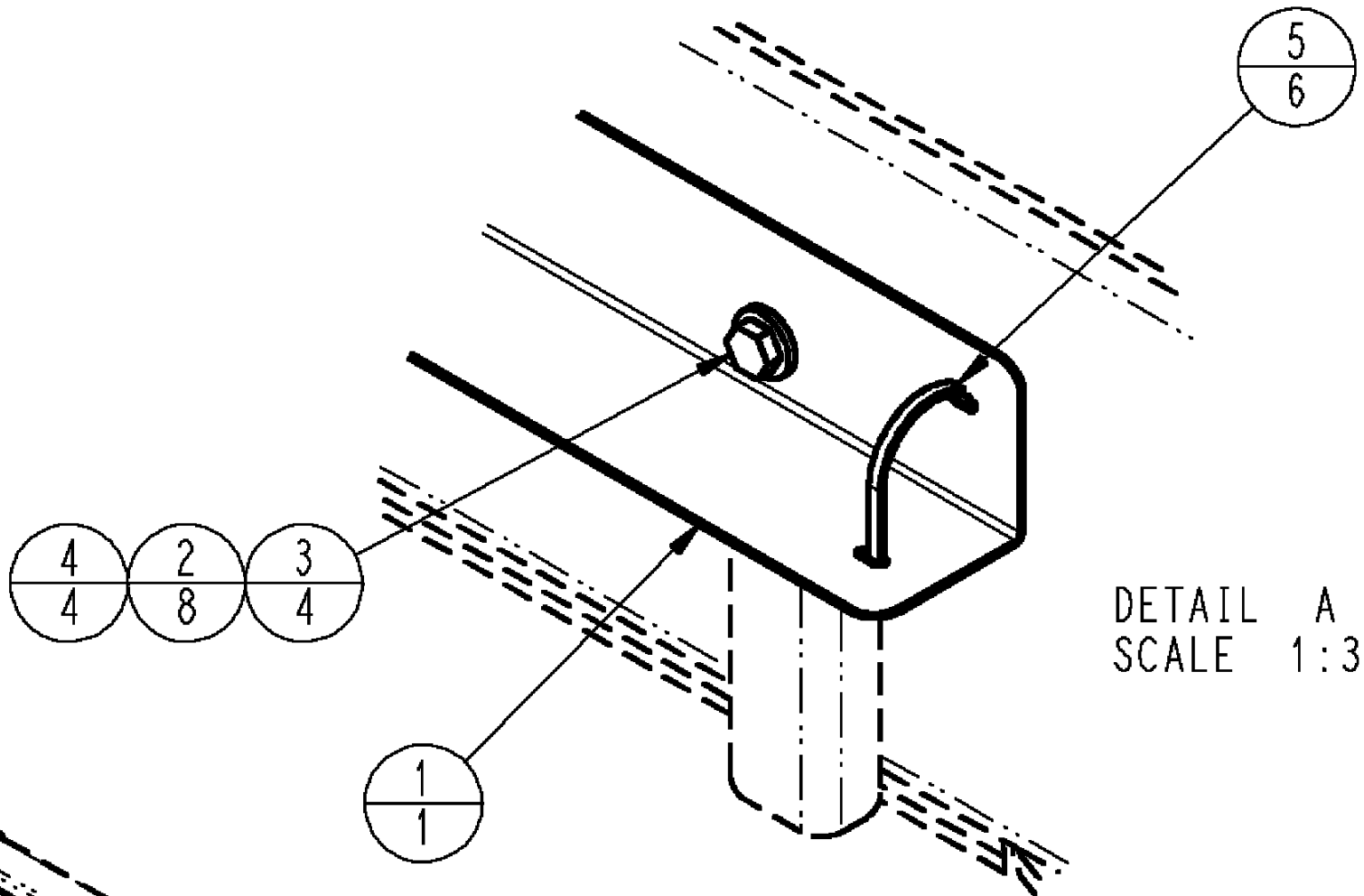
## NOTES:

- 1) DRAWING FOR M49 UNIT, OTHER UNITS MAY VARY.
- 2) ITEM 2 GOES FROM SWITCH TO ACCESSORY CONNECTION ON THE MAIN FRAME HARNESS WHICH IS LOCATED ON THE RH SIDE BY THE FOAM TANK ALONG THE FRAME. TIE STRAP TO HOSE THAT GOES TO THE TOP OF THE FOAM TANK.

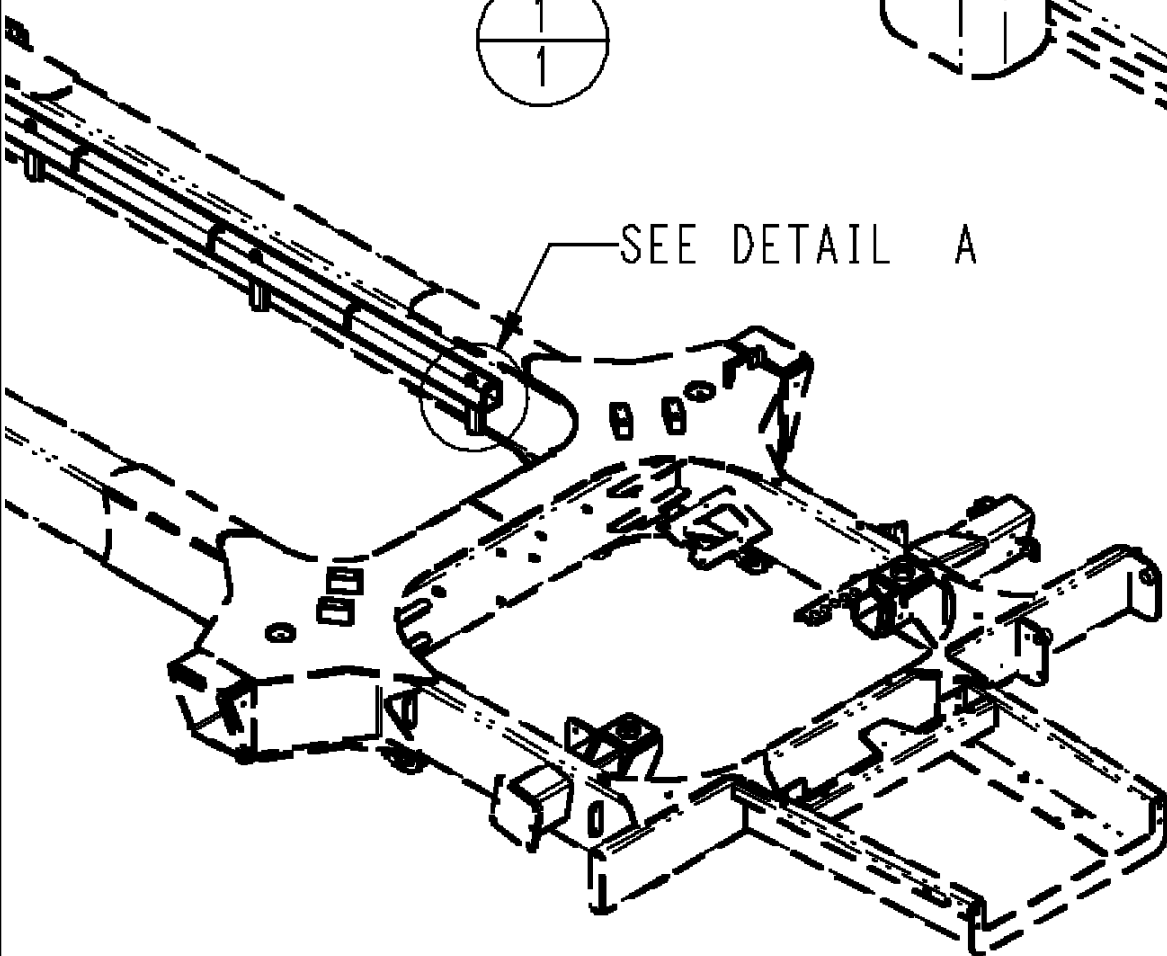
4420 PATRIOT SPRAYER

12-011 ELECTRIC TRANSFER PUMP GROUP

Ref	Part Number	Qty	Description
1	87272643	1	SWITCH, FOAM PUMP
2	87271879	1	HARNESS, WIRE, FOAM PUMP



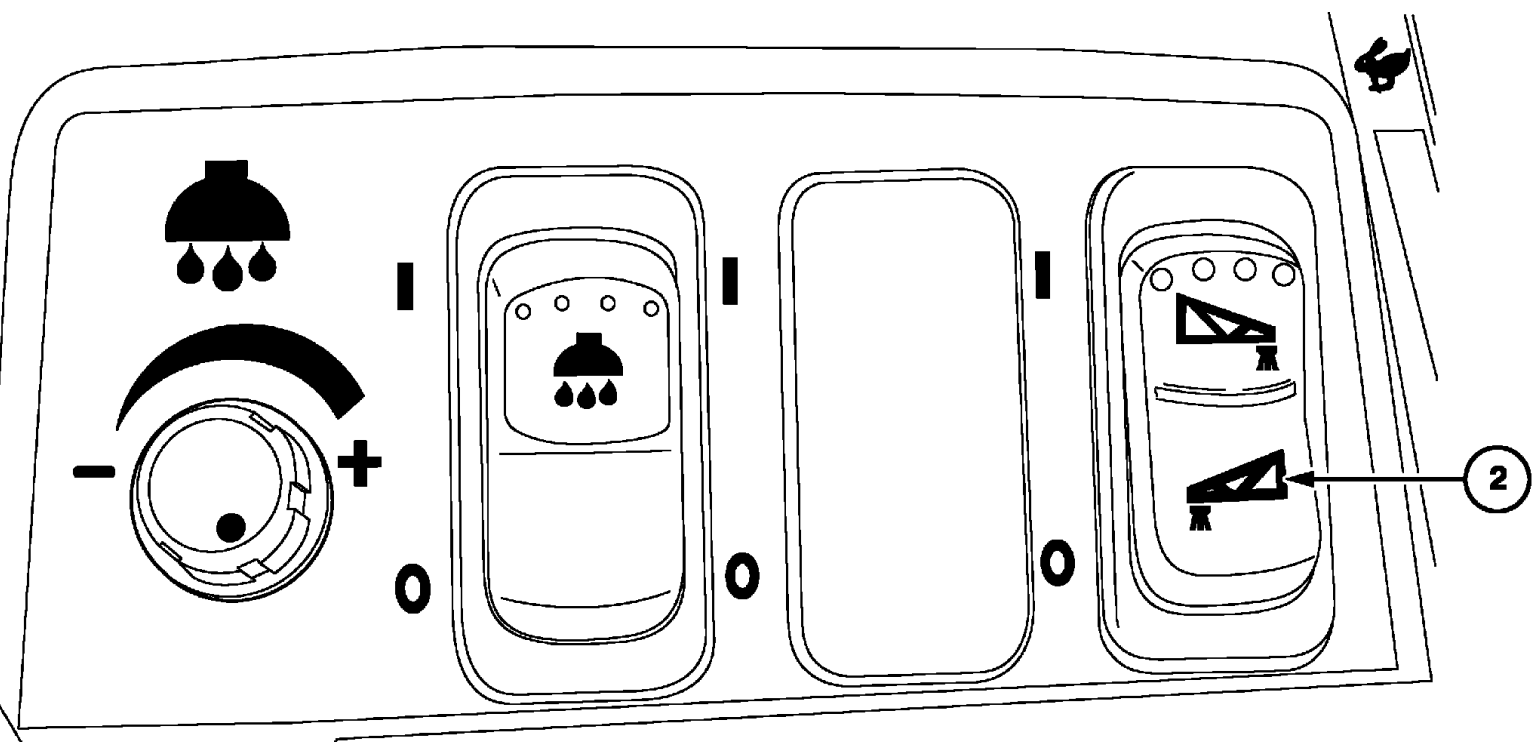
DETAIL A  
SCALE 1:3



## 4420 PATRIOT SPRAYER

## 12-012 HARNESS MOUNTING GROUP

Ref	Part Number	Qty	Description
1	343951A1	1	HARNESS, CHANNEL, ELECT.
2	87529312	8	WASHER, 11 X 24 3MM HDN DOR
3	86980400	4	BOLT, Hex, M10 x 25, 8.8,
4	86980515	4	NUT, LOCK, M10 x 1.5, Cl 8,
5	87557084	6	STRAP, CABLE,
6	86511444	8	NUT, M6, Flg Ser,





4420 PATRIOT SPRAYER

12-013 ELECTRICAL GROUP, FENCE ROW

Ref	Part Number	Qty	Description
1	87270027	2	HARNES, EXT, 2 POS.
2	BN321911	1	SWITCH, FENCE ROW

**ART**

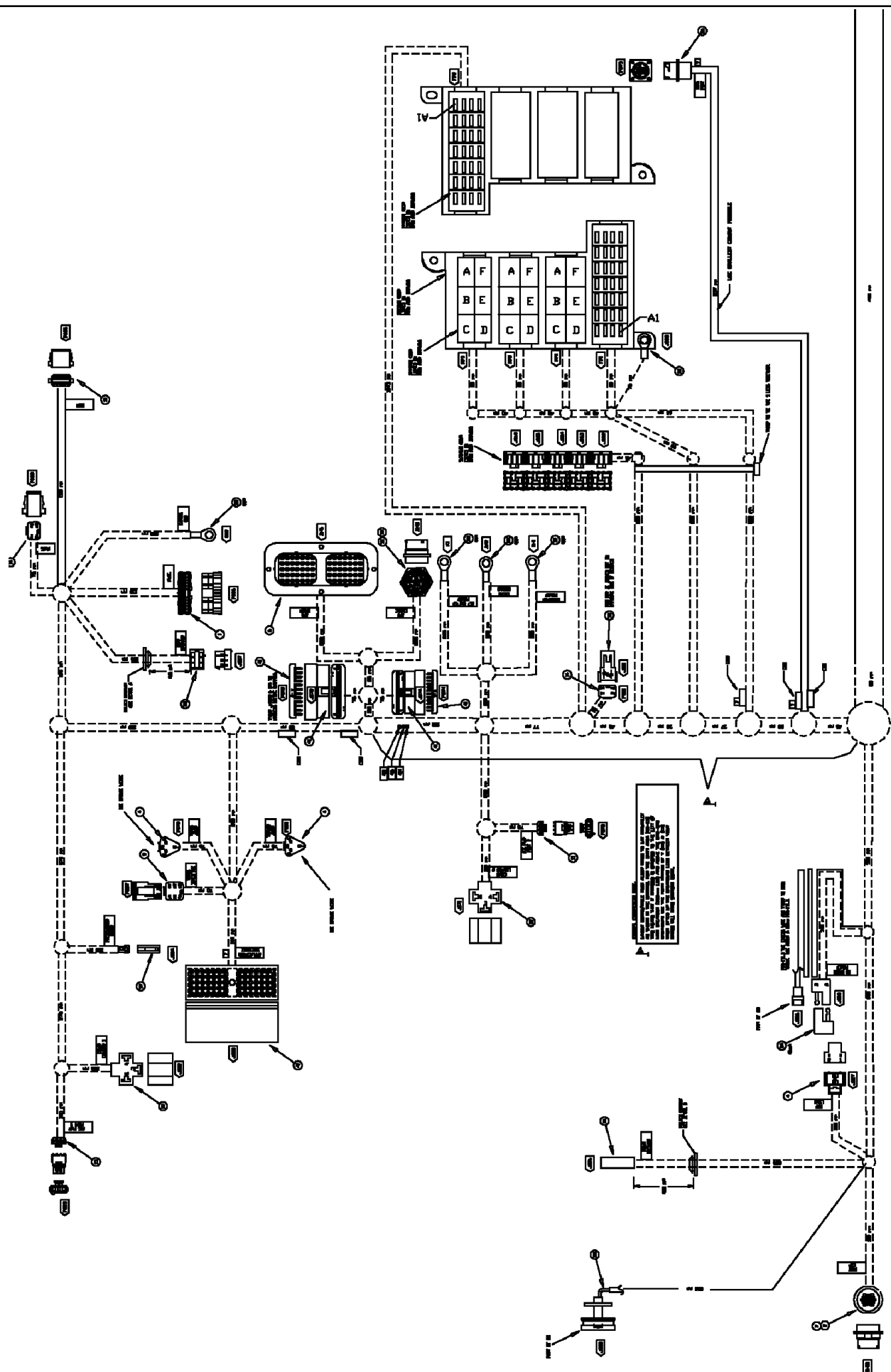
**NOT**

**AVAILABLE**

## 4420 PATRIOT SPRAYER

12-014 HARNESS GROUP, 7 SECTION, 120'

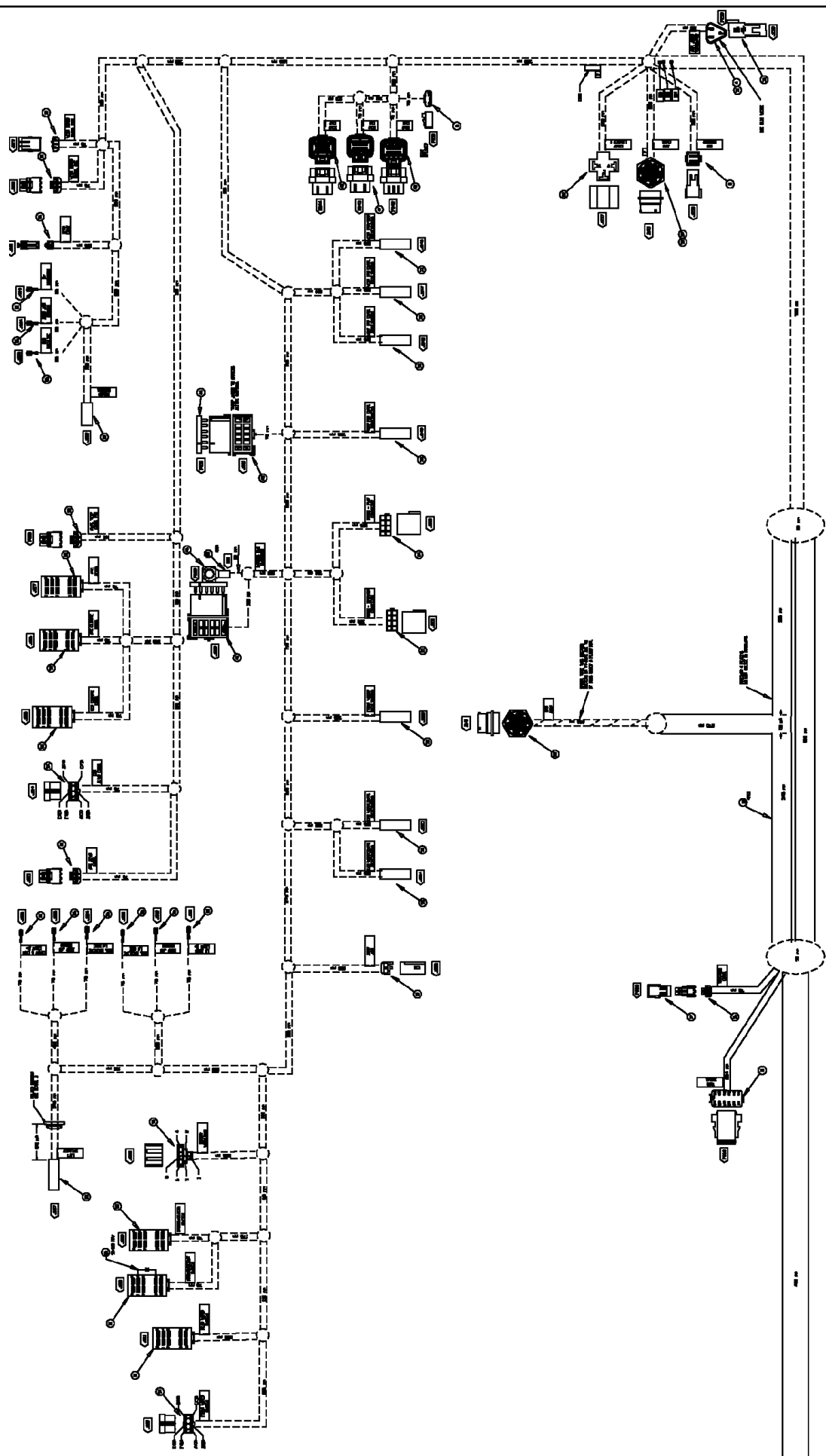
Ref	Part Number	Qty	Description
1	87627648	1	HARNESS, AIM CMD, 7 SECTS
2	87627642	2	HARNESS, SECT 1-7, 7 SECTS
3	87627643	2	HARNESS, SECT 2-6, 7 SECTS
4	87627644	2	HARNESS, SECT 3-5, 7 SECTS
5	87627645	1	HARNESS, SECT 4, 7 SECTS
6	86588450	2	WASHER, M6, 6.6 X 12 X 1.6 MM
7	9706755	2	NUT, M6, CI 8,
8	NSS	3	NOT SERVICED SEPARATELY, HARNESS, NOZZLE ALTERNATOR, SEE FIG. 12-049



4420 PATRIOT SPRAYER

12-015(01) HARNESS CAB MAIN

Ref	Part Number	Qty	Description
	87599648		AR HARNESS CAB MAIN



4420 PATRIOT SPRAYER

12-015(02) HARNESS CAB MAIN

Ref	Part Number	Qty	Description
	87599648		AR HARNESS CAB MAIN

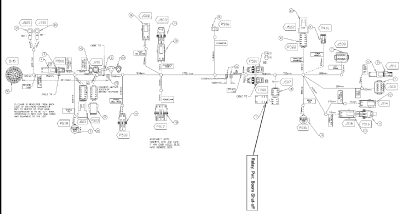




4420 PATRIOT SPRAYER

12-016 HARNESS ENGINE, ELECTRIC

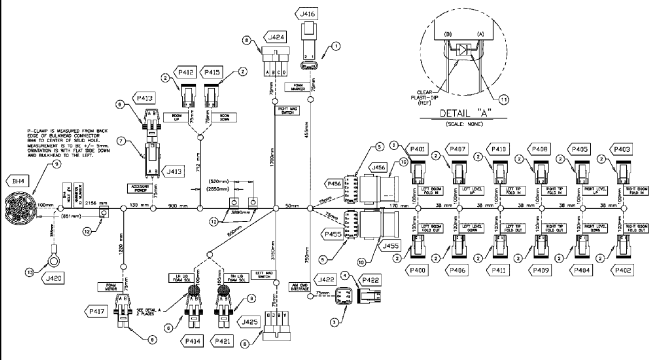
Ref	Part Number	Qty	Description
	87271835		AR HARNESS, WIRE, ELECTRIC



4420 PATRIOT SPRAYER

12-017 HARNESS PRODUCT CONTROL

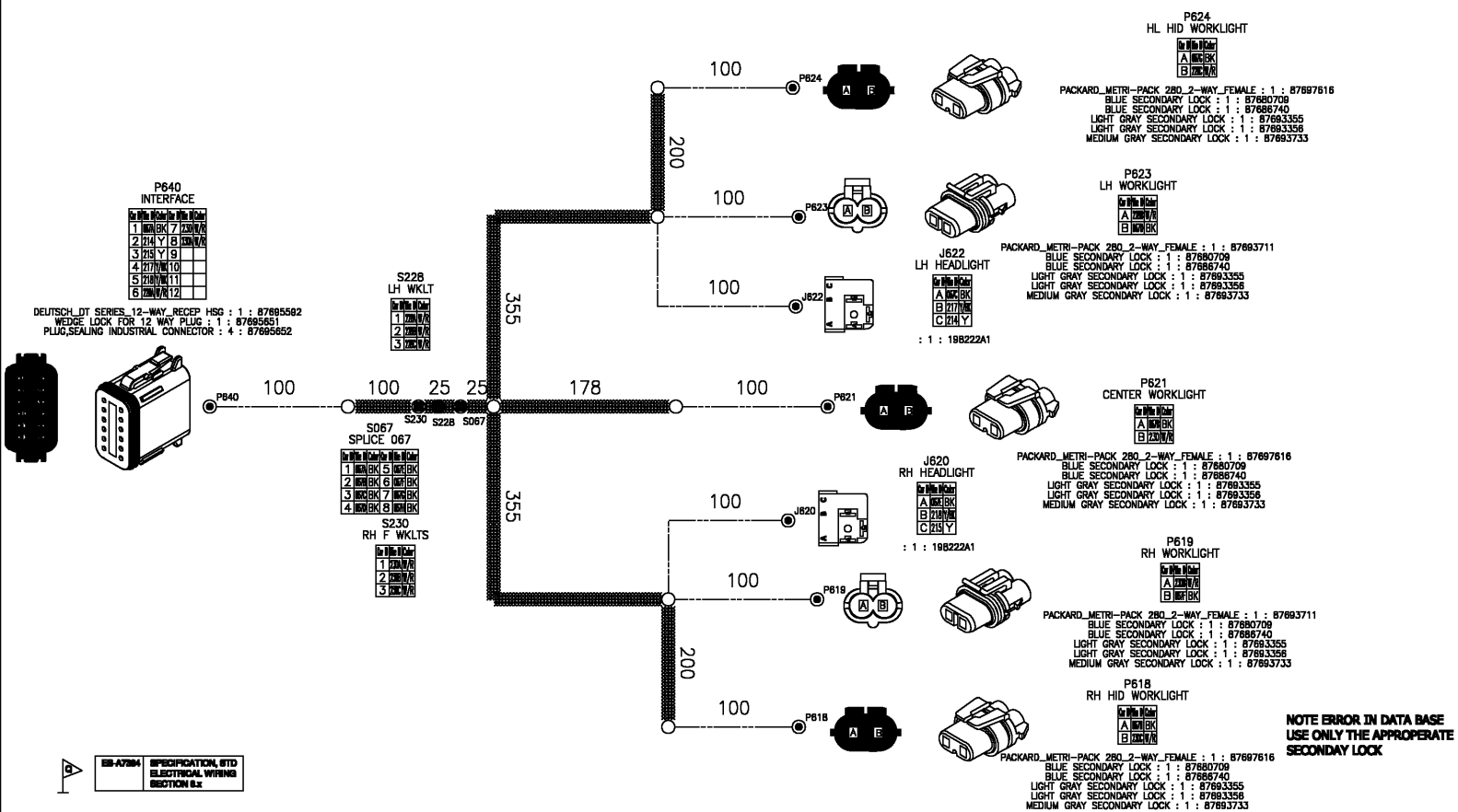
Ref	Part Number	Qty	Description
	87630208		AR HARNESS, WIRE, PRODUCT CONTROL



4420 PATRIOT SPRAYER

12-018 HARNESS, HYDRAULIC CONTROL

Ref	Part Number	Qty	Description
	87279954		AR HARNESS, HYDRAULIC CONTROL

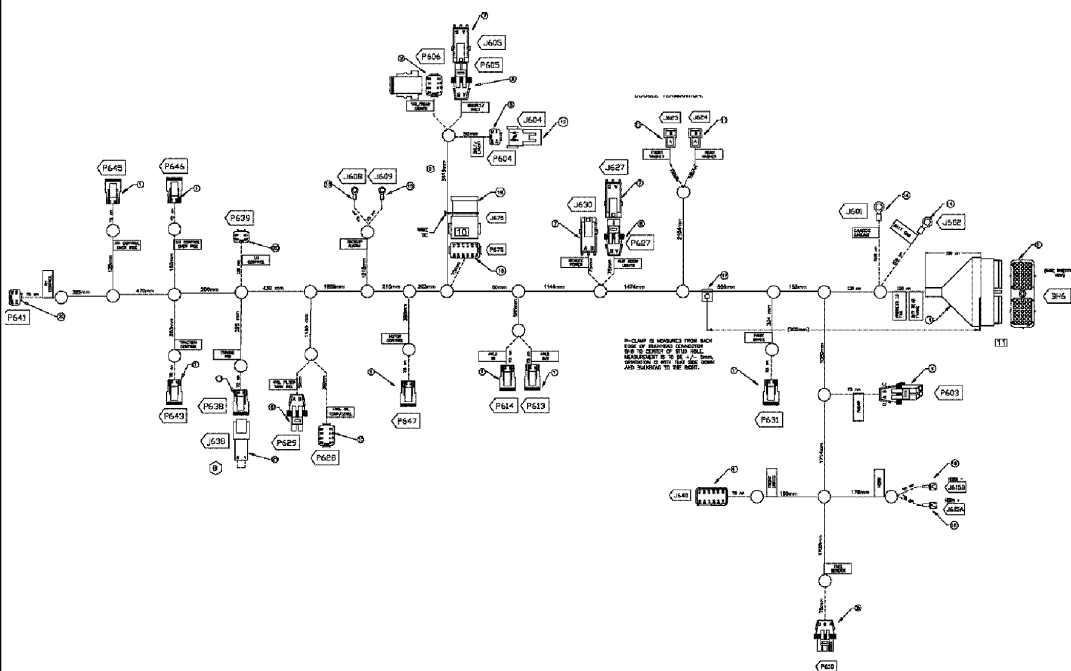


88-4784 SPECIFICATION, STD ELECTRICAL WIRING SECTION 8x

4420 PATRIOT SPRAYER

12-019 HARNESS, HEAD/WORK LIGHT

Ref	Part Number	Qty	Description
1	87661432	AR	HEAD/WORK LIGHT
2	87693711	1	PACKARD_METRI_PACK 280_2-WAY_FEMALE
3	87695592	1	DEUTSCH_DT SERIES_12-WAY_RECEP HSG
4	87697616	1	PACKARD_METRI_PACK 280_2-WAY_FEMALE

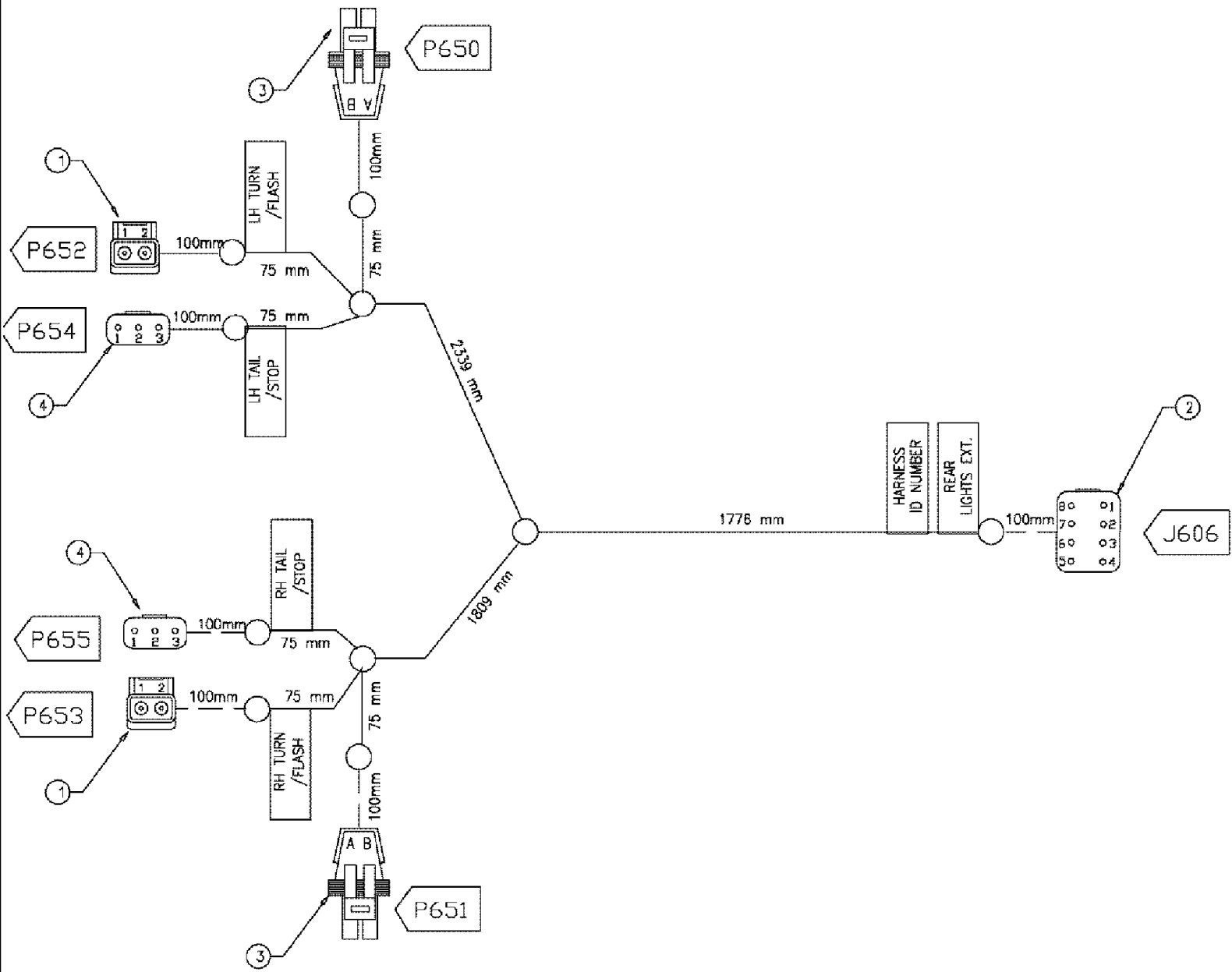




4420 PATRIOT SPRAYER

12-020 HARNESS, FRAME

Ref	Part Number	Qty	Description
	87546452		AR HARNESS, FRAME

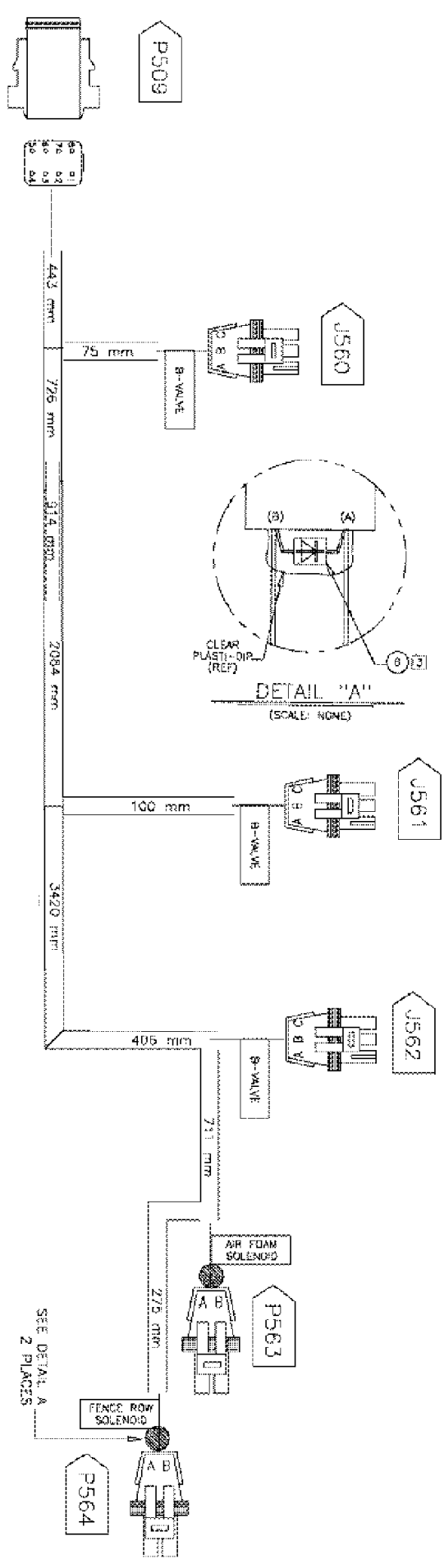


4420 PATRIOT SPRAYER

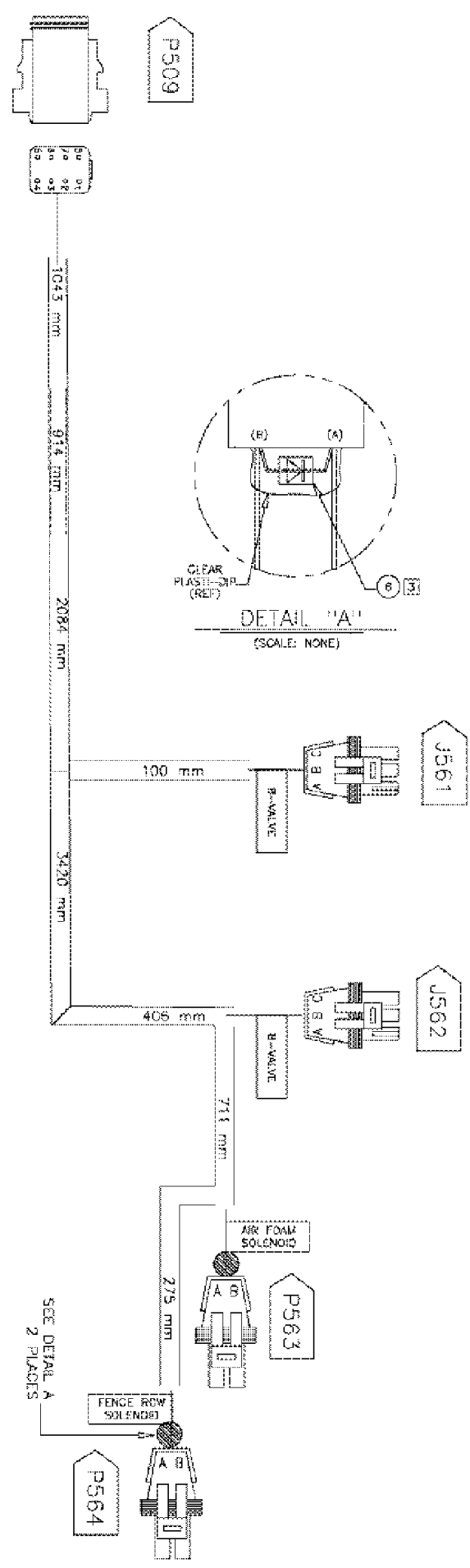
12-021 HARNESS, REAR LIGHTS

Ref	Part Number	Qty	Description
	87271857		AR HARNESS, WIRE, REAR LIGHTS

1



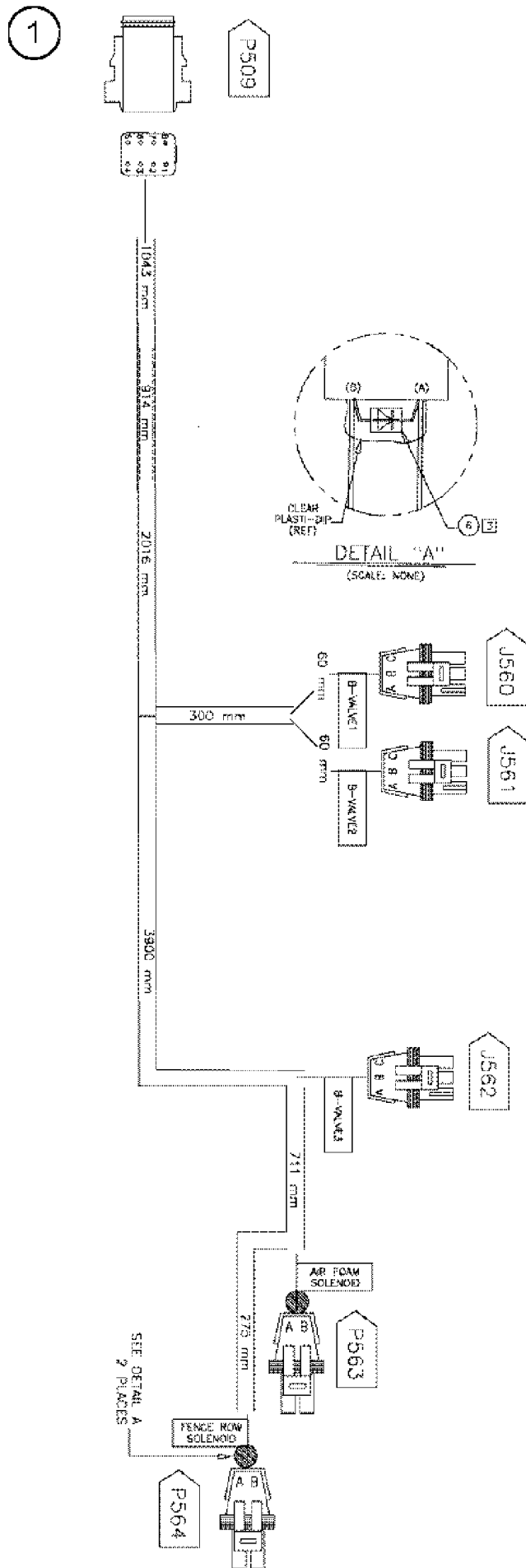
2



## 4420 PATRIOT SPRAYER

## 12-022 BOOM ELECTRICAL GROUP 5 SECTION

Ref	Part Number	Qty	Description
1	343957A1	1	HARNESS, 5 SECTION LH BOOM
2	343958A1	1	HARNESS, 5 SECTION RH BOOM
	87267548	1	5 SEC, PLMB, CS, SEE FIG. 09-092
	BN321910	5	SWITCH, BOOM SECTION

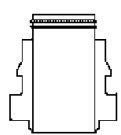


4420 PATRIOT SPRAYER

12-023 BOOM ELECTRICAL GROUP 6 SECTION

Ref	Part Number	Qty	Description
1	343956A1	2	HARNESS, 6 SECTION LH BOOM
	87268143	1	6 SEC, PLMB, CS, SEE FIG. 09-093
	BN321910	6	SWITCH, BOOM SECTION

1



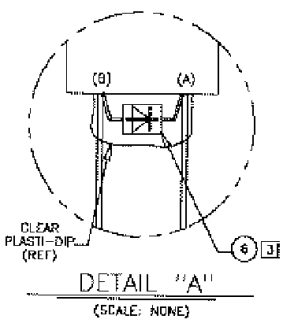
P509



1043 mm

314 mm

2018 mm



300 mm

60 mm

60 mm

B-VALVE1

B-VALVE2

J560

J561

3900 mm

711 mm

B-VALVE3

J562

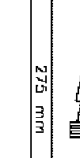
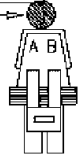
275 mm

AIR FOAM SOLENOID

P563

SEE DETAIL A  
2 PLACES

P564

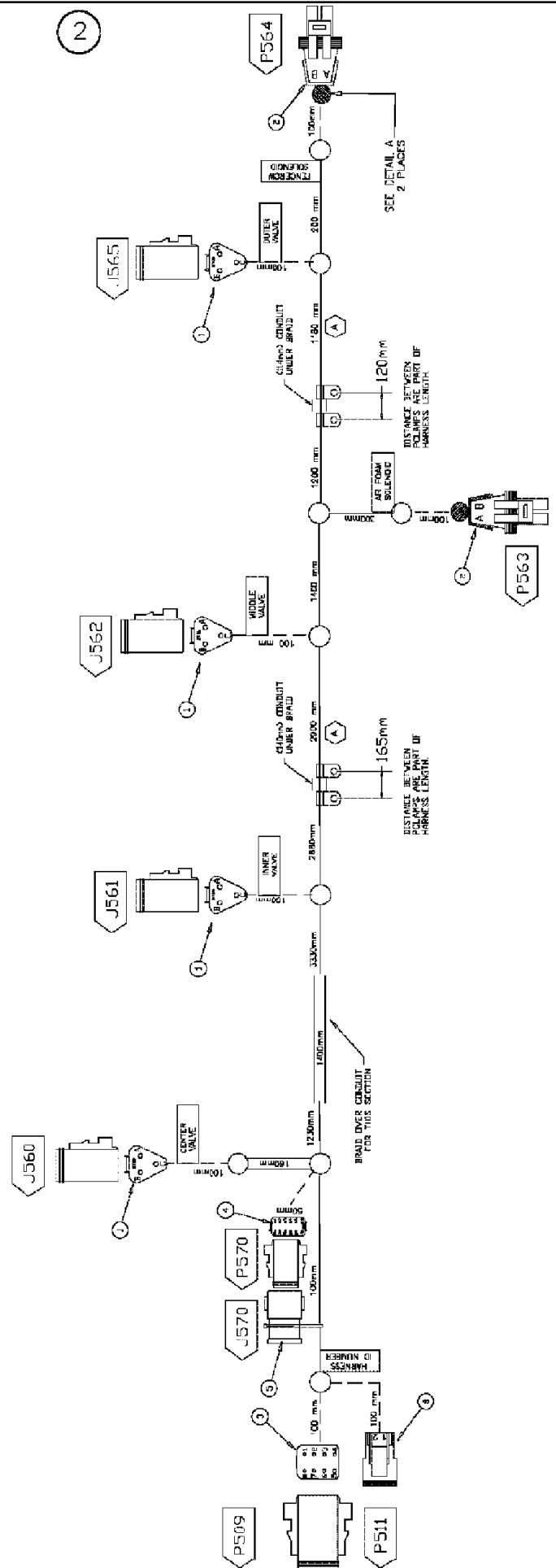
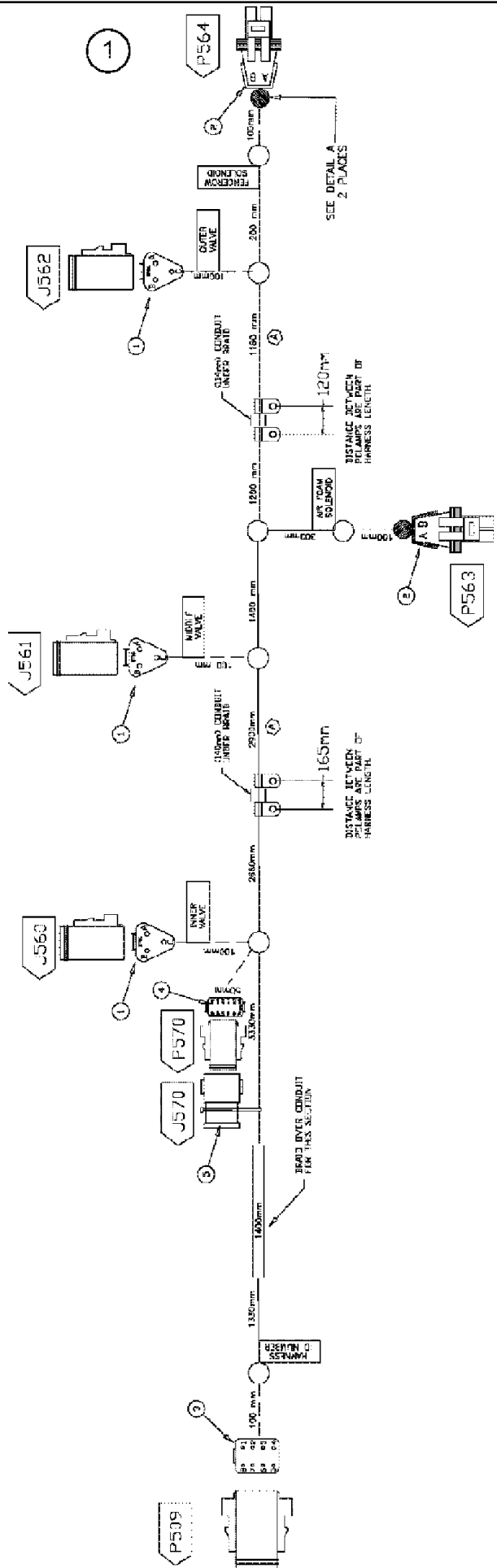




## 4420 PATRIOT SPRAYER

## 12-024 BOOM ELECTRICAL GROUP 6 SECTION

Ref	Part Number	Qty	Description
1	343956A1 87268143 BN321910	2 1 6	HARNESS, 6 SECTION LH BOOM 6 SEC, PLMB, CS, SEE FIG. 09-093 SWITCH, BOOM SECTION



## 4420 PATRIOT SPRAYER

## 12-025 BOOM, ELECTRICAL GROUP, 7 SECTION, 120' BOOM

Ref	Part Number	Qty	Description
1	87380309	1	SPARE PART, HARNESS, 7 SECT LH BOOM
2	87380310	1	7 SECT RH BOOM
	86986400	1	SWITCH, PRESSURE, PMLF
	86588450	2	WASHER, M6, 6.6 X 12 X 1.6 MM
	9706755	2	NUT, M6, CI 8,
	BN321910	7	SWITCH, BOOM SECTION

**ART**

**NOT**

**AVAILABLE**

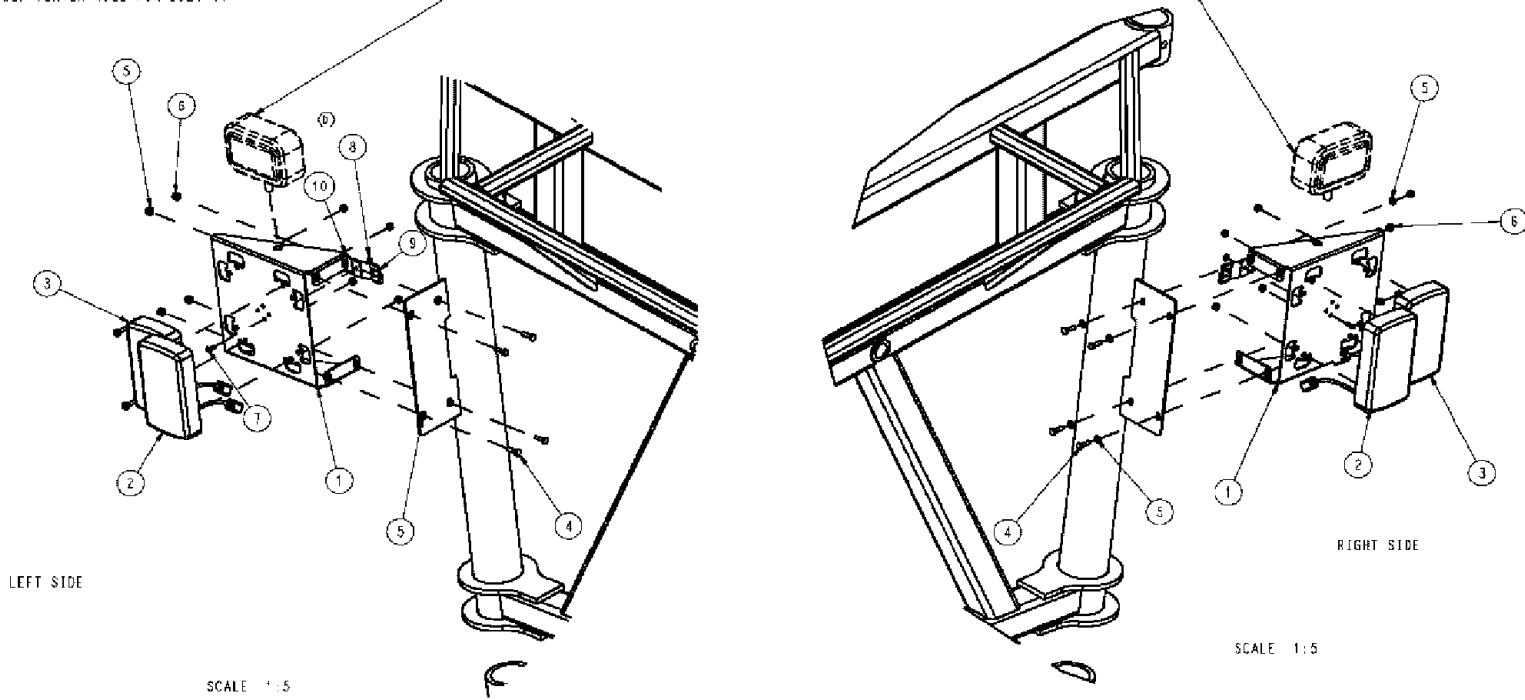
## 4420 PATRIOT SPRAYER

## 12-026 TAILLIGHT GROUP

Ref	Part Number	Qty	Description
	86986345	1	REAR STOP, SIGNAL ASSY, SEE FIG. 12-027
	BN66130	2	SIGNAL, FLASH/SIG. LIGHT-AMBER 12V
	BN300874	1	BULB, TURN-12 VOLT, SERVICE PARTS FOR REF. 1
	BN300878	1	LENS, AMBER, SERVICE PARTS FOR REF. 1
	BN300881	1	CAP, LENS, BLACK, SERVICE PARTS FOR REF. 1

SNAP LIGHT WIRE LEAD END TERMINAL INTO RETAINERS, #9, #10.  
INSTALL ALL LIGHTS WITH WIRE LEADS AT BOTTOM OF LIGHT.  
USE LOWER CENTER HOLE FOR BOLT #7

AMBER LIGHTS NOT USED ON MODEL 3200.  
LIGHTS ARE SHOWN FOR POSITION.  
BLACK SIDE FACES TO REAR OF UNIT



## 4420 PATRIOT SPRAYER

## 12-027 REAR STOP, SIGNAL ASSEMBLY

Ref	Part Number	Qty	Description
1	BN325075	2	PLATE, MOUNTING, TAIL LIGHT, (LED)
2	BN325077	2	LIGHT, TAIL, LED RED, 12V
3	BN325078	2	LIGHT, TURN, LED AMBER, 12V
4	614-6020	16	BOLT, Hex, M6 x 20, 8.8,
5	895-11006	24	WASHER, M6, FLAT
6	832-46406	16	NUT, LOCK, M6 x 1, CI 8,





4420 PATRIOT SPRAYER

12-028 HARNESS GROUP

Ref	Part Number	Qty	Description
1	87622817	1	HARNESS, WIRE, RH CONSOLE
2	87572015	1	HARNESS, WIRE, RH COMPART
	BN16183	5	PROTECTION, LOOM, 413 ID CONVOLUTED, ASSOCIATED PART OF HARNESS, RH COMPART, P/N 87572015

**ART**

**NOT**

**AVAILABLE**

4420 PATRIOT SPRAYER

12-029 WILGER GROUP, 120' BOOM

Ref	Part Number	Qty	Description
	87271452	72	SOLENOID, AIM, WILGER, 150P, SEE FIG. 12-041

**ART**

**NOT**

**AVAILABLE**

4420 PATRIOT SPRAYER

12-030 ARAG GROUP, 120' BOOM

Ref	Part Number	Qty	Description
	87271451	72	SOLENOID, AIM, ARAG, 150P, SEE FIG. 12-040

**ART**

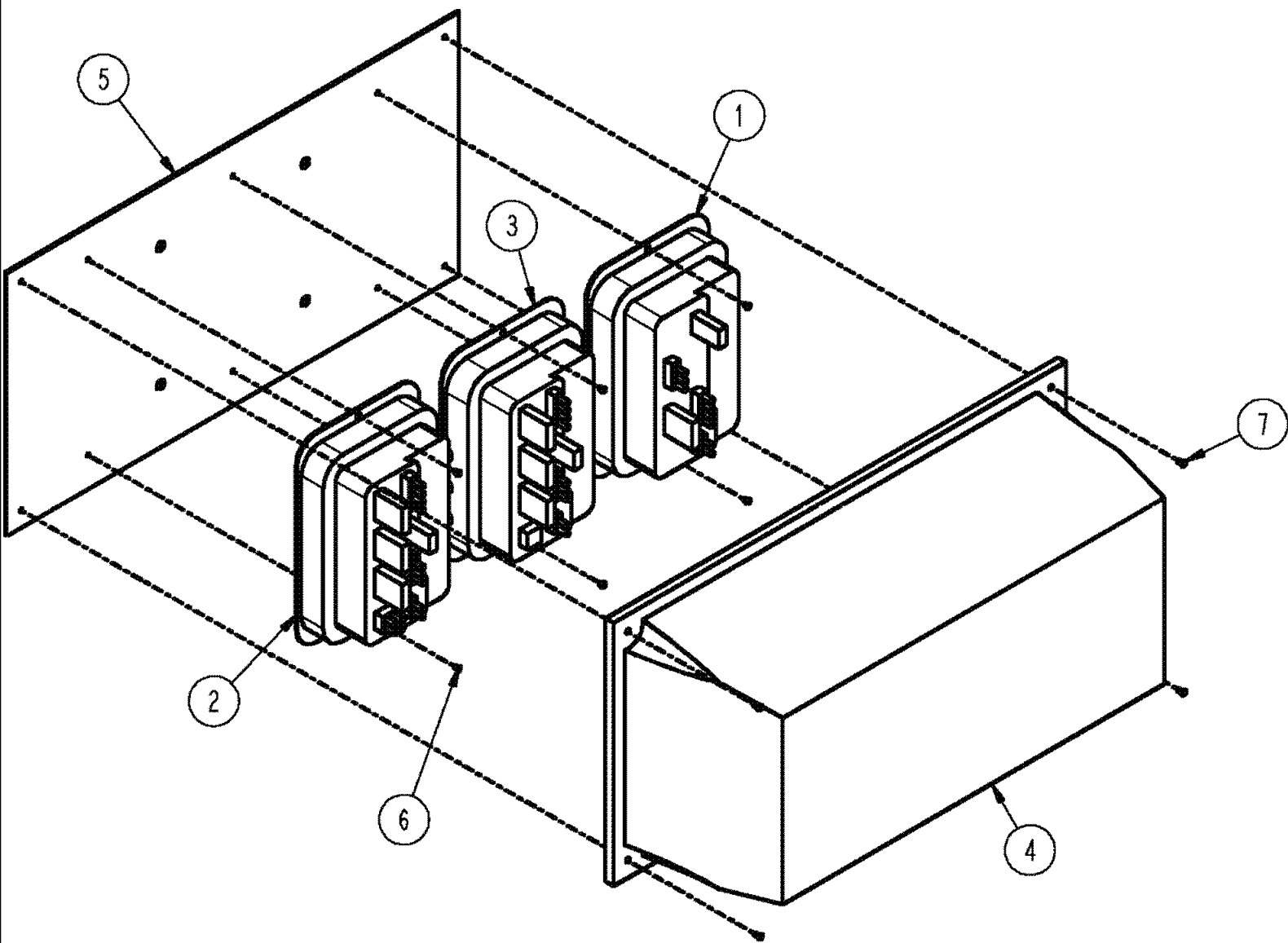
**NOT**

**AVAILABLE**

## 4420 PATRIOT SPRAYER

12-031 AIM CMD, PWM, WILGER 6

Ref	Part Number	Qty	Description
	87272056	1	GROUP, SCREENS 6 SECTION, SEE FIG. 11-067
	87397541	1	PKG, AIM CMD, PWM 1-6 SECTION, SEE FIG. 12-032
	87531471	1	GRP, AIM CMD, PWM, ELEC, SEE FIG. 12-042
	BN315670	1	MANUAL, SERVICE, GROUP, AIM SYSTEM
	BN323209	1	DECAL GRP, SEE FIG. 10-010
	BN323817	1	AIM 90 X 20 SOL GRP, WILGER 6, SEE FIG. 12-037
	BN325231	1	PLBG GRP, AIM SENSOR, SEE FIG. 12-033

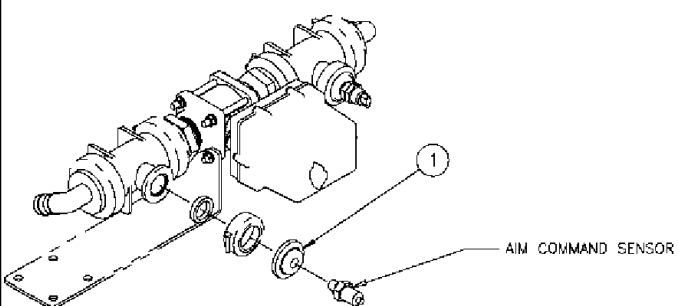




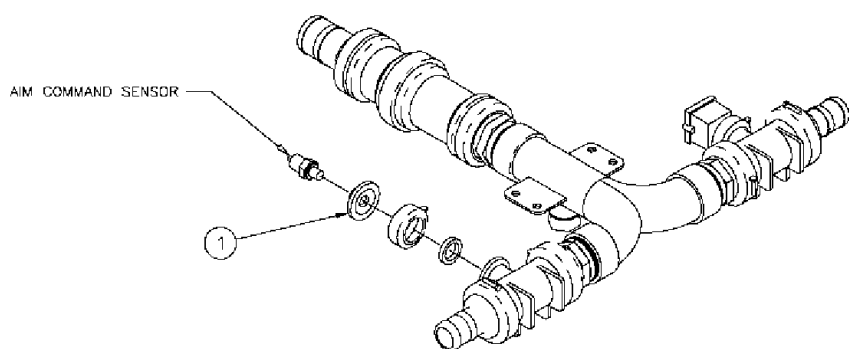
## 4420 PATRIOT SPRAYER

12-032 AIM COMMAND PACKAGE, PWM 1-6 SEC

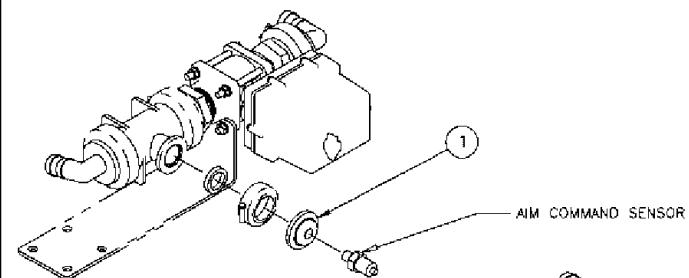
Ref	Part Number	Qty	Description
1	87542956	1	SENSOR, MODULE, UNIPOLAR PRES, PWM
2	87271843	1	MODULE, SLAVE AIM COMMAND
3	87271842	1	MODULE, MASTER AIM COMMAND
4	87397540	1	AIM CMD, REAR MOUNT
5	BN310936	1	PLATE, SYNCHRO MODULE-MNT
6	BN314296	6	SCREW, MODULE MOUNTING
7	BN314297	4	SCREW, COVER MOUNTING



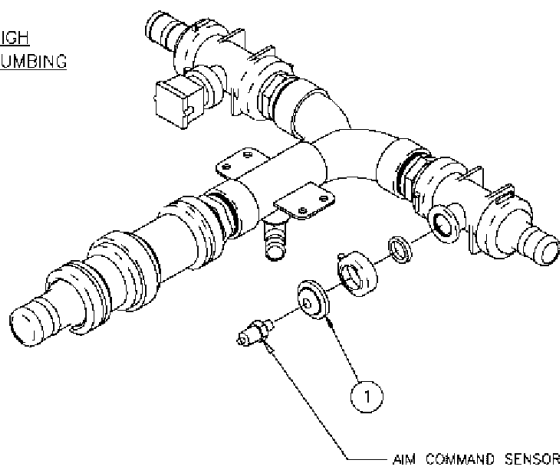
DETAIL FOR 5 SECTION HIGH  
VOLUME 10" ON CENTER PLUMBING



DETAIL FOR 6 SECTION STANDARD PLUMBING



DETAIL FOR 5 SECTION HIGH  
VOLUME 20" OFF CENTER PLUMBING



DETAIL FOR 5 SECTION STANDARD PLUMBING

NOTES:

- 1. CAP PREVIOUSLY INSTALLED IS REMOVED AND DISCARDED.

4420 PATRIOT SPRAYER

12-033 AIM SENSOR PLUMBING GROUP, CENTER SECTION

Ref	Part Number	Qty	Description
1	BN324133	1	PLUG, PLUG, MFLD 1" W. 1/4" NPT

**ART**

**NOT**

**AVAILABLE**

## 4420 PATRIOT SPRAYER

12-034 AIM 90' X 20" SOL GROUP, ARAG 5

Ref	Part Number	Qty	Description
	87271452	54	SOLENOID, AIM, WILGER, 150P, SEE FIG. 12-041
	BN316014	2	HARNESS, NOZZLE ALTERNATOR, SEE FIG. 12-049
	87586918	1	HARNESS, WIRE, AIM COMMAND, 6 NOZZLE, SEE FIG. 12-043
	87586923	2	HARNESS, WIRE, AIM COMMAND, 9 NOZZLE, SEE FIG. 12-044
	87586925	2	HARNESS, WIRE, AIM COMMAND, 15 NOZZLE SEE FIG. 12-046

**ART**

**NOT**

**AVAILABLE**

## 4420 PATRIOT SPRAYER

12-035 AIM 90' X 20" SOL GROUP, ARAG 6

Ref	Part Number	Qty	Description
	87271451	54	SOLENOID, AIM, ARAG, 150P, SEE FIG. 12-040
	BN316014	3	HARNESS, NOZZLE ALTERNATOR, SEE FIG. 12-049
	87586923	2	HARNESS, WIRE, AIM CMD 9 NOZZLE, TIP, SEE FIG. 12-044
	BN323118	2	HARNESS, AIM CMD 6 SECT, SEE FIG. 12-047
	BN323119	2	HARNESS, AIM CMD 6 SECT, SEE FIG. 12-048

**ART**

**NOT**

**AVAILABLE**



## 4420 PATRIOT SPRAYER

12-036 AIM 90' X 20" SOL GROUP, WILGER 5

Ref	Part Number	Qty	Description
	87271452	54	SOLENOID, AIM, WILGER, 150P, SEE FIG. 12-041
	BN316014	2	HARNESS, NOZZLE ALTERNATOR, SEE FIG. 12-049
	87586918	1	HARNESS, WIRE, AIM COMMAND, 6 NOZZLE, SEE FIG. 12-043
	87586923	2	HARNESS, WIRE, AIM COMMAND, 9 NOZZLE, SEE FIG. 12-044
	NSS	2	NOT SERVICED SEPARATELY, AIM COMMAND, 15 NOZZLE, SEE FIG. 12-046

**ART**

**NOT**

**AVAILABLE**

## 4420 PATRIOT SPRAYER

12-037 AIM 90' X 20" SOL GROUP, WILGER 6

Ref	Part Number	Qty	Description
	87271452	54	SOLENOID, AIM, WILGER, 150P, SEE FIG. 12-041
	BN316014	3	HARNESS, NOZZLE ALTERNATOR, SEE FIG. 12-049
	87586923	2	HARNESS, WIRE, AIM 9 NOZZLE TIP, SEE FIG. 12-044
	BN323118	2	HARNESS, AIM CMD 6 SECT, SEE FIG. 12-047
	BN323119	2	HARNESS, AIM CMD 6 SECT, SEE FIG. 12-048

**ART**

**NOT**

**AVAILABLE**

## 4420 PATRIOT SPRAYER

12-038 AIM 100' X 20" SOL GROUP, WILGER 6

Ref	Part Number	Qty	Description
BN316014	3	HARNES, NOZZLE ALTERNATOR, SEE FIG. 12-049	
87381642	2	HARNES, WIRE, AIM 12 NOZ. TIP, SEE FIG. 12-045	
BN323118	2	HARNES, AIM CMD 6 SECT, SEE FIG. 12-047	
BN323119	2	HARNES, AIM CMD 6 SECT, SEE FIG. 12-048	
87271452	60	SOLENOID, AIM, WILGER, 150P, SEE FIG. 12-041	

**ART**

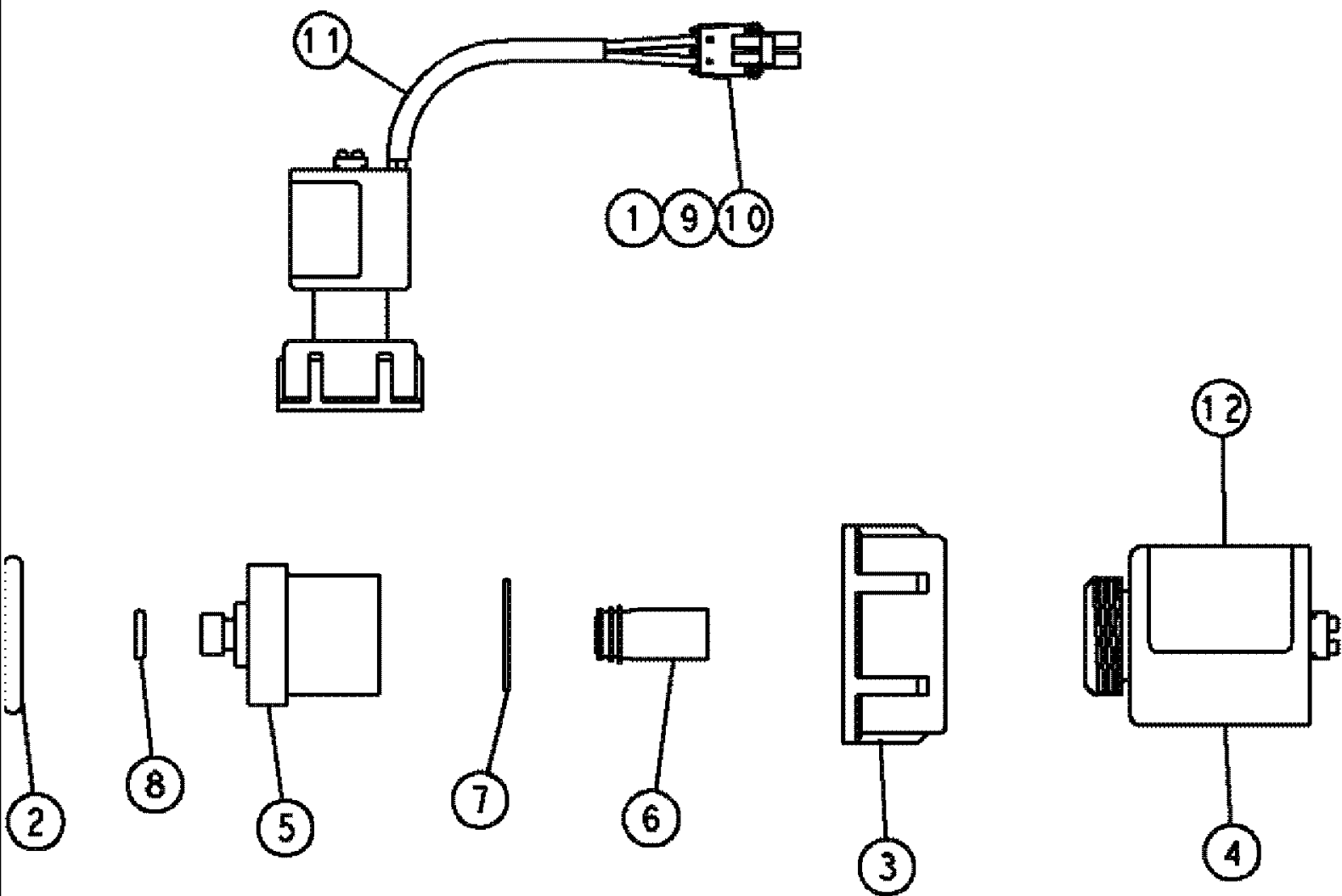
**NOT**

**AVAILABLE**

## 4420 PATRIOT SPRAYER

12-039 AIM 100' X 20" SOL GROUP, 5 WAY

Ref	Part Number	Qty	Description
	BN316014	3	HARNESS, NOZZLE ALTERNATOR, SEE FIG. 12-049
	87381642	2	HARNESS, WIRE, AIM 12 NOZZLE TIP, SEE FIG. 12-045
	BN323118	2	HARNESS, AIM CMD 6 SECT, SEE FIG. 12-047
	BN323119	2	HARNESS, AIM CMD 6 SECT, SEE FIG. 12-048
	87271451	60	SOLENOID, AIM, ARAG, 150P, SEE FIG. 12-040

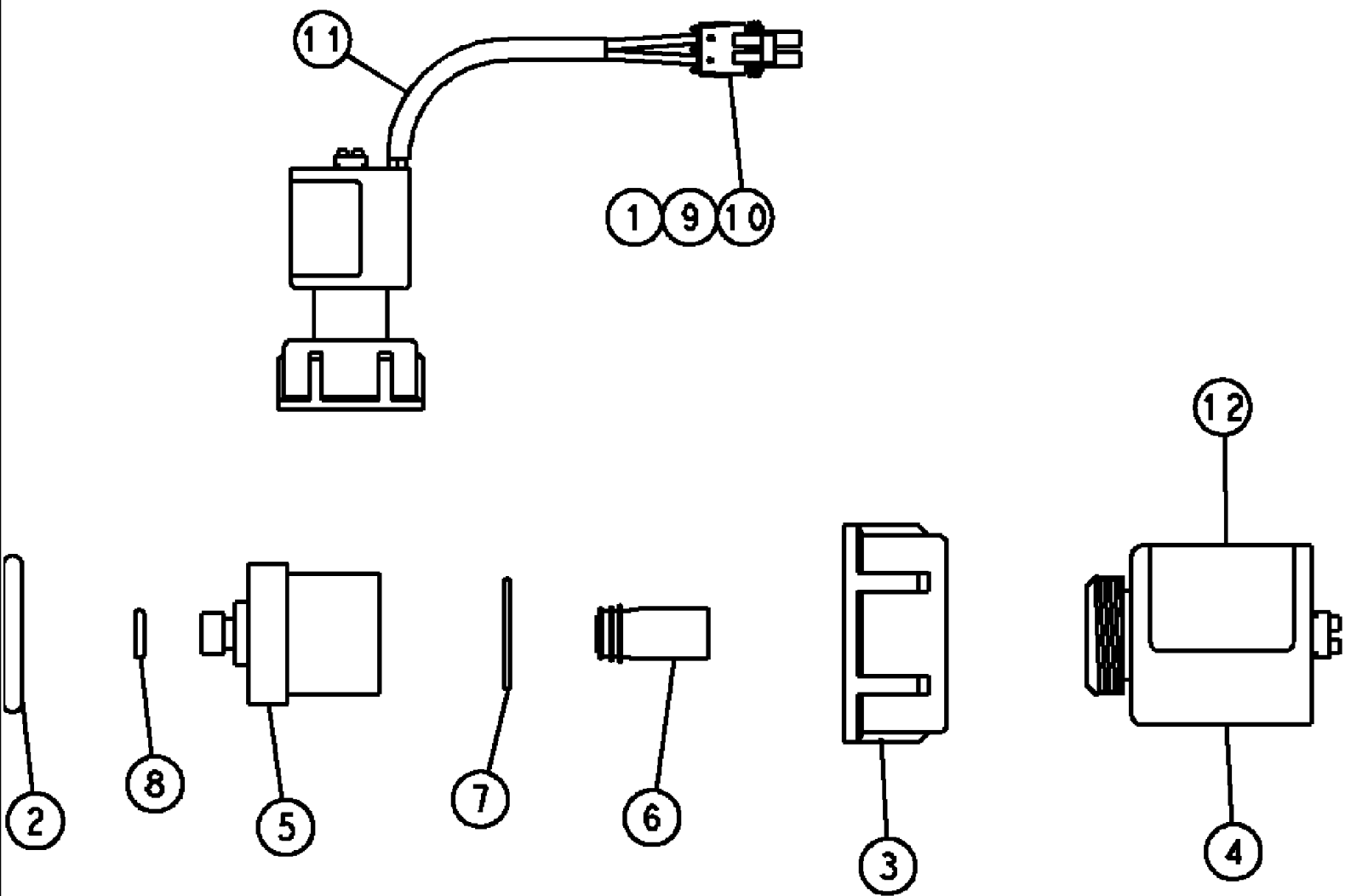




## 4420 PATRIOT SPRAYER

12-040 SOLENOID, AIM, ARAG 150P

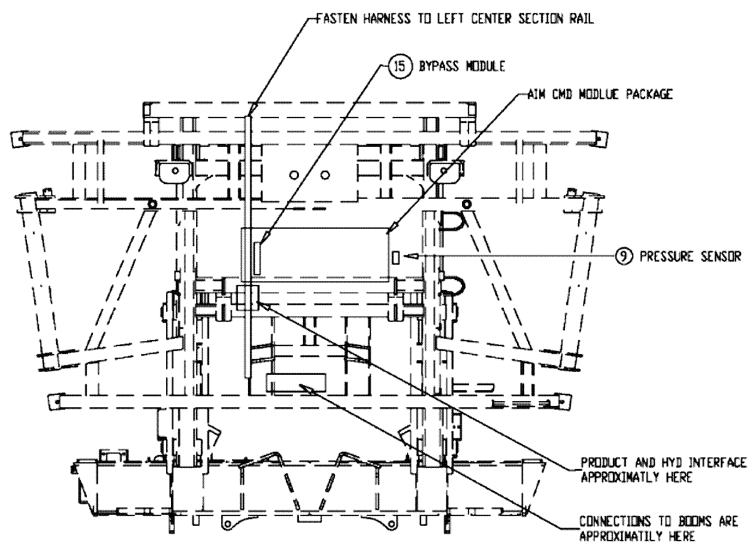
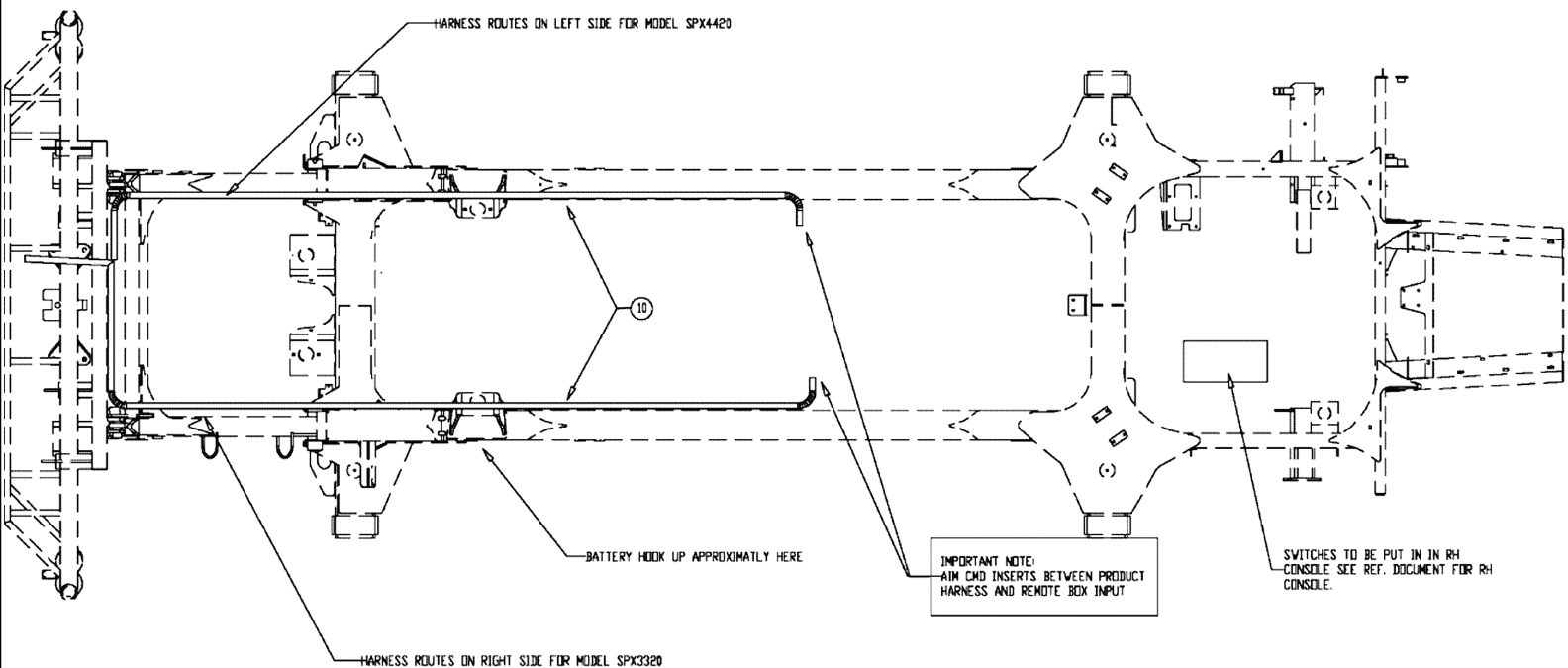
Ref	Part Number	Qty	Description
2	87272506	1	O-RING, ARAG-115 VITON
4	87272502	1	SOLENOID, COIL ASSY, 7W, OVERMOLDED
5	87272507	1	VALVE, HYDRAULIC, GRIP BODY, ARAG
6	87272503	1	PLUNGER, ASSY, PFE
7	87272504	1	O-RING, 0.015 VITON
8	87272505	1	O-RING, 0.008, VITON



## 4420 PATRIOT SPRAYER

12-041 SOLENOID, AIM, WILGER 150P

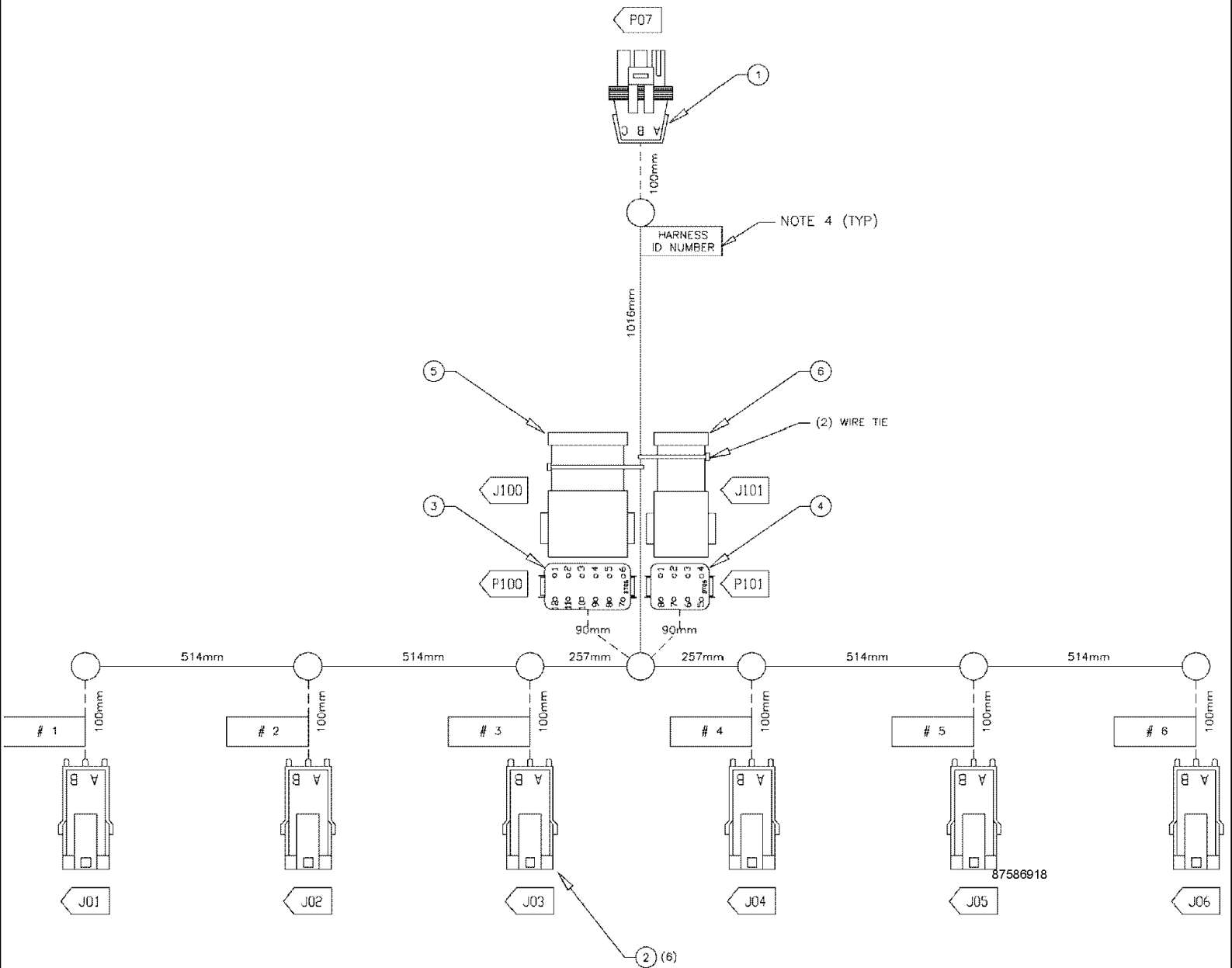
Ref	Part Number	Qty	Description
2	87266194	1	O-RING, ARAG-116 VITON
4	87272502	1	SOLENOID, COIL ASSY, 7W, OVERMOLDED
5	87272501	1	BODY, VALVE, GRIP, WILGER
6	87272503	1	PLUNGER, ASSY, PFE
7	87272504	1	O-RING, 0.015 VITON
8	87272505	1	O-RING, 0.008, VITON



## 4420 PATRIOT SPRAYER

## 12-042 AIM COMMAND ELECTRICAL GROUP

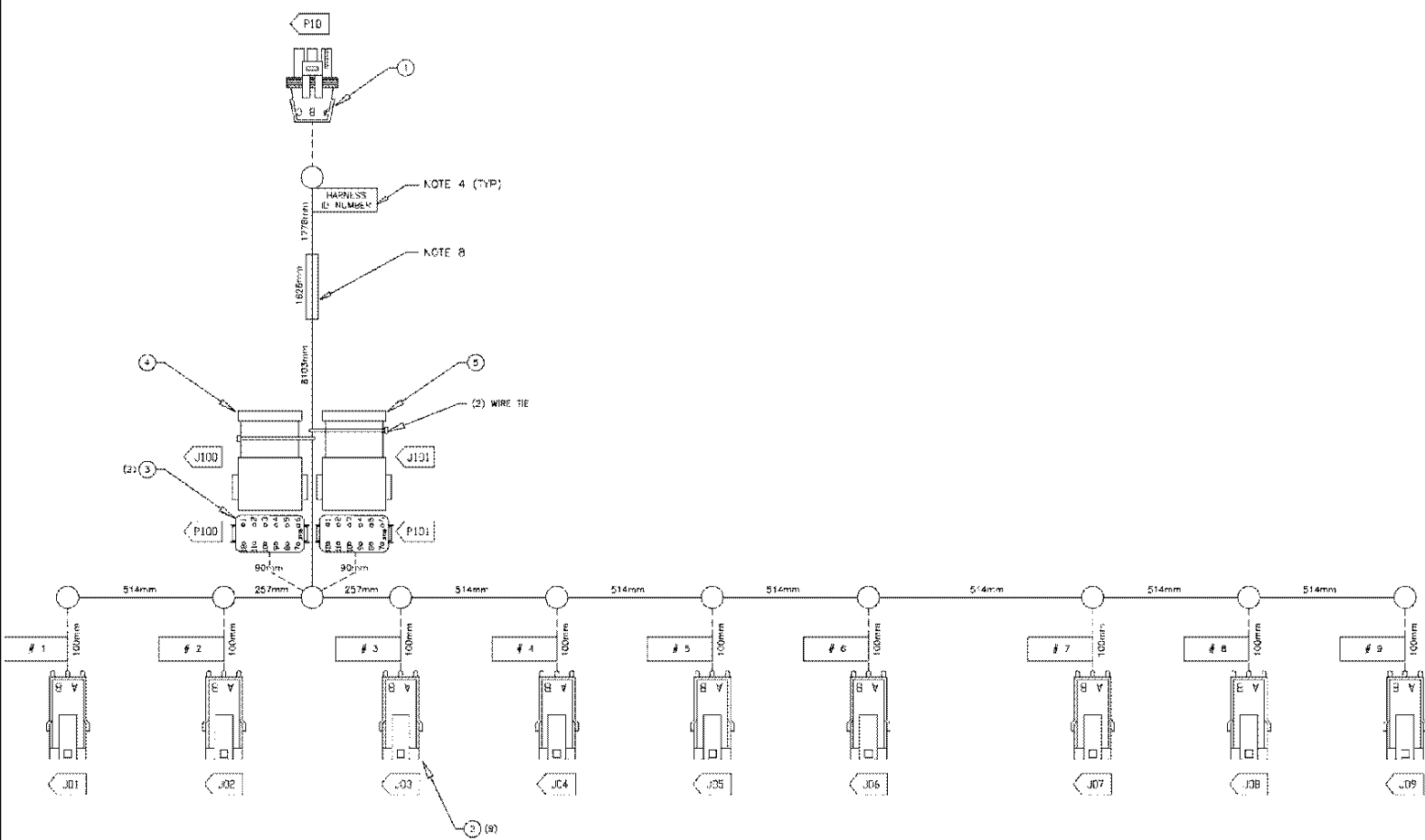
Ref	Part Number	Qty	Description
1	NSS	1	NOT SERVICED SEPARATELY, GROUP, B VALVE ISOLATORS, SEE FIG. 12-049
2	515-24444	1	CLAMP, 1 3/4", Insul, 7/16" Bolt, NOT SHOWN
3	86980379	4	BOLT, M8-1.25 X 20, HH, 8.8, DO, NOT SHOWN
4	86980400	8	BOLT, Hex, M10 x 25, 8.8, NOT SHOWN
5	86980514	4	NUT, P/T ALL MTL M8 8 DOR, NOT SHOWN
6	86980515	9	NUT, LOCK, M10 x 1.5, CI 8, NOT SHOWN
7	87270709	1	SWITCH, NGR, ON-OFF-ON
8	87271089	1	BRACKET, SUPPORTING, MOUNT, AIM CMD, REAR, NOT SHOWN
9	87271580	1	SENSOR, PRESSURE AIM COM
10	87630216	1	HARNESS, HARNESS, AIM CMD, REAR, SEE FIG. 12-056
11	87529312	1	WASHER, 11 X 24 X 3MM HND DOR, NOT SHOWN
12	BN321908	1	SWITCH, AIM CMD PRES ADJ
13	BN321909	1	SWITCH, PRESSURE, AIM CMD PRES SET
14	BN322921	1	SWITCH, ROCKER AIM CMD SYS
15	87271226	1	MODULE, AIM CMD BY-PASS, SEE FIG. 12-053



4420 PATRIOT SPRAYER

12-043 HARNESS, AIM, 6 NOZZLE TIP

Ref	Part Number	Qty	Description
	87586918		AR HARNESS, WIRE, AIM, 6 NOZZLE TIP





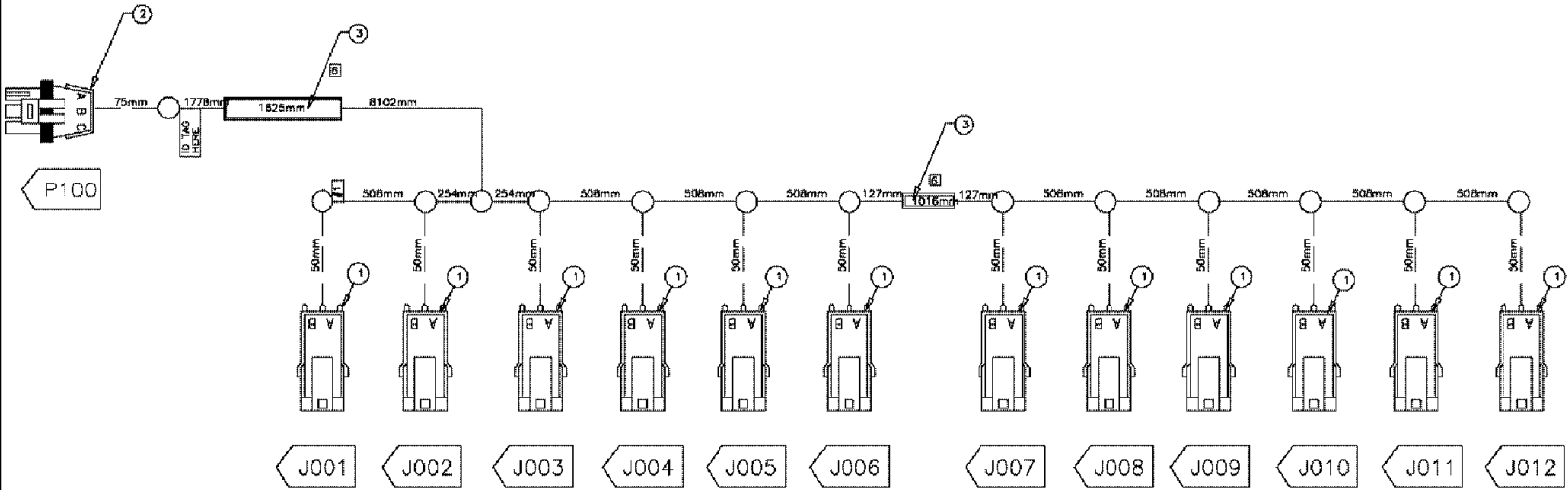
4420 PATRIOT SPRAYER

12-044 HARNESS, AIM, 9 NOZZLE TIP

Ref	Part Number	Qty	Description
	87586923		AR HARNESS, WIRE, AIM, 9 NOZZLE TIP

# 4420 PATRIOT SPRAYER

## 12-045 HARNESS, AIM, 12 NOZZLE TIP



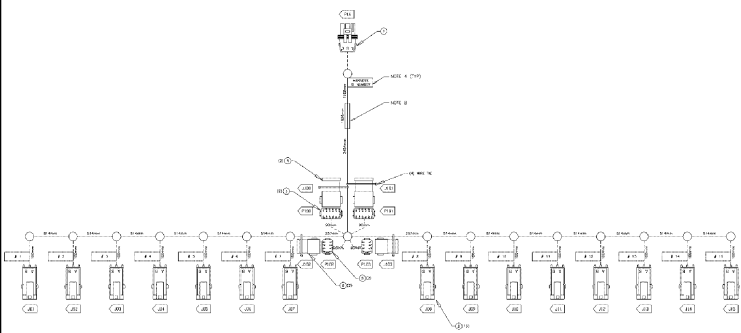
4420 PATRIOT SPRAYER

12-045 HARNESS, AIM, 12 NOZZLE TIP

Ref	Part Number	Qty	Description
	87381642		AR HARNESS, WIRE, AIM, 12 NOZZLE TIP

4420 PATRIOT SPRAYER

12-046 HARNESS, AIM, 15 NOZZLE TIP



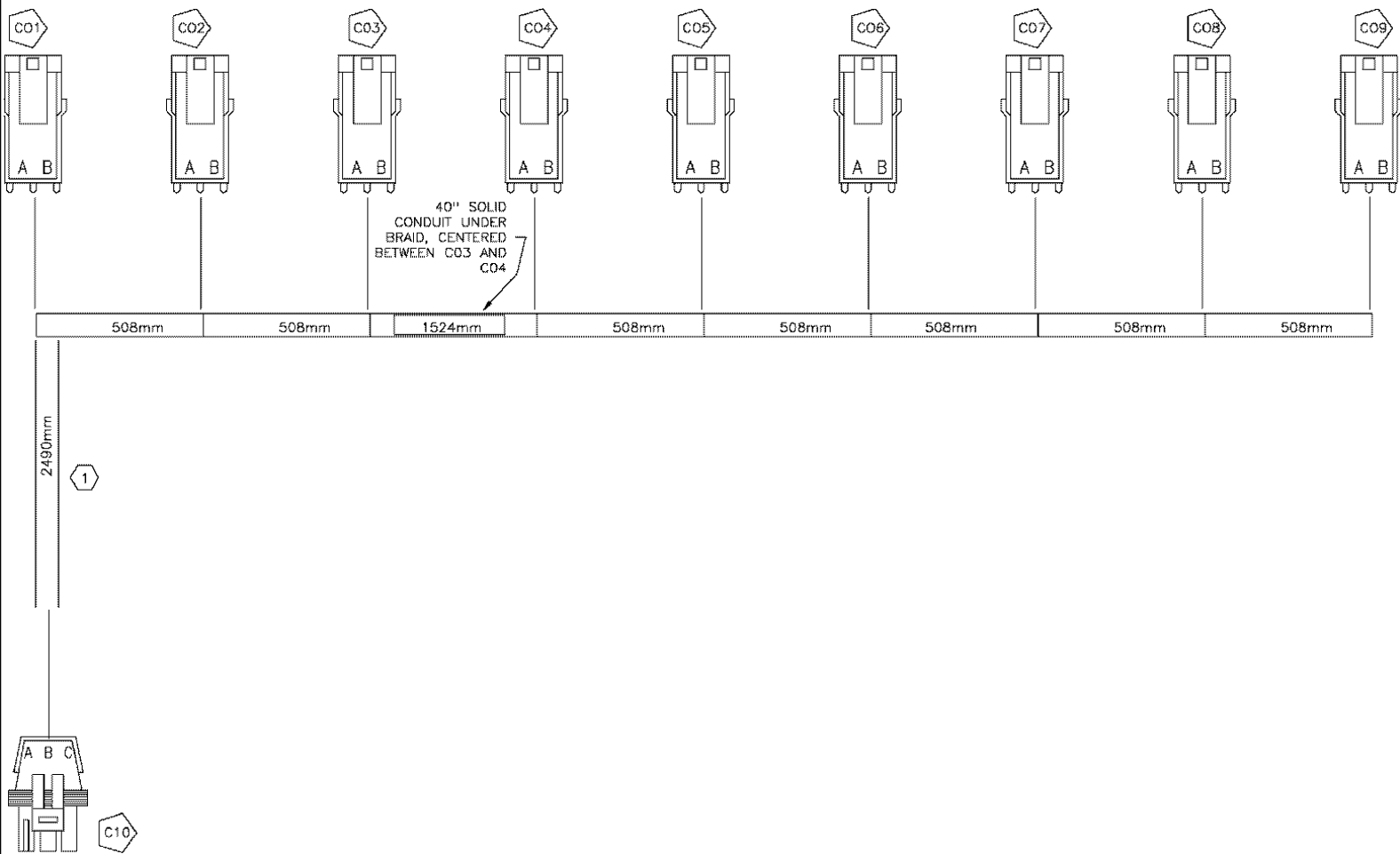
4420 PATRIOT SPRAYER

12-046 HARNESS, AIM, 15 NOZZLE TIP

Ref	Part Number	Qty	Description
	87586925		AR HARNESS, WIRE, AIM, 15 NOZZLE TIP

4420 PATRIOT SPRAYER

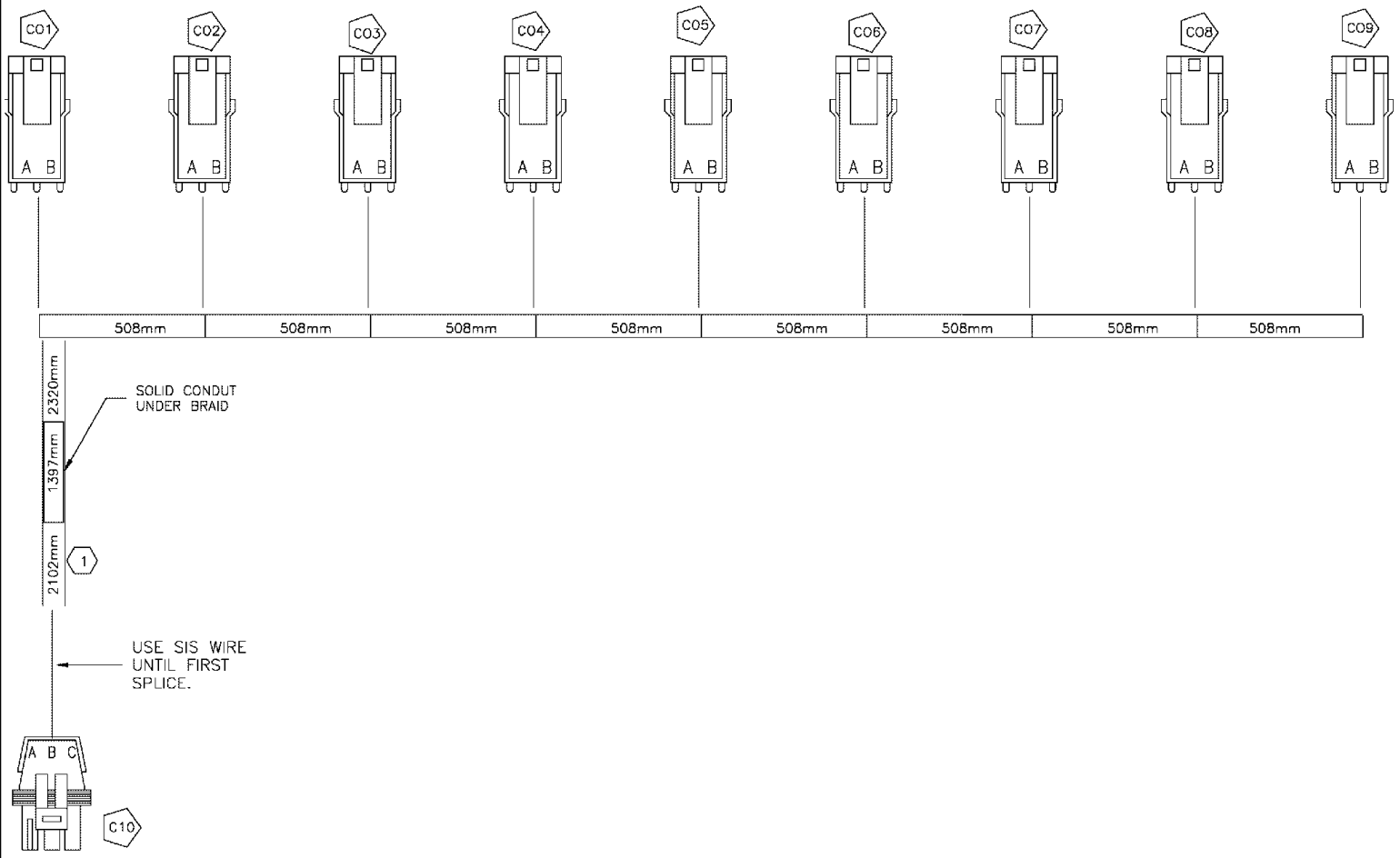
12-047 HARNESS, AIM COMMAND, 6 SECTION



4420 PATRIOT SPRAYER

12-047 HARNESS, AIM COMMAND, 6 SECTION

Ref	Part Number	Qty	Description
	BN323118		AR AIM COMMAND, 6 SECTION

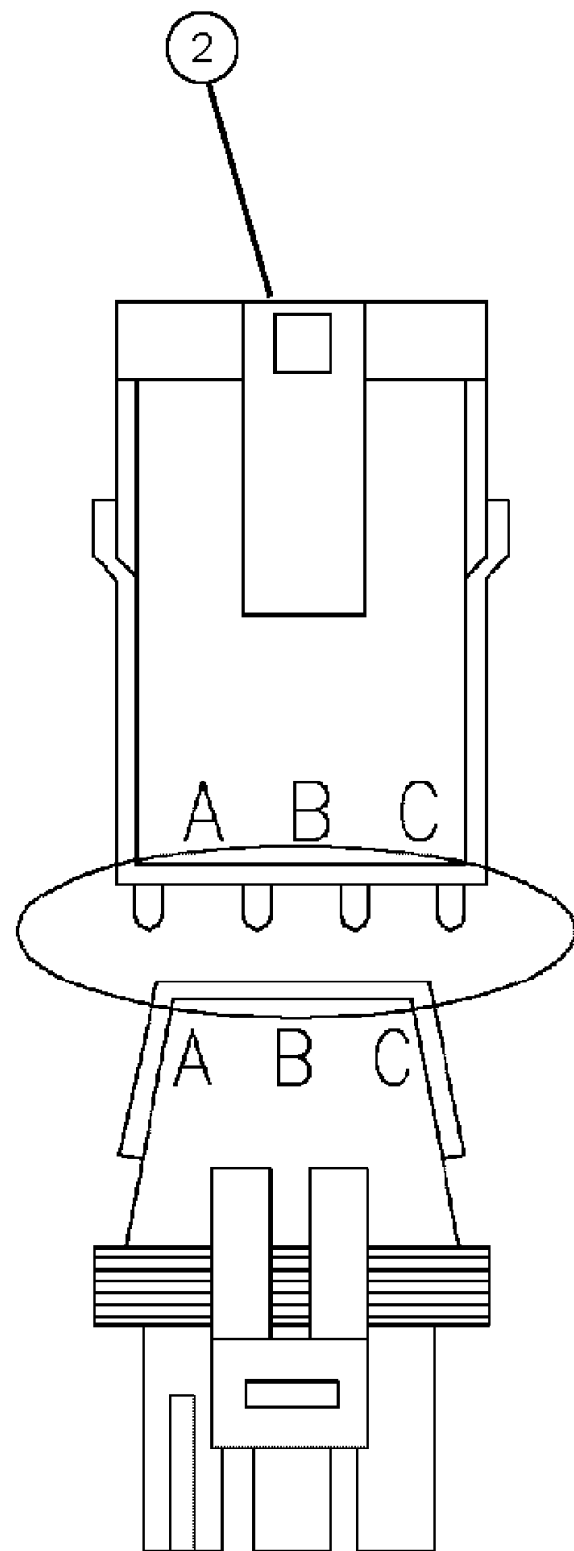
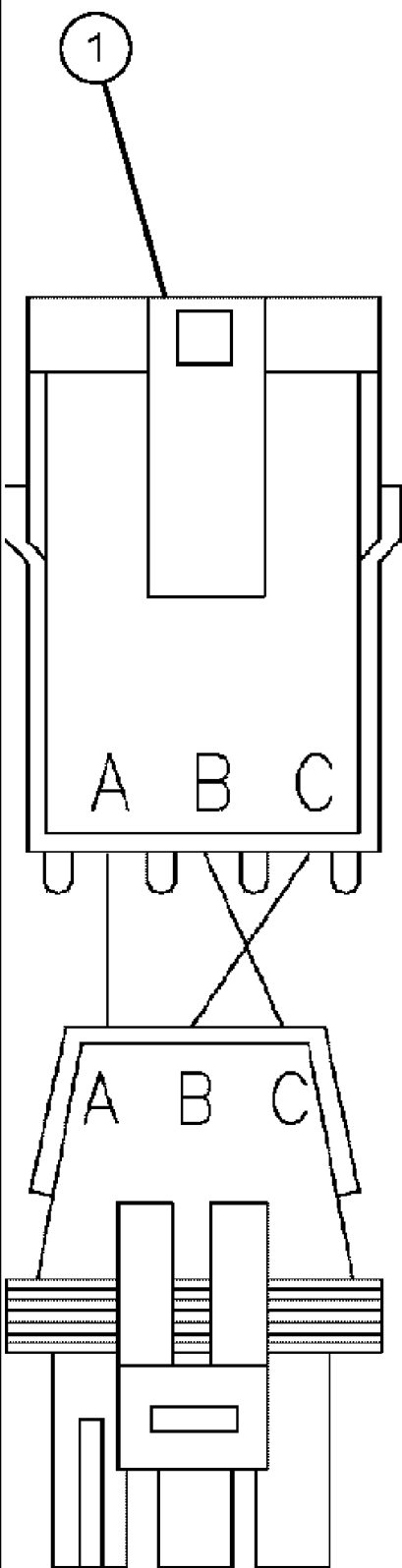




4420 PATRIOT SPRAYER

12-048 HARNESS, AIM COMMAND, 6 SECTION

Ref	Part Number	Qty	Description
	BN323119		AR Harness, Aim Command, 6 Section

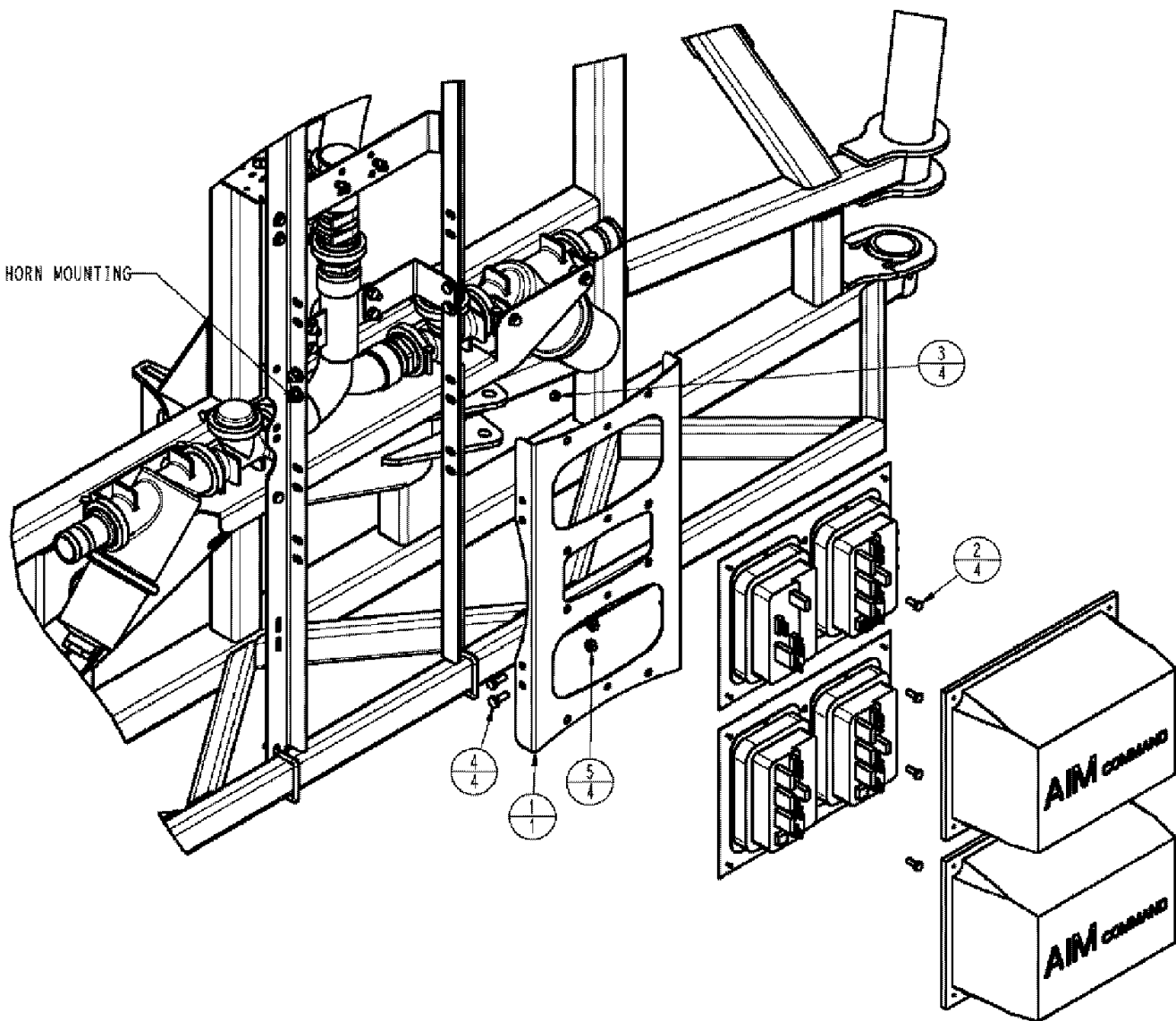


4420 PATRIOT SPRAYER

12-049 HARNESS

Ref	Part Number	Qty	Description
1	BN316014		HARNESS, NOZZLE ALTERNATOR
2	344498A1		VALVE, GROUP, B ISOLATORS

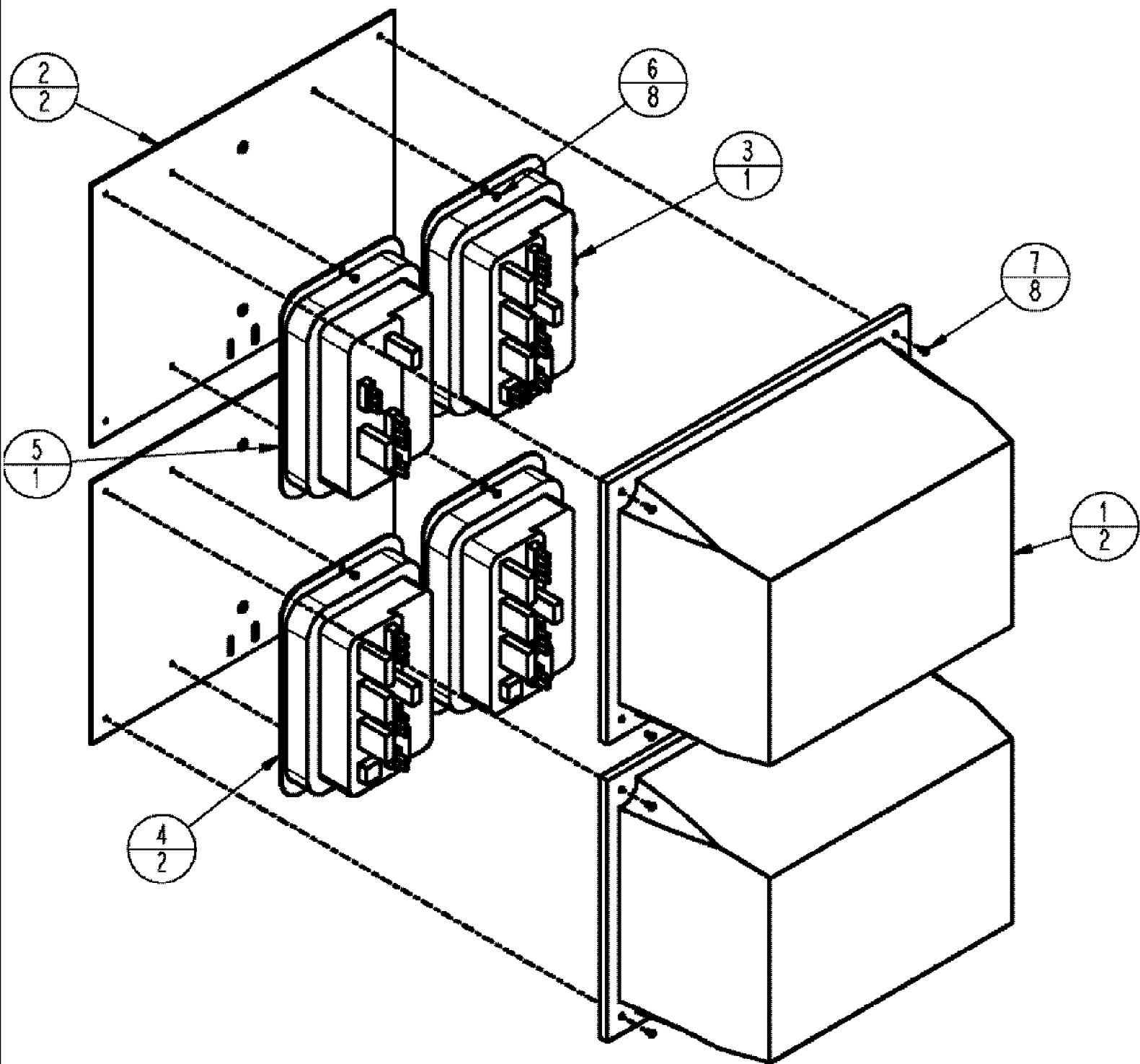
USE HARDWARE FROM RAM'S HORN MOUNTING



## 4420 PATRIOT SPRAYER

## 12-050 MOUNTING GROUP, AIM, REAR, 120' BOOM

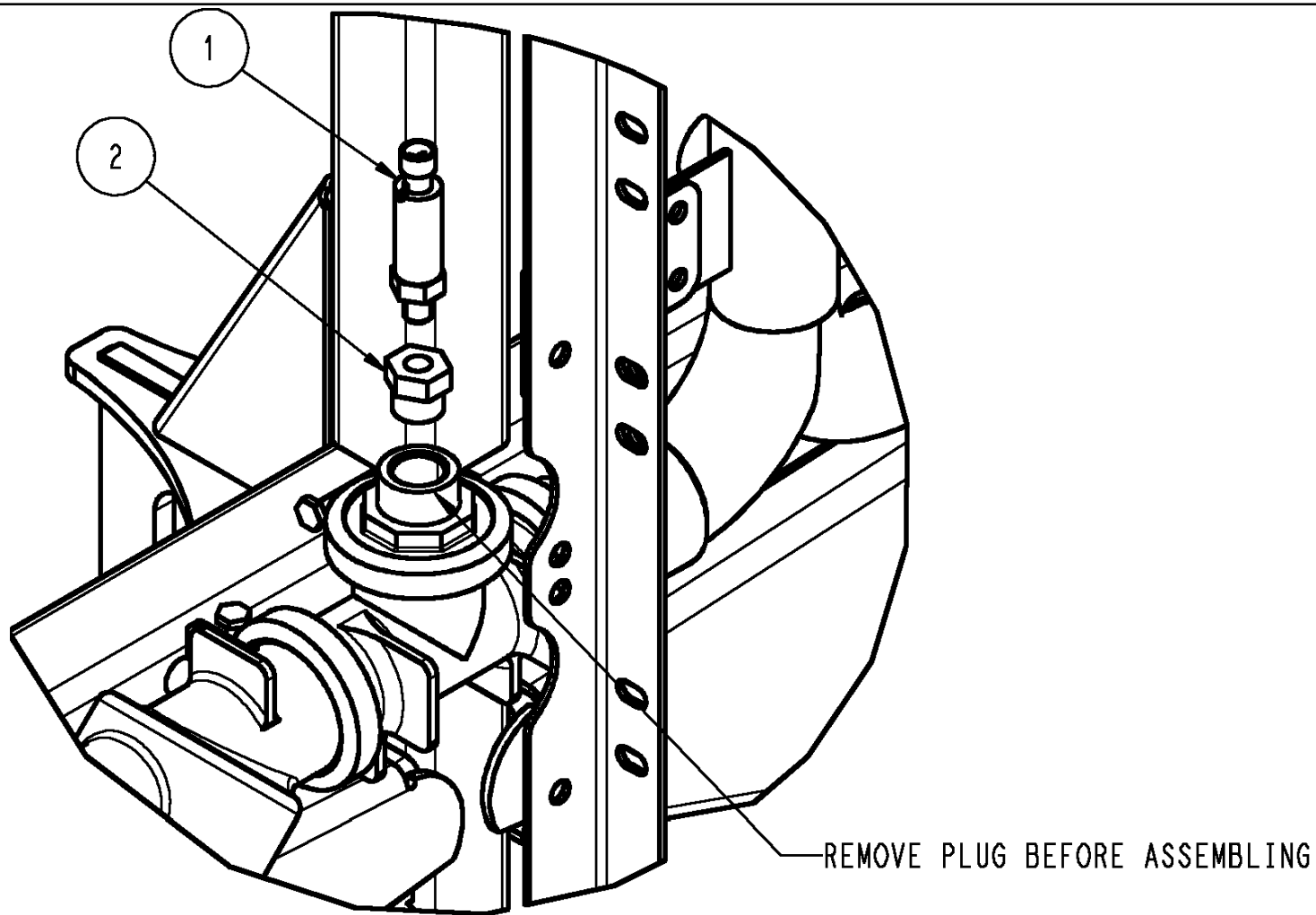
Ref	Part Number	Qty	Description
1	87629080	1	BRACKET, SUPPORTING, MOUNT, AIM CMD, DOUBLE
2	86980379	4	BOLT, M8-1.25 X 20, HH, 8.8, DOR
3	86980514	4	NUT, P/T ALL MTL M8 8 DOR
4	86980400	4	BOLT, Hex, M10 x 25, 8.8,
5	86980515	4	NUT, LOCK, M10 x 1.5, CI 8, P/T ALL MTL M10 8 DOR



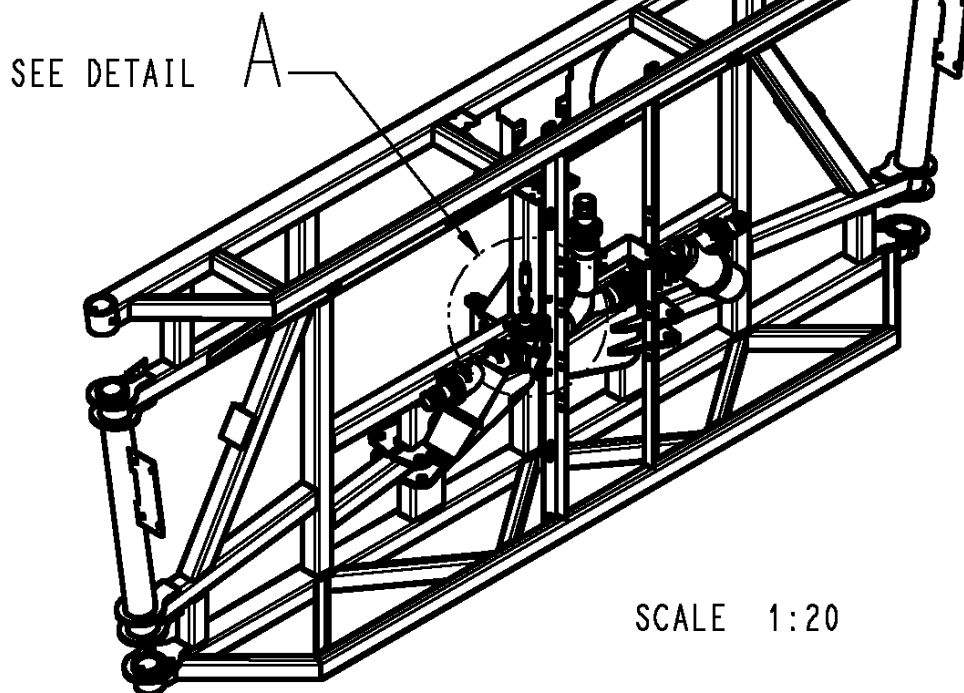
## 4420 PATRIOT SPRAYER

## 12-051 AIM COMMAND PACKAGE, PWM 1-7 SECTION, 120' BOOM

Ref	Part Number	Qty	Description
1	87629018	2	AIM CMD, DOUBLE
2	87629019	2	SYNCHRO MODULE, DOUBLE
3	87271842	1	MODULE, MASTER AIM COMMAND
4	87271843	2	MODULE, SLAVE AIM COMMAND
5	87542956	1	SENSOR, MODULE, PWM PRESS. CNTRL
6	BN314296	8	SCREW, MODULE MOUNTING
7	BN314297	8	SCREW, COVER MOUNTING



DETAIL A  
SCALE 1:3

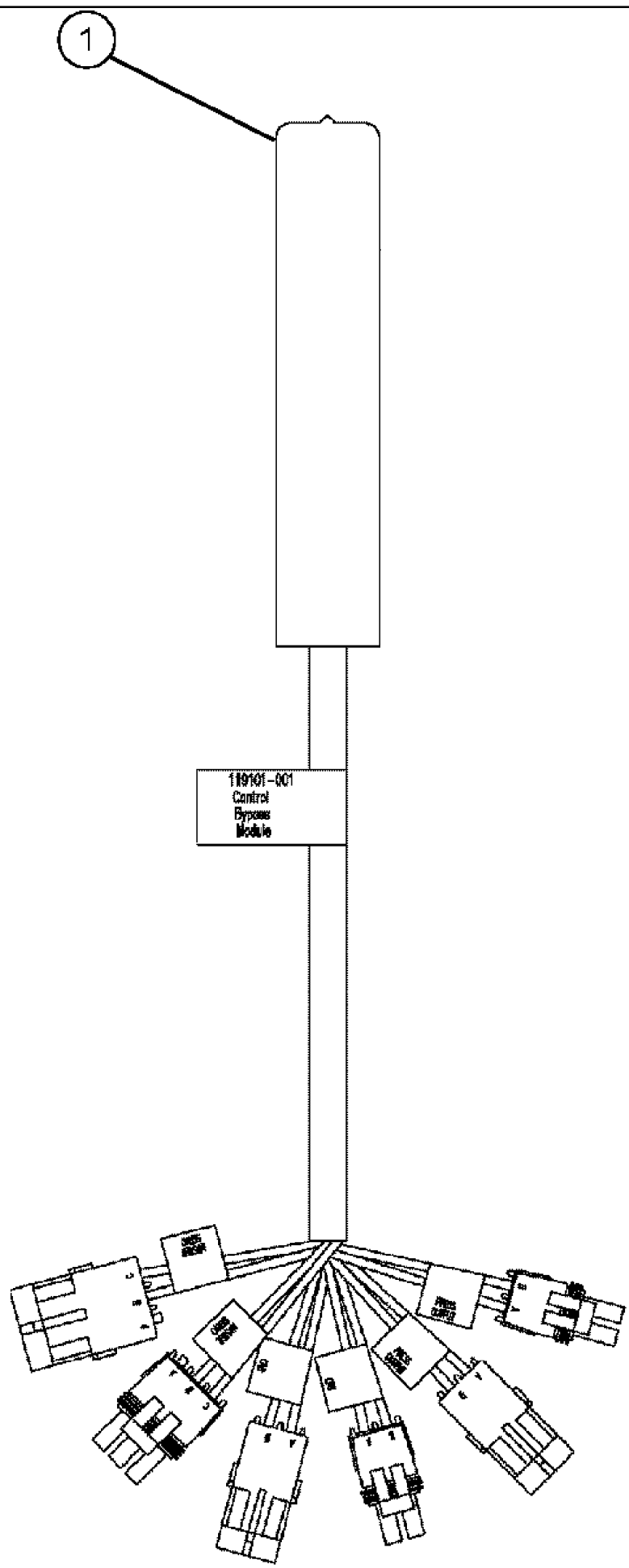




4420 PATRIOT SPRAYER

12-052 AIM SENSOR PLUMBING GROUP, 120' BOOM

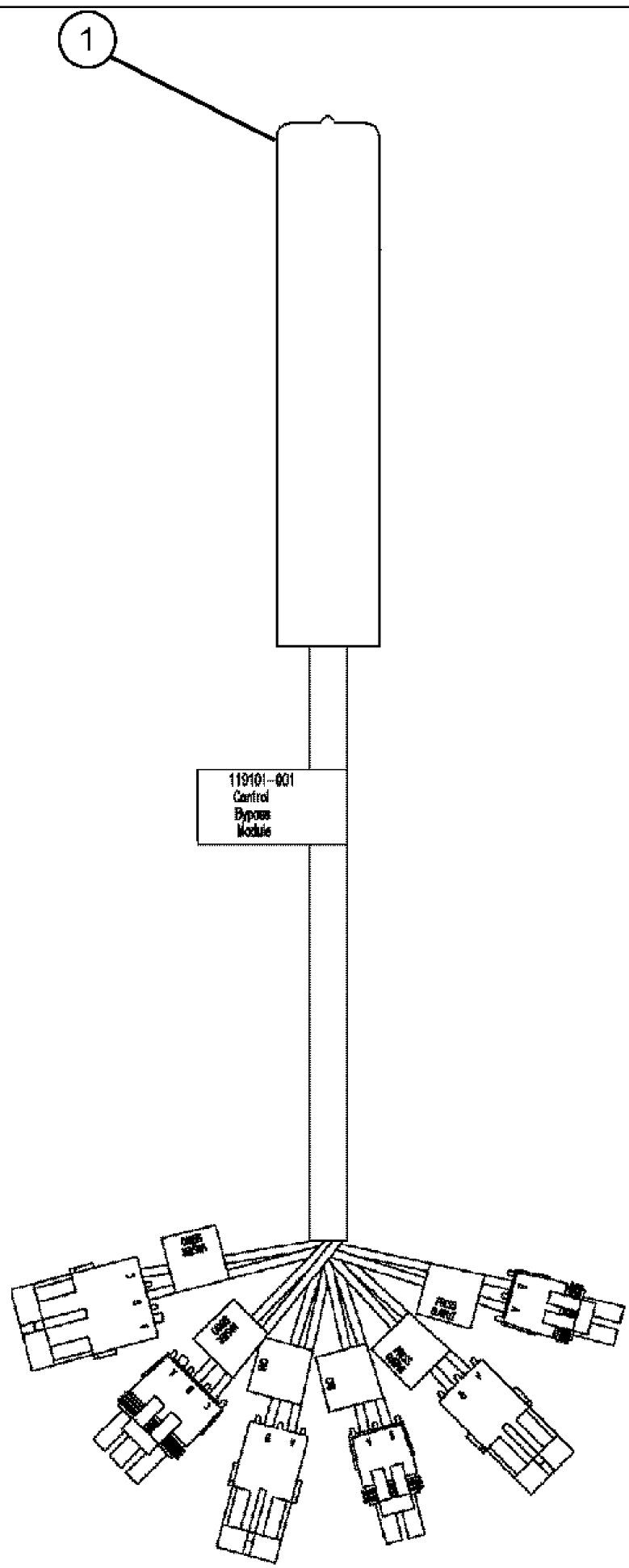
Ref	Part Number	Qty	Description
1	87271580	1	SENSOR, PRESSURE AIM COMMAND
2	BN73550	1	BUSHING, REDUCER, .75MP .25FP, PP



## 4420 PATRIOT SPRAYER

## 12-053 AIM COMMAND, BYPASS GROUP

Ref	Part Number	Qty	Description
1	BN324107	1	MODULE, AIM CMD BY-PASS
	515-24444	1	CLAMP, 1 3/4", Insul, 7/16" Bolt,
	86980400	1	BOLT, Hex, M10 x 25, 8.8,
	86980515	1	NUT, LOCK, M10 x 1.5, Cl 8,



## 4420 PATRIOT SPRAYER

## 12-054 BYPASS MODULE GROUP, 120' BOOM

Ref	Part Number	Qty	Description
1	BN324107	1	MODULE, AIM CMD BY-PASS
	515-24444	1	CLAMP, 1 3/4", Insul, 7/16" Bolt,
	896-11010	1	WASHER, M10 x 21.5 x 2.5, HT,
	86980515	1	NUT, LOCK, M10 x 1.5, Cl 8,

**ART**

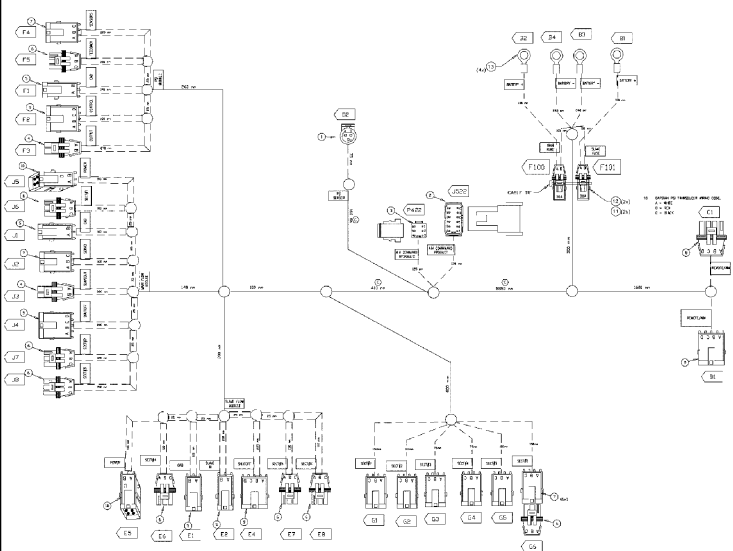
**NOT**

**AVAILABLE**

## 4420 PATRIOT SPRAYER

12-055 CAB PARTS GROUP, 7 SECTION, 120' BOOM

Ref	Part Number	Qty	Description
	87629005	1	B VALVE 7 ISOLATOR
	87270709	1	SWITCH, NGR, ON-OFF-ON
	BN321908	1	SWITCH, AIM CMD PRES ADJ.
	BN321909	1	SWITCH, PRESSURE, AIM CMD PRES SET
	BN322921	1	SWITCH, ROCKER AIM CMD SYS

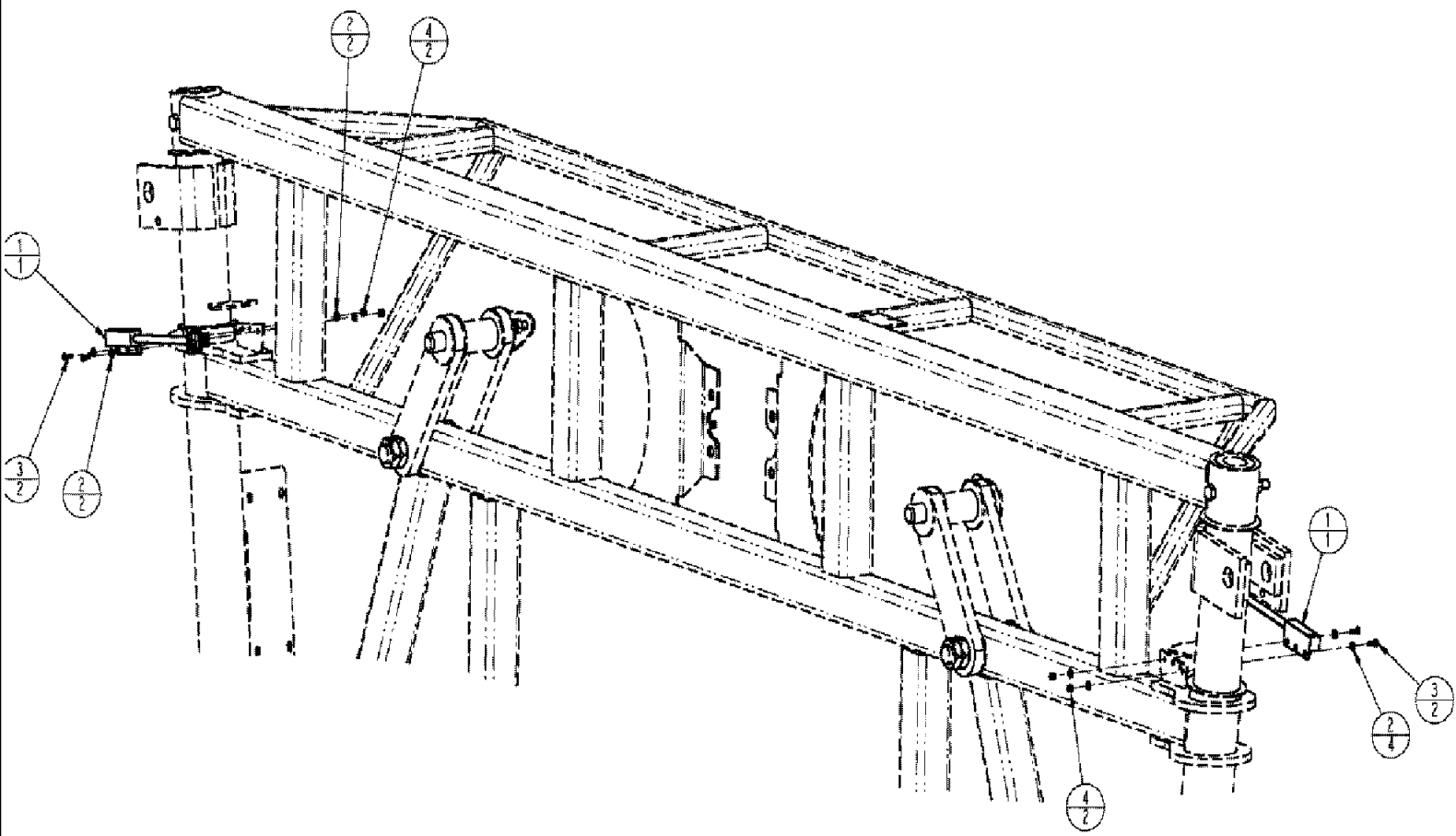




4420 PATRIOT SPRAYER

12-056 HARNESS, AIM COMMAND, REAR

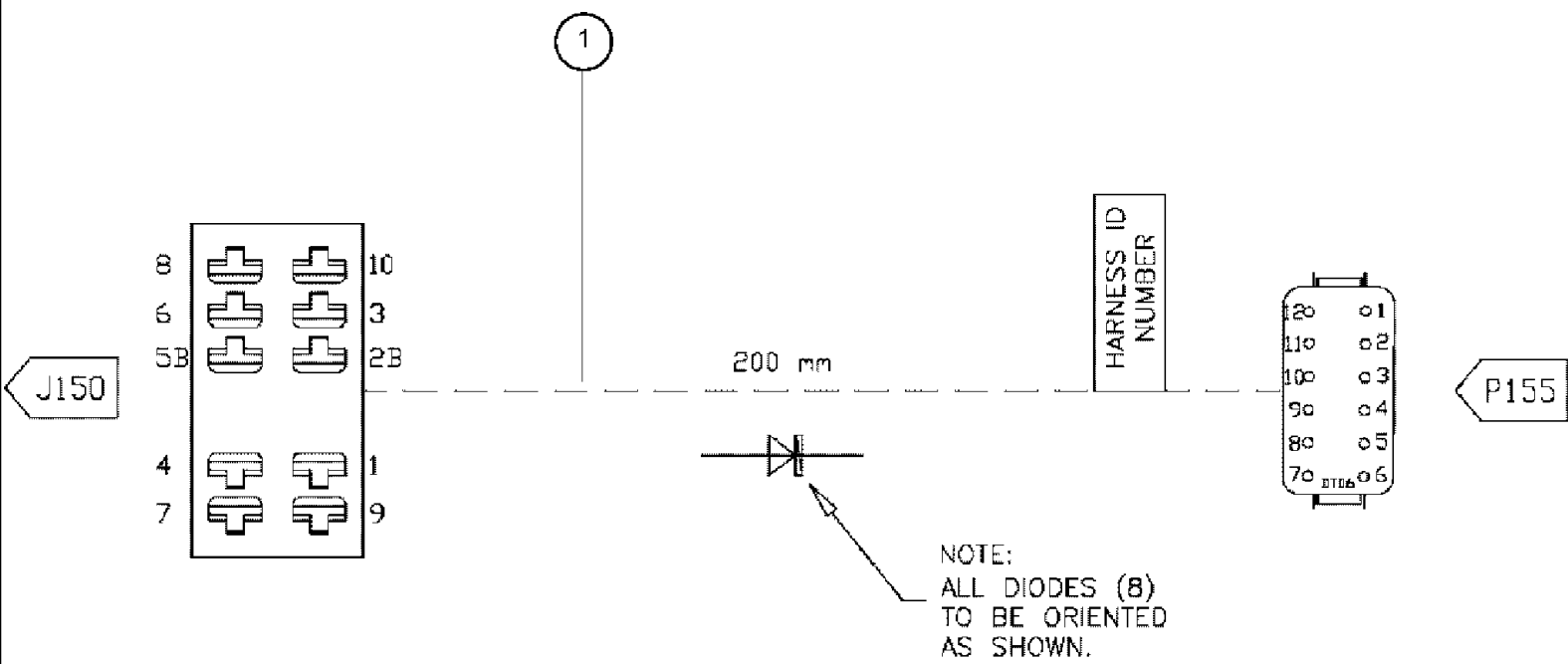
Ref	Part Number	Qty	Description
	87630216		AR HARNESS, AIM COMMAND, REAR



## 4420 PATRIOT SPRAYER

## 12-057 SELF CENTERING, ELECTRICAL GROUP

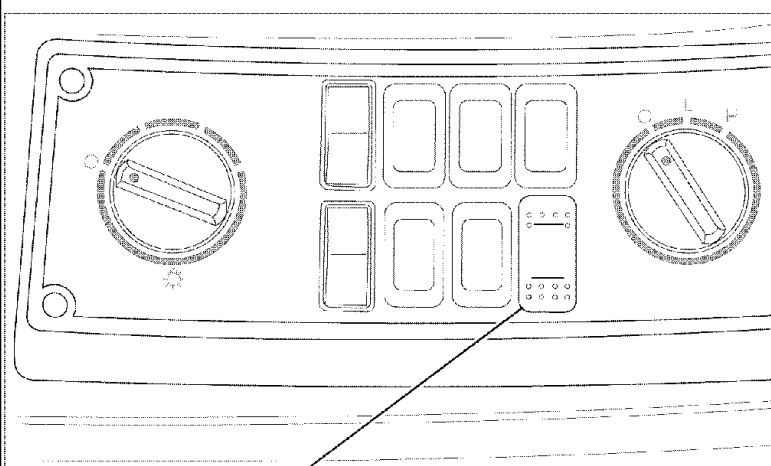
Ref	Part Number	Qty	Description
1	87593274	2	SENSOR, POSITION WITH DIODE , ASN 22002
	342197A1	2	SENSOR, POSITION, INDICATES OLD PART NUMBER OR CAN ORDER NEWER PART NUMBER LISTED ABOVE
2	87529123	8	WASHER, .156 X .375 X .049 CST DOR
3	87529151	4	PANEL, DOOR, BOLT, M4 X 12 FULL 8.8 DOR
4	87344029	4	NUT, P/T ALL MTL M4 8 DOR
5	87577369	2	HARNESS, WIRE, GND , BSN 22002



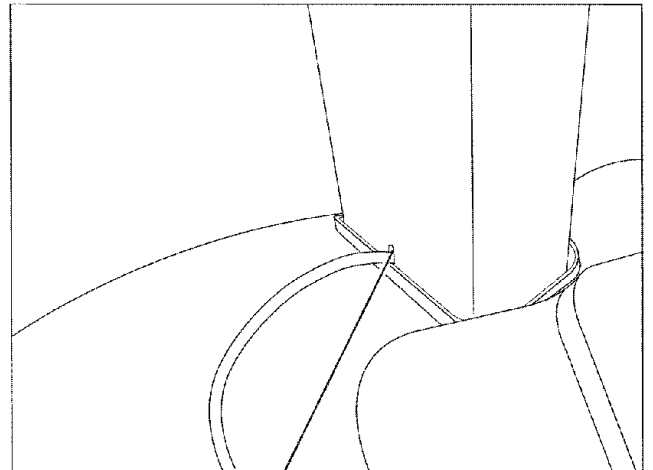
4420 PATRIOT SPRAYER

12-058 ONE TOUCH FOLD, ELECTRICAL GROUP

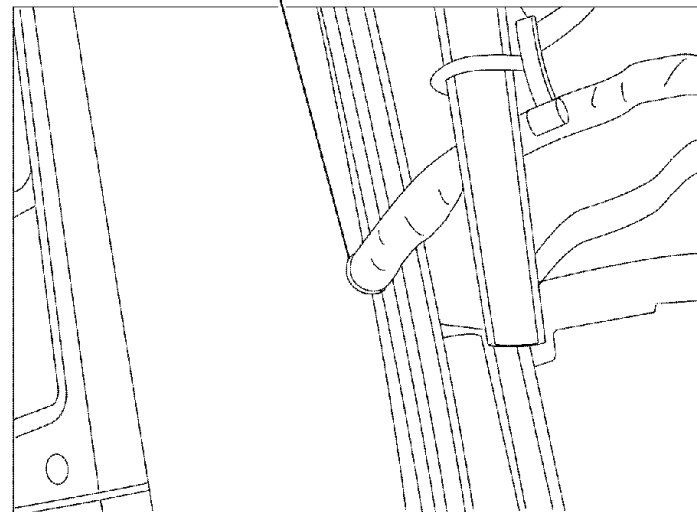
Ref	Part Number	Qty	Description
1	87397319	1	HARNES, WIRE, ONE TOUCH FOLD
	87397313	1	SWITCH, ASSY, ONE TOUCH NOT SHOWN
	87397318	1	SWITCH, ROCKER, ONE TOUCH
	BN322908	1	SWITCH, NGR



Roading switch



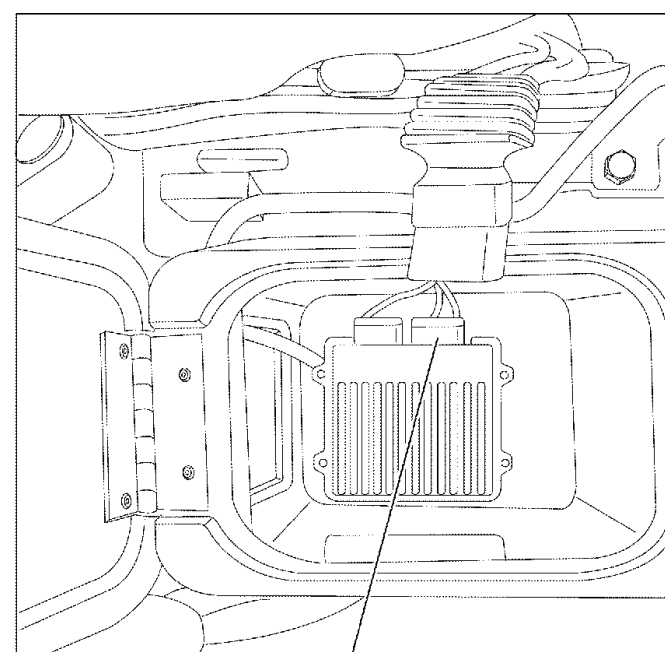
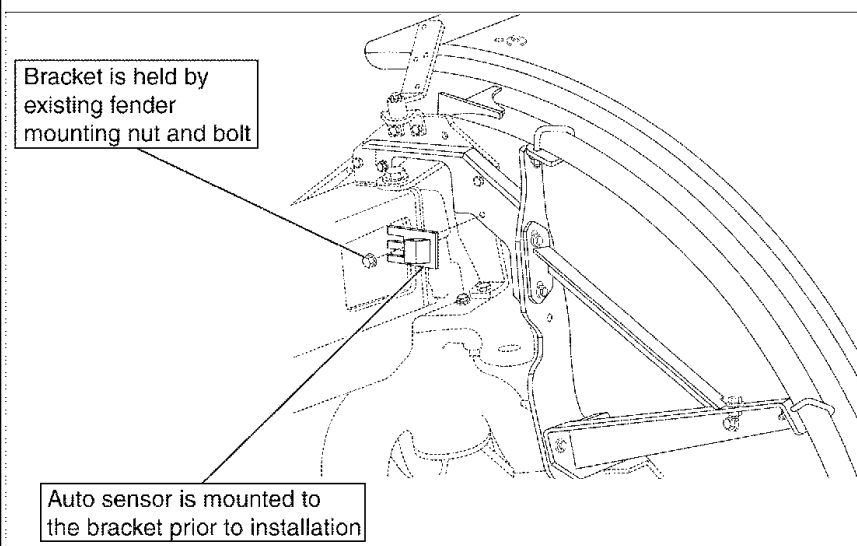
Cutouts for wiring



## 4420 PATRIOT SPRAYER

## 12-059(01) ELECTRICAL GROUP, AUTO GUIDE

Ref	Part Number	Qty	Description
	87547992	1	SWITCH, AUTO GUIDANCE DISENGAGE
	87386396	1	ARM, SUPPORTING, MOUNT, COLOR DISPLAY, SEE FIG. 12-064
	87659039	1	4WD CAB AUTO GUIDANCE ROAD SWITCH, SEE FIG. 12-060
	87648175	1	OUTSIDE AUTO GUIDANCE, SEE FIG. 12-061
	87667450	1	HARNESS SEE FIG. 12-062
	87602275	1	KIT, AUTO SENSE AND CABLES
	87657976	4	SCREW,HEX-SOC FHD 6-32 X .375 AST DOR
	87649884	1	AUTOSENSE
	87646096	1	REMOTE, W/CONN
	386857A1	1	RH WINDOW
	87304768	1	BRACKET, SF ANTENNA MOUNTING
	87304763	1	MOUNTING PARTS, WELDMENT, ANTENNA MOUNTING
	87304771	3	SPACER, AUTO GUIDANCE ANTENNA
	87529298	7	WASHER, 11 X 21 X 2MM
	87544759	1	HARNESS,
	87342008	4	BOLT, M10 X 20 10.9 DOR
	87344003	4	NUT, P/T ALL MTL M10
	87528080	1	PLATE, BASE, AUTO GUIDANCE BRACKET, ROOF MOUNTING ANTENNAS
	374897	4	SCREW, Hex Flat Hd, M8 x 25, 4.8,
	86980514	4	NUT, P/T ALL MTL M8 8 DOR
	87423195	4	SPACER, AUTO GUIDANCE
	87646099	2	FASTENER, DUAL LOCK
	87529315	4	WASHER, 9 X 17 X 2MM HDN DOR
	87649882	1	HARNESS, 4WD SPRAY CAB INSIDE AUTO GUIDANCE, SEE FIG. 12-063
	BN315870	0.05	SEALANT, 11 OZ, BLACK, G-FLEX
	22-824	4	STRAP, CABLE, 3/16" x 7 1/4",

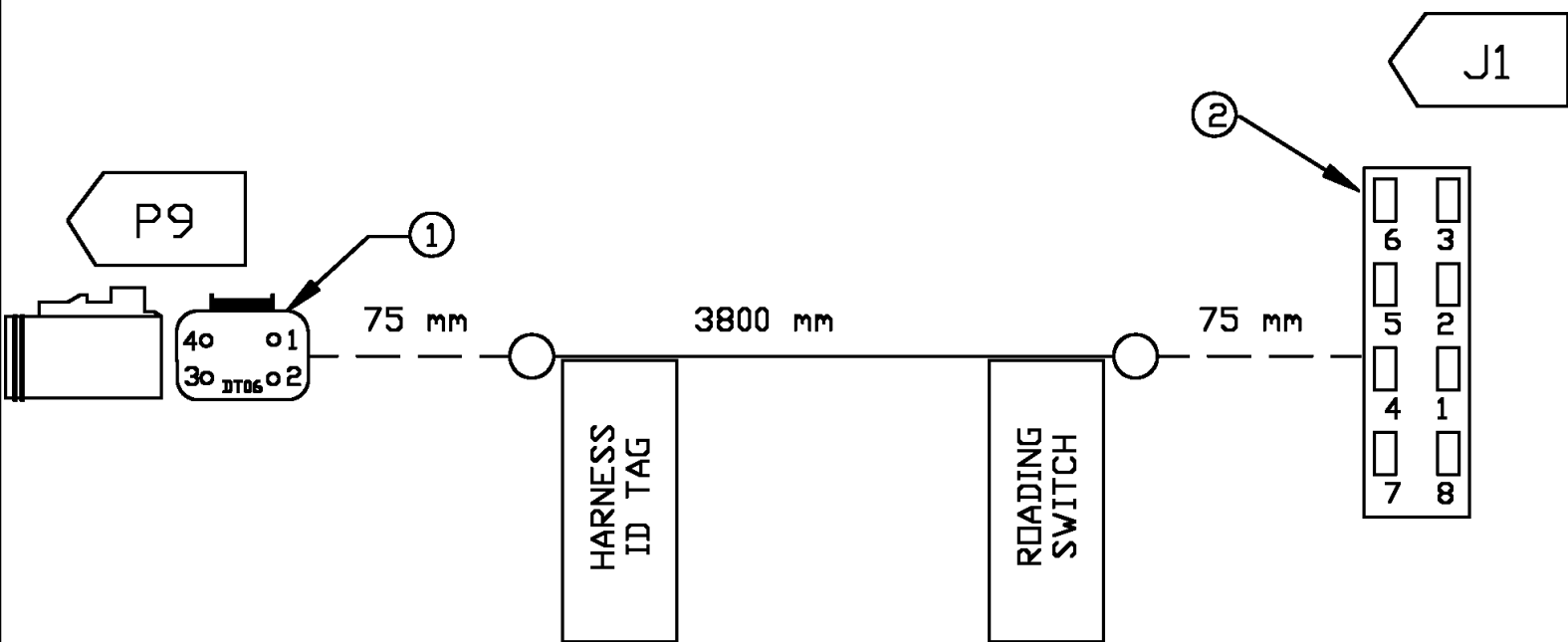




## 4420 PATRIOT SPRAYER

## 12-059(02) ELECTRICAL GROUP, AUTO GUIDE

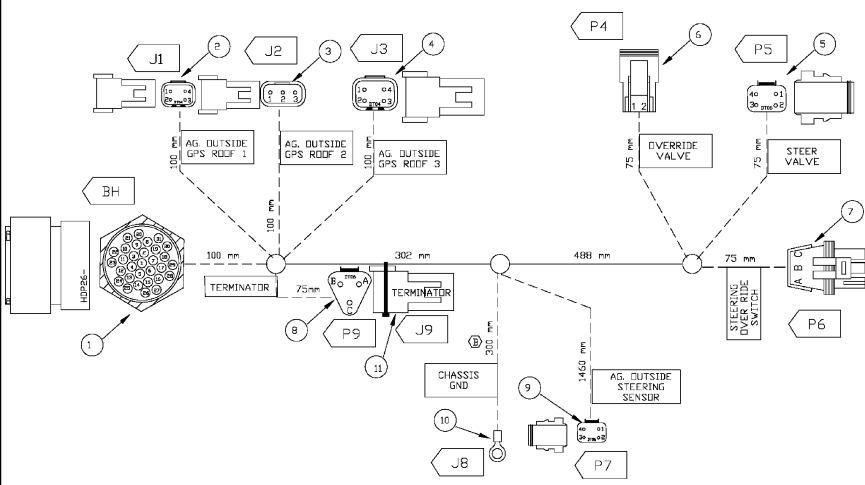
Ref	Part Number	Qty	Description
	87547992	1	SWITCH, AUTO GUIDANCE DISENGAGE
	87386396	1	ARM, SUPPORTING, MOUNT, COLOR DISPLAY, SEE FIG. 12-064
	87659039	1	4WD CAB AUTO GUIDANCE ROAD SWITCH, SEE FIG. 12-060
	87648175	1	OUTSIDE AUTO GUIDANCE, SEE FIG. 12-061
	87667450	1	HARNESS SEE FIG. 12-062
	87602275	1	KIT, AUTO SENSE AND CABLES
	87657976	4	SCREW,HEX-SOC FHD 6-32 X .375 AST DOR
	87649884	1	AUTOSENSE
	87646096	1	REMOTE,W/CONN
	386857A1	1	RH WINDOW
	87304768	1	BRACKET, SF ANTENNA MOUNTING
	87304763	1	MOUNTING PARTS, WELDMENT, ANTENNA MOUNTING
	87304771	3	SPACER, AUTO GUIDANCE ANTENNA
	87529298	7	WASHER, 11 X 21 X 2MM
	87544759	1	HARNESS,
	87342008	4	BOLT, M10 X 20 10.9 DOR
	87344003	4	NUT, NUT, P/T ALL MTL M10
	87528080	1	PLATE, BASE, AUTO GUIDANCE BRACKET, ROOF MOUNTING ANTENNAS
	374897	4	SCREW, Hex Flat Hd, M8 x 25, 4.8,
	86980514	4	NUT, P/T ALL MTL M8 8 DOR
	87423195	4	SPACER, AUTO GUIDANCE
	87646099	2	FASTENER, DUAL LOCK
	87529315	4	WASHER, 9 X 17 X 2MM HDN DOR
	87649882	1	HARNESS, 4WD SPRAY CAB INSIDE AUTO GUIDANCE, SEE FIG. 12-063
	BN315870	AR	SEALANT, 11 OZ, BLACK, G-FLEX, 0.05
	22-824	4	STRAP, CABLE, 3/16" x 7 1/4",



4420 PATRIOT SPRAYER

12-060 HARNESS, 4WD CAB AUTO GUIDANCE ROAD SWITCH

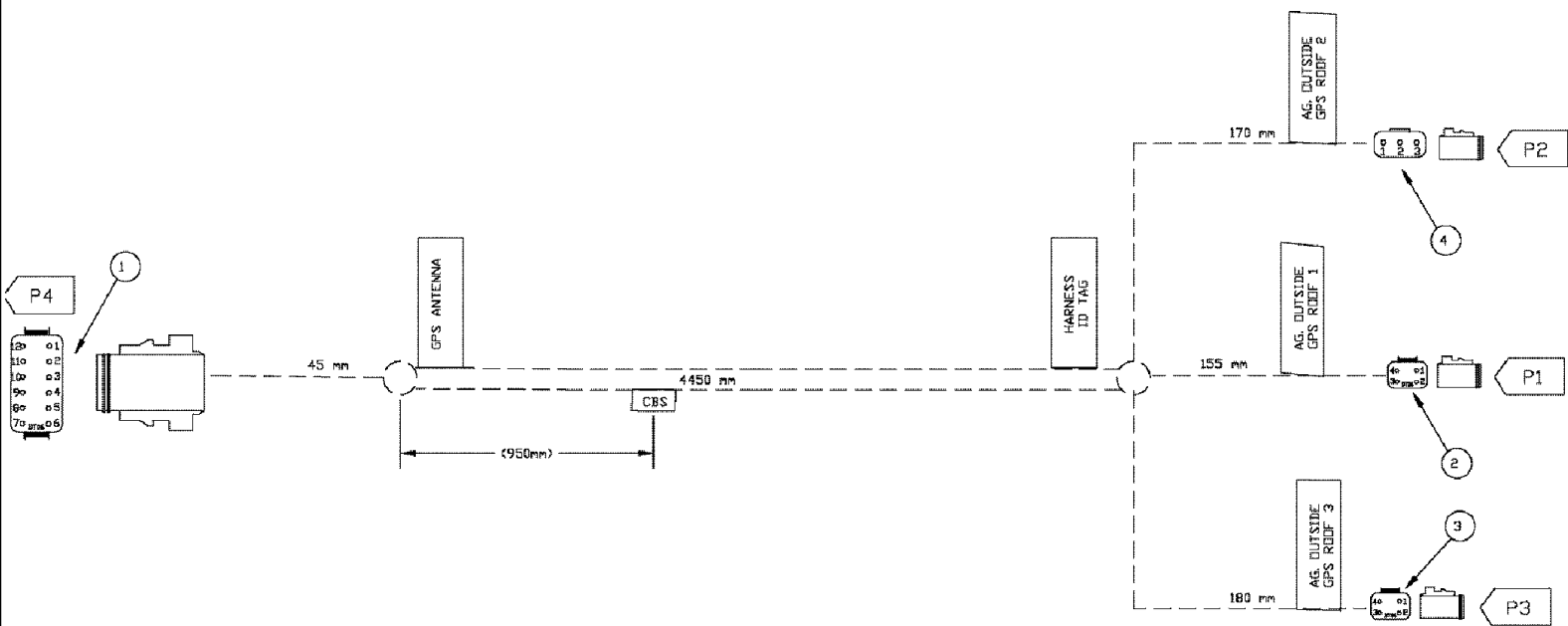
Ref	Part Number	Qty	Description
	87659039		AR 4WD CAB AUTO GUIDANCE ROAD SWITCH



4420 PATRIOT SPRAYER

12-061 HARNESS, OUTSIDE AUTO GUIDANCE

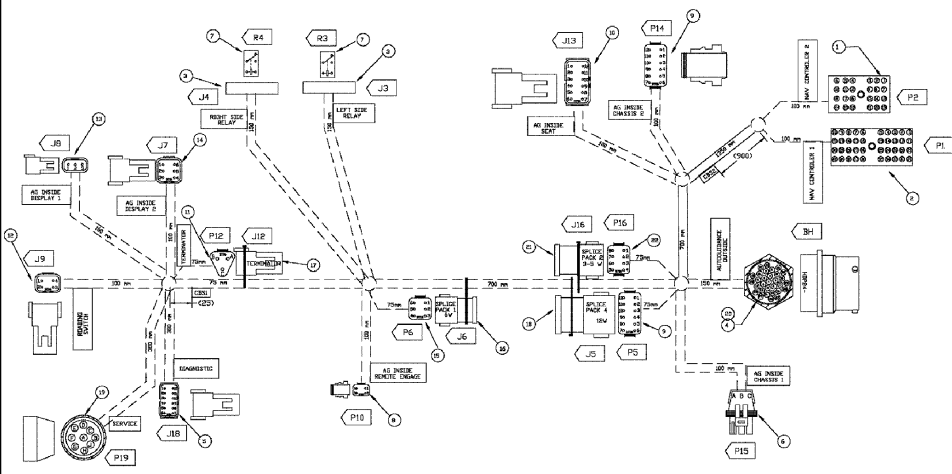
Ref	Part Number	Qty	Description
	87648175		AR OUTSIDE AUTO GUIDANCE



4420 PATRIOT SPRAYER

12-062 HARNESS, GPS ANTENNA RECEIVER

Ref	Part Number	Qty	Description
	87667450	AR	GPS Antenna Receiver

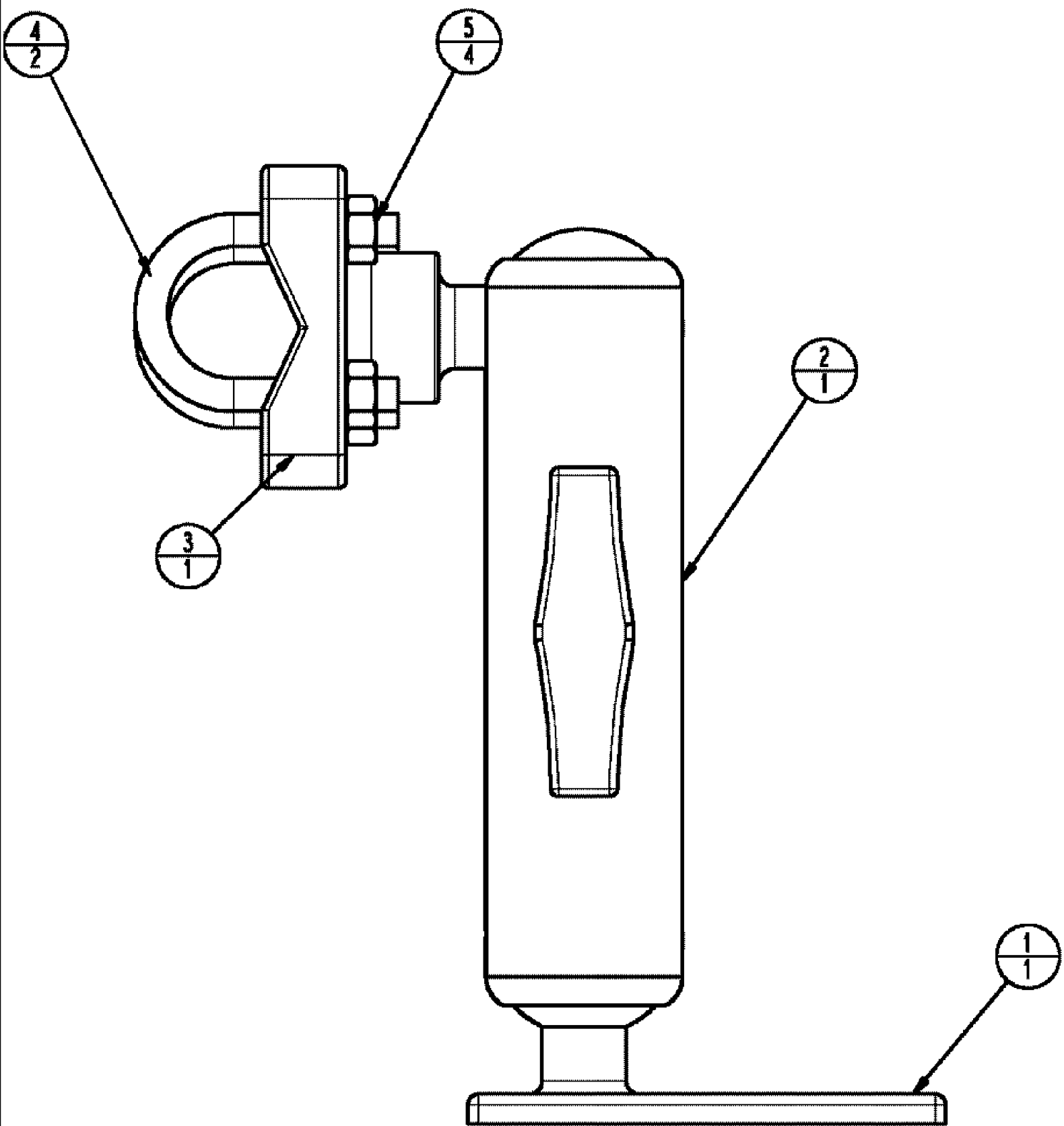




4420 PATRIOT SPRAYER

12-063 HARNESS, 4WD SPRAY CAB, INSIDE AUTO GUIDANCE

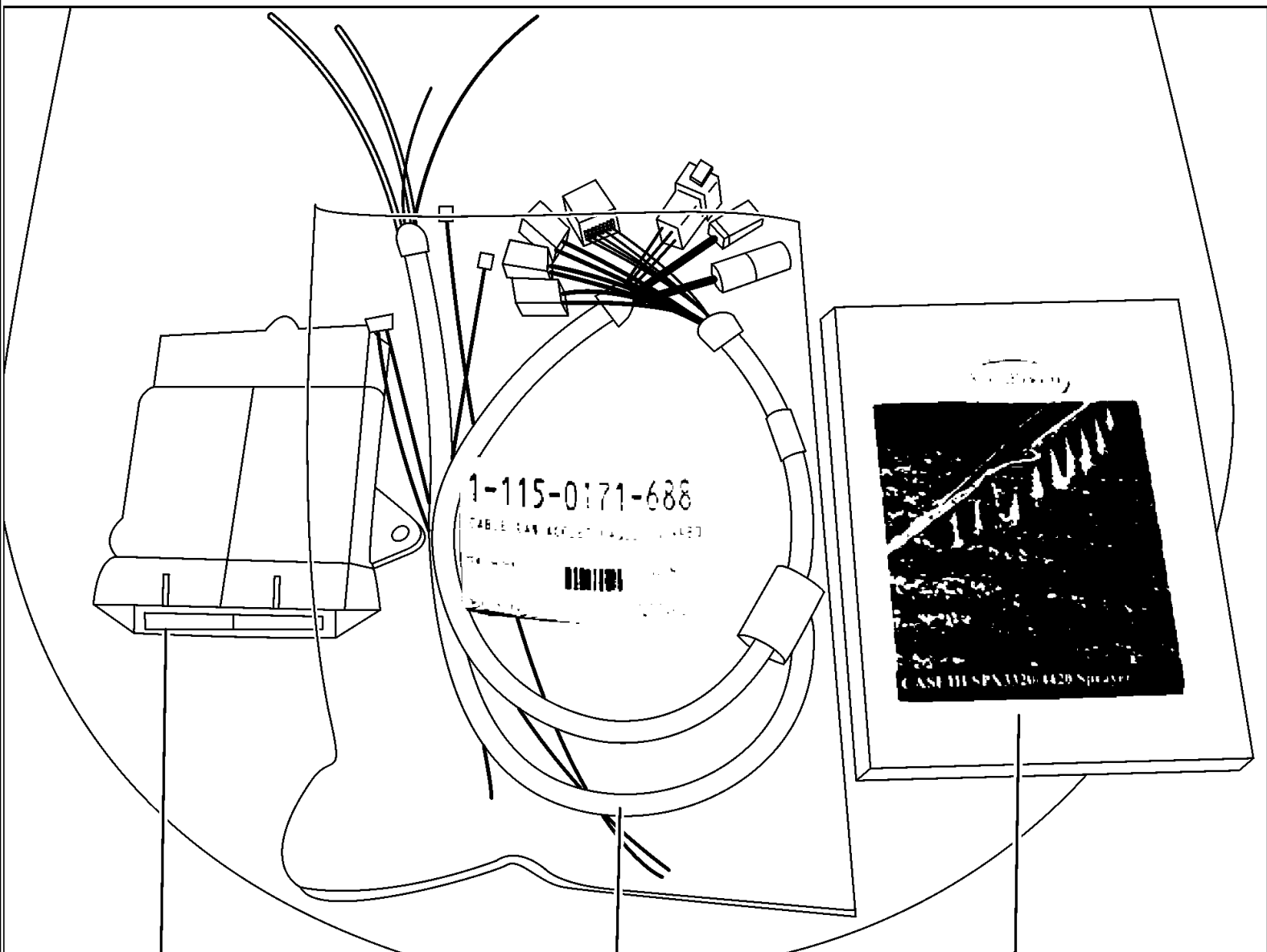
Ref	Part Number	Qty	Description
	87649882		AR 4WD SPRAY CAB, INSIDE AUTO GUIDANCE



## 4420 PATRIOT SPRAYER

## 12-064 MOUNT, COLOR DISPLAY ARM

Ref	Part Number	Qty	Description
1	87386398	1	ARM, SUPPORTING, RAM, SQ MOUNT 75 X 75
2	87284257	1	RAM BOTTOM, ARM, DOUBLE SOCKET, 1.5
3	87284259	1	RAM FOOT, BASE, DOUBLE U-BOLT
4	86632541	2	U-BOLT,
5	7770	7	NUT, 1/4"-20, G5,



01

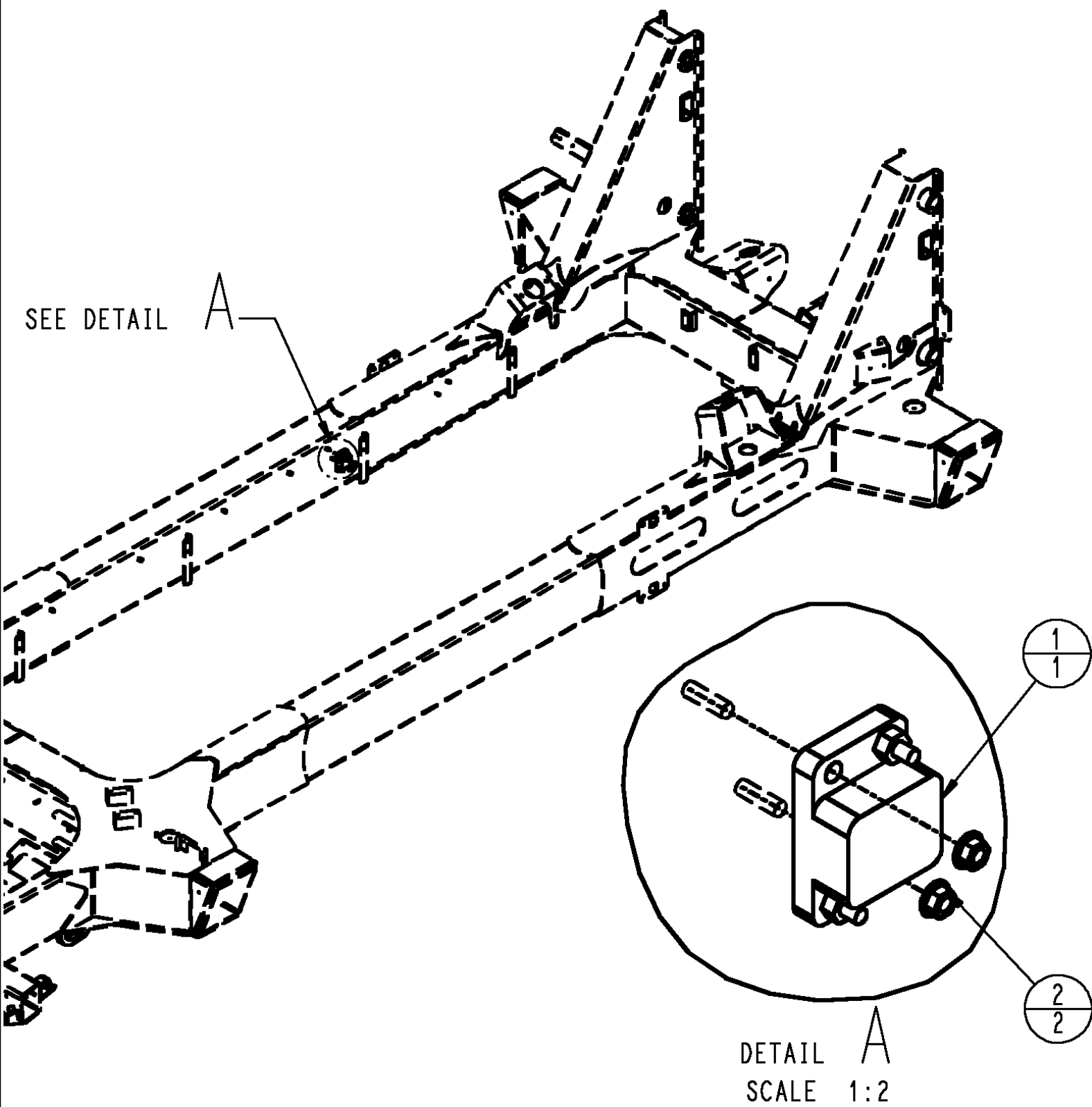
02

03

4420 PATRIOT SPRAYER

12-065 KIT, ACCU BOOM

Ref	Part Number	Qty	Description
1	87643472	1	NODE, CAN ACCUBOOM CONTROL
2	87643474	1	HARNESS, ACCUBOOM
3	87711302	1	MANUAL, ACCUBOOM



4420 PATRIOT SPRAYER

12-066 BREAKER, CIRCUIT, GROUP

Ref	Part Number	Qty	Description
1	BN69860	1	CIRCUIT BREAKER, 150A
2	86511444	2	NUT, M6, Flg Ser, M6 SPL ZNM

**ART**

**NOT**

**AVAILABLE**



## 4420 PATRIOT SPRAYER

## 12-067 ACCUGUIDE ELECTRICAL GROUP, CAB

Ref	Part Number	Qty	Description
1	87646096	1	REMOTE W/CONN
2	87646099	2	DUAL LOCK
3	BN315870	AR	SEALANT, 11 OZ BLACK G-FLEX
4	87649882	1	4WD SPRAY CAB INSIDE, AUTOGUIDANCE
5	87547992	1	SWITCH, AUTO GUIDANCE DISENGAGE
6	87566059	1	HARNESS, DISPLAY
7	386857A1	1	MONITOR RH WINDOW
8	87386396	1	ARM, SUPPORTING, COLOR DISPLAY
9	86980514	4	NUT, P/T ALL MTL M8 8 DOR
10	87304763	1	MOUNTING PARTS, WELDMENT ANTENNA
11	87304767	1	BRACKET, SF ANTENNA MOUNTING
12	87304771	3	SPACER, AUTO GUIDANCE ANTENNA
13	87342008	4	BOLT, M10 X 20 10.9 DOR
14	87344003	4	NUT, P/T ALL MTL M10 10 DOR
15	87529298	7	WASHER, 11 X 21 X 2MM CST DOR
16	87544759	1	HARNESS, GPS ANTENNA RECEIVER
17	87528080	1	PLATE, BASE, AUTO GUIDANCE, ROOF MOUNTING ANTENNAS
18	43249	3	SCREW, Hex, M10 x 50, 10.9,
19	374897	4	SCREW, Hex Flat Hd, M8 x 25, 4.8,
20	87754262	1	REWORK FOR AUTO GUIDANCE

**ART**

**NOT**

**AVAILABLE**

## 4420 PATRIOT SPRAYER

## 12-068 ACCUGUIDE ELECTRICAL GROUP, FRAME

Ref	Part Number	Qty	Description
1	87602275	1	KIT, AUTO SENSE AND CABLES
2	87648175	1	SPX OUTSIDE GUIDANCE
3	87649884	1	AUTOSENSE SPX
4	87657976	4	HEX-SOC FHD 6-32 X .375 AST DOR
5	22-824	4	STRAP, CABLE, 3/16" x 7 1/4",

