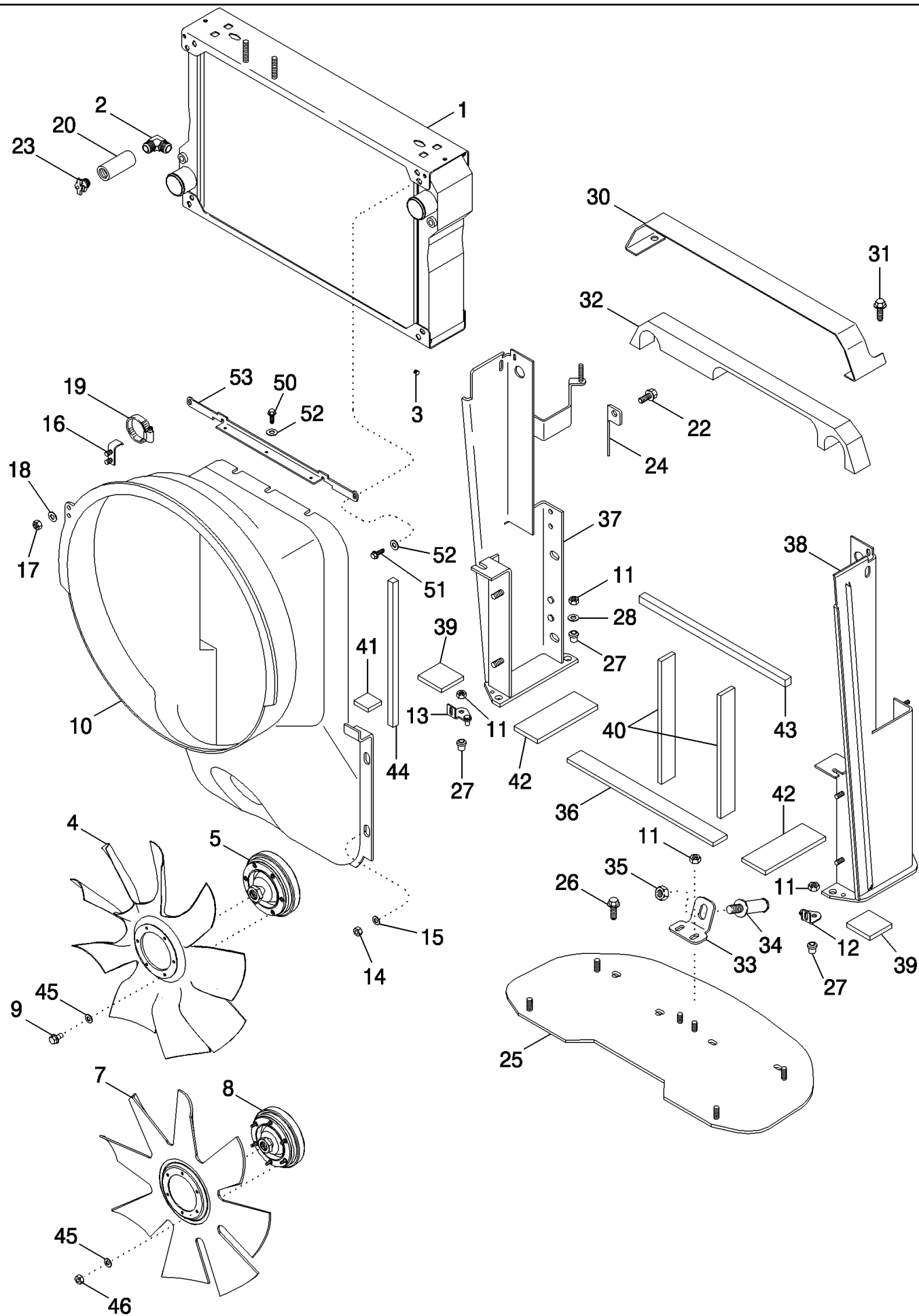


02-01 RADIATOR AND FAN SHROUD



MAGNUM 310 CASE IH TRACTOR (EU) (1/06-) - Engine

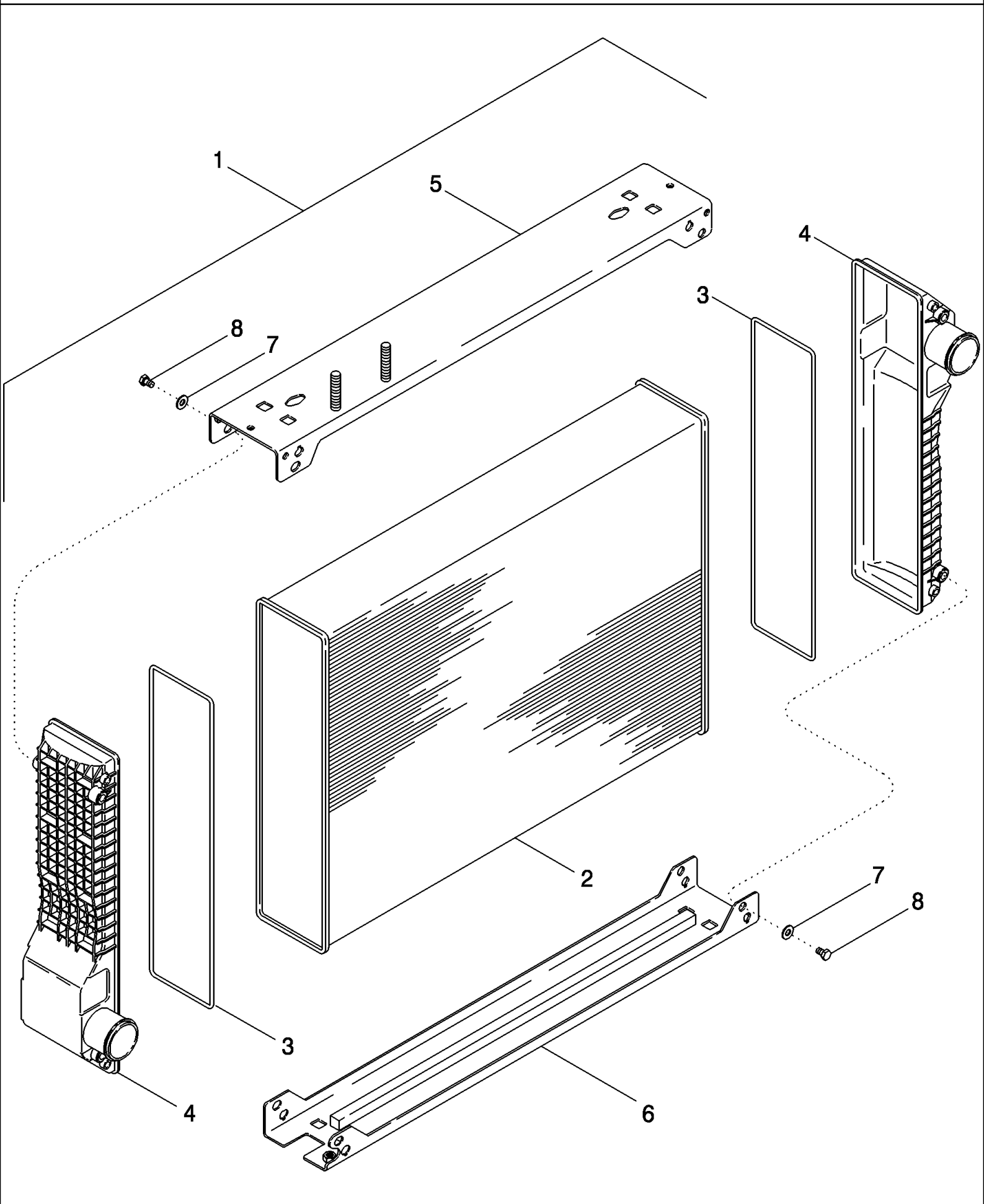
02-01 RADIATOR AND FAN SHROUD

сылка	Номер детали	Кол-во	Описание
1	REF	1	INSTRUCTION, Radiator Assy, Magnum 225 and Magnum 250, See Figure 02-02
1	REF	1	INSTRUCTION, Radiator Assy, Magnum 280 and Magnum 310, See Figure 02-03
2	217-1225	1	ELBOW, 90°, 1/4"-18 Male, Elbow, 1/4 PT
3	86568834	1	PLUG, Hex Hd, 1/4"-18 NPTF,
4	87445032	1	FAN, 8 Blade, 127 mm ID, Standard Performance
5	87446414	1	DRIVE ASSY., Viscous, Standard Performance
7	87446914	1	FAN, 8 Blade, 177 mm ID, With Suspended Axle
8	87318959	1	DRIVE ASSY., Viscous, With Suspended Axle
9	555-1	6	BOLT, Hex Flg, M8 x 16, 8.8,
10	87357057	1	SHROUD, Fan
11	825-2410	6	NUT, M10 x 1.5, Flg, CI 8,
12	87443609	1	BRACKET, Right Hand
13	87443611	1	BRACKET, Left Hand
14	895-25008	4	WASHER, M8 x 20 x 1.6,
15	825-2408	4	NUT, M8 x 1.25, Flg, CI 8,
16	87438422	1	BRACKET, Shroud To Tube, Standard Performance
17	829-1406	2	NUT, M6, CI 10,
18	895-11006	2	WASHER, M6,
19	214-3248	1	CLAMP, HOSE, 2.25/3.125 HD Worm, W/liner,
20	87350039	1	TUBE,
22	555-1	1	BOLT, Hex Flg, M8 x 16, 8.8,
23	217-103	1	COCK, DRAIN, 1/4 PT, BSN Z6RZ04908
23	217-92	1	COCK, DRAIN, 1/4 PT, ASN Z6RZ04908
24	87313142	1	BRACKET, Oil Cooler Hinge
25	87367856	1	SUPPORT, Cooling System
26	844-12025	4	BOLT, Hex Flg, M12 x 25, 8.8,
27	434177A1	4	MOUNT, RUBBER,
28	495-81148	2	WASHER, 7/16" x 1 1/4" x .134",
29	844-8025	4	BOLT, Hex Flg, M8 x 25, 8.8,
30	87340498	1	BRACKET,
31	844-8025	5	BOLT, Hex Flg, M8 x 25, 8.8,
32	87456357	1	SEAL, Air Duct
33	87312069	1	PLATE, STRIKER, Hood Latch
34	301081A1	1	SCREW, Hood Latch
35	825-2412	1	NUT, M12 x 1.75, Flg, CI 8,
36	87356125	1	SEAL, Bottom Plate
37	87621948	1	SUPPORT, Left Hand
38	87621960	1	SUPPORT, Right Hand
39	87456329	2	SEAL, Side Posts
40	87356358	2	SEAL, Charge Air Cooler Side
41	87438831	2	SEAL, Shroud
42	87356126	2	SEAL, Side Posts
43	87356124	1	SEAL, Radiator, Charge Air Cooler
44	87356123	2	SEAL, Radiator To Shroud
44	87390684	2	SEAL, Radiator To Shroud

MAGNUM 310 CASE IH TRACTOR (EU) (1/06-) - Engine

02-01 RADIATOR AND FAN SHROUD

сылка	Номер детали	Кол-во	Описание
45	496-11034	6	WASHER, 11/32" x 11/16" x 1/16", HDN,
46	829-1408	6	NUT, M8, CI 10,
50	844-8025	3	BOLT, Hex Flg, M8 x 25, 8.8,
51	844-8020	2	BOLT, Hex Flg, M8 x 20, 8.8,
52	895-25008	5	WASHER, M8 x 20 x 1.6,
53	87454889	1	BRACKET,

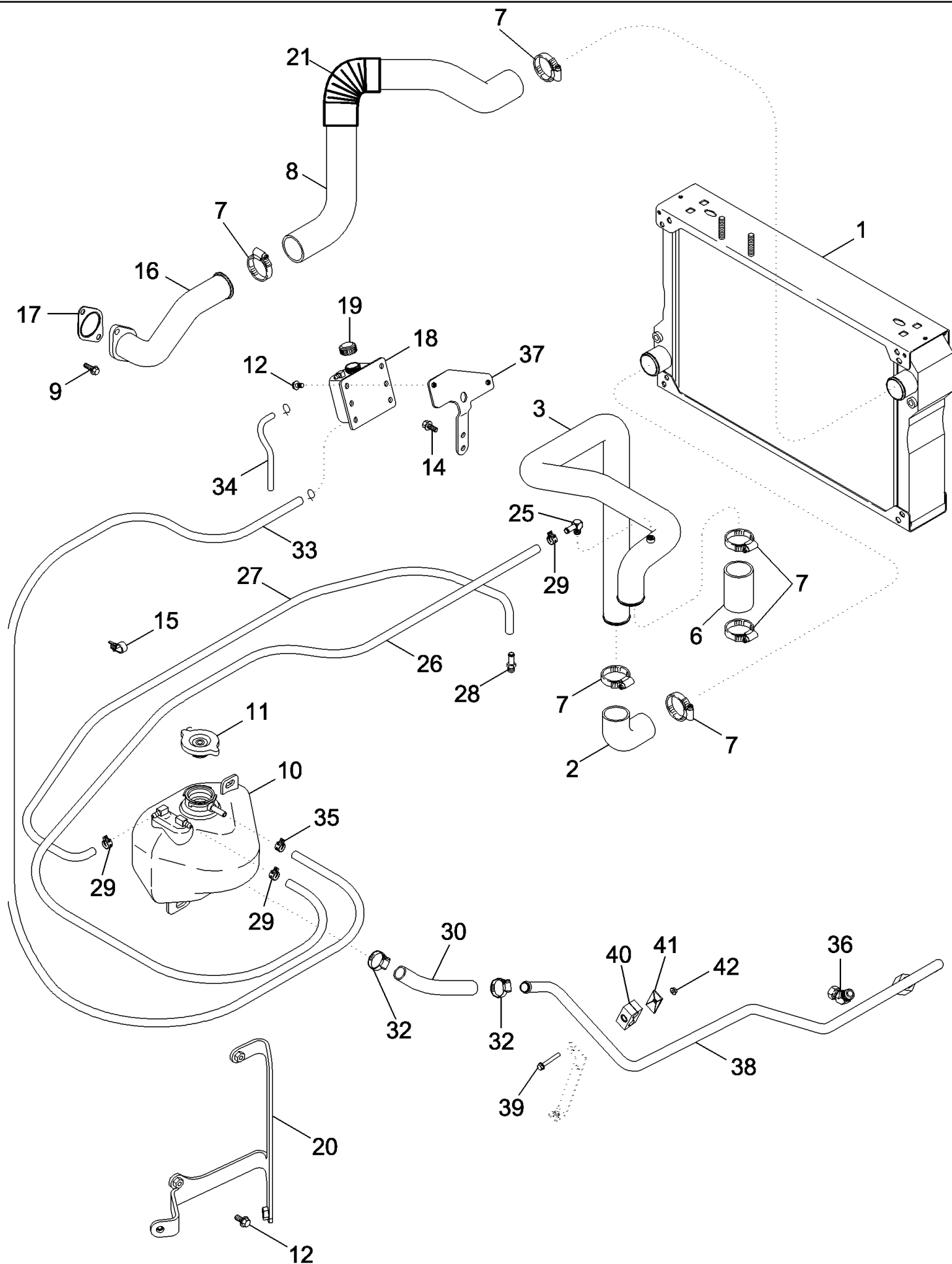


MAGNUM 310 CASE IH TRACTOR (EU) (1/06-) - Engine

02-03 RADIATOR ASSEMBLY, MAGNUM 280, 310, AND 335

сылка	Номер детали	Кол-во	Описание
1	87390680	1	RADIATOR, Inc. 2 - 8
2	NSS	1	NOT SERVICED SEPARATELY, CORE
3	87441598	2	GASKET,
4	87454646	2	TANK,
5	87313451	1	CHANNEL, Top
6	87390682	1	CHANNEL, Bottom
7	895-15008	8	WASHER, M8 x 20 x 1.6,
8	614-8012	8	BOLT, Hex, M8 x 12, 8.8, Full Thd,

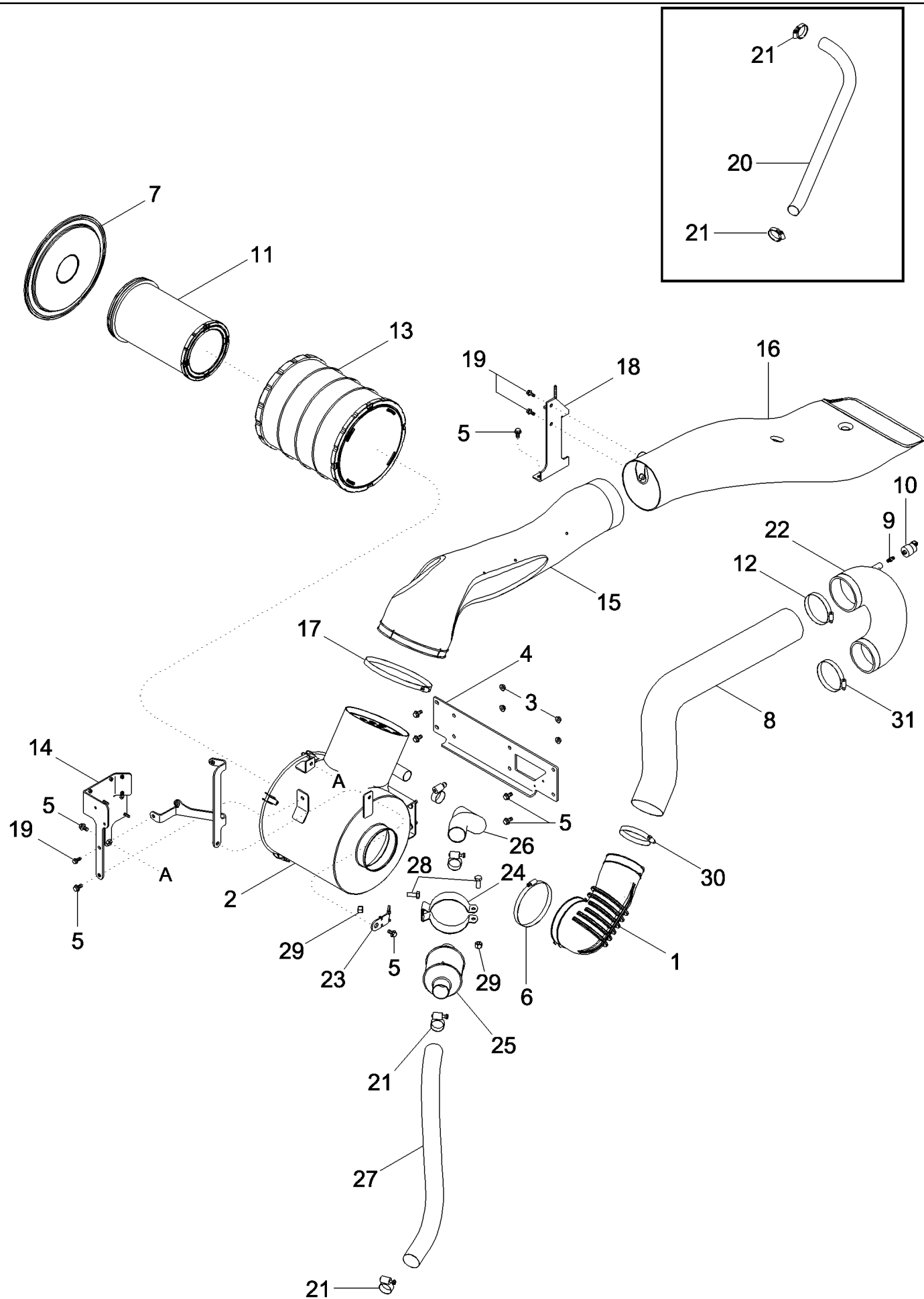
02-04 DEAERATION SYSTEM



MAGNUM 310 CASE IH TRACTOR (EU) (1/06-) - Engine

02-04 DEAERATION SYSTEM

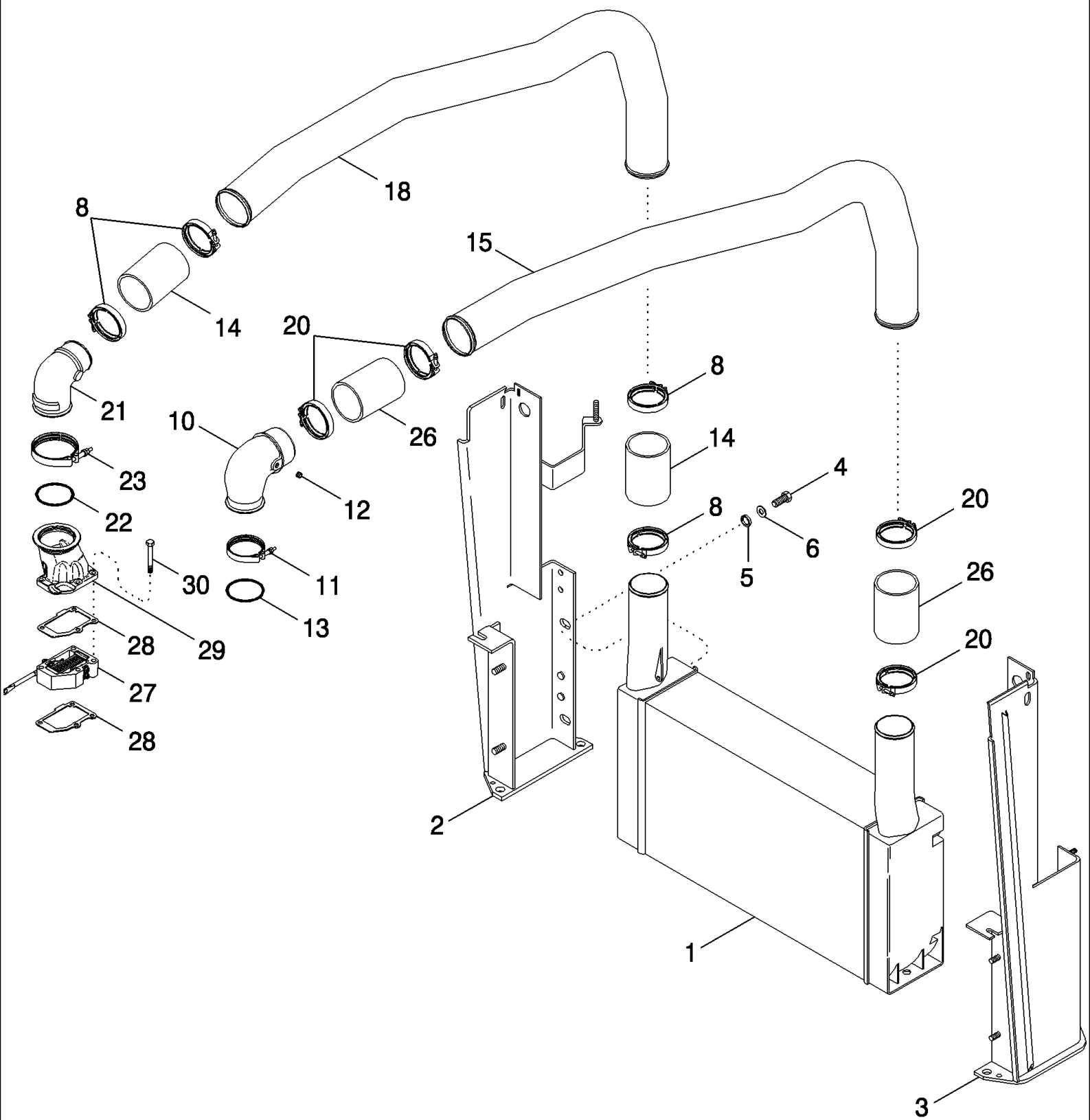
сылка	Номер детали	Кол-во	Описание
1	REF	1	INSTRUCTION, Radiator, Magnum 225 and Magnum 250, See Figure 02-02
1	REF	1	INSTRUCTION, Radiator, Magnum 280 and Magnum 310, See Figure 02-03
2	87381277	1	HOSE, Coolant
3	87455330	1	TUBE ASSY., Radiator
6	433405A1	1	HOSE, Radiator
7	214-3248	6	CLAMP, HOSE, 2.25/3.125 HD Worm, W/liner,
8	87733724	1	Engine, Coolant Outlet, Inc. 21
9	87403515	2	BOLT, M8 x 20; 8.8
10	87413715	1	RESERVOIR, Deaeration Tank
11	A170241	1	CAP, RADIATOR, 15 psi
12	555-1	8	BOLT, Hex Flg, M8 x 16, 8.8,
14	844-12025	3	BOLT, Hex Flg, M12 x 25, 8.8,
15	87445732	3	CLAMP,
16	87430751	1	TUBE ASSY.,
17	J945603	1	GASKET,
18	L127093	1	RESERVOIR, COOLANT EXPNSN,
19	238903A1	1	CAP, FILLER,
20	87339308	1	BRACKET, Deaeration Tank
21	87733645	1	Protective
25	217-130	1	ELBOW, 90°, 1/4" Hose x 1/8" NPTF Beaded,
26	87442539	1	HOSE, 6.4 ID x 1490 mm (1/4 ID x 58-21/32"), Cut From 382997C2
27	87525458	1	HOSE, 6.4 ID x 1885 mm (1/4 ID x 70-1/2"), Cut From 382997C2
28	217-154	1	FITTING, 1/4" Hose X 1/4" NPTF Beaded,
29	87589798	6	CLAMP, HOSE, 0.5"
30	87395776	1	HOSE, Deaeration Tank to Engine, 249 mm (9.8"), Cut From 429211A1
32	214-1412	2	CLAMP, HOSE, #12, 0.69/1.25 Type F Worm,
33	87338147	1	HOSE, , Cut From 382997C2
34	242070A1	1	HOSE,
35	214-1308	1	CLAMP, HOSE, #8, 1/2", Spring,
36	218-536	1	ELBOW, 45°, 1 1/16-12, 37° x 3/4"-14, NPTF,
37	87381548	1	BRACKET, Coolant Recovery Bottle
38	87395778	1	TUBE,
39	844-8060	1	BOLT, Hex Flg, M8 x 60, 8.8,
40	118576A1	1	CLAMP,
41	1347127C1	1	PLATE, Clamp
42	825-2408	1	NUT, M8 x 1.25, Flg, CI 8,



MAGNUM 310 CASE IH TRACTOR (EU) (1/06-) - Engine

02-05 AIR INDUCTION SYSTEM - STANDARD DUTY

сылка	Номер детали	Кол-во	Описание
1	87384983	1	DUCT, AIR,
2	87307974	1	AIR CLEANER,
3	829-2410	4	NUT, M10 x 1.5, Flg, CI 10,
4	87361276	1	BRACKET,
5	844-10020	9	BOLT, Hex Flg, M10 x 20, 8.8,
6	87656134	1	CLAMP, HOSE,
7	379554A1	1	COVER,
8	87357981	1	TUBE ASSY., , BSN Z6RZ05420
8	87547220	1	TUBE ASSY., , ASN Z6RZ05420
9	217-1079	1	CONNECTOR, HYD., 1/8"-27 NPTF,
10	279492A1	1	SWITCH,
11	367350A1	1	FILTER, Secondary
12	87652892	1	CLAMP,
13	367349A1	1	FILTER, Primary
14	87339310	1	BRACKET, , BSN Z7RZ01521
14	87548859	1	BRACKET, , ASN Z7RZ01521
15	87335608	1	TUBE,
16	87307977	1	DUCT, AIR,
17	87562289	1	CLAMP,
18	87441640	1	BRACKET,
19	844-8020	3	BOLT, Hex Flg, M8 x 20, 8.8,
20	87443700	1	HOSE, , BSN Z6RZ03563
21	214-1424	2	CLAMP, HOSE, #24, 1.06/2.00 Type F Worm, , BSN Z6RZ03563
21	214-1424	4	CLAMP, HOSE, #24, 1.06/2.00 Type F Worm, , ASN Z6RZ03563
22	87357621	1	HOSE, Air Cleaner to Turbo, BSN Z7RZ03901
22	87651295	1	HOSE, Air Cleaner to Turbo, ASN Z7RZ03901
23	87523365	1	BRACKET, Aspirator Check Valve, ASN Z6RZ03563
24	87300581	1	CLAMP, , ASN Z6RZ03563
25	284427A1	1	VALVE, Aspirator Check, ASN Z6RZ03563
26	87525729	1	HOSE, Aspirator, Upper, ASN Z6RZ03563
27	87525734	1	HOSE, Aspirator, Lower, ASN Z6RZ03563
28	627-8020	2	BOLT, Hex, M8 x 20, 10.9, , ASN Z6RZ03563
29	832-10408	2	NUT, LOCK, M8 x 1.25, CI 8, , ASN Z6RZ03563
30	87656133	1	CLAMP, HOSE,
31	87652891	1	CLAMP,

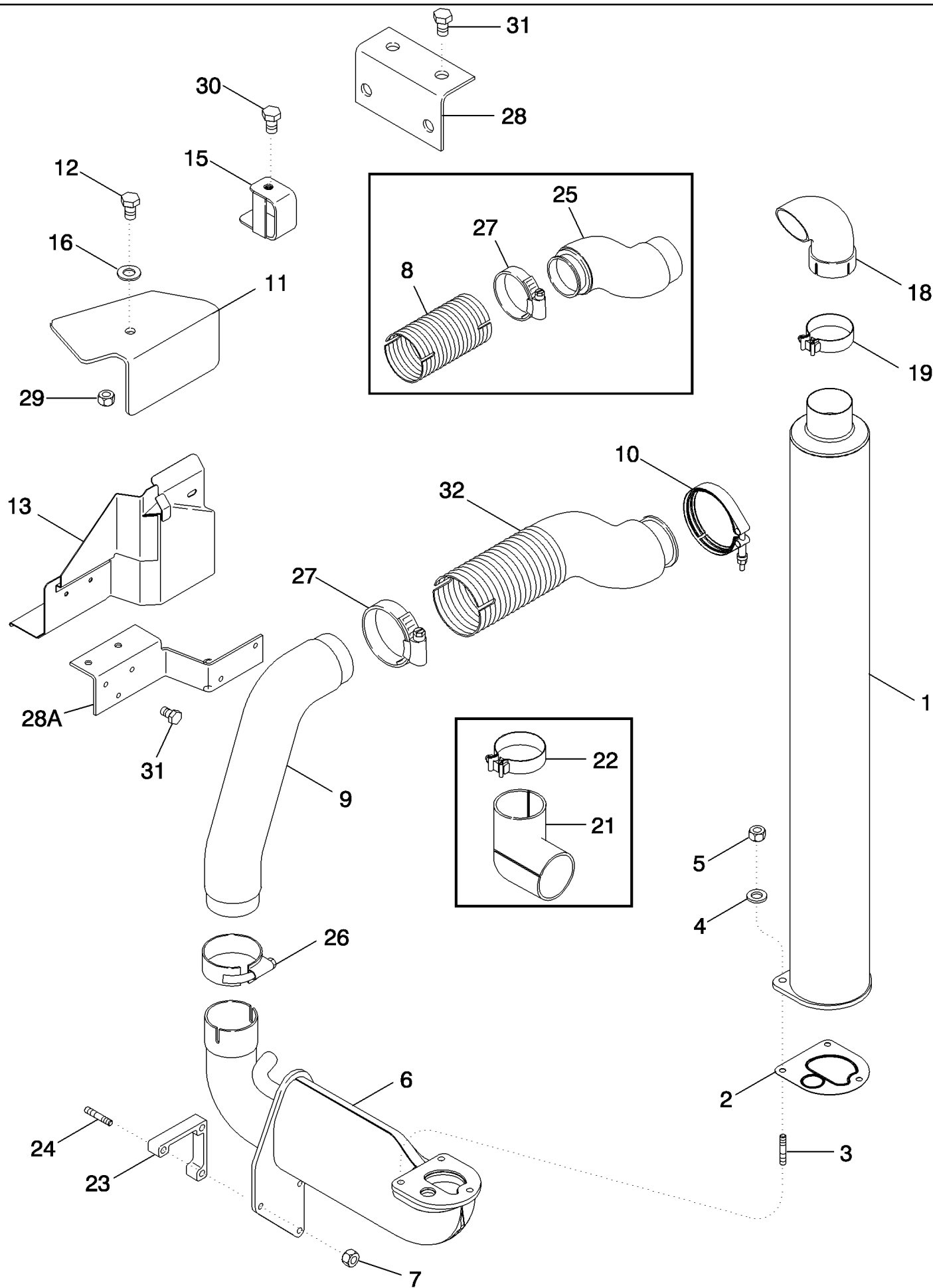


MAGNUM 310 CASE IH TRACTOR (EU) (1/06-) - Engine

02-06 AFTERCOOLER

сылка	Номер детали	Кол-во	Описание
1	87307279	1	COOLER, Air to Air
2	87621948	1	SUPPORT, Left Hand
3	87621960	1	SUPPORT, Right Hand
4	614-10025	4	BOLT, Hex, M10 x 25, 8.8, Full Thd,
5	87456528	4	TUBE SPACER,
6	495-81148	8	WASHER, 7/16" x 1 1/4" x .134",
8	352198A1	4	CLAMP, Hose
10	J918685	1	PIPE,
11	J883284	1	O-RING,
12	J008465	1	PLUG,
13	J069053	1	CLAMP,
14	87454331	2	HOSE, Air to Air, Cold Side
15	87454346	1	TUBE, Turbo to Cooler, BSN Z7RW01293
15	87521309	1	TUBE, Turbo to Cooler, BTW Z7RW01293 & Z7RZ02632
15	87602983	1	TUBE, Turbo to Cooler, ASN Z7RZ02632
18	87346132	1	TUBE, Cooler to Intake Manifold, BSN Z7RW01293
18	87521022	1	TUBE, Cooler to Intake Manifold, BTW Z7RW01293 & Z7RZ02632
18	87603073	1	TUBE, Cooler to Intake Manifold, ASN Z7RZ02632
20	364751A1	4	CLAMP,
21	87341882	1	ELBOW,
22	87434592	1	SEAL,
23	87434593	1	CLAMP,
26	377592A1	2	HOSE, Air to Air
27	87335271	1	HEATER, Intake Air
28	87335272	2	GASKET, Connection
29	87340026	1	CONNECTOR, MULTIPOLE,
30	845-8080	4	BOLT, Hex Flg, M8 x 80, 8.8,

02-07 EXHAUST SYSTEM

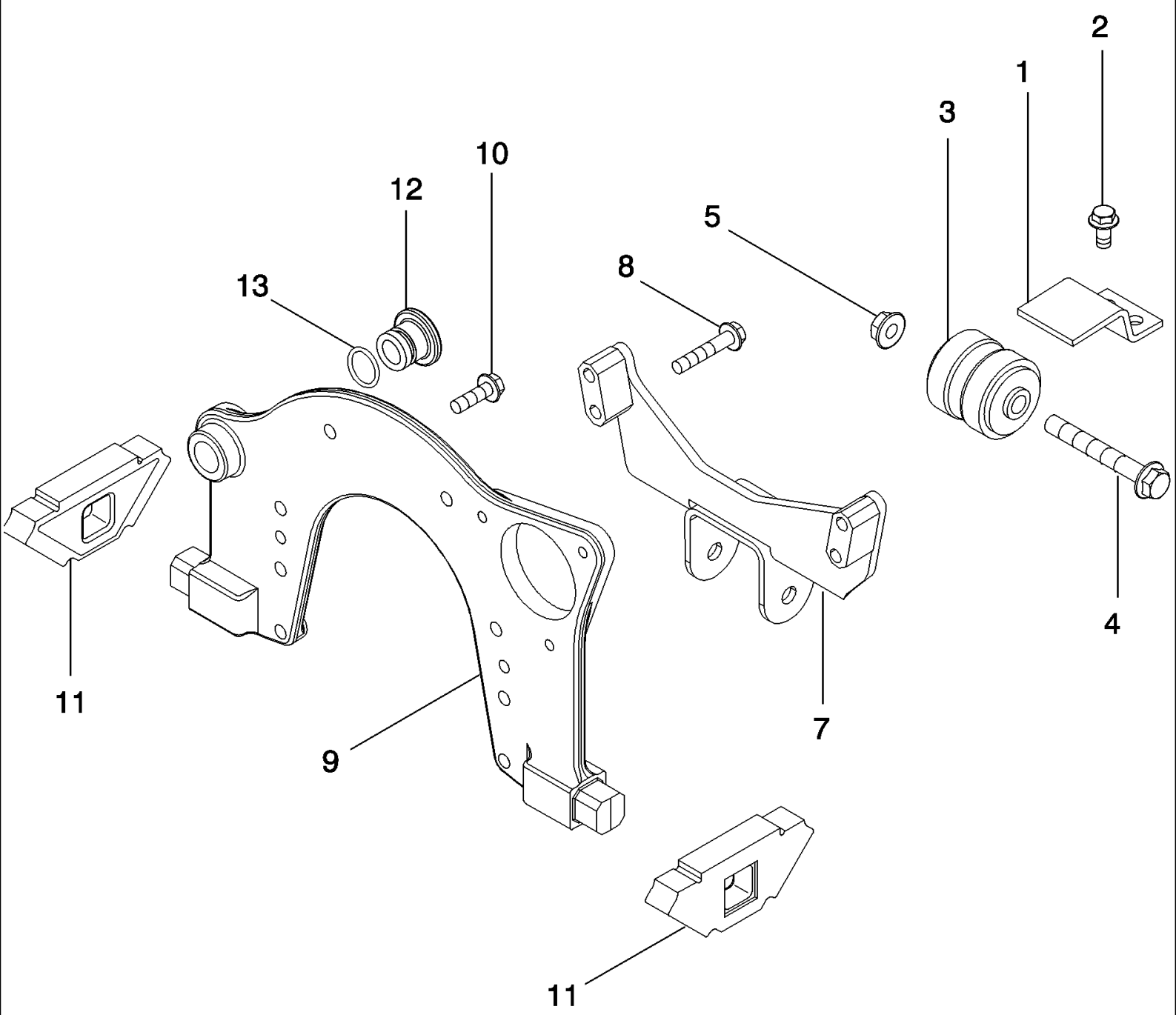


MAGNUM 310 CASE IH TRACTOR (EU) (1/06-) - Engine

02-07 EXHAUST SYSTEM

сылка	Номер детали	Кол-во	Описание
1	87369371	1	MUFFLER, Standard
1	87369363	1	MUFFLER, Spark Arrester, South Africa Only
2	226775A1	1	GASKET,
3	387795A1	3	STUD,
4	387798A1	3	WASHER,
5	387796A1	3	NUT,
6	87588155	1	SUPPORT,
7	829-2412	3	NUT, M12 x 1.75, Flg, CI 10,
8	NSS	1	NOT SERVICED SEPARATELY, HOSE, Flexible, Order REF 32 87520146 For Initial Replacement, BSN Z6RZ02856
9	87607503	1	TUBE ASSY.,
10	A170807	1	CLAMP, Inc. Hardware
11	87451651	1	BRACKET, Manifold Shield
12	844-10016	1	BOLT, Hex Flg, M10 x 16, 8.8, Full Thd,
13	87615756	1	SHIELD, Turbo Heat (Shown), Magnum 225, 250, 280, and 310
13	87715386	1	SHIELD, Turbo Heat, Magnum 335
15	87615566	1	BRACKET, Heat Shield, Turbo
16	495-81120	3	WASHER, .344" x 1 1/4" x .120", , Magnum 225, 250, 280, and 310
16	495-81120	5	WASHER, .344" x 1 1/4" x .120", , Magnum 335
18	87381922	1	EXTENSION, Exhaust
19	87449404	1	CLAMP,
21	87325972	1	INSULATION, FOAM, Exhaust (Shown), Magnum 225, 250, 280, and 310
21	87620835	1	INSULATION, FOAM, Exhaust, Magnum 335
22	214-3280	2	CLAMP, HOSE, 4.25/5.125 HD Worm, W/liner,
23	87332194	1	SPACER,
24	87330610	3	STUD,
25	NSS	1	NOT SERVICED SEPARATELY, TUBE ASSY., Order REF 32 87520146 For Initial Replacement, BSN Z6RZ02856
26	87449404	1	CLAMP,
27	87427885	2	CLAMP, , BSN Z6RZ02856
27	87427885	1	CLAMP, , ASN Z6RZ02856
28	87449823	1	BRACKET, Turbo Heat Shield, Magnum 225, 250, 280, and 310
28A	87715390	1	BRACKET, Turbo heat Shield, Magnum 335
29	825-2408	1	NUT, M8 x 1.25, Flg, CI 8,
30	844-10020	2	BOLT, Hex Flg, M10 x 20, 8.8,
31	844-8020	3	BOLT, Hex Flg, M8 x 20, 8.8, , Magnum 225, 250, 280, and 310
31	844-8020	5	BOLT, Hex Flg, M8 x 20, 8.8, , Magnum 335
32	87520146	1	TUBE ASSY., (Shown), Magnum 225, 250, 280, and 310, ASN Z6RZ02856
32	87714128	1	TUBE ASSY., , Magnum 335

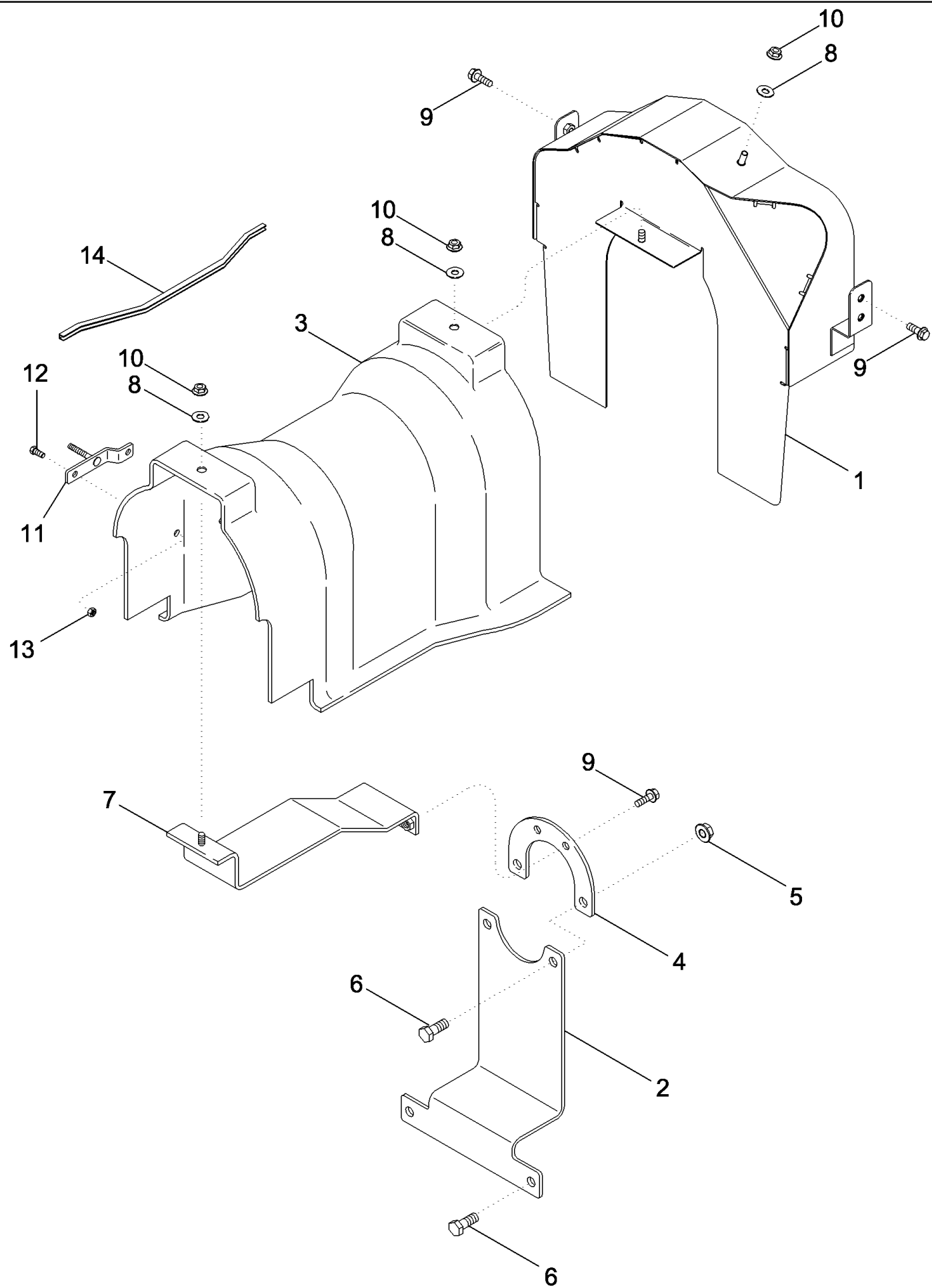
02-08 ENGINE MOUNTING



MAGNUM 310 CASE IH TRACTOR (EU) (1/06-) - Engine

02-08 ENGINE MOUNTING

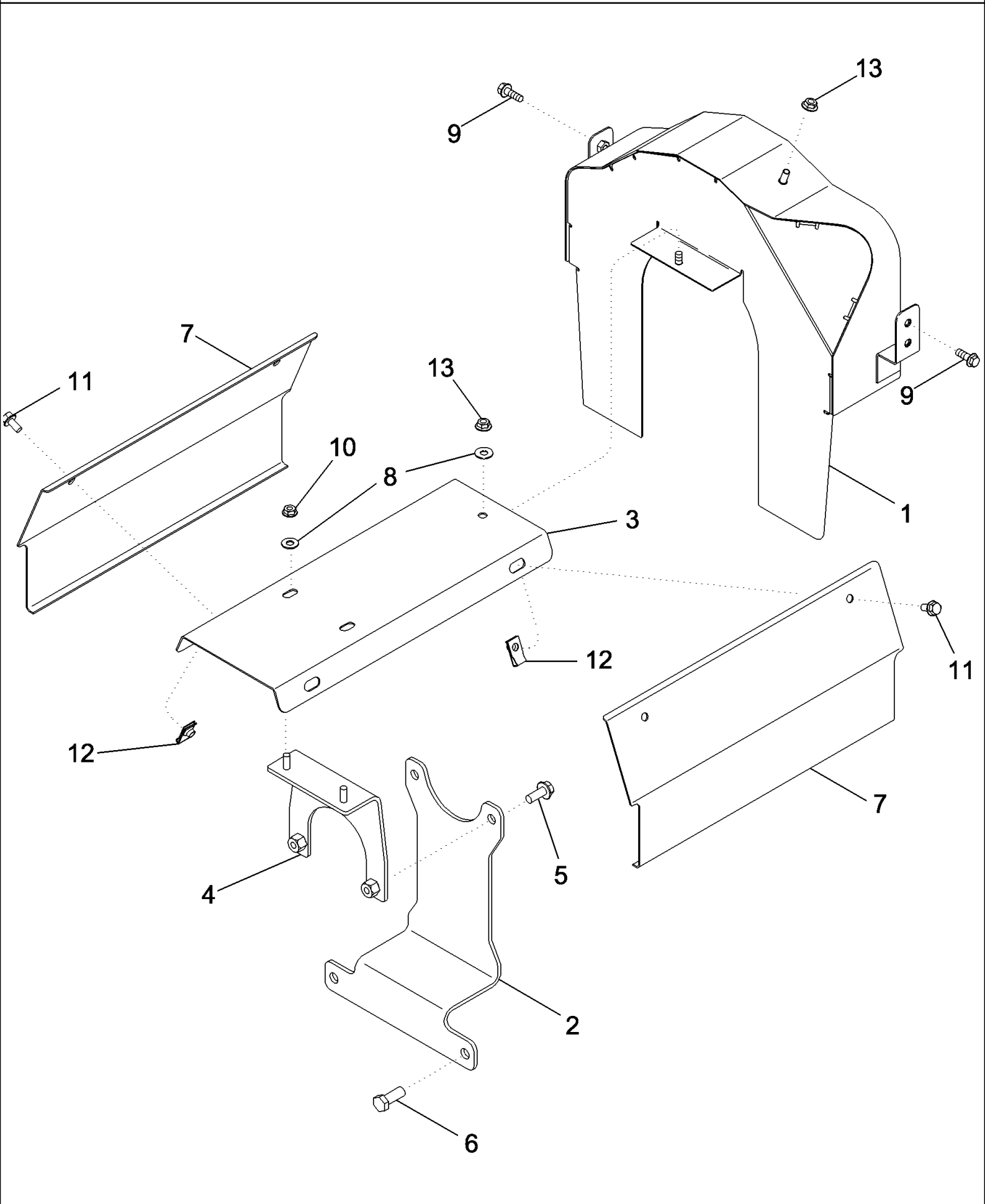
сылка	Номер детали	Кол-во	Описание
1	297527A1	1	CLAMP,
2	844-12025	2	BOLT, Hex Flg, M12 x 25, 8.8,
3	247991A1	1	SHOCK ABSORBER,
4	854-16120	1	BOLT, Hex Flg, M16 x 120, 10.9,
5	825-2416	1	NUT, M16 x 2, Flg, Cl 8,
7	87434290	1	SUPPORT,
8	854-12065	4	BOLT, Hex Flg, M12 x 65, 10.9,
9	87421749	1	BRACKET,
10	854-12040	8	BOLT, Hex Flg, M12 x 40, 10.9,
11	251991A1	2	SUPPORT,
12	J910248	1	PLUG,
13	238-5212	1	O-RING, -212, 70 Duro, .859" ID x .139" Thk,



MAGNUM 310 CASE IH TRACTOR (EU) (1/06-) - Engine

02-10 FLYWHEEL SHIELDS, BSN Z6RZ02948

сылка	Номер детали	Кол-во	Описание
1	382150A1	1	PROTECTION PLATE,
2	382147A1	1	PROTECTION PLATE,
3	87367164	1	SHIELD,
4	87435601	1	PLATE ASSY.,
5	9804279	2	NUT, M12 x 1.75, Flg, Cl 8,
6	854-12030	4	BOLT, Hex Flg, M12 x 1.75 x 30, 10.9,
7	87435598	1	BRACKET,
8	895-15008	2	WASHER, M8 x 20 x 1.6,
9	844-8025	6	BOLT, Hex Flg, M8 x 25, 8.8,
10	825-2408	1	NUT, M8 x 1.25, Flg, Cl 8,
11	87367165	1	BRACKET,
12	844-8020	2	BOLT, Hex Flg, M8 x 20, 8.8,
13	832-10408	2	NUT, LOCK, M8 x 1.25, Cl 8,
14	87398578	1	SOFT TRIM, Edge, Black
15	87545917	1	KIT, SERVICE, Three Piece Shield Adapting, (Not Shown)

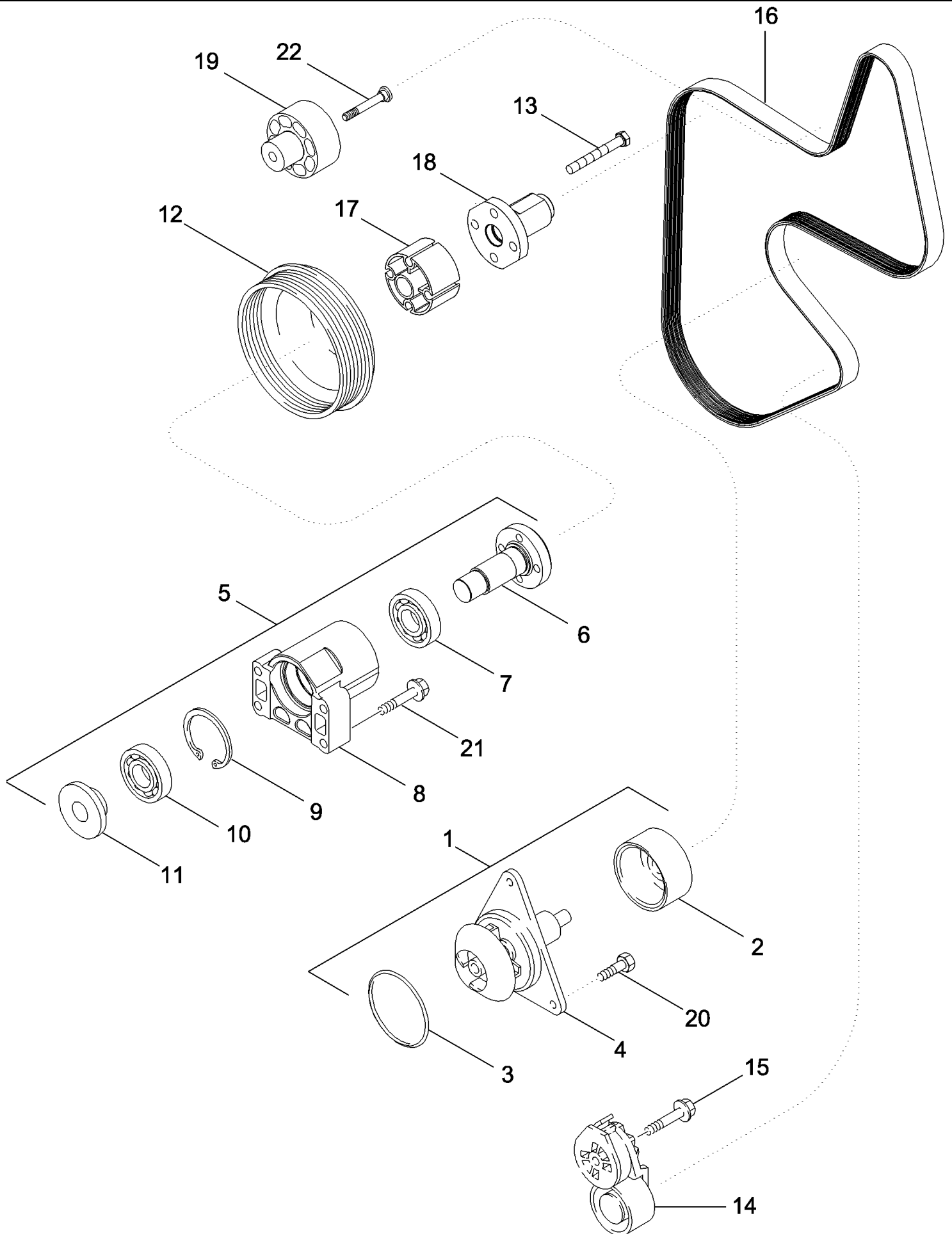


MAGNUM 310 CASE IH TRACTOR (EU) (1/06-) - Engine

02-11 FLYWHEEL SHIELDS, ASN Z6RZ02948

сылка	Номер детали	Кол-во	Описание
1	87522079	1	SHIELD,
2	87530413	1	BRACKET,
3	87530410	1	SHIELD,
4	87533238	1	PLATE, MOUNTING,
5	844-10025	2	BOLT, Hex Flg, M10 x 25, 8.8, Full Thd,
6	614-12030	4	BOLT, Hex, M12 x 30, 8.8,
7	87530412	2	SHIELD,
8	895-15008	3	WASHER, M8 x 20 x 1.6,
9	844-8025	4	BOLT, Hex Flg, M8 x 25, 8.8,
10	825-2408	2	NUT, M8 x 1.25, Flg, CI 8,
11	844-8016	4	BOLT, Hex Flg, M8 x 16, 8.8,
12	833-41308	4	NUT, M8, U,
13	832-10408	2	NUT, LOCK, M8 x 1.25, CI 8,

02-12 WATER PUMP SYSTEM

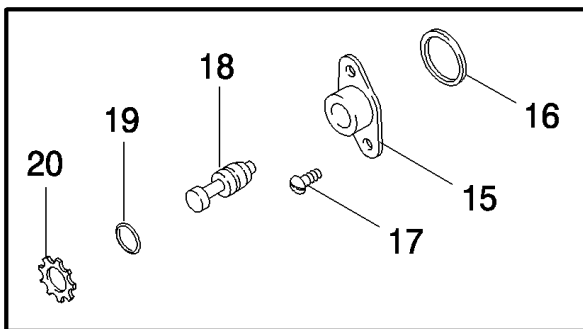
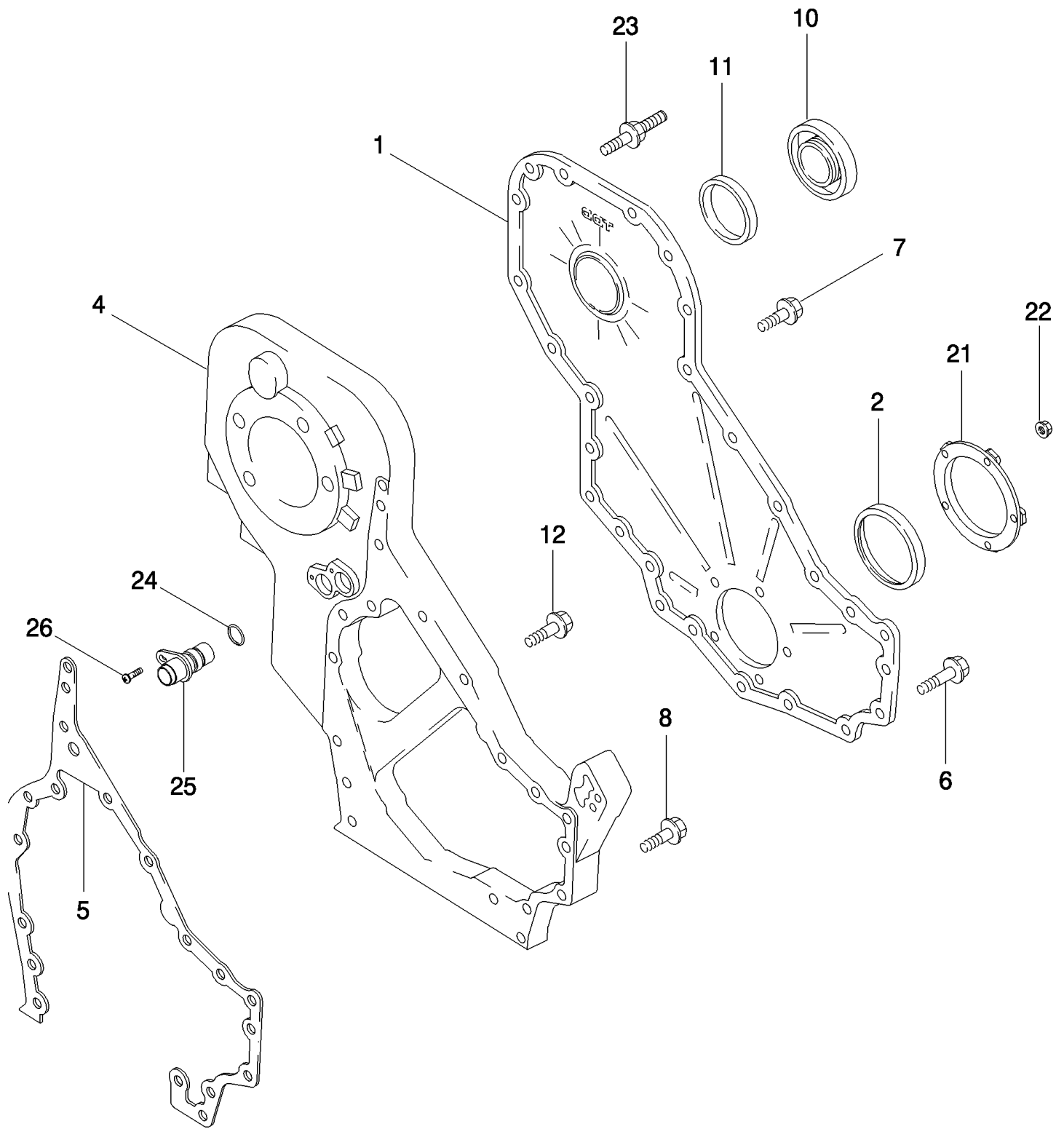


MAGNUM 310 CASE IH TRACTOR (EU) (1/06-) - Engine

02-12 WATER PUMP SYSTEM

сылка	Номер детали	Кол-во	Описание
1	87453208	1	PUMP, WATER, Inc. 2 - 4
2	NSS	1	NOT SERVICED SEPARATELY, PULLEY
3	238-5244	1	O-RING, -244, 70 Duro, 4.234" ID x .139" Thk,
4	NSS	1	NOT SERVICED SEPARATELY, PUMP
5	87408931	1	SUPPORT, Inc. 6 - 11
6	J934104	1	HUB,
7	NSS	1	NOT SERVICED SEPARATELY, BEARING, Ball
8	NSS	1	NOT SERVICED SEPARATELY, SUPPORT
9	100-21244	1	RING, SNAP, 2.44", Int, #244,
10	J933440	1	BEARING, BALL,
11	J931016	1	RETAINER,
12	J926855	1	PULLEY, Standard Performance
12	J914462	1	PULLEY, W/Suspended Axle
13	844-10085	4	BOLT, Hex Flg, M10 x 85, 8.8,
14	87345929	1	TENSIONER, BELT,
15	J282433	1	BOLT, M10 x 85
16	87441267	1	BELT, Standard Performance, 2165 mm
16	87441268	1	BELT, With Suspended Axle, 2140 mm
17	A184546	1	SPACER,
18	87456345	1	SHAFT, Fan Adapter
19	87395364	1	PULLEY, Idler, MX215, 245, 275, 305, Magnum 215, 245, 275, and 305
19	87395363	1	PULLEY ASSY., Idler, Magnum 335
20	J934054	3	BOLT, M8 x 28
21	854-10050	4	BOLT, Hex Flg, M10 x 50, 10.9,
22	87380501	1	BOLT, M10 x 80

02-13 FRONT GEAR COVER

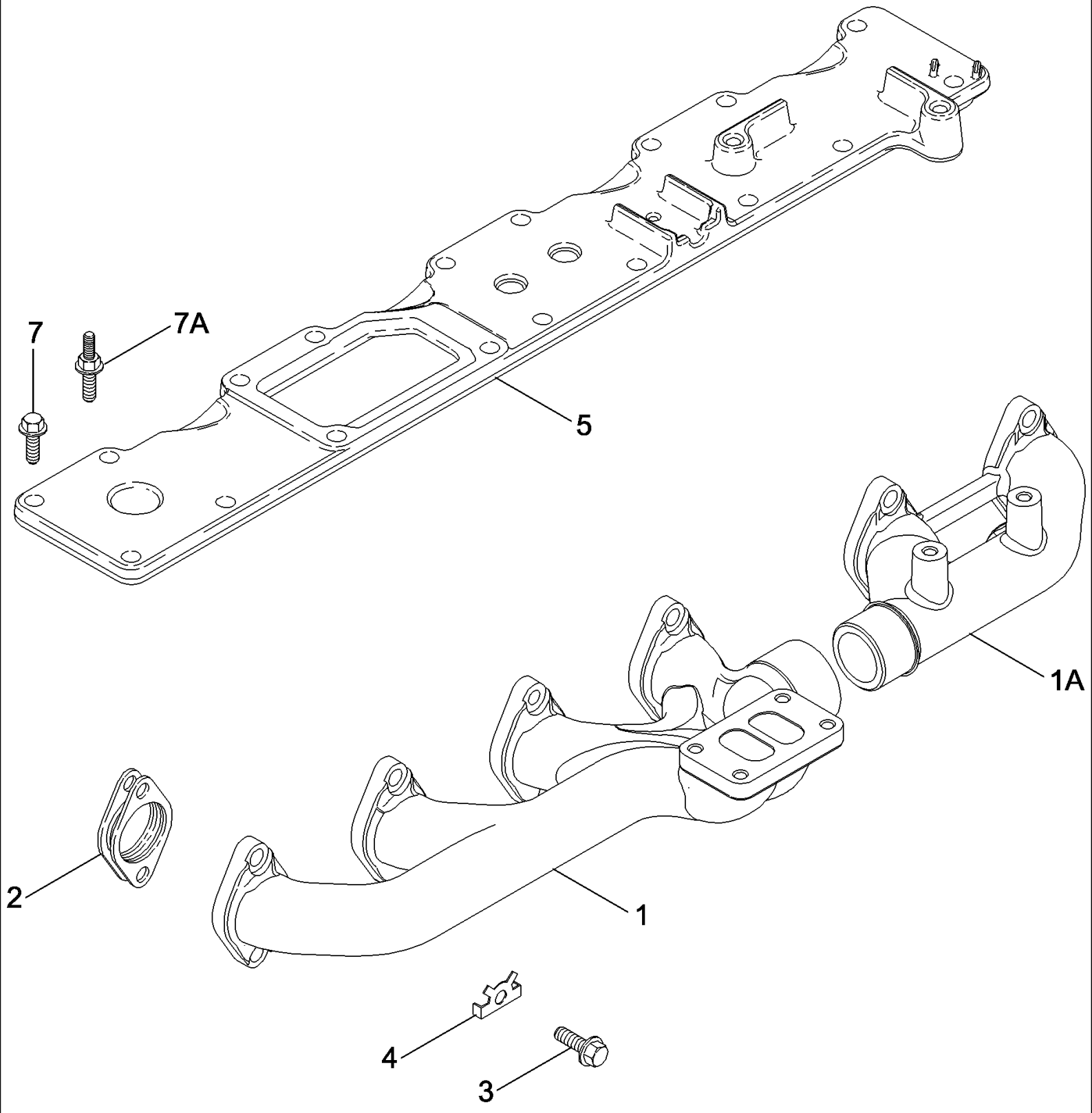


MAGNUM 310 CASE IH TRACTOR (EU) (1/06-) - Engine

02-13 FRONT GEAR COVER

сылка	Номер детали	Кол-во	Описание
1	87340005	1	COVER,
2	NSS	1	NOT SERVICED SEPARATELY, SEAL, Order A77790, A77808
4	J945852	1	TRANSMISSION HOUSING,
5	J944293	1	GASKET,
6	J926863	11	BOLT, M8 x 50
7	845-8016	15	BOLT, Hex Flg, M8 x 16, 8.8, Full Thd,
8	J926846	3	BOLT, M8 x 20: 10.9
10	J903463	1	COVER,
11	J903475	1	SEAL,
12	J943885	2	BOLT, M8 x 40
15	J919683	1	HOUSING,
16	J915772	1	SEALRING,
17	J907998	2	SCREW, LOCK, Spc Rd Torx Hd, M5 x 17,
18	J903924	1	PIN,
19	J913994	1	O-RING,
20	100-2587	1	RING, SNAP, 0.875", Int, #87,
21	J941786	1	CARRIER,
22	J938077	5	NUT, Lock, M6
23	J921816	2	BOLT, SPECIAL,
24	87400235	1	O-RING,
25	87338343	1	PLUG,
26	845-6015	1	BOLT, Hex Flg, M6 x 15, 8.8, Full Thd,
	217-438	2	PLUG, Hex Soc, 1/2"-14, (Not Shown)
	263136	1	PLUG, MAGNETIC, Hex Soc, 3/4"-14 NPTF, (Not Shown)
	J920706	1	PLUG, (Not Shown)

02-14 MANIFOLDS

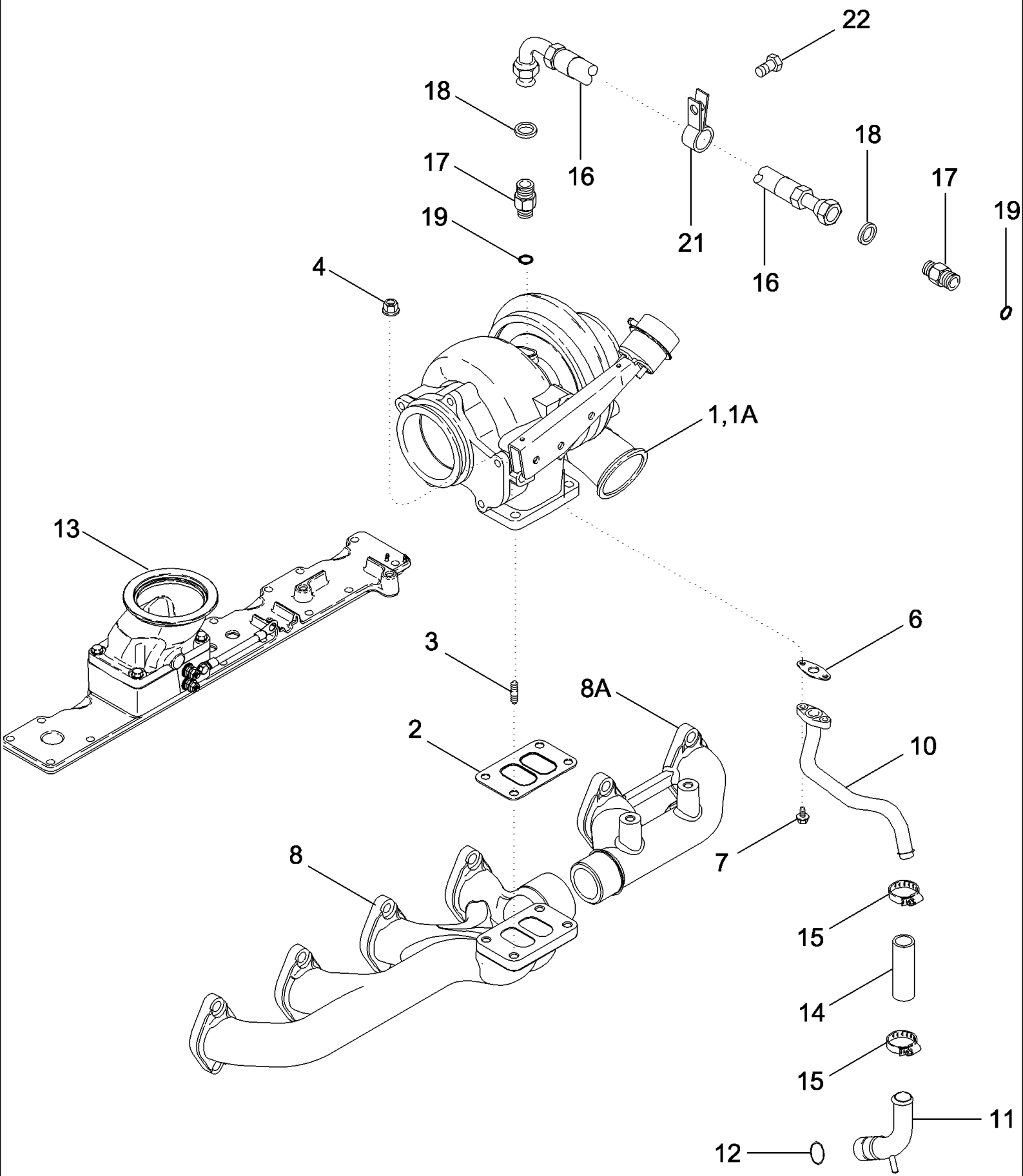


MAGNUM 310 CASE IH TRACTOR (EU) (1/06-) - Engine

02-14 MANIFOLDS

сылка	Номер детали	Кол-во	Описание
1	87344862	1	MANIFOLD, EXHAUST,
1A	87344861	1	MANIFOLD, EXHAUST,
2	J937479	6	GASKET, MANIFOLD,
3	J944593	12	BOLT, 10 x 70 mm
4	J945252	12	SPACER, Intake
5	87340282	1	COVER,
7	845-8030	13	BOLT, Hex Flg, M8 x 30, 8.8,
8	87340279	1	SCREW, M8 x 35

02-15 TURBOCHARGER SYSTEM

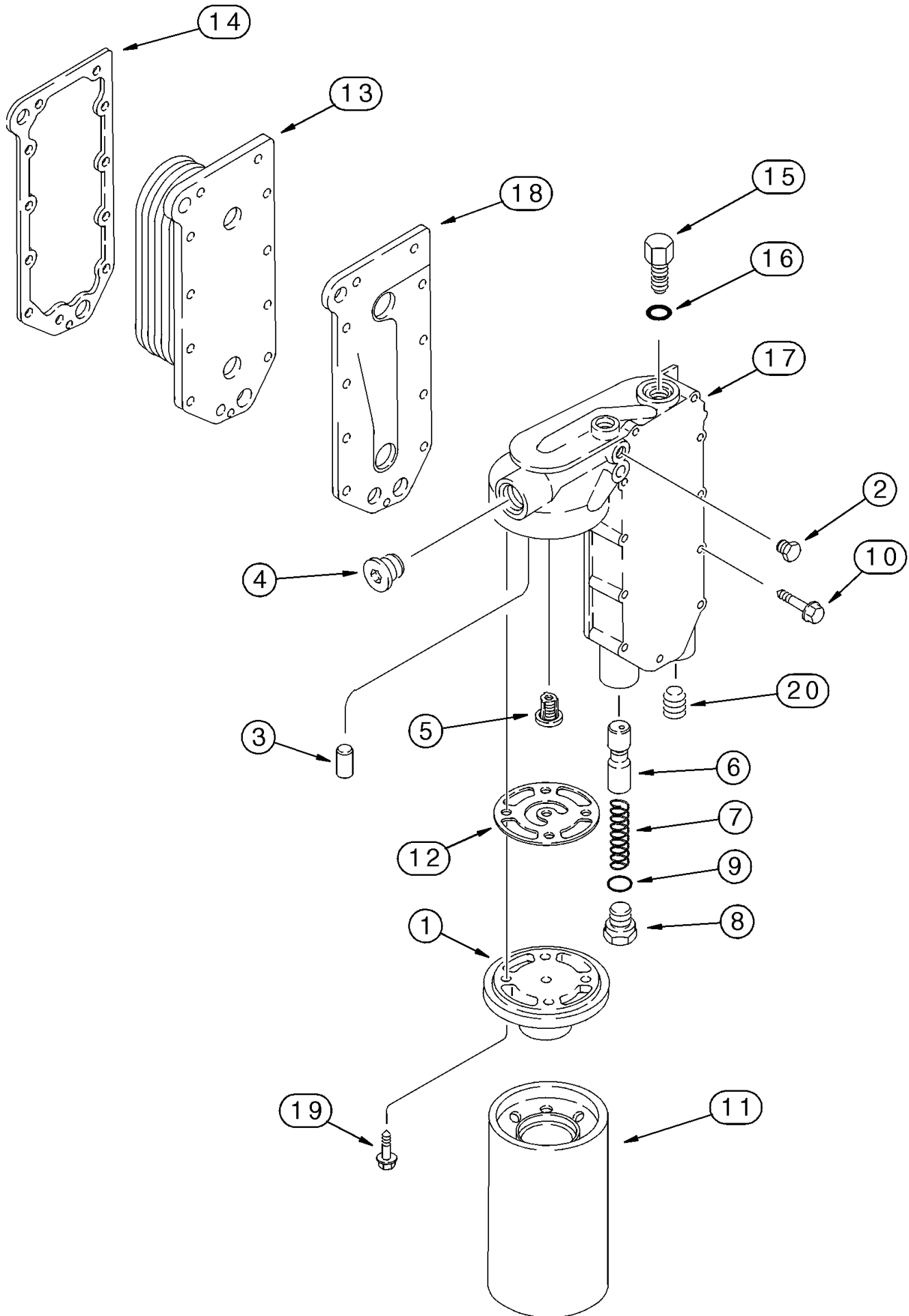


MAGNUM 310 CASE IH TRACTOR (EU) (1/06-) - Engine

02-15 TURBOCHARGER SYSTEM

сылка	Номер детали	Кол-во	Описание
1	87355317	1	TURBOCHARGER, MX245, MX275
1	87355507	1	TURBOCHARGER, MX215
1	87355331	1	TURBOCHARGER, MX305
2	J901356	1	GASKET,
3	J818823	4	STUD, M10 x 40
4	J818824	4	NUT, M10
6	J937706	1	GASKET,
7	845-8020	2	BOLT, Hex Flg, M8 x 20, 8.8, Full Thd,
8	87344862	1	MANIFOLD, EXHAUST, , See Figure 02-14
8A	87344861	1	MANIFOLD, EXHAUST,
10	J945108	1	TUBE,
11	87437056	1	TUBE,
12	238-7018	1	O-RING, -018, CI 7, .739" ID x .070" Thk,
13	87340282	1	COVER, , See Figure 02-14
14	J286499	1	HOSE, 76 mm (3")
15	214-1512	2	CLAMP, HOSE, #12, .69/1.25 Type F Worm, W/liner,
16	87345099	1	HOSE, FLEXIBLE,
17	J922789	2	CONNECTOR, HYD., Inc. 18, 19
18	J678603	1	O-RING, 9.3 mm ID x 2.2 mm
19	313262A1	1	SEAL, 9.2 mm ID x 1.7 mm
21	87434675	1	CLAMP, 1/2 ID
22	615-8012	1	BOLT, Hex, M8 x 12, 8.8, Full Thd,

02-16 FILTER AND COOLER - OIL

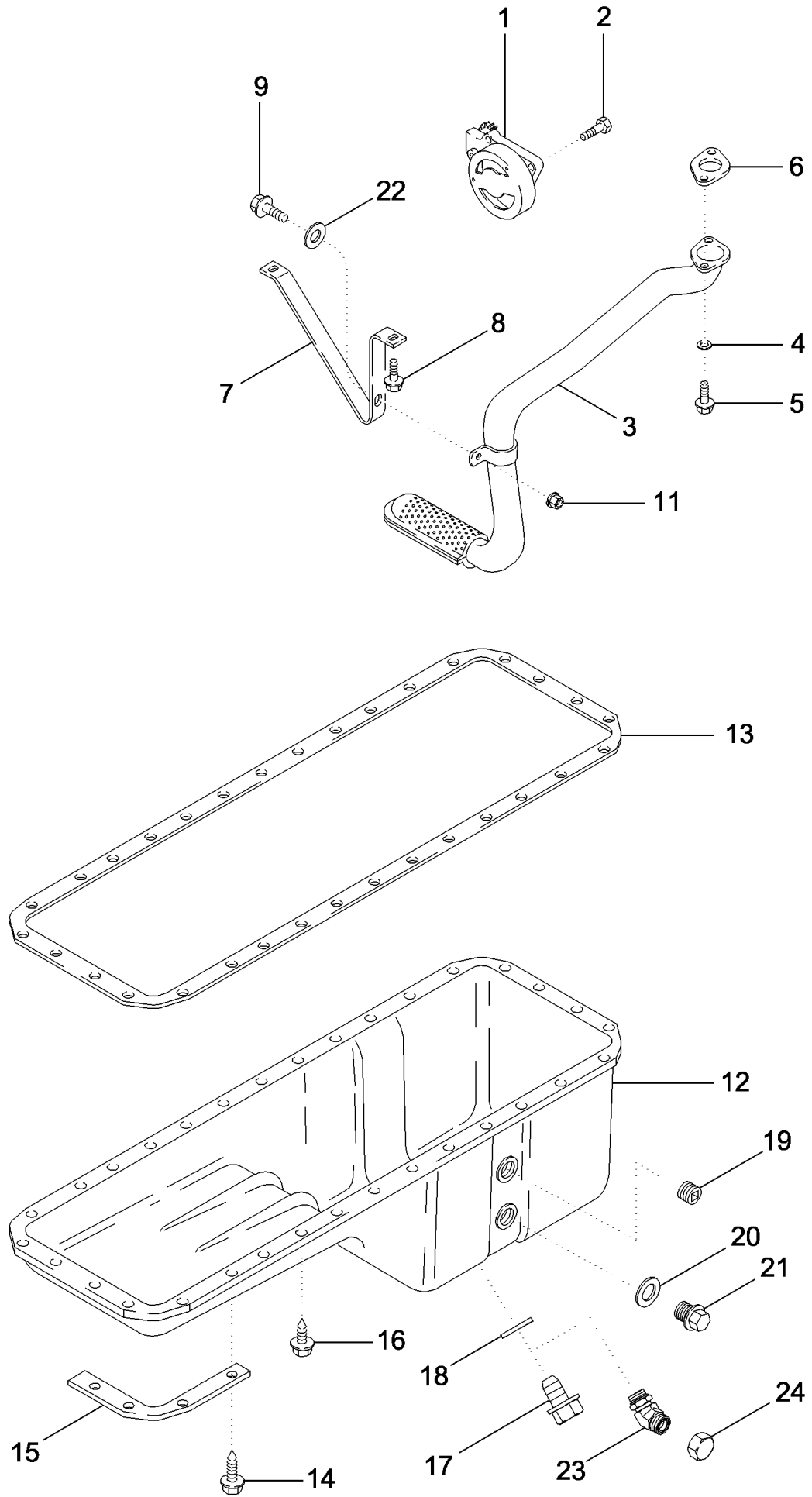


MAGNUM 310 CASE IH TRACTOR (EU) (1/06-) - Engine

02-16 FILTER AND COOLER - OIL

сылка	Номер детали	Кол-во	Описание
1	87340627	1	HEAD, FILTER,
2	J906619	2	PLUG, 1/8 PT
3	A77722	1	PIN,
4	263136	1	PLUG, MAGNETIC, Hex Soc, 3/4"-14 NPTF,
5	J936365	1	VALVE, PRESSURE RELIEF,
6	J945967	1	PLUNGER,
7	87340755	1	SPRING,
8	J931084	1	PLUG, 24 mm, Inc. 9
9	J930911	1	O-RING, 3/4" ID x 1/16"
10	87421315	8	SCREW, M8 x 65
11	87349575	1	FILTER, ENGINE OIL,
12	87447957	1	GASKET,
13	87452245	1	CORE-OIL COOLER, Oil Cooler
14	J918174	1	GASKET,
	J934410	1	VALVE, BY-PASS, Inc. 15, 16
15	NSS	1	NOT SERVICED SEPARATELY, THERMOSTAT
16	A77724	1	O-RING,
17	87314031	1	COVER,
18	J929011	1	GASKET,
19	J907860	4	BOLT, M8 x 25
20	217-466	1	PLUG, DRAIN, Sq Soc, 1/2"-14, NTPF,

02-17 OIL PUMP AND OIL PAN

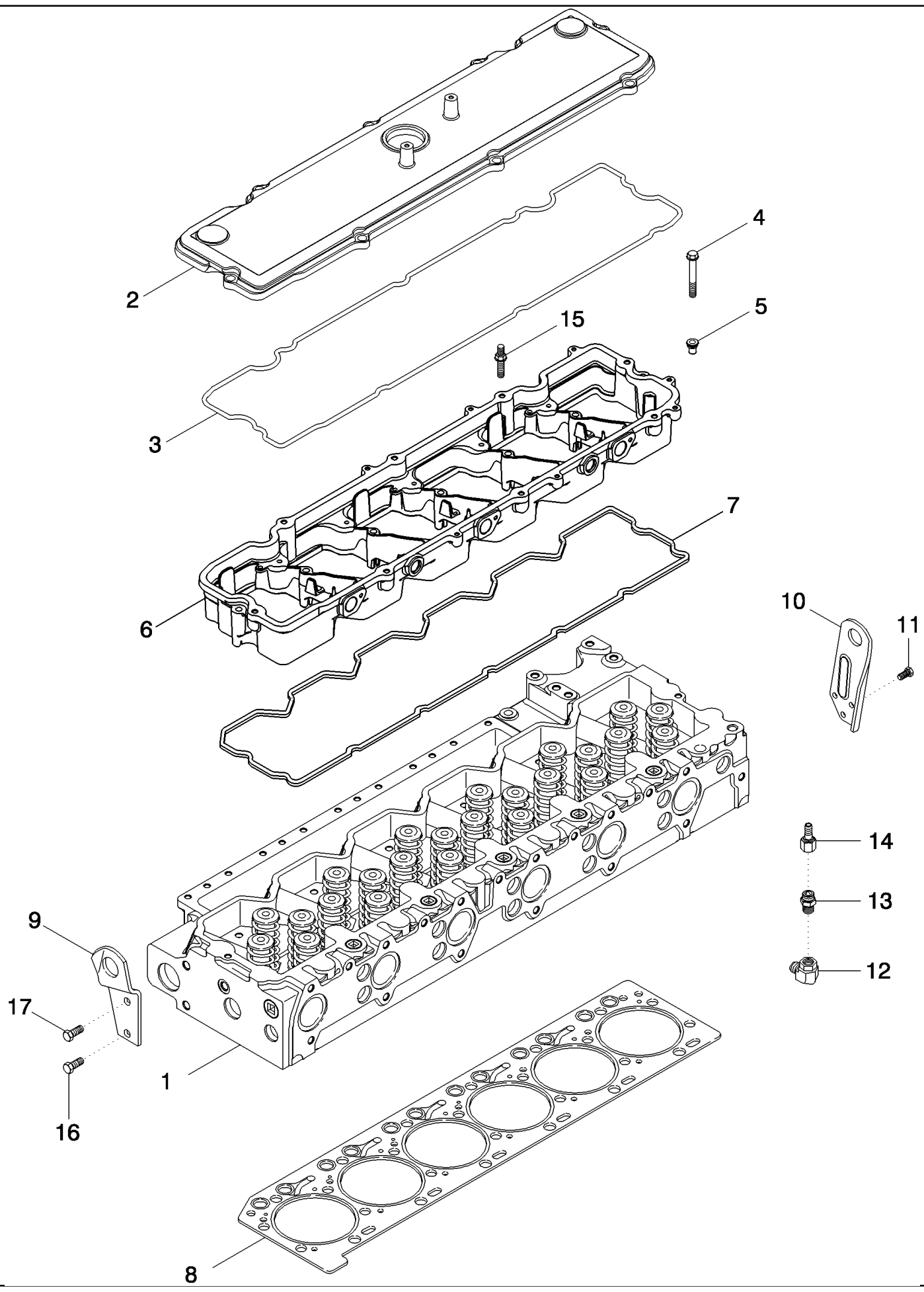


MAGNUM 310 CASE IH TRACTOR (EU) (1/06-) - Engine

02-17 OIL PUMP AND OIL PAN

сылка	Номер детали	Кол-во	Описание
1	J991123	1	PUMP, ENGINE OIL, New
1	JR991123	1	REMAN-PUMP, ENGINE OIL, N.A. Only
1	JC991123	1	CORE-PUMP, ENGINE OIL,
2	J900677	4	BOLT, M8 x 30
3	J928828	1	TUBE ASSY., MX215, MX245, MX275
3	87357465	1	TUBE ASSY., MX305
4	J926865	2	SPACER,
5	845-6030	2	BOLT, Hex Flg, M6 x 30, 8.8,
6	87447959	1	GASKET,
7	J927611	1	BRACKET,
8	845-6015	2	BOLT, Hex Flg, M6 x 15, 8.8, Full Thd,
9	845-6020	1	BOLT, Hex Flg, M6 x 20, 8.8, Full Thd,
11	825-2406	1	NUT, M6 x 1, Flg, Cl 8,
12	87362733	1	PAN, ENGINE OIL,
12	87357469	1	PAN, ENGINE OIL, MX305
13	87308050	1	GASKET, Oil Pan
14	J907860	16	BOLT, M8 x 25, MX215, MX245, MX275
14	J907860	32	BOLT, M8 x 25, MX305
15	87414461	4	SUPPORT, MX215, MX245, MX275
16	J920400	16	BOLT, M8 x 21, MX215, MX245, MX275
17	J924147	1	PLUG, M18, Magnum 225, Magnum 250 and Magnum 280
18	J920773	1	WASHER, SEALING,
19	86637727	1	PLUG, DRAIN, Sq Soc, 1 1/4"-11 1/2, NTPF, MX305
20	J902425	1	WASHER, MX305
21	J924148	1	PLUG, MX305
22	J910960	1	WASHER, MX305
23	87327028	1	ELBOW, , Magnum 310
24	701-905	1	CAP, 13/16"-16 ORFS, , Magnum 310

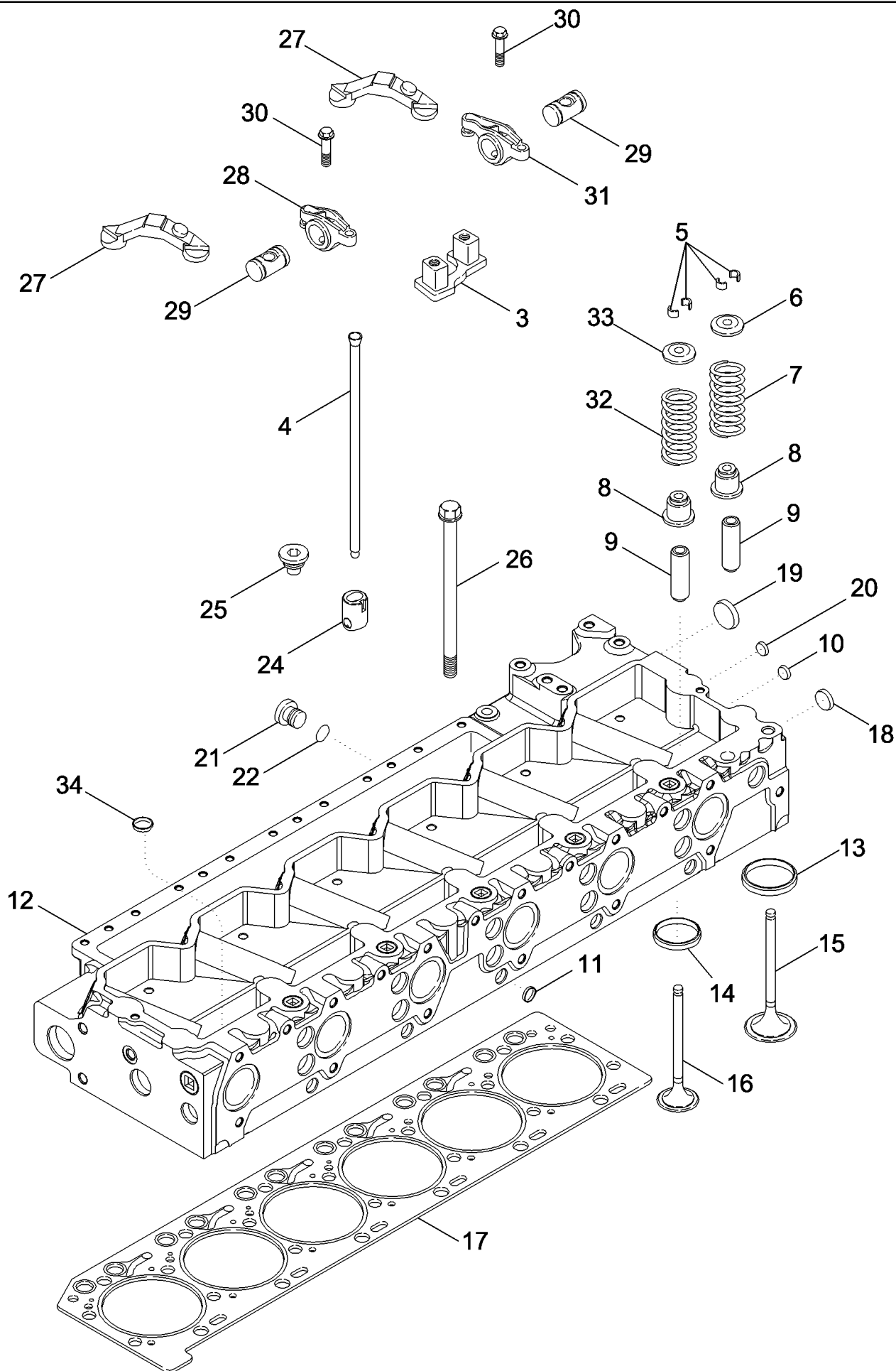
02-18 CYLINDER HEAD - COVER



MAGNUM 310 CASE IH TRACTOR (EU) (1/06-) - Engine

02-18 CYLINDER HEAD - COVER

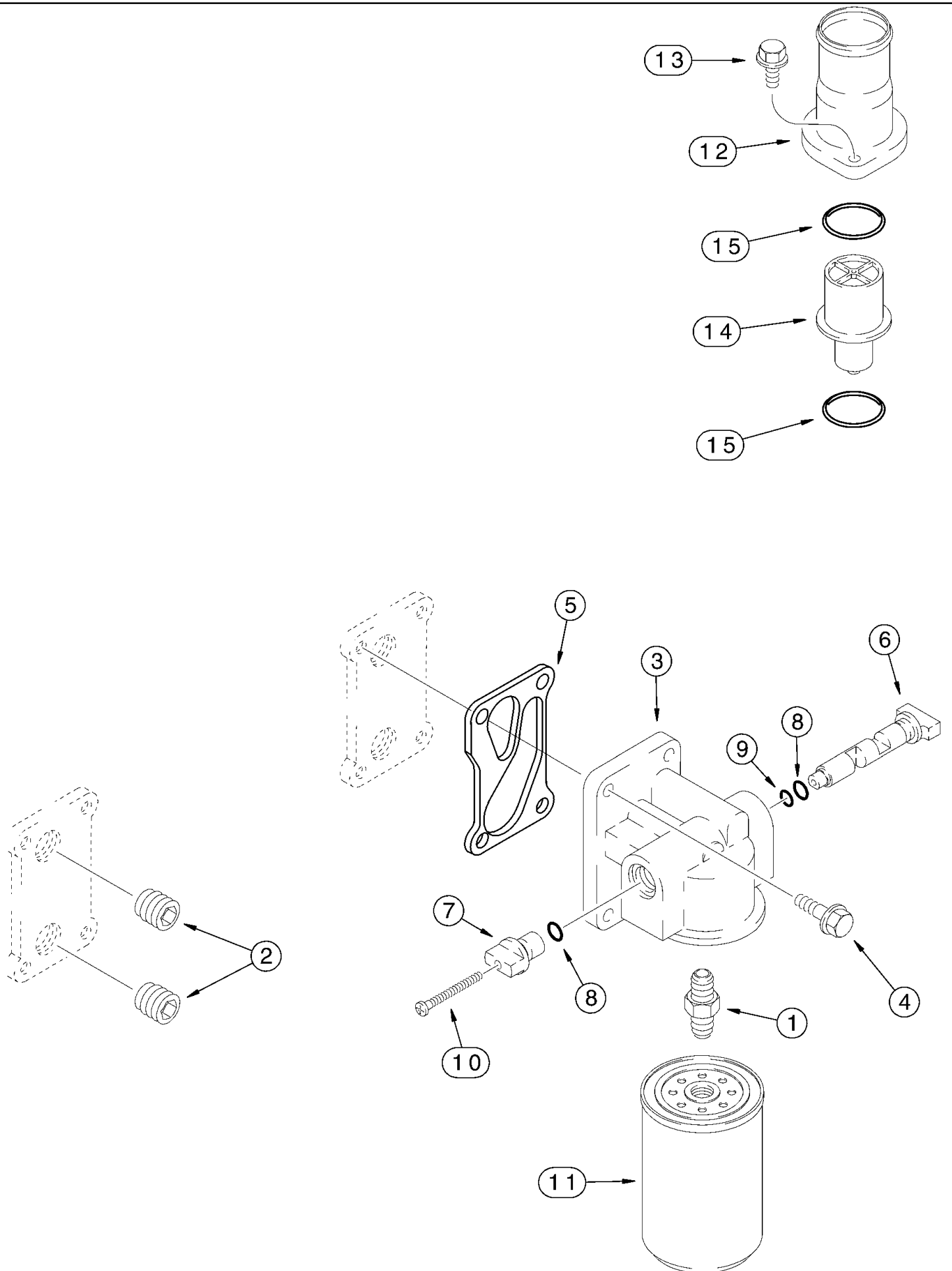
сылка	Номер детали	Кол-во	Описание
1	REF	1	INSTRUCTION, Head, See Figure 02-17
2	87345871	1	COVER, VALVE,
3	87345861	1	GASKET,
4	87342136	8	ISOLATOR,
5	J900632	7	BOLT, Hex Flg, M8 x 35, 8.8,
6	87344767	1	HOUSING, Rocker Housing
7	87344755	1	GASKET, Rocker Lever Housing
8	87344132	1	GASKET, CYLINDER HEAD,
9	87564629	1	Rear
10	87340301	1	BRACKET, Front
11	854-12025	2	BOLT, Hex Flg, M12 x 25, 10.9,
12	217-1014	1	ELBOW, 90e, 1/8"-27 Female x 1/8"-27 Male,
13	J911901	1	VALVE, CHECK,
14	J911925	1	COUPLING,
15	87340279	1	SCREW,
16	87340324	1	BOLT,
17	854-10020	2	BOLT, Hex Flg, M10 x 20, 10.9,



MAGNUM 310 CASE IH TRACTOR (EU) (1/06-) - Engine

02-20 CYLINDER HEAD - VALVE MECHANISM, MAGNUM 280, 310, AND 335

сылка	Номер детали	Кол-во	Описание
	87665738	1	With Valves, Inc. 5 - 9, 12, 15, 16, 32, 33
3	J941140	6	SUPPORT,
4	87435955	12	ROD, PUSH,
5	J900250	48	SCREW, Collet
6	87351062	12	VALVE, Rotator
7	87666324	12	SPRING, VALVE,
8	87352235	24	SEAL,
9	NSS	24	NOT SERVICED SEPARATELY, GUIDE, Valve
10	J945093	1	PLUG,
11	87666392	6	PLUG,
12	NSS	1	NOT SERVICED SEPARATELY, HEAD ASSY, Stripped
13	J940152	12	INSERT, Intake
14	87344002	12	INSERT, Exhaust
15	87343688	12	VALVE, ENGINE, INLET, STD, Inlet
16	87343693	12	VALVE, ENG EXHAUST, STD, Exhaust
17	87737237	1	GASKET, CYLINDER HEAD,
18	A77590	2	PLUG, Expansion
19	87344118	2	PLUG, Expansion
20	87344108	1	PLUG, Expansion
21	J678923	1	PLUG, Inc. 22
22	637-72081	1	O-RING, CI 7, 8.1MM ID x 1.6 Thk,
24	87435851	12	TAPPET,
25	87644763	12	GUIDE,
26	87344126	26	BOLT,
27	J943445	12	VALVE, Head Cross
28	87435953	6	ROCKER ARM, Intake
29	87435951	12	SHAFT,
30	J943933	12	SCREW,
31	87435952	6	ROCKER ARM, Exhaust
32	87666321	12	SPRING, VALVE,
33	J944452	12	RETAINER,
34	J920706	18	PLUG,

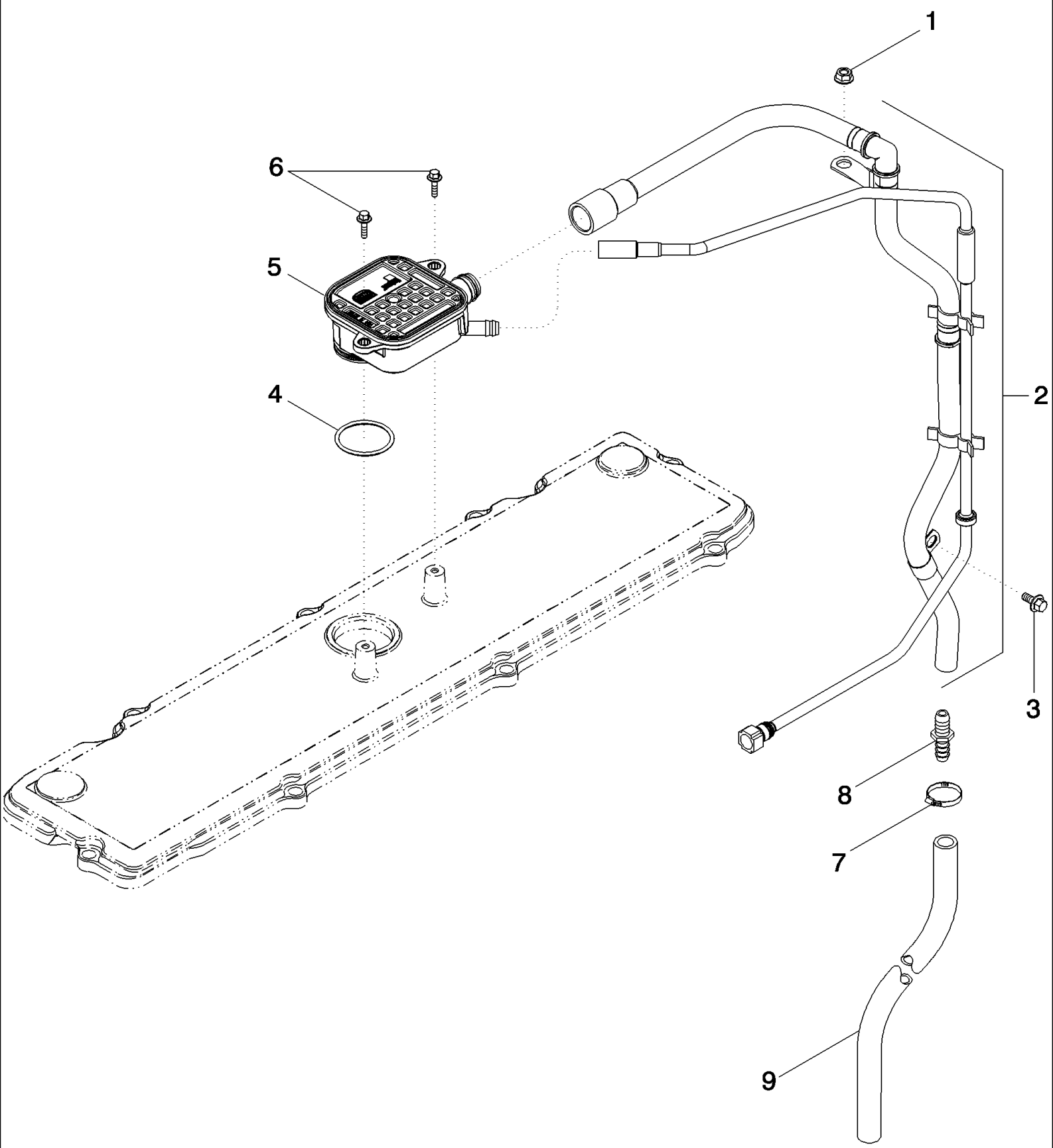


MAGNUM 310 CASE IH TRACTOR (EU) (1/06-) - Engine

02-21 THERMOSTAT - FILTER, WATER

сылка	Номер детали	Кол-во	Описание
1	A77623	1	ADAPTER,
2	263136	2	PLUG, MAGNETIC, Hex Soc, 3/4"-14 NPTF,
3	J943738	1	HEAD, FILTER,
4	845-8025	4	BOLT, Hex Flg, M8 x 25, 8.8,
5	87612306	1	GASKET,
6	J943739	1	VALVE, SHUT-OFF,
7	J943740	1	VALVE, SHUT-OFF,
8	87423041	2	O-RING, 7/16 ID x 3/32
9	238-5013	1	O-RING, -013, 70 Duro, .426" ID x .070" Thk,
10	J944454	1	SCREW,
11	J100304	1	FILTER, ELEMENT,
12	J944429	1	OUTLET,
13	845-8025	2	BOLT, Hex Flg, M8 x 25, 8.8,
14	87698668	1	THERMOSTAT,
15	238-5227	2	O-RING, -227, 70 Duro, 2.109" ID x .139" Thk,

02-22 CRANKCASE, BREATHER

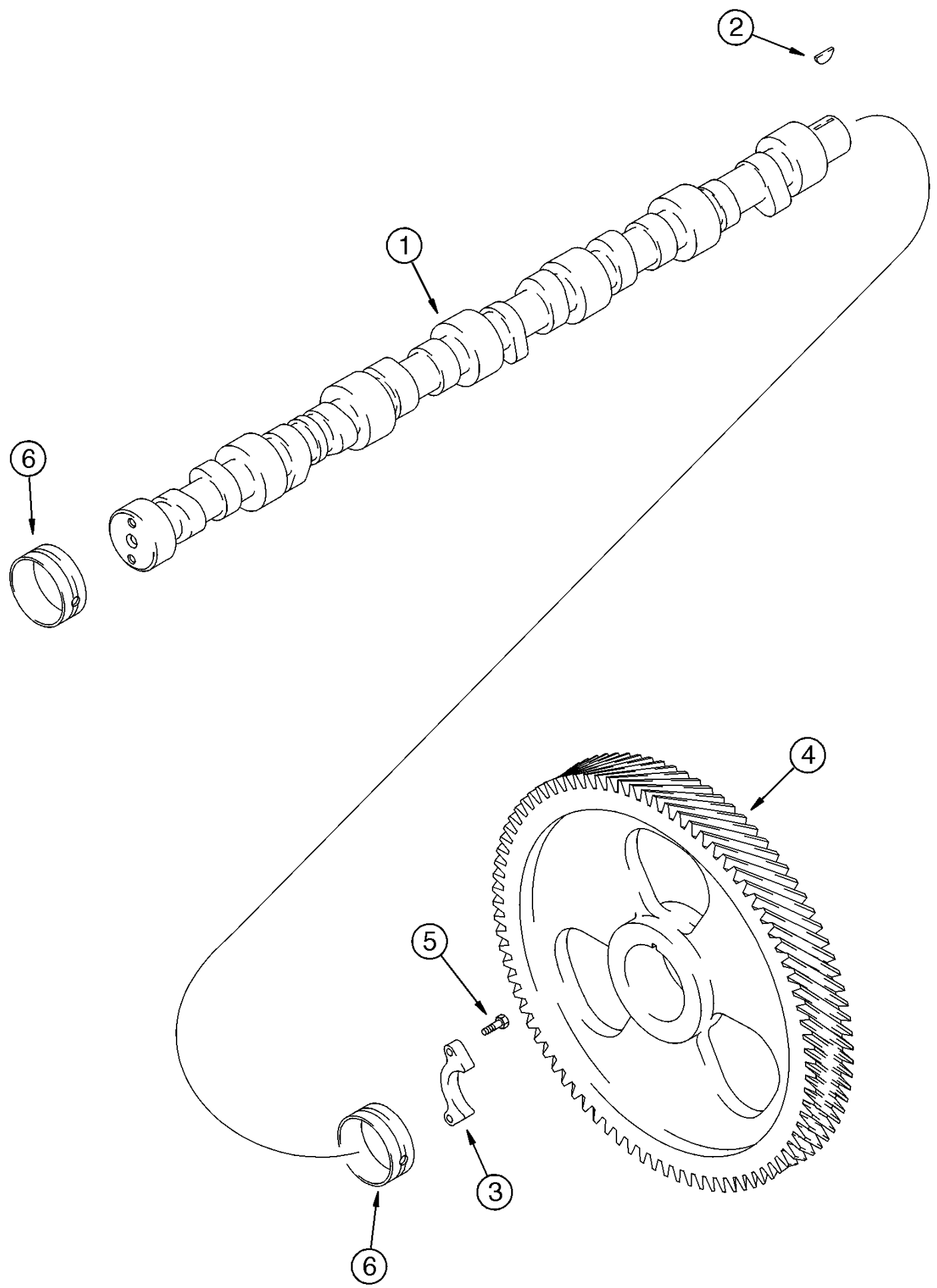


MAGNUM 310 CASE IH TRACTOR (EU) (1/06-) - Engine

02-22 CRANKCASE, BREATHER

сылка	Номер детали	Кол-во	Описание
1	J900589	1	NUT, M8 x 1.25
2	87338653	1	TUBE, Lub Oil Drain
3	J925883	1	SCREW, M8 x 16:10.9
4	87338651	1	O-RING,
5	87338649	1	BREATHER, Inc.4
6	J901865	2	BOLT, Hex Flg, M6 x 20, 8.8, Full Thd,
7	86625021	1	CLAMP, HOSE, #12, 0.69/1.25 Type F Worm,
8	1301342C1	1	FITTING,
9	87518912	1	HOSE,

02-23 CAMSHAFT

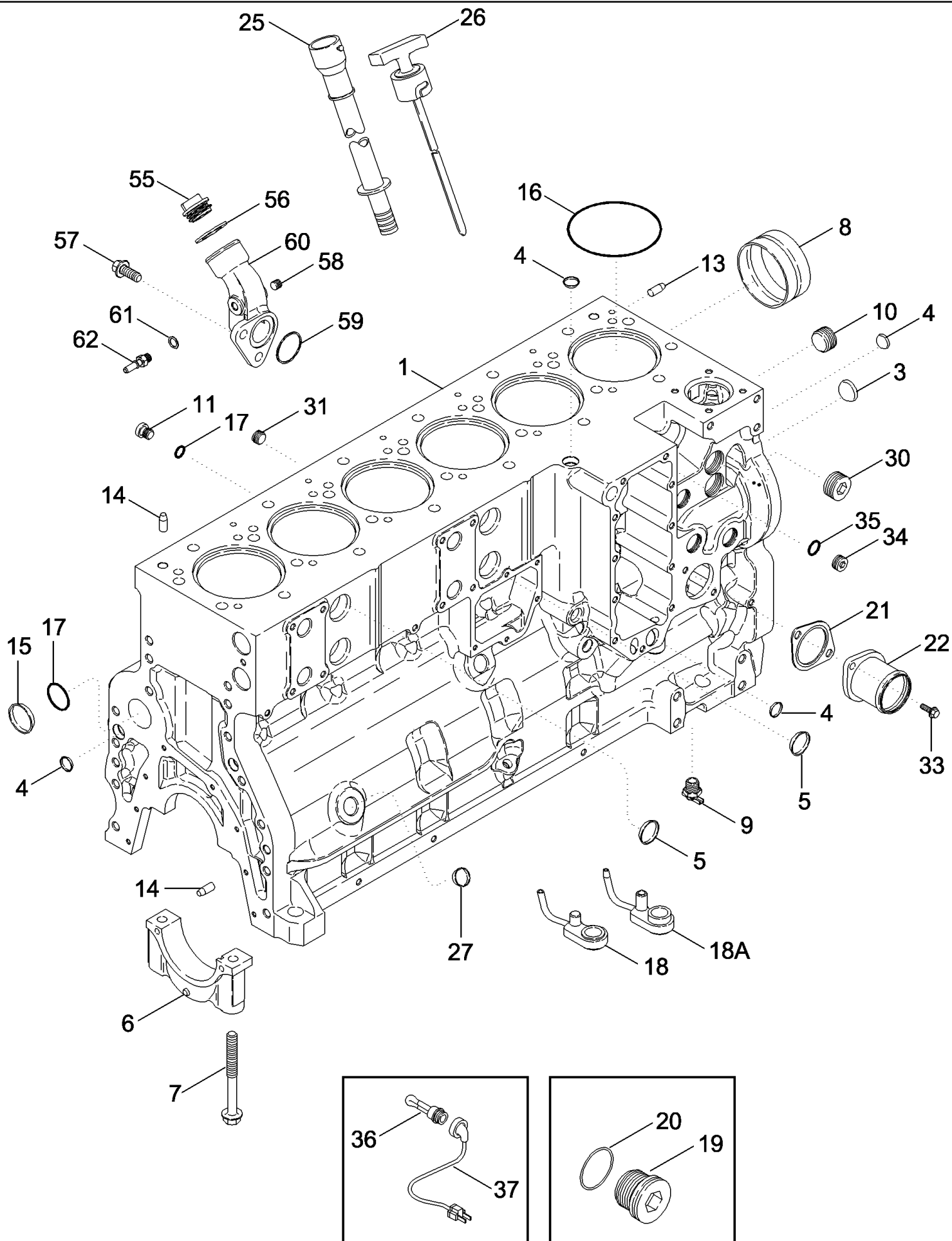


MAGNUM 310 CASE IH TRACTOR (EU) (1/06-) - Engine

02-23 CAMSHAFT

сылка	Номер детали	Кол-во	Описание
1	87342996	1	CAMSHAFT, Inc. 2
2	87453128	1	PIN, 4 x 6.5 mm
3	J944001	1	SUPPORT,
4	87342988	1	GEAR, Pinion
5	J900227	2	SCREW, Hex, M8 x 1.25 x 22,
6	J945329	7	BEARING, CAMSHAFT,

02-24 CYLINDER BLOCK - ENGINE BLOCK HEATERS



MAGNUM 310 CASE IH TRACTOR (EU) (1/06-) - Engine

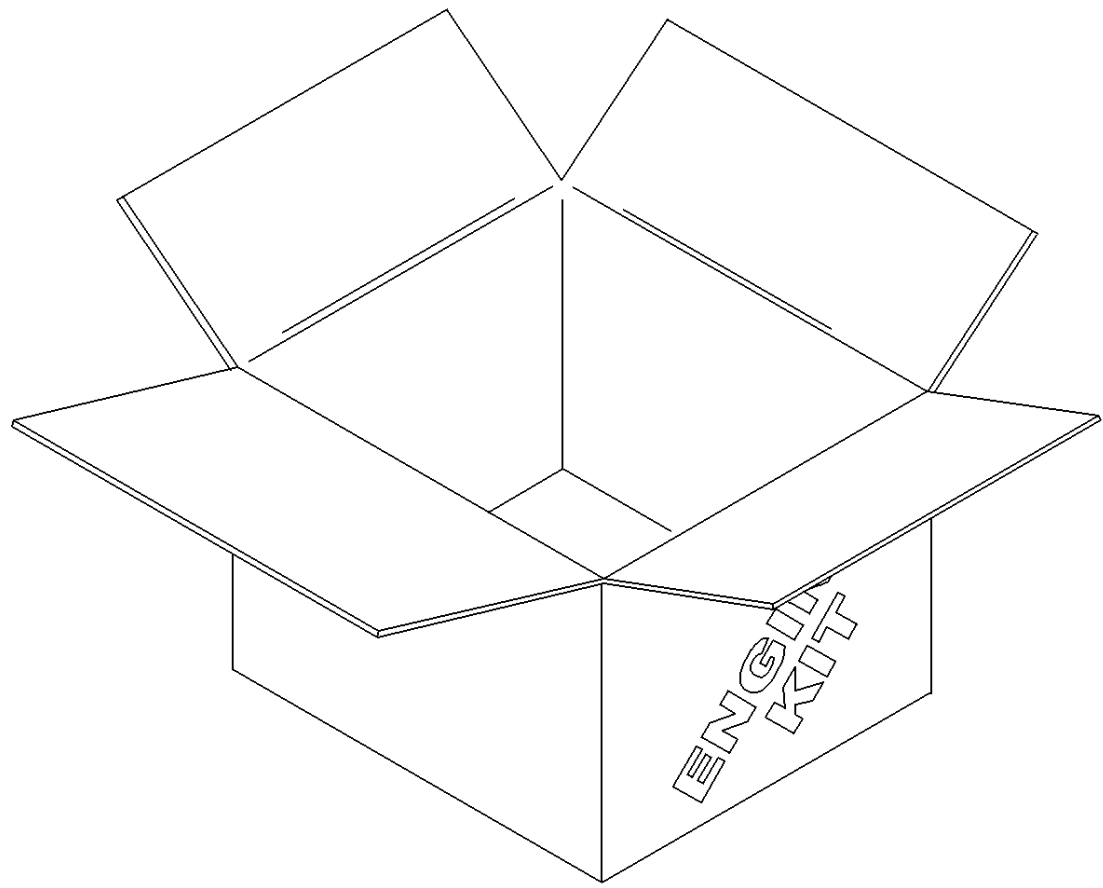
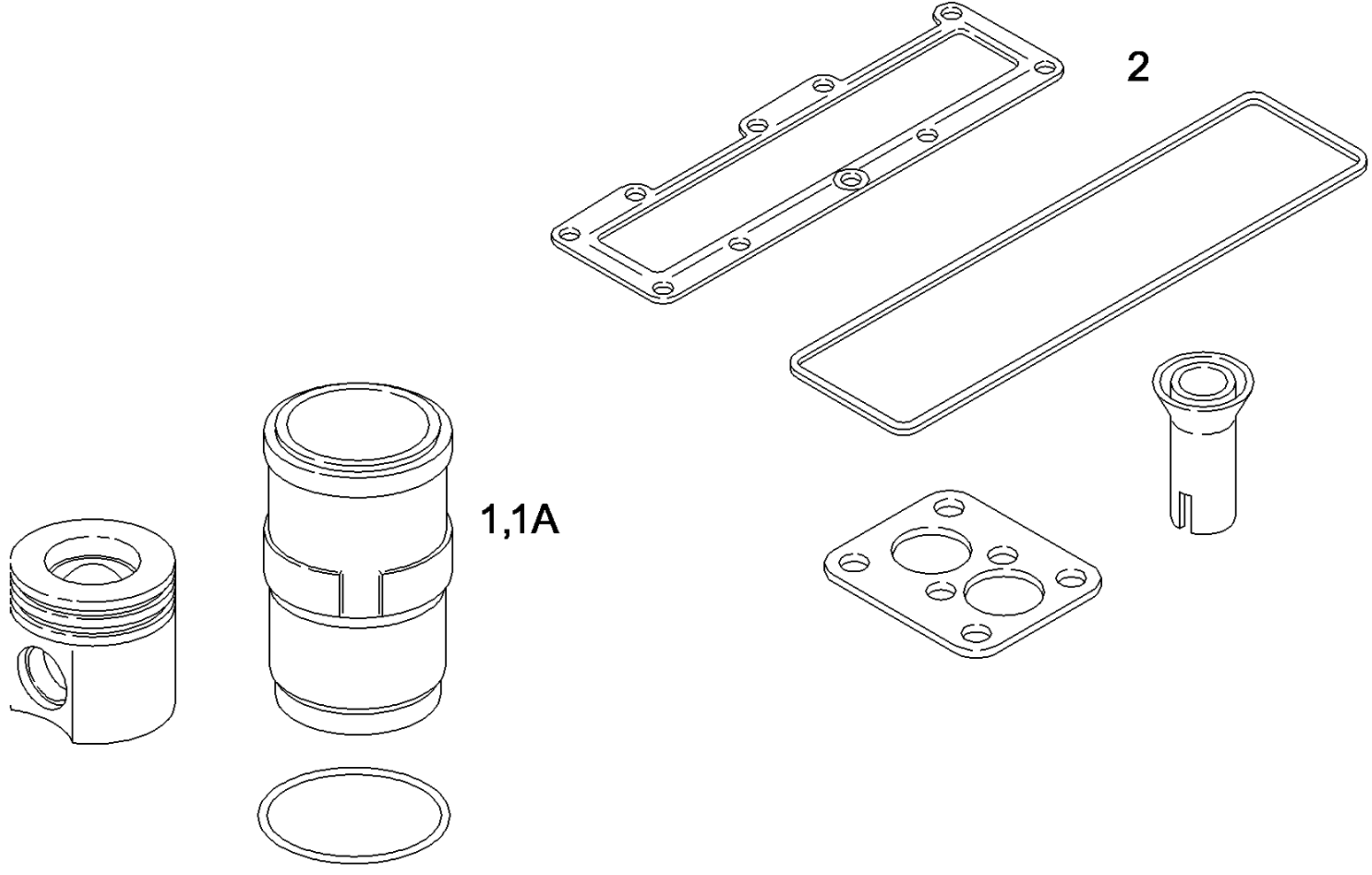
02-24 CYLINDER BLOCK - ENGINE BLOCK HEATERS

сылка	Номер детали	Кол-во	Описание
	87539017	1	ENGINE, BASIC, Service, Tier 3, Magnum 225, Note: Basic engines and reman engines are generic engines. The engines are complete internally; however, externally all parts are not supplied with the engines. Check the configuration of the engine being removed, with the configuration of the engine being installed. For any external components not supplied with the engine being installed, reuse those parts from the engine that has just been removed. Do not return the old engine, until the unit is reassembled., MX335, See Note, Less, Starter, Alternator, Fan, Fan Belt, Air Cleaner, Muffler, Exhaust Manifold, Flywheel and Housing, Oil Fill and Dipstick, Fuel Injection Pump, Injectors and Lines, Front Pulley, Belt Tensioner, Turbocharger and Aftercooler
	87537667	1	ENGINE, BASIC, Service, Tier 3, Magnum 250, See Note, Less, Starter, Alternator, Fan, Fan Belt, Air Cleaner, Muffler, Exhaust Manifold, Flywheel and Housing, Oil Fill and Dipstick, Fuel Injection Pump, Injectors and Lines, Front Pulley, Belt Tensioner, Turbocharger and Aftercooler, Magnum 250, Note: Basic engines and reman engines are generic engines. The engines are complete internally; however, externally all parts are not supplied with the engines. Check the configuration of the engine being removed, with the configuration of the engine being installed. For any external components not supplied with the engine being installed, reuse those parts from the engine that has just been removed. Do not return the old engine, until the unit is reassembled.
	87676433	1	ENGINE, BASIC, Service, Tier 3, Magnum 310, Note: Basic engines and reman engines are generic engines. The engines are complete internally; however, externally all parts are not supplied with the engines. Check the configuration of the engine being removed, with the configuration of the engine being installed. For any external components not supplied with the engine being installed, reuse those parts from the engine that has just been removed. Do not return the old engine, until the unit is reassembled., See Note, Less, Starter, Alternator, Fan, Fan Belt, Air Cleaner, Muffler, Exhaust Manifold, Flywheel and Housing, Oil Fill and Dipstick, Fuel Injection Pump, Injectors and Lines, Front Pulley, Belt Tensioner, Turbocharger and Aftercooler, Magnum 280, Magnum 310, and magnum 335
	87390942	1	ENGINE, SHORT, Magnum 225, and Magnum 250, Magnum 225, Magnum 250
	87676434	1	ENGINE, SHORT, Magnum 310, Magnum 280, Magnum 310, and magnum 335
1	87336996	1	CYLINDER BLOCK, Stripped, Inc. 1 - 8, also Order 87338079
3	A77586	3	PLUG, 43 mm
4	A77506	4	PLUG, 21 mm
5	J905401	4	PLUG, 35 mm
6	87444056	7	CAP, Main Bearing
7	87444059	14	BOLT, M14 x 128
8	J945329	7	BEARING, CAMSHAFT,
	87338079		KIT, Inc. 9 - 20
9	217-103	2	COCK, DRAIN, 1/4 PT
10	86625135	1	PLUG, Hex Soc, 1"-11 1/2 NPTF,
11	J678923	6	PLUG, 10 mm, Inc. 12
12	637-72081	1	O-RING, CI 7, 8.1MM ID x 1.6 Thk,
13	J900257	4	PIN, 16 mm
14	J901846	8	PIN,
15	41-3044	2	PLUG, Exp, 2 3/4",
16	J907177	6	O-RING,
17	J926048	2	O-RING, 66 mm ID
18	87739191	6	NOZZLE,
18A	J928031	12	NOZZLE,

MAGNUM 310 CASE IH TRACTOR (EU) (1/06-) - Engine

02-24 CYLINDER BLOCK - ENGINE BLOCK HEATERS

сылка	Номер детали	Кол-во	Описание
19	J678921	1	PLUG, 14 mm, Inc. 20
20	J678912	1	O-RING,
21	J945603	1	GASKET, Water Inlet
22	J913030	1	FITTING, Water Inlet
25	87340850	1	TUBE ASSY., Dipstick
26	87340846	1	DIPSTICK, MX215, MX245, MX275
26	87357523	1	DIPSTICK, MX305
27	A77530	4	PLUG, 1-13/64 OD
30	263136	5	PLUG, MAGNETIC, Hex Soc, 3/4"-14 NPTF,
31	217-438	6	PLUG, Hex Soc, 1/2"-14,
33	845-8020	2	BOLT, Hex Flg, M8 x 20, 8.8, Full Thd,
34	313244A1	2	PLUG, Hex Socket, 22 mm, Inc. 35
35	313246A1	1	O-RING, 19 ID x 2.2 mm
36	310493A1	1	KIT, Engine Block Heater, 120 Volt, Inc. 37
37	196466A1	1	CABLE, ELECTRIC, 1829 mm (72")
36	310494A1	1	KIT, Coolant Heater, 240V, Inc. 37
37	J913112	1	HARNESS, WIRE, 305 mm (12")
41	J900956	3	PLUG, (Not Shown)
42	87338185	1	BOLT, (Not Shown)
43	217-432	1	PLUG, Hex Soc, 1/4"-18, (Not Shown)
45	J678923	6	PLUG, (Not Shown)
46	637-72081	1	O-RING, CI 7, 8.1MM ID x 1.6 Thk, (Not Shown)
47	J678921	1	PLUG, (Not Shown)
48	J678912	1	O-RING, (Not Shown)
49	A77586	3	PLUG, (Not Shown)
50	J909025	6	SCREW, M8 x 1.25 x 55 (Not Shown)
51	87337018	6	BOLT, (Not Shown)
55	J914136	1	CAP, Filler
56	J936876	1	SEAL, OIL,
57	854-12030	2	BOLT, Hex Flg, M12 x 1.75 x 30, 10.9,
58	217-432	1	PLUG, Hex Soc, 1/4"-18,
59	J906696	1	SEAL,
60	87341096	1	CONNECTOR, HYD.,
61	87341228	1	O-RING,
62	87341100	1	ADAPTER,
	87348859	1	KIT, ENGINE OVERHAUL, Engine Overhaul (Not Shown), See Figure 02-25
	87356539	1	KIT, ENGINE OVERHAUL, Not Illustrated, See Figure 02-26
63	369929A1	3	FASTENER, (Not Shown), Install In Block Behind Starter, Install In Block Behind Starter

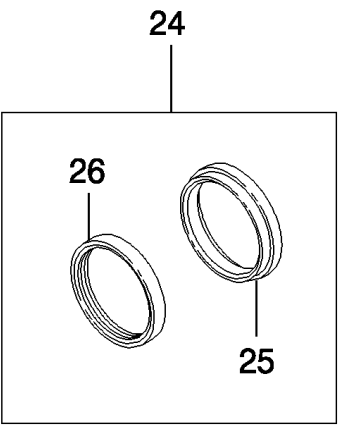
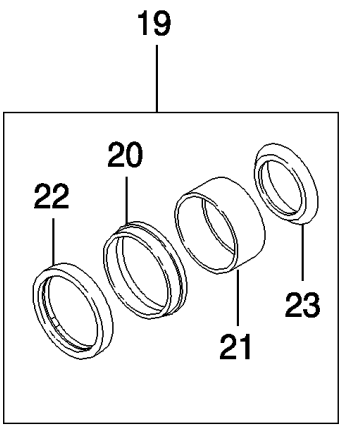
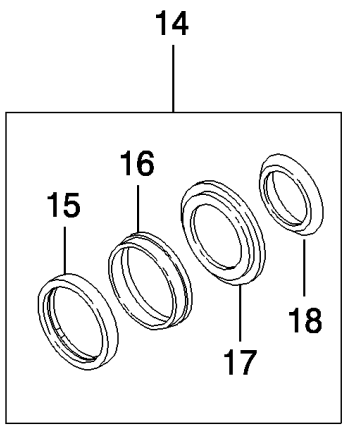
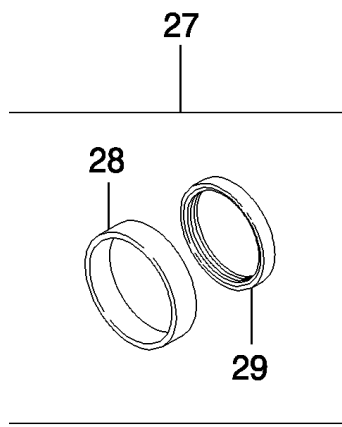
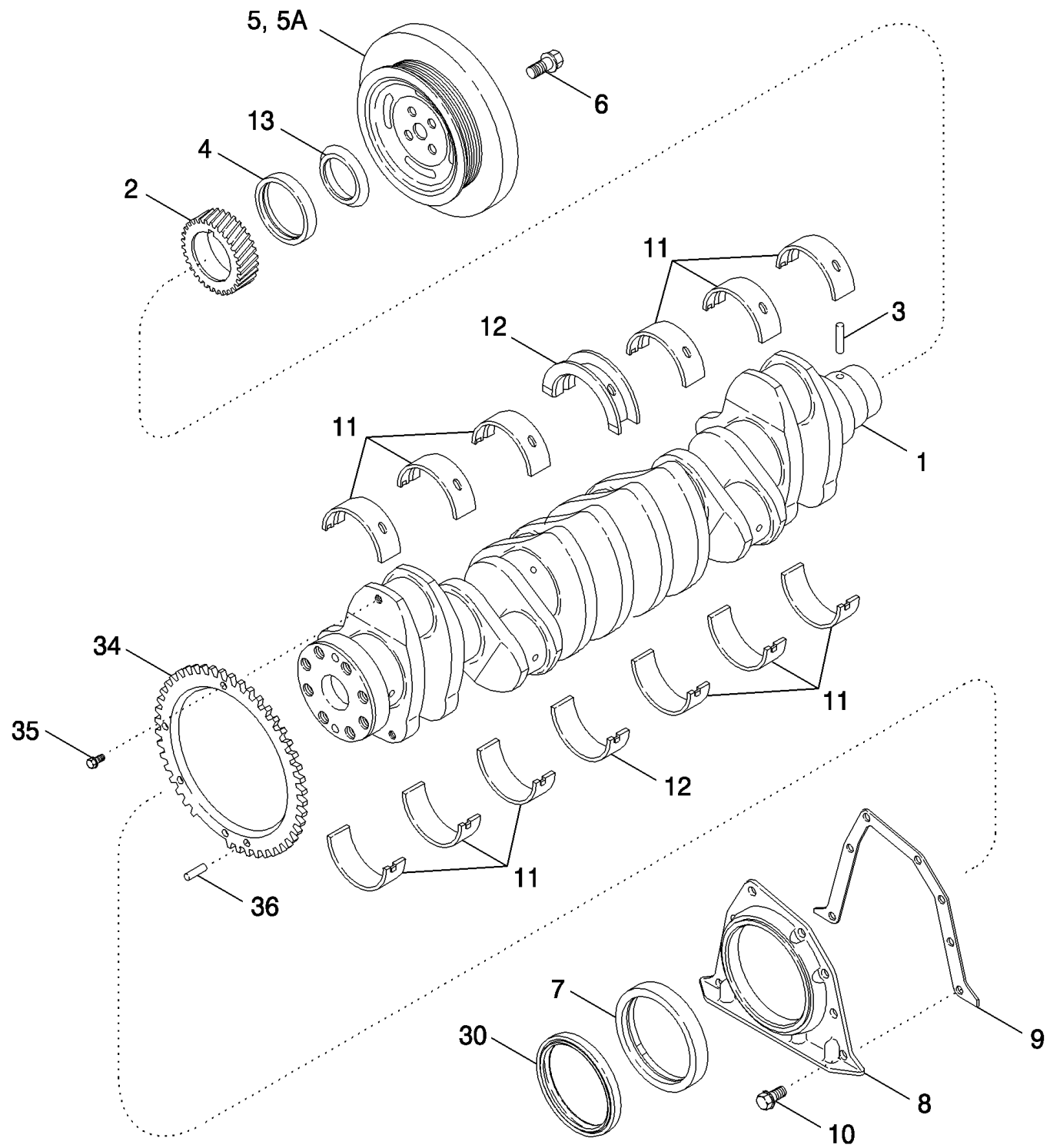


MAGNUM 310 CASE IH TRACTOR (EU) (1/06-) - Engine

02-26 KIT ENGINE OVERHAUL, MAGNUM 310

сылка	Номер детали	Кол-во	Описание
	87356539	1	KIT, ENGINE OVERHAUL, Engine Overhaul Kit, Inc. 2
1	87356567	6	PISTON, Piston & Rings
1A	87356533	6	KIT, PISTON & RINGS,
2	87348974	1	KIT, GASKET, Valve Grind

02-27 CRANKSHAFT



MAGNUM 310 CASE IH TRACTOR (EU) (1/06-) - Engine

02-27 CRANKSHAFT

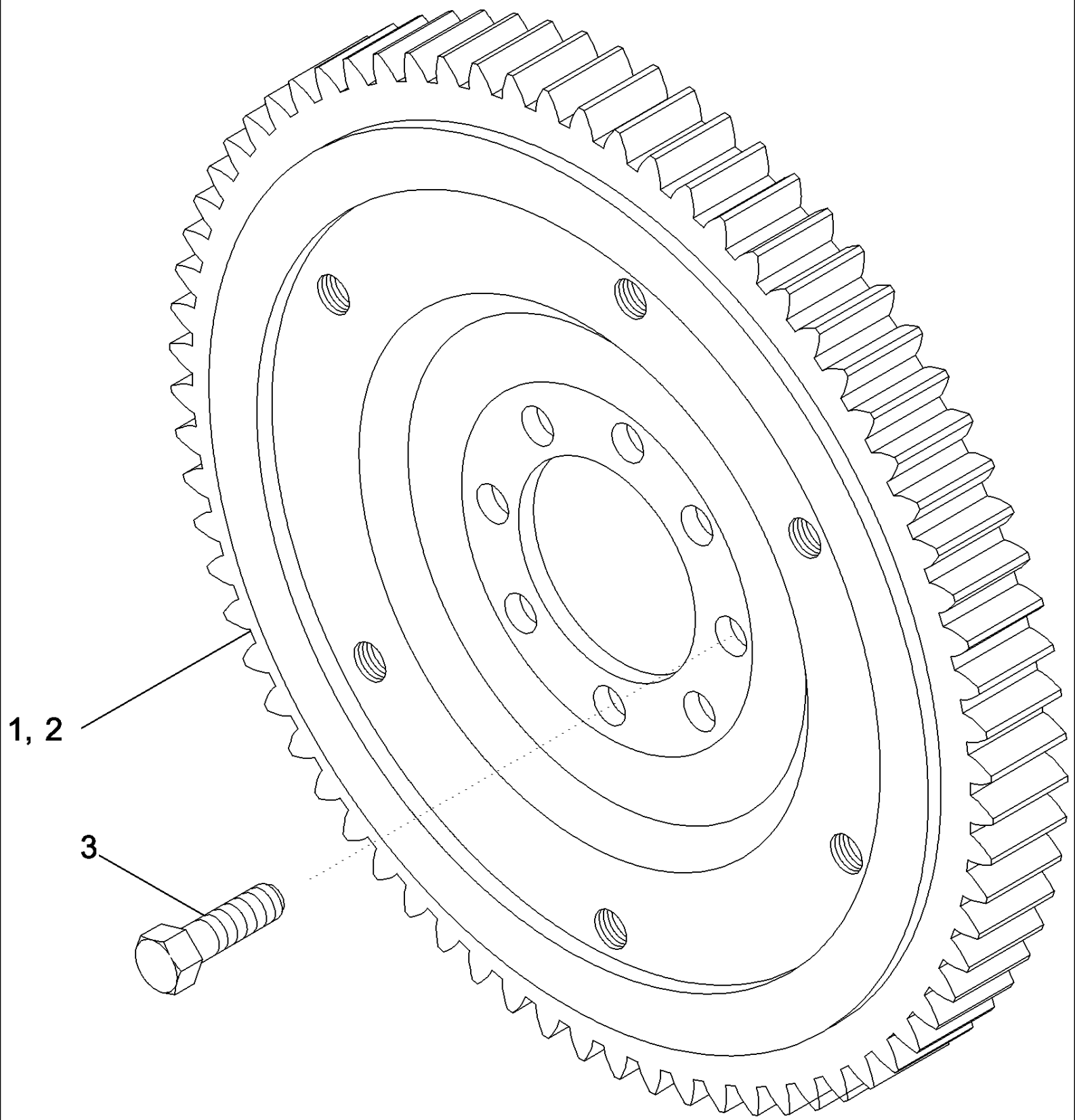
сылка	Номер детали	Кол-во	Описание
1	87335711	1	CRANKSHAFT, New, With Speed Indicator Ring, Inc. 2, 3, MX215, MX245, MX275
1	87356215	1	CRANKSHAFT, New, MX305
1	87342925	1	REMAN-CRANKSHAFT, Remanufactured, N.A. Only, Inc. 2, 3, MX215, MX245, MX275
1	87356216	1	REMAN-CRANKSHAFT, Remanufactured, N.A. Only, Inc. 2, 3, MX305
1	87337253	1	CORE-CRANKSHAFT, MX215, MX245, MX275
1	87356217	1	CORE-CRANKSHAFT, MX305
2	J918776	1	GEAR,
3	J904483	1	PIN,
4	NSS	1	NOT SERVICED SEPARATELY, SEAL, Order A77790
5	J925570	1	DAMPER, MX215, MX245, MX275
5	87357611	1	DAMPER, MX305
5A	87422144	1	PULLEY, MX305
6	J906733	4	BOLT, M14 x 35, MX215, MX245, MX275
6	J914118	5	SCREW, M14 x 60, MX305
7	NSS	1	NOT SERVICED SEPARATELY, SEAL, Order J934486
8	J933384	1	COVER, REAR,
9	J914301	1	GASKET,
10	87409160	8	SCREW, M6 x 16; 10.9
11	J945930	6	BEARING, CRANKSHAFT, Standard
11	J945931	6	BEARING, CRANKSHAFT, Undersize 0.25 mm
11	J945932	6	BEARING, CRANKSHAFT, Undersize 0.50 mm
11	J945933	6	BEARING, CRANKSHAFT, Undersize 0.75 mm
11	J945934	6	BEARING, CRANKSHAFT, Undersize 1.00 mm
12	J945929	1	BEARING, CRANKSHAFT, Standard
12	J945922	1	BEARING, CRANKSHAFT, Undersize 0.25 mm
12	J945923	1	BEARING, CRANKSHAFT, Undersize 0.50 mm
12	J945924	1	BEARING, CRANKSHAFT, Undersize 0.75 mm
12	J945925	1	BEARING, CRANKSHAFT, Undersize 1.00 mm
12	J945926	1	BEARING, CRANKSHAFT, Standard, Oversize 0.25 mm
12	J945927	1	BEARING, CRANKSHAFT, Standard, Oversize 0.50 mm
12	J945928	1	BEARING, CRANKSHAFT, Undersize 0.50 mm, Oversize 0.50 mm
13	J918113	1	SHIELD, Order A77790
14	A77790	1	KIT, SEALS, Crankshaft, Front, Standard, Inc. 15 - 18
15	NSS	1	NOT SERVICED SEPARATELY, SEAL
16	NSS	1	NOT SERVICED SEPARATELY, TOOL
17	NSS	1	NOT SERVICED SEPARATELY, TOOL
18	J918113	1	SHIELD,
19	A77808	1	KIT, SERVICE, Crankshaft, Front, Inc. 20 - 23
20	NSS	1	NOT SERVICED SEPARATELY, SLEEVE
21	NSS	1	NOT SERVICED SEPARATELY, TOOL
22	NSS	1	NOT SERVICED SEPARATELY, SEAL
23	J924987	1	SHIELD,
24	J934486	1	KIT, SERVICE, Crankshaft Oil Seal, Rear, Standard, Inc. 25 - 27
25	NSS	1	NOT SERVICED SEPARATELY, SEAL
26	NSS	1	NOT SERVICED SEPARATELY, TOOL

MAGNUM 310 CASE IH TRACTOR (EU) (1/06-) - Engine

02-27 CRANKSHAFT

сылка	Номер детали	Кол-во	Описание
27	A77810	1	KIT, SERVICE, Crankshaft, Rear Oil Seal, Oversize, Inc. 28, 29
28	NSS	1	NOT SERVICED SEPARATELY, SLEEVE
29	NSS	1	NOT SERVICED SEPARATELY, SEAL
30	87423334	1	SEAL, Dust
30	87434865	1	SEAL, Dust, Oversize
34	87335719	1	RING, Speed Indicator
35	87335729	4	BOLT, M6 x 1 x 12
36	J329899	1	DOWEL,

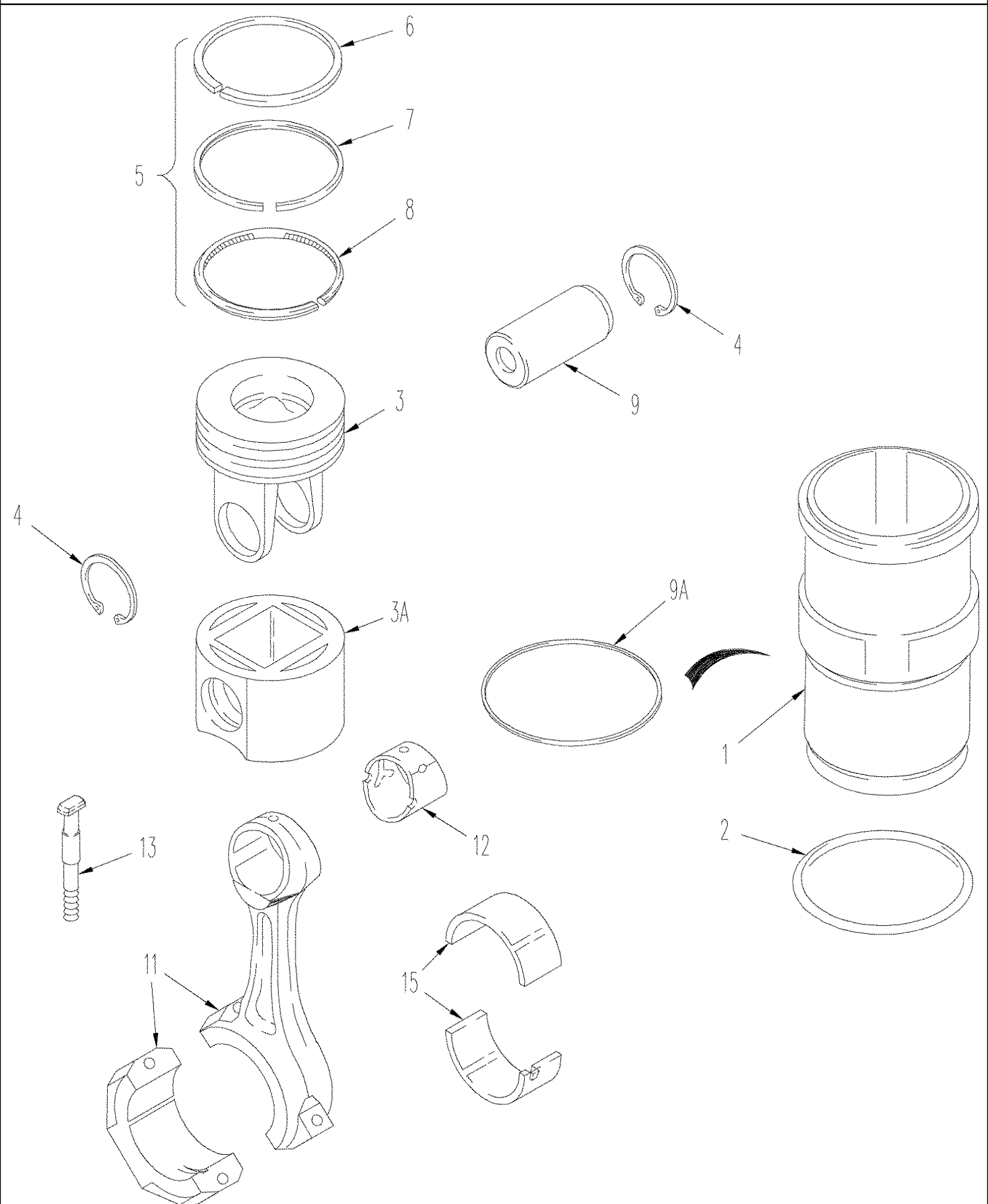
02-28 FLYWHEEL



MAGNUM 310 CASE IH TRACTOR (EU) (1/06-) - Engine

02-28 FLYWHEEL

сылка	Номер детали	Кол-во	Описание
1	J934838	1	FLYWHEEL, Inc. 2
2	J905031	1	GEAR,
3	4894641	8	SCREW, Wash Hd, M12 x 1.25 x 31,



MAGNUM 310 CASE IH TRACTOR (EU) (1/06-) - Engine

02-30 PISTONS AND CONNECTING RODS, MAGNUM 310

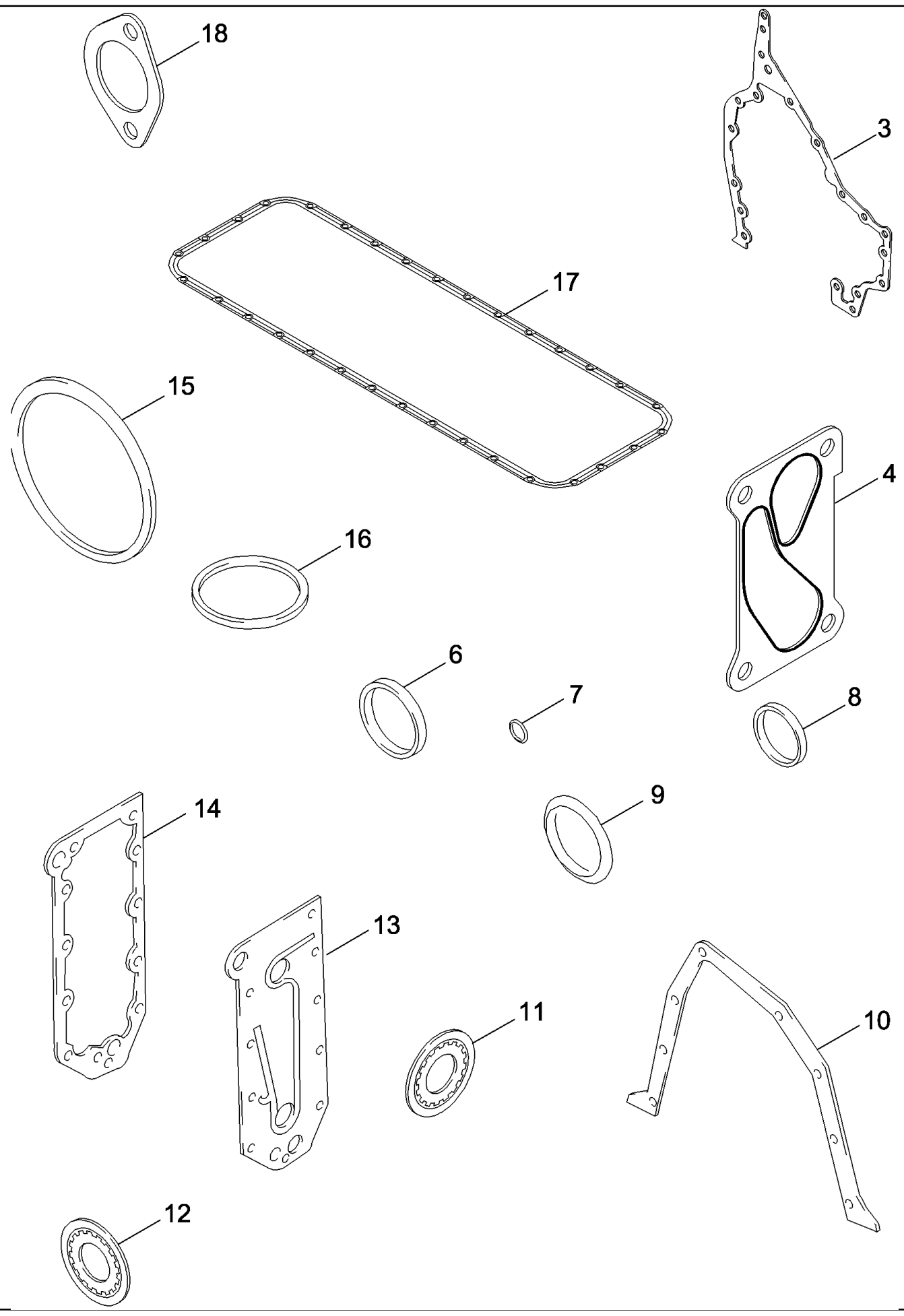
сылка	Номер детали	Кол-во	Описание
	87356567	6	PISTON, Piston and Sleeve, Standard, Inc. 1, 2, 3A - 8, 9, Engine BSN 46743464 Including 46743508, 46743544, 46743551, 46743560, 46743574, 46743587, 46743616, 46743712, 46744589, 46744619
	87685905	6	PISTON, Piston and Sleeve, Standard, Inc. 1, 2, 3A - 8, 9, Engine ASN 46743464 Excluding 46743508, 46743544, 46743551, 46743560, 46743574, 46743587, 46743616, 46743712, 46744589, 46744619
	87546493	1	KIT, REPAIR, Piston Replacement - 9L, Inc. 1 - 4, 6 - 9, 11 - 18, Engine ASN 46743464 Excluding 46743508, 46743544, 46743551, 46743560, 46743574, 46743587, 46743616, 46743712, 46744589, 46744619
1	J948095	1	SLEEVE CYLINDER,
2	J907177	1	O-RING,
	87356533	6	KIT, PISTON & RINGS, Inc. 3, 3A, 4, 6 - 8, Engine BSN 46743464 Including 46743508, 46743544, 46743551, 46743560, 46743574, 46743587, 46743616, 46743712, 46744589, 46744619
	87685890	6	KIT, PISTON & RINGS, Inc. 3, 3A, 4, 6 - 8, Engine ASN 46743464 Excluding 46743508, 46743544, 46743551, 46743560, 46743574, 46743587, 46743616, 46743712, 46744589, 46744619
3	NSS	1	NOT SERVICED SEPARATELY, PISTON, Engine BSN 46743464 Including 46743508, 46743544, 46743551, 46743560, 46743574, 46743587, 46743616, 46743712, 46744589, 46744619
3	NSS	6	NOT SERVICED SEPARATELY, PISTON, Engine ASN 46743464 Excluding 46743508, 46743544, 46743551, 46743560, 46743574, 46743587, 46743616, 46743712, 46744589, 46744619
3A	NSS	1	NOT SERVICED SEPARATELY, SKIRT, Engine BSN 46743464 Including 46743508, 46743544, 46743551, 46743560, 46743574, 46743587, 46743616, 46743712, 46744589, 46744619
3A	NSS	6	NOT SERVICED SEPARATELY, SKIRT, Engine ASN 46743464 Excluding 46743508, 46743544, 46743551, 46743560, 46743574, 46743587, 46743616, 46743712, 46744589, 46744619
4	100-21175	2	RING, SNAP, 1.75", Int, #175, , Engine BSN 46743464 Including 46743508, 46743544, 46743551, 46743560, 46743574, 46743587, 46743616, 46743712, 46744589, 46744619
4	100-21175	12	RING, SNAP, 1.75", Int, #175, , Engine ASN 46743464 Excluding 46743508, 46743544, 46743551, 46743560, 46743574, 46743587, 46743616, 46743712, 46744589, 46744619
5	87343194	6	KIT, PISTON RINGS, Inc. 6, 7, 8, Engine BSN 46743464 Including 46743508, 46743544, 46743551, 46743560, 46743574, 46743587, 46743616, 46743712, 46744589, 46744619
6	NSS	1	NOT SERVICED SEPARATELY, RING, TOP, Engine BSN 46743464 Including 46743508, 46743544, 46743551, 46743560, 46743574, 46743587, 46743616, 46743712, 46744589, 46744619
6	NSS	6	NOT SERVICED SEPARATELY, RING, TOP, Engine ASN 46743464 Excluding 46743508, 46743544, 46743551, 46743560, 46743574, 46743587, 46743616, 46743712, 46744589, 46744619
7	NSS	1	NOT SERVICED SEPARATELY, RING, MIDDLE, Engine BSN 46743464 Including 46743508, 46743544, 46743551, 46743560, 46743574, 46743587, 46743616, 46743712, 46744589, 46744619
7	NSS	6	NOT SERVICED SEPARATELY, RING, MIDDLE, Engine ASN 46743464 Excluding 46743508, 46743544, 46743551, 46743560, 46743574, 46743587, 46743616, 46743712, 46744589, 46744619
8	NSS	1	NOT SERVICED SEPARATELY, RING, BOTTOM, Engine BSN 46743464 Including 46743508, 46743544, 46743551, 46743560, 46743574, 46743587, 46743616, 46743712, 46744589, 46744619
8	NSS	6	NOT SERVICED SEPARATELY, RING, BOTTOM, Engine ASN 46743464 Excluding 46743508, 46743544, 46743551, 46743560, 46743574, 46743587, 46743616, 46743712, 46744589, 46744619
9	87342670	1	PIN, PISTON, , Engine BSN 46743464 Including 46743508, 46743544, 46743551, 46743560, 46743574, 46743587, 46743616, 46743712, 46744589, 46744619
9	87342670	6	PIN, PISTON, , Engine ASN 46743464 Excluding 46743508, 46743544, 46743551, 46743560, 46743574, 46743587, 46743616, 46743712, 46744589, 46744619
9A	J924445	AR	SHIM, 0.254 mm (0.010 in.), Engine BSN 46743464 Including 46743508, 46743544, 46743551, 46743560, 46743574, 46743587, 46743616, 46743712, 46744589, 46744619

MAGNUM 310 CASE IH TRACTOR (EU) (1/06-) - Engine

02-30 PISTONS AND CONNECTING RODS, MAGNUM 310

сылка	Номер детали	Кол-во	Описание
9A	J924446	AR	SHIM, 0.381 mm (0.015 in.), Engine BSN 46743464 Including 46743508, 46743544, 46743551, 46743560, 46743574, 46743587, 46743616, 46743712, 46744589, 46744619
9A	J924447	AR	SHIM, 0.508 mm (0.020 in.), Engine BSN 46743464 Including 46743508, 46743544, 46743551, 46743560, 46743574, 46743587, 46743616, 46743712, 46744589, 46744619
9A	J924448	AR	SHIM, 0.762 mm (0.030 in.), Engine BSN 46743464 Including 46743508, 46743544, 46743551, 46743560, 46743574, 46743587, 46743616, 46743712, 46744589, 46744619
9A	J924449	AR	SHIM, 1.016 mm (0.040 in.), Engine BSN 46743464 Including 46743508, 46743544, 46743551, 46743560, 46743574, 46743587, 46743616, 46743712, 46744589, 46744619
	87356548	6	ROD, CONNECTING, Inc. 11 - 13, Engine BSN 46743464 Including 46743508, 46743544, 46743551, 46743560, 46743574, 46743587, 46743616, 46743712, 46744589, 46744619
	NSS	6	NOT SERVICED SEPARATELY, ROD, CONNECTING, Inc. 11 - 13, Engine ASN 46743464 Excluding 46743508, 46743544, 46743551, 46743560, 46743574, 46743587, 46743616, 46743712, 46744589, 46744619
	87356732	1	REMAN-ROD CONNECTING, Remanufactured, N.A. Only, Inc. 11 - 13, Engine BSN 46743464 Including 46743508, 46743544, 46743551, 46743560, 46743574, 46743587, 46743616, 46743712, 46744589, 46744619
	87356735	1	CORE-ROD CONNECTING, , Engine BSN 46743464 Including 46743508, 46743544, 46743551, 46743560, 46743574, 46743587, 46743616, 46743712, 46744589, 46744619
11	NSS	1	NOT SERVICED SEPARATELY, Rod
12	87687031	1	BUSHING,
13	J944679	2	BOLT,
15	87356776	6	KIT, SERVICE, Standard
15	87356813	6	KIT, SERVICE, Undersize 0.25 mm
15	87356833	6	KIT, SERVICE, Undersize 0.50 mm
15	87356848	6	KIT, SERVICE, Undersize 0.75 mm
15	87356862	6	KIT, SERVICE, Undersize 1.00 mm
16	87308050	1	GASKET, Oil Pan, (Not Shown), Engine ASN 46743464 Excluding 46743508, 46743544, 46743551, 46743560, 46743574, 46743587, 46743616, 46743712, 46744589, 46744619, See Figure 02-17
17	87344132	1	GASKET, CYLINDER HEAD, (Not Shown), Engine ASN 46743464 Excluding 46743508, 46743544, 46743551, 46743560, 46743574, 46743587, 46743616, 46743712, 46744589, 46744619, See Figure 02-18
18	87447959	1	GASKET, Oil Suction, (Not Shown), Engine ASN 46743464 Excluding 46743508, 46743544, 46743551, 46743560, 46743574, 46743587, 46743616, 46743712, 46744589, 46744619, See Figure 02-17

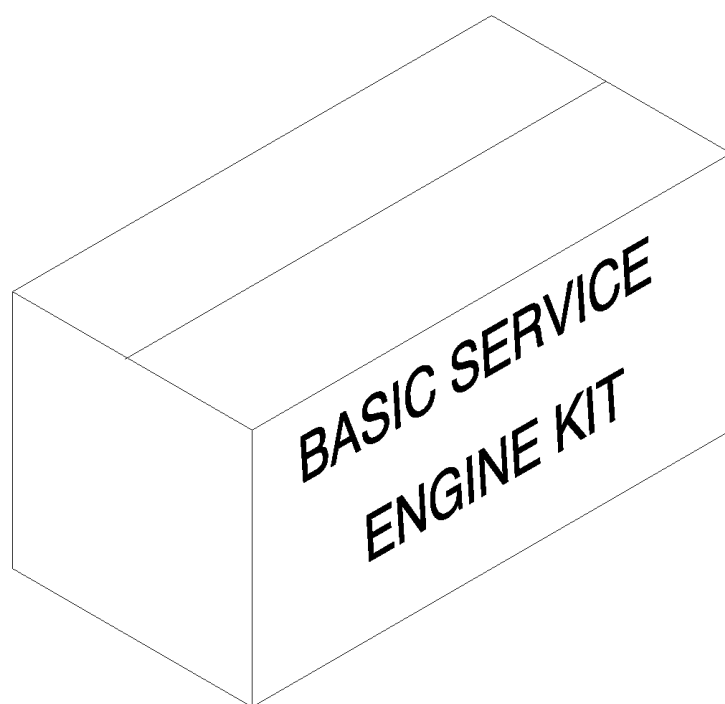
02-32 GASKET KIT - CYLINDER BLOCK



MAGNUM 310 CASE IH TRACTOR (EU) (1/06-) - Engine

02-32 GASKET KIT - CYLINDER BLOCK

сылка	Номер детали	Кол-во	Описание
1	87351543	1	KIT, ENGINE GASKET, Kit, Gasket, Cylinder Block, Inc. 2 - 18
3	J944293	1	GASKET, Gear Housing
4	87612306	1	GASKET, Coolant Filter
6	J903475	1	SEAL,
7	238-7241	1	O-RING, -241, CI 7, 3.859" ID x .139" Thk,
8	J926722	1	SEAL,
9	238-5244	1	O-RING, -244, 70 Duro, 4.234" ID x .139" Thk,
10	87447962	1	GASKET, Rear Cover
11	87346600	6	WASHER, SEALING,
12	87417767	2	WASHER, SEALING,
13	J4063496	1	GASKET,
14	J918174	1	GASKET,
15	J912473	1	O-RING,
16	J906696	1	SEAL,
17	87308050	1	GASKET, Oil Pan
18	87447959	1	GASKET, Oil Suction



MAGNUM 310 CASE IH TRACTOR (EU) (1/06-) - Engine

02-33 GASKET KIT - BASIC SERVICE ENGINE

сылка	Номер детали	Кол-во	Описание
1	A78043	1	GASKET, CYLINDER HEAD, Inc. 2 - 28
2	222-993	2	GASKET, 3/8 Tube, FI, Copper,
3	238-5115	2	O-RING, -115, 70 Duro, .674" ID x .103" Thk,
4	238-5120	2	O-RING, -120, 70 Duro, .987" ID x .103" Thk,
5	238-7115	2	O-RING, -115, CI 7, .674" ID x .103" Thk,
6	933697R1	2	WASHER, SEALING, M10 x 13.5 x 1,
7	J937706	1	GASKET, Oil Drain
8	J902425	2	WASHER,
9	J903380	6	SEAL,
10	J903475	1	SEAL,
11	J909886	6	SEAL,
12	J910517	1	O-RING,
13	J755843	1	GASKET,
14	J912473	1	O-RING,
15	J936993	1	GASKET, MANIFOLD,
16	J916284	1	O-RING,
17	J918188	2	WASHER,
18	J918190	2	WASHER, SEALING,
19	J918192	4	RING, PACKING,
20	J918779	1	GASKET,
21	J990881	2	CONNECTION,
22	J923261	6	WASHER,
23	J924605	1	SEAL,
24	J939258	1	GASKET,
25	238-7018	1	O-RING, -018, CI 7, .739" ID x .070" Thk,
26	J932063	6	GASKET, MANIFOLD,
27	87415913	2	WASHER, SEALING, 12 x 19 x 1.5 mm
28	238-5013	2	O-RING, -013, 70 Duro, .426" ID x .070" Thk,

