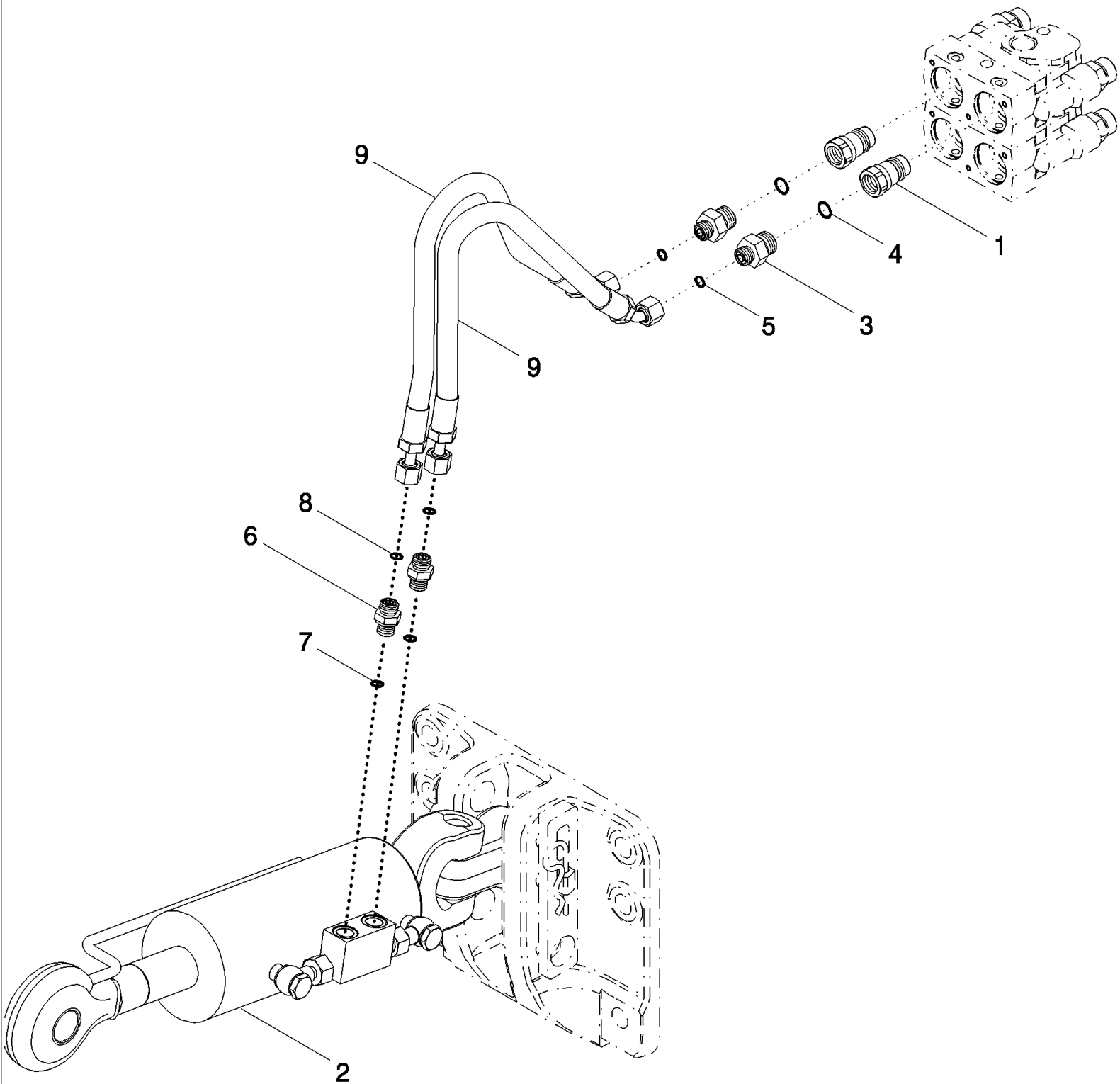


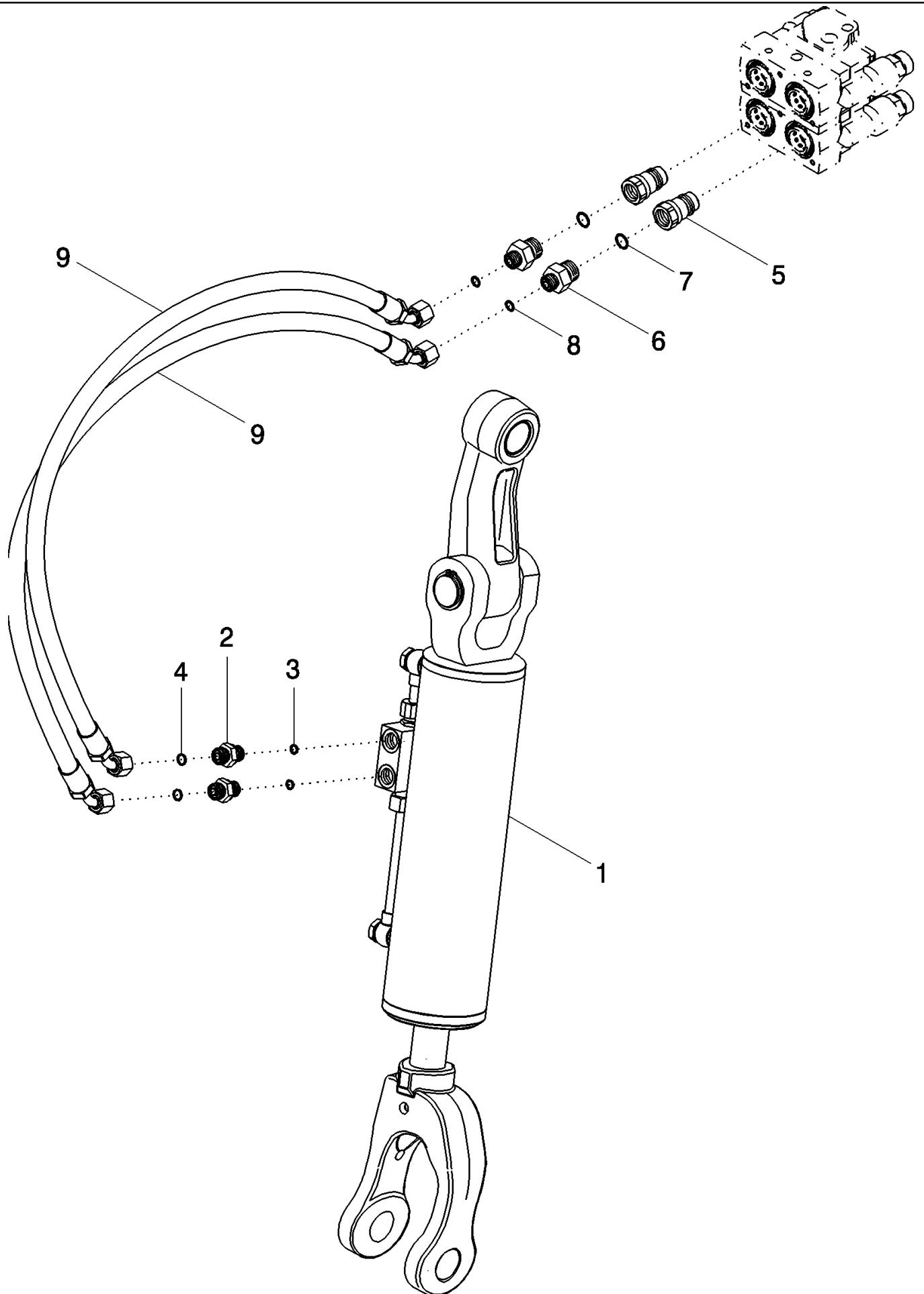
08-11 HYDRAULIC TOP LINK - HITCH



## MX305 CASE IH MAGNUM TRACTOR NA (1/06-9/06)

## 08-11 HYDRAULIC TOP LINK - HITCH

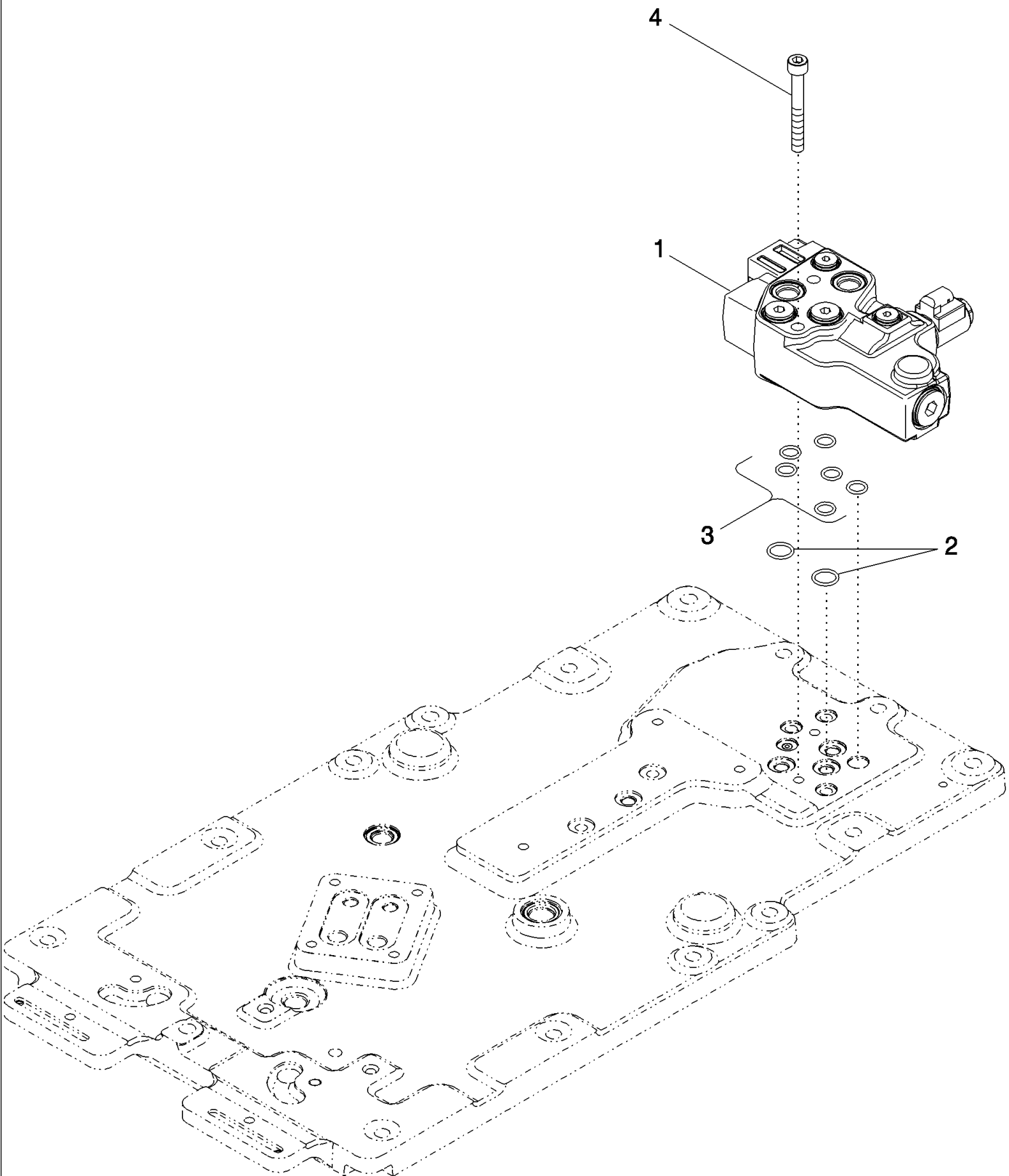
сылка	Номер детали	Кол-во	Описание
1	1272399C2	2	COUPLING, QUICK, MALE,
2	87453964	1	LINK, TOP, Short, Used With Short Draft Arms, 970 mm (38 in) Center To Center, See Figure 09-53 For Service Components
3	201-139	2	CONNECTOR, HYD., 11/16"-16 ORFS x 7/8"-14 ORB, Inc. 4, 5
4	237-6010	1	O-RING, 10-1, 90 Duro, .755" ID x .097" Thk,
5	238-6012	1	O-RING, -012, 90 Duro, .364" ID x .070" Thk,
6	700-157	2	CONNECTOR, HYD., 11/16"-16 ORFS x M16 x 1.5 ORB, Inc. 7, 8
7	637-63133	1	O-RING, CI 6, 13.3MM ID x 2.2 Thk,
8	238-6012	1	O-RING, -012, 90 Duro, .364" ID x .070" Thk,
9	87441258	2	HOSE, 705 mm (27-3/4 in)



MX305 CASE IH MAGNUM TRACTOR NA (1/06-9/06)

08-12 HYDRAULIC LIFT LINK - HITCH, RIGHT HAND

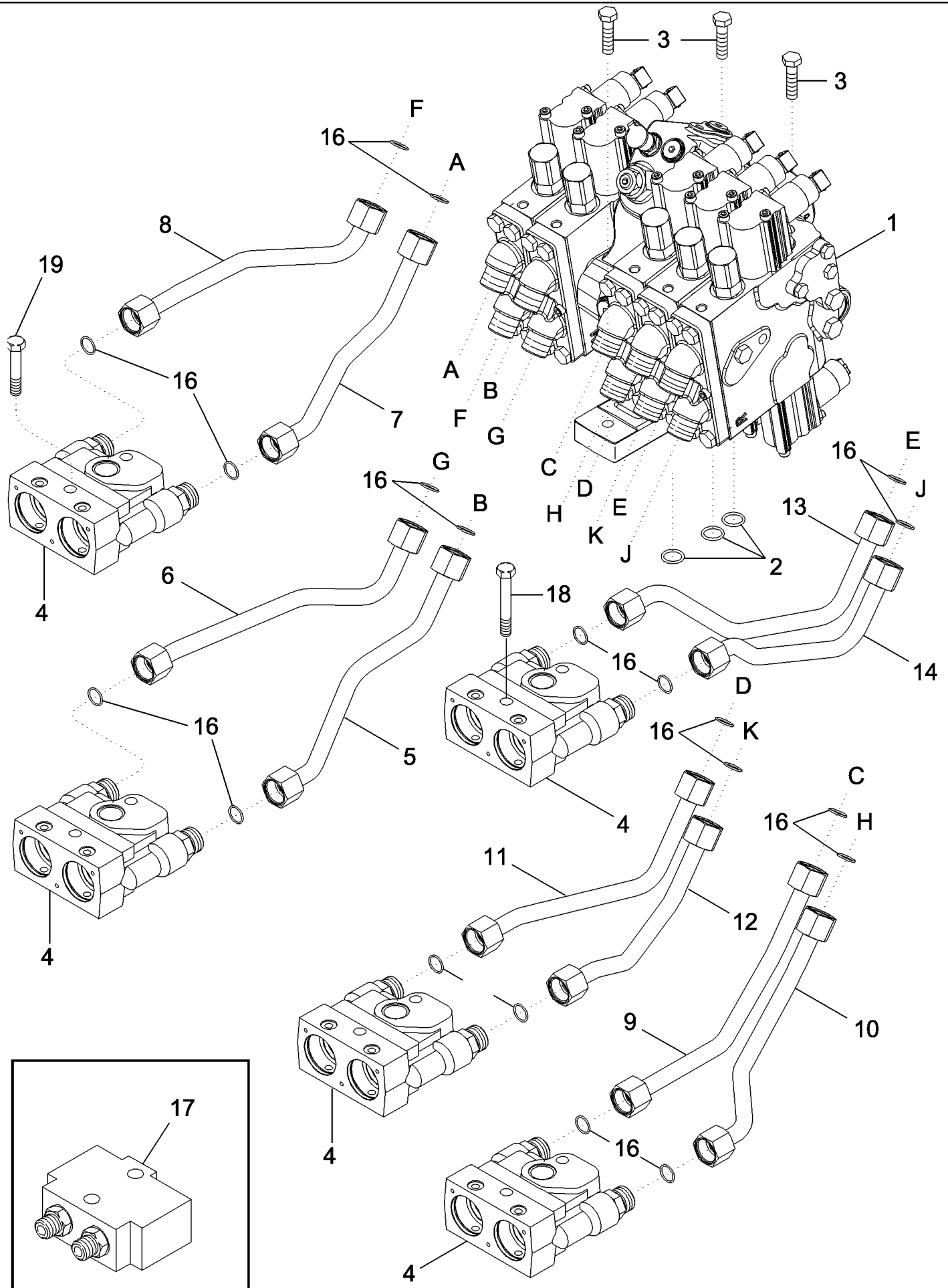
сылка	Номер детали	Кол-во	Описание
1	87661331	1	LINK, TOP, Hydraulic Lift, See Figure 09-55 For Service Components
2	87434646	2	UNION, Inc. 3, 4
3	637-63133	1	O-RING, CI 6, 13.3MM ID x 2.2 Thk,
4	238-6012	1	O-RING, -012, 90 Duro, .364" ID x .070" Thk,
5	1272399C2	2	COUPLING, QUICK, MALE,
6	201-139	2	CONNECTOR, HYD., 11/16"-16 ORFS x 7/8"-14 ORB, Inc. 7, 8
7	237-6010	1	O-RING, 10-1, 90 Duro, .755" ID x .097" Thk,
8	238-6012	1	O-RING, -012, 90 Duro, .364" ID x .070" Thk,
9	87441257	2	HOSE, 805 mm (31-11/16 in)



MX305 CASE IH MAGNUM TRACTOR NA (1/06-9/06)

08-13 HYDRAULIC SYSTEM - PTO/DIFFERENTIAL LOCK VALVE

сылка	Номер детали	Кол-во	Описание
1	87705317	1	CLUTCH. PTO, PTO/Differential Lock, See Figure 08-20
2	238-5115	2	O-RING, -115, 70 Duro, .674" ID x .103" Thk,
3	238-5112	6	O-RING, -112, 70 Duro, .487" ID x .103" Thk,
4	87437262	2	SCREW,

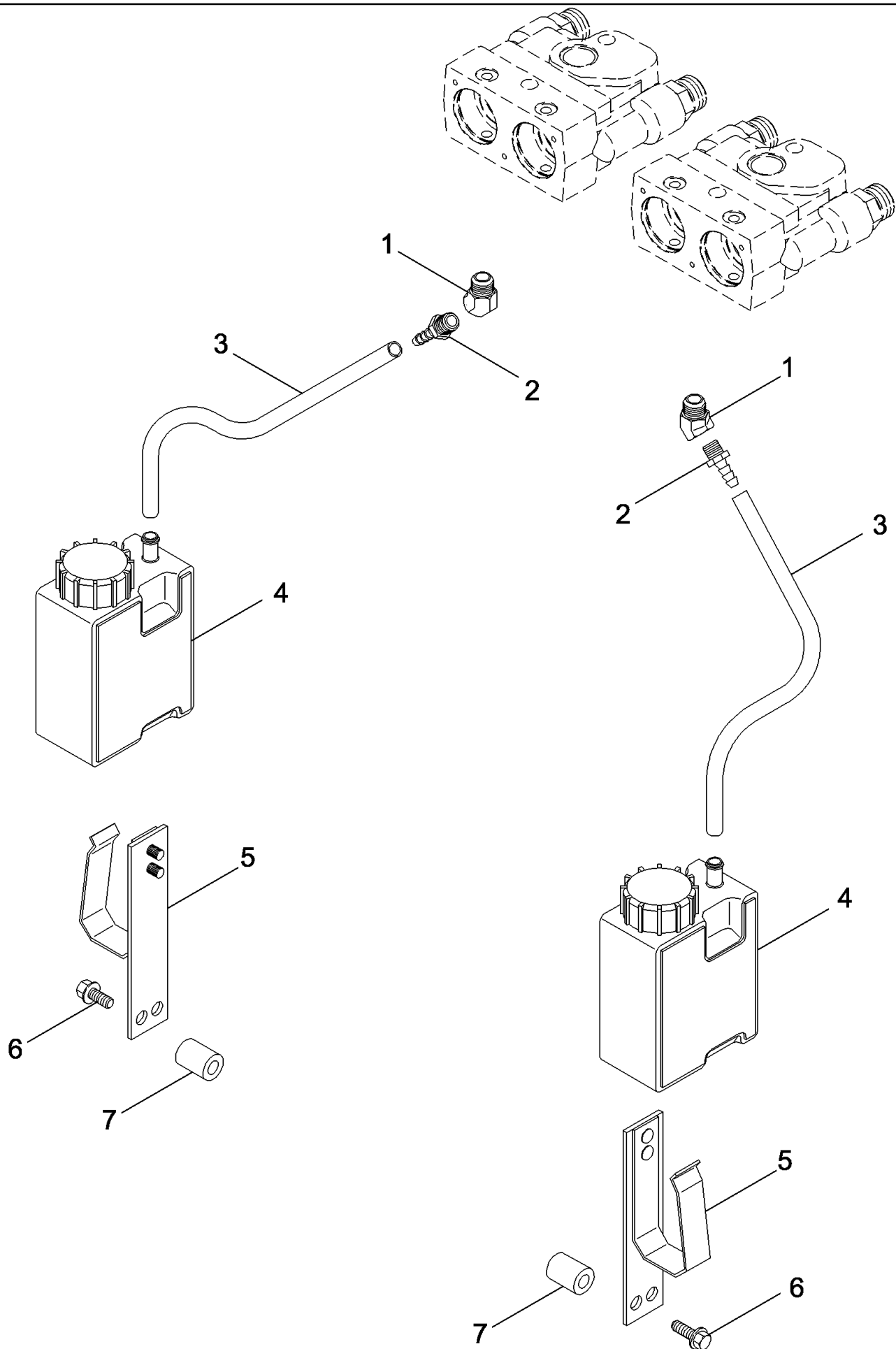


## MX305 CASE IH MAGNUM TRACTOR NA (1/06-9/06)

## 08-14 HYDRAULIC SYSTEM - REMOTE COUPLERS

сылка	Номер детали	Кол-во	Описание
1	REF	1	INSTRUCTION, VALVE ASSY, Control, See Figure 08-20
2	238-5115	3	O-RING, -115, 70 Duro, .674" ID x .103" Thk,
3	614-10040	3	BOLT, Hex, M10 x 40, 8.8, Full Thd,
4	275182A2	3-4	COUPLING, PUSH-PULL, Hydraulic, See Figure 08-28
5	436814A1	1	TUBE ASSY., 1st Raise
6	436813A1	1	TUBE ASSY., 1st Drop
7	436815A1	1	TUBE ASSY., 2nd Raise
8	436811A1	1	TUBE ASSY., 2nd Drop
9	426757A1	1	TUBE ASSY., 3rd Raise
10	426756A1	1	TUBE ASSY., 3rd Drop
11	412082A1	1	TUBE ASSY., 4th Raise
12	450500A1	1	TUBE ASSY., 4th Drop
13	412084A1	1	TUBE ASSY., 5th Raise
14	450501A1	1	TUBE ASSY., 5th Drop
16	238-6016	AR	O-RING, -016, 90 Duro, .614" ID x .070" Thk,
17	87452849	1	COUPLING, QUICK, MALE,
18	814-10200	2	BOLT, Hex, M10 x 200, 8.8,
19	814-10140	2	BOLT, Hex, M10 x 140, 8.8,

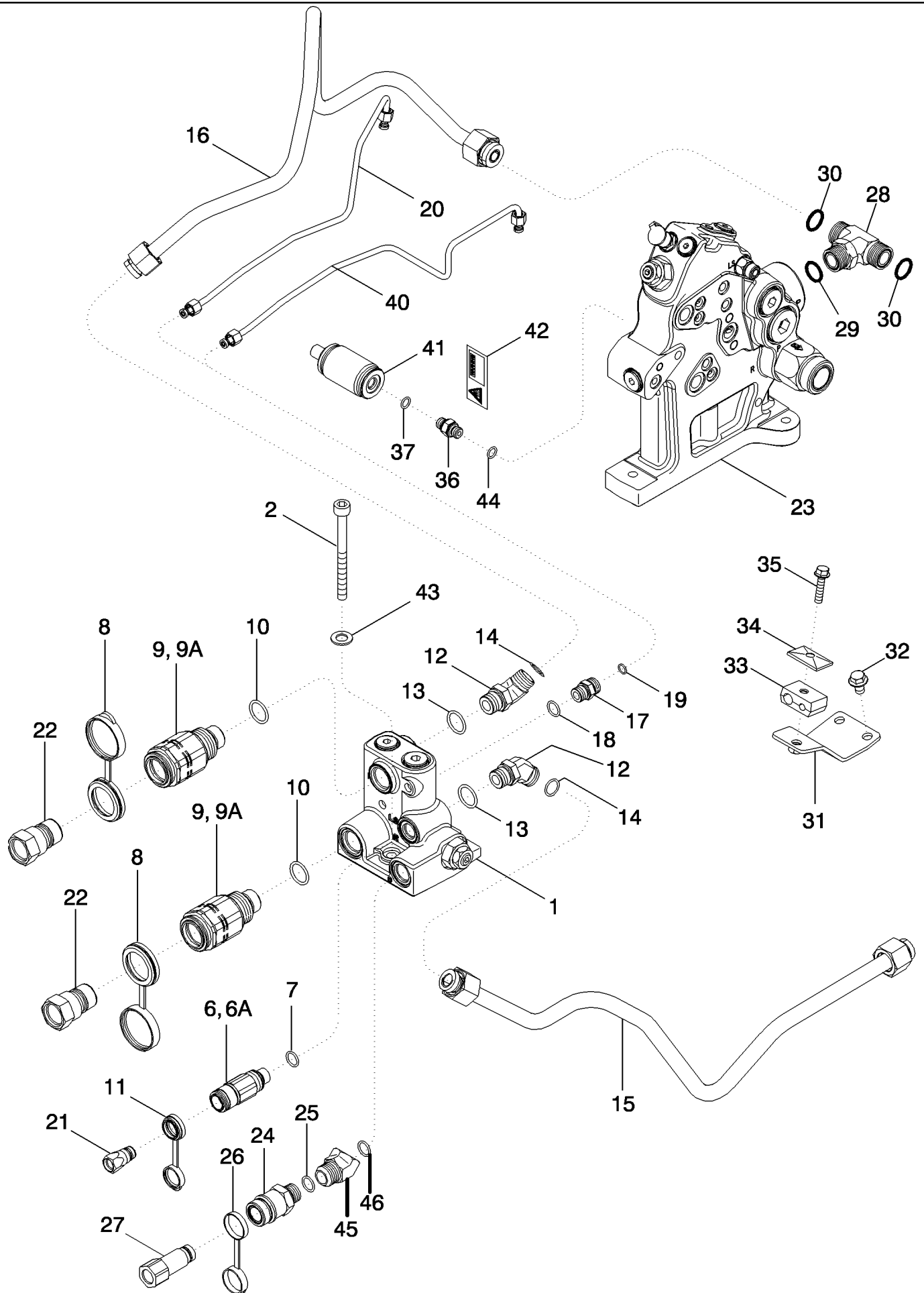




MX305 CASE IH MAGNUM TRACTOR NA (1/06-9/06)

08-15 HYDRAULIC SYSTEM - COUPLER SPILLAGE

сылка	Номер детали	Кол-во	Описание
1	217-15	2	ELBOW, 45c, 1/8"-27 NPTF, Fem x 1/8"-27 NPTF Male,
2	217-114	2	FITTING, 3/8" Hose x 1/8" NPTF, Barbed,
3	280286A1	2	HOSE,
4	87347354	2	RESERVOIR, HYDRAULIC OIL,
5	87362957	2	BRACKET,
6	614-6035	4	BOLT, Hex, M6 x 35, 8.8, Full Thd,
7	87352470	4	TUBE SPACER,

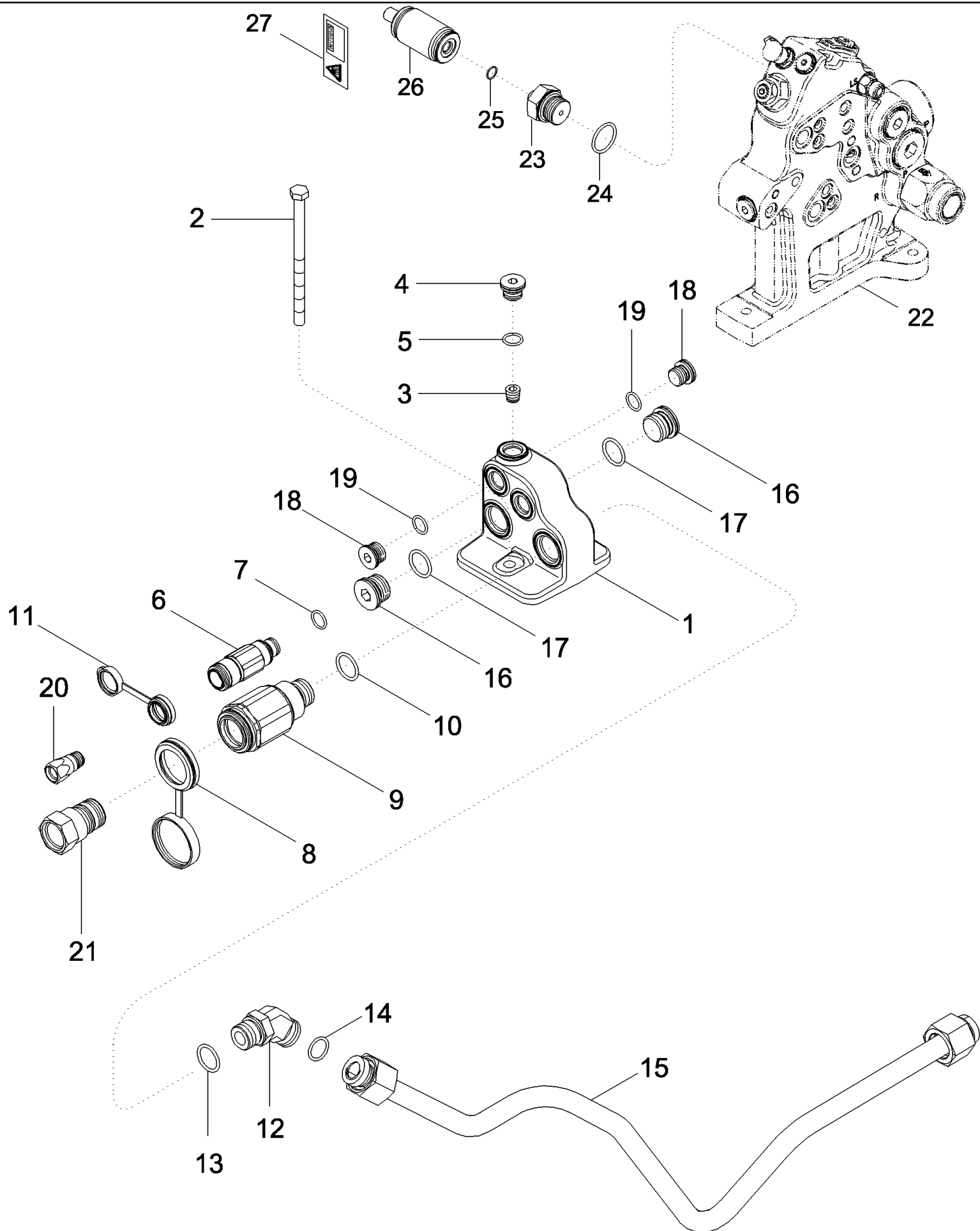


## MX305 CASE IH MAGNUM TRACTOR NA (1/06-9/06)

## 08-16 HYDRAULIC SYSTEM - POWER BEYOND

сылка	Номер детали	Кол-во	Описание
1	87338964	1	VALVE, HYDRAULIC, , See Figure 08-33
2	87605317	2	SCREW, Hex, M10 x 160 8.8 ZND
6	294603A1	1	BODY, 1/4", Inc. 7
6A	445014A1	1	KIT, SEALS,
7	637-63153	1	O-RING, CI 6, 15.3MM ID x 2.2 Thk,
8	334216A1	2	CAP,
9	298291A1	2	BODY, 3/4", Inc.10
9A	445015A1	1	KIT, SEALS,
10	637-64236	1	O-RING, CI 6, 23.6MM ID x 2.9 Thk,
11	334218A1	1	CAP,
12	86639055	2	ELBOW, 45e, 1 3/16"-12 ORFS x M27 x 2 ORB, Inc. 13, 14
13	14438185	1	O-RING, 24MM ID x 3.0 Thk,
14	66297	1	O-RING, -018, 70 Duro, .739" ID x .070" Thk,
15	87533661	1	TUBE ASSY., Return
16	87656846	1	TUBE ASSY., Supply
17	87376154	1	CONNECTOR, HYD., Special, Orifice, Inc. 18, 19
18	637-63153	1	O-RING, CI 6, 15.3MM ID x 2.2 Thk,
19	238-6012	1	O-RING, -012, 90 Duro, .364" ID x .070" Thk,
20	87560338	1	TUBE ASSY., Load Sense, With Hitch
21	347756A1	1	COUPLING, 1/4"
22	347755A1	1	COUPLING, 3/4"
23	REF	1	INSTRUCTION, MANIFOLD, See Figure 08-23
24	380739A1	1	COUPLING, BREAK AWAY, 3/8, Inc. 25
25	637-63193	1	O-RING, CI 6, 19.3MM ID x 2.2 Thk,
26	380740A1	1	CAP,
27	385358A1	1	COUPLING, 3/8
28	700-404	1	TEE, 1 7/16"-12 ORFS x M33 x 2 ORB Br, Inc. 29, 30
29	637-64296	1	O-RING, CI 6, 29.6MM ID x 2.9 Thk,
30	238-6021	1	O-RING, -021, 90 Duro, .926" ID x .070" Thk,
31	87442374	1	BRACKET,
32	844-10016	2	BOLT, Hex Flg, M10 x 16, 8.8, Full Thd,
33	255212A1	1	CLAMP,
34	1347127C1	1	PLATE,
35	844-8060	1	BOLT, Hex Flg, M8 x 60, 8.8,
36	87402820	1	CONNECTOR, HYD., 12 Or, Inc. 37, 44
37	637-63113	1	O-RING, CI 6, 11.3MM ID x 2.2 Thk,
38	221578A1	2	PLUG, Hex Soc, M18 x 1.5, ORB, Inc. 39
39	637-63113	1	O-RING, CI 6, 11.3MM ID x 2.2 Thk,
40	87560347	1	TUBE ASSY., Load Sense, Without Hitch
41	87402747	1	ACCUMULATOR,
42	82029752	1	DECAL,
43	895-18010	2	WASHER, M10 x 18 x 1.6,
44	637-64296	1	O-RING, CI 6, 29.6MM ID x 2.9 Thk,
45	87726025	1	ELBOW, Inc. 46
46	637-63193	1	O-RING, CI 6, 19.3MM ID x 2.2 Thk,

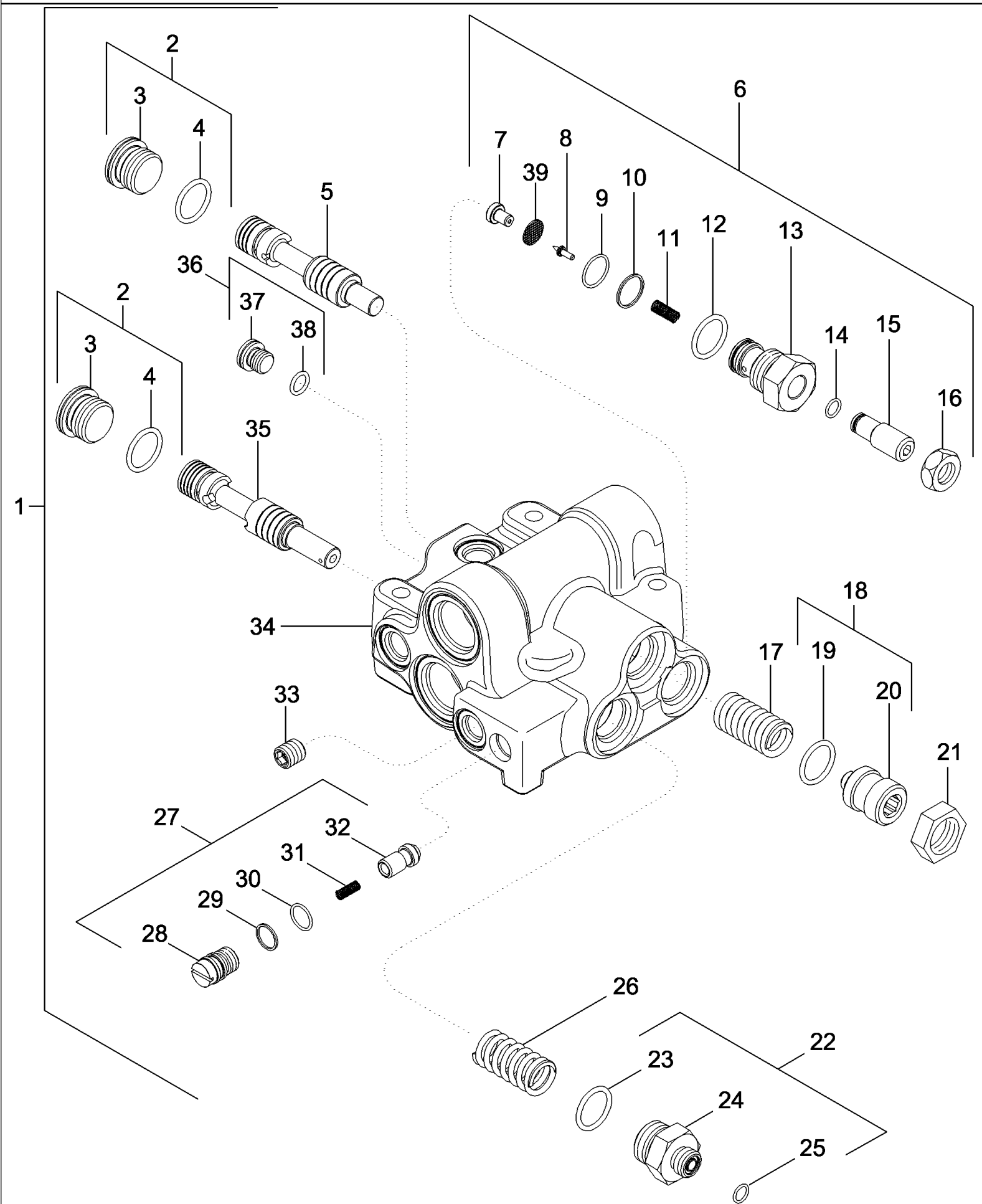
08-17 HYDRAULIC SYSTEM - MOTOR RETURN



## MX305 CASE IH MAGNUM TRACTOR NA (1/06-9/06)

## 08-17 HYDRAULIC SYSTEM - MOTOR RETURN

сылка	Номер детали	Кол-во	Описание
1	387929A1	1	VALVE,
2	814-10150	2	BOLT, Hex, M10 x 150, 8.8,
3	217-432	1	PLUG, Hex Soc, 1/4"-18,
4	221578A1	1	PLUG, Hex Soc, M18 x 1.5, ORB, Inc. 5
5	637-63153	1	O-RING, CI 6, 15.3MM ID x 2.2 Thk,
6	380739A1	1	COUPLING, BREAK AWAY, 3/8, Inc. 7
7	637-63193	1	O-RING, CI 6, 19.3MM ID x 2.2 Thk,
8	334216A1	1	CAP,
9	298291A1	1	BODY, 3/4 in, Inc. 10
9A	445015A1	1	KIT, SEALS,
10	637-64236	1	O-RING, CI 6, 23.6MM ID x 2.9 Thk,
11	380740A1	1	CAP,
12	86639055	1	ELBOW, 45e, 1 3/16"-12 ORFS x M27 x 2 ORB, Inc. 13, 14
13	14438185	1	O-RING, 24MM ID x 3.0 Thk,
14	66297	1	O-RING, -018, 70 Duro, .739" ID x .070" Thk,
15	87533663	1	TUBE ASSY.,
16	221580A1	2	PLUG, Hex Soc, M27 x 2, ORB, Inc. 17
17	637-64236	1	O-RING, CI 6, 23.6MM ID x 2.9 Thk,
18	221578A1	2	PLUG, Hex Soc, M18 x 1.5, ORB, Inc. 19
19	637-63153	1	O-RING, CI 6, 15.3MM ID x 2.2 Thk,
20	385358A1	1	COUPLING, 3/8 in
21	347755A1	1	COUPLING, 3/4 in
22	REF	1	INSTRUCTION, MANIFOLD, See Figure 08-23
23	87402820	2	CONNECTOR, HYD., M33 Or x M14 Or, Inc. 24, 25
24	637-64296	1	O-RING, CI 6, 29.6MM ID x 2.9 Thk,
25	637-63113	1	O-RING, CI 6, 11.3MM ID x 2.2 Thk,
26	87402747	1	ACCUMULATOR,
27	82029752	1	DECAL,



сылка	Номер детали	Кол-во	Описание
1	87451048	1	VALVE, Priority And Regulator, Inc. 2 - 39
2	221580A1	2	PLUG, Hex Soc, M27 x 2, ORB, Inc. 3, 4
3	NSS	1	NOT SERVICED SEPARATELY, PLUG
4	637-64236	1	O-RING, CI 6, 23.6MM ID x 2.9 Thk,
5	404442A1	1	SPOOL,
6	315796A1	1	VALVE, PRESSURE RELIEF, Inc. 7 - 16, 39
7	NSS	1	NOT SERVICED SEPARATELY, SEAT
8	NSS	1	NOT SERVICED SEPARATELY, POPPET
9	NSS	1	NOT SERVICED SEPARATELY, O-RING 3/4 ID x 1/16
10	NSS	1	NOT SERVICED SEPARATELY, RING
	NSS	1	NOT SERVICED SEPARATELY, SPRING
12	NSS	1	NOT SERVICED SEPARATELY, O-RING 59/64 ID x 7/64
13	NSS	1	NOT SERVICED SEPARATELY, CAP
14	NSS	1	NOT SERVICED SEPARATELY, O-RING 3/8 ID x 1/16
15	NSS	1	NOT SERVICED SEPARATELY, PLUG
16	NSS	1	NOT SERVICED SEPARATELY, NUT 5/8 NF
17	448102A2	1	SPRING,
18	313941A1	1	PLUG, Inc. 19, 20
19	237-6012	1	O-RING, 12-1, 90 Duro, .924 ID x .118" Thk,
20	NSS	1	NOT SERVICED SEPARATELY, PLUG
21	218-1280	1	NUT, LOCK, Blkh, 1 1/16"-12,
22	313940A1	1	FITTING, Inc. 23 - 25
23	237-6012	1	O-RING, 12-1, 90 Duro, .924 ID x .118" Thk,
24	NSS	1	NOT SERVICED SEPARATELY, FITTING
25	238-6012	1	O-RING, -012, 90 Duro, .364" ID x .070" Thk,
26	408447A1	1	SPRING, COMPRESSION,
27	1542563C1	1	VALVE, CHECK, Inc. 28 - 32
28	NSS	1	NOT SERVICED SEPARATELY, PLUG
29	G108723	1	RING,
30	238-6015	1	O-RING, -015, 90 Duro, .551" ID x .070" Thk,
31	NSS	1	NOT SERVICED SEPARATELY, SPRING
32	1543329C1	1	POPPET, VALVE,
33	87427769	1	PLUG,
34	NSS	1	NOT SERVICED SEPARATELY, BODY
35	87448952	1	SPOOL,
36	86598044	1	PLUG, Inc. 37, 38
37	NSS	1	NOT SERVICED SEPARATELY, PLUG
38	14437785	1	O-RING, 11.3MM ID x 2.4 Thk,
39	NSS	1	NOT SERVICED SEPARATELY, SCREEN

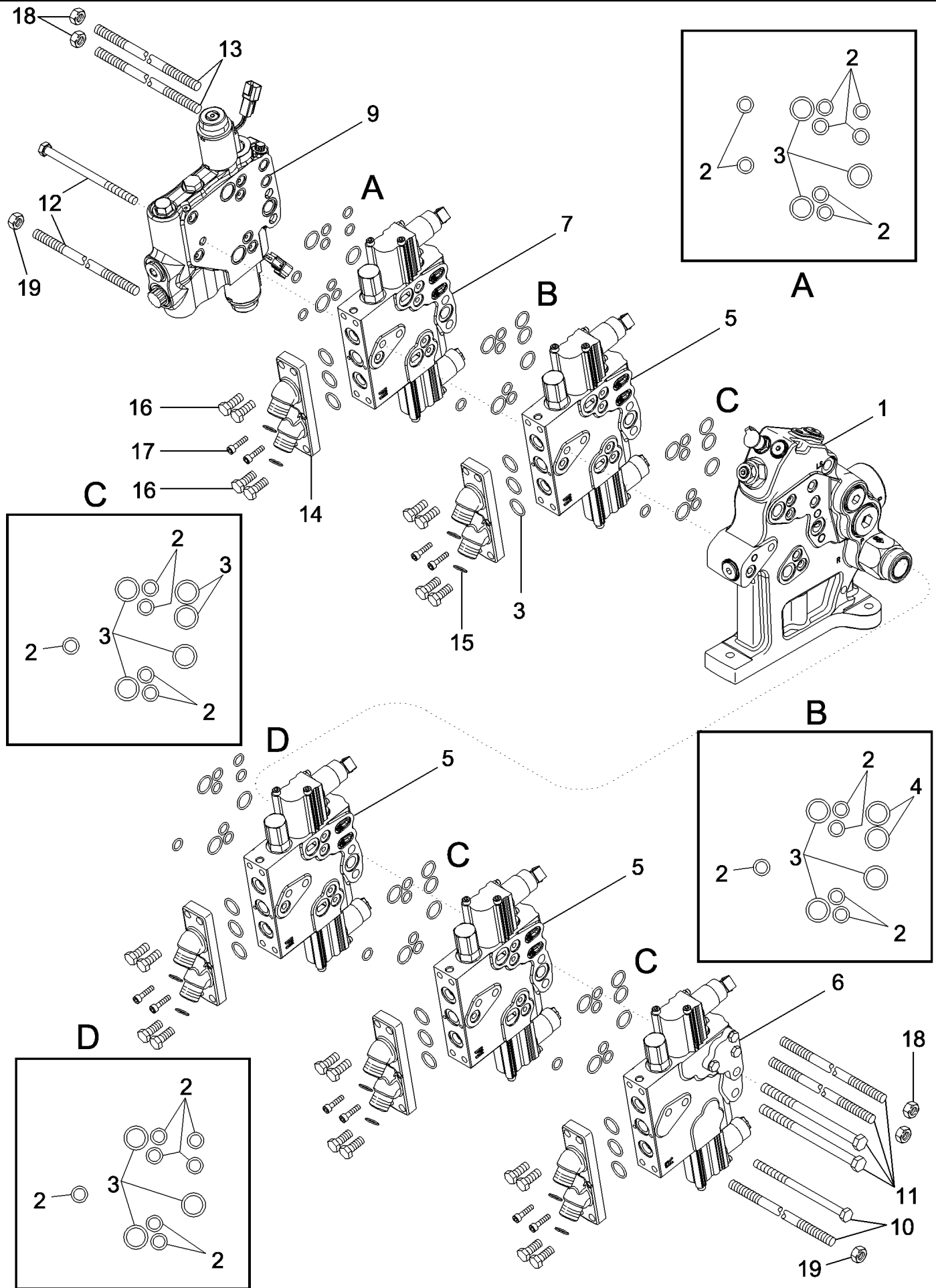




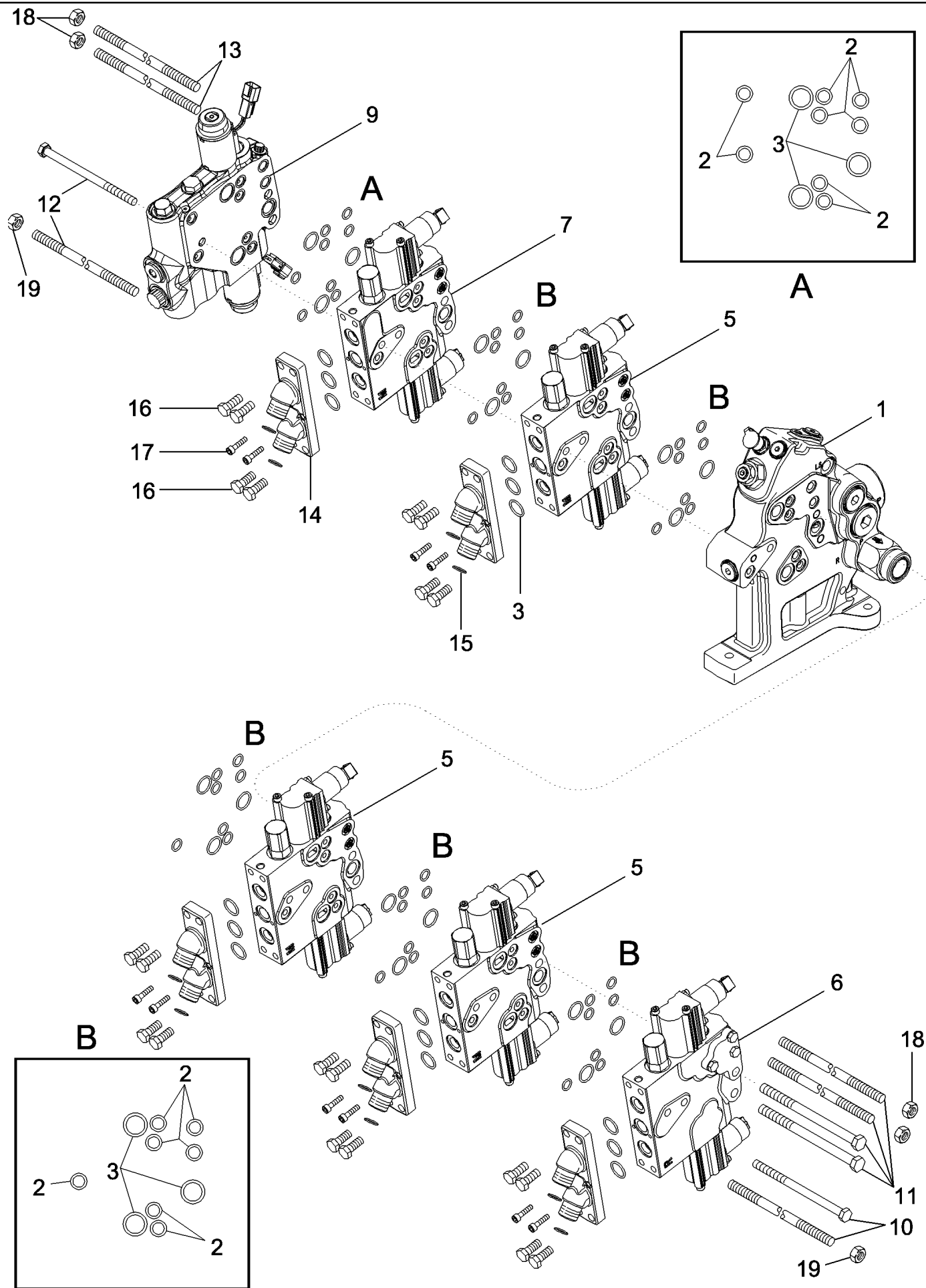
## MX305 CASE IH MAGNUM TRACTOR NA (1/06-9/06)

## 08-20 PTO AND DIFFERENTIAL LOCK VALVE ASSEMBLY

сылка	Номер детали	Кол-во	Описание
1	87705317	1	CLUTCH. PTO, PTO And Differential Lock, Inc. 2 - 35
2	221576A1	2	PLUG, Hex Soc, M14 x 1.5, ORB, Inc. 3, 4
3	NSS	1	NOT SERVICED SEPARATELY, PLUG
4	14437785	1	O-RING, 11.3MM ID x 2.4 Thk,
5	221578A1	3	PLUG, Hex Soc, M18 x 1.5, ORB, Inc. 6, 7
6	NSS	1	NOT SERVICED SEPARATELY, PLUG
7	637-63153	1	O-RING, CI 6, 15.3MM ID x 2.2 Thk,
8	NSS	1	NOT SERVICED SEPARATELY, BODY
9	283642A4	1	SPOOL, Inc. 10 - 15
10	NSS	1	NOT SERVICED SEPARATELY, PISTON
11	NSS	1	NOT SERVICED SEPARATELY, SPRING
12	NSS	1	NOT SERVICED SEPARATELY, SPRING
13	NSS	1	NOT SERVICED SEPARATELY, SLEEVE
14	NSS	2	NOT SERVICED SEPARATELY, BALL
15	NSS	1	NOT SERVICED SEPARATELY, SPOOL
16	349295A1	1	VALVE, SOLENOID, Valve, Differential Lock, Inc. 17 - 22
17	238-5013	1	O-RING, -013, 70 Duro, .426" ID x .070" Thk,
18	238-5014	1	O-RING, -014, 70 Duro, .489" ID x .070" Thk,
19	237-6008	1	O-RING, 8-1, 90 Duro, .644" ID x .087" Thk,
20	NSS	1	NOT SERVICED SEPARATELY, CORE
21	349292A1	1	NUT,
22	298614A1	1	SOLENOID,
23	239552A2	1	VALVE, SOLENOID, Inc. 24 - 32
24	NSS	1	NOT SERVICED SEPARATELY, NUT
25	NSS	1	NOT SERVICED SEPARATELY, COIL
26	NSS	1	NOT SERVICED SEPARATELY, CARTRIDGE
27	308245A1	1	KIT, SEALS, Inc. 28 - 32
28	238-6008	1	O-RING, -008, 90 Duro, .176" ID x .070" Thk,
29	238-5013	1	O-RING, -013, 70 Duro, .426" ID x .070" Thk,
30	238-7016	1	O-RING, -016, CI 7, .614" ID x .070" Thk,
31	238-5014	1	O-RING, -014, 70 Duro, .489" ID x .070" Thk,
32	238-7018	1	O-RING, -018, CI 7, .739" ID x .070" Thk,
33	221580A1	1	PLUG, Hex Soc, M27 x 2, ORB, Inc. 34, 35
34	NSS	1	NOT SERVICED SEPARATELY, PLUG
35	637-64236	1	O-RING, CI 6, 23.6MM ID x 2.9 Thk,



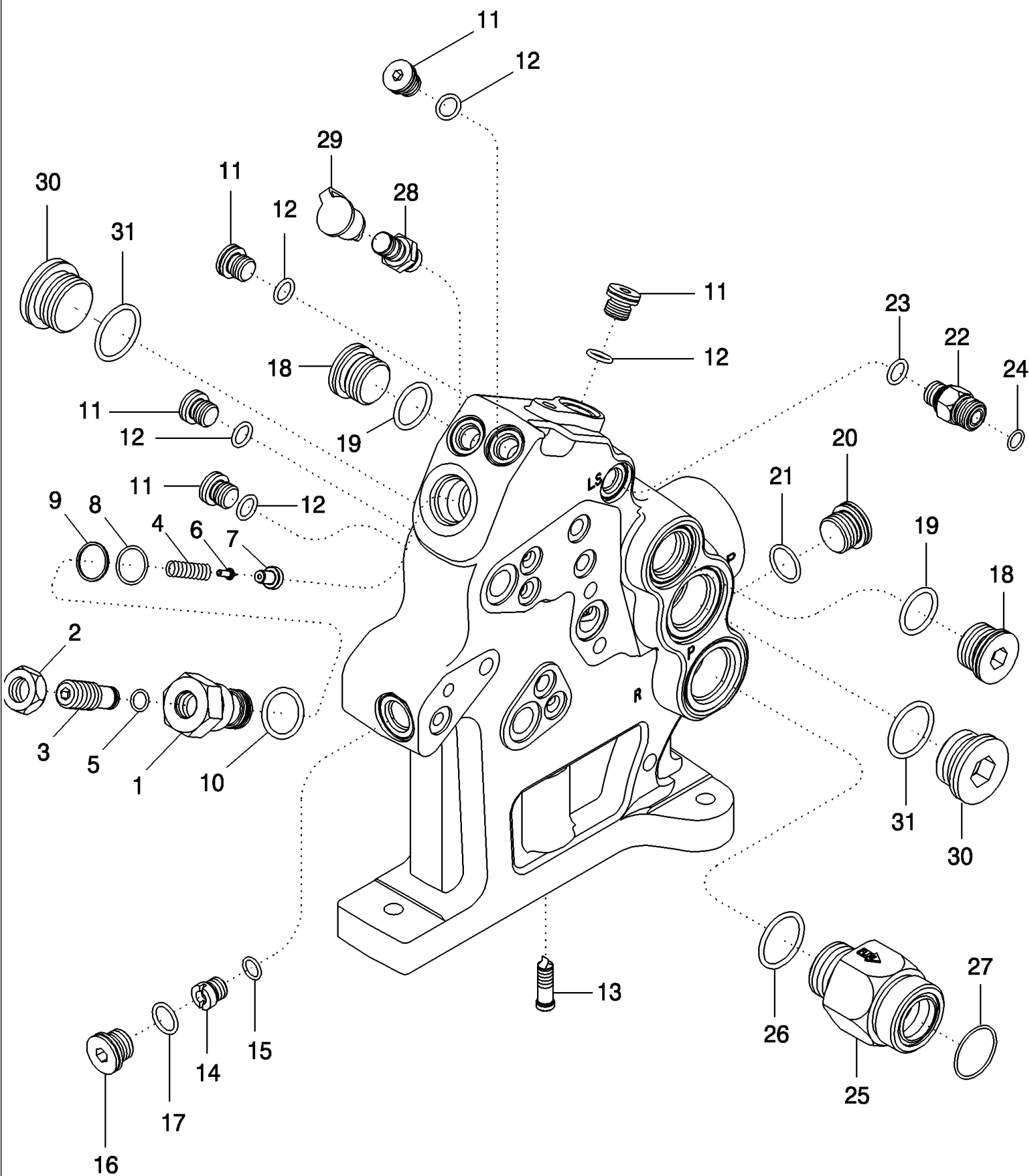
сылка	Номер детали	Кол-во	Описание
1	87450074	1	VALVE, Manifold, See Figure 08-23
2	238-6112	AR	O-RING, -112, 90 Duro, .487" ID x .103" Thk,
3	238-6117	AR	O-RING, -117, 90 Duro, .799" ID x .103" Thk,
4	238-6117	AR	O-RING, -117, 90 Duro, .799" ID x .103" Thk,
4	238-6116	AR	O-RING, -116, 90 Duro, .737" ID x .103" Thk, If Equipped)
5	447226A5	AR	VALVE, Standard, See Figure 08-25
6	447220A6	1	VALVE, Right Hand End, See Figure 08-25
7	447223A4	1	VALVE, Left Hand End, Without Hitch, See Figure 08-25
7	447226A5	AR	VALVE, Left Hand End With Hitch, See Figure 08-25
9	87371677	1	VALVE, Hitch, See Figure 08-27
10	828-10060	1	BOLT, Hex, M10 x 60, 10.9, 3 Remotes
10	87430660	1	STUD, M10 x 140, 4 Remotes
10	87418098	1	STUD, M10 x 185, 5 Remotes
11	828-12065	1	BOLT, Hex, M12 x 65, 10.9, 3 Remotes, Lower
11	828-12075	1	BOLT, Hex, M12 x 75, 10.9, 3 Remotes, Upper
11	87418162	2	STUD, M12 x 140, 4 Remotes
11	87430079	2	STUD, M12 x 185, 5 Remotes
12	87418099	1	STUD, M10 x 130, Without Hitch
12	87418093	1	STUD, M10 x 175, With Hitch, Without Hydraulic Trailer Brake
12	87418091	1	STUD, M10 x 230, With Hitch, With Hydraulic Trailer Brake
13	87418100	2	STUD, M12 x 130, Without Hitch
13	87418094	2	STUD, M12 x 175; 10.9, With Hitch, Without Hydraulic Trailer Brake
13	87418164	2	STUD, M12 x 225; 10.9, With Hitch, With Hydraulic Trailer Brake
14	435643A1	AR	COVER, Inc. 15
15	238-6016	2	O-RING, -016, 90 Duro, .614" ID x .070" Thk,
16	628-10025	AR	BOLT, Hex, M10 x 25, 10.9, Full Thd,
17	864-6025	AR	SCREW, Hex Soc Hd, M6 x 25, 8.8,
18	829-1312	4	NUT, M12 x 1.75, CI 10,
19	304951A1	2	NUT, M10, CI 10, Hardened



## MX305 CASE IH MAGNUM TRACTOR NA (1/06-9/06)

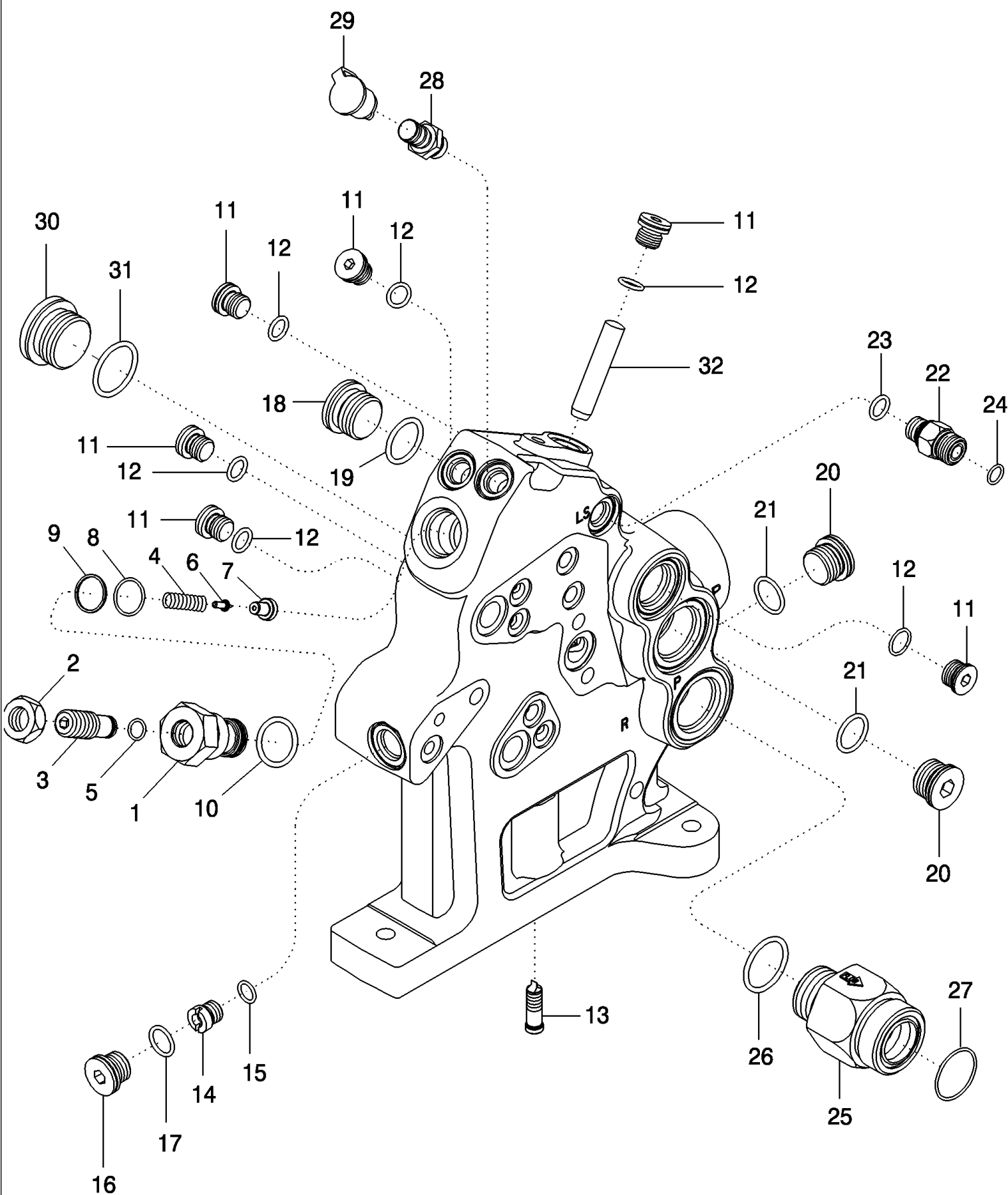
## 08-22 REMOTE HYDRAULIC VALVE STACK, ASN AJB363596

сылка	Номер детали	Кол-во	Описание
1	87385416	1	MANIFOLD VALVE, With Standard Flow Hydraulics, See Figure 08-23
1	87385418	1	MANIFOLD VALVE, With TwinFlow Hydraulics, See Figure 08-24
2	238-6112	AR	O-RING, -112, 90 Duro, .487" ID x .103" Thk,
3	238-6117	AR	O-RING, -117, 90 Duro, .799" ID x .103" Thk,
5	87384974	AR	VALVE, Standard, See Figure 08-26
6	87384975	1	VALVE, Right Hand End, See Figure 08-26
7	87384976	1	VALVE, Left Hand End, Without Hitch, See Figure 08-26
7	87384974	AR	VALVE, Left Hand End With Hitch, See Figure 08-26
9	87371677	1	VALVE, Hitch, See Figure 08-27
10	828-10060	1	BOLT, Hex, M10 x 60, 10.9, 3 Remotes
10	87418099	1	STUD, M10 x 140, 4 Remotes
10	87418093	1	STUD, M10 x 185, 5 Remotes
11	828-12065	2	BOLT, Hex, M12 x 65, 10.9, 3 Remotes
11	87418100	2	STUD, M12 x 140, 4 Remotes
11	87418094	2	STUD, M12 x 185, 5 Remotes
12	87418099	1	STUD, M10 x 130, Without Hitch
12	87418093	1	STUD, M10 x 175, With Hitch, Without Hydraulic Trailer Brake
12	87418091	1	STUD, M10 x 230, With Hitch, With Hydraulic Trailer Brake
13	87418100	2	STUD, M12 x 130, Without Hitch
13	87418094	2	STUD, M12 x 175; 10.9, With Hitch, Without Hydraulic Trailer Brake
13	87418164	2	STUD, M12 x 225; 10.9, With Hitch, With Hydraulic Trailer Brake
13	87445565	2	STUD, M12 x 230, With Hitch, With Hydraulic Trailer Brake
14	435643A1	AR	COVER, Inc. 15
15	238-6016	2	O-RING, -016, 90 Duro, .614" ID x .070" Thk,
16	628-10025	AR	BOLT, Hex, M10 x 25, 10.9, Full Thd,
17	864-6025	AR	SCREW, Hex Soc Hd, M6 x 25, 8.8,
18	829-1312	4	NUT, M12 x 1.75, CI 10,
19	304951A1	2	NUT, M10, CI 10, Hardened



сылка	Номер детали	Кол-во	Описание
	87450074	1	VALVE, Manifold, Inc. 1 - 31, BSN AJB363596
	87385416	1	MANIFOLD VALVE, Inc. 1 - 31, ASN AJB363596
	87429615	1	VALVE, PRESSURE RELIEF, Inc. 1 - 10
1	NSS	1	NOT SERVICED SEPARATELY, CAP
2	25-1510	1	NUT, Jam, 5/8"-18, G5,
3	NSS	1	NOT SERVICED SEPARATELY, PLUG
4	NSS	1	NOT SERVICED SEPARATELY, SPRING
5	238-6012	1	O-RING, -012, 90 Duro, .364" ID x .070" Thk,
6	NSS	1	NOT SERVICED SEPARATELY, POPPET
7	NSS	1	NOT SERVICED SEPARATELY, SEAT
8	238-6018	1	O-RING, -018, 90 Duro, .739" ID x .070" Thk,
9	G35540	1	RING,
10	237-6012	1	O-RING, 12-1, 90 Duro, .924 ID x .118" Thk,
11	221576A1	5	PLUG, Hex Soc, M14 x 1.5, ORB, Inc. 12
12	637-63113	1	O-RING, CI 6, 11.3MM ID x 2.2 Thk,
13	326965A1	1	SCREEN,
14	431479A1	1	VALVE, CHECK, Inc. 15
15	237-6005	1	O-RING, 5-1, 90 Duro, .414" ID x .072" Thk,
16	221578A1	1	PLUG, Hex Soc, M18 x 1.5, ORB, Inc. 17
17	637-63153	1	O-RING, CI 6, 15.3MM ID x 2.2 Thk,
18	221580A1	2	PLUG, Hex Soc, M27 x 2, ORB, Inc. 19
19	637-64236	1	O-RING, CI 6, 23.6MM ID x 2.9 Thk,
20	221579A1	1	PLUG, Hex Soc, M22 x 1.5, ORB, Inc. 21
21	637-63193	1	O-RING, CI 6, 19.3MM ID x 2.2 Thk,
22	87308571	1	VALVE, CHECK, Inc. 23, 24
23	637-63113	1	O-RING, CI 6, 11.3MM ID x 2.2 Thk,
24	238-6012	1	O-RING, -012, 90 Duro, .364" ID x .070" Thk,
25	254851A1	1	VALVE, CHECK, Inc. 26, 27
26	637-64296	1	O-RING, CI 6, 29.6MM ID x 2.9 Thk,
27	238-6025	1	O-RING, -025, 90 Duro, 1.176" ID x .070" Thk,
28	178889A1	1	FITTING, Inc. 29
29	143349A1	1	DUST CAP,
30	221527A1	2	PLUG, Hex Soc, M33 x 2, ORB, Inc. 31
31	637-64296	1	O-RING, CI 6, 29.6MM ID x 2.9 Thk,

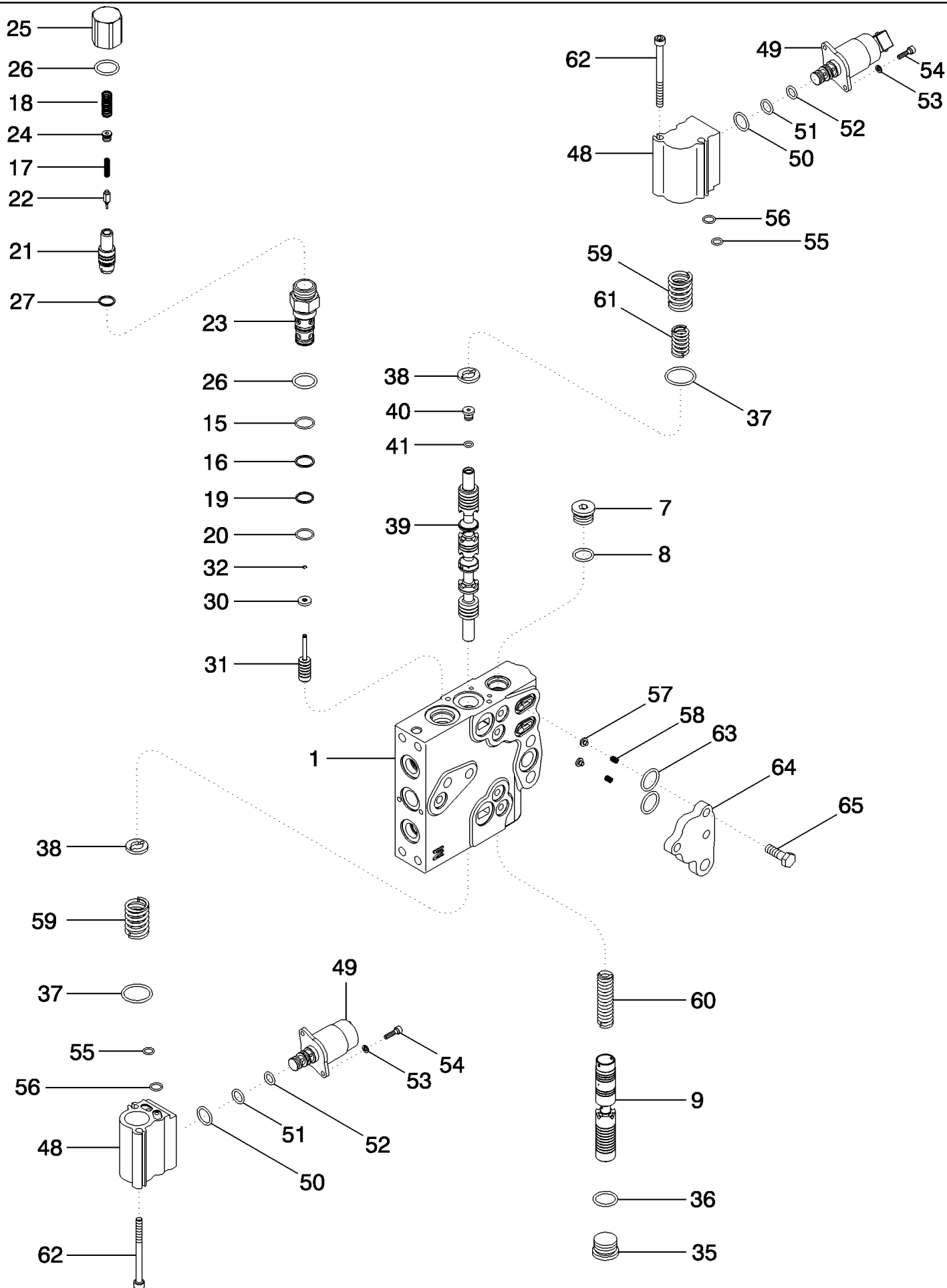




## MX305 CASE IH MAGNUM TRACTOR NA (1/06-9/06)

## 08-24 MANIFOLD VALVE ASSEMBLY, WITH TWINFLOW HYDRAULICS

сылка	Номер детали	Кол-во	Описание
	87385418	1	MANIFOLD VALVE, VALVE, Manifold, Inc. 1 - 32
	87429615	1	VALVE, PRESSURE RELIEF, Inc. 1 - 10
1	NSS	1	NOT SERVICED SEPARATELY, CAP
2	86637932	1	NUT, Jam, 5/8"-18, G5, , BSN AJB363596
2	25-1510	1	NUT, Jam, 5/8"-18, G5, , ASN AJB363596
3	NSS	1	NOT SERVICED SEPARATELY, PLUG
4	NSS	1	NOT SERVICED SEPARATELY, SPRING
5	9993141	1	O-RING, -012, 90 Duro, .364" ID x .070" Thk, , BSN AJB363596
5	238-6012	1	O-RING, -012, 90 Duro, .364" ID x .070" Thk, , ASN AJB363596
6	NSS	1	NOT SERVICED SEPARATELY, POPPET
7	NSS	1	NOT SERVICED SEPARATELY, SEAT
8	9991976	1	O-RING, -018, 90 Duro, .739" ID x .070" Thk, , BSN AJB363596
8	238-6018	1	O-RING, -018, 90 Duro, .739" ID x .070" Thk, , ASN AJB363596
9	G35540	1	RING,
10	167269	1	O-RING, 10-1, 90 Duro, .755" ID x .097" Thk, , BSN AJB363596
10	237-6012	1	O-RING, 12-1, 90 Duro, .924 ID x .118" Thk, , ASN AJB363596
11	221576A1	5	PLUG, Hex Soc, M14 x 1.5, ORB, Inc. 12
12	14437785	1	O-RING, 11.3MM ID x 2.4 Thk,
13	326965A1	1	SCREEN,
14	431479A1	1	VALVE, CHECK, Inc. 15
15	237-6005	1	O-RING, 5-1, 90 Duro, .414" ID x .072" Thk,
16	221578A1	2	PLUG, Hex Soc, M18 x 1.5, ORB, Inc. 17
17	86598101	1	O-RING, CI 6, 15.3MM ID x 2.2 Thk,
18	221579A1	1	PLUG, Hex Soc, M22 x 1.5, ORB, Inc. 21
19	86639044	1	O-RING, CI 6, 19.3MM ID x 2.2 Thk,
20	221579A1	2	PLUG, Hex Soc, M22 x 1.5, ORB, Inc. 21
21	86639044	1	O-RING, CI 6, 19.3MM ID x 2.2 Thk,
22	87308571	1	VALVE, CHECK, Inc. 23, 24
23	86639042	1	O-RING, CI 6, 11.3MM ID x 2.2 Thk,
24	9993141	1	O-RING, -012, 90 Duro, .364" ID x .070" Thk,
25	254851A1	1	VALVE, CHECK, Inc. 26, 27
26	86639046	1	O-RING, CI 6, 29.6MM ID x 2.9 Thk,
27	9824051	1	O-RING, -025, 90 Duro, 1.176" ID x .070" Thk,
28	178889A1	2	FITTING, Inc. 29
29	143349A1	1	DUST CAP,
30	221527A1	1	PLUG, Hex Soc, M33 x 2, ORB, Inc. 31
31	86639046	1	O-RING, CI 6, 29.6MM ID x 2.9 Thk,
32	837-12060	1	DOWEL, Dowel, 12 OD x 60 mm



MX305 CASE IH MAGNUM TRACTOR NA (1/06-9/06)

08-25 REMOTE HYDRAULIC CONTROL VALVE, BSN AJB363596

сылка	Номер детали	Кол-во	Описание
	447226A5	AR	VALVE, Standard, Inc. 1 - 62
	447220A6	1	VALVE, Right Hand End, Inc. 1 - 65
	447223A4	1	VALVE, Left Hand End Without Hitch, Inc. 1 - 62
	447226A5	1	VALVE, Left Hand End With Hitch, Inc. 1 - 62
1	NSS	1	NOT SERVICED SEPARATELY, BODY
7	71100209	1	PLUG, Hex Soc, 3/4"-16 ORB, Inc. 8
8	237-6010	1	O-RING, 10-1, 90 Duro, .755" ID x .097" Thk,
9	446403A1	1	SPOOL,
	278550A2	1	VALVE, CHECK, Inc. 15 - 27
15	238-6016	1	O-RING, -016, 90 Duro, .614" ID x .070" Thk,
16	G103862	1	RING,
17	NSS	1	NOT SERVICED SEPARATELY, SPRING
18	NSS	1	NOT SERVICED SEPARATELY, SPRING
19	G108723	1	RING,
20	238-6015	1	O-RING, -015, 90 Duro, .551" ID x .070" Thk,
21	NSS	1	NOT SERVICED SEPARATELY, POPPET, Valve
22	NSS	1	NOT SERVICED SEPARATELY, POPPET, Valve
23	NSS	1	NOT SERVICED SEPARATELY, BODY
24	NSS	1	NOT SERVICED SEPARATELY, PLUG
25	NSS	1	NOT SERVICED SEPARATELY, CAP
26	237-6010	2	O-RING, 10-1, 90 Duro, .755" ID x .097" Thk,
27	G108727	1	BACK-UP RING,
31	87546296	1	PISTON,
35	86625138	1	PLUG, Hex Soc, 7/8"-14 ORB, Inc. 36
36	237-6010	1	O-RING, 10-1, 90 Duro, .755" ID x .097" Thk,
37	238-5120	2	O-RING, -120, 70 Duro, .987" ID x .103" Thk,
38	436518A1	2	WASHER,
	87416820	1	SPOOL, Inc. 39 - 41
39	NSS	1	NOT SERVICED SEPARATELY, SPOOL
40	86632547	1	PLUG, Hex Soc, 5/16"-24 ORB, Inc. 41
41	237-6002	1	O-RING, 2-1, .239" ID x .064" Thk,
	87354470	2	VALVE, PILOT, Inc. 48 - 56, 62
48	NSS	1	NOT SERVICED SEPARATELY, BODY
49	87354468	1	VALVE, SOLENOID, Inc. 50 - 52
	372228A1	1	SEAL, Inc. 50 - 52
50	319721A1	1	O-RING, 15.3 ID x 2.4
51	319722A1	1	O-RING, 10.3 ID x 2.4
52	319723A1	1	O-RING, 8.3 ID x 2.4
53	892-11004	2	WASHER, LOCK, M4,
54	864-4016	2	SCREW, Hex Soc Hd, M4 x 16, 8.8,
55	238-5011	1	O-RING, -011, 70 Duro, .301" ID x .070" Thk,
56	238-5012	1	O-RING, -012, 70 Duro, .364" ID x .070" Thk,
	86994122	1	POPPET, Inc. 57, 58
57	446404A1	1	PLUG,
58	446405A1	1	SPRING,

MX305 CASE IH MAGNUM TRACTOR NA (1/06-9/06)

08-25 REMOTE HYDRAULIC CONTROL VALVE, BSN AJB363596

сылка	Номер детали	Кол-во	Описание
59	87411129	2	SPRING,
60	436854A1	1	SPRING,
61	87336153	1	SPRING,
62	864-6075	2	SCREW, Hex Soc Hd, M6 x 75, 8.8,
63	238-6116	2	O-RING, -116, 90 Duro, .737" ID x .103" Thk,
64	87408510	1	PLATE,
65	628-8025	3	BOLT, Hex, M8 x 25, 10.9, Full Thd,
65	221573A1	2	PLUG, Hex Soc, M12 x 1.5, ORB, Optional if Required



MX305 CASE IH MAGNUM TRACTOR NA (1/06-9/06)

08-26 REMOTE HYDRAULIC CONTROL VALVE, ASN AJB363596

сылка	Номер детали	Кол-во	Описание
	87384974	AR	VALVE, Standard
	87384975	1	VALVE, Right Hand End
	87384976	1	VALVE, Left Hand End Without Hitch
	87384974	1	VALVE, Left Hand End With Hitch
1	NSS	1	NOT SERVICED SEPARATELY, BODY
7	86590562	1	PLUG, Hex Soc, 3/4"-16 ORB, Inc. 8
8	86598101	1	O-RING, CI 6, 15.3MM ID x 2.2 Thk,
9	446403A1	1	SPOOL,
	278550A2	1	VALVE, CHECK, Inc. 15 - 27
15	238-6016	1	O-RING, -016, 90 Duro, .614" ID x .070" Thk,
16	G103862	1	RING,
17	NSS	1	NOT SERVICED SEPARATELY, SPRING
18	NSS	1	NOT SERVICED SEPARATELY, SPRING
19	G108723	2	RING,
20	238-6015	2	O-RING, -015, 90 Duro, .551" ID x .070" Thk,
21	NSS	1	NOT SERVICED SEPARATELY, POPPET, Valve
22	NSS	1	NOT SERVICED SEPARATELY, POPPET, Valve
23	NSS	1	NOT SERVICED SEPARATELY, BODY
24	NSS	1	NOT SERVICED SEPARATELY, PLUG
25	NSS	1	NOT SERVICED SEPARATELY, CAP
26	237-6010	3	O-RING, 10-1, 90 Duro, .755" ID x .097" Thk,
27	G108727	1	BACK-UP RING,
28	284165A1	1	PLUG, Inc. 19, 20, 26
31	87546296	1	PISTON,
35	86625138	1	PLUG, Hex Soc, 7/8"-14 ORB, Inc. 36
36	86639044	1	O-RING, CI 6, 19.3MM ID x 2.2 Thk,
37	238-5120	2	O-RING, -120, 70 Duro, .987" ID x .103" Thk,
38	436518A1	2	WASHER,
	87416820	1	SPOOL, Inc. 39 - 41
39	NSS	1	NOT SERVICED SEPARATELY, SPOOL
40	86632547	1	PLUG, Hex Soc, 5/16"-24 ORB, Inc. O-Ring
	87354470	2	VALVE, PILOT, Inc. 48 - 56, 62
48	NSS	1	NOT SERVICED SEPARATELY, BODY
49	87354468	1	VALVE, SOLENOID, Inc. 50 - 52
	372228A1	1	SEAL, Inc. 50 - 52
50	319721A1	1	O-RING, 15.3 ID x 2.4
51	319722A1	1	O-RING, 10.3 ID x 2.4
52	319723A1	1	O-RING, 8.3 ID x 2.4
53	892-11004	2	WASHER, LOCK, M4,
54	864-4016	2	SCREW, Hex Soc Hd, M4 x 16, 8.8,
55	238-5011	1	O-RING, -011, 70 Duro, .301" ID x .070" Thk,
56	238-5012	1	O-RING, -012, 70 Duro, .364" ID x .070" Thk,
57	87648631	2	POPPET,
58	87648596	2	SPRING,
59	87706278	2	SPRING, COMPRESSION,

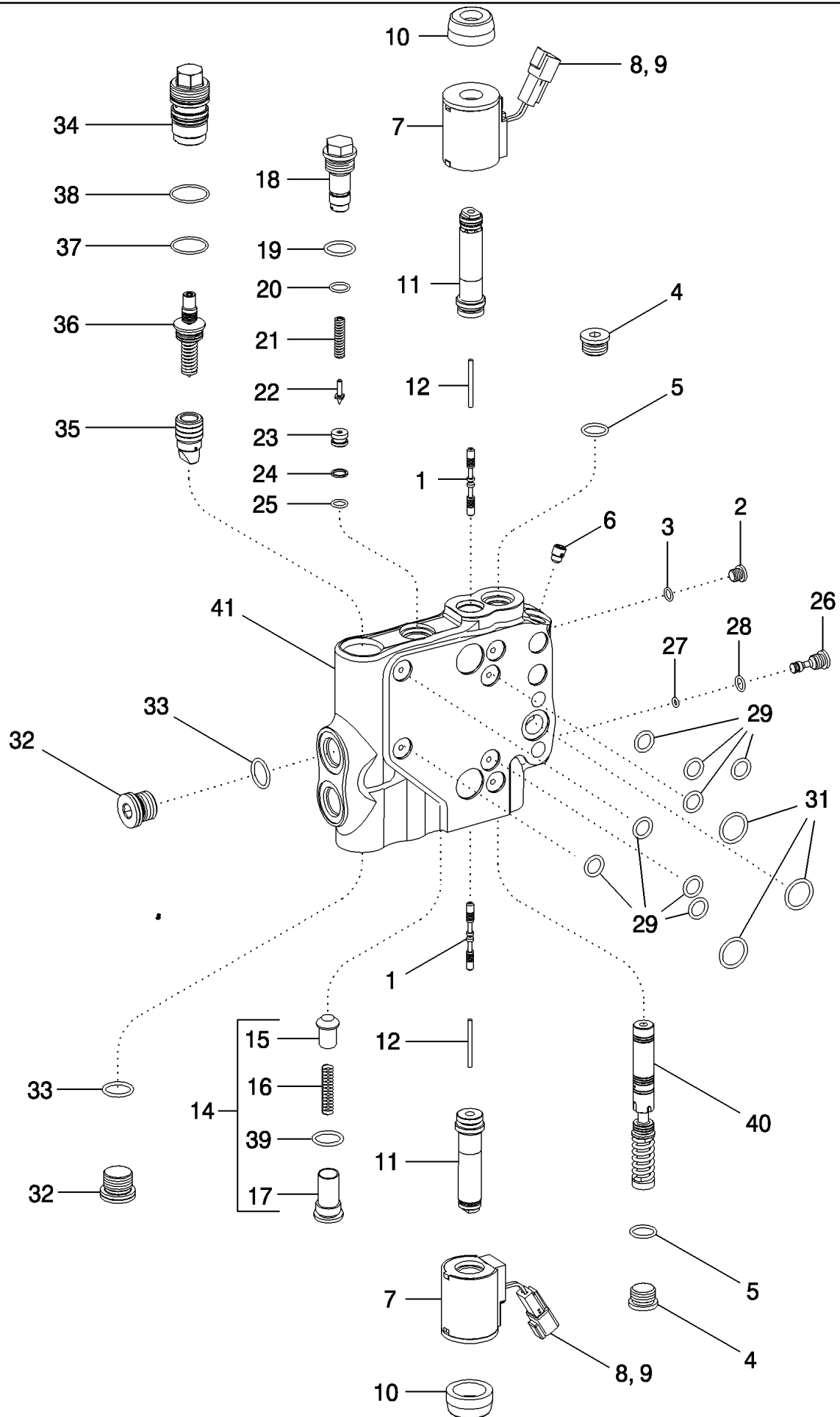
MX305 CASE IH MAGNUM TRACTOR NA (1/06-9/06)

08-26 REMOTE HYDRAULIC CONTROL VALVE, ASN AJB363596

сылка	Номер детали	Кол-во	Описание
60	436854A1	1	SPRING,
61	87336153	1	SPRING,
62	864-6075	2	SCREW, Hex Soc Hd, M6 x 75, 8.8,
63	87648607	2	PLUG, Inc. 64
64	637-63093	1	O-RING, CI 6, 9.3MM ID x 2.2 Thk,



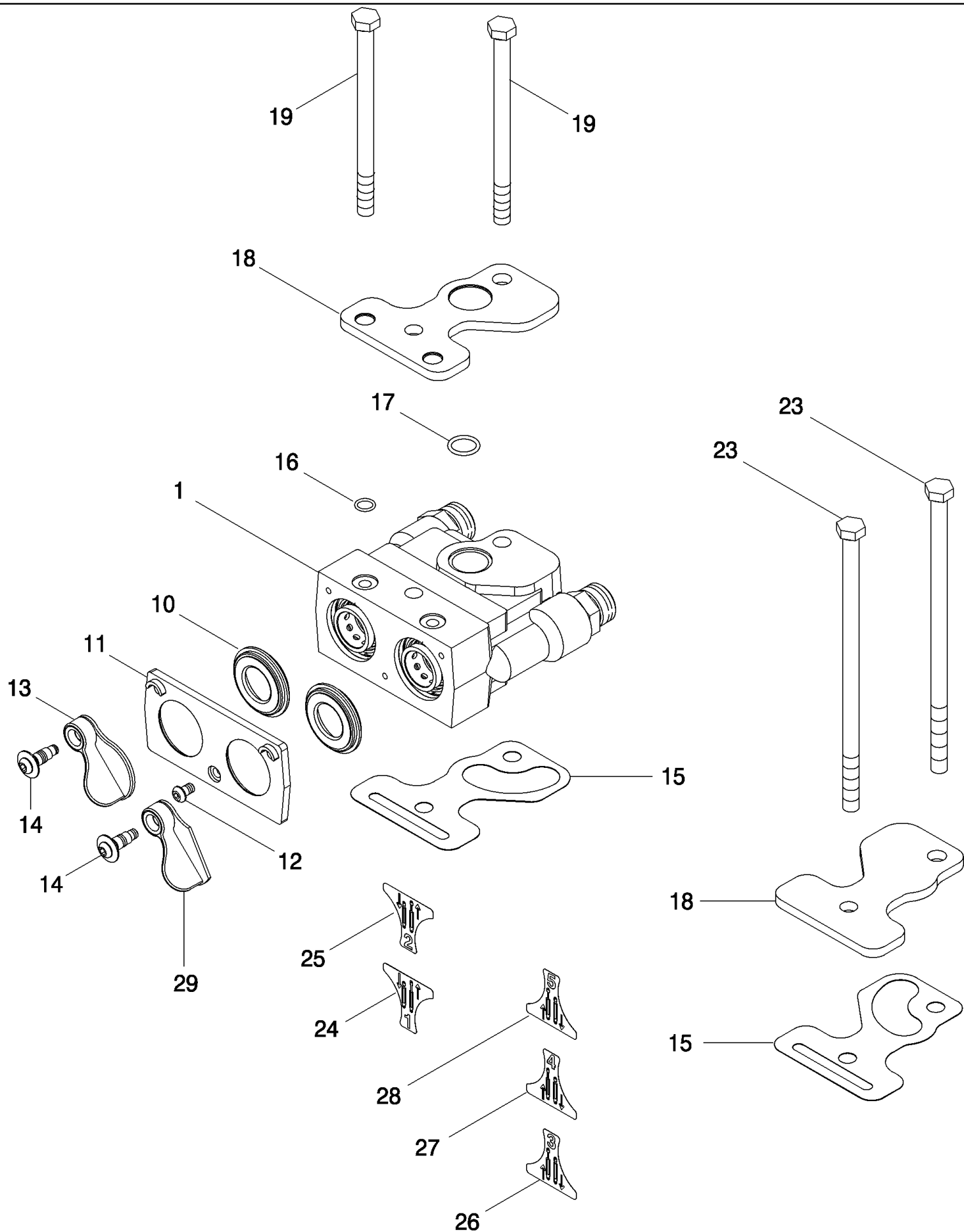
08-27 HITCH VALVE ASSEMBLY



## MX305 CASE IH MAGNUM TRACTOR NA (1/06-9/06)

## 08-27 HITCH VALVE ASSEMBLY

сылка	Номер детали	Кол-во	Описание
	87371677	1	VALVE, Hitch, Inc. 1 - 41
1	188104A1	2	SPOOL,
2	86529630	1	PLUG, Hex Soc, 3/8"-24 ORB, Inc. 3
3	237-6003	1	O-RING, 3-1, .301" ID x .064" Thk,
4	71100209	2	PLUG, Hex Soc, 3/4"-16 ORB, Inc. 5
5	237-6008	1	O-RING, 8-1, 90 Duro, .644" ID x .087" Thk,
6	373758A1	1	VALVE,
	243254A1	2	KIT, Inc. 7 - 9
7	188105A1	1	SOLENOID,
8	225318C1	1	WEDGE,
9	225315C1	1	CONNECTOR, ELEC,
10	188106A1	2	NUT,
11	188117A1	2	TUBE,
12	188116A1	2	PIN,
14	87373591	1	KIT, Inc. 15, 16, 17 and 39
15	NSS	1	NOT SERVICED SEPARATELY, POPPET
16	NSS	1	NOT SERVICED SEPARATELY, SPRING
17	NSS	1	NOT SERVICED SEPARATELY, PLUG
	373756A1	1	KIT, Inc. 18 - 25
18	NSS	1	NOT SERVICED SEPARATELY, PLUG, Relief
19	237-6010	1	O-RING, 10-1, 90 Duro, .755" ID x .097" Thk,
20	238-5014	1	O-RING, -014, 70 Duro, .489" ID x .070" Thk,
21	NSS	1	NOT SERVICED SEPARATELY, SPRING
22	NSS	1	NOT SERVICED SEPARATELY, POPPET
23	NSS	1	NOT SERVICED SEPARATELY, SEAT
24	NSS	1	NOT SERVICED SEPARATELY, RING
25	238-6011	1	O-RING, -011, 90 Duro, .301" ID x .070" Thk,
26	373761A1	1	PLUG,
27	238-6008	1	O-RING, -008, 90 Duro, .176" ID x .070" Thk,
28	237-6004	1	O-RING, 4-1, 90 Duro, .351" ID x .072" Thk,
29	238-6112	8	O-RING, -112, 90 Duro, .487" ID x .103" Thk,
31	238-6117	3	O-RING, -117, 90 Duro, .799" ID x .103" Thk,
32	221579A1	2	PLUG, Hex Soc, M22 x 1.5, ORB, Inc.33
33	637-63193	1	O-RING, CI 6, 19.3MM ID x 2.2 Thk,
	87430152	1	KIT, SERVICE, Inc. 34, 36 - 38
34	NSS	1	NOT SERVICED SEPARATELY, TUBE
35	NSS	1	NOT SERVICED SEPARATELY, POPPET VALVE
36	NSS	1	NOT SERVICED SEPARATELY, STEM, Servo
37	238-5022	1	O-RING, -022, 70 Duro, .989" ID x .070" Thk,
38	238-5023	1	O-RING, -023, 70 Duro, 1.051" ID x .070" Thk,
39	237-6010	1	O-RING, 10-1, 90 Duro, .755" ID x .097" Thk,
40	NSS	1	NOT SERVICED SEPARATELY, SPOOL
41	NSS	1	NOT SERVICED SEPARATELY, BODY
	373757A1	1	KIT, Seal, Inc. 3, 5, 19, 20, 24, 25, 27 - 31, 37, 38, 39

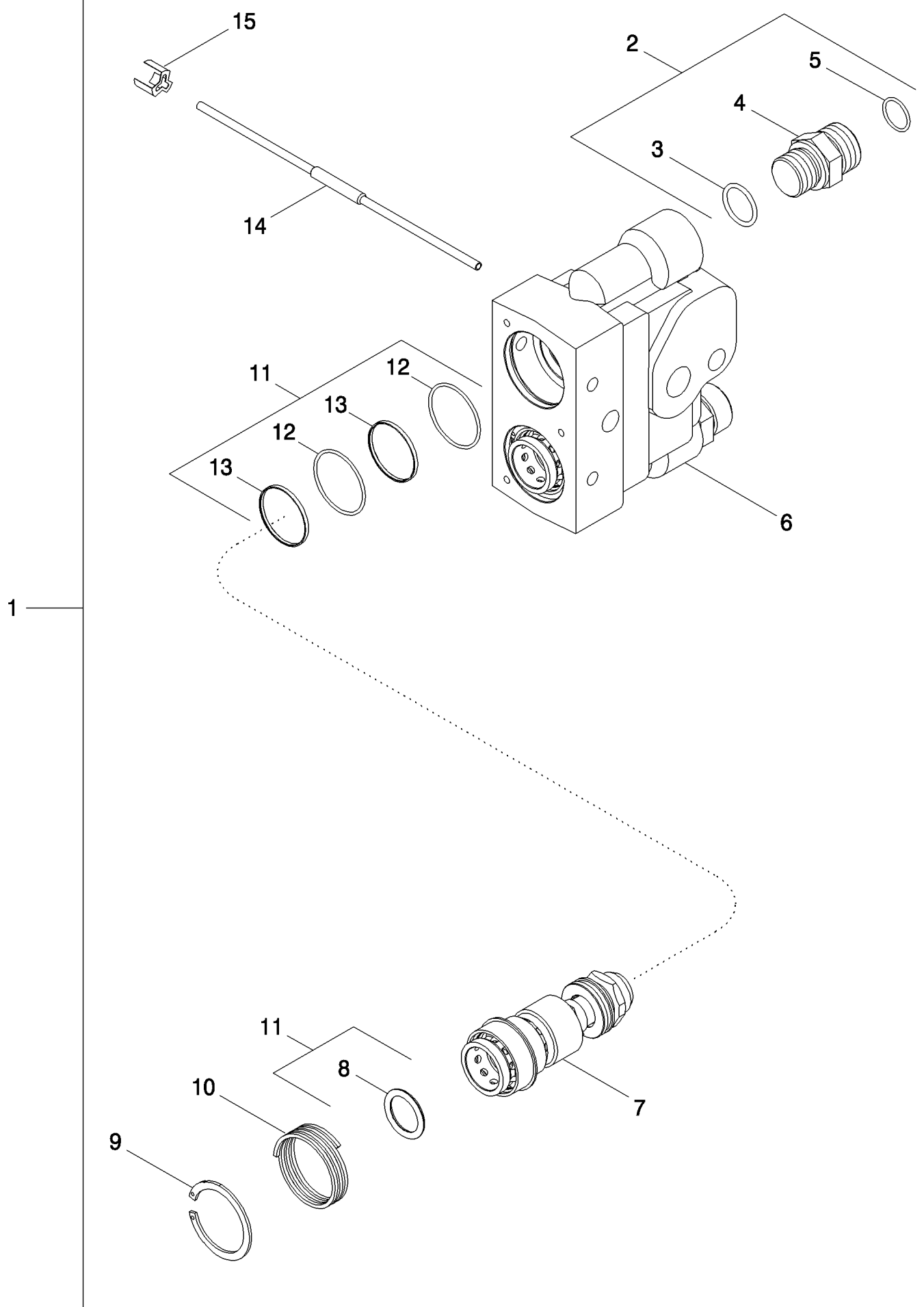


## MX305 CASE IH MAGNUM TRACTOR NA (1/06-9/06)

## 08-28 REMOTE HYDRAULIC COUPLING MOUNTING

сылка	Номер детали	Кол-во	Описание
1	275182A2	3-5	COUPLING, PUSH-PULL, , See Figure 08-29
10	240969A1	6-10	SEAL,
11	240971A2	3-5	PLATE,
12	240970A2	3-5	SCREW,
13	240974A2	4-8	COVER, DOOR,
14	240973A2	4-10	SCREW,
15	253660A2	2	GASKET,
16	238-6014	8-10	O-RING, -014, 90 Duro, .489" ID x .070" Thk,
18	258671A2	1	PLATE,
17	238-6021	4-5	O-RING, -021, 90 Duro, .926" ID x .070" Thk,
19	814-10140	2	BOLT, Hex, M10 x 140, 8.8,
23	814-10205	2	BOLT, Hex, M10 x 205, 8.8,
24	284327A1	1	DECAL, Coupler 1
25	284328A1	1	DECAL, Coupler 2
26	284329A1	1	DECAL, Coupler 3
27	284330A1	1	DECAL, Coupler 4
28	284331A1	1	DECAL, Coupler 5
29	387611A1	2	DUST CAP,
30	353-401	1-2	PLUG, Dome, .312" hole, Nylon, (Not Shown)

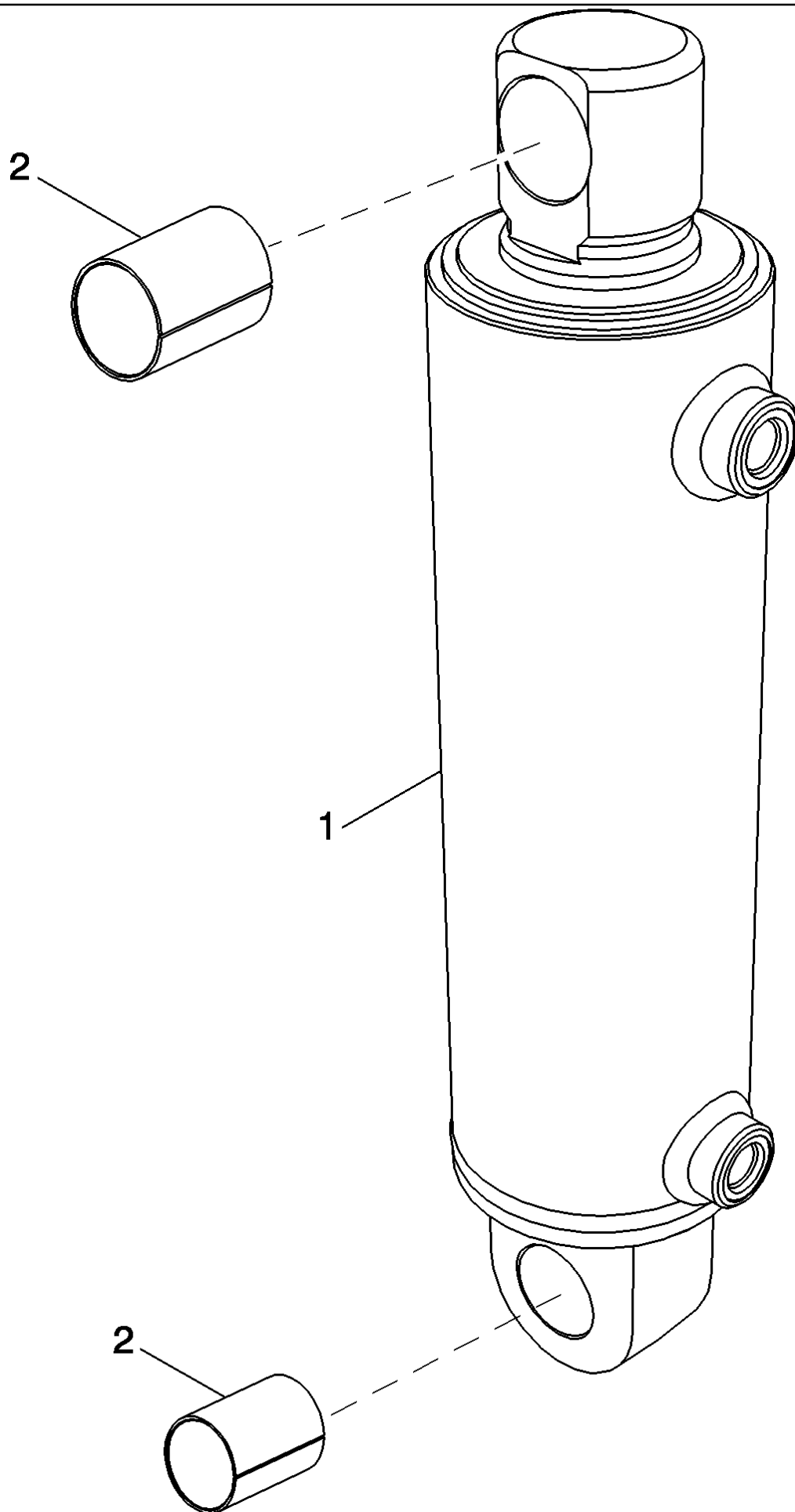
08-29 REMOTE HYDRAULIC COUPLINGS



## MX305 CASE IH MAGNUM TRACTOR NA (1/06-9/06)

## 08-29 REMOTE HYDRAULIC COUPLINGS

сылка	Номер детали	Кол-во	Описание
1	275182A2	3-5	COUPLING, PUSH-PULL, Inc. 2 - 15
2	700-103	2	CONNECTOR, HYD., 1"-14 ORFS x M22 x 1.5 ORB, Incl. 3 - 5
3	637-63193	1	O-RING, CI 6, 19.3MM ID x 2.2 Thk,
4	NSS	1	NOT SERVICED SEPARATELY, CONNECTOR
5	238-6016	1	O-RING, -016, 90 Duro, .614" ID x .070" Thk,
6	NSS	1	NOT SERVICED SEPARATELY, BODY
7	86026209	2	BODY, Cartridge
8	345192A1	2	SEAL,
9	100-28162	2	RING, SNAP, 1.625", Int, #162,
10	93330C1	2	SPRING, VALVE,
11	345193A1	1	KIT, SEALS, Inc. 8, 12, 13
12	238-5027	4	O-RING, -027, 70 Duro, 1.301" ID x .070" Thk,
13	93332C1	4	SEAL ASSY.,
14	93329C2	1	SPRING,
15	361880A1	1	RETAINER,

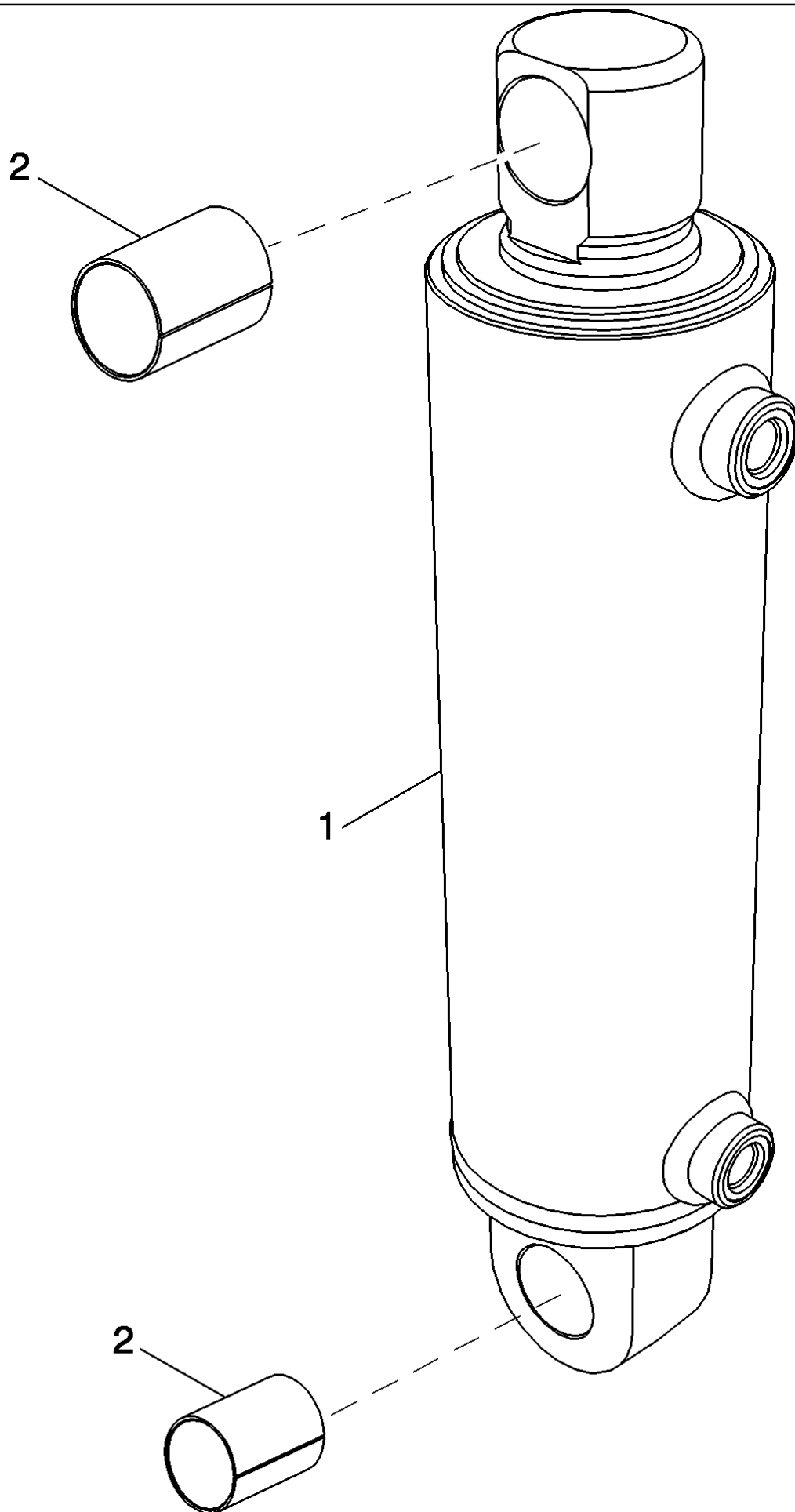


MX305 CASE IH MAGNUM TRACTOR NA (1/06-9/06)

08-30 CYLINDER ASSEMBLY - HITCH (90 MM)

сылка	Номер детали	Кол-во	Описание
1	87542724	1	CYLINDER, 90 ID x 260 mm Stroke, Part Number Stamped on Cylinder, Inc. 2 - 5
2	237443A1	2	BUSHING,
3	87708867	1	KIT, SEALS, (Not Shown)
4	87708870	1	RING, (Not Shown)
5	87708871	1	RING, (Not Shown)

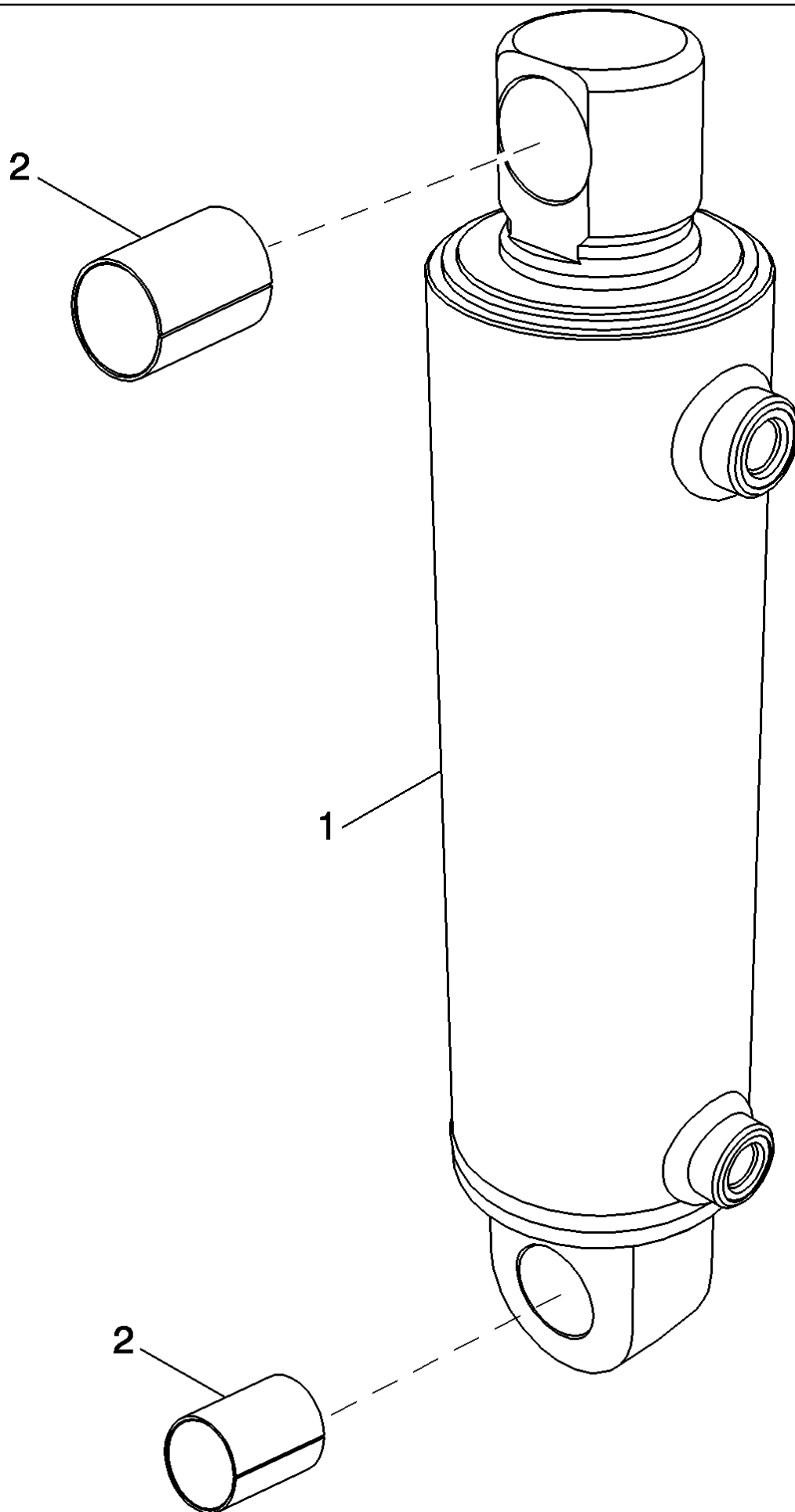




MX305 CASE IH MAGNUM TRACTOR NA (1/06-9/06)

08-31 CYLINDER ASSEMBLY - HITCH (95 MM)

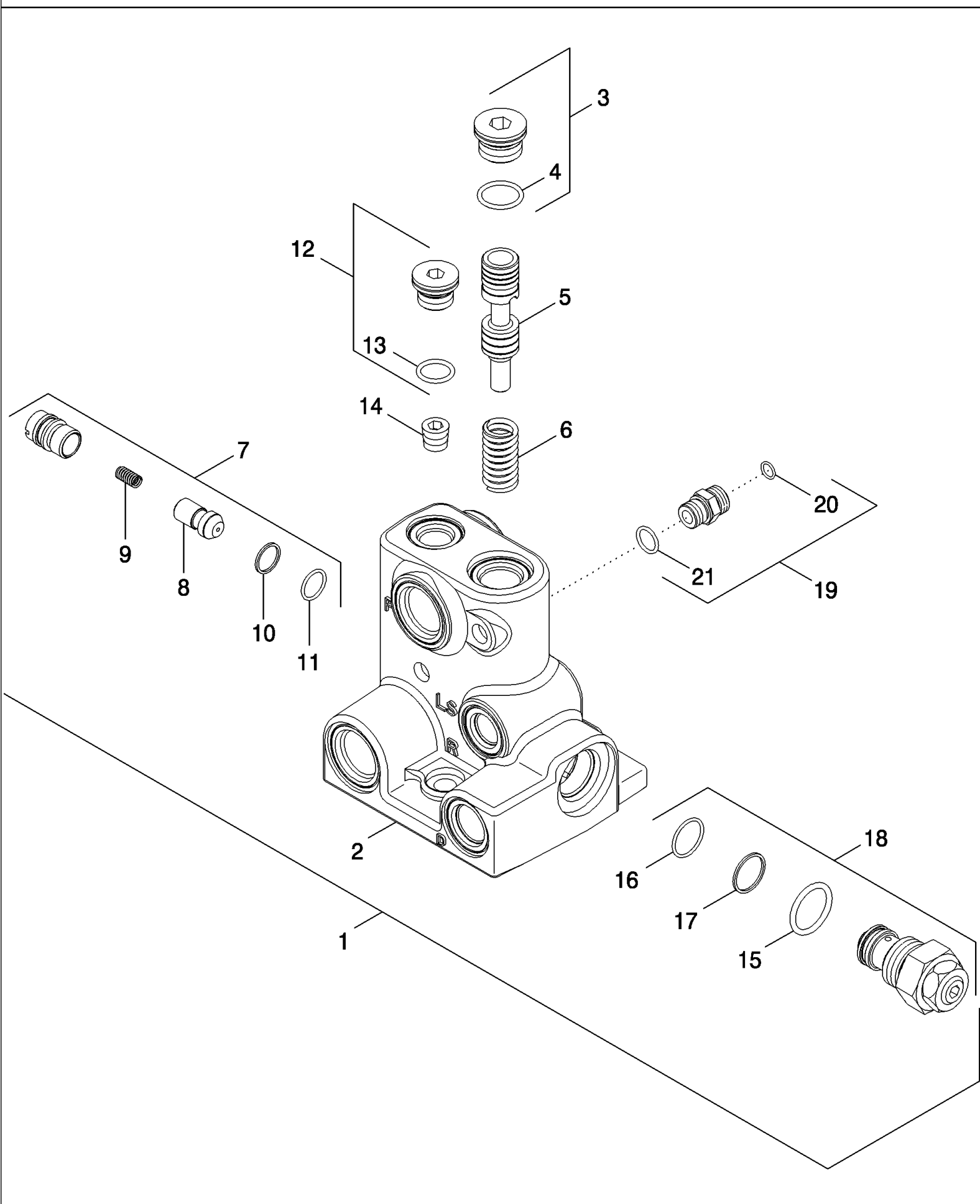
сылка	Номер детали	Кол-во	Описание
1	87542725	1	CYLINDER, 95 ID x 260 mm Stroke, Part Number Stamped on Cylinder, Inc. 2 - 5
2	237443A1	2	BUSHING,
3	87708872	1	KIT, SEALS, (Not Shown)
4	87708873	1	RING, (Not Shown)
5	87708874	1	RING, (Not Shown)



MX305 CASE IH MAGNUM TRACTOR NA (1/06-9/06)

08-32 CYLINDER ASSEMBLY - HITCH (105 MM) - MX275, 305, MAGNUM 275, 305 AND 335

сылка	Номер детали	Кол-во	Описание
1	87542726	1	CYLINDER, 105 ID x 260 mm Stroke, Part Number Stamped on Cylinder, Inc. 2 - 5
2	237443A1	2	BUSHING,
3	87708875	1	KIT, SEALS, (Not Shown)
4	87708876	1	RING, (Not Shown)
5	87708877	1	RING, (Not Shown)

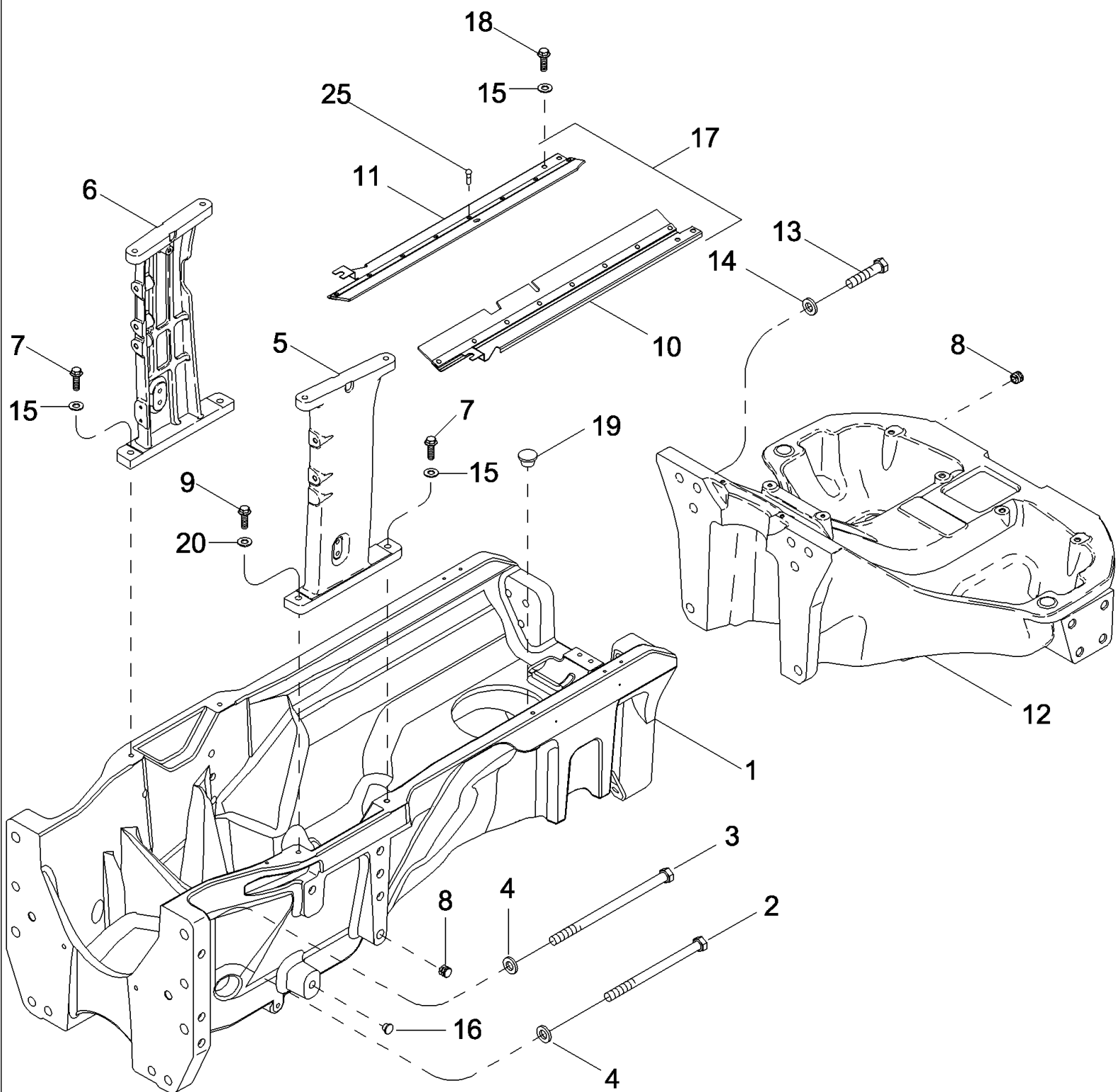


## MX305 CASE IH MAGNUM TRACTOR NA (1/06-9/06)

## 08-33 POWER BEYOND VALVE ASSEMBLY

сылка	Номер детали	Кол-во	Описание
1	87338964	1	VALVE, HYDRAULIC, Power Beyond, Inc. 1 - 21
2	NSS	1	NOT SERVICED SEPARATELY, BODY
3	221579A1	1	PLUG, Hex Soc, M22 x 1.5, ORB, Inc. 4
4	637-63193	1	O-RING, CI 6, 19.3MM ID x 2.2 Thk,
5	86990388	1	SPOOL,
6	87441634	1	SPRING,
7	1542563C1	1	VALVE, CHECK, Inc. 8 - 11
8	1543329C1	1	POPPET, VALVE,
9	NSS	1	NOT SERVICED SEPARATELY, SPRING
10	238-6015	1	O-RING, -015, 90 Duro, .551" ID x .070" Thk,
11	G108723	1	RING, Back Up
12	221578A1	1	PLUG, Hex Soc, M18 x 1.5, ORB, Inc. 13
13	637-63153	1	O-RING, CI 6, 15.3MM ID x 2.2 Thk,
14	217-432	1	PLUG, Hex Soc, 1/4"-18,
15	237-6012	1	O-RING, 12-1, 90 Duro, .924 ID x .118" Thk,
16	238-6018	1	O-RING, -018, 90 Duro, .739" ID x .070" Thk,
17	G35540	1	RING, Back-Up
18	315796A1	1	VALVE, PRESSURE RELIEF, Inc. 15 - 17
19	87376154	1	CONNECTOR, HYD., Orifice, Special, Inc. 20, 21
20	238-6012	1	O-RING, -012, 90 Duro, .364" ID x .070" Thk,
21	637-63153	1	O-RING, CI 6, 15.3MM ID x 2.2 Thk,

09-01 FRONT FRAME



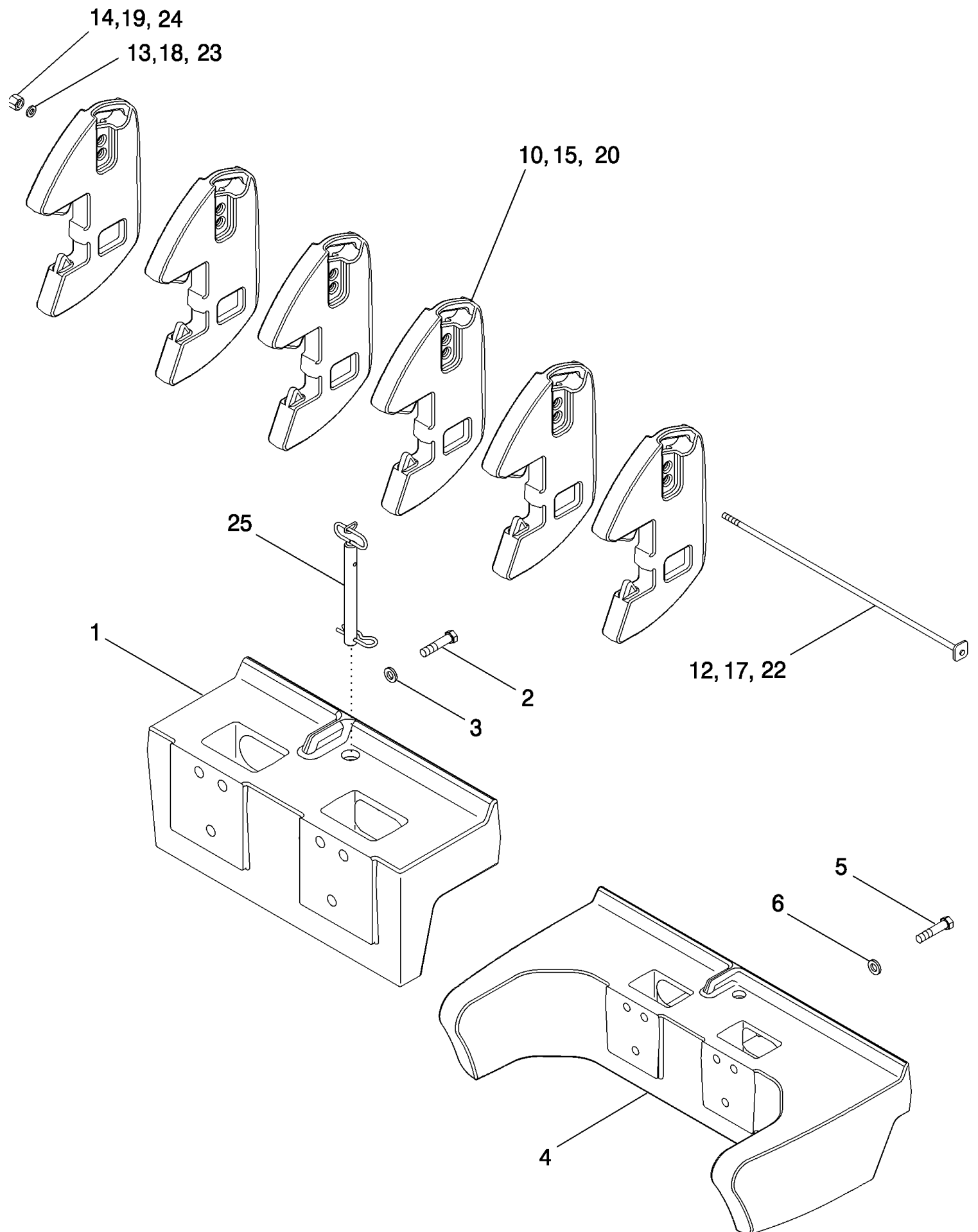
## MX305 CASE IH MAGNUM TRACTOR NA (1/06-9/06)

## 09-01 FRONT FRAME

сылка	Номер детали	Кол-во	Описание
1	87743762	1	FRAME,
2	253636A1	4	SCREW, M20 x 275; 10,9
3	249541A1	6	SCREW, M20 x 340; 10,9
4	396-31081	10	WASHER, 13/16" x 1 1/2" x .219", HDN,
5	87545060	1	FRAME, Hood Support, Right Hand
6	87366255	1	FRAME, Hood Support, Left Hand
7	86978779	3	BOLT, Hex Flg, M12 x 40, 10.9,
8	305138A1	12	PLUG,
9	844-12050	1	BOLT, Hex Flg, M12 x 50, 8.8,
10	84138503	1	Right Hand, Inc. 25
11	87547675	1	GUARD, Left Hand, Inc. 25
12	87703127	1	FRAME, Extension
13	258504A1	8	SCREW, M20 x 90; 10,9
14	396-31081	8	WASHER, 13/16" x 1 1/2" x .219", HDN,
15	896-11012	6	WASHER, M13.5 x 24.5 x 3, HT,
16	128209A1	4	PLUG,
17	719973016	1	DIA KIT, ADDITIONAL PROD., Debris Guard, Inc. 10, 11
18	555-1	4	BOLT, Hex Flg, M8 x 16, 8.8,
19	844-10020	1	BOLT, Hex Flg, M10 x 20, 8.8, (Not Shown)
20	896-15012	1	WASHER, M12 x 28.5 x 4, HT,
21	614-8016	1	BOLT, Hex, M8 x 16, 8.8, (Not Shown)
22	353-401	5	PLUG, Dome, .312" hole, Nylon, (Not Shown), Use When Radar Option Is Not Used
23	353-79	6	PLUG, (Not Shown)
24	339158A1	2	PLUG, (Not Shown)
25	87025725	8	RIVET,



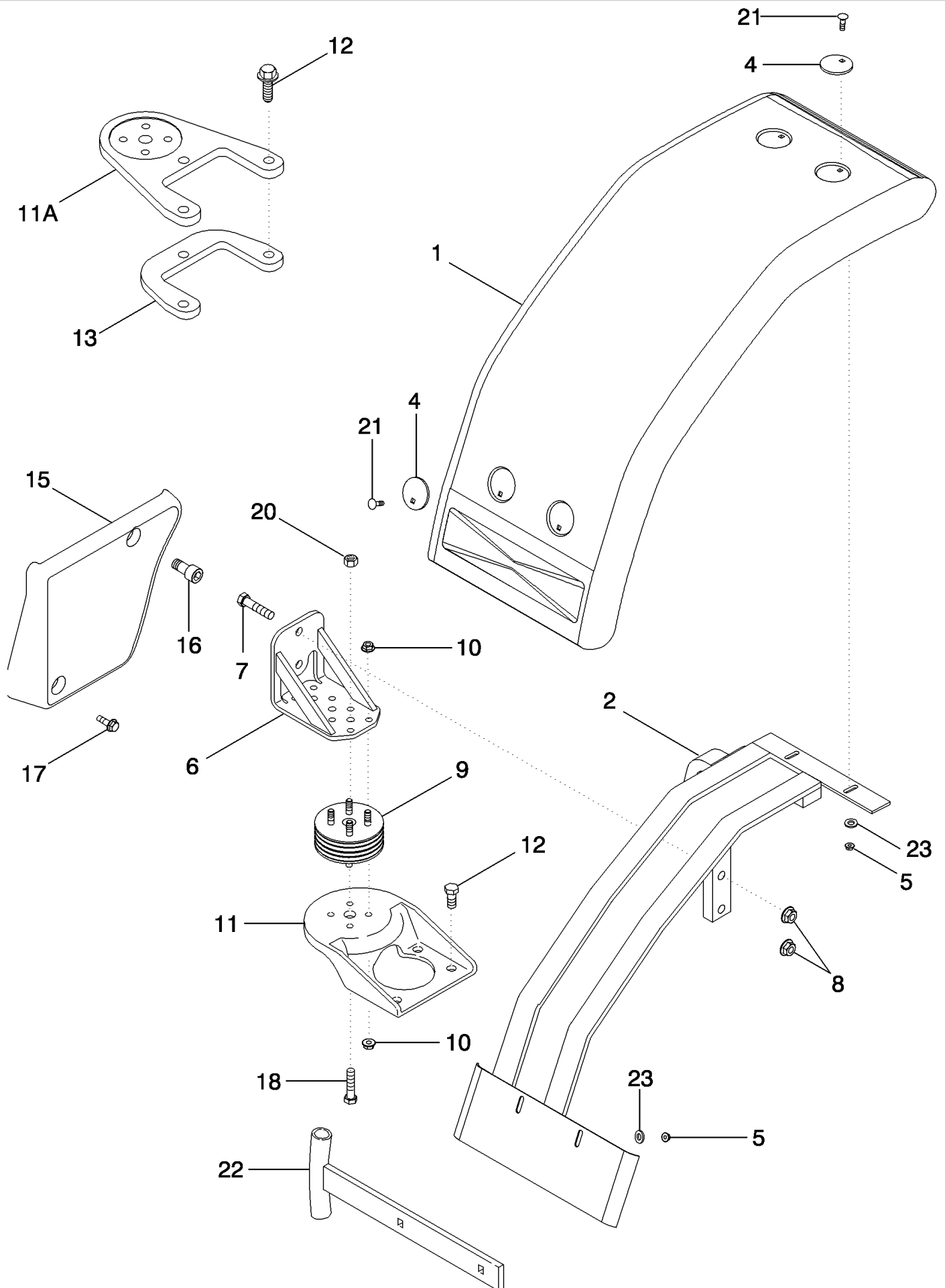
09-02 FRONT WEIGHTS



## MX305 CASE IH MAGNUM TRACTOR NA (1/06-9/06)

## 09-02 FRONT WEIGHTS

сылка	Номер детали	Кол-во	Описание
	REF	1	INSTRUCTION, SMALL SUPPORT, Inc. 1 - 3, Order 87435002 From Machinery Price List
1	87448319	1	BRACKET, Small
2	258504A1	6	SCREW, M20 x 90; 10,9
3	396-31081	6	WASHER, 13/16" x 1 1/2" x .219", HDN,
	REF	1	INSTRUCTION, LARGE SUPPORT, Inc. 4 - 6, Order 87435001 From Machinery Price List
4	87448323	1	CARRIER, WEIGHTS, Large
5	258504A1	6	SCREW, M20 x 90; 10,9
6	396-31081	6	WASHER, 13/16" x 1 1/2" x .219", HDN,
	719669016	1	DIA KIT, ADDITIONAL PROD., 270 Kg (600 lb), Inc. 10 - 14, Order From Machinery Price List
10	405846A3	6	WEIGHT, , Order From Machinery Price List
12	87307687	1	THREADED ROD, 13.28 Inches
13	896-15016	1	WASHER, M17.5 x 34 x 5, HT,
14	832-10416	1	NUT, LOCK, M16 x 2, CI 8,
	719670016	1	DIA KIT, ADDITIONAL PROD., 454 Kg (1000 lb), Inc. 15 - 19, Order From Machinery Price List
15	405846A3	10	WEIGHT, , Order From Machinery Price List
17	87307686	1	TRUSS ROD, 22.26 Inches
18	896-16016	1	WASHER, M16 x 34.5 x 5, HT,
19	832-10416	1	NUT, LOCK, M16 x 2, CI 8,
	719671016	1	DIA KIT, ADDITIONAL PROD., 815 Kg (1800 lb), Inc. 20 - 24, Order From Machinery Price List
20	405846A3	18	WEIGHT, , Order From Machinery Price List
22	87307685	1	TRUSS ROD, 40.22 Inches
23	896-16016	1	WASHER, M16 x 34.5 x 5, HT,
24	832-10416	1	NUT, LOCK, M16 x 2, CI 8,
25	297750A2	1	PIN,
26	87650521	18	WEIGHT, 54.5 Kg (120 lb), Magnum 335
27	87307685	1	TRUSS ROD, 40.22 Inches, Magnum 335
28	896-15016	1	WASHER, M17.5 x 34 x 5, HT, , Magnum 335
29	832-10416	1	NUT, LOCK, M16 x 2, CI 8, , Magnum 335

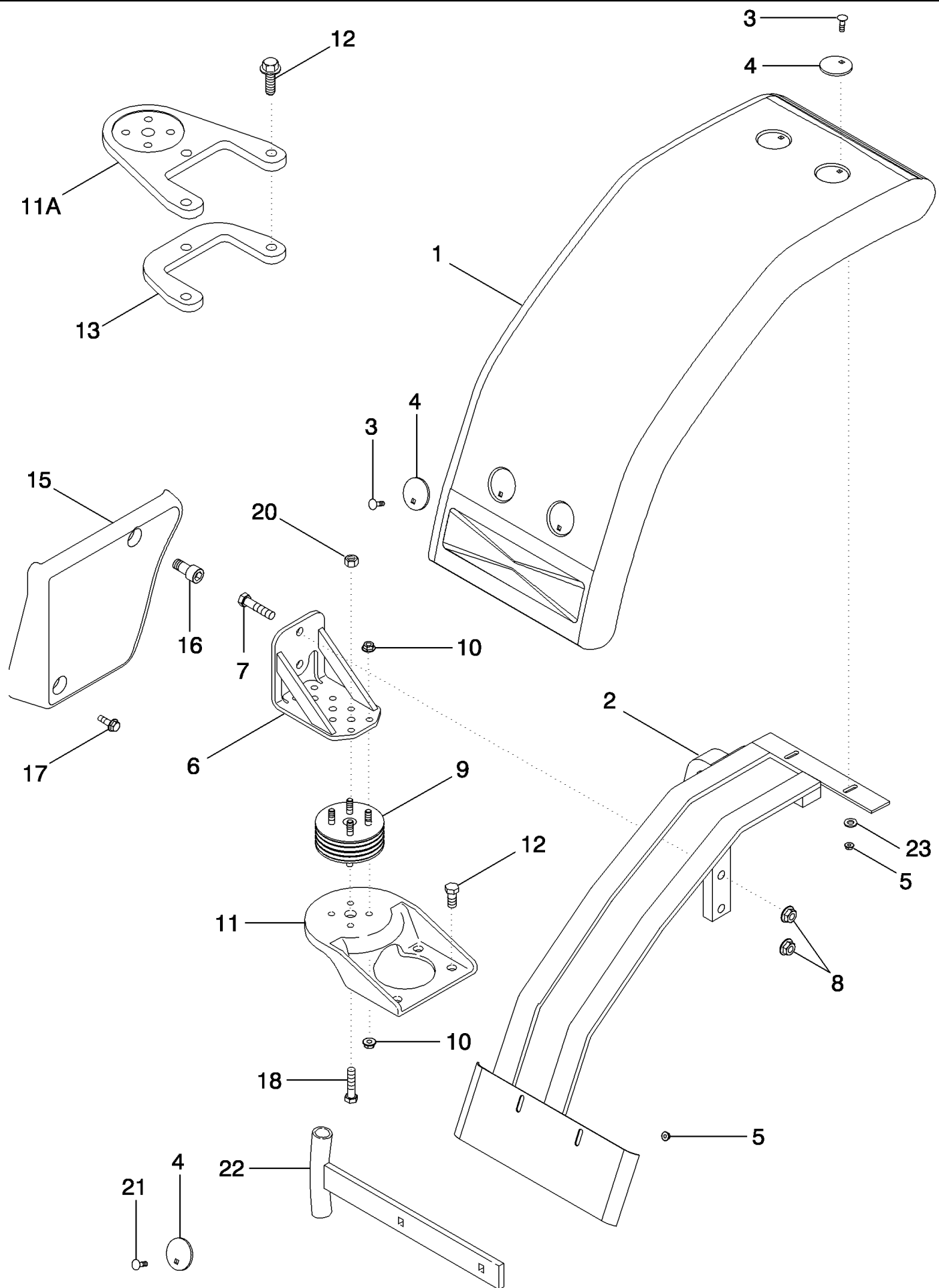


## MX305 CASE IH MAGNUM TRACTOR NA (1/06-9/06)

## 09-04 FENDERS - FRONT, NARROW

сылка	Номер детали	Кол-во	Описание
1	1340664C1	2	FENDER, Narrow
2	244759A2	1	SUPPORT ASSY., Right Hand, Shown
2	244760A2	1	SUPPORT ASSY., Left Hand
3	612-6	4	BOLT, CARRIAGE, Short NK, M8 x 30, CI4.6, Full Thd,
4	1340559C2	8	WASHER, 2-1/2
5	832-10408	8	NUT, LOCK, M8 x 1.25, CI 8,
6	87427813	2	SUPPORT,
7	827-16070	4	BOLT, Hex, M16 x 70, 10.9,
8	825-51416	4	NUT, Flg, M16, Serr,
9	226690A2	2	SHOCK ABSORBER,
10	825-2412	16	NUT, M12 x 1.75, Flg, CI 8,
11	87437820	2	SUPPORT, , MX215, 245, 275, 305, Magnum 215, 245, 275, and 305
11A	87716500	2	SUPPORT, , Magnum 335
12	627-16040	8	BOLT, Hex, M16 x 40, 10.9, , MX215, 245, 275, 305, Magnum 215, 245, 275, and 305
12	627-16060	6	BOLT, Hex, M16 x 60, 10.9, Full Thd, , Magnum 335
13	87716498	2	SUPPORT, , Magnum 335
15	253850A1	1	BUMPER, Right Hand, Shown
15	255685A1	1	BUMPER, Left Hand
16	565-111	2	SCREW, Hex Soc Hd, M20 x 40, 8.8,
17	555-6	2	BOLT, Hex Flg, M12 x 25, 8.8, Full Thd,
18	827-20100	2	BOLT, Hex, M20 x 100, 10.9,
20	832-10420	2	NUT, LOCK, M20 x 2.5, CI 8,
21	612-7	4	BOLT, CARRIAGE, M8 x 40, 4.6,
22	87319913	2	BAR,
23	895-25008	8	WASHER, M8 x 20 x 1.6,

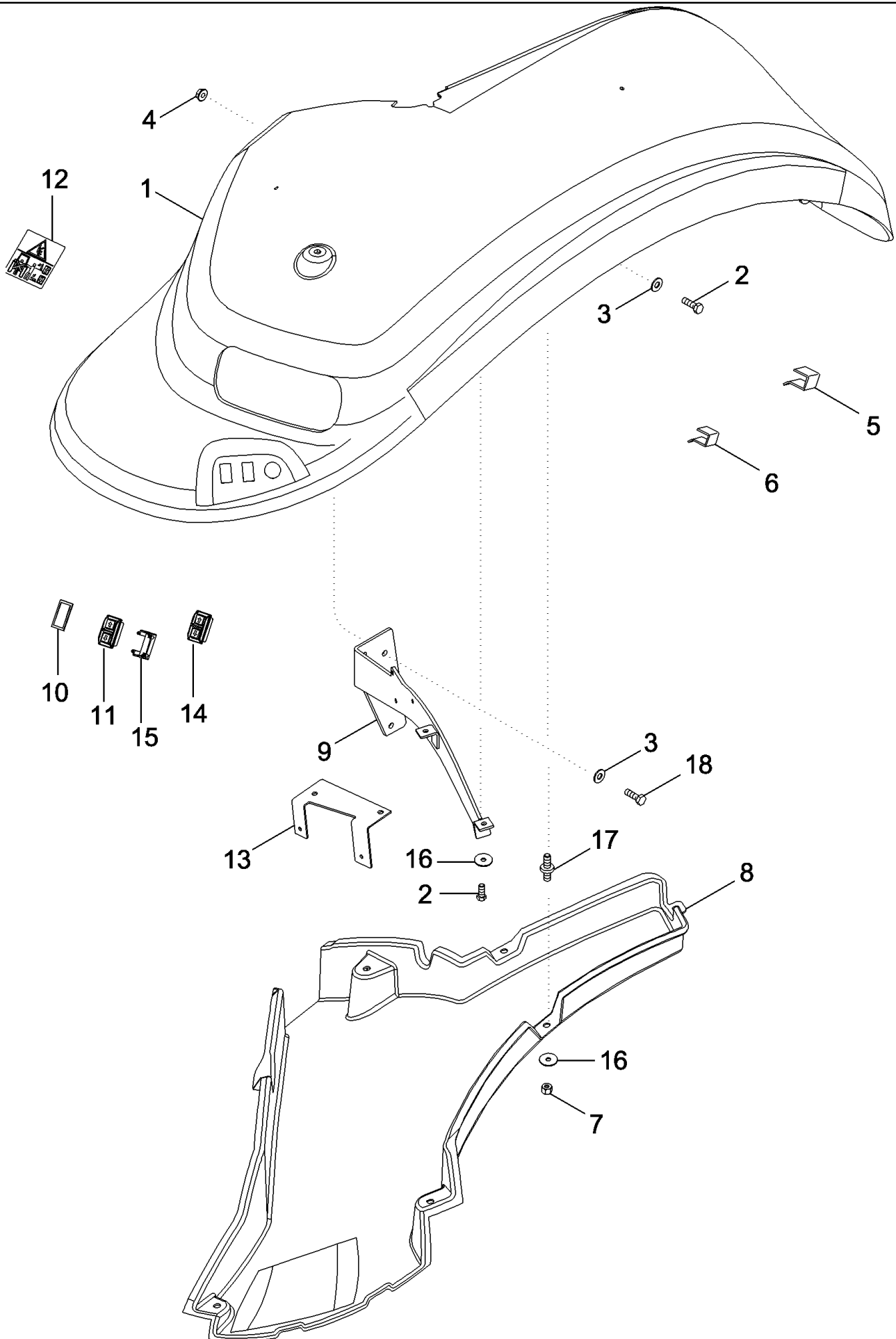
09-05 FENDERS - FRONT, WIDE



## MX305 CASE IH MAGNUM TRACTOR NA (1/06-9/06)

## 09-05 FENDERS - FRONT, WIDE

сылка	Номер детали	Кол-во	Описание
1	122212A1	2	FENDER, 600 mm, Wide
2	244031A3	1	SUPPORT ASSY., Right Hand, Shown
2	244030A3	1	SUPPORT ASSY., Left Hand
3	612-6	8	BOLT, CARRIAGE, Short NK, M8 x 30, CI4.6, Full Thd,
4	1340559C2	12	WASHER, 2-1/2
5	832-10408	12	NUT, LOCK, M8 x 1.25, CI 8,
6	87427813	2	SUPPORT,
7	827-16070	4	BOLT, Hex, M16 x 70, 10.9,
8	825-51416	4	NUT, Flg, M16, Serr,
9	226690A2	2	SHOCK ABSORBER,
10	825-2412	16	NUT, M12 x 1.75, Flg, CI 8,
11	87437820	2	SUPPORT, , MX215, 245, 275, 305, Magnum 215, 245, 275, and 305
11A	87716500	2	SUPPORT, , Magnum 335
12	627-16040	8	BOLT, Hex, M16 x 40, 10.9, , MX215, 245, 275, 305, Magnum 215, 245, 275, and 305
12	627-16060	6	BOLT, Hex, M16 x 60, 10.9, Full Thd, , Magnum 335
13	87716498	2	SUPPORT, , Magnum 335
15	253850A1	1	BUMPER, Right Hand, Shown
15	255685A1	1	BUMPER, Left Hand
16	565-111	2	SCREW, Hex Soc Hd, M20 x 40, 8.8,
17	555-6	2	BOLT, Hex Flg, M12 x 25, 8.8, Full Thd,
18	827-20100	2	BOLT, Hex, M20 x 100, 10.9,
20	832-10420	2	NUT, LOCK, M20 x 2.5, CI 8,
21	612-7	4	BOLT, CARRIAGE, M8 x 40, 4.6,
22	87319913	2	BAR,
23	895-25008	12	WASHER, M8 x 20 x 1.6,



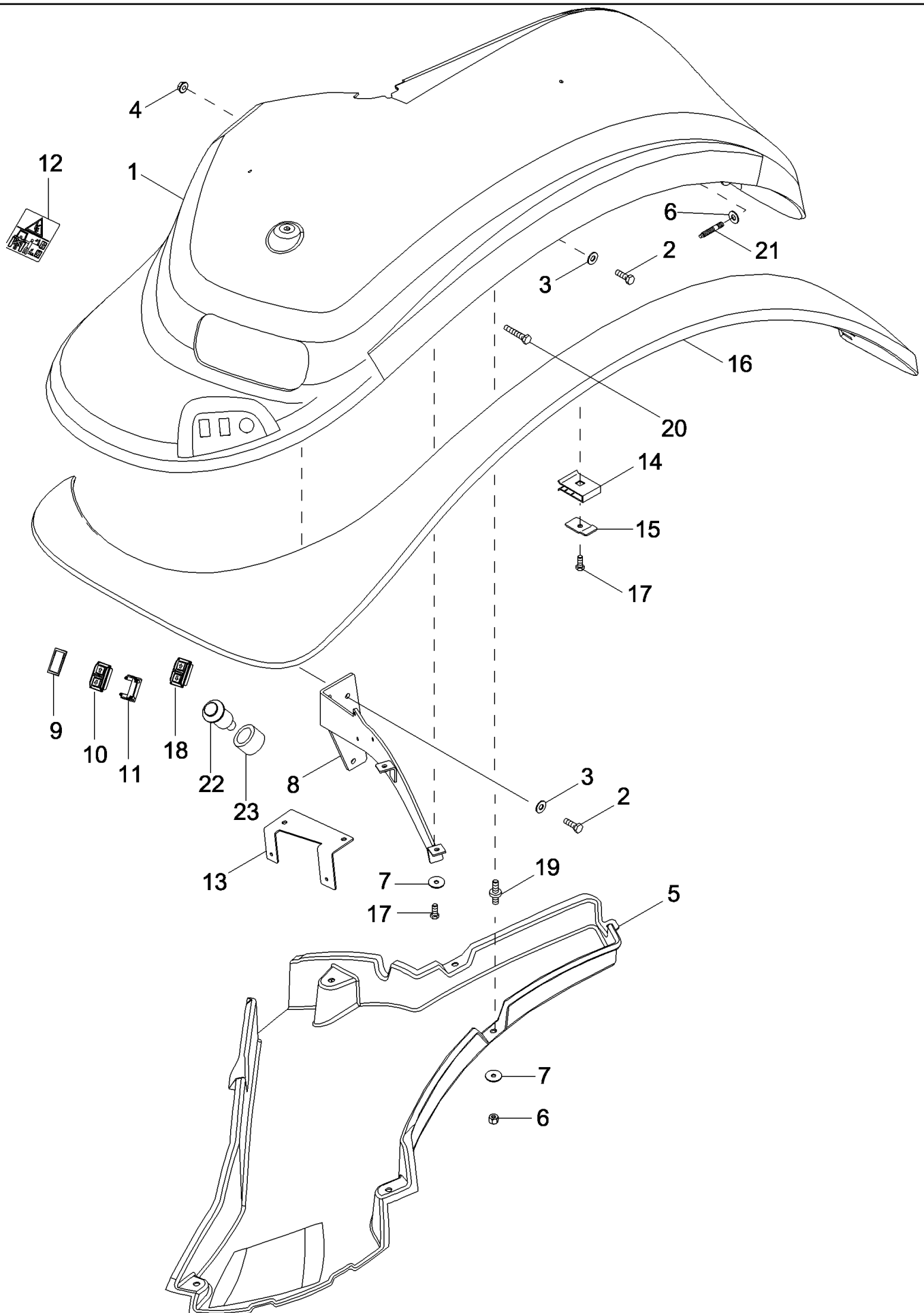
## MX305 CASE IH MAGNUM TRACTOR NA (1/06-9/06)

## 09-06 FENDERS - REAR, NARROW

сылка	Номер детали	Кол-во	Описание
1	87643174	1	FENDER, Right Hand, Shown
1	87643177	1	FENDER, Left Hand
2	614-8025	12	BOLT, Hex, M8 x 25, 8.8,
3	895-15008	16	WASHER, M8 x 20 x 1.6,
4	825-2408	12	NUT, M8 x 1.25, Flg, Cl 8,
5	302404A1	4	CLIP, ELECTRICAL, Short
6	302405A1	18	CLIP, ELECTRICAL, Long
7	832-10408	10	NUT, LOCK, M8 x 1.25, Cl 8,
8	87315348	1	GUARD, Right Hand, Shown
8	87315349	1	GUARD, Left Hand
9	87315346	1	SUPPORT, Right Hand, Shown
9	87315347	1	SUPPORT, Left Hand
10	221654A1	2	PLUG, Without Remote Hitch Switch
11	87452577	2	SWITCH, Remote Hitch, UP/Down
12	82030732	1	DECAL, Right Hand, Shown
12	82030732	1	DECAL, Left Hand
13	87379656	1	BRACKET, Right Hand, Shown
13	87379657	1	BRACKET, Left Hand
14	87454596	2	SWITCH, Remote Upper Link
15	220416A2	2	CLAMP,
16	895-25008	10	WASHER, M8 x 20 x 1.6,
17	237275A1	16	STUD,
18	614-8035	6	BOLT, Hex, M8 x 35, 8.8,



09-07 FENDERS - REAR, EXTRA WIDE

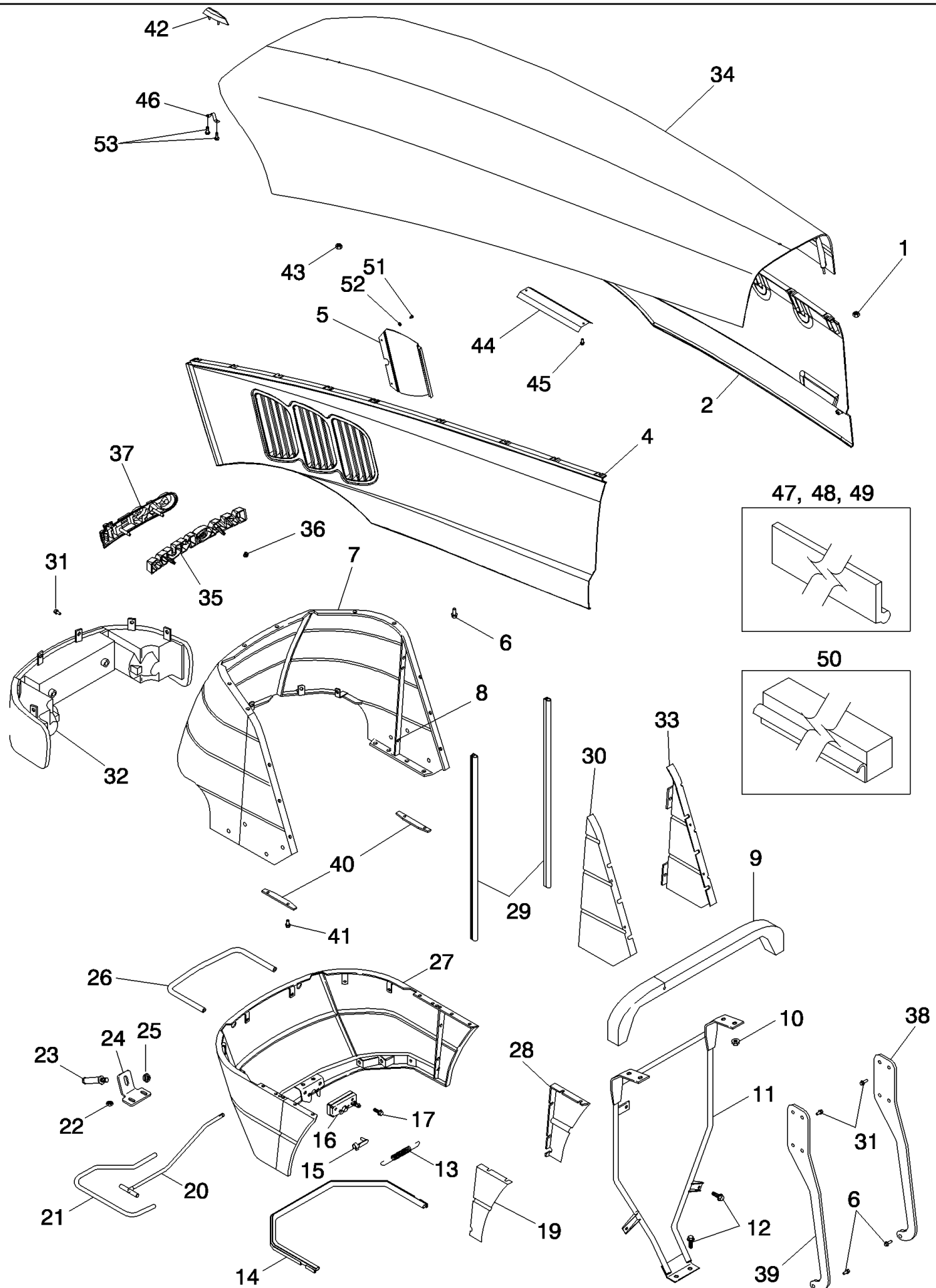


## MX305 CASE IH MAGNUM TRACTOR NA (1/06-9/06)

## 09-07 FENDERS - REAR, EXTRA WIDE

сылка	Номер детали	Кол-во	Описание
1	87703701	1	FENDER, Right Hand, (Shown)
1	87703704	1	FENDER, Left Hand
2	614-8025	10	BOLT, Hex, M8 x 25, 8.8,
3	895-15008	14	WASHER, M8 x 20 x 1.6,
4	825-2408	10	NUT, M8 x 1.25, Flg, Cl 8,
5	87710353	1	HOUSING, Right Hand, (Shown)
5	87703709	1	HOUSING, Left Hand
6	832-10408	20	NUT, LOCK, M8 x 1.25, Cl 8,
7	895-25008	24	WASHER, M8 x 20 x 1.6,
8	87710393	1	SUPPORT, Right Hand, (Shown)
8	87703723	1	SUPPORT, Left Hand
9	221654A1	2	PLUG, Without Hitch Switch
10	87452577	2	SWITCH, Remote Hitch, UP/Down
11	220416A2	2	CLAMP,
12	82030732	1	DECAL, Right Hand, (Shown)
12	82030732	1	DECAL, Left Hand
13	87739798	1	BRACKET, Right Hand, (Shown)
13	87739799	1	BRACKET, Left Hand
14	87331566	30	CLIP, SPRING,
15	87331565	10	STOP,
16	87331561	1	EXTENSION, FENDER, Right Hand, (Shown)
16	87331562	1	EXTENSION, FENDER, Left Hand
17	614-8035	6	BOLT, Hex, M8 x 35, 8.8,
18	87454596	2	SWITCH, Remote Upper Link
19	237275A1	20	STUD,
20	614-8030	2	BOLT, Hex, M8 x 30, 8.8,
21	87477361	2	STUD,
22	82025543	2	SWITCH, Remote PTO
23	82013932	2	PANEL, PTO Remote Switch

09-08 HOOD - TILTING



## MX305 CASE IH MAGNUM TRACTOR NA (1/06-9/06)

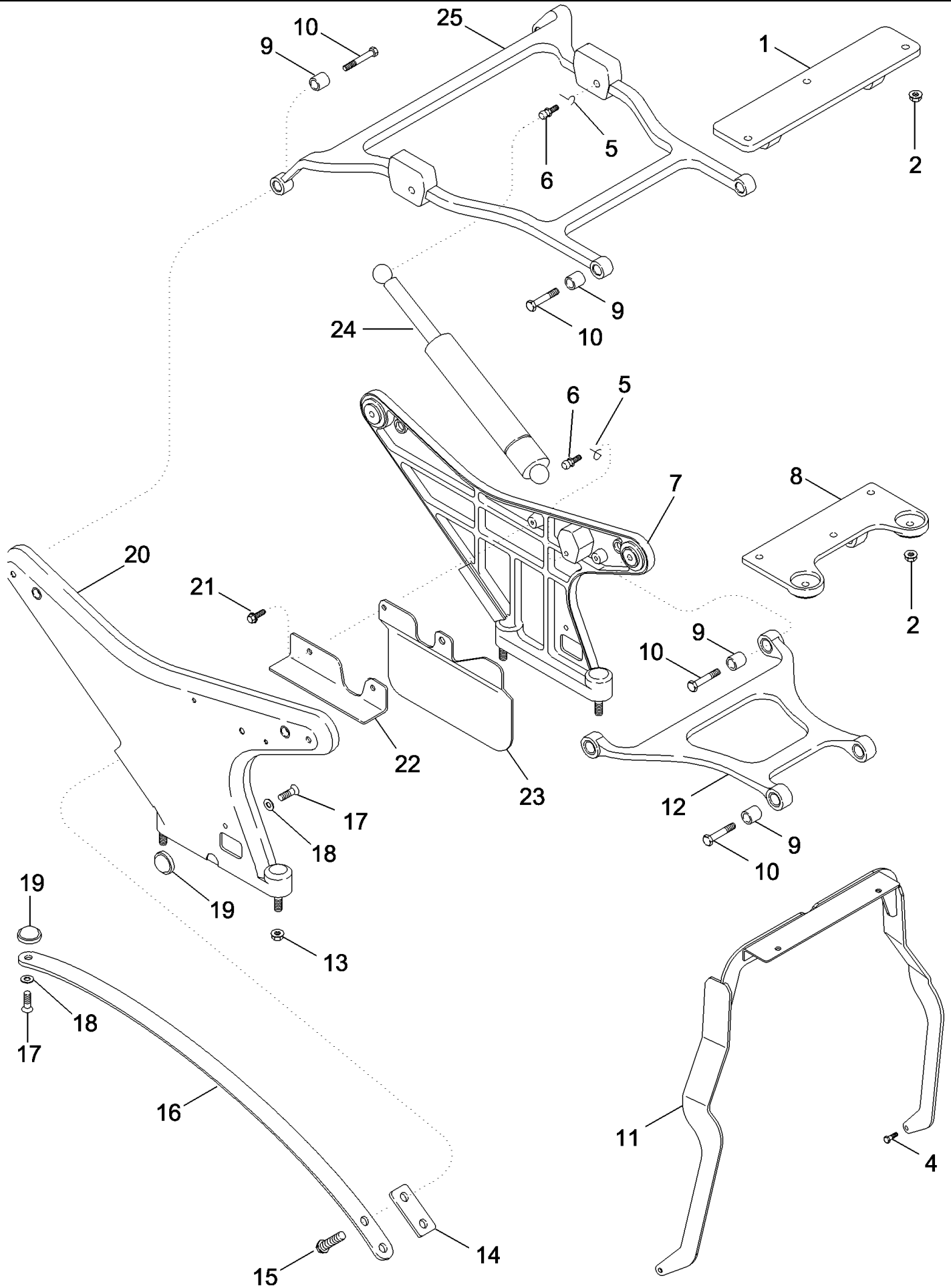
## 09-08 HOOD - TILTING

сылка	Номер детали	Кол-во	Описание
1	825-2406	18	NUT, M6 x 1, Flg, Cl 8,
2	87531726	1	PANEL, Hood Right Hand Side, Inc. 3 ,51 ,52
3	87325986	1	GUARD, Right Hand, (Not Shown)
4	87531725	1	PANEL, Hood Left Hand Side, Inc. 5 ,51 ,52
5	87325983	1	GUARD, Left Hand
6	844-6012	10	BOLT, Hex Flg, M6 x 12, 8.8,
7	87369348	1	GRILLE, Upper Right, BSN Z6RZ04001
7	87565202	1	GRILLE, Upper Right, ASN Z6RZ04001
8	369929A1	12	FASTENER,
9	87325973	1	SEAL, Hood
10	825-2408	4	NUT, M8 x 1.25, Flg, Cl 8,
11	87685353	1	SUPPORT,
12	555-1	6	BOLT, Hex Flg, M8 x 16, 8.8,
13	87455797	1	SPRING, TENSION, Latch
14	87374635	1	SEAL, Lower Grille
15	86987940	1	CLIP,
16	87454541	1	LATCH, Hood Release
17	844-6020	4	BOLT, Hex Flg, M6 x 20, 8.8,
19	87369357	1	Lower Left
20	87595777	1	ROD, Latch
21	87617635	1	HANDLE, Hood Lift
22	825-2410	6	NUT, M10 x 1.5, Flg, Cl 8,
23	301081A1	1	SCREW, Striker
24	87312069	1	PLATE, STRIKER,
25	825-2412	1	NUT, M12 x 1.75, Flg, Cl 8,
26	87617634	1	HANDLE, Hood
27	87617632	1	GRILLE, Lower
28	87369358	1	PANEL, INSULATING, Lower Right
29	87340054	2	SEAL, Side
30	87369354	1	PANEL, Upper Left
31	844-6016	24	BOLT, Hex Flg, M6 x 16, 8.8,
32	REF	1	INSTRUCTION, HEADLAMPS, See Figure 04-28, 04-29
33	87369355	1	PANEL, Upper
34	87327547	1	PANEL, Hood Upper, Inc. 42 - 45
35	87456423	1	EMBLEM, Magnum, BSN Z6RZ04001
36	131-431	2	NUT, LOCK, Self, Threading, 1/4",
37	87716230	1	EMBLEM, CASE-IH, ASN Z6RZ04001
38	87385055	1	BRACKET, Support, RH
39	87385054	1	BRACKET, Support, LH
40	87367909	2	WEAR STRIP,
41	844-6025	10	BOLT, Hex Flg, M6 x 25, 8.8,
42	87353799	1	GUIDE, Hood Sight
43	131-431	2	NUT, LOCK, Self, Threading, 1/4",
44	87327364	1	GUIDE, Spring
45	779-14613	2	SCREW, SELF TAPPING, Hex Hd, M6.3 x 13,

## MX305 CASE IH MAGNUM TRACTOR NA (1/06-9/06)

## 09-08 HOOD - TILTING

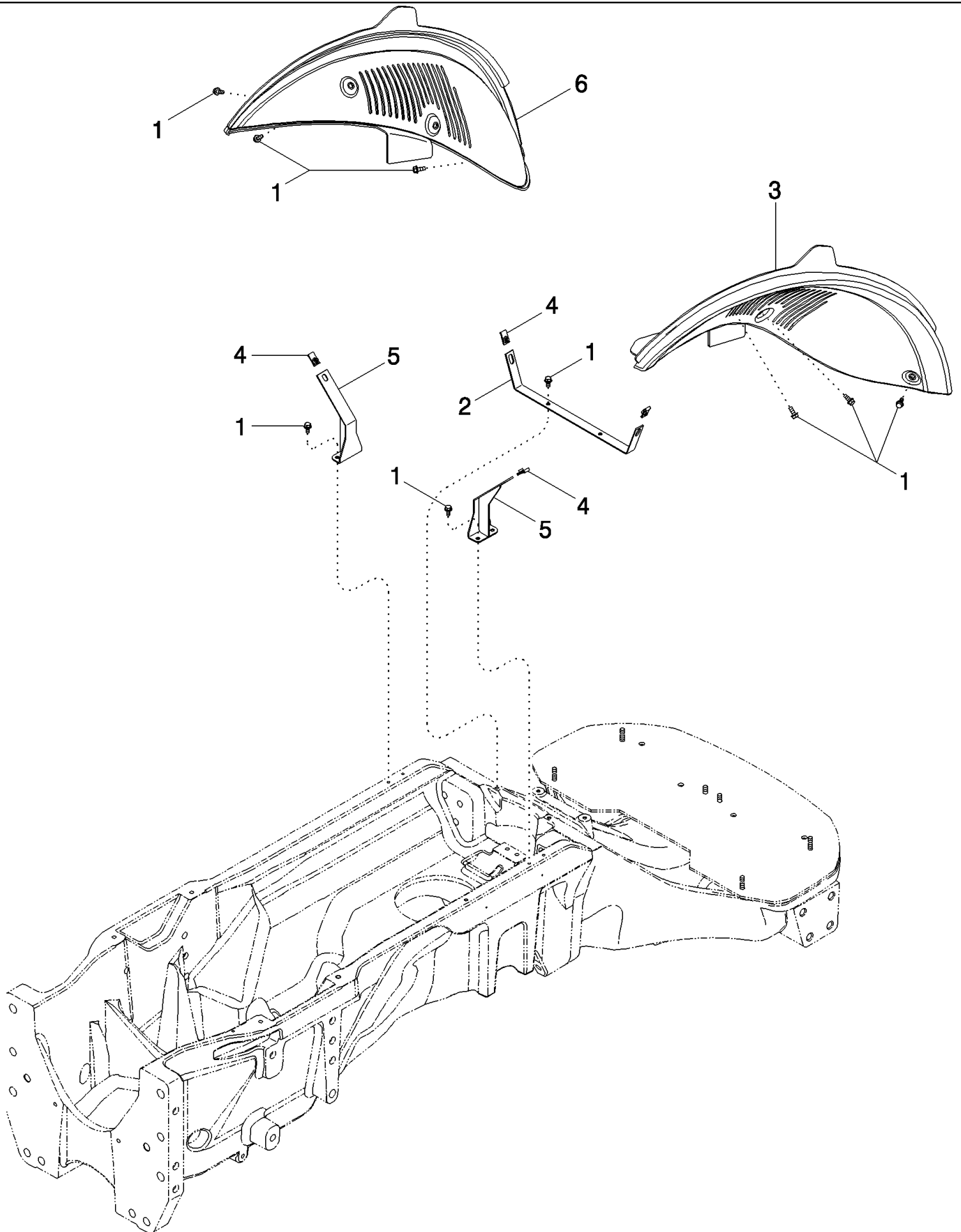
сылка	Номер детали	Кол-во	Описание
46	87493789	2	BRACKET, Grille Mounting
47	87394270	2	SEAL, Side, Top RH, Top LH
48	87394269	2	SEAL, Center, Top and Bottom
49	87394271	2	SEAL, Side, Bottom RH, Bottom LH
50	87394272	2	SEAL, Corner, Rear RH, Rear LH
51	779-14395	4	SCREW, SELF TAPPING,
52	895-11005	4	WASHER, M5 x 10 x 1,
53	87497514	4	SCREW, SELF TAPPING,



## MX305 CASE IH MAGNUM TRACTOR NA (1/06-9/06)

## 09-09 HOOD - TILTING

сылка	Номер детали	Кол-во	Описание
1	87376828	1	LINK,
2	825-2408	8	NUT, M8 x 1.25, Flg, CI 8,
4	844-6012	2	BOLT, Hex Flg, M6 x 12, 8.8,
5	87521455	4	CLIP, Retainer
6	87398921	4	BALL JOINT,
7	87524533	1	FRAME, Right Hand Upper
8	87399565	1	SUPPORT,
9	87343713	8	BUSHING,
10	844-12050	8	BOLT, Hex Flg, M12 x 50, 8.8,
11	87385049	1	SUPPORT, Rear Hood
12	87313669	1	LINK, Hood Support
13	825-2410	4	NUT, M10 x 1.5, Flg, CI 8,
14	87323621	1	PLATE, Leaf Spring Hood Assist
15	844-8025	2	BOLT, Hex Flg, M8 x 25, 8.8,
16	87371159	1	LEAF, SPRING, Hood Assist
17	87564727	3	BOLT,
18	81545	3	WASHER, LOCK, Ext Csk Tooth, 1/4",
19	87567203	3	KNOB,BALL, Hood Leaf Spring Slider
20	87524532	1	FRAME, Left Hand Upper
21	555-1	2	BOLT, Hex Flg, M8 x 16, 8.8,
22	87327363	1	SHIELD,
23	87517404	1	SHIELD, Flex Pipe Heat
24	87386500	2	GAS STRUT, Hood
25	87351237	1	LINK,

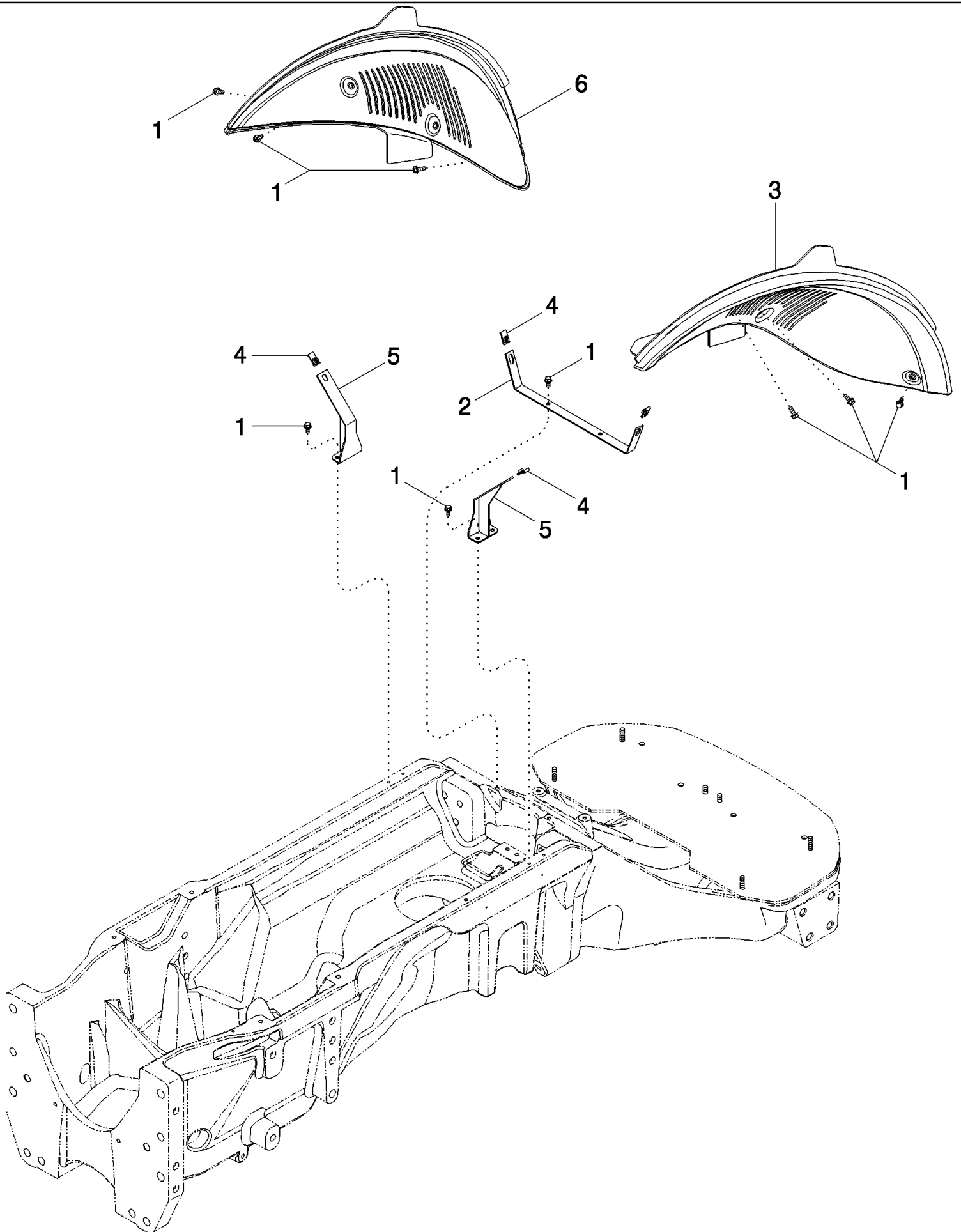




MX305 CASE IH MAGNUM TRACTOR NA (1/06-9/06)

09-10 FAN SHIELDS - BSN Z6RZ03644

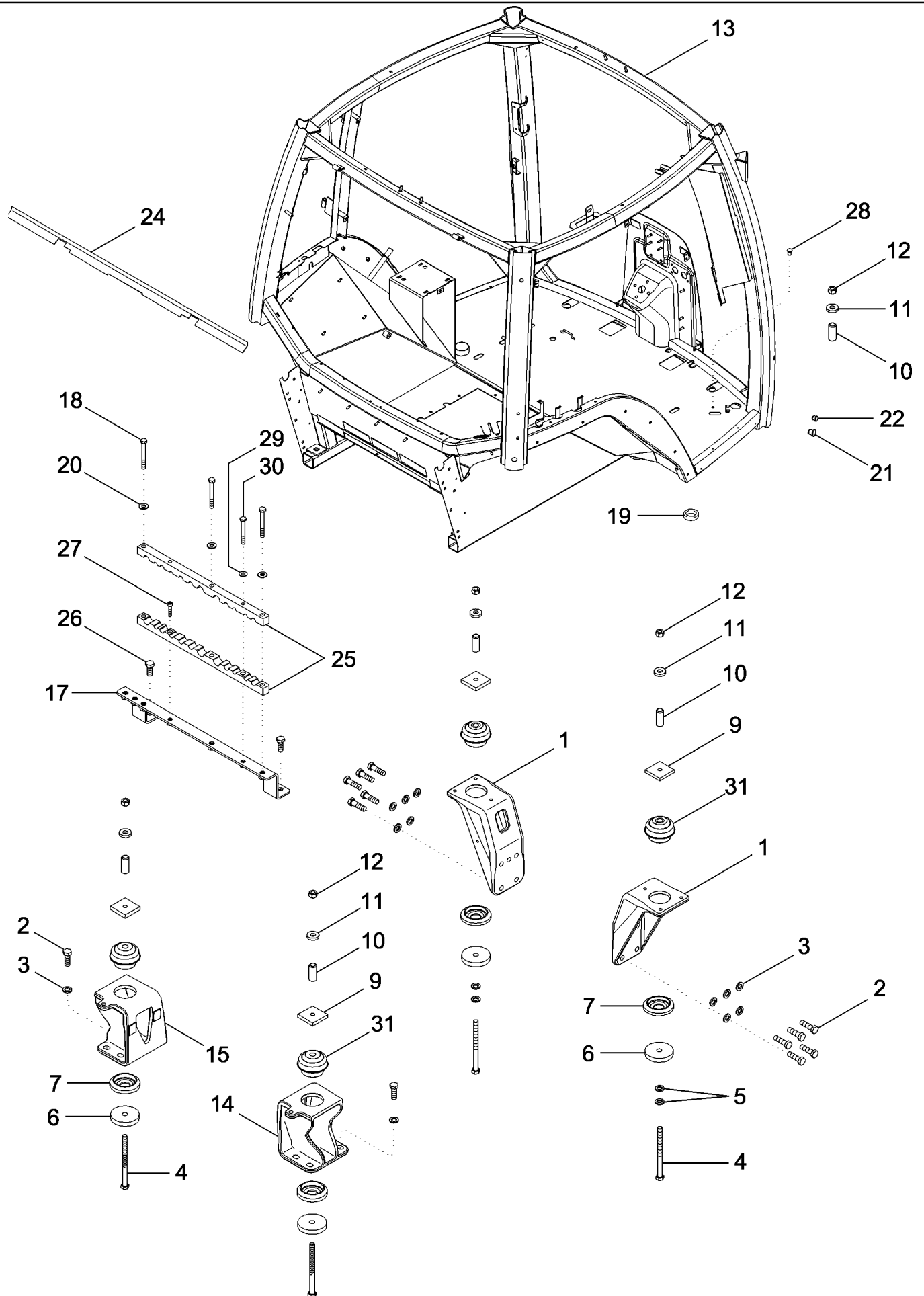
сылка	Номер детали	Кол-во	Описание
1	844-8020	12	BOLT, Hex Flg, M8 x 20, 8.8,
2	87443613	1	BRACKET,
3	87396012	1	PANEL, Right Hand
4	833-41308	6	NUT, M8, U,
5	87443614	2	BRACKET,
6	87396011	1	PANEL, Left Hand



MX305 CASE IH MAGNUM TRACTOR NA (1/06-9/06)

09-11 FAN SHIELDS - ASN Z6RZ03644

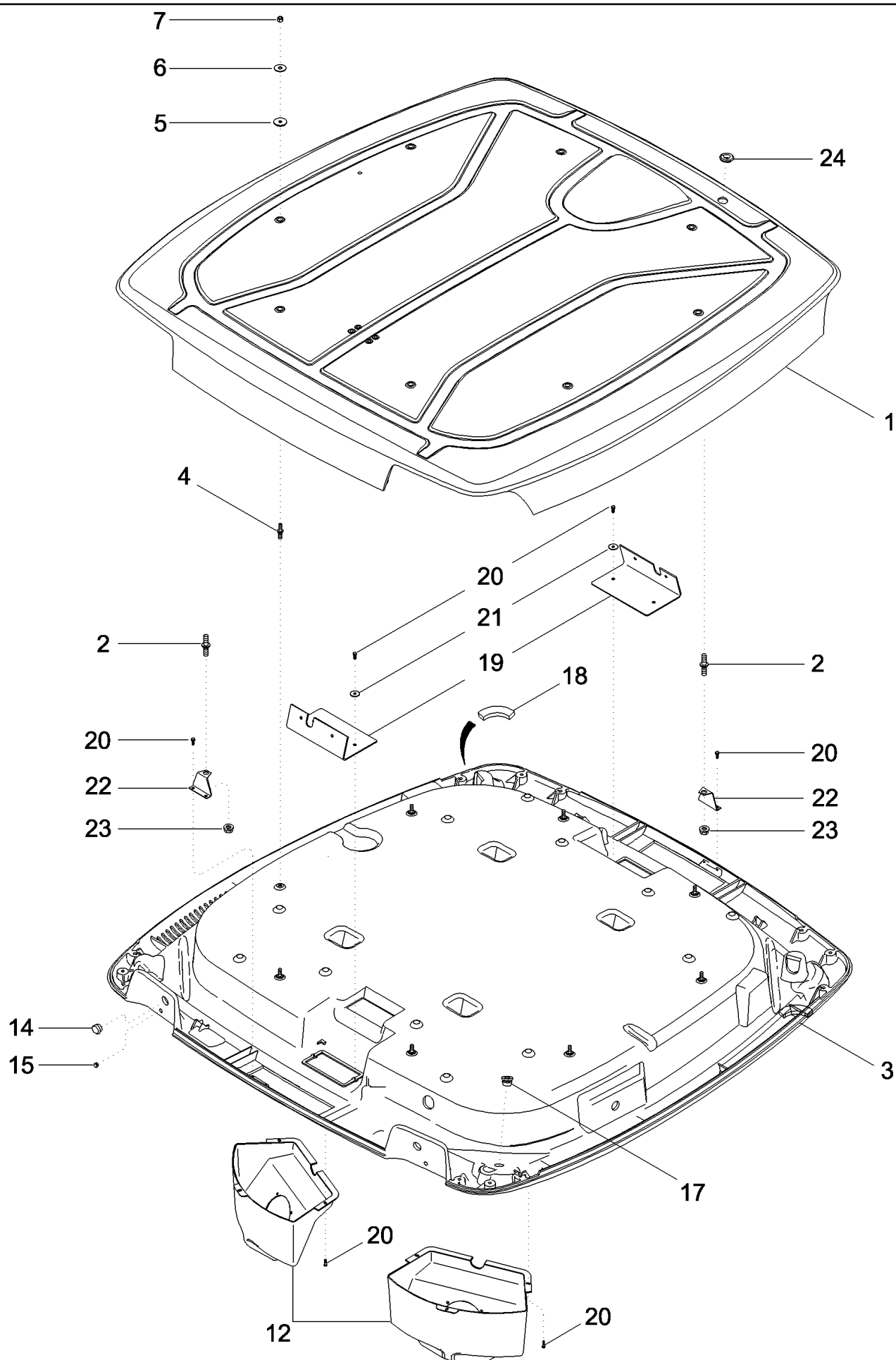
сылка	Номер детали	Кол-во	Описание
1	844-8020	6	BOLT, Hex Flg, M8 x 20, 8.8,
2	87443613	1	BRACKET,
3	87545429	1	PANEL, Right Hand
4	833-41308	4	NUT, M8, U,
5	87369105	2	BRACKET,
6	87545430	1	PANEL, Left Hand
7	87522731	2	BRACKET,
8	825-2408	4	NUT, M8 x 1.25, Flg, CI 8,
9	555-1	6	BOLT, Hex Flg, M8 x 16, 8.8,



## MX305 CASE IH MAGNUM TRACTOR NA (1/06-9/06)

## 09-12 CAB - MOUNTING AND FRAME

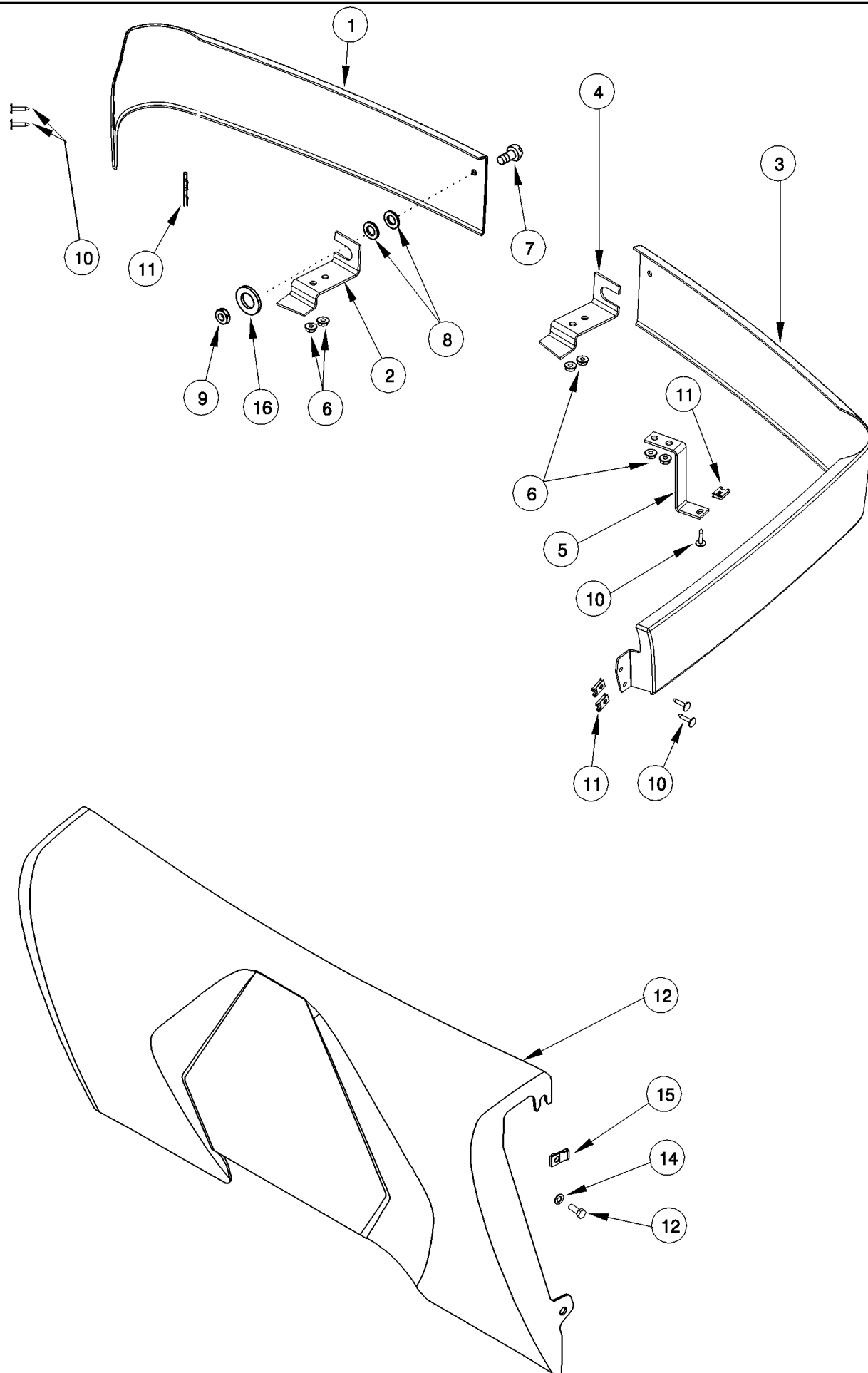
сылка	Номер детали	Кол-во	Описание
1	87522763	2	BRACKET, Cab Mount, Front
2	628-16045	18	BOLT, Hex, M16 x 45, 10.9, Full Thd,
3	896-12016	18	WASHER, M17.5 x 30 x 4, HT,
4	86987599	4	BOLT, M16 x 200
5	896-11016	4	WASHER, M17.5 x 30 x 4, HT, Front Mount
6	87562943	4	SPACER, 16 mm
7	1286903C1	4	INSULATOR BLOCK, Bottom
8	192337A1	2	BLOCK, INSULATING, Top, Rear
9	86985936	4	PLATE,
10	184262A1	4	SPACER,
11	897278H1	4	WASHER,
12	829-1416	4	NUT, M16, CI 10,
13	NSS	1	NOT SERVICED SEPARATELY, Cab, Frame
14	87522765	1	BRACKET, Cab, Right Hand Rear
15	87522769	1	BRACKET, Cab, Left Hand Rear
17	87435455	1	BRACKET,
18	814-8060	3	BOLT, Hex, M8 x 60, 8.8,
19	182220A1	1	GROMMET,
20	895-15008	3	WASHER, M8 x 20 x 1.6,
21	128209A1	4	PLUG,
22	353-432	2	PLUG, 7/8" Hole, Nylon,
24	359321A1	1	GUARD,
25	87430951	1	BAR, Clamp, 2 Piece
26	615-10025	2	BOLT, Hex, M10 x 25, 8.8, Full Thd,
27	864-6030	1	SCREW, Hex Soc Hd, M6 x 30, 8.8,
28	441460A1	1	PLUG, 9.5 mm
29	814-6060	1	BOLT, Hex, M6 x 60, 8.8,
30	495-81107	1	WASHER, .281" x 7/8" x .060",
31	87677703	2	BLOCK, INSULATING, Top, Front



## MX305 CASE IH MAGNUM TRACTOR NA (1/06-9/06)

## 09-13 CAB - ROOF

сылка	Номер детали	Кол-во	Описание
1	433973A4	1	ROOF, Upper
2	449901A1	2	STUD,
3	87419087	1	ROOF, Lower, Inc. 4, 19 - 22
4	237275A1	8	STUD,
5	221429A2	8	SPACER,
6	495-81140	8	WASHER, 13/32" x 1 1/4" x .060",
7	832-10408	8	NUT, LOCK, M8 x 1.25, CI 8,
12	433800A1	4	HOUSING, Speaker Cover
14	353-411	2	PLUG, Dome, 1.000" hole, Nylon,
15	353-425	2	PLUG, 7/16 in dia
17	182220A1	1	GROMMET,
18	365219A1	1	SEAL,
19	401110A2	2	BRACKET,
20	758-5	20	SCREW, SELF TAPPING, Hex Hd, M5.5 x 15,
21	895-15006	4	WASHER, M6 x 25 x 1.6,
22	449074A1	2	BRACKET,
23	825-2408	2	NUT, M8 x 1.25, Flg, CI 8,
24	87330628	1	GROMMET,

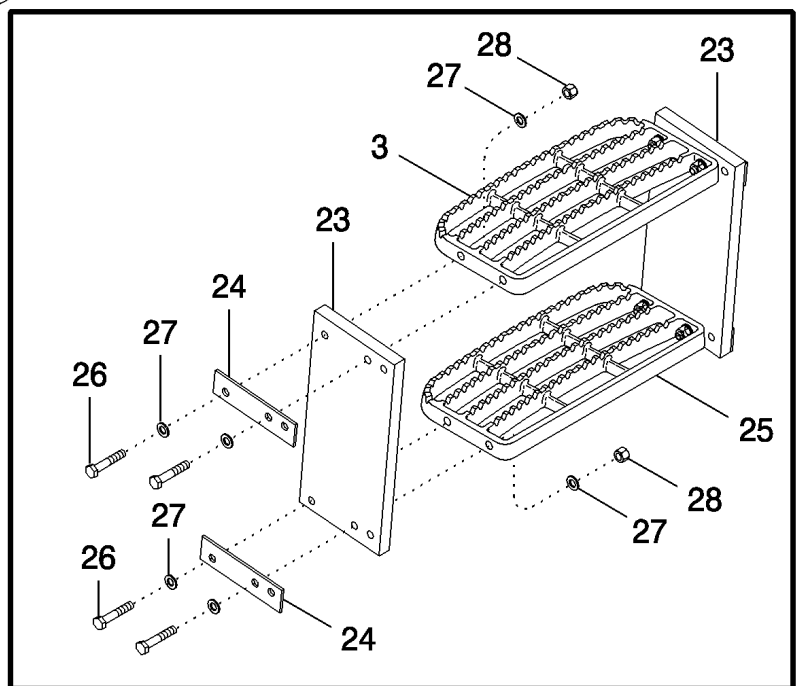
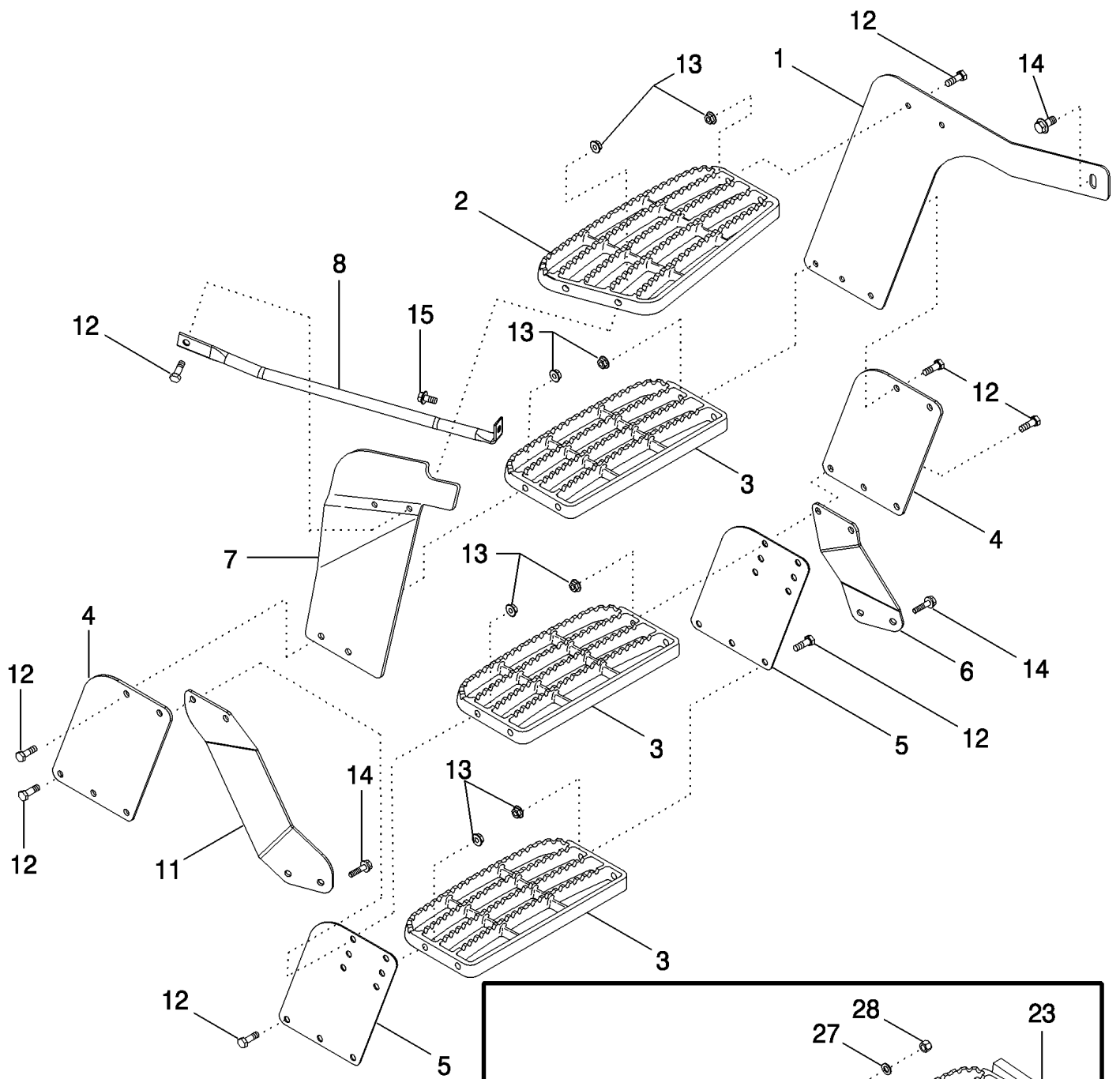




## MX305 CASE IH MAGNUM TRACTOR NA (1/06-9/06)

## 09-14 CAB - EXTERIOR TRIM

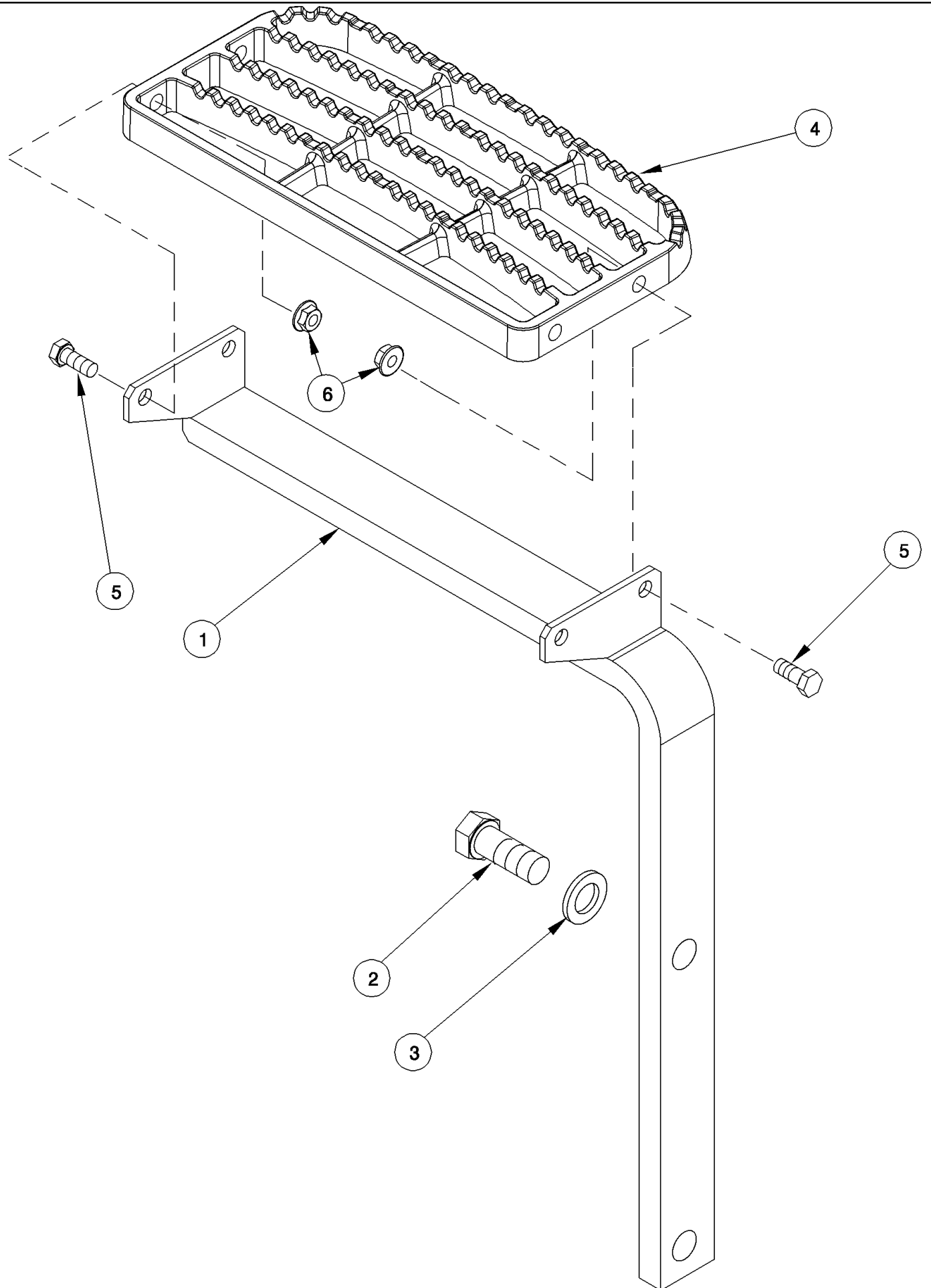
сылка	Номер детали	Кол-во	Описание
1	258865A4	1	PADDING, Front Left Hand Side
2	87432398	1	BRACKET, Left Hand
3	258866A4	1	PADDING, Front Right Hand Side
4	87432399	1	BRACKET, Right Hand
5	298464A1	1	SUPPORT,
6	825-2408	6	NUT, M8 x 1.25, Flg, CI 8,
7	840-1820	2	SCREW, Cross Pan Hd, M8 x 20,
8	96814C3	4	WASHER,
9	832-10408	2	NUT, LOCK, M8 x 1.25, CI 8,
10	104033C2	5	SCREW, SELF TAPPING, Cross Wash Hd, M4.8 x 19, Coated,
11	131-642	5	NUT, Tinn, U, #10,
12	387123A6	1	PANEL, Rear
13	614-8020	2	BOLT, Hex, M8 x 20, 8.8,
14	895-11008	2	WASHER, M8 x 16 x 1.6,
15	86508354	2	NUT, M8
16	495-81140	2	WASHER, 13/32" x 1 1/4" x .060",



## MX305 CASE IH MAGNUM TRACTOR NA (1/06-9/06)

## 09-15 CAB - STEPS

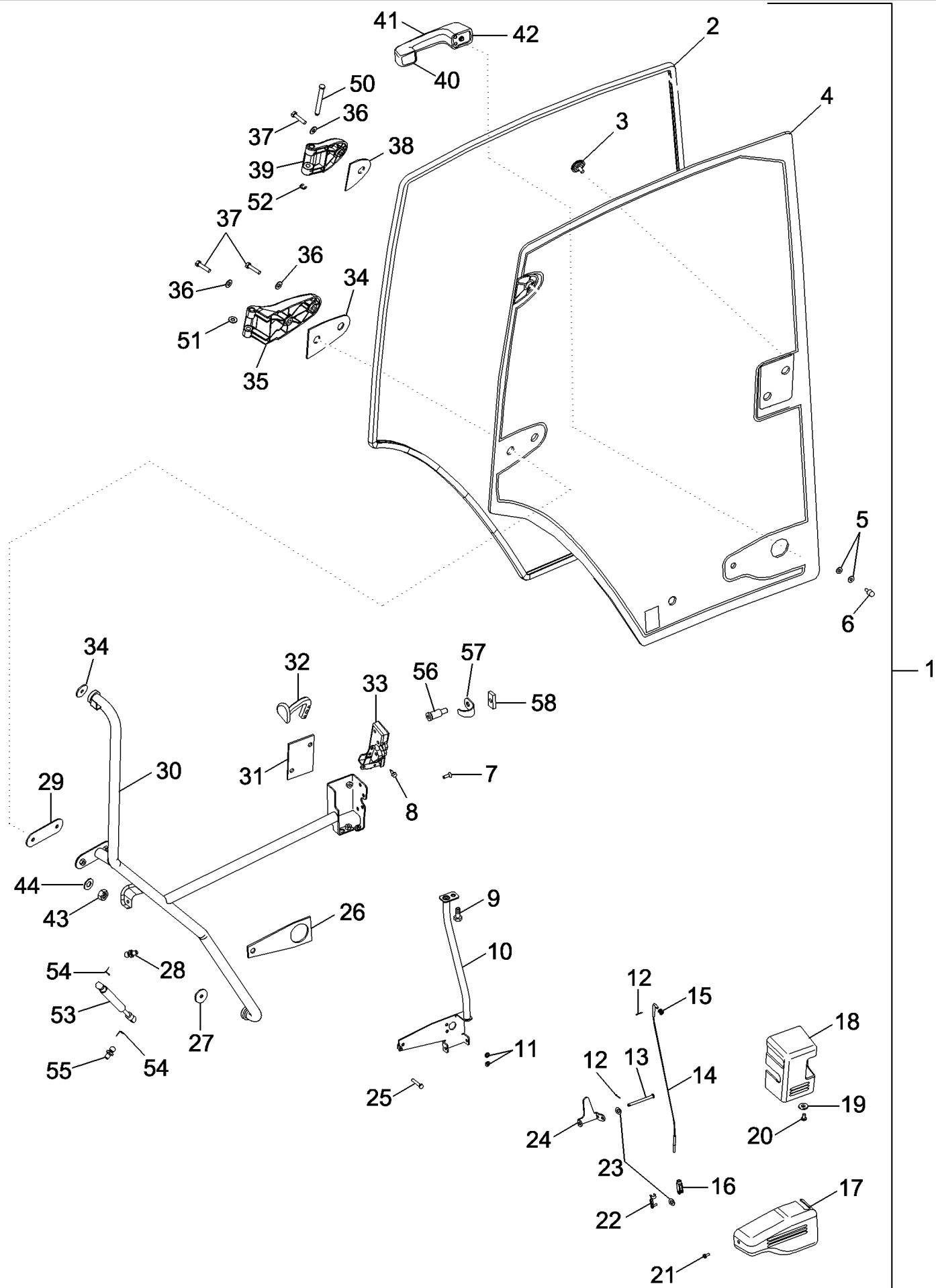
сылка	Номер детали	Кол-во	Описание
1	87447664	1	RISER, Front, Upper
2	87310397	1	STEP, Upper
3	87301185	3	STEP,
4	87426577	2	RISER, Center
5	87426578	2	RISER, Lower Front
6	87447713	1	BRACKET, Front
7	87341258	1	RISER, Rear, Upper
8	87447680	1	TUBE, SUPPORT,
11	87447712	1	BRACKET, Rear, Lower
12	614-10035	16	BOLT, Hex, M10 x 35, 8.8, Full Thd,
13	825-2410	16	NUT, M10 x 1.5, Flg, Cl 8,
14	844-10030	5	BOLT, Hex Flg, M10 x 30, 8.8, Full Thd,
15	844-10030	1	BOLT, Hex Flg, M10 x 30, 8.8, Full Thd,
23	322425A1	2	SUPPORT, Step Extension (If Equipped)
24	448033A1	4	PLATE, LARGE, Belting Support (If Equipped)
25	87301185	1	STEP,
26	814-10055	8	BOLT, Hex, M10 x 55, 8.8,
27	895-11010	16	WASHER, M10 x 20 x 2,
28	832-10410	8	NUT, LOCK, M10 x 1.5, Cl 8,



MX305 CASE IH MAGNUM TRACTOR NA (1/06-9/06)

09-16 CAB - FRONT WINDOW STEP

сылка	Номер детали	Кол-во	Описание
1	87352592	1	SUPPORT,
2	627-20060	2	BOLT, Hex, M20 x 60, 10.9,
3	896-11020	2	WASHER, M20 x 37.5 x 4, HT,
4	87301185	1	STEP,
5	614-10025	4	BOLT, Hex, M10 x 25, 8.8, Full Thd,
6	825-2410	4	NUT, M10 x 1.5, Flg, Cl 8,



## MX305 CASE IH MAGNUM TRACTOR NA (1/06-9/06)

## 09-17 CAB - DOOR

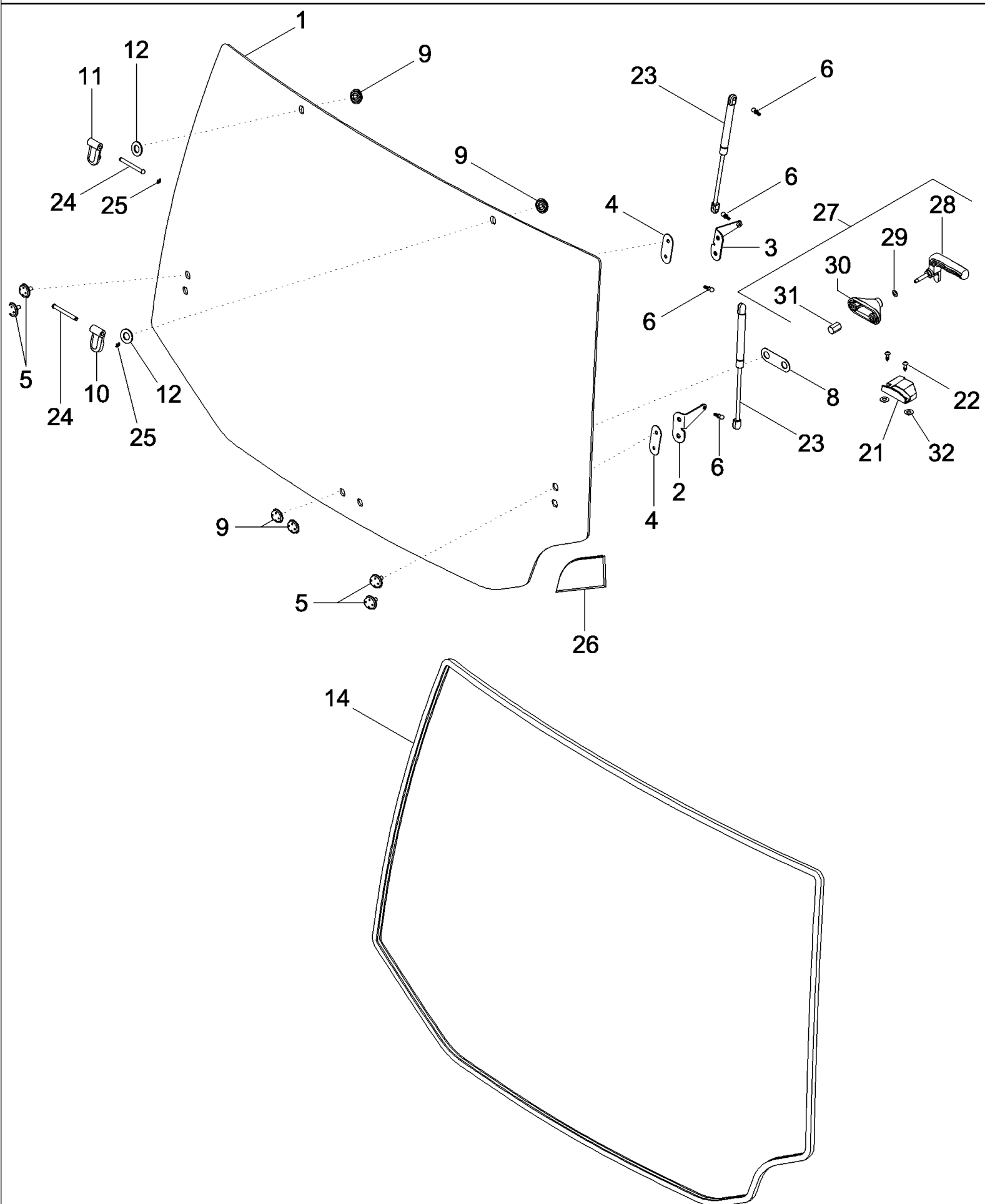
сылка	Номер детали	Кол-во	Описание
1	316518A3	1	DOOR ASSY., Inc. 2 - 44
2	87534532	1	SEAL,
3	198916A2	3	CAP,
4	344730A2	1	GLASS, CAB,
5	495-31027	2	WASHER, 1/4",
6	314610A1	1	BUTTON,
7	461-42512	4	SCREW, Hex Soc Flat Hd, 1/4"-20 x 3/4",
8	781-24620	2	SCREW, SELF TAPPING, Hex Flg Hd, M6 x 20,
9	275359A3	1	SUPPORT,
10	614-8016	1	BOLT, Hex, M8 x 16, 8.8,
11	892-11006	3	WASHER, LOCK, M6,
12	733-1610	3	PIN, SPLIT (COTTER), M1.6 x 10,
13	275353A1	1	PIN, BALL,
14	314606A1	1	CABLE,
15	895-11005	3	WASHER, M5 x 10 x 1,
16	713-125	1	CLEVIS, ADJUSTABLE,
17	275345A4	1	COVER,
18	275344A6	1	PROTECTOR,
19	895-11006	1	WASHER, M6,
20	840-1612	1	SCREW, Cross Pan Hd, M6 x 12,
21	840-1512	1	SCREW, Cross Pan Hd, M5 x 12,
22	1999650C1	1	PIN, CLEVIS,
23	87681226	2	WASHER, Curve Spring
24	314611A1	1	LEVER,
25	814-6035	3	BOLT, Hex, M6 x 35, 8.8,
26	191939A3	1	SPACER,
27	221429A2	2	SPACER,
28	3234063R1	1	BALL JOINT,
29	308633A1	1	SPACER, 3.0 mm
30	87542696	1	HANDLE,
31	275352A2	1	SPACER,
32	321023A4	1	HANDLE,
33	321013A1	1	LOCK,
34	305159A1	1	SPACER,
35	191206A3	1	HINGE, Lower
36	895-15008	3	WASHER, M8 x 20 x 1.6,
37	614-8035	3	BOLT, Hex, M8 x 35, 8.8,
38	305158A1	1	SPACER,
39	304921A1	1	HINGE, Upper
40	321552A1	1	BEZEL,
41	60-7083T1	1	HANDLE,
42	321551A1	1	BEZEL,
43	829-1408	2	NUT, M8, CI 10,
44	895-11008	2	WASHER, M8 x 16 x 1.6,
45	1964831C2	1	SET OF 2 KEYS, (Not Shown)

MX305 CASE IH MAGNUM TRACTOR NA (1/06-9/06)

09-17 CAB - DOOR

сылка	Номер детали	Кол-во	Описание
50	178819A3	2	PIN,
51	895-18010	1	WASHER, M10 x 18 x 1.6,
52	800-439	2	CIRCLIP, M9, 9 mm
53	1280263C1	1	CYLINDER ASSY.,
54	3233348R1	2	CLIP,
55	3234063R1	1	BALL JOINT,
56	321277A1	1	PIN,
57	321535A1	1	PROTECTOR,
58	275444A1	1	PLATE,

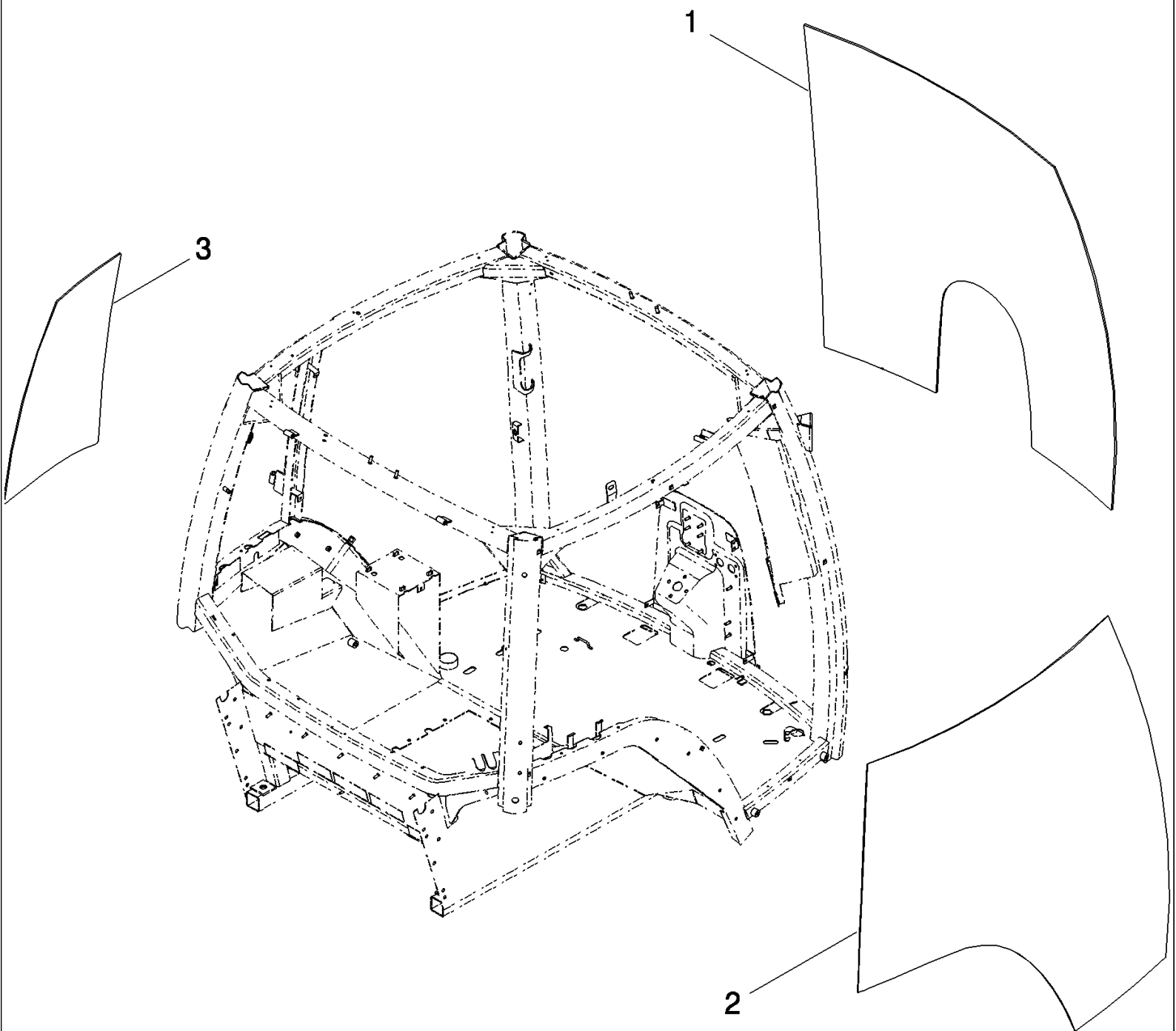




## MX305 CASE IH MAGNUM TRACTOR NA (1/06-9/06)

## 09-18 CAB - REAR WINDOW

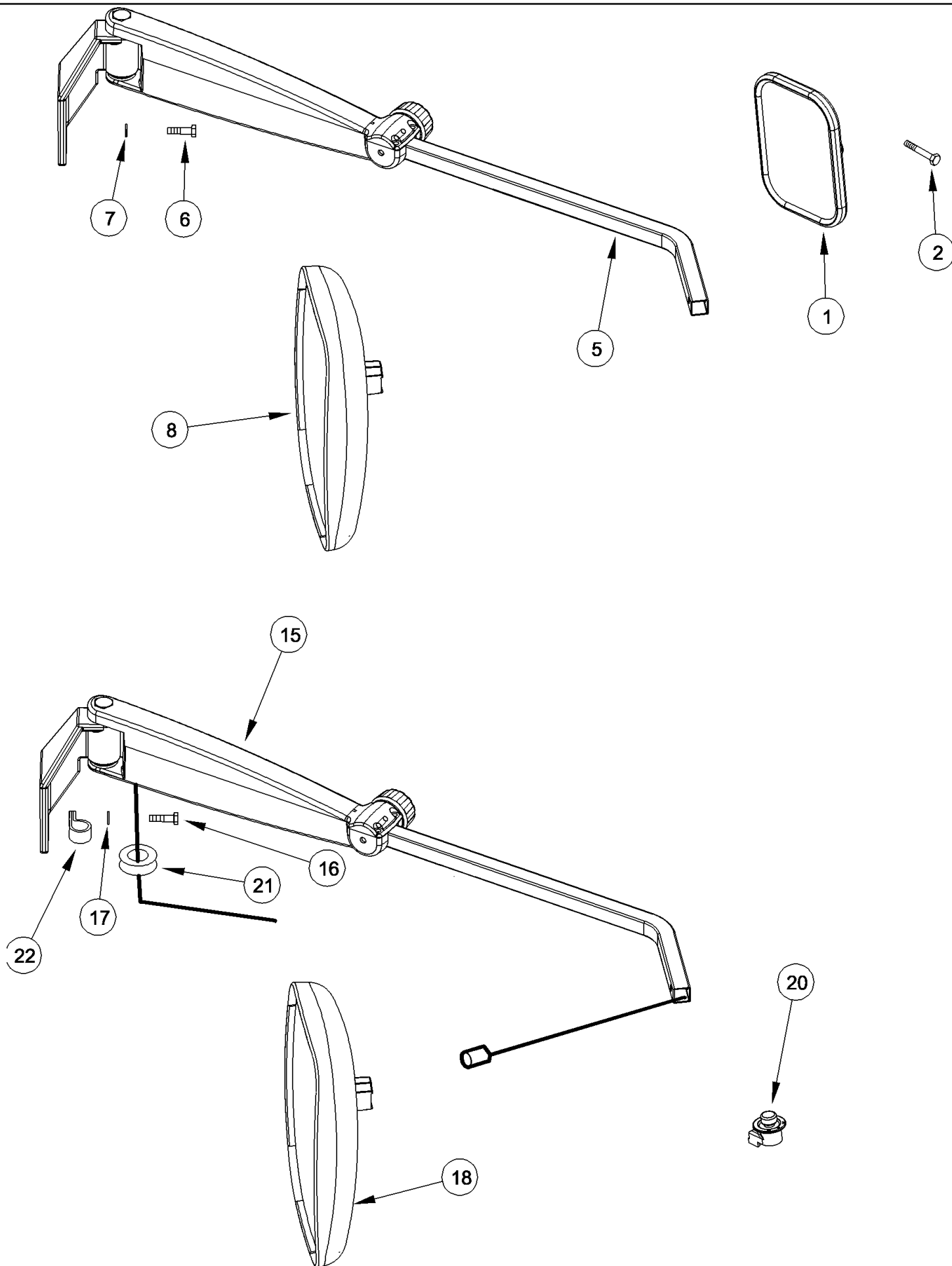
сылка	Номер детали	Кол-во	Описание
1	87309738	1	GLASS, , Standard Cab, Deluxe Cab
1	87309742	1	GLASS, CAB, Tinted, Luxury Cab
2	256810A2	1	SUPPORT, Right Hand
3	256809A2	1	SUPPORT, Left Hand
4	222787A2	2	PAD,
5	198916A2	4	CAP,
6	K303756	4	BALL JOINT, 6 mm
8	220935A3	1	PAD,
9	198913A3	4	PLASTIC PLUG,
10	176246A2	1	HINGE, Right Hand
11	176245A2	1	HINGE, Left Hand
12	180361A2	2	WASHER,
14	87534532	1	SEAL,
21	186149A4	1	PLATE, STRIKER,
22	781-24620	2	SCREW, SELF TAPPING, Hex Flg Hd, M6 x 20,
23	252550A2	2	GAS STRUT,
24	1535323C1	2	PIN,
25	800-437	2	CIRCLIP, M7,
26	254711A1	1	GROMMET, Implement Access
27	230009A4	1	HANDLE, Inc. 27 - 30
28	NSS	1	NOT SERVICED SEPARATELY, HANDLE
29	NSS	1	NOT SERVICED SEPARATELY, WASHER
30	NSS	1	NOT SERVICED SEPARATELY, SUPPORT
31	NSS	1	NOT SERVICED SEPARATELY, NUT, Special
32	87309034	2	SPACER,



MX305 CASE IH MAGNUM TRACTOR NA (1/06-9/06)

09-19 CAB - FIXED GLASS

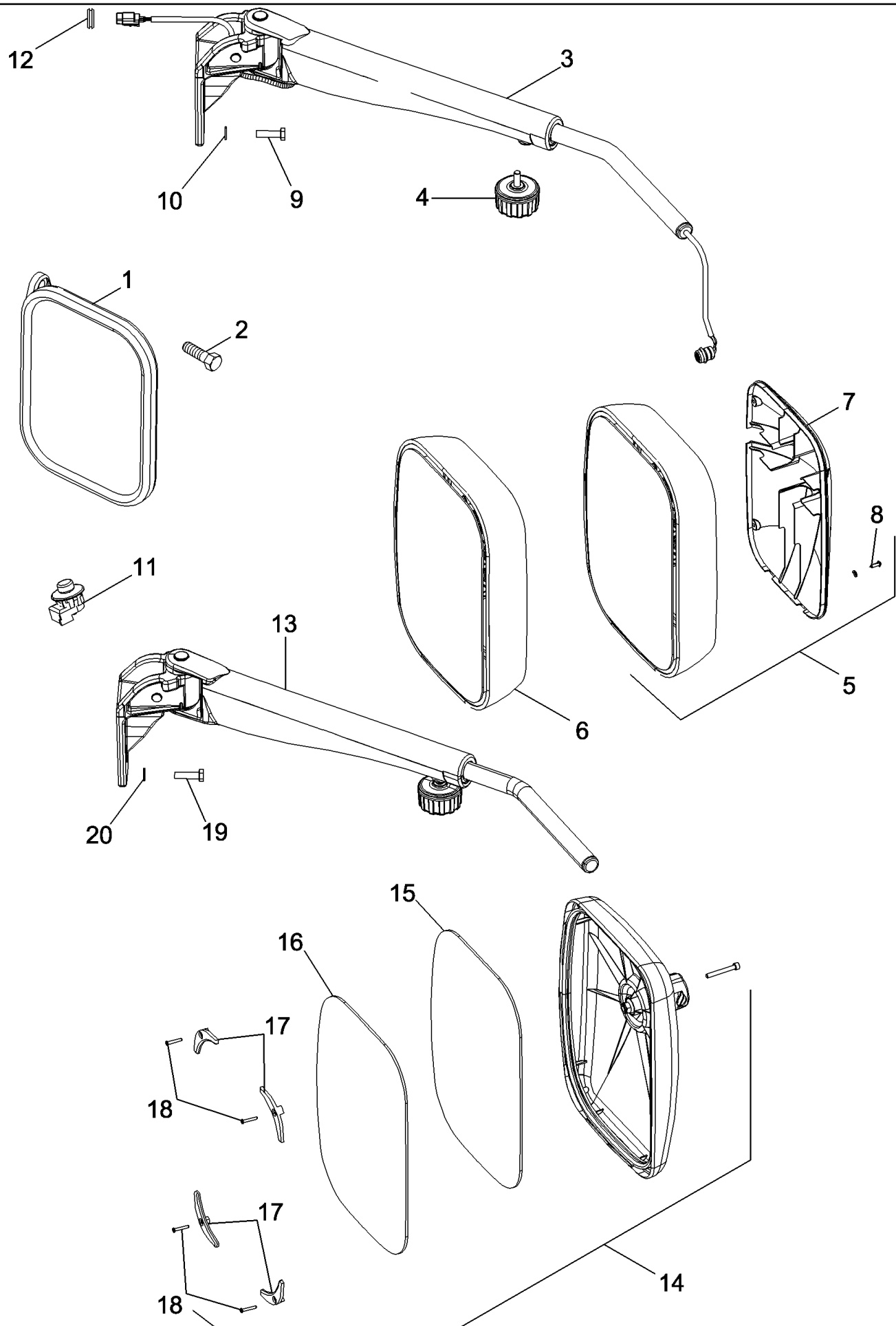
сылка	Номер детали	Кол-во	Описание
1	87456379	1	WINDSHIELD,
2	87417671	1	GLASS, CAB, Right Hand
3	242539A4	1	GLASS, CAB, Left Hand



MX305 CASE IH MAGNUM TRACTOR NA (1/06-9/06)

09-20 MIRRORS - BSN Z7RZ01152

сылка	Номер детали	Кол-во	Описание
1	82036480	1	MIRROR, Interior
2	779-34616	2	SCREW, SELF TAPPING, Hex Hd, M6.3 x 16,
5	87416692	1	SUPPORT ASSY., Right Hand, Shown
5	87416691	1	SUPPORT ASSY., Left Hand
6	614-8030	6	BOLT, Hex, M8 x 30, 8.8,
7	895-11008	6	WASHER, M8 x 16 x 1.6,
8	365414A1	2	MIRROR,
15	87416695	1	ARM ASSY., Right Hand, Shown
15	87416694	1	ARM ASSY., Left Hand
16	614-8030	6	BOLT, Hex, M8 x 30, 8.8,
17	895-11008	6	WASHER, M8 x 16 x 1.6,
18	87417619	2	MIRROR ASSY., Remote Control
20	280627A1	1	SWITCH, MIRROR ADJUSTMENT, Remote Control
21	182045A1	2	GROMMET,
22	515-2395	2	CLAMP, 3/8", Insul, 3/8" Bolt,

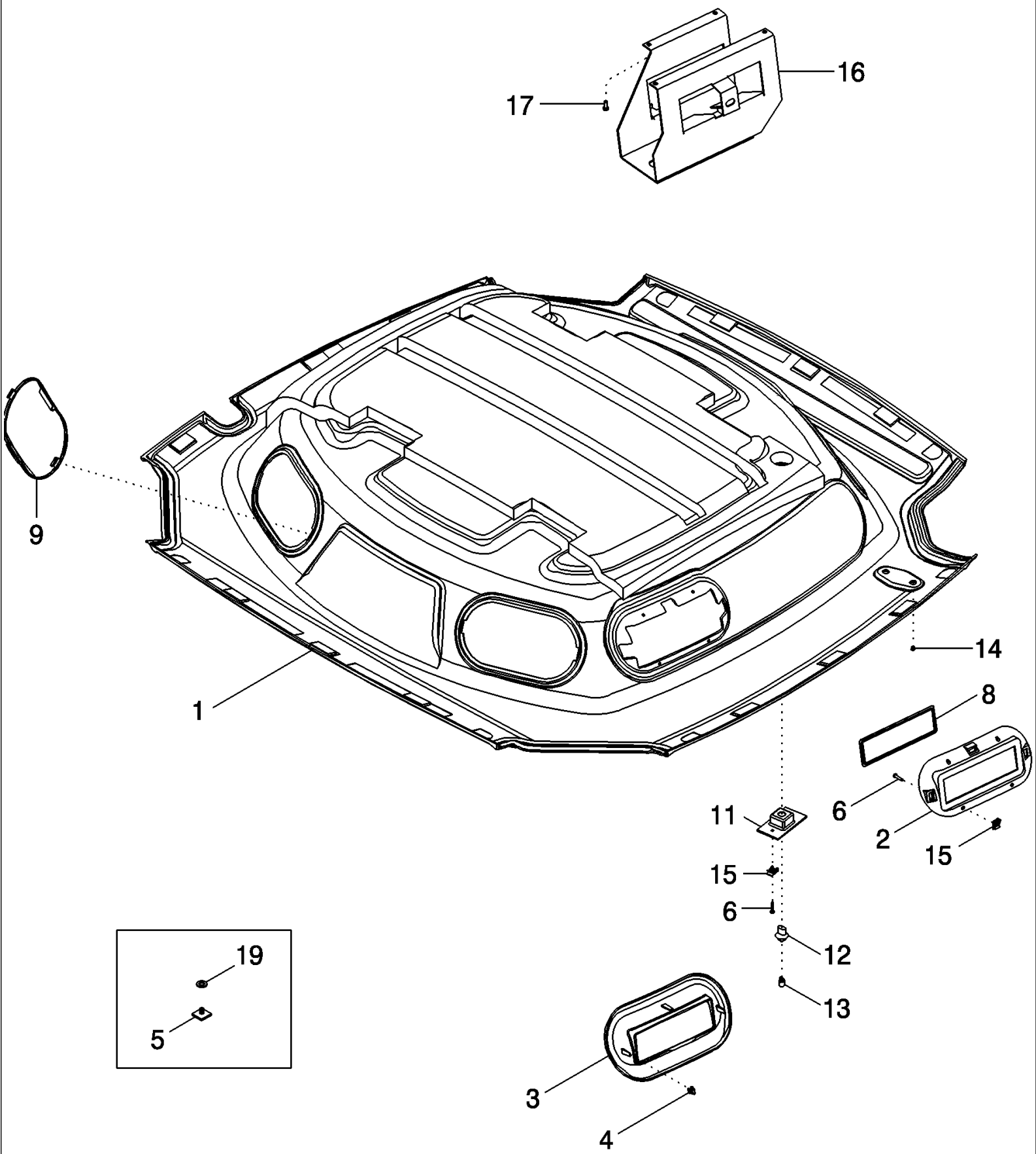


## MX305 CASE IH MAGNUM TRACTOR NA (1/06-9/06)

09-21 MIRRORS - ASN Z7RZ01152

сылка	Номер детали	Кол-во	Описание
1	82036480	1	MIRROR, Interior
2	779-34616	2	SCREW, SELF TAPPING, Hex Hd, M6.3 x 16,
3	87350490	1	SUPPORT ASSY., Right Hand, Remote Control, Inc. 4 (Shown)
3	87350491	1	SUPPORT ASSY., Left Hand, Remote Control, Inc. 4
4	87365131	1	KNOB,
5	87350492	1	MIRROR, RH, Remote Control (Shown)
5	87350493	1	MIRROR, LH, Remote Control
6	87531093	1	MIRROR, REPLACEMENT,
7	87531075	1	COVER, Right Hand (Shown)
7	87578865	1	COVER, Left hand
8	760-17113	8	SCREW, SELF TAPPING, Pan Hd, M3.5 x 13,
9	614-8030	6	BOLT, Hex, M8 x 30, 8.8,
10	895-11008	6	WASHER, M8 x 16 x 1.6,
11	280627A1	1	SWITCH, MIRROR ADJUSTMENT, Remote Control
12	182045A1	2	GROMMET,
13	87350488	1	SUPPORT ASSY., Right Hand, Manual, Inc. 4 (Shown)
13	87350489	1	SUPPORT ASSY., Left Hand, Manual, Inc. 4
14	87350494	2	MIRROR ASSY., Manual, Inc. 15 - 18
15	324437A1	1	MIRROR, REPLACEMENT,
16	82035218	1	MIRROR, Lens, Acrylic
17	87531094	4	BRACKET, Manual, Mirror head
18	15902707	4	SCREW, SELF TAPPING, Cross Pan Hd, M3.5 x 19,
19	614-8030	6	BOLT, Hex, M8 x 30, 8.8,
20	895-11008	6	WASHER, M8 x 16 x 1.6,

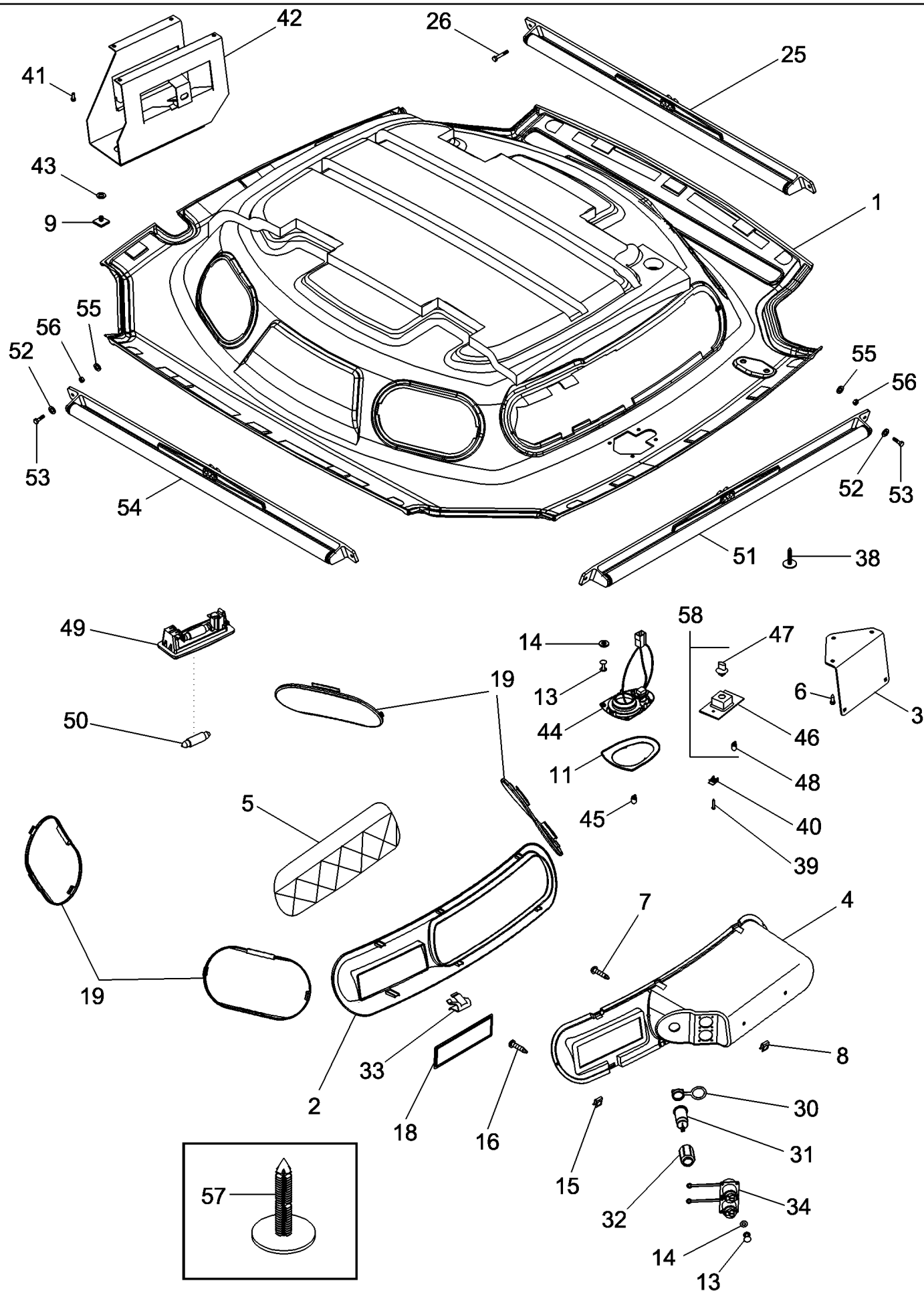




MX305 CASE IH MAGNUM TRACTOR NA (1/06-9/06)

09-22 CAB - HEADLINER, STANDARD TRIM

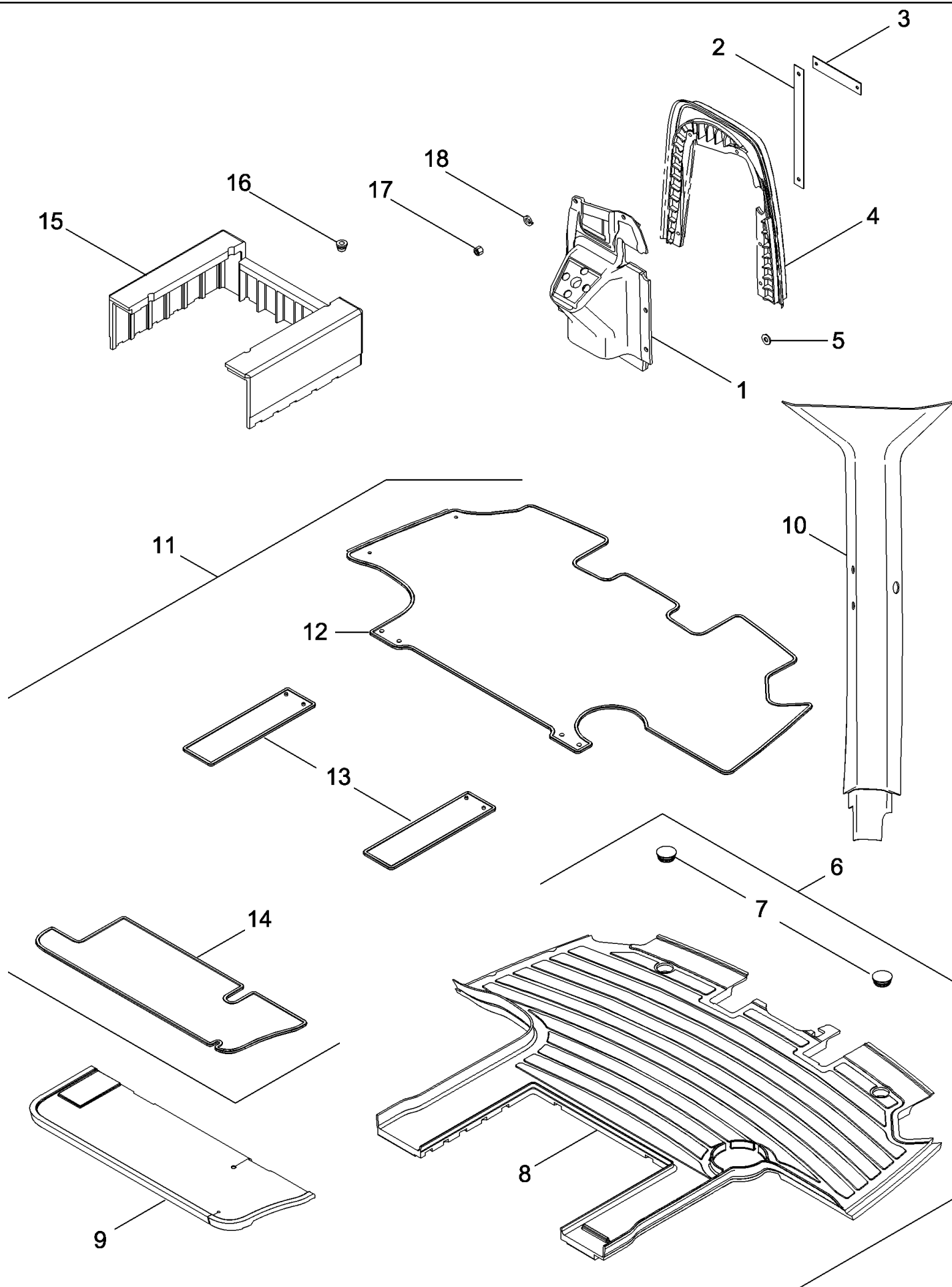
сылка	Номер детали	Кол-во	Описание
1	87427663	1	LINING, ROOF,
1	87337959	1	ROOF, With Auto Guidance
2	358790A1	1	ANCHOR, Radio
3	358772A1	1	BEZEL,
4	278316A2	3	CLIP,
5	87313359	12	FASTENER,
6	761-17325	6	SCREW, SELF TAPPING, Pan Hd, M4.2 x 25,
8	1535219C1	1	COVER, Without Radio
9	358683A1	4	GRILLE, Speaker Cover
11	368143A1	1	LAMP, Inc. 12, 13
12	107329C1	1	HARNESS, WIRE,
13	D71346	1	LAMP, TAIL,
14	292675A1	2	PLUG,
15	442244A1	6	NUT,
16	428264A5	1	BRACKET,
17	758-5	4	SCREW, SELF TAPPING, Hex Hd, M5.5 x 15,
19	895-11010	2	WASHER, M10 x 20 x 2,



MX305 CASE IH MAGNUM TRACTOR NA (1/06-9/06)

09-23 CAB - HEADLINER, DELUXE AND LUXURY TRIM

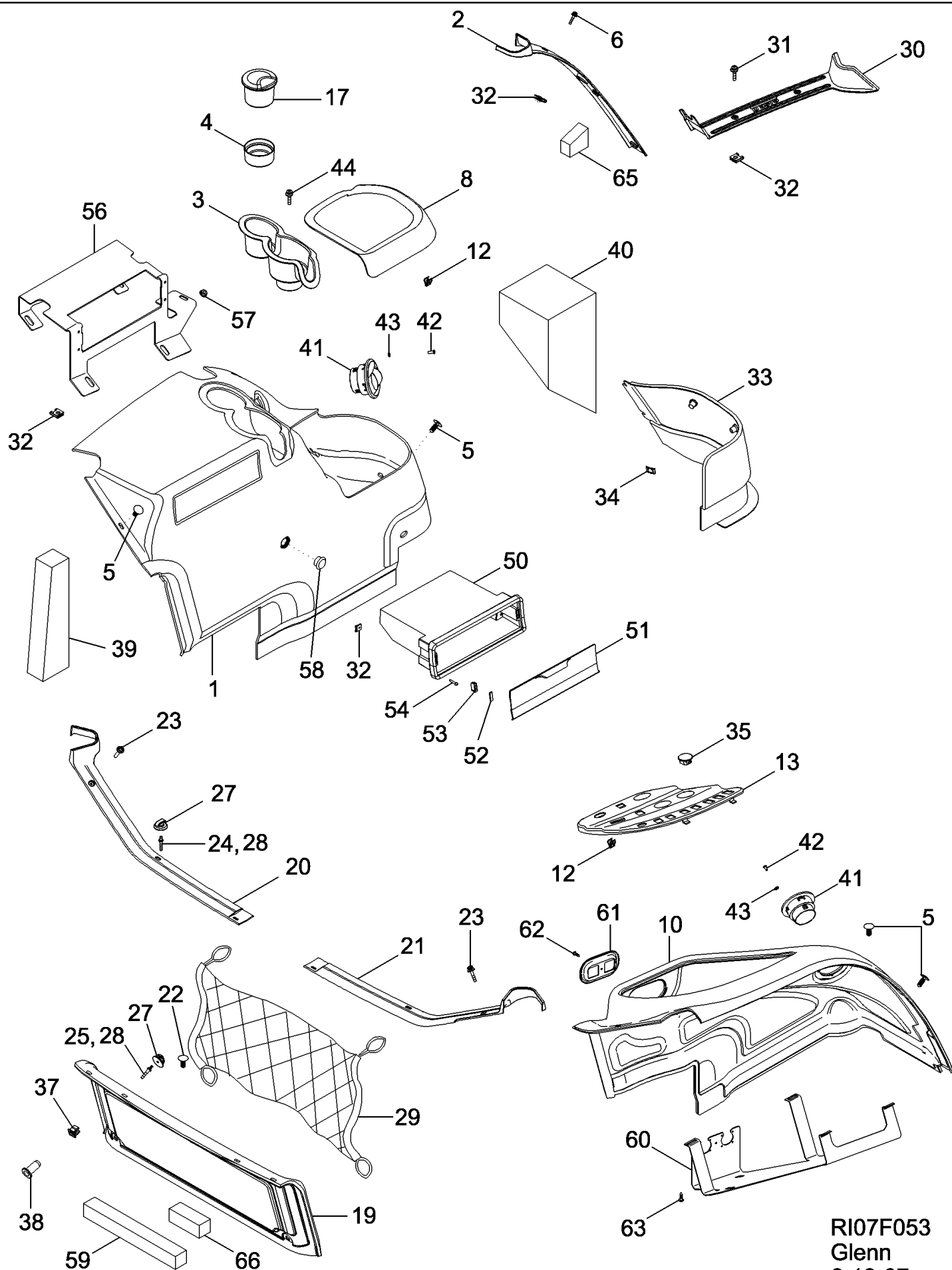
сылка	Номер детали	Кол-во	Описание
1	87427659	1	LINING, ROOF,
2	358794A2	1	BEZEL,
3	409205A2	1	BRACKET,
4	358797A1	1	BOX,
5	358798A1	1	RETAINER,
6	758-5	7	SCREW, SELF TAPPING, Hex Hd, M5.5 x 15,
7	761-17325	2	SCREW, SELF TAPPING, Pan Hd, M4.2 x 25,
8	322072A2	2	FASTENER,
9	87313359	12	FASTENER,
11	360364A1	1	BEZEL,
13	151-535	8	RIVET, Pop, 1/8" x .462",
14	87698771	4	WASHER,
15	442245A1	2	NUT,
16	104033C2	2	SCREW, SELF TAPPING, Cross Wash Hd, M4.8 x 19, Coated,
18	1535219C1	1	COVER, Without Radio
19	358683A1	4	GRILLE, Speaker Cover
25	87668030	1	VISOR, SUN, Front
26	780-14625	2	SCREW, SELF TAPPING, Hex Hd, M6.3 x 25,
30	190812A1	1	COVER,
31	308904A1	1	LIGHTER, CIGARETTE, Outlet
32	308905A1	1	LIGHTER, CIGARETTE,
33	308538A2	6	CLIP,
34	227739A2	2	CONNECTOR, ELEC,
38	333772A1	4	PLUG,
39	760-17316	2	SCREW, SELF TAPPING, Pan Hd, M4.2 x 16,
40	442244A1	2	NUT,
41	151-537	4	RIVET, Pop, 1/8" x .650",
42	428264A5	1	BRACKET,
43	895-11010	2	WASHER, M10 x 20 x 2,
44	87414959	1	LAMP, Inc.45
45	373114A1	1	BULB,
46	NSS	1	NOT SERVICED SEPARATELY, LAMP
47	107329C1	1	HARNESS, WIRE,
48	D71346	1	LAMP, TAIL,
49	1983391C1	1	LAMP, Inc. 50
50	E35556	1	BULB,
51	87668031	1	VISOR, SUN, Right Hand Side
52	195-81034	4	WASHER, 13/64" x 15/32" x .049",
53	87030526	4	SCREW, Cross Pan Hd, #10-32 x 1",
54	87668032	1	VISOR, SUN, Rear
55	87033737	4	WASHER, M8 x 28 x 3,
56	87450324	4	NUT,
57	87441605	4	FASTENER, Plug Side and Rear Sun Visor Holes
58	368143A1	1	LAMP, Inc. 46 - 48
59	358795A1	1	BOX, Inc. 4, 5



## MX305 CASE IH MAGNUM TRACTOR NA (1/06-9/06)

## 09-24 CAB - FLOOR MAT AND INSULATION

сылка	Номер детали	Кол-во	Описание
1	446820A2	1	PARTITION, Firewall, Inner
2	446823A1	1	STRAP,
3	446824A2	1	STRAP,
4	87447761	1	COVER, Firewall, Outer
5	495-81121	2	WASHER, .344" x 1 1/2" x .060",
6	297008A4	1	MAT, FLOOR, Inc. 6
7	281848A1	2	PLUG,
8	NSS	1	NOT SERVICED SEPARATELY, MAT, Floor
9	87442168	1	COVER, Shelf
10	355098A1	1	TRIM PANEL,
11	87417637	1	MAT, FLOOR, Inc. 12 - 14, Luxury Cab
12	87417636	1	MAT, FLOOR, Front, Luxury Cab
13	357074A1	2	CARPET, Side, Luxury Cab
14	357075A1	1	CARPET, Shelf, Luxury Cab
15	254325A3	1	SKIRT,
16	182220A1	1	GROMMET, If Equipped
17	832-10408	5	NUT, LOCK, M8 x 1.25, CI 8,
18	895-25008	3	WASHER, M8 x 20 x 1.6,



RI07F053  
Glenn  
6-13-07

## MX305 CASE IH MAGNUM TRACTOR NA (1/06-9/06)

## 09-25 CAB - TRIM, FENDERS

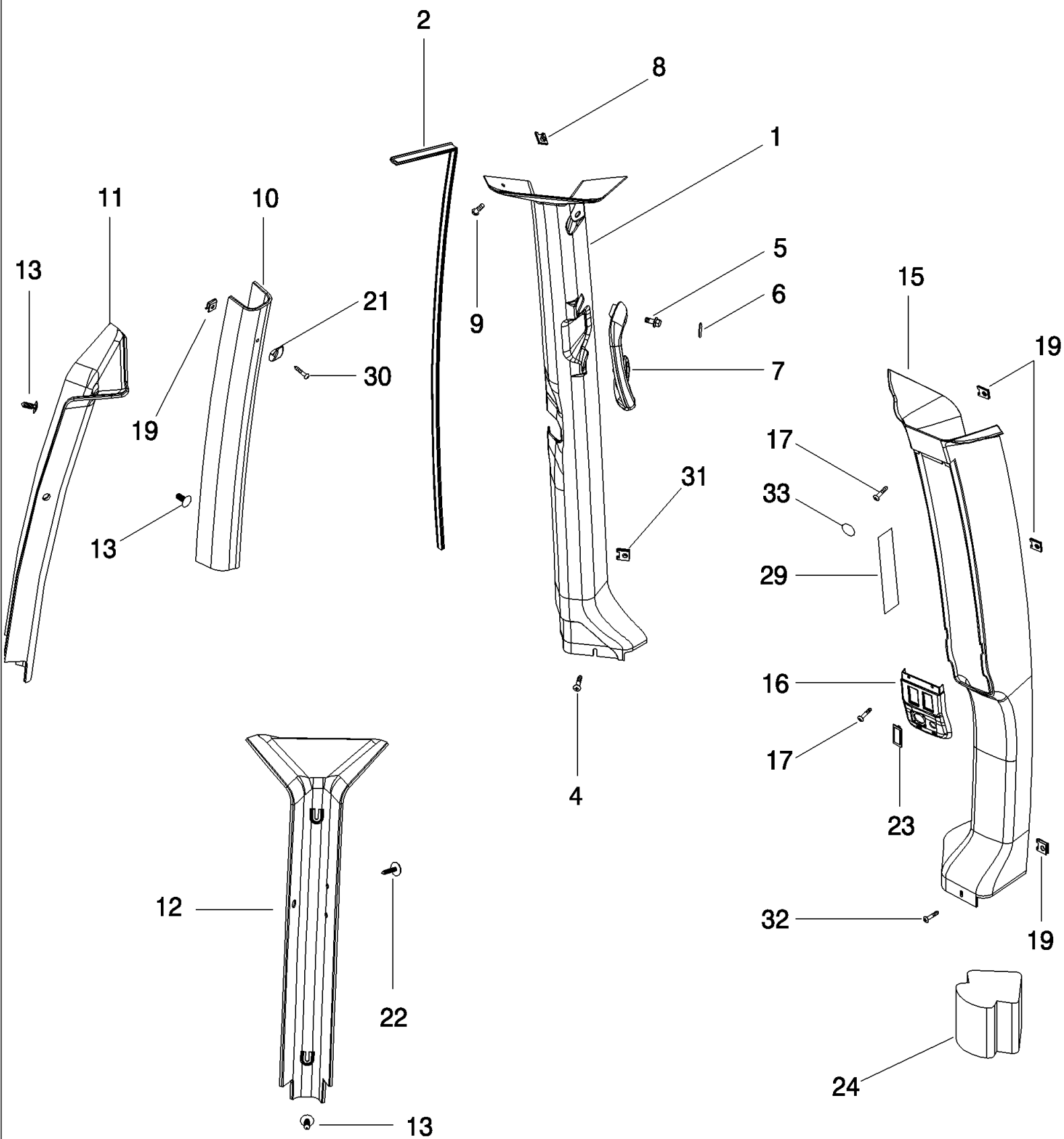
сылка	Номер детали	Кол-во	Описание
1	426575A1	1	TRIM PANEL, Left Hand, Inc. 41, Without CD Player
1	426576A1	1	TRIM PANEL, Left Hand, Inc. 41, With CD Player
2	87417629	1	TRIM PANEL,
3	358805A1	1	HOLDER,
4	301901A1	1	INSERT,
5	93199C1	15	FASTENER,
6	360362A1	4	SCREW, No. 10 x 1
8	358806A1	1	COVER,
10	87444946	1	TRIM PANEL, Right Hand
12	278316A2	6	CLIP,
13	87451321	1	PANEL, , Without Auto Temp Control
13	87451319	1	PANEL, , With Auto Temp Control
17	302456A1	1	ASH TRAY,
19	426580A1	1	TRIM PANEL, Rear
19	87313020	1	TRIM PANEL, Auto Guidance
20	357169A2	1	TRIM PANEL, Left Hand, BSN Z7RZ01382
20	87309897	1	TRIM PANEL, Left Hand, ASN Z7RZ01382
21	357168A2	1	TRIM PANEL, Right Hand, BSN Z7RZ01382
21	87309901	1	TRIM PANEL, Right Hand, ASN Z7RZ01382
22	93199C1	2	FASTENER,
23	360362A1	2	SCREW, No. 10 x 1
24	87309745	2	STUD, , ASN Z7RZ01382
25	322413A2	2	STUD, , ASN Z7RZ01382
27	359037A1	4	HOOK,
28	322413A2	4	STUD, , BSN Z7RZ01382
29	359036A1	1	RETAINER,
30	358807A1	1	SILL,
31	360362A1	2	SCREW, No. 10 x 1
32	87016569	10	NUT, U, #10-16, Panel type,
33	358682A1	1	COVER,
34	451984A1	3	NUT, SPECIAL,
35	280628A1	1	PLUG, , Without Power Mirrors
37	322072A2	2	FASTENER,
38	322073A1	2	NUT,
39	336383A1	1	PAD,
40	336385A1	1	PAD,
41	360365A1	1	DIFFUSER,
42	151-537	4	RIVET, Pop, 1/8" x .650",
43	895-11003	4	WASHER, M3,
44	104033C2	2	SCREW, SELF TAPPING, Cross Wash Hd, M4.8 x 19, Coated,
50	355101A2	1	BOX, , With CD Player
51	355102A2	1	DOOR, , With CD Player
52	364279A1	2	PLATE, , With CD Player
53	364281A1	2	CATCH, , With CD Player
54	260-16516	4	SCREW, SELF TAPPING, Cross Pan Hd, #10 x 1", , With CD Player



## MX305 CASE IH MAGNUM TRACTOR NA (1/06-9/06)

## 09-25 CAB - TRIM, FENDERS

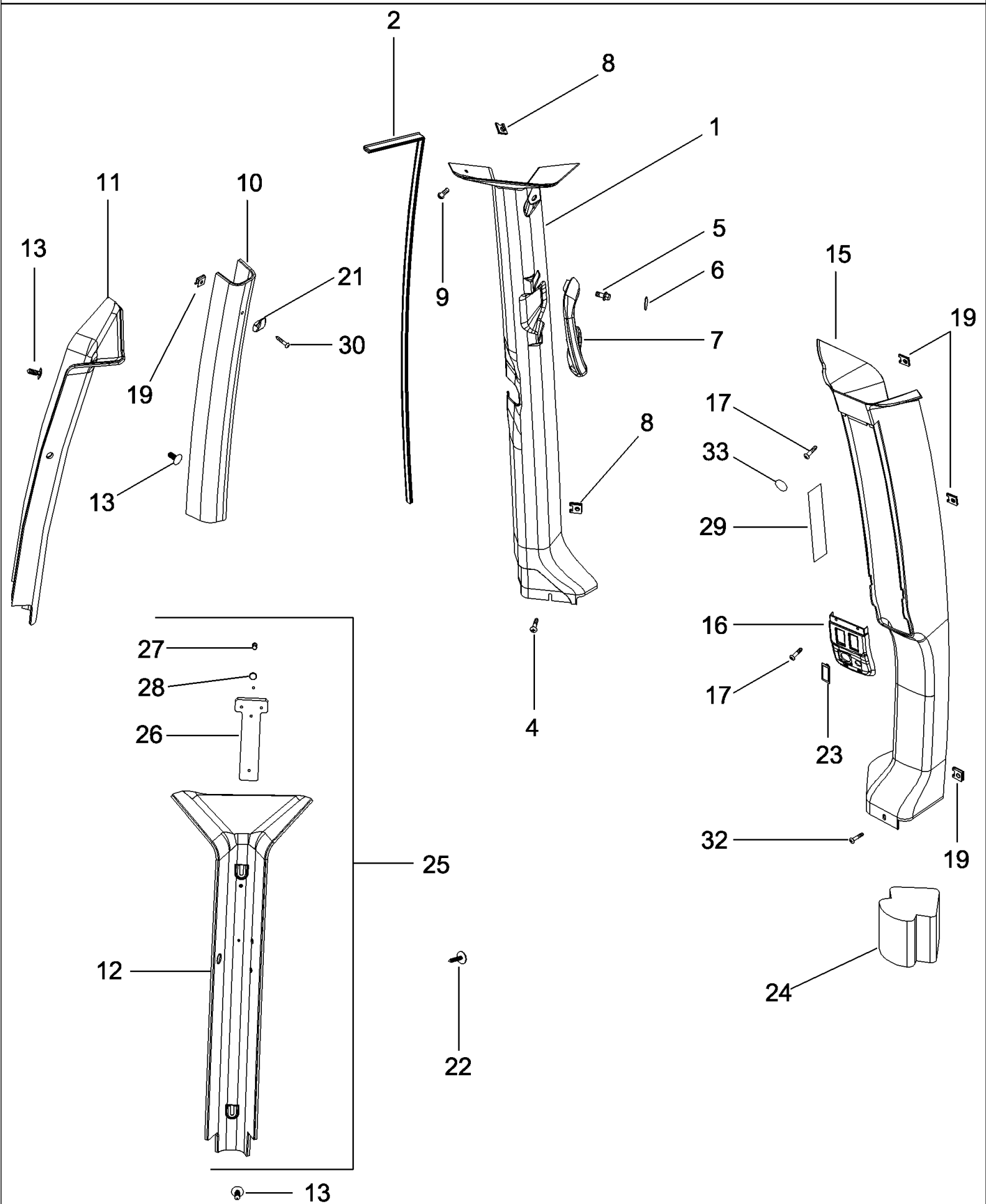
сылка	Номер детали	Кол-во	Описание
56	87679383	1	BRACKET,
57	825-2408	7	NUT, M8 x 1.25, Flg, Cl 8,
58	353-411	1	PLUG, Dome, 1.000" hole, Nylon,
59	86984858	1	FOAM,
60	405011A3	1	BRACKET,
61	428192A2	1	BEZEL,
62	760-17113	8	SCREW, SELF TAPPING, Pan Hd, M3.5 x 13,
63	760-17316	1	SCREW, SELF TAPPING, Pan Hd, M4.2 x 16,
64	376597A2	1	COVER, (Not Shown)
65	87421503	1	FOAM, Left Hand Fender Trim Support
66	87313017	2	FOAM, Auto Guidance
67	353-422	1	PLUG, Dome, 1.250" hole, Nylon, For Harness Hole In Box, (Not Shown)



## MX305 CASE IH MAGNUM TRACTOR NA (1/06-9/06)

## 09-26 CAB - TRIM, CAB POSTS

сылка	Номер детали	Кол-во	Описание
1	87417632	1	TRIM PANEL, Left Hand, Front
2	87417638	1	STRIP, RUBBER, Upper
4	104033C2	1	SCREW, SELF TAPPING, Cross Wash Hd, M4.8 x 19, Coated,
5	781-24613	2	SCREW, SELF TAPPING, Hex Flg Hd, M6 x 13,
6	87413140	2	PLUG,
7	87413139	1	HANDLE,
10	87016569	1	NUT, U, #10-16, Panel type,
9	360362A1	1	SCREW, No. 10 x 1
10	355100A1	1	COVER, Left Hand, Middle
11	355099A1	1	TRIM PANEL, Left Hand, Rear
12	355098A1	1	TRIM PANEL, Right Hand, Rear
13	93199C1	5	FASTENER,
15	444547A1	1	TRIM PANEL, Right Hand, Front
16	358804A1	1	BEZEL,
17	260-16516	6	SCREW, SELF TAPPING, Cross Pan Hd, #10 x 1",
19	177269A1	9	NUT,
21	3234176R1	1	COAT HOOK,
22	333772A1	2	PLUG,
23	245918C1	2	CAP,
24	336384A1	1	PAD,
25	358667A1	1	COVER, Right Hand, Rear, Inc. 12, 26-28
26	305688A1	1	HAMMER,
27	87610697	2	RIVET,
28	87611380	2	
29	360322A1	2	TAPE, ADHESIVE, 305 mm, Cut From 1987208C2
30	761-17325	1	SCREW, SELF TAPPING, Pan Hd, M4.2 x 25,
32	1975782C1	1	SCREW, SELF TAPPING, Cross Truss Wash Hd, #10 x 5/8",
33	376597A2	2	COVER,

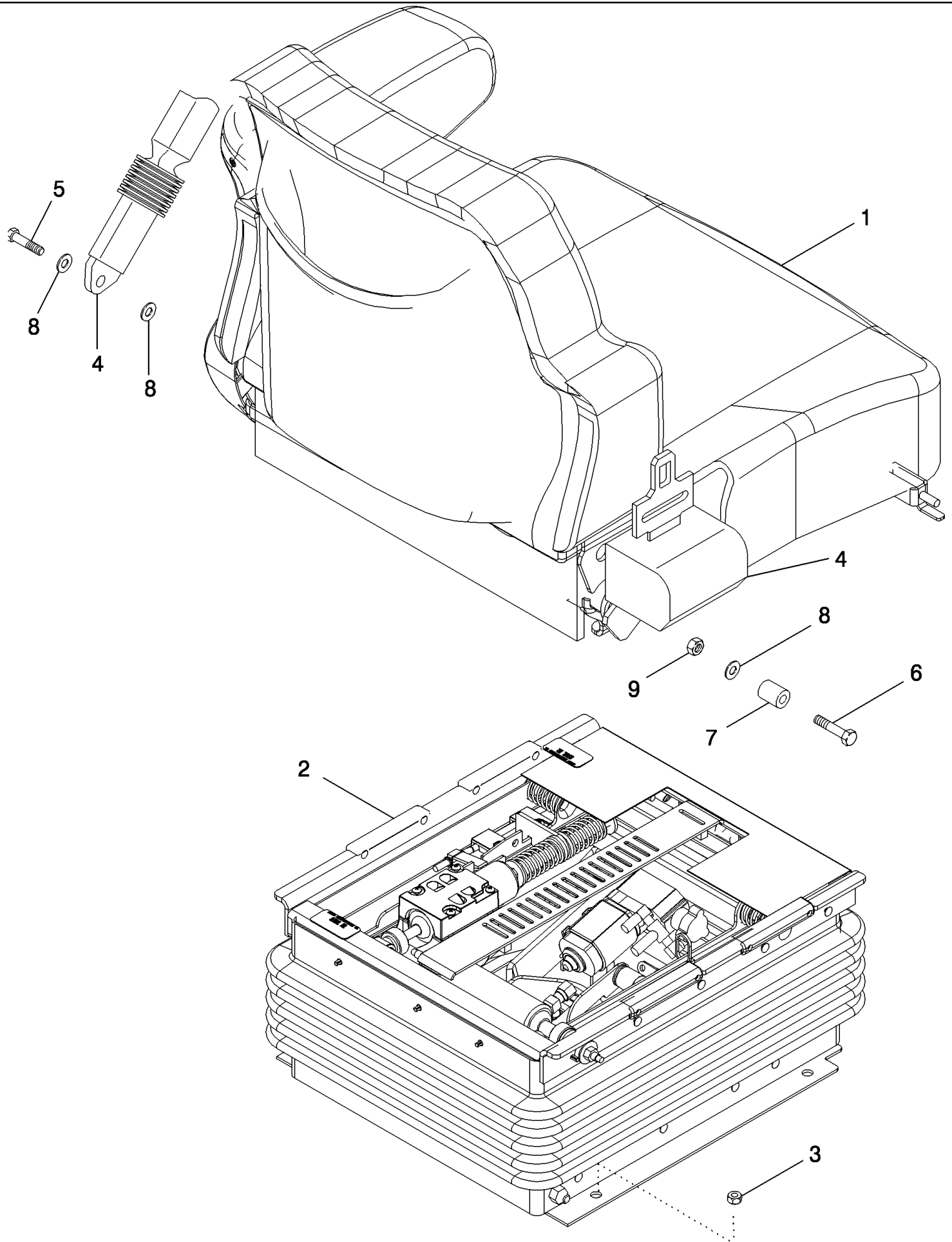


MX305 CASE IH MAGNUM TRACTOR NA (1/06-9/06)

09-27 CAB - INSTRUMENT PANEL

сылка	Номер детали	Кол-во	Описание
1	358671A1	1	COVER, Right Hand
2	358670A1	1	COVER, Left Hand
3	87449853	1	COVER, Top
4	87016569	4	NUT, U, #10-16, Panel type,
5	360362A1	4	SCREW, No. 10 x 1
6	360363A1	2	SCREW,
7	87016568	2	NUT, U, #10-16, Panel type,
8	362394A1	2	SCREW,

09-28 SEAT ASSEMBLY

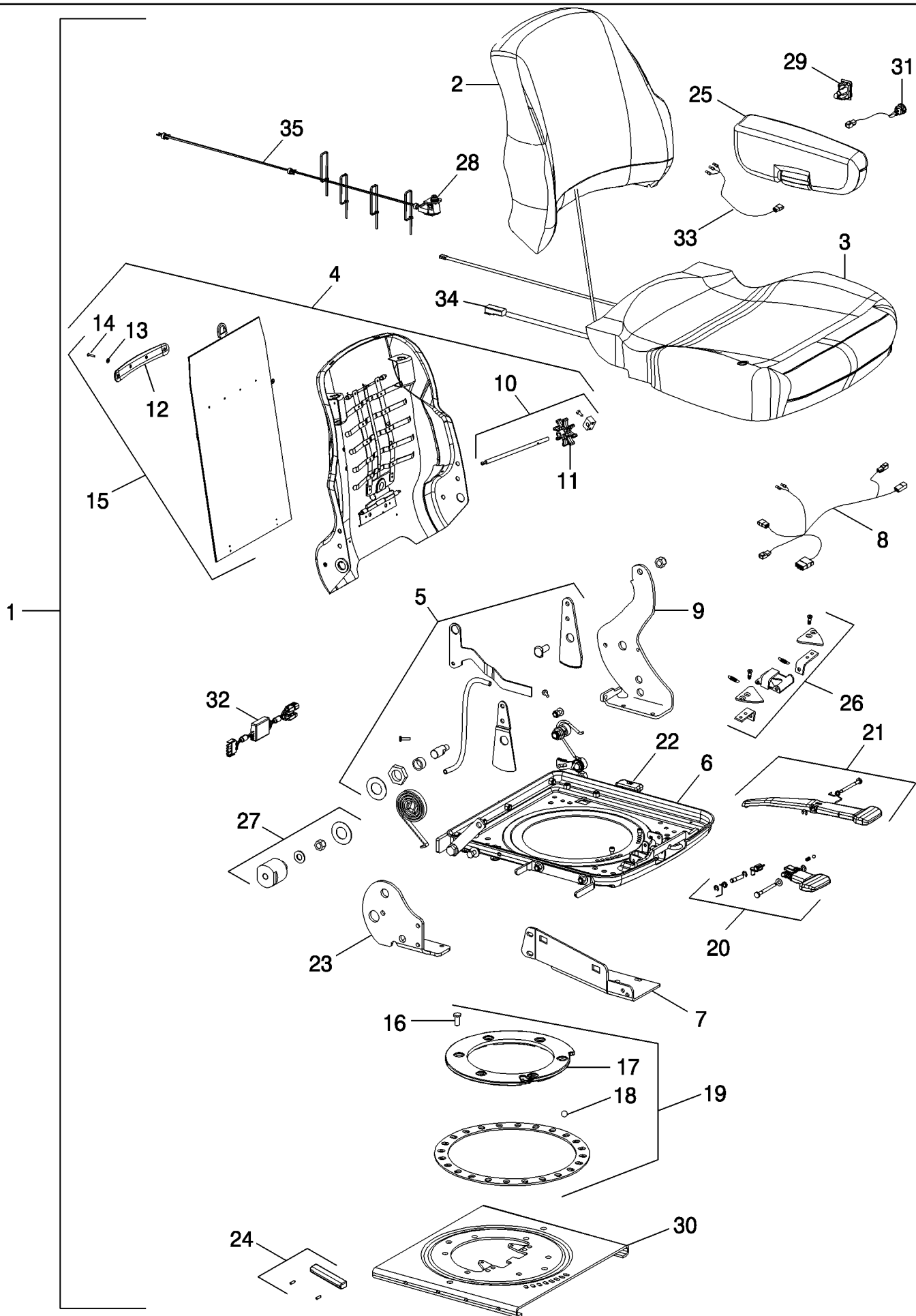


## MX305 CASE IH MAGNUM TRACTOR NA (1/06-9/06)

## 09-28 SEAT ASSEMBLY

сылка	Номер детали	Кол-во	Описание
	87454957	1	SEAT ASSY., Cloth Without Heat And Positive Response Suspension, Inc. 1 - 9
	87553810	1	SEAT ASSY., Cloth With Heat Without Positive Response Suspension, Inc. 1 - 9, ASN 1/22/2007
	87433296	1	SEAT ASSY., Cloth With Heat Without Positive Response Suspension, Inc. 1 - 9
	87433299	1	SEAT ASSY., Cloth With Heat And Positive Response Suspension, Inc.1 - 9
	87643377	1	SEAT ASSY., Cloth With Heat And Positive Response Suspension, Inc.1 - 9, ASN 1/22/2007
	87433297	1	SEAT, DRIVER, Leather With Heat And Positive Response Suspension, Inc. 1 - 9
	87553442	1	SEAT ASSY., Leather With Heat And Positive Response Suspension, Inc. 1 - 9, ASN 1/22/2007
1	87347872	1	SEAT, BACK, Cloth, Without Heat, See Figure 09-29
1	87395376	1	CUSHION, Cloth, With Heat, See Figure 09-29
1	87607883	1	SEAT ACCESSORY, Cloth With Heat, See Figure 09-29, ASN 1/22/2007
1	87607884	1	SEAT ACCESSORY, With Heat And Ride Control (No Cushion), See Figure 09-29, ASN 1/22/2007
1	87395377	1	CUSHION, Leather, With Heat, See Figure 09-29
2	87395380	1	SUSPENSION, Without Positive Response Suspension, See Figure 09-30
2	87395381	1	SUSPENSION, With Positive Response Suspension, See Figure 09-31
3	825-2408	4	NUT, M8 x 1.25, Flg, CI 8,
4	444877A1	1	SEAT BELT,
5	806-12030	1	BOLT, Hex, Lock, M12 x 30, CI 10.9,
6	806-12040	1	BOLT, Hex, Lock, M12 x 40, CI 10.9,
7	87313413	1	TUBE SPACER,
8	896-11012	3	WASHER, M13.5 x 24.5 x 3, HT,
9	829-1312	1	NUT, M12 x 1.75, CI 10,

09-29 CUSHION ASSEMBLY - SEAT





## MX305 CASE IH MAGNUM TRACTOR NA (1/06-9/06)

## 09-29 CUSHION ASSEMBLY - SEAT

сылка	Номер детали	Кол-во	Описание
1	87347872	1	SEAT, BACK, Cloth Without Heat, Inc. 1 - 30, 34, 35
1	87395376	1	CUSHION, Cloth With Heat, Inc. 1 - 35
1	87607883	1	SEAT ACCESSORY, Cloth With Heat, Inc. 1 - 38, ASN 1/22/2007
1	87607884	1	SEAT ACCESSORY, With Heat And Ride Control (No Cushion) Inc. 1 - 38, ASN 1/22/2007
1	87395377	1	CUSHION, Leather With Heat, Inc. 1 - 35
2	373476A1	1	CUSHION, Cloth Without Heat
2	87395385	1	CUSHION, Cloth With Heat, Use for Seat Assy 87433299
2	87607891	1	CUSHION, Cloth With Heat
2	87397614	1	CUSHION, SEAT, Leather With Heat
3	87347893	1	CUSHION, SEAT, Cloth Without Heat, Inc. 34
3	87395384	1	CUSHION, SEAT, Cloth With Heat, Use for Seat Assy 87433299, Inc. 34
3	87607890	1	CUSHION, SEAT, Cloth With/Heat, Inc. 34
3	87397613	1	CUSHION, Leather With Heat, Inc. 34
4	86994155	1	ASSEMBLY, Backrest, Inc. 10, 15
4	87714731	1	SUPPORT, SEAT, Backrest
5	86994165	1	SEAT ACCESSORY, Recliner Kit, Inc. 22
6	NSS	1	NOT SERVICED SEPARATELY, PAN, Seat
7	86994157	1	BRACKET, Console Mount, Front
8	87347944	1	KIT, SERVICE, HARNESS, Seat and Suspension
9	NSS	1	NOT SERVICED SEPARATELY, BRACKET
10	87308130	1	SEAT BACK ADJUST. DEVICE, Lumbar
11	87037462	1	SEAT BACK ADJUST. DEVICE, Lumbar
12	NSS	1	NOT SERVICED SEPARATELY, SUPPORT, Manual Holder
13	NSS	4	NOT SERVICED SEPARATELY, WASHER, 1/8 x 23/64 x 3/64
14	NSS	4	NOT SERVICED SEPARATELY, RIVET, Pop, 1/8
15	86994172	1	KIT, SERVICE, Operators Manual, Cloth, Inc. 12, 13, 14
16	NSS	6	NOT SERVICED SEPARATELY, BOLT, Swivel Retainer
17	NSS	1	NOT SERVICED SEPARATELY, RETAINER, Swivel
18	NSS	24	NOT SERVICED SEPARATELY, BALL, 1/2
19	87347936	1	KIT, SERVICE, Swivel, Inc. 16, 17,18
20	87347942	1	KIT, SERVICE, Swivel Control
21	87347941	1	KIT, SERVICE, Slide Control
22	87416475	1	KNOB, Recliner Control
23	NSS	1	NOT SERVICED SEPARATELY, BRACKET
24	302016A1	1	PACKAGE,SERVICE, Slide Pucks
25	87347939	1	KIT, SERVICE, Armrest, Left Hand, Cloth Without Heat
25	86994250	1	ARMREST, Armrest, Left Hand, Cloth With Heat
25	87620257	1	ARMREST, Armrest, Left Hand, Cloth With Heat, ASN 01/22/2007
25	87397616	1	ARMREST, Left Hand, Leather With Heat
25	87620258	1	ARMREST, Left Hand, Leather With Heat, ASN 01/22/2007
26	87347934	1	LATCH, Slide
27	87396230	1	BUSHING, KIT,Console
28	86400227	1	SWITCH, ASSY, Plunger SPST
29	87347940	1	KIT, SERVICE, Air Control
30	87347956	1	KIT, SERVICE, Swivel

## MX305 CASE IH MAGNUM TRACTOR NA (1/06-9/06)

## 09-29 CUSHION ASSEMBLY - SEAT

сылка	Номер детали	Кол-во	Описание
31	87395388	1	SWITCH, Heater, 3 Position
31	87607893	1	SEAT ACCESSORY, Heater, 2 Position
32	87395389	1	CONTROL, With Heat
33	87395390	1	HARNESS, Heater Switch
34	NSS	1	NOT SERVICED SEPARATELY, HARNESS
35	NSS	1	NOT SERVICED SEPARATELY, HARNESS
36	87611650	1	SWITCH, Ride Control (Not Shown), ASN 01/22/2007
37	87626130	1	HARNESS, Ride Control (Not Shown), ASN 01/22/2007
38	87590287	1	SUPPORT, Lower (Not Shown), ASN 01/22/2007

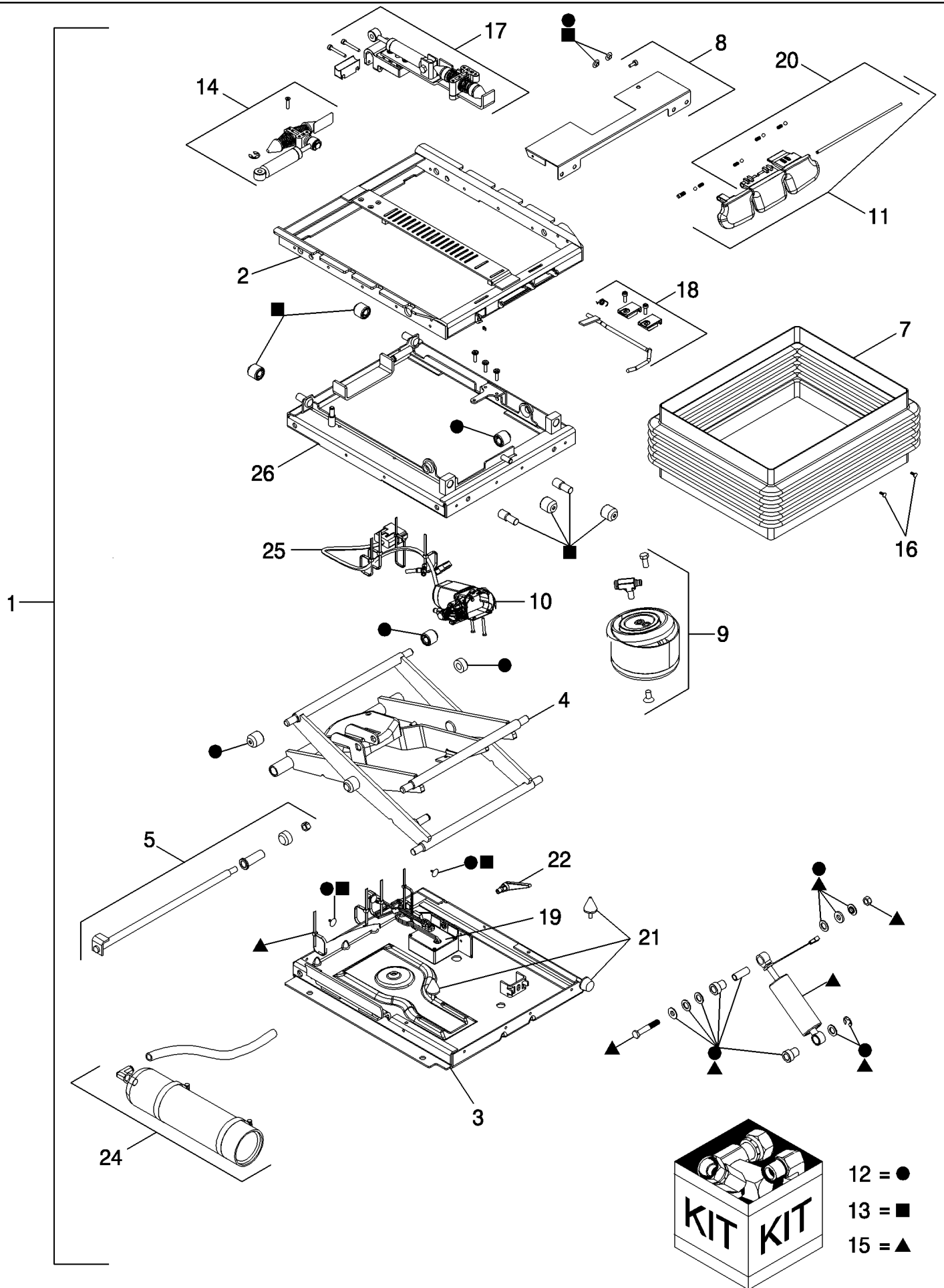


## MX305 CASE IH MAGNUM TRACTOR NA (1/06-9/06)

## 09-30 SUSPENSION ASSEMBLY - SEAT

сылка	Номер детали	Кол-во	Описание
1	87395380	1	SUSPENSION, Inc. 2 - 24
2	87395392	1	HOUSING, Upper
3	333275A1	1	HOUSING, Lower
4	333276A1	1	ARM,
5	302033A1	1	SHAFT,
6	87347944	1	KIT, SERVICE, Harness, (Not Shown)
7	87347943	1	KIT, SERVICE, Suspension Boot
8	302029A2	1	PLATE,
9	333279A2	1	KIT, Air Spring
10	87347951	1	KIT, SERVICE, Air Compressor
11	87347945	1	KIT, SERVICE, Suspension Bearing And Rollers
12	87347946	1	KIT, SERVICE, Isolator Rollers
13	87395394	1	ISOLATOR, Lateral Isolator Shock Absorber
14	447956A1	1	PACKAGE,SERVICE, Suspension Shock Absorber
15	333659A1	1	PACKAGE,SERVICE, Boot Pin
16	87395395	1	ISOLATOR, Fore And Aft Shock Absorber
17	373470A2	1	PACKAGE,SERVICE, Fore And Aft Isolator Control
18	373473A1	1	PACKAGE,SERVICE, Lateral Isolator Control
19	333295A1	1	PACKAGE,SERVICE, Suspension Bumper
20	87396231	1	TUBE, PLASTIC-RUBBER, Tube And Fitting
21	333296A1	1	PACKAGE,SERVICE, Fore And Aft Isolator Shock Block, (Not Shown)
22	87347955	1	CABLE, Suspension Shock Cable
23	87395393	1	HOUSING,
24	373469A1	1	PACKAGE,SERVICE, Knobs, Suspension

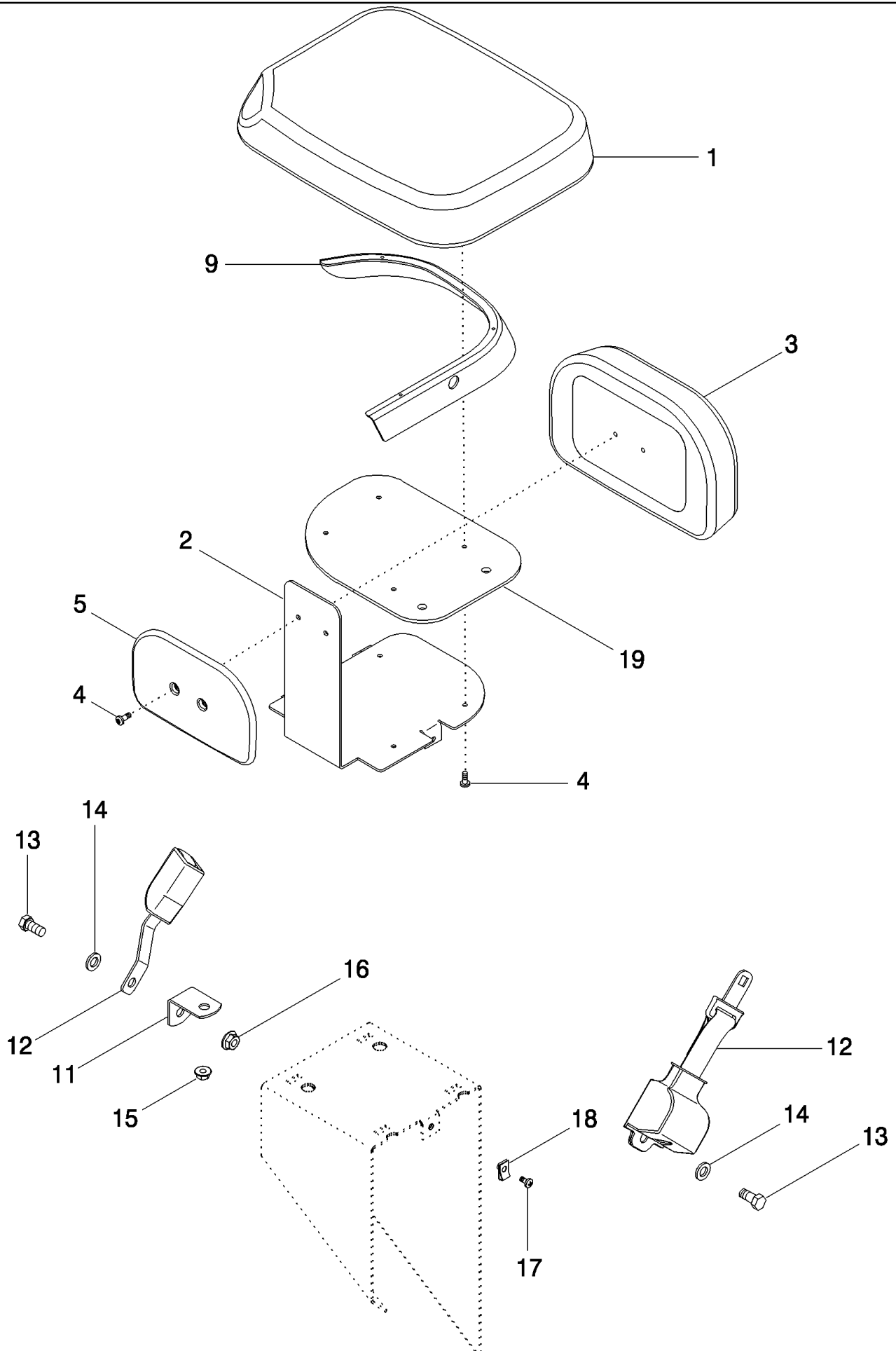
09-31 POSITIVE RESPONSE SUSPENSION ASSEMBLY - SEAT



## MX305 CASE IH MAGNUM TRACTOR NA (1/06-9/06)

## 09-31 POSITIVE RESPONSE SUSPENSION ASSEMBLY - SEAT

сылка	Номер детали	Кол-во	Описание
1	87395381	1	SUSPENSION, Inc. 2 - 26
2	87395392	1	HOUSING, Upper
3	86994256	1	HOUSING, Lower
4	86994258	1	ARM,
5	302033A1	1	SHAFT,
6	87347944	1	KIT, SERVICE, Harness, (Not Shown)
7	87347943	1	KIT, SERVICE, Suspension Boot
8	302029A2	1	PLATE,
9	333279A2	1	KIT, Air Spring
10	87347951	1	KIT, SERVICE, Compressor
11	87407047	1	KIT, SERVICE, Knobs
12	87347945	1	KIT, SERVICE, Suspension Bearing And Rollers
13	87347946	1	KIT, SERVICE, Isolator Rollers
14	87395394	1	ISOLATOR, Lateral Isolator Shock Absorber
15	86994260	1	KIT, SERVICE, Shock
16	333659A1	1	PACKAGE,SERVICE, Boot Pin
17	87395395	1	ISOLATOR, Fore And Aft Shock Absorber
18	373470A2	1	PACKAGE,SERVICE, Fore And Aft Isolator Control
19	87395396	1	DAMPER, Control Kit
20	373473A1	1	PACKAGE,SERVICE, Lateral Isolator Control
21	333295A1	1	PACKAGE,SERVICE, Suspension Bumper
22	86994267	1	LEVER, Suspension Shock Cable
23	333296A1	1	PACKAGE,SERVICE, Fore And Aft Isolator Shock Block (Not Shown)
24	87347960	1	KIT, SERVICE, Air Tank
25	87396231	1	TUBE, PLASTIC-RUBBER, Air Tank Hose
26	87395393	1	HOUSING,

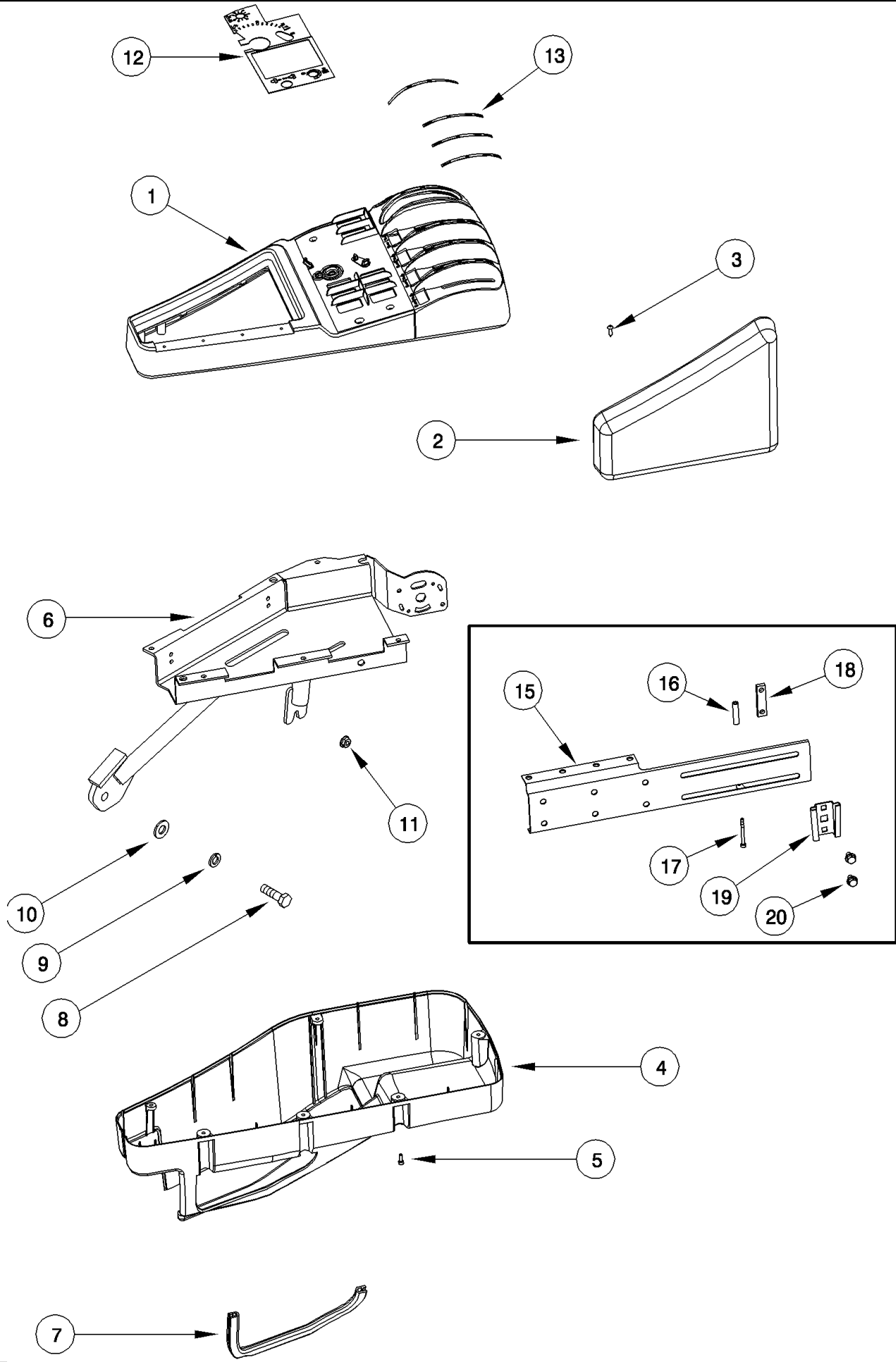


## MX305 CASE IH MAGNUM TRACTOR NA (1/06-9/06)

## 09-32 SEAT - INSTRUCTIONAL

сылка	Номер детали	Кол-во	Описание
1	359027A1	1	CUSHION, SEAT, , Deluxe Cab, Standard Cab
1	359030A2	1	COVER, SEAT, , Luxury Cab
2	296316A3	1	SUPPORT,
3	359028A1	1	COVER, BACKREST, , Standard Cab, Deluxe Cab
3	359031A2	1	COVER, BACKREST, , Luxury Cab
4	840-2616	6	SCREW, Cross Pan Hd, M6 x 16,
5	359029A1	1	COVER,
9	359039A1	1	BEZEL,
11	309099A1	1	SUPPORT,
12	224808A1	1	SEAT BELT,
13	614-12025	2	BOLT, Hex, M12 x 25, 8.8,
14	896-11012	2	WASHER, M13.5 x 24.5 x 3, HT,
15	825-51410	1	NUT, M10, Flg Ser,
16	825-51412	1	NUT, M12, Flg Ser,
17	844-6025	1	BOLT, Hex Flg, M6 x 25, 8.8,
18	833-40306	1	NUT, M6, U,
19	381940A1	1	PANEL,

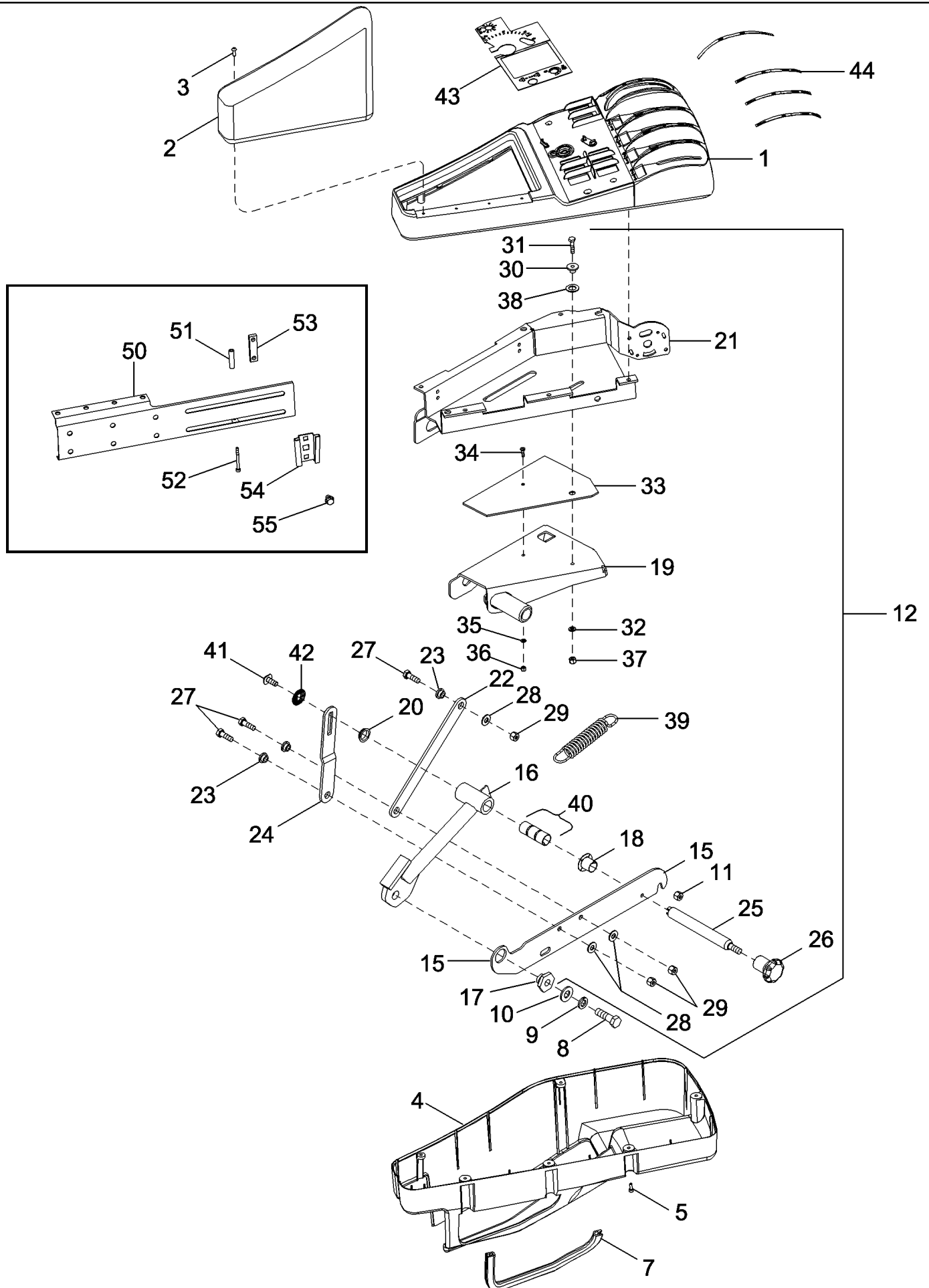




## MX305 CASE IH MAGNUM TRACTOR NA (1/06-9/06)

09-33 CONSOLE, RIGHT HAND, STANDARD CAB

сылка	Номер детали	Кол-во	Описание
1	87453890	1	HOUSING, Upper, Inc. 13
1	87341495	1	COVER, Upper, No Hitch, Inc. 13
2	277204A2	1	CUSHION,
3	760-14316	4	SCREW, SELF TAPPING, Pan Hd, M4.2 x 16,
4	87364407	1	HOUSING, Lower
5	864-4012	6	SCREW, Hex Soc Hd, M4 x 12, 8.8,
6	87519424	1	SUPPORT,
7	329057A1	1	LINING,
8	827-12050	1	BOLT, Hex, M12 x 50, 10.9,
9	892-11012	1	WASHER, LOCK, M12,
10	895-15012	1	WASHER, M12 x 28 x 2.5,
11	832-10408	1	NUT, LOCK, M8 x 1.25, CI 8,
12	87453893	1	DECAL,
12	87350580	1	DECAL, No Hitch
13	407759A1	1	DECAL,
15	377950A1	1	BRACKET,
16	371731A1	1	SPACER,
17	864-4060	1	SCREW, Hex Soc Hd, M4 x 60, 8.8,
18	368761A1	1	PLATE,
19	A59457	1	BRACKET,
20	844-8012	2	BOLT, Hex Flg, M8 x 12, 8.8, Full Thd,
21	895-11008	1	WASHER, M8 x 16 x 1.6, (Not Shown)



MX305 CASE IH MAGNUM TRACTOR NA (1/06-9/06)

09-34 CONSOLE, RIGHT HAND, DELUXE AND LUXURY CAB - BSN Z6RZ04001

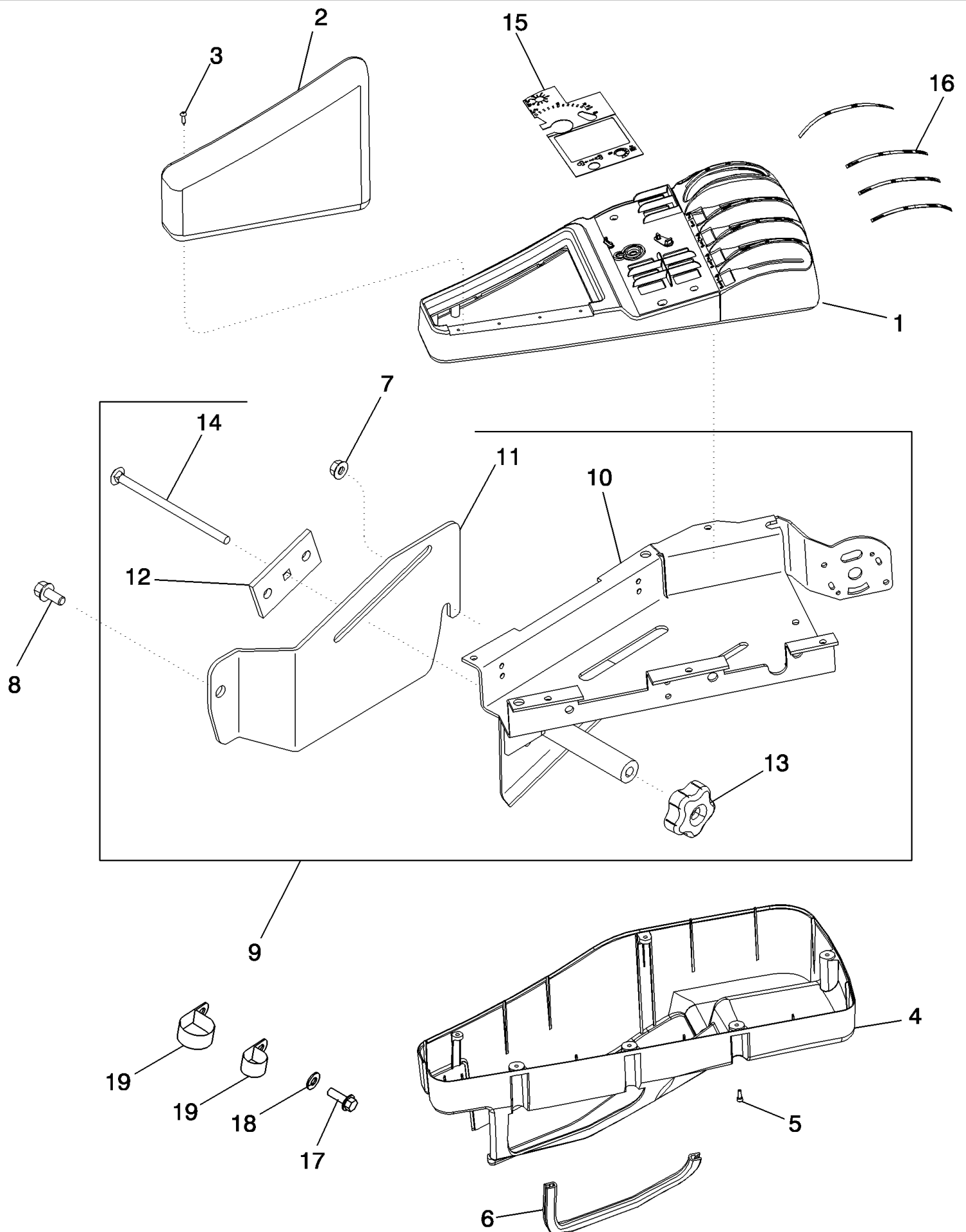
сылка	Номер детали	Кол-во	Описание
1	87453890	1	HOUSING, Upper, Inc. 44
1	87341495	1	COVER, Upper, No Hitch, Inc. 44
2	277204A2	1	CUSHION, , Deluxe Cab
2	358812A2	1	CUSHION ASSY., , Luxury Cab
3	760-14316	4	SCREW, SELF TAPPING, Pan Hd, M4.2 x 16,
4	87364407	1	HOUSING, Lower
5	864-4012	6	SCREW, Hex Soc Hd, M4 x 12, 8.8,
7	329057A1	1	LINING,
8	827-12050	1	BOLT, Hex, M12 x 50, 10.9,
9	892-11012	1	WASHER, LOCK, M12,
10	895-15012	1	WASHER, M12 x 28 x 2.5,
11	832-10408	1	NUT, LOCK, M8 x 1.25, CI 8,
12	87519426	1	SUPPORT, Inc. 15 - 42
15	NSS	1	NOT SERVICED SEPARATELY, PLATE
16	NSS	1	NOT SERVICED SEPARATELY, SUPPORT
17	222292A1	1	NUT,
18	185062R1	1	BUSHING,
19	NSS	1	NOT SERVICED SEPARATELY, SUPPORT
20	294296A1	1	BUSHING,
21	NSS	1	NOT SERVICED SEPARATELY, SUPPORT
22	NSS	1	NOT SERVICED SEPARATELY, BRACKET
23	NSS	3	NOT SERVICED SEPARATELY, WASHER, Special
24	NSS	1	NOT SERVICED SEPARATELY, BRACKET
25	NSS	1	NOT SERVICED SEPARATELY, BOLT, Special
26	319870A1	1	KNOB,
27	627-8025	3	BOLT, Hex, M8 x 25, 10.9,
28	895-15008	3	WASHER, M8 x 20 x 1.6,
29	832-10408	3	NUT, LOCK, M8 x 1.25, CI 8,
30	277582A1	1	WASHER,
31	628-6025	1	BOLT, Hex, M6 x 25, 10.9, Full Thd,
32	895-11006	1	WASHER, M6,
33	277576A1	1	SPACER,
34	840-1414	1	SCREW, Cross Pan Hd, M4 x 14,
35	895-11004	1	WASHER, M4,
36	832-10404	1	NUT, LOCK, M4 x .7, CI 8,
37	832-10406	1	NUT, LOCK, M6 x 1, CI 8,
38	277570A1	1	WASHER,
39	NSS	1	NOT SERVICED SEPARATELY, SPRING
40	294295A1	3	BEARING, NYLON,
41	NSS	1	NOT SERVICED SEPARATELY, BOLT, Special
42	NSS	1	NOT SERVICED SEPARATELY, WASHER, Special
43	406315A2	1	DECAL,
44	407759A1	1	DECAL,
	371336A1	1	KIT, Implement Control Bracket, Inc. 50 - 55
50	377950A1	1	BRACKET,

MX305 CASE IH MAGNUM TRACTOR NA (1/06-9/06)

09-34 CONSOLE, RIGHT HAND, DELUXE AND LUXURY CAB - BSN Z6RZ04001

сылка	Номер детали	Кол-во	Описание
-------	--------------	--------	----------

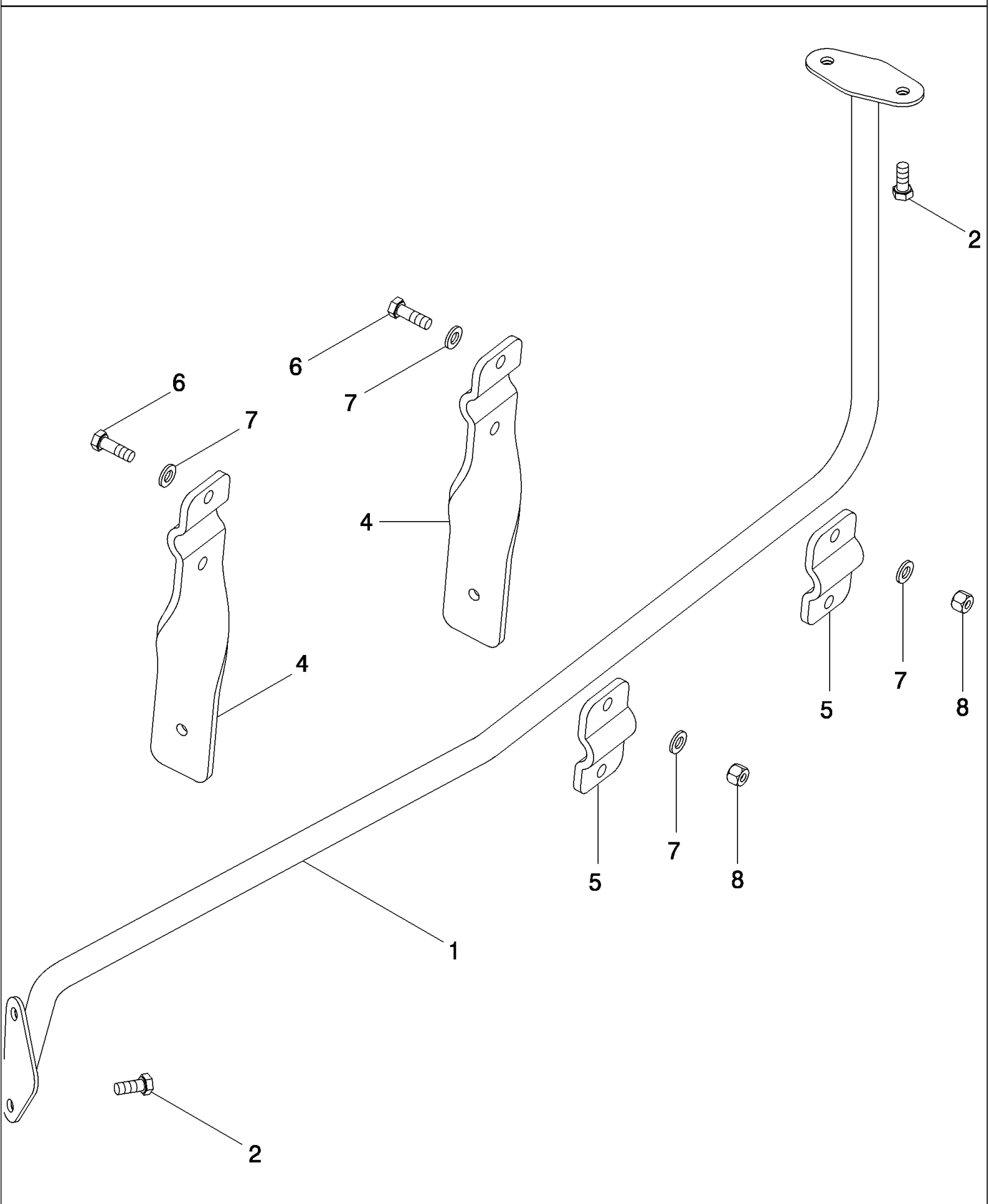
51	371731A1	1	SPACER,
52	864-4060	1	SCREW, Hex Soc Hd, M4 x 60, 8.8,
53	368761A1	1	PLATE,
54	A59457	1	BRACKET,
55	844-8012	2	BOLT, Hex Flg, M8 x 12, 8.8, Full Thd,



MX305 CASE IH MAGNUM TRACTOR NA (1/06-9/06)

09-35 CONSOLE, RIGHT HAND, DELUXE AND LUXURY CAB - ASN Z6RZ04001

сылка	Номер детали	Кол-во	Описание
1	87453890	1	HOUSING, Upper, Inc. 15
1	87341495	1	COVER, Upper, No Hitch, Inc. 15
2	277204A2	1	CUSHION, , Deluxe Cab
2	358812A2	1	CUSHION ASSY., , Luxury Cab
3	760-14316	4	SCREW, SELF TAPPING, Pan Hd, M4.2 x 16,
4	87364407	1	HOUSING, Lower
5	368048A1	6	SCREW,
6	329057A1	1	LINING,
7	87547587	1	NUT, M10
8	9804261	1	BOLT, Hex Flg, M10 x 25, 8.8,
9	87566268	1	Inc. 10 - 14
10	87604588	1	SUPPORT,
11	87604589	1	BRACKET,
12	87604590	1	PLATE,
13	87566581	1	KNOB,
14	87578954	1	BOLT, M10 x 160; 8.8
15	87453893	1	DECAL,
15	87350580	1	DECAL, No Hitch
16	407759A1	1	DECAL,
17	9804262	1	BOLT, Hex Flg, M10 x 30, 8.8,
18	86625253	1	WASHER, M11 x 24 x 2,
19	515-24302	1	CLAMP, 1 3/16", Insul, 7/16" Bolt, Not Used when SWCD Package is Installed
19	515-24444	1	CLAMP, 1 3/4", Insul, 7/16" Bolt, Only Used when SWCD Package is Installed

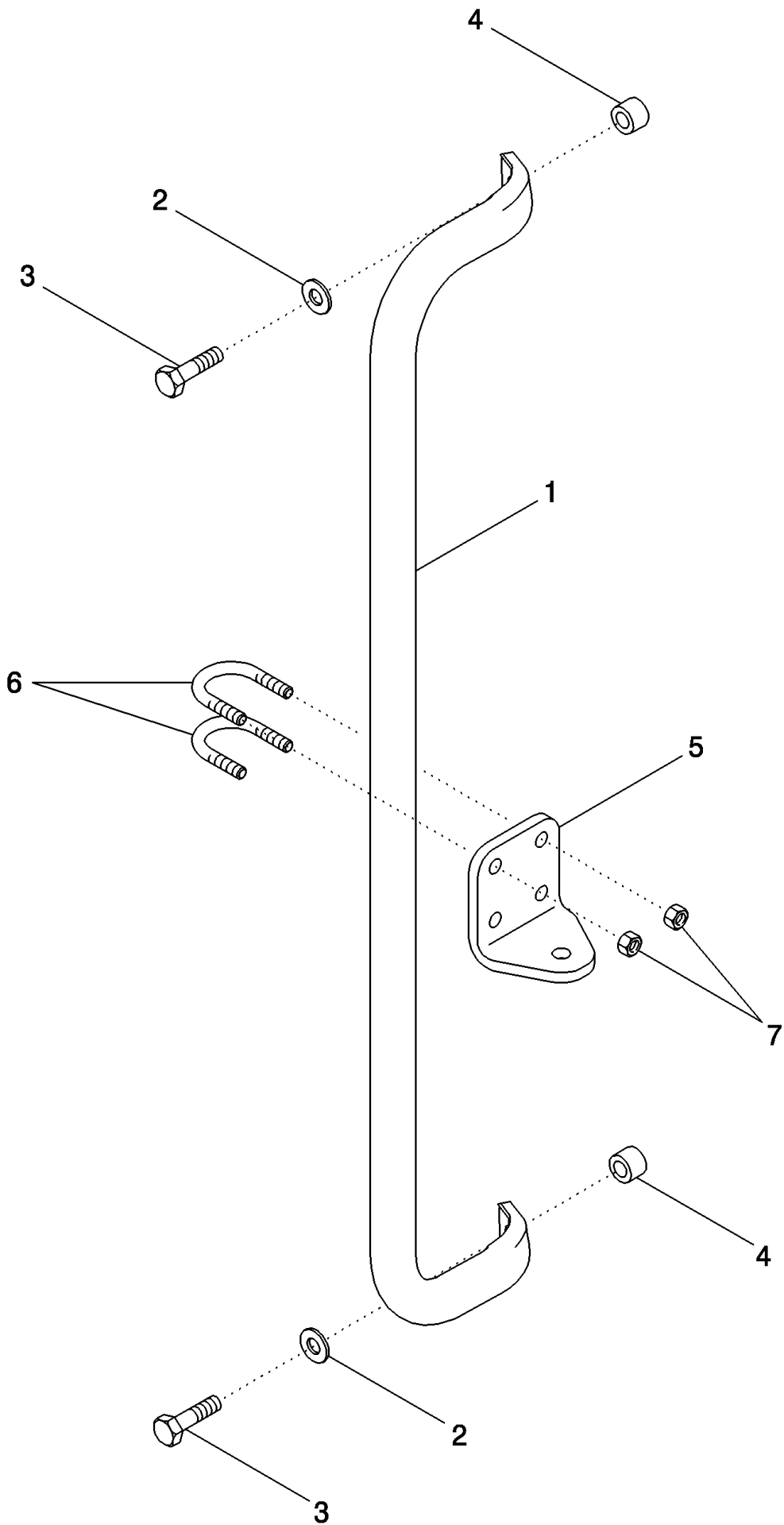




## MX305 CASE IH MAGNUM TRACTOR NA (1/06-9/06)

## 09-36 MONITOR MOUNTING - CAB ROOF

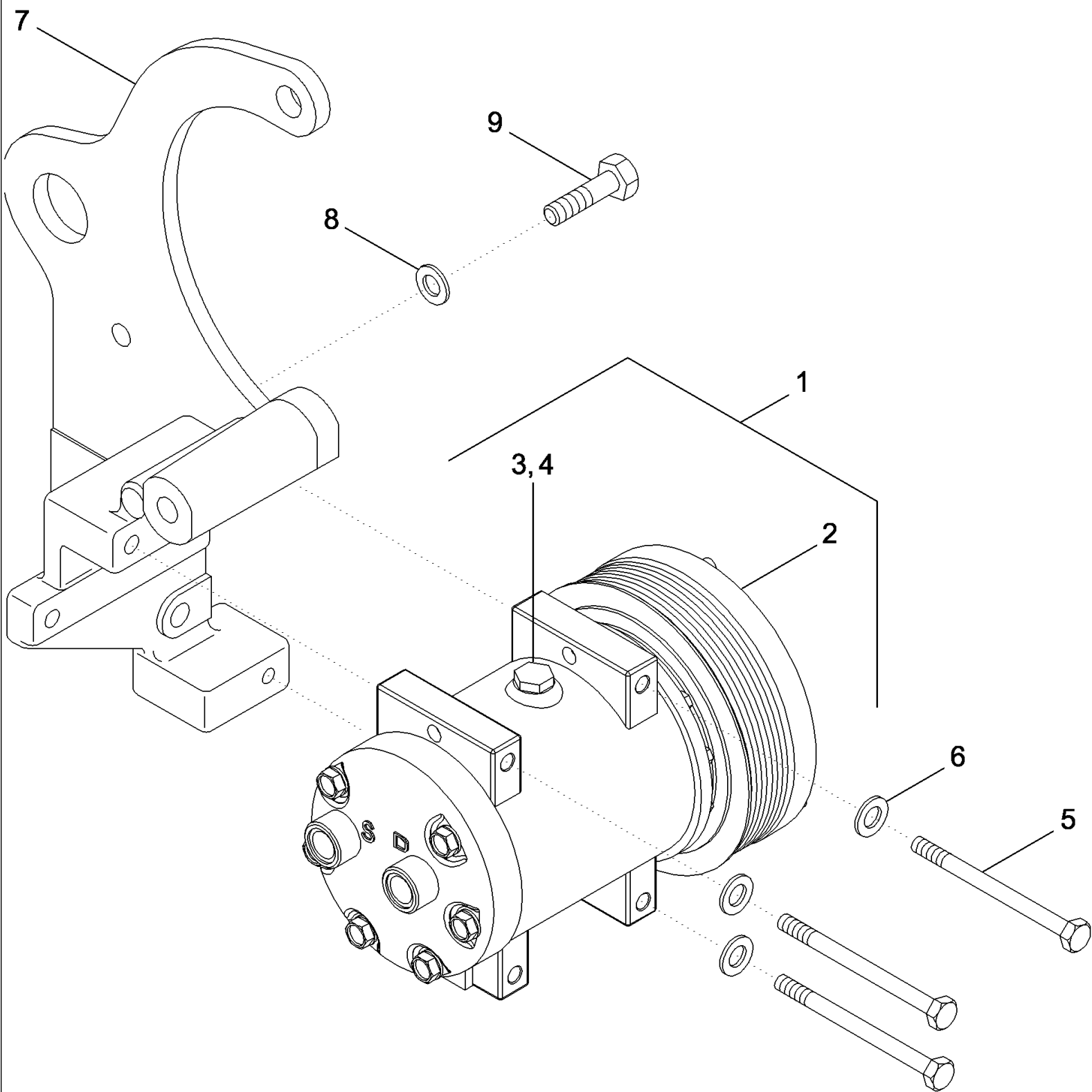
сылка	Номер детали	Кол-во	Описание
1	87439072	1	BAR,
2	863-8020	4	SCREW, Hex Soc Hd, M8 x 20, 12.9,
4	103213A1	2	HOLDER,
5	103226A1	2	CLAMP,
6	514-633	4	BOLT, Hex, M8 x 30, 8.8, Full Thd,
7	256402A1	8	WASHER, 9 x 17 x 1.6 mm
8	832-10408	4	NUT, LOCK, M8 x 1.25, Cl 8,



MX305 CASE IH MAGNUM TRACTOR NA (1/06-9/06)

09-37 MONITOR MOUNTING - CAB A POST

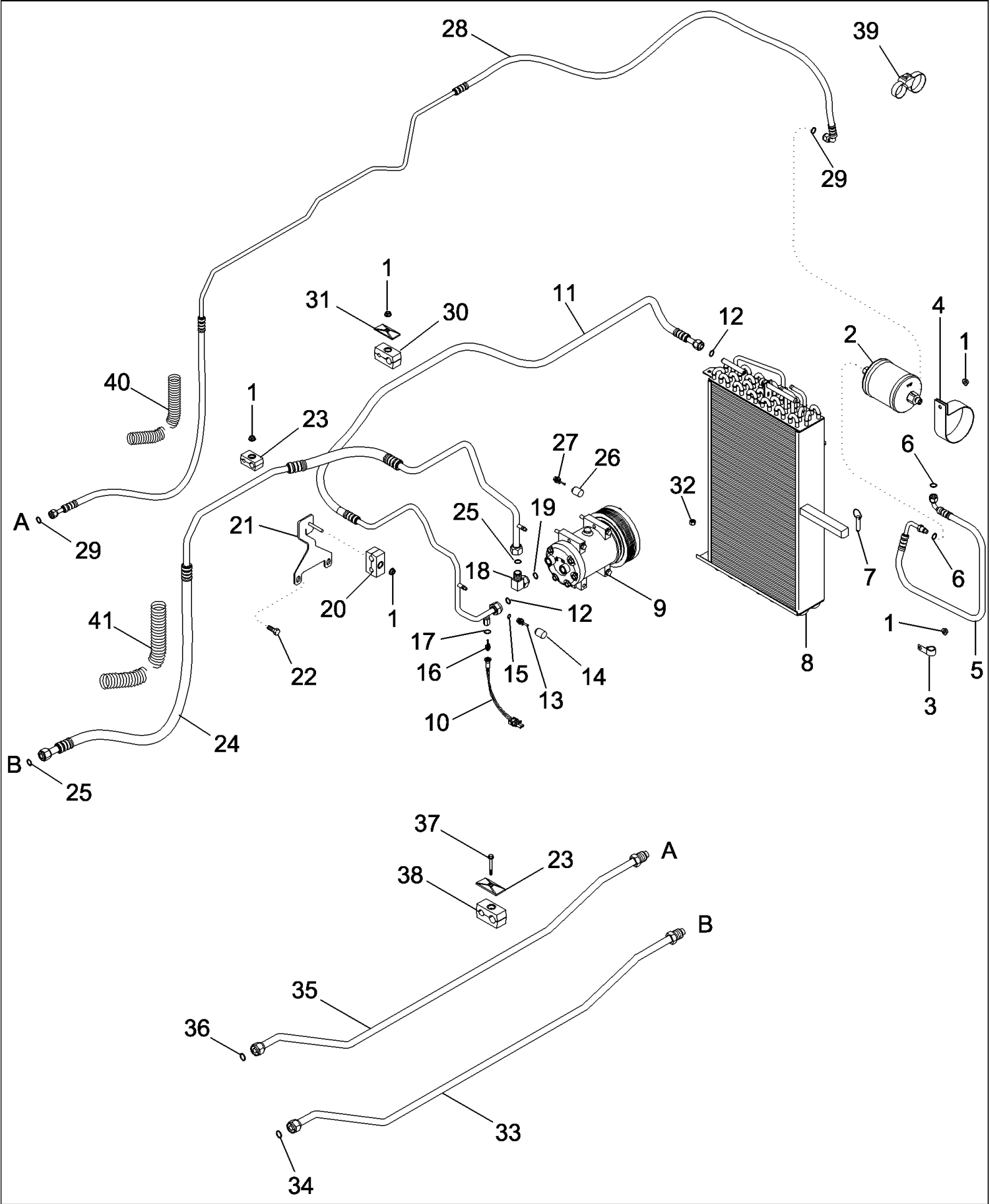
сылка	Номер детали	Кол-во	Описание
1	369275A1	1	TUBE,
2	895-11008	2	WASHER, M8 x 16 x 1.6,
3	827-8035	2	BOLT, Hex, M8 x 35, 10.9,
4	371838A1	2	SPACER,
5	87530660	1	BRACKET,
6	87526197	2	U-BOLT, 1/4 in
7	425-104	4	NUT, 1/4"-20, G5,



MX305 CASE IH MAGNUM TRACTOR NA (1/06-9/06)

09-38 AIR CONDITIONING - COMPRESSOR MOUNTING

сылка	Номер детали	Кол-во	Описание
1	86993463	1	COMPRESSOR, AIRCOND, Inc. 2 - 4
2	403585A1	1	CLUTCH,
3	A49667	1	PLUG,
4	128483A1	1	O-RING, 5/16 ID x 1/16
5	814-8100	3	BOLT, Hex, M8 x 100, 8.8,
6	895-11008	3	WASHER, M8 x 16 x 1.6,
7	87708788	1	SUPPORT,
8	895-11010	4	WASHER, M10 x 20 x 2,
9	628-10035	3	BOLT, Hex, M10 x 35, 10.9, Full Thd,

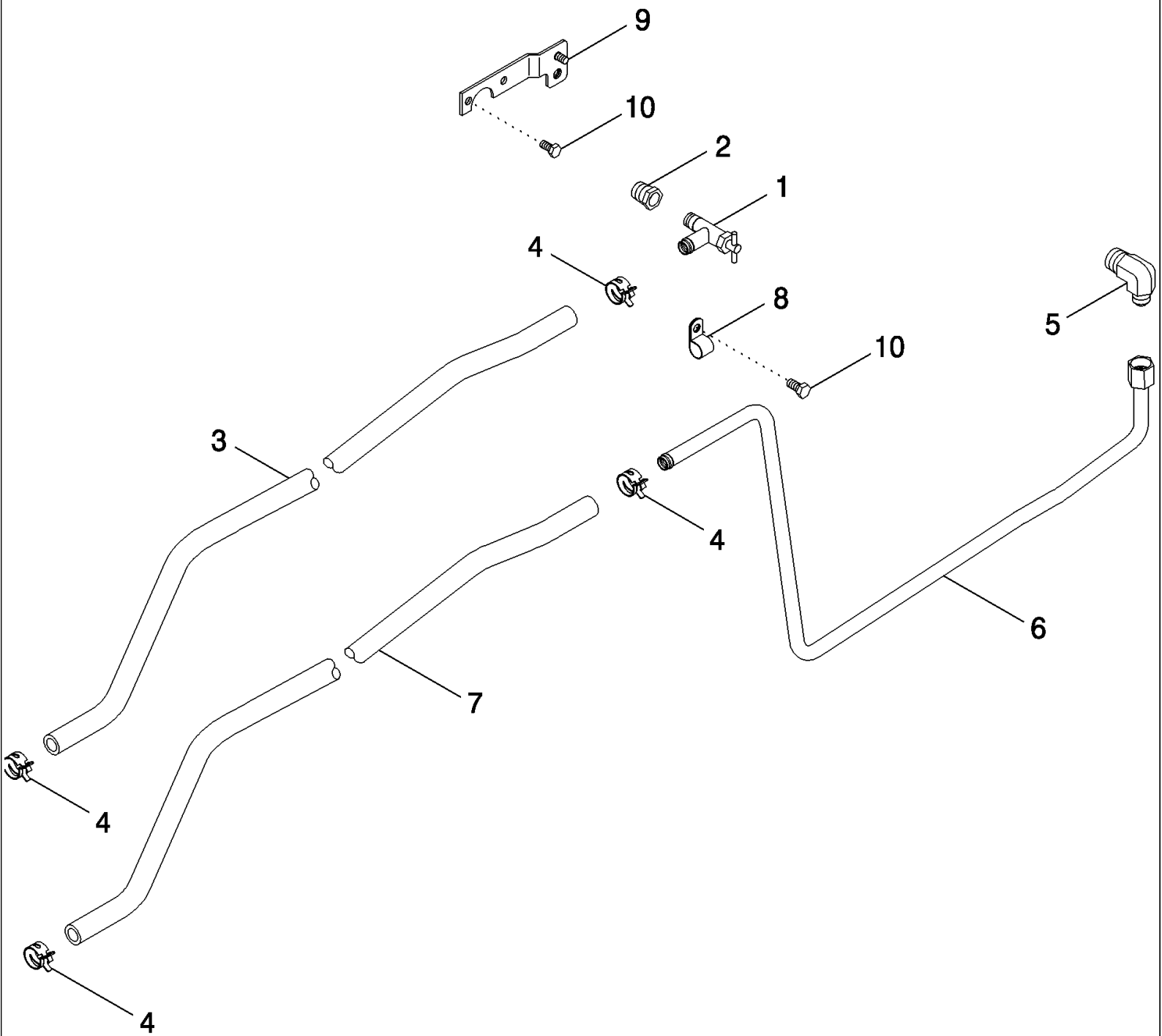


## MX305 CASE IH MAGNUM TRACTOR NA (1/06-9/06)

## 09-39 AIR CONDITIONING - CONDENSER

сылка	Номер детали	Кол-во	Описание
1	825-2408	5	NUT, M8 x 1.25, Flg, CI 8,
2	295006A1	1	RECEIVER-DRYER, HFC - 134a
3	516-22158	1	CLAMP, J, 11/16" Insul, 5/16" Bolt,
4	87361944	1	CLAMP, Receiver - Dryer
5	87312057	1	HOSE ASSY., Condenser to Dryer, Inc. 6
6	128483A1	2	O-RING, 5/16 ID x 1/16
7	86017630	1	PIN,
8	87360035	1	CONDENSER, Condenser and Fuel
9	86993463	1	COMPRESSOR, AIRCOND,
10	284273A2	1	SWITCH, A/C HIGH PRESSURE, High Pressure A/C
11	87361937	1	HOSE ASSY., Discharge, Inc. 12 - 17
12	128485A1	2	O-RING, 9/16 ID x 1/16
13	414082A1	1	CORE,
14	414080A1	1	CAP,
15	128483A1	1	O-RING, 5/16 ID x 1/16
16	1250594C2	1	CORE,
17	128484A1	1	O-RING, 7/16 ID x 1/16
18	429210A1	1	ELBOW, Inc. 19
19	128485A1	1	O-RING,
20	109619A1	1	CLAMP,
21	87396608	1	BRACKET, Support
22	844-10020	2	BOLT, Hex Flg, M10 x 20, 8.8,
23	428385A1	2	CLAMP, SPECIAL,
24	87376731	1	HOSE ASSY., Suction, Inc. 25 - 27
25	128485A1	2	O-RING, 9/16 ID x 1/16
26	414081A1	1	CAP,
27	414083A1	1	CORE,
28	87376704	1	HOSE ASSY., Inc. 29
29	128483A1	2	O-RING,
30	255212A1	1	CLAMP,
31	1347127C1	2	PLATE,
32	832-10408	1	NUT, LOCK, M8 x 1.25, CI 8,
33	87377036	1	HOSE ASSY., Suction, Inc. 34
34	128485A1	1	O-RING, 9/16 ID x 1/16
35	87377035	1	HOSE ASSY., Inc. 36
36	128483A1	1	O-RING,
37	779-14645	1	6.3 x 45
38	384870A1	1	PLATE,
39	86991000	1	CLAMP,
40	435562A1	1	CONDUIT,
41	384834A1	1	CONDUIT,

09-40 HEATER SYSTEM

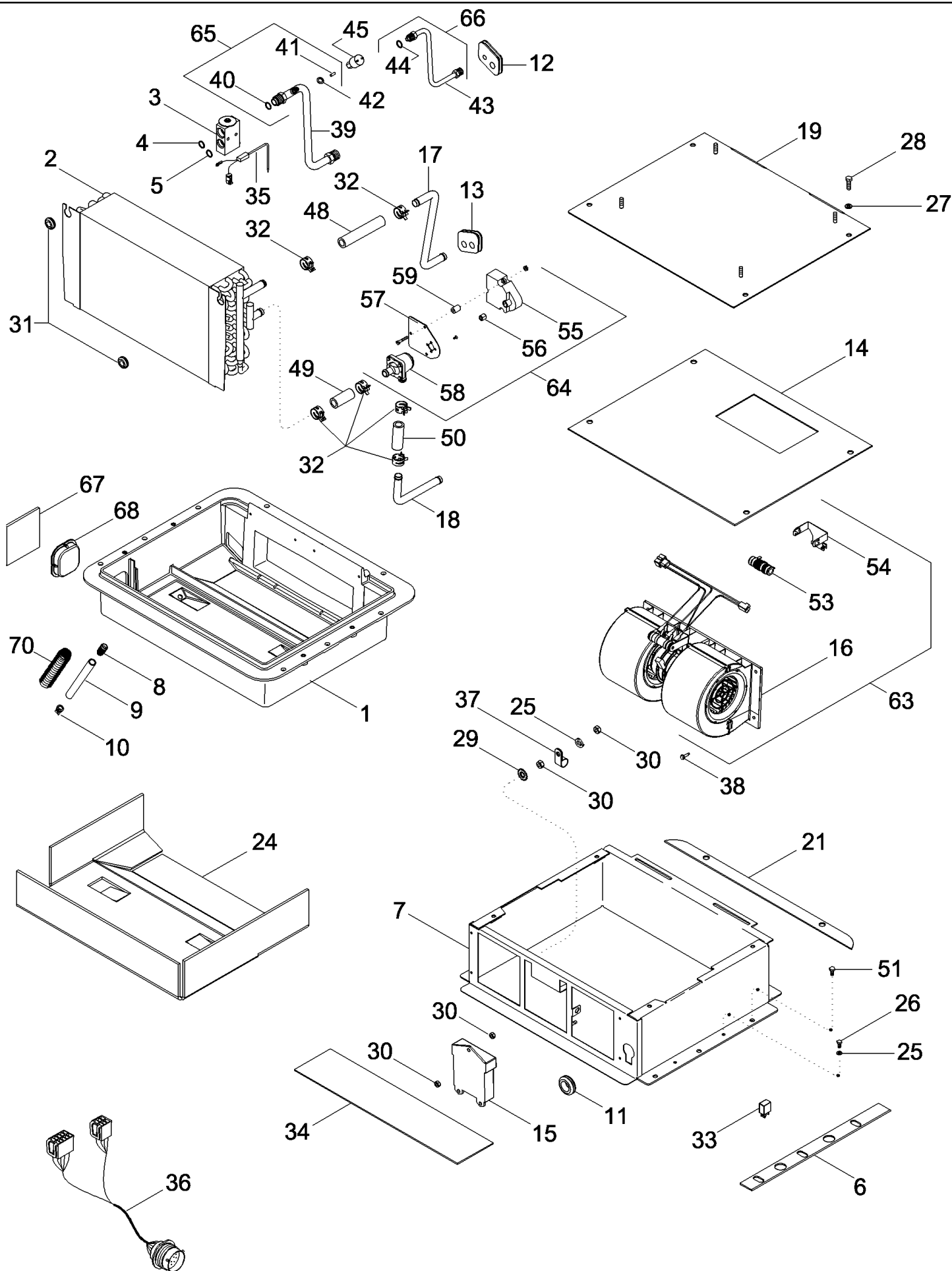




## MX305 CASE IH MAGNUM TRACTOR NA (1/06-9/06)

## 09-40 HEATER SYSTEM

сылка	Номер детали	Кол-во	Описание
1	301803R1	1	VALVE, SHUT-OFF,
2	221-1092	1	REDUCER, Hex, 3/4" x 3/8" NPT,
3	1974656C1	1	HOSE, Heater Supply, 15,5 ID x 1956 mm (5/8 ID x 77 in), Cut From 97252C1
4	1954736C1	4	CLAMP, HOSE,
5	87429524	1	ELBOW,
6	87313438	1	TUBE ASSY., Heater Return
7	1500341C2	1	HOSE, LARGE, Heater Supply, 15,5 ID x 2019 mm (5/8 ID x 79-1/2 in), Cut From 97252C1
8	515-22159	1	CLAMP, 5/8", Insul, 5/16" Bolt,
9	87421281	1	BRACKET,
10	614-8016	3	BOLT, Hex, M8 x 16, 8.8,



## MX305 CASE IH MAGNUM TRACTOR NA (1/06-9/06)

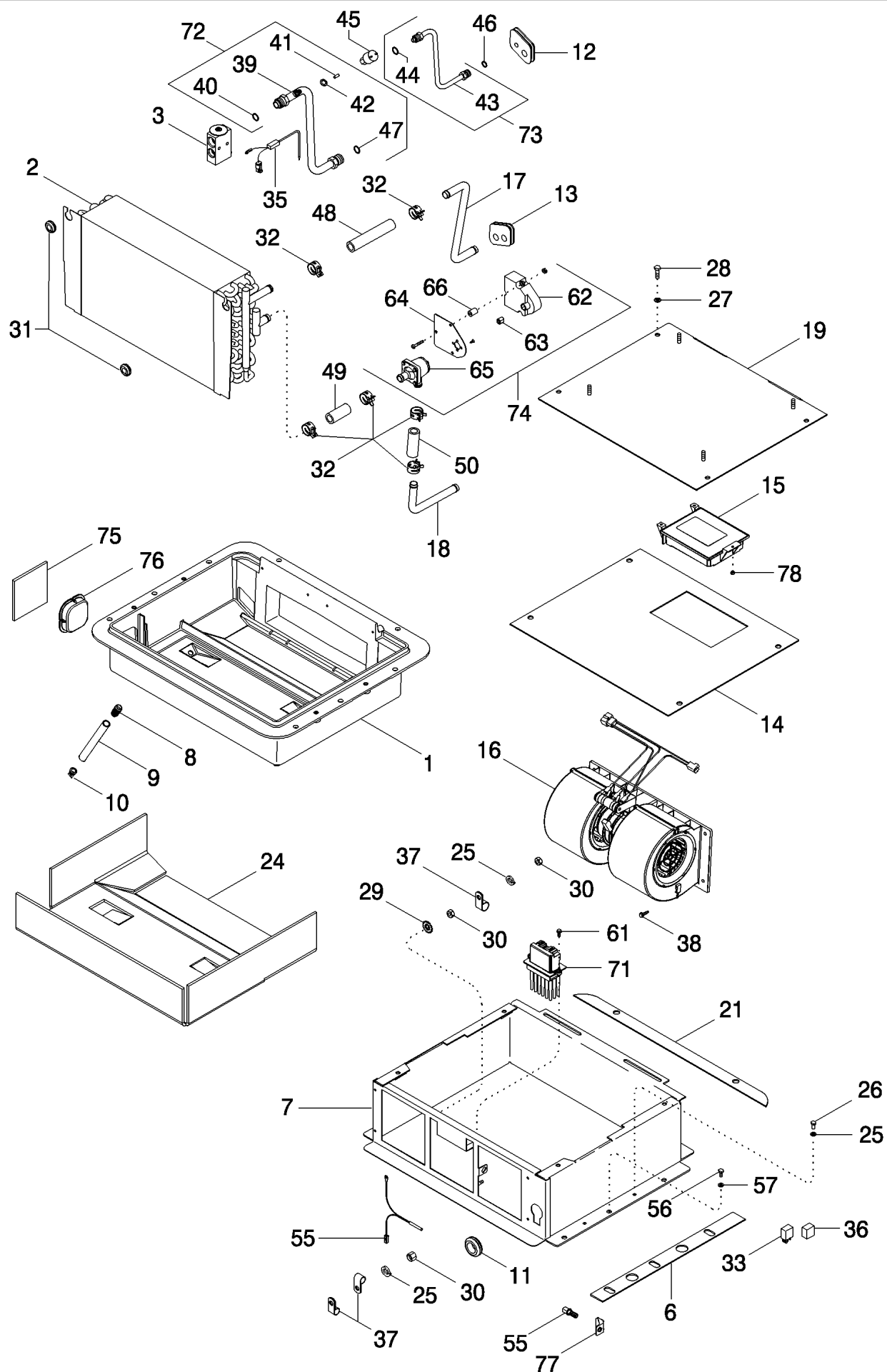
## 09-41 AIR CONDITIONING - CLIMATE CONTROL UNIT, WITHOUT AUTO TEMP CONTROL

сылка	Номер детали	Кол-во	Описание
1	322996A1	1	BOX,
2	86990262	1	CORE, Evaporator And Heater
3	386535A1	1	VALVE,
4	128485A1	1	O-RING, 9/16 ID x 1/16
5	128484A1	1	O-RING, 7/16 ID x 1/16
6	322994A1	4	GASKET,
7	87454443	1	CASE ASSY.,
8	1250522C3	2	ELBOW,
9	1977334C1	2	HOSE, 610 mm (24-1/8 in), Cut From 198091C1
10	109239C2	2	VALVE,
11	248-2381	1	GROMMET, 1" ID x 1 3/8" Groove Dia,
12	322989A1	1	GROMMET,
13	322990A1	1	GROMMET,
14	87324951	1	GASKET,
15	87429903	1	CONTROL, Module
16	323610A1	1	BLOWER,
17	322985A1	1	PIPE, Outlet
18	322987A1	1	PIPE, Inlet
19	87306495	1	COVER,
21	322995A1	4	GASKET,
24	324484A1	1	INSULATOR,
25	892-11006	5	WASHER, LOCK, M6,
26	614-6012	4	BOLT, Hex, M6 x 12, 8.8,
27	892-11008	4	WASHER, LOCK, M8,
28	627-8025	4	BOLT, Hex, M8 x 25, 10.9,
29	493-81002	1	WASHER, LOCK, Ext-Int Tooth, 1/4",
30	829-1406	4	NUT, M6, CI 10,
31	248-1243	2	GROMMET, 1/2" ID x 13/16" Groove Dia, Diag Cut,
32	1954736C1	6	CLAMP, HOSE, No. 24
33	105849A1	1	RELAY, 20 Amp
34	327306A1	1	GASKET,
35	323016A1	1	SENSOR,
36	87323959	1	HARNESS,
37	515-21127	1	CLAMP, 1/2", Insul, 1/4" Bolt,
38	281-14512	4	SCREW, SELF TAPPING, Hex Wash Hd, #10 x 3/4",
39	NSS	1	NOT SERVICED SEPARATELY, TUBE
40	128485A1	1	O-RING, 9/16 ID x 1/16
41	1250594C2	1	CORE,
42	128483A1	1	O-RING, 5/16 ID x 1/16
43	NSS	1	NOT SERVICED SEPARATELY, TUBE
44	128483A1	1	O-RING, 5/16 ID x 1/16
45	87323829	1	SWITCH, A/C LOW PRESSURE, Low Pressure
48	1321290C2	1	HOSE, 127 mm (5 in), Cut From 97252CX
49	324022A1	1	HOSE, 54 mm (2-1/8 in), Cut From 97252CX
50	324023A1	1	HOSE, 64 mm (2-1/2 in), Cut From 97252CX

MX305 CASE IH MAGNUM TRACTOR NA (1/06-9/06)

09-41 AIR CONDITIONING - CLIMATE CONTROL UNIT, WITHOUT AUTO TEMP CONTROL

сылка	Номер детали	Кол-во	Описание
51	781-24825	8	SCREW, SELF TAPPING, Hex Flg Hd, M8 x 25,
53	401360A1	1	RESISTOR,
54	360032A1	1	BRACKET,
55	275602A1	1	ACTUATOR,
56	427360A1	1	INSERT,
57	427353A1	1	PLATE,
58	427352A1	1	VALVE,
59	427354A1	3	SPACER,
63	323611A1	1	BLOWER, ASSEMBLY, Inc. 16, 53, 54
64	427356A1	1	VALVE, CONTROL, Inc. 55 - 59
65	322839A1	1	PIPE, Inc. 40 - 42
66	322840A1	1	PIPE, Inc. 44
67	87306773	1	INSULATION, FOAM,
68	368313A1	1	PLASTIC PLUG,
69	495-21031	1	WASHER, 1/4", (Not Shown)
70	87574393	1	HOSE, Condensate
71	87454442	1	SENSOR, (Not Shown)
72	87318294	1	CLIP, Sensor (Not Shown)



## MX305 CASE IH MAGNUM TRACTOR NA (1/06-9/06)

## 09-42 AIR CONDITIONING - CLIMATE CONTROL UNIT, WITH AUTO TEMP CONTROL

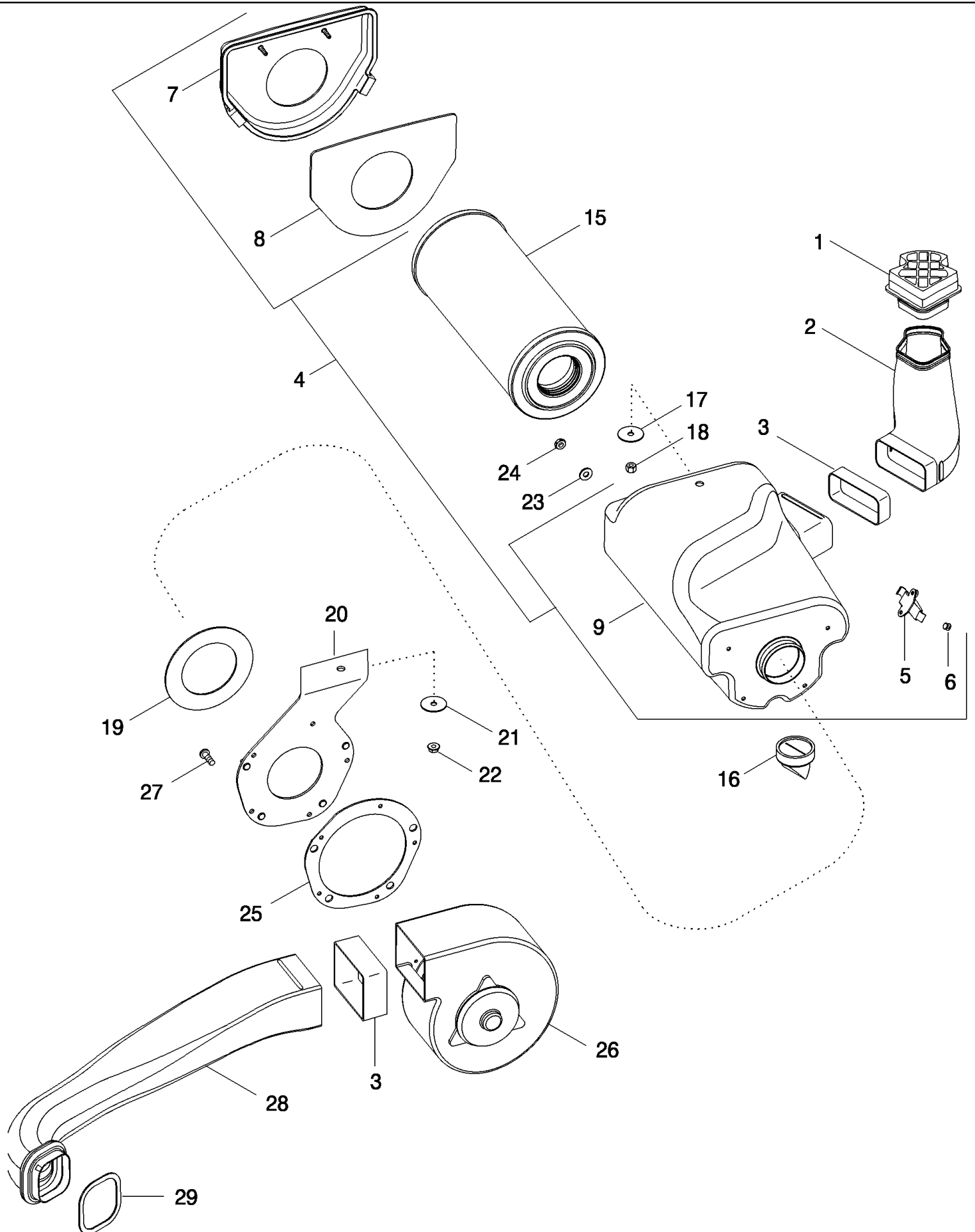
сылка	Номер детали	Кол-во	Описание
1	322996A1	1	BOX,
2	86990262	1	CORE, Evaporator And Heater
3	386535A1	1	VALVE,
6	322994A1	4	GASKET,
7	87454443	1	CASE ASSY.,
8	1250522C3	2	ELBOW,
9	1977334C1	2	HOSE, 610 mm (24-1/8 in), Cut From 198091C1
10	109239C2	2	VALVE,
11	248-2381	1	GROMMET, 1" ID x 1 3/8" Groove Dia,
12	322989A1	1	GROMMET,
13	322990A1	1	GROMMET,
14	87324951	1	GASKET,
15	87365492	1	MODULE, Without Software
16	323610A1	1	BLOWER,
17	322985A1	1	PIPE, Outlet
18	322987A1	1	PIPE, Inlet
19	87306495	1	COVER,
21	322995A1	4	GASKET,
24	324484A1	1	INSULATOR,
25	892-11006	5	WASHER, LOCK, M6,
26	614-6016	4	BOLT, Hex, M6 x 16, 8.8,
27	892-11008	4	WASHER, LOCK, M8,
28	627-8025	4	BOLT, Hex, M8 x 25, 10.9,
29	493-81002	1	WASHER, LOCK, Ext-Int Tooth, 1/4",
30	829-1406	2	NUT, M6, CI 10,
31	248-1243	2	GROMMET, 1/2" ID x 13/16" Groove Dia, Diag Cut,
32	1954736C1	6	CLAMP, HOSE, No. 24
33	105849A1	1	RELAY, 20 Amp
35	323016A1	1	SENSOR,
36	87323958	1	HARNESS,
37	515-21127	2	CLAMP, 1/2", Insul, 1/4" Bolt,
38	281-14512	4	SCREW, SELF TAPPING, Hex Wash Hd, #10 x 3/4",
39	NSS	1	NOT SERVICED SEPARATELY, PIPE
40	128485A1	1	O-RING, 9/16 ID x 1/16
41	1250594C2	1	CORE,
42	128483A1	1	O-RING, 5/16 ID x 1/16
43	NSS	1	NOT SERVICED SEPARATELY, PIPE
44	128483A1	1	O-RING, 5/16 ID x 1/16
45	87323829	1	SWITCH, A/C LOW PRESSURE, Low
46	128484A1	1	O-RING, 7/16 ID x 1/16
47	128485A1	1	O-RING, 9/16 ID x 1/16
48	1321290C2	1	HOSE, 127 mm (5 in), Cut From 97252CX
49	324022A1	1	HOSE, 54 mm (2-1/8 in), Cut From 97252CX
50	324023A1	1	HOSE, 64 mm (2-1/2 in), Cut From 97252CX
55	87454442	1	SENSOR, Return Air

MX305 CASE IH MAGNUM TRACTOR NA (1/06-9/06)

09-42 AIR CONDITIONING - CLIMATE CONTROL UNIT, WITH AUTO TEMP CONTROL

сылка	Номер детали	Кол-во	Описание
56	781-24825	8	SCREW, SELF TAPPING, Hex Flg Hd, M8 x 25,
57	495-21031	1	WASHER, 1/4",
61	280-1448	2	SCREW, SELF TAPPING, Hex Wash Hd, #8 x 1/2",
62	275602A1	1	ACTUATOR,
63	427360A1	1	INSERT,
64	427353A1	1	PLATE,
65	427352A1	1	VALVE,
66	427354A1	3	SPACER,
71	87306706	1	TERMINAL CONNECTOR, ATC Filter Linear Driver
72	322839A1	1	PIPE, Inc. 39 - 42
73	322840A1	1	PIPE, Inc. 43, 44
74	427356A1	1	VALVE, CONTROL, Inc. 62 - 66
75	368313A1	1	PLASTIC PLUG,
76	87306773	1	INSULATION, FOAM,
77	87318294	1	CLIP,
78	832-46404	1	NUT, LOCK, M4 x .7, CI 8,

09-43 AIR CONDITIONING - AIR FILTER

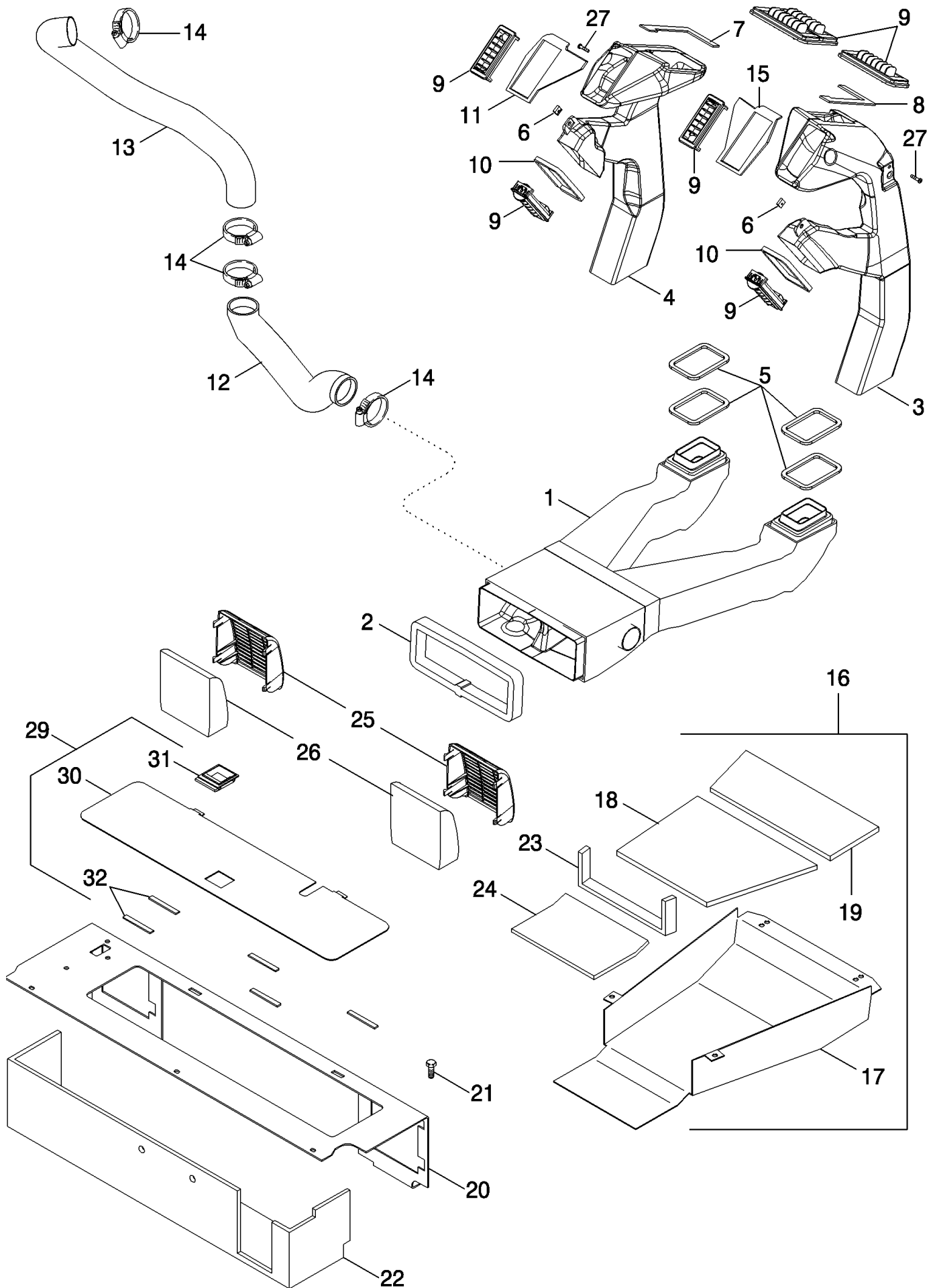




## MX305 CASE IH MAGNUM TRACTOR NA (1/06-9/06)

## 09-43 AIR CONDITIONING - AIR FILTER

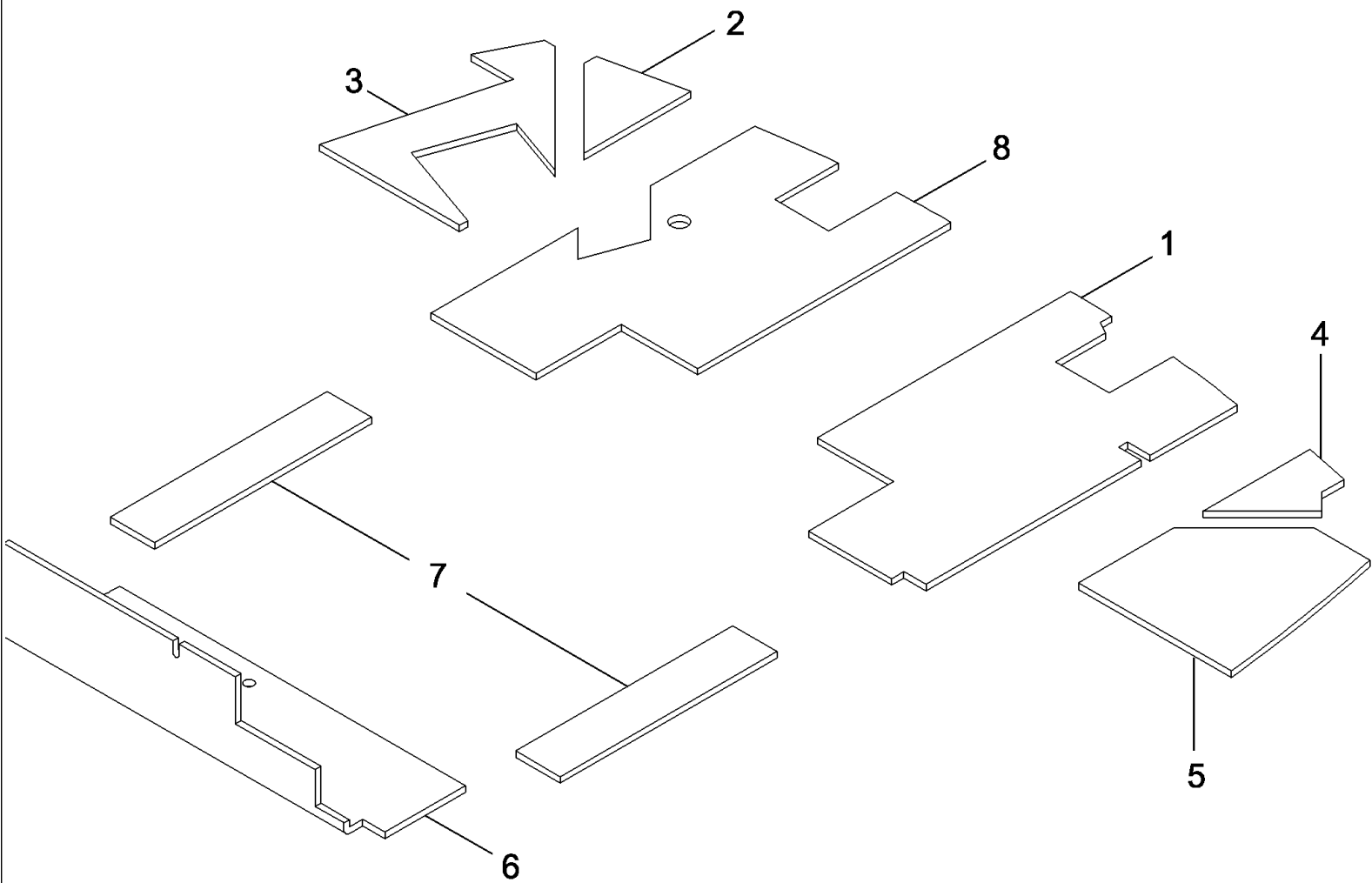
сылка	Номер детали	Кол-во	Описание
1	255236A3	1	GROMMET,
2	255237A2	1	DUCT, AIR,
3	280951A2	2	SEAL,
4	310687A3	1	FILTER, CAB, Inc. 5 - 9
5	240748A2	2	LATCH,
6	151-539	4	RIVET, Pop, 3/16" x .450",
7	255218A4	1	COVER, Inc. 8
8	259339A3	1	GASKET,
9	NSS	1	NOT SERVICED SEPARATELY, HOUSING
15	259288A1	1	FILTER, Air
15	87267363	1	FILTER, Charcoal
16	A184597	1	POPPET, VALVE,
17	495-81121	1	WASHER, .344" x 1 1/2" x .060",
18	832-10408	1	NUT, LOCK, M8 x 1.25, CI 8,
19	255219A2	1	GASKET,
20	252244A3	1	BRACKET,
21	495-81121	1	WASHER, .344" x 1 1/2" x .060",
22	825-2408	1	NUT, M8 x 1.25, Flg, CI 8,
23	495-31022	4	WASHER, #10,
24	225-14210	4	NUT, #10-32,
25	255220A2	1	GASKET,
26	87107380	1	BLOWER,
27	490-11010	5	SCREW, Cross Pan Hd, #10-32 x 5/8",
28	87538496	1	DUCT,
29	280510A2	1	GASKET,



## MX305 CASE IH MAGNUM TRACTOR NA (1/06-9/06)

## 09-44 AIR CONDITIONING - DUCTS

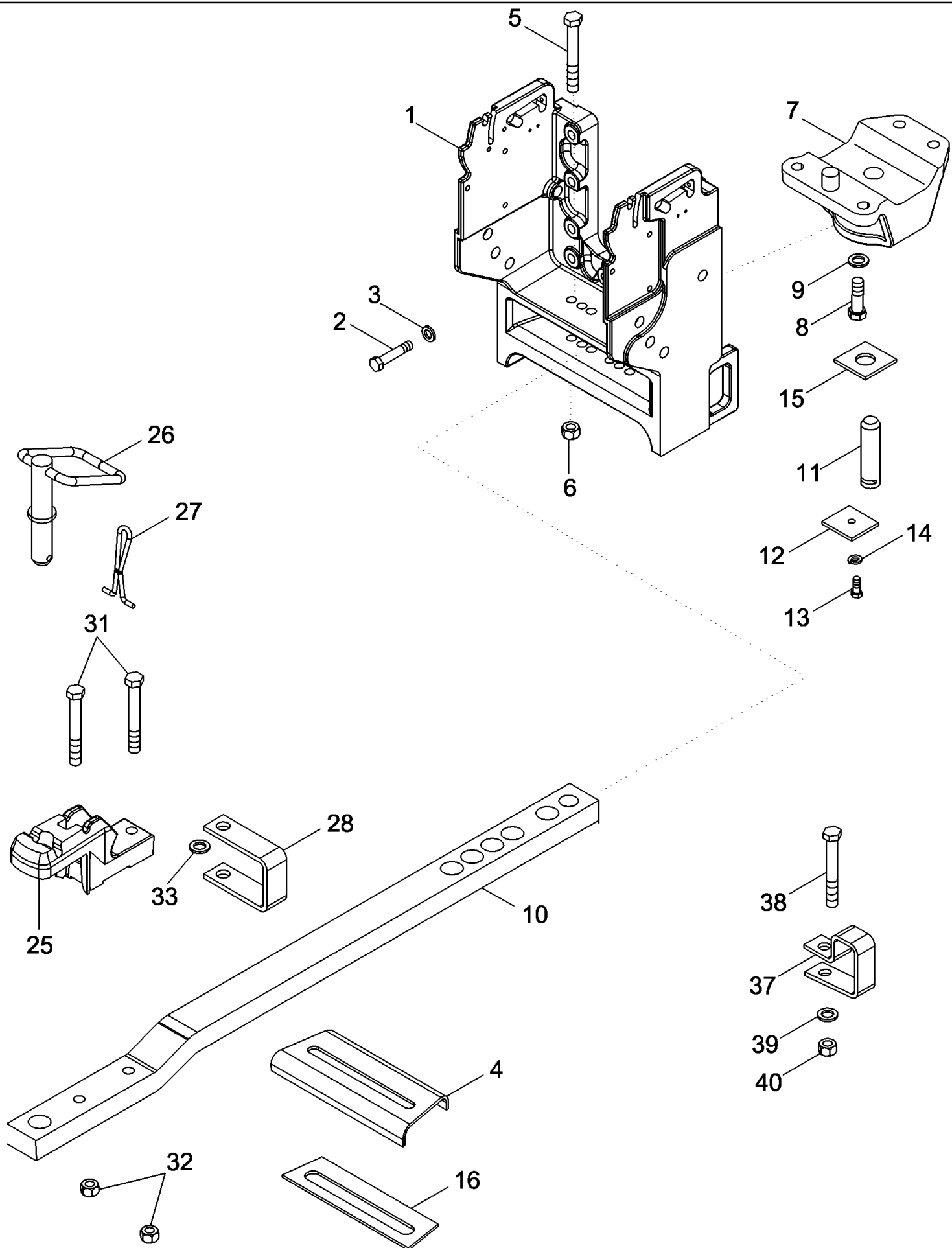
сылка	Номер детали	Кол-во	Описание
1	87308202	1	DUCT, Inc. 2
2	326665A1	1	SEAL,
3	87360629	1	DUCT, Right Hand
4	87310029	1	DUCT, Left Hand
5	87452817	4	GASKET,
6	87016569	2	NUT, U, #10-16, Panel type,
7	87310033	1	GASKET, Duct Defrost, Left Hand
8	87310034	1	GASKET, Duct Defrost, Right Hand
9	363882A1	7	DIFFUSER,
10	87456015	2	GASKET, Foot Louver
11	87310035	1	GASKET, Duct Face Louver, Left Hand
12	256331A2	1	HOSE, Left Hand
13	303732A1	1	HOSE, Left Hand
14	214-1544	4	CLAMP, HOSE, #44, 2.31/3.25 Type F Worm, W/liner,
15	87310036	1	GASKET, Duct Face Louver, Right Hand
16	87377042	1	PAN, Duct, Inc. 17, 18, 19, 23 and 24
17	NSS	1	NOT SERVICED SEPARATELY, PAN, Duct
18	87451616	1	INSULATION, FOAM, Duct Pan
19	87451617	1	INSULATION, FOAM, Duct Pan, Front
20	87323828	1	EXTENSION,
21	781-24820	5	SCREW, SELF TAPPING, Hex Flg Hd, M8 x 20,
22	87441122	1	INSULATION, FOAM,
23	87451618	1	STRIP, SEALING, Duct Pan
24	87307956	1	INSULATION, FOAM, Duct Pan, Rear
25	301180A3	2	VENT (AIR),
26	293615A1	2	FILTER,
27	840-1525	2	SCREW, Cross Pan Hd, M5 x 25,
29	87442171	1	COVER, Inc. 30 - 32
30	87442170	1	COVER,
31	406718A1	1	LATCH,
32	412425A1	5	SEAL,



## MX305 CASE IH MAGNUM TRACTOR NA (1/06-9/06)

## 09-45 CAB - INSULATION

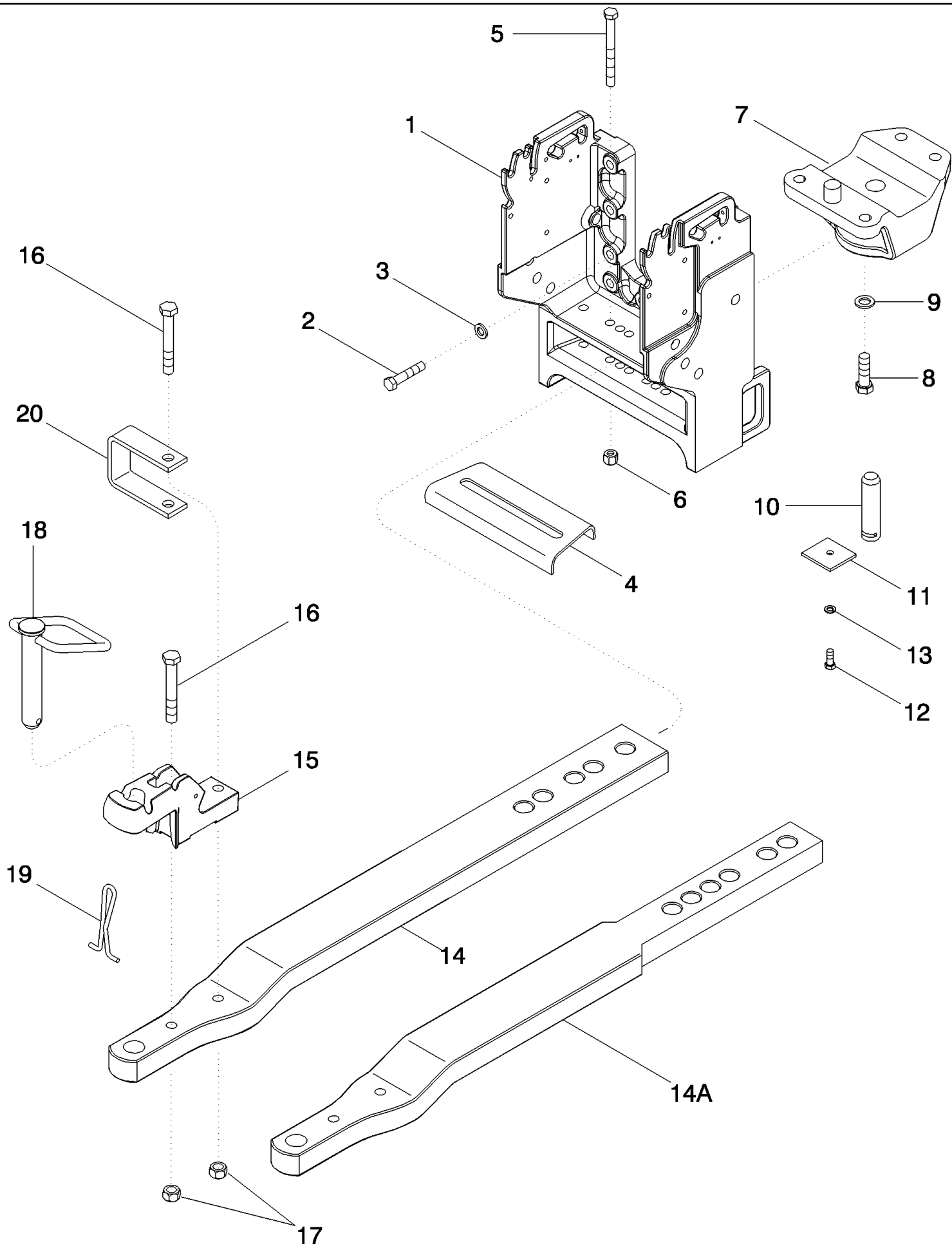
сылка	Номер детали	Кол-во	Описание
1	87430369	1	INSULATION, FOAM, Middle, Right
2	87430372	1	INSULATION, FOAM, Left Front
3	87430373	1	INSULATION, FOAM, Left Rear
4	87430374	1	INSULATION, FOAM, Right Front
5	87430375	1	INSULATION, FOAM, Right Rear
6	87430370	1	INSULATION, FOAM, Middle Rear
7	87430371	2	INSULATION, FOAM, Floor Strip
8	87430368	1	INSULATION, FOAM, Middle, Left



## MX305 CASE IH MAGNUM TRACTOR NA (1/06-9/06)

## 09-46 DRAWBAR AND HAMMERSTRAP - STANDARD

сылка	Номер детали	Кол-во	Описание
1	251788A3	1	SUPPORT,
2	828-16080	10	BOLT, Hex, M16 x 80, 10.9,
3	896-12016	10	WASHER, M17.5 x 30 x 4, HT,
4	238495A3	1	PLATE,
5	827-16160	2	BOLT, Hex, M16 x 160, 10.9,
6	832-10416	2	NUT, LOCK, M16 x 2, CI 8,
7	87680423	1	BRACKET,
8	828-20065	4	BOLT, Hex, M20 x 65, 10.9, Full Thd,
9	896-12020	4	WASHER, M20 x 37.5 x 4, HT,
10	232515A2	1	DRAWBAR, SWINGING, , MX215, Magnum 215,MX245, and Magnum 245
10	277702A2	1	DRAWBAR, , MX275, Magnum 275, MX305, and Magnum 305
11	1982103C1	1	PIN,
12	67828C1	1	RETAINER,
13	627-12030	1	BOLT, Hex, M12 x 30, 10.9,
14	896-15012	1	WASHER, M12 x 28.5 x 4, HT,
15	307027A2	1	SPACER, Front, MX215, Magnum 215,MX245, and Magnum 245
16	307028A2	1	SPACER, Rear, MX215, Magnum 215,MX245, and Magnum 245
25	232615A3	1	STRAP,
26	232616A3	1	PIN, HITCH,
27	232617A1	1	LATCH,
28	449666A1	1	SUPPORT ASSY.,
31	827-20140	2	BOLT, Hex, M20 x 140, 10.9,
32	829-1420	2	NUT, M20, CI 10,
33	896-15020	1	WASHER, M20 x 44.5 x 5, HT,
37	348405A2	1	SUPPORT,
38	827-20090	1	BOLT, Hex, M20 x 90, 10.9,
39	896-15020	1	WASHER, M20 x 44.5 x 5, HT,
40	829-1420	1	NUT, M20, CI 10,

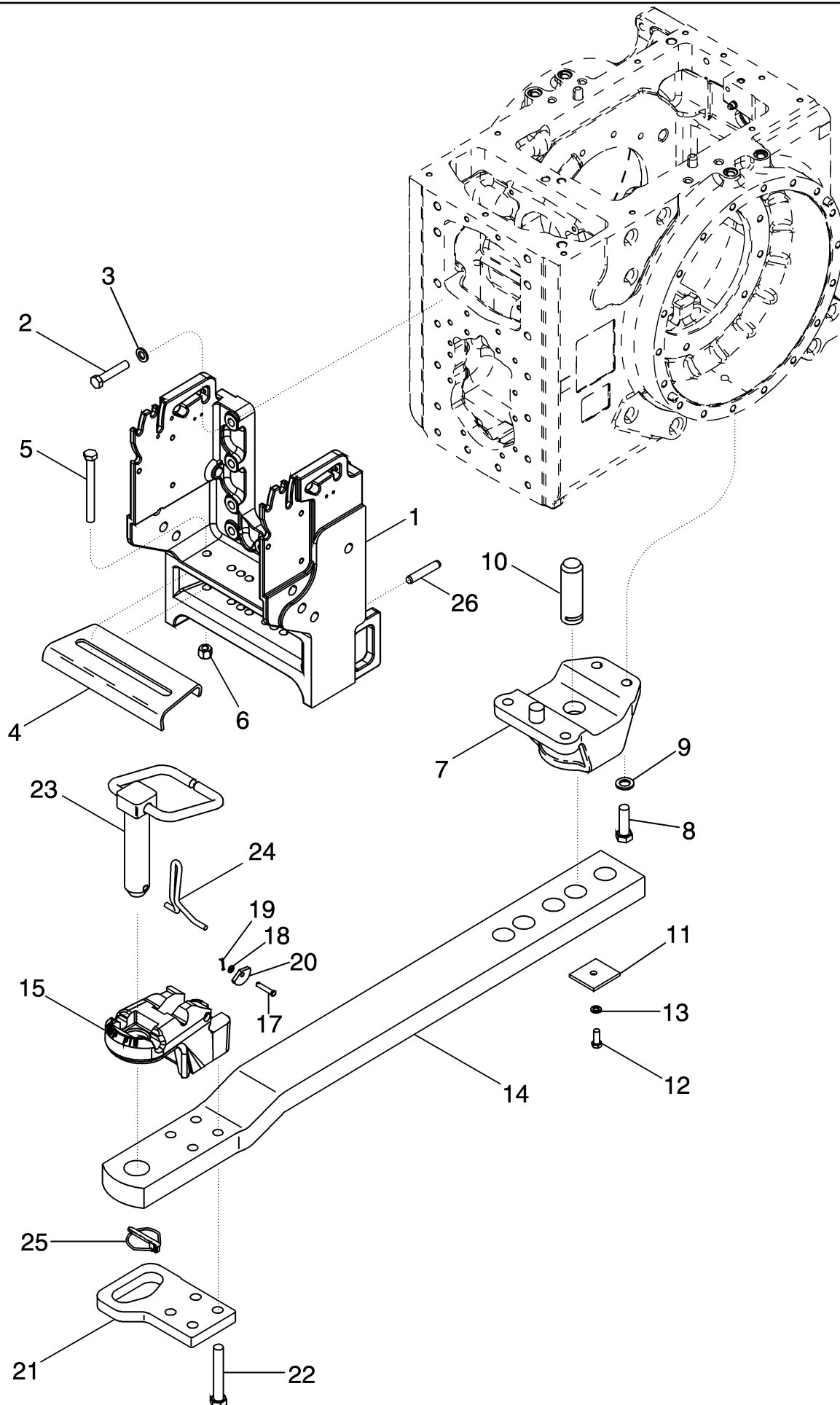




MX305 CASE IH MAGNUM TRACTOR NA (1/06-9/06)

09-47 DRAWBAR AND HAMMERSTRAP - HIGH CAPACITY, CAT III

сылка	Номер детали	Кол-во	Описание
1	251788A3	1	SUPPORT,
2	828-16080	10	BOLT, Hex, M16 x 80, 10.9,
3	896-12016	10	WASHER, M17.5 x 30 x 4, HT,
4	238495A3	1	PLATE,
5	827-16160	2	BOLT, Hex, M16 x 160, 10.9,
6	832-10416	2	NUT, LOCK, M16 x 2, CI 8,
7	87680423	1	BRACKET,
8	828-20065	4	BOLT, Hex, M20 x 65, 10.9, Full Thd,
9	896-12020	4	WASHER, M20 x 37.5 x 4, HT,
10	1982103C1	1	PIN,
11	67828C1	1	RETAINER,
12	627-12030	1	BOLT, Hex, M12 x 30, 10.9,
13	896-15012	1	WASHER, M12 x 28.5 x 4, HT,
14	87680426	1	DRAWBAR, SWINGING,
14A	426511A1	1	DRAWBAR, SWINGING,
15	232615A3	1	STRAP,
16	827-20140	2	BOLT, Hex, M20 x 140, 10.9,
17	829-1420	2	NUT, M20, CI 10,
18	232616A3	1	PIN, HITCH,
19	232617A1	1	LATCH,
20	449666A1	1	SUPPORT ASSY.,

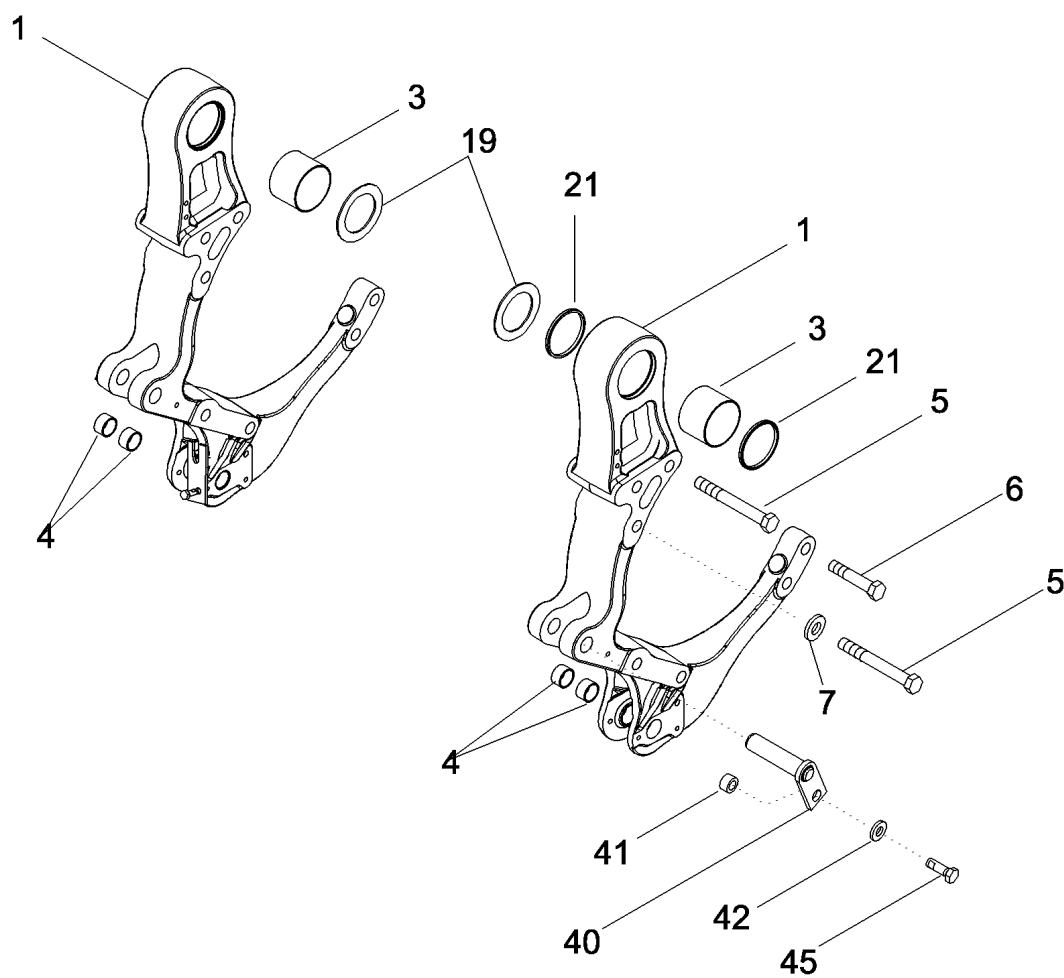
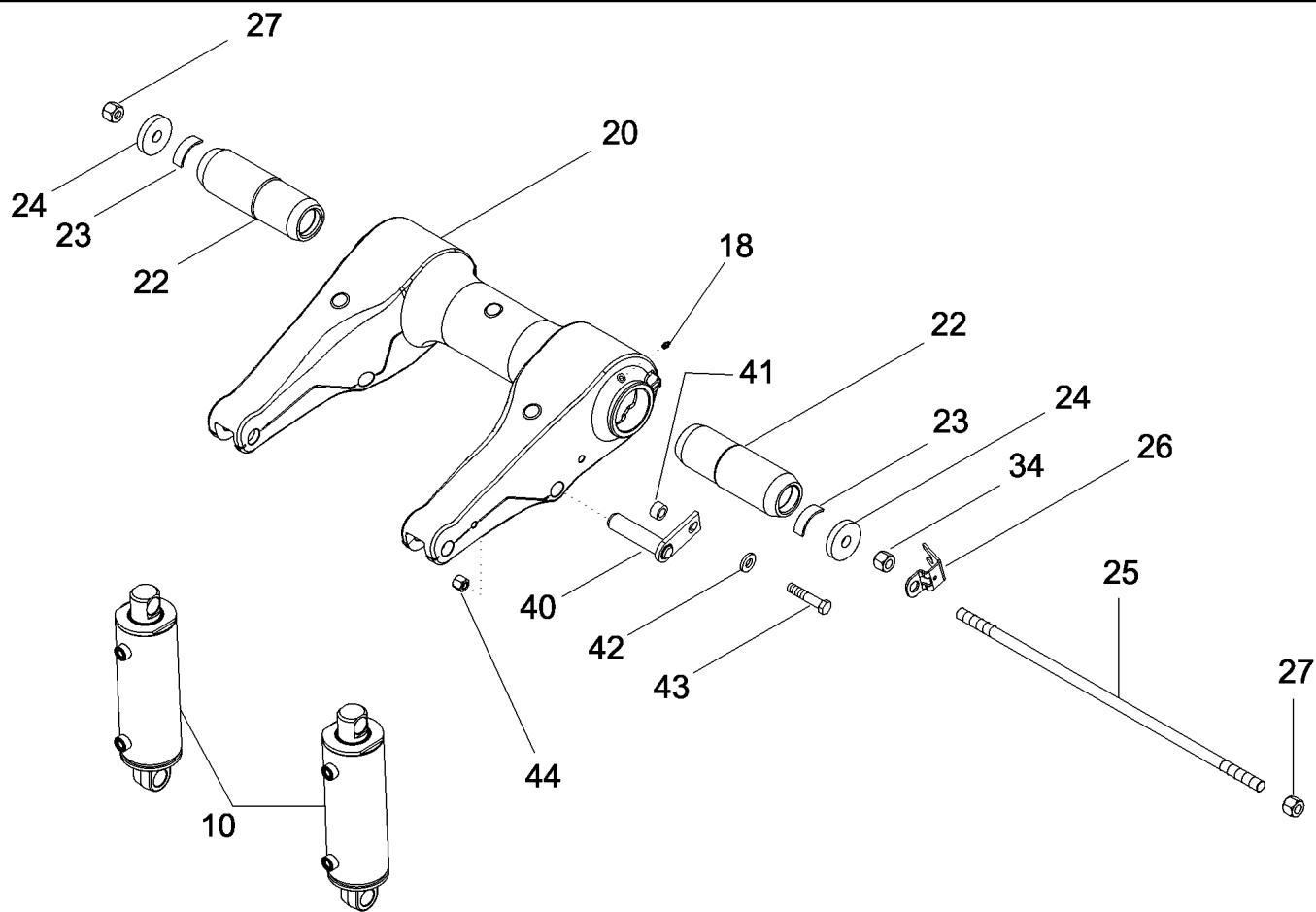


MX305 CASE IH MAGNUM TRACTOR NA (1/06-9/06)

09-48 DRAWBAR AND HAMMERSTRAP - HIGH CAPACITY, CAT 1V

сылка	Номер детали	Кол-во	Описание
1	87712383	1	SUPPORT,
2	87698770	10	BOLT,
3	896-12016	10	WASHER, M17.5 x 30 x 4, HT,
4	238495A2	1	PLATE, LARGE, Drawbar Wear
5	827-16160	2	BOLT, Hex, M16 x 160, 10.9,
6	832-10416	2	NUT, LOCK, M16 x 2, Cl 8,
7	87720345	1	BRACKET,
8	828-20065	4	BOLT, Hex, M20 x 65, 10.9, Full Thd,
9	896-12020	4	WASHER, M20 x 37.5 x 4, HT,
10	87722027	1	PIN,
11	87720346	1	RETAINER,
12	627-16030	1	BOLT, Hex, M16 x 30, 10.9, Full Thd,
13	892-11016	1	WASHER, LOCK, M16,
	87688064	1	DRAWBAR, SWINGING, Inc. 14, 15, 21 - 25
14	87688072	1	DRAWBAR, SWINGING,
15	87615031	1	DRAWBAR, SWINGING, Inc. 17- 20
17	87016625	1	PIN, CLEVIS, 3/8" x 2",
18	87617590	1	LOCK, STOP,
19	86625241	1	WASHER,
20	280251	1	PIN, SPLIT (COTTER), 3/32" x 1",
21	NSS	1	NOT SERVICED SEPARATELY, PLATE, SAFETY CHAIN
22	827-20130	4	BOLT, Hex, M20 x 130, 10.9,
23	87615032	1	PIN, CLEVIS,
24	375721A1	1	LATCH,
25	87522067	1	PIN, LOCK,
26	37-11232	2	DOWEL, 3/4" x 2",

09-49 HITCH - SUPPORTS AND ROCKSHAFT

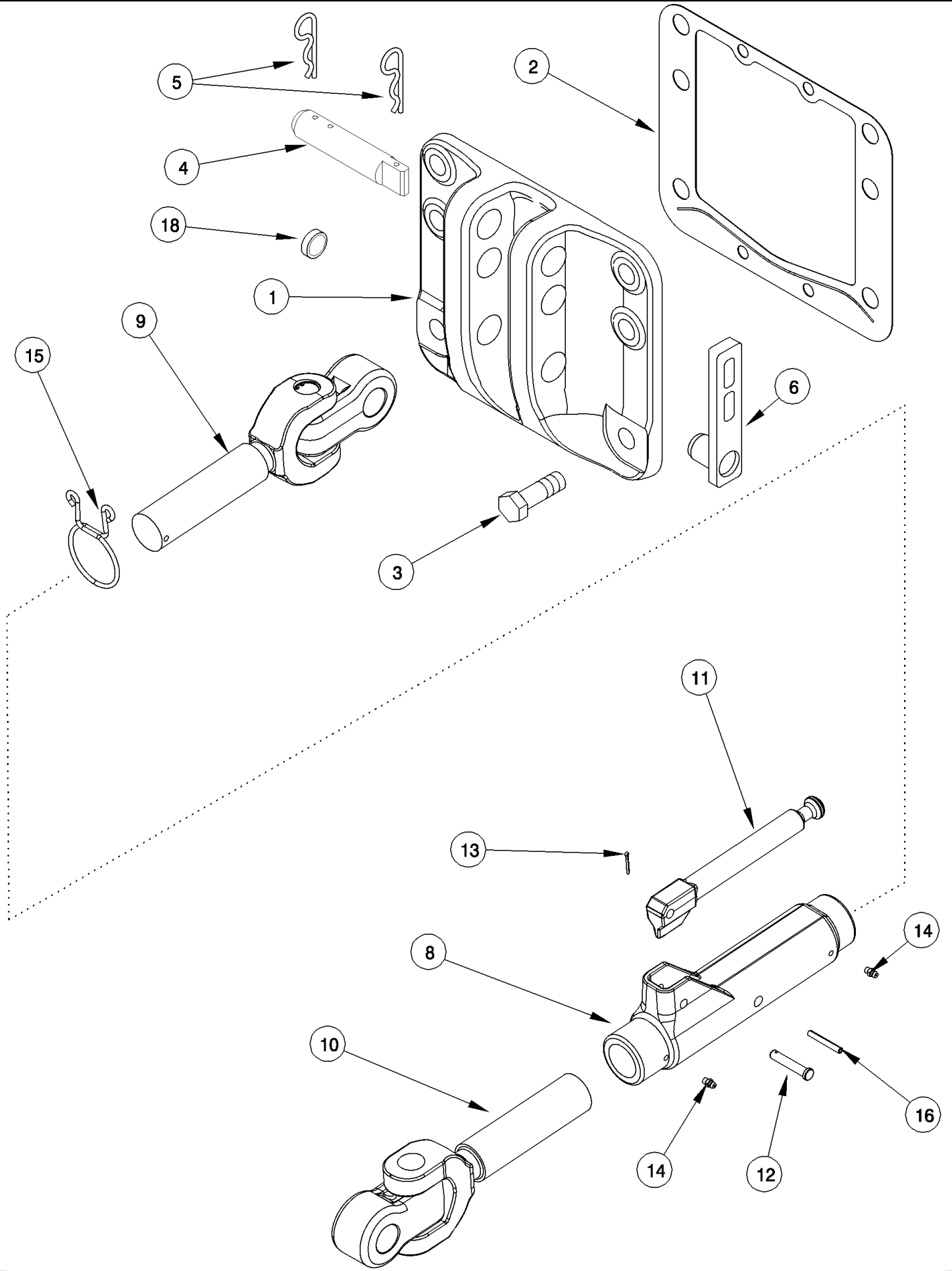


## MX305 CASE IH MAGNUM TRACTOR NA (1/06-9/06)

## 09-49 HITCH - SUPPORTS AND ROCKSHAFT

сылка	Номер детали	Кол-во	Описание
1	302887A5	2	BRACKET,
3	222355A1	1	BUSHING,
4	1960223C1	2	BUSHING,
5	828-24200	10	BOLT, Hex, M24 x 200, 10.9,
6	828-24120	4	BOLT, Hex, M24 x 120, 10.9,
7	896-16024	2	WASHER, M24 x 56.5 x 6, HT,
10	87542724	AR	CYLINDER, 90 ID x 260 mm Stroke, Part Number Stamped on Cylinder, See Figure 08-30
10	87542725	AR	CYLINDER, 95 ID x 260 mm Stroke, Part Number Stamped on Cylinder, See Figure 08-31
10	87542726	AR	CYLINDER, 105 ID x 260 mm Stroke, Part Number Stamped on Cylinder, See Figure 08-32, MX275, 305, Magnum 275, 305, 335
10	87707601	2	CYLINDER ASSY., 110 ID x 260 mm Stroke, Part Number Stamped on Cylinder, Magnum 335
	87654788	1	DIA KIT, TRACTOR, Three Point Rockshaft, Inc. 18 - 20
18	219-16	2	NIPPLE, LUBE, 5/16" x .56" lg, Drive,
19	87572476	2	WASHER, Wear, Rocker Arm
20	87646988	1	BRACKET, HITCH, Rockshaft, Three Point
21	222354A1	4	SEAL,
22	251386A1	2	PIN,
23	220598A3	6	RING, SNAP,
24	220599A2	2	WASHER,
25	220600A2	1	ROD,
26	241889A3	1	SUPPORT,
27	832-10424	2	NUT, LOCK, M24 x 3, CI 8,
34	829-1424	1	NUT, M24, CI 10,
40	391415A1	4	PIN,
41	414675A1	4	SPACER,
42	896-15012	4	WASHER, M12 x 28.5 x 4, HT,
43	814-12060	2	BOLT, Hex, M12 x 60, 8.8,
44	832-10412	2	NUT, LOCK, M12 x 1.75, CI 8,
45	806-12035	2	BOLT, Hex, Lock, M12 x 35, CI 10.9,

09-50 HITCH - TOP LINK

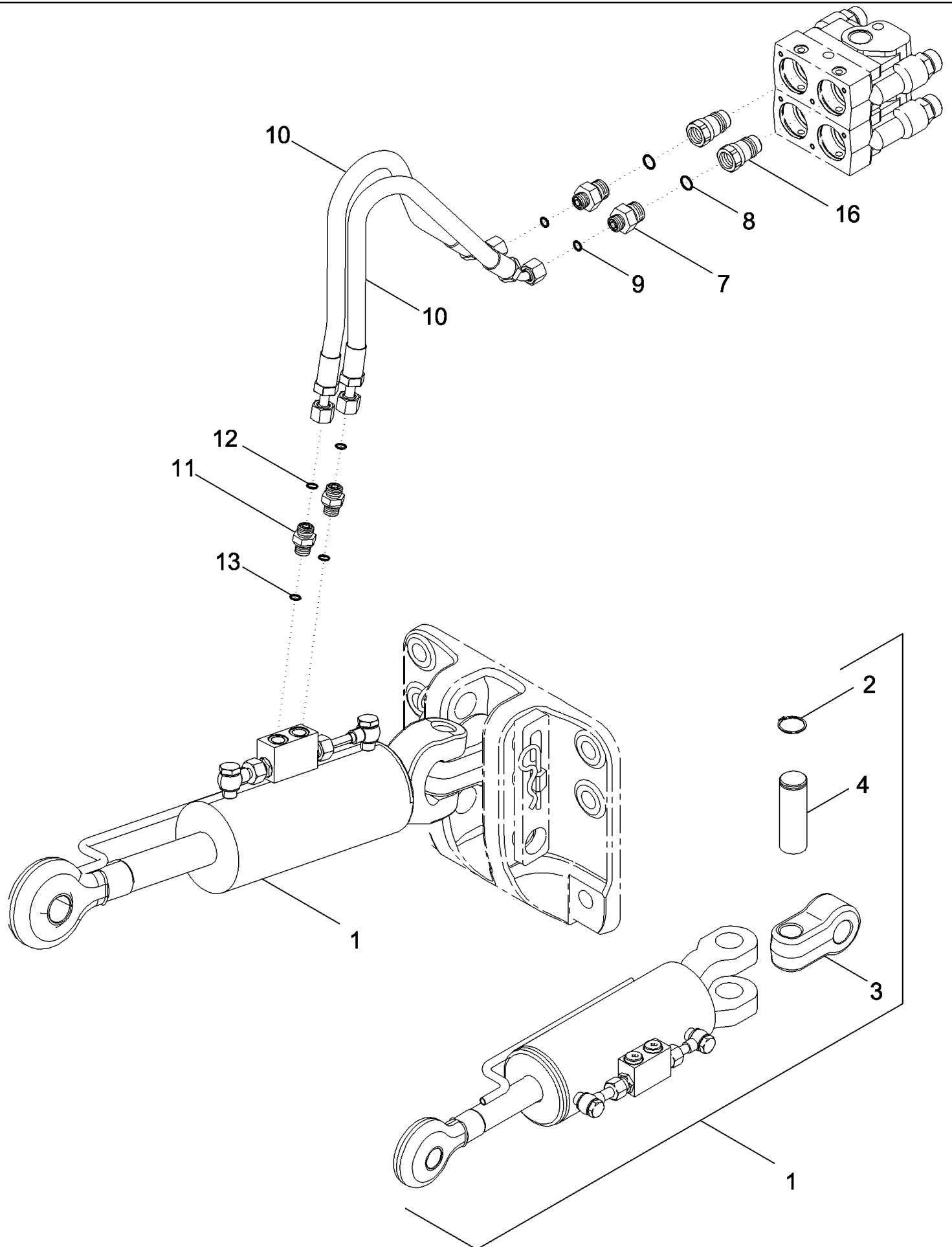


## MX305 CASE IH MAGNUM TRACTOR NA (1/06-9/06)

## 09-50 HITCH - TOP LINK

сылка	Номер детали	Кол-во	Описание
1	377206A4	1	BRACKET, HITCH,
2	379145A2	1	GASKET,
3	628-20060	6	BOLT, Hex, M20 x 60, 10.9, Full Thd,
4	378929A1	1	PIN,
5	486830R1	2	PIN, SPLIT (COTTER),
6	378932A1	1	PIN,
8	310524A3	1	TURNBUCKLE,
9	319585A1	1	CLEVIS, Right Hand Threads
10	319586A1	1	CLEVIS, Left Hand Threads
11	310944A1	1	HANDLE,
12	427-6200	1	PIN, CLEVIS, 3/8" x 2",
13	432-612	1	PIN, SPLIT (COTTER), 3/32" x 3/4",
14	219-87	2	NIPPLE, LUBE, 1/4"-28 x .56" lg, Self-Tap,
15	315912A1	1	SPRING,
16	838-3645	1	PIN, M6 x 45, Coiled,
18	641-3432	3	PLUG, M32, Conical,

09-53 HITCH - TOP LINK



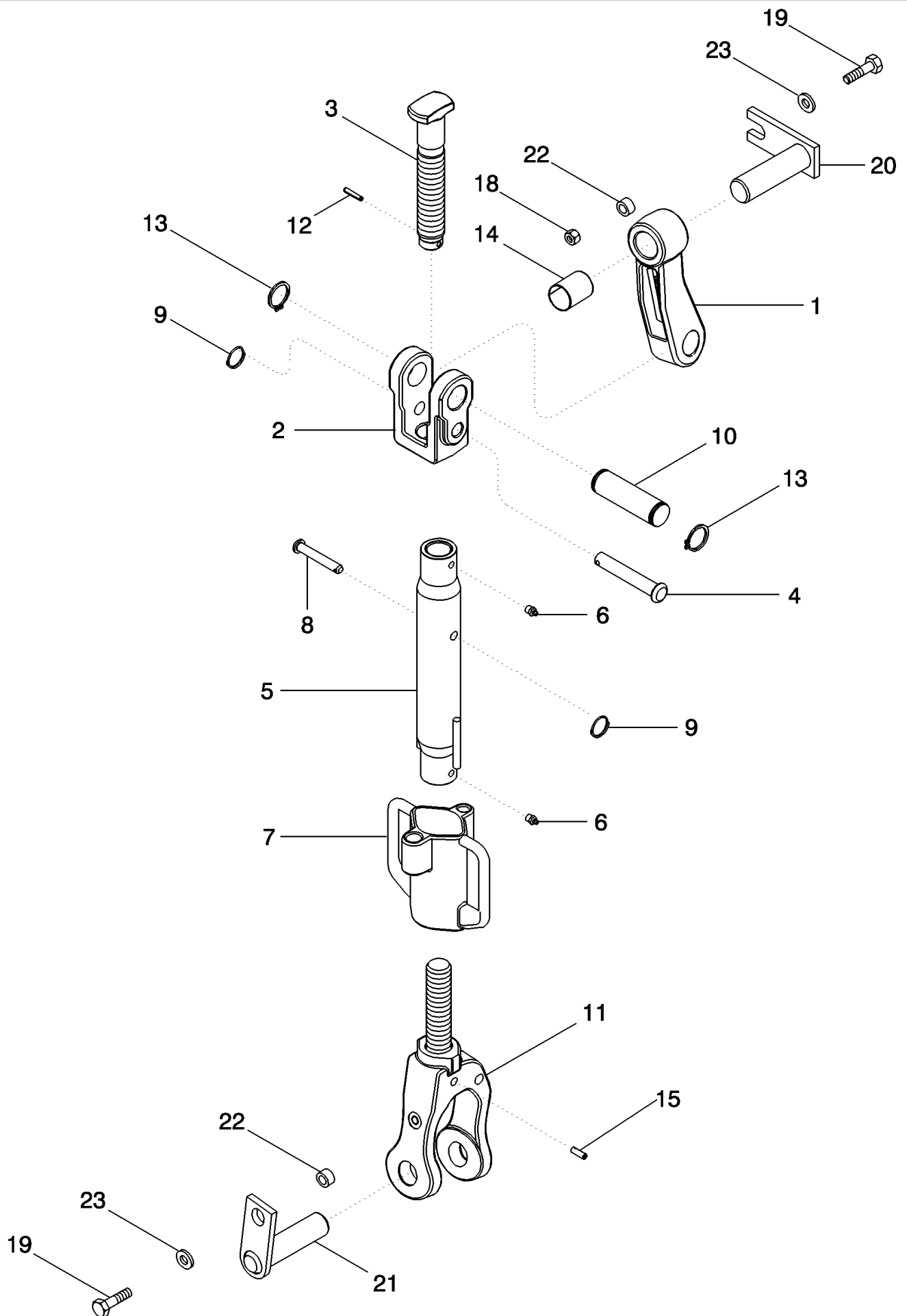


## MX305 CASE IH MAGNUM TRACTOR NA (1/06-9/06)

## 09-53 HITCH - TOP LINK

сылка	Номер детали	Кол-во	Описание
1	87542872	1	LINK, TOP, Long, Used With Long Draft Arms, 1094 mm (43 in) Center To Center, Inc. 2 - 5
1	87453964	1	LINK, TOP, Short, Used With Short Draft Arms, 970 mm (38 in) Center To Center, Inc. 2 - 5
2	800-2128	2	RING, SNAP, M28, Int,
3	283235A3	1	
4	310476A2	1	
5	5197835	1	KIT, SEALS, Seal, (Not Shown)
6	1272399C2	2	COUPLING, QUICK, MALE,
7	201-139	2	CONNECTOR, HYD., 11/16"-16 ORFS x 7/8"-14 ORB, Inc. 8, 9
8	237-6010	1	O-RING, 10-1, 90 Duro, .755" ID x .097" Thk,
9	238-6012	1	O-RING, -012, 90 Duro, .364" ID x .070" Thk,
10	87441258	2	HOSE, 705 mm (27-3/4 in)
11	87434646	2	UNION, Inc. 12, 13
12	238-6012	1	O-RING, -012, 90 Duro, .364" ID x .070" Thk,
13	637-63133	1	O-RING, CI 6, 13.3MM ID x 2.2 Thk,

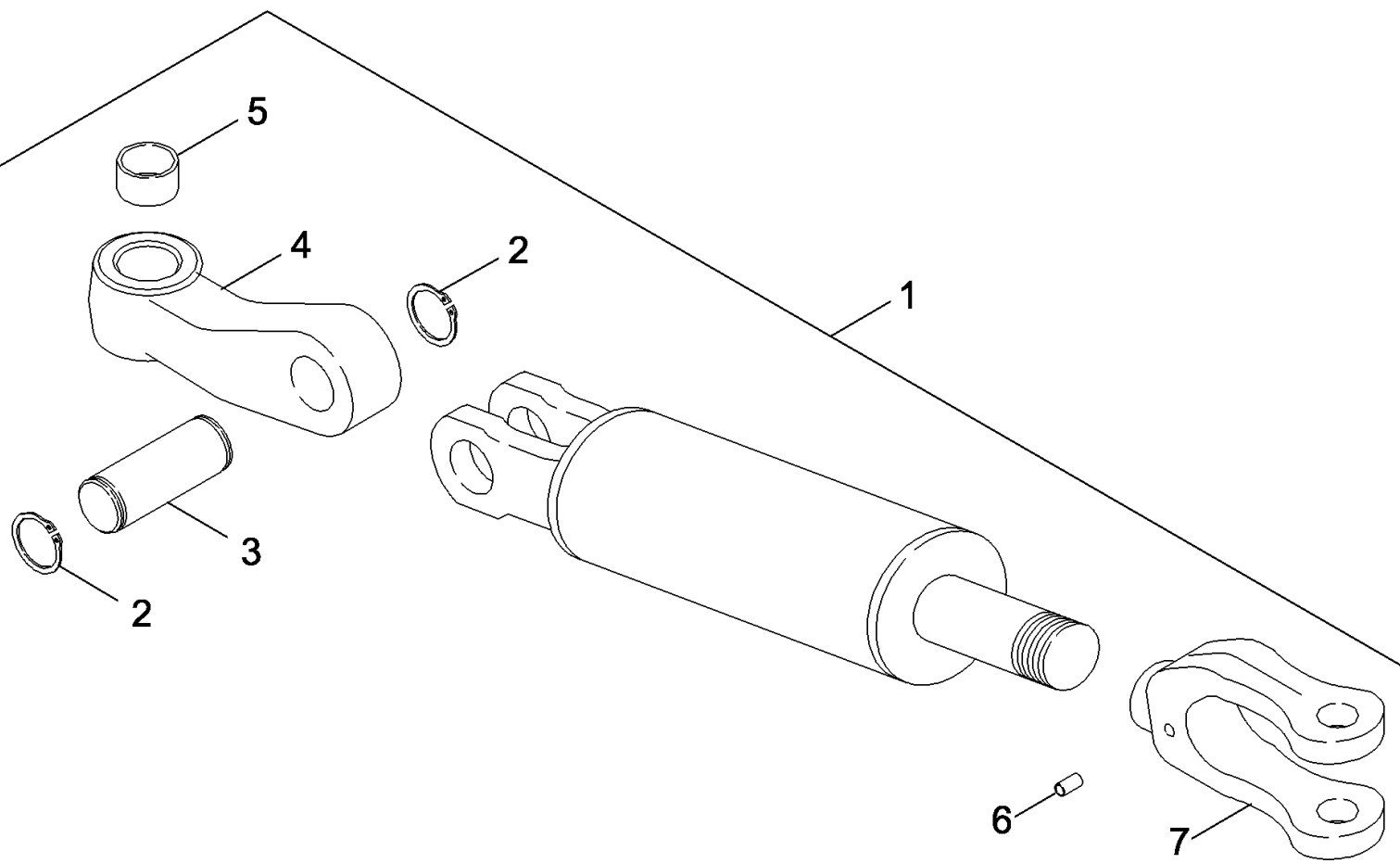
09-54 HITCH - LIFT LINKS



## MX305 CASE IH MAGNUM TRACTOR NA (1/06-9/06)

## 09-54 HITCH - LIFT LINKS

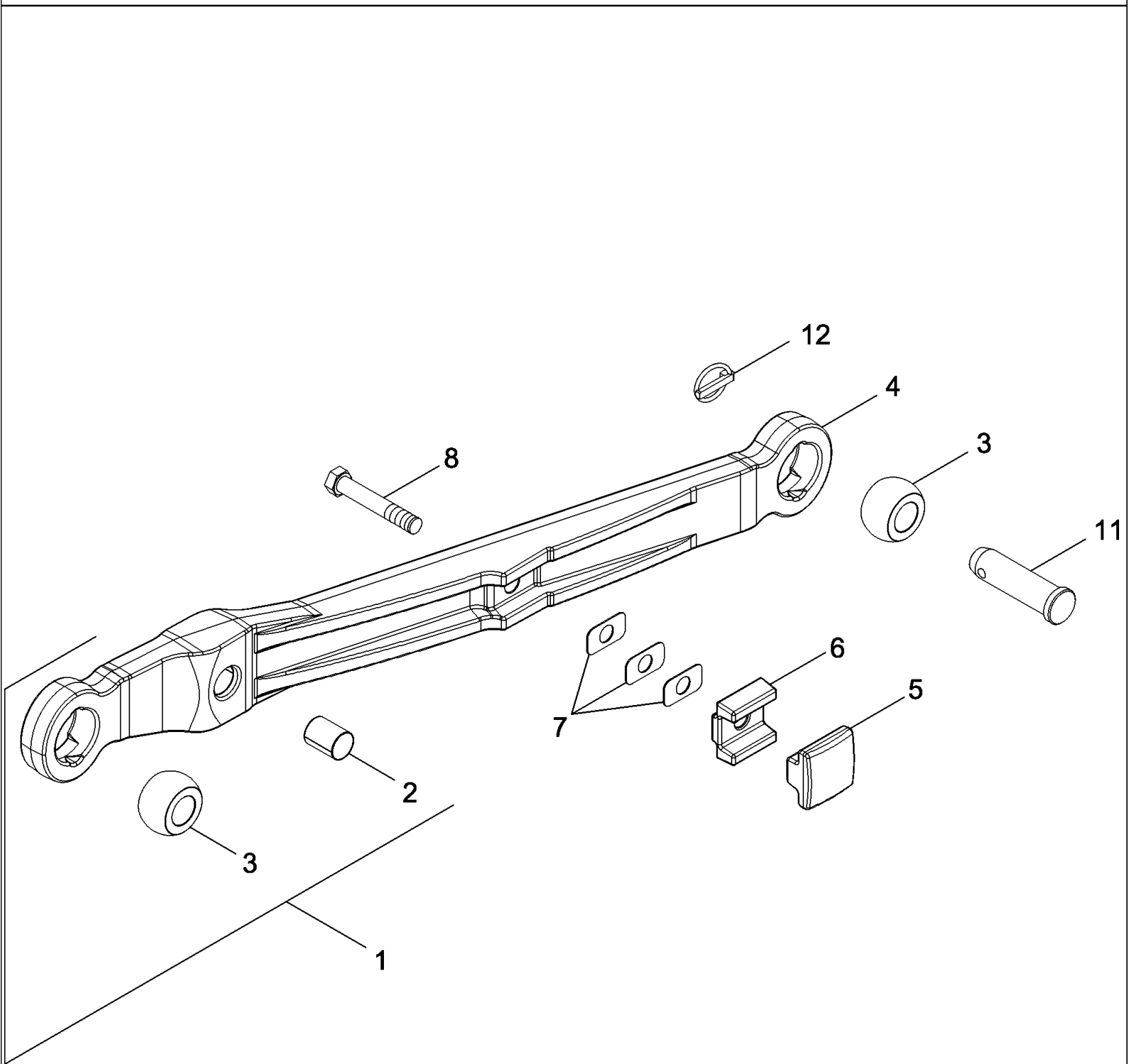
сылка	Номер детали	Кол-во	Описание
1	87632286	2	PITMAN,
2	405362A2	2	YOKE,
3	412533A1	2	ROD,
4	412534A1	2	PIN,
5	405370A1	2	TURNBUCKLE,
6	378716A1	4	NIPPLE, LUBE,
7	405364A1	2	HANDLE,
8	728-1280	2	PIN, CLEVIS, M12 x 80,
9	307431A1	4	RING, SNAP,
10	412536A2	2	PIN,
11	405366A1	2	ROD, Inc. 15
12	738-1632	2	PIN, LOCK, M6 x 32, Slotted,
13	800-5135	4	RING, SNAP, M35, Ext, Hvy,
14	237443A1	2	BUSHING,
15	838-3860	1	PIN, LOCK, M8 x 60, Slotted,
18	832-10412	2	NUT, LOCK, M12 x 1.75, CI 8,
19	827-12050	4	BOLT, Hex, M12 x 50, 10.9,
20	321367A3	2	PIN ASSY.,
21	414696A1	2	PIN ASSY.,
22	321365A1	4	SPACER,
23	896-15012	4	WASHER, M12 x 28.5 x 4, HT,
24	87399270	1	KIT, SEALS, (Not Shown)



MX305 CASE IH MAGNUM TRACTOR NA (1/06-9/06)

09-55 CYLINDER ASSEMBLY - HYDRAULIC LIFT LINK - HITCH, RIGHT HAND

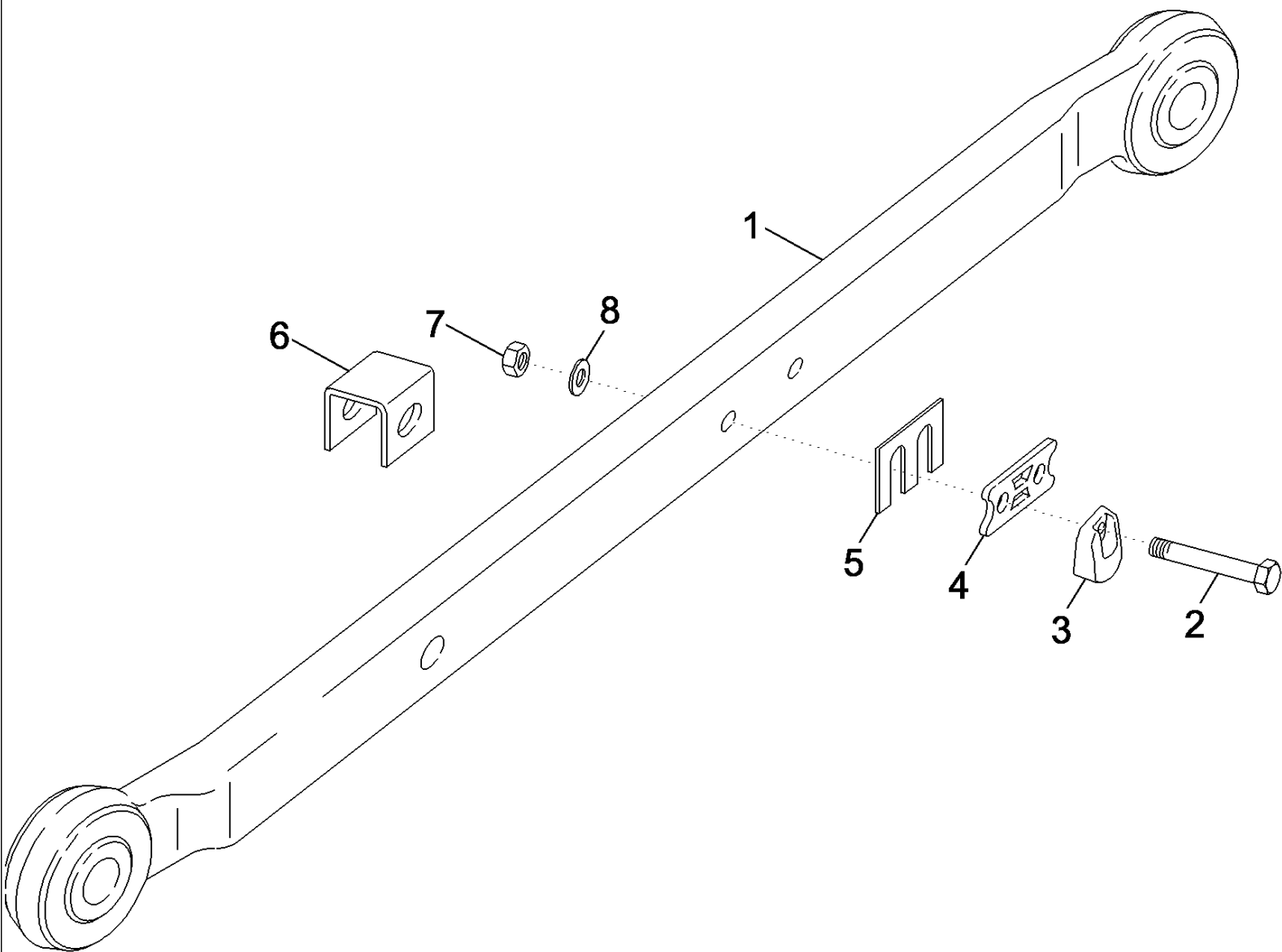
сылка	Номер детали	Кол-во	Описание
1	87661331	1	LINK, TOP, Inc. 2 - 8
2	800-5135	2	RING, SNAP, M35, Ext, Hvy,
3	412536A2	1	PIN,
4	87632286	1	PITMAN,
5	237443A1	1	BUSHING,
6	838-3860	1	PIN, LOCK, M8 x 60, Slotted,
7	NSS	1	NOT SERVICED SEPARATELY, CLEVIS
8	5197835	1	KIT, SEALS, (Not Shown)



MX305 CASE IH MAGNUM TRACTOR NA (1/06-9/06)

09-56 HITCH - LOWER LIFT LINKS - MX215, MX245, MX275, MX305, MAGNUM 215, 245, 275 AND 305

сылка	Номер детали	Кол-во	Описание
1	320473A1	2	LINK, LOWER, Short Draft Arms, 970 mm (38 in) Center To Center, Inc. 2 - 4
4	NSS	1	NOT SERVICED SEPARATELY, ARM
2	237443A1	1	BUSHING,
3	231298A1	2	BALL JOINT,
5	283291A4	2	BUMPER,
6	281805A4	2	SPACER,
7	238141A2	6	SHIM,
8	607-20120	2	BOLT, Hex, Lock, M20 x 120, CI 10.9,
11	A75028	2	PIN, , Without Draft Control
12	378704A1	2	PIN, LOCK,





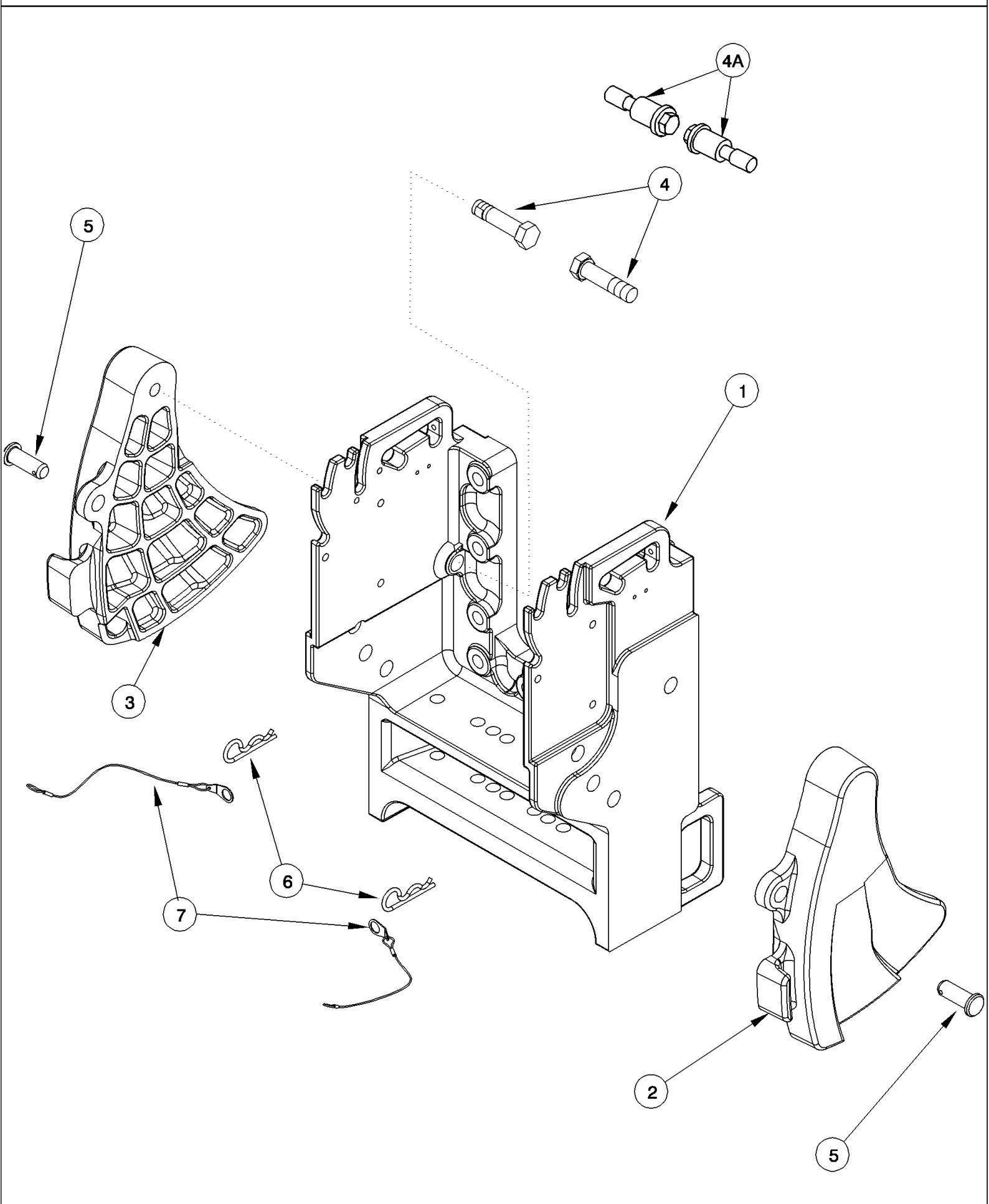
MX305 CASE IH MAGNUM TRACTOR NA (1/06-9/06)

09-57 HITCH - LOWER LIFT LINKS - MX215, MX245, MX275, MX305, MAGNUM 215, 245, 275 AND 305

сылка Номер детали Кол-во

Описание

1	433469A1	2	LINK, LOWER, Long Draft Arms, 1094 mm (43 in) Center To Center
2	827-20130	4	BOLT, Hex, M20 x 130, 10.9,
3	301248A2	2	BUMPER,
4	301927A1	2	SPACER,
5	189946A1	4	SHIM,
6	293002A1	2	SPACER,
7	832-10420	4	NUT, LOCK, M20 x 2.5, CI 8,
8	896-11020	4	WASHER, M20 x 37.5 x 4, HT,

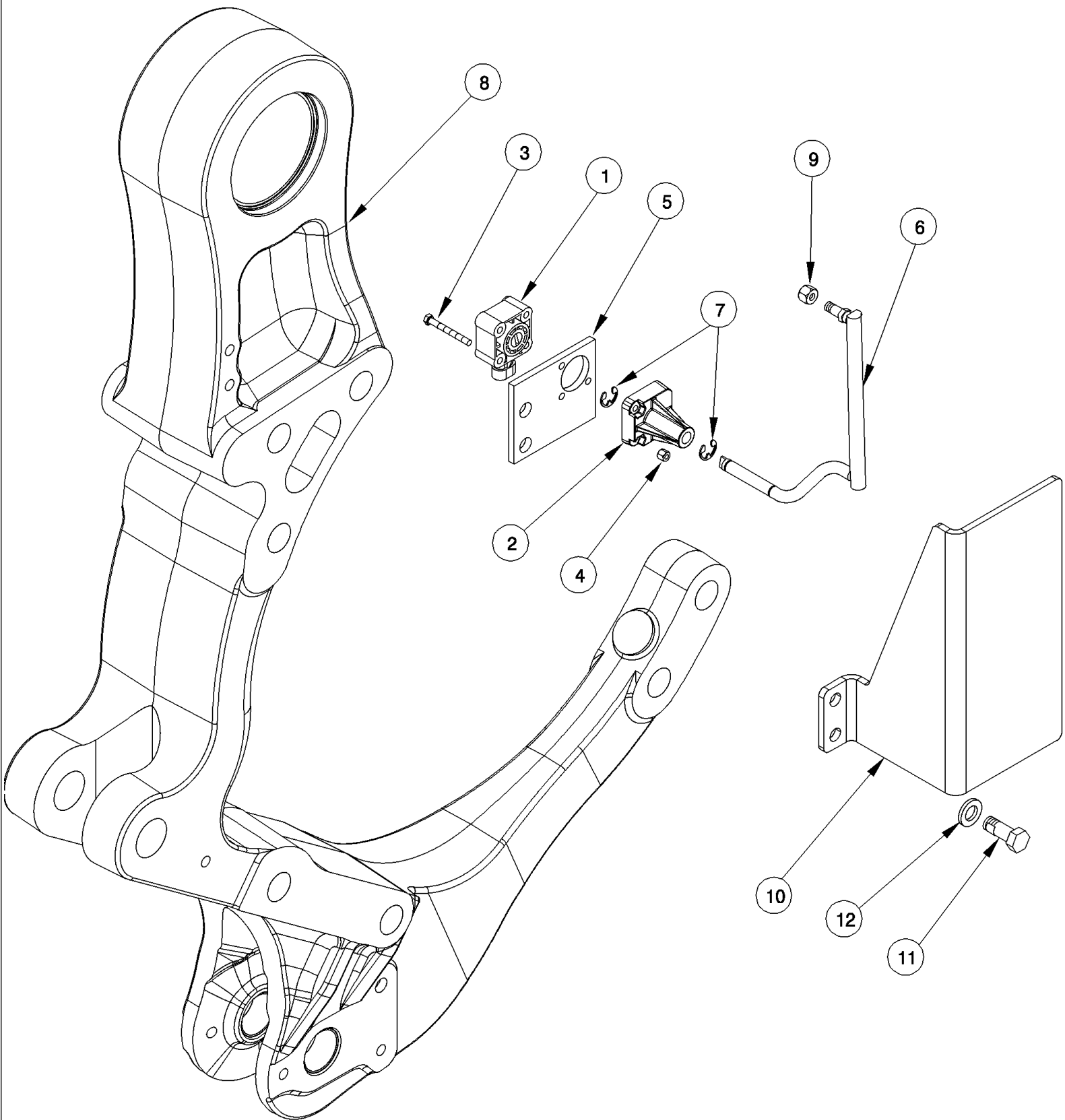


## MX305 CASE IH MAGNUM TRACTOR NA (1/06-9/06)

## 09-59 HITCH - SWAY LIMITER

сылка	Номер детали	Кол-во	Описание
1	251788A3	1	SUPPORT, , MX215, 245, 275, 305, Magnum 215, 245, 275 and 305
1	87712383	1	SUPPORT, , Magnum335
2	293792A5	1	CAM, Right Hand, MX215, 245, 275, 305, Magnum 215, 245, 275 and 305
2	87712324	1	CAM, Right hand, Magnum335
3	293789A5	1	CAM, Left Hand, MX215, 245, 275, 305, Magnum 215, 245, 275 and 305
3	87712325	1	CAM, Left Hand, Magnum335
4	87371130	2	BOLT, , MX215, 245, 275, 305, Magnum 215, 245, 275 and 305
4A	87712323	2	BOLT, , Magnum335
5	439-11236	2	PIN, HEADED, 3/4" x 2 1/4",
6	1978738C1	2	PIN, SPLIT (COTTER), 3/16
7	336494A1	2	CHAIN, Europe Only
8	389726A2	2	STUD, (Not Shown)
9	355763A2	2	SPACER, (Not Shown)
10	829-2416	1	NUT, M16 x 2, Flg, Cl 10, (Not Shown)
11	353-77	6	PLUG, Cap, .576" OD, (Not Shown)
12	628-16035	2	BOLT, Hex, M16 x 35, 10.9, Full Thd, (Not Shown)

09-60 HITCH - POSITION SENSOR

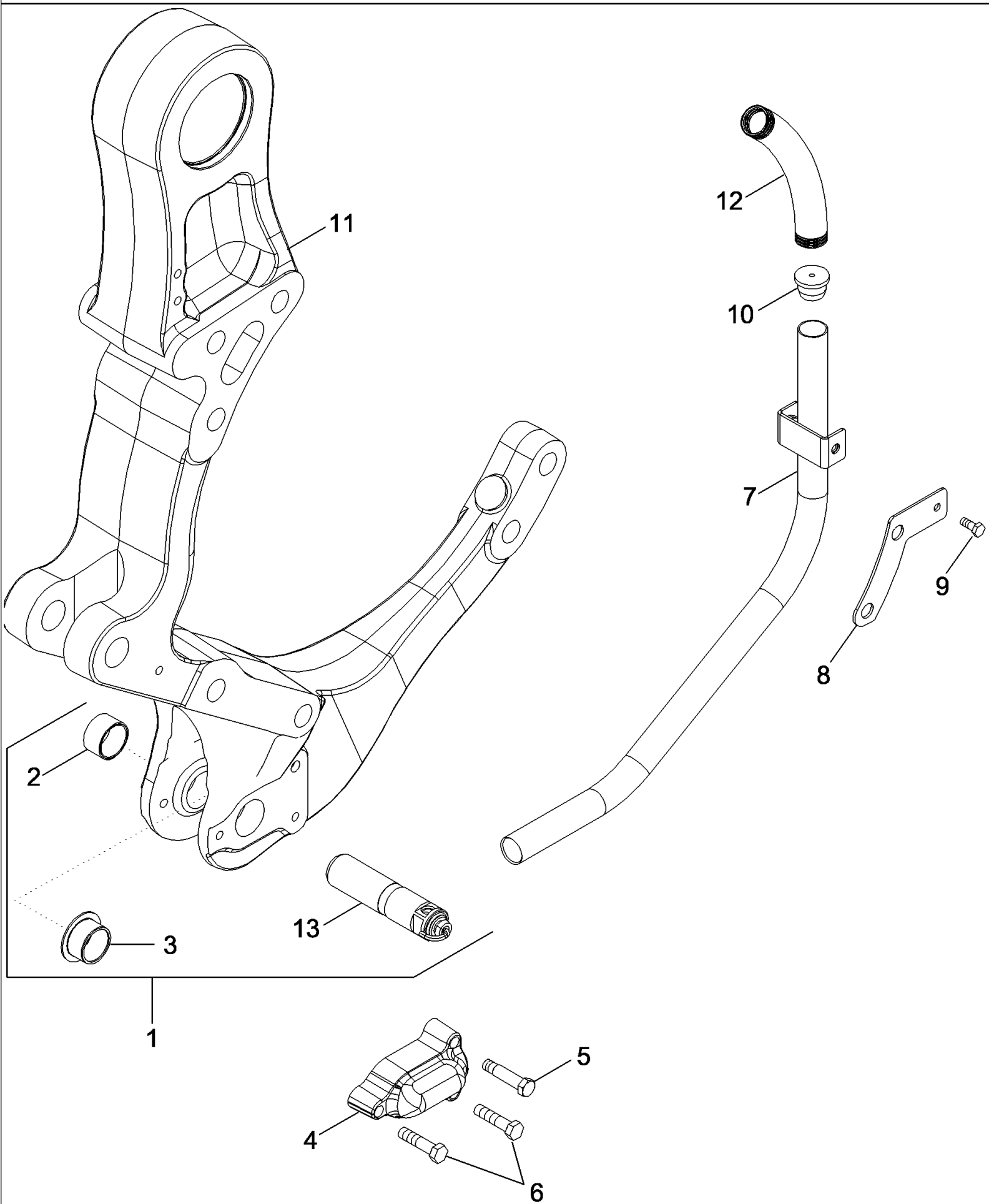


## MX305 CASE IH MAGNUM TRACTOR NA (1/06-9/06)

## 09-60 HITCH - POSITION SENSOR

сылка	Номер детали	Кол-во	Описание
1	283659A1	1	SENSOR,
2	305020A2	1	BUSHING,
3	614-5045	3	BOLT, Hex, M5 x 45, 8.8, Full Thd,
4	832-10405	3	NUT, LOCK, M5 x .8, CI 8,
5	300385A2	1	BRACKET,
6	242489A3	1	LINK, CONNECTING,
7	800-4310	2	CIRCLIP, M10,
8	302887A5	1	BRACKET,
9	832-10408	1	NUT, LOCK, M8 x 1.25, CI 8,
10	87342138	1	SHIELD,
11	805-12030	2	BOLT, Hex, Lock, M12 x 30, CI 10.9,
12	896-11012	2	WASHER, M13.5 x 24.5 x 3, HT,

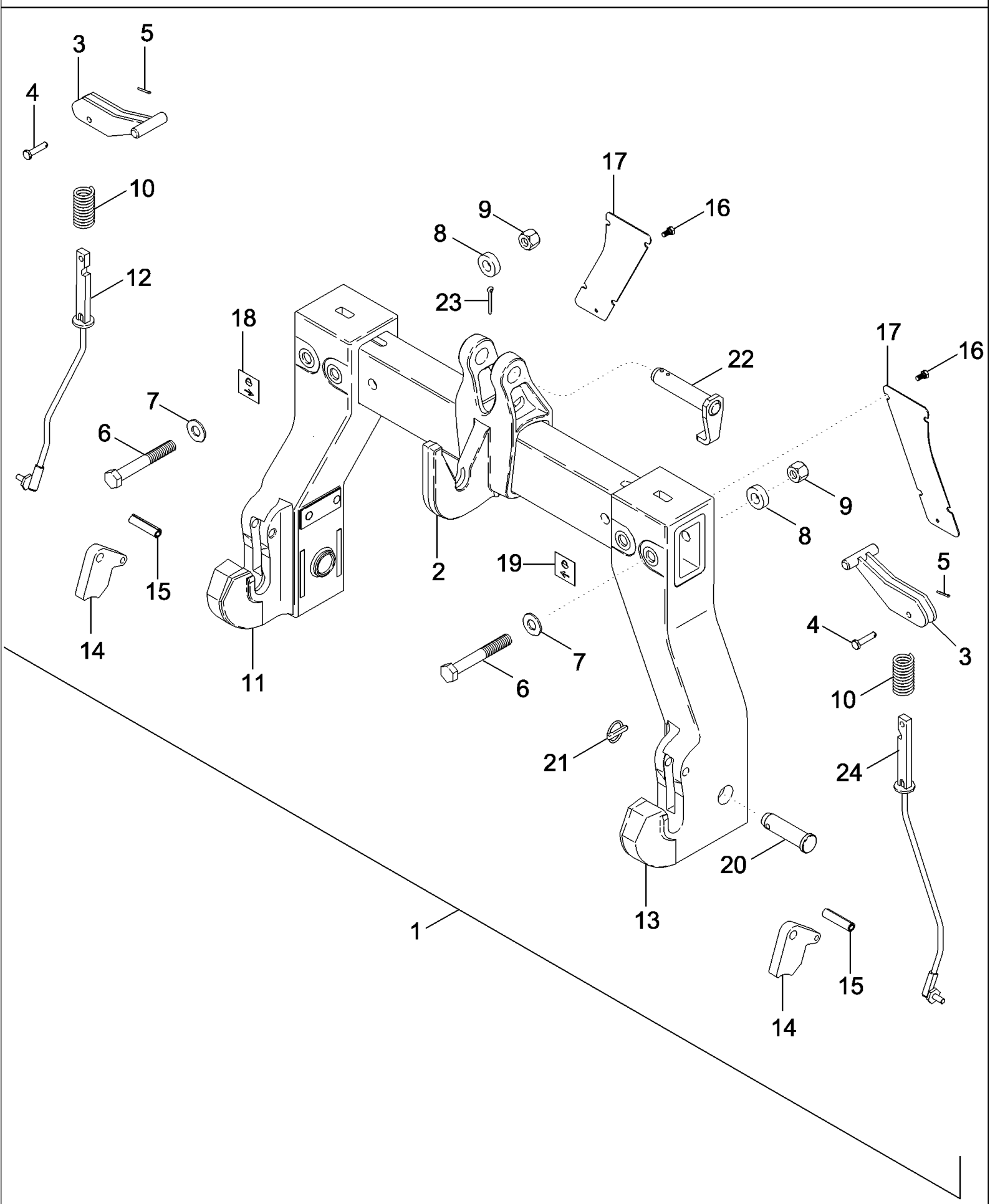
09-61 HITCH - DRAFT CONTROL PINS



## MX305 CASE IH MAGNUM TRACTOR NA (1/06-9/06)

## 09-61 HITCH - DRAFT CONTROL PINS

сылка	Номер детали	Кол-во	Описание
1	322022A1	2	KIT, Repair, Inc. 2 - 4
2	1960223C1	2	BUSHING,
3	303550A1	1	BUSHING,
4	87365144	2	COVER,
5	225643A1	2	BOLT,
6	827-12050	4	BOLT, Hex, M12 x 50, 10.9,
7	236897A2	2	PIPE,
8	229904A2	2	SUPPORT,
9	614-8020	2	BOLT, Hex, M8 x 20, 8.8,
10	1960765C2	2	GROMMET,
11	302887A5	2	BRACKET,
12	326827A1	2	SLEEVE,
13	NSS	1	NOT SERVICED SEPARATELY, PIN, Draft Control





MX305 CASE IH MAGNUM TRACTOR NA (1/06-9/06)

09-62 QUICK HITCH COUPLER - CONVERTIBLE, CATEGORY III / III-N, BSN Z6RZ02099

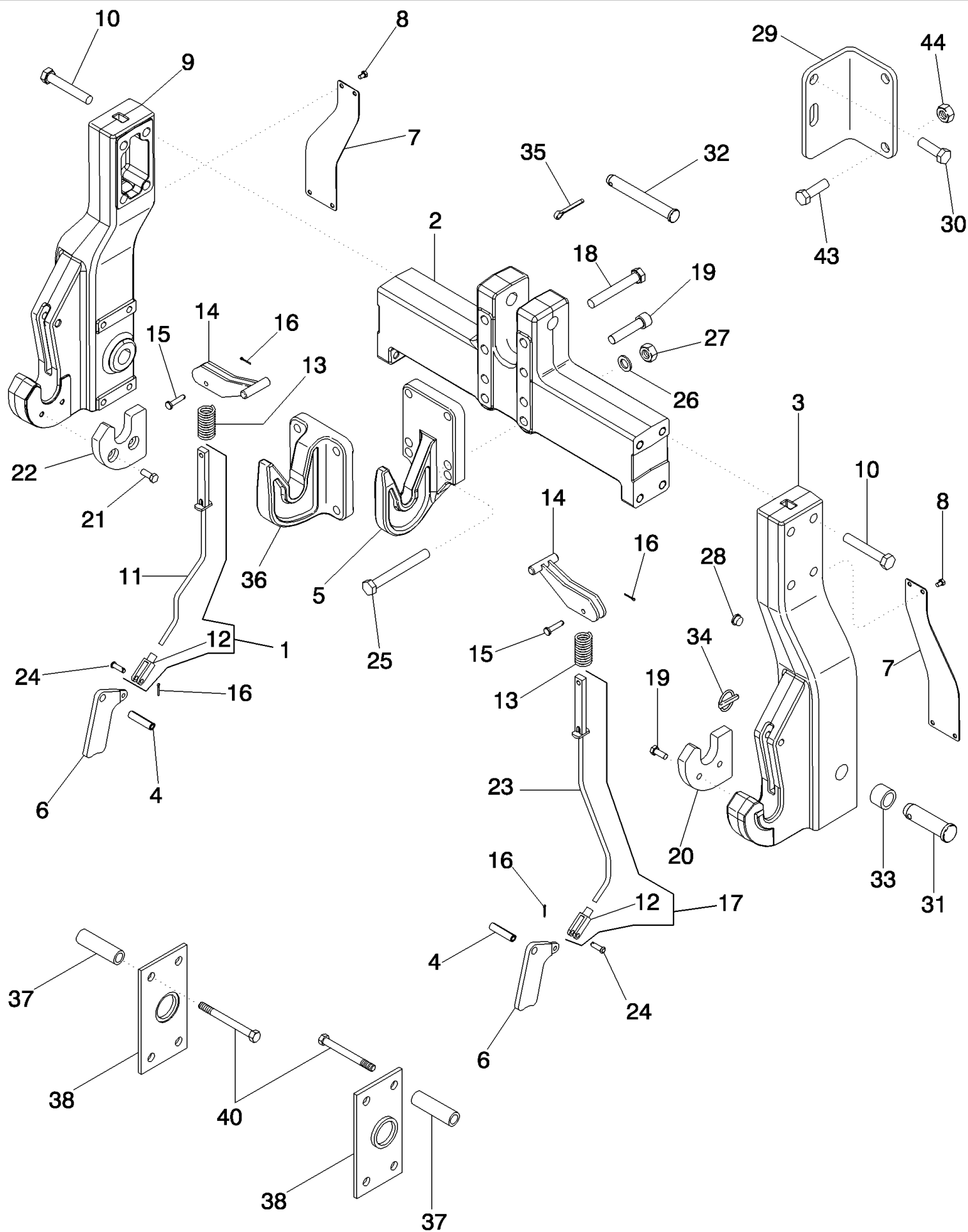
сылка	Номер детали	Кол-во	Описание
1	87332476	1	3 POINT HITCH, Inc. 2 - 19
2	87309289	1	HOOK, Coupler, Quick
3	452046A1	2	HANDLE,
4	728-1045	2	PIN, CLEVIS, M10 x 45,
5	733-3220	2	PIN, SPLIT (COTTER), M3.2 x 20,
6	827-20140	4	BOLT, Hex, M20 x 140, 10.9,
7	896-11020	4	WASHER, M20 x 37.5 x 4, HT,
8	372189A1	4	SPACER,
9	832-10420	4	NUT, LOCK, M20 x 2.5, CI 8,
10	70-4340T1	2	SPRING, COMPRESSION,
11	87330093	1	HOOK, Left Hand
12	87309294	1	LINK, Left Hand
13	87330094	1	HOOK, Right Hand
14	448834A3	2	LATCH,
15	87012660	2	PIN, M16 x 65, Coiled,
16	614-8016	8	BOLT, Hex, M8 x 16, 8.8,
17	87332477	2	COVER,
18	87402001	1	DECAL, Left Hand
19	87401975	1	DECAL, Right Hand
20	A75028	2	PIN,
21	378704A1	2	PIN, LOCK,
22	321527A3	1	PIN ASSY.,
23	733-6350	1	PIN, SPLIT (COTTER), M6.3 x 50,
24	87309296	1	LINK ASSY., Right Hand



MX305 CASE IH MAGNUM TRACTOR NA (1/06-9/06)

09-63 QUICK HITCH COUPLER - CONVERTIBLE, CATEGORY III / III-N, ASN Z6RZ02099

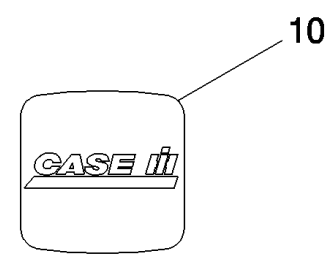
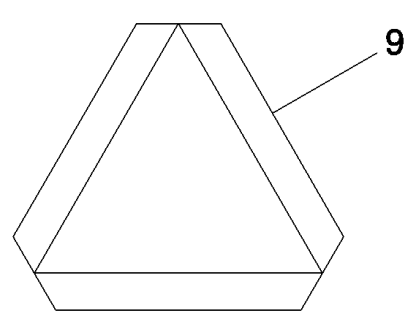
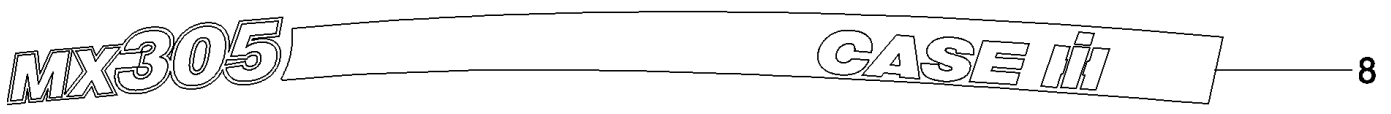
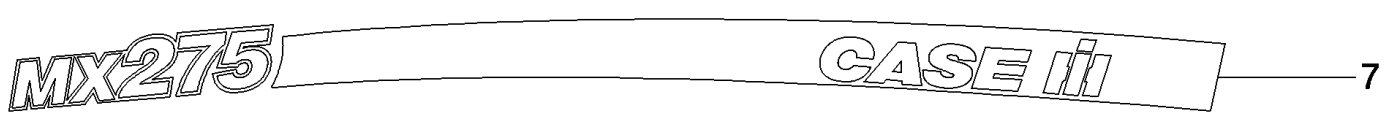
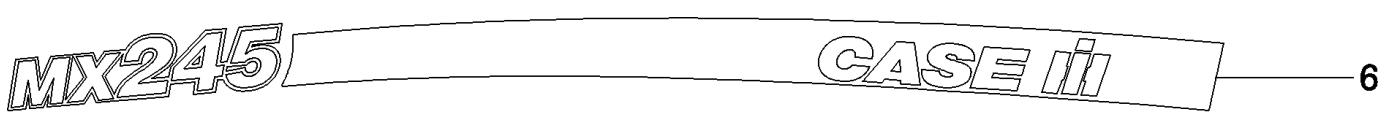
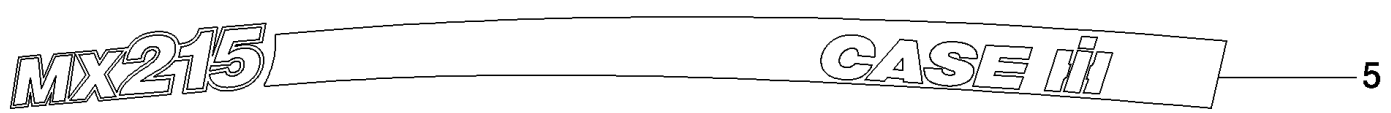
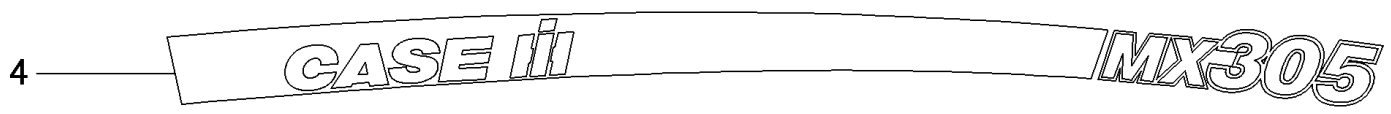
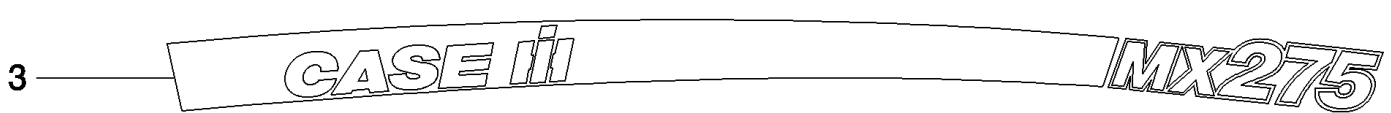
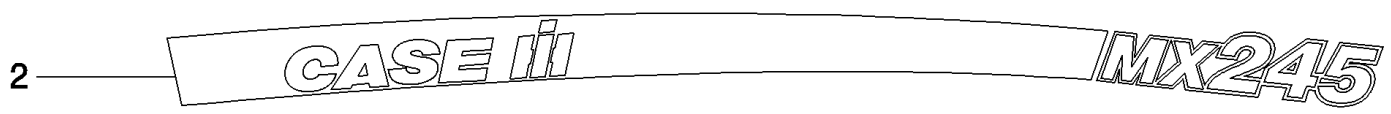
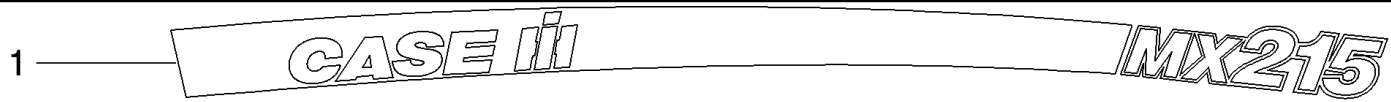
сылка	Номер детали	Кол-во	Описание
1	87394225	1	3 POINT HITCH, Inc. 2 - 19
2	87394195	1	HOOK, Coupler, Quick
3	452046A1	2	HANDLE,
4	728-1045	2	PIN, CLEVIS, M10 x 45,
5	733-3220	2	PIN, SPLIT (COTTER), M3.2 x 20,
6	827-20140	4	BOLT, Hex, M20 x 140, 10.9,
7	896-11020	4	WASHER, M20 x 37.5 x 4, HT,
8	372189A1	4	SPACER,
9	832-10420	4	NUT, LOCK, M20 x 2.5, CI 8,
10	70-4340T1	2	SPRING, COMPRESSION,
11	87330093	1	HOOK, Left Hand
12	87394739	1	LINK, Left Hand
13	87330094	1	HOOK, Right Hand
14	448834A3	2	LATCH,
15	87012660	2	PIN, M16 x 65, Coiled,
16	614-8016	8	BOLT, Hex, M8 x 16, 8.8,
17	87332477	2	COVER,
18	495-81082	8	WASHER, 1 3/32" x 1 1/2" x .120",
19	87394738	1	LINK, Right Hand
20	A75028	2	PIN,
21	378704A1	2	PIN, LOCK,
22	321527A3	1	PIN ASSY.,
23	733-6350	1	PIN, SPLIT (COTTER), M6.3 x 50,
24	716495R2	4	PLUG,



## MX305 CASE IH MAGNUM TRACTOR NA (1/06-9/06)

## 09-64 QUICK HITCH COUPLER - CONVERTIBLE, CATEGORY III / IV-N

сылка	Номер детали	Кол-во	Описание
	87733767	1	LINKAGE, Inc. 1 - 28
1	87637369	1	LINK, Inc. 11, 12
2	87739938	1	TUBE, Quick Coupler Top Cross
3	87650682	1	HOOK CAT D3 FOR SLIDER TY, Right hand
4	87012660	2	PIN, M16 x 65, Coiled,
5	87681150	1	HOOK CAT D3 FOR SLIDER TY,
6	87395952	2	
7	87397268	2	
8	614-8012	8	BOLT, Hex, M8 x 12, 8.8, Full Thd,
9	87650683	1	HOOK CAT D3 FOR SLIDER TY, Left Hand
10	827-20120	8	BOLT, Hex, M20 x 120, 10.9,
11	87637185	1	LINK, Latch
12	213-126	2	CLEVIS, ADJUSTABLE, 3/8"-24 x 2 1/2",
13	70-4340T1	2	SPRING, COMPRESSION,
14	87599209	2	HANDLE,
15	728-1045	2	PIN, CLEVIS, M10 x 45,
16	733-3220	4	PIN, SPLIT (COTTER), M3.2 x 20,
17	87637368	1	LINK, Inc. 12, 23
18	827-20140	2	BOLT, Hex, M20 x 140, 10.9,
19	862-20090	2	SCREW, Hex Soc Hd, M20 x 90, 12.9,
20	87540857	1	SPACER,
21	627-12030	4	BOLT, Hex, M12 x 30, 10.9,
22	87540856	1	SPACER,
23	87637184	1	LINK, Latch
24	439-1620	2	PIN, HEADED, 3/8" x 1 1/4", G2,
25	827-20170	2	BOLT, Hex, M20 x 170, 10.9,
26	896-11020	2	WASHER, M20 x 37.5 x 4, HT,
27	829-1420	2	NUT, M20, CI 10,
28	716495R2	8	PLUG,
29	87714188	1	PLATE,
30	614-20035	2	BOLT, Hex, M20 x 35, 8.8, Full Thd,
31	87680609	2	PIN, HITCH,
32	87546416	1	PIN,
33	383347A1	2	SPACER,
34	378704A1	2	PIN, LOCK,
35	733-6350	1	PIN, SPLIT (COTTER), M6.3 x 50,
36	87531653	1	HOOK CAT D3 FOR SLIDER TY,
	87666041	1	KIT, Narrow Adapter, Inc. 37 - 41
37	87666039	4	SPACER,
38	87666035	2	PLATE,
40	827-16110	8	BOLT, Hex, M16 x 110, 10.9,
41	87666042	2	PIN, (Not Shown)
42	87708029	1	BUSHING, (Not Shown)
43	614-20055	2	BOLT, Hex, M20 x 55, 8.8, Full Thd,
44	9706694	1	NUT, M20, CI 8,



MX305 CASE IH MAGNUM TRACTOR NA (1/06-9/06)

09-65 DECALS, BSN Z6RZ04001

сылка	Номер детали	Кол-во	Описание
1	87371781	1	DECAL, Model MX215, Right Hand
2	87371783	1	DECAL, Model MX245, Right Hand
3	87371785	1	DECAL, Model MX275, Right Hand
4	87371787	1	DECAL, Model MX305, Right Hand
5	87525946	1	DECAL, Model MX215, Left Hand
6	87525947	1	DECAL, Model MX245, Left Hand
7	87525948	1	DECAL, Model MX275, Left Hand
8	87525949	1	DECAL, Model MX305, Left Hand
9	311858A1	1	DECAL, SMV Emblem
10	87802966	1	EMBLEM CASE/IH,

1

**! WARNING**

**AVOID INJURY OR DEATH BEFORE STARTING ENGINE:**  
 Read operator's manual for safety information and operating instructions.  
 Read all tractor safety signs.  
 Be sure other people are clear of tractor and equipment.  
 Be sure gear shift is in neutral or park and PTO control is off.  
 Start engine only from seat.  
 Shields are for your protection. Keep them in place.

**OPERATION:**  
 When starting the tractor in cold weather, the tractor may move when transmission is engaged and clutch pedal is depressed. Use brakes to prevent tractor movement.  
 Actuate forward/reverse lever only from the operator's seat.  
 With ROPS, always buckle and adjust seat belt.  
 No riders on tractor or equipment.  
 Keep hands, feet, and clothing away from power driven parts.  
 For road travel, couple brake pedals, use flashing warning lamps unless prohibited by law and keep SMV emblem visible.

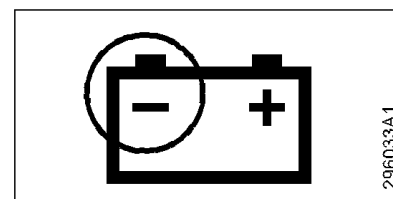
**TRACTORS CAN BE UPSET:**  
 Reduce speed on turns and rough ground.  
 Avoid steep slopes.  
 Avoid rear upset. Pull only from drawbar, never higher.

**WHEN TRACTOR HAS STOPPED:**  
 Put forward/reverse and range levers in park.  
 Engage park lock or brake.  
 Lower implement to ground.  
 Disengage PTO, stop engine, and wait for all movement to stop before servicing or clearing equipment.

2



3

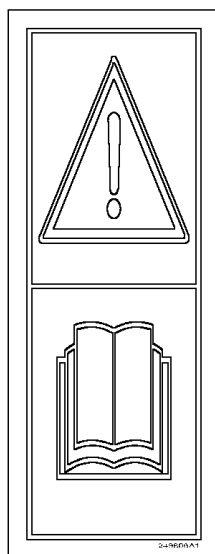


296033A1

4

50		51		15A	52		20A	53		30A	54		55		56		5A			
43		15A	44		15A	45		46		30A	47		30A	48		20A	49		30A	
36		15A	37		5A	38		15A	39		15A	40		10A	41		20A	42		10A
29		10A	30		10A	31		10A	32		10A	33		10A	34		5A	35		5A
22		10A	23		15A	24		10A	25			26		10A	27		20A	28		
15		25A	16		5A	17		5A	18		10A	19		10A	20		20A	21		10A
8		20A	9		15A	10		15A	11		20A	12		30A	13		30A	14		5A
1		5A	2		5A	3		25A	4		10A	5		30A	6		10A	7		10A

9



10

**! WARNING**

**LOSS OF CONTROL**  
 Tractor can exceed allowable transport speeds for towed equipment.

- Exceeding towed equipment's transport speed limits will result in reduced braking and control.
- DO NOT exceed towed equipment's maximum transport speed limits.
- Unless otherwise specified, by towed equipment manufacturer, observe following transport speed limits:

Towed equipment without brakes:  
 20 miles/h (32 km/h)

Towed equipment with brakes:  
 25 miles/h (40 km/h)

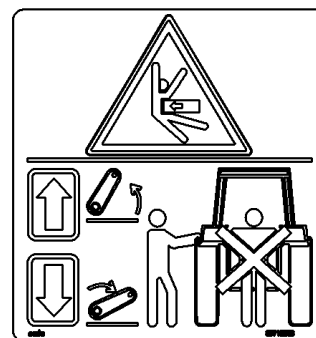
DO NOT exceed towed equipment's mass constraints outlined in Tractor Operator's Manual.  
 Failure to comply could result in death or serious injury.

Code: 8708004 A

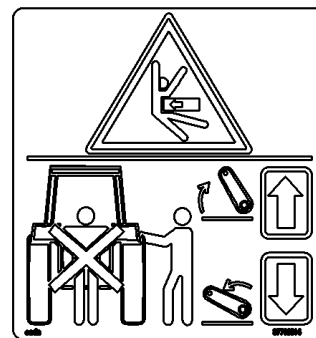
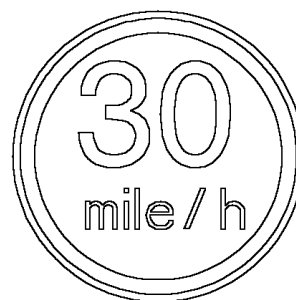
6

Adjustment of fuel pump beyond factory specs will void warranty on machine.

12



11



13

8

**! WARNING**

**ENTANGLEMENT HAZARD**

- Always keep PTO driveline shields in place to avoid entanglement.
- Be sure implements are matched to tractor PTO speeds.
- Center and lock drawbar when using PTO.

To prevent bottoming or separation of implement driveline, position drawbar according to implement manufacturer's recommendation or as follows:

540 RPM 6 spline	1 3/8" DIAMETER	-14 INCH (356 mm)
1000 RPM 21 spline	1 3/8" DIAMETER	-18 INCH (460 mm)
1000 RPM 20 spline	1 3/4" DIAMETER	-20 INCH (500 mm)

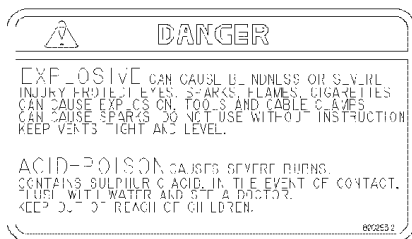


## MX305 CASE IH MAGNUM TRACTOR NA (1/06-9/06)

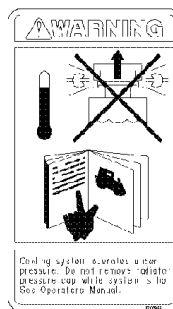
## 09-67 DECALS

сылка	Номер детали	Кол-во	Описание
1	296032A1	1	DECAL, Warning, Avoid Injury, English
1	296034A1	1	DECAL, Warning, Avoid Injury, French Canadian
2	296030A1	1	DECAL, Quality Assurance
3	296033A1	1	DECAL, Negative Jump Start
4	87707931	1	DECAL, Fuse Location
6	A189007	1	DECAL, Warranty, Fuel Pump
8	296031A3	1	DECAL, Warning, Avoid Injury, English
8	296028A4	1	DECAL, Warning, Avoid Injury, French Canadian
9	249806A1	1	DECAL, Read Operator Manual
10	87661504	1	DECAL, , English
10	87661506	1	DECAL, , French Canadian
11	87522628	1	DECAL, 30 MPH
12	87710313	1	DECAL, Hitch, Left hand
13	87710314	1	DECAL, Hitch, Right Hand

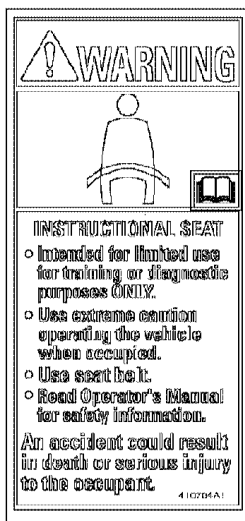
1



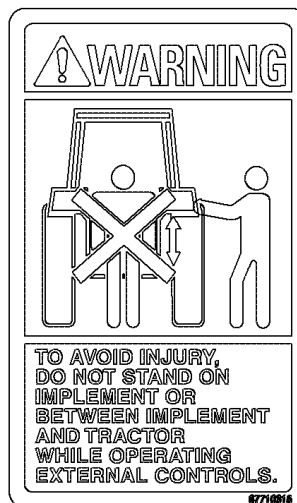
2



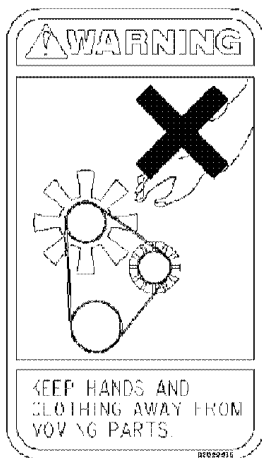
4



5



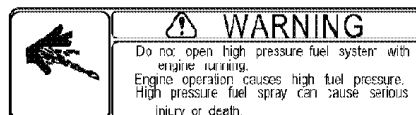
3



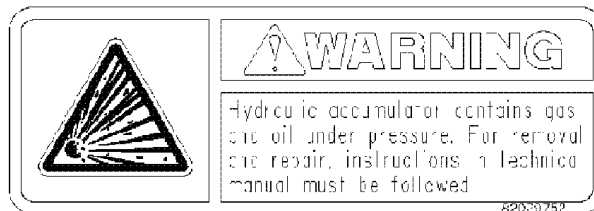
6



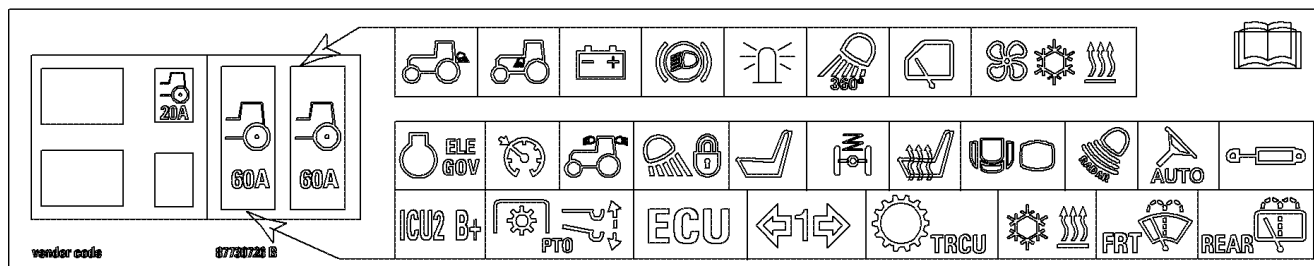
7



8



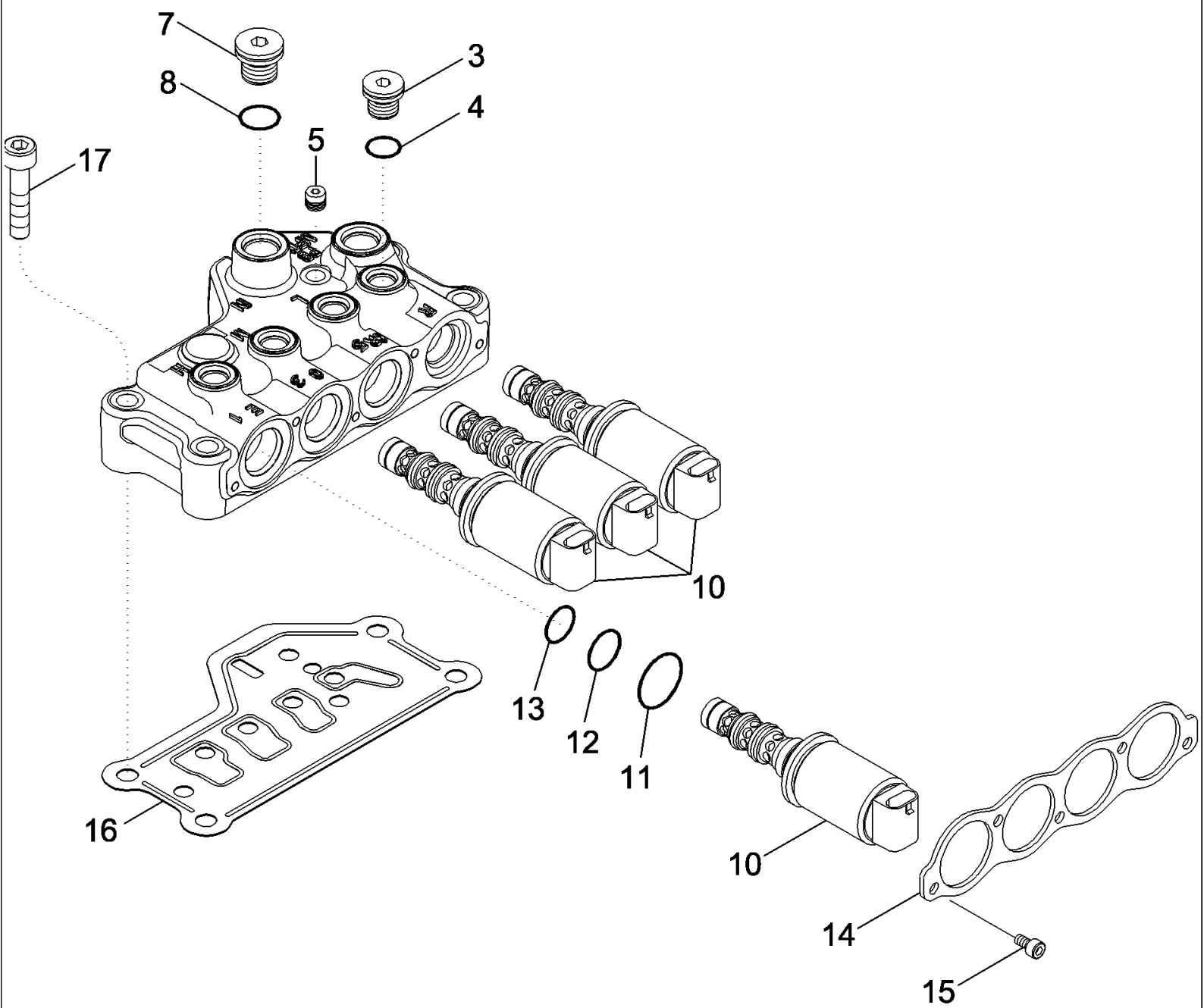
9



## 09-68 DECALS

сылка	Номер детали	Кол-во	Описание
1	82029312	1	DECAL, DANGER, Battery Safety Instructions, English
1	82025614	1	DECAL, Battery Safety, French Canadian
1	82025615	1	DECAL, Battery Safety, Spanish (NAO)
2	82029421	1	DECAL, WARNING, Radiator, English
2	82029764	1	DECAL, Warning, Radiator, French Canadian
2	82029768	1	DECAL, Warning, Radiator, Spanish (NAO)
3	82029538	2	DECAL, WARNING, Fan, English
3	82029716	2	DECAL, Warning, Fan, French Canadian
3	82029767	1	DECAL, Warning, Fan, Spanish (NAO)
4	410704A1	1	DECAL, Warning, Instructional Seat
5	87710315	2	DECAL, Warning, External Switch, English
5	87710316	2	DECAL, Warning, External Switch, French Canadian
5	87710317	2	DECAL, Warning, External Switch, Spanish (NAO)
6	82029314	1	DECAL, Warning, Radar, English
6	82025618	1	DECAL, Warning, Radar, French Canadian
6	82025619	1	DECAL, Warning, Radar, Spanish (NAO)
7	87347223	2	DECAL, Do Not Open
8	82029752	3	DECAL, Warning, Suspension Accumulators
9	87730726	1	DECAL, Power Distribution

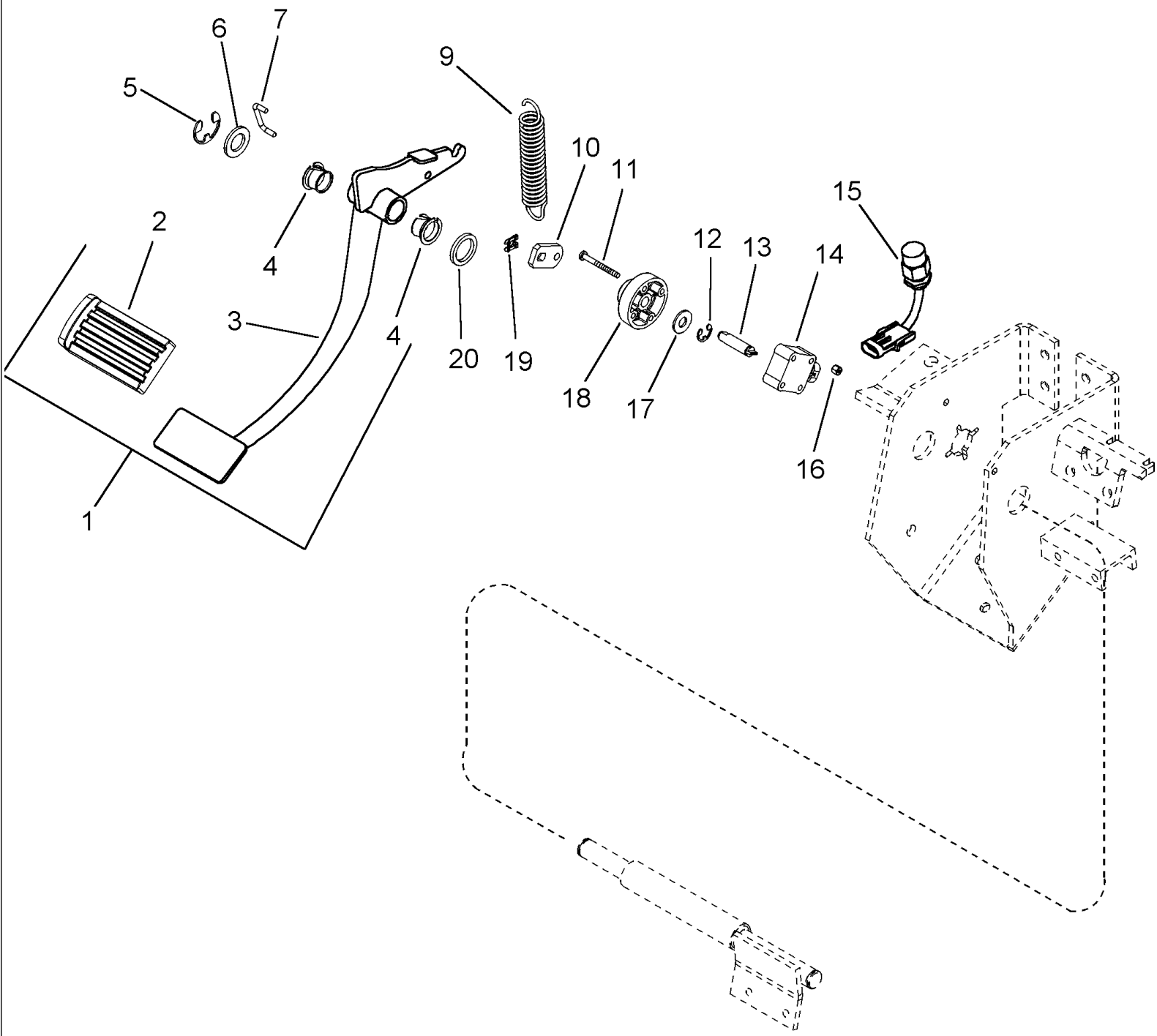




MX305 CASE IH MAGNUM TRACTOR NA (1/06-9/06)

06-26 VALVE ASSEMBLY - TRANSMISSION CONTROL (87323842)

сылка	Номер детали	Кол-во	Описание
	87323842	1	VALVE, Inc. 1 - 15
1	NSS	1	NOT SERVICED SEPARATELY, BODY, Valve
3	221576A1	5	PLUG, Hex Soc, M14 x 1.5, ORB, Inc. 4
4	14437785	1	O-RING, 11.3MM ID x 2.4 Thk,
5	315168A1	1	PLUG,
7	221578A1	1	PLUG, Hex Soc, M18 x 1.5, ORB, Inc. 8
8	637-63153	1	O-RING, CI 6, 15.3MM ID x 2.2 Thk,
10	87440439	4	VALVE, SOLENOID, Inc. 11 - 13
11	87014033	1	O-RING, -019, CI 7, .801" ID x .070" Thk,
12	238-7016	1	O-RING, -016, CI 7, .614" ID x .070" Thk,
13	238-7015	1	O-RING, -015, CI 7, .551" ID x .070" Thk,
14	86985026	1	COVER,
15	864-5010	6	SCREW, Hex Soc Hd, M5 x 10, 8.8,
16	87399290	1	GASKET,
17	864-10055	4	SCREW, Hex Soc Hd, M10 x 55, 8.8,



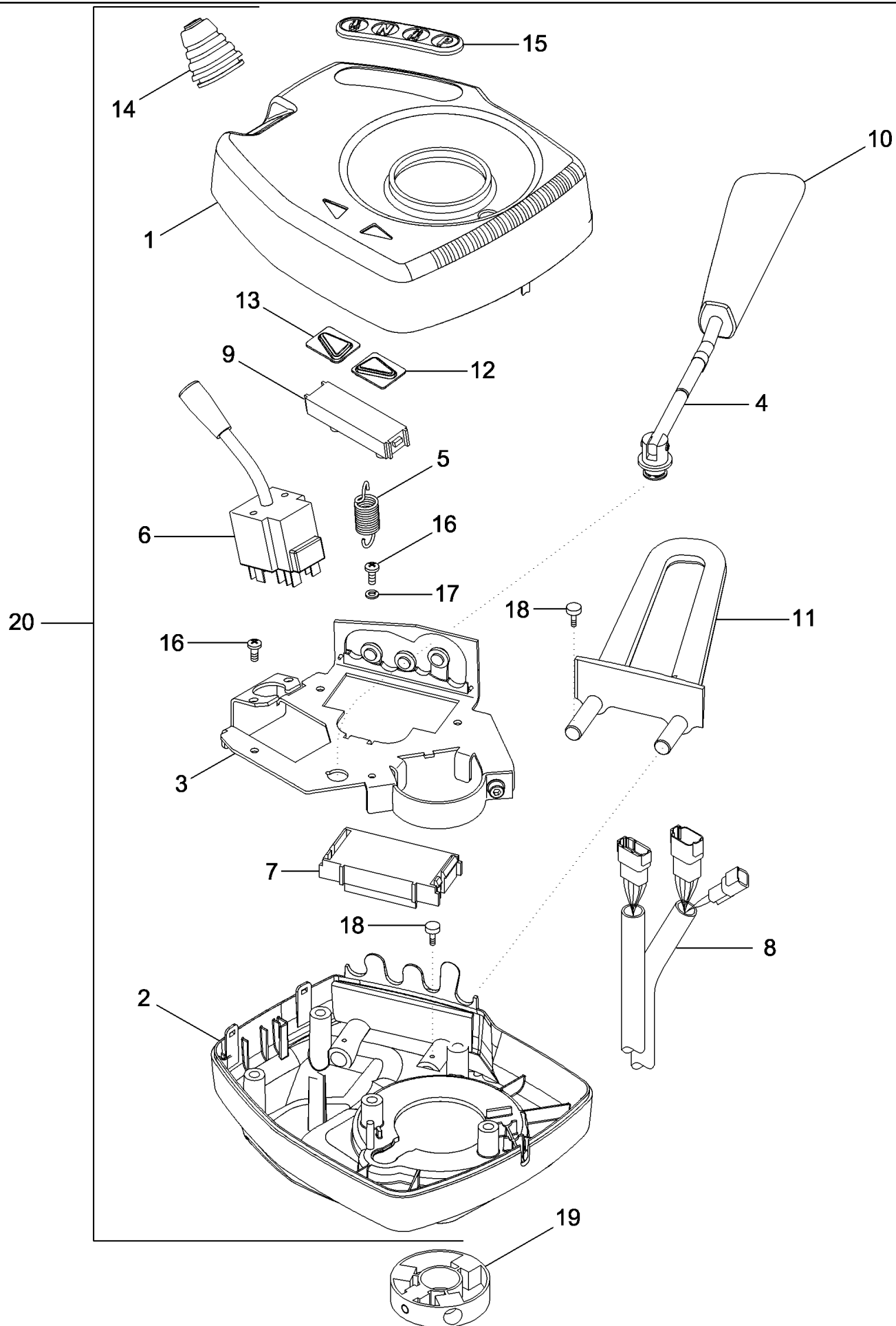
## MX305 CASE IH MAGNUM TRACTOR NA (1/06-9/06)

## 06-27 PEDAL - INCHING

сылка	Номер детали	Кол-во	Описание
1	416255A3	1	PEDAL ASSY., Inc. 2 - 4
2	1999382C1	1	PAD, RUBBER,
3	NSS	1	NOT SERVICED SEPARATELY, PEDAL
4	1990753C1	2	PLASTIC RING,
5	800-3120	1	CIRCLIP, M20,
6	895-11018	1	WASHER, M18 x 34 x 3,
7	87567150	1	ROD,
9	303754A1	1	SPRING,
10	302275A2	1	LEVER,
11	840-1550	4	SCREW, Cross Pan Hd, M5 x 50,
12	800-4311	1	CIRCLIP, M11,
13	295013A2	1	PIN,
14	301271A1	1	SENSOR, Position
15	414144A1	1	SWITCH, Bottom Of Clutch
16	832-10405	4	NUT, LOCK, M5 x .8, CI 8,
17	495-21044	1	WASHER, 3/8",
18	295012A2	1	BUSHING,
19	3226538R1	1	CLIP,
20	258242A1	1	WASHER,



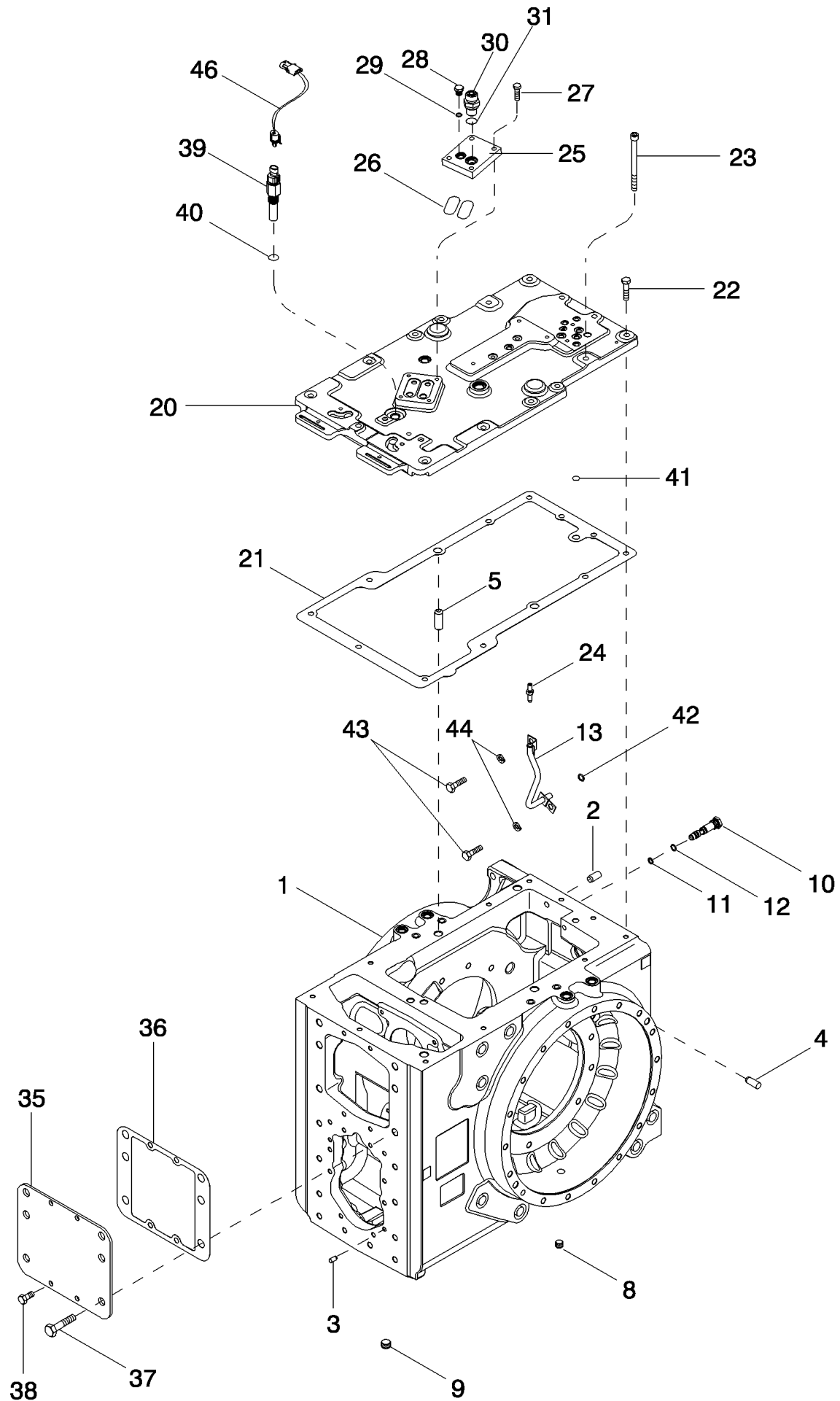
06-28 LEVER ASSEMBLY - TRANSMISSION CONTROL



## MX305 CASE IH MAGNUM TRACTOR NA (1/06-9/06)

## 06-28 LEVER ASSEMBLY - TRANSMISSION CONTROL

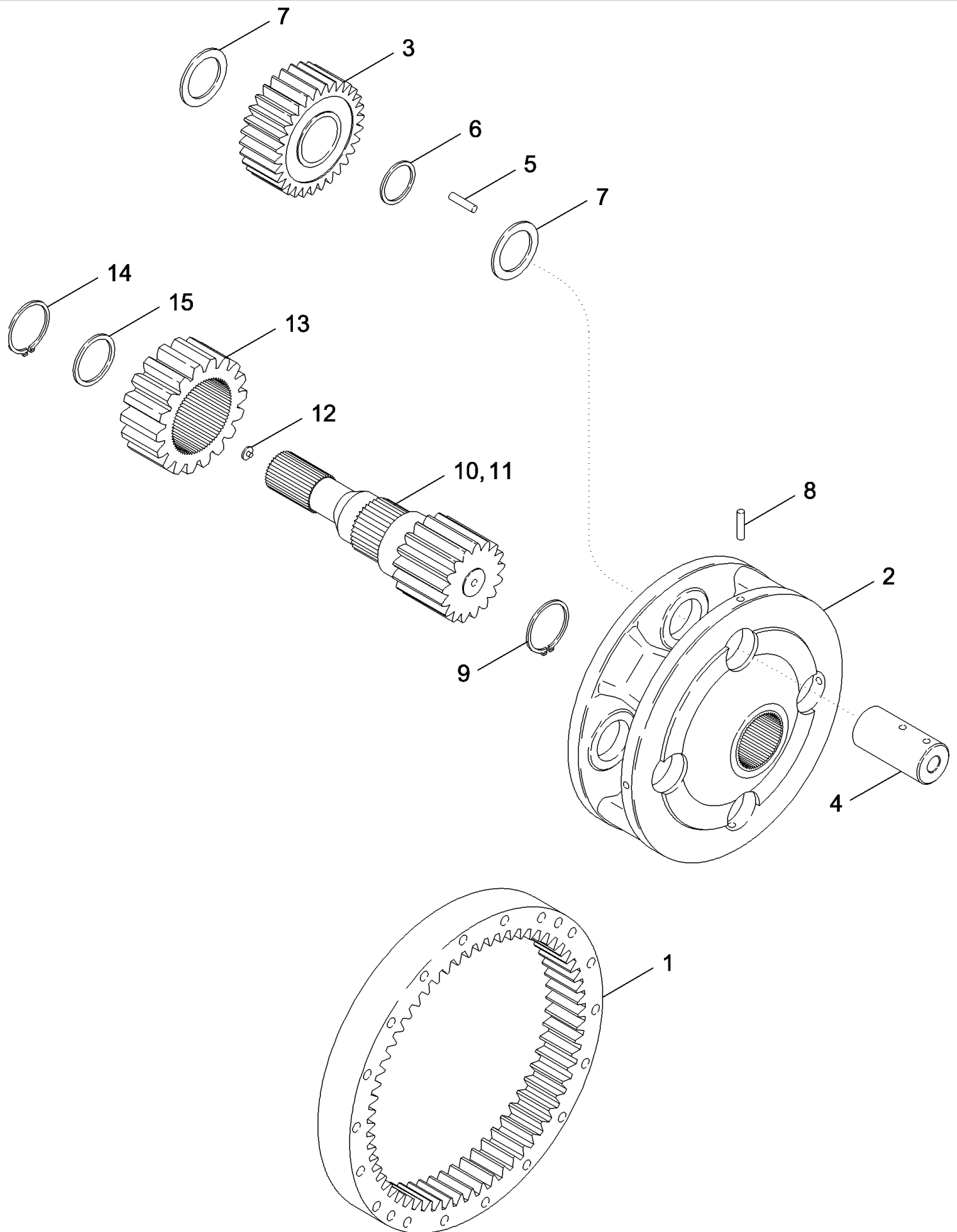
сылка	Номер детали	Кол-во	Описание
1	325064A1	1	HOUSING, Upper
2	325065A1	1	HOUSING, Lower
3	325362A1	1	CHASSIS,
4	325363A1	1	LEVER, Transmission Control
5	250939A1	1	SPRING,
6	284777A1	1	SWITCH, Universal W/ Dipping W/ Self-Cancel
7	447256A2	1	SWITCH, Transmission Control
8	375681A1	1	HARNESS, Transmission Control And Turn Signal Self-Cancelling Sensor (Sensor Not Serviced Separately)
9	303465A2	1	LAMP,
10	325533A1	1	HANDLE,
11	325066A2	1	GUARD,
12	303466A1	1	SYMBOLS, Right-Hand
13	303467A1	1	SYMBOLS, Left-Hand
14	325068A1	1	BELLOWS,
15	358353A1	1	SYMBOLS,
16	840-1410	7	SCREW, Cross Pan Hd, M4 x 10,
17	892-11004	7	WASHER, LOCK, M4,
18	905974R1	2	SCREW, SELF TAPPING, Pan Hd, M2.9 x 13,
19	253679A1	1	RING, Magnet
20	86993721	1	CONTROL, Inc. 1 -18



## MX305 CASE IH MAGNUM TRACTOR NA (1/06-9/06)

## 06-29 REAR AXLE - HOUSING

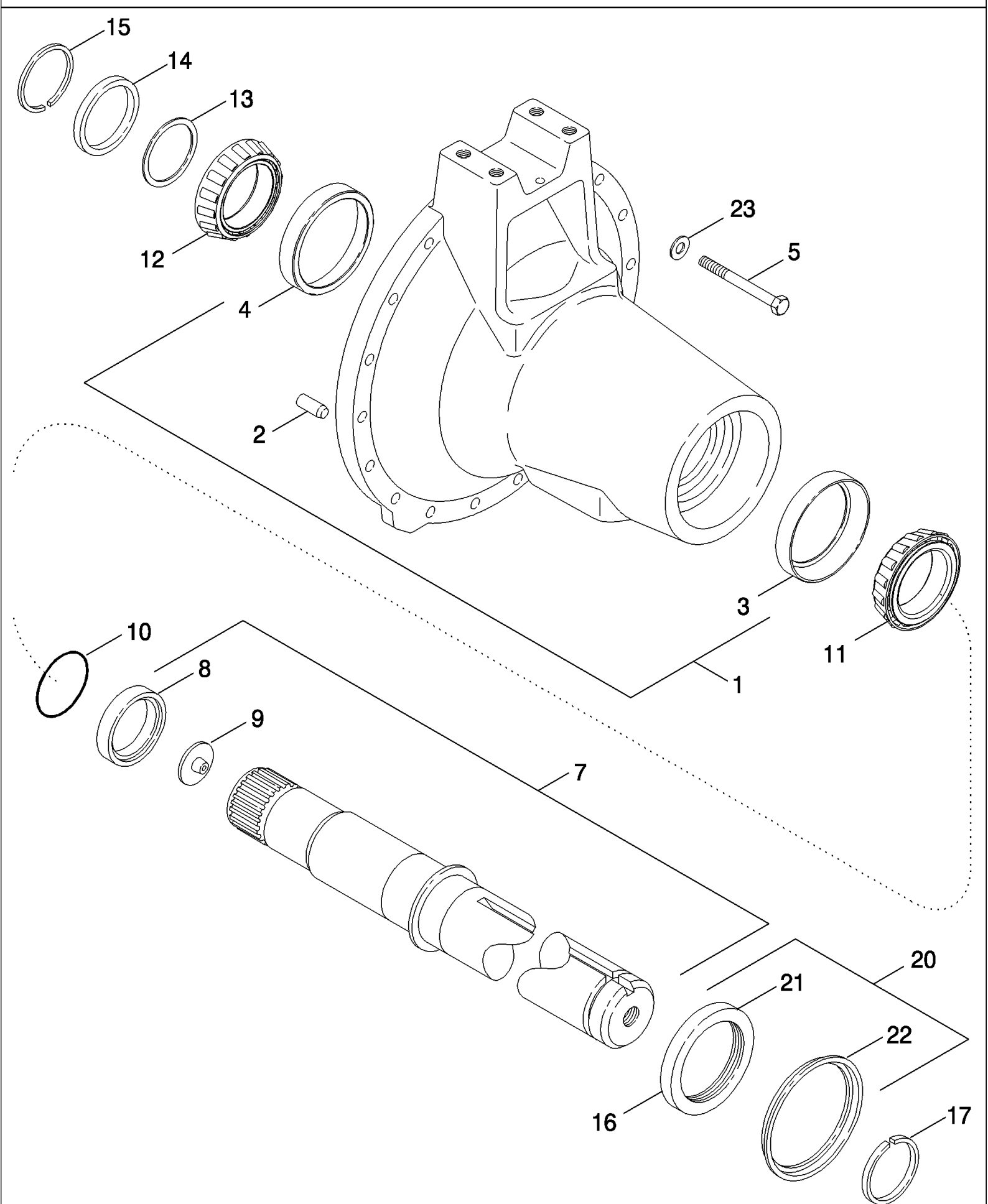
сылка	Номер детали	Кол-во	Описание
1	87713053	1	HOUSING ASSY., Inc. 2 - 12
2	837-16035	1	DOWEL, M16 x 35,
3	837-10020	2	DOWEL, M10 x 20,
4	837-16040	4	DOWEL, M16 x 40,
5	37-11232	2	DOWEL, 3/4" x 2",
8	192791A1	2	PLUG, 1/2 in
9	192792A1	1	PLUG, 3/4 in
10	411075A1	1	FITTING,
11	238-6111	1	O-RING, -111, 90 Duro, .424" ID x .103" Thk,
12	238-6112	1	O-RING, -112, 90 Duro, .487" ID x .103" Thk,
13	409741A1	1	TUBE ASSY.,
20	87371409	1	COVER, Rear Frame
21	413900A1	1	GASKET,
22	828-12050	15	BOLT, Hex, M12 x 50, 10.9,
23	863-12150	4	SCREW, Hex Soc Hd, M12 x 150, 12.9,
24	414320A1	1	FITTING,
25	87696450	1	PLATE,
26	238-6139	2	O-RING, -139, 90 Duro, 2.175" ID x .103" Thk,
27	628-10035	4	BOLT, Hex, M10 x 35, 10.9, Full Thd,
28	221576A1	1	PLUG, Hex Soc, M14 x 1.5, ORB, Inc. 29
29	14437785	1	O-RING, 11.3MM ID x 2.4 Thk,
30	86579676	1	CONNECTOR, HYD., 13/16"-16 ORFS x M18 x 1.5 ORB, Inc. 31
31	637-63153	1	O-RING, CI 6, 15.3MM ID x 2.2 Thk,
35	236602A1	1	COVER, , Without Hitch
36	379145A1	1	GASKET,
37	628-20045	6	BOLT, Hex, M20 x 45, 10.9, Full Thd,
38	628-12025	4	BOLT, Hex, M12 x 25, 10.9, Full Thd,
39	352787A2	1	SENSOR, Axle Speed, Transmission BSN AJB0372635
39	87548200	1	SENSOR, PTO and transmission Speed, Transmission ASN AJB0372635
40	238-5115	1	O-RING, -115, 70 Duro, .674" ID x .103" Thk,
41	238-5111	1	O-RING, -111, 70 Duro, .424" ID x .103" Thk,
42	239-5112	1	O-RING, Rect, .5" ID x .688" OD, CI 5,
43	613-12025	2	BOLT, Hex, M12 x 25, 8.8, Full Thd,
44	892-11012	2	WASHER, LOCK, M12,
46	87631267	1	HARNESS, WIRE, PTO Sensor, Transmission ASN AJB0372635



MX305 CASE IH MAGNUM TRACTOR NA (1/06-9/06)

06-32 REAR AXLE - PLANETARY, MX305 AND MAGNUM 305

сылка	Номер детали	Кол-во	Описание
1	360761A1	2	GEAR, RING,
2	388370A1	2	CARRIER, GEARS,
3	310694A2	8	GEAR, PLANETARY,
4	310697A3	8	SHAFT,
5	1349347C1	528	BEARING, NEEDLE,
6	86985634	8	SPACER, RING, Nylon
7	87435907	16	WASHER,
8	838-3826	8	PIN, M8 x 26, Coiled,
9	101-11350	2	RING, SNAP, #350, Ext,
10	395481A1	1	SHAFT, GEAR, 16T, Left Hand
11	395481A1	1	SHAFT, GEAR, 16T, Right Hand
12	1981327C1	1	PLUG, Sun Shaft Locator, Right Hand Only
13	1259732C1	2	HUB,
14	101-11275	2	RING, SNAP, #275, 2.594, Ext,
15	1259753C1	2	WASHER,



## MX305 CASE IH MAGNUM TRACTOR NA (1/06-9/06)

## 06-33 REAR AXLE - 4 X 120 INCH

сылка	Номер детали	Кол-во	Описание
1	87331804	2	CARRIER, AXLE, Inc. 2 - 4
2	837-16040	2	DOWEL, M16 x 40,
3	1975500C1	1	BEARING, CUP,
4	619697C1	1	BEARING, CUP,
5	828-16150	36	BOLT, Hex, M16 x 150, 10.9,
7	1342484C4	2	AXLE, REAR, Inc. 8, 9
8	1963837C1	1	BUSHING,
9	1981270C1	1	INSERT,
10	238-5155	2	O-RING, -155, 70 Duro, 3.987" ID x .103" Thk,
11	1975499C1	2	BEARING, CONE,
12	1963841C1	2	BEARING, CONE,
13	143921C1	AR	SHIM, 0.760 mm
13	143922C1	AR	SHIM, 0.300 mm
13	143923C1	AR	SHIM, 0.13 mm
13	143924C1	AR	SHIM, 0.10 mm
13	143925C1	AR	SHIM, 0.076 mm
14	124744C1	2	RING,
15	1277020C2	2	RING,
16	1963839C1	2	SEAL,
17	800-51100	2	RING, SNAP, M100, Ext, Hvy, Axle
20	1349182C1	2	KIT, GASKET, Inc. 21, 22
21	1349183C1	1	SEAL, OIL, Oversize
22	1349184C1	1	SLEEVE,
23	896-12016	36	WASHER, M17.5 x 30 x 4, HT,

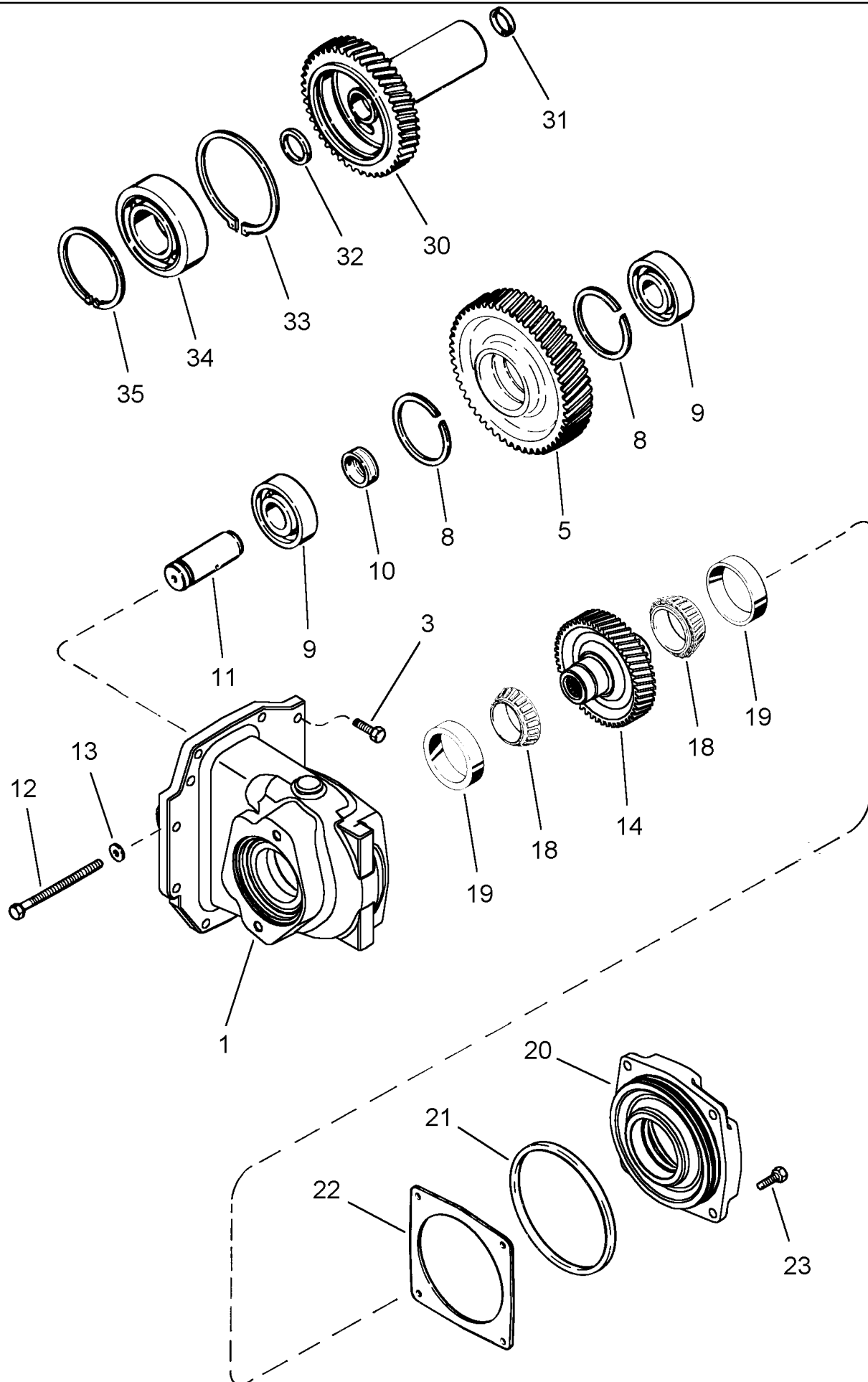




## MX305 CASE IH MAGNUM TRACTOR NA (1/06-9/06)

## 06-34 REAR AXLE - 4-1/2 X 120 INCH

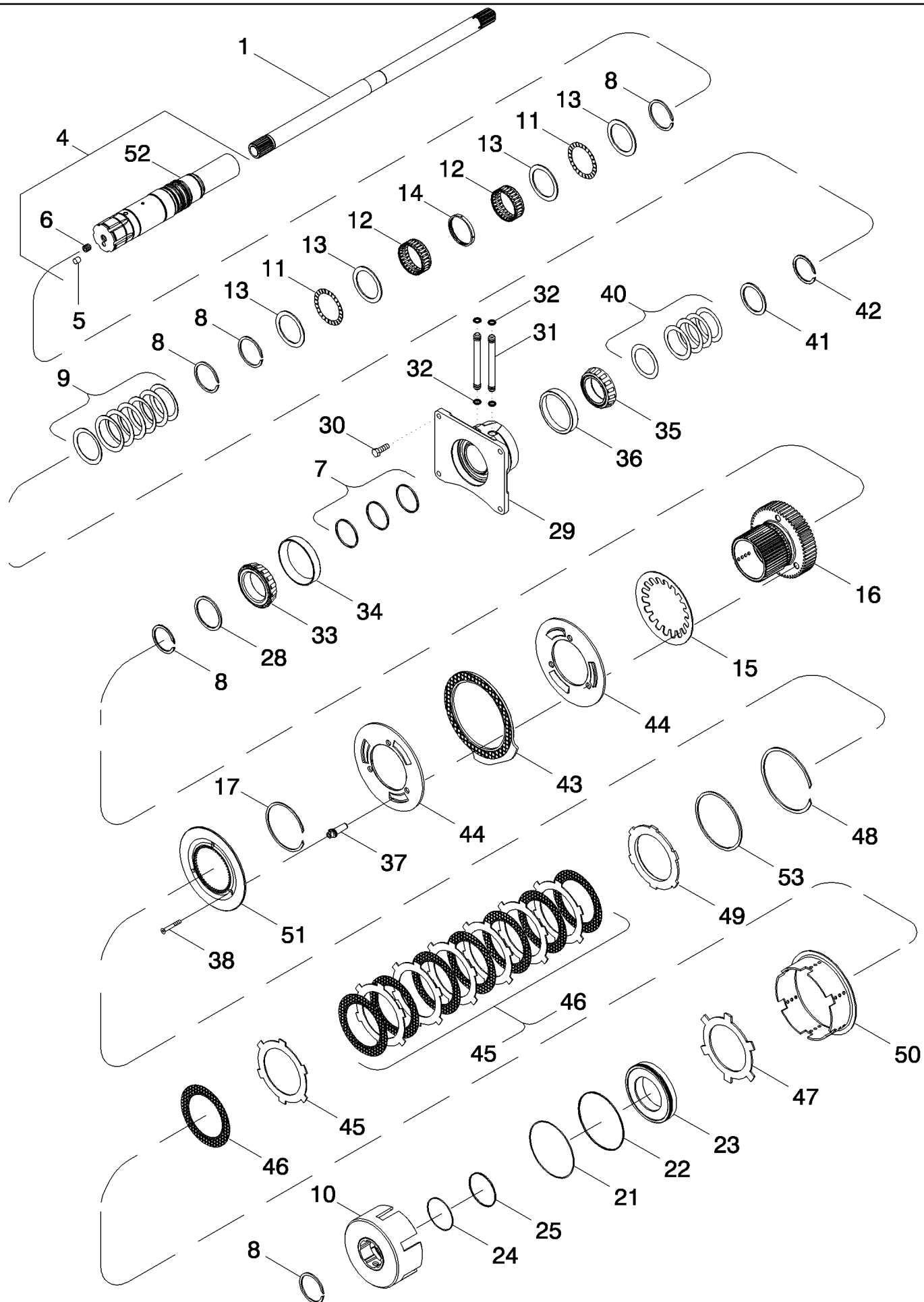
сылка	Номер детали	Кол-во	Описание
1	87456256	2	CARRIER, Inc. 2 - 4
2	837-16040	2	DOWEL, M16 x 40,
3	237698A1	1	BEARING, CUP,
4	90-3675T1	1	BEARING SET,
5	828-16150	36	BOLT, Hex, M16 x 150, 10.9,
7	245279A2	2	AXLE, REAR, Inc. 8 - 10
8	87593684	1	BUSHING,
9	1981270C1	1	INSERT,
10	238-5246	2	O-RING, -246, 70 Duro, 4.484" ID x .139" Thk,
11	237700A1	2	BEARING, CONE,
12	90-3676T1	2	BEARING, CONE,
13	143921C1	AR	SHIM, 0.760 mm
13	143922C1	AR	SHIM, 0.300 mm
13	143923C1	AR	SHIM, 0.13 mm
13	143924C1	AR	SHIM, 0.10 mm
13	143925C1	AR	SHIM, 0.076 mm
14	124744C1	2	RING,
15	243856A1	2	SNAP RING,
16	239942A3	2	SEAL,
17	896-12016	36	WASHER, M17.5 x 30 x 4, HT,
18	800-11115	2	RING, SNAP, M115, Ext, Axle



## MX305 CASE IH MAGNUM TRACTOR NA (1/06-9/06)

## 06-35 TRANSMISSION - PUMP DRIVE

сылка	Номер детали	Кол-во	Описание
1	389550A1	1	HOUSING,
3	613-10035	8	BOLT, Hex, M10 x 35, 8.8, Full Thd,
5	220199A1	1	GEAR,
8	472163R1	2	RING,
9	394326A1	2	BEARING, BALL,
10	93316C1	1	SPACER,
11	1286151C1	1	SHAFT,
12	813-10130	1	BOLT, Hex, M10 x 130, 8.8,
13	896-12010	1	WASHER, M10 x 21.5 x 2.5, HT,
14	404173A2	1	GEAR, DRIVEN,
18	399933C91	2	BEARING, CONE,
19	399934C1	2	BEARING, CUP,
20	405664A2	1	CAGE,
21	238-5257	1	O-RING, -257, 70 Duro, 5.859" ID x .139" Thk,
22	120946C1	AR	SHIM, 0.08 mm
22	120947C1	AR	SHIM, 0.10 mm
22	120948C1	AR	SHIM, 0.13 mm
22	120949C1	AR	SHIM, 0.30 mm
22	149011C1	AR	SHIM, 0.76 mm
23	613-10035	4	BOLT, Hex, M10 x 35, 8.8, Full Thd,
30	220560A1	1	PINION,
31	238-5223	1	O-RING, -223, 70 Duro, 1.609" ID x .139" Thk,
32	1286023C1	1	RING,
33	100-11237	1	RING, SNAP, #237, Ext,
34	ST269A	1	BEARING, BALL,
35	101-21433	1	RING, SNAP, #433, 4.641", Int,



## MX305 CASE IH MAGNUM TRACTOR NA (1/06-9/06)

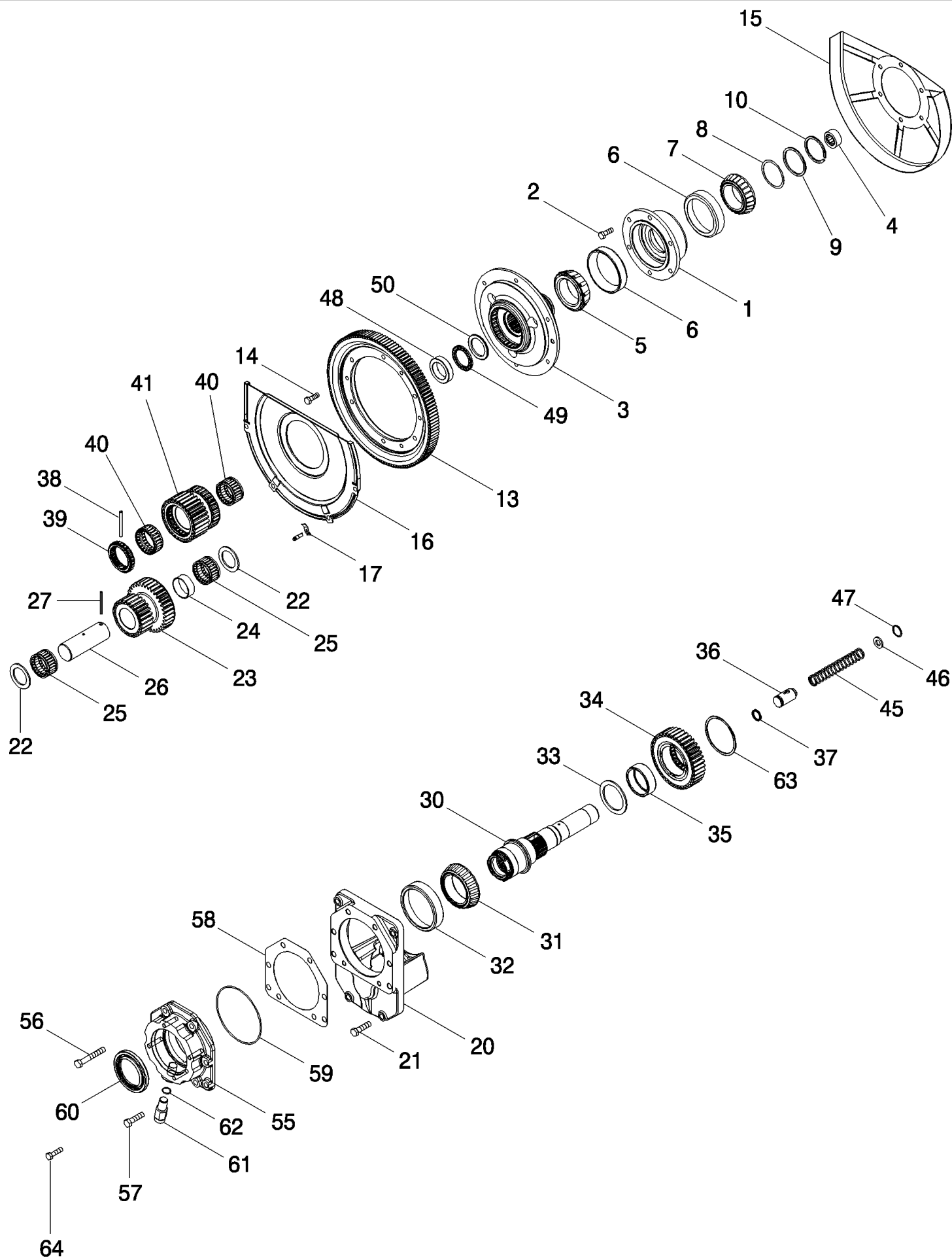
## 06-36 POWER TAKE OFF ASSEMBLY - INPUT SHAFT

сылка	Номер детали	Кол-во	Описание
1	198496A1	1	COUNTERSHAFT,
4	87696447	1	SHAFT, Inc. 5, 6, 52
5	NSS	1	NOT SERVICED SEPARATELY, PLUG
6	877-31212	1	SET SCREW, Hex Soc, M12 x 12, Flat Pt,
7	1286026C1	3	RING, Seal
8	93350C1	5	RING, Retaining
9	1286012C2	7	WASHER, Belleville, Transmission BSN AJB0365565
9	87425389	7	SPRING, BELLEVILLE, , Transmission ASN AJB0365565
10	446596A4	1	CARRIER,
11	572182R1	2	BEARING, THRUST,
12	435716A1	2	BEARING, NEEDLE,
13	1286043C1	4	WASHER, THRUST,
14	86989332	1	RING, Needle Bearing Support
15	435636A1	2	SPRING, Brake Apply Disc
16	445794A2	1	GEAR, DRIVING, 61T, Transmission BSN AJB0365565
16	87696444	1	GEAR, 61T, Transmission ASN AJB0365565
17	101-11400	1	RING, SNAP, #400, 3.771, Ext,
21	1286083C1	1	O-RING,
22	1286079C1	1	RING,
23	446597A2	1	PISTON,
24	1286081C1	1	O-RING,
25	1286076C1	1	RING,
28	1277309C1	1	WASHER,
29	87696449	1	CAGE,
30	628-10030	4	BOLT, Hex, M10 x 30, 10.9, Full Thd,
31	413665A1	2	TUBE,
32	238-5013	4	O-RING, -013, 70 Duro, .426" ID x .070" Thk,
33	630694C1	1	BEARING, CONE,
34	630695C1	1	BEARING, CUP,
35	659458R1	1	BEARING, CONE,
36	105497H	1	BEARING, CUP,
37	435718A3	3	ADJUSTER, Pin, Brake, Transmission BSN AJB0365565
37	87367860	3	ADJUSTER, Pin, Brake, Transmission ASN AJB0365565
38	87427330	3	SCREW, M6 x 50, With Loctite, Transmission BSN AJB0365565
40	446943A1	1	SHIM, Kit, Inc. 40
40	249776A1	2	SHIM, 0.203 mm
40	249777A1	2	SHIM, 0.356 mm
40	249778A1	2	SHIM, 0.508 mm
40	249779A1	2	SHIM, 0.559 mm
40	249780A1	2	SHIM, 0.635 mm
41	87427329	1	SPACER,
42	375374R1	1	RING,
43	435892A2	1	BRAKE DISC, Friction
44	435393A2	2	PLATE, Separator
45	87738316	7	DISC, Separator, Transmission BSN AJB0365565

MX305 CASE IH MAGNUM TRACTOR NA (1/06-9/06)

06-36 POWER TAKE OFF ASSEMBLY - INPUT SHAFT

сылка	Номер детали	Кол-во	Описание
45	87738316	8	DISC, Separator, Transmission ASN AJB0365565
46	1997907C1	8	PLATE, Friction
47	435389A1	1	DISC, , Transmission BSN AJB0365565
48	1285996C1	1	RING, SNAP,
49	1342645C3	1	DISC, CLUTCH,
50	86989330	1	TUBE, , Transmission BSN AJB0365565
51	86989331	1	BRAKE DISC, Pusher, Transmission BSN AJB0365565
51	87366290	1	BRAKE DISC, Pusher, 3.5 mm Thick, Transmission ASN AJB0365565, Use Either 87366284 or 87366290
51	87366284	1	BRAKE DISC, Pusher, 3.0 mm Thick, Use Either 87366284 or 87366290
52	NSS	1	NOT SERVICED SEPARATELY, SHAFT
53	87690675	1	RING,





## MX305 CASE IH MAGNUM TRACTOR NA (1/06-9/06)

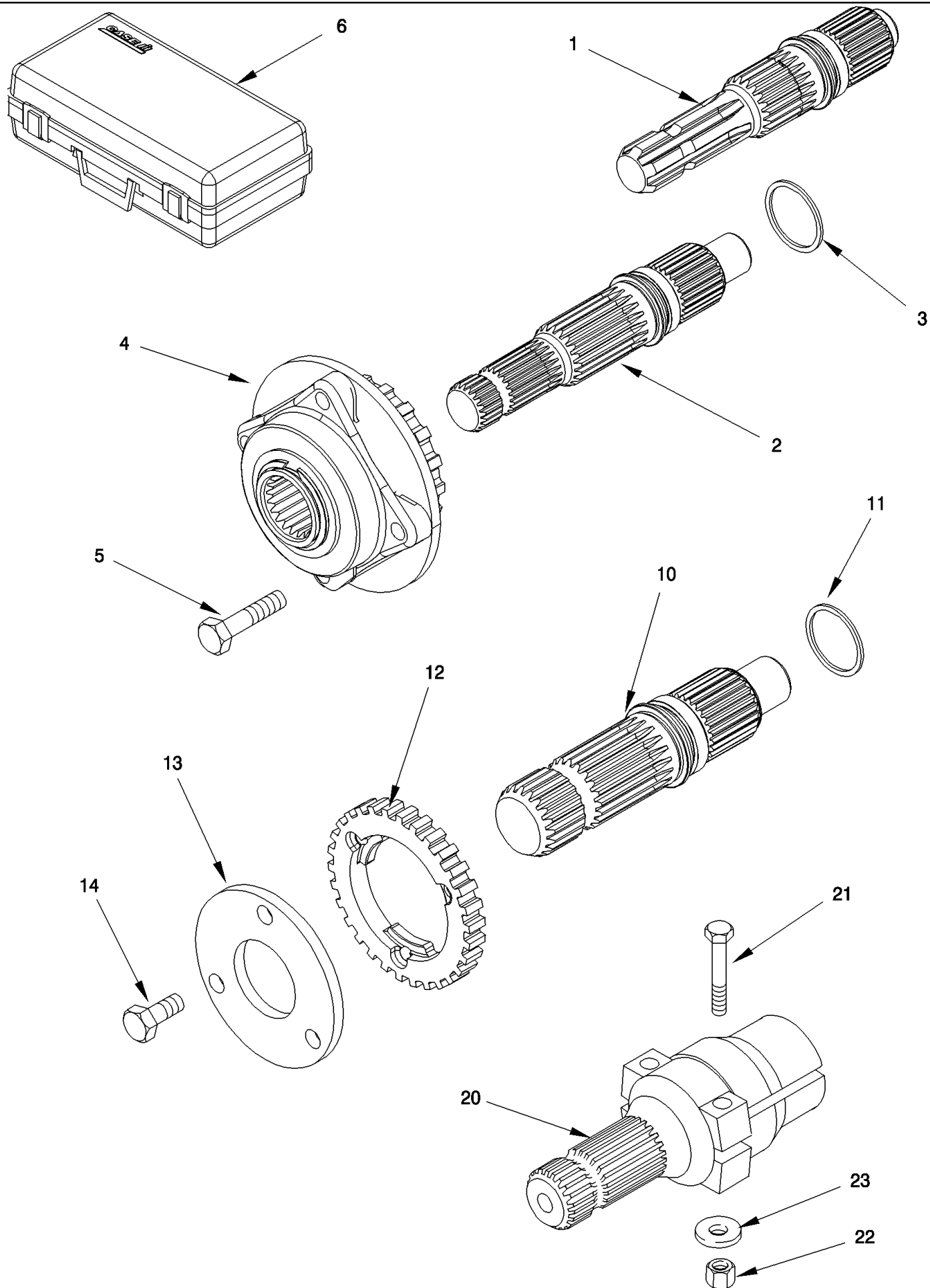
## 06-37 POWER TAKE OFF ASSEMBLY - REDUCTION GEAR, DUAL SPEED

сылка	Номер детали	Кол-во	Описание
1	225806A1	1	CAGE,
2	628-10030	6	BOLT, Hex, M10 x 30, 10.9, Full Thd,
3	277389A2	1	HUB ASSY., Inc. 4
4	359950R91	1	BEARING, NEEDLE,
5	25695HO	1	BEARING, CONE,
6	22396V	2	BEARING SET,
7	235545A1	1	BEARING, CONE,
8	253456A1	1	SHIM, Inc. 8
8	NSS	AR	NOT SERVICED SEPARATELY, SHIM, 0.152 mm
8	NSS	AR	NOT SERVICED SEPARATELY, SHIM, 0.178 mm
8	NSS	AR	NOT SERVICED SEPARATELY, SHIM, 0.203 mm
8	NSS	AR	NOT SERVICED SEPARATELY, SHIM, 0.356 mm
8	NSS	AR	NOT SERVICED SEPARATELY, SHIM, 0.635 mm
9	231772A1	1	SPACER,
10	231760A1	1	RING, SNAP,
13	408252A1	1	GEAR, RING,
14	628-10030	6	BOLT, Hex, M10 x 30, 10.9, Full Thd,
15	198709A1	1	PROTECTION PLATE,
16	225810A1	1	COVER,
17	139327C1	4	CLIP,
20	226037A4	1	COVER,
21	828-12045	4	BOLT, Hex, M12 x 45, 10.9, Full Thd, , BSN Z7RW05000
21	87015540	4	BOLT, Hex, M12 x 50, 10.9, , ASN Z7RW05000
22	226035A1	2	WASHER,
23	226033A3	1	PINION,
24	300084A1	1	SPACER,
25	138763C91	2	BEARING, NEEDLE,
26	226034A2	1	SHAFT,
27	38-21240	1	PIN, 3/16" x 2 1/2", Coiled,
30	324000A1	1	SHAFT, GEAR,
31	A67328	1	BEARING, ROLLER,
32	A67327	1	NEEDLE ROLLER,
33	226024A3	1	WASHER, THRUST,
34	326733A1	1	PINION,
35	318641A1	1	BEARING, NEEDLE,
36	226028A2	1	PISTON,
37	226029A1	1	RING,
38	38-32044	1	PIN, 5/16" x 2 3/4", Coiled,
39	226031A2	1	COLLAR,
40	330162A1	2	BEARING, NEEDLE,
41	326731A1	1	GEAR,
45	323066A1	1	SPRING,
46	295066A1	1	WASHER,
47	100-21112	1	RING, SNAP, 1.125", Int, #112,
48	327172A1	1	SPACER,

## MX305 CASE IH MAGNUM TRACTOR NA (1/06-9/06)

## 06-37 POWER TAKE OFF ASSEMBLY - REDUCTION GEAR, DUAL SPEED

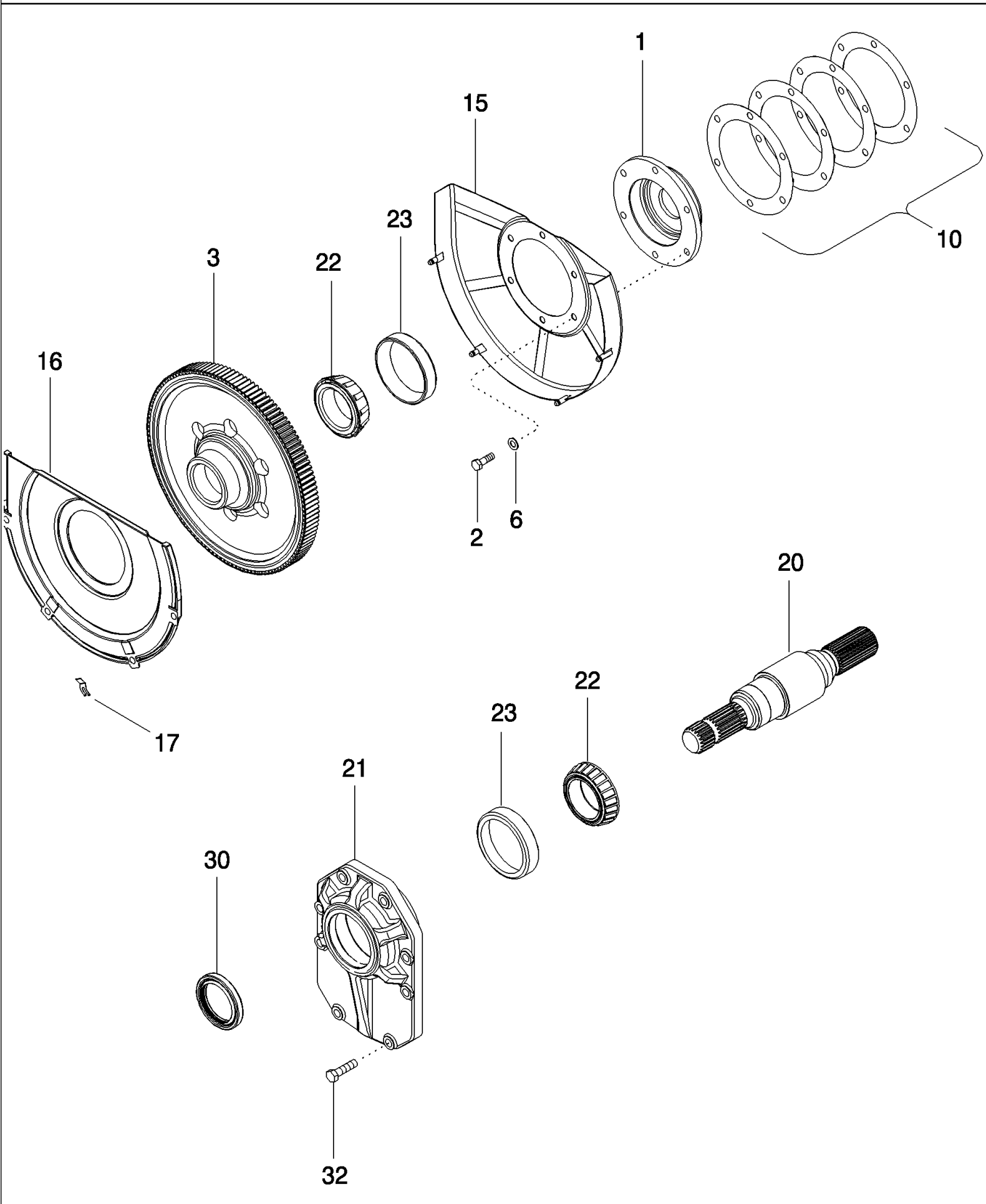
сылка	Номер детали	Кол-во	Описание
49	243544A1	1	BEARING, NEEDLE,
50	327372A1	2	WASHER,
55	87656553	1	HOUSING, BEARING,
56	828-12080	2	BOLT, Hex, M12 x 80, 10.9, , BSN Z7RW05000
56	86979023	6	BOLT, Hex, M12 x 85, 10.9, , ASN Z7RW05000
57	828-12045	2	BOLT, Hex, M12 x 45, 10.9, Full Thd, , BSN Z7RW05000
57	87015540	2	BOLT, Hex, M12 x 50, 10.9, , ASN Z7RW05000
58	253460A1	1	SHIM, Inc. 58
58	NSS	AR	NOT SERVICED SEPARATELY, SHIM, 0.203 mm
58	NSS	AR	NOT SERVICED SEPARATELY, SHIM, 0.356 mm
58	NSS	AR	NOT SERVICED SEPARATELY, SHIM, 0.508 mm
58	NSS	AR	NOT SERVICED SEPARATELY, SHIM, 0.559 mm
58	NSS	AR	NOT SERVICED SEPARATELY, SHIM, 0.635 mm
59	638-54145	1	O-RING, CI 5, 145MM ID x 3.55 Thk,
60	293053A1	1	SEAL, OIL,
61	87548197	1	SENSOR, Dual Speed PTO, Replaces A186004, Also Order 87651813 For Initial Replacement
62	238-5115	1	O-RING, -115, 70 Duro, .674" ID x .103" Thk,
63	102-22318	1	RING, SNAP, #318, 3.311, Int, Spiral,
64	614-10040	4	BOLT, Hex, M10 x 40, 8.8, Full Thd,



## MX305 CASE IH MAGNUM TRACTOR NA (1/06-9/06)

## 06-38 POWER TAKE OFF ASSEMBLY - OUTPUT SHAFT, DUAL SPEED

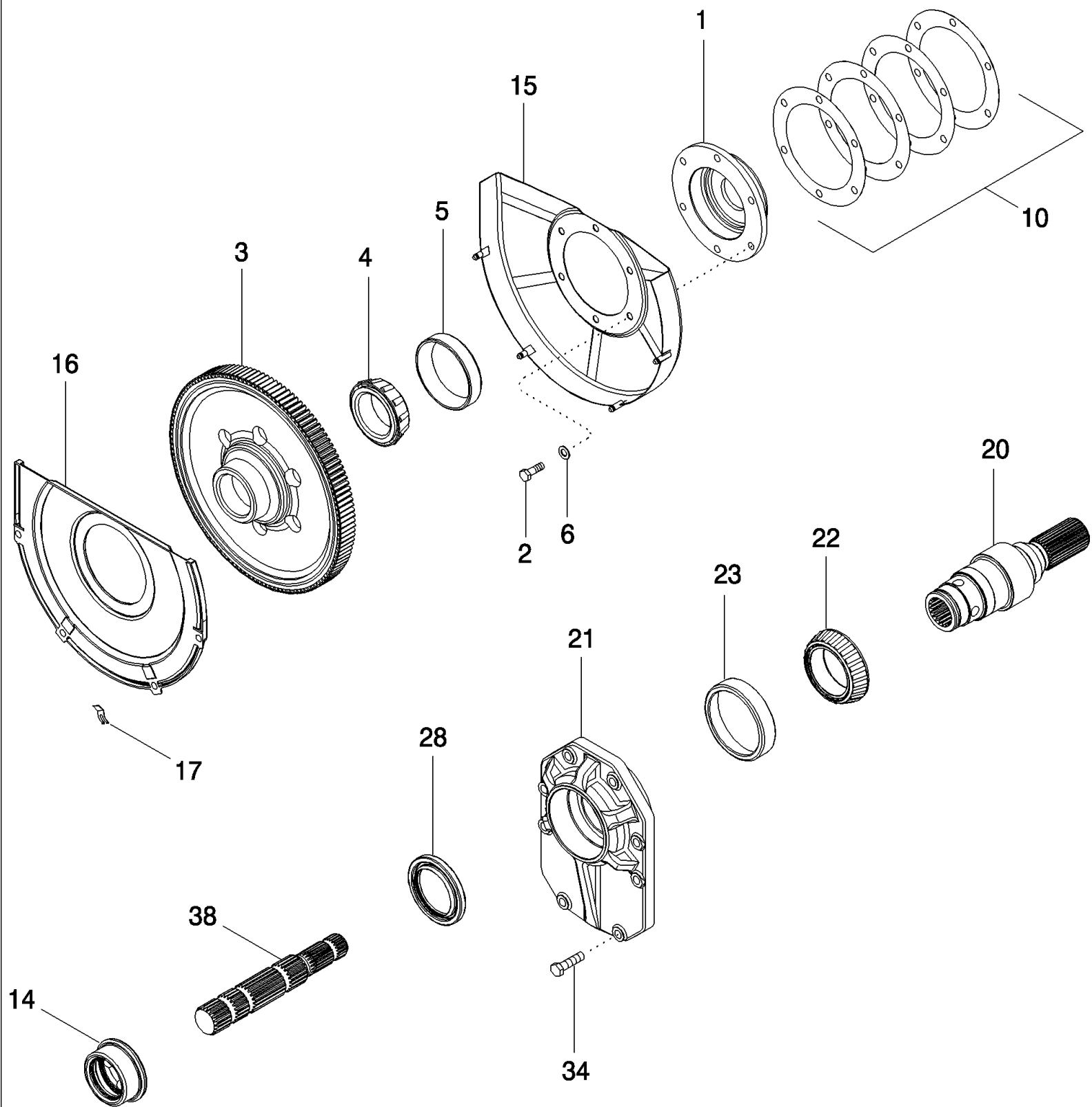
сылка	Номер детали	Кол-во	Описание
1	226045A2	1	SHAFT, DRIVE, RPM 540, 35 mm (1-3/8 in), BSN Z7RZ05000
1	87567419	1	SHAFT, DRIVE, RPM 540, 35 mm (1-3/8 in), ASN Z7RZ05000
2	226042A2	1	SHAFT, DRIVE, RPM 1000, 35 mm (1-3/8 in), BSN Z7RZ05000
2	87567418	1	SHAFT, DRIVE, RPM 1000, 35 mm (1-3/8 in), ASN Z7RZ05000
3	341418A2	1	SEAL,
4	241387A5	1	HOUSING,
5	614-10040	4	BOLT, Hex, M10 x 40, 8.8, Full Thd,
6	258531A2	1	BOX,
10	226040A2	1	SHAFT, DRIVE, RPM 1000, 45 mm (1-3/4 in)
11	341418A2	1	SEAL,
12	241385A3	1	PLATE, Inner
13	241386A2	1	PLATE, Outer, BSN Z7RZ05000
13	87656168	1	PLATE, Outer, ASN Z7RZ05000
14	628-10020	3	BOLT, Hex, M10 x 20, 10.9, Full Thd,
20	A151928	1	SHAFT, DRIVE, RPM 1000, 1-3/4 to 1-3/8 Adapter
21	413-844	2	BOLT, Hex, 1/2"-13 x 2 3/4", G5,
22	131-510	2	NUT, LOCK, 1/2"-13,
23	A30061	2	WASHER,



## MX305 CASE IH MAGNUM TRACTOR NA (1/06-9/06)

## 06-39 POWER TAKE OFF ASSEMBLY - OUTPUT SHAFT, SINGLE SPEED

сылка	Номер детали	Кол-во	Описание
1	444803A2	1	CAGE,
2	628-10030	6	BOLT, Hex, M10 x 30, 10.9, Full Thd,
3	444800A2	1	GEAR, DRIVEN, 121T
6	895-11010	6	WASHER, M10 x 20 x 2,
10	445991A1	1	KIT, SHIM, Inc. 10
10	NSS	2	NOT SERVICED SEPARATELY, SHIM, 0.152 mm
10	NSS	2	NOT SERVICED SEPARATELY, SHIM, 0.178 mm
10	NSS	2	NOT SERVICED SEPARATELY, SHIM, 0.203 mm
10	NSS	2	NOT SERVICED SEPARATELY, SHIM, 0.635 mm
15	446759A1	1	SHIELD,
16	225810A1	1	COVER,
17	139327C1	4	CLIP,
20	444798A2	1	SHAFT, 45 mm (1-3/4 in)
21	444801A1	1	COVER,
22	446268A1	2	BEARING, CONE,
23	446269A1	2	BEARING, CUP,
30	225820A1	1	SEAL, OIL,
32	828-12045	8	BOLT, Hex, M12 x 45, 10.9, Full Thd, , BSN Z7RW05000
32	87015540	8	BOLT, Hex, M12 x 50, 10.9, , ASN Z7RW05000
33	128209A1	2	PLUG, (Not Shown)



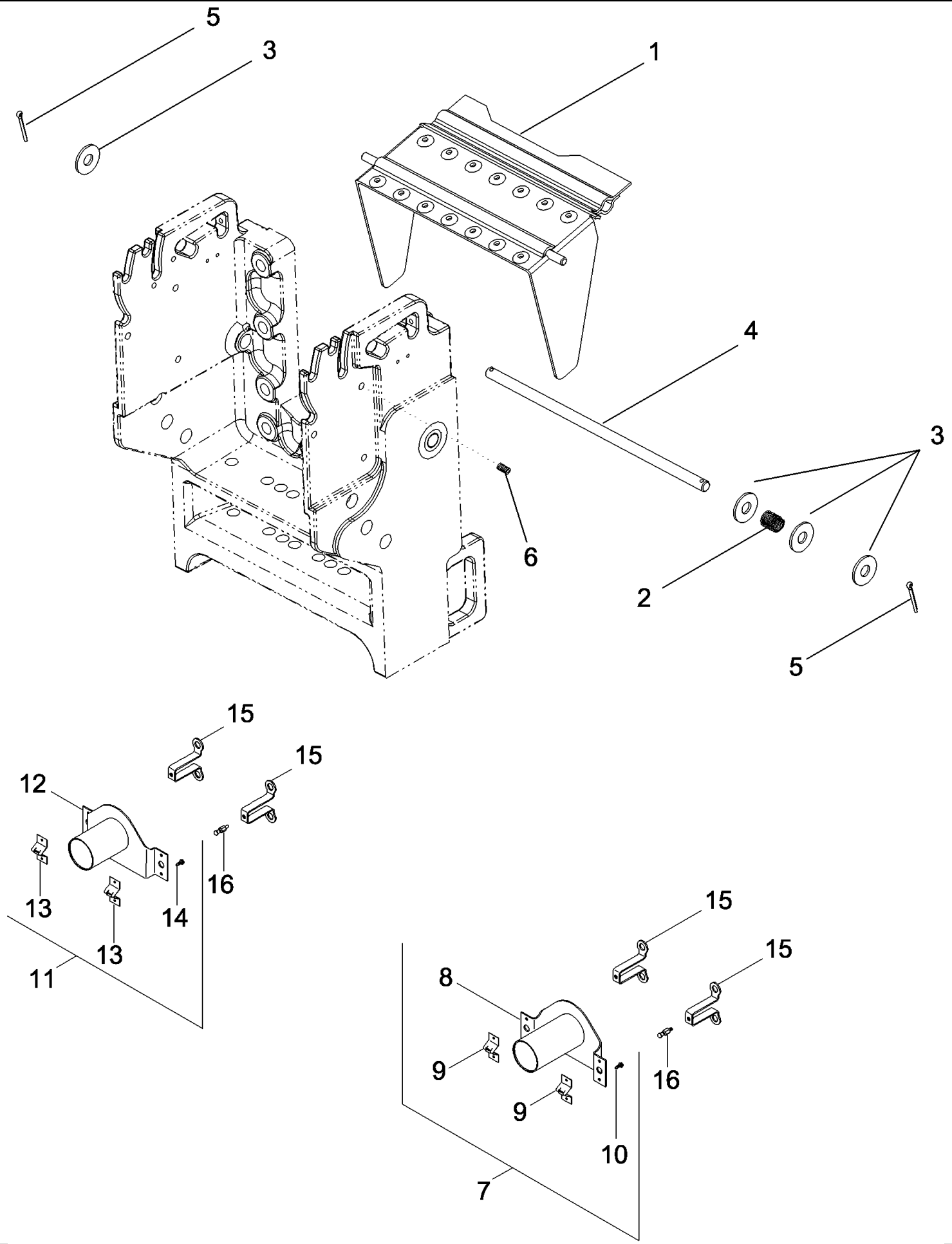
## MX305 CASE IH MAGNUM TRACTOR NA (1/06-9/06)

## 06-40 POWER TAKE OFF ASSEMBLY - OUTPUT SHAFT, SINGLE SPEED REVERSIBLE SHAFT

сылка	Номер детали	Кол-во	Описание
1	444803A2	1	CAGE,
2	628-10030	6	BOLT, Hex, M10 x 30, 10.9, Full Thd,
3	444800A2	1	GEAR, DRIVEN,
4	446268A1	1	BEARING, CONE,
5	446269A1	1	BEARING, CUP,
6	895-11010	6	WASHER, M10 x 20 x 2,
10	445991A1	1	KIT, SHIM, Inc. 10
10	NSS	2	NOT SERVICED SEPARATELY, SHIM, 0.152 mm
10	NSS	2	NOT SERVICED SEPARATELY, SHIM, 0.178 mm
10	NSS	2	NOT SERVICED SEPARATELY, SHIM, 0.203 mm
10	NSS	2	NOT SERVICED SEPARATELY, SHIM, 0.635 mm
14	87413197	1	COUPLING, QUICK, FEMALE,
15	446759A1	1	SHIELD,
16	225810A1	1	COVER,
17	139327C1	4	CLIP,
20	448084A2	1	SLEEVE, TRANSMISSION,
21	448082A1	1	COVER,
22	A67328	1	BEARING, ROLLER,
23	A67327	1	NEEDLE ROLLER,
28	293053A1	1	SEAL, OIL,
34	828-12045	8	BOLT, Hex, M12 x 45, 10.9, Full Thd,
38	448085A1	1	SHAFT, 35 mm (1-3/8 in)



06-41 POWER TAKE OFF ASSEMBLY - SHIELDS

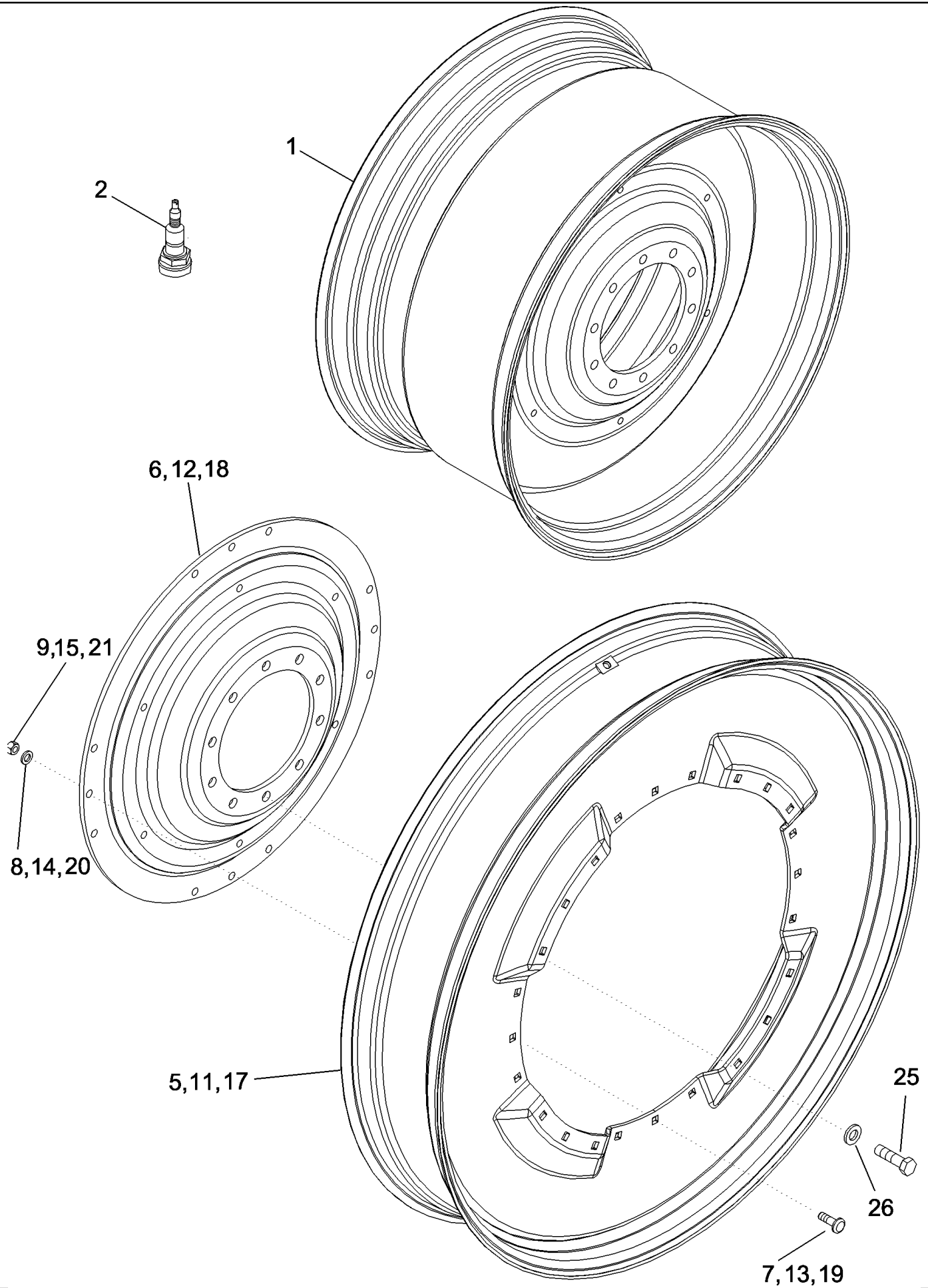


## MX305 CASE IH MAGNUM TRACTOR NA (1/06-9/06)

## 06-41 POWER TAKE OFF ASSEMBLY - SHIELDS

сылка	Номер детали	Кол-во	Описание
1	379252A2	1	SHIELD,
2	179657A2	1	SPRING,
3	495-21069	4	WASHER, 5/8",
4	225672A2	1	ROD,
5	733-5040	2	PIN, SPLIT (COTTER), M5 x 40,
6	87681203	4	
7	311112A4	1	GUARD, Single Speed, Inc. 8 - 10, ASN Z7RW05000
8	NSS	1	NOT SERVICED SEPARATELY, Shield, ASN Z7RW05000
9	1968039C3	2	FASTENER, , ASN Z7RW05000
10	280-5348	4	SCREW, SELF TAPPING, Hex Wash Hd, #8 x 1/2", , ASN Z7RW05000
11	311112A4	1	GUARD, Dual Speed, Inc. 12 - 14, ASN Z7RW05000
12	NSS	1	NOT SERVICED SEPARATELY, , ASN Z7RW05000
13	1968039C3	2	FASTENER, , ASN Z7RW05000
14	280-5348	4	SCREW, SELF TAPPING, Hex Wash Hd, #8 x 1/2", , ASN Z7RW05000
15	308308A1	2	SUPPORT, , ASN Z7RW05000
16	1977929C1	2	STUD, , ASN Z7RW05000

06-42 SOLID STEEL REAR WHEELS

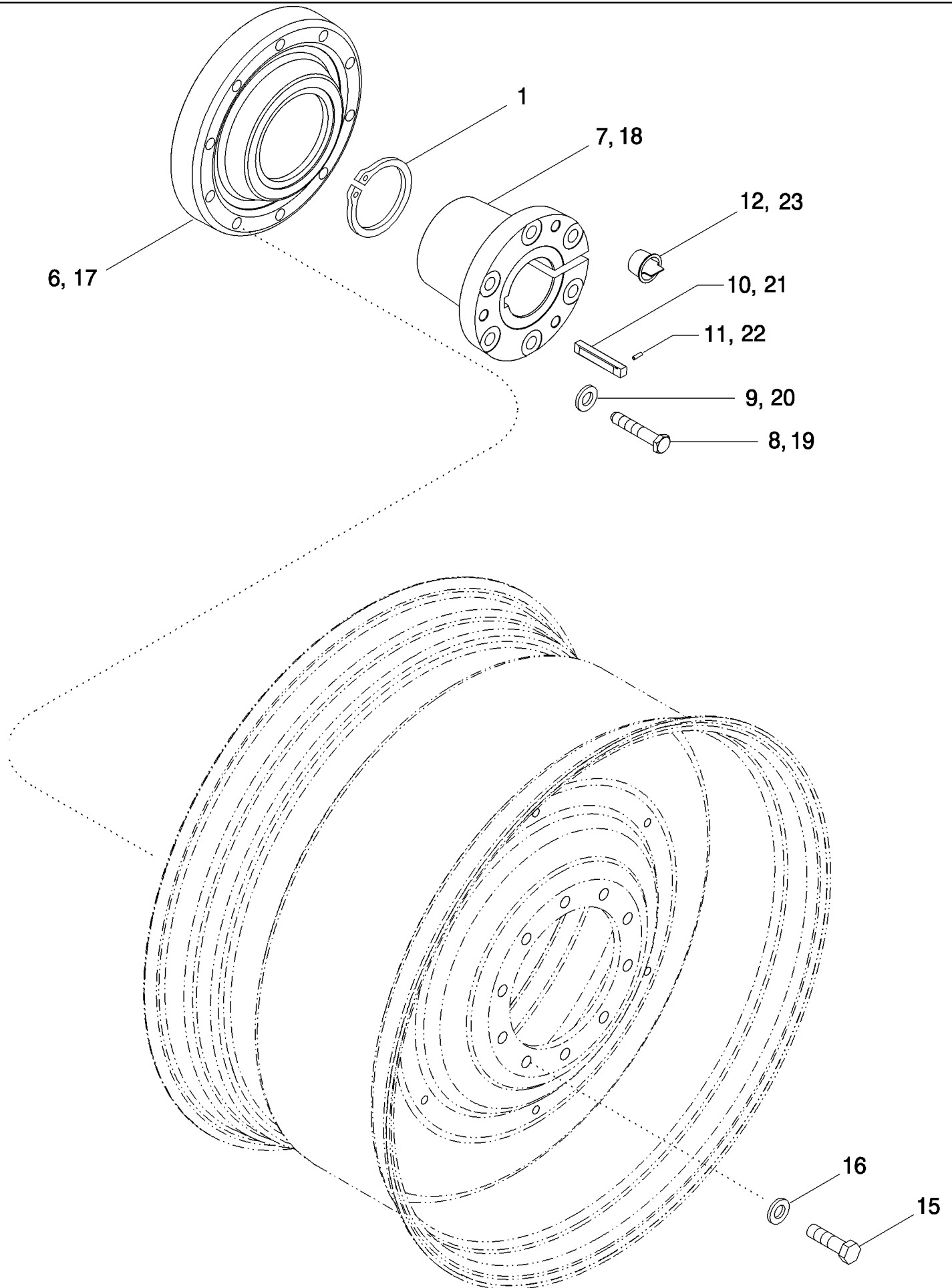


## MX305 CASE IH MAGNUM TRACTOR NA (1/06-9/06)

## 06-42 SOLID STEEL REAR WHEELS

сылка	Номер детали	Кол-во	Описание
1	193300A2	2	WHEEL, WH23Ax38, For Tires 710/70R38
1	403037A1	2	WHEEL, MW25Ax38, For Tires 800/70R38
1	193857A1	2	WHEEL, WH18Ax42, For Tires 20.8R42, 520/85R42
1	276687A1	2	WHEEL, MW20Ax42, For Tires 620/70R42
1	305792A1	2	WHEEL, MW23Ax42, For Tires 710/70R42
1	311352A1	2	WHEEL, MW28Ax42, For Tire 900/50R42
1	196254A1	2	WHEEL, W13x46, For Tires 14.9R46, 380/90R46, 420/80R46
1	396113A1	2	RIM, W16Ax46, For Tires 18.4R46, 520/85R46, 480/80R46
1	396114A1	2	RIM, DW15Lx50, For Tires 480/80R50
1	87443702	2	WHEEL, MW20Ax46, For Tires 620/70R46
2	86507333	2	VALVE STEM,
4	283939A2	2	WHEEL ASSY., W10Ax54, Inc. 5 - 9, For Tires 12.4R54, 320/90R54
5	310835A2	1	RIM,
6	310836A1	1	DISC,
7	240686A1	12	BOLT, SPECIAL,
8	896-11016	12	WASHER, M17.5 x 30 x 4, HT,
9	829-1416	12	NUT, M16, CI 10,
10	395747A1	2	WHEEL ASSY., DW12x50, Inc 11 - 15, For Tires 380/90R50
11	395748A1	1	RIM,
12	310836A1	1	DISC,
13	240686A1	12	BOLT, SPECIAL,
14	896-11016	12	WASHER, M17.5 x 30 x 4, HT,
15	829-1416	12	NUT, M16, CI 10,
16	394104A1	2	WHEEL ASSY., W12Ax54, Inc. 17 - 21, For Tires 380/90R54
17	394103A1	1	RIM,
18	310836A1	1	DISC,
19	240686A1	12	BOLT, SPECIAL,
20	896-11016	12	WASHER, M17.5 x 30 x 4, HT,
21	829-1416	12	NUT, M16, CI 10,
25	827-22080	20	BOLT, Hex, M22 x 80, 10.9, Full Thd,
26	496-31094	20	WASHER, 15/16" x 1 3/4" x .219", HDN,

06-43 HUB ASSEMBLY - REAR WHEEL

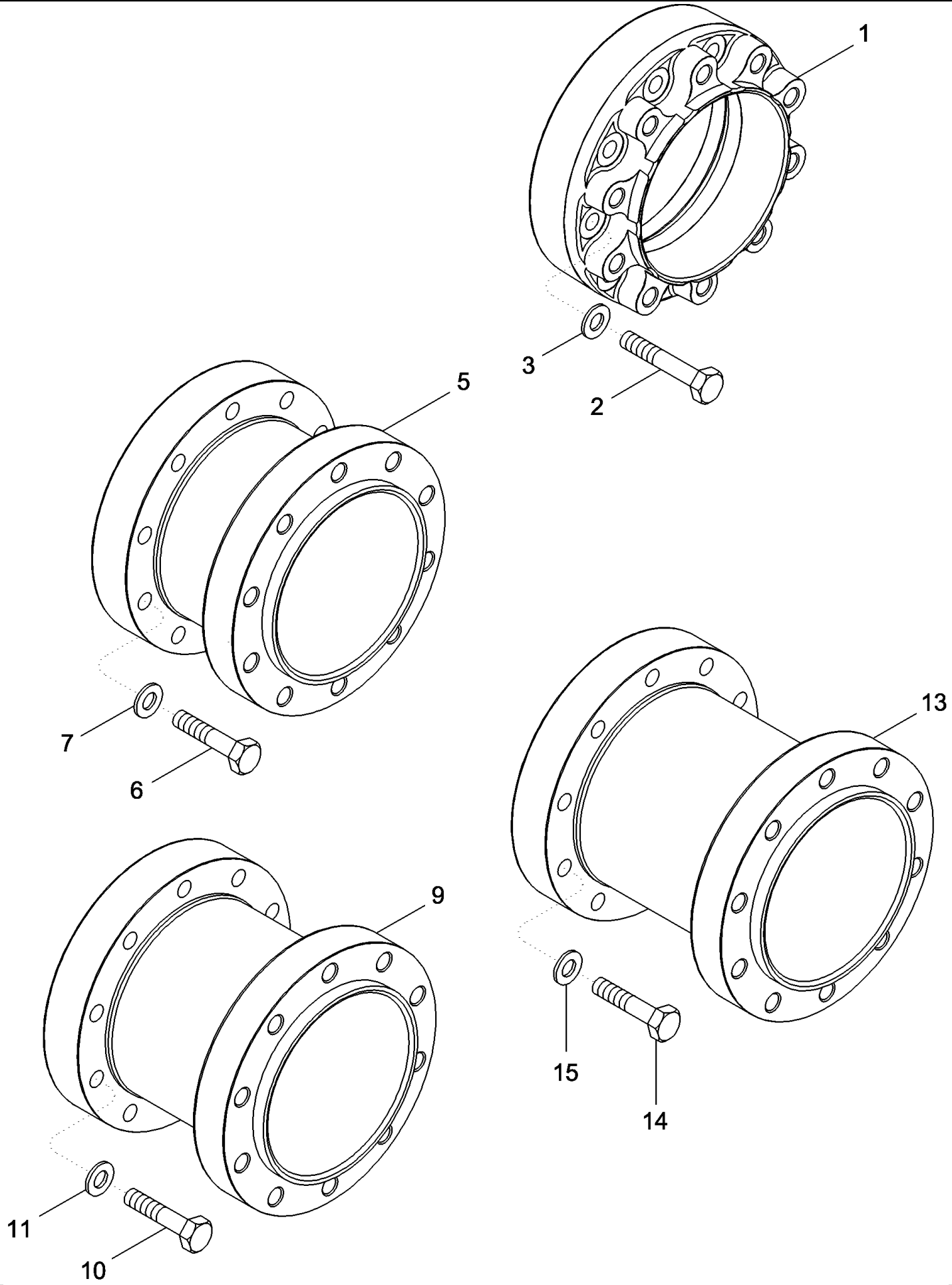


## MX305 CASE IH MAGNUM TRACTOR NA (1/06-9/06)

## 06-43 HUB ASSEMBLY - REAR WHEEL

сылка	Номер детали	Кол-во	Описание
1	800-11115	2	RING, SNAP, M115, Ext, , MX275, Magnum 275, MX305, and Magnum 305
1	800-51100	2	RING, SNAP, M100, Ext, Hvy,
6	405812A1	2	HUB,
7	405815A1	2	BUSHING, 102 mm (4 in)
8	228273A1	12	BOLT, M20 x 110; 10,9
9	396-31081	12	WASHER, 13/16" x 1 1/2" x .219", HDN,
10	A63219	2	KEY, 3/4 x 6
11	38-11608	2	PIN, LOCK, 1/4" x 1/2", Slotted,
12	303401A1	6	PLUG,
	405821A1	1	HUB, For 115 mm (4-1/2 in) axle, Inc. 15 - 23, Order From Machinery Price List
15	827-22080	20	BOLT, Hex, M22 x 80, 10.9, Full Thd,
16	896-11022	20	WASHER, M22 x 44 x 4, HT,
17	405812A1	2	HUB,
18	405816A1	2	BUSHING, 115 mm (4-1/2 in), MX275, Magnum 275, MX305, and Magnum 305
19	228273A1	12	BOLT, M20 x 110; 10,9
20	396-31081	12	WASHER, 13/16" x 1 1/2" x .219", HDN,
21	A63219	2	KEY, 3/4 x 6
22	38-11608	2	PIN, LOCK, 1/4" x 1/2", Slotted,
23	303401A1	6	PLUG,

06-44 SPACER - DUAL REAR WHEELS



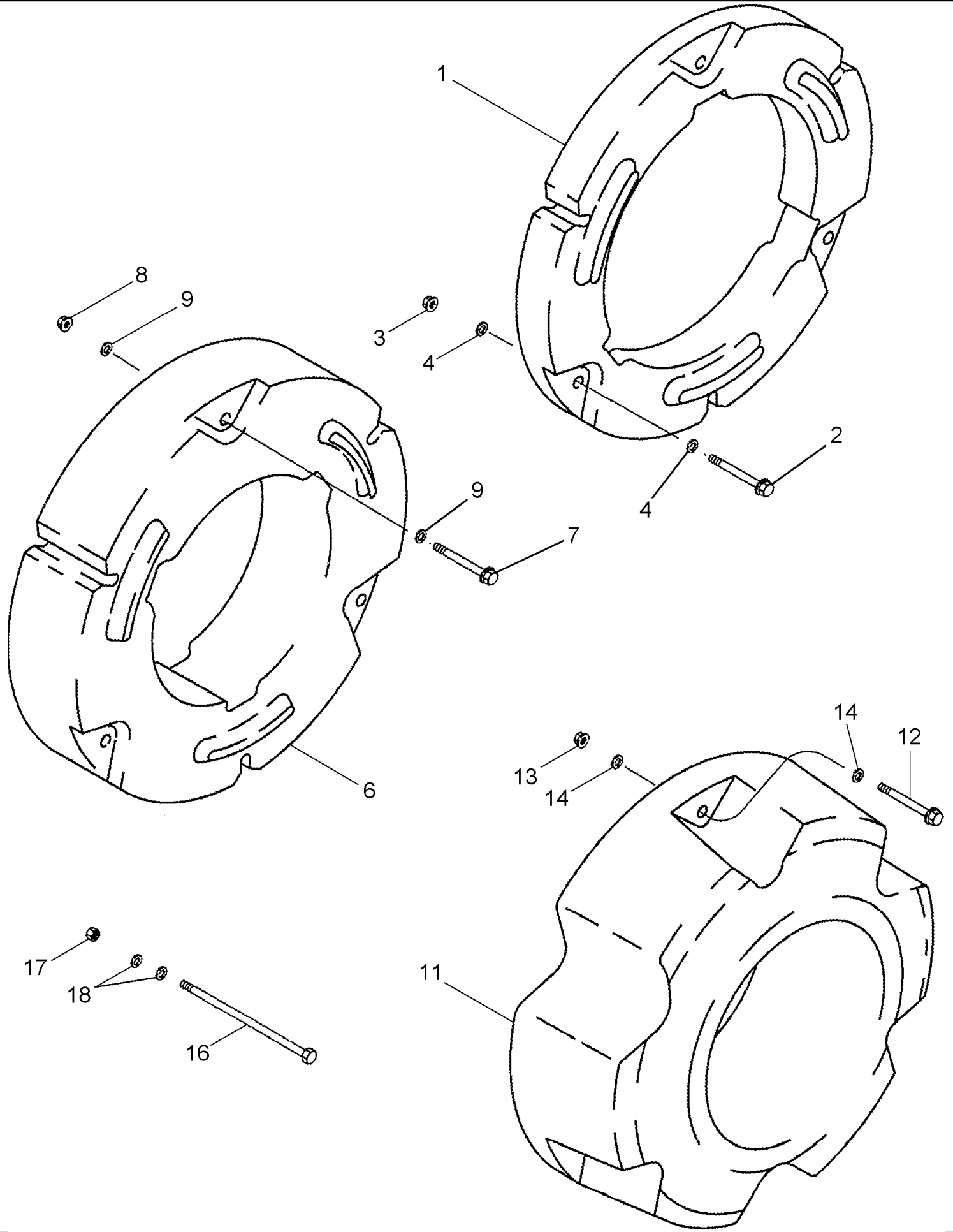
## MX305 CASE IH MAGNUM TRACTOR NA (1/06-9/06)

## 06-44 SPACER - DUAL REAR WHEELS

сылка	Номер детали	Кол-во	Описание
1	405822A1	2	SPACER, 127 mm (5 in)
2	827-22160	20	BOLT, Hex, M22 x 150, 10.9,
3	896-11022	20	WASHER, M22 x 44 x 4, HT,
5	405823A1	2	SPACER, 254 mm (10 in)
6	827-22130	20	BOLT, Hex, M22 x 130, 10.9,
7	896-11022	20	WASHER, M22 x 44 x 4, HT,
9	405824A1	2	SPACER, 330 mm (13 in)
10	827-22130	20	BOLT, Hex, M22 x 130, 10.9,
11	896-11022	20	WASHER, M22 x 44 x 4, HT,
13	405825A1	2	SPACER, 381 mm (15 in)
14	827-22130	20	BOLT, Hex, M22 x 130, 10.9,
15	896-11022	20	WASHER, M22 x 44 x 4, HT,



06-45 REAR WHEEL WEIGHTS

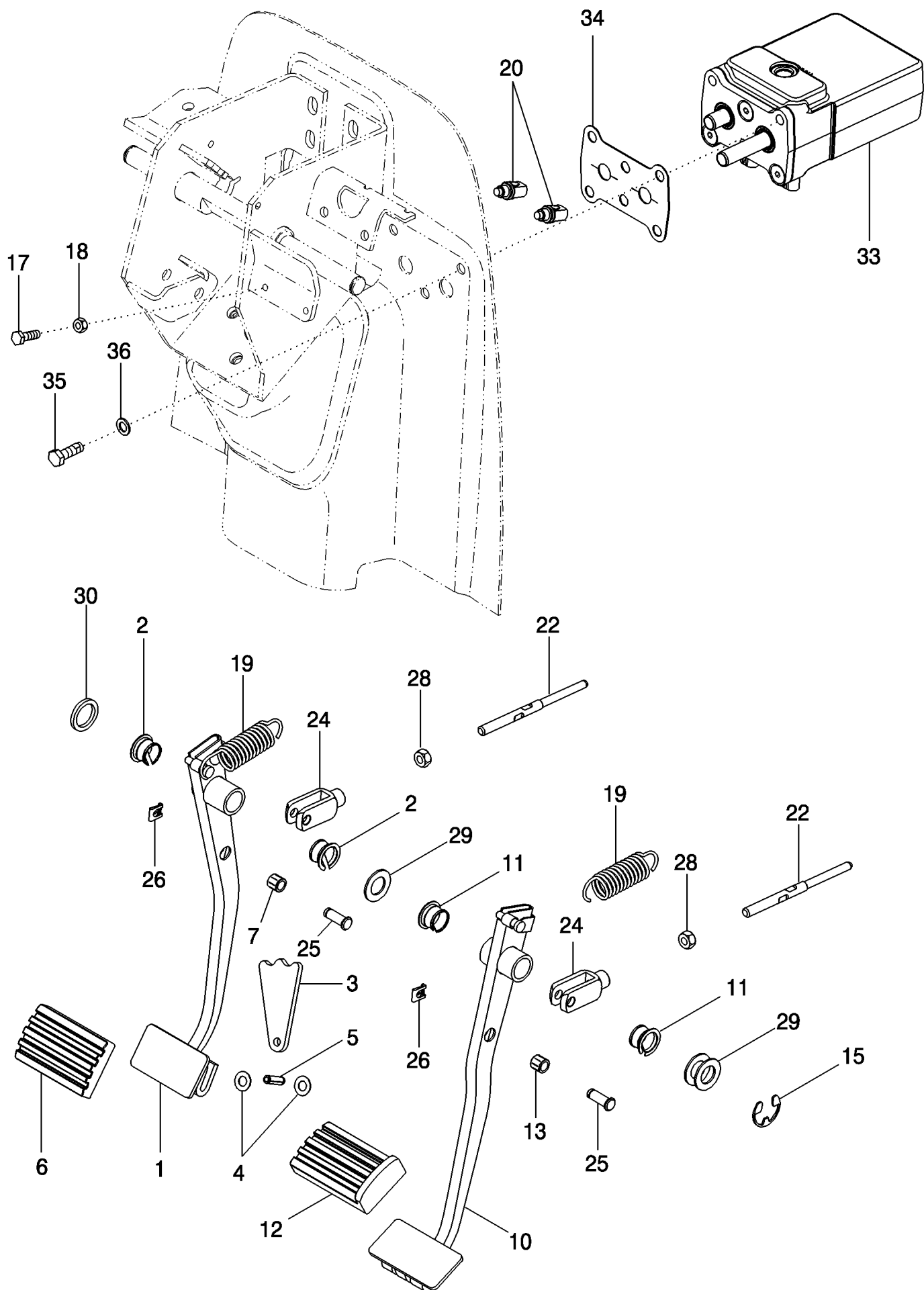


## MX305 CASE IH MAGNUM TRACTOR NA (1/06-9/06)

## 06-45 REAR WHEEL WEIGHTS

сылка	Номер детали	Кол-во	Описание
1	405828A1	2	WEIGHT, Wheel, 200 lb
2	87393412	6	BOLT, M16 x 130; 10.9
3	832-10416	6	NUT, LOCK, M16 x 2, CI 8,
4	896-15016	12	WASHER, M17.5 x 34 x 5, HT,
6	87310406	2	WEIGHT, WHEEL, 500 lb, MX215, MX245, MX275, MX305, Magnum215, Magnum245, Magnum275, and Magnum305
6	87310406	4	WEIGHT, WHEEL, 500 lb, Magnum335
7	87393412	6	BOLT, M16 x 130; 10.9, MX215, MX245, MX275, MX305, Magnum215, Magnum245, Magnum275, and Magnum305
7	87393412	12	BOLT, , Magnum305
8	412066	6	NUT, LOCK, M16 x 2, CI 8, , MX215, MX245, MX275, MX305, Magnum215, Magnum245, Magnum275, and Magnum305
8	412066	12	NUT, LOCK, M16 x 2, CI 8, , Magnum335
9	896-15016	12	WASHER, M17.5 x 34 x 5, HT, , MX215, MX245, MX275, MX305, Magnum215, Magnum245, Magnum275, and Magnum305
9	896-11016	24	WASHER, M17.5 x 30 x 4, HT, , Magnum335
11	405830A1	2	WEIGHT, Wheel, 1000 lb, MX215, MX245, MX275, MX305, Magnum215, Magnum245, Magnum275, and Magnum305
11	405830A1	4	WEIGHT, Wheel, 1000 lb, Magnum335
12	87393412	6	BOLT, M16 x 130; 10.9, MX215, MX245, MX275, MX305, Magnum215, Magnum245, Magnum275, and Magnum305
12	87393412	12	BOLT, , Magnum335
13	412066	6	NUT, LOCK, M16 x 2, CI 8, , MX215, MX245, MX275, MX305, Magnum215, Magnum245, Magnum275, and Magnum305
13	412066	12	NUT, LOCK, M16 x 2, CI 8, , Magnum335
14	896-15016	12	WASHER, M17.5 x 34 x 5, HT, , MX215, MX245, MX275, MX305, Magnum215, Magnum245, Magnum275, and Magnum305
14	896-11016	24	WASHER, M17.5 x 30 x 4, HT, , Magnum335
16	87361584	6	BOLT, M16 x 140; 10.9
17	412066	12	NUT, LOCK, M16 x 2, CI 8,
18	896-15016	12	WASHER, M17.5 x 34 x 5, HT,

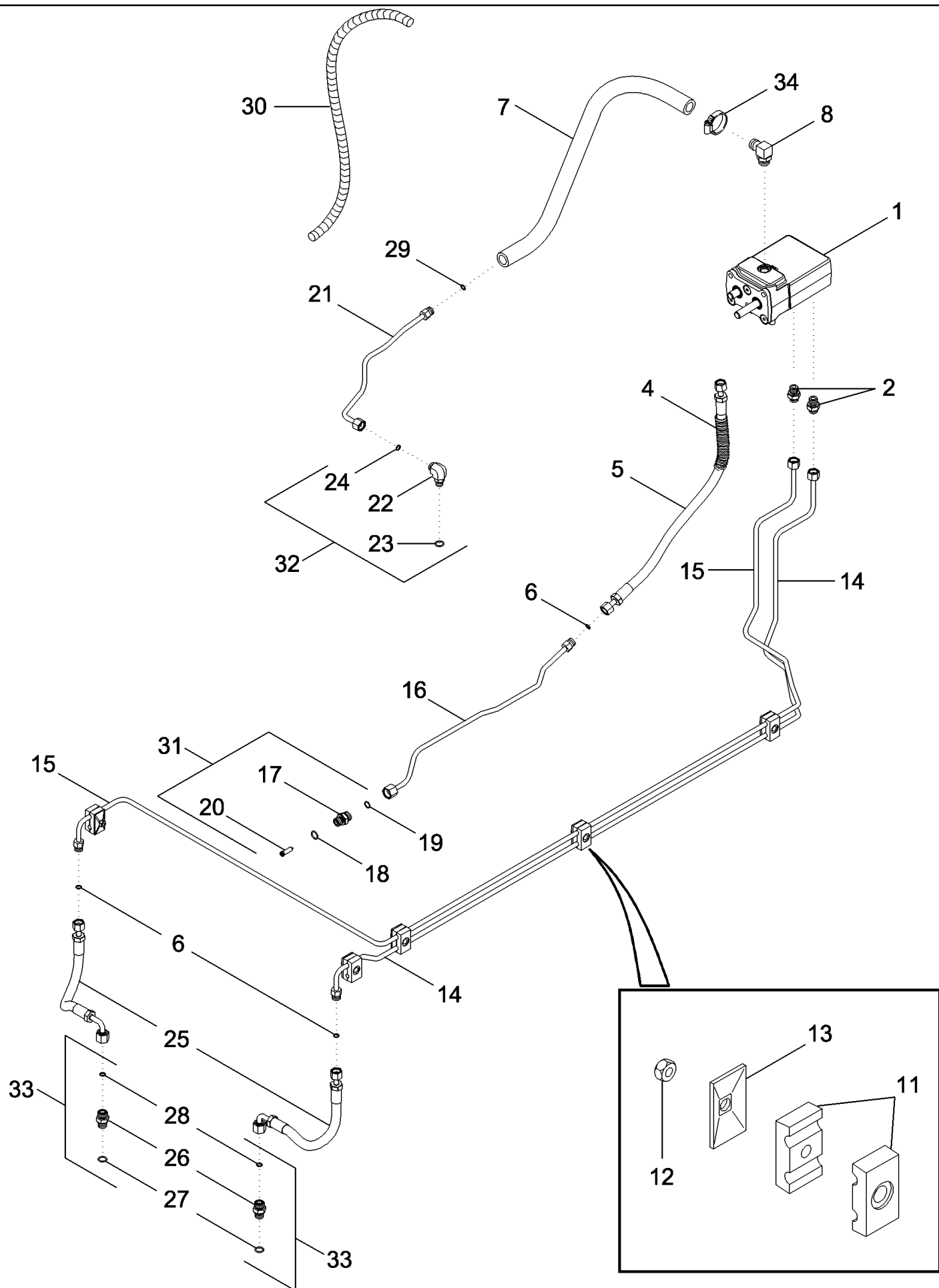
07-01 BRAKES - PEDAL BRAKE



## MX305 CASE IH MAGNUM TRACTOR NA (1/06-9/06)

## 07-01 BRAKES - PEDAL BRAKE

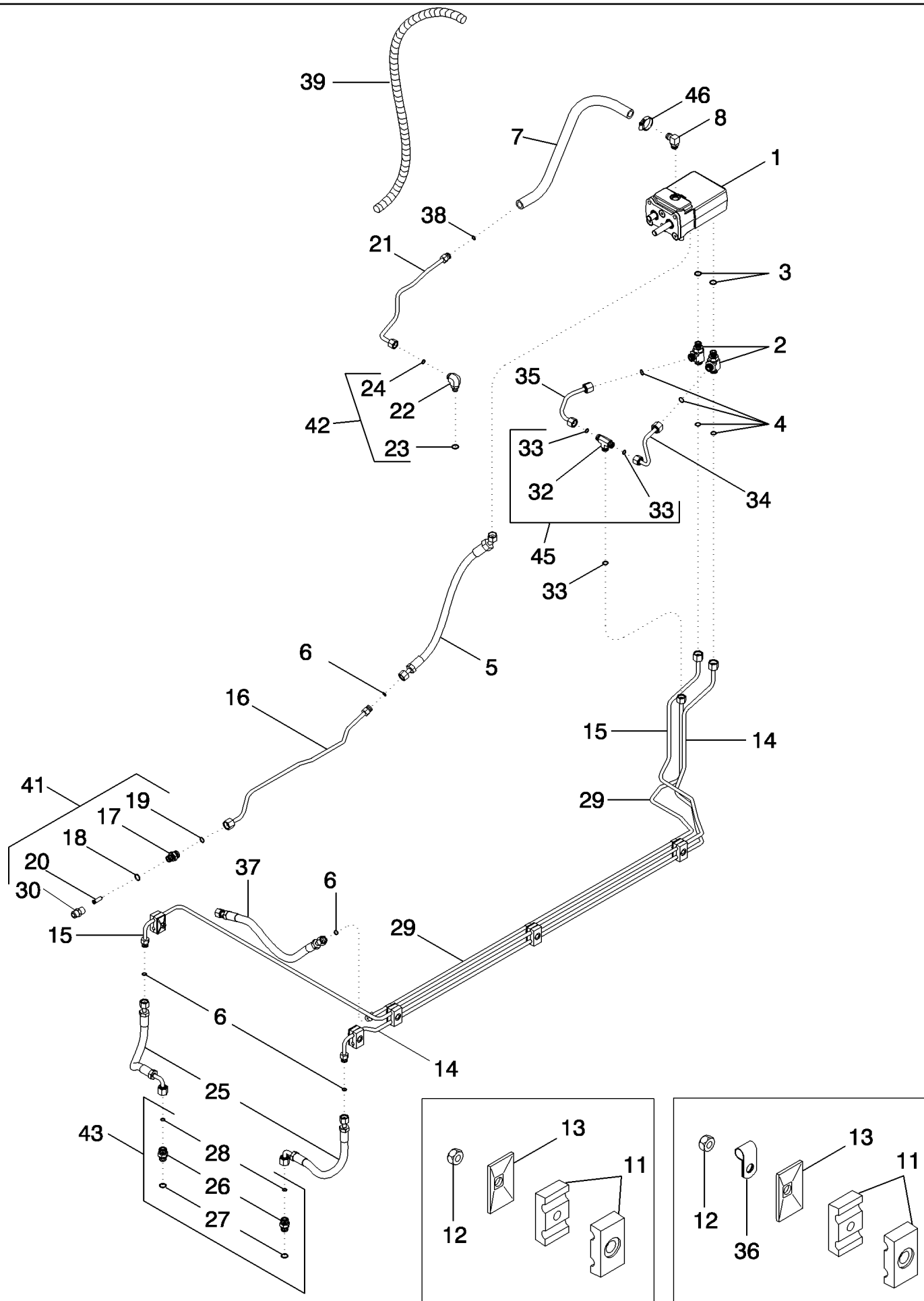
сылка	Номер детали	Кол-во	Описание
1	400859A3	1	PEDAL ASSY., Left Hand, Inc. 2 - 7
2	1990753C1	2	PLASTIC RING,
3	188419A1	1	ARM,
4	906045R1	2	WASHER, SPRING, M10.2 ID x 20.5 OD x .8 Thk, 10.2 x 20 x 0.8 mm
5	87584294	1	
6	1999381C1	1	PAD, RUBBER,
7	298715A1	1	BUSHING,
10	400862A3	1	PEDAL ASSY., Right Hand, Inc. 11 - 13
11	1990753C1	2	PLASTIC RING,
12	1999382C1	1	PAD, RUBBER,
13	298715A1	1	BUSHING,
15	800-3120	1	CIRCLIP, M20,
17	614-8025	2	BOLT, Hex, M8 x 25, 8.8,
18	829-1408	2	NUT, M8, CI 10,
19	236504A2	2	SPRING,
20	279265A2	2	SWITCH, Plunger N/C Brake
22	400865A1	2	ROD,
24	236323A1	2	CLEVIS,
25	192869A1	2	PIN, CLEVIS,
26	193182A1	2	CLIP,
28	829-1410	2	NUT, M10, CI 10,
29	T102217	AR	WASHER,
30	258242A1	1	WASHER,
33	87731065	1	VALVE, Brake, See Figure 07-05
34	407142A1	1	GASKET,
35	806-10030	3	BOLT, Hex, Lock, M10 x 30, CI 10.9,
36	895-18010	3	WASHER, M10 x 18 x 1.6,



## MX305 CASE IH MAGNUM TRACTOR NA (1/06-9/06)

## 07-02 BRAKES - HYDRAULIC SYSTEM, WITHOUT TRAILER BRAKES

сылка	Номер детали	Кол-во	Описание
1	87731065	1	VALVE, Brake, See Figure 07-05
2	700-106	2	CONNECTOR, HYD., 11/16"-16 ORFS x M18 x 1.5 ORB,
4	87443446	1	CONDUIT,
5	87731873	1	HOSE, Supply
6	238-6012	3	O-RING, -012, 90 Duro, .364" ID x .070" Thk,
7	87577426	1	HOSE, Brake Valve Drain
8	87454069	1	ELBOW, 13/16 fc sl x 18 Or
11	1546024C1	5	CLAMP,
12	829-1408	5	NUT, M8, CI 10,
13	384870A1	5	PLATE,
14	436382A1	1	TUBE ASSY., Right Hand Brake
15	87363336	1	TUBE ASSY., Left Hand Brake
16	433588A1	1	TUBE ASSY., Supply
17	NSS	1	NOT SERVICED SEPARATELY, CONNECTOR
18	637-63153	1	O-RING, CI 6, 15.3MM ID x 2.2 Thk,
19	238-6014	1	O-RING, -014, 90 Duro, .489" ID x .070" Thk,
20	326965A1	1	SCREEN,
21	87440347	1	TUBE, Return
22	NSS	1	NOT SERVICED SEPARATELY, ELBOW
23	9992298	1	O-RING, -014, 90 Duro, .489" ID x .070" Thk,
24	86598101	1	O-RING, CI 6, 15.3MM ID x 2.2 Thk,
25	87582257	2	HOSE, Brake Pressure, Right Hand and Left Hand, 45 Degree End
26	NSS	1	NOT SERVICED SEPARATELY, CONNECTOR
27	14437985	1	O-RING, 15.3MM ID x 2.4 Thk,
28	70923841	1	O-RING, 1/2 ID x 1/16
29	238-6012	1	O-RING, -012, 90 Duro, .364" ID x .070" Thk,
30	384834A1	1	CONDUIT, Conduit, With Fuel Separator Filter
31	316443A2	1	FITTING, 13/16 fc sl x 18 Or, Inc. 17 - 20
32	86579691	1	ELBOW, 90e, 13/16"-18 ORFS x M18 x 1.5 ORB, Inc. 22 - 24
33	700-102	2	CONNECTOR, HYD., 13/16"-16 ORFS x M18 x 1.5 ORB, Inc. 26 - 28
34	214-1408	1	CLAMP, HOSE, #08, 0.50/0.91 Type F Worm,
35	87331123	1	FITTING, (Not Shown)

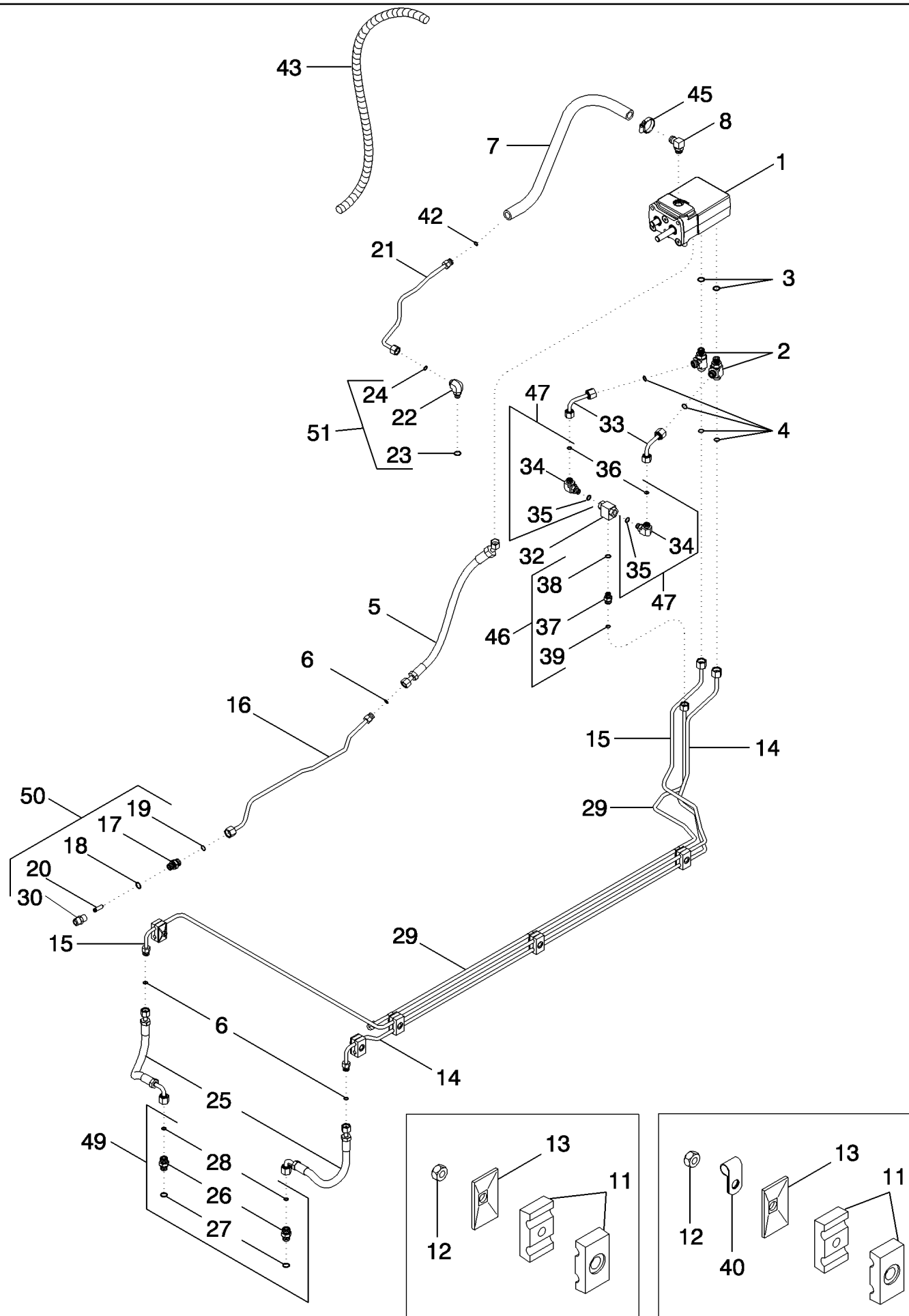


## MX305 CASE IH MAGNUM TRACTOR NA (1/06-9/06)

## 07-03 BRAKES - HYDRAULIC SYSTEM, WITH HYDRAULIC TRAILER BRAKES

сылка	Номер детали	Кол-во	Описание
1	87731065	1	VALVE, Brake, See Figure 07-05
2	700-412	2	TEE, 13/16"-16 ORFS x M18 x 1.5 ORB Run, Inc. 3, 4
3	14437985	1	O-RING, 15.3MM ID x 2.4 Thk,
4	70923841	2	O-RING, 1/2 ID x 1/16
5	87731873	1	HOSE, Supply
6	238-6012	3	O-RING, -012, 90 Duro, .364" ID x .070" Thk,
7	87577426	1	HOSE,
8	87454069	1	ELBOW, 13/16 fc sl x 18 Or
9	87443446	1	CONDUIT,
11	1546024C1	5	CLAMP,
12	829-1408	5	NUT, M8, CI 10,
13	384870A1	5	PLATE,
14	87348665	1	TUBE ASSY., Right Hand Brake
15	87363337	1	TUBE ASSY., Left Hand Brake
16	433588A1	1	TUBE ASSY., Supply
17	NSS	1	NOT SERVICED SEPARATELY, FITTING
18	637-63153	1	O-RING, CI 6, 15.3MM ID x 2.2 Thk,
19	238-6014	1	O-RING, -014, 90 Duro, .489" ID x .070" Thk,
20	326965A1	1	SCREEN,
21	87440347	1	TUBE, Return
22	NSS	1	NOT SERVICED SEPARATELY, ELBOW
23	9992298	1	O-RING, -014, 90 Duro, .489" ID x .070" Thk,
24	86598101	1	O-RING, CI 6, 15.3MM ID x 2.2 Thk,
25	87582257	2	HOSE, Brake Pressure, Right Hand and Left Hand, 45 Degree End
26	NSS	1	NOT SERVICED SEPARATELY, CONNECTOR
27	14437985	1	O-RING, 15.3MM ID x 2.4 Thk,
28	70923841	1	O-RING, 1/2 ID x 1/16
29	87363345	1	TUBE ASSY.,
30	315919A1	1	FITTING, Screen Seat
32	NSS	1	NOT SERVICED SEPARATELY, VALVE
33	238-6012	3	O-RING, -012, 90 Duro, .364" ID x .070" Thk,
34	87348656	1	TUBE ASSY., Right Hand
35	87348655	1	TUBE ASSY., Left Hand
36	515-2295	3	CLAMP, 3/8", Insul, 5/16" Bolt, 3/8 ID
37	86985589	1	HOSE ASSY.,
38	238-6012	1	O-RING, -012, 90 Duro, .364" ID x .070" Thk,
39	384834A1	1	CONDUIT, Conduit, With Fuel Separator Filter
41	316443A2	1	FITTING, Inc. 17 - 20, 30
42	86579691	1	ELBOW, 90e, 13/16"-18 ORFS x M18 x 1.5 ORB, Inc. 22 - 24
43	700-102	2	CONNECTOR, HYD., 13/16"-16 ORFS x M18 x 1.5 ORB, Inc. 26 - 28
45	86991302	1	VALVE, HYDRAULIC, Inc. 32, 33
46	214-1408	1	CLAMP, HOSE, #08, 0.50/0.91 Type F Worm,
47	87331123	1	FITTING, (Not Shown)

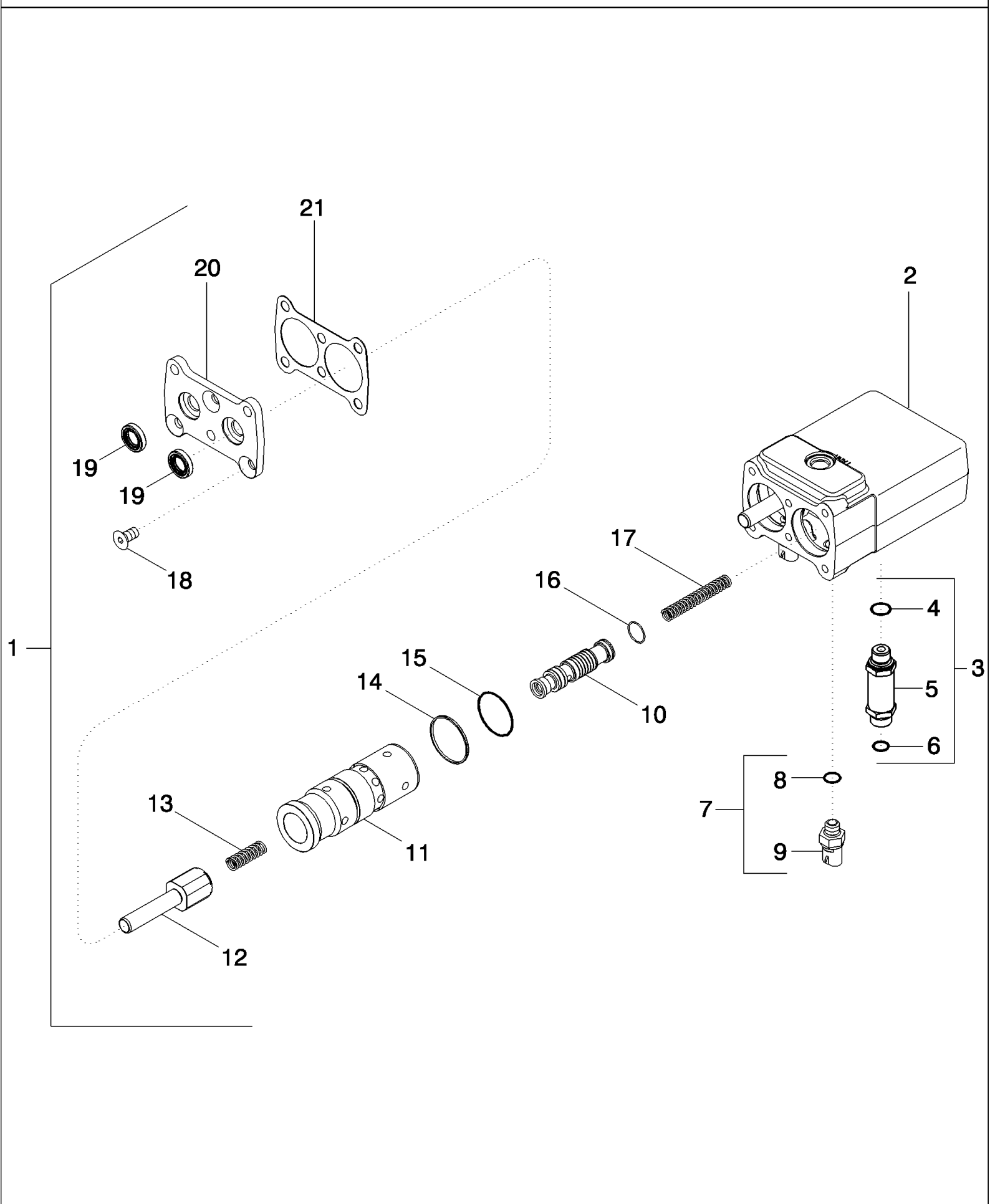




## MX305 CASE IH MAGNUM TRACTOR NA (1/06-9/06)

## 07-04 BRAKES - HYDRAULIC SYSTEM, WITH PNEUMATIC TRAILER BRAKES

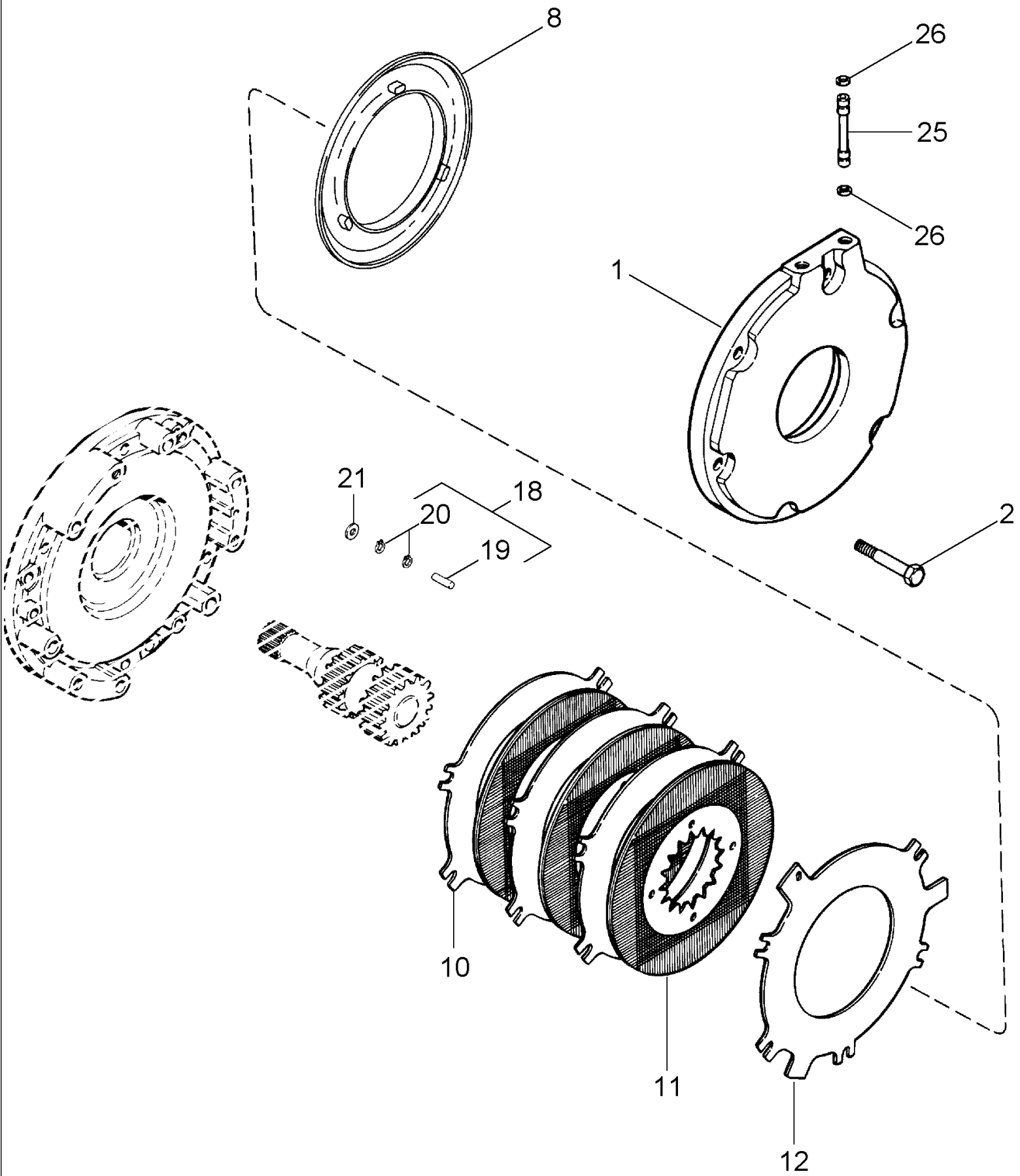
сылка	Номер детали	Кол-во	Описание
1	87731065	1	VALVE, Brake, See Figure 07-05
2	700-412	2	TEE, 13/16"-16 ORFS x M18 x 1.5 ORB Run, Inc. 3, 4
3	14437985	1	O-RING, 15.3MM ID x 2.4 Thk,
4	70923841	2	O-RING, 1/2 ID x 1/16
5	87731873	1	HOSE, Supply
6	238-6012	3	O-RING, -012, 90 Duro, .364" ID x .070" Thk,
7	87577426	1	HOSE,
8	87454069	1	ELBOW, 13/16 fc sl x 18 Or
9	87443446	1	CONDUIT,
11	1546024C1	5	CLAMP,
12	829-1408	5	NUT, M8, CI 10,
13	384870A1	5	PLATE,
14	87348665	1	TUBE ASSY., Right Hand Brake
15	87363337	1	TUBE ASSY., Left Hand Brake
16	433588A1	1	TUBE ASSY., Supply
17	NSS	1	NOT SERVICED SEPARATELY, FITTING
18	637-63153	1	O-RING, CI 6, 15.3MM ID x 2.2 Thk,
19	238-6014	1	O-RING, -014, 90 Duro, .489" ID x .070" Thk,
20	326965A1	1	SCREEN,
21	87440347	1	TUBE, Return
22	NSS	1	NOT SERVICED SEPARATELY, ELBOW
23	9992298	1	O-RING, -014, 90 Duro, .489" ID x .070" Thk,
24	86598101	1	O-RING, CI 6, 15.3MM ID x 2.2 Thk,
25	87582257	2	HOSE, Brake Pressure, Right Hand and Left Hand, 45 Degree End
26	NSS	1	NOT SERVICED SEPARATELY, CONNECTOR
27	14437985	1	O-RING, 15.3MM ID x 2.4 Thk,
28	70923841	1	O-RING, 1/2 ID x 1/16
29	87363345	1	TUBE ASSY.,
30	315919A1	1	FITTING, Screen Seat
33	442240A1	2	TUBE ASSY.,
35	237-6006	1	O-RING, 6-1, 90 Duro, .468" ID x .078" Thk,
36	238-6012	1	O-RING, -012, 90 Duro, .364" ID x .070" Thk,
38	237-6006	1	O-RING, 6-1, 90 Duro, .468" ID x .078" Thk,
39	238-6012	1	O-RING, -012, 90 Duro, .364" ID x .070" Thk,
40	515-2295	3	CLAMP, 3/8", Insul, 5/16" Bolt,
42	238-6012	1	O-RING, -012, 90 Duro, .364" ID x .070" Thk,
43	384834A1	1	CONDUIT, Conduit
45	214-1408	1	CLAMP, HOSE, #08, 0.50/0.91 Type F Worm,
46	201-101	1	CONNECTOR, HYD., 11/16"-16 ORFS x 9/16"-18 ORB, Inc. 37 - 39
47	201-304	2	ELBOW, 90e, 11/16"-16 x 9/16"-18 Adj, ORFS, Inc. 34 - 36
49	700-102	2	CONNECTOR, HYD., 13/16"-16 ORFS x M18 x 1.5 ORB, Inc. 26 - 28
50	316443A2	1	FITTING, Inc. 17 - 20, 30
51	86579691	1	ELBOW, 90e, 13/16"-18 ORFS x M18 x 1.5 ORB, Inc. 22 - 24
52	87331123	1	FITTING, (Not Shown)



## MX305 CASE IH MAGNUM TRACTOR NA (1/06-9/06)

## 07-05 BRAKES - CONTROL VALVE

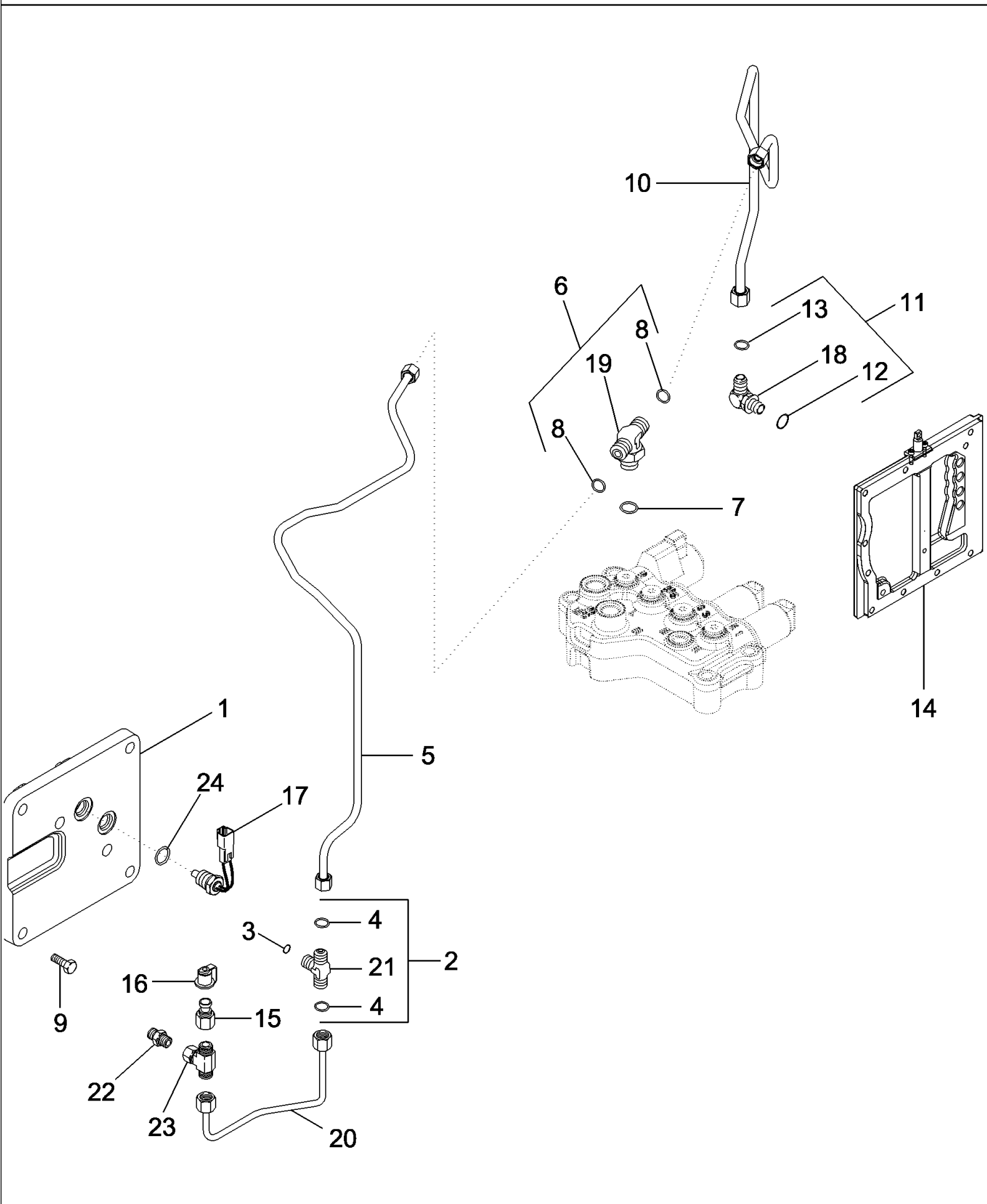
сылка	Номер детали	Кол-во	Описание
1	87731065	1	VALVE, Inc. 1 - 21
2	NSS	1	NOT SERVICED SEPARATELY, BODY
3	87731851	1	VALVE, CHECK,
7	279266A1	2	SWITCH, Inc. 8, 9
8	237-6003	1	O-RING, 3-1, .301" ID x .064" Thk,
9	NSS	1	NOT SERVICED SEPARATELY, SWITCH
10	397106A5	2	SPOOL,
11	397105A5	2	SLEEVE,
12	433199A1	2	POPPET,
13	433196A2	2	SPRING,
14	407387A1	2	SEALRING,
15	238-7131	2	O-RING, -131, CI 7, 1.674" ID x .103" Thk,
16	407282A1	2	RING, SNAP,
17	397110A1	2	SPRING, COMPRESSION,
18	220056A1	3	SCREW, Hex Soc Flat Hd, M10 x 20, 8.8,
19	A63399	2	SEAL,
20	397111A1	1	PLATE,
21	403356A1	1	GASKET,



## MX305 CASE IH MAGNUM TRACTOR NA (1/06-9/06)

## 07-06 BRAKES - DIFFERENTIAL

сылка	Номер детали	Кол-во	Описание
1	1342723C2	2	COVER,
2	813-16110	6	BOLT, Hex, M16 x 110, 8.8, Right Hand
2	814-16100	6	BOLT, Hex, M16 x 100, 8.8, Left Hand
8	1997422C1	2	PISTON,
10	120486C1	8	PLATE, BRAKE,
11	120488C2	8	PLATE, BRAKE,
12	1981187C1	2	PLATE,
18	1349198C1	6	ADJUSTER, Inc. 19, 20
19	37-1828	1	DOWEL, 1/2" x 1 3/4",
20	100-1450	2	RING, SNAP, #50, Ext,
21	1342928C1	12	WASHER,
25	120514C2	4	TUBE,
26	238-5013	8	O-RING, -013, 70 Duro, .426" ID x .070" Thk,



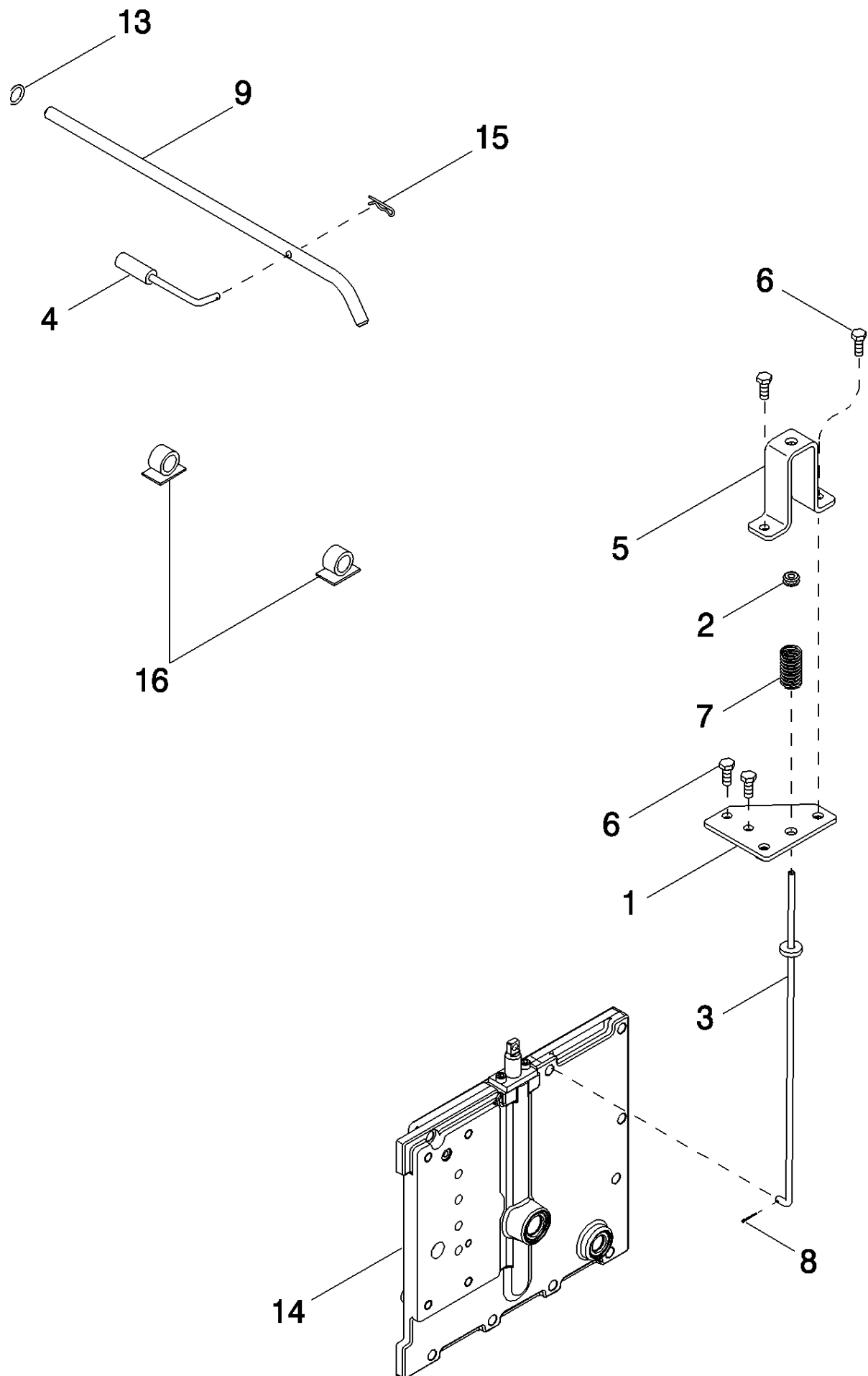
## MX305 CASE IH MAGNUM TRACTOR NA (1/06-9/06)

## 07-07 PARK BRAKE - HYDRAULIC SYSTEM

сылка	Номер детали	Кол-во	Описание
1	87327182	1	COVER, , See Figure 06-22
2	87312674	1	VALVE, PRESSURE RELIEF, Inc. 3, 4
3	637-63153	1	O-RING, CI 6, 15.3MM ID x 2.2 Thk,
4	238-6014	2	O-RING, -014, 90 Duro, .489" ID x .070" Thk,
5	433595A3	1	TUBE ASSY.,
6	700-402	1	TEE, 13/16"-16 ORFS x M18 x 1.5 ORB Br, Inc. 7, 8
7	637-63153	1	O-RING, CI 6, 15.3MM ID x 2.2 Thk,
8	238-6014	2	O-RING, -014, 90 Duro, .489" ID x .070" Thk,
9	628-10030	4	BOLT, Hex, M10 x 30, 10.9, Full Thd,
10	448220A1	1	TUBE ASSY.,
11	700-326	1	ELBOW, 90e, 13/16"-18 ORFS x M22 x 1.5 ORB, Incl. 12, 13
12	637-63193	1	O-RING, CI 6, 19.3MM ID x 2.2 Thk,
13	238-6014	1	O-RING, -014, 90 Duro, .489" ID x .070" Thk,
14	87433653	1	PLATE ASSY., , See Figure 06-04
15	322529A1	1	COUPLING,
16	143349A1	1	DUST CAP,
17	87521424	1	SENDER, TEMPERATURE, Transmission, Inc. 24
18	NSS	1	NOT SERVICED SEPARATELY, ELBOW
19	NSS	1	NOT SERVICED SEPARATELY, TEE
20	87441296	1	TUBE, Park Brake Lower Supply
21	NSS	1	NOT SERVICED SEPARATELY, VALVE
22	201-102	1	CONNECTOR, HYD., 13/16"-16 ORFS x 3/4"-16 ORB,
23	701-411	1	TEE, 13/16"-16 ORFS x 13/16"-16 Fem Sw Br,
24	86639042	1	O-RING, CI 6, 11.3MM ID x 2.2 Thk,



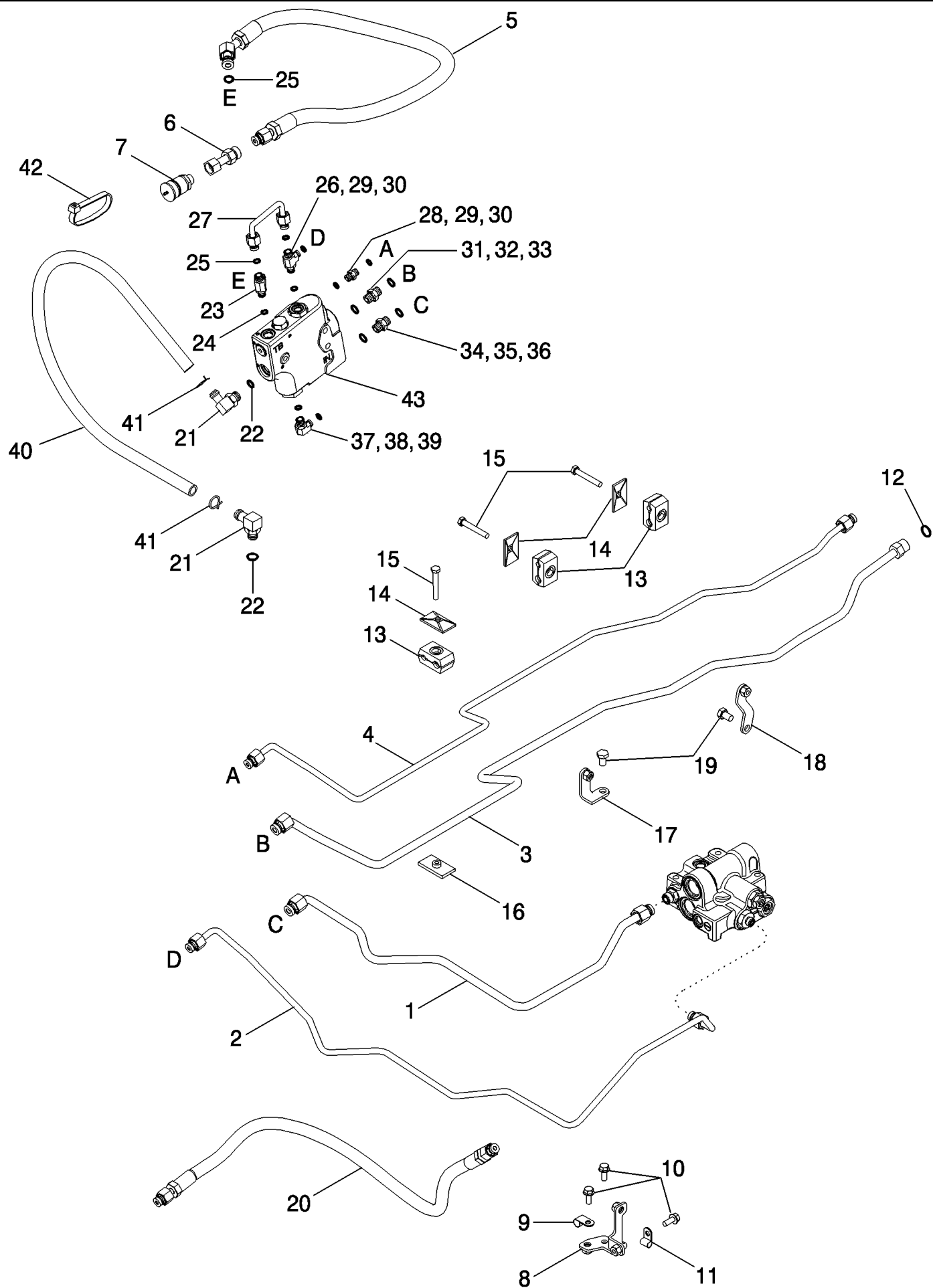
07-08 PARK BRAKE - RELEASE



## MX305 CASE IH MAGNUM TRACTOR NA (1/06-9/06)

## 07-08 PARK BRAKE - RELEASE

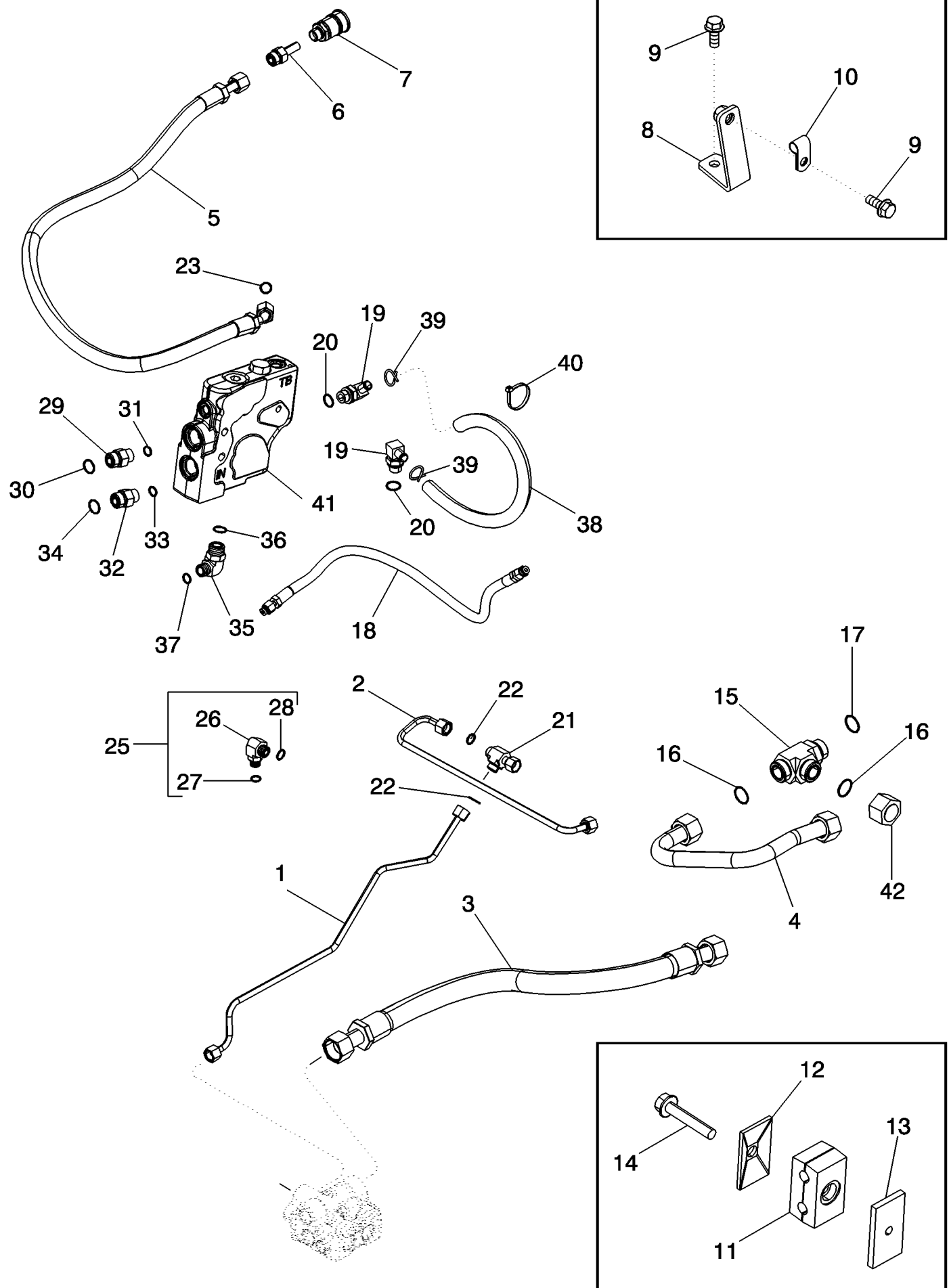
сылка	Номер детали	Кол-во	Описание
1	87435703	1	PLATE,
2	248-2164	1	GROMMET, 1/4" ID x 7/16" Groove Dia, 1/4 ID
3	87442200	1	ROD,
4	279765A3	1	PISTON,
5	282624A1	1	SUPPORT,
6	627-8020	4	BOLT, Hex, M8 x 20, 10.9,
7	282456A1	1	SPRING,
8	432-48	1	PIN, SPLIT (COTTER), 1/16" x 1/2",
9	279763A2	1	BRAKE LEVER, Release
13	638-53160	1	O-RING, CI 5, 16MM ID x 2.65 Thk,
14	87433653	1	PLATE ASSY., , See Figure 06-04
15	136-159	1	PIN, SPLIT (COTTER), Int, 3/16 x .080",
16	169850C2	2	CLIP, CABLE,



MX305 CASE IH MAGNUM TRACTOR NA (1/06-9/06)

07-09 TRAILER BRAKES - HYDRAULIC - BSN Z7RZ01521

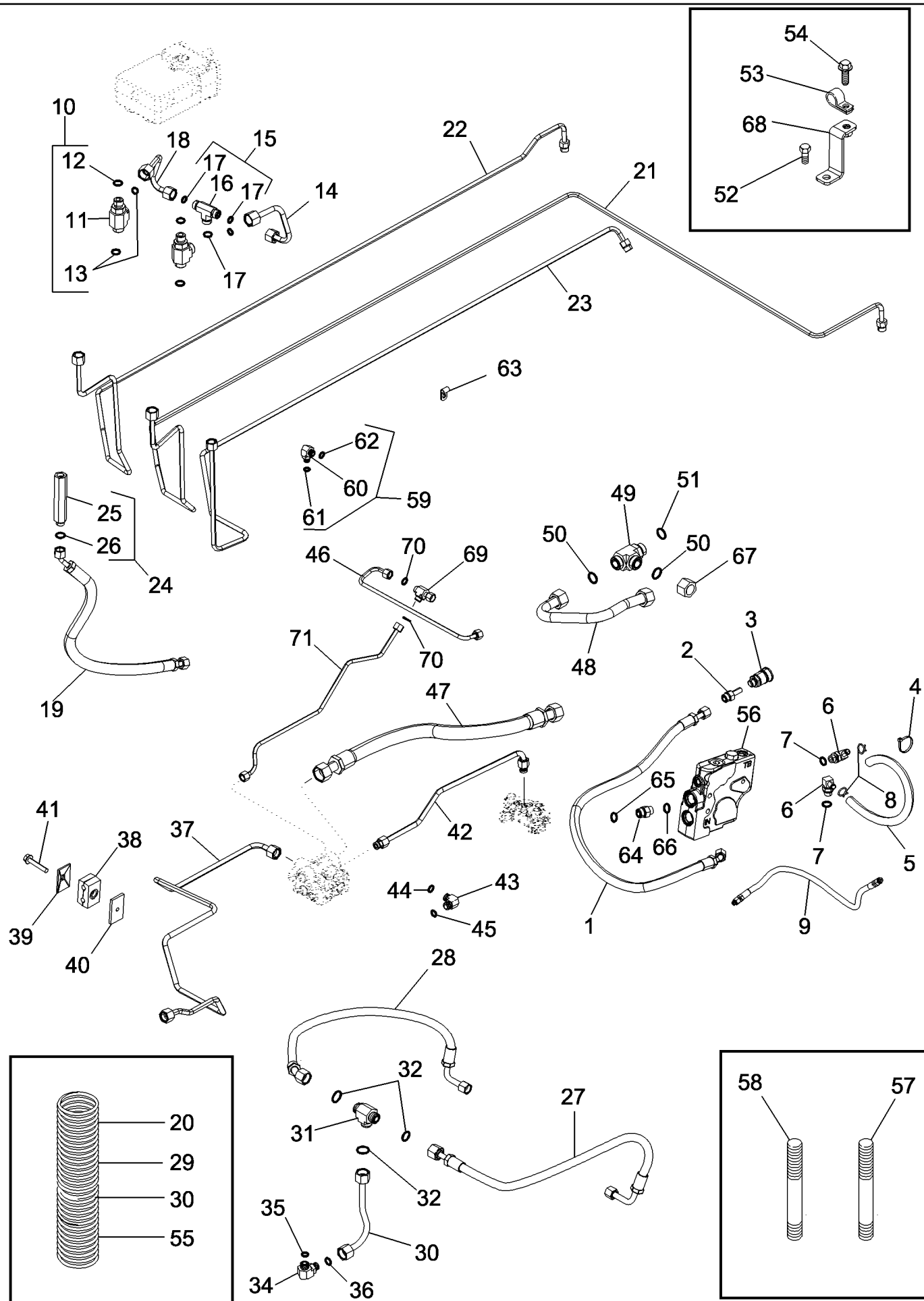
сылка	Номер детали	Кол-во	Описание
1	87456032	1	TUBE ASSY.,
2	87544278	1	TUBE ASSY.,
3	87456034	1	TUBE ASSY.,
4	87367652	1	TUBE ASSY.,
5	87337403	1	HOSE,
6	1975266C1	1	CONNECTOR, HYD.,
7	3131463R91	1	BREAKER POINTS,
8	87395937	1	BRACKET,
9	515-22127	1	CLAMP, 1/2", Insul, 5/16" Bolt,
10	844-8020	3	BOLT, Hex Flg, M8 x 20, 8.8,
11	515-2295	1	CLAMP, 3/8", Insul, 5/16" Bolt,
12	238-6014	1	O-RING, -014, 90 Duro, .489" ID x .070" Thk,
13	363255A1	3	CLAMP,
14	384870A1	3	PLATE,
15	814-8055	3	BOLT, Hex, M8 x 55, 8.8,
16	384871A1	3	PLATE,
17	87309386	1	BRACKET,
18	87309660	1	BRACKET,
19	614-10016	2	BOLT, Hex, M10 x 16, 8.8, Full Thd,
20	87442945	1	HOSE,
21	87312846	2	ELBOW, Inc. 22
22	637-63153	1	O-RING, CI 6, 15.3MM ID x 2.2 Thk,
23	700-412	1	TEE, 13/16"-16 ORFS x M18 x 1.5 ORB Run, Inc. 24, 25
24	637-63153	1	O-RING, CI 6, 15.3MM ID x 2.2 Thk,
25	238-6014	2	O-RING, -014, 90 Duro, .489" ID x .070" Thk,
26	87312753	1	VALVE, CHECK,
27	87435690	1	TUBE ASSY.,
28	700-101	1	CONNECTOR, HYD., 11/16"-16 ORFS x M14 x 1.5 ORB, Incl. 29, 30
29	637-63113	1	O-RING, CI 6, 11.3MM ID x 2.2 Thk,
30	238-6012	2	O-RING, -012, 90 Duro, .364" ID x .070" Thk,
31	700-162	1	CONNECTOR, HYD., 13/16"-16 ORFS x M22 x 1.5 ORB, Inc. 32, 33
32	637-63193	1	O-RING, CI 6, 19.3MM ID x 2.2 Thk,
33	238-6014	1	O-RING, -014, 90 Duro, .489" ID x .070" Thk,
34	86597761	1	CONNECTOR, HYD., 13/16"-16 ORFS x M27 x 2 ORB, Incl. 35, 36
35	637-64236	1	O-RING, CI 6, 23.6MM ID x 2.9 Thk,
36	238-6014	1	O-RING, -014, 90 Duro, .489" ID x .070" Thk,
37	700-304	1	ELBOW, 90e, 11/16"-18 ORFS x M14 x 1.5 ORB, Incl. 38, 39
38	637-63113	1	O-RING, CI 6, 11.3MM ID x 2.2 Thk,
39	238-6012	1	O-RING, -012, 90 Duro, .364" ID x .070" Thk,
40	87365235	1	HOSE,
41	214-1408	2	CLAMP, HOSE, #08, 0.50/0.91 Type F Worm,
42	L11541	1	STRAP, CABLE,
43	87324560	1	VALVE, Trailer Brake



## MX305 CASE IH MAGNUM TRACTOR NA (1/06-9/06)

## 07-10 TRAILER BRAKES - HYDRAULIC - ASN Z7RZ01521

сылка	Номер детали	Кол-во	Описание
1	87620393	1	TUBE ASSY., Load Sense, Aux manifold
2	87625086	1	TUBE ASSY., Load Sense
3	87701093	1	HOSE, Brake Supply
4	87659135	1	TUBE ASSY., Aux Manifold Supply
5	87337403	1	HOSE,
6	1975266C1	1	CONNECTOR, HYD.,
7	3131463R91	1	BREAKER POINTS,
8	86988626	1	BRACKET,
9	844-8020	2	BOLT, Hex Flg, M8 x 20, 8.8,
10	515-2295	1	CLAMP, 3/8", Insul, 5/16" Bolt,
11	1546024C1	1	CLAMP,
12	384870A1	1	PLATE,
13	384871A1	1	PLATE,
14	844-8045	1	BOLT, Hex Flg, M8 x 45, 8.8,
15	700-407	1	TEE, 1 7/16"-12 ORFS x M33 x 2 ORB Run, Inc. 16, 17
16	238-6021	2	O-RING, -021, 90 Duro, .926" ID x .070" Thk,
17	637-64296	1	O-RING, CI 6, 29.6MM ID x 2.9 Thk,
18	87442945	1	HOSE,
19	87312846	2	ELBOW, Inc. 20
20	637-63153	1	O-RING, CI 6, 15.3MM ID x 2.2 Thk,
21	701-422	1	TEE, 11/16"-16 ORFS x 11/16"-16 Fem Sw Run, Inc. 22
22	238-6012	2	O-RING, -012, 90 Duro, .364" ID x .070" Thk,
23	238-6014	1	O-RING, -014, 90 Duro, .489" ID x .070" Thk,
25	86579691	1	ELBOW, 90e, 13/16"-18 ORFS x M18 x 1.5 ORB, Inc. 26 - 28
26	NSS	1	NOT SERVICED SEPARATELY, ELBOW
27	9992298	1	O-RING, -014, 90 Duro, .489" ID x .070" Thk,
28	86598101	1	O-RING, CI 6, 15.3MM ID x 2.2 Thk,
29	700-166	2	CONNECTOR, HYD., 1 7/16"-12 ORFS x M27 x 1.5 ORB, Inc. 30, 31
30	238-6021	2	O-RING, -021, 90 Duro, .926" ID x .070" Thk,
31	637-64236	2	O-RING, CI 6, 23.6MM ID x 2.9 Thk,
32	86597761	1	CONNECTOR, HYD., 13/16"-16 ORFS x M27 x 2 ORB,
33	637-64236	1	O-RING, CI 6, 23.6MM ID x 2.9 Thk,
34	238-6014	1	O-RING, -014, 90 Duro, .489" ID x .070" Thk,
35	700-304	1	ELBOW, 90e, 11/16"-18 ORFS x M14 x 1.5 ORB, Incl. 36, 37
36	637-63113	1	O-RING, CI 6, 11.3MM ID x 2.2 Thk,
37	238-6012	1	O-RING, -012, 90 Duro, .364" ID x .070" Thk,
38	87365235	1	HOSE,
39	214-1408	2	CLAMP, HOSE, #08, 0.50/0.91 Type F Worm,
40	L11541	1	STRAP, CABLE,
41	87740546	1	VALVE, , See Figure 07-12
42	701-901	1	CAP, 1 7/16"-12 ORFS, , Not Required With Power Beyond



## MX305 CASE IH MAGNUM TRACTOR NA (1/06-9/06)

## 07-11 TRAILER BRAKES - HYDRAULIC - ACCUGUIDE

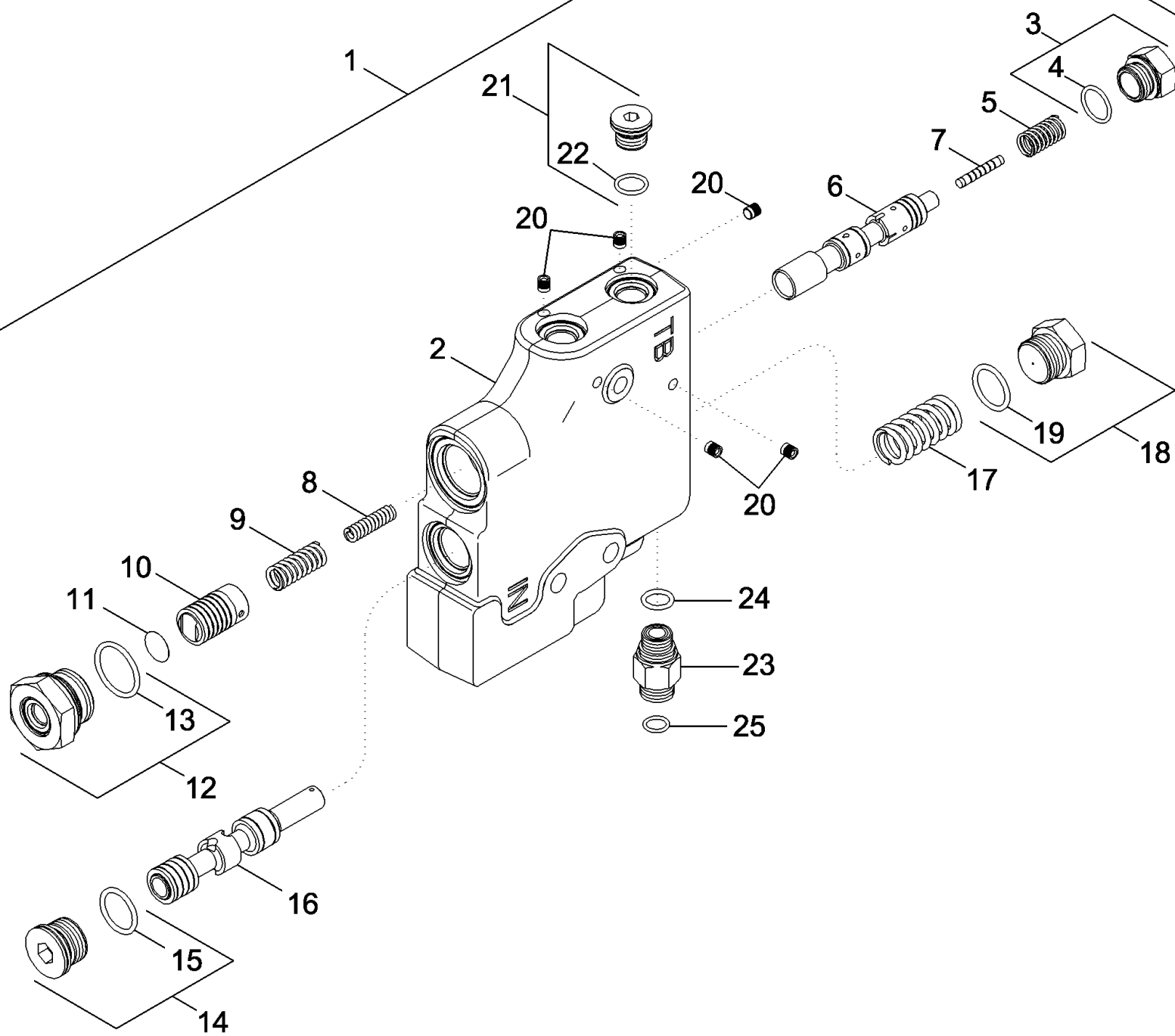
сылка	Номер детали	Кол-во	Описание
1	87337403	1	HOSE,
2	1975266C1	1	CONNECTOR, HYD.,
3	3131463R91	1	BREAKER POINTS,
4	L11541	1	STRAP, CABLE,
5	87365235	1	HOSE,
6	87312846	2	ELBOW, Inc. 7
7	637-63153	2	O-RING, CI 6, 15.3MM ID x 2.2 Thk,
8	214-1408	2	CLAMP, HOSE, #08, 0.50/0.91 Type F Worm,
9	87442945	1	HOSE,
10	700-412	2	TEE, 13/16"-16 ORFS x M18 x 1.5 ORB Run, Inc. 11 - 13
11	NSS	2	NOT SERVICED SEPARATELY, TEE
12	14437985	2	O-RING, 15.3MM ID x 2.4 Thk,
13	70923841	4	O-RING,
14	87348655	1	TUBE ASSY., Left Hand
15	86991302	1	VALVE, HYDRAULIC,
16	NSS	1	NOT SERVICED SEPARATELY, VALVE
17	238-6012	3	O-RING, -012, 90 Duro, .364" ID x .070" Thk,
18	87348656	1	TUBE ASSY., Right Hand
19	87549263	1	HOSE, Supply
20	87443446	1	CONDUIT,
21	87363337	1	TUBE ASSY., Left Hand Brake
22	87348665	1	TUBE ASSY., Right Hand Brake
23	87363345	1	TUBE ASSY., Trailer Brake pilot
24	86988933	1	CONNECTOR, HYD., Inc. 25, 26
25	NSS	1	NOT SERVICED SEPARATELY, Connector
26	238-6012	1	O-RING, -012, 90 Duro, .364" ID x .070" Thk,
27	87448971	1	HOSE, Supply, Right Hand
28	87448974	1	HOSE, Supply, Left Hand
29	87451399	1	CONDUIT,
30	87318281	1	CONDUIT,
31	701-415	1	TEE, 1"-14 ORFS, Inc. 32
32	238-6016	3	O-RING, -016, 90 Duro, .614" ID x .070" Thk,
33	87435660	1	TUBE ASSY., Hitch Supply
34	700-306	1	ELBOW, 90ε, 1"-14 ORFS x M22 x 1.5 ORB, Incl. 35, 36
35	637-63193	1	O-RING, CI 6, 19.3MM ID x 2.2 Thk,
36	238-6016	1	O-RING, -016, 90 Duro, .614" ID x .070" Thk,
37	87367650	1	TUBE ASSY., Load Sense
38	1546024C1	1	CLAMP,
39	384870A1	1	PLATE,
40	384871A1	1	PLATE,
41	844-8045	1	BOLT, Hex Flg, M8 x 45, 8.8,
42	87717748	1	TUBE, Priority/Regulator Valve to PTO Valve
43	700-304	1	ELBOW, 90ε, 11/16"-18 ORFS x M14 x 1.5 ORB, Incl. 44, 45
44	238-6012	1	O-RING, -012, 90 Duro, .364" ID x .070" Thk,
45	637-63113	1	O-RING, CI 6, 11.3MM ID x 2.2 Thk,



## MX305 CASE IH MAGNUM TRACTOR NA (1/06-9/06)

## 07-11 TRAILER BRAKES - HYDRAULIC - ACCUGUIDE

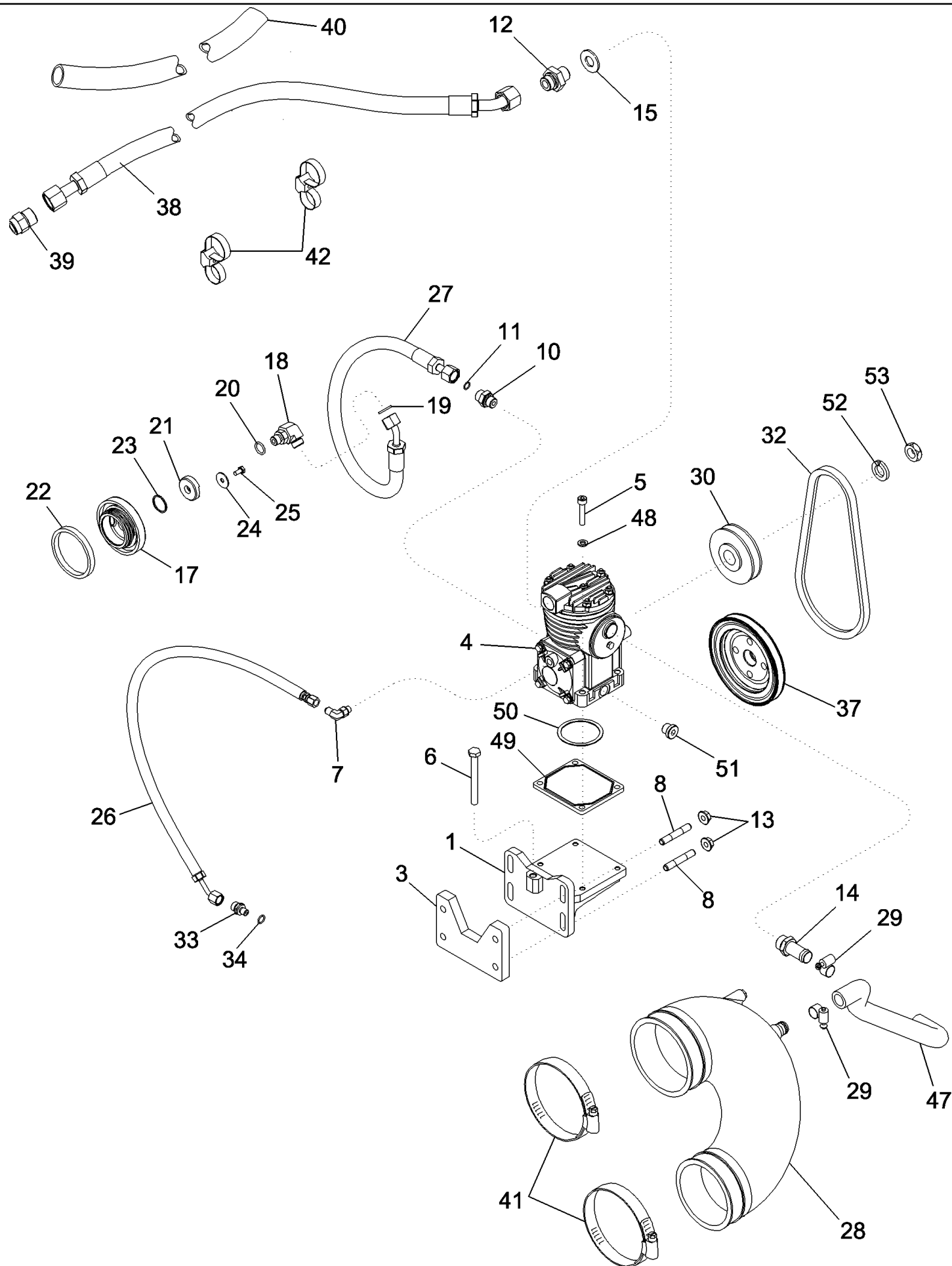
сылка	Номер детали	Кол-во	Описание
46	87625086	1	TUBE ASSY., Load Sense
47	87655554	1	HOSE ASSY., Brake Supply
48	87659135	1	TUBE ASSY., Aux Manifold Supply
49	700-407	1	TEE, 1 7/16"-12 ORFS x M33 x 2 ORB Run, Inc. 50, 51
50	238-6021	2	O-RING, -021, 90 Duro, .926" ID x .070" Thk,
51	637-64296	1	O-RING, CI 6, 29.6MM ID x 2.9 Thk,
52	844-10016	1	BOLT, Hex Flg, M10 x 16, 8.8, Full Thd,
53	515-23206	1	CLAMP, 13/16", Insul, 3/8" Bolt,
54	844-8020	1	BOLT, Hex Flg, M8 x 20, 8.8,
55	87451398	1	CONDUIT,
56	87740546	1	VALVE, , See Figure 07-12
57	87418091	1	STUD,
58	87445565	2	STUD,
59	86579691	1	ELBOW, 90e, 13/16"-18 ORFS x M18 x 1.5 ORB, Inc. 60, 61, 62
60	NSS	1	NOT SERVICED SEPARATELY, ELBOW
61	9992298	1	O-RING, -014, 90 Duro, .489" ID x .070" Thk,
62	86598101	1	O-RING, CI 6, 15.3MM ID x 2.2 Thk,
63	515-2295	3	CLAMP, 3/8", Insul, 5/16" Bolt,
64	700-166	2	CONNECTOR, HYD., 1 7/16"-12 ORFS x M27 x 1.5 ORB, Inc. 65, 66
65	238-6021	2	O-RING, -021, 90 Duro, .926" ID x .070" Thk,
66	637-64236	2	O-RING, CI 6, 23.6MM ID x 2.9 Thk,
67	701-901	1	CAP, 1 7/16"-12 ORFS,
68	86985195	1	BRACKET,
69	701-422	1	TEE, 11/16"-16 ORFS x 11/16"-16 Fem Sw Run, Inc. 70
70	238-6012	2	O-RING, -012, 90 Duro, .364" ID x .070" Thk,
71	87620393	1	TUBE ASSY., Load Sense, Aux Manifold



## MX305 CASE IH MAGNUM TRACTOR NA (1/06-9/06)

## 07-12 VALVE - HYDRAULIC TRAILER BRAKE

сылка	Номер детали	Кол-во	Описание
1	87324560	1	VALVE, Trailer Brake (Shown), BSN Z7RZ01521
1	87740546	1	VALVE, Trailer brake, ASN Z7RZ01521
2	NSS	1	NOT SERVICED SEPARATELY, BODY
3	87324557	1	PLUG, STOP, Inc. 4
4	637-63193	1	O-RING, CI 6, 19.3MM ID x 2.2 Thk,
5	87444752	1	BRAKE SPRING,
6	87324553	1	SPOOL,
7	86988723	1	SPOOL, Inner
8	87444751	1	BRAKE SPRING, Inner
9	87444750	1	BRAKE SPRING, Outer
10	87312086	1	PISTON, Priority, Use with Valve 87324560
10	86988724	1	PISTON, Priority, Use with Valve 87740546
11	87311459	AR	SHIM, Use with Valve 87324560, .12 mm (.005 in)
11	87449989	AR	Use with valve 87740546
12	87454597	1	PLUG,
13	637-64296	1	O-RING, CI 6, 29.6MM ID x 2.9 Thk,
14	221580A1	1	PLUG, Hex Soc, M27 x 2, ORB, Inc. 15
15	637-64236	1	O-RING, CI 6, 23.6MM ID x 2.9 Thk,
16	87324556	1	SPOOL, Priority (Shown), BSN Z7RZ01521
16	87627346	1	SPOOL, Priority, ASN Z7RZ01521
17	408447A1	1	SPRING, COMPRESSION,
18	87432142	1	FITTING, PIPE, Orifice, Inc. 19 (Shown), BSN Z7RZ01521
18	218-5212	1	PLUG, Hex Soc, 1 1/16"-12 ORB, Inc. 19, ASN Z7RZ01521
19	237-6012	1	O-RING, 12-1, 90 Duro, .924 ID x .118" Thk,
20	243756A1	5	PLUG, 7 mm
21	221578A1	1	PLUG, Hex Soc, M18 x 1.5, ORB, Inc. 22
22	637-63153	1	O-RING, CI 6, 15.3MM ID x 2.2 Thk,
23	223971A1	1	VALVE, CHECK, , ASN Z7RZ01521
24	637-63113	1	O-RING, CI 6, 11.3MM ID x 2.2 Thk, , ASN Z7RZ01521
25	238-6012	1	O-RING, -012, 90 Duro, .364" ID x .070" Thk, , ASN Z7RZ01521



## MX305 CASE IH MAGNUM TRACTOR NA (1/06-9/06)

## 07-13 TRAILER BRAKES - PNEUMATIC, AIR COMPRESSOR MOUNTING AND DRIVE

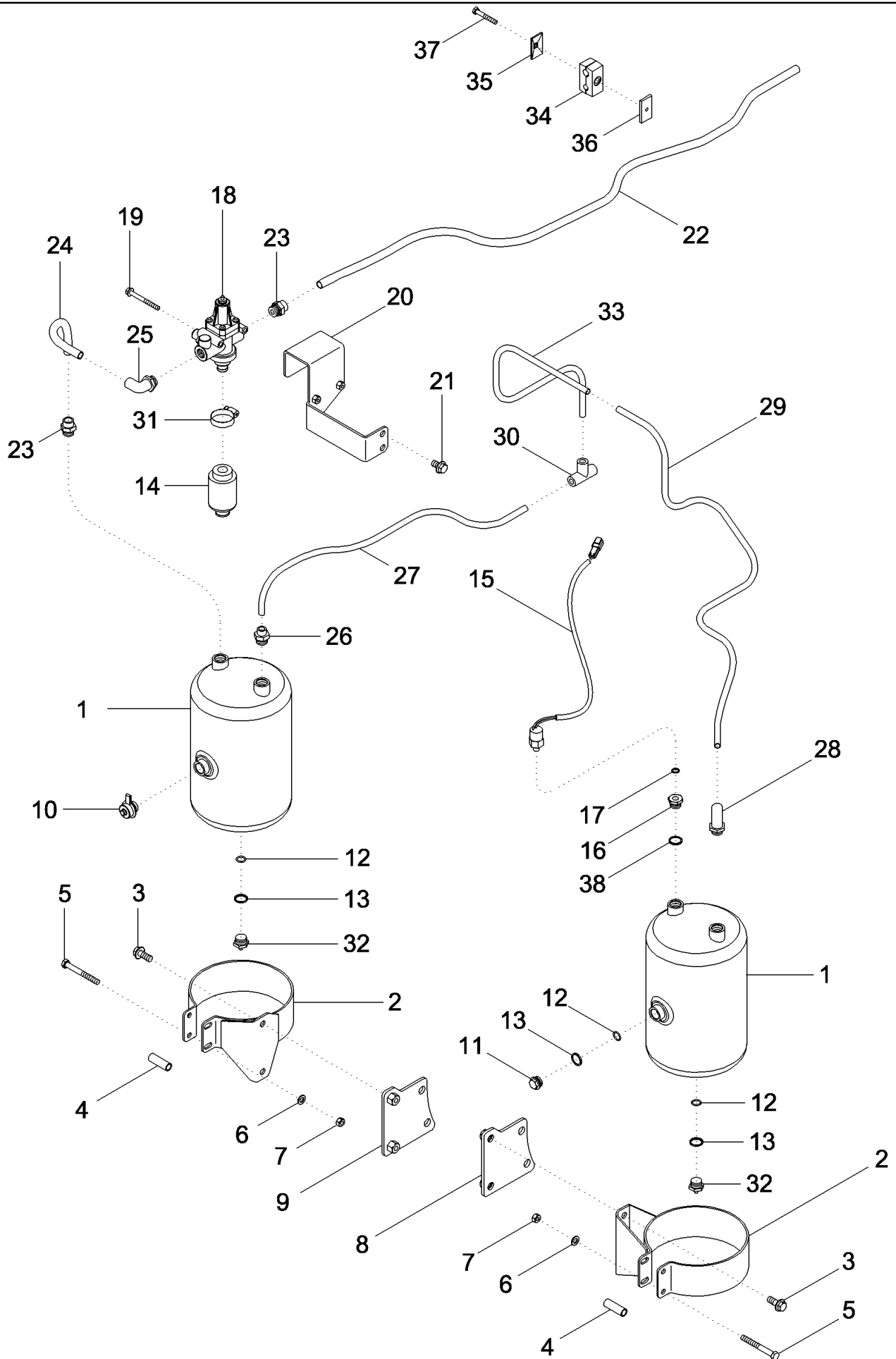
сылка	Номер детали	Кол-во	Описание
1	87354605	1	SUPPORT,
3	87354608	1	PLATE, ADJUSTING,
4	87340869	1	COMPRESSOR,
4A	87580916	1	KIT, SEALS, (Not Shown)
5	864-8040	4	SCREW, Hex Soc Hd, M8 x 40, 8.8,
6	614-10090	1	BOLT, Hex, M10 x 90, 8.8, Full Thd,
7	87364913	1	ADAPTER, Elbow, M10 x 7/16
8	87366493	4	STUD,
10	87434646	1	UNION, 11/16 fc sl x 16, Inc. 11
11	238-6012	1	O-RING, -012, 90 Duro, .364" ID x .070" Thk,
12	87551841	1	ADAPTER,
13	829-2410	4	NUT, M10 x 1.5, Flg, Cl 10,
14	87434210	1	STEM,
15	87551845	1	WASHER, COPPER,
17	J918215	1	ADAPTER,
18	201-304	1	ELBOW, 90e, 11/16"-16 x 9/16"-18 Adj, ORFS, Inc. 19, 20, 44
19	237-6006	1	O-RING, 6-1, 90 Duro, .468" ID x .078" Thk,
20	238-6012	1	O-RING, -012, 90 Duro, .364" ID x .070" Thk,
21	177335A3	1	PLATE, LARGE,
22	J903475	1	SEAL,
23	J915800	1	SEALRING,
24	T103887	2	WASHER,
25	614-6012	2	BOLT, Hex, M6 x 12, 8.8,
26	87365032	1	HOSE, Compressor Supply
27	87365056	1	HOSE ASSY., Lube Out
28	87357622	1	HOSE, Air Cleaner to Turbo, BSN Z7RZ03901
28	87651299	1	HOSE, Air Cleaner to Turbo, ASN Z7RZ03901
29	214-1412	2	CLAMP, HOSE, #12, 0.69/1.25 Type F Worm,
30	87341092	1	PULLEY,
32	87366024	1	V-BELT,
33	700-171	1	CONNECTOR, HYD., 9/16"-18 ORFS x M10 x 1 ORB, Inc. 34
34	238-6011	1	O-RING, -011, 90 Duro, .301" ID x .070" Thk,
37	87380498	1	PULLEY,
38	87547253	1	HOSE, Outlet
39	86991153	1	ADAPTER,
40	87403388	1	CONDUIT,
41	214-3280	2	CLAMP, HOSE, 4.25/5.125 HD Worm, W/liner,
42	86991000	2	CLAMP, Tie, Dual
44	NSS	1	NOT SERVICED SEPARATELY, ELBOW
45	NSS	1	NOT SERVICED SEPARATELY, CONNECTOR
46	NSS	1	NOT SERVICED SEPARATELY, UNION
47	87364042	1	HOSE, Intake
48	892-11008	4	WASHER, LOCK, M8,
49	87433913	1	PLATE ASSY.,
50	87531675	1	GASKET,

MX305 CASE IH MAGNUM TRACTOR NA (1/06-9/06)

07-13 TRAILER BRAKES - PNEUMATIC, AIR COMPRESSOR MOUNTING AND DRIVE

сылка	Номер детали	Кол-во	Описание
-------	--------------	--------	----------

51	87456432	1	PLUG,
52	92-11075	1	WASHER, LOCK, 3/4",
53	933678R1	1	NUT, Thin, M18 x 1.5, CI 04,

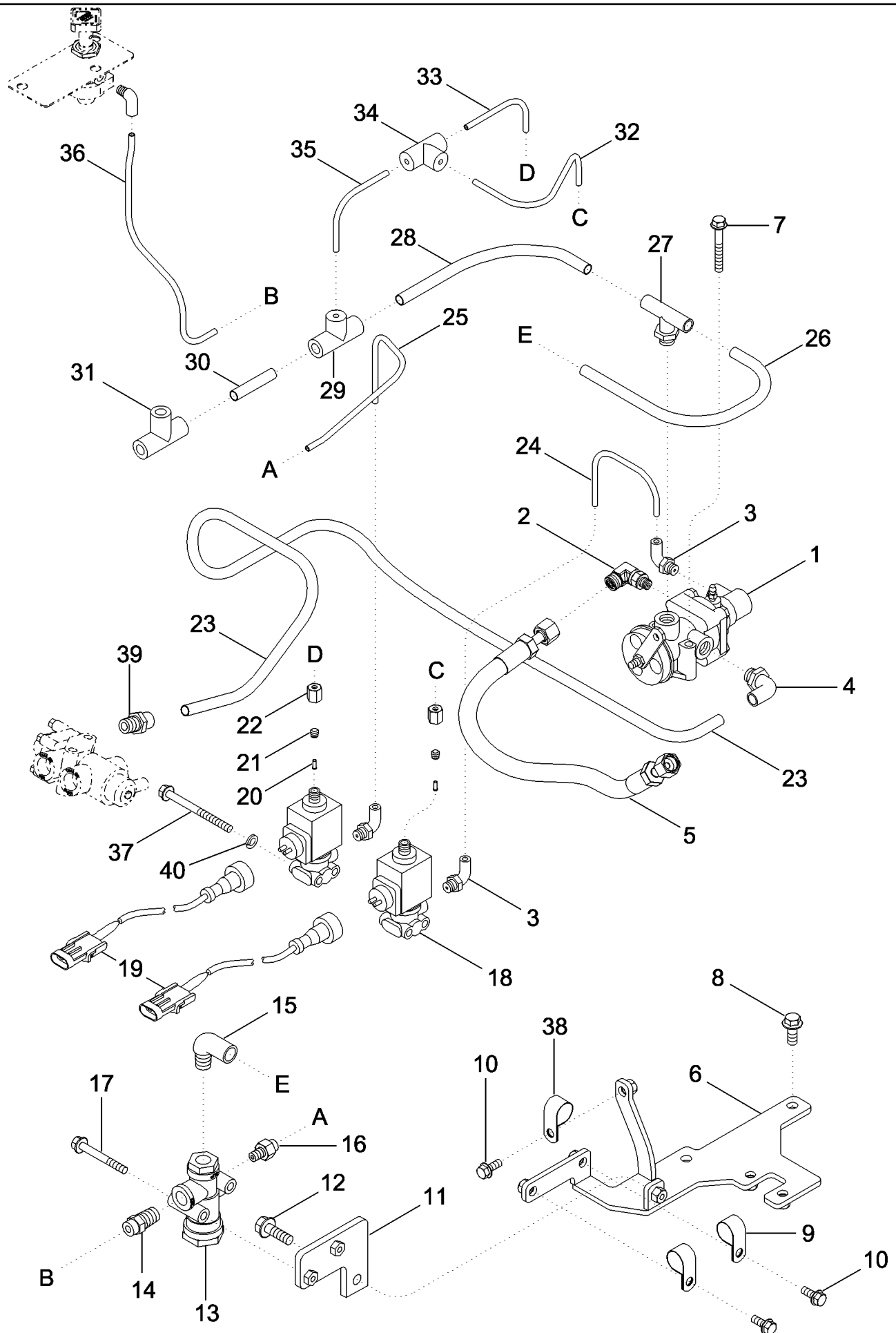


## MX305 CASE IH MAGNUM TRACTOR NA (1/06-9/06)

## 07-14 TRAILER BRAKES - PNEUMATIC, RESERVOIR

сылка	Номер детали	Кол-во	Описание
1	1530988C1	2	TANK, AIR,
2	86985993	2	BRACKET,
3	844-12030	4	BOLT, Hex Flg, M12 x 30, 8.8,
4	87592916	4	SPACER, Air Tank Mount
5	814-10075	4	BOLT, Hex, M10 x 75, 8.8,
6	895-11010	4	WASHER, M10 x 20 x 2,
7	829-1410	4	NUT, M10, CI 10,
8	86985963	1	BRACKET, Right Hand
9	86985965	1	BRACKET, Left Hand
10	443287A1	1	VALVE,
11	716954R1	1	PLUG, Hex, M22 x 1.5,
12	3076154R1	3	O-RING,
13	3076153R1	3	RING, PRESSURE,
14	82001979	1	VALVE, Silencer
15	87391194	1	SWITCH, Pressure
16	87680624	1	REDUCER,
17	713845R1	1	WASHER, SEALING, M12 x 15.5 x 1.5,
18	82001015	1	VALVE, CONTROL, Unloader
19	844-8080	2	BOLT, Hex Flg, M8 x 80, 8.8,
20	87342627	1	BRACKET,
21	844-12020	2	BOLT, Hex Flg, M12 x 20, 8.8, Full Thd,
22	87456291	1	HOSE, Unloader Valve Supply
23	86984484	2	CONNECTION,
24	87526409	1	HOSE,
25	442930A1	1	ELBOW,
26	442924A1	1	CONNECTOR, HYD.,
27	87456293	1	HOSE,
28	442929A1	3	ELBOW,
29	87456294	1	HOSE,
30	442925A1	1	TEE,
31	214-1536	1	CLAMP, HOSE, #36, 1.81/2.75 Type F Worm, W/liner,
32	897123H2	2	VALVE,
33	87456290	1	HOSE,
34	109619A1	2	CLAMP,
35	384870A1	2	PLATE,
36	384871A1	2	PLATE,
37	814-8055	2	BOLT, Hex, M8 x 55, 8.8,
38	238-5117	1	O-RING, -117, 70 Duro, .799" ID x .103" Thk,

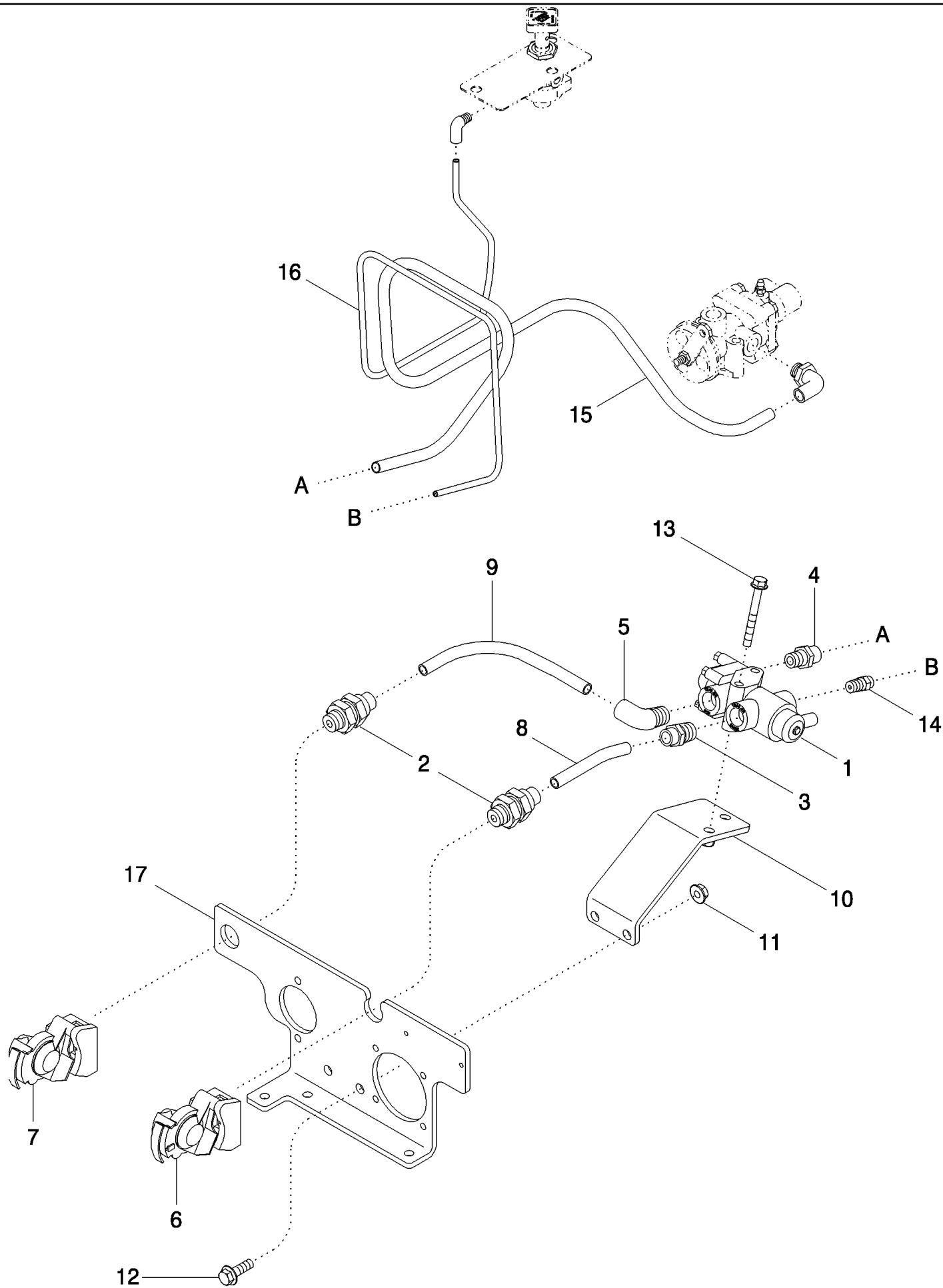




## MX305 CASE IH MAGNUM TRACTOR NA (1/06-9/06)

## 07-15 TRAILER BRAKES - PNEUMATIC, VALVES

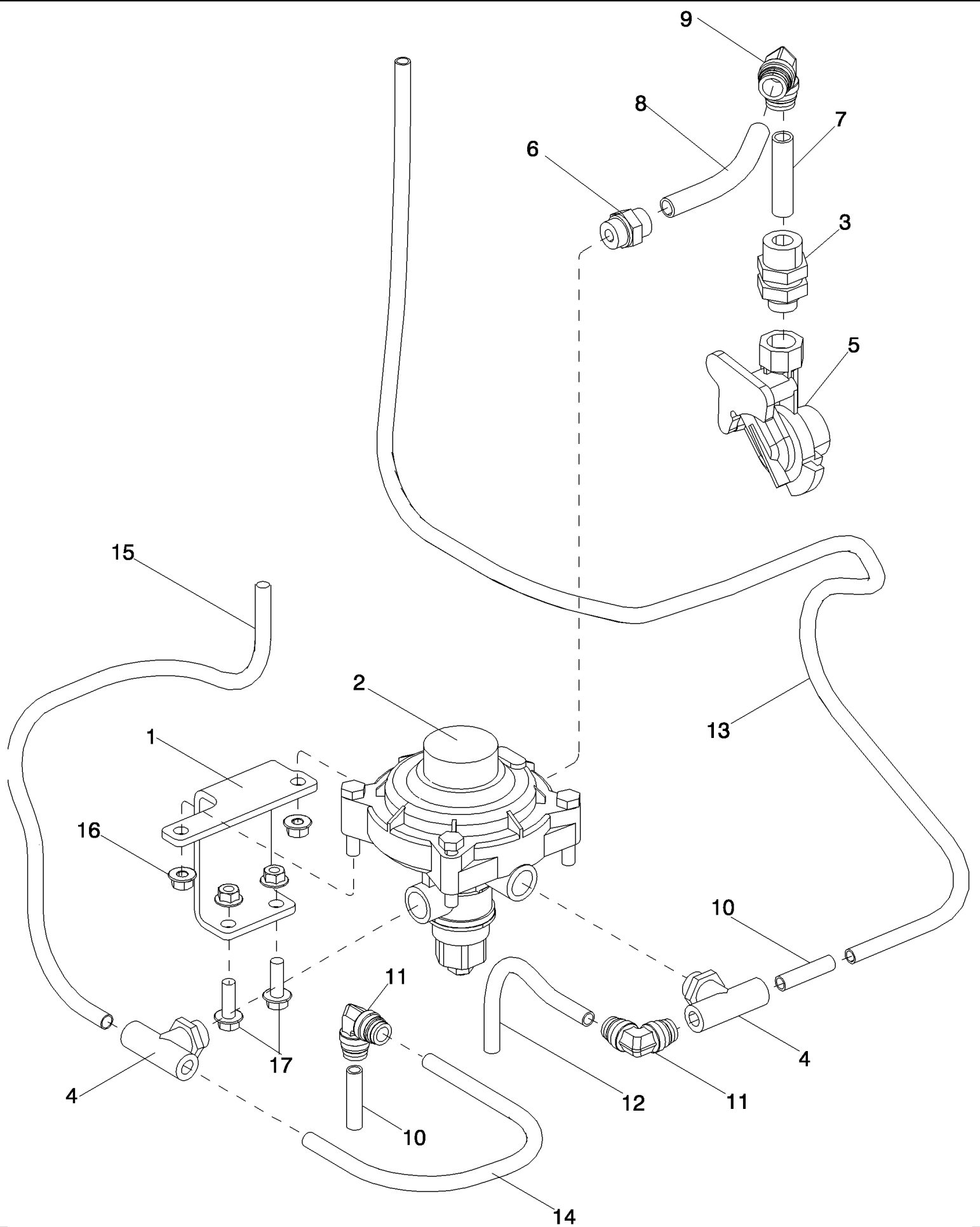
сылка	Номер детали	Кол-во	Описание
1	224360A1	1	VALVE, Dual Line Control
2	86984486	1	ELBOW, M10 x 11/16
3	442927A1	3	ELBOW, Push-in, M12 x 6
4	442928A1	2	ELBOW, Push-in, M16 x 12
5	87442945	1	HOSE,
6	86987547	1	BRACKET,
7	844-8060	2	BOLT, Hex Flg, M8 x 60, 8.8,
8	844-10025	2	BOLT, Hex Flg, M10 x 25, 8.8, Full Thd,
9	515-23238	2	CLAMP, 15/16", Insul, 3/8" Bolt,
10	844-8020	4	BOLT, Hex Flg, M8 x 20, 8.8,
11	87411914	1	PLATE, MOUNTING, Valve
12	844-8025	1	BOLT, Hex Flg, M8 x 25, 8.8,
13	87423207	1	VALVE, PNEUMATIC,
14	87411427	1	FITTING,
15	87411442	1	ELBOW,
16	87411443	1	FITTING,
17	844-6050	2	BOLT, Hex Flg, M6 x 50, 8.8,
18	1531984C1	2	VALVE, SOLENOID,
19	327970A1	2	PLUG,
20	1531863C1	2	SLEEVE,
21	3138533R1	2	SLEEVE,
22	3138527R1	2	NUT, Coupling, M12 x 1.5,
23	87411893	1	HOSE,
24	86985948	1	HOSE,
25	86985949	1	HOSE,
26	87411885	1	HOSE,
27	87411428	1	TEE, Push-in, M16 x 12
28	86985944	1	HOSE,
29	442926A1	1	TEE, Push-in, 12 x 12 x 6
30	86985943	1	HOSE,
31	442925A1	1	TEE, Push-in, 12 x 12 x 12
32	87456292	1	HOSE,
33	86985947	1	HOSE,
34	86987467	1	TEE, Push-in, 6 x 6 x 6
35	86985946	1	HOSE,
36	87422504	1	HOSE,
37	814-8100	2	BOLT, Hex, M8 x 100, 8.8,
38	515-23159	1	CLAMP, 5/8", Insul, 3/8" Bolt,
39	87411879	1	UNION,
40	892-11008	2	WASHER, LOCK, M8,



## MX305 CASE IH MAGNUM TRACTOR NA (1/06-9/06)

## 07-16 TRAILER BRAKES - PNEUMATIC, COUPLERS, DUAL LINE

сылка	Номер детали	Кол-во	Описание
1	87409383	1	VALVE, PNEUMATIC, Tractor Protection
2	87411311	2	CONNECTOR, HYD., Bulkhead, 1/2 npt x 1/2 Tube
3	87411513	1	CONNECTOR, HYD., Air Brake, Push-in, 1/2 npt x 1/2 Tube
4	87411845	1	CONNECTOR, HYD., 3/8 npt x 1/2 Tube
5	87411504	1	ELBOW, Air Brake, Push-in, 1/2 npt x 1/2 Tube
6	87409385	1	COUPLING, Emergency, Red
7	87409386	1	COUPLING, Service, Blue
8	87670358	1	HOSE, Emergency Coupler Supply
9	87670359	1	HOSE, Service Coupler Supply
10	87411890	1	BRACKET, Tractor Protection Valve
11	825-2410	2	NUT, M10 x 1.5, Flg, Cl 8,
12	844-10030	2	BOLT, Hex Flg, M10 x 30, 8.8, Full Thd,
13	844-8070	2	BOLT, Hex Flg, M8 x 70, 8.8,
14	87411443	1	FITTING, Air Brake, Push-in, 1/4 npt x 1/4 Tube
15	87411893	1	HOSE, Air Brake Supply
16	87422504	1	HOSE, Hand Valve to Protection Valve
17	87413002	1	BRACKET, SUPPORTING,
18	840-1616	2	SCREW, Cross Pan Hd, M6 x 16, (Not Shown)

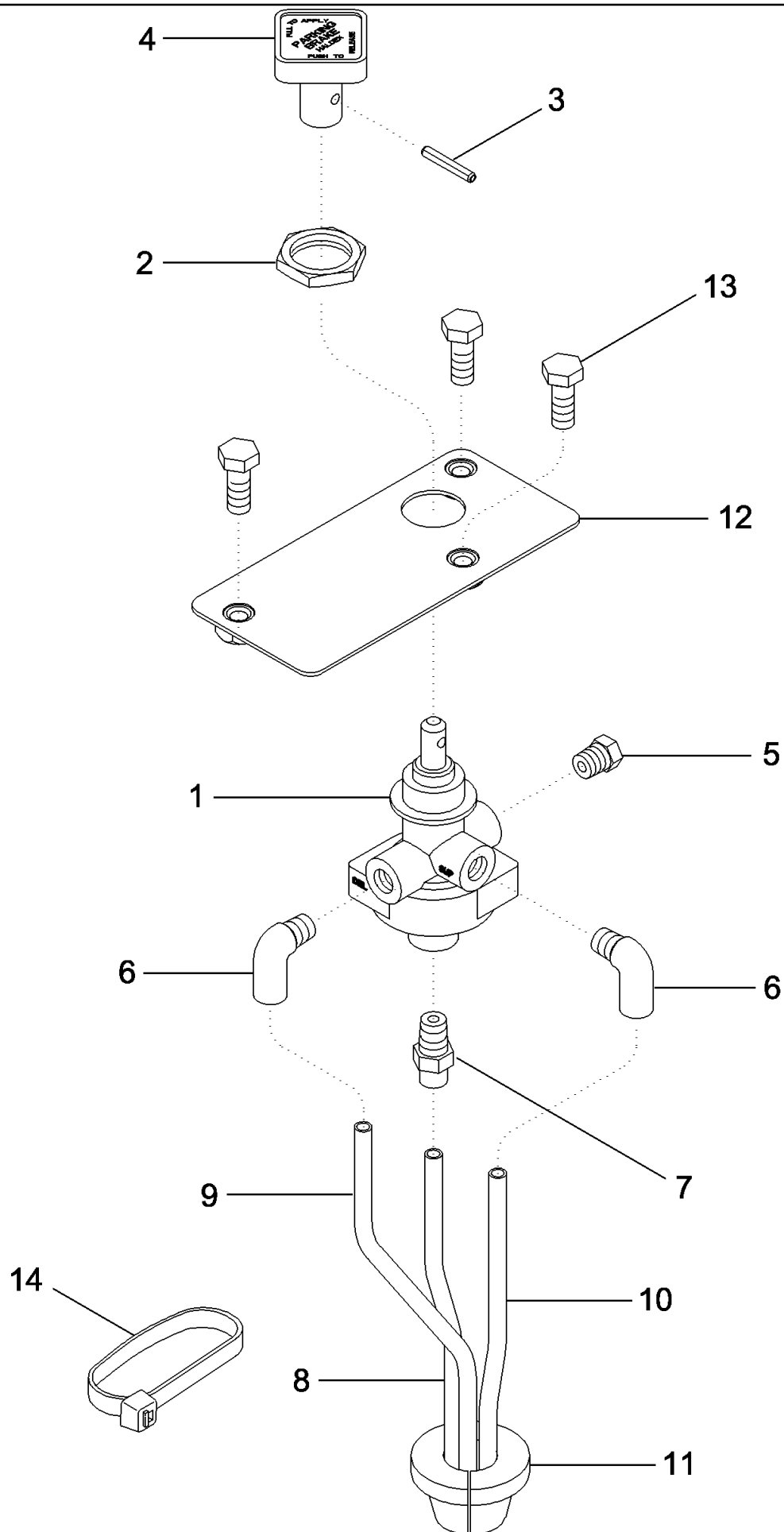


MX305 CASE IH MAGNUM TRACTOR NA (1/06-9/06)

07-17 TRAILER BRAKES - PNEUMATIC, COUPLERS, SINGLE LINE

сылка	Номер детали	Кол-во	Описание
	719089006	1	DIA KIT, TRACTOR, Inc. 1 - 17
1	87616996	1	BRACKET, Air Brake 1-Line Valve Mounting
2	T101913	1	VALVE, Control Trailer
3	442908A1	1	CONNECTOR, HYD., Bulkhead M22 x 16 Tube
4	442931A1	2	TEE, Air Break Push-In M22 x 12
5	3141447R1	1	BREAKER POINTS, Coupling
6	86984484	1	CONNECTION, Air Break Push-In M22 x 16
7	87664142	1	HOSE, Pneumatic 16 mm x 66.5 mm Straight
8	87664134	1	HOSE, Air Brake Black Coupler
9	87664144	1	FITTING, Elbow 16 mm Pneumatic
10	87664141	2	HOSE, Pneumatic 12 mm Dia x 50 mm Straight
11	87664143	2	FITTING, Elbow 12 mm Pneumatic
12	87664136	1	HOSE, Air Brake Yellow Coupler
13	87456289	1	HOSE, Air Brake Double Check Valve Out
14	87664137	1	HOSE, Air Brake Red Coupler
15	86985954	1	HOSE, Air Brake 1-Valve Assembly
16	825-2410	4	NUT, M10 x 1.5, Flg, Cl 8,
17	844-10030	2	BOLT, Hex Flg, M10 x 30, 8.8, Full Thd,

07-18 TRAILER BRAKES - PNEUMATIC, HAND CONTROL VALVE

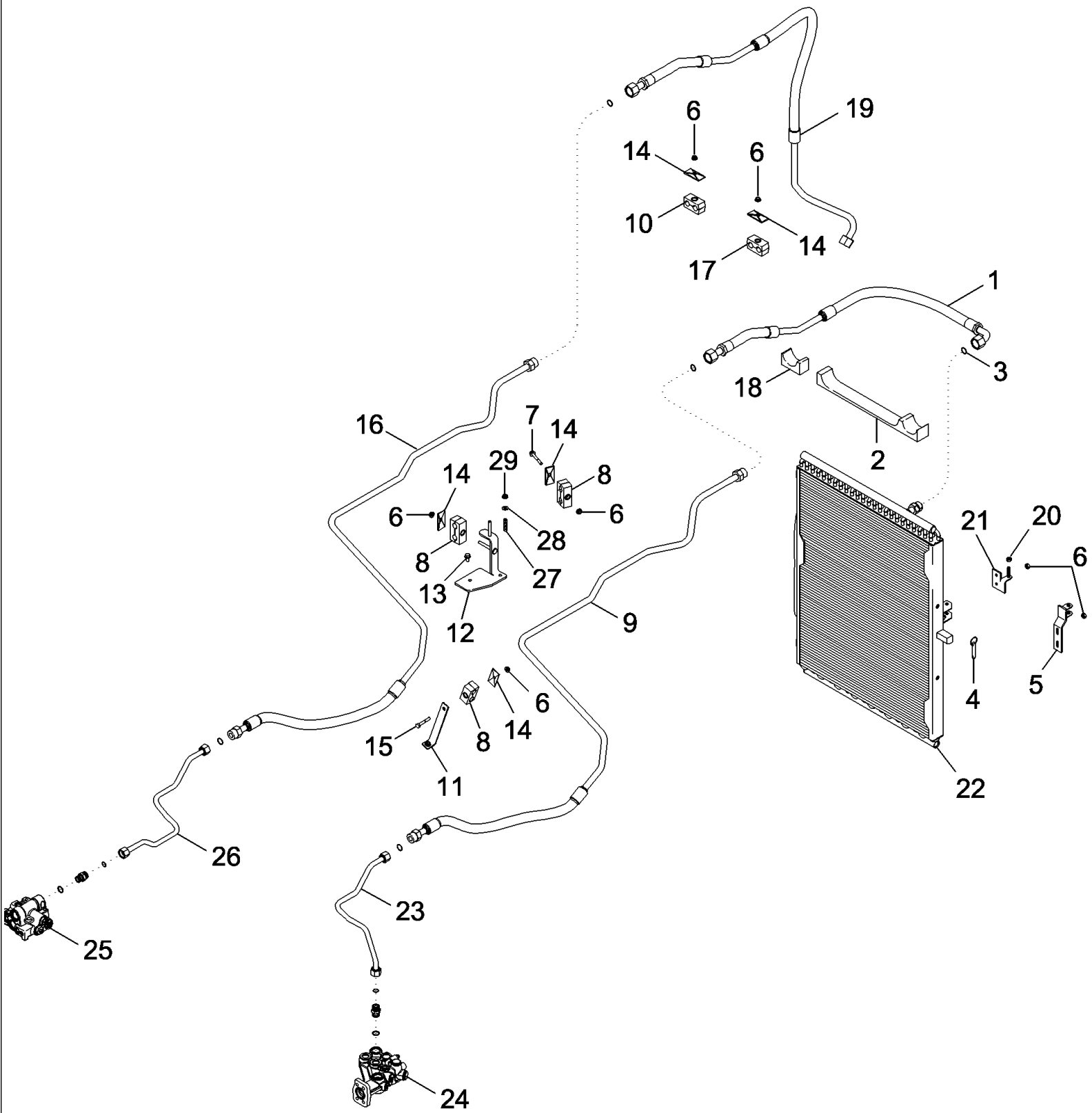


MX305 CASE IH MAGNUM TRACTOR NA (1/06-9/06)

07-18 TRAILER BRAKES - PNEUMATIC, HAND CONTROL VALVE

сылка	Номер детали	Кол-во	Описание
1	87409382	1	VALVE, PNEUMATIC, Hand, Inc. 2, 3, 4
2	NSS	1	NOT SERVICED SEPARATELY, NUT, Locking
3	NSS	1	NOT SERVICED SEPARATELY, PIN, Roll
4	NSS	1	NOT SERVICED SEPARATELY, HANDLE
5	86643151	1	PLUG, Hex Hd, 1/8"-27 NPTF, 1/8 nptf
6	87411410	2	ELBOW,
7	87411411	1	CONNECTOR, HYD., Push-in
8	87670362	1	HOSE, Hand Valve Exhaust
9	87670360	1	HOSE, Hand Valve to Protection Valve
10	87670361	1	HOSE, Hand Valve Supply
11	182045A1	1	GROMMET,
12	87411915	1	PLATE, MOUNTING, Hand Valve
13	614-8020	3	BOLT, Hex, M8 x 20, 8.8,
14	L11541	2	STRAP, CABLE, 7 - 8 in
15	844-10030	2	BOLT, Hex Flg, M10 x 30, 8.8, Full Thd, (Not Shown)





## MX305 CASE IH MAGNUM TRACTOR NA (1/06-9/06)

## 08-01 HYDRAULIC SYSTEM - OIL COOLER STANDARD PERFORMANCE

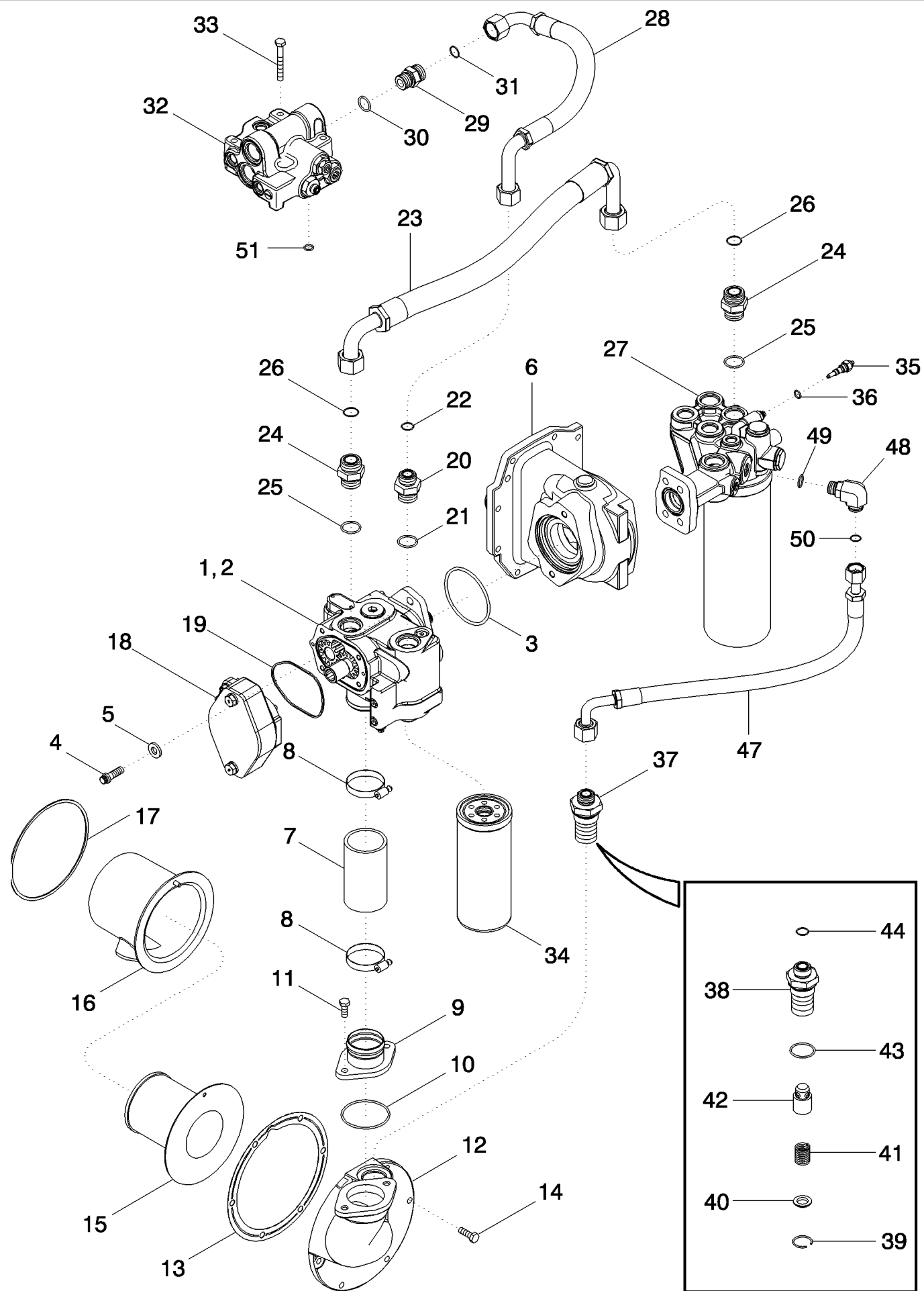
сылка	Номер детали	Кол-во	Описание
1	87358481	1	HOSE ASSY., Oil Cooler Supply
2	87456457	1	SEAL,
3	238-6018	2	O-RING, -018, 90 Duro, .739" ID x .070" Thk,
4	86017630	1	PIN,
5	87332352	1	BRACKET,
6	825-2408	9	NUT, M8 x 1.25, Flg, CI 8,
7	844-8060	1	BOLT, Hex Flg, M8 x 60, 8.8,
8	1546027C1	3	CLAMP,
9	87355593	1	PIPE, Oil Supply
10	118576A1	2	CLAMP,
11	87336914	1	BRACKET, Oil Cooler Tubes
12	87394076	1	BRACKET,
13	555-1	1	BOLT, Hex Flg, M8 x 16, 8.8,
14	1347127C1	4	PLATE,
15	844-8060	1	BOLT, Hex Flg, M8 x 60, 8.8,
16	87355596	1	PIPE, Oil Return
17	124668A1	1	CLAMP,
18	87456576	1	SEAL,
19	87358483	1	HOSE, Hose, Oil Cooler Return
20	832-10408	1	NUT, LOCK, M8 x 1.25, CI 8,
21	87455275	1	BRACKET, , BSN Z7RW05186
21	87603124	1	BRACKET, , ASN Z7RW05186
22	87360031	1	COOLER, OIL, Transmission (Shown), BSN Z7RZ04678
22	87549515	1	COOLER, OIL, Transmission, ASN Z7RZ04678
23	87306467	1	TUBE ASSY., Oil Cooler Return to Filter
24	401600A1	1	HEAD ASSY., Filter
25	87427822	1	VALVE, Priority
26	87443859	1	TUBE,
27	J934178	1	STUD,
28	895-25008	1	WASHER, M8 x 20 x 1.6,
29	825-5148	1	NUT, M8, Flg Ser,



## MX305 CASE IH MAGNUM TRACTOR NA (1/06-9/06)

## 08-02 HYDRAULIC SYSTEM - OIL COOLER WITH SUSPENDED AXLE, 50KPH &amp; TWINFLOW

сылка	Номер детали	Кол-во	Описание
1	87456457	1	SEAL,
2	87377631	1	HOSE ASSY., Supply, BSN Z7RZ05726
2	87697481	1	HOSE, Supply, (Shown), ASN Z7RZ05726
4	86017630	1	PIN,
5	87332352	1	BRACKET,
6	825-2408	9	NUT, M8 x 1.25, Flg, CI 8,
8	844-8060	2	BOLT, Hex Flg, M8 x 60, 8.8,
9	1546027C1	3	CLAMP,
10	87355593	1	PIPE, Oil Supply
11	118576A1	2	CLAMP,
12	87336914	1	BRACKET, Oil Cooler Tubes
13	87394076	1	BRACKET,
14	555-1	2	BOLT, Hex Flg, M8 x 16, 8.8,
15	87355596	1	PIPE, Oil Return
16	1347127C1	5	PLATE,
18	87456576	1	SEAL,
19	87377632	1	HOSE ASSY., Return, BSN Z7RZ05726
19	87722957	1	HOSE, Return, (Shown), ASN Z7RZ05726
20	515-22190	1	CLAMP, 3/4", Insul, 5/16" Bolt,
21	844-8060	1	BOLT, Hex Flg, M8 x 60, 8.8,
22	87455275	1	BRACKET, , BSN Z7RW05186
22	87603124	1	BRACKET, , ASN Z7RW05186
23	832-10408	1	NUT, LOCK, M8 x 1.25, CI 8,
24	87549515	1	COOLER, OIL, Transmission, BSN Z7RZ05726
24	87682256	1	COOLER, OIL, Transmission, ASN Z7RZ05726
25	87427822	1	VALVE, Priority
26	87443859	1	TUBE, Priority Valve
27	401600A1	1	HEAD ASSY., Filter, Standard Flow
27	405409A1	1	HEAD ASSY., Filter, High Flow
28	87306467	1	TUBE ASSY., Oil Cooler Return to Filter
29	J934178	1	STUD,
30	895-25008	1	WASHER, M8 x 20 x 1.6,
31	825-5148	1	NUT, M8, Flg Ser,
32	124668A1	1	CLAMP,
33	700-104	2	CONNECTOR, HYD., 1 3/16"-12 ORFS x M27 x 2 ORB, Inc. 34, 35
34	637-64236	1	O-RING, CI 6, 23.6MM ID x 2.9 Thk,
35	238-6018	1	O-RING, -018, 90 Duro, .739" ID x .070" Thk,
36	238-6018	4	O-RING, -018, 90 Duro, .739" ID x .070" Thk,



## MX305 CASE IH MAGNUM TRACTOR NA (1/06-9/06)

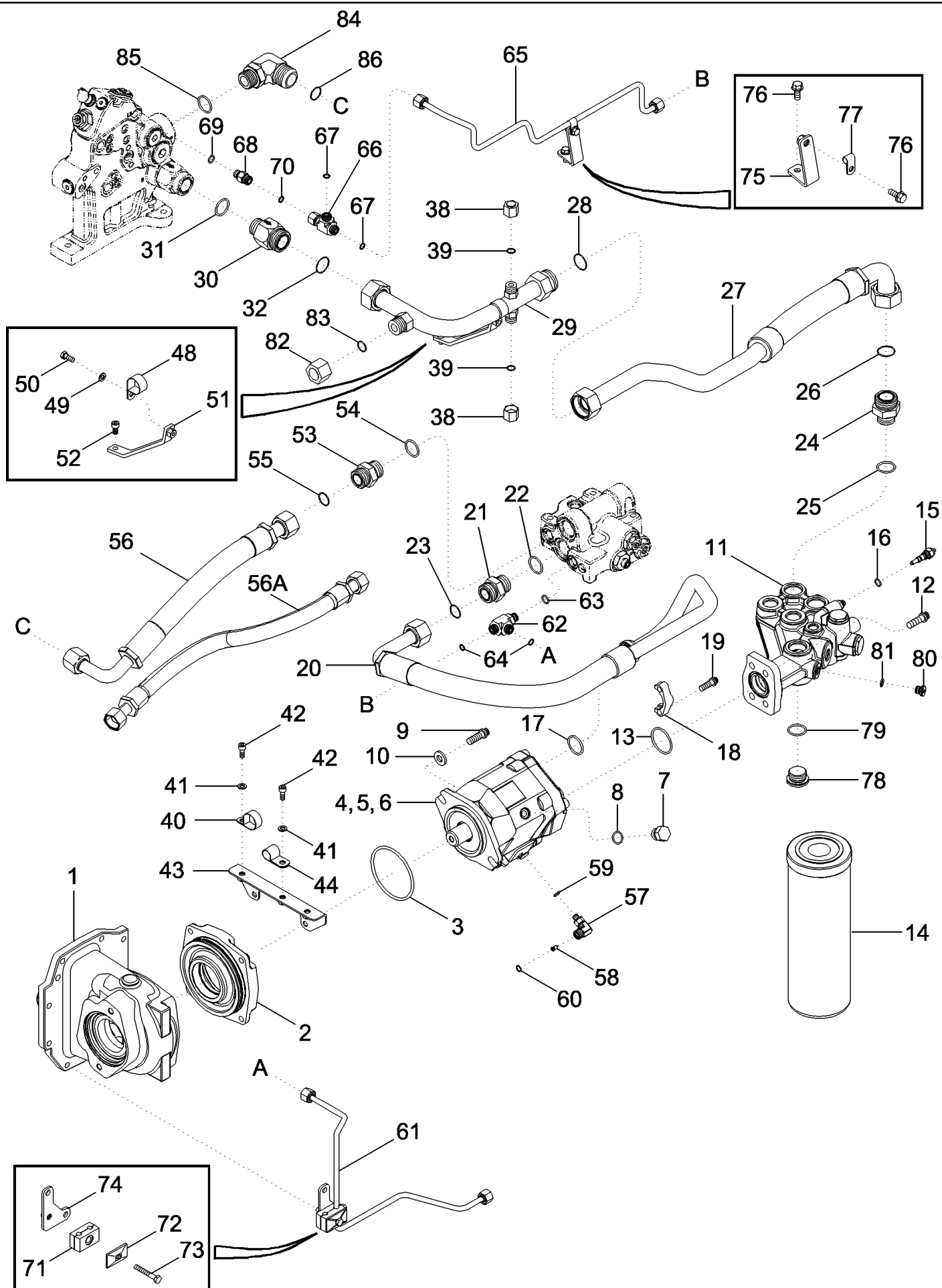
## 08-03 HYDRAULIC SYSTEM - CHARGE PUMP

сылка	Номер детали	Кол-во	Описание
1	87483992	1	PUMP, Charge, Inc. 2
2	87407008	1	KIT, SERVICE,
3	238-5243	1	O-RING, -243, 70 Duro, 4.109" ID x .139" Thk,
4	615-12035	2	BOLT, Hex, M12 x 35, 8.8, Full Thd,
5	896-16012	2	WASHER, M12 x 28.5 x 4, HT,
6	389550A1	1	HOUSING, , See Figure 06-37
7	407386A1	1	HOSE,
8	214-1448	2	CLAMP, HOSE, #48, 2.56/3.50 Type F Worm,
9	407364A1	1	ADAPTER,
10	238-5235	1	O-RING, -235, 70 Duro, 3.109" ID x .139" Thk,
11	627-10025	2	BOLT, Hex, M10 x 25, 10.9, Full Thd,
12	403416A1	1	BASE,
13	139241C5	1	GASKET,
14	806-10030	6	BOLT, Hex, Lock, M10 x 30, CI 10.9,
15	1348335C1	1	SCREEN,
16	1348337C1	1	SHROUD, Inc. 17
17	1342641C1	1	GASKET,
18	87483993	1	COVER,
19	87487899	1	SEAL,
20	700-164	1	CONNECTOR, HYD., 1 3/16"-12 ORFS x M33 x 2 ORB, Inc. 21, 22
21	637-64296	1	O-RING, CI 6, 29.6MM ID x 2.9 Thk,
22	238-6018	1	O-RING, -018, 90 Duro, .739" ID x .070" Thk,
23	451064A1	1	HOSE, Pump to Filter Inlet
24	700-105	2	CONNECTOR, HYD., 1 7/16"-12 ORFS x M22 x 2 ORB, Inc. 25, 26
25	637-64296	1	O-RING, CI 6, 29.6MM ID x 2.9 Thk,
26	238-6021	1	O-RING, -021, 90 Duro, .926" ID x .070" Thk,
27	401600A1	1	HEAD ASSY., Filter, Standard Flow
27	405409A1	1	HEAD ASSY., Filter, High Flow
28	433585A1	1	HOSE ASSY.,
29	86579682	1	CONNECTOR, HYD., 1 3/16"-12 ORFS x M27 x 2 ORB, Inc. 30, 31
30	637-64236	1	O-RING, CI 6, 23.6MM ID x 2.9 Thk,
31	238-6018	1	O-RING, -018, 90 Duro, .739" ID x .070" Thk,
32	87451048	1	VALVE, Priority, See Figure 08-18
33	814-10075	3	BOLT, Hex, M10 x 75, 8.8,
34	402652A1	1	FILTER, HYDRAULIC OIL,
35	1957801C1	1	SWITCH, PRESSURE, Indicator Assy, Elect
36	237-6006	1	O-RING, 6-1, 90 Duro, .468" ID x .078" Thk,
37	407616A2	1	VALVE, Lube Relief, Inc. 38 - 44
38	407615A2	1	BODY, VALVE,
39	107452A1	1	CIRCLIP,
40	107456A1	1	WASHER,
41	431858A1	1	SPRING,
42	NSS	1	NOT SERVICED SEPARATELY, Plunger
43	637-64386	1	O-RING, CI 6, 38.6MM ID x 2.9 Thk,
44	238-6018	1	O-RING, -018, 90 Duro, .739" ID x .070" Thk,

MX305 CASE IH MAGNUM TRACTOR NA (1/06-9/06)

08-03 HYDRAULIC SYSTEM - CHARGE PUMP

сылка	Номер детали	Кол-во	Описание
47	442847A1	1	HOSE,
48	700-306	1	ELBOW, 90є, 1"-14 ORFS x M22 x 1.5 ORB, Incl. 49, 50
49	637-63193	1	O-RING, CI 6, 19.3MM ID x 2.2 Thk,
50	238-6016	1	O-RING, -016, 90 Duro, .614" ID x .070" Thk,
51	238-6112	1	O-RING, -112, 90 Duro, .487" ID x .103" Thk,





## MX305 CASE IH MAGNUM TRACTOR NA (1/06-9/06)

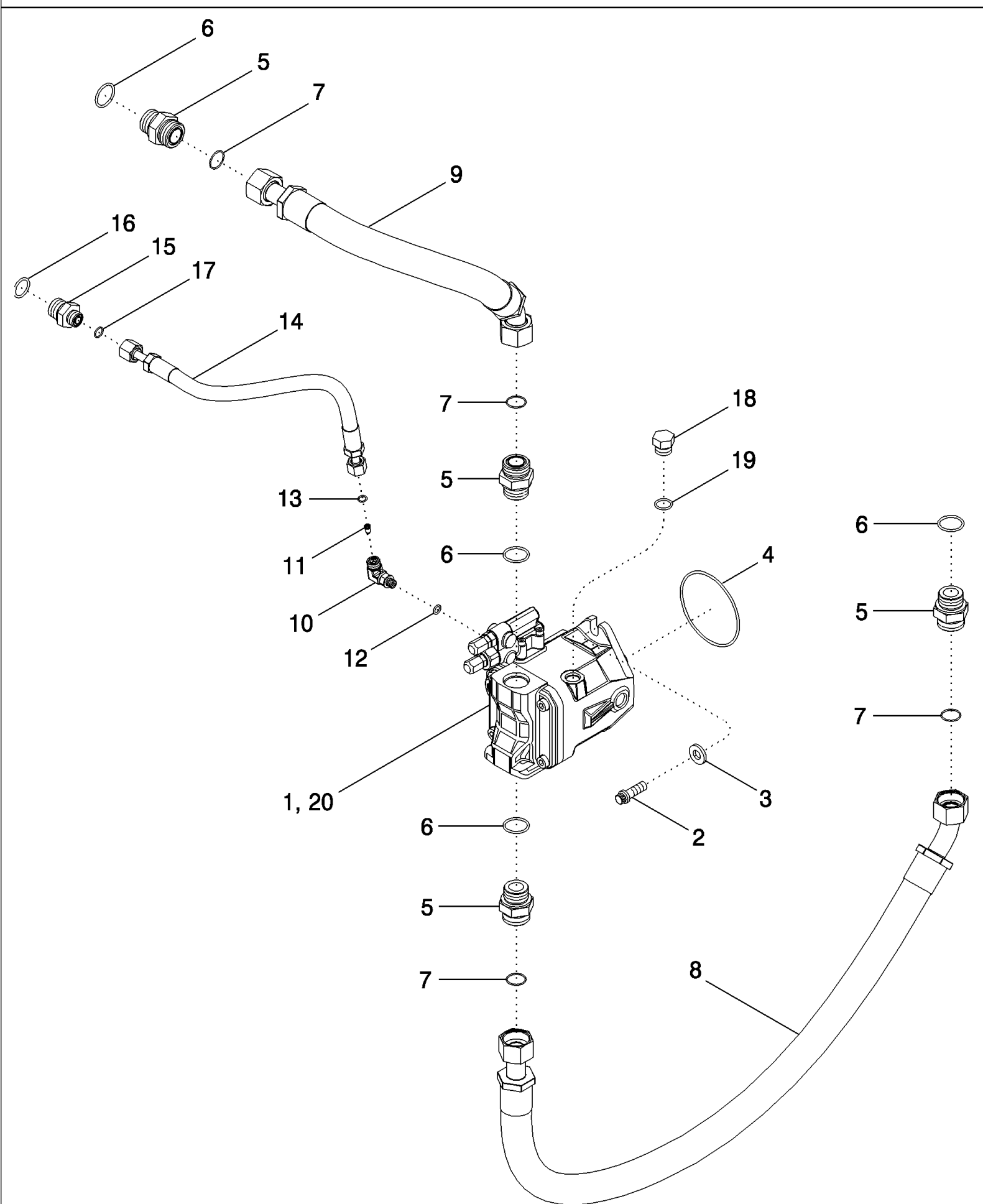
## 08-04 HYDRAULIC SYSTEM - PISTON PUMP AND FILTER, STANDARD FLOW CAPACITY &amp; TWINFLOW

сылка	Номер детали	Кол-во	Описание
1	389550A1	1	HOUSING, , See Figure 06-37
2	405664A2	1	CAGE, , See Figure 06-37
3	87016957	1	O-RING, -345, 70 Duro, 3.975" ID x .210" Thk,
4	87429249	1	PUMP, HYDRAULIC, (Shown), MX215, 245, 275, 305, Magnum 215, 245, 275, and 305
4	87538166	1	PUMP, HYDRAULIC, , Magnum 335
5	87489367	1	KIT, SERVICE, Compensator
6	87553152	1	GASKET,
7	86512512	1	PLUG, Hex Hd, 7/8"-14 ORB, Incl. 8
8	167269	1	O-RING, 10-1, 90 Duro, .755" ID x .097" Thk,
9	868-12035	2	SCREW, 12 Pt Hd, M12 x 35, 12.9,
10	896-16012	2	WASHER, M12 x 28.5 x 4, HT,
11	401600A1	1	HEAD ASSY., Filter
12	868-12035	4	SCREW, 12 Pt Hd, M12 x 35, 12.9,
13	238-5225	1	O-RING, -225, 70 Duro, 1.859" ID x .139" Thk,
14	277311A1	1	FILTER, HYDRAULIC OIL,
15	1957801C1	1	SWITCH, PRESSURE, Indicator Assy, Elect
16	237-6006	1	O-RING, 6-1, 90 Duro, .468" ID x .078" Thk,
17	238-6219	1	O-RING, -219, 90 Duro, 1.296" ID x .139" Thk,
18	86980728	2	CLAMP, COLLAR,
19	868-10030	4	SCREW, 12 Pt Hd, M10 x 30, 12.9,
20	87438800	1	HOSE,
21	86580179	1	CONNECTOR, HYD., 1 7/16"-12 ORFS x M22 x 2 ORB, Inc. 22, 23
22	86639046	1	O-RING, CI 6, 29.6MM ID x 2.9 Thk,
23	9824050	1	O-RING, -021, 90 Duro, .926" ID x .070" Thk,
24	86579684	1	CONNECTOR, HYD., 1 11/16"-12 ORFS x M33 x 2 ORB, Inc. 25, 26
25	86639046	1	O-RING, CI 6, 29.6MM ID x 2.9 Thk,
26	238-6025	1	O-RING, -025, 90 Duro, 1.176" ID x .070" Thk,
27	450508A1	1	HOSE, Auxiliary Manifold Return, BSN AJB0364115
27	87385538	1	HOSE, Auxiliary Manifold Return, ASN AJB0364115
28	9824051	1	O-RING, -025, 90 Duro, 1.176" ID x .070" Thk,
29	450507A1	1	TUBE ASSY.,
30	254851A1	1	VALVE, CHECK, 1-11/16 fc sl x 33 Or, Inc. 31, 32
31	86639046	1	O-RING, CI 6, 29.6MM ID x 2.9 Thk,
32	9824051	1	O-RING, -025, 90 Duro, 1.176" ID x .070" Thk,
38	9840575	2	CAP, 13/16"-16 ORFS,
39	238-6014	2	O-RING, -014, 90 Duro, .489" ID x .070" Thk,
40	515-23317	1	CLAMP, 1 1/4", Insul, 3/8" Bolt,
41	140016	2	WASHER, M8 x 16 x 1.6,
42	120228	2	SCREW, Hex Soc Hd, M8 x 20, 8.8,
43	451054A1	1	BRACKET,
44	87010657	1	CLAMP, 1 3/8", Insul, 5/16" Bolt,
48	515-23317	1	CLAMP, 1 1/4", Insul, 3/8" Bolt,
49	895-11008	1	WASHER, M8 x 16 x 1.6,
50	120104	1	SCREW, Hex, M8 x 20, 8.8,
51	450515A1	1	BRACKET,

## MX305 CASE IH MAGNUM TRACTOR NA (1/06-9/06)

## 08-04 HYDRAULIC SYSTEM - PISTON PUMP AND FILTER, STANDARD FLOW CAPACITY &amp; TWINFLOW

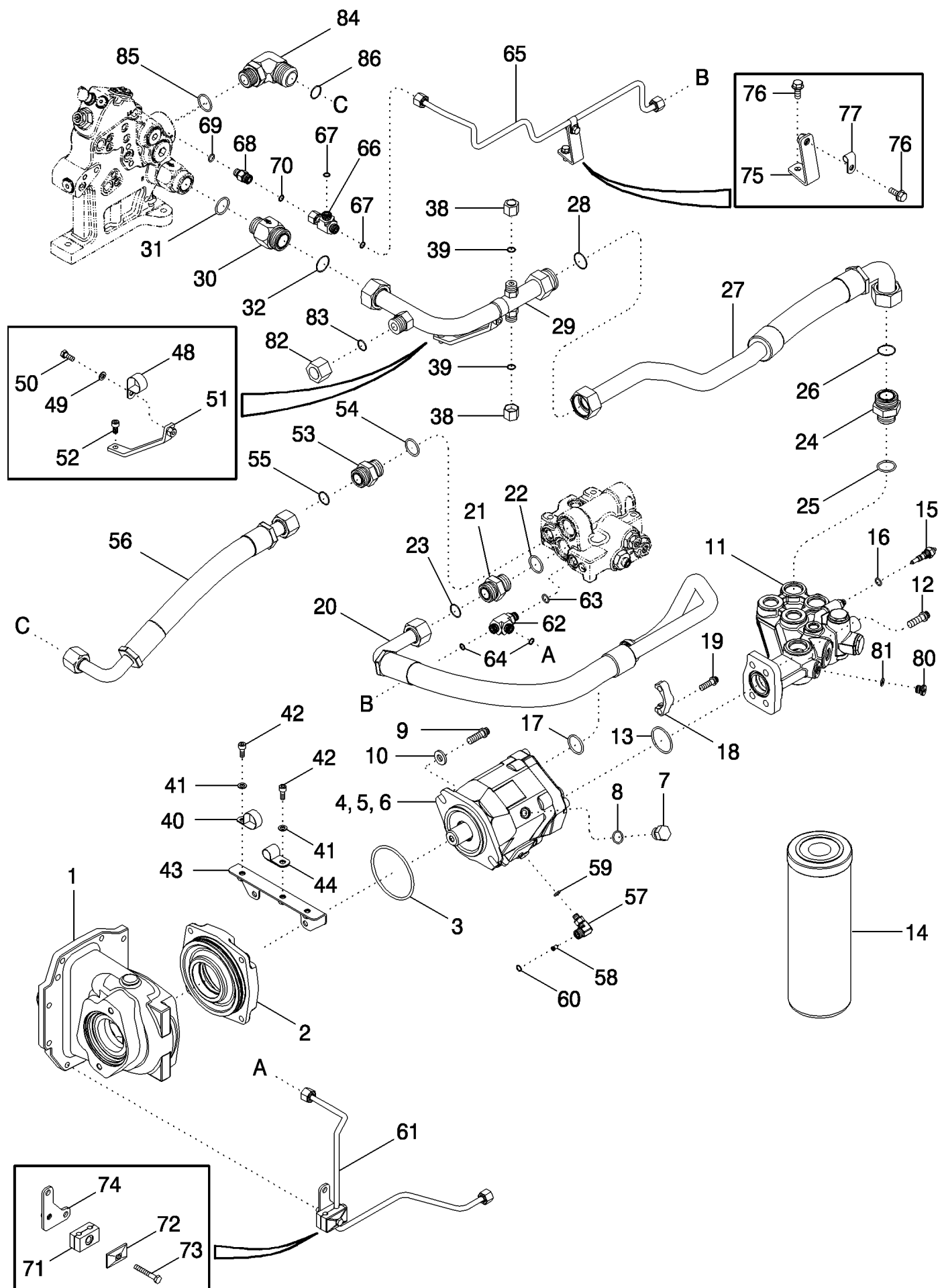
сылка	Номер детали	Кол-во	Описание
52	864-8016	1	SCREW, Hex Soc Hd, M8 x 16, 8.8,
53	86580179	1	CONNECTOR, HYD., 1 7/16"-12 ORFS x M22 x 2 ORB, Inc. 54, 55
54	86639046	1	O-RING, CI 6, 29.6MM ID x 2.9 Thk,
55	9824050	1	O-RING, -021, 90 Duro, .926" ID x .070" Thk,
56	87413846	1	TUBE ASSY., , BSN Z7RZ01521
56A	87701093	1	HOSE, Brake Supply, ASN Z7RZ01521
57	451226A1	1	ELBOW, Inc. 58, 59, 60
58	133519C1	1	SCREEN,
59	86598098	1	O-RING, CI 6, 9.3MM ID x 2.2 Thk,
60	9993141	1	O-RING, -012, 90 Duro, .364" ID x .070" Thk,
61	451209A1	1	TUBE ASSY.,
62	86579701	1	TEE, 11/16"-16 ORFS x M16 x 1.5 ORB Run, Inc. 63, 64
63	86639042	1	O-RING, CI 6, 11.3MM ID x 2.2 Thk,
64	9992298	2	O-RING, -014, 90 Duro, .489" ID x .070" Thk,
65	433592A1	1	TUBE ASSY., , BSN Z7RZ01521
65	87620393	1	TUBE ASSY., , ASN Z7RZ01521
66	9843615	1	TEE, 11/16"-16 ORFS x 11/16"-16 Fem Sw Run, Inc. 67
67	9993141	2	O-RING, -012, 90 Duro, .364" ID x .070" Thk,
68	87308571	1	VALVE, CHECK, Inc. 69, 70
69	86639042	1	O-RING, CI 6, 11.3MM ID x 2.2 Thk,
70	9993141	1	O-RING, -012, 90 Duro, .364" ID x .070" Thk,
71	1546024C1	1	CLAMP,
72	384870A1	1	PLATE,
73	814-8055	1	BOLT, Hex, M8 x 55, 8.8,
74	451211A1	1	PLATE,
75	86988626	1	BRACKET,
76	844-8020	2	BOLT, Hex Flg, M8 x 20, 8.8,
77	86637978	1	CLAMP, 3/8", Insul, 5/16" Bolt,
78	221527A1	1	PLUG, Hex Soc, M33 x 2, ORB, Inc. 79
79	86639046	1	O-RING, CI 6, 29.6MM ID x 2.9 Thk,
80	86598044	1	PLUG, Inc. 81
81	86639042	1	O-RING, CI 6, 11.3MM ID x 2.2 Thk,
82	701-907	1	CAP, 1 3/16"-12 ORFS, Inc. 83
83	238-6018	1	O-RING, -018, 90 Duro, .739" ID x .070" Thk,
84	700-404	1	TEE, 1 7/16"-12 ORFS x M33 x 2 ORB Br, Inc. 85, 86, With Power Beyond, See Figure 08-16
84	413993A1	1	ELBOW, Inc. 85, 86, Without Power Beyond (Shown)
85	86639046	1	O-RING, CI 6, 29.6MM ID x 2.9 Thk,
86	9824050	1-2	O-RING, -021, 90 Duro, .926" ID x .070" Thk,



## MX305 CASE IH MAGNUM TRACTOR NA (1/06-9/06)

## 08-05 HYDRAULIC SYSTEM - TWINFLOW PUMP

сылка	Номер детали	Кол-во	Описание
1	87538170	1	PUMP, HYDRAULIC, TwinFlow
2	87016488	2	SCREW, M12 x 35; 12.9
3	87016612	2	WASHER, M12 x 28.5 x 4, HT,
4	274296	1	O-RING,
5	86580179	4	CONNECTOR, HYD., 1 7/16"-12 ORFS x M22 x 2 ORB, Inc. 6, 7
6	86639046	1	O-RING, CI 6, 29.6MM ID x 2.9 Thk,
7	9824050	1	O-RING, -021, 90 Duro, .926" ID x .070" Thk,
8	405503A1	1	HOSE ASSY., HOSE ASSY
9	413353A2	1	HOSE ASSY., HOSE ASSY
10	451226A1	1	ELBOW, Inc. 11 - 13
11	133519C1	1	SCREEN,
12	86598098	1	O-RING, CI 6, 9.3MM ID x 2.2 Thk,
13	9993141	1	O-RING, -012, 90 Duro, .364" ID x .070" Thk,
14	86985156	1	HOSE, HOSE
15	86597761	1	CONNECTOR, HYD., 13/16"-16 ORFS x M27 x 2 ORB, Incl. 16, 17
16	86598103	1	O-RING, CI 6, 23.6MM ID x 2.9 Thk,
17	9992298	1	O-RING, -014, 90 Duro, .489" ID x .070" Thk,
18	87030025	1	PLUG, Hex, M18 x 1.5 ORB, Inc. 19
19	87526201	1	SEAL, 15.3 ID x 2.2
20	87489367	1	KIT, SERVICE, Compensator



## MX305 CASE IH MAGNUM TRACTOR NA (1/06-9/06)

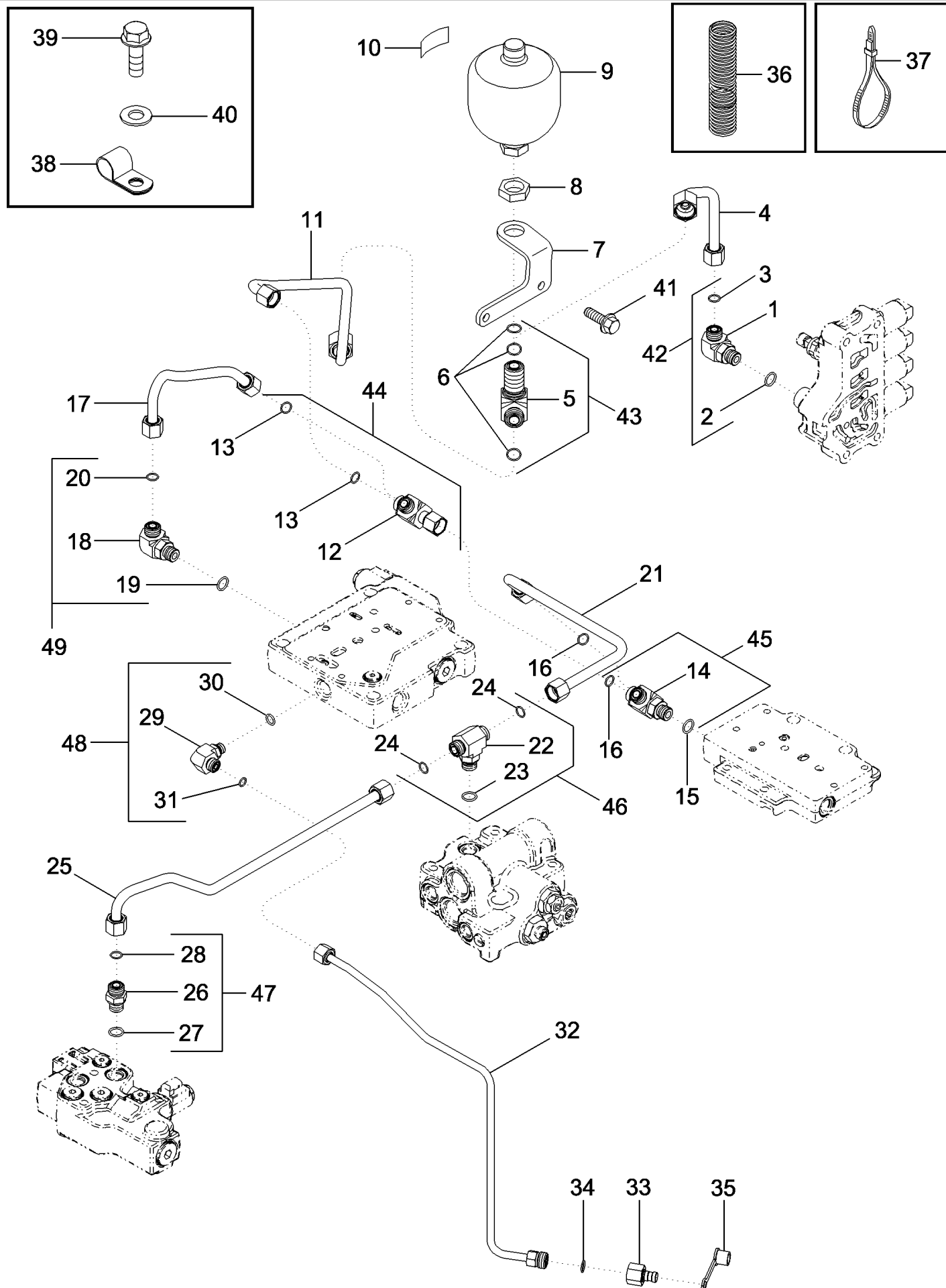
## 08-06 HYDRAULIC SYSTEM - PISTON PUMP AND FILTER, HIGH FLOW CAPACITY

сылка	Номер детали	Кол-во	Описание
1	389550A1	1	HOUSING, , See Figure 06-37
2	405664A2	1	CAGE, , See Figure 06-37
3	238-5345	1	O-RING, -345, 70 Duro, 3.975" ID x .210" Thk,
4	87442128	1	PUMP, HYDRAULIC, High Flow Capacity, Inc. 5, 6
5	87455507	1	KIT, SERVICE, Compensator
6	238-8011	3	O-RING, -011,C18, .301" ID x .070" Thk,
7	86512512	1	PLUG, Hex Hd, 7/8"-14 ORB, Incl. 8
8	237-6010	1	O-RING, 10-1, 90 Duro, .755" ID x .097" Thk,
9	868-12035	2	SCREW, 12 Pt Hd, M12 x 35, 12.9,
10	896-16012	2	WASHER, M12 x 28.5 x 4, HT,
11	405409A1	1	HEAD ASSY., Filter
12	868-12035	4	SCREW, 12 Pt Hd, M12 x 35, 12.9,
13	238-5228	1	O-RING, -228, 70 Duro, 2.234" ID x .139" Thk,
14	277311A1	1	FILTER, HYDRAULIC OIL,
15	1957801C1	1	SWITCH, PRESSURE, Indicator Assy, Elect
16	237-6006	1	O-RING, 6-1, 90 Duro, .468" ID x .078" Thk,
17	238-6219	1	O-RING, -219, 90 Duro, 1.296" ID x .139" Thk,
18	86980728	2	CLAMP, COLLAR,
19	868-10030	4	SCREW, 12 Pt Hd, M10 x 30, 12.9,
20	87438801	1	HOSE,
21	86580179	1	CONNECTOR, HYD., 1 7/16"-12 ORFS x M22 x 2 ORB, Inc. 22, 23
22	637-64296	1	O-RING, C1 6, 29.6MM ID x 2.9 Thk,
23	238-6021	1	O-RING, -021, 90 Duro, .926" ID x .070" Thk,
24	86579684	1	CONNECTOR, HYD., 1 11/16"-12 ORFS x M33 x 2 ORB, Inc. 25, 26
25	637-64296	1	O-RING, C1 6, 29.6MM ID x 2.9 Thk,
26	238-6025	1	O-RING, -025, 90 Duro, 1.176" ID x .070" Thk,
27	450508A1	1	HOSE, Auxiliary Manifold Return, BSN AJB0364115
27	87385538	1	HOSE, Auxiliary Manifold Return, ASN AJB0364115
28	238-6025	1	O-RING, -025, 90 Duro, 1.176" ID x .070" Thk,
29	450507A1	1	TUBE ASSY.,
30	254851A1	1	VALVE, CHECK, 1-11/16 fc sl x 33 Or, Inc. 31, 32
31	637-64296	1	O-RING, C1 6, 29.6MM ID x 2.9 Thk,
32	238-6025	1	O-RING, -025, 90 Duro, 1.176" ID x .070" Thk,
38	701-905	2	CAP, 13/16"-16 ORFS,
39	238-6014	2	O-RING, -014, 90 Duro, .489" ID x .070" Thk,
40	515-22317	1	CLAMP, 1 1/4", Insul, 5/16" Bolt,
41	895-11008	1	WASHER, M8 x 16 x 1.6,
42	864-8020	2	SCREW, Hex Soc Hd, M8 x 20, 8.8,
43	451054A1	2	BRACKET,
44	515-22349	1	CLAMP, 1 3/8", Insul, 5/16" Bolt,
48	515-23317	1	CLAMP, 1 1/4", Insul, 3/8" Bolt,
49	895-11008	1	WASHER, M8 x 16 x 1.6,
50	614-8020	1	BOLT, Hex, M8 x 20, 8.8,
51	450515A1	1	BRACKET,
52	864-8016	1	SCREW, Hex Soc Hd, M8 x 16, 8.8,

## MX305 CASE IH MAGNUM TRACTOR NA (1/06-9/06)

## 08-06 HYDRAULIC SYSTEM - PISTON PUMP AND FILTER, HIGH FLOW CAPACITY

сылка	Номер детали	Кол-во	Описание
53	86580179	1	CONNECTOR, HYD., 1 7/16"-12 ORFS x M22 x 2 ORB, Inc. 54, 55
54	637-64296	1	O-RING, CI 6, 29.6MM ID x 2.9 Thk,
55	238-6021	1	O-RING, -021, 90 Duro, .926" ID x .070" Thk,
56	440561A1	1	TUBE ASSY.,
57	451226A1	1	ELBOW, Inc. 58, 59, 60
58	133519C1	1	SCREEN,
59	637-63093	1	O-RING, CI 6, 9.3MM ID x 2.2 Thk,
60	238-6012	1	O-RING, -012, 90 Duro, .364" ID x .070" Thk,
61	451209A1	1	TUBE ASSY.,
62	700-441	1	TEE, 1 1/16"-16 ORFS x M16 x 1.5 ORB Run, Inc. 63, 64
63	637-63113	1	O-RING, CI 6, 11.3MM ID x 2.2 Thk,
64	238-6014	2	O-RING, -014, 90 Duro, .489" ID x .070" Thk,
65	433592A1	1	TUBE ASSY.,
66	86729454	1	TEE, Inc. 67
67	238-6012	2	O-RING, -012, 90 Duro, .364" ID x .070" Thk,
68	87308571	1	VALVE, CHECK, Inc. 69, 70
69	637-63113	1	O-RING, CI 6, 11.3MM ID x 2.2 Thk,
70	238-6012	1	O-RING, -012, 90 Duro, .364" ID x .070" Thk,
71	1546024C1	1	CLAMP,
72	384870A1	1	PLATE,
73	814-8055	1	BOLT, Hex, M8 x 55, 8.8,
74	451211A1	1	PLATE,
75	86988626	1	BRACKET,
76	844-8020	2	BOLT, Hex Flg, M8 x 20, 8.8,
77	515-2295	1	CLAMP, 3/8", Insul, 5/16" Bolt,
80	86598044	1	PLUG, Inc. 81
81	637-63113	1	O-RING, CI 6, 11.3MM ID x 2.2 Thk,
82	701-907	1	CAP, 1 3/16"-12 ORFS,
83	238-6018	1	O-RING, -018, 90 Duro, .739" ID x .070" Thk,
84	700-404	1	TEE, 1 7/16"-12 ORFS x M33 x 2 ORB Br, Inc. 85, 86, With Power Beyond, See Figure 08-16
84	413993A1	1	ELBOW, Inc. 85, 86, Without Power Beyond (Shown)
85	637-64296	1	O-RING, CI 6, 29.6MM ID x 2.9 Thk,
86	238-6021	1-2	O-RING, -021, 90 Duro, .926" ID x .070" Thk,





## MX305 CASE IH MAGNUM TRACTOR NA (1/06-9/06)

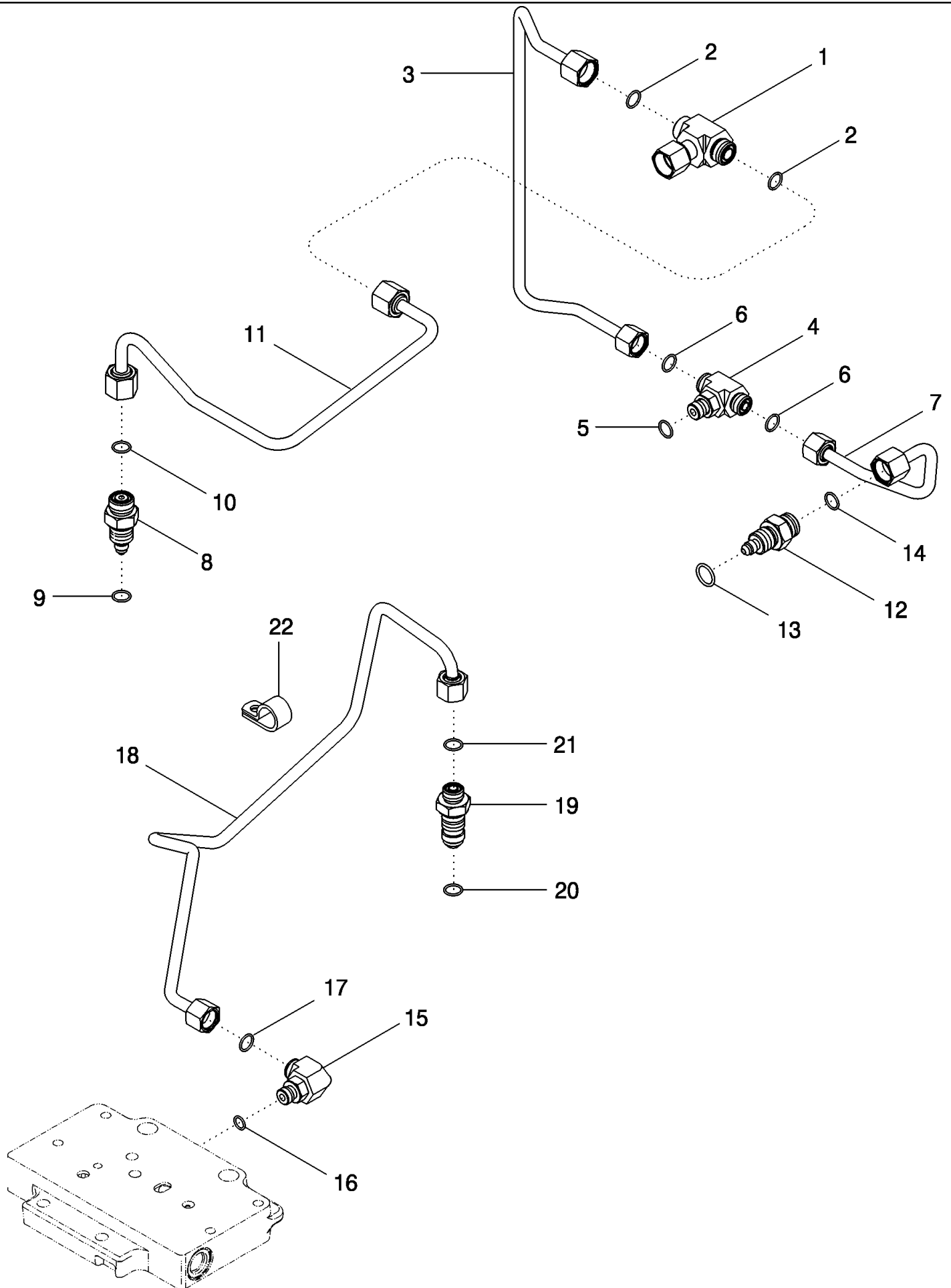
## 08-07 HYDRAULIC SYSTEM - REGULATED PRESSURE

сылка	Номер детали	Кол-во	Описание
1	NSS	1	NOT SERVICED SEPARATELY, ELBOW
2	9992298	1	O-RING, -014, 90 Duro, .489" ID x .070" Thk,
3	86598101	1	O-RING, CI 6, 15.3MM ID x 2.2 Thk,
4	87405121	1	TUBE ASSY.,
5	NSS	1	NOT SERVICED SEPARATELY, TEE
6	238-6016	3	O-RING, -016, 90 Duro, .614" ID x .070" Thk,
7	86988829	1	BRACKET,
8	701-919	1	NUT, LOCK, 1"-14, ORFS Blkhd,
9	87730802	1	ACCUMULATOR,
10	82029752	1	DECAL,
11	87560257	1	TUBE ASSY.,
12	NSS	1	NOT SERVICED SEPARATELY, TEE
13	238-6014	2	O-RING, -014, 90 Duro, .489" ID x .070" Thk,
14	NSS	1	NOT SERVICED SEPARATELY, TEE
15	637-63153	1	O-RING, CI 6, 15.3MM ID x 2.2 Thk,
16	238-6014	1	O-RING, -014, 90 Duro, .489" ID x .070" Thk,
17	308172A1	1	PIPE,
18	NSS	1	NOT SERVICED SEPARATELY, ELBOW
19	637-63153	1	O-RING, CI 6, 15.3MM ID x 2.2 Thk,
20	238-6014	1	O-RING, -014, 90 Duro, .489" ID x .070" Thk,
21	433589A1	1	TUBE ASSY.,
22	NSS	1	NOT SERVICED SEPARATELY, TEE, MX215, MX245, MX275, MX305, Magnum215, Magnum245, Magnum275, and Magnum305
22	700-402	1	TEE, 13/16"-16 ORFS x M18 x 1.5 ORB Br, , Magnum 335
23	637-63153	1	O-RING, CI 6, 15.3MM ID x 2.2 Thk,
24	238-6014	2	O-RING, -014, 90 Duro, .489" ID x .070" Thk,
25	450512A1	1	TUBE ASSY., , BSN 02/14/2007
25	87717748	1	TUBE, Priority/Regulator Valve to PTO Valve, ASN 02/15/2007
26	NSS	1	NOT SERVICED SEPARATELY, CONNECTOR
27	637-63153	1	O-RING, CI 6, 15.3MM ID x 2.2 Thk,
28	238-6014	1	O-RING, -014, 90 Duro, .489" ID x .070" Thk,
29	NSS	1	NOT SERVICED SEPARATELY, ELBOW
30	637-63113	1	O-RING, CI 6, 11.3MM ID x 2.2 Thk,
31	238-6012	1	O-RING, -012, 90 Duro, .364" ID x .070" Thk,
32	451059A1	1	TUBE ASSY.,
33	322529A1	1	COUPLING, Diagnostic
34	238-6014	1	O-RING, -014, 90 Duro, .489" ID x .070" Thk,
35	143349A1	1	DUST CAP,
36	87413833	1	CONDUIT, (If Equipped)
37	L11541	2	STRAP, CABLE, (If Equipped)
38	515-23127	1	CLAMP, 1/2", Insul, 3/8" Bolt,
39	614-10030	2	BOLT, Hex, M10 x 30, 8.8,
40	895-18010	2	WASHER, M10 x 18 x 1.6,
41	628-10020	2	BOLT, Hex, M10 x 20, 10.9, Full Thd,
42	86579691	1	ELBOW, 90°, 13/16"-18 ORFS x M18 x 1.5 ORB, Inc. 1 - 3

MX305 CASE IH MAGNUM TRACTOR NA (1/06-9/06)

08-07 HYDRAULIC SYSTEM - REGULATED PRESSURE

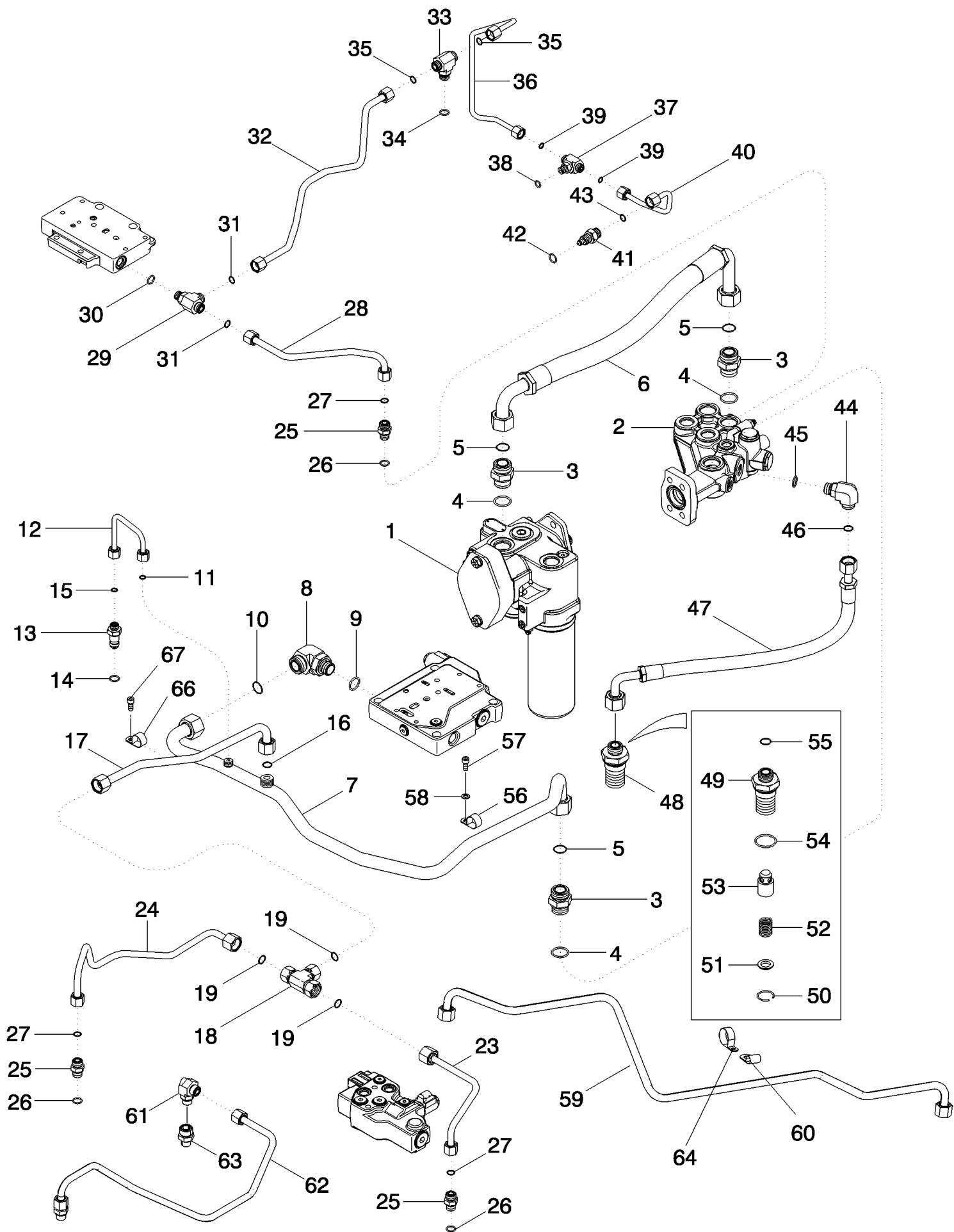
сылка	Номер детали	Кол-во	Описание
43	701-454	1	TEE, 1"-14 ORFS, Blkhd Br, Inc. 5, 6
44	701-416	1	TEE, 13/16"-16 ORFS x 13/16"-16 Fem Sw Run, Inc. 12, 13
45	700-412	1	TEE, 13/16"-16 ORFS x M18 x 1.5 ORB Run, Inc. 14 - 16
46	700-402	1	TEE, 13/16"-16 ORFS x M18 x 1.5 ORB Br, Inc. 22 - 24
47	700-102	1	CONNECTOR, HYD., 13/16"-16 ORFS x M18 x 1.5 ORB, Inc. 26 - 28
48	700-304	1	ELBOW, 90є, 11/16"-18 ORFS x M14 x 1.5 ORB, Incl. 29 - 31
49	700-305	1	ELBOW, 90є, 13/16"-18 ORFS x M18 x 1.5 ORB, Inc. 18 - 20



## MX305 CASE IH MAGNUM TRACTOR NA (1/06-9/06)

## 08-08 HYDRAULIC SYSTEM - CREEP SPEED OR 50 KPH TRANSMISSION

сылка	Номер детали	Кол-во	Описание
1	701-411	1	TEE, 13/16"-16 ORFS x 13/16"-16 Fem Sw Br, Inc. 2
2	238-6014	2	O-RING, -014, 90 Duro, .489" ID x .070" Thk,
3	87443738	1	TUBE, Dropbox Output Lube
4	700-401	1	TEE, 11/16"-16 ORFS x M14 x 1.5 ORB Br, Inc. 5, 6
5	637-63113	1	O-RING, CI 6, 11.3MM ID x 2.2 Thk,
6	238-6012	2	O-RING, -012, 90 Duro, .364" ID x .070" Thk,
7	282278A1	1	PIPE,
8	87341626	2	FITTING,
9	237-6008	2	O-RING, 8-1, 90 Duro, .644" ID x .087" Thk,
10	238-6014	2	O-RING, -014, 90 Duro, .489" ID x .070" Thk,
11	87440741	1	PIPE,
12	93105C1	1	UNION,
13	238-6014	1	O-RING, -014, 90 Duro, .489" ID x .070" Thk,
14	237-6008	1	O-RING, 8-1, 90 Duro, .644" ID x .087" Thk,
15	700-304	1	ELBOW, 90e, 11/16"-18 ORFS x M14 x 1.5 ORB, Incl. 16, 17
16	637-63113	1	O-RING, CI 6, 11.3MM ID x 2.2 Thk,
17	238-6012	1	O-RING, -012, 90 Duro, .364" ID x .070" Thk,
18	87446665	1	PIPE,



## MX305 CASE IH MAGNUM TRACTOR NA (1/06-9/06)

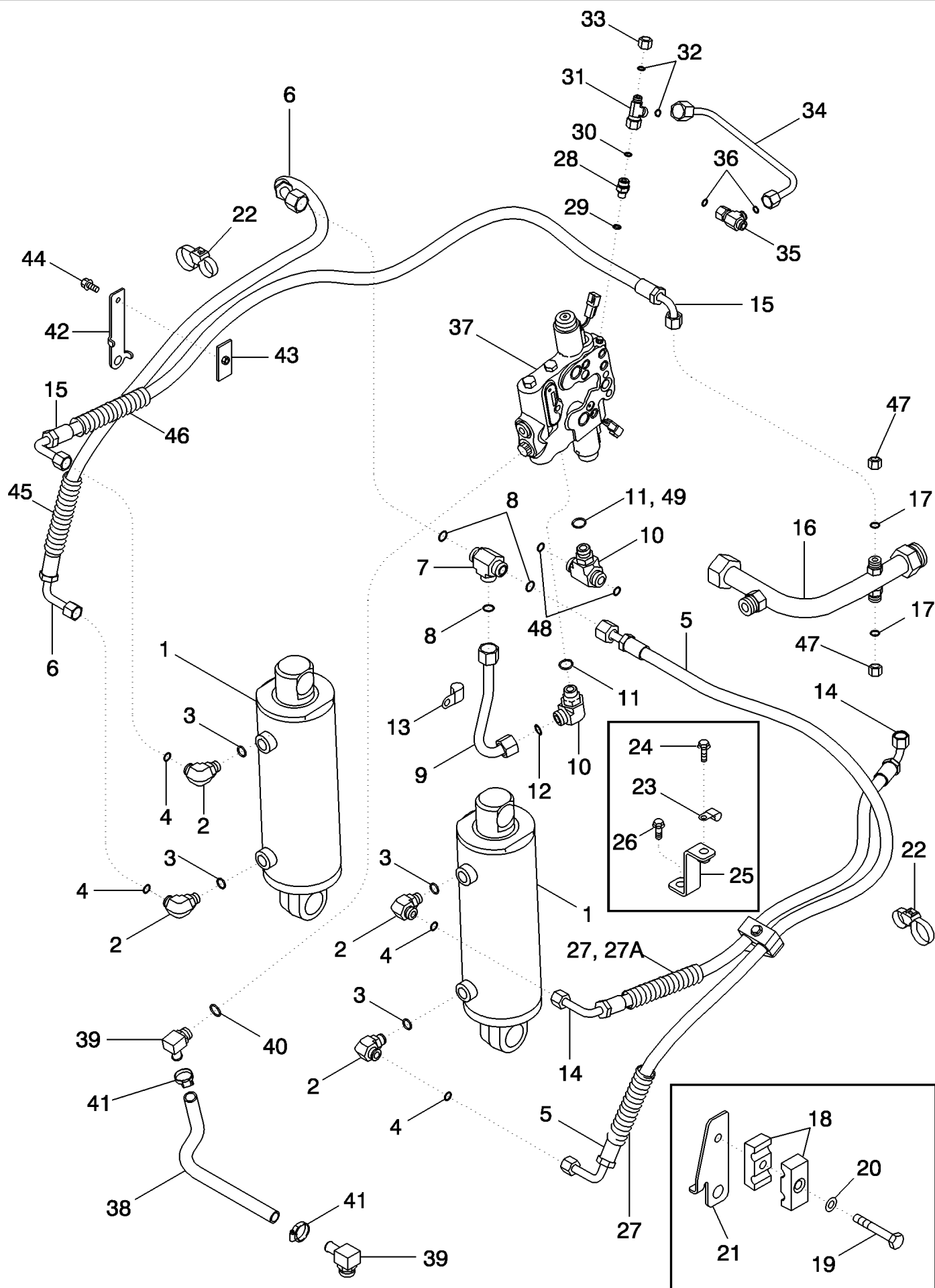
## 08-09 HYDRAULIC SYSTEM - TRANSMISSION LUBE

сылка	Номер детали	Кол-во	Описание
1	401363A3	1	PUMP, Charge
2	401600A1	1	HEAD ASSY., Filter, Standard Flow
2	405409A1	1	HEAD ASSY., Filter, High Flow
3	700-105	3	CONNECTOR, HYD., 1 7/16"-12 ORFS x M22 x 2 ORB, Inc. 4, 5
4	637-64296	1	O-RING, CI 6, 29.6MM ID x 2.9 Thk,
5	238-6021	1	O-RING, -021, 90 Duro, .926" ID x .070" Thk,
6	451064A1	1	HOSE, Pump to Filter Inlet
8	87010650	1	ELBOW, 90°, 1 7/16"-12 ORFS x M27 x 2 ORB, Inc. 9, 10
9	637-64236	1	O-RING, CI 6, 23.6MM ID x 2.9 Thk,
10	238-6021	1	O-RING, -021, 90 Duro, .926" ID x .070" Thk,
11	238-6014	1	O-RING, -014, 90 Duro, .489" ID x .070" Thk,
12	87319223	1	TUBE ASSY., Range
13	87318672	1	UNION,
14	237-6008	1	O-RING, 8-1, 90 Duro, .644" ID x .087" Thk,
15	238-6014	1	O-RING, -014, 90 Duro, .489" ID x .070" Thk,
16	238-6016	1	O-RING, -016, 90 Duro, .614" ID x .070" Thk,
17	87481992	1	TUBE, Brake Supply
18	84989665	1	TEE, 1"-14 ORFS, Inc. 19
19	9992069	3	O-RING, -016, 90 Duro, .614" ID x .070" Thk,
23	87712715	1	TUBE ASSY., Right Hand Brake
24	87481993	1	TUBE, Left Hand Brake
25	700-102	2	CONNECTOR, HYD., 13/16"-16 ORFS x M18 x 1.5 ORB, Inc. 26, 27
26	637-63153	1	O-RING, CI 6, 15.3MM ID x 2.2 Thk,
27	238-6014	1	O-RING, -014, 90 Duro, .489" ID x .070" Thk,
28	451060A3	1	TUBE ASSY., Odd/Even Lube
29	86579702	1	TEE, 13/16"-16 ORFS x M18 x 1.5 ORB Run, Inc. 30, 31
30	637-63153	1	O-RING, CI 6, 15.3MM ID x 2.2 Thk,
31	238-6014	1	O-RING, -014, 90 Duro, .489" ID x .070" Thk,
32	437336A3	1	TUBE ASSY., Drop Box
33	86579710	1	TEE, 13/16"-16 ORFS x M18 x 1.5 ORB Br, Inc. 34, 35
34	637-63153	1	O-RING, CI 6, 15.3MM ID x 2.2 Thk,
35	238-6014	1	O-RING, -014, 90 Duro, .489" ID x .070" Thk,
36	87443736	1	TUBE, Dropbox Output Lube Without Creep
36	87443738	1	TUBE, Dropbox Output Lube With Creep , See Figure 08-08
37	700-401	1	TEE, 11/16"-16 ORFS x M14 x 1.5 ORB Br, Inc. 38, 39
38	637-63113	1	O-RING, CI 6, 11.3MM ID x 2.2 Thk,
39	238-6012	1	O-RING, -012, 90 Duro, .364" ID x .070" Thk,
40	282278A1	1	PIPE, Dropbox Rear Bearing Lube
41	93105C1	1	UNION,
42	237-6008	1	O-RING, 8-1, 90 Duro, .644" ID x .087" Thk,
43	238-6014	1	O-RING, -014, 90 Duro, .489" ID x .070" Thk,
44	700-306	1	ELBOW, 90°, 1"-14 ORFS x M22 x 1.5 ORB, Incl. 45, 46
45	637-63193	1	O-RING, CI 6, 19.3MM ID x 2.2 Thk,
46	238-6016	1	O-RING, -016, 90 Duro, .614" ID x .070" Thk,
47	442847A1	1	HOSE, Relief

## MX305 CASE IH MAGNUM TRACTOR NA (1/06-9/06)

## 08-09 HYDRAULIC SYSTEM - TRANSMISSION LUBE

сылка	Номер детали	Кол-во	Описание
48	407616A2	1	VALVE, Inc. 48 - 54
49	407615A2	1	BODY, VALVE,
50	107452A1	1	CIRCLIP,
51	107456A1	1	WASHER,
52	431858A1	1	SPRING,
53	NSS	1	NOT SERVICED SEPARATELY, PLUNGER
54	637-64386	1	O-RING, CI 6, 38.6MM ID x 2.9 Thk,
55	238-6018	1	O-RING, -018, 90 Duro, .739" ID x .070" Thk,
56	515-22254	1	CLAMP, 1", Insul, 5/16" Bolt,
57	864-8020	1	SCREW, Hex Soc Hd, M8 x 20, 8.8,
58	895-11008	1	WASHER, M8 x 16 x 1.6,
59	87719976	1	TUBE ASSY., PTO Supply
60	515-25159	1	CLAMP, 5/8", Insul, 1/2" Bolt,
61	86579691	1	ELBOW, 90e, 13/16"-18 ORFS x M18 x 1.5 ORB,
62	87481994	1	TUBE, PTO Valve to Rear Plate
63	87705892	1	CONNECTOR, HYD.,
64	515-22349	1	CLAMP, 1 3/8", Insul, 5/16" Bolt,
66	515-22159	1	CLAMP, 5/8", Insul, 5/16" Bolt,
67	614-8020	1	BOLT, Hex, M8 x 20, 8.8,





## MX305 CASE IH MAGNUM TRACTOR NA (1/06-9/06)

## 08-10 HYDRAULIC SYSTEM - HITCH

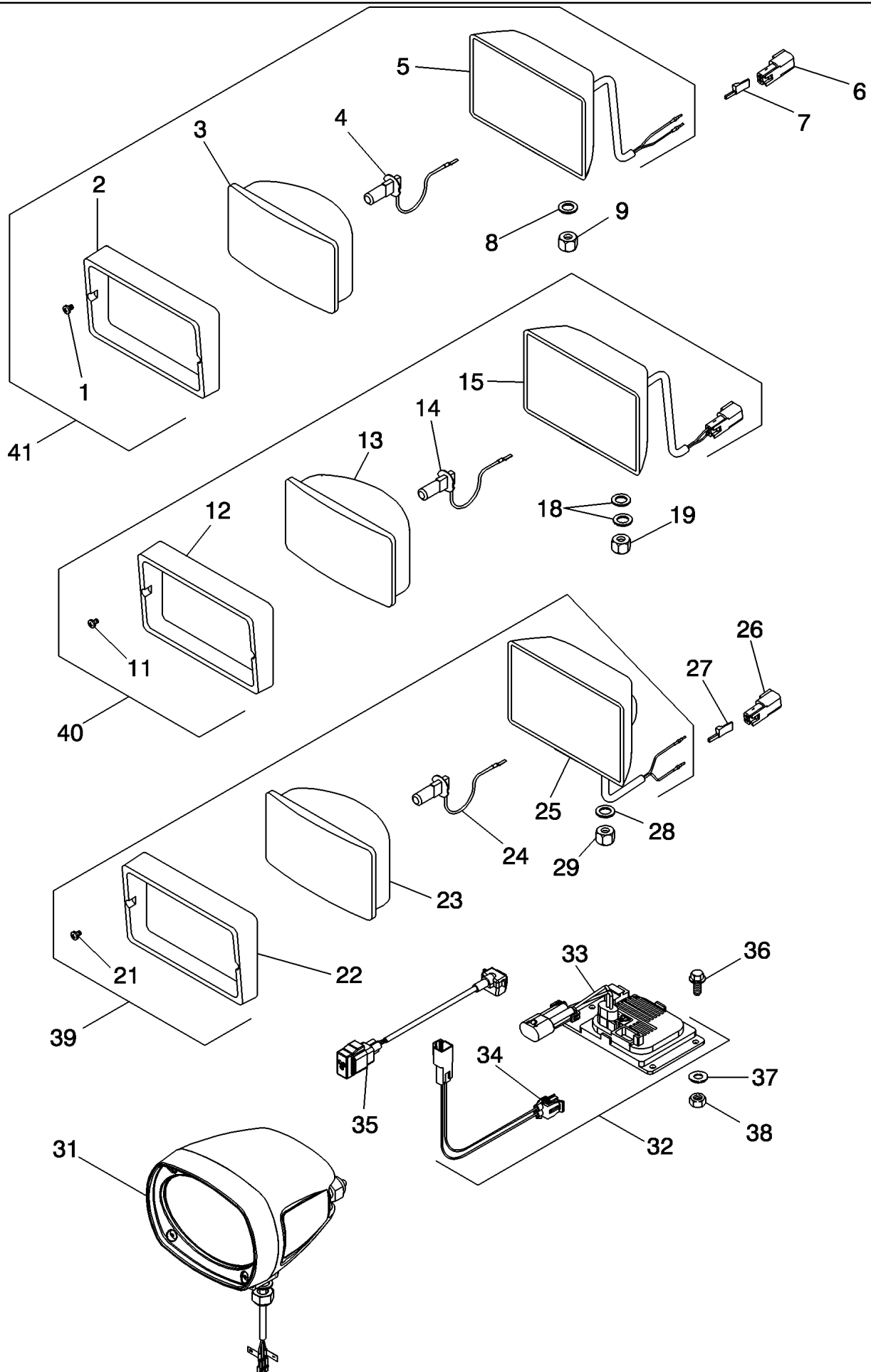
сылка	Номер детали	Кол-во	Описание
1	REF	2	INSTRUCTION, CYLINDER, Hitch, See Figures 08-30, 08-31, 08-32
2	86579691	4	ELBOW, 90°, 13/16"-18 ORFS x M18 x 1.5 ORB, Inc. 3, 4
3	86598101	1	O-RING, CI 6, 15.3MM ID x 2.2 Thk,
4	9992298	1	O-RING, -014, 90 Duro, .489" ID x .070" Thk,
5	87448971	1	HOSE, Supply, Right Hand, With Hydraulic Trailer Brake
5	87540691	1	HOSE, Supply, Right Hand
6	87448974	1	HOSE, Supply, Left Hand, With Hydraulic Trailer Brake
6	87450321	1	HOSE, Supply, Left Hand
7	701-415	1	TEE, 1"-14 ORFS, Inc. 8, With Hydraulic Trailer Brake
8	238-6016	3	O-RING, -016, 90 Duro, .614" ID x .070" Thk,
9	87435660	1	TUBE ASSY., Hitch Supply, With Hydraulic Trailer Brake
10	700-306	1	ELBOW, 90°, 1"-14 ORFS x M22 x 1.5 ORB, Incl. 11, 12, With Hydraulic Trailer Brake
10	87455805	1	TEE, Inc. 11, Without Trailer Brake
10	201-412	1	TEE, 13/16"-16 x 3/4"-16 Run, ORFS, Inc. 48, 49, Use with 110 mm Hitch Cylinders
11	637-63193	1	O-RING, CI 6, 19.3MM ID x 2.2 Thk,
12	238-6016	1	O-RING, -016, 90 Duro, .614" ID x .070" Thk,
13	515-25159	1	CLAMP, 5/8", Insul, 1/2" Bolt,
14	87448972	1	HOSE, Return, Right Hand
14	87708026	1	HOSE, Return, Right Hand, Use with 110 mm Hitch Cylinders
15	87448973	1	HOSE,
15	87708028	1	HOSE, Return, Left Hand, Use with 110 mm Hitch Cylinders
16	450507A1	1	TUBE ASSY., Return, Left Hand
17	238-6014	2	O-RING, -014, 90 Duro, .489" ID x .070" Thk,
18	329804A1	2	FIXING BRACKET,
19	814-8050	1	BOLT, Hex, M8 x 50, 8.8,
20	895-15008	1	WASHER, M8 x 20 x 1.6,
21	87449394	1	BRACKET,
22	86991000	22	CLAMP,
23	515-23206	1	CLAMP, 13/16", Insul, 3/8" Bolt,
24	844-8020	1	BOLT, Hex Flg, M8 x 20, 8.8,
25	86985195	1	BRACKET, With Hydraulic Trailer Brake
26	844-10016	1	BOLT, Hex Flg, M10 x 16, 8.8, Full Thd,
27	87451398	1	CONDUIT, Right Hand Hitch Supply
27	87451399	1	CONDUIT, Right Hand Hitch Supply, With Hydraulic Trailer Brake
27A	87318281	1	CONDUIT, Right Hand Hitch Supply, Use with 110 mm Hitch Cylinders
28	700-165	1	CONNECTOR, HYD., 11/16"-16 ORFS x M12 x 1.5 ORB, Inc. 29, 30
29	637-63093	1	O-RING, CI 6, 9.3MM ID x 2.2 Thk,
30	238-6012	1	O-RING, -012, 90 Duro, .364" ID x .070" Thk,
31	701-422	1	TEE, 11/16"-16 ORFS x 11/16"-16 Fem Sw Run, Inc. 32
32	238-6012	2	O-RING, -012, 90 Duro, .364" ID x .070" Thk,
33	701-900	1	CAP, 11/16"-16 ORFS,
34	87356174	1	TUBE ASSY., Hitch Valve Load Sense
35	701-422	1	TEE, 11/16"-16 ORFS x 11/16"-16 Fem Sw Run, Inc. 36
36	238-6012	2	O-RING, -012, 90 Duro, .364" ID x .070" Thk,
37	412509A4	1	VALVE, , See Figure 08-22

## MX305 CASE IH MAGNUM TRACTOR NA (1/06-9/06)

## 08-10 HYDRAULIC SYSTEM - HITCH

сылка	Номер детали	Кол-во	Описание
38	87309896	1	HOSE,
39	87309895	2	ELBOW, Inc. 40
40	637-63193	1	O-RING, CI 6, 19.3MM ID x 2.2 Thk,
41	214-1412	2	CLAMP, HOSE, #12, 0.69/1.25 Type F Worm,
42	87318116	1	BRACKET, Hose Clamp
43	384871A1	1	PLATE,
44	814-8055	1	BOLT, Hex, M8 x 55, 8.8,
45	87318282	1	CONDUIT, Left Hand Hitch Supply
45	87318281	1	CONDUIT, Left Hand Hitch Supply, With Hydraulic Trailer Brake
46	87451397	1	CONDUIT, Left Hand Hitch Return
46	87318283	1	CONDUIT, Left Hand Hitch Return
46	87451400	1	CONDUIT, Left Hand Hitch Return, Use with 110 mm Hitch Cylinders
47	701-905	2	CAP, 13/16"-16 ORFS, , Use with 110 mm Hitch Cylinders
48	238-6014	2	O-RING, -014, 90 Duro, .489" ID x .070" Thk, , Use with 110 mm Hitch Cylinders
49	237-6008	1	O-RING, 8-1, 90 Duro, .644" ID x .087" Thk, , Use with 110 mm Hitch Cylinders
50	214389	1	PLUG, Hex Hd, 3/4"-16 ORB, (Not Shown)

04-36 WORK LAMPS - ROOF AND REAR FENDERS

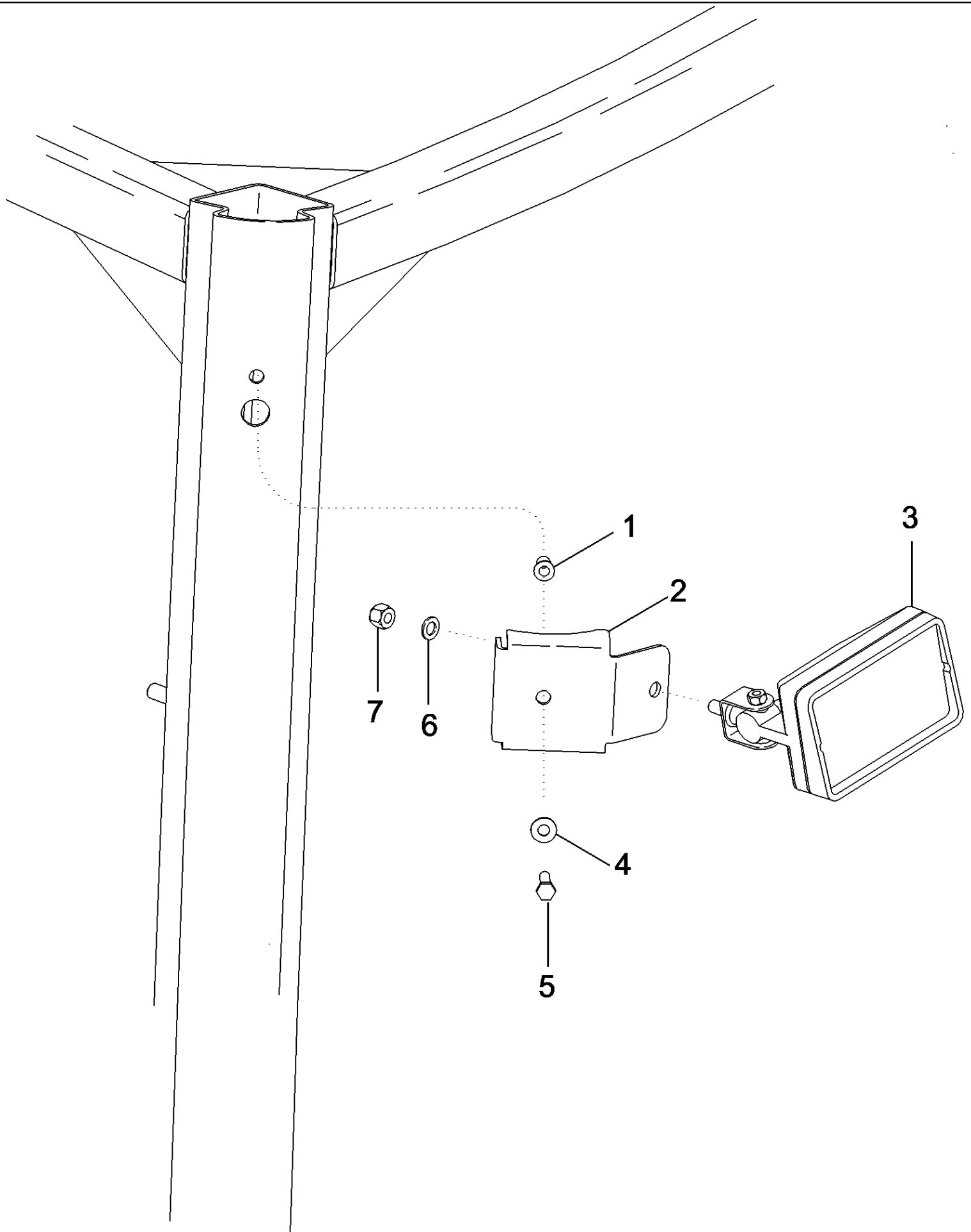


## MX305 CASE IH MAGNUM TRACTOR NA (1/06-9/06)

## 04-36 WORK LAMPS - ROOF AND REAR FENDERS

сылка	Номер детали	Кол-во	Описание
1	260-54312	2	SCREW, SELF TAPPING, Cross Pan Hd, #6 x 3/4",
2	1964806C1	1	BEZEL,
3	360866A1	1	LENS,
4	1312210C2	1	BULB, 12V, 55W
5	NSS	1	NOT SERVICED SEPARATELY, BASE
6	222136A1	2	CONNECTOR, ELEC,
7	222848A1	2	CONNECTOR, ELEC, Wedge
8	895-18010	2	WASHER, M10 x 18 x 1.6,
9	832-10410	2	NUT, LOCK, M10 x 1.5, CI 8,
11	260-54312	2	SCREW, SELF TAPPING, Cross Pan Hd, #6 x 3/4",
12	1964806C1	1	BEZEL,
13	276498A1	1	LENS,
14	1312210C2	1	BULB, 12V, 55W
15	NSS	1	NOT SERVICED SEPARATELY, BASE
18	895-18010	4	WASHER, M10 x 18 x 1.6,
19	832-10410	2	NUT, LOCK, M10 x 1.5, CI 8,
21	260-54312	2	SCREW, SELF TAPPING, Cross Pan Hd, #6 x 3/4",
22	NSS	1	NOT SERVICED SEPARATELY, BEZEL
23	NSS	1	NOT SERVICED SEPARATELY, LENS
24	1312210C2	1	BULB, 12V - 55W
25	NSS	1	NOT SERVICED SEPARATELY, BASE
26	225315C1	2	CONNECTOR, ELEC,
26	225315C1	1	CONNECTOR, ELEC,
27	225318C1	2	WEDGE,
27	225318C1	1	WEDGE,
28	896-11012	2	WASHER, M13.5 x 24.5 x 3, HT,
29	832-46412	2	NUT, LOCK, M12 x 1.75, CI 8,
31	447754A2	1	LAMP, WORK, HID
32	87473404	1	BALLAST, Assembly, Inc. 33, 34
33	87475204	1	BALLAST,
34	86993699	1	HARNESS, WIRE, Ballast to Rear
35	87473403	1	JUMPER,
36	840-1516	3	SCREW, Cross Pan Hd, M5 x 16,
37	892-11005	3	WASHER, LOCK, M5,
38	825-2405	3	NUT, M5 x .8, Flg, CI 8,
39	431025A1	1	LAMP, WORK, Rear Fender
39	431025A1	2	LAMP, WORK, Rear Fender
39	432446A1	2	LAMP, Rear Fender Work Lamp - Non HID, Inc. 21 - 25
40	178345A1	1	LIGHT, WORK, Cab Roof Rear Work Lamps, Inc. 11 - 15
41	301891A2	1	LAMP, Cab Roof Front Work Lamp, Inc. 1 - 5

04-37 C - POST ROOF LIGHTS

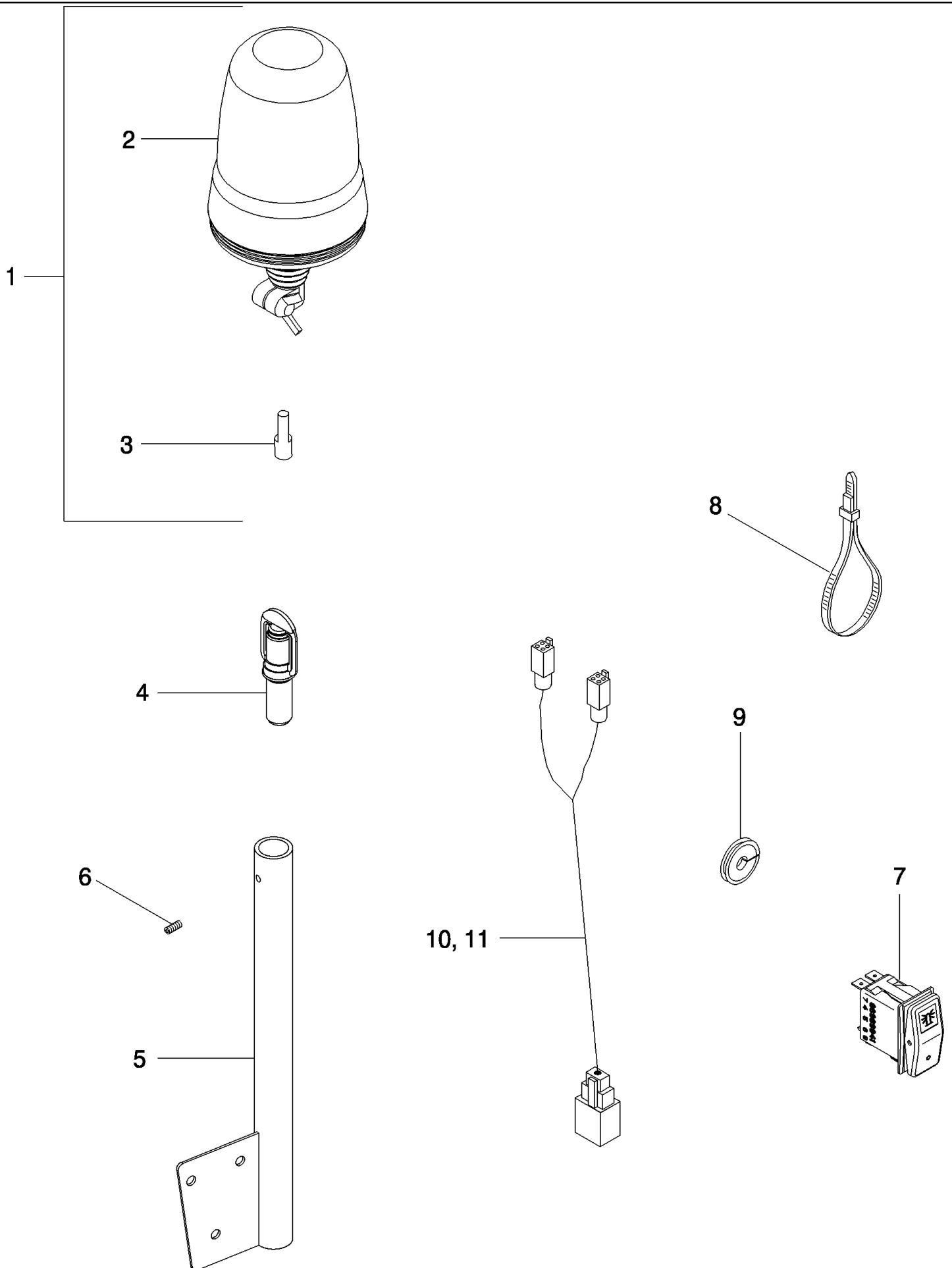


## MX305 CASE IH MAGNUM TRACTOR NA (1/06-9/06)

## 04-37 C - POST ROOF LIGHTS

сылка	Номер детали	Кол-во	Описание
1	P35448	2	RIVET, M8
2	87417645	2	BRACKET,
3	275333A1	1	LIGHT, WORK, Right Hand, Shown
3	275334A1	1	LIGHT, WORK, Left Hand
4	895-15008	2	WASHER, M8 x 20 x 1.6,
5	514-637	2	BOLT, Hex, M8 x 35, 8.8, Full Thd,
6	895-18010	2	WASHER, M10 x 18 x 1.6,
7	832-10410	2	NUT, LOCK, M10 x 1.5, Cl 8,
8	87378019	1	BRACKET, Left Hand (Shown)
8	87378018	1	BRACKET, Right Hand
9	87403654	2	HEADLAMP, LH, Left Hand Dip (Shown)
9	87403655	2	HEADLAMP, LH, Right Hand Dip
10	614-8035	6	BOLT, Hex, M8 x 35, 8.8,
11	87603616	1	HARNESS,

04-38 LAMP - BEACON



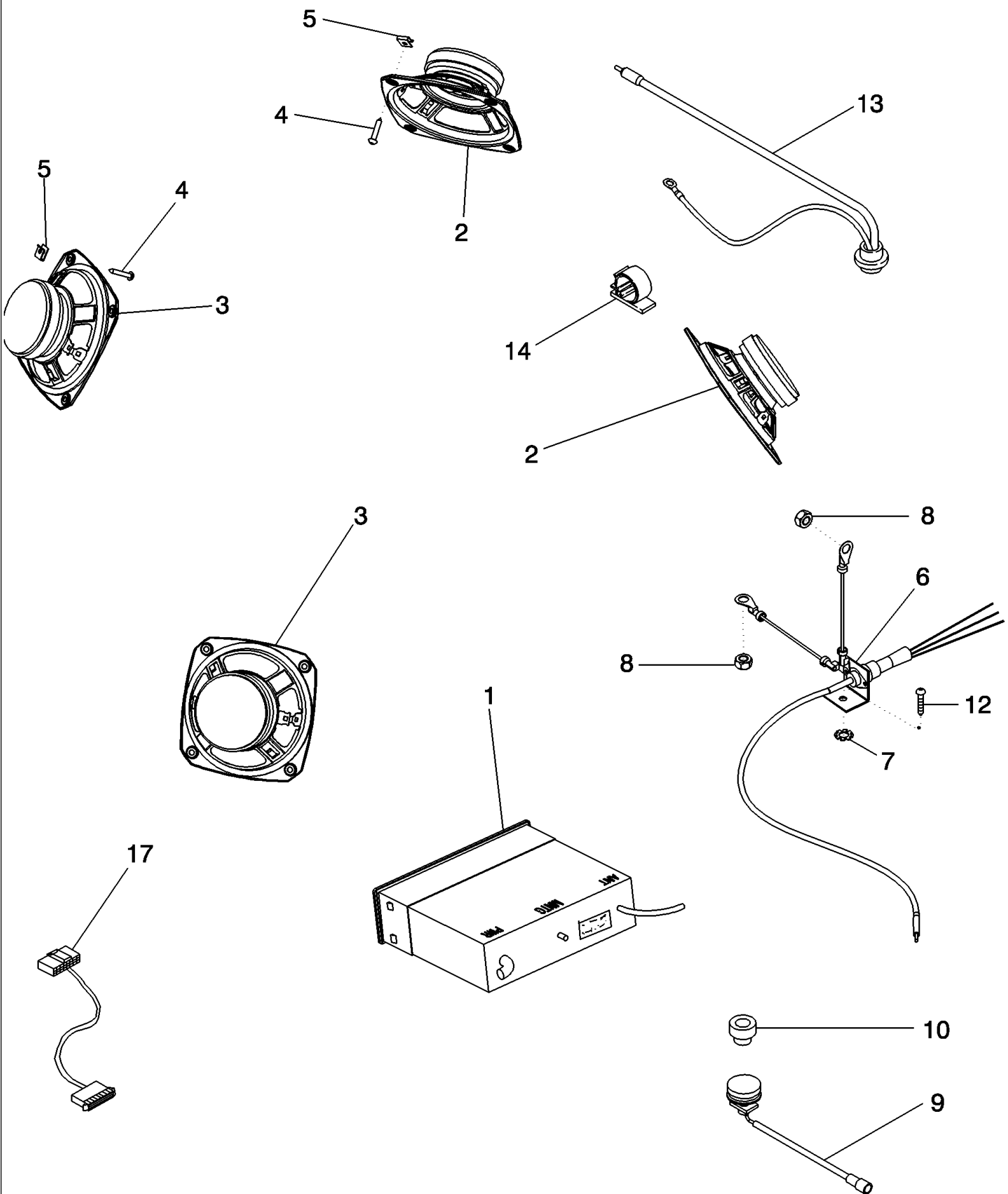
## MX305 CASE IH MAGNUM TRACTOR NA (1/06-9/06)

## 04-38 LAMP - BEACON

сылка	Номер детали	Кол-во	Описание
1	175048A1	AR	BEACON, Inc. 2, 3
2	192809A1	1	LENS, Amber
3	3125705R1	1	BULB, Beacon
4	244106A1	AR	CONNECTOR, ELEC, Adapter
5	450672A1	AR	BRACKET,
6	878-1066	AR	SET SCREW, Hex Soc, M6 x 6, Cup Pt,
7	87414325	1	SWITCH, Beacon-Strobe
8	L11541	AR	STRAP, CABLE,
9	182045A1	2	GROMMET,
10	447666A1	1	HARNESS, Dual Beacon Jumper
11	328501A1	AR	HARNESS, Adapter



04-39 RADIOS, SPEAKERS AND ANTENNAS

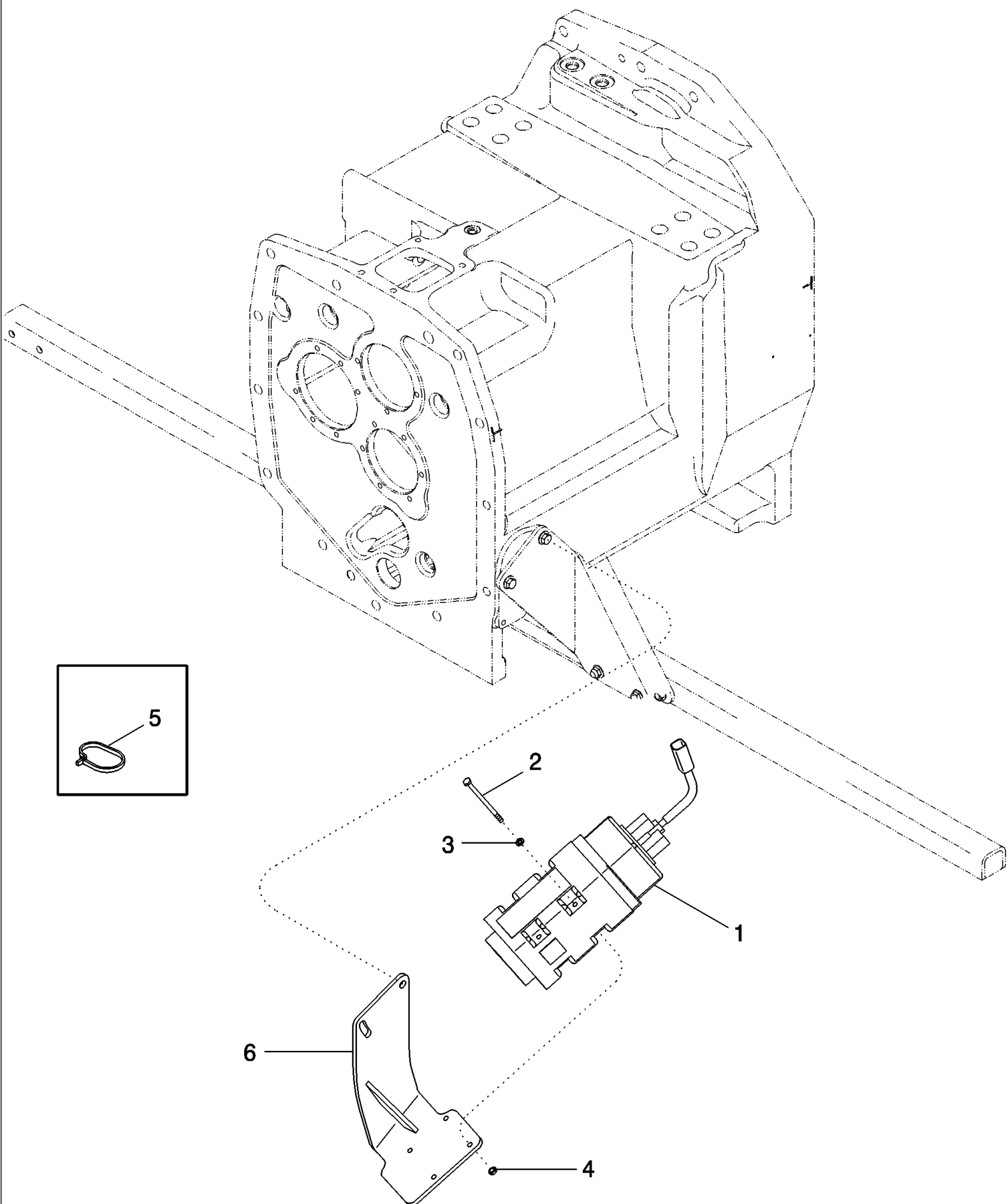


## MX305 CASE IH MAGNUM TRACTOR NA (1/06-9/06)

## 04-39 RADIOS, SPEAKERS AND ANTENNAS

сылка	Номер детали	Кол-во	Описание
1	87714993	1	RADIO, AM/FM/WB, If Equipped
1	355623A2	1	RADIO, AM/FM Stereo, With Cassette Tape Player, If Equipped
1	325061A2	1	RADIO, AM/FM/WB, With Cassette Tape, CD Changer Ready
1	87714994	1	RADIO, AM/FM/WB/CD with Aux Input
2	87621241	2	SPEAKER, 5-1/4" Coaxial
3	87576280	2	SPEAKER, 5-1/4" Woofer, Rear
4	760-17316	16	SCREW, SELF TAPPING, Pan Hd, M4.2 x 16,
5	177269A1	16	NUT,
6	409426A3	1	ANTENNA, 3-Wire
7	893-11008	1	WASHER, LOCK, Ext Tooth, M8, Antenna Bracket
8	829-1408	2	NUT, M8, CI 10, Ground Wire
9	404694A2	1	CABLE, B/B Radio Antenna, If Equipped
10	182045A1	1	GROMMET,
11	177269A1	8	NUT, Used With 9, (Not Shown)
12	761-17325	8	SCREW, SELF TAPPING, Pan Hd, M4.2 x 25, Used With 9, (Not Shown)
13	318323A1	1	CABLE, Radio Antenna
14	169850C2	1	CLIP, CABLE,
17	303433A1	1	HARNESS, CD Player to Radio

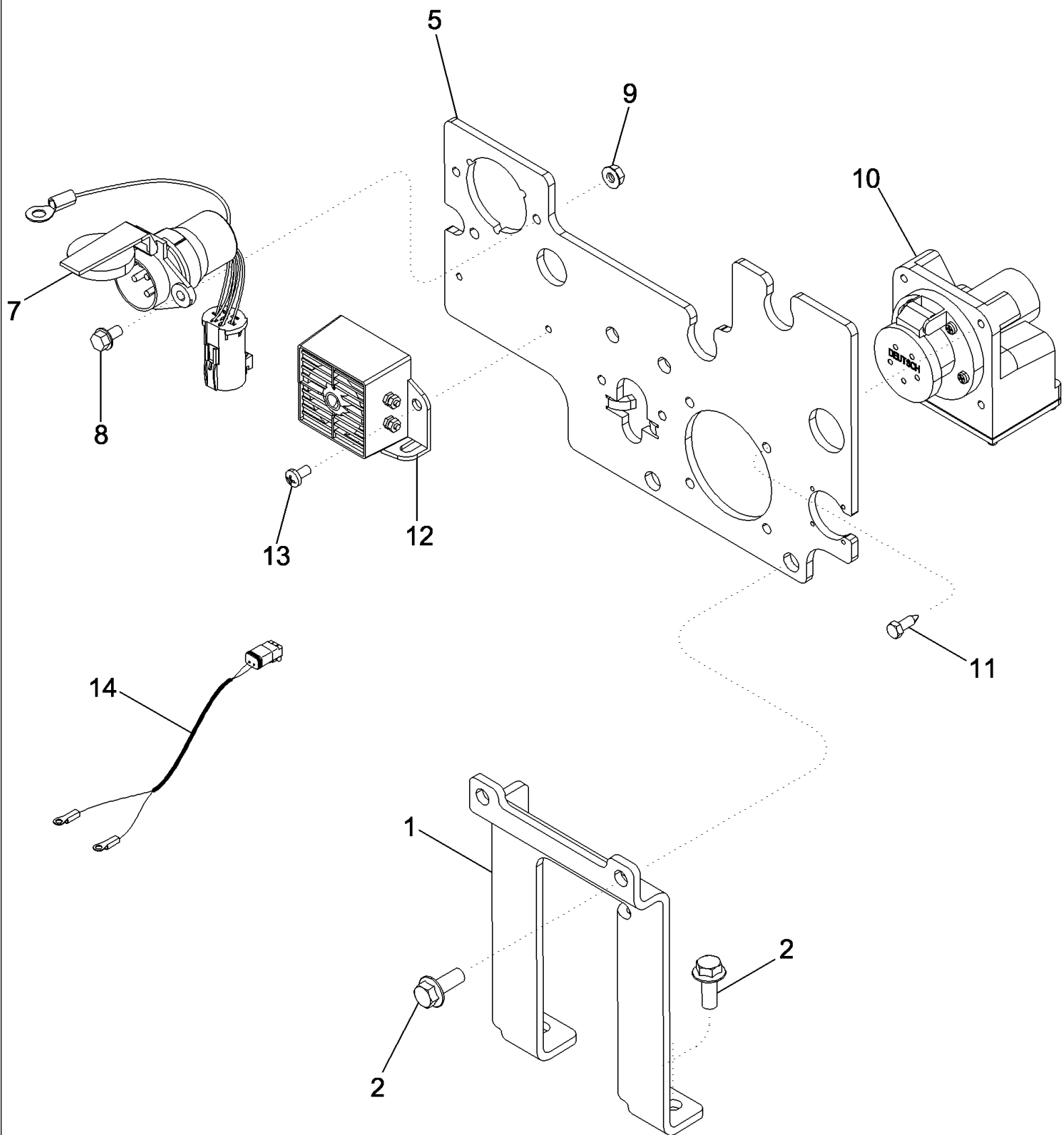
04-40 GROUND SPEED SENSOR



MX305 CASE IH MAGNUM TRACTOR NA (1/06-9/06)

04-40 GROUND SPEED SENSOR

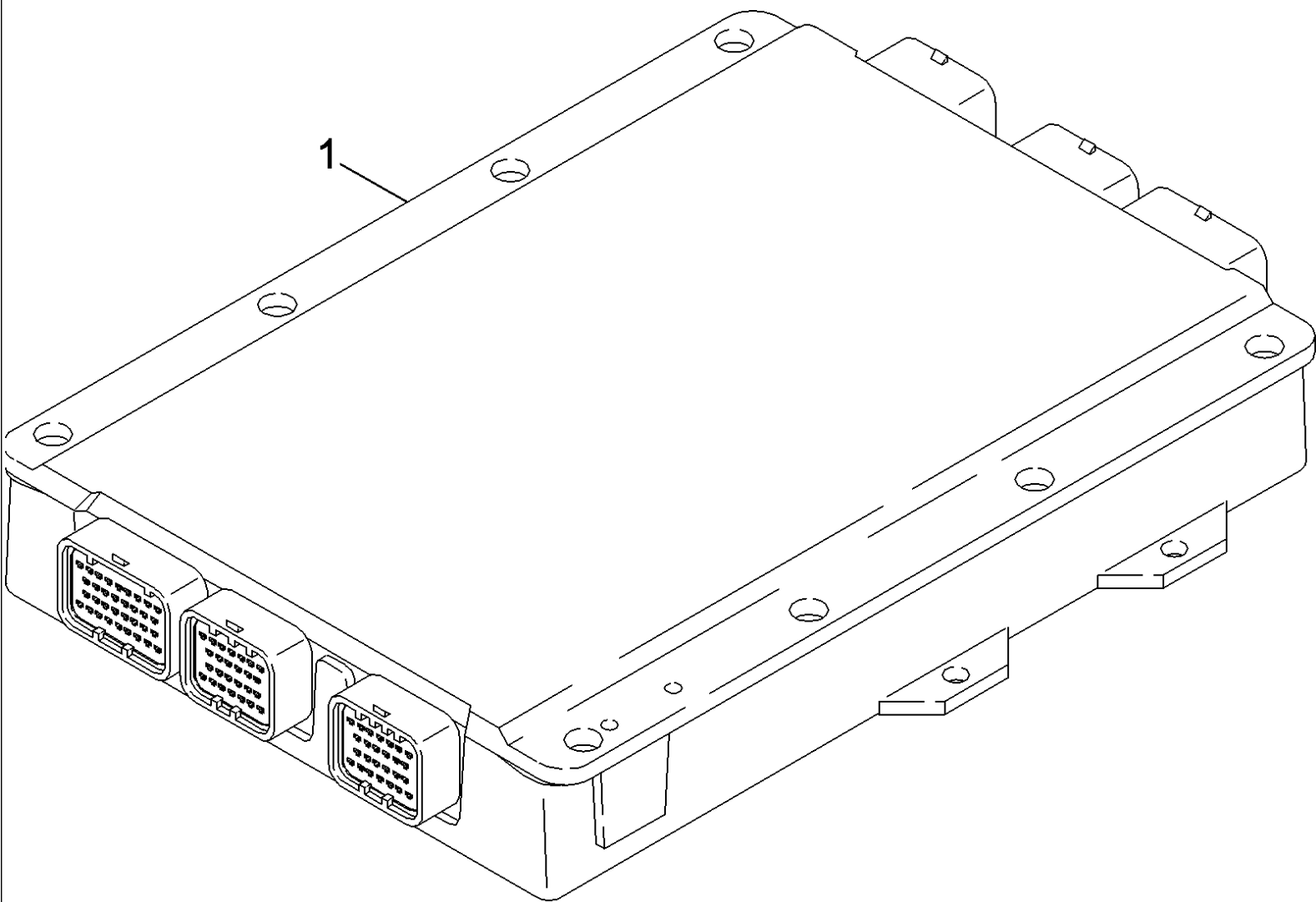
сылка	Номер детали	Кол-во	Описание
1	228760A1	1	RADAR, Sensor, True Ground Speed
2	814-6100	4	BOLT, Hex, M6 x 100, 8.8,
3	895-11006	4	WASHER, M6,
4	825-5146	4	NUT, M6, Flg Ser,
5	L11541	1	STRAP, CABLE, 7 - 8 in
6	87436570	1	SUPPORT,



## MX305 CASE IH MAGNUM TRACTOR NA (1/06-9/06)

## 04-41 IMPLEMENT CONNECTORS AND MOUNTING

сылка	Номер детали	Кол-во	Описание
1	87574425	1	BRACKET,
2	844-10025	4	BOLT, Hex Flg, M10 x 25, 8.8, Full Thd,
5	87615022	1	SUPPORT,
7	87451540	1	ADAPTER, 7 Pin (Shown), BSN Z7RZ01521
7	87549252	1	HARNESS, 7 Pin, ASN Z7RZ01521
8	86511841	2	BOLT, Hex Flg, M8 x 16, 8.8,
9	825-2408	2	NUT, M8 x 1.25, Flg, Cl 8,
10	323597A1	1	CONNECTOR, ELEC, Implement
11	779-14619	4	SCREW, SELF TAPPING, Hex Hd, M6.3 x 19,
12	109511A1	1	ALARM, Backup
13	840-1612	2	SCREW, Cross Pan Hd, M6 x 12,
14	87403848	1	HARNESS, Backup Alarm
17	L11541	7	STRAP, CABLE, (Not Shown)
18	347610A1	4	ANCHOR, (Not Shown)
19	825-2408	1	NUT, M8 x 1.25, Flg, Cl 8, (Not shown)
20	825-2405	4	NUT, M5 x .8, Flg, Cl 8, (Not Shown)

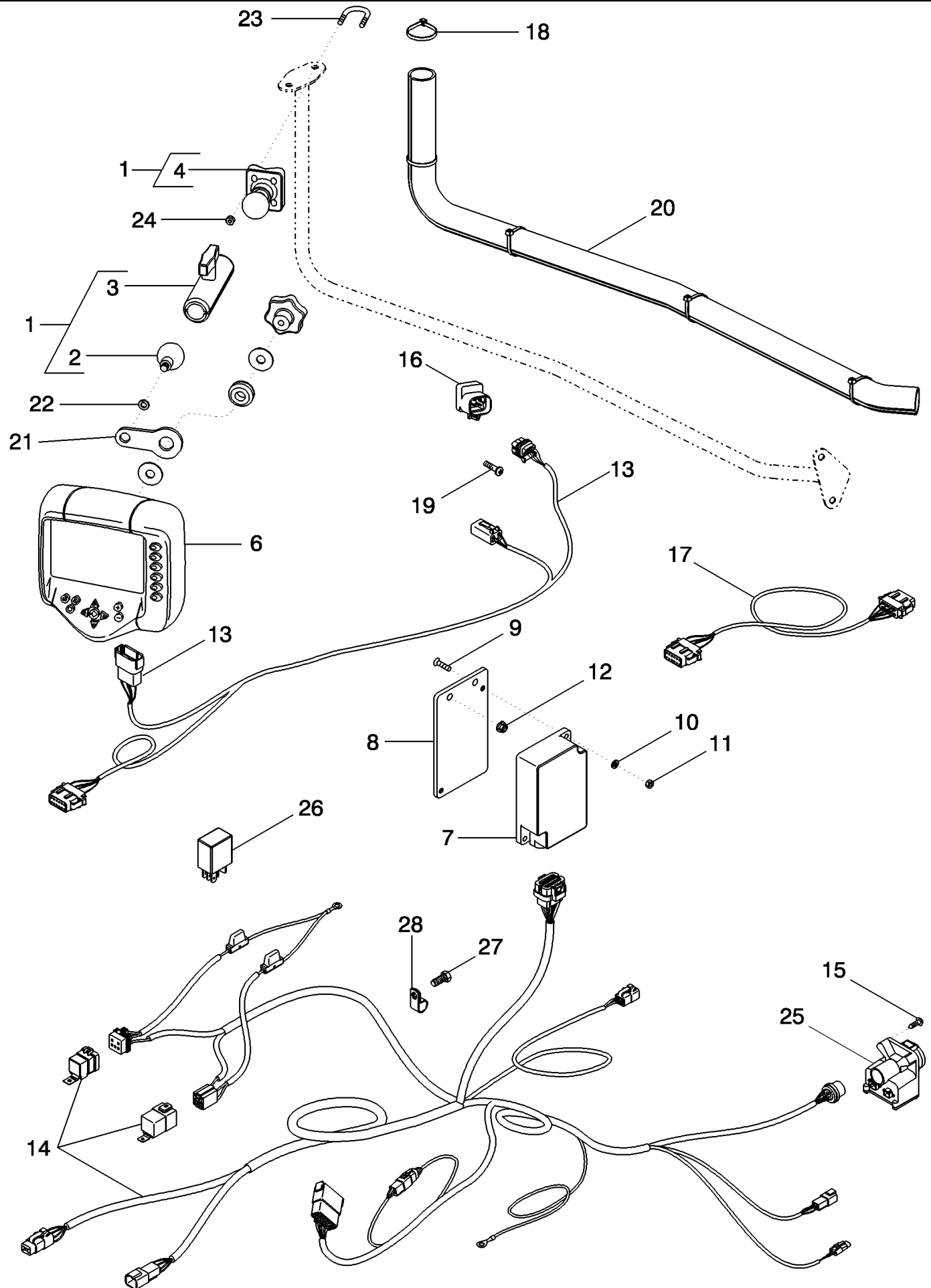


MX305 CASE IH MAGNUM TRACTOR NA (1/06-9/06)

04-42 MODULE, TRACTOR MULTIFUNCTION

сылка	Номер детали	Кол-во	Описание
1	87393065	1	MODULE, Tractor Multifunction Controller (TMF), BSN Z6RZ04001
1	87617964	1	MODULE, Tractor Multifunction Controller (TMF), ASN Z6RZ04001

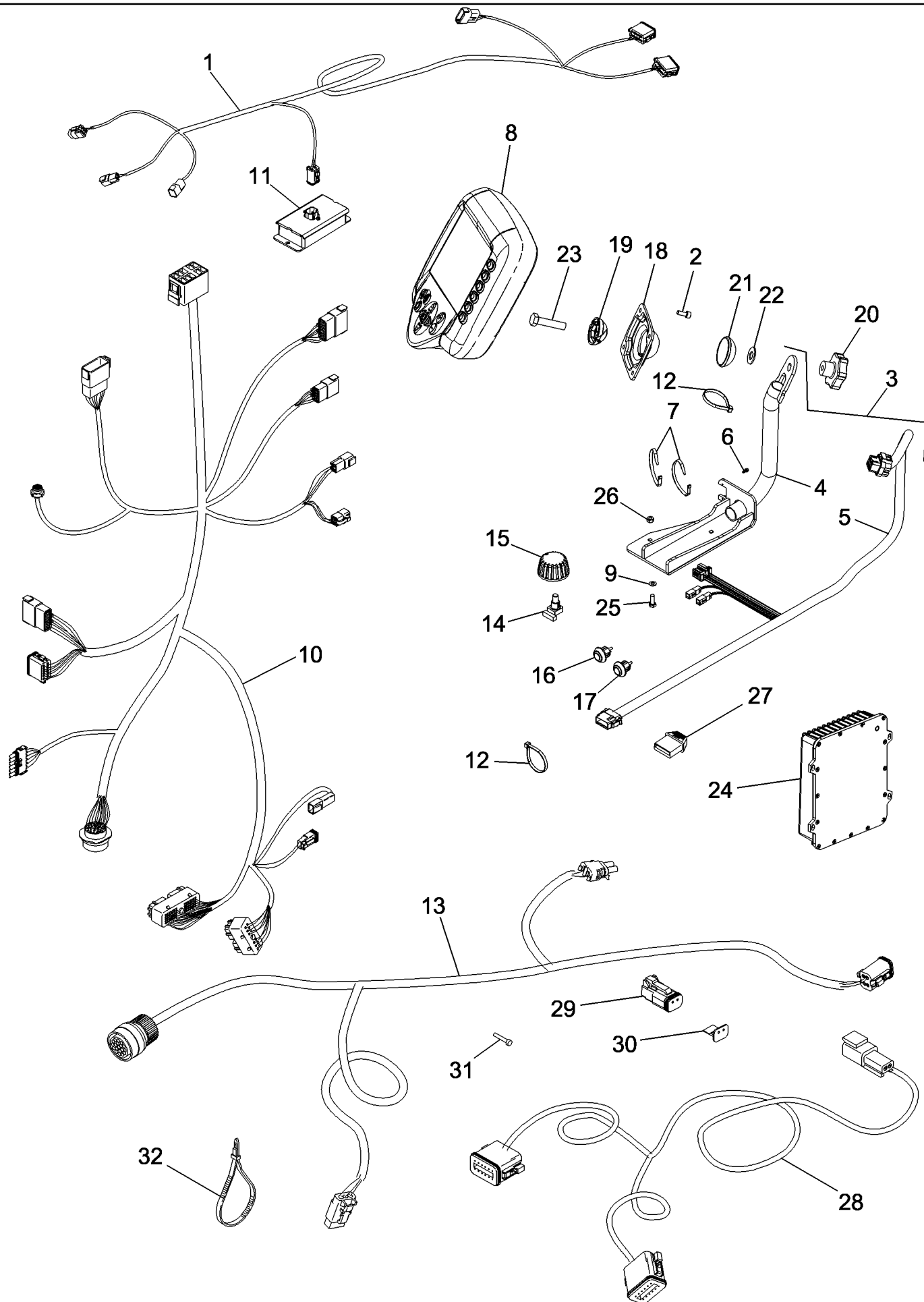




## MX305 CASE IH MAGNUM TRACTOR NA (1/06-9/06)

## 04-43 ISO 11783 HARNESS AND MONITOR

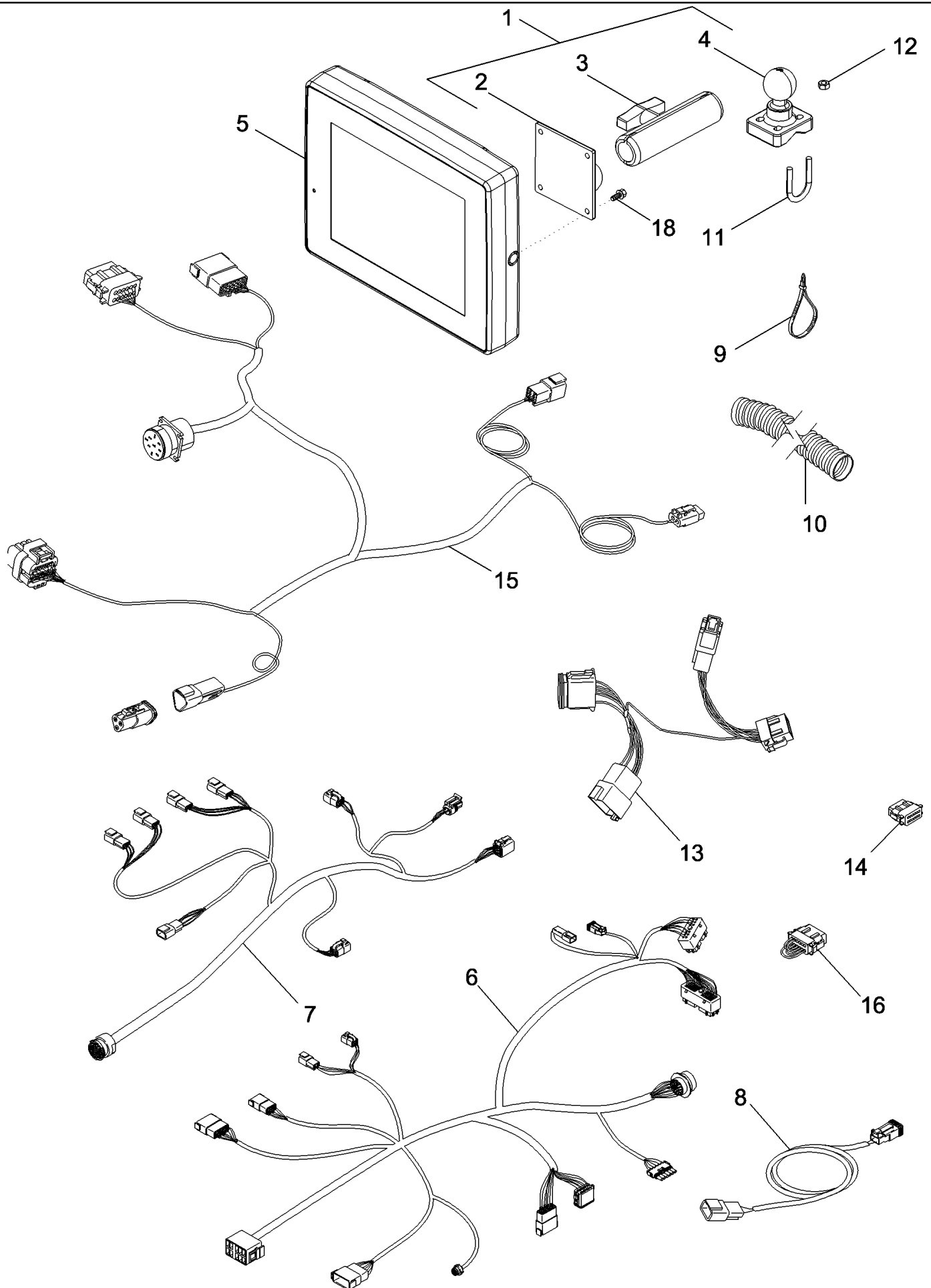
сылка	Номер детали	Кол-во	Описание
1	87433368	1	HOLDER, Assembly, Monitor Inc. 2 - 4
2	87432348	1	RAM BOTTOM,
3	408863A1	1	RAM BOTTOM,
4	408865A1	1	RAM FOOT,
6	87393981	1	MONITOR, CONTROL, Monitor, Control W/Software, ASN Z7RZ01521
7	86989612	1	MODULE, W/Software
8	87406980	1	PLATE, Mounting
9	843-2625	2	SCREW, Phil Flat Hd, M6 x 25, 4.8,
10	892-11006	2	WASHER, LOCK, M6,
11	829-1406	2	NUT, M6, CI 10,
12	825-2406	6	NUT, M6 x 1, Flg, CI 8,
13	87418143	1	HARNESS, Inside Cab (Shown), BSN Z7RZ01521
13	87695463	1	HARNESS, Inside Cab, ASN Z7RZ01521
14	87313259	1	HARNESS, Outside Cab (Shown), BSN Z7RZ01521
14	87695465	1	HARNESS, Outside Cab, ASN Z7RZ01521
15	780-14625	4	SCREW, SELF TAPPING, Hex Hd, M6.3 x 25,
16	87601142	1	TERMINAL,
17	87435691	1	HARNESS, Monitor Jumper (Shown), BSN Z7RZ01521
17	87544769	1	HARNESS, Monitor Jumper, ASN Z7RZ01521
18	L11541	5	STRAP, CABLE,
19	760-14416	2	SCREW, SELF TAPPING, Pan Hd, M4.8 x 16,
20	87435704	1	CONDUIT,
21	87313872	1	BRACKET,
22	140045	1	WASHER, SPRING, Belleville, M10,
23	86632541	2	U-BOLT,
24	425-104	4	NUT, 1/4"-20, G5,
25	87418273	1	CONNECTOR, ELEC,
26	87414866	1	RELAY, 20 Amp
27	854-10020	1	BOLT, Hex Flg, M10 x 20, 10.9,
28	87313355	1	CLAMP,
30	811-6025	2	BOLT, CARRIAGE, Short NK, M6 x 25, CI8.8, Full Thd, (Not Shown)
31	840-1620	4	SCREW, Cross Pan Hd, M6 x 20, (Not Shown)
32	A169433	1	STRAP, SECURING, (Not Shown)
33	780-14625	4	SCREW, SELF TAPPING, Hex Hd, M6.3 x 25, (Not Shown)



MX305 CASE IH MAGNUM TRACTOR NA (1/06-9/06)

04-44 ACCUGUIDE - HARNESS AND MONITOR - BSN Z6RZ04001

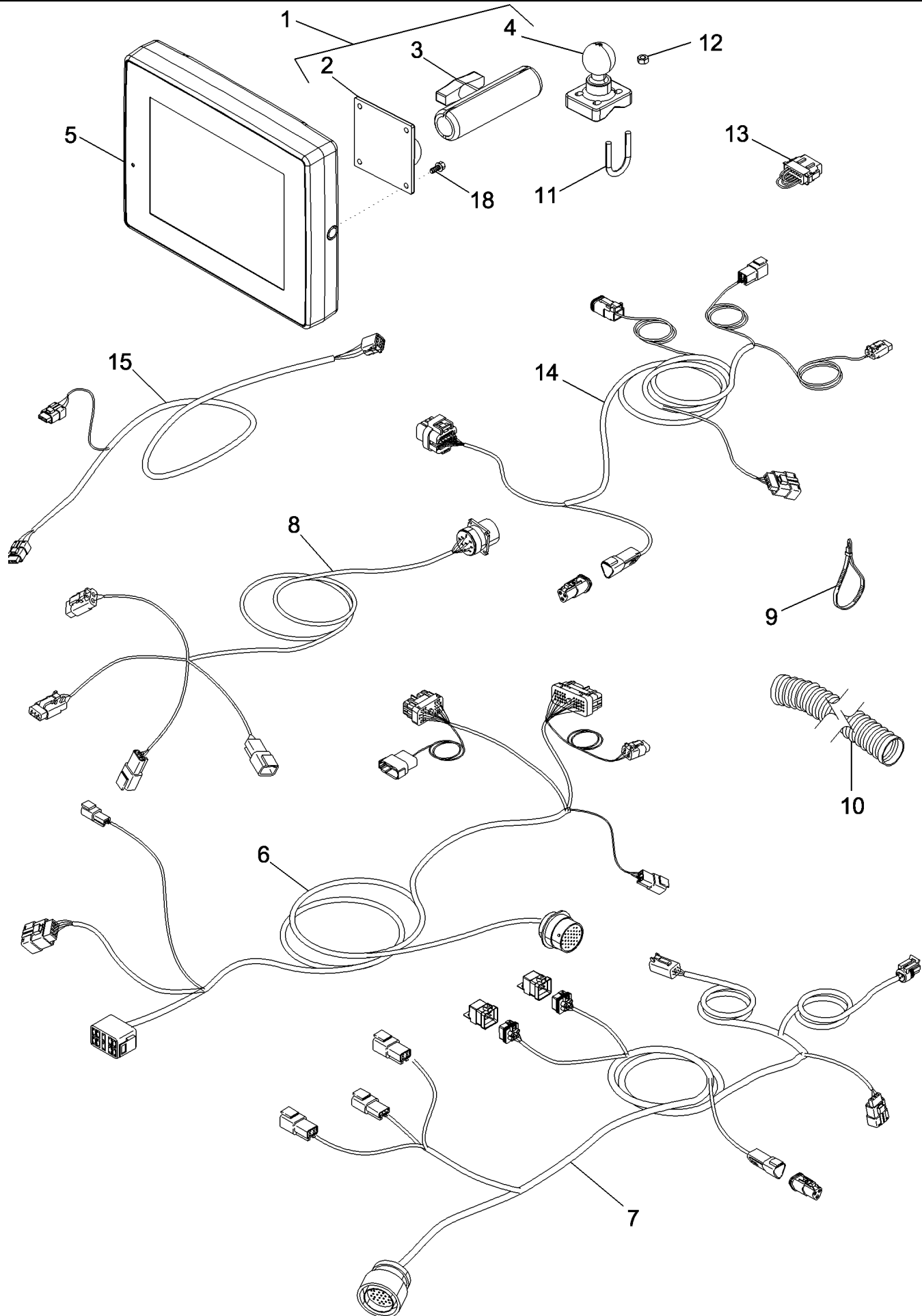
сылка	Номер детали	Кол-во	Описание
1	87580504	1	HARNESS, Cab Roof
2	864-6016	4	SCREW, Hex Soc Hd, M6 x 16, 8.8,
3	87548441	1	BRACKET, SWCD Harness Inc. 4, 5, 6, 7
4	NSS	1	NOT SERVICED SEPARATELY, BRACKET ASSY
5	87544751	1	HARNESS,
6	440-1044	2	SCREW, Cross Oval Hd, #4-40 x 1/4",
7	473321C1	2	STRAP, CABLE, .098" x 8",
8	87618697	1	AFS200 With Software
8	87665214	1	DISPLAY, With Software (Black)
9	895-25006	3	WASHER, M6 x 18 x 1.6,
10	87365700	1	HARNESS, Cab
11	284638A2	2	CONNECTOR, ELEC, Active Terminator
12	L11541	2	STRAP, CABLE, Tie
13	87582250	1	HARNESS, Chassis
14	87365742	1	SWITCH, Optical Encoder
15	87454709	1	KNOB, Encoder
16	87453959	1	SWITCH, Escape
17	87453957	1	SWITCH, Home
18	87325557	1	PLATE, MOUNTING, Ball Joint
19	82038414	1	PROTECTION CAP, Ball
20	87353504	1	KNOB,
21	82039389	1	WASHER, CUP, Cup, Ball Joint
22	87325558	1	WASHER, FRICTION,
23	814-12050	1	BOLT, Hex, M12 x 50, 8.8,
24	87518983	1	CONTROL, Module, NAV II
25	614-6016	3	BOLT, Hex, M6 x 16, 8.8,
26	829-1406	3	NUT, M6, CI 10,
27	87588663	1	COVER, CAP, USB, ASN Z6RZ05229
28	87602268	1	HARNESS, Power Jumper
29	225316C1	1	CONNECTOR, ELEC,
30	225317C1	1	WEDGE,
31	453133C1	1	PLUG,
32	86991009	2	STRAP, CABLE,



MX305 CASE IH MAGNUM TRACTOR NA (1/06-9/06)

04-45 ACCUGUIDE - HARNESS AND MONITOR - BTW Z6RZ04001 AND Z7RZ01521

сылка	Номер детали	Кол-во	Описание
1	87386396	1	ARM, SUPPORTING, Inc. 2 - 4
2	87386398	1	ARM, SUPPORTING,
3	87284257	1	RAM BOTTOM,
4	87284259	1	RAM FOOT,
5	87387964	1	DISPLAY, Touch Screen, AFS PRO600
6	87365700	1	HARNESS, Inside Cab
7	87365702	1	HARNESS, Outside Cab
8	87558214	1	HARNESS, Terminator
9	L11541	9	STRAP, CABLE,
10	87435704	1	CONDUIT,
11	86632541	2	U-BOLT,
12	7770	4	NUT, 1/4"-20, G5,
13	87531754	1	HARNESS, SWCD to Cab Jumper (Field Kit Only)
14	87558215	1	HARNESS, Codi Jumper
15	87390674	1	HARNESS, Secondary Can Bus
16	87437728	1	HARNESS, WIRE, VT Jumper
17	381414A1	1	CONNECTOR, TERMINAL, Can Bus (Not Shown)
18	614-6016	4	BOLT, Hex, M6 x 16, 8.8,



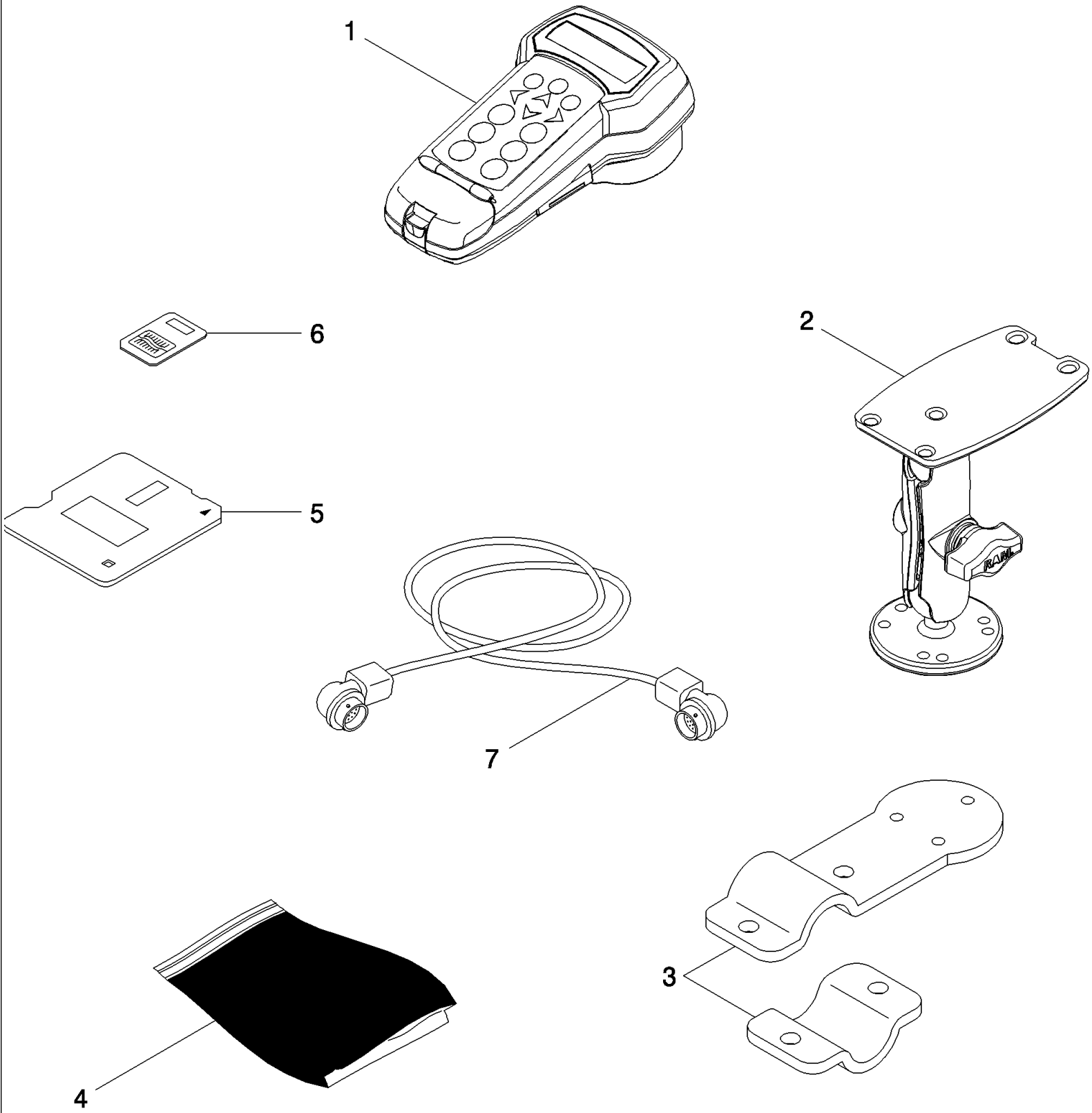
MX305 CASE IH MAGNUM TRACTOR NA (1/06-9/06)

04-46 ACCUGUIDE - HARNESS AND MONITOR - ASN Z7RZ01521

сылка	Номер детали	Кол-во	Описание
1	87386396	1	ARM, SUPPORTING, Inc. 2 - 4
2	87386398	1	ARM, SUPPORTING,
3	87284257	1	RAM BOTTOM,
4	87284259	1	RAM FOOT,
5	87387964	1	DISPLAY, Touch Screen, AFS PRO600
5	87668597	1	DISPLAY, Touch Screen, AFS PRO600 (Black)
6	87671560	1	HARNESS, Inside Cab
7	87544758	1	HARNESS, Outside Cab
8	87597592	1	HARNESS, Second Can Diagnostic
9	L11541	9	STRAP, CABLE,
10	87435704	1	CONDUIT,
11	86632541	2	U-BOLT,
12	7770	4	NUT, 1/4"-20, G5,
13	87546832	1	HARNESS, Primary/Secondary SWCD Jumper
14	87550664	1	HARNESS, Secondary Can Bus
15	87544763	1	HARNESS, Sensor
16	87732647	1	HARNESS, Com Port Ext, used to Control a Rawson/Raven Controller
18	614-6016	4	BOLT, Hex, M6 x 16, 8.8,



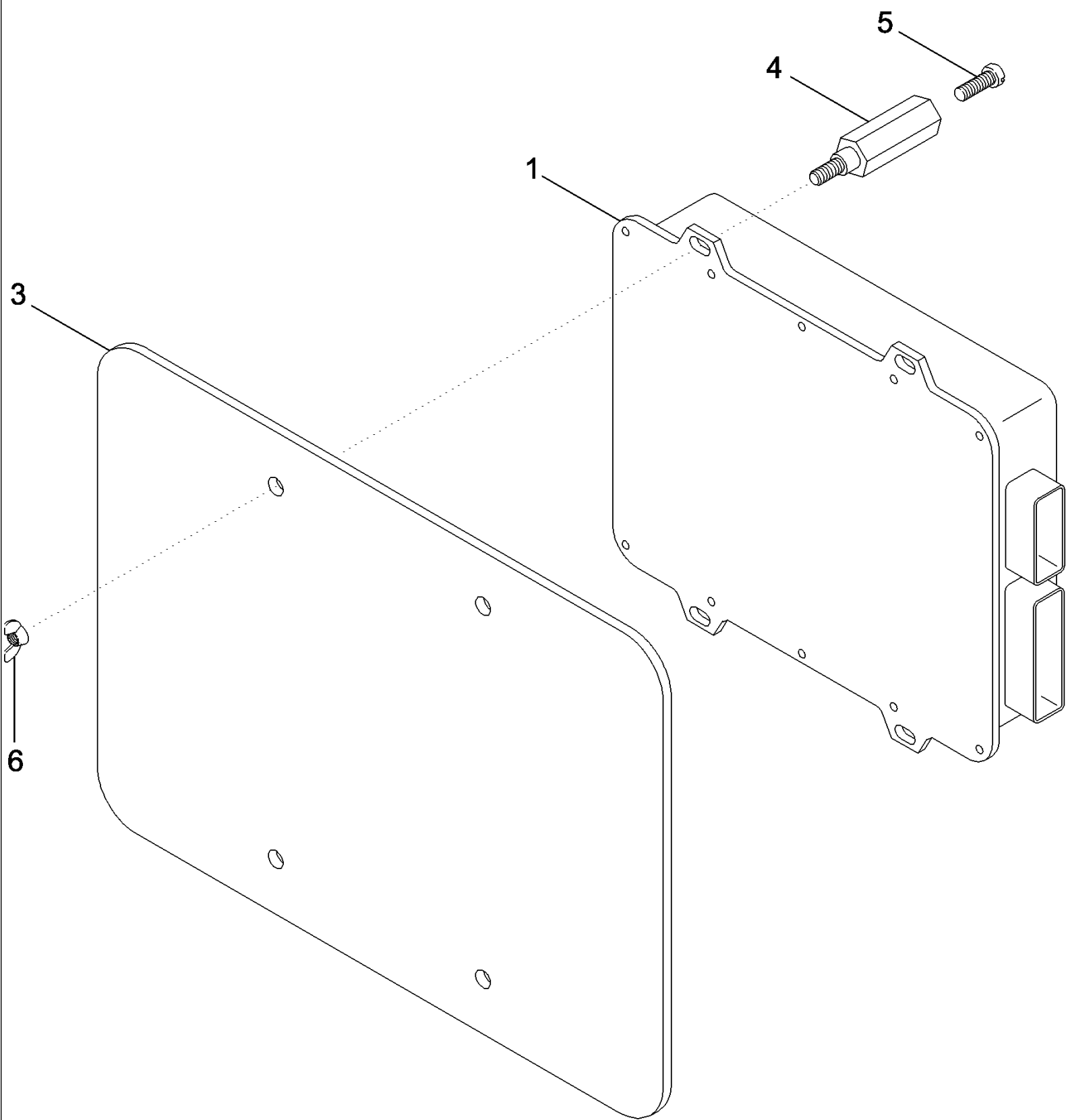
04-47 REMOTE DATA LOGGER



MX305 CASE IH MAGNUM TRACTOR NA (1/06-9/06)

04-47 REMOTE DATA LOGGER

сылка	Номер детали	Кол-во	Описание
1	87428366	1	MODULE,
2	87428367	1	BRACKET,
3	87428368	1	ADAPTER,
4	87428369	1	SET, Bolts
5	87428371	1	ADAPTER,
6	87428375	1	MODULE, Compact Flash 16MB
7	87428378	1	CABLE ASSY.,

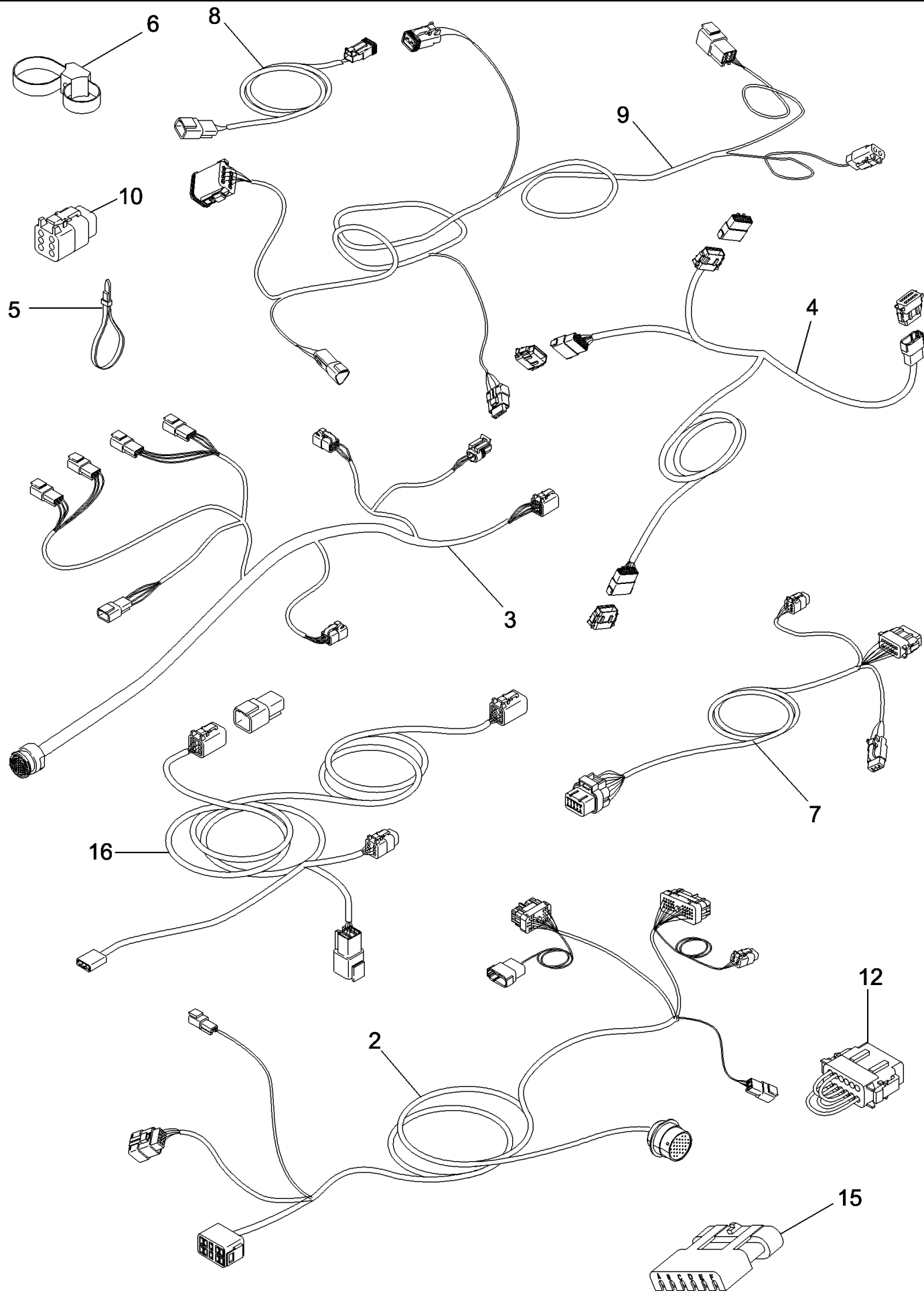


MX305 CASE IH MAGNUM TRACTOR NA (1/06-9/06)

04-48 ACCUGUIDE CONTROL MODULE AND MOUNTING

сылка	Номер детали	Кол-во	Описание
1	87518983	1	CONTROL, Accuguide
3	87313018	1	COVER, Mounting (Shown), BSN Z6RZ04001
3	87532159	1	COVER, Mounting, ASN Z6RZ04001
4	87313014	4	SPACER,
5	555-1	4	BOLT, Hex Flg, M8 x 16, 8.8,
6	84814892	4	NUT, WING, M6 x 1,

04-49 ACCUGUIDE HARNESSSES

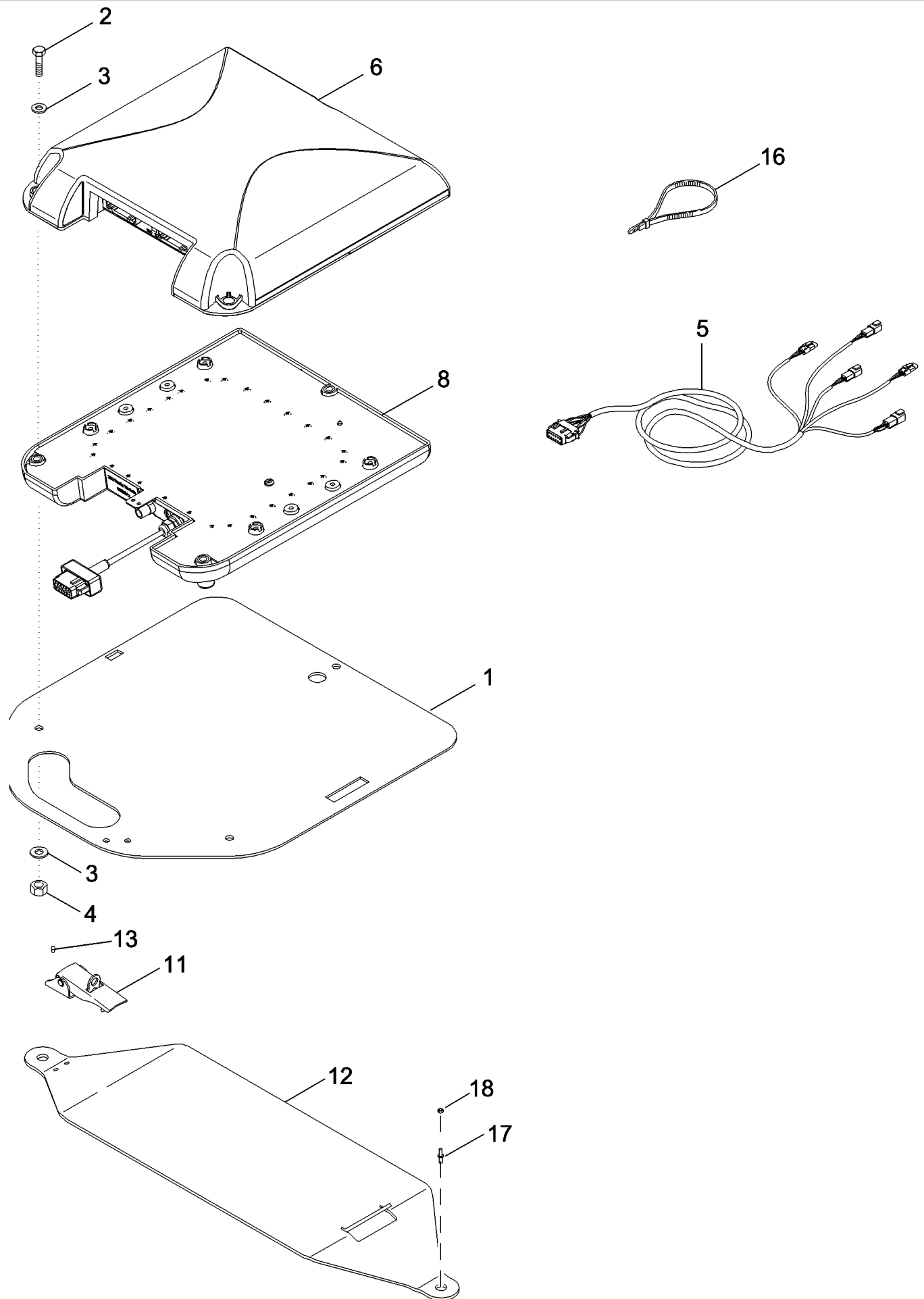


## MX305 CASE IH MAGNUM TRACTOR NA (1/06-9/06)

## 04-49 ACCUGUIDE HARNESSSES

сылка	Номер детали	Кол-во	Описание
2	87365700	1	HARNESS, Inside Cab (Shown), BSN Z7RZ01521
2	87544757	1	HARNESS, Inside Cab, ASN Z7RZ01521
2	87584843	1	HARNESS, Inside Cab, BTW Z6RZ04001 & Z7RZ01521
2	87671560	1	HARNESS, Inside Cab, ASN Z7RZ01521
3	87365702	1	HARNESS, Outside Cab (Shown), BSN Z7RZ01521
3	87544758	1	HARNESS, Outside Cab, ASN Z7RZ01521
4	87640708	1	HARNESS, WIRE, Planter, BSN Z7RZ01521
4	87655057	1	HARNESS, WIRE, Planter, ASN Z7RZ01521
5	86991009	9	STRAP, CABLE,
6	86991000	5	CLAMP,
7	87558218	1	HARNESS, Terminal
7	87544750	1	HARNESS, Codi Jumper (Shown), ASN Z7RZ01521
7	87608504	1	HARNESS, Codi Jumper
8	87522799	1	HARNESS, Valve Jumper, ASN Z7RZ01521
9	87550664	1	HARNESS, Secondary Can Bus, ASN Z7RZ01521
10	87555066	1	PLUG, Secondary Can Jumper, Attach To Secondary Can Bus Harness, ASN Z7RZ01521
12	87546834	1	HARNESS, Implement SWCD Jumper, Use When Implement Bus Does Not Go To SWCD
15	87438413	1	HARNESS, WIRE, Normal Steer
16	87555604	1	HARNESS, Steering Sensor

04-50 ACCUGUIDE RADIO AND ANTENNA



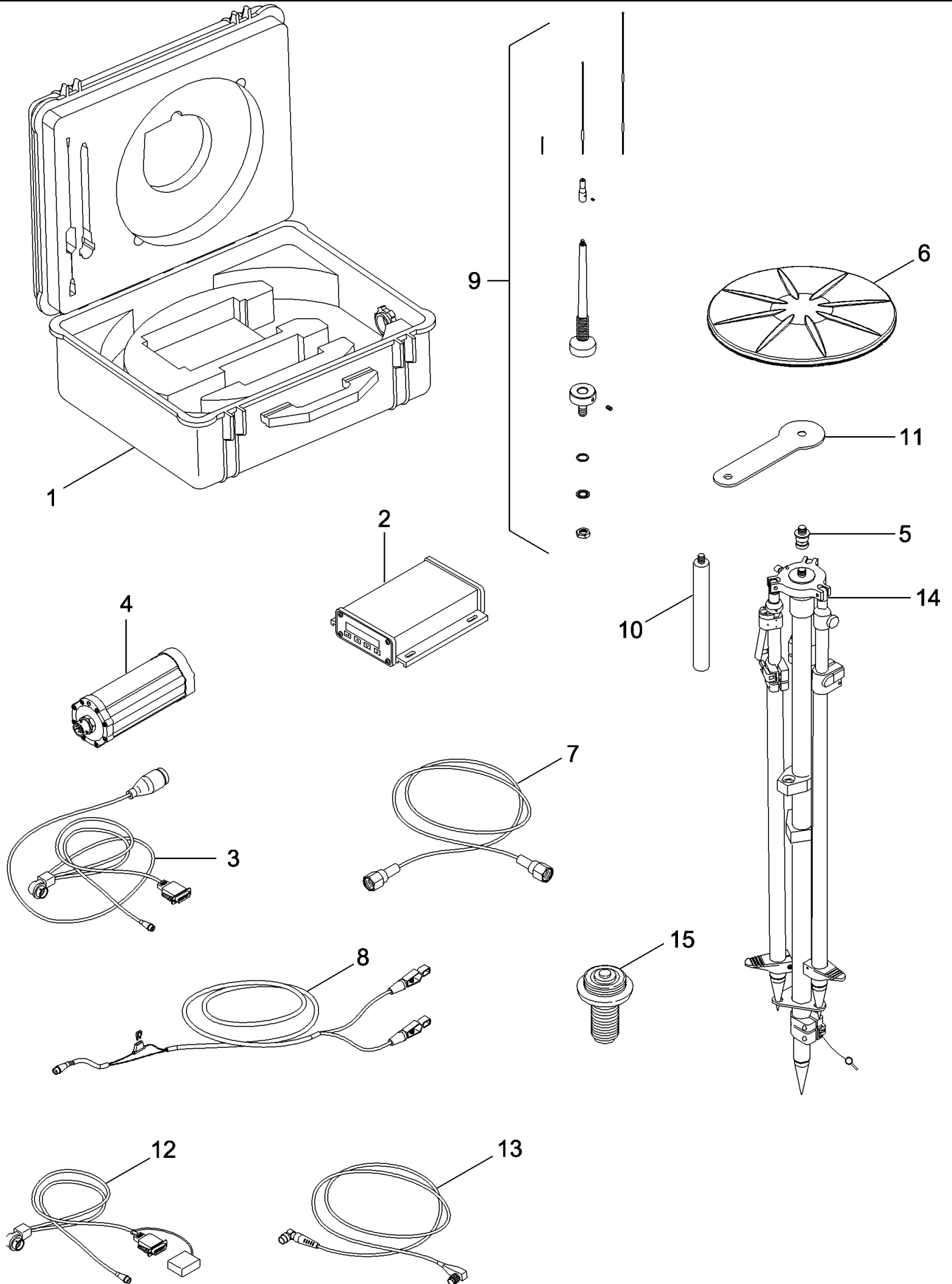
## MX305 CASE IH MAGNUM TRACTOR NA (1/06-9/06)

## 04-50 ACCUGUIDE RADIO AND ANTENNA

сылка	Номер детали	Кол-во	Описание
1	87392607	1	PLATE, MOUNTING, Antenna, BSN Z7RZ01521
1	87568855	1	PLATE, MOUNTING, Antenna, ASN Z7RZ01521
2	814-6060	3	BOLT, Hex, M6 x 60, 8.8,
3	895-11006	6	WASHER, M6,
4	825-5146	3	NUT, M6, Flg Ser,
5	87337451	1	HARNESS, Antenna (Shown), BSN Z7RZ01521
5	87544759	1	HARNESS, Antenna, ASN Z7RZ01521
6	87367705	1	MODULE, Receiver, DGPS, BSN Z6RZ04001
6	87367731	1	MODULE, Receiver, RTK, BTW Z6RZ04001 & Z7RZ01521
6	87598732	1	PACKAGE, REPAIR, Receiver, VBS, ASN Z7RZ01521
7	892-11006	3	WASHER, LOCK, M6, (Not Shown)
8	87666889	1	MODULE, Ag GPS900 RTK Radio
10	614-6025	3	BOLT, Hex, M6 x 25, 8.8, (Not Shown)
11	87308870	1	LATCH,
12	87308099	1	BRACKET, , BSN Z7RZ01521
12	87552885	1	BRACKET, , ASN Z7RZ01521
13	87308841	2	RIVET, Pop, 5/32" x .425",
15	87428357	1	SET, (Not Shown)
16	86991009	2	STRAP, CABLE,
17	237275A1	2	STUD, , ASN Z7RZ01521
18	832-10408	2	NUT, LOCK, M8 x 1.25, CI 8, , ASN Z7RZ01521



04-51 ACCUGUIDE BASE STATION

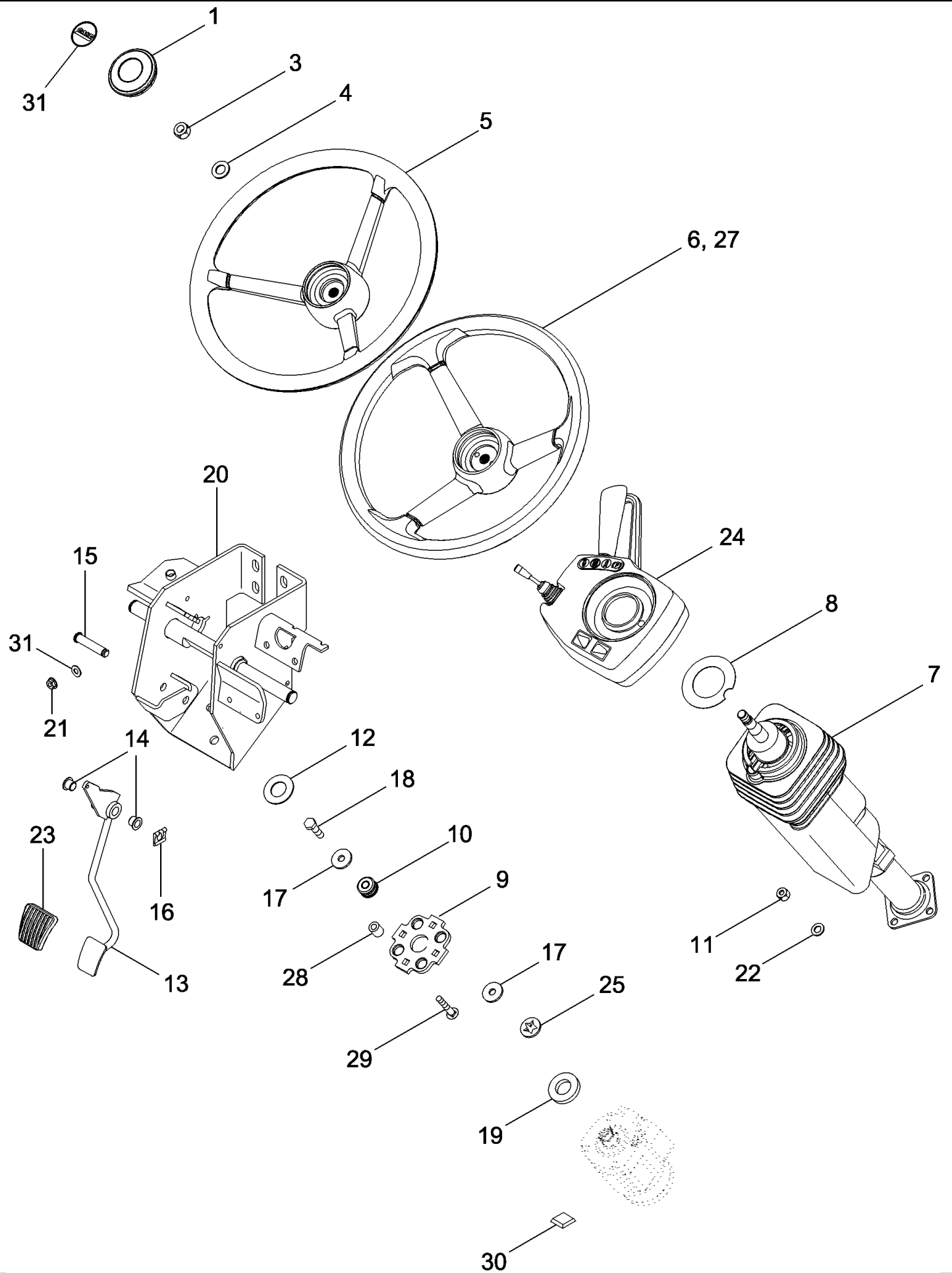


MX305 CASE IH MAGNUM TRACTOR NA (1/06-9/06)

04-51 ACCUGUIDE BASE STATION

сылка	Номер детали	Кол-во	Описание
1	87428190	1	CASE,
2	87428192	1	RADIO,
3	87428193	1	CABLE,
4	87428194	1	RADIO, North America Only
4	87444733	1	RADIO, Australia And New Zealand Only
5	87428195	1	ADAPTER,
6	87428196	1	ANTENNA,
7	87428197	1	CABLE,
8	87428198	1	CABLE ASSY.,
9	87428199	1	ANTENNA,
10	87450292	1	POLE,
11	87428201	1	BRACKET,
12	87428202	1	CABLE,
13	87428203	1	CABLE ASSY.,
14	87428208	1	TRIPOD,
15	87439181	1	ANTENNA,

05-01 STEERING WHEEL AND COLUMN

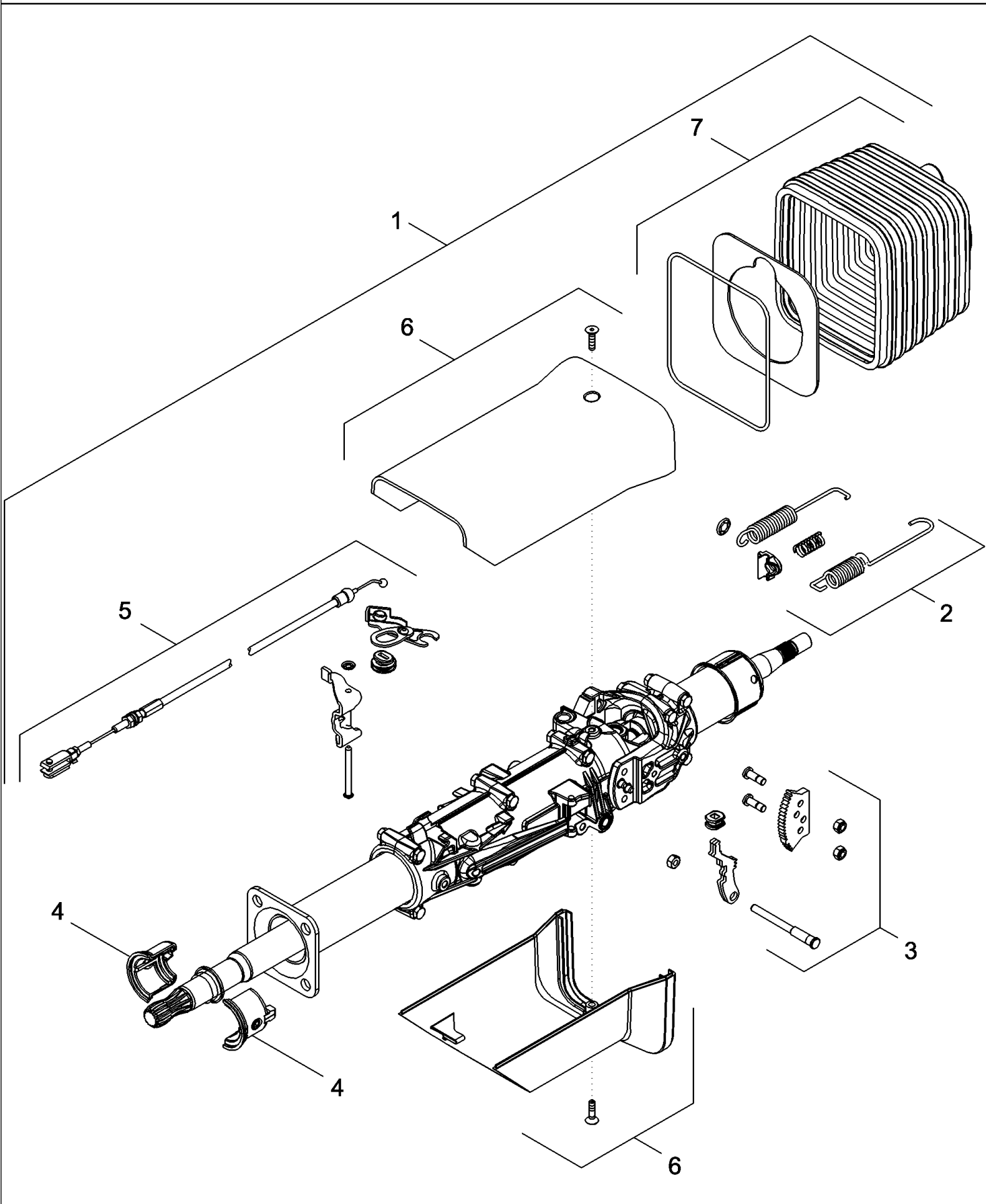


## MX305 CASE IH MAGNUM TRACTOR NA (1/06-9/06)

## 05-01 STEERING WHEEL AND COLUMN

сылка	Номер детали	Кол-во	Описание
1	361024A3	1	CAP,
3	825-11414	1	NUT, M14 x 1.5, CI 8,
4	895-11014	1	WASHER, M14 x 28 x 2.5,
5	224818A3	1	STEERING WHEEL, , Standard Cab
6	301200A1	1	WHEEL (STEERING), , Deluxe Cab
7	406697A2	1	STEERING COLUMN, , See Figure 05-02
8	1977448C2	1	WASHER,
9	366073A1	1	PLATE,
10	434177A1	4	ISOLATOR,
11	832-10410	4	NUT, LOCK, M10 x 1.5, CI 8,
12	307559A1	1	SEAL,
13	295191A3	1	PEDAL,
14	1533540C1	2	EYEBOLT,
15	295192A1	1	SHAFT,
16	277059A1	1	CLIP,
17	496-81028	8	WASHER, 13/32" x 1 1/4" x .134", HDN,
18	614-10035	4	BOLT, Hex, M10 x 35, 8.8, Full Thd,
19	296775A2	1	SEAL,
20	401251A5	1	BRACKET,
21	825-2408	4	NUT, M8 x 1.25, Flg, CI 8,
22	895-11010	4	WASHER, M10 x 20 x 2,
23	323657A1	1	PAD,
24	86993721	1	CONTROL, , See Figure 06-30
25	329677A1	8	RETAINER,
27	359033A1	1	WHEEL (STEERING), , Luxury Cab
28	295478A1	4	SPACER,
29	370105A2	4	BOLT,
30	P741441	4	SPACER,
31	895-25008	4	WASHER, M8 x 20 x 1.6, , ASN Z6RZ04366
32	87613502	1	INSERT,

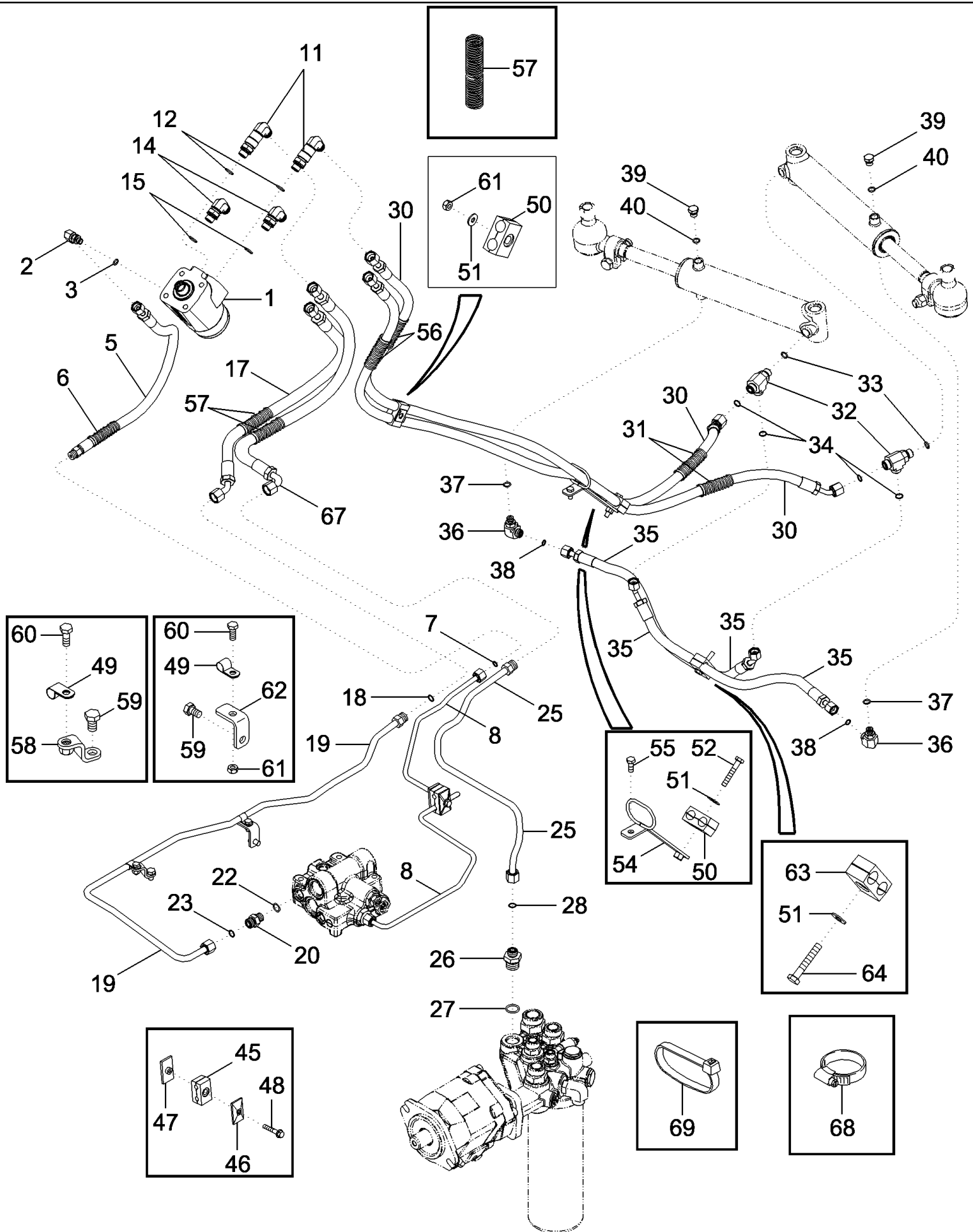
05-02 STEERING COLUMN ASSEMBLY



MX305 CASE IH MAGNUM TRACTOR NA (1/06-9/06)

05-02 STEERING COLUMN ASSEMBLY

сылка	Номер детали	Кол-во	Описание
1	406697A2	1	STEERING COLUMN, Inc. 2 - 7
2	87400095	1	KIT, SERVICE, Springs
3	87400096	1	KIT, SERVICE, Tilt Lock
4	318943A1	1	KIT, SERVICE, Bearings
5	87400097	1	KIT, SERVICE, Lever
6	87400098	1	KIT, SERVICE, Cover
7	87400099	1	KIT, SERVICE, Bellows



## MX305 CASE IH MAGNUM TRACTOR NA (1/06-9/06)

## 05-03 STEERING SYSTEM - MFD - MX215, 245, 275, 305, MAGNUM 215, 245, 275, AND 305

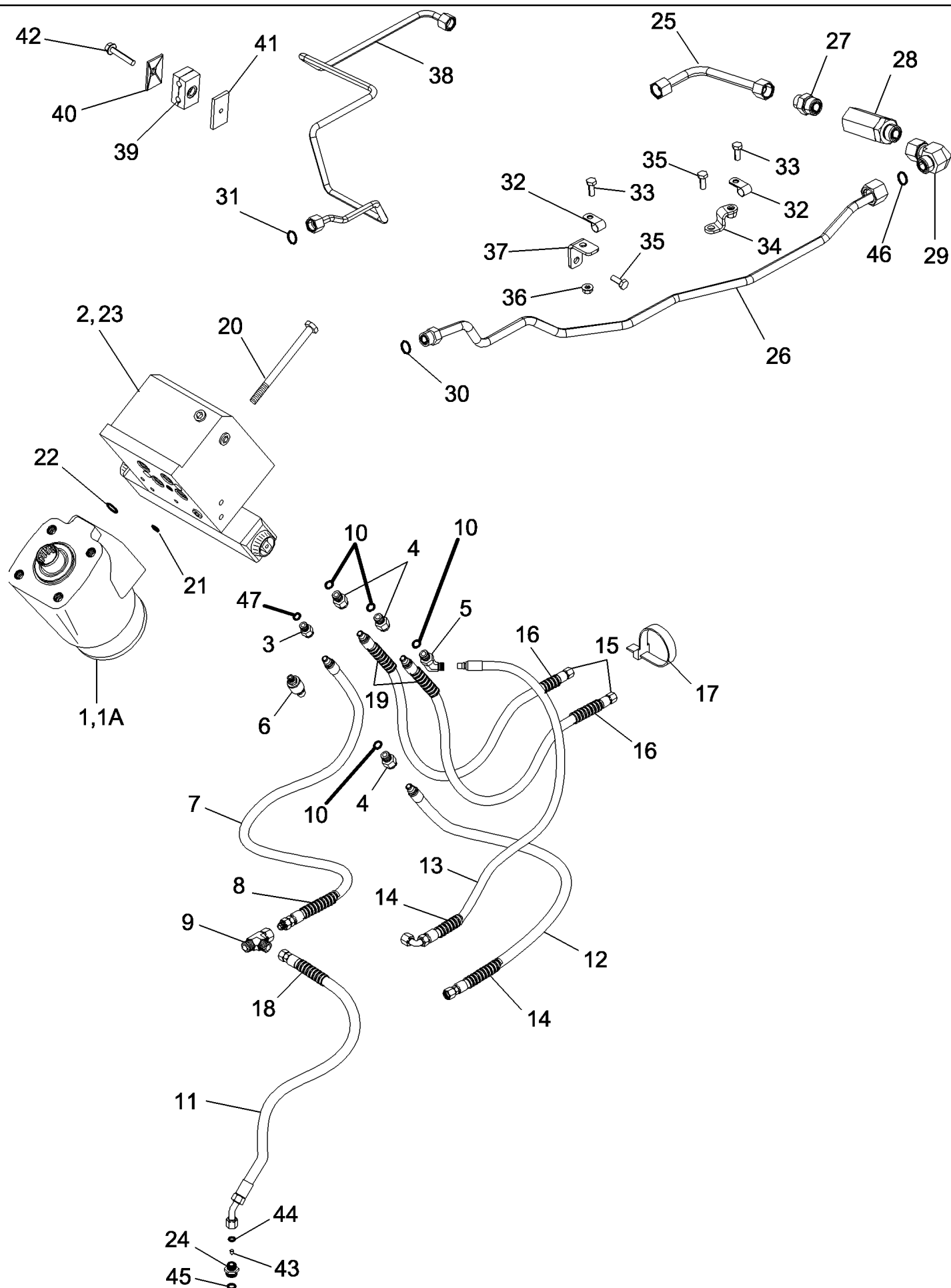
сылка	Номер детали	Кол-во	Описание
1	445303A2	1	PUMP, Steering, With 10 Bolt Hub
1	445304A2	1	PUMP, Steering, With 12 Bolt Hub
2	87401122	1	ELBOW, 11/16 fc sl x 12 Or, Inc. 3
3	637-63093	1	O-RING, CI 6, 9.3MM ID x 2.2 Thk,
5	87401120	1	HOSE, Signal STC
6	87337468	1	CONDUIT, , BSN 10/24/2005
6	87353382	1	CONDUIT, , ASN 10/25/2005
7	238-6012	1	O-RING, -012, 90 Duro, .364" ID x .070" Thk,
8	87367650	1	TUBE ASSY.,
11	87401124	2	ELBOW, 13/16 fc sl x 18 Or, Inc. 12
12	637-63153	1	O-RING, CI 6, 15.3MM ID x 2.2 Thk,
14	87401123	2	ELBOW, 13/16 fc sl x 18 Or, Inc. 15
15	637-63153	1	O-RING, CI 6, 15.3MM ID x 2.2 Thk,
17	87352870	1	HOSE, Supply (Shown), BSN 07/06/2006
17	87524955	1	HOSE, Supply, ASN 07/07/2006
18	238-6014	1	O-RING, -014, 90 Duro, .489" ID x .070" Thk,
19	433591A1	1	TUBE ASSY., Supply
20	700-102	1	CONNECTOR, HYD., 13/16"-16 ORFS x M18 x 1.5 ORB, Inc. 22, 23
22	637-63153	1	O-RING, CI 6, 15.3MM ID x 2.2 Thk,
23	238-6014	1	O-RING, -014, 90 Duro, .489" ID x .070" Thk,
25	87449707	1	TUBE ASSY., Return
26	86597761	1	CONNECTOR, HYD., 13/16"-16 ORFS x M27 x 2 ORB, Incl. 27, 28
27	637-64236	1	O-RING, CI 6, 23.6MM ID x 2.9 Thk,
28	238-6014	1	O-RING, -014, 90 Duro, .489" ID x .070" Thk,
30	87401118	2	HOSE ASSY., Steering Cylinder Supply
30	87417700	2	HOSE, Steering Cylinder Supply, Suspended MFD Axle
31	408411A1	2	CONDUIT,
32	700-412	2	TEE, 13/16"-16 ORFS x M18 x 1.5 ORB Run, Inc. 33, 34
33	637-63153	1	O-RING, CI 6, 15.3MM ID x 2.2 Thk,
34	238-6014	2	O-RING, -014, 90 Duro, .489" ID x .070" Thk,
35	249817A2	2	HOSE, Steering Cylinder
36	700-304	2	ELBOW, 90°, 11/16"-18 ORFS x M14 x 1.5 ORB, Incl. 37, 38
37	637-63113	1	O-RING, CI 6, 11.3MM ID x 2.2 Thk,
35	87414880	2	HOSE, Steering Cylinder, Suspended MFD Axle
38	238-6012	1	O-RING, -012, 90 Duro, .364" ID x .070" Thk,
39	220064A1	2	PLUG, M14 x 1.5, ORB, Inc. 40
40	637-63113	1	O-RING, CI 6, 11.3MM ID x 2.2 Thk,
45	1546024C1	1	CLAMP, 2 piece
47	384871A1	1	PLATE, M8; 10
46	384870A1	1	PLATE, 9 x 20 x 1.6 mm
48	844-8045	1	BOLT, Hex Flg, M8 x 45, 8.8,
50	387161A1	2	CLAMP,
49	515-22127	2	CLAMP, 1/2", Insul, 5/16" Bolt,
50	387161A1	3	CLAMP, , Suspended MFD Axle
51	895-15008	3	WASHER, M8 x 20 x 1.6,



## MX305 CASE IH MAGNUM TRACTOR NA (1/06-9/06)

05-03 STEERING SYSTEM - MFD - MX215, 245, 275, 305, MAGNUM 215, 245, 275, AND 305

сылка	Номер детали	Кол-во	Описание
52	814-8050	1	BOLT, Hex, M8 x 50, 8.8,
52	814-8050	2	BOLT, Hex, M8 x 50, 8.8, , Suspended MFD Axle
54	403534A1	1	BRACKET,
55	555-1	1	BOLT, Hex Flg, M8 x 16, 8.8,
56	87443446	2	CONDUIT, , BSN 07/06/2006
56	87353384	2	CONDUIT, , ASN 07/07/2006
57	87337468	2	CONDUIT, , BSN 10/25/2005
57	87451398	2	CONDUIT, , ASN 10/25/2005
57	408412A1	5	CONDUIT, , Suspended MFD Axle
58	86988840	1	BRACKET,
59	614-10016	2	BOLT, Hex, M10 x 16, 8.8, Full Thd,
60	614-8020	2	BOLT, Hex, M8 x 20, 8.8,
61	829-1408	1	NUT, M8, CI 10,
62	86988838	1	BRACKET,
63	118576A1	1	CLAMP,
64	814-8055	1	BOLT, Hex, M8 x 55, 8.8,
65	829-1408	1	NUT, M8, CI 10, (Not Shown)
66	87454545	1	KIT, SEALS, Seal, Steering Pump, (Not Shown)
67	87363326	1	HOSE, Return (Shown), BSN 07/06/2006
67	87306477	1	HOSE, Return, ASN 07/06/2006
68	214-1408	1	CLAMP, HOSE, #08, 0.50/0.91 Type F Worm,
69	L11541	1	STRAP, CABLE,
70	86991007	1	STRAP, CABLE,



## MX305 CASE IH MAGNUM TRACTOR NA (1/06-9/06)

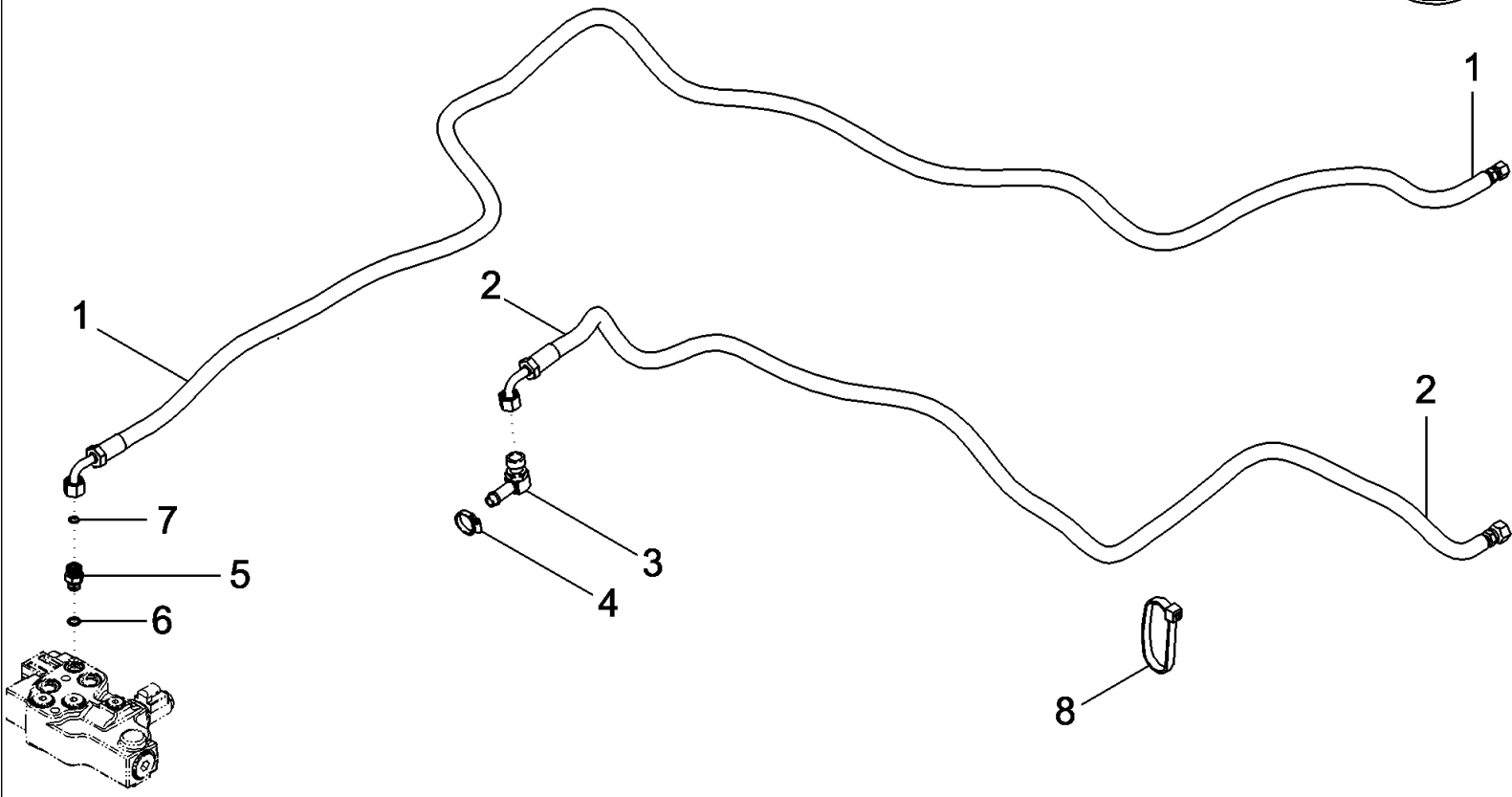
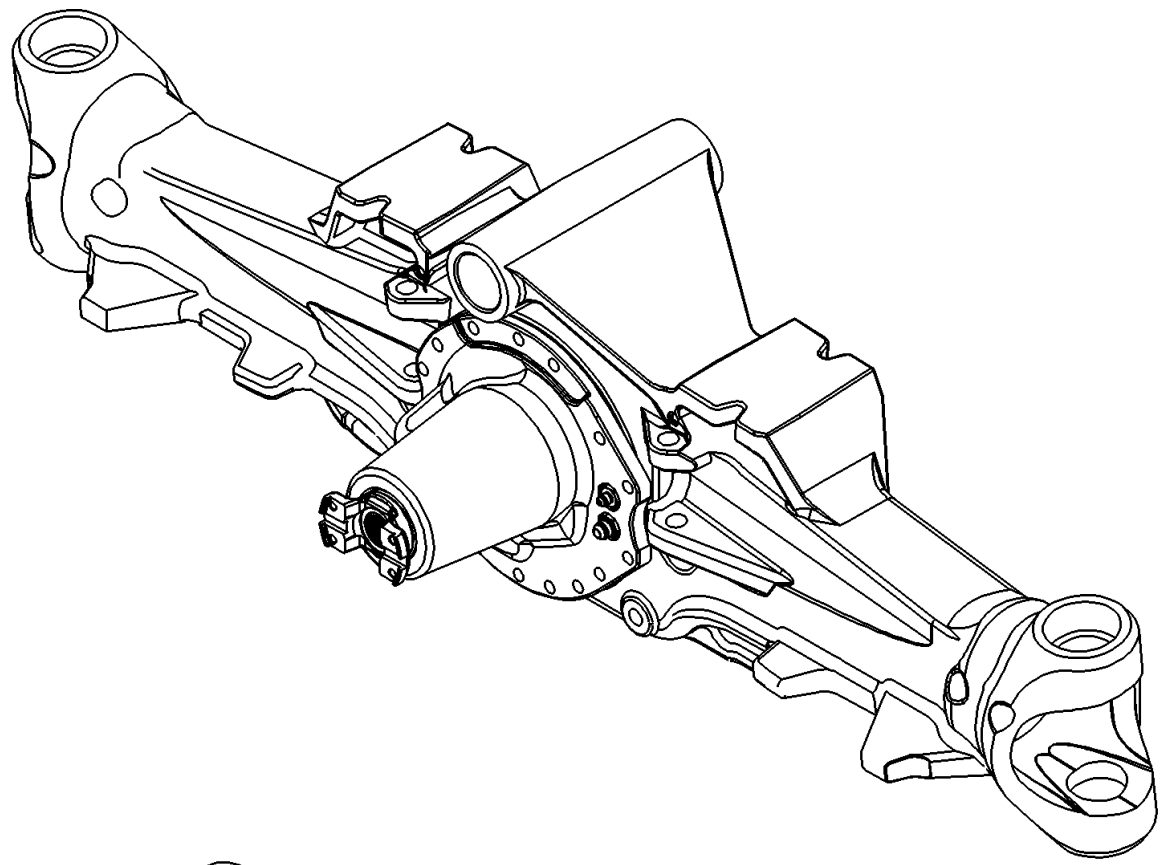
## 05-05 STEERING SYSTEM - MFD WITH ACCUGUIDE

сылка	Номер детали	Кол-во	Описание
1	87315007	1	PUMP, Steering, With 10 Bolt Hub
1	87315009	1	PUMP, Steering, With 12 Bolt Hub
1A	87454545	1	KIT, SEALS, Seal
2	87361918	1	VALVE, Accuguide, Inc. 23
3	87331073	1	CONNECTOR, HYD., M14 x 1.5, Inc. 47
4	87331075	3	CONNECTOR, HYD., M18 x 1.5, Inc. 10
5	87345924	1	FITTING, 45 Degree, Inc. 10 (Shown), BSN Z6RZ04001
5	87331075	1	CONNECTOR, HYD., M18 x 1.5, Inc. 10, ASN Z6RZ04001
6	87428328	1	SENSOR, High Pressure
7	87363334	1	HOSE, Signal STC (Shown), BSN Z7RZ01521
7	87401120	1	HOSE, Signal STC, ASN Z7RZ01521
8	87353382	1	CONDUIT,
9	701-422	1	TEE, 11/16"-16 ORFS x 11/16"-16 Fem Sw Run,
10	637-63153	1	O-RING, CI 6, 15.3MM ID x 2.2 Thk,
11	87366166	1	HOSE,
12	87352870	1	HOSE, Supply (Shown), BSN Z6RZ04001
12	87349616	1	HOSE, Supply, ASN Z6RZ04001
13	87363326	1	HOSE, Return (Shown), BSN Z6RZ04001
13	87306477	1	HOSE, Return, ASN Z6RZ04001
14	87451398	2	CONDUIT,
15	87401118	2	HOSE ASSY.,
16	87443446	2	CONDUIT, , BSN Z6RZ04001
16	87353384	2	CONDUIT, , ASN Z6RZ04001
17	86991007	2	STRAP, CABLE,
18	408412A1	1	CONDUIT,
19	408411A1	2	CONDUIT,
20	864-12120	2	SCREW, Hex Soc Hd, M12 x 120, 8.8,
21	238-6113	1	O-RING, -113, 90 Duro, .549" ID x .103" Thk,
22	238-6117	4	O-RING, -117, 90 Duro, .799" ID x .103" Thk,
23	87386344	1	VALVE, Shuttle (Not Shown)
24	87361919	1	ORIFICE, Inc. 43 - 45
25	87620399	1	TUBE ASSY., Supply (Before Screen)
26	87620401	1	TUBE ASSY., Supply (After Screen)
27	201-135	1	CONNECTOR, HYD., 1"-14 x 13/16"-16 ORFS,
28	87319429	1	CONNECTOR, HYD.,
29	701-361	1	ELBOW, 90e, 1"-14 ORFS x 1"-14 Fem Sw, Incl. 46
30	238-6014	1	O-RING, -014, 90 Duro, .489" ID x .070" Thk,
31	238-6012	1	O-RING, -012, 90 Duro, .364" ID x .070" Thk,
32	515-22127	2	CLAMP, 1/2", Insul, 5/16" Bolt,
33	614-8020	2	BOLT, Hex, M8 x 20, 8.8,
34	86988840	1	BRACKET,
35	614-10016	2	BOLT, Hex, M10 x 16, 8.8, Full Thd,
36	829-1408	1	NUT, M8, CI 10,
37	86988838	1	BRACKET,
38	87367650	1	TUBE ASSY.,

MX305 CASE IH MAGNUM TRACTOR NA (1/06-9/06)

05-05 STEERING SYSTEM - MFD WITH ACCUGUIDE

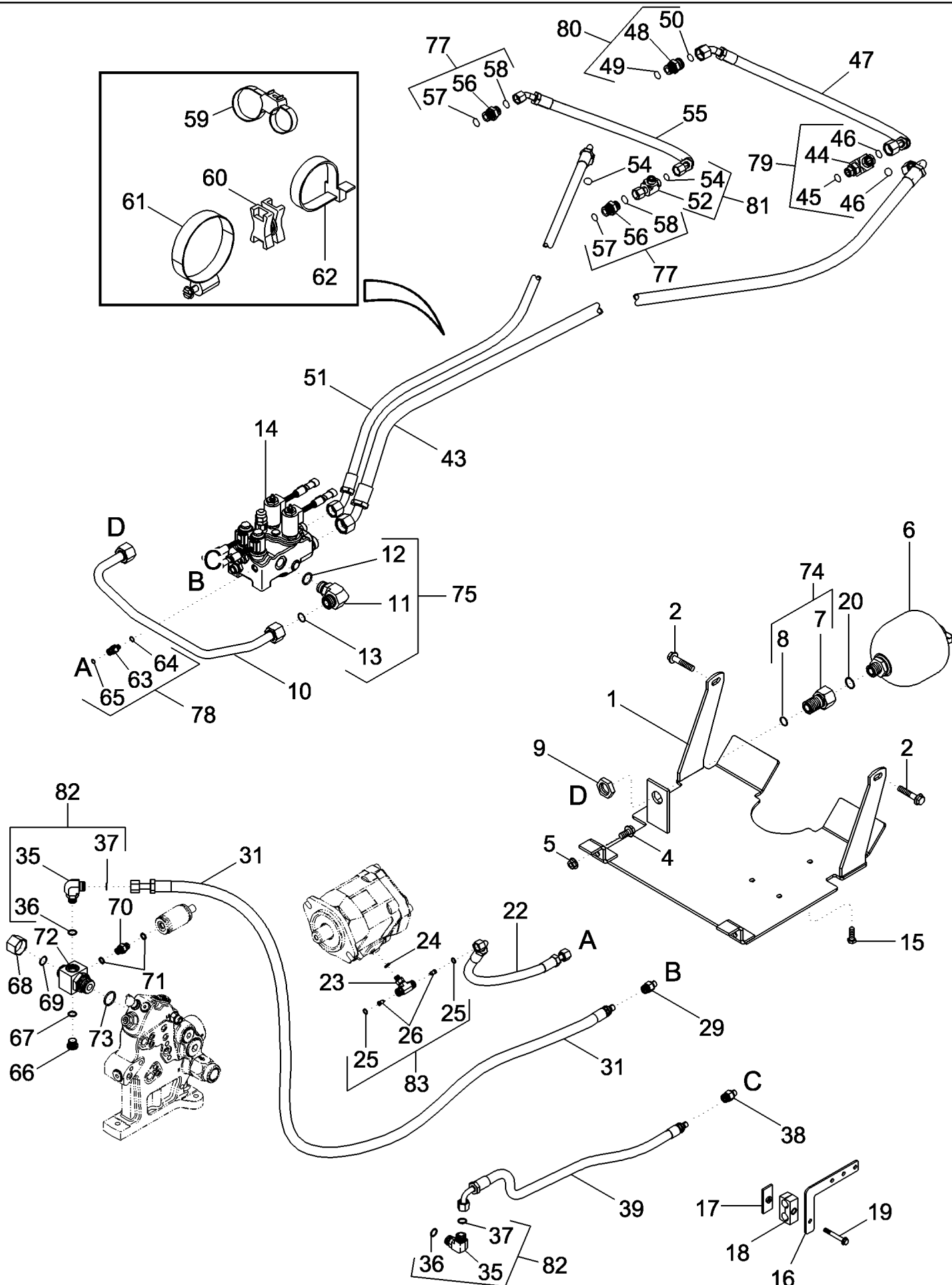
сылка	Номер детали	Кол-во	Описание
39	1546024C1	1	CLAMP,
40	384870A1	1	PLATE,
41	384871A1	1	PLATE,
42	844-8045	1	BOLT, Hex Flg, M8 x 45, 8.8,
43	133519C1	1	SCREEN,
44	238-6014	1	O-RING, -014, 90 Duro, .489" ID x .070" Thk,
45	637-64236	1	O-RING, CI 6, 23.6MM ID x 2.9 Thk,
46	238-6016	1	O-RING, -016, 90 Duro, .614" ID x .070" Thk,
47	637-63113	1	O-RING, CI 6, 11.3MM ID x 2.2 Thk,



MX305 CASE IH MAGNUM TRACTOR NA (1/06-9/06)

05-06 HYDRAULIC SYSTEM - MFD DIFFERENTIAL LOCK - MX215, 245, 275, 305, MAGNUM 215, 245, 275, AND 305

сылка	Номер детали	Кол-во	Описание
1	414556A2	1	HOSE ASSY., Supply
2	87445145	1	HOSE ASSY., Return, Suspended Axle 10 Bolt Hub
2	87605685	1	HOSE ASSY., Front Diff Lock Return
3	87454069	1	ELBOW, Standard Axle 10 Bolt Hub, Standard Axle 12 Bolt Hub, Suspended Axle 12 Bolt Hub
4	214-1408	1	CLAMP, HOSE, #08, 0.50/0.91 Type F Worm, Standard Axle 10 Bolt Hub, Standard Axle 12 Bolt Hub, Suspended Axle 12 Bolt Hub
5	700-101	1	CONNECTOR, HYD., 11/16"-16 ORFS x M14 x 1.5 ORB, Incl. 6, 7
6	637-63113	1	O-RING, CI 6, 11.3MM ID x 2.2 Thk,
7	238-6012	1	O-RING, -012, 90 Duro, .364" ID x .070" Thk,
8	L11541	2	STRAP, CABLE, Return Hose



## MX305 CASE IH MAGNUM TRACTOR NA (1/06-9/06)

## 05-08 HYDRAULIC SYSTEM - SUSPENDED MFD AXLE, BSN Z7RZ05179

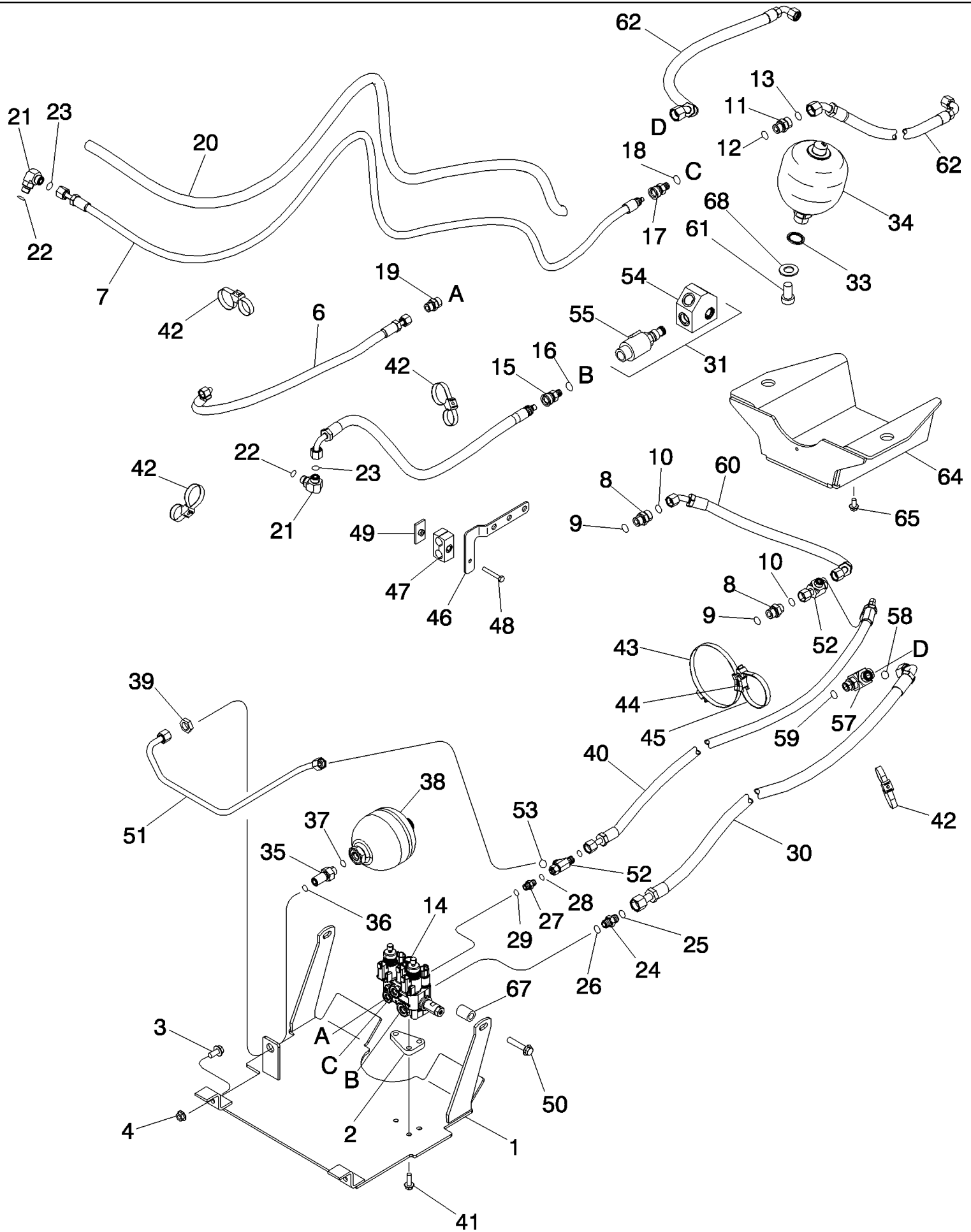
сылка	Номер детали	Кол-во	Описание
1	87453236	1	BRACKET,
2	844-12060	2	BOLT, Hex Flg, M12 x 60, 8.8,
3	444954A1	2	SPACER,
4	844-12025	2	BOLT, Hex Flg, M12 x 25, 8.8,
5	825-2412	2	NUT, M12 x 1.75, Flg, CI 8,
6	452005A1	1	ACCUMULATOR,
7	NSS	1	NOT SERVICED SEPARATELY, Adapter
8	238-6018	1	O-RING, -018, 90 Duro, .739" ID x .070" Thk,
9	701-1249	1	NUT, LOCK, 1 3/16"-12, ORFS Blkhd,
10	87453240	1	TUBE ASSY.,
11	NSS	1	NOT SERVICED SEPARATELY, Fitting
12	637-64236	1	O-RING, CI 6, 23.6MM ID x 2.9 Thk,
13	238-6018	1	O-RING, -018, 90 Duro, .739" ID x .070" Thk,
14	87454196	1	VALVE, Suspended Axle Control, See Figure 05-09
15	514-742	3	BOLT, Hex, M10 x 1.25 x 30, 10.9, Full Thd,
16	87667044	1	BRACKET,
17	384871A1	1	PLATE,
18	329804A1	1	FIXING BRACKET,
19	814-8055	1	BOLT, Hex, M8 x 55, 8.8,
20	637-64236	1	O-RING, CI 6, 23.6MM ID x 2.9 Thk,
22	87671509	1	HOSE, Valve Load Sense
23	NSS	1	NOT SERVICED SEPARATELY, Tee
24	637-63093	1	O-RING, CI 6, 9.3MM ID x 2.2 Thk,
25	238-6012	2	O-RING, -012, 90 Duro, .364" ID x .070" Thk,
26	133519C1	2	SCREEN,
29	87452691	1	CONNECTOR, HYD., M14 x STC
31	87452965	1	HOSE ASSY., Supply
35	NSS	1	NOT SERVICED SEPARATELY, ELBOW
36	86598101	1	O-RING, CI 6, 15.3MM ID x 2.2 Thk,
37	9992298	1	O-RING, -014, 90 Duro, .489" ID x .070" Thk,
38	87452690	1	CONNECTOR, HYD., M16 x STC
39	87452963	1	HOSE ASSY., Return
40	NSS	1	NOT SERVICED SEPARATELY, ADAPTER
41	237-6008	1	O-RING, 8-1, 90 Duro, .644" ID x .087" Thk,
42	238-6014	1	O-RING, -014, 90 Duro, .489" ID x .070" Thk,
43	87435438	1	HOSE,
44	NSS	1	NOT SERVICED SEPARATELY, TEE
45	637-63193	1	O-RING, CI 6, 19.3MM ID x 2.2 Thk,
46	238-6016	2	O-RING, -016, 90 Duro, .614" ID x .070" Thk,
47	86990963	1	HOSE, FLEXIBLE,
48	NSS	1	NOT SERVICED SEPARATELY, CONNECTOR
49	637-63193	1	O-RING, CI 6, 19.3MM ID x 2.2 Thk,
50	238-6016	1	O-RING, -016, 90 Duro, .614" ID x .070" Thk,
51	87435439	1	HOSE,
52	NSS	1	NOT SERVICED SEPARATELY, TEE



## MX305 CASE IH MAGNUM TRACTOR NA (1/06-9/06)

## 05-08 HYDRAULIC SYSTEM - SUSPENDED MFD AXLE, BSN Z7RZ05179

сылка	Номер детали	Кол-во	Описание
54	238-6014	2	O-RING, -014, 90 Duro, .489" ID x .070" Thk,
55	86990964	1	HOSE,
56	NSS	1	NOT SERVICED SEPARATELY, CONNECTOR
57	637-63193	1	O-RING, CI 6, 19.3MM ID x 2.2 Thk,
58	238-6014	1	O-RING, -014, 90 Duro, .489" ID x .070" Thk,
59	86991000	2	CLAMP,
60	86991001	1	SPACER,
61	214-1544	1	CLAMP, HOSE, #44, 2.31/3.25 Type F Worm, W/liner,
62	86991007	2	STRAP, CABLE,
63	NSS	1	NOT SERVICED SEPARATELY, CHECK VALVE
64	637-63153	1	O-RING, CI 6, 15.3MM ID x 2.2 Thk,
65	238-6011	1	O-RING, -011, 90 Duro, .301" ID x .070" Thk,
66	221578A1	1	PLUG, Hex Soc, M18 x 1.5, ORB, Inc. 67
67	637-63153	1	O-RING, CI 6, 15.3MM ID x 2.2 Thk,
68	701-907	1	CAP, 1 3/16"-12 ORFS, Inc. 69
69	238-6018	1	O-RING, -018, 90 Duro, .739" ID x .070" Thk,
70	87403003	1	CONNECTOR, HYD., Inc. 71
71	637-63113	2	O-RING, CI 6, 11.3MM ID x 2.2 Thk,
72	87402551	1	TEE, Inc. 73
73	637-64296	1	O-RING, CI 6, 29.6MM ID x 2.9 Thk,
74	86983862	1	CONNECTION, 3 WAY, Inc. 8
75	700-307	1	ELBOW, 90e, 1 3/16"-12 ORFS x M27 x 2 ORB, Incl. 11 - 13
76	201-102	1	CONNECTOR, HYD., 13/16"-16 ORFS x 3/4"-16 ORB, Inc. 40 - 42
77	700-162	2	CONNECTOR, HYD., 13/16"-16 ORFS x M22 x 1.5 ORB, Inc. 56 - 58
78	86984110	1	VALVE, Check, Inc. 63 - 65
79	700-420	1	TEE, 1"-14 ORFS x M22 x 1.5 ORB Run, Inc. 44 - 46
80	700-103	1	CONNECTOR, HYD., 1"-14 ORFS x M22 x 1.5 ORB, Incl. 48 - 50
81	701-416	1	TEE, 13/16"-16 ORFS x 13/16"-16 Fem Sw Run, Inc. 52, 54
82	86579691	1	ELBOW, 90e, 13/16"-18 ORFS x M18 x 1.5 ORB, Inc. 35 - 37
83	86994121	1	TEE, Inc. 23 - 26



## MX305 CASE IH MAGNUM TRACTOR NA (1/06-9/06)

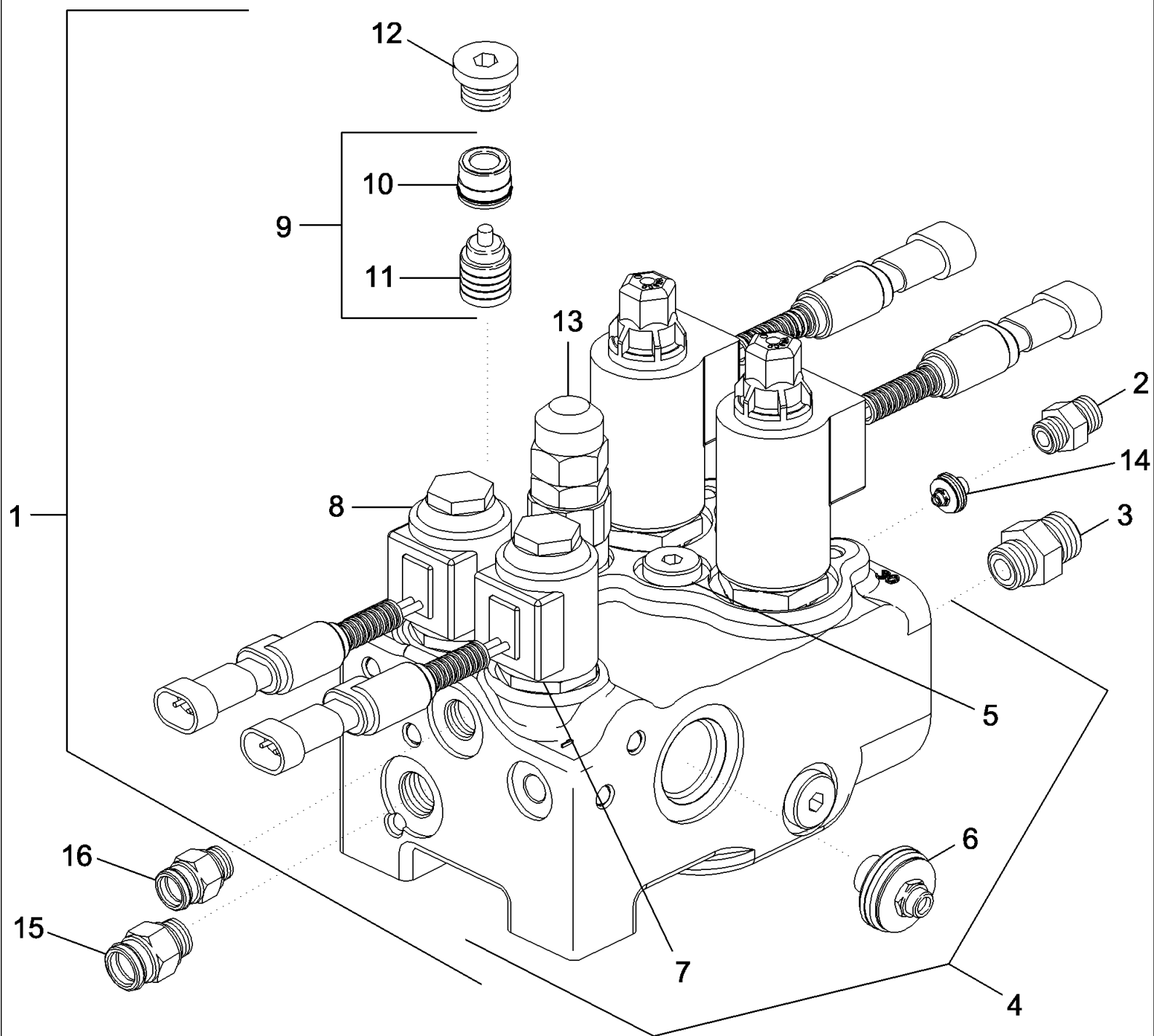
## 05-09 HYDRAULIC SYSTEM - SUSPENDED MFD AXLE, ASN Z7RZ05179

сылка	Номер детали	Кол-во	Описание
1	84129153	1	Suspended Axle valve
2	NSS	1	NOT SERVICED SEPARATELY, SPACER
3	844-12025	2	BOLT, Hex Flg, M12 x 25, 8.8,
4	825-2412	2	NUT, M12 x 1.75, Flg, Cl 8,
5	87671508	1	HOSE ASSY., Valve Return
6	87671509	1	HOSE, Valve Load Sense
7	87671510	1	HOSE, Valve Supply
8	700-162	2	CONNECTOR, HYD., 13/16"-16 ORFS x M22 x 1.5 ORB, Inc. 9, 10
9	637-63193	1	O-RING, Cl 6, 19.3MM ID x 2.2 Thk,
10	238-6014	1	O-RING, -014, 90 Duro, .489" ID x .070" Thk,
11	700-162	1	CONNECTOR, HYD., 13/16"-16 ORFS x M22 x 1.5 ORB, Inc. 12, 13
12	637-63193	1	O-RING, Cl 6, 19.3MM ID x 2.2 Thk,
13	238-6016	1	O-RING, -016, 90 Duro, .614" ID x .070" Thk,
14	87668716	1	VALVE, Suspended Axle Control, See Figure 05-11
15	87331075	1	CONNECTOR, HYD., Inc. 16
16	637-63153	1	O-RING, Cl 6, 15.3MM ID x 2.2 Thk,
17	87602611	1	CONNECTOR, HYD., Inc. 18
18	637-63133	1	O-RING, Cl 6, 13.3MM ID x 2.2 Thk,
19	223971A1	1	VALVE, CHECK,
20	87403388	1	CONDUIT,
21	700-305	2	ELBOW, 90°, 13/16"-18 ORFS x M18 x 1.5 ORB, Inc. 22, 23
22	637-63153	1	O-RING, Cl 6, 15.3MM ID x 2.2 Thk,
23	238-6014	1	O-RING, -014, 90 Duro, .489" ID x .070" Thk,
24	87389189	1	Inc. 25, 26
25	637-63133	1	O-RING, Cl 6, 13.3MM ID x 2.2 Thk,
26	238-6016	1	O-RING, -016, 90 Duro, .614" ID x .070" Thk,
27	700-169	1	CONNECTOR, HYD., 13/16"-16 ORFS x M16 x 1.5 ORB, Inc. 28, 29
28	637-63133	1	O-RING, Cl 6, 13.3MM ID x 2.2 Thk,
29	238-6014	1	O-RING, -014, 90 Duro, .489" ID x .070" Thk,
30	87637499	1	HOSE,
31	87749687	1	VALVE, Blocking, Inc. 54, 55
33	340493A2	2	SEAL,
34	87622941	2	ACCUMULATOR, 1.4 Liter
35	87381298	1	Inc. 36, 37
36	237-6008	1	O-RING, 8-1, 90 Duro, .644" ID x .087" Thk,
37	238-6014	1	O-RING, -014, 90 Duro, .489" ID x .070" Thk,
38	87602613	1	ACCUMULATOR, 1.0 Liter
39	701-903	1	NUT, LOCK, 13/16"-16, ORFS Blkhd,
40	87637500	1	HOSE, Valve B Port
41	844-10030	3	BOLT, Hex Flg, M10 x 30, 8.8, Full Thd,
42	86991000	4	CLAMP,
43	214-14104	1	CLAMP, HOSE, #104, 6.12/7.00 Type F Worm,
44	86991001	1	SPACER,
45	86991007	1	STRAP, CABLE,
46	87667044	1	BRACKET,

MX305 CASE IH MAGNUM TRACTOR NA (1/06-9/06)

05-09 HYDRAULIC SYSTEM - SUSPENDED MFD AXLE, ASN Z7RZ05179

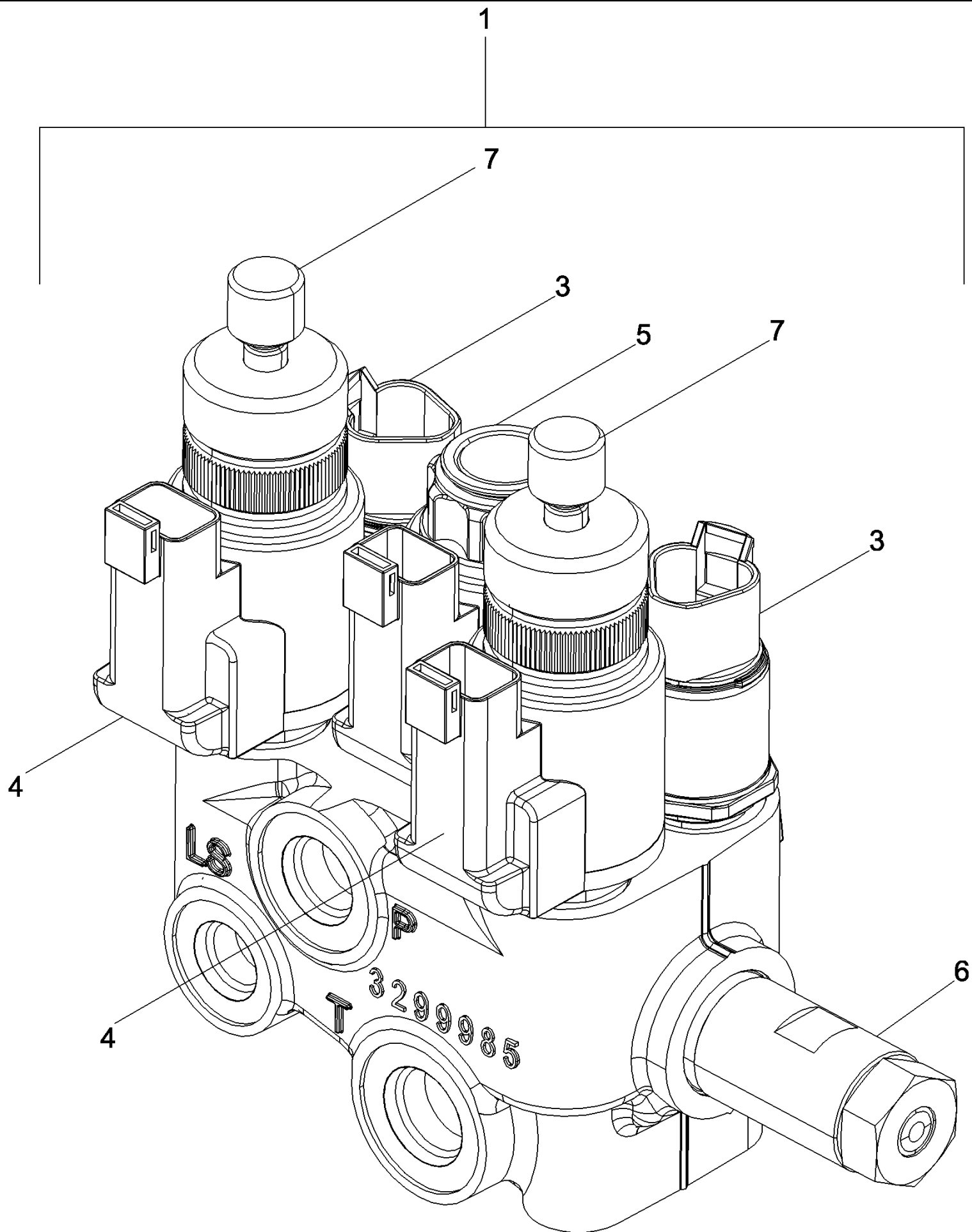
сылка	Номер детали	Кол-во	Описание
47	329804A1	1	FIXING BRACKET,
48	814-8055	1	BOLT, Hex, M8 x 55, 8.8,
49	384871A1	1	PLATE,
50	844-12060	2	BOLT, Hex Flg, M12 x 60, 8.8,
51	87664546	1	TUBE, Valve to 1.0 Liter Accumulator
52	701-416	2	TEE, 13/16"-16 ORFS x 13/16"-16 Fem Sw Run, Inc. 53
53	238-6014	2	O-RING, -014, 90 Duro, .489" ID x .070" Thk,
54	87749685	1	BODY,
55	87749686	1	SOLENOID,
57	700-420	1	TEE, 1"-14 ORFS x M22 x 1.5 ORB Run, Inc. 58, 59
58	637-63193	1	O-RING, CI 6, 19.3MM ID x 2.2 Thk,
59	238-6016	2	O-RING, -016, 90 Duro, .614" ID x .070" Thk,
60	87623748	1	HOSE, Cylinder Crossover
61	2186808	2	SCREW,
62	87750164	2	HOSE, Accumulator to Cylinder
64	87749693	1	BRACKET,
65	844-10025	4	BOLT, Hex Flg, M10 x 25, 8.8, Full Thd,
67	444954A1	2	SPACER,
68	896-11024	2	WASHER, M24 x 44.5 x 5, HT,



MX305 CASE IH MAGNUM TRACTOR NA (1/06-9/06)

05-10 VALVE ASSY - SUSPENDED MFD AXLE, BSN Z7RZ05179

сылка	Номер детали	Кол-во	Описание
1	87454196	1	VALVE, Suspended Axle Control, Inc. 2 - 14
2	47125482	1	CONNECTOR, HYD., M27 x 1 in
3	82019639	1	CONNECTOR, HYD., M27 x 1-3/16 in
4	87439776	1	VALVE, Without Fittings, Inc. 5 - 14
5	47126454	1	SCREW,
6	47126449	1	VALVE, CHECK,
7	82025708	2	BODY, Solenoid
8	82025709	2	SOLENOID, Coil
9	87437896	1	KIT, SERVICE, Inc. 10, 11
10	87437191	1	VALVE, Poppet
11	87437192	1	PISTON,
12	47126452	1	PLUG,
13	47126451	1	VALVE, PRESSURE RELIEF,
14	87435072	1	VALVE,
15	87452690	1	CONNECTOR, HYD., M16 x 13/16 in
16	87452691	1	CONNECTOR, HYD., M14 x 11/16 in

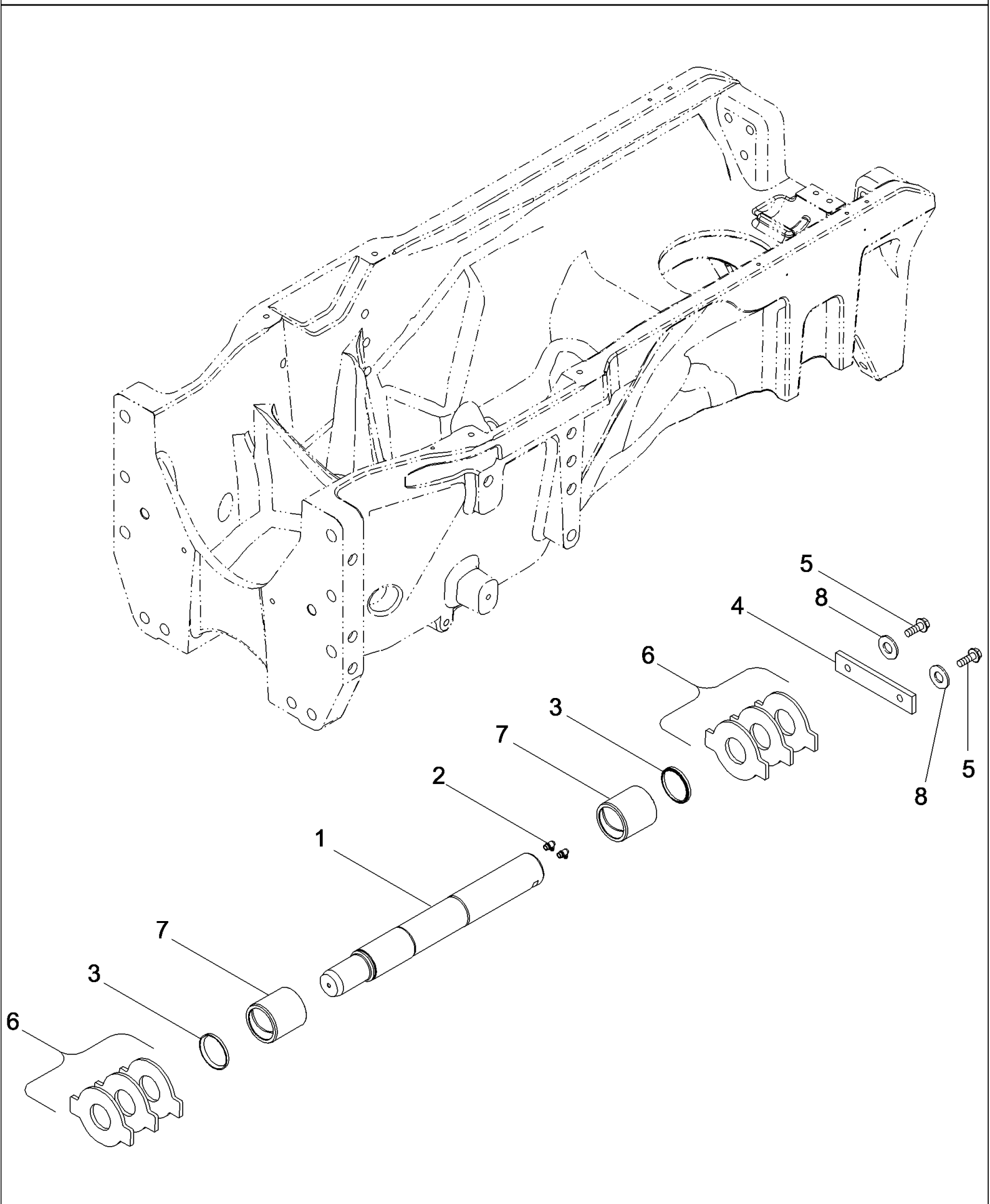


MX305 CASE IH MAGNUM TRACTOR NA (1/06-9/06)

05-11 VALVE ASSY - SUSPENDED MFD AXLE, ASN Z7RZ05179

сылка	Номер детали	Кол-во	Описание
1	87668716	1	VALVE, Suspended Axle Control, Inc. 2 - 7
2	84130917	3	COIL, Solenoid (Not Shown)
3	84130918	2	SENSOR, Pressure
4	84130919	2	SOLENOID, 2/2 Cartridge Valve without Coil, Seat type
5	84130920	1	SOLENOID, 3/2 Cartridge Valve without Coil, Spool Type
6	84130921	1	VALVE, PRESSURE RELIEF,
7	84130922	2	CAP, Manual Override

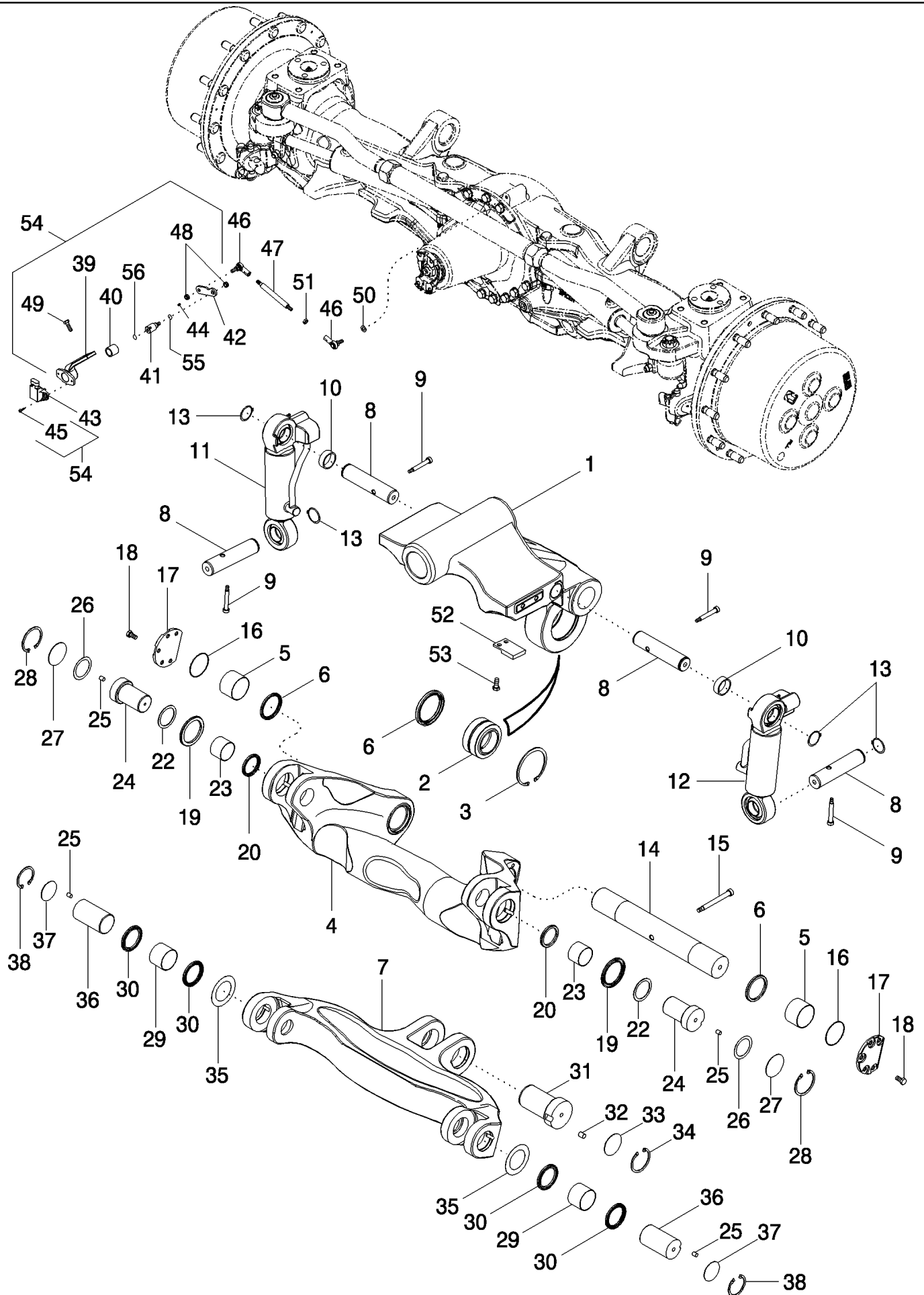




## MX305 CASE IH MAGNUM TRACTOR NA (1/06-9/06)

## 05-12 FRONT AXLE - MOUNTING, MFD

сылка	Номер детали	Кол-во	Описание
1	87400196	1	PIN ASSY., Inc. 2
2	219-92	2	NIPPLE, LUBE, 90с, 1/8" NPT x .76" lg, Drive, Grease
3	87400202	2	SEAL,
4	87686589	1	PLATE, Slotted 90 mm
4	87677299	1	PLATE, Slotted 130 mm
5	857-12035	2	BOLT, Hex Flg, M12 x 35, 10.9,
6	87309060	AR	WASHER, THRUST, 5.75 / 7.75 mm
6	87309061	AR	WASHER, THRUST, 6.25 / 8.25 mm
6	87309062	AR	WASHER, THRUST, 7.0 / 9.0 mm
6	87309063	AR	WASHER, THRUST, 7.5 / 9.5 mm
6	87369711	AR	WASHER, THRUST, 8.0 / 10.0 mm
7	87433501	2	BUSHING,
8	896-16012	2	WASHER, M12 x 28.5 x 4, HT,



## MX305 CASE IH MAGNUM TRACTOR NA (1/06-9/06)

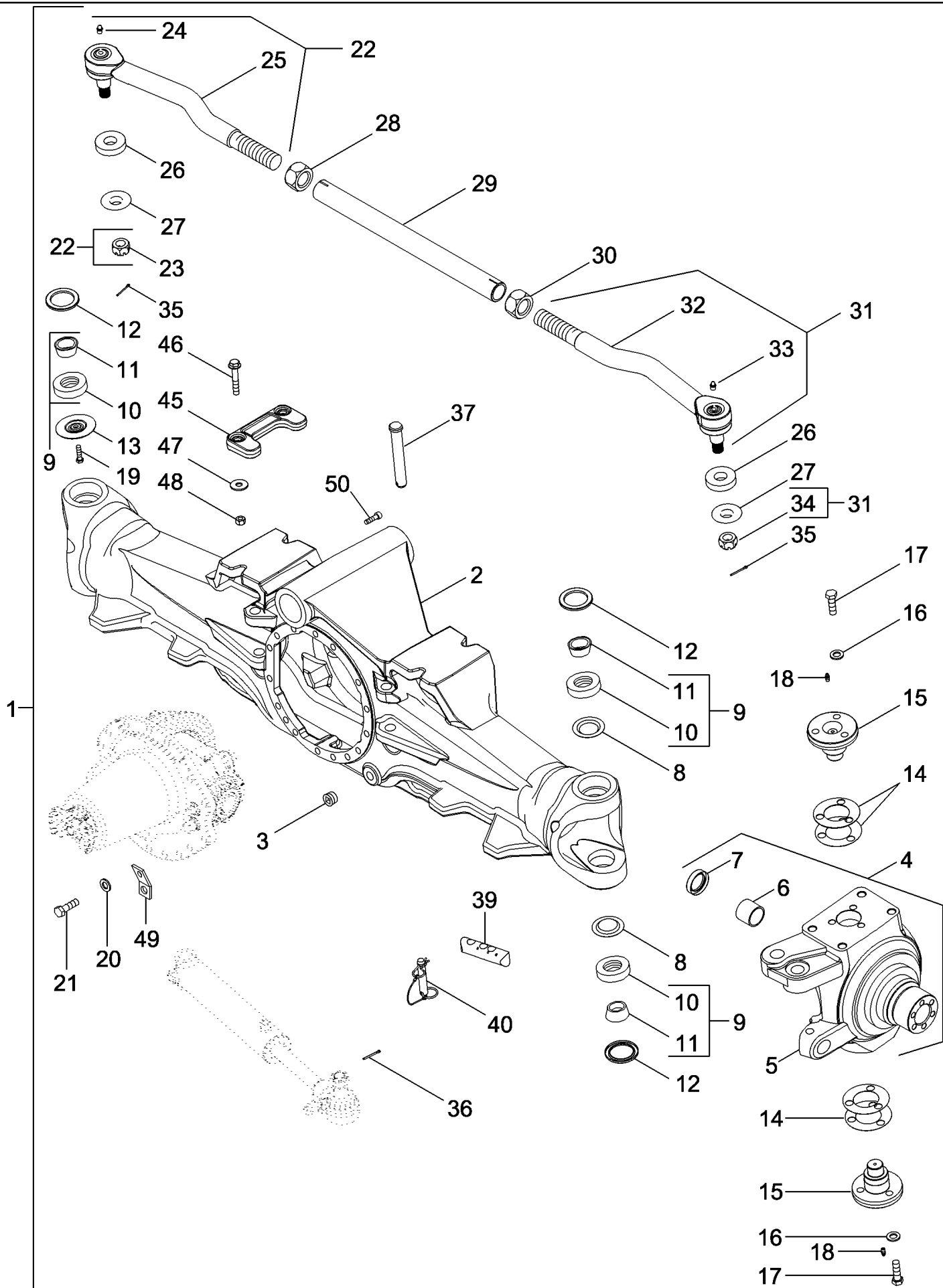
## 05-14 FRONT AXLE - SUSPENSION, SUSPENDED MFD

сылка	Номер детали	Кол-во	Описание
1	87406430	1	CRADLE,
2	87406434	1	BEARING, BALL,
3	87406477	1	RING, SNAP,
4	87406432	1	ARM, Upper Swing
5	87406435	2	BUSHING,
6	87406443	2	SEAL,
7	87406431	1	ARM, Lower Swing
8	87406468	4	PIN,
9	87406494	4	BOLT,
10	87406485	2	SPACER,
11	87406483	1	CYLINDER, Left Hand
12	87406484	1	CYLINDER, Right Hand
13	87406497	4	RING, SNAP,
14	87406467	1	PIN,
15	87406493	1	SCREW,
16	87406502	2	O-RING,
17	87406476	2	PLATE,
18	87406496	10	BOLT,
19	87406441	2	SEAL,
20	87406440	2	SEAL,
22	87406447	2	WASHER, THRUST,
23	87406436	2	BUSHING,
24	87406452	2	PIN,
25	87406455	4	PIN,
26	87406450	1	WASHER, THRUST,
27	87406449	2	WASHER, THRUST,
28	87406474	2	RING, SNAP,
29	87406437	2	BUSHING,
30	87406439	4	SEAL,
31	87406453	1	PIN,
32	87406454	1	PIN,
33	87406446	1	WASHER, THRUST,
34	87406469	1	RING, SNAP,
35	87406486	1	SPACER,
36	87406451	2	PIN,
37	87406448	2	WASHER, THRUST,
38	87406473	2	RING, SNAP,
39	NSS	1	NOT SERVICED SEPARATELY,
40	87431265	1	BUSHING,
41	87431267	1	SHAFT,
42	87406470	1	LINK, CONNECTING,
43	87406433	1	SENSOR,
44	87406492	1	SET SCREW,
45	87406498	2	SCREW,
46	87406490	2	BALL JOINT,

MX305 CASE IH MAGNUM TRACTOR NA (1/06-9/06)

05-14 FRONT AXLE - SUSPENSION, SUSPENDED MFD

сылка	Номер детали	Кол-во	Описание
47	87406488	1	SHAFT,
48	87406499	2	NUT,
49	87406503	2	SCREW,
50	87406495	1	WASHER,
51	87406500	1	NUT,
52	447672A1	2	BLOCK,
53	628-10025	4	BOLT, Hex, M10 x 25, 10.9, Full Thd,
54	87431273	1	KIT, Inc. 39 - 41, 44, 45, 48, 49, 55, 56
55	87431272	1	O-RING,
56	87405002	1	O-RING,
57	87436717	1	KIT, SERVICE, (Not Shown)
58	87436718	1	KIT, SERVICE, (Not Shown)
59	87436719	1	KIT, SERVICE, (Not Shown)
60	87436720	1	KIT, SERVICE, (Not Shown)



## MX305 CASE IH MAGNUM TRACTOR NA (1/06-9/06)

## 05-16 MFD AXLE HOUSING ASSEMBLY - STANDARD WITH 12 BOLT HUB, WITHOUT DIFFERENTIAL LOCK

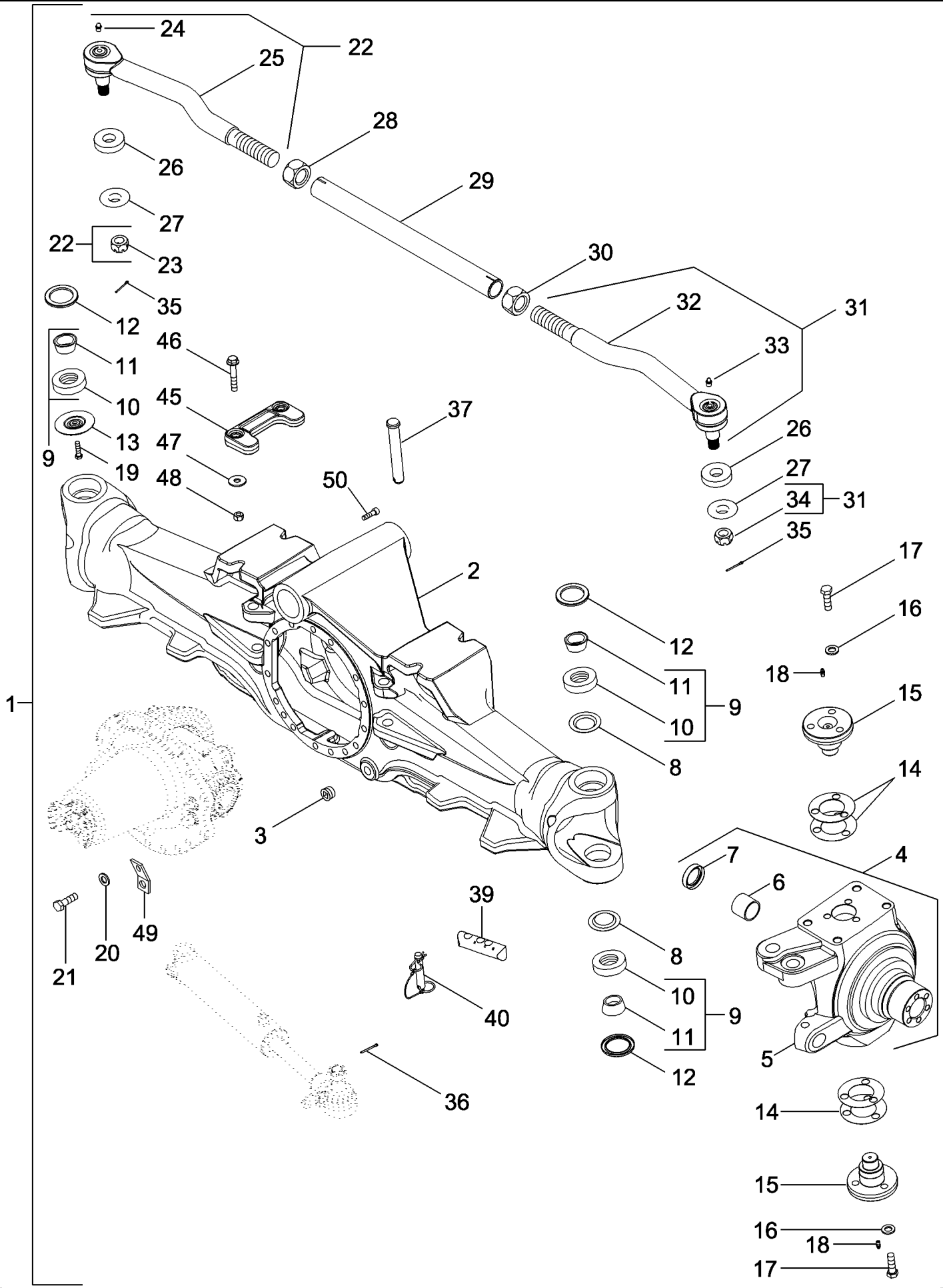
сылка	Номер детали	Кол-во	Описание
1	87454945	1	AXLE, Complete With Differential And Planetaries, Inc. 2 - 55
2	87404249	1	HOUSING,
3	221-887	2	PLUG, 3/4
4	292564A2	1	KNUCKLE, STEERING, Right Hand, Inc. 5 - 7
4	292560A2	1	KNUCKLE, STEERING, Left Hand, Inc. 5 - 7
5	NSS	1	NOT SERVICED SEPARATELY, KNUCKLE, HOUSING
6	235628A1	1	BUSHING,
7	128647A1	1	SEAL,
8	281937A1	3	RETAINER,
9	368728A1	4	BEARING, Inc. 10, 11
10	NSS	1	NOT SERVICED SEPARATELY, RING, INNER
11	NSS	1	NOT SERVICED SEPARATELY, RING, OUTER
12	281939A1	4	SEAL,
13	87440529	1	RETAINER, If Equipped
14	313557A1	4	KIT, SHIM, Inc. 14
14	NSS	5	NOT SERVICED SEPARATELY, SHIM .005
14	NSS	5	NOT SERVICED SEPARATELY, SHIM .007
14	NSS	5	NOT SERVICED SEPARATELY, SHIM .010
14	NSS	5	NOT SERVICED SEPARATELY, SHIM .015
14	NSS	5	NOT SERVICED SEPARATELY, SHIM .030
14	NSS	5	NOT SERVICED SEPARATELY, SHIM .060
15	378410A1	4	CAP,
16	896-11014	12	WASHER, M12 x 28.5 x 3, HT,
17	627-14045	12	BOLT, Hex, M14 x 45, 10.9, Full Thd,
18	219-1	4	NIPPLE, LUBE, 1/8"-27 x .66 lg,
19	615-6012	1	BOLT, Hex, M6 x 12, 8.8, Full Thd, If Equipped
20	896-11014	16	WASHER, M12 x 28.5 x 3, HT,
21	627-14045	16	BOLT, Hex, M14 x 45, 10.9, Full Thd,
22	87455742	1	BALL JOINT, Left Hand Threads, Inc. 23 - 25
23	87455741	1	NUT, M38, Left Hand Threads
24	87455807	1	FITTING, Grease
25	NSS	1	NOT SERVICED SEPARATELY, BALL JOINT, Left Hand
26	NSS	1	NOT SERVICED SEPARATELY, RETAINER
27	NSS	1	NOT SERVICED SEPARATELY, RETAINER
28	87455806	1	NUT, SLOTTED, M22
29	87455737	1	TUBE,
30	87455739	1	NUT, M38, Right Hand Threads
31	87455743	1	BALL JOINT, Right Hand Threads, Inc. 32 - 34
32	NSS	1	NOT SERVICED SEPARATELY, BALL JOINT, Right Hand
33	87455807	1	FITTING, Grease
34	87455806	1	NUT, SLOTTED, M22
35	432-820	2	PIN, SPLIT (COTTER), 1/8" x 1 1/4",
36	432-820	2	PIN, SPLIT (COTTER), 1/8" x 1 1/4",
37	292565A1	2	PIN, LARGE,
39	281914A1	2	ROD, Steering Stop, Short, 3 Hole

MX305 CASE IH MAGNUM TRACTOR NA (1/06-9/06)

05-16 MFD AXLE HOUSING ASSEMBLY - STANDARD WITH 12 BOLT HUB, WITHOUT DIFFERENTIAL LOCK

сылка	Номер детали	Кол-во	Описание
40	87404993	2	PIN, AXLE,
45	297333A2	2	BLOCK ASSY.,
46	844-12070	4	BOLT, Hex Flg, M12x 70, 8.8,
47	80299	4	WASHER, 5/8",
48	829-1412	4	NUT, M12, CI 10,
49	352782A1	1	STRAP,
50	863-8020	2	SCREW, Hex Soc Hd, M8 x 20, 12.9,
54	87433501	2	BUSHING, (Not Shown)
55	353-77	8	PLUG, Cap, .576" OD, (Not Shown)





## MX305 CASE IH MAGNUM TRACTOR NA (1/06-9/06)

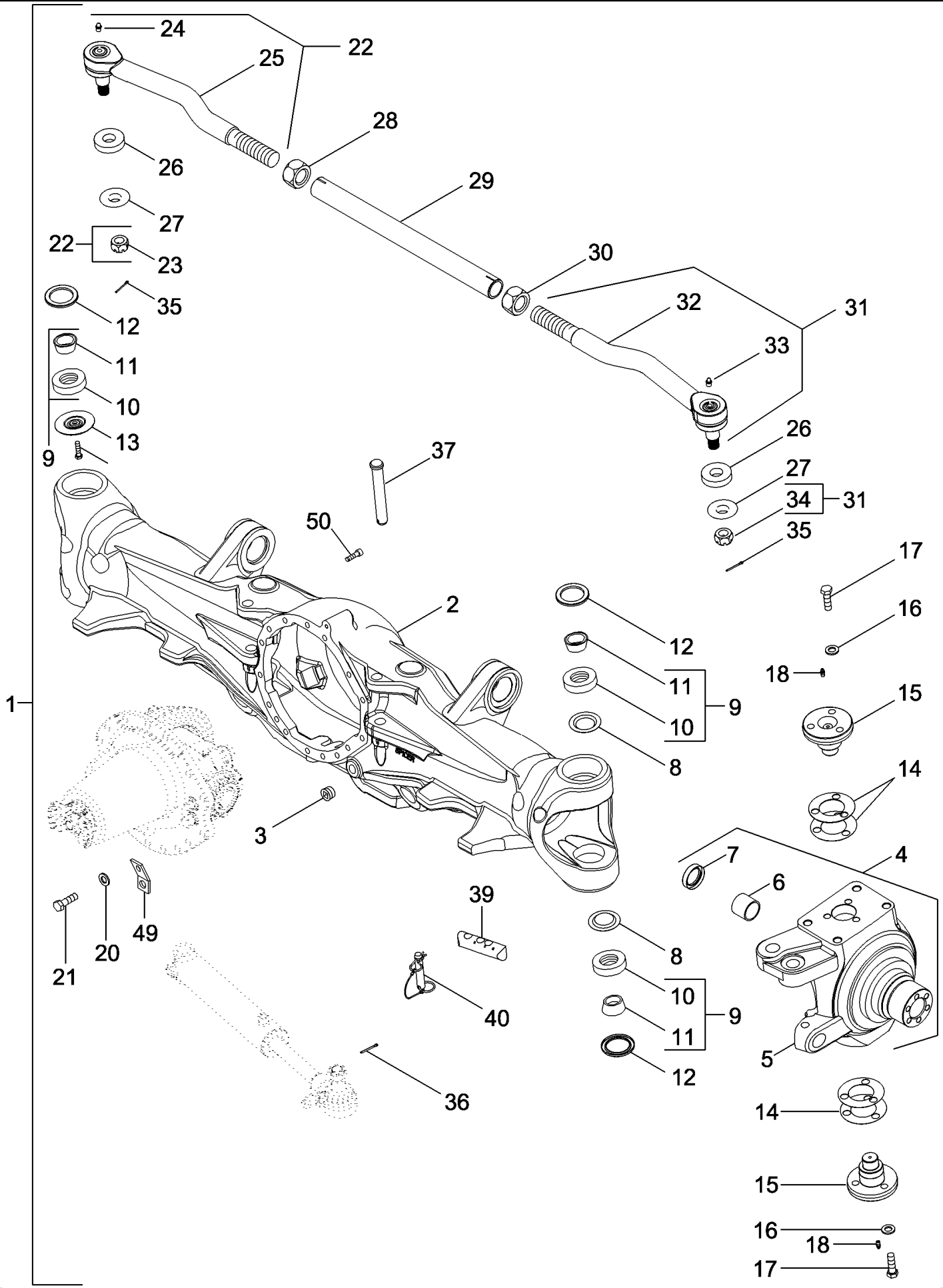
## 05-18 MFD AXLE HOUSING ASSEMBLY - STANDARD WITH 12 BOLT HUB, WITH DIFFERENTIAL LOCK

сылка	Номер детали	Кол-во	Описание
1	87454946	1	AXLE, Complete With Differential And Planetaries, Inc. 2 - 52
2	87404249	1	HOUSING,
3	221-887	2	PLUG, 3/4
4	292564A2	1	KNUCKLE, STEERING, Right Hand, Inc. 5 - 7
4	292560A2	1	KNUCKLE, STEERING, Left Hand, Inc. 5 - 7
5	NSS	1	NOT SERVICED SEPARATELY, KNUCKLE, HOUSING
6	235628A1	1	BUSHING,
7	128647A1	1	SEAL,
8	281937A1	3	RETAINER,
9	368728A1	4	BEARING, Inc. 10, 11
10	NSS	1	NOT SERVICED SEPARATELY, RING, INNER
11	NSS	1	NOT SERVICED SEPARATELY, RING, OUTER
12	281939A1	4	SEAL,
13	87440529	1	RETAINER, If Equipped
14	313557A1	4	KIT, SHIM, Inc. 14
14	NSS	5	NOT SERVICED SEPARATELY, SHIM .005
14	NSS	5	NOT SERVICED SEPARATELY, SHIM .007
14	NSS	5	NOT SERVICED SEPARATELY, SHIM .010
14	NSS	5	NOT SERVICED SEPARATELY, SHIM .015
14	NSS	5	NOT SERVICED SEPARATELY, SHIM .030
14	NSS	5	NOT SERVICED SEPARATELY, SHIM .060
15	378410A1	4	CAP,
16	896-11014	12	WASHER, M12 x 28.5 x 3, HT,
17	627-14045	12	BOLT, Hex, M14 x 45, 10.9, Full Thd,
18	219-1	4	NIPPLE, LUBE, 1/8"-27 x .66 lg,
19	615-6012	1	BOLT, Hex, M6 x 12, 8.8, Full Thd, If Equipped
20	896-11014	16	WASHER, M12 x 28.5 x 3, HT,
21	627-14045	16	BOLT, Hex, M14 x 45, 10.9, Full Thd,
22	87455742	1	BALL JOINT, Left Hand Threads, Inc. 23 - 25
23	87455806	1	NUT, SLOTTED, M22
24	87455807	1	FITTING, Grease
25	NSS	1	NOT SERVICED SEPARATELY, BALL JOINT, Left Hand
26	NSS	1	NOT SERVICED SEPARATELY, RETAINER
27	NSS	1	NOT SERVICED SEPARATELY, RETAINER
28	87455741	1	NUT, M38, Left Hand Threads
29	87455737	1	TUBE,
30	87455739	1	NUT, M38, Right Hand Threads
31	87455743	1	BALL JOINT, Right Hand Threads, Inc. 32 - 34
32	NSS	1	NOT SERVICED SEPARATELY, BALL JOINT, Right Hand
33	87455807	1	FITTING, Grease
34	87455806	1	NUT, SLOTTED, M22
35	432-820	2	PIN, SPLIT (COTTER), 1/8" x 1 1/4",
36	432-820	2	PIN, SPLIT (COTTER), 1/8" x 1 1/4",
37	292565A1	2	PIN, LARGE,
39	281914A1	2	ROD, Steering Stop, Short, 3 Hole

MX305 CASE IH MAGNUM TRACTOR NA (1/06-9/06)

05-18 MFD AXLE HOUSING ASSEMBLY - STANDARD WITH 12 BOLT HUB, WITH DIFFERENTIAL LOCK

сылка	Номер детали	Кол-во	Описание
40	87404993	2	PIN, AXLE,
45	297333A2	2	BLOCK ASSY.,
46	844-12070	4	BOLT, Hex Flg, M12x 70, 8.8,
47	80299	4	WASHER, 5/8",
48	829-1412	4	NUT, M12, CI 10,
49	352782A1	1	STRAP,
50	863-8020	2	SCREW, Hex Soc Hd, M8 x 20, 12.9,
51	87433501	2	BUSHING, (Not Shown)
52	353-77	8	PLUG, Cap, .576" OD, (Not Shown)



## MX305 CASE IH MAGNUM TRACTOR NA (1/06-9/06)

## 05-19 MFD AXLE HOUSING ASSEMBLY - SUSPENDED WITH 12 BOLT HUB, WITHOUT DIFFERENTIAL LOCK

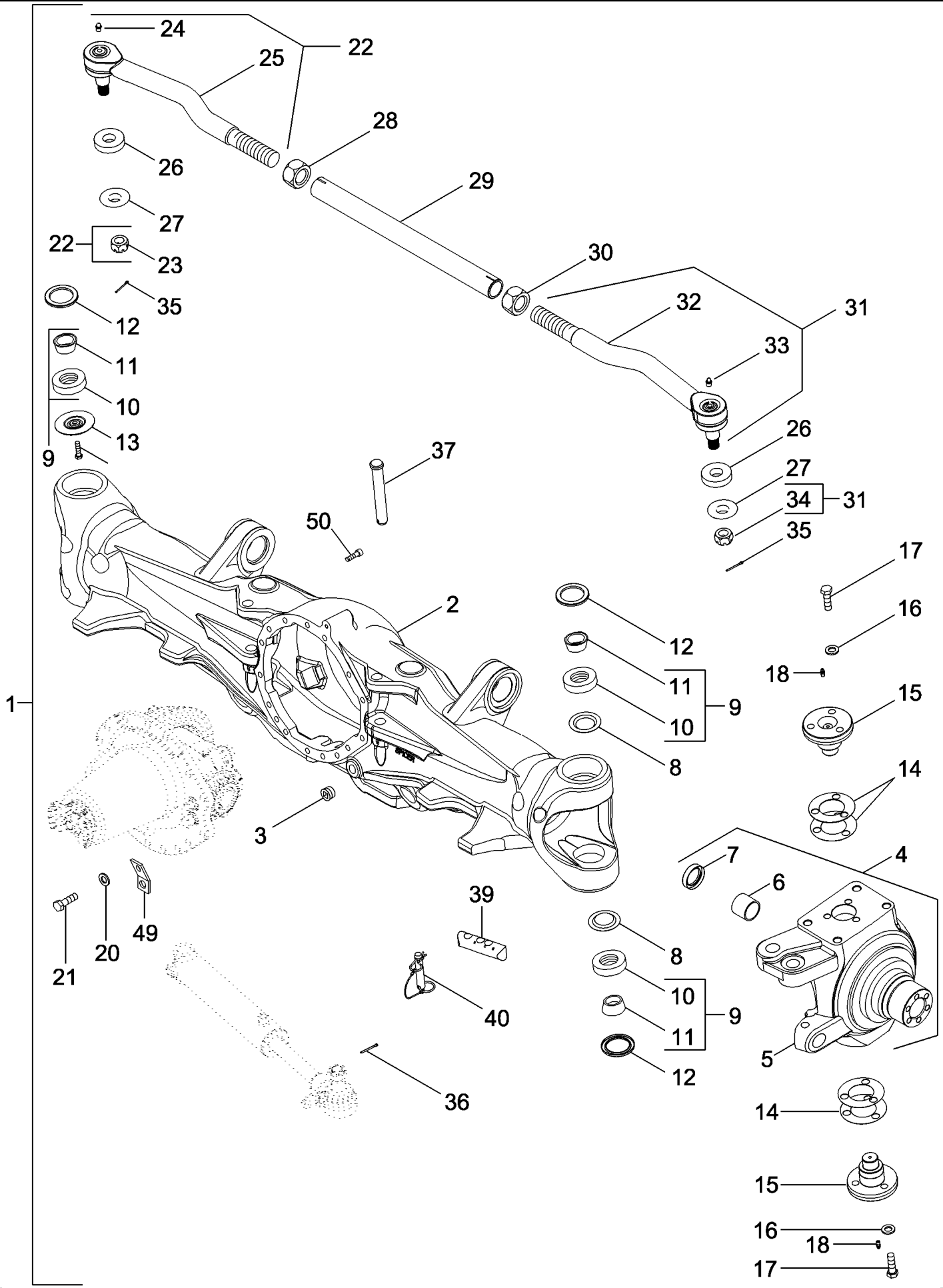
сылка	Номер детали	Кол-во	Описание
1	87454943	1	AXLE, Complete With Differential And Planetaries, Inc. 2 - 52
2	87404290	1	HOUSING, AXLE,
3	221-887	2	PLUG, 3/4
4	292564A2	1	KNUCKLE, STEERING, Right Hand, Inc. 5 - 7
4	292560A2	1	KNUCKLE, STEERING, Left Hand, Inc. 5 - 7
5	NSS	1	NOT SERVICED SEPARATELY, KNUCKLE, HOUSING
6	235628A1	1	BUSHING,
7	128647A1	1	SEAL,
8	281937A1	3	RETAINER,
9	368728A1	4	BEARING, Inc. 10, 11
10	NSS	1	NOT SERVICED SEPARATELY, RING, INNER
11	NSS	1	NOT SERVICED SEPARATELY, RING, OUTER
12	281939A1	4	SEAL,
13	87440529	1	RETAINER, If Equipped
14	313557A1	4	KIT, SHIM, Inc. 14
14	NSS	5	NOT SERVICED SEPARATELY, SHIM .005
14	NSS	5	NOT SERVICED SEPARATELY, SHIM .007
14	NSS	5	NOT SERVICED SEPARATELY, SHIM .010
14	NSS	5	NOT SERVICED SEPARATELY, SHIM .015
14	NSS	5	NOT SERVICED SEPARATELY, SHIM .030
14	NSS	5	NOT SERVICED SEPARATELY, SHIM .060
15	378410A1	4	CAP,
16	896-11014	12	WASHER, M12 x 28.5 x 3, HT,
17	627-14045	12	BOLT, Hex, M14 x 45, 10.9, Full Thd,
18	219-1	4	NIPPLE, LUBE, 1/8"-27 x .66 lg,
19	615-6012	1	BOLT, Hex, M6 x 12, 8.8, Full Thd, If Equipped
20	896-11014	16	WASHER, M12 x 28.5 x 3, HT,
21	627-14045	16	BOLT, Hex, M14 x 45, 10.9, Full Thd,
22	87455742	1	BALL JOINT, Left Hand Threads, Inc. 23 - 25
23	87455806	1	NUT, SLOTTED, M22
24	87455807	1	FITTING, Grease
25	NSS	1	NOT SERVICED SEPARATELY, BALL JOINT, Left Hand
26	NSS	1	NOT SERVICED SEPARATELY, RETAINER
27	NSS	1	NOT SERVICED SEPARATELY, RETAINER
28	87455741	1	NUT, M38, Left Hand Threads
29	87455737	1	TUBE,
30	87455739	1	NUT, M38, Right Hand Threads
31	87455743	1	BALL JOINT, Right Hand Threads, Inc. 32 - 34
32	NSS	1	NOT SERVICED SEPARATELY, BALL JOINT, Right Hand
33	87455807	1	FITTING, Grease
34	87455806	1	NUT, SLOTTED, M22
35	432-820	2	PIN, SPLIT (COTTER), 1/8" x 1 1/4",
36	432-820	2	PIN, SPLIT (COTTER), 1/8" x 1 1/4",
37	87406480	2	PIN,
39	281914A1	2	ROD, Steering Stop, Short, 3 Hole

MX305 CASE IH MAGNUM TRACTOR NA (1/06-9/06)

05-19 MFD AXLE HOUSING ASSEMBLY - SUSPENDED WITH 12 BOLT HUB, WITHOUT DIFFERENTIAL LOCK

сылка	Номер детали	Кол-во	Описание
-------	--------------	--------	----------

40	87404993	2	PIN, AXLE,
49	352782A1	1	STRAP,
50	863-8020	2	SCREW, Hex Soc Hd, M8 x 20, 12.9,
51	87433501	2	BUSHING, (Not Shown)
52	353-77	8	PLUG, Cap, .576" OD, (Not Shown)



## MX305 CASE IH MAGNUM TRACTOR NA (1/06-9/06)

## 05-21 MFD AXLE HOUSING ASSEMBLY - SUSPENDED WITH 12 BOLT HUB, WITH DIFFERENTIAL LOCK

сылка	Номер детали	Кол-во	Описание
1	87454944	1	AXLE, Complete With Differential And Planetaries, Inc. 2 - 52
2	87404290	1	HOUSING, AXLE,
3	221-887	2	PLUG, 3/4
4	292564A2	1	KNUCKLE, STEERING, Right Hand, Inc. 5 - 7
4	292560A2	1	KNUCKLE, STEERING, Left Hand, Inc. 5 - 7
5	NSS	1	NOT SERVICED SEPARATELY, KNUCKLE, HOUSING
6	235628A1	1	BUSHING,
7	128647A1	1	SEAL,
8	281937A1	3	RETAINER,
9	368728A1	4	BEARING, Inc. 10, 11
10	NSS	1	NOT SERVICED SEPARATELY, RING, INNER
11	NSS	1	NOT SERVICED SEPARATELY, RING, OUTER
12	281939A1	4	SEAL,
13	87440529	1	RETAINER, If Equipped
14	313557A1	4	KIT, SHIM, Inc. 14
14	NSS	5	NOT SERVICED SEPARATELY, SHIM .005
14	NSS	5	NOT SERVICED SEPARATELY, SHIM .007
14	NSS	5	NOT SERVICED SEPARATELY, SHIM .010
14	NSS	5	NOT SERVICED SEPARATELY, SHIM .015
14	NSS	5	NOT SERVICED SEPARATELY, SHIM .030
14	NSS	5	NOT SERVICED SEPARATELY, SHIM .060
15	378410A1	4	CAP,
16	896-11014	12	WASHER, M12 x 28.5 x 3, HT,
17	627-14045	12	BOLT, Hex, M14 x 45, 10.9, Full Thd,
18	219-1	4	NIPPLE, LUBE, 1/8"-27 x .66 lg,
19	615-6012	1	BOLT, Hex, M6 x 12, 8.8, Full Thd, If Equipped
20	896-11014	16	WASHER, M12 x 28.5 x 3, HT,
21	627-14045	16	BOLT, Hex, M14 x 45, 10.9, Full Thd,
22	87455742	1	BALL JOINT, Left Hand Threads, Inc. 23 - 25
23	87455806	1	NUT, SLOTTED, M22
24	87455807	1	FITTING, Grease
25	NSS	1	NOT SERVICED SEPARATELY, BALL JOINT, Left Hand
26	NSS	1	NOT SERVICED SEPARATELY, RETAINER
27	NSS	1	NOT SERVICED SEPARATELY, RETAINER
28	87455741	1	NUT, M38, Left Hand Threads
29	87455737	1	TUBE,
30	87455739	1	NUT, M38, Right Hand Threads
31	87455743	1	BALL JOINT, Right Hand Threads, Inc. 32 - 34
32	NSS	1	NOT SERVICED SEPARATELY, BALL JOINT, Right Hand
33	87455807	1	FITTING, Grease
34	87455806	1	NUT, SLOTTED, M22
35	432-820	2	PIN, SPLIT (COTTER), 1/8" x 1 1/4",
36	432-820	2	PIN, SPLIT (COTTER), 1/8" x 1 1/4",
37	87406480	2	PIN,
39	281914A1	2	ROD, Steering Stop, Short, 3 Hole



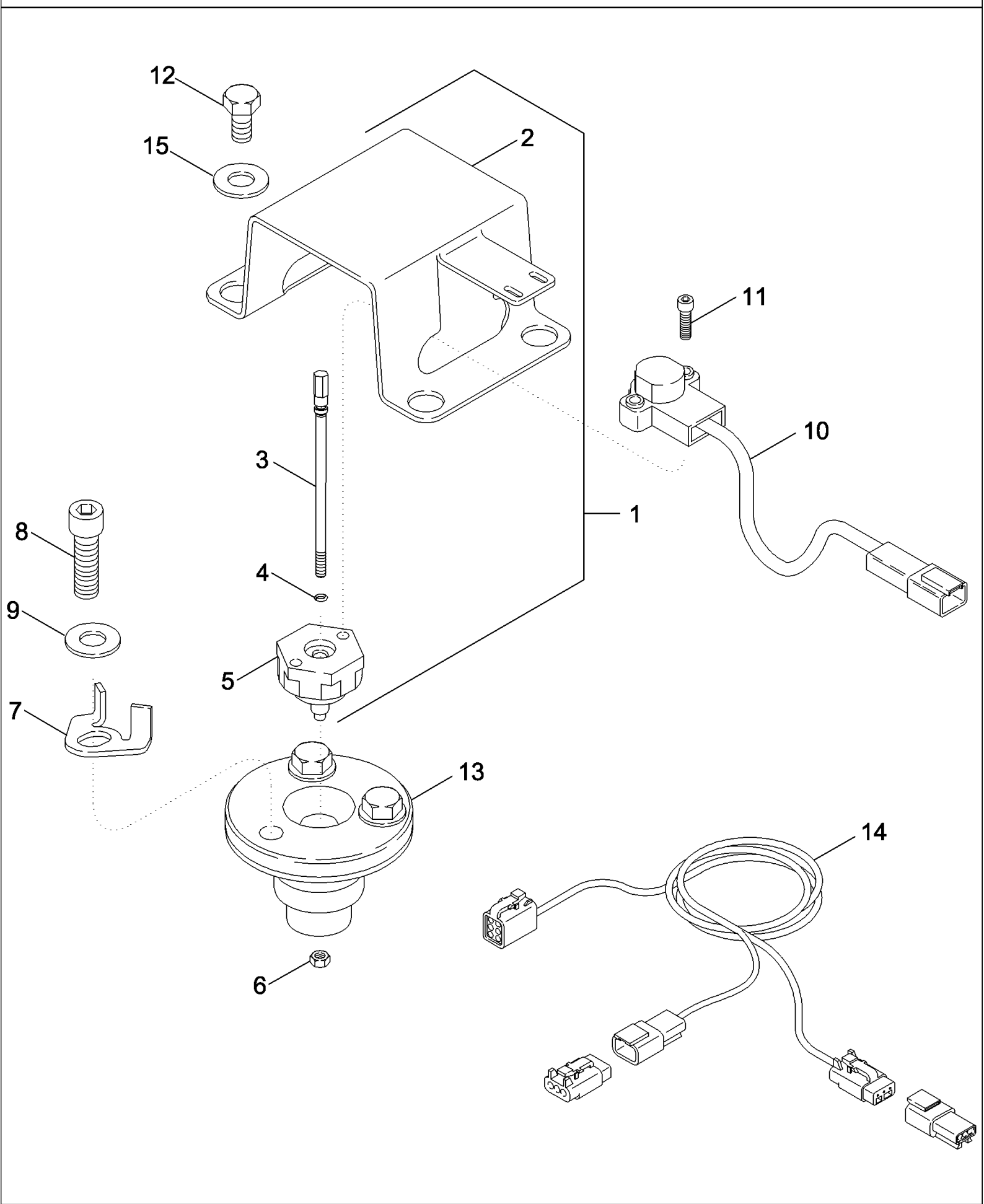
MX305 CASE IH MAGNUM TRACTOR NA (1/06-9/06)

05-21 MFD AXLE HOUSING ASSEMBLY - SUSPENDED WITH 12 BOLT HUB, WITH DIFFERENTIAL LOCK

сылка	Номер детали	Кол-во	Описание
-------	--------------	--------	----------

40	87404993	2	PIN, AXLE,
49	352782A1	1	STRAP,
50	863-8020	2	SCREW, Hex Soc Hd, M8 x 20, 12.9,
51	87433501	2	BUSHING, (Not Shown)
52	353-77	8	PLUG, Cap, .576" OD, (Not Shown)

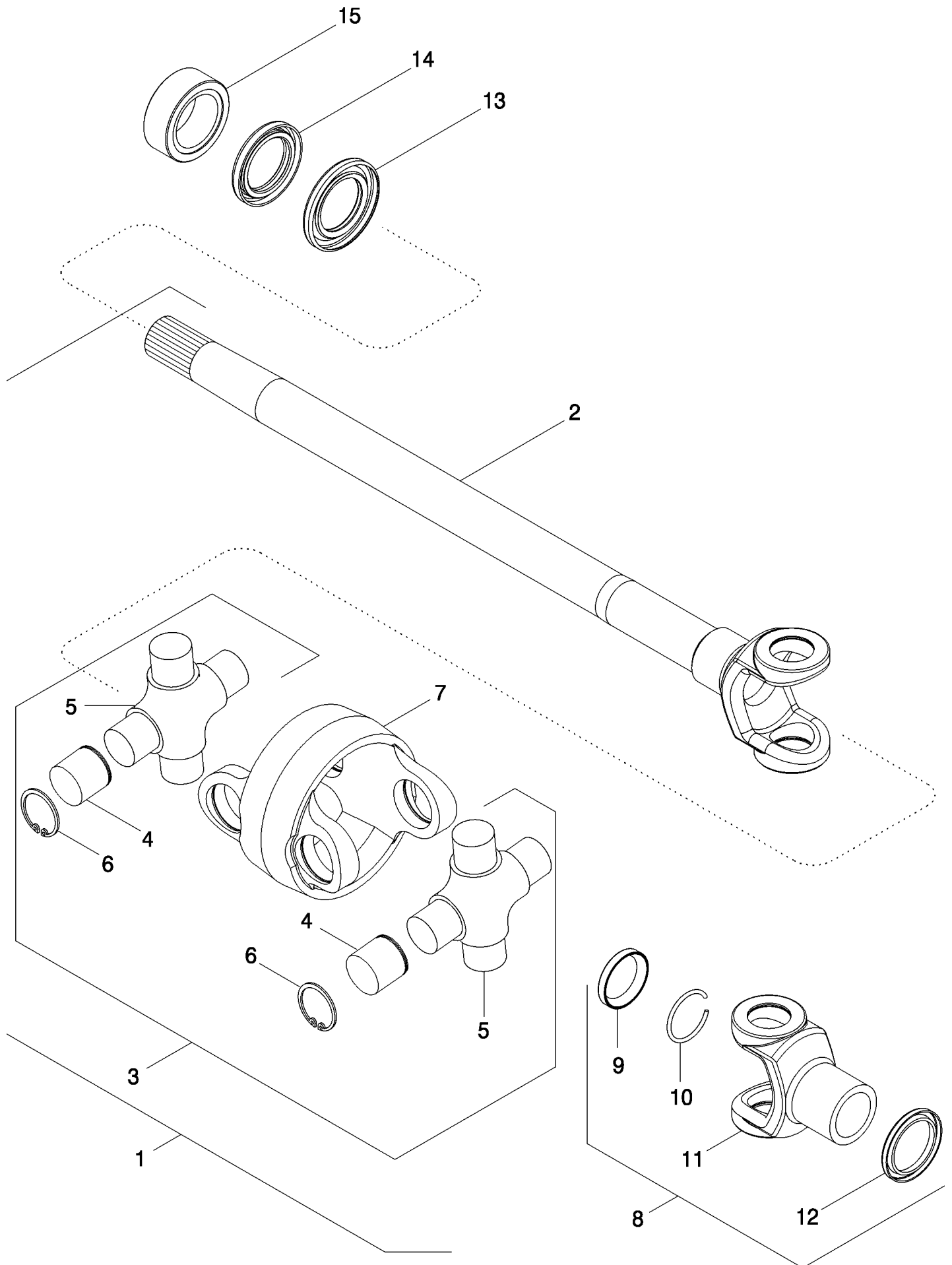
05-22 FRONT AXLE KING PIN WITH ACCUGUIDE



## MX305 CASE IH MAGNUM TRACTOR NA (1/06-9/06)

## 05-22 FRONT AXLE KING PIN WITH ACCUGUIDE

сылка	Номер детали	Кол-во	Описание
1	87311994	1	KIT, King Pin, Inc. 2 - 8, With 10 Bolt Hub
1	87311993	1	KIT, King Pin, Inc. 2 - 8, With 12 Bolt Hub
2	87308126	1	COVER,
3	87307819	1	SHAFT, , With 10 Bolt Hub
3	87307820	1	SHAFT, , With 12 Bolt Hub
4	238-5008	1	O-RING, -008, 70 Duro, .176" ID x .070" Thk,
5	87307822	1	MOUNTING PARTS, Cap Assembly
6	832-10406	1	NUT, LOCK, M6 x 1, CI 8,
7	87307821	1	WASHER, LOCK,
8	863-14045	1	SCREW, Hex Soc Hd, M14 x 45, 12.9, , With 10 Bolt Hub
9	87016615	1	WASHER, M12 x 28.5 x 3, HT,
10	87435594	1	SENSOR, (Shown), BSN Z7RZ01521
10	87524642	1	SENSOR, , ASN Z7RZ01521
11	864-5025	2	SCREW, Hex Soc Hd, M5 x 25, 8.8,
12	614-16025	4	BOLT, Hex, M16 x 25, 8.8, Full Thd,
13	378409A1	1	CAP, Assembly, With 10 Bolt Hub
13	378410A1	1	CAP, Assembly, With 12 Bolt Hub
14	87525842	1	HARNES, , ASN Z7RZ01521
15	896-11016	4	WASHER, M17.5 x 30 x 4, HT,



MX305 CASE IH MAGNUM TRACTOR NA (1/06-9/06)

05-24 FRONT AXLE DRIVE SHAFT - MFD, WITHOUT DIFFERENTIAL LOCK

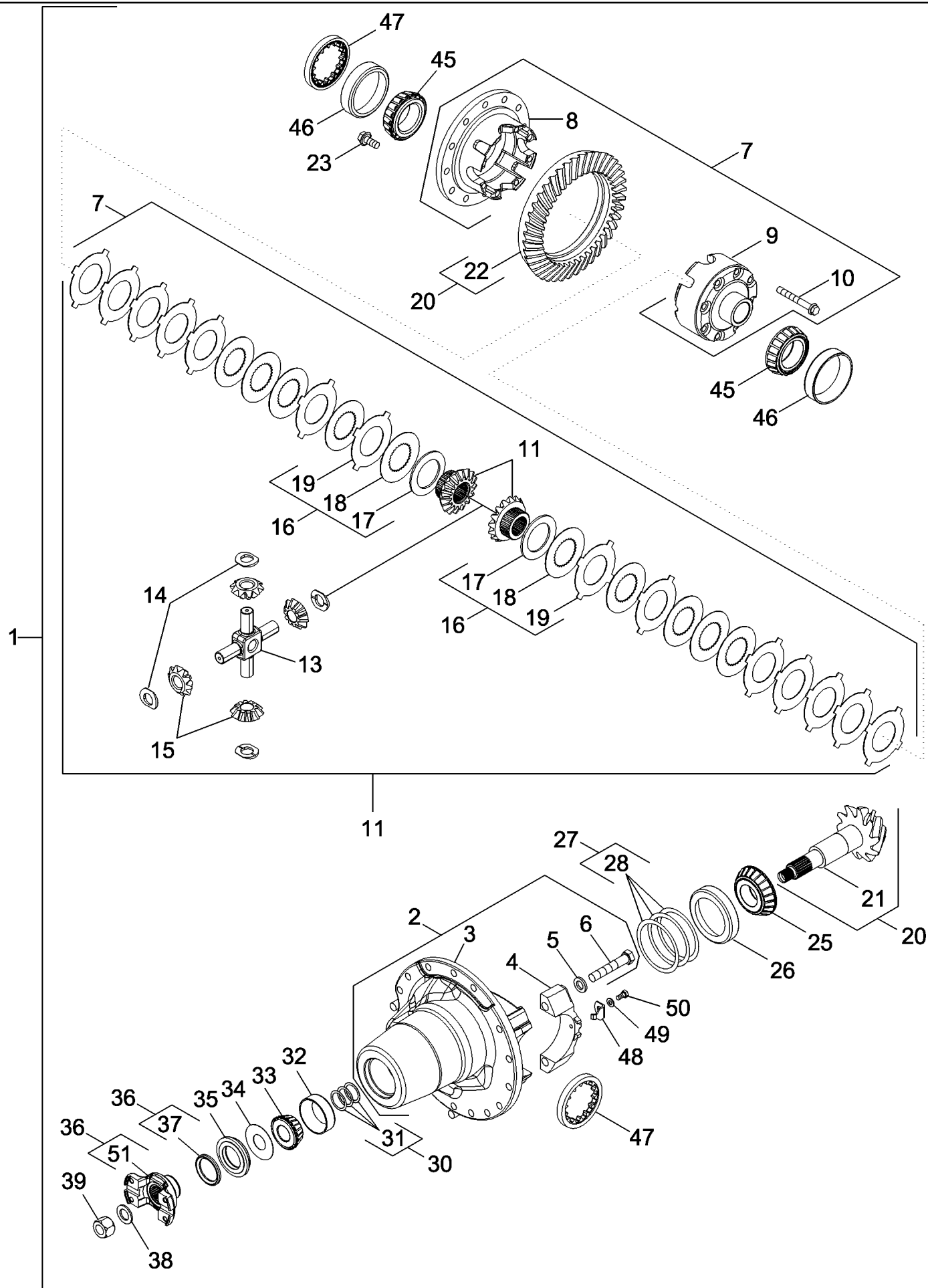
сылка	Номер детали	Кол-во	Описание
1	395734A1	1	HALF SHAFT, Right Hand, Shown, Inc. 2 - 12
1	395735A1	1	AXLE, Left Hand, Inc. 2 - 12
2	395741A1	1	SHAFT, LONG, Right Hand
2	395743A1	1	SHAFT, LONG, Left Hand
3	395738A1	2	KIT, FIP, Inc. 4 - 6
4	NSS	4	NOT SERVICED SEPARATELY, CUP
5	NSS	1	NOT SERVICED SEPARATELY, JOINT, Universal
6	NSS	4	NOT SERVICED SEPARATELY, RING, RETAINING
7	395740A1	1	YOKE,
8	395737A1	1	YOKE, Inc. 9 - 12
9	1961753C1	1	SEAL,
10	1277405C1	1	RING,
11	NSS	1	NOT SERVICED SEPARATELY, YOKE
12	1287608C1	1	SEAL,
13	302957A1	2	SEAL, OIL,
14	302956A1	2	SEAL, OIL,
15	302958A1	2	BUSHING, LARGE,



MX305 CASE IH MAGNUM TRACTOR NA (1/06-9/06)

05-25 FRONT AXLE DRIVE SHAFT - MFD, WITH DIFFERENTIAL LOCK

сылка	Номер детали	Кол-во	Описание
1	87324476	1	AXLE-SHAFT, ARTICULATED, Right Hand, Shown, Inc. 2 - 12
1	87324477	1	AXLE-SHAFT, ARTICULATED, Left Hand, Inc. 2 - 12
2	87325892	1	SHAFT, LONG, Right Hand
2	87307641	1	SHAFT, LONG, Left Hand
3	395738A1	2	KIT, FIP, Inc. 4 - 6
4	NSS	4	NOT SERVICED SEPARATELY, CUP
5	NSS	1	NOT SERVICED SEPARATELY, JOINT, Universal
6	NSS	4	NOT SERVICED SEPARATELY, RING, RETAINING
7	395740A1	1	YOKE,
8	395737A1	1	YOKE, Inc. 9 - 12
9	1961753C1	1	SEAL,
10	1277405C1	1	RING,
11	NSS	1	NOT SERVICED SEPARATELY, YOKE
12	1287608C1	1	SEAL,
13	302957A1	2	SEAL, OIL,
14	302956A1	2	SEAL, OIL,
15	302958A1	2	BUSHING, LARGE,





## MX305 CASE IH MAGNUM TRACTOR NA (1/06-9/06)

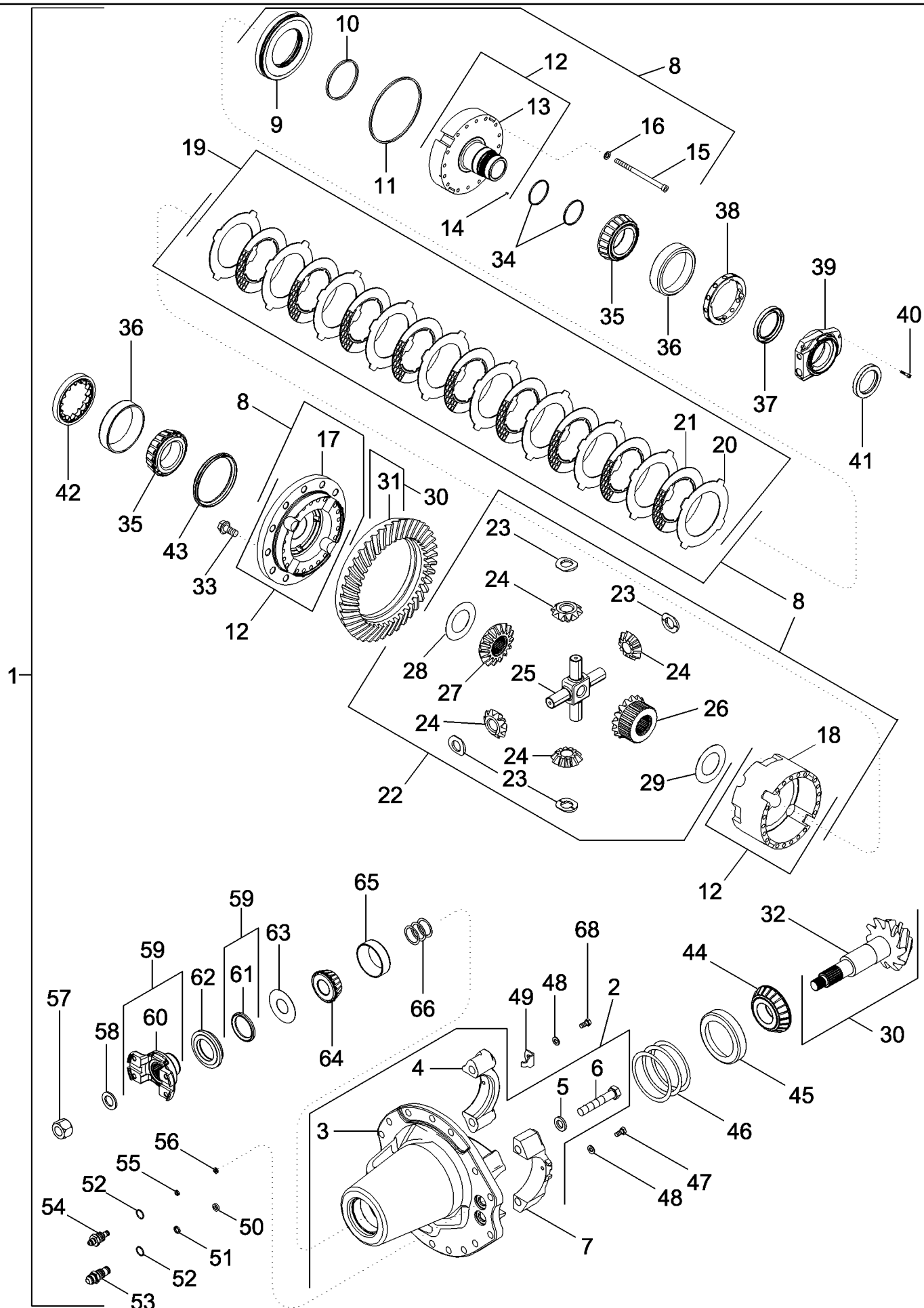
## 05-28 CARRIER AND DIFFERENTIAL - MFD, 12 BOLT HUB, WITHOUT DIFFERENTIAL LOCK

сылка	Номер детали	Кол-во	Описание
1	87324564	1	CARRIER, Inc. 2 - 50
2	87324561	1	CARRIER, Inc. 3 - 6
3	NSS	1	NOT SERVICED SEPARATELY, HOUSING
4	NSS	2	NOT SERVICED SEPARATELY, CAP
5	896-12016	4	WASHER, M17.5 x 30 x 4, HT,
6	828-16090	4	BOLT, Hex, M16 x 90, 10.9,
7	345688A4	1	DIFFERENTIAL, Inc. 8 - 19
8	NSS	1	NOT SERVICED SEPARATELY, HOUSING
9	NSS	1	NOT SERVICED SEPARATELY, HOUSING
10	1997853C1	8	BOLT,
11	377176A3	1	KIT, Inc. 12 - 19
12	NSS	2	NOT SERVICED SEPARATELY, GEAR
13	NSS	1	NOT SERVICED SEPARATELY, SHAFT
14	NSS	4	NOT SERVICED SEPARATELY, WASHER, Thrust
15	NSS	4	NOT SERVICED SEPARATELY, GEAR
16	377177A3	1	KIT, Inc. 17 - 19
17	NSS	2	NOT SERVICED SEPARATELY, PLATE
18	NSS	10	NOT SERVICED SEPARATELY, DISC, Friction
19	NSS	14	NOT SERVICED SEPARATELY, PLATE
20	87324538	1	BEVEL GEAR, Inc. 21,22
21	NSS	1	NOT SERVICED SEPARATELY, SHAFT, Pinion
22	NSS	1	NOT SERVICED SEPARATELY, RING, Gear
23	H136416	12	SCREW,
25	87324516	1	BEARING, CONE,
26	87324517	1	BEARING, CUP,
27	87324518	1	KIT, SHIM, Inc. 28
28	NSS	5	NOT SERVICED SEPARATELY, SHIM .003
28	NSS	5	NOT SERVICED SEPARATELY, SHIM .005
28	NSS	5	NOT SERVICED SEPARATELY, SHIM .010
30	87324536	1	KIT, SHIM, Inc. 31
31	NSS	1	NOT SERVICED SEPARATELY, SHIM .010
31	NSS	1	NOT SERVICED SEPARATELY, SHIM .014
31	NSS	1	NOT SERVICED SEPARATELY, SHIM .015
31	NSS	1	NOT SERVICED SEPARATELY, SHIM .016
31	NSS	1	NOT SERVICED SEPARATELY, SHIM .018
31	NSS	1	NOT SERVICED SEPARATELY, SHIM .020
31	NSS	1	NOT SERVICED SEPARATELY, SHIM .021
31	NSS	1	NOT SERVICED SEPARATELY, SHIM .022
31	NSS	1	NOT SERVICED SEPARATELY, SHIM .023
31	NSS	1	NOT SERVICED SEPARATELY, SHIM .030
32	87324534	1	BEARING, CONE,
33	87324532	1	BEARING, CUP,
34	87324540	1	SLINGER,
35	87324542	1	SEAL, OIL,
36	87324528	1	YOKE, Inc. 37, 51

MX305 CASE IH MAGNUM TRACTOR NA (1/06-9/06)

05-28 CARRIER AND DIFFERENTIAL - MFD, 12 BOLT HUB, WITHOUT DIFFERENTIAL LOCK

сылка	Номер детали	Кол-во	Описание
37	87324547	1	DEFLECTOR,
38	87324523	1	WASHER,
39	87324520	1	NUT,
45	1968291C1	2	BEARING,
46	1968292C1	2	BEARING,
47	1277233C1	2	RING,
48	1277234C1	2	CLEVIS,
49	496-11034	2	WASHER, 11/32" x 11/16" x 1/16", HDN,
50	628-8016	2	BOLT, Hex, M8 x 16, 10.9, Full Thd,
51	NSS	1	NOT SERVICED SEPARATELY, YOKE



## MX305 CASE IH MAGNUM TRACTOR NA (1/06-9/06)

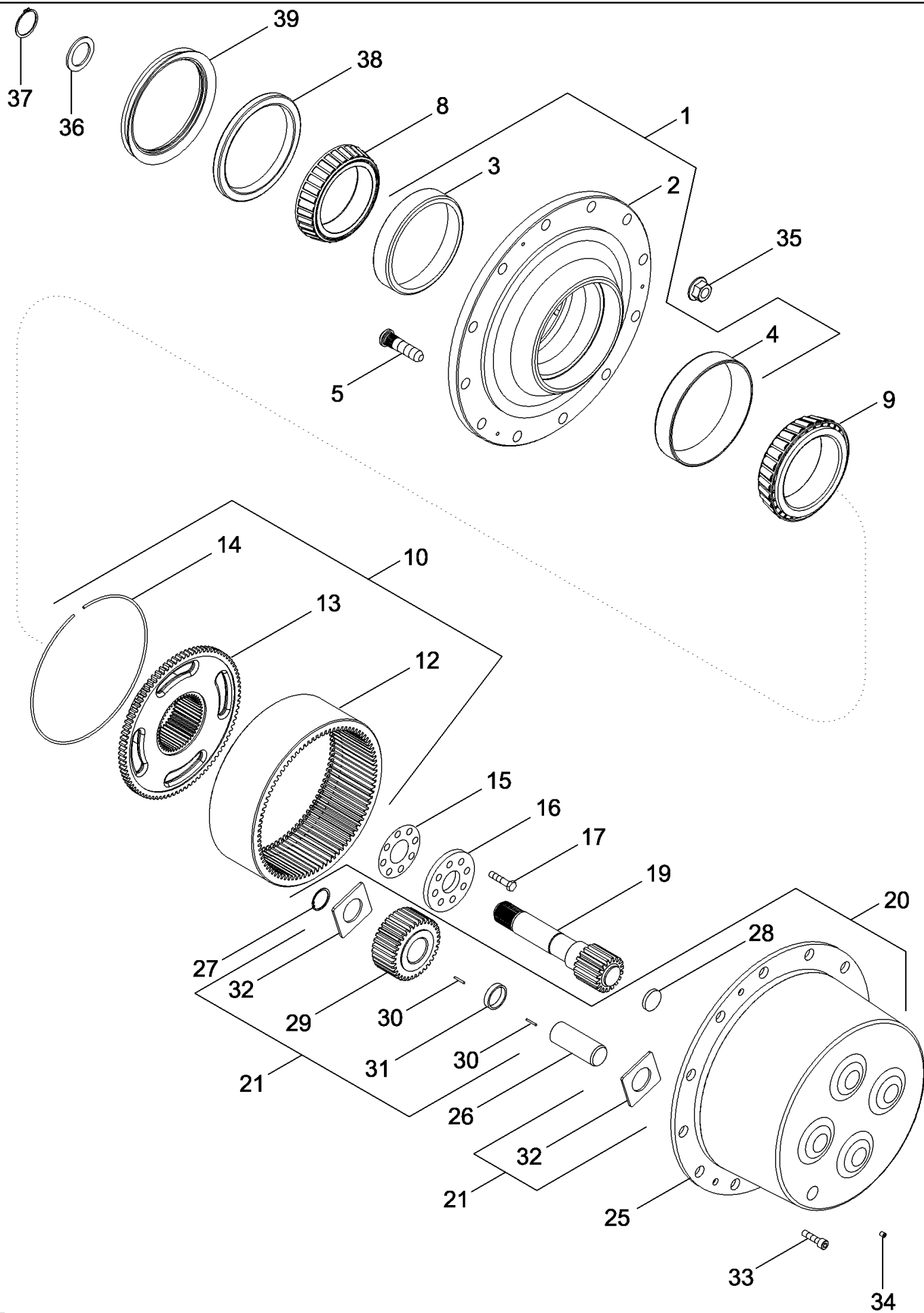
## 05-30 CARRIER AND DIFFERENTIAL - MFD, 12 BOLT HUB, WITH DIFFERENTIAL LOCK

сылка	Номер детали	Кол-во	Описание
1	87324510	1	CARRIER ASSY., Inc. 2 - 66
2	87324513	1	CARRIER, Inc. 3 - 7
3	NSS	1	NOT SERVICED SEPARATELY, HOUSING
4	NSS	1	NOT SERVICED SEPARATELY, CAP
5	896-12016	4	WASHER, M17.5 x 30 x 4, HT,
6	828-16090	4	BOLT, Hex, M16 x 90, 10.9,
7	NSS	1	NOT SERVICED SEPARATELY, CAP
8	87324480	1	CASE ASSY., Inc. 9 - 29
9	87324486	1	PISTON,
10	87324482	1	SEAL,
11	87324484	1	SEAL,
12	87324492	1	CASE ASSY., Inc. 13 - 17
13	NSS	1	NOT SERVICED SEPARATELY, CAP
14	87404998	1	PLUG,
15	87324495	16	BOLT,
16	87324498	16	WASHER,
17	NSS	1	NOT SERVICED SEPARATELY, FLANGE
18	NSS	1	NOT SERVICED SEPARATELY, HOUSING
19	87324488	1	KIT, Inc. 20, 21
20	NSS	10	NOT SERVICED SEPARATELY, PLATE
21	NSS	9	NOT SERVICED SEPARATELY, DISC, Friction
22	87324491	1	KIT, Inc. 23 - 29
23	NSS	4	NOT SERVICED SEPARATELY, WASHER, Spherical
24	NSS	4	NOT SERVICED SEPARATELY, GEAR
25	NSS	1	NOT SERVICED SEPARATELY, SHAFT
26	NSS	1	NOT SERVICED SEPARATELY, GEAR
27	NSS	1	NOT SERVICED SEPARATELY, GEAR
28	NSS	1	NOT SERVICED SEPARATELY, WASHER, Thrust
29	NSS	1	NOT SERVICED SEPARATELY, WASHER, Thrust
30	87324538	1	BEVEL GEAR, Inc. 31, 32
31	NSS	1	NOT SERVICED SEPARATELY, RING, Gear
32	NSS	1	NOT SERVICED SEPARATELY, SHAFT, Pinion
33	H136416	12	SCREW,
34	87404472	2	RING, PISTON,
35	1968291C1	2	BEARING,
36	1968292C1	2	BEARING,
37	87310117	1	SEAL,
38	87405001	1	NUT, SPECIAL,
39	87404997	1	RETAINER, SEAL,
40	87404489	3	SCREW,
41	87310116	1	SEAL,
42	1277233C1	1	RING,
43	87404471	1	SEAL,
44	87324516	1	BEARING, CONE,
45	87324517	1	BEARING, CUP,

## MX305 CASE IH MAGNUM TRACTOR NA (1/06-9/06)

## 05-30 CARRIER AND DIFFERENTIAL - MFD, 12 BOLT HUB, WITH DIFFERENTIAL LOCK

сылка	Номер детали	Кол-во	Описание
46	87324518	1	KIT, SHIM, Inc. 46
46	NSS	5	NOT SERVICED SEPARATELY, SHIM .003
46	NSS	5	NOT SERVICED SEPARATELY, SHIM .005
46	NSS	5	NOT SERVICED SEPARATELY, SHIM .010
47	87404488	1	SCREW,
48	496-11034	2	WASHER, 11/32" x 11/16" x 1/16", HDN,
49	1277234C1	1	CLEVIS,
50	87404548	1	SEAL,
51	87404474	1	BACK-UP RING,
52	87405002	2	O-RING,
53	87404479	1	COUPLING,
54	87404480	1	COUPLING,
55	87404473	1	BACK-UP RING,
56	87404547	1	SEAL,
57	87324520	1	NUT,
58	87324523	1	WASHER,
59	87324528	1	YOKE, Inc. 60, 61
60	NSS	1	NOT SERVICED SEPARATELY, YOKE
61	87324547	1	DEFLECTOR,
62	87324542	1	SEAL, OIL,
63	87324540	1	SLINGER,
64	87324534	1	BEARING, CONE,
65	87324532	1	BEARING, CUP,
66	87324536	1	KIT, SHIM, Inc. 66
66	NSS	1	NOT SERVICED SEPARATELY, SHIM .010
66	NSS	1	NOT SERVICED SEPARATELY, SHIM .014
66	NSS	1	NOT SERVICED SEPARATELY, SHIM .015
66	NSS	1	NOT SERVICED SEPARATELY, SHIM .016
66	NSS	1	NOT SERVICED SEPARATELY, SHIM .018
66	NSS	1	NOT SERVICED SEPARATELY, SHIM .020
66	NSS	1	NOT SERVICED SEPARATELY, SHIM .021
66	NSS	1	NOT SERVICED SEPARATELY, SHIM .022
66	NSS	1	NOT SERVICED SEPARATELY, SHIM .023
66	NSS	1	NOT SERVICED SEPARATELY, SHIM .030
68	628-8016	1	BOLT, Hex, M8 x 16, 10.9, Full Thd,



## MX305 CASE IH MAGNUM TRACTOR NA (1/06-9/06)

## 05-33 FRONT AXLE PLANETARIES AND HUB - MFD, 12 BOLT HUB

сылка	Номер детали	Кол-во	Описание
1	NSS	2	NOT SERVICED SEPARATELY, HUB ASSEMBLY, Order Components
2	295168A1	2	HUB, , Axle BSN Z7RZ02024
2	87390163	2	HUB, , Axle ASN Z7RZ02024
3	L31698	2	BEARING, CUP, 7-3/16 OD x 1-15/16 inch wide (183 x 49 MM)
4	135649A1	2	BEARING, CUP,
5	297495A1	24	STUD,
8	311042A1	2	BEARING, CONE,
9	135648A1	2	BEARING, CONE,
10	281985A1	2	GEAR, RING, Inc. 12 - 14
12	NSS	1	NOT SERVICED SEPARATELY, RING, Gear
13	NSS	1	NOT SERVICED SEPARATELY, HUB
14	NSS	1	NOT SERVICED SEPARATELY, RING, Retaining
15	302180A1	2	KIT, SHIM, Inc. 15
15	NSS	5	NOT SERVICED SEPARATELY, SHIM .002
15	NSS	5	NOT SERVICED SEPARATELY, SHIM .003
15	NSS	5	NOT SERVICED SEPARATELY, SHIM .005
15	NSS	5	NOT SERVICED SEPARATELY, SHIM .010
15	NSS	5	NOT SERVICED SEPARATELY, SHIM .020
15	NSS	5	NOT SERVICED SEPARATELY, SHIM .030
16	281986A1	2	PLATE, LARGE,
17	628-12030	16	BOLT, Hex, M12 x 30, 10.9, Full Thd,
19	281982A3	2	SUN GEAR,
20	302174A1	2	GEAR WHEEL, Inc. 25 - 32
21	316328A1	1	KIT, FIP, Inc. 29 - 32
25	NSS	1	NOT SERVICED SEPARATELY, FLANGE
26	302196A1	4	PIN, LARGE,
27	100-21150	4	RING, SNAP, 1.50", Int, #150,
28	302184A1	1	BUTTON, HOLE PLUG,
29	NSS	4	NOT SERVICED SEPARATELY, GEAR
30	NSS	328	NOT SERVICED SEPARATELY, BEARING, Needle
31	NSS	4	NOT SERVICED SEPARATELY, SPACER
32	NSS	8	NOT SERVICED SEPARATELY, WASHER, Thrust
33	864-6020	6	SCREW, Hex Soc Hd, M6 x 20, 8.8,
34	221-887	2	PLUG, 3/4
35	253212A1	24	NUT,
36	87403378	1	WASHER, THRUST,
37	87403379	1	SNAP RING,
38	87390190	1	KIT, Hub Seal, Axle ASN Z7RZ02024
39	87390352	1	KIT, V-Ring Seal

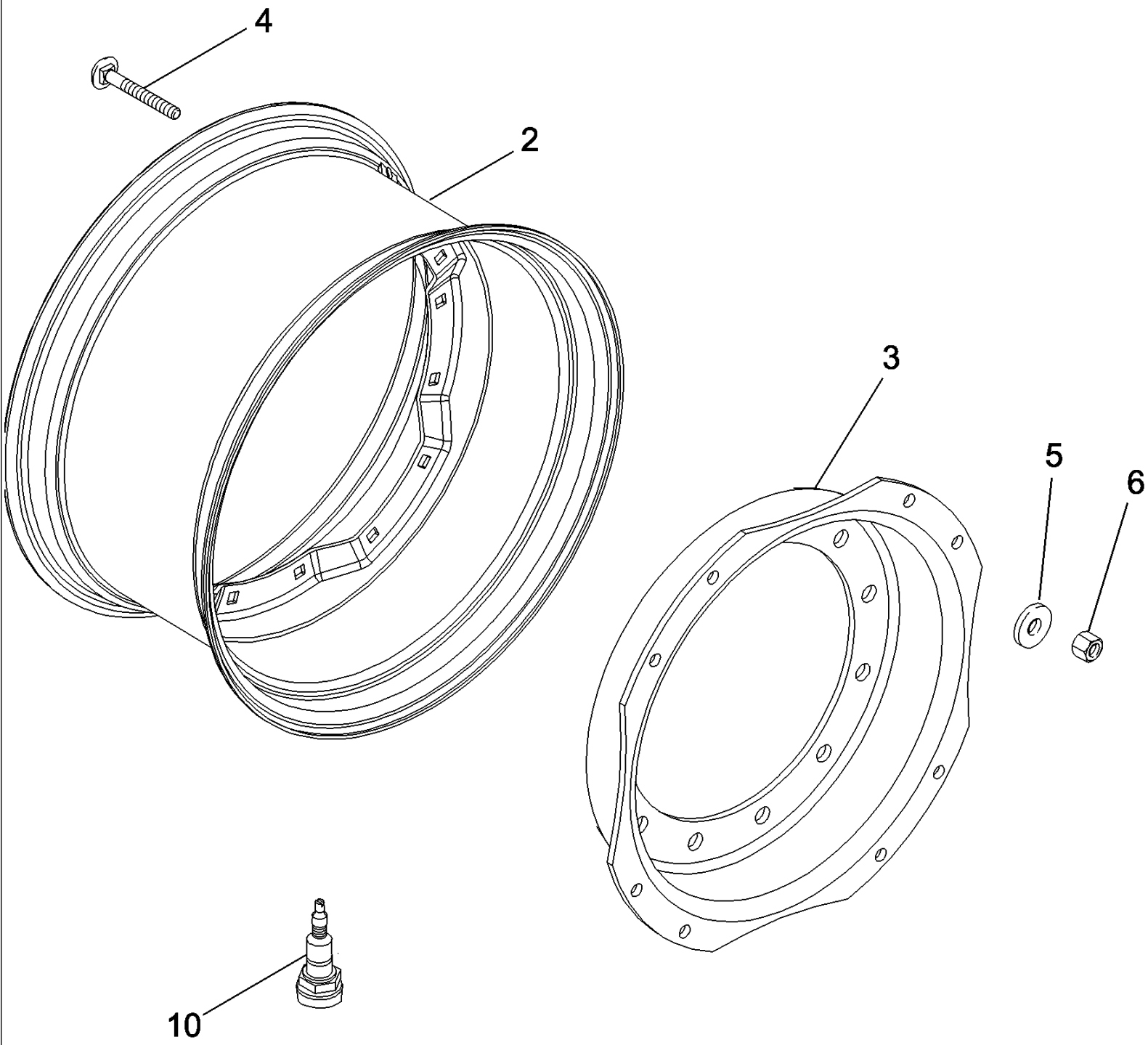




## MX305 CASE IH MAGNUM TRACTOR NA (1/06-9/06)

## 05-35 STEERING CYLINDER ASSEMBLY - MFD, 12 BOLT HUB

сылка	Номер детали	Кол-во	Описание
1	87455647	1	CYLINDER ASSY., Left Hand, Inc. 2 - 25
1	87455648	1	CYLINDER ASSY., Right Hand, Inc. 2 - 25
2	87455649	1	CYLINDER STEERING, Kit, Left Hand, Inc. 3 - 15
2	87455650	1	CYLINDER STEERING, Kit, Right Hand, Inc. 3 - 15
3	87455653	1	ROD, PISTON,
4	NSS	1	NOT SERVICED SEPARATELY, TUBE
5	314450A2	1	BUSHING, LARGE,
6	238-5212	2	O-RING, -212, 70 Duro, .859" ID x .139" Thk,
7	220064A1	1	PLUG, M14 x 1.5, ORB, Inc. 8
8	637-63113	1	O-RING, CI 6, 11.3MM ID x 2.2 Thk,
9	87455634	1	CAP CYLINDER END,
10	87455632	1	KIT, SEALS, Inc. 11 - 15
11	NSS	1	NOT SERVICED SEPARATELY, SEAL
12	NSS	1	NOT SERVICED SEPARATELY, RING, Wear
13	NSS	1	NOT SERVICED SEPARATELY, O-RING
14	NSS	1	NOT SERVICED SEPARATELY, RING, Backup
15	NSS	1	NOT SERVICED SEPARATELY, RING, Retaining
16	87455628	1	BALL JOINT, Inc. 17 - 25
17	87455652	1	SEALRING, Small
18	87455667	1	SEALRING, Large
19	87455665	1	BOLT,
20	87455773	1	CLAMP,
21	NSS	1	NOT SERVICED SEPARATELY, BALL JOINT
22	87455664	1	BOOT,
23	87455662	1	NUT, SPECIAL,
24	87455654	1	FITTING,
25	87455666	1	NUT, SPECIAL,



## MX305 CASE IH MAGNUM TRACTOR NA (1/06-9/06)

## 05-37 FRONT WHEELS - MFD, 12 BOLT HUB

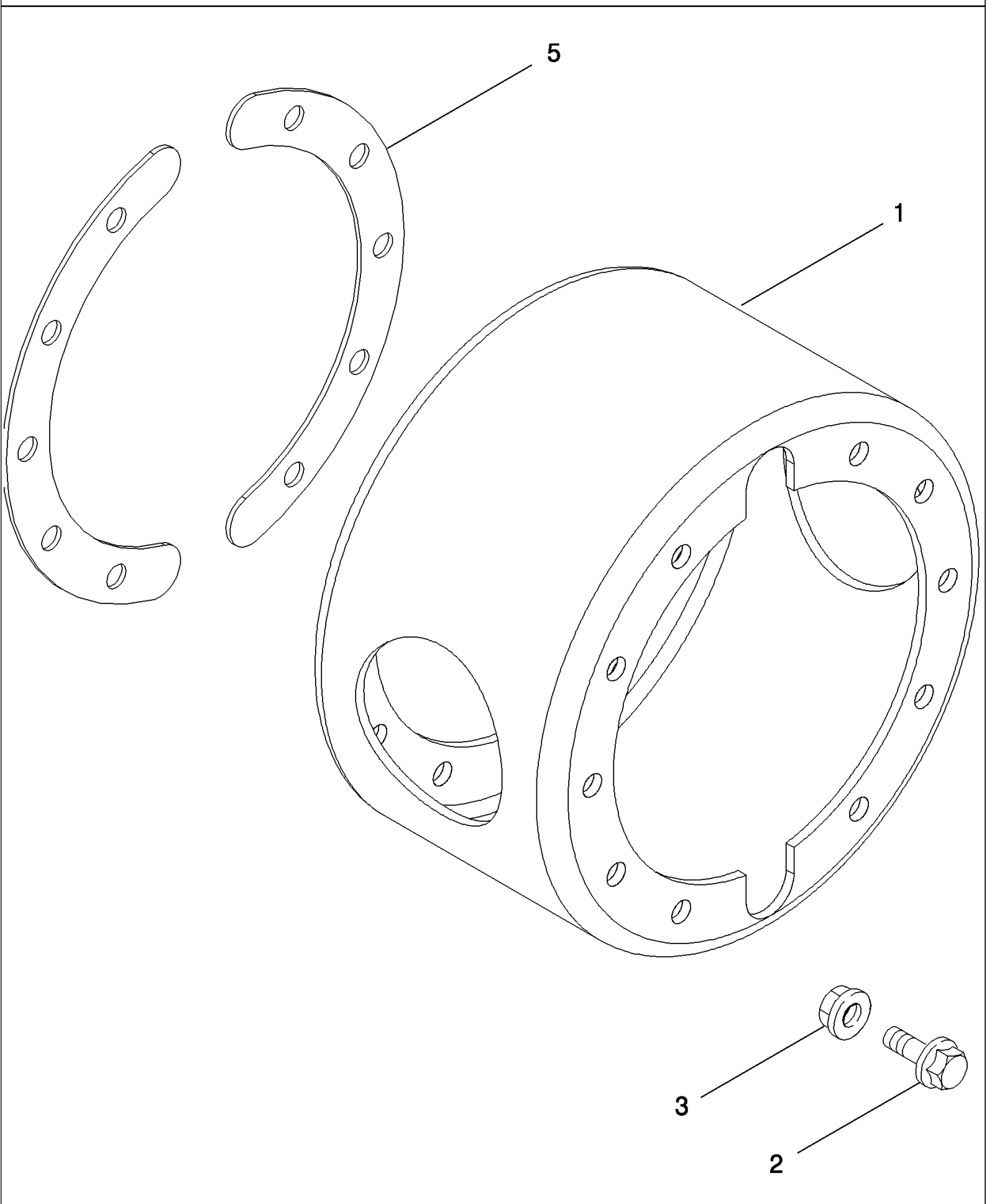
сылка	Номер детали	Кол-во	Описание
1	188347A2	2	WHEEL ASSY, W18Lx28, Inc. 2 - 6, For Tires 600/65R28
2	188350A2	1	RIM,
3	188328A1	1	DISC, WHEEL, 12 Bolt
4	240686A1	8	BOLT, SPECIAL,
5	896-11016	8	WASHER, M17.5 x 30 x 4, HT,
6	829-1416	8	NUT, M16, CI 10,
1	188335A1	2	WHEEL ASSY., DWW13x30, Inc. 2 - 6, For Tires 380/85R30, 14.9R30
2	188338A1	1	RIM,
3	188328A1	1	DISC, WHEEL, 12 Bolt
4	240686A1	8	BOLT, SPECIAL,
5	896-11016	8	WASHER, M17.5 x 30 x 4, HT,
6	829-1416	8	NUT, M16, CI 10,
1	188339A1	2	WHEEL ASSY., DWW15x30 Inc. 2 - 6, For Tires 480/85R30, 480/70R30, 420/90R30, 16.9R30,
2	188341A1	1	RIM,
3	188328A1	1	DISC, WHEEL, 12 Bolt
4	240686A1	8	BOLT, SPECIAL,
5	896-11016	8	WASHER, M17.5 x 30 x 4, HT,
6	829-1416	8	NUT, M16, CI 10,
1	87401233	2	WHEEL, DW20x30, Inc. 2 - 6, For Tires 660/70R30
2	87402304	1	RIM,
3	188328A1	1	DISC, WHEEL, 12 Bolt
4	240686A1	8	BOLT, SPECIAL,
5	896-11016	8	WASHER, M17.5 x 30 x 4, HT,
6	829-1416	8	NUT, M16, CI 10,
1	231997A1	2	WHEEL ASSY., W13x34, Inc. 2 - 6, For Tires 380/85R34
2	231998A1	1	RIM,
3	231999A1	1	FLANGE, 12 Bolt
4	240686A1	8	BOLT, SPECIAL,
5	896-11016	8	WASHER, M17.5 x 30 x 4, HT,
6	829-1416	8	NUT, M16, CI 10,
1	259371A1	2	WHEEL ASSY., W15lx34, Inc. 2 - 6, For Tires 480/70R34, 540/65R34
2	259416A1	1	RIM,
3	231999A1	1	FLANGE, 12 Bolt
4	240686A1	8	BOLT, SPECIAL,
5	896-11016	8	WASHER, M17.5 x 30 x 4, HT,
6	829-1416	8	NUT, M16, CI 10,
1	87544869	2	WHEEL ASSY, W10x38, Inc. 2 - 6, For Tires 320/85R38
2	297355A1	1	RIM,
3	87544709	1	DISC, 12 Bolt
4	240686A1	12	BOLT, SPECIAL,
5	896-11016	12	WASHER, M17.5 x 30 x 4, HT,
6	829-1416	12	NUT, M16, CI 10,
1	87544870	2	WHEEL ASSY, W12x38, Inc. 2 - 6, For Tires 380/80R38
2	347618A1	1	RIM,
3	87544709	1	DISC, 12 Bolt

MX305 CASE IH MAGNUM TRACTOR NA (1/06-9/06)

05-37 FRONT WHEELS - MFD, 12 BOLT HUB

сылка	Номер детали	Кол-во	Описание
4	240686A1	12	BOLT, SPECIAL,
5	896-11016	12	WASHER, M17.5 x 30 x 4, HT,
6	829-1416	12	NUT, M16, CI 10,
1	87544871	2	WHEEL ASSY, W10Ax42, Inc. 2 - 6, For Tires 320/80R42
2	396520A1	1	RIM,
3	87544709	1	DISC, 12 Bolt
4	240686A1	12	BOLT, SPECIAL,
5	896-11016	12	WASHER, M17.5 x 30 x 4, HT,
6	829-1416	12	NUT, M16, CI 10,
10	86507333	2	VALVE STEM,

05-38 SPACER - DUAL FRONT WHEELS

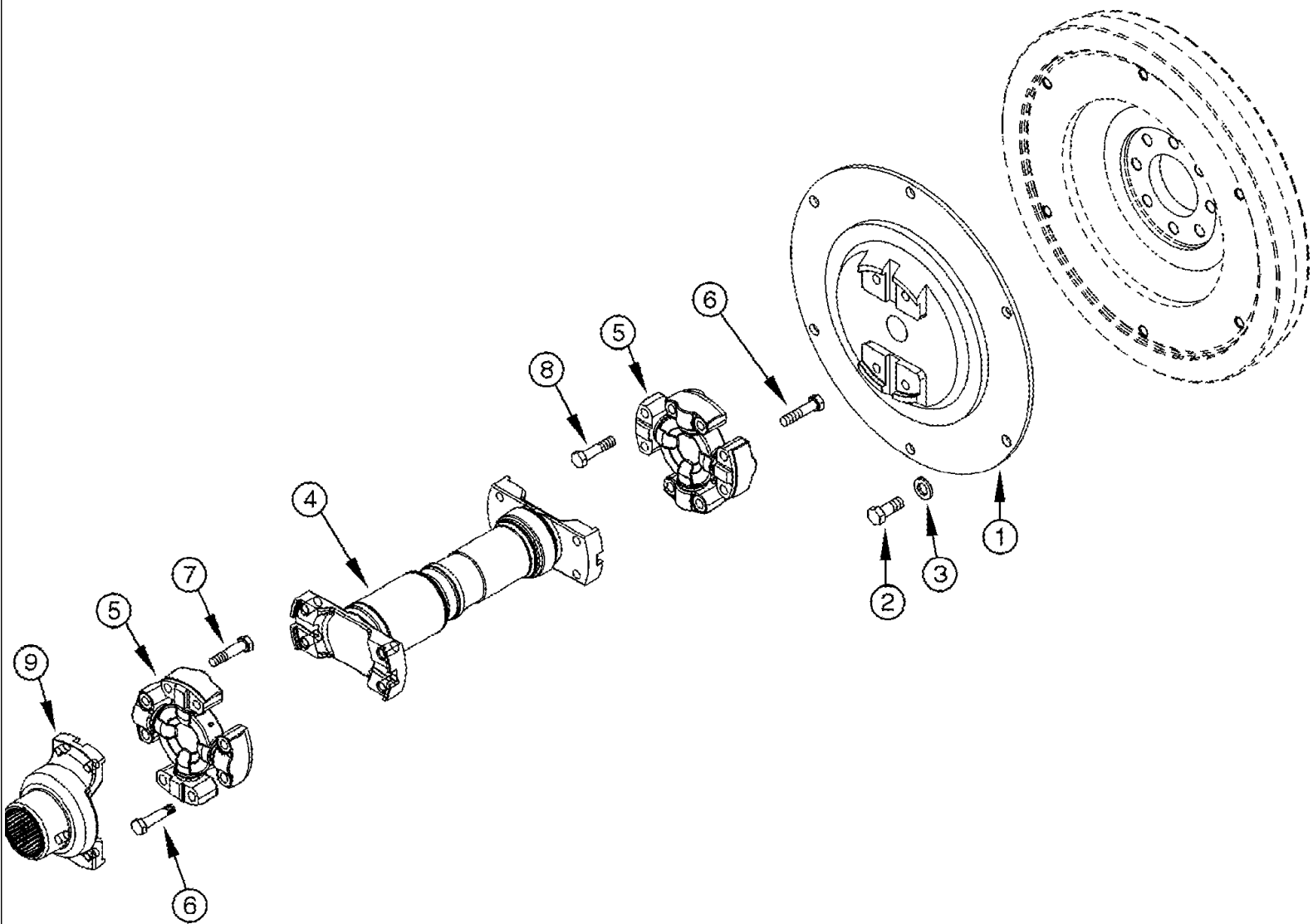


MX305 CASE IH MAGNUM TRACTOR NA (1/06-9/06)

05-38 SPACER - DUAL FRONT WHEELS

сылка	Номер детали	Кол-во	Описание
1	87326459	2	SPACER, 16 Inch
2	283120A1	20	BOLT, M20 x 45
3	253212A1	20	NUT,
5	365372A1	4	SHIM, Used With 34 Inch Wheel Only

06-01 TRANSMISSION DRIVE SHAFT



## MX305 CASE IH MAGNUM TRACTOR NA (1/06-9/06)

## 06-01 TRANSMISSION DRIVE SHAFT

сылка	Номер детали	Кол-во	Описание
1	248408A2	1	PLATE, DRIVE, , MX215, Magnum 215,MX245, and Magnum 245
1	248409A2	1	PLATE, DRIVE, , MX275, Magnum 275, MX305, and Magnum 305
2	628-12030	6	BOLT, Hex, M12 x 30, 10.9, Full Thd,
3	896-11012	6	WASHER, M13.5 x 24.5 x 3, HT,
4	259075A3	1	SHAFT, DRIVE, , MX215, Magnum 215,MX245, and Magnum 245
4	301842A2	1	SHAFT, DRIVE, , MX275, Magnum 275, MX305, and Magnum 305
5	259076A2	2	SPIDER, U-JOINT, , MX215, Magnum 215,MX245, and Magnum 245
5	301844A2	2	SPIDER, U-JOINT, , MX275, Magnum 275, MX305, and Magnum 305
6	828-10045	8	BOLT, Hex, M10 x 45, 10.9, , MX215, Magnum 215,MX245, and Magnum 245
6	828-12050	8	BOLT, Hex, M12 x 50, 10.9, , MX275, Magnum 275, MX305, and Magnum 305
7	828-10045	4	BOLT, Hex, M10 x 45, 10.9, , MX215, Magnum 215,MX245, and Magnum 245
7	828-12050	4	BOLT, Hex, M12 x 50, 10.9, , MX275, Magnum 275, MX305, and Magnum 305
8	828-10045	4	BOLT, Hex, M10 x 45, 10.9, , MX215, Magnum 215,MX245, and Magnum 245
8	828-12050	4	BOLT, Hex, M12 x 50, 10.9, , MX275, Magnum 275, MX305, and Magnum 305
9	259188A1	1	YOKE, Input, MX215, Magnum 215,MX245, and Magnum 245
9	301843A1	1	YOKE, Input, MX275, Magnum 275, MX305, and Magnum 305





## MX305 CASE IH MAGNUM TRACTOR NA (1/06-9/06)

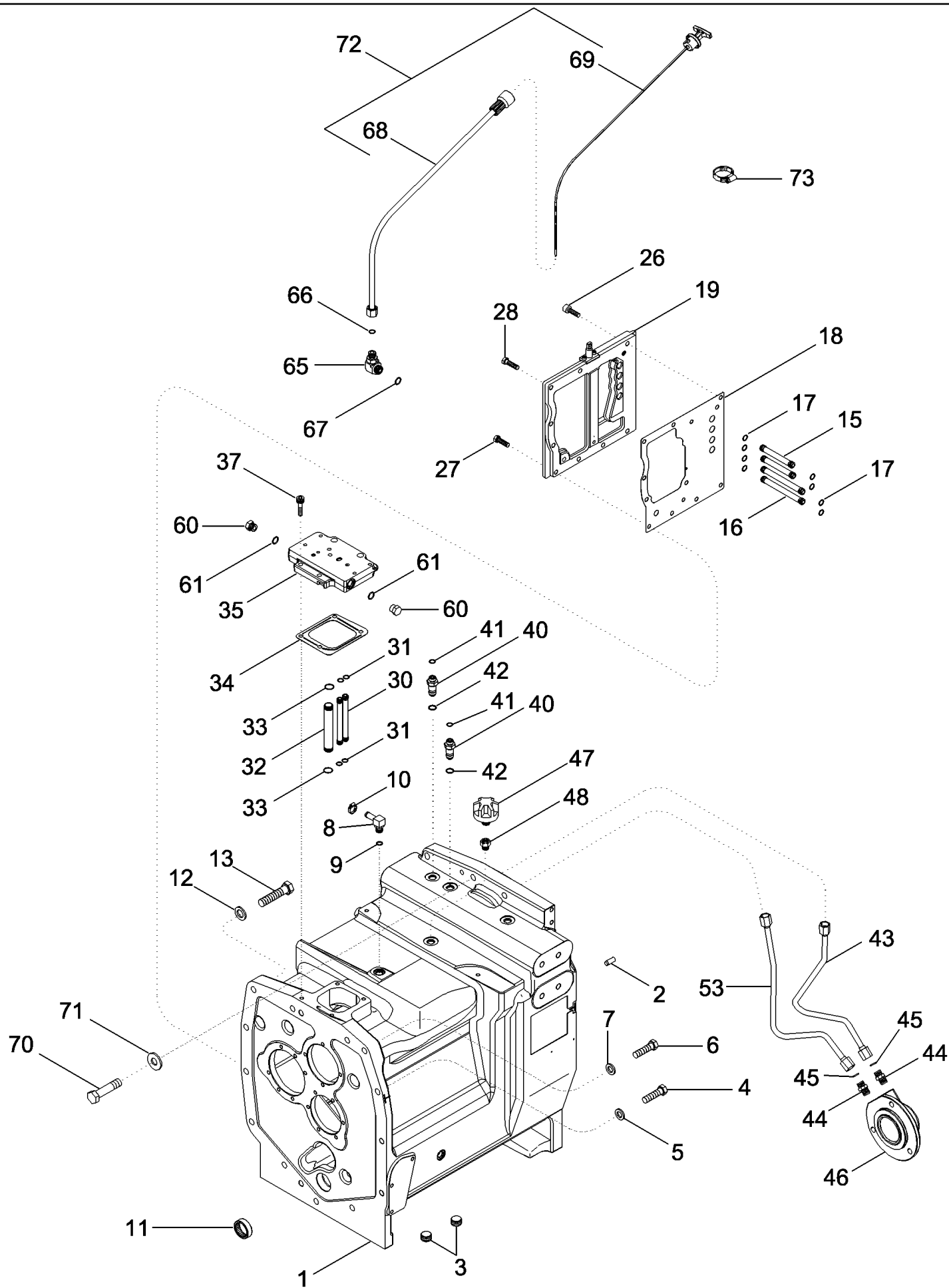
## 06-02 TRANSMISSION DROP BOX

сылка	Номер детали	Кол-во	Описание
1	225171A6	1	HOUSING, Inc. 2, 3
2	375362R1	2	PIN, 1/2 x 1-3/8
3	837-20040	2	DOWEL, M20 x 40,
4	302553A1	1	SHAFT, GEAR, 33T
5	105503H	1	BEARING, CONE,
6	105496H	1	BEARING, CUP,
7	659458R1	1	BEARING, CONE,
8	105497H	1	BEARING, CUP,
	275216A2	1	KIT, SHIM, Inc. 9
9	341206A1	2	SHIM, 0.152 mm
9	341205A1	2	SHIM, 0.178 mm
9	275214A1	2	SHIM, 0.203 mm
9	228267A1	2	SHIM, 0.356 mm
9	228270A1	2	SHIM, 0.635 mm
10	221240A4	1	CAGE,
11	238-5161	1	O-RING, -161, 70 Duro, 5.487" ID x .103" Thk,
12	339770A1	3	SCREW,
13	225820A1	1	SEAL, OIL,
14	259188A1	1	YOKE, , MX215, Magnum 215, MX245, and Magnum 245
14	301843A1	1	YOKE, , MX275, Magnum 275, MX305, and Magnum 305
15	238-5225	1	O-RING, -225, 70 Duro, 1.859" ID x .139" Thk,
	276639A1	1	KIT, SHIM, Inc. 16
16	276638A1	2	SHIM, 0.203 mm
16	230486A1	2	SHIM, 0.356 mm
16	230487A1	2	SHIM, 0.508 mm
16	230488A1	2	SHIM, 0.559 mm
16	230490A1	2	SHIM, 0.635 mm
17	230497A1	1	WASHER,
18	628-16035	1	BOLT, Hex, M16 x 35, 10.9, Full Thd,
25	302554A1	1	SHAFT, GEAR, 35T
26	101-21325	2	RING, SNAP, #325, 3.488", Int,
27	364463C91	2	BEARING, CONE,
28	364462C1	2	BEARING, CUP,
29	228304A2	1	SHAFT ASSY., Inc. 30,31
30	837-8020	1	DOWEL, M8 x 20,
31	1342851C1	1	PLUG, 10 mm
32	238-5140	1	O-RING, -140, 90 Duro, 2.237" ID x .103" Thk,
	275217A2	1	KIT, SHIM, Inc. 33
33	341208A1	2	SHIM, 0.152 mm
33	341207A1	2	SHIM, 0.178 mm
33	275215A1	2	SHIM, 0.203 mm
33	228300A1	2	SHIM, 0.356 mm
33	228303A1	2	SHIM, 0.635 mm
34	258469A1	1	PLATE, COVER,
35	339770A1	2	SCREW,

## MX305 CASE IH MAGNUM TRACTOR NA (1/06-9/06)

## 06-02 TRANSMISSION DROP BOX

сылка	Номер детали	Кол-во	Описание
40	302555A1	1	SHAFT, GEAR, 30 T
41	282726A1	1	SHAFT, Inc. 42,43, Without Creep or 19 Speed/Without 50 KPH
41	282724A1	1	SHAFT, Inc. 42,43, With Creep or 19 Speed/With 50 KPH
42	38-3605	1	PIN, 3/32" x 5/16", Coiled,
43	284151A1	1	SCREW, M10 x 10
44	105503H	2	BEARING, CONE,
45	105496H	2	BEARING, CUP,
	275219A2	1	KIT, SHIM, Inc. 46
46	341210A1	2	SHIM, 0.152 mm
46	341209A1	2	SHIM, 0.178 mm
46	275213A1	2	SHIM, 0.203 mm
46	228261A1	2	SHIM, 0.356 mm
46	228265A1	2	SHIM, 0.635 mm
47	226188A3	1	CAGE,
48	238-5157	1	O-RING, -157, 70 Duro, 4.487" ID x .103" Thk,
49	339770A1	3	SCREW,
50	230760A2	1	GASKET,
51	828-20110	2	BOLT, Hex, M20 x 110, 10.9,
52	259979A2	1	TUBE,
53	614-10020	1	BOLT, Hex, M10 x 20, 8.8, Full Thd,
54	892-11010	1	WASHER, LOCK, M10,
55	93105C1	1	UNION,
56	237-6008	1	O-RING, 8-1, 90 Duro, .644" ID x .087" Thk,
57	238-6014	1	O-RING, -014, 90 Duro, .489" ID x .070" Thk,
64	896-12020	2	WASHER, M20 x 37.5 x 4, HT,
70	279640A1	1	CAP,
71	295087A1	1	TUBE,
72	238-5222	1	O-RING, -222, 70 Duro, 1.484" ID x .139" Thk,
73	614-10020	2	BOLT, Hex, M10 x 20, 8.8, Full Thd,
74	248-2181	1	GROMMET, 1" ID x 3/8" Groove Dia,
75	353-402	2	PLUG, Dome, .375" hole, Nylon, (Not Shown)



## MX305 CASE IH MAGNUM TRACTOR NA (1/06-9/06)

## 06-03 SPEED TRANSMISSION - HOUSING

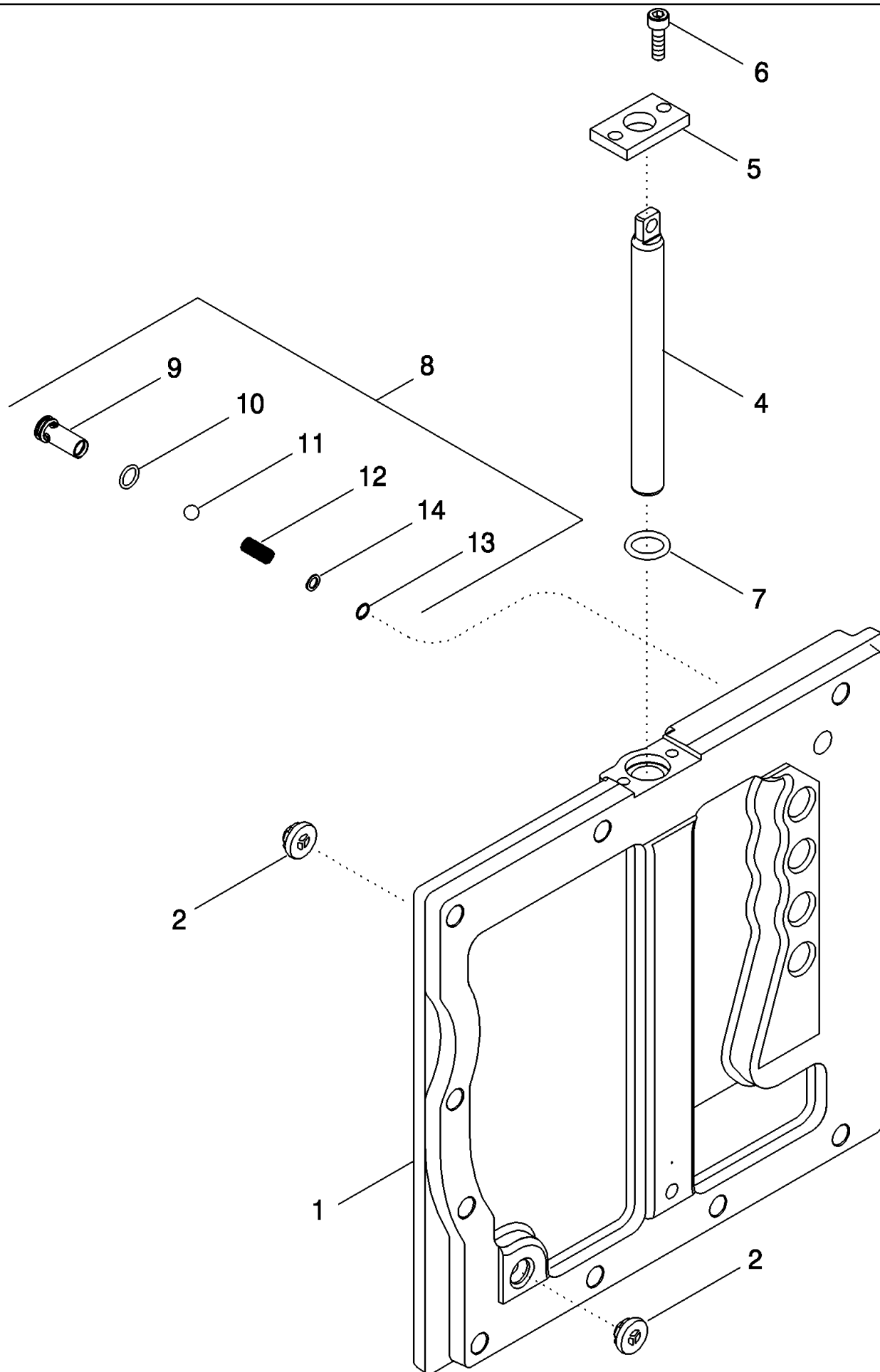
сылка	Номер детали	Кол-во	Описание
1	87428576	1	HOUSING ASSY., Inc. 2, 3
2	837-12030	2	DOWEL, M12 x 30,
3	192792A1	2	PLUG, 3/4 in
4	828-16060	7	BOLT, Hex, M16 x 60, 10.9, Full Thd,
5	896-12016	7	WASHER, M17.5 x 30 x 4, HT,
6	828-16090	2	BOLT, Hex, M16 x 90, 10.9,
7	896-12016	2	WASHER, M17.5 x 30 x 4, HT,
8	87454069	1	ELBOW,
9	637-63153	1	O-RING, CI 6, 15.3MM ID x 2.2 Thk,
10	214-1408	1	CLAMP, HOSE, #08, 0.50/0.91 Type F Worm,
11	205369R91	1	BEARING, NEEDLE,
12	896-12016	1	WASHER, M17.5 x 30 x 4, HT,
13	87308873	1	SCREW, 12 Pt Hd, M16 x 90, 12.9,
15	235976A2	2	TUBE,
16	235977A2	2	TUBE,
17	238-5014	8	O-RING, -014, 70 Duro, .489" ID x .070" Thk,
18	87433655	1	GASKET,
19	87433653	1	PLATE ASSY., , See Figure 06-04
26	861-10030	2	SCREW, Hex Soc Hd, M10 x 30, 12.9,
27	628-10035	6	BOLT, Hex, M10 x 35, 10.9, Full Thd,
28	614-10040	2	BOLT, Hex, M10 x 40, 8.8, Full Thd,
30	235977A2	2	TUBE,
31	238-5014	4	O-RING, -014, 70 Duro, .489" ID x .070" Thk,
32	300827A1	1	TUBE,
33	238-5019	2	O-RING, -019, 70 Duro, .801" ID x .070" Thk,
34	87424932	1	GASKET,
35	87444975	1	PLATE, , See Figure 06-05
37	861-10035	4	SCREW, Hex Soc Hd, M10 x 35, 12.9,
40	87341626	2	FITTING, , With Creep or 19 Speed/With 50 KPH
41	238-6014	2	O-RING, -014, 90 Duro, .489" ID x .070" Thk,
42	237-6008	2	O-RING, 8-1, 90 Duro, .644" ID x .087" Thk,
43	87341628	1	TUBE, Lube, With Creep or 19 Speed/With 50 KPH, Transmission BSN AJB0366999
43	87544717	1	TUBE, Lube, Transmission ASN AJB0366999, With Creep or 19 Speed/With 50 KPH
44	218-5352	2	CONNECTOR, HYD., 9/16"-18, 37e x 7/16"-20, O-Ring, Incl. 45, With Creep or 19 Speed/With 50 KPH
46	87341627	1	MANIFOLD,
47	1971726C1	1	BREATHER,
48	87306797	1	ADAPTER, 1/4"-18 Fem NPTF x 1/4"-18 NPTF Male,
45	237-6004	2	O-RING, 4-1, 90 Duro, .351" ID x .072" Thk,
53	87341629	1	TUBE, Pressure, With Creep or 19 Speed/With 50 KPH, Transmission BSN AJB0366999
53	87544716	1	TUBE, Pressure, Transmission ASN AJB0366999, With Creep or 19 Speed/With 50 KPH
60	214389	2	PLUG, Hex Hd, 3/4"-16 ORB, Inc. 61, Without Creep or 19 Speed/Without 50 KPH
61	237-6008	2	O-RING, 8-1, 90 Duro, .644" ID x .087" Thk,
65	86579691	1	ELBOW, 90e, 13/16"-18 ORFS x M18 x 1.5 ORB, Inc. 66, 67
66	9992298	1	O-RING, -014, 90 Duro, .489" ID x .070" Thk,
67	86598101	1	O-RING, CI 6, 15.3MM ID x 2.2 Thk,

MX305 CASE IH MAGNUM TRACTOR NA (1/06-9/06)

06-03 SPEED TRANSMISSION - HOUSING

сылка	Номер детали	Кол-во	Описание
68	295149A1	1	TUBE,
69	295316A1	1	DIPSTICK,
70	828-16070	2	BOLT, Hex, M16 x 70, 10.9,
71	896-12016	2	WASHER, M17.5 x 30 x 4, HT,
72	297501A1	1	GAUGE, Assy., Inc. 68, 69
73	614-12025	4	BOLT, Hex, M12 x 25, 8.8, (Not Shown)

06-04 PLATE ASSEMBLY - VALVE MOUNTING, LEFT HAND SIDE

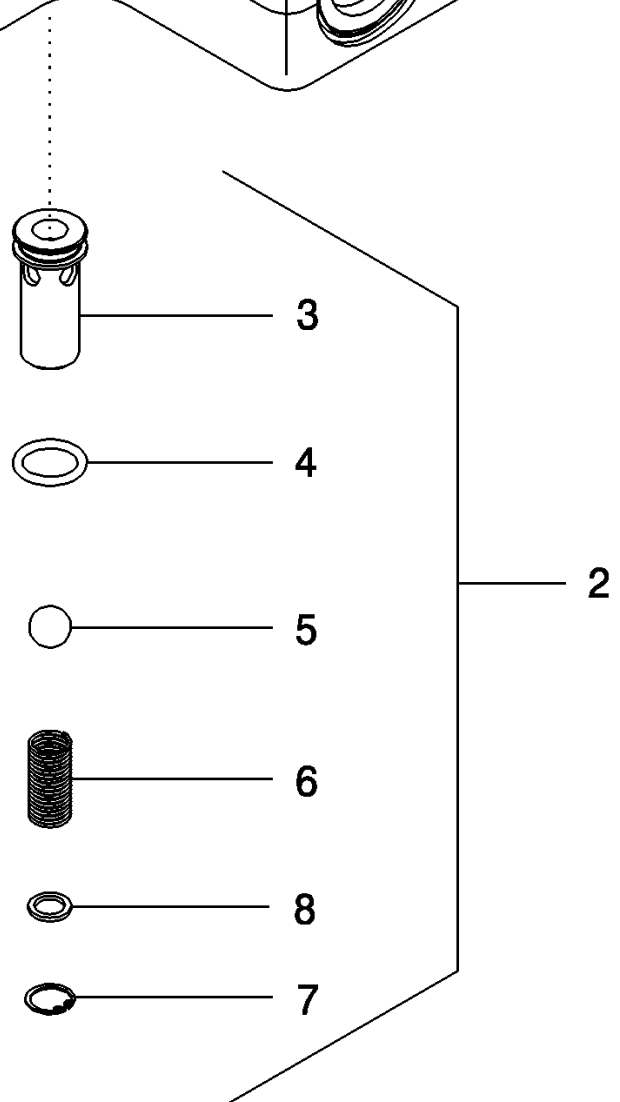
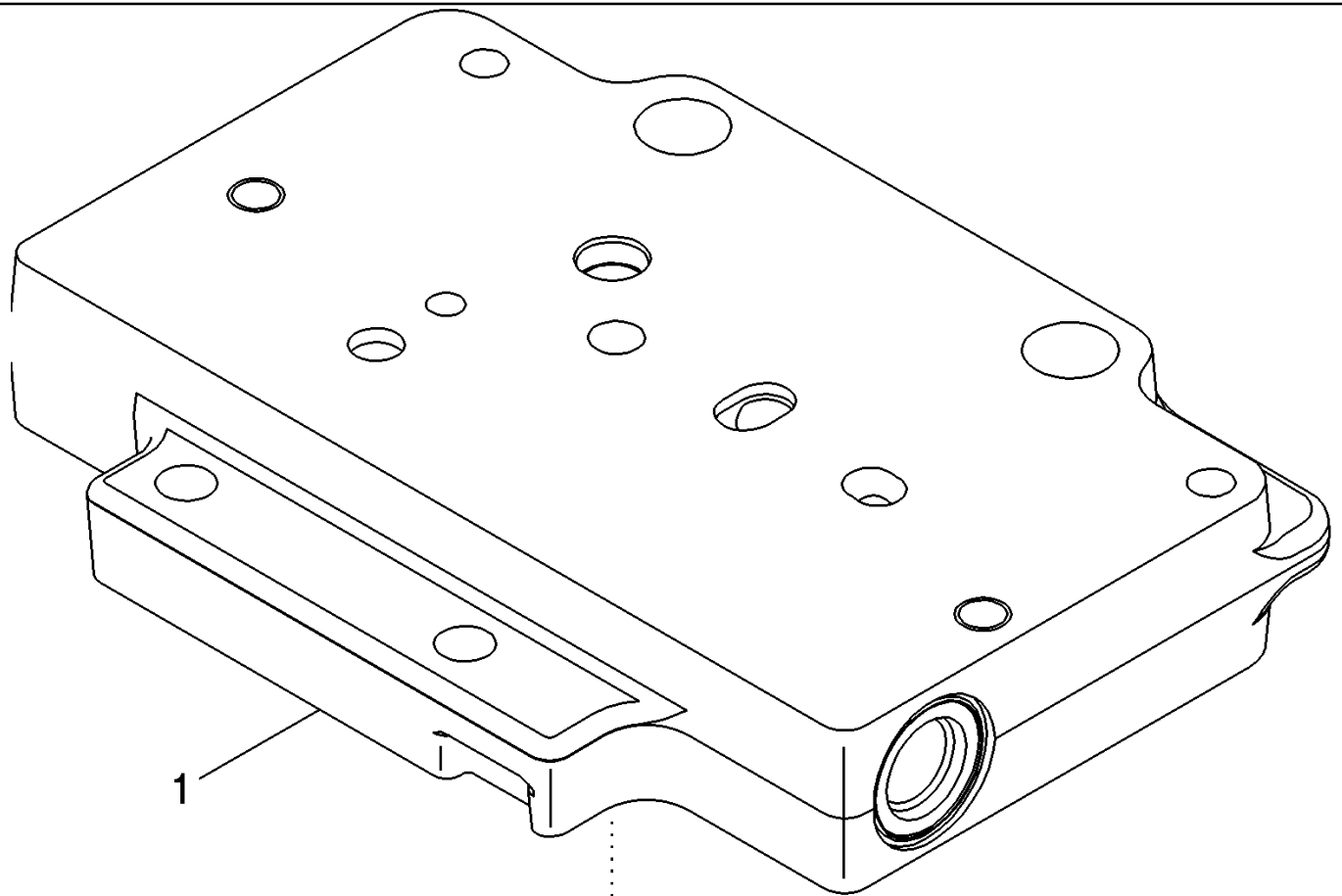


## MX305 CASE IH MAGNUM TRACTOR NA (1/06-9/06)

## 06-04 PLATE ASSEMBLY - VALVE MOUNTING, LEFT HAND SIDE

сылка	Номер детали	Кол-во	Описание
	87433653	1	PLATE ASSY., Inc. 1 - 14
1	NSS	1	NOT SERVICED SEPARATELY, PLATE
2	1994615C2	2	VALVE, CHECK,
4	234802A2	1	PIN,
5	315904A1	1	PLATE, RETAINING,
6	863-6020	2	SCREW, Hex Soc Hd, M6 x 20, 12.9,
7	238-5208	1	O-RING, -208, 70 Duro, .609" ID x .139" Thk,
8	445492A2	1	VALVE, CHECK, Inc. 9 - 14
9	NSS	1	NOT SERVICED SEPARATELY, BODY
10	238-5012	1	O-RING, -012, 70 Duro, .364" ID x .070" Thk,
11	211-1009	1	BALL, 9/32; 24,CRS
12	445494A1	1	SPRING, VALVE,
13	100-2131	1	RING, SNAP, 0.312", Int, #31,
14	86988656	1	WASHER, SPRING,

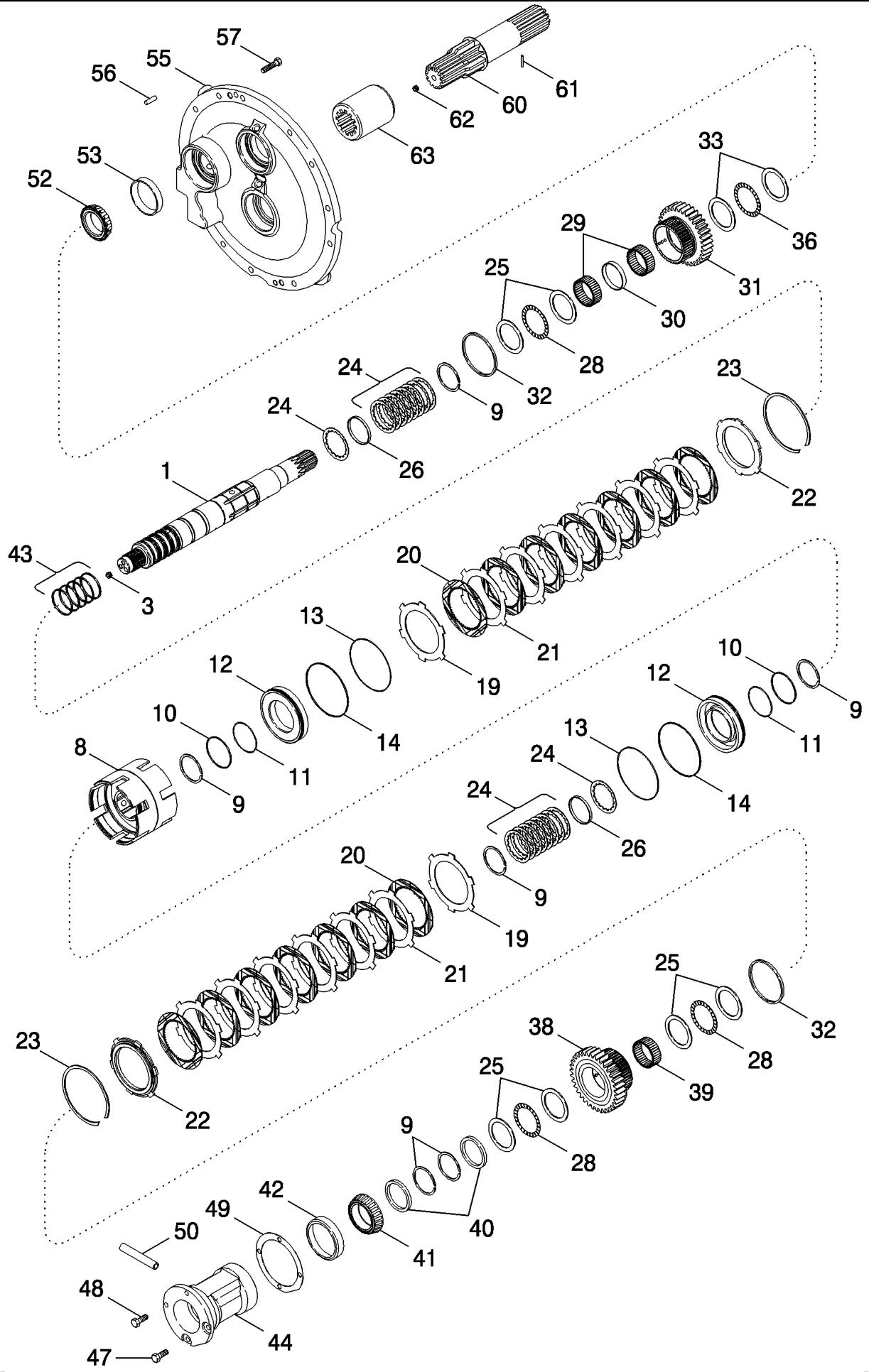




MX305 CASE IH MAGNUM TRACTOR NA (1/06-9/06)

06-05 PLATE ASSEMBLY - VALVE MOUNTING, TOP

сылка	Номер детали	Кол-во	Описание
	87444975	1	PLATE, Inc. 1 - 8
1	87444976	1	PLATE,
2	445492A2	1	VALVE, CHECK, Inc. 3 - 8
3	NSS	1	NOT SERVICED SEPARATELY, BODY
4	238-5012	1	O-RING, -012, 70 Duro, .364" ID x .070" Thk,
5	211-1009	1	BALL, 9/32; 24,CRS
6	445494A1	1	SPRING, VALVE,
7	100-2131	1	RING, SNAP, 0.312", Int, #31,
8	86988656	1	WASHER, SPRING,



## MX305 CASE IH MAGNUM TRACTOR NA (1/06-9/06)

## 06-06 SPEED TRANSMISSION - INPUT SHAFT WITHOUT CREEP OR 19 SPEED

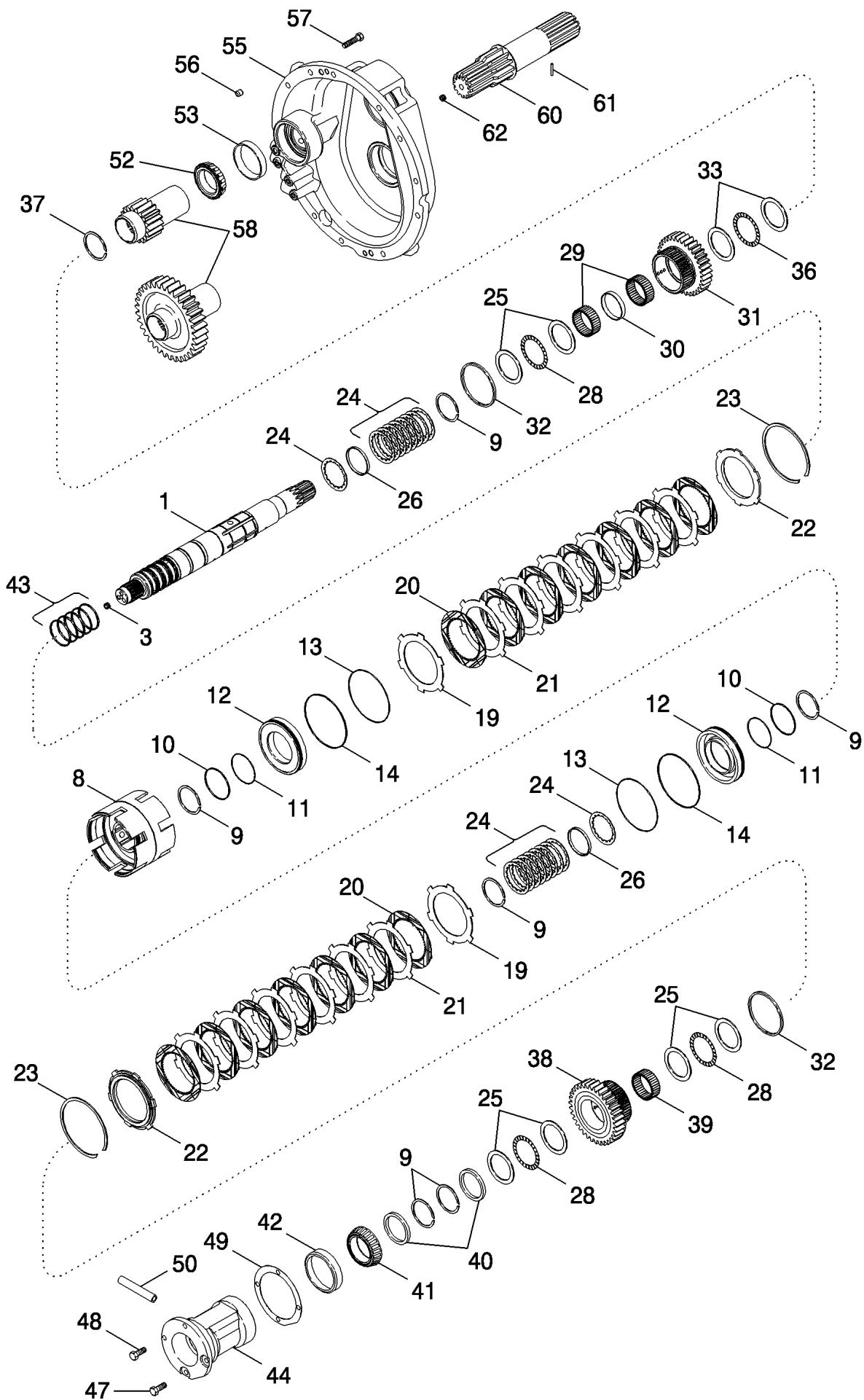
сылка	Номер детали	Кол-во	Описание
1	87434648	1	SHAFT ASSY., Inc. 3
3	1342851C1	2	PLUG, 10 mm
8	86987595	1	CARRIER,
9	101-11250	6	RING, SNAP, #250, 2.356, Ext,
10	1286081C1	2	O-RING,
11	1286076C1	2	RING,
12	242492A5	2	PISTON,
13	1286083C1	2	O-RING,
14	1286079C1	2	RING,
19	87738316	2	DISC, Separator
20	86990276	14	DISC, Friction
21	92934C2	12	DISC, Separator
22	1342645C3	2	DISC, CLUTCH,
23	1285996C1	2	RING, SNAP,
24	87425389	18	SPRING, BELLEVILLE,
25	1286043C1	6	WASHER, THRUST,
26	87434656	2	RING, Lube
28	572182R1	3	BEARING, THRUST,
29	80907C1	2	BEARING, NEEDLE,
30	93297C1	1	SPACER,
31	1342495C1	1	GEAR, DRIVEN, 37T
32	1286052C1	2	RING,
33	1286042C1	2	WASHER, THRUST,
36	87012543	1	BEARING, THRUST,
38	1285985C1	1	GEAR, WHEEL, 34T
39	1286016C1	1	BEARING, NEEDLE,
40	1286039C1	2	SPACER,
41	364465C1	1	BEARING, CONE,
42	258452C1	1	BEARING, CUP,
43	1286026C1	5	RING,
44	254574A2	1	CAGE,
47	613-10025	2	BOLT, Hex, M10 x 25, 8.8, Full Thd,
48	613-10030	2	BOLT, Hex, M10 x 30, 8.8, Full Thd,
49	1286071C1	2	SHIM, 0.08 mm
49	1286072C1	2	SHIM, 0.10 mm
49	1286073C1	2	SHIM, 0.13 mm
49	1286074C1	2	SHIM, 0.30 mm
49	1286075C1	2	SHIM, 0.76 mm
50	1981207C1	1	TUBE,
52	627639R1	1	BEARING, CONE,
53	ST970	1	BEARING, CUP,
55	258470A2	1	SUPPORT, Inc. 56
56	37-188	8	DOWEL, 1/2" x 1/2",
57	613-12040	11	BOLT, Hex, M12 x 40, 8.8, Full Thd,
60	282726A1	1	SHAFT, Inc. 61, 62

MX305 CASE IH MAGNUM TRACTOR NA (1/06-9/06)

06-06 SPEED TRANSMISSION - INPUT SHAFT WITHOUT CREEP OR 19 SPEED

сылка	Номер детали	Кол-во	Описание
-------	--------------	--------	----------

61	38-3605	1	PIN, 3/32" x 5/16", Coiled,
62	284151A1	1	SCREW, M10 x 10
63	226637A1	1	COUPLING, SPLINED,



## MX305 CASE IH MAGNUM TRACTOR NA (1/06-9/06)

## 06-07 SPEED TRANSMISSION - INPUT SHAFT WITH CREEP/19 SPEED OR 50 KPH TRANSMISSION

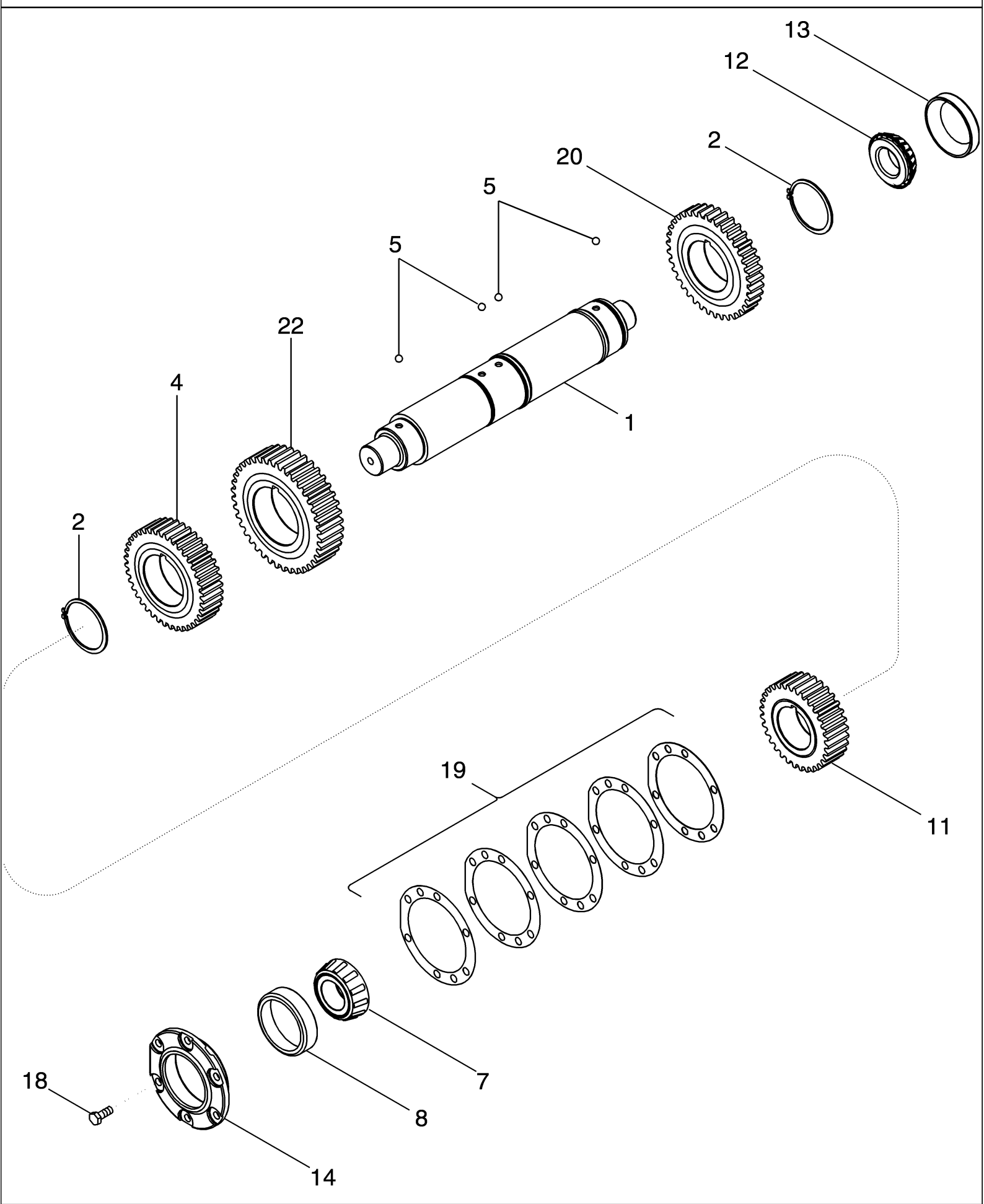
сылка	Номер детали	Кол-во	Описание
1	87425385	1	SHAFT ASSY., Inc. 3
3	1342851C1	2	PLUG, 10 mm
8	86987595	1	CARRIER,
9	101-11250	6	RING, SNAP, #250, 2.356, Ext,
10	1286081C1	2	O-RING,
11	1286076C1	2	RING,
12	242492A5	2	PISTON,
13	1286083C1	2	O-RING,
14	1286079C1	2	RING,
19	87738316	2	DISC, Separator
20	86990276	14	DISC, Friction
21	92934C2	12	DISC, Separator
22	1342645C3	2	DISC, CLUTCH,
23	1285996C1	2	RING, SNAP,
24	87425389	18	SPRING, BELLEVILLE,
25	1286043C1	6	WASHER, THRUST,
26	87434656	2	RING, Lube
28	572182R1	3	BEARING, THRUST,
29	80907C1	2	BEARING, NEEDLE,
30	93297C1	1	SPACER,
31	1342495C1	1	GEAR, DRIVEN, 37T
32	1286052C1	2	RING,
33	1286042C1	2	WASHER, THRUST,
36	87012543	1	BEARING, THRUST,
37	92793C1	1	RING,
38	1285985C1	1	GEAR, WHEEL, 34T
39	1286016C1	1	BEARING, NEEDLE,
40	1286039C1	2	SPACER,
41	364465C1	1	BEARING, CONE,
42	258452C1	1	BEARING, CUP,
43	1286026C1	5	RING,
44	254574A2	1	CAGE,
47	613-10025	2	BOLT, Hex, M10 x 25, 8.8, Full Thd,
48	613-10030	2	BOLT, Hex, M10 x 30, 8.8, Full Thd,
49	1286071C1	2	SHIM, 0.08 mm
49	1286072C1	2	SHIM, 0.10 mm
49	1286073C1	2	SHIM, 0.13 mm
49	1286074C1	2	SHIM, 0.30 mm
49	1286075C1	2	SHIM, 0.76 mm
50	1981207C1	1	TUBE,
52	L33289	1	BEARING, CONE, 2-1/4 inch ID
53	105497H	1	BEARING, CUP,
55	87439859	1	CARRIER, Inc. 56
56	37-188	9	DOWEL, 1/2" x 1/2",
57	613-12040	11	BOLT, Hex, M12 x 40, 8.8, Full Thd,

MX305 CASE IH MAGNUM TRACTOR NA (1/06-9/06)

06-07 SPEED TRANSMISSION - INPUT SHAFT WITH CREEP/19 SPEED OR 50 KPH TRANSMISSION

сылка	Номер детали	Кол-во	Описание
58	230042A1	1	GEAR, 17T, Creeper Drive (If Equipped)
58	87425388	1	GEAR, DRIVEN, 44T, 50 KPH Transmission (Australia Only) (If Equipped)
60	282724A1	1	SHAFT, Inc. 61, 62
61	38-3605	1	PIN, 3/32" x 5/16", Coiled,
62	284151A1	1	SCREW, M10 x 10

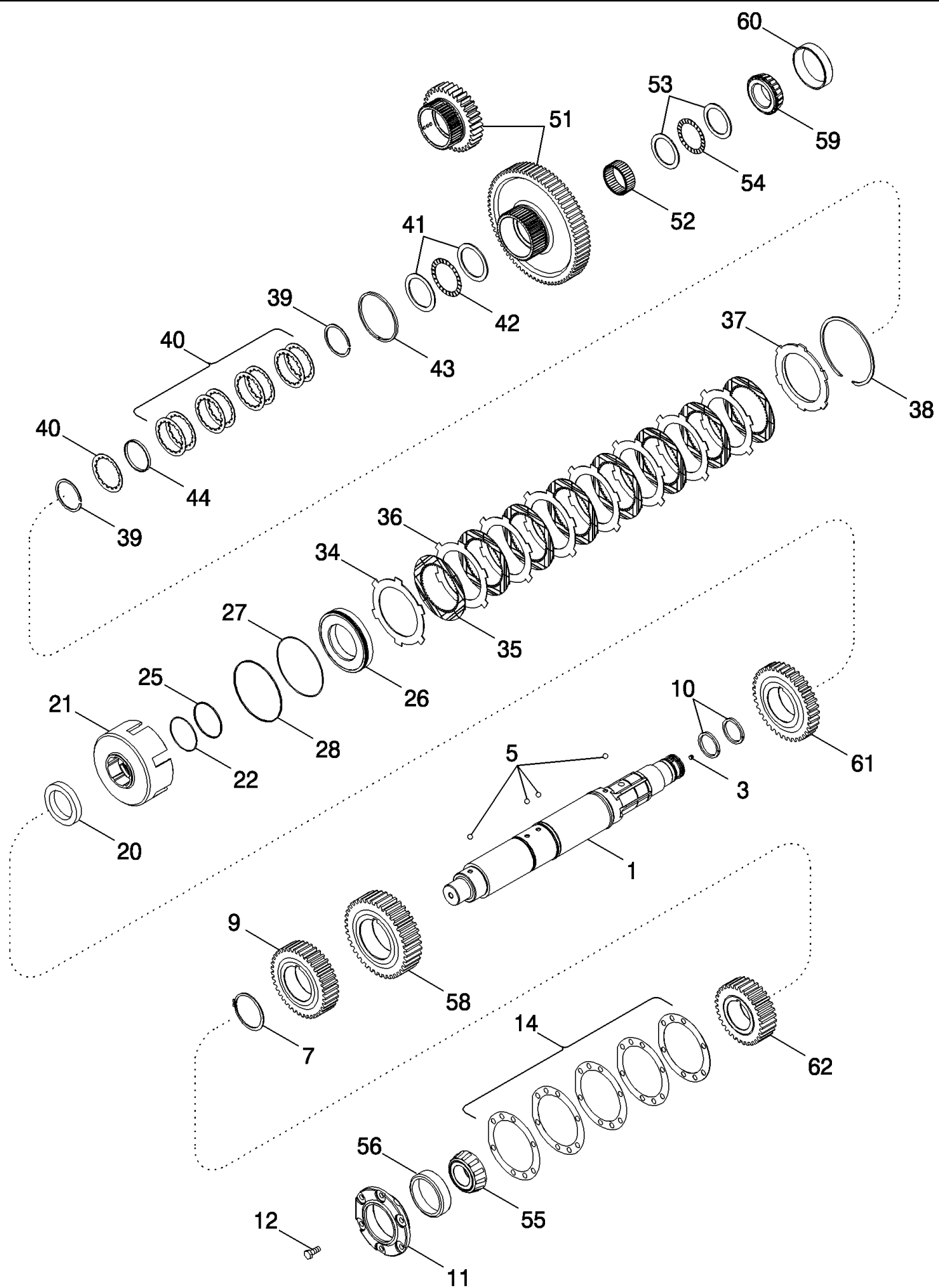




## MX305 CASE IH MAGNUM TRACTOR NA (1/06-9/06)

## 06-08 SPEED TRANSMISSION - COUNTERSHAFT WITHOUT CREEP OR 19 SPEED

сылка	Номер детали	Кол-во	Описание
1	1342253C2	1	SHAFT,
2	100-11293	2	RING, SNAP, #293, Ext,
4	1285983C1	1	GEAR, DRIVING, Drive, 34T
5	211-1012	4	BALL, 3/8" Dia,
7	18427	1	BEARING, CONE,
8	ST951	1	BEARING, CUP,
11	1285981C1	1	PINION, Drive, 29 T
12	ST2051	1	BEARING, CONE,
13	ST863	1	BEARING, CUP,
14	1286000C3	1	CAGE,
18	613-10025	6	BOLT, Hex, M10 x 25, 8.8, Full Thd,
19	120647C2	AR	SHIM, 0.08 mm
19	120648C2	AR	SHIM, 0.10 mm
19	120649C2	AR	SHIM, 0.13 mm
19	120650C2	AR	SHIM, 0.30 mm
19	120651C2	AR	SHIM, 0.76 mm
20	1285989C1	1	PINION, Driven, 37T
22	1285986C1	1	PINION, Driven, 39T

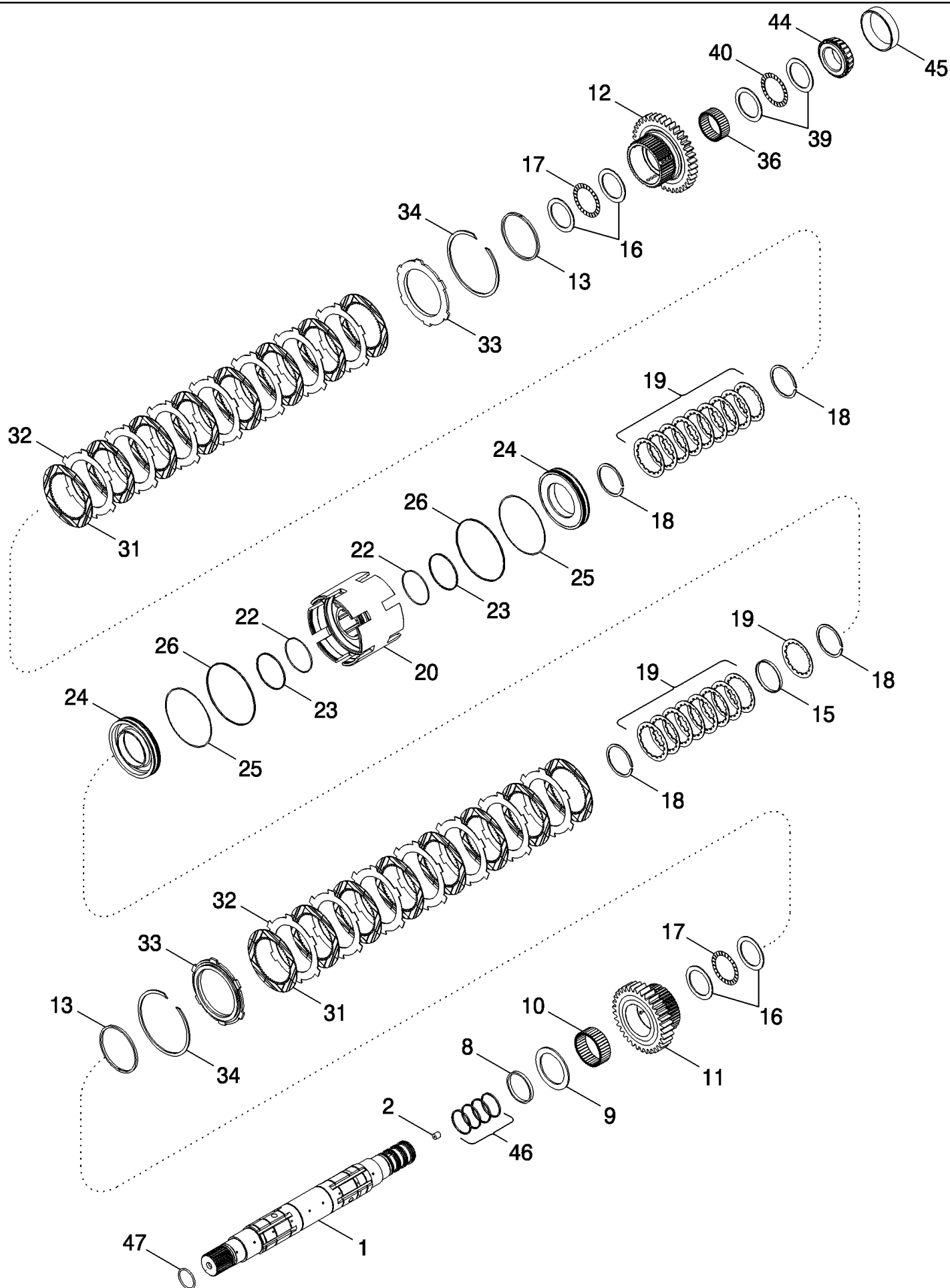


## MX305 CASE IH MAGNUM TRACTOR NA (1/06-9/06)

## 06-09 SPEED TRANSMISSION - COUNTERSHAFT WITH CREEP/19 SPEED OR 50 KPH TRANSMISSION

сылка	Номер детали	Кол-во	Описание
1	87425383	1	SHAFT ASSY., Inc. 3
3	187516A1	1	PLUG, 12 mm
5	211-1012	4	BALL, 3/8" Dia,
7	100-11293	1	RING, SNAP, #293, Ext,
9	1285983C1	1	GEAR, DRIVING, Drive, 34T
10	1286024C1	2	RING, Seal
11	1286000C3	1	CAGE,
12	613-10025	6	BOLT, Hex, M10 x 25, 8.8, Full Thd,
14	120647C2	AR	SHIM, 0.08 mm
14	120648C2	AR	SHIM, 0.10 mm
14	120649C2	AR	SHIM, 0.13 mm
14	120650C2	AR	SHIM, 0.30 mm
14	120651C2	AR	SHIM, 0.76 mm
20	92824C1	1	SPACER,
21	86991568	1	CARRIER,
22	1286081C1	1	O-RING,
25	1286076C1	1	RING,
26	242492A5	1	PISTON,
27	1286083C1	1	O-RING,
28	1286079C1	1	RING,
34	87738316	1	DISC, Separator
35	86990276	8	DISC, Friction
36	92934C2	7	DISC, Separator
37	1342645C3	1	DISC, CLUTCH,
38	1285996C1	1	RING, SNAP,
39	87639535	2	RING, SNAP,
40	87425389	9	SPRING, BELLEVILLE,
41	1286043C1	2	WASHER, THRUST,
42	572182R1	1	BEARING, THRUST,
43	1286052C1	1	RING,
44	87434656	1	RING, Lube
51	92795C1	1	PINION, 67T, Creeper Drive (If Equipped)
51	87425380	1	GEAR, DRIVEN, 35T, 50 KPH Transmission (Australia Only) (If Equipped)
52	80906C1	1	BEARING, NEEDLE,
53	1286042C1	2	WASHER, THRUST,
54	87012543	1	BEARING, THRUST,
55	ST2051	1	BEARING, CONE,
56	ST863	1	BEARING, CUP,
58	1285986C1	1	PINION, Driven, 39T
59	219530H1	1	BEARING, CONE,
60	614052	1	CUP,
61	1285989C1	1	PINION, Driven, 37T
62	1285981C1	1	PINION, Drive, 29T

06-10 SPEED TRANSMISSION - OUTPUT SHAFT FRONT CLUTCH

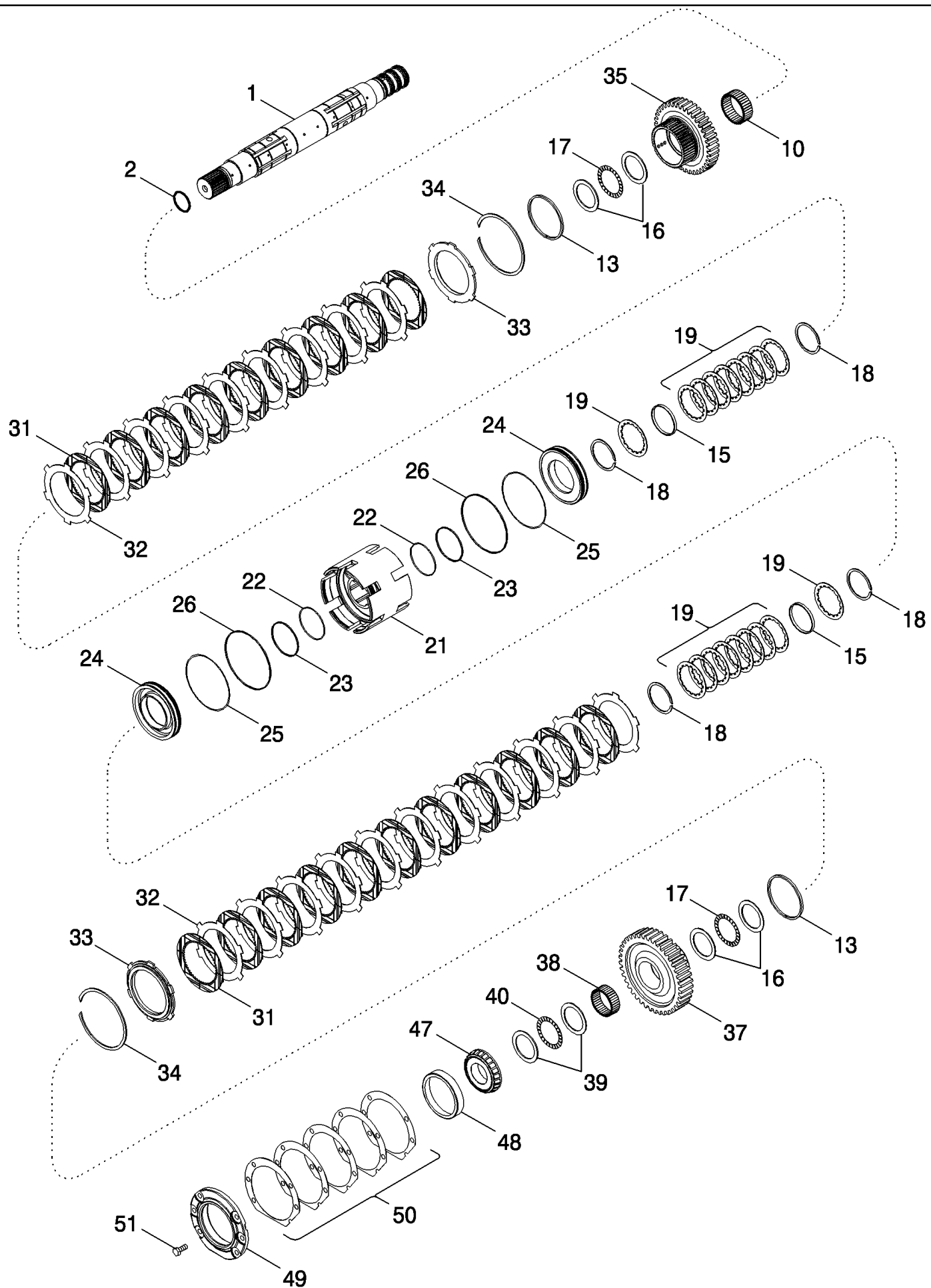


## MX305 CASE IH MAGNUM TRACTOR NA (1/06-9/06)

## 06-10 SPEED TRANSMISSION - OUTPUT SHAFT FRONT CLUTCH

сылка	Номер детали	Кол-во	Описание
1	87328867	1	SHAFT, Inc. 2
2	187516A1	3	PLUG, 12 mm
8	1286040C2	1	RING,
9	1997888C1	1	WASHER, THRUST,
10	1286016C1	1	BEARING, NEEDLE,
11	1285985C1	1	GEAR, WHEEL, 34T
12	1285987C1	1	PINION, 39T
13	1286052C1	2	RING,
15	87434656	1	RING, Lube
16	1286043C1	4	WASHER, THRUST,
17	572182R1	2	BEARING, THRUST,
18	101-11250	4	RING, SNAP, #250, 2.356, Ext,
19	87425389	18	SPRING, BELLEVILLE,
20	86987594	1	CARRIER,
22	1286081C1	2	O-RING,
23	1286076C1	2	RING,
24	86987597	2	PISTON,
25	1286083C1	2	O-RING,
26	1286079C1	2	RING,
31	86990276	16	DISC, Friction
32	92934C2	16	DISC, Separator
33	1342645C3	2	DISC, CLUTCH,
34	1285996C1	2	RING, SNAP,
36	80907C1	1	BEARING, NEEDLE,
39	1286042C1	2	WASHER, THRUST,
40	87012543	1	BEARING, THRUST,
44	219530H1	1	BEARING, CONE,
45	614052	1	CUP,
46	1286024C1	4	RING,
47	238-5223	1	O-RING, -223, 70 Duro, 1.609" ID x .139" Thk,

06-11 SPEED TRANSMISSION - OUTPUT SHAFT REAR CLUTCH

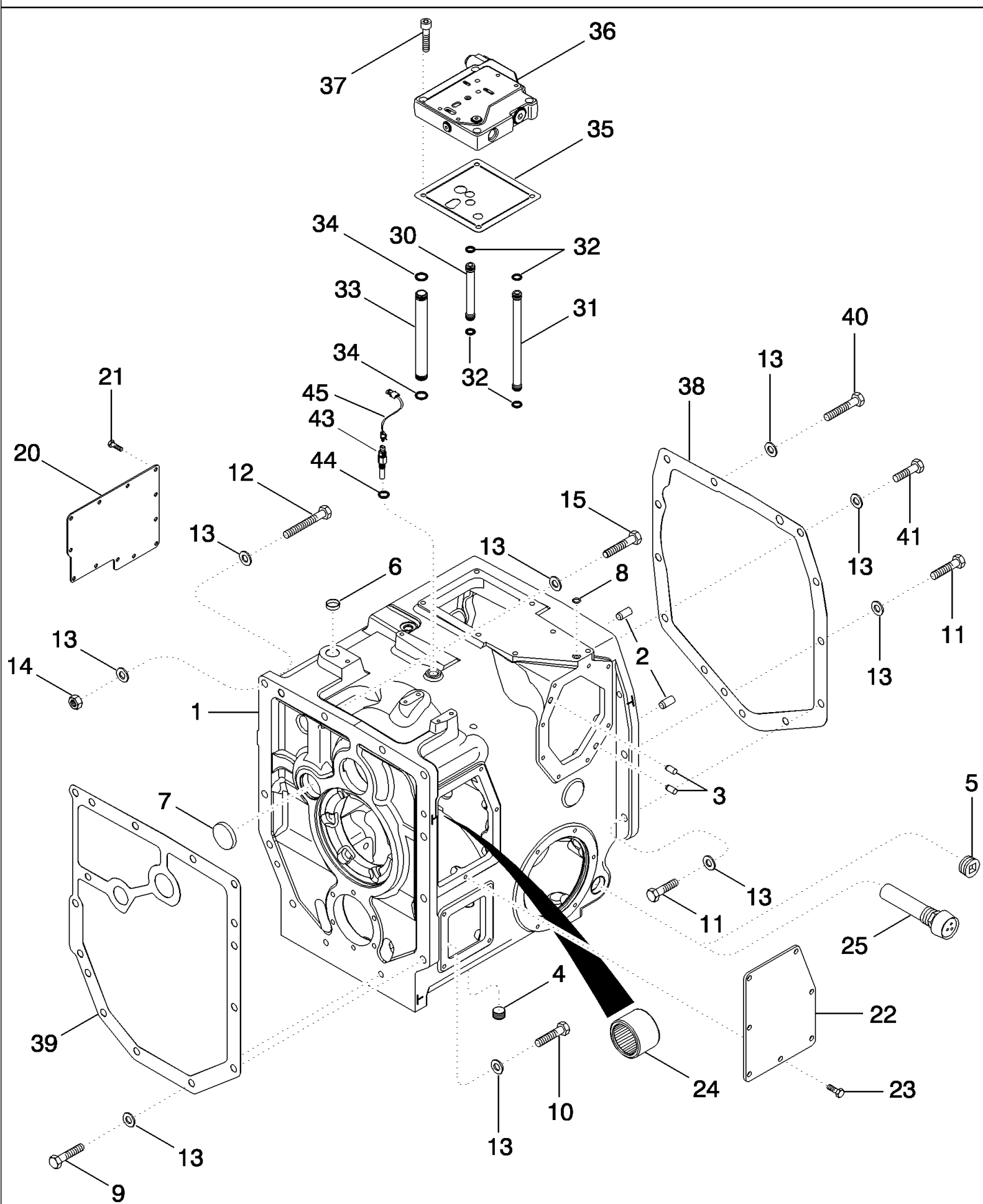


## MX305 CASE IH MAGNUM TRACTOR NA (1/06-9/06)

## 06-11 SPEED TRANSMISSION - OUTPUT SHAFT REAR CLUTCH

сылка	Номер детали	Кол-во	Описание
1	87328867	1	SHAFT, , See Figure 06-10
2	238-5223	1	O-RING, -223, 70 Duro, 1.609" ID x .139" Thk,
10	1286016C1	1	BEARING, NEEDLE,
13	1286052C1	2	RING,
15	87434656	2	RING, Lube
16	1286043C1	4	WASHER, THRUST,
17	572182R1	2	BEARING, THRUST,
18	101-11250	4	RING, SNAP, #250, 2.356, Ext,
19	87425389	18	SPRING, BELLEVILLE,
21	86987593	1	CARRIER,
22	1286081C1	2	O-RING,
23	1286076C1	2	RING,
24	86987597	2	PISTON,
25	1286083C1	2	O-RING,
26	1286079C1	2	RING,
31	86990276	20	DISC, Friction
32	92934C2	20	DISC, Separator
33	1342645C3	2	DISC, CLUTCH,
34	1285996C1	2	RING, SNAP,
35	86987609	1	GEAR, 39T
37	1285982C1	1	GEAR, DRIVEN, 44T
38	1285997C1	1	BEARING, NEEDLE,
39	1286042C1	2	WASHER, THRUST,
40	87012543	1	BEARING, THRUST,
47	1286021C1	1	BEARING, ROLLER,
48	29214H	1	BEARING, CUP, 4-5/16" OD
49	1286001C4	1	CAGE,
50	1286061C1	2	SHIM, 0.08 mm
50	1286062C1	2	SHIM, 0.10 mm
50	1286063C1	2	SHIM, 0.13 mm
50	1286064C1	2	SHIM, 0.30 mm
50	1286065C1	2	SHIM, 0.76 mm
51	613-10025	6	BOLT, Hex, M10 x 25, 8.8, Full Thd,



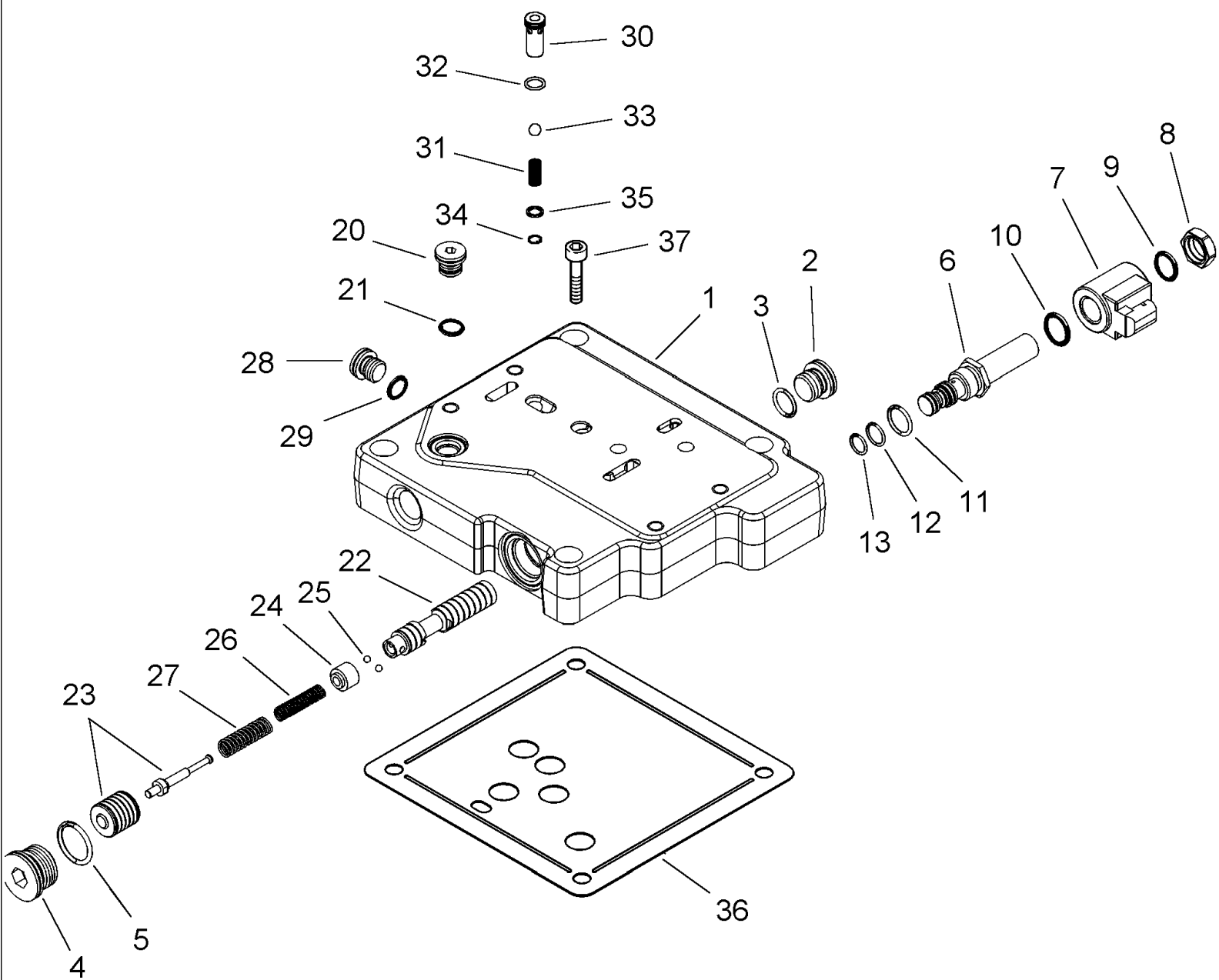


## MX305 CASE IH MAGNUM TRACTOR NA (1/06-9/06)

## 06-12 RANGE TRANSMISSION - HOUSING

сылка	Номер детали	Кол-во	Описание
1	87435223	1	HOUSING ASSY., Inc. 2 - 8
2	837-16035	4	DOWEL, M16 x 35,
3	837-12025	2	DOWEL, M12 x 25,
4	192792A1	1	PLUG, 3/4 in
5	327080A1	1	PLUG, 1-1/4
6	41-1018	1	PLUG, Cup, 1 1/8",
7	41-1038	1	PLUG, Cup, 2 3/8",
8	238-6112	1	O-RING, -112, 90 Duro, .487" ID x .103" Thk,
9	828-16085	2	BOLT, Hex, M16 x 85, 10.9,
10	828-16060	6	BOLT, Hex, M16 x 60, 10.9, Full Thd,
11	828-16060	9	BOLT, Hex, M16 x 60, 10.9, Full Thd,
12	828-16120	1	BOLT, Hex, M16 x 120, 10.9,
13	896-12016	24	WASHER, M17.5 x 30 x 4, HT,
14	829-1316	1	NUT, M16, CI 10,
15	828-16070	3	BOLT, Hex, M16 x 70, 10.9,
20	93364C1	1	COVER,
21	628-10025	12	BOLT, Hex, M10 x 25, 10.9, Full Thd,
22	225209A1	1	COVER,
23	628-10025	7	BOLT, Hex, M10 x 25, 10.9, Full Thd, , Transmission BSN AJB0366737
23	87015732	7	BOLT, M10 x 20 mm, 10.9, Full Thread, Transmission ASN AJB0366737
24	301533R1	1	BEARING, NEEDLE,
25	536850R1	1	HEATER, 120 Volt
30	235976A2	1	TUBE,
31	256544A1	3	TUBE,
32	238-5014	8	O-RING, -014, 70 Duro, .489" ID x .070" Thk,
33	300828A1	1	TUBE,
34	238-5019	2	O-RING, -019, 70 Duro, .801" ID x .070" Thk,
35	253385A2	1	GASKET,
36	445537A2	1	VALVE, Inching, See Figure 06-13
37	861-10045	4	SCREW, Hex Soc Hd, M10 x 45, 12.9,
38	87390949	1	GASKET,
39	92821C2	1	GASKET,
40	828-16090	2	BOLT, Hex, M16 x 90, 10.9,
41	87308873	1	SCREW, 12 Pt Hd, M16 x 90, 12.9,
43	87422106	1	SENSOR, Speed, Transmission BSN AJB0372635
43	87548198	1	SENSOR, Speed, Transmission ASN AJB0372635
44	238-5115	1	O-RING, -115, 70 Duro, .674" ID x .103" Thk,
45	87631267	1	HARNESS, WIRE, Speed Sensor, Transmission ASN AJB0372635

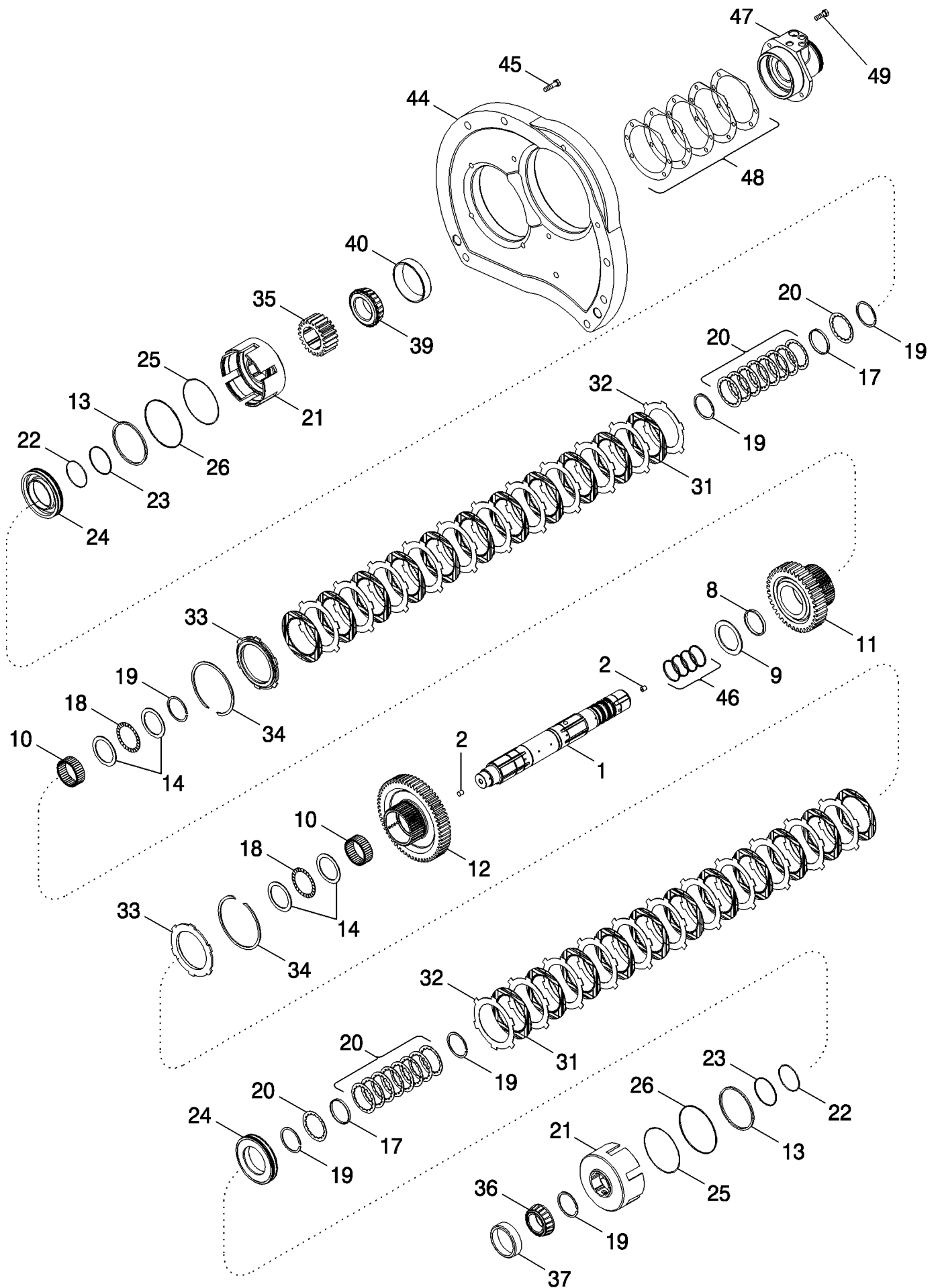
06-13 VALVE ASSY - INCHING



## MX305 CASE IH MAGNUM TRACTOR NA (1/06-9/06)

## 06-13 VALVE ASSY - INCHING

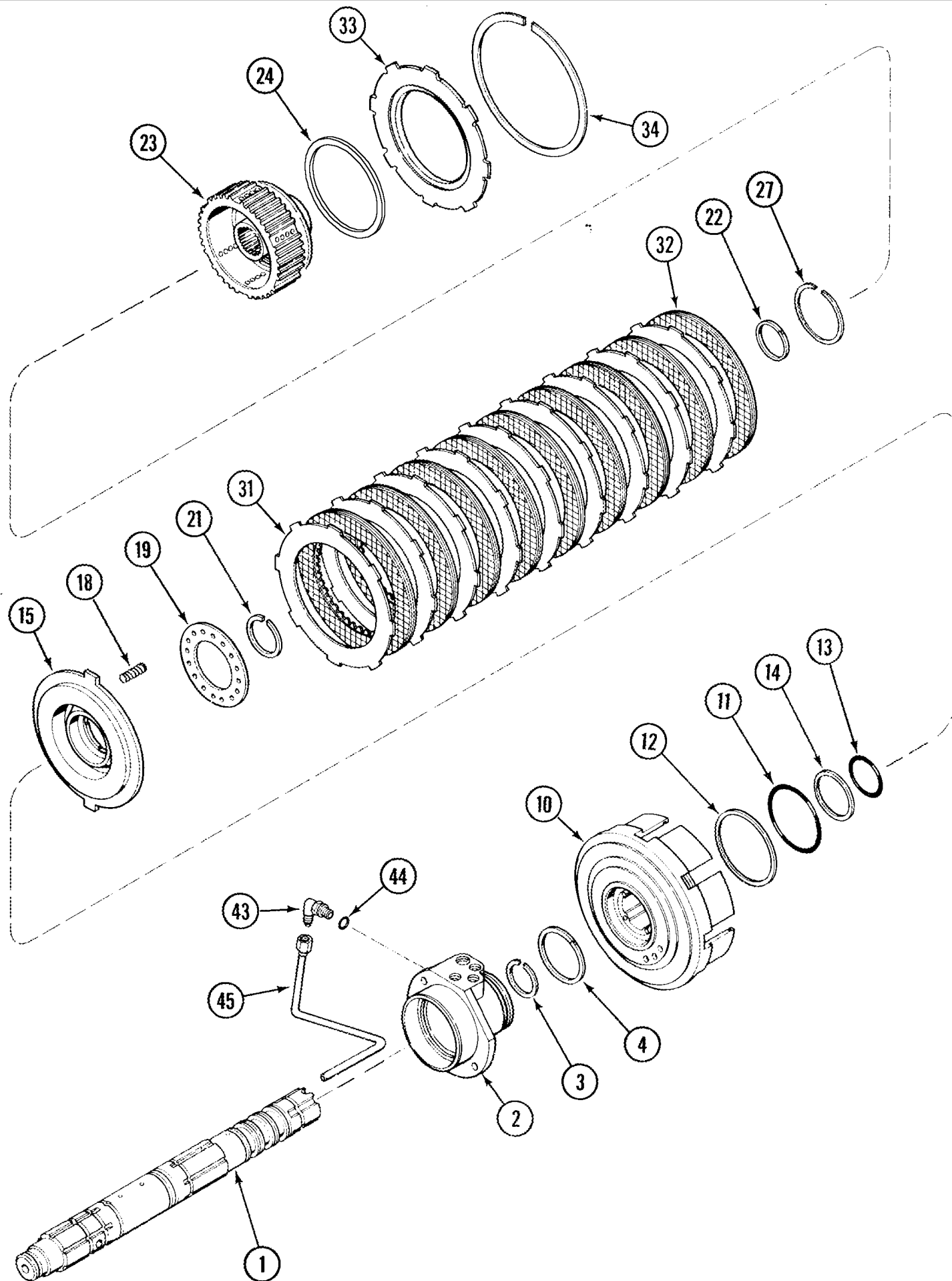
сылка	Номер детали	Кол-во	Описание
	445537A2	1	VALVE, Inc. 1 - 35
1	NSS	1	NOT SERVICED SEPARATELY, BODY, Valve
2	221578A1	1	PLUG, Hex Soc, M18 x 1.5, ORB, Inc. 3
3	637-63153	1	O-RING, CI 6, 15.3MM ID x 2.2 Thk,
4	221580A1	1	PLUG, Hex Soc, M27 x 2, ORB, Inc. 5
5	637-64236	1	O-RING, CI 6, 23.6MM ID x 2.9 Thk,
	239552A2	1	VALVE, SOLENOID, Inc. 6 - 13
6	NSS	1	NOT SERVICED SEPARATELY, CARTRIDGE
7	NSS	1	NOT SERVICED SEPARATELY, COIL
8	NSS	1	NOT SERVICED SEPARATELY, NUT
	308245A1	1	KIT, SEALS, Inc. 9 - 13
9	238-7016	1	O-RING, -016, CI 7, .614" ID x .070" Thk,
10	238-7018	1	O-RING, -018, CI 7, .739" ID x .070" Thk,
11	237-6008	1	O-RING, 8-1, 90 Duro, .644" ID x .087" Thk,
12	238-5014	1	O-RING, -014, 70 Duro, .489" ID x .070" Thk,
13	238-5013	1	O-RING, -013, 70 Duro, .426" ID x .070" Thk,
20	221576A1	1	PLUG, Hex Soc, M14 x 1.5, ORB, In. 21
21	637-63113	1	O-RING, CI 6, 11.3MM ID x 2.2 Thk,
	302170A2	1	SPOOL, Inc. 22 - 27
22	NSS	1	NOT SERVICED SEPARATELY, SPOOL
23	NSS	1	NOT SERVICED SEPARATELY, PISTON
24	NSS	1	NOT SERVICED SEPARATELY, SLEEVE
25	NSS	1	NOT SERVICED SEPARATELY, BALL
26	NSS	1	NOT SERVICED SEPARATELY, SPRING
27	NSS	1	NOT SERVICED SEPARATELY, SPRING
28	221576A1	1	PLUG, Hex Soc, M14 x 1.5, ORB, Inc. 29
29	637-63113	1	O-RING, CI 6, 11.3MM ID x 2.2 Thk,
	445492A2	1	VALVE, CHECK, Inc. 30 - 35
30	NSS	1	NOT SERVICED SEPARATELY, BODY
31	445494A1	1	SPRING, VALVE,
32	238-5012	1	O-RING, -012, 70 Duro, .364" ID x .070" Thk,
33	211-1009	1	BALL, 9/32; 24,CRS
34	100-2131	1	RING, SNAP, 0.312", Int, #31,
35	86988656	1	WASHER, SPRING,
36	253385A2	1	GASKET,
37	861-10045	4	SCREW, Hex Soc Hd, M10 x 45, 12.9,



## MX305 CASE IH MAGNUM TRACTOR NA (1/06-9/06)

## 06-14 RANGE TRANSMISSION - INPUT SHAFT

сылка	Номер детали	Кол-во	Описание
1	87434653	1	SHAFT ASSY., Inc. 2
2	187516A1	4	PLUG,
8	1286040C2	1	RING,
9	1997888C1	1	WASHER, THRUST,
10	80909C1	2	BEARING, NEEDLE,
11	86987610	1	GEAR, 37T
12	86987612	1	PINION, 59T
13	1286052C1	2	RING,
14	1286043C1	4	WASHER, THRUST,
17	87434656	2	RING, Lube
18	572182R1	2	BEARING, THRUST,
19	101-11250	6	RING, SNAP, #250, 2.356, Ext,
20	87425389	18	SPRING, BELLEVILLE,
21	86987596	2	CARRIER,
22	1286081C1	2	O-RING,
23	1286076C1	2	RING,
24	86987597	2	PISTON,
25	1286083C1	2	O-RING,
26	1286079C1	2	RING,
31	86990276	22	DISC, Friction
32	92934C2	22	DISC, Separator
33	1342645C3	2	DISC, CLUTCH,
34	1285996C1	2	RING, SNAP,
35	1285971C1	1	GEAR, DRIVING,
36	A75211	1	BEARING, CONE,
37	A75210	1	BEARING, CUP,
39	ST2063	1	BEARING, CONE,
40	54404R1	1	BEARING, CUP,
44	281696A1	1	SUPPORT,
45	814-12050	6	BOLT, Hex, M12 x 50, 8.8,
46	1286025C1	4	RING,
47	254337A2	1	CAGE,
48	1286061C1	2	SHIM, 0.08 mm
48	1286062C1	2	SHIM, 0.10 mm
48	1286063C1	2	SHIM, 0.13 mm
48	1286064C1	2	SHIM, 0.30 mm
48	1286065C1	2	SHIM, 0.76 mm
49	613-10030	3	BOLT, Hex, M10 x 30, 8.8, Full Thd,



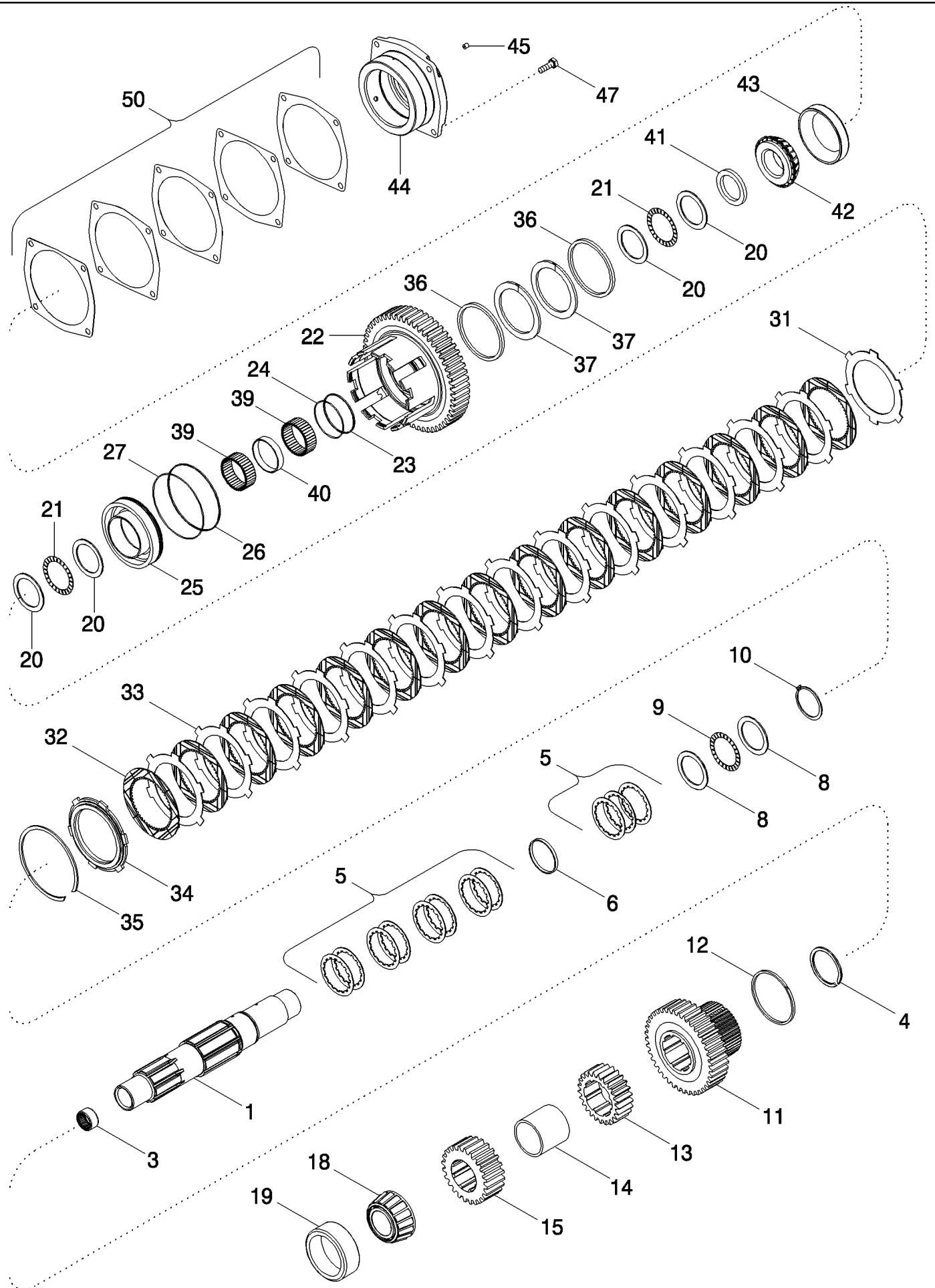
## MX305 CASE IH MAGNUM TRACTOR NA (1/06-9/06)

## 06-15 RANGE TRANSMISSION - MASTER CLUTCH

сылка	Номер детали	Кол-во	Описание
1	87434653	1	SHAFT ASSY., , See Figure 06-14
2	254337A2	1	CAGE,
3	101-11225	1	RING, SNAP, #225, Ext,
4	1286027C2	1	RING,
10	87311451	1	CARRIER,
11	93138C1	1	RING, PISTON,
12	92562C1	1	RING,
13	93137C1	1	RING, PISTON,
14	92561C1	1	RING,
15	112299A2	1	PISTON ASSY,
18	93136C2	16	SPRING,
19	112329A3	1	RETAINER,
21	100-11306	1	RING, SNAP, #306, Ext,
22	92555C1	1	RING,
23	235913A3	1	HUB,
24	235987A1	1	RING,
27	100-11200	1	RING, SNAP, #200, Ext,
31	1285974C1	9	PLATE, BRAKE, Separator
32	1285975C2	9	DISC, CLUTCH, Friction
33	235851A2	1	DISC, Backing
34	1963876C1	1	RING, SNAP,
43	218-5105	1	ELBOW, 90° 9/16"-18, 37° x 9/16"-18, O-Ring, Inc. 44
44	237-6006	1	O-RING, 6-1, 90 Duro, .468" ID x .078" Thk,
45	1963935C2	1	TUBE,



06-16 RANGE TRANSMISSION - COUNTERSHAFT



## MX305 CASE IH MAGNUM TRACTOR NA (1/06-9/06)

## 06-16 RANGE TRANSMISSION - COUNTERSHAFT

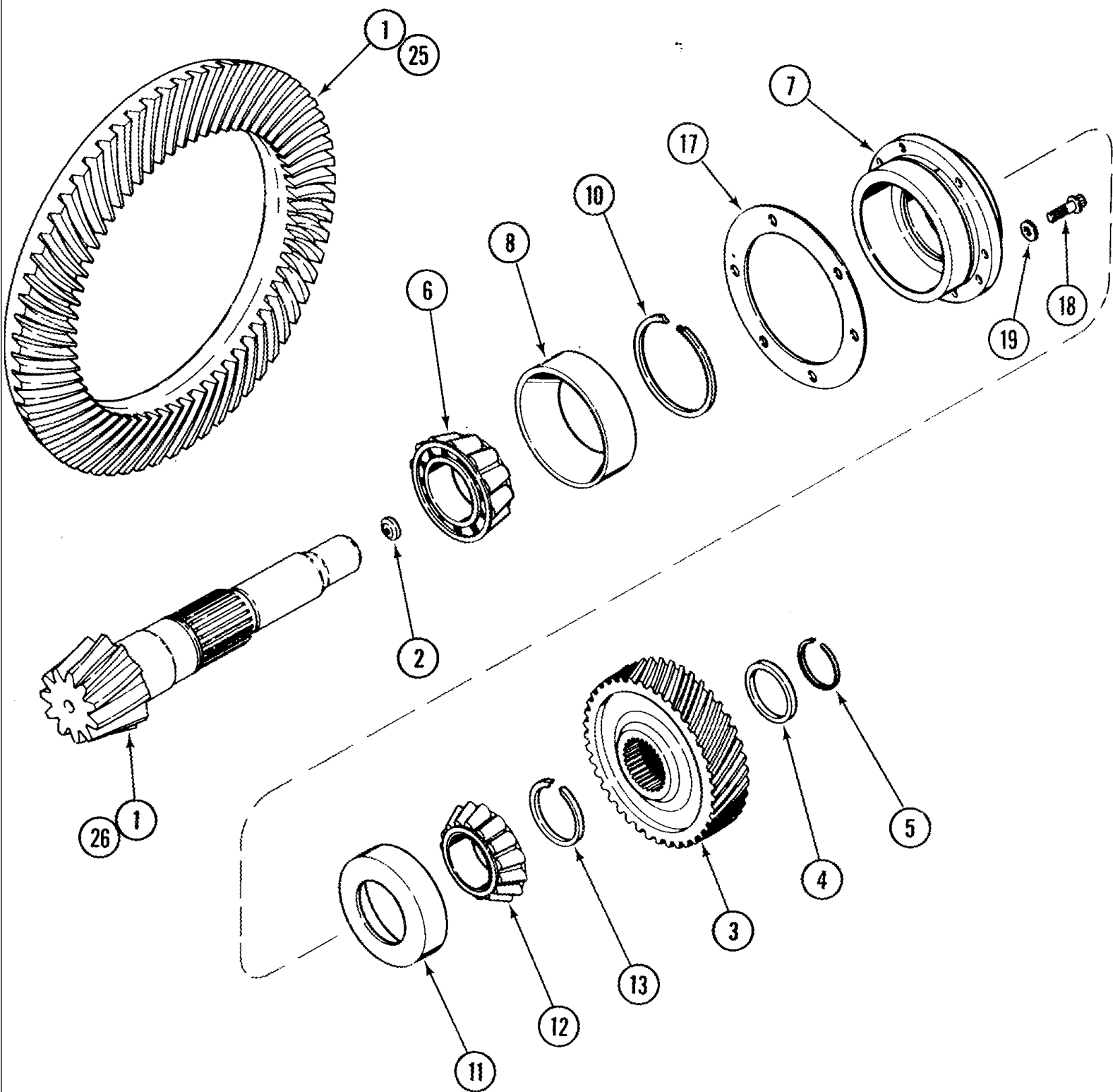
сылка	Номер детали	Кол-во	Описание
1	87434362	1	SHAFT ASSY.,
2	38-3605	3	PIN, 3/32" x 5/16", Coiled,
3	D63322	1	BEARING, NEEDLE,
4	144348C1	1	RING, SNAP,
5	87425389	11	SPRING, BELLEVILLE,
6	87434656	1	RING, Lube
8	1286043C1	2	WASHER, THRUST,
9	572182R1	1	BEARING, THRUST,
10	101-11250	1	RING, SNAP, #250, 2.356, Ext,
11	1285978C1	1	PINION, 39T
12	1286052C1	1	RING,
13	220057A1	1	GEAR, 25T
14	1286041C2	1	SPACER,
15	1285990C2	1	PINION, 23T
18	84986C1	1	BEARING, CONE, , With 10 Bolt Hub
18	253485A1	1	BEARING, CONE, , With 12 Bolt Hub
19	40435	1	BEARING, CUP, , With 10 Bolt Hub
19	253486A1	1	BEARING, CUP, , With 12 Bolt Hub
20	1286042C1	4	WASHER, THRUST,
21	87012543	2	BEARING, THRUST,
22	87439841	1	GEAR, 54T
23	1286077C1	1	RING,
24	1286081C1	1	O-RING,
25	242491A5	1	PISTON,
26	1286079C1	1	RING,
27	1286083C1	1	O-RING,
31	87738316	1	DISC, Separator
32	86990276	15	DISC, Friction
33	92934C2	14	DISC, Separator
34	1342645C3	1	DISC, CLUTCH,
35	1285996C1	1	RING, SNAP,
36	1286028C2	2	RING,
37	297418A2	2	SEAL,
39	80907C1	2	BEARING, NEEDLE,
40	93269C1	1	SPACER,
41	1286038C2	1	SPACER,
42	287679C1	1	BEARING, ROLLER,
43	1968297C1	1	BEARING, CUP,
44	87435631	1	CAGE, Inc. 45
45	1345888C1	1	PLUG,
47	613-10030	4	BOLT, Hex, M10 x 30, 8.8, Full Thd,
50	1286066C1	2	SHIM, 0.08 mm
50	1286067C1	2	SHIM, 0.10 mm
50	1286068C1	2	SHIM, 0.13 mm
50	1286069C1	2	SHIM, 0.30 mm

MX305 CASE IH MAGNUM TRACTOR NA (1/06-9/06)

06-16 RANGE TRANSMISSION - COUNTERSHAFT

сылка	Номер детали	Кол-во	Описание
-------	--------------	--------	----------

50	1286070C1	2	SHIM, 0.76 mm
----	-----------	---	---------------

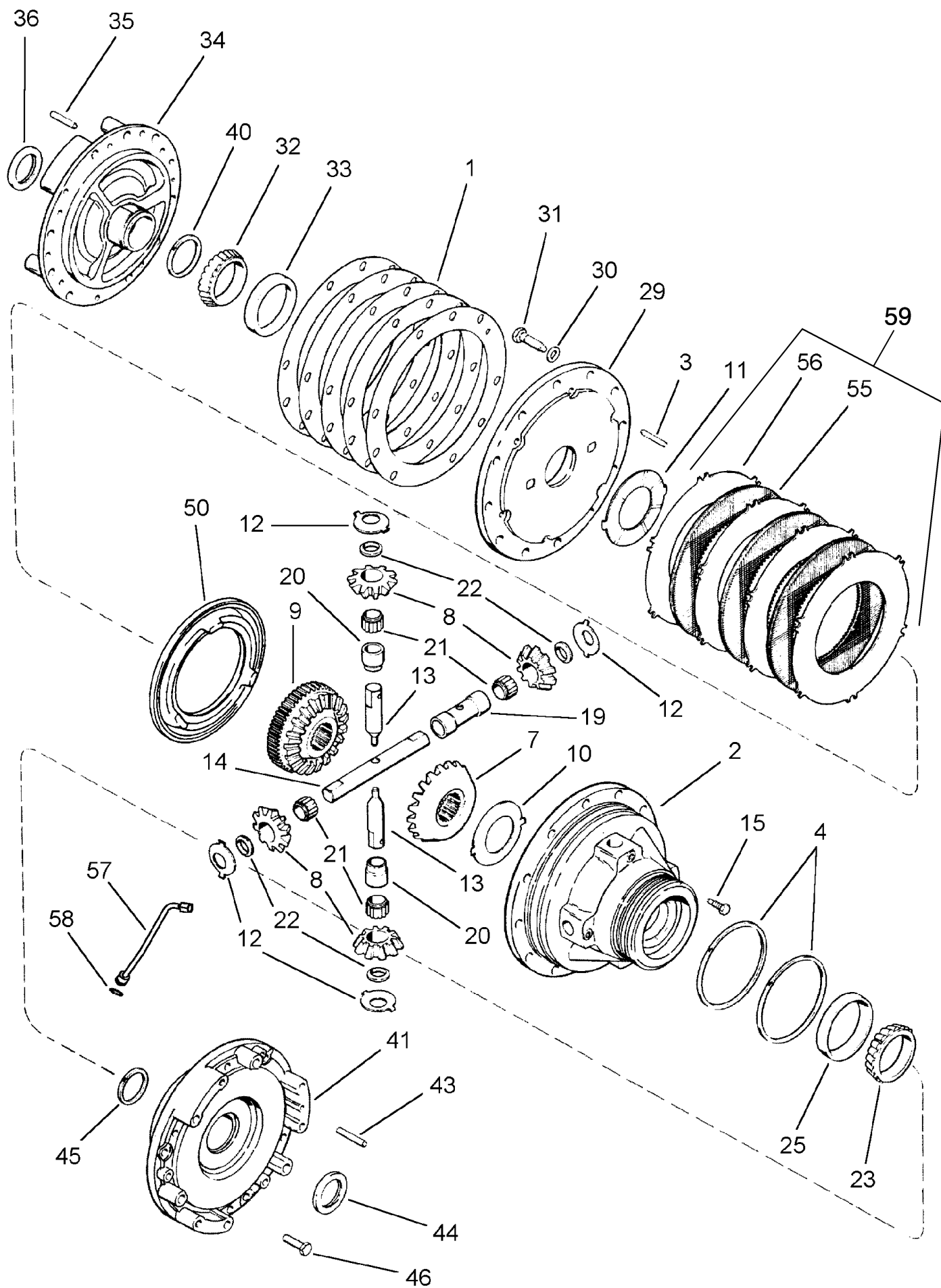


## MX305 CASE IH MAGNUM TRACTOR NA (1/06-9/06)

## 06-17 TRANSMISSION - PINION SHAFT AND GEARS

сылка	Номер детали	Кол-во	Описание
1	94616C2	1	GEAR, BEVEL, Inc. 2, 25, 26
2	92825C1	1	PLUG,
3	87618938	1	GEAR, DRIVEN, 46T
4	1286039C1	1	SPACER,
5	143906C1	1	RING, SNAP,
6	921684C1	1	BEARING, CONE,
7	1068264C1	1	CAGE, Inc. 8
8	921683C1	1	BEARING, CUP,
10	120965C1	1	RING, SNAP,
11	108326H	1	BEARING, CUP,
12	94666C1	1	BEARING, CONE,
13	131432A1	1	RING, 3.62 mm
13	94661C1	1	RING, 3.70 mm
13	94662C1	1	RING, 3.78 mm
13	94663C1	1	RING, 3.86 mm
13	110042C1	1	RING, 3.93 mm
13	94664C1	1	RING, 4.02 mm
13	131433A1	1	RING, 4.10 mm
13	131434A1	1	RING, 4.18 mm
17	120977C1	2	SHIM, 0.08 mm
17	120978C1	2	SHIM, 0.10 mm
17	120979C1	2	SHIM, 0.13 mm
17	120980C1	2	SHIM, 0.30 mm
18	566-12035	6	SCREW, 12 Pt Hd, M10 x 35, 12.9,
19	1251958C1	6	WASHER,
25	NSS	1	NOT SERVICED SEPARATELY, GEAR
26	NSS	1	NOT SERVICED SEPARATELY, PINION

06-18 TRANSMISSION - DIFFERENTIAL



## MX305 CASE IH MAGNUM TRACTOR NA (1/06-9/06)

## 06-18 TRANSMISSION - DIFFERENTIAL

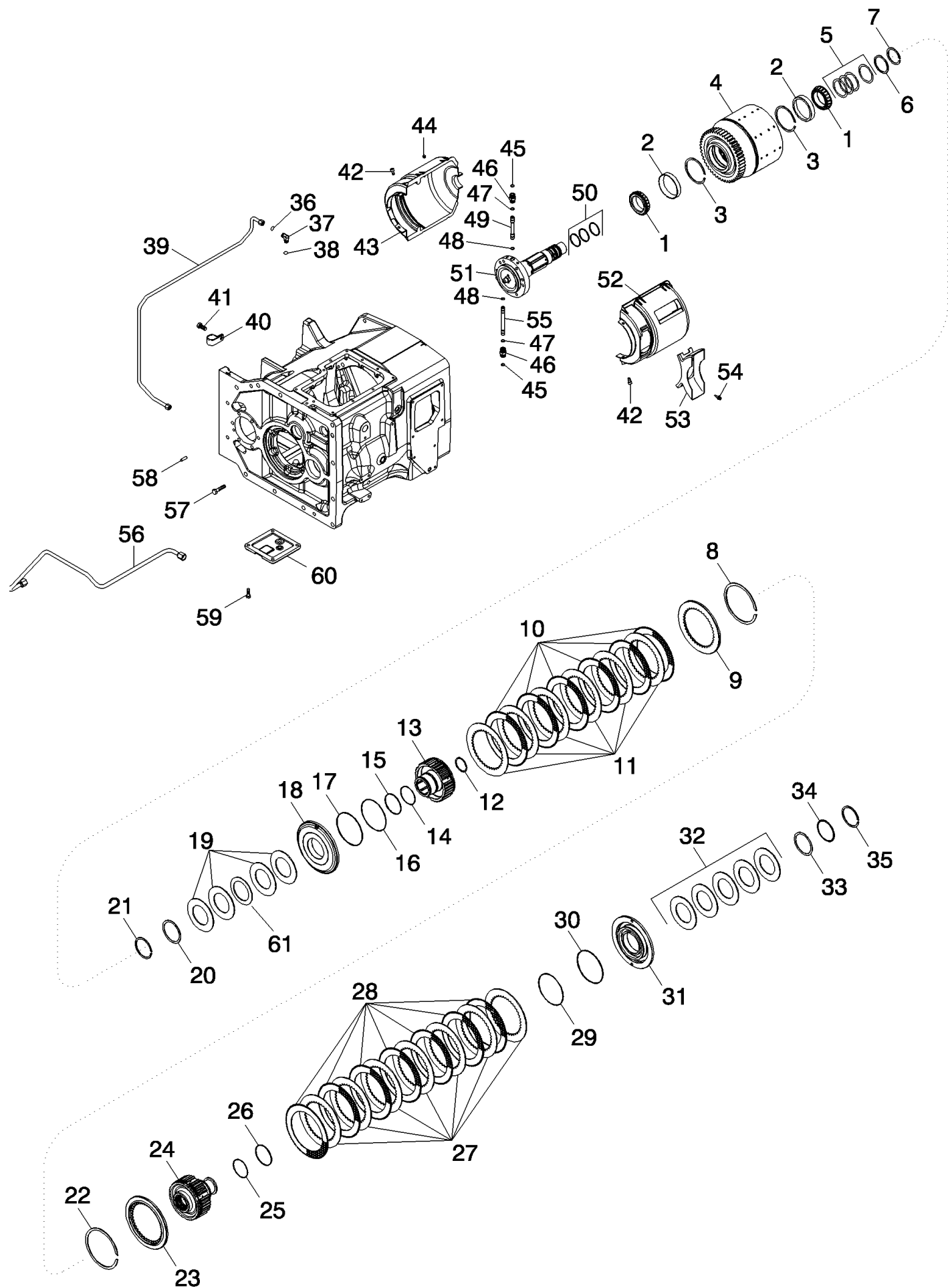
сылка	Номер детали	Кол-во	Описание
1	120513C2	AR	SHIM, 0.09 mm
1	120512C2	AR	SHIM, 0.10 mm
1	120509C2	AR	SHIM, 0.18 mm
1	120510C2	AR	SHIM, 0.31 mm
1	120511C2	AR	SHIM, 0.74 mm
2	229594A1	1	CAGE, , Transmission Number BSN AJB368081
2	87366283	1	CASE, , Transmission Number ASN AJB368081
3	137023A1	6	DOWEL, , Transmission Number BSN AJB368081
4	148939C1	2	SEAL,
7	1259633C3	1	GEAR,
8	92905C1	4	PINION, 10T
9	1259634C3	1	PINION,
10	227116A2	1	WASHER, THRUST,
11	227117A2	1	WASHER, THRUST,
12	92718C2	4	WASHER,
13	92906C1	2	SHAFT, SHORT,
14	92907C1	1	SHAFT,
15	1997421C1	2	BOLT,
19	1289349C1	1	SPACER,
20	1289350C1	2	SPACER,
21	1270697C1	112	NEEDLE, 28 Per Gear
22	1289348C1	4	RING,
23	622336C1	1	BEARING, CONE,
25	A63171	1	BEARING, CUP,
29	229593A1	1	COVER, , Transmission Number BSN AJB368081
29	87536471	1	COVER, , Transmission Number ASN AJB368081
30	896-11016	12	WASHER, M17.5 x 30 x 4, HT,
31	828-16055	12	BOLT, Hex, M16 x 55, 10.9, Full Thd,
32	67250C1	1	BEARING, BALL,
33	67251C1	1	BEARING, CUP,
34	120503C2	1	RETAINER,
35	136433A1	5	DOWEL, 12 x 65 mm
36	139059C1	1	SEAL,
40	139060C2	1	RING,
41	1997369C2	1	RETAINER,
43	136433A1	5	DOWEL, 12 x 65 mm
44	139059C1	1	SEAL,
45	139060C2	1	RING,
46	613-16040	3	BOLT, Hex, M16 x 40, 8.8, Full Thd,
46	613-16045	3	BOLT, Hex, M16 x 45, 8.8, Full Thd,
50	1997422C1	1	PISTON,
55	120679C1	3	PLATE, , Transmission Number BSN AJB368081
55	120679C1	3	PLATE, , Transmission Number ASN AJB368081
56	92915C1	4	PLATE, , Transmission Number BSN AJB368081
56	87452270	4	PLATE, , Transmission Number ASN AJB368081

MX305 CASE IH MAGNUM TRACTOR NA (1/06-9/06)

06-18 TRANSMISSION - DIFFERENTIAL

сылка	Номер детали	Кол-во	Описание
57	409738A1	1	TUBE,
58	238-5115	1	O-RING, -115, 70 Duro, .674" ID x .103" Thk,
59	94668C1	1	PLATE, Plates, Differential lock, Includes 55 (3) and 56 (4), Transmission Number BSN AJB368081
59	87326162	1	KIT, Plates, Differential Lock, Includes 55 (3) and 56 (4), Transmission Number ASN AJB368081





## MX305 CASE IH MAGNUM TRACTOR NA (1/06-9/06)

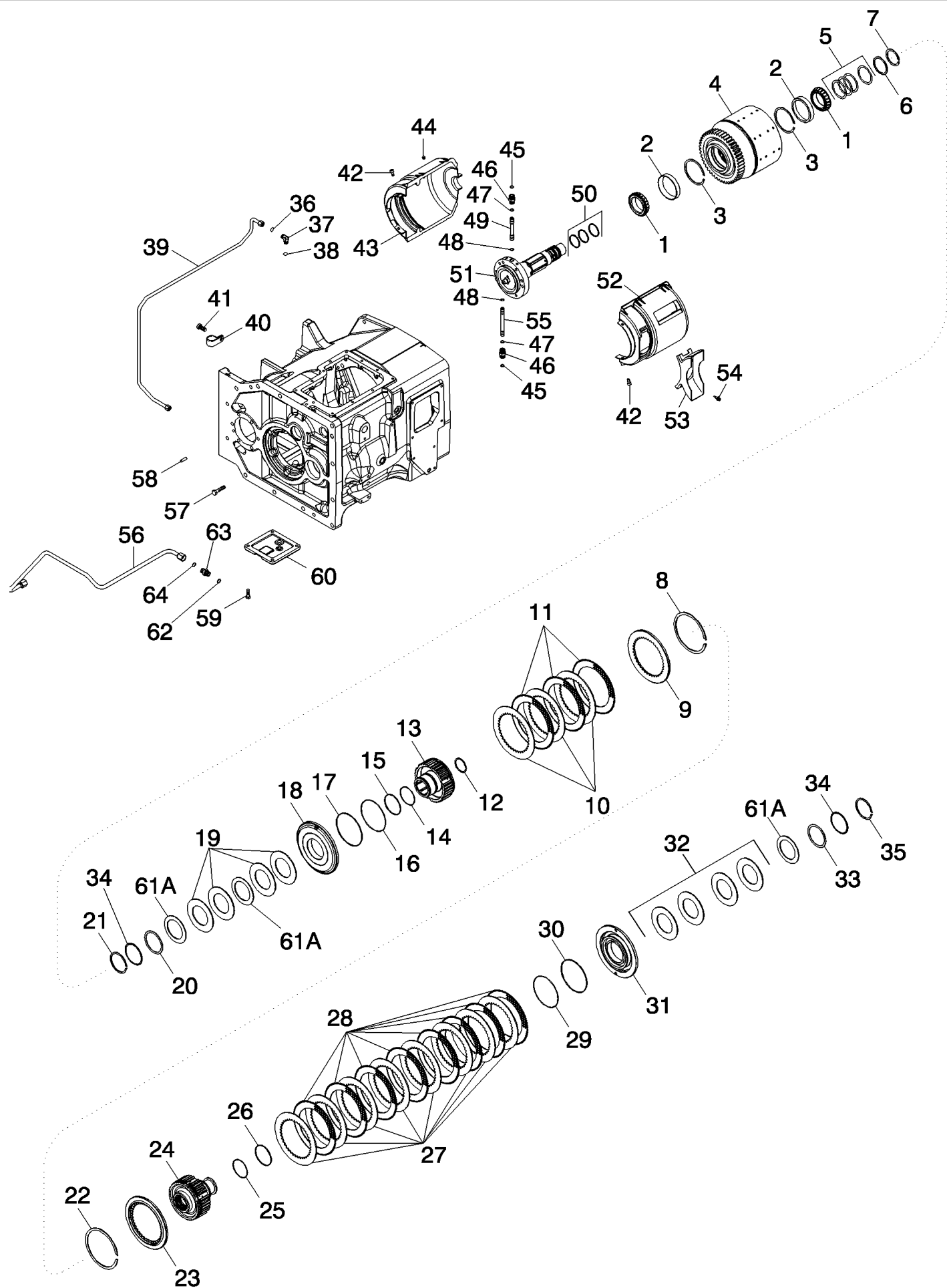
## 06-19 RANGE TRANSMISSION - MFD CLUTCH AND PARK BRAKE - TRANSMISSION BSN AJB367211

сылка	Номер детали	Кол-во	Описание
1	630694C1	2	BEARING, CONE,
2	630695C1	2	BEARING, CUP,
3	101-21412	2	RING, SNAP, #412, 4.430", Int,
4	87455297	1	GEAR,
5	138121A1	AR	SHIM, 0.20 mm
5	1997893C1	AR	SHIM, 0.51 mm
5	1997894C1	AR	SHIM, 0.56 mm
5	1997895C1	AR	SHIM, 0.64 mm
6	1277309C1	1	WASHER,
7	1997891C1	1	RING, SNAP,
9	87329141	1	PLATE, BACKING,
10	87449793	6	SEPARATOR, Plate
11	87348160	6	PLATE, Friction, MX215, 245, 275, 305, Magnum 215, 245, 275 and 305
11	87378802	6	PLATE, BRAKE, Friction, Magnum 335
12	101-11225	1	RING, SNAP, #225, Ext,
13	87552528	1	HUB, Park Brake
14	87433971	1	SEAL,
15	87037455	1	O-RING, -160, CI 7, 5.237" ID x .103" Thk,
16	87433970	1	SEAL,
17	238-7151	1	O-RING, -151, CI 7, 2.987" ID x .103" Thk,
18	87337887	1	PISTON,
19	87305967	5	SPRING, BELLEVILLE,
20	87329116	AR	SPACER, 84.5 mm ID x 1.50 mm Thk
21	87434027	1	CIRCLIP,
22	87347811	1	CIRCLIP,
23	87329141	1	PLATE, BACKING,
24	87347832	1	HUB, MFD
25	87433971	1	SEAL,
26	87037455	1	O-RING, -160, CI 7, 5.237" ID x .103" Thk,
27	87348160	6-7	PLATE, Friction, MX215, 245, 275, 305, Magnum 215, 245, 275 and 305
27	87378802	8	PLATE, BRAKE, Friction, Magnum 335
28	87449793	6-7	SEPARATOR, Plate, MX215, 245, 275, 305, Magnum 215, 245, 275 and 305
28	87449793	8	SEPARATOR, Plate, Magnum 335
29	87433970	1	SEAL,
30	238-7151	1	O-RING, -151, CI 7, 2.987" ID x .103" Thk,
31	87337887	1	PISTON,
32	87305967	5	SPRING, BELLEVILLE,
33	87329116	AR	SPACER, 84.5 mm ID x 1.50 mm Thk
34	87310984	2	RETAINER,
35	87434027	1	CIRCLIP,
36	637-63113	1	O-RING, CI 6, 11.3MM ID x 2.2 Thk,
37	700-332	1	ELBOW, 90e, 13/16"-18 ORFS x M14 x 1.5 ORB, Inc. 36, 38
38	238-6014	1	O-RING, -014, 90 Duro, .489" ID x .070" Thk,
39	87307978	1	TUBE,
40	515-23127	1	CLAMP, 1/2", Insul, 3/8" Bolt,

## MX305 CASE IH MAGNUM TRACTOR NA (1/06-9/06)

## 06-19 RANGE TRANSMISSION - MFD CLUTCH AND PARK BRAKE - TRANSMISSION BSN AJB367211

сылка	Номер детали	Кол-во	Описание
41	614-10020	1	BOLT, Hex, M10 x 20, 8.8, Full Thd,
42	87331111	4	SCREW, M8 x 16; 8.8
43	87337873	1	SHIELD, Upper Half
44	87332637	6	CLIP,
45	238-6014	1	O-RING, -014, 90 Duro, .489" ID x .070" Thk,
46	201-102	2	CONNECTOR, HYD., 13/16"-16 ORFS x 3/4"-16 ORB, Inc. 45, 47
47	237-6008	1	O-RING, 8-1, 90 Duro, .644" ID x .087" Thk,
48	238-5013	4	O-RING, -013, 70 Duro, .426" ID x .070" Thk,
49	87425392	1	TUBE,
50	445336A1	3	SEALRING,
51	87536356	1	BRAKE ASSY., Inc. 58
52	87337875	1	SHIELD, Lower Half
53	87343231	1	SHIELD, Constant Mesh Gear
54	87348536	1	SCREW,
55	120514C2	1	TUBE,
56	124306A1	1	PIPE,
57	828-12050	6	BOLT, Hex, M12 x 50, 10.9,
58	837-10025	1	DOWEL, M10 x 25,
59	628-10030	4	BOLT, Hex, M10 x 30, 10.9, Full Thd,
60	87327182	1	COVER, , See Figure 07-07
61	87374800	1	SPACER, Spring, tapered 1.85 mm to 1.35 mm



## MX305 CASE IH MAGNUM TRACTOR NA (1/06-9/06)

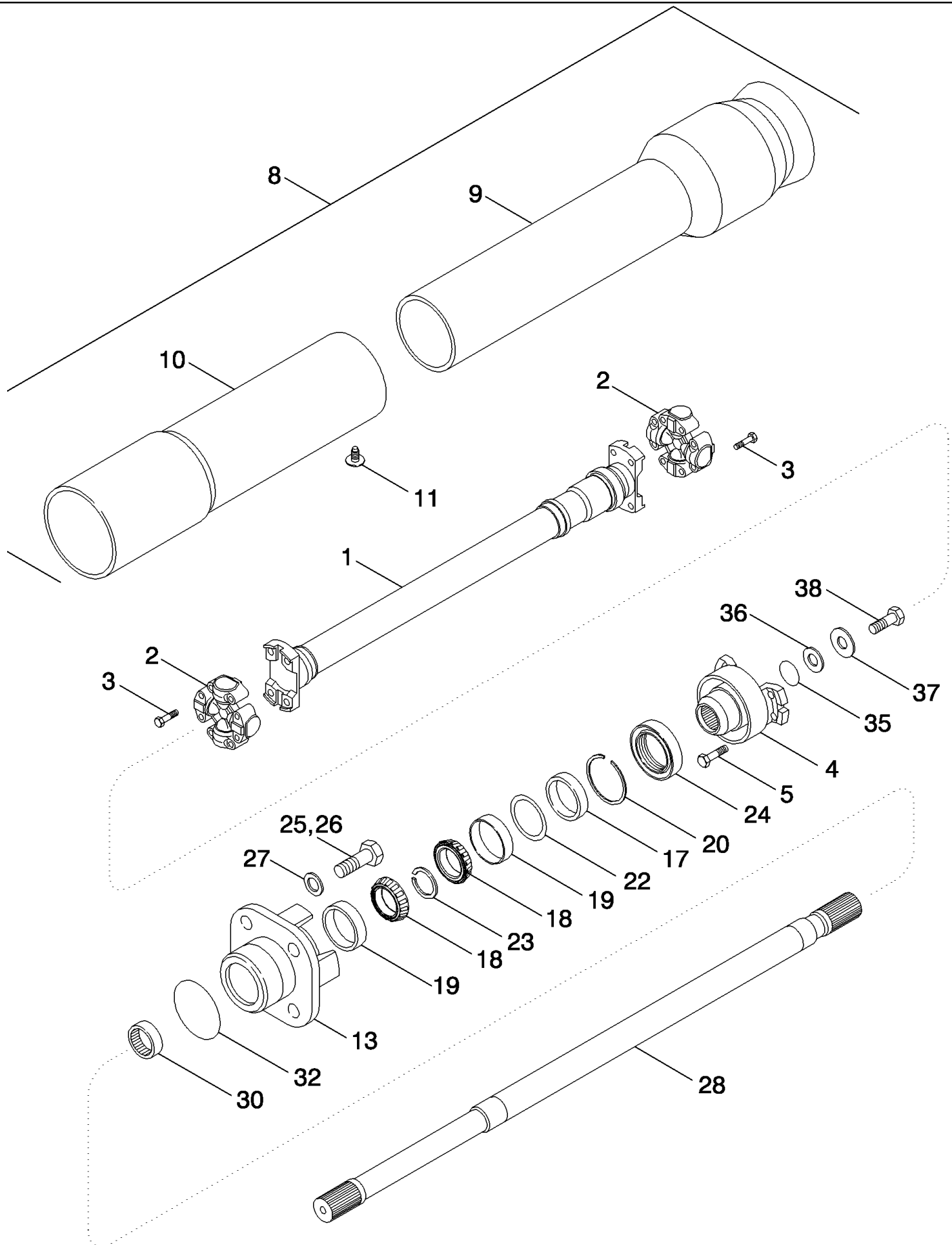
## 06-20 RANGE TRANSMISSION - MFD CLUTCH AND PARK BRAKE - TRANSMISSION ASN AJB367211

сылка	Номер детали	Кол-во	Описание
1	630694C1	2	BEARING, CONE,
2	630695C1	2	BEARING, CUP,
3	101-21412	2	RING, SNAP, #412, 4.430", Int,
4	87455297	1	GEAR,
5	138121A1	AR	SHIM, 0.20 mm
5	1997893C1	AR	SHIM, 0.51 mm
5	1997894C1	AR	SHIM, 0.56 mm
5	1997895C1	AR	SHIM, 0.64 mm
6	1277309C1	1	WASHER,
7	1997891C1	1	RING, SNAP,
8	87347811	1	CIRCLIP,
9	87329141	1	PLATE, BACKING,
10	87348160	3	PLATE, Friction
11	87449793	3	SEPARATOR, Plate
12	101-11225	1	RING, SNAP, #225, Ext,
13	87374797	1	HUB, Park Brake
14	87374799	1	SEAL,
15	14462281	1	O-RING, -164, CI 7, 6.237" ID x .103" Thk,
16	87433970	1	SEAL,
17	87304282	1	O-RING, -153, CI 7, 3.5" ID x .094" Thk,
18	87374796	1	PISTON,
19	87305967	4	SPRING, BELLEVILLE,
20	87329116	AR	SPACER, 84.5 mm ID x 1.50 mm Thk
21	87434027	1	CIRCLIP,
22	87347811	1	CIRCLIP,
23	87347805	1	PLATE, BACKING,
24	87347832	1	HUB, MFD, MX215, 245, 275, 305, Magnum 215, 245, 275 and 305
24	87575817	1	HUB, MFD, Magnum335
25	87433971	1	SEAL,
26	87037455	1	O-RING, -160, CI 7, 5.237" ID x .103" Thk,
27	87449793	8	SEPARATOR, Plate
28	87348160	8	PLATE, Friction, MX215, 245, 275, 305, Magnum 215, 245, 275 and 305
28	87378802	8	PLATE, BRAKE, Friction, Magnum335
29	87433970	1	SEAL,
30	238-7151	1	O-RING, -151, CI 7, 2.987" ID x .103" Thk,
31	87337887	1	PISTON,
32	87305967	5	SPRING, BELLEVILLE,
33	87329116	AR	SPACER, 84.5 mm ID x 1.50 mm Thk
33	87639547	AR	SHIM,
34	87310984	2	RETAINER,
35	87434027	1	CIRCLIP,
36	637-63113	1	O-RING, CI 6, 11.3MM ID x 2.2 Thk,
37	700-332	1	ELBOW, 90°, 13/16"-18 ORFS x M14 x 1.5 ORB, Inc. 36, 38
38	238-6014	1	O-RING, -014, 90 Duro, .489" ID x .070" Thk,
39	87307978	1	TUBE,

## MX305 CASE IH MAGNUM TRACTOR NA (1/06-9/06)

06-20 RANGE TRANSMISSION - MFD CLUTCH AND PARK BRAKE - TRANSMISSION ASN AJB367211

сылка	Номер детали	Кол-во	Описание
40	515-23127	1	CLAMP, 1/2", Insul, 3/8" Bolt,
41	614-10020	1	BOLT, Hex, M10 x 20, 8.8, Full Thd,
42	87331111	4	SCREW, M8 x 16; 8.8
43	87337873	1	SHIELD, Upper Half
44	87332637	6	CLIP,
45	238-6014	1	O-RING, -014, 90 Duro, .489" ID x .070" Thk,
46	201-102	2	CONNECTOR, HYD., 13/16"-16 ORFS x 3/4"-16 ORB, Inc. 45, 47
47	237-6008	1	O-RING, 8-1, 90 Duro, .644" ID x .087" Thk,
48	238-5013	4	O-RING, -013, 70 Duro, .426" ID x .070" Thk,
49	87425392	1	TUBE,
50	445336A1	3	SEALRING,
51	87536356	1	BRAKE ASSY., Inc. 58
52	87337875	1	SHIELD, Lower Half
53	87343231	1	SHIELD, Constant Mesh Gear
54	87348536	1	SCREW,
55	120514C2	1	TUBE,
56	124306A1	1	PIPE,
57	828-12050	6	BOLT, Hex, M12 x 50, 10.9,
58	837-10025	1	DOWEL, M10 x 25,
59	628-10030	4	BOLT, Hex, M10 x 30, 10.9, Full Thd,
60	87327182	1	COVER, , See Figure 07-07
61	87374800	1	SPACER, Spring, Tapered 1.85mm to 1.38 mm, Transmission BSN AJB0372196
61A	87639547	AR	SHIM, 84.5 mm ID x 1.0 mm Thk, Transmission ASN AJB0372196
62	238-6014	1	O-RING, -014, 90 Duro, .489" ID x .070" Thk,
63	87318672	1	UNION,
64	237-6008	1	O-RING, 8-1, 90 Duro, .644" ID x .087" Thk,

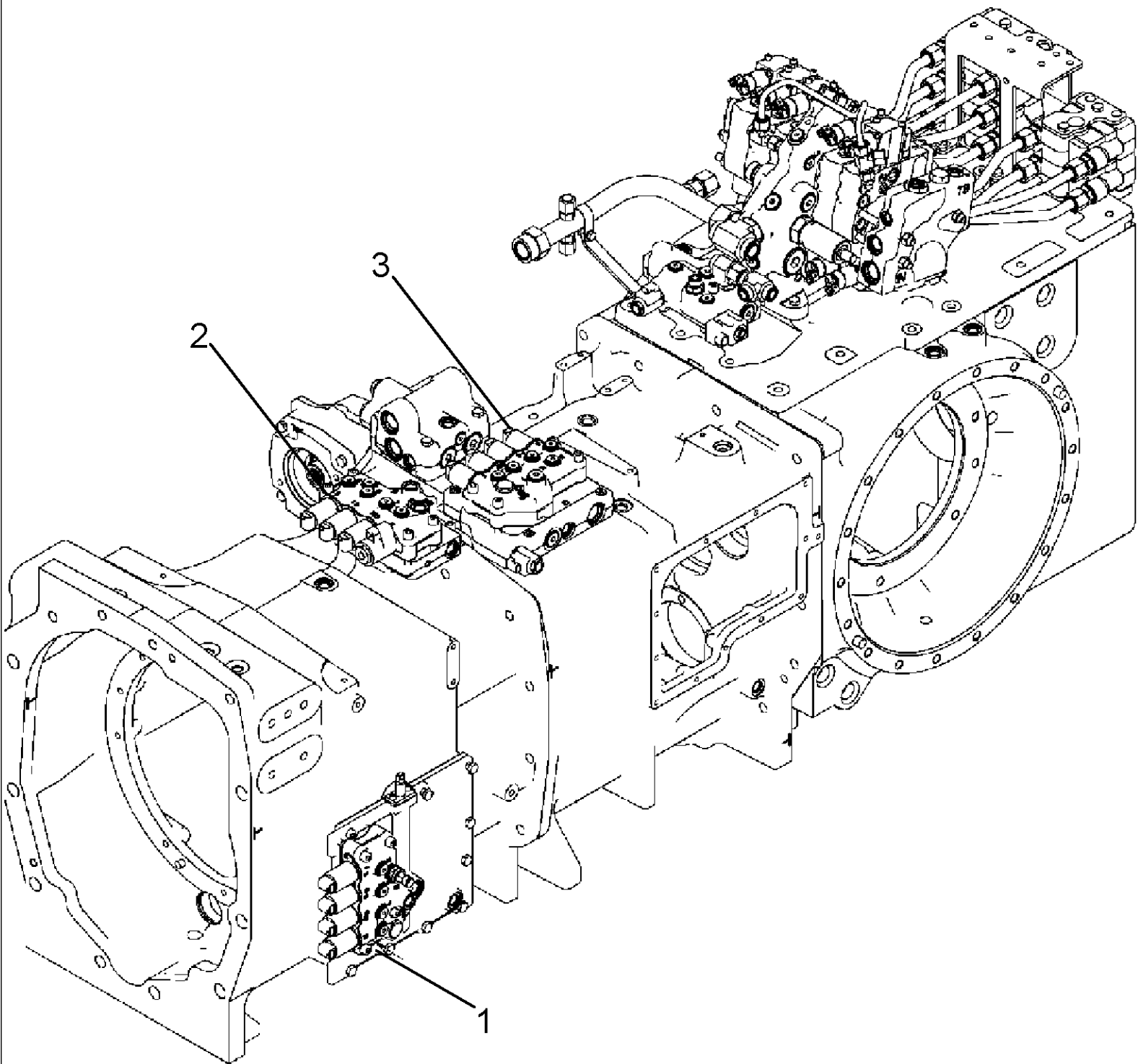


## MX305 CASE IH MAGNUM TRACTOR NA (1/06-9/06)

## 06-21 MFD AXLE - DRIVE SHAFT

сылка	Номер детали	Кол-во	Описание
1	258853A2	1	SHAFT, DRIVE, Inc. 2, 3, MX215, MX245, MX275, MX305, Magnum 215, 245, 275, and 305
1	87643648	1	SHAFT, DRIVE, Inc. 2, 3, Magnum 335
2	258854A2	2	SPIDER, U-JOINT, , MX215, MX245, MX275, MX305, Magnum 215, 245, 275, and 305
2	259076A2	2	SPIDER, U-JOINT, , Magnum 335
3	828-10045	8	BOLT, Hex, M10 x 45, 10.9,
4	258855A1	1	YOKE, , MX215, MX245, MX275, MX305, Magnum 215, 245, 275 and 305
4	87663540	1	YOKE, , Magnum 335
5	828-10045	8	BOLT, Hex, M10 x 45, 10.9,
8	441554A2	1	SHIELD, Standard Axle, Inc. 9, 10, MX215, MX245, MX275, MX305, Magnum 215, 245, 275, and 305
8	87720204	1	SHIELD, Standard Axle, Inc. 9, 10, Magnum 335
9	NSS	1	NOT SERVICED SEPARATELY, SLEEVE
10	NSS	1	NOT SERVICED SEPARATELY, SLEEVE
11	93199C1	2	FASTENER,
13	199922A2	1	CAGE,
17	199923A1	1	SPACER,
18	235519A1	2	BEARING, CONE,
19	235521A1	2	BEARING SET, 2-57/64 OD
20	199981A1	1	RING, SNAP,
22	249528A1	AR	SHIM, 0.203 mm
22	199929A1	AR	SHIM, 0.356 mm
22	199928A1	AR	SHIM, 0.508 mm
22	199927A1	AR	SHIM, 0.559 mm
22	222675A1	AR	SHIM, 0.635 mm
23	222732A1	1	RING, SNAP,
24	226851A1	1	SEAL, OIL,
25	628-20060	2	BOLT, Hex, M20 x 60, 10.9, Full Thd,
26	828-20150	2	BOLT, Hex, M20 x 150, 10.9,
27	896-12020	4	WASHER, M20 x 37.5 x 4, HT,
28	87425393	1	SHAFT,
30	205369R91	1	BEARING, NEEDLE,
32	238-5043	1	O-RING, -043, 70 Duro, 3.489" ID x .070" Thk,
35	238-5220	1	O-RING, -220, 70 Duro, 1.359" ID x .139" Thk,
36	337680A1	AR	SHIM, 0.203 mm
36	222674A1	AR	SHIM, 0.356 mm
36	222000A1	AR	SHIM, 0.508 mm
36	222001A1	AR	SHIM, 0.559 mm
36	222002A1	AR	SHIM, 0.635 mm
37	221943A1	1	WASHER,
38	628-16050	1	BOLT, Hex, M16 x 50, 10.9, Full Thd,

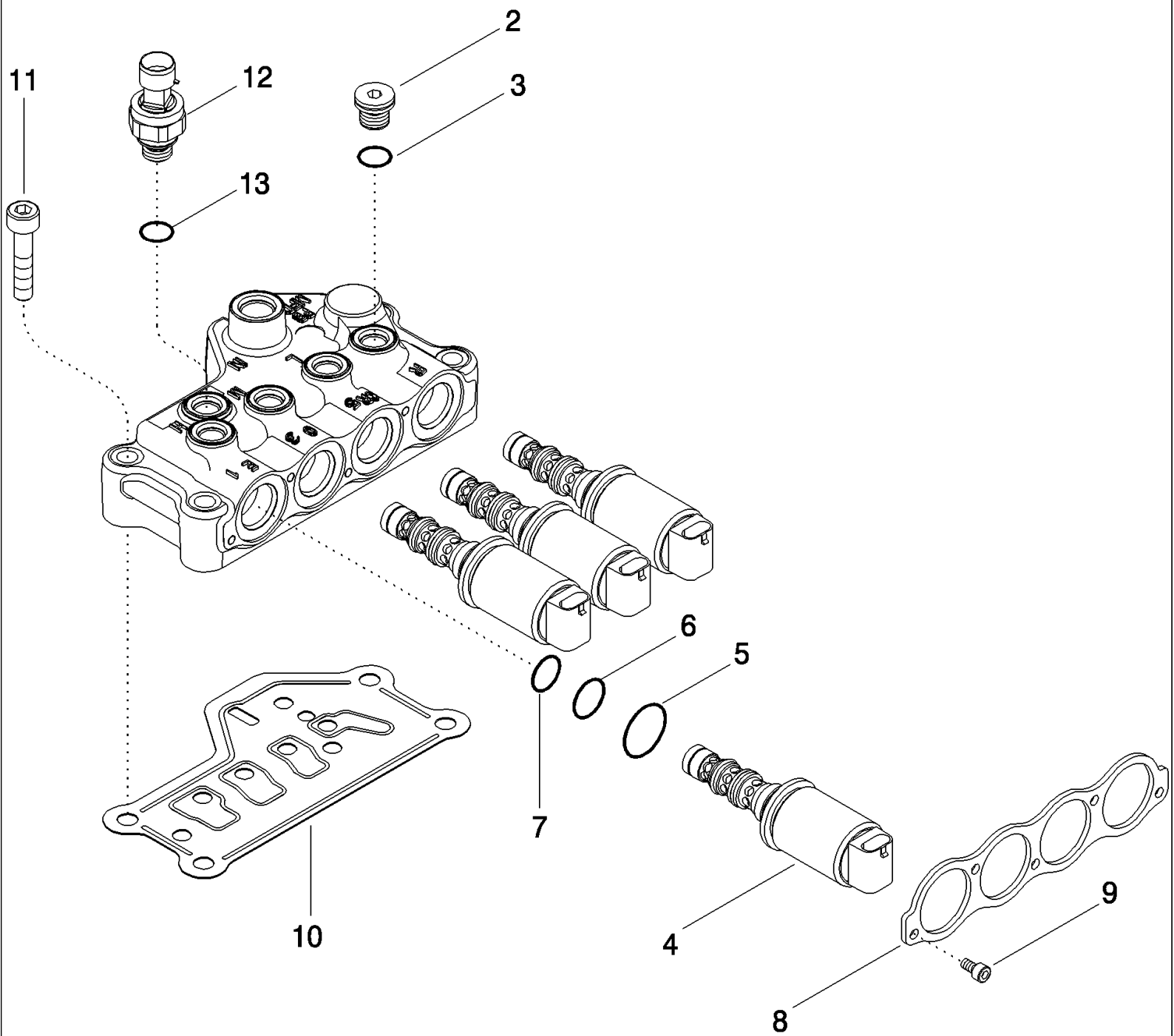




MX305 CASE IH MAGNUM TRACTOR NA (1/06-9/06)

06-22 TRANSMISSION CONTROL VALVE LOCATION

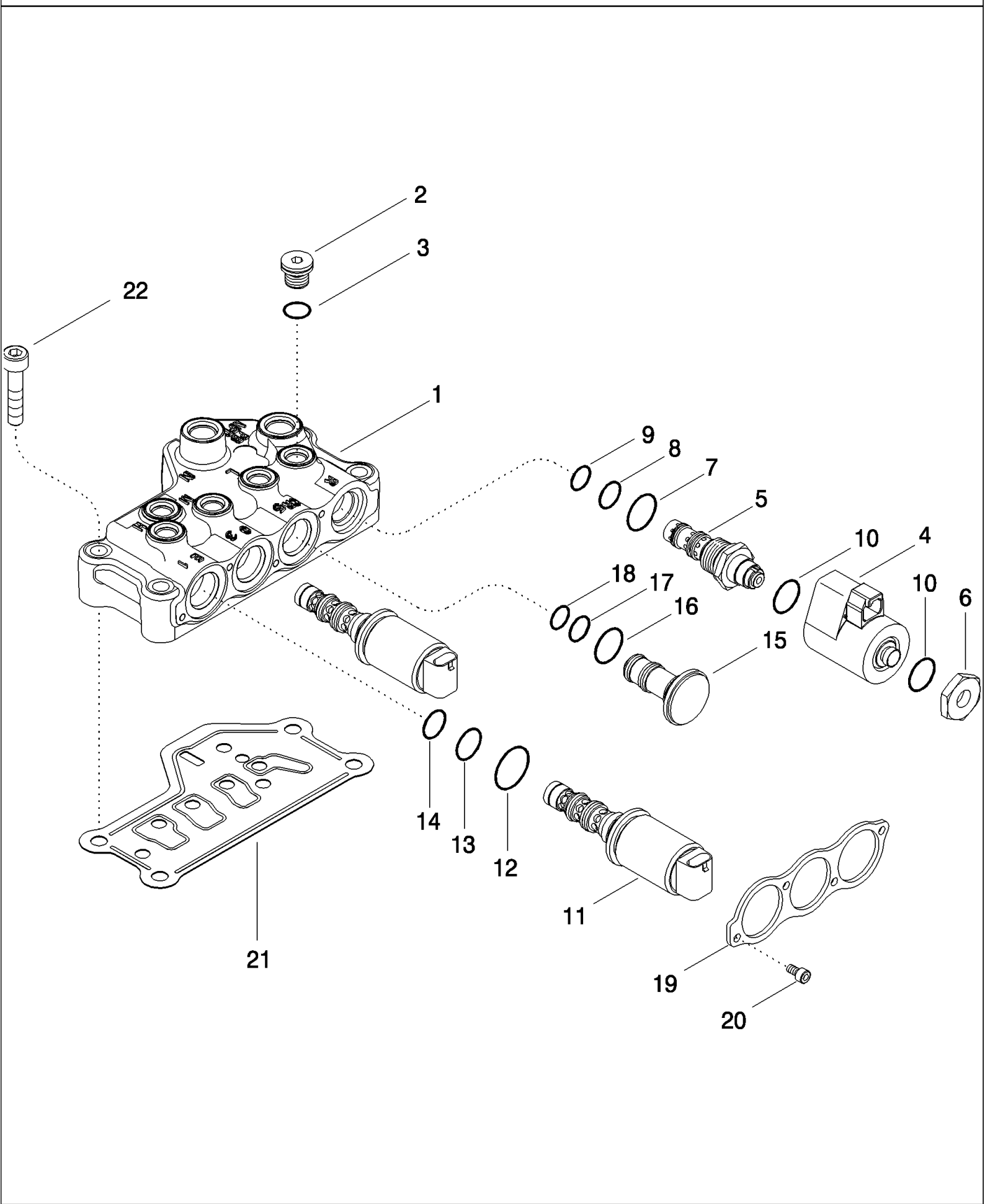
сылка	Номер детали	Кол-во	Описание
1	450729A2	1	VALVE, Speed, See Figure 06-23
2	450724A2	1	VALVE, Odd/Even, See Figure 06-24, Without Creep or 19 Speed/Without 50 KPH
2	450728A2	1	VALVE, Odd/Even, With Creep or 19 Speed/With 50 KPH, See Figure 06-25
3	87323842	1	VALVE, MFD, PWM, Range, See Figure 06-26



MX305 CASE IH MAGNUM TRACTOR NA (1/06-9/06)

06-23 VALVE ASSEMBLY - TRANSMISSION CONTROL (450729A2)

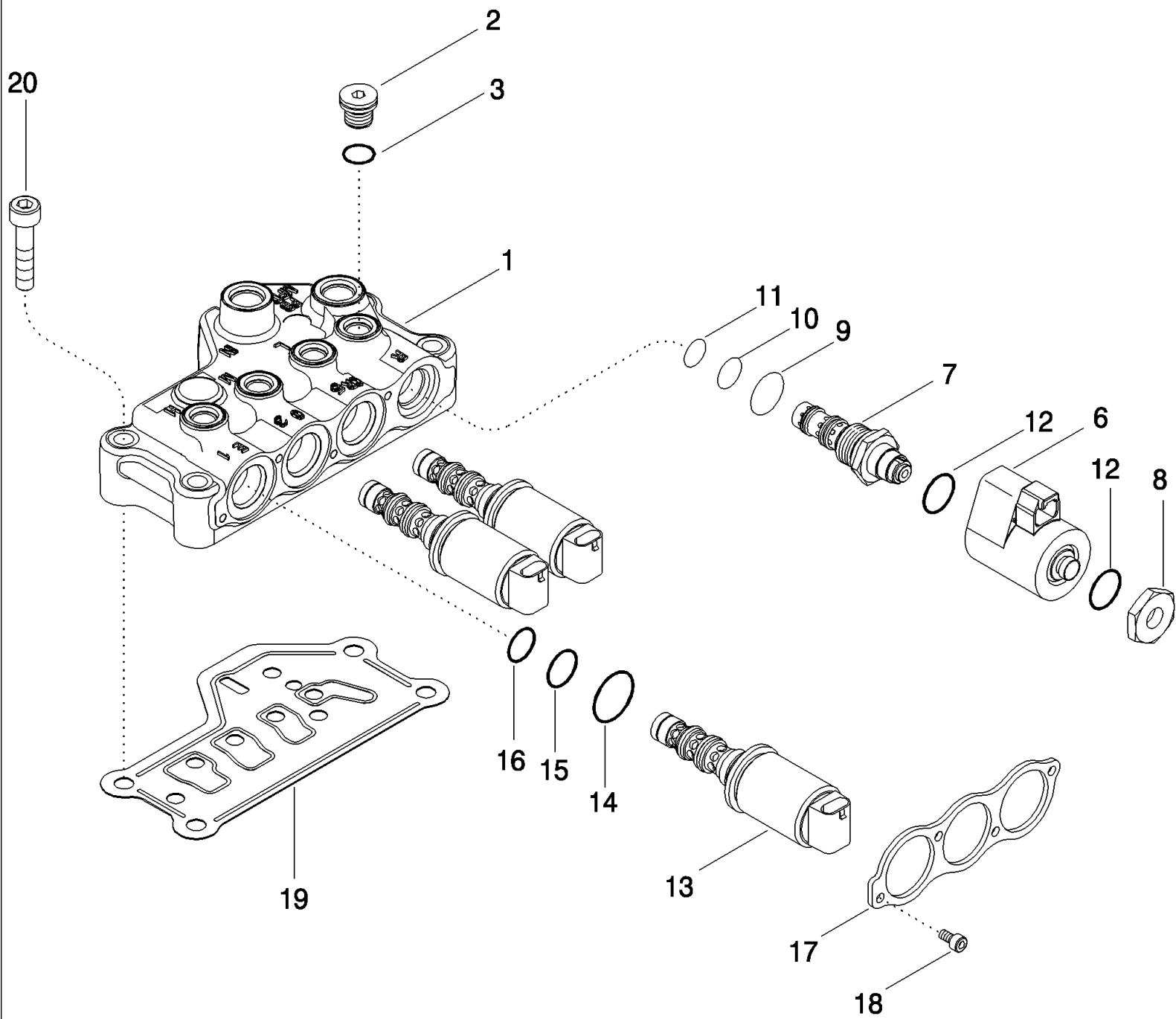
сылка	Номер детали	Кол-во	Описание
	450729A2	1	VALVE, Inc. 1 - 9, 12, 13
1	NSS	1	NOT SERVICED SEPARATELY, BODY, Valve
2	221576A1	4	PLUG, Hex Soc, M14 x 1.5, ORB, Inc. 3
3	637-63113	1	O-RING, CI 6, 11.3MM ID x 2.2 Thk,
4	87440439	4	VALVE, SOLENOID, Inc. 5 - 7
5	87014033	1	O-RING, -019, CI 7, .801" ID x .070" Thk,
6	238-7016	1	O-RING, -016, CI 7, .614" ID x .070" Thk,
7	238-7015	1	O-RING, -015, CI 7, .551" ID x .070" Thk,
8	86985026	1	COVER,
9	864-5010	6	SCREW, Hex Soc Hd, M5 x 10, 8.8,
10	87399290	1	GASKET,
11	864-10055	4	SCREW, Hex Soc Hd, M10 x 55, 8.8,
12	86987513	1	SENSOR, Pressure, Inc. 13
13	637-63113	1	O-RING, CI 6, 11.3MM ID x 2.2 Thk,



## MX305 CASE IH MAGNUM TRACTOR NA (1/06-9/06)

## 06-24 VALVE ASSEMBLY - TRANSMISSION CONTROL (450724A2)

сылка	Номер детали	Кол-во	Описание
	450724A2	1	VALVE, Inc. 1 - 20
1	NSS	1	NOT SERVICED SEPARATELY, BODY, Valve
2	221576A1	4	PLUG, Hex Soc, M14 x 1.5, ORB, Inc.3
3	14437785	1	O-RING, 11.3MM ID x 2.4 Thk,
	87675608	1	SOLENOID, Inc. 4 - 10
4	NSS	1	NOT SERVICED SEPARATELY, COIL
5	NSS	1	NOT SERVICED SEPARATELY, CARTRIDGE
6	252462A2	1	NUT,
7	237-6010	1	O-RING, 10-1, 90 Duro, .755" ID x .097" Thk,
8	238-5015	1	O-RING, -015, 70 Duro, .551" ID x .070" Thk,
9	256633A1	1	O-RING, 12.9 ID x 1.24 mm
10	238-7115	2	O-RING, -115, CI 7, .674" ID x .103" Thk,
11	87440439	2	VALVE, SOLENOID, Inc. 12 - 14
12	87014033	1	O-RING, -019, CI 7, .801" ID x .070" Thk,
13	238-7016	1	O-RING, -016, CI 7, .614" ID x .070" Thk,
14	238-7015	1	O-RING, -015, CI 7, .551" ID x .070" Thk,
15	86984122	1	PLUG, Inc. 16 - 18
16	87014033	1	O-RING, -019, CI 7, .801" ID x .070" Thk,
17	238-7016	1	O-RING, -016, CI 7, .614" ID x .070" Thk,
18	238-7015	1	O-RING, -015, CI 7, .551" ID x .070" Thk,
19	86985027	1	COVER,
20	864-5010	4	SCREW, Hex Soc Hd, M5 x 10, 8.8,
21	87399290	1	GASKET,
22	864-10055	4	SCREW, Hex Soc Hd, M10 x 55, 8.8,



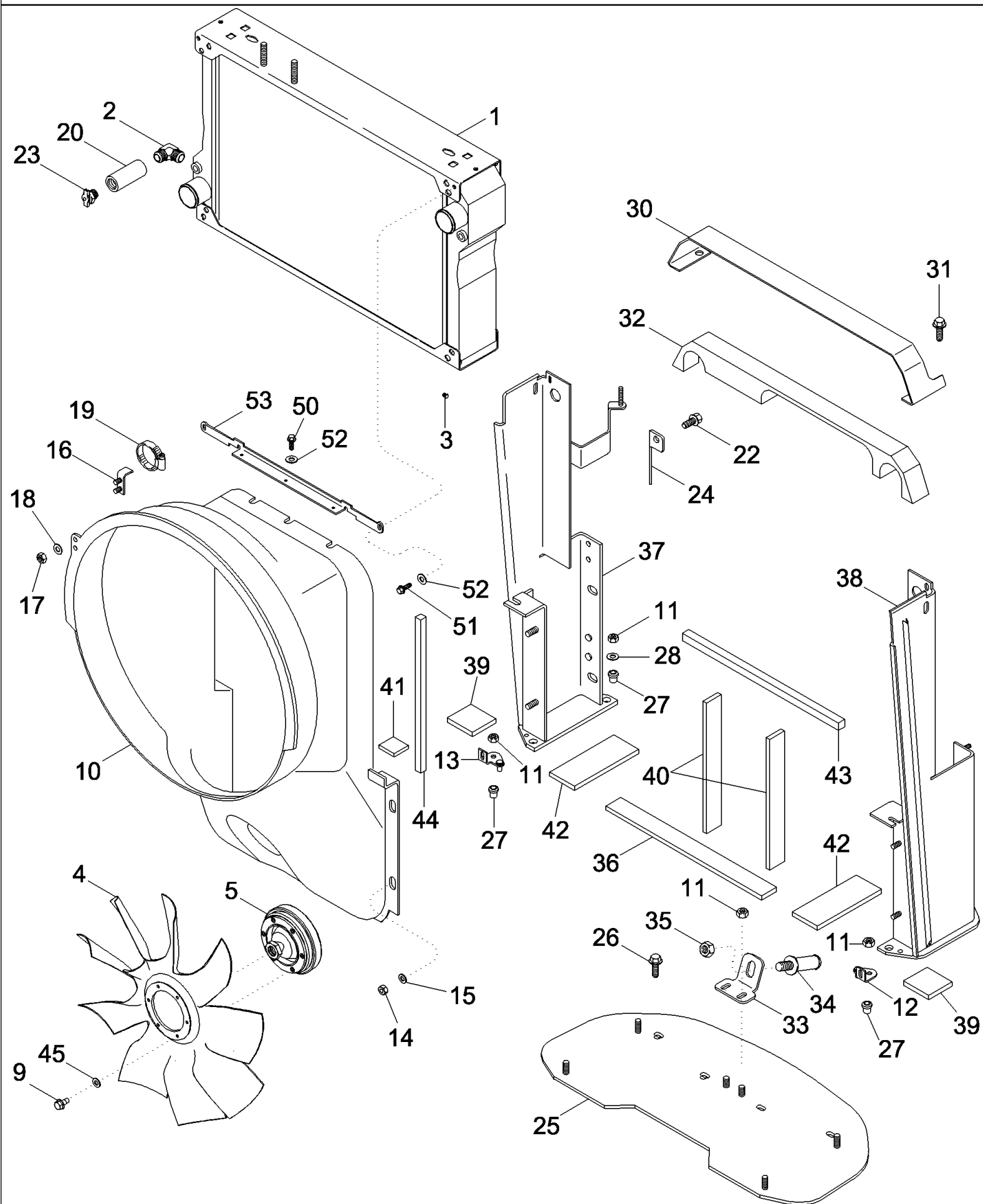
MX305 CASE IH MAGNUM TRACTOR NA (1/06-9/06)

06-25 VALVE ASSEMBLY - TRANSMISSION CONTROL (450728A2)

сылка	Номер детали	Кол-во	Описание
	450728A2	1	VALVE, Inc. 1 - 18
1	NSS	1	NOT SERVICED SEPARATELY, BODY, Valve
2	221576A1	4	PLUG, Hex Soc, M14 x 1.5, ORB, Inc. 3
3	14437785	1	O-RING, 11.3MM ID x 2.4 Thk,
	87675608	1	SOLENOID, Inc. 6 - 12
6	NSS	1	NOT SERVICED SEPARATELY, COIL
7	NSS	1	NOT SERVICED SEPARATELY, CARTRIDGE
8	252462A2	1	NUT,
9	237-6010	1	O-RING, 10-1, 90 Duro, .755" ID x .097" Thk,
10	238-5015	1	O-RING, -015, 70 Duro, .551" ID x .070" Thk,
11	256633A1	1	O-RING, 12.9 ID x 1.24 mm
12	238-7115	2	O-RING, -115, CI 7, .674" ID x .103" Thk,
13	87440439	3	VALVE, SOLENOID, Inc. 14 - 16
14	87014033	1	O-RING, -019, CI 7, .801" ID x .070" Thk,
15	238-7016	1	O-RING, -016, CI 7, .614" ID x .070" Thk,
16	238-7015	1	O-RING, -015, CI 7, .551" ID x .070" Thk,
17	86985027	1	COVER,
18	864-5010	4	SCREW, Hex Soc Hd, M5 x 10, 8.8,
19	87399290	1	GASKET,
20	864-10055	4	SCREW, Hex Soc Hd, M10 x 55, 8.8,



02-01 RADIATOR AND FAN SHROUD



## MX305 CASE IH MAGNUM TRACTOR NA (1/06-9/06)

## 02-01 RADIATOR AND FAN SHROUD

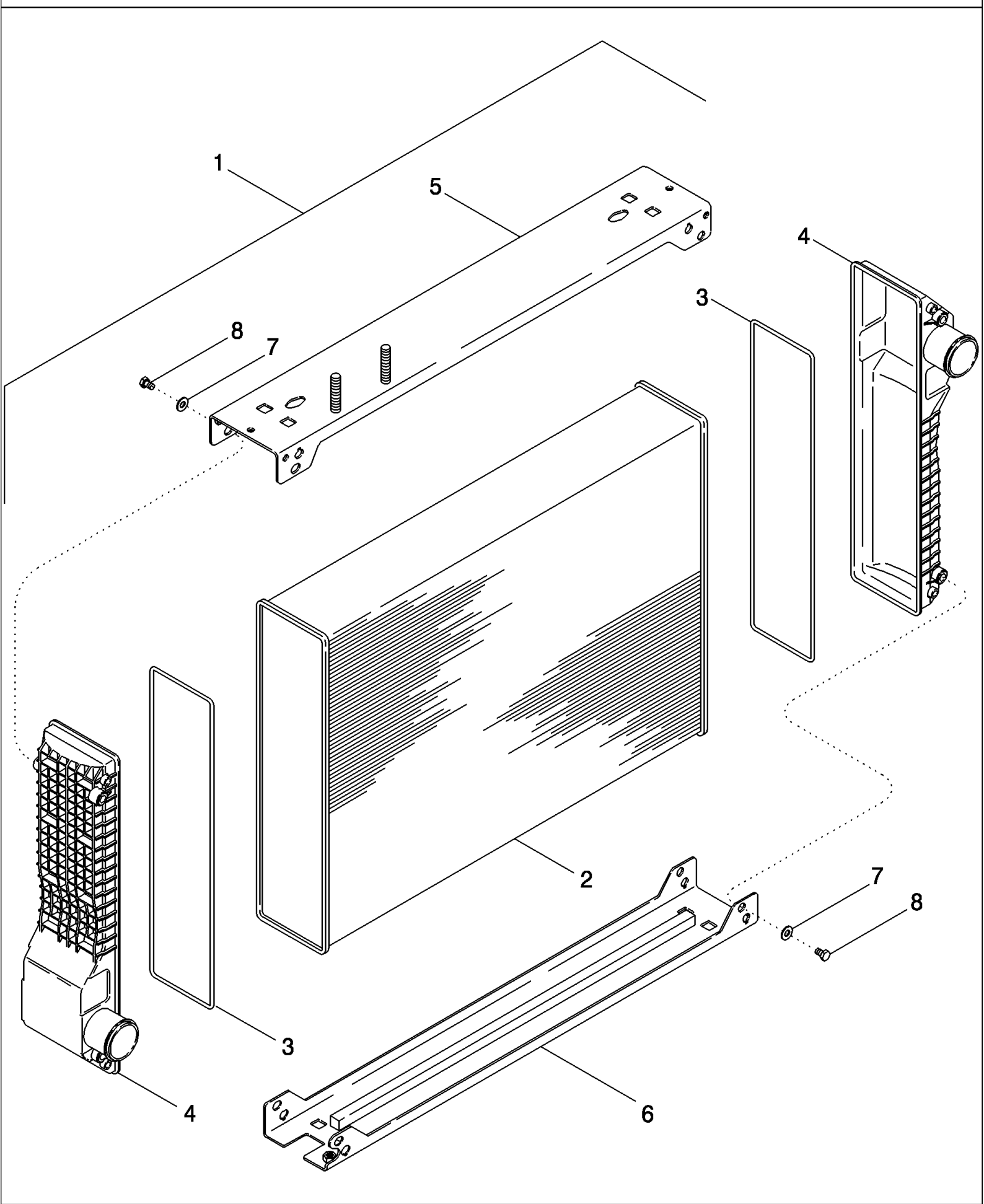
сылка	Номер детали	Кол-во	Описание
1	REF	1	INSTRUCTION, Radiator Assy, See Figure 02-02
2	217-1225	1	ELBOW, 90°, 1/4"-18 Male,
3	86568834	1	PLUG, Hex Hd, 1/4"-18 NPTF,
4	87445032	1	FAN, 8 Blade, 127 mm ID, Standard Performance, MX215, 245, 275, 305, Magnum 215, 245, 275 and 305
4	87446914	1	FAN, 8 Blade, 711 mm, ECS, Magnum 335
5	87446414	1	DRIVE ASSY., Viscous, Standard Performance, MX215, 245, 275, 305, Magnum 215, 245, 275 and 305
5	87583618	1	FAN, , Magnum 335
9	555-1	6	BOLT, Hex Flg, M8 x 16, 8.8,
11	825-2410	6	NUT, M10 x 1.5, Flg, CI 8,
12	87443609	1	BRACKET, Right Hand
13	87443611	1	BRACKET, Left Hand
14	895-25008	4	WASHER, M8 x 20 x 1.6,
15	825-2408	4	NUT, M8 x 1.25, Flg, CI 8,
16	87438422	1	BRACKET, Shroud To Tube, Standard Performance
17	829-1406	2	NUT, M6, CI 10,
18	895-11006	2	WASHER, M6,
19	214-3248	1	CLAMP, HOSE, 2.25/3.125 HD Worm, W/liner,
20	87350039	1	TUBE,
22	555-1	1	BOLT, Hex Flg, M8 x 16, 8.8,
23	217-103	1	COCK, DRAIN, 1/4 PT, BSN Z6RZ04908
23	217-92	1	COCK, DRAIN, 1/4 PT, ASN Z6RZ04908
24	87313142	1	BRACKET, Oil Cooler Hinge
25	87367856	1	SUPPORT, Cooling System
26	844-12025	4	BOLT, Hex Flg, M12 x 25, 8.8,
27	434177A1	4	ISOLATOR,
28	495-81148	2	WASHER, 7/16" x 1 1/4" x .134",
29	844-8025	4	BOLT, Hex Flg, M8 x 25, 8.8,
30	87340498	1	BRACKET,
31	844-8025	5	BOLT, Hex Flg, M8 x 25, 8.8,
32	87456357	1	SEAL, Air Duct
33	87312069	1	PLATE, STRIKER, Hood Latch
34	301081A1	1	SCREW, Hood Latch
35	825-2412	1	NUT, M12 x 1.75, Flg, CI 8,
36	87356125	1	SEAL, Bottom Plate
37	87621948	1	SUPPORT, Left Hand
38	87621960	1	SUPPORT, Right Hand
39	87456329	2	SEAL, Side Posts
40	87356358	2	SEAL, Charge Air Cooler Side
41	87438831	2	SEAL, Shroud
42	87356126	2	SEAL, Side Posts
43	87356124	1	SEAL, Radiator, Charge Air Cooler
44	87356123	2	SEAL, Radiator To Shroud
44	87390684	2	SEAL, Radiator To Shroud
45	496-11034	6	WASHER, 11/32" x 11/16" x 1/16", HDN,

MX305 CASE IH MAGNUM TRACTOR NA (1/06-9/06)

02-01 RADIATOR AND FAN SHROUD

сылка	Номер детали	Кол-во	Описание
50	844-8025	3	BOLT, Hex Flg, M8 x 25, 8.8,
51	844-8020	2	BOLT, Hex Flg, M8 x 20, 8.8,
52	895-25008	5	WASHER, M8 x 20 x 1.6,
53	87454889	1	BRACKET,

02-02 RADIATOR ASSEMBLY

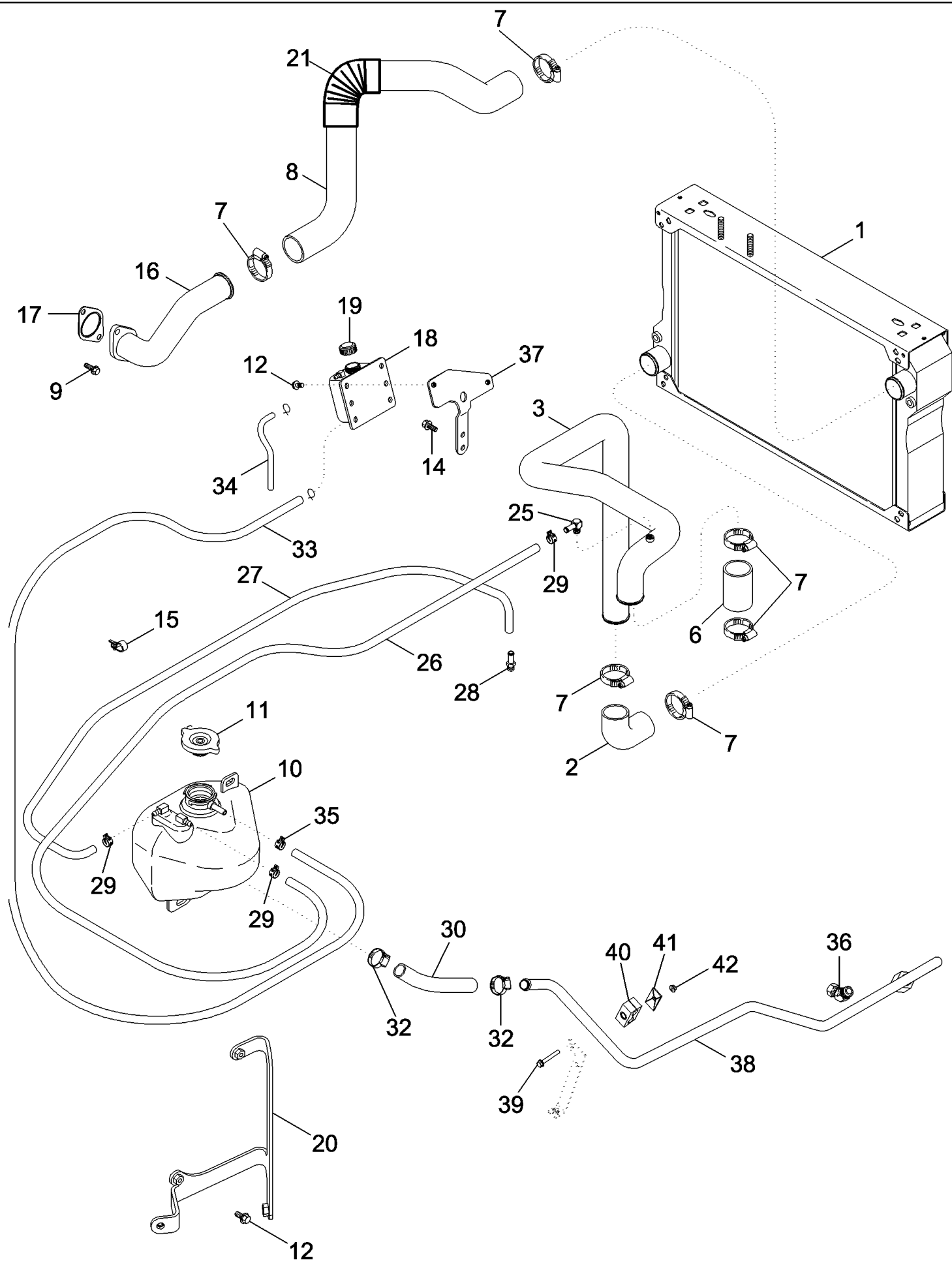


## MX305 CASE IH MAGNUM TRACTOR NA (1/06-9/06)

## 02-02 RADIATOR ASSEMBLY

сылка	Номер детали	Кол-во	Описание
1	87390681	1	RADIATOR, 4 Row, Inc. 2 - 8, MX215, MX245, Magnum 215 and 245
1	87390680	1	RADIATOR, 5 Row, Inc. 2 - 8, MX275, MX305, Magnum 275, 305 and 335
2	NSS	1	NOT SERVICED SEPARATELY, CORE
3	87441598	2	GASKET,
4	87454646	2	TANK,
5	87313451	1	CHANNEL, Top
6	87390682	1	CHANNEL, Bottom
7	895-15008	8	WASHER, M8 x 20 x 1.6,
8	614-8012	8	BOLT, Hex, M8 x 12, 8.8, Full Thd,

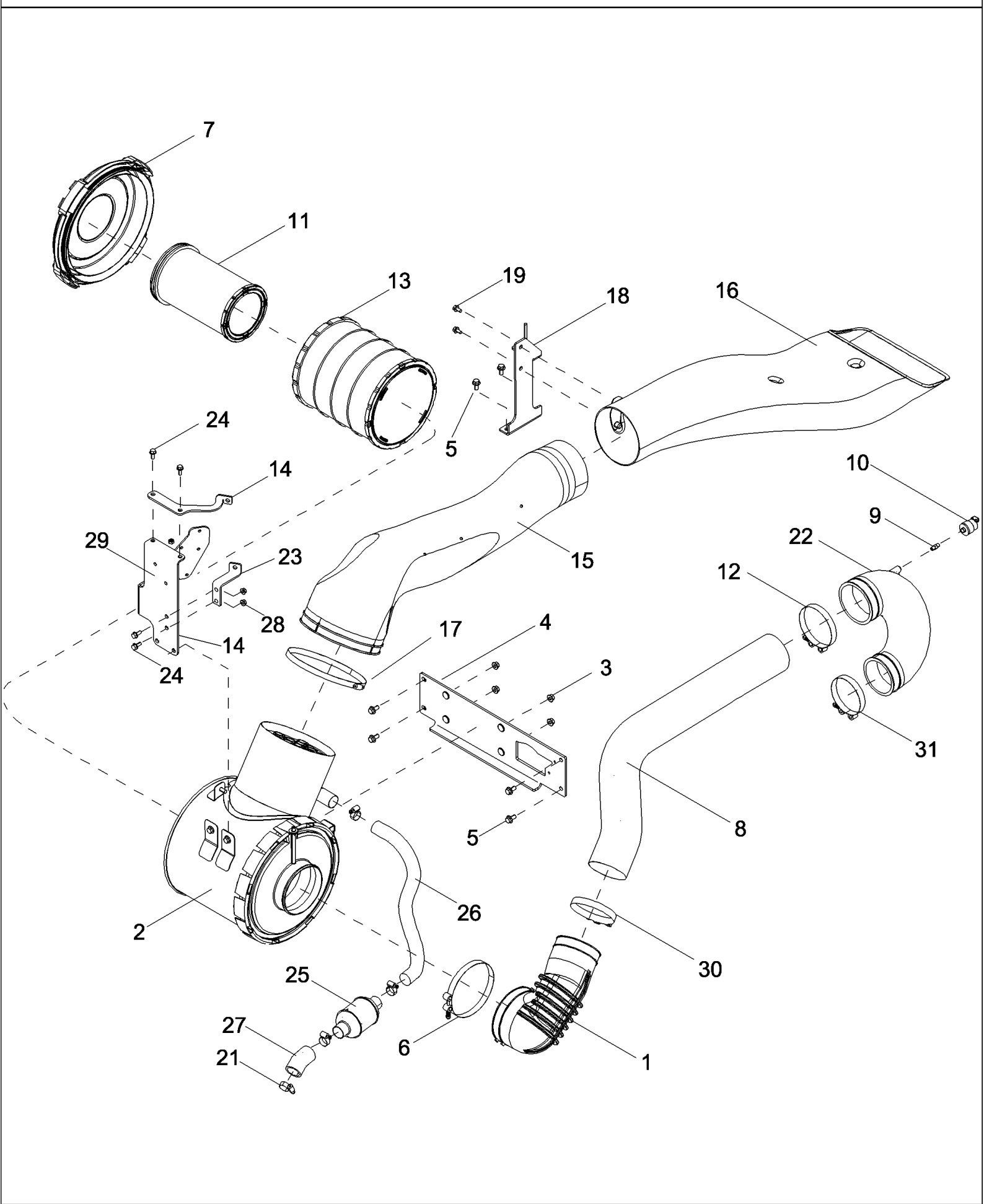
02-03 DEAERATION SYSTEM



## MX305 CASE IH MAGNUM TRACTOR NA (1/06-9/06)

## 02-03 DEAERATION SYSTEM

сылка	Номер детали	Кол-во	Описание
1	REF	1	INSTRUCTION, RADIATOR, See Figure 02-02, MX215, Magnum 215, MX245, and Magnum 245
1	REF	1	INSTRUCTION, RADIATOR, See Figure 02-03, MX275, Magnum 275, MX305, and Magnum 305
2	87381277	1	HOSE, Coolant
3	87455330	1	TUBE ASSY., Radiator
6	433405A1	1	HOSE, Radiator
7	214-3248	6	CLAMP, HOSE, 2.25/3.125 HD Worm, W/liner,
8	87733724	1	HOSE, Engine, Coolant Outlet, Inc. 21
9	87403515	2	BOLT, M8 x 20; 8.8
10	87413715	1	RESERVOIR, Deaeration Tank
11	A170241	1	CAP, RADIATOR, 15 psi
12	555-1	8	BOLT, Hex Flg, M8 x 16, 8.8,
14	844-12025	3	BOLT, Hex Flg, M12 x 25, 8.8,
15	87445732	3	CLAMP,
16	87430751	1	TUBE ASSY.,
17	J945603	1	GASKET,
18	L127093	1	RESERVOIR, COOLANT EXPNSN,
19	238903A1	1	CAP, FILLER,
20	87339308	1	BRACKET, Deaeration Tank
21	87733645	1	SLEEVE, Protective
25	217-130	1	ELBOW, 90°, 1/4" Hose x 1/8" NPTF Beaded,
26	87442539	1	HOSE, 6.4 ID x 1490 mm (1/4 ID x 58-21/32"), Cut From 382997C2
27	87525458	1	HOSE, 6.4 ID x 1885 mm (1/4 ID x 70-1/2"), Cut From 382997C2
28	217-154	1	FITTING, 1/4" Hose X 1/4" NPTF Beaded,
29	87589798	6	CLAMP, HOSE, 0.5"
30	87395776	1	HOSE, Deaeration Tank to Engine, 249 mm (9.8"), Cut From 429211A1
32	214-1412	2	CLAMP, HOSE, #12, 0.69/1.25 Type F Worm,
33	87338147	1	HOSE, 6.4 ID x 2225 mm (1/4 ID x 87-5/8"), Cut From 382997C2
34	242070A1	1	HOSE,
35	214-1308	1	CLAMP, HOSE, #8, 1/2", Spring,
36	218-446	1	CONNECTOR, HYD., 1 1/16"-12, 37° x 3/4"-14, NPTF,
37	87381548	1	BRACKET, Coolant Recovery Bottle
38	87746650	1	TUBE,
39	844-8060	1	BOLT, Hex Flg, M8 x 60, 8.8,
40	118576A1	1	CLAMP,
41	1347127C1	1	PLATE, Clamp
42	825-2408	1	NUT, M8 x 1.25, Flg, Cl 8,

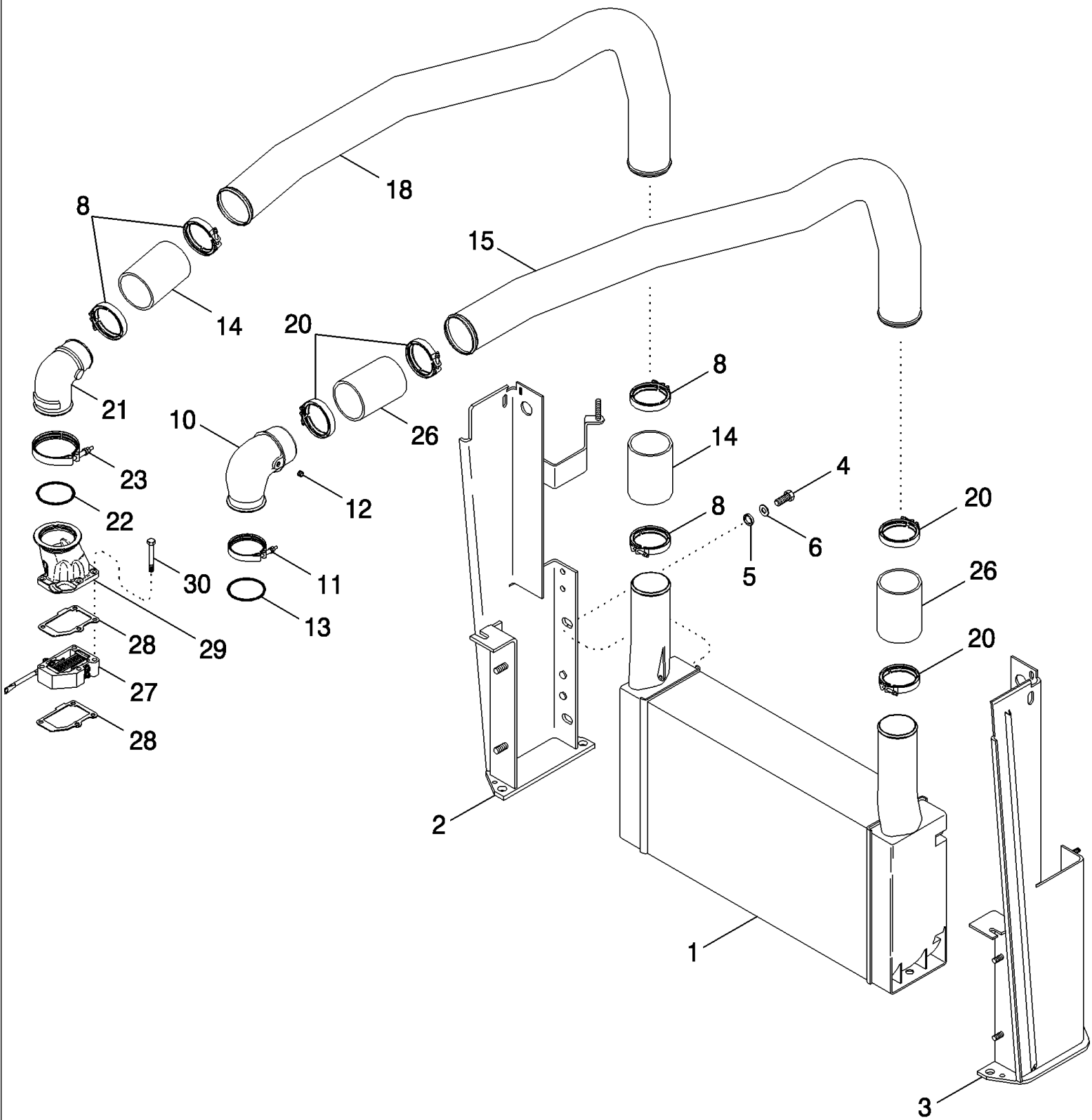




## MX305 CASE IH MAGNUM TRACTOR NA (1/06-9/06)

## 02-04 AIR INDUCTION SYSTEM - STANDARD DUTY

сылка	Номер детали	Кол-во	Описание
1	87384983	1	DUCT, AIR,
2	87741565	1	AIR CLEANER,
3	829-2410	4	NUT, M10 x 1.5, Flg, CI 10,
4	87673545	1	BRACKET,
5	844-10020	9	BOLT, Hex Flg, M10 x 20, 8.8,
6	87656134	1	CLAMP, HOSE,
7	87749710	1	COVER,
8	87357981	1	TUBE ASSY., , BSN Z6RZ05420
8	87547220	1	TUBE ASSY., , ASN Z6RZ05420
9	217-1079	1	CONNECTOR, HYD., 1/8"-27 NPTF,
10	279492A1	1	SWITCH, RESTRICTION,
11	87741569	1	FILTER, AIR, Secondary
12	87652892	1	CLAMP,
13	87741560	1	FILTER, AIR, Primary
14	87746902	1	BRACKET, Deaeration Bottle, Upper
15	87335608	1	TUBE,
16	87307977	1	DUCT, AIR,
17	87562289	1	CLAMP,
18	87441640	1	BRACKET,
19	844-8020	2	BOLT, Hex Flg, M8 x 20, 8.8,
20	87443700	1	HOSE, , BSN Z6RZ03563
21	214-1424	2	CLAMP, HOSE, #24, 1.06/2.00 Type F Worm, , BSN Z6RZ03563
21	214-1424	4	CLAMP, HOSE, #24, 1.06/2.00 Type F Worm, , ASN Z6RZ03563
22	87357621	1	HOSE, Air Cleaner to Turbo, BSN Z7RZ03901
22	87651295	1	HOSE, Air Cleaner to Turbo, ASN Z7RZ03901
23	87746903	1	BRACKET, Deaeration Bottle, Lower
24	9804258	4	BOLT, Hex Flg, M8 x 20, 8.8,
25	284427A1	1	VALVE, Aspirator Check, ASN Z6RZ03563
26	414194A1	1	HOSE, Aspirator, Upper, ASN Z6RZ03563
27	87525734	1	HOSE, Aspirator, Lower, ASN Z6RZ03563
28	825-2408	2	NUT, M8 x 1.25, Flg, CI 8,
29	87748273	1	BRACKET,
30	87656133	1	CLAMP, HOSE,
31	87652891	1	CLAMP,

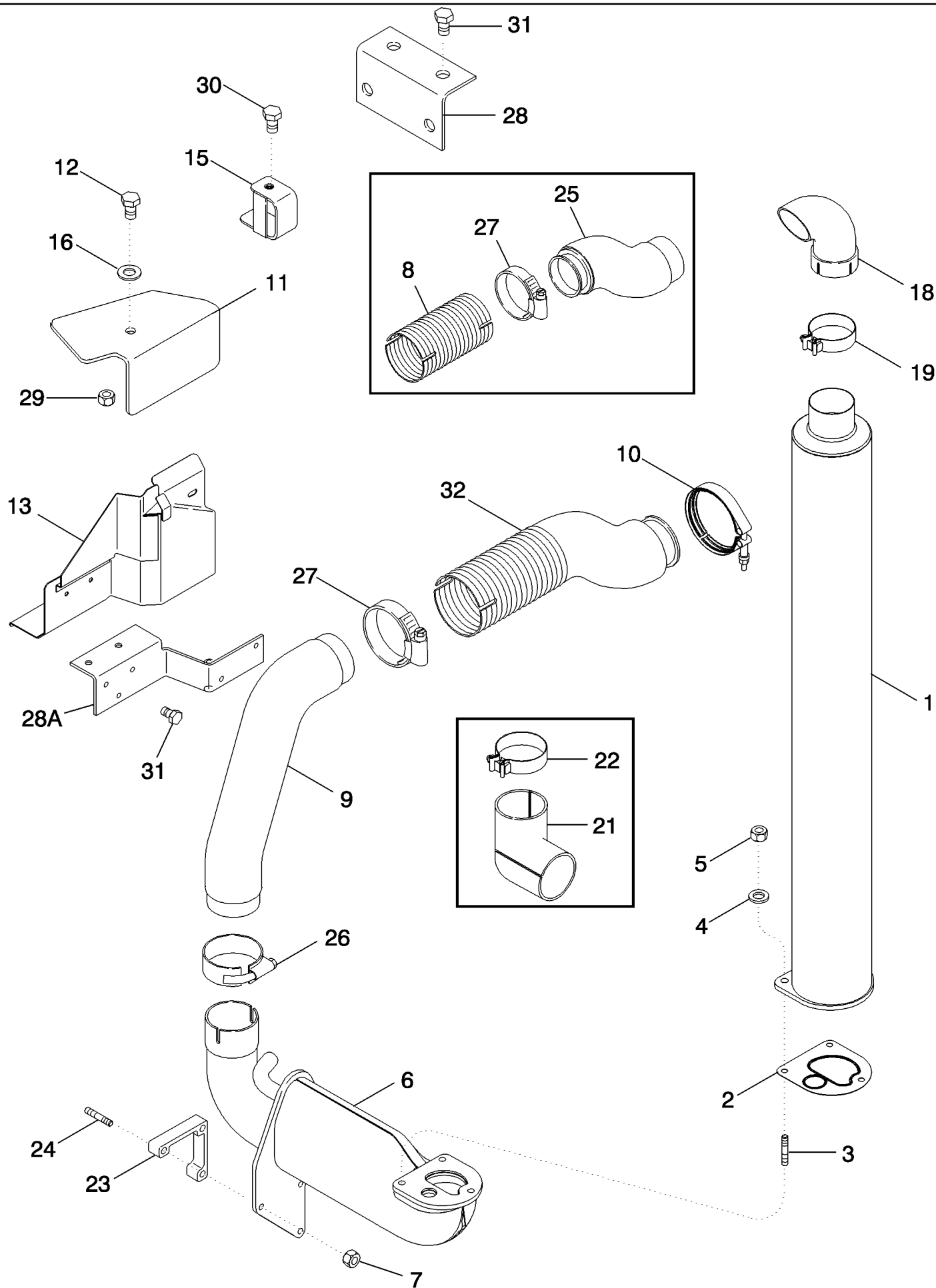


## MX305 CASE IH MAGNUM TRACTOR NA (1/06-9/06)

## 02-05 AFTERCOOLER

сылка	Номер детали	Кол-во	Описание
1	87307279	1	HEAT EXCHANGER, Air to Air
2	87621948	1	SUPPORT, Left Hand
3	87621960	1	SUPPORT, Right Hand
4	614-10025	4	BOLT, Hex, M10 x 25, 8.8, Full Thd,
5	87456528	4	TUBE SPACER,
6	495-81148	8	WASHER, 7/16" x 1 1/4" x .134",
8	352198A1	4	CLAMP, Hose
10	J918685	1	PIPE,
11	J883284	1	O-RING,
12	J008465	1	PLUG,
13	J069053	1	CLAMP,
14	87454331	2	HOSE, Air to Air, Cold Side
15	87454346	1	TUBE, Turbo to Cooler, BSN Z7RW01293
15	87521309	1	TUBE, Turbo to Cooler, BTW Z7RW01293 & Z7RZ02632
15	87602983	1	TUBE, Turbo to Cooler, ASN Z7RZ02632
18	87346132	1	TUBE, Cooler to Intake Manifold, BSN Z7RW01293
18	87521022	1	TUBE, Cooler to Intake Manifold, BTW Z7RW01293 & Z7RZ02632
18	87603073	1	TUBE, Cooler to Intake manifold, ASN Z7RZ02632
20	364751A1	4	CLAMP,
21	87341882	1	ELBOW,
22	87434592	1	SEAL,
23	87434593	1	CLAMP,
26	377592A1	2	HOSE, Air to Air
27	87753829	1	HEATER, Intake Air
28	87335272	2	GASKET, Connection
29	87340026	1	CONNECTOR, MULTIPOLE,
30	845-8080	4	BOLT, Hex Flg, M8 x 80, 8.8,

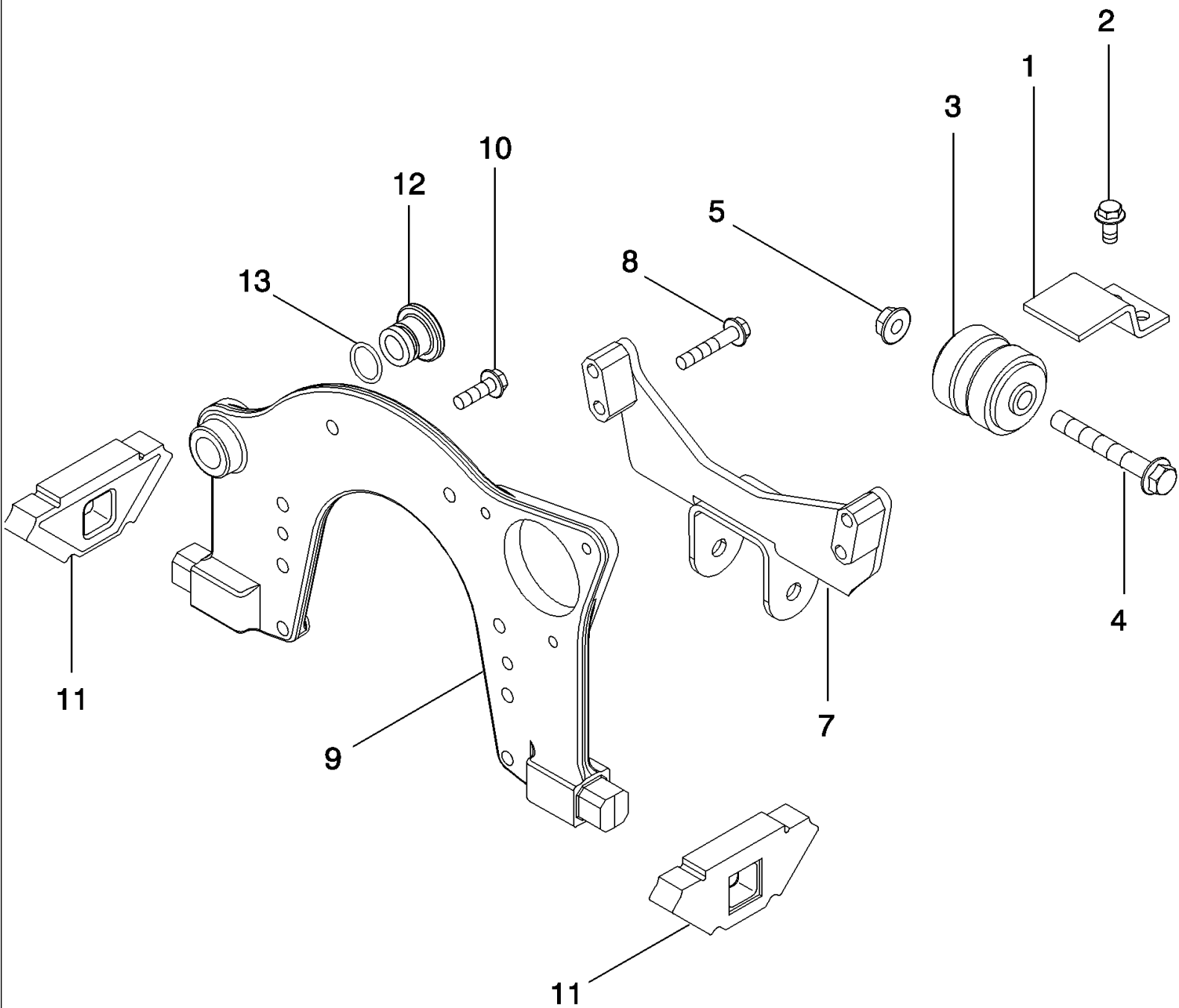
02-06 EXHAUST SYSTEM



## MX305 CASE IH MAGNUM TRACTOR NA (1/06-9/06)

## 02-06 EXHAUST SYSTEM

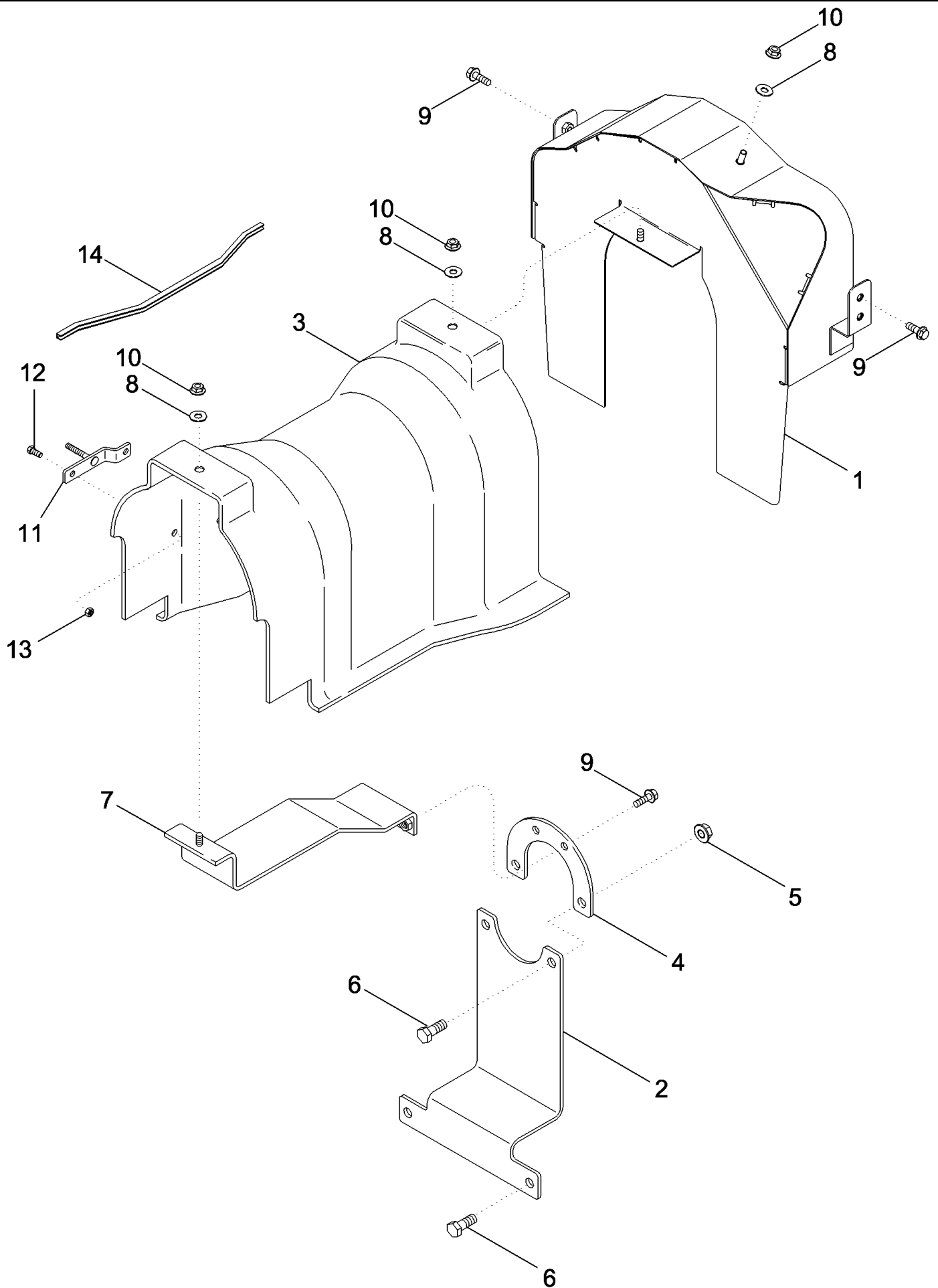
сылка	Номер детали	Кол-во	Описание
1	87369371	1	MUFFLER, Standard
1	87369363	1	MUFFLER, Spark Arrester, N.A. Only
2	226775A1	1	GASKET,
3	387795A1	3	STUD,
4	387798A1	3	WASHER,
5	387796A1	3	NUT,
6	87588155	1	SUPPORT,
7	829-2412	3	NUT, M12 x 1.75, Flg, CI 10,
8	NSS	1	NOT SERVICED SEPARATELY, HOSE, FLEXIBLE, Order REF 32 87520146 For Initial Replacement, BSN Z6RZ02856
9	87607503	1	TUBE ASSY.,
10	A170807	1	CLAMP, Includes Hardware
11	87451651	1	BRACKET, Manifold Shield
12	844-10016	1	BOLT, Hex Flg, M10 x 16, 8.8, Full Thd,
13	87615756	1	SHIELD, Turbo Heat (Shown), MX215, 245, 275, 305, Magnum 215, 245, 275 and 305
13	87715386	1	SHIELD, Turbo heat, Magnum 335
15	87615566	1	BRACKET, Heat Shield, Turbo
16	495-81120	3	WASHER, .344" x 1 1/4" x .120", , MX215, 245, 275, 305, Magnum 215, 245, 275 and 305
16	495-81120	5	WASHER, .344" x 1 1/4" x .120", , Magnum 335
18	87381922	1	EXTENSION, Exhaust
19	87449404	1	CLAMP,
21	87483050	1	INSULATION, FOAM, Exhaust
22	214-3280	2	CLAMP, HOSE, 4.25/5.125 HD Worm, W/liner,
23	87332194	1	SPACER,
24	87330610	3	STUD,
25	NSS	1	NOT SERVICED SEPARATELY, TUBE ASSY., Order REF 32 87520146 For Initial Replacement, BSN Z6RZ02856
26	87449404	1	CLAMP,
27	87427885	2	CLAMP, , BSN Z6RZ02856
27	87427885	1	CLAMP, , ASN Z6RZ02856
28	87449823	1	BRACKET, Turbo Heat Shield, MX215, 245, 275, 305, Magnum 215, 245, 275 and 305
28A	87715390	1	BRACKET, Turbo heat Shield, Magnum 335
29	825-2408	1	NUT, M8 x 1.25, Flg, CI 8,
30	844-10020	2	BOLT, Hex Flg, M10 x 20, 8.8,
31	844-8020	3	BOLT, Hex Flg, M8 x 20, 8.8, , MX215, 245, 275, 305, Magnum 215, 245, 275 and 305
31	844-8020	5	BOLT, Hex Flg, M8 x 20, 8.8, , MX215, 245, 275, 305, Magnum 215, 245, 275 and 305
32	87520146	1	TUBE ASSY., (Shown), MX215, 245, 275, 305, Magnum 215, 245, 275 and 305, ASN Z6RZ02856
32	87714128	1	TUBE ASSY., , Magnum 335



## MX305 CASE IH MAGNUM TRACTOR NA (1/06-9/06)

## 02-07 ENGINE MOUNTING - STANDARD AXLE

сылка	Номер детали	Кол-во	Описание
1	297527A1	1	CLAMP,
2	844-12025	2	BOLT, Hex Flg, M12 x 25, 8.8,
3	247991A1	1	SHOCK ABSORBER,
4	854-16120	1	BOLT, Hex Flg, M16 x 120, 10.9,
5	825-2416	1	NUT, M16 x 2, Flg, Cl 8,
7	87434290	1	SUPPORT,
8	854-12065	4	BOLT, Hex Flg, M12 x 65, 10.9,
9	87421749	1	BRACKET,
10	854-12040	8	BOLT, Hex Flg, M12 x 40, 10.9,
11	251991A1	2	SUPPORT,
12	J910248	1	PLUG,
13	238-5212	1	O-RING, -212, 70 Duro, .859" ID x .139" Thk,

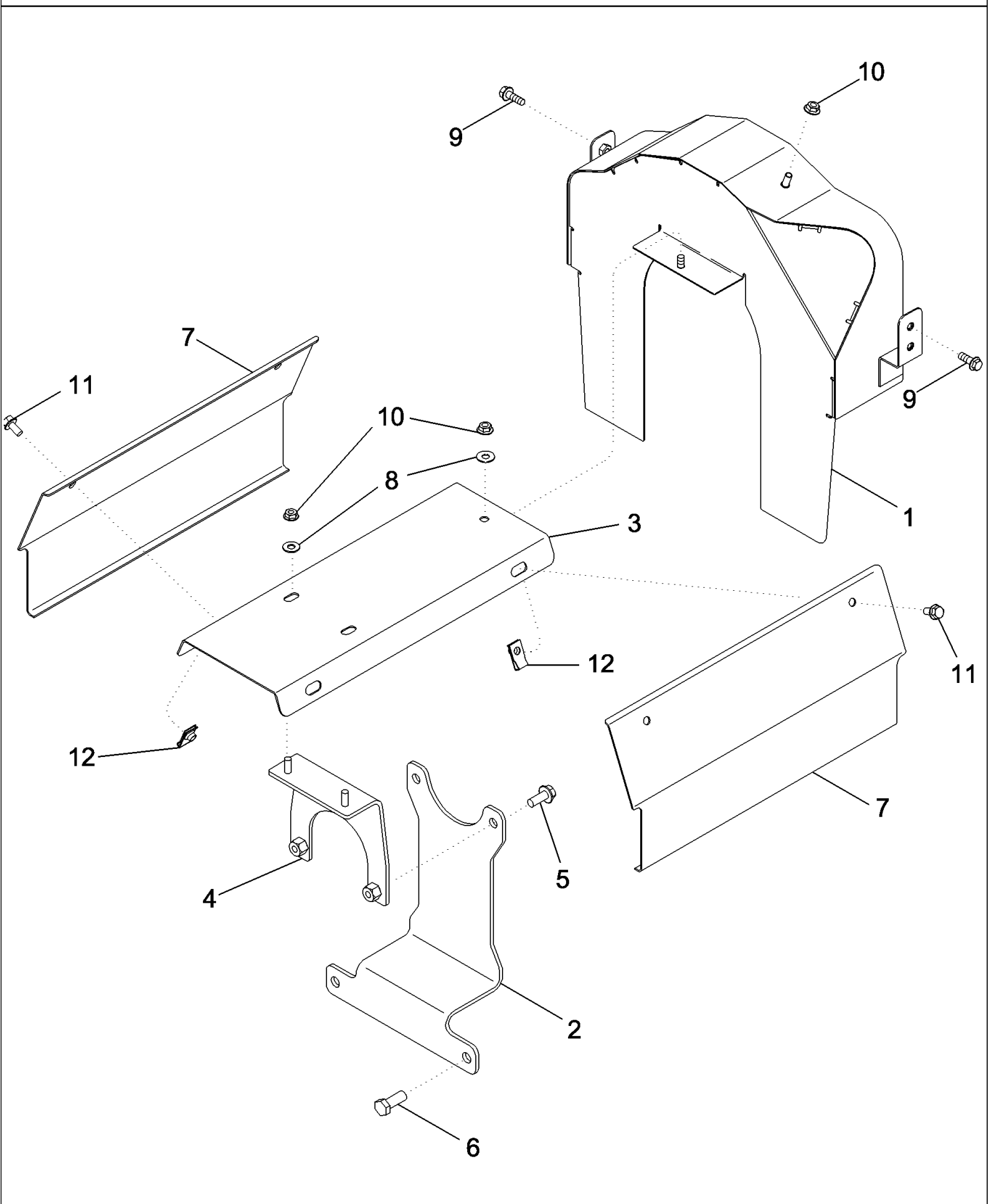




MX305 CASE IH MAGNUM TRACTOR NA (1/06-9/06)

02-09 FLYWHEEL SHIELDS, BSN Z6RZ02948

сылка	Номер детали	Кол-во	Описание
1	382150A1	1	PROTECTION PLATE,
2	382147A1	1	PROTECTION PLATE,
3	87367164	1	SHIELD,
4	87435601	1	PLATE ASSY.,
5	9804279	2	NUT, M12 x 1.75, Flg, Cl 8,
6	854-12030	4	BOLT, Hex Flg, M12 x 1.75 x 30, 10.9,
7	87435598	1	BRACKET,
8	895-15008	2	WASHER, M8 x 20 x 1.6,
9	844-8025	6	BOLT, Hex Flg, M8 x 25, 8.8,
10	825-2408	1	NUT, M8 x 1.25, Flg, Cl 8,
11	87367165	1	BRACKET,
12	844-8020	2	BOLT, Hex Flg, M8 x 20, 8.8,
13	832-10408	2	NUT, LOCK, M8 x 1.25, Cl 8,
14	87398578	1	SOFT TRIM, Edge, Black
15	87545917	1	KIT, SERVICE, Three Piece Shield Adapting, (Not Shown)

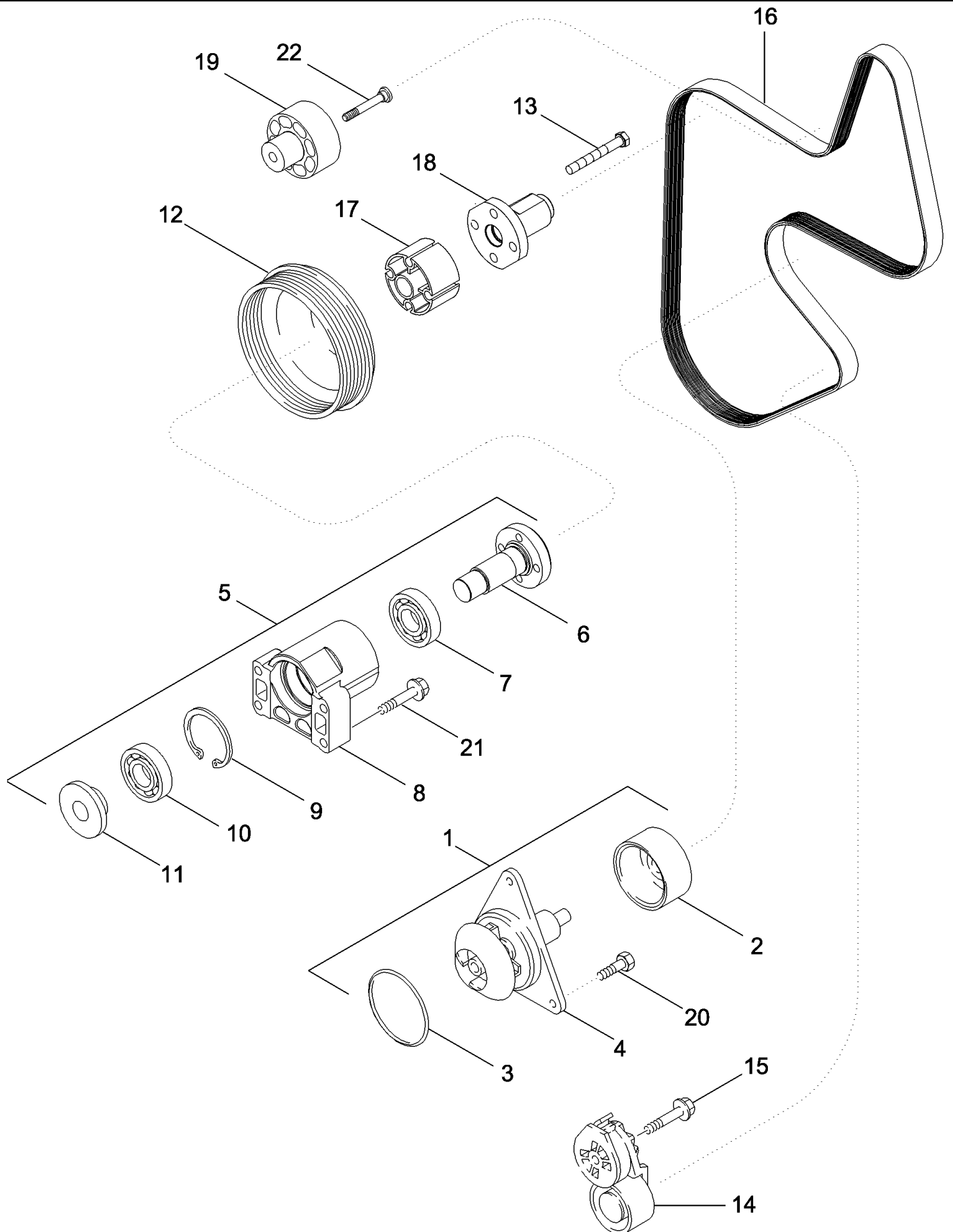


MX305 CASE IH MAGNUM TRACTOR NA (1/06-9/06)

02-10 FLYWHEEL SHIELDS, ASN Z6RZ02948

сылка	Номер детали	Кол-во	Описание
1	87522079	1	SHIELD,
2	87530413	1	BRACKET,
3	87530410	1	SHIELD,
4	87533238	1	PLATE, MOUNTING,
5	844-10025	2	BOLT, Hex Flg, M10 x 25, 8.8, Full Thd,
6	614-12030	4	BOLT, Hex, M12 x 30, 8.8,
7	87530412	2	SHIELD,
8	895-15008	3	WASHER, M8 x 20 x 1.6,
9	844-8025	4	BOLT, Hex Flg, M8 x 25, 8.8,
10	825-2408	2	NUT, M8 x 1.25, Flg, CI 8,
11	844-8016	4	BOLT, Hex Flg, M8 x 16, 8.8,
12	833-41308	4	NUT, M8, U,
13	832-10408	2	NUT, LOCK, M8 x 1.25, CI 8,

02-11 WATER PUMP SYSTEM

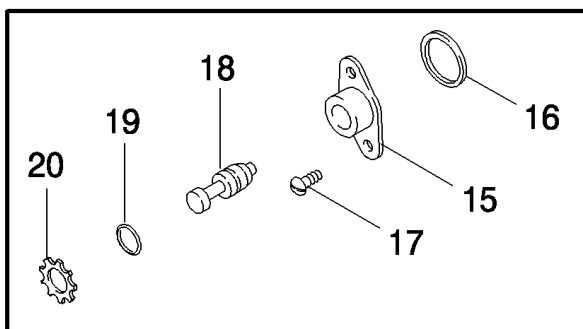
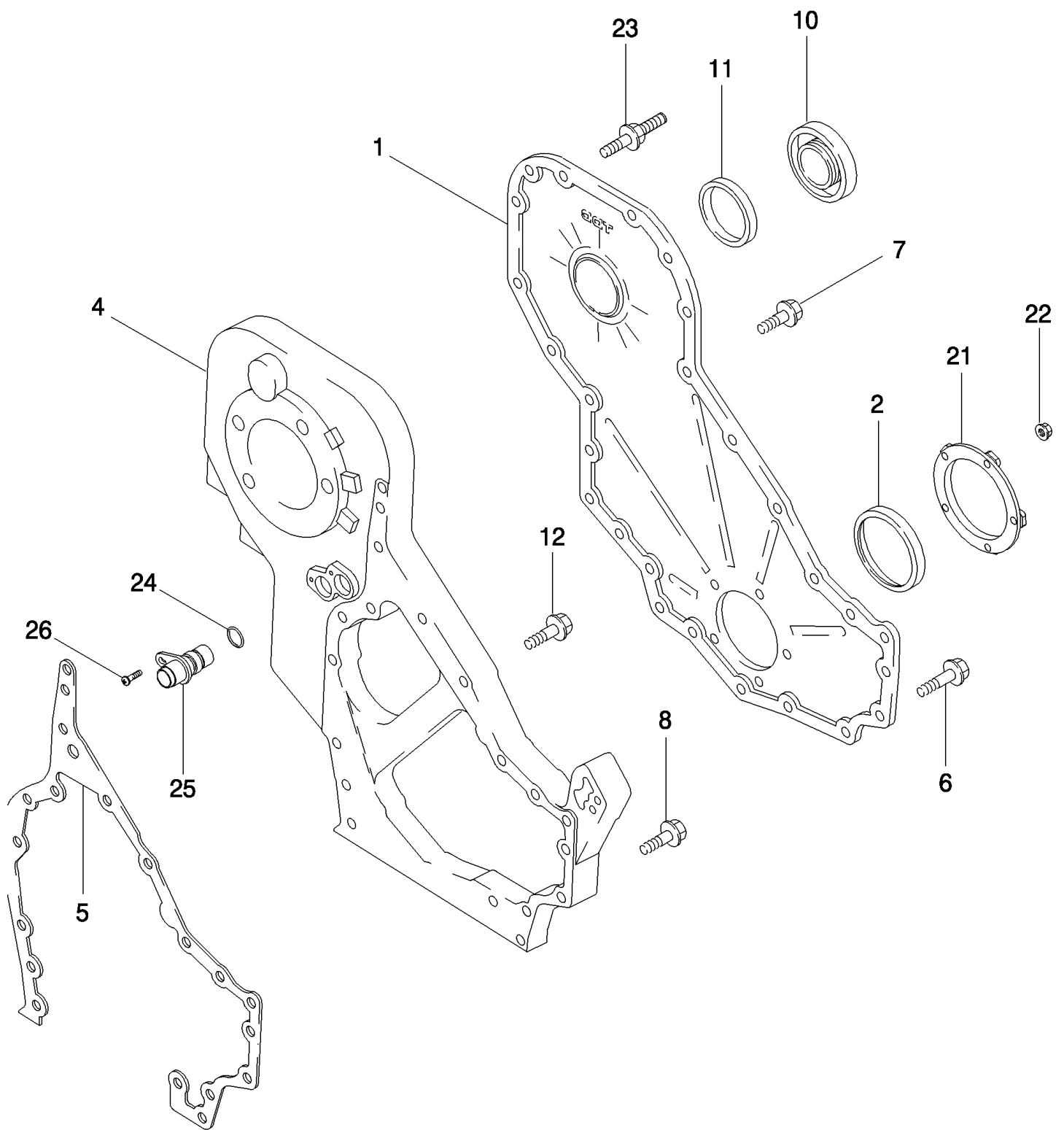


## MX305 CASE IH MAGNUM TRACTOR NA (1/06-9/06)

## 02-11 WATER PUMP SYSTEM

сылка	Номер детали	Кол-во	Описание
1	87453208	1	PUMP, WATER, Inc. 2 - 4
2	NSS	1	NOT SERVICED SEPARATELY, PULLEY
3	238-5244	1	O-RING, -244, 70 Duro, 4.234" ID x .139" Thk,
4	NSS	1	NOT SERVICED SEPARATELY, PUMP
5	87408931	1	SUPPORT, Inc. 6 - 11
6	J934104	1	HUB,
7	NSS	1	NOT SERVICED SEPARATELY, BEARING, BALL
8	NSS	1	NOT SERVICED SEPARATELY, SUPPORT
9	100-21244	1	RING, SNAP, 2.44", Int, #244,
10	J933440	1	BEARING, BALL,
11	J931016	1	RETAINER,
12	J926855	1	PULLEY, Standard Performance
12	J914462	1	PULLEY, With Suspended Axle
13	844-10085	4	BOLT, Hex Flg, M10 x 85, 8.8,
14	87345929	1	TENSIONER, BELT,
15	J282433	1	BOLT, M10 x 85
16	87441267	1	BELT, Standard Performance, 2165 mm
16	87441268	1	BELT, With Suspended Axle, 2140 mm
17	A184546	1	SPACER,
18	87456345	1	SHAFT, Fan Adapter
19	87395364	1	PULLEY, Idler, MX215, 245, 275, 305, Magnum 215, 245, 275, and 305
19	87395363	1	PULLEY ASSY., Idler, Magnum 335
20	J934054	3	BOLT, M8 x 28
21	854-10050	4	BOLT, Hex Flg, M10 x 50, 10.9,
22	87380501	1	BOLT, M10 x 80

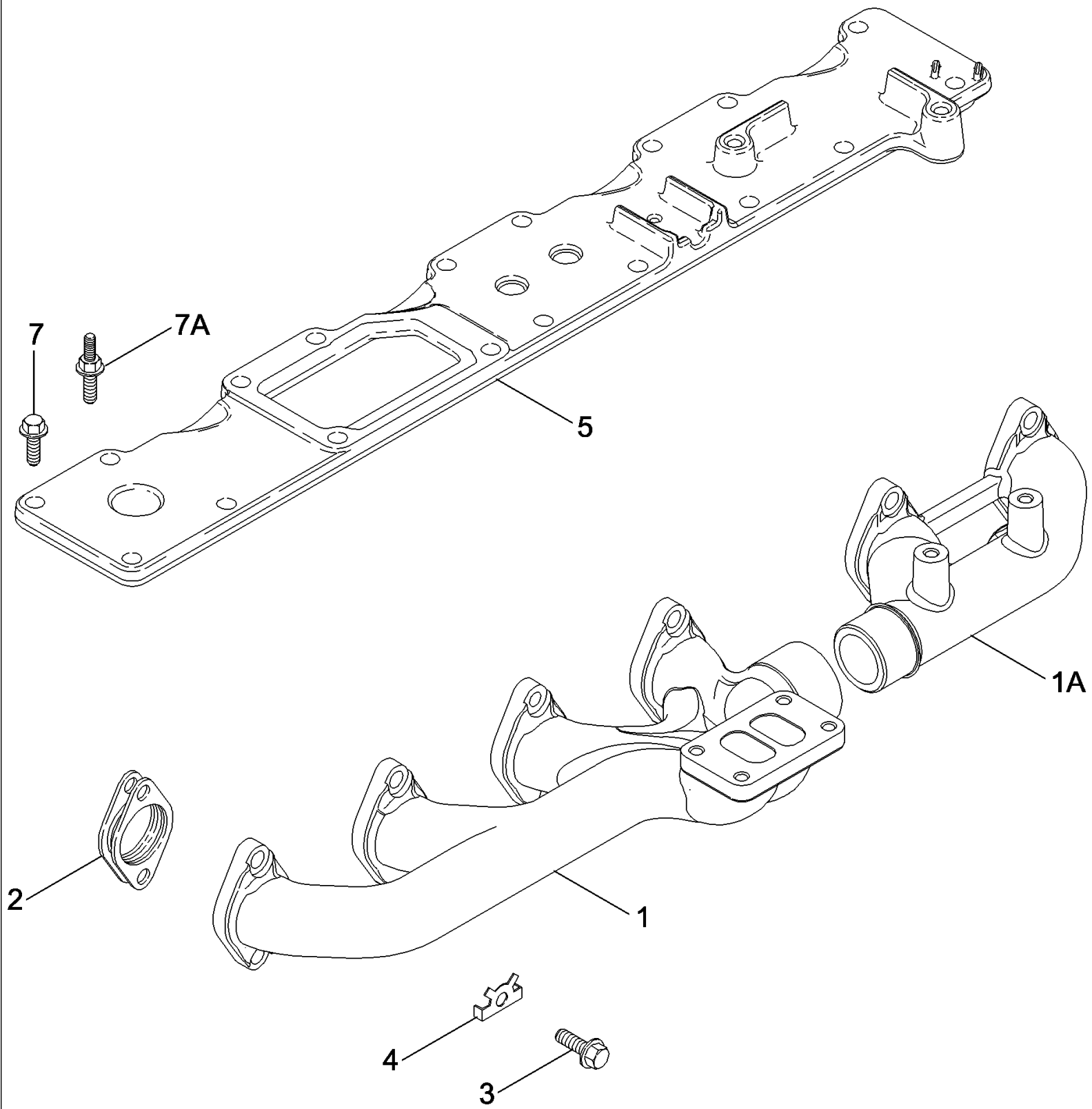
02-12 FRONT GEAR COVER



## MX305 CASE IH MAGNUM TRACTOR NA (1/06-9/06)

## 02-12 FRONT GEAR COVER

сылка	Номер детали	Кол-во	Описание
1	87340005	1	COVER,
2	NSS	1	NOT SERVICED SEPARATELY, SEAL, Order A77790, A77808
4	J945852	1	TRANSMISSION HOUSING,
5	J944293	1	GASKET,
6	J926863	11	BOLT, M8 x 50
7	845-8016	15	BOLT, Hex Flg, M8 x 16, 8.8, Full Thd,
8	J926846	3	BOLT, M8 x 20: 10.9
10	J903463	1	COVER,
11	J903475	1	SEAL,
12	J943885	2	BOLT, M8 x 40
15	J919683	1	HOUSING,
16	J915772	1	SEALRING,
17	J907998	2	SCREW, LOCK, Spc Rd Torx Hd, M5 x 17,
18	J903924	1	PIN,
19	J913994	1	O-RING,
20	100-2587	1	RING, SNAP, 0.875", Int, #87,
21	J941786	1	CARRIER,
22	87493304	5	NUT, Lock, M6
23	J921816	2	BOLT, SPECIAL,
24	87400235	1	O-RING,
25	87338343	1	PLUG,
26	845-6015	1	BOLT, Hex Flg, M6 x 15, 8.8, Full Thd,
	217-438	2	PLUG, Hex Soc, 1/2"-14, (Not Shown)
	263136	1	PLUG, MAGNETIC, Hex Soc, 3/4"-14 NPTF, (Not Shown)
	J920706	1	PLUG, (Not Shown)





MX305 CASE IH MAGNUM TRACTOR NA (1/06-9/06)

02-13 MANIFOLDS

сылка	Номер детали	Кол-во	Описание
1	87344862	1	MANIFOLD, EXHAUST,
1A	87344861	1	MANIFOLD, EXHAUST,
2	J937479	6	GASKET, MANIFOLD,
3	J944593	12	BOLT, 10 x 70 mm
4	J945252	12	SPACER, Intake
5	87340282	1	COVER,
7	845-8030	13	BOLT, Hex Flg, M8 x 30, 8.8,
7A	87340279	1	SCREW, M8 x 35

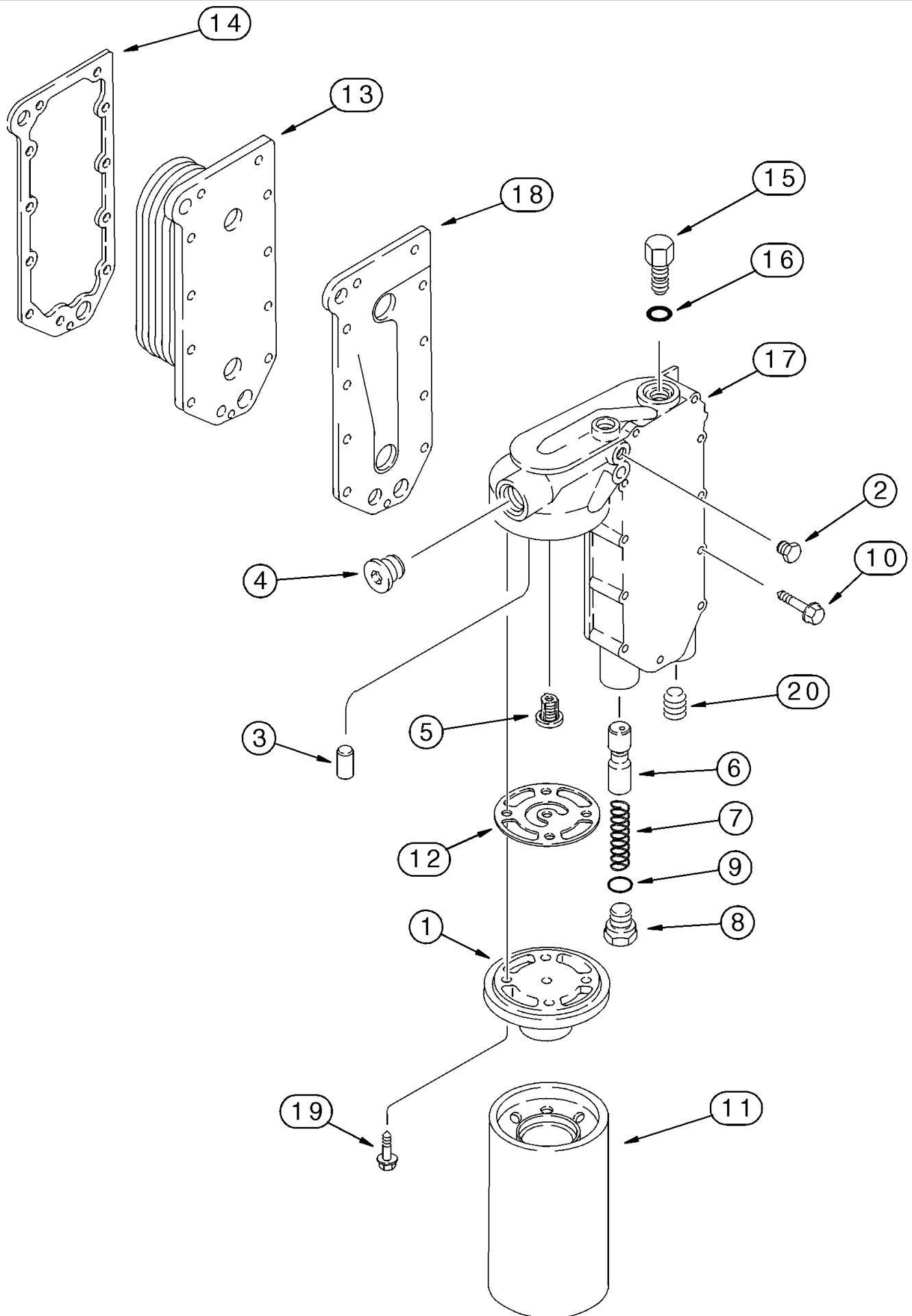


## MX305 CASE IH MAGNUM TRACTOR NA (1/06-9/06)

## 02-14 TURBOCHARGER SYSTEM

сылка	Номер детали	Кол-во	Описание
1	87355317	1	TURBOCHARGER, , MX245, Magnum 245, MX275 and Magnum 275, See Figures 02-15, 02-16
1	87355507	1	TURBOCHARGER, , MX215 and Magnum 215
1	87355331	1	TURBOCHARGER, , MX305, Magnum 305 and Magnum 335
2	J901356	1	GASKET,
3	J818823	4	STUD, M10 x 40
4	J818824	4	NUT, M10
6	J937706	1	GASKET,
7	845-8020	2	BOLT, Hex Flg, M8 x 20, 8.8, Full Thd,
8	87344862	1	MANIFOLD, EXHAUST, , See Figure 02-14
8A	87344861	1	MANIFOLD, EXHAUST, , See Figure 02-14
10	J945108	1	TUBE,
11	87437056	1	TUBE,
12	238-7018	1	O-RING, -018, CI 7, .739" ID x .070" Thk,
13	87340282	1	COVER, , See Figure 02-14
14	J286499	1	HOSE, 76 mm (3 in)
15	214-1512	2	CLAMP, HOSE, #12, .69/1.25 Type F Worm, W/liner,
16	87345099	1	HOSE, FLEXIBLE,
17	J922789	2	CONNECTOR, HYD., Inc. 18, 19
18	J678603	1	O-RING, 9.3 mm ID x 2.2 mm
19	313262A1	1	SEAL, 9.2 mm ID x 1.7 mm
21	87434675	1	CLAMP, 1/2 ID
22	615-8012	1	BOLT, Hex, M8 x 12, 8.8, Full Thd,

02-17 FILTER AND COOLER - OIL

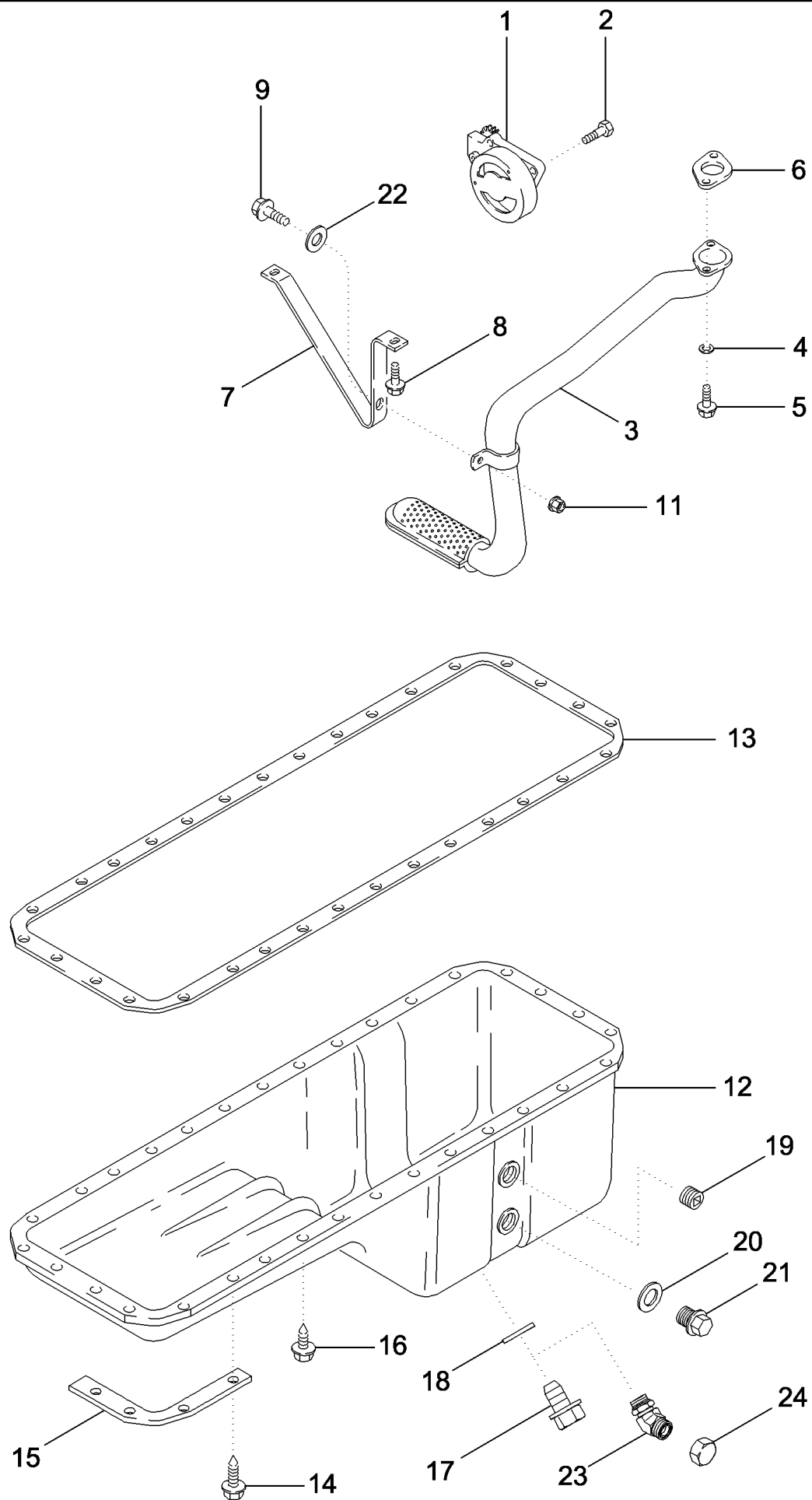


## MX305 CASE IH MAGNUM TRACTOR NA (1/06-9/06)

## 02-17 FILTER AND COOLER - OIL

сылка	Номер детали	Кол-во	Описание
1	87340627	1	HEAD, FILTER,
2	J906619	2	PLUG, 1/8 PT
3	A77722	1	PIN,
4	263136	1	PLUG, MAGNETIC, Hex Soc, 3/4"-14 NPTF,
5	J936365	1	VALVE, PRESSURE RELIEF,
6	J945967	1	PLUNGER,
7	87340755	1	SPRING,
8	J931084	1	PLUG, 24 mm, Inc. 9
9	J930911	1	O-RING, 3/4" ID x 1/16"
10	87421315	8	SCREW, M8 x 65
11	87349575	1	FILTER, ENGINE OIL,
12	87447957	1	GASKET,
13	87452245	1	CORE-OIL COOLER,
14	J918174	1	GASKET,
	J934410	1	VALVE, BY-PASS, Inc. 15, 16
15	NSS	1	NOT SERVICED SEPARATELY, THERMOSTAT
16	A77724	1	O-RING,
17	87314031	1	COVER,
18	J929011	1	GASKET,
19	J907860	4	BOLT, M8 x 25
20	217-466	1	PLUG, DRAIN, Sq Soc, 1/2"-14, NTPF,

02-18 OIL PUMP AND OIL PAN

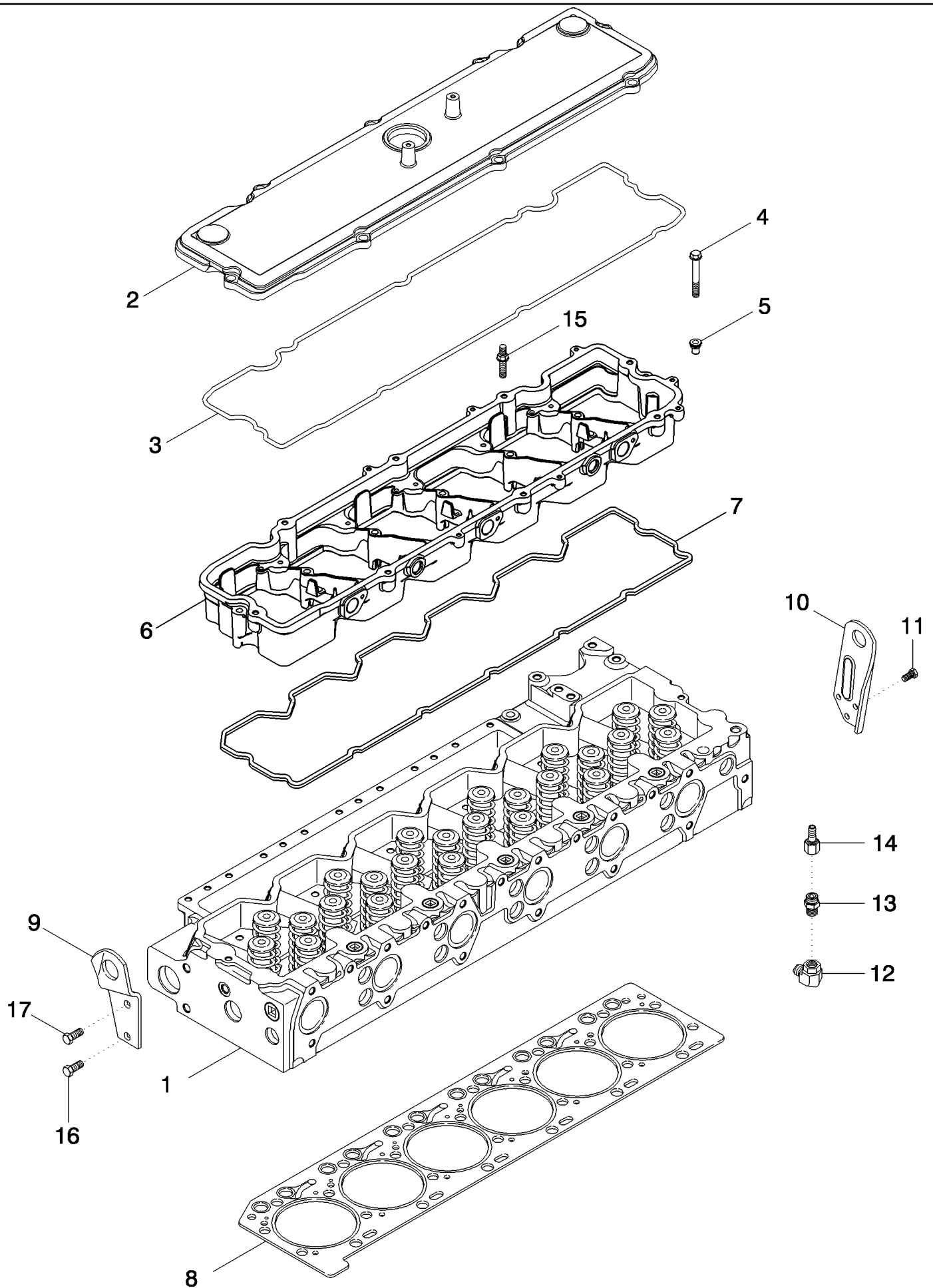


## MX305 CASE IH MAGNUM TRACTOR NA (1/06-9/06)

## 02-18 OIL PUMP AND OIL PAN

сылка	Номер детали	Кол-во	Описание
1	J991123	1	PUMP, ENGINE OIL, New
1	JR991123	1	REMAN-PUMP, ENGINE OIL, Remanufactured, N.A. Only
1	JC991123	1	CORE-PUMP, ENGINE OIL,
2	J900677	4	BOLT, M8 x 30
3	J928828	1	TUBE ASSY., , MX215, Magnum 215, MX245, Magnum 245, MX275 and Magnum 275
3	87357465	1	TUBE ASSY., , MX305, Magnum 305 and Magnum 335
4	J926865	2	SPACER,
5	845-6030	2	BOLT, Hex Flg, M6 x 30, 8.8,
6	87447959	1	GASKET, Oil Suction
7	J927611	1	BRACKET,
8	845-6015	2	BOLT, Hex Flg, M6 x 15, 8.8, Full Thd,
9	845-6020	1	BOLT, Hex Flg, M6 x 20, 8.8, Full Thd,
11	825-2406	1	NUT, M6 x 1, Flg, Cl 8,
12	87362733	1	PAN, ENGINE OIL, (Shown)
12	87357469	1	PAN, ENGINE OIL,
13	87308050	1	GASKET, Oil Pan
14	J907860	16	BOLT, M8 x 25, MX215, Magnum 215, MX245, Magnum 245, MX275 and Magnum 275
14	J907860	32	BOLT, M8 x 25, MX305, Magnum 305 and Magnum 335
15	87414461	4	SUPPORT, , MX215, Magnum 215, MX245, Magnum 245, MX275 and Magnum 275
16	J920400	16	BOLT, M8 x 21, MX215, Magnum 215, MX245, Magnum 245, MX275 and Magnum 275
17	J924147	1	PLUG, M18, MX215, Magnum 215, MX245, Magnum 245, MX275 and Magnum 275
18	J920773	1	WASHER, SEALING,
19	86637727	1	PLUG, DRAIN, Sq Soc, 1 1/4"-11 1/2, NTPF, , MX305, Magnum 305 and Magnum 335
20	J902425	1	WASHER, , MX305, Magnum 305 and Magnum 335
21	J924148	1	PLUG, , MX305, Magnum 305 and Magnum 335
22	J910960	1	WASHER, , MX305, Magnum 305 and Magnum 335
23	87327028	1	ELBOW, , MX305, Magnum 305 and Magnum 335
24	701-905	1	CAP, 13/16"-16 ORFS, , MX305, Magnum 305 and Magnum 335

02-19 CYLINDER HEAD - COVER

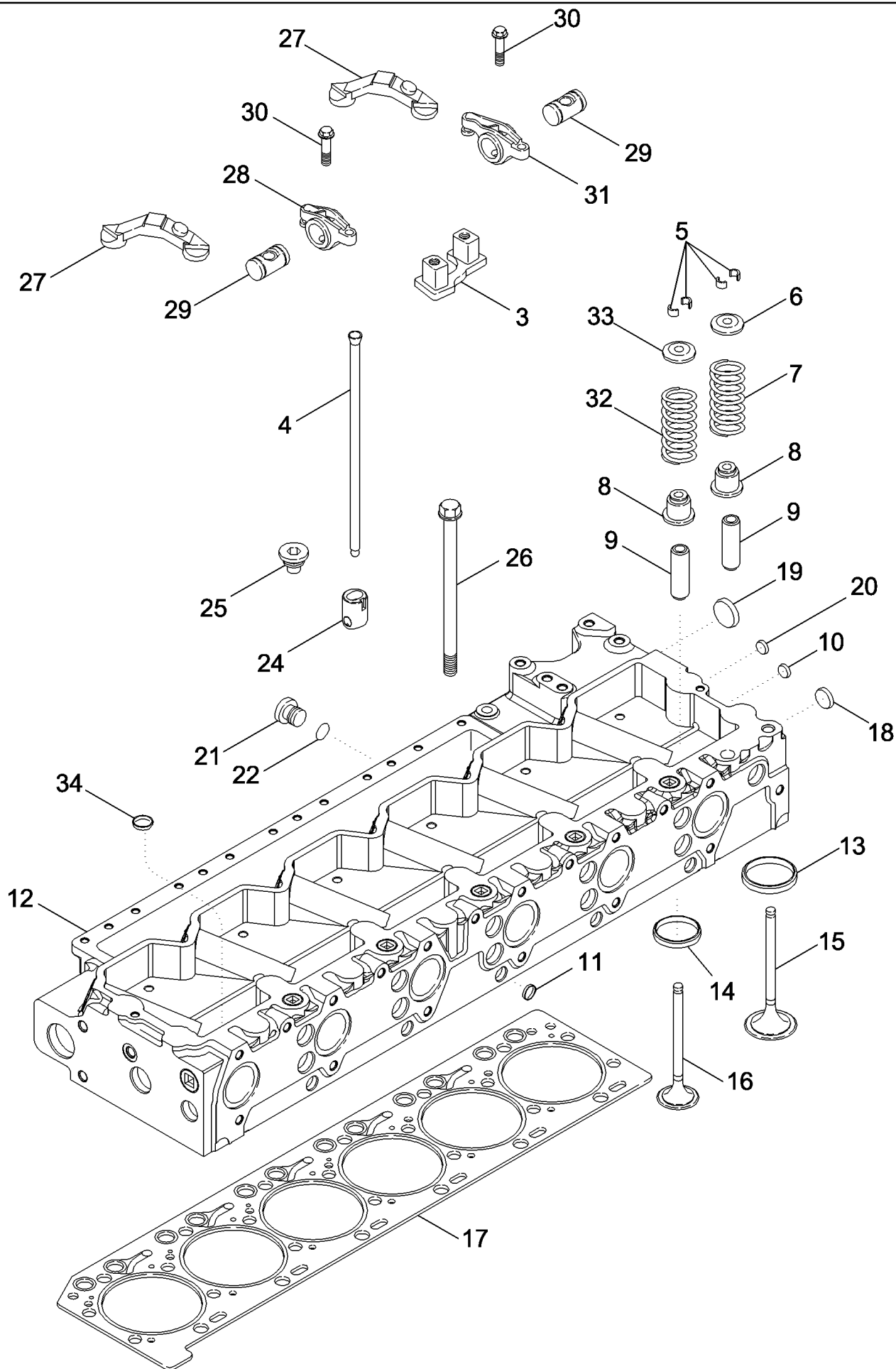




## MX305 CASE IH MAGNUM TRACTOR NA (1/06-9/06)

## 02-19 CYLINDER HEAD - COVER

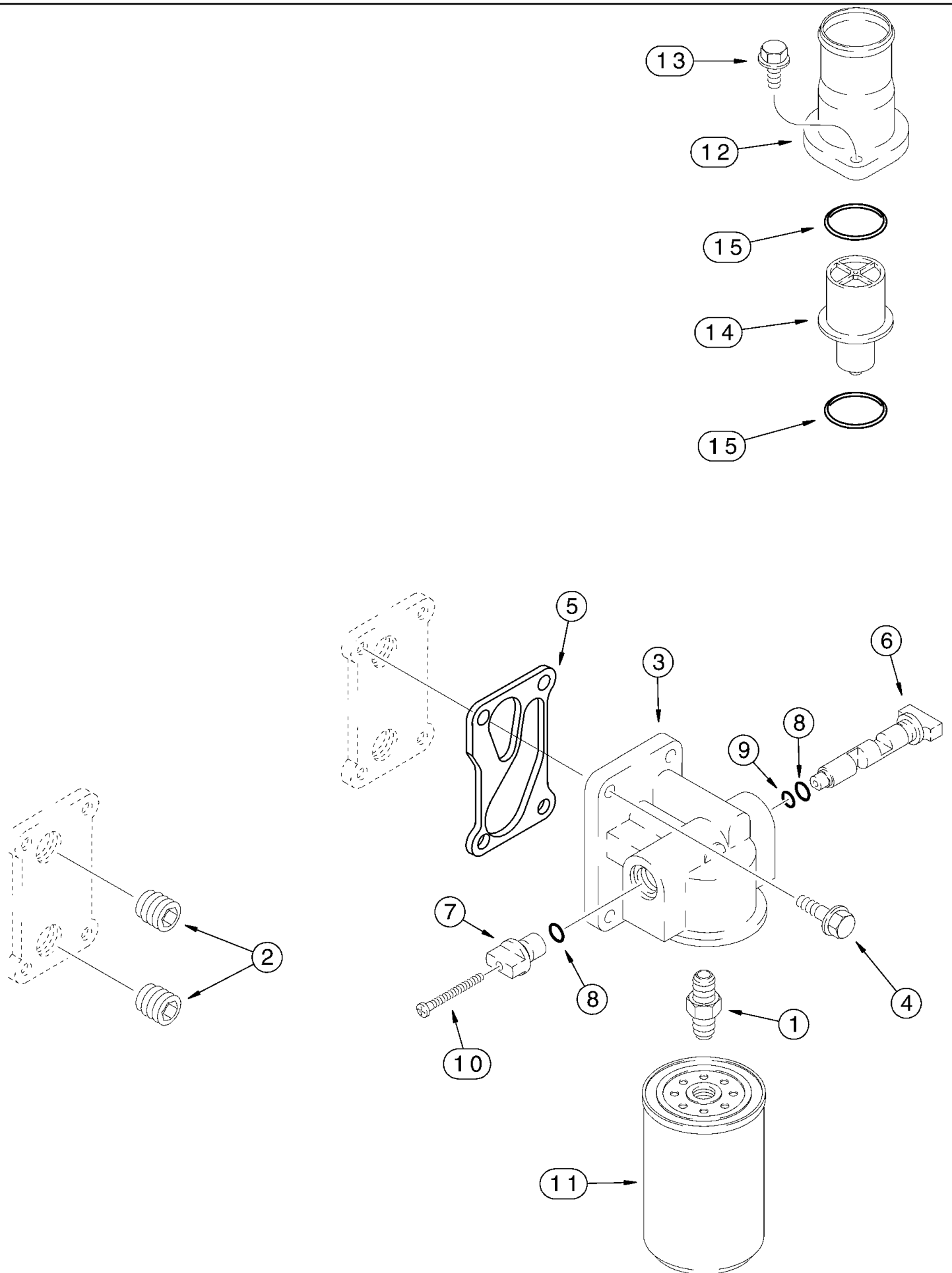
сылка	Номер детали	Кол-во	Описание
1	REF	1	INSTRUCTION, HEAD, See Figure 02-19, 02-20
2	87345871	1	COVER, VALVE,
3	87345861	1	GASKET,
4	87342136	8	ISOLATOR,
5	J900632	7	BOLT, Hex Flg, M8 x 35, 8.8,
6	87344767	1	HOUSING, Rocker Housing
7	87344755	1	GASKET, Rocker Lever Housing
8	87737237	1	GASKET, CYLINDER HEAD,
9	87340305	1	BRACKET, Rear
10	87340301	1	BRACKET, Front
11	854-12025	2	BOLT, Hex Flg, M12 x 25, 10.9,
12	217-1014	1	ELBOW, 90°, 1/8"-27 Female x 1/8"-27 Male,
13	J911901	1	VALVE, CHECK,
14	J911925	1	COUPLING,
15	87340279	1	SCREW,
16	87340324	1	BOLT,
17	854-10020	2	BOLT, Hex Flg, M10 x 20, 10.9,



## MX305 CASE IH MAGNUM TRACTOR NA (1/06-9/06)

## 02-21 CYLINDER HEAD - VALVE MECHANISM, MX275, 305, MAGNUM 275, 305, AND 335

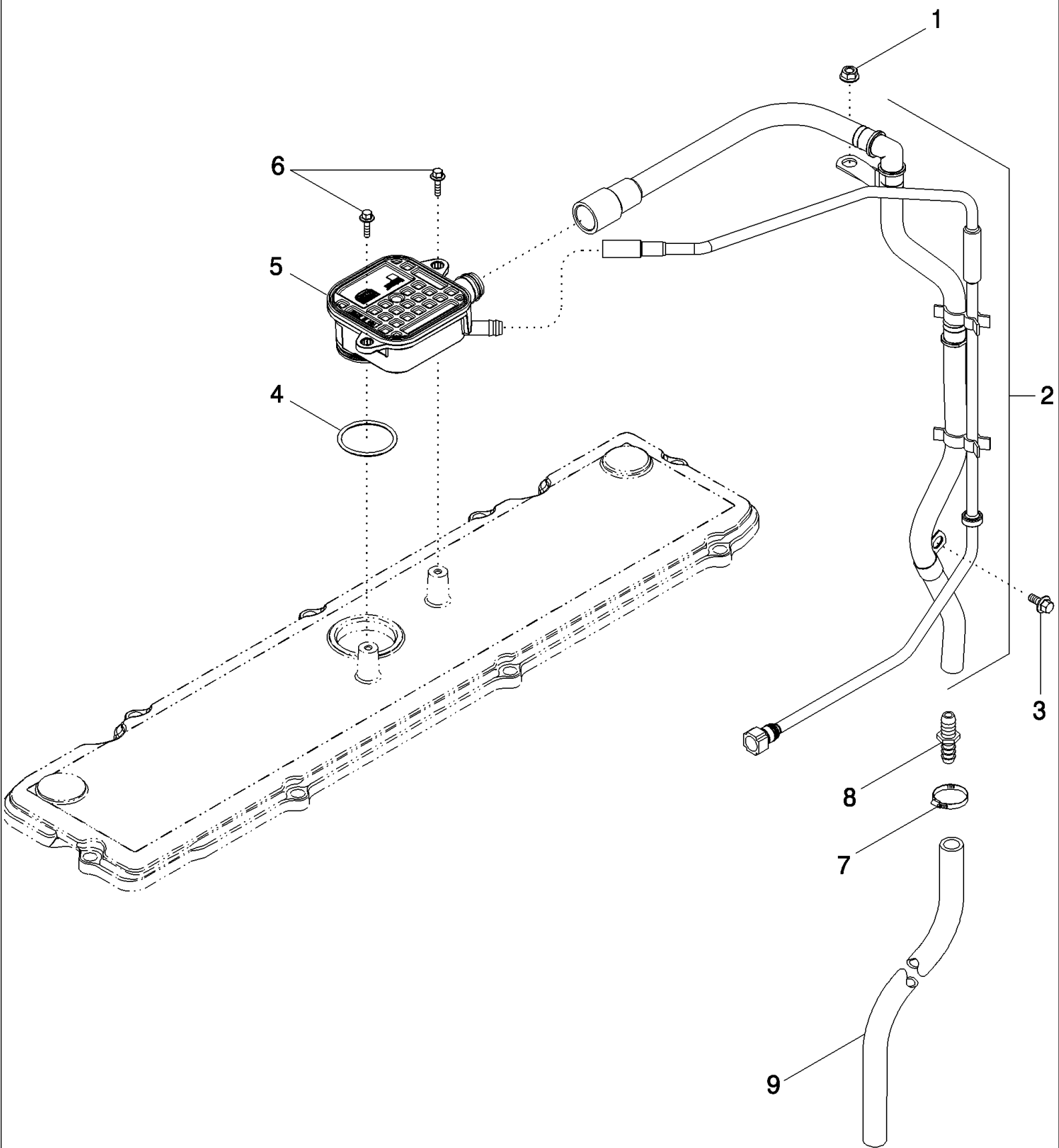
сылка	Номер детали	Кол-во	Описание
	87665738	1	HEAD ASSY., With Valves, Inc. 5 - 8, 12, 15, 16, 32, 33
3	J941140	6	SUPPORT,
4	87435955	12	ROD, PUSH,
5	J900250	48	SCREW, Collet
6	87351062	12	VALVE, Rotator
7	87666324	12	SPRING, VALVE,
8	87352235	24	SEAL, Valve Stem
12	NSS	1	NOT SERVICED SEPARATELY, HEAD ASSY, Stripped
13	J940152	12	INSERT, Intake
14	87344002	12	INSERT, Exhaust
15	87343688	12	VALVE, ENGINE, INLET, STD,
16	87343693	12	VALVE, ENG EXHAUST, STD,
17	87737237	1	GASKET, CYLINDER HEAD,
18	A77590	2	PLUG,
19	87344118	2	PLUG, Expansion
20	87344108	1	PLUG, Expansion
21	J678923	1	PLUG, Inc. 22
22	637-72081	1	O-RING, CI 7, 8.1MM ID x 1.6 Thk,
24	87435851	12	TAPPET,
25	87644763	12	GUIDE,
26	87344126	26	BOLT,
27	J943445	12	CROSSBAR, Head Cross
28	87435953	6	ROCKER ARM, Intake
29	87435951	12	SHAFT,
30	J943933	12	SCREW,
31	87435952	6	ROCKER ARM, Exhaust
32	87666321	12	SPRING, VALVE,
33	J944452	12	RETAINER,
34	J920706	18	PLUG,



## MX305 CASE IH MAGNUM TRACTOR NA (1/06-9/06)

## 02-22 THERMOSTAT - FILTER, WATER

сылка	Номер детали	Кол-во	Описание
1	A77623	1	ADAPTER,
2	263136	2	PLUG, MAGNETIC, Hex Soc, 3/4"-14 NPTF,
3	J943738	1	HEAD, FILTER,
4	845-8025	4	BOLT, Hex Flg, M8 x 25, 8.8,
5	87612306	1	GASKET,
6	J943739	1	VALVE, SHUT-OFF,
7	J943740	1	VALVE, SHUT-OFF,
8	87423041	2	O-RING, 7/16 ID x 3/32
9	238-5013	1	O-RING, -013, 70 Duro, .426" ID x .070" Thk,
10	J944454	1	SCREW,
11	J100304	1	FILTER, ELEMENT,
12	J944429	1	OUTLET,
13	845-8025	2	BOLT, Hex Flg, M8 x 25, 8.8,
14	87698668	1	THERMOSTAT,
15	238-5227	2	O-RING, -227, 70 Duro, 2.109" ID x .139" Thk,

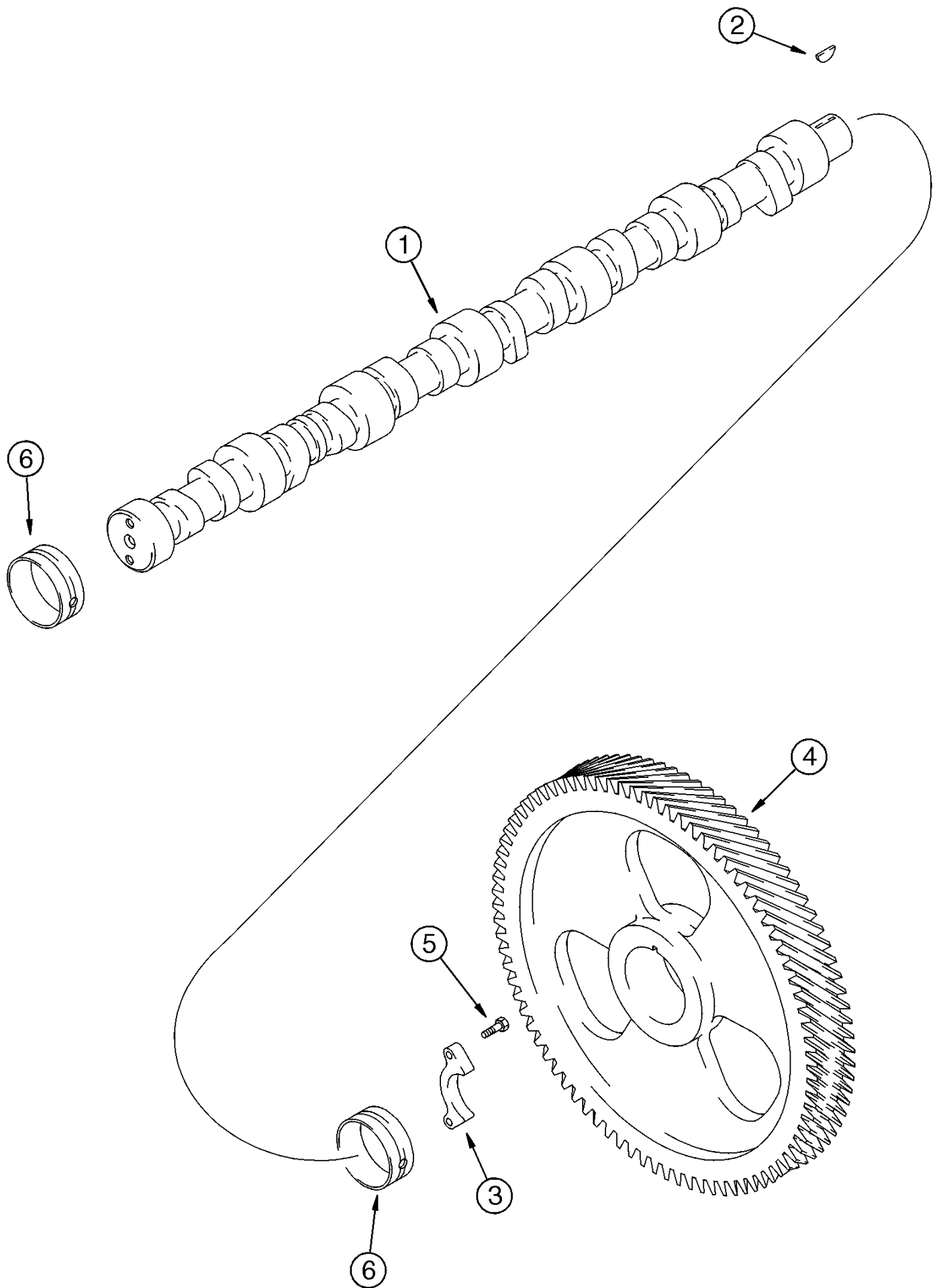


MX305 CASE IH MAGNUM TRACTOR NA (1/06-9/06)

02-23 CRANKCASE, BREATHER

сылка	Номер детали	Кол-во	Описание
1	J900589	1	NUT, M8 x 1.25
2	87338653	1	TUBE, Lub Oil Drain
3	J925883	1	SCREW, M8 x 16:10.9
4	87338651	1	O-RING,
5	87338649	1	BREATHER, Inc. 4
6	J901865	2	BOLT, Hex Flg, M6 x 20, 8.8, Full Thd,
7	86625021	1	CLAMP, HOSE, #12, 0.69/1.25 Type F Worm,
8	1301342C1	1	FITTING,
9	87518912	1	HOSE,

02-24 CAMSHAFT



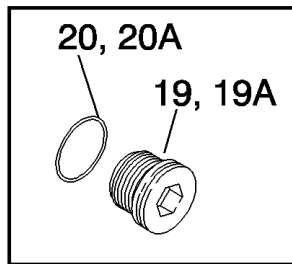
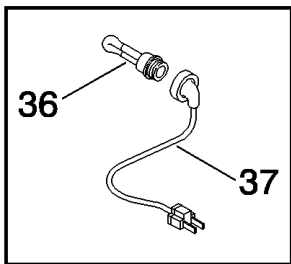
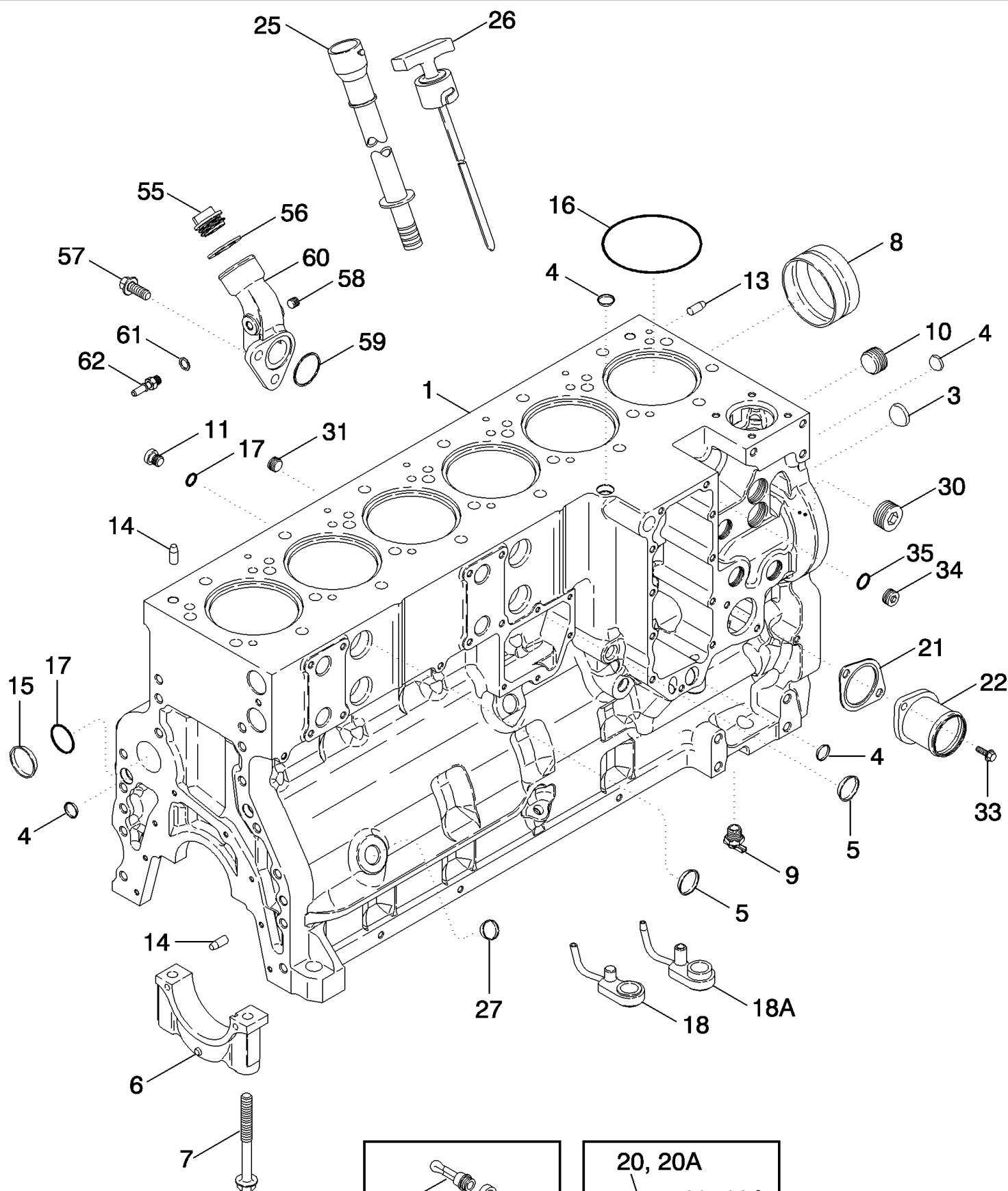


MX305 CASE IH MAGNUM TRACTOR NA (1/06-9/06)

02-24 CAMSHAFT

сылка	Номер детали	Кол-во	Описание
1	87342996	1	CAMSHAFT, Inc. 2
2	87453128	1	PIN, 4 x 6,5 mm
3	J944001	1	SUPPORT,
4	87342988	1	GEAR, Pinion
5	J900227	2	SCREW, Hex, M8 x 1.25 x 22,
6	J945329	7	BEARING, CAMSHAFT,

02-25 CYLINDER BLOCK - ENGINE BLOCK HEATERS



RI05K088

## MX305 CASE IH MAGNUM TRACTOR NA (1/06-9/06)

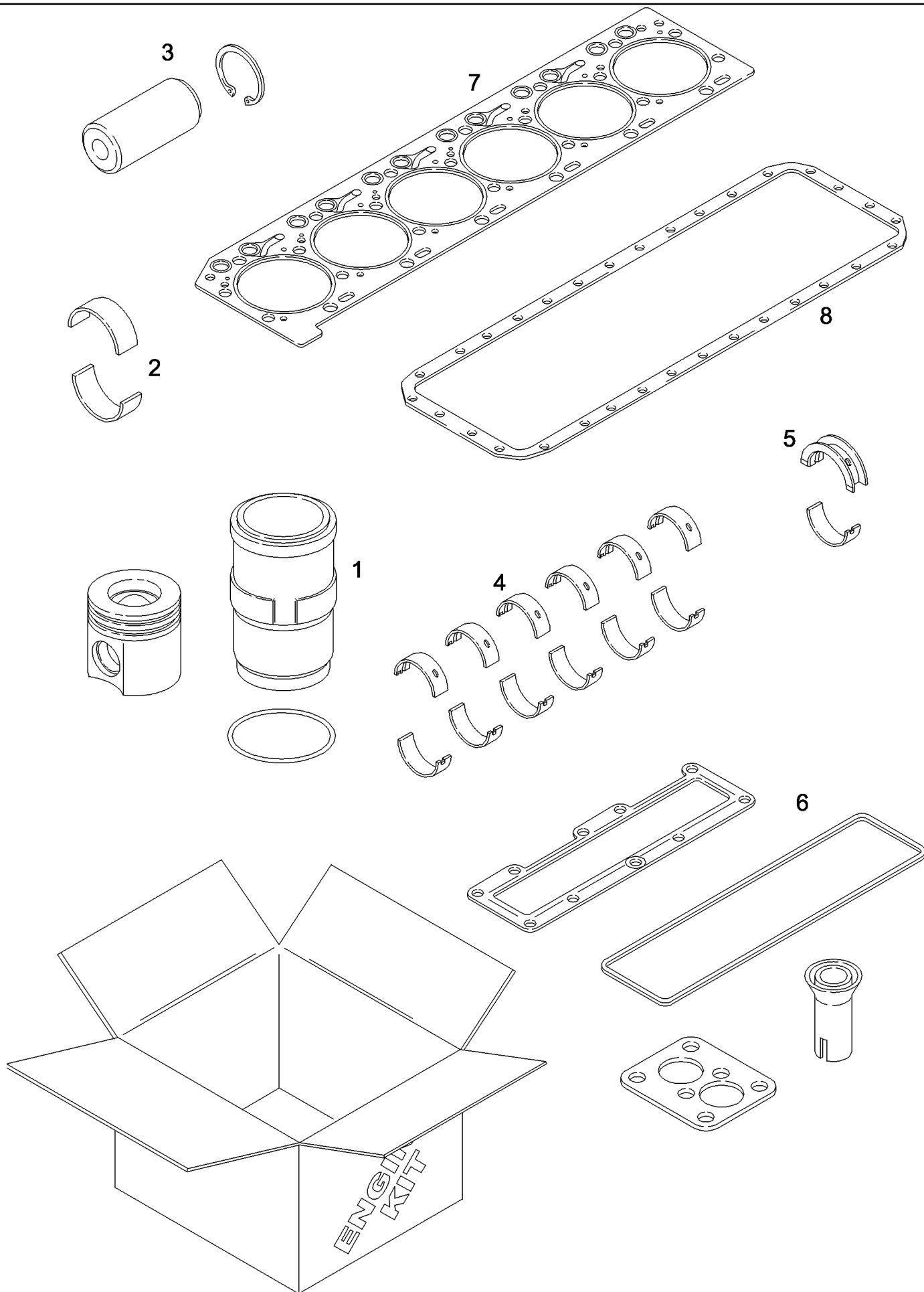
## 02-25 CYLINDER BLOCK - ENGINE BLOCK HEATERS

сылка	Номер детали	Кол-во	Описание
	87539017	1	ENGINE, BASIC, Service, Tier 3, See Note, Less Starter, Alternator, Fan, Fan Belt, Air Cleaner, Muffler, Exhaust Manifold, Flywheel and Housing, Oil Fill and Dipstick, Fuel Injection Pump, Injectors and Lines, Front Pulley, Belt Tensioner, Turbocharger and Aftercooler, Note: Basic engines and reman engines are generic engines. The engines are complete internally; however, externally all parts are not supplied with the engines. Check the configuration of the engine being removed, with the configuration of the engine being installed. For any external components not supplied with the engine being installed, reuse those parts from the engine that has just been removed. Do not return the old engine, until the unit is reassembled., MX215 and Magnum 215
	87537667	1	ENGINE, BASIC, Service, Tier 3, Note: Basic engines and reman engines are generic engines. The engines are complete internally; however, externally all parts are not supplied with the engines. Check the configuration of the engine being removed, with the configuration of the engine being installed. For any external components not supplied with the engine being installed, reuse those parts from the engine that has just been removed. Do not return the old engine, until the unit is reassembled., MX245 and Magnum 245, See Note, Less Starter, Alternator, Fan, Fan Belt, Air Cleaner, Muffler, Exhaust Manifold, Flywheel and Housing, Oil Fill and Dipstick, Fuel Injection Pump, Injectors and Lines, Front Pulley, Belt Tensioner, Turbocharger and Aftercooler
	87676433	1	ENGINE, BASIC, Service, Tier 3, MX275, Magnum 275, MX305, Magnum 305, and Magnum 335, See Note, Less Starter, Alternator, Fan, Fan Belt, Air Cleaner, Muffler, Exhaust Manifold, Flywheel and Housing, Oil Fill and Dipstick, Fuel Injection Pump, Injectors and Lines, Front Pulley, Belt Tensioner, Turbocharger and Aftercooler, Note: Basic engines and reman engines are generic engines. The engines are complete internally; however, externally all parts are not supplied with the engines. Check the configuration of the engine being removed, with the configuration of the engine being installed. For any external components not supplied with the engine being installed, reuse those parts from the engine that has just been removed. Do not return the old engine, until the unit is reassembled.
	87390942	1	ENGINE, SHORT, , MX215, Magnum 215, MX245, and Magnum 245
	87676434	1	ENGINE, SHORT, , MX275, Magnum 275, MX305, Magnum 305, and Magnum 335
1	87336996	1	CYLINDER BLOCK, Stripped, Inc. 1 - 8, also Order 87338079
3	A77586	3	PLUG, 43 mm
4	A77506	4	PLUG, 21 mm
5	J905401	4	PLUG, 35 mm
6	87444056	7	CAP, Main Bearing
7	87444059	14	BOLT, M14 x 128
8	J945329	7	BEARING, CAMSHAFT,
	87338079	1	KIT, Inc. 9 - 20
9	217-103	2	COCK, DRAIN, 1/4 PT
10	86625135	1	PLUG, Hex Soc, 1"-11 1/2 NPTF,
11	J678923	6	PLUG, 10 mm, Inc. 12
12	637-72081	1	O-RING, CI 7, 8.1MM ID x 1.6 Thk,
13	J900257	4	PIN, 16 mm
14	J901846	8	PIN,
15	41-3044	2	PLUG, Exp, 2 3/4",
16	J907177	6	O-RING,
17	J926048	2	O-RING, 66 mm ID
18	87739191	6	NOZZLE,

## MX305 CASE IH MAGNUM TRACTOR NA (1/06-9/06)

## 02-25 CYLINDER BLOCK - ENGINE BLOCK HEATERS

сылка	Номер детали	Кол-во	Описание
18A	J928031	12	NOZZLE,
19	J678921	1	PLUG, 14 mm, Inc. 20
19A	87708865	1	PLUG, 42 mm, Inc. 20A
20	J678912	1	O-RING,
20A	NSS	1	NOT SERVICED SEPARATELY, O-RING
21	J945603	1	GASKET, Water Inlet
22	J913030	1	FITTING, Water Inlet
25	87340850	1	TUBE ASSY., Dipstick
26	87340846	1	DIPSTICK, , MX215, Magnum 215, MX245, Magnum 245, MX275 and Magnum 275
26	87357523	1	DIPSTICK, , MX305, Magnum 305 and Magnum 335
27	A77530	4	PLUG, 1-13/64 OD
30	263136	5	PLUG, MAGNETIC, Hex Soc, 3/4"-14 NPTF,
31	217-438	6	PLUG, Hex Soc, 1/2"-14,
33	845-8020	2	BOLT, Hex Flg, M8 x 20, 8.8, Full Thd,
34	313244A1	2	PLUG, Hex Socket, 22 mm, Inc. 35
35	313246A1	1	O-RING, 19 ID x 2,2 mm
36	310493A1	1	KIT, Engine Block Heater, 120 Volt, Inc. 37
37	196466A1	1	CABLE, ELECTRIC, 1829 mm (72 in)
36	310494A1	1	KIT, Coolant Heater, 240V, Inc. 37
37	J913112	1	HARNESS, WIRE, 305 mm (12")
41	J900956	3	PLUG, (Not Shown)
42	87338185	1	BOLT, (Not Shown)
43	217-432	1	PLUG, Hex Soc, 1/4"-18, (Not Shown)
45	J678923	6	PLUG, (Not Shown)
46	637-72081	1	O-RING, CI 7, 8.1MM ID x 1.6 Thk, (Not Shown)
47	J678921	1	PLUG, (Not Shown)
48	J678912	1	O-RING, (Not Shown)
49	A77586	3	PLUG, (Not Shown)
50	J909025	6	SCREW, M8 x 1.25 x 55 (Not Shown)
51	87337018	6	BOLT, (Not Shown)
55	J914136	1	CAP, Filler
56	J936876	1	SEAL, OIL,
57	854-12030	2	BOLT, Hex Flg, M12 x 1.75 x 30, 10.9,
58	217-432	1	PLUG, Hex Soc, 1/4"-18,
59	J906696	1	SEAL,
60	87341096	1	CONNECTOR, HYD.,
61	87341228	1	O-RING,
62	87341100	1	ADAPTER,
	87348859	1	KIT, ENGINE OVERHAUL, (Not Shown), See Figure 02-25, MX215, Magnum 215, MX245, Magnum 245, MX275 and Magnum 275
	87356539	1	KIT, ENGINE OVERHAUL, (Not Shown), MX305, Magnum 305 and Magnum 335
63	369929A1	3	FASTENER, (Not Shown), Install In Block Behind Starter

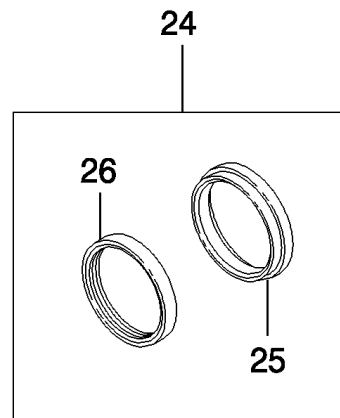
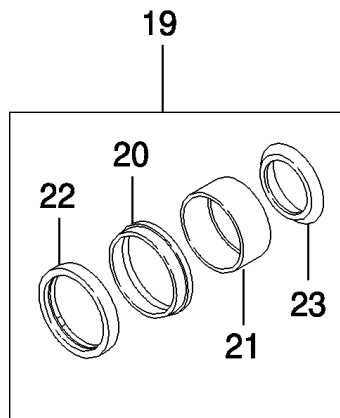
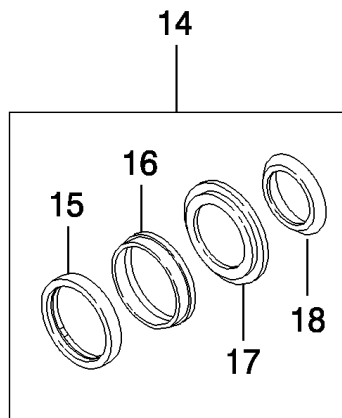
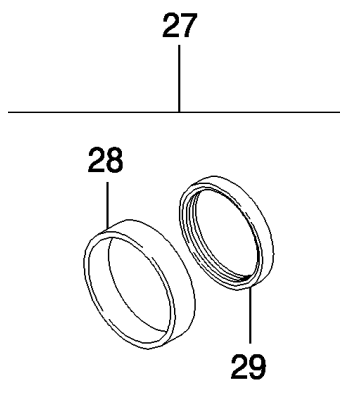
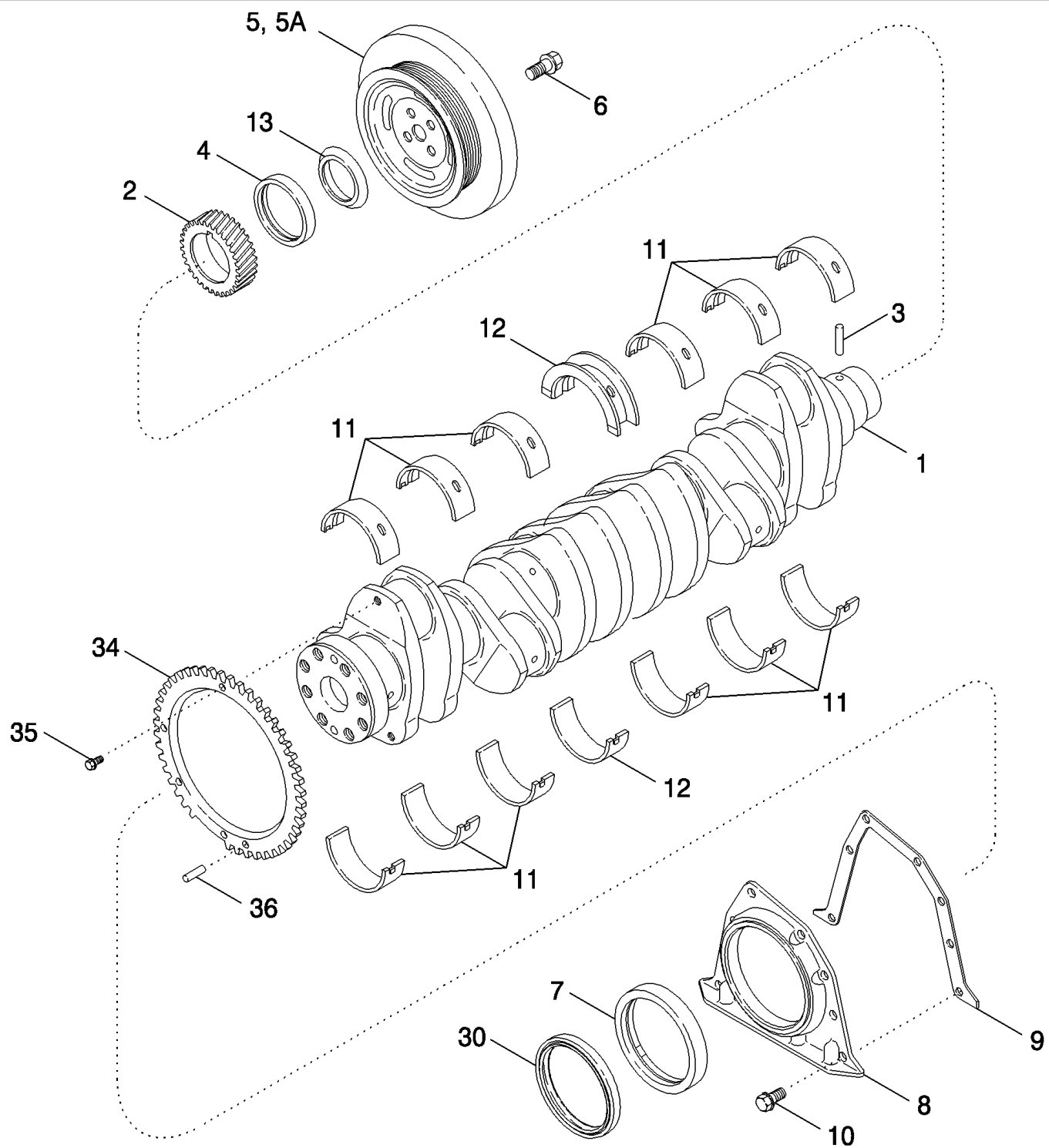


MX305 CASE IH MAGNUM TRACTOR NA (1/06-9/06)

02-27 KIT ENGINE OVERHAUL, MX275, MX305, MAGNUM 275, 305 AND 335

сылка	Номер детали	Кол-во	Описание
	87487659	1	KIT, ENGINE OVERHAUL, Inc. 1 - 8
	87487660	1	KIT, ENGINE OVERHAUL, Inc. 1 - 7, 8A
1	87685905	6	PISTON, KIT, See Figure 02-31
2	87356776	6	KIT, SERVICE, Connecting Rod, Standard, See Figure 02-31
3	87342670	6	PIN, PISTON, , See Figure 02-31
4	J945930	6	BEARING, CRANKSHAFT, Standard, See Figure 02-28
5	J945929	1	BEARING, CRANKSHAFT, Thrust, Standard, See Figure 02-28
6	87490404	1	KIT, ENGINE GASKET, Valve Grind, See Figure 02-32
7	87737237	1	GASKET, CYLINDER HEAD,
8	87308050	1	GASKET, Oil Pan, Formed, See Figure 02-18
8A	87725617	1	GASKET, Oil Pan, Cast (Not Shown)

02-28 CRANKSHAFT



## MX305 CASE IH MAGNUM TRACTOR NA (1/06-9/06)

## 02-28 CRANKSHAFT

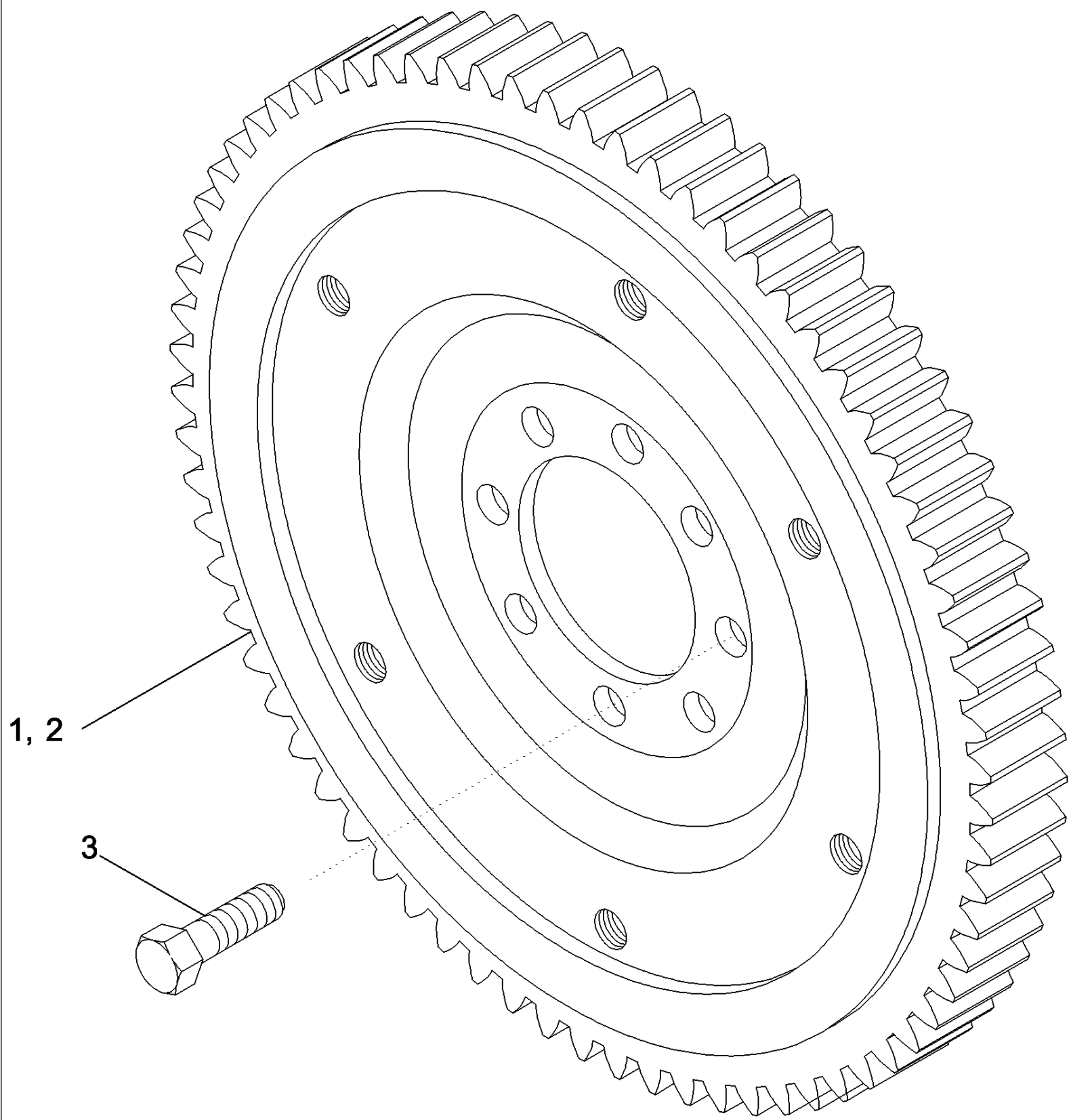
сылка	Номер детали	Кол-во	Описание
1	87335711	1	CRANKSHAFT, New, With Speed Indicator Ring, Inc. 2, 3, MX215, Magnum 215, MX245, Magnum 245, MX275 and Magnum 275
1	87356215	1	CRANKSHAFT, New, MX305, Magnum 305 and Magnum 335
1	87342925	1	REMAN-CRANKSHAFT, Remanufactured, N.A. Only, Inc. 2, 3, MX215, Magnum 215, MX245, Magnum 245, MX275 and Magnum 275
1	87356216	1	REMAN-CRANKSHAFT, Remanufactured, N.A. Only, Inc. 2, 3, MX305, Magnum 305 and Magnum 335
1	87337253	1	CORE-CRANKSHAFT, , MX215, Magnum 215, MX245, Magnum 245, MX275 and Magnum 275
1	87356217	1	CORE-CRANKSHAFT, , MX305, Magnum 305 and Magnum 335
2	J918776	1	GEAR,
3	J904483	1	PIN,
4	NSS	1	NOT SERVICED SEPARATELY, SEAL, Order A77790
5	J925570	1	DAMPER, , MX215, Magnum 215, MX245, Magnum 245, MX275 and Magnum 275
5	87357611	1	DAMPER, , MX305, Magnum 305 and Magnum 335
5A	87422144	1	PULLEY, , MX305, Magnum 305 and Magnum 335
6	J906733	4	BOLT, M14 x 35, MX215, Magnum 215, MX245, Magnum 245, MX275 and Magnum 275
6	J914118	5	SCREW, M14 x 60, MX305, Magnum 305 and Magnum 335
7	NSS	1	NOT SERVICED SEPARATELY, SEAL, Order J934486
8	J933384	1	COVER, REAR,
9	J914301	1	GASKET,
10	87409160	8	SCREW, M6 x 16; 10.9
11	J945930	6	BEARING, CRANKSHAFT, Standard
11	J945931	6	BEARING, CRANKSHAFT, Undersize 0.25 mm
11	J945932	6	BEARING, CRANKSHAFT, Undersize 0.50 mm
11	J945933	6	BEARING, CRANKSHAFT, Undersize 0.75 mm
11	J945934	6	BEARING, CRANKSHAFT, Undersize 1.00 mm
12	J945929	1	BEARING, CRANKSHAFT, Standard
12	J945922	1	BEARING, CRANKSHAFT, Undersize 0.25 mm
12	J945923	1	BEARING, CRANKSHAFT, Undersize 0.50 mm
12	J945924	1	BEARING, CRANKSHAFT, Undersize 0.75 mm
12	J945925	1	BEARING, CRANKSHAFT, Undersize 1.00 mm
12	J945926	1	BEARING, CRANKSHAFT, Standard, Oversize 0.25 mm
12	J945927	1	BEARING, CRANKSHAFT, Standard, Oversize 0.50 mm
12	J945928	1	BEARING, CRANKSHAFT, Undersize 0.50 mm, Oversize 0.50 mm
13	J918113	1	SHIELD, Order A77790
14	A77790	1	KIT, SEALS, Crankshaft, Front, Standard, Inc. 15 - 18
15	NSS	1	NOT SERVICED SEPARATELY, SEAL
16	NSS	1	NOT SERVICED SEPARATELY, TOOL
17	NSS	1	NOT SERVICED SEPARATELY, TOOL
18	J918113	1	SHIELD,
19	A77808	1	KIT, SERVICE, Crankshaft, Front, Inc. 20 - 23
20	NSS	1	NOT SERVICED SEPARATELY, SLEEVE
21	NSS	1	NOT SERVICED SEPARATELY, TOOL
22	NSS	1	NOT SERVICED SEPARATELY, SEAL
23	J924987	1	SHIELD,
24	J934486	1	KIT, SERVICE, Crankshaft Oil Seal, Rear, Standard, Inc. 25 - 27



## MX305 CASE IH MAGNUM TRACTOR NA (1/06-9/06)

## 02-28 CRANKSHAFT

сылка	Номер детали	Кол-во	Описание
25	NSS	1	NOT SERVICED SEPARATELY, SEAL
26	NSS	1	NOT SERVICED SEPARATELY, TOOL
27	A77810	1	KIT, SERVICE, Crankshaft, Rear Oil Seal, Oversize, Inc. 28, 29
28	NSS	1	NOT SERVICED SEPARATELY, SLEEVE
29	NSS	1	NOT SERVICED SEPARATELY, SEAL
30	87423334	1	SEAL, Dust
30	87434865	1	SEAL, Dust, Oversize
34	87335719	1	RING, Speed Indicator
35	87335729	4	BOLT, M6 x 1 x 12
36	J329899	1	DOWEL,

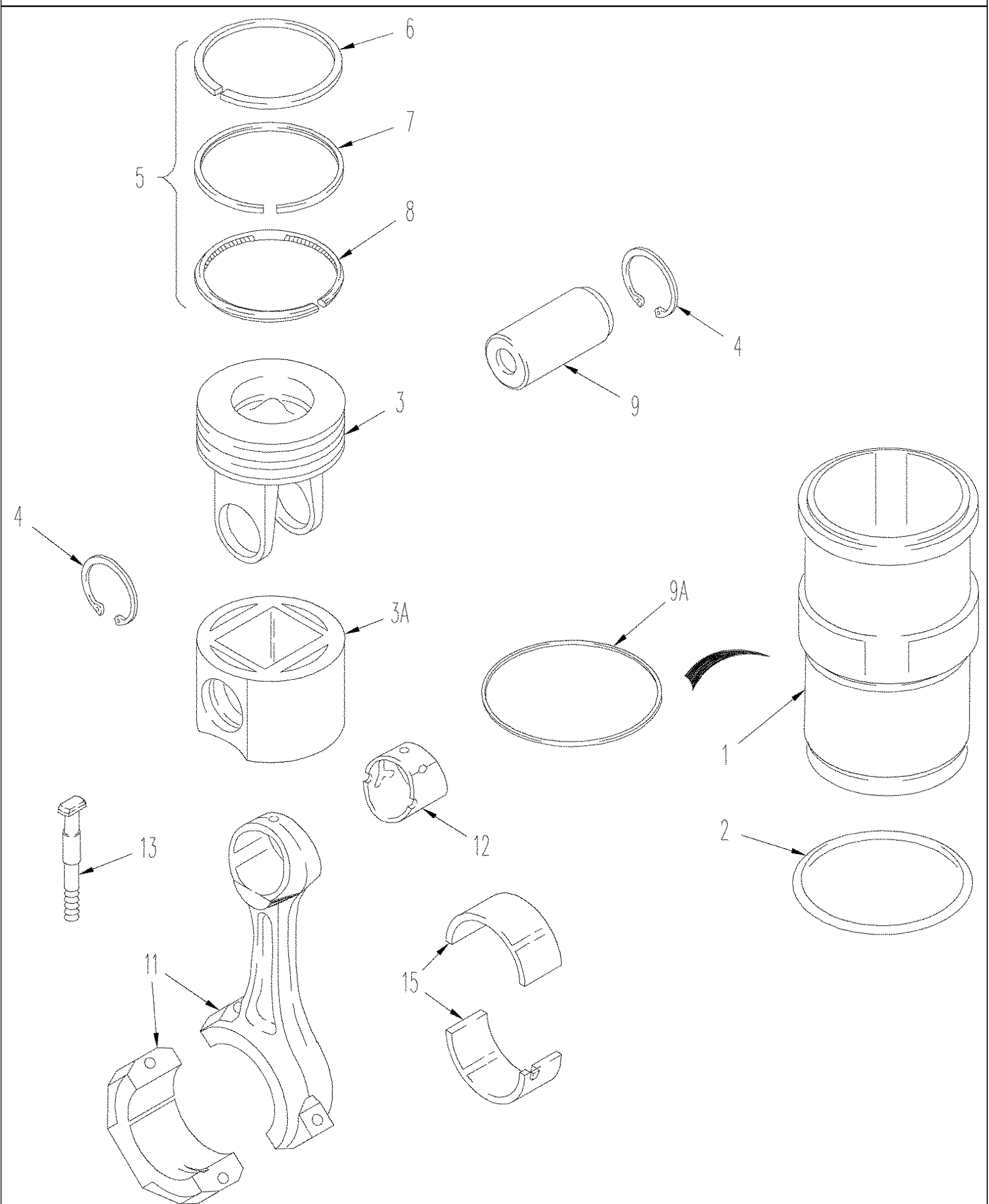


MX305 CASE IH MAGNUM TRACTOR NA (1/06-9/06)

02-29 FLYWHEEL

сылка	Номер детали	Кол-во	Описание
1	J934838	1	FLYWHEEL, Inc. 2
2	J905031	1	GEAR,
3	4894641	8	SCREW, Wash Hd, M12 x 1.25 x 31,

02-31 PISTONS AND CONNECTING RODS



## MX305 CASE IH MAGNUM TRACTOR NA (1/06-9/06)

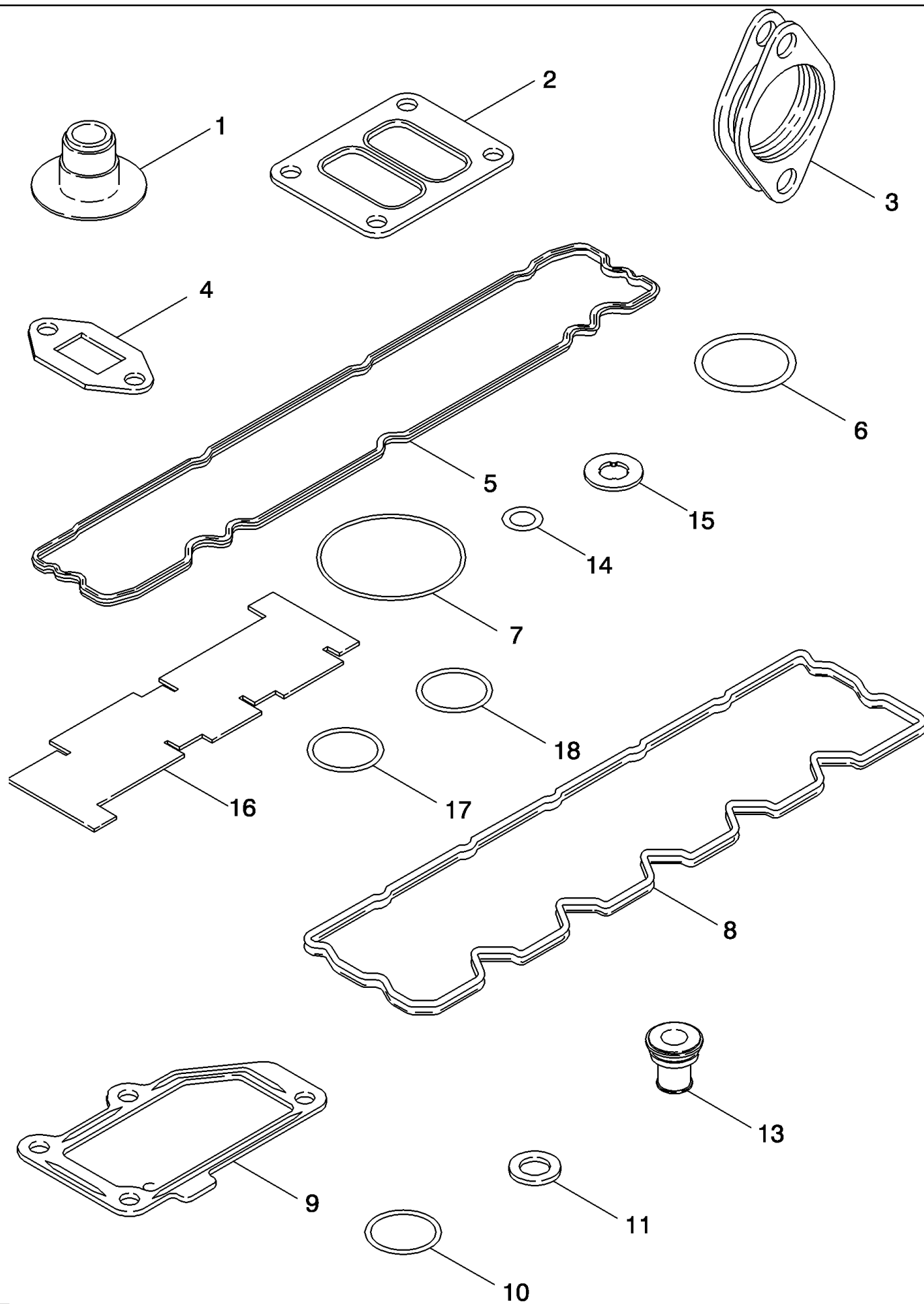
## 02-31 PISTONS AND CONNECTING RODS

сылка	Номер детали	Кол-во	Описание
	87356567	6	PISTON, Piston and Sleeve, Standard, Inc. 1, 2, 3A - 8, 9, Engine BSN 46743464 Including 46743508, 46743544, 46743551, 46743560, 46743574, 46743587, 46743616, 46743712, 46744589, 46744619, MX215, 245, 275, 305, Magnum 215, 245, 275 and 305
	87685905	6	PISTON, Piston and Sleeve, Standard, Inc. 1, 2, 3A - 8, 9, MX275, MX305, Magnum 275, 305 and 335, Engine ASN 46743464 Excluding 46743508, 46743544, 46743551, 46743560, 46743574, 46743587, 46743616, 46743712, 46744589, 46744619
	87546493	1	KIT, REPAIR, Piston Replacement - 9L, Inc. 1 - 4, 6 - 9, 11 - 18, Engine BSN 46743464 Including 46743508, 46743544, 46743551, 46743560, 46743574, 46743587, 46743616, 46743712, 46744589, 46744619
1	J948095	1	SLEEVE CYLINDER,
2	J907177	1	O-RING,
	87356533	6	KIT, PISTON & RINGS, Inc. 3, 3A, 4, 6 - 8, Engine BSN 46743464 Including 46743508, 46743544, 46743551, 46743560, 46743574, 46743587, 46743616, 46743712, 46744589, 46744619
	87685890	6	KIT, PISTON & RINGS, Inc. 3, 3A, 4, 6 - 8, Engine ASN 46743464 Excluding 46743508, 46743544, 46743551, 46743560, 46743574, 46743587, 46743616, 46743712, 46744589, 46744619
3	NSS	1	NOT SERVICED SEPARATELY, PISTON, Engine BSN 46743464 Including 46743508, 46743544, 46743551, 46743560, 46743574, 46743587, 46743616, 46743712, 46744589, 46744619
3	NSS	6	NOT SERVICED SEPARATELY, PISTON, Engine ASN 46743464 Excluding 46743508, 46743544, 46743551, 46743560, 46743574, 46743587, 46743616, 46743712, 46744589, 46744619
3A	NSS	1	NOT SERVICED SEPARATELY, SKIRT, Engine BSN 46743464 Including 46743508, 46743544, 46743551, 46743560, 46743574, 46743587, 46743616, 46743712, 46744589, 46744619
3A	NSS	6	NOT SERVICED SEPARATELY, SKIRT, Engine ASN 46743464 Excluding 46743508, 46743544, 46743551, 46743560, 46743574, 46743587, 46743616, 46743712, 46744589, 46744619
4	100-21175	2	RING, SNAP, 1.75", Int, #175, , Engine BSN 46743464 Including 46743508, 46743544, 46743551, 46743560, 46743574, 46743587, 46743616, 46743712, 46744589, 46744619
4	100-21175	12	RING, SNAP, 1.75", Int, #175, , Engine ASN 46743464 Excluding 46743508, 46743544, 46743551, 46743560, 46743574, 46743587, 46743616, 46743712, 46744589, 46744619
5	87343194	6	KIT, PISTON RINGS, Inc. 6, 7, 8, Engine BSN 46743464 Including 46743508, 46743544, 46743551, 46743560, 46743574, 46743587, 46743616, 46743712, 46744589, 46744619
6	NSS	1	NOT SERVICED SEPARATELY, RING, TOP, Engine BSN 46743464 Including 46743508, 46743544, 46743551, 46743560, 46743574, 46743587, 46743616, 46743712, 46744589, 46744619
6	NSS	6	NOT SERVICED SEPARATELY, RING, TOP, Engine ASN 46743464 Excluding 46743508, 46743544, 46743551, 46743560, 46743574, 46743587, 46743616, 46743712, 46744589, 46744619
7	NSS	1	NOT SERVICED SEPARATELY, RING, MIDDLE, Engine BSN 46743464 Including 46743508, 46743544, 46743551, 46743560, 46743574, 46743587, 46743616, 46743712, 46744589, 46744619
7	NSS	6	NOT SERVICED SEPARATELY, RING, MIDDLE, Engine ASN 46743464 Excluding 46743508, 46743544, 46743551, 46743560, 46743574, 46743587, 46743616, 46743712, 46744589, 46744619
8	NSS	1	NOT SERVICED SEPARATELY, RING, BOTTOM, Engine BSN 46743464 Including 46743508, 46743544, 46743551, 46743560, 46743574, 46743587, 46743616, 46743712, 46744589, 46744619
8	NSS	6	NOT SERVICED SEPARATELY, RING, BOTTOM, Engine ASN 46743464 Excluding 46743508, 46743544, 46743551, 46743560, 46743574, 46743587, 46743616, 46743712, 46744589, 46744619
9	87342670	1	PIN, PISTON, , Engine BSN 46743464 Including 46743508, 46743544, 46743551, 46743560, 46743574, 46743587, 46743616, 46743712, 46744589, 46744619
9	87342670	6	PIN, PISTON, , Engine ASN 46743464 Excluding 46743508, 46743544, 46743551, 46743560, 46743574, 46743587, 46743616, 46743712, 46744589, 46744619

## MX305 CASE IH MAGNUM TRACTOR NA (1/06-9/06)

## 02-31 PISTONS AND CONNECTING RODS

сылка	Номер детали	Кол-во	Описание
9A	J924445	AR	SHIM, 0.254 mm (0.010 in.), Engine BSN 46743464 Including 46743508, 46743544, 46743551, 46743560, 46743574, 46743587, 46743616, 46743712, 46744589, 46744619
9A	J924446	AR	SHIM, 0.381 mm (0.015 in.), Engine BSN 46743464 Including 46743508, 46743544, 46743551, 46743560, 46743574, 46743587, 46743616, 46743712, 46744589, 46744619
9A	J924447	AR	SHIM, 0.508 mm (0.020 in.), Engine BSN 46743464 Including 46743508, 46743544, 46743551, 46743560, 46743574, 46743587, 46743616, 46743712, 46744589, 46744619
9A	J924448	AR	SHIM, 0.762 mm (0.030 in.), Engine BSN 46743464 Including 46743508, 46743544, 46743551, 46743560, 46743574, 46743587, 46743616, 46743712, 46744589, 46744619
9A	J924449	AR	SHIM, 1.016 mm (0.040 in.), Engine BSN 46743464 Including 46743508, 46743544, 46743551, 46743560, 46743574, 46743587, 46743616, 46743712, 46744589, 46744619
	87356548	6	ROD, CONNECTING, Inc. 11 - 13, Engine BSN 46743464 Including 46743508, 46743544, 46743551, 46743560, 46743574, 46743587, 46743616, 46743712, 46744589, 46744619
	NSS	6	NOT SERVICED SEPARATELY, ROD, CONNECTING, Inc. 11 - 13, Engine ASN 46743464 Excluding 46743508, 46743544, 46743551, 46743560, 46743574, 46743587, 46743616, 46743712, 46744589, 46744619
	87356732	1	REMAN-ROD CONNECTING, Remanufactured, N.A. Only, Inc. 11 - 13, Engine BSN 46743464 Including 46743508, 46743544, 46743551, 46743560, 46743574, 46743587, 46743616, 46743712, 46744589, 46744619
	87356735	1	CORE-ROD CONNECTING, , Engine BSN 46743464 Including 46743508, 46743544, 46743551, 46743560, 46743574, 46743587, 46743616, 46743712, 46744589, 46744619
11	NSS	1	NOT SERVICED SEPARATELY, ROD
12	87687031	1	BUSHING,
13	J944679	2	BOLT,
15	87356776	6	KIT, SERVICE, Standard
15	87356813	6	KIT, SERVICE, Undersize 0.25 mm
15	87356833	6	KIT, SERVICE, Undersize 0.50 mm
15	87356848	6	KIT, SERVICE, Undersize 0.75 mm
15	87356862	6	KIT, SERVICE, Undersize 1.00 mm
16	87308050	1	GASKET, Oil Pan, (Not Shown), See Figure 02-18
17	87344132	1	GASKET, CYLINDER HEAD, (Not Shown), See Figure 02-18
18	87447959	1	GASKET, Oil Suction, (Not Shown), See Figure 02-18



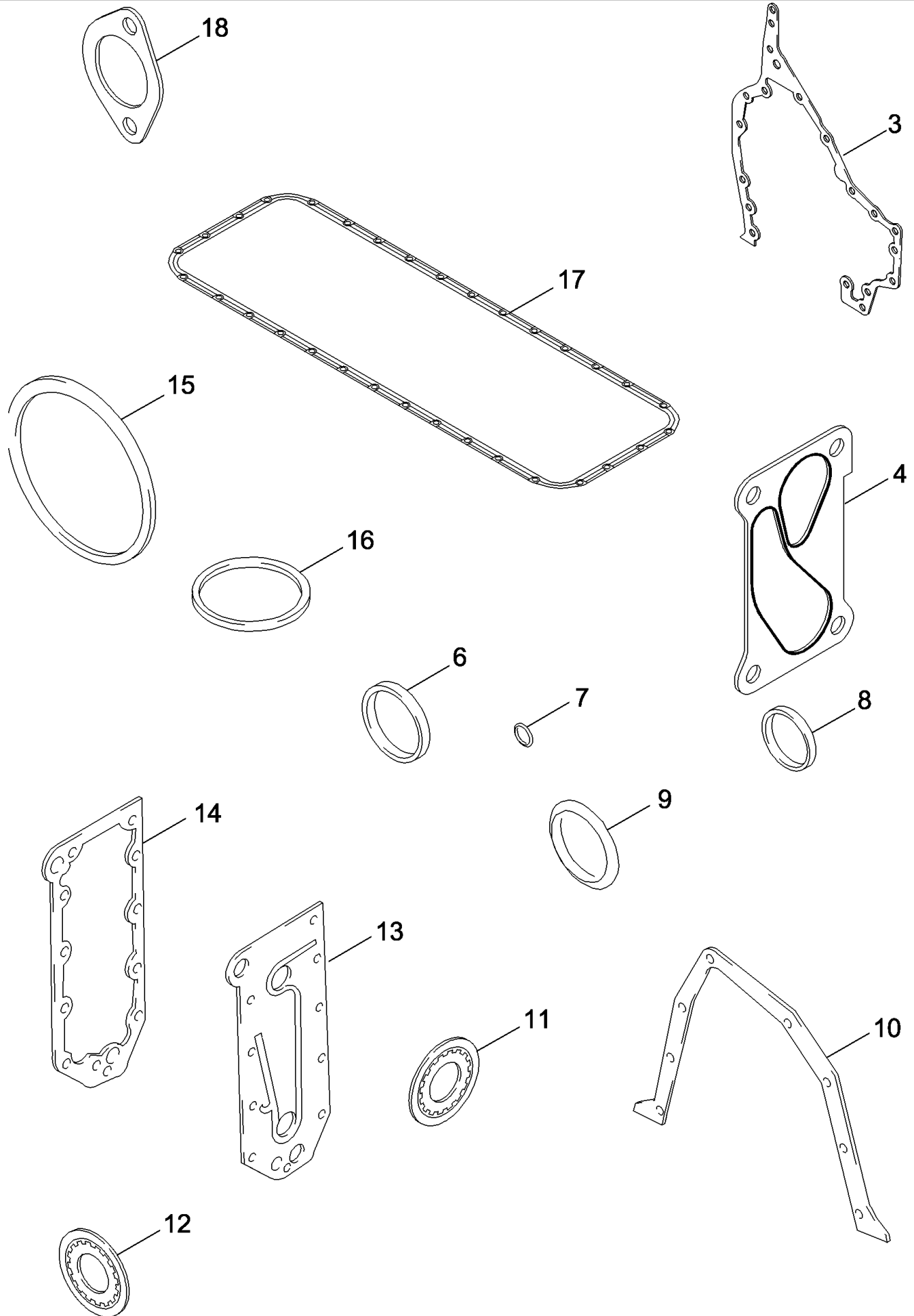
## MX305 CASE IH MAGNUM TRACTOR NA (1/06-9/06)

## 02-32 GASKET KIT - VALVE GRIND

сылка	Номер детали	Кол-во	Описание
	87490404	1	KIT, ENGINE GASKET, Valve Grind, Inc. 1 - 16
1	87352235	24	SEAL, Valve Stem
2	J901356	1	GASKET, Turbocharger
3	J937479	6	GASKET, MANIFOLD, Exhaust
4	J937706	1	GASKET, Oil Drain
5	87345861	1	GASKET, Valve Cover
6	87348322	6	SEAL,
7	4890926	6	O-RING,
8	87344755	1	GASKET, Rocker Lever Housing
9	87335272	2	GASKET,
10	87338651	1	O-RING,
11	87612821	1	SEAL,
13	87342136	5	ISOLATOR,
14	87350420	1	SEAL,
15	4899689	6	WASHER, SEALING,
16	87404692	1	GAUGE,
17	313262A1	1	SEAL,
18	J678603	1	O-RING,



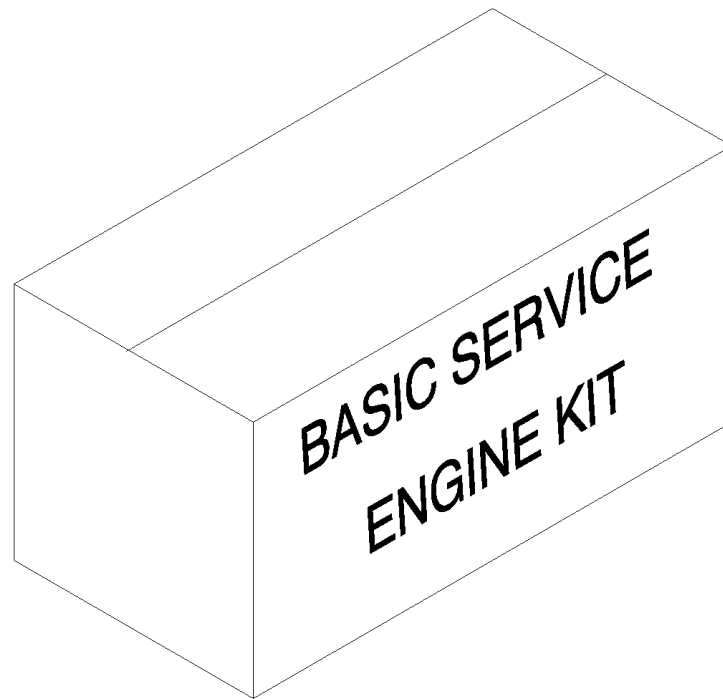
02-33 GASKET KIT - CYLINDER BLOCK



MX305 CASE IH MAGNUM TRACTOR NA (1/06-9/06)

02-33 GASKET KIT - CYLINDER BLOCK

сылка	Номер детали	Кол-во	Описание
1	87351543	1	KIT, ENGINE GASKET, Cylinder Block, Inc. 2 - 18
3	J944293	1	GASKET, Gear Housing
4	87612306	1	GASKET, Coolant Filter
6	J903475	1	SEAL,
7	238-7241	1	O-RING, -241, CI 7, 3.859" ID x .139" Thk,
8	J926722	1	SEAL,
9	238-5244	1	O-RING, -244, 70 Duro, 4.234" ID x .139" Thk,
10	87447962	1	GASKET, Rear Cover
11	87346600	6	WASHER, SEALING,
12	87417767	2	WASHER, SEALING,
13	J4063496	1	GASKET,
14	J918174	1	GASKET,
15	J912473	1	SEALRING,
16	J906696	1	SEAL,
17	87308050	1	GASKET, Oil Pan
18	87447959	1	GASKET, Oil Suction

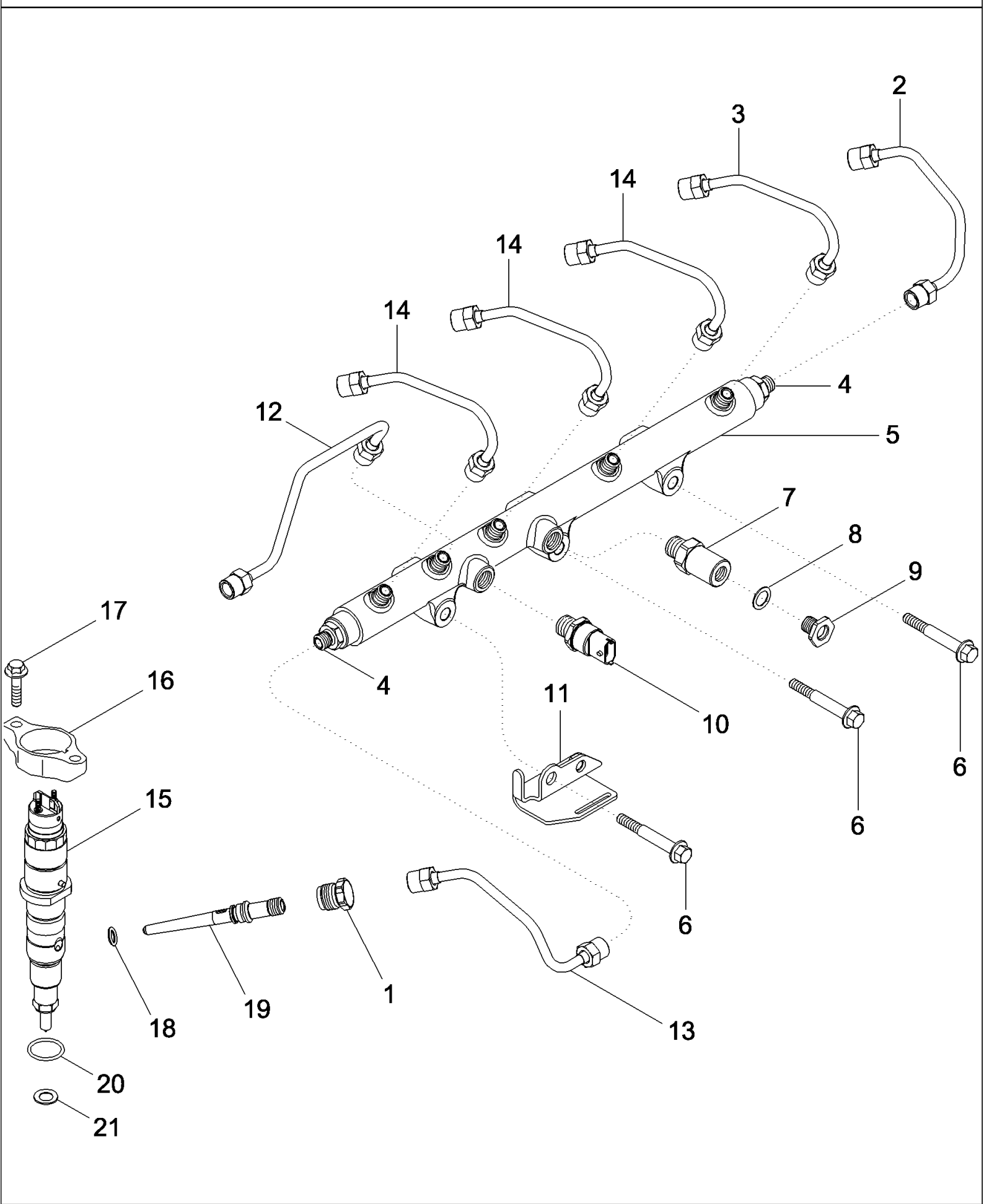


## MX305 CASE IH MAGNUM TRACTOR NA (1/06-9/06)

## 02-34 GASKET KIT - BASIC SERVICE ENGINE

сылка	Номер детали	Кол-во	Описание
1	A78043	1	GASKET, CYLINDER HEAD, Inc. 2 - 28
2	222-993	2	GASKET, 3/8 Tube, Fl, Copper,
3	238-5115	2	O-RING, -115, 70 Duro, .674" ID x .103" Thk,
4	238-5120	2	O-RING, -120, 70 Duro, .987" ID x .103" Thk,
5	238-7115	2	O-RING, -115, CI 7, .674" ID x .103" Thk,
6	933697R1	2	WASHER, SEALING, M10 x 13.5 x 1,
7	J937706	1	GASKET, Oil Drain
8	J902425	2	WASHER,
9	J903380	6	SEAL,
10	J903475	1	SEAL,
11	J909886	6	SEAL,
12	J910517	1	O-RING,
13	J755843	1	GASKET,
14	J912473	1	SEALRING,
15	J936993	1	GASKET, MANIFOLD,
16	J916284	1	O-RING,
17	J918188	2	WASHER,
18	J918190	2	WASHER, SEALING,
19	J918192	4	RING, PACKING,
20	J918779	1	GASKET,
21	J990881	2	CONNECTION,
22	J923261	6	WASHER,
23	J924605	1	SEAL,
24	J939258	1	GASKET,
25	238-7018	1	O-RING, -018, CI 7, .739" ID x .070" Thk,
26	J932063	6	GASKET, MANIFOLD,
27	87415913	2	WASHER, SEALING, 12 x 19 x 1.5 mm
28	238-5013	2	O-RING, -013, 70 Duro, .426" ID x .070" Thk,

03-01 FUEL INJECTION SYSTEM

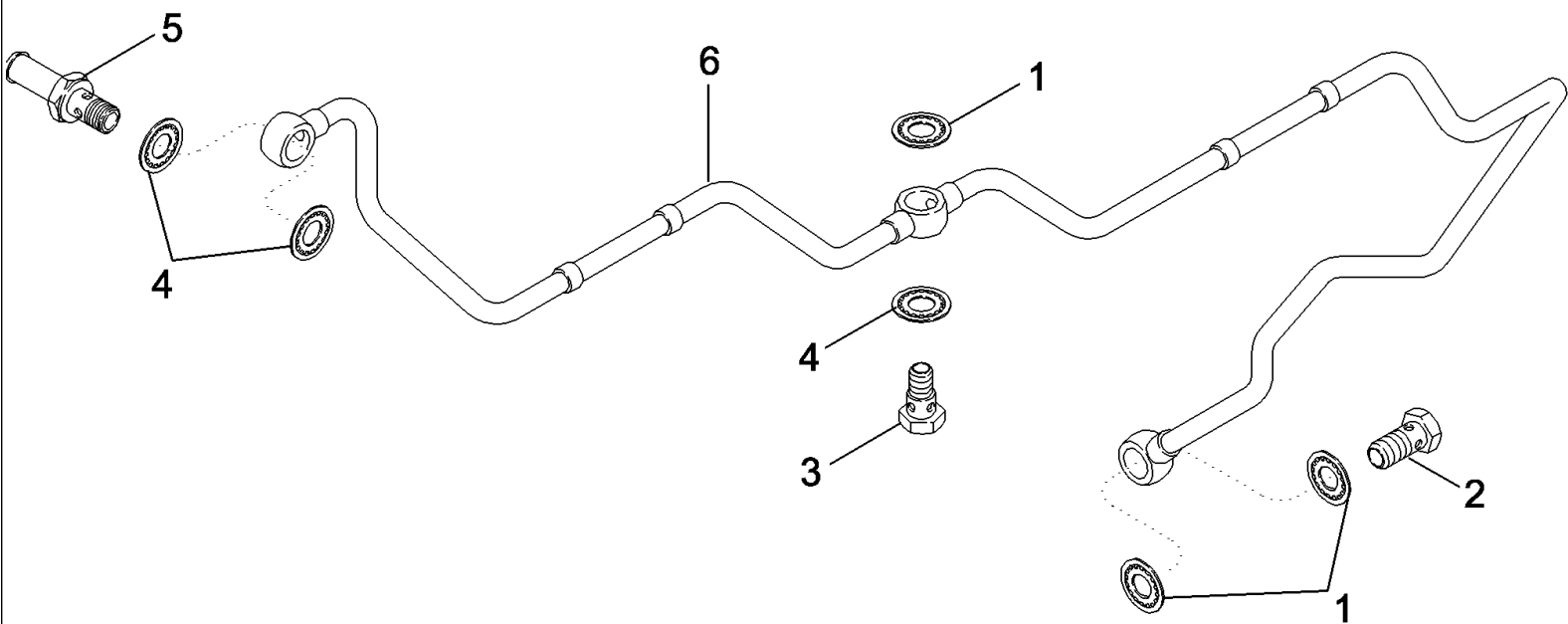


## MX305 CASE IH MAGNUM TRACTOR NA (1/06-9/06)

## 03-01 FUEL INJECTION SYSTEM

сылка	Номер детали	Кол-во	Описание
1	87347221	6	RETAINER,
2	87348184	1	TUBE,
3	87348175	1	TUBE,
4	87348150	2	FITTING, High Pressure Fuel
5	87347257	1	KIT, Inc. Decal 87347223
6	854-10070	3	BOLT, Hex Flg, M10 x 70, 10.9,
7	87347275	1	VALVE, PRESSURE RELIEF,
8	87348161	1	WASHER, SEALING,
9	87348154	1	ADAPTER,
10	87727942	1	SENSOR,
11	87348302	1	BRACKET,
12	87348190	1	TUBE,
13	87348171	1	TUBE,
14	87348283	3	TUBE,
15	87581565	6	INJECTOR, FUEL SYSTEM, , MX215 and Magnum 215
15	87538122	6	INJECTOR, FUEL SYSTEM, , MX245 and Magnum 245
15	87708024	6	INJECTOR, FUEL SYSTEM, , MX275, MX305, Magnum 275, 305, and 335
16	87343005	6	CLAMP,
17	87343006	12	BOLT,
18	87348322	6	SEAL,
19	87348301	6	FITTING, Inc. 18
20	4890926	6	O-RING,
21	4899689	6	WASHER, SEALING,

03-02 FUEL DRAIN



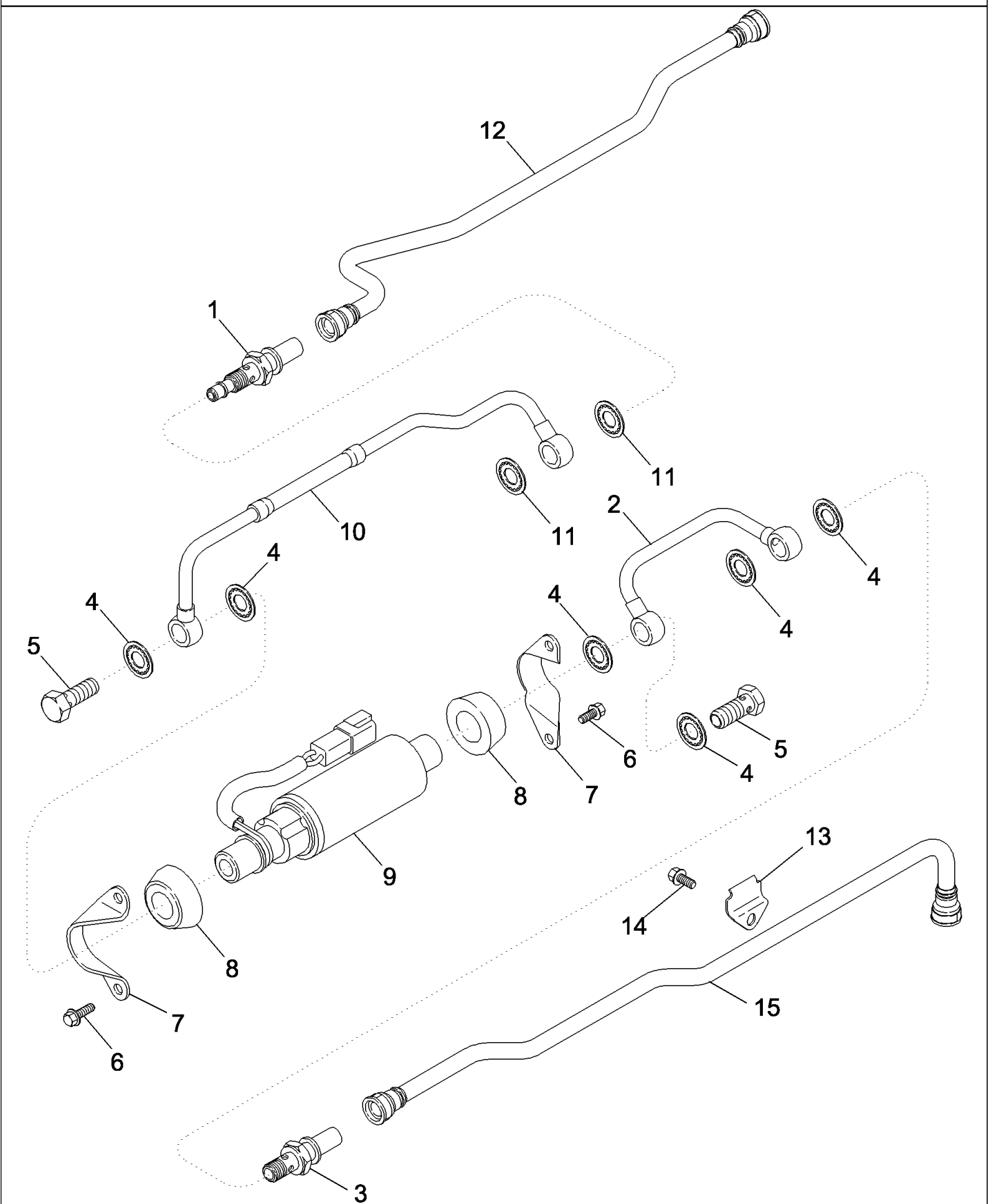
MX305 CASE IH MAGNUM TRACTOR NA (1/06-9/06)

03-02 FUEL DRAIN

сылка	Номер детали	Кол-во	Описание
1	87417767	3	WASHER, SEALING,
2	J924725	1	BOLT, BANJO,
3	87346562	1	VALVE, CHECK,
4	87346600	3	WASHER, SEALING,
5	87346609	1	SCREW,
6	87346608	1	TUBE ASSY.,



03-03 PUMP, FUEL TRANSFER

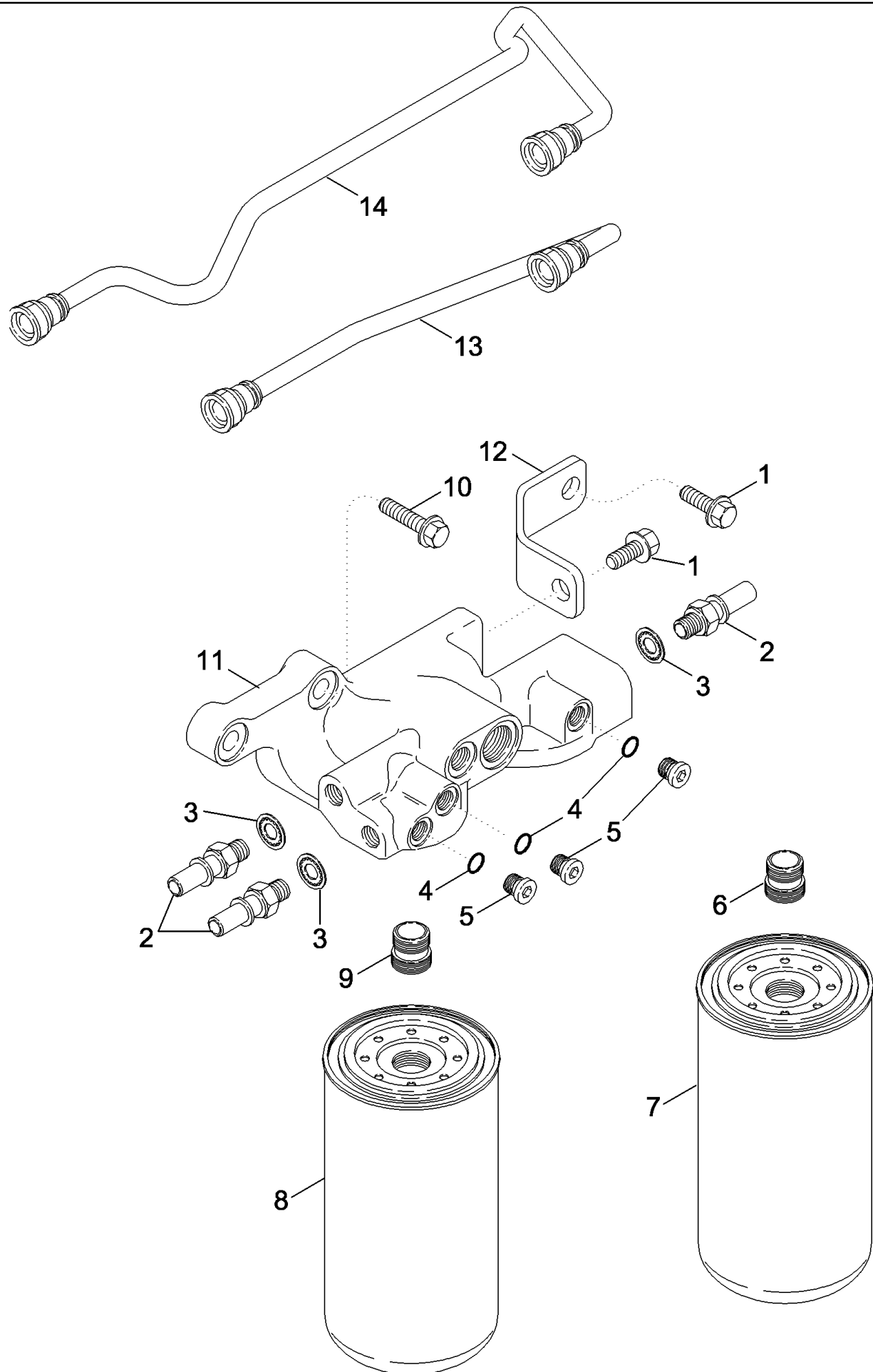


## MX305 CASE IH MAGNUM TRACTOR NA (1/06-9/06)

## 03-03 PUMP, FUEL TRANSFER

сылка	Номер детали	Кол-во	Описание
1	87346904	1	VALVE, CHECK,
2	87346902	1	TUBE ASSY., Fuel Supply
3	87346936	1	ADAPTER,
4	87346600	6	WASHER, SEALING,
5	J903035	2	BOLT, BANJO,
6	845-6015	4	BOLT, Hex Flg, M6 x 15, 8.8, Full Thd,
7	87346733	2	BRACKET,
8	87346917	2	ISOLATOR,
9	87346909	1	PUMP, FUEL INJECTION,
10	87346734	1	TUBE ASSY., Fuel Supply
11	87417767	2	WASHER, SEALING,
12	87339066	1	TUBE ASSY.,
13	87339057	1	BRACKET,
14	J925883	1	SCREW,
15	87339061	1	TUBE ASSY.,

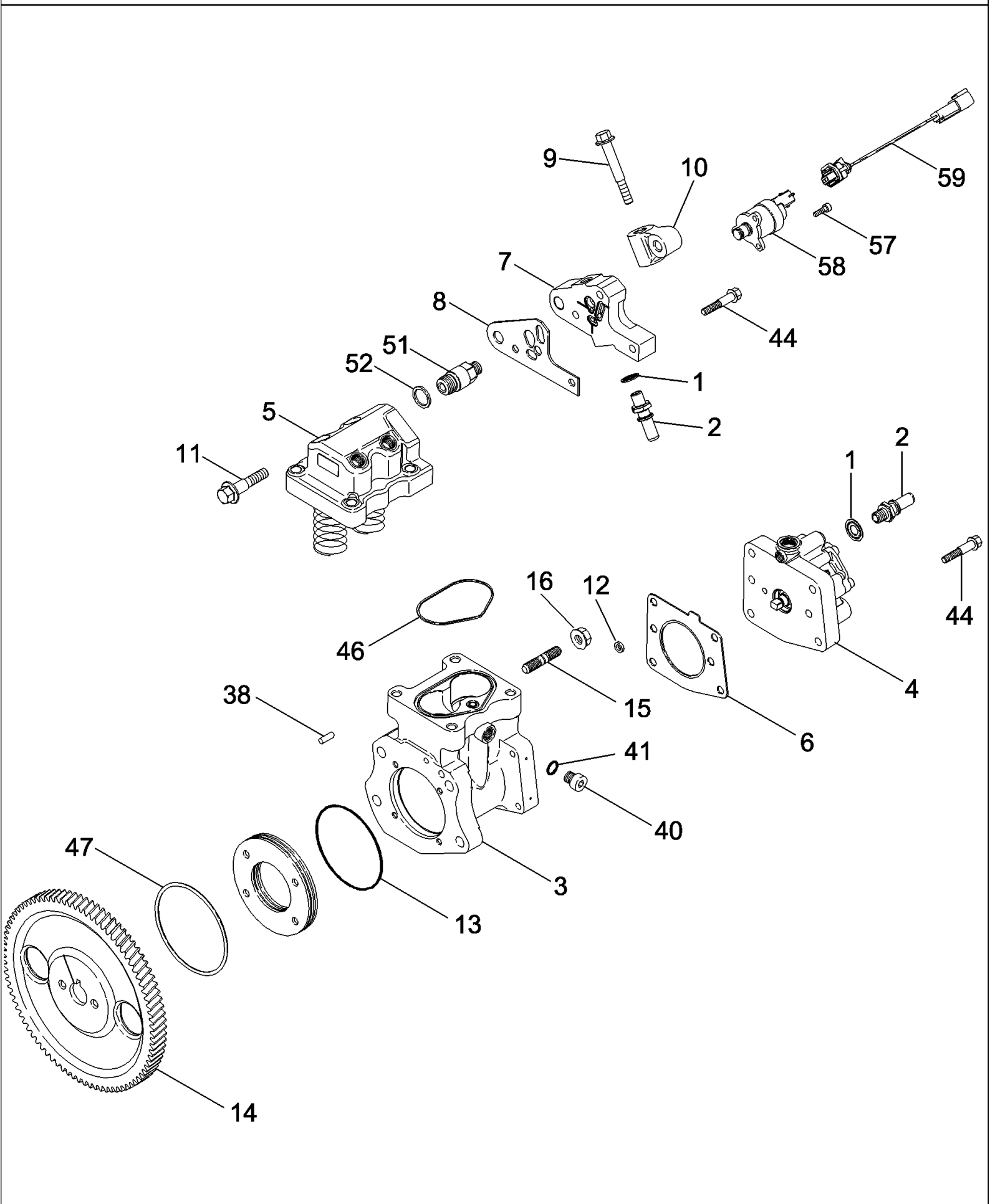
03-04 FUEL FILTER AND CONNECTIONS



## MX305 CASE IH MAGNUM TRACTOR NA (1/06-9/06)

## 03-04 FUEL FILTER AND CONNECTIONS

сылка	Номер детали	Кол-во	Описание
1	854-10020	2	BOLT, Hex Flg, M10 x 20, 10.9,
2	87349484	3	ADAPTER,
3	87346600	3	WASHER, SEALING,
4	637-72081	3	O-RING, CI 7, 8.1MM ID x 1.6 Thk,
5	J678923	3	PLUG, 10 mm
6	84131590	1	ADAPTER,
7	87356193	1	FILTER, FUEL, Primary
8	87360565	1	FILTER, FUEL, Secondary
9	87349753	1	ADAPTER,
10	87349727	2	BOLT,
11	87356213	1	HEAD, FILTER,
12	87356110	1	BRACKET,
13	87341273	1	TUBE ASSY., Fuel Supply
14	87341277	1	TUBE, Fuel Supply

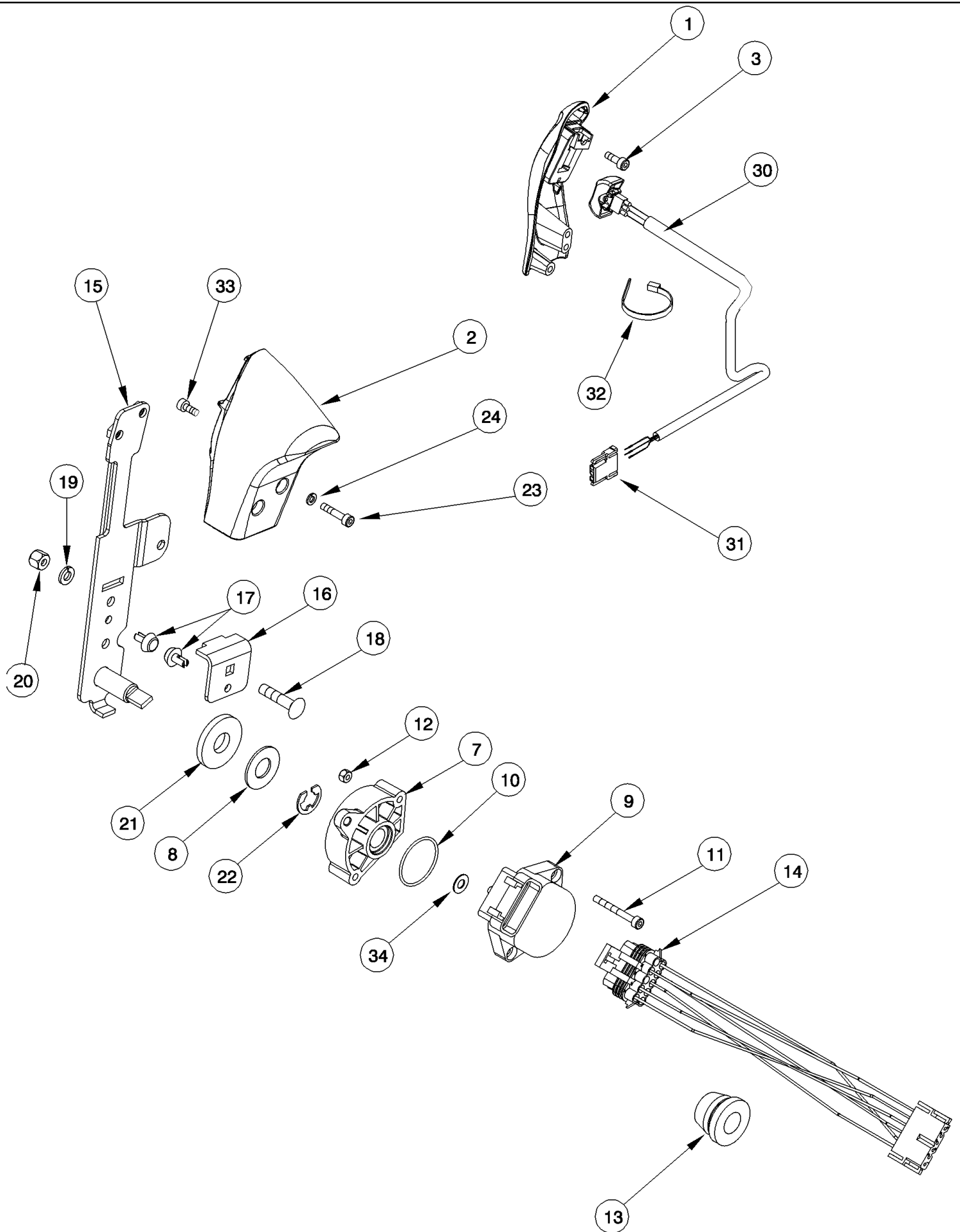


## MX305 CASE IH MAGNUM TRACTOR NA (1/06-9/06)

## 03-05 FUEL INJECTION - PUMP AND DRIVE

сылка	Номер детали	Кол-во	Описание
	87351412	1	PUMP, FUEL, Fuel
1	87346600	3	WASHER, SEALING,
2	87349484	3	ADAPTER,
3	87351467	1	BODY, Fuel Pump
4	87351478	1	PUMP, FUEL,
5	87684601	1	HEAD, Fuel Pump
6	87377387	1	GASKET, Cover Plate
7	87351486	1	ADAPTER, Fuel Pump
8	87351493	1	GASKET, Fuel Pump to Gear Pump
9	844-10070	1	BOLT, Hex Flg, M10 x 70, 8.8,
10	87346420	1	SUPPORT,
11	854-12050	1	BOLT, Hex Flg, M12 x 50, 10.9,
12	J926722	1	SEAL,
13	238-7241	2	O-RING, -241, CI 7, 3.859" ID x .139" Thk,
14	J942764	1	GEAR, Fuel Pump
15	J937123	4	STUD, M10 x 55 mm (2-5/32 in)
16	825-2410	4	NUT, M10 x 1.5, Flg, CI 8,
38	J329899	1	DOWEL, Dowel
39	J330252	1	WASHER, (Not Shown)
40	J678923	3	PLUG, Inc. 41
41	637-72081	1	O-RING, CI 7, 8.1MM ID x 1.6 Thk,
42	J867640	1	O-RING, (Not Shown)
43	J926593	1	NUT, M20 x 1.5 (Not Shown)
44	854-8040	7	BOLT, Hex Flg, M8 x 40, 10.9,
45	87351459	4	SCREW, (Not Shown)
46	J4010636	1	O-RING, Pump Body
47	87351514	1	SEAL,
48	87351521	4	BOLT, (Not Shown)
49	J867641	4	O-RING, (Not Shown)
50	J867651	2	SEAL, (Not Shown)
51	87351522	1	FITTING, High Pressure
52	87351523	1	WASHER, SEALING,
53	87351524	2	WASHER, SEALING, (Not Shown)
54	87351525	2	PLUG, (Not Shown)
55	87351528	2	PLUG, (Not Shown)
56	87351531	2	WASHER, SEALING, (Not Shown)
57	87351533	3	SCREW,
58	87351534	1	ACTUATOR, ETR Fuel
59	NSS	1	NOT SERVICED SEPARATELY, HARNESS, Wire, Order 87351534
60	87351536	1	ADAPTER, Fuel Pump (Not Shown)
61	87351504	1	HUB, Distributor Drive (Not Shown)

03-06 HAND THROTTLE



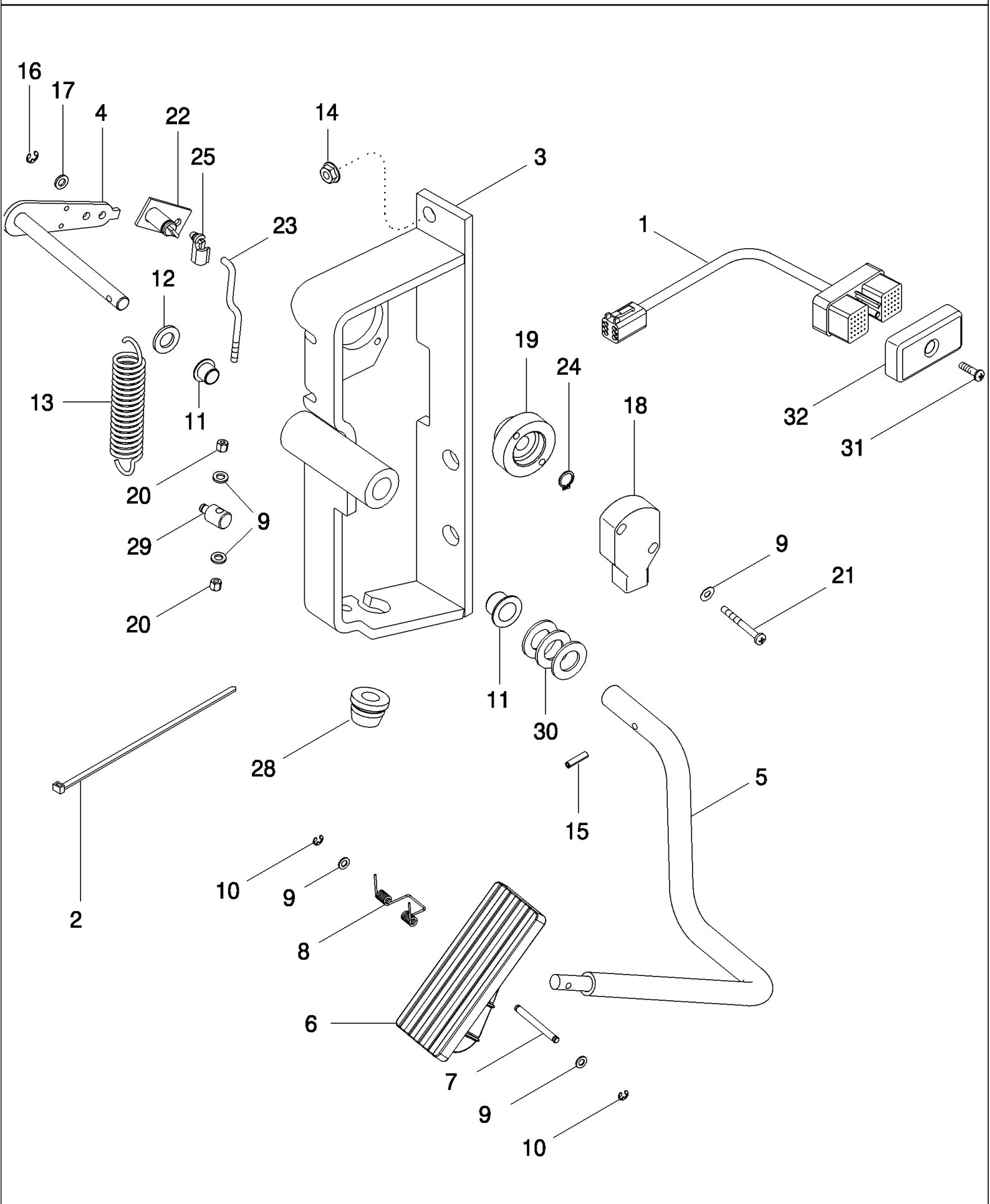
## MX305 CASE IH MAGNUM TRACTOR NA (1/06-9/06)

## 03-06 HAND THROTTLE

сылка	Номер детали	Кол-во	Описание
1	87622401	1	GRIP,
2	293388A2	1	GRIP, Standard And Deluxe Cab
2	359032A1	1	GRIP, Luxury Cab
3	368048A1	3	SCREW, M4 x 12
7	239491A1	1	BUSHING,
8	237486A1	1	WASHER,
9	259012A1	1	POTENTIOMETER,
10	238-6025	1	O-RING, -.025, 90 Duro, 1.176" ID x .070" Thk,
11	864-4035	2	SCREW, Hex Soc Hd, M4 x 35, 8.8,
12	832-46404	2	NUT, LOCK, M4 x .7, CI 8,
13	182220A1	1	GROMMET,
14	276352A1	1	HARNESS,
15	367607A1	1	BRACKET,
16	258734A2	1	SUPPORT,
17	259040A1	2	INSERT,
18	811-6030	1	BOLT, CARRIAGE, Short NK, M6 x 30, CI8.8, Full Thd,
19	892-11006	2	WASHER, LOCK, M6,
20	832-10406	1	NUT, LOCK, M6 x 1, CI 8,
21	495-81022	1	WASHER, 17/32" x 1 1/8" x .060",
22	103-3350	1	RING, LOCKING, #50, .392" Dia, E-Type,
23	864-4025	2	SCREW, Hex Soc Hd, M4 x 25, 8.8,
24	892-11004	2	WASHER, LOCK, M4,
30	258010A2	1	SWITCH, Transmission Shift
31	235676A1	1	CONNECTOR,
32	473321C1	2	STRAP, CABLE, .098" x 8", 8"
33	864-4012	1	SCREW, Hex Soc Hd, M4 x 12, 8.8,
34	895-11004	2	WASHER, M4,



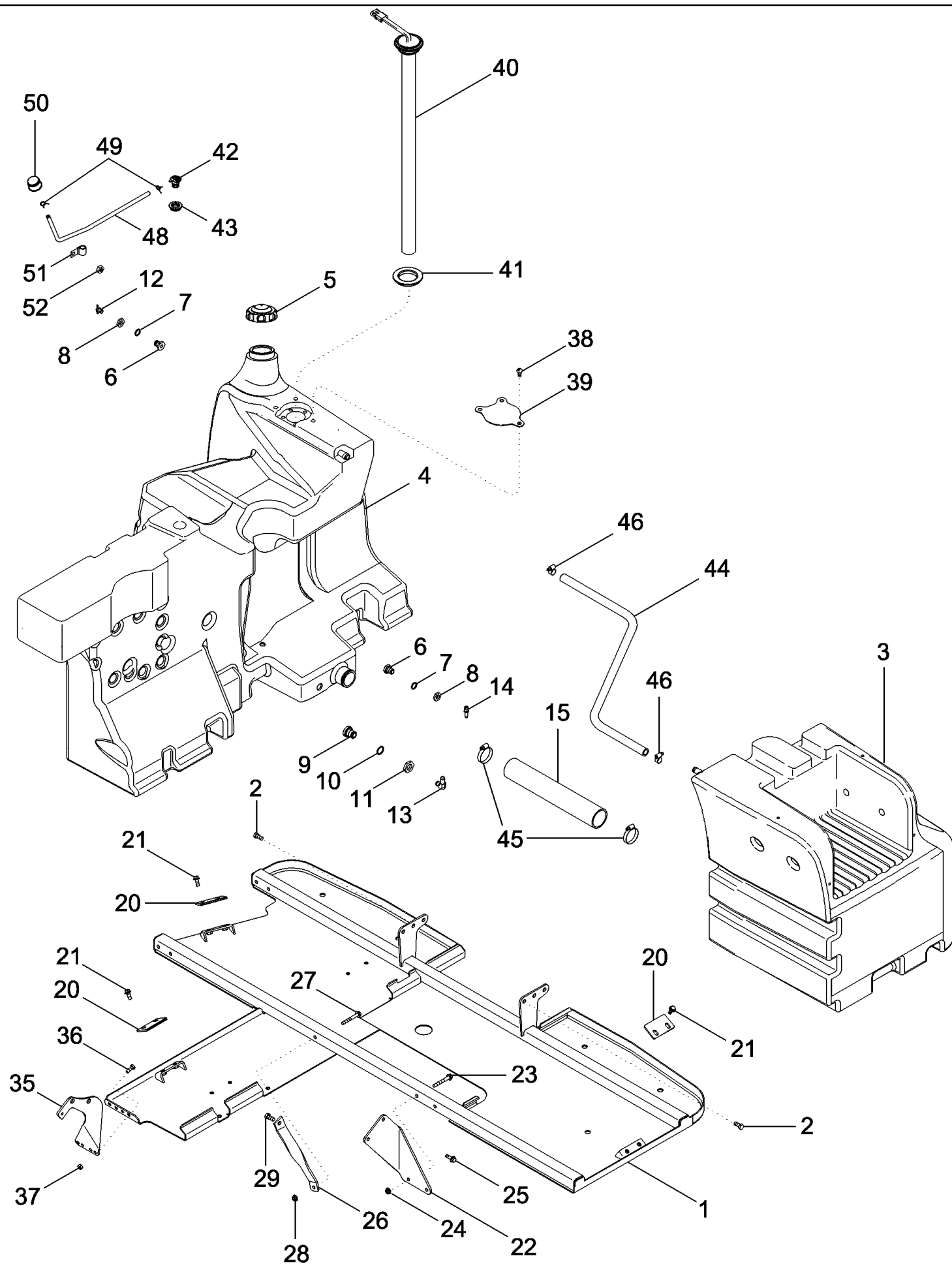
03-07 FOOT THROTTLE



## MX305 CASE IH MAGNUM TRACTOR NA (1/06-9/06)

## 03-07 FOOT THROTTLE

сылка	Номер детали	Кол-во	Описание
1	86984487	1	HARNESS,
2	L11541	12	STRAP, CABLE, 7 - 8 in
2	473321C1	1	STRAP, CABLE, .098" x 8",
3	404659A4	1	FRAME,
4	446487A2	1	LEVER,
5	446488A1	1	TUBE ASSY.,
6	297853A2	1	PEDAL,
7	255291A1	1	PIN,
8	256776A1	1	SPRING,
9	895-11005	6	WASHER, M5 x 10 x 1,
10	800-435	2	CIRCLIP, M5,
11	1533540C1	2	EYEBOLT,
12	895-11012	1	WASHER, M12 x 24 x 2.5,
13	248913A2	1	SPRING,
14	825-2408	3	NUT, M8 x 1.25, Flg, Cl 8,
15	838-3528	1	PIN, M5 x 28, Coiled,
16	800-316	1	CIRCLIP, M6,
17	895-11006	1	WASHER, M6,
18	231426A1	1	POTENTIOMETER,
19	231410A1	1	BUSHING,
20	832-10405	2	NUT, LOCK, M5 x .8, Cl 8,
21	840-1550	2	SCREW, Cross Pan Hd, M5 x 50,
22	322108A1	1	SUPPORT,
23	322109A1	1	ROD,
24	800-1112	1	RING, SNAP, M12, Ext,
25	60-2404T1	1	RETAINER,
28	182220A1	1	GROMMET,
29	307475A1	1	PIVOT,
30	495-81020	3	WASHER, 17/32" x 1" x .030", Use As Required
31	490-1108	1	SCREW, Cross Pan Hd, #10-32 x 1/2",
32	279267A1	1	PLUG,

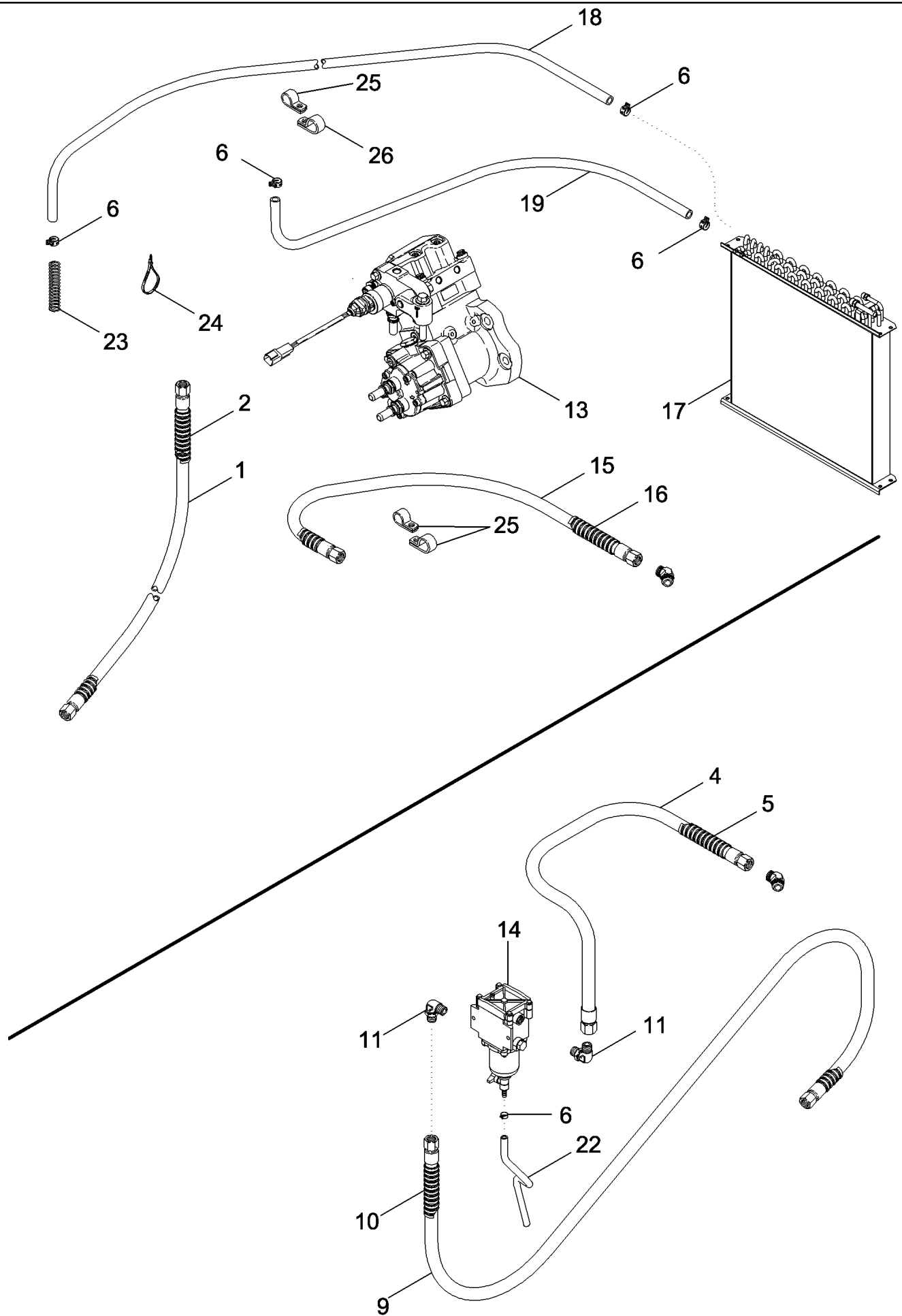


## MX305 CASE IH MAGNUM TRACTOR NA (1/06-9/06)

## 03-08 FUEL TANKS

сылка	Номер детали	Кол-во	Описание
1	363279A3	1	SUPPORT,
2	844-12025	4	BOLT, Hex Flg, M12 x 25, 8.8,
3	87358308	1	FUEL TANK, Right Hand, 306 L (81 gal)
4	87567185	1	FUEL TANK, Left Hand, 369 L (97 gal), Inc. 5 - 14
5	87324388	1	CAP, FILLER,
6	87694594	2	BOLT,
7	238-5210	2	O-RING, -210, 70 Duro, .734" ID x .139" Thk,
8	1251791C1	2	NUT,
9	87707148	1	FITTING,
10	238-5214	1	O-RING, -214, 70 Duro, .984" ID x .139" Thk,
11	282709A1	1	NUT,
12	217-103	1	COCK, DRAIN, 1/4 PT
13	87037348	1	ELBOW, 90, 5/8 Tube x 3/8 PT
14	217-125	1	FITTING, 3/8" Hose x 1/4" NPTF, Barbed,
15	275798A1	1	HOSE,
20	243779A4	3	PLATE, LARGE,
21	555-5	6	BOLT, Hex Flg, M10 x 25, 8.8, Full Thd,
22	295340A1	1	SUPPORT,
23	857-10075	2	BOLT, Hex Flg, M10 x 75, 10.9,
24	825-2410	2	NUT, M10 x 1.5, Flg, Cl 8,
25	844-10030	2	BOLT, Hex Flg, M10 x 30, 8.8, Full Thd,
26	258942A1	1	STRAP, SECURING,
27	857-10075	1	BOLT, Hex Flg, M10 x 75, 10.9,
28	825-2410	1	NUT, M10 x 1.5, Flg, Cl 8,
29	627-12025	1	BOLT, Hex, M12 x 25, 10.9,
35	301790A3	1	BRACKET,
36	514-745	2	BOLT, Hex, M10 x 25, 8.8, Full Thd,
37	829-1510	2	NUT, M10, Cl 10,
38	627-10020	3	BOLT, Hex, M10 x 20, 10.9, Full Thd,
39	87455076	1	COVER, CAP, Fuel Sender
40	87731313	1	GAUGE, FUEL, Fuel Sender
41	255095A1	1	GROMMET, Fuel sender
42	275800A1	1	VALVE STEM,
43	255094A1	1	GROMMET,
44	275799A2	1	HOSE,
45	214-3248	2	CLAMP, HOSE, 2.25/3.125 HD Worm, W/liner,
46	214-1516	2	CLAMP, HOSE, #16, .81/1.50 Type F Worm, W/liner,
48	275801A1	1	HOSE,
49	214-1308	2	CLAMP, HOSE, #8, 1/2", Spring,
50	87433010	1	BREATHER,
51	515-22159	1	CLAMP, 5/8", Insul, 5/16" Bolt,
52	825-2408	1	NUT, M8 x 1.25, Flg, Cl 8,

03-09 FUEL LINES

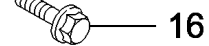
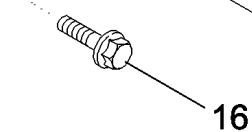
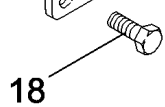
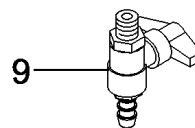
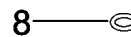
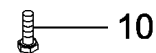
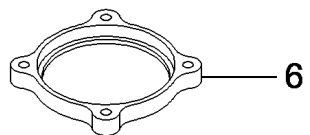
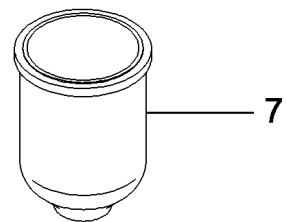
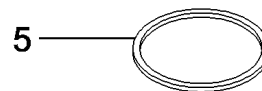
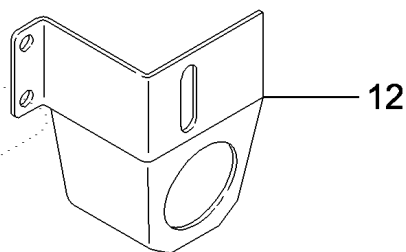
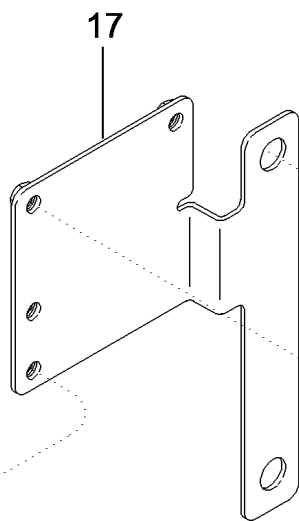
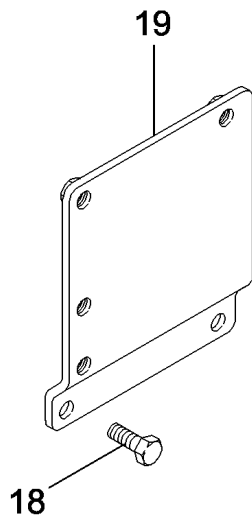
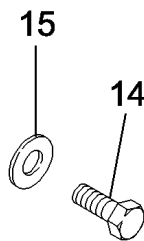
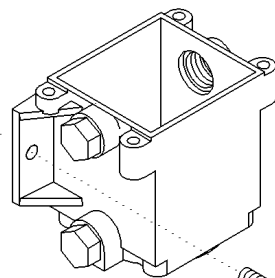
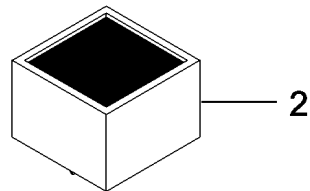
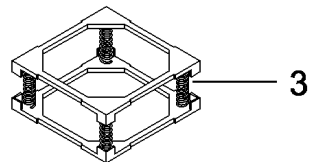
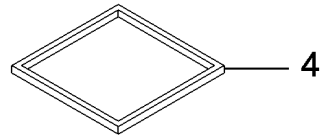
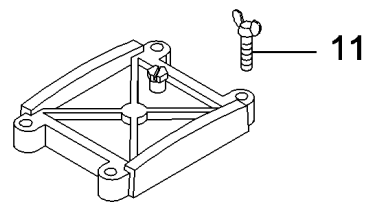
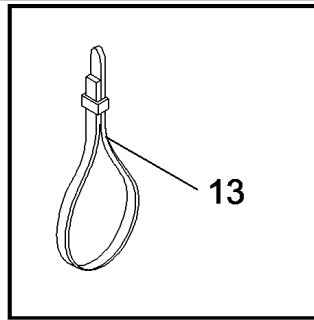


## MX305 CASE IH MAGNUM TRACTOR NA (1/06-9/06)

## 03-09 FUEL LINES

сылка	Номер детали	Кол-во	Описание
1	87442363	1	HOSE, 2310 mm (90.94 in)
2	87442364	1	CONDUIT, 2150mm (84.65 in)
4	87349763	1	HOSE, Fuel Filter Outlet, 570mm (22-7/16 in), If Equipped with Separator Filter
5	87350913	1	CONDUIT, 510 mm (20.07 in), If Equipped with Separator Filter
6	1348264C1	5	CLAMP, HOSE, 3/8 ID, If Equipped with Separator Filter (1)
9	87349720	1	HOSE, Fuel Filter Supply, 1660 mm (65.35 in), If Equipped with Separator Filter
10	87372642	1	CONDUIT, 1490 mm (58.66 in), If Equipped with Separator Filter
11	218-5106	2	ELBOW, 90°, 3/4"-16, 37° x 3/4"-16, O-Ring, If Equipped with Separator Filter
13	REF	1	INSTRUCTION, Pump, Injection, See Figure 03-05
14	87346728	1	FILTER, FUEL, If Equipped, See Figure 03-10
15	87442365	1	HOSE, Without Separator Filter, 1600 mm (63 in), Cut From 284736A2
16	87367299	1	CONDUIT, 1500 mm (59.05 in)
17	REF	1	INSTRUCTION, Cooler, See Figure 09-39
18	87442367	1	HOSE, 4400 mm (173.23 in) , Cut From 284736A2
19	87367298	1	CONDUIT, 4300 mm (169.29 in)
22	360525A1	1	HOSE, Filter Drain, 700 mm (27-9/16 in)
23	87435416	2	SPRING, Fuel Hose Guard
24	L18331	2	STRAP, CABLE, Tie
25	515-24238	3	CLAMP, 15/16", Insul, 7/16" Bolt,
26	515-23206	1	CLAMP, 13/16", Insul, 3/8" Bolt,

03-10 FUEL SEPARATOR FILTER

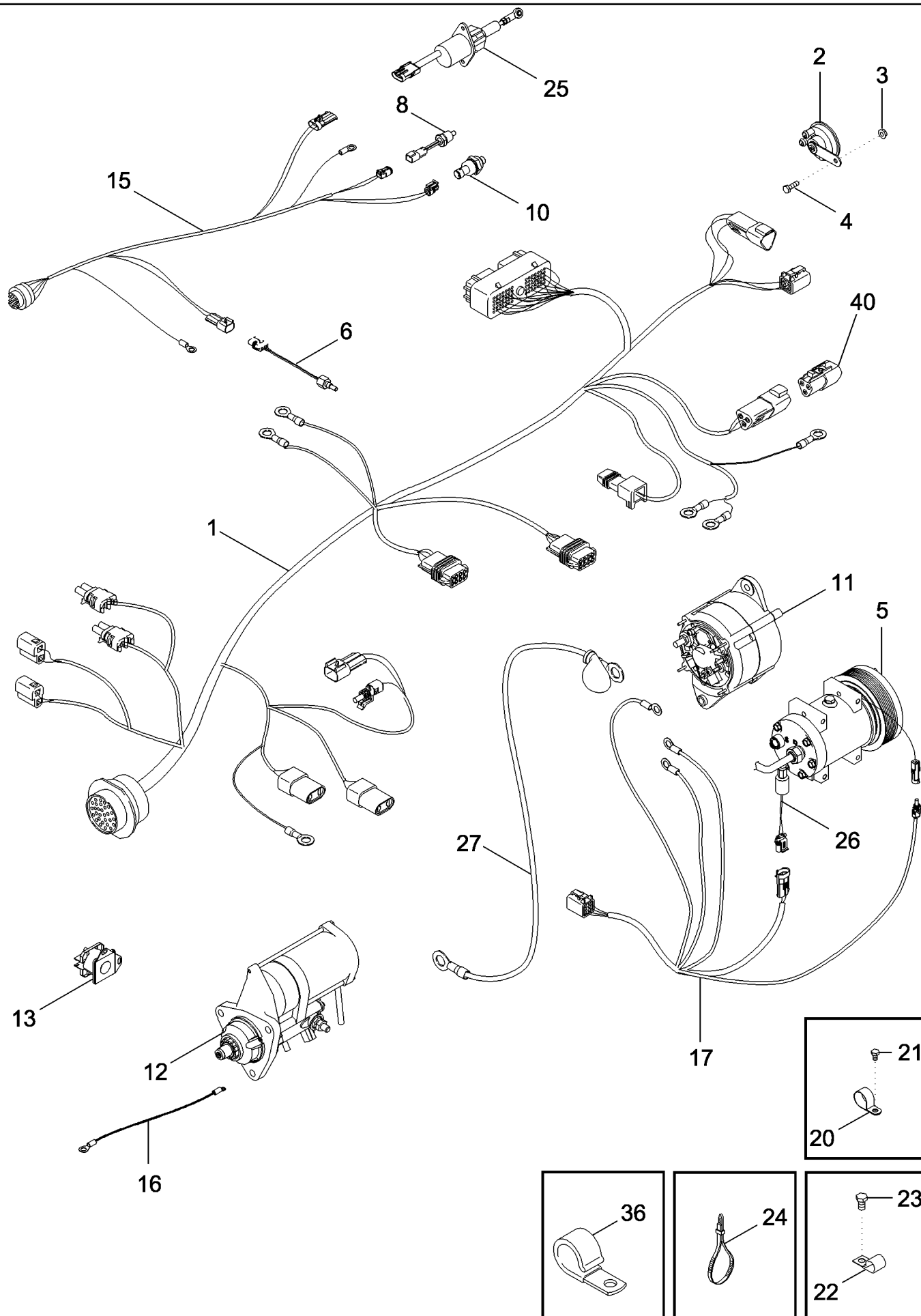


## MX305 CASE IH MAGNUM TRACTOR NA (1/06-9/06)

## 03-10 FUEL SEPARATOR FILTER

сылка	Номер детали	Кол-во	Описание
1	87346728	1	FILTER, FUEL, Inc. 2 - 11
2	336430A1	1	FILTER, ELEMENT,
3	336431A1	1	FRAME,
4	336432A1	1	SEAL,
5	336433A1	1	SEAL,
6	369841A1	1	RETAINER,
7	369842A1	1	COVER, FILTER,
8	369843A1	1	GASKET,
9	369844A1	1	DRAINCOCK/TAP, SUPPLY,
10	614-5020	4	BOLT, Hex, M5 x 20, 8.8, Full Thd,
11	87625617	4	THUMB SCREW, M5 x 30
12	87398550	1	SHIELD,
13	A169433	1	STRAP, SECURING,
14	627-20040	2	BOLT, Hex, M20 x 40, 10.9,
15	896-11020	2	WASHER, M20 x 37.5 x 4, HT,
16	844-8020	4	BOLT, Hex Flg, M8 x 20, 8.8,
17	87345857	1	SUPPORT,
18	9804261	2	BOLT, Hex Flg, M10 x 25, 8.8, , Used for the Chassis Enforcement and Scraper Front Frame Kits
19	87666512	1	BRACKET, , Used for the Chassis Enforcement and Scraper Front Frame Kits



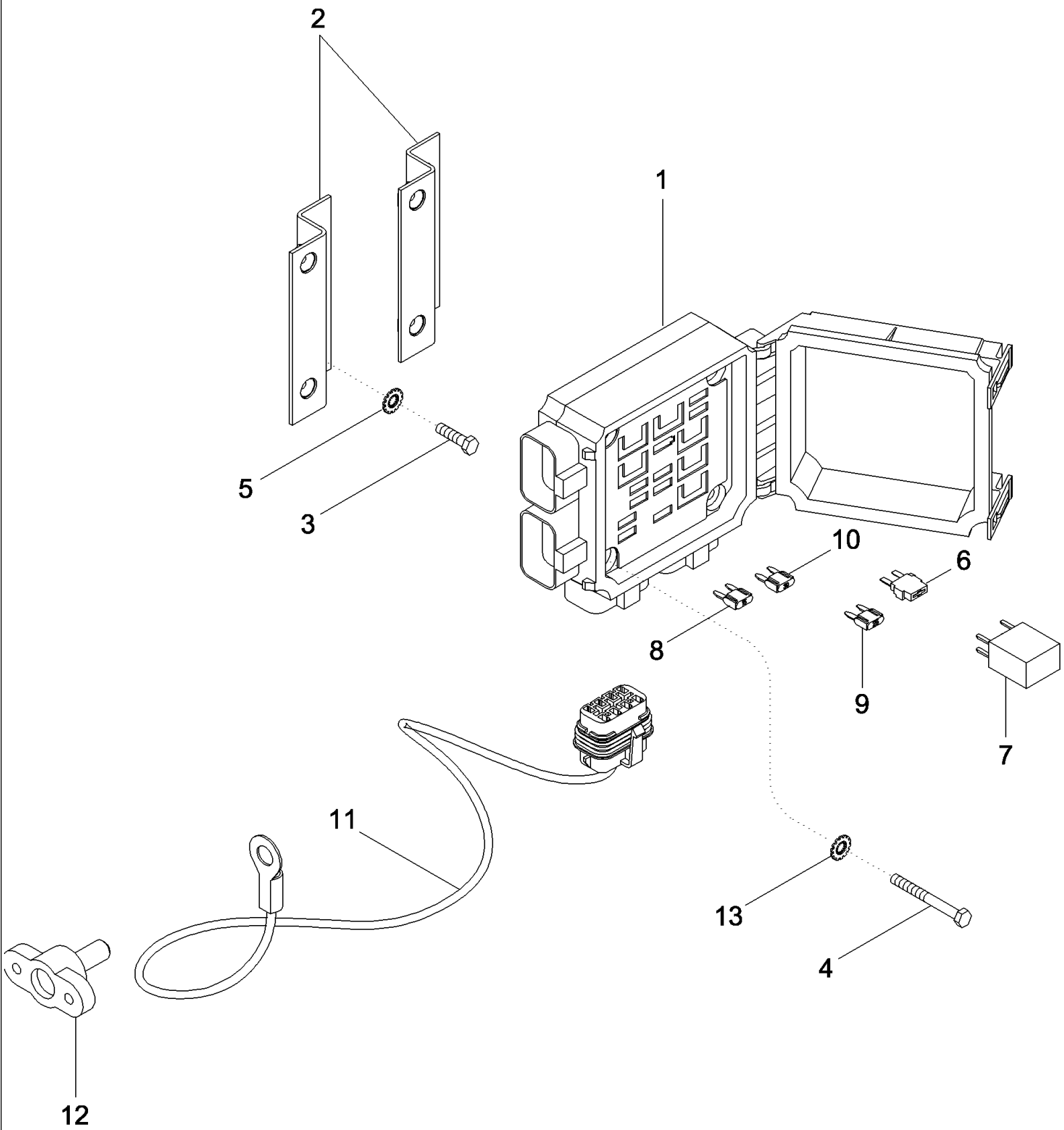


## MX305 CASE IH MAGNUM TRACTOR NA (1/06-9/06)

## 04-01 HARNESS - ENGINE

сылка	Номер детали	Кол-во	Описание
1	87364306	1	HARNESS, Engine
1	87312632	1	HARNESS, Engine (Shown), BSN Z7RZ01521
1	87544743	1	HARNESS, Engine, Inc. 40, ASN Z7RZ01521
2	87714969	1	HORN,
3	825-2408	1	NUT, M8 x 1.25, Flg, Cl 8,
4	555-1	1	BOLT, Hex Flg, M8 x 16, 8.8,
5	REF	1	INSTRUCTION, Compressor Assy, See Figure 09-39
6	194346A1	1	SENSOR, Air to Air Temperature
8	87403454	1	SENDER, TEMPERATURE, Coolant
9	193-1000	1	NUT, Keps, w/LW,#10-32,
10	405439A1	1	SWITCH, PRESSURE, Oil Pressure
11	REF	1	INSTRUCTION, ALTERNATOR ASSY, See Figure 04-21
12	REF	1	INSTRUCTION, STARTER ASSY, See Figure 04-22
13	REF	1	INSTRUCTION, SOLENOID, See Figure 04-23
15	86983668	1	HARNESS, Engine Adapter
16	87527710	1	CABLE, Solenoid to Starter
17	87344550	1	HARNESS, Alternator to Starter (Shown), BSN Z7RZ01521
17	87382529	1	HARNESS, Alternator to Starter, ASN Z7RZ01521
17	87365490	1	HARNESS, Alternator to Starter
20	515-23317	1	CLAMP, 1 1/4", Insul, 3/8" Bolt,
21	614-8012	1	BOLT, Hex, M8 x 12, 8.8, Full Thd,
22	516-22190	2	CLAMP, J, 13/16" Insul, 3/8" Bolt,
23	555-1	1	BOLT, Hex Flg, M8 x 16, 8.8,
24	291207C1	5	CLAMP, 15 in
25	REF	1	INSTRUCTION, SOLENOID, Fuel Shutoff, See Figure 03-05
26	284273A2	1	SWITCH, A/C HIGH PRESSURE, High Pressure A/C
27	87452482	1	CABLE, Starter to Relay (Shown), BSN Z7RZ01521
27	87365491	1	CABLE, Starter to Relay, ASN Z7RZ01521
35	825-2408	2	NUT, M8 x 1.25, Flg, Cl 8, (Not shown)
36	87313355	1	CLAMP, Harness On Water Bottle Bracket
37	844-10016	1	BOLT, Hex Flg, M10 x 16, 8.8, Full Thd, Mount Clip To Bracket, (Not Shown)
38	516-23190	2	CLAMP, J, 3/4", Insul, 3/8" Bolt, Harness Lower Rear Of Hvac Compressor, (Not Shown)
39	844-8016	1	BOLT, Hex Flg, M8 x 16, 8.8, Top Right of Compressor, Not shown
40	381414A1	1	CONNECTOR, TERMINAL, Can Terminator
41	814-8100	1	BOLT, Hex, M8 x 100, 8.8, Lower Rear Of Hvac Compressor, (Not Shown)
42	515-22190	1	CLAMP, 3/4", Insul, 5/16" Bolt, Harness Top Right Of Compressor, (Not Shown)
43	844-6012	2	BOLT, Hex Flg, M6 x 12, 8.8, To Hold Start Relay, (Not Shown)

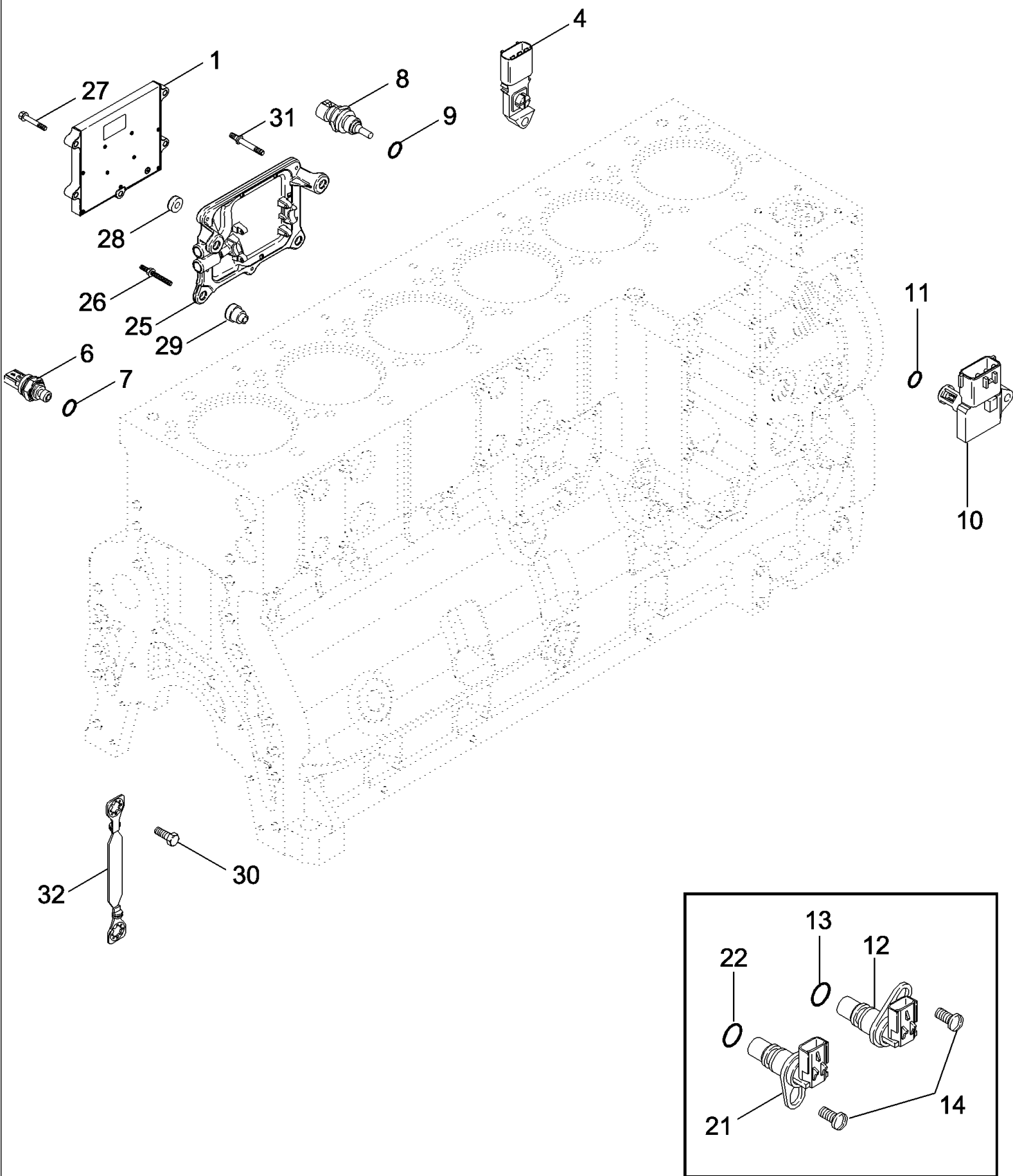
04-02 POWER DISTRIBUTION



## MX305 CASE IH MAGNUM TRACTOR NA (1/06-9/06)

## 04-02 POWER DISTRIBUTION

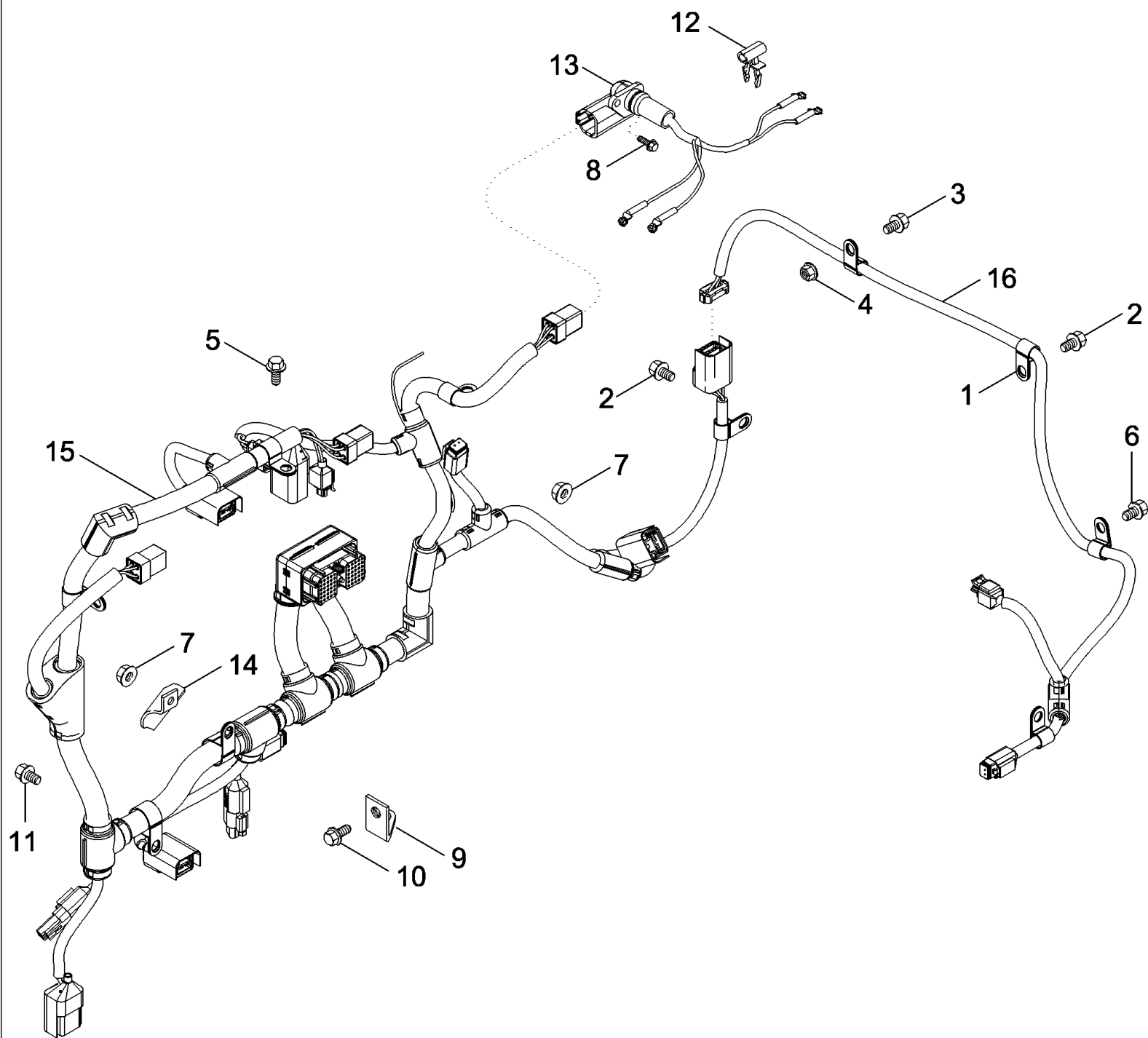
сылка	Номер детали	Кол-во	Описание
1	441480A2	1	BOX, FUSE, Engine
2	87410072	2	BRACKET, Fuse Box
3	463-11012	4	SCREW, Hex Hd, #10-24 x 3/4",
4	490-11012	2	SCREW, Cross Pan Hd, #10-32 x 3/4",
5	493-11020	4	WASHER, LOCK, Ext-Int Tooth, #10,
6	416569A1	1	DIODE-ELEMENT,
7	416570A1	5	RELAY,
8	121413A1	AR	FUSE, 15 Amp
9	121415A1	AR	FUSE, 25 Amp
10	121416A1	AR	FUSE, 30 Amp
11	441479A2	1	HARNESS, Tractor Auxiliary Power ((Shown), BSN Z7RZ01521
11	87546828	1	HARNESS, Tractor Auxiliary Power, ASN Z7RZ01521
12	441483A1	1	CONNECTOR, TERMINAL, Auxiliary Power
13	895-11005	2	WASHER, M5 x 10 x 1,



## MX305 CASE IH MAGNUM TRACTOR NA (1/06-9/06)

## 04-03 MODULE, ENGINE CONTROL

сылка	Номер детали	Кол-во	Описание
1	87342193	1	MODULE, Electronic Control
4	87341871	1	SENSOR, Pressure, Inc. 5
5	J330202	1	O-RING, 11.3 ID x 2.2 mm
6	87568842	1	SENSOR, Oil Pressure, Inc. 7
6	87428328	1	SENSOR, Pressure, Auto Guidance
7	87385019	1	O-RING, 11.3 ID x 2.2 mm
8	87341875	1	SENSOR, Temperature, Inc. 9
9	87341887	1	O-RING, 11.3 ID x 2.2 mm
10	87584643	1	SENSOR, Inc. 11
11	87342065	1	SEAL, RUBBER, 11.3 ID x 2.2 mm
12	87352952	1	SENSOR, Position, Inc. 13
13	87352938	1	O-RING,
21	87341787	1	SENSOR, Inc. 22
22	87352938	1	O-RING,
25	87341857	1	COOLER, Fuel
26	J944816	3	SCREW,
27	845-8045	4	BOLT, Hex Flg, M8 x 45, 8.8,
28	87341822	4	ISOLATOR,
29	87341823	4	ISOLATOR,
30	845-8040	2	BOLT, Hex Flg, M8 x 40, 8.8,
31	87341816	1	SCREW,
32	87341820	1	STRAP, GROUND,
33	845-8020	1	BOLT, Hex Flg, M8 x 20, 8.8, Full Thd,
34	J920854	1	SCREW, Hex Hd, M5 x .8 x 20, w/LW,
35	87341845	1	SCREW,
36	J900589	1	NUT, M8 x 1.25
37	845-6015	1	BOLT, Hex Flg, M6 x 15, 8.8, Full Thd,

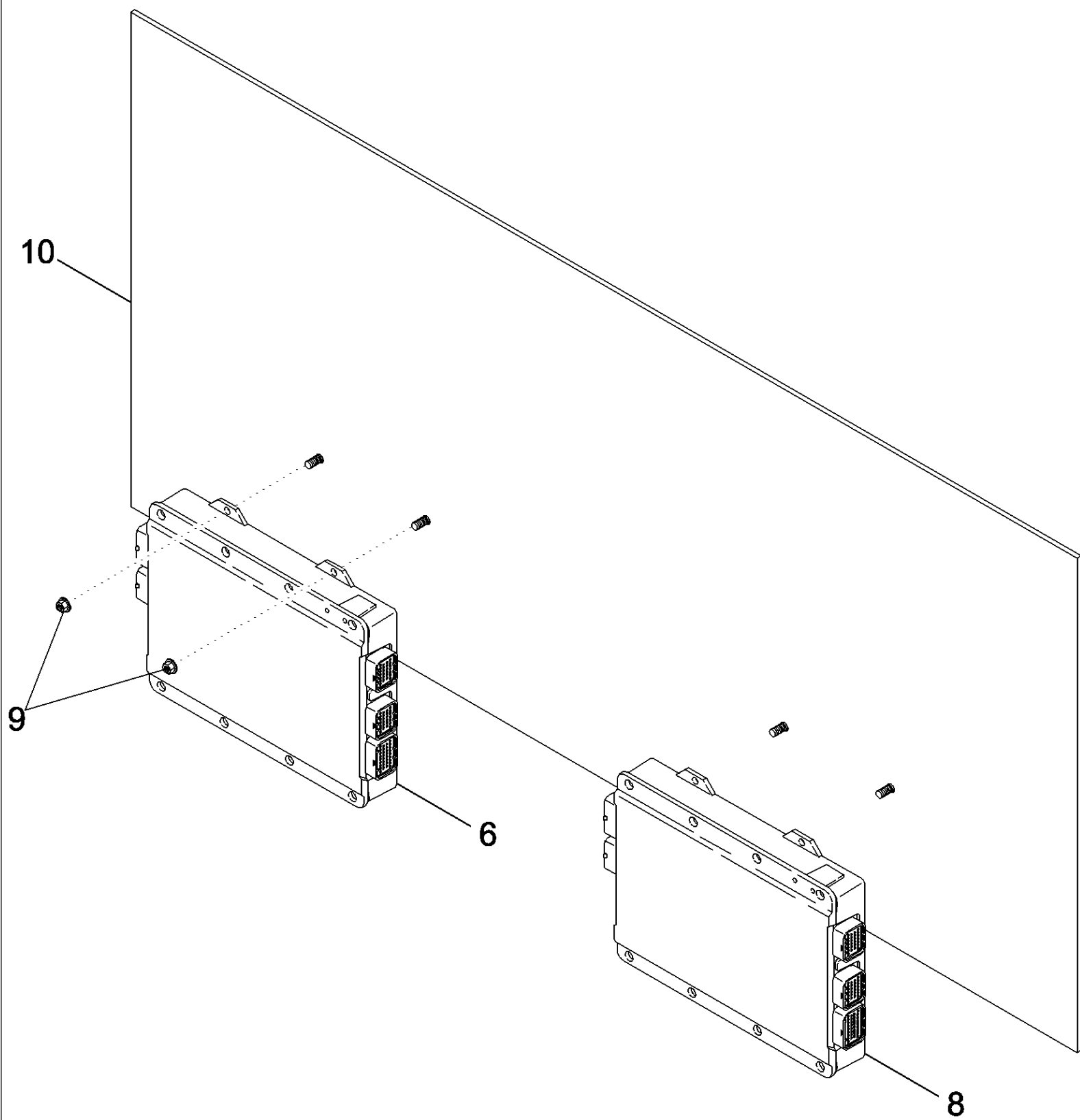


## MX305 CASE IH MAGNUM TRACTOR NA (1/06-9/06)

## 04-04 HARNESS, ENGINE CONTROL MODULE

сылка	Номер детали	Кол-во	Описание
1	515-23127	1	CLAMP, 1/2", Insul, 3/8" Bolt,
2	313490A1	2	BOLT, M10 x 14
3	615-8012	1	BOLT, Hex, M8 x 12, 8.8, Full Thd,
4	825-2408	1	NUT, M8 x 1.25, Flg, Cl 8,
5	845-6010	1	BOLT, Hex Flg, M6 x 10, 8.8, Full Thd,
6	97010C1	1	BOLT, SPREADER, M6 x 12
7	825-2406	3	NUT, M6 x 1, Flg, Cl 8,
8	845-6015	3	BOLT, Hex Flg, M6 x 15, 8.8, Full Thd,
9	J919294	1	SUPPORT, Tube Fuel Supply
10	87346341	1	BOLT,
11	J925883	1	SCREW, M8 x 16: 10.9
12	87346212	8	CLIP, WIRE,
13	87346235	1	HARNESS, WIRE, Injector Wiring
14	87346319	1	BRACE,
15	87481082	1	HARNESS, WIRE, Engine ECM
16	87750207	1	HARNESS, Temp Sensor

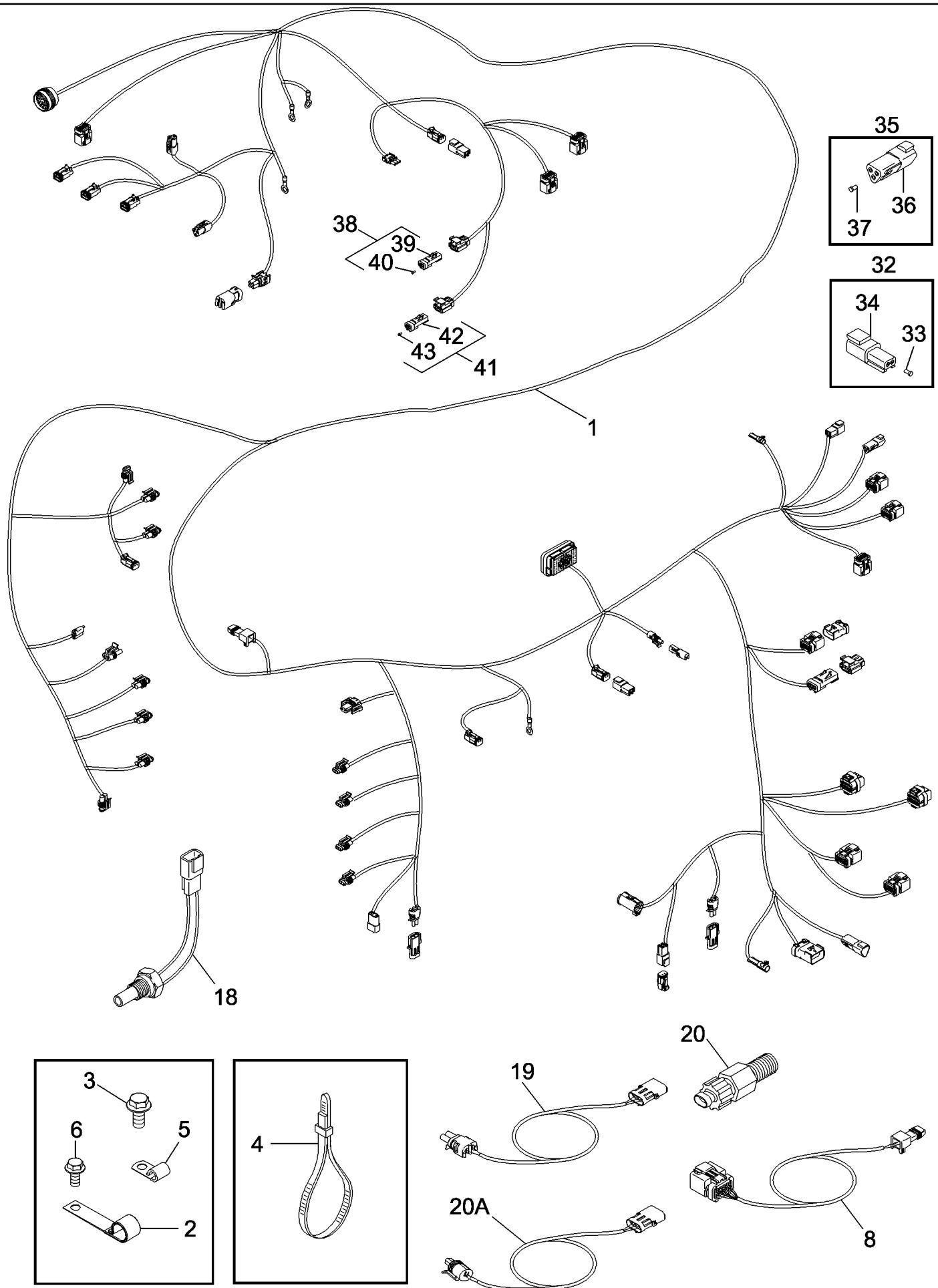




## MX305 CASE IH MAGNUM TRACTOR NA (1/06-9/06)

## 04-05 MODULES- CHASSIS

сылка	Номер детали	Кол-во	Описание
6	87393065	1	MODULE, Tractor Multifunction Controller (TMF), BSN Z6RZ04001
6	87617964	1	MODULE, Tractor Multifunction Controller (TMF), ASN Z6RZ04001
8	87653037	1	ELECTRONIC UNIT, CONTROL, transmission, 42 KPH for 19 Speed Transmission, MX215, 245, 275, 305, Magnum 215, 245, 275 and 305
8	87653034	1	MODULE, transmission, 42 KPH for 19 Speed Transmission, Magnum 335
8	87653038	1	MODULE, Transmission, 42 KPH for 18 Speed or 23 Speed Creep Transmission, MX215, 245, 275, 305, Magnum 215, 245, 275 and 305
8	87653035	1	MODULE, Transmission, 42 KPH for 18 Speed or 23 Speed Creep Transmission, Magnum 335
8	87653036	1	MODULE, Transmission, 50 KPH for 19 Speed Transmission
9	825-2405	4	NUT, M5 x .8, Flg, CI 8,
10	87449852	1	COVER,

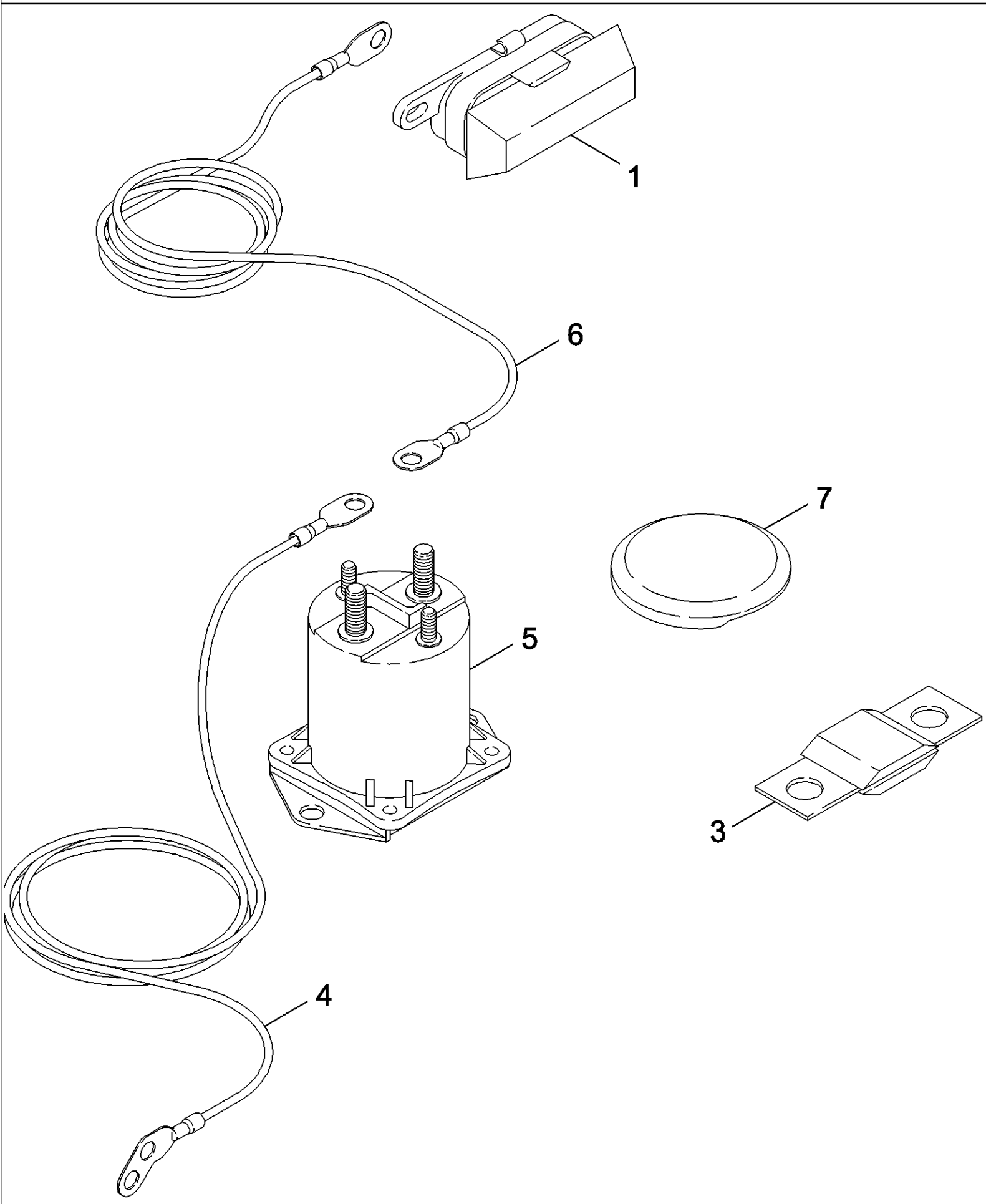


## MX305 CASE IH MAGNUM TRACTOR NA (1/06-9/06)

## 04-06 HARNESS-CHASSIS

сылка	Номер детали	Кол-во	Описание
1	87361402	1	HARNESS, Chassis , BSN Z7RZ01521
1	87713413	1	HARNESS, Chassis (Shown), ASN Z7RZ01521
2	133738A1	2	CLIP,
3	844-12025	1	BOLT, Hex Flg, M12 x 25, 8.8,
4	L11541	2	STRAP, CABLE,
5	516-2395	2	CLAMP, J, 7/16" Insul, 3/8" Bolt,
6	854-10020	1	BOLT, Hex Flg, M10 x 20, 10.9,
7	614-8035	1	BOLT, Hex, M8 x 35, 8.8, For Wire Harness Bracket to Tube Support Bracket, (Not shown)
8	87589808	1	System Pressure, Magnum 335
18	87521424	1	SENDER, TEMPERATURE, Transmission, See Figure 07-07
19	366867A2	1	HARNESS, Dual Speed PTO Sensor
20	87548197	1	SENSOR, Dual Speed PTO Replaces A186004, See Figure 06-39, Also Order 87651813 For Initial Replacement
20A	87651813	1	HARNESS, Dual Speed PTO
21	169850C2	2	CLIP, CABLE, Harness (Not Shown)
22	515-2195	1	CLAMP, 3/8", Insul, 1/4" Bolt, (Not Shown)
23	614-6012	1	BOLT, Hex, M6 x 12, 8.8, (Not Shown)
24	829-1406	1	NUT, M6, Cl 10, (Not Shown)
25	515-24444	3	CLAMP, 1 3/4", Insul, 7/16" Bolt, On Master Solenoid Stack, (Not Shown)
26	87340323	1	BRACKET, (Not Shown)
27	825-5148	1	NUT, M8, Flg Ser, (Not Shown)
28	895-25008	2	WASHER, M8 x 20 x 1.6, Harness Clip On Tube Clamp And Harness Clip On L Bracket, (Not Shown)
29	844-10016	1	BOLT, Hex Flg, M10 x 16, 8.8, Full Thd, (Not Shown)
30	896-11010	2	WASHER, M10 x 21.5 x 2.5, HT, Harness Clip on Master Valve and Harness Ground Lug on Remote Valve, (Not Shown)
31	844-12025	2	BOLT, Hex Flg, M12 x 25, 8.8, (Not Shown)
32	87707534	1	CONNECTOR, HYD., Inc. 33, 34, For Non Suspended Axle Option
33	225315C1	1	CONNECTOR, ELEC,
34	453133C1	2	PLUG,
35	87706349	1	CONNECTOR, HYD., Inc. 36, 37, For Non Suspended Axle Option
36	225294C1	1	CONNECTOR, ELEC,
37	453133C1	3	PLUG,
38	87707527	1	CONNECTOR, HYD., Inc. 39, 40, For Non Variable Fan Option
39	87382907	1	
40	87594902	2	
41	87707528	1	CONNECTOR, HYD., Inc. 42, 43, For Non Variable Fan Option
42	87382909	1	
43	87594902	2	

04-07 SOLENOID AND CABLES - GRID HEATER

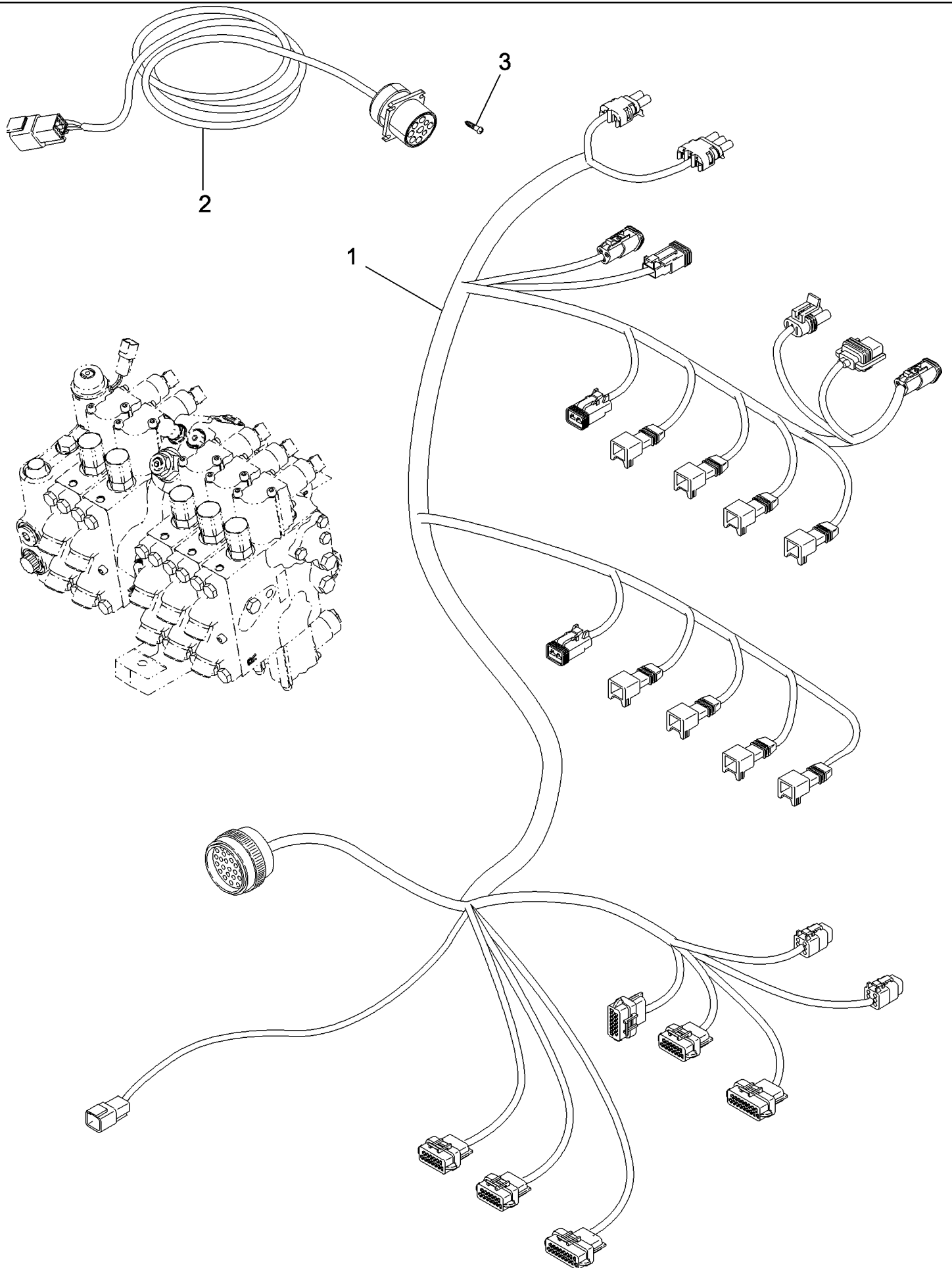


## MX305 CASE IH MAGNUM TRACTOR NA (1/06-9/06)

## 04-07 SOLENOID AND CABLES - GRID HEATER

сылка	Номер детали	Кол-во	Описание
1	440038A1	1	JUNCTION BLOCK,
3	87455597	1	FUSE,
4	87342409	1	CABLE,
5	87455571	1	SOLENOID,
6	87365712	1	CABLE,
7	87341554	1	COVER,
8	87542146	2	CAP, M6 Bolt Cover (Not Shown)
9	193-1000	2	NUT, Keps, w/LW,#10-32, (Not Shown)
10	231-5145	2	NUT, Flg, USR, 5/16"-18, (Not Shown)
11	840-1616	2	SCREW, Cross Pan Hd, M6 x 16, (Not Shown)
12	844-6016	2	BOLT, Hex Flg, M6 x 16, 8.8, (Not Shown)
13	893-11008	2	WASHER, LOCK, Ext Tooth, M8, (Not Shown)
14	829-1408	2	NUT, M8, CI 10, (Not Shown)

04-08 HARNESS - REMOTE HYDRAULIC VALVE

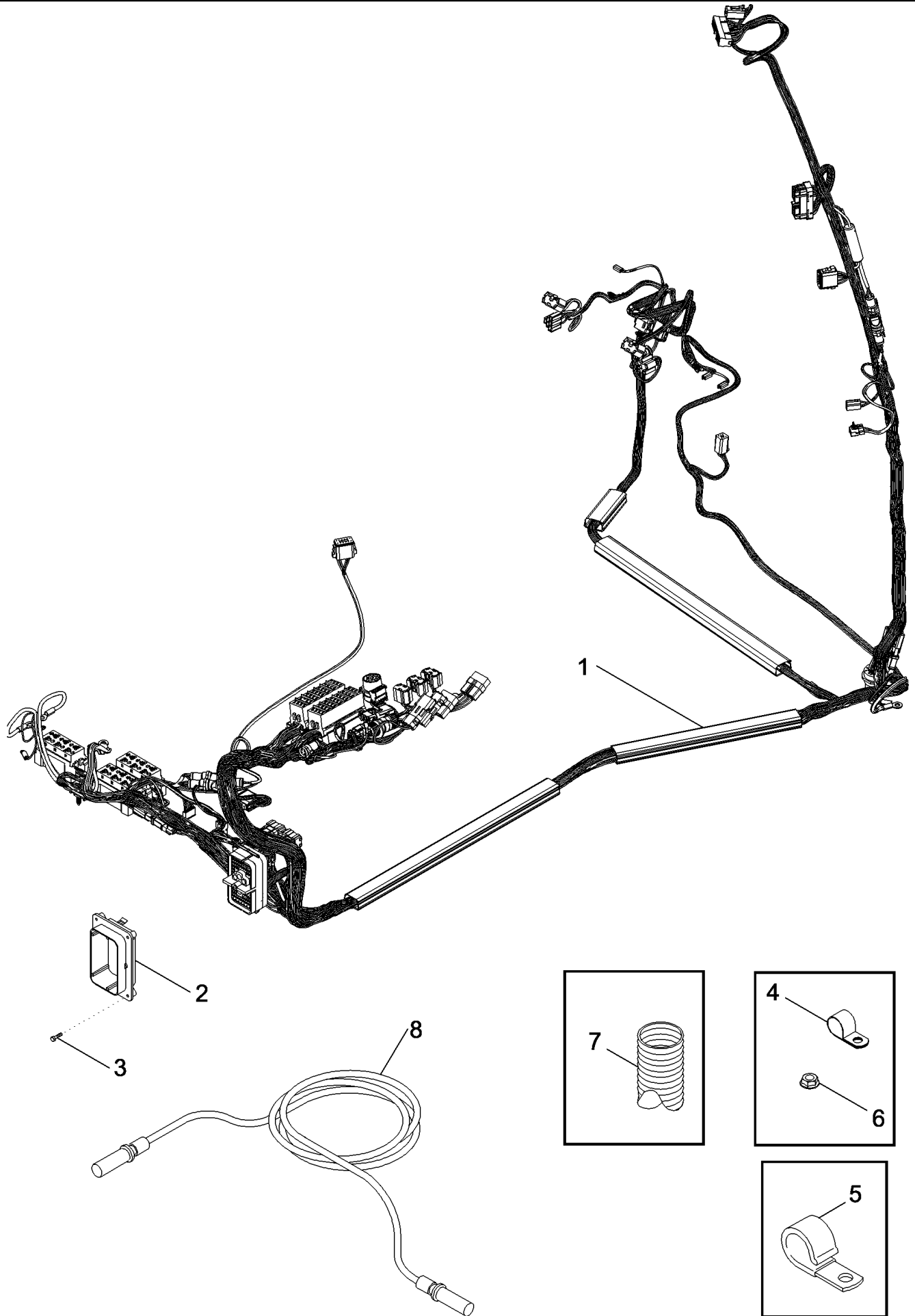


MX305 CASE IH MAGNUM TRACTOR NA (1/06-9/06)

04-08 HARNESS - REMOTE HYDRAULIC VALVE

сылка	Номер детали	Кол-во	Описание
1	87351208	1	HARNESS, Remote Valve (Shown), BSN Z7RZ01521
1	87657271	1	HARNESS, Remote Valve, ASN Z7RZ01521
2	87589459	1	HARNESS,
3	760-17113	4	SCREW, SELF TAPPING, Pan Hd, M3.5 x 13,
4	844-10016	1	BOLT, Hex Flg, M10 x 16, 8.8, Full Thd, Remote Valve Stack

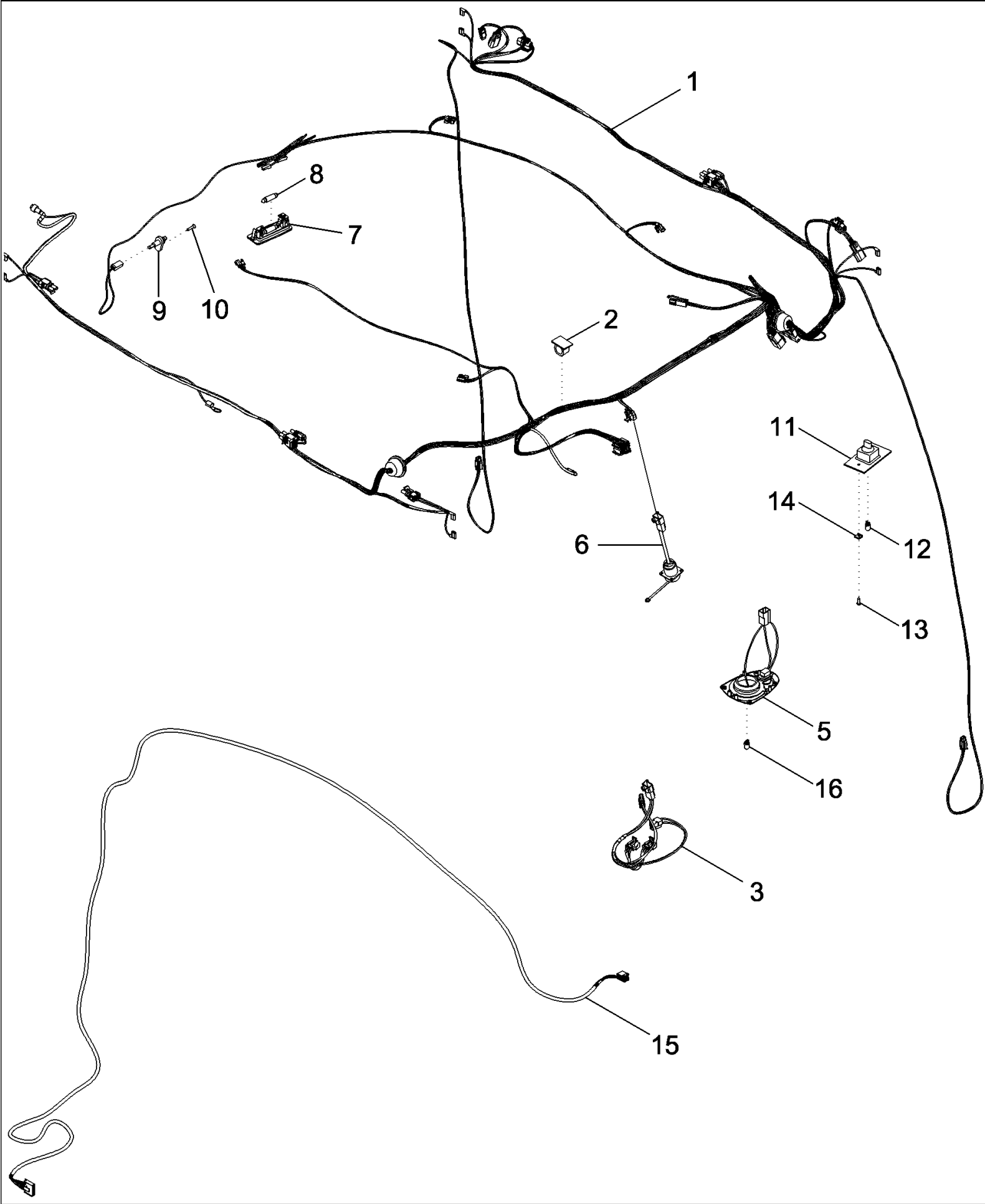




## MX305 CASE IH MAGNUM TRACTOR NA (1/06-9/06)

## 04-09 HARNESS - CAB

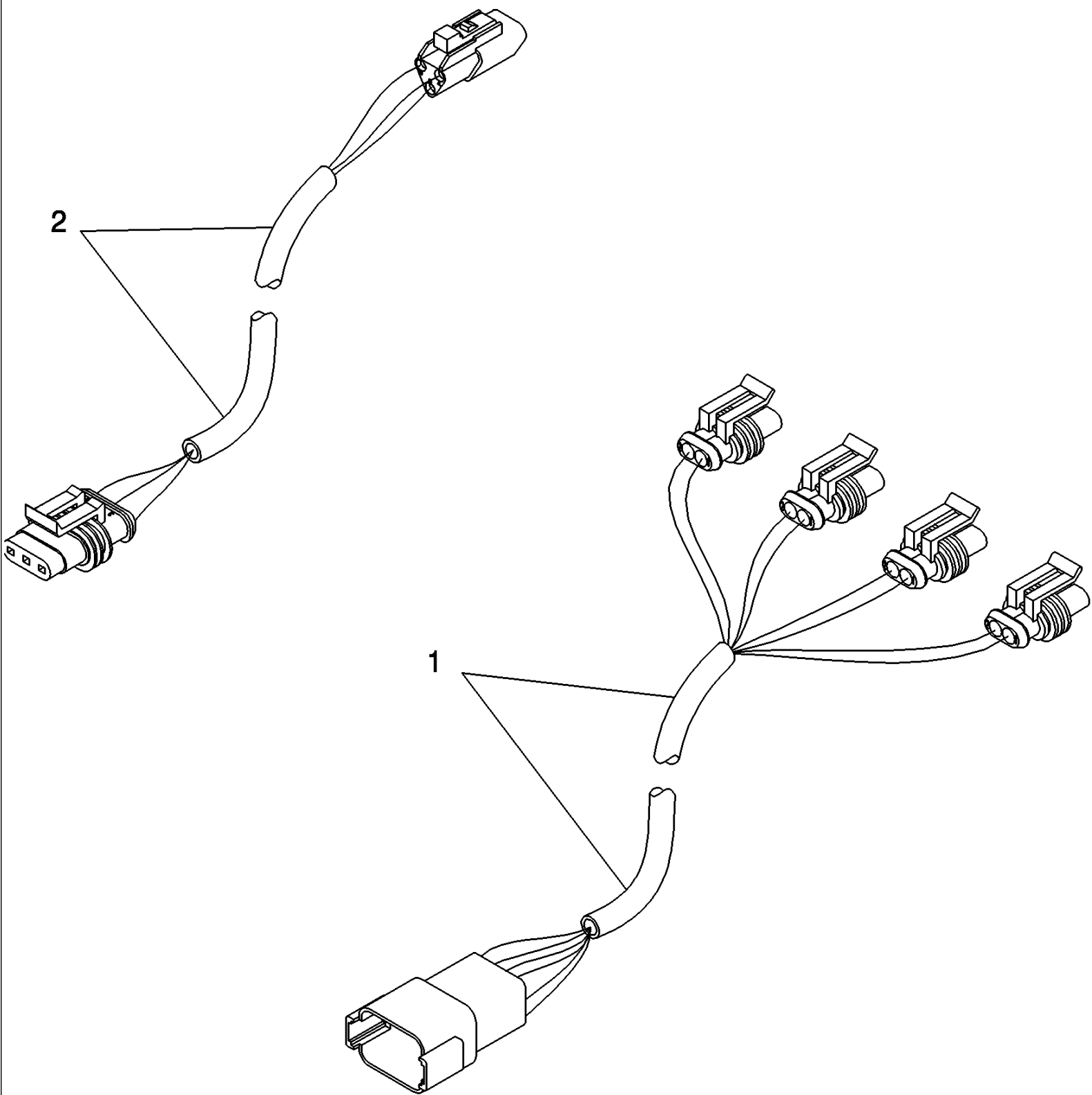
сылка	Номер детали	Кол-во	Описание
1	87364635	1	HARNESS, Cab (Shown), BSN Z7RZ01521
1	87640551	1	HARNESS, Cab, ASN Z7RZ01521
2	437550A1	1	FLANGE, 102 Pin Connector
3	780-34319	4	SCREW, SELF TAPPING, Hex Wash Hd, M4.8 x 19,
4	515-22190	2	CLAMP, 3/4", Insul, 5/16" Bolt,
5	516-22127	1	CLAMP, J, 9/16" Insul, 5/16" Bolt,
6	825-2408	4	NUT, M8 x 1.25, Flg, Cl 8,
7	87525378	1	CONDUIT, RH, Armrest
8	87716894	1	HARNESS, Relay Jumper



MX305 CASE IH MAGNUM TRACTOR NA (1/06-9/06)

04-10 HARNESS - CAB ROOF, SHELF AND CD CHANGER

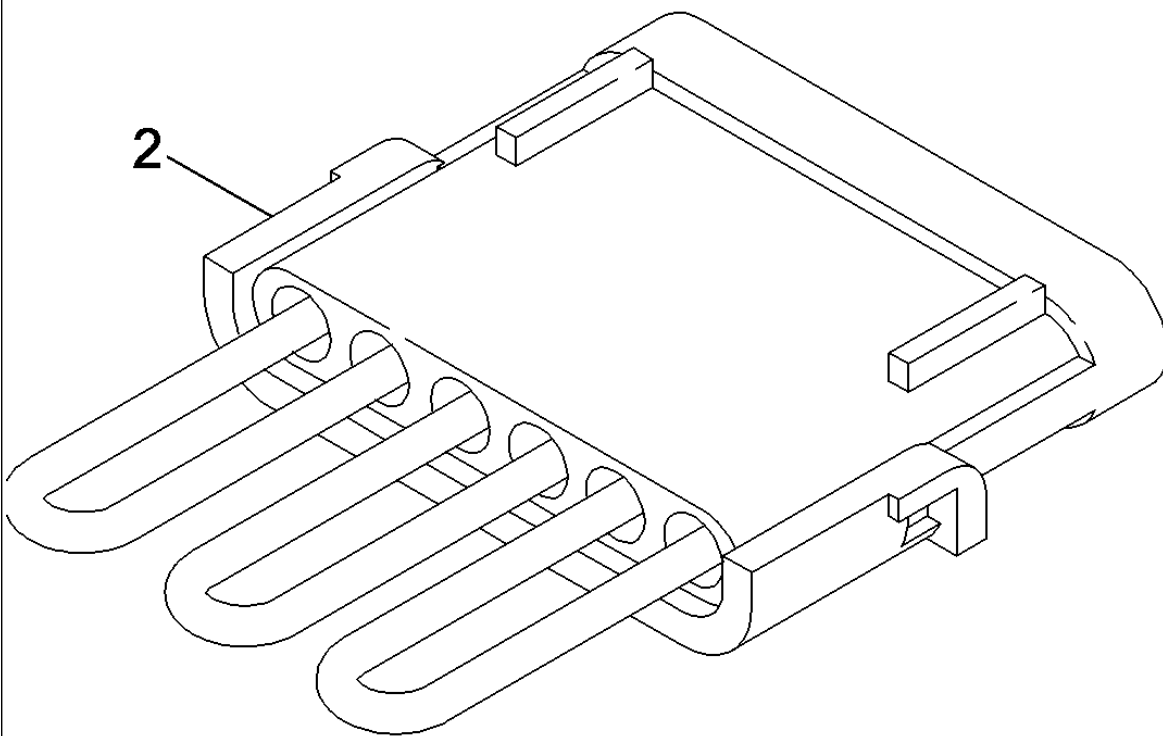
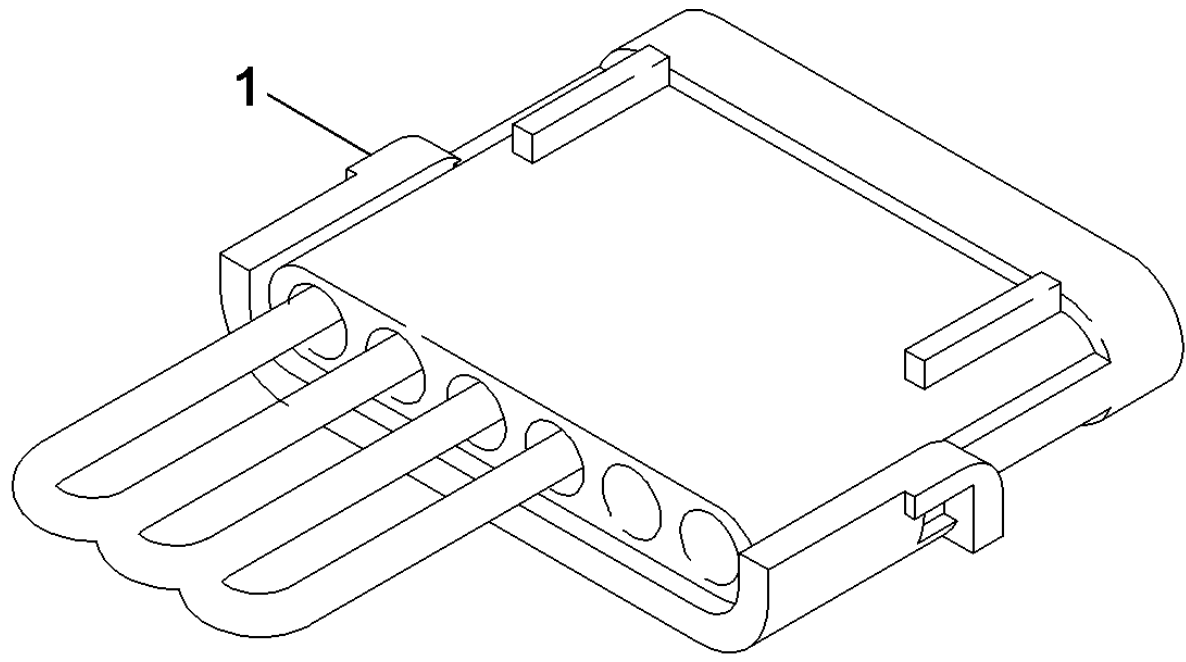
сылка	Номер детали	Кол-во	Описание
1	87451533	1	HARNESS, Cab Roof (Shown), BSN Z7RZ01521
1	87657275	1	HARNESS, Cab Roof, ASN Z7RZ01521
2	169850C2	3	CLIP, CABLE,
3	280584A3	1	HARNESS, Shelf
5	87414959	1	LAMP, Map, Inc. 16
6	227739A2	2	CONNECTOR, ELEC, Harness, Aux Power
7	1983391C1	1	LAMP, Dome, Inc. 8
8	3050958R1	1	BULB, K, 12V, 10W,
9	1534229C1	1	SWITCH, DOOR,
10	765-14322	1	SCREW, SELF TAPPING, Oval Hd, M4.2 x 22,
11	368143A1	1	LAMP, Console Illuminator, Inc. 12
12	D71346	1	LAMP, TAIL, No. 168
13	760-17316	2	SCREW, SELF TAPPING, Pan Hd, M4.2 x 16,
14	177269A1	2	NUT,
15	303433A1	1	HARNESS, CD Changer, If Equipped
16	373114A1	1	BULB,



MX305 CASE IH MAGNUM TRACTOR NA (1/06-9/06)

04-12 HARNESS - SUSPENDED AXLE

сылка	Номер детали	Кол-во	Описание
1	87324324	1	HARNESS, Suspended Axle Solenoids (Shown), BSN Z7RZ01521
1	87382530	1	HARNESS, Suspended Axle Solenoids, ASN Z7RZ01521
2	87451549	1	HARNESS, WIRE, Suspended Axle Sensor



MX305 CASE IH MAGNUM TRACTOR NA (1/06-9/06)

04-13 HARNESS - EGRESS LIGHTING

сылка	Номер детали	Кол-во	Описание
-------	--------------	--------	----------

1	87453728	1	HARNESS, Egress 1
---	----------	---	-------------------

2	87453730	1	HARNESS, Egress 2
---	----------	---	-------------------

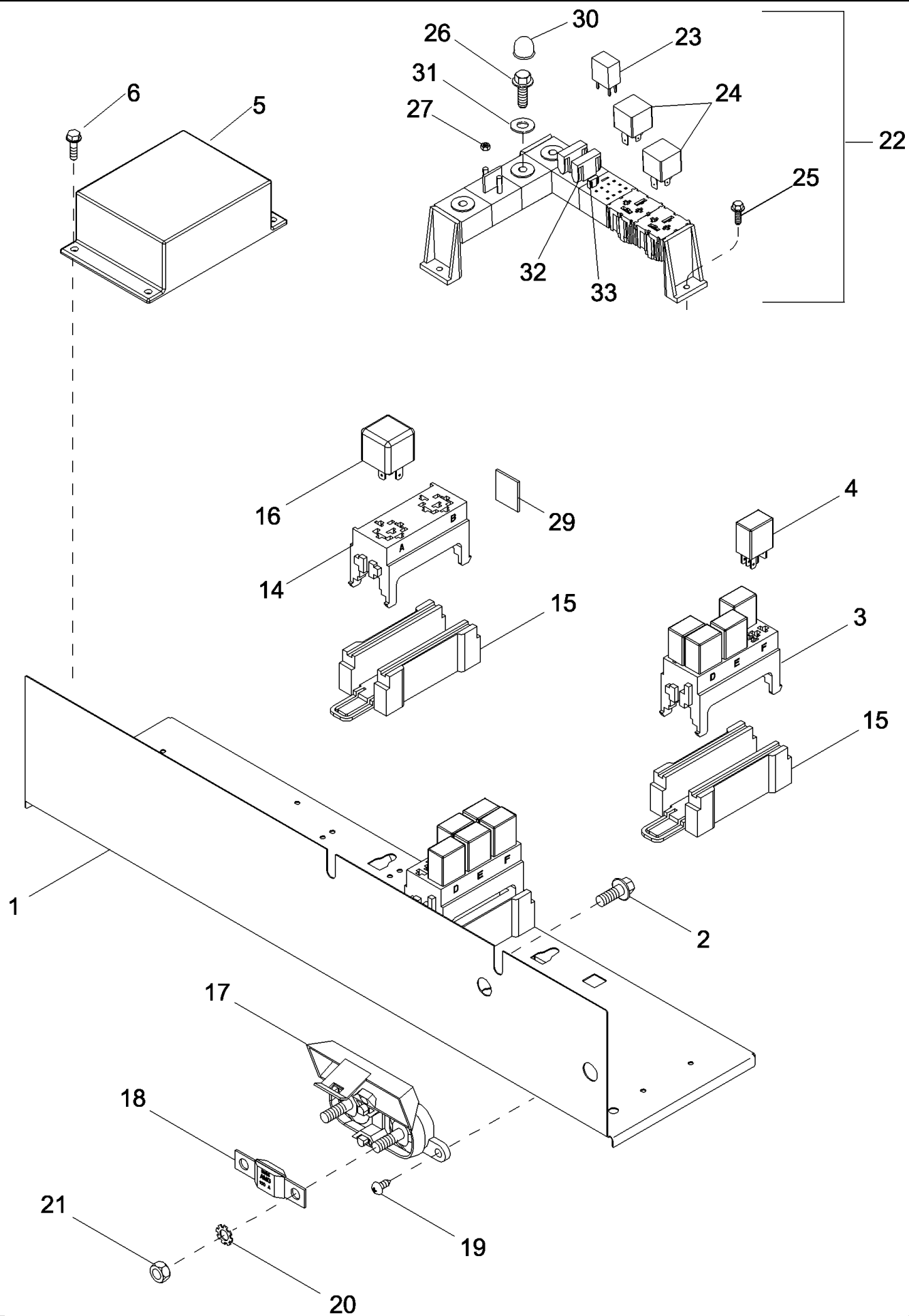




MX305 CASE IH MAGNUM TRACTOR NA (1/06-9/06)

04-14 ELECTRICAL COMPONENT MOUNTING - BSN Z7RZ05917

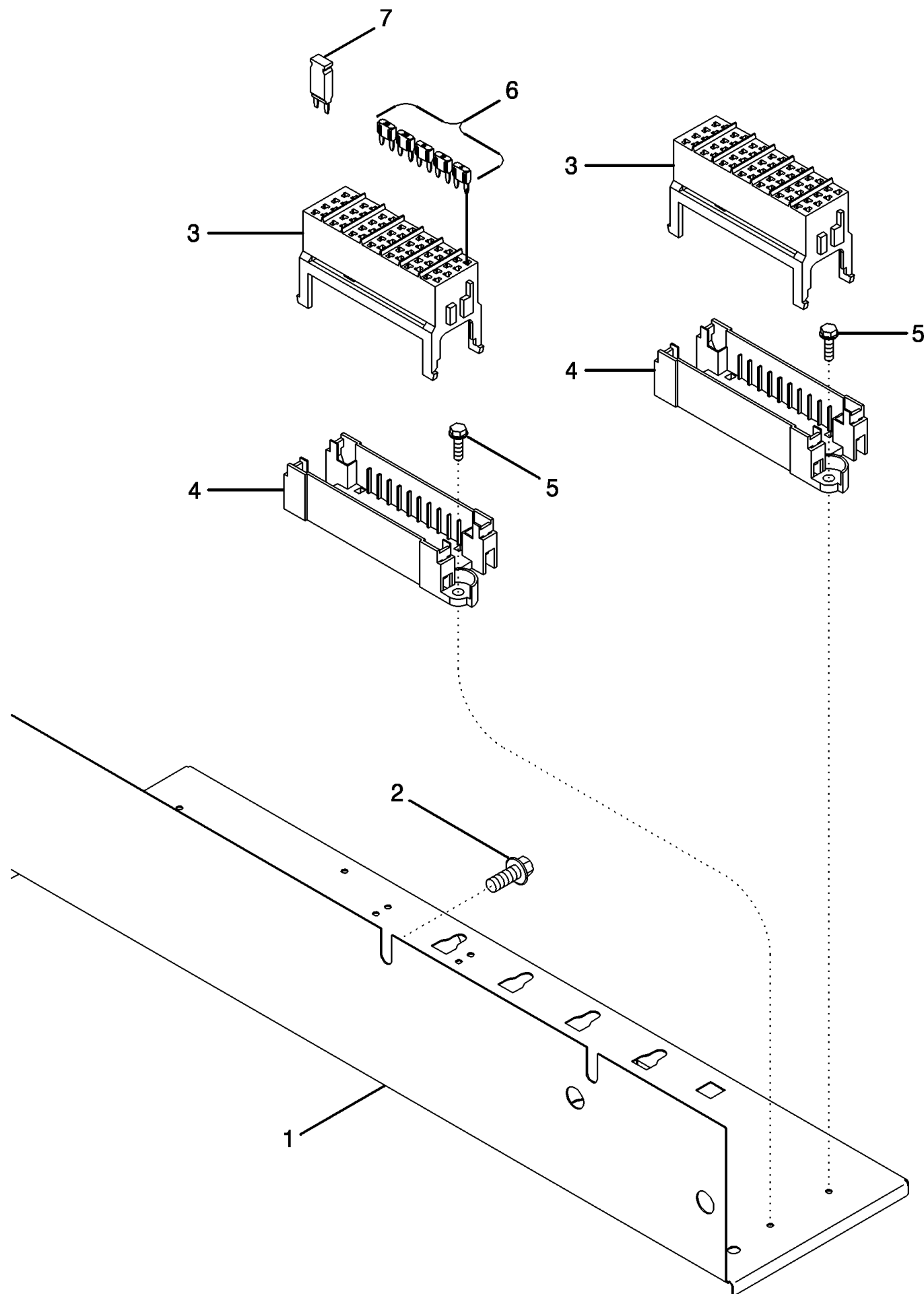
сылка	Номер детали	Кол-во	Описание
1	87364238	1	PANEL,
2	781-24820	3	SCREW, SELF TAPPING, Hex Flg Hd, M8 x 20,
3	144417A1	2	BLOCK, CONNECTING,
4	87414866	20	RELAY, 20 Amp
5	397346A1	1	FLASHER UNIT,
6	780-34319	2	SCREW, SELF TAPPING, Hex Wash Hd, M4.8 x 19,
9	418485A1	1	SWITCH, SOLENOID,
10	780-34319	2	SCREW, SELF TAPPING, Hex Wash Hd, M4.8 x 19,
11	193-1000	2	NUT, Keps, w/LW,#10-32,
12	425-105	2	NUT, 5/16"-18, G5,
13	492-11031	2	WASHER, LOCK, 5/16",
14	NSS	1	NOT SERVICED SEPARATELY, Block, Relay
15	182163A1	2	CONNECTOR, ELEC,
16	1983394C2	1	RELAY,
17	440038A1	1	JUNCTION BLOCK,
18	440572A1	1	FUSE, 100 Amp
19	760-14413	2	SCREW, SELF TAPPING, Pan Hd, M4.8 x 13,
20	893-11008	4	WASHER, LOCK, Ext Tooth, M8,
21	829-1408	2	NUT, M8, CI 10,
22	87451484	1	BOOT,



MX305 CASE IH MAGNUM TRACTOR NA (1/06-9/06)

04-15 ELECTRICAL COMPONENT MOUNTING - ASN Z7RZ05917

сылка	Номер детали	Кол-во	Описание
1	87718548	1	PANEL,
2	781-24820	3	SCREW, SELF TAPPING, Hex Flg Hd, M8 x 20,
3	144417A1	2	BLOCK, CONNECTING,
4	87414866	20	RELAY, 20 Amp
5	397346A1	1	FLASHER UNIT,
6	780-34319	2	SCREW, SELF TAPPING, Hex Wash Hd, M4.8 x 19,
14	NSS	1	NOT SERVICED SEPARATELY, BLOCK, Relay
15	182163A1	2	CONNECTOR, ELEC,
16	1983394C2	1	RELAY,
17	440038A1	1	JUNCTION BLOCK,
18	440572A1	1	FUSE, 100 Amp
19	760-14413	2	SCREW, SELF TAPPING, Pan Hd, M4.8 x 13,
20	893-11008	4	WASHER, LOCK, Ext Tooth, M8,
21	829-1408	2	NUT, M8, CI 10,
	87673760	1	MODULE, Inc. 23 - 27, 32 - 33
23	416570A1	1	RELAY,
24	368459A1	1	RELAY, 70 Amp
25	780-34319	5	SCREW, SELF TAPPING, Hex Wash Hd, M4.8 x 19,
26	614-8016	3	BOLT, Hex, M8 x 16, 8.8,
27	87825	2	NUT, #10-32,
29	321663A1	1	PAD, SLIDING, Velcro
30	87706767	3	BOOT,
31	895-15008	3	WASHER, M8 x 20 x 1.6,
32	338060A1	2	FUSE, 60 Amp
33	121414A1	1	FUSE, 20 Amp

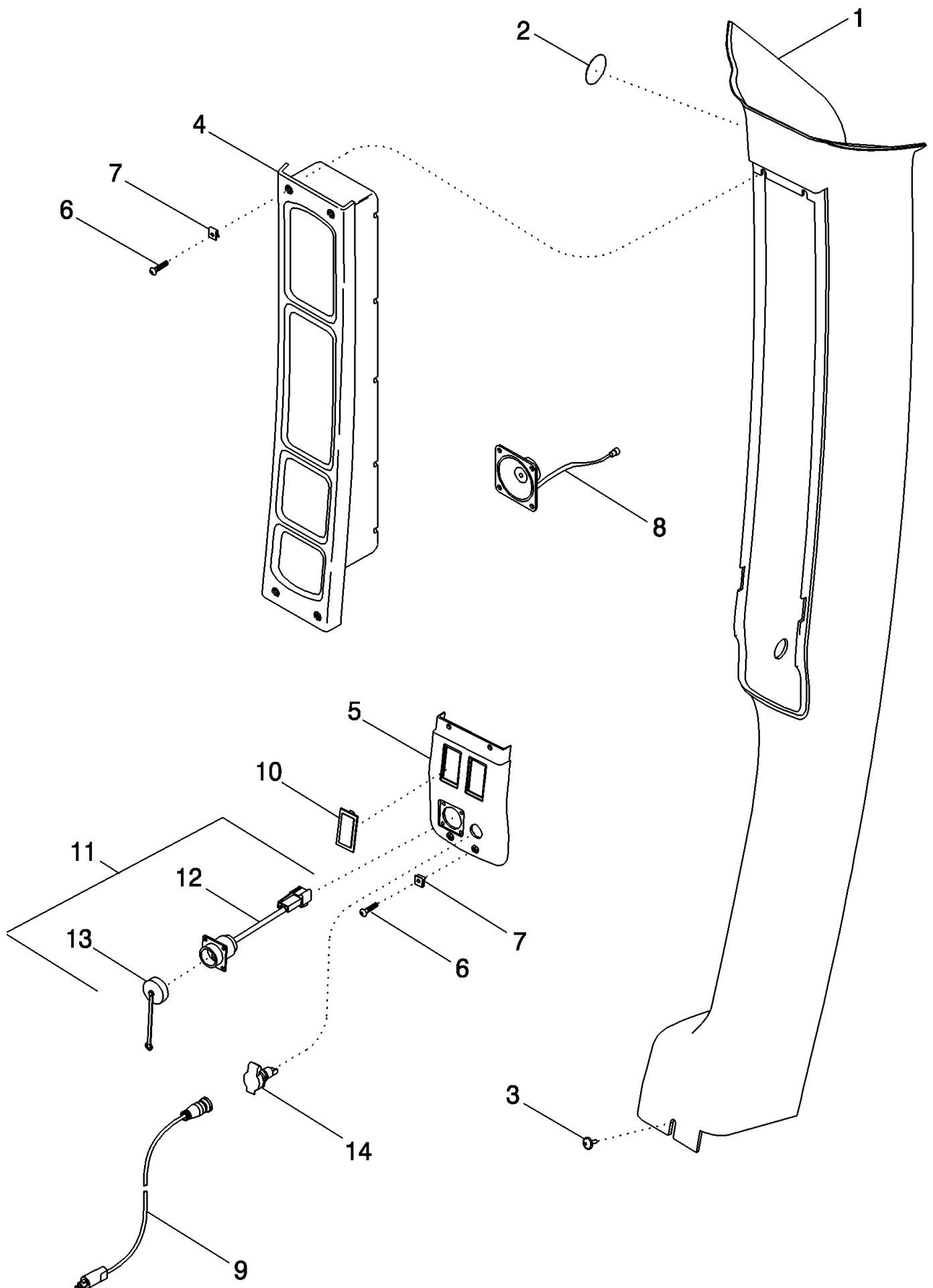


MX305 CASE IH MAGNUM TRACTOR NA (1/06-9/06)

04-16 ELECTRICAL COMPONENT MOUNTING - FUSES

сылка	Номер детали	Кол-во	Описание
1	87718548	1	PANEL,
2	781-24820	3	SCREW, SELF TAPPING, Hex Flg Hd, M8 x 20,
3	144421A1	2	BLOCK, CONNECTING,
4	194319A1	2	TERMINAL,
5	780-34319	2	SCREW, SELF TAPPING, Hex Wash Hd, M4.8 x 19,
6	121410A1		AR FUSE, 5 Amp
6	121412A1		AR FUSE, 10 Amp
6	121413A1		AR FUSE, 15 Amp
6	121414A1		AR FUSE, 20 Amp
6	121415A1		AR FUSE, 25 Amp
6	121416A1		AR FUSE, 30 Amp
6	338060A1		AR FUSE, 60 Amp
7	139719A1	1	CIRCUIT BREAKER, 15 Amp

04-17 A-POST COVER - INSTRUMENT CLUSTER



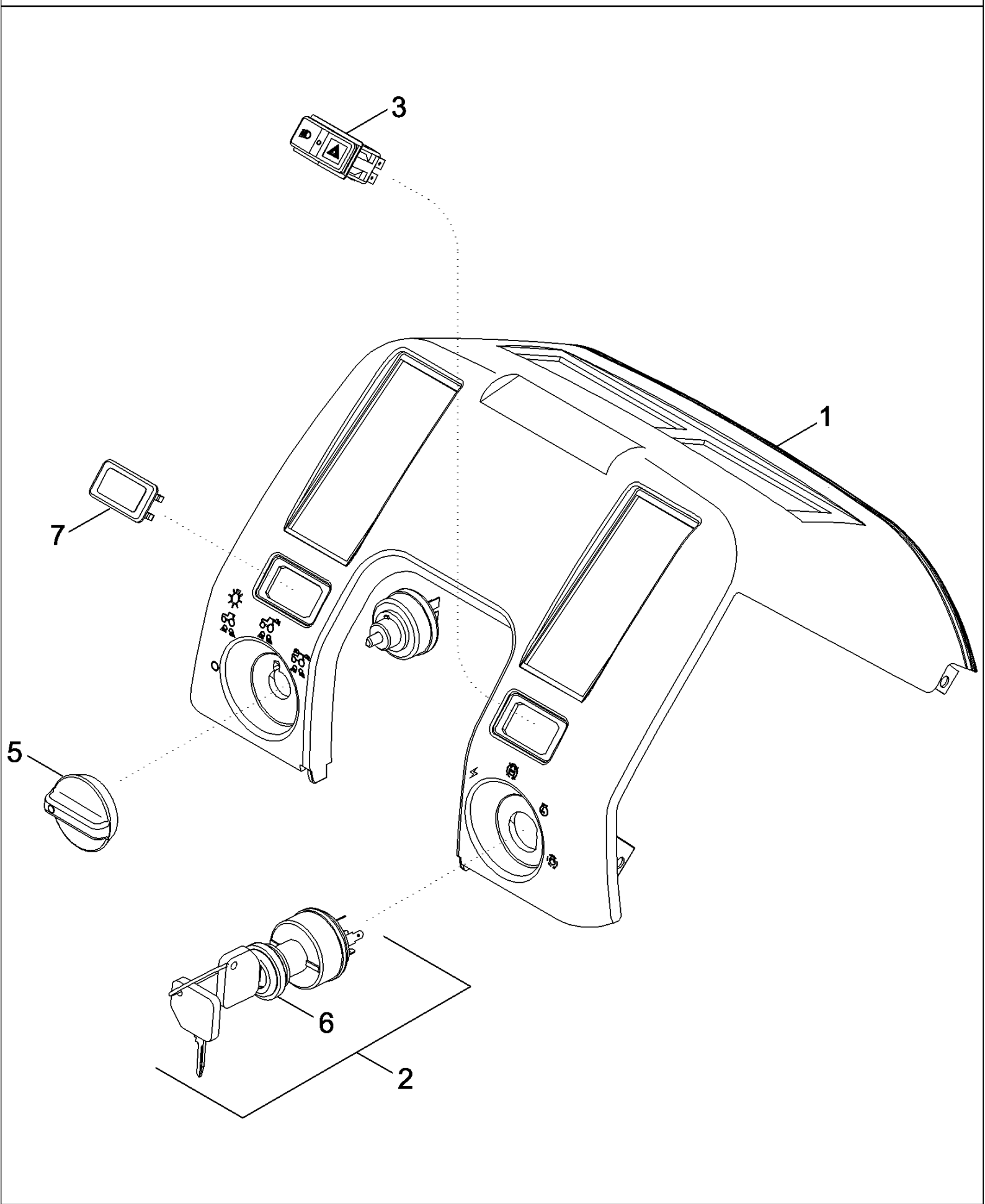
## MX305 CASE IH MAGNUM TRACTOR NA (1/06-9/06)

## 04-17 A-POST COVER - INSTRUMENT CLUSTER

сылка	Номер детали	Кол-во	Описание
1	444547A1	1	TRIM PANEL,
2	376597A2	2	COVER,
3	1975782C1	1	SCREW, SELF TAPPING, Cross Truss Wash Hd, #10 x 5/8",
4	87549279	1	MODULE, Standard, Without Software
4	87520588	1	MODULE, Deluxe, Without Software
5	358804A1	1	BEZEL,
6	260-16516	6	SCREW, SELF TAPPING, Cross Pan Hd, #10 x 1",
7	177269A1	6	NUT,
8	87335023	1	SPEAKER,
9	324847A2	1	HARNESS, Monitor
10	245918C1	2	CAP, Blanking
11	227739A2	1	CONNECTOR, ELEC, Auxiliary Power, Inc. 12, 13
12	225164C1	1	CONNECTOR, ELEC,
13	225162C1	1	PLUG, Dust
14	300655A1	1	SOCKET, POWER,



04-18 CONTROLS - FRONT CONSOLE

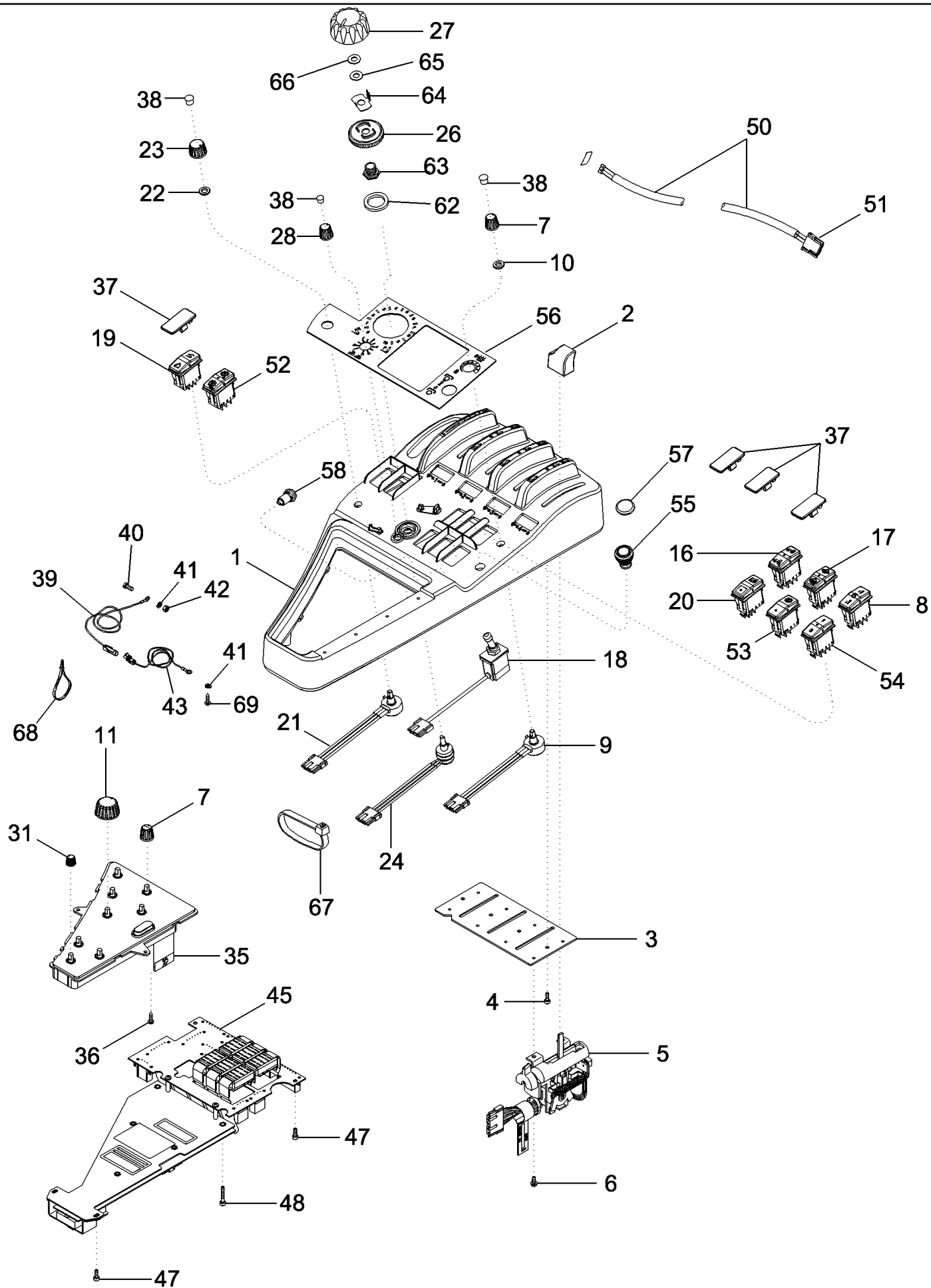


MX305 CASE IH MAGNUM TRACTOR NA (1/06-9/06)

04-18 CONTROLS - FRONT CONSOLE

сылка	Номер детали	Кол-во	Описание
1	87449853	1	COVER,
2	427182A1	1	SWITCH, IGNITION, Ignition, With Key, Inc. 6
3	86989942	1	SWITCH, LIGHTS, Head Lights
4	177250A1	1	SWITCH, LIGHTS, Work Lights
5	1331046C2	1	CAP, WASHER,
6	86502201	1	SET OF 2 KEYS, Ignition
7	86000535	1	PLUG, 1.427" x .62", Plastic,
8	87565185	1	SWITCH, Center HID Light (Not Shown)

04-19 CONTROLS - RIGHT HAND CONSOLE



## MX305 CASE IH MAGNUM TRACTOR NA (1/06-9/06)

## 04-19 CONTROLS - RIGHT HAND CONSOLE

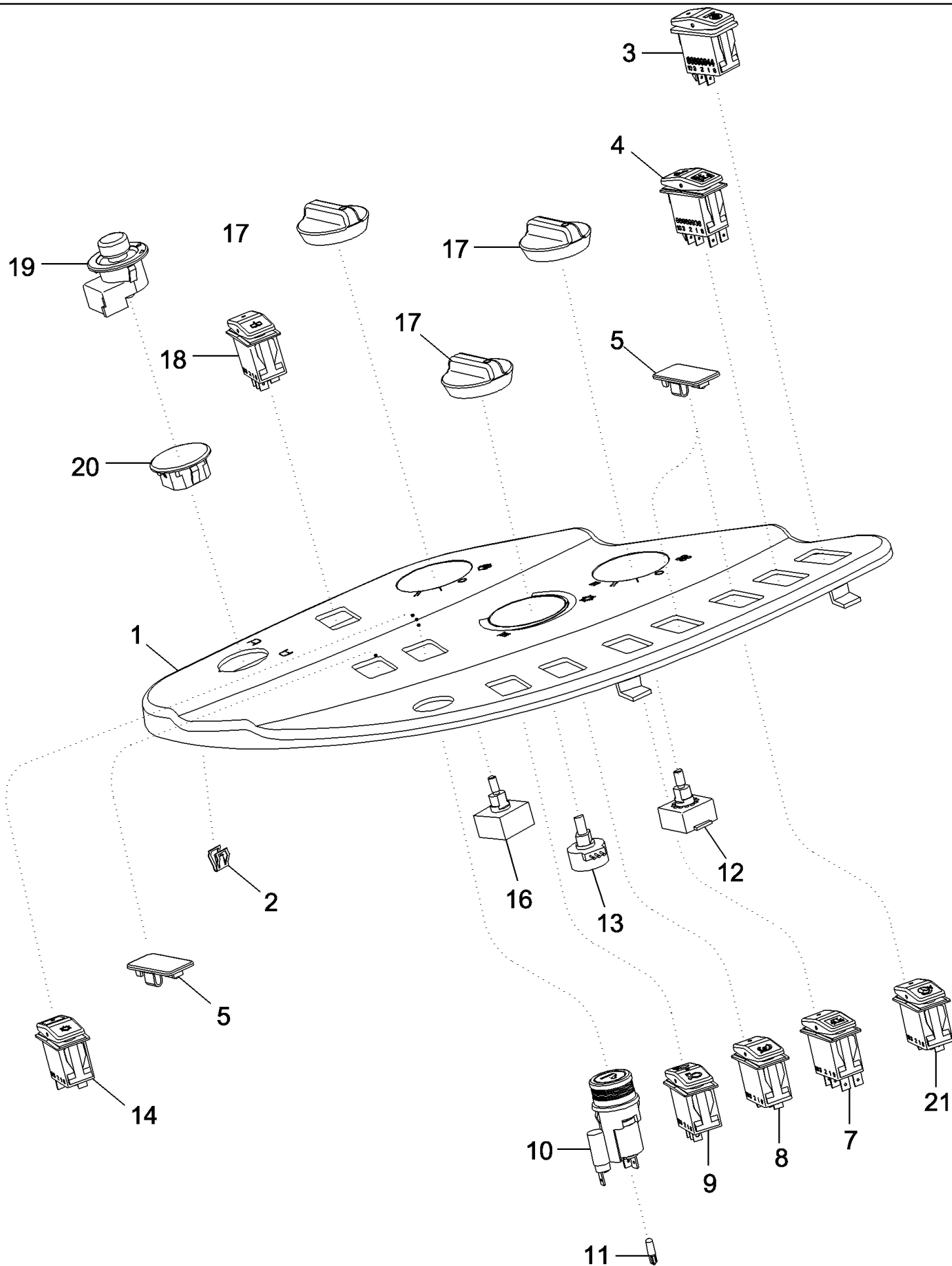
сылка	Номер детали	Кол-во	Описание
1	REF	1	INSTRUCTION, Cover Assembly, See Figure 09-33
2	406962A1	AR	KNOB,
3	230098A1	1	PLATE,
4	368048A1	4	SCREW, M4 x 12
5	87395299	AR	VALVE, CONTROL, Remote Hydraulics
6	281-3446	AR	SCREW, SELF TAPPING, Hex Wash Hd, #8 x 3/8",
7	276797A1	AR	KNOB,
8	87414463	1	SWITCH, 5th Remote
8	87347179	1	SWITCH, Top Link
9	256305A2	1	POTENTIOMETER, Flow Control, 5th Remote, Inc. 10
10	A39888	2	NUT, 3/8-32
11	187820A1	1	KNOB,
16	87414464	1	SWITCH, MFD
17	87414328	1	SWITCH, Differential Lock
18	409603A2	1	SWITCH, PTO
19	86990406	1	SWITCH, Hitch Control
20	87414327	1	SWITCH, Slip Limit Control
21	87399300	1	POTENTIOMETER, Draft Control, Inc. 22
22	A39888	1	NUT, 3/8-32
23	87454709	1	KNOB, SWCD Encoder
24	87399301	1	POTENTIOMETER, Hitch Position
26	87435194	1	KNOB, Hitch Lever
27	87434770	1	KNOB, Hitch Position Control
28	314601A1	1	BUTTON, Hitch Draft Control
31	223433A1	3	KNOB,
35	87365723	1	PANEL, INSTRUMENTS, Hitch Secondary/Flow With No Implement Height Control, BSN 4/2/2008
35	87493958	1	PANEL, INSTRUMENTS, Hitch Secondary/Flow With No Implement Height Control, ASN 4/2/2008
35	87382886	1	PANEL, INSTRUMENTS, Hitch Secondary/Flow With Implement Height Control, BSN 4/2/2008
35	87493959	1	PANEL, INSTRUMENTS, Hitch Secondary/Flow With Implement Height Control, ASN 4/2/2008
36	760-14316	2	SCREW, SELF TAPPING, Pan Hd, M4.2 x 16,
37	406324A2	AR	PLUG,
38	87570112	AR	PLUG,
38	353-401	AR	PLUG, Dome, .312" hole, Nylon,
39	87518589	1	CABLE, Armrest Ground, 115 mm (4-1/2 in)
40	844-8016	1	BOLT, Hex Flg, M8 x 16, 8.8,
41	893-11008	2	WASHER, LOCK, Ext Tooth, M8,
42	825-5148	1	NUT, M8, Flg Ser,
43	87704091	1	CABLE, Cab Ground, 1385 mm (54-1/2 in)
45	87524858	1	CONTROL, Without Software
47	864-4012	4	SCREW, Hex Soc Hd, M4 x 12, 8.8,
48	864-4025	2	SCREW, Hex Soc Hd, M4 x 25, 8.8,
50	258010A2	1	SWITCH, Transmission Shift
51	235676A1	1	CONNECTOR,
52	86989945	1	SWITCH, Programmable Shift
52	87422017	1	SWITCH, End-of-Row Step/Pause, With End-of-Row System

## MX305 CASE IH MAGNUM TRACTOR NA (1/06-9/06)

## 04-19 CONTROLS - RIGHT HAND CONSOLE

сылка	Номер детали	Кол-во	Описание
53	87414465	1	SWITCH, Autoshift, ASN Z6RZ05385
53	87538596	1	SWITCH, Autoshift, BSN Z6RZ05385
54	87414467	1	SWITCH, Scraper
55	411705A3	1	KNOB, PTO Switch
56	87453893	1	DECAL,
56	87350580	1	DECAL, No Hitch
57	82031549	2	PLATE, PTO Switch
58	87330047	1	PUSH BUTTON, PTO
58	87327317	AR	PLASTIC PLUG, Switch Opening (Not Shown) 12.6 mm
59	406324A2	1	PLUG, Switch Opening (Not Shown)
60	296781A1	2	CONNECTOR, (Not Shown)
61	87342542	1	DECAL, Hole Cover (Not Shown)
62	87435852	1	SPACER,
63	87435853	1	RING,
64	87435947	1	SPRING,
65	87436077	1	WASHER,
66	87435946	1	WASHER,
67	L11541	1	STRAP, CABLE,
68	291207C1	3	CLAMP, To Tie Ground Cable To Cab Harness
69	781-24820	1	SCREW, SELF TAPPING, Hex Flg Hd, M8 x 20,

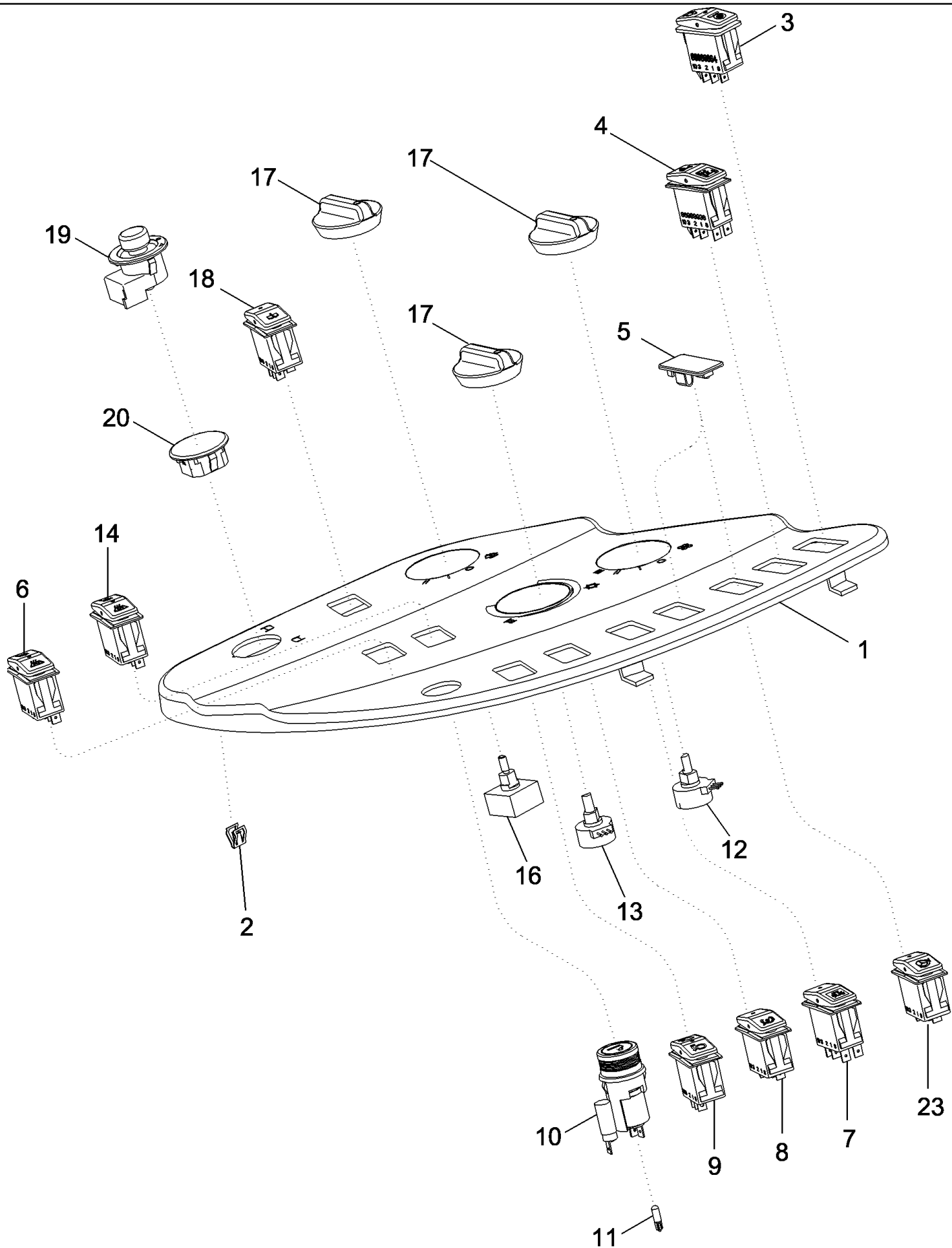
04-20 CONTROLS - RIGHT FENDER CONSOLE, WITHOUT ATC



## MX305 CASE IH MAGNUM TRACTOR NA (1/06-9/06)

## 04-20 CONTROLS - RIGHT FENDER CONSOLE, WITHOUT ATC

сылка	Номер детали	Кол-во	Описание
1	87451321	1	PANEL,
2	278316A2	2	CLIP,
3	86989944	1	SWITCH, Ride Control, Standard
3	86989964	1	SWITCH, Ride Control, Pickup Hitch, Latch
4	87414324	1	SWITCH, Suspended Axle
5	406324A2	AR	PLUG,
7	87414325	1	SWITCH, Beacon-Strobe
8	86989955	1	SWITCH, Cruise Control, On/Off
9	86989953	1	SWITCH, Cruise Control, Increase/Decrease
10	432239A1	1	LIGHTER, CIGARETTE, Inc. 11
11	437324A1	1	BULB,
10	82022823	1	PLATE, Rubber Plug, Without Lighter (Not Shown)
12	92100C2	1	SWITCH, Blower Motor
13	326282A1	1	POTENTIOMETER, Cab Temperature
14	87405636	1	SWITCH, Air Conditioning, On/Off
16	92115C2	1	SWITCH, Front Wiper
17	1331046C2	3	CAP, WASHER,
18	86989939	1	SWITCH, WINDSHIELD WIPER, Rear
19	280627A1	1	SWITCH, MIRROR ADJUSTMENT, Mirror
20	87327317	1	PLASTIC PLUG,
21	87323840	1	SWITCH, Accuguide, BSN Z7RZ01521
21	87711789	1	SWITCH, AUTO GUIDANCE DISENGAGE, Accuguide, ASN Z7RZ01521

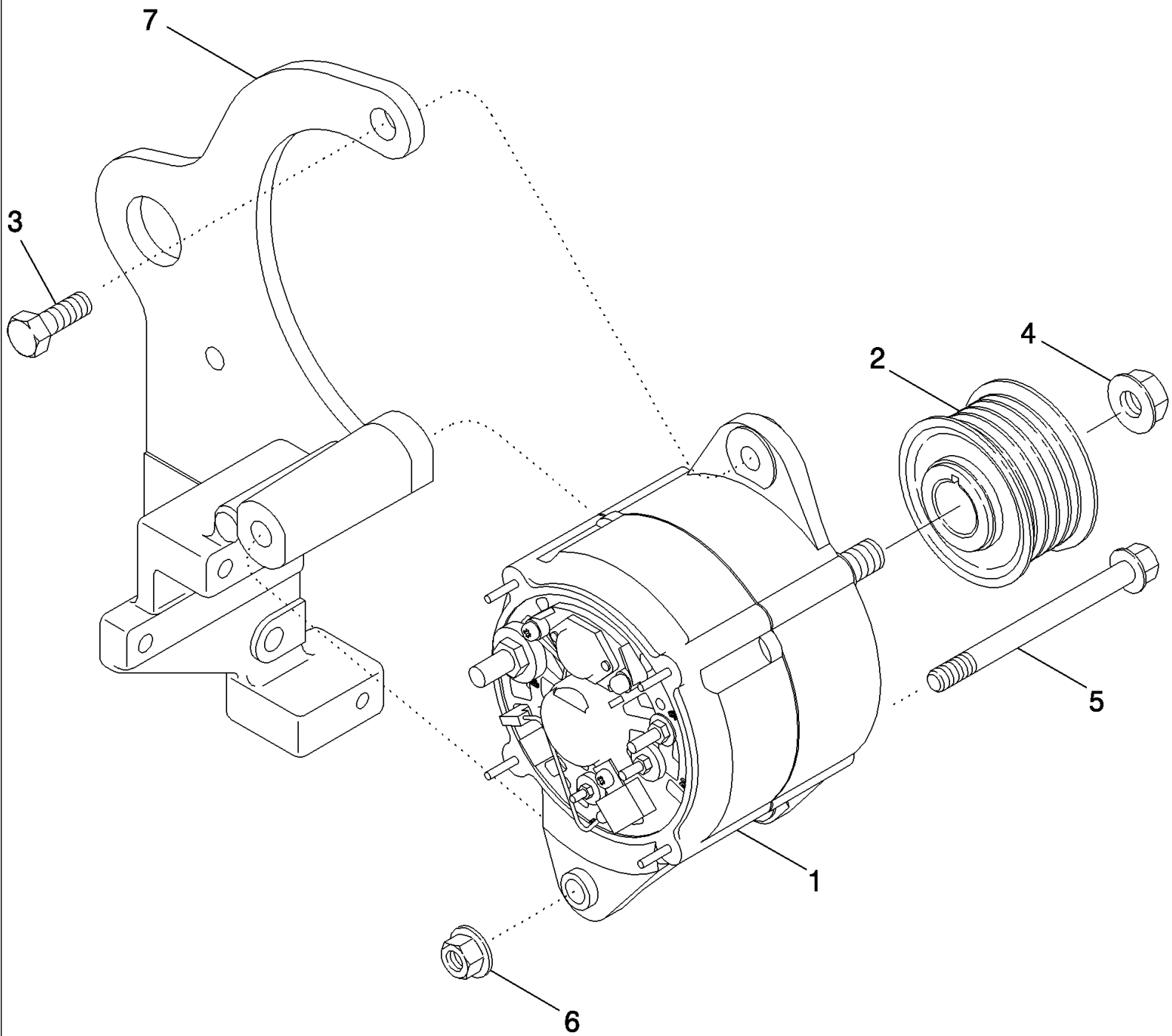




## MX305 CASE IH MAGNUM TRACTOR NA (1/06-9/06)

## 04-21 CONTROLS - RIGHT FENDER CONSOLE, WITH ATC

сылка	Номер детали	Кол-во	Описание
1	87451319	1	PANEL,
2	278316A2	2	CLIP,
3	86989944	1	SWITCH, Ride Control, Standard
3	86989964	1	SWITCH, Ride Control, Pickup Hitch, Latch
4	87414324	1	SWITCH, Suspended Axle
5	406324A2	AR	PLUG,
6	87444610	1	SWITCH, Defog Momentary With LED
7	87414325	1	SWITCH, Beacon-Strobe
8	86989955	1	SWITCH, Cruise Control, On/Off
9	86989953	1	SWITCH, Cruise Control, Increase/Decrease
10	432239A1	1	LIGHTER, CIGARETTE, Inc. 11
11	437324A1	1	BULB,
10	82022823	1	PLATE, Rubber Plug, Without Lighter (Not Shown)
12	326281A1	1	POTENTIOMETER, Blower Motor
13	326282A1	1	POTENTIOMETER, Cab Temperature
14	87454558	1	SWITCH, Climate Control
16	357662A1	1	SWITCH, WINDSHIELD WIPER, Front Wiper
17	1331046C2	3	CAP, WASHER,
18	86989939	1	SWITCH, WINDSHIELD WIPER, Rear
19	280627A1	1	SWITCH, MIRROR ADJUSTMENT, Mirror
20	87327317	1	PLASTIC PLUG,
23	87323840	1	SWITCH, Accuguide, BSN Z7RZ01521
23	87711789	1	SWITCH, AUTO GUIDANCE DISENGAGE, Accuguide, ASN Z7RZ01521

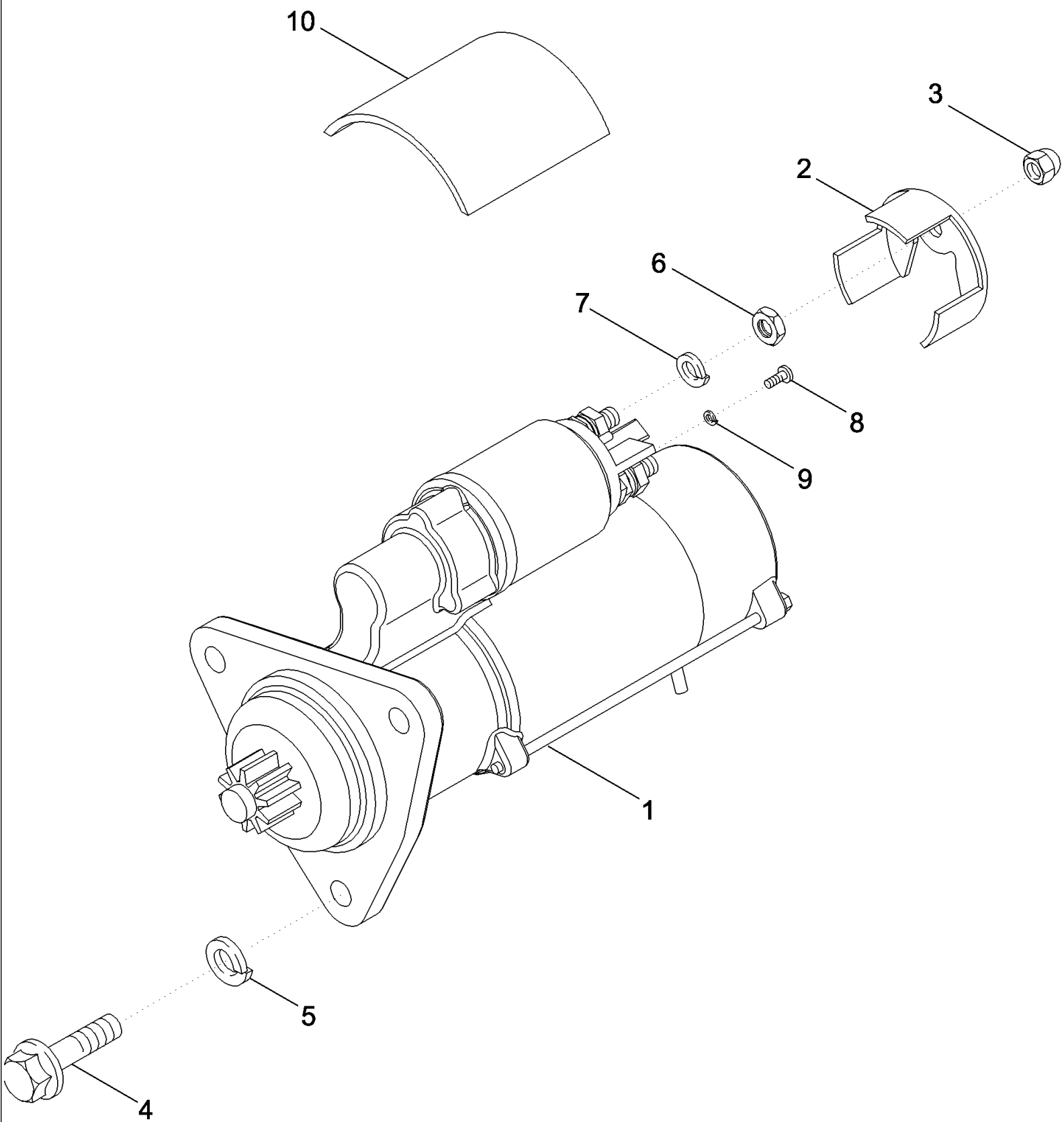


MX305 CASE IH MAGNUM TRACTOR NA (1/06-9/06)

04-22 ALTERNATOR - MOUNTING

сылка	Номер детали	Кол-во	Описание
1	87715397	1	ALTERNATOR, 160 amp
1	87715398	1	ALTERNATOR, 200 amp
2	87471474	1	PULLEY,
3	426-820	1	BOLT, Hex, 1/2"-13 x 1 1/4", G8, Full Thd,
4	NSS	1	NOT SERVICED SEPARATELY, NUT, M16
5	844-12150	1	BOLT, Hex Flg, M12 x 150, 8.8,
6	825-2412	1	NUT, M12 x 1.75, Flg, Cl 8,
7	87708788	1	SUPPORT, Alternator
	87471745	1	KIT, Regulator

04-23 STARTER - MOUNTING

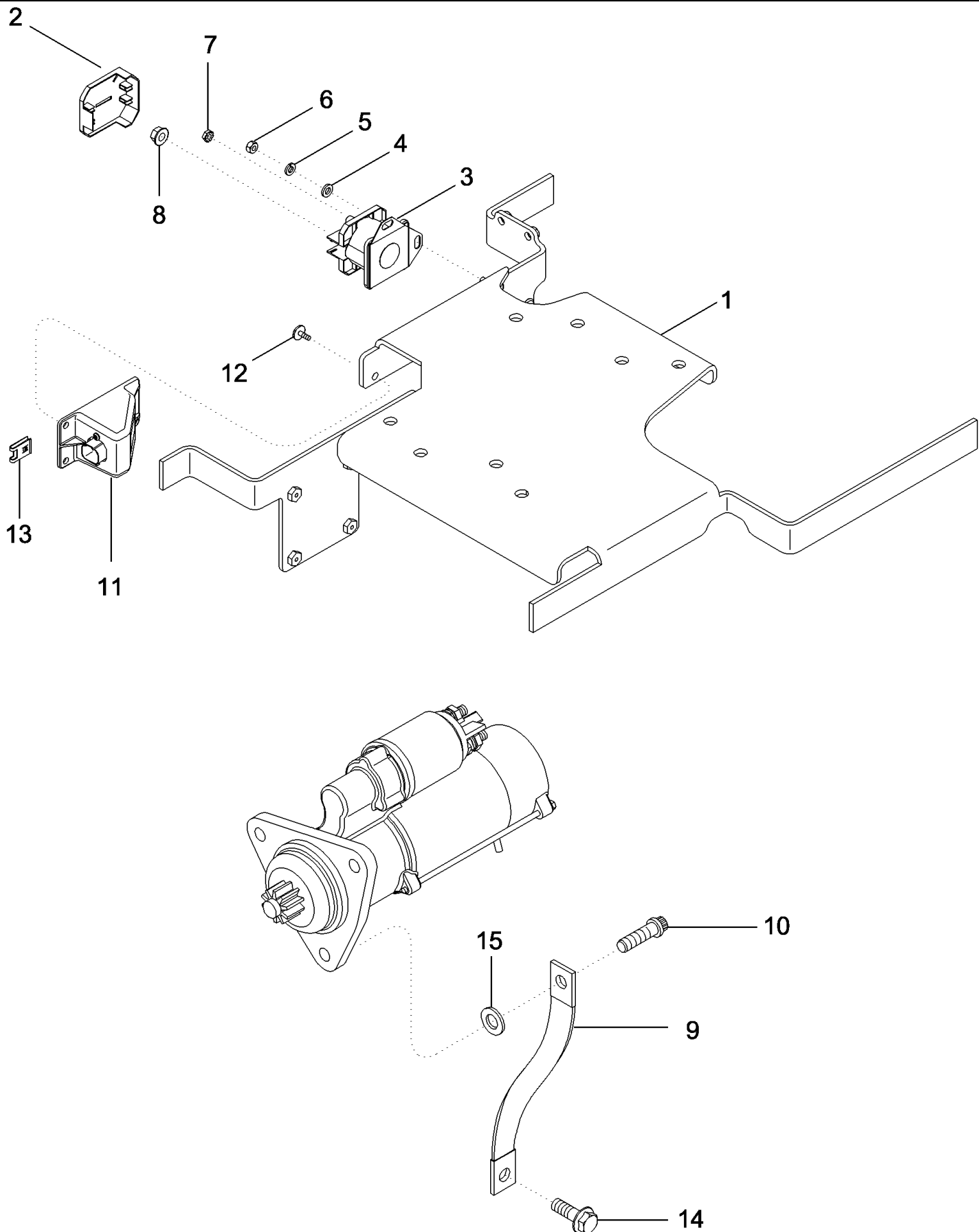


## MX305 CASE IH MAGNUM TRACTOR NA (1/06-9/06)

## 04-23 STARTER - MOUNTING

сылка	Номер детали	Кол-во	Описание
1	87499205	1	MOTOR, STARTER,
2	87422566	1	COVER, Jump Start Protection
3	87422567	1	NUT,
4	868-12040	3	SCREW, 12 pt, Flg Hd, M12 x 40, 12.9,
5	896-11012	3	WASHER, M13.5 x 24.5 x 3, HT,
6	829-4410	1	NUT, Thin, M10 x 1.5, Cl 05,
7	892-11010	1	WASHER, LOCK, M10,
8	258820A1	1	SCREW, M5 x 8 mm
9	892-11005	1	WASHER, LOCK, M5,
10	87397411	1	INSULATOR, RUBBER,

04-24 SOLENOID - STARTER

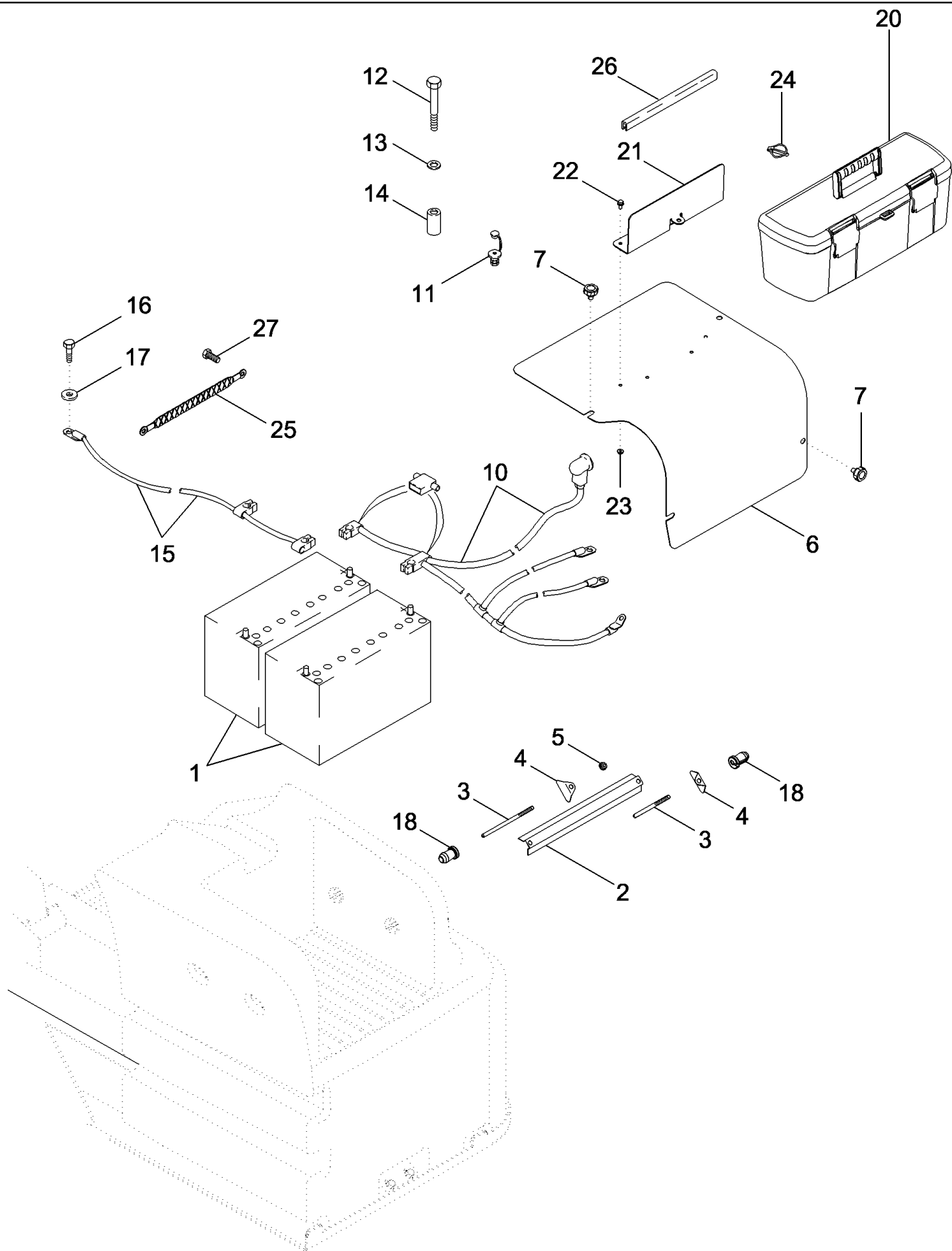


## MX305 CASE IH MAGNUM TRACTOR NA (1/06-9/06)

## 04-24 SOLENOID - STARTER

сылка	Номер детали	Кол-во	Описание
2	178148A1	1	COVER,
3	183038A1	1	SWITCH, SOLENOID, Switch, Order 178149A1
4	896-11006	2	WASHER, M6 x 13 x 2, HT,
5	892-11006	2	WASHER, LOCK, M6,
6	829-1406	2	NUT, M6, CI 10,
7	193-1000	1	NUT, Keps, w/LW,#10-32,
8	231-5145	2	NUT, Flg, USR, 5/16"-18,
9	257176A3	1	CABLE, BATTERY (NEG),
10	868-12040	1	SCREW, 12 pt, Flg Hd, M12 x 40, 12.9,
11	397496A1	1	CONNECTOR, ELEC, Passive Terminator
12	1975782C1	2	SCREW, SELF TAPPING, Cross Truss Wash Hd, #10 x 5/8",
13	131-642	2	NUT, Tinn, U, #10,
14	868-12040	1	SCREW, 12 pt, Flg Hd, M12 x 40, 12.9,
15	896-11012	1	WASHER, M13.5 x 24.5 x 3, HT,

04-25 BATTERY, BATTERY BOX AND CABLES

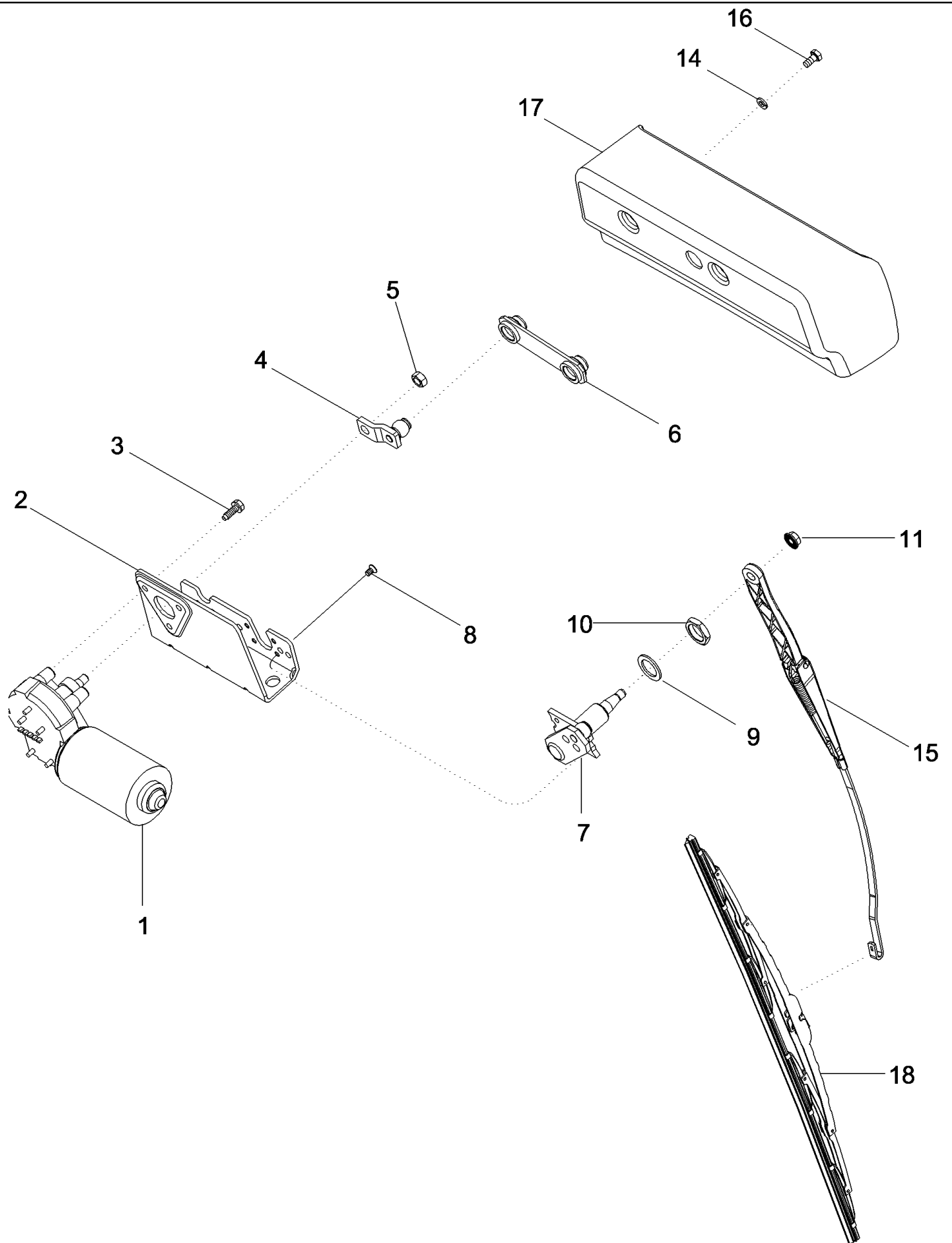




## MX305 CASE IH MAGNUM TRACTOR NA (1/06-9/06)

## 04-25 BATTERY, BATTERY BOX AND CABLES

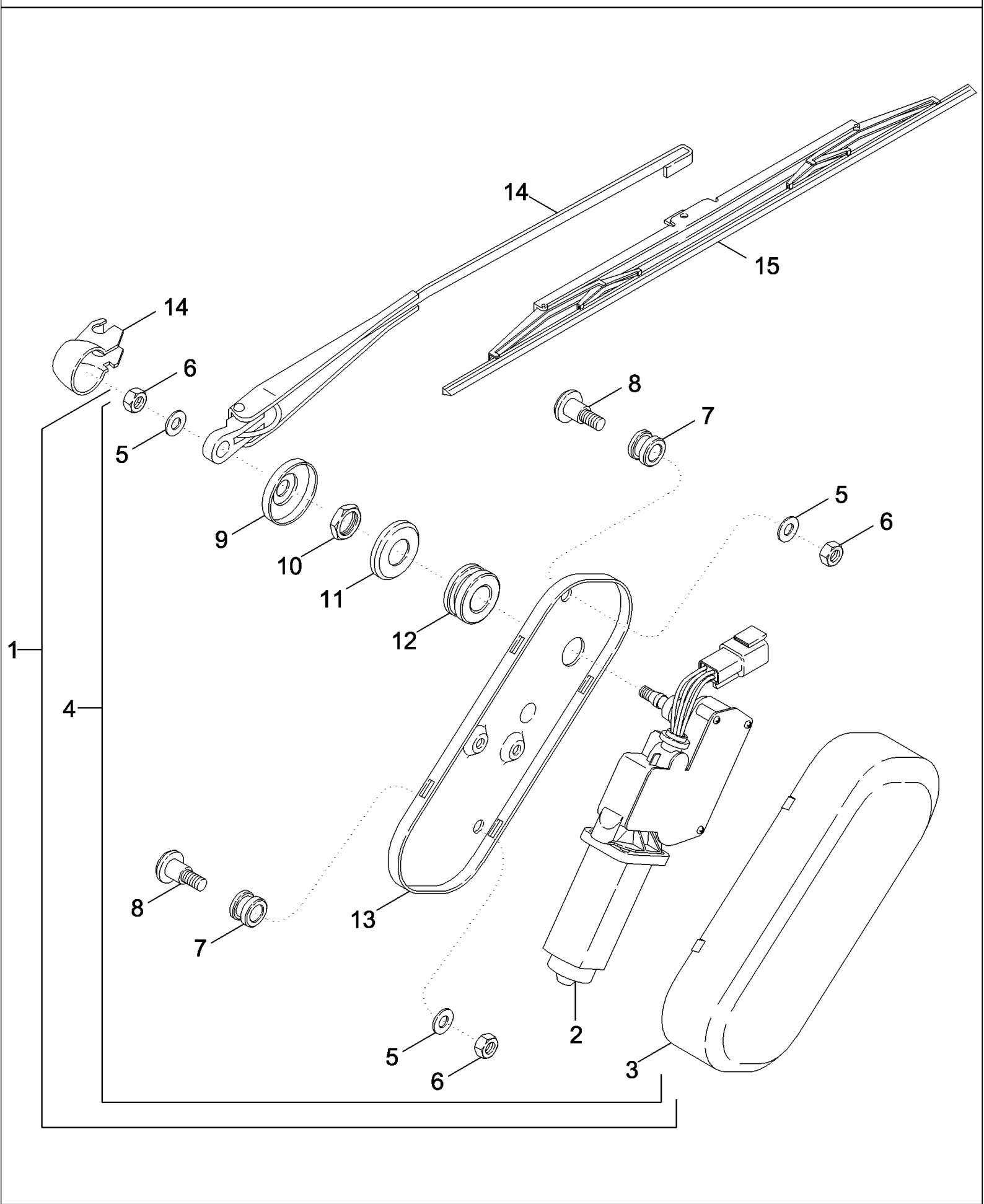
сылка	Номер детали	Кол-во	Описание
1	BMF31G	2	BATTERY, DRY, 12V, Not For UK
1	ZKA1000012	2	BATTERY, WET, UK Only
2	255675A1	2	ANGLE BAR,
3	246157A1	4	TRUSS ROD,
4	255728A1	4	PLATE, SUPPORT,
5	825-5148	4	NUT, M8, Flg Ser,
6	238016A3	1	COVER,
7	394133A1	4	KNOB,
10	87365745	1	CABLE, Positive, BSN Z6RZ03572
10	87528022	1	CABLE, Positive, ASN Z6RZ03572
11	87383841	1	BUSHING,
12	814-20070	1	BOLT, Hex, M20 x 70, 8.8,
13	896-11020	1	WASHER, M20 x 37.5 x 4, HT,
14	1331939C1	1	SPACER,
15	87456418	1	CABLE, Ground, 790 mm (31-7/64 in)
16	614-12025	2	BOLT, Hex, M12 x 25, 8.8,
17	896-11012	2	WASHER, M13.5 x 24.5 x 3, HT,
18	318864A1	4	SEAL, Fuel Tank
20	87400261	1	BOX, TOOL,
21	255821A2	1	SUPPORT,
22	905-6012	4	BOLT, Hex Serr Flg, M6 x 12,
23	825-5146	4	NUT, M6, Flg Ser,
24	82013836	1	PIN, LOCK,
25	87424307	1	STRAP, GROUND,
26	87450361	1	VINYL, Edge
27	614-8020	1	BOLT, Hex, M8 x 20, 8.8,
28	844-12025	2	BOLT, Hex Flg, M12 x 25, 8.8, (Not Shown), Magnum 335



## MX305 CASE IH MAGNUM TRACTOR NA (1/06-9/06)

## 04-26 WINDSHIELD WIPER ASSEMBLY - FRONT AND REAR

сылка	Номер детали	Кол-во	Описание
	87673381		WIPER MOTOR, Inc. 1 - 8
1	NSS	1	NOT SERVICED SEPARATELY, MOTOR
2	NSS	1	NOT SERVICED SEPARATELY, BRACKET
3	NSS	3	NOT SERVICED SEPARATELY, SCREW
4	NSS	1	NOT SERVICED SEPARATELY, CRANK ASSY
5	NSS	1	NOT SERVICED SEPARATELY, NUT
6	NSS	1	NOT SERVICED SEPARATELY, LINK
7	NSS	1	NOT SERVICED SEPARATELY, PIVOT ASSY
8	NSS	4	NOT SERVICED SEPARATELY, SCREW
9	895-11020	2	WASHER, M20 x 37 x 3,
10	L112087	1	NUT,
11	825-1408	1	NUT, M8, CI 8,
14	892-11006	2	WASHER, LOCK, M6,
15	84122637	1	WIPER ARM,
16	614-6012	2	BOLT, Hex, M6 x 12, 8.8,
17	401109A3	1	CAGE,
18	87673380	1	WIPER BLADE,
19	895-15006	4	WASHER, M6 x 25 x 1.6, (Not Shown), w/o Rear Wiper
20	87529297	2	CLIP, (Not Shown), Without Rear Wiper
21	614-8020	1	BOLT, Hex, M8 x 20, 8.8, (Not Shown), Without Rear Wiper
22	495-81121	2	WASHER, .344" x 1 1/2" x .060", (Not Shown), Without Rear Wiper
23	829-1408	1	NUT, M8, CI 10, (Not Shown), w/o Rear Wiper

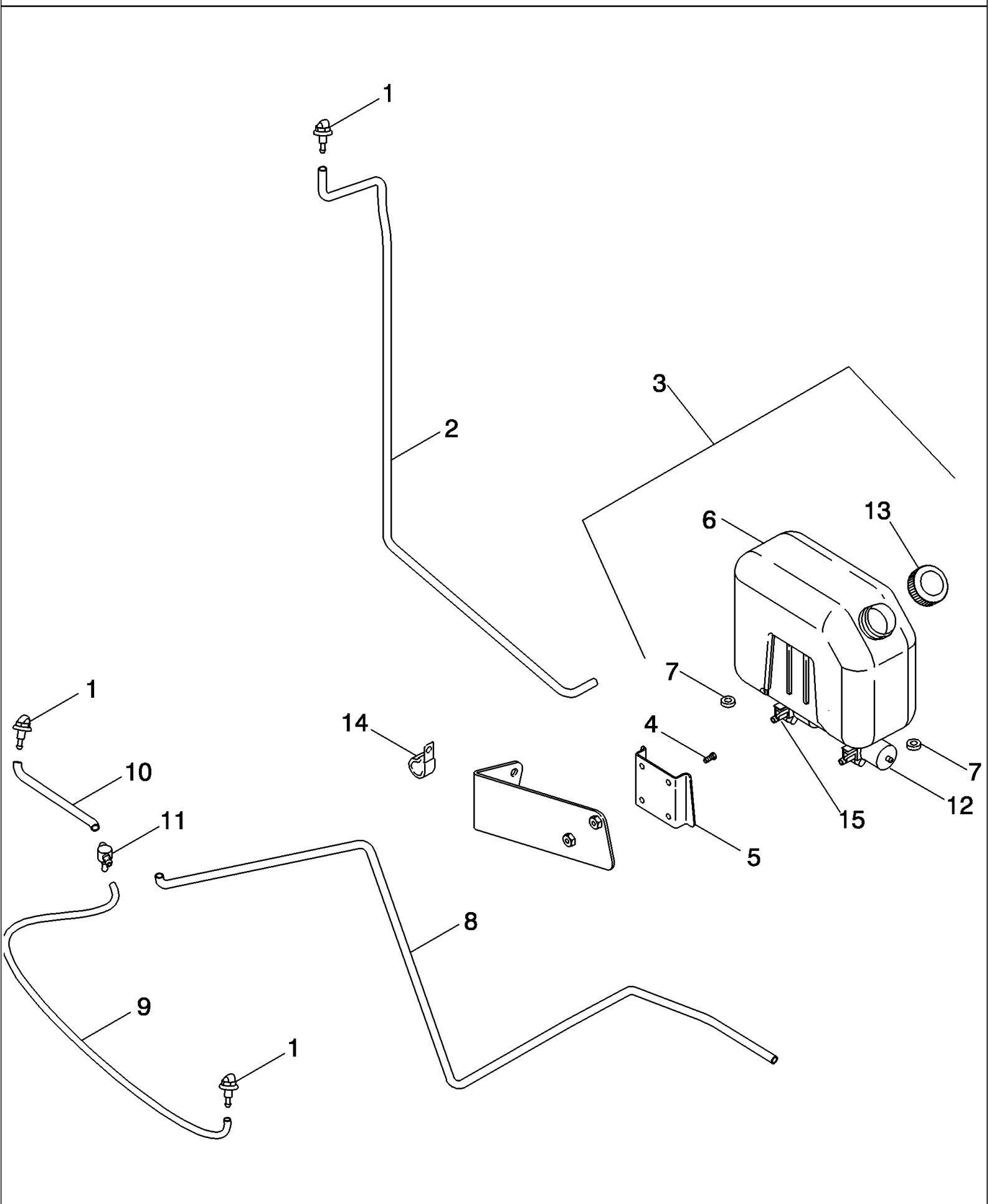


## MX305 CASE IH MAGNUM TRACTOR NA (1/06-9/06)

## 04-27 RIGHT HAND WINDOW WIPER

сылка	Номер детали	Кол-во	Описание
1	87417652	1	WIPER MOTOR, Right Hand Window Wiper, Inc. 2 - 13
2	87435151	1	WIPER MOTOR,
3	87435149	1	COVER,
4	87435150	1	KIT, SERVICE, Inc. 5 - 12
5	NSS	3	NOT SERVICED SEPARATELY, WASHER
6	NSS	3	NOT SERVICED SEPARATELY, NUT
7	NSS	2	NOT SERVICED SEPARATELY, SMALL GROMMET
8	NSS	2	NOT SERVICED SEPARATELY, BOLT
9	NSS	1	NOT SERVICED SEPARATELY, OUTER CAP
10	NSS	1	NOT SERVICED SEPARATELY, NUT
11	NSS	1	NOT SERVICED SEPARATELY, INNER RING
12	NSS	1	NOT SERVICED SEPARATELY, LARGE GROMMET
13	NSS	1	NOT SERVICED SEPARATELY, PLATE
14	87417653	1	WIPER ARM,
15	87417654	1	WIPER BLADE,
16	192013A4	2	PLASTIC PLUG, (Not Shown) Without Wiper
17	192012A4	1	PLASTIC PLUG, (Not Shown) Without Wiper
18	87529297	1	CLIP, (Not Shown) Without Wiper

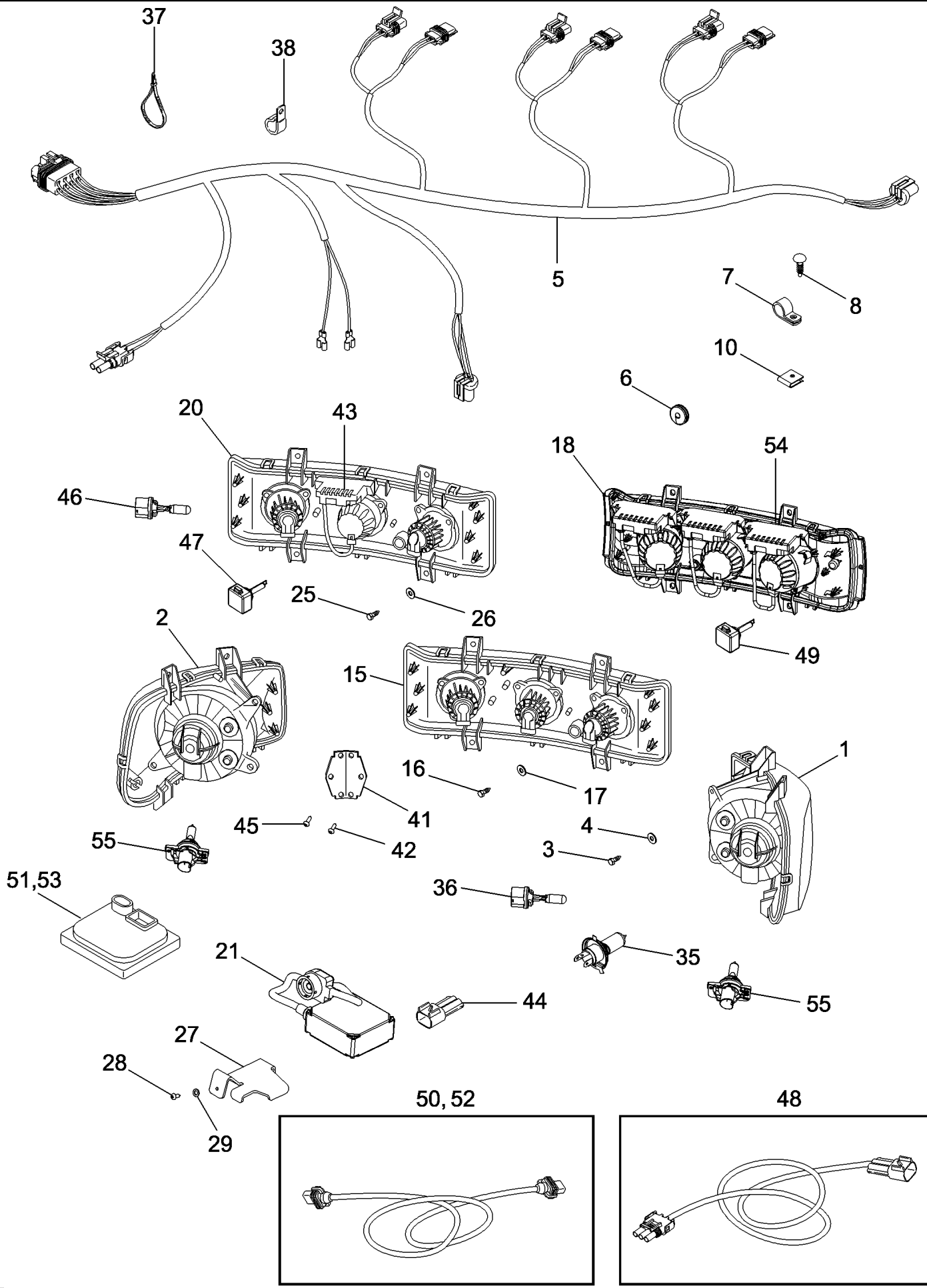
04-28 WINDSHIELD WASHER



## MX305 CASE IH MAGNUM TRACTOR NA (1/06-9/06)

## 04-28 WINDSHIELD WASHER

сылка	Номер детали	Кол-во	Описание
1	3229749R1	3	NOZZLE CAP,
2	1964828C1	1	PIPE, 1145 mm (45-1/8 in) Cut From 1968141C1
3	87337962	1	RESERVOIR, WINDSH. WASH, Inc. 6, 7, 12, 13, 15
4	844-6016	2	BOLT, Hex Flg, M6 x 16, 8.8,
5	5155855	1	BRACKET,
6	NSS	1	NOT SERVICED SEPARATELY, TANK
7	NSS	2	NOT SERVICED SEPARATELY, GROMMET
8	87442313	1	HOSE, 4,000 mm
9	87353989	1	TUBE, PLASTIC-RUBBER, 785 mm, Cut from 1968141C1
10	87353992	1	TUBE, PLASTIC-RUBBER, 150 mm, Cut from 1968141C1
11	87739133	1	VALVE, CHECK, Washer Fluid Double Output
12	NSS	1	NOT SERVICED SEPARATELY, PUMP, Wiper, Front
13	82036769	1	CAP, FILLER,
14	516-2295	4	CLAMP, J, 7/16" Insul, 5/16" Bolt,
15	NSS	1	NOT SERVICED SEPARATELY, PUMP, Wiper, Rear





## MX305 CASE IH MAGNUM TRACTOR NA (1/06-9/06)

04-29 HEADLAMPS, BSN Z6RZ02943

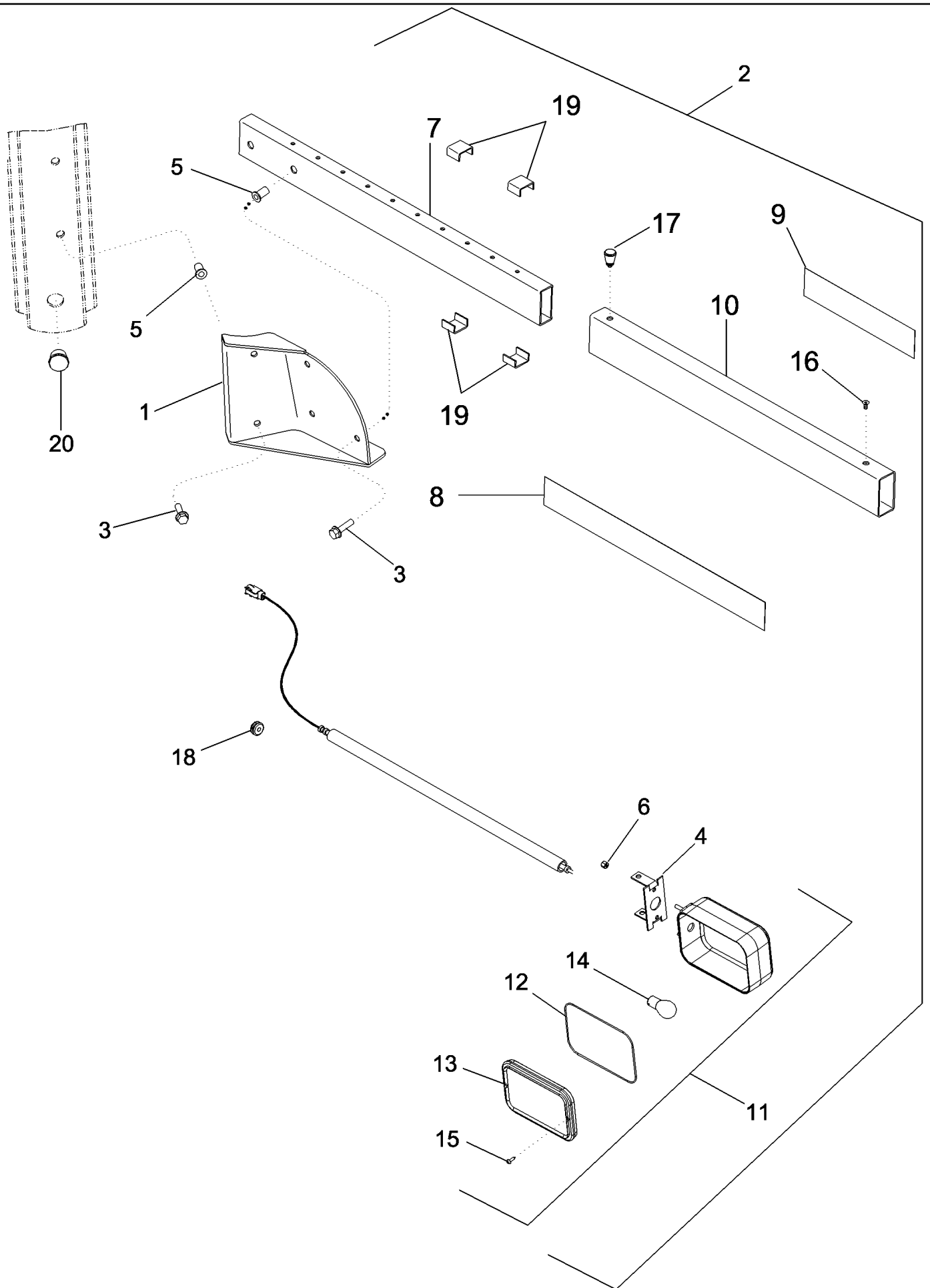
сылка	Номер детали	Кол-во	Описание
1	87309030	1	HEADLAMP, RH, Right Hand, RH Dip, Inc. 35, 36, 55, North America Only
1	87455675	1	HEADLAMP, RH, Right Hand, LH Dip, Inc. 35, 36, Australia Only
2	87309029	1	HEADLAMP, LH, Left Hand, RH Dip, Inc. 35, 36, 55, North America Only
2	87455674	1	HEADLAMP, LH, Left Hand, RH Dip, Inc. 35, 36, Australia Only
3	779-14619	6	SCREW, SELF TAPPING, Hex Hd, M6.3 x 19, , North America Only
4	495-21031	6	WASHER, 1/4", , North America Only
4	259713A1	6	CLIP, (Not Shown), Australia Only
5	87366273	1	HARNESS,
6	411632A1	1	GROMMET,
7	515-22159	2	CLAMP, 5/8", Insul, 5/16" Bolt,
8	93199C1	2	FASTENER,
10	96900C1	4	NUT, U, #10-16, Panel type,
15	87455676	1	LAMP, WORK, Center, 3 Halogen bulbs, Inc. 36
16	779-14619	4	SCREW, SELF TAPPING, Hex Hd, M6.3 x 19,
17	495-21031	4	WASHER, 1/4",
18	87455677	1	LAMP, WORK, Center, 3 HID Bulbs, Inc. 49,52,53,54
20	87308895	1	LAMP, WORK, Center, Single HID, 2 Halogen Bulbs, Inc. 43,46,47,50,51
21	322332A1	1	BALLAST,
25	779-14619	4	SCREW, SELF TAPPING, Hex Hd, M6.3 x 19,
26	495-21031	4	WASHER, 1/4",
27	319929A1	1	SUPPORT,
28	760-14313	1	SCREW, SELF TAPPING, Pan Hd, M4.2 x 13,
29	895-11005	1	WASHER, M5 x 10 x 1,
35	91967C1	1	BULB, Halogen
36	323093A1	1	BULB, 885-12V, Work Lamp
37	291207C1	3	CLAMP,
38	516-22127	5	CLAMP, J, 9/16" Insul, 5/16" Bolt,
41	87520630	2	BRACKET,
42	87316148	2	SCREW, SELF TAPPING, 3.5 x 16
43	87316350	1	COVER,
44	87366993	3	CONNECTOR, ELEC,
45	760-17113	12	SCREW, SELF TAPPING, Pan Hd, M3.5 x 13,
46	87316352	2	BULB, HB3 65W Halogen
47	84607408	1	LAMP, WORK, HID
48	87535841	2	HARNESS, Ballast to Halogen Lamp
49	84607408	3	LAMP, WORK, HID
50	87573744	1	CABLE, Ballast to HID Lamp 390 mm
51	87388468	1	BALLAST, HID
52	87573744	3	CABLE, Ballast to HID Lamp 390 mm
53	87388468	3	BALLAST, HID
54	87316350	3	COVER,
55	87365799	1	BULB, Cover



## MX305 CASE IH MAGNUM TRACTOR NA (1/06-9/06)

04-30 HEADLAMPS, ASN Z6RZ02943

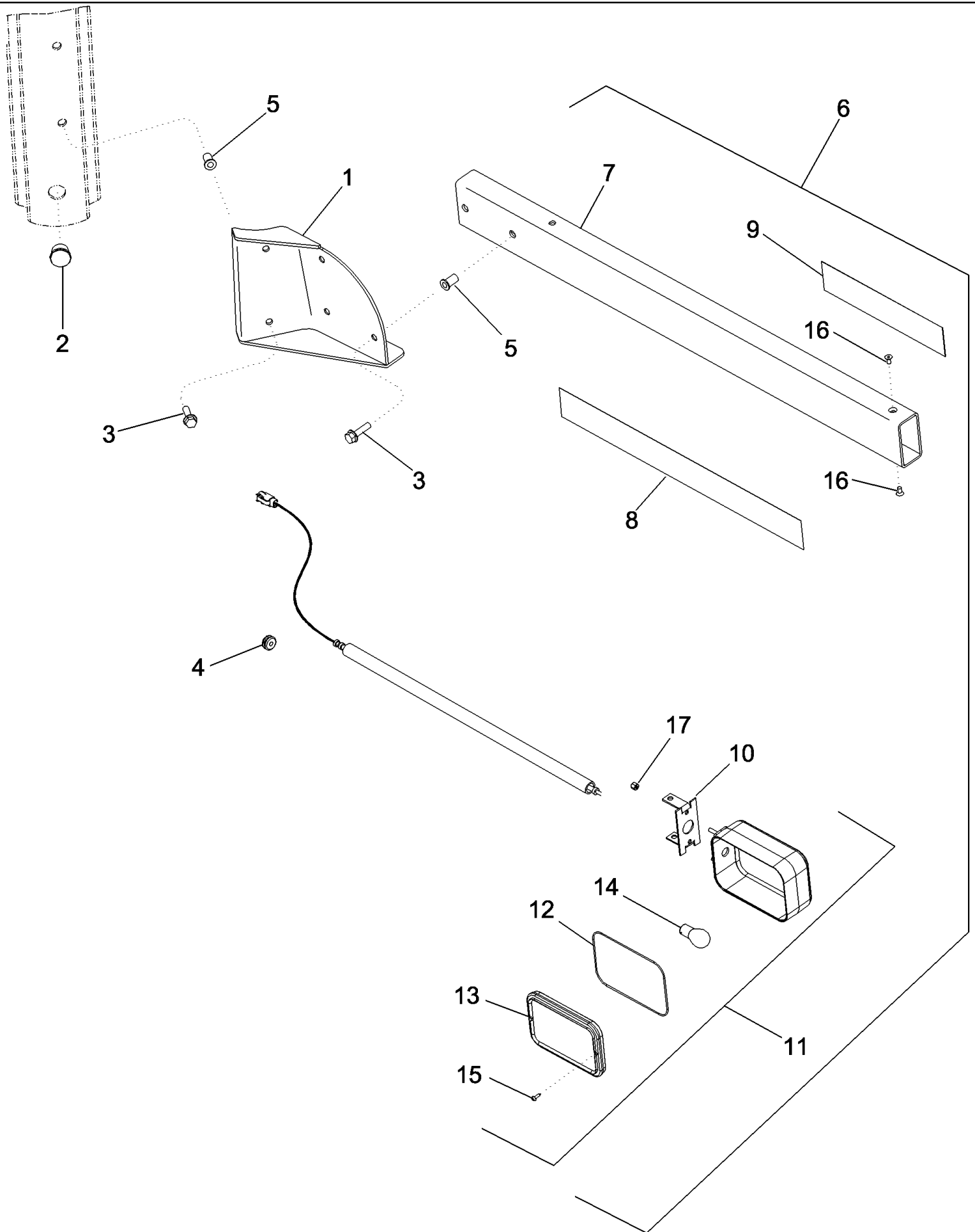
сылка	Номер детали	Кол-во	Описание
1	87309030	1	HEADLAMP, RH, Right Hand, RH Dip, Inc. 35, 36, 48, North America Only
1	87455675	1	HEADLAMP, RH, Right Hand, LH Dip, Inc. 35, 36, Australia Only
2	87309029	1	HEADLAMP, LH, Left Hand, RH Dip, Inc. 35, 36, 48, North America Only
2	87455674	1	HEADLAMP, LH, Left Hand, RH Dip, Inc. 35, 36, Australia Only
3	779-14619	6	SCREW, SELF TAPPING, Hex Hd, M6.3 x 19, , North America Only
4	495-21031	6	WASHER, 1/4", , North America Only
4	259713A1	6	CLIP, (Not Shown), Australia Only
5	87535373	1	HARNESS, (Shown), BTW Z6R602943 & Z7RZ01521
5	87546827	1	HARNESS, , ASN Z7RZ01521
6	411632A1	1	GROMMET,
7	515-22159	2	CLAMP, 5/8", Insul, 5/16" Bolt,
8	93199C1	2	FASTENER,
10	96900C1	4	NUT, U, #10-16, Panel type,
16	779-14619	4	SCREW, SELF TAPPING, Hex Hd, M6.3 x 19,
17	495-21031	4	WASHER, 1/4",
18	87328621	1	LAMP, WORK 80 mm Dia W/HID Center (Not Shown)
20	87308895	1	LAMP, WORK, Center, Single HID, 2 Halogen Bulbs, Inc. 21,35,36,43,45
21	87388468	1	BALLAST,
25	779-14619	4	SCREW, SELF TAPPING, Hex Hd, M6.3 x 19,
26	495-21031	4	WASHER, 1/4",
27	319929A1	1	SUPPORT,
28	760-14313	1	SCREW, SELF TAPPING, Pan Hd, M4.2 x 13,
29	895-11005	1	WASHER, M5 x 10 x 1,
35	87316352	2	BULB, HB3 65W Halogen
36	84607408	1	LAMP, WORK, HID
37	291207C1	3	CLAMP,
38	516-22127	5	CLAMP, J, 9/16" Insul, 5/16" Bolt,
41	87520630	2	BRACKET,
42	87316148	2	SCREW, SELF TAPPING, 3.5 x 16
43	87316350	1	COVER,
44	87366993	3	CONNECTOR, ELEC,
45	87573744	1	CABLE, Ballast to HID Lamp 390 mm
46	87535841	2	HARNESS, Ballast to Halogen Lamp
47	760-17113	12	SCREW, SELF TAPPING, Pan Hd, M3.5 x 13,
48	87365799	1	BULB, Cover



MX305 CASE IH MAGNUM TRACTOR NA (1/06-9/06)

04-31 LAMPS - WIDE TRANSPORT, ADJUSTABLE

сылка	Номер детали	Кол-во	Описание
1	87451776	1	BRACKET, Right Hand (Shown)
1	87451777	1	BRACKET, Left Hand
2	87451775	1	ARM ASSY., Right Hand (Shown)
2	87452251	1	ARM ASSY., Left Hand
3	514-636	8	BOLT, Hex Serr Flg, M8 x 30,
4	362496A1	2	BRACKET,
5	P35448	8	RIVET,
6	832-10405	4	NUT, LOCK, M5 x .8, CI 8,
7	87444299	2	TUBE, Inner
8	297221A1	2	DECAL, Red
9	297223A1	2	DECAL, Yellow
10	87444300	2	TUBE, Outer
11	87444301	2	LIGHT ASSY., Warning, Inc. 12 - 15, Includes Harness but Not Serviced Separately
12	233561A1	2	O-RING,
13	232212A1	2	LENS,
14	A41264	1	BULB, #1156, 12V,
15	NSS	2	NOT SERVICED SEPARATELY, SCREW
16	569-3	4	SCREW, Hex Soc Flat Hd, M5 x 10, 10.9,
17	400039A1	2	KNOB,
19	321663A1	10	PAD, SLIDING,
20	128209A1	2	PLUG,

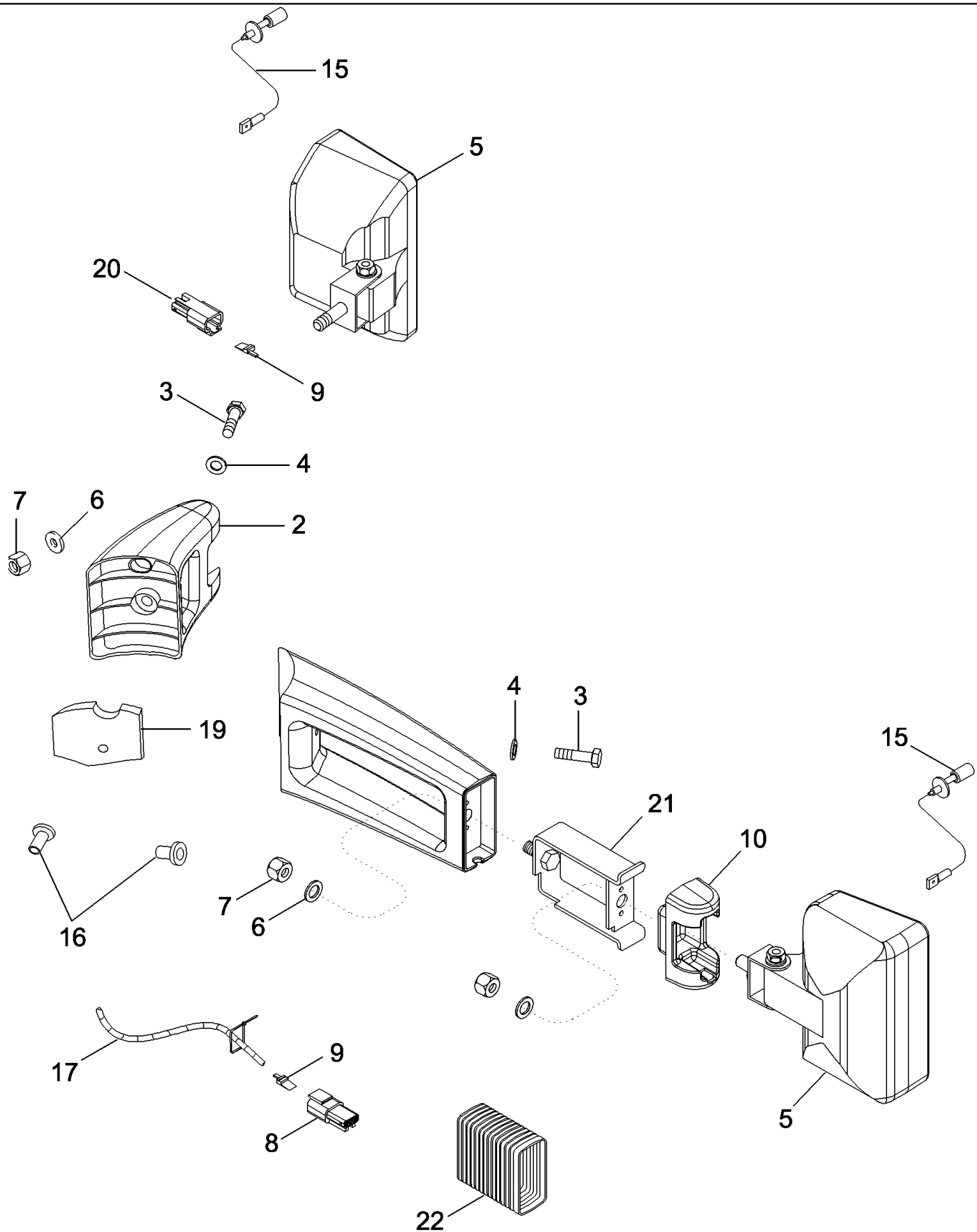


MX305 CASE IH MAGNUM TRACTOR NA (1/06-9/06)

04-32 LAMPS - WIDE TRANSPORT, FIXED

сылка	Номер детали	Кол-во	Описание
1	87451776	1	BRACKET, Right Hand, Shown
1	87451777	1	BRACKET, Left Hand
2	128209A1	4	PLUG,
3	514-636	8	BOLT, Hex Serr Flg, M8 x 30,
5	P35448	4	RIVET,
6	87451774	2	ARM ASSY., Wide Marker, Fixed
7	87444298	2	TUBE, Marker Light
8	297221A1	2	DECAL, Red
9	297223A1	2	DECAL, Yellow
10	362496A1	2	BRACKET,
11	87444301	2	LIGHT ASSY., Warning, Inc. 12 - 15, Includes Harness but Not Serviced Separately
12	233561A1	2	O-RING,
13	232212A1	2	LENS,
14	A41264	1	BULB, #1156, 12V,
15	NSS	2	NOT SERVICED SEPARATELY, SCREW
16	569-3	2	SCREW, Hex Soc Flat Hd, M5 x 10, 10.9,
17	832-10405	4	NUT, LOCK, M5 x .8, CI 8,

04-33 LAMPS - FRONT WORK



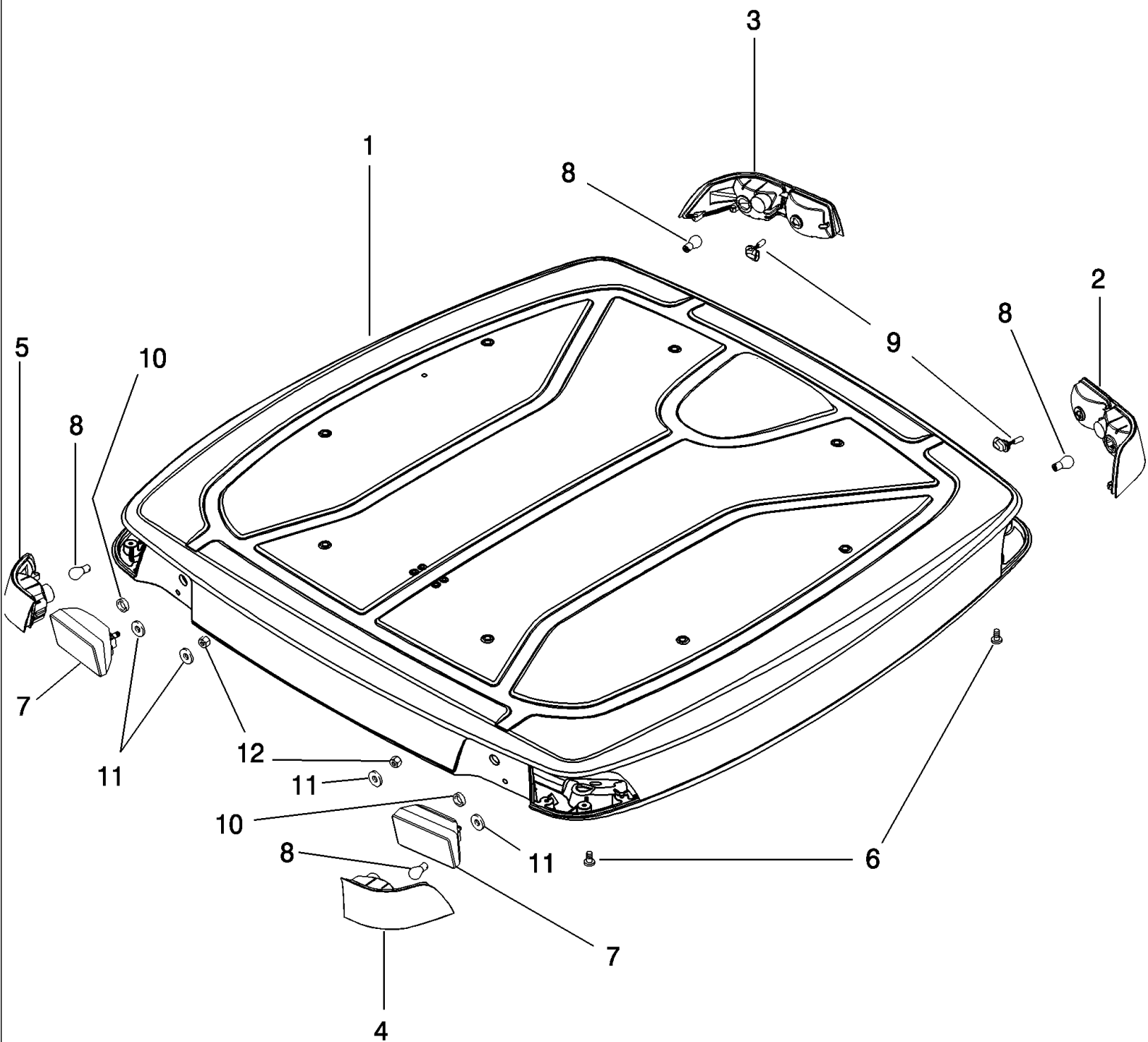


## MX305 CASE IH MAGNUM TRACTOR NA (1/06-9/06)

## 04-33 LAMPS - FRONT WORK

сылка	Номер детали	Кол-во	Описание
1	87439791	1	BRACKET, Right Hand
2	300184A3	1	BRACKET, Left Hand
3	514-637	2	BOLT, Hex, M8 x 35, 8.8, Full Thd,
4	256402A1	2	WASHER, 9 x 17 x 1.6 mm
5	301891A2	2	LAMP, Work, Inc. 15, See Figure 04-36
6	895-18010	3	WASHER, M10 x 18 x 1.6,
7	832-10410	3	NUT, LOCK, M10 x 1.5, Cl 8,
8	222136A1	1	CONNECTOR, ELEC, 2 Pin
9	222848A1	2	CONNECTOR, ELEC,
10	300185A2	1	COVER,
15	1312210C2	1	BULB, 12V - 55W
16	P35448	2	RIVET, M8
17	387169A1	2	CONDUIT, 75 mm, Cut From 387171A1
18	387281A1	4	STRAP, SECURING,
19	391623A1	1	SEAL,
20	276426A1	1	CONNECTOR, ELEC,
21	87455964	1	BRACKET,
22	87456347	1	BOOT,

04-34 LAMPS - CAB ROOF

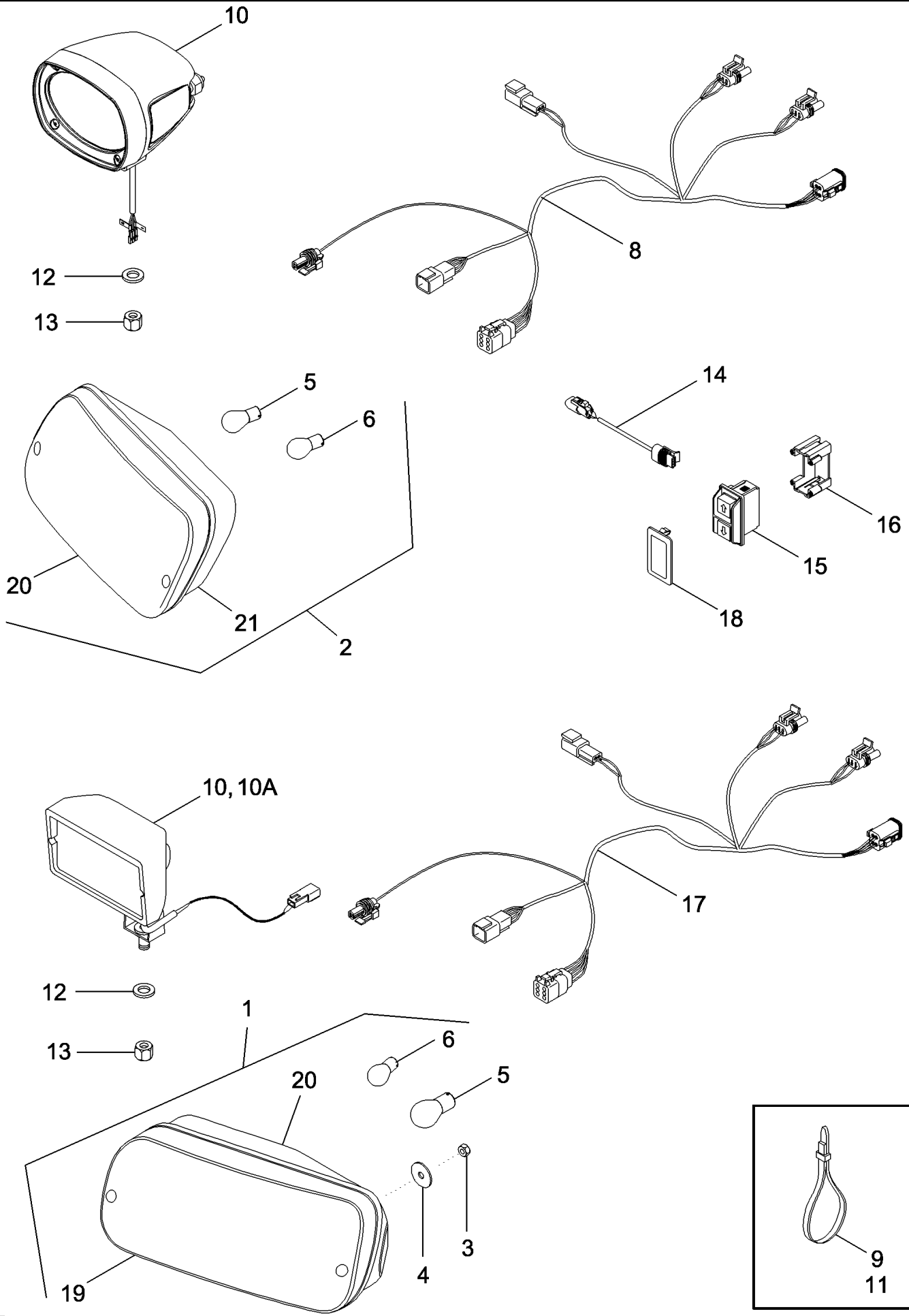


## MX305 CASE IH MAGNUM TRACTOR NA (1/06-9/06)

## 04-34 LAMPS - CAB ROOF

сылка	Номер детали	Кол-во	Описание
1	REF	1	INSTRUCTION, ROOF, See Figure 09-13
2	279220A1	1	LIGHT ASSY., RH, Front, Work & Warning
3	279219A1	1	LIGHT ASSY., LH, Front, Work & Warning
4	279223A1	1	LIGHT, WARNING, RH, Rear Warning
5	279224A1	1	LIGHT, WARNING, Left Hand Rear, Warning Lamp
6	840-1612	10	SCREW, Cross Pan Hd, M6 x 12,
7	178345A1	2	LIGHT, WORK, , See Figure 04-36
8	A41264	4	BULB, #1156, 12V,
9	323094A1	2	BULB, 894-12V
10	182045A1	2	GROMMET,
11	895-18010	4	WASHER, M10 x 18 x 1.6,
12	832-10410	2	NUT, LOCK, M10 x 1.5, Cl 8,

04-35 LAMPS - REAR FENDER AND REMOTE HITCH SWITCH



## MX305 CASE IH MAGNUM TRACTOR NA (1/06-9/06)

## 04-35 LAMPS - REAR FENDER AND REMOTE HITCH SWITCH

сылка	Номер детали	Кол-во	Описание
1	82026300	1	LAMP, TAIL, Right Hand, Combination, Inc. 5, 6, 19, 21
2	82026301	1	LAMP, TAIL, Left Hand, Combination, Inc. 5, 6, 20, 21
3	829-1406	4	NUT, M6, CI 10,
4	895-15006	8	WASHER, M6 x 25 x 1.6,
5	14148090	1	BULB, 12V, 21W, PY21W
6	14144690	1	BULB, 2 Filament, 12V, 21/5W
8	87455590	1	HARNESS, Left Hand (Shown), BSN Z7RZ01521
8	87382522	1	HARNESS, Left Hand, ASN Z7RZ01521
9	L11541	AR	STRAP, CABLE, 7 in
10	431025A1	1-2	LAMP, WORK, Work Lamp, Right and Left Hand Without HID, Right Hand Only With HID, See Figure 04-36
10A	447754A2	1	LAMP, WORK, HID Work Lamp, Left Hand Only, See Figure 04-36
11	347610A1	1	ANCHOR,
12	896-11012	2	WASHER, M13.5 x 24.5 x 3, HT,
13	832-46412	2	NUT, LOCK, M12 x 1.75, CI 8,
14	87363665	2	HARNESS, WIRE, Hitch Switch Extension
15	87452577	2	SWITCH, Remote Hitch, UP/Down
16	220416A2	2	CLAMP, Hitch Switch Retainer
17	87365050	1	HARNESS, Right Hand (Shown), BSN Z7RZ01521
17	87544760	1	HARNESS, Right Hand, ASN Z7RZ01521
18	221654A1	2	PLUG,
19	87357816	1	LENS, RH, Red / Amber
20	87357815	1	LENS, Left Hand
21	87357827	1	SEAL, Lamp