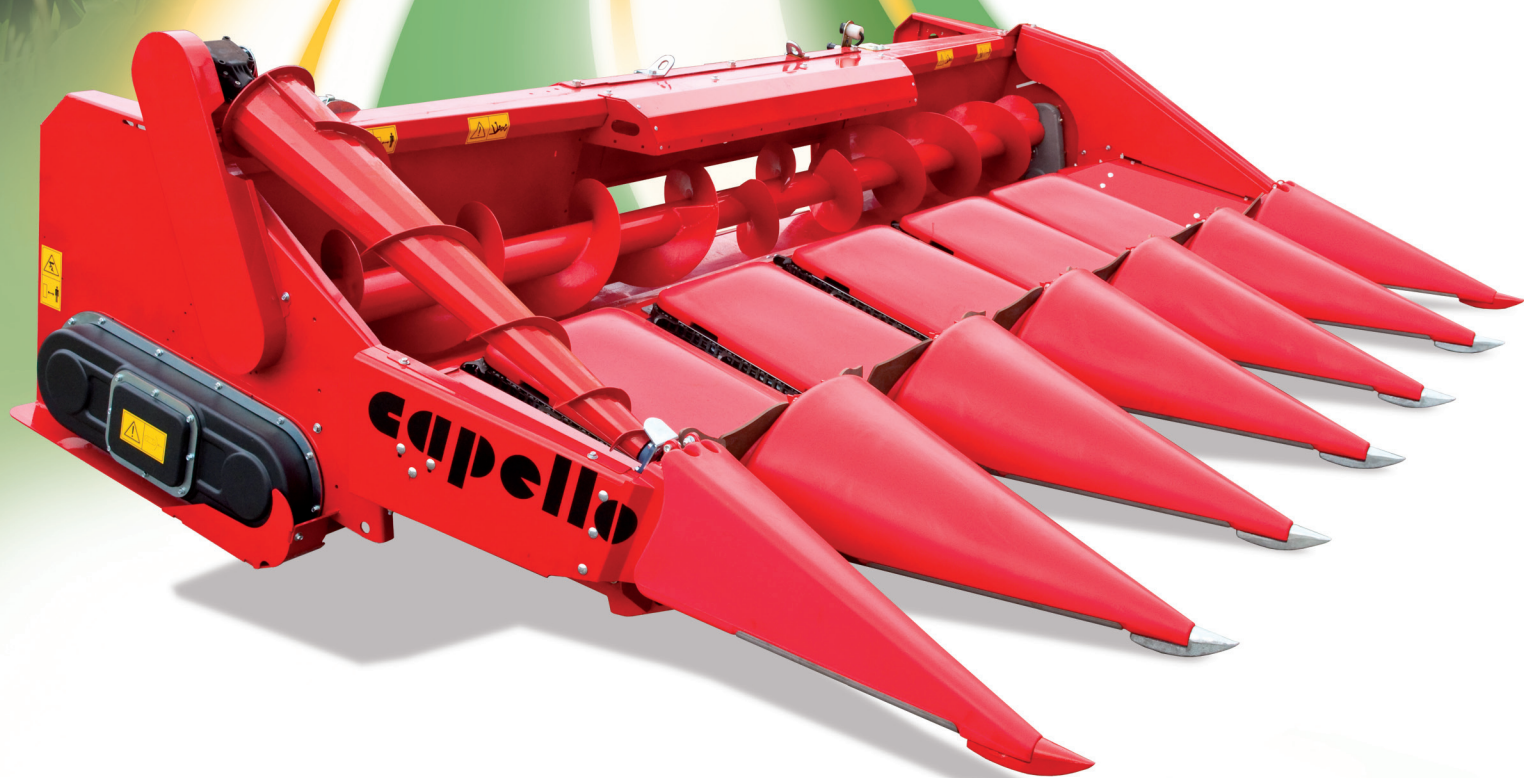


CATALOGO RICAMBI
LISTE DE PIECES
PARTS MANUAL
ERSATZTEILLISTE



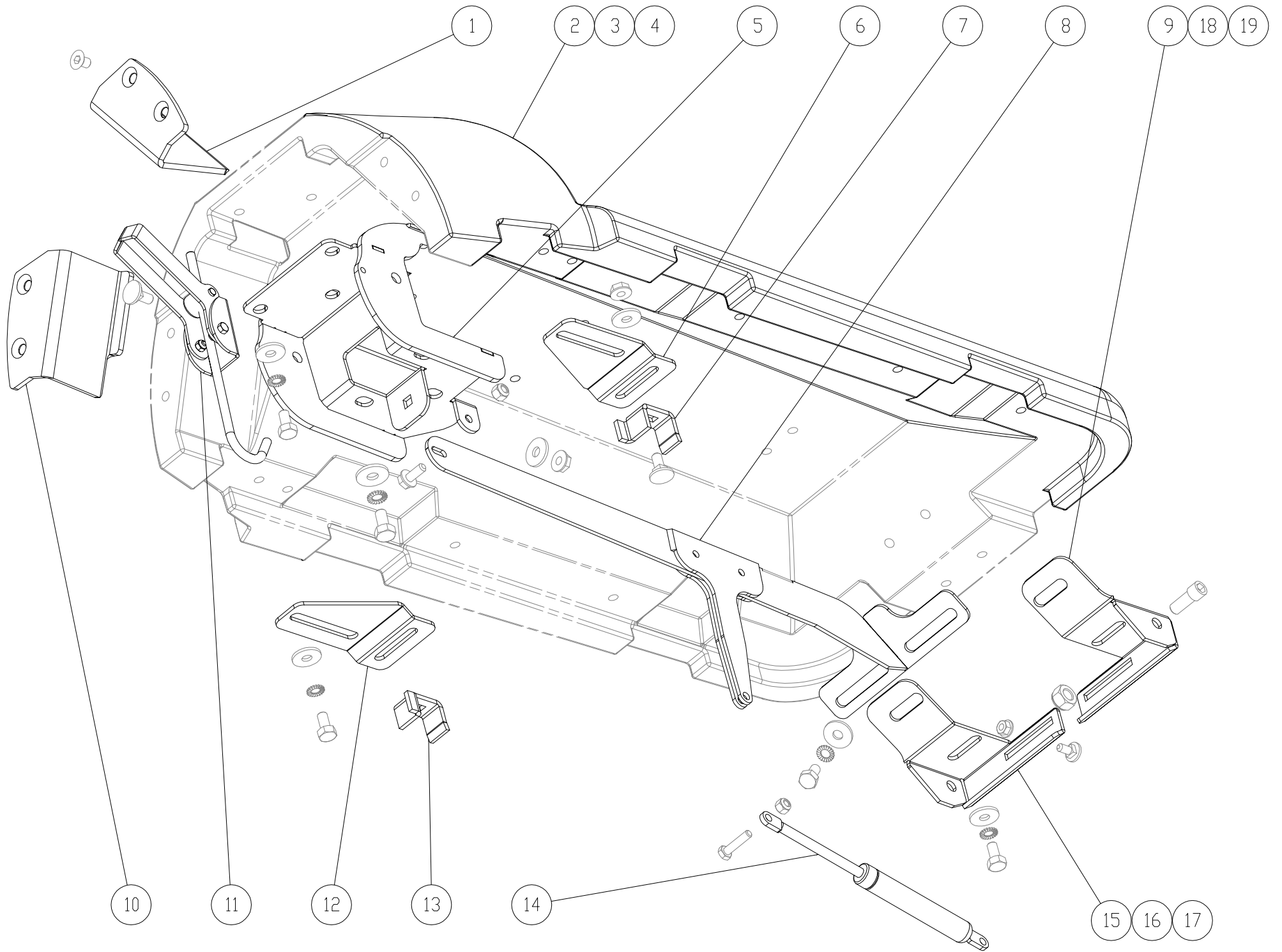
QUASAR F4-F5-F6-F8-F10-F12



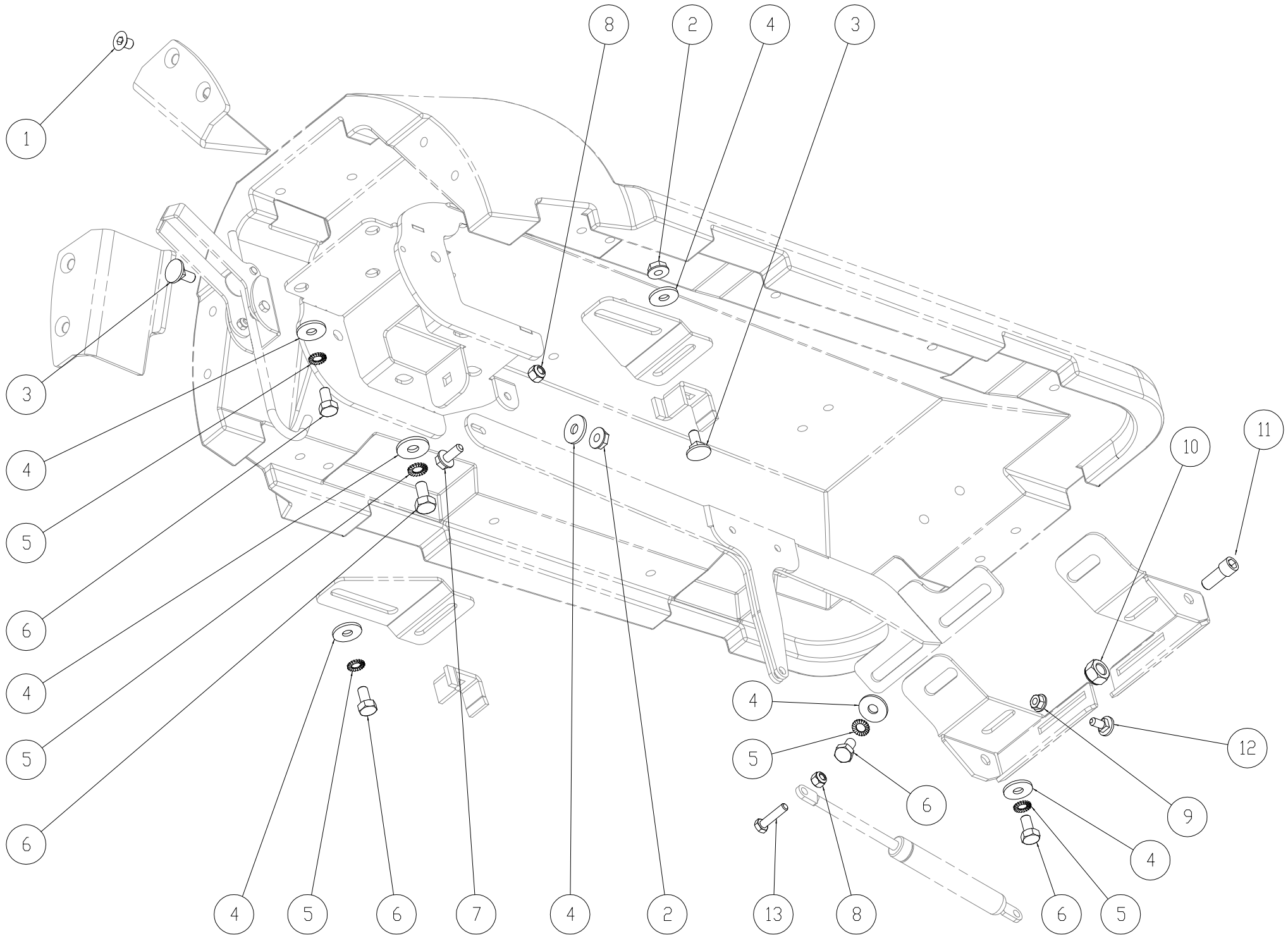
capello

TABLE OF CONTENTS

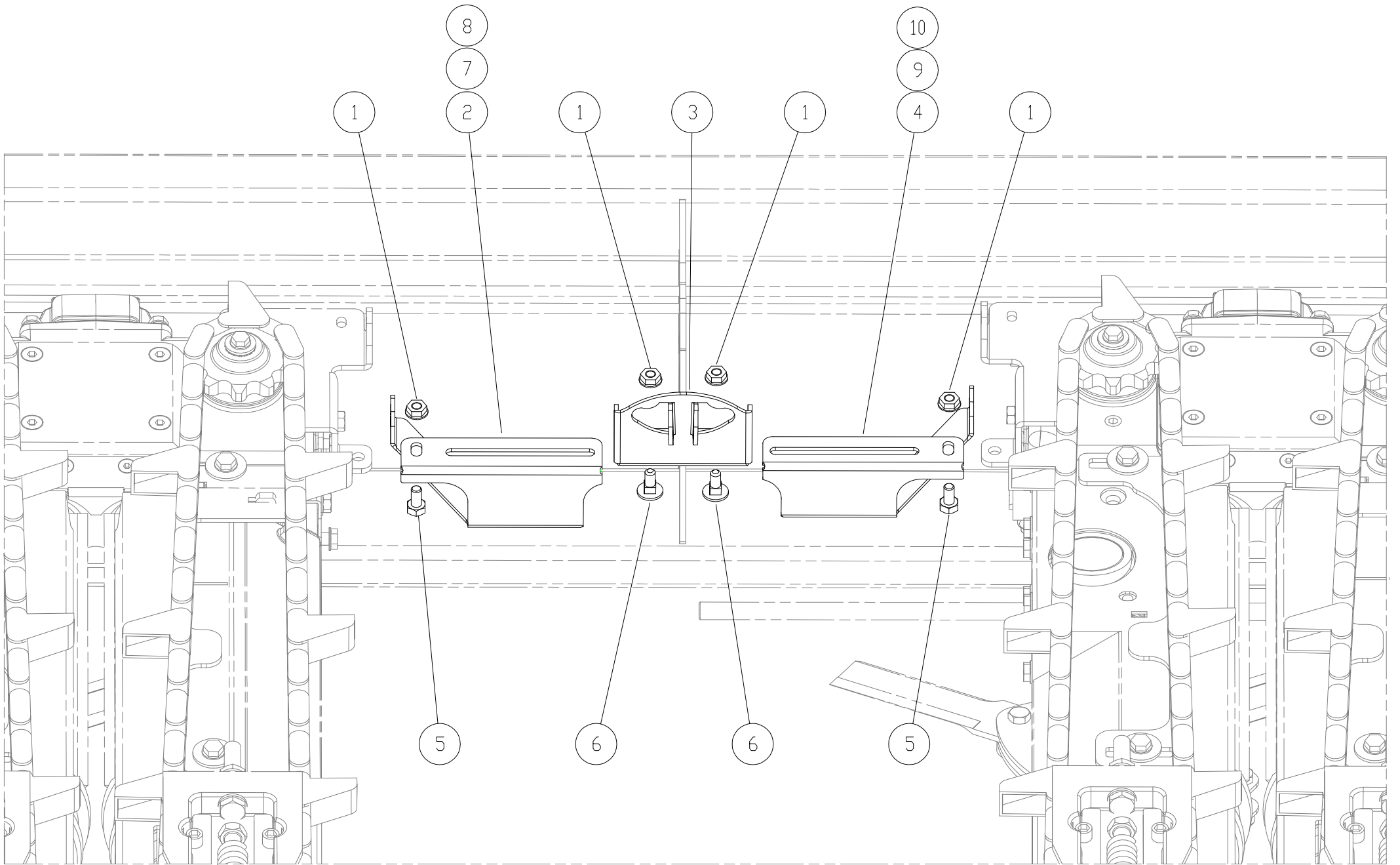
<i>Telaio e carrozzeria / Chassis et carrosserie / Chassis and bodywork / Fahrgestell und karosserie</i>	<i>p. 2-23</i>
<i>Gruppo raccoglitore / Groupe ramasseur / Collector unit / Sammlergruppe</i>	<i>p. 24-49</i>
<i>Trasmissione testata fissa / Transmission culasse fix / Fixed head section transmission / Getriebe feststehender kopf</i>	<i>p. 50-77</i>
<i>Leveraggio piatti / Leviers plats / Plate leverage / Teller-Hebelwerk</i>	<i>p. 78-89</i>
<i>Impianti / Installations / Plants / Anlagen</i>	<i>p. 90-91</i>
<i>Optionals / Optionals / Optionals / Optionals</i>	<i>p. 92-97</i>
<i>Adesivi / Etiquette / Adhesive / Aufkleber</i>	<i>p. 98-99</i>
<i>GENERAL CODE INDEX</i>	<i>p. 100-106</i>



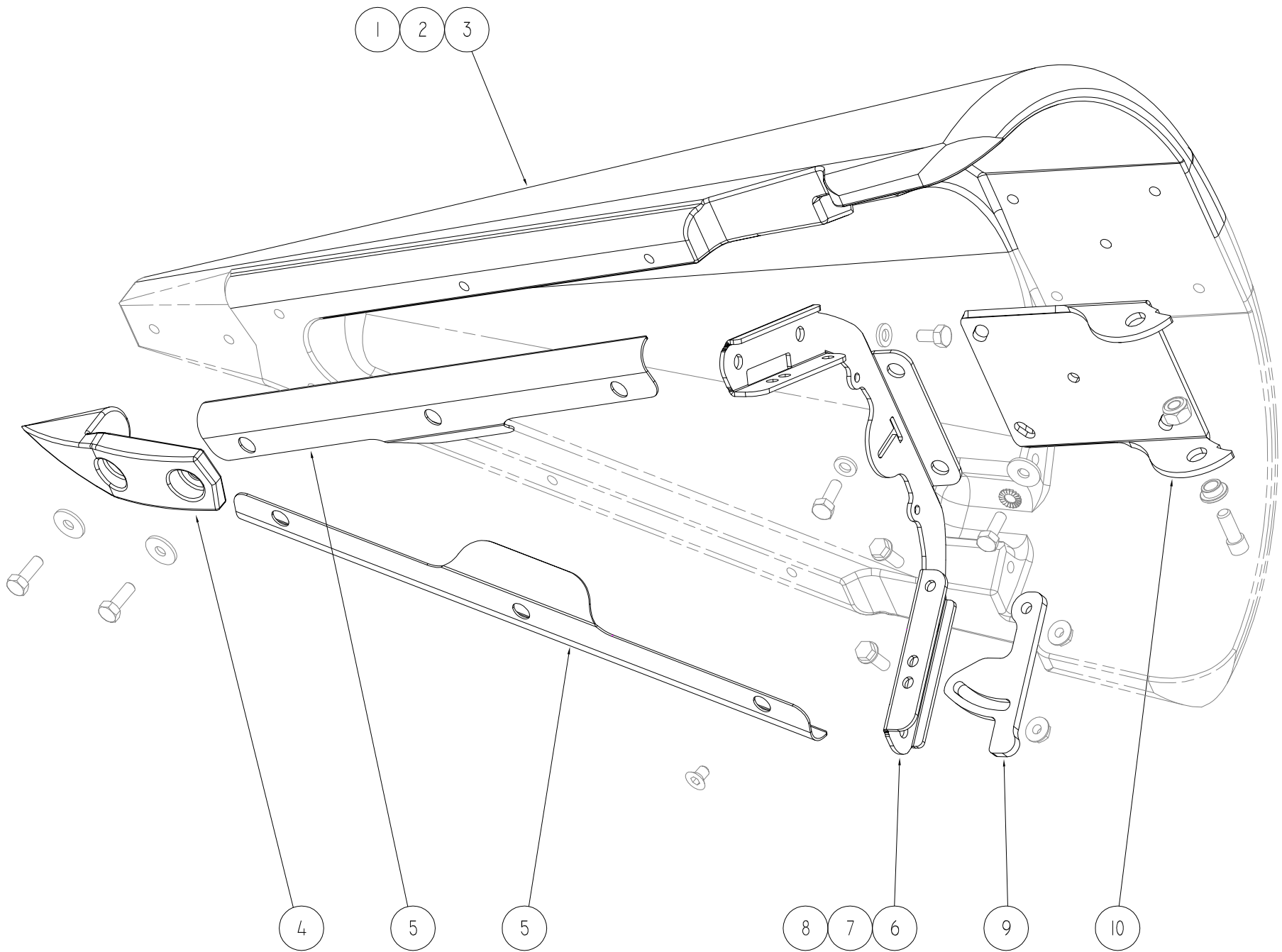
N	CODICE	DESCRIZIONE		DESCRIPTION	DESCRIPTION	BESCHREIBUNG
1	01.0966.00	PIASTRA SINISTRA BATTUTA PUNTA		PLAQUE GAUCHE	PLATE LEFT	PLATTE LINKS
2	03.4105.00	COFANO CENTRALE	SERIE 750	TOLE DE DIVISEUR CENTRAL	INNER GATHERER SHEET	ZUBRINGERBLECH INNEN
3	03.4106.00	COFANO CENTRALE	SERIE 700	TOLE DE DIVISEUR CENTRAL	INNER GATHERER SHEET	ZUBRINGERBLECH INNEN
4	03.4107.00	COFANO CENTRALE	SERIE 800	TOLE DE DIVISEUR CENTRAL	INNER GATHERER SHEET	ZUBRINGERBLECH INNEN
5	01.0957.00	CERNIERA COFANO CENTRALE		CHARNIERE DE CAPOT	COVER HINGE	HAUBENSCHARNIER
6	01.0963.00	PIASTRA SINISTRA FISSAGGIO COFANO		PLAQUE GAUCHE	PLATE LEFT	PLATTE LINKS
7	01.0762.00	STAFFA SINISTRA		SUPPORT GAUCHE	SUPPORT LEFT	HALTER LINKS
8	03.4360.00	SUPPORTO MOLLA GAS		SUPPORT	SUPPORT	HALTER
9	01.0960.00	SEMICERNIERA SINISTRA	SERIE 750	CHARNIERE GAUCHE	HINGE LEFT	SCHARNIER LINKS
10	01.0965.00	PIASTRA DESTRA BATTUTA PUNTA		PLAQUE DROITE	PLATE RIGHT	PLATTE RECHTS
11	01.0108.01	GANCIO COFANO		SUPPORT	BRACKET	HALTERUNG
12	01.0964.00	PIASTRA DESTRA FISSAGGIO COFANO		PLAQUE DROITE	PLATE RIGHT	PLATTE RECHTS
13	01.0761.00	STAFFA DESTRA		SUPPORT DROITE	SUPPORT RIGHT	HALTER RECHTS
14	03.4365.00	MOLLA GAS		GAS RESSORT	GAS SPRING	GAS FEDER
15	01.0959.00	SEMICERNIERA DESTRA	SERIE 750	CHARNIERE DROITE	HINGE RIGHT	SCHARNIER RECHTS
16	01.0948.00	SEMICERNIERA DESTRA	SERIE 800	CHARNIERE DROITE	HINGE RIGHT	SCHARNIER RECHTS
17	01.0913.00	SEMICERNIERA DESTRA	SERIE 700	CHARNIERE DROITE	HINGE RIGHT	SCHARNIER RECHTS
18	01.0947.00	SEMICERNIERA SINISTRA	SERIE 800	CHARNIERE GAUCHE	HINGE LEFT	SCHARNIER LINKS
19	01.0912.00	SEMICERNIERA SINISTRA	SERIE 700	CHARNIERE GAUCHE	HINGE LEFT	SCHARNIER LINKS
	01.1163.01	COFANO CENTRALE COMPLETO	SERIE 750	TOLE DE DIVISEUR CENTRAL	INNER GATHERER SHEET	ZUBRINGERBLECH INNEN
	01.1164.01	COFANO CENTRALE COMPLETO	SERIE 700	TOLE DE DIVISEUR CENTRAL	INNER GATHERER SHEET	ZUBRINGERBLECH INNEN
	01.1165.01	COFANO CENTRALE COMPLETO	SERIE 800	TOLE DE DIVISEUR CENTRAL	INNER GATHERER SHEET	ZUBRINGERBLECH INNEN



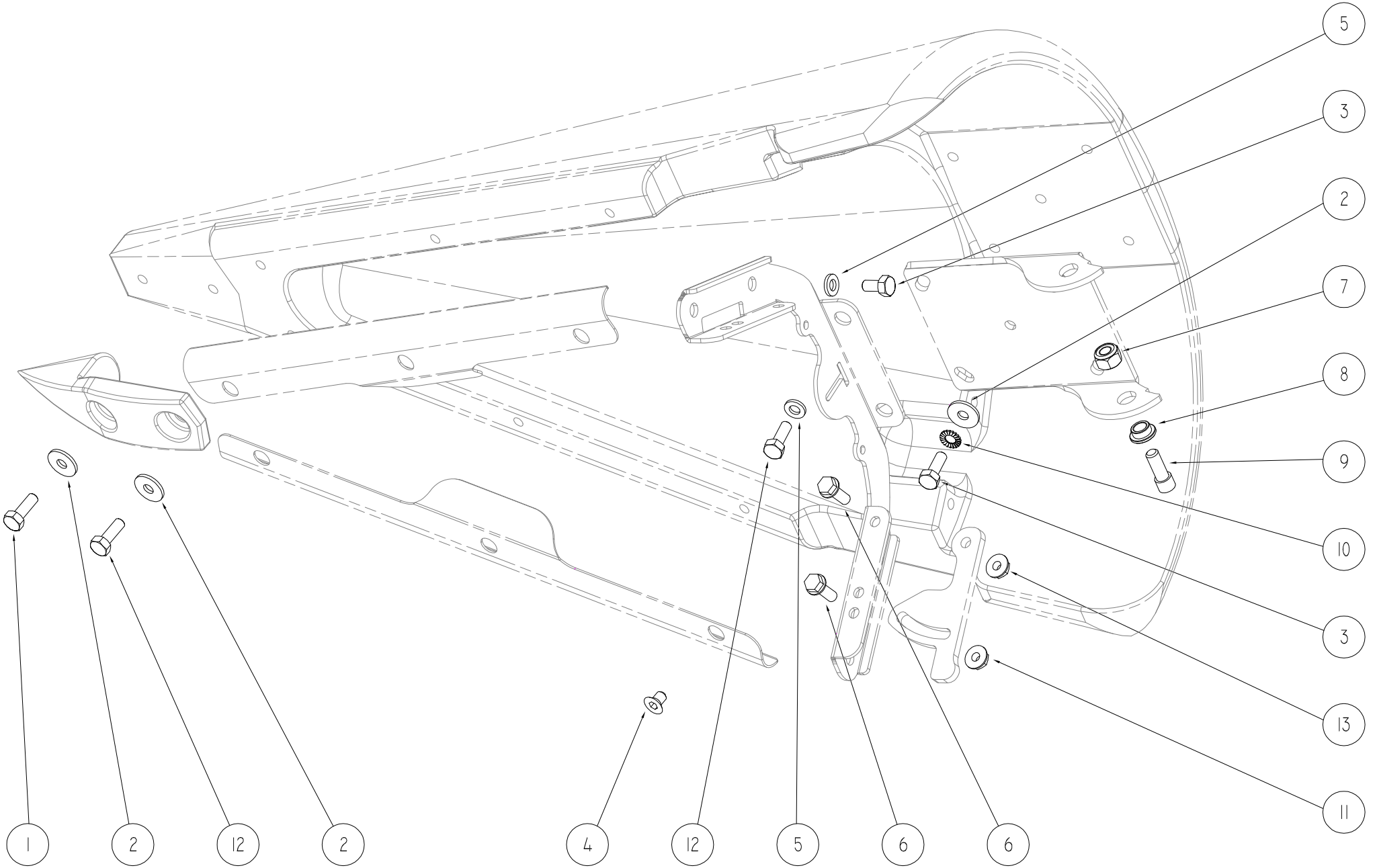
N	CODICE	DESCRIZIONE		DESCRIPTION	DESCRIPTION	BESCHREIBUNG
1	02.2136.00	VITE TSEI	M10X16	VIS A TETE FRAISEE	COUNTERSUNK BOLT	SECHSCHRAUBE
2	02.2025.00	DADO TENSILOCK	M10	ECROU TENSILOCK	SECURING NUT TENSILOCK	SICHERUNGSMUTTER TENSILOCK
3	02.1000.00	VITE TBQS	M10X25	VIS A TETE BOMBEE	COACH BOLT	FLACHRUNDSCHRAUBE
4	02.2067.00	RONDELLA	10X30X3	RONDELLE	WASHER	SCHEIBE
5	02.2083.00	ROSETTA ELASTICA	10X18	RONDELLE	WASHER	SCHEIBE
6	04.5098.00	VITE TE	M10X20	VIS SIX PANS	HEXAGONAL SCREW	SECHSKANTSCHRAUBE
7	04.5062.00	VITE TENSILOCK	M8X20	VIS TENSILOCK	SECURING SCREW TENSILOCK	SICHERUNGSSCHRAUBE TENSILOCK
8	02.2131.00	DADO AUTOBLOCCANTE	M8	ECROU INDESSERRAB	SECURING NUT	SICHERUNGSMUTTER
9	02.2019.00	DADO TENSILOCK	M8	ECROU TENSILOCK	SECURING NUT TENSILOCK	SICHERUNGSMUTTER TENSILOCK
10	02.2032.00	DADO AUTOBLOCCANTE	M12	ECROU INDESSERRAB	SECURING NUT	SICHERUNGSMUTTER
11	02.2068.00	VITE TCEI	M12x30	VIS CYLINDRIQUE	SOCKET HEAD SCREW	ZYLINDERSCHRAUBE
12	02.2181.00	VITE TBQS	M8X20	VIS A TETE BOMBEE	COACH BOLT	FLACHRUNDSCHRAUBE
13	02.2510.00	VITE TE	M8X35	VIS SIX PANS	HEXAGONAL SCREW	SECHSKANTSCHRAUBE



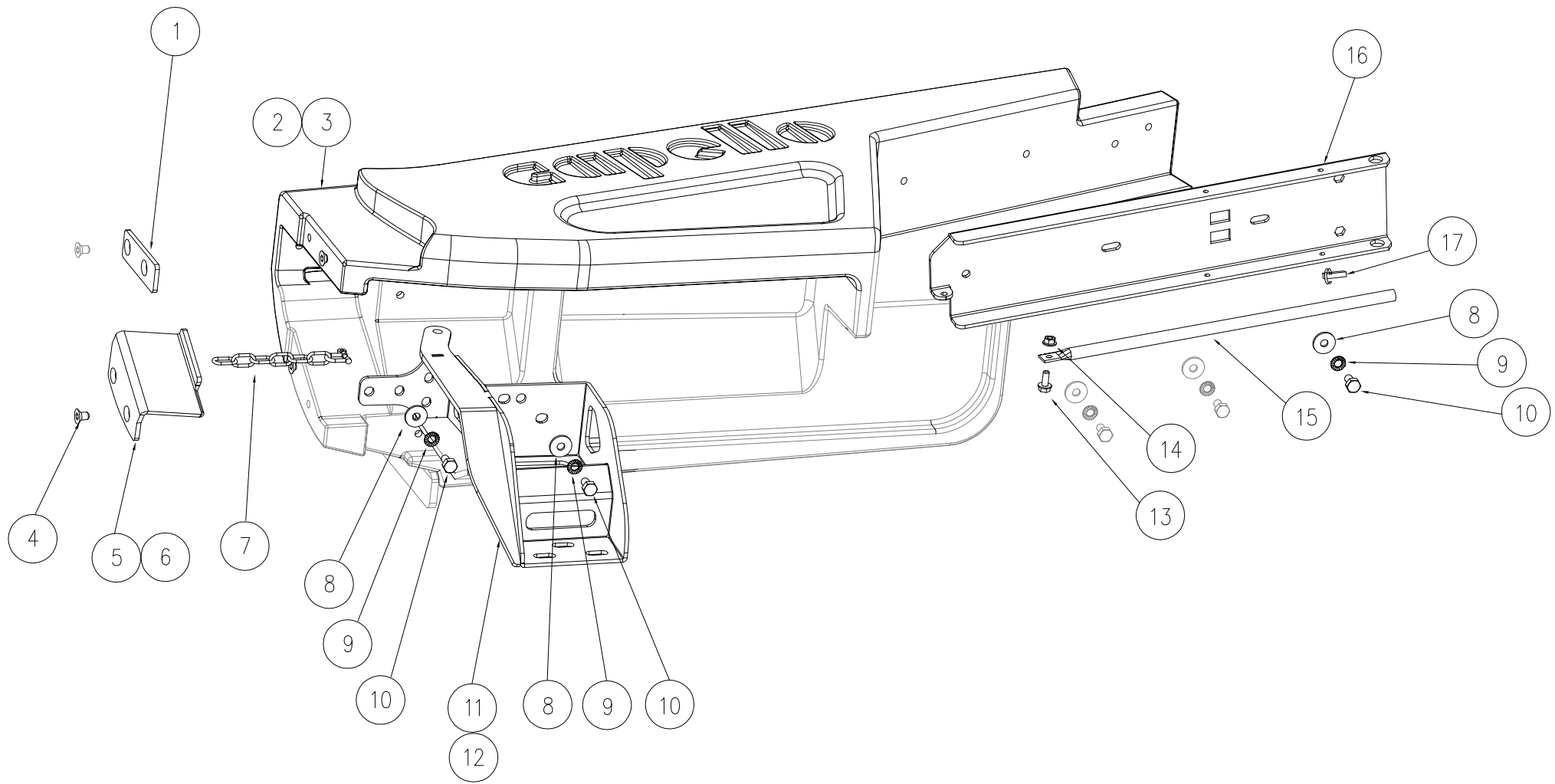
N	CODICE	DESCRIZIONE		DESCRIPTION	DESCRIPTION	BESCHREIBUNG
1	02.2020.00	DADO TENSILOCK	M10	ECROU TENSILOCK	SECURING NUT TENSILOCK	MUTTER TENSILOCK
2	01.1440.00	STAFFA DX INCERNIERAMENTO MOLLA A GAS	SERIE 750	SUPPORT DROIT	SUPPORT RIGHT	HALTER RECHTS
3	01.1450.00	CERNIERA MOLLA A GAS		CHARNIERE	HINGE	SCHARNIER
4	01.1445.00	STAFFA SX INCERNIERAMENTO MOLLA A GAS	SERIE 750	SUPPORT GAUCHE	SUPPORT LEFT	HALTER LINKS
5	02.1003.00	VITE TE	M10X20	VIS SIX PANS	HEXAGONAL SCREW	SECHSKANTSCHRAUBE
6	02.1000.00	VITE TBQS	M10X25	VIS TBQS	COACH BOLT	TBQS SCHRAUBE
7	01.1441.00	STAFFA DX INCERNIERAMENTO MOLLA A GAS	SERIE 800	SUPPORT DROIT	SUPPORT RIGHT	HALTER RECHTS
8	01.1443.00	STAFFA DX INCERNIERAMENTO MOLLA A GAS	SERIE 700	SUPPORT DROIT	SUPPORT RIGHT	HALTER RECHTS
9	01.1442.00	STAFFA SX INCERNIERAMENTO MOLLA A GAS	SERIE 800	SUPPORT GAUCHE	SUPPORT LEFT	HALTER LINKS
10	01.1444.00	STAFFA SX INCERNIERAMENTO MOLLA A GAS	SERIE 700	SUPPORT GAUCHE	SUPPORT LEFT	HALTER LINKS



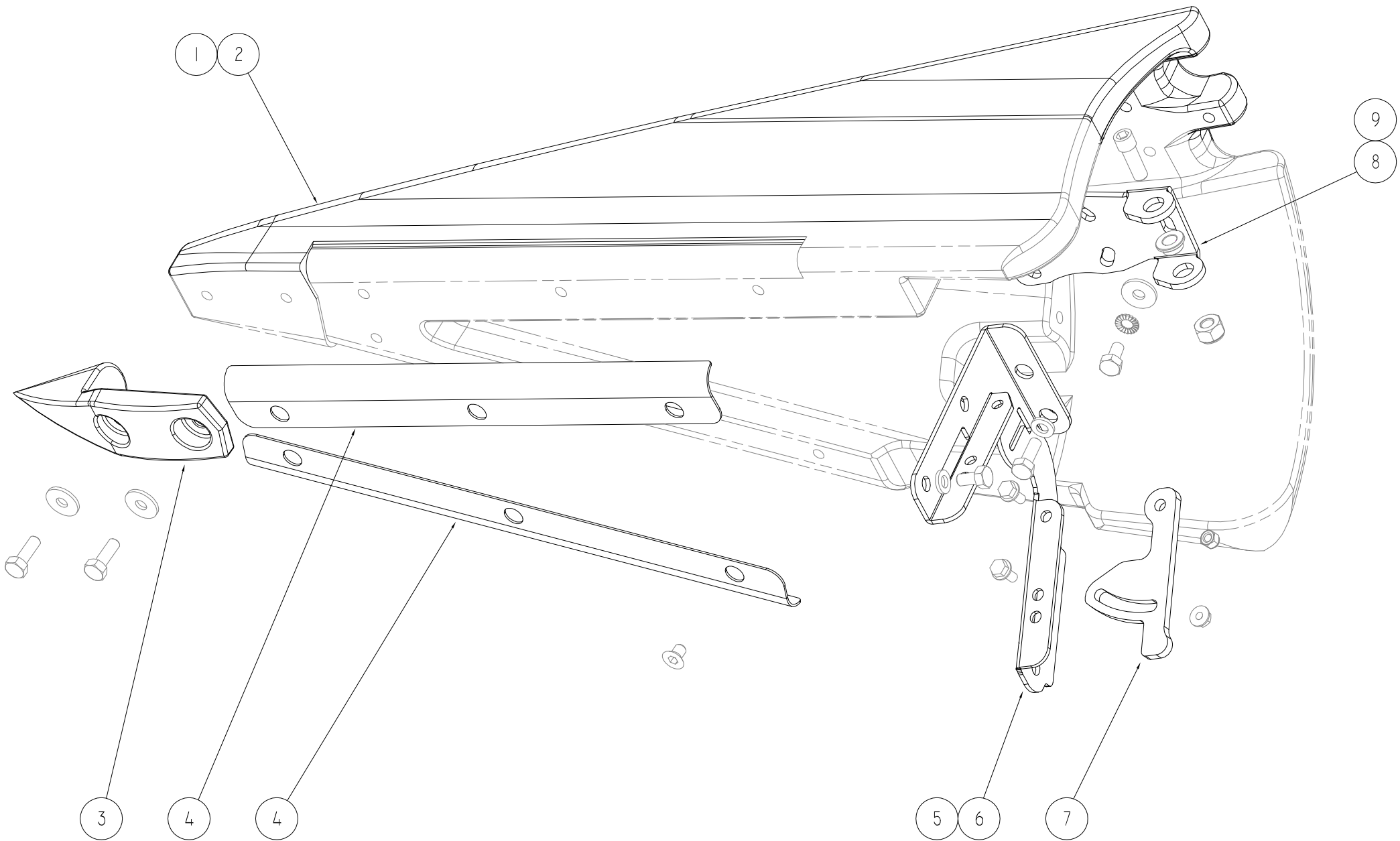
N	CODICE	DESCRIZIONE		DESCRIPTION	DESCRIPTION	BESCHREIBUNG
1	03.4113.00	PUNTA CENTRALE	SERIE 700	POINTE DE DIVISEUR INTERIEUR	DIVIDER POINT CENTER	ABTEILERSPITZE
2	03.4111.00	PUNTA CENTRALE	SERIE 750	POINTE DE DIVISEUR INTERIEUR	DIVIDER POINT CENTER	ABTEILERSPITZE
3	03.4112.00	PUNTA CENTRALE	SERIE 800	POINTE DE DIVISEUR INTERIEUR	DIVIDER POINT CENTER	ABTEILERSPITZE
4	03.4115.00	ZOCCOLO PUNTA CENTRALE		POINTE CENTRE	POINT CENTRAL	SPITZE MITTE
5	01.0998.01	PIASTRA DI STRISCIAMENTO		PLAQUE	PLATE	PLATTE
6	01.0986.01	CENTINA PUNTA	SERIE 700	CADRE	MEMBER	MASCHINENSPANT
7	01.0984.01	CENTINA PUNTA	SERIE 750	CADRE	MEMBER	MASCHINENSPANT
8	01.0985.01	CENTINA PUNTA	SERIE 800	CADRE	MEMBER	MASCHINENSPANT
9	01.0996.01	REGISTRO PUNTA		PLAQUE DE REGLAGE	ADJUSTING PLATE	EINSTELLSTUECK
10	01.0982.01	CERNIERA PUNTA CENTRALE		CHARNIERE	HINGE	SCHARNIER
	01.1166.00	PUNTA CENTRALE COMPLETA	SERIE 750	POINTE DE DIVISEUR INTERIEUR	DIVIDER POINT CENTER	ABTEILERSPITZE
	01.1167.00	PUNTA CENTRALE COMPLETA	SERIE 700	POINTE DE DIVISEUR INTERIEUR	DIVIDER POINT CENTER	ABTEILERSPITZE
	01.1168.00	PUNTA CENTRALE COMPLETA	SERIE 800	POINTE DE DIVISEUR INTERIEUR	DIVIDER POINT CENTER	ABTEILERSPITZE



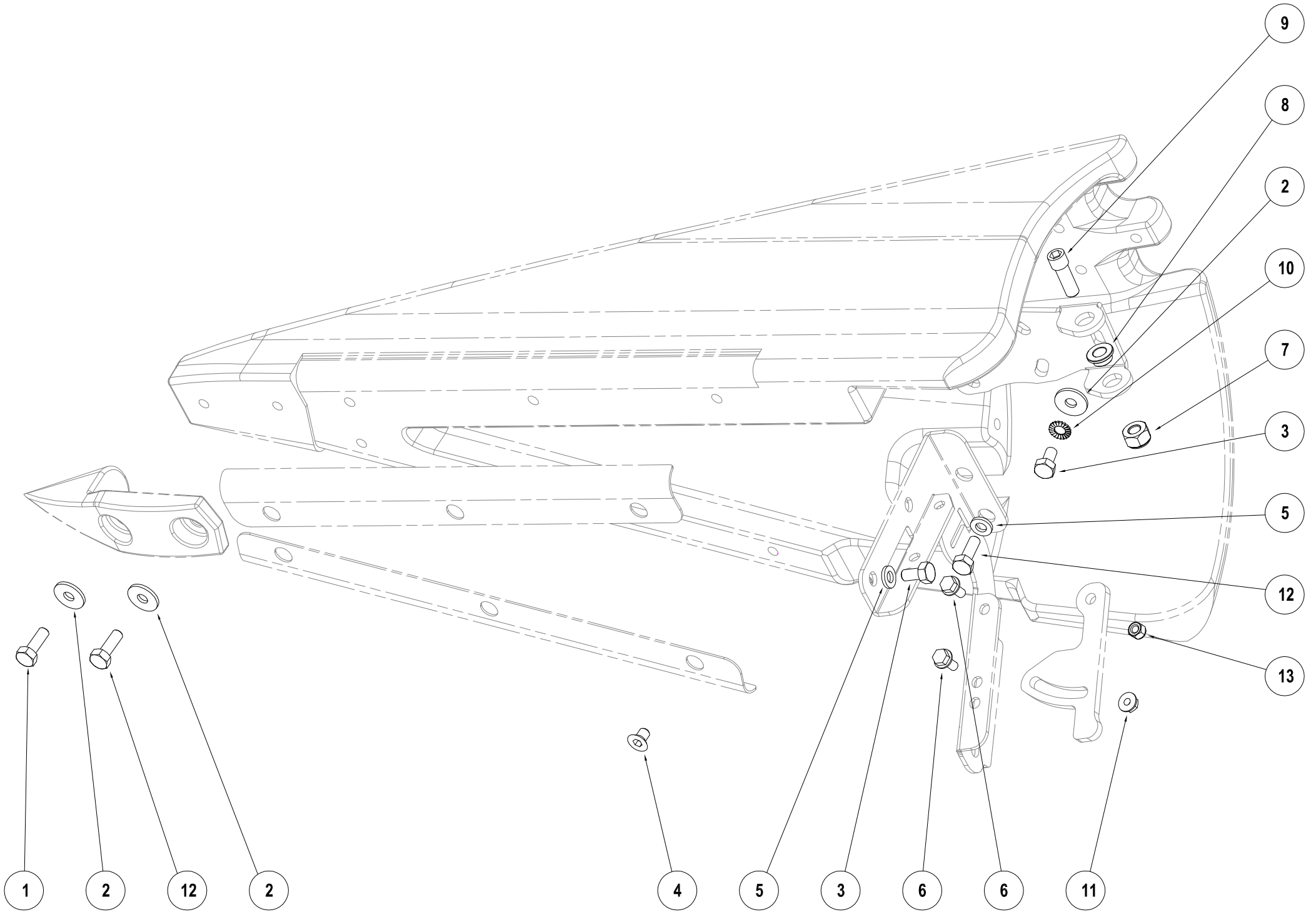
N	CODICE	DESCRIZIONE		DESCRIPTION	DESCRIPTION	BESCHREIBUNG
1	02.2132.00	VITE TE	M10X30	VIS SIX PANS	HEXAGONAL SCREW	SECHSKANTSCHRAUBE
2	02.2067.00	RONDELLA	10X30X3	RONDELLE	WASHER	SCHEIBE
3	04.5098.00	VITE TE	M10X20	VIS SIX PANS	HEXAGONAL SCREW	SECHSKANTSCHRAUBE
4	02.2136.00	VITE TSEI	M10X16	VIS A TETE FRAISEE	COUNTERSUNK BOLT	SECHSCHRAUBE
5	02.2078.00	RONDELLA	10X20X2	RONDELLE	WASHER	SCHEIBE
6	02.1037.00	VITE TENSILOCK	M10X30	VIS TENSILOCK	SECURING SCREW TENSILOCK	SICHERUNGSSCHRAUBE TENSILLOCK
7	02.2032.00	DADO AUTOBLOCCANTE	M12	ECROU INDESSERRAB	SECURING NUT	SICHERUNGSMUTTER
8	01.1196.00	BOCCOLA		DOUILLE	BUSHING	BUCHSE
9	02.2104.00	VITE TCEI	M12X35	VIS CYLINDRIQUE	SOCKET HEAD SCREW	ZYLINDERSCHRAUBE
10	02.2083.00	ROSETTA ELASTICA	10X18	RONDELLE	WASHER	SCHEIBE
11	02.2025.00	DADO TENSILOCK	M10	ECROU TENSILOCK	SECURING NUT TENSILOCK	SICHERUNGSMUTTER TENSILOCK
12	02.1009.00	VITE TE	M10X25	VIS SIX PANS	HEXAGONAL SCREW	SECHSKANTSCHRAUBE
13	02.2007.00	DADO AUTOBLOCCANTE	M10	ECROU INDESSERRAB	SECURING NUT	SICHERUNGSMUTTER



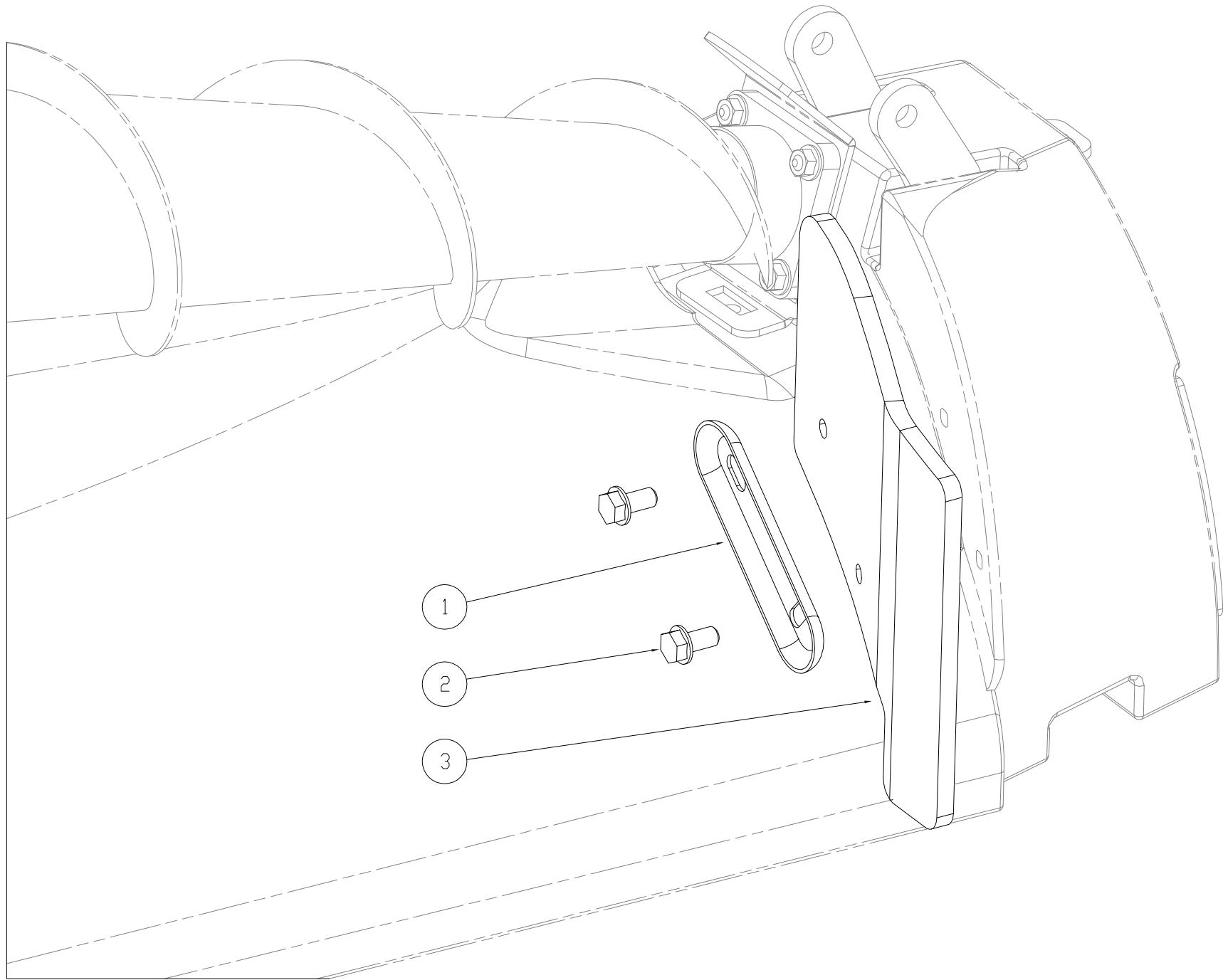
N	CODICE	DESCRIZIONE		DESCRIPTION	DESCRIPTION	BESCHREIBUNG
1	01.0962.00	PIASTRA BATTUTA PUNTA		PLAQUE	PLATE	PLATTE
2	03.4133.00	COFANO LATERALE SINISTRO		RAVETEMENT GAUCHE	SHEETING LEFT	VERKLEIDUNG LINKS
3	03.4134.00	COFANO LATERALE DESTRO		RAVETEMENT DROITE	SHEETING RIGHT	VERKLEIDUNG RECHTS
4	02.2136.00	VITE TSEI	M10X16	VIS A TETE FRAISEE	COUNTERSUNK BOLT	SECHSCHRAUBE
5	01.0965.00	PIASTRA DESTRA BATTUTA PUNTA		PLAQUE DROITE	PLATE RIGHT	PLATTE RECHTS
6	01.0966.00	PIASTRA SINISTRA BATTUTA PUNTA		PLAQUE GAUCHE	PLATE LEFT	PLATTE LINKS
7	01.1176.00	CATENELLA		CHAINE DE RETENUE	SUPPORTING CHAIN	HALTERKETTE
8	02.2067.00	RONDELLA	10X30X3	RONDELLE	WASHER	SCHEIBE
9	02.2083.00	ROSETTA ELASTICA	10X18	RONDELLE	WASHER	SCHEIBE
10	04.5098.00	VITE TE	M10X20	VIS SIX PANS	HEXAGONAL SCREW	SECHSKANTSCHRAUBE
11	01.0979.00	SUPPORTO DESTRO COFANO LATERALE		SUPPORT DROITE	SUPPORT RIGHT	HALTER RECHTS
12	01.0980.00	SUPPORTO SINISTRO COFANO LATERALE		SUPPORT GAUCHE	SUPPORT LEFT	HALTER LINKS
13	04.5062.00	VITE TE	M8X20	VIS SIX PANS	HEXAGONAL SCREW	SECHSKANTSCHRAUBE
14	02.2131.00	DADO AUTOBLOCCANTE	M8	ECROU INDESSERRAB	SECURING NUT	SICHERUNGSMUTTER
15	01.0462.00	ASTA COFANO LATERALE		BARRE DE RETENEU	SUPPORT ROD	HALTESTANGE
16	01.0707.00	PIASTRA BATTUTA PUNTA		PLAQUE	PLATE	PLATTE
17	01.0994.00	FERMO ASTA		PLAQUE	PLATE	PLATTE



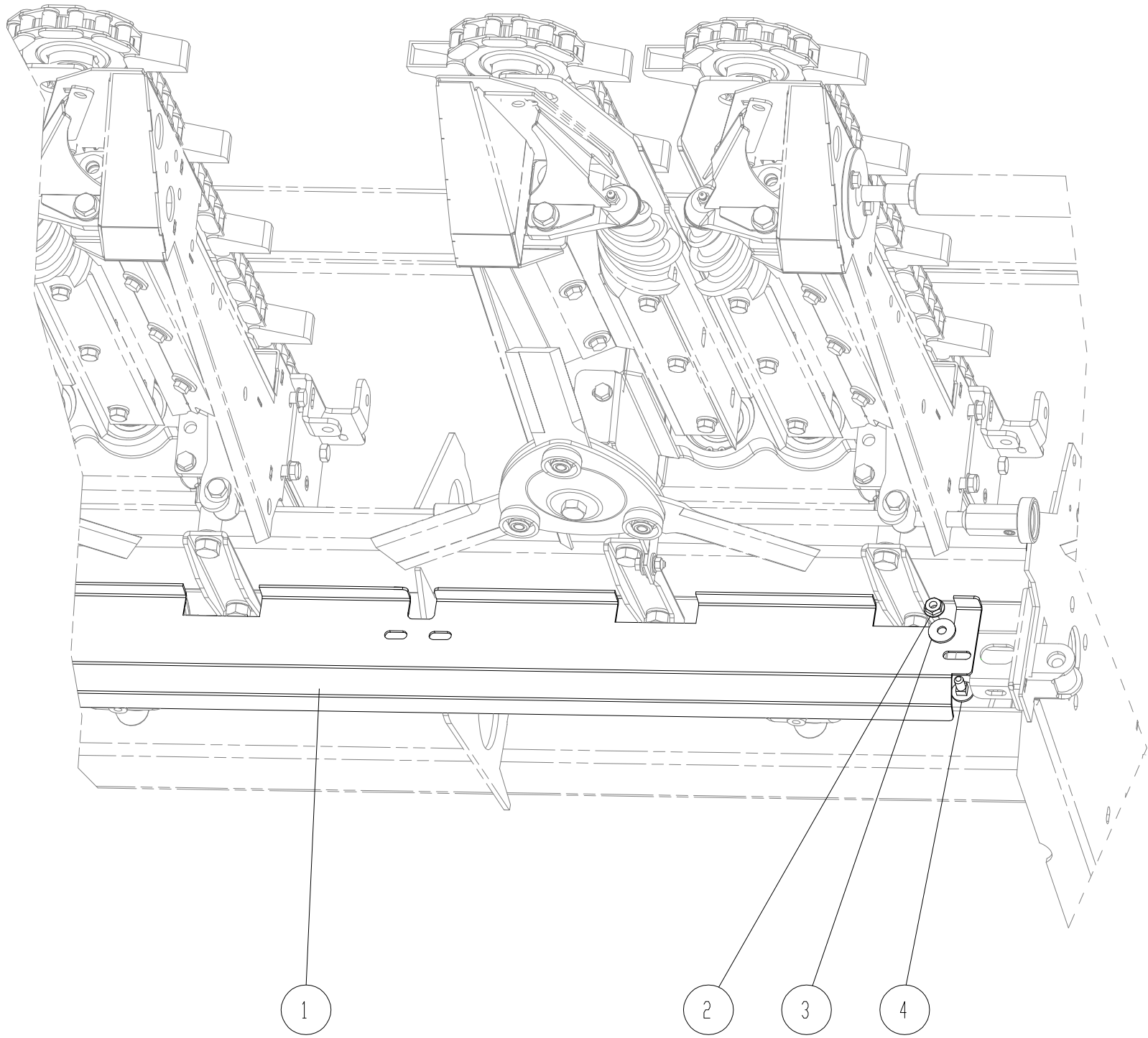
N	CODICE	DESCRIZIONE	DESCRIPTION	DESCRIPTION	BESCHREIBUNG
1	03.4116.00	PUNTA LATERALE DESTRA	POINTE DIVISEUR DROITE	DIVIDER POINT RIGHT	ABTEILERSPITZE RECHTS
2	03.4117.00	PUNTA LATERALE SINISTRA	POINTE DIVISEUR GAUCHE	DIVIDER POINT LEFT	ABTEILERSPITZE LINKS
3	03.4114.01	PUNTA LATERALE	APPUI	POINT	SPITZE
4	01.0981.01	PIASTRA DI STRISCIAMENTO	PLAQUE	PLATE	PLATTE
5	01.0991.00	CENTINA DESTRA PUNTA LATERALE	CADRE DROITE	MEMBER RIGHT	MASCHINENSPANT RECHTS
6	01.0990.00	CENTINA SINISTRA PUNTA LATERALE	CADRE LEFT	MEMBER LEFT	MASCHINENSPANT LINKS
7	01.0996.01	REGISTRO PUNTA	PLAQUE DE REGLAGE	ADJUSTING PLATE	EINSTELLSTUECK
8	01.0983.01	CERNIERA PUNTA LATERALE SINISTRA	CHARNIERE GAUCHE	HINGE LEFT	SCHARNIER LINKS
9	01.0988.01	CERNIERA PUNTA LATERALE DESTRA	CHARNIERE DROITE	HINGE RIGHT	SCHARNIER RECHTS
	01.1171.01	PUNTA LATERALE SINISTRA COMPLETA	POINTE DIVISEUR GAUCHE	DIVIDER POINT LEFT	ABTEILERSPITZE LINKS
	01.1172.01	PUNTA LATERALE DESTRA COMPLETA	POINTE DIVISEUR DROITE	DIVIDER POINT RIGHT	ABTEILERSPITZE RECHTS



N	CODICE	DESCRIZIONE		DESCRIPTION	DESCRIPTION	BESCHREIBUNG
1	02.2132.00	VITE TE	M10X30	VIS SIX PANS	HEXAGONAL SCREW	SECHSKANTSCHRAUBE
2	02.2067.00	RONDELLA	10X30X3	RONDELLE	WASHER	SCHEIBE
3	04.5098.00	VITE TE	M10X20	VIS SIX PANS	HEXAGONAL SCREW	SECHSKANTSCHRAUBE
4	02.2136.00	VITE TSEI	M10X16	VIS A TETE FRAISEE	COUNTERSUNK BOLT	SECHSCHRAUBE
5	02.2078.00	RONDELLA	10X20X2	RONDELLE	WASHER	SCHEIBE
6	02.1037.00	VITE TENSILOCK	M10X30	VIS TENSILOCK	SECURING SCREW TENSILOCK	SICHERUNGSSCHRAUBE TENSILLOCK
7	02.2032.00	DADO AUTOBLOCCANTE	M12	ECROU INDESSERRAB	SECURING NUT	SICHERUNGSMUTTER
8	01.1196.00	BOCCOLA		DOUILLE	BUSHING	BUCHSE
9	02.2104.00	VITE TCEI	M12X35	VIS CYLINDRIQUE	SOCKET HEAD SCREW	ZYLINDERSCHRAUBE
10	02.2083.00	ROSETTA ELASTICA	10X18	RONDELLE	WASHER	SCHEIBE
11	02.2025.00	DADO TENSILOCK	M10	ECROU TENSILOCK	SECURING NUT TENSILOCK	SICHERUNGSMUTTER TENSILOCK
12	02.1009.00	VITE TE	M10X25	VIS SIX PANS	HEXAGONAL SCREW	SECHSKANTSCHRAUBE
13	02.2007.00	DADO AUTOBLOCCANTE	M10	ECROU INDESSERRAB	SECURING NUT	SICHERUNGSMUTTER



N	CODICE	DESCRIZIONE		DESCRIPTION	DESCRIPTION	BESCHREIBUNG
1	03.4102.00	PIASTRINA		PLAQUE	PLATE	PLATTE
2	02.2004.00	VITE TENSILOCK	M10X20	VIS TENSILOCK	SECURING SCREW TENSILOCK	SICHERUNGSSCHRAUBE TENSILOCK
3	03.4103.00	GOMMA RIPARO PANNOCCHIE		JOINT CAOUTCHOUC	RUBBER COVER	GUMMIABDECKUNG



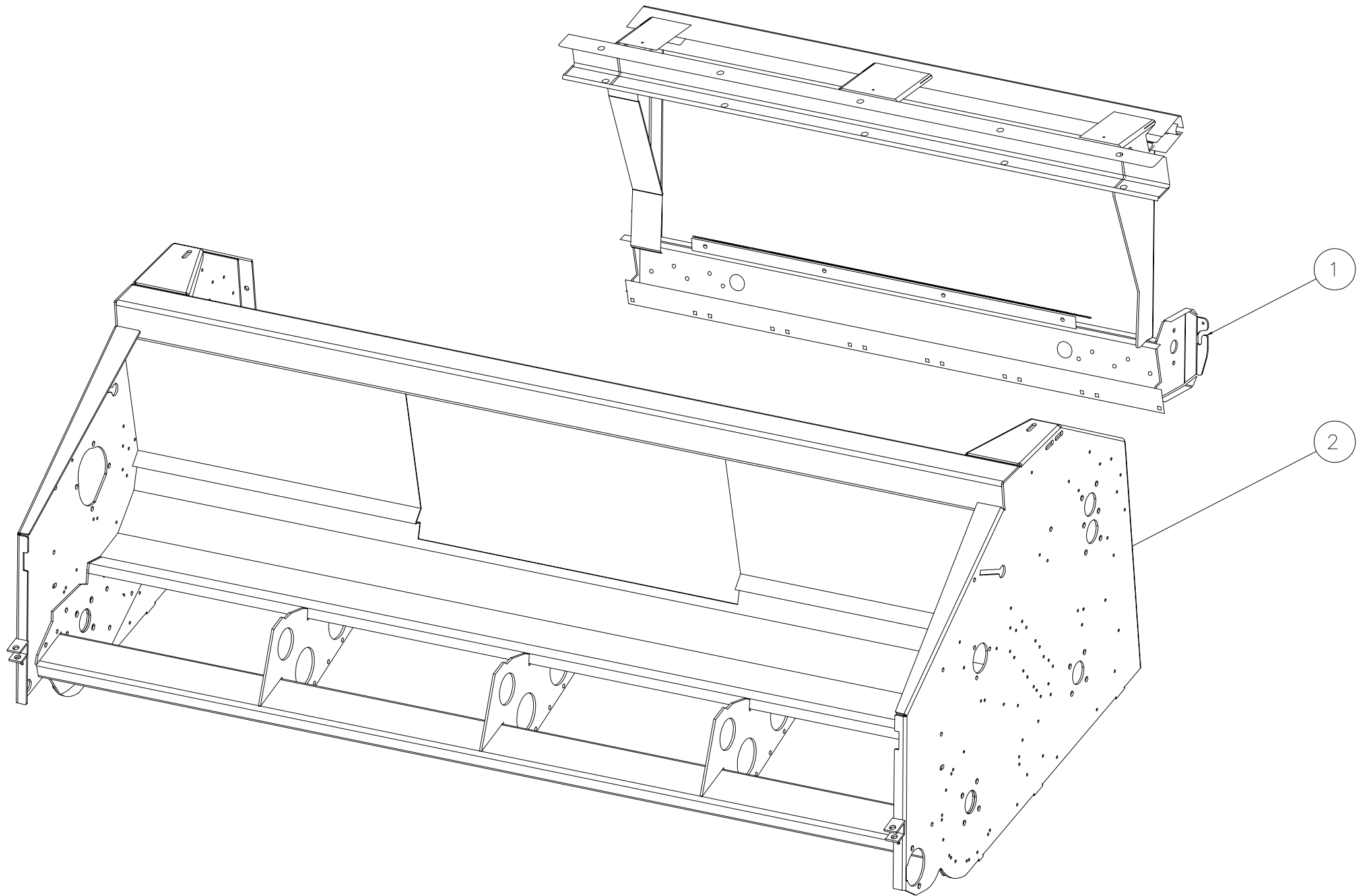
1

2

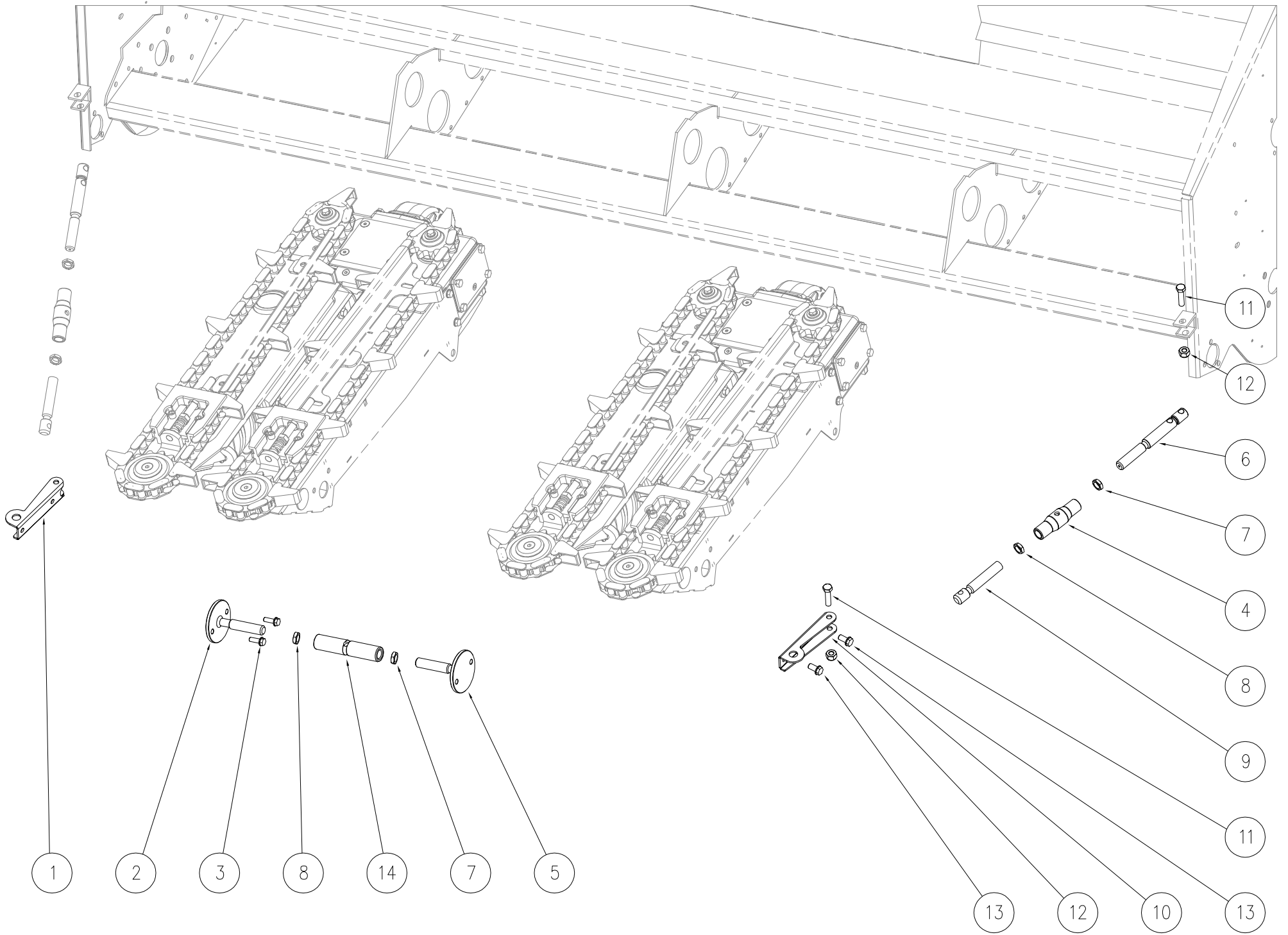
3

4

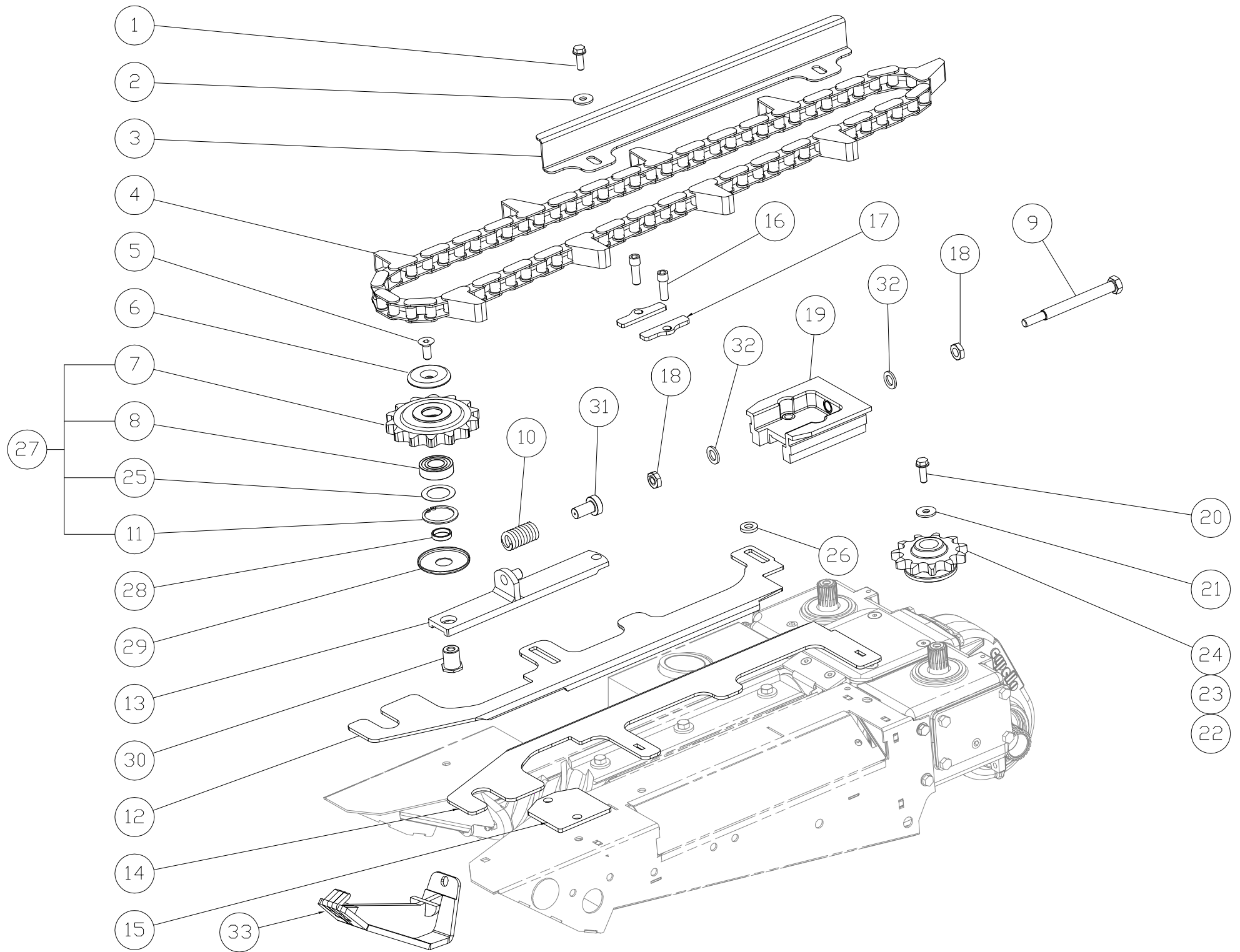
N	CODICE	DESCRIZIONE		DESCRIPTION	DESCRIPTION	BESCHREIBUNG
1*	01.1473.00	RIPARO TRINCIASTOCCHI		GARANT	GUARD	SCHUTZ
2	02.2020.00	DADO FLANGIATO	M10	ECROU TENSILOCK	SICHERUNG NUT TENSILOCK	MUTTER TENSILOCK
3	02.1095.00	RONDELLA	10X30X2,5	RONDELLE	WASHER	SCHEIBE
4	02.1000.00	VITE TBQS	M10X25	VIS TBQS	COACH BOLT	SCRAUBE TBQS
*: SPECIFICARE LA LUNGHEZZA IN MM						
SPECIFIER LA LONGHEUR IN MM						
SPECIFY LENGHT IN MM						
LANGE IN MM ANGEBEN						



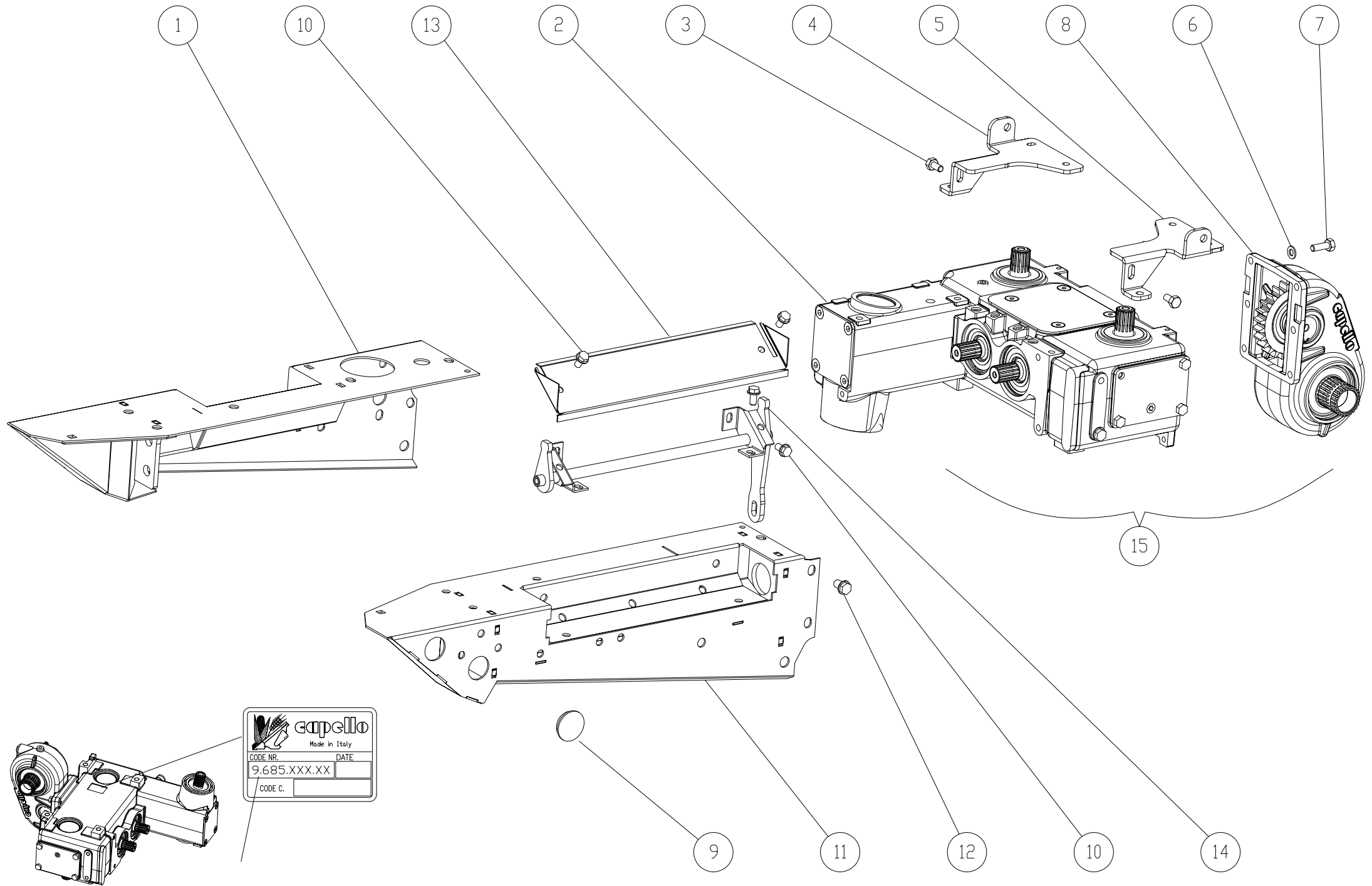
N	CODICE	DESCRIZIONE	DESCRIPTION	DESCRIPTION	BESCHREIBUNG
1*	01.1097.00	PIASTRA ATTACCO	PANOPLIE	MOUNTING PLATE	EINHAENGESCHILD
2*	01.0285.00	TELAIO FISSO	CHASSIS	FRAME	RAHMEN
1*	SPECIFICARE IL MODELLO DI MIETITREBBIA				
	SPECIFIER LE MODELE DE MOISONNEUSE BATTEUSE				
	SPECIFY COMBINE HARVESTER MODEL				
	DAS MODELL VON DER MAHDRESCHER SPEZIFIZIEREN				
2*	SPECIFICARE IL MODELLO DI TESTATA				
	SPECIFIER LE MODEL DU CUILLEUR				
	SPECIFY CORN HEAD MODEL				
	MAISPFLUCKERMODELL GENAU ANGEBEN				




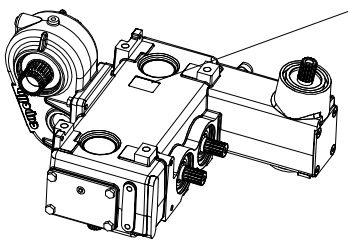
N	CODICE	DESCRIZIONE		DESCRIPTION	DESCRIPTION	BESCHREIBUNG
1	03.2100.00	STAFFA DESTRA		SUPPORT DROITE	SUPPORT RIGHT	HALTER RECHTS
2	01.0143.00	TIRANTE DESTRO		BROCHE DOITE	SPINDLE RIGHT	SPINDEL RECHTS
3	02.2004.01	VITE TENSILOCK	M10X20	VIS TENSILOCK	SECURING NUT TENSILOCK	SICHERUNGSSCHRAUBE TENSILOCK
4	03.2076.00	BARILOTTO		DOUILLE	BUSHING	BUCHSE
5	01.0142.00	TIRANTE SINISTRO		BROCHE GAUCHE	SPINDLE LEFT	SPINDEL LINKS
6	01.1003.00	TIRANTE		TIRANT	ROD	STANGE
7	02.1011.00	DADO BASSO	M 22 SX	ECROU SIX PANS	HEXAGONAL NUT	SECHSKANTMUTTER
8	02.2050.00	DADO BASSO	M 22 DX	ECROU SIX PANS	HEXAGONAL NUT	SECHSKANTMUTTER
9	01.1004.00	TIRANTE		TIRANT	ROD	STANGE
10	03.2101.00	STAFFA SINISTRA		SUPPORT GAUCHE	SUPPORT LEFT	HALTER LINKS
11	02.2033.00	VITE TE	M12X50	VIS SIX PANS	HEXAGONAL BOLT	SECHSKANTSCHRAUBE
12	02.2032.00	DADO AUTOBLOCCANTE	M12	ECROU INDESSERRANB	SECURING NUT	SICHERUNGSMUTTER
13	02.2004.00	VITE TENSILOCK	M10X20	VIS TENSILOCK	SECURING NUT TENSILOCK	SICHERUNGSSCHRAUBE TENSILOCK
14	03.2004.02	BARILOTTO		DOUILLE	BUSHING	BUCHSE



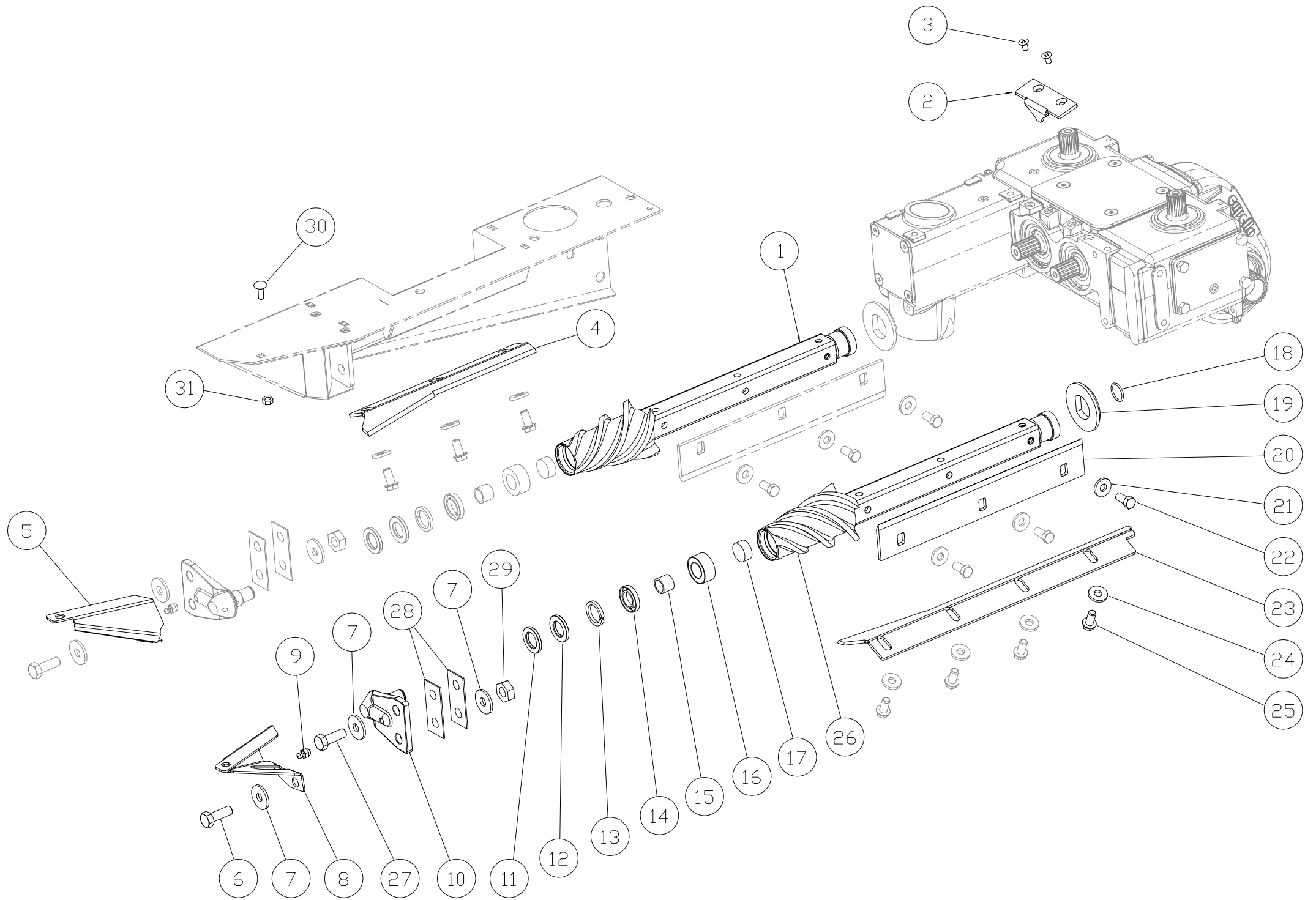
N	CODICE	DESCRIZIONE		DESCRIPTION	DESCRIPTION	BESCHREIBUNG
1	02.2175.00	VITE TENSILOCK	M12X35	VIS TENSILOCK	SECURING SCREW TENSILOCK	SICHERUNGSSCHRAUBE
2	02.2092.00	RONDELLA	12X40X2.5	RONDELLE	WASHER	SCHEIBE
3	01.0188.00	GUIDACATENA		GUIDE CHAINE	CHAIN GUIDE	KETTENFUEHRUNG
4	03.2013.01	CATENA		CHAINE CONVOYEUR	CONVEYOR CHAIN	FOERDERKETTE
5	02.2123.00	VITE TSEI	M12X25	VIS A TETE FRAISEE	COUNTERSUNK BOLT	SENKSCHEIBE
6	03.2110.00	COPERCHIO		COUVERCLE	COVER	DECKEL
7	03.2113.00	INGRANAGGIO	Z14	PIGNON	SPROCKET	KETTENRAD
8	04.5052.00	CUSCINETTO	6205 2RS	ROUL. GORGE PROF.	GRVD. BALL BEARING	RILLENKUGELLAGER
9	03.2105.00	VITE		VIS DE REGLAGE	ADJUSTING SCREW	VERSTELLSCHRAUBE
10	03.2014.01	MOLLA		RESSORT	COMPRESS SPRING	DRUCKFEDER
11	04.5051.00	ANELLO ELASTICO PER FORI	I 52X2	CIRCLIP	CIRCLIP	SICHERUNGSRING
12	01.0184.02	PIATTO SPANNOCCHIATORE DESTRO		PLAQUE CUILLEUSE DROITE	PICKER PLATE RIGHT	PFLUECKPLATTE RECHTS
13	03.2114.00	STAFFA TENDICATENA		ETRIER	BRACKET	BUEGEL
14	01.0185.02	PIATTO SPANNOCCHIATORE SINISTRO		PLAQUE CUILLEUSE GAUCHE	PICKER PLATE LEFT	PFLUECKPLATTE LINKS
15	01.0261.00	PIASTRA		PLAQUE	PLATE	PLATTE
16	02.2106.00	VITE TCEI	M12X55	VIS CYLINDRIQUE	SOCKET HEAD SCREW	ZYLINDERSCHRAUBE
17	01.0668.00	SPESSORE		PLAQUE	PLATE	PLATTE
18	02.1023.00	DADO	M16	ECROU SIX PANS	HEXAGONAL NUT	SECHSKANTMUTTER
19	03.2015.01	STAFFA GUIDACATENA		GUIDE CHAINE	CHAIN GUIDE	KETTENFUEHRUNG
20	02.2066.00	VITE TENSILOCK	M10X25	VIS TENSILOCK	SECURING SCREW TENSILOCK	SICHERUNGSSCHRAUBE
21	01.0183.00	RONDELLA		RONDELLE	WASHER	SCHEIBE
22	03.2012.00	INGRANAGGIO	Z10	BARBOTIN	SPROCKET	KETTENRAD
23	03.1995.00	INGRANAGGIO	Z11	BARBOTIN	SPROCKET	KETTENRAD
24	03.1990.00	INGRANAGGIO	Z13	BARBOTIN	SPROCKET	KETTENRAD
25	03.2125.00	PROTEZIONE		GARANT	SAFETY DISC	SCHUTZSCHEIBE
26	01.0262.00	DISTANZIALE		PIECE ECARTEMENT	SPACER PIECE	DISTANZSTUECK
27	01.1255.00	INGRANAGGIO COMPLETO	Z14	BARBOTIN	SPROCKET	KETTENRAD
28	03.2112.00	DISTANZIALE		PIECE ECARTEMENT	SPACER PIECE	DISTANZSTUECK
29	03.2126.00	PIATTELLO		GARANT	DISC	SCHUTZSCHEIBE
30	03.2111.00	PERNO		PIVOT	SHAFT	BOLZEN
31	03.2106.00	BOCCOLA		DOUILLE	BUSHING	BUCHSE
32	01.1235.00	RONDELLA	16X25X3	RONDELLE	WASHER	SCHEIBE
33	01.1530.00	PATTINO		PATIN DE CHENILLE	TRACK SHOE	BODENPLATTE



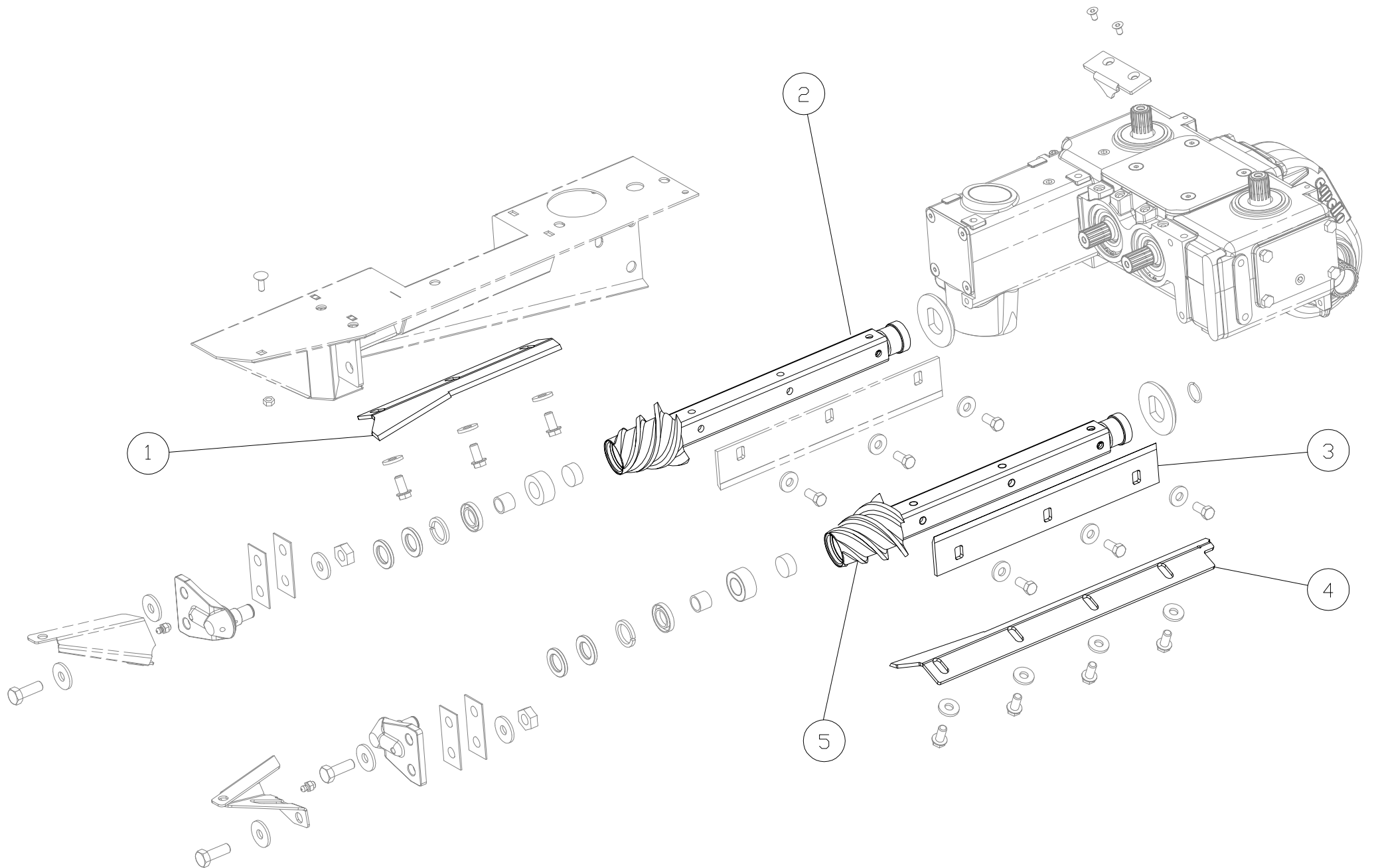

capello
 Made in Italy
 CODE NR. DATE
 9.685.XXX.XX
 CODE C.



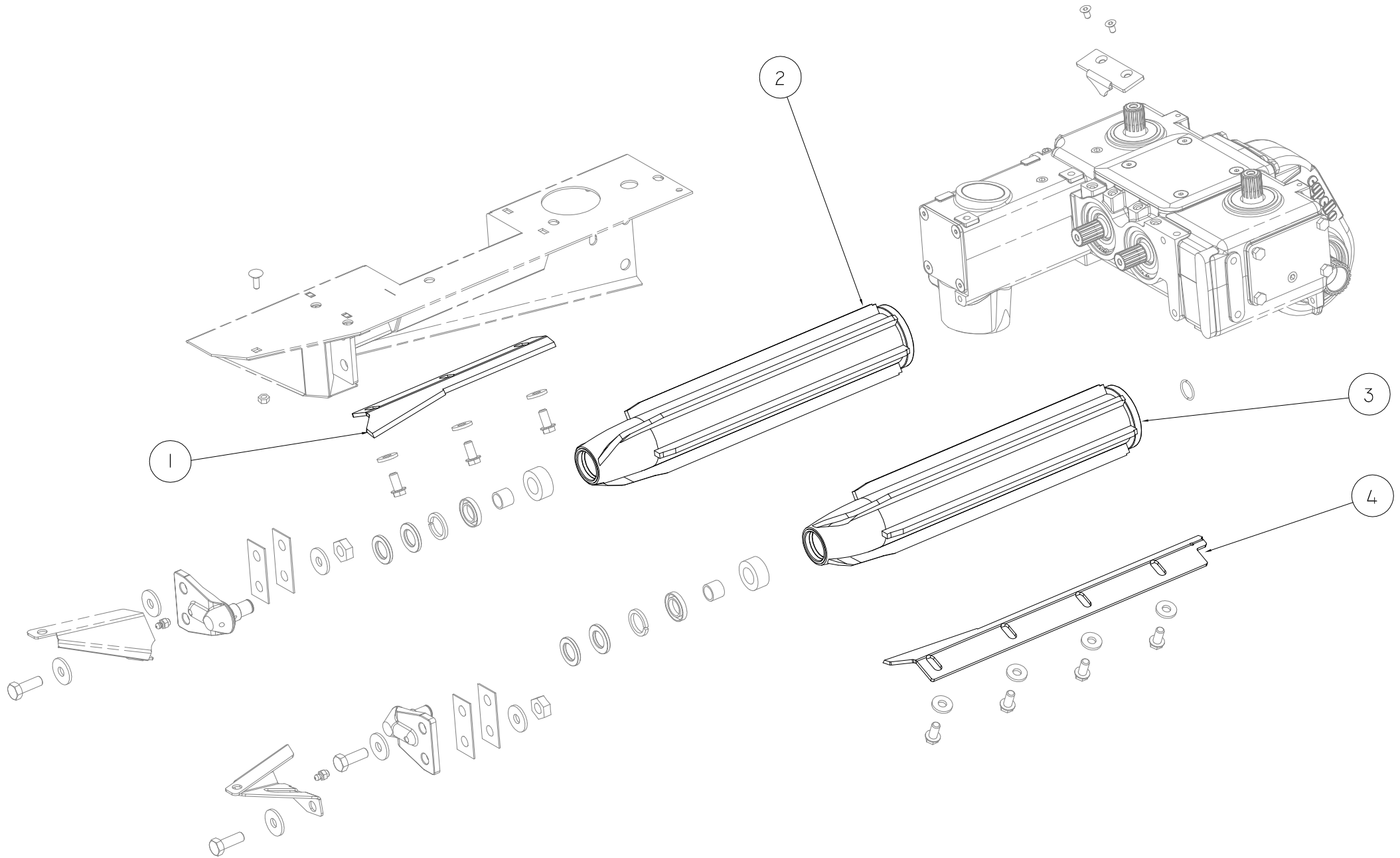
N	CODICE	DESCRIZIONE		DESCRIPTION	DESCRIPTION	BESCHREIBUNG
1	03.4225.00	INVOLUCRO DESTRO		PLAQUE DROITE	PLATE RIGHT	PLATTE RECHTS
2*	04.5105.03	SCATOLA CON INGRANAGGI		ENGRANAGE CUEILL	PICKER GEARBOX	PFLUECKERGETRIEBE
3	04.5098.00	VITE TE	M10X20	VIS SIX PANS	HEXAGONAL SCREW	SECHSKANTSCHRAUBE
4	01.1008.01	CERNIERA COFANO DESTRA		GUIDE DROITE	GUIDE RIGHT	FUEHRUNG RECHTS
5	01.1007.01	CERNIERA COFANO SINISTRA		GUIDE GAUCHE	GUIDE LEFT	FUEHRUNG LINKS
6	02.2078.00	RONDELLA	10X20X2	RONDELLE	WASHER	SCHEIBE
7	04.5094.00	VITE TE	M10X30	VIS SIX PANS	HEXAGONAL SCREW	SECHSKANTSCHRAUBE
8*	04.5106.00	CODOLO COMPLETO		TR. ENGRANAGE CPL.	GEARBOX CPL.	GETRIEBE KPL.
9	03.2017.00	TAPPO GOMMA		BOUCHON	PLUG	STOPFEN
10	02.2027.00	VITE TENSILOCK	M8X16	VIS TENSILOCK	SECURING SCREW TENSILOCK	SICHERUNSSCHRAUBE TENSILOCK
11	03.4229.00	INVOLUCRO SINISTRO		PLAQUE GAUCHE	PLATE LEFT	PLATTE LINKS
12	02.2087.00	VITE TENSILOCK	M12X20	VIS TENSILOCK	SECURING SCREW TENSILOCK	SICHERUNSSCHRAUBE TENSILOCK
13	03.4231.00	COPERCHIO CHIUSURA INVOLUCRO SX		COUVERCLE	SHIELD	GEHAUSE
14	03.4230.00	LEVA INTERNA INVOLUCRO SX		LEVIER	LEVER	HEBEL
15*	04.5006.03	SCATOLA DI TRASMISSIONE COMPLETA		BOITIER COMPLET	GEARBOX COMPLETE	GETRIEBE KOMPLETE
	03.4226.00	INVOLUCRO SINISTRO COMPLETO		PLAQUE GAUCHE CPL.	PLATE LEFT CPL.	PLATTE LINKS KPL.
*: RIPORTARE SEMPRE OLTRE AL CODICE RELATIVO ANCHE IL CODICE (9.685.XXX....) IMPRESSO SULLA TARGHETTA						
TOUJOURS INDIQUER LE CODE CORRESPONDANT AINSI QUE LE CODE (9.685.XXX....) MENTIONNÉ SUR LA PLAQUETTE SIGNALÉTIQUE						
ALWAYS CITE THE RELATIVE CODE AND THE CODE (9.685.XXX....) PRINTED ON THE PLATE						
DIE KODENUMMER AND AUCH DIE KODENUMMER (9.685.XXX....) DIE SICH AUF DEM SCHILDCHEN BEFINDET, ANGEBEN						



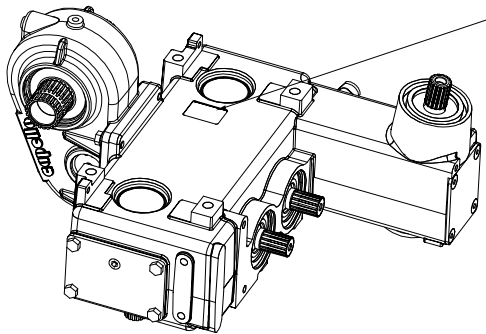
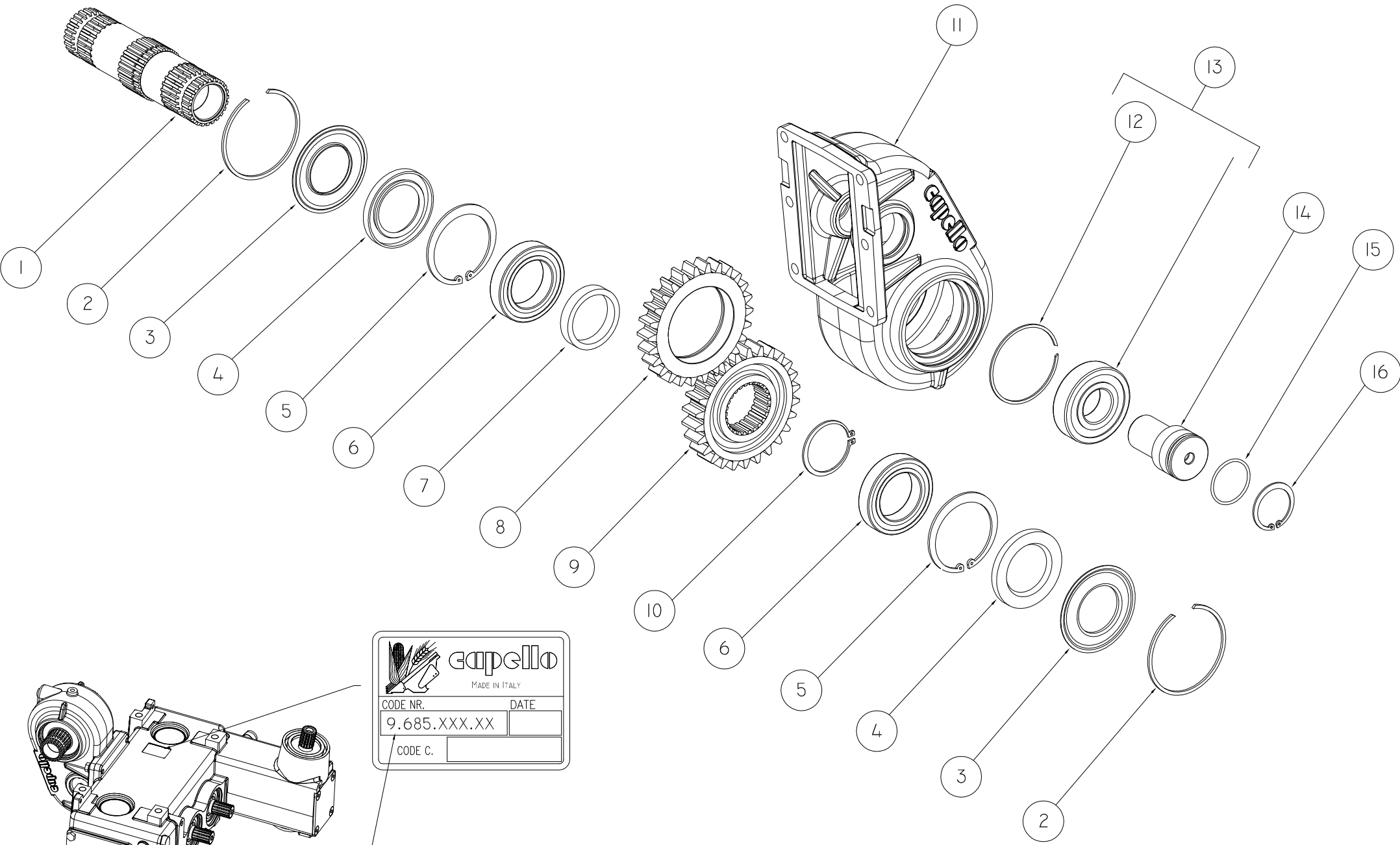
N	CODICE	DESCRIZIONE		DESCRIPTION	DESCRIPTION	BESCHREIBUNG
1	01.0950.00	CORPO RULLO DESTRO	400	ROLEAU DROITE	ROLLER RIGHT	WALZE RECHTS
2	01.0199.00	PIASTRINA		ANTI PELOTAGE	A. WRAPP. GUARD	WICKELSCHUTZ
3	02.1030.00	VITE TSEI	M8X16	VIS A TETE FRAISEE	COUNTERSUNK BOLT	SECHSCHRAUBE
4	01.0955.00	RASAMENTO DESTRO		LAME RACLEUSE DROITE	STRIPPER KNIFE RIGHT	ABSTREIFMESSER RECHTS
5	01.0293.00	RIPARO ANTERIORE DESTRO		GARANT DROITE	GUARD RIGHT	SCHUTZ RECHTS
6	02.1041.00	VITE TE	M14X50	VIS SIX PANS	HEXAGONAL SCREW	SECHSKANTSCHRAUBE
7	02.1035.00	RONDELLA	14X30X4	RONDELLE	WASHER	SCHEIBE
8	01.0294.00	RIPARO ANTERIORE SINISTRO		GARANT GAUCHE	GUARD LEFT	SCHUTZ LINKS
9	02.2098.00	INGRASSATORE		GRAISSEUR	GREASE NIPPLE	SCHMIERNIPPEL
10	01.0202.01	SUPPORTO ANTERIORE		PALIER	ROL BEARING	WALZENLAGERUNG
11	01.0206.00	DISTANZIALE		RONDELLE ECARTEMENT	SPACER WASHER	DISTANZSCHEIBE
12	01.0205.00	DISTANZIALE		RONDELLE ECARTEMENT	SPACER WASHER	DISTANZSCHEIBE
13	01.0203.00	FELTRO		RONDELLE FEUTRE	FELT RING	FILZRING
14	01.0204.00	RONDELLA PLASTICA		BAGUE ETANCHEITE	SEAL RING	DICHTRING
15	02.1039.00	BOCCOLA		DOUILLE	BUSHING	BUCHSE
16	02.1038.00	CUSCINETTO	PNA 2042	ROULEMENT AIGUILL.	NEEDLE BEARING	NADELLAGER
17	03.2095.00	TAPPO		BOUCHON	PLUG	VERSCHLUßSCHRAUBE
18	02.1040.00	O RING		JOINT TORIQUE	O RING	RUNDICHRING
19	03.2020.00	RONDELLA PLASTICA		DISQUE PLASTIQUE	PLASTIC WASHER	KUNSTSTOFFSCHEIBE
20	03.4100.00	COLTELLO SFIBRATORE	400	LAME CUILLEUS	PICKER KNIFE	PFLUECKMESSER
21	02.2096.00	RONDELLA	13X22X3	RONDELLE	WASHER	SCHEIBE
22	02.2094.00	VITE TE	M12X1.25X20	VIS SIX PANS	HEXAGONAL SCREW	SECHSKANTSCHRAUBE
23	01.0953.00	RASAMENTO SINISTRO		LAME RACLEUSE GAUCHE	STRIPPER KNIFE LEFT	ABSTREIFMESSER LINKS
24	02.1036.00	RONDELLA	11X40X3	RONDELLE	WASHER	SCHEIBE
25	02.1037.00	VITE TENSILOCK	M10X30	VIS TENSILOCK	SECURING SCREW TENSILOCK	SICHRUNGSSCHRAUBE TENSILOCK
26	01.0951.00	CORPO RULLO SINISTRO	400	ROULEAU GAUCHE	ROLLER LEFT	WALZE LINKS
27	02.2002.00	VITE TE	M14X40	VIS SIX PANS	HEXAGONAL SCREW	SECHSKANTSCHRAUBE
28	04.5112.00	SPESSORE		TOLE	METAL SPACER	DISTANZBLECH
29	02.1025.05	DADO AUTOBLOCCANTE	M14	ECROU AUTOBLOQUANT	SECURING NUT	SICHERUNGSMUTTER
30	02.1000.00	VITE TBQS	M10X25	VIS TBQS	COACH BOLT	FLACHRUNDSCHRAUBE
31	02.2020.00	DADO TENSILOCK	M10	ECROU TENSILOCK	SECURING NUT TENSILOCK	SICHERUNGSMUTTER TENSILOCK




N	CODICE	DESCRIZIONE		DESCRIPTION	DESCRIPTION	BESCHREIBUNG
1	01.0955.00	RASAMENTO DESTRO		LAME RACLEUSE DROITE	STRIPPER KNIFE RIGHT	ABSTREIFMESSER RECHTS
2	01.0200.01	CORPO RULLO DESTRO	450	ROLEAU DROITE	ROLLER RIGHT	WALZE RECHTS
3	03.2019.00	COLTELLO SFIBRATORE	450	LAME CUILLEUS	PICKER KNIFE	PFLUECKMESSER
4	01.0953.00	RASAMENTO SINISTRO		LAME RACLEUSE GAUCHE	STRIPPER KNIFE LEFT	ABSTREIFMESSER LINKS
5	01.0201.01	CORPO RULLO SINISTRO	450	ROULEAU GAUCHE	ROLLER LEFT	WALZE LINKS

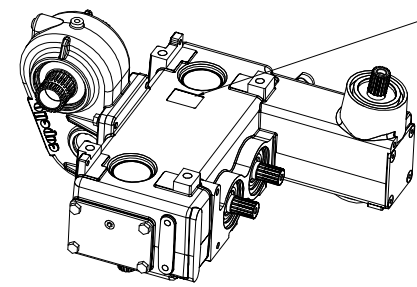
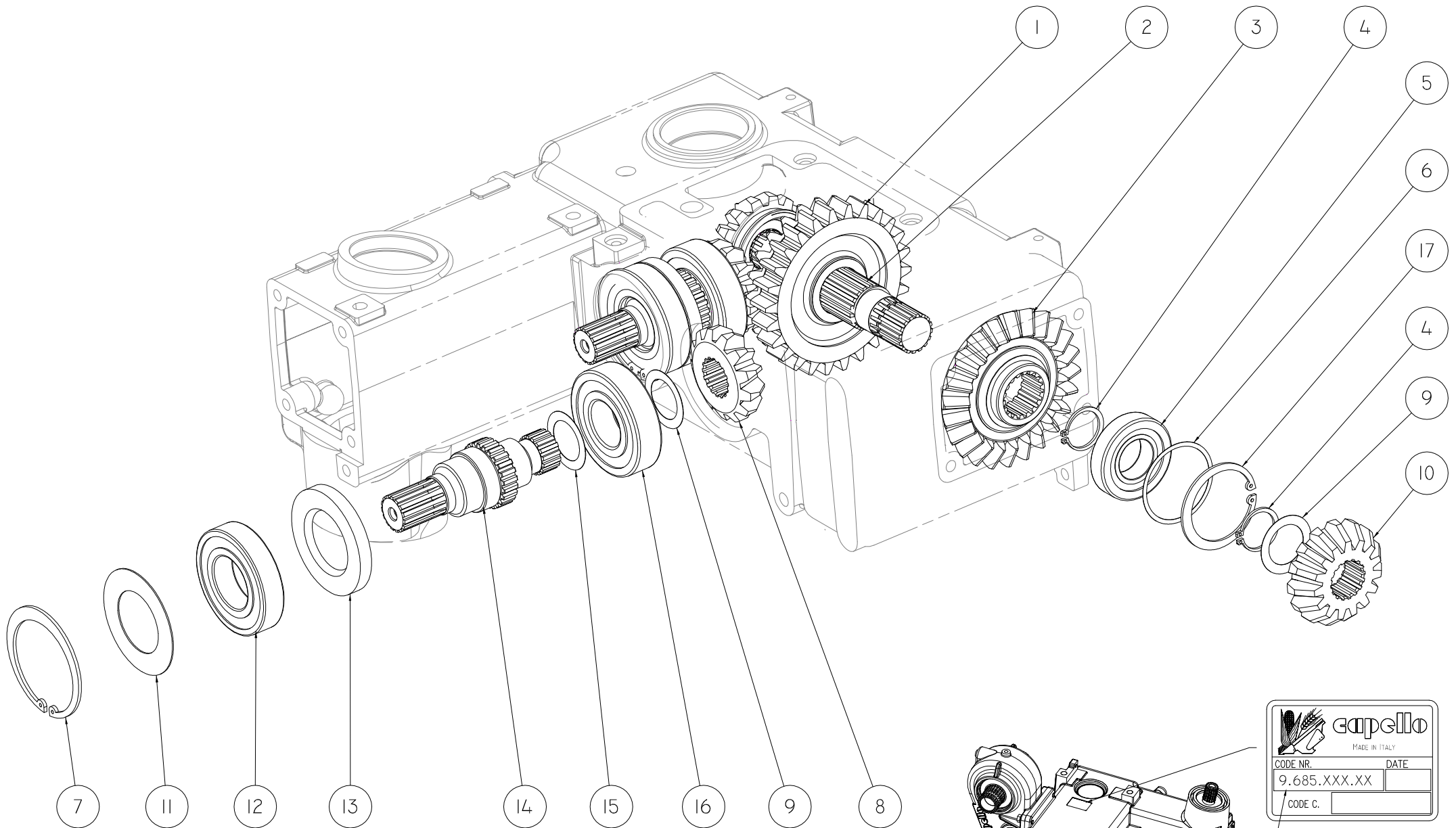



N	CODICE	DESCRIZIONE	DESCRIPTION	DESCRIPTION	BESCHREIBUNG
1	01.0955.00	RASAMENTO DESTRO	LAME RACLEUSE DROITE	STRIPPER KNIFE RIGHT	ABSTREIFMESSER RECHTS
2	01.0705.00	CORPO RULLO DESTRO	ROLEAU DROITE	ROLLER RIGHT	WALZE RECHTS
3	01.0706.00	CORPO RULLO SINISTRO	ROULEAU GAUCHE	ROLLER LEFT	WALZE LINKS
4	01.0953.00	RASAMENTO SINISTRO	LAME RACLEUSE GAUCHE	STRIPPER KNIFE LEFT	ABSTREIFMESSER LINKS



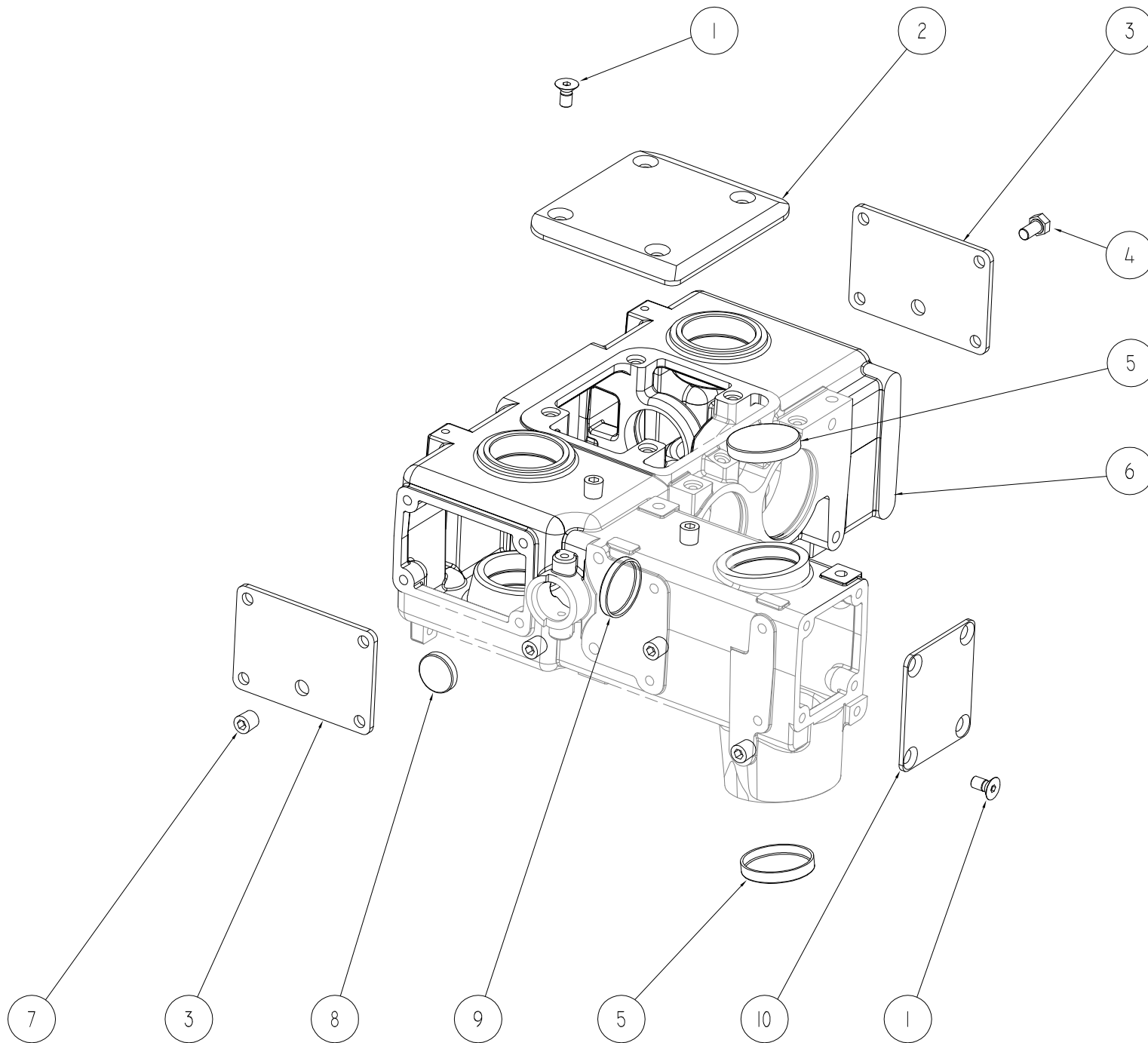
 gapello MADE IN ITALY	
CODE NR.	DATE
9.685.XXX.XX	
CODE C.	

N	CODICE	DESCRIZIONE		DESCRIPTION	DESCRIPTION	BESCHREIBUNG
1	04.5037.00	ALBERO CANNOTTO		ARBRE	SHAFT	WELLE
2	04.5031.00	ANELLO SPALLAMENTO	SB 92	ANNEAU DE RETENUE	SNAP RING	SPRENGRING
3	04.5032.00	PROTEZIONE		GARANT	SAFETY DISC	SCHUTZSCHEIBE
4	04.5033.00	PARAOLIO	50X80X8	BAGUE D'ETANCHEIT	SHAFT SEAL RING	WELLENDICHTRING
5	04.5021.00	ANELLO ELASTICO PER FORI	I 80X2.5	CIRCLIP	CIRCLIP	SICHERUNGSRING
6	04.5034.00	CUSCINETTO	6010	ROUL. GORGE PROF.	GRVD. BALL BEARING	RILLENKUGELLAGER
7	04.5035.00	DISTANZIALE		BAGUE ECARTEMENT	SPACE RING	DISTANZRING
8	04.5041.00	CORONA CILINDRICA		ROUE DENTEE	TOOTH WHEEL	ZAHNRAD
9	04.5036.00	CORONA CILINDRICA		ROUE DENTEE	TOOTH WHEEL	ZAHNRAD
10	04.5038.00	ANELLO ELASTICO PER ALBERI	E 55X2	CIRCLIP	CIRCLIP	SICHERUNGSRING
11	04.5097.00	FUSIONE LAVORATA CODOLO		CARTER BOITE	GEARBOX HOUSING	GETRIEBEGEHAUEUSE
12	04.5040.00	ANELLO DI SPALLAMENTO		BAGUE	RING	RING
13	04.5039.00	CUSCINETTO	6307N	ROUL. GORGE PROF.	GRVD. BALL BEARING	RILLENKUGELLAGER
14	04.5042.00	PERNO		ARBRE	BEARING SHAFT	LAGERWELLE
15	04.5043.00	O RING	DR 3163	JOINT TORIQUE	O RING	RUNDDICHTRING
16	04.5044.00	ANELLO ELASTICO PER FORI	I 47X1.75	CIRCLIP	CIRCLIP	SICHERUNGSRING
ATTENZIONE: PER OGNI ARTICOLO RIPORTARE SEMPRE OLTRE AL CODICE RELATIVO ANCHE IL CODICE (9.685.XXX....) IMPRESSO SULLA TARGHETTA!						
ATTENTION: POUR CHAQUE ARTICLE, TOUJOURS INDIQUER LE CODE CORRESPONDANT AINSI QUE LE CODE (9.685.XXX....) MENTIONNÉ SUR LA PLAQUETTE SIGNALÉTIQUE!						
IMPORTANT: FOR EACH ARTICLE ALWAYS CITE THE RELATIVE CODE AND THE CODE (9.685.XXX....) PRINTED ON THE PLATE!						
ACHTUNG: BEI ALLEN ARTIKELN DIE KODENUMMER AND AUCH DIE KODENUMMER (9.685.XXX....) DIE SICH AUF DEM SCHILDCHEN BEFINDET, ANGEBEN!						

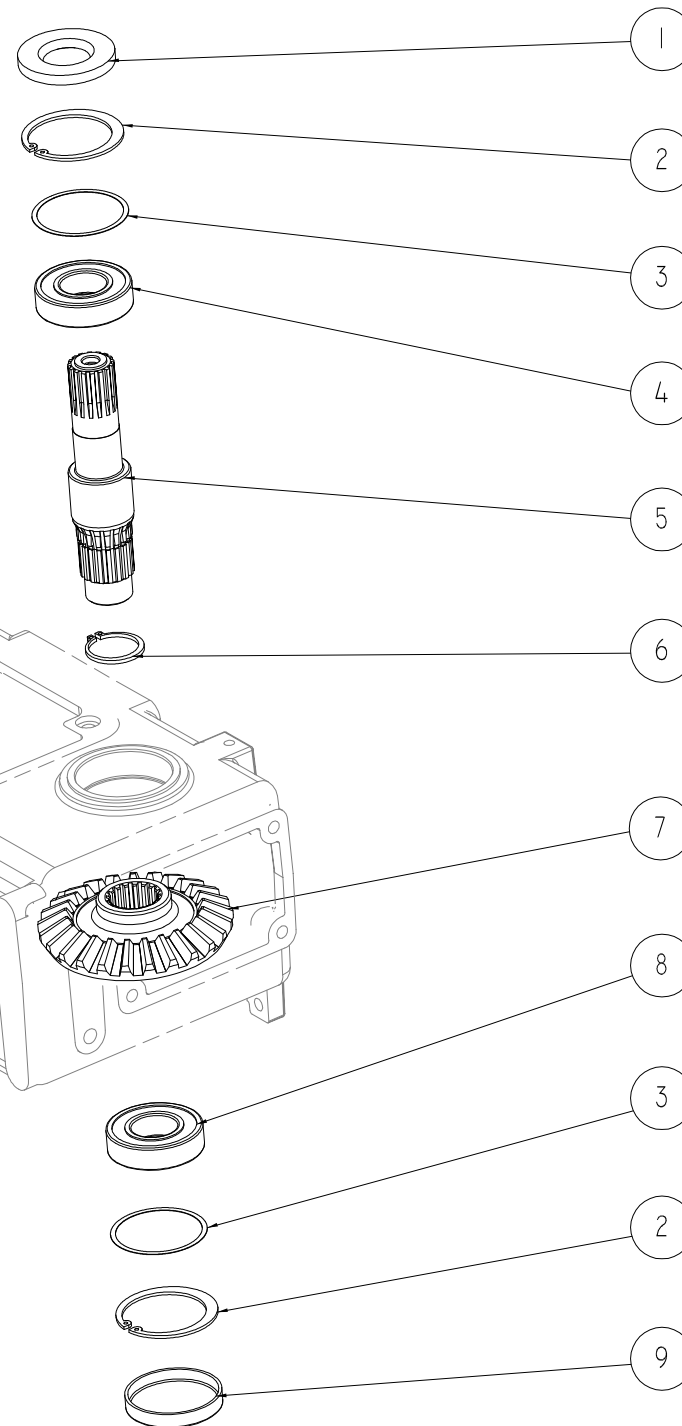
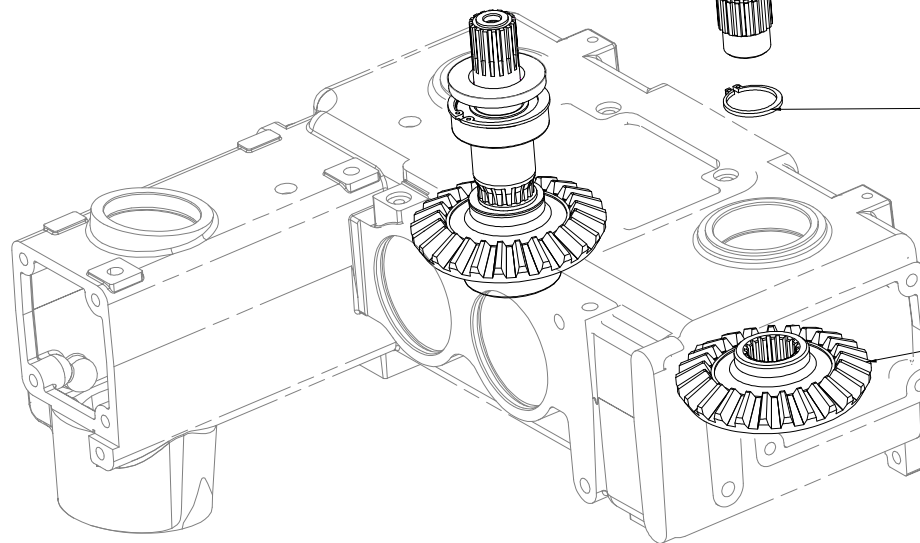
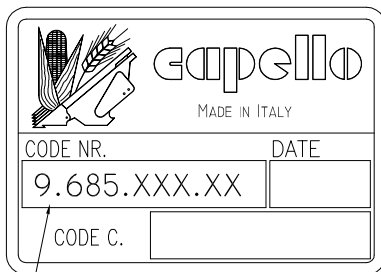
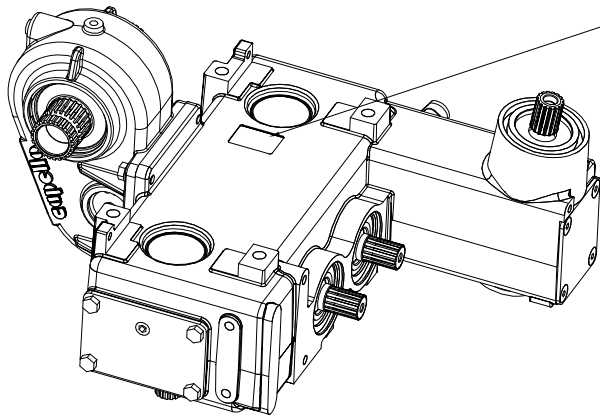


		capello	
MADE IN ITALY			
CODE NR.	DATE		
9.685.XXX.XX			
CODE C.			

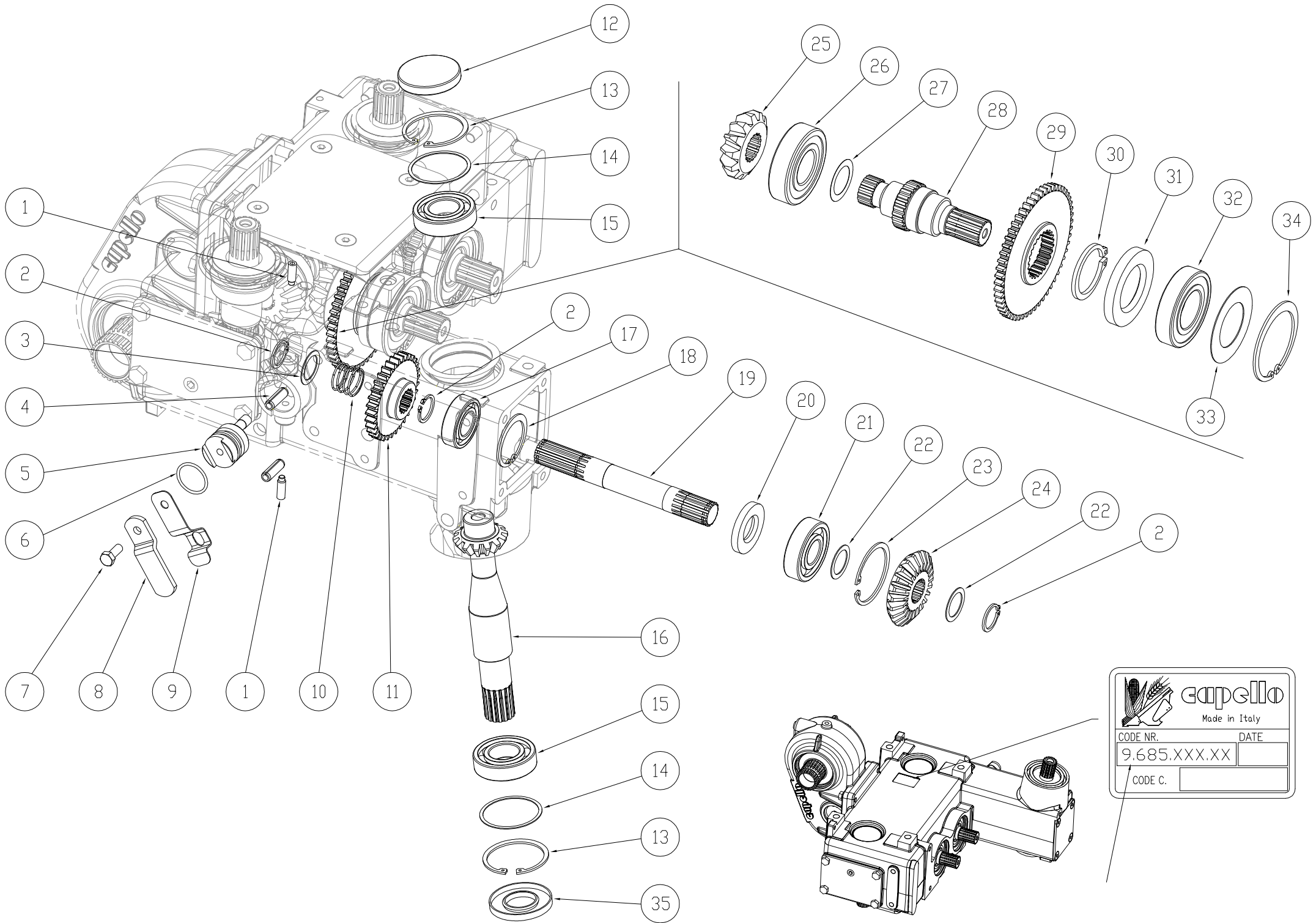
N	CODICE	DESCRIZIONE		DESCRIPTION	DESCRIPTION	BESCHREIBUNG
1	04.5030.00	CORONA CILINDRICA		ROUE DENTEE	BEVEL GEAR INNER	KEGELRAD INNEN
2	04.5020.00	ALBERO INTERMEDIO		ARBRE	SHAFT INNER	WELLE INNEN
3	04.5029.00	CORONA CONICA		ROUE CONIQUE	BEVEL GEAR	KEGELRAD
4	04.5017.00	ANELLO ELASTICO PER ALBERI	E 30X1,5	CIRCLIP	CIRCLIP	SICHERUNGSRING
5	04.5018.00	CUSCINETTO	30206	ROUL. ROULEAUX CON.	TA. ROLER BEARING	KEGELROLENLAGER
6	04.5009.00	SPESSORE REGISTRABILE	55.3X61.7	RONDELLE ECARTEM.	SPACER WASHER	DISTANZSCHEIBE
7	04.5021.00	ANELLO ELASTICO PER FORI	I 80X2.5	CIRCLIP	CIRCLIP	SICHERUNGSRING
8	04.5101.00	PIGNONE CONICO	Z13	PIGNON CONIQUE	BEVEL GEAR	KEGELRAD
9	04.5016.00	SPESSORE REGISTRABILE	30.3X44	RONDELLE ECARTEM.	SPACER WASHER	DISTANZSCHEIBE
10	04.5015.00	PIGNONE CONICO		ROUE CONIQUE	BEVEL GEAR	KEGELRAD
11	04.5092.00	LAMIERINO		RONDELLE	WASHER	SCHEIBE
12	04.5022.00	CUSCINETTO	6208 2RS	ROUL. GORGE PROF.	GRVD. BALL BEARING	RILLENKUGELLAGER
13	04.5023.00	PARAOLIO	45X80X10	BAGUE D'ETANCHEIT	SHAFT SEAL RING	WELLENDICHTRING
14	04.5025.00	ALBERO		ARBRE	SHAFT	WELLE
15	04.5016.00	SPESSORE REGISTRABILE	48X35.3X1	RONDELLE ECARTEM.	SPACER WASHER	DISTANZSCHEIBE
16	04.5028.00	CUSCINETTO	6307	ROUL. GORGE PROF.	GRVD. BALL BEARING	RILLENKUGELLAGER
17	04.5008.00	ANELLO ELASTICO PER FORI	I 62X2	CIRCLIP	CIRCLIP	SICHERUNGSRING
ATTENZIONE: PER OGNI ARTICOLO RIPORTARE SEMPRE OLTRE AL CODICE RELATIVO ANCHE IL CODICE (9.685.XXX....) IMPRESSO SULLA TARGHETTA!						
ATTENTION: POUR CHAQUE ARTICLE, TOUJOURS INDIQUER LE CODE CORRESPONDANT AINSI QUE LE CODE (9.685.XXX....) MENTIONNÉ SUR LA PLAQUETTE SIGNALÉTIQUE!						
IMPORTANT: FOR EACH ARTICLE ALWAYS CITE THE RELATIVE CODE AND THE CODE (9.685.XXX....) PRINTED ON THE PLATE!						
ACHTUNG: BEI ALLEN ARTIKELN DIE KODENUMMER AND AUCH DIE KODENUMMER (9.685.XXX....) DIE SICH AUF DEM SCHILDCHEN BEFINDET, ANGEBEN!						




N	CODICE	DESCRIZIONE		DESCRIPTION	DESCRIPTION	BESCHREIBUNG
1	04.5095.00	VITE TSEI	M10X20	VIS A TETE FRAISEE	COUNTERSUNK BOLT	SENKSCBRAUBE
2	03.4130.00	COPERCHIO SCATOLA		COUVERCLE	COVER	DECKEL
3	04.5088.00	COPERCHIO		COUVERCLE	COVER	DECKEL
4	04.5098.00	VITE TE	M10X20	VIS SIX PANS	HEXAGONAL SCREW	SECHSKANTSCHRAUBE
5	04.5014.00	TAPPO PARAOLIO	62X10	COUVERCLE	COVER	DECKEL
6	04.5103.00	FUSIONE SCATOLA GHISA VUOTA		CARTER BOITE	GEARBOX HOUSING	GETRIEBEGEHAUSE
7	04.5099.00	TAPPO LIVELLO OLIO	3/8"	BOUCHON FILETE	SCREW PLUG	VERSCHL SCHRAUBE
8	04.5090.00	TAPPO PARAOLIO	34X10	COUVERCLE	COVER	DECKEL
9	04.5091.00	TAPPO PARAOLIO	52X7	COUVERCLE	COVER	DECKEL
10	04.5089.00	COPERCHIO		COUVERCLE	COVER	DECKEL

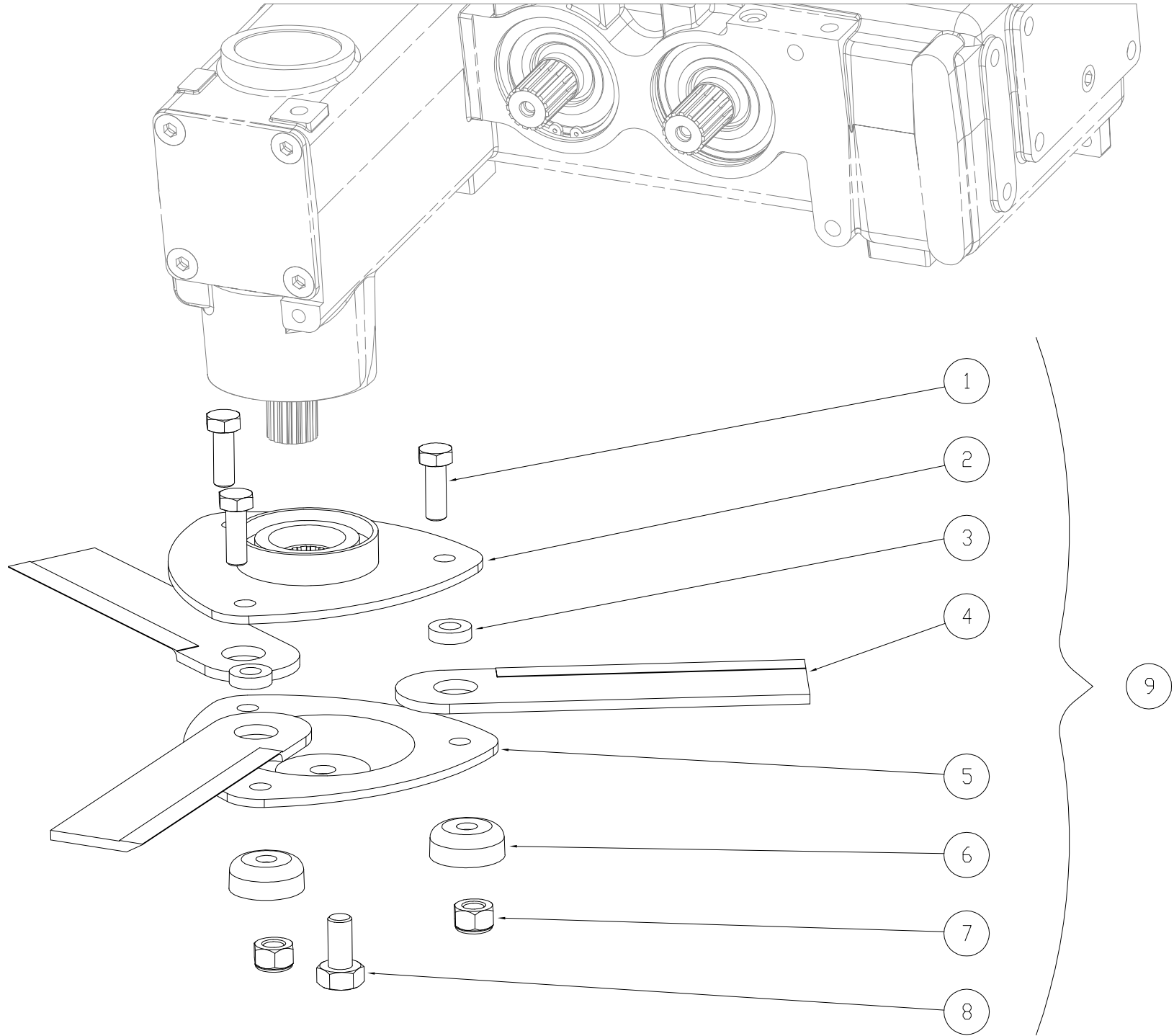


N	CODICE	DESCRIZIONE		DESCRIPTION	DESCRIPTION	BESCHREIBUNG
1	04.5007.00	PARAOLIO	30X62X7	BAGUE D'ETANCHEIT	SHAFT SEAL RING	WELLENDICHTRING
2	04.5008.00	ANELLO ELASTICO PER FORI	I 62X2	CIRCLIP	CIRCLIP	SICHERUNGSRING
3	04.5009.00	SPESSORE REGISTRABILE		RONDELLE ECARTEM.	SPACER WHASHER	DISTANZSCHEIBE
4	04.5010.00	CUSCINETTO	6206 2RS	ROUL. GORGE PROF.	GRVD. BALL BEARING	RILLENKUGELLAGER
5	04.5011.01	ALBERO		ARBRE	SHAFT	WELLE
6	02.2113.00	ANELLO ELASTICO PER ALBERI	E 35X2.5	CIRCLIP	CIRCLIP	SICHERUNGSRING
7	04.5125.00	CORONA CONICA		ROUE CONIQUE	BEVEL GEAR	KEGELRAD
8	04.5013.00	CUSCINETTO	6206	ROUL. GORGE PROF.	GRVD. BALL BEARING	RILLENKUGELLAGER
9	04.5014.00	TAPPO PARAOLIO	62X10	COUVERCLE	COVER	DECKEL
ATTENZIONE: PER OGNI ARTICOLO RIPORTARE SEMPRE OLTER AL CODICE RELATIVO ANCHE IL CODICE (9.685.XXX....) IMPRESSO SULLA TARGHETTA!						
ATTENTION: POUR CHAQUE ARTICLE, TOUJOURS INDIQUER LE CODE CORRESPONDANT AINSI QUE LE CODE (9.685.XXX....) MENTIONNÉ SUR LA PLAQUETTE SIGNALÉTIQUE!						
IMPORTANT: FOR EACH ARTICLE ALWAYS CITE THE RELATIVE CODE AND THE CODE (9.685.XXX....) PRINTED ON THE PLATE!						
ACHTUNG: BEI ALLEN ARTIKELN DIE KODENUMMER AND AUCH DIE KODENUMMER (9.685.XXX....) DIE SICH AUF DEM SCHILDCHEN BEFINDET, ANGEBEN!						



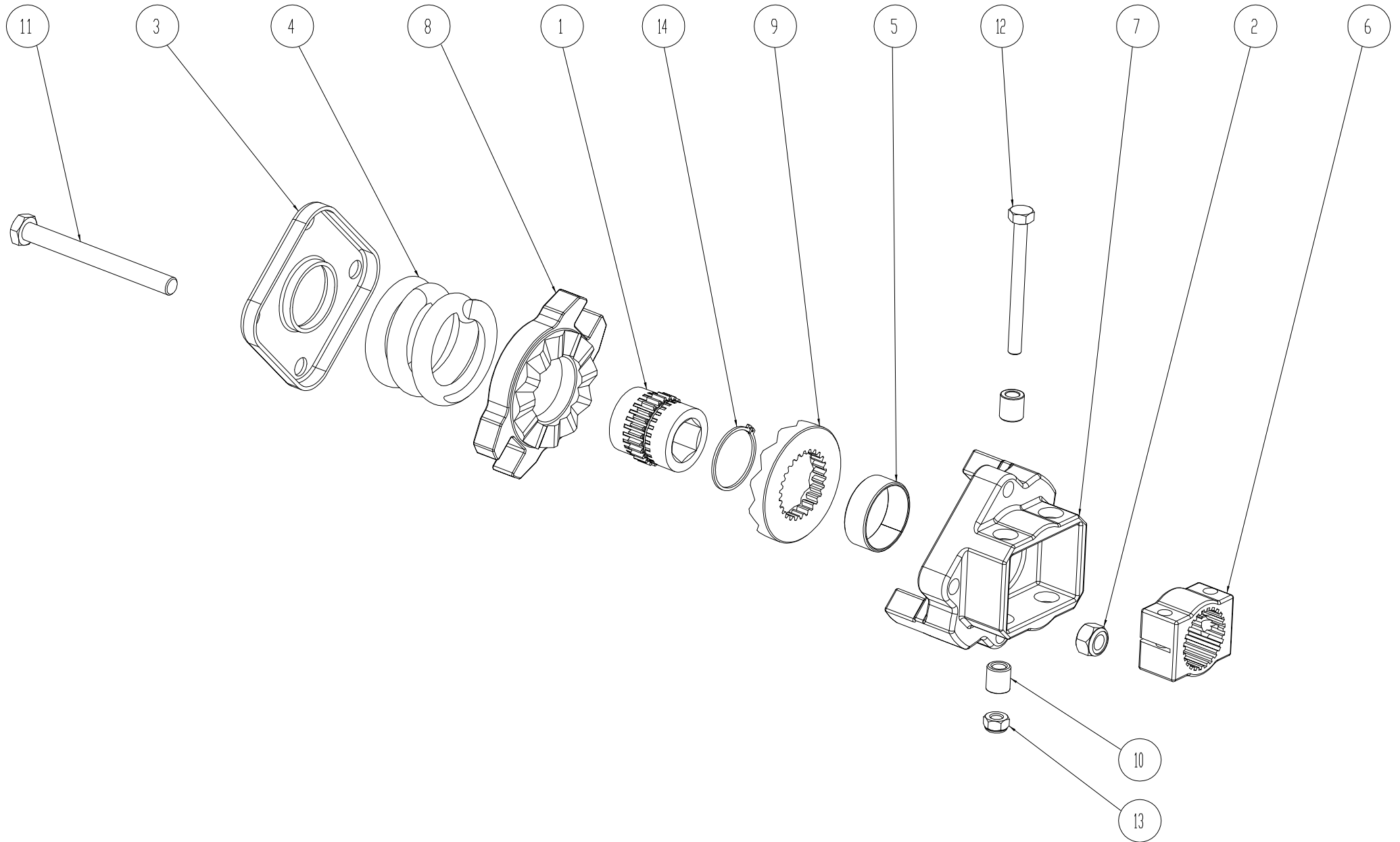
 capello Made in Italy	
CODE NR.	DATE
9.685.XXX.XX	
CODE C.	

N	CODICE	DESCRIZIONE		DESCRIPTION	DESCRIPTION	BESCHREIBUNG
1	04.5065.00	SPINA FILETTATA		GOUPILLE FILETEE	THREADED PIN	GEWINDESTIFT
2	04.5046.00	ANELLO ELASTICO PER ALBERI	E25X1.5	CIRCLIP	CIRCLIP	SICHERUNGSRING
3	04.5056.00	SPESSORE		RONDELLE ECARTEM.	SPACER WASHER	DISTANZSCHEIBE
4	04.5059.00	SPINA DI FERMO LEVA	10X30	VERROU	PIN	BOLZEN
5	04.5057.00	LEVA		CHAMIERE	HINGE	SCHALTHEBEL
6	04.5058.00	O RING	3118	JOINT TORIQUE	O RING	O RING
7	04.5062.00	VITE TE	M8X20	VIS SIX PANS	HEXAGONAL SCREW	SECHSKANTSCHRAUBE
8	04.5061.01	MANIGLIA SUPERIORE		MANILLE	STRAP	HANDGRIFF
9	04.5060.00	MANIGLIA		MANILLE	STRAP	HANDGRIFF
10	04.5055.00	MOLLA		RESSORT	COMPRESS SPRING	DRUCKFEDER
11	04.5053.00	CORONA CILINDRICA		ROUE DENTEE	TOOTH WHEEL	KEGELRAD
12	04.5014.00	TAPPO PARAOLIO	62X10	COUVERCLE	COVER	DECKEL
13	04.5008.00	ANELLO ELASTICO PER FORI	I 62X2	CIRCLIP	CIRCLIP	SICHERUNGSRING
14	04.5009.00	SPESSORE REGISTRABILE	55.3X61.7	RONDELLE ECARTEM.	SPACER WASHER	DISTANZSCHEIBE
15	04.5013.00	CUSCINETTO		6206 ROUL.GORGE PROF.	GRVD. BALL BEARING	RILLENKUGELLAGER
16	04.5045.00	ALBERO PIGNONE		ARBRE	SHAFT	WELLE
17	04.5052.00	CUSCINETTO	6205	ROUL. GORGE PROF.	BEARING	RILLENKUGELLAGER
18	04.5051.00	ANELLO ELASTICO PER FORI	I 52X2	CIRCLIP	CIRCLIP	SICHERUNGSRING
19	04.5054.00	ALBERO CALETTATO		ARBRE	SHAFT	WELLE
20	04.5050.00	PARAOLIO	25X52X7	BAGUE D'ETANCHEIT	SHAFT SEAL RING	WELLENDICHRING
21	04.5049.00	CUSCINETTO	6305	ROUL.GORGE PROF.	GRVD. BALL BEARING	RILLENKUGELLAGER
22	04.5048.00	SPESSORE REGISTRABILE		RONDELLE ECARTEM.	SPACER WASHER	DISTANZSCHEIBE
23	04.5008.00	ANELLO ELASTICO PER FORI	I 62X2	CIRCLIP	CIRCLIP	SICHERUNGSRING
24	04.5047.00	PIGNONE		PIGNON	SPROCKET	KEGELRAD
25	04.5101.00	PIGNONE		PIGNON	SPROCKET	KEGELRAD
26	04.5028.00	CUSCINETTO	6307	ROUL.GORGE PROF.	GRVD. BALL BEARING	RILLENKUGELLAGER
27	04.5027.00	SPESSORE REGISTRABILE	48X35.3X1	RONDELLE ECARTEM.	SPACER WASHER	DISTANZSCHEIBE
28	04.5025.00	ALBERO CALETTATO		ARBRE	SHAFT	WELLE
29	04.5109.00	CORONA CILINDRICA		ROUE DENTEE	TOOTH WHEEL	ZAHNRAD
30	04.1020.00	ANELLO ELASTICO PER ALBERI	E 45X1.75	CIRCLIP	CIRCLIP	SICHERUNGSRING
31	04.5023.00	PARAOLIO	45X80X10	BAGUE D'ETANCHEIT	SHAFT SEAL RING	WELLENDICHRING
32	04.5022.00	CUSCINETTO	6208 2RS	ROUL.GORGE PROF.	GRVD. BALL BEARING	RILLENKUGELLAGER
33	04.5092.00	LAMIERINO		RONDELLE	WASHER	SCHEIBE
34	04.5021.00	ANELLO ELASTICO PER FORI	I 80X2.5	CIRCLIP	CIRCLIP	SICHERUNGSRING
35	04.5007.00	PARAOLIO	30X62X7	BAGUE D'ETANCHEIT	SHAFT SEAL RING	WELLENDICHRING
ATTENZIONE: PER OGNI ARTICOLO RIPORTARE SEMPRE OLTER AL CODICE RELATIVO ANCHE IL CODICE (9.685.XXX....) IMPRESSO SULLA TARGHETTA!						
ATTENTION: POUR CHAQUE ARTICLE, TOUJOURS INDIQUER LE CODE CORRESPONDANT AINSI QUE LE CODE (9.685.XXX....) MENTIONNÉ SUR LA PLAQUETTE SIGNALÉTIQUE!						
IMPORTANT: FOR EACH ARTICLE ALWAYS CITE THE RELATIVE CODE AND THE CODE (9.685.XXX....) PRINTED ON THE PLATE!						
ACHTUNG: BEI ALLEN ARTIKELN DIE KODENUMMER AND AUCH DIE KODENUMMER (9.685.XXX....) DIE SICH AUF DEM SCHILDCHEN BEFINDET, ANGEBEN!						

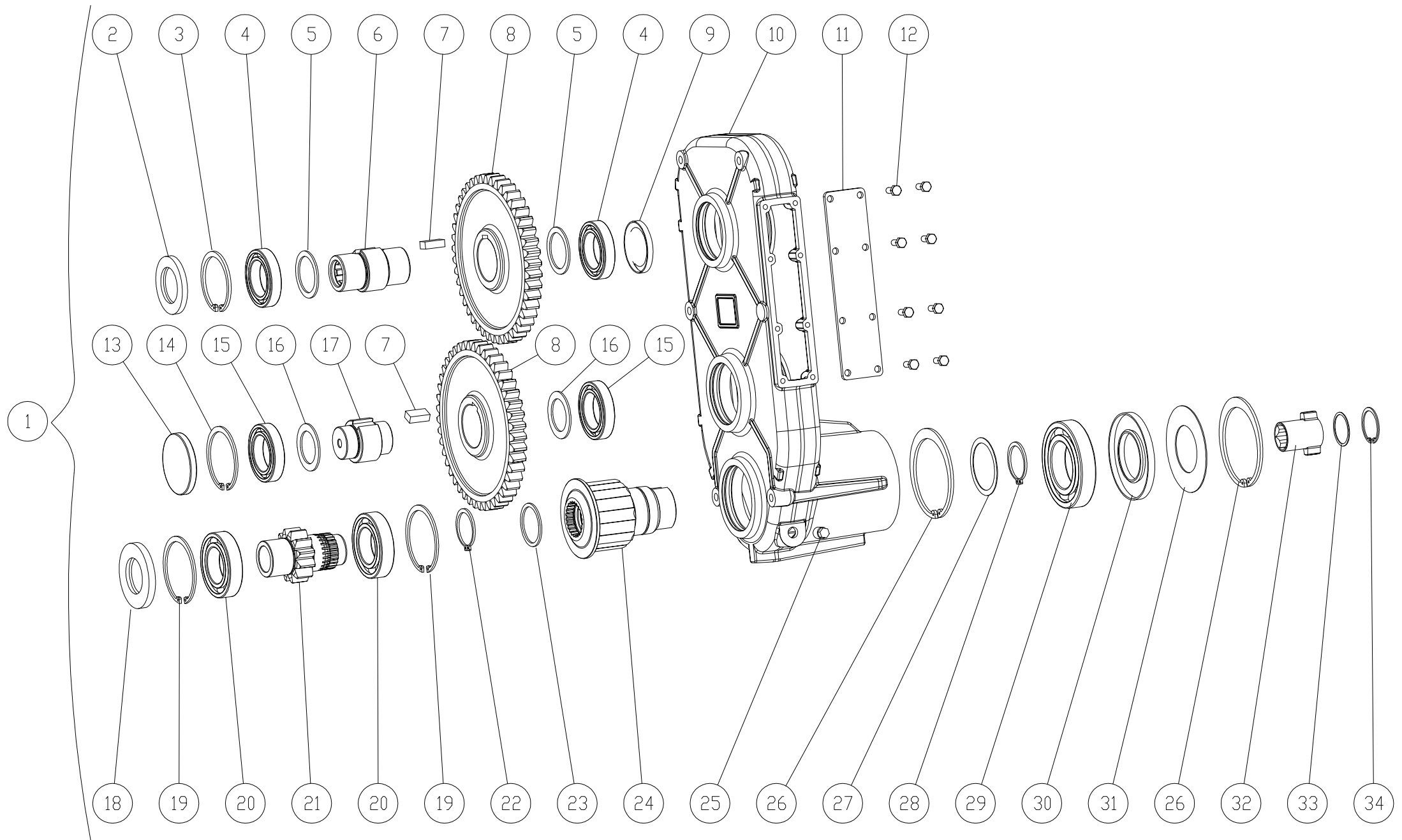


N	CODICE	DESCRIZIONE		DESCRIPTION	DESCRIPTION	BESCHREIBUNG
1	02.1031.00	VITE TE	M12X35	VIS SIX PANS	HEXAGONAL SCREW	SECHSKANTSCHRAUBE
2	01.0209.05	PIATTO SUPERIORE		MOYEU	HUB	OBERER FLANSCH
3	01.0212.00	RONDELLA ANTIUSURA		RONDELLE	WASHER	SCHEIBE
4	03.2021.01	COLTELLO		COUTEAU	KNIFE	HACHSLERMESSER
5	01.0210.00	PIATTO INFERIORE		BOUCLIER	FLANGE	UNTERER FLANSCH
6	01.0213.00	BOCCOLA DI PROTEZIONE		BAGUE	BUSHING	BUCHSE
7	02.2032.00	DADO AUTOBLOCCANTE	M12 ALTO	ECROU INDESSERRAB	SECURING NUT	SICHERUNGSMUTTER
8	01.0211.00	VITE TENUTA ROTORE		VIS SIX PANS	HEXAGONAL SCREW	SECHSKANTSCHRAUBE
9	01.0943.00	ROTORE TRINCIASTOCCHI COMPLETO		BROYEUR SOUS COEILLEUR	STALK CHOPPER	HINTERPFLUECKERHAECKSLER

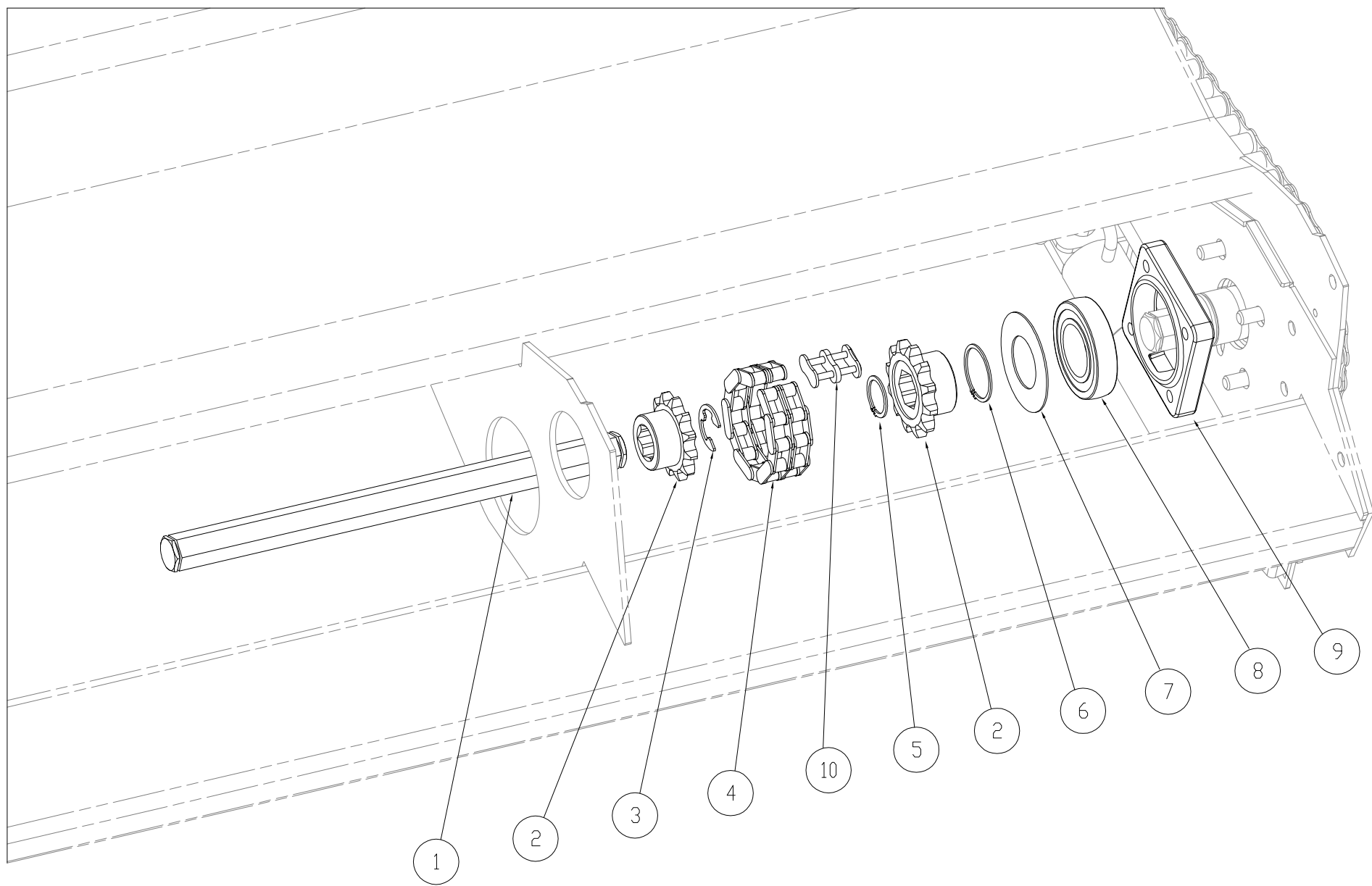
CLUTCH CODE: 04.5119.03



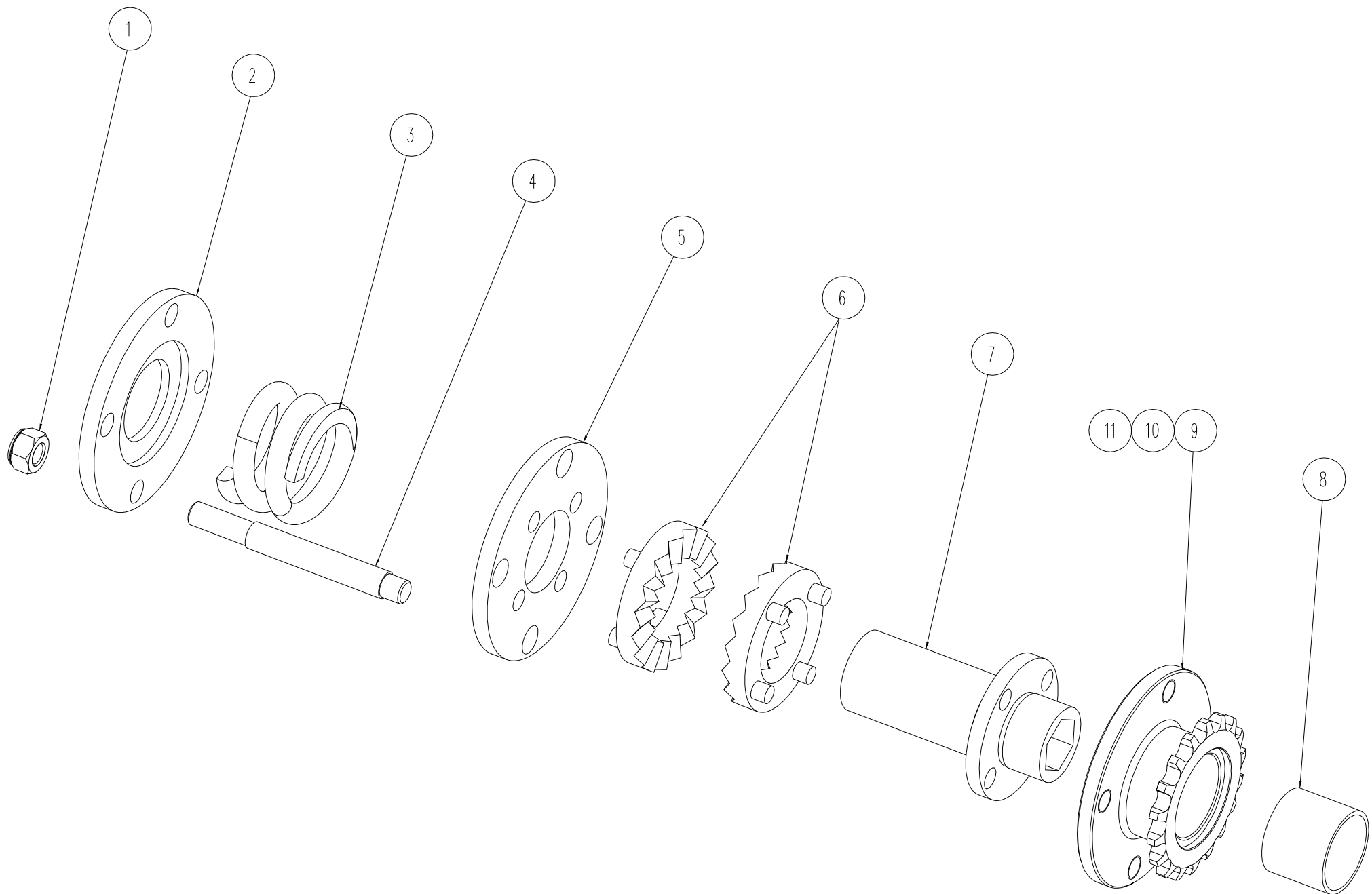
N	CODICE	DESCRIZIONE		DESCRIPTION	DESCRIPTION	BESCHREIBUNG
1	04.5114.01	BOCCOLA		DOUILLE	BUSHING	BUCHSE
2	02.2032.00	DADO AUTOBLOCCANTE	M12	ECROU INDESSERRAB	SECURING NUT	SICHERUNGSMUTTER
3	04.5136.01	PIASTRA		PLAQUE	PLATE	PLATTE
4	04.5001.00	MOLLA		RESSORT	COMPRESS SPRING	DRUCKFEDER
5	04.5100.00	BRONZINA		DOUILLE	BUSHING	BUCHSE
6	04.5111.00	ATTACCO FRIZIONE		COSSE MACHOIRES	CLAMPING PIECE	KLEMMSTUECK
7	04.5137.01	ATTACCO FRIZIONE		BRIDE DE SERRAGE	CLAMP FLANGE	KLEMMFLANSCH
8	04.5115.00	DISCO DENTATO		DISQUE EMBRAYAGE	CLUTCH PLATE	KUPPLUNGSSCHEIBE
9	04.5116.00	DISCO DENTATO		DISQUE EMBRAYAGE	CLUTCH PLATE	KUPPLUNGSSCHEIBE
10	04.5118.01	BOCCOLA		DOUILLE	BUSHING	BUCHSE
11	04.5135.00	VITE TE	M14X140	VIS SIX PANS	HEXAGONAL SCREW	SECHCKANTSCHRAUBE
12	02.2119.00	VITE TE	M10X110	VIS SIX PANS	HEXAGONAL SCREW	SECHCKANTSCHRAUBE
13	02.2007.00	DADO AUTOBLOCCANTE	M10	ECROU INDESSERRAB	SECURING NUT	SICHERUNGSMUTTER
14	02.2018.00	ANELLO ELASTICO PER ALBERI	E 50X2	CIRCLIP	CIRCLIP	SICHERUNGSRING



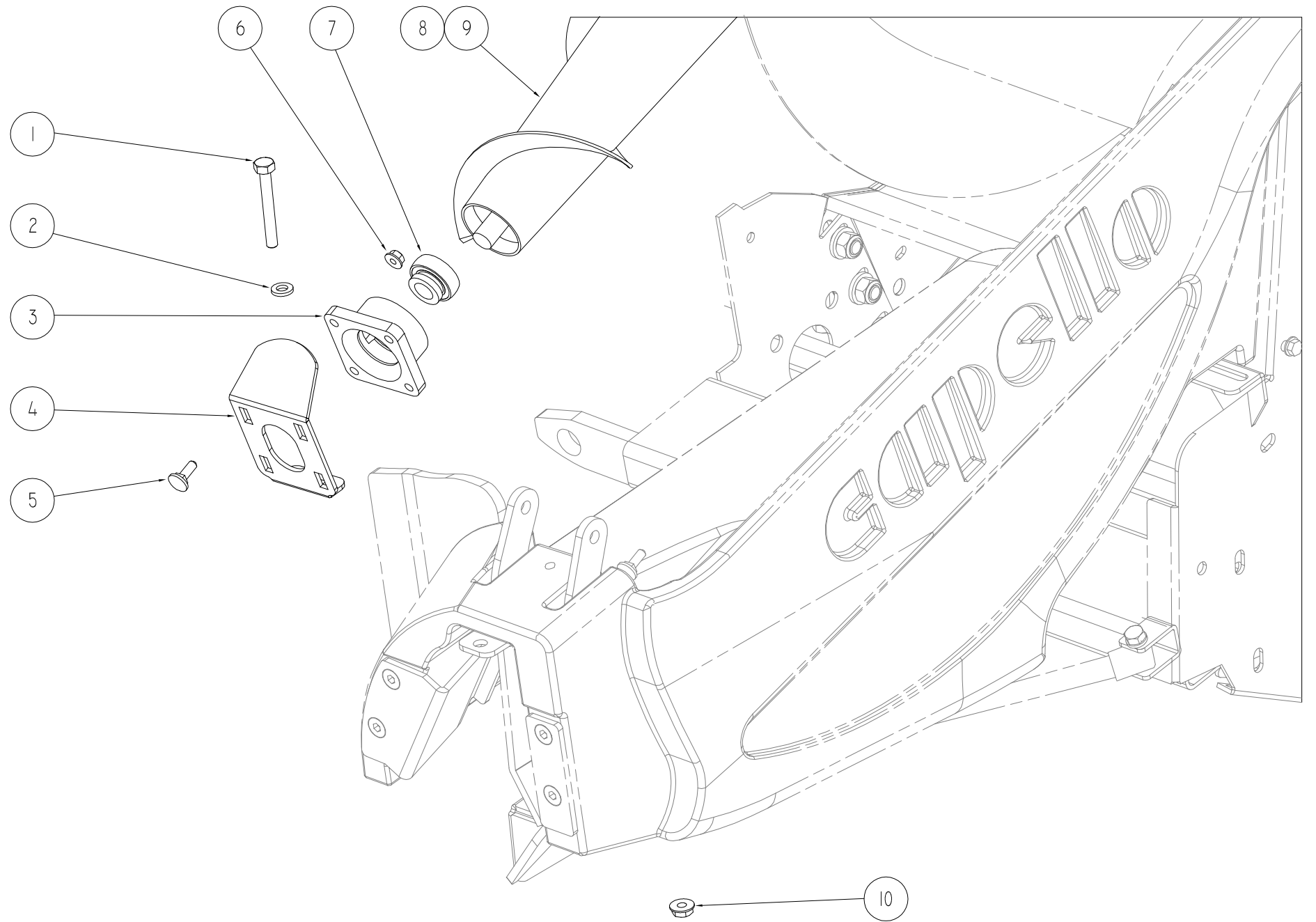
N	CODICE	DESCRIZIONE		DESCRIPTION	DESCRIPTION	BESCHREIBUNG
1	04.4500.00	SCATOLA TRASMISSIONE COMPLETA		BOITE DE TRANSMISSION	GEARBOX	GETRIEBE
2	02.4430.00	PARAOLIO	50X80X8	BAGUE D'ETANCHEIT	SHAFT SEAL RING	WELLENDICHTRING
3	02.4431.00	ANELLO ELASTICO PER FORI	I 80X4	CIRCLIP	CIRCLIP	SICHERUNGSRING
4	04.5034.00	CUSCINETTO	6010	ROUL. GORGE PROF.	GRVD. BALL BEARING	RILLENKUGELLAGER
5	04.4501.00	DISTANZIALE		BAGUE ECARTMENT	SPACER RING	DISTANZRING
6	04.4502.00	ALBERO COCLEA		ARBRE	SHAFT	WELLE
7	02.4432.00	LINGUETTA	16X10X30	LANGUETTE	KNOTTER TONGUE	KNOTERERZUNGE
8	04.4503.00	CORONA CILINDRICA	Z 45	ROUE DENTEE	BEVEL GEAR INNER	KEGELRAD INNEN
9	02.4433.00	PARAOLIO	50X72X8	BAGUE D'ETANCHEIT	SHAFT SEAL RING	WELLENDICHTRING
10	04.4504.00	SCATOLA		BOITE	GEARBOX	GETRIEBE
11	04.4505.00	COPERCHIO		COUVERCLE	COVER	DECKEL
12	04.5062.00	VITE TE	M8X20	VIS SIX PANS	HEXAGONAL SCREW	SECHSKANTSCHRAUBE
13	02.4434.00	TAPPO PARAOLIO	85X10	COUVERCLE	COVER	DECKEL
14	02.4435.00	ANELLO ELASTICO PER FORI	E 85X3	CIRCLIP	CIRCLIP	SICHERUNGSRING
15	02.4436.00	CUSCINETTO	6209	ROUL. GORGE PROF.	GRVD. BALL BEARING	RILLENKUGELLAGER
16	04.4506.00	SPESSORE REGISTRABILE	65.3X45.3X2.5	RONDELLE ECARTMENT	SPACER WASHER	DISTANZSCHEIBE
17	04.4507.00	ALBERO		ARBRE	SHAFT	WELLE
18	02.4437.00	PARAOLIO	50X90X10	BAGUE D'ETANCHEIT	SHAFT SEAL RING	WELLENDICHTRING
19	02.4438.00	ANELLO ELASTICO PER FORI	I 90X3	CIRCLIP	CIRCLIP	SICHERUNGSRING
20	02.4439.00	CUSCINETTO	6210	ROUL. GORGE PROF.	GRVD. BALL BEARING	RILLENKUGELLAGER
21	04.4508.00	ALBERO		ARBRE	SHAFT	WELLE
22	02.4440.00	ANELLO ELASTICO PER ALBERI	E 50X3	CIRCLIP	CIRCLIP	SICHERUNGSRING
23	04.4509.00	SPESSORE REGISTRABILE	50.2X59.8X2.5	RONDELLE ECARTMENT	SPACER WASHER	DISTANZSCHEIBE
24	04.4510.00	LIMITATORE		EMBRAYAGE	CLUTCH	KUPPLUNG
25	04.4511.00	TAPPO LIVELLO OLIO		BOUCHON FILETE	SCREW PLUG	VERSCHL SCHRAUBE
26	02.4441.00	ANELLO ELASTICO PER FORI	I 120X4	CIRCLIP	CIRCLIP	SICHERUNGSRING
27	04.4512.00	SPESSORE REGISTRABILE	65.3X79.7X1	RONDELLE ECARTMENT	SPACER WASHER	DISTANZSCHEIBE
28	02.4442.00	ANELLO ELASTICO PER ALBERI	E 65X2.5	CIRCLIP	CIRCLIP	SICHERUNGSRING
29	02.4443.00	CUSCINETTO	6213	ROUL. GORGE PROF.	GRVD. BALL BEARING	RILLENKUGELLAGER
30	02.4444.00	PARAOLIO	65X120X10	BAGUE D'ETANCHEIT	SHAFT SEAL RING	WELLENDICHTRING
31	04.4513.00	DISCO DI SPALLAMENTO		BAGUE	RING	RING
32	04.4514.00	BOCCOLA		DOUILLE	BUSHING	BÜCHSE
33	04.4515.00	SPESSORE REGISTRABILE	40.3X46.7X1	RONDELLE ECARTMENT	SPACER WASHER	DISTANZSCHEIBE
34	02.4445.00	ANELLO ELASTICO PER FORI	I 47X1.75	CIRCLIP	CIRCLIP	SICHERUNGSRING



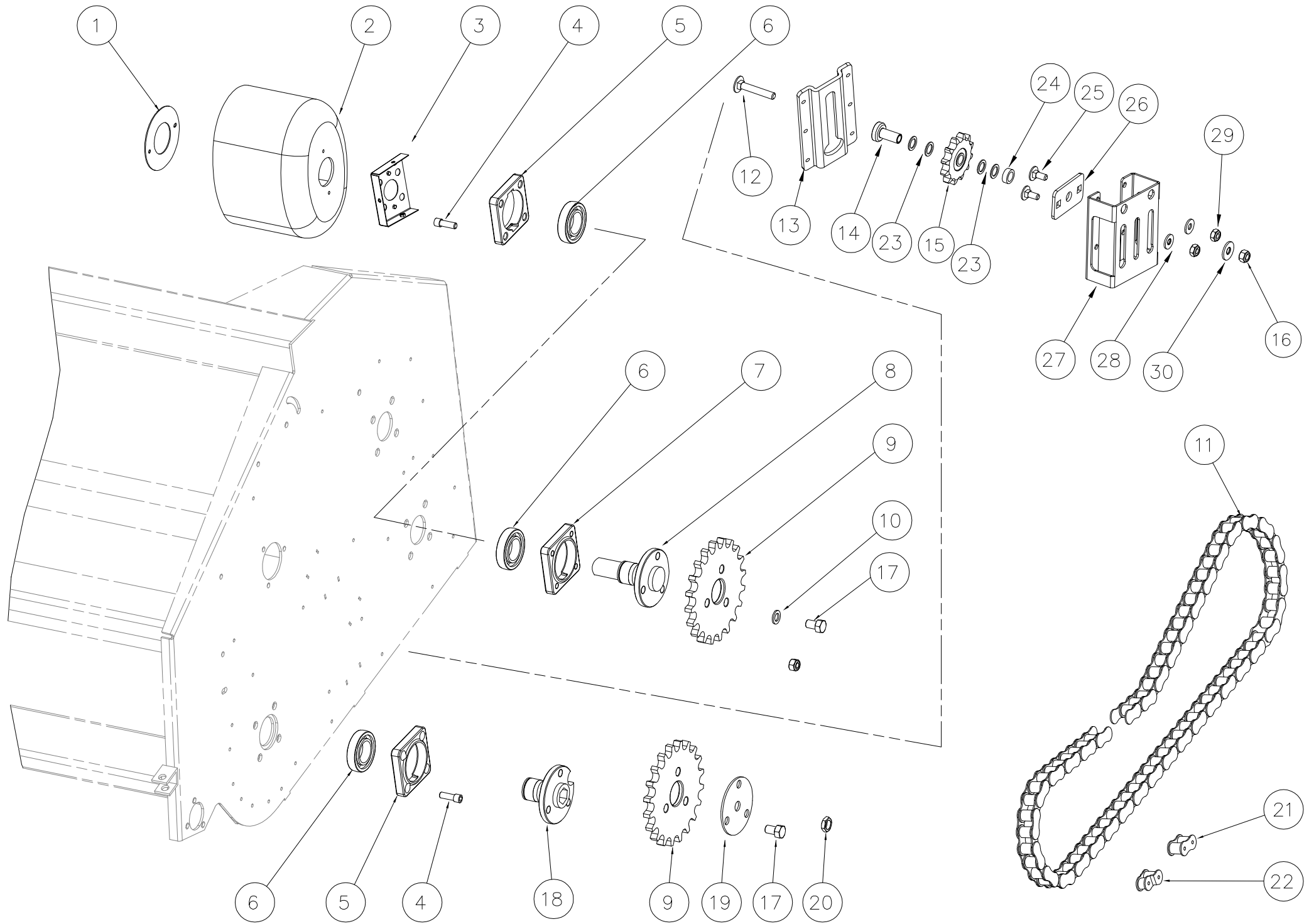
N	CODICE	DESCRIZIONE		DESCRIPTION	DESCRIPTION	BESCHREIBUNG
1*	01.0878.00	ALBERO SEMICENTRALE		ARBRE SEMICENTRAL	HEXAGONAL SHAFT	SECHSKANTWELLE
2	01.0510.01	PIGNONE	Z12 ASA 60	PIGNON	SPROCKET	KETTENRAD
3	02.2085.00	ANELLO D'ARRESTO RADIALE	24	RONDELLE SECURITE	LOCK WASHER	SICHERUNGSSCHEIBE
4	03.4010.00	CATENA DOPPIA	ASA 60	CHAINE	CHAIN	KETTE
5	04.5017.00	ANELLO ELASTICO PER ALBERI	E 30X1.5	CIRCLIP	CIRCLIP	SICHERUNGSRING
6	04.1020.00	ANELLO ELASTICO PER ALBERI	E 45X1.75	CIRCLIP	CIRCLIP	SICHERUNGSRING
7	02.2103.00	DISCO DI PROTEZIONE		DISQUE DE PROTECTION	DISC GUARD	SCHEIBE
8	02.1032.00	CUSCINETTO Y	1726209 2RS1	ROULEMENT A ROTULE	SELF ALIGNING BALL BEARING	PENDELKUGELLAGER
9	01.0219.00	SUPPORTO CUSCINETTO		CARTER PALIER	BEARING HOUSING	LAGERGEHAEUSE
10	03.4002.00	MAGLIA GIUNZIONE	ASA 60	MAILLON DE RACCORD	LOCKING LINK	VERSCHLUSSGLIED
*: SPECIFICARE LA LUNGHEZZA IN MM						
SPECIFIER LA LONGHEUR IN MM						
SPECIFY LENGHT IN MM						
LANGE IN MM ANGEBEN						



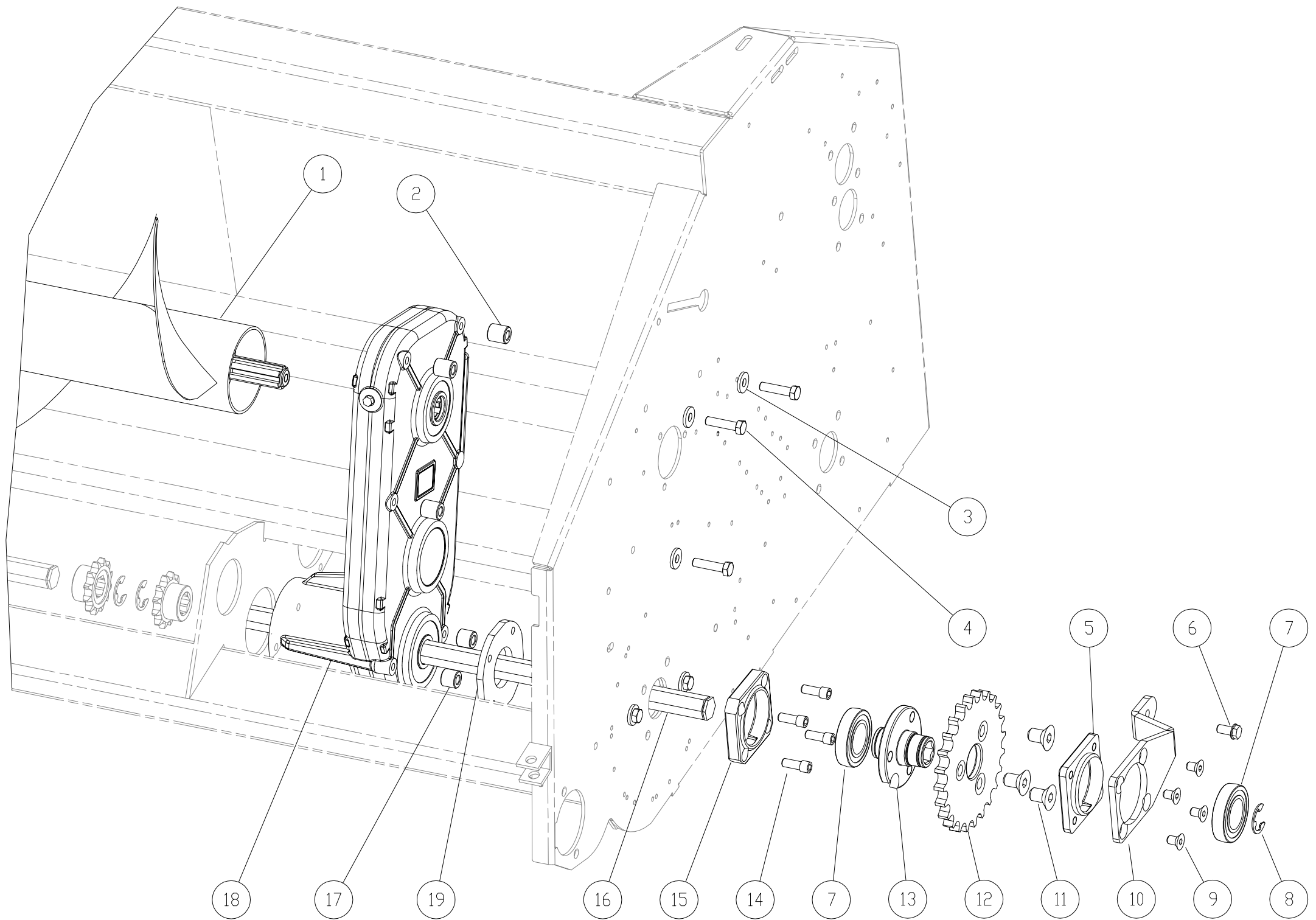
N	CODICE	DESCRIZIONE		DESCRIPTION	DESCRIPTION	BESCHREIBUNG
1	02.2003.00	DADO AUTOBLOCCANTE	M14	ECROU INDESSERRAB	SECURING NUT	SICHERUNGSMUTTER
2	01.0162.00	SPINGIMOLLA		DISQUE PRESSION	TRUST WASHER	DRUCHSCHEIBE
3	03.2006.01	MOLLA		RESSORT	COMPRESS SPRING	DRUCKFEDER
4	01.0165.01	VITE DOPPIA		TIGE FILETEE	THREADED ROD	GEWINDESTANGE
5	01.0163.00	DISCO PORTA FRIZIONE		DEBRAYAGE	SLIP CLUTCH	RUTSCHKUPPLUNG
6	01.0164.00	DISCO DENTATO		DEBRAYAGE	SLIP CLUTCH	RUTSCHKUPPLUNG
7	01.0166.00	CANOTTO		DOUILLE	BUSCHING	BUCHSE
8	03.2007.00	BRONZINA CILINDRICA		DOUILLE	BUSCHING	BUCHSE
9	01.0155.00	DISCO PORTAINGRANAGGIO	Z18	BARBOTIN	SPROCKET	KETTENRAD
10	01.0883.00	DISCO PORTAINGRANAGGIO	Z20	BARBOTIN	SPROCKET	KETTENRAD
11	01.0167.02	DISCO PORTAINGRANAGGIO	Z20	BARBOTIN	SPROCKET	KETTENRAD

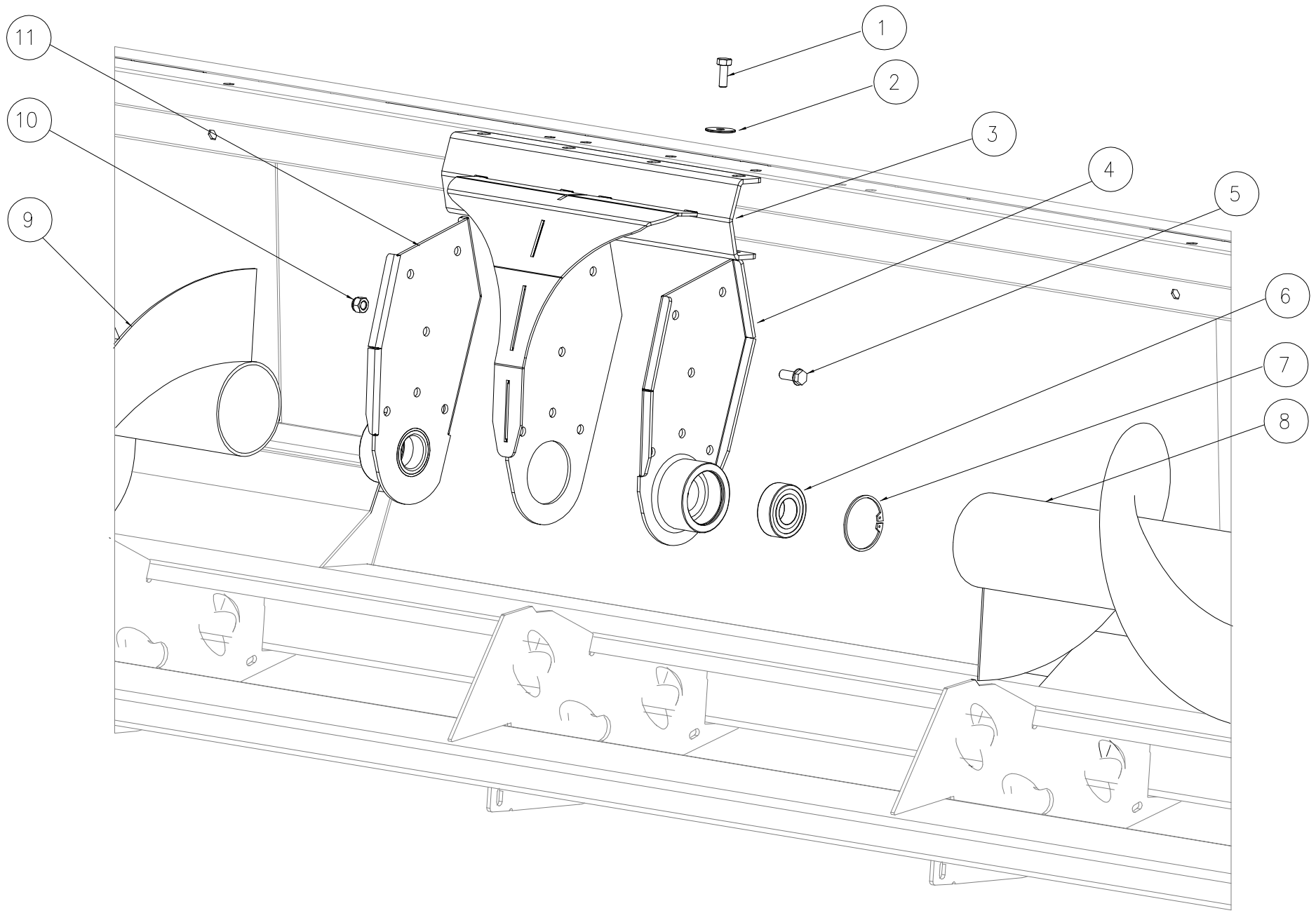


N	CODICE	DESCRIZIONE		DESCRIPTION	DESCRIPTION	BESCHREIBUNG
1	02.1062.00	VITE TE	M10X70	VIS SIX PANS	HEXAGONAL SCREW	SECHSKANTSCHRAUBE
2	02.2078.00	RONDELLA	10X20X2	RONDELLE	WASHER	SCHEIBE
3	02.2410.00	SUPPORTO CUSCINETTO	FY 20 TF	SUPPORT ROULEMENT	BRACKET BALL BEARING	KUGELLAGERHALTER
4	01.1090.00	SUPPORTO		SUPPORT	SUPPORT	HALTER
5	02.2162.00	VITE TBQS	M8X25	VIS A TETE BOMBEE	COACH BOLT	FLACHRUNDSCHRAUBE
6	02.2019.00	DADO TENSILOCK	M8	ECROU TENSILOCK	SECURING NUT TENSILOCK	SICHERUNGSMUTTER TENSILOCK
7	02.2415.00	CUSCINETTO Y	YAR 204-2F	ROUL. GORGE PROF.	BEARING	RILLENKUGELLAGER
8	05.5000.00	COCLEA DESTRA		VIS D'ALIMENTATION DROITE	AUGER RIGHT	SCHNECKE RECHTS
9	05.5001.00	COCLEA SINISTRA		VIS D'ALIMENTATION GAUCHE	AUGER LEFT	SCHNECKE LINKS
10	02.2007.00	DADO AUTOBLOCCANTE	M10	ECROU INDESSERRAB	SECURING NUT	SICHERUNGSMUTTER

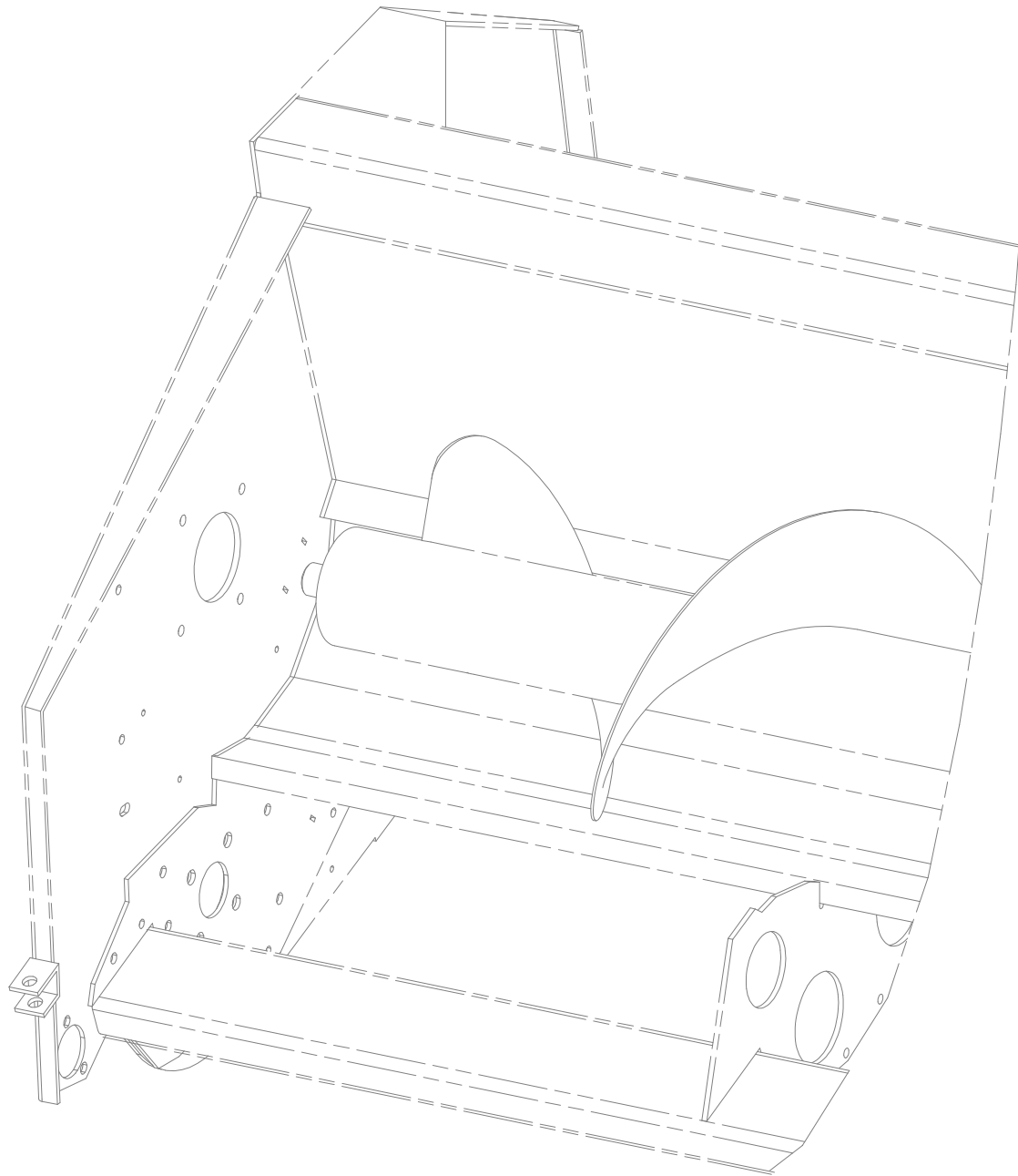
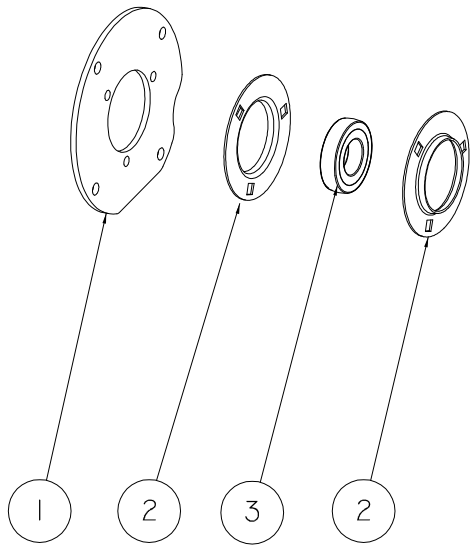


N	CODICE	DESCRIZIONE		DESCRIPTION	DESCRIPTION	BESCHREIBUNG
1*	01.0884.00	PIASTRA DI RINFORZO		PLAQUE	PLATE	PLATTE
2	02.2058.00	CUFFIA DI PROTEZIONE		POT PROTECTION	GUARD CUP	SCHUTZTOPF
3	01.0886.00	PIASTRA PORTACUFFIA		CHAPEAU	COVER CAP	ABDECKKAPPE
4	02.2104.00	VITE TCEI	M12X35	VIS CYLINDRIQUE	SOCKET HEAD SCREW	ZYLINDERSCHRAUBE
5	01.0218.00	SUPPORTO CUSCINETTO		CARTER PALIER	BEARING HOUSING	LAGERGEHAEUSE
6	02.1032.00	CUSCINETTO Y	1726209 2RS	ROULEMENT A ROTULE	SELF ALIGNING BALL BEARING	PENDELKUGELLAGER
7	01.0219.00	SUPPORTO CUSCINETTO		CARTER PALIER	BEARING HOUSING	LAGERGEHAEUSE
8	01.0220.00	ALBERO PRINCIPALE		ARBRE DE COMMANDE	DRIVE SHAFT	ANTRIEBSWELLE
9*	01.0215.00	INGRANAGGIO	ASA 80	PIGNON	SPROCKET	KETTENRAD
10	02.2016.00	RONDELLA	16X28X3	RONDELLE	WASHER	SCHEIBE
11*	03.2022.02	CATENA	ASA 80	CHAINE A ROULEAUX	ROLLER CHAIN	ROLLENKETTE
12	02.4483.00	VITE TBQS	M14X85	VIS A TETE BOMBEE	COACH BOLT	FLACHRUNDSCHRAUBE
13	01.1120.00	PIASTRA		PLAQUE	PLATE	PLATTE
14	01.1602.00	BOCCOLA		DOUILLE	BUSCHING	BUCHSE
15	01.0470.00	TENDITORE	ASA 80	ROUE TENSION CHAINE	CHAIN TENSION WHEEL	KETTENSPIANNRAD
16	02.2003.00	DADO AUTOBLOCCANTE	M14	ECROU INDESSERAB	SECURING NUT	SICHERUNGSMUTTER
17	02.1034.00	VITE TE	M16X25	VIS SIX PANS	HEXAGONAL SCREW	SECHSKANTSCHRAUBE
18	01.0216.00	MOZZO		MOYEU	HUB	NABE
19	01.0821.00	PIASTRA		PLAQUE	PLATE	PLATTE
20	02.1012.00	DADO BASSO	M20X1.5	ECROU SIX PANS	HEXAGONAL NUT	SECHSKANTMUTTER
21	03.2024.00	MAGLIA GIUNZIONE	ASA 80	MAILLON RACCORD	LOCKING LINK	VERSCHLUSSGLIED
22	03.2023.00	MAGLIA FALSA	ASA 80	MAILLON RACCORD	LOCKING LINK	VERSCHLUSSGLIED
23	01.1605.00	RONDELLA		RONDELLE	WASHER	SCHEIBE
24	01.1606.00	DISTANZIALE		RONDELLE	SPACER	SCHEIBE
25	02.4481.00	VITE TBQS		VIS	COACH BOLT	FLACHRUNDSCHRAUBE
26	01.1661.00	PIASTRA		PLAQUE	PLATE	PLATTE
27	01.1660.00	SUPPORTO		SOPORTE	HOUSING	PLATTE
28	02.4485.00	RONDELLA		RONDELLE	SPACER	SCHEIBE
29	02.2032.00	DADO AUTOBLOCCANTE		ECROU SIX PANS	HEXAGONAL NUT	SECHSKANTMUTTER
30	02.4484.00	RONDELLA		RONDELLE	SPACER	SCHEIBE
09*	SPECIFICARE IL NUMERO DI DENTI					
	SPECIFIER LE NUMERO DE DENTS					
	SPECIFY NUMBER OF TEETH					
	ANZAHL DER ZAHNE GENAU ANEBEN					
11*	SPECIFICARE IL NUMERO DI MAGLIE					
	SPECIFIER LE NUMERO DE MAILLONS					
	SPECIFY NUMBER OF CHAIN LINKS					
	ANZAHL DER KEHENGLIEDER ANGEBEN					

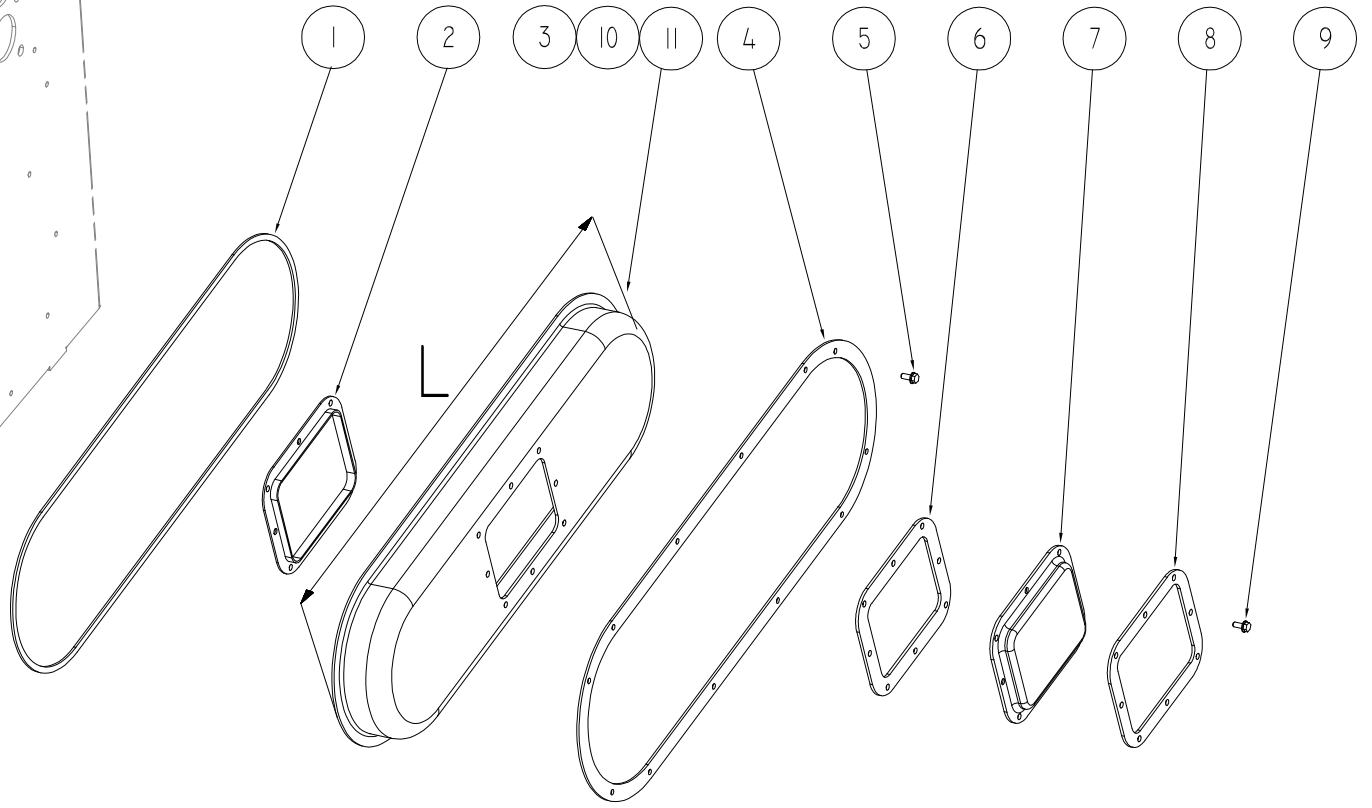
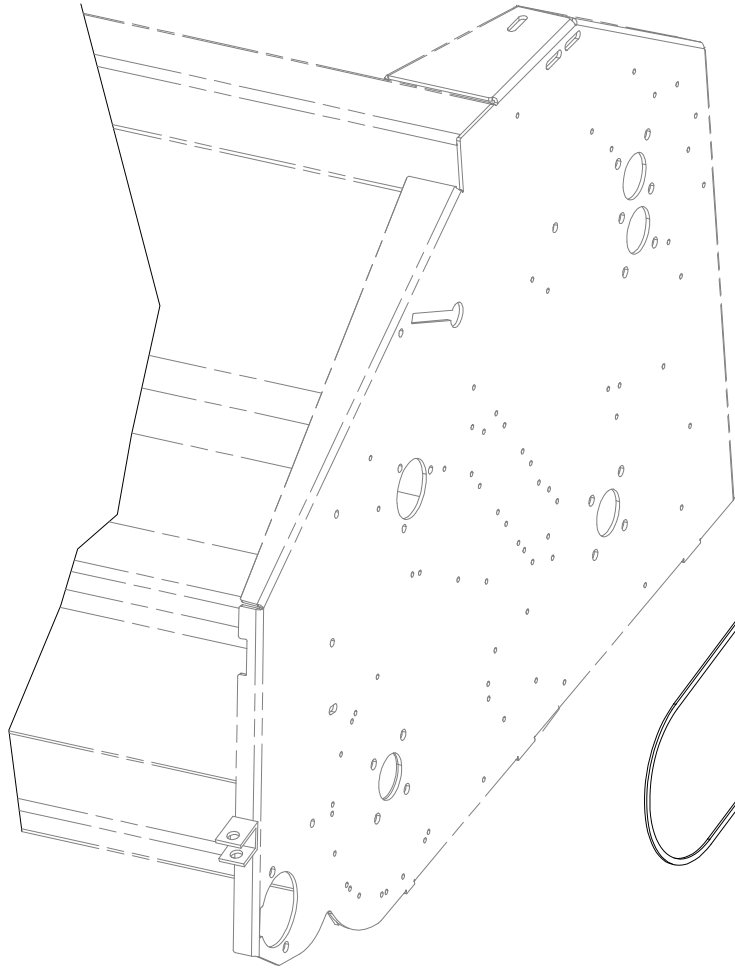




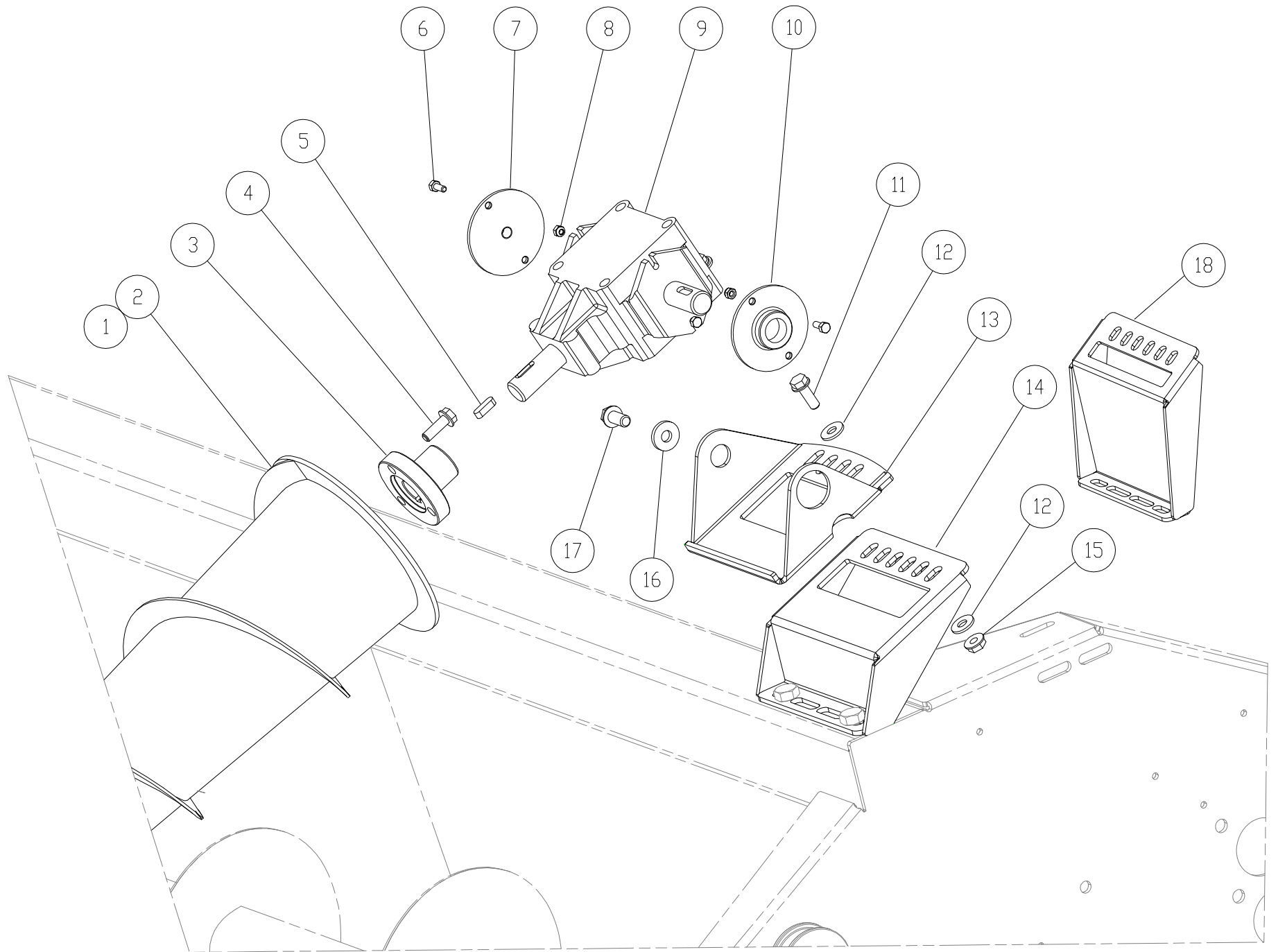
N	CODICE	DESCRIZIONE		DESCRIPTION	DESCRIPTION	BESCHREIBUNG
1*	04.5094.00	VITE TE		VIS	HEXAGONAL SCREW	FLACHRUNDSCHRAUBE
2	02.1036.00	RONDELLA	10X40X2,5	RONDELLE	WASHER	SCHEIBE
3	01.0661.00	SUPPORTO COCLEA		PLAQUE	PLATE	PLATTE
4	01.0512.00	SUPPORTO SINISTRO		PLAQUE GAUCHE	PLATE LEFT	PLATTE
5	02.2005.00	VITE	M12	VIS	HEXAGONAL SCREW	FLACHRUNDSCHRAUBE
6	02.2135.00	CUSCINETTO	2207 2RS1	ROULEMENT A ROTULE	SELF ALIGNING BALL BEARING	PENDELKUGELLAGER
7	02.2012.00	ANELLO ELASTICO	I 72X2,5	CIRCLIP	CIRCLIP	GUMMIRING F. LOCHER
8*	03.4236.00	COCLEA SINISTRA		VIS SANS FIN GAUCHE	AUGER LEFT	SCHNECKE
9*	03.4237.00	COCLEA DESTRA		VIS SANS FIN DROITE	AUGER RIGHT	SCHNECKE
10	02.2032.00	DADO AUTOBLOCCANTE	M12	ECROU INDESSERRAB	SECURING NUT	SICHERUNGSMUTTER
11	01.0511.00	SUPPORTO DESTRO		PLAQUE DROITE	PLATE RIGHT	PLATTE
8-9*: SPECIFICARE IL MODELLO DI TESTATA						
SPECIFIER LE MODEL DU CUILLEUR						
SPECIFY CORN HEAD MODELL						
MAISPFLUCKER MODELL GEMAU ANGEBEN						



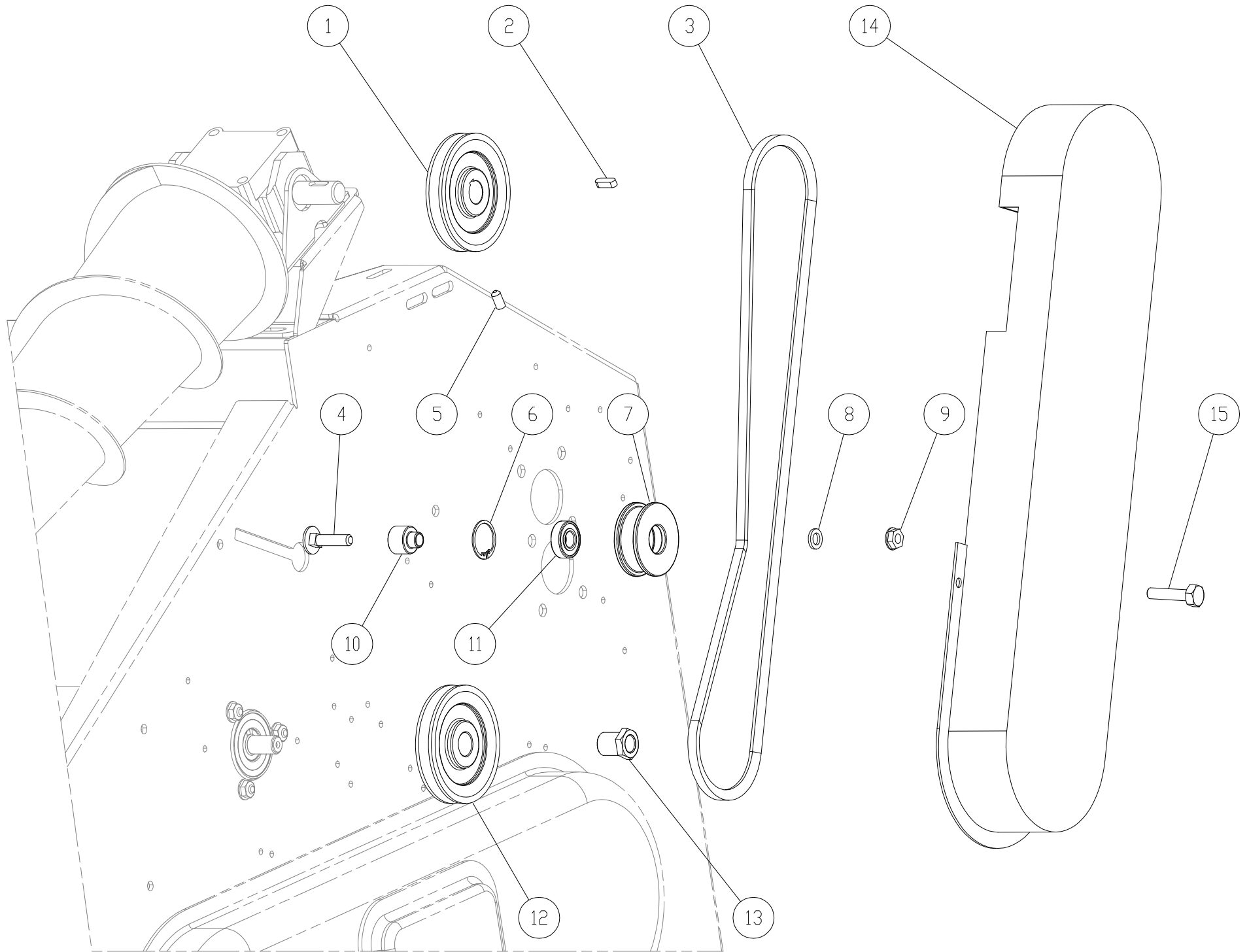
N	CODICE	DESCRIZIONE		DESCRIPTION	DESCRIPTION	BESCHREIBUNG
1	01.1135.00	SUPPORTO COCLEA		SUPPORT	SUPPORT	HALTER
2	03.2025.00	FLANGIA		BRIDE	FLANGE	FLANSCH
3	03.2026.00	CUSCINETTO Y	1726207 2RS1	ROULEMENT A ROTULE	SELF ALIGNING BALL BEARING	PENDELKUGELLAGER



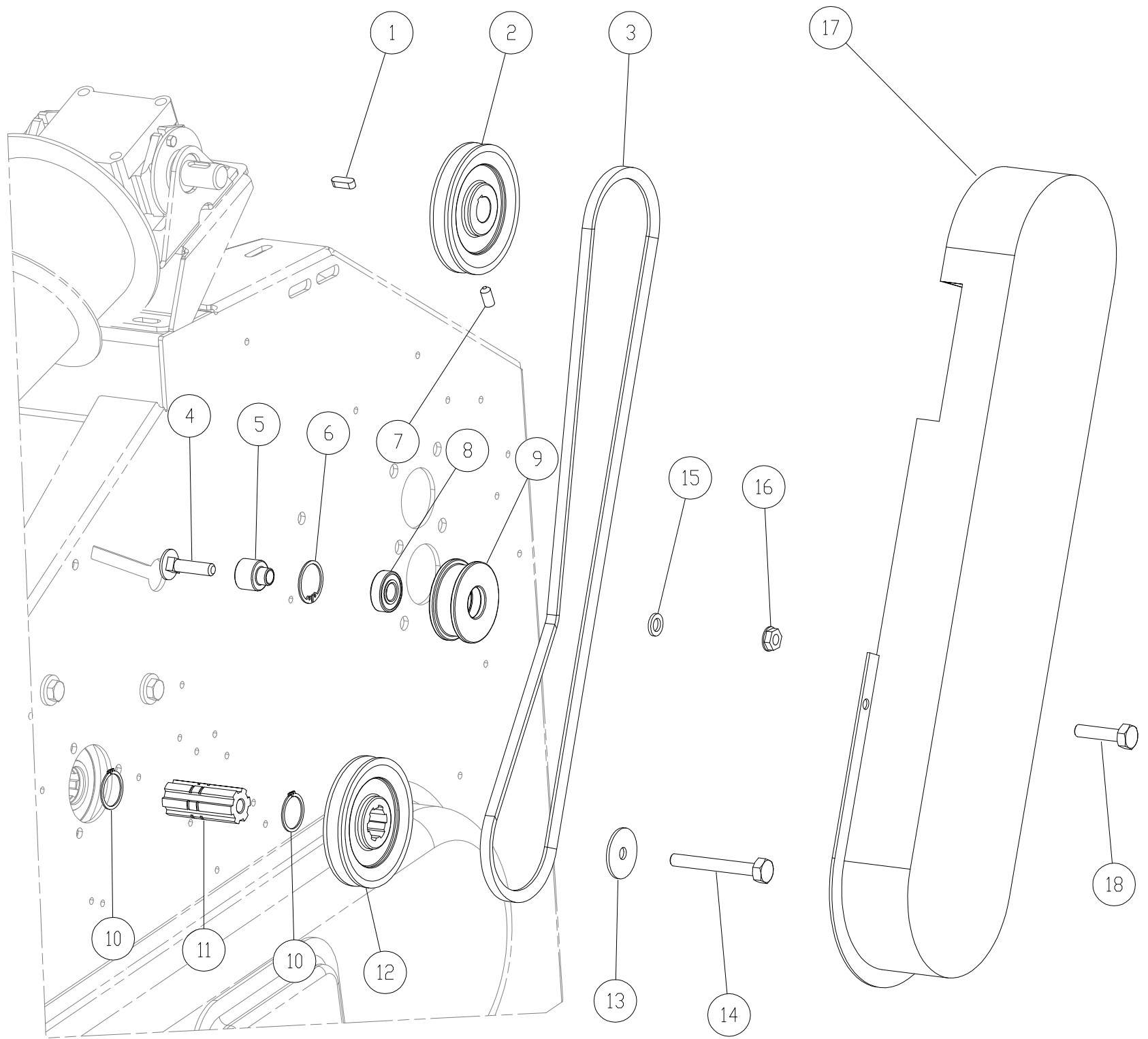
N	CODICE	DESCRIZIONE		DESCRIPTION	DESCRIPTION	BESCHREIBUNG
1*	03.4200.00	GUARNIZIONE TENUTA CARTER PLASTICA		ANNEAU DE CAOUTCHOUC	RUBBER RING	GUMMIRING
2	01.0940.00	PIASTRA INTERNA CARTER PLASTICA		PLAQUE	PLATE	PLATTE
3	03.4180.00	CARTER PLASTICA	L=980	CARTER	CHAIN CASE	KETTENKASTEN
4*	03.4190.00	ANELLO CARTER PLASTICA		TOLE ASSISE	SHIM PLATE	UNTERLEGBLECH
5	02.2027.00	VITE TENSILOCK	M8X16	VIS TENSILOCK	SECURING SCREW TENSILOCK	SICHERUNGSSCHRAUBE TENSILOCK
6	03.4079.00	GUARNIZIONE COPERCHIO ISPEZIONE		ANNEAU DE CAOUTCHOUC	RUBBER RING	GUMMIRING
7	03.4076.00	COPERCHIO D'ISPEZIONE CARTER		COUVERCLE D'ISPECTION	COVER	DECKEL
8	01.0926.00	ANELLO IN FERRO COPERCHIO ISPEZIONE		BAGUE EN ACIER	STEEL RING	STAHLRING
9	02.2026.00	VITE TENSILOCK	M8X20	VIS TENSILOCK	SECURING SCREW TENSILOCK	SICHERUNGSSCHRAUBE TENSILOCK
10	03.4181.00	CARTER PLASTICA	L=1080	CARTER	CHAIN CASE	KETTENKASTEN
11	03.4182.00	CARTER PLASTICA	L=1180	CARTER	CHAIN CASE	KETTENKASTEN
*: SPECIFICARE LE DIMENSIONI						
SPECIFIER LES DIMENSIONES						
SPECIFY SIZE						
MAßE ANGEBEN						



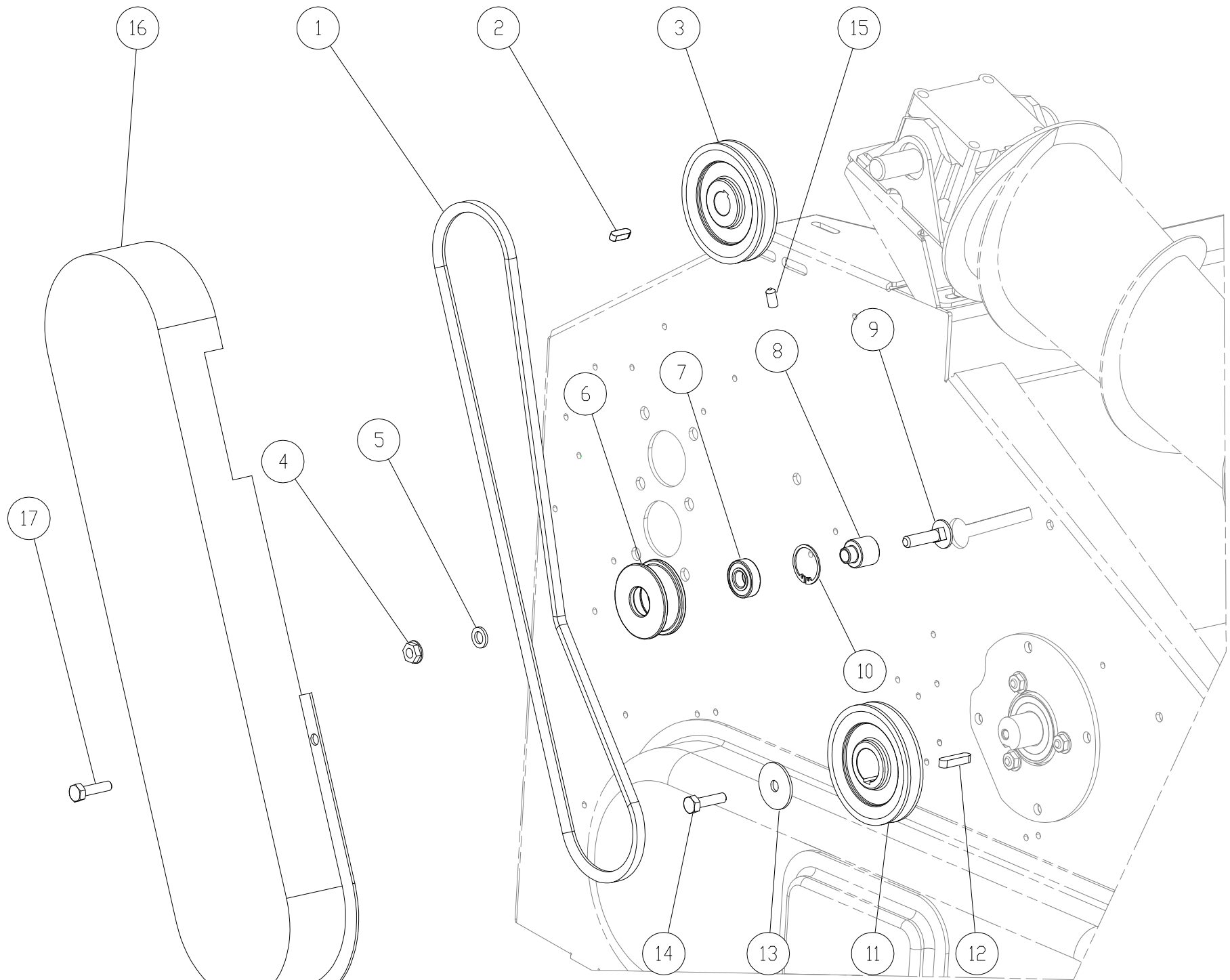
N	CODICE	DESCRIZIONE		DESCRIPTION	DESCRIPTION	BESCHREIBUNG
1	03.4380.00	COCLEA DESTRA		VIS D'ALIMENTATION DROITE	AUGER RIGHT	SCHNECKE RECHTS
2	03.4385.00	COCLEA SINISTRA		VIS D'ALIMENTATION GAUCHE	AUGER LEFT	SCHNECKE LINKS
3	05.5006.00	MOZZO		MOYEU	HUB	NABE
4	02.1055.00	VITE TENSILOCK	M10X35	VIS TENSILOCK	SECURING SCREW TENSILOCK	SICHERUNGSSCHRAUBE TENSILOCK
5	05.5019.00	CHIAVETTA	8X7X25	CLAVETTE NOYEE	PARALLEL KEY	PASSFEDER
6	02.2053.00	VITE TE	M6X16	VIS SIX PANS	HEXAGONAL SCREW	SECHSKANTSCHRAUBE
7	01.1525.00	SUPPORTO FILETTATO PER RINVIO ANGOLARE		SUPPORT	SUPPORT	HALTER
8	02.2052.00	DADO AUTOBLOCCANTE	M6	ECROU AUTOBLOQUANT	SECURING NUT	SICHERUNGSMUTTER
9	05.5002.00	RINVIO ANGOLARE		RENVOI D'ANGLE	ANGLE DRIVE GEARBOX	WINKELGETRIEBE
10	01.1530.00	SUPPORTO PER RINVIO ANGOLARE		SUPPORT	SUPPORT	HALTER
11	02.1037.00	VITE TENSILOCK	M12X25	VIS TENSILOCK	SECURING SCREW TENSILOCK	SICHERUNGSSCHRAUBE TENSILOCK
12	02.2570.00	RONDELLA	12X25X2,5	RONDELLE	WASHER	SCHEIBE
13	01.1535.00	SUPPORTO		SUPPORT	SUPPORT	HALTER
14	01.1520.00	SUPPORTO		SUPPORT	SUPPORT	HALTER
15	02.2025.00	DADO FLANGIATO	M12	ECROU TENSILOCK	SECURING NUT TENSILOCK	SICHERUNGSMUTTER TENSILOCK
16	02.2575.00	RONDELLA	12X30X4,5	RONDELLE	WASHER	SCHEIBE
17	02.2091.00	VITE TENSILOCK	M12X25	VIS TENSILOCK	SECURING SCREW TENSILOCK	SICHERUNGSSCHRAUBE TENSILOCK
18	01.1521.00	SUPPORTO		SUPPORT	SUPPORT	HALTER

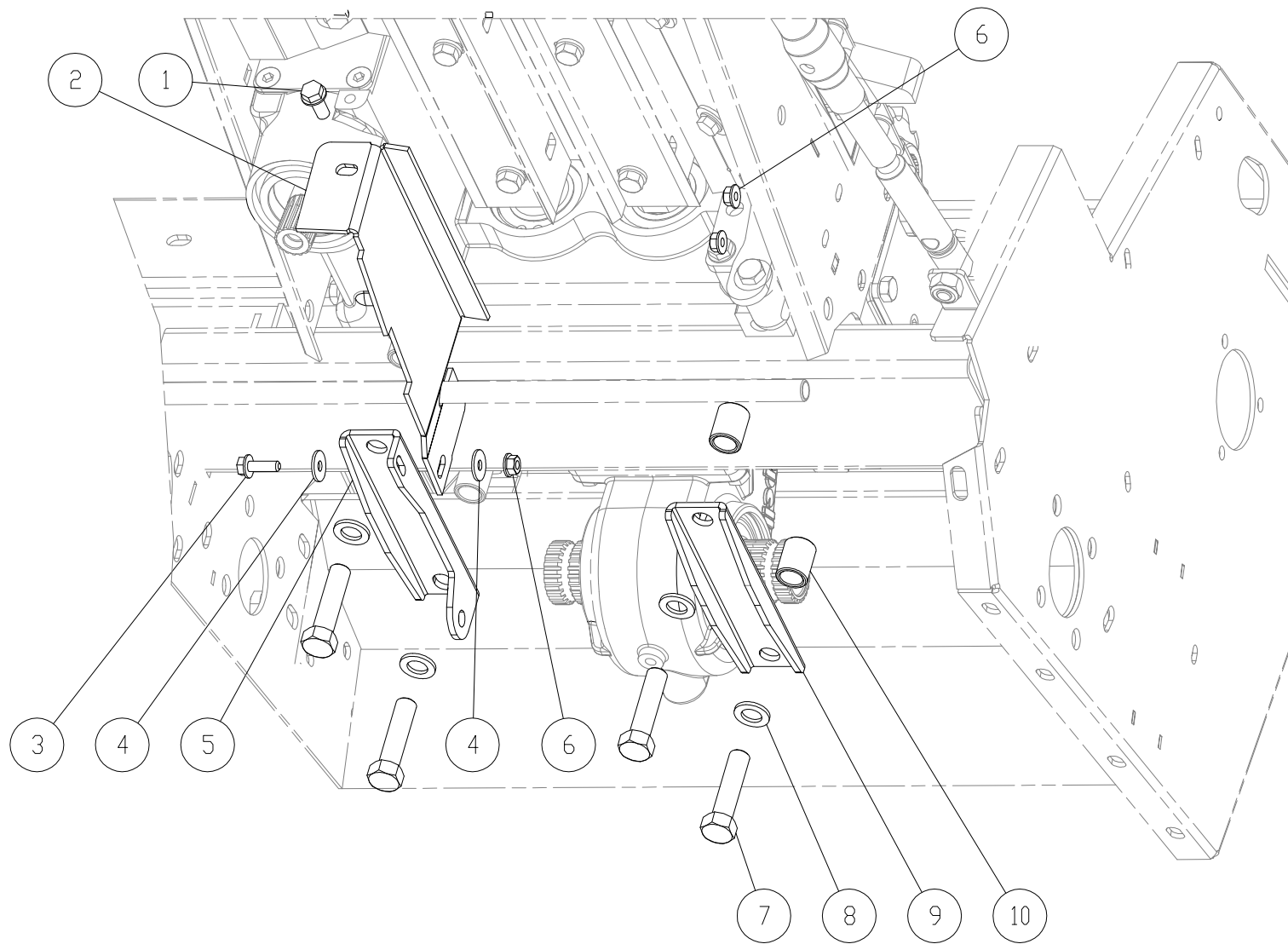


N	CODICE	DESCRIZIONE		DESCRIPTION	DESCRIPTION	BESCHREIBUNG
1	03.2075.00	PULEGGIA SUPERIORE		POULIE TRAPEZOIDALE	V BELT PULLEY	KEILRIEMENSCHLEIBE
2	05.5019.00	LINGUETTA	8X7X25	LANGUETTE	KNOTTER TONGUE	KNOTERZUNGE
3*	03.4265.00	CINGHIA		COURROIE	BELT	RIEMEN
4	02.2210.00	VITE TBQS	M12X50	VIS A TETE BOMBEE	COACH BOLT	FLACHRUNDSCHRAUBE
5	02.1022.00	SPINA FILETTATA	M10X20	GOUPILLE FILETEE	THREADED PIN	GEWINDESTIFT
6	02.2101.00	ANELLO ELASTICO PER FORI	I 40 X 1,75	CIRCLIP	CIRCLIP	SICHERUNGSRING
7	05.5043.00	TENDITORE PLASTICO		TENDEUR DE COURROIE	BELT TENSIONER	RIEMENSPANNER
8	02.2096.00	RONDELLA		RONDELLE	WASHER	SCHLEIBE
9	02.2064.00	DADO TENSILOCK	M12	ECROU TENSILOCK	SECURING NUT TENSILOCK	SICHERUNGSMUTTER TENSILOCK
10	01.1495.00	BOCCOLA PORTACUSCINETTO		DOUILLE	BUSHING	BUCHSE
11	02.2100.00	CUSCINETTO	6203 2RS1	ROUL. GORGE PROF.	BEARING	RILLENKUGELLAGER
12	05.5004.00	PULEGGIA INFERIORE		POULIE TRAPEZOIDALE	V BELT PULLEY	KEILRIEMENSCHLEIBE
13	01.1191.00	BOCCOLA CON SPALLAMENTO		DOUILLE A CHAPEAU	FLANGED BUSHING	BUNDBUCHSE
14	03.2190.00	CARTER LATERALE SINISTRO		GARANT GAUCHE	GUARD LEFT	SCHUTZ LINKS
15	02.2027.00	VITE TENSILOCK	M8X16	VIS TENSILOCK	SCREW TENSILOCK	SCHRAUBE TENSILOCK
*: SPECIFICARE LE DIMENSIONI						
SPECIFIER LES DIMENSIONS						
SPECIFY SIZE						
MABE ANGEBEN						

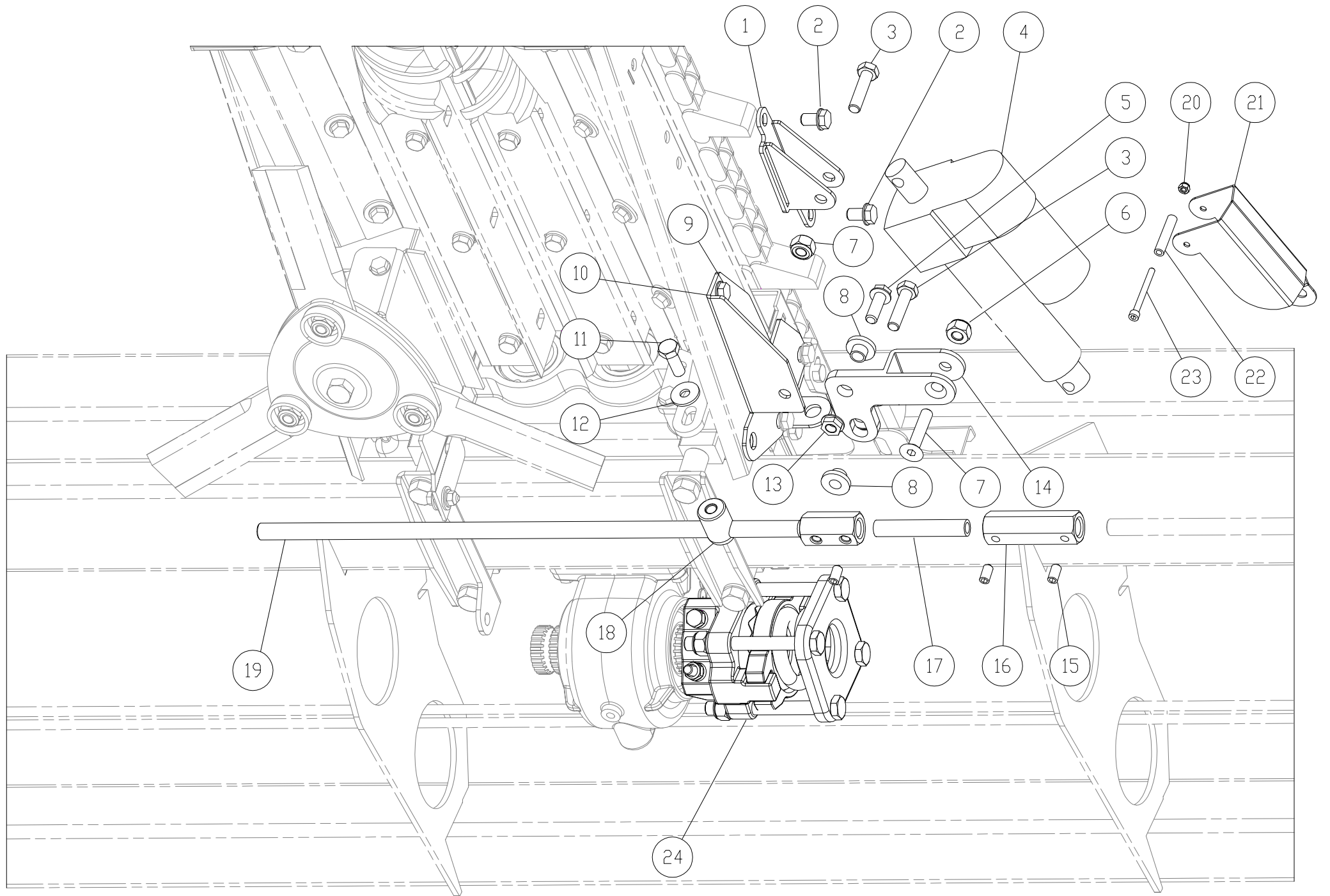


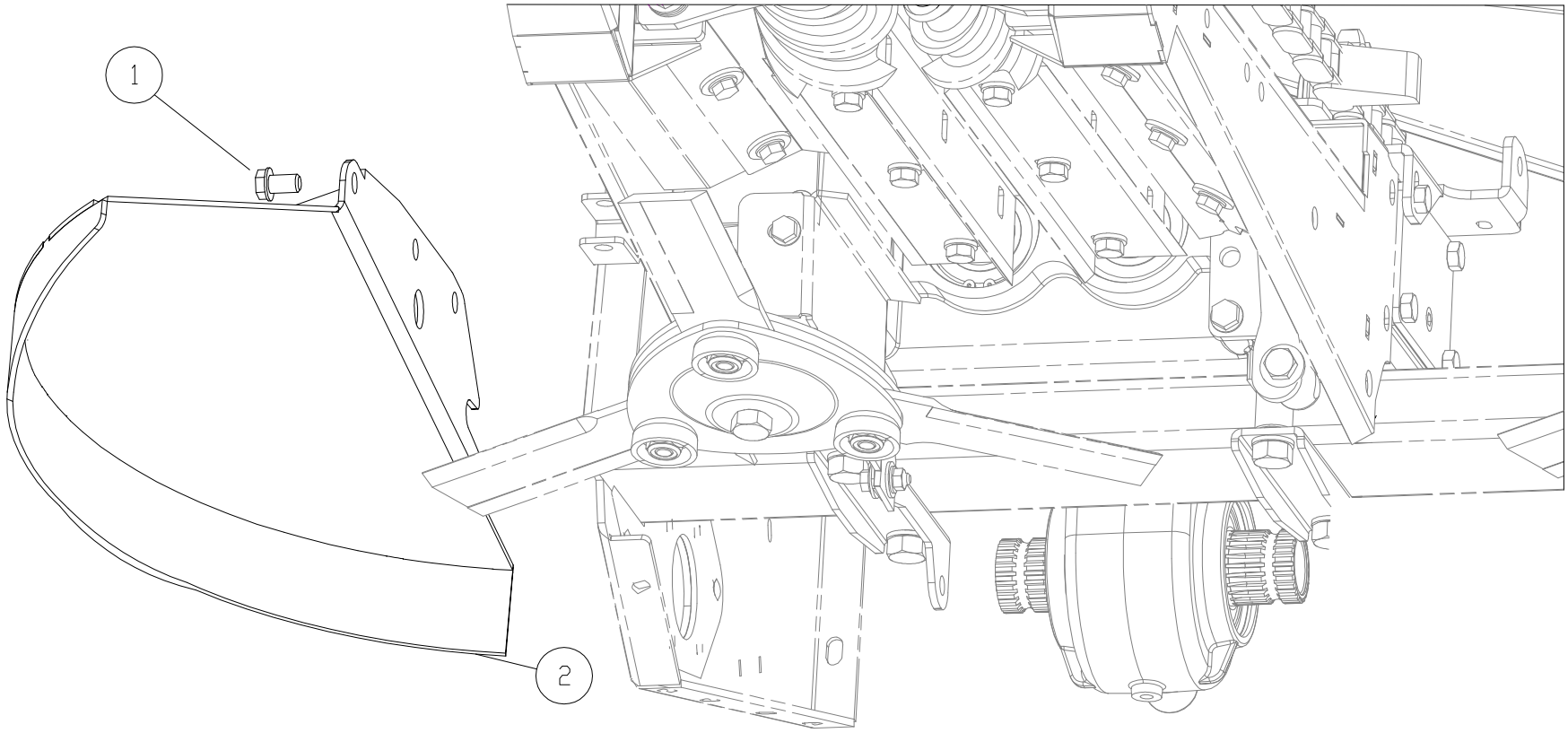
N	CODICE	DESCRIZIONE		DESCRIPTION	DESCRIPTION	BESCHREIBUNG
1	05.5019.00	LINGUETTA	8X7X25	LANGUETTE	KNOTTER TONGUE	KNOTERZUNGE
2	03.2075.00	PULEGGIA SUPERIORE		POULIE TRAPEZOIDALE	V BELT PULLEY	KEILRIEMENSCHIEBE
3*	03.4265.00	CINGHIA		COURROIE	BELT	RIEMEN
4	02.2210.00	VITE TBQS	M12X50	VIS A TETE BOMBEE	COACH BOLT	FLACHRUNDSCHRAUBE
5	01.1495.00	BOCCOLA PORTACUSCINETTO		DOUILLE	BUSHING	BUCHSE
6	02.2101.00	ANELLO ELASTICO PER FORI	I 40 X 1,75	CIRCLIP	CIRCLIP	SICHERUNGSRING
7	02.1022.00	SPINA FILETTATA	M10X20	GOUPILLE FILETEE	THREADED PIN	GEWINDESTIFT
8	02.2100.00	CUSCINETTO	6203 2RS1	ROUL. GORGE PROF.	BEARING	RILLENKUGELLAGER
9	05.5043.00	TENDITORE PLASTICO		TENDEUR DE COURROIE	BELT TENSIONER	RIEMENSPANNER
10	02.2570.00	ANELLO ELASTICO PER ALBERI	I 32 X 1,5	CIRCLIP	CIRCLIP	SICHERUNGSRING
11*	01.1525.00	ALBERO PER PULEGGIA INFERIORE		ARBRE	SHAFT	WELLE
12	01.1526.00	PULEGGIA INFERIORE		POULIE TRAPEZOIDALE	V BELT PULLEY	KEILRIEMENSCHIEBE
13	02.2565.00	RONDELLA	12X48X4	RONDELLE	WASHER	SCHEIBE
14	02.2575.00	VITE TE	M12X100	VIS SIX PANS	HEXAGONAL SCREW	SECHSKANTSCHRAUBE
15	02.2096.00	RONDELLA		RONDELLE	WASHER	SCHEIBE
16	02.2064.00	DADO TENSILOCK	M12	ECROU TENSILOCK	SECURING NUT TENSILOCK	SICHERUNGSMUTTER TENSILOCK
17	03.2190.00	CARTER LATERALE SINISTRO		GARANT GAUCHE	GUARD LEFT	SCHUTZ LINKS
18	02.2027.00	VITE TENSILOCK	M8X16	VIS TENSILOCK	SCREW TENSILOCK	SCHRAUBE TENSILOCK
3*	SPECIFICARE LE DIMENSIONI					
	SPECIFIER LES DIMENSIONS					
	SPECIFY SIZE					
	MABE ANGEBEN					
11*	SPECIFARE LA LUNGHEZZA IN MM					
	SPECIFIER LA LONGHEUR IN MM					
	SPECIFY LENGHT IN MM					
	LANGE IN MM ANGEBEN					



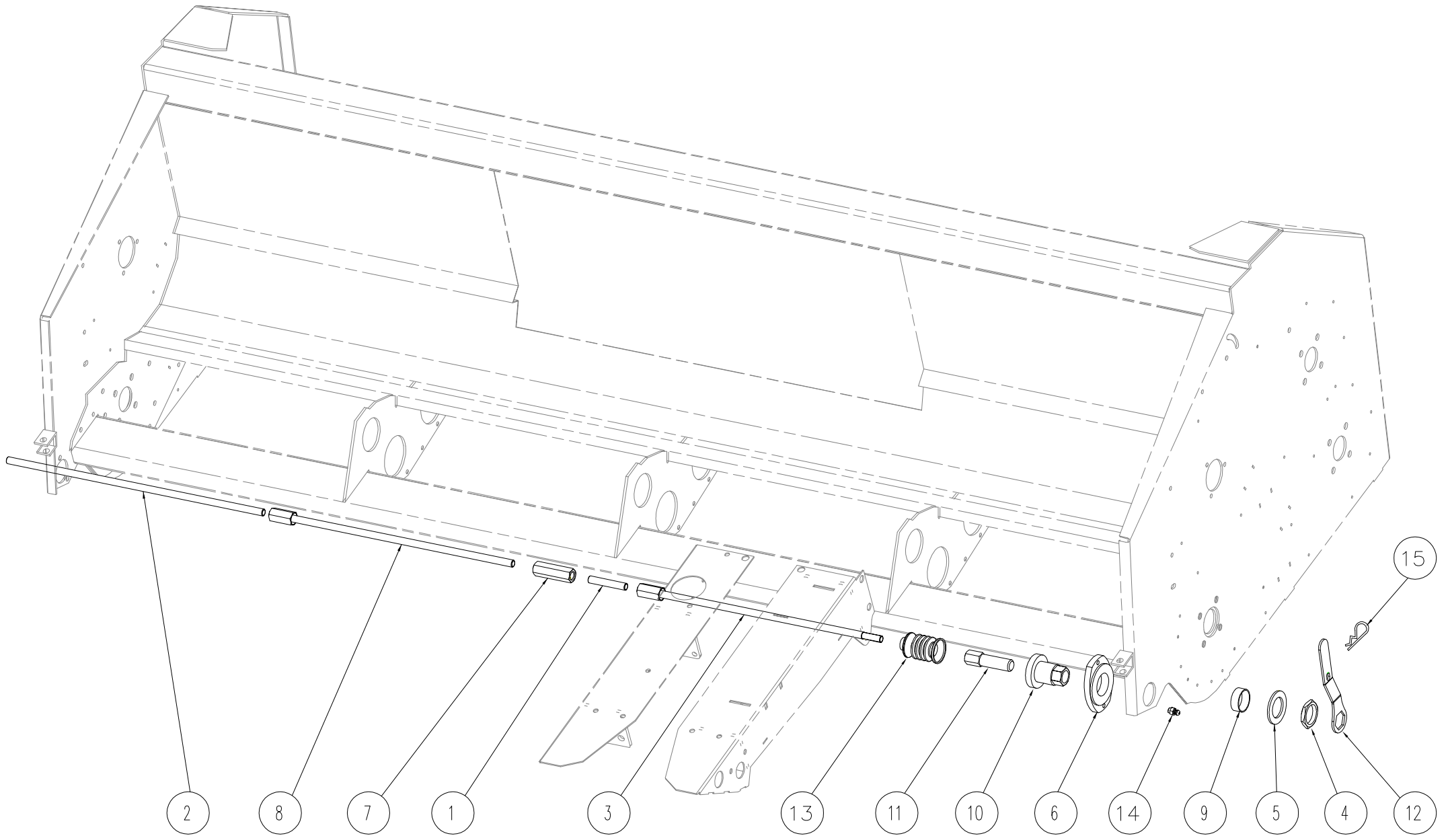


N	CODICE	DESCRIZIONE		DESCRIPTION	DESCRIPTION	BESCHREIBUNG
1	02.2066.00	VITE TENSILOCK	M10X25	VIS TENSILOCK	SECURING SCREW TENSILOCK	SICHERUNGSSCHRAUBE TENSILOCK
2	01.1275.00	RASAMENTO TRINCIASTOCCHI		RACLEUR	STRIPPER	ABSTREIFER
3	02.2115.00	VITE TENSILOCK	M8X25	VIS TENSILOCK	SECURING SCREW TENSILOCK	SICHERUNGSSCHRAUBE TENSILOCK
4	02.2109.00	RONDELLA	8X24X2	RONDELLE	WASHER	SCHEIBE
5	01.1276.00	STAFFA FISSAGGIO GRUPPO		ETRIER	BRACKET LEFT	BÜGEL
6	02.2019.00	DADO TENSILOCK	M8	ECROU TENSILOCK	SECURING NUT TENSILOCK	SICHERUNGSMUTTER TENSILOCK
7	02.1021.00	VITE TE	M16X65	VIS SIX PANS	HEXAGONAL SCREW	SECHSKANTSCHRAUBE
8	02.2016.00	RONDELLA	16.5X25X3	RONDELLE	WASHER	SCHEIBE
9	01.0159.00	STAFFA		ETRIER	BRACKET	BÜGEL
10	01.0160.00	DISTANZIALE		MANCHON DISTANCE	SPACER SLEEVE	DISTANZHUELSE
*: SPECIFICARE LA LUNGHEZZA IN MM						
SPECIFIER LA LONGHEUR IN MM						
SPECIFY LENGHT IN MM						
LANGE IN MM ANGEBEN						

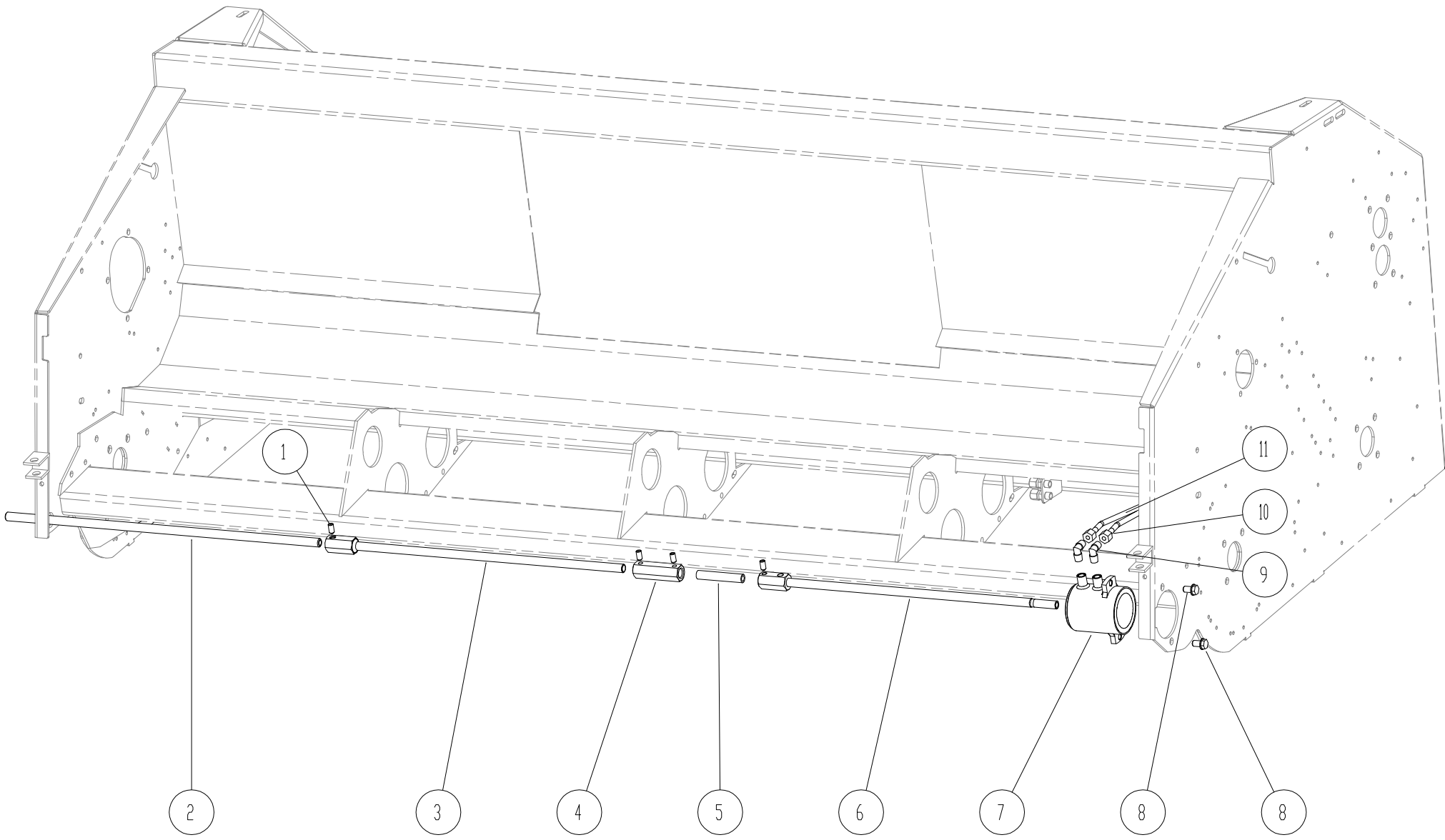




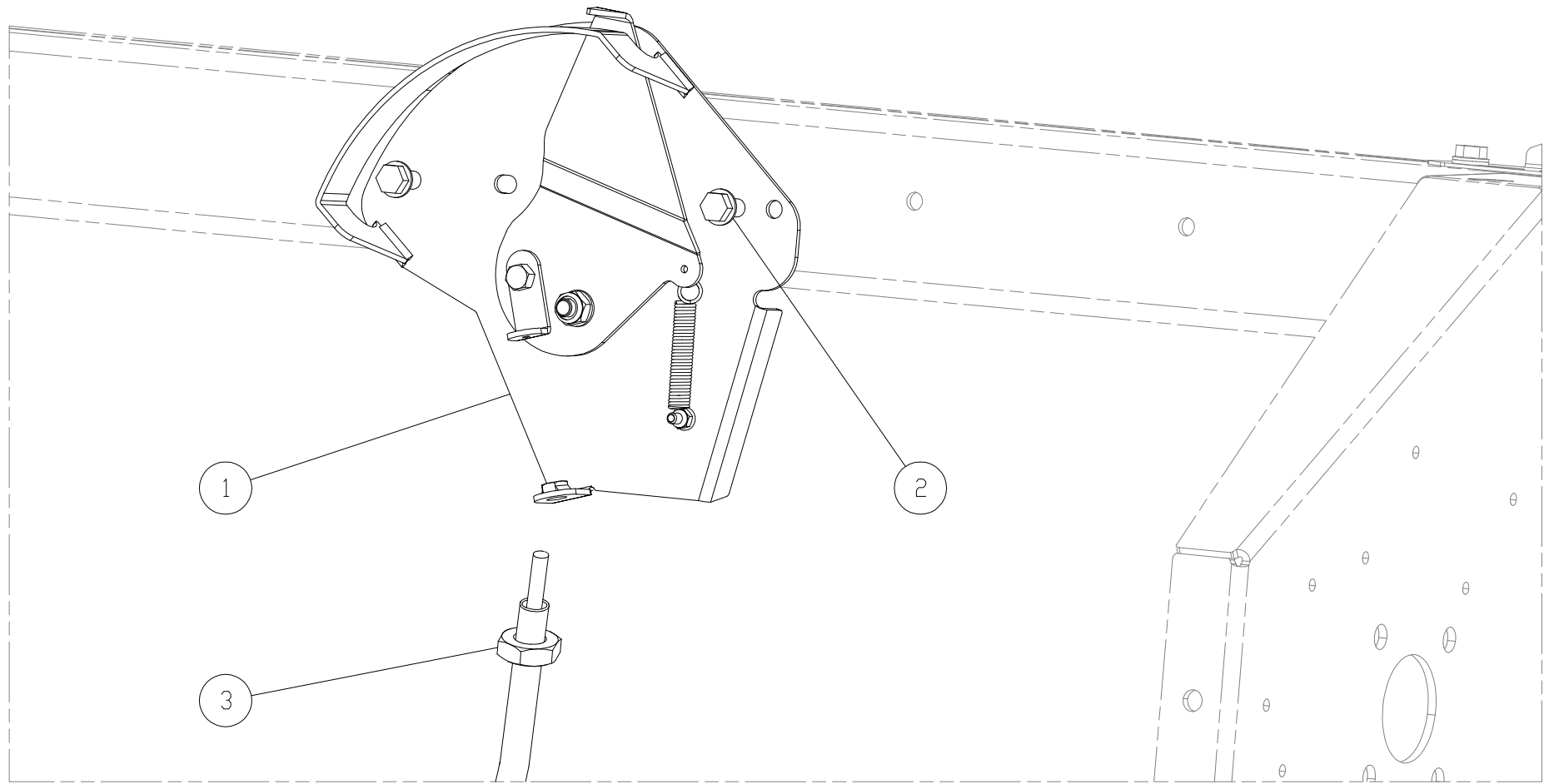
N	CODICE	DESCRIZIONE		DESCRIPTION	DESCRIPTION	BESCHREIBUNG
1	02.2087.00	VITE TENSILOCK	M12X20	VIS TENSILOCK	SECURING SCREW TENSILOCK	SUCHERUNGSSCHRAUBE TENSILOCK
2	03.4123.02	PROTEZIONE TRINCIASTOCCHI		GARANT	GUARD	SCHUTZ



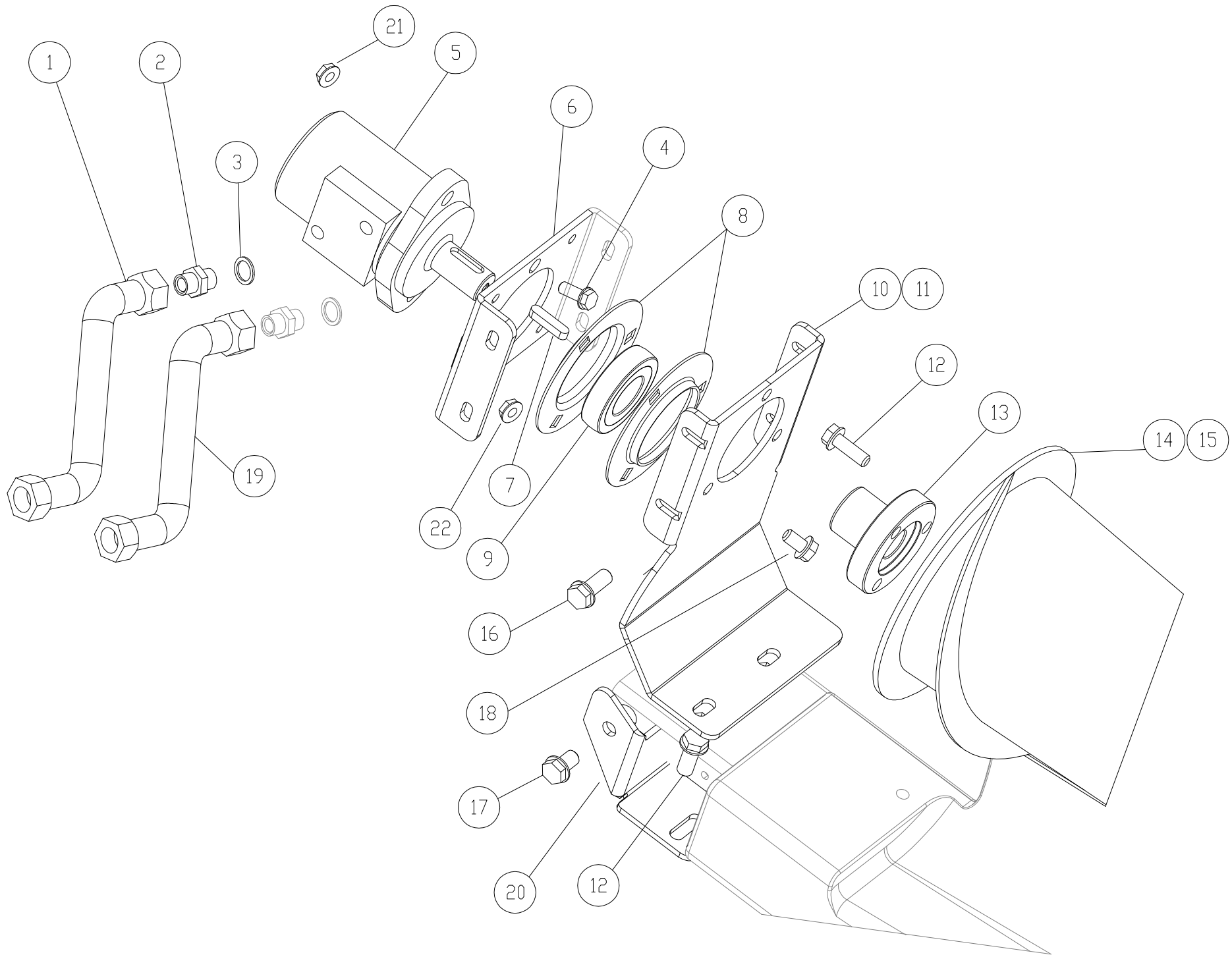
N	CODICE	DESCRIZIONE	DESCRIPTION	DESCRIPTION	BESCHREIBUNG
1*	01.0838.00	ASTA DISTANZIALE	AXE	SHAFT	WELLE
2*	01.0911.00	ASTA LATERALE	AXE	SHAFT	WELLE
3*	01.0910.00	ASTA FILETTATA	AXE	SHAFT	WELLE
4	01.0651.00	DADO	ECROU SIX PANS	HEXAGONAL NUT	SECHSKANTMUTTER
5	01.0652.00	DISTANZIALE	RONDELLE	WASHER	SCHEIBE
6	01.0653.00	FLANGIA	FLANGE	BRIDE	FLANSCH
7	01.0175.00	BLOCCHETTO ESAGONALE	RACCORD 6 PANS	HEXAGONAL CONNECTION	SECHSKT. VERBINDER
8*	01.0437.00	ASTA LEVERAGGIO	AXE	SHAFT	WELLE
9	01.0654.00	BRONZINA	DOUILLE	BUSHING	BUCHSE
10	01.0655.00	VITE FEMMINA	PLAQUE DE REGLAGE	ADJUSTING PLATE	EINSTELLSTUECK
11	01.0656.00	VITE	VIS	SCREW	SCHRAUBE
12	01.0807.00	CHIAVE REGISTRO MANUALE PIATTI	SECUR. ANTI ROTAT.	ANTI ROTAT. LOCK	VERDREHSICHERUNG
13	03.4035.00	SOFFIETTO PROTEZIONE	ACCORDEON	BELLOWS	FALTENBALG
14	02.2055.00	INGRASSATORE	M10 GRAISSEUR	GRAESE NIPPLE	SCHMIERNIPPEL
15	02.2140.00	SPINA ELASTICA	GOUPILLE ELASTIQUE	SPRING CLIP	FEDERSTECKER
*: SPECIFICARE LA LUNGHEZZA IN MM					
SPECIFIER LA LONGHEUR IN MM					
SPECIFY LENGHT IN MM					
LANGE IN MM ANGEBEN					



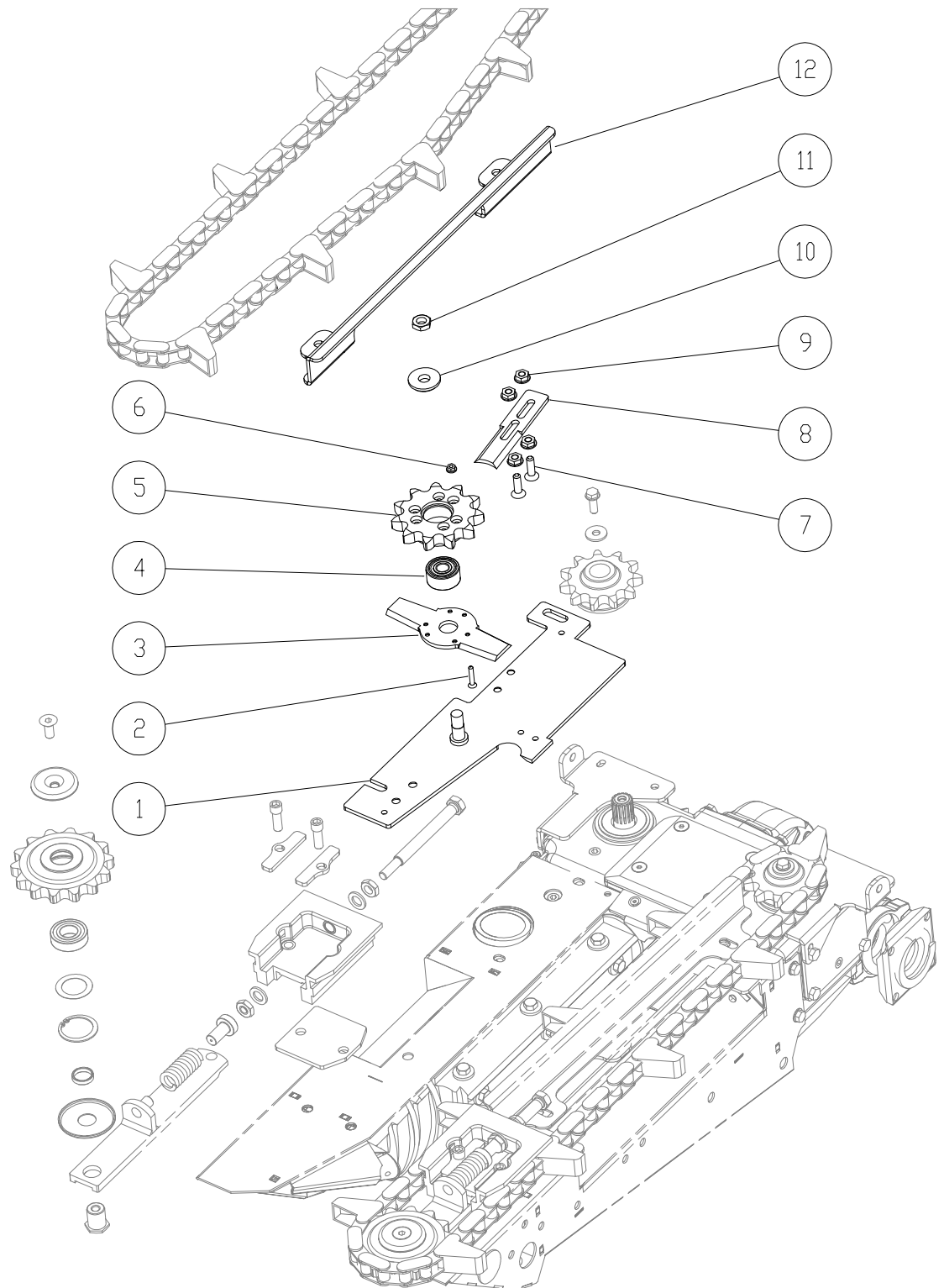
N	CODICE	DESCRIZIONE		DESCRIPTION	DESCRIPTION	BESCHREIBUNG
1	02.1022.00	SPINA FILETTATA	M10X20	GOUPILLE FILETEE	THREADED PIN	GEWINDESTIFT
2*	01.0911.00	ASTA LATERALE		AXE	SHAFT	WELLE
3*	01.0437.00	ASTA LEVERAGGIO		AXE	SHAFT	WELLE
4	01.0175.00	BLOCCHETTO ESAGONALE		RACCORD 6 PANS	HEXAGONAL CONNECTION	SECHSKT. VERBINDER
5*	01.0838.00	ASTA DISTANZIALE		AXE	SHAFT	WELLE
6*	01.0910.00	ASTA FILETTATA		AXE	SHAFT	WELLE
7	01.0447.00	CILINDRO IDRAULICO		VERIN HYDRAULIQUE	HYDRAULIC CYLINDER	HYDRAULIK ZYLINDER
8	02.2004.00	VITE TENSILOCK	M10X20	VIS TENSILOCK	SECURING SCREW TENSILOCK	SCHRAUBE TENSILOCK
9	02.2535.00	RACCORDO		RACCORD	CONNECTOR	WINKELSTUTZEN
10*	03.2180.00	TUBO RIGIDO		TUYEAU HYDRAULIQUE	HYDRAULIC PIPE	ROHRLEITUNG
11*	03.2185.00	TUBO RIGIDO		TUYEAU HYDRAULIQUE	HYDRAULIC PIPE	ROHRLEITUNG
2* / 3* / 5* / 6*:		SPECIFICARE LA LUNGHEZZA IN MM				
		SPECIFIER LA LONGHEUR IN MM				
		SPECIFY LENGHT IN MM				
		LANGE IN MM ANGEBEN				
10* / 11*:		SPECIFICARE IL MODELLO DI TESTATA				
		SPECIFIER LE MODELE DU CUILLEUR				
		SPECIFY CORN HEAD MODEL				
		MAISPFLUCKERMODELL GENAU ANGEBEN				



N	CODICE	DESCRIZIONE		DESCRIPTION	DESCRIPTION	BESCHREIBUNG
1	03.4340.00	INDICATORE LEVERAGGIO PIATTI		INDICATEUR	INDICATOR	ANZEIGE
2	02.2004.00	VITE TENSILOCK	M10X20	VIS TENSILOCK	SCREW TENSILOCK	SCHRAUBE TENSILOCK
3*	03.4023.00	CAVO CON GUAINA		CABLE BOWDEN	CABLE	SEILZUG
*: SPECIFICARE LA LUNGHEZZA IN MM						
SPECIFIER LA LONGHEUR IN MM						
SPECIFY LENGHT IN MM						
LANGE IN MM ANGEBEN						



N	CODICE	DESCRIZIONE		DESCRIPTION	DESCRIPTION	BESCHREIBUNG
1	03.4370.00	TUBO FLESSIBILE		TUBE FLEXIBLE	TUBE	SCHLAUCH
2	02.2290.00	NIPPLO	1/2" - 1/2"	NIPPLE	NIPPLE	NIPPLE
3	02.2295.00	GUARNIZIONE	1/2"	JOINT POUR FILET GAZ	SEAL FOR TAP GAS	DICHTUNG F. GASGEWINDE
4	02.2005.00	VITE TENSILOCK	M12X30	VIS TENSILOCK	SECURING SCREW TENSILOCK	SICHERUNGSSCHRAUBE TENSILOCK
5	03.4067.00	MOTORE IDRAULICO		MOTEUR HYDRAULIQUE	HIDROSTATIC MOTOR	HYDRAULIKMOTOR
6	05.5071.00	SUPPORTO		BRIDE	FLANGE	HALTER
7	02.2128.00	CHIAVETTA	8X7X25	CLAVETTE NOYEE	PARALLEL KEY	PASSFEDER
8	03.2025.00	SUPPORTO		BRIDE	FLANGE	HALTER
9	03.2026.00	CUSCINETTO	1726207 2RS1	ROULEMENT A ROTULE	SELF ALIGNING BALL BEARING	
10	05.5072.00	SUPPORTO DESTRO		BRIDE DROITE	FLANGE RIGHT	HALTER RECHTS
11	05.5073.00	SUPPORTO SINISTRO		BRIDE GAUCHE	FLANGE LEFT	HALTER LINKS
12	02.1037.00	VITE TENSILOCK	M10X30	VIS TENSILOCK	SECURING SCREW TENSILOCK	SICHERUNGSSCHRAUBE TENSILOCK
13	05.5069.00	MOZZO		MOYEU	HUB	NABE
14	03.4380.00	COCLEA DESTRA		VIS D'ALIMENTATION DROITE	AUGER RIGHT	SCHNECKE RECHTS
15	03.4385.00	COCLEA SINISTRA		VIS D'ALIMENTATION GAUCHE	AUGER LEFT	SCHNECKE LINKS
16	04.5062.00	VITE TE	M8X20	VIS SIX PANS	HEXAGONAL BOLT	SECHSKANTSCHRAUBE
17	02.4481.00	VITE TBQS	M12X30	VIS SIX PANS	HEXAGONAL BOLT	SECHSKANTSCHRAUBE
18	02.1003.00	VITE TE	M10X20	VIS SIX PANS	HEXAGONAL BOLT	SECHSKANTSCHRAUBE
19	03.4371.00	TUBO FLESSIBILE		TUBE FLEXIBLE	TUBE	SCHLAUCH
20	05.5074.00	SUPPORTO		BRIDE	FLANGE	HALTER
21	02.2064.00	DADO TENSILOCK	M12	ECROU TENSILOCK	SECURING NUT TENSILOCK	SICHERUNGSMUTTER TENSILOCK
22	02.2020.00	DADO TENSILOCK	M10	ECROU TENSILOCK	SECURING NUT TENSILOCK	SICHERUNGSMUTTER TENSILOCK



6

5

4

3

2

1

12

11

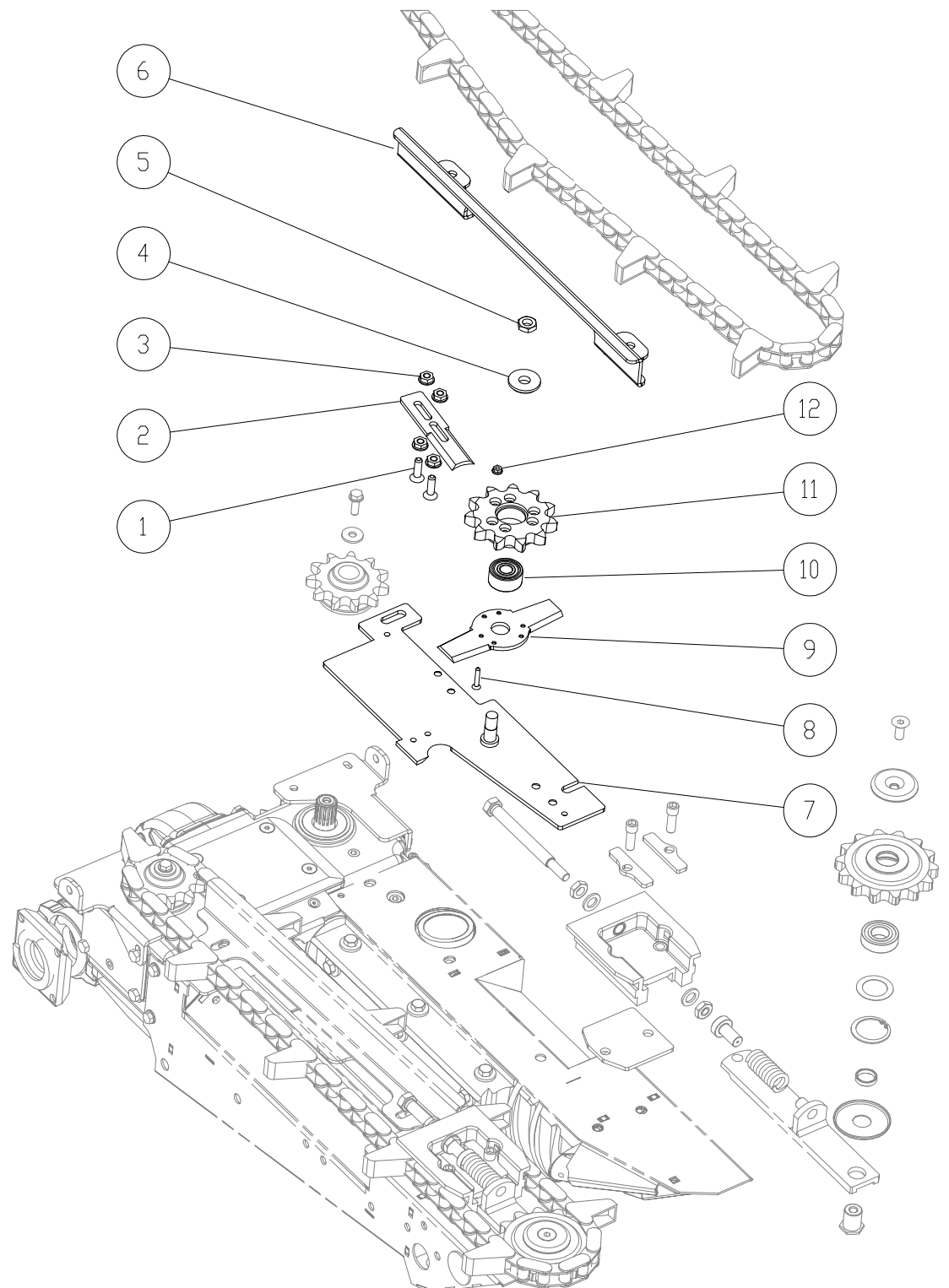
10

9

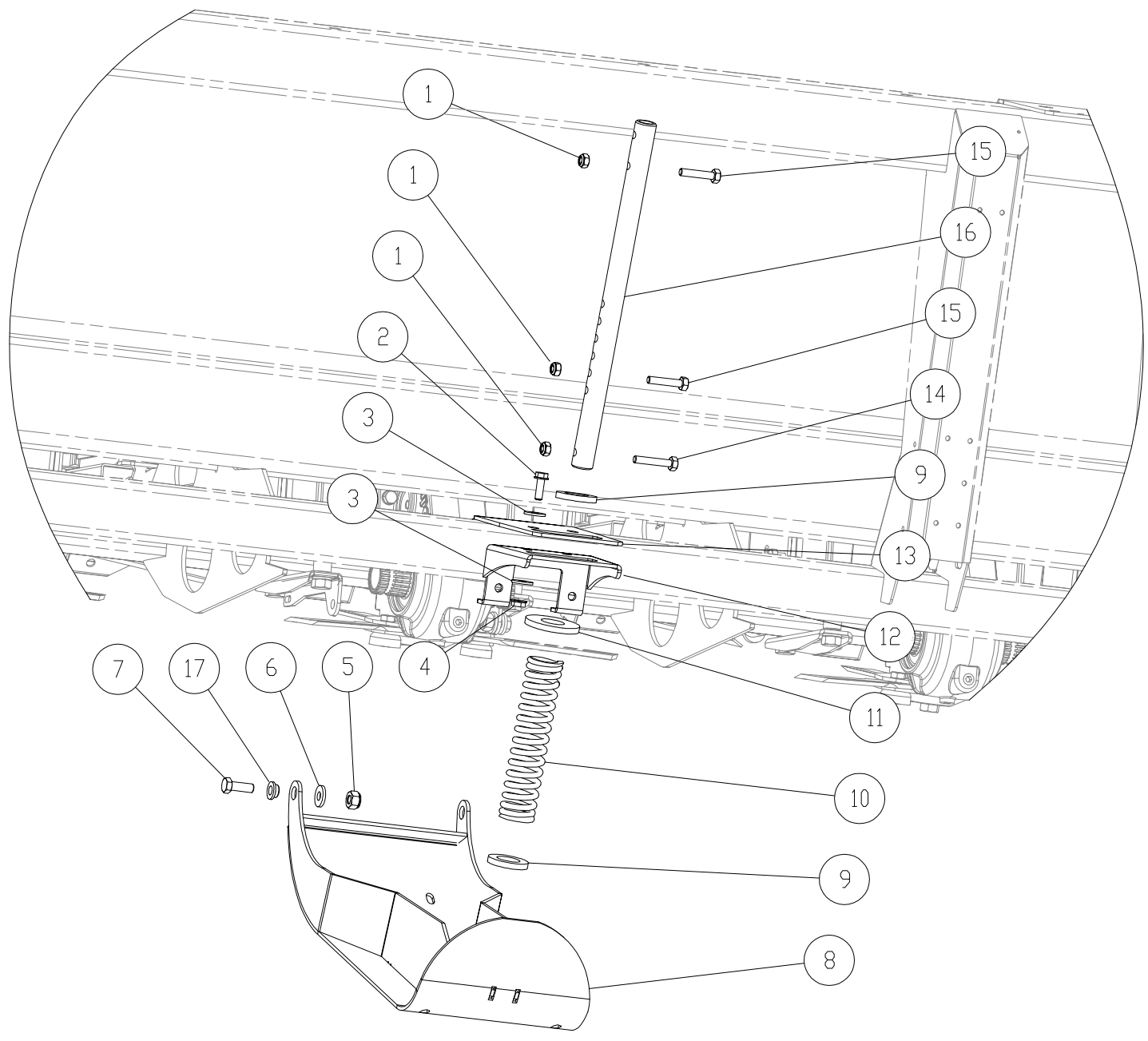
8

7

N	CODICE	DESCRIZIONE		DESCRIPTION	DESCRIPTION	BESCHREIBUNG
1	03.4420.00	PIASTRA DESTRA		PLAQUE DROIT	PLATE RIGHT	PLATTE RECHTS
2	02.2455.00	VITE TSEI	M 6X35	VIS A TETE FRAISEE	COUNTERSUNK BOLT	SENKSCHRAUBE
3	03.4390.00	COLTELLO		COUTEAU	KNIFE	HACHSLERMESSER
4	02.4450.00	CUSCINETTO	3303 2RS1	ROUL. GORGE PROF.	GRVD. BALL BEARING	RILLENKUGELLAGER
5	03.4395.00	INGRANAGGIO	Z 11	BARBOTIN	SPROCKET	KETTENRAD
6	02.4455.00	DADO TENSILOCK	M6	ECROU TENSILOCK	SECURING NUT TENSILOCK	MUTTER TENSILOCK
7	02.2460.00	VITE TSEI	M 10X35	VIS A TETE FRAISEE	COUNTERSUNK BOLT	SENKSCHRAUBE
8	03.4405.00	STAFFA		ETRIER	BRACKET	BUGEL
9	02.2020.00	DADO TENSILOCK	M10	ECROU TENSILOCK	SECURING NUT TENSILOCK	MUTTER TENSILOCK
10	03.4400.00	COPERCHIO		COUVERCLE	COVER	DECKEL
11	02.1023.00	DADO BASSO	M16	ECROU SIX PANS	HEXAGONAL NUT	SECHSKANTMUTTER
12	03.4410.00	GUIDACATENA DESTRO		GUIDE CHAINE DROIT	CHAIN GUIDE RIGHT	KETTENFUEHRUNG RECHTS
	05.0065.00	KIT GIRASOLE DESTRO COMPLETO		KIT TOURNESOL DROIT COMPLET	RIGHT KIT SUNFLOWER COMPLETE	RECHTER KIT SONNENBLUME KOMPLET



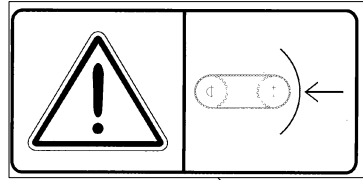
N	CODICE	DESCRIZIONE		DESCRIPTION	DESCRIPTION	BESCHREIBUNG
1	02.2460.00	VITE TSEI	M 10X35	VIS A TETE FRAISEE	COUNTERSUNK BOLT	SENKSCHRAUBE
2	03.4405.00	STAFFA		ETRIER	BRACKET	BUGEL
3	02.2020.00	DADO TENSILOCK	M10	ECROU TENSILOCK	SECURING NUT TENSILOCK	MUTTER TENSILOCK
4	03.4400.00	COPERCHIO		COUVERCLE	COVER	DECKEL
5	02.1023.00	DADO BASSO	M16	ECROU SIX PANS	HEXAGONAL NUT	SECHSKANTMUTTER
6	03.4415.00	GUIDACATENA SINISTRO		GUIDE CHAINE GAUCHE	CHAIN GUIDE LEFT	KETTENFUEHRUNG LINKS
7	03.4425.00	PIASTRA SINISTRA		PLAQUE LINKS	PLATE LEFT	PLATTE LINKS
8	02.2455.00	VITE TSEI	M 6X35	VIS A TETE FRAISEE	COUNTERSUNK BOLT	SENKSCHRAUBE
9	03.4390.00	COLTELLO		COUTEAU	KNIFE	HACHSLERMESSER
10	02.4450.00	CUSCINETTO	3303 2RS1	ROUL. GORGE PROF.	GRVD. BALL BEARING	RILLENKUGELLAGER
11	03.4395.00	INGRANAGGIO	Z 11	BARBOTIN	SPROCKET	KETTENRAD
12	02.4455.00	DADO TENSILOCK	M6	ECROU TENSILOCK	SECURING NUT TENSILOCK	MUTTER TENSILOCK
	05.0060.00	KIT GIRASOLE SINISTRO COMPLETO		KIT TOURNESOL GAUCHE COMPLET	LEFT KIT SUNFLOWER COMPLETE	LINKER KIT SONNENBLUME KOMPLETE



N	CODICE	DESCRIZIONE		ОПИСАНИЕ	DESCRIPTION	BESCHREIBUNG
1	02.2007.00	DADO AUTOBLOCCANTE	M10	ECROU AUTOBLOQUANT	SECURING NUT	SICHERUNGSMUTTER
2	02.1037.00	VITE TENSILOCK	M10X30	VIS TENSILOCK	SECURING SCREW TENSILOCK	SICHERUNGSSCHRAUBE TENSILOCK
3	02.4460.00	RONDELLA	10X26X3	RONDELLE	WASHER	SCHEIBE
4	02.2020.00	DADO TENSILOCK	M10	ECROU TENSILOCK	SECURING NUT TENSILOCK	SICHERUNGSMUTTER TENSILOCK
5	02.2032.00	DADO AUTOBLOCCANTE	M12	ECROU AUTOBLOQUANT	SECURING NUT	SICHERUNGSMUTTER
6	02.1053.00	RONDELLA	12X30X4	RONDELLE	WASHER	SCHEIBE
7	02.2133.00	VITE TE	M12X30	VIS SIX PANS	HEXAGONAL SCREW	SECHSKANTSCHRAUBE
8	01.1545.00	PATTINO SCHIACCIASTOCCHI		BRIN ECRASER	STALK CRUSHER	ZERQUETSCHEN HALM
9	02.4465.00	RONDELLA	33X57X8	RONDELLE	WASHER	SCHEIBE
10	01.1550.00	MOLLA		RESSORT	SPRING	FEDER
11	02.4470.00	RONDELLA	33X77X8	RONDELLE	WASHER	SCHEIBE
12	01.1555.00	SUPPORTO		SUPPORT	SUPPORT	HALTER
13	01.1560.00	SUPPORTO		SUPPORT	SUPPORT	HALTER
14	02.4475.00	VITE TE	M10X60	VIS SIX PANS	HEXAGONAL SCREW	SECHSKANTSCHRAUBE
15	02.2114.00	VITE TE	M10X45	VIS SIX PANS	HEXAGONAL SCREW	SECHSKANTSCHRAUBE
16	01.1565.00	ASTA D'APPOGGIO		ENCHERE DE SOUTIEN	SUPPORT AUCTION	UNTERSTÜTZUNG VERSTEIGERN
17	01.1540.00	BOCCOLA		DOUILLE	BUSHING	BUCHSE
	05.0070.00	KIT SCHIACCIASTOCCHI COMPLETO		KIT BRIN ECRASER COMPLETE	KIT STALK CRUSHER COMPLETE	KIT ZERQUETSCHEN HALM KOMPLET



1



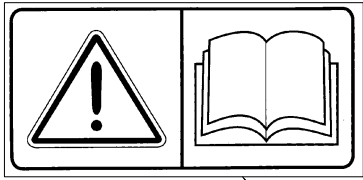
2



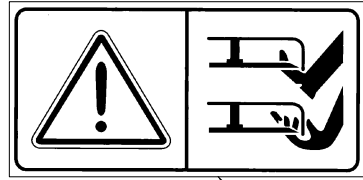
3



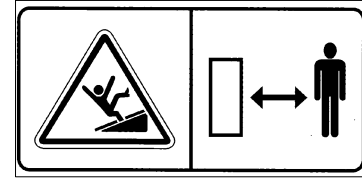
4



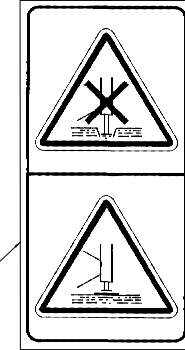
5



6



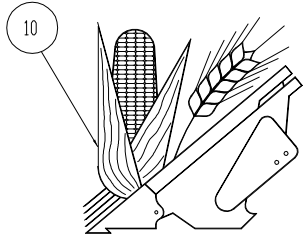
7



8



9



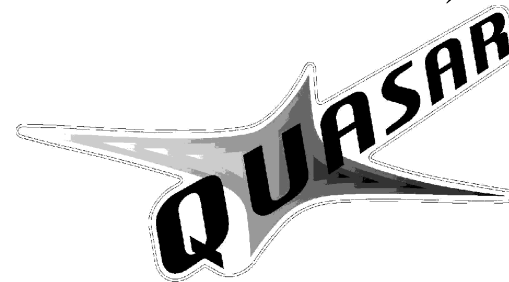
10

capello

11

6

16



13

14

15



12



N	CODICE	DESCRIZIONE		DESCRIPTION	DESCRIPTION	BESCHREIBUNG
1	15.1700.00	ADESIVO SICUREZZA		ETIQUETTE	ADHESIVE	AUFKLEBER
2	15.1701.00	ADESIVO SICUREZZA		ETIQUETTE	ADHESIVE	AUFKLEBER
3	15.1702.00	ADESIVO SICUREZZA		ETIQUETTE	ADHESIVE	AUFKLEBER
4	15.1703.00	ADESIVO SICUREZZA		ETIQUETTE	ADHESIVE	AUFKLEBER
5	15.1704.00	ADESIVO SICUREZZA		ETIQUETTE	ADHESIVE	AUFKLEBER
6	15.1705.00	ADESIVO SICUREZZA		ETIQUETTE	ADHESIVE	AUFKLEBER
7	15.1706.00	ADESIVO SICUREZZA		ETIQUETTE	ADHESIVE	AUFKLEBER
8	15.1707.00	ADESIVO SICUREZZA		ETIQUETTE	ADHESIVE	AUFKLEBER
9	15.1708.00	ADESIVO SICUREZZA		ETIQUETTE	ADHESIVE	AUFKLEBER
10	15.1709.00	ADESIVO LOGO		ETIQUETTE	ADHESIVE	AUFKLEBER
11	15.1710.00	ADESIVO CAPELLO	693x175	ETIQUETTE	ADHESIVE	AUFKLEBER
12	15.1735.00	ADESIVO CE		ETIQUETTE	ADHESIVE	AUFKLEBER
13	15.1736.00	ADESIVO QUASAR DX		ETIQUETTE	ADHESIVE	AUFKLEBER
14	15.1737.00	ADESIVO QUASAR SX		ETIQUETTE	ADHESIVE	AUFKLEBER
15	15.1738.00	ADESIVO MIN-MAX		ETIQUETTE	ADHESIVE	AUFKLEBER
16*	15.1740.00	ADESIVO NUMERO		ETIQUETTE	ADHESIVE	AUFKLEBER
*	INDICARE IL NUMERO					
	INDICATE NUMBER					
	DIE ANZAHL					

CODE	ITEM	PAGE	CODE	ITEM	PAGE	CODE	ITEM	PAGE
01.0108.01	11	3	01.0219.00	21	61	01.0796.00	26	61
01.0142.00	5	25	01.0219.00	9	53	01.0807.00	12	85
01.0143.00	2	25	01.0219.00	7	59	01.0821.00	19	59
01.0155.00	9	55	01.0220.00	8	59	01.0838.00	17	81
01.0159.00	9	79	01.0245.00	3	23	01.0838.00	1	85
01.0160.00	10	79	01.0260.00	3	61	01.0838.00	5	87
01.0161.02	12	61	01.0261.00	15	27	01.0842.00	14	81
01.0162.00	2	55	01.0262.00	26	27	01.0878.00	1	53
01.0163.00	5	55	01.0285.00	2	23	01.0883.00	10	55
01.0164.00	6	55	01.0293.00	5	31	01.0884.00	1*	59
01.0165.01	4	55	01.0294.00	8	31	01.0886.00	3	59
01.0166.00	7	55	01.0300.00	15	63	01.0910.00	6	87
01.0167.02	11	55	01.0301.00	5	63	01.0910.00	3	85
01.0175.00	7	85	01.0405.01	18	61	01.0911.00	2	85
01.0175.00	16	81	01.0437.00	3	87	01.0911.00	2	87
01.0175.00	4	87	01.0437.00	8	85	01.0912.00	19	3
01.0176.00	18	81	01.0447.00	7	87	01.0913.00	17	3
01.0183.00	21	27	01.0448.00	14	59	01.0926.00	8	69
01.0184.02	12	27	01.0470.00	15	59	01.0940.00	2	69
01.0185.02	14	27	01.0510.01	2	53	01.0943.00	9	47
01.0188.00	3	27	01.0510.01	16	61	01.0947.00	18	3
01.0199.00	2	31	01.0511.00	11	65	01.0948.00	16	3
01.0200.01	2	33	01.0512.00	4	65	01.0950.00	1	31
01.0201.01	5	33	01.0648.00	6	61	01.0951.00	26	31
01.0202.01	10	31	01.0651.00	4	85	01.0953.00	4	33
01.0203.00	13	31	01.0652.00	5	85	01.0953.00	23	31
01.0204.00	14	31	01.0653.00	6	85	01.0953.00	4	35
01.0205.00	12	31	01.0654.00	9	85	01.0955.00	1	35
01.0206.00	11	31	01.0655.00	10	85	01.0955.00	1	33
01.0209.05	2	47	01.0656.00	11	85	01.0955.00	4	31
01.0210.00	5	47	01.0657.00	5	61	01.0957.00	5	3
01.0211.00	8	47	01.0661.00	3	65	01.0959.00	15	3
01.0212.00	3	47	01.0668.00	17	27	01.0960.00	9	3
01.0213.00	6	47	01.0705.00	2	35	01.0963.00	6	3
01.0215.00	9*	59	01.0706.00	3	35	01.0964.00	12	3
01.0216.00	18	59	01.0761.00	13	3	01.0965.00	10	3
01.0218.00	5	59	01.0762.00	7	3	01.0966.00	1	3

CODE	ITEM	PAGE	CODE	ITEM	PAGE	CODE	ITEM	PAGE
01.0981.01	4	15	01.1370.00	21	81	01.1586.00	16	13
01.0982.01	10	9	01.1380.00	22	81	01.1589.00	24	13
01.0983.01	8	15	01.1440.00	2	7	01.1590.00	20	13
01.0984.01	7	9	01.1441.00	7	7	01.1591.00	22	13
01.0985.01	8	9	01.1442.00	9	7	01.1592.00	23	13
01.0986.01	6	9	01.1443.00	8	7	01.1593.00	21	13
01.0988.01	9	15	01.1444.00	10	7	02.1000.00	6	7
01.0990.00	6	15	01.1445.00	4	7	02.1000.00	3	5
01.0991.00	5	15	01.1450.00	3	7	02.1000.00	4	21
01.0996.01	7	15	01.1473.00	1	21	02.1000.00	30	31
01.0996.01	9	9	01.1495.00	5	75	02.1003.00	5	7
01.0998.01	5	9	01.1495.00	10	73	02.1007.00	1	13
01.1003.00	6	25	01.1500.00	10	63	02.1009.00	12	11
01.1004.00	9	25	01.1505.00	13	63	02.1009.00	12	17
01.1007.01	5	29	01.1510.00	16	63	02.1011.00	7	25
01.1008.01	4	29	01.1515.00	19	63	02.1012.00	20	59
01.1020.00	10	61	01.1520.00	21	91	02.1020.00	19	61
01.1025.00	11	61	01.1520.00	14	71	02.1021.00	7	79
01.1059.00	11	63	01.1521.00	18	71	02.1022.00	15	77
01.1090.00	4	57	01.1525.00	7	71	02.1022.00	7	75
01.1097.00	1	23	01.1525.00	11	75	02.1022.00	15	81
01.1118.00	19	81	01.1526.00	12	75	02.1022.00	5	73
01.1120.00	13	59	01.1530.00	33	27	02.1022.00	1	87
01.1135.00	1	67	01.1530.00	10	71	02.1023.00	5	95
01.1190.00	1	81	01.1535.00	13	71	02.1023.00	18	27
01.1191.00	13	73	01.1540.00	17	97	02.1023.00	11	93
01.1195.00	8	81	01.1545.00	8	97	02.1024.00	12	81
01.1196.00	8	11	01.1550.00	10	97	02.1025.05	29	31
01.1196.00	8	17	01.1555.00	12	97	02.1029.00	16	27
01.1197.00	12	63	01.1560.00	13	97	02.1030.00	3	31
01.1207.00	17	63	01.1565.00	16	97	02.1031.00	1	47
01.1217.00	2	63	01.1580.00	2	13	02.1031.00	5	81
01.1235.00	32	27	01.1581.00	12	13	02.1032.00	6	59
01.1250.00	10	81	01.1581.00	5	13	02.1032.00	22	61
01.1255.00	27	27	01.1582.00	6	13	02.1032.00	8	53
01.1275.00	2	79	01.1583.00	11	13	02.1032.00	7	63
01.1276.00	5	79	01.1584.00	14	13	02.1034.00	17	59

CODE	ITEM	PAGE	CODE	ITEM	PAGE	CODE	ITEM	PAGE
02.1035.00	7	31	02.2007.00	1	97	02.2032.00	7	11
02.1036.00	2	65	02.2007.00	13	11	02.2032.00	10	65
02.1036.00	24	31	02.2007.00	13	17	02.2032.00	5	97
02.1037.00	13	91	02.2007.00	10	57	02.2032.00	2	49
02.1037.00	6	11	02.2007.00	17	13	02.2032.00	7	47
02.1037.00	11	71	02.2007.00	13	49	02.2032.00	10	5
02.1037.00	2	97	02.2012.00	7	65	02.2032.00	12	25
02.1037.00	6	17	02.2013.00	24	61	02.2032.00	9	91
02.1037.00	25	31	02.2014.00	25	61	02.2032.00	7	81
02.1038.00	16	31	02.2015.00	2	61	02.2033.00	11	25
02.1039.00	15	31	02.2015.00	12	77	02.2033.00	4	63
02.1040.00	18	31	02.2016.00	10	59	02.2039.00	23	61
02.1041.00	6	31	02.2016.00	8	79	02.2050.00	8	25
02.1044.00	11	81	02.2018.00	14	49	02.2052.00	20	81
02.1053.00	3	63	02.2019.00	9	5	02.2052.00	8	71
02.1053.00	6	97	02.2019.00	6	79	02.2053.00	6	71
02.1055.00	4	71	02.2019.00	6	57	02.2055.00	14	85
02.1061.00	14	77	02.2020.00	31	31	02.2058.00	2	59
02.1062.00	1	57	02.2020.00	9	93	02.2064.00	13	81
02.1071.00	12	59	02.2020.00	18	13	02.2064.00	16	75
02.1090.00	23	81	02.2020.00	1	7	02.2064.00	9	73
02.1095.00	8	91	02.2020.00	2	21	02.2064.00	4	77
02.1095.00	3	21	02.2020.00	4	97	02.2064.00	5	91
02.2002.00	27	31	02.2020.00	22	91	02.2065.00	9	61
02.2003.00	3	81	02.2020.00	3	95	02.2066.00	1	79
02.2003.00	1	55	02.2025.00	15	71	02.2066.00	20	27
02.2003.00	16	59	02.2025.00	2	5	02.2067.00	2	11
02.2004.00	2	19	02.2025.00	11	11	02.2067.00	2	17
02.2004.00	2	81	02.2025.00	11	17	02.2067.00	4	5
02.2004.00	13	25	02.2026.00	9	69	02.2068.00	14	63
02.2004.00	19	13	02.2027.00	5	69	02.2068.00	11	5
02.2004.00	8	87	02.2027.00	15	73	02.2078.00	5	11
02.2004.00	2	89	02.2027.00	4	13	02.2078.00	6	29
02.2004.00	7	91	02.2027.00	10	29	02.2078.00	5	17
02.2004.01	3	25	02.2027.00	18	75	02.2078.00	2	57
02.2005.00	5	65	02.2027.00	17	77	02.2078.00	10	13
02.2005.00	11	91	02.2032.00	7	17	02.2083.00	10	17

CODE	ITEM	PAGE	CODE	ITEM	PAGE	CODE	ITEM	PAGE
02.2083.00	10	11	02.2128.00	12	91	02.2575.00	14	75
02.2083.00	5	5	02.2129.00	9	63	02.2585.00	7	13
02.2085.00	8	63	02.2131.00	8	5	02.4430.00	2	51
02.2085.00	3	53	02.2132.00	1	17	02.4431.00	3	51
02.2085.00	15	61	02.2132.00	13	13	02.4432.00	7	51
02.2087.00	8	13	02.2132.00	1	11	02.4433.00	9	51
02.2087.00	23	91	02.2133.00	7	97	02.4434.00	13	51
02.2087.00	1	83	02.2135.00	6	65	02.4435.00	14	51
02.2087.00	12	29	02.2136.00	4	11	02.4436.00	15	51
02.2087.00	9	81	02.2136.00	4	17	02.4437.00	18	51
02.2091.00	17	71	02.2136.00	1	5	02.4438.00	19	51
02.2091.00	6	63	02.2140.00	15	85	02.4439.00	20	51
02.2092.00	2	27	02.2162.00	5	57	02.4440.00	22	51
02.2094.00	22	31	02.2175.00	1	27	02.4441.00	26	51
02.2096.00	21	31	02.2181.00	12	5	02.4442.00	28	51
02.2096.00	15	75	02.2210.00	4	75	02.4443.00	29	51
02.2096.00	5	77	02.2210.00	4	73	02.4444.00	30	51
02.2096.00	8	73	02.2210.00	9	77	02.4445.00	34	51
02.2098.00	9	31	02.2290.00	2	91	02.4450.00	10	95
02.2100.00	7	77	02.2293.00	6	81	02.4450.00	4	93
02.2100.00	11	73	02.2295.00	4	91	02.4455.00	12	95
02.2100.00	8	75	02.2400.00	17	91	02.4455.00	6	93
02.2101.00	6	75	02.2410.00	3	57	02.4460.00	3	97
02.2101.00	6	73	02.2415.00	7	57	02.4465.00	9	97
02.2101.00	10	77	02.2455.00	2	93	02.4470.00	11	97
02.2103.00	20	61	02.2455.00	8	95	02.4475.00	14	97
02.2103.00	7	53	02.2460.00	1	95	03.1990.00	24	27
02.2104.00	9	17	02.2460.00	7	93	03.1995.00	23	27
02.2104.00	9	11	02.2510.00	13	5	03.2004.02	14	25
02.2104.00	4	59	02.2535.00	9	87	03.2006.01	3	55
02.2109.00	4	79	02.2555.00	18	91	03.2007.00	8	55
02.2109.00	3	13	02.2560.00	19	91	03.2012.00	22	27
02.2113.00	6	43	02.2565.00	13	75	03.2013.01	4	27
02.2114.00	15	97	02.2565.00	13	77	03.2014.01	10	27
02.2115.00	3	79	02.2570.00	12	71	03.2015.01	19	27
02.2119.00	12	49	02.2570.00	10	75	03.2017.00	9	29
02.2123.00	5	27	02.2575.00	16	71	03.2019.00	3	33

CODE	ITEM	PAGE	CODE	ITEM	PAGE	CODE	ITEM	PAGE
03.2020.00	19	31	03.4058.00	28	61	03.4340.00	1	89
03.2021.01	4	47	03.4066.00	4	81	03.4360.00	8	3
03.2022.02	11	59	03.4067.00	6	91	03.4365.00	14	3
03.2023.00	22	59	03.4076.00	7	69	03.4370.00	1	91
03.2024.00	21	59	03.4079.00	6	69	03.4371.00	3	91
03.2025.00	8	61	03.4100.00	20	31	03.4375.00	20	91
03.2025.00	2	67	03.4102.00	1	19	03.4380.00	1	71
03.2026.00	3	67	03.4103.00	3	19	03.4380.00	15	91
03.2026.00	7	61	03.4105.00	2	3	03.4385.00	16	91
03.2029.01	4	61	03.4106.00	3	3	03.4385.00	2	71
03.2075.00	1	73	03.4107.00	4	3	03.4390.00	9	95
03.2075.00	2	75	03.4111.00	2	9	03.4390.00	3	93
03.2075.00	3	77	03.4112.00	3	9	03.4395.00	5	93
03.2076.00	4	25	03.4113.00	1	9	03.4395.00	11	95
03.2095.00	17	31	03.4114.01	3	15	03.4400.00	4	95
03.2100.00	1	25	03.4115.00	4	9	03.4400.00	10	93
03.2101.00	10	25	03.4116.00	1	15	03.4405.00	2	95
03.2105.00	9	27	03.4117.00	2	15	03.4405.00	8	93
03.2106.00	31	27	03.4123.02	2	83	03.4410.00	12	93
03.2110.00	6	27	03.4130.00	2	41	03.4415.00	6	95
03.2111.00	30	27	03.4180.00	3	69	03.4420.00	1	93
03.2112.00	28	27	03.4181.00	10	69	03.4425.00	7	95
03.2113.00	7	27	03.4182.00	11	69	04.0406.01	17	61
03.2114.00	13	27	03.4190.00	4	69	04.1020.00	30	45
03.2125.00	25	27	03.4200.00	1	69	04.1020.00	6	53
03.2126.00	29	27	03.4225.00	1	29	04.4500.00	18	63
03.2180.00	10	87	03.4229.00	11	29	04.4500.00	1	51
03.2185.00	11	87	03.4230.00	14	29	04.4501.00	5	51
03.2190.00	17	75	03.4231.00	13	29	04.4502.00	6	51
03.2190.00	14	73	03.4235.00	1	61	04.4503.00	8	51
03.2191.00	16	77	03.4236.00	8	65	04.4504.00	10	51
03.4002.00	10	53	03.4237.00	9	65	04.4505.00	11	51
03.4007.00	27	61	03.4260.00	1	63	04.4506.00	16	51
03.4010.00	14	61	03.4265.00	1	77	04.4507.00	17	51
03.4010.00	4	53	03.4265.00	3	73	04.4508.00	21	51
03.4023.00	3	89	03.4265.00	3	75	04.4509.00	23	51
03.4035.00	13	85	03.4270.00	11	77	04.4510.00	24	51

CODE	ITEM	PAGE	CODE	ITEM	PAGE	CODE	ITEM	PAGE
04.4511.00	25	51	04.5025.00	14	39	04.5058.00	6	45
04.4512.00	27	51	04.5025.00	28	45	04.5059.00	4	45
04.4513.00	31	51	04.5027.00	27	45	04.5060.00	9	45
04.4514.00	32	51	04.5028.00	26	45	04.5061.01	8	45
04.4515.00	33	51	04.5028.00	16	39	04.5062.00	12	51
04.5001.00	4	49	04.5029.00	3	39	04.5062.00	7	45
04.5006.03	15	29	04.5030.00	1	39	04.5062.00	7	5
04.5007.00	1	43	04.5031.00	2	37	04.5065.00	1	45
04.5007.00	35	45	04.5032.00	3	37	04.5088.00	3	41
04.5008.00	13	45	04.5033.00	4	37	04.5089.00	10	41
04.5008.00	2	43	04.5034.00	6	37	04.5090.00	8	41
04.5008.00	17	39	04.5034.00	4	51	04.5091.00	9	41
04.5008.00	23	45	04.5035.00	7	37	04.5092.00	11	39
04.5009.00	3	43	04.5036.00	9	37	04.5092.00	33	45
04.5009.00	14	45	04.5037.00	1	37	04.5094.00	1	65
04.5009.00	6	39	04.5038.00	10	37	04.5094.00	7	29
04.5010.00	4	43	04.5039.00	13	37	04.5095.00	1	41
04.5011.01	5	43	04.5040.00	12	37	04.5097.00	11	37
04.5013.00	8	43	04.5041.00	8	37	04.5098.00	6	5
04.5013.00	15	45	04.5042.00	14	37	04.5098.00	15	13
04.5014.00	9	43	04.5043.00	15	37	04.5098.00	3	11
04.5014.00	12	45	04.5044.00	16	37	04.5098.00	3	29
04.5014.00	5	41	04.5045.00	16	45	04.5098.00	3	17
04.5015.00	10	39	04.5046.00	2	45	04.5098.00	9	13
04.5016.00	9	39	04.5047.00	24	45	04.5098.00	4	41
04.5016.00	15	39	04.5048.00	22	45	04.5099.00	7	41
04.5017.00	4	39	04.5049.00	21	45	04.5100.00	5	49
04.5017.00	5	53	04.5050.00	20	45	04.5101.00	25	45
04.5018.00	5	39	04.5051.00	18	45	04.5101.00	8	39
04.5020.00	2	39	04.5051.00	11	27	04.5103.00	6	41
04.5021.00	5	37	04.5052.00	17	45	04.5105.03	2	29
04.5021.00	34	45	04.5052.00	8	27	04.5106.00	8	29
04.5021.00	7	39	04.5053.00	11	45	04.5109.00	29	45
04.5022.00	32	45	04.5054.00	19	45	04.5111.00	6	49
04.5022.00	12	39	04.5055.00	10	45	04.5112.00	28	31
04.5023.00	13	39	04.5056.00	3	45	04.5114.01	1	49
04.5023.00	31	45	04.5057.00	5	45	04.5115.00	8	49

CODE	ITEM	PAGE
04.5116.00	9	49
04.5118.01	10	49
04.5119.02	13	61
04.5119.03	24	81
04.5125.00	7	43
04.5135.00	11	49
04.5136.01	3	49
04.5137.01	7	49
05.5000.00	8	57
05.5001.00	9	57
05.5002.00	9	71
05.5004.00	12	73
05.5006.00	3	71
05.5006.00	14	91
05.5019.00	2	73
05.5019.00	2	77
05.5019.00	5	71
05.5019.00	1	75
05.5043.00	6	77
05.5043.00	7	73
05.5043.00	9	75
05.5049.00	8	77
05.5067.00	24	91
05.5068.00	25	91
05.5070.00	10	91
15.1700.00	1	99
15.1701.00	2	99
15.1702.00	3	99
15.1703.00	4	99
15.1704.00	5	99
15.1705.00	6	99
15.1706.00	7	99
15.1707.00	8	99
15.1708.00	9	99
15.1709.00	10	99
15.1710.00	11	99
15.1735.00	12	99

CODE	ITEM	PAGE
15.1736.00	13	99
15.1737.00	14	99
15.1738.00	15	99
15.1740.00	16	99



capello

VIA VALLE PO N°100
12020 CUNEO ITALY
Tel. ++39 0171413997
Fax ++39 0171411834
www.capello-spa.com
info@capello-spa.com

DATA ____/____/____

CLIENTE

DISTINTA ORDINE

CODICE	DESCRIZIONE	QTA

MODELLO _____ ANNO _____ N° MATRICOLA _____

RIPORTARE QUI SOTTO IL LUOGO DI DESTINAZIONE DELLA MERCE SE DIVERSO DA QUELLO INDICATO NELLA CASELLA CLIENTE :



capello

VIA VALLE PO N°100
12020 CUNEO ITALY
Tel. ++39 0171413997
Fax ++39 0171411834
www.capello-spa.com
info@capello-spa.com

DATUM ____/____/____

KUNDE

AUFTRAG

CODE	BESCHREIBUNG	QUANTUM

MODELL _____ JAHR _____ ZULASSUNGSNUMMER _____

BESTIMMUNGSTORT DES MATERIALS, OB NICHT DERSELBE DES KUNDEN:



capello

VIA VALLE PO N°100
12020 CUNEO ITALY
Tel. ++39 0171413997
Fax ++39 0171411834
www.capello-spa.com
info@capello-spa.com

DATE ____/____/____

CLIENT

BON DE COMMANDE

CODE	DESCRIPTION	Q.TÉ

MODÈLE _____ ANNÉE _____ MATRICULE N° _____

INDIQUER CI-DESSOUS LE LIEU DE DESTINATION DES MARCHANDISES S'IL EST DIFFERENT DE CELUI REPORTÉ DANS LA CASE CLIENT:



capello

VIA VALLE PO N°100
12020 CUNEO ITALY
Tel. ++39 0171413997
Fax ++39 0171411834
www.capello-spa.com
info@capello-spa.com

FECHA ____/____/____

CLIENTE

ORDEN

CÓDIGO	DESCRIPCIÓN	CANTIDAD

MODELO _____ AÑO _____ N° DE MATRÍCULA _____

DESTINACIÓN DEL MATERIAL SI NO IGUAL DEL CLIENTE:



capello

CAPELLO SRL - VIA VALLE PO, 100 - 12100 CUNEO - ITALY
TEL. +39 0171413997 - FAX +39 0171411834
info@capello-spa.com - www.capello-spa.com