

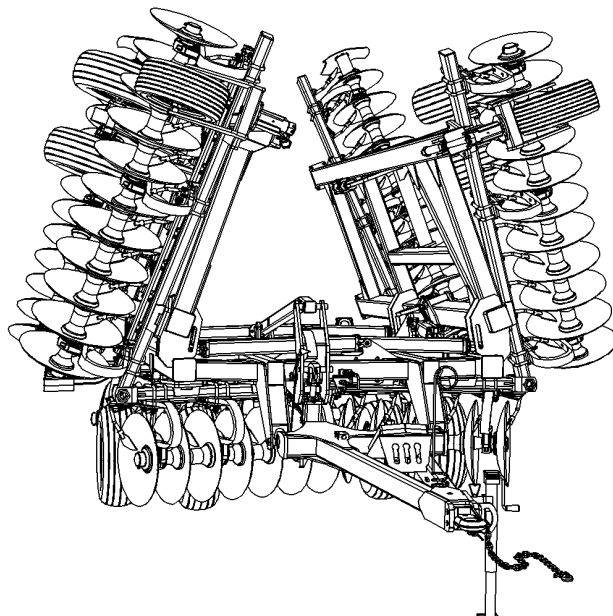
---

# Parts Manual

Disk Harrow  
Series I 3323, 3326, 3329,  
4330, 4333 & 4336



*Read the Operator's manual entirely. When you see this symbol, the subsequent instructions and warnings are serious - follow without exception. Your life and the lives of others depend on it!*



42101

*Cover illustration may show optional equipment not supplied with standard unit.*



# Table of Contents

**Section 1: Introduction.....4**  
 Using This Manual.....4  
 Manual Replacement Information.....4  
 Manual Revisions.....4  
 Touch-up Paint.....4  
 Hardware Legend.....5  
 Replacement Hardware.....5  
 Serial Numbers.....5  
 Part Number Service Coding.....5

**Section 2: Frames.....6**  
 Center Frame Assembly; 3323, 3326, 3329.....6  
 Center Frame Assembly; 4330, 4333, 4336.....8  
 Center Lift Assembly; 3323, 3326, 3329.....10  
 Center Lift Assembly; 4330, 4333, 4336.....12  
 Hitch & Level Bar Assembly; 3323, 3326, 3329.....14  
 Hitch & Level Bar Assembly; 4330, 4333, 4336.....18  
 Wing Assembly; 3323, 3326, 3329.....22  
 Wing Cylinder Assembly:3323, 3326, 3329.....24  
 Wing Assembly; 4330, 4333, 4336.....26  
 Wing Cylinder Assembly:4330, 4333, 4336.....28  
 Lights.....30

**Section 3: Transport.....32**  
 Center Walking Beam; 3323, 3326 & 3329 (See S/N Break  
 in Comments).....32  
 Center Walking Beam; 3329 (S/N A1260P+).....34  
 Center Walking Beam; 4330, 4333, 4336.....36  
 Wing Walking Beam 3323 & 3326.....38  
 Wing Walking Beam 3329-4336 (S/N A1259P-).....40  
 Wing Walking Beam 3329-4336 (S/N A1260P+).....42  
 Bolt On Heavy Hub & Spindle.....44  
 Slide In Heavy Hub & Spindle.....46  
 Front Gauge Wheel Assembly (S/N A1384P-).....48  
 Front Gauge Wheel Assembly (S/N A1385P+).....50

**Section 4: Hydraulics.....52**  
 Depth Control Assembly.....52  
 Hydraulic Lift Layout.....54  
 Hydraulic Fold Layout; 3323.....56  
 Hydraulic Fold Layout; 3326-3329.....58  
 Hydraulic Fold Layout; 4330, 4333, 4336.....60  
 Hydraulic Level Layout, optional.....62  
 Hydraulic Cylinder (810-489C 4X36X1.5 Rod).....64  
 Hydraulic Cylinder (810-501C 4X10X1.38 Rod).....66  
 Hydraulic Cylinder (810-502C 3.75X10X1.38 Rod).....68  
 Hydraulic Cylinder (810-587C 3.25X10X1.25 Rod).....70  
 Hydraulic Cylinder (810-588C 3.50X10X1.25 Rod).....72  
 Hydraulic Cylinder (810-589C 3.5X36X1.50 Rod).....74  
 Hydraulic Cylinder (810-626C 3.5X36X1.50 Rod).....76

**Section 5: Gangs.....78**  
 Disk Gang Assembly, 7 1/2" & 9" Spacing.....78

Rigid Scraper Assembly (S/N A1259P-).....82  
 Spring Scraper Assembly.....84  
 Furrow Filler Assembly.....86

**Section 6: Decals.....88**  
 Decals.....88

**Section 7: Attachments.....90**  
 S3T Spike Drag High Residue Assembly.....90  
 S4T Spike Drag High Residue Assembly.....92  
 Heavy Coil Tine Assembly.....94  
 CH3A & CH4A Coil Tine Assembly.....96  
 EZ Hitch with Slide Flex Tongue.....98  
 EZ Hitch with Slide Rigid Ball.....100  
 556-214A\_215A Rear Hitch Assembly.....102  
 556-216A\_217A Rear Hitch Assembly.....104  
 Rear Hitch Accessories.....106  
 Rear Jack Stand.....108

**Part Number Index.....110**

© Copyright 2012 All rights reserved Printed 05/21/12

Great Plains Manufacturing, Inc. provides this publication "as is" without warranty of any kind, either expressed or implied. While every precaution has been taken in the preparation of this manual, Great Plains Manufacturing, Inc. assumes no responsibility for errors or omissions. Neither is any liability assumed for damages resulting from the use of the information contained herein. Great Plains Manufacturing, Inc. reserves the right to revise and improve its products as it sees fit. This publication describes the state of this product at the time of its publication, and may not reflect the product in the future.

Great Plains Manufacturing, Incorporated Trademarks

The following are trademarks of Great Plains Mfg., Inc.: Application Systems, Ausherman, Land Pride, Great Plains

All other brands and product names are trademarks or registered trademarks of their respective holders.

Printed in the United States of America.



# Alphabetized Table of Contents

## Selected Models

**5**

556-214A\_215A Rear Hitch Assembly.....102  
 556-216A\_217A Rear Hitch Assembly.....104

**B**

Bolt On Heavy Hub & Spindle.....44

**C**

Center Frame Assembly; 3323, 3326, 3329.....6  
 Center Frame Assembly; 4330, 4333, 4336.....8  
 Center Lift Assembly; 3323, 3326, 3329.....10  
 Center Lift Assembly; 4330, 4333, 4336.....12  
 Center Walking Beam; 3323, 3326 & 3329 (See S/N Break  
 in Comments).....32  
 Center Walking Beam; 3329 (S/N A1260P+).....34  
 Center Walking Beam; 4330, 4333, 4336.....36  
 CH3A & CH4A Coil Tine Assembly.....96

**D**

Decals.....88  
 Depth Control Assembly.....52  
 Disk Gang Assembly, 7 1/2" & 9" Spacing.....78

**E**

EZ Hitch with Slide Flex Tongue.....98  
 EZ Hitch with Slide Rigid Ball.....100

**F**

Front Gauge Wheel Assembly (S/N A1384P-).....48  
 Front Gauge Wheel Assembly (S/N A1385P+).....50  
 Furrow Filler Assembly.....86

**H**

Heavy Coil Tine Assembly.....94  
 Hitch & Level Bar Assembly; 3323, 3326, 3329.....14  
 Hitch & Level Bar Assembly; 4330, 4333, 4336.....18  
 Hydraulic Cylinder (810-489C 4X36X1.5 Rod).....64  
 Hydraulic Cylinder (810-501C 4X10X1.38 Rod).....66  
 Hydraulic Cylinder (810-502C 3.75X10X1.38 Rod).....68  
 Hydraulic Cylinder (810-587C 3.25X10X1.25 Rod).....70  
 Hydraulic Cylinder (810-588C 3.50X10X1.25 Rod).....72  
 Hydraulic Cylinder (810-589C 3.5X36X1.50 Rod).....74  
 Hydraulic Cylinder (810-626C 3.5X36X1.50 Rod).....76  
 Hydraulic Fold Layout; 3323.....56  
 Hydraulic Fold Layout; 3326-3329.....58  
 Hydraulic Fold Layout; 4330, 4333, 4336.....60  
 Hydraulic Level Layout, optional.....62  
 Hydraulic Lift Layout.....54

**L**

Lights.....30

**R**

Rear Hitch Accessories.....106

Rear Jack Stand.....108  
 Rigid Scraper Assembly (S/N A1259P-).....82

**S**

S3T Spike Drag High Residue Assembly.....90  
 S4T Spike Drag High Residue Assembly.....92  
 Slide In Heavy Hub & Spindle.....46  
 Spring Scraper Assembly.....84

**W**

Wing Assembly; 3323, 3326, 3329.....22  
 Wing Assembly; 4330, 4333, 4336.....26  
 Wing Cylinder Assembly;3323, 3326, 3329.....24  
 Wing Cylinder Assembly;4330, 4333, 4336.....28  
 Wing Walking Beam 3323 & 3326.....38  
 Wing Walking Beam 3329-4336 (S/N A1259P-).....40  
 Wing Walking Beam 3329-4336 (S/N A1260P+).....42



## General Information

### Using This Manual

This manual is divided into sections. The first section contains General Information, a Table of Contents, an Alphabetical Page Index, and a Part Number Index. The remaining sections divide the machine into segments (i.e. Frames, Drives, Hydraulics, etc.) which illustrate and list all parts.

The Great Plains parts in this manual are specially designed for this machine and should be replaced with Great Plains parts only.

The information in this manual is current at printing. Some parts may change to assure top performance.

Right-hand and left-hand as used in this manual are determined by facing the direction the machine will travel while in use.

Below is an example of two facing pages from a parts manual. Familiarize yourself with the contents of these pages.

### Manual Replacement Information

Replacement manuals are available. Refer to your dealer or the Great Plains Publications Catalog for additional information.

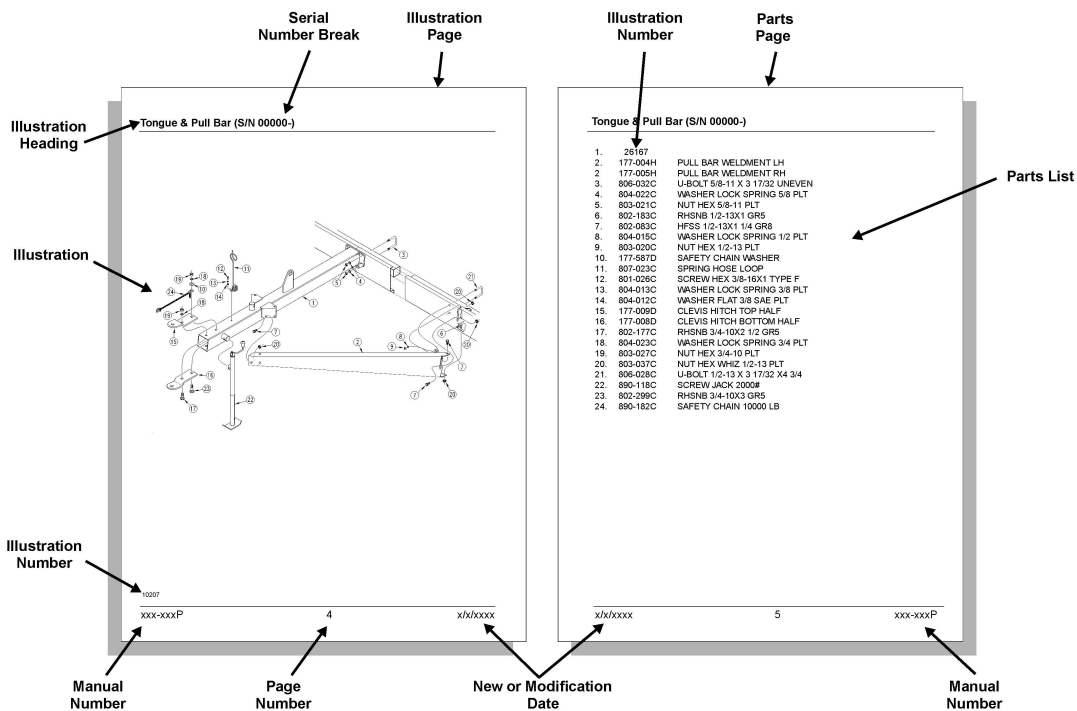
### Manual Revisions

When this manual is revised, the modification date is printed on the front cover and on the revised page(s).

### Touch-up Paint

Repaint parts where paint is worn or scratched to prevent rust. Aerosol touch-up paint is available. To order use Great Plains parts numbers below:

GP Green . . . . .	821-001C
GP Black . . . . .	821-002C
GP Beige . . . . .	821-003C
GP Buckskin . . . . .	821-004C



## Hardware Legend

<b>AR</b>	As Required
<b>BLADE</b>	Blade Bolt
<b>C</b>	Cap Screw
<b>CP</b>	Cotter Pin
<b>CPHSSS</b>	Cup Point Hex Socket Set Screw
<b>CPSHSS</b>	Cup Point Square Head Set Screw
<b>CPSQHSS</b>	Cup Point Square Head Set Screw
<b>CRFCHMS</b>	Cross Recess Flat Countersunk Head Mach. Screw
<b>CRPHMS</b>	Cross Recess Pan Head Machine Screw
<b>CRPHTFS</b>	Cross Recess Pan Head Thread Forming
<b>CRRHMS</b>	Cross Recess Round Head Machine Screw
<b>CRTHMS</b>	Cross Recess Truss Head Machine Screw
<b>CSNB</b>	Countersunk Square Neck Bolt
<b>FHMS</b>	Flat Head Machine Screw
<b>FTC</b>	Full Thread Cap Screw
<b>H</b>	Hex Nut
<b>HCLN</b>	Hex Center Lock Nut
<b>HFLCS</b>	Hex Flange Lock Cap Screw
<b>HFS</b>	Hex Flange Screw
<b>HFSLN</b>	Hex Flange Serrated Lock Nut
<b>HFSS</b>	Hex Flange Serrated Screw
<b>HHCS</b>	Hex Head Cap Screw or Metric Bolt
<b>HSBHCS</b>	Hex Socket Button Head Cap Screw
<b>HSFCHCS</b>	Hex Socket Flat Countersunk Head Cap Screw
<b>HSCHS</b>	Hex Socket Head Cap Screw
<b>HSSS</b>	Hex Socket Head Screw
<b>HTLN</b>	Hex Top Lock Nut
<b>HWHCS</b>	Hex Washer Head Cap Screw

<b>HWHMS</b>	Hex Washer Head Machine Screw
<b>HXBHCS</b>	Hex Socket Button Head Cap Screw
<b>J</b>	Hex Jam Nut
<b>JIC</b>	37 Degree Tapered Thread
<b>L</b>	Helical Spring Lock Washer
<b>LUG</b>	Lug Bolt
<b>NFC</b>	National Fine Cap Screw
<b>NPSM</b>	National Pipe Straight Mechanical
<b>NPTF</b>	National Pipe Taper Fuel
<b>P</b>	Wide Plain Washer
<b>PHMS</b>	Pan Head Machine Screw
<b>PLOW</b>	Plow Bolt
<b>RHMS</b>	Round Head Machine Screw
<b>RHSNB</b>	Round Head Square Neck Bolt
<b>SCREW LEVELING</b>	Leveling Screw
<b>SCREW THUMB</b>	Thumb Screw
<b>SCREW WELD</b>	Weld Screw
<b>SFCHMS</b>	Slotted Flat Countersunk Head Machine Screw
<b>SFHMS</b>	Slotted Fillister Head Machine Screw
<b>SP</b>	Special
<b>SP SCREW</b>	Special Screw
<b>SQHSS</b>	Square Head Set Screw
<b>SRHMS</b>	Slotted Round Head Machine Screw
<b>SSS</b>	Socket Set Screw
<b>STCS</b>	Self Tapping Cap Screw
<b>STHMS</b>	Slotted Truss Head Machine Screw
<b>WHEEL</b>	Wheel Studs and Hub Long Bolts
<b>WING</b>	Wing Bolt

## Replacement Hardware

The **Hardware Legend** above lists hardware abbreviations used in the parts lists. All bolts and nuts are grade 5 unless otherwise noted. The use of improper grades of hardware can result in personal injury, damage to equipment, or loss of property.

### Serial Numbers

Always use the serial and model number when ordering parts. Refer to the operator's manual for serial number plate location.

(S/N 20001+ or S/N 20001 and above) Includes serial numbers 20001 and above (to the latest number)

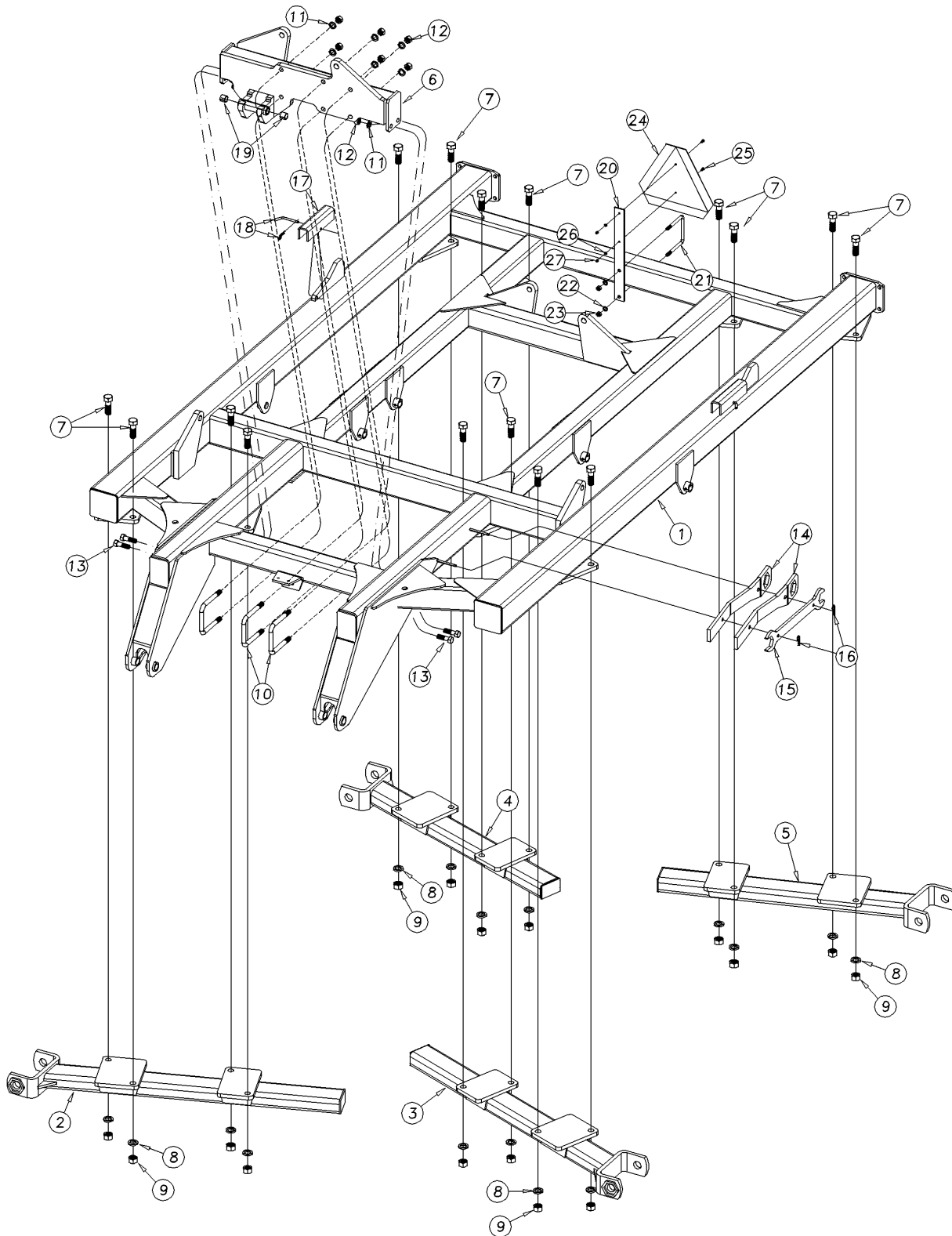
(S/N 10001+→20000) Includes serial numbers between 10000 and 20001

(S/N 10000- or S/N 10000 and below) Includes serial numbers 10000 and below (to the earliest number)

# Table of Contents Part Number Index

## Center Frame Assembly; 3323, 3326, 3329

(Applies to 3323DH, 3326DH, 3329DH only)



41122

**Center Frame Assembly; 3323, 3326, 3329**

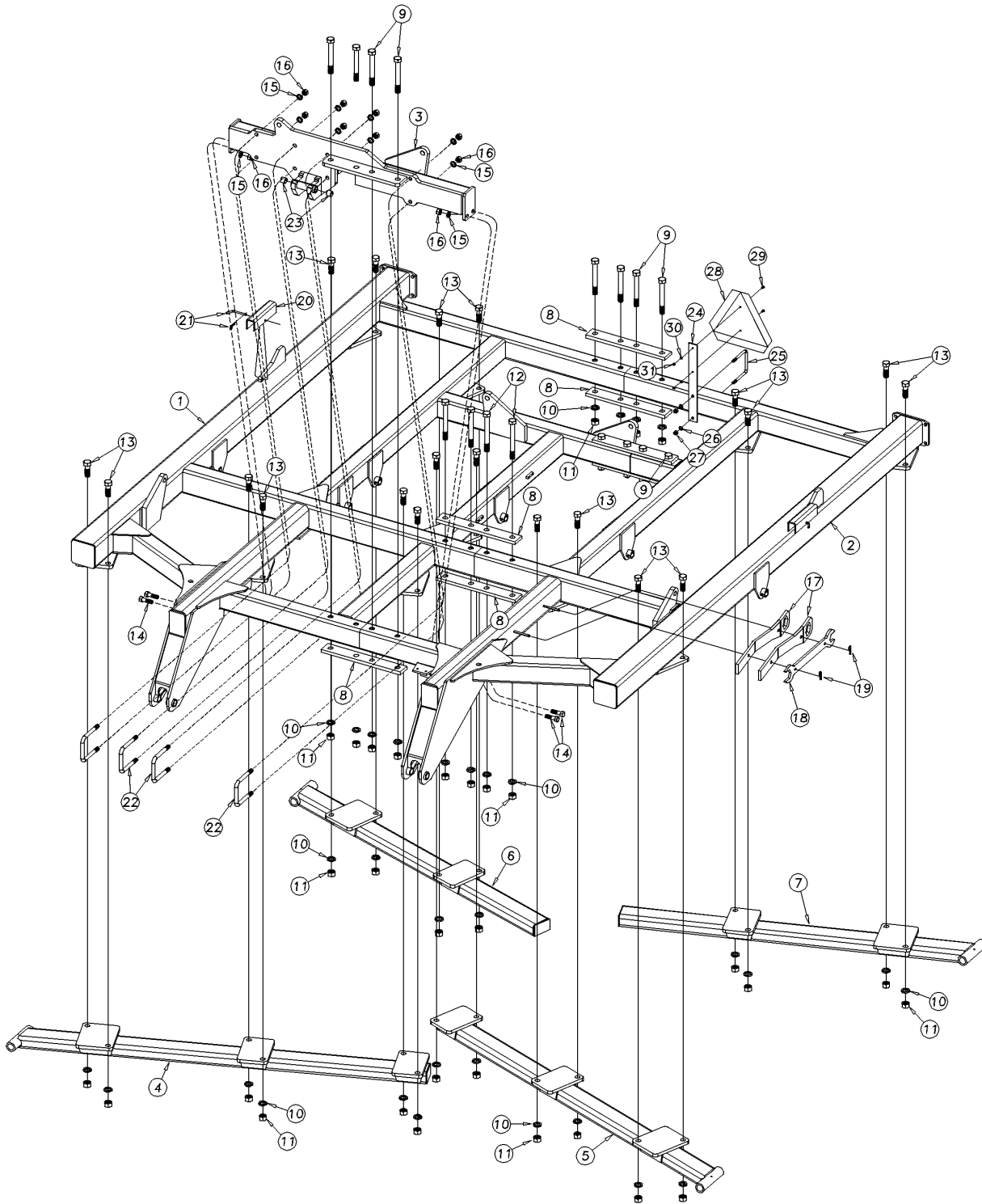
**(Applies to 3323DH, 3326DH, 3329DH only)**

<b>Ref</b>	<b>Part No.</b>	<b>Part Description</b>	<b>Comments</b>	<b>Revision</b>
	dwg41122	Image No.		
1.	556-001H	CENTER FRAME 3300DH		Rev. 1
2.	556-006H	GANG BAR, N-CEN FRONT RH		Rev. 1
3.	556-007H	GANG BAR, N-CEN FRONT LH		Rev. 1
4.	556-008H	GANG BAR, N-CEN REAR RH		Rev. 1
5.	556-009H	GANG BAR, N-CEN REAR LH		Rev. 1
6.	556-182H	FOLD BRACKET, 3323DH	Models 3323	
6.	556-177H	FOLD BRACKET, NARROW	Models 3326, 3329	
7.	802-345C	HHCS 1-8X3 GR8		
8.	804-027C	WASHER LOCK SPRING 1 PLT		
9.	803-031C	NUT HEX 1-8 PLT		
10.	806-120C	U-BOLT 3/4-10 X 5 1/32 X 6 1/2		
11.	804-023C	WASHER LOCK SPRING 3/4 PLT		
12.	803-027C	NUT HEX 3/4-10 PLT		
13.	802-212C	HHCS 3/4-10X2 1/2 GR5		
14.	556-296D	GANG WRENCH 1 3/4		
15.	586-158D	TRNBCKLE WRENCH 2 5/16-1 15/16		
16.	805-143C	PIN HAIR COTTER .120 PLT		Rev. 2
16.	803-078C	NUT LOCK 3/8-16 NYLON INSERT	Changed to 805-143C	Rev. 1
17.	576-059D	CYLINDER TRANSPORT LOCK		
18.	805-001C	PIN 3/8 X 3 USABLE LW/PIN		Rev. 2
18.	805-152C	BENT PIN 3/8 X 2 1/2 USE W/COT	Replaced by 805-001C	Rev. 1
19.	890-005C	BUSHING CYL 1 1/4 X 1 X 1		
20.	556-232D	SMV POST		
21.	806-153C	U-BOLT 1/2-13 X 5 1/32 X 5 1/2		
22.	804-015C	WASHER LOCK SPRING 1/2 PLT		
23.	803-020C	NUT HEX 1/2-13 PLT		
24.	818-055C	DECAL SLOW MOVING-GALV. BACKED		
25.	801-005C	SCREW PAN HD 1/4-20 X 3/4		
26.	804-006C	WASHER LOCK SPRING 1/4 PLT		
27.	803-006C	NUT-HEX 1/4-20 PLT		

# Table of Contents Part Number Index

## Center Frame Assembly; 4330, 4333, 4336

(Applies to 4330DH, 4333DH, 4336DH only)



41113



**Center Frame Assembly; 4330, 4333, 4336**

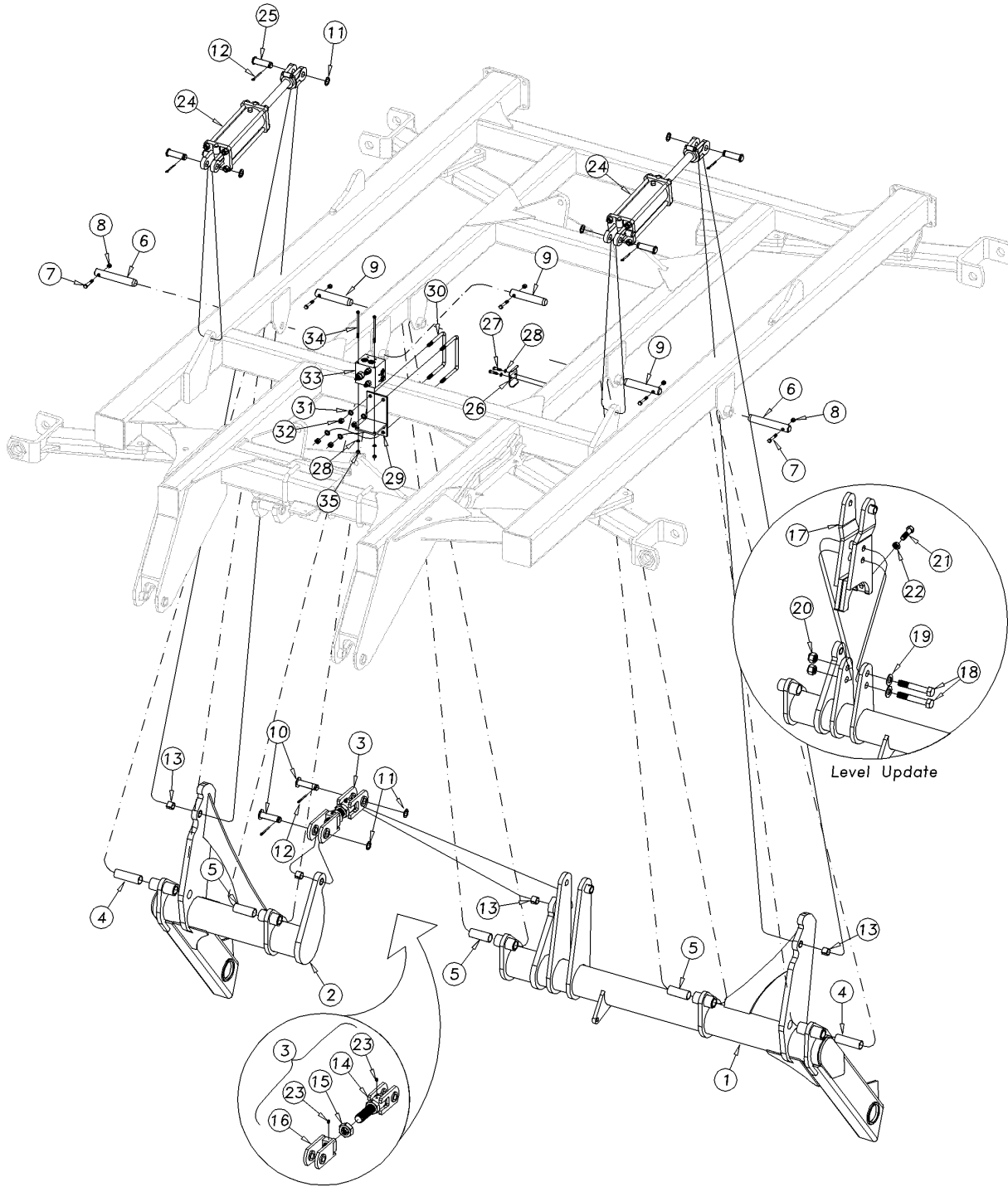
**(Applies to 4330DH, 4333DH, 4336DH only)**

<b>Ref</b>	<b>Part No.</b>	<b>Part Description</b>	<b>Comments</b>	<b>Revision</b>
	dwg41113	Image No.		
1.	556-071H	WIDE CENTER FRAME, RH		Rev. 1
2.	556-072H	WIDE CENTER FRAME, LH		Rev. 1
3.	556-172H	FOLD BRACKET, WIDE CENTER		Rev. 1
4.	556-080H	GANG BAR, W-CEN. FRONT RH		Rev. 1
5.	556-081H	GANG BAR, W-CEN. FRONT LH		Rev. 1
6.	556-082H	GANG BAR, W-CEN. REAR RH		Rev. 1
7.	556-083H	GANG BAR, W-CEN. REAR LH		Rev. 1
8.	556-248D	TIE PLATE		
9.	802-076C	HHCS 1-8X8 GR5		
10.	804-027C	WASHER LOCK SPRING 1 PLT		
11.	803-031C	NUT HEX 1-8 PLT		
12.	802-110C	HHCS 1-8X9 GR5		
13.	802-345C	HHCS 1-8X3 GR8		
14.	802-212C	HHCS 3/4-10X2 1/2 GR5		
15.	804-023C	WASHER LOCK SPRING 3/4 PLT		
16.	803-027C	NUT HEX 3/4-10 PLT		
17.	556-296D	GANG WRENCH 1 3/4		
18.	586-158D	TRNBCKLE WRENCH 2 5/16-1 15/16		
19.	805-143C	PIN HAIR COTTER .120 PLT		Rev. 2
19.	803-078C	NUT LOCK 3/8-16 NYLON INSERT	Changed to 805-143C	Rev. 1
20.	576-059D	CYLINDER TRANSPORT LOCK		
21.	805-152C	BENT PIN 3/8 X 2 1/2 USE W/COT		
22.	806-120C	U-BOLT 3/4-10 X 5 1/32 X 6 1/2		
23.	890-005C	BUSHING CYL 1 1/4 X 1 X 1		
24.	556-232D	SMV POST		
25.	806-153C	U-BOLT 1/2-13 X 5 1/32 X 5 1/2		
26.	804-015C	WASHER LOCK SPRING 1/2 PLT		
27.	803-020C	NUT HEX 1/2-13 PLT		
28.	818-055C	DECAL SLOW MOVING-GALV. BACKED		
29.	801-005C	SCREW PAN HD 1/4-20 X 3/4		
30.	804-006C	WASHER LOCK SPRING 1/4 PLT		
31.	803-006C	NUT-HEX 1/4-20 PLT		

[Table of Contents](#)   [Part Number Index](#)

**Center Lift Assembly; 3323, 3326, 3329**

(Applies to 3323DH, 3326DH, 3329DH only)



41127

**Center Lift Assembly; 3323, 3326, 3329**

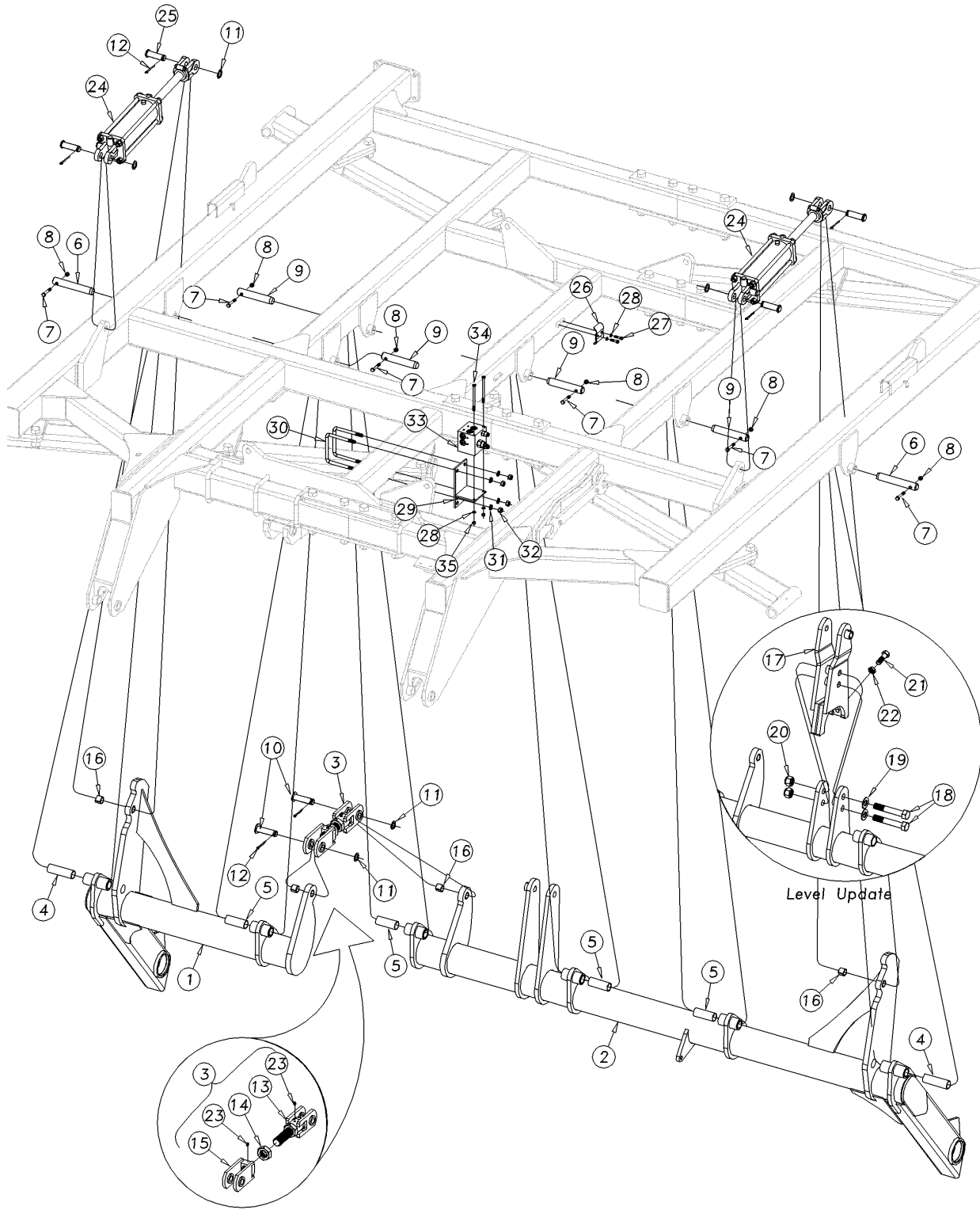
**(Applies to 3323DH, 3326DH, 3329DH only)**

<b>Ref</b>	<b>Part No.</b>	<b>Part Description</b>	<b>Comments</b>	<b>Revision</b>
	dwg41127	Image No.		
1.	556-003H	CENTER LIFT NARROW LH		Rev. 1 & 2
2.	556-004H	CENTER LIFT NARROW RH		Rev. 1 & 2
3.	556-027S	TURN BUCKLE	Includes items 14-16, 23	
4.	817-718C	PLASTIC BSH 1.50ODX1.31IDX4.88		
5.	817-717C	PLASTIC BSH 1.50ODX1.31IDX3.88		
6.	805-346C	PIN 1.25 X 8.75		
7.	802-623C	HHCS 3/8-16X2 1/4 GR8 SP THD		
8.	803-123C	NUT HEX TOP LOCK 3/8-16 PLT		
9.	805-349C	PIN HINGE 1 1/4X7 HRDN PLT		
10.	805-351C	PIN CLEVIS 1 X 3 3/8 USABLE		
11.	804-192C	WASHER MACH 1.5X1.00X.075		
12.	805-058C	PIN COTTER 3/16 X 2		
13.	890-005C	BUSHING CYL 1 1/4 X 1 X 1		
14.	556-038H	TURNBUCKLE SWIVEL		
15.	803-063C	NUT HEX JAM 1 1/2-6 PLT		
16.	556-039H	TURNBUCKEL CLEVIS		
17.	556-185H	LEVER EXTENSION		
18.	802-854C	HHCS 1-8X6 GR8		
19.	804-029C	WASHER FLAT 1 SAE		
20.	803-038C	NUT HEX 1-8 NYLON INSERT PLT		
21.	802-212C	HHCS 3/4-10X2 1/2 GR5		
22.	803-048C	NUT HEX JAM 3/4-10 PLT		
23.	800-080C	GREASE ZERK 1/4-28 THD FORMING		
24.	810-588C	CYL REP 3.50X10X1.25 ROD (TIE)	Models 3323. Refer to "Hydraulic Cylinder" for breakdown.	
24.	810-502C	CYL REP 3.75X10X1.38 ROD (TIE)	Models 3326-3329. Refer to "Hydraulic Cylinder" for breakdown.	
25.	805-396C	PIN CLEVIS 1 X 3 1/8 USABLE		
26.	502-068D	HYD HOSE CLAMP BRACKET		
27.	802-705C	HHCS 5/16-18X5/8	Single set of Hoses	
27.	802-010C	HHCS 5/16-18X1 1/4 GR5	Double set of Hoses	
27.	802-115C	HHCS 5/16-18X2 GR5	Triple set of Hoses	
28.	804-009C	WASHER LOCK SPRING 5/16 PLT		
29.	556-121H	LIFT VALVE BRACKET		
30.	806-034C	U-BOLT 1/2-13 X 6 1/32 X 5 1/4		
31.	804-015C	WASHER LOCK SPRING 1/2 PLT		
32.	803-020C	NUT HEX 1/2-13 PLT		
33.	810-602C	HYDRAULIC LIFT VALVE		
34.	802-578C	HHCS 5/16-18X5 GR5		
35.	803-008C	NUT HEX 5/16-18 PLT		

# Table of Contents [Part Number Index](#)

## Center Lift Assembly; 4330, 4333, 4336

(Applies to 4330DH, 4333DH, 4336DH only)



41114

**Center Lift Assembly; 4330, 4333, 4336**

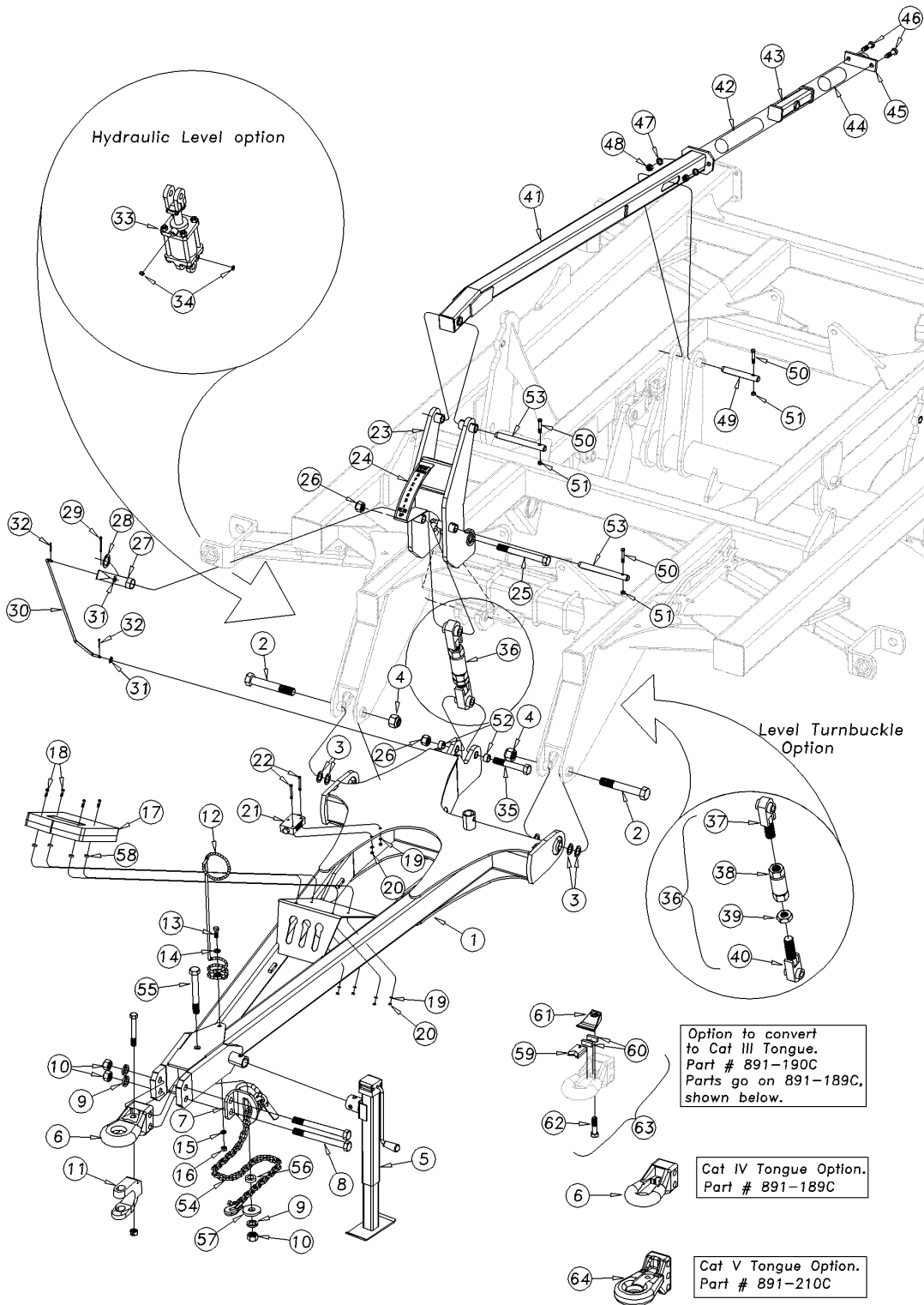
**(Applies to 4330DH, 4333DH, 4336DH only)**

<b>Ref</b>	<b>Part No.</b>	<b>Part Description</b>	<b>Comments</b>	<b>Revision</b>
	dwg41114	Image No.		
1.	556-084H	CENTER LIFT WIDE RH		Rev. 1
2.	556-085H	CENTER LIFT WIDE LH		Rev. 1
3.	556-027S	TURN BUCKLE	Includes items 13-15, 23	
4.	817-718C	PLASTIC BSH 1.50ODX1.31IDX4.88		
5.	817-717C	PLASTIC BSH 1.50ODX1.31IDX3.88		
6.	805-346C	PIN 1.25 X 8.75		
7.	802-623C	HHCS 3/8-16X2 1/4 GR8 SP THD		
8.	803-123C	NUT HEX TOP LOCK 3/8-16 PLT		
9.	805-349C	PIN HINGE 1 1/4X7 HRDN PLT		
10.	805-351C	PIN CLEVIS 1 X 3 3/8 USABLE		
11.	804-192C	WASHER MACH 1.5X1.00X.075		
12.	805-058C	PIN COTTER 3/16 X 2		
13.	556-038H	TURNBUCKLE SWIVEL		
14.	803-063C	NUT HEX JAM 1 1/2-6 PLT		
15.	556-039H	TURNBUCKEL CLEVIS		
16.	890-005C	BUSHING CYL 1 1/4 X 1 X 1		
17.	556-185H	LEVER EXTENSION		
18.	802-854C	HHCS 1-8X6 GR8		
19.	804-029C	WASHER FLAT 1 SAE		
20.	803-038C	NUT HEX 1-8 NYLON INSERT PLT		
21.	802-212C	HHCS 3/4-10X2 1/2 GR5		
22.	803-048C	NUT HEX JAM 3/4-10 PLT		
23.	800-080C	GREASE ZERK 1/4-28 THD FORMING		
24.	810-501C	CYL REP 4X10X1.38 ROD (TIE)	Refer to "Hydraulic Cylinder" for breakdown.	
25.	805-396C	PIN CLEVIS 1 X 3 1/8 USABLE		
26.	502-068D	HYD HOSE CLAMP BRACKET		
27.	802-705C	HHCS 5/16-18X5/8	Single set of Hoses	
27.	802-010C	HHCS 5/16-18X1 1/4 GR5	Double set of Hoses	
27.	802-115C	HHCS 5/16-18X2 GR5	Triple set of Hoses	
28.	804-009C	WASHER LOCK SPRING 5/16 PLT		
29.	556-121H	LIFT VALVE BRACKET		
30.	806-153C	U-BOLT 1/2-13 X 5 1/32 X 5 1/2 EA		
31.	804-015C	WASHER LOCK SPRING 1/2 PLT		
32.	803-020C	NUT HEX 1/2-13 PLT		
33.	810-602C	HYDRAULIC LIFT VALVE		
34.	802-578C	HHCS 5/16-18X5 GR5		
35.	803-008C	NUT HEX 5/16-18 PLT		

# Table of Contents Part Number Index

## Hitch & Level Bar Assembly; 3323, 3326, 3329

(Applies to 3323DH, 3326DH, 3329DH only)



41123

***Hitch & Level Bar Assembly; 3323, 3326, 3329***

**(Applies to 3323DH, 3326DH, 3329DH only)**

<b>Ref</b>	<b>Part No.</b>	<b>Part Description</b>	<b>Comments</b>	<b>Revision</b>
	dwg41123	Image No.		
1.	556-178H	HITCH, NARROW		
2.	802-748C	HHCS 1 1/4-7X8 GR8 PLT		
3.	804-039C	WASHER FLAT 1 1/4 SAE PLT		
4.	803-314C	NUT HEX TOP LOCK 1 1/4-7 PLT		
5.	890-977C	SQUARE SCREW JACK 5000LBS.		Rev. 2
5.	890-246C	SCREW JACK 5000# 15-30	Replaced by 890-977C	Rev. 1
6.	891-189C	HITCH BASE - CAT III & IV	(shown) Models 3323-3329, if ordering Cat III, need 586-241V also.	Rev. 2
6.	890-793C	HITCH TONGUE	Models 3323, 3326 (shown)	Rev. 1
6.	890-872C	CAT IV HITCH TONGUE	Models 3329	Rev. 1
7.	556-236D	SAFETY CHAIN SUPPORT		Rev. 1
8.	802-859C	HHCS 1-8X8 GR8 PLT SPTH		
9.	804-027C	WASHER LOCK SPRING 1 PLT		
10.	803-031C	NUT HEX 1-8 PLT		
11.	890-798C	HITCH CLEVIS W/BOLT	Do Not Use if Tractor Drawbar has Hammer Strap.	
12.	807-073C	SPRING HOSE LOOP HEAVY		
13.	802-091C	HHCS 1/2-13X1 1/2 GR5		
14.	804-017C	WASHER FLAT 1/2 USS PLT		
15.	804-015C	WASHER LOCK SPRING 1/2 PLT		
16.	803-020C	NUT HEX 1/2-13 PLT		
17.	817-516C	MANUAL PAK 1" W/GASKET		
18.	801-005C	SCREW PAN HD 1/4-20 X 3/4		
19.	804-006C	WASHER LOCK SPRING 1/4 PLT		
20.	803-006C	NUT-HEX 1/4-20 PLT		
21.	810-599C	LOCK VALVE	with Optional Hydraulic Leveling	
22.	802-152C	HHCS 1/4-20X2 GR5		
23.	556-183H	LEVELER ASSEMBLY		
24.	838-987C	DECAL DISK HARROW LEVELER		
25.	802-877C	HHCS 1-8X9 GR8 SPTH PLT		
26.	803-038C	NUT HEX 1-8 NYLON INSERT PLT		
27.	556-184H	LEVEL GAUGE POINTER		
28.	804-063C	WASHER MACH 2.25 X 1.50 X 10GA		
29.	805-058C	PIN COTTER 3/16 X 2		
30.	556-407D	LEVEL GAUGE LINK		
31.	804-011C	WASHER FLAT 3/8 USS PLT		
32.	805-363C	PIN COTTER 1/8 X 1		
33.	810-626C	CYL 4X3X1.50 ROD (TIE ROD)	Optional Hydraulic Leveling	
34.	556-313D	ORIFICE PLATE .025 3/4MORB		
35.	802-715C	HHCS 1-8X6 GR8 PLT SPCL THREAD		
36.	556-119S	LEVEL TURNBUCKLE	Optional, Includes Items 37-40	Rev. 1
37.	556-169H	TURNBUCKLE SUB ASSY LH THREAD		
38.	556-171H	TURNBUCKLE SUB ASSY		
39.	803-210C	NUT HEX JAM 1 1/2-12 PLT		
40.	556-170H	TURNBUCKLE SUB ASSY RH THREAD		
41.	556-025H	LEVEL BAR		Rev. 1
42.	816-554C	POLYURETHANE ROD 2 1/2ODX12		
43.	556-024H	LEVEL BAR SLIDE		
44.	816-430C	POLYURETHANE ROD 2 1/2ODX5 1/4		
45.	556-156H	LEVEL BAR CAP		Rev. 2
45.	556-150D	FLAT - 1/2 X 2	Changed to 556-156H	Rev. 1
46.	802-058C	HHCS 5/8-11X2 1/2 GR5		
47.	804-022C	WASHER LOCK SPRING 5/8 PLT		
48.	803-021C	NUT HEX 5/8-11 PLT		
49.	805-401C	PIN 1 X 7 HRD PLT		
50.	802-483C	HHCS 3/8-16X2 1/4 GR8 PLT		
51.	803-123C	NUT HEX TOP LOCK 3/8-16 PLT		

[Table of Contents](#)    [Part Number Index](#)

***Hitch & Level Bar Assembly; 3323, 3326, 3329 (continued)***

---

(Applies to 3323DH, 3326DH, 3329DH only)

<b>Ref</b>	<b>Part No.</b>	<b>Part Description</b>	<b>Comments</b>	<b>Revision</b>
52.	890-143C	1 1/4 X 1 X 3/4 HDR BUSHING		
53.	805-350C	PIN HINGE 1X9 1/2 HRDN PLT		
54.	890-824C	SAFETY CHAIN 16100 LB	Models 3323, 3326, 3329	
54.	890-183C	SAFETY CHAIN 20000 LB	Models 4330, 4333, 4336	
55.	802-763C	HHCS 1-8X8 GR8 PLT		
56.	550-054D	1 3/4 ODX1 1/32ID RND TUBE-1/2		
57.	500-064D	WASHER - SAFETY CHAIN SA		
57.	580-186D	PART - 180 DEGREE FOLD ROLLER	Replaced by 500-064D	
58.	817-042C	MINI END WHEEL PRESS WHEEL		
59.	PPI-203VR	V-BLOCK		
60.	PPI-205H	CUSHION		
61.	PPI-302V	TOP PLATE - CAT 3		
62.	802-383C	HHCS 3/4-10X3 GR5		
63.	586-241V	HITCH TONGUE CAT III ASSEMBLY	Includes items 6, 59-62	
64.	891-210C	CAT 5 PERFECT HITCH		



***Hitch & Level Bar Assembly; 3323, 3326, 3329 (continued)***

---

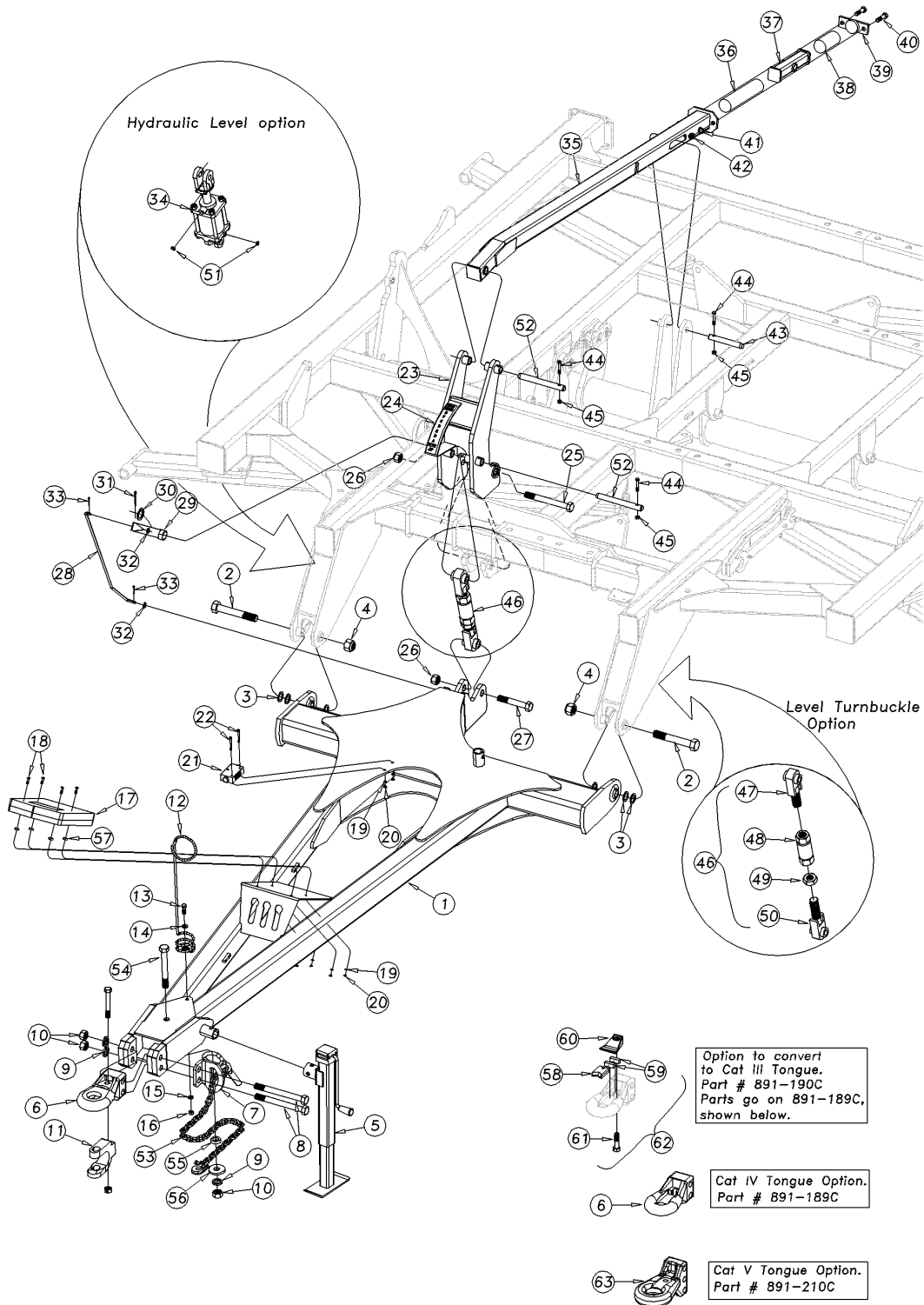
(Applies to 3323DH, 3326DH, 3329DH only)

***This Page Intentionally Left Blank***

# Table of Contents Part Number Index

## Hitch & Level Bar Assembly; 4330, 4333, 4336

(Applies to 4330DH, 4333DH, 4336DH only)



41115

***Hitch & Level Bar Assembly; 4330, 4333, 4336***

**(Applies to 4330DH, 4333DH, 4336DH only)**

<b>Ref</b>	<b>Part No.</b>	<b>Part Description</b>	<b>Comments</b>	<b>Revision</b>
	dwg41115	Image No.		
1.	556-179H	HITCH, WIDE		
2.	802-748C	HHCS 1 1/4-7X8 GR8 PLT		
3.	804-039C	WASHER FLAT 1 1/4 SAE PLT		
4.	803-314C	NUT HEX TOP LOCK 1 1/4-7 PLT		
5.	890-977C	SQUARE SCREW JACK 5000LBS.		Rev. 2
5.	890-246C	SCREW JACK 5000# 15-30	Replaced by 890-977C	Rev. 1
6.	891-189C	HITCH BASE - CAT III & IV	(shown) If ordering Cat III, need 586-241V also.	Rev. 2
6.	890-872C	CAT IV HITCH TONGUE		Rev.1
7.	556-236D	SAFETY CHAIN SUPPORT		Rev.1
8.	802-863C	HHCS 1-8X10 GR8 PLT		
9.	804-027C	WASHER LOCK SPRING 1 PLT		
10.	803-031C	NUT HEX 1-8 PLT		
11.	890-798C	HITCH CLEVIS W/BOLT	Do Not Use if Tractor Drawbar has Hammer Strap.	
12.	807-073C	SPRING HOSE LOOP HEAVY		
13.	802-091C	HHCS 1/2-13X1 1/2 GR5		
14.	804-017C	WASHER FLAT 1/2 USS PLT		
15.	804-015C	WASHER LOCK SPRING 1/2 PLT		
16.	803-020C	NUT HEX 1/2-13 PLT		
17.	817-516C	MANUAL PAK 1" W/GASKET		
18.	801-005C	SCREW PAN HD 1/4-20 X 3/4		
19.	804-006C	WASHER LOCK SPRING 1/4 PLT		
20.	803-006C	NUT-HEX 1/4-20 PLT		
21.	810-599C	LOCK VALVE	with Optional Hydraulic Leveling	
22.	802-152C	HHCS 1/4-20X2 GR5		
23.	556-183H	LEVELER ASSEMBLY		
24.	838-987C	DECAL DISK HARROW LEVELER		
25.	802-877C	HHCS 1-8X9 GR8 SPTHD PLT		
26.	803-038C	NUT HEX 1-8 NYLON INSERT PLT		
27.	802-715C	HHCS 1-8X6 GR8 PLT SPCL THREAD		
28.	556-301D	LEVEL GAUGE LINK		
29.	556-116H	LEVEL GAUGE POINTER		
30.	804-063C	WASHER MACH 2.25 X 1.50 X 10GA		
31.	805-058C	PIN COTTER 3/16 X 2		
32.	804-011C	WASHER FLAT 3/8 USS PLT		
33.	805-363C	PIN COTTER 1/8 X 1		
34.	810-626C	CYL 4X3X1.50 ROD (TIE ROD)	Optional Hydraulic Leveling	
35.	556-025H	LEVEL BAR		Rev.1
36.	816-554C	POLYURETHANE ROD 2 1/2ODX12		
37.	556-024H	LEVEL BAR SLIDE		
38.	816-430C	POLYURETHANE ROD 2 1/2ODX5 1/4		
39.	556-156H	LEVEL BAR CAP		Rev.2
39.	556-150D	FLAT - 1/2 X 2	Changed to 556-156H	Rev.1
40.	802-058C	HHCS 5/8-11X2 1/2 GR5		
41.	804-022C	WASHER LOCK SPRING 5/8 PLT		
42.	803-021C	NUT HEX 5/8-11 PLT		
43.	805-401C	PIN 1 X 7 HRD PLT		
44.	802-483C	HHCS 3/8-16X2 1/4 GR8 PLT		
45.	803-123C	NUT HEX TOP LOCK 3/8-16 PLT		
46.	556-119S	LEVEL TURNBUCKLE	Optional, Includes Items 47-50	Rev.1
47.	556-169H	TURNBUCKLE SUB ASSY LH THREAD		
48.	556-171H	TURNBUCKLE SUB ASSY		
49.	803-210C	NUT HEX JAM 1 1/2-12 PLT		
50.	556-170H	TURNBUCKLE SUB ASSY RH THREAD		
51.	556-313D	ORIFICE PLATE .025 3/4MORB		
52.	805-350C	PIN HINGE 1X9 1/2 HRDN PLT		

[Table of Contents](#)   [Part Number Index](#)

***Hitch & Level Bar Assembly; 4330, 4333, 4336 (continued)***

---

(Applies to 4330DH, 4333DH, 4336DH only)

<b>Ref</b>	<b>Part No.</b>	<b>Part Description</b>	<b>Comments</b>	<b>Revision</b>
53.	890-824C	SAFETY CHAIN 16100 LB	Models 3323, 3326, 3329	
53.	890-183C	SAFETY CHAIN 20000 LB	Models 4330, 4333, 4336	
54.	802-763C	HHCS 1-8X8 GR8 PLT		
55.	550-054D	1 3/4 ODX1 1/32ID RND TUBE-1/2		
56.	500-064D	WASHER - SAFETY CHAIN SA		
56.	580-186D	PART - 180 DEGREE FOLD ROLLER	Replaced by 500-064D	
57.	817-042C	MINI END WHEEL PRESS WHEEL		
58.	PPI-203VR	V-BLOCK		
59.	PPI-205H	CUSHION		
60.	PPI-302V	TOP PLATE - CAT 3		
61.	802-383C	HHCS 3/4-10X3 GR5		
62.	586-241V	HITCH TONGUE CAT III ASSEMBLY	Includes items 6, 58-61	
63.	891-210C	CAT 5 PERFECT HITCH		

***Hitch & Level Bar Assembly; 4330, 4333, 4336 (continued)***

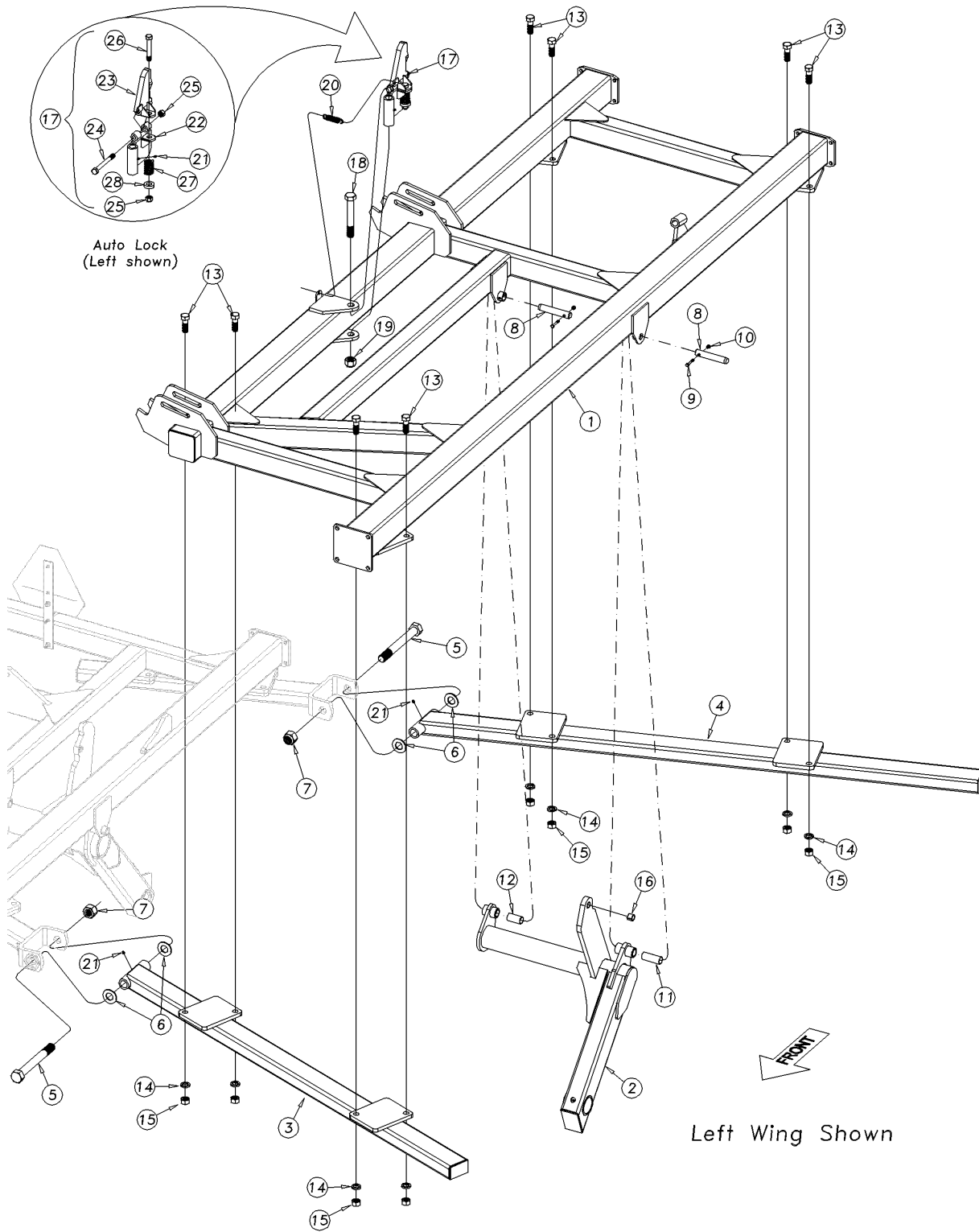
---

(Applies to 4330DH, 4333DH, 4336DH only)

***This Page Intentionally Left Blank***

# Wing Assembly; 3323, 3326, 3329

(Applies to 3323DH, 3326DH, 3329DH only)



40852

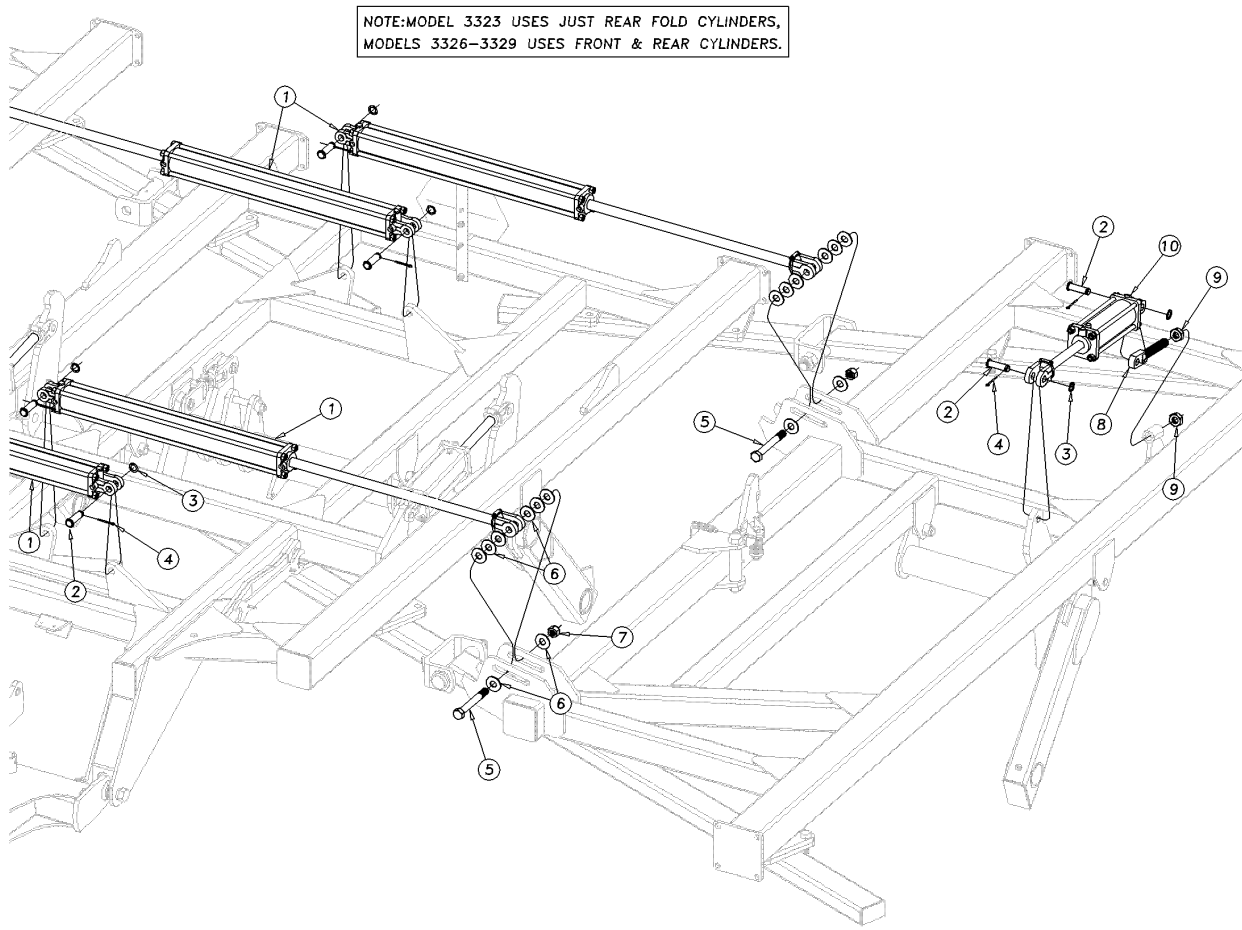
**Wing Assembly; 3323, 3326, 3329**

**(Applies to 3323DH, 3326DH, 3329DH only)**

<b>Ref</b>	<b>Part No.</b>	<b>Part Description</b>	<b>Comments</b>	<b>Revision</b>
	dwg40852	Image No.		
1.	556-231H	WING FRAME, 38" RH	Model 3323 (S/N A1385P+)	Rev. 2
1.	556-014H	WING FRAME, 38" RH	Replaced by 556-231H (S/N A138-P-)	Rev. 1
1.	556-232H	WING FRAME, 38" LH	Model 3323 (S/N A1385P+)	Rev. 2
1.	556-015H	WING FRAME, 38" LH	Replaced by 556-232H (S/N A138-P-)	Rev. 1
1.	556-227H	WING FRAME, 55" RH	Model 3326 (S/N A1385P+)	Rev. 2
1.	556-010H	WING FRAME, 55" RH	Replaced by 556-227H (S/N A138-P-)	Rev. 1
1.	556-228H	WING FRAME, 55" LH	(shown) Model 3326 (S/N A1385P+)	Rev. 2
1.	556-011H	WING FRAME, 55" LH	Replaced by 556-228H (S/N A138-P-)	Rev. 1
1.	556-229H	WING FRAME, 72" RH	Model 3329 (S/N A1385P+)	Rev. 2
1.	556-012H	WING FRAME, 72" RH	Replaced by 556-229H (S/N A138-P-)	Rev. 1
1.	556-230H	WING FRAME, 72" LH	Model 3329 (S/N A1385P+)	Rev. 2
1.	556-013H	WING FRAME, 72" LH	Replaced by 556-230H (S/N A138-P-)	Rev. 1
2.	556-062H	WING LIFT TUBE, WB RH		
2.	556-063H	WING LIFT TUBE, WB LH	(shown)	
3.	556-041H	GANG BAR, FRONT 23' RH	Model 3323	Rev. 1
3.	556-042H	GANG BAR, FRONT 23' LH	Model 3323	Rev. 1
3.	556-020H	GANG BAR, FRONT 26' RH	Model 3326	Rev. 1
3.	556-021H	GANG BAR, FRONT 26' LH	Model 3326	Rev. 1
3.	556-053H	GANG BAR, FRONT 29' RH	Model 3329	Rev. 1
3.	556-054H	GANG BAR, FRONT 29' LH	Model 3329	Rev. 1
4.	556-043H	GANG BAR, REAR 23' RH	Model 3323	Rev. 1
4.	556-044H	GANG BAR, REAR 23' LH	Model 3323	Rev. 1
4.	556-022H	GANG BAR, REAR 26' RH	Model 3326	Rev. 1
4.	556-023H	GANG BAR, REAR 26' LH	Model 3326	Rev. 1
4.	556-055H	GANG BAR, REAR 29' RH	Model 3329	Rev. 1
4.	556-056H	GANG BAR, REAR 29' LH	Model 3329	Rev. 1
5.	802-822C	HHCS 1 1/2-6X13 GR5 PLT		
6.	804-182C	WASHER HARD 1 1/2 MILCARB GR8		
7.	803-350C	NUT HEX NYLOCK 1 1/2-6 PLT		
8.	805-349C	PIN HINGE 1 1/4X7 HRDN PLT		
9.	802-623C	HHCS 3/8-16X2 1/4 GR8 SP THD		
10.	803-123C	NUT HEX TOP LOCK 3/8-16 PLT		
11.	817-717C	PLASTIC BSH 1.50ODX1.31IDX3.88		
12.	817-716C	PLASTIC BSH 1.50ODX1.31IDX2.88		
13.	802-345C	HHCS 1-8X3 GR8		
14.	804-027C	WASHER LOCK SPRING 1 PLT		
15.	803-031C	NUT HEX 1-8 PLT		
16.	890-005C	BUSHING CYL 1 1/4 X 1 X 1		
17.	556-048S	TRANSPORT LOCK, RH	Includes items 21 thru 28	
17.	556-049S	TRANSPORT LOCK, LH	(shown) Includes items 21 thru 28	
18.	576-145D	HHCS 1 1/4-7X8 1/2 GR8 SPTH		
19.	803-314C	NUT HEX TOP LOCK 1 1/4-7 PLT		
20.	807-236C	SPRING EXT. 1.00DX5.0LX.095MW		
21.	800-080C	GREASE ZERK 1/4-28 THD FORMING		
22.	556-147H	AUTO LOCK, LOWER RH		
22.	556-148H	AUTO LOCK, LOWER LH	(shown)	
23.	556-149H	AUTO LOCK, UPPER RH		
23.	556-150H	AUTO LOCK, UPPER LH	(shown)	
24.	802-816C	HHCS 3/4-10X7 GR8		
25.	803-025C	NUT HEX 3/4-10 PLT NYLOCK		
26.	556-333D	HHCS 3/4-10X5 SP THREAD GR5		
27.	DA0057A	SPRING, TOP, HEAVY		
28.	540-210D	SPACER, 2OD X 1ID X 1/2		

# Wing Cylinder Assembly: 3323, 3326, 3329

(Applies to 3323DH, 3326DH, 3329DH only)



42743



**Wing Cylinder Assembly:3323, 3326, 3329**

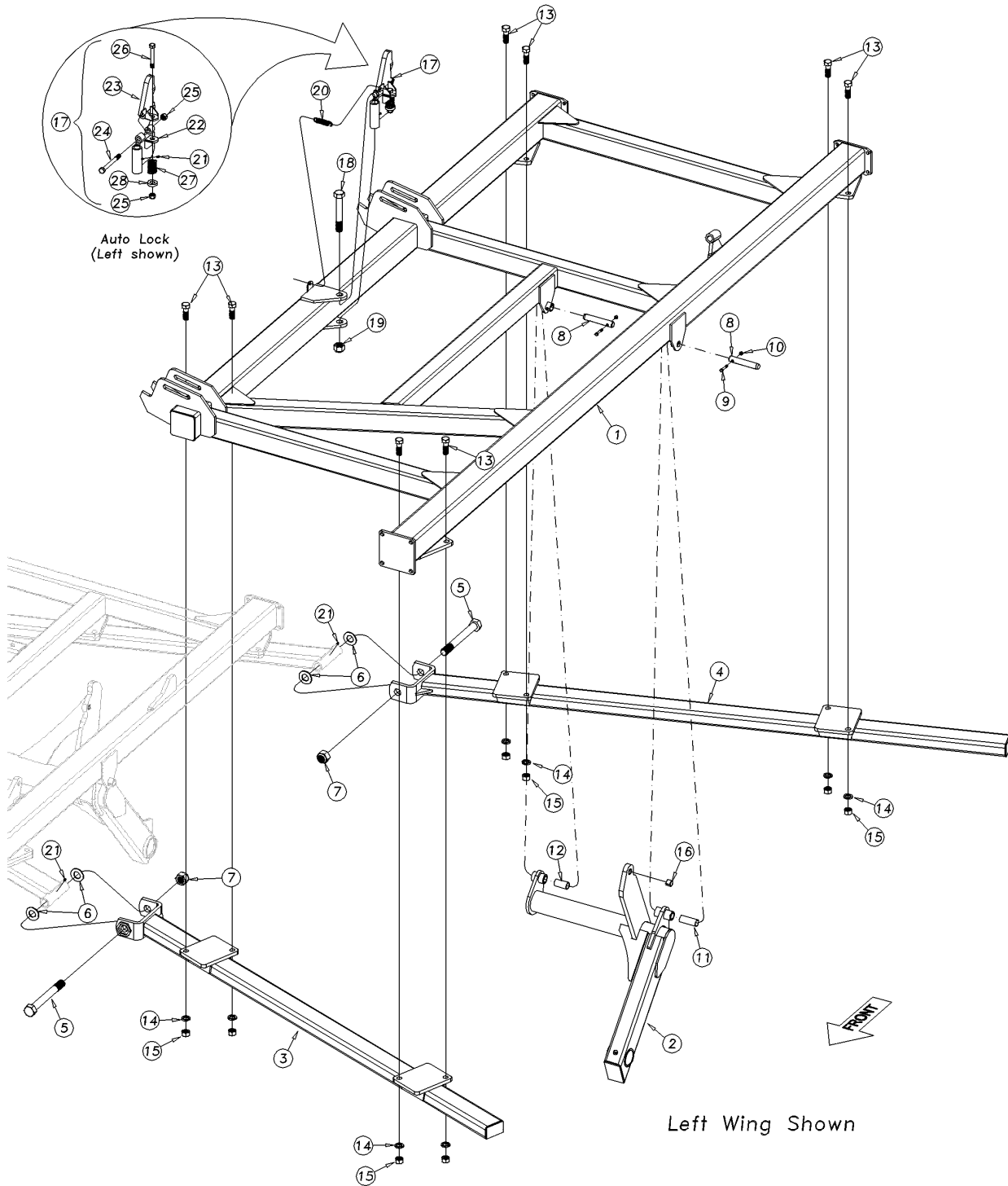
**(Applies to 3323DH, 3326DH, 3329DH only)**

<b>Ref</b>	<b>Part No.</b>	<b>Part Description</b>	<b>Comments</b>	<b>Revision</b>
	dwg42743	Image No.		
1.	810-489C	CYL 4X36X1.5 TIE 46.63 CL 3000	Models 3323. Refer to "Hydraulic Cylinder" for breakdown.	
1.	810-589C	CYL 3.5X36X1.50 46.63 CL 3000#	Models 3326-3329. Refer to "Hydraulic Cylinder" for breakdown.	
2.	805-396C	PIN CLEVIS 1 X 3 1/8 USABLE		
3.	804-192C	WASHER MACH 1.5X1.00X.075		
4.	805-058C	PIN COTTER 3/16 X 2		
5.	802-763C	HHCS 1-8X8 GR8 PLT		
6.	804-028C	WASHER FLAT 1 USS PLT		
7.	803-038C	NUT HEX 1-8 NYLON INSERT PLT		
8.	802-865C	EYE BOLT 1 1/4 X 9 1/2 LONG		Rev. 2
8.	576-102H	EYEBOLT - 1 1/4 X 9 1/2 PLT	Replaces by 802-865C	Rev.1
9.	803-032C	NUT HEX JAM 1 1/4-7 PLT		
10.	810-587C	CYL REP 3.25X10X1.25 ROD (TIE)	Models 3323. Refer to "Hydraulic Cylinder" for breakdown.	
10.	810-588C	CYL REP 3.50X10X1.25 ROD (TIE)	Models 3326-3329. Refer to "Hydraulic Cylinder" for breakdown.	

[Table of Contents](#)   [Part Number Index](#)

**Wing Assembly; 4330, 4333, 4336**

(Applies to 4330DH, 4333DH, 4336DH only)



40915

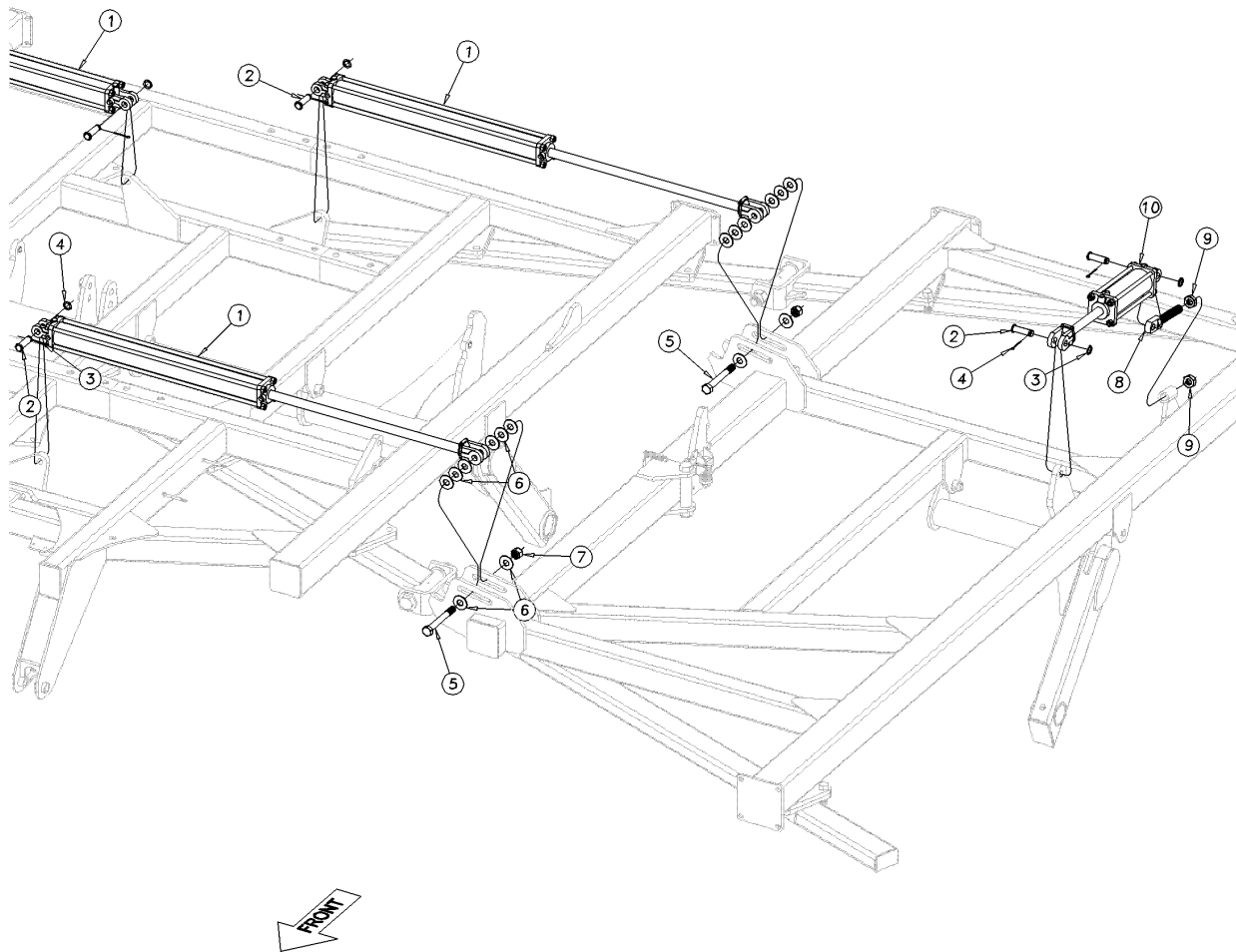
**Wing Assembly; 4330, 4333, 4336**

**(Applies to 4330DH, 4333DH, 4336DH only)**

<b>Ref</b>	<b>Part No.</b>	<b>Part Description</b>	<b>Comments</b>	<b>Revision</b>
	dwg40915	Image No.		
1.	556-227H	WING FRAME, 55" RH	Model 4330 (S/N A1385P+)	Rev. 2
1.	556-010H	WING FRAME, 55" RH	Replaced by 556-227H (S/N A138-P-)	Rev. 1
1.	556-228H	WING FRAME, 55" LH	(shown) Model 4330 (S/N A1385P+)	Rev. 2
1.	556-011H	WING FRAME, 55" LH	Replaced by 556-228H (S/N A138-P-)	Rev. 1
1.	556-229H	WING FRAME, 72" RH	Model 4333, 4336 (S/N A1385P+)	Rev. 2
1.	556-012H	WING FRAME, 72" RH	Replaced by 556-229H (S/N A138-P-)	Rev. 1
1.	556-230H	WING FRAME, 72" LH	Model 4333, 4336 (S/N A1385P+)	Rev. 2
1.	556-013H	WING FRAME, 72" LH	Replaced by 556-230H (S/N A138-P-)	Rev. 1
2.	556-062H	WING LIFT TUBE, WB RH		
2.	556-063H	WING LIFT TUBE, WB LH	(shown)	
3.	556-131H	GANG BAR, FRONT 30' RH	Model 4330	Rev. 1
3.	556-132H	GANG BAR, FRONT 30' LH	Model 4330	Rev. 1
3.	556-135H	GANG BAR, FRONT 33' RH	Model 4333	Rev. 1
3.	556-136H	GANG BAR, FRONT 33' LH	(shown) Model 4333	Rev. 1
3.	556-076H	GANG BAR, FRONT 36' RH	Model 4336	Rev. 1
3.	556-077H	GANG BAR, FRONT 36' LH	Model 4336	Rev. 1
4.	556-133H	GANG BAR, REAR 30' RH	Model 4330	Rev. 1
4.	556-134H	GANG BAR, REAR 30' LH	Model 4330	Rev. 1
4.	556-137H	GANG BAR, REAR 33' RH	Model 4333	Rev. 1
4.	556-138H	GANG BAR, REAR 33' LH	(shown) Model 4333	Rev. 1
4.	556-078H	GANG BAR, REAR 36' RH	Model 4336	Rev. 1
4.	556-079H	GANG BAR, REAR 36' LH	Model 4336	Rev. 1
5.	802-822C	HHCS 1 1/2-6X13 GR5 PLT		
6.	804-182C	WASHER HARD 1 1/2 MILCARB GR8		
7.	803-350C	NUT HEX NYLOCK 1 1/2-6 PLT		
8.	805-349C	PIN HINGE 1 1/4X7 HRDN PLT		
9.	802-623C	HHCS 3/8-16X2 1/4 GR8 SP THD		
10.	803-123C	NUT HEX TOP LOCK 3/8-16 PLT		
11.	817-717C	PLASTIC BSH 1.50ODX1.31IDX3.88		
12.	817-716C	PLASTIC BSH 1.50ODX1.31IDX2.88		
13.	802-345C	HHCS 1-8X3 GR8		
14.	804-027C	WASHER LOCK SPRING 1 PLT		
15.	803-031C	NUT HEX 1-8 PLT		
16.	890-005C	BUSHING CYL 1 1/4 X 1 X 1		
17.	556-048S	TRANSPORT LOCK, RH	Includes items 21 thru 28	
17.	556-049S	TRANSPORT LOCK, LH	(shown) Includes items 21 thru 28	
18.	576-145D	HHCS 1 1/4-7X8 1/2 GR8 SPTH		
19.	803-314C	NUT HEX TOP LOCK 1 1/4-7 PLT		
20.	807-236C	SPRING EXT. 1.00DX5.0LX.095MW		
21.	800-080C	GREASE ZERK 1/4-28 THD FORMING		
22.	556-147H	AUTO LOCK, LOWER RH		
22.	556-148H	AUTO LOCK, LOWER LH	(shown)	
23.	556-149H	AUTO LOCK, UPPER RH		
23.	556-150H	AUTO LOCK, UPPER LH	(shown)	
24.	802-816C	HHCS 3/4-10X7 GR8		
25.	803-025C	NUT HEX 3/4-10 PLT NYLOCK		
26.	556-333D	HHCS 3/4-10X5 SP THREAD GR5		
27.	DA0057A	SPRING, TOP, HEAVY		
28.	540-210D	SPACER, 2OD X 1ID X 1/2		

# Wing Cylinder Assembly: 4330, 4333, 4336

(Applies to 4330DH, 4333DH, 4336DH only)



42744

**Wing Cylinder Assembly:4330, 4333, 4336**

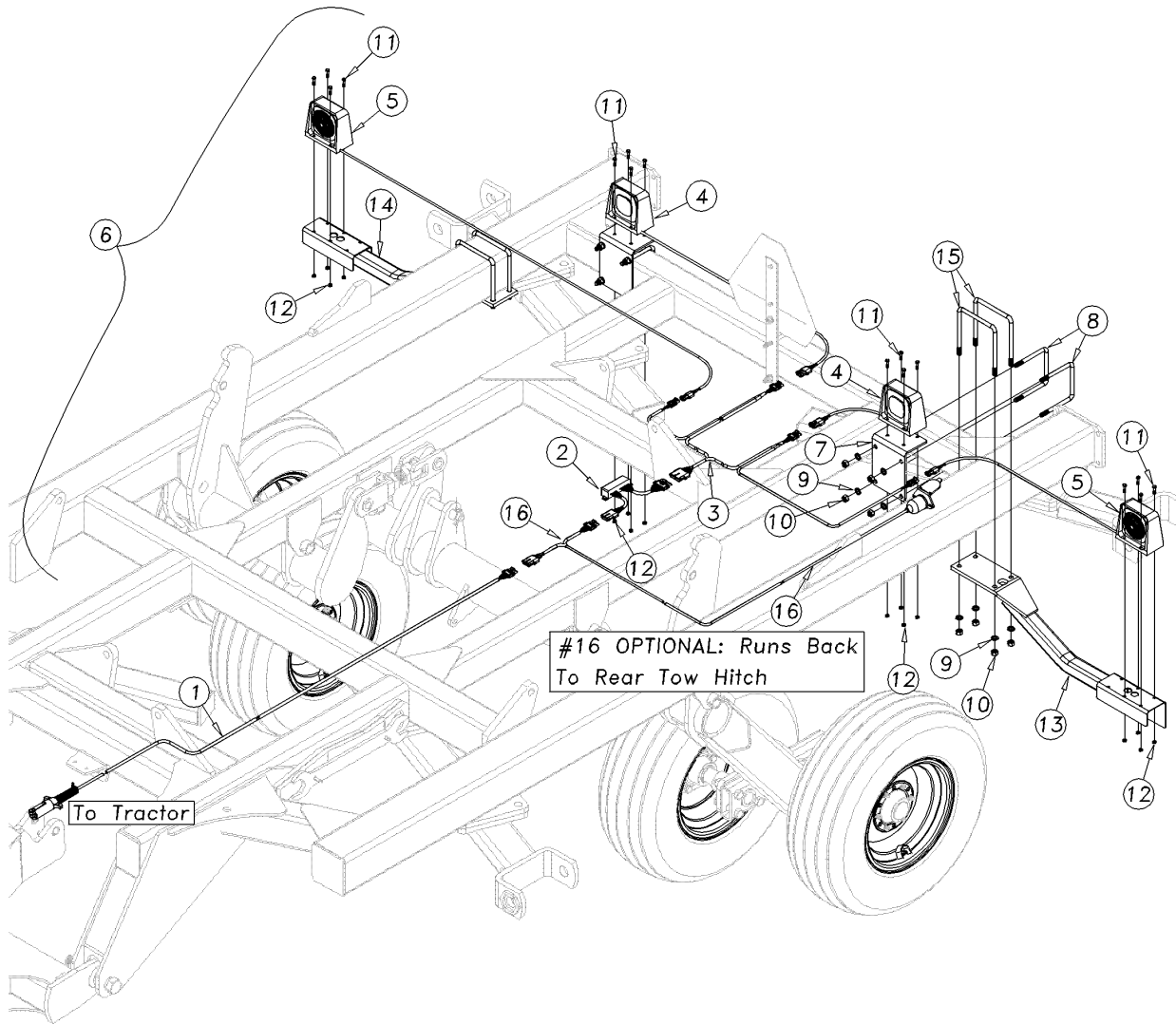
---

(Applies to 4330DH, 4333DH, 4336DH only)

Ref	Part No.	Part Description	Comments	Revision
	dwg42744	Image No.		
1.	810-589C	CYL 3.5X36X1.50 46.63 CL 3000#	Models 4330-4333. Refer to "Hydraulic Cylinder" for breakdown.	
1.	810-489C	CYL 4X36X1.5 TIE 46.63 CL 3000	Models 4336. Refer to "Hydraulic Cylinder" for breakdown.	
2.	805-396C	PIN CLEVIS 1 X 3 1/8 USABLE		
3.	804-192C	WASHER MACH 1.5X1.00X.075		
4.	805-058C	PIN COTTER 3/16 X 2		
5.	802-763C	HHCS 1-8X8 GR8 PLT		
6.	804-028C	WASHER FLAT 1 USS PLT		
7.	803-038C	NUT HEX 1-8 NYLON INSERT PLT		
8.	802-865C	EYE BOLT 1 1/4 X 9 1/2 LONG		Rev. 2
8.	576-102H	EYEBOLT - 1 1/4 X 9 1/2 PLT	Replaces by 802-865C	Rev.1
9.	803-032C	NUT HEX JAM 1 1/4-7 PLT		
10.	810-502C	CYL REP 3.75X10X1.38 ROD (TIE)	Refer to "Hydraulic Cylinder" for breakdown.	

# Lights

(Applies to 3323DH, 3326DH, 3329DH, 4330DH, 4333DH, 4336DH only)



## Lights

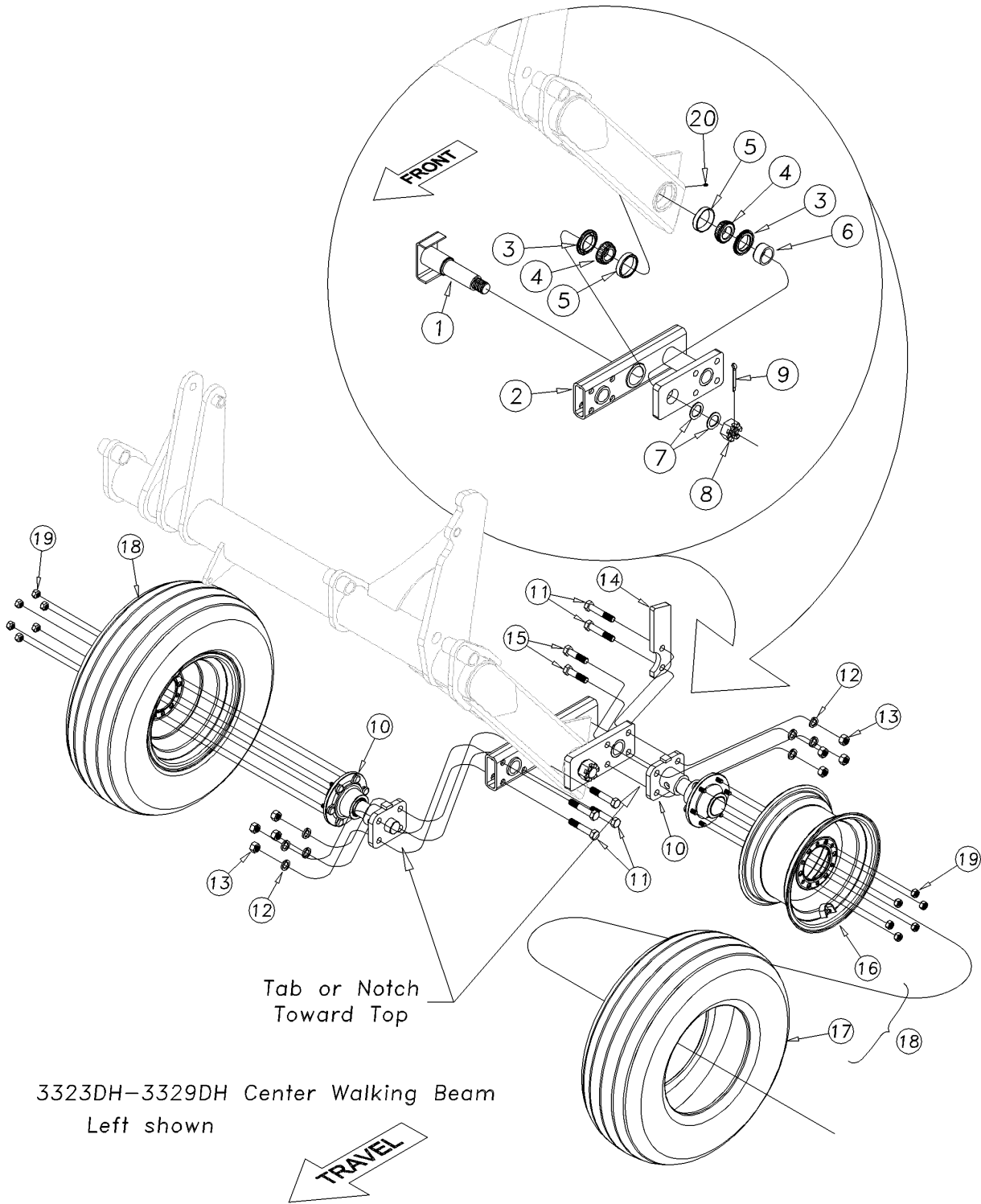
(Applies to 3323DH, 3326DH, 3329DH, 4330DH, 4333DH, 4336DH only)

Ref	Part No.	Part Description	Comments	Revision
	dwg41253	Image No.		
1.	890-923C	LIGHT HARNESS, 30' LEAD		
2.	890-924C	LIGHT HARNESS, ENHANCE MODULE		
3.	890-925C	LIGHT HARNESS, WISHBONE		
4.	890-926C	LIGHT HARNESS, RED LAMP		
5.	890-927C	LIGHT HARNESS, AMBER LAMP		
6.	890-901C	SAFETY LIGHT KIT	Includes Items 1 thru 5	
7.	556-231D	LIGHT MOUNTING BRACKET		
8.	806-153C	U-BOLT 1/2-13 X 5 1/32 X 5 1/2		
9.	804-015C	WASHER LOCK SPRING 1/2 PLT		
10.	803-020C	NUT HEX 1/2-13 PLT		
11.	802-005C	HHCS 1/4-20X1 GR5		
12.	803-007C	NUT-LOCK 1/4-20 PLT		
13.	556-114H	LIGHT BRACKET, DISK LH		
14.	556-070H	LIGHT BRACKET, DISK RH		
15.	806-060C	U-BOLT 1/2-13 X 6 1/32 X 7 1/4		
16.	890-920C	DUAL MACHINE HARNESS		

[Table of Contents](#)   [Part Number Index](#)

**Center Walking Beam; 3323, 3326 & 3329 (See S/N Break in Comments)**

(Applies to 3323DH, 3326DH, 3329DH only)



40853



**Center Walking Beam; 3323, 3326 & 3329 (See S/N Break in Comments)**

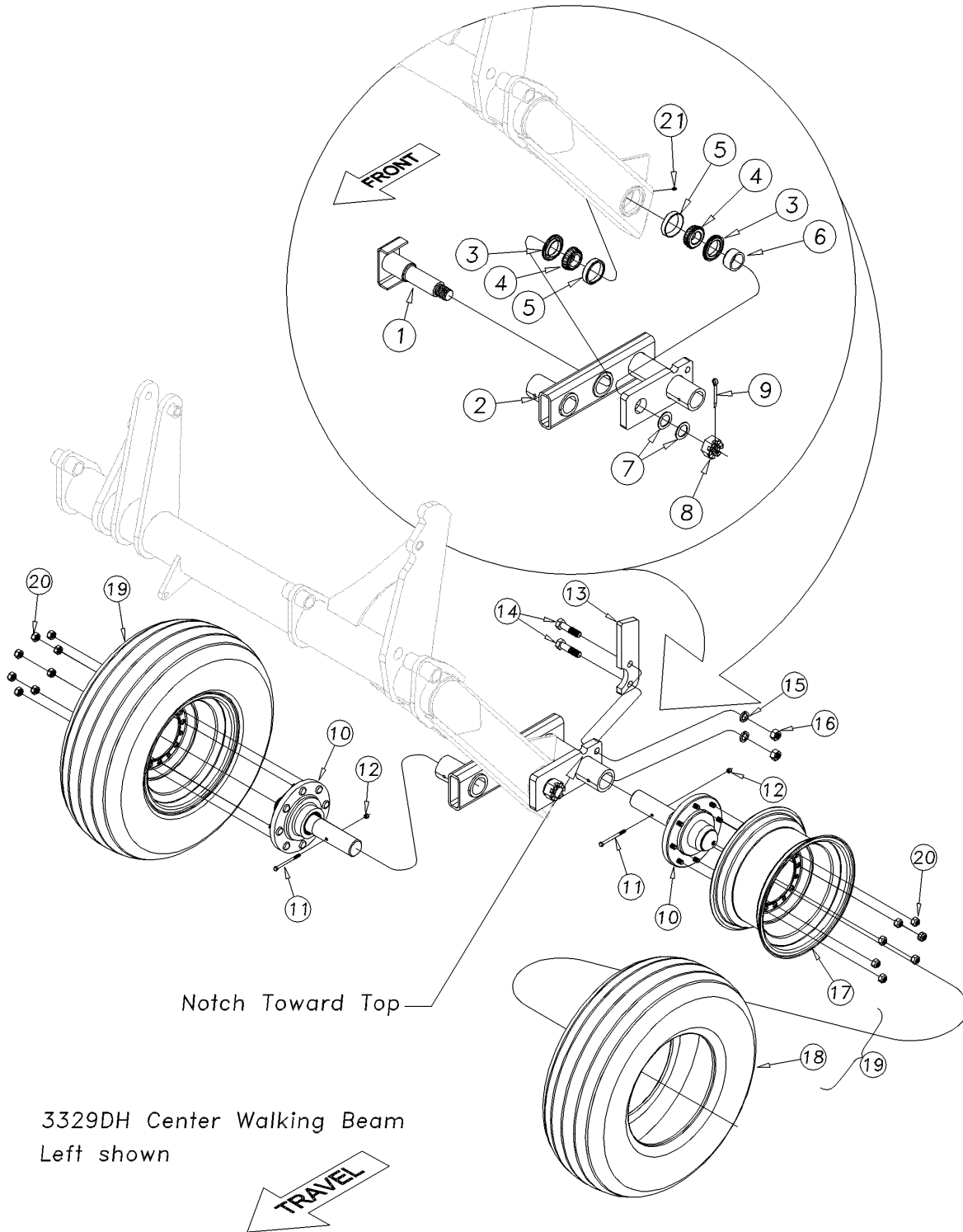
**(Applies to 3323DH, 3326DH, 3329DH only)**

<b>Ref</b>	<b>Part No.</b>	<b>Part Description</b>	<b>Comments</b>	<b>Revision</b>
	dwg40853	Image No.		
1.	556-098H	WALKING BEAM SPINDLE		
2.	556-073H	WALKING BEAM WELDMENT	Model 3329DH (S/N A1259P-)	
3.	816-573C	SEAL 2.50IDX3.251DX.47T		
4.	822-226C	BRG CONE 1.97ID JLM104948		
5.	822-225C	BRG CUP JLM104910		
6.	556-287D	PIVOT SPINDLE SLEEVE		
7.	804-063C	WASHER MACH 2.25 X 1.50 X 10GA		
8.	803-239C	NUT HEX SLOTTED 1 1/2-12 PLT		
9.	805-115C	PIN COTTER 1/4 X 3 PLT		
10.	556-113S	HUB 6-BOLT SPNDL 2X11.25 B-O	(Shown) See hub & spindle pages for parts. Models 3323, 3326 & 3329 (Model 3329 S/N A1552P-)	
10.	556-146S	HUB 8-BLT SPNDL 2.25X12.63 B-O	See hub & spindle pages for parts. Model 3329DH (S/N A1153P- thru A1259P-)	
11.	802-068C	HHCS 3/4-10X4 GR5		
12.	804-023C	WASHER LOCK SPRING 3/4 PLT		
13.	803-027C	NUT HEX 3/4-10 PLT		
14.	556-302D	WALKING BEAM STOP		
15.	802-383C	HHCS 3/4-10X3 GR5		
16.	814-221C	WHEEL 15X8 6 BOLT WHITE	Models 3323 & 3326	Rev. 2
16.	814-222C	WHEEL 15X8 8 BOLT WHITE	Models 3329	Rev. 2
16.	814-221C	WHEEL 15X8 6 BOLT WHITE	Changed 29' to 814-222C	Rev. 1
17.	814-226C	TIRE 11LX15 LOAD F		Rev. 2
17.	814-031C	TIRE 11L-15SL 12 PLY TUBELESS	Changed to 814-226C	Rev. 1
18.	814-237C	TIRE/WHL 11LX15 LOAD F 6BLT WH	Models 3323 & 3326 Items 17 & 18	Rev. 2
18.	814-235C	TIRE/WHL 11LX15 LOAD F 8BLT WH	Models 3329 Items 17 & 18	Rev. 2
18.	814-233C	TIRE/WHL 11LX15 12PLY 6BLT WHT	Changed to 814-237C or 814-235C	Rev. 1
19.	803-061C	NUT LUG 9/16-18 X 90 PLT		
20.	800-080C	GREASE ZERK 1/4-28 THD FORMING		

[Table of Contents](#)   [Part Number Index](#)

**Center Walking Beam; 3329 (S/N A1260P+)**

(Applies to 3329DH only)



41265

**Center Walking Beam; 3329 (S/N A1260P+)**

---

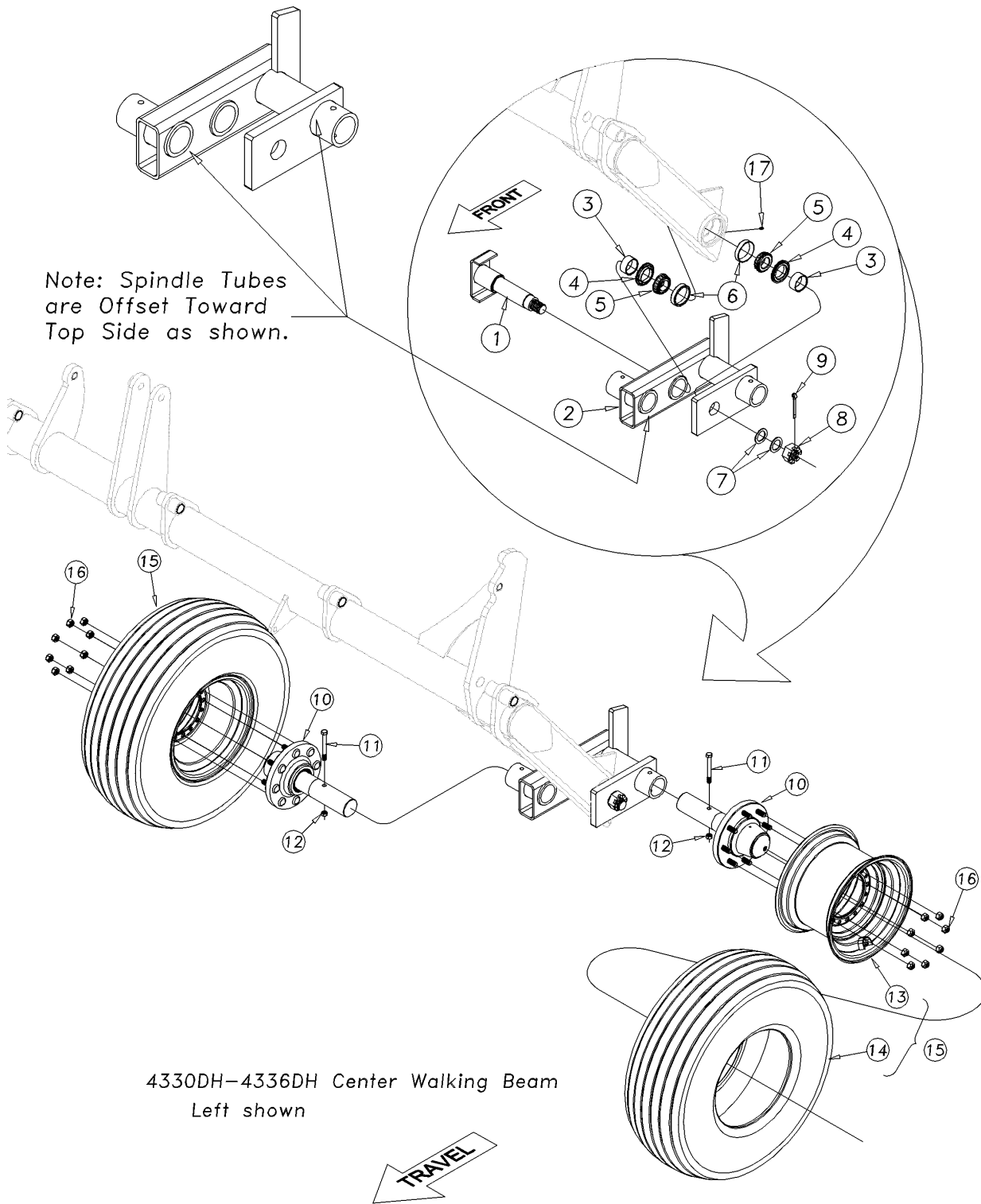
**(Applies to 3329DH only)**

<b>Ref</b>	<b>Part No.</b>	<b>Part Description</b>	<b>Comments</b>	<b>Revision</b>
	dwg41265	Image No.		
1.	556-098H	WALKING BEAM SPINDLE		
2.	556-192H	WALKING BEAM RH		
2.	556-193H	WALKING BEAM LH		
3.	816-573C	SEAL 2.50IDX3.251DX.47T		
4.	822-226C	BRG CONE 1.97ID JLM104948		
5.	822-225C	BRG CUP JLM104910		
6.	556-287D	PIVOT SPINDLE SLEEVE		
7.	804-063C	WASHER MACH 2.25 X 1.50 X 10GA		
8.	803-239C	NUT HEX SLOTTED 1 1/2-12 PLT		
9.	805-115C	PIN COTTER 1/4 X 3 PLT		
10.	815-277C	HUB 8-BOLT SPNL 2.25X13.25 458	(S/N A1260P+) See hub & spindle pages for parts.	
11.	802-802C	HHCS 5/16-18X4 GR8 PLT		
12.	803-166C	NUT HEX TOP LOCK 5/16-18 PLT		
13.	556-302D	WALKING BEAM STOP		
14.	802-383C	HHCS 3/4-10X3 GR5		
15.	804-023C	WASHER LOCK SPRING 3/4 PLT		
16.	803-027C	NUT HEX 3/4-10 PLT		
17.	814-222C	WHEEL 15X8 8 BOLT WHITE		
18.	814-226C	TIRE 11LX15 LOAD F		
19.	814-235C	TIRE/WHL 11LX15 LOAD F 8BLT WH		
20.	803-061C	NUT LUG 9/16-18 X 90 PLT		
21.	800-080C	GREASE ZERK 1/4-28 THD FORMING		

[Table of Contents](#)   [Part Number Index](#)

**Center Walking Beam; 4330, 4333, 4336**

(Applies to 4330DH, 4333DH, 4336DH only)



40916

**Center Walking Beam; 4330, 4333, 4336**

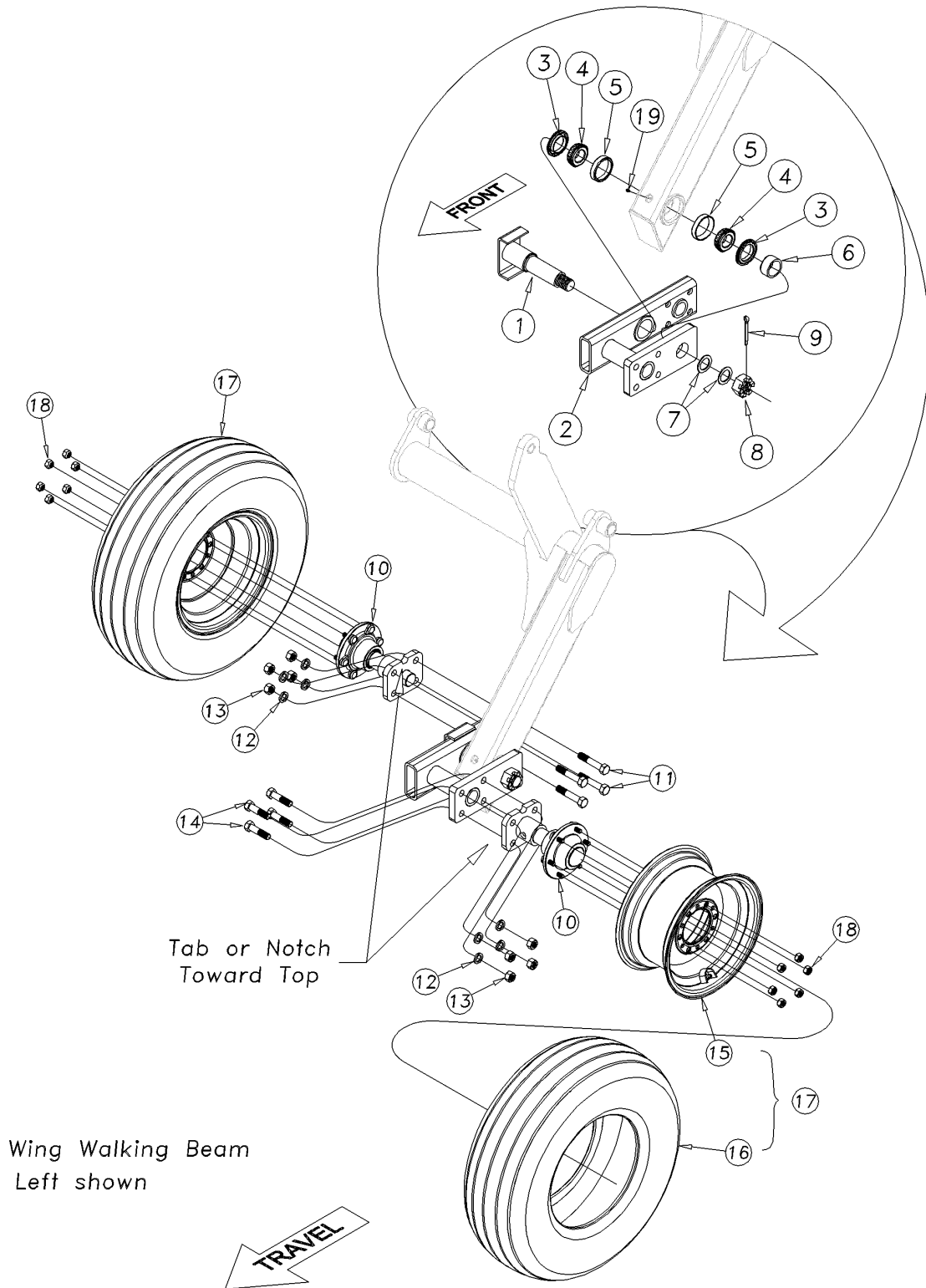
---

(Applies to 4330DH, 4333DH, 4336DH only)

Ref	Part No.	Part Description	Comments	Revision
	dwg40916	Image No.		
1.	550-349H	CENTER PIVOT SPINDLE 2.75		
2.	556-139H	HEAVY WALKING BEAM RH		
2.	556-140H	HEAVY WALKING BEAM LH		
3.	550-489D	CENTER SPINDLE SLEEVE		
4.	816-574C	SEAL 2.50IDX3.88ODX.47T		
5.	822-230C	BRG CONE 2.17ID JM207049		
6.	822-229C	BRG CUP JM207010		
7.	804-063C	WASHER MACH 2.25 X 1.50 X 10GA		
8.	803-239C	NUT HEX SLOTTED 1 1/2-12 PLT		
9.	805-115C	PIN COTTER 1/4 X 3 PLT		
10.	815-302C	HUB 8-BLT SPNDL 2.75X14.63 608	See hub & spindle pages for parts.	
11.	802-413C	HHCS 1/2-13X4 1/2 GR5		
12.	803-342C	NUT HEX TOP LOCK 1/2-13 PLT		
13.	814-223C	WHEEL 15X10 8 BOLT WHITE		
14.	814-227C	TIRE 12.5LX15 LOAD F		
15.	814-236C	TIRE/WHL 12.5LX15 LD F WHT GYR	Includes items 14 & 15	
16.	803-219C	NUT LUG 5/8-18 X 90 DEG PLT		
17.	800-080C	GREASE ZERK 1/4-28 THD FORMING		

# Wing Walking Beam 3323 & 3326

(Applies to 3323DH, 3326DH only)



40854

## Wing Walking Beam 3323 & 3326

---

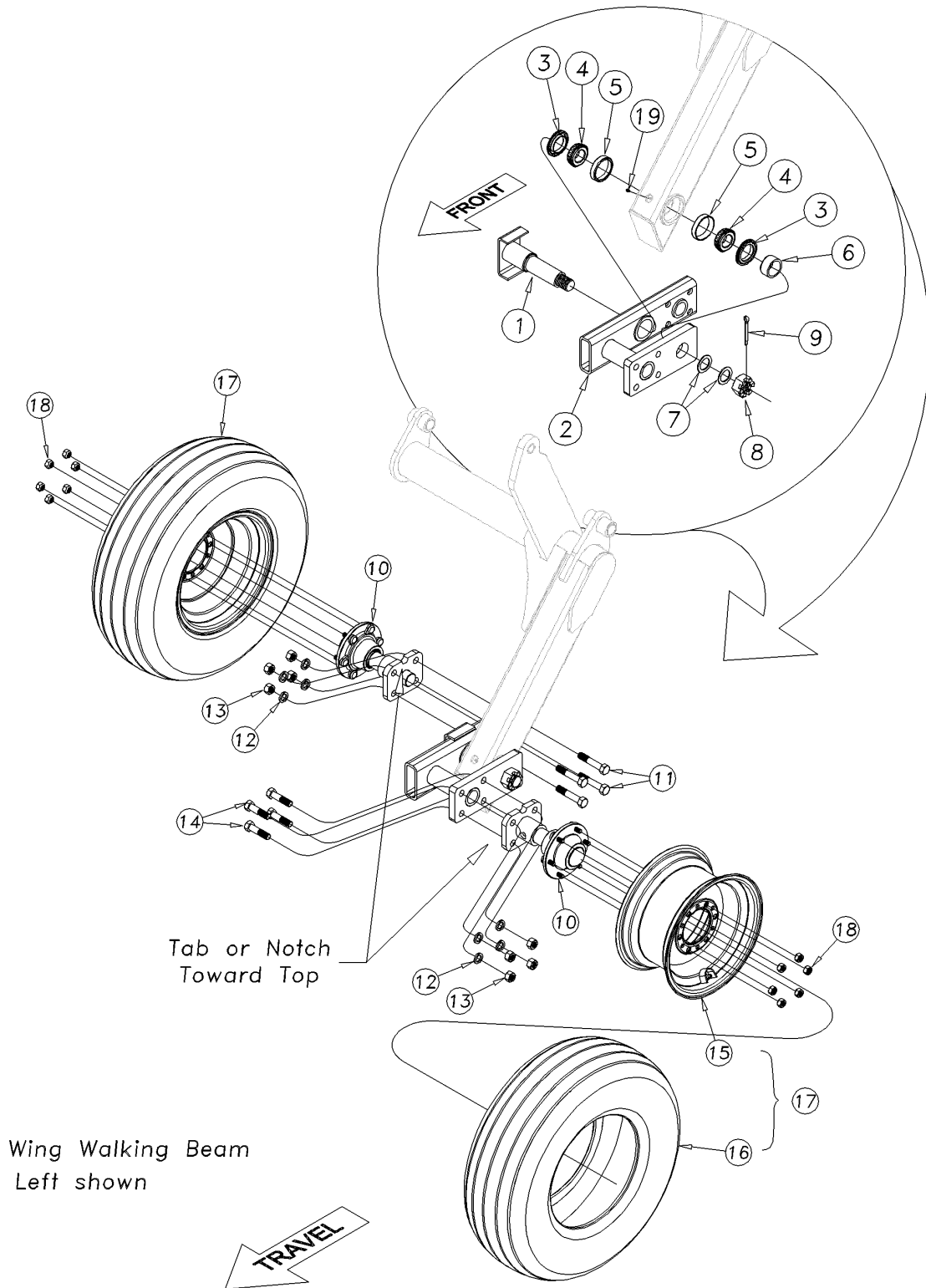
(Applies to 3323DH, 3326DH only)

Ref	Part No.	Part Description	Comments	Revision
	dwg40854	Image No.		
1.	556-098H	WALKING BEAM SPINDLE		
2.	556-073H	WALKING BEAM WELDMENT		
3.	816-573C	SEAL 2.50IDX3.251DX.47T		
4.	822-226C	BRG CONE 1.97ID JLM104948		
5.	822-225C	BRG CUP JLM104910		
6.	556-287D	PIVOT SPINDLE SLEEVE		
7.	804-063C	WASHER MACH 2.25 X 1.50 X 10GA		
8.	803-239C	NUT HEX SLOTTED 1 1/2-12 PLT		
9.	805-115C	PIN COTTER 1/4 X 3 PLT		
10.	556-113S	HUB 6-BOLT SPNDL 2X11.25 B-O	See hub & spindle pages for parts.	
11.	802-068C	HHCS 3/4-10X4 GR5		
12.	804-023C	WASHER LOCK SPRING 3/4 PLT		
13.	803-027C	NUT HEX 3/4-10 PLT		
14.	802-383C	HHCS 3/4-10X3 GR5		
15.	814-221C	WHEEL 15X8 6 BOLT WHITE		
16.	814-038C	TIRE 11L-15 X 8 PLY		
17.	814-232C	TIRE/WHL 11LX15 8PLY 6BLT WHT	Includes items 15 & 16	
18.	803-061C	NUT LUG 9/16-18 X 90 PLT	6-Bolt Hub	
19.	800-080C	GREASE ZERK 1/4-28 THD FORMING		

[Table of Contents](#)   [Part Number Index](#)

**Wing Walking Beam 3329-4336 (S/N A1259P-)**

(Applies to 3329DH, 4330DH, 4333DH, 4336DH only)



40854



***Wing Walking Beam 3329-4336 (S/N A1259P-)***

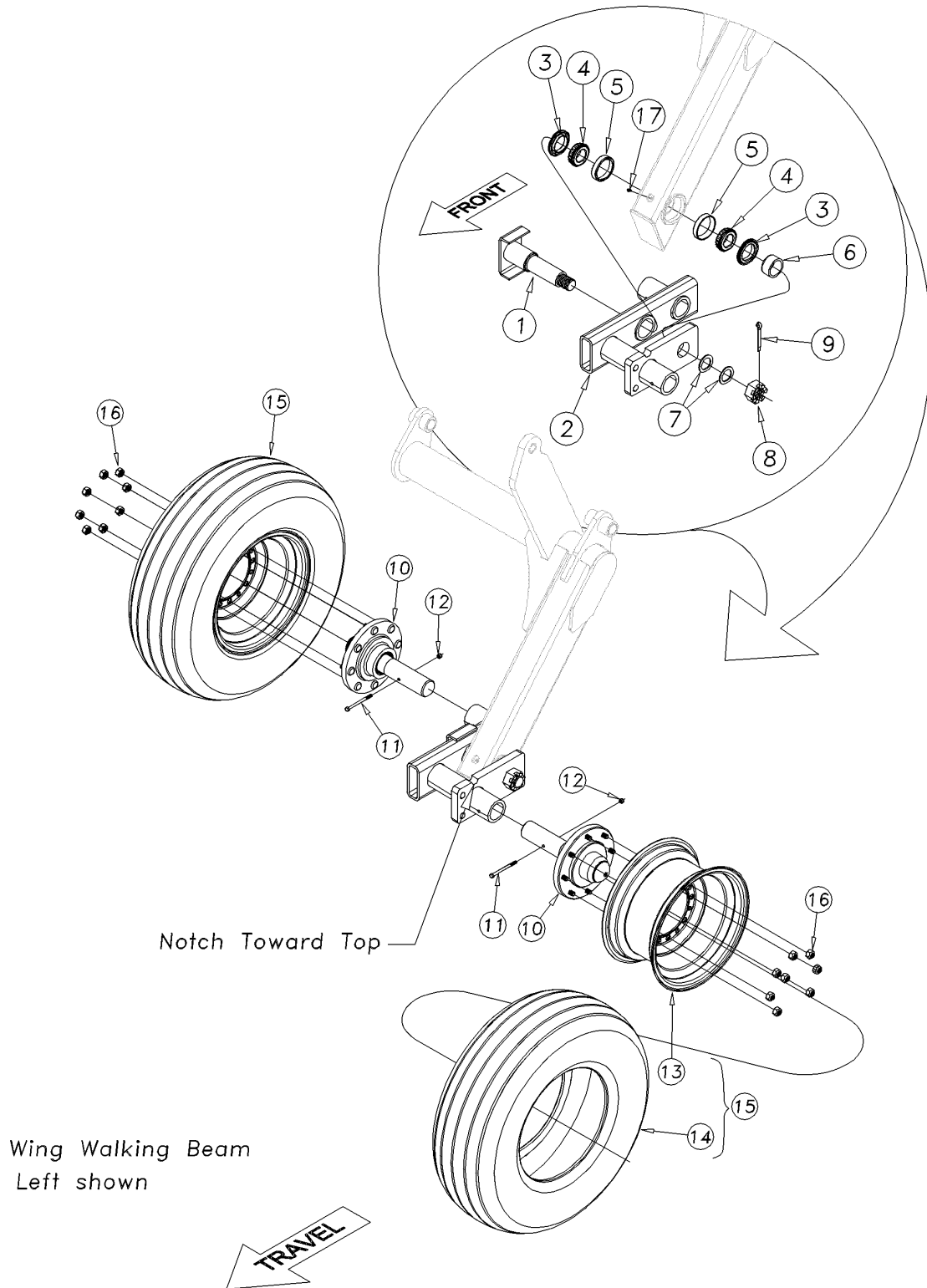
**(Applies to 3329DH, 4330DH, 4333DH, 4336DH only)**

<b>Ref</b>	<b>Part No.</b>	<b>Part Description</b>	<b>Comments</b>	<b>Revision</b>
	dwg40854	Image No.		
1.	556-098H	WALKING BEAM SPINDLE		
2.	556-073H	WALKING BEAM WELDMENT		
3.	816-573C	SEAL 2.50IDX3.251DX.47T		
4.	822-226C	BRG CONE 1.97ID JLM104948		
5.	822-225C	BRG CUP JLM104910		
6.	556-287D	PIVOT SPINDLE SLEEVE		
7.	804-063C	WASHER MACH 2.25 X 1.50 X 10GA		
8.	803-239C	NUT HEX SLOTTED 1 1/2-12 PLT		
9.	805-115C	PIN COTTER 1/4 X 3 PLT		
10.	556-113S	HUB 6-BOLT SPNDL 2X11.25 B-O	Models 3329 (S/N A1152P-) Models 4330, 33, 36. (S/N A1054P-) Models 3329 (S/N A1153P+ thru A1259P-)	Rev. 2  Rev. 1
10.	556-146S	HUB 8-BLT SPNDL 2.25X12.63 B-O	Models 4330, 33, 36. (S/N A1055P+ thru A1259P-) See hub & spindle pages for parts.	
11.	802-068C	HHCS 3/4-10X4 GR5		
12.	804-023C	WASHER LOCK SPRING 3/4 PLT		
13.	803-027C	NUT HEX 3/4-10 PLT		
14.	802-383C	HHCS 3/4-10X3 GR5		
15.	814-222C	WHEEL 15X8 8 BOLT WHITE	Models 4330, 33, 36. (S/N A1055P+) Models 3329 (S/N A1153P+)	Rev. 1
16.	814-031C	TIRE 11L-15SL 12 PLY TUBELESS	Models 4330, 33, 36. (S/N A1055P+) Models 3329 (S/N A1153P+)	Rev. 1
17.	814-340C	TIRE/WHL 11LX15 12PLY 8BLT WHT	Models 4330, 33, 36. (S/N A1055P+) Models 3329 (S/N A1153P+)	Rev. 1
18.	803-061C	NUT LUG 9/16-18 X 90 PLT	6-Bolt Hub	Rev. 2
18.	803-219C	NUT LUG 5/8-18 X 90 DEG PLT	8-Bolt Hub	Rev. 1
19.	800-080C	GREASE ZERK 1/4-28 THD FORMING		

[Table of Contents](#)   [Part Number Index](#)

**Wing Walking Beam 3329-4336 (S/N A1260P+)**

(Applies to 3329DH, 4330DH, 4333DH, 4336DH only)



Wing Walking Beam  
Left shown

**Wing Walking Beam 3329-4336 (S/N A1260P+)**

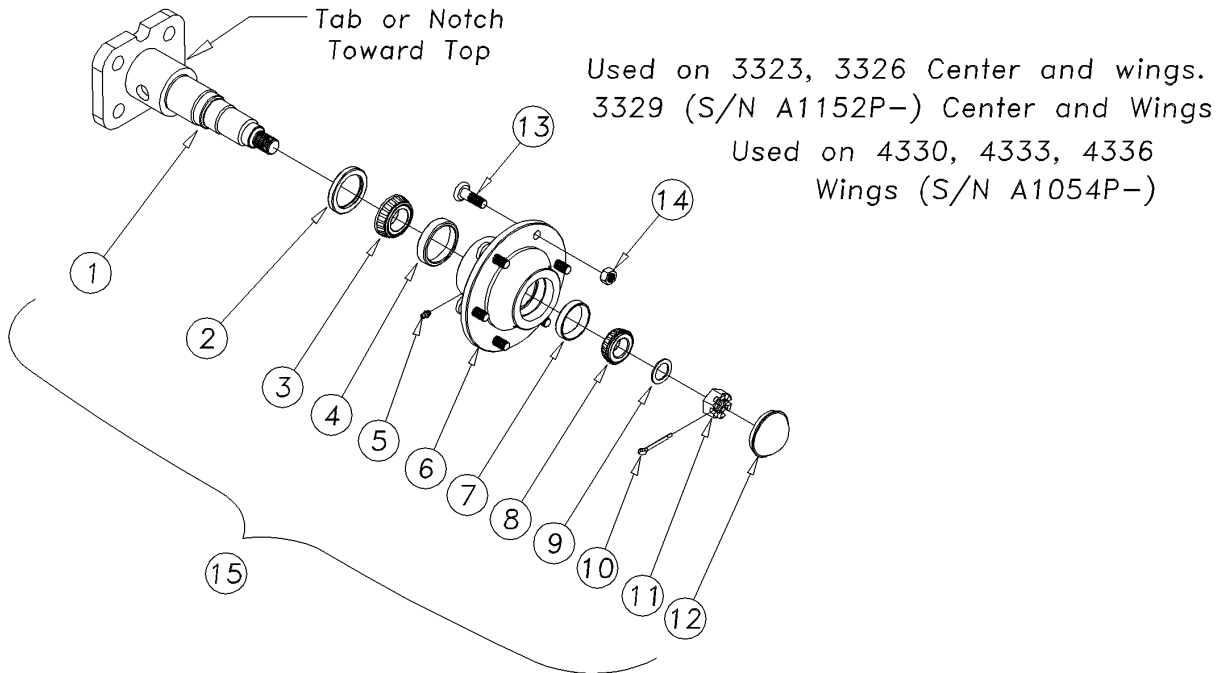
---

(Applies to 3329DH, 4330DH, 4333DH, 4336DH only)

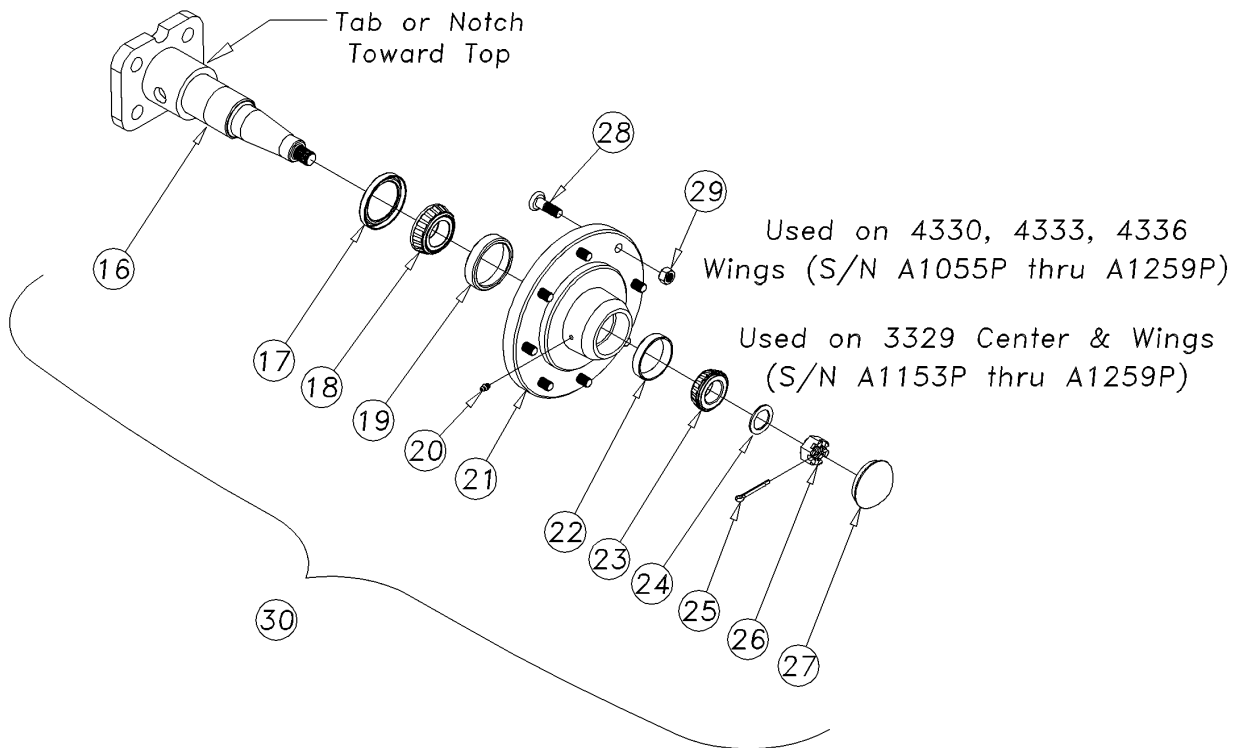
Ref	Part No.	Part Description	Comments	Revision
	dwg41266	Image No.		
1.	556-098H	WALKING BEAM SPINDLE		
2.	556-192H	WALKING BEAM RH	Used on left wing.	
2.	556-193H	WALKING BEAM LH	Used on right wing.	
3.	816-573C	SEAL 2.50IDX3.251DX.47T		
4.	822-226C	BRG CONE 1.97ID JLM104948		
5.	822-225C	BRG CUP JLM104910		
6.	556-287D	PIVOT SPINDLE SLEEVE		
7.	804-063C	WASHER MACH 2.25 X 1.50 X 10GA		
8.	803-239C	NUT HEX SLOTTED 1 1/2-12 PLT		
9.	805-115C	PIN COTTER 1/4 X 3 PLT		
10.	815-277C	HUB 8-BOLT SPNDL 2.25X13.5 458		
11.	802-802C	HHCS 5/16-18X4 GR8 PLT		
12.	803-166C	NUT HEX TOP LOCK 5/16-18 PLT		
13.	814-222C	WHEEL 15X8 8 BOLT WHITE		
14.	814-031C	TIRE 11L-15SL 12 PLY TUBELESS		
15.	814-340C	TIRE/WHL 11LX15 12PLY 8BLT WHT		
16.	803-219C	NUT LUG 5/8-18 X 90 DEG PLT		
17.	800-080C	GREASE ZERK 1/4-28 THD FORMING		

## Bolt On Heavy Hub & Spindle

(Applies to 3323DH, 3326DH, 3329DH, 4330DH, 4333DH, 4336DH only)



556-113S 6-Bolt Heavy Hub & Spindle-Bolt On Assembly



556-146S 8-Bolt Hub & Spindle-Bolt On Assembly

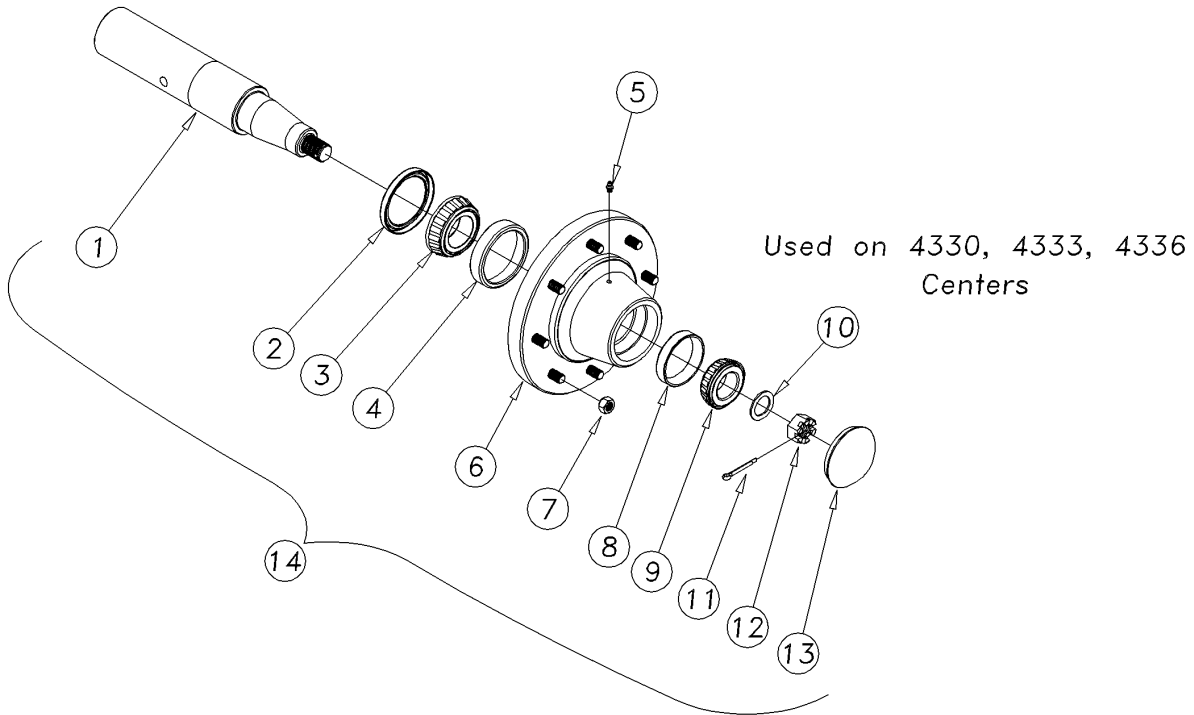
## ***Bolt On Heavy Hub & Spindle***

**(Applies to 3323DH, 3326DH, 3329DH, 4330DH, 4333DH, 4336DH only)**

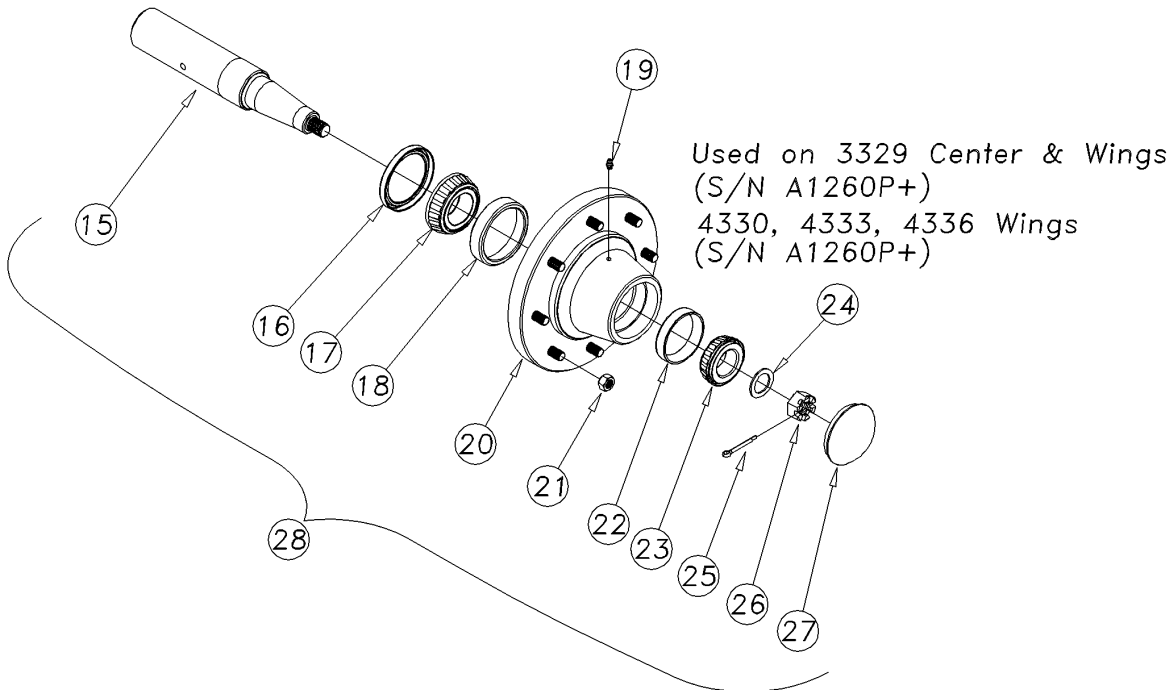
<b>Ref</b>	<b>Part No.</b>	<b>Part Description</b>	<b>Comments</b>	<b>Revision</b>
	dwg40855	Image No.		
1.	556-093H	SPINDLE BOLT ON 2X11.25 Q783		Rev.1
2.	816-426C	SEAL GREASE 6-BLT HD HUB W-783		
3.	822-048C	BRG CONE 1.62IDX.78WD#LM501349		
4.	822-053C	BRG CUP 2.89ODX.58WD #LM501310		
5.	800-130C	ZERK GREASE STRAIGHT 1/8-27MPT		
6.	815-192C	HUB ASSY 6BOLT 6BC W/O SEAL		
7.	822-020C	BEARING CUP LM-67010		
8.	822-021C	BEARING CONE LM-67048		
9.	804-055C	WASHER SPINDLE - 7/8		
10.	805-089C	PIN COTTER 5/32 X 1 1/2 LONG		
11.	803-029C	NUT HEX SLOTTED 7/8-14 PLT		
12.	890-781C	GREASE CAP 2.448X1.12X.25		
13.	802-799C	HUB STUD 9/16-18X2 1/8 J1102		
14.	803-061C	NUT LUG 9/16-18 X 90 PLT		
15.	556-113S	HUB 6-BOLT SPNDL 2X11.25 B-O	Includes Items 1 thru 14	
16.	556-145H	SPINDLE 2.25X12.63 Q45-8B B-O		Rev.1
17.	816-529C	HUB SEAL Q458 (TCM 223063TB-H)		
18.	822-169C	820-293C 1.78ID LM603049		
19.	822-168C	BRG CUP 3.06OD LM603011		
20.	800-001C	GREASE ZERK STRAIGHT 1/4-28		
21.	815-229C	HUB 458 W/CUPS 8-BOLTS 8" BC		
22.	822-020C	BEARING CUP LM-67010		
23.	822-021C	BEARING CONE LM-67048		
24.	804-008C	WASHER FLAT 3/4 HARD USS		
25.	805-089C	PIN COTTER 5/32 X 1 1/2 LONG		
26.	803-053C	NUT HEX SLOTTED 3/4-16		
27.	890-781C	GREASE CAP 2.448X1.12X.25		
28.	802-182C	HUB STUD 5/8-18X2 1/2 GR5		
29.	803-219C	NUT LUG 5/8-18 X 90 DEG PLT		
30.	556-146S	HUB 8-BLT SPNDL 2.25X12.63 B-O	Includes Items 16 thru 29	

## Slide In Heavy Hub & Spindle

(Applies to 3323DH, 3326DH, 3329DH, 4330DH, 4333DH, 4336DH only)



815-302C 8-Bolt Hub & Spindle Assembly



815-277C 8-Bolt Hub & Spindle Assembly

***Slide In Heavy Hub & Spindle***

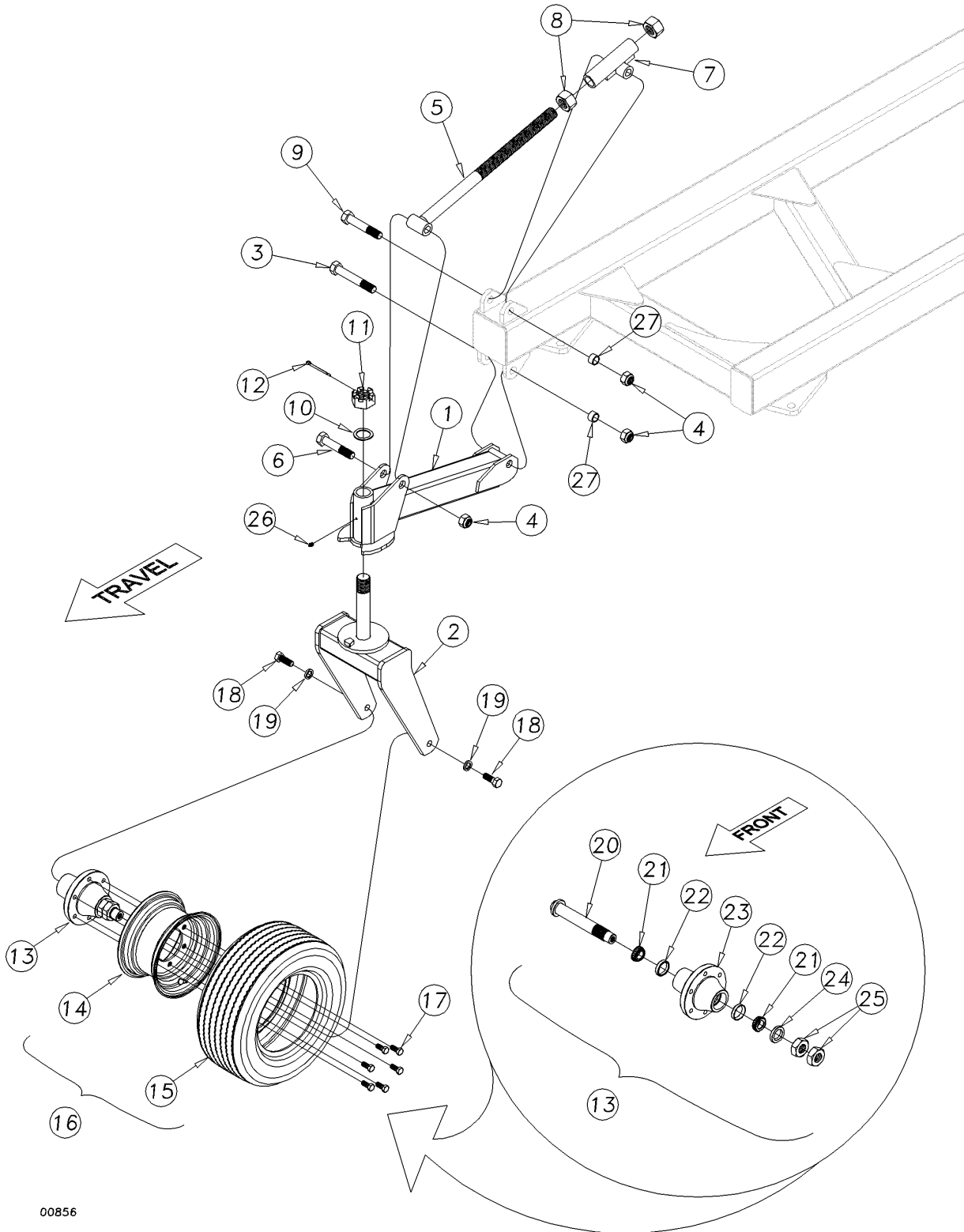
**(Applies to 3323DH, 3326DH, 3329DH, 4330DH, 4333DH, 4336DH only)**

<b>Ref</b>	<b>Part No.</b>	<b>Part Description</b>	<b>Comments</b>	<b>Revision</b>
	dwg41267	Image No.		
1.	550-475D	AXLE SPINDLE 2.75X14.63 (60-8)		
2.	816-220C	SEAL OIL CR27362 3.75X2.75X.44		
3.	822-110C	BRG CONE 2.16ID JLM506849		
4.	822-109C	BRG CUP 3.54OD JLM506810		
5.	800-130C	ZERK GREASE STRAIGHT 1/8-27MPT		
6.	815-164C	HUB 608 W/CUPS 8-BOLTS 8" BC		
7.	803-219C	NUT LUG 5/8-18 X 90 DEG PLT		
8.	822-053C	BRG CUP 2.89ODX.58WD #LM501310		
9.	822-048C	BRG CONE 1.62IDX.78WD#LM501349		
10.	148-404D	1 HARDENED SPINDLE WASHER		
11.	805-017C	PIN COTTER 3/16 X 1 3/4 PLT		
12.	803-095C	NUT HEX SLOTTED 1-14		
13.	890-277C	GREASE CAP 3.125 X .38		
14.	815-302C	HUB 8-BLT SPNDL 2.75X14.63 608	Includes Items 31 thru 43	
15.	550-247D	AXLE SPINDLE 2.25X13.25 Q45-8B		
16.	816-529C	HUB SEAL Q458 (TCM 223063TB-H)		
17.	822-169C	BRG CONE 1.78ID LM603049		
18.	822-168C	BRG CUP 3.06OD LM603011		
19.	800-130C	ZERK GREASE STRAIGHT 1/8-27MPT		
20.	815-229C	HUB 458 W/CUPS 8-BOLTS 8" BC		
21.	803-219C	NUT LUG 5/8-18 X 90 DEG PLT		
22.	822-020C	BEARING CUP LM-67010		
23.	822-021C	BEARING CONE LM-67048		
24.	804-008C	WASHER FLAT 3/4 HARD USS		
25.	805-089C	PIN COTTER 5/32 X 1 1/2 LONG		
26.	803-053C	NUT HEX SLOTTED 3/4-16		
27.	890-781C	GREASE CAP 2.448X1.12X.25		
28.	815-277C	HUB 8-BOLT SPNL 2.25X13.25 458		

[Table of Contents](#)   [Part Number Index](#)

**Front Gauge Wheel Assembly (S/N A1384P-)**

(Applies to 3323DH, 3326DH, 3329DH, 4330DH, 4333DH, 4336DH only)



00856

00856



**Front Gauge Wheel Assembly (S/N A1384P-)**

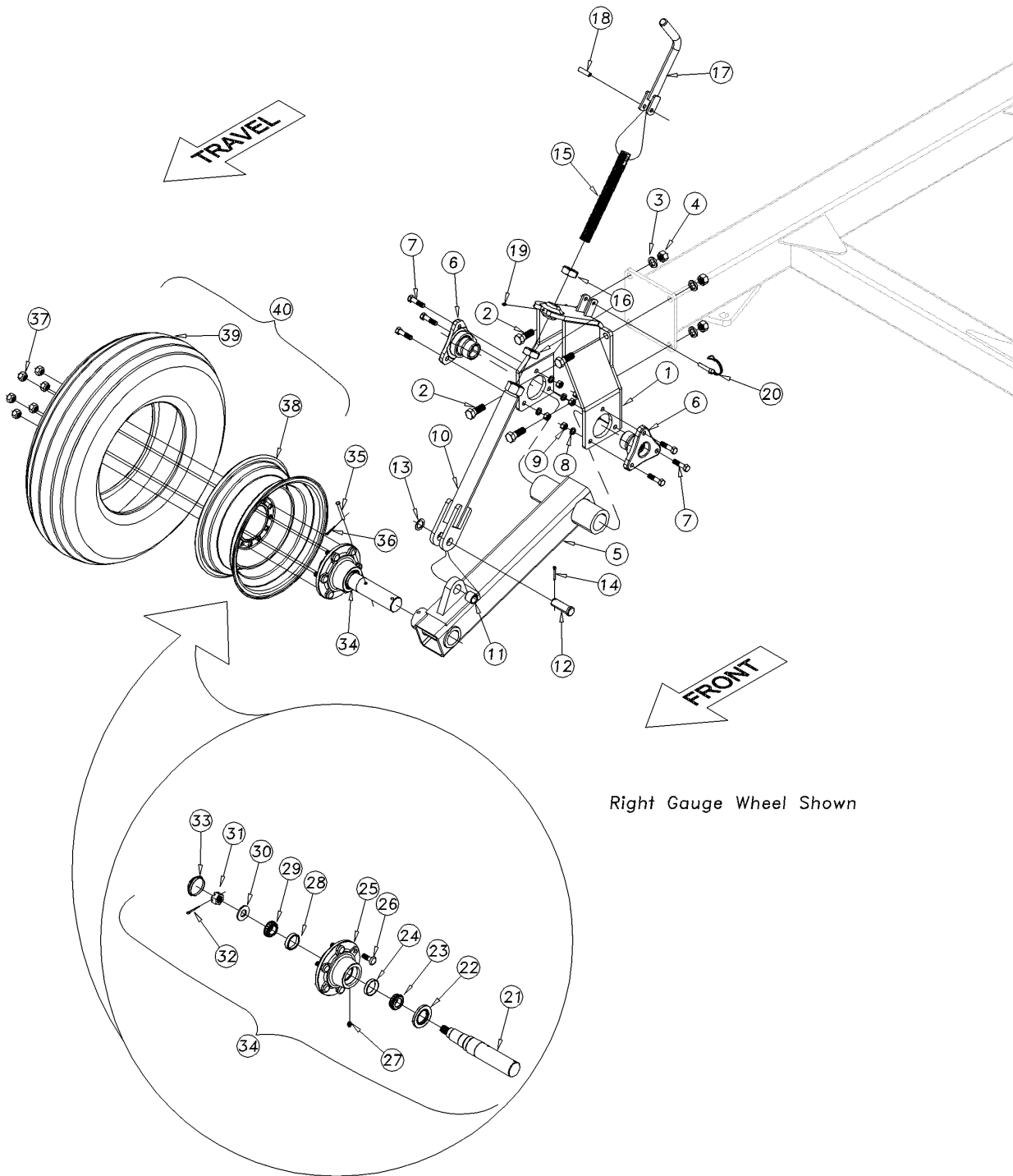
**(Applies to 3323DH, 3326DH, 3329DH, 4330DH, 4333DH, 4336DH only)**

<b>Ref</b>	<b>Part No.</b>	<b>Part Description</b>	<b>Comments</b>	<b>Revision</b>
	dwg00856	Image No.		
1.	556-068H	GAUGE WHEEL ARM		
2.	556-069H	GAUGE WHEEL YOKE		
3.	802-074C	HHCS 1-8X6 1/2 GR5		
4.	803-038C	NUT HEX 1-8 NYLON INSERT PLT		
5.	556-028H	ADJUSTMENT ROD		
6.	802-235C	HHCS 1-8X5 GR5		
7.	556-029H	CROSS TUBE		
8.	803-073C	NUT HEX 1 1/2-6 PLT		
9.	802-205C	HHCS 1-8X5 1/2 GR5		
10.	804-205C	WASHER MACH 2 1/2X1 3/4X10GA		
11.	803-339C	NUT HEX SLOTTED 1 3/4-5 REGULR		
12.	805-115C	PIN COTTER 1/4 X 3 PLT		
13.	596-146S	RIPPER GUAGE WHEEL HUB ASY	Includes items 20 thru 25	
14.	814-219C	WHEEL 10X6 6/6 4.62 PH.18INSET		
15.	814-254C	TIRE 20.5 X 8.0-10 LRE		
16.	596-065K	TIRE 20.5 X 8 10 PLY 6 BOLT	Includes items 14 thru 15	
17.	802-373C	BOLT WHEEL 9/16-18X1 1/8 90-D		
18.	802-064C	HHCS 3/4-10X2 GR5		
19.	804-023C	WASHER LOCK SPRING 3/4 PLT		
20.	596-147H	RIPPER HUB SPINDLE WELDMENT		
21.	822-141C	BRG CONE 1.50ID 13600LA90028		
22.	822-231C	BRG CUP 13621		
23.	815-066C	HUB ASSY 6 BOLT 4 5/8 PILOT		
24.	596-230D	SPINDLE SLEEVE		
25.	803-210C	NUT HEX JAM 1 1/2-12 PLT		
26.	800-080C	GREASE ZERK 1/4-28 THD FORMING		
27.	556-374D	BUSHING 1 1/4 OD X 1 ID	(S/N A1153P+)	Rev. 1

[Table of Contents](#)   [Part Number Index](#)

**Front Gauge Wheel Assembly (S/N A1385P+)**

(Applies to 3323DH, 3326DH, 3329DH, 4330DH, 4333DH, 4336DH only)



Right Gauge Wheel Shown

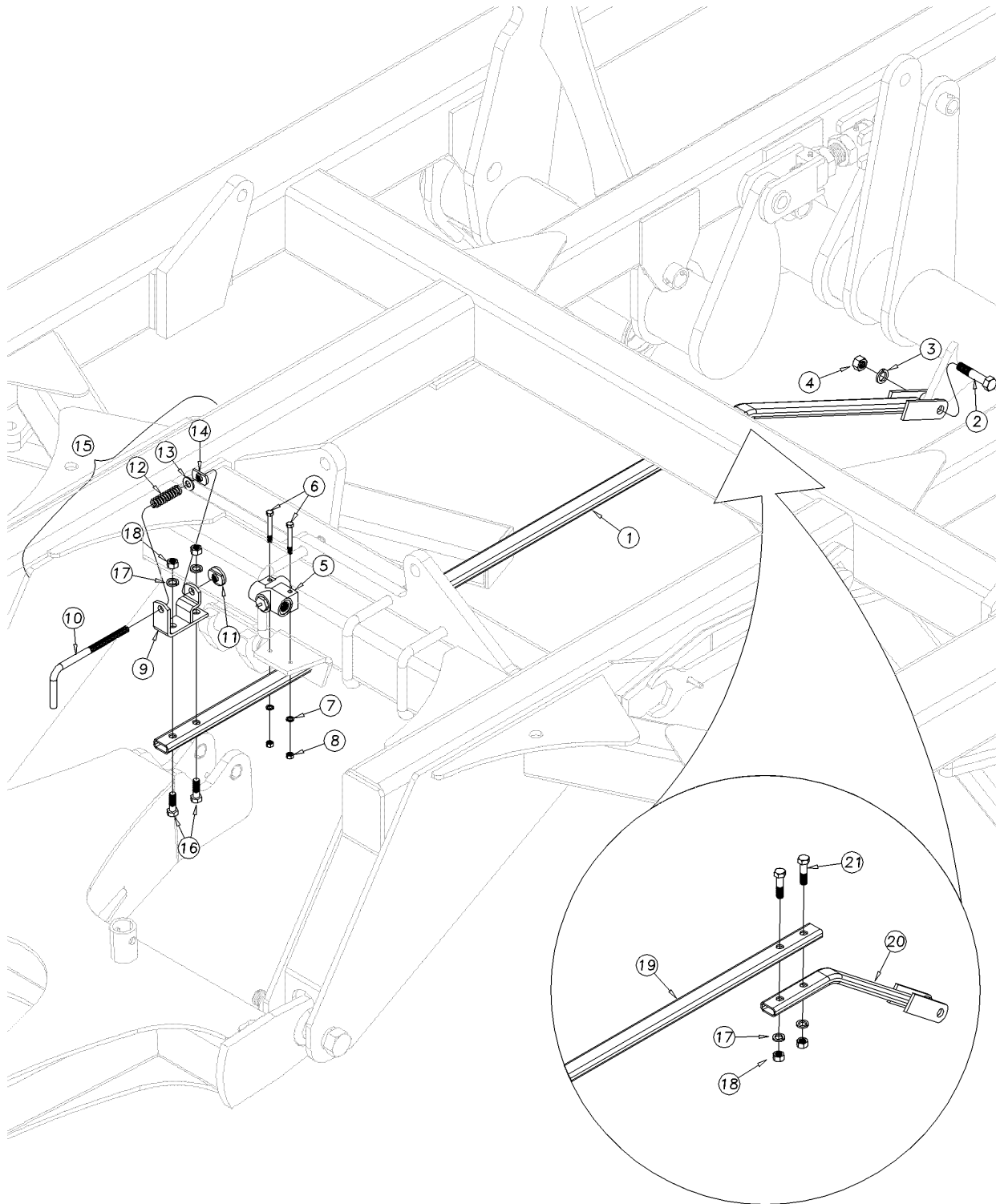
***Front Gauge Wheel Assembly (S/N A1385P+)***

**(Applies to 3323DH, 3326DH, 3329DH, 4330DH, 4333DH, 4336DH only)**

<b>Ref</b>	<b>Part No.</b>	<b>Part Description</b>	<b>Comments</b>	<b>Revision</b>
	dwg41601	Image No.		
1.	556-222H	GAUGE WHEEL BRACKET		
2.	802-064C	HHCS 3/4-10X2 GR5		
3.	804-023C	WASHER LOCK SPRING 3/4 PLT		
4.	803-027C	NUT HEX 3/4-10 PLT		
5.	556-223H	GAUGE WHEEL ARM RH	shown	
5.	556-224H	GAUGE WHEEL ARM LH		
6.	120-223D	3 BOLT PIVOT CAST MACHINED		
7.	802-082C	HHCS 1/2-13X1 3/4 GR5		
8.	804-015C	WASHER LOCK SPRING 1/2 PLT		
9.	803-020C	NUT HEX 1/2-13 PLT		
10.	556-225H	TURNBUCKLE		
11.	890-005C	BUSHING CYL 1 1/4 X 1 X 1		
12.	805-134C	PIN CLEVIS 1 X 2 29/64 USABLE		
13.	804-192C	WASHER MACH 1.5X1.00X.075		
14.	805-104C	PIN COTTER 3/16 X 1 1/2 PLT		
15.	556-469D	THREADED ADJUSTMENT ROD		
16.	803-032C	NUT HEX JAM 1 1/4-7 PLT		
17.	556-226H	GAUGE WHEEL CRANK		
18.	805-357C	PIN SPIROL 1/2 X 1 3/4		
19.	800-080C	GREASE ZERK 1/4-28 THD FORMING		
20.	805-348C	PIN WIRE RETAIN 3/8 X 1 3/4		
21.	570-068D	AXLE SPINDLE 2X12 1/2 (Q783)		
22.	816-426C	SEAL GREASE 6-BLT HD HUB W-783		
23.	822-048C	BRG CONE 1.62IDX.78WD#LM501349		
24.	822-053C	BRG CUP 2.89ODX.58WD #LM501310		
25.	815-193C	HUB 890 W/CUPS 6-BOLTS 6 BC"	Includes items 24,26,27,28, 37	
26.	802-799C	HUB STUD 9/16-18X2 1/8 J1102		
27.	800-130C	GREASE ZERK STRAIGHT 1/8-27NPT		
28.	822-020C	BEARING CUP LM-67010		
29.	822-021C	BEARING CONE LM-67048		
30.	804-055C	WASHER SPINDLE - 7/8		
31.	803-029C	NUT HEX SLOTTED 7/8-14 PLT		
32.	805-089C	PIN COTTER 5/32 X 1 1/2 LONG		
33.	890-781C	GREASE CAP 2.448X1.12X.25		
34.	815-220C	HUB 6-BOLT SPINDLE 2X12.5 890	Includes items 21-33, 37	
35.	805-324C	PIN CLEVIS 5/16X2 13/16 USABLE		
36.	805-353C	SPRING PIN 1/4 X 7/8		
37.	803-061C	NUT LUG 9/16-18 X 90 PLT		
38.	814-220C	WHEEL 15X6 6 BOLT WHITE		
39.	814-011C	TIRE 9.5 L X 15 8 PLY		
40.	814-230C	TIRE/WHEEL 9.5LX15 8 PLY WHITE	Includes items 38-39	

# Depth Control Assembly

(Applies to 3323DH, 3326DH, 3329DH, 4330DH, 4333DH, 4336DH only)



Models 4330, 4333, 4336

## Depth Control Assembly

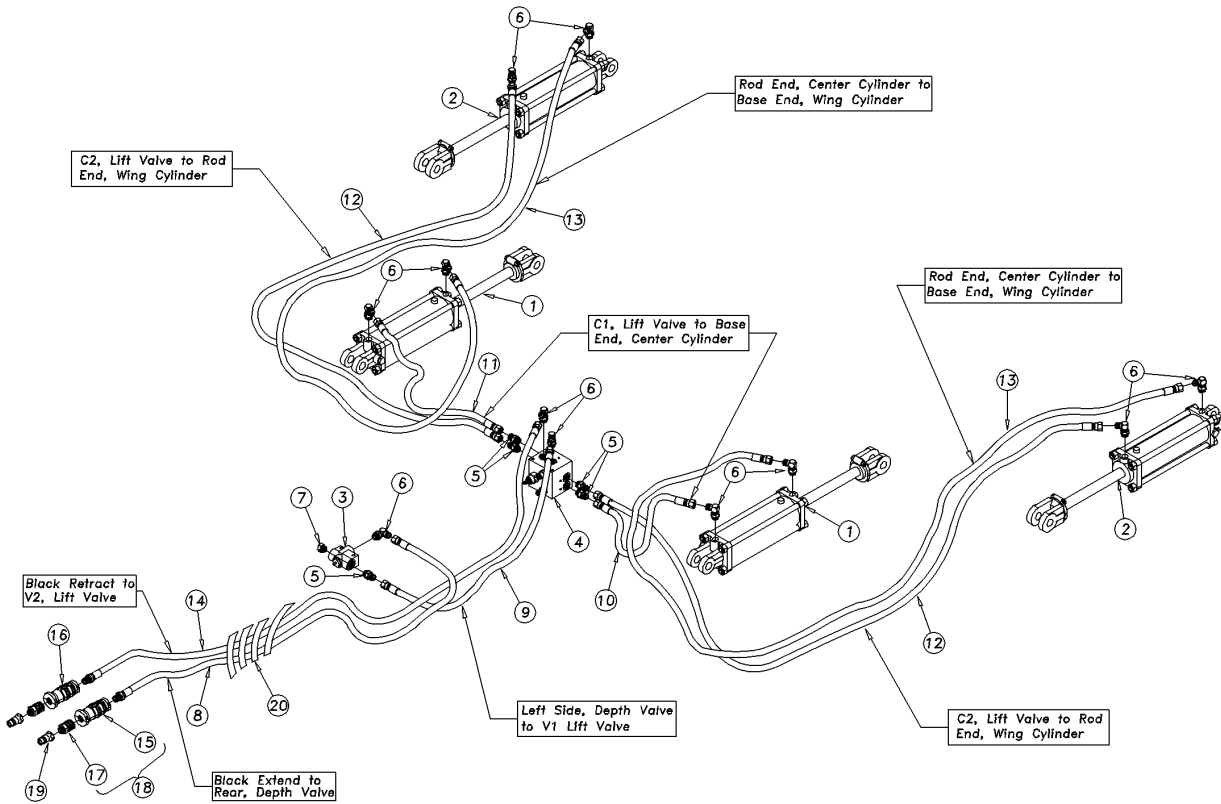
(Applies to 3323DH, 3326DH, 3329DH, 4330DH, 4333DH, 4336DH only)

Ref	Part No.	Part Description	Comments	Revision
	dwg40857	Image No.		
1.	556-066H	DEPTH STOP TUBE	Models 3323-3329	
2.	802-059C	HHCS 5/8-11X3 GR5		
3.	804-022C	WASHER LOCK SPRING 5/8 PLT		
4.	803-021C	NUT HEX 5/8-11 PLT		
5.	810-511C	HYD VALVE DEPTH CONTROL CROSS	Cartridge # 3C7272	
6.	802-172C	HHCS 5/16-18X2 1/2 GR5		
7.	804-009C	WASHER LOCK SPRING 5/16 PLT		
8.	803-008C	NUT HEX 5/16-18 PLT		
9.	550-200H	DEPTH STOP BRACKET		
10.	550-425D	DEPTH STOP ROD 1/2" THREADED		
11.	550-201H	DEPTH STOP END		
12.	807-216C	SPRING COMP .75OD .125W 2.63LG		
13.	804-094C	WASHER FLAT 1/2 HARD ASTM F436		
14.	803-338C	1/2-13 4XPROJECTION WELD NUT		
15.	550-202S	DEPTH STOP ASSEMBLY	Includes items 9-14	
16.	802-091C	HHCS 1/2-13X1 1/2 GR5		
17.	804-015C	WASHER LOCK SPRING 1/2 PLT		
18.	803-020C	NUT HEX 1/2-13 PLT		
19.	556-307D	DEPTH STOP TUBE 4300DH	Models 4330-4336	
20.	556-123H	DEPTH STOP TUBE 4300DH	Models 4330-4336	
21.	802-128C	HHCS 1/2-13X2 GR5		

## Hydraulic Lift Layout

(Applies to 3323DH, 3326DH, 3329DH, 4330DH, 4333DH, 4336DH only)

IMPORTANT: Refer to Hydraulic Layouts in Operator's Manual for proper hose routing to ensure hydraulics work properly.



**Hydraulic Lift Layout**

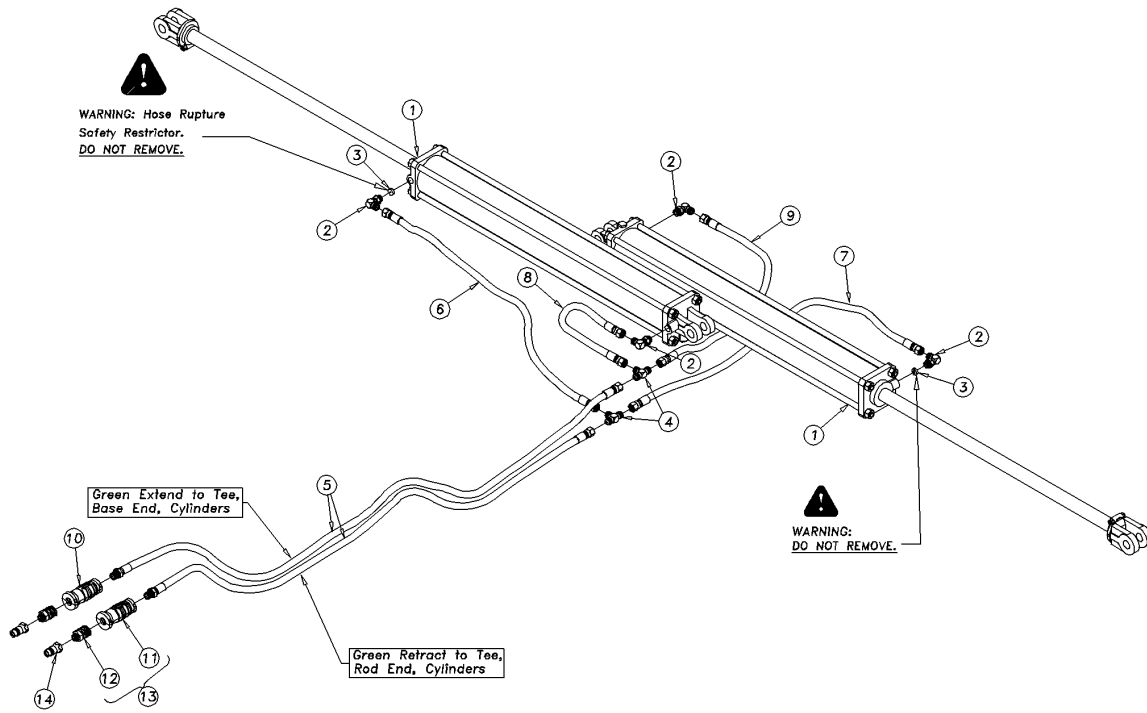
**(Applies to 3323DH, 3326DH, 3329DH, 4330DH, 4333DH, 4336DH only)**

<b>Ref</b>	<b>Part No.</b>	<b>Part Description</b>	<b>Comments</b>	<b>Revision</b>
	dwg42738	Image No.		
1.	810-588C	CYL REP 3.50X10X1.25 ROD (TIE)	3323 Refer to "Hydraulic Cylinder" for breakdown	
1.	810-502C	CYL REP 3.75X10X1.38 ROD (TIE)	3326 & 3329 Refer to "Hydraulic Cylinder" for breakdown	
1.	810-501C	CYL REP 4X10X1.38 ROD (TIE)	4330 - 4336 Refer to "Hydraulic Cylinder" for breakdown	
2.	810-587C	CYL REP 3.25X10X1.25 ROD (TIE)	3323 Refer to "Hydraulic Cylinder" for breakdown	
2.	810-588C	CYL REP 3.50X10X1.25 ROD (TIE)	3326 & 3329 Refer to "Hydraulic Cylinder" for breakdown	
2.	810-502C	CYL REP 3.75X10X1.38 ROD (TIE)	4330 - 4336 Refer to "Hydraulic Cylinder" for breakdown	
3.	810-511C	HYD VALVE DEPTH CONTROL CROSS	Cartridge # 3C7272	
4.	810-602C	HYDRAULIC LIFT VALVE		
5.	811-088C	AD 3/4MORB 3/4MJIC		
6.	811-063C	EL 3/4MJIC 3/4MORB		
7.	811-203C	PL 3/4MORB HOLLOW HEX		
8.	841-352C	HH1/2R1 201 3/4MORB 3/4FJIC	3323, 3326, 3329 Black Extend Handle (S/N A1260P+)	Rev. 2
8.	811-881C	HH3/8R2 201 3/4MORB 3/4FJIC	Changed to 841-352C (S/N A1259P-)	Rev. 1
8.	841-353C	HH1/2R1 207 3/4MORB 3/4FJIC	4330, 4333, 4336 Black Extend Handle (S/N A1260P+)	Rev. 2
8.	811-965C	HH3/8R2 207 3/4MORB 3/4FJIC	Changed to 841-353C (S/N A1259P-)	Rev. 1
9.	841-028C	HH1/2R1 053 3/4FJIC	3323, 3326, 3329 (S/N A1260P+)	Rev. 2
9.	811-977C	HH3/8R2 053 3/4FJIC	Changed to 841-028C (S/N A1259P-)	Rev. 1
9.	841-350C	HH1/2R1 062 3/4FJIC	4330, 4333, 4336 (S/N A1260P+)	Rev. 2
9.	811-670C	HH3/8R2 062 3/4FJIC	Changed to 841-350C (S/N A1259P-)	Rev. 1
10.	811-838C	HH3/8R2 042 3/4FJIC	3323, 3326, 3329	
10.	811-985C	HH3/8R2 078 3/4FJIC	4330, 4333, 4336	
11.	811-952C	HH3/8R2 057 3/4FJIC	3323, 3326, 3329	
11.	811-125C	HH3/8R2 082 3/4FJIC	4330, 4333, 4336	
12.	811-310C	HH3/8R2 198 3/4FJIC	Models 3323	
12.	811-945C	HH3/8R2 217 3/4FJIC	Models 3326	
12.	811-911C	HH3/8R2 235 3/4FJIC	Models 3329	
12.	811-912C	HH3/8R2 249 3/4FJIC	Models 4330	
12.	811-966C	HH3/8R2 267 3/4FJIC	Models 4333, 4336	
13.	811-310C	HH3/8R2 198 3/4FJIC	Models 3323	
13.	811-945C	HH3/8R2 217 3/4FJIC	Models 3326	
13.	811-911C	HH3/8R2 235 3/4FJIC	Models 3329	
13.	841-024C	HH3/8R2 205 3/4FJIC	Models 4330	
13.	811-235C	HH3/8R2 222 3/4FJIC	Models 4333, 4336	
14.	841-351C	HH1/2R1 230 3/4MORB 3/4FJIC	Black Retract Handle (S/N A1260P+)	Rev. 2
14.	811-709C	HH3/8R2 230 3/4MORB 3/4FJIC	Changed to 841-351C (S/N A1259P-)	Rev. 1
15.	811-826C	HG HANDLE - BLACK EXT		
16.	811-913C	HG HANDLE - BLACK RET		
17.	811-919C	AD 3/4MORB 3/4FORB (HG)		
18.	548-001S	HG PAIR - BLACK MORB-FORB	Includes items 14, 15 & 16	
19.	811-394C	CP 3/4FORB MALE QD POPPET TYPE		
20.	575-268D	HOSE WRAP,LARGE SIZE,SHORT(8")		

# Hydraulic Fold Layout; 3323

(Applies to 3323DH only)

**IMPORTANT:** Refer to Hydraulic Layouts in Operator's Manual for proper hose routing to ensure hydraulics work properly.





## Hydraulic Fold Layout; 3323

---

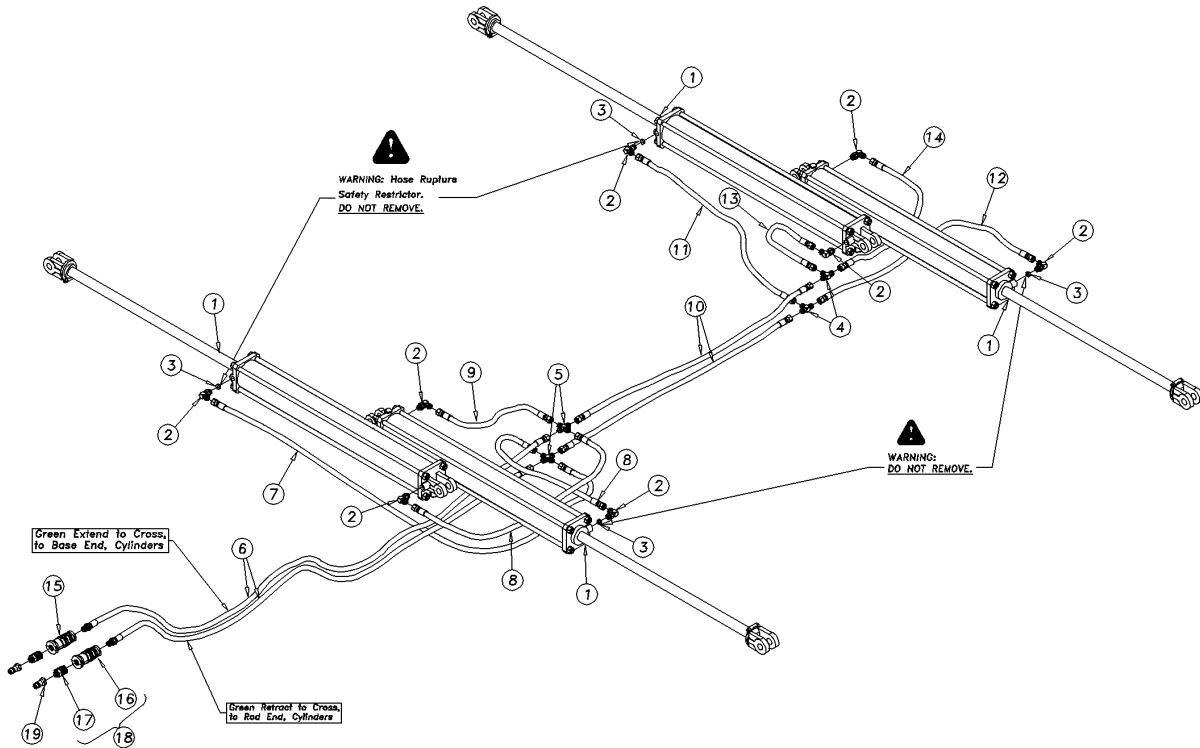
(Applies to 3323DH only)

Ref	Part No.	Part Description	Comments	Revision
	dwg42739	Image No.		
1.	810-489C	CYL 4X36X1.5 TIE 46.63 CL 3000	Refer to "Hydraulic Cylinder" for breakdown	
2.	811-063C	EL 3/4MJIC 3/4MORB		
3.	196-430D	ORIFICE PLATE 1/16 3/4MORB		
4.	811-078C	TE 3/4MJIC		
5.	841-208C	HH3/8R2 290 3/4MORB 3/4FJIC		
6.	811-977C	HH3/8R2 053 3/4FJIC		
7.	811-329C	HH3/8R2 022 3/4FJIC		
8.	811-639C	HH3/8R2 013 3/4FJIC		
9.	811-645C	HH3/8R2 030 3/4FJIC		
10.	811-915C	HG HANDLE - GREEN EXT		
11.	811-916C	HG HANDLE - GREEN RET		
12.	811-919C	AD 3/4MORB 3/4FORB (HG)		
13.	548-003S	HG PAIR - GREEN MORB-FORB	Includes items 10-12	
14.	811-394C	CP 3/4FORB MALE QD POPPET TYPE		

# Hydraulic Fold Layout; 3326-3329

(Applies to 3326DH, 3329DH only)

**IMPORTANT:** Refer to Hydraulic Layouts in Operator's Manual for proper hose routing to ensure hydraulics work properly.



42740

## Hydraulic Fold Layout; 3326-3329

---

(Applies to 3326DH, 3329DH only)

Ref	Part No.	Part Description	Comments	Revision
	dwg42740	Image No.		
1.	810-589C	CYL 3.5X36X1.50 46.63 CL 3000#	Refer to "Hydraulic Cylinder" for breakdown	
2.	811-063C	EL 3/4MJIC 3/4MORB		
3.	196-430D	ORIFICE PLATE 1/16 3/4MORB		
4.	811-078C	TE 3/4MJIC		
5.	811-147C	CR 3/4MJIC		
6.	811-965C	HH3/8R2 207 3/4MORB 3/4FJIC		
7.	811-985C	HH3/8R2 078 3/4FJIC		
8.	811-939C	HH3/8R2 039 3/4FJIC		
9.	811-841C	HH3/8R2 024 3/4FJIC		
10.	841-006C	HH3/8R2 087 3/4FJIC		
11.	811-977C	HH3/8R2 053 3/4FJIC		
12.	811-329C	HH3/8R2 022 3/4FJIC		
13.	811-639C	HH3/8R2 013 3/4FJIC		
14.	811-645C	HH3/8R2 030 3/4FJIC		
15.	811-915C	HG HANDLE - GREEN EXT		
16.	811-916C	HG HANDLE - GREEN RET		
17.	811-919C	AD 3/4MORB 3/4FORB (HG)		
18.	548-003S	HG PAIR - GREEN MORB-FORB	Includes items 15-17	
19.	811-394C	CP 3/4FORB MALE QD POPPET TYPE		



## **Hydraulic Fold Layout; 4330, 4333, 4336**

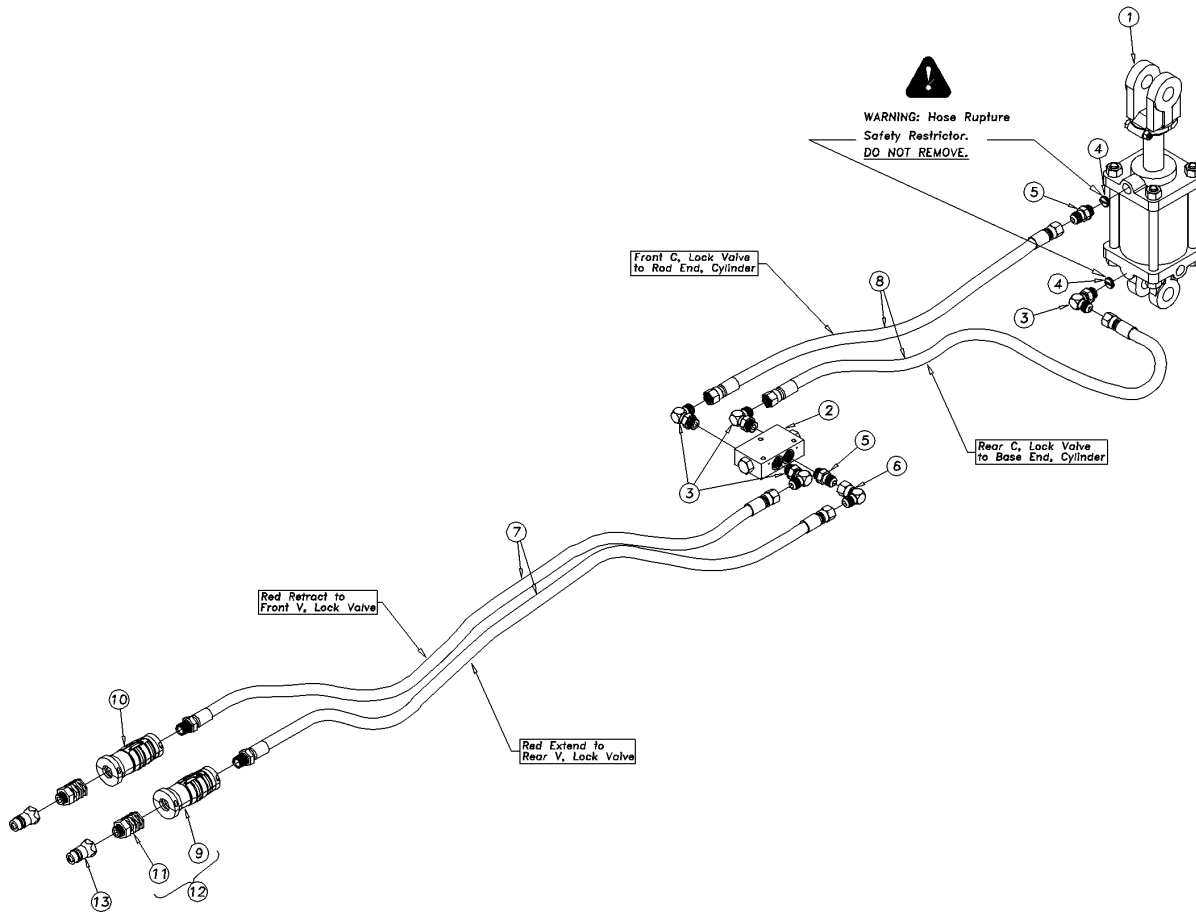
**(Applies to 4330DH, 4333DH, 4336DH only)**

<b>Ref</b>	<b>Part No.</b>	<b>Part Description</b>	<b>Comments</b>	<b>Revision</b>
	dwg42741	Image No.		
1.	810-589C	CYL 3.5X36X1.50 46.63 CL 3000#	Models 4330 & 4333. Refer to "Hydraulic Cylinder" for breakdown	
1.	810-489C	CYL 4X36X1.5 TIE 46.63 CL 3000	Models 4336. Refer to "Hydraulic Cylinder" for breakdown	
2.	811-063C	EL 3/4MJIC 3/4MORB		
3.	196-430D	ORIFICE PLATE 1/16 3/4MORB		
4.	811-078C	TE 3/4MJIC		
5.	811-147C	CR 3/4MJIC		
6.	841-223C	HH3/8R2 212 3/4MORB 3/4FJIC		
7.	811-643C	HH3/8R2 021 3/4FJIC		
8.	811-670C	HH3/8R2 062 3/4FJIC		
9.	811-985C	HH3/8R2 078 3/4FJIC		
10.	811-128C	HH3/8R2 025 3/4FJIC		
11.	841-025C	HH3/8R2 067 3/4FJIC		
12.	811-915C	HG HANDLE - GREEN EXT		
13.	811-916C	HG HANDLE - GREEN RET		
14.	811-919C	AD 3/4MORB 3/4FORB (HG)		
15.	548-003S	HG PAIR - GREEN MORB-FORB	Includes items 12-14	
16.	811-394C	CP 3/4FORB MALE QD POPPET TYPE		

## Hydraulic Level Layout, optional

(Applies to 3323DH, 3326DH, 3329DH, 4330DH, 4333DH, 4336DH only)

**IMPORTANT:** Refer to Hydraulic Layouts in Operator's Manual for proper hose routing to ensure hydraulics work properly.



***Hydraulic Level Layout, optional***

---

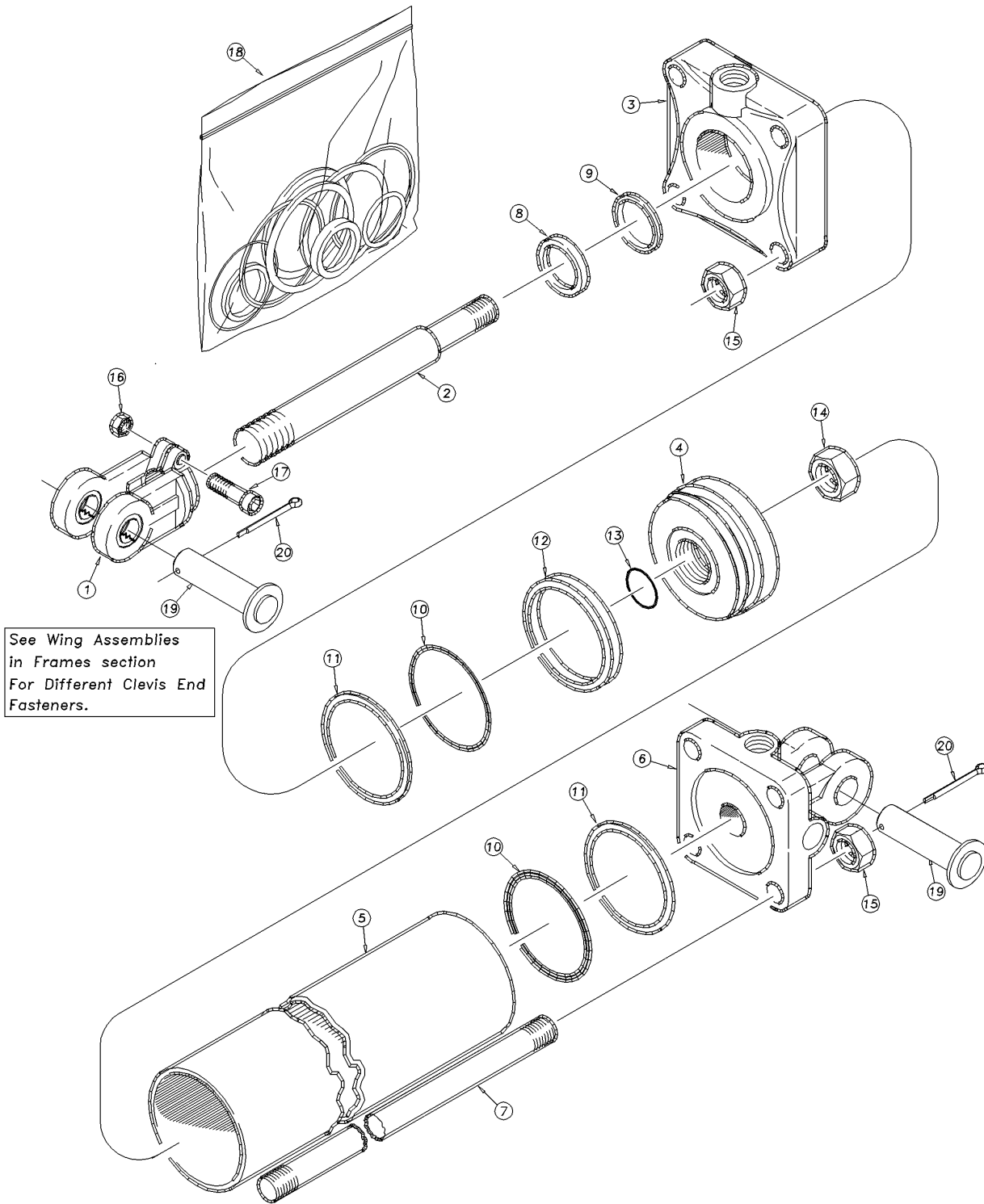
**(Applies to 3323DH, 3326DH, 3329DH, 4330DH, 4333DH, 4336DH only)**

<b>Ref</b>	<b>Part No.</b>	<b>Part Description</b>	<b>Comments</b>	<b>Revision</b>
	dwg42742	Image No.		
1.	810-626C	CYL 4X3X1.50 ROD (TIE ROD)	Refer to "Hydraulic Cylinder" for breakdown	
2.	810-599C	LOCK VALVE		
3.	811-063C	EL 3/4MJIC 3/4MORB		
4.	556-313D	ORIFICE PLATE .025 3/4MORB		
5.	811-088C	AD 3/4MORB 3/4MJIC		
6.	811-150C	EL 3/4FJIC 3/4MJIC		
7.	811-882C	HH3/8R2 152 3/4MORB 3/4FJIC		
8.	811-939C	HH3/8R2 039 3/4FJIC		
9.	811-914C	HG HANDLE - RED EXT		
10.	811-827C	HG HANDLE - RED RET		
11.	811-919C	AD 3/4MORB 3/4FORB (HG)		
12.	548-002S	811-914C- RED MORB-FORB	Includes items 9-11	
13.	811-394C	CP 3/4FORB MALE QD POPPET TYPE		

# [Table of Contents](#)   [Part Number Index](#)

## Hydraulic Cylinder (810-489C 4X36X1.5 Rod)

(Applies to 3323DH, 4336DH only)



41913



## Hydraulic Cylinder (810-489C 4X36X1.5 Rod)

---

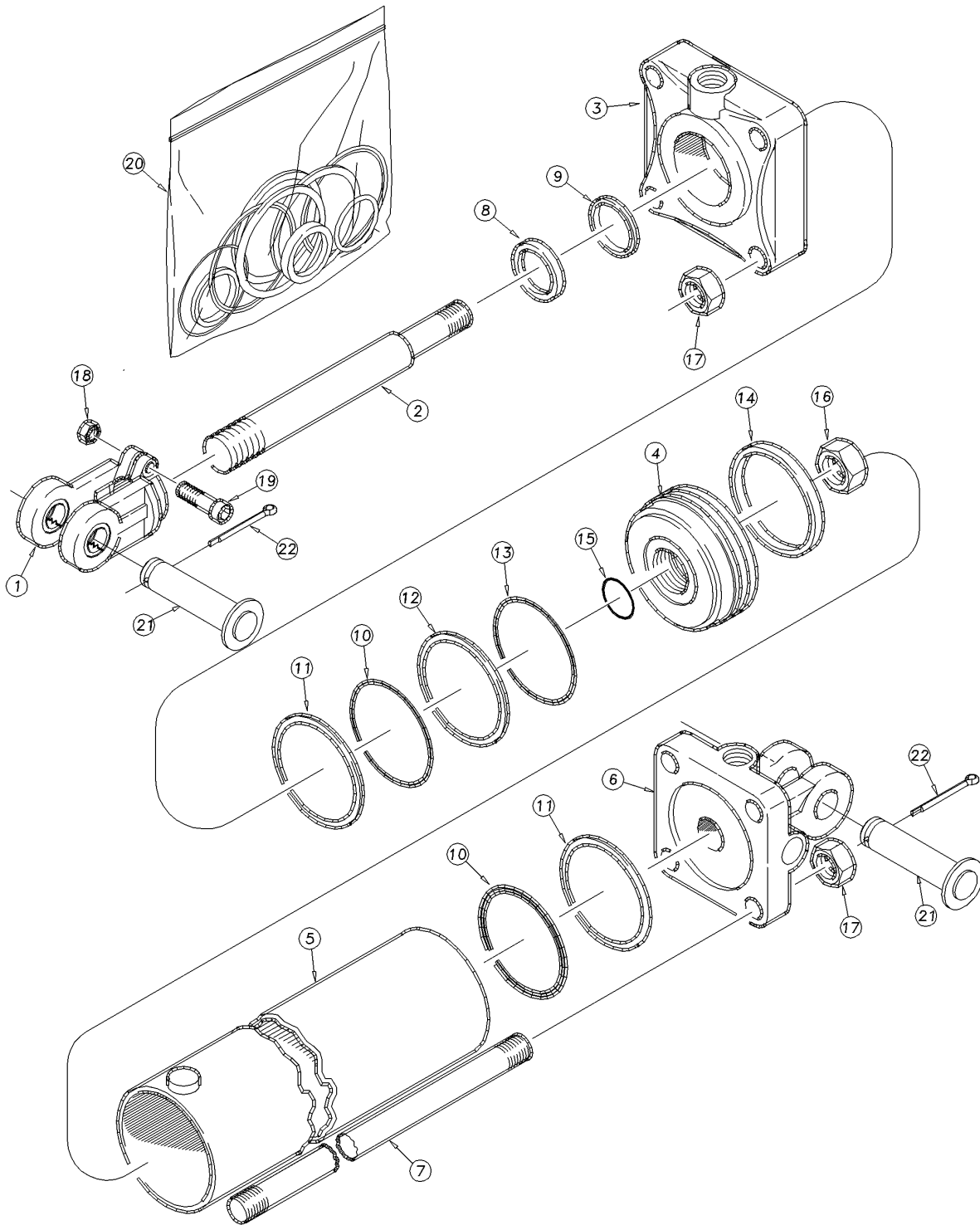
(Applies to 3323DH, 4336DH only)

Ref	Part No.	Part Description	Comments	Revision
	dwg41913	Image No.		
1.	1M7021-ADI	MW ROD CLEVIS 1.00PN 1.5-12THD		
2.	2S6582NC	MIDWAY ROD		
3.	3R5412	MIDWAY HEAD		
4.	4M6108	MW PISTON		
5.	5M6144	MIDWAY TUBE		
6.	6R5162-ADI	MIDWAY ADI BASE		
7.	7M6344	MIDWAY TIE ROD		
8.		MW WIPER	Only in item 18	
9.		U-CUP	Only in item 18	
10.		O-RING MIDWAY	Only in item 18	
11.		BACK UP MIDWAY	Only in item 18	
12.		CROWN SEAL MIDWAY	Only in item 18	
13.		MW PISTON NUT SEAL	Only in item 18	
14.	2A0024	MW PISTON NUT 1-14		
15.	2A0018	MW TIE ROD NUT		
16.	803-234C	NUT HEX 3/8-16 PLAIN		
17.	802-023C	HHCS 3/8-16X1 3/4 GR5		
18.	810-060C	CYL SEAL KIT-810-031C-5A6104		
19.	805-396C	PIN CLEVIS 1 X 3 1/8 USABLE		
20.	805-058C	PIN COTTER 3/16 X 2		

[Table of Contents](#)   [Part Number Index](#)

**Hydraulic Cylinder (810-501C 4X10X1.38 Rod)**

(Applies to 4330DH, 4333DH, 4336DH only)



41918

***Hydraulic Cylinder (810-501C 4X10X1.38 Rod)***

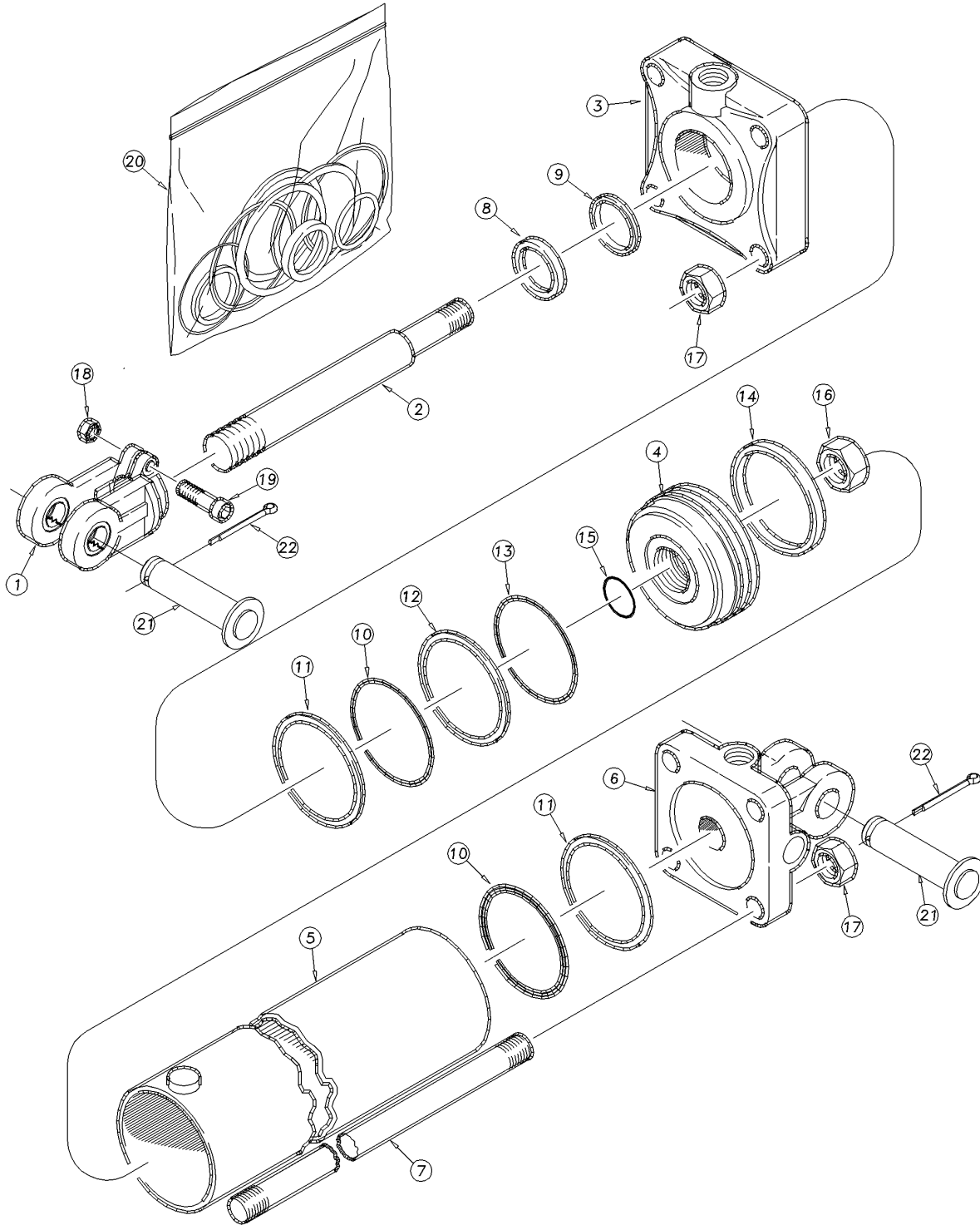
**(Applies to 4330DH, 4333DH, 4336DH only)**

<b>Ref</b>	<b>Part No.</b>	<b>Part Description</b>	<b>Comments</b>	<b>Revision</b>
	dwg41918	Image No.		
1.	1M7016-ADI	MIDWAY HARDENED CLEVIS ADI		
2.	2M6816	MW ROD 1 3/8 DIA		
3.	3R5840	MW HEAD	(S/N A1385P+)	Rev. 2
3.	3R5812	MW HEAD	(S/N A1384P-)	Rev. 1
4.	4R5109	MW PISTON		
5.	5R5118	MIDWAY TUBE		
6.	6R5164-ADI	MIDWAY ADI BASE		
7.	7M6318	MW TIE ROD 4 X 10 CYLINDER		
8.		MW WIPER SEAL	Only in item 20	
9.		U-CUP	Only in item 20	
10.		O-RING MIDWAY	Only in item 20	
11.		BACK UP MIDWAY	Only in item 20	
12.		TEFLON SEAL	Only in item 20	
13.		LOADER	Only in item 20	
14.		WEAR RING	Only in item 20	
15.		O-RING	Only in item 20	
16.	2A0024	MW PISTON NUT 1-14		
17.	2A0018	MW TIE ROD NUT		
18.	803-234C	NUT HEX 3/8-16 PLAIN		
19.	802-023C	HHCS 3/8-16X1 3/4 GR5		
20.	810-151C	SEAL KIT MW 4 RPH CYL 4A5103		
21.	805-396C	PIN CLEVIS 1 X 3 1/8 USABLE		
22.	805-058C	PIN COTTER 3/16 X 2		

[Table of Contents](#)   [Part Number Index](#)

**Hydraulic Cylinder (810-502C 3.75X10X1.38 Rod)**

(Applies to 3326DH, 3329DH, 4330DH, 4333DH, 4336DH only)



41918

## **Hydraulic Cylinder (810-502C 3.75X10X1.38 Rod)**

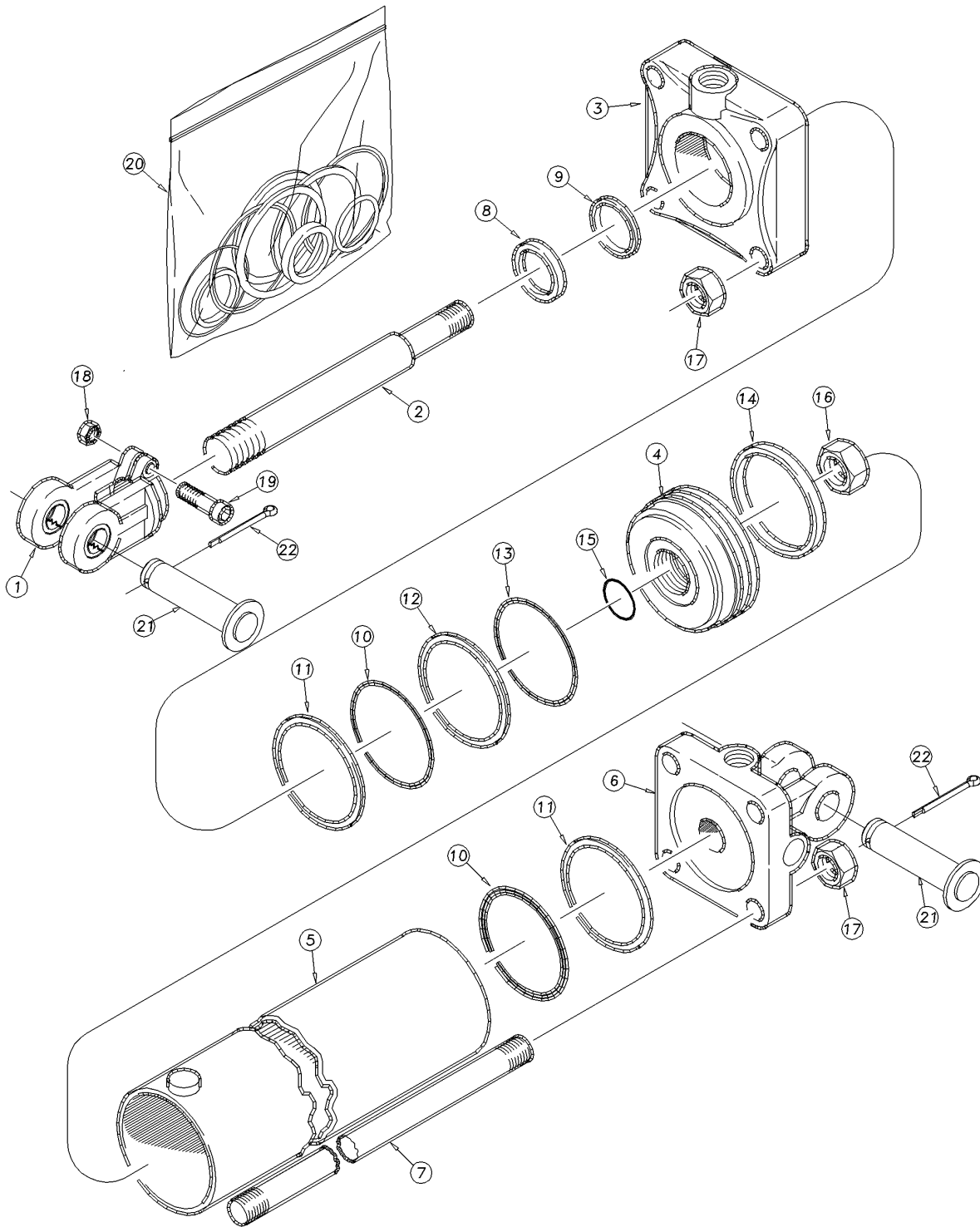
**(Applies to 3326DH, 3329DH, 4330DH, 4333DH, 4336DH only)**

<b>Ref</b>	<b>Part No.</b>	<b>Part Description</b>	<b>Comments</b>	<b>Revision</b>
	dwg41918	Image No.		
1.	1M7016-ADI	MIDWAY HARDENED CLEVIS ADI		
2.	2M6816	MW ROD 1 3/8 DIA		
3.	3R4840	MW HEAD	(S/N A1385P+)	Rev. 2
3.	3R4812	MW HEAD	(S/N A1384P-)	Rev. 1
4.	4R4109	PISTON MIDWAY		
5.	5R4118	MIDWAY TUBE		
6.	6R4164-ADI	MIDWAY ADI BASE		
7.	7M6318	MW TIE ROD 4 X 10 CYLINDER		
8.		MW WIPER SEAL	Only in item 20	
9.		U-CUP	Only in item 20	
10.		O-RING MIDWAY	Only in item 20	
11.		BACK UP MIDWAY	Only in item 20	
12.		TEFLON SEAL	Only in item 20	
13.		LOADER	Only in item 20	
14.		WEAR RING	Only in item 20	
15.		O-RING	Only in item 20	
16.	2A0024	MW PISTON NUT 1-14		
17.	2A0018	MW TIE ROD NUT		
18.	803-234C	NUT HEX 3/8-16 PLAIN		
19.	802-023C	HHCS 3/8-16X1 3/4 GR5		
20.	810-373C	SEAL KIT MW 3.75X1.375 4A4103		
21.	805-396C	PIN CLEVIS 1 X 3 1/8 USABLE		
22.	805-058C	PIN COTTER 3/16 X 2		

[Table of Contents](#)   [Part Number Index](#)

**Hydraulic Cylinder (810-587C 3.25X10X1.25 Rod)**

(Applies to 3323DH only)



41918

**Hydraulic Cylinder (810-587C 3.25X10X1.25 Rod)**

---

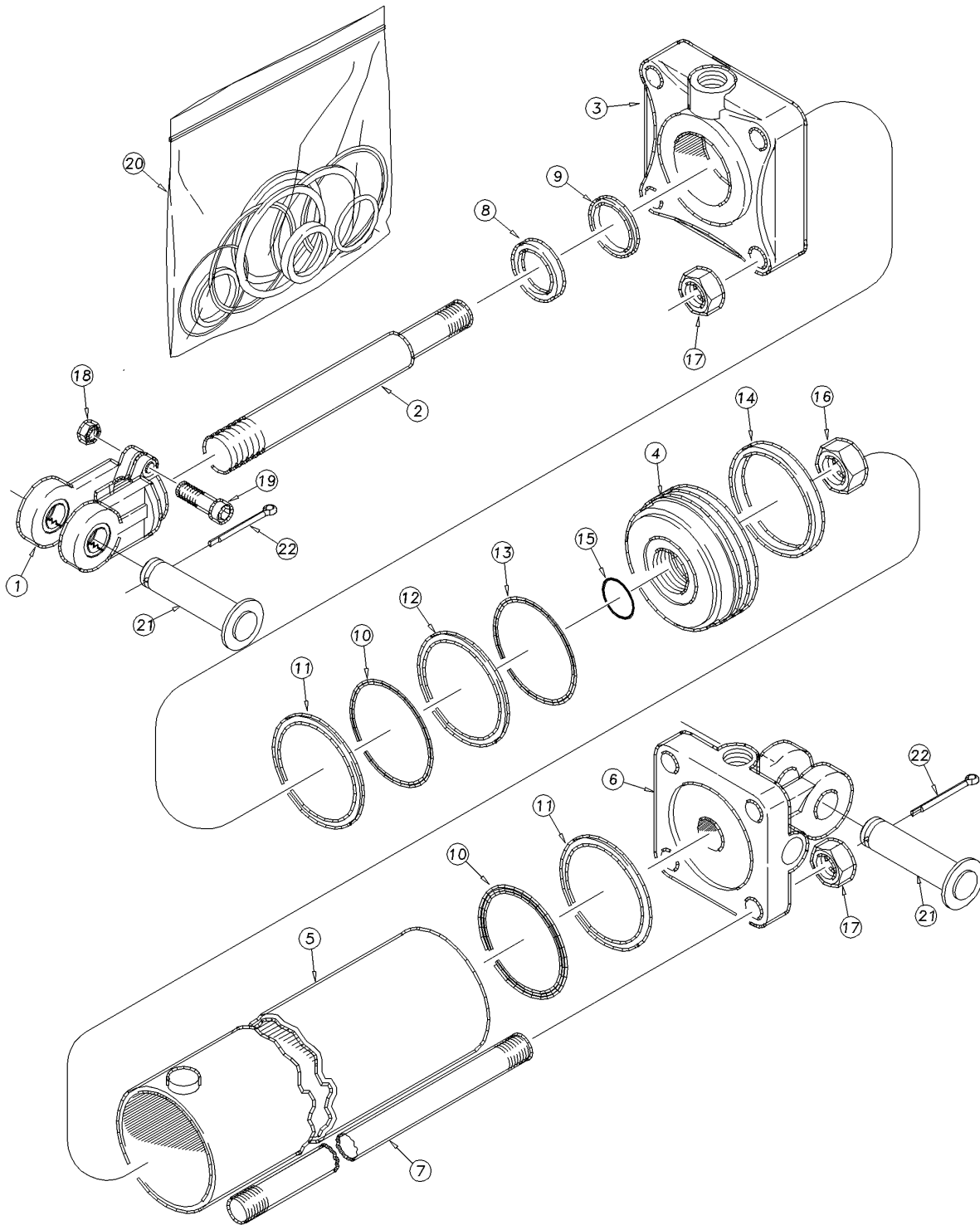
(Applies to 3323DH only)

Ref	Part No.	Part Description	Comments	Revision
	dwg41918	Image No.		
1.	1M7016-ADI	MIDWAY HARDENED CLEVIS ADI		
2.	2M5416	MW ROD		
3.	3R2440	MW HEAD	(S/N A1385P+)	Rev. 2
3.	3R2412	MW HEAD	(S/N A1384P-)	Rev. 1
4.	4R2109	PISTON MIDWAY		
5.	5R2118	TUBE MIDWAY		
6.	6R2164-ADI	MIDWAY ADI BASE		
7.	7M5318	TIE ROD MIDWAY		
8.		MW WIPER	Only in item 20	
9.		U-CUP	Only in item 20	
10.		O-RING MIDWAY	Only in item 20	
11.		BACK UP MIDWAY	Only in item 20	
12.		TEFLON SEAL	Only in item 20	
13.		LOADER	Only in item 20	
14.		WEAR RING	Only in item 20	
15.		MW PISTON NUT SEAL	Only in item 20	
16.	2A0024	MW PISTON NUT 1-14		
17.	2A0016	MW TIE ROD NUT		
18.	803-234C	NUT HEX 3/8-16 PLAIN		
19.	802-023C	HHCS 3/8-16X1 3/4 GR5		
20.	810-173C	SEAL KIT MW 3.25 RPHCYL 4A2104		
21.	805-396C	PIN CLEVIS 1 X 3 1/8 USABLE		
22.	805-058C	PIN COTTER 3/16 X 2		

[Table of Contents](#)   [Part Number Index](#)

**Hydraulic Cylinder (810-588C 3.50X10X1.25 Rod)**

(Applies to 3323DH, 3326DH, 3329DH only)



41918



**Hydraulic Cylinder (810-588C 3.50X10X1.25 Rod)**

---

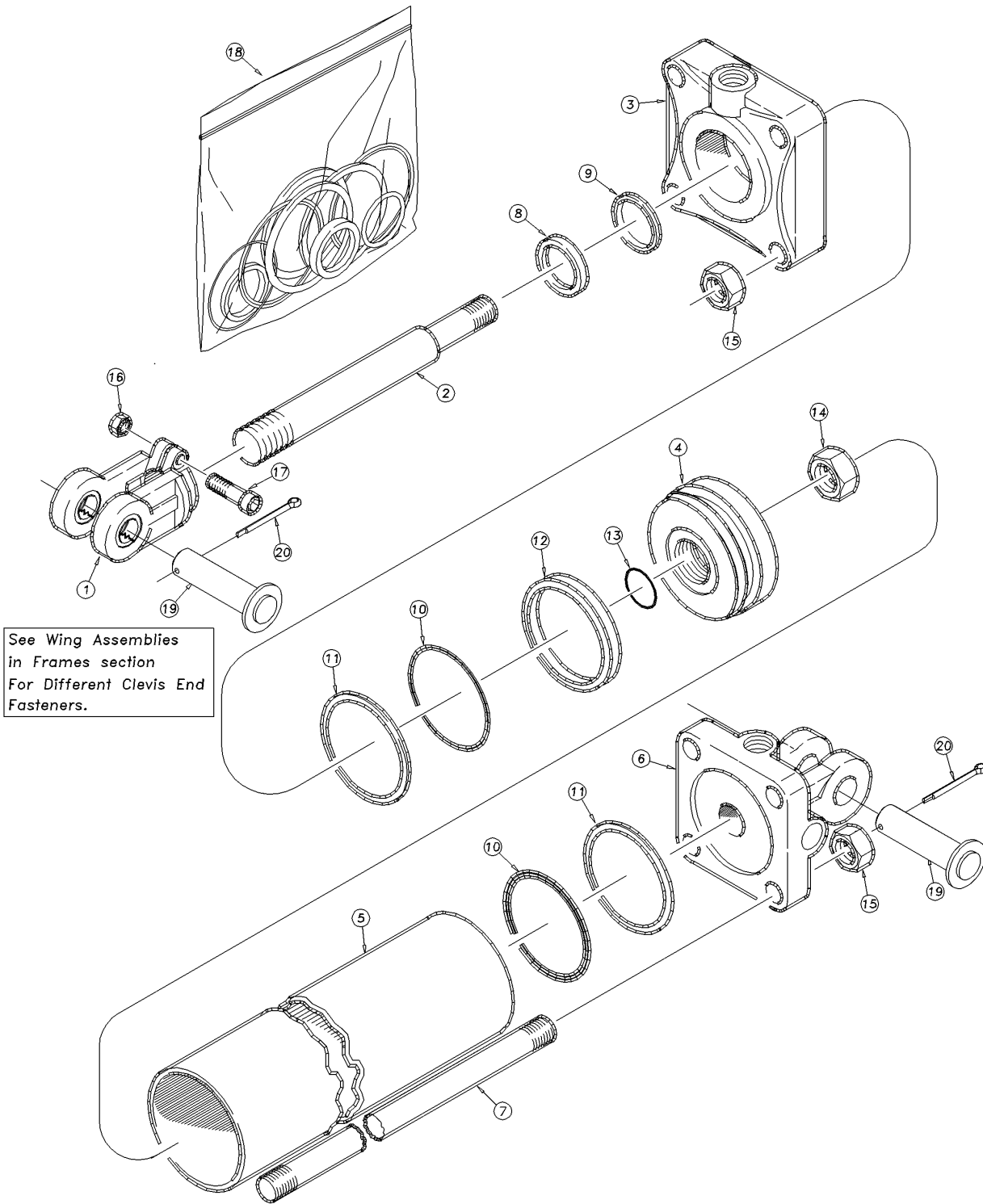
(Applies to 3323DH, 3326DH, 3329DH only)

Ref	Part No.	Part Description	Comments	Revision
	dwg41918	Image No.		
1.	1M7016-ADI	MIDWAY HARDENED CLEVIS ADI		
2.	2M5416	MW ROD		
3.	3R3412	MW HEAD		
4.	4R3109	PISTON MIDWAY		
5.	5R3118	TUBE MIDWAY		
6.	6R3164-ADI	MIDWAY ADI BASE		
7.	7M5318	TIE ROD MIDWAY		
8.		MW WIPER	Only in item 20	
9.		U-CUP	Only in item 20	
10.		O-RING MIDWAY	Only in item 20	
11.		BACK UP MIDWAY	Only in item 20	
12.		TEFLON SEAL	Only in item 20	
13.		LOADER	Only in item 20	
14.		WEAR RING	Only in item 20	
15.		MW PISTON NUT SEAL	Only in item 20	
16.	2A0024	MW PISTON NUT 1-14		
17.	2A0016	MW TIE ROD NUT		
18.	803-234C	NUT HEX 3/8-16 PLAIN		
19.	802-023C	HHCS 3/8-16X1 3/4 GR5		
20.	810-174C	SEAL KIT MW 3.5 RPHCYL 4A3104		
21.	805-396C	PIN CLEVIS 1 X 3 1/8 USABLE		
22.	805-058C	PIN COTTER 3/16 X 2		

[Table of Contents](#)   [Part Number Index](#)

**Hydraulic Cylinder (810-589C 3.5X36X1.50 Rod)**

(Applies to 3326DH, 3329DH, 4330DH, 4333DH only)



41913

## **Hydraulic Cylinder (810-589C 3.5X36X1.50 Rod)**

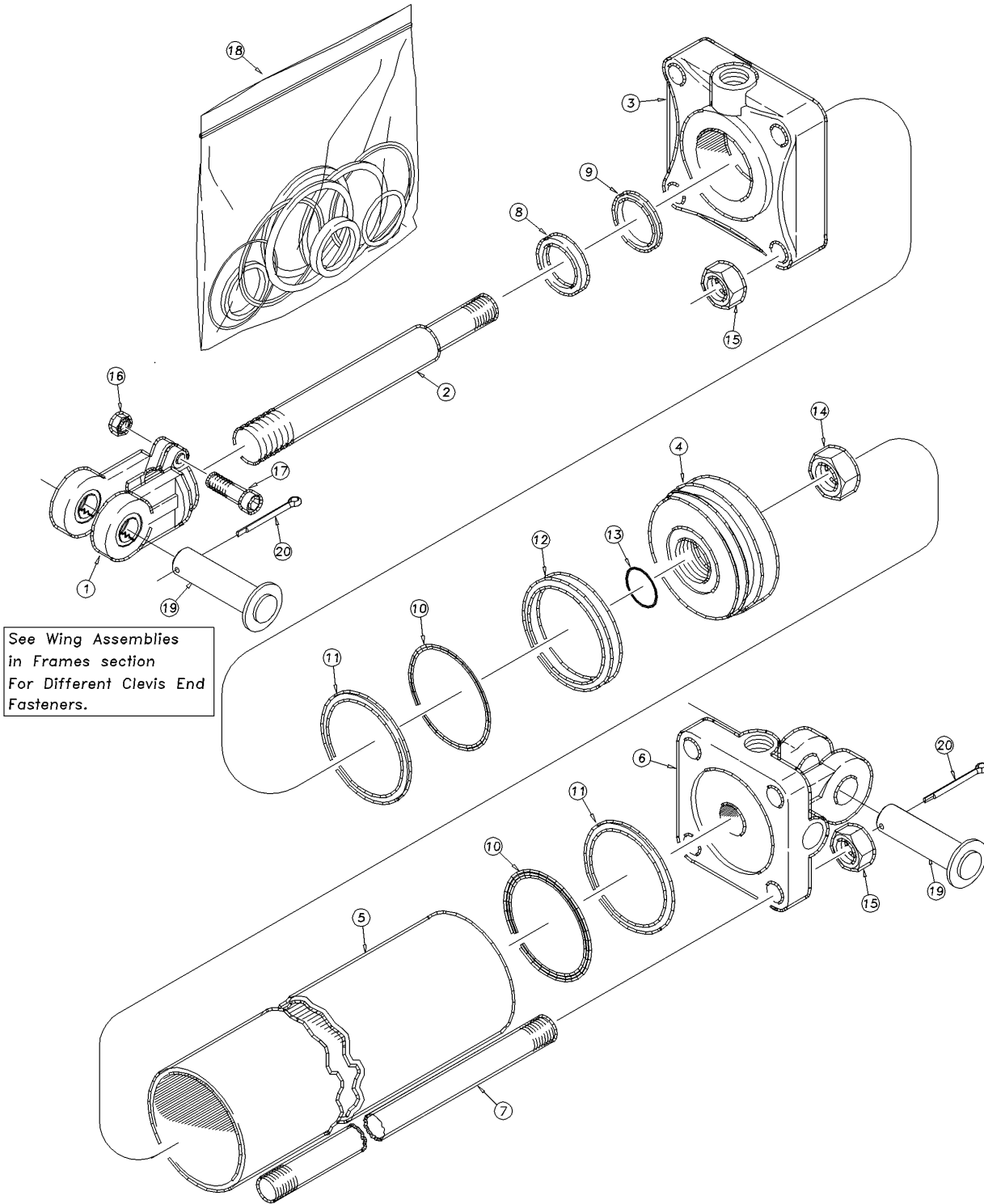
**(Applies to 3326DH, 3329DH, 4330DH, 4333DH only)**

<b>Ref</b>	<b>Part No.</b>	<b>Part Description</b>	<b>Comments</b>	<b>Revision</b>
	dwg41913	Image No.		
1.	1M7021-ADI	MW ROD CLEVIS 1.00PN 1.5-12THD		
2.	2S5595NC	MIDWAY ROD		
3.	3R3812	MIDWAY HEAD		
4.	4M5108	MW PISTON		
5.	5M5144	MIDWAY CYLINDER TUBE		
6.	6R3162-ADI	MIDWAY ADI BASE		
7.	7M5344	MIDWAY TIE ROD		
8.		MW WIPER	Only in item 18	
9.		U-CUP	Only in item 18	
10.		O-RING MIDWAY	Only in item 18	
11.		BACK UP MIDWAY	Only in item 18	
12.		CROWN SEAL MIDWAY	Only in item 18	
13.		MW PISTON NUT SEAL	Only in item 18	
14.	2A0024	MW PISTON NUT 1-14		
15.	2A0016	MW TIE ROD NUT		
16.	803-234C	NUT HEX 3/8-16 PLAIN		
17.	802-023C	HHCS 3/8-16X1 3/4 GR5		
18.	810-059C	CYL SEAL KIT 5A5104		
19.	805-396C	PIN CLEVIS 1 X 3 1/8 USABLE		
20.	805-058C	PIN COTTER 3/16 X 2		

[Table of Contents](#)   [Part Number Index](#)

**Hydraulic Cylinder (810-626C 3.5X36X1.50 Rod)**

(Applies to 3323DH, 3326DH, 3329DH, 4330DH, 4333DH, 4336DH only)



41913

**Hydraulic Cylinder (810-626C 3.5X36X1.50 Rod)**

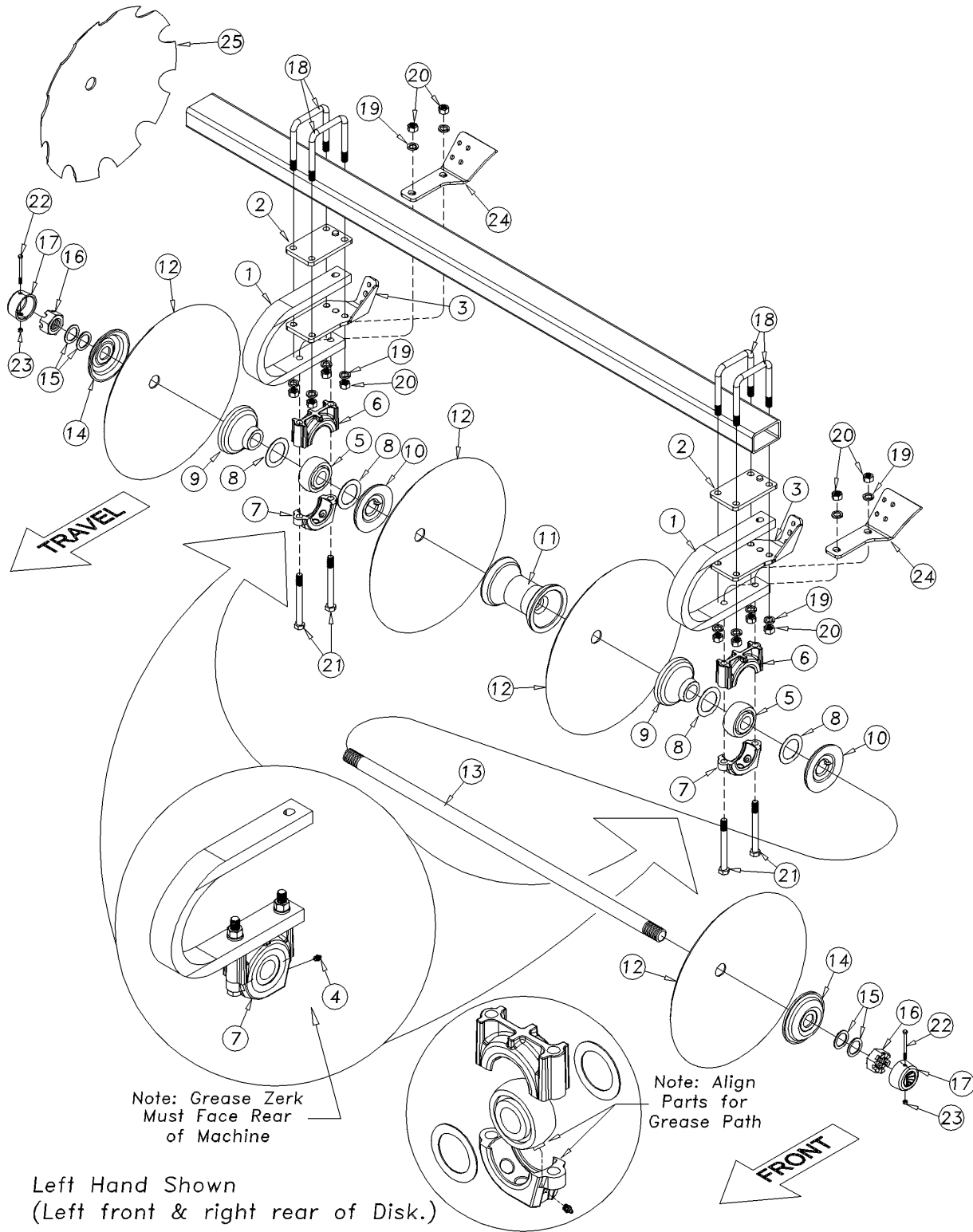
---

(Applies to 3323DH, 3326DH, 3329DH, 4330DH, 4333DH, 4336DH only)

Ref	Part No.	Part Description	Comments	Revision
	dwg41913	Image No.		
1.	1M7021-ADI	MW ROD CLEVIS 1.00PN 1.5-12THD		
2.	2S6595NC	MIDWAY ROD		
3.	3R5912	HEAD MIDWAY		
4.	4M6108	MW PISTON		
5.	5M6111	MIDWAY CYLINDER TUBE		
6.	6R5162-ADI	MIDWAY ADI BASE		
7.	7M6311	MIDWAY TIE ROD		
8.		MW WIPER	Only in item 18	
9.		U-CUP	Only in item 18	
10.		O-RING MIDWAY	Only in item 18	
11.		BACK UP MIDWAY	Only in item 18	
12.		CROWN SEAL MIDWAY	Only in item 18	
13.		MW PISTON NUT SEAL	Only in item 18	
14.	2A0024	MW PISTON NUT 1-14		
15.	2A0016	MW TIE ROD NUT		
16.	803-234C	NUT HEX 3/8-16 PLAIN		
17.	802-023C	HHCS 3/8-16X1 3/4 GR5		
18.	810-060C	CYL SEAL KIT-810-031C-5A6104		
19.	805-396C	PIN CLEVIS 1 X 3 1/8 USABLE		
20.	805-058C	PIN COTTER 3/16 X 2		

# Disk Gang Assembly, 7 1/2" & 9" Spacing

(Applies to 3323DH, 3326DH, 3329DH, 4330DH, 4333DH, 4336DH only)



Note: Grease Zerk  
Must Face Rear  
of Machine

Note: Align  
Parts for  
Grease Path

Left Hand Shown  
(Left front & right rear of Disk.)

***Disk Gang Assembly, 7 1/2" & 9" Spacing***

**(Applies to 3323DH, 3326DH, 3329DH, 4330DH, 4333DH, 4336DH only)**

<b>Ref</b>	<b>Part No.</b>	<b>Part Description</b>	<b>Comments</b>	<b>Revision</b>
	dwg 41339	Image No.		
1.	807-263C	C-SHANK HANGER 1.25X2.50 RH	Located on right front & left rear of disk.	
1.	807-264C	C-SHANK HANGER 1.25X2.50 LH	(shown) Located on left front & right rear of disk.	
2.	556-064H	C-SHANK PLATE, TOP		
3.	556-233H	SCRAPER BRACKET, SPRING RH	Located on right front & left rear of disk.	Rev. 1
3.	556-346D	SCRAPER BRACKET, SPRING RH	Replaced by 566-233H.	
3.	556-234H	SCRAPER BRACKET, SPRING LH	(shown) Located on left front & right rear of disk.	Rev. 1
3.	556-347D	SCRAPER BRACKET, SPRING LH	Replaced by 566-234H.	
4.	800-130C	ZERK GREASE STRAIGHT 1/8-27MPT		
5.	822-026C	BRG INS 1.78ID CDS211TTR23N		
6.	812-006CP	CASTING TOP BEARING		
7.	812-059C	CASTING CAP BOTTOM	(S/N A1323P+)	Rev. 2
7.	586-187D	CASTING BOTTOM BEARING FINISHD	Replaced by 812-059C (S/N A1322P-)	Rev. 1
8.	556-375D	BEARING SHIELD		Rev. 1
9.	556-124D	HALF SPOOL LONG, 9	9" disc spacing (shown)	
9.	556-123D	HALF SPOOL LONG, 7 1/2	7 1/2" disc spacing	
10.	556-122D	HALF SPOOL DISK, SHORT		
11.	556-121D	FULL SPOOL DISK, 9	9" disc spacing	
11.	556-120D	FULL SPOOL DISK, 7 1/2	7 1/2" disc spacing	
12.	820-355C	BLADE DISC 24RC .197X1.78 HOLE	(shown)	
12.	820-446C	BLADE DISC 24RC X.256 ROLLABLE	Replaced by 820-446C (S/N A1461P-)	Rev. 2
12.	820-356C	BLADE DISC 24RC .256X1.78 HOLE	Replaced by 820-446C (S/N A1462P+)	Rev. 1
12.	820-357C	BLADE DISC 22RC .197X1.78 HOLE		
12.	820-445C	BLADE DISC 22RC X.256 ROLLABLE	Replaced by 820-446C (S/N A1461P-)	Rev. 2
12.	820-358C	BLADE DISC 22RC .256X1.78 HOLE	Replaced by 820-446C (S/N A1462P+)	Rev. 1
12.	820-359C	BLADE DISC 20RC .197X1.78 HOLE		
12.	820-444C	BLADE DISC 20RC X.256 ROLLABLE	Replaced by 820-446C (S/N A1461P-)	Rev. 2
12.	820-360C	BLADE DISC 20RC .256X1.78 HOLE	Replaced by 820-446C (S/N A1462P+)	Rev. 1
12.	820-467C	BLADE DISC 26RC X.256 ROLLABLE		
13.	556-125D	GANG BOLT 50 3/4"	7-Blade Gang 7 1/2", 6-Blade Gang 9"	
13.	556-126D	GANG BOLT 59 3/4"	7-Blade Gang 9"	
13.	556-127D	GANG BOLT 68 3/4"	8-Blade Gang 9"	
13.	556-128D	GANG BOLT 77 3/4"	9-Blade Gang 9"	
13.	556-129D	GANG BOLT 86 3/4"	10-Blade Gang 9"	
13.	556-130D	GANG BOLT 95 3/4"	11-Blade Gang 9"	
13.	556-131D	GANG BOLT 104 3/4"	12-Blade Gang 9"	
13.	556-100D	GANG BOLT 58 1/4"	8-Blade Gang, 7 1/2"	
13.	556-101D	GANG BOLT 65 3/4"	9-Blade Gang, 7 1/2"	
13.	556-102D	GANG BOLT 73 1/4"	10-Blade Gang, 7 1/2"	
13.	556-103D	GANG BOLT 80 3/4"	11-Blade Gang, 7 1/2"	
13.	556-104D	GANG BOLT 88 1/4"	12-Blade Gang, 7 1/2"	
13.	556-130D	GANG BOLT 95 3/4"	13-Blade Gang, 7 1/2"	
13.	556-105D	GANG BOLT 103 1/4"	14-Blade Gang, 7 1/2"	
13.	556-106D	GANG BOLT 110 3/4"	15-Blade Gang, 7 1/2"	
13.	556-107D	GANG BOLT 118 1/4"	16-Blade Gang, 7 1/2"	
14.	804-200C	WASHER DURA-TIGHT 1.81ID X 7.0		
15.	804-229C	WASHER 2 3/4 X 1 3/4 X 1/4 PLT		Rev. 2
15.	804-205C	WASHER MACH 2 1/2X1 3/4X10GA	Changed to 804-229C	Rev. 1
16.	803-339C	NUT HEX SLOTTED 1 3/4-5 REGULR		
17.	812-365C	CASTING THREAD PROTECTOR		Rev. 2
17.	556-067H	THREAD PROTECTOR	Replaced by 556-365C	Rev. 1
18.	806-120C	U-BOLT 3/4-10 X 5 1/32 X 6 1/2	Was 6" Long	Rev. 1
19.	804-023C	WASHER LOCK SPRING 3/4 PLT		
20.	803-027C	NUT HEX 3/4-10 PLT		

[Table of Contents](#)   [Part Number Index](#)

***Disk Gang Assembly, 7 1/2" & 9" Spacing (continued)***

---

(Applies to 3323DH, 3326DH, 3329DH, 4330DH, 4333DH, 4336DH only)

<b>Ref</b>	<b>Part No.</b>	<b>Part Description</b>	<b>Comments</b>	<b>Revision</b>
21.	802-469C	HHCS 3/4-10X8 GR5 PLT	(S/N A1323P+)	Rev.3
21.	802-280C	HHCS 3/4-10X7 1/2 GR5	Replaced by 802-469C(S/N A1260P+) (S/N A1322P-)	Rev. 2
21.	802-095C	HHCS 3/4-10X7 GR5	Replaced by 802-280C(S/N A1259P-)	Rev. 1
22.	802-802C	HHCS 5/16-18X4 GR8 PLT		
23.	803-084C	NUT HEX NYLOCK 5/16-18 PLT		
24.	556-461D	DUAL-SCRAPER BRACKET LH	(shown) (S/N A1260P+)	Rev. 2
24.	566-460D	DUAL-SCRAPER BRACKET RH	(S/N A1260P+)	Rev. 2
24.	556-309D	DUAL-SCRAPER BRACKET RH	Replaced by 556-461D (S/N A1259P-)	Rev. 1
24.	556-310D	DUAL-SCRAPER BRACKET LH	Replaced by 556-460D (S/N A1259P-)	Rev. 1
25.	820-369C	BLADE DISC 24NRC .256X1.78HOLE	Notched Blade	



***Disk Gang Assembly, 7 1/2" & 9" Spacing (continued)***

---

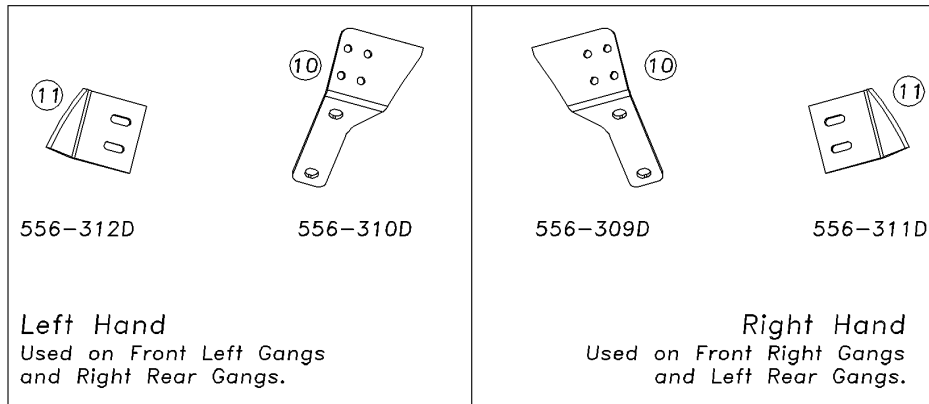
(Applies to 3323DH, 3326DH, 3329DH, 4330DH, 4333DH, 4336DH only)

***This Page Intentionally Left Blank***

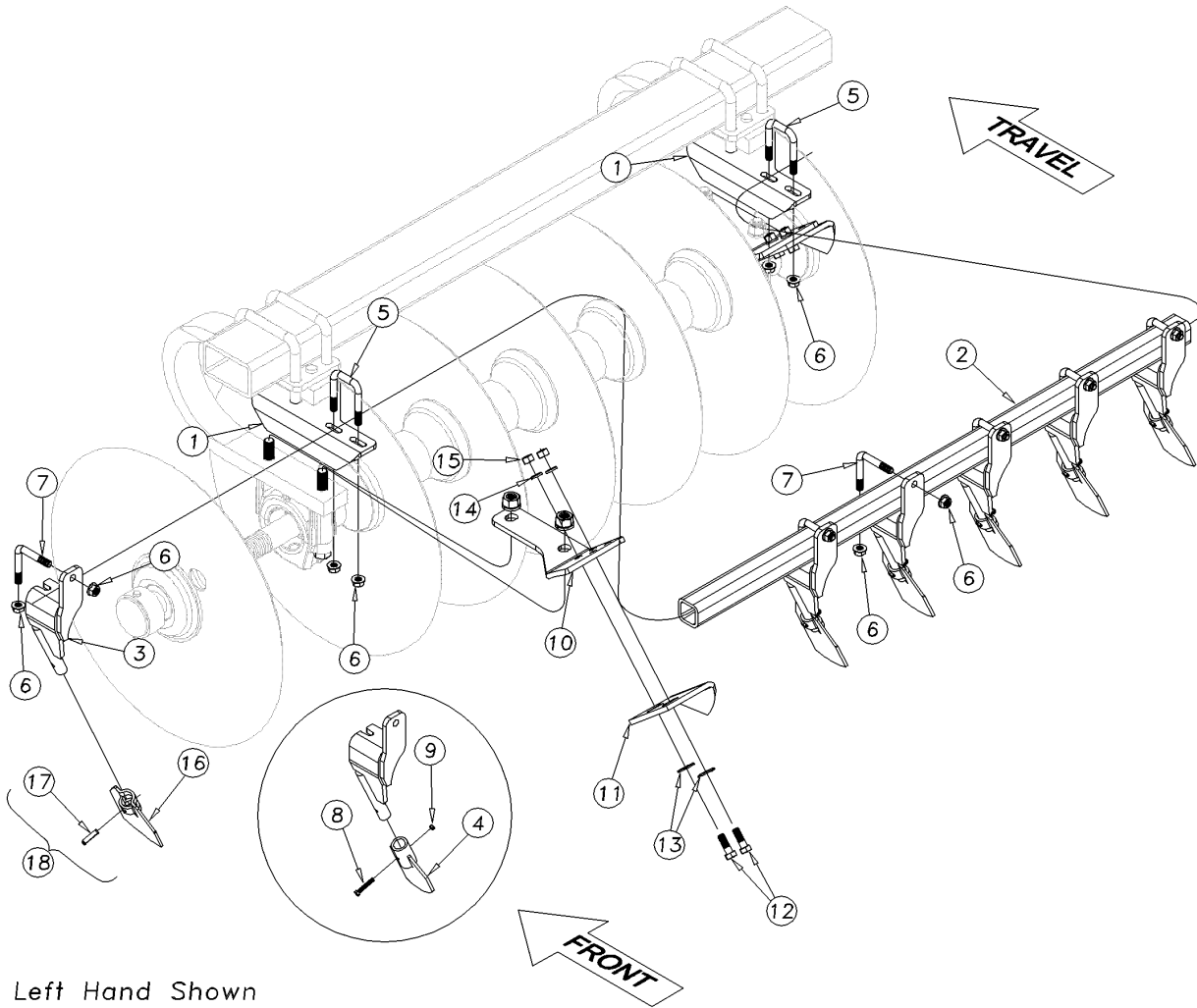
**Table of Contents    Part Number Index**

**Rigid Scraper Assembly (S/N A1259P-)**

(Applies to 3323DH, 3326DH, 3329DH, 4330DH, 4333DH, 4336DH only)



Dual Scraper Identification



Left Hand Shown  
 (Left front & right rear of Disk.)

***Rigid Scraper Assembly (S/N A1259P-)***

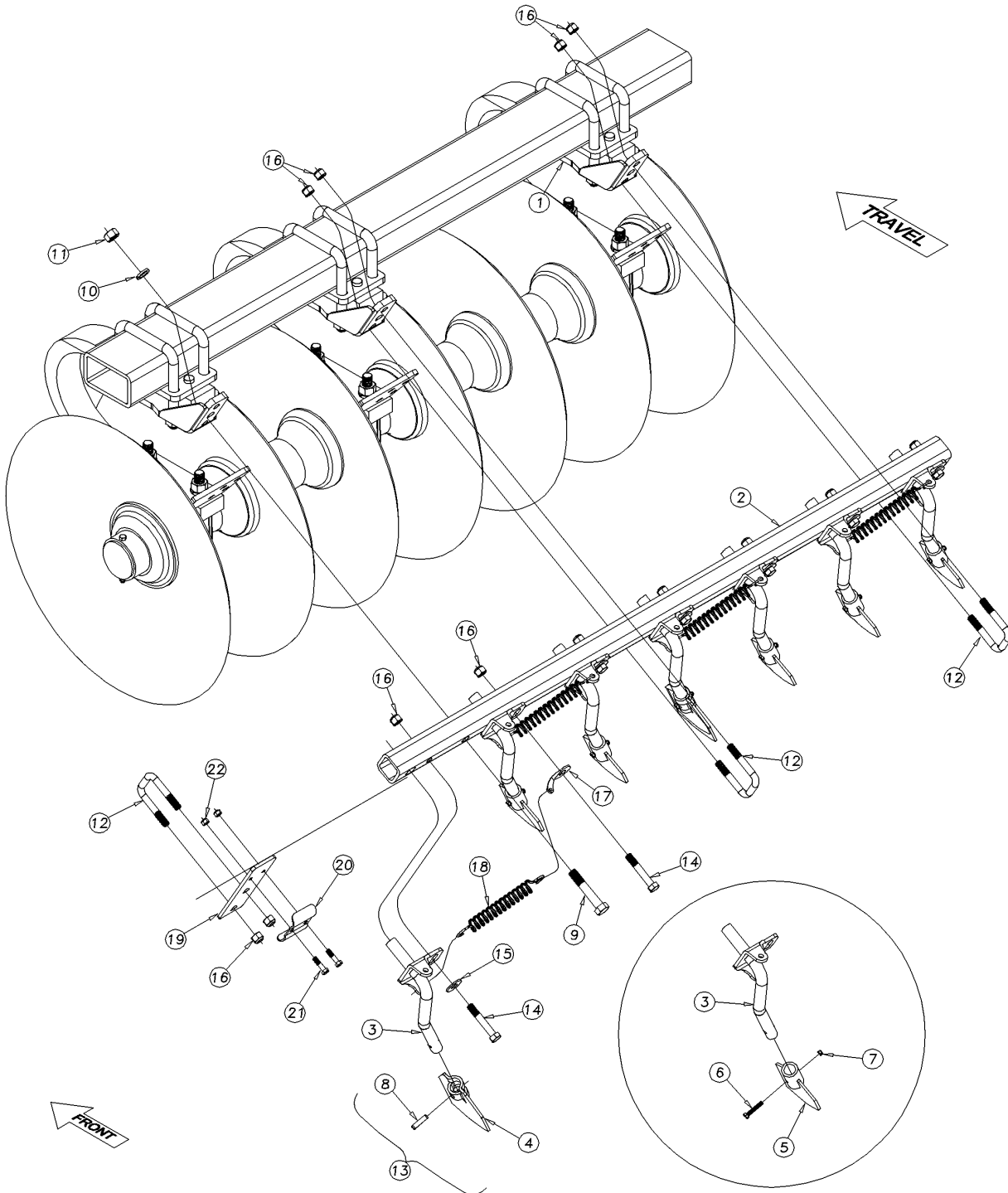
**(Applies to 3323DH, 3326DH, 3329DH, 4330DH, 4333DH, 4336DH only)**

<b>Ref</b>	<b>Part No.</b>	<b>Part Description</b>	<b>Comments</b>	<b>Revision</b>
	dwg41032	Image No.		
1.	556-444D	C-SHANK PLATE, BOTTOM LH	(shown) Located on left front & right rear of disk.	Rev. 2
1.	556-443D	C-SHANK PLATE, BOTTOM RH	Located on right front & left rear of disk.	Rev. 2
1.	556-196D	REPL BY 556-443D/556-444D		Rev. 1
2.	556-181D	SCRAPER BAR, 47"	Models 3323, 3326 & 3329 7 1/2"	
2.	556-182D	SCRAPER BAR, 60"	Models 3323, 3326 & 3329 7 1/2"	
2.	556-183D	SCRAPER BAR, 65"	Models 3329, 4333, 4336 7 1/2"	
2.	556-204D	SCRAPER BAR, 76"	Models 3323, 4336 7 1/2"	
2.	556-250D	SCRAPER BAR, 80"	Models 4336 7 1/2"	
2.	556-186D	SCRAPER BAR, 92"	Models 3326, 4330 7 1/2"	
2.	556-187D	SCRAPER BAR, 96"	Models 3323 7 1/2"	
2.	556-188D	SCRAPER BAR, 113"	Models 3326, 4330 7 1/2"	
2.	556-181D	SCRAPER BAR, 47"	Models 3323, 3326 & 3329 9"	
2.	556-202D	SCRAPER BAR, 51"	Models 3329, 4333 9"	
2.	556-203D	SCRAPER BAR, 56"	Models 3329, 4333 9"	
2.	556-182D	SCRAPER BAR, 60"	Models 3323, 3326, 3329, 4333 & 4336 9"	
2.	556-184D	SCRAPER BAR, 69"	Models 3329, 4333 9"	
2.	556-185D	SCRAPER BAR, 72"	Models 3323, 4330, 4333, 4336 9"	
2.	556-286D	SCRAPER BAR, 87"	Models 4330, 4333 & 4336 9"	
2.	556-186D	SCRAPER BAR, 92"	Models 3326, 4330 9"	
2.	556-187D	SCRAPER BAR, 96"	Models 3323 9"	
2.	556-188D	SCRAPER BAR, 113"	Models 3326, 4330 9"	
3.	556-058H	SCRAPER ARM, RH	Located on right front & left rear of disk.	
3.	556-059H	SCRAPER ARM, LH	(shown) Located on left front & right rear of disk.	
4.	556-057H	SCRAPER BLADE DISK	Use 802-533C bolt & 803-007C nut only. Replaced by 556-218V.	Rev. 1
5.	806-023C	U-BOLT 1/2-13 X 2 1/32 X 3 1/4		
6.	803-169C	NUT HEX FLG. LOCK 1/2-13 PLT.		
7.	806-205C	L-BOLT 1/2-13 X 3 X 3 GR5 PLT		
8.	802-533C	HHCS 1/4-20X1 1/2 GR8		Rev. 2
8.	802-167C	HHCS 1/4-20X1 1/2 GR5	Changed to 802-533C	Rev. 1
9.	803-007C	NUT-LOCK 1/4-20 PLT		
10.	556-310D	DUAL-SCRAPER BRACKET LH	(shown)	
10.	556-309D	DUAL-SCRAPER BRACKET RH		
11.	556-312D	DUAL-SCRAPER BLADE LH		
11.	556-311D	DUAL-SCRAPER BLADE RH	(shown)	
12.	802-091C	HHCS 1/2-13X1 1/2 GR5		
13.	804-017C	WASHER FLAT 1/2 USS PLT		
14.	804-015C	WASHER LOCK SPRING 1/2 PLT		
15.	803-020C	NUT HEX 1/2-13 PLT		
16.	820-417C	SCRAPER BLADE	Use 805-423C spiral pin only.	Rev. 2
17.	805-423C	PIN SPIROL 3/8 X 1 3/8 HEAVY		
18.	556-218V	SCRAPER BLADE W/SPIROL PIN	Includes Items 4 & 8	

Not compatible with spring loaded scrapers.

# Spring Scraper Assembly

(Applies to 3323DH, 3326DH, 3329DH, 4330DH, 4333DH, 4336DH only)



Left Hand Shown  
(Left front & right rear of Disk.)

41033

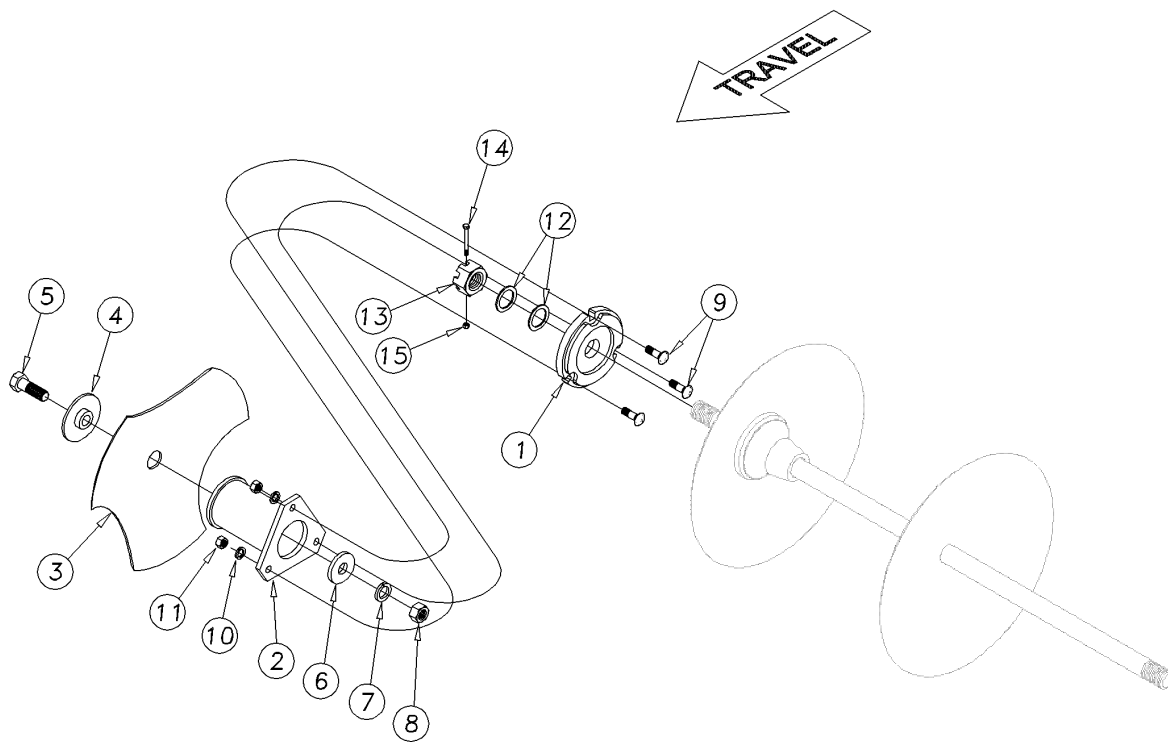
***Spring Scraper Assembly***

**(Applies to 3323DH, 3326DH, 3329DH, 4330DH, 4333DH, 4336DH only)**

<b>Ref</b>	<b>Part No.</b>	<b>Part Description</b>	<b>Comments</b>	<b>Revision</b>
	dwg41033	Image No.		
1.	556-233H	SCRAPER BRACKET, SPRING RH	Located on right front & left rear of disk.	Rev. 2
1.	556-346D	SCRAPER BRACKET, SPRING RH	Replaced by 556-233H	Rev. 1
1.	556-234H	SCRAPER BRACKET, SPRING LH	(shown) Located on left front & right rear of disk.	Rev. 2
1.	556-347D	SCRAPER BRACKET, SPRING LH	Replaced by 556-234H	Rev. 1
2.	556-359D	SCRAPER BAR, 7 1/2-44	Models 3323, 3326, 3329, 4333	
2.	556-360D	SCRAPER BAR, 7 1/2-57 1/2	Models 3323, 3326, 3329, 4333	
2.	556-361D	SCRAPER BAR, 7 1/2-59	Models 4336	
2.	556-362D	SCRAPER BAR, 7 1/2-65	Models 3329, 4333, 4336	
2.	556-363D	SCRAPER BAR, 7 1/2-74	Models 3323, 4330, 4333, 4336	
2.	556-364D	SCRAPER BAR, 7 1/2-80	Models 4336,	
2.	556-365D	SCRAPER BAR, 7 1/2-87 1/2	Models 4330, 4333, 4336	
2.	556-366D	SCRAPER BAR, 7 1/2-89	Models 3326, 4330	
2.	556-367D	SCRAPER BAR, 7 1/2-95	Models 3323	
2.	556-368D	SCRAPER BAR, 7 1/2-110	Models 3326, 4330	
2.	556-348D	SCRAPER BAR, 9-44	Models 3323, 3326, 3329	
2.	556-349D	SCRAPER BAR, 9-50	Models 3329, 4333	
2.	556-350D	SCRAPER BAR, 9-53	Models 3339, 4333	
2.	556-351D	SCRAPER BAR, 9-59	Models 3323, 3326, 3329, 4333, 4336	
2.	556-352D	SCRAPER BAR, 9-62	Models 4336	
2.	556-353D	SCRAPER BAR, 9-68	Models 3329, 4333	
2.	556-354D	SCRAPER BAR, 9-71	Models 3323, 4330, 4333, 4336	
2.	556-355D	SCRAPER BAR, 9-86	Models 4330, 4333, 4336	
2.	556-356D	SCRAPER BAR, 9-89	Models 3326, 4330	
2.	556-357D	SCRAPER BAR, 9-95	Models 3323	
2.	556-358D	SCRAPER BAR, 9-113	Models 3326, 4330	
3.	556-165H	SPRING SCRAPER ARM, RH	Located on right front & left rear of disk.	
3.	556-166H	SPRING SCRAPER ARM, LH	(shown) Located on left front & right rear of disk.	
4.	820-417C	SCRAPER BLADE	Use 805-423C spiral pin only.	Rev. 2
5.	556-057H	SCRAPER BLADE DISK	Use 802-533C bolt & 803-007C nut only. Replaced by 556-218V.	Rev. 1
6.	802-533C	HHCS 1/4-20X1 1/2 GR8		Rev. 2
6.	802-167C	HHCS 1/4-20X1 1/2 GR5	Changed to 802-533C	Rev. 1
7.	803-007C	NUT-LOCK 1/4-20 PLT		
8.	805-423C	PIN SPIROL 3/8 X 1 3/8 HEAVY		
9.	802-162C	HHCS 5/8-11X3 1/2 GR5		
10.	804-022C	WASHER LOCK SPRING 5/8 PLT		
11.	803-021C	NUT HEX 5/8-11 PLT		
12.	806-023C	U-BOLT 1/2-13 X 2 1/32 X 3 1/4		
13.	556-218V	SCRAPER BLADE W/SPIROL PIN	Includes Items 4 & 8	
14.	802-039C	HHCS 1/2-13X3 GR5		
15.	804-017C	WASHER FLAT 1/2 USS PLT		
16.	803-342C	NUT HEX TOP LOCK 1/2-13PLT		
17.	556-369D	SPRING ANCHOR WASHER		
18.	807-272C	SPRING EXT 1.00OD .148W 6.50L	9" Spacing (shown)	
18.	807-273C	SPRING EXT 1.00OD .135W 5.00L	7 1/2" Spacing	
19.	556-251D	HOSE HOLDER BRACKET		
20.	502-068D	HYD HOSE CLAMP BRACKET		
21.	802-010C	HHCS 5/16-18X1 1/4 GR5		
22.	803-084C	NUT HEX NYLOCK 5/16-18 PLT		

## ***Furrow Filler Assembly***

(Applies to 3323DH, 3326DH, 3329DH, 4330DH, 4333DH, 4336DH only)



Left Hand Shown  
(Right Rear of Machine)

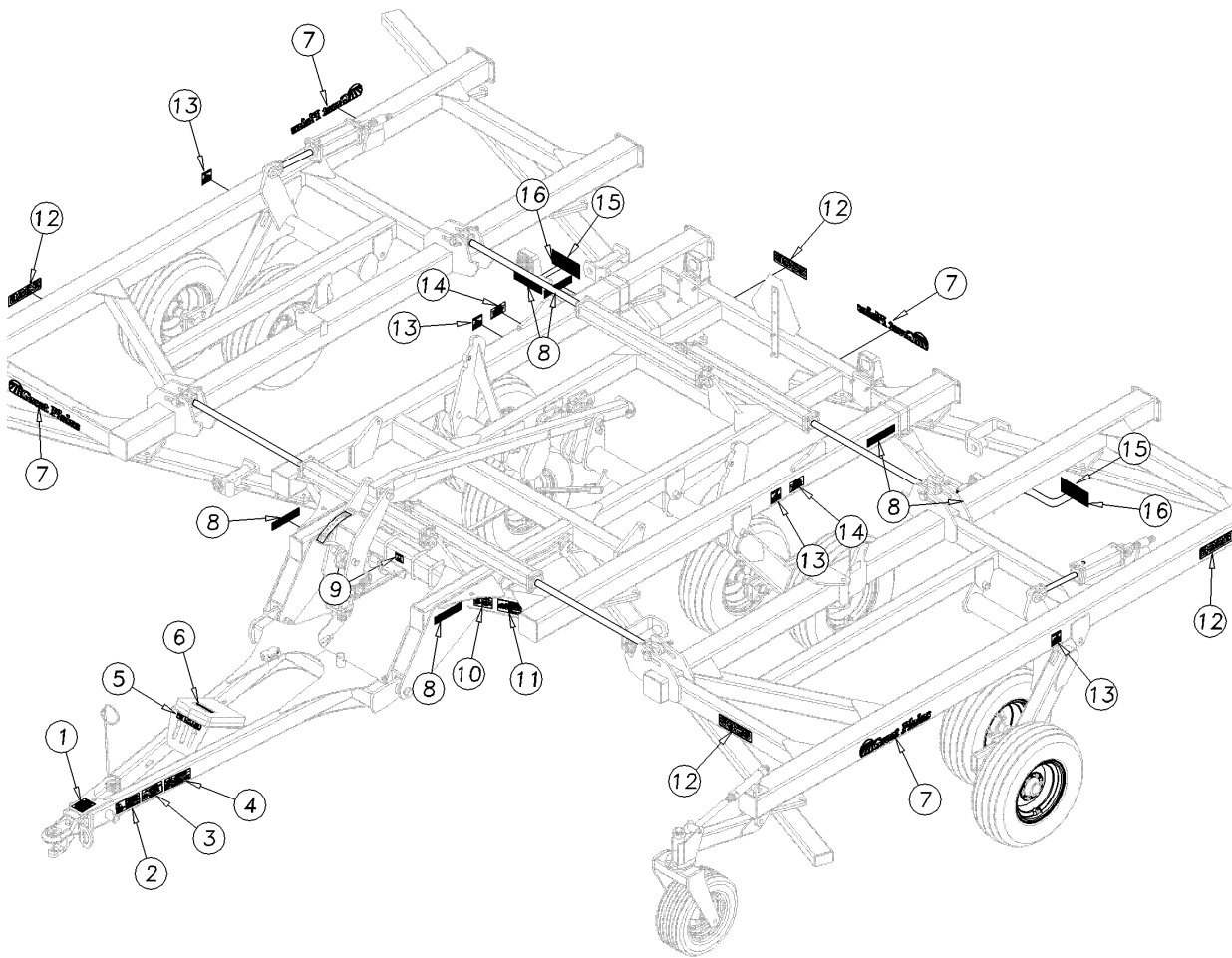
## ***Furrow Filler Assembly***

**(Applies to 3323DH, 3326DH, 3329DH, 4330DH, 4333DH, 4336DH only)**

<b>Ref</b>	<b>Part No.</b>	<b>Part Description</b>	<b>Comments</b>	<b>Revision</b>
	dwg40863	Image No.		
1.	556-052H	BOLT FLANGE		
2.	556-035H	BREAK AWAY SPOOL 9"	9" disc spacing	
2.	556-122H	BREAK AWAY SPOOL 7 1/2"	7 1/2" disc spacing (shown)	
3.	820-361C	BLADE DISC 20RC 3-SIDED		
3.	820-362C	BLADE DISC 18RC 3-SIDED		
3.	820-468C	BLADE DISC 22RC 3-SIDED		
4.	556-091H	FURROW FILLER SPACER		
5.	802-345C	HHCS 1-8X3 GR8		
6.	500-064D	WASHER - SAFETY CHAIN SA		Rev. 2
6.	580-186D	PART - 180 DEGREE FOLD ROLLER	Changed to 500-064D	Rev. 1
7.	804-027C	WASHER LOCK SPRING 1 PLT		
8.	803-031C	NUT HEX 1-8 PLT		
9.	802-088C	RHSNB 5/8-11X2 GR5		
10.	804-022C	WASHER LOCK SPRING 5/8 PLT		
11.	803-021C	NUT HEX 5/8-11 PLT		
12.	804-229C	WASHER 2 3/4 X 1 3/4 X 1/4 PLT		Rev. 2
12.	804-205C	WASHER MACH 2 1/2X1 3/4X10GA	Changed to 804-229C	Rev. 1
13.	803-339C	NUT HEX SLOTTED 1 3/4-5 REGULR		
14.	802-131C	HHCS 5/16-18X3 GR5		
15.	803-084C	NUT HEX NYLOCK 5/16-18 PLT		

**Decals**

(Applies to 3323DH, 3326DH, 3329DH, 4330DH, 4333DH, 4336DH only)



01254



## ***Decals***

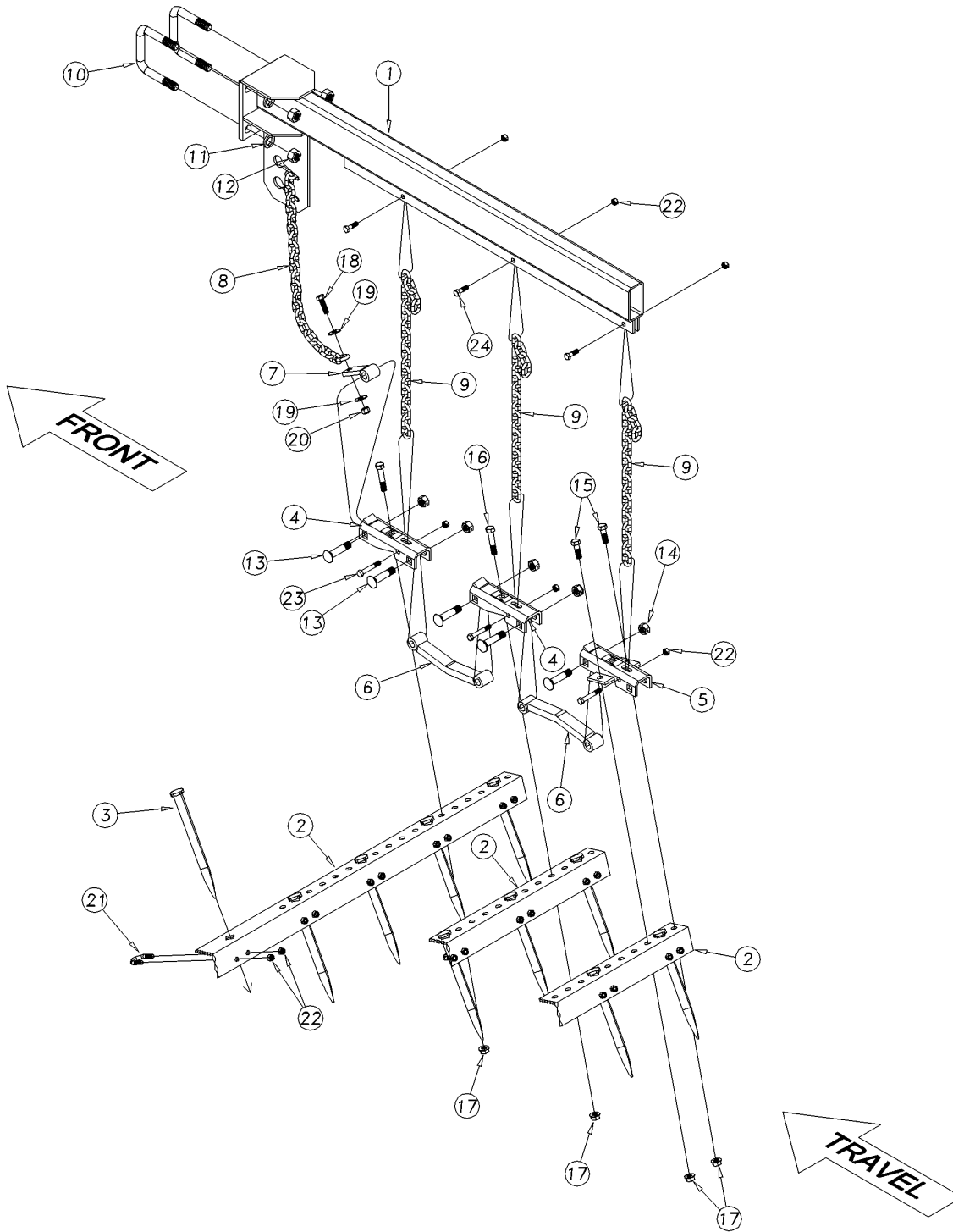
---

(Applies to 3323DH, 3326DH, 3329DH, 4330DH, 4333DH, 4336DH only)

<b>Ref</b>	<b>Part No.</b>	<b>Part Description</b>	<b>Comments</b>	<b>Revision</b>
	dwg01254	Image No.		
1.	838-598C	DECAL CAUTION GENERAL 4X5		
2.	838-600C	DECAL DANGER CRUSHING HAZARD		
3.	838-606C	DECAL WARNING TONGUE RISING		
4.	838-094C	DECAL WARNING HYD PRESS LONG		
5.	818-077C	DECAL COUPLER STORAGE DISK		
6.	838-482C	DECAL GP PLANTING COMPONENTS		
7.	838-161C	DECAL LOGO&GP F/STRIPE 4 X 24		
8.	838-615C	DECAL REFLECTOR AMBER 2X9		
9.	838-992C	DECAL DISK DEPTH CONTROL		
10.	838-611C	DECAL WARNING HAND CRUSHING		
11.	838-599C	DECAL DANGER ELECTROCUTION HA		
12.	838-970C	DECAL 3323		
12.	838-971C	DECAL 3326		
12.	838-972C	DECAL 3329		
12.	838-973C	DECAL 4330		
12.	838-974C	DECAL 4333		
12.	838-975C	DECAL 4336		
13.	838-602C	DECAL WARNING OVERHEAD WING		
14.	838-613C	DECAL NOTICE TRANSPORT LOCKS		
15.	838-614C	DECAL REFLECTOR RED 2X9		
16.	838-603C	DECAL REFLECTOR ORANGE 2X9		

# S3T Spike Drag High Residue Assembly

(Applies to 3323DH, 3326DH, 3329DH, 4330DH, 4333DH, 4336DH only)



40931

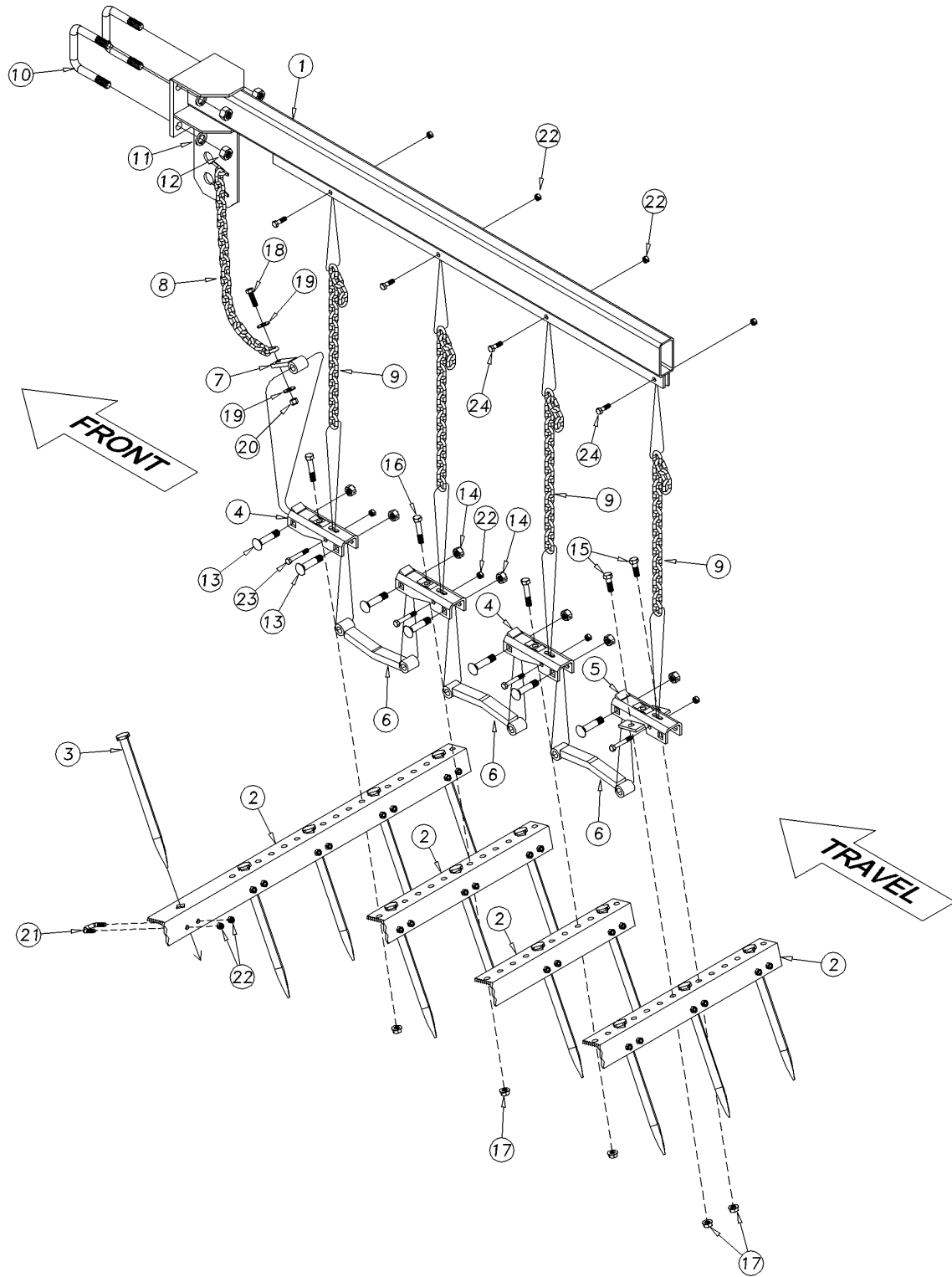
## ***S3T Spike Drag High Residue Assembly***

**(Applies to 3323DH, 3326DH, 3329DH, 4330DH, 4333DH, 4336DH only)**

<b>Ref</b>	<b>Part No.</b>	<b>Part Description</b>	<b>Comments</b>	<b>Revision</b>
	dwg40931	Image No.		
1.	570-404H	CARRIER ARM (3HR/4ST)		
2.	575-301D	1/4" ANGLE, 6 HOLE, 50	3326, 4330	
2.	575-302D	1/4" ANGLE, 7 HOLE, 59	3323, 3326, 3329, 4333	
2.	575-303D	1/4" ANGLE, 8 HOLE, 68	4336	
2.	575-304D	1/4" ANGLE, 9 HOLE, 77	4330, 4333, 4336	
2.	575-305D	1/4" ANGLE, 10 HOLE, 86	3323, 4333, 4336	
3.	820-012C	SPIKE TOOTH SQ 3/4X14		
4.	550-135D	BAR BRACKET		
5.	550-043H	DOUBLE BAR BRACKET		
6.	575-859H	LINK HR SPIKE HARROW		
7.	575-512H	FRONT DRAG LINK ASSEMBLY		
8.	890-837C	5/16" PULL CHAIN (25 LINK)		
9.	890-867C	5/16" HANG CHAIN (20 LINK)	Initial assembly 17 links long	
10.	806-007C	U-BOLT 3/4-10X4 1/32X4 1/2		
11.	804-023C	WASHER LOCK SPRING 3/4 PLT		
12.	803-027C	NUT HEX 3/4-10 PLT		
13.	802-766C	RHSNB 5/8-11X2 7/8 SPL		
14.	803-271C	NUT HEX TOP LOCK 5/8-11 PLT		Rev. 2
14.	803-024C	NUT LOCK 5/8-11 PLT	Replaced by 803-271C	Rev. 1
15.	802-091C	HHCS 1/2-13X1 1/2 GR5		
16.	802-130C	HHCS 1/2-13X2 1/2 GR5		
17.	803-037C	NUT HEX WHIZ 1/2-13		
18.	802-029C	HHCS 7/16-14X1 1/2 GR5		
19.	804-204C	WASHER FLAT 7/16 USS PLT		
20.	803-245C	NUT HEX NYLOCK 7/16-14 PLT		
21.	806-181C	U-BOLT 3/8-16 X 1 1/8 3-CORNER		
22.	803-123C	NUT HEX TOP LOCK 3/8-16 PLT		Rev. 2
22.	803-013C	NUT LOCK 3/8-16 PLT	Replaced by 803-123C	Rev. 1
23.	802-114C	HHCS 3/8-16X2 1/2 GR5		
24.	802-079C	HHCS 3/8-16X1 1/4 GR5		

# S4T Spike Drag High Residue Assembly

(Applies to 3323DH, 3326DH, 3329DH, 4330DH, 4333DH, 4336DH only)



40932

***S4T Spike Drag High Residue Assembly***

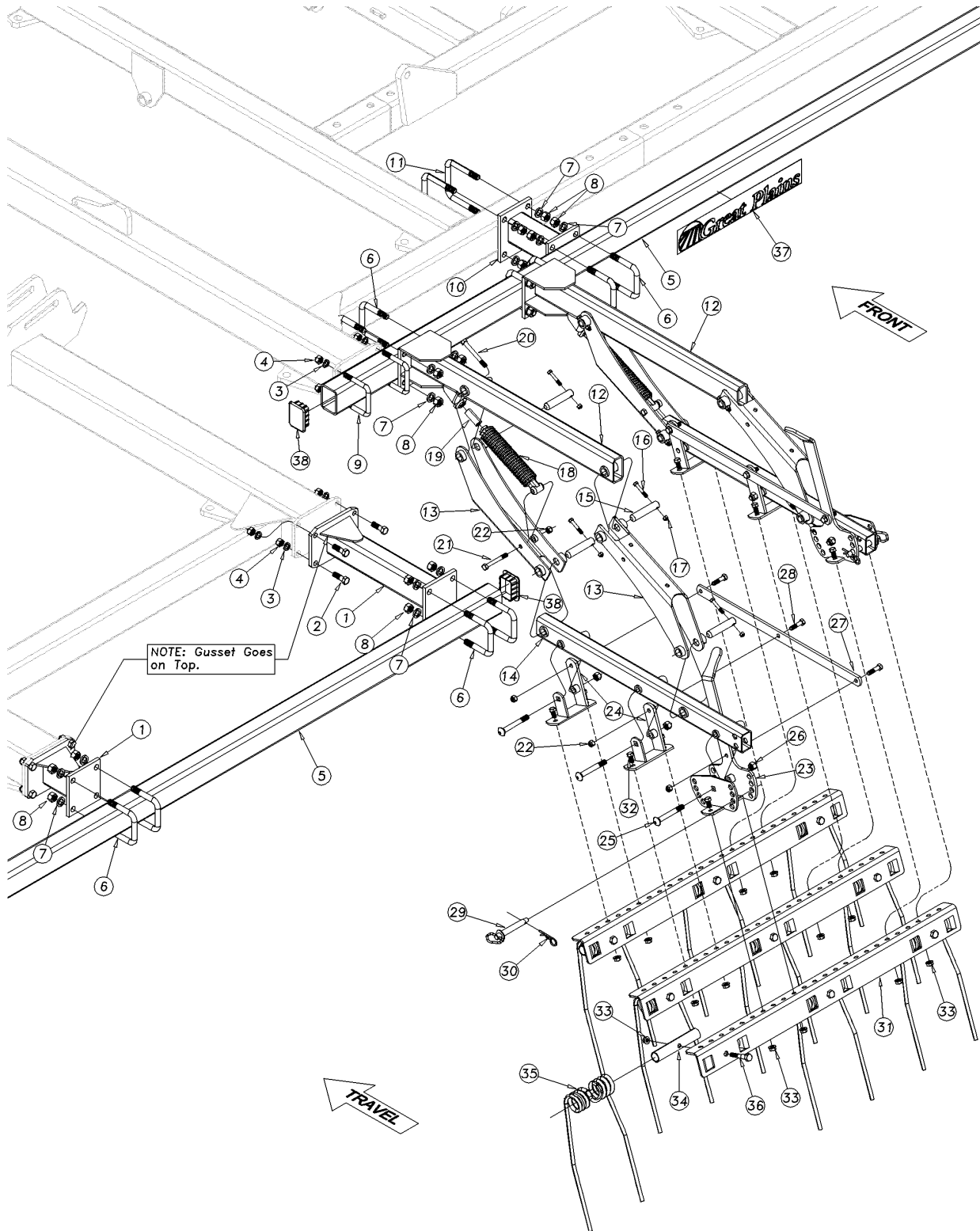
**(Applies to 3323DH, 3326DH, 3329DH, 4330DH, 4333DH, 4336DH only)**

<b>Ref</b>	<b>Part No.</b>	<b>Part Description</b>	<b>Comments</b>	<b>Revision</b>
	dwg40932	Image No.		
1.	570-279H	CARRIER ARM (4 ROW HR)		
2.	575-301D	1/4" ANGLE, 6 HOLE, 50	3326, 4330	
2.	575-302D	1/4" ANGLE, 7 HOLE, 59	3323, 3326, 3329, 4333	
2.	575-303D	1/4" ANGLE, 8 HOLE, 68	4336	
2.	575-304D	1/4" ANGLE, 9 HOLE, 77	4330, 4333, 4336	
2.	575-305D	1/4" ANGLE, 10 HOLE, 86	3323, 4333, 4336	
3.	820-012C	SPIKE TOOTH SQ 3/4X14		
4.	550-135D	BAR BRACKET		
5.	550-043H	DOUBLE BAR BRACKET		
6.	575-859H	LINK HR SPIKE HARROW		
7.	575-512H	FRONT DRAG LINK ASSEMBLY		
8.	890-837C	5/16" PULL CHAIN (25 LINK)		
9.	890-867C	5/16" HANG CHAIN (20 LINK)	Initial assembly 17 links long	
10.	806-007C	U-BOLT 3/4-10X4 1/32X4 1/2		
11.	804-023C	WASHER LOCK SPRING 3/4 PLT		
12.	803-027C	NUT HEX 3/4-10 PLT		
13.	802-766C	RHSNB 5/8-11X2 7/8 SPL		
14.	803-271C	NUT HEX TOP LOCK 5/8-11 PLT		Rev. 2
14.	803-024C	NUT LOCK 5/8-11 PLT	Replaced by 803-271C	Rev. 1
15.	802-091C	HHCS 1/2-13X1 1/2 GR5		
16.	802-130C	HHCS 1/2-13X2 1/2 GR5		
17.	803-037C	NUT HEX WHIZ 1/2-13		
18.	802-029C	HHCS 7/16-14X1 1/2 GR5		
19.	804-204C	WASHER FLAT 7/16 USS PLT		
20.	803-245C	NUT HEX NYLOCK 7/16-14 PLT		
21.	806-181C	U-BOLT 3/8-16 X 1 1/8 3-CORNER		
22.	803-123C	NUT HEX TOP LOCK 3/8-16 PLT		Rev. 2
22.	803-013C	NUT LOCK 3/8-16 PLT	Replaced by 803-123C	Rev. 1
23.	802-114C	HHCS 3/8-16X2 1/2 GR5		
24.	802-079C	HHCS 3/8-16X1 1/4 GR5		

# Table of Contents    Part Number Index

## Heavy Coil Tine Assembly

(Applies to 3323DH, 3326DH, 3329DH, 4330DH, 4333DH, 4336DH only)



41602

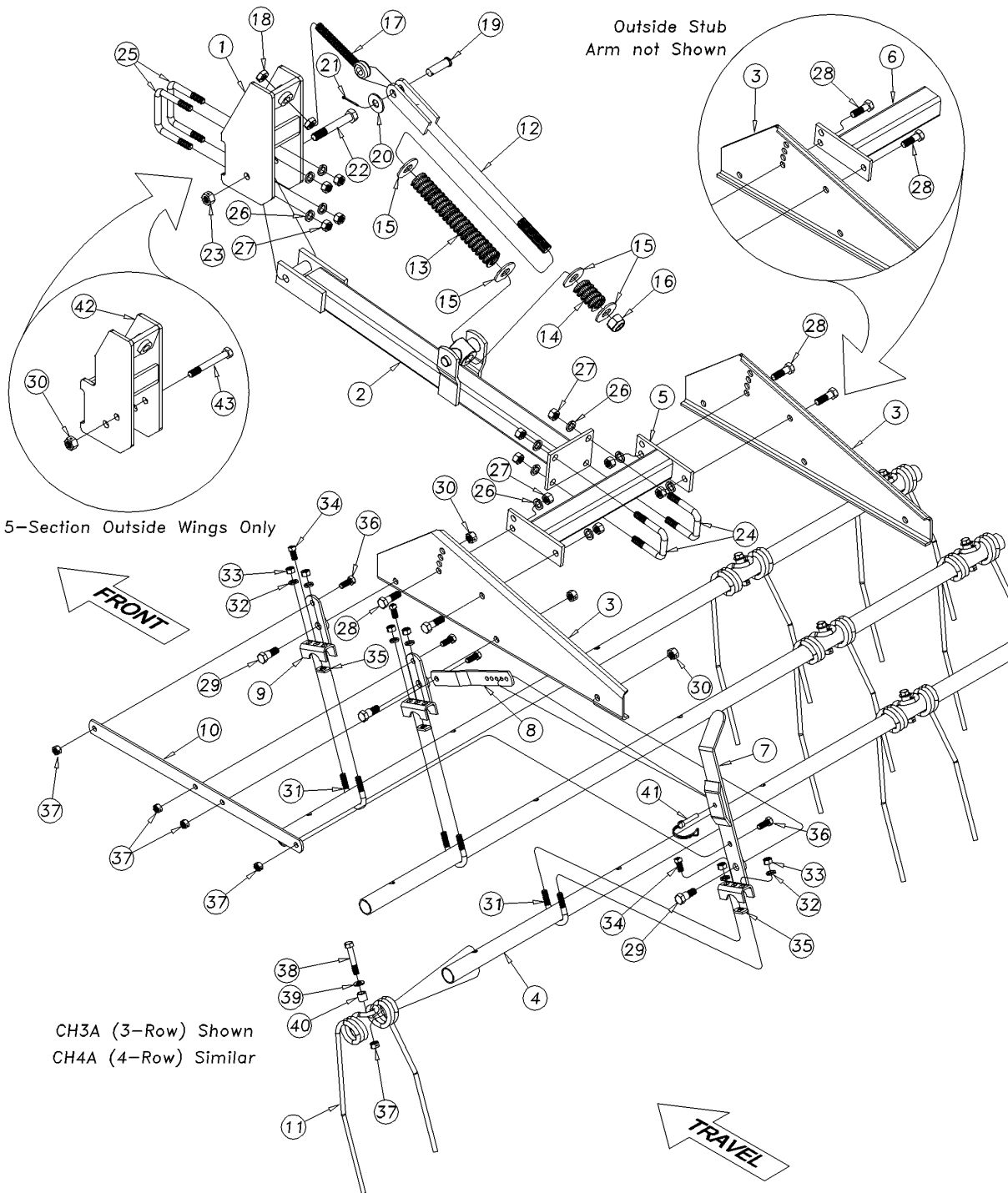
***Heavy Coil Tine Assembly***

**(Applies to 3323DH, 3326DH, 3329DH, 4330DH, 4333DH, 4336DH only)**

<b>Ref</b>	<b>Part No.</b>	<b>Part Description</b>	<b>Comments</b>	<b>Revision</b>
	dwg41602	Image No.		
1.	558-020H	7" DRAG BAR MOUNT DISK	Models 4333, 4336	
1.	558-021H	14" DRAG BAR MOUNT DISK	Models 3329, 4333	
1.	558-022H	21" DRAG BAR MOUNT DISK	Models 4336	
2.	802-055C	HHCS 5/8-11X2 GR5		
3.	804-022C	WASHER LOCK SPRING 5/8 PLT		
4.	803-021C	NUT HEX 5/8-11 PLT		
5.	558-002D	REAR BAR 5 FT 4X3 RECT TUBE	Models 3323	
5.	558-003D	REAR BAR 6 FT 4X3 RECT TUBE	Models 3326	
5.	558-004D	REAR BAR 7 FT 4X3 RECT TUBE	Models 4330	
5.	558-005D	REAR BAR 8.5 FT 4X3 RECT TUBE	Models 3323, 3326, 3329, 4333	Rev. 1
5.	558-007D	REAR BAR 10 FT 4X3 RECT TUBE	Models 4336	
5.	558-009D	REAR BAR 12.5 FT 4X3 RECT TUBE	Models 4330, 4333, 4336	Rev. 1
6.	806-007C	U-BOLT 3/4-10X4 1/32X4 1/2		
7.	804-023C	WASHER LOCK SPRING 3/4 PLT		
8.	803-027C	NUT HEX 3/4-10 PLT		
9.	806-179C	U-BOLT 5/8-11X4 1/32X4 1/4		
10.	558-184H	9 3/4" DRAG BAR MOUNT DISK	Models 4330, 4333, 4336	
11.	806-219C	U-BOLT 3/4-10 X 5 1/32 X 5 1/2		
12.	558-165H	CARRIER ARM (HEAVY COIL TINE)		
13.	558-166H	PARALLEL ARM (HEAVY COIL TINE)		
14.	558-167H	3-BAR ARM (HEAVY COIL TINE)		
15.	805-129C	PIN 1 ODX5 HRD PLT		
16.	802-483C	HHCS 3/8-16X2 1/4 GR8 PLT		
17.	803-123C	NUT HEX TOP LOCK 3/8-16 PLT		
18.	552-050V	SPRING/PLUG SUB ASSY		
19.	558-064D	SPACER - 1 OD		
20.	802-413C	HHCS 1/2-13X4 1/2 GR5		
21.	802-853C	HHCS 1/2-13X3 3/4 GR8		
22.	803-342C	NUT HEX TOP LOCK 1/2-13 PLT		
23.	558-175H	DRAG BAR ADJUSTMENT LEVER		
24.	558-174H	DRAG BAR ADJUSTMENT BRACKET		
25.	802-194C	RHSNB 5/8-11X5 GR5		
26.	803-271C	NUT HEX TOP LOCK 5/8-11 PLT		
27.	558-073D	3 BAR CONNECTING STRAP		
28.	802-082C	HHCS 1/2-13X1 3/4 GR5		
29.	805-081C	PIN HITCH 3/4 X 4 3/8		
30.	805-032C	PIN HAIR COTTER .148 WIRE		
31.	558-056D	COIL TINE DRAG ANGLE 4-HOLE	Models 3323	
31.	558-057D	COIL TINE DRAG ANGLE 5-HOLE	Models 3326, 4330, 4333, 4336	
31.	558-058D	COIL TINE DRAG ANGLE 6-HOLE	Models 3329, 4333	
31.	558-059D	COIL TINE DRAG ANGLE 7-HOLE	Models 3323, 3326, 3329, 4336	
32.	802-258C	HHCS 1/2-13X1 GR5		
33.	803-169C	NUT HEX FLG LOCK 1/2-13 PLT		
34.	558-067D	1 HOLE DRAG PIPE 8		
35.	807-295C	HEAVY COIL TINE		
36.	802-902C	SP SHOULDER 1/2-13 X 3 1/4 GR5		
37.	838-161C	DECAL LOGO&GP F/STRIPE 4 X 24		
38.	817-585C	PLASTIC END CAP - 4X3X1/4 TUBE		

# CH3A & CH4A Coil Tine Assembly

(Applies to 3323DH, 3326DH, 3329DH, 4330DH, 4333DH, 4336DH only)





**CH3A & CH4A Coil Tine Assembly**

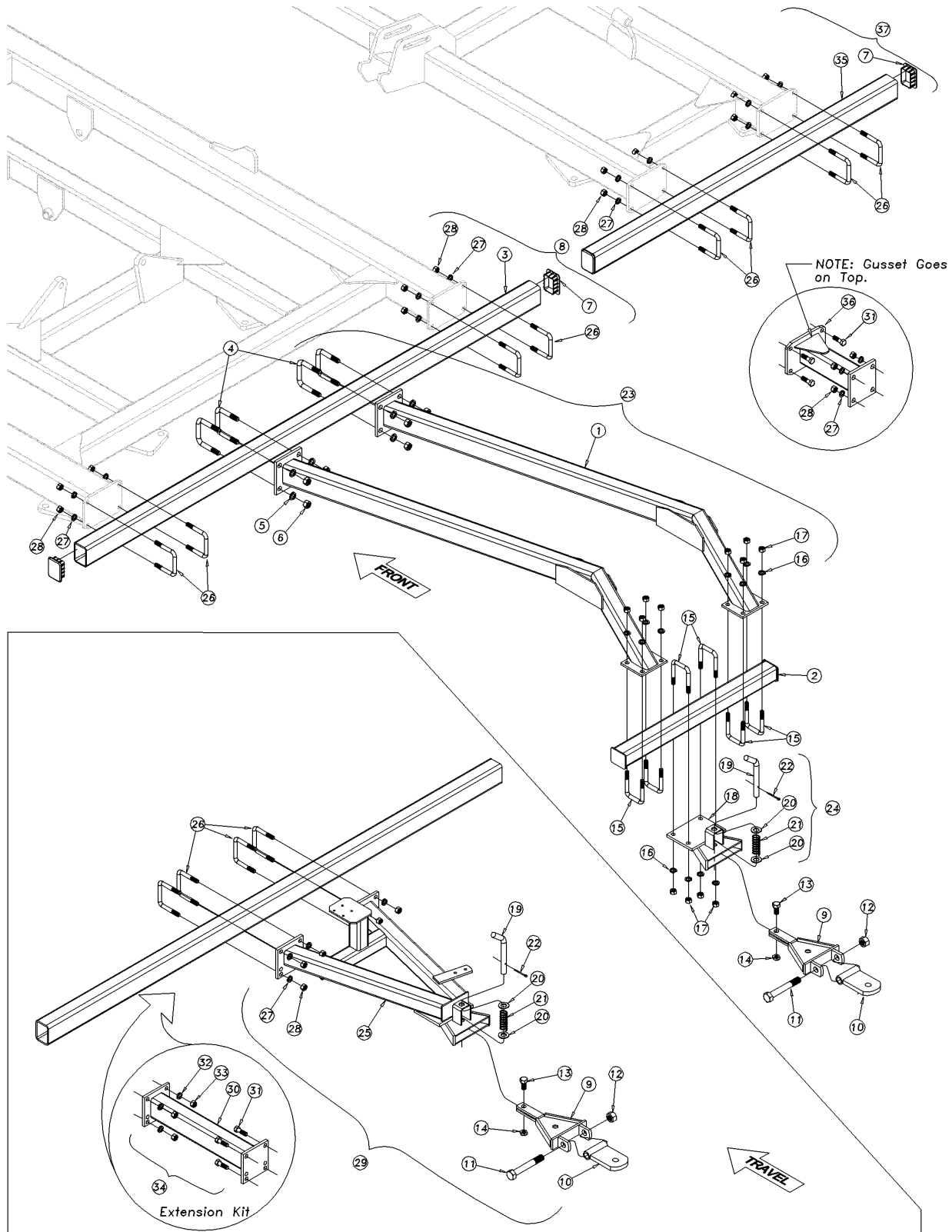
**(Applies to 3323DH, 3326DH, 3329DH, 4330DH, 4333DH, 4336DH only)**

<b>Ref</b>	<b>Part No.</b>	<b>Part Description</b>	<b>Comments</b>	<b>Revision</b>
	dwg40802	Image No.		
1.	552-045H	DRAG MOUNTING BRACKET		
2.	575-517H	DRAG ARM FOR CH3 W/REEL		
3.	575-139D	3 BAR SIDE PLATE LH		
3.	575-138D	3 BAR SIDE PLATE RH		
3.	552-023D	4 BAR SIDE PLATE LH		
3.	552-024D	4 BAR SIDE PLATE RH		
4.	575-153D	4-HOLE DRAG PIPE 68	3323	
4.	575-121D	5-HOLE DRAG PIPE 88	3326, 4330, 4333, 4336	
4.	575-122D	6-HOLE DRAG PIPE 108	3329, 4333	
4.	575-123D	7-HOLE DRAG PIPE 128	3323, 3326, 3329, 4336	
5.	575-508H	CH3 DRAG CROSS TUBE (37 1/2)	3323	
5.	575-803H	CH3 DRAG CROSS BRACE (39)"	3323, 3326, 3329, 4336	
5.	575-509H	CH3 DRAG CROSS TUBE (57 1/2)	3323, 3326, 3329, 4330, 4333, 4336	
5.	575-510H	CH3 DRAG CROSS TUBE (77 1/2)	3329, 4333	
6.	575-514H	CH3 DRAG CROSS EXTENSION (12)	Not used on Disk Harrows	
7.	552-046H	DRAG BAR ADJUSTMENT LEVER		
8.	552-018D	DRAG ANGLE ADJUSTMENT STRAP		
9.	552-047H	DRAG BAR ADJUSTMENT BRACKET		
10.	575-130D	3 BAR CONNECTING STRAP		
10.	552-017D	4 BAR DRAG CONNECTING STRAP		
11.	807-196C	HEAVY COIL TINE		
12.	585-094H	CLEVIS BOLT		
13.	807-225C	SPRG COMP 1 3/4ODX5/16WX11 1/2		
14.	807-226C	SPRNG COM 1 13/16ODX3/8WX2 3/4		
15.	804-028C	WASHER FLAT 1 USS PLT		
16.	803-038C	NUT HEX 1-8 NYLON INSERT PLT		
17.	802-768C	EYE BOLT 3/4-10X6 1/2 PLT		
18.	803-048C	NUT HEX JAM 3/4-10 PLT		
19.	805-140C	PIN CLEVIS 3/4 X 2 1/2 PLT		
20.	804-024C	WASHER FLAT 3/4 USS PLT		
21.	805-225C	PIN COTTER 1/8 X 1 1/2		
22.	802-069C	HHCS 3/4-10X5 GR5		
23.	803-026C	NUT LOCK 3/4-10 PLT		
24.	806-182C	U-BOLT 5/8-11X2 17/32X3 1/2		
25.	806-179C	U-BOLT 5/8-11X4 1/32X4 1/4		
26.	804-022C	WASHER LOCK SPRING 5/8 PLT		
27.	803-021C	NUT HEX 5/8-11 PLT		
28.	802-055C	HHCS 5/8-11X2 GR5		
29.	802-767C	SHOULDER BOLT 5/8-11X1 3/4 SPL		
30.	803-271C	NUT HEX TOP LOCK 5/8-11 PLT		Rev. 2
30.	803-024C	NUT LOCK 5/8-11 PLT	Replaced by 803-271C	Rev. 1
31.	806-180C	U-BOLT 1/2-13X1 3/4X3 1/8 RND		
32.	804-015C	WASHER LOCK SPRING 1/2 PLT		
33.	803-020C	NUT HEX 1/2-13 PLT		
34.	801-054C	SCREW SET SQ HD 1/2-13X1 GR5		
35.	803-338C	1/2-13 4XPROJECTION WELD NUT		
36.	802-034C	HHCS 1/2-13X1 1/4 GR5		
37.	803-342C	NUT HEX TOP LOCK 1/2-13PLT		
38.	802-039C	HHCS 1/2-13X3 GR5		
39.	804-094C	WASHER FLAT 1/2 HARD ASTM F436		
40.	550-134D	3/4 LONG X 1/2 TINE STOP/SPACR		
41.	805-212C	PIN WIRE SNAP LOCK 3/8 X 2 1/2		
42.	552-060H	DRAG MOUNTING BRACKET SPECIAL	Not used on Disk Harrows	

# Table of Contents    Part Number Index

## EZ Hitch with Slide Flex Tongue

(Applies to 3323DH, 3326DH, 3329DH, 4330DH, 4333DH, 4336DH only)



40933

***EZ Hitch with Slide Flex Tongue***

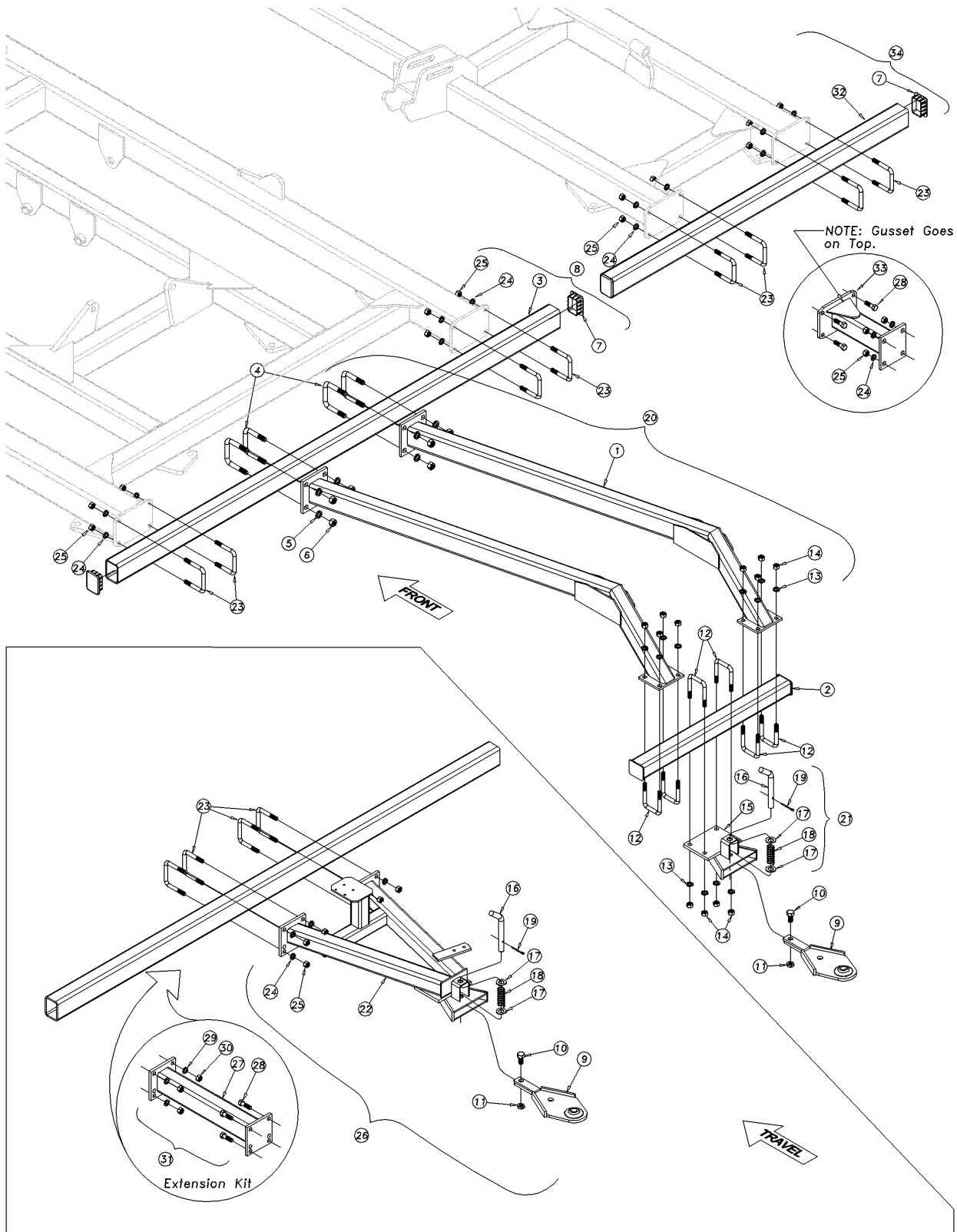
**(Applies to 3323DH, 3326DH, 3329DH, 4330DH, 4333DH, 4336DH only)**

<b>Ref</b>	<b>Part No.</b>	<b>Part Description</b>	<b>Comments</b>	<b>Revision</b>
	dwg40933	Image No.		
1.	570-218H	REAR HITCH EXT ARMS		
2.	585-096H	REAR HITCH CROSS ARM 3X3X46		
3.	558-005D	REAR BAR 8 FT 4X3 RECT TUBE	3323, 3326, 3329	
3.	558-006D	REAR BAR 9 FT 4X3 RECT TUBE	3323, 3326, 3329	
3.	558-010D	REAR BAR 13 FT 4X3 RECT TUBE	4330, 4333, 4336	
4.	806-007C	U-BOLT 3/4-10X4 1/32X4 1/2		
5.	804-023C	WASHER LOCK SPRING 3/4 PLT		
6.	803-027C	NUT HEX 3/4-10 PLT		
7.	817-585C	PLASTIC END CAP - 4X3X1/4 TUBE		
8.	558-034A	REAR HITCH BAR 3300DH (NARROW)	Items 3-7	
8.	558-035A	REAR HITCH BAR 4300DH (WIDE)	Items 3-7	
9.	585-092H	E-Z HITCH FLEX SLIDE		
10.	585-093H	E-Z HITCH TONGUE ASSEMBLY		
11.	802-075C	HHCS 1-8X7 GR5		
12.	803-316C	NUT HEX LOCK 1-8 PLT		
13.	802-184C	HHCS 3/4-10X1 1/2 GR5		
14.	803-126C	NUT HEX JAM NYLOCK 3/4-10 PLT		
15.	806-183C	U-BOLT 5/8-11X3 1/32X4 1/2 SPT		
16.	804-022C	WASHER LOCK SPRING 5/8 PLT		
17.	803-021C	NUT HEX 5/8-11 PLT		
18.	585-100H	BOLT-ON SLEEVE ONLY		
19.	570-055D	E-Z HITCH PIN 7/8 OD 8 1/2L"		
20.	804-215C	WASHER FLAT 7/8 ASTM F436 PLT		
21.	570-080D	SPRING - EZ HITCH PIN		
22.	805-058C	PIN COTTER 3/16 X 2		
23.	589-061A	EXTD EZ-HITCH FLEX TONGUE CH3A	Includes items 1,2, 4- 6 9 -22	
24.	585-099S	BOLT-ON SLEEVE ASSY W/O TONGUE	Includes items 18 thru 22	
25.	570-202H	E-Z HITCH A-FRAME ONLY		
26.	806-179C	U-BOLT 5/8-11X4 1/32X4 1/4		
27.	804-022C	WASHER LOCK SPRING 5/8 PLT		
28.	803-021C	NUT HEX 5/8-11 PLT		
29.	570-121A	EZ HITCH W/FLEX TONGUE	Includes parts 9-14, 19-22 & 25-28	
30.	570-215H	E-Z HITCH EXTENSION, 12	Exclusive to 570-180A	
30.	570-216H	E-Z HITCH EXTENSION, 24	Exclusive to 570-181A (shown)	
31.	802-055C	HHCS 5/8-11X2 GR5		
32.	804-022C	WASHER LOCK SPRING 5/8 PLT		
33.	803-021C	NUT HEX 5/8-11 PLT		
34.	570-180A	12 HITCHEXTEZHITCH(FC1314)"	Includes parts 30 thru 33	
34.	570-181A	24 HITCHEXTEZHITCH(FC1315)"	Includes parts 30 thru 33	
35.	558-002D	REAR BAR 5 FT 4X3 RECT TUBE	3323	
35.	558-003D	REAR BAR 6 FT 4X3 RECT TUBE	3323	
35.	558-004D	REAR BAR 7 FT 4X3 RECT TUBE	4330	
35.	558-005D	REAR BAR 8 FT 4X3 RECT TUBE	3326, 4330	
35.	558-006D	REAR BAR 9 FT 4X3 RECT TUBE	3329, 4333	
35.	558-007D	REAR BAR 10 FT 4X3 RECT TUBE	4336	
36.	558-020H	7 DRAGBARMOUNTDISK"	3323, 3326, 3329, 4330, 4333, 4336	Rev. 1
36.	558-021H	14 DRAGBARMOUNTDISK"	3323, 3326, 3329, 4330, 4333, 4336 (shown)	Rev. 1
36.	558-022H	21 DRAGBARMOUNTDISK"	4333	Rev. 1
36.	558-023H	28 DRAGBARMOUNTDISK"	3329, 4336	Rev. 1
37.	558-024A	3323DH REAR ATTACHMENT BAR	Items 3, 7, 26 thru 28, 31	
37.	558-025A	3326DH REAR ATTACHMENT BAR	Items 3, 7, 26 thru 28, 31	
37.	558-026A	3329DH REAR ATTACHMENT BAR	Items 3, 7, 26 thru 28, 31	
37.	558-027A	4330DH REAR ATTACHMENT BAR	Items 3, 7, 26 thru 28, 31	
37.	558-028A	4333DH REAR ATTACHMENT BAR	Items 3, 7, 26 thru 28, 31	
37.	558-029A	4336DH REAR ATTACHMENT BAR	Items 3, 7, 26 thru 28, 31	

# Table of Contents Part Number Index

## EZ Hitch with Slide Rigid Ball

(Applies to 3323DH, 3326DH, 3329DH, 4330DH, 4333DH, 4336DH only)



40934

***EZ Hitch with Slide Rigid Ball***

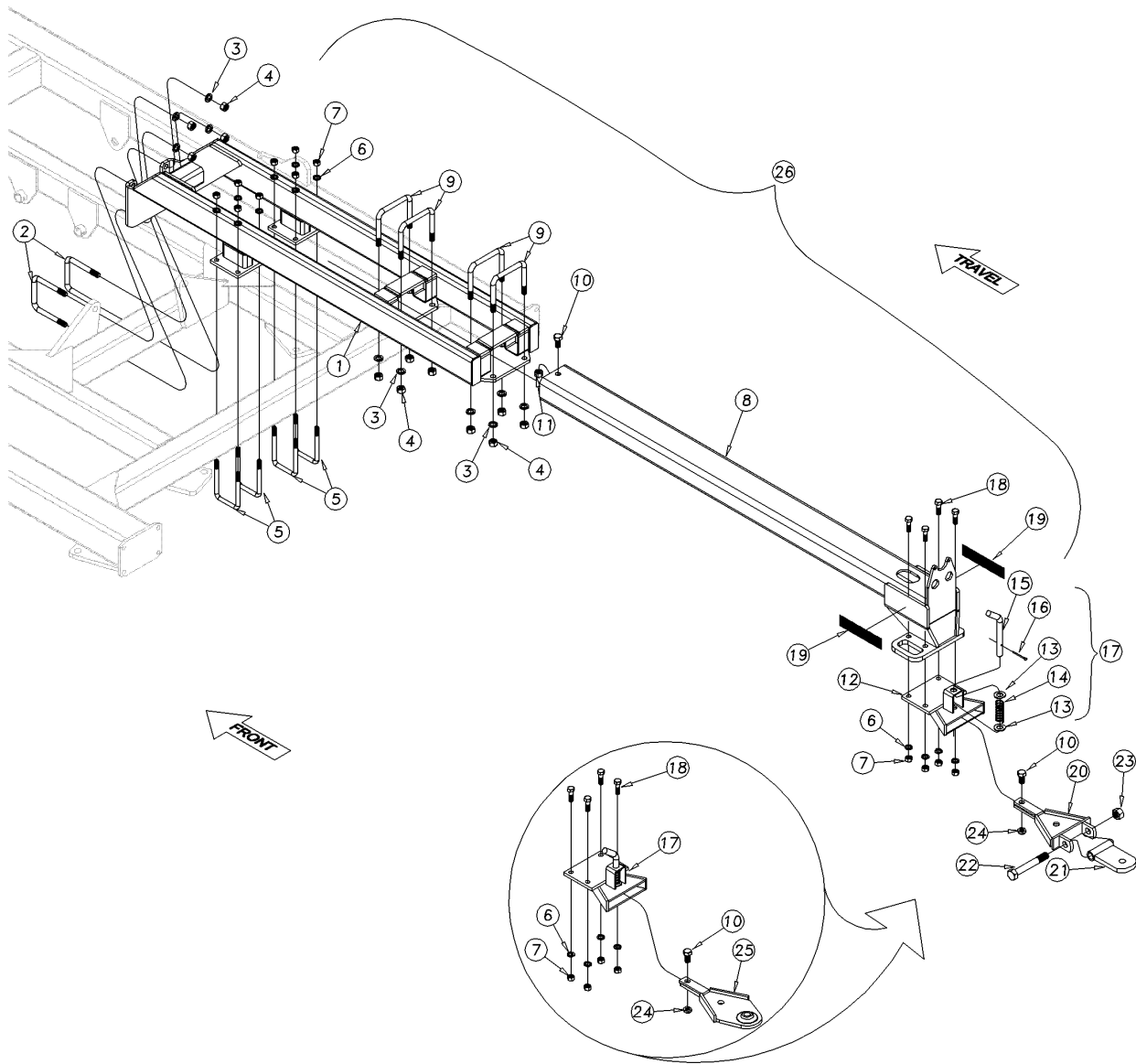
**(Applies to 3323DH, 3326DH, 3329DH, 4330DH, 4333DH, 4336DH only)**

<b>Ref</b>	<b>Part No.</b>	<b>Part Description</b>	<b>Comments</b>	<b>Revision</b>
	dwg40934	Image No.		
1.	570-218H	REAR HITCH EXT ARMS		
2.	585-096H	REAR HITCH CROSS ARM 3X3X46		
3.	558-005D	REAR BAR 8 FT 4X3 RECT TUBE	3323, 3326, 3329	
3.	558-006D	REAR BAR 9 FT 4X3 RECT TUBE	3323, 3326, 3329	
3.	558-010D	REAR BAR 13 FT 4X3 RECT TUBE	4330, 4333, 4336	
4.	806-007C	U-BOLT 3/4-10X4 1/32X4 1/2		
5.	804-023C	WASHER LOCK SPRING 3/4 PLT		
6.	803-027C	NUT HEX 3/4-10 PLT		
7.	817-585C	PLASTIC END CAP - 4X3X1/4 TUBE		
8.	558-034A	REAR HITCH BAR 3300DH (NARROW)	Items 3-7	
8.	558-035A	REAR HITCH BAR 4300DH (WIDE)	Items 3-7	
9.	585-090H	E-Z HITCH RIGID SLIDE		
10.	802-184C	HHCS 3/4-10X1 1/2 GR5		
11.	803-126C	NUT HEX JAM NYLOCK 3/4-10 PLT		
12.	806-183C	U-BOLT 5/8-11X3 1/32X4 1/2 SPT		
13.	804-022C	WASHER LOCK SPRING 5/8 PLT		
14.	803-021C	NUT HEX 5/8-11 PLT		
15.	585-100H	BOLT-ON SLEEVE ONLY		
16.	570-055D	E-Z HITCH PIN 7/8 OD 8 1/2"		
17.	804-215C	WASHER FLAT 7/8 ASTM F436 PLT		
18.	570-080D	SPRING - EZ HITCH PIN		
19.	805-058C	PIN COTTER 3/16 X 2		
20.	589-062A	EXTD EZ-HITCH RIGID BLJNT CH3A	Items 1,2, 4-6, 9-19	
21.	585-099S	BOLT-ON SLEEVE ASSY W/O TONGUE	15 thru 19	
22.	570-202H	E-Z HITCH A-FRAME ONLY		
23.	806-179C	U-BOLT 5/8-11X4 1/32X4 1/4		
24.	804-022C	WASHER LOCK SPRING 5/8 PLT		
25.	803-021C	NUT HEX 5/8-11 PLT		
26.	570-122A	EZ HCH W/SLIDE RIGID BALL JNT	Items 9-11, 16-19 & 22-25	
27.	570-215H	E-Z HITCH EXTENSION, 12	Exclusive to 570-180A	
27.	570-216H	E-Z HITCH EXTENSION, 24	Exclusive to 570-181A (shown)	
28.	802-055C	HHCS 5/8-11X2 GR5		
29.	804-022C	WASHER LOCK SPRING 5/8 PLT		
30.	803-021C	NUT HEX 5/8-11 PLT		
31.	570-180A	12 HITCHEXTEZHITCH(FC1314)"	Items 27 thru 30	
31.	570-181A	24 HITCHEXTEZHITCH(FC1315)"	Items 27 thru 30	
32.	558-002D	REAR BAR 5 FT 4X3 RECT TUBE	3323	
32.	558-003D	REAR BAR 6 FT 4X3 RECT TUBE	3323	
32.	558-004D	REAR BAR 7 FT 4X3 RECT TUBE	4330	
32.	558-005D	REAR BAR 8 FT 4X3 RECT TUBE	3326, 4330	
32.	558-006D	REAR BAR 9 FT 4X3 RECT TUBE	3329, 4333	
32.	558-007D	REAR BAR 10 FT 4X3 RECT TUBE	4336	
33.	558-020H	7 DRAGBARMOUNTDISK"	3323, 3326, 3329, 4330, 4333, 4336	Rev. 1
33.	558-021H	14 DRAGBARMOUNTDISK"	3323, 3326, 3329, 4330, 4333, 4336 (shown)	Rev. 1
33.	558-022H	21 DRAGBARMOUNTDISK"	4333	Rev. 1
33.	558-023H	28 DRAGBARMOUNTDISK"	3329, 4336	Rev. 1
34.	558-024A	3323DH REAR ATTACHMENT BAR	Items 3, 7, 23 thru 25, 32	
34.	558-025A	3326DH REAR ATTACHMENT BAR	Items 3, 7, 23 thru 25, 32	
34.	558-026A	3329DH REAR ATTACHMENT BAR	Items 3, 7, 23 thru 25, 32	
34.	558-027A	4330DH REAR ATTACHMENT BAR	Items 3, 7, 23 thru 25, 32	
34.	558-028A	4333DH REAR ATTACHMENT BAR	Items 3, 7, 23 thru 25, 32	
34.	558-029A	4336DH REAR ATTACHMENT BAR	Items 3, 7, 23 thru 25, 32	

[Table of Contents](#)   [Part Number Index](#)

**556-214A\_215A Rear Hitch Assembly**

(Applies to 3323DH, 3326DH, 3329DH, 4330DH, 4333DH, 4336DH only)



41369

## **556-214A\_215A Rear Hitch Assembly**

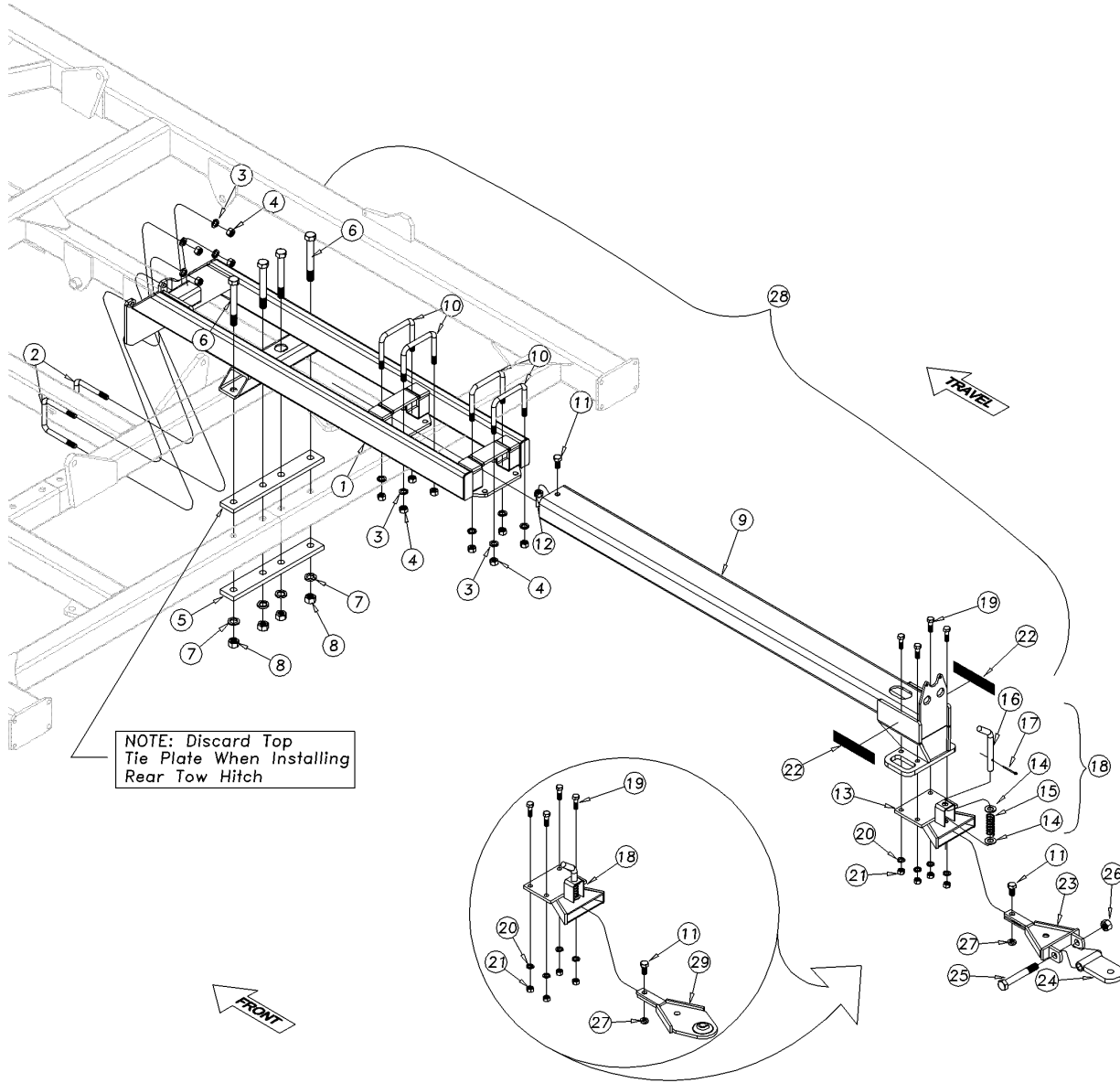
**(Applies to 3323DH, 3326DH, 3329DH, 4330DH, 4333DH, 4336DH only)**

<b>Ref</b>	<b>Part No.</b>	<b>Part Description</b>	<b>Comments</b>	<b>Revision</b>
	dwg41369	Image No.		
1.	556-201H	REAR HITCH		
2.	806-216C	U-BOLT 3/4-10 X 5 1/32 X 6		
3.	804-023C	WASHER LOCK SPRING 3/4 PLT		
4.	803-027C	NUT HEX 3/4-10 PLT		
5.	806-080C	U-BOLT 5/8-11 X 4 1/32 X 6 1/2		
6.	804-022C	WASHER LOCK SPRING 5/8 PLT		
7.	803-021C	NUT HEX 5/8-11 PLT		
8.	556-200H	REAR HITCH POLE		
9.	806-128C	U-BOLT 3/4-10 X 6 1/32 X 5 5/8		
10.	802-184C	HHCS 3/4-10X1 1/2 GR5		
11.	803-026C	NUT LOCK 3/4-10 PLT		
12.	585-100H	BOLT-ON SLEEVE ONLY		
13.	804-215C	WASHER FLAT 7/8 ASTM F436 PLT		
14.	570-080D	SPRING - EZ HITCH PIN		
15.	570-055D	E-Z HITCH PIN 7/8 OD 8 1/2"L		
16.	805-058C	PIN COTTER 3/16 X 2		
17.	585-099S	BOLT-ON SLEEVE ASSY W/O TONGUE	Includes items 12-16	
18.	802-055C	HHCS 5/8-11X2 GR5		
19.	838-615C	DECAL REFLECTOR AMBER 2X9		
20.	585-092H	E-Z HITCH FLEX SLIDE		
21.	585-093H	E-Z HITCH TONGUE ASSEMBLY		
22.	802-075C	HHCS 1-8X7 GR5		
23.	803-316C	NUT HEX LOCK 1-8 PLT		
24.	803-126C	NUT HEX JAM NYLOCK 3/4-10 PLT		
25.	556-201H	REAR HITCH		
26.	556-214A	REAR HITCH 3300DH FLEX TONGUE	Includes items 1-24	
26.	556-215A	REAR HITCH 3300DH RIGID BLJNT	Includes items 1-19, 24-25	

[Table of Contents](#)   [Part Number Index](#)

**556-216A\_217A Rear Hitch Assembly**

(Applies to 3323DH, 3326DH, 3329DH, 4330DH, 4333DH, 4336DH only)



41370



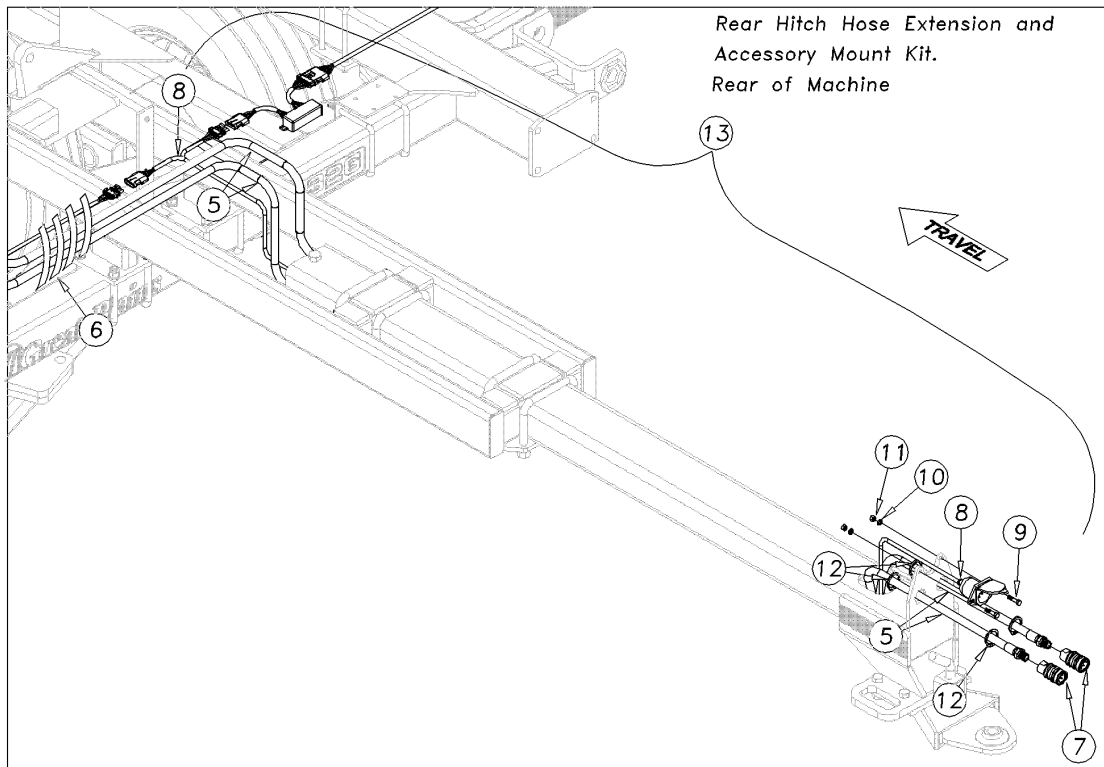
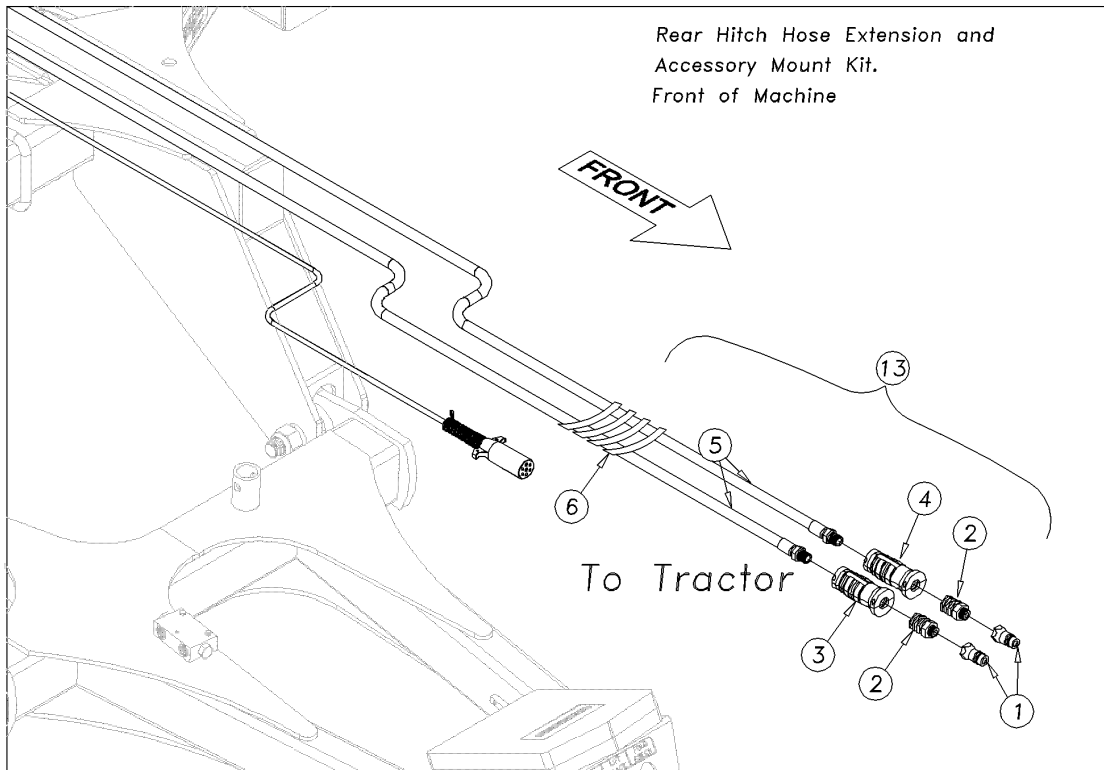
## **556-216A\_217A Rear Hitch Assembly**

**(Applies to 3323DH, 3326DH, 3329DH, 4330DH, 4333DH, 4336DH only)**

<b>Ref</b>	<b>Part No.</b>	<b>Part Description</b>	<b>Comments</b>	<b>Revision</b>
	dwg41370	Image No.		
1.	556-199H	REAR HITCH		
2.	806-216C	U-BOLT 3/4-10 X 5 1/32 X 6		
3.	804-023C	WASHER LOCK SPRING 3/4 PLT		
4.	803-027C	NUT HEX 3/4-10 PLT		
5.	556-248D	TIE PLATE		
6.	802-076C	HHCS 1-8X8 GR5		
7.	804-027C	WASHER LOCK SPRING 1 PLT		
8.	803-031C	NUT HEX 1-8 PLT		
9.	556-200H	REAR HITCH POLE		
10.	806-128C	U-BOLT 3/4-10 X 6 1/32 X 5 5/8		
11.	802-184C	HHCS 3/4-10X1 1/2 GR5		
12.	803-026C	NUT LOCK 3/4-10 PLT		
13.	585-100H	BOLT-ON SLEEVE ONLY		
14.	804-215C	WASHER FLAT 7/8 ASTM F436 PLT		
15.	570-080D	SPRING - EZ HITCH PIN		
16.	570-055D	E-Z HITCH PIN 7/8 OD 8 1/2"L		
17.	805-058C	PIN COTTER 3/16 X 2		
18.	585-099S	BOLT-ON SLEEVE ASSY W/O TONGUE	Includes items 12-16	
19.	802-055C	HHCS 5/8-11X2 GR5		
20.	804-022C	WASHER LOCK SPRING 5/8 PLT		
21.	803-021C	NUT HEX 5/8-11 PLT		
22.	838-615C	DECAL REFLECTOR AMBER 2X9		
23.	585-092H	E-Z HITCH FLEX SLIDE		
24.	585-093H	E-Z HITCH TONGUE ASSEMBLY		
25.	802-075C	HHCS 1-8X7 GR5		
26.	803-316C	NUT HEX LOCK 1-8 PLT		
27.	803-126C	NUT HEX JAM NYLOCK 3/4-10 PLT		
28.	556-216A	REAR HITCH 4300DH FLEX TONGUE	Includes items 1-27	
28.	556-217A	REAR HITCH 4300DH RIGID BLJNT	Includes items 1-22, 27 & 29	
29.	556-201H	REAR HITCH		

## Rear Hitch Accessories

(Applies to 3323DH, 3326DH, 3329DH, 4330DH, 4333DH, 4336DH only)



41371

## **Rear Hitch Accessories**

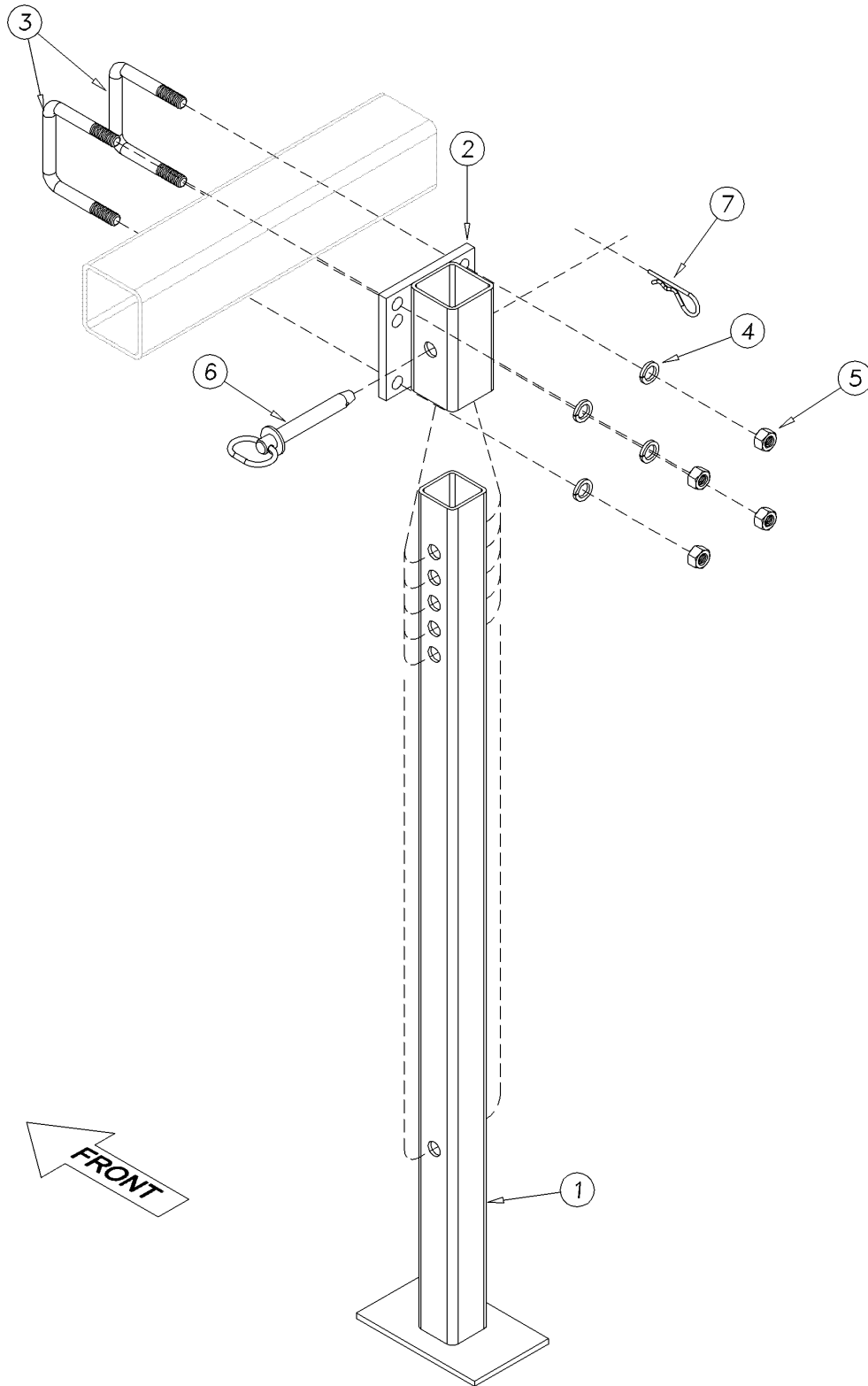
---

(Applies to 3323DH, 3326DH, 3329DH, 4330DH, 4333DH, 4336DH only)

<b>Ref</b>	<b>Part No.</b>	<b>Part Description</b>	<b>Comments</b>	<b>Revision</b>
	dwg41371	Image No.		
1.	811-394C	CP 3/4FORB MALE QD POPPET TYPE		
2.	811-919C	AD 3/4MORB 3/4FORB (HG)		
3.	811-917C	HG HANDLE - YELLOW EXT		
4.	811-918C	HG HANDLE - YELLOW RET		
5.	841-102C	HH3/8R2 468 3/4MORB		
6.	550-123D	HOSE WRAP,SMALL SIZE,SHORT(8")		
7.	811-870C	CP 3/4FORB FEMALE QD (POPPET)		
8.	890-920C	DUAL MACHINE HARNESS		
9.	802-010C	HHCS 5/16-18X1 1/4 GR5		
10.	804-009C	WASHER LOCK SPRING 5/16 PLT		
11.	803-008C	NUT HEX 5/16-18 PLT		
12.	800-290C	SNAP RING EXT 1 1/2 HEAVY		
13.	556-219V	REAR HITCH ACCESSORY KIT DH	Includes items 1 thru 12	

## Rear Jack Stand

(Applies to 3323DH, 3326DH, 3329DH, 4330DH, 4333DH, 4336DH only)



00935

## ***Rear Jack Stand***

---

**(Applies to 3323DH, 3326DH, 3329DH, 4330DH, 4333DH, 4336DH only)**

<b>Ref</b>	<b>Part No.</b>	<b>Part Description</b>	<b>Comments</b>	<b>Revision</b>
	dwg00935	Image No.		
1.	580-048H	FRAME MOUNT PP REAR STAND LEG		
2.	580-049H	REAR STAND MOUNT BRACKET		
3.	806-179C	U-BOLT 5/8-11X4 1/32X4 1/4		
4.	804-022C	WASHER LOCK SPRING 5/8 PLT		
5.	803-021C	NUT HEX 5/8-11 PLT		
6.	805-195C	PIN HITCH 3/4 X 5 1/4 USEABLE		
7.	805-032C	PIN HAIR COTTER .148 WIRE		
8.	558-042K	REAR STAND ASSY (DISK HARROW)	Includes items 1 thru 7	



# Part Number Index

The Part Number Index is a numeric index of all part numbers included in this manual. The index shows what page(s) the part is used on.

Part Number	Page	Part Number	Page	Part Number	Page	Part Number	Page
120-223D	51	556-015H	23	556-124D	79	556-230H	23, 27
148-404D	47	556-020H	23	556-125D	79	556-231D	31
196-430D	57, 59, 61	556-021H	23	556-126D	79	556-231H	23
1M7016-ADI	67, 69, 71, 73	556-022H	23	556-127D	79	556-232D	7, 9
1M7021-ADI	65, 75, 77	556-023H	23	556-128D	79	556-232H	23
2A0016	71, 73, 75, 77	556-024H	15, 19	556-129D	79	556-233H	79, 85
2A0018	65, 67, 69	556-025H	15, 19	556-130D	79	556-234H	79, 85
2A0024	65, 67, 69, 71, 73, 75, 77	556-027S	11, 13	556-131D	79	556-236D	15, 19
2M5416	71, 73	556-028H	49	556-131H	27	556-248D	9, 105
2M6816	67, 69	556-029H	49	556-132H	27	556-250D	83
2S5595NC	75	556-035H	87	556-133H	27	556-251D	85
2S6582NC	65	556-038H	11, 13	556-134H	27	556-286D	83
2S6595NC	77	556-039H	11, 13	556-135H	27	556-287D	33, 35, 39, 41, 43
3R2412	71	556-041H	23	556-136H	27	556-296D	7, 9
3R2440	71	556-042H	23	556-137H	27	556-301D	19
3R3412	73	556-043H	23	556-138H	27	556-302D	33, 35
3R3812	75	556-044H	23	556-139H	37	556-307D	53
3R4812	69	556-048S	23, 27	556-140H	37	556-309D	80, 83
3R4840	69	556-049S	23, 27	556-145H	45	556-310D	80, 83
3R5412	65	556-052H	87	556-146S	33, 41, 45	556-311D	83
3R5812	67	556-053H	23	556-147H	23, 27	556-312D	83
3R5840	67	556-054H	23	556-148H	23, 27	556-313D	15, 19, 63
3R5912	77	556-055H	23	556-149H	23, 27	556-333D	23, 27
4M5108	75	556-056H	23	556-150D	15, 19	556-346D	79, 85
4M6108	65, 77	556-057H	83, 85	556-150H	23, 27	556-347D	79, 85
4R2109	71	556-058H	83	556-156H	15, 19	556-348D	85
4R3109	73	556-059H	83	556-165H	85	556-349D	85
4R4109	69	556-062H	23, 27	556-166H	85	556-350D	85
4R5109	67	556-063H	23, 27	556-169H	15, 19	556-351D	85
500-064D	16, 20, 87	556-064H	79	556-170H	15, 19	556-352D	85
502-068D	11, 13, 85	556-066H	53	556-171H	15, 19	556-353D	85
540-210D	23, 27	556-067H	79	556-172H	9	556-354D	85
548-001S	55	556-068H	49	556-177H	7	556-355D	85
548-002S	63	556-069H	49	556-178H	15	556-356D	85
548-003S	57, 59, 61	556-070H	31	556-179H	19	556-357D	85
550-043H	91, 93	556-071H	9	556-181D	83	556-358D	85
550-054D	16, 20	556-072H	9	556-182D	83	556-359D	85
550-123D	107	556-073H	33, 39, 41	556-182H	7	556-360D	85
550-134D	97	556-076H	27	556-183D	83	556-361D	85
550-135D	91, 93	556-077H	27	556-183H	15, 19	556-362D	85
550-200H	53	556-078H	27	556-184D	83	556-363D	85
550-201H	53	556-079H	27	556-184H	15	556-364D	85
550-202S	53	556-080H	9	556-185D	83	556-365D	85
550-247D	47	556-081H	9	556-185H	11, 13	556-366D	85
550-349H	37	556-082H	9	556-186D	83	556-367D	85
550-425D	53	556-083H	9	556-187D	83	556-368D	85
550-475D	47	556-084H	13	556-188D	83	556-369D	85
550-489D	37	556-085H	13	556-192H	35, 43	556-374D	49
552-017D	97	556-091H	87	556-193H	35, 43	556-375D	79
552-018D	97	556-093H	45	556-196D	83	556-407D	15
552-023D	97	556-098H	33, 35, 39, 41, 43	556-199H	105	556-443D	83
552-024D	97	556-100D	79	556-200H	103, 105	556-444D	83
552-045H	97	556-101D	79	556-201H	103, 105	556-461D	80
552-046H	97	556-102D	79	556-202D	83	556-469D	51
552-047H	97	556-103D	79	556-203D	83	558-002D	95, 99, 101
552-050V	95	556-104D	79	556-204D	83	558-003D	95, 99, 101
552-060H	97	556-105D	79	556-214A	103	558-004D	95, 99, 101
556-001H	7	556-106D	79	556-215A	103	558-005D	95, 99, 101
556-003H	11	556-107D	79	556-216A	105	558-006D	99, 101
556-004H	11	556-113S	33, 39, 41, 45	556-217A	105	558-007D	95, 99, 101
556-006H	7	556-114H	31	556-218V	83, 85	558-009D	95
556-007H	7	556-116H	19	556-219V	107	558-010D	99, 101
556-008H	7	556-119S	15, 19	556-222H	51	558-020H	95, 99, 101
556-009H	7	556-120D	79	556-223H	51	558-021H	95, 99, 101
556-010H	23, 27	556-121D	79	556-224H	51	558-022H	95, 99, 101
556-011H	23, 27	556-121H	11, 13	556-225H	51	558-023H	99, 101
556-012H	23, 27	556-122D	79	556-226H	51	558-024A	99, 101
556-013H	23, 27	556-122H	87	556-227H	23, 27	558-025A	99, 101
556-014H	23	556-123D	79	556-228H	23, 27	558-026A	99, 101
		556-123H	53	556-229H	23, 27	558-027A	99, 101

**Table of Contents    Part Number Index**



# Part Number Index (continued)

Part Number	Page	Part Number	Page	Part Number	Page	Part Number	Page
558-028A	99, 101	596-065K	49	802-345C	7, 9, 23, 27, 87	803-239C	33, 35, 37, 39,
558-029A	99, 101	596-146S	49	802-373C	49		41, 43
558-034A	99, 101	596-147H	49	802-383C	16, 20, 33, 35,	803-245C	91, 93
558-035A	99, 101	596-230D	49		39, 41	803-271C	91, 93, 95, 97
558-042K	109	5M5144	75	802-413C	37, 95	803-314C	15, 19, 23, 27
558-056D	95	5M6111	77	802-469C	80	803-316C	99, 103, 105
558-057D	95	5M6144	65	802-483C	15, 19, 95	803-338C	53, 97
558-058D	95	5R2118	71	802-533C	83, 85	803-339C	49, 79, 87
558-059D	95	5R3118	73	802-578C	11, 13	803-342C	37, 85, 95, 97
558-064D	95	5R4118	69	802-623C	11, 13, 23, 27	803-350C	23, 27
558-067D	95	5R5118	67	802-705C	11, 13	804-006C	7, 9, 15, 19
558-073D	95	6R2164-ADI	71	802-715C	15, 19	804-008C	45, 47
558-165H	95	6R3162-ADI	75	802-748C	15, 19	804-009C	11, 13, 53, 107
558-166H	95	6R3164-ADI	73	802-763C	16, 20, 25, 29	804-011C	15, 19
558-167H	95	6R4164-ADI	69	802-766C	91, 93	804-015C	7, 9, 11, 13, 15,
558-174H	95	6R5162-ADI	65, 77	802-767C	97		19, 31, 51, 53,
558-175H	95	6R5164-ADI	67	802-768C	97		83, 97
558-184H	95	7M5318	71, 73	802-799C	45, 51	804-017C	15, 19, 83, 85
566-460D	80	7M5344	75	802-802C	35, 43, 80	804-022C	15, 19, 53, 85,
570-055D	99, 101, 103, 105	7M6311	77	802-816C	23, 27		87, 95, 97, 99,
570-068D	51	7M6318	67, 69	802-822C	23, 27		101, 103, 105,
570-080D	99, 101, 103, 105	7M6344	65	802-853C	95		109
570-121A	99	800-001C	45	802-854C	11, 13	804-023C	7, 9, 33, 35, 39,
570-122A	101	800-080C	11, 13, 23, 27,	802-859C	15		41, 49, 51, 79,
570-180A	99, 101		33, 35, 37, 39,	802-863C	19		91, 93, 95, 99,
570-181A	99, 101		41, 43, 49, 51	802-865C	25, 29		101, 103, 105
570-202H	99, 101	800-130C	45, 47, 51, 79	802-877C	15, 19	804-024C	97
570-215H	99, 101	800-290C	107	802-902C	95	804-027C	7, 9, 15, 19, 23,
570-216H	99, 101	801-005C	7, 9, 15, 19	803-006C	7, 9, 15, 19		27, 87, 105
570-218H	99, 101	801-054C	97	803-007C	31, 83, 85	804-028C	25, 29, 97
570-279H	93	802-005C	31	803-008C	11, 13, 53, 107	804-029C	11, 13
570-404H	91	802-010C	11, 13, 85, 107	803-013C	91, 93	804-039C	15, 19
575-121D	97	802-023C	65, 67, 69, 71,	803-020C	7, 9, 11, 13, 15,	804-055C	45, 51
575-122D	97		73, 75, 77		19, 31, 51, 53,	804-063C	15, 19, 33, 35,
575-123D	97	802-029C	91, 93		83, 97		37, 39, 41, 43
575-130D	97	802-034C	97	803-021C	15, 19, 53, 85,	804-094C	53, 97
575-138D	97	802-039C	85, 97		87, 95, 97, 99,	804-182C	23, 27
575-139D	97	802-055C	95, 97, 99, 101,		101, 103, 105,	804-192C	11, 13, 25, 29, 51
575-153D	97		103, 105		109	804-200C	79
575-268D	55	802-058C	15, 19	803-024C	91, 93, 97	804-204C	91, 93
575-301D	91, 93	802-059C	53	803-025C	23, 27	804-205C	49, 79, 87
575-302D	91, 93	802-064C	49, 51	803-026C	97, 103, 105	804-215C	99, 101, 103, 105
575-303D	91, 93	802-068C	33, 39, 41	803-027C	7, 9, 33, 35, 39,	804-229C	79, 87
575-304D	91, 93	802-069C	97		41, 51, 79, 91,	805-001C	7
575-305D	91, 93	802-074C	49		93, 95, 99, 101,	805-017C	47
575-508H	97	802-075C	99, 103, 105		103, 105	805-032C	95, 109
575-509H	97	802-076C	9, 105	803-029C	45, 51	805-058C	11, 13, 15, 19,
575-510H	97	802-079C	91, 93	803-031C	7, 9, 15, 19, 23,		25, 29, 65, 67,
575-512H	91, 93	802-082C	51, 95		27, 87, 105		69, 71, 73, 75,
575-514H	97	802-088C	87	803-032C	25, 29, 51		77, 99, 101, 103,
575-517H	97	802-091C	15, 19, 53, 83,	803-037C	91, 93		105
575-803H	97		91, 93	803-038C	11, 13, 15, 19,	805-081C	95
575-859H	91, 93	802-095C	80		25, 29, 49, 97	805-089C	45, 47, 51
576-059D	7, 9	802-110C	9	803-048C	11, 13, 97	805-104C	51
576-102H	25, 29	802-114C	91, 93	803-053C	45, 47	805-115C	33, 35, 37, 39,
576-145D	23, 27	802-115C	11, 13	803-061C	33, 35, 39, 41,		41, 43, 49
580-048H	109	802-128C	53		45, 51	805-129C	95
580-049H	109	802-130C	91, 93	803-063C	11, 13	805-134C	51
580-186D	16, 20, 87	802-131C	87	803-073C	49	805-140C	97
585-090H	101	802-152C	15, 19	803-078C	7, 9	805-143C	7, 9
585-092H	99, 103, 105	802-162C	85	803-084C	80, 85, 87	805-152C	7, 9
585-093H	99, 103, 105	802-167C	83, 85	803-095C	47	805-195C	109
585-094H	97	802-172C	53	803-123C	11, 13, 15, 19,	805-212C	97
585-096H	99, 101	802-182C	45		23, 27, 91, 93, 95	805-225C	97
585-099S	99, 101, 103, 105	802-184C	99, 101, 103, 105	803-126C	99, 101, 103, 105	805-324C	51
585-100H	99, 101, 103, 105	802-194C	95	803-166C	35, 43	805-346C	11, 13
586-158D	7, 9	802-205C	49	803-169C	83, 95	805-348C	51
586-187D	79	802-212C	7, 9, 11, 13	803-210C	15, 19, 49	805-349C	11, 13, 23, 27
586-241V	16, 20	802-235C	49	803-219C	37, 41, 43, 45, 47	805-350C	16, 19
589-061A	99	802-258C	95	803-234C	65, 67, 69, 71,	805-351C	11, 13
589-062A	101	802-280C	80		73, 75, 77	805-353C	51



# Part Number Index (continued)

Part Number	Page	Part Number	Page	Part Number	Page	Part Number	Page
805-357C	51	811-827C	63	820-358C	79	890-872C	15, 19
805-363C	15, 19	811-838C	55	820-359C	79	890-901C	31
805-396C	11, 13, 25, 29, 65, 67, 69, 71, 73, 75, 77	811-841C	59	820-360C	79	890-920C	31, 107
805-401C	15, 19	811-870C	107	820-361C	87	890-923C	31
805-423C	83, 85	811-881C	55	820-362C	87	890-924C	31
806-007C	91, 93, 95, 99, 101	811-882C	63	820-369C	80	890-925C	31
806-023C	83, 85	811-911C	55	820-417C	83, 85	890-926C	31
806-034C	11	811-912C	55	820-444C	79	890-927C	31
806-060C	31	811-913C	55	820-445C	79	890-977C	15, 19
806-080C	103	811-914C	63	820-446C	79	891-189C	15, 19
806-120C	7, 9, 79	811-915C	57, 59, 61	820-467C	79	891-210C	16, 20
806-128C	103, 105	811-916C	57, 59, 61	820-468C	87	DA0057A	23, 27
806-153C	7, 9, 13, 31	811-917C	107	822-020C	45, 47, 51	dwg 41339	79
806-179C	95, 97, 99, 101, 109	811-918C	107	822-021C	45, 47, 51	dwg00856	49
806-180C	97	811-919C	55, 57, 59, 61, 63, 107	822-026C	79	dwg00935	109
806-181C	91, 93	811-939C	59, 63	822-048C	45, 47, 51	dwg01254	89
806-182C	97	811-945C	55	822-053C	45, 47, 51	dwg40802	97
806-183C	99, 101	811-952C	55	822-109C	47	dwg40852	23
806-205C	83	811-965C	55, 59	822-110C	47	dwg40853	33
806-216C	103, 105	811-966C	55	822-141C	49	dwg40854	39, 41
806-219C	95	811-966C	55	822-168C	45, 47	dwg40855	45
807-073C	15, 19	811-977C	55, 57, 59	822-169C	45, 47	dwg40857	53
807-196C	97	811-985C	55, 59, 61	822-225C	33, 35, 39, 41, 43	dwg40863	87
807-216C	53	812-006CP	79	822-226C	33, 35, 39, 41, 43	dwg40915	27
807-225C	97	812-059C	79	822-229C	37	dwg40916	37
807-226C	97	812-365C	79	822-230C	37	dwg40931	91
807-236C	23, 27	814-011C	51	822-231C	49	dwg40932	93
807-263C	79	814-031C	33, 41, 43	838-094C	89	dwg40933	99
807-264C	79	814-038C	39	838-161C	89, 95	dwg40934	101
807-272C	85	814-219C	49	838-482C	89	dwg41032	83
807-273C	85	814-220C	51	838-598C	89	dwg41033	85
807-295C	95	814-221C	33, 39	838-599C	89	dwg41113	9
810-059C	75	814-222C	33, 35, 41, 43	838-600C	89	dwg41114	13
810-060C	65, 77	814-223C	37	838-602C	89	dwg41115	19
810-151C	67	814-226C	33, 35	838-603C	89	dwg41122	7
810-173C	71	814-227C	37	838-606C	89	dwg41123	15
810-174C	73	814-230C	51	838-611C	89	dwg41127	11
810-373C	69	814-232C	39	838-613C	89	dwg41253	31
810-489C	25, 29, 57, 61	814-233C	33	838-614C	89	dwg41265	35
810-501C	13, 55	814-235C	33, 35	838-615C	89, 103, 105	dwg41266	43
810-502C	11, 29, 55	814-236C	37	838-970C	89	dwg41267	47
810-511C	53, 55	814-237C	33	838-971C	89	dwg41369	103
810-587C	25, 55	814-254C	49	838-972C	89	dwg41370	105
810-588C	11, 25, 55	814-340C	41, 43	838-973C	89	dwg41371	107
810-589C	25, 29, 59, 61	815-066C	49	838-974C	89	dwg41601	51
810-599C	15, 19, 63	815-164C	47	838-975C	89	dwg41602	95
810-602C	11, 13, 55	815-192C	45	838-987C	15, 19	dwg41913	65, 75, 77
810-626C	15, 19, 63	815-193C	51	838-992C	89	dwg41918	67, 69, 71, 73
811-063C	55, 57, 59, 61, 63	815-220C	51	841-006C	59	dwg42738	55
811-078C	57, 59, 61	815-229C	45, 47	841-024C	55	dwg42739	57
811-088C	55, 63	815-277C	35, 43, 47	841-025C	61	dwg42740	59
811-125C	55	815-302C	37, 47	841-028C	55	dwg42741	61
811-128C	61	816-220C	47	841-102C	107	dwg42742	63
811-147C	59, 61	816-426C	45, 51	841-208C	57	dwg42743	25
811-150C	63	816-430C	15, 19	841-223C	61	dwg42744	29
811-203C	55	816-529C	45, 47	841-350C	55	PPI-203VR	16, 20
811-235C	55	816-554C	15, 19	841-351C	55	PPI-205H	16, 20
811-310C	55	816-573C	33, 35, 39, 41, 43	841-352C	55	PPI-302V	16, 20
811-329C	57, 59	816-574C	37	841-353C	55		
811-394C	55, 57, 59, 61, 63, 107	817-042C	16, 20	890-005C	7, 9, 11, 13, 23, 27, 51		
811-639C	57, 59	817-516C	15, 19	890-143C	16		
811-643C	61	817-585C	95, 99, 101	890-183C	16, 20		
811-645C	57, 59	817-716C	23, 27	890-246C	15, 19		
811-670C	55, 61	817-717C	11, 13, 23, 27	890-277C	47		
811-709C	55	817-718C	11, 13	890-781C	45, 47, 51		
811-826C	55	818-055C	7, 9	890-793C	15		
		818-077C	89	890-798C	15, 19		
		820-012C	91, 93	890-824C	16, 20		
		820-355C	79	890-837C	91, 93		
		820-356C	79	890-867C	91, 93		
		820-357C	79				



*This Page Intentionally Left Blank*



Great Plains Mfg., Inc.  
1525 E. North Street  
Salina, Kansas 67401 USA

[www.greatplainsmfg.com](http://www.greatplainsmfg.com)

---