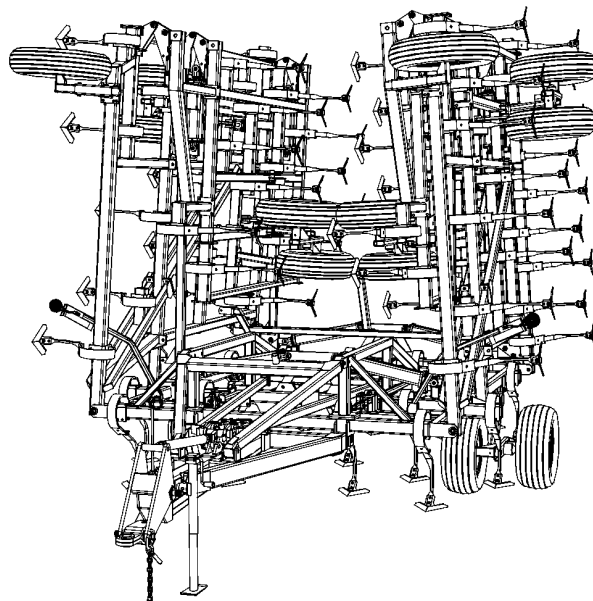

Parts Manual

Field Cultivator, Rigid Hitch (Constant Level)
Series VII 6330, 6332, 6537,
6539, 6541, 6544, 6546, & 6548



Read the Operator's manual entirely. When you see this symbol, the subsequent instructions and warnings are serious - follow without exception. Your life and the lives of others depend on it!



00353

Cover illustration may show optional equipment not supplied with standard unit.



Table of Contents

Section 1: Introduction.....4
 Using This Manual.....4
 Manual Replacement Information.....4
 Manual Revisions.....4
 Touch-up Paint.....4
 Hardware Legend.....5
 Replacement Hardware.....5
 Serial Numbers.....5
 Part Number Service Coding.....5

Section 2: Frames.....6
 Center Frame Assembly.....6
 Rigid Hitch Truss Assembly.....8
 Rigid Hitch Self Level Assembly.....10
 6330 & 6332 Wing Assembly.....12
 6537-6548 Inside Wing Assembly.....14
 6537-6548 Outside Wing Assembly.....16
 Lights.....18

Section 3: Transport.....20
 Center Walking Beam (S/N 1424CC-).....20
 Center Walking Beam (S/N 1425CC+).....22
 Inside Wing Walking Beam.....24
 6537 & 6539 Outside Wing Transport.....26
 6541-6548 Outside Wing Walking Beam.....28
 6-Bolt Hub & Spindle Assembly (S/N 1424CC-).....30
 6 & 8-Bolt Hub & Spindle Assembly (S/N 1425CC+).....32
 Front Gauge Wheel Assembly.....34

Section 4: Hydraulics.....36
 Hydraulic Depth Control Assembly (S/N 1225CC-).....36
 Hydraulic Depth Control Assembly (S/N 1226CC+).....38
 6330 & 6332 Hydraulic Layout (S/N 1211CC-).....40
 6330 & 6332 Hydraulic Layout (S/N 1212CC+).....42
 6537-6548 Hydraulic Layout (S/N 1211CC-).....44
 6537-6548 Hydraulic Layout (S/N 1212CC+).....48
 Hydraulic Details, Rigid Hitch.....50
 Midway Hydraulic Cylinder (810-477C).....52
 Midway Hydraulic Cylinder (810-478C).....54
 Midway Hydraulic Cylinder (810-479C).....56
 Midway Hydraulic Cylinder (810-486C).....58
 Midway Hydraulic Cylinder (810-487C).....60

Section 5: Shanks.....62
 Regular Magnum Shank Assembly (S/N 1129CC-).....62
 Heavy-Duty Magnum Shank Assembly (S/N 1130CC+).....64
 Regular K-Flex Shank Assembly.....66
 Heavy K-Flex Shank Assembly.....68

Section 6: Decals.....70
 Decals.....70

Section 7: Attachments.....72
 S3T, S4T & S5T Spike Drag Assembly.....72
 Reel Following S3T Spike Assembly.....74

S4T Spike Drag High Residue Assembly.....76
 CH3A & CH4A Coil Tine Assembly.....78
 Reel Following CH3A Coil Tine Assembly.....80
 CH3B & CH4B Coil Tine Assembly.....82
 EZ Hitch.....84
 Extended EZ Hitch.....86
 Heavy Duty 3 & 5 EZ Hitch Extension.....88
 Rear Hitch Accessory Mount Kit.....90

Part Number Index.....92

© Copyright 2008 All rights reserved Printed 11/11/08

Great Plains Manufacturing, Inc. provides this publication "as is" without warranty of any kind, either expressed or implied. While every precaution has been taken in the preparation of this manual, Great Plains Manufacturing, Inc. assumes no responsibility for errors or omissions. Neither is any liability assumed for damages resulting from the use of the information contained herein. Great Plains Manufacturing, Inc. reserves the right to revise and improve its products as it sees fit. This publication describes the state of this product at the time of its publication, and may not reflect the product in the future.

Great Plains Manufacturing, Incorporated Trademarks

The following are trademarks of Great Plains Mfg., Inc.: Application Systems, Ausherman, Land Pride, Great Plains

All other brands and product names are trademarks or registered trademarks of their respective holders.

Printed in the United States of America.



Alphabetized Table of Contents

Selected Models

6

6 & 8-Bolt Hub & Spindle Assembly (S/N 1425CC+).....32
 6-Bolt Hub & Spindle Assembly (S/N 1424CC-).....30
 6330 & 6332 Hydraulic Layout (S/N 1211CC-).....40
 6330 & 6332 Hydraulic Layout (S/N 1212CC+).....42
 6330 & 6332 Wing Assembly.....12
 6537 & 6539 Outside Wing Transport.....26
 6537-6548 Hydraulic Layout (S/N 1211CC-).....44
 6537-6548 Hydraulic Layout (S/N 1212CC+).....48
 6537-6548 Inside Wing Assembly.....14
 6537-6548 Outside Wing Assembly.....16
 6541-6548 Outside Wing Walking Beam.....28

C

Center Frame Assembly.....6
 Center Walking Beam (S/N 1424CC-).....20
 Center Walking Beam (S/N 1425CC+).....22
 CH3A & CH4A Coil Tine Assembly.....78
 CH3B & CH4B Coil Tine Assembly.....82

D

Decals.....70

E

Extended EZ Hitch.....86
 EZ Hitch.....84

F

Front Gauge Wheel Assembly.....34

H

Heavy Duty 3 & 5 EZ Hitch Extension.....88
 Heavy K-Flex Shank Assembly.....68
 Heavy-Duty Magnum Shank Assembly (S/N
 1130CC+).....64
 Hydraulic Depth Control Assembly (S/N 1225CC-).....36
 Hydraulic Depth Control Assembly (S/N 1226CC+).....38
 Hydraulic Details, Rigid Hitch.....50

I

Inside Wing Walking Beam.....24

L

Lights.....18

M

Midway Hydraulic Cylinder (810-477C).....52
 Midway Hydraulic Cylinder (810-478C).....54
 Midway Hydraulic Cylinder (810-479C).....56
 Midway Hydraulic Cylinder (810-486C).....58
 Midway Hydraulic Cylinder (810-487C).....60

R

Rear Hitch Accessory Mount Kit.....90

Reel Following CH3A Coil Tine Assembly.....80
 Reel Following S3T Spike Assembly.....74
 Regular K-Flex Shank Assembly.....66
 Regular Magnum Shank Assembly (S/N 1129CC-).....62
 Rigid Hitch Self Level Assembly.....10
 Rigid Hitch Truss Assembly.....8

S

S3T, S4T & S5T Spike Drag Assembly.....72
 S4T Spike Drag High Residue Assembly.....76



General Information

Using This Manual

This manual is divided into sections. The first section contains General Information, a Table of Contents, an Alphabetical Page Index, and a Part Number Index. The remaining sections divide the machine into segments (i.e. Frames, Drives, Hydraulics, etc.) which illustrate and list all parts.

The Great Plains parts in this manual are specially designed for this machine and should be replaced with Great Plains parts only.

The information in this manual is current at printing. Some parts may change to assure top performance.

Right-hand and left-hand as used in this manual are determined by facing the direction the machine will travel while in use.

Below is an example of two facing pages from a parts manual. Familiarize yourself with the contents of these pages.

Manual Replacement Information

Replacement manuals are available. Refer to your dealer or the Great Plains Publications Catalog for additional information.

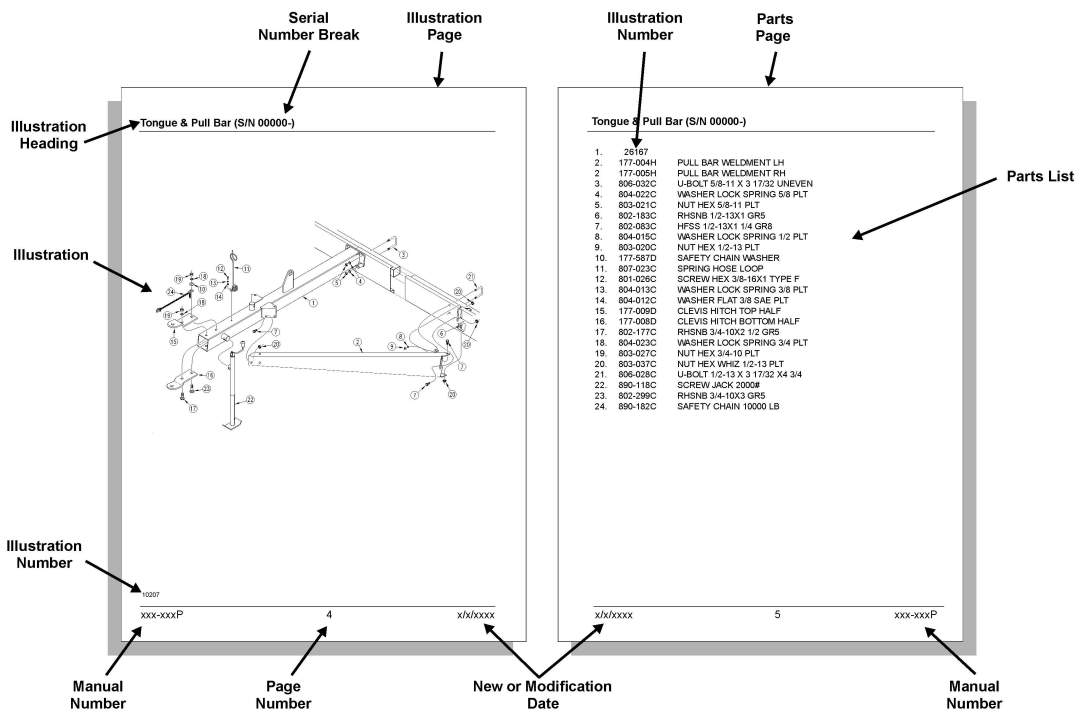
Manual Revisions

When this manual is revised, the modification date is printed on the front cover and on the revised page(s).

Touch-up Paint

Repaint parts where paint is worn or scratched to prevent rust. Aerosol touch-up paint is available. To order use Great Plains parts numbers below:

GP Green	821-001C
GP Black	821-002C
GP Beige	821-003C
GP Buckskin	821-004C



Hardware Legend

AR	As Required
BLADE	Blade Bolt
C	Cap Screw
CP	Cotter Pin
CPHSSS	Cup Point Hex Socket Set Screw
CPSHSS	Cup Point Square Head Set Screw
CPSQHSS	Cup Point Square Head Set Screw
CRFCHMS	Cross Recess Flat Countersunk Head Mach. Screw
CRPHMS	Cross Recess Pan Head Machine Screw
CRPHTFS	Cross Recess Pan Head Thread Forming
CRRHMS	Cross Recess Round Head Machine Screw
CRTHMS	Cross Recess Truss Head Machine Screw
CSNB	Countersunk Square Neck Bolt
FHMS	Flat Head Machine Screw
FTC	Full Thread Cap Screw
H	Hex Nut
HCLN	Hex Center Lock Nut
HFLCS	Hex Flange Lock Cap Screw
HFS	Hex Flange Screw
HFSLN	Hex Flange Serrated Lock Nut
HFSS	Hex Flange Serrated Screw
HHCS	Hex Head Cap Screw or Metric Bolt
HSBHCS	Hex Socket Button Head Cap Screw
HSFCHCS	Hex Socket Flat Countersunk Head Cap Screw
HSCHS	Hex Socket Head Cap Screw
HSSS	Hex Socket Head Screw
HTLN	Hex Top Lock Nut
HWHCS	Hex Washer Head Cap Screw

HWHMS	Hex Washer Head Machine Screw
HXBHCS	Hex Socket Button Head Cap Screw
J	Hex Jam Nut
JIC	37 Degree Tapered Thread
L	Helical Spring Lock Washer
LUG	Lug Bolt
NFC	National Fine Cap Screw
NPSM	National Pipe Straight Mechanical
NPTF	National Pipe Taper Fuel
P	Wide Plain Washer
PHMS	Pan Head Machine Screw
PLOW	Plow Bolt
RHMS	Round Head Machine Screw
RHSNB	Round Head Square Neck Bolt
SCREW LEVELING	Leveling Screw
SCREW THUMB	Thumb Screw
SCREW WELD	Weld Screw
SFCHMS	Slotted Flat Countersunk Head Machine Screw
SFHMS	Slotted Fillister Head Machine Screw
SP	Special
SP SCREW	Special Screw
SQHSS	Square Head Set Screw
SRHMS	Slotted Round Head Machine Screw
SSS	Socket Set Screw
STCS	Self Tapping Cap Screw
STHMS	Slotted Truss Head Machine Screw
WHEEL	Wheel Studs and Hub Long Bolts
WING	Wing Bolt

Replacement Hardware

The **Hardware Legend** above lists hardware abbreviations used in the parts lists. All bolts and nuts are grade 5 unless otherwise noted. The use of improper grades of hardware can result in personal injury, damage to equipment, or loss of property.

Serial Numbers

Always use the serial and model number when ordering parts. Refer to the operator's manual for serial number plate location.

(S/N 20001+ or S/N 20001 and above) Includes serial numbers 20001 and above (to the latest number)

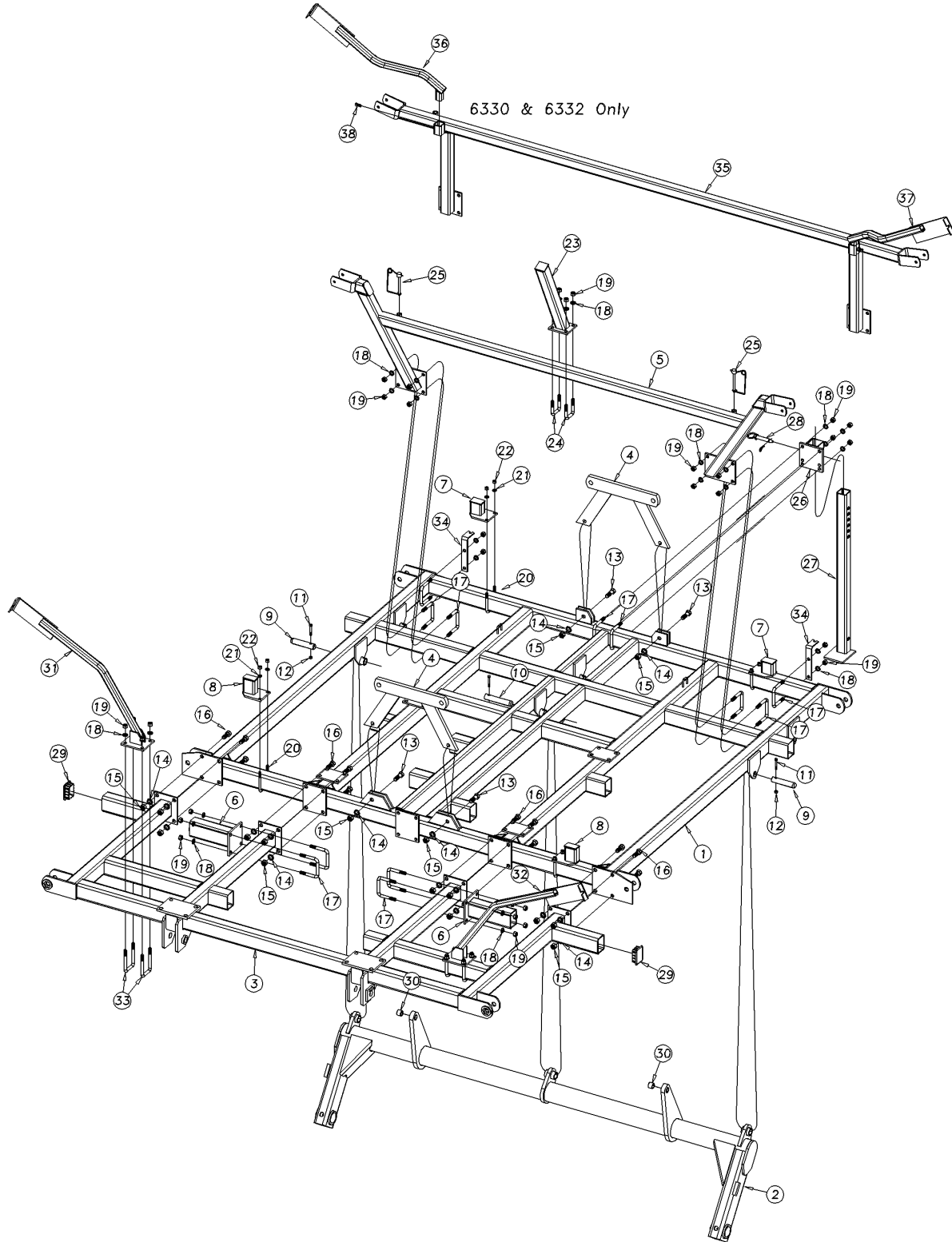
(S/N 10001+→20000) Includes serial numbers between 10000 and 20001

(S/N 10000- or S/N 10000 and below) Includes serial numbers 10000 and below (to the earliest number)

Table of Contents Part Number Index

Center Frame Assembly

(Applies to 6330FC R H, 6332FC R H, 6537FC R H, 6539FC R H, 6541FC R H, 6544FC R H, 6546FC R H, 6548FC R H only)



00354

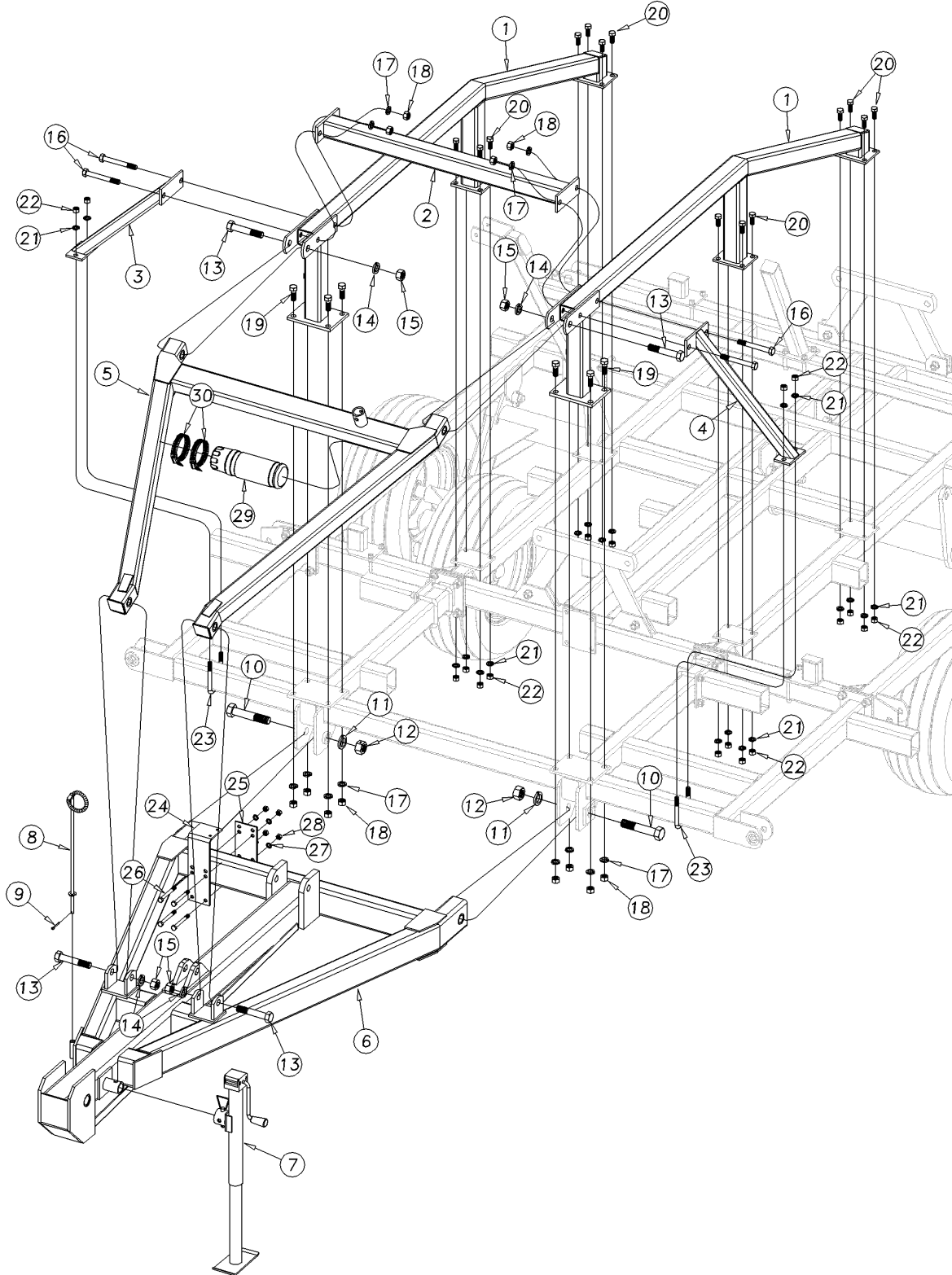
Center Frame Assembly

(Applies to 6330FC R H, 6332FC R H, 6537FC R H, 6539FC R H, 6541FC R H, 6544FC R H, 6546FC R H, 6548FC R H only)

Ref	Part No.	Part Description	Comments	Revision
	dwg00354	Image No.		
1.	560-047H	CENTER FRAME		
2.	560-302H	CENTER TORQUE TUBE 6000FC	S/N 1425CC+	Rev. 2
2.	560-212H	TORQUE TUBE 6330FC-6548FC VII	S/N 1424CC-	Rev. 1
3.	560-048H	CENTER BRACE BAR		
4.	560-014H	CENTER FOLD BRACKET		
5.	560-063H	CENTER WING STOP	Models 6537 - 6548 (shown)	
6.	575-538H	11" U-BOLT ON STUB (4X3TUBE)		
7.	560-015H	CYLINDER REST PAD, 3 1/2	6546, 6548 & Double Fold Option	
8.	560-001H	CYLINDER REST PAD 3	Models 6330 & 6332	
8.	560-208H	CYLINDER REST PAD 4	Models 6537-6548	
9.	805-378C	PIN HINGE 1 1/4X6 HRDN PLT		
10.	805-349C	PIN HINGE 1 1/4X7 HRDN PLT		
11.	802-623C	HHCS 3/8-16X2 1/4 GR8 SP THD		Rev. 2
11.	802-114C	HHCS 3/8-16X2 1/2 GR5	Changed to 802-623C	Rev. 1
12.	803-123C	NUT HEX TOP LOCK 3/8-16 PLT		Rev. 2
12.	803-078C	NUT LOCK 3/8-16 NYLON INSERT	Changed to 803-123C	Rev. 1
13.	802-212C	HHCS 3/4-10X2 1/2 GR5		
14.	804-023C	WASHER LOCK SPRING 3/4 PLT		
15.	803-027C	NUT HEX 3/4-10 PLT		
16.	802-064C	HHCS 3/4-10X2 GR5		
17.	806-179C	U-BOLT 5/8-11X4 1/32X4 1/4		
18.	804-022C	WASHER LOCK SPRING 5/8 PLT		
19.	803-021C	NUT HEX 5/8-11 PLT		
20.	806-189C	U-BOLT 1/2-13X3 1/32X5		
21.	804-015C	WASHER LOCK SPRING 1/2 PLT		
22.	803-020C	NUT HEX 1/2-13 PLT		
23.	560-070H	WHEEL ALIGNMENT STUB	Models 6537 - 6548	
24.	806-182C	U-BOLT 5/8-11X2 17/32X3 1/2		
25.	805-379C	PIN HITCH 1/2X4 1/2 W/KEEPER		
26.	580-049H	REAR STAND MOUNT BRACKET		
27.	560-196H	REAR STAND LEG		
28.	805-081C	PIN HITCH 3/4 X 4 3/8		
29.	817-585C	PLASTIC END CAP - 4X3X1/4 TUBE		
30.	890-005C	BUSHING CYL 1 1/4 X 1 X 1		
31.	560-074H	LIGHT MOUNTING BRACKET RH	Models 6537 - 6548	
32.	560-073H	LIGHT MOUNTING BRACKET LH	Models 6537 - 6548	
33.	806-079C	U-BOLT 5/8-11 X 3 1/32 X 5 1/2		
34.	550-124D	PART - LIGHT KIT		
35.	560-043H	CENTER WING STOP	Models 6330 & 6332	
36.	560-065H	LIGHT MOUNT BRKT-WING STOP RH	Models 6330 & 6332	
37.	560-152H	LIGHT MOUNT BRKT-WING STOP LH	Models 6330 & 6332	
38.	801-054C	SCREW SET SQ HD 1/2-13X1 GR5	Models 6330 & 6332	

Rigid Hitch Truss Assembly

(Applies to 6330FC R H, 6332FC R H, 6537FC R H, 6539FC R H, 6541FC R H, 6544FC R H, 6546FC R H, 6548FC R H only)



00355

Rigid Hitch Truss Assembly

(Applies to 6330FC R H, 6332FC R H, 6537FC R H, 6539FC R H, 6541FC R H, 6544FC R H, 6546FC R H, 6548FC R H only)

Ref	Part No.	Part Description	Comments	Revision
	dwg00355	Image No.		
1.	575-548H	CENTER FRAME TRUSS ASSEMBLY		
2.	575-707H	BRACE BAR TRUSS-TOP	Models 6537 - 6548	
3.	575-673H	BRACE BAR TRUSS LEG RH	Models 6537 - 6548	
4.	575-674H	BRACE BAR TRUSS LEG LH	Models 6537 - 6548	
5.	575-549H	HITCH STRUT ASSEMBLY		Rev. 1
6.	575-519H	HITCH POLE		Rev. 1
7.	890-820C	ADJ JACK SWIVEL SIDEWIND 5000		
8.	550-001H	HOSE SUPPORT		
9.	805-225C	PIN COTTER 1/8 X 1 1/2		
10.	802-795C	HHCS 1 1/4-7X7 GR8 PLT		Rev. 2
10.	802-784C	HHCS 1 1/4-7X6 1/2 GR8 PLT	Changed to 802-795C	Rev. 1
11.	804-030C	WASHER LOCK 1 1/4 SPRING PLT		
12.	803-034C	NUT HEX 1 1/4-7 PLT		
13.	802-205C	HHCS 1-8X5 1/2 GR5		
14.	804-027C	WASHER LOCK SPRING 1 PLT		
15.	803-031C	NUT HEX 1-8 PLT		
16.	802-070C	HHCS 3/4-10X6 GR5		
17.	804-023C	WASHER LOCK SPRING 3/4 PLT		
18.	803-027C	NUT HEX 3/4-10 PLT		
19.	802-064C	HHCS 3/4-10X2 GR5		
20.	802-051C	HHCS 5/8-11X1 1/2 GR5		
21.	804-022C	WASHER LOCK SPRING 5/8 PLT		
22.	803-021C	NUT HEX 5/8-11 PLT		
23.	806-079C	U-BOLT 5/8-11 X 3 1/32 X 5 1/2		
24.	575-047D	REBOUND VALVE TALL MOUNT BRKT		
25.	560-035D	REBOUND VALVE MOUNT PLATE		
26.	802-413C	HHCS 1/2-13X4 1/2 GR5		
27.	804-015C	WASHER LOCK SPRING 1/2 PLT		
28.	803-020C	NUT HEX 1/2-13 PLT		
29.	817-609C	MANUAL PAK TUBE		
30.	800-231C	CLAMP WORM DRIVE (3"-5")		

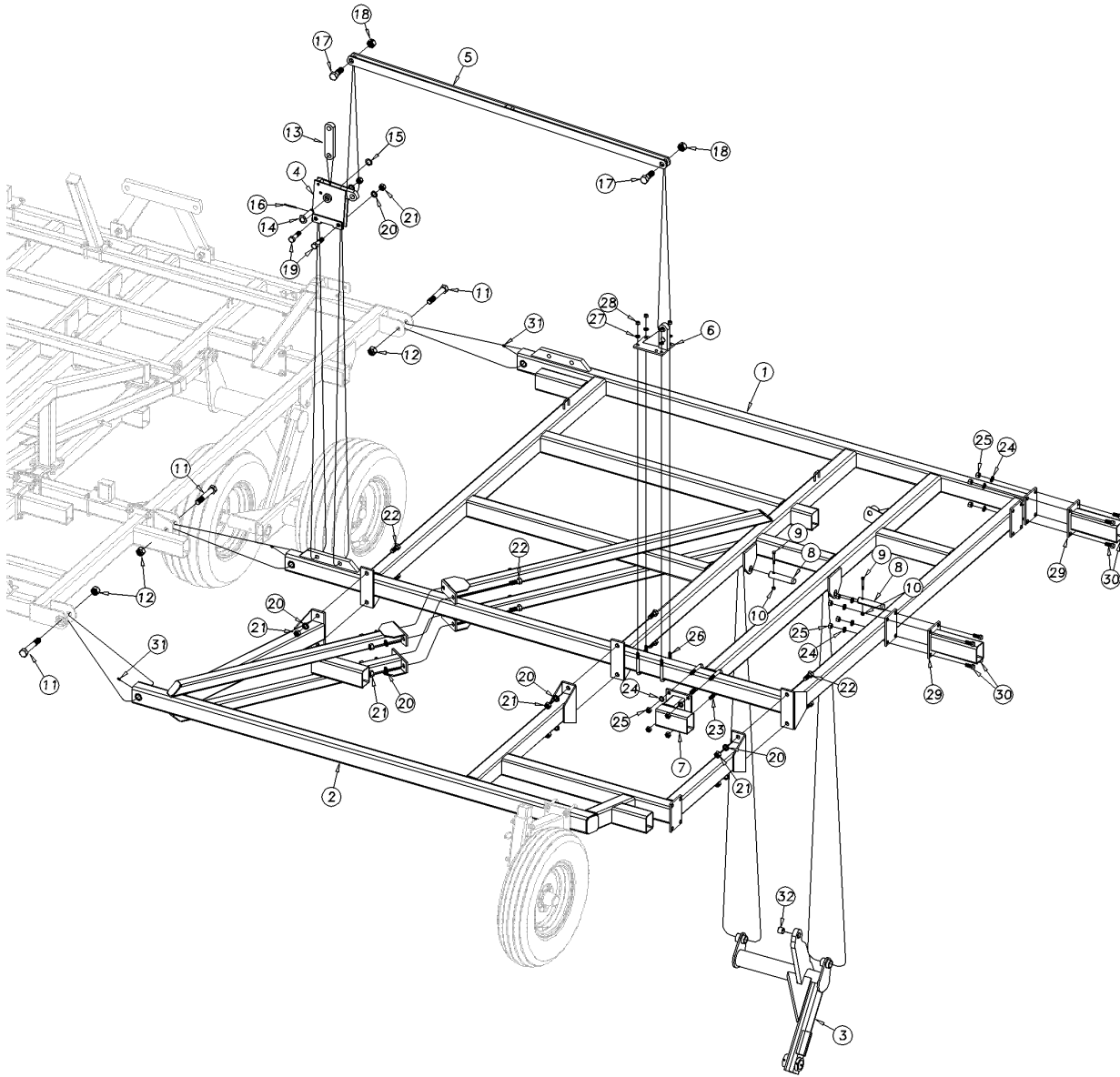
Rigid Hitch Self Level Assembly

(Applies to 6330FC R H, 6332FC R H, 6537FC R H, 6539FC R H, 6541FC R H, 6544FC R H, 6546FC R H, 6548FC R H only)

Ref	Part No.	Part Description	Comments	Revision
	dwg00356	Image No.		
1.	575-544H	LEVEL BAR RH		
2.	575-545H	LEVEL BAR LH 6500FC CL HTCH		
3.	575-568H	LEVEL BAR CONNECTOR		
4.	575-560H	LEVEL BAR CONNECTOR		
5.	575-511H	LEVEL BAR & CYL MNT H BRACKET		
6.	575-572S	TURNBUCKLE ASSY 7000DV/FC CLH	Includes items 30 thru 34	Rev. 1
7.	575-518H	HD SIDE PLATE ASSEMBLY		Rev. 1
8.	560-024H	CLEVIS (LARGE FC/DC)		
9.	575-515H	HITCH BOLT (1 1/2" x 9 3/8")		
10.	804-063C	WASHER MACH 2.25 X 1.50 X 10GA	Use as needed	
11.	803-301C	NUT HEX SLOTTED 1 1/2-6 PLT		
12.	805-115C	PIN COTTER 1/4 X 3 PLT		
13.	575-658H	HITCH BOLT FOR SAFETY CHAIN		
14.	802-785C	HHCS 1 1/4-7X13 1/2 GR8 PLT		
15.	803-314C	NUT HEX TOP LOCK 1 1/4-7 PLT		
16.	802-783C	HHCS 1-8X9 GR8 PLT		
17.	803-316C	NUT HEX LOCK 1-8 PLT		Rev. 2
17.	803-038C	NUT HEX 1-8 NYLON INSERT PLT	Changed to 803-316C	Rev. 1
18.	802-469C	HHCS 3/4-10X8 GR5 PLT		
19.	803-026C	NUT LOCK 3/4-10 PLT		
20.	805-351C	PIN CLEVIS 1 X 3 3/8 USABLE		Rev. 2
20.	805-352C	PIN CLEV 1X2 3/8 USE MUSHRM HD	Changed to 805-351C	Rev. 1
21.	804-192C	WASHER MACH 1.5X1.00X.075		
22.	805-058C	PIN COTTER 3/16 X 2		
23.	805-351C	PIN CLEVIS 1 X 3 3/8 USABLE		
24.	804-028C	WASHER FLAT 1 USS PLT		
25.	802-051C	HHCS 5/8-11X1 1/2 GR5		
26.	804-022C	WASHER LOCK SPRING 5/8 PLT		
27.	803-021C	NUT HEX 5/8-11 PLT		
28.	805-364C	PIN HITCH 3/4 X 3		
29.	805-088C	PIN, HAIR COTTER 3/16 WIRE DIA		
30.	575-529H	TURNBUCKLE TUBE		
31.	576-110H	TURNBUCKLE CLVS END 1 1/2-RH	Requires 805-351C Pin item 20	
31.	575-528H	RPBY 575-528V		
32.	803-063C	NUT HEX JAM 1 1/2-6 PLT		
33.	575-520H	TURNBUCKLE TEE END (LH THD)		
34.	803-364C	NUT HEX JAM 1 1/2-6 LH THD		
35.	890-835C	BUSHING 1 1/4X1X3/4 HRD ST SLT		
36.	890-824C	SAFETY CHAIN 16100 LB		
37.	576-048D	SAFETY CHAIN SPACER		
38.	804-071C	WASHER FLAT 1 1/2 SAE PLT		
39.	803-301C	NUT HEX SLOTTED 1 1/2-6 PLT		
40.	805-115C	PIN COTTER 1/4 X 3 PLT		
41.	550-071D	PART - SMV MOUNTING BRACKET		
42.	806-079C	U-BOLT 5/8-11 X 3 1/32 X 5 1/2		
43.	890-823C	SMV SIGN POLE BRKT W/BOLTS		
44.	804-204C	WASHER FLAT 7/16 USS PLT		
45.	804-009C	WASHER LOCK SPRING 5/16 PLT		
46.	890-822C	SMV SIGN POLE W/SLIDE		
47.	818-055C	DECAL SLOW MOVING-GALV. BACKED		
48.	801-005C	SCREW PAN HD 1/4-20 X 3/4		
49.	804-006C	WASHER LOCK SPRING 1/4 PLT		
50.	803-006C	NUT-HEX 1/4-20 PLT		

6330 & 6332 Wing Assembly

(Applies to 6330FC R H, 6332FC R H only)



00357

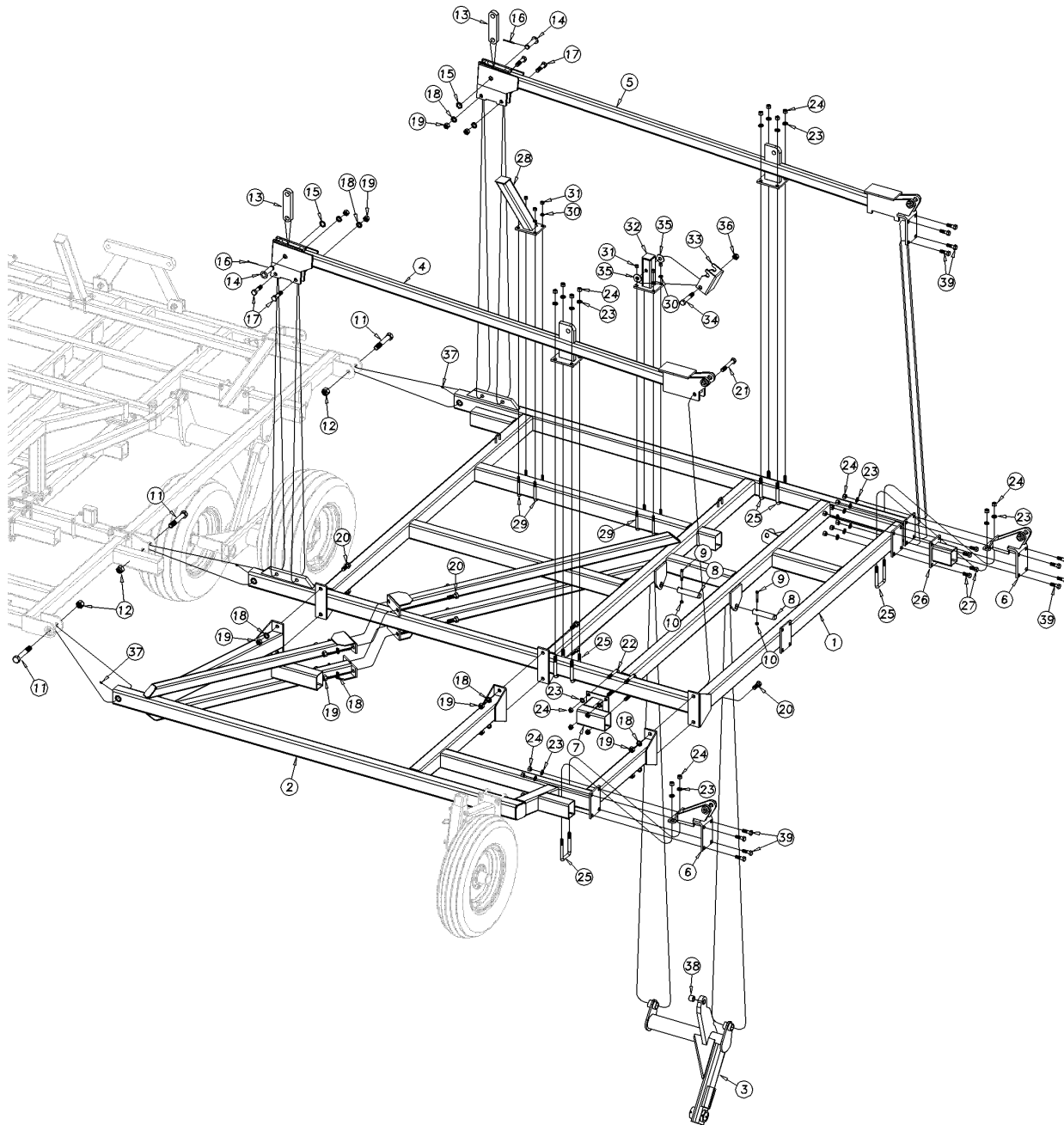
6330 & 6332 Wing Assembly

(Applies to 6330FC R H, 6332FC R H only)

Ref	Part No.	Part Description	Comments	Revision
	dwg00357	Image No.		
1.	560-051H	INSIDE WING ASSY 10' WING RH		
1.	560-052H	INSIDE WING ASSY 10' WING LH (shown)		
2.	560-054H	10' WING BRACE		
3.	560-117H	WING WHEEL BRKT RH		
3.	560-118H	WING WHEEL BRKT LH (shown)		
4.	560-011H	ROCKER BRACKET		
5.	560-005H	CONNECTING LINK (75 1/8)		
6.	560-003H	CONNECTING LINK BRACKET		
7.	560-044H	7" OFFSET STUB		
8.	805-378C	PIN HINGE 1 1/4X6 HRDN PLT		
9.	802-623C	HHCS 3/8-16X2 1/4 GR8 SP THD		Rev. 2
9.	802-114C	HHCS 3/8-16X2 1/2 GR5	Changed to 802-623C	Rev. 1
10.	803-123C	NUT HEX TOP LOCK 3/8-16 PLT		Rev. 2
10.	803-078C	NUT LOCK 3/8-16 NYLON INSERT	Changed to 803-123C	Rev. 1
11.	802-357C	HHCS 1-8X6 GR5		
12.	803-038C	NUT HEX 1-8 NYLON INSERT PLT		
13.	560-176D	ROCKER 5 3/4" CENTER TO CENTER		
14.	805-351C	PIN CLEVIS 1 X 3 3/8 USABLE		
15.	804-192C	WASHER MACH 1.5X1.00X.075		
16.	805-058C	PIN COTTER 3/16 X 2		
17.	802-368C	HHCS 1-8X3 GR5		
18.	803-316C	NUT HEX LOCK 1-8 PLT		
19.	802-383C	HHCS 3/4-10X3 GR5		
20.	804-023C	WASHER LOCK SPRING 3/4 PLT		
21.	803-027C	NUT HEX 3/4-10 PLT		
22.	802-064C	HHCS 3/4-10X2 GR5		
23.	806-106C	U-BOLT 5/8-11 X 4 1/32 X 4		
24.	804-022C	WASHER LOCK SPRING 5/8 PLT		
25.	803-021C	NUT HEX 5/8-11 PLT		
26.	806-189C	U-BOLT 1/2-13X3 1/32X5		
27.	804-015C	WASHER LOCK SPRING 1/2 PLT		
28.	803-020C	NUT HEX 1/2-13 PLT		
29.	560-020H	11" BOLT ON STUB	Model 6332	
30.	802-051C	HHCS 5/8-11X1 1/2 GR5		
31.	800-080C	GREASE ZERK 1/4-28 THD FORMING		
32.	890-005C	BUSHING CYL 1 1/4 X 1 X 1		

6537-6548 Inside Wing Assembly

(Applies to 6537FC R H, 6539FC R H, 6541FC R H, 6544FC R H, 6546FC R H, 6548FC R H only)



00358

6537-6548 Inside Wing Assembly

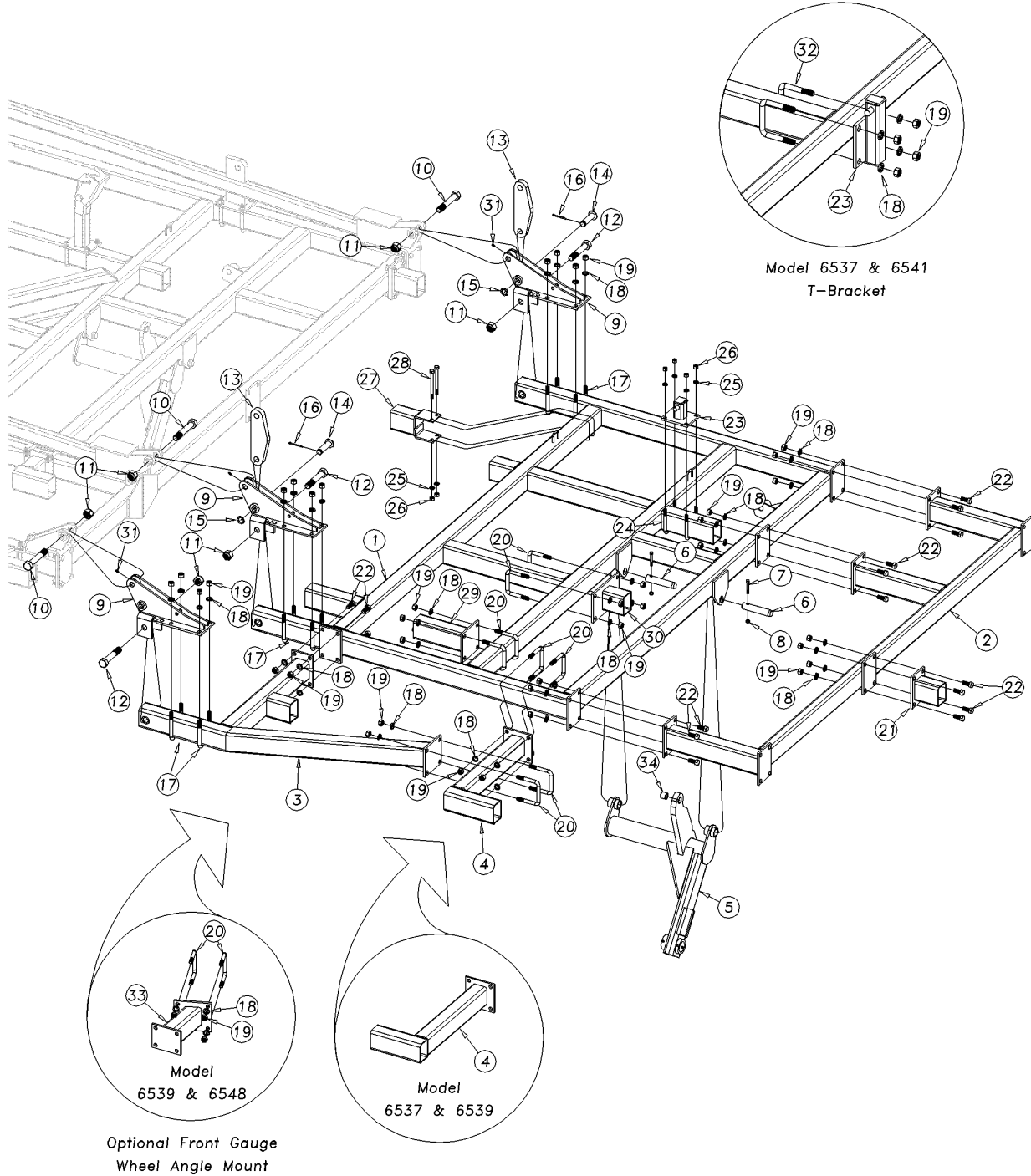
(Applies to 6537FC R H, 6539FC R H, 6541FC R H, 6544FC R H, 6546FC R H, 6548FC R H only)

Ref	Part No.	Part Description	Comments	Revision
	dwg00358	Image No.		
1.	560-049H	INSIDE WING ASSY 9'WING RH	Model 6537, 6539, 6541 & 6544	
1.	560-050H	INSIDE WING ASSY 9'WING LH	Model 6537, 6539, 6541 & 6544	
1.	560-051H	INSIDE WING ASSY 10' WING RH	Model 6546 & 6548	
1.	560-052H	INSIDE WING ASSY 10' WING LH	Model 6546 & 6548 (shown)	
2.	560-053H	9' WING BRACE	Model 6537, 6539, 6541 & 6544	
2.	560-054H	10' WING BRACE	Model 6546 & 6548 (shown)	
3.	575-687H	WHEEL BRACKET RH	Model 6537, 6539, 6541 & 6544	
3.	575-688H	WHEEL BRACKET LH	Model 6537, 6539, 6541 & 6544	
3.	560-117H	WING WHEEL BRKT RH	Model 6546 & 6548	
3.	560-118H	WING WHEEL BRKT LH	Model 6546 & 6548	
4.	560-278H	FOLD BRACKET FRONT 100	Model 6537, 6539, 6541 & 6544	Rev. 2
4.	575-682H	REP BY 560-278H		Rev. 1
4.	560-281H	FOLD BRACKET FRONT 114	Model 6546 & 6548 (shown)	Rev. 2
4.	575-681H	REP BY 560-281H		Rev. 1
5.	560-280H	FOLD BRACKET REAR 100	Model 6537, 6539, 6541 & 6544	Rev. 2
5.	570-198H	REP BY 560-280H		Rev. 1
5.	560-283H	FOLD BRACKET REAR 114	Model 6546 & 6548	Rev. 2
5.	560-062H	REP BY 560-283H		Rev. 1
6.	560-016H	180 DEGREE FOLD BRACKET-INSIDE		
7.	560-044H	7" OFF SET STUB		
8.	805-378C	PIN HINGE 1 1/4X6 HRDN PLT		
9.	802-623C	HHCS 3/8-16X2 1/4 GR8 SP THD		Rev. 2
9.	802-114C	HHCS 3/8-16X2 1/2 GR5	Changed to 802-623C	Rev. 1
10.	803-123C	NUT HEX TOP LOCK 3/8-16 PLT		Rev. 2
10.	803-078C	NUT LOCK 3/8-16 NYLON INSERT	Changed to 803-123C	Rev. 1
11.	802-357C	HHCS 1-8X6 GR5		
12.	803-038C	NUT HEX 1-8 NYLON INSERT PLT		
13.	580-010D	ROCKER 6 1/2		
14.	805-351C	PIN CLEVIS 1 X 3 3/8 USABLE		
15.	804-192C	WASHER MACH 1.5X1.00X.075		
16.	805-058C	PIN COTTER 3/16 X 2		
17.	802-212C	HHCS 3/4-10X2 1/2 GR5		
18.	804-023C	WASHER LOCK SPRING 3/4 PLT		
19.	803-027C	NUT HEX 3/4-10 PLT		
20.	802-064C	HHCS 3/4-10X2 GR5		
21.	802-069C	HHCS 3/4-10X5 GR5		
22.	806-179C	U-BOLT 5/8-11X4 1/32X4 1/4		
23.	804-022C	WASHER LOCK SPRING 5/8 PLT		
24.	803-021C	NUT HEX 5/8-11 PLT		
25.	806-079C	U-BOLT 5/8-11 X 3 1/32 X 5 1/2		
26.	560-019H	5" BOLT-ON STUB		
27.	802-051C	HHCS 5/8-11X1 1/2 GR5		
28.	560-012H	STUB, 23 1/2 BOLT-ON"	Model 6541 - 6548	
29.	806-189C	U-BOLT 1/2-13X3 1/32X5		
30.	804-015C	WASHER LOCK SPRING 1/2 PLT		
31.	803-020C	NUT HEX 1/2-13 PLT		
32.	560-010H	WING LOCK MOUNT		
33.	560-013H	AUTOMATIC WING LATCH		
34.	802-192C	HHCS 3/4-10X4 1/2 GR5		
35.	804-024C	WASHER FLAT 3/4 USS PLT		
36.	803-026C	NUT LOCK 3/4-10 PLT		
37.	800-080C	GREASE ZERK 1/4-28 THD FORMING		
38.	890-005C	BUSHING CYL 1 1/4 X 1 X 1		
39.	802-055C	HHCS 5/8-11X/2 GR5		Rev. 2
39.	802-051C	HHCS 5/8-11X1 1/2 GR5	Changed to 802-055C	Rev. 1

[Table of Contents](#) [Part Number Index](#)

6537-6548 Outside Wing Assembly

(Applies to 6537FC R H, 6539FC R H, 6541FC R H, 6544FC R H, 6546FC R H, 6548FC R H only)



00359

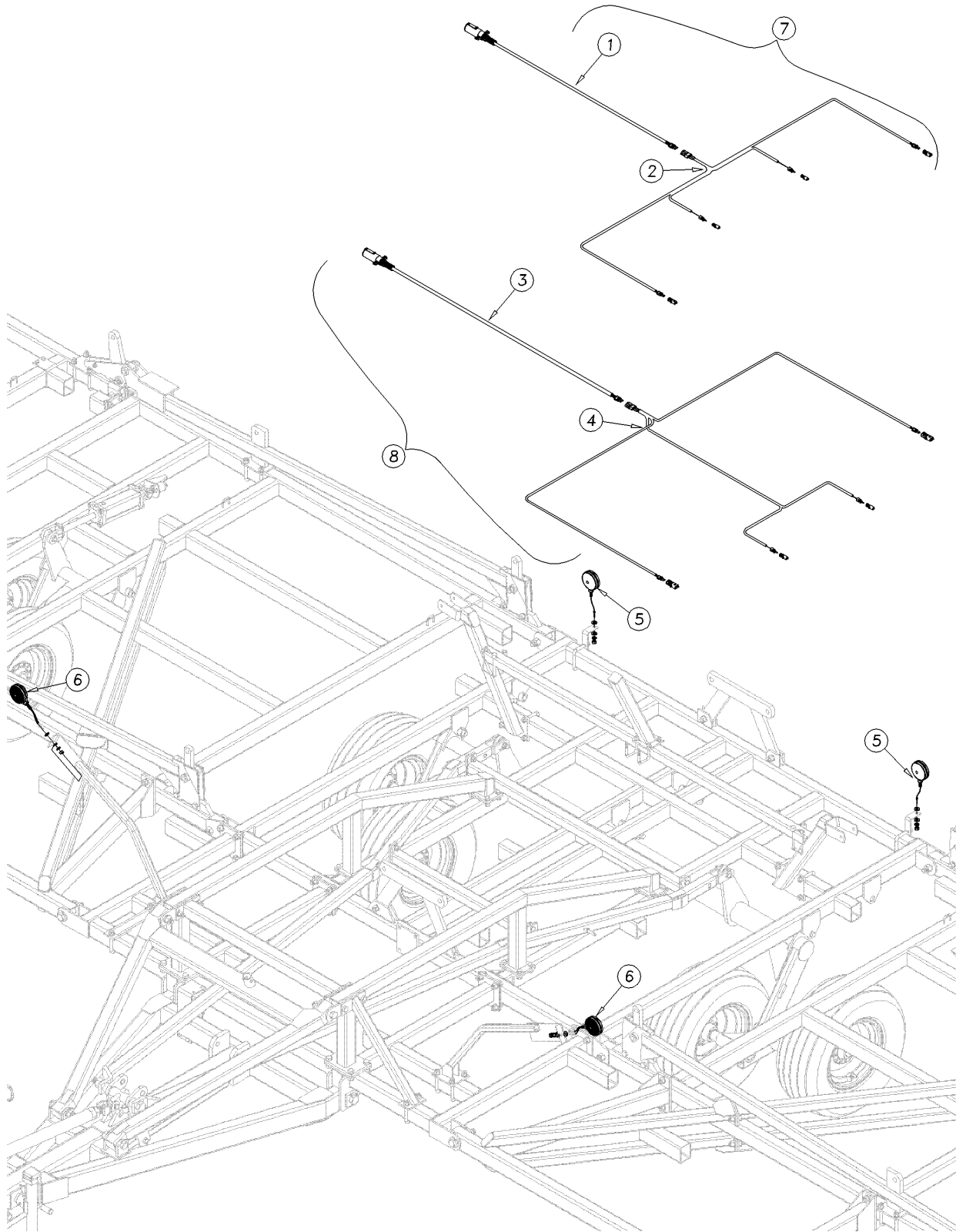
6537-6548 Outside Wing Assembly

(Applies to 6537FC R H, 6539FC R H, 6541FC R H, 6544FC R H, 6546FC R H, 6548FC R H only)

Ref	Part No.	Part Description	Comments	Revision
	dwg	Image No. 00359		
1.	560-067H	4 1/2' OUTSIDE WING RH	Model 6537 & 6541	
1.	560-068H	4 1/2' OUTSIDE WING LH	Model 6537 & 6541	
1.	560-055H	5 1/2' OUTSIDE WING FRAME RH	Model 6539, 6544 & 6546	
1.	560-056H	5 1/2' OUTSIDE WING FRAME LH	Model 6539, 6544 & 6546 (shown)	
1.	560-057H	7' OUTSIDE WING FRAME RH	Model 6548	
1.	560-058H	7' OUTSIDE WING FRAME LH	Model 6548	
2.	560-064H	C-FRAME 6500FC/7500FC	Model 6541, 6544, 6546 & 6548 (shown)	
3.	560-069H	OUTSIDE WING BRACE	Model 6537 & 6541	
3.	560-059H	OUTSIDE WING BRACE	Model 6539, 6544 & 6546 (shown)	
3.	560-060H	OUTSIDE WING BRACE	Model 6548	
4.	560-061H	25" U-BOLT ON STUB-OFFSET		
5.	560-117H	WING WHEEL BRKT RH		
5.	560-118H	WING WHEEL BRKT LH	(shown)	
6.	805-378C	PIN HINGE 1 1/4X6 HRDN PLT		
7.	802-623C	HHCS 3/8-16X2 1/4 GR8 SP THD		Rev. 2
7.	802-114C	HHCS 3/8-16X2 1/2 GR5	Changed to 802-623C	Rev. 1
8.	803-123C	NUT HEX TOP LOCK 3/8-16 PLT		Rev. 2
8.	803-078C	NUT LOCK 3/8-16 NYLON INSERT	Changed to 803-123C	Rev. 1
9.	560-017H	HINGE, OUTSIDE WING		
10.	802-715C	HHCS 1-8X6 GR8 PLT SPCL THREAD		
11.	803-038C	NUT HEX 1-8 NYLON INSERT PLT		
12.	802-205C	HHCS 1-8X5 1/2 GR5		
13.	580-192D	180 DEGREE ROCKER		
14.	805-351C	PIN CLEVIS 1 X 3 3/8 USABLE		
15.	804-192C	WASHER MACH 1.5X1.00X.075		
16.	805-058C	PIN COTTER 3/16 X 2		
17.	806-079C	U-BOLT 5/8-11 X 3 1/32 X 5 1/2		
18.	804-022C	WASHER LOCK SPRING 5/8 PLT		
19.	803-021C	NUT HEX 5/8-11 PLT		
20.	806-179C	U-BOLT 5/8-11X4 1/32X4 1/4		
21.	560-019H	5 BOLT-ONSTUB"		
22.	802-051C	HHCS 5/8-11X1 1/2 GR5		
23.	560-081H	WING LOCK T BRACKET	Model 6539, 6544, 6546 & 6548	
23.	560-022H	WING STOP T"BRKT"	Model 6537 & 6541	
24.	806-189C	U-BOLT 1/2-13X3 1/32X5		
25.	804-015C	WASHER LOCK SPRING 1/2 PLT		
26.	803-020C	NUT HEX 1/2-13 PLT		
27.	560-023H	4 X 4 K-FLEX STUB	Model 6537, 6539, 6541 & 6544	
28.	802-046C	HHCS 1/2-13X5 1/2 GR5	Model 6537, 6539, 6541 & 6544	
29.	575-538H	11" U-BOLT ON STUB (4 X 3 TUBE)	Model 6544 & 6546	
30.	560-235H	STUB, 4 1/2" U-BOLT ON	Model 6541	
31.	800-080C	GREASE ZERK 1/4-28 THD FORMING		
32.	806-019C	U-BOLT 5/8-11 X 4 1/32 X 3 3/8		
33.	560-274H	GAUGE WHEEL ANGLE MOUNT	Optional	
34.	890-005C	BUSHING CYL 1 1/4 X 1 X 1		

Lights

(Applies to 6330FC R H, 6332FC R H, 6537FC R H, 6539FC R H, 6541FC R H, 6544FC R H, 6546FC R H, 6548FC R H only)



01241

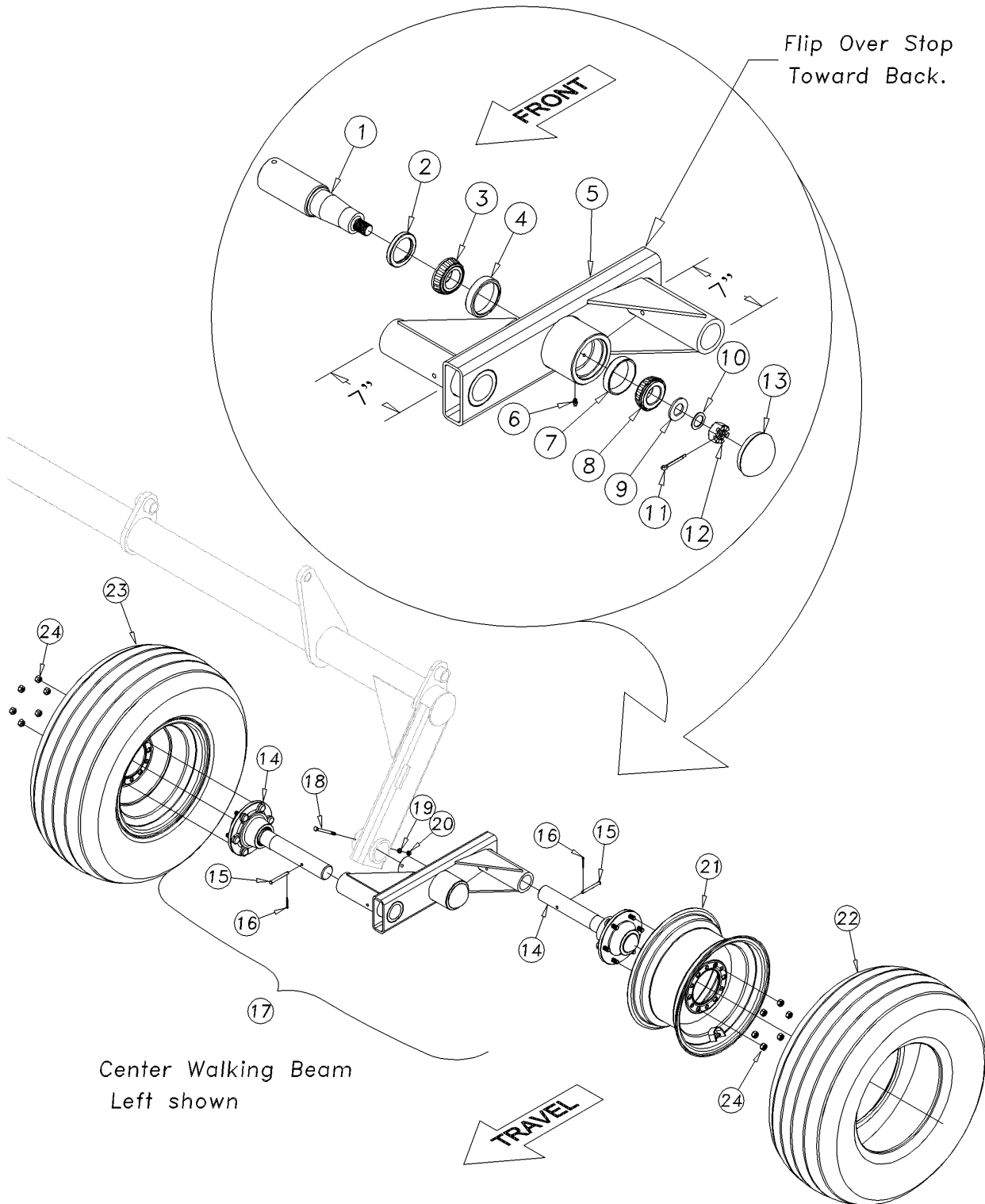
Lights

(Applies to 6330FC R H, 6332FC R H, 6537FC R H, 6539FC R H, 6541FC R H, 6544FC R H, 6546FC R H, 6548FC R H only)

Ref	Part No.	Part Description	Comments	Revision
	dwg01241	Image No.		
1.	890-831C	LEAD HARNESS W/TRAC HKUP 25FT	Models 6330 & 6332	
2.	890-830C	WISHBONE WIRING HARNESS(SHORT)	Models 6330 & 6332	
3.	890-832C	LEAD HARNESS W/TRAC HKUP 15FT	Models 6537-6548	
4.	890-833C	WISHBONE WIRING HARNESS (LONG)	Models 6537-6548	
5.	890-828C	LIGHT ONE-WAY RED		
6.	890-829C	LIGHT TWO-WAY AMBER		
7.	890-826C	SAFETY LIGHT KIT (LONG LEAD)	Models 6330 & 6332 Includes items 1,2,5 & 6	
8.	890-834C	SAFETY LIGHT KIT (SHORT LEAD)	Models 6537-6548 Includes items 3,4,5 & 6	

Center Walking Beam (S/N 1424CC-)

(Applies to 6330FC R H, 6332FC R H, 6537FC R H, 6539FC R H, 6541FC R H, 6544FC R H, 6546FC R H, 6548FC R H only)



Center Walking Beam
Left shown

Center Walking Beam (S/N 1424CC-)

(Applies to 6330FC R H, 6332FC R H, 6537FC R H, 6539FC R H, 6541FC R H, 6544FC R H, 6546FC R H, 6548FC R H only)

Ref	Part No.	Part Description	Comments	Revision
	dwg00360	Image No.		
1.	550-021D	PIVOT SPINDLE 2 1/2 X 10		
2.	816-573C	SEAL 2.50IDX3.251DX.47T		
3.	822-226C	BRG CONE 1.97ID JLM104948		
4.	822-225C	BRG CUP JLM104910		
5.	560-045H	HEAVY WALKING TANDEM		
6.	800-080C	GREASE ZERK 1/4-28 THD FORMING		
7.	822-053C	BRG CUP 2.89ODX.58WD #LM501310		
8.	822-048C	BRG CONE 1.62IDX.78WD#LM501349		
9.	804-193C	WASHER FLAT 7/8 GRD 8 2 1/4 OD		
10.	804-055C	WASHER SPINDLE - 7/8		
11.	805-089C	PIN COTTER 5/32 X 1 1/2 LONG		
12.	803-029C	NUT HEX SLOTTED 7/8-14 PLT		
13.	890-886C	GREASE CAP 3.153X1.468X.312		
14.	815-224C	HUB 6-BOLT SPINDLE 2X16 890	Purchaxed Complete	Rev. 2
14.	560-147S	RPBY 815-224C	See Hub & Spindle Assembly	Rev. 1
15.	805-324C	PIN CLEVIS 5/16X2 13/16 USABLE		
16.	805-363C	PIN COTTER 1/8 X 1		
17.	560-078L	CENTER WALKING BEAM ASSEMBLY	Includes items 1 thru 16	
18.	802-279C	HHCS 5/16-18X4 GR5		
19.	804-009C	WASHER LOCK SPRING 5/16 PLT		
20.	803-008C	NUT HEX 5/16-18 PLT		
21.	814-220C	WHEEL 15X6 6 BOLT WHITE	Model 6330 & 6332	
21.	814-221C	WHEEL 15X8 6 BOLT WHITE	Model 6537 - 6548	
22.	814-009C	TIRE 9.5L X 15-12 PLY-TUBELESS	Model 6330 & 6332	
22.	814-145C	TIRE 11L-15SL 12 PLY TUBE TYPE	Model 6537 - 6548	
23.	814-231C	TIRE/WHEEL 9.5LX15 12PLY WHITE	Includes items 21 & 22	
23.	814-233C	TIRE/WHL 11LX15 12PLY 6BLT WHT	Includes items 21 & 22	
24.	803-061C	NUT LUG 9/16-18 X 90 PLT		

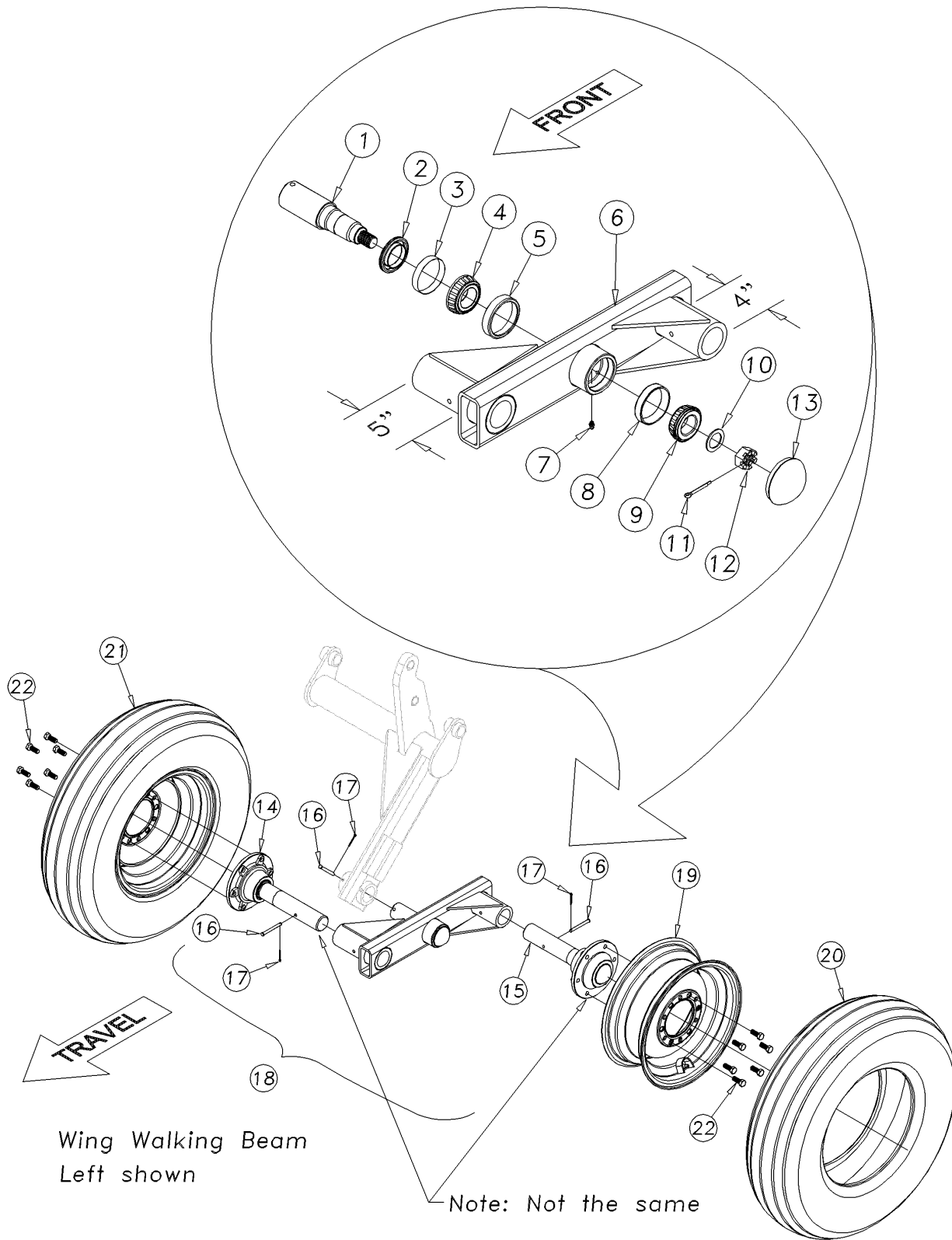
Center Walking Beam (S/N 1425CC+)

(Applies to 6330FC R H, 6332FC R H, 6537FC R H, 6539FC R H, 6541FC R H, 6544FC R H, 6546FC R H, 6548FC R H only)

Ref	Part No.	Part Description	Comments	Revision
	dwg01130	Image No.		
1.	580-191D	PIVOT SPINDLE 2 1/2 X 10		
2.	816-573C	SEAL 2.50IDX3.251DX.47T		
3.	822-226C	BRG CONE 1.97ID JLM104948		
4.	822-225C	BRG CUP JLM104910		
5.	560-304H	WALKING BEAM RH		
5.	560-305H	WALKING BEAM LH	(shown)	
6.	800-080C	GREASE ZERK 1/4-28 THD FORMING		
7.	822-053C	BRG CUP 2.89ODX.58WD #LM501310		
8.	822-048C	BRG CONE 1.62IDX.78WD#LM501349		
9.	804-193C	WASHER FLAT 7/8 GRD 8 2 1/4 OD		
10.	804-055C	WASHER SPINDLE - 7/8		
11.	805-089C	PIN COTTER 5/32 X 1 1/2 LONG		
12.	803-029C	NUT HEX SLOTTED 7/8-14 PLT		
13.	890-886C	GREASE CAP 3.153X1.468X.312		
14.	560-308L	WALKING BEAM ASY RH	Includes items 1 thru 13	
14.	560-309L	WALKING BEAM ASY LH	Includes items 1 thru 13 (shown)	
15.	815-226C	HUB 8-BOLT SPNDL 2.25X16.5 458	Purchases Complete See Hub & Spindle Assembly	
16.	802-802C	HHCS 5/16-18X4 GR8 PLT		
17.	804-009C	WASHER LOCK SPRING 5/16 PLT		
18.	803-008C	NUT HEX 5/16-18 PLT		
19.	814-222C	WHEEL 15X8 8 BOLT WHITE		
20.	814-031C	TIRE 11L-15SL 12 PLY TUBELESS	Model 6330 & 6332 (shown)	
20.	814-226C	TIRE 11LX15 LOAD F	Model 6537 - 6548	
21.	814-340C	TIRE/WHL 11LX15 12PLY 8BLT WHT	Includes items 21 & 22	
21.	814-235C	TIRE/WHL 11LX15 LOAD F 8BLT WH	Includes items 21 & 22	
22.	803-219C	NUT LUG 5/8-18 X 90 DEG PLT		

Inside Wing Walking Beam

(Applies to 6330FC R H, 6332FC R H, 6537FC R H, 6539FC R H, 6541FC R H, 6544FC R H, 6546FC R H, 6548FC R H only)



00282

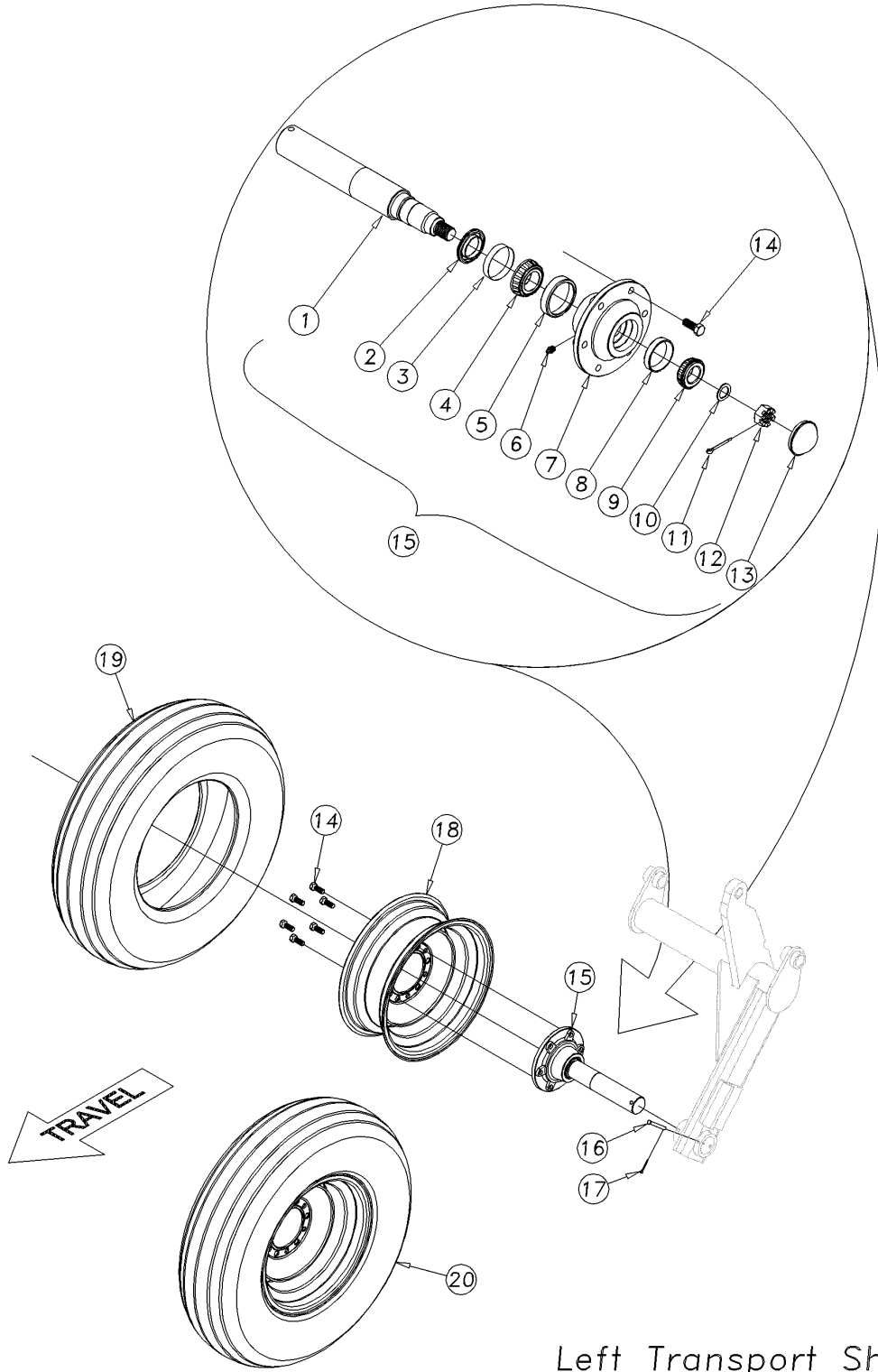
Inside Wing Walking Beam

(Applies to 6330FC R H, 6332FC R H, 6537FC R H, 6539FC R H, 6541FC R H, 6544FC R H, 6546FC R H, 6548FC R H only)

Ref	Part No.	Part Description	Comments	Revision
	dwg00282	Image No.		
1.	550-015D	PIVOT SPINDLE 2X8 1/16		
2.	816-398C	SEAL (CR16286)		
3.	816-396C	SEAL SLEEVE (CR081071)		
4.	822-198C	INNER CONE, JL69349		
5.	822-197C	INNER CUP JL69310		
6.	560-035H	WALKING BEAM		
7.	800-080C	GREASE ZERK 1/4-28 THD FORMING		
8.	822-020C	BEARING CUP LM-67010		
9.	822-021C	BEARING CONE LM-67048		
10.	804-055C	WASHER SPINDLE - 7/8		
11.	805-089C	PIN COTTER 5/32 X 1 1/2 LONG		
12.	803-029C	NUT HEX SLOTTED 7/8-14 PLT		
13.	890-781C	GREASE CAP 2.448X1.12X.25		
14.	815-216C	HUB 6-BOLT SPINDLE 2X14HH 888	Purchased Complete	Rev. 2
14.	550-005S	RPBY 815-216C	Front Side of Tandem. See Hub & Spindle Assembly	Rev. 1
15.	815-214C	HUB 6-BOLT SPINDLE 2X13HH 888	Purchased Complete	Rev. 2
15.	550-007S	RPBY 815-214C	Back Side of Tandem. See Hub & Spindle Assembly	Rev. 1
16.	805-324C	PIN CLEVIS 5/16X2 13/16 USABLE		
17.	805-363C	PIN COTTER 1/8 X 1		
18.	560-137L	WALKING BEAM HUB ASSEMBLY	Includes items 1 thru 17	
19.	814-220C	WHEEL 15X6 6 BOLT WHITE		
20.	814-011C	TIRE 9.5 L X 15 8 PLY		
21.	814-230C	TIRE/WHEEL 9.5LX15 8 PLY WHITE	Includes items 19 & 20	
22.	802-632C	WHEEL BOLT 1/2-20X1 1/4 GR5		

6537 & 6539 Outside Wing Transport

(Applies to 6537FC R H, 6539FC R H only)



0281a

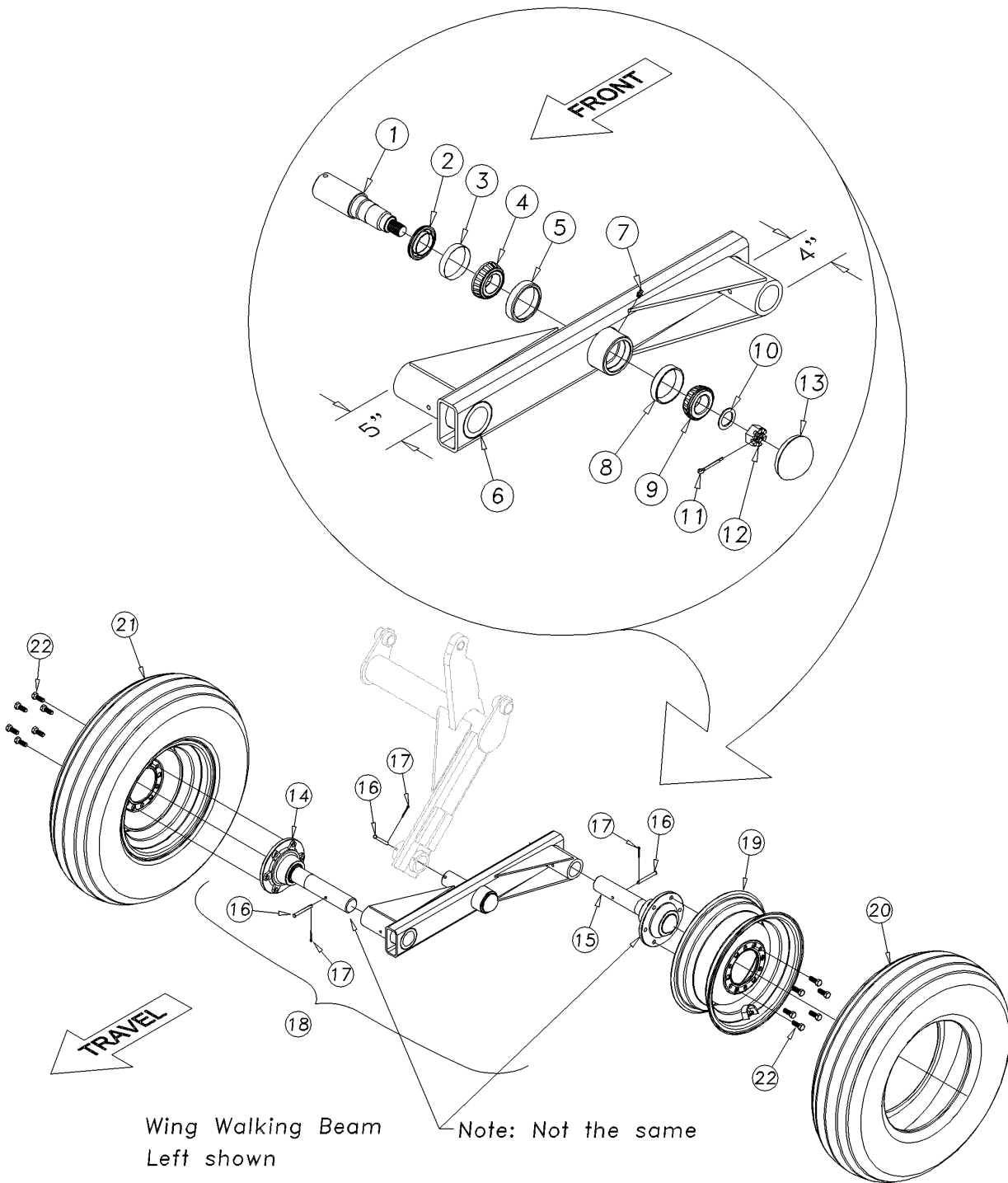
6537 & 6539 Outside Wing Transport

(Applies to 6537FC R H, 6539FC R H only)

Ref	Part No.	Part Description	Comments	Revision
	dwg00281	Image No.		
1.	570-058D	AXLE SPINDLE 2X14 (Q888)		
2.	816-398C	SEAL (CR16286)		
3.	816-396C	SEAL SLEEVE (CR081071)		
4.	822-198C	INNER CONE, JL69349		
5.	822-197C	INNER CUP JL69310		
6.	800-221C	REP BY 800-130C		Rev. 2
6.	800-001C	GREASE ZERK STRAIGHT 1/4-28	Changed to 800-221C	Rev. 1
7.	815-142C	HUB 888 W/CUPS 6-BOLTS 6" BC		
8.	822-020C	BEARING CUP LM-67010		
9.	822-021C	BEARING CONE LM-67048		
10.	804-055C	WASHER SPINDLE - 7/8		
11.	805-089C	PIN COTTER 5/32 X 1 1/2 LONG		
12.	803-029C	NUT HEX SLOTTED 7/8-14 PLT		
13.	890-781C	GREASE CAP 2.448X1.12X.25		
14.	802-632C	WHEEL BOLT 1/2-20X1 1/4 GR5		
15.	815-215C	HUB 6-BOLT SPINDLE 2X14LH 888	Purchased Complete	Rev. 2
15.	570-214S	RPBY 815-215C	Includes items 1 thru 14	Rev. 1
16.	805-324C	PIN CLEVIS 5/16X2 13/16 USABLE		
17.	805-363C	PIN COTTER 1/8 X 1		
18.	814-220C	WHEEL 15X6 6 BOLT WHITE		
19.	814-011C	TIRE 9.5 L X 15 8 PLY		
20.	814-230C	TIRE/WHEEL 9.5LX15 8 PLY WHITE	Includes items 18 & 19	

6541-6548 Outside Wing Walking Beam

(Applies to 6541FC R H, 6544FC R H, 6546FC R H, 6548FC R H only)



00040

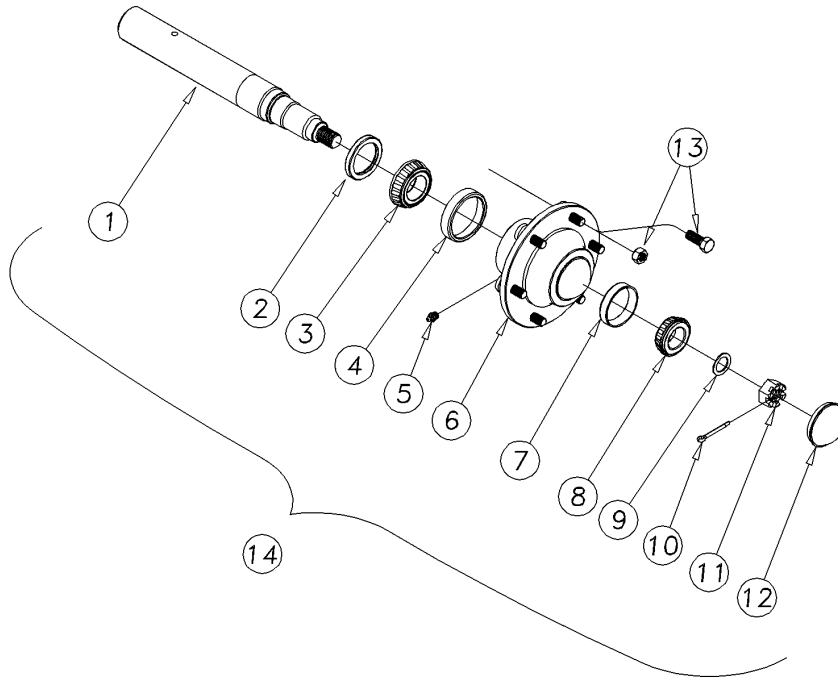
6541-6548 Outside Wing Walking Beam

(Applies to 6541FC R H, 6544FC R H, 6546FC R H, 6548FC R H only)

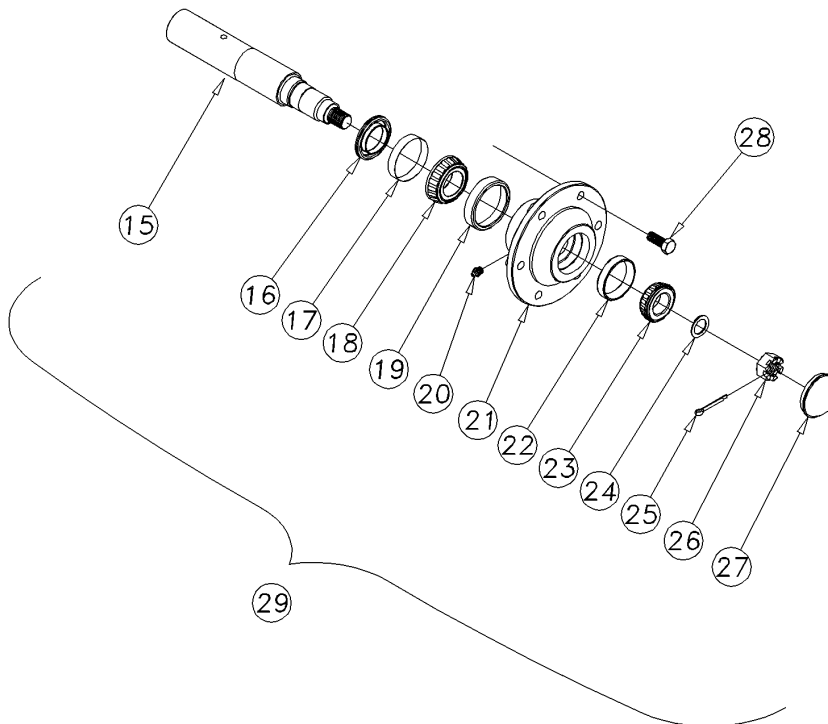
Ref	Part No.	Part Description	Comments	Revision
	dwg00040	Image No.		
1.	550-015D	PIVOT SPINDLE 2X8 1/16		
2.	816-398C	SEAL (CR16286)		
3.	816-396C	SEAL SLEEVE (CR081071)		
4.	822-198C	INNER CONE, JL69349		
5.	822-197C	INNER CUP JL69310		
6.	550-006H	WALKING BEAM		
7.	800-080C	GREASE ZERK 1/4-28 THD FORMING		
8.	822-020C	BEARING CUP LM-67010		
9.	822-021C	BEARING CONE LM-67048		
10.	804-055C	WASHER SPINDLE - 7/8		
11.	805-089C	PIN COTTER 5/32 X 1 1/2 LONG		
12.	803-029C	NUT HEX SLOTTED 7/8-14 PLT		
13.	890-781C	GREASE CAP 2.448X1.12X.25		
14.	815-216C	HUB 6-BOLT SPINDLE 2X14HH 888	Purchased Complete	Rev. 2
14.	550-005S	RPBY 815-216C	Front Side Tandem. See Hub & Spindle Assembly	Rev. 1
15.	815-214C	HUB 6-BOLT SPINDLE 2X13HH 888	Purchased Complete	Rev. 2
15.	550-007S	RPBY 815-214C	Back Side Tandem. See Hub & Spindle Assembly	Rev. 1
16.	805-324C	PIN CLEVIS 5/16X2 13/16 USABLE		
17.	805-363C	PIN COTTER 1/8 X 1		
18.	560-079L	WALKING BEAM ASSEMBLY	Includes items 1 thru 17	
19.	814-220C	WHEEL 15X6 6 BOLT WHITE		
20.	814-011C	TIRE 9.5 L X 15 8 PLY		
21.	814-230C	TIRE/WHEEL 9.5LX15 8 PLY WHITE	Includes items 19 & 20	
22.	802-632C	WHEEL BOLT 1/2-20X1 1/4 GR5		

6-Bolt Hub & Spindle Assembly (S/N 1424CC-)

(Applies to 6330FC R H, 6332FC R H, 6537FC R H, 6539FC R H, 6541FC R H, 6544FC R H, 6546FC R H, 6548FC R H only)



6-Bolt Heavy Hub & Spindle Assembly



6-Bolt Hub & Spindle Assembly

00038

6-Bolt Hub & Spindle Assembly (S/N 1424CC-)

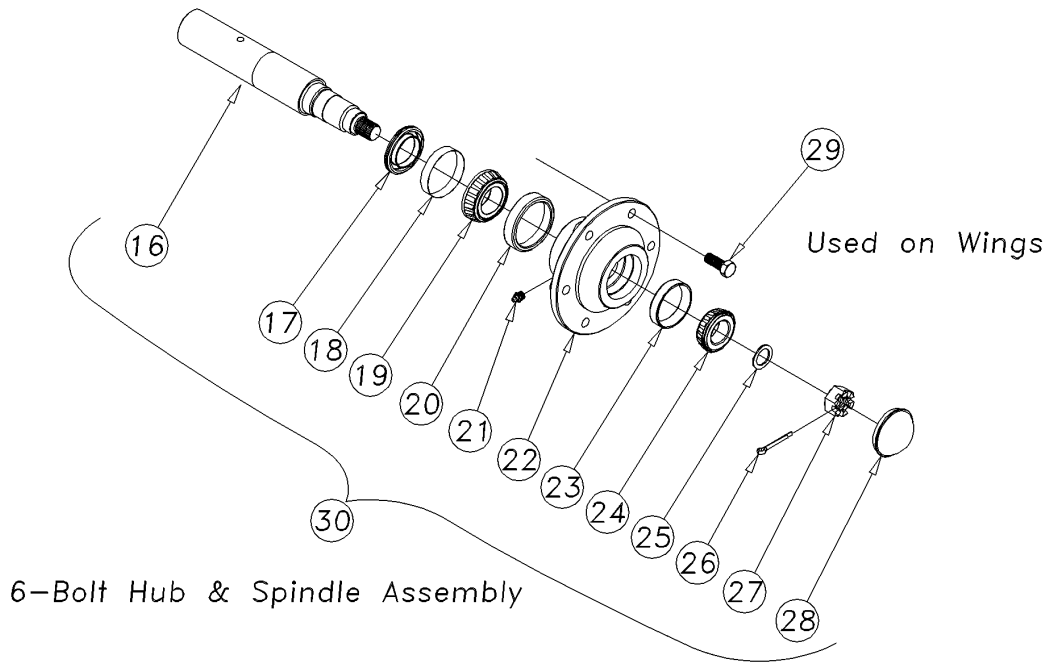
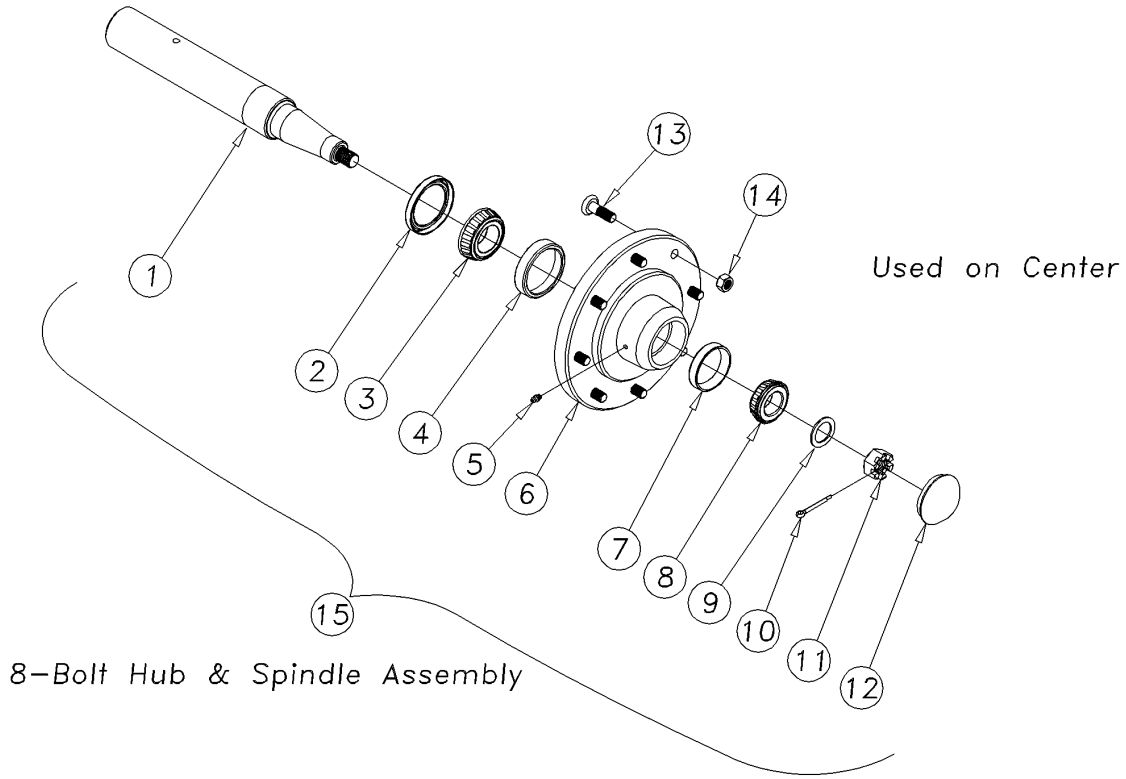
(Applies to 6330FC R H, 6332FC R H, 6537FC R H, 6539FC R H, 6541FC R H, 6544FC R H, 6546FC R H, 6548FC R H only)

Ref	Part No.	Part Description	Comments	Revision
	dwg00038	Image No.		
1.	550-020D	AXLE SPINDLE 2X16 (Q783)		
2.	816-426C	SEAL GREASE 6-BLT HD HUB W-783		
3.	822-048C	BRG CONE 1.62IDX.78WD#LM501349		
4.	822-053C	BRG CUP 2.89ODX.58WD #LM501310		
5.	800-221C	REP BY 800-130C		Rev. 2
5.	800-001C	GREASE ZERK STRAIGHT 1/4-28	Changed to 800-221C	Rev. 1
6.	815-193C	HUB 890 W/CUPS 6-BOLTS 6" BC		
7.	822-020C	BEARING CUP LM-67010		
8.	822-021C	BEARING CONE LM-67048		
9.	804-055C	WASHER SPINDLE - 7/8		
10.	805-089C	PIN COTTER 5/32 X 1 1/2 LONG		
11.	803-029C	NUT HEX SLOTTED 7/8-14 PLT		
12.	890-781C	GREASE CAP 2.448X1.12X.25		
13.	803-061C	NUT LUG 9/16-18 X 90 PLT	Newer version hubs	Rev. 2
13.	802-632C	WHEEL BOLT 1/2-20X1 1/4 GR5	Older version hubs	Rev. 1
14.	815-224C	HUB 6-BOLT SPINDLE 2X16 890	Purchased Complete	Rev. 2
14.	560-147S	RPBY 815-224C	Includes items 1 thru 13	Rev. 1
15.	550-017D	AXLE SPINDLE 2X13 (Q888)		
15.	550-014D	AXLE SPINDLE 2X14 (Q888)		
16.	816-398C	SEAL (CR16286)		
17.	816-396C	SEAL SLEEVE (CR081071)		
18.	822-198C	INNER CONE, JL69349		
19.	822-197C	INNER CUP JL69310		
20.	800-221C	REP BY 800-130C		Rev. 2
20.	800-001C	GREASE ZERK STRAIGHT 1/4-28	Changed to 800-221C	Rev. 1
21.	815-142C	HUB 888 W/CUPS 6-BOLTS 6" BC		
22.	822-020C	BEARING CUP LM-67010		
23.	822-021C	BEARING CONE LM-67048		
24.	804-055C	WASHER SPINDLE - 7/8		
25.	805-089C	PIN COTTER 5/32 X 1 1/2 LONG		
26.	803-029C	NUT HEX SLOTTED 7/8-14 PLT		
27.	890-781C	GREASE CAP 2.448X1.12X.25		
28.	802-632C	WHEEL BOLT 1/2-20X1 1/4 GR5		
29.	815-214C	HUB 6-BOLT SPINDLE 2X13HH 888	Purchased Complete	Rev. 2
29.	550-007S	RPBY 815-214C	Includes items 15 thru 28	Rev. 1
29.	815-216C	HUB 6-BOLT SPINDLE 2X14HH 888	Purchased Complete	Rev. 2
29.	550-005S	RPBY 815-216C	Includes items 15 thru 28	Rev. 1

[Table of Contents](#) [Part Number Index](#)

6 & 8-Bolt Hub & Spindle Assembly (S/N 1425CC+)

(Applies to 6330FC R H, 6332FC R H, 6537FC R H, 6539FC R H, 6541FC R H, 6544FC R H, 6546FC R H, 6548FC R H only)



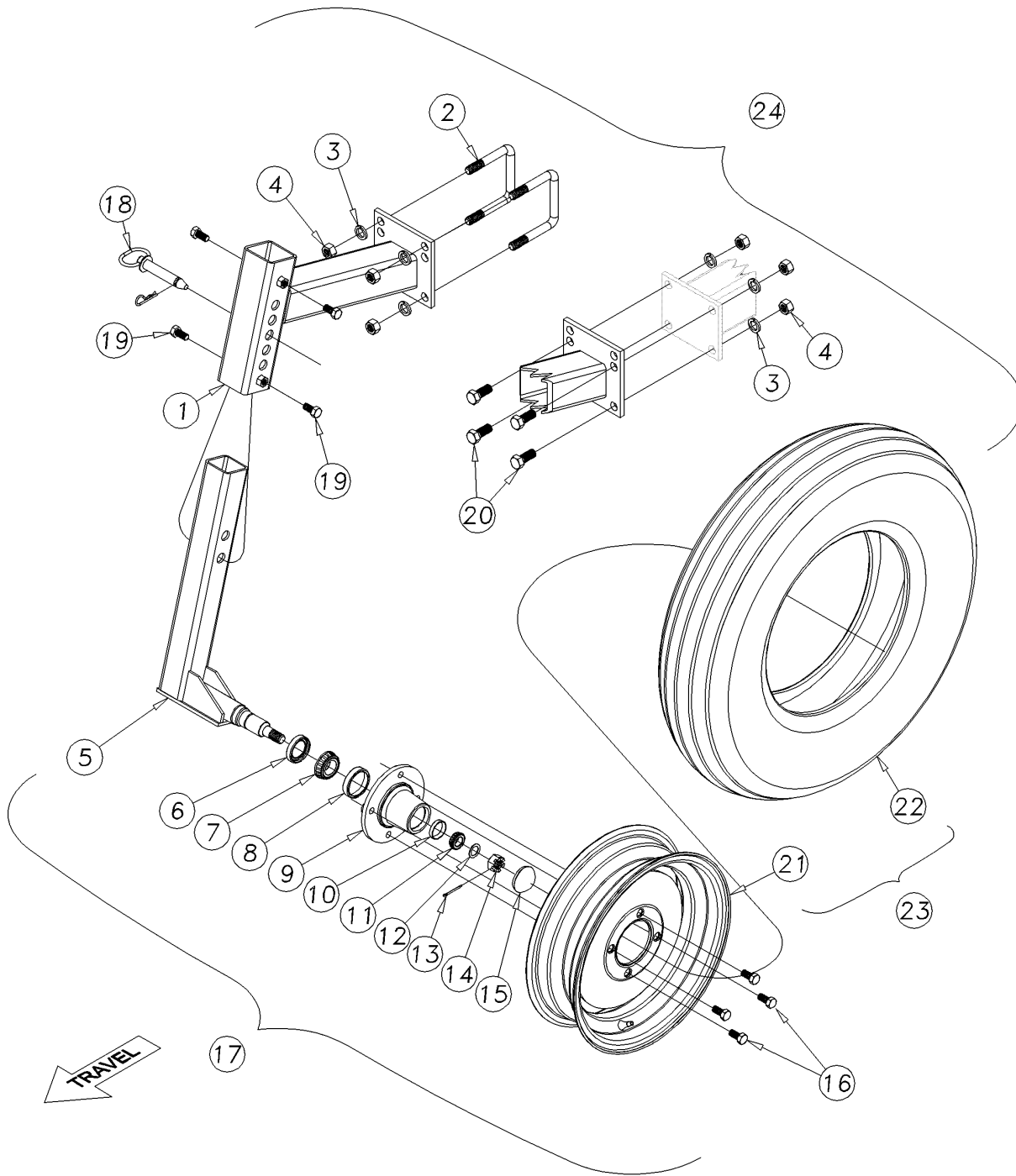
6 & 8-Bolt Hub & Spindle Assembly (S/N 1425CC+)

(Applies to 6330FC R H, 6332FC R H, 6537FC R H, 6539FC R H, 6541FC R H, 6544FC R H, 6546FC R H, 6548FC R H only)

Ref	Part No.	Part Description	Comments	Revision
	dwg01133	Image No.		
1.	560-236D	AXLE SPINDLE 2.25X16.5 Q45-8B		
2.	816-529C	HUB SEAL Q458 (TCM 223063TB-H)		
3.	822-169C	820-293C 1.78ID LM603049		
4.	822-168C	BRG CUP 3.06OD LM603011		
5.	800-221C	REP BY 800-130C		
6.	815-229C	HUB 458 W/CUPS 8-BOLTS 8" BC		
7.	822-020C	BEARING CUP LM-67010		
8.	822-021C	BEARING CONE LM-67048		
9.	804-008C	WASHER FLAT 3/4 HARD USS		
10.	805-089C	PIN COTTER 5/32 X 1 1/2 LONG		
11.	803-053C	NUT HEX SLOTTED 3/4-16		
12.	890-781C	GREASE CAP 2.448X1.12X.25		
13.	802-182C	HUB STUD 5/8-18X2 1/2 GR5		
14.	803-219C	NUT LUG 5/8-18 X 90 DEG PLT		
15.	815-226C	HUB 8-BOLT SPNDL 2.25X16.5 458	Purchased Complete	
16.	550-017D	AXLE SPINDLE 2X13 (Q888)		
16.	550-014D	AXLE SPINDLE 2X14 (Q888)		
17.	816-398C	SEAL (CR16286)		
18.	816-396C	SEAL SLEEVE (CR081071)		
19.	822-198C	INNER CONE, JL69349		
20.	822-197C	INNER CUP JL69310		
21.	800-130C	ZERK GREASE STRAIGHT 1/8-27MPT		
21.	800-221C	REP BY 800-130C		
22.	815-142C	HUB 888 W/CUPS 6-BOLTS 6" BC		
23.	822-020C	BEARING CUP LM-67010		
24.	822-021C	BEARING CONE LM-67048		
25.	804-055C	WASHER SPINDLE - 7/8		
26.	805-089C	PIN COTTER 5/32 X 1 1/2 LONG		
27.	803-029C	NUT HEX SLOTTED 7/8-14 PLT		
28.	890-781C	GREASE CAP 2.448X1.12X.25		
29.	802-632C	WHEEL BOLT 1/2-20X1 1/4 GR5		
30.	815-214C	HUB 6-BOLT SPINDLE 2X13HH 888	Purchased Complete	
30.	550-007S	RPBY 815-214C	Includes items 15 thru 28	
30.	815-216C	HUB 6-BOLT SPINDLE 2X14HH 888	Purchased Complete	
30.	550-005S	RPBY 815-216C	Includes items 15 thru 28	

Front Gauge Wheel Assembly

(Applies to 6330FC R H, 6332FC R H, 6537FC R H, 6539FC R H, 6541FC R H, 6544FC R H, 6546FC R H, 6548FC R H only)



00011

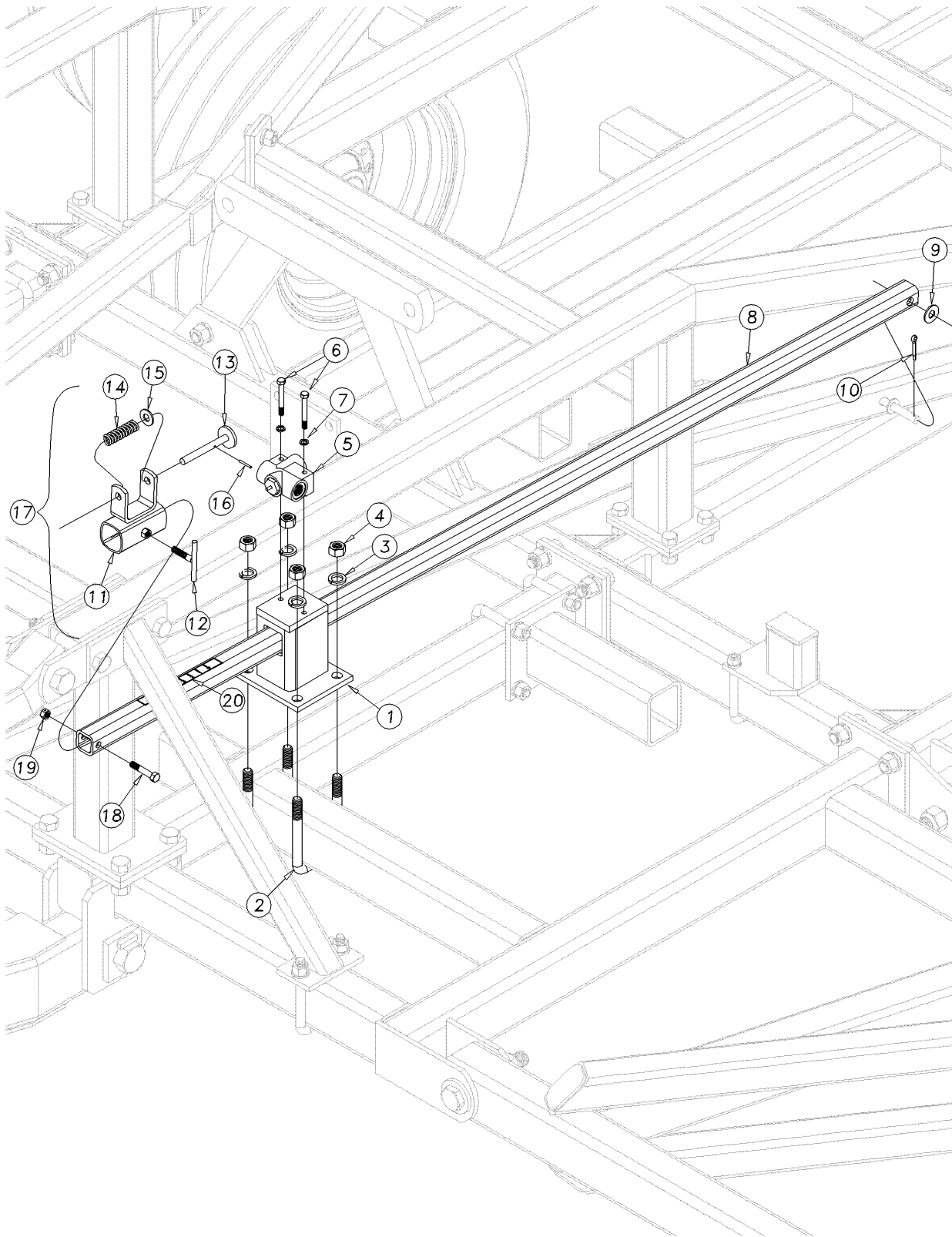
Front Gauge Wheel Assembly

(Applies to 6330FC R H, 6332FC R H, 6537FC R H, 6539FC R H, 6541FC R H, 6544FC R H, 6546FC R H, 6548FC R H only)

Ref	Part No.	Part Description	Comments	Revision
	dwg00011	Image No.		
1.	570-196H	GAUGE WHEEL BRACKET		
2.	806-179C	U-BOLT 5/8-11X4 1/32X4 1/4		
3.	804-022C	WASHER LOCK SPRING 5/8 PLT		
4.	803-021C	NUT HEX 5/8-11 PLT		
5.	570-195H	GAUGE WHEEL ARM		
6.	816-498C	SEAL GREASE 4-BLT 633 HUB		
7.	822-021C	BEARING CONE LM-67048		
8.	822-020C	BEARING CUP LM-67010		
9.	815-262C	HUB 633 W/CUPS 4-BOLTS 5" BC		
10.	822-050C	BRG CUP 1.78ODX.46WD #LM11910		
11.	822-045C	BRG CONE .75IDX.65WD #LM11949		
12.	804-093C	WASHER 3/4 HARDENED STEEL		
13.	805-109C	PIN COTTER 1/8 X 1 1/4 PLT		
14.	803-053C	NUT HEX SLOTTED 3/4-16		
15.	890-887C	GREASE CAP 1.956X.937X.312		
16.	802-104C	BOLT WHEEL 1/2-20X1 90-DEG		
17.	570-194S	GAUGE WHEEL ARM/HUB ASSEMBLY	Includes items 5 thru 16	
18.	805-195C	PIN HITCH 3/4 X 5 1/4 USEABLE		Rev. 2
18.	805-081C	PIN HITCH 3/4 X 4 3/8	Replaced by 805-195C	Rev. 1
19.	802-034C	HHCS 1/2-13X1 1/4 GR5		Rev. 1
20.	802-051C	HHCS 5/8-11X1 1/2 GR5		
21.	814-218C	WHEEL 15X4.5 4 BOLT WHITE		
22.	814-180C	TIRE 6.70L-15 4 PLY		
23.	814-228C	TIRE/WHEEL 6.70X15 4 PLY WHITE	Includes items 21 & 22	
24.	570-183A	GAUGE WHEEL W/ TIRES	Includes items 1 thru 22	
24.	570-182A	GAUGE WHEEL W/O TIRES	Includes items 1 thru 20	

Hydraulic Depth Control Assembly (S/N 1225CC-)

(Applies to 6330FC R H, 6332FC R H, 6537FC R H, 6539FC R H, 6541FC R H, 6544FC R H, 6546FC R H, 6548FC R H only)



00364

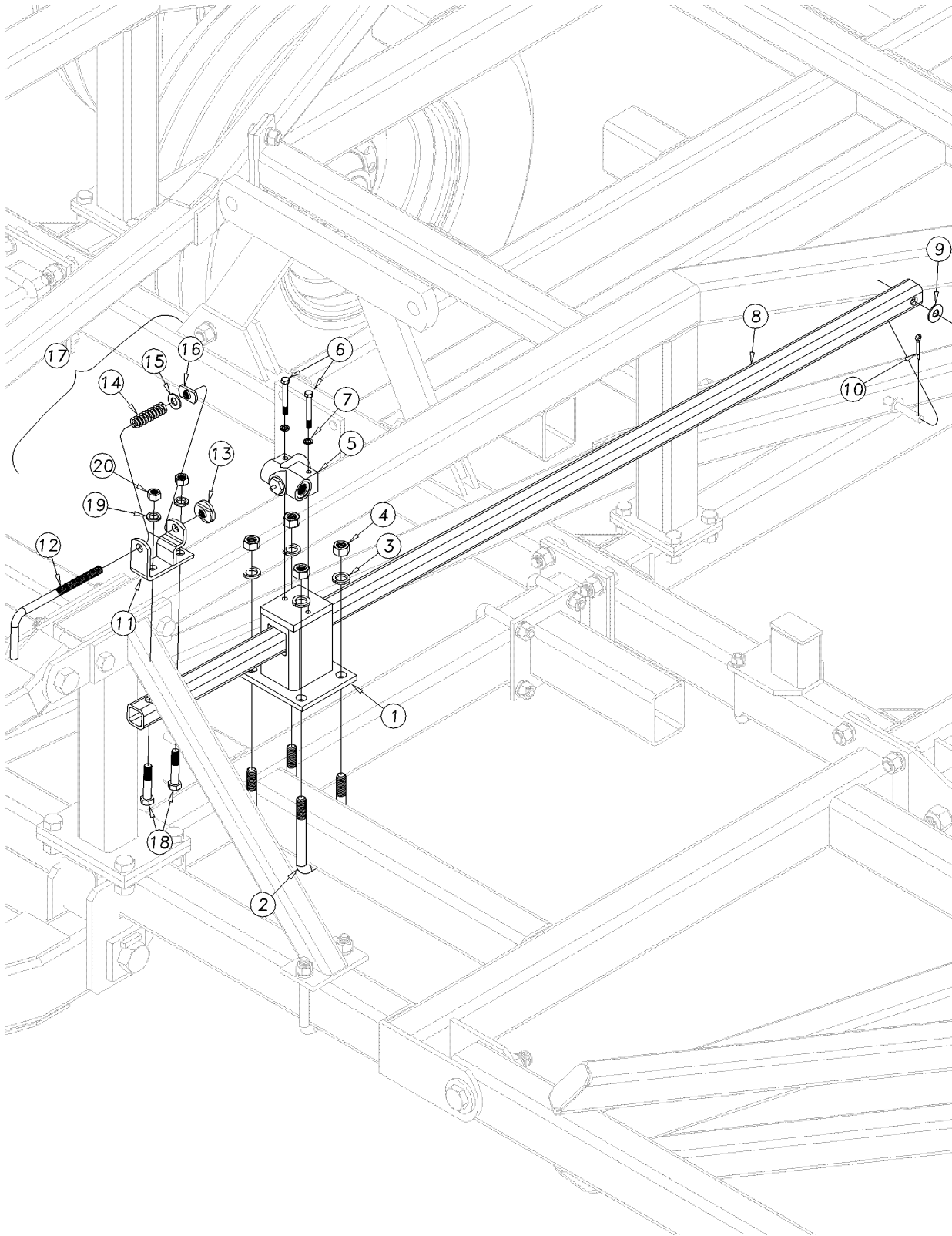
Hydraulic Depth Control Assembly (S/N 1225CC-)

(Applies to 6330FC R H, 6332FC R H, 6537FC R H, 6539FC R H, 6541FC R H, 6544FC R H, 6546FC R H, 6548FC R H only)

Ref	Part No.	Part Description	Comments	Revision
	dwg00364	Image No.		
1.	560-018H	DEPTH STOP VALVE MOUNTING BRKT		
2.	806-079C	U-BOLT 5/8-11 X 3 1/32 X 5 1/2		
3.	804-022C	WASHER LOCK SPRING 5/8 PLT		
4.	803-021C	NUT HEX 5/8-11 PLT		
5.	810-511C	HYD VALVE DEPTH CONTROL CROSS	Cartridge # 3C7272	
5.	3C7272	CROSS CART. ASSY FOR 810-511C		
6.	802-115C	HHCS 5/16-18X2 GR5		
7.	804-009C	WASHER LOCK SPRING 5/16 PLT		
8.	575-077D	DEPTH STOP TUBE 75		
9.	804-017C	WASHER FLAT 1/2 USS PLT		
10.	805-363C	PIN COTTER 1/8 X 1		
11.	580-011H	DEPTH STOP SLIDE		
12.	575-569H	3/8X1 3/4 T-HANDLED SCREW		
13.	580-002H	PLUNGER - DEPTH CONTROL		
14.	807-216C	SPRING COMP .75OD .125W 2.63LG		
15.	804-017C	WASHER FLAT 1/2 USS PLT		
16.	250224	ROLL PIN, 1/8" X 1 1/2"		
17.	580-010S	DEPTH STOP CONTROL ASSEMBLY	Includes items 11 thru 16	
18.	802-143C	HHCS 3/8-16X2 GR5		
19.	803-013C	NUT LOCK 3/8-16 PLT		
20.	838-601C	DECAL DEPTH GUIDE 1 1/2		

Hydraulic Depth Control Assembly (S/N 1226CC+)

(Applies to 6330FC R H, 6332FC R H, 6537FC R H, 6539FC R H, 6541FC R H, 6544FC R H, 6546FC R H, 6548FC R H only)



00662

Hydraulic Depth Control Assembly (S/N 1226CC+)

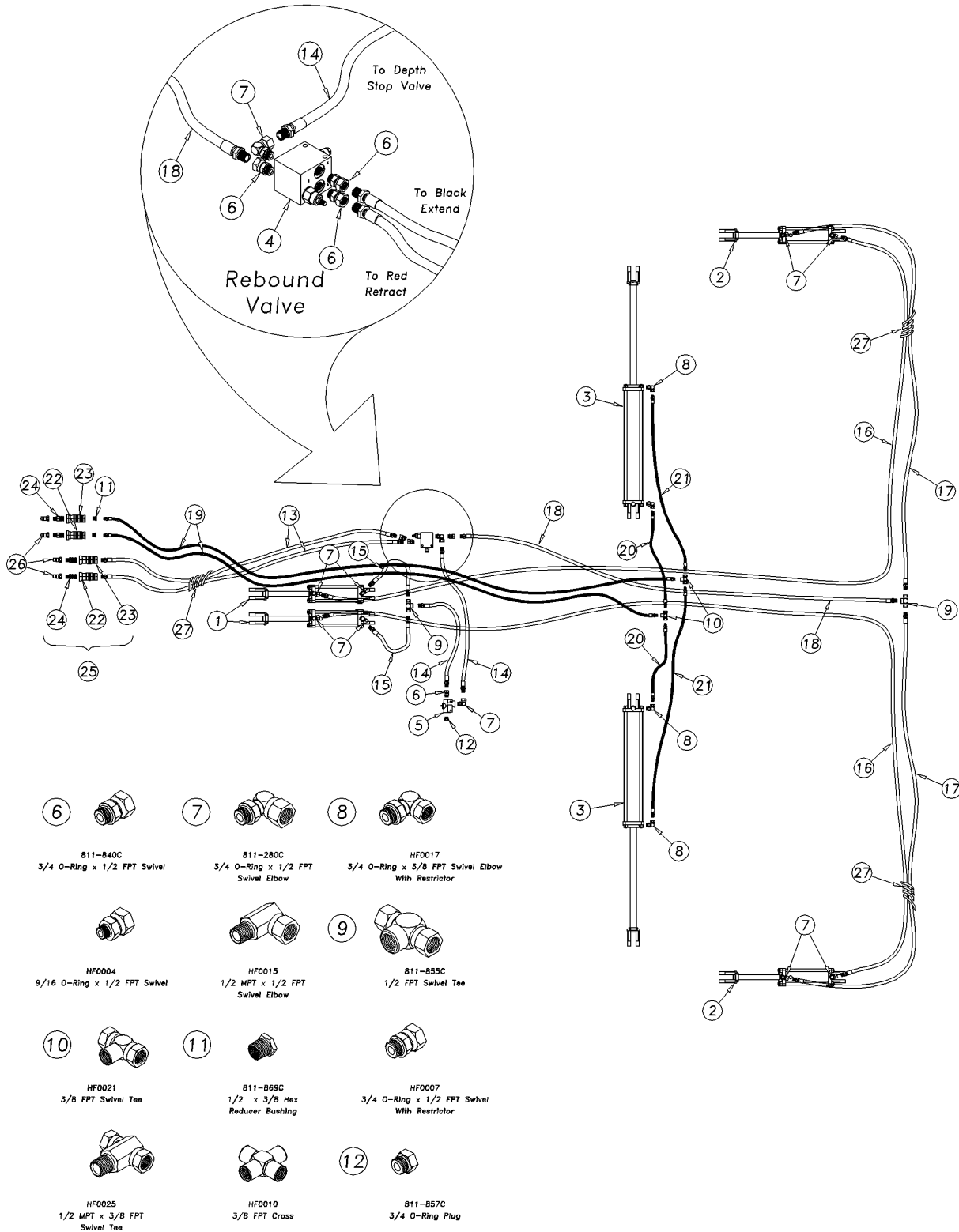
(Applies to 6330FC R H, 6332FC R H, 6537FC R H, 6539FC R H, 6541FC R H, 6544FC R H, 6546FC R H, 6548FC R H only)

Ref	Part No.	Part Description	Comments	Revision
	dwg00662	Image No.		
1.	560-018H	DEPTH STOP VALVE MOUNTING BRKT		
2.	806-079C	U-BOLT 5/8-11 X 3 1/32 X 5 1/2		
3.	804-022C	WASHER LOCK SPRING 5/8 PLT		
4.	803-021C	NUT HEX 5/8-11 PLT		
5.	810-511C	HYD VALVE DEPTH CONTROL CROSS	Cartridge # 3C7272	
5.	3C7272	CROSS CART. ASSY FOR 810-511C		
6.	802-115C	HHCS 5/16-18X2 GR5		
7.	804-009C	WASHER LOCK SPRING 5/16 PLT		
8.	575-186D	DEPTH STOP TUBE (70.75)		
9.	804-017C	WASHER FLAT 1/2 USS PLT		
10.	805-363C	PIN COTTER 1/8 X 1		
11.	550-200H	DEPTH STOP BRACKET		
12.	550-425D	DEPTH STOP ROD 1/2" THREADED		
13.	550-201H	DEPTH STOP END		
14.	807-216C	SPRING COMP .75OD .125W 2.63LG		
15.	804-094C	WASHER FLAT 1/2 HARD ASTM F436		
16.	803-338C	1/2-13 4XPROJECTION WELD NUT		
17.	550-202S	DEPTH STOP ASSEMBLY	Includes items 11 thru 16	
18.	802-130C	HHCS 1/2-13X2 1/2 GR5		
19.	804-015C	WASHER LOCK SPRING 1/2 PLT		
20.	803-020C	NUT HEX 1/2-13 PLT		

Table of Contents Part Number Index

6330 & 6332 Hydraulic Layout (S/N 1211CC-)

(Applies to 6330FC R H, 6332FC R H only)



00361

6330 & 6332 Hydraulic Layout (S/N 1211CC-)

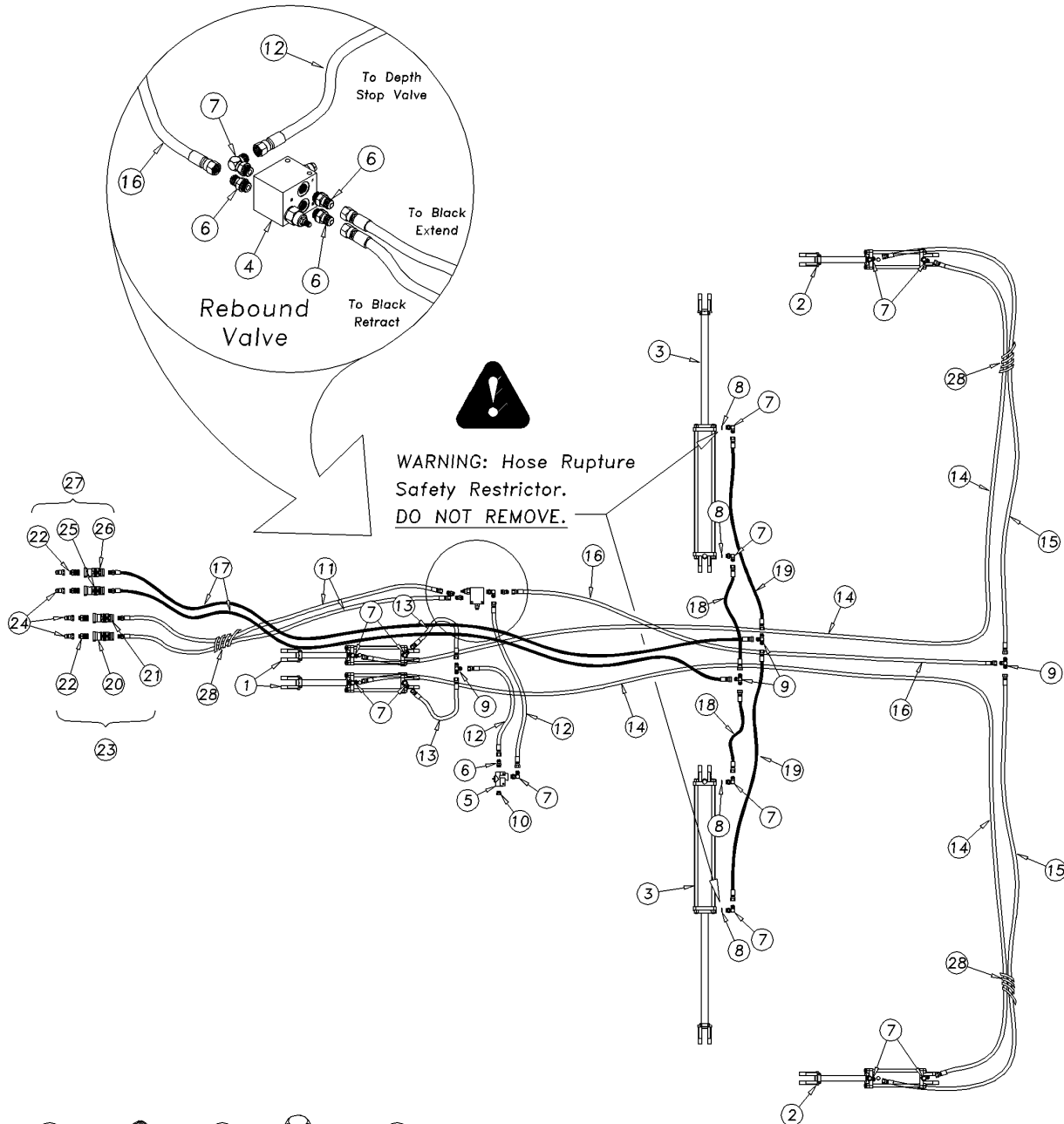
(Applies to 6330FC R H, 6332FC R H only)







Ref	Part No.	Part Description	Comments	Revision
	dwg00361	Image No.		
1.	810-479C	CYL REP 3.50X8X1.25 TIE 3000#	GP Seal Kit # 810-174C	
1.	810-174C	SEAL KIT MW 3.5 RPHCYL 4A3104		
1.	FC0224	REP BY 810-479C	Cross Seal Kit# 3C8702	
1.	3C8702	REP BY 4C0963		
2.	810-478C	CYL REP 3.25X8X1.25 TIE 3000#	GP Seal Kit # 810-173C	
2.	810-173C	SEAL KIT MW 3.25 RPHCYL 4A2104		
2.	FC0225	OBSOLETE REPL BY 810-478C	Cross Seal Kit# 3C8704	
2.	3C8704	REP BY 4C1546		
3.	810-487C	CYL 4X24X1.5 TIE 34.63CL 3000#	GP Seal Kit # 810-060C	
3.	810-060C	CYL SEAL KIT-810-031C-5A6104		
3.	FC0227	OBSOLETE REPL BY 810-487C	Cross Seal Kit# 1C4637	
3.	1C4637	SEAL KIT, 1 1/2" ROD,4"BORE		
4.	FC1342	REP BY 810-622C		
5.	810-511C	HYD VALVE DEPTH CONTROL CROSS	Cartridge # 3C7272	
5.	3C7272	CROSS CART. ASSY FOR 810-511C		
6.	811-840C	AD 3/4MORB 1/2FNPT (HG)		
7.	811-280C	EL 1/2FNPT 3/4MORB		
8.	HF0017	OREL 1/16 3/8FNPTS 3/4MORB		
9.	811-855C	TE 1/2FNPT		
10.	HF0021	TEE, 3/8" NPTF SWIVEL x 3/8"		
11.	811-869C	AD 1/2MNPTX3/8FNPT		
12.	811-857C	PL 3/4MORB		
13.	548-064D	3/8 HOSE 1/2 MPT 12' LONG		
14.	548-096D	3/8 HOSE 1/2 MPT 3'6" LONG		
15.	548-083D	3/8 HOSE 1/2 MPT 1' LONG		
16.	548-100D	3/8 HOSE 1/2 MPT 26' LONG		
17.	548-114D	3/8 HOSE 1/2 MPT 14'3" LONG		
18.	548-098D	3/8 HOSE 1/2 MPT 11'6" LONG		
19.	548-017D	1/4 HOSE 3/8 MPT 15'6" LONG		
20.	548-051D	1/4 HOSE 3/8 MPT 2'6" LONG		
21.	548-052D	1/4 HOSE 3/8 MPT 4'6" LONG		
22.	811-826C	HG HANDLE - BLACK EXT		
23.	811-827C	HG HANDLE - RED RET		
24.	811-858C	AD 1/2MNPT 1/2FNPT (HG)		
25.	550-017S	HYDRA GRIP HANDLES (PAIR)	Includes items 22 thru 24	
26.	811-856C	CP 1/2FNPT MALE QD		
27.	575-268D	HOSE WRAP,LARGE SIZE,SHORT(8")		
27.	550-123D	HOSE WRAP,SMALL SIZE,SHORT(8")		

Table of Contents Part Number Index

6330 & 6332 Hydraulic Layout (S/N 1212CC+)

(Applies to 6330FC R H, 6332FC R H only)



- | | | |
|---|---|---|
| <p>6</p>  <p>811-088C
AD 3/4 MORB 3/4 MJIC
Adaptor</p> | <p>7</p>  <p>811-063C
EL 3/4 MJIC 3/4 MORB
Elbow</p> | <p>8</p>  <p>196-430D
Orifice Plate 1/16 3/4 MORB
(Restrictor)</p> |
| <p>9</p>  <p>811-078C
3/4 MJIC Tee</p> | <p>10</p>  <p>811-857C
3/4 O-Ring Plug</p> | <p>22</p>  <p>811-919C
AD 3/4 MORB 3/4 FORB (HG)
Adaptor</p> |

00663

6330 & 6332 Hydraulic Layout (S/N 1212CC+)

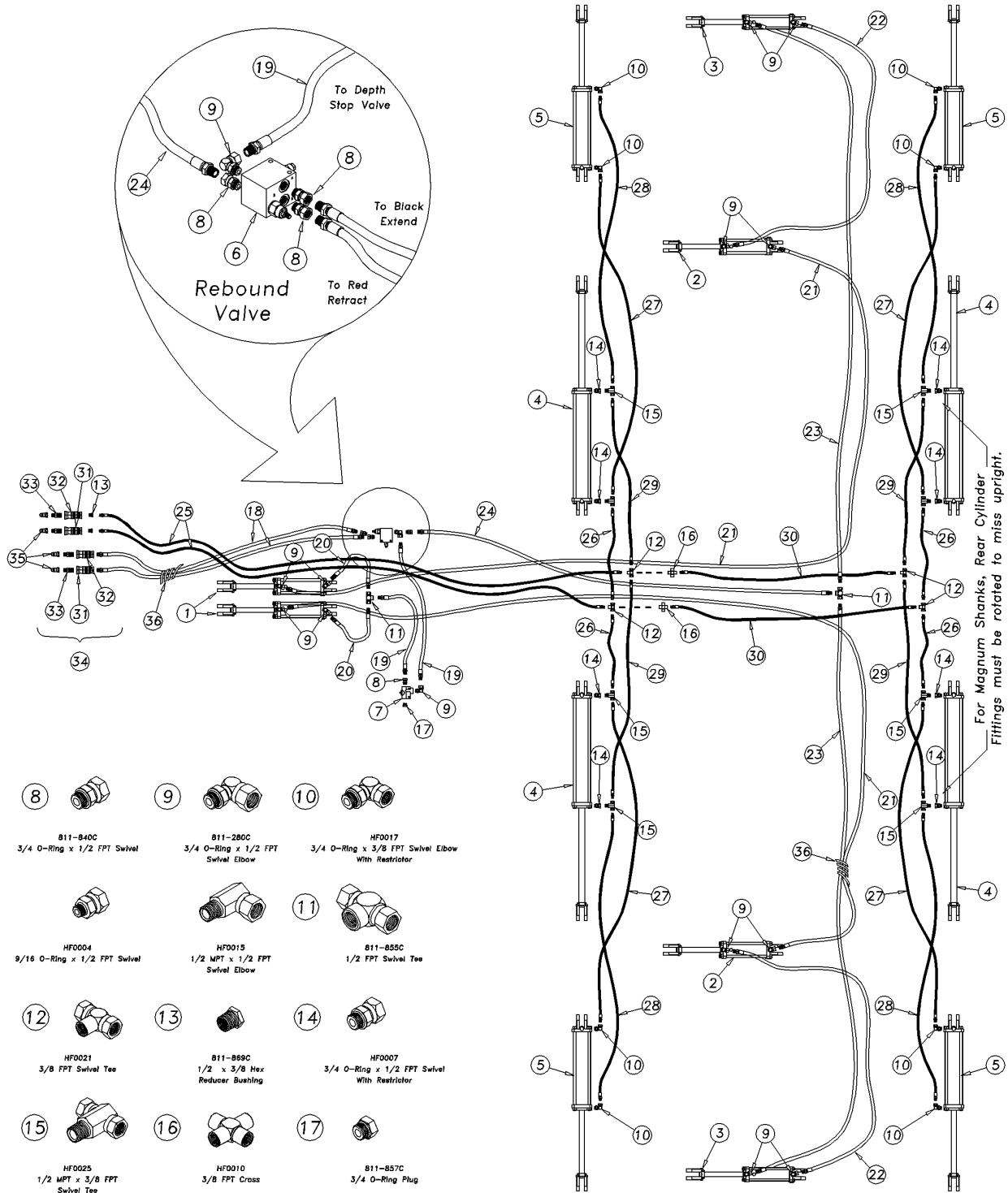
(Applies to 6330FC R H, 6332FC R H only)













Ref	Part No.	Part Description	Comments	Revision
	dwg 00663	Image No.		
1.	810-479C	CYL REP 3.50X8X1.25 TIE 3000#	GP Seal Kit# 810-174C	
1.	810-174C	SEAL KIT MW 3.5 RPHCYL 4A3104		
2.	810-478C	CYL REP 3.25X8X1.25 TIE 3000#	GP Seal Kit# 810-173C	
2.	810-173C	SEAL KIT MW 3.25 RPHCYL 4A2104		
3.	810-487C	CYL 4X24X1.5 TIE 34.63CL 3000#	GP Seal Kit# 810-060C	
3.	810-060C	CYL SEAL KIT-810-031C-5A6104		
4.	FC1342	REP BY 810-622C		
5.	810-511C	HYD VALVE DEPTH CONTROL CROSS	Cartridge # 3C7272	
5.	3C7272	CROSS CART. ASSY FOR 810-511C		
6.	811-088C	AD 3/4MORB 3/4MJIC		
7.	811-063C	EL 3/4MJIC 3/4MORB		
8.	196-430D	ORIFICE PLATE 1/16 3/4MORB		Rev. 2
8.	811-845C	RPBY 196-430D		Rev. 1
9.	811-078C	TE 3/4MJIC		
10.	811-857C	PL 3/4MORB		
11.	811-893C	HH3/8R2 147 3/4MORB 3/4FJIC		
12.	811-731C	HH3/8R2 045 3/4FJIC		
13.	811-949C	HH3/8R2 015 3/4FJIC		
14.	811-895C	HH3/8R2 315 3/4FJIC		
15.	811-935C	HH3/8R2 177 3/4FJIC		
16.	811-126C	HH3/8R2 140 3/4FJIC		
17.	811-951C	HH3/8R2 188 3/4MORB 3/4FJIC		
18.	811-943C	HH3/8R2 033 3/4FJIC		
19.	811-952C	HH3/8R2 057 3/4FJIC		
20.	811-826C	HG HANDLE - BLACK EXT		
21.	811-913C	HG HANDLE - BLACK RET		
22.	811-919C	AD 3/4MORB 3/4FORB (HG)		
23.	548-001S	HG PAIR - BLACK MORB-FORB	Includes items 20,21 & 22	
24.	811-394C	CP 3/4FORB MALE QD POPPET TYPE		
25.	811-915C	HG HANDLE - GREEN EXT		
26.	811-916C	HG HANDLE - GREEN RET		
27.	548-003S	HG PAIR - GREEN MORB-FORB	Includes items 25, 26 & 22	
28.	575-268D	HOSE WRAP,LARGE SIZE,SHORT(8")		
28.	550-123D	HOSE WRAP,SMALL SIZE,SHORT(8")		

Table of Contents Part Number Index

6537-6548 Hydraulic Layout (S/N 1211CC-)

(Applies to 6537FC R H, 6539FC R H, 6541FC R H, 6544FC R H, 6546FC R H, 6548FC R H only)



- | | | |
|---|---|--|
| <p>8 </p> <p>B11-B40C
3/4 O-Ring x 1/2 FPT Swivel</p> | <p>9 </p> <p>B11-280C
3/4 O-Ring x 1/2 FPT Swivel Elbow</p> | <p>10 </p> <p>HF0017
3/4 O-Ring x 3/8 FPT Swivel Elbow With Restrictor</p> |
| <p></p> <p>HF0004
9/16 O-Ring x 1/2 FPT Swivel</p> | <p></p> <p>HF0015
1/2 MPT x 1/2 FPT Swivel Elbow</p> | <p>11 </p> <p>B11-B55C
1/2 FPT Swivel Tee</p> |
| <p>12 </p> <p>HF0021
3/8 FPT Swivel Tee</p> | <p>13 </p> <p>B11-B89C
1/2 x 3/8 Hex Reducer Bushing</p> | <p>14 </p> <p>HF0007
3/4 O-Ring x 1/2 FPT Swivel With Restrictor</p> |
| <p>15 </p> <p>HF0025
1/2 MPT x 3/8 FPT Swivel Tee</p> | <p>16 </p> <p>HF0010
3/8 FPT Cross</p> | <p>17 </p> <p>B11-B57C
3/4 O-Ring Plug</p> |

Note: Double Fold is Standard on Model 6546 & 6548
(Optional on 6537, 6539, 6541 & 6544)

00362

6537-6548 Hydraulic Layout (S/N 1211CC-)

(Applies to 6537FC R H, 6539FC R H, 6541FC R H, 6544FC R H, 6546FC R H, 6548FC R H only)

Ref	Part No.	Part Description	Comments	Revision
	dwg00362	Image No.		
1.	810-479C	CYL REP 3.50X8X1.25 TIE 3000#	GP Seal Kit# 810-174C	Rev. 2
1.	810-174C	SEAL KIT MW 3.5 RPHCYL 4A3104		
1.	FC0224	REP BY 810-479C	Cross Seal Kit# 3C8702	Rev. 1
1.	3C8702	REP BY 4C0963		
2.	810-478C	CYL REP 3.25X8X1.25 TIE 3000#	GP Seal Kit# 810-173C	Rev. 2
2.	810-173C	SEAL KIT MW 3.25 RPHCYL 4A2104		
2.	FC0225	OBSOLETE REPL BY 810-478C	Cross Seal Kit# 3C8704	Rev. 1
2.	3C8704	REP BY 4C1546		
3.	810-477C	CYL REP 3X8X1.25 ROD TIE 3000#	GP Seal Kit# 810-211C	Rev. 2
3.	810-211C	SEAL KIT MW 3 RPHCYL 4A1104		
3.	FC0226	OBSOLETE REPLY BY 810-477C	Cross Seal Kit# 3C8706	Rev. 1
3.	3C8706	REP BY 4C1547		
4.	810-487C	CYL 4X24X1.5 TIE 34.63CL 3000#	GP Seal Kit# 810-060C	Rev. 2
4.	810-060C	CYL SEAL KIT-810-031C-5A6104		
4.	FC0227	OBSOLETE REPL BY 810-487C	Cross Seal Kit# 1C4637	Rev. 1
4.	1C4637	SEAL KIT, 1 1/2" ROD,4"BORE		
5.	810-486C	CYL 4X16X1.25 TIE 26.63CL 3000	GP Seal Kit# 810-013C	Rev. 2
5.	810-013C	CYL SEAL KIT 4 X 14 MW 5A6102		
5.	FC0269	REP BY 810-486C	Cross Seal Kit# 1C4430	Rev. 1
5.	1C4430	SEAL KIT, 1 1/4" ROD,4"BORE		
6.	FC1342	REP BY 810-622C		
7.	810-511C	HYD VALVE DEPTH CONTROL CROSS	Cartridge # 3C7272	
7.	3C7272	CROSS CART. ASSY FOR 810-511C		
8.	811-840C	AD 3/4MORB 1/2FNPT (HG)		
9.	811-280C	EL 1/2FNPT 3/4MORB		
10.	HF0017	OREL 1/16 3/8FNPTS 3/4MORB		
11.	811-855C	TE 1/2FNPT		
12.	HF0021	TEE, 3/8" NPTF SWIVEL x 3/8"		
13.	811-869C	AD 1/2MNPTX3/8FNPT		
14.	HF0007	ORADS 1/16 3/4ORMBX1/2NPTF		
15.	HF0025	SWIVEL TEE, 1/2" NPTM BRANCH		
16.	HF0010	CROSS, 3/8 NPTF"		
17.	811-857C	PL 3/4MORB		
18.	548-064D	3/8 HOSE 1/2 MPT 12' LONG		
19.	548-096D	3/8 HOSE 1/2 MPT 3'6" LONG		
20.	548-083D	3/8 HOSE 1/2 MPT 1' LONG		
21.	548-088D	3/8 HOSE 1/2 MPT 24'11" LONG	Model 6537, 6539, 6541 & 6544	
21.	548-100D	3/8 HOSE 1/2 MPT 26' LONG	Model 6546 & 6548	
22.	548-117D	3/8 HOSE 1/2 MPT 9'3" LONG	Model 6537, 6541 & 6546	
22.	548-054D	3/8 HOSE 1/2 MPT 10'6" LONG	Model 6539, 6544 & 6548	
23.	548-115D	3/8 HOSE 1/2 MPT 19'4" LONG	Model 6537 & 6541	
23.	548-097D	3/8 HOSE 1/2 MPT 20'6" LONG	Model 6539 & 6544	
23.	548-113D	3/8 HOSE 1/2 MPT 22'8" LONG	Model 6546	
23.	548-091D	3/8 HOSE 1/2 MPT 22'11" LONG	Model 6548	
24.	548-098D	3/8 HOSE 1/2 MPT 11'6" LONG		
25.	548-017D	1/4 HOSE 3/8 MPT 15'6" LONG		
26.	548-051D	1/4 HOSE 3/8 MPT 2'6" LONG		
27.	548-077D	1/4 HOSE 3/8 MPT 10'3" LONG	Model 6537, 6539, 6541 & 6544	
27.	548-139D	1/4 HOSE 3/8 MPT 11'8" LONG	Model 6546 & 6548	
28.	548-099D	1/4 HOSE 3/8 MPT 9'7" LONG	Model 6537, 6539, 6541 & 6544	
28.	548-080D	1/4 HOSE 3/8 MPT 11'1" LONG	Model 6546 & 6548	
29.	548-052D	1/4 HOSE 3/8 MPT 4'6" LONG		
30.	548-102D	1/4 HOSE 3/8 MPT 8'2" LONG		
31.	811-826C	HG HANDLE - BLACK EXT		
32.	811-827C	HG HANDLE - RED RET		
33.	811-858C	AD 1/2MNPT 1/2FNPT (HG)		
34.	550-017S	HYDRA GRIP HANDLES (PAIR)	Includes items 31 thru 33	

[Table of Contents](#) [Part Number Index](#)

6537-6548 Hydraulic Layout (S/N 1211CC-) (continued)

(Applies to 6537FC R H, 6539FC R H, 6541FC R H, 6544FC R H, 6546FC R H, 6548FC R H only)

Ref	Part No.	Part Description	Comments	Revision
35.	811-856C	CP 1/2FNPT MALE QD		
36.	575-268D	HOSE WRAP,LARGE SIZE,SHORT(8")		
36.	550-123D	HOSE WRAP,SMALL SIZE,SHORT(8")		

6537-6548 Hydraulic Layout (S/N 1211CC-) (continued)

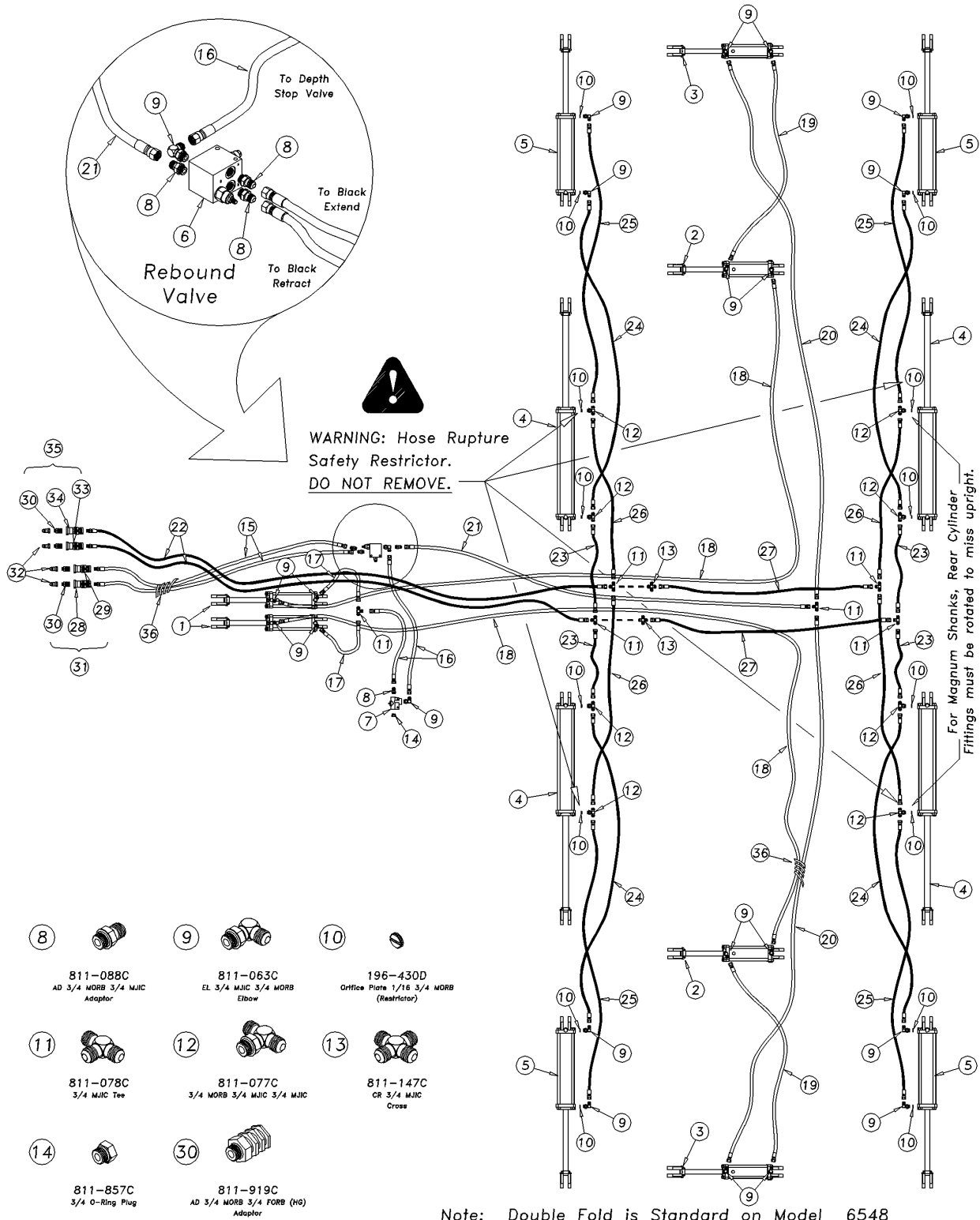
(Applies to 6537FC R H, 6539FC R H, 6541FC R H, 6544FC R H, 6546FC R H, 6548FC R H only)

This Page Intentionally Left Blank

Table of Contents Part Number Index

6537-6548 Hydraulic Layout (S/N 1212CC+)

(Applies to 6537FC R H, 6539FC R H, 6541FC R H, 6544FC R H, 6546FC R H, 6548FC R H only)



Note: Double Fold is Standard on Model 6548
(Optional on 6537, 6541 & 6544)

00664

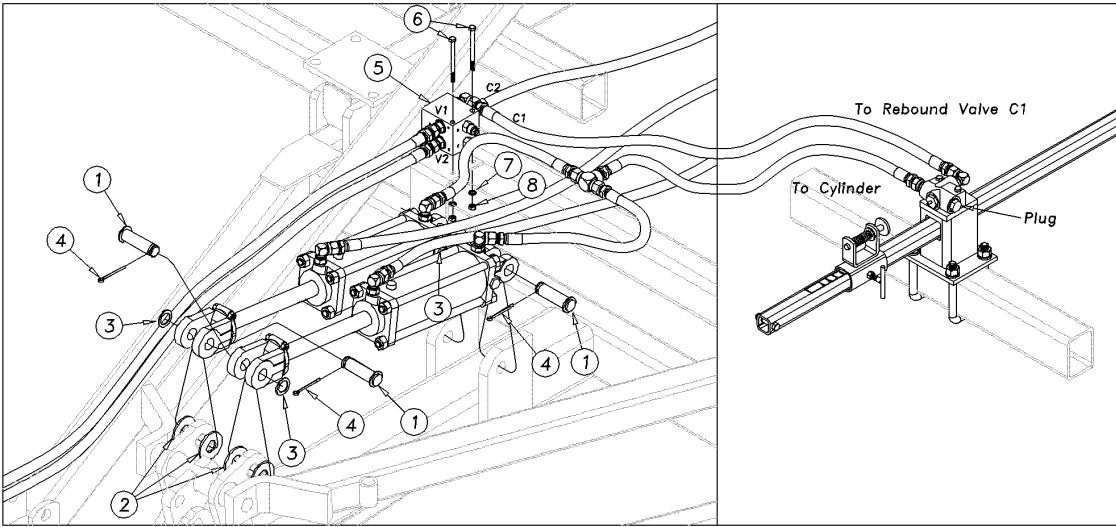
6537-6548 Hydraulic Layout (S/N 1212CC+)

(Applies to 6537FC R H, 6539FC R H, 6541FC R H, 6544FC R H, 6546FC R H, 6548FC R H only)

Ref	Part No.	Part Description	Comments	Revision
	dwg00664	Image No.		
1.	810-479C	CYL REP 3.50X8X1.25 TIE 3000#	GP Seal Kit# 810-174C	
1.	810-174C	SEAL KIT MW 3.5 RPHCYL 4A3104		
2.	810-478C	CYL REP 3.25X8X1.25 TIE 3000#	GP Seal Kit# 810-173C	
2.	810-173C	SEAL KIT MW 3.25 RPHCYL 4A2104		
3.	810-477C	CYL REP 3X8X1.25 ROD TIE 3000#	GP Seal Kit# 810-211C	
3.	810-211C	SEAL KIT MW 3 RPHCYL 4A1104		
4.	810-487C	CYL 4X24X1.5 TIE 34.63CL 3000#	GP Seal Kit# 810-060C	
4.	810-060C	CYL SEAL KIT-810-031C-5A6104		
5.	810-486C	CYL 4X16X1.25 TIE 26.63CL 3000	GP Seal Kit# 810-013C	
5.	810-013C	CYL SEAL KIT 4 X 14 MW 5A6102		
6.	FC1342	REP BY 810-622C		
7.	810-511C	HYD VALVE DEPTH CONTROL CROSS	Cartridge # 3C7272	
7.	3C7272	CROSS CART. ASSY FOR 810-511C		
8.	811-088C	AD 3/4MORB 3/4MJIC		
9.	811-063C	EL 3/4MJIC 3/4MORB		
10.	196-430D	ORIFICE PLATE 1/16 3/4MORB		Rev. 2
10.	811-845C	RPBY 196-430D		Rev. 1
11.	811-078C	TE 3/4MJIC		
12.	811-077C	TE 3/4MORB 3/4MJIC 3/4MJIC		
13.	811-147C	CR 3/4MJIC		
14.	811-857C	PL 3/4MORB		
15.	811-893C	HH3/8R2 147 3/4MORB 3/4FJIC		
16.	811-731C	HH3/8R2 045 3/4FJIC		
17.	811-949C	HH3/8R2 015 3/4FJIC		
18.	811-889C	HH3/8R2 303 3/4FJIC	Model 6537, 6541 & 6544	
18.	811-895C	HH3/8R2 315 3/4FJIC	Model 6548	
19.	811-934C	HH3/8R2 114 3/4FJIC	Model 6537 & 6541	
19.	811-953C	HH3/8R2 129 3/4FJIC	Model 6544	
19.	811-851C	HH3/8R2 126 3/4FJIC	Model 6548	
20.	811-911C	HH3/8R2 235 3/4FJIC	Model 6537 & 6541	
20.	811-912C	HH3/8R2 249 3/4FJIC	Model 6544	
20.	811-890C	HH3/8R2 278 3/4FJIC	Model 6548	
21.	811-126C	HH3/8R2 140 3/4FJIC		
22.	811-951C	HH3/8R2 188 3/4MORB 3/4FJIC		
23.	811-943C	HH3/8R2 033 3/4FJIC		
24.	811-851C	HH3/8R2 126 3/4FJIC	Model 6537, 6541 & 6544	
24.	811-550C	HH3/8R2 144 3/4FJIC	Model 6548	
25.	811-936C	HH3/8R2 119 3/4FJIC	Model 6537, 6541 & 6544	
25.	811-898C	HH3/8R2 136 3/4FJIC	Model 6548	
26.	811-952C	HH3/8R2 057 3/4FJIC		
27.	811-948C	HH3/8R2 102 3/4FJIC		
28.	811-826C	HG HANDLE - BLACK EXT		
29.	811-913C	HG HANDLE - BLACK RET		
30.	811-919C	AD 3/4MORB 3/4FORB (HG)		
31.	548-001S	HG PAIR - BLACK MORB-FORB	Includes items 26,27 & 28	
32.	811-394C	CP 3/4FORB MALE QD POPPET TYPE		
33.	811-915C	HG HANDLE - GREEN EXT		
34.	811-916C	HG HANDLE - GREEN RET		
35.	548-003S	HG PAIR - GREEN MORB-FORB	Includes items 29, 30 & 28	
36.	575-268D	HOSE WRAP,LARGE SIZE,SHORT(8")		
36.	550-123D	HOSE WRAP,SMALL SIZE,SHORT(8")		

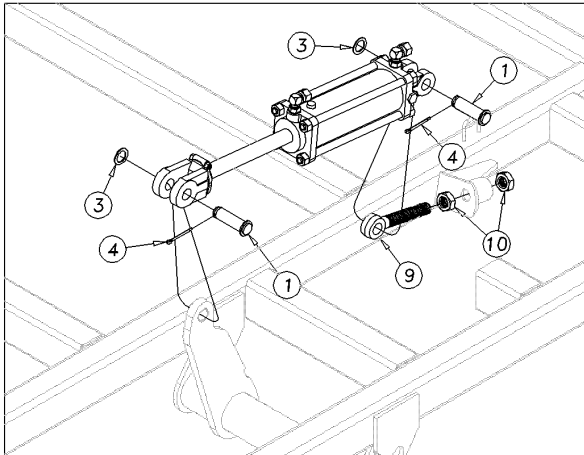
Hydraulic Details, Rigid Hitch

(Applies to 6330FC R H, 6332FC R H, 6537FC R H, 6539FC R H, 6541FC R H, 6544FC R H, 6546FC R H, 6548FC R H only)

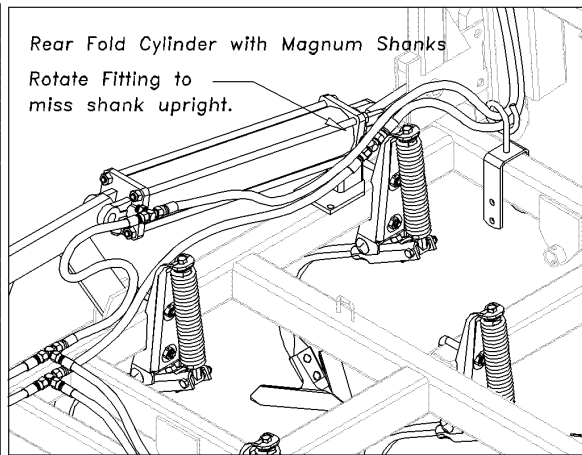


Master Lift Cylinder

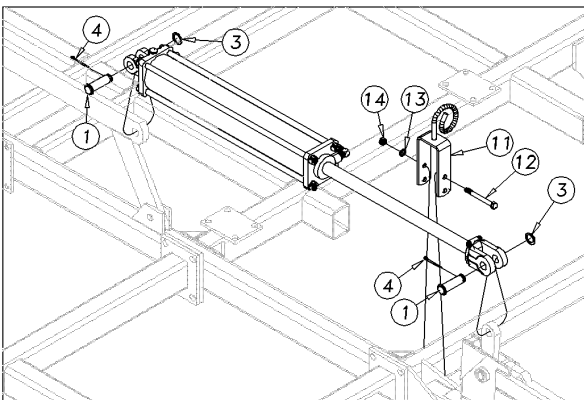
Depth Control Valve



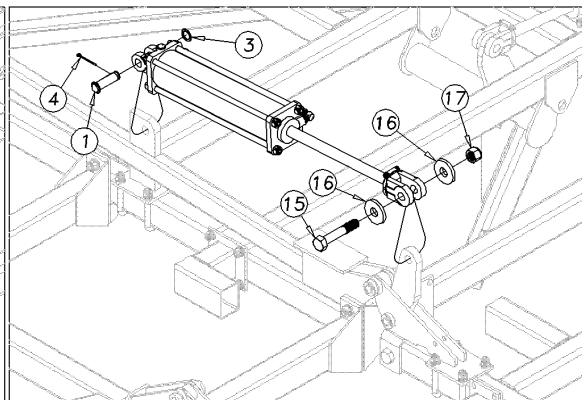
Wing Lift Cylinder



Rear Fold Cylinder



Fold Cylinder



180° Fold Cylinder

00363

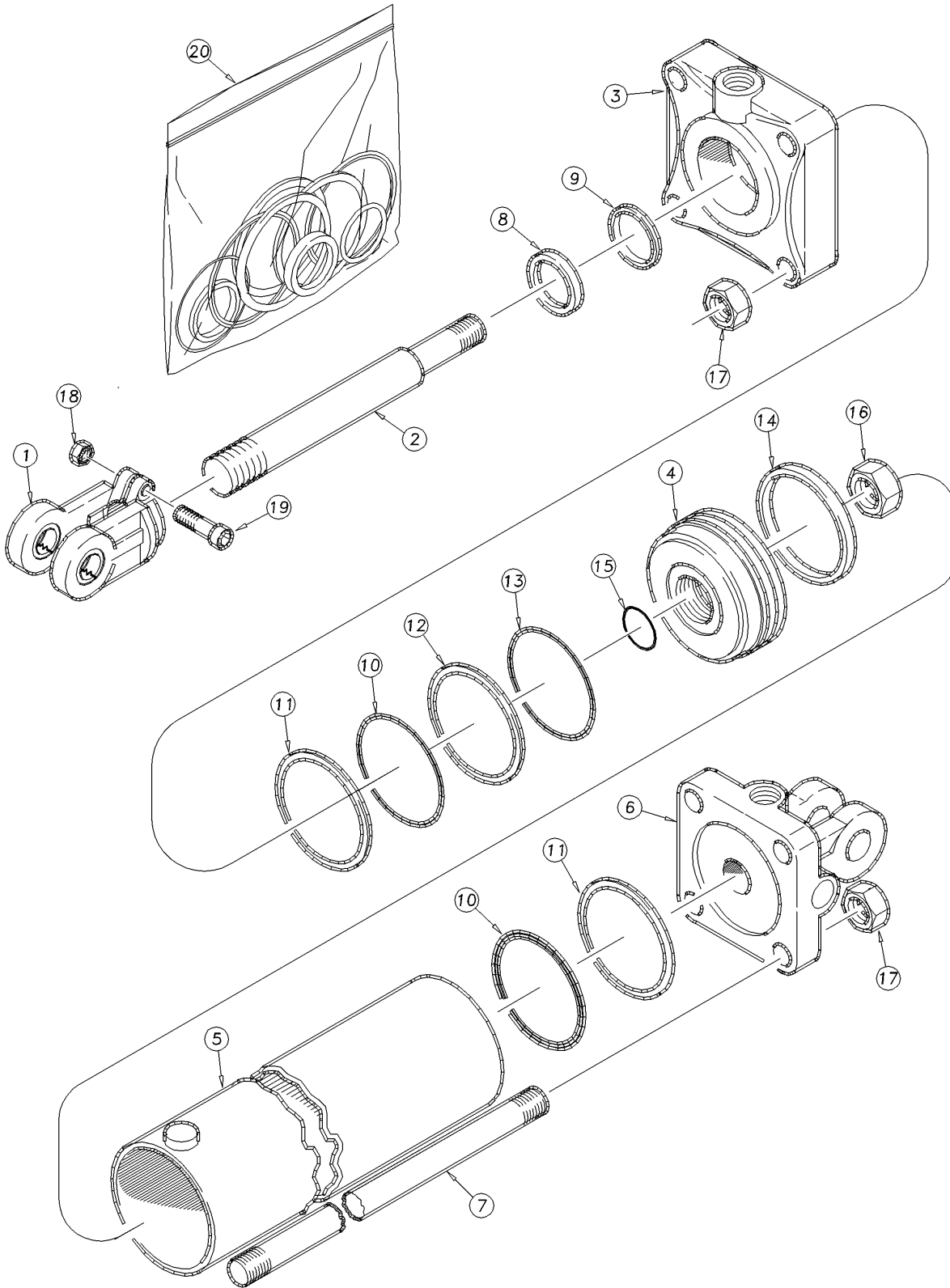
Hydraulic Details, Rigid Hitch

(Applies to 6330FC R H, 6332FC R H, 6537FC R H, 6539FC R H, 6541FC R H, 6544FC R H, 6546FC R H, 6548FC R H only)

Ref	Part No.	Part Description	Comments	Revision
	dwg00363	Image No.		
1.	805-124C	PIN CLEVIS 1 X 3 11/16 GR5 PLT		
2.	804-028C	WASHER FLAT 1 USS PLT		
3.	804-192C	WASHER MACH 1.5X1.00X.075		
4.	805-058C	PIN COTTER 3/16 X 2		
5.	FC1342	REP BY 810-622C		
6.	802-279C	HHCS 5/16-18X4 GR5		
7.	804-009C	WASHER LOCK SPRING 5/16 PLT		
8.	803-008C	NUT HEX 5/16-18 PLT		
9.	802-754C	EYE BOLT 1-8X6 1/2 LG PLT SP		
10.	803-030C	NUT HEX JAM 1-8 PLT		
11.	560-002H	HOSE HOLDER BRACKET		
12.	802-413C	HHCS 1/2-13X4 1/2 GR5		
13.	804-015C	WASHER LOCK SPRING 1/2 PLT		
14.	803-020C	NUT HEX 1/2-13 PLT		
15.	802-205C	HHCS 1-8X5 1/2 GR5		
16.	580-186D	PART - 180 DEGREE FOLD ROLLER		
17.	803-038C	NUT HEX 1-8 NYLON INSERT PLT		

Midway Hydraulic Cylinder (810-477C)

(Applies to 6537FC R H, 6539FC R H, 6541FC R H, 6544FC R H, 6546FC R H, 6548FC R H only)



01202

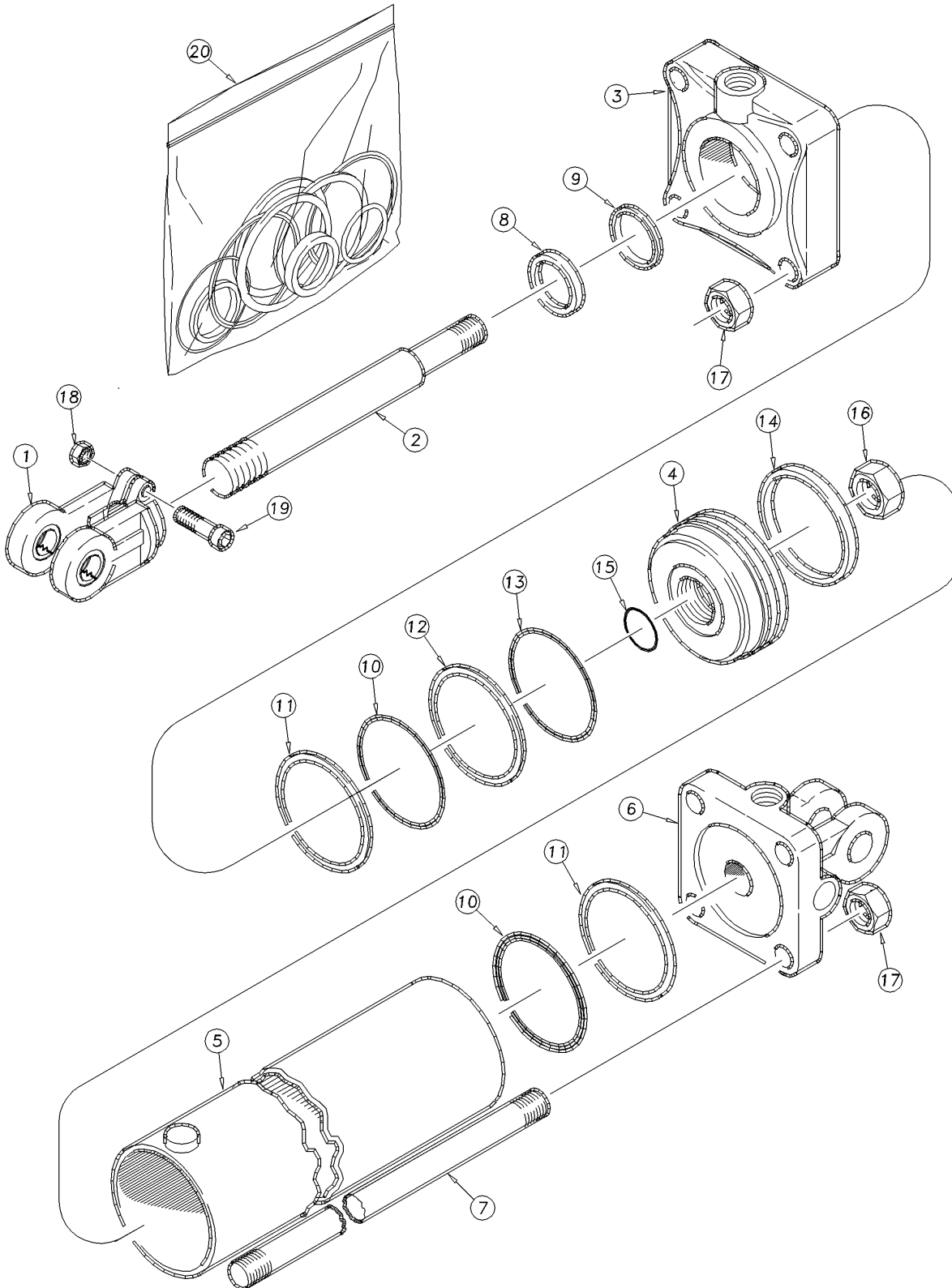
Midway Hydraulic Cylinder (810-477C)

(Applies to 6537FC R H, 6539FC R H, 6541FC R H, 6544FC R H, 6546FC R H, 6548FC R H only)

Ref	Part No.	Part Description	Comments	Revision
	dwg01202	Image No.		
1.	1M7016-ADI	MIDWAY HARDENED CLEVIS ADI		
2.	2M4416NC	MW ROD 1 1/4 ROD		
3.	3R1412	MW HEAD 3X1-1/4 ROD PT.E		
4.	4R1109	PISTON MIDWAY		
5.	5R1116	MIDWAY TUBE		
6.	6R1164-ADI	MIDWAY ADI BASE		
7.	7M4316	MW TIE ROD 3 X 8 CYLINDER		
8.		MW WIPER	Only in item 20	
9.		U-CUP	Only in item 20	
10.		O-RING MIDWAY	Only in item 20	
11.		BACK-UP MIDWAY	Only in item 20	
12.		TEFLON SEAL	Only in item 20	
13.		LOADER	Only in item 20	
14.		WEAR RING MIDWAY	Only in item 20	
15.		MW PISTON NUT SEAL	Only in item 20	
16.	2A0024	MW PISTON NUT 1-14		
17.	2A0014	MW TIE ROD NUT		
18.	803-234C	NUT HEX 3/8-16 PLAIN		
19.	802-023C	HHCS 3/8-16X1 3/4 GR5		
20.	810-211C	SEAL KIT MW 3 RPHCYL 4A1104		

Midway Hydraulic Cylinder (810-478C)

(Applies to 6330FC R H, 6332FC R H, 6537FC R H, 6539FC R H, 6541FC R H, 6544FC R H, 6546FC R H, 6548FC R H only)



01202

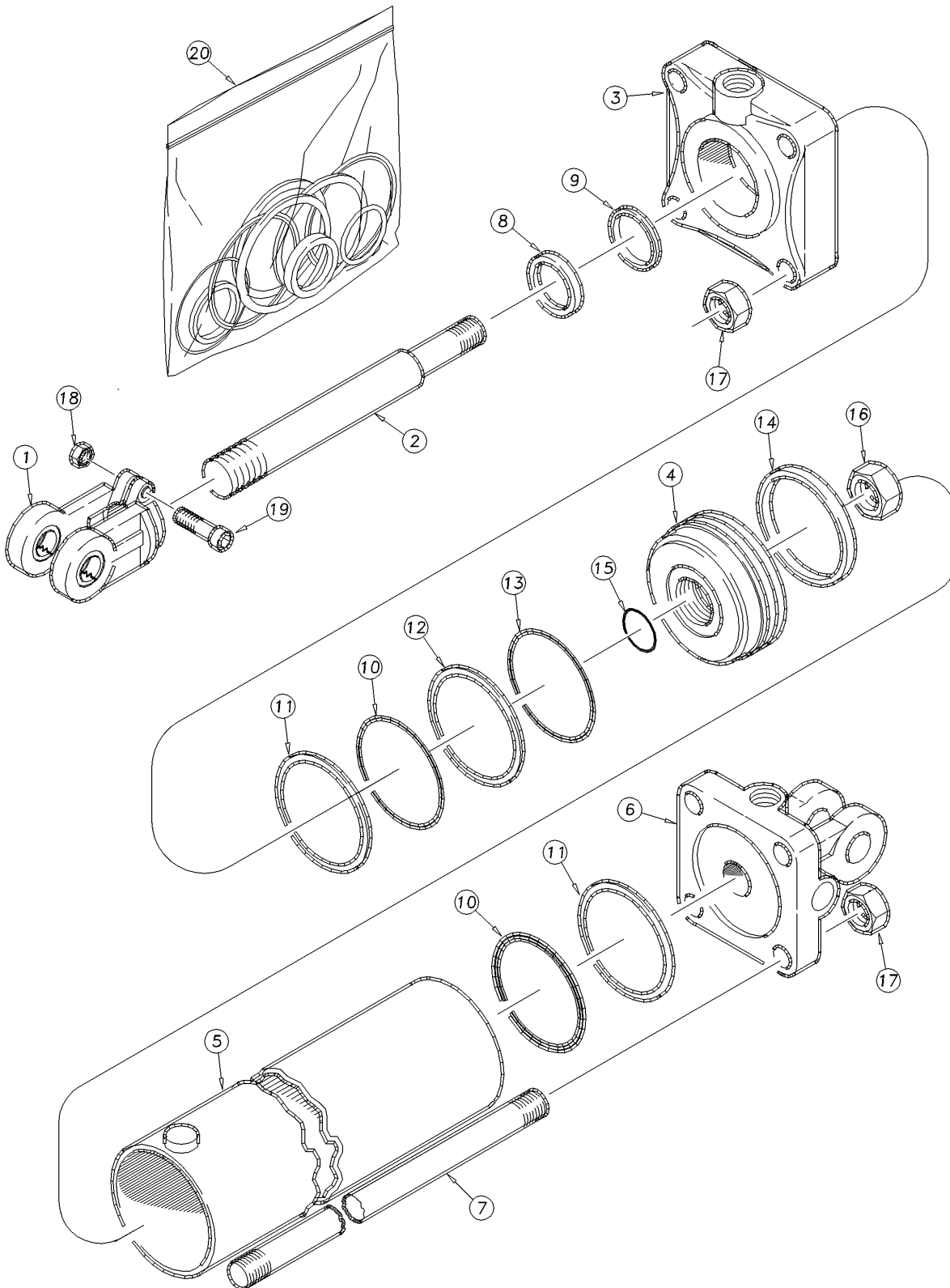
Midway Hydraulic Cylinder (810-478C)

(Applies to 6330FC R H, 6332FC R H, 6537FC R H, 6539FC R H, 6541FC R H, 6544FC R H, 6546FC R H, 6548FC R H only)

Ref	Part No.	Part Description	Comments	Revision
	dwg01202	Image No.		
1.	1M7016-ADI	MIDWAY HARDENED CLEVIS ADI		
2.	2M5416NC	MW ROD 1 1/4 DIA		
3.	3R2412	MW HEAD		
4.	4R2109	PISTON MIDWAY		
5.	5R2116	TUBE MIDWAY		
6.	6R2164-ADI	MIDWAY ADI BASE		
7.	7M5316	MW TIE ROD 3 X 8 CYLINDER		
8.		MW WIPER	Only in item 20	
9.		U-CUP	Only in item 20	
10.		O-RING MIDWAY	Only in item 20	
11.		BACK-UP MIDWAY	Only in item 20	
12.		TEFLON SEAL	Only in item 20	
13.		LOADER	Only in item 20	
14.		WEAR RING MIDWAY	Only in item 20	
15.		MW PISTON NUT SEAL	Only in item 20	
16.	2A0024	MW PISTON NUT 1-14		
17.	2A0016	MW TIE ROD NUT		
18.	803-234C	NUT HEX 3/8-16 PLAIN		
19.	802-023C	HHCS 3/8-16X1 3/4 GR5		
20.	810-173C	SEAL KIT MW 3.25 RPHCYL 4A2104		

Midway Hydraulic Cylinder (810-479C)

(Applies to 6330FC R H, 6332FC R H, 6537FC R H, 6539FC R H, 6541FC R H, 6544FC R H, 6546FC R H, 6548FC R H only)



01202

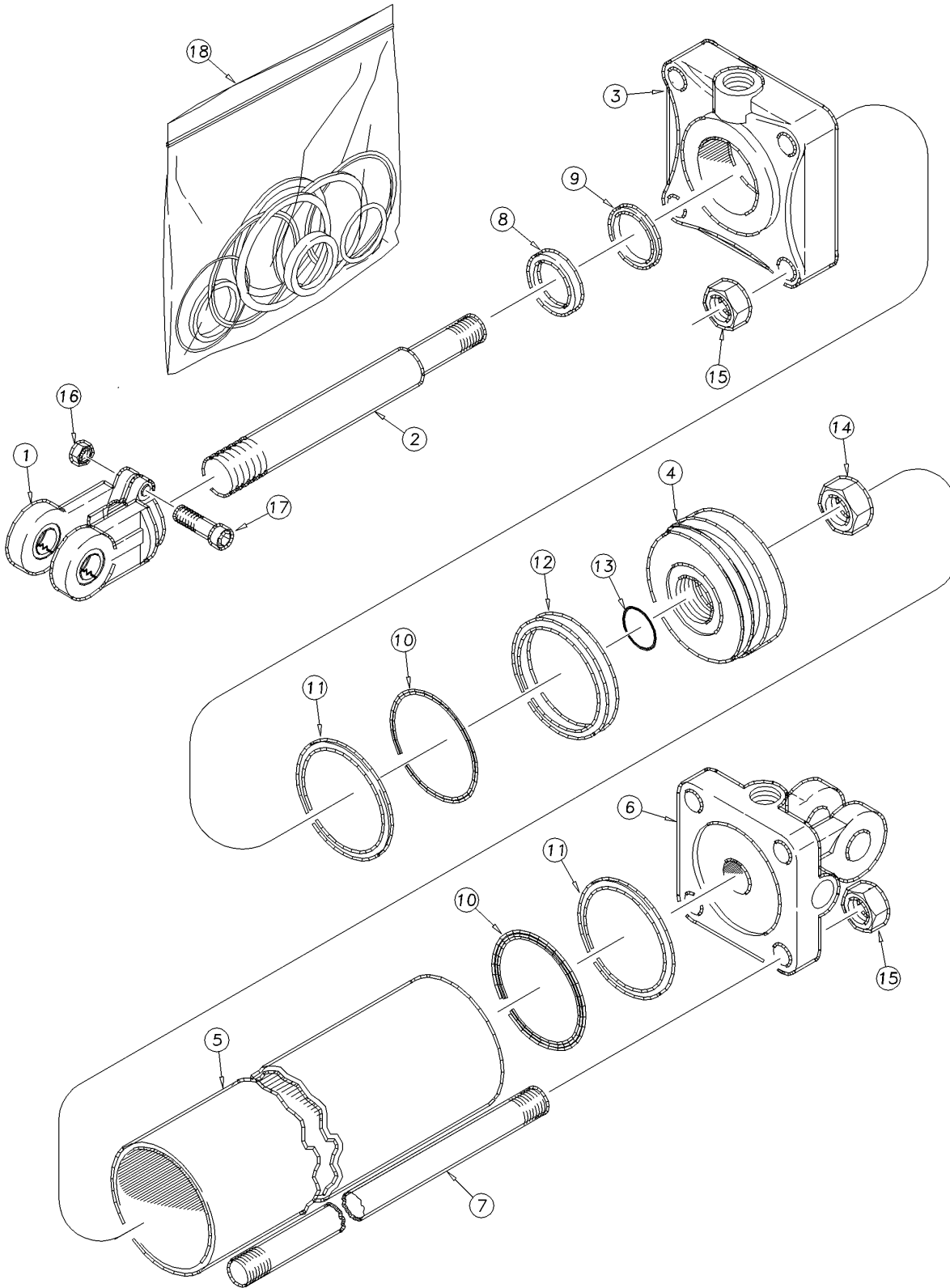
Midway Hydraulic Cylinder (810-479C)

(Applies to 6330FC R H, 6332FC R H, 6537FC R H, 6539FC R H, 6541FC R H, 6544FC R H, 6546FC R H, 6548FC R H only)

Ref	Part No.	Part Description	Comments	Revision
	dwg01202	Image No.		
1.	1M7016-ADI	MIDWAY HARDENED CLEVIS ADI		
2.	2M5416NC	MW ROD 1 1/4 DIA		
3.	3R3412	MW HEAD		
4.	4R3109	PISTON MIDWAY		
5.	5R3116	TUBE MIDWAY		
6.	6R3164-ADI	MIDWAY ADI BASE		
7.	7M5316	MW TIE ROD 3 X 8 CYLINDER		
8.		MW WIPER	Only in item 20	
9.		U-CUP	Only in item 20	
10.		O-RING MIDWAY	Only in item 20	
11.		BACK-UP MIDWAY	Only in item 20	
12.		TEFLON SEAL	Only in item 20	
13.		LOADER	Only in item 20	
14.		WEAR RING MIDWAY	Only in item 20	
15.		MW PISTON NUT SEAL	Only in item 20	
16.	2A0024	MW PISTON NUT 1-14		
17.	2A0016	MW TIE ROD NUT		
18.	803-234C	NUT HEX 3/8-16 PLAIN		
19.	802-023C	HHCS 3/8-16X1 3/4 GR5		
20.	810-174C	SEAL KIT MW 3.5 RPHCYL 4A3104		

Midway Hydraulic Cylinder (810-486C)

(Applies to 6537FC R H, 6539FC R H, 6541FC R H, 6544FC R H, 6546FC R H, 6548FC R H only)



01210

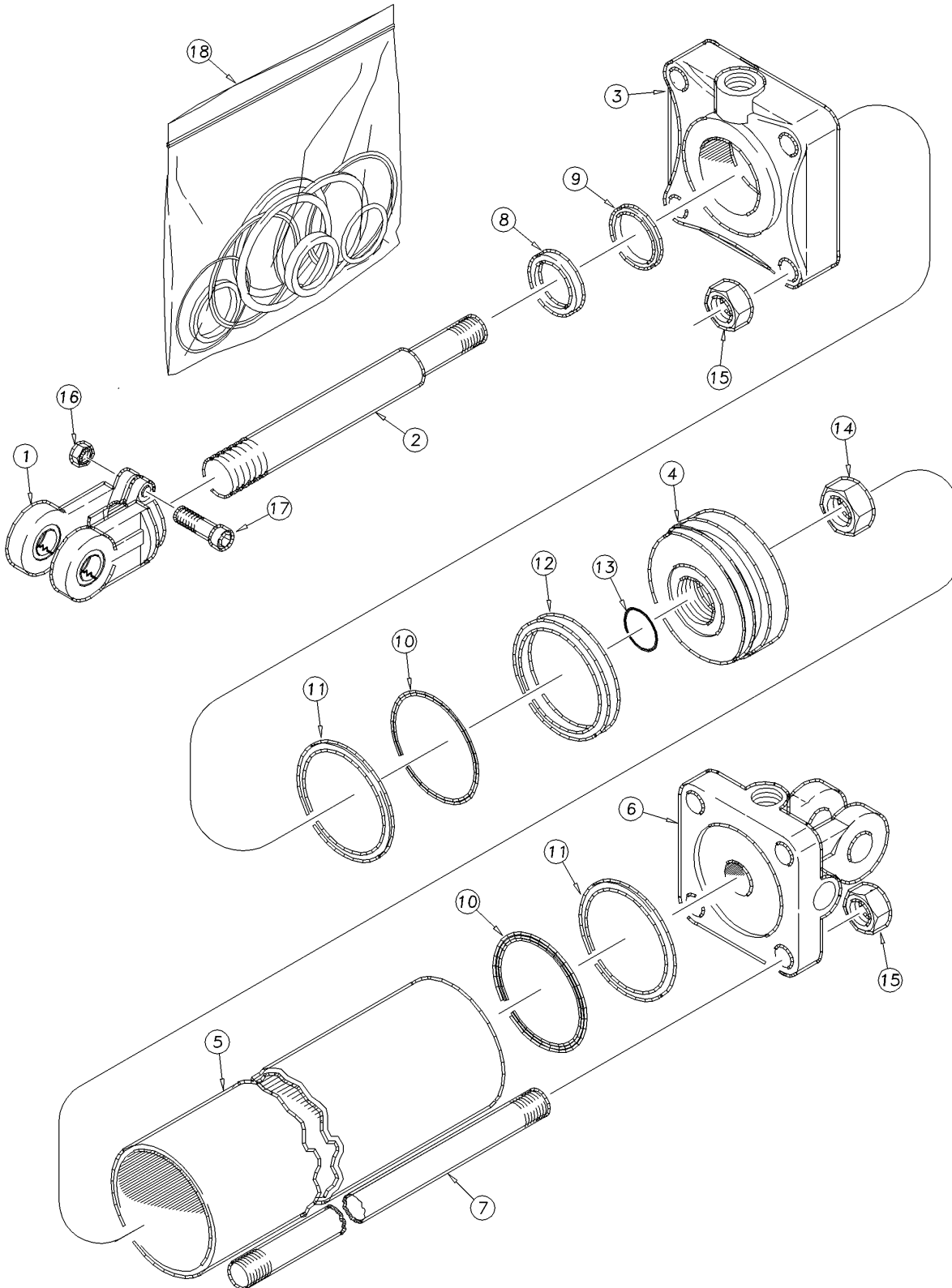
Midway Hydraulic Cylinder (810-486C)

(Applies to 6537FC R H, 6539FC R H, 6541FC R H, 6544FC R H, 6546FC R H, 6548FC R H only)

Ref	Part No.	Part Description	Comments	Revision
	dwg01210	Image No.		
1.	1M7016-ADI	MIDWAY HARDENED CLEVIS ADI		
2.	2M6482NC	MW ROD 1 1/4 DIA		
3.	3R5712	MW HEAD		
4.	4M6108	MW PISTON		
5.	5M6124	MW TUBE 4 X 16 CYLINDER		
6.	6R5162-ADI	MIDWAY ADI BASE		
7.	7M6324	MW TIE ROD 4 X 16 CYLINDER		
8.	2A0038	MW WIPER	Only in item 18	
9.	2A0422	U-CUP	Only in item 20	
10.	2A0245	O-RING MIDWAY	Only in item 20	
11.	2A0275	BACK UP MIDWAY	Only in item 20	
12.	2A0458	CROWN SEAL MIDWAY	Only in item 20	
13.	2A0052	MW PISTON NUT SEAL	Only in item 20	
14.	2A0024	MW PISTON NUT 1-14		
15.	2A0018	MW TIE ROD NUT		
16.	803-234C	NUT HEX 3/8-16 PLAIN		
17.	802-023C	HHCS 3/8-16X1 3/4 GR5		
18.	810-013C	CYL SEAL KIT 4 X 14 MW 5A6102		

Midway Hydraulic Cylinder (810-487C)

(Applies to 6330FC R H, 6332FC R H, 6537FC R H, 6539FC R H, 6541FC R H, 6544FC R H, 6546FC R H, 6548FC R H only)



01210

Midway Hydraulic Cylinder (810-487C)

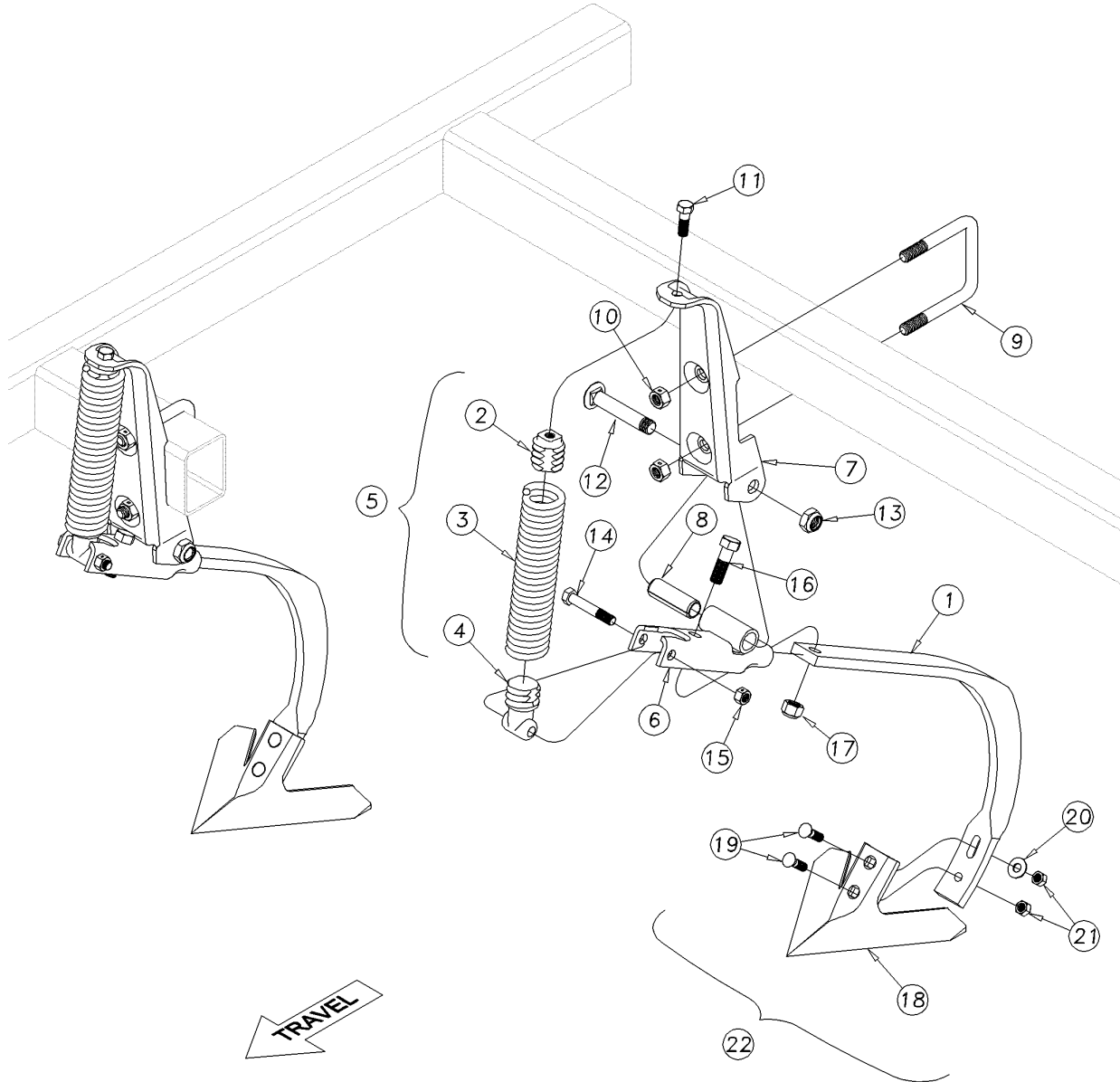
(Applies to 6330FC R H, 6332FC R H, 6537FC R H, 6539FC R H, 6541FC R H, 6544FC R H, 6546FC R H, 6548FC R H only)

Ref	Part No.	Part Description	Comments	Revision
	dwg01210	Image No.		
1.	1M7021-ADI	MW ROD CLEVIS 1.00PN 1.5-12THD		
2.	2S6570	MIDWAY ROD		
3.	3R5912	HEAD MIDWAY		
4.	4M6108	MW PISTON		
5.	5M6132	MW TUBE 4 X 24 CYLINDER		
6.	6R5162-ADI	MIDWAY ADI BASE		
7.	7M6332	MW TIE ROD 4 X 24 CYLINDER		
8.		MW WIPER	Only in item 18	
9.		U-CUP	Only in item 18	
10.		O-RING MIDWAY	Only in item 18	
11.		BACK UP MIDWAY	Only in item 18	
12.		CROWN SEAL MIDWAY	Only in item 18	
13.		MW PISTON NUT SEAL	Only in item 18	
14.	2A0024	MW PISTON NUT 1-14		
15.	2A0018	MW TIE ROD NUT		
16.	803-234C	NUT HEX 3/8-16 PLAIN		
17.	802-023C	HHCS 3/8-16X1 3/4 GR5		
18.	810-060C	CYL SEAL KIT-810-031C-5A6104		

[Table of Contents](#) [Part Number Index](#)

Regular Magnum Shank Assembly (S/N 1129CC-)

(Applies to 6330FC R H, 6332FC R H, 6537FC R H, 6539FC R H, 6541FC R H, 6544FC R H, 6546FC R H, 6548FC R H only)



00347

Regular Magnum Shank Assembly (S/N 1129CC-)

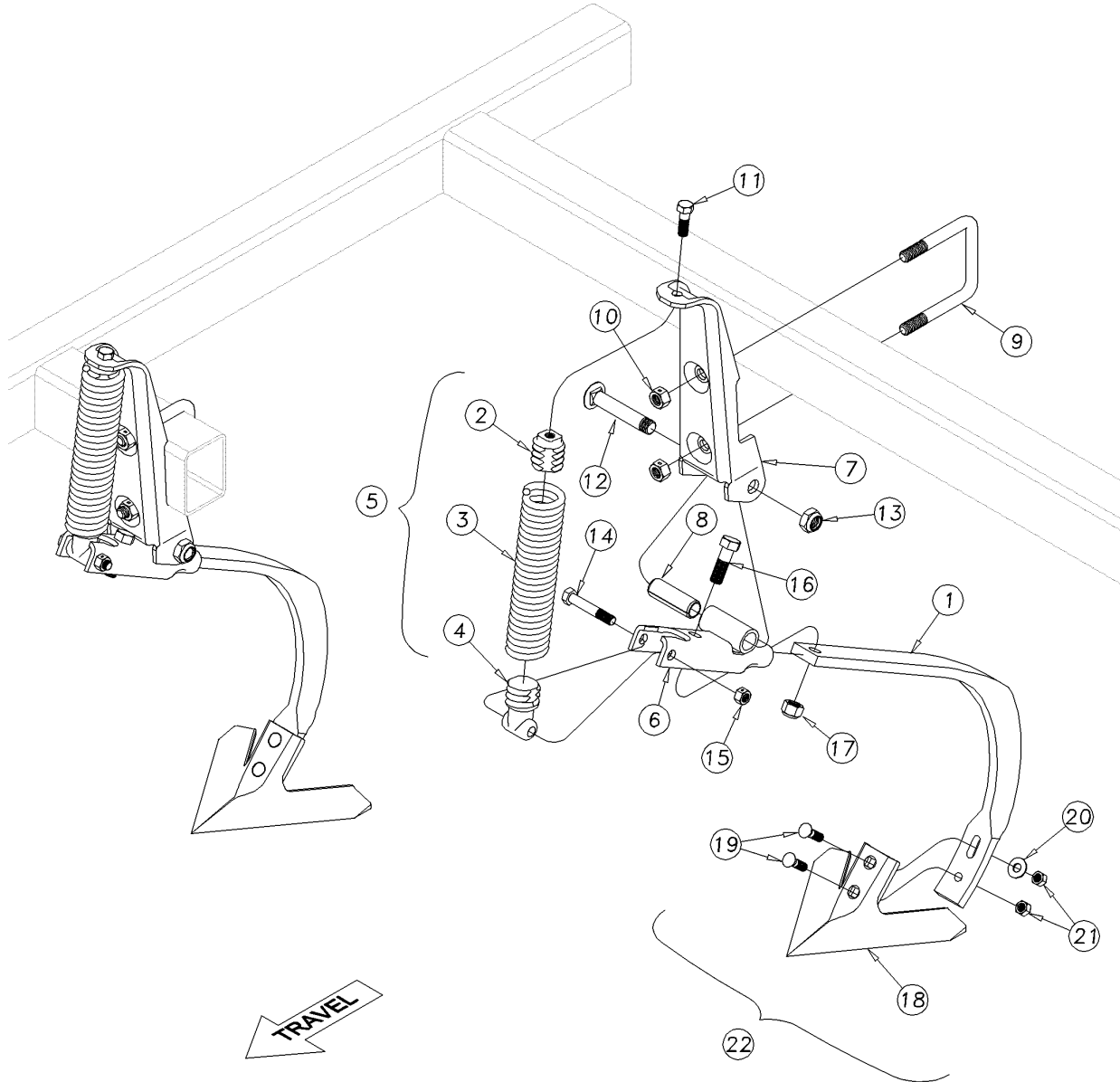
(Applies to 6330FC R H, 6332FC R H, 6537FC R H, 6539FC R H, 6541FC R H, 6544FC R H, 6546FC R H, 6548FC R H only)

Ref	Part No.	Part Description	Comments	Revision
	dwg00347	Image No.		
1.	820-297C	SHANK 9/16X1 3/4X30 MIN DRAFT	(shown)	
1.	820-293C	SHANK 9/16X1 3/4X30 FLAT		
2.	552-014D	SPRING PLUG, TOP, LIGHT DUTY		
3.	807-267C	SPRING EXT 2.25OD .374W 9.75L		
4.	812-148C	SPRING PLUG BOTTOM		
5.	552-050V	SPRING/PLUG SUB ASSY	Includes items 2 thru 4	
6.	552-043H	SHANK CRADLE		
7.	552-006D	SHANK UPRIGHT F/4" TUBE		
8.	FC0333	1 X 3/4 X 3" HARDENED BUSHING		
9.	806-158C	U-BOLT 5/8-11X4 1/32X4 3/4		
10.	803-024C	NUT LOCK 5/8-11 PLT		
11.	802-507C	HHCS 1/2-13X1 1/2 GR5 SPCL THD		
12.	802-485C	RHSNB 3/4-10X4 1/8 GR5 SPTHD		
13.	803-126C	NUT HEX JAM NYLOCK 3/4-10 PLT		
14.	802-535C	HHCS 1/2-13X3 GR5 SPCL THD PLT		
15.	803-019C	NUT LOCK 1/2-13 PLT		
16.	802-055C	HHCS 5/8-11X2 GR5		
17.	803-148C	NUT HEX NYLOCK 5/8-11 PLT		
18.	820-294C	SWEEP, 1/4" X 7"		
18.	820-292C	SWEEP, 1/4" X7" HARD FACED		
18.	820-291C	SWEEP, 1/4" X 7" ULTRA WING		
18.	FC1875	1/4" X 9" SWEEP		
18.	FC1879	1/4" X 9" HARD FACED SWEEP		
18.	FC2042	1/4" X 9" ULTRA WING SWEEP		
18.	FC1876	1/4" X 10" SWEEP		
18.	FC1880	1/4" X 10" HARDFACED SWEEP		
18.	FC2043	1/4" X 10" ULTRA WING SWEEP		
18.	FC1877	1/4" X 11" SWEEP		
18.	FC1881	2.00-1/4" X 11" HARD FACED SWEEP		
18.	FC2044	1/4" X11" ULTRA WING SWEEP		
19.	802-090C	PLOW 7/16-14X1 3/4 GR5		
20.	804-204C	WASHER FLAT 7/16 USS PLT		
21.	803-245C	NUT HEX NYLOCK 7/16-14 PLT		
22.	575-860V	SWEEP, 7" W/BOLTS	Includes items 18 thru 21	
22.	575-862V	SWEEP, 7" HARD FACED W/BOLTS	Includes items 18 thru 21	
22.	575-861V	SWEEP, 7" ULTRA WING W/BOLTS	Includes items 18 thru 21	
22.	570-219V	SWEEP, 9" W/BOLTS	Includes items 18 thru 21	
22.	575-809V	SWEEP, 9" W/BOLTS, HARD FACED	Includes items 18 thru 21	
22.	575-810V	SWEEP, 9" ULTRA-WING W/BOLTS	Includes items 18 thru 21	
22.	575-807V	SWEEP, 10" W/BOLTS	Includes items 18 thru 21	
22.	575-767V	SWEEP, 10" W/BOLTS, HARD FACED	Includes items 18 thru 21	
22.	575-811V	10" ULTRAWING SWEEP W/BOLTS	Includes items 18 thru 21	
22.	575-808V	SWEEP, 11" W/BOLTS	Includes items 18 thru 21	
22.	575-804V	SWEEP, 11" W/BOLTS, HARD FACED	Includes items 18 thru 21	
22.	575-812V	11" ULTRAWING SWEEP W/BOLTS	Includes items 18 thru 21	

[Table of Contents](#) [Part Number Index](#)

Heavy-Duty Magnum Shank Assembly (S/N 1130CC+)

(Applies to 6330FC R H, 6332FC R H, 6537FC R H, 6539FC R H, 6541FC R H, 6544FC R H, 6546FC R H, 6548FC R H only)



00347

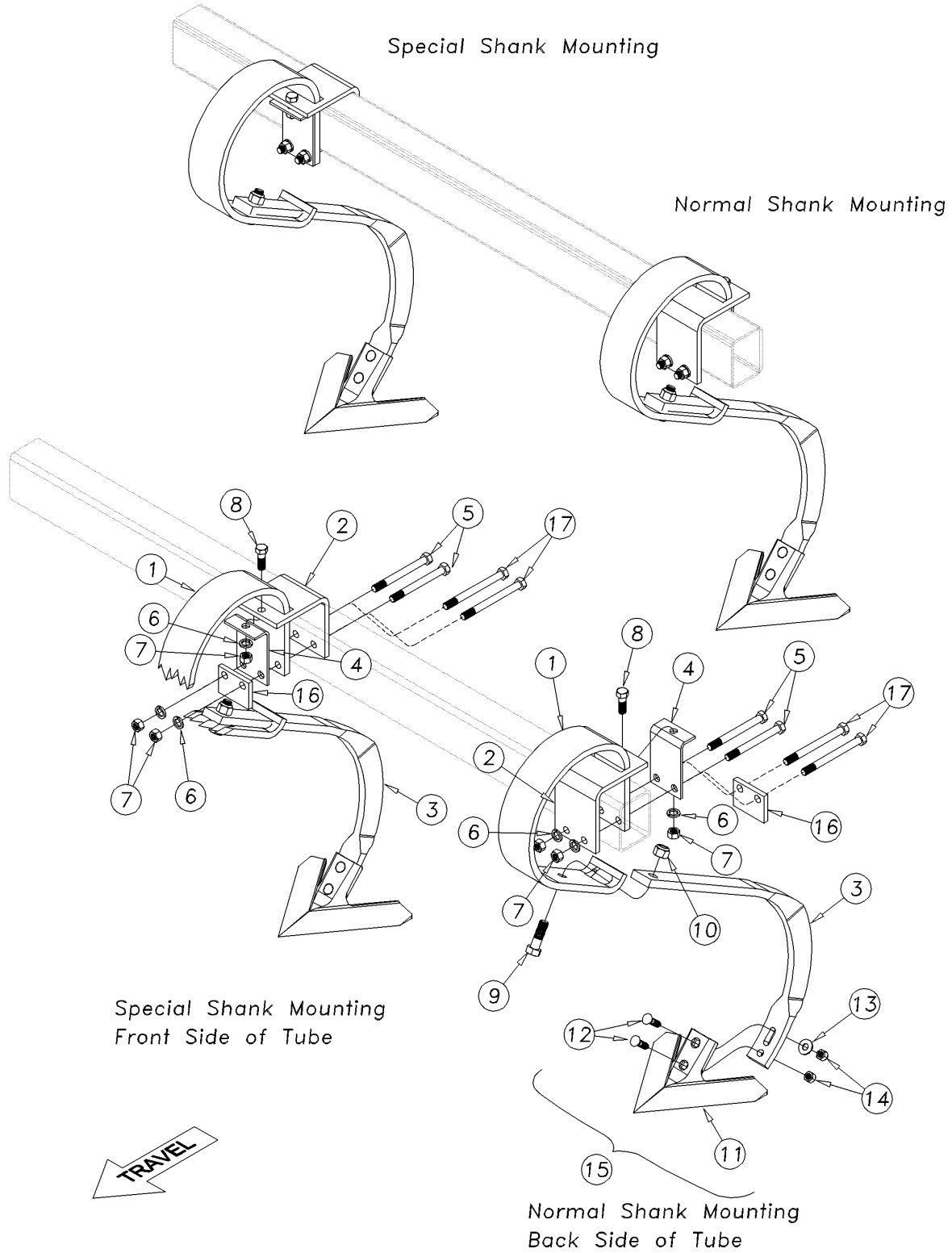
Heavy-Duty Magnum Shank Assembly (S/N 1130CC+)

(Applies to 6330FC R H, 6332FC R H, 6537FC R H, 6539FC R H, 6541FC R H, 6544FC R H, 6546FC R H, 6548FC R H only)

Ref	Part No.	Part Description	Comments	Revision
	dwg00347	Image No.		
1.	820-296C	SHANK 5/8X1 3/4X30 MIN DRAFT		
1.	820-295C	SHANK 5/8X1 3/4X30 FLAT		
1.	820-351C	SHANK 5/8X1 3/4X30 MD OFFSET 2		
2.	552-030D	7/16X1.5 ID TOP SPRING PLUG		
3.	807-149C	SPRING EXT 2.42OD .438W 9.69LG		Rev. 1
4.	812-143C	7/16X1.5 ID BOTTOM SPRING PLUG		
5.	552-057V	HEAVY SPRING/PLUG SUB ASSY	Includes items 2 thru 4	
6.	552-043H	SHANK CRADLE		
7.	552-006D	SHANK UPRIGHT F/4" TUBE		
8.	FC0333	1 X 3/4 X 3" HARDENED BUSHING		
9.	806-158C	U-BOLT 5/8-11X4 1/32X4 3/4		
10.	803-024C	NUT LOCK 5/8-11 PLT		
11.	802-507C	HHCS 1/2-13X1 1/2 GR5 SPCL THD		
12.	802-485C	RHSNB 3/4-10X4 1/8 GR5 SPTH		
13.	803-126C	NUT HEX JAM NYLOCK 3/4-10 PLT		
14.	802-535C	HHCS 1/2-13X3 GR5 SPCL THD PLT		
15.	803-019C	NUT LOCK 1/2-13 PLT		
16.	802-055C	HHCS 5/8-11X2 GR5		
17.	803-148C	NUT HEX NYLOCK 5/8-11 PLT		
18.	820-294C	SWEEP, 1/4" X 7"		
18.	820-292C	SWEEP, 1/4" X7" HARD FACED		
18.	820-291C	SWEEP, 1/4" X 7" ULTRA WING		
18.	FC1875	1/4" X 9" SWEEP		
18.	FC1879	1/4" X 9" HARD FACED SWEEP		
18.	FC2042	1/4" X 9" ULTRA WING SWEEP		
18.	FC1876	1/4" X 10" SWEEP		
18.	FC1880	1/4" X 10" HARDFACED SWEEP		
18.	FC2043	1/4" X 10" ULTRA WING SWEEP		
18.	FC1877	1/4" X 11" SWEEP		
18.	FC1881	2.00-1/4" X 11" HARD FACED SWEEP		
18.	FC2044	1/4" X11" ULTRA WING SWEEP		
19.	802-090C	PLOW 7/16-14X1 3/4 GR5		
20.	804-204C	WASHER FLAT 7/16 USS PLT		
21.	803-245C	NUT HEX NYLOCK 7/16-14 PLT		
22.	575-860V	SWEEP, 7" W/BOLTS	Includes items 18 thru 21	
22.	575-862V	SWEEP, 7" HARD FACED W/BOLTS	Includes items 18 thru 21	
22.	575-861V	SWEEP, 7" ULTRA WING W/BOLTS	Includes items 18 thru 21	
22.	570-219V	SWEEP, 9" W/BOLTS	Includes items 18 thru 21	
22.	575-809V	SWEEP, 9" W/BOLTS, HARD FACED	Includes items 18 thru 21	
22.	575-810V	SWEEP, 9" ULTRA-WING W/BOLTS	Includes items 18 thru 21	
22.	575-807V	SWEEP, 10" W/BOLTS	Includes items 18 thru 21	
22.	575-767V	SWEEP, 10" W/BOLTS, HARD FACED	Includes items 18 thru 21	
22.	575-811V	10" ULTRAWING SWEEP W/BOLTS	Includes items 18 thru 21	
22.	575-808V	SWEEP, 11" W/BOLTS	Includes items 18 thru 21	
22.	575-804V	SWEEP, 11" W/BOLTS, HARD FACED	Includes items 18 thru 21	
22.	575-812V	11" ULTRAWING SWEEP W/BOLTS	Includes items 18 thru 21	

Regular K-Flex Shank Assembly

(Applies to 6330FC R H, 6332FC R H, 6537FC R H, 6539FC R H, 6541FC R H, 6544FC R H, 6546FC R H, 6548FC R H only)



00029

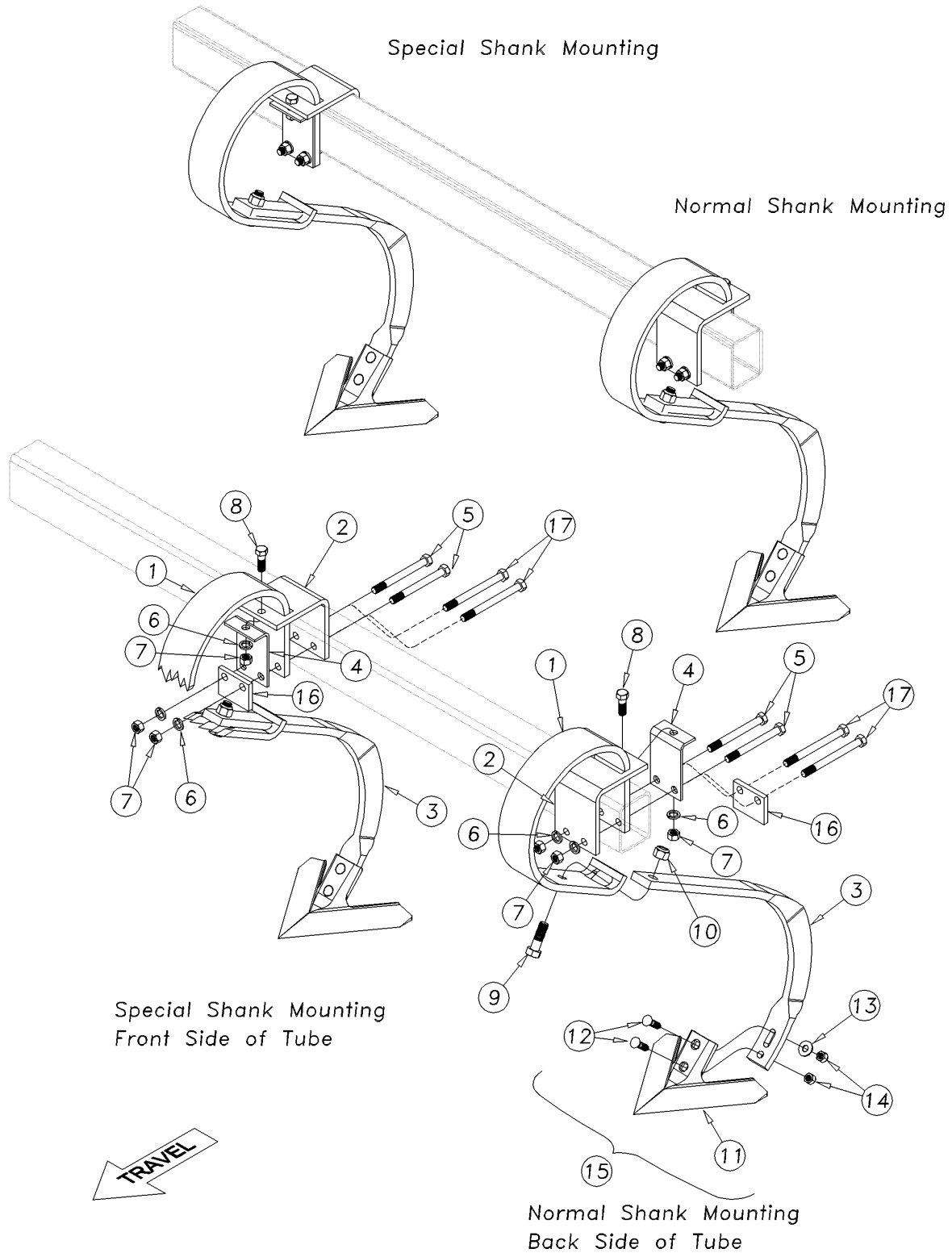
Regular K-Flex Shank Assembly

(Applies to 6330FC R H, 6332FC R H, 6537FC R H, 6539FC R H, 6541FC R H, 6544FC R H, 6546FC R H, 6548FC R H only)

Ref	Part No.	Part Description	Comments	Revision
	dwg00029	Image No.		
1.	820-298C	K-FLEX SHANK 4" MOUNT		
2.	552-002D	K-FLEX CLAMP 4X3 REGULAR		
3.	820-297C	SHANK 9/16X1 3/4X30 MIN DRAFT	(shown)	
3.	820-293C	SHANK 9/16X1 3/4X30 FLAT		
3.	820-354C	SHANK 9/16X1 3/4X30 MD OFFSET		
4.	552-001D	K-FLEX CLIP, 4		
5.	802-045C	HHCS 1/2-13X5 GR5		
6.	804-015C	WASHER LOCK SPRING 1/2 PLT		
7.	803-020C	NUT HEX 1/2-13 PLT		
8.	802-091C	HHCS 1/2-13X1 1/2 GR5		
9.	802-055C	HHCS 5/8-11X2 GR5		
10.	803-148C	NUT HEX NYLOCK 5/8-11 PLT		
11.	820-294C	SWEEP, 1/4" X 7"		
11.	820-292C	SWEEP, 1/4" X 7" HARD FACED		
11.	820-291C	SWEEP, 1/4" X 7" ULTRA WING		
11.	FC1875	1/4" X 9" SWEEP		
11.	FC1879	1/4" X 9" HARD FACED SWEEP		
11.	FC2042	1/4" X 9" ULTRA WING SWEEP		
11.	FC1876	1/4" X 10" SWEEP		
11.	FC1880	1/4" X 10" HARD FACED SWEEP		
11.	FC2043	1/4" X 10" ULTRA WING SWEEP		
11.	FC1877	1/4" X 11" SWEEP		
11.	FC1881	2.00-1/4" X 11" HARD FACED SWEEP		
11.	FC2044	1/4" X 11" ULTRA WING SWEEP		
12.	802-090C	PLOW 7/16-14X1 3/4 GR5		
13.	804-204C	WASHER FLAT 7/16 USS PLT		
14.	803-245C	NUT HEX NYLOCK 7/16-14 PLT		
15.	575-860V	SWEEP, 7" W/BOLTS	Includes items 11 thru 14	
15.	575-862V	SWEEP, 7" HARD FACED W/BOLTS	Includes items 11 thru 14	
15.	575-861V	SWEEP, 7" ULTRA WING W/BOLTS	Includes items 11 thru 14	
15.	570-219V	SWEEP, 9" W/BOLTS	Includes items 11 thru 14	
15.	575-809V	SWEEP, 9" W/BOLTS, HARD FACED	Includes items 11 thru 14	
15.	575-810V	SWEEP, 9" ULTRA-WING W/BOLTS	Includes items 11 thru 14	
15.	575-807V	SWEEP, 10" W/BOLTS	Includes items 11 thru 14	
15.	575-767V	SWEEP, 10" W/BOLTS, HARD FACED	Includes items 11 thru 14	
15.	575-811V	10" ULTRA WING SWEEP W/BOLTS	Includes items 11 thru 14	
15.	575-808V	SWEEP, 11" W/BOLTS	Includes items 11 thru 14	
15.	575-804V	SWEEP, 11" W/BOLTS, HARD FACED	Includes items 11 thru 14	
15.	575-812V	11" ULTRA WING SWEEP W/BOLTS	Includes items 11 thru 14	
16.	FL1104	TRIP LIMITER	Optional	
17.	802-046C	HHCS 1/2-13X5 1/2 GR5	Optional, required with item 16	

Heavy K-Flex Shank Assembly

(Applies to 6330FC R H, 6332FC R H, 6537FC R H, 6539FC R H, 6541FC R H, 6544FC R H, 6546FC R H, 6548FC R H only)



00029

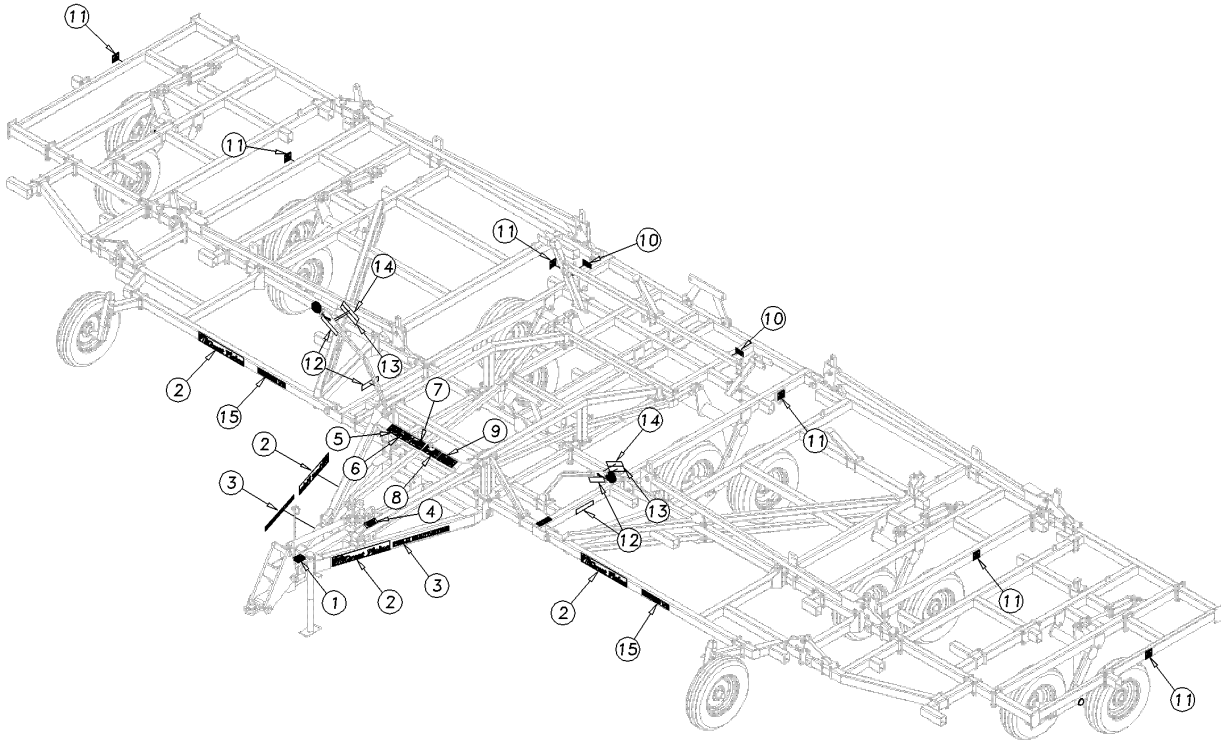
Heavy K-Flex Shank Assembly

(Applies to 6330FC R H, 6332FC R H, 6537FC R H, 6539FC R H, 6541FC R H, 6544FC R H, 6546FC R H, 6548FC R H only)

Ref	Part No.	Part Description	Comments	Revision
	dwg00029	Image No.		
1.	820-299C	HVY DUTY K-FLEX SHANK MOUNT		
2.	552-003D	K-FLEX CLAMP 4X3 HD		
3.	820-296C	SHANK 5/8X1 3/4X30 MIN DRAFT		
3.	820-295C	SHANK 5/8X1 3/4X30 FLAT		
3.	820-351C	SHANK 5/8X1 3/4X30 MD OFFSET 2		
4.	552-001D	K-FLEX CLIP, 4		
5.	802-045C	HHCS 1/2-13X5 GR5		
6.	804-015C	WASHER LOCK SPRING 1/2 PLT		
7.	803-020C	NUT HEX 1/2-13 PLT		
8.	802-091C	HHCS 1/2-13X1 1/2 GR5		
9.	802-055C	HHCS 5/8-11X2 GR5		
10.	803-148C	NUT HEX NYLOCK 5/8-11 PLT		
11.	820-294C	SWEEP, 1/4" X 7		
11.	820-292C	SWEEP, 1/4" X 7" HARD FACED		
11.	820-291C	SWEEP, 1/4" X 7" ULTRA WING		
11.	FC1875	1/4" X 9" SWEEP		
11.	FC1879	1/4" X 9" HARD FACED SWEEP		
11.	FC2042	1/4" X 9" ULTRA WING SWEEP		
11.	FC1876	1/4" X 10" SWEEP		
11.	FC1880	1/4" X 10" HARD FACED SWEEP		
11.	FC2043	1/4" X 10" ULTRA WING SWEEP		
11.	FC1877	1/4" X 11" SWEEP		
11.	FC1881	2.00-1/4" X 11" HARD FACED SWEEP		
11.	FC2044	1/4" X 11" ULTRA WING SWEEP		
12.	802-090C	PLOW 7/16-14X1 3/4 GR5		
13.	804-204C	WASHER FLAT 7/16 USS PLT		
14.	803-245C	NUT HEX NYLOCK 7/16-14 PLT		
15.	575-860V	SWEEP, 7" W/BOLTS	Includes items 11 thru 14	
15.	575-862V	SWEEP, 7" HARD FACED W/BOLTS	Includes items 11 thru 14	
15.	575-861V	SWEEP, 7" ULTRA WING W/BOLTS	Includes items 11 thru 14	
15.	570-219V	SWEEP, 9" W/BOLTS	Includes items 11 thru 14	
15.	575-809V	SWEEP, 9" W/BOLTS, HARD FACED	Includes items 11 thru 14	
15.	575-810V	SWEEP, 9" ULTRA-WING W/BOLTS	Includes items 11 thru 14	
15.	575-807V	SWEEP, 10" W/BOLTS	Includes items 11 thru 14	
15.	575-767V	SWEEP, 10" W/BOLTS, HARD FACED	Includes items 11 thru 14	
15.	575-811V	10" ULTRA WING SWEEP W/BOLTS	Includes items 11 thru 14	
15.	575-808V	SWEEP, 11" W/BOLTS	Includes items 11 thru 14	
15.	575-804V	SWEEP, 11" W/BOLTS, HARD FACED	Includes items 11 thru 14	
15.	575-812V	11" ULTRA WING SWEEP W/BOLTS	Includes items 11 thru 14	
16.	FL1104	TRIP LIMITER	Optional	
17.	802-046C	HHCS 1/2-13X5 1/2 GR5	Optional, required with item 16	

Decals

(Applies to 6330FC R H, 6332FC R H, 6537FC R H, 6539FC R H, 6541FC R H, 6544FC R H, 6546FC R H, 6548FC R H only)



01239

Decals

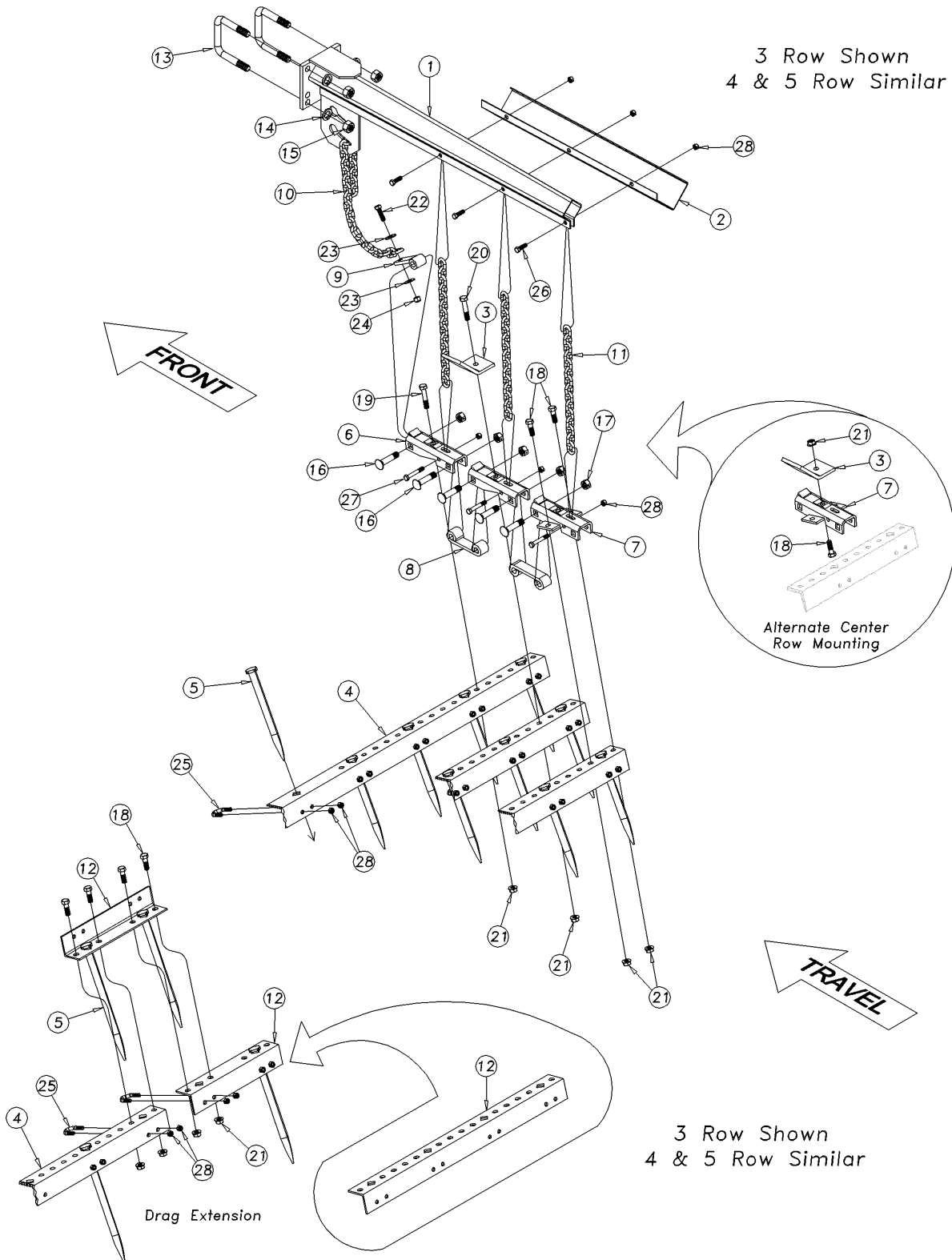
(Applies to 6330FC R H, 6332FC R H, 6537FC R H, 6539FC R H, 6541FC R H, 6544FC R H, 6546FC R H, 6548FC R H only)

Ref	Part No.	Part Description	Comments	Revision
	dwg01239	Image No.		
1.	838-598C	DECAL CAUTION GENERAL 4X5		
2.	838-161C	DECAL LOGO&GP F/STRIPE 4 X 24		
4.	838-613C	DECAL NOTICE TRANSPORT LOCKS		
5.	838-611C	DECAL WARNING HAND CRUSHING		
6.	838-606C	DECAL WARNING TONGUE RISING		
7.	838-599C	DECAL DANGER ELECTROCUTION HA		
9.	838-094C	DECAL WARNING HYD PRESS LONG		
10.	838-612C	DECAL WARNING WINGS COULD FALL		
12.	838-615C	DECAL REFLECTOR AMBER 2X9		
13.	838-603C	DECAL REFLECTOR ORANGE 2X9		
14.	838-614C	DECAL REFLECTOR RED 2X9		
3.	838-776C	DECAL FIELD CULTIVATOR		
8.	838-600C	DECAL DANGER CRUSHING HAZARD		
11.	838-602C	DECAL WARNING OVERHEAD WING		
15.	848-371C	DECAL SERIES VII		

[Table of Contents](#) [Part Number Index](#)

S3T, S4T & S5T Spike Drag Assembly

(Applies to 6330FC R H, 6332FC R H, 6537FC R H, 6539FC R H, 6541FC R H, 6544FC R H, 6546FC R H, 6548FC R H only)



00799

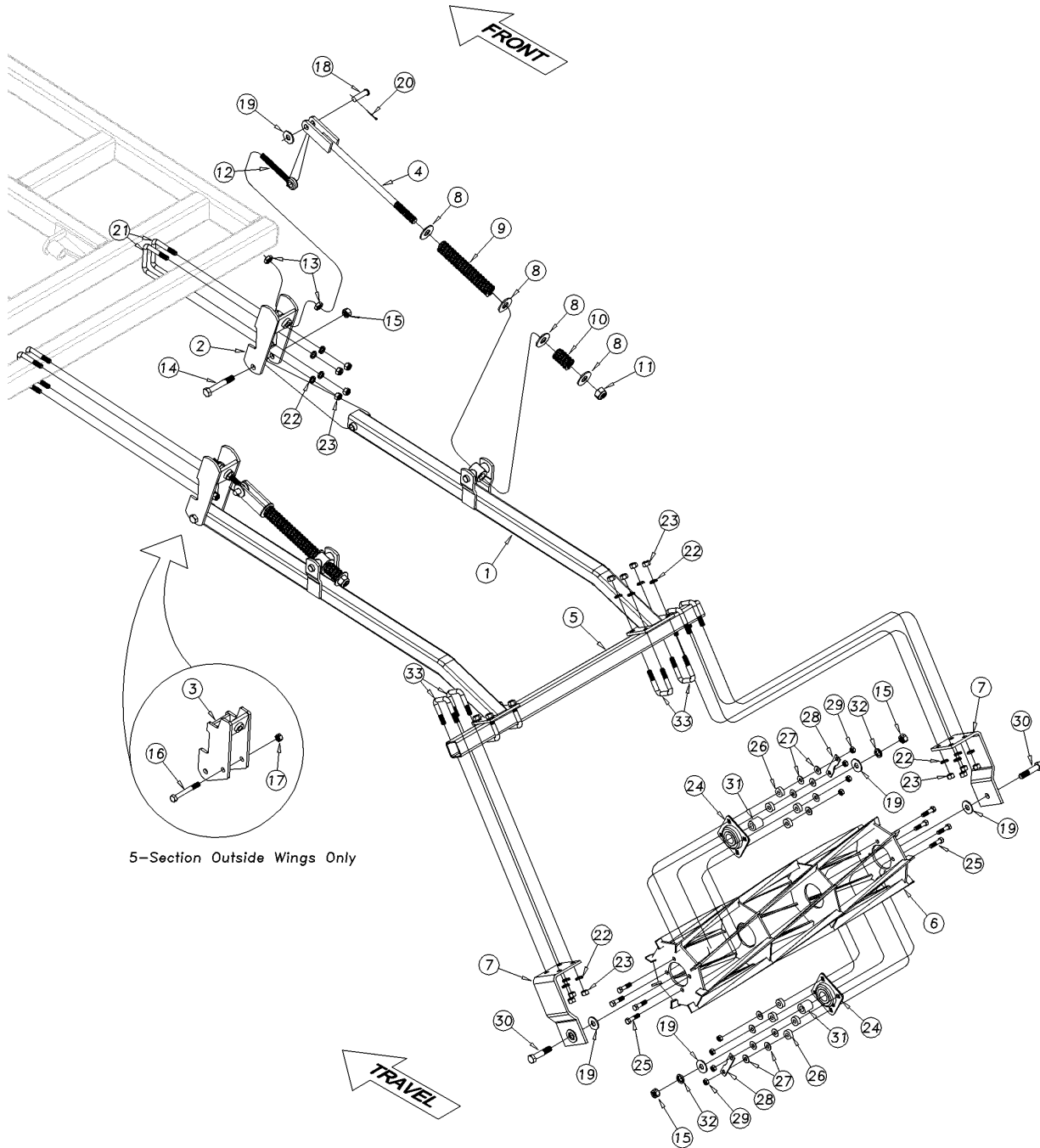
S3T, S4T & S5T Spike Drag Assembly

(Applies to 6330FC R H, 6332FC R H, 6537FC R H, 6539FC R H, 6541FC R H, 6544FC R H, 6546FC R H, 6548FC R H only)

Ref	Part No.	Part Description	Comments	Revision
	dwg00799	Image No.		
1.	575-506H	CARRIER ARM (3 ROW)		
1.	550-042H	CARRIER ARM (4/5 ROW)		
2.	575-126D	CATCH TRAY 28" (S3T)		
3.	575-124D	CATCH FOR 180 DEGREE FOLD		
4.	575-108D	BAR, 5-HOLE 41		
4.	575-136D	6-HOLE ANGLE 50		
4.	575-110D	7-HOLE TOOTH BAR 59		
4.	575-137D	8-HOLE ANGLE 68		
4.	575-152D	9-HOLE TOOTH BAR 77		
4.	575-112D	BAR, 11-HOLE 95		
4.	575-113D	BAR, 13-HOLE 113		
4.	575-114D	BAR, 15-HOLE 131		
4.	575-115D	BAR, 17-HOLE 149		
5.	820-288C	SPIKE TOOTH SQ 3/4X11		
6.	550-135D	BAR BRACKET		
7.	550-043H	DOUBLE BAR BRACKET		
8.	585-010D	LINK, SPIKE DRAG		
9.	575-512H	FRONT DRAG LINK ASSEMBLY		
10.	890-837C	5/16" PULLCHAIN(25LINK)		
11.	890-553C	5/16" HANGCHAIN(15LINK)		
12.	570-061D	EXTENSION BAR, 2-HOLE		
12.	570-062D	EXTENSION BAR, 4-HOLE		
13.	806-007C	U-BOLT 3/4-10X4 1/32X4 1/2		
14.	804-023C	WASHER LOCK SPRING 3/4 PLT		
15.	803-027C	NUT HEX 3/4-10 PLT		
16.	802-766C	RHSNB 5/8-11X2 7/8 SPL		
17.	803-024C	NUT LOCK 5/8-11 PLT		
18.	802-091C	HHCS 1/2-13X1 1/2 GR5		
19.	802-130C	HHCS 1/2-13X2 1/2 GR5		
20.	802-039C	HHCS 1/2-13X3 GR5		
21.	803-037C	NUT HEX WHIZ 1/2-13		
22.	802-029C	HHCS 7/16-14X1 1/2 GR5		
23.	804-204C	WASHER FLAT 7/16 USS PLT		
24.	803-245C	NUT HEX NYLOCK 7/16-14 PLT		
25.	806-181C	U-BOLT 3/8-16 X 1 1/8 3-CORNER		
26.	802-079C	HHCS 3/8-16X1 1/4 GR5		
27.	802-114C	HHCS 3/8-16X2 1/2 GR5		
28.	803-013C	NUT LOCK 3/8-16 PLT		

Reel Following S3T Spike Assembly

(Applies to 6330FC R H, 6332FC R H, 6537FC R H, 6539FC R H, 6541FC R H, 6544FC R H, 6546FC R H, 6548FC R H only)



5-Section Outside Wings Only

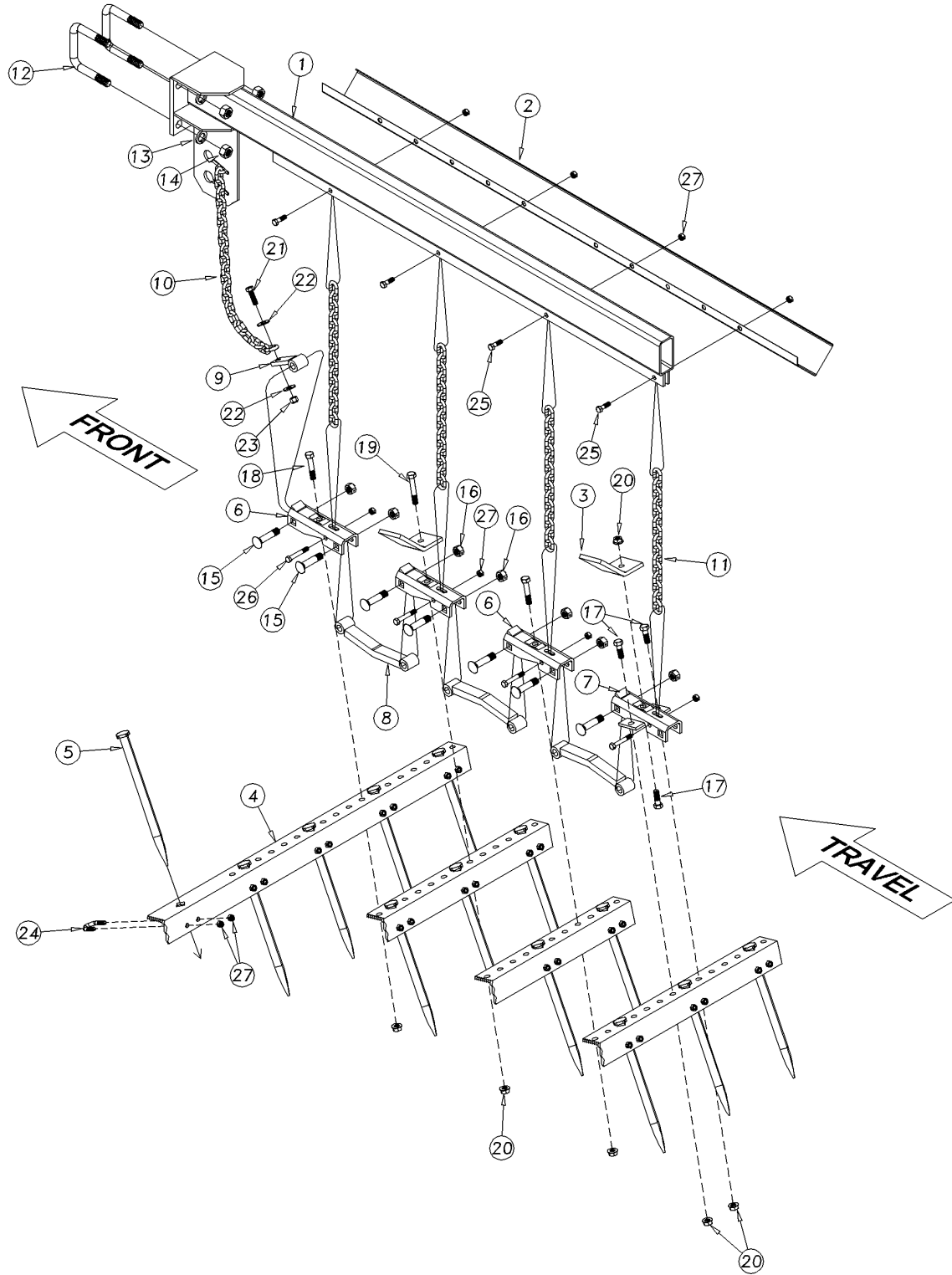
Reel Following S3T Spike Assembly

(Applies to 6330FC R H, 6332FC R H, 6537FC R H, 6539FC R H, 6541FC R H, 6544FC R H, 6546FC R H, 6548FC R H only)

Ref	Part No.	Part Description	Comments	Revision
	dwg00939	Image No.		
1.	575-522H	REEL MOUNTING ARM		
2.	575-523H	REEL MOUNT BRKT 4" BAR		
3.	552-106H	REEL MOUNT BRKT 4" BARW/STOP		
4.	552-049H	SPRING BOLT, 1 X 23 LONG		
5.	575-092D	PART - 5' REEL		
5.	575-093D	PART - 6' REEL	6539, 6541	
5.	575-095D	PART - 7' REEL	6544, 6546	
5.	575-224D	PART - 8' REEL	6539	
5.	575-096D	PART - 9' REEL	6541, 6544, 6548	
5.	575-097D	PART - 10' REEL	6330, 6332, 6546, 6548	
5.	575-098D	PART - 11' REEL	6332, 6544	
5.	575-099	6325FC 9" HFSWEEPS	6537	
6.	575-525H	REEL ASSEMBLY (3 1/2')	6539, 6541, 6544, 6548	
6.	575-526H	5' REEL ASSEMBLY	6330, 6332, 6541, 6544, 6546, 6548	
6.	575-527H	6' REEL ASSEMBLY	6332, 6537, 5639, 6541, 6544	
6.	575-524H	7' REEL WELDMENT	6544, 6546	
7.	575-521H	REEL MOUNTING BRACKET		
8.	804-028C	WASHER FLAT 1 USS PLT		
9.	807-225C	SPRG COMP 1 3/4ODX5/16WX11 1/2		
10.	807-226C	SPRNG COM 1 13/16ODX3/8WX2 3/4		
11.	803-038C	NUT HEX 1-8 NYLON INSERT PLT		
12.	802-768C	EYE BOLT 3/4-10X6 1/2 PLT		
13.	803-048C	NUT HEX JAM 3/4-10 PLT		
14.	802-069C	HHCS 3/4-10X5 GR5		
15.	803-026C	NUT LOCK 3/4-10 PLT		
16.	802-062C	HHCS 5/8-11X5 GR5		
17.	803-024C	NUT LOCK 5/8-11 PLT		
18.	805-140C	PIN CLEVIS 3/4 X 2 1/2 PLT		
19.	804-024C	WASHER FLAT 3/4 USS PLT		
20.	805-225C	PIN COTTER 1/8 X 1 1/2		
21.	806-179C	U-BOLT 5/8-11X4 1/32X4 1/4		
22.	804-022C	WASHER LOCK SPRING 5/8 PLT		
23.	803-021C	NUT HEX 5/8-11 PLT		
24.	822-208C	BRG FLG 1.50ID 4BOLT SQ		
25.	802-128C	HHCS 1/2-13X2 GR5		
26.	816-429C	WASHER RBR 1 3/8ODX9/16IDX1/2L		
27.	804-017C	WASHER FLAT 1/2 USS PLT		
28.	589-085D	ZERK GUARD ROLLING HARROW		
29.	803-342C	NUT HEX TOP LOCK 1/2-13PLT		
30.	802-066C	HHCS 3/4-10X3 1/2 GR5		
31.	575-141D	REEL BEARING SPACER		
32.	804-023C	WASHER LOCK SPRING 3/4 PLT		
33.	806-182C	U-BOLT 5/8-11X2 17/32X3 1/2		

S4T Spike Drag High Residue Assembly

(Applies to 6330FC R H, 6332FC R H, 6537FC R H, 6539FC R H, 6541FC R H, 6544FC R H, 6546FC R H, 6548FC R H only)



01015

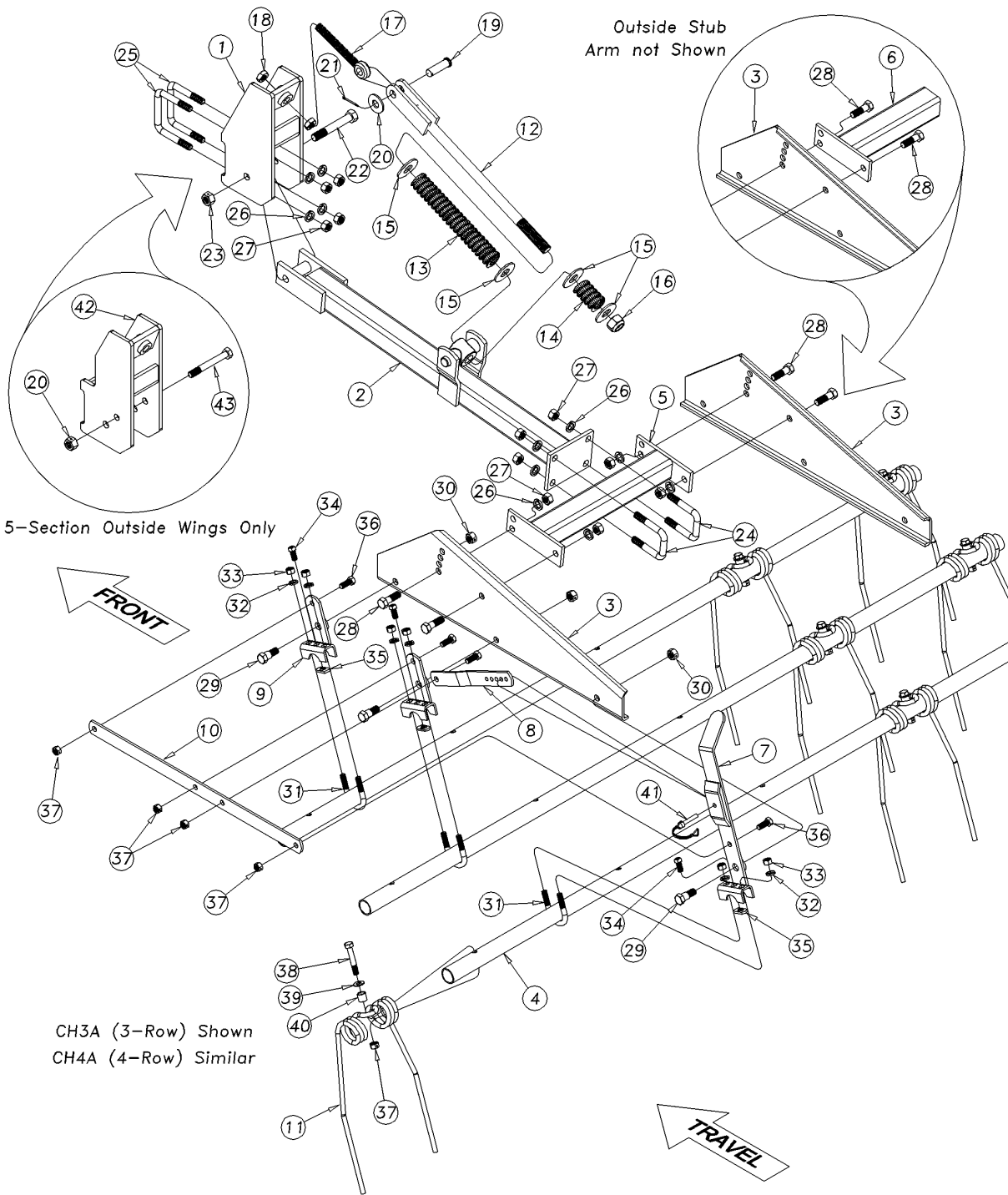
S4T Spike Drag High Residue Assembly

(Applies to 6330FC R H, 6332FC R H, 6537FC R H, 6539FC R H, 6541FC R H, 6544FC R H, 6546FC R H, 6548FC R H only)

Ref	Part No.	Part Description	Comments	Revision
	dwg01015	Image No.		
1.	570-279H	CARRIER ARM (4 ROW HR)		
1.	550-042H	CARRIER ARM (4/5 ROW)		
2.	575-312D	CATCH TRAY 66" (S4T-HR)		
3.	575-124D	CATCH FOR 180 DEGREE FOLD		
4.	575-300D	1/4" ANGLE, 5 HOLE, 41	6537	
4.	575-301D	1/4" ANGLE, 6 HOLE, 50	6330, 6537, 6541, 6544, 6548	
4.	575-302D	1/4" ANGLE, 7 HOLE, 59	6330, 6332, 6537, 6541, 6544, 6548	
4.	575-303D	1/4" ANGLE, 8 HOLE, 68	6330, 6332, 6548	
4.	575-304D	1/4" ANGLE, 9 HOLE, 77		
4.	575-305D	1/4" ANGLE, 10 HOLE, 86	6541	
4.	575-306D	1/4" ANGLE, 11 HOLE, 95	6544	
5.	820-012C	SPIKE TOOTH SQ 3/4X14		
6.	550-135D	BAR BRACKET		
7.	550-043H	DOUBLE BAR BRACKET		
8.	575-859H	LINK HR SPIKE HARROW		
9.	575-512H	FRONT DRAG LINK ASSEMBLY		
10.	890-837C	5/16" PULLCHAIN(25LINK)		
11.	890-553C	5/16" HANGCHAIN(15LINK)		
12.	806-007C	U-BOLT 3/4-10X4 1/32X4 1/2		
13.	804-023C	WASHER LOCK SPRING 3/4 PLT		
14.	803-027C	NUT HEX 3/4-10 PLT		
15.	802-766C	RHSNB 5/8-11X2 7/8 SPL		
16.	803-024C	NUT LOCK 5/8-11 PLT		
17.	802-091C	HHCS 1/2-13X1 1/2 GR5		
18.	802-130C	HHCS 1/2-13X2 1/2 GR5		
19.	802-039C	HHCS 1/2-13X3 GR5		
20.	803-037C	NUT HEX WHIZ 1/2-13		
21.	802-029C	HHCS 7/16-14X1 1/2 GR5		
22.	804-204C	WASHER FLAT 7/16 USS PLT		
23.	803-245C	NUT HEX NYLOCK 7/16-14 PLT		
24.	806-181C	U-BOLT 3/8-16 X 1 1/8 3-CORNER		
25.	802-079C	HHCS 3/8-16X1 1/4 GR5		
26.	802-114C	HHCS 3/8-16X2 1/2 GR5		
27.	803-013C	NUT LOCK 3/8-16 PLT		

CH3A & CH4A Coil Tine Assembly

(Applies to 6330FC R H, 6332FC R H, 6537FC R H, 6539FC R H, 6541FC R H, 6544FC R H, 6546FC R H, 6548FC R H only)



CH3A & CH4A Coil Tine Assembly

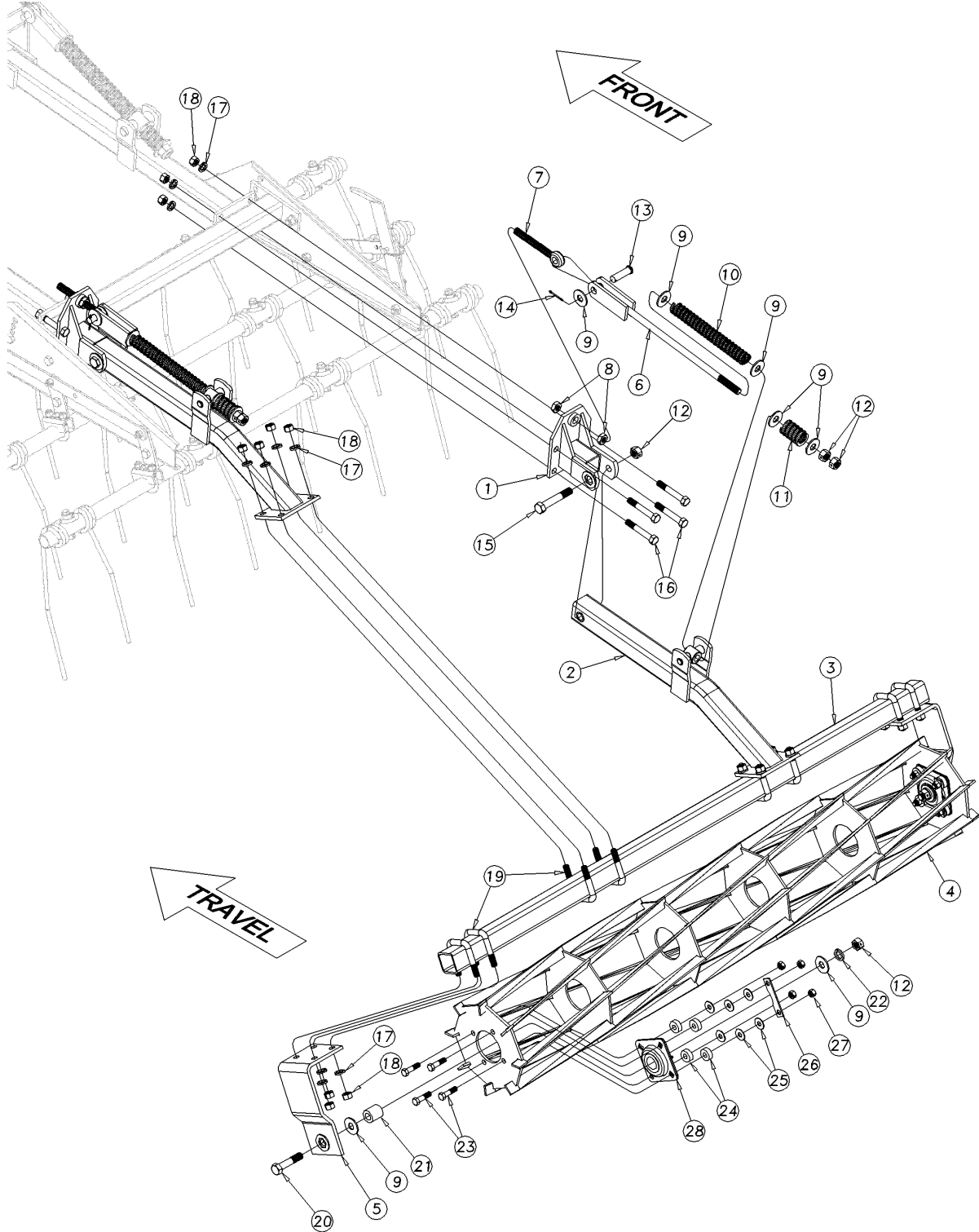
(Applies to 6330FC R H, 6332FC R H, 6537FC R H, 6539FC R H, 6541FC R H, 6544FC R H, 6546FC R H, 6548FC R H only)

Ref	Part No.	Part Description	Comments	Revision
	dwg00802	Image No.		
1.	552-045H	DRAG MOUNTING BRACKET		
2.	575-517H	DRAG ARM FOR CH3 W/REEL		
3.	575-139D	3 BAR SIDE PLATE LH		
3.	575-138D	3 BAR SIDE PLATE RH		
3.	552-023D	4 BAR SIDE PLATE LH		
3.	552-024D	4 BAR SIDE PLATE RH		
4.	575-119D	3-HOLE DRAG PIPE 48		
4.	575-153D	4-HOLE DRAG PIPE 68	6541	
4.	575-121D	5-HOLE DRAG PIPE 88	6537, 6539, 6544, 6546	
4.	575-122D	6-HOLE DRAG PIPE 108	6330, 6332, 6539, 6541, 6546, 6548	
4.	575-123D	7-HOLE DRAG PIPE 128	6330, 6332, 6537, 6544, 6546	
5.	575-507H	CH3 DRAG CROSS BRACE (17 1/2)		
5.	575-508H	CH3 DRAG CROSS TUBE (37 1/2)	6330, 6332, 6537, 6541, 6544, 6546	
5.	575-509H	CH3 DRAG CROSS TUBE (57 1/2)	6537, 6539, 6544, 6546	
5.	575-510H	CH3 DRAG CROSS TUBE (77 1/2)	6330, 6332, 6539, 6541, 6546, 6548	
6.	575-514H	CH3 DRAG CROSS EXTENSION (12)		
7.	552-046H	DRAG BAR ADJUSTMENT LEVER		
8.	552-018D	DRAG ANGLE ADJUSTMENT STRAP		
9.	552-047H	DRAG BAR ADJUSTMENT BRACKET		
10.	575-130D	3 BAR CONNECTING STRAP		
10.	552-017D	4 BAR DRAG CONNECTING STRAP		
11.	807-196C	HEAVY COIL TINE		
12.	552-049H	SPRING BOLT, 1 X 23 LONG		
13.	807-225C	SPRG COMP 1 3/4ODX5/16WX11 1/2		
14.	807-226C	SPRNG COM 1 13/16ODX3/8WX2 3/4		
15.	804-028C	WASHER FLAT 1 USS PLT		
16.	803-038C	NUT HEX 1-8 NYLON INSERT PLT		
17.	802-768C	EYE BOLT 3/4-10X6 1/2 PLT		
18.	803-048C	NUT HEX JAM 3/4-10 PLT		
19.	805-140C	PIN CLEVIS 3/4 X 2 1/2 PLT		
20.	804-024C	WASHER FLAT 3/4 USS PLT		
21.	805-225C	PIN COTTER 1/8 X 1 1/2		
22.	802-069C	HHCS 3/4-10X5 GR5		
23.	803-026C	NUT LOCK 3/4-10 PLT		
24.	806-182C	U-BOLT 5/8-11X2 17/32X3 1/2		
25.	806-179C	U-BOLT 5/8-11X4 1/32X4 1/4		
26.	804-022C	WASHER LOCK SPRING 5/8 PLT		
27.	803-021C	NUT HEX 5/8-11 PLT		
28.	802-055C	HHCS 5/8-11X2 GR5		
29.	802-767C	SHOULDER BOLT 5/8-11X1 3/4 SPL		
30.	803-024C	NUT LOCK 5/8-11 PLT		
31.	806-180C	U-BOLT 1/2-13X1 3/4X3 1/8 RND		
32.	804-015C	WASHER LOCK SPRING 1/2 PLT		
33.	803-020C	NUT HEX 1/2-13 PLT		
34.	801-054C	SCREW SET SQ HD 1/2-13X1 GR5		
35.	803-338C	1/2-13 4XPROJECTION WELD NUT		
36.	802-034C	HHCS 1/2-13X1 1/4 GR5		
37.	803-019C	NUT LOCK 1/2-13 PLT		
38.	802-039C	HHCS 1/2-13X3 GR5		
39.	804-094C	WASHER FLAT 1/2 HARD ASTM F436		
40.	550-134D	3/4 LONG X 1/2 TINE STOP/SPACR		
41.	805-348C	PIN WIRE RETAIN 3/8 X 1 3/4		
42.	552-060H	DRAG MOUNTING BRACKET SPECIAL		
43.	802-062C	HHCS 5/8-11X5 GR5		

[Table of Contents](#) [Part Number Index](#)

Reel Following CH3A Coil Tine Assembly

(Applies to 6330FC R H, 6332FC R H, 6537FC R H, 6539FC R H, 6541FC R H, 6544FC R H, 6546FC R H, 6548FC R H only)



00805

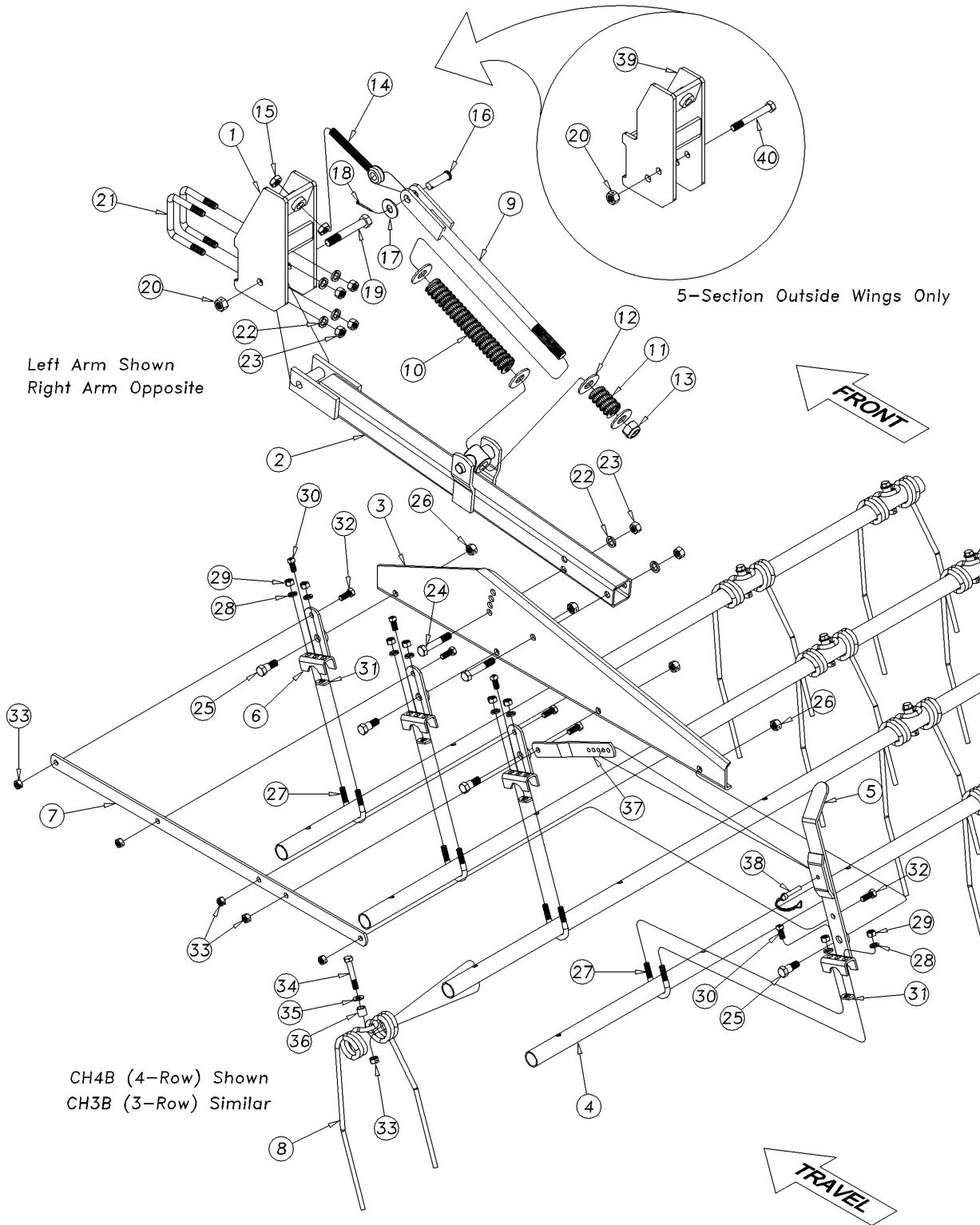
Reel Following CH3A Coil Tine Assembly

(Applies to 6330FC R H, 6332FC R H, 6537FC R H, 6539FC R H, 6541FC R H, 6544FC R H, 6546FC R H, 6548FC R H only)

Ref	Part No.	Part Description	Comments	Revision
	dwg00805	Image No.		
1.	570-185H	Arm Mount Bracket, 2 1/2" Tube		
2.	575-513H	Reel Mounting Arm, CH3		
3.	575-273D	Tube, 3 1/2' Reel Assy		
3.	575-092D	Tube, 5' Reel Assy	6537	
3.	575-093D	Tube, 6' Reel Assy	6541	
3.	575-095D	Tube, 7' Reel Assy	6537, 6539, 6544, 6546	
3.	575-224D	Tube, 8' Reel Assy	6539, 6541	
3.	575-096D	Tube, 9' Reel Assy	6544, 6548	
3.	575-097D	Tube, 10' Reel Assy	6330, 6332, 6539, 6546, 6548	
3.	575-098D	Tube, 11' Reel Assy	6332, 6541, 6544, 6546	
3.	575-099D	Tube, 12' Reel Assy	6537	
4.	575-525H	3 1/2' Reel Weldment	6539, 6544, 6548	
4.	575-526H	5' Reel Weldment	6330, 6332, 6539, 6541, 6544, 6546, 6548	
4.	575-527H	6' Reel Weldment	6332, 6537, 6539, 6541, 6544, 6546	
4.	575-524H	7' Reel Weldment	6537, 6544	
5.	575-521H	Reel Mounting Bracket		
6.	575-516H	Clevis Bolt, 3/4 x 22 1/4 Long		
7.	802-768C	Eye Bolt, 3/4-10 x 6 1/2		
8.	803-048C	Jam Nut, 3/4-10		
9.	804-024C	Flat Washer, 3/4		
10.	807-224C	Spring Comp. 1.47 OD x 5/16 W x 11 3/8 Long		
11.	807-226C	Spring Comp. 1 13/16 OD x 3/8 W x 2 3/4 Long		
12.	803-026C	Lock Nut, 3/4-10		
13.	805-140C	Clevis Pin, 3/4 x 2 1/2		
14.	805-225C	Cotter Pin, 1/8 x 1 1/2		
15.	802-192C	Hex Bolt, 3/4-10 x 4 1/2, Gr.5		
16.	802-060C	Hex Bolt, 5/8-11 x 4, Gr. 5		
17.	804-022C	Lock Washer, 5/8		
18.	803-021C	Hex Nut, 5/8-11		
19.	806-182C	U-Bolt, 5/8-11 x 2 17/32 x 3 1/2		
20.	802-066C	Hex Bolt, 3/4-10 x 3 1/2, Gr.5		
21.	575-141D	Reel Bearing Spacer		
22.	804-023C	Lock Washer, 3/4		
23.	802-128C	Hex Bolt, 1/2-13 x 2, Gr.5		
24.	816-429C	Rubber Spacer		
25.	804-017C	Flat Washer, 1/2		
26.	589-085D	Zerk Guard		
27.	803-342C	Top Lock Nut, 1/2-13		
28.	822-208C	Bearing Flange 1 1/2 ID RD 5 Inch Square		

CH3B & CH4B Coil Tine Assembly

(Applies to 6330FC R H, 6332FC R H, 6537FC R H, 6539FC R H, 6541FC R H, 6544FC R H, 6546FC R H, 6548FC R H only)



00803

CH3B & CH4B Coil Tine Assembly

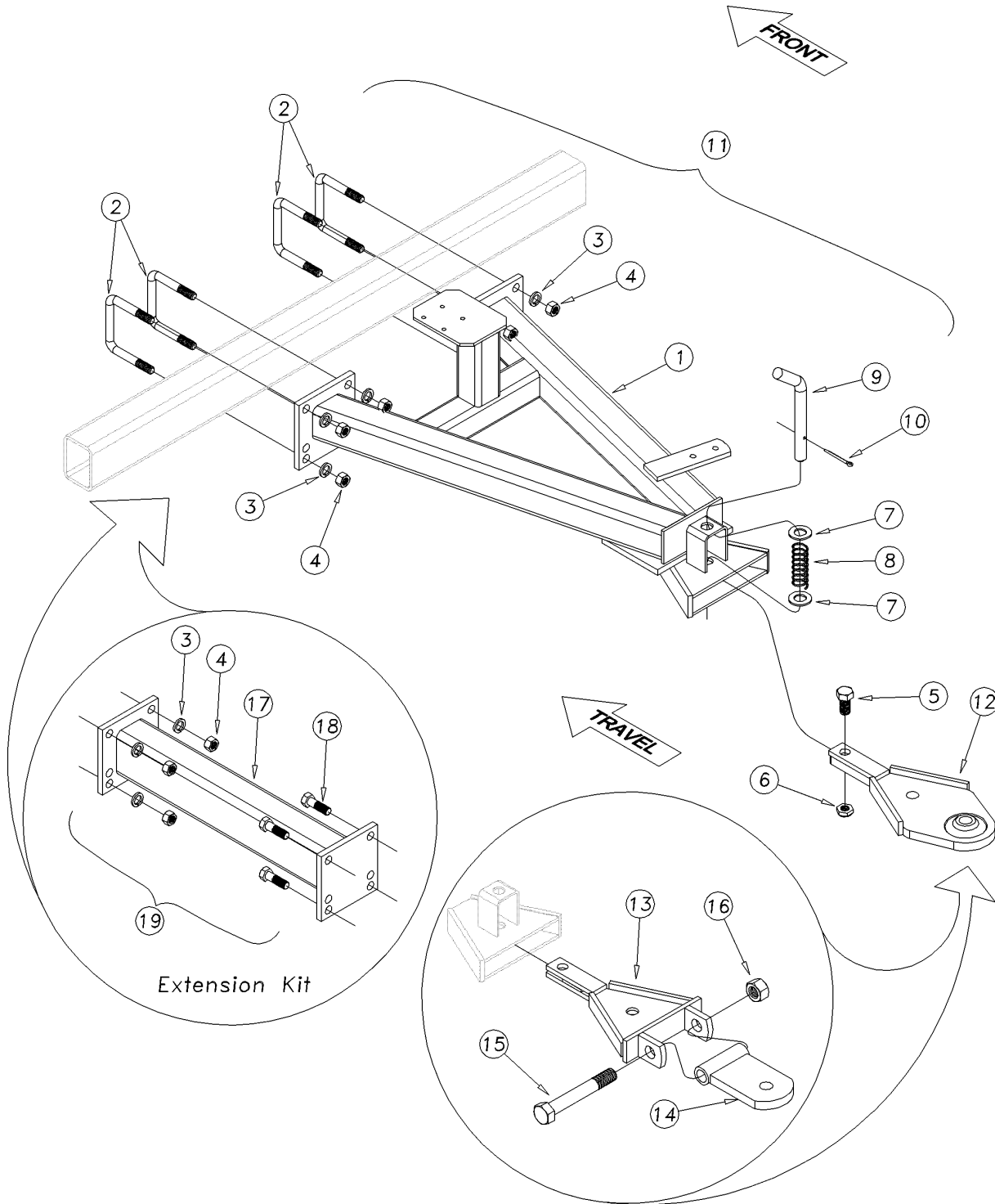
(Applies to 6330FC R H, 6332FC R H, 6537FC R H, 6539FC R H, 6541FC R H, 6544FC R H, 6546FC R H, 6548FC R H only)

Ref	Part No.	Part Description	Comments	Revision
	dwg	Image No. 00803		
1.	552-045H	DRAG MOUNTING BRACKET		
2.	552-048H	DRAG ARM		
3.	552-023D	4 BAR SIDE PLATE LH	(Shown)	
3.	552-024D	4 BAR SIDE PLATE RH		
4.	575-119D	3-HOLE DRAG PIPE 48	6537	
4.	575-153D	4-HOLE DRAG PIPE 68	6539, 6541	
4.	575-121D	5-HOLE DRAG PIPE 88	6537, 6539, 6544, 6546 (Shown)	
4.	575-122D	6-HOLE DRAG PIPE 108	6330, 6332, 6541, 6546, 6548	
4.	575-123D	7-HOLE DRAG PIPE 128	6330, 6332, 6537, 6539, 6544, 6546	
5.	552-046H	DRAG BAR ADJUSTMENT LEVER		
6.	552-047H	DRAG BAR ADJUSTMENT BRACKET		
7.	575-130D	3 BAR CONNECTING STRAP		
7.	552-017D	4 BAR DRAG CONNECTING STRAP	(Shown)	
8.	807-196C	HEAVY COIL TINE		
9.	552-049H	SPRING BOLT, 1 X 23 LONG		
10.	807-225C	SPRG COMP 1 3/4ODX5/16WX11 1/2		
11.	807-226C	SPRNG COM 1 13/16ODX3/8WX2 3/4		
12.	804-028C	WASHER FLAT 1 USS PLT		
13.	803-038C	NUT HEX 1-8 NYLON INSERT PLT		
14.	802-768C	EYE BOLT 3/4-10X6 1/2 PLT		
15.	803-048C	NUT HEX JAM 3/4-10 PLT		
16.	805-140C	PIN CLEVIS 3/4 X 2 1/2 PLT		
17.	804-024C	WASHER FLAT 3/4 USS PLT		
18.	805-225C	PIN COTTER 1/8 X 1 1/2		
19.	802-069C	HHCS 3/4-10X5 GR5		
20.	803-026C	NUT LOCK 3/4-10 PLT		
21.	806-179C	U-BOLT 5/8-11X4 1/32X4 1/4		
22.	804-022C	WASHER LOCK SPRING 5/8 PLT		
23.	803-021C	NUT HEX 5/8-11 PLT		
24.	802-162C	HHCS 5/8-11X3 1/2 GR5		
25.	802-767C	SHOULDER BOLT 5/8-11X1 3/4 SPL		
26.	803-024C	NUT LOCK 5/8-11 PLT		
27.	806-180C	U-BOLT 1/2-13X1 3/4X3 1/8 RND		
28.	804-015C	WASHER LOCK SPRING 1/2 PLT		
29.	803-020C	NUT HEX 1/2-13 PLT		
30.	801-054C	SCREW SET SQ HD 1/2-13X1 GR5		
31.	803-338C	1/2-13 4XPROJECTION WELD NUT		
32.	802-034C	HHCS 1/2-13X1 1/4 GR5		
33.	803-019C	NUT LOCK 1/2-13 PLT		
34.	802-039C	HHCS 1/2-13X3 GR5		
35.	804-094C	WASHER FLAT 1/2 HARD ASTM436		
36.	550-134D	3/4 LONG X 1/2 TINE STOP/SPACR		
37.	552-018D	DRAG ANGLE ADJUSTMENT STRAP		
38.	805-348C	PIN WIRE RETAIN 3/8 X 1 3/4		
39.	552-060H	DRAG MOUNTING BRACKET SPECIAL		
40.	802-062C	HHCS 5/8-11X5 GR5		

[Table of Contents](#) [Part Number Index](#)

EZ Hitch

(Applies to 6330FC R H, 6332FC R H, 6537FC R H, 6539FC R H, 6541FC R H, 6544FC R H, 6546FC R H, 6548FC R H only)



00997

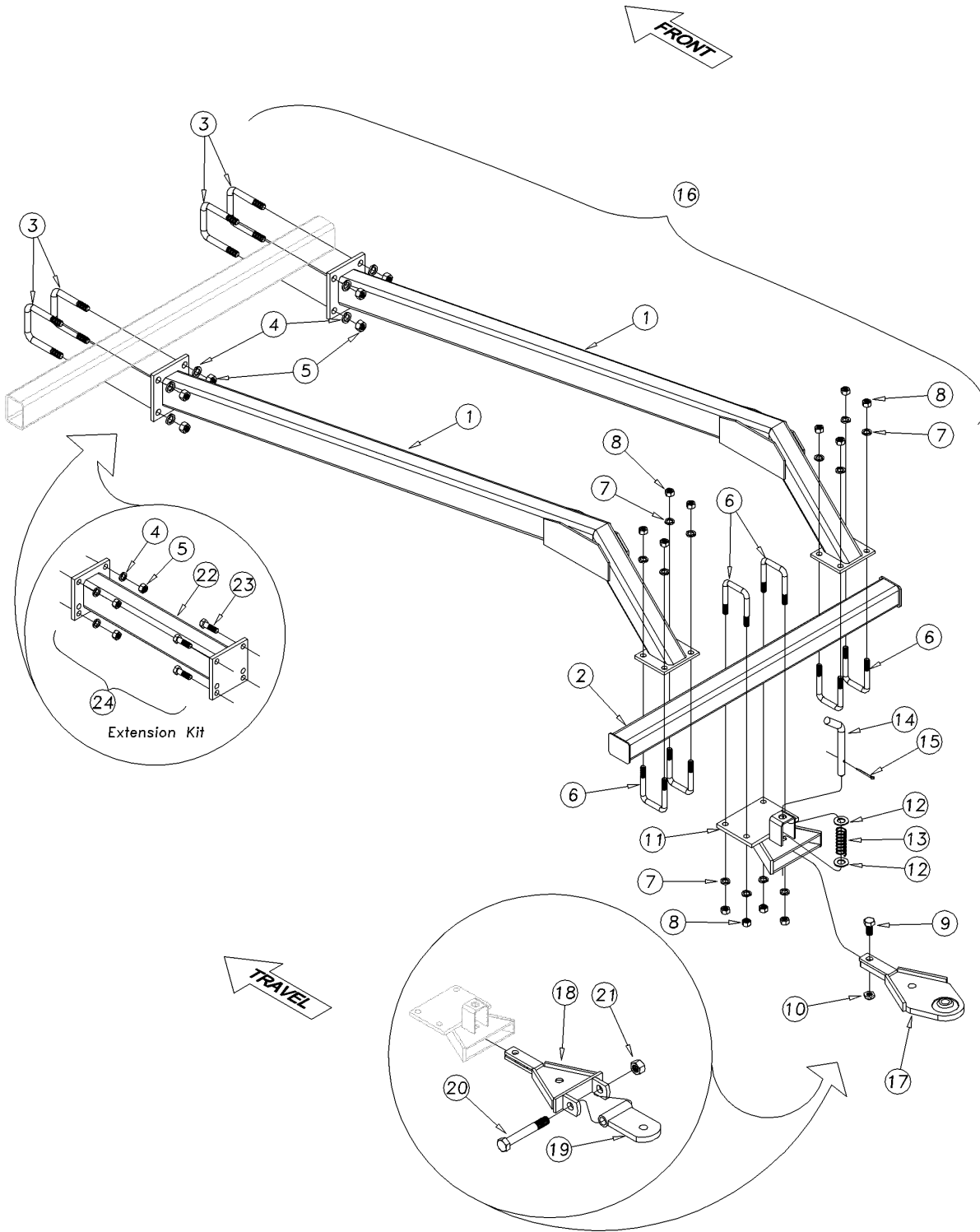
EZ Hitch

(Applies to 6330FC R H, 6332FC R H, 6537FC R H, 6539FC R H, 6541FC R H, 6544FC R H, 6546FC R H, 6548FC R H only)

Ref	Part No.	Part Description	Comments	Revision
	dwg00997	Image No.		
1.	570-202H	E-Z HITCH A-FRAME ONLY		
2.	806-179C	U-BOLT 5/8-11X4 1/32X4 1/4		
3.	804-022C	WASHER LOCK SPRING 5/8 PLT		
4.	803-021C	NUT HEX 5/8-11 PLT		
5.	802-184C	HHCS 3/4-10X1 1/2 GR5		
6.	803-126C	NUT HEX JAM NYLOCK 3/4-10 PLT		
7.	804-215C	WASHER FLAT 7/8 ASTM F436 PLT		
8.	570-080D	SPRING - EZ HITCH PIN		
9.	570-055D	E-Z HITCH PIN 7/8 OD 8 1/2"L		
10.	805-058C	PIN COTTER 3/16 X 2		
11.	570-122A	EZ HCH W/SLIDE RIGID BALL JNT	Includes items 1-10, 12	
11.	570-121A	EZ HITCH W/FLEX TONGUE	Includes items 1-10, 13-16	
12.	585-090H	E-Z HITCH RIGID SLIDE		
13.	585-092H	E-Z HITCH FLEX SLIDE		
14.	585-093H	E-Z HITCH TONGUE ASSEMBLY		
15.	802-075C	HHCS 1-8X7 GR5		
16.	803-316C	NUT HEX LOCK 1-8 PLT		
17.	570-216H	E-Z HITCH EXTENSION, 24	(Shown)	
17.	570-215H	E-Z HITCH EXTENSION, 12		
18.	802-055C	HHCS 5/8-11X2 GR5		
19.	570-181A	24" HITCH EXT EZ HITCH (FC1315)	Includes items 2-4, 17, 18	
19.	570-180A	12" HITCH EXT EZ HITCH (FC1314)	Includes items 2-4, 17, 18	

Extended EZ Hitch

(Applies to 6330FC R H, 6332FC R H, 6537FC R H, 6539FC R H, 6541FC R H, 6544FC R H, 6546FC R H, 6548FC R H only)



00998

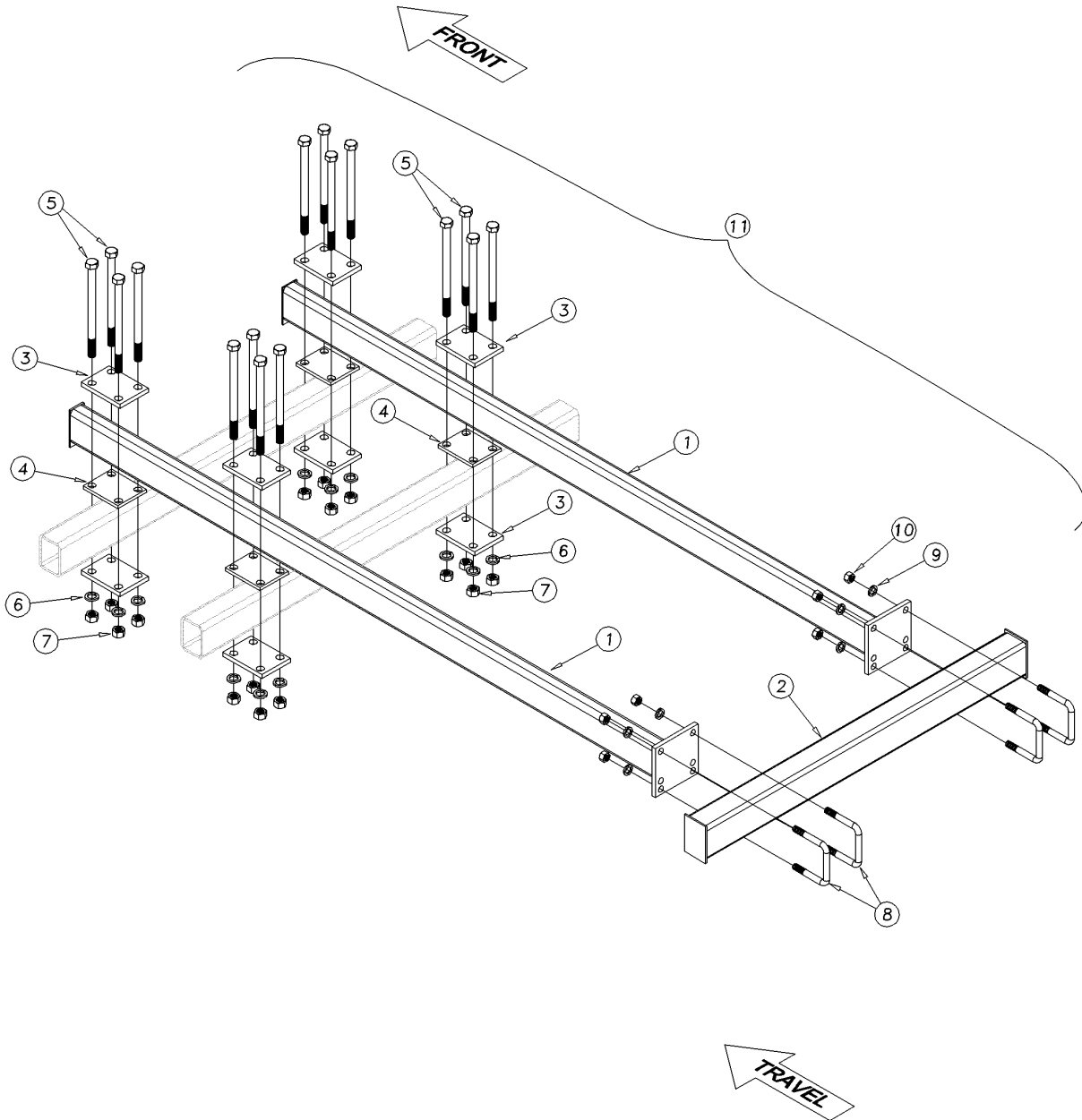
Extended EZ Hitch

(Applies to 6330FC R H, 6332FC R H, 6537FC R H, 6539FC R H, 6541FC R H, 6544FC R H, 6546FC R H, 6548FC R H only)

Ref	Part No.	Part Description	Comments	Revision
	dwg00998	Image No.		
1.	570-218H	REAR HITCH EXT ARMS		
2.	585-096H	REAR HITCH CROSS ARM 3X3X46		
3.	806-007C	U-BOLT 3/4-10X4 1/32X4 1/2		
4.	804-023C	WASHER LOCK SPRING 3/4 PLT		
5.	803-027C	NUT HEX 3/4-10 PLT		
6.	806-183C	U-BOLT 5/8-11X3 1/32X4 1/2 SPT		
7.	804-022C	WASHER LOCK SPRING 5/8 PLT		
8.	803-021C	NUT HEX 5/8-11 PLT		
9.	802-184C	HHCS 3/4-10X1 1/2 GR5		
10.	803-126C	NUT HEX JAM NYLOCK 3/4-10 PLT		
11.	585-099S	BOLT-ON SLEEVE ASSY W/O TONGUE	Includes items 11 thru 15	
12.	804-215C	WASHER FLAT 7/8 ASTM F436 PLT		
13.	570-080D	SPRING - EZ HITCH PIN		
14.	570-055D	E-Z HITCH PIN 7/8 OD 8 1/2"L		
15.	805-058C	PIN COTTER 3/16 X 2		
16.	589-062A	EXTD EZ-HITCH RIGID BLJNT CH3A	Includes items 1-15, 17	
16.	589-061A	EXTD EZ-HITCH FLEX TONGUE CH3A	Includes items 1-15, 18-21	
17.	585-090H	E-Z HITCH RIGID SLIDE		
18.	585-092H	E-Z HITCH FLEX SLIDE		
19.	585-093H	E-Z HITCH TONGUE ASSEMBLY		
20.	802-075C	HHCS 1-8X7 GR5		
21.	803-316C	NUT HEX LOCK 1-8 PLT		
22.	570-216H	E-Z HITCH EXTENSION, 24	(Shown)	
22.	570-215H	E-Z HITCH EXTENSION, 12		
23.	802-055C	HHCS 5/8-11X2 GR5		
24.	570-181A	24" HITCH EXT EZ HITCH (FC1315)	Includes items 3-5, 22,23	
24.	570-180A	12" HITCH EXT EZ HITCH (FC1314)	Includes items 3-5, 22,23	

Heavy Duty 3 & 5 EZ Hitch Extension

(Applies to 6330FC R H, 6332FC R H, 6537FC R H, 6539FC R H, 6541FC R H, 6544FC R H, 6546FC R H, 6548FC R H only)



00999

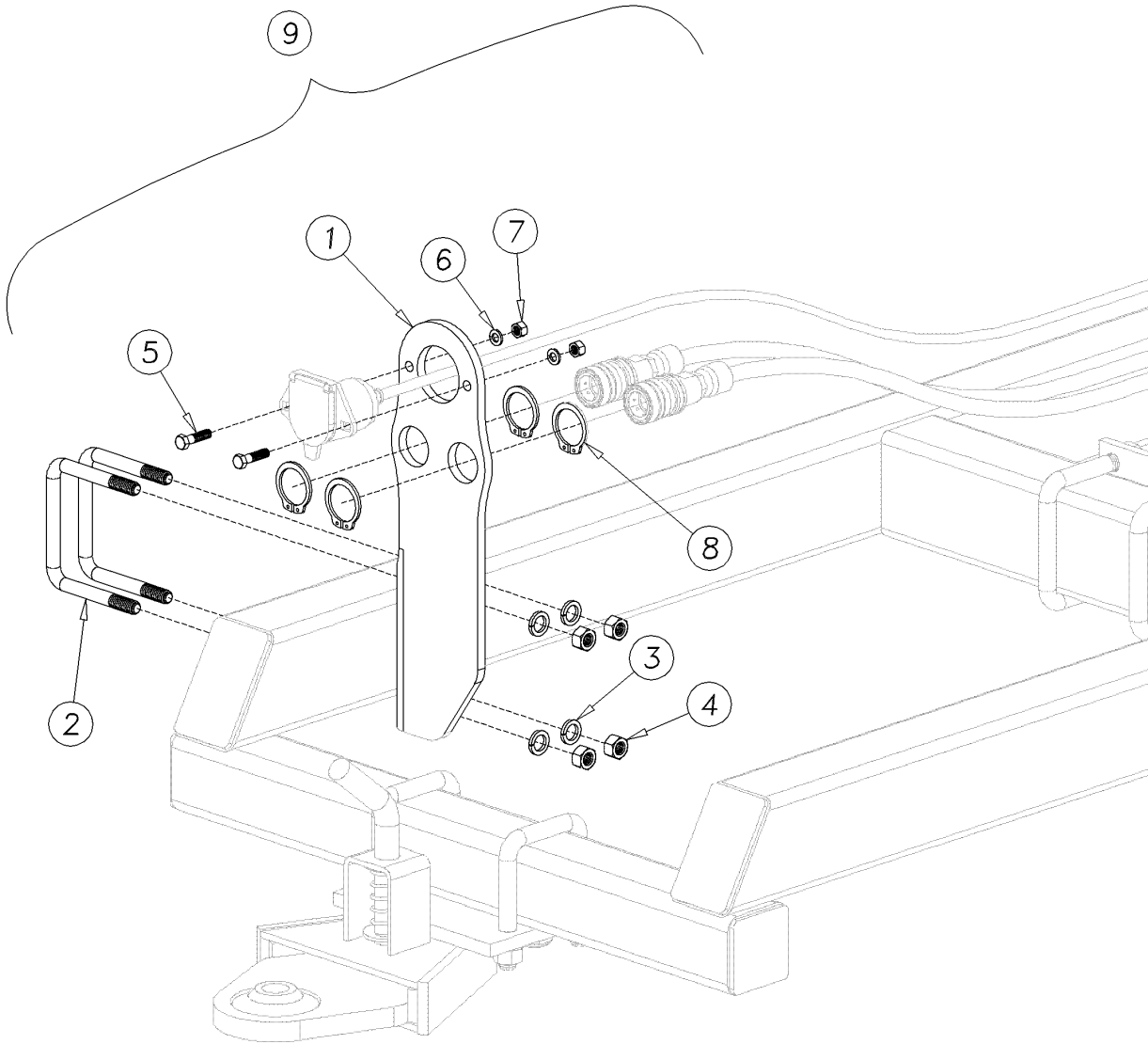
Heavy Duty 3 & 5 EZ Hitch Extension

(Applies to 6330FC R H, 6332FC R H, 6537FC R H, 6539FC R H, 6541FC R H, 6544FC R H, 6546FC R H, 6548FC R H only)

Ref	Part No.	Part Description	Comments	Revision
	dwg00999	Image No.		
1.	570-253H	LONG EXT TUBE HEAVY HITCH	(Shown)	
1.	570-201H	EXTENSION TUBE HEAVY HITCH EXT		
2.	570-200H	CROSS BAR 51 HVY HITCH EXTENSN		
3.	570-024D	PLATE - HEAVY DUTY EXTENSION		
4.	570-034D	PART-HEAVY DUTY HITCH EXTENSIO		
5.	802-359C	HHCS 3/4-10X11 GR5		
6.	804-023C	WASHER LOCK SPRING 3/4 PLT		
7.	803-027C	NUT HEX 3/4-10 PLT		
8.	806-179C	U-BOLT 5/8-11X4 1/32X4 1/4		
9.	804-022C	WASHER LOCK SPRING 5/8 PLT		
10.	803-021C	NUT HEX 5/8-11 PLT		
11.	570-252A	HVY DUTY 5' EZ HITCH EXTENSION	Includes items 1 thru 12	
11.	570-123A	HVY DUTY 3' EZ HITCH EXTENSION	Includes items 1 thru 12	

Rear Hitch Accessory Mount Kit

(Applies to 6330FC R H, 6332FC R H, 6537FC R H, 6539FC R H, 6541FC R H, 6544FC R H, 6546FC R H, 6548FC R H only)



Rear Hitch Accessory Mount Kit

(Applies to 6330FC R H, 6332FC R H, 6537FC R H, 6539FC R H, 6541FC R H, 6544FC R H, 6546FC R H, 6548FC R H only)

Ref	Part No.	Part Description	Comments	Revision
	dwg00941	Image No.		
1.	570-096D	REAR HITCH ACCESSORY MOUNT		
2.	806-206C	U-BOLT 1/2-13X4 1/32X4		
3.	804-015C	WASHER LOCK SPRING 1/2 PLT		
4.	803-020C	NUT HEX 1/2-13 PLT		
5.	802-010C	HHCS 5/16-18X1 1/4 GR5		
6.	804-009C	WASHER LOCK SPRING 5/16 PLT		
7.	803-008C	NUT HEX 5/16-18 PLT		
8.	800-290C	SNAP RING EXT 1 1/2 HEAVY		
9.	570-430V	REAR HITCH ACC MOUNT KIT	Includes items 1 thru 8	



Part Number Index

The Part Number Index is a numeric index of all part numbers included in this manual. The index shows what page(s) the part is used on.

Part Number	Page	Part Number	Page	Part Number	Page	Part Number	Page
196-430D	43, 49	550-123D	41, 43, 46, 49	560-067H	17	575-099	75
1C4430	45	550-124D	7	560-068H	17	575-099D	81
1C4637	41, 45	550-134D	79, 83	560-069H	17	575-108D	73
1M7016-ADI	53, 55, 57, 59	550-135D	73, 77	560-070H	7	575-110D	73
1M7021-ADI	61	550-200H	39	560-073H	7	575-112D	73
250224	37	550-201H	39	560-074H	7	575-113D	73
2A0014	53	550-202S	39	560-078L	21	575-114D	73
2A0016	55, 57	550-425D	39	560-079L	29	575-115D	73
2A0018	59, 61	552-001D	67, 69	560-081H	17	575-119D	79, 83
2A0024	53, 55, 57, 59, 61	552-002D	67	560-117H	13, 15, 17	575-121D	79, 83
2A0038	59	552-003D	69	560-118H	13, 15, 17	575-122D	79, 83
2A0052	59	552-006D	63, 65	560-137L	25	575-123D	79, 83
2A0245	59	552-014D	63	560-147S	21, 31	575-124D	73, 77
2A0275	59	552-017D	79, 83	560-152H	7	575-126D	73
2A0422	59	552-018D	79, 83	560-176D	13	575-130D	79, 83
2A0458	59	552-023D	79, 83	560-196H	7	575-136D	73
2M4416NC	53	552-024D	79, 83	560-208H	7	575-137D	73
2M5416NC	55, 57	552-030D	65	560-212H	7	575-138D	79
2M6482NC	59	552-043H	63, 65	560-235H	17	575-139D	79
2S6570	61	552-045H	79, 83	560-236D	33	575-141D	75, 81
3C7272	37, 39, 41, 43, 45, 49	552-046H	79, 83	560-274H	17	575-152D	73
3C8702	41, 45	552-047H	79, 83	560-278H	15	575-153D	79, 83
3C8704	41, 45	552-048H	83	560-280H	15	575-186D	39
3C8706	45	552-049H	75, 79, 83	560-281H	15	575-224D	75, 81
3R1412	53	552-050V	63	560-283H	15	575-268D	41, 43, 46, 49
3R2412	55	552-057V	65	560-302H	7	575-273D	81
3R3412	57	552-060H	79, 83	560-304H	23	575-300D	77
3R5712	59	552-106H	75	560-305H	23	575-301D	77
3R5912	61	560-001H	7	560-308L	23	575-302D	77
4M6108	59, 61	560-002H	51	560-309L	23	575-303D	77
4R1109	53	560-003H	13	570-024D	89	575-304D	77
4R2109	55	560-005H	13	570-034D	89	575-305D	77
4R3109	57	560-010H	15	570-055D	85, 87	575-306D	77
548-001S	43, 49	560-011H	13	570-058D	27	575-312D	77
548-003S	43, 49	560-012H	15	570-061D	73	575-506H	73
548-017D	41, 45	560-013H	15	570-062D	73	575-507H	79
548-051D	41, 45	560-014H	7	570-080D	85, 87	575-508H	79
548-052D	41, 45	560-015H	7	570-096D	91	575-509H	79
548-054D	45	560-016H	15	570-121A	85	575-510H	79
548-064D	41, 45	560-017H	17	570-122A	85	575-511H	11
548-077D	45	560-018H	37, 39	570-123A	89	575-512H	73, 77
548-080D	45	560-019H	15, 17	570-180A	85, 87	575-513H	81
548-083D	41, 45	560-020H	13	570-181A	85, 87	575-514H	79
548-088D	45	560-022H	17	570-182A	35	575-515H	11
548-091D	45	560-023H	17	570-183A	35	575-516H	81
548-096D	41, 45	560-024H	11	570-185H	81	575-517H	79
548-097D	45	560-035D	9	570-194S	35	575-518H	11
548-098D	41, 45	560-035H	25	570-195H	35	575-519H	9
548-099D	45	560-043H	7	570-196H	35	575-520H	11
548-100D	41, 45	560-044H	13, 15	570-198H	15	575-521H	75, 81
548-102D	45	560-045H	21	570-200H	89	575-522H	75
548-113D	45	560-047H	7	570-201H	89	575-523H	75
548-114D	41	560-048H	7	570-202H	85	575-524H	75, 81
548-115D	45	560-049H	15	570-214S	27	575-525H	75, 81
548-117D	45	560-050H	15	570-215H	85, 87	575-526H	75, 81
548-139D	45	560-051H	13, 15	570-216H	85, 87	575-527H	75, 81
550-001H	9	560-052H	13, 15	570-218H	87	575-528H	11
550-005S	25, 29, 31, 33	560-053H	15	570-219V	63, 65, 67, 69	575-529H	11
550-006H	29	560-054H	13, 15	570-252A	89	575-538H	7, 17
550-007S	25, 29, 31, 33	560-055H	17	570-253H	89	575-544H	11
550-014D	31, 33	560-056H	17	570-279H	77	575-545H	11
550-015D	25, 29	560-057H	17	570-430V	91	575-548H	9
550-017D	31, 33	560-058H	17	575-047D	9	575-549H	9
550-017S	41, 45	560-059H	17	575-077D	37	575-560H	11
550-020D	31	560-060H	17	575-092D	75, 81	575-568H	11
550-021D	21	560-061H	17	575-093D	75, 81	575-569H	37
550-042H	73, 77	560-062H	15	575-095D	75, 81	575-572S	11
550-043H	73, 77	560-063H	7	575-096D	75, 81	575-658H	11
550-071D	11	560-064H	17	575-097D	75, 81	575-673H	9
		560-065H	7	575-098D	75, 81	575-674H	9

Table of Contents Part Number Index



Part Number Index (continued)

Part Number	Page	Part Number	Page	Part Number	Page	Part Number	Page
575-681H	15	802-064C	7, 9, 13, 15	803-063C	11	806-158C	63, 65
575-682H	15	802-066C	75, 81	803-078C	7, 13, 15, 17	806-179C	7, 15, 17, 35, 75,
575-687H	15	802-069C	15, 75, 79, 83	803-123C	7, 13, 15, 17		79, 83, 85, 89
575-688H	15	802-070C	9	803-126C	63, 65, 85, 87	806-180C	79, 83
575-707H	9	802-075C	85, 87	803-148C	63, 65, 67, 69	806-181C	73, 77
575-767V	63, 65, 67, 69	802-079C	73, 77	803-219C	23, 33	806-182C	7, 75, 79, 81
575-804V	63, 65, 67, 69	802-090C	63, 65, 67, 69	803-234C	53, 55, 57, 59, 61	806-183C	87
575-807V	63, 65, 67, 69	802-091C	67, 69, 73, 77	803-245C	63, 65, 67, 69,	806-189C	7, 13, 15, 17
575-808V	63, 65, 67, 69	802-104C	35		73, 77	806-206C	91
575-809V	63, 65, 67, 69	802-114C	7, 13, 15, 17, 73,	803-301C	11	807-149C	65
575-810V	63, 65, 67, 69		77	803-314C	11	807-196C	79, 83
575-811V	63, 65, 67, 69	802-115C	37, 39	803-316C	11, 13, 85, 87	807-216C	37, 39
575-812V	63, 65, 67, 69	802-128C	75, 81	803-338C	39, 79, 83	807-224C	81
575-859H	77	802-130C	39, 73, 77	803-342C	75, 81	807-225C	75, 79, 83
575-860V	63, 65, 67, 69	802-143C	37	803-364C	11	807-226C	75, 79, 81, 83
575-861V	63, 65, 67, 69	802-162C	83	804-006C	11	807-267C	63
575-862V	63, 65, 67, 69	802-182C	33	804-008C	33	810-013C	45, 49, 59
576-048D	11	802-184C	85, 87	804-009C	11, 21, 23, 37,	810-060C	41, 43, 45, 49, 61
576-110H	11	802-192C	15, 81		39, 51, 91	810-173C	41, 43, 45, 49, 55
580-002H	37	802-205C	9, 17, 51	804-015C	7, 9, 13, 15, 17,	810-174C	41, 43, 45, 49, 57
580-010D	15	802-212C	7, 15		39, 51, 67, 69,	810-211C	45, 49, 53
580-010S	37	802-279C	21, 51		79, 83, 91	810-477C	45, 49
580-011H	37	802-357C	13, 15	804-017C	37, 39, 75, 81	810-478C	41, 43, 45, 49
580-049H	7	802-359C	89	804-022C	7, 9, 11, 13, 15,	810-479C	41, 43, 45, 49
580-186D	51	802-368C	13		17, 35, 37, 39,	810-486C	45, 49
580-191D	23	802-383C	13		75, 79, 81, 83,	810-487C	41, 43, 45, 49
580-192D	17	802-413C	9, 51		85, 87, 89	810-511C	37, 39, 41, 43,
585-010D	73	802-469C	11	804-023C	7, 9, 13, 15, 73,		45, 49
585-090H	85, 87	802-485C	63, 65		75, 77, 81, 87, 89	811-063C	43, 49
585-092H	85, 87	802-507C	63, 65	804-024C	15, 75, 79, 81, 83	811-077C	49
585-093H	85, 87	802-535C	63, 65	804-027C	9	811-078C	43, 49
585-096H	87	802-623C	7, 13, 15, 17	804-028C	11, 51, 75, 79, 83	811-088C	43, 49
585-099S	87	802-632C	25, 27, 29, 31, 33	804-030C	9	811-126C	43, 49
589-061A	87	802-715C	17	804-055C	21, 23, 25, 27,	811-147C	49
589-062A	87	802-754C	51		29, 31, 33	811-280C	41, 45
589-085D	75, 81	802-766C	73, 77	804-063C	11	811-394C	43, 49
5M6124	59	802-767C	79, 83	804-071C	11	811-550C	49
5M6132	61	802-768C	75, 79, 81, 83	804-093C	35	811-731C	43, 49
5R1116	53	802-783C	11	804-094C	39, 79, 83	811-826C	41, 43, 45, 49
5R2116	55	802-784C	9	804-192C	11, 13, 15, 17, 51	811-827C	41, 45
5R3116	57	802-785C	11	804-193C	21, 23	811-840C	41, 45
6R1164-ADI	53	802-795C	9	804-204C	11, 63, 65, 67,	811-845C	43, 49
6R2164-ADI	55	802-802C	23		69, 73, 77	811-851C	49
6R3164-ADI	57	803-006C	11	804-215C	85, 87	811-855C	41, 45
6R5162-ADI	59, 61	803-008C	21, 23, 51, 91	805-058C	11, 13, 15, 17,	811-856C	41, 46
7M4316	53	803-013C	37, 73, 77		51, 85, 87	811-857C	41, 43, 45, 49
7M5316	55, 57	803-019C	63, 65, 79, 83	805-081C	7, 35	811-858C	41, 45
7M6324	59	803-020C	7, 9, 13, 15, 17,	805-088C	11	811-869C	41, 45
7M6332	61		39, 51, 67, 69,	805-089C	21, 23, 25, 27,	811-889C	49
800-001C	27, 31		79, 83, 91		29, 31, 33	811-890C	49
800-080C	13, 15, 17, 21,	803-021C	7, 9, 11, 13, 15,	805-109C	35	811-893C	43, 49
	23, 25, 29		17, 35, 37, 39,	805-115C	11	811-895C	43, 49
800-130C	33		75, 79, 81, 83,	805-124C	51	811-898C	49
800-221C	27, 31, 33		85, 87, 89	805-140C	75, 79, 81, 83	811-911C	49
800-231C	9	803-024C	63, 65, 73, 75,	805-195C	35	811-912C	49
800-290C	91		77, 79, 83	805-225C	9, 75, 79, 81, 83	811-913C	43, 49
801-005C	11	803-026C	11, 15, 75, 79,	805-324C	21, 25, 27, 29	811-915C	43, 49
801-054C	7, 79, 83		81, 83	805-348C	79, 83	811-916C	43, 49
802-010C	91	803-027C	7, 9, 13, 15, 73,	805-349C	7	811-919C	43, 49
802-023C	53, 55, 57, 59, 61		77, 87, 89	805-351C	11, 13, 15, 17	811-934C	49
802-029C	73, 77	803-029C	21, 23, 25, 27,	805-352C	11	811-935C	43
802-034C	35, 79, 83		29, 31, 33	805-363C	21, 25, 27, 29,	811-936C	49
802-039C	73, 77, 79, 83	803-030C	51		37, 39	811-943C	43, 49
802-045C	67, 69	803-031C	9	805-364C	11	811-948C	49
802-046C	17, 67, 69	803-034C	9	805-378C	7, 13, 15, 17	811-949C	43, 49
802-051C	9, 11, 13, 15, 17,	803-037C	73, 77	805-379C	7	811-951C	43, 49
	35	803-038C	11, 13, 15, 17,	806-007C	73, 77, 87	811-952C	43, 49
802-055C	15, 63, 65, 67,		51, 75, 79, 83	806-019C	17	811-953C	49
	69, 79, 85, 87	803-048C	75, 79, 81, 83	806-079C	7, 9, 11, 15, 17,	812-143C	65
802-060C	81	803-053C	33, 35		37, 39	812-148C	63
802-062C	75, 79, 83	803-061C	21, 31	806-106C	13	814-009C	21



Part Number Index (continued)

Part Number	Page	Part Number	Page	Part Number	Page
814-011C	25, 27, 29	838-611C	71	FC1877	63, 65, 67, 69
814-031C	23	838-612C	71	FC1879	63, 65, 67, 69
814-145C	21	838-613C	71	FC1880	63, 65, 67, 69
814-180C	35	838-614C	71	FC1881	63, 65, 67, 69
814-218C	35	838-615C	71	FC2042	63, 65, 67, 69
814-220C	21, 25, 27, 29	838-776C	71	FC2043	63, 65, 67, 69
814-221C	21	848-371C	71	FC2044	63, 65, 67, 69
814-222C	23	890-005C	7, 13, 15, 17	FL1104	67, 69
814-226C	23	890-553C	73, 77	HF0007	45
814-228C	35	890-781C	25, 27, 29, 31, 33	HF0010	45
814-230C	25, 27, 29	890-820C	9	HF0017	41, 45
814-231C	21	890-822C	11	HF0021	41, 45
814-233C	21	890-823C	11	HF0025	45
814-235C	23	890-824C	11		
814-340C	23	890-826C	19		
815-142C	27, 31, 33	890-828C	19		
815-193C	31	890-829C	19		
815-214C	25, 29, 31, 33	890-830C	19		
815-215C	27	890-831C	19		
815-216C	25, 29, 31, 33	890-832C	19		
815-224C	21, 31	890-833C	19		
815-226C	23, 33	890-834C	19		
815-229C	33	890-835C	11		
815-262C	35	890-837C	73, 77		
816-396C	25, 27, 29, 31, 33	890-886C	21, 23		
816-398C	25, 27, 29, 31, 33	890-887C	35		
816-426C	31	dwg	17, 83		
816-429C	75, 81	dwg 00663	43		
816-498C	35	dwg00011	35		
816-529C	33	dwg00029	67, 69		
816-573C	21, 23	dwg00038	31		
817-585C	7	dwg00040	29		
817-609C	9	dwg00281	27		
818-055C	11	dwg00282	25		
820-012C	77	dwg00347	63, 65		
820-288C	73	dwg00354	7		
820-291C	63, 65, 67, 69	dwg00355	9		
820-292C	63, 65, 67, 69	dwg00356	11		
820-293C	63, 67	dwg00357	13		
820-294C	63, 65, 67, 69	dwg00358	15		
820-295C	65, 69	dwg00360	21		
820-296C	65, 69	dwg00361	41		
820-297C	63, 67	dwg00362	45		
820-298C	67	dwg00363	51		
820-299C	69	dwg00364	37		
820-351C	65, 69	dwg00662	39		
820-354C	67	dwg00664	49		
822-020C	25, 27, 29, 31, 33, 35	dwg00799	73		
822-021C	25, 27, 29, 31, 33, 35	dwg00802	79		
822-045C	35	dwg00805	81		
822-048C	21, 23, 31	dwg00939	75		
822-050C	35	dwg00941	91		
822-053C	21, 23, 31	dwg00997	85		
822-168C	33	dwg00998	87		
822-169C	33	dwg00999	89		
822-197C	25, 27, 29, 31, 33	dwg01015	77		
822-198C	25, 27, 29, 31, 33	dwg01130	23		
822-208C	75, 81	dwg01133	33		
822-225C	21, 23	dwg01202	53, 55, 57		
822-226C	21, 23	dwg01210	59, 61		
838-094C	71	dwg01239	71		
838-161C	71	dwg01241	19		
838-598C	71	FC0224	41, 45		
838-599C	71	FC0225	41, 45		
838-600C	71	FC0226	45		
838-601C	37	FC0227	41, 45		
838-602C	71	FC0269	45		
838-603C	71	FC0333	63, 65		
838-606C	71	FC1342	41, 43, 45, 49, 51		
		FC1875	63, 65, 67, 69		
		FC1876	63, 65, 67, 69		

This Page Intentionally Left Blank



Great Plains Mfg., Inc.
1525 E. North Street
Salina, Kansas 67401 USA

www.greatplainsmfg.com
