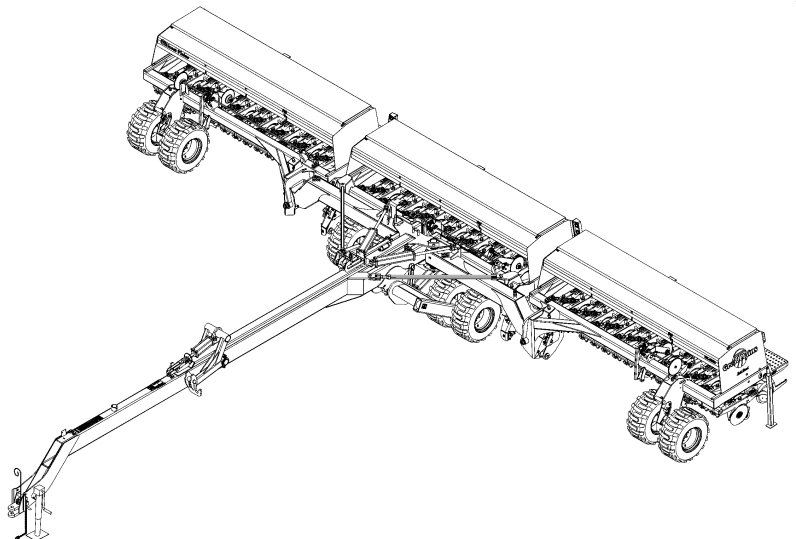

Parts Manual

3S-4000 & 3S-4000F
40' 3-Section Folding Drill



Read the Operator's manual entirely. When you see this symbol, the subsequent instructions and warnings are serious - follow without exception. Your life and the lives of others depend on it!



18824

Cover illustration may show optional equipment not supplied with standard unit.



Table of Contents

Section 1: Introduction.....	6	Vansco Shaft Monitor (Option).....	80
Using This Manual.....	6	Loop Shaft Monitor (2 Channel 116-282A) (3 Channel 116-283A).....	82
Manual Replacement Information.....	6	Gauge Wheels.....	84
Manual Revisions.....	6	Gauge Wheels.....	84
Touch-up Paint.....	6	Drives.....	86
Hardware Legend.....	7	Center Clutch Breakdown (195-246K).....	86
Replacement Hardware.....	7	Center Drive (S/N YY1151-).....	88
Serial Numbers.....	7	Center Drive (S/N YY1152+).....	90
Part Number Service Coding.....	7	Center Drive Breakaway.....	92
Tongue.....	8	Clutch Linkage.....	94
Hitch To Tongue.....	8	Fertilizer Clutch Center Box Breakdown (195-272K).....	96
Transport Hook To Tongue.....	10	Fertilizer Clutch LH/RH Box Breakdown (195-187K).....	98
Transport Axle.....	12	Fertilizer Drive.....	100
Transport Axle To Tongue.....	12	Fertilizer Drive Subassembly.....	102
Transport Tires And Hub.....	14	Jaw Clutch.....	104
Toolbars.....	16	Left Hand Clutch Breakdown (195-152K).....	106
Toolbar Pivots To Box Frames.....	16	Left Hand Drive (S/N YY1151-).....	108
Toolbar To Tongue.....	18	Left Hand Drive (S/N YY1152+).....	110
Box And Frame Assembly.....	20	Right Hand Drive (S/N YY1151-).....	112
Center Box And Center Frame To Tongue.....	20	Right Hand Drive (S/N YY1152+).....	114
Center Sub-Frame.....	22	Small Seeds Drive.....	116
Fertilizer Box Dividers.....	24	Small Seeds Drive Subassembly.....	118
Fertilizer Box To Frame.....	26	Small Seeds to Drive.....	120
Fertilizer Spill Flap (175-190S).....	28	Openers.....	122
Fertilizer Tray.....	30	00 Series Opener.....	122
Fertilizer Tray To Box.....	34	5" & 6" Seed-Lok (Option).....	124
Left Hand Box And Frame.....	36	Fertilizer Hose.....	126
Left Hand Sub-Frame.....	38	Small Seeds Hose.....	128
Lid To Box.....	40	Press Wheels.....	130
Lid To Fertilizer Box.....	42	1" x 12" Double "V" Press Wheel.....	130
Right Hand Box And Frame.....	44	2" x 13" Single Press Wheel.....	132
Right Hand Sub-Frame.....	46	3" x 13" Single Press Wheel.....	134
Seed / Fertilizer Flap (175-191S).....	48	3" x 14" Peaked Single Press Wheel.....	136
Seed Level Indicator.....	50	4" x 12" Double Ribbed Single Press Wheel.....	138
Small Seeds Box Components.....	52	Hydraulics.....	140
Small Seeds Box Mounting.....	54	Double Selector Valve Mounting.....	140
Truss Tubes.....	56	Fold Hydraulics.....	142
Walkboards And Steps (YY1722-).....	58	Fold Hydraulics With Check Valve.....	144
Walkboards And Steps (YY1723+).....	60	Manifold Block (810-371C) (Option).....	146
Weight Bracket (S/N YY1458-).....	62	Midway Hydraulic Cylinder (810-020C).....	148
Weight Bracket (S/N YY1459+).....	64	Midway Hydraulic Cylinder (810-299C).....	150
Feeder Cup Trays.....	66	Midway Hydraulic Cylinder (810-416C).....	152
10" Feeder Cup Spacing LH & Center.....	66	Midway Hydraulic Cylinder (810-421C).....	154
10" Feeder Cup Spacing RH.....	68	Opener Down Pressure Hydraulics (Closed Center) (S/N YY1310-).....	156
6" Feeder Cup Spacing LH & Center.....	70	Opener Down Pressure Hydraulics (Closed Center) (S/N YY1311+).....	158
6" Feeder Cup Spacing RH.....	72		
7.5" Feeder Cup Spacing LH & Center.....	74		
7.5" Feeder Cup Spacing RH.....	76		
Seed Rate Adjustment Handle.....	78		

© Copyright 2013 All rights reserved Printed 09/17/13

Great Plains Manufacturing, Inc. provides this publication "as is" without warranty of any kind, either expressed or implied. While every precaution has been taken in the preparation of this manual, Great Plains Manufacturing, Inc. assumes no responsibility for errors or omissions. Neither is any liability assumed for damages resulting from the use of the information contained herein. Great Plains Manufacturing, Inc. reserves the right to revise and improve its products as it sees fit. This publication describes the state of this product at the time of its publication, and may not reflect the product in the future.

Great Plains Manufacturing, Incorporated Trademarks

The following are trademarks of Great Plains Mfg., Inc.: Application Systems, Ausherman, Land Pride, Great Plains

All other brands and product names are trademarks or registered trademarks of their respective holders.

Printed in the United States of America.



Table of Contents (continued)

Opener Down Pressure Hydraulics (Open Center) (S/N YY1310-)	160
Opener Down Pressure Hydraulics (Open Center) (S/N YY1311+)	162
Opener Down Pressure Hydraulics With Point Row (Option) (S/N YY1310-)	164
Opener Down Pressure Hydraulics With Point Row (Option) (S/N YY1311+)	166
Point Row Control Box With Cables	168
Pressure Reducing Valve (810-301C)	170
Transport Axle And Transport Hook Hydraulics	172
Decals	174
Decal Placement	174
Markers (Option)	176
Double Selector Valve (810-274C)	176
Dual Marker Hydraulics	178
Flat Fold Marker	180
Marker Disk And Hub (113-563S)	184
Midway Hydraulic Cylinder (810-423C)	186
Sequence Valve (810-422C)	188
Single Marker Hydraulics	190
Part Number Index	192



Alphabetized Table of Contents

Selected Models

0	
00 Series Opener.....	122
1	
1" x 12" Double "V" Press Wheel.....	130
10" Feeder Cup Spacing LH & Center.....	66
10" Feeder Cup Spacing RH.....	68
2	
2" x 13" Single Press Wheel.....	132
3	
3" x 13" Single Press Wheel.....	134
3" x 14" Peaked Single Press Wheel.....	136
4	
4" x 12" Double Ribbed Single Press Wheel.....	138
5	
5" & 6" Seed-Lok (Option).....	124
6	
6" Feeder Cup Spacing LH & Center.....	70
6" Feeder Cup Spacing RH.....	72
7	
7.5" Feeder Cup Spacing LH & Center.....	74
7.5" Feeder Cup Spacing RH.....	76
C	
Center Box And Center Frame To Tongue.....	20
Center Clutch Breakdown (195-246K).....	86
Center Drive (S/N YY1151-).....	88
Center Drive (S/N YY1152+).....	90
Center Drive Breakaway.....	92
Center Sub-Frame.....	22
Clutch Linkage.....	94
D	
Decal Placement.....	174
Double Selector Valve (810-274C).....	176
Double Selector Valve Mounting.....	140
Dual Marker Hydraulics.....	178
F	
Fertilizer Box Dividers.....	24
Fertilizer Box To Frame.....	26
Fertilizer Clutch Center Box Breakdown (195-272K).....	96
Fertilizer Clutch LH/RH Box Breakdown (195-187K).....	98
Fertilizer Drive.....	100
Fertilizer Drive Subassembly.....	102
Fertilizer Hose.....	126
Fertilizer Spill Flap (175-190S).....	28
Fertilizer Tray.....	30

Fertilizer Tray To Box.....	34
Flat Fold Marker.....	180
Fold Hydraulics.....	142
Fold Hydraulics With Check Valve.....	144
G	
Gauge Wheels.....	84
H	
Hitch To Tongue.....	8
J	
Jaw Clutch.....	104
L	
Left Hand Box And Frame.....	36
Left Hand Clutch Breakdown (195-152K).....	106
Left Hand Drive (S/N YY1151-).....	108
Left Hand Drive (S/N YY1152+).....	110
Left Hand Sub-Frame.....	38
Lid To Box.....	40
Lid To Fertilizer Box.....	42
Loop Shaft Monitor (2 Channel 116-282A) (3 Channel 116-283A).....	82
M	
Manifold Block (810-371C) (Option).....	146
Marker Disk And Hub (113-563S).....	184
Midway Hydraulic Cylinder (810-020C).....	148
Midway Hydraulic Cylinder (810-299C).....	150
Midway Hydraulic Cylinder (810-416C).....	152
Midway Hydraulic Cylinder (810-421C).....	154
Midway Hydraulic Cylinder (810-423C).....	186
O	
Opener Down Pressure Hydraulics (Closed Center) (S/N YY1310-).....	156
Opener Down Pressure Hydraulics (Closed Center) (S/N YY1311+).....	158
Opener Down Pressure Hydraulics (Open Center) (S/N YY1310-).....	160
Opener Down Pressure Hydraulics (Open Center) (S/N YY1311+).....	162
Opener Down Pressure Hydraulics With Point Row (Option) (S/N YY1310-).....	164
Opener Down Pressure Hydraulics With Point Row (Option) (S/N YY1311+).....	166
P	
Point Row Control Box With Cables.....	168
Pressure Reducing Valve (810-301C).....	170
R	
Right Hand Box And Frame.....	44
Right Hand Drive (S/N YY1151-).....	112
Right Hand Drive (S/N YY1152+).....	114
Right Hand Sub-Frame.....	46



Alphabetized Table of Contents (continued)

S

Seed / Fertilizer Flap (175-191S).....	48
Seed Level Indicator.....	50
Seed Rate Adjustment Handle.....	78
Sequence Valve (810-422C).....	188
Single Marker Hydraulics.....	190
Small Seeds Box Components.....	52
Small Seeds Box Mounting.....	54
Small Seeds Drive.....	116
Small Seeds Drive Subassembly.....	118
Small Seeds Hose.....	128
Small Seeds to Drive.....	120

T

Toolbar Pivots To Box Frames.....	16
Toolbar To Tongue.....	18
Transport Axle And Transport Hook Hydraulics.....	172
Transport Axle To Tongue.....	12
Transport Hook To Tongue.....	10
Transport Tires And Hub.....	14
Truss Tubes.....	56

V

Vansco Shaft Monitor (Option).....	80
------------------------------------	----

W

Walkboards And Steps (YY1722-).....	58
Walkboards And Steps (YY1723+).....	60
Weight Bracket (S/N YY1458-).....	62
Weight Bracket (S/N YY1459+).....	64



General Information

Using This Manual

This manual is divided into sections. The first section contains General Information, a Table of Contents, an Alphabetical Page Index, and a Part Number Index. The remaining sections divide the machine into segments (i.e. Frames, Drives, Hydraulics, etc.) which illustrate and list all parts.

The Great Plains parts in this manual are specially designed for this machine and should be replaced with Great Plains parts only.

The information in this manual is current at printing. Some parts may change to assure top performance.

Right-hand and left-hand as used in this manual are determined by facing the direction the machine will travel while in use.

Below is an example of two facing pages from a parts manual. Familiarize yourself with the contents of these pages.

Manual Replacement Information

Replacement manuals are available. Refer to your dealer or the Great Plains Publications Catalog for additional information.

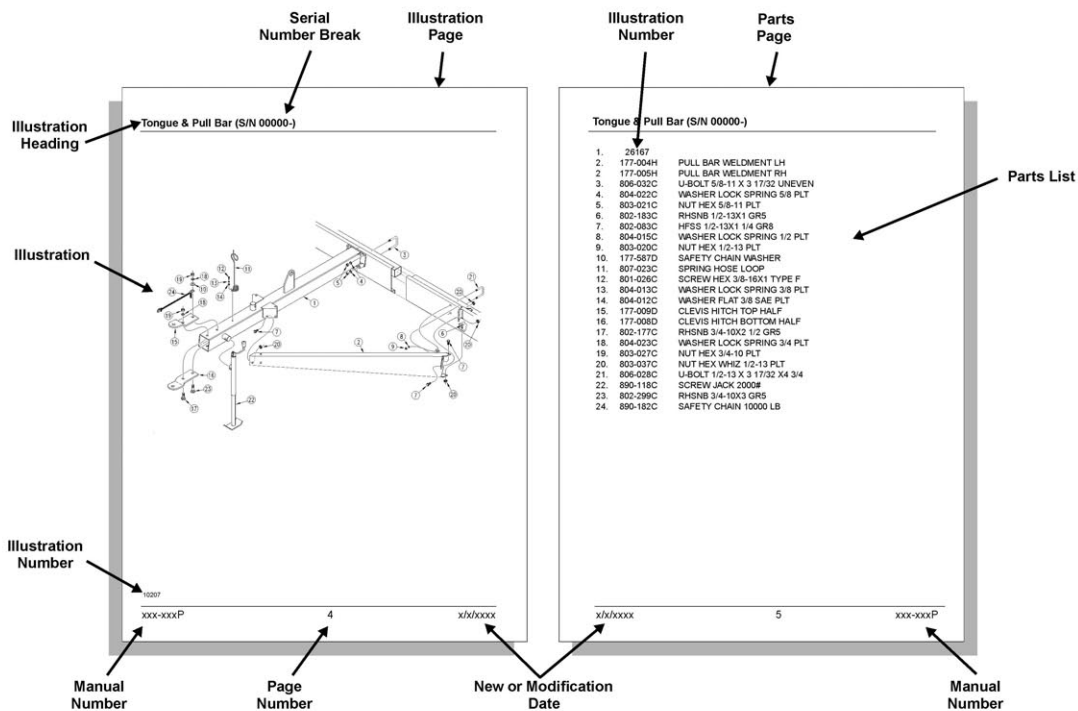
Manual Revisions

When this manual is revised, the modification date is printed on the front cover and on the revised page(s).

Touch-up Paint

Repaint parts where paint is worn or scratched to prevent rust. Aerosol touch-up paint is available. To order use Great Plains parts numbers below:

GP Green	821-001C
GP Black	821-002C
GP Beige	821-003C
GP Buckskin	821-004C



Hardware Legend

AR	As Required
BLADE	Blade Bolt
C	Cap Screw
CP	Cotter Pin
CPHSSS	Cup Point Hex Socket Set Screw
CPSHSS	Cup Point Square Head Set Screw
CPSQHSS	Cup Point Square Head Set Screw
CRFCHMS	Cross Recess Flat Countersunk Head Mach. Screw
CRPHMS	Cross Recess Pan Head Machine Screw
CRPHTFS	Cross Recess Pan Head Thread Forming
CRRHMS	Cross Recess Round Head Machine Screw
CRTHMS	Cross Recess Truss Head Machine Screw
CSNB	Countersunk Square Neck Bolt
FHMS	Flat Head Machine Screw
FTC	Full Thread Cap Screw
H	Hex Nut
HCLN	Hex Center Lock Nut
HFLCS	Hex Flange Lock Cap Screw
HFS	Hex Flange Screw
HFSLN	Hex Flange Serrated Lock Nut
HFSS	Hex Flange Serrated Screw
HHCS	Hex Head Cap Screw or Metric Bolt
HSBHCS	Hex Socket Button Head Cap Screw
HSFCHCS	Hex Socket Flat Countersunk Head Cap Screw
HSHCS	Hex Socket Head Cap Screw
HSSS	Hex Socket Head Screw
HTLN	Hex Top Lock Nut
HWHCS	Hex Washer Head Cap Screw

HWHMS	Hex Washer Head Machine Screw
HXBHCS	Hex Socket Button Head Cap Screw
J	Hex Jam Nut
JIC	37 Degree Tapered Thread
L	Helical Spring Lock Washer
LUG	Lug Bolt
NFC	National Fine Cap Screw
NPSM	National Pipe Straight Mechanical
NPTF	National Pipe Taper Fuel
P	Wide Plain Washer
PHMS	Pan Head Machine Screw
PLOW	Plow Bolt
RHMS	Round Head Machine Screw
RHSNB	Round Head Square Neck Bolt
SCREW LEVELING	Leveling Screw
SCREW THUMB	Thumb Screw
SCREW WELD	Weld Screw
SFCHMS	Slotted Flat Countersunk Head Machine Screw
SFHMS	Slotted Fillister Head Machine Screw
SP	Special
SP SCREW	Special Screw
SQHSS	Square Head Set Screw
SRHMS	Slotted Round Head Machine Screw
SSS	Socket Set Screw
STCS	Self Tapping Cap Screw
STHMS	Slotted Truss Head Machine Screw
WHEEL	Wheel Studs and Hub Long Bolts
WING	Wing Bolt

Replacement Hardware

The **Hardware Legend** above lists hardware abbreviations used in the parts lists. All bolts and nuts are grade 5 unless otherwise noted. The use of improper grades of hardware can result in personal injury, damage to equipment, or loss of property.

Serial Numbers

Always use the serial and model number when ordering parts. Refer to the operator's manual for serial number plate location.

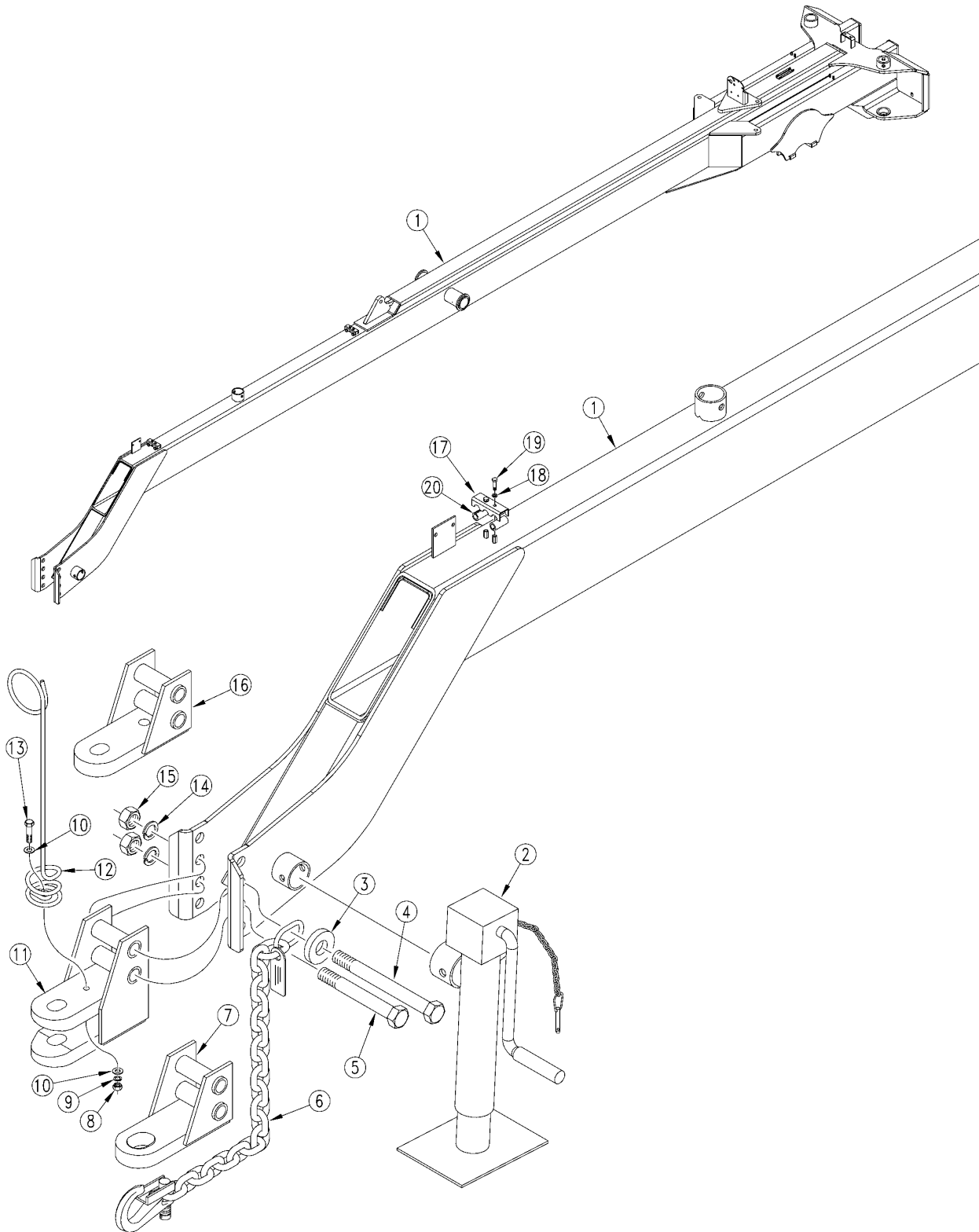
(S/N 20001+ or S/N 20001 and above) Includes serial numbers 20001 and above (to the latest number)

(S/N 10001+→20000) Includes serial numbers between 10000 and 20001

(S/N 10000- or S/N 10000 and below) Includes serial numbers 10000 and below (to the earliest number)

Hitch To Tongue

(Applies to 3S-4000, 3S-4000F only)



18788

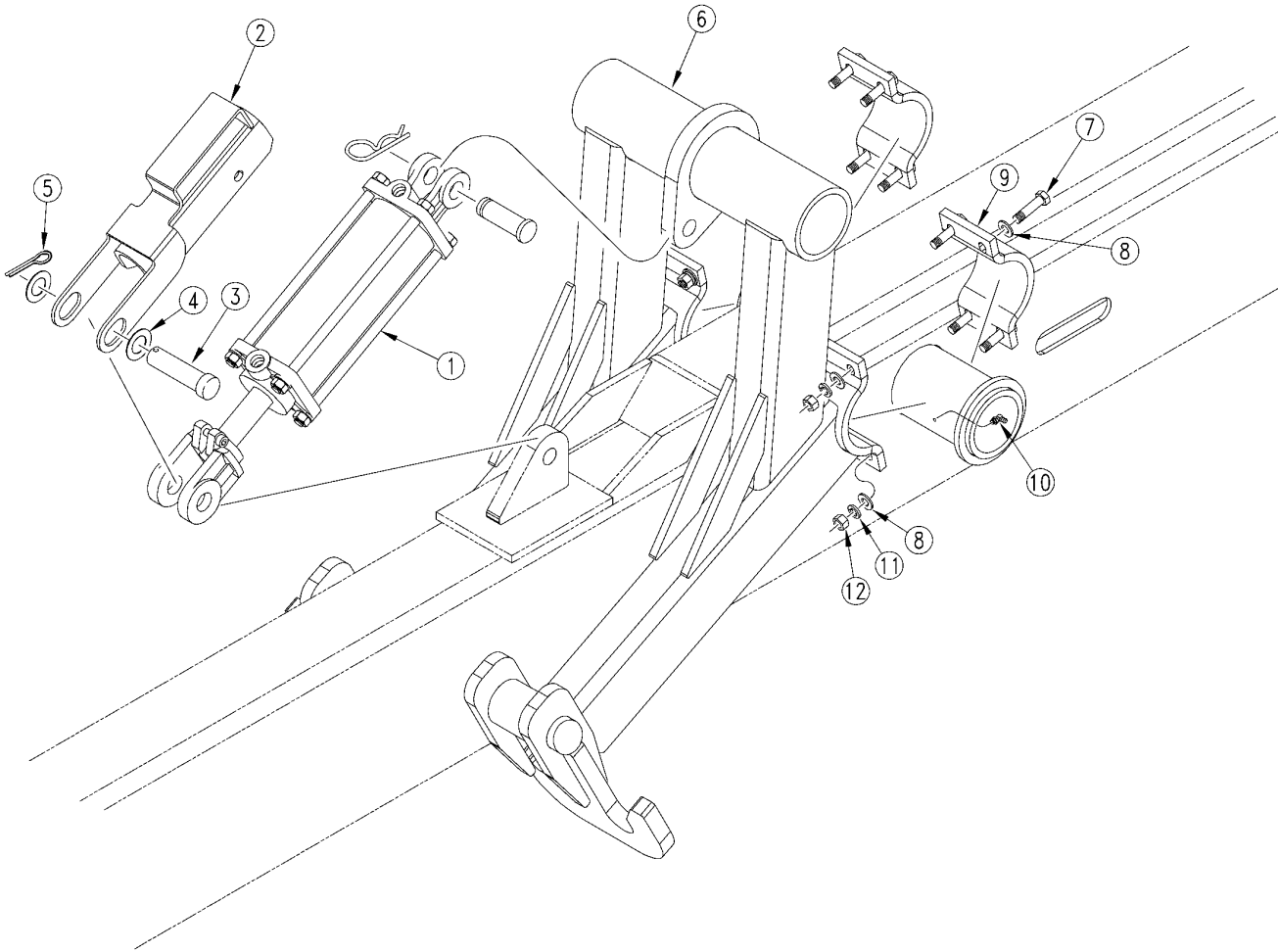
Hitch To Tongue

(Applies to 3S-4000, 3S-4000F only)

Ref	Part No.	Part Description	Comments	Revision
	dwg18788	Image No.		
1.	194-190H	3S-4000 TONGUE-MAINFRAME WLDMT		
2.	890-610C	SQ TB JACK 10000 LB 10 STROKE		
3.	194-070D	SAFETY CHAIN WASHER		
4.	802-543C	HHCS 1 1/4-7X10 GR5 SPTH		
5.	802-544C	HHCS 1 1/4-7X9 GR5 SPTH		
6.	890-184C	SAFETY CHAIN 30000 LB		
7.	170-033H	SINGLE HITCH STRAP-LARGE		
8.	803-020C	NUT HEX 1/2-13 PLT		
9.	804-015C	WASHER LOCK SPRING 1/2 PLT		
10.	804-017C	WASHER FLAT 1/2 USS PLT		
11.	196-136H	CLEVIS HITCH WELDMENT		
12.	807-073C	SPRING HOSE LOOP HEAVY		
13.	802-039C	HHCS 1/2-13X3 GR5		
14.	804-030C	WASHER LOCK 1 1/4 SPRING PLT		
15.	803-034C	NUT HEX 1 1/4-7 PLT		
16.	170-034H	SINGLE HITCH STRAP-SMALL		
17.	196-112D	RPBY 196-146D		
18.	804-009C	WASHER LOCK SPRING 5/16 PLT		
19.	802-010C	HHCS 5/16-18X1 1/4 GR5		
20.	113-370D	1/4 MARKER HYD HOSE GUARD		

Transport Hook To Tongue

(Applies to 3S-4000, 3S-4000F only)



18789

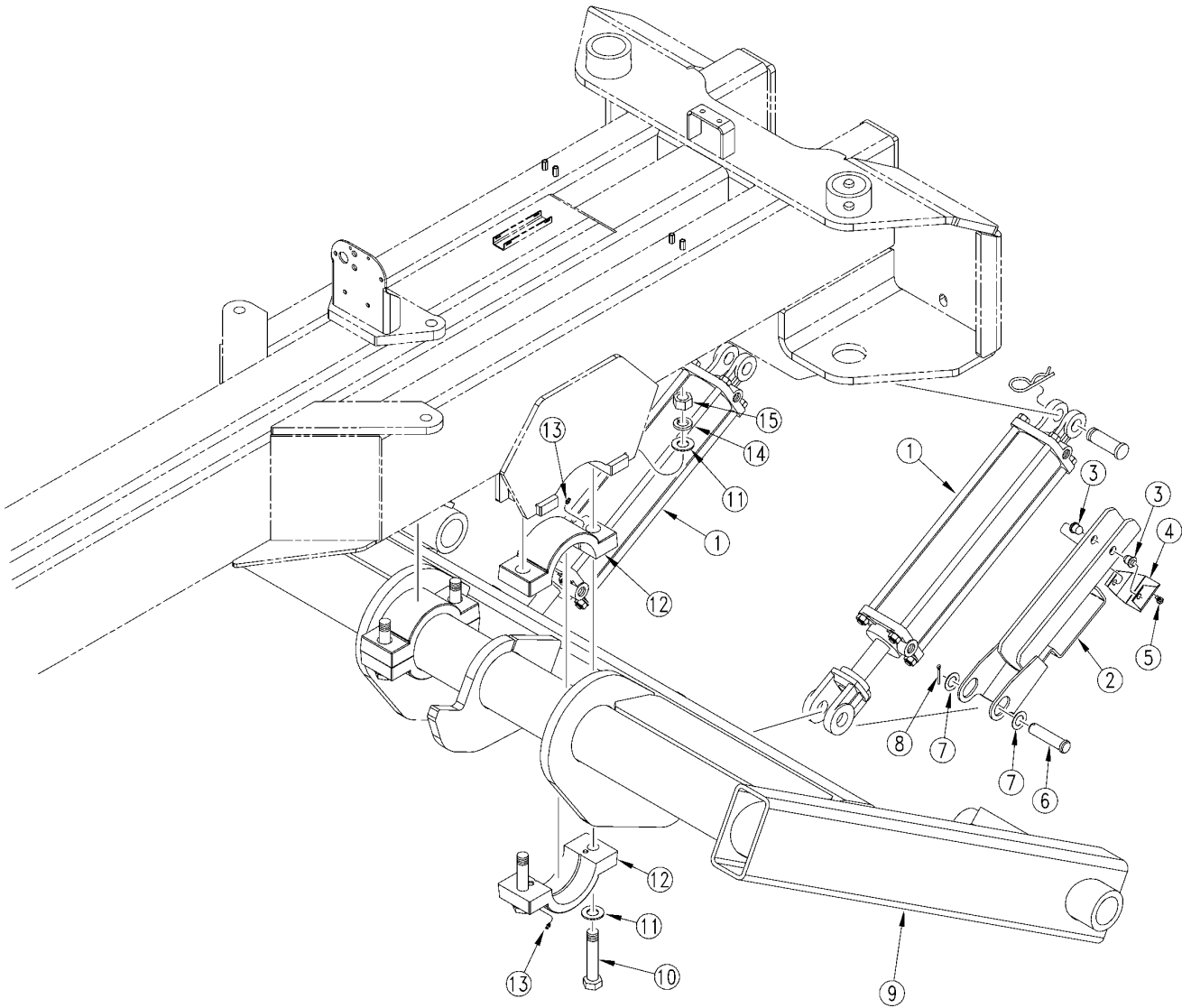
Transport Hook To Tongue

(Applies to 3S-4000, 3S-4000F only)

Ref	Part No.	Part Description	Comments	Revision
	dwg18789	Image No.		
1.	810-020C	CYL 4X10X1.25 ROD (TIE ROD)		
2.	194-106H	CYLINDER LOCK WELDMENT		
3.	805-124C	PIN CLEVIS 1 X 3 11/16 GR5 PLT		
4.	804-082C	WASHER MACH 1 3/4 X 1 X 18 GA		
5.	805-104C	PIN COTTER 3/16 X 1 1/2 PLT		
6.	194-194H	3S-4000 TRANSPORT CARRIER		
7.	802-128C	HHCS 1/2-13X2 GR5		
8.	804-016C	WASHER FLAT 1/2 SAE PLT		
9.	185-014D	ROCKSHAFT HALF BAND CAP NOZERK		
10.	800-073C	GREASE ZERK 1/4-28 X 90-DEG		
11.	804-015C	WASHER LOCK SPRING 1/2 PLT		
12.	803-020C	NUT HEX 1/2-13 PLT		

Transport Axle To Tongue

(Applies to 3S-4000, 3S-4000F only)



18790

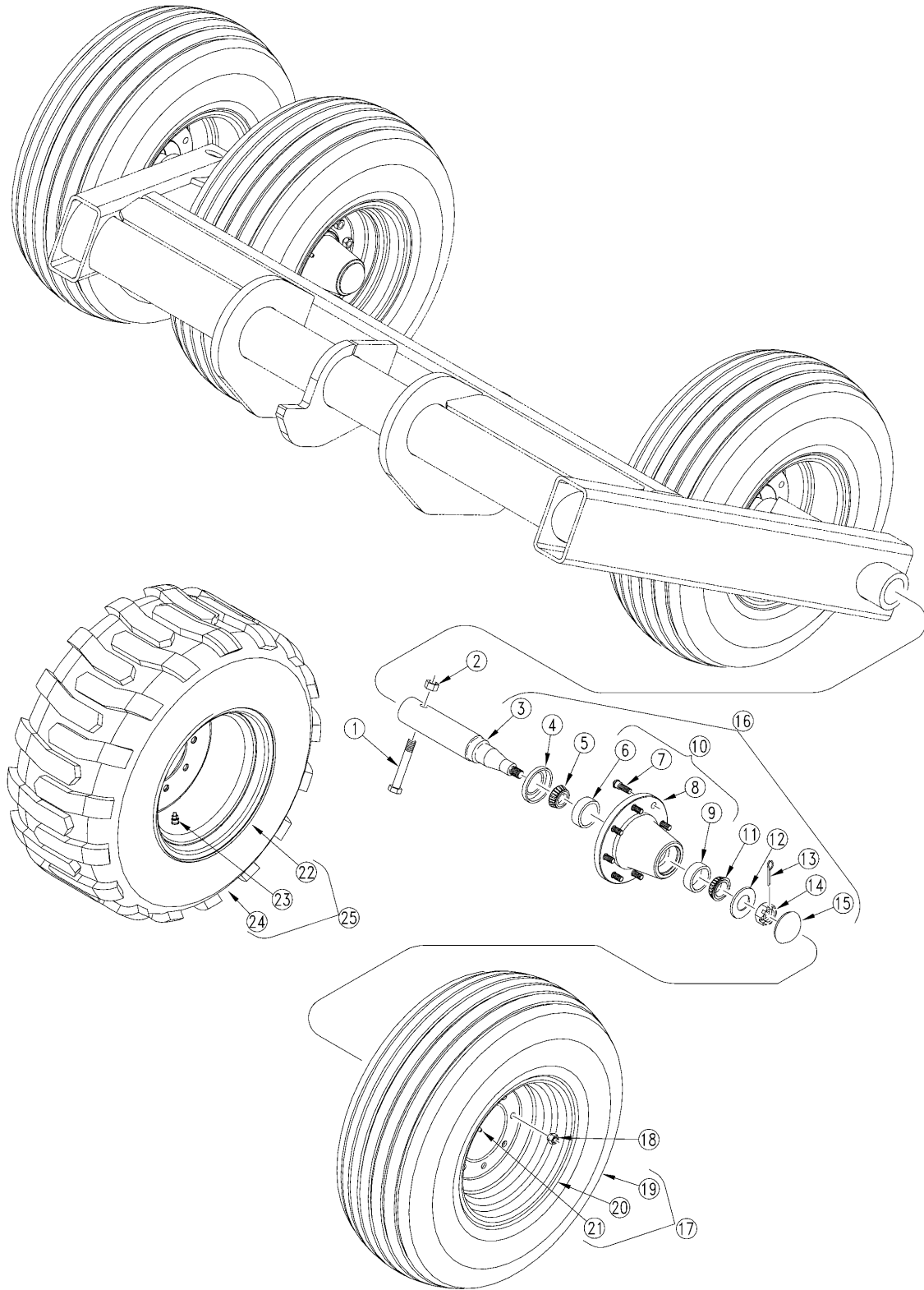
Transport Axle To Tongue

(Applies to 3S-4000, 3S-4000F only)

Ref	Part No.	Part Description	Comments	Revision
	dwg18790	Image No.		
1.	810-416C	CYL 4X16X1.50 ROD (TIE ROD)		
2.	194-198H	TRANSPORT AXLE CYL LOCK 16 IN		
3.	194-402D	PLASTIC CYL LOCK BUMPER		
4.	194-401D	LOCK SPRING CLIP		
5.	802-283C	HHCS 1/4-20X1/2 GR2		
6.	805-124C	PIN CLEVIS 1 X 3 11/16 GR5 PLT		
7.	804-082C	WASHER MACH 1 3/4 X 1 X 18 GA		
8.	805-104C	PIN COTTER 3/16 X 1 1/2 PLT		
9.	194-189H	3S-4000 TRANSPORT AXLE WLDMNT		
10.	802-205C	HHCS 1-8X5 1/2 GR5		
11.	804-029C	WASHER FLAT 1 SAE		
12.	196-145V	ROCKSHAFT BEARING SUB ASSY	Contains 10,11,14 &15.	
13.	800-001C	GREASE ZERK STRAIGHT 1/4-28		
14.	804-027C	WASHER LOCK SPRING 1 PLT		
15.	803-031C	NUT HEX 1-8 PLT		

Transport Tires And Hub

(Applies to 3S-4000, 3S-4000F only)



18791

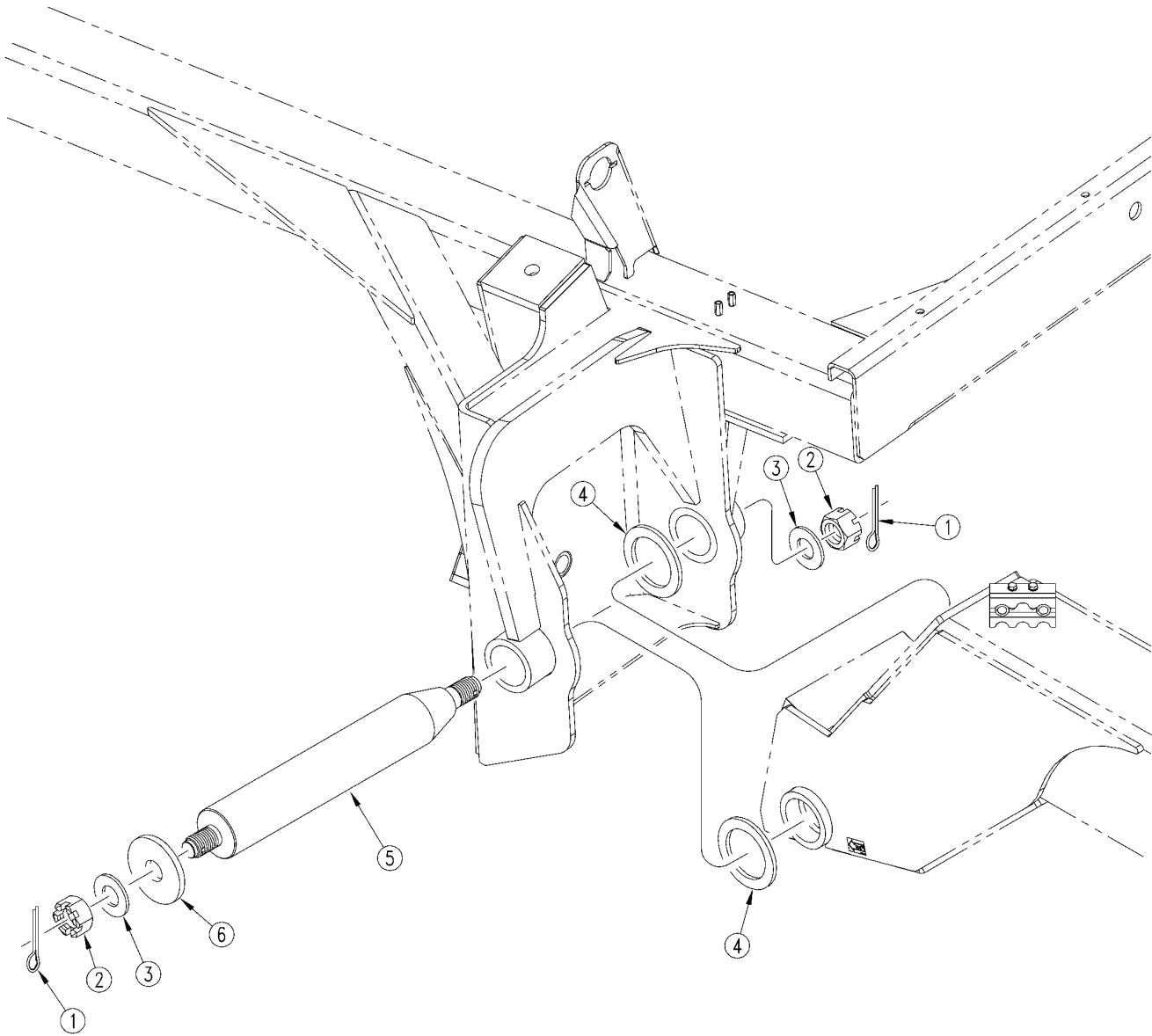
Transport Tires And Hub

(Applies to 3S-4000, 3S-4000F only)

Ref	Part No.	Part Description	Comments	Revision
	dwg18791	Image No.		
1.	802-069C	HHCS 3/4-10X5 GR5		
2.	803-026C	NUT LOCK 3/4-10 PLT		
3.	815-099C	SPINDLE SGL 2.73X15.97		
4.	816-019C	8-BOLT HUB SEAL		
5.	822-036C	BRG CONE 2.00IDX1.18WD #3780		
6.	822-037C	BRG CUP 3.67ODX.93WD #3720		
7.	802-182C	HUB STUD 5/8-18X2 1/2 GR5		
8.	200-006D	8-BOLT WHEEL HUB MACH.		
9.	822-039C	BRG CUP 3.00ODX.75WD #2720		
10.	815-101C	HUB 8 BOLT 5790# W/CUPS&STUDS	Contains items 6-9.	
11.	822-038C	BRG CONE 1.31IDX1.01WD #2790		
12.	181-064D	7/8 SPINDLE WASHER, HARDENED		
13.	805-016C	PIN COTTER 3/16 X 1 1/4 PLT		
14.	803-029C	NUT HEX SLOTTED 7/8-14 PLT		
15.	P502001	REPLACED BY 890-032C		
16.	815-103C	HUB & SPINDLE ASY 8 BOLT 5790#	Contains items 3-15.	
17.	196-208K	TITAN 12.5L-15 20 PLY 8 BOLT	Contains items 19-21.	
18.	803-219C	NUT LUG 5/8-18 X 90 DEG PLT		
19.	814-177C	TIRE TITAN 12.5L-15 20 PLY		
20.	814-104C	WHEEL 15 X 10 X 8 BOLT		
21.	816-035C	VALVE STEM TR415X.625X1 1/4 LG		
22.	814-208C	RIM 16.5X12, 8 BLT 6 PILT 8 BC	Option	
23.	814-210C	VALVE STEM METAL TR-575 TUBLES	Option	
24.	814-206C	TIRE SKID ST 395/55B16.5 NHS	Option	
25.	196-272K	RH TIRE/RIM 395/55B16.5 SKID 8	Option	
25.	196-273K	LH TIRE/RIM 395/55B16.5 SKID 8	Option	

Toolbar Pivots To Box Frames

(Applies to 3S-4000, 3S-4000F only)



18796

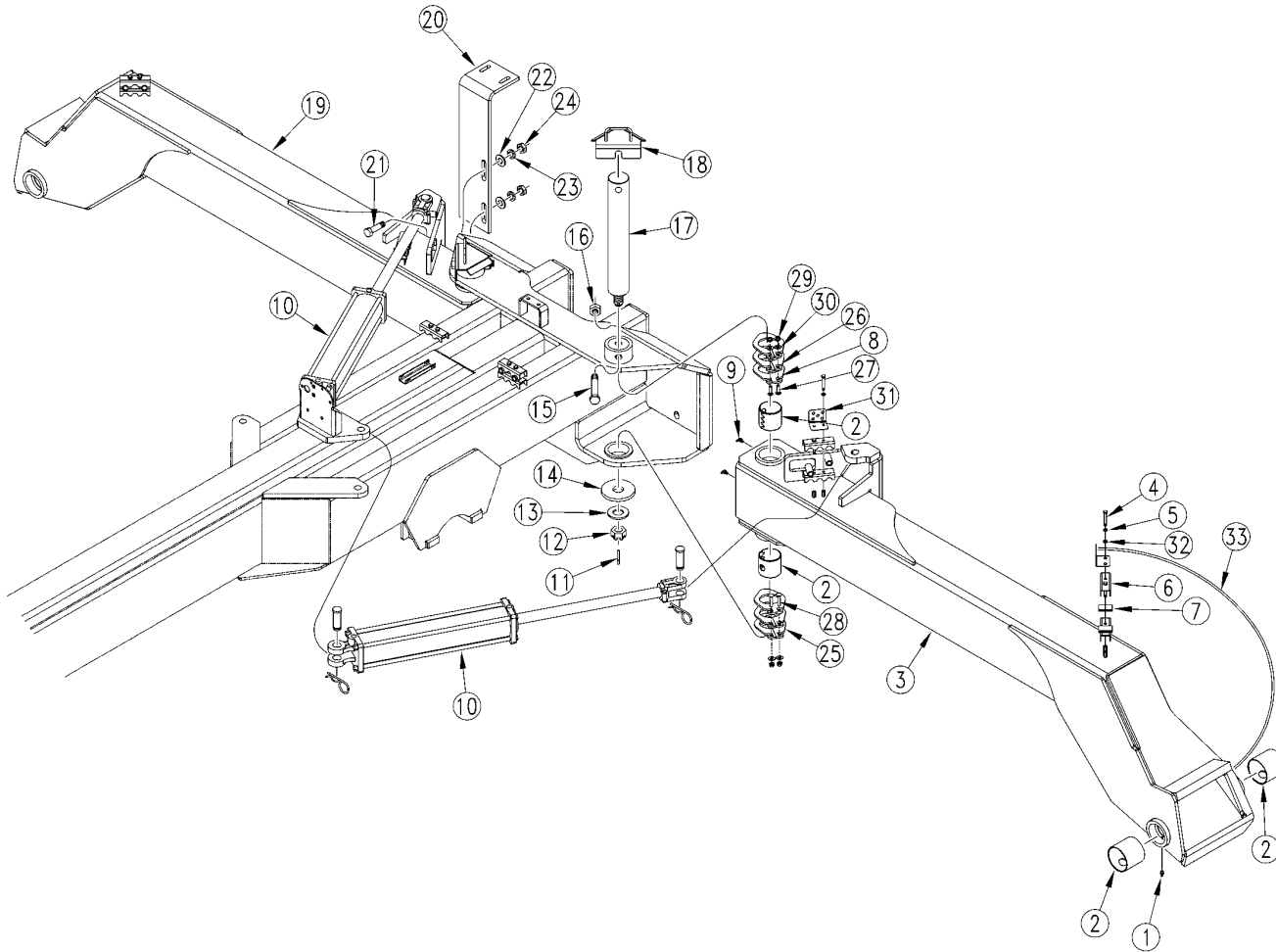
Toolbar Pivots To Box Frames

(Applies to 3S-4000, 3S-4000F only)

Ref	Part No.	Part Description	Comments	Revision
	dwg18796	Image No.		
1.	805-085C	PIN COTTER 5/16 X 2 1/2		
2.	803-079C	NUT HEX SLOTTED 1 1/4 - 7		
3.	804-035C	WASHER FLAT 1 1/4 USS PLT		
4.	194-270D	TOOLBAR SPACER WASHER		
5.	194-473D	4000 TOOLBAR HORIZ PIVOT PIN		
6.	197-001D	BOX HINGE PIVOT WASHER		

Toolbar To Tongue

(Applies to 3S-4000, 3S-4000F only)



18792

Toolbar To Tongue

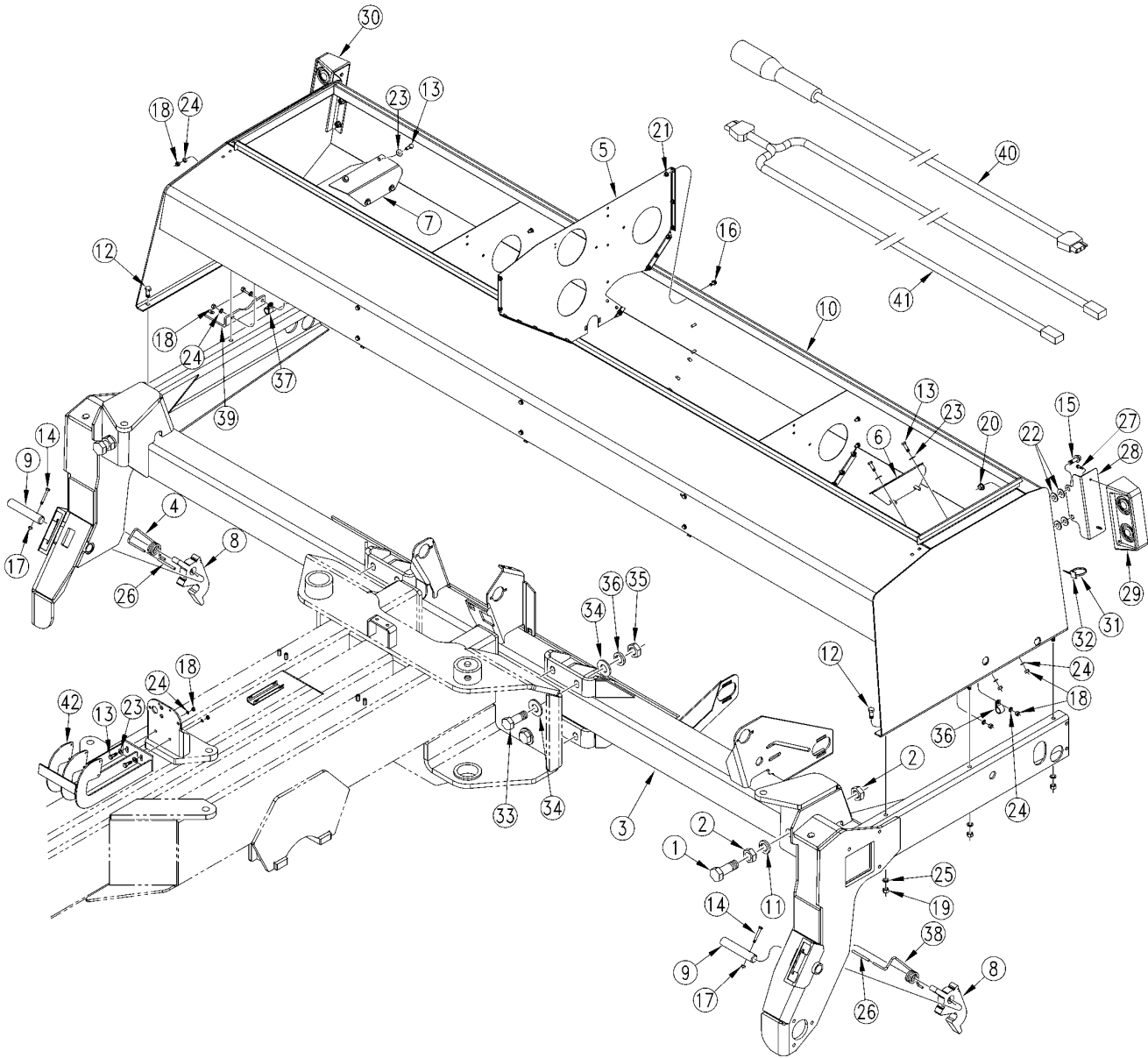
(Applies to 3S-4000, 3S-4000F only)

Ref	Part No.	Part Description	Comments	Revision
	dwg18792	Image No.		
1.	800-001C	GREASE ZERK STRAIGHT 1/4-28		
2.	890-193C	STEEL BUSHING 3 1/4X3IDX3LONG		
3.	194-188H	3S-4000 TOOLBAR LH		
4.	802-138C	HHCS 5/16-18X2 1/4 GR5		
5.	804-009C	WASHER LOCK SPRING 5/16 PLT		
6.	196-112D	HOSE CLAMP BRACKET		
7.	113-370D	1/4 MARKER HYD HOSE GUARD		
8.	194-525D	HARDENED SPACER WASHER W/SLOTS		
9.	800-073C	GREASE ZERK 1/4-28 X 90-DEG		
10.	810-421C	CYL 4X20X1.50 ROD (TIE ROD)		
11.	805-085C	PIN COTTER 5/16 X 2 1/2		
12.	803-079C	NUT HEX SLOTTED 1 1/4 - 7		
13.	804-035C	WASHER FLAT 1 1/4 USS PLT		
14.	197-001D	BOX HINGE PIVOT WASHER		
15.	802-178C	HHCS 7/8-9X5 1/2 GR5		
16.	803-028C	NUT NY-LOK 7/8-9 PLT		
17.	194-472D	4000 TOOLBAR VERT PIVOT PIN		
18.	194-028H	HINGE MOUNTED HOSE GUIDE		
19.	194-187H	3S-4000 TOOLBAR RH		
20.	194-495D	DRIVE BREAKAWAY SUPPORT PLATE		
21.	802-088C	RHSNB 5/8-11X2 GR5		
22.	804-095C	WASHER FLAT 5/8 HARD ASTM F436		
23.	804-022C	WASHER LOCK SPRING 5/8 PLT		
24.	803-021C	NUT HEX 5/8-11 PLT		
25.	194-526D	SPLIT SPACER WASHER, INNER LOCK		
26.	194-527D	SPLIT SPACER WASHER, OUTER LOCK		
27.	802-155C	RHSNB 3/8-16X1 1/4 GR5		
28.	802-252C	RHSNB 3/8-16X1 3/4 GR5		
29.	803-209C	NUT FLANGE LOCK 3/8-16 PLT		
30.	804-011C	WASHER FLAT 3/8 USS PLT		
31.	194-577D	5 OUTLET GREASE BANK		
32.	804-036C	WASHER FLAT 5/16 SAE PLT		
33.	990-109R	TUBE NYLON 1/4OD X 062WL		

[Table of Contents](#) [Part Number Index](#)

Center Box And Center Frame To Tongue

(Applies to 3S-4000, 3S-4000F only)



18803

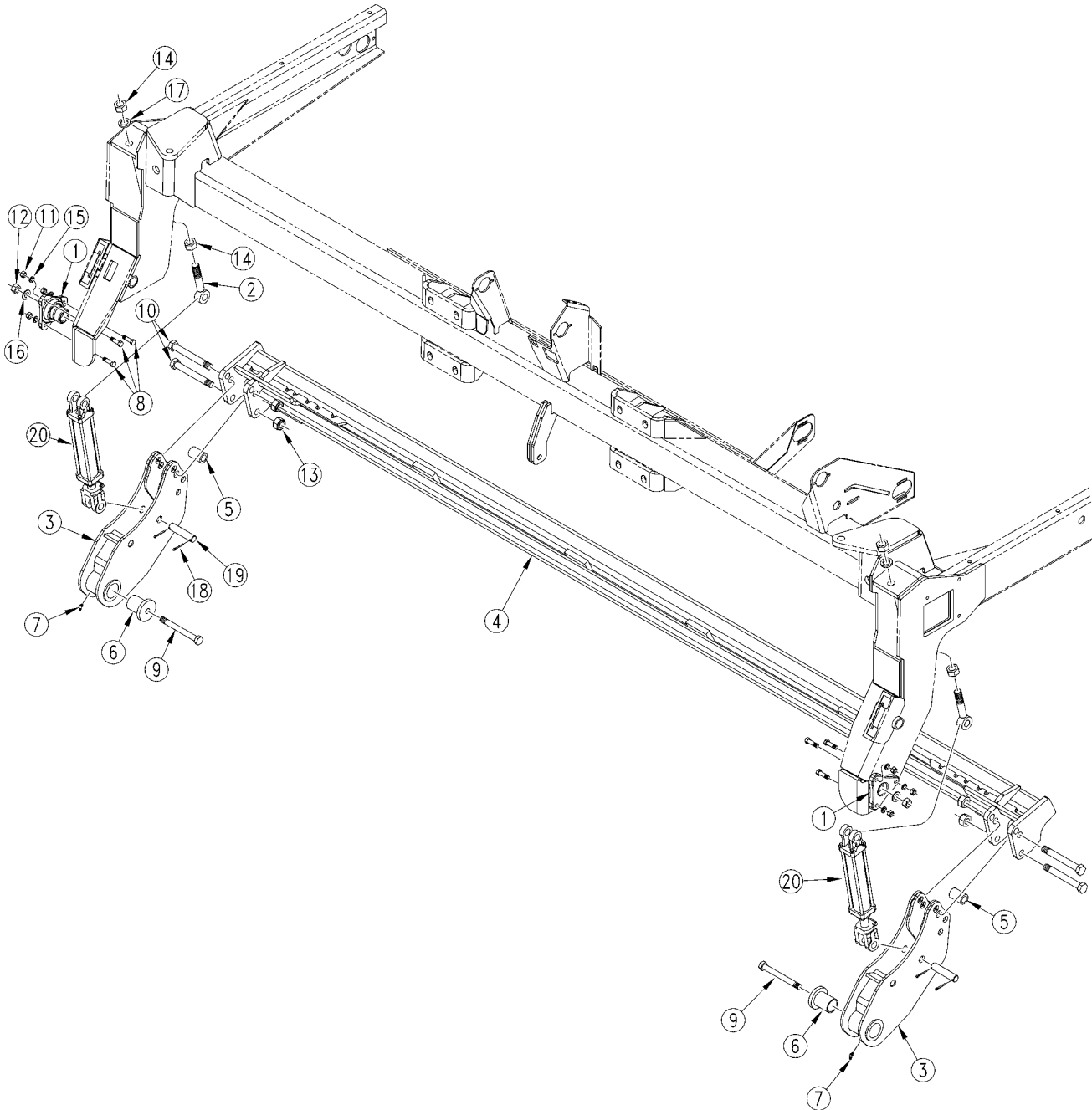
Center Box And Center Frame To Tongue

(Applies to 3S-4000, 3S-4000F only)

Ref	Part No.	Part Description	Comments	Revision
	dwg18803	Image No.		
1.	802-426C	HHCS 1 1/4-7X3 1/2 GR5 PLT		
2.	803-032C	NUT HEX JAM 1 1/4-7 PLT		
3.	194-184H	3S-4000 CENTER BOX FRAME		
4.	194-274D	3S TORSION SPRING HANDLE RH		
5.	195-100D	3S BOX PARTITION		
6.	195-101D	INTERIOR ENDPANEL COVER LH		
7.	195-102D	INTERIOR ENDPANEL COVER RH		
8.	195-159D	SUBFRAME LOCK HOOK		
9.	195-160D	GAUGE WHEEL LOCK PIN		
10.	195-244H	3S-4000 SEED BOX		
11.	804-030C	WASHER LOCK 1 1/4 SPRING PLT		
12.	802-034C	HHCS 1/2-13X1 1/4 GR5		
13.	802-079C	HHCS 3/8-16X1 1/4 GR5		
14.	802-138C	HHCS 5/16-18X2 1/4 GR5		
15.	802-203C	HFSS 1/2-13X1 1/2 GR5		
16.	802-387C	HFS 5/16-18X3/4 GR5		
17.	803-011C	NUT LOCK 5/16-18 PLT		
18.	803-014C	NUT HEX 3/8-16 PLT		
19.	803-020C	NUT HEX 1/2-13 PLT		
20.	803-169C	NUT HEX FLG. LOCK 1/2-13 PLT.		
21.	803-199C	NUT HEX FLANGE 5/16-18 PLT		
22.	804-016C	WASHER FLAT 1/2 SAE PLT		
23.	804-011C	WASHER FLAT 3/8 USS PLT		
24.	804-013C	WASHER LOCK SPRING 3/8 PLT		
25.	804-015C	WASHER LOCK SPRING 1/2 PLT		
26.	816-241C	RUBBER HANDLE GRIP.207IDX3 1/2		
27.	801-081C	SCREW HEX SELF TAP 1/4-20X3/4		
28.	150-138D	12' EWNT LIGHT BRACKET		
29.	890-311C	DUAL AG LIGHTS LH		
30.	890-312C	DUAL AG LIGHTS RH		
31.	800-112C	CABLE TIE .19X7.25 1.75D 50LB		
32.	800-148C	CABLE TIE MOUNT		
33.	802-103C	HHCS 7/8-9X2 3/4 GR5		
34.	804-134C	WASHER FLAT 7/8 USS PLT		
35.	803-049C	NUT HEX 7/8-9 PLT		
36.	804-037C	WASHER LOCK SPRING 7/8 PLT		
37.	800-064C	HOSE CLIP 13/16 ID		
38.	194-273D	3S TORSION SPRING HANDLE LH		
39.	148-613D	BOX SUPPORT ANGLE		
40.	890-431C	LIGHT HARNESS, 35' LEAD		
41.	890-390C	LIGHT HARNESS, 10' WISHBONE		
42.	194-134H	VALVE MOUNT BRACKET		

Center Sub-Frame

(Applies to 3S-4000, 3S-4000F only)



18815

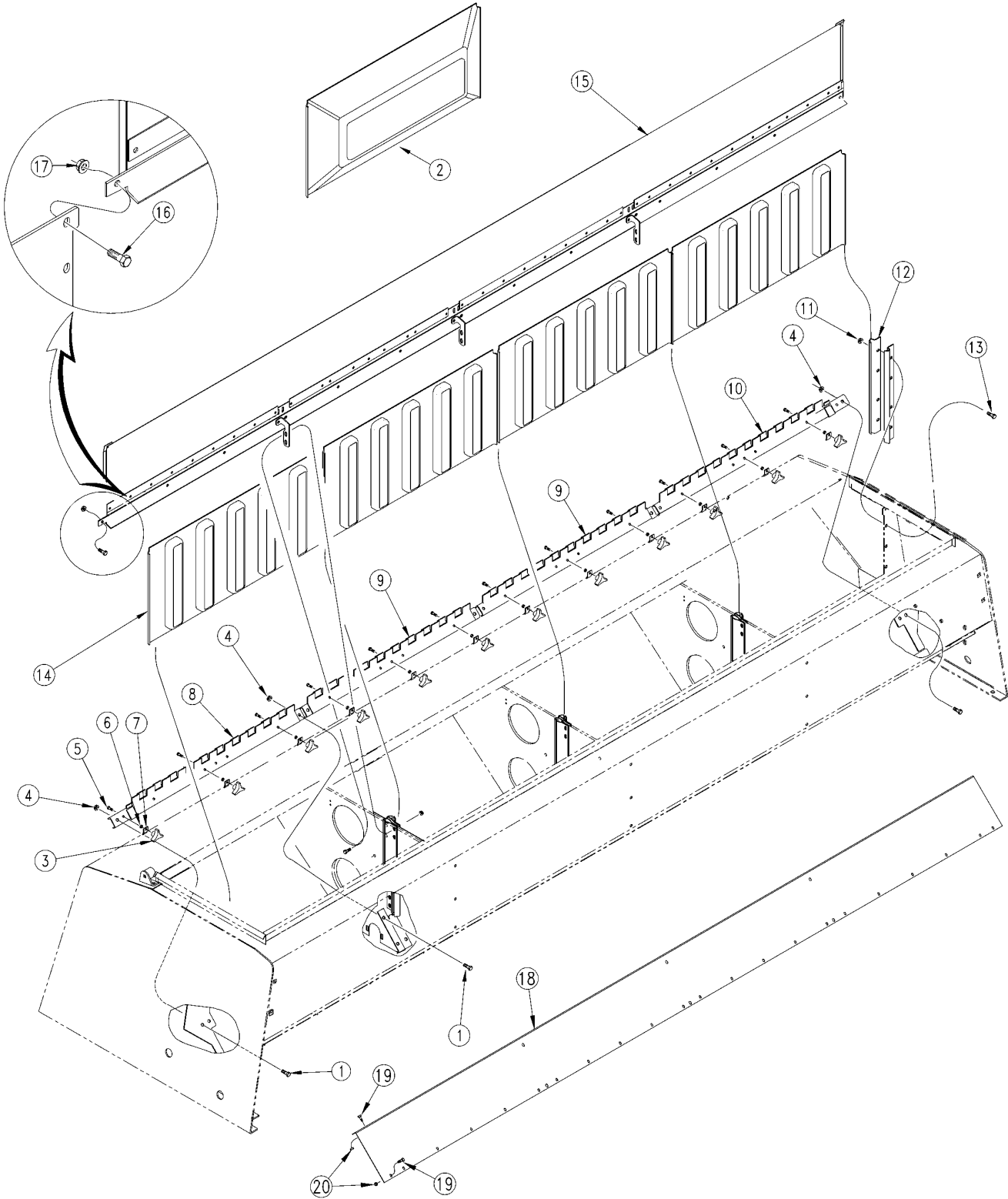
Center Sub-Frame

(Applies to 3S-4000, 3S-4000F only)

Ref	Part No.	Part Description	Comments	Revision
	dwg18815	Image No.		
1.	120-247D	3 BOLT PIVOT CAST W/ BOLT HOLE		
2.	194-129H	6 1/8 EYE BOLT		
3.	194-156H	SUBFRAME FLEX ARM, INNER		
4.	194-181H	3S-4000 OPENER SUBFRAME CENTER		
5.	194-516D	SUBFRAME FLEX ARM SPACER,SHORT		
6.	195-188H	SUBFRAME ARM RETAINER		
7.	800-058C	GREASE ZERK 1/4-28 X 45-DEG		
8.	802-082C	HHCS 1/2-13X1 3/4 GR5		
9.	802-095C	HHCS 3/4-10X7 GR5		
10.	802-139C	HHCS 7/8-9X7 GR5		
11.	803-020C	NUT HEX 1/2-13 PLT		
12.	803-026C	NUT LOCK 3/4-10 PLT		
13.	803-028C	NUT NY-LOK 7/8-9 PLT		
14.	803-031C	NUT HEX 1-8 PLT		
15.	804-015C	WASHER LOCK SPRING 1/2 PLT		
16.	804-025C	WASHER FLAT 3/4 SAE PLT		
17.	804-027C	WASHER LOCK SPRING 1 PLT		
18.	805-104C	PIN COTTER 3/16 X 1 1/2 PLT		
19.	805-236C	PIN CLEVIS 1 X 3 7/8 USBLE PLT		
20.	810-299C	CYL 2X8X1.12 ROD (TIE ROD)		

Fertilizer Box Dividers

(Applies to 3S-4000, 3S-4000F only)



19314

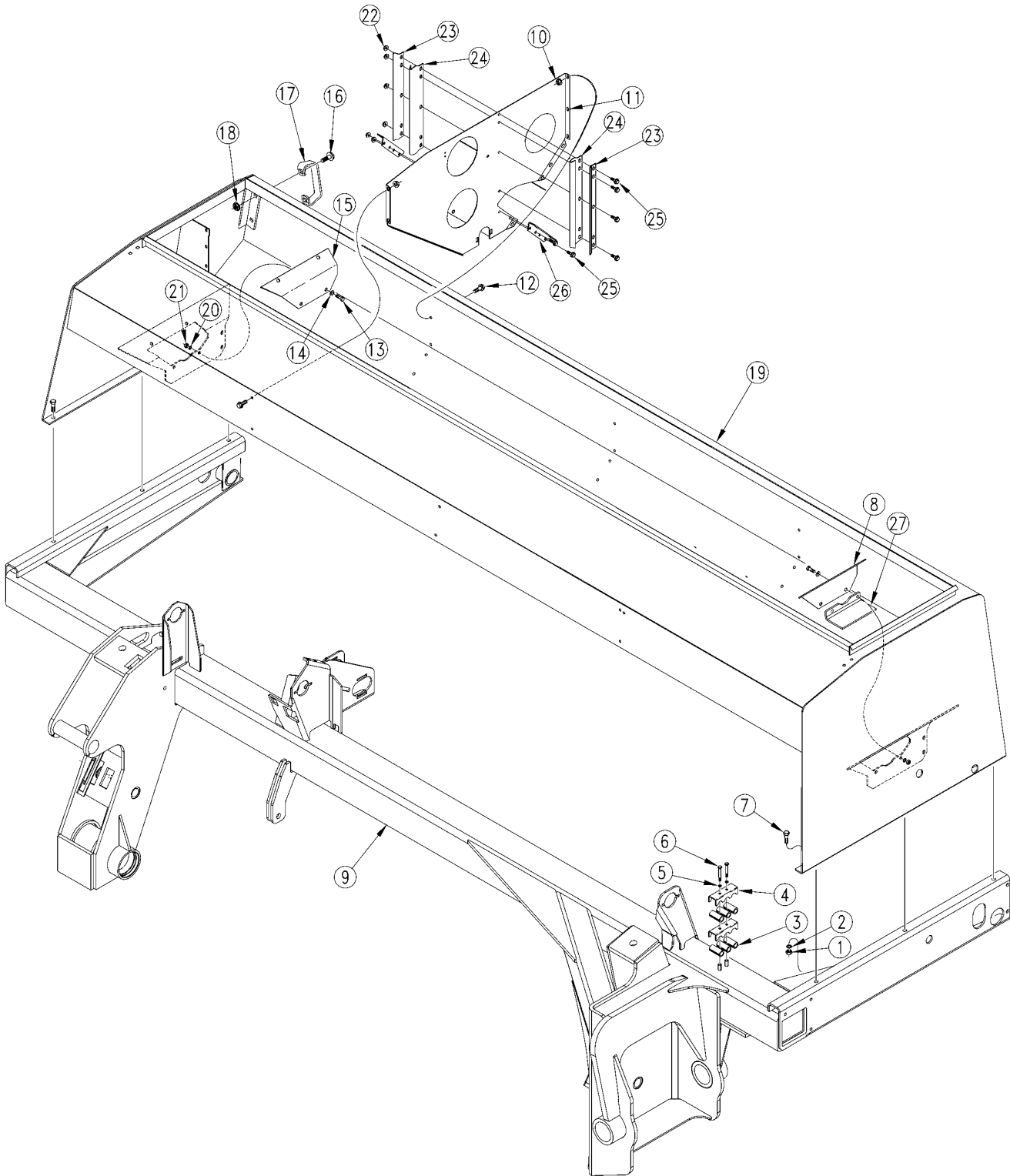
Fertilizer Box Dividers

(Applies to 3S-4000, 3S-4000F only)

Ref	Part No.	Part Description	Comments	Revision
	dwg19314	Image No.		
1.	802-017C	HHCS 3/8-16X1 GR5		
2.	817-322C	DIVIDER INSERT 33 X 4.5 OFFSET		
3.	817-324C	KNOB 1/4-20 FEMALE THD		
4.	803-209C	NUT FLANGE LOCK 3/8-16 PLT		
5.	802-005C	HHCS 1/4-20X1 GR5		
6.	803-007C	NUT-LOCK 1/4-20 PLT		
7.	195-208D	RETAINER CLIP		
8.	195-182H	DIVIDER BOTTOM BRACKET LH		
9.	195-181H	DIVIDER BOTTOM BRACKET CTR		
10.	195-183H	DIVIDER BOTTOM BRACKET RH		
11.	803-199C	NUT HEX FLANGE 5/16-18 PLT		
12.	195-194D	DIVIDER CLIP, END MOUNTED		
13.	802-387C	HFS 5/16-18X3/4 GR5		
14.	817-321C	DIVIDER INSERT 33 X NO OFFSET		
15.	175-190S	1300 SPILL FLAP SUB ASSEMBLY		
16.	802-375C	HFSS 1/4-20X1 GR5		
17.	803-088C	NUT HEX LOCK 1/4-20 FLG		
18.	175-289D	13' EW FERTILIZER CAP PLATE		
19.	802-196C	HFSS 1/4-20X5/8 GR5		
20.	803-088C	NUT HEX LOCK 1/4-20 FLG		

Fertilizer Box To Frame

(Applies to 3S-4000, 3S-4000F only)



21522

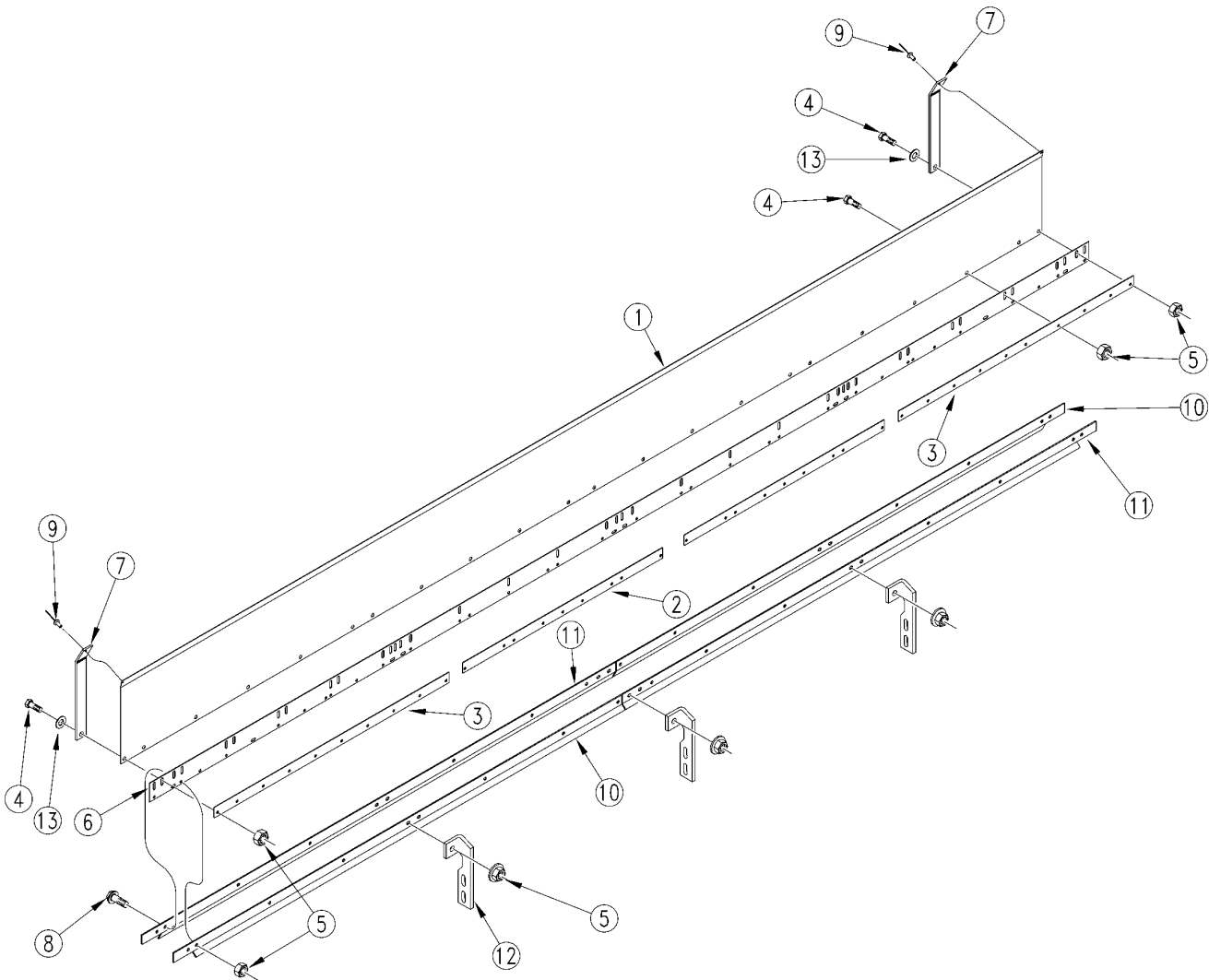
Fertilizer Box To Frame

(Applies to 3S-4000, 3S-4000F only)

Ref	Part No.	Part Description	Comments	Revision
	dwg21522	Image No.		
1.	803-020C	NUT HEX 1/2-13 PLT		
2.	804-015C	WASHER LOCK SPRING 1/2 PLT		
3.	113-370D	1/4 MARKER HYD HOSE GUARD		
4.	196-112D	RPBY 196-146D		
5.	804-009C	WASHER LOCK SPRING 5/16 PLT		
6.	802-138C	HHCS 5/16-18X2 1/4 GR5		
7.	802-034C	HHCS 1/2-13X1 1/4 GR5		
8.	195-101D	INTERIOR ENDPANEL COVER LH		
9.	194-182H	3S-4000 LH WING FRAME		
9.	194-183H	3S-4000 RH WING FRAME		
9.	194-184H	3S-4000 CENTER BOX FRAME		
10.	803-199C	NUT HEX FLANGE 5/16-18 PLT		
11.	195-100D	3S BOX PARTITION		
12.	802-387C	HFS 5/16-18X3/4 GR5		
13.	802-079C	HHCS 3/8-16X1 1/4 GR5		
14.	804-011C	WASHER FLAT 3/8 USS PLT		
15.	195-102D	INTERIOR ENDPANEL COVER RH		
16.	802-203C	HFSS 1/2-13X1 1/2 GR5		
17.	119-190D	HANDLE		
18.	803-169C	NUT HEX FLG. LOCK 1/2-13 PLT.		
19.	175-219H	2600 SEED BOX		
20.	804-013C	WASHER LOCK SPRING 3/8 PLT		
21.	803-014C	NUT HEX 3/8-16 PLT		
22.	803-177C	803-184 FLG TP LK 5/16-18ZNYCR		
23.	195-207D	DIVIDER CLIP OUTER		
24.	195-206D	DIVIDER CLIP INNER		
25.	802-442C	HFSS 5/16-18X1 1/4		
26.	195-205D	DIVIDER ANGLE BRACKET		
27.	148-613D	BOX SUPPORT ANGLE		

Fertilizer Spill Flap (175-190S)

(Applies to 3S-4000, 3S-4000F only)



16579

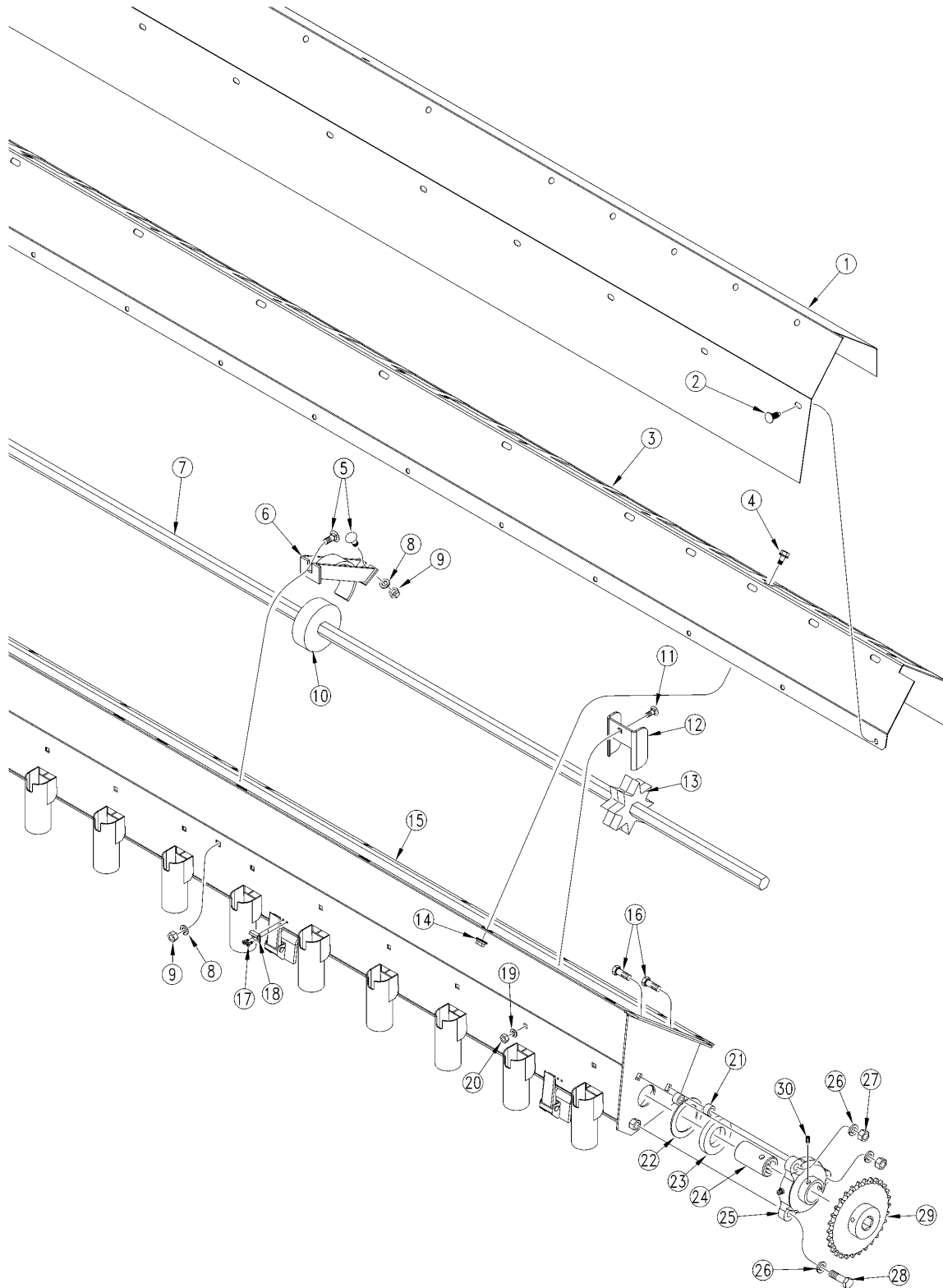
Fertilizer Spill Flap (175-190S)

(Applies to 3S-4000, 3S-4000F only)

Ref	Part No.	Part Description	Comments	Revision
	dwg16579	Image No.		
1.	175-331D	1300 SPILL FLAP		
2.	195-197D	HINGE CLAMP STRIP CTR		
3.	175-327D	1300 HINGE CLAMP STRIP END		
4.	802-078C	HHCS 1/4-20X5/8 GR5		
5.	803-088C	NUT HEX LOCK 1/4-20 FLG		
6.	816-291C	RUBBER BELTING HINGE 13 EW		
7.	816-278C	RUBBER BELTING SEAL STRIP		
8.	802-375C	HFSS 1/4-20X1 GR5		
9.	800-012C	RIVET SS 1/8 DIA		
10.	175-325D	1300 DIVIDER CLAMP ANGLE SHORT		
11.	175-326D	1300 DIVIDER CLAMP ANGLE LONG		
12.	195-192D	TOP BAR PARTITION BRACE		
13.	804-007C	WASHER FLAT 1/4 SAE PLT		

Fertilizer Tray

(Applies to 3S-4000, 3S-4000F only)



27430

Fertilizer Tray

(Applies to 3S-4000, 3S-4000F only)

Ref	Part No.	Part Description	Comments	Revision
	dwg27430	Image No.		
	dwg27430	Image No.		
	dwg29325	Image No.		
1.	816-292C	VINYL FERT DEW SHIELD 13 EW		
1.	816-292C	VINYL FERT DEW SHIELD 13 EW		
1.	816-292C	VINYL FERT DEW SHIELD 13 EW		
2.	817-323C	NYLON RATCHET (TREE RIVET)		
2.	817-323C	NYLON RATCHET (TREE RIVET)		
2.	817-323C	NYLON RATCHET (TREE RIVET)		
3.	175-338D	1300 FERT TRAY ADAPTER PANEL		
3.	175-338D	1300 FERT TRAY ADAPTER PANEL		
3.	175-338D	1300 FERT TRAY ADAPTER PANEL		
4.	802-148C	HFSS 1/4-20X1/2 GR5		
4.	802-148C	HFSS 1/4-20X1/2 GR5		
4.	802-148C	HFSS 1/4-20X1/2 GR5		
5.	802-092C	RHSNB 5/16-18X3/4 GR5		
5.	802-092C	RHSNB 5/16-18X3/4 GR5		
5.	802-092C	RHSNB 5/16-18X3/4 GR5		
6.	175-102H	13' EW FERT BRG RETAINER		
6.	175-102H	13' EW FERT BRG RETAINER		
6.	175-102H	13' EW FERT BRG RETAINER		
7.	175-341D	1300 AGITATOR SHAFT		
7.	175-341D	1300 AGITATOR SHAFT		
7.	175-341D	1300 AGITATOR SHAFT		
8.	804-009C	WASHER LOCK SPRING 5/16 PLT		
8.	804-009C	WASHER LOCK SPRING 5/16 PLT		
8.	804-009C	WASHER LOCK SPRING 5/16 PLT		
9.	803-008C	NUT HEX 5/16-18 PLT		
9.	803-008C	NUT HEX 5/16-18 PLT		
9.	803-008C	NUT HEX 5/16-18 PLT		
10.	191-002D	MF FERT HEX BORE PLASTIC BUSH		
10.	191-002D	MF FERT HEX BORE PLASTIC BUSH		
10.	191-002D	MF FERT HEX BORE PLASTIC BUSH		
11.	802-633C	RHSNB 1/4-20X5/8 PLT		
11.	802-633C	RHSNB 1/4-20X5/8 PLT		
11.	802-633C	RHSNB 1/4-20X5/8 PLT		
12.	191-018D	MF FERT STAR RETAINER SIDE PLT		
12.	191-018D	MF FERT STAR RETAINER SIDE PLT		
12.	191-018D	MF FERT STAR RETAINER SIDE PLT		
13.	817-053C	6 POINT FERT METERING WHEEL		
13.	817-053C	6 POINT FERT METERING WHEEL		
13.	817-053C	6 POINT FERT METERING WHEEL		
14.	803-088C	NUT HEX LOCK 1/4-20 FLG		
14.	803-088C	NUT HEX LOCK 1/4-20 FLG		
14.	803-088C	NUT HEX LOCK 1/4-20 FLG		
15.	175-184H	1300 FERT TRAY WELDMENT 10		
15.	175-184H	1300 FERT TRAY WELDMENT 10		
15.	175-184H	1300 FERT TRAY WELDMENT 10		
15.	175-183H	1300 FERT TRAY WELDMENT 6		
15.	175-183H	1300 FERT TRAY WELDMENT 6		
15.	175-183H	1300 FERT TRAY WELDMENT 6		
15.	175-182H	1300 FERT TRAY WELDMENT 7 1/2		
15.	175-182H	1300 FERT TRAY WELDMENT 7 1/2		
15.	175-182H	1300 FERT TRAY WELDMENT 7 1/2		
16.	802-252C	RHSNB 3/8-16X1 3/4 GR5		
16.	802-252C	RHSNB 3/8-16X1 3/4 GR5		
16.	802-252C	RHSNB 3/8-16X1 3/4 GR5		
17.	800-012C	RIVET SS 1/8 DIA		

Fertilizer Tray (continued)

(Applies to 3S-4000, 3S-4000F only)

Ref	Part No.	Part Description	Comments	Revision
17.	800-012C	RIVET SS 1/8 DIA		
17.	800-012C	RIVET SS 1/8 DIA		
18.	800-032C	LATCH STRIKE		
18.	800-032C	LATCH STRIKE		
18.	800-032C	LATCH STRIKE		
19.	804-006C	WASHER LOCK SPRING 1/4 PLT		
19.	804-006C	WASHER LOCK SPRING 1/4 PLT		
19.	804-006C	WASHER LOCK SPRING 1/4 PLT		
20.	803-006C	NUT HEX 1/4-20 PLT		
20.	803-006C	NUT HEX 1/4-20 PLT		
20.	803-006C	NUT HEX 1/4-20 PLT		
21.	141-084D	TRAY BRG SPACER		
21.	141-084D	TRAY BRG SPACER		
21.	141-084D	TRAY BRG SPACER		
22.	804-048C	WASHER MACH 2.50 X1.75 X .075		
22.	804-048C	WASHER MACH 2.50 X1.75 X .075		
22.	804-048C	WASHER MACH 2.50 X1.75 X .075		
23.	890-026C	FELT SEAL		
23.	890-026C	FELT SEAL		
23.	890-026C	FELT SEAL		
24.	191-001D	MF FERT .75 HEX BORE BUSHING		
24.	191-001D	MF FERT .75 HEX BORE BUSHING		
24.	191-001D	MF FERT .75 HEX BORE BUSHING		
25.	822-083C	BRG FLG 1.25ID 3BOLT		
25.	822-083C	BRG FLG 1.25ID 3BOLT		
25.	822-083C	BRG FLG 1.25ID 3BOLT		
26.	804-013C	WASHER LOCK SPRING 3/8 PLT		
26.	804-013C	WASHER LOCK SPRING 3/8 PLT		
26.	804-013C	WASHER LOCK SPRING 3/8 PLT		
27.	803-014C	NUT HEX 3/8-16 PLT		
27.	803-014C	NUT HEX 3/8-16 PLT		
27.	803-014C	NUT HEX 3/8-16 PLT		
28.	802-079C	HHCS 3/8-16X1 1/4 GR5		
28.	802-079C	HHCS 3/8-16X1 1/4 GR5		
28.	802-079C	HHCS 3/8-16X1 1/4 GR5		
29.	808-086C	SPKT 40B30 X 3/4 HEXBORE W/ SS		
29.	808-086C	SPKT 40B30 X 3/4 HEXBORE W/ SS		
29.	808-086C	SPKT 40B30 X 3/4 HEXBORE W/ SS		
30.	801-009C	SCREW SET 1/4-28 SH X 1/2 LG		
30.	801-009C	SCREW SET 1/4-28 SH X 1/2 LG		
30.	801-009C	SCREW SET 1/4-28 SH X 1/2 LG		
31.	817-802C	FERT STAR END SPACER WASHER		

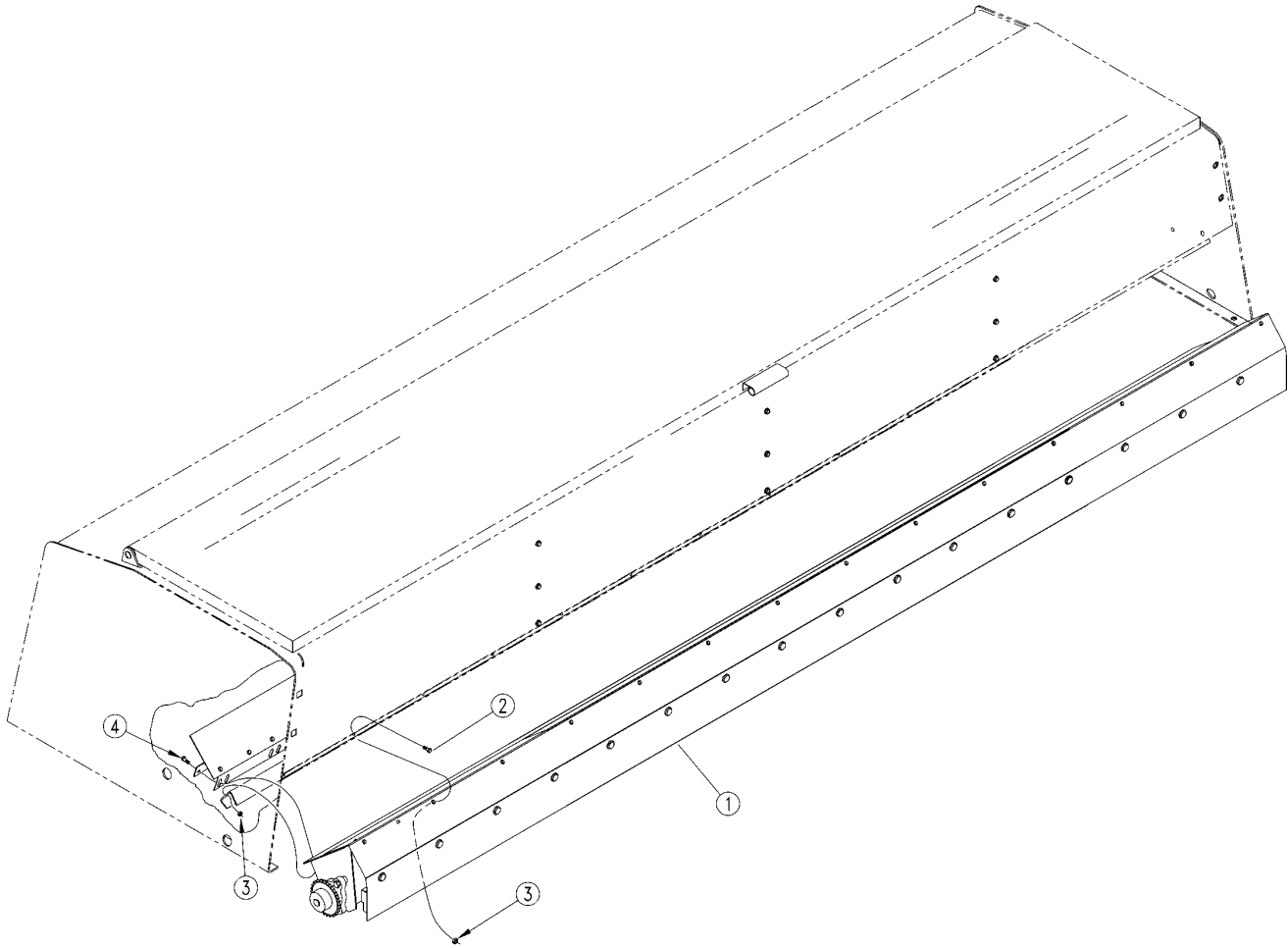
Fertilizer Tray (continued)

(Applies to 3S-4000, 3S-4000F only)

This Page Intentionally Left Blank

Fertilizer Tray To Box

(Applies to 3S-4000, 3S-4000F only)



19316

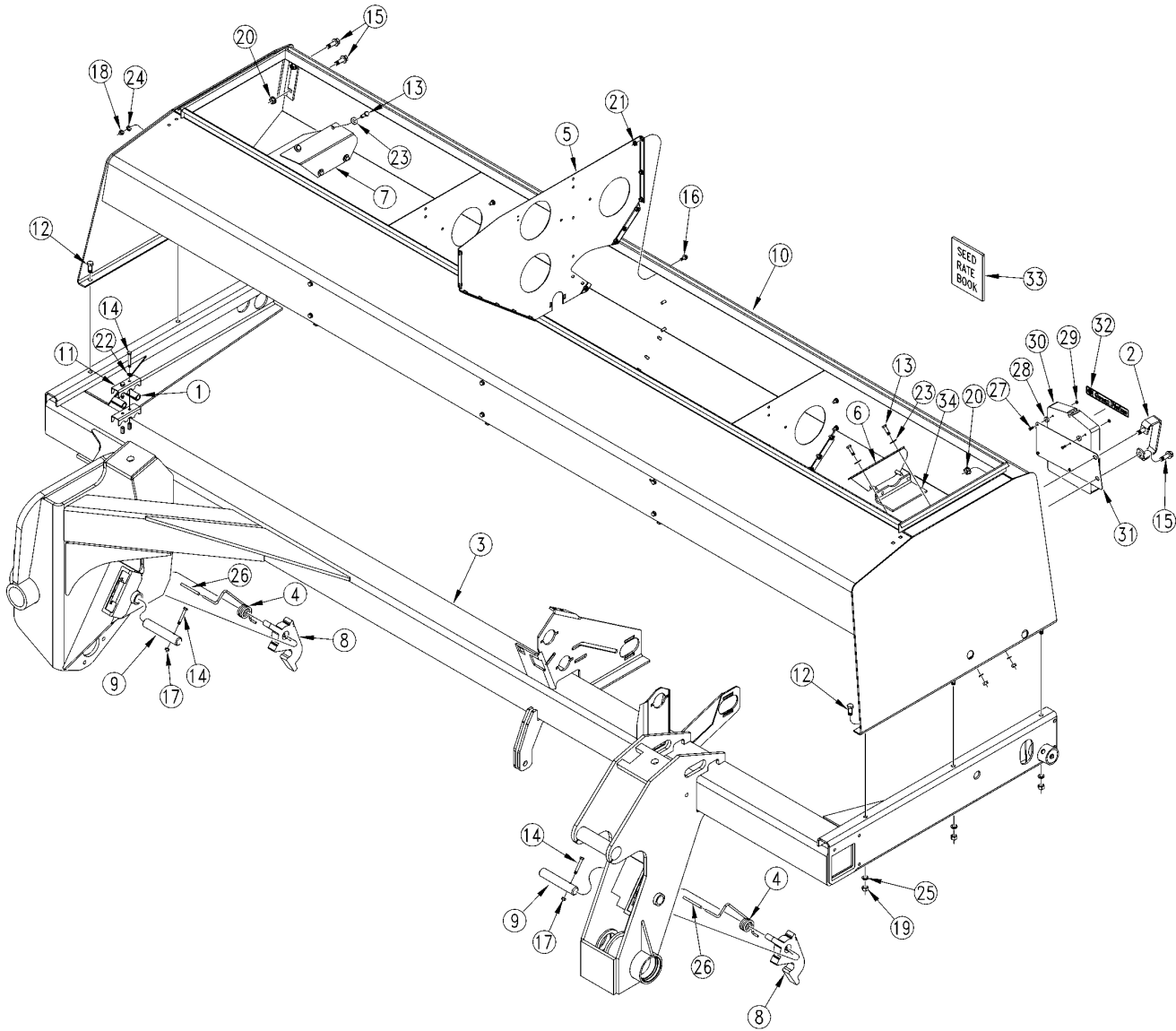
Fertilizer Tray To Box

(Applies to 3S-4000, 3S-4000F only)

Ref	Part No.	Part Description	Comments	Revision
	dwg19316	Image No.		
1.	195-223K	2600 RH FERT TRAY ASSY 6		
1.	195-224K	2600 RH FERT TRAY ASSY 7 1/2		
1.	195-225K	2600 RH FERT TRAY ASSY 10		
2.	802-196C	HFSS 1/4-20X5/8 GR5		
3.	803-088C	NUT HEX LOCK 1/4-20 FLG		
4.	802-375C	HFSS 1/4-20X1 GR5		

Left Hand Box And Frame

(Applies to 3S-4000, 3S-4000F only)



18806

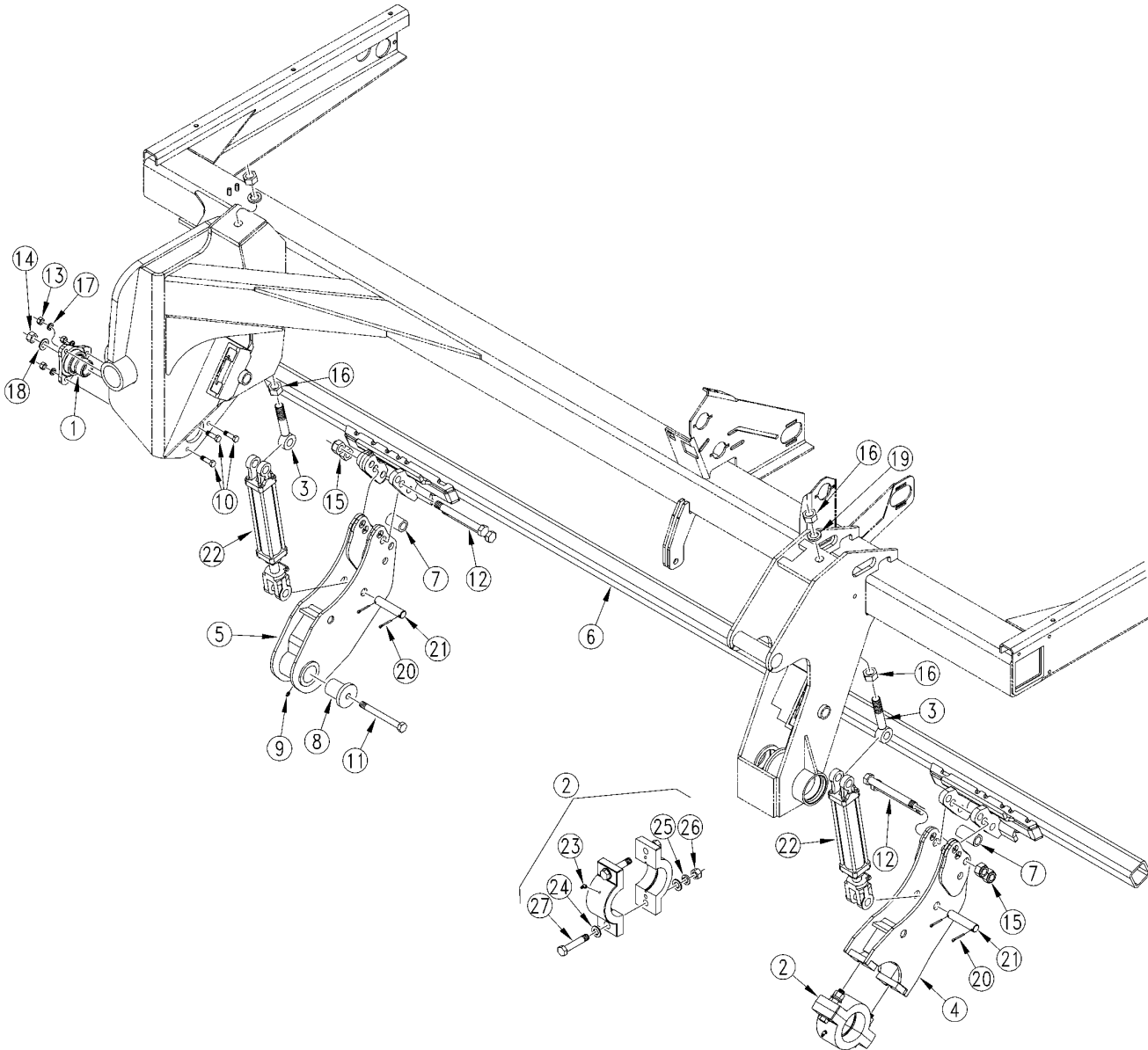
Left Hand Box And Frame

(Applies to 3S-4000, 3S-4000F only)

Ref	Part No.	Part Description	Comments	Revision
	dwg18806	Image No.		
1.	113-370D	1/4 MARKER HYD HOSE GUARD		
2.	119-190D	HANDLE		
3.	194-182H	3S-4000 LH WING FRAME		
4.	194-273D	3S TORSION SPRING HANDLE LH		
5.	195-100D	3S BOX PARTITION		
6.	195-101D	INTERIOR ENDPANEL COVER LH		
7.	195-102D	INTERIOR ENDPANEL COVER RH		
8.	195-159D	SUBFRAME LOCK HOOK		
9.	195-160D	GAUGE WHEEL LOCK PIN		
10.	195-244H	3S-4000 SEED BOX		
11.	196-112D	RPBY 196-146D		
12.	802-034C	HHCS 1/2-13X1 1/4 GR5		
13.	802-079C	HHCS 3/8-16X1 1/4 GR5		
14.	802-138C	HHCS 5/16-18X2 1/4 GR5		
15.	802-203C	HFSS 1/2-13X1 1/2 GR5		
16.	802-387C	HFS 5/16-18X3/4 GR5		
17.	803-011C	NUT LOCK 5/16-18 PLT		
18.	803-014C	NUT HEX 3/8-16 PLT		
19.	803-020C	NUT HEX 1/2-13 PLT		
20.	803-169C	NUT HEX FLG. LOCK 1/2-13 PLT.		
21.	803-199C	NUT HEX FLANGE 5/16-18 PLT		
22.	804-009C	WASHER LOCK SPRING 5/16 PLT		
23.	804-011C	WASHER FLAT 3/8 USS PLT		
24.	804-013C	WASHER LOCK SPRING 3/8 PLT		
25.	804-015C	WASHER LOCK SPRING 1/2 PLT		
26.	816-241C	RUBBER HANDLE GRIP.207IDX3 1/2		
27.	802-004C	HHCS 1/4-20X3/4 GR5		
28.	817-042C	MINI END WHEEL PRESS WHEEL		
29.	803-293C	NUT HEX FLNG T-LOCK 1/4-20 YLW		
30.	817-516C	MANUAL PAK 1" W/ GASKET		
31.	248-251D	MANUAL PAK MOUNTING PLATE		
32.	838-482C	DECAL GP PLANTING COMPONENTS		
33.	195-242B	3S-4000 SEEDRATE BOOK		
34.	148-613D	BOX SUPPORT ANGLE		

Left Hand Sub-Frame

(Applies to 3S-4000, 3S-4000F only)



18817

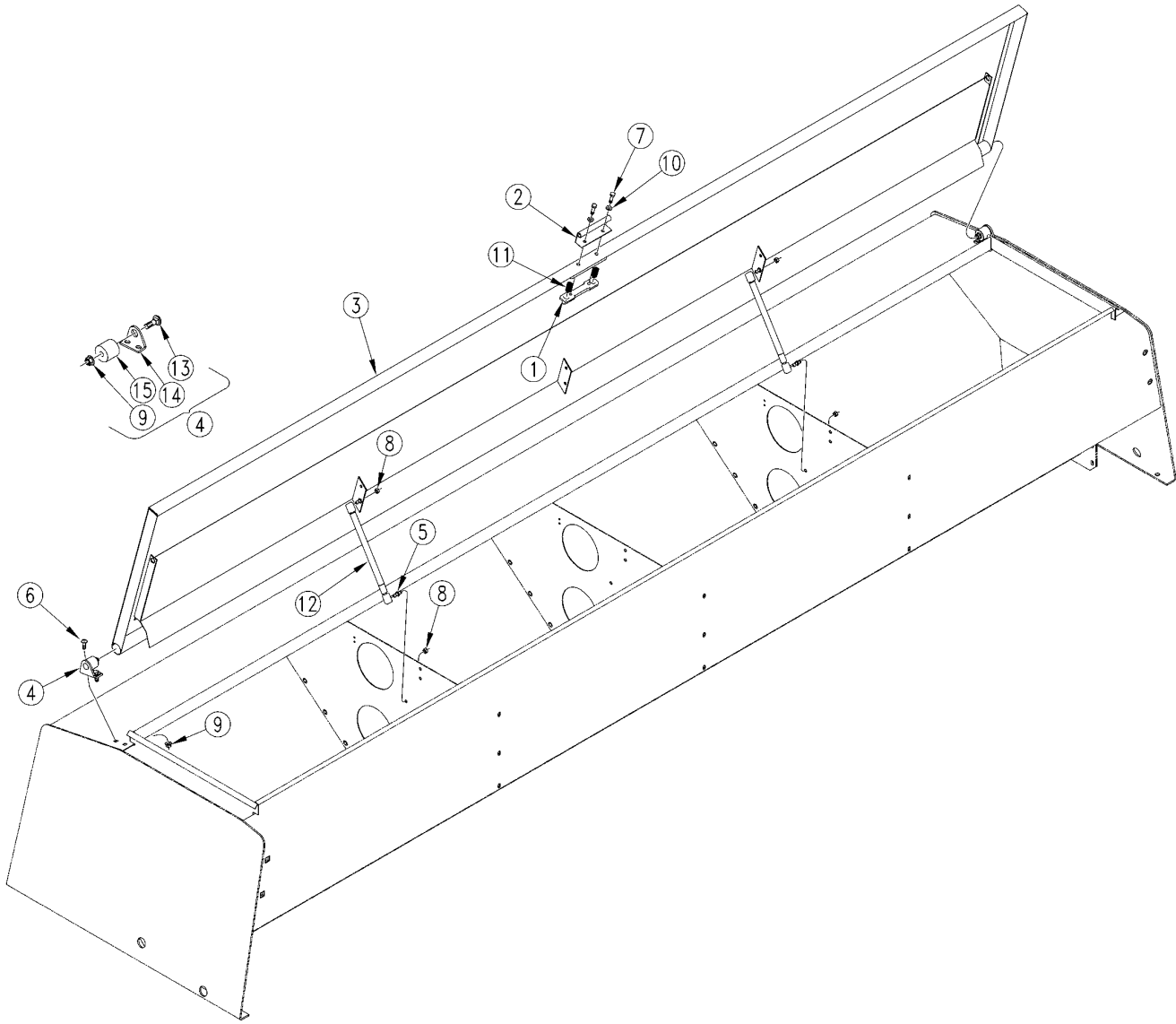
Left Hand Sub-Frame

(Applies to 3S-4000, 3S-4000F only)

Ref	Part No.	Part Description	Comments	Revision
	dwg18817	Image No.		
1.	120-247D	3 BOLT PIVOT CAST W/ BOLT HOLE		
2.	194-123K	3S BEARING ASSEMBLY	Contains 23-27	
3.	194-129H	6 1/8 EYE BOLT		
4.	194-155H	SUBFRAME FLEX ARM, OUTER		
5.	194-156H	SUBFRAME FLEX ARM, INNER		
6.	194-179H	3S-4000 OPENER SUBFRAME LH		
7.	194-516D	SUBFRAME FLEX ARM SPACER,SHORT		
8.	195-188H	SUBFRAME ARM RETAINER		
9.	800-001C	GREASE ZERK STRAIGHT 1/4-28		
10.	802-082C	HHCS 1/2-13X1 3/4 GR5		
11.	802-095C	HHCS 3/4-10X7 GR5		
12.	802-662C	HHCS 7/8-9X8 1/2 GR5		
13.	803-020C	NUT HEX 1/2-13 PLT		
14.	803-026C	NUT LOCK 3/4-10 PLT		
15.	803-028C	NUT NY-LOK 7/8-9 PLT		
16.	803-031C	NUT HEX 1-8 PLT		
17.	804-015C	WASHER LOCK SPRING 1/2 PLT		
18.	804-025C	WASHER FLAT 3/4 SAE PLT		
19.	804-027C	WASHER LOCK SPRING 1 PLT		
20.	805-104C	PIN COTTER 3/16 X 1 1/2 PLT		
21.	805-236C	PIN CLEVIS 1 X 3 7/8 USBLE PLT		
22.	810-299C	CYL 2X8X1.12 ROD (TIE ROD)		
23.	800-058C	GREASE ZERK 1/4-28 X 45-DEG		
24.	804-025C	WASHER FLAT 3/4 SAE PLT		
25.	804-023C	WASHER LOCK SPRING 3/4 PLT		
26.	803-027C	NUT HEX 3/4-10 PLT		
27.	802-068C	HHCS 3/4-10X4 GR5		

Lid To Box

(Applies to 3S-4000, 3S-4000F only)



18808

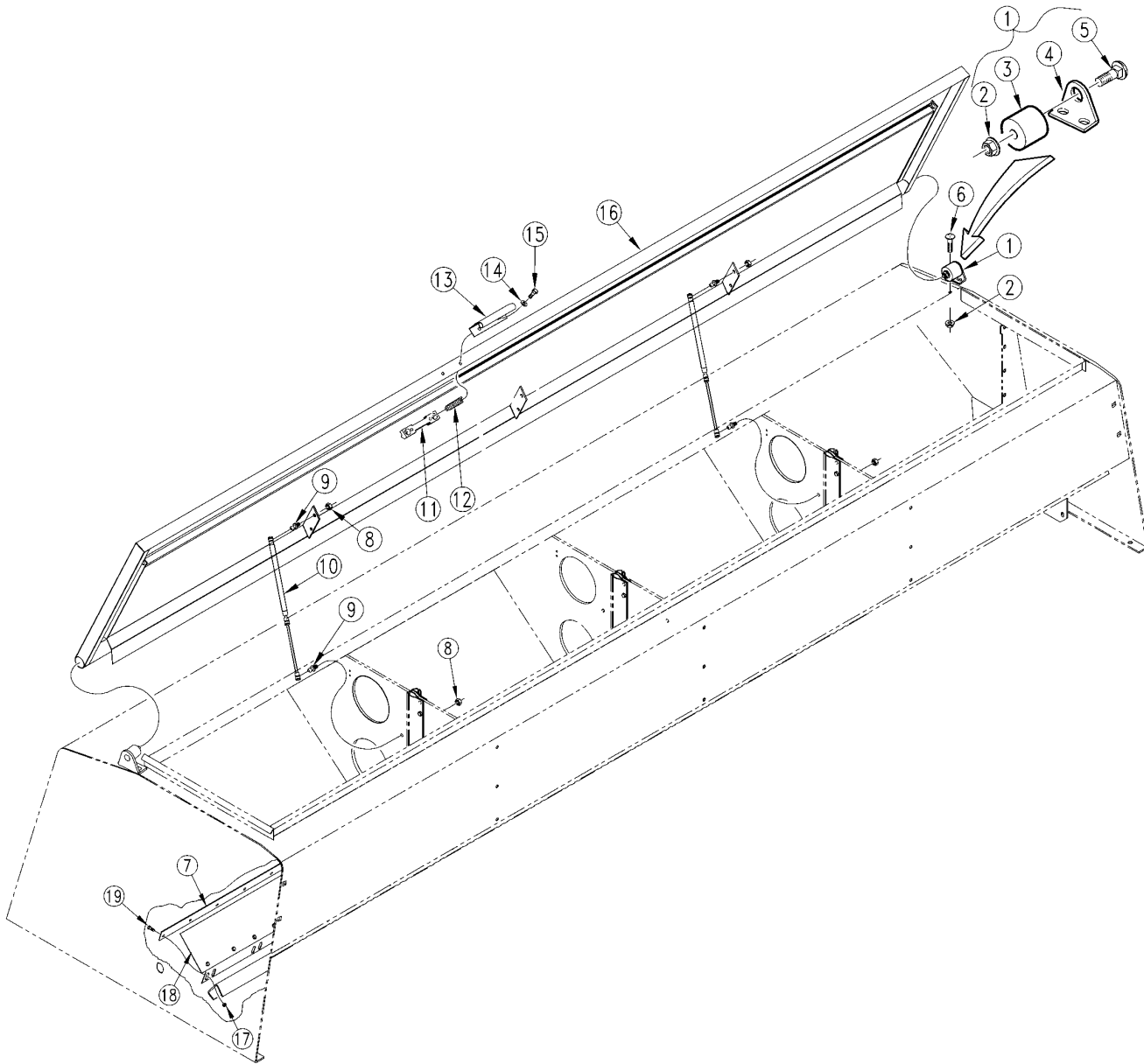
Lid To Box

(Applies to 3S-4000, 3S-4000F only)

Ref	Part No.	Part Description	Comments	Revision
	dwg18808	Image No.		
1.	119-153D	LATCH CASTING MACHINED		
2.	119-154D	LID HANDLE		
3.	175-146H	13' EW SEED BOX LID		
4.	175-180S	13' EW LID HINGE ASSEMBLY		
5.	800-121C	BALL STUD 10MM X 5/16-18 X 1/2	Contains 9,14-16.	
6.	802-015C	RHSNB 3/8-16X1 GR5		
7.	802-425C	HHCS 5/16-18X1 1/4 NYL		
8.	803-011C	NUT LOCK 5/16-18 PLT		
9.	803-209C	NUT FLANGE LOCK 3/8-16 PLT		
10.	804-036C	WASHER FLAT 5/16 SAE PLT		
11.	807-106C	SPRING .540 O.D.X 1 1/4 X.054W		
12.	890-221C	12-20 X 90 LB GAS SPRING		
13.	802-411C	RHSNB 3/8-16X2 GR5		
14.	313-176D	LID HINGE BASE PLATE		
15.	313-186D	LID HINGE PIVOT		

Lid To Fertilizer Box

(Applies to 3S-4000, 3S-4000F only)



19312

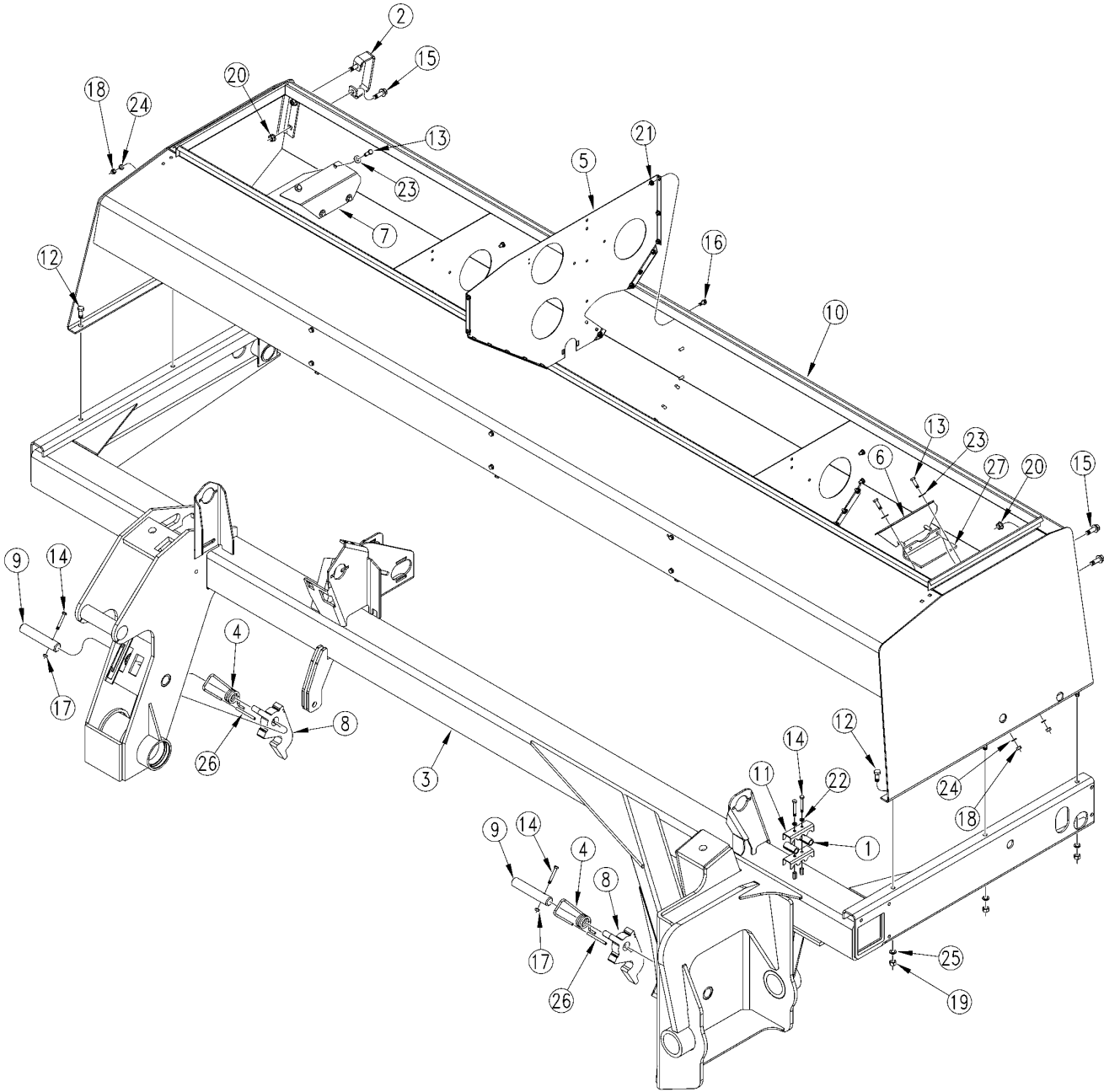
Lid To Fertilizer Box

(Applies to 3S-4000, 3S-4000F only)

Ref	Part No.	Part Description	Comments	Revision
	dwg19312	Image No.		
1.	175-180S	13' EW LID HINGE ASSEMBLY		
2.	803-209C	NUT FLANGE LOCK 3/8-16 PLT		
3.	313-186D	LID HINGE PIVOT		
4.	313-176D	LID HINGE BASE PLATE		
5.	802-411C	RHSNB 3/8-16X2 GR5		
6.	802-015C	RHSNB 3/8-16X1 GR5		
7.	195-198D	HINGE CLAMP STRIP ENDS		
7.	195-197D	HINGE CLAMP STRIP CTR		
8.	803-011C	NUT LOCK 5/16-18 PLT		
9.	800-121C	BALL STUD 10MM X 5/16-18 X 1/2		
10.	890-308C	9 1/4-15 X 70LB GAS SPRING		
11.	119-153D	LATCH CASTING MACHINED		
12.	807-106C	SPRING .540 O.D.X 1 1/4 X.054W		
13.	119-154D	LID HANDLE		
14.	804-036C	WASHER FLAT 5/16 SAE PLT		
15.	802-425C	HHCS 5/16-18X1 1/4 NYL		
16.	175-146H	13' EW SEED BOX LID		
17.	803-088C	NUT HEX LOCK 1/4-20 FLG		
18.	195-177S	SEED/FERT FLAP SUBASSY		
19.	802-375C	HFSS 1/4-20X1 GR5		

Right Hand Box And Frame

(Applies to 3S-4000, 3S-4000F only)



18805

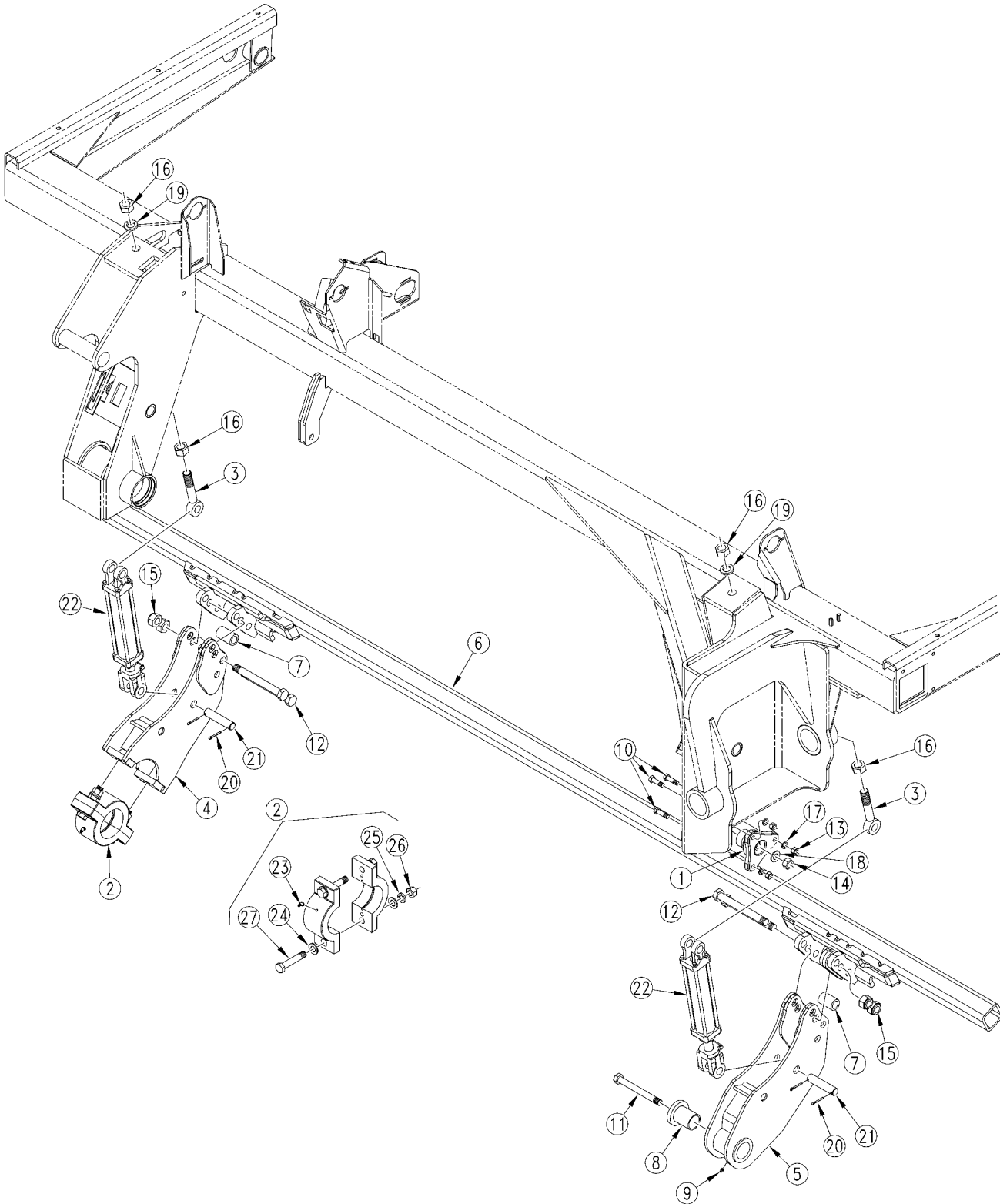
Right Hand Box And Frame

(Applies to 3S-4000, 3S-4000F only)

Ref	Part No.	Part Description	Comments	Revision
	dwg18805	Image No.		
1.	113-370D	1/4 MARKER HYD HOSE GUARD		
2.	119-190D	HANDLE		
3.	194-183H	3S-4000 RH WING FRAME		
4.	194-274D	3S TORSION SPRING HANDLE RH		
5.	195-100D	3S BOX PARTITION		
6.	195-101D	INTERIOR ENDPANEL COVER LH		
7.	195-102D	INTERIOR ENDPANEL COVER RH		
8.	195-159D	SUBFRAME LOCK HOOK		
9.	195-160D	GAUGE WHEEL LOCK PIN		
10.	195-244H	3S-4000 SEED BOX		
11.	196-112D	RPBY 196-146D		
12.	802-034C	HHCS 1/2-13X1 1/4 GR5		
13.	802-079C	HHCS 3/8-16X1 1/4 GR5		
14.	802-138C	HHCS 5/16-18X2 1/4 GR5		
15.	802-203C	HFSS 1/2-13X1 1/2 GR5		
16.	802-387C	HFS 5/16-18X3/4 GR5		
17.	803-011C	NUT LOCK 5/16-18 PLT		
18.	803-014C	NUT HEX 3/8-16 PLT		
19.	803-020C	NUT HEX 1/2-13 PLT		
20.	803-169C	NUT HEX FLG. LOCK 1/2-13 PLT.		
21.	803-199C	NUT HEX FLANGE 5/16-18 PLT		
22.	804-009C	WASHER LOCK SPRING 5/16 PLT		
23.	804-011C	WASHER FLAT 3/8 USS PLT		
24.	804-013C	WASHER LOCK SPRING 3/8 PLT		
25.	804-015C	WASHER LOCK SPRING 1/2 PLT		
26.	816-241C	RUBBER HANDLE GRIP.207IDX3 1/2		
27.	148-613D	BOX SUPPORT ANGLE		

Right Hand Sub-Frame

(Applies to 3S-4000, 3S-4000F only)



18816

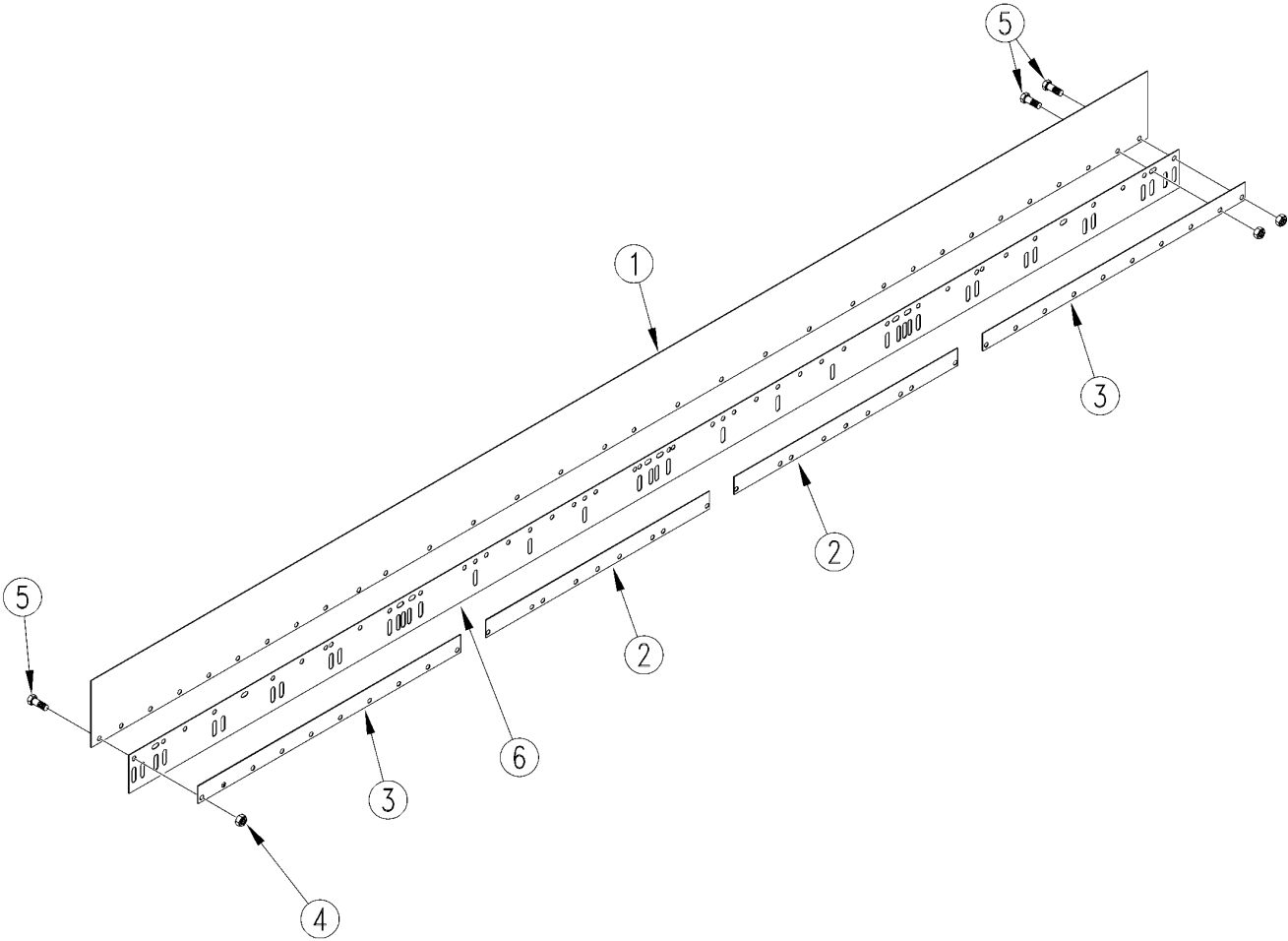
Right Hand Sub-Frame

(Applies to 3S-4000, 3S-4000F only)

Ref	Part No.	Part Description	Comments	Revision
	dwg18816	Image No.		
1.	120-247D	3 BOLT PIVOT CAST W/ BOLT HOLE		
2.	194-123K	3S BEARING ASSEMBLY	Contains 24,26-29.	
3.	194-129H	6 1/8 EYE BOLT		
4.	194-155H	SUBFRAME FLEX ARM, OUTER		
5.	194-156H	SUBFRAME FLEX ARM, INNER		
6.	194-180H	3S-4000 OPENER SUBFRAME RH		
7.	194-516D	SUBFRAME FLEX ARM SPACER,SHORT		
8.	195-188H	SUBFRAME ARM RETAINER		
9.	800-001C	GREASE ZERK STRAIGHT 1/4-28		
10.	802-082C	HHCS 1/2-13X1 3/4 GR5		
11.	802-095C	HHCS 3/4-10X7 GR5		
12.	802-662C	HHCS 7/8-9X8 1/2 GR5		
13.	803-020C	NUT HEX 1/2-13 PLT		
14.	803-026C	NUT LOCK 3/4-10 PLT		
15.	803-028C	NUT NY-LOK 7/8-9 PLT		
16.	803-031C	NUT HEX 1-8 PLT		
17.	804-015C	WASHER LOCK SPRING 1/2 PLT		
18.	804-025C	WASHER FLAT 3/4 SAE PLT		
19.	804-027C	WASHER LOCK SPRING 1 PLT		
20.	805-104C	PIN COTTER 3/16 X 1 1/2 PLT		
21.	805-236C	PIN CLEVIS 1 X 3 7/8 USBLE PLT		
22.	810-299C	CYL 2X8X1.12 ROD (TIE ROD)		
23.	800-058C	GREASE ZERK 1/4-28 X 45-DEG		
24.	804-025C	WASHER FLAT 3/4 SAE PLT		
25.	804-023C	WASHER LOCK SPRING 3/4 PLT		
26.	803-027C	NUT HEX 3/4-10 PLT		
27.	802-068C	HHCS 3/4-10X4 GR5		

Seed / Fertilizer Flap (175-191S)

(Applies to 3S-4000, 3S-4000F only)



16578

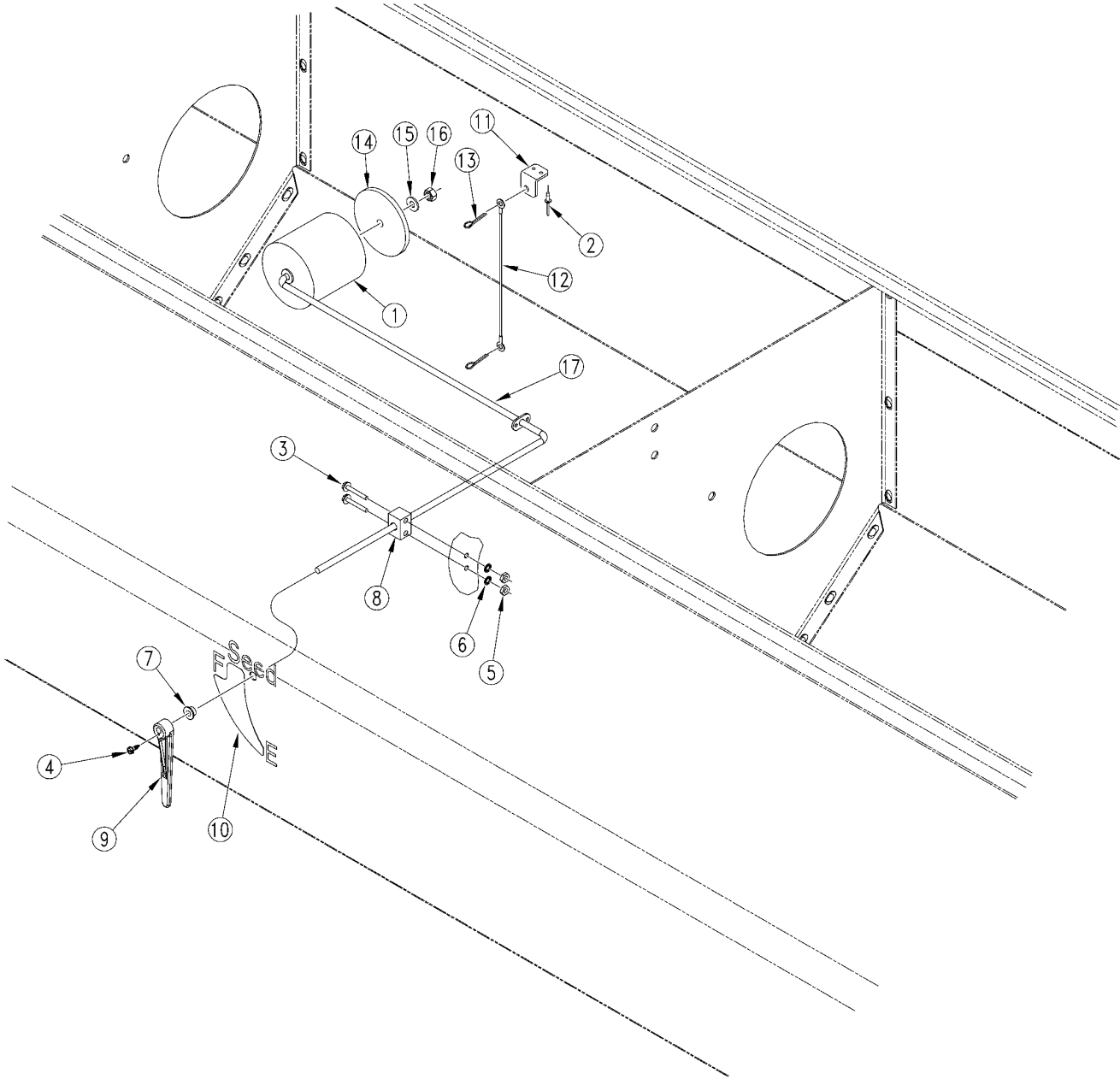
Seed / Fertilizer Flap (175-191S)

(Applies to 3S-4000, 3S-4000F only)

Ref	Part No.	Part Description	Comments	Revision
	dwg16578	Image No.		
1.	175-332D	1300 SEED/FERT SELECT FLAP		
2.	195-197D	HINGE CLAMP STRIP CTR		
3.	175-327D	1300 HINGE CLAMP STRIP END		
4.	803-007C	NUT-LOCK 1/4-20 PLT		
5.	802-078C	HHCS 1/4-20X5/8 GR5		
6.	816-291C	RUBBER BELTING HINGE 13 EW		

Seed Level Indicator

(Applies to 3S-4000, 3S-4000F only)



18807

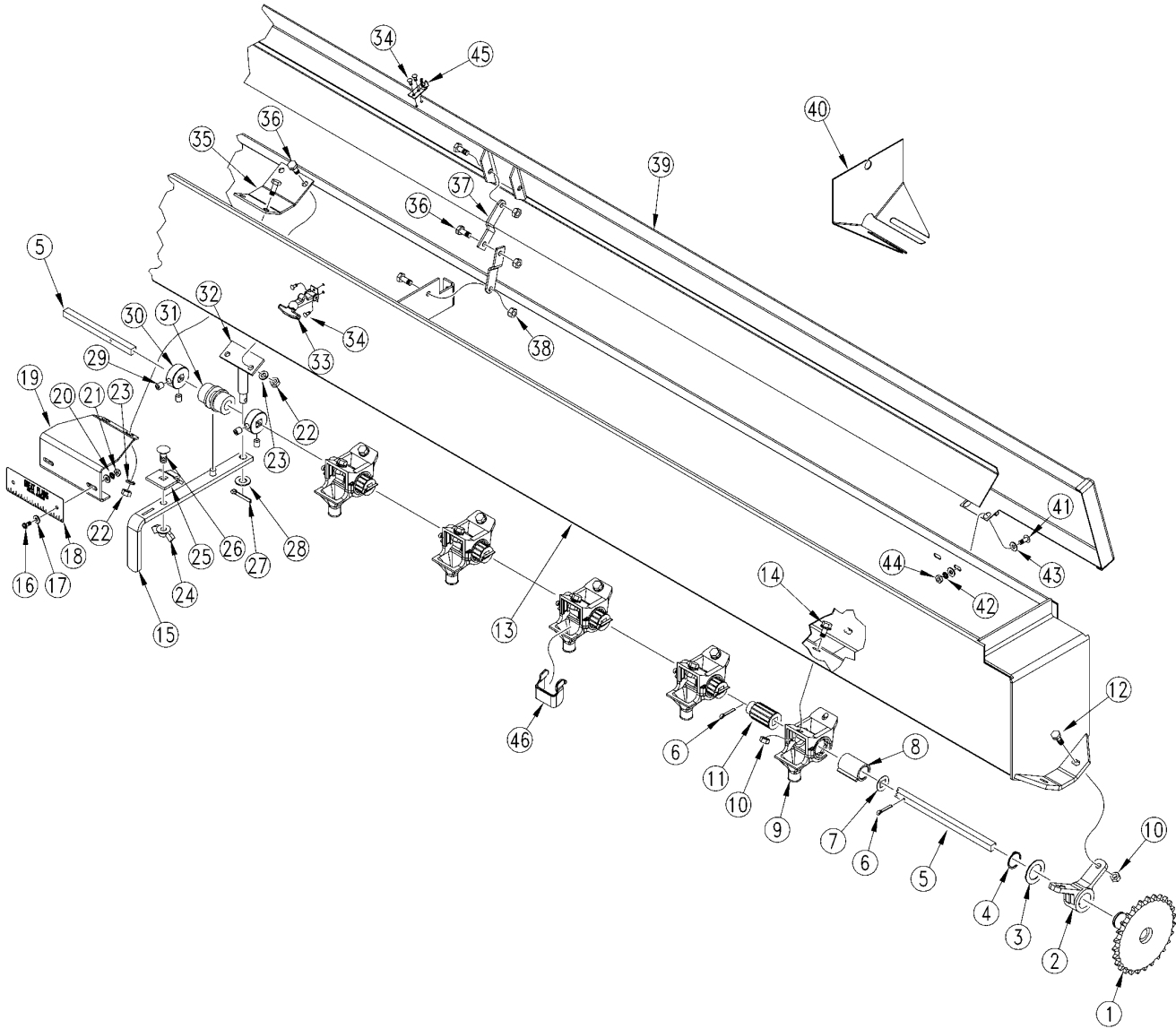
Seed Level Indicator

(Applies to 3S-4000, 3S-4000F only)

Ref	Part No.	Part Description	Comments	Revision
	dwg18807	Image No.		
1.	197-089D	FOAM FLOAT		
2.	800-101C	RIVET POP 1/8X.265LG FLG		
3.	801-096C	HFS 10-24 X 1 1/8 PLTD		
4.	801-154C	SCR HEX HD SHT MET #8 X 1/2		
5.	803-001C	NUT HEX 10-24 PLT		
6.	804-004C	WASHER INTERNAL STAR #10 PLT		
7.	817-086C	SEED LEVEL BUSHING		
8.	817-202C	SEED LEVEL ARM MOUNT		
9.	817-350C	SEED LEVEL INDICATOR		
10.	838-237C	DECAL SEED LEVEL LH		
11.	197-091D	SEED LEVEL CHAIN BRACKET		
12.	890-305C	CABLE 3/64 X 11 5/8 W/ EYELETS		
13.	805-067C	PIN COTTER 1/8 X 3/4		
14.	197-096D	FOAM FLOAT WASHER		
15.	804-075C	WASHER FLAT 1/4 USS PLT		
16.	803-003C	.00 HEX SS 1/4-20 NYLOCK		
17.	195-124H	3S SEED LEVEL ROD		

Small Seeds Box Components

(Applies to 3S-4000, 3S-4000F only)



27429

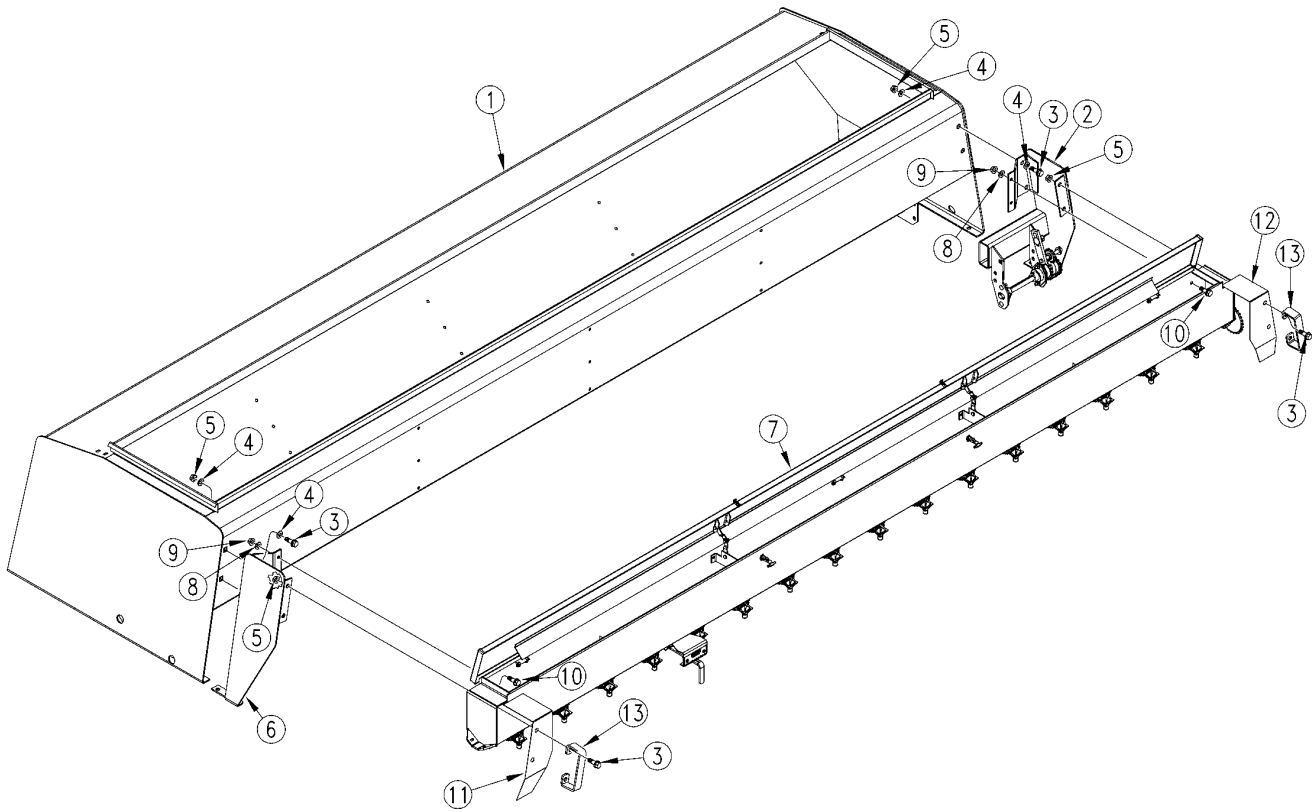
Small Seeds Box Components

(Applies to 3S-4000, 3S-4000F only)

Ref	Part No.	Part Description	Comments	Revision
	dwg27429	Image No.		
1.	123-834H	SML SDS DRIVE SPKT HUB 27T		
2.	817-026C	HANGER DRIVE SHAFT		
3.	804-044C	WASHER MACH 1.38 X .876 X .048		
4.	800-028C	SNAP RING .875		
5.	133-056D	2600 SML SDS CUP SHAFT 6 IN		
6.	805-076C	PIN ROLL 3/16 X 1 3/4 PLT.		
7.	804-042C	WASHER GRASS SEEDER CUP SHAFT		
8.	817-009C	GRASS SEEDER SLEEVE		
9.	817-504C	SML SEED FEEDER CUP ASSY		
10.	803-006C	NUT HEX 1/4-20 PLT		
11.	817-010C	GRASS SEEDER SPROCKET		
12.	802-004C	HHCS 1/4-20X3/4 GR5		
13.	133-061H	1300 SML SDS BOX 6 IN		
13.	133-062H	1300 SML SDS BOX 7.5 IN		
13.	133-063H	1300 SML SDS BOX 10 IN		
14.	802-148C	HFSS 1/4-20X1/2 GR5		
15.	123-476H	REAR SEED RATE ADJ HANDLE WLD		
16.	801-001C	SCREW RD HD 8-32 X 3/8 BRASS		
17.	804-003C	WASHER FLAT #8 BRASS		
18.	819-041C	SEED ADJUSTMENT GUIDE		
19.	123-410D	GAUGE MOUNTING BRACKET		
20.	804-002C	WASHER INTERNAL STAR #8 BRASS		
21.	803-035C	NUT HEX 8-32 BRASS		
22.	803-006C	NUT HEX 1/4-20 PLT		
23.	804-006C	WASHER LOCK SPRING 1/4 PLT		
24.	803-058C	NUT WING 5/16-18		
25.	123-113D	LOCK TAB		
26.	802-092C	RHSNB 5/16-18X3/4 GR5		
27.	805-019C	PIN COTTER 5/32 X 1 PLT		
28.	804-012C	WASHER FLAT 3/8 SAE PLT		
29.	801-035C	SCREW SET 5/16-18 SKT KP X 3/8		
30.	890-349C	3/8 SHAFT LOCKING COLLAR		
31.	123-116D	SEED ADJUSTMENT SPOOL		
32.	123-050H	ADJUSTMENT HANDLE PIVOT		
33.	816-112C	RUBBER LATCH 37-11-065-10		
34.	800-101C	RIVET POP 1/8 .125 AD42BSLF		
35.	123-118D	SEED ADJUSTMENT SUPPORT		
36.	802-078C	HHCS 1/4-20X5/8 GR5		
37.	123-356D	10' EWNT SGS LID LATCH		
38.	803-007C	NUT LOCK 1/4-20 PLT		
39.	133-064H	1300 SML SDS LID		
40.	123-409D	RMVBL SMALL SEED BOX PARTITION		
41.	801-003C	SCREW RD HD SLT 10-24X1/2 PLT		
42.	804-004C	WASHER INTERNAL STAR #10 PLT		
43.	804-046C	WASHER FLAT #10 SAE PLT		
44.	803-001C	NUT HEX 10-24 PLT		
45.	816-113C	LATCH KEEPER 37-15-061-17		
46.	817-806C	SMALL SEEDS CUP WIND SHIELD		

Small Seeds Box Mounting

(Applies to 3S-4000, 3S-4000F only)



27425

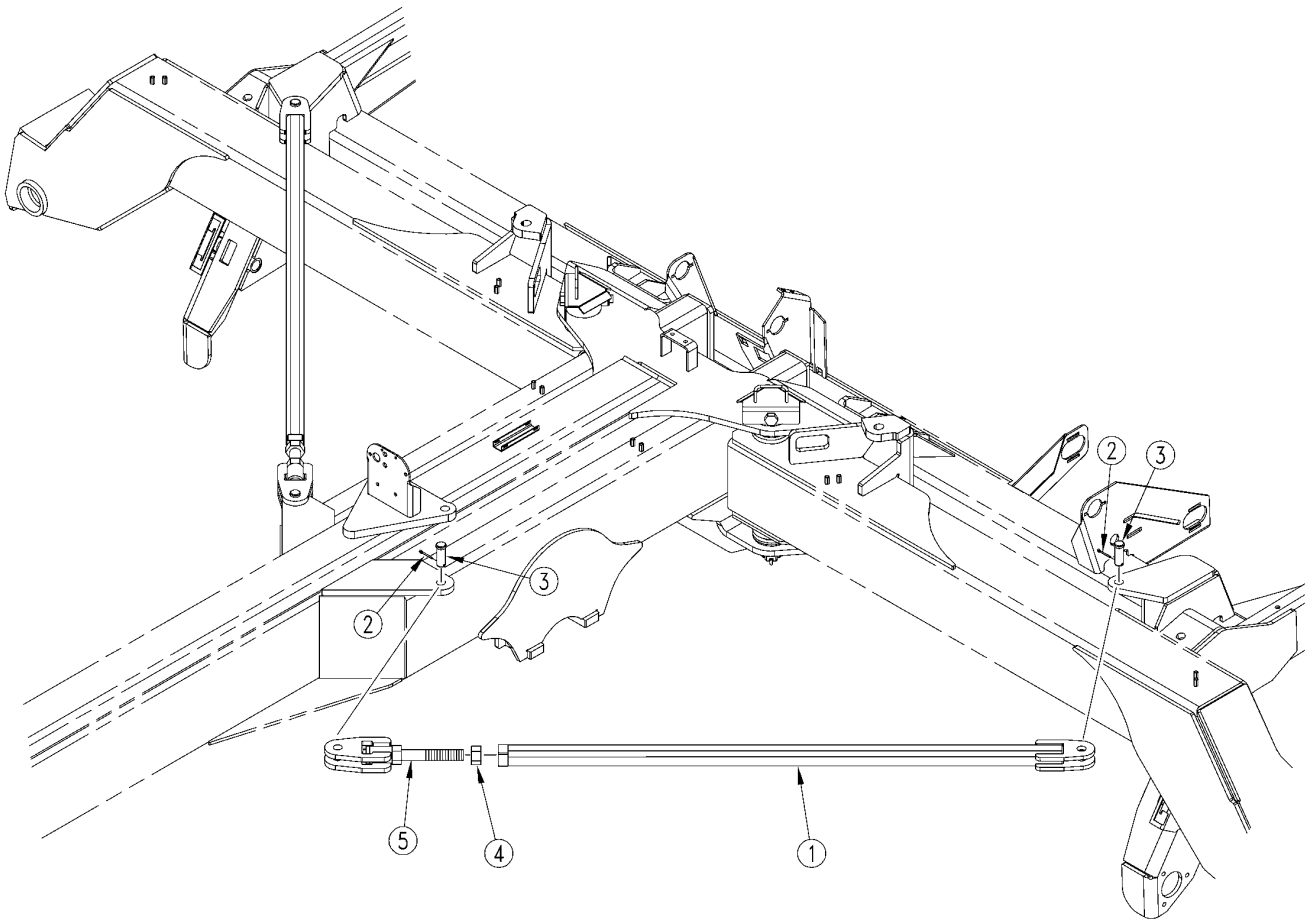
Small Seeds Box Mounting

(Applies to 3S-4000, 3S-4000F only)

Ref	Part No.	Part Description	Comments	Revision
	dwg27425	Image No.		
1.	195-244H	3S-4000 SEED BOX		
2.	133-381K	5000 SMLSDS RH MOUNT&DRIVE ASY		
3.	802-203C	HFSS 1/2-13X1 1/2 GR5		
4.	804-016C	WASHER FLAT 1/2 SAE PLT		
5.	803-169C	NUT HEX FLG. LOCK 1/2-13 PLT.		
6.	133-380H	SML SDS LH MOUNT WLDM		
7.	133-153K	2600 SML SDS RH BOX ASY 6 IN		
7.	133-155K	2600 SML SDS RH BOX ASY 7.5 IN		
7.	133-157K	2600 SML SDS RH BOX ASY 10 IN		
8.	804-013C	WASHER LOCK SPRING 3/8 PLT		
9.	803-014C	NUT HEX 3/8-16 PLT		
10.	802-388C	HFS 3/8-16X1 GR5		
11.	123-491D	HANDLE MOUNT LH CHAIN GUARD		
12.	123-492D	HANDLE MOUNT RH CHAIN GUARD		
13.	119-190D	HANDLE		

Truss Tubes

(Applies to 3S-4000, 3S-4000F only)



18811

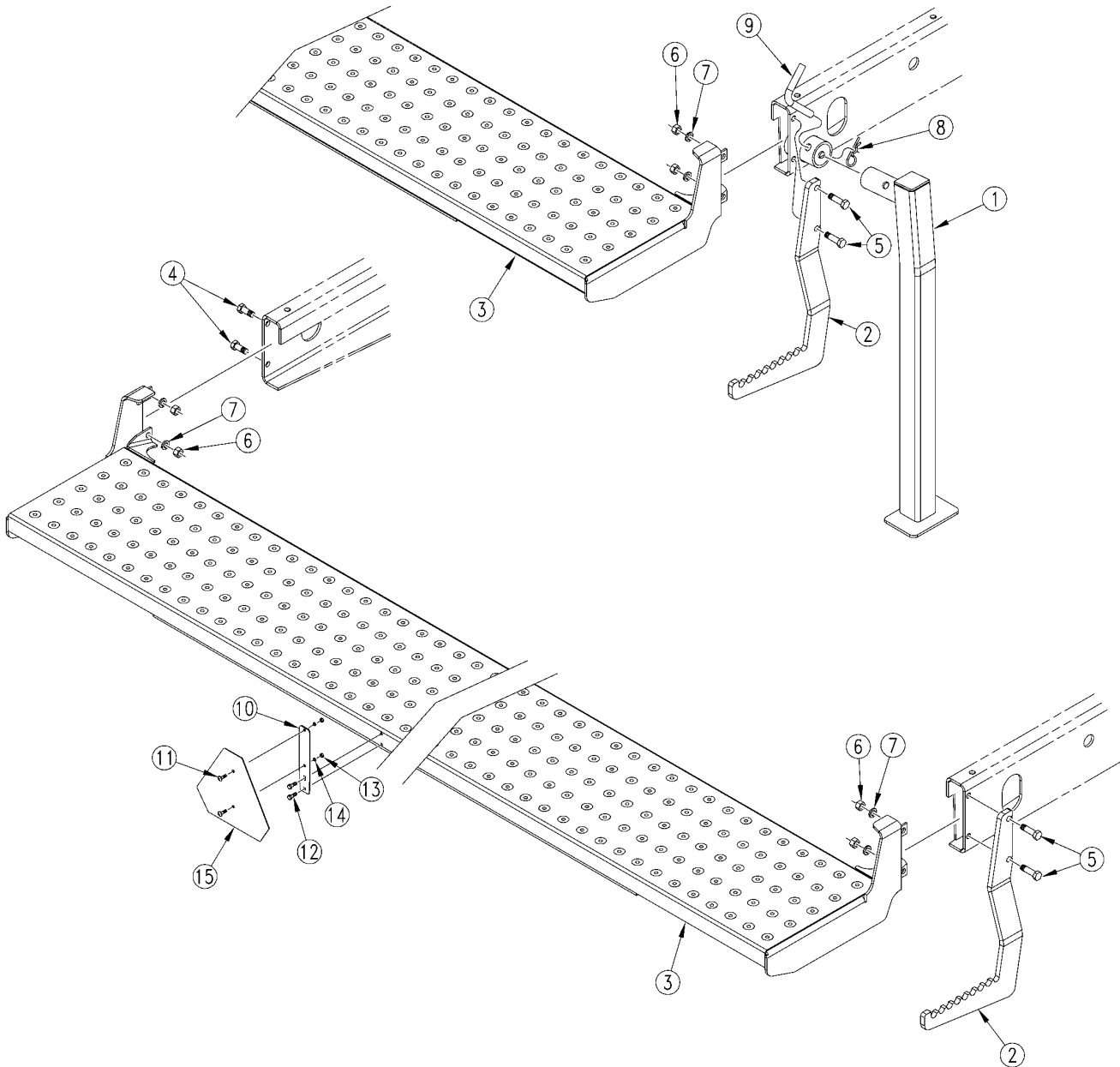
Truss Tubes

(Applies to 3S-4000, 3S-4000F only)

Ref	Part No.	Part Description	Comments	Revision
	dwg18811	Image No.		
1.	194-192H	3S-4000 TRUSS TUBE WELDMENT		
2.	805-104C	PIN COTTER 3/16 X 1 1/2 PLT		
3.	805-187C	PIN CLEVIS 1 X 2 1/4 GR5 PLT		
4.	803-034C	NUT HEX 1 1/4-7 PLT		
5.	194-191H	3S-4000 TRUSS ADJ TRUNNION		

Walkboards And Steps (YY1722-)

(Applies to 3S-4000, 3S-4000F only)



18810

Walkboards And Steps (YY1722-)

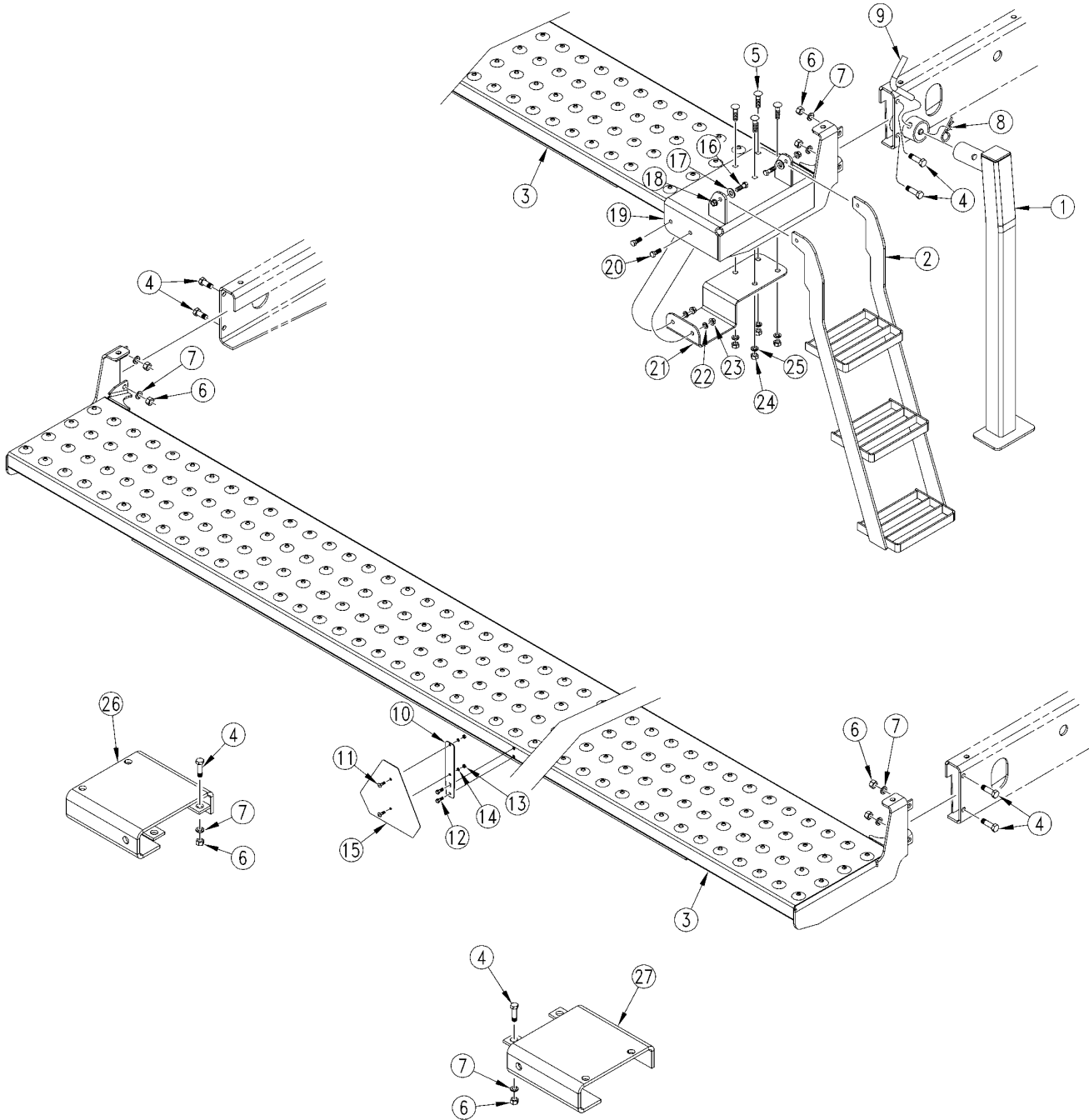
(Applies to 3S-4000, 3S-4000F only)

Ref	Part No.	Part Description	Comments	Revision
	dwg18810	Image No.		
1.	194-135H	PARKING STAND LEG		
2.	195-122D	STEP RH		
2.	195-121D	STEP LH		
3.	195-193H	2S-2600 WALKBOARD		
4.	802-034C	HHCS 1/2-13X1 1/4 GR5		
5.	802-082C	HHCS 1/2-13X1 3/4 GR5		
6.	803-020C	NUT HEX 1/2-13 PLT		
7.	804-015C	WASHER LOCK SPRING 1/2 PLT		
8.	805-032C	PIN HAIR COTTER .148 WIRE		
9.	805-197C	PIN BENT SHANK LOCK 5/8 OD		
10.	133-070D	3000 SMV MOUNTING BLADE		
11.	801-018C	SCREW RD HD 1/4-20 X 5/8		
12.	801-076C	SCR SELF TAPPING 3/8X1		
13.	803-006C	NUT HEX 1/4-20 PLT		
14.	804-006C	WASHER LOCK SPRING 1/4 PLT		
15.	818-055C	DECAL SLOW MOVING-GALV. BACKED		

[Table of Contents](#) [Part Number Index](#)

Walkboards And Steps (YY1723+)

(Applies to 3S-4000, 3S-4000F only)



31229

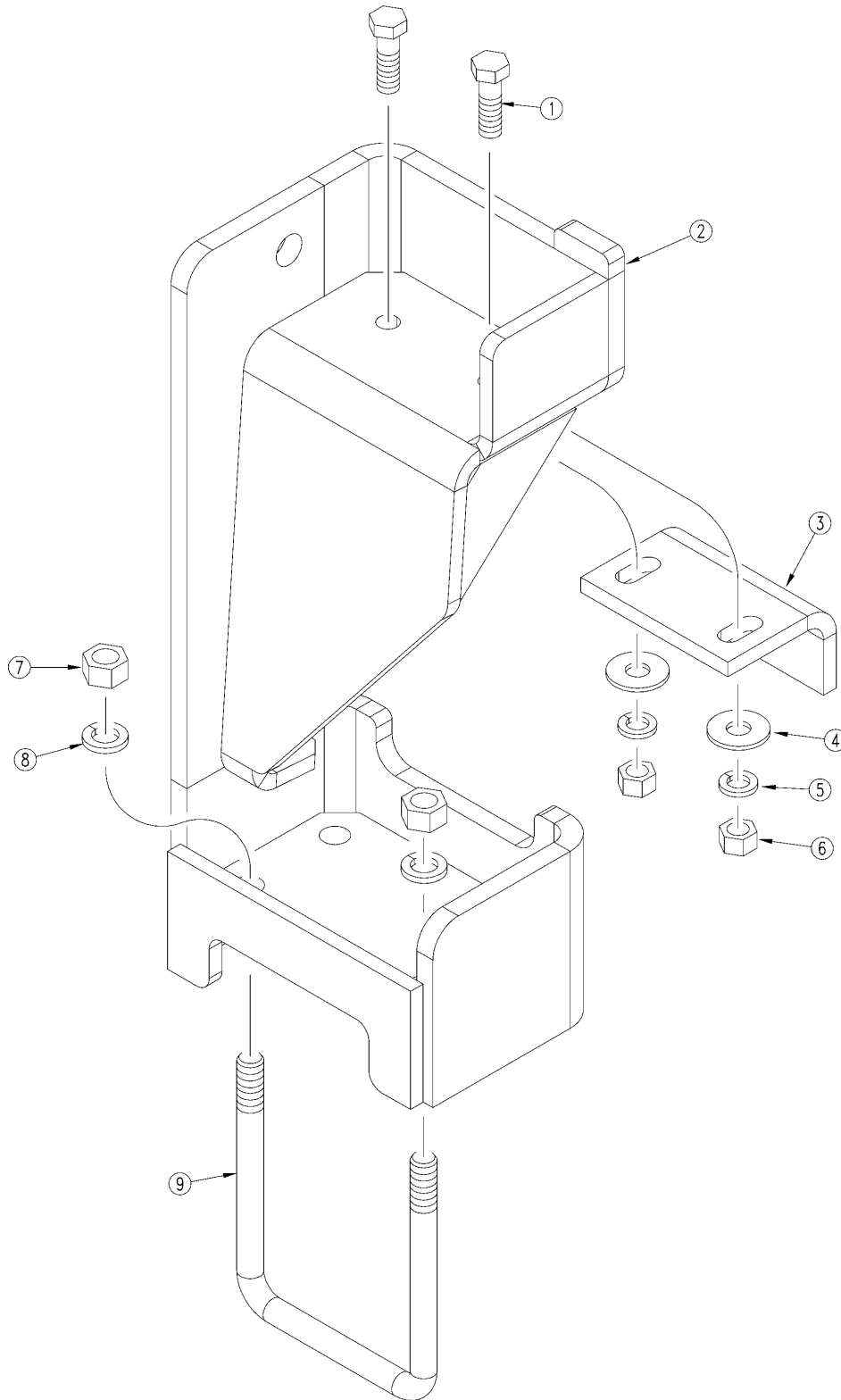
Walkboards And Steps (YY1723+)

(Applies to 3S-4000, 3S-4000F only)

Ref	Part No.	Part Description	Comments	Revision
	dwg31229	Image No.		
1.	194-135H	PARKING STAND LEG		
2.	195-062H	LADDER WELDMENT 3-STEP NARROW		
3.	195-193H	2S-2600 WALKBOARD		
4.	802-034C	HHCS 1/2-13X1 1/4 GR5		
5.	802-030C	RHSNB 7/16-14X1 3/4 GR5		
6.	803-020C	NUT HEX 1/2-13 PLT		
7.	804-015C	WASHER LOCK SPRING 1/2 PLT		
8.	805-032C	PIN HAIR COTTER .148 WIRE		
9.	805-197C	PIN BENT SHANK LOCK 5/8 OD		
10.	133-070D	3000 SMV MOUNTING BLADE		
11.	801-018C	SCREW RD HD 1/4-20 X 5/8		
12.	801-076C	SCR SELF TAPPING 3/8X1		
13.	803-006C	NUT HEX 1/4-20 PLT		
14.	804-006C	WASHER LOCK SPRING 1/4 PLT		
15.	818-055C	DECAL SLOW MOVING-GALV. BACKED		
16.	802-079C	HHCS 3/8-16X1 1/4 GR5		
17.	804-016C	WASHER FLAT 1/2 SAE PLT		
18.	803-209C	NUT FLANGE LOCK 3/8-16 PLT		
19.	195-064H	LADDER MOUNT TOP WELDMENT RH	Shown	
19.	195-063H	LADDER MOUNT TOP WELDMENT LH		
20.	802-017C	HHCS 3/8-16X1 GR5		
21.	195-340D	LADDER MOUNT BOTTOM PLATE		
22.	804-013C	WASHER LOCK SPRING 3/8 PLT		
23.	803-068C	NUT HEX FLANGE 3/8-16 PLT		
24.	803-015C	NUT HEX 7/16-14 PLT		
25.	804-014C	WASHER LOCK 7/16 PLT		
26.	195-310H	WALKBOARD EXTENSION LH	LH Used with Small Seeds Only	
27.	195-311H	WALKBOARD EXTENSION RH	RH Used with Small Seeds Only	

Weight Bracket (S/N YY1458-)

(Applies to 3S-4000, 3S-4000F only)



24414

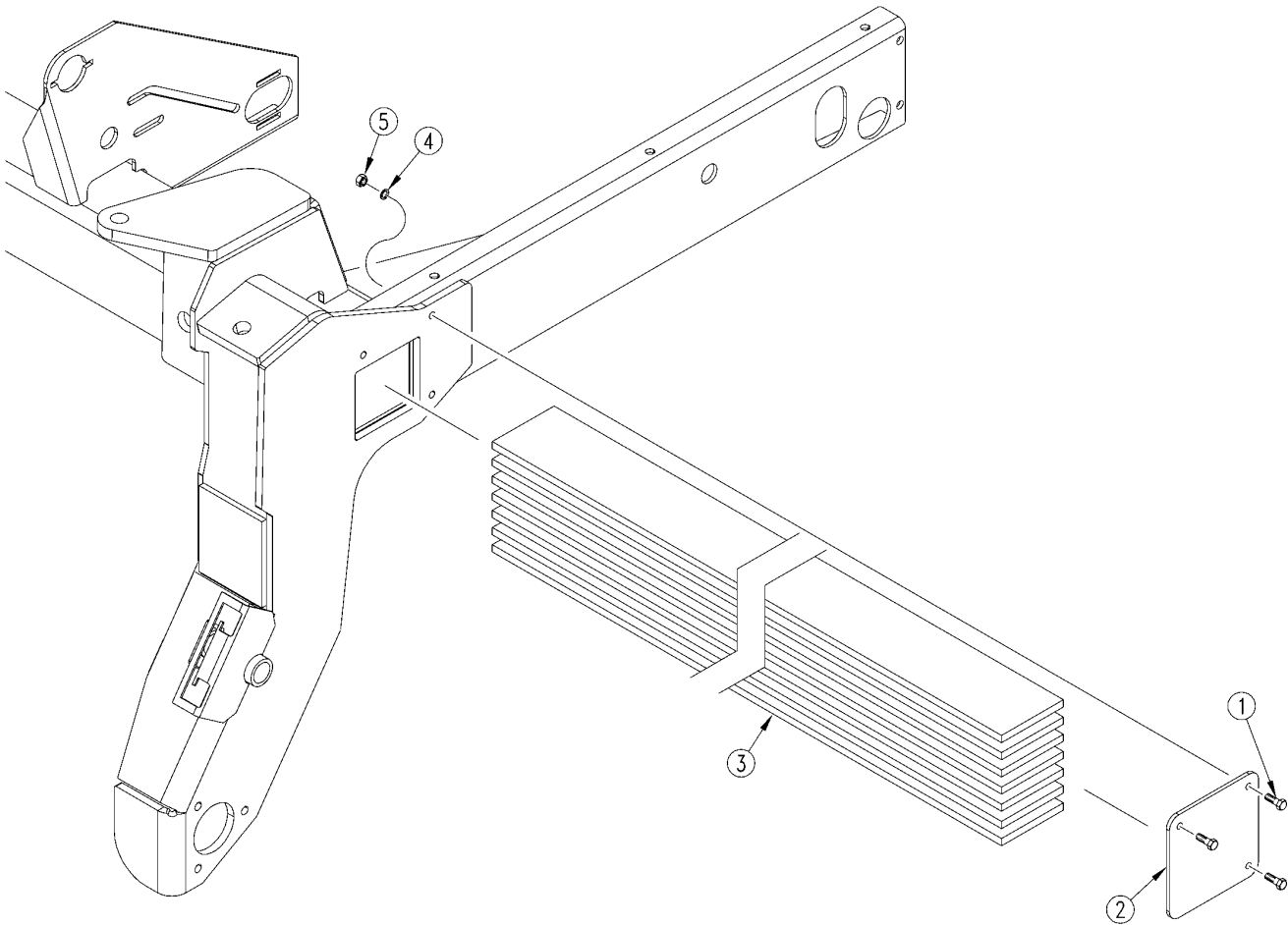
Weight Bracket (S/N YY1458-)

(Applies to 3S-4000, 3S-4000F only)

Ref	Part No.	Part Description	Comments	Revision
	dwg24414	Image No.		
1.	802-055C	HHCS 5/8-11X2 GR5		
2.	171-101H	WEIGHT BRACKET WELDMENT-LH		
2.	171-102H	WEIGHT BRACKET WELDMENT-RH		
3.	171-043D	WEIGHT BRACKET ADJ LEG		
4.	804-019C	WASHER FLAT 5/8 USS PLT		
5.	804-022C	WASHER LOCK SPRING 5/8 PLT		
6.	803-021C	NUT HEX 5/8-11 PLT		
7.	803-027C	NUT HEX 3/4-10 PLT		
8.	804-023C	WASHER LOCK SPRING 3/4 PLT		
9.	806-093C	U-BOLT 3/4-10 6 1/32 X 7 3/4		

Weight Bracket (S/N YY1459+)

(Applies to 3S-4000, 3S-4000F only)



26014

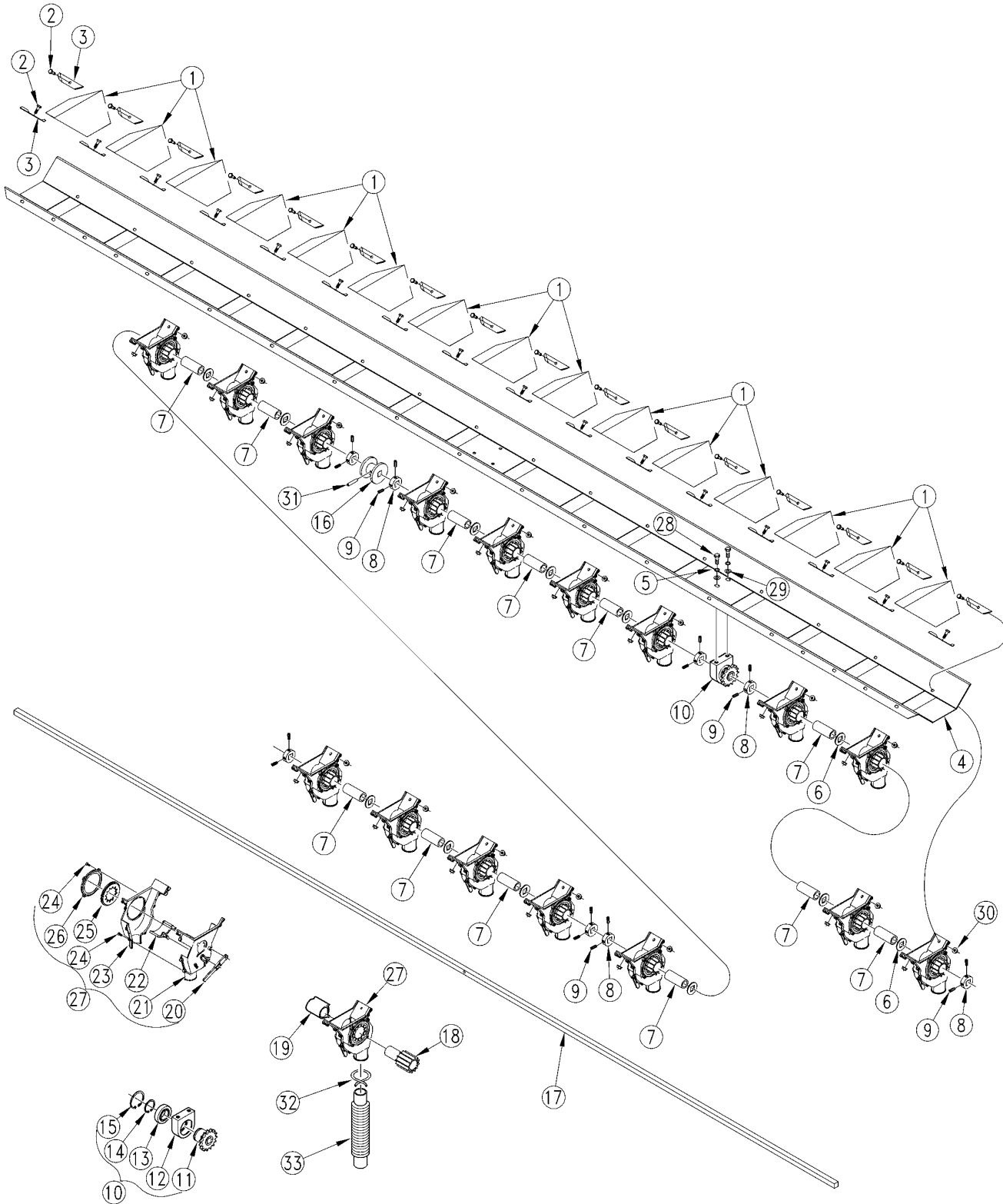
Weight Bracket (S/N YY1459+)

(Applies to 3S-4000, 3S-4000F only)

Ref	Part No.	Part Description	Comments	Revision
	dwg26014	Image No.		
1.	802-022C	HHCS 3/8-16X1 1/2 GR5		
2.	194-058D	END CAP - TUBE		
3.	194-059D	WEIGHT BAR 1/2 X 5 X 154		
4.	804-013C	WASHER LOCK SPRING 3/8 PLT		
5.	803-014C	NUT HEX 3/8-16 PLT		

10" Feeder Cup Spacing LH & Center

(Applies to 3S-4000, 3S-4000F only)



17246

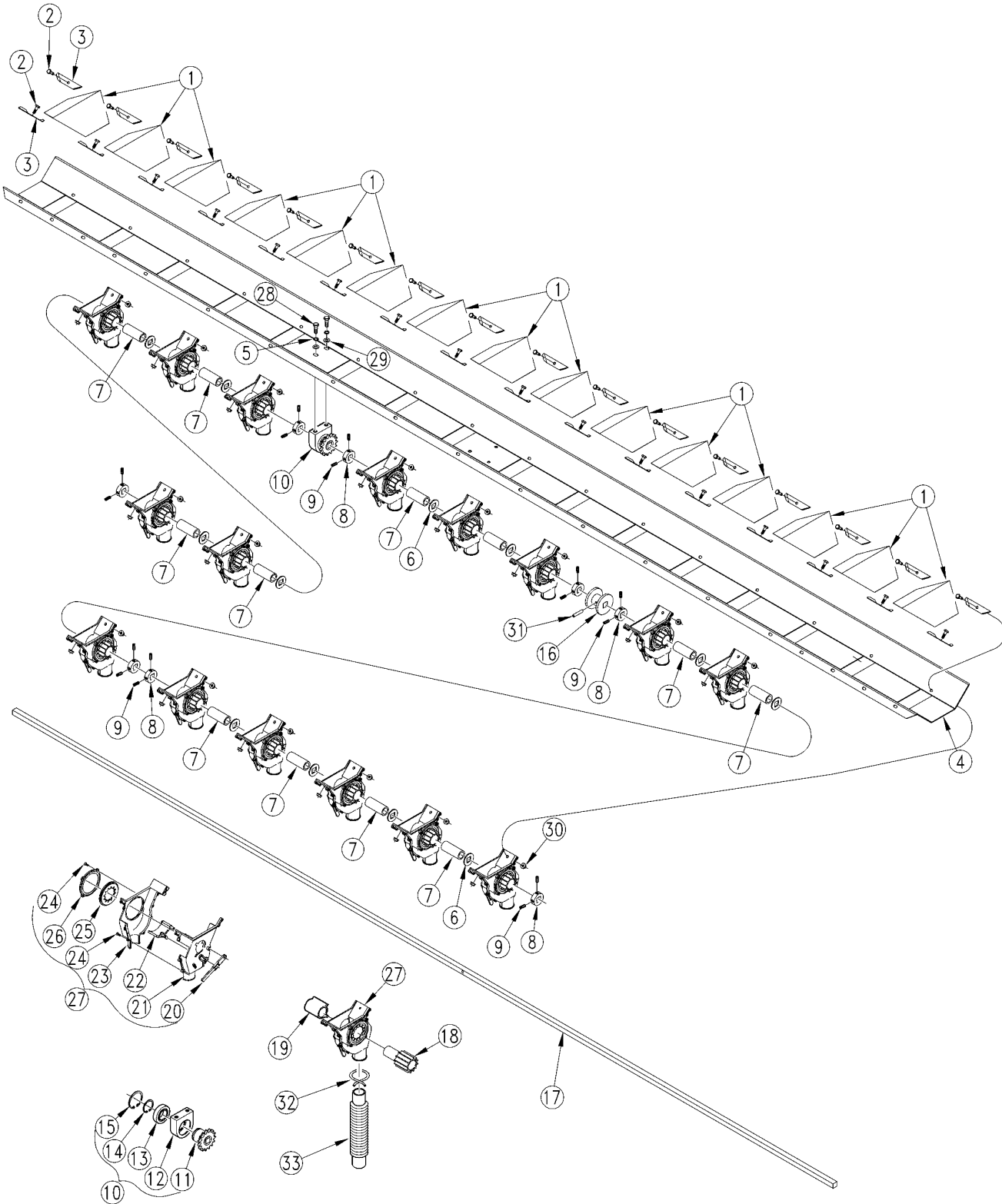
10" Feeder Cup Spacing LH & Center

(Applies to 3S-4000, 3S-4000F only)

Ref	Part No.	Part Description	Comments	Revision
	dwg17246	Image No.		
1.	118-338D	7 1/4 BOX DVDR FOR 7 1/2 ROW		
2.	802-004C	HHCS 1/4-20X3/4 GR5		
3.	118-341D	2SNT SEED BOX DIVIDER CLIP		
4.	195-246D	2600-10 16RW FEEDER CUP TRAYLH		
5.	804-012C	WASHER FLAT 3/8 SAE PLT		
6.	804-031C	WASHER RETAINING		
7.	175-280D	13' EW SPACER TUBE X 5.704		
8.	890-350C	5/8 SHAFT LOCKING COLLAR		
9.	801-035C	SCREW SET 5/16-18 SKT KP X 3/8		
10.	118-226S	FEEDER CUP BEARING ASSEMBLY		
11.	118-508D	BEARING HUB 40A15		
12.	118-336D	FEEDER CUP BEARING HOUSING		
13.	822-103C	BRG 30IDX55OD MM		
14.	800-004C	SNAP RING EXT BASIC 1 3/16		
15.	800-107C	SNAP RING INTERNAL 2.165		
16.	109-091D	MACHINED ADJUSTMENT SPOOL		
17.	175-233D	13' EW FD CUP SQ DRIVE BAR		
18.	890-190C	PM SEED CUP SPROCKET		
19.	817-074C	SEED CUP SLEEVE		
20.	817-071C	SEED CUP ADJUSTMENT HANDLE		
21.	817-069C	SEED CUP RIGHT HALF		
22.	817-070C	SEED CUP DOOR		
23.	817-068C	SEED CUP LEFT HALF		
24.	801-057C	SCR SELF TAP 8X3/8 TYPE25 BT		
25.	817-004C	NYLON WASHER-SPLIT		
26.	817-073C	SEED CUP WASHER RETAINER		
27.	817-075C	SEED CUP ASSEMBLY		
28.	802-014C	HHCS 3/8-16X3/4 GR5		
29.	804-013C	WASHER LOCK SPRING 3/8 PLT		
30.	803-194C	NUT HEX WHIZ 1/4-20 PLT		
31.	805-023C	PIN ROLL 3/16X1 1/4 PLT		
32.	800-009C	CLAMP HOSE 1 5/8 NO. 26		
33.	816-239C	SEED HOSE 56 RIBS X 11 LONG		

10" Feeder Cup Spacing RH

(Applies to 3S-4000, 3S-4000F only)



17247

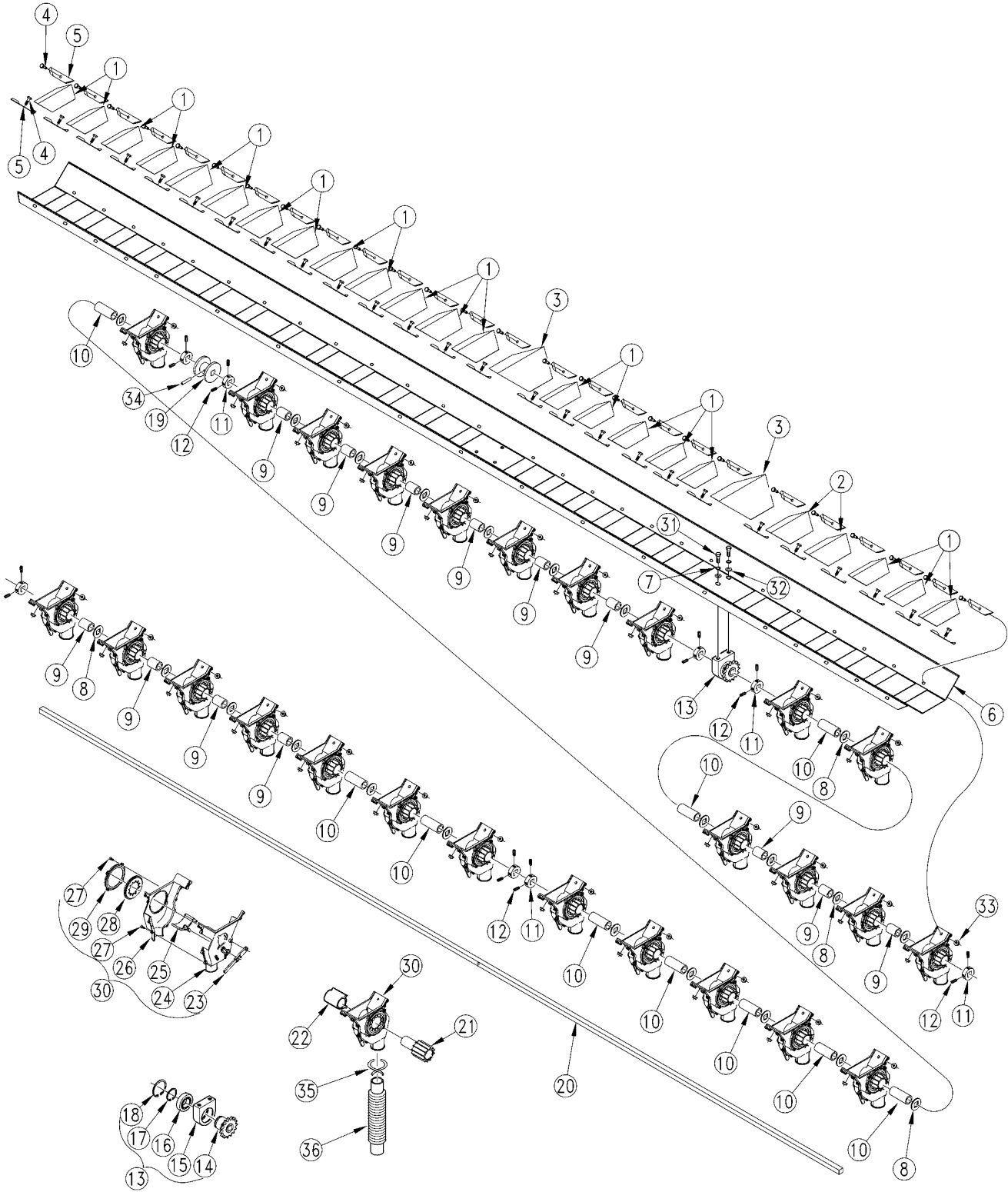
10" Feeder Cup Spacing RH

(Applies to 3S-4000, 3S-4000F only)

Ref	Part No.	Part Description	Comments	Revision
	dwg17247	Image No.		
1.	118-338D	7 1/4 BOX DVDR FOR 7 1/2 ROW		
2.	802-004C	HHCS 1/4-20X3/4 GR5		
3.	118-341D	2SNT SEED BOX DIVIDER CLIP		
4.	195-238D	2600-10 16RW FEEDER CUP TRAYRH		
5.	804-012C	WASHER FLAT 3/8 SAE PLT		
6.	804-031C	WASHER RETAINING		
7.	175-280D	13' EW SPACER TUBE X 5.704		
8.	890-350C	5/8 SHAFT LOCKING COLLAR		
9.	801-035C	SCREW SET 5/16-18 SKT KP X 3/8		
10.	118-226S	FEEDER CUP BEARING ASSEMBLY		
11.	118-508D	BEARING HUB 40A15		
12.	118-336D	FEEDER CUP BEARING HOUSING		
13.	822-103C	BRG 30IDX55OD MM		
14.	800-004C	SNAP RING EXT BASIC 1 3/16		
15.	800-107C	SNAP RING INTERNAL 2.165		
16.	109-091D	MACHINED ADJUSTMENT SPOOL		
17.	175-233D	13' EW FD CUP SQ DRIVE BAR		
18.	890-190C	PM SEED CUP SPROCKET		
19.	817-074C	SEED CUP SLEEVE		
20.	817-071C	SEED CUP ADJUSTMENT HANDLE		
21.	817-069C	SEED CUP RIGHT HALF		
22.	817-070C	SEED CUP DOOR		
23.	817-068C	SEED CUP LEFT HALF		
24.	801-057C	SCR SELF TAP 8X3/8 TYPE25 BT		
25.	817-004C	NYLON WASHER-SPLIT		
26.	817-073C	SEED CUP WASHER RETAINER		
27.	817-075C	SEED CUP ASSEMBLY		
28.	802-014C	HHCS 3/8-16X3/4 GR5		
29.	804-013C	WASHER LOCK SPRING 3/8 PLT		
30.	803-194C	NUT HEX WHIZ 1/4-20 PLT		
31.	805-023C	PIN ROLL 3/16X1 1/4 PLT		
32.	800-009C	CLAMP HOSE 1 5/8 NO. 26		
33.	816-239C	SEED HOSE 56 RIBS X 11 LONG		

6" Feeder Cup Spacing LH & Center

(Applies to 3S-4000, 3S-4000F only)



17242

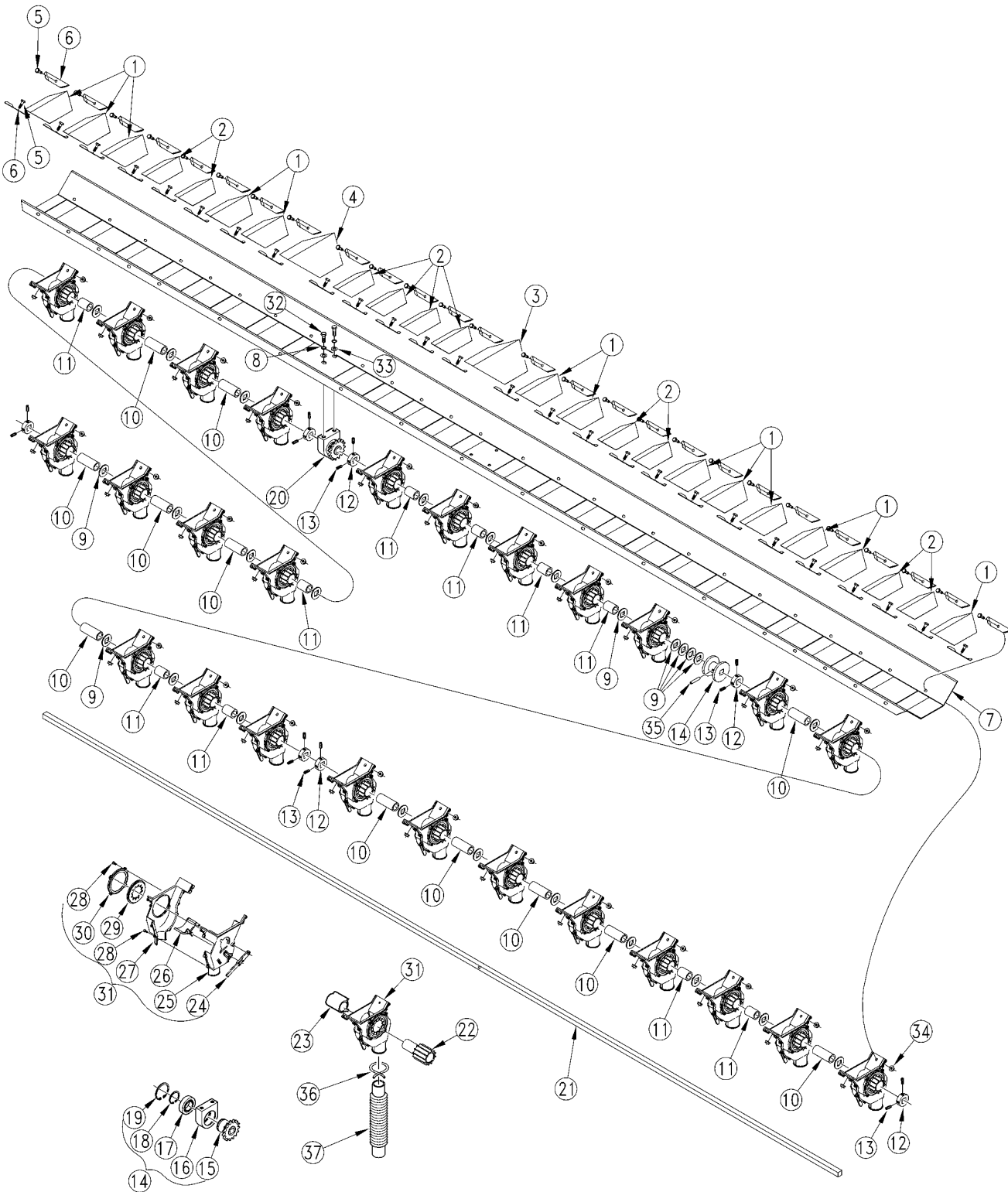
6" Feeder Cup Spacing LH & Center

(Applies to 3S-4000, 3S-4000F only)

Ref	Part No.	Part Description	Comments	Revision
	dwg17242	Image No.		
1.	118-431D	3 BOX DIVIDER FOR 4 7/8 ROW		
2.	118-433D	BOX DVDR 4.00 X 60DEG		
3.	118-432D	6 5/8 BOX DVDR FOR 8 1/2 ROW		
4.	802-004C	HHCS 1/4-20X3/4 GR5		
5.	118-341D	2SNT SEED BOX DIVIDER CLIP		
6.	195-244D	2600-6 26RW FEEDER CUP TRAY LH		
7.	804-012C	WASHER FLAT 3/8 SAE PLT		
8.	804-031C	WASHER RETAINING		
9.	118-434D	SPACER TUBE X 1.454		
10.	152-044D	2.454 FEEDER CUP SPACER		
11.	890-350C	5/8 SHAFT LOCKING COLLAR		
12.	801-035C	SCREW SET 5/16-18 SKT KP X 3/8		
13.	118-226S	FEEDER CUP BEARING ASSEMBLY		
14.	118-508D	BEARING HUB 40A15		
15.	118-336D	FEEDER CUP BEARING HOUSING		
16.	822-103C	BRG 30IDX55OD MM		
17.	800-004C	SNAP RING EXT BASIC 1 3/16		
18.	800-107C	SNAP RING INTERNAL 2.165		
19.	109-091D	MACHINED ADJUSTMENT SPOOL		
20.	175-233D	13' EW FD CUP SQ DRIVE BAR		
21.	890-190C	PM SEED CUP SPROCKET		
22.	817-074C	SEED CUP SLEEVE		
23.	817-071C	SEED CUP ADJUSTMENT HANDLE		
24.	817-069C	SEED CUP RIGHT HALF		
25.	817-070C	SEED CUP DOOR		
26.	817-068C	SEED CUP LEFT HALF		
27.	801-057C	SCR SELF TAP 8X3/8 TYPE25 BT		
28.	817-004C	NYLON WASHER-SPLIT		
29.	817-073C	SEED CUP WASHER RETAINER		
30.	817-075C	SEED CUP ASSEMBLY		
31.	802-014C	HHCS 3/8-16X3/4 GR5		
32.	804-013C	WASHER LOCK SPRING 3/8 PLT		
33.	803-194C	NUT HEX WHIZ 1/4-20 PLT		
34.	805-023C	PIN ROLL 3/16X1 1/4 PLT		
35.	800-009C	CLAMP HOSE 1 5/8 NO. 26		
36.	816-239C	SEED HOSE 56 RIBS X 11 LONG		

6" Feeder Cup Spacing RH

(Applies to 3S-4000, 3S-4000F only)



17243

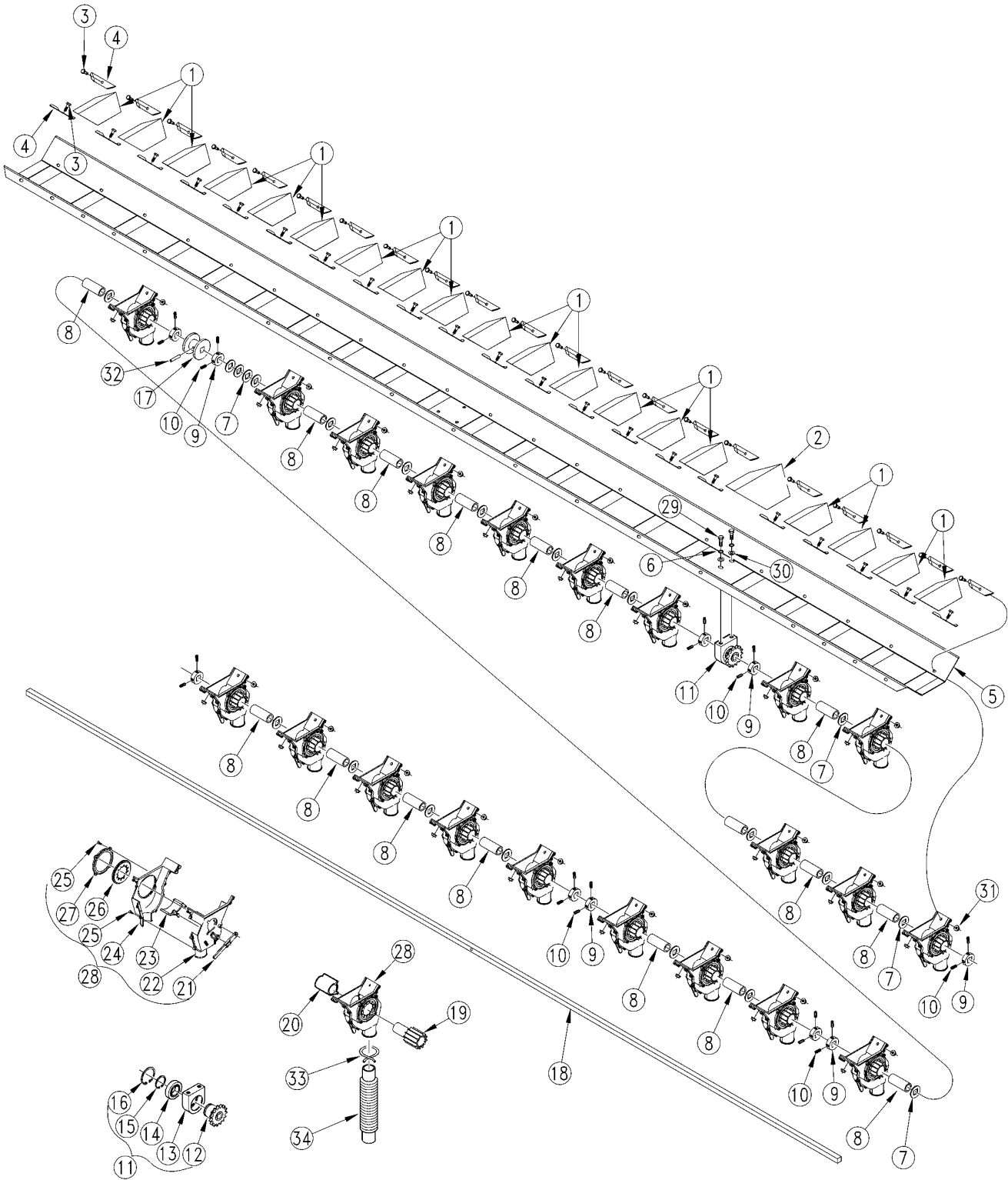
6" Feeder Cup Spacing RH

(Applies to 3S-4000, 3S-4000F only)

Ref	Part No.	Part Description	Comments	Revision
	dwg17243	Image No.		
1.	118-433D	BOX DVDR 4.00 X 60DEG		
2.	118-431D	3 BOX DIVIDER FOR 4 7/8 ROW		
3.	118-437D	BOX DVDR 5.13 X 60DEG		
4.	118-432D	6 5/8 BOX DVDR FOR 8 1/2 ROW		
5.	802-004C	HHCS 1/4-20X3/4 GR5		
6.	118-341D	2SNT SEED BOX DIVIDER CLIP		
7.	195-236D	2600-6 26RW FEEDER CUP TRAY RH		
8.	804-012C	WASHER FLAT 3/8 SAE PLT		
9.	804-031C	WASHER RETAINING		
10.	118-434D	SPACER TUBE X 1.454		
11.	152-044D	2.454 FEEDER CUP SPACER		
12.	890-350C	5/8 SHAFT LOCKING COLLAR		
13.	801-035C	SCREW SET 5/16-18 SKT KP X 3/8		
14.	118-226S	FEEDER CUP BEARING ASSEMBLY		
15.	118-508D	BEARING HUB 40A15		
16.	118-336D	FEEDER CUP BEARING HOUSING		
17.	822-103C	BRG 30IDX55OD MM		
18.	800-004C	SNAP RING EXT BASIC 1 3/16		
19.	800-107C	SNAP RING INTERNAL 2.165		
20.	109-091D	MACHINED ADJUSTMENT SPOOL		
21.	175-233D	13' EW FD CUP SQ DRIVE BAR		
22.	890-190C	PM SEED CUP SPROCKET		
23.	817-074C	SEED CUP SLEEVE		
24.	817-071C	SEED CUP ADJUSTMENT HANDLE		
25.	817-069C	SEED CUP RIGHT HALF		
26.	817-070C	SEED CUP DOOR		
27.	817-068C	SEED CUP LEFT HALF		
28.	801-057C	SCR SELF TAP 8X3/8 TYPE25 BT		
29.	817-004C	NYLON WASHER-SPLIT		
30.	817-073C	SEED CUP WASHER RETAINER		
31.	817-075C	SEED CUP ASSEMBLY		
32.	802-014C	HHCS 3/8-16X3/4 GR5		
33.	804-013C	WASHER LOCK SPRING 3/8 PLT		
34.	803-194C	NUT HEX WHIZ 1/4-20 PLT		
35.	805-023C	PIN ROLL 3/16X1 1/4 PLT		
36.	800-009C	CLAMP HOSE 1 5/8 NO. 26		
37.	816-239C	SEED HOSE 56 RIBS X 11 LONG		

7.5" Feeder Cup Spacing LH & Center

(Applies to 3S-4000, 3S-4000F only)



17244

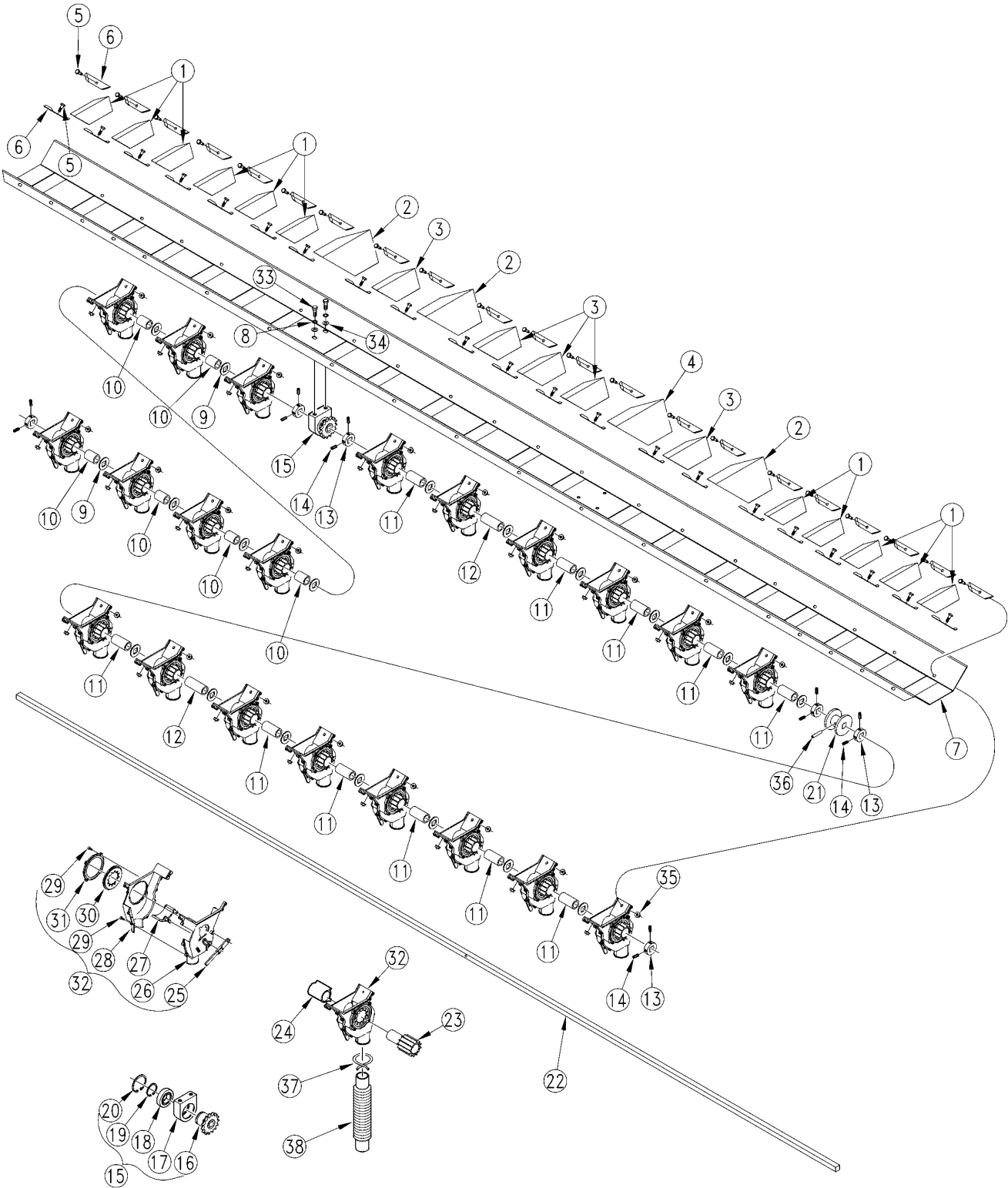
7.5" Feeder Cup Spacing LH & Center

(Applies to 3S-4000, 3S-4000F only)

Ref	Part No.	Part Description	Comments	Revision
	dwg17244	Image No.		
1.	118-437D	BOX DVDR 5.13 X 60DEG		
2.	118-467D	7 1/16 BOX DIVIDER - 7 1/2		
3.	802-004C	HHCS 1/4-20X3/4 GR5		
4.	118-341D	2SNT SEED BOX DIVIDER CLIP		
5.	195-245D	2600-7.5 RW FEEDER CUP TRAY LH		
6.	804-012C	WASHER FLAT 3/8 SAE PLT		
7.	804-031C	WASHER RETAINING		
8.	118-438D	SPACER TUBE X 3.579		
9.	890-350C	5/8 SHAFT LOCKING COLLAR		
10.	801-035C	SCREW SET 5/16-18 SKT KP X 3/8		
11.	118-226S	FEEDER CUP BEARING ASSEMBLY		
12.	118-508D	BEARING HUB 40A15		
13.	118-336D	FEEDER CUP BEARING HOUSING		
14.	822-103C	BRG 30IDX55OD MM		
15.	800-004C	SNAP RING EXT BASIC 1 3/16		
16.	800-107C	SNAP RING INTERNAL 2.165		
17.	109-091D	MACHINED ADJUSTMENT SPOOL		
18.	175-233D	13' EW FD CUP SQ DRIVE BAR		
19.	890-190C	PM SEED CUP SPROCKET		
20.	817-074C	SEED CUP SLEEVE		
21.	817-071C	SEED CUP ADJUSTMENT HANDLE		
22.	817-069C	SEED CUP RIGHT HALF		
23.	817-070C	SEED CUP DOOR		
24.	817-068C	SEED CUP LEFT HALF		
25.	801-057C	SCR SELF TAP 8X3/8 TYPE25 BT		
26.	817-004C	NYLON WASHER-SPLIT		
27.	817-073C	SEED CUP WASHER RETAINER		
28.	817-075C	SEED CUP ASSEMBLY		
29.	802-014C	HHCS 3/8-16X3/4 GR5		
30.	804-013C	WASHER LOCK SPRING 3/8 PLT		
31.	803-194C	NUT HEX WHIZ 1/4-20 PLT		
32.	805-023C	PIN ROLL 3/16X1 1/4 PLT		
33.	800-009C	CLAMP HOSE 1 5/8 NO. 26		
34.	816-239C	SEED HOSE 56 RIBS X 11 LONG		

7.5" Feeder Cup Spacing RH

(Applies to 3S-4000, 3S-4000F only)



17245

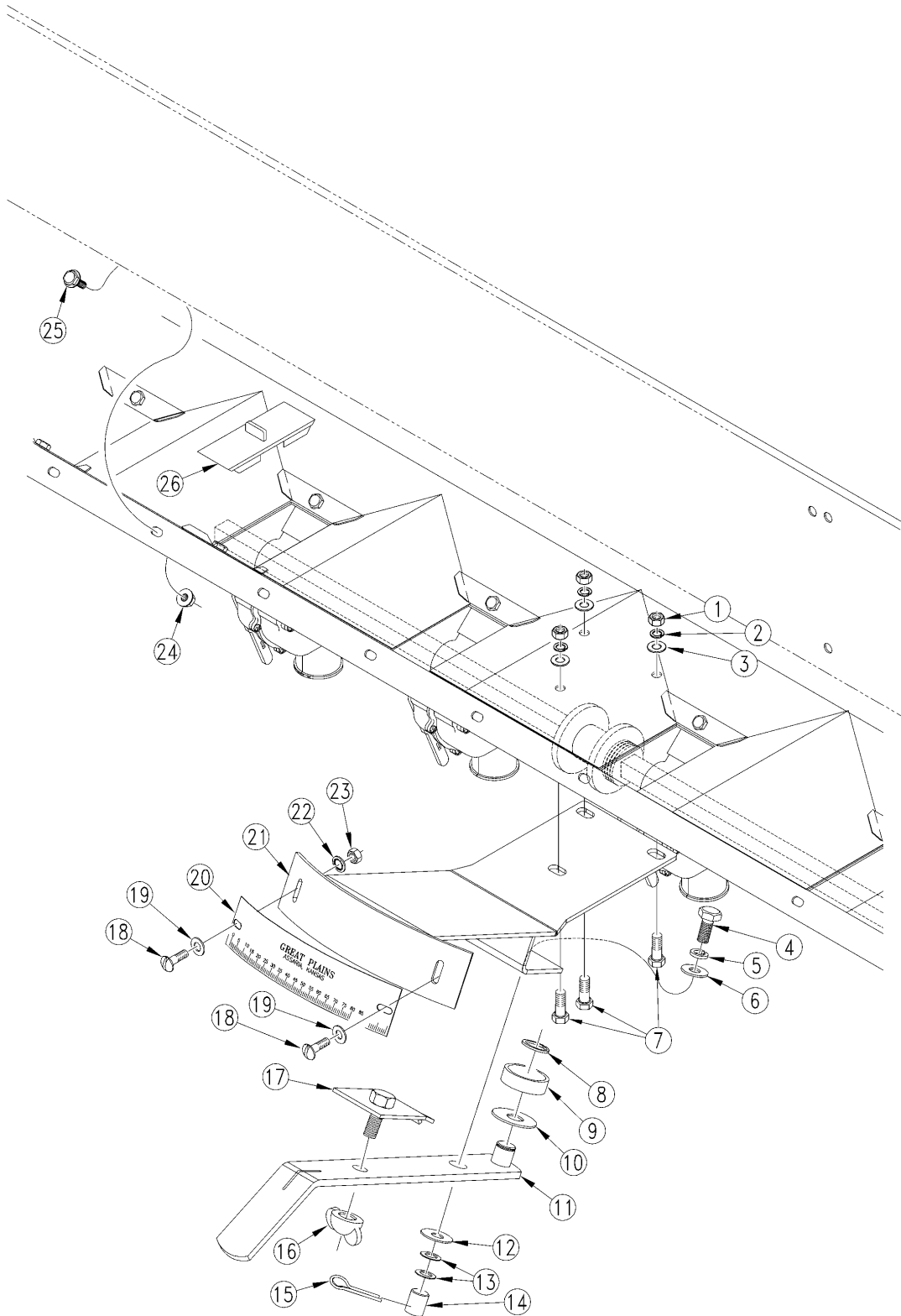
7.5" Feeder Cup Spacing RH

(Applies to 3S-4000, 3S-4000F only)

Ref	Part No.	Part Description	Comments	Revision
	dwg17245	Image No.		
1.	118-466D	4 1/2 BOX DIVIDER - 7 1/2		
2.	118-432D	6 5/8 BOX DVDER FOR 8 1/2 ROW		
3.	118-437D	BOX DVDR 5.13 X 60DEG		
4.	118-338D	7 1/4 BOX DVDR FOR 7 1/2 ROW		
5.	802-004C	HHCS 1/4-20X3/4 GR5		
6.	118-341D	2SNT SEED BOX DIVIDER CLIP		
7.	195-237D	2600-7.5 21RW FEEDERCUP TRAYRH		
8.	804-012C	WASHER FLAT 3/8 SAE PLT		
9.	804-031C	WASHER RETAINING		
10.	118-468D	SPACER TUBE X 2.954		
11.	118-438D	SPACER TUBE X 3.579		
12.	118-440D	SPACER TUBE X 5.079		
13.	890-350C	5/8 SHAFT LOCKING COLLAR		
14.	801-035C	SCREW SET 5/16-18 SKT KP X 3/8		
15.	118-226S	FEEDER CUP BEARING ASSEMBLY		
16.	118-508D	BEARING HUB 40A15		
17.	118-336D	FEEDER CUP BEARING HOUSING		
18.	822-103C	BRG 30IDX55OD MM		
19.	800-004C	SNAP RING EXT BASIC 1 3/16		
20.	800-107C	SNAP RING INTERNAL 2.165		
21.	109-091D	MACHINED ADJUSTMENT SPOOL		
22.	175-233D	13' EW FD CUP SQ DRIVE BAR		
23.	890-190C	PM SEED CUP SPROCKET		
24.	817-074C	SEED CUP SLEEVE		
25.	817-071C	SEED CUP ADJUSTMENT HANDLE		
26.	817-069C	SEED CUP RIGHT HALF		
27.	817-070C	SEED CUP DOOR		
28.	817-068C	SEED CUP LEFT HALF		
29.	801-057C	SCR SELF TAP 8X3/8 TYPE25 BT		
30.	817-004C	NYLON WASHER-SPLIT		
31.	817-073C	SEED CUP WASHER RETAINER		
32.	817-075C	SEED CUP ASSEMBLY		
33.	802-014C	HHCS 3/8-16X3/4 GR5		
34.	804-013C	WASHER LOCK SPRING 3/8 PLT		
35.	803-194C	NUT HEX WHIZ 1/4-20 PLT		
36.	805-023C	PIN ROLL 3/16X1 1/4 PLT		
37.	800-009C	CLAMP HOSE 1 5/8 NO. 26		
38.	816-239C	SEED HOSE 56 RIBS X 11 LONG		

Seed Rate Adjustment Handle

(Applies to 3S-4000, 3S-4000F only)



16676

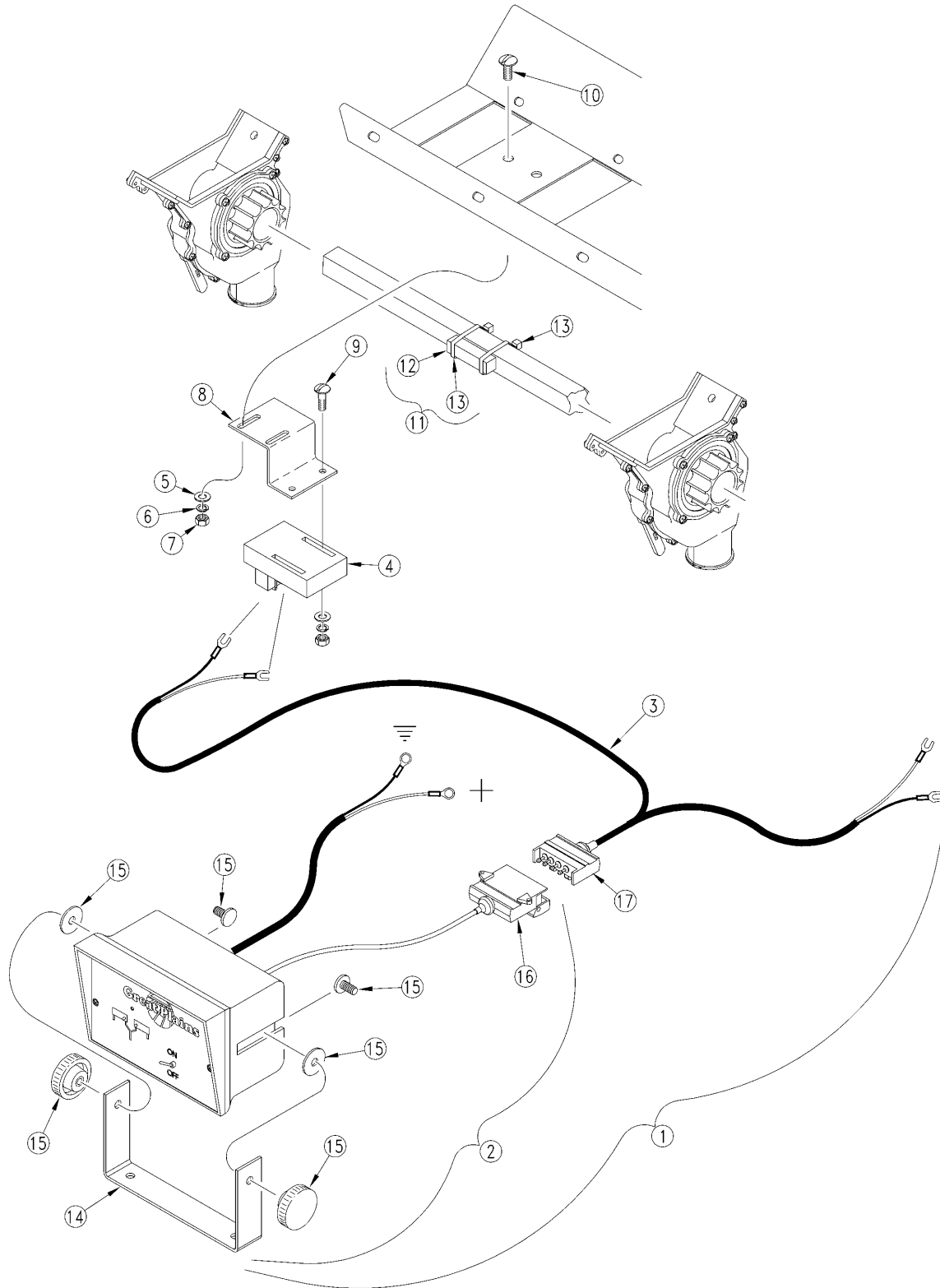
Seed Rate Adjustment Handle

(Applies to 3S-4000, 3S-4000F only)

Ref	Part No.	Part Description	Comments	Revision
	dwg16676	Image No.		
1.	803-008C	NUT HEX 5/16-18 PLT		
2.	804-009C	WASHER LOCK SPRING 5/16 PLT		
3.	804-036C	WASHER FLAT 5/16 SAE PLT		
4.	802-014C	HHCS 3/8-16X3/4 GR5		
5.	804-013C	WASHER LOCK SPRING 3/8 PLT		
6.	804-012C	WASHER FLAT 3/8 SAE PLT		
7.	802-007C	HHCS 5/16-18X3/4 GR5		
8.	800-003C	SNAP RING EXT 17 MM		
9.	822-008C	BRG BALL 17IDX40OD 6203		
10.	804-001C	WASHER ADJ HANDLE BRG		
11.	118-443H	SEED RATE ADJ HANDLE WLDMNT		
11.	118-444H	SEED RATE ADJ WLDMNT		
12.	804-021C	WASHER FLAT 5/8 SAE PLT		
13.	804-040C	WASHER MACH 1.19 X .63 X 18GA		
14.	109-069D	ADJUSTMENT HANDLE PIVOT		
15.	805-016C	PIN COTTER 3/16 X 1 1/4 PLT		
16.	803-016C	NUT WING 1/2-13 PLT		
17.	109-025H	ADJ LOCK PLATE ASS'Y - 1 1/2 W		
18.	801-001C	SCREW RD HD 8-32 X 3/8 BRASS		
19.	804-003C	WASHER FLAT #8 BRASS		
20.	819-109C	REAR SEED ADJ GUIDE 6 3/4 LONG		
20.	819-001C	NAME PLATE ADJ. GUIDE LONG		
21.	195-253H	REAR SEED RATE ADJ MOUNT WLDMT		
21.	118-444H	SEED RATE ADJ WLDMNT		
22.	804-002C	WASHER INTERNAL STAR #8 BRASS		
23.	803-035C	NUT HEX 8-32 BRASS		
24.	803-088C	NUT HEX LOCK 1/4-20 FLG		
25.	802-196C	HFSS 1/4-20X5/8 GR5		
26.	817-087C	1 3/4 WIDE FEEDER CUP PLUG		

Vansco Shaft Monitor (Option)

(Applies to 3S-4000, 3S-4000F only)



27009

Vansco Shaft Monitor (Option)

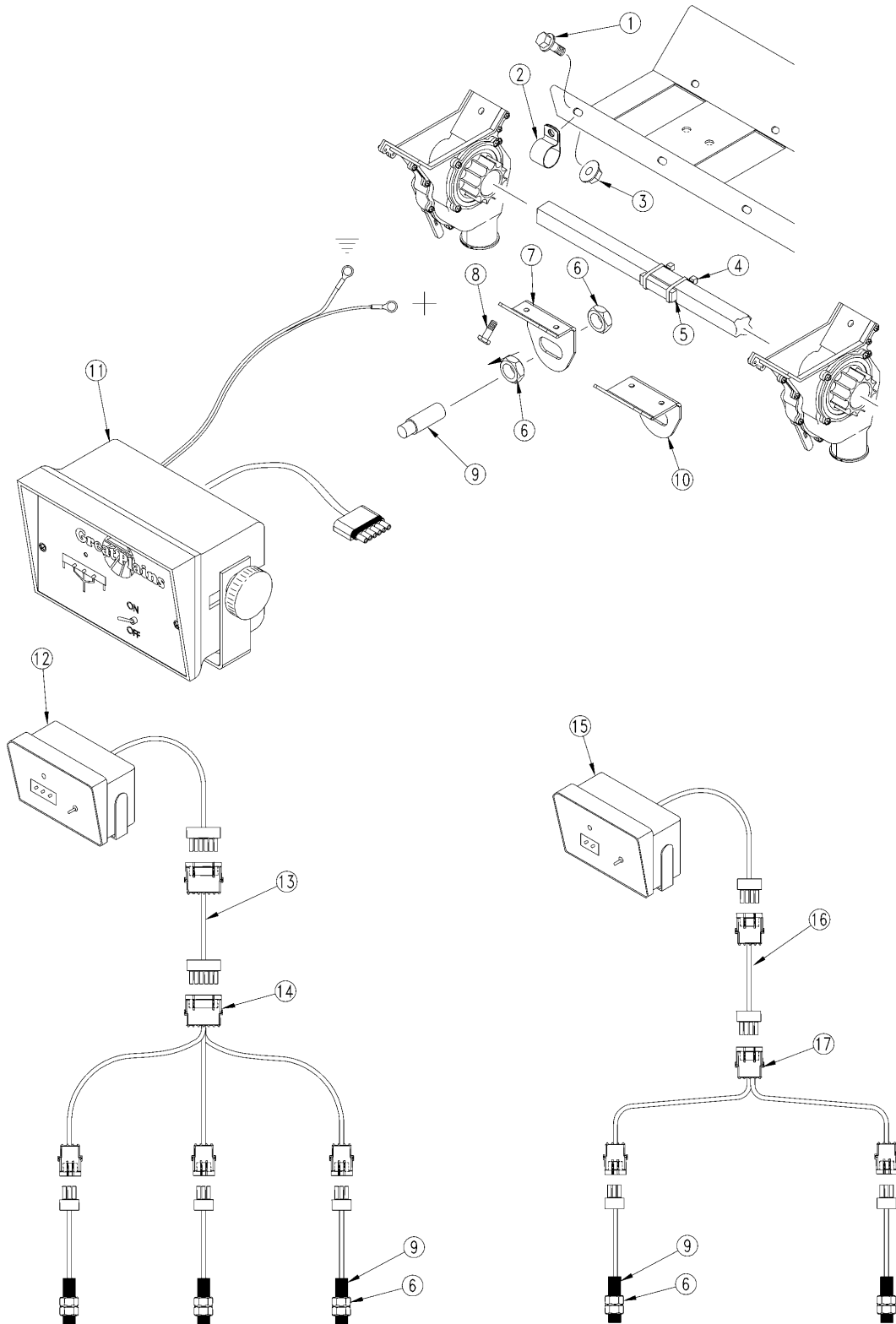
(Applies to 3S-4000, 3S-4000F only)

Ref	Part No.	Part Description	Comments	Revision
	dwg27009	Image No.		
1.	823-059C	VANSCO 2 CHANNEL SHAFT MONITOR		
1.	823-060C	VANSCO 3 CHANNEL SHAFT MONITOR		
1.	823-076C	VANSCO 2 CHNL SHAFT MNTR-2SNT		
2.	253001	VANSCO CONTROL BOX ASSY 2 CH		
2.	253000	VANSCO CONTROL BOX ASSY 3 CH		
3.	253701	VANSCO HARNESS 2 CH 40FT		
3.	253700	VANSCO HARNESS 3 CH 60FT		
4.	VA-080002	REED SWITCH PICK-UP		
5.	804-088C	WASHER FLAT #8 SAE PLT		
6.	804-043C	WASHER LOCK #8		
7.	803-064C	NUT HEX 8-32		
8.	116-181D	VANSCO SWITCH BRACKET		
9.	801-067C	SCREW RD HD 8-32 X 1 1/2LG PLT		
10.	801-016C	SCREW RD HD 8-32 X 1/2 LG PLT		
11.	116-132K	VANSCO MAGNET & CABLE TIE ASSY		
12.	890-321C	VANSCO MAGNET		
13.	800-112C	CABLE TIE .19X7.25 1.75D 50LB		
14.	VA-VMM253501	MOUNTING BRACKET		
15.	VA-253307	VANSCO MOUNTING KNOB KIT		
16.	VA-JX-B77	BRYLITE CONSOLE END		
17.	VA-JX-B76	BRYLITE HARNESS END		

[Table of Contents](#) [Part Number Index](#)

Loop Shaft Monitor (2 Channel 116-282A) (3 Channel 116-283A)

(Applies to 3S-4000, 3S-4000F only)



34220

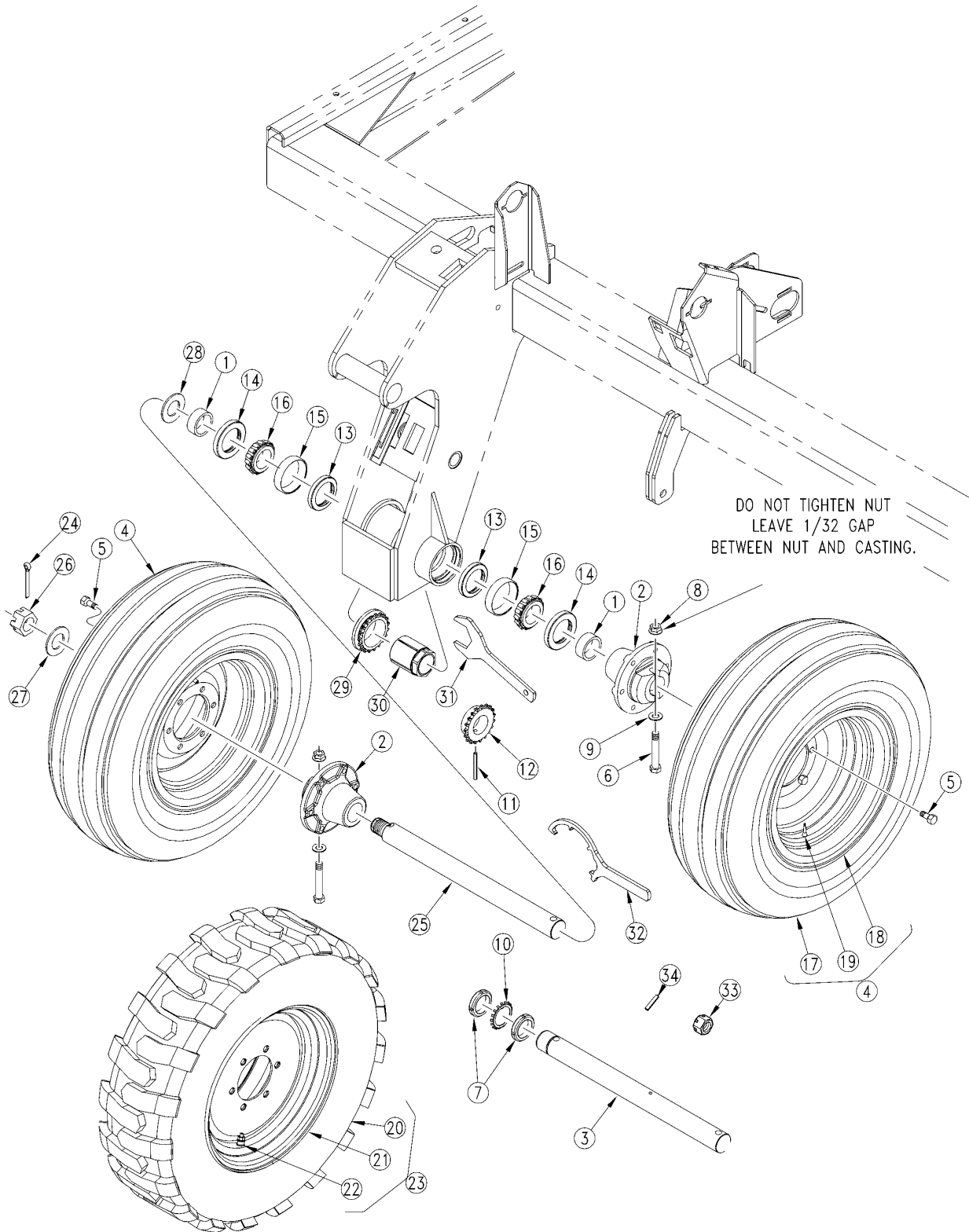
Loop Shaft Monitor (2 Channel 116-282A) (3 Channel 116-283A)

(Applies to 3S-4000, 3S-4000F only)

Ref	Part No.	Part Description	Comments	Revision
	dwg34220	Image No.		
1.	802-257C	HFSS 1/4-20X3/4 GR5		
2.	800-052C	HOSE CLIP 5/8 I.D.		
3.	803-088C	NUT HEX LOCK 1/4-20 FLG		
4.	770026	CABLE TIE, NYLON		
5.	540017	MAGNET, ADHESIVE BACKED, LARGE		
6.	710425	NUT HEX JAM, PLASTIC M16 X 2		
7.	116-019D	SHAFT SENSOR MOUNT		
8.	801-199C	SCR SELF TAP #10 X 3/4		
9.	253100	LOUP SHAFT SENSOR 2&3 CHANNEL		
10.	116-020D	SMALL CUP SENSOR MOUNT		
11.	253017	LOUP 3 CHANNEL SHAFT MONITOR		
12.	253016	LOUP 2 CHANNEL SHAFT MONITOR		
13.	833-595C	SHAFT MONITOR EXT. 30' 6P WP		
14.	318951	HARNESS 3 SHAFT MONITOR LOUP		
15.	253017	LOUP 3 CHANNEL SHAFT MONITOR		
16.	833-596C	SHAFT MONITOR EXT. 25' 4P WP		
17.	318917	HARNESS 2 SHAFT MONITOR LOUP		

Gauge Wheels

(Applies to 3S-4000, 3S-4000F only)



18809

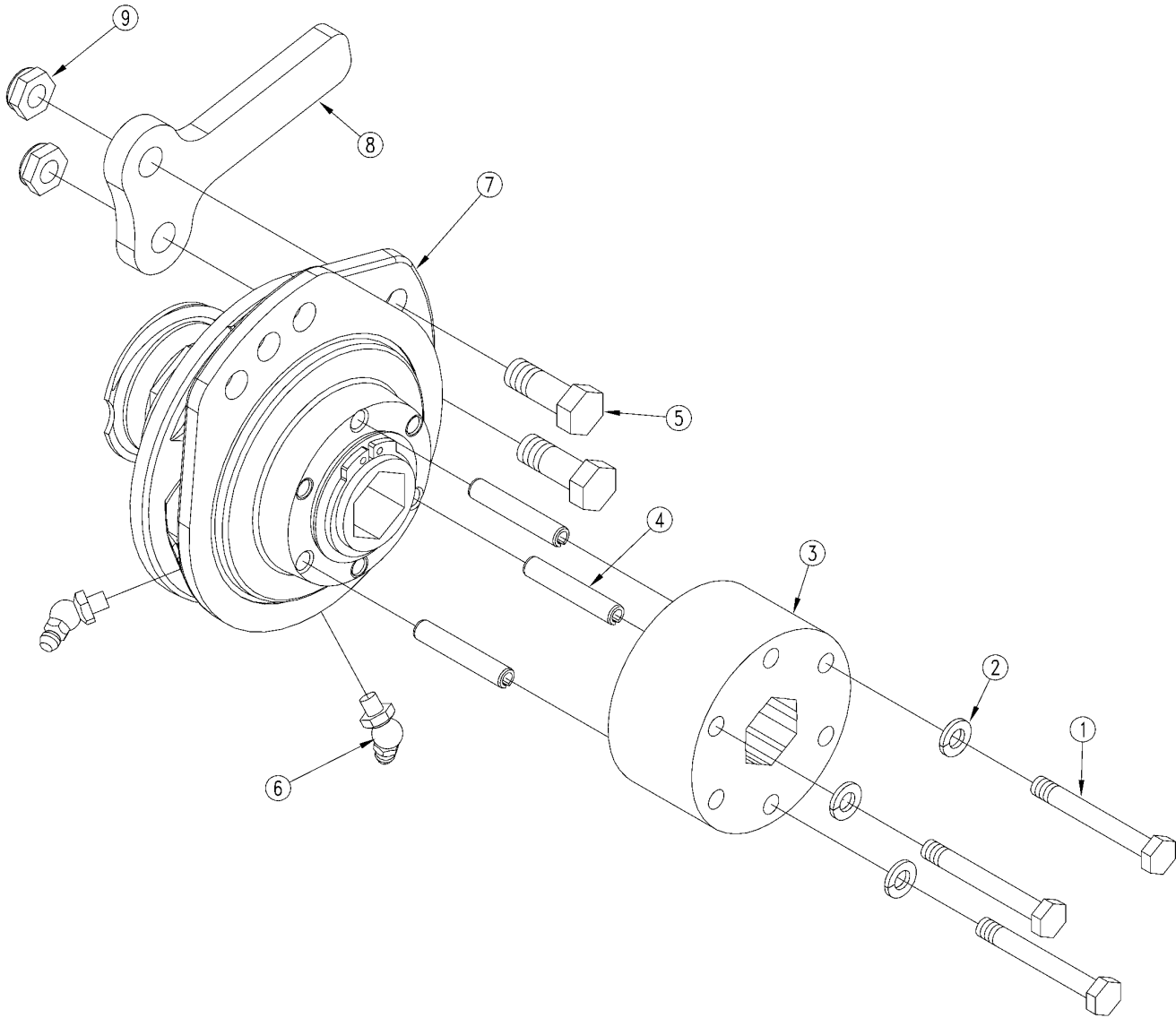
Gauge Wheels

(Applies to 3S-4000, 3S-4000F only)

Ref	Part No.	Part Description	Comments	Revision
	dwg18809	Image No.		
1.	120-198D	AXLE SPACER TUBE		
2.	152-390D	6-BOLT HEAVY DRIVE HUB 2 BORE		
3.	195-229D	SPNDLE 2"W/5/8 CROSS HOLE DUAL		
4.	197-148K	TITAN TIRE 11L-15 8 PLY 6 BLT		
5.	802-104C	BOLT WHEEL 1/2-20X1 90-DEG		
6.	802-687C	HHCS 5/8-11X4 SPTHD GR8		
7.	803-208C	NUT BEARING LOCK, TN-10		
8.	803-263C	NUT HEX FLANGE LOCK 5/8-11 PLT		
9.	804-095C	WASHER FLAT 5/8 HARD ASTM436		
10.	804-098C	WASHER BEARING LOCK, TW110		
11.	805-030C	PIN ROLL 5/16 X 3 PLT		
12.	808-287C	SPKT 50B19C2B W/5/16 HOLE		
13.	816-012C	SEAL 3.375 X 2.0 X.438 CR20125		
14.	816-138C	SEAL DBL LIP 2.5 ID X 3.881 OD		
15.	822-118C	BEARING CUP 2 TIM33821		
16.	822-117C	BEARING CONE 2 TIM33889		
17.	814-178C	TIRE TITAN 11L-15 X 8 PLY		
18.	814-008C	WHEEL 8 X 15 X 6 BOLT		
19.	816-035C	VALVE STEM TR415X.625X1 1/4 LG		
20.	814-207C	TIRE SKID ST 265/70B16.5 NHS		
21.	814-209C	RIM 16.5X8.25, 6 BLT 4.63 PILT		
22.	814-210C	VALVE STEM METAL TR-575 TUBLES		
23.	196-274K	RH TIRE/RIM 265/70B16.5 SKID 6		
23.	196-275K	LH TIRE/RIM 265/70B16.5 SKID 6		
24.	805-148C	PIN COTTER 3/8 X 3 PLT		
25.	195-265D	SPNDL 2 X 24.70 W/ 1.5-12 THD		
25.	195-351D	SPNDL 2 X 24.7 1.5-12THD NOHLE		
26.	803-239C	NUT HEX SLOTTED 1 1/2-12		
27.	804-182C	WASHER HARD 1 1/2 MILCARB GR8		
28.	195-234D	WASHER FLAT 2 ID X 2 5/8 X 10G		
29.	808-413C	SPKT 50B19 2.88 KEYLESS BORE		
30.	891-137C	HUB KEYLESS 2.0 BORE X 2.88 OD		
31.	195-352D	WRENCH OPEN END 2 1/2		
32.	195-355D	WRENCH SPANNER 6 BOLT HUB		
33.	195-398H	DRIVE SPROCKET TORQUING NUT		
34.	805-249C	PIN ROLL 3/8 X 2 PLT		

Center Clutch Breakdown (195-246K)

(Applies to 3S-4000, 3S-4000F only)



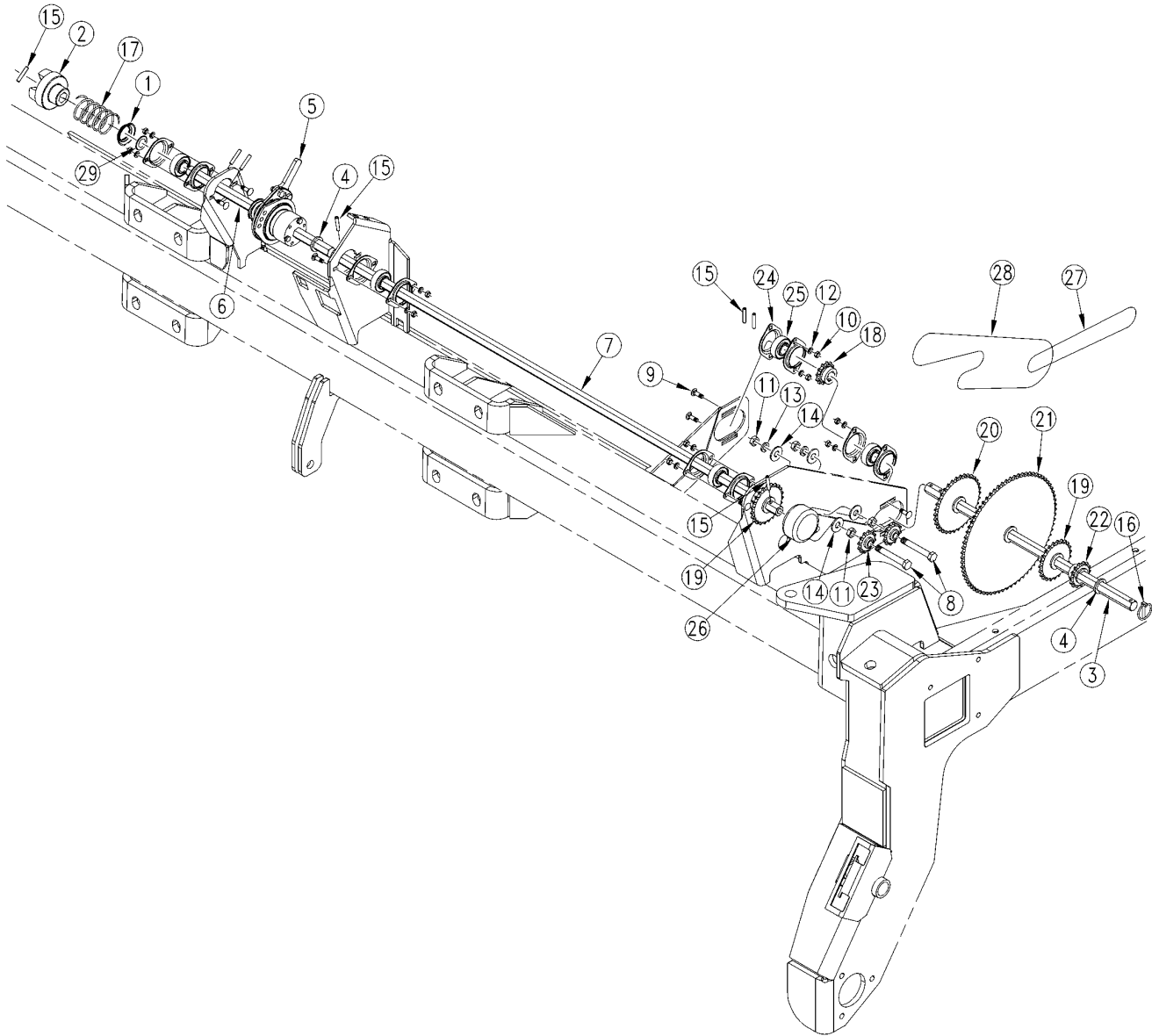
Center Clutch Breakdown (195-246K)

(Applies to 3S-4000, 3S-4000F only)

Ref	Part No.	Part Description	Comments	Revision
	dwg18819	Image No.		
1.	802-152C	HHCS 1/4-20X2 GR5		
2.	804-006C	WASHER LOCK SPRING 1/4 PLT		
3.	195-170D	CLUTCH ADAPTOR 7/8 HEX BORE		
4.	805-180C	PIN ROLL 1/4 X 1 1/2 LG PLT		
5.	802-017C	HHCS 3/8-16X1 GR5		
6.	800-058C	GREASE ZERK 1/4-28 X 45-DEG		
7.	176-042S	JAW CLUTCH CW EXT 7/8 HEX		
8.	152-262D	CLUTCH ENGAGE ARM		
9.	803-215C	NUT NYLOCK JAM THIN 3/8-16 PLT		

Center Drive (S/N YY1151-)

(Applies to 3S-4000, 3S-4000F only)



18813

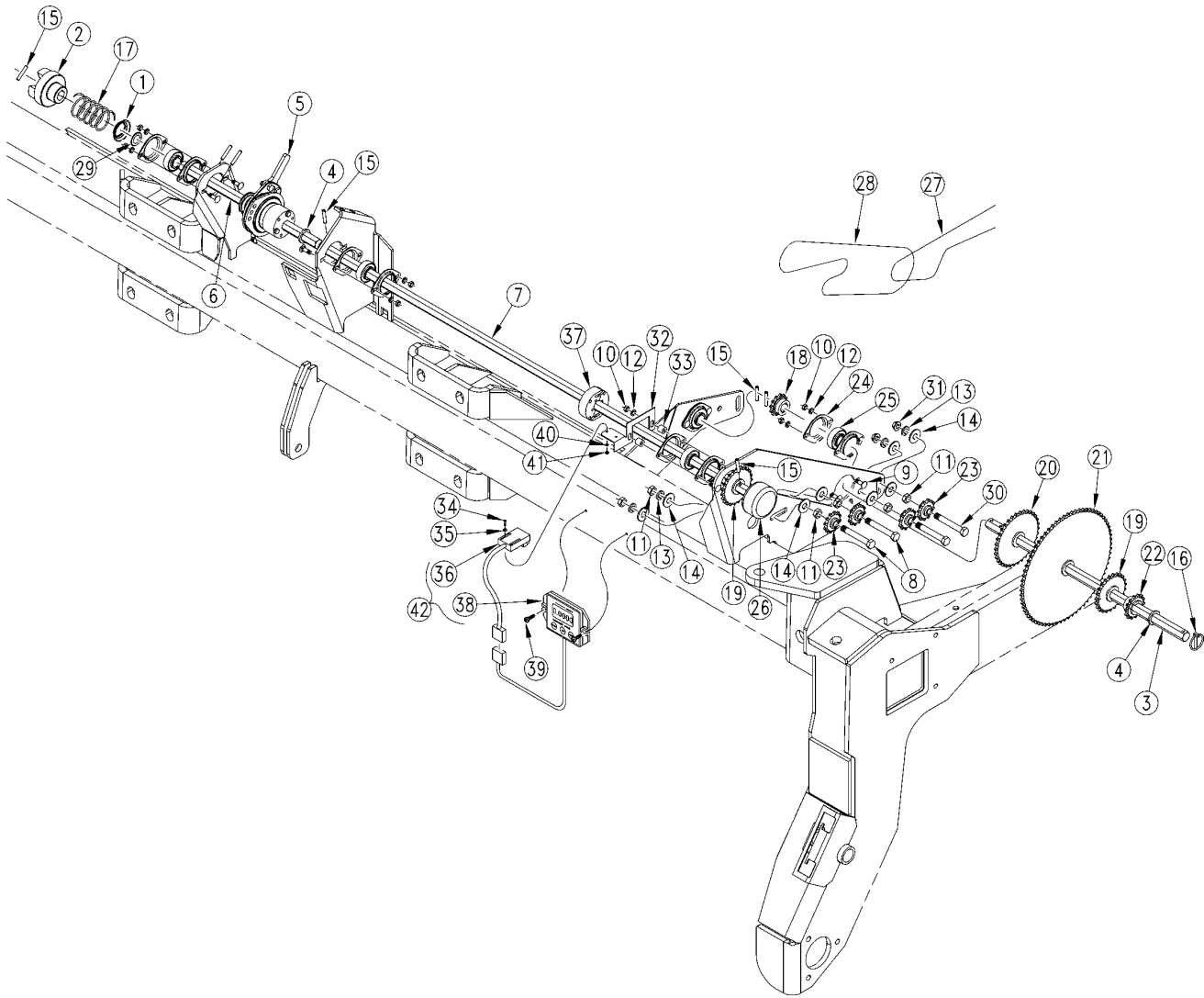
Center Drive (S/N YY1151-)

(Applies to 3S-4000, 3S-4000F only)

Ref	Part No.	Part Description	Comments	Revision
	dwg18813	Image No.		
1.	176-066D	CLUTCH SPRING RETAINER		
2.	195-109D	BRKAWAY CLUTCH 7/8 HX LONG BR		
3.	195-172D	SEED JACKSHAFT 7/8 HEX CENTER		
4.	195-243D	7/8 HEX SPROCKET WASHER		
5.	195-246K	3S-4000 CENTER CLUTCH ASSY		
6.	195-257D	POWER SHAFT 7/8 HEX CENTER		
7.	195-258D	ACRE METER SHAFT		
8.	802-041C	HHCS 1/2-13X3 1/2 GR5		
9.	802-282C	RHSNB 5/16-18X1 GR5		
10.	803-008C	NUT HEX 5/16-18 PLT		
11.	803-036C	NUT HEX JAM 1/2-13 PLT		
12.	804-009C	WASHER LOCK SPRING 5/16 PLT		
13.	804-015C	WASHER LOCK SPRING 1/2 PLT		
14.	804-113C	WASHER FLAT 1/2 USS HARD PLT		
15.	805-180C	PIN ROLL 1/4 X 1 1/2 LG PLT		
16.	805-240C	PIN LINCH 3/16 X 1 9/16 LONG		
17.	807-097C	SPRING COMP 2 1/16 OD X 4 LG		
18.	808-143C	SPKT 40B12 7/8 HEX BORE W/SS		
19.	808-256C	SPKT 40C23 X 7/8 HEX BORE		
20.	808-257C	SPKT 40B34 X 7/8 HEX BORE		
21.	808-258C	SPKT 40B72 X 7/8 HEX BORE		
22.	808-259C	SPKT 40B14 X 7/8 HEX BORE		
23.	817-025C	NO. 40 12T IDLER SPKT.		
24.	822-032C	FLANGETTE 52 MST		
25.	822-119C	BRG 7/8HEXX2.05OD SPH		
26.	890-711C	ACRE METER 40-3S 11L X 15	(S/N YY1191-)	
27.	136-111D	CHAIN RL #40 68 PITCHES		
28.	136-122D	CHAIN RL #40 129 PITCHES		
29.	804-061C	WASHER MACH 1.50 X 1.00 X 18GA		

Center Drive (S/N YY1152+)

(Applies to 3S-4000, 3S-4000F only)



21626

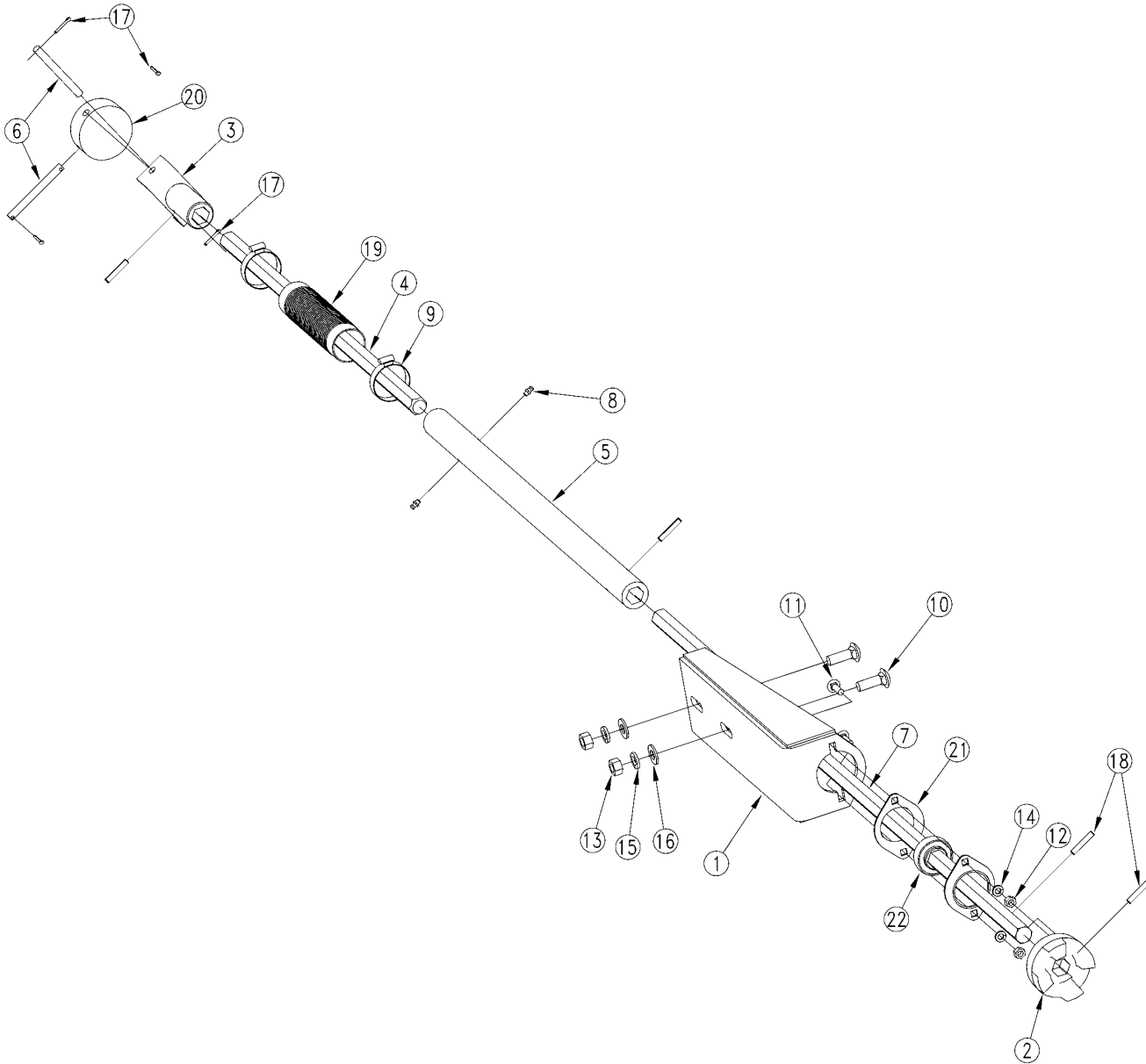
Center Drive (S/N YY1152+)

(Applies to 3S-4000, 3S-4000F only)

Ref	Part No.	Part Description	Comments	Revision
	dwg21262	Image No.		
1.	176-066D	CLUTCH SPRING RETAINER		
2.	195-109D	BRKAWAY CLUTCH 7/8 HX LONG BR		
3.	195-172D	SEED JACKSHAFT 7/8 HEX CENTER		
4.	195-243D	7/8 HEX SPROCKET WASHER		
5.	195-246K	3S-4000 CENTER CLUTCH ASSY		
6.	195-257D	POWER SHAFT 7/8 HEX CENTER		
7.	195-258D	ACRE METER SHAFT		
8.	802-041C	HHCS 1/2-13X3 1/2 GR5		
9.	802-282C	RHSNB 5/16-18X1 GR5		
10.	803-008C	NUT HEX 5/16-18 PLT		
11.	803-036C	NUT HEX JAM 1/2-13 PLT		
12.	804-009C	WASHER LOCK SPRING 5/16 PLT		
13.	804-015C	WASHER LOCK SPRING 1/2 PLT		
14.	804-113C	WASHER FLAT 1/2 USS HARD PLT		
15.	805-180C	PIN ROLL 1/4 X 1 1/2 LG PLT		
16.	805-240C	PIN LINCH 3/16 X 1 9/16 LONG		
17.	807-097C	SPRING COMP 2 1/16 OD X 4 LG		
18.	808-143C	SPKT 40B12 7/8 HEX BORE W/SS		
19.	808-256C	SPKT 40C23 X 7/8 HEX BORE		
20.	808-257C	SPKT 40B34 X 7/8 HEX BORE		
21.	808-258C	SPKT 40B72 X 7/8 HEX BORE		
22.	808-259C	SPKT 40B14 X 7/8 HEX BORE		
23.	817-025C	NO. 40 12T IDLER SPKT.		
24.	822-032C	FLANGETTE 52 MST		
25.	822-119C	BRG 7/8HEXX2.05OD SPH		
26.	891-061C	3S-4000 ACRE METER	(S/N YY1736+)	
26.	891-062C	3S-4000 HECTARE METER	(S/N YY1736+)	
27.	136-111D	CHAIN RL #40 68 PITCHES		
28.	136-122D	CHAIN RL #40 129 PITCHES		
29.	804-061C	WASHER MACH 1.50 X 1.00 X 18GA		
30.	802-413C	HHCS 1/2-13X4 1/2 GR5		
31.	803-169C	NUT HEX FLG. LOCK 1/2-13 PLT.		
32.	168-240D	METER SHAFT SENSOR MNT BRACKET	(S/N YY1192 - YY1735)	
33.	113-271D	SHEAR BUSHING 5/8X.357	(S/N YY1192 - YY1735)	
34.	801-067C	SCREW RD HD 8-32 X 1 1/2LG PLT		
35.	804-088C	WASHER FLAT #8 PLT		
36.	VA-267304	VANSCO ACRE COUNTER PICKUP	(S/N YY1192 - YY1735)	
37.	VA-111005-1	1 MAGNET ACTUATOR 7/8 HEX	(S/N YY1192 - YY1735)	
38.	VA-267000	VANSCO ACRE COUNTER CONSOLE	(S/N YY1192 - YY1735)	
39.	801-172C	SCREW HEX SLT 10-16X3/4PTHD CT		
40.	804-043C	WASHER LOCK #8		
41.	803-064C	NUT HEX 8-32		
42.	823-184C	VANSCO ACRE COUNTER	(S/N YY1192 - YY1735) Includes items 36-38	

Center Drive Breakaway

(Applies to 3S-4000, 3S-4000F only)



18820

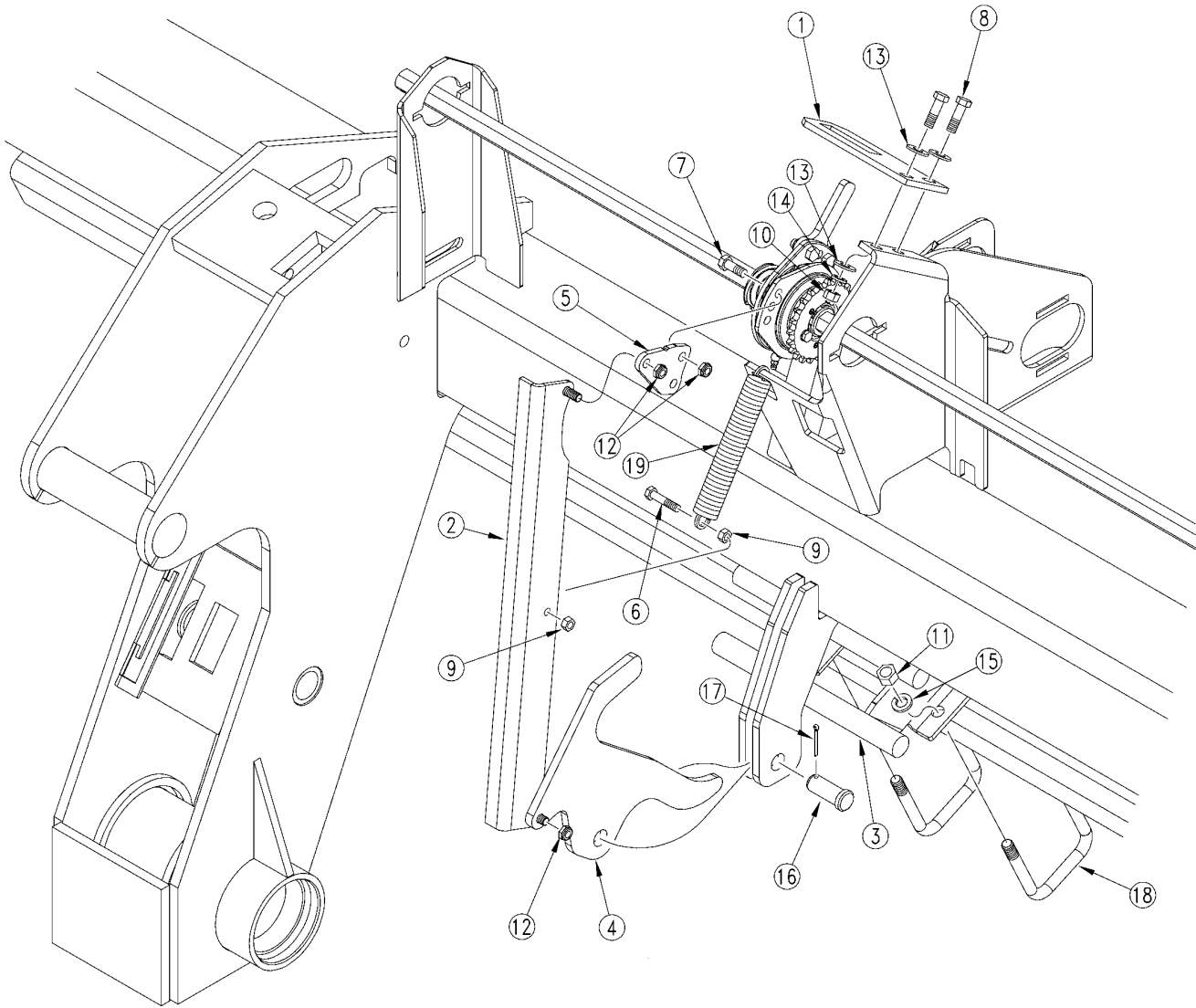
Center Drive Breakaway

(Applies to 3S-4000, 3S-4000F only)

Ref	Part No.	Part Description	Comments	Revision
	dwg18820	Image No.		
1.	194-195H	DRIVE BREAKAWAY BRACKET		
2.	195-108D	BRKAWAY CLUTCH 7/8 HX SHORT BR		
3.	195-129H	U-JOINT YOKE 7/8 HEX BORE		
4.	195-152D	HEX SHFT 7/8TELESCOPING 25 3/4		
5.	195-153D	TELESCOPING TUBE 7/8 HEX BORE		
6.	195-157D	U-JOINT PIN 3/8		
7.	195-256D	HEX SHAFT 7/8 BREAKAWAY		
8.	800-001C	GREASE ZERK STRAIGHT 1/4-28		
9.	800-016C	UPPER FERT HOSE CLAMP		
10.	802-106C	RHSNB 1/2-13X1 1/2 GR5		
11.	802-282C	RHSNB 5/16-18X1 GR5		
12.	803-008C	NUT HEX 5/16-18 PLT		
13.	803-020C	NUT HEX 1/2-13 PLT		
14.	804-009C	WASHER LOCK SPRING 5/16 PLT		
15.	804-015C	WASHER LOCK SPRING 1/2 PLT		
16.	804-016C	WASHER FLAT 1/2 SAE PLT		
17.	805-067C	PIN COTTER 1/8 X 3/4		
18.	805-180C	PIN ROLL 1/4 X 1 1/2 LG PLT		
19.	816-242C	SEED HOSE-BELLOWS 1.75IDX36RIB		
20.	817-273C	U-JOINT NYLATRON CROSS BLOCK		
21.	822-032C	FLANGETTE 52 MST		
22.	822-119C	BRG 7/8HEXX2.05OD SPH		

Clutch Linkage

(Applies to 3S-4000, 3S-4000F only)



18818

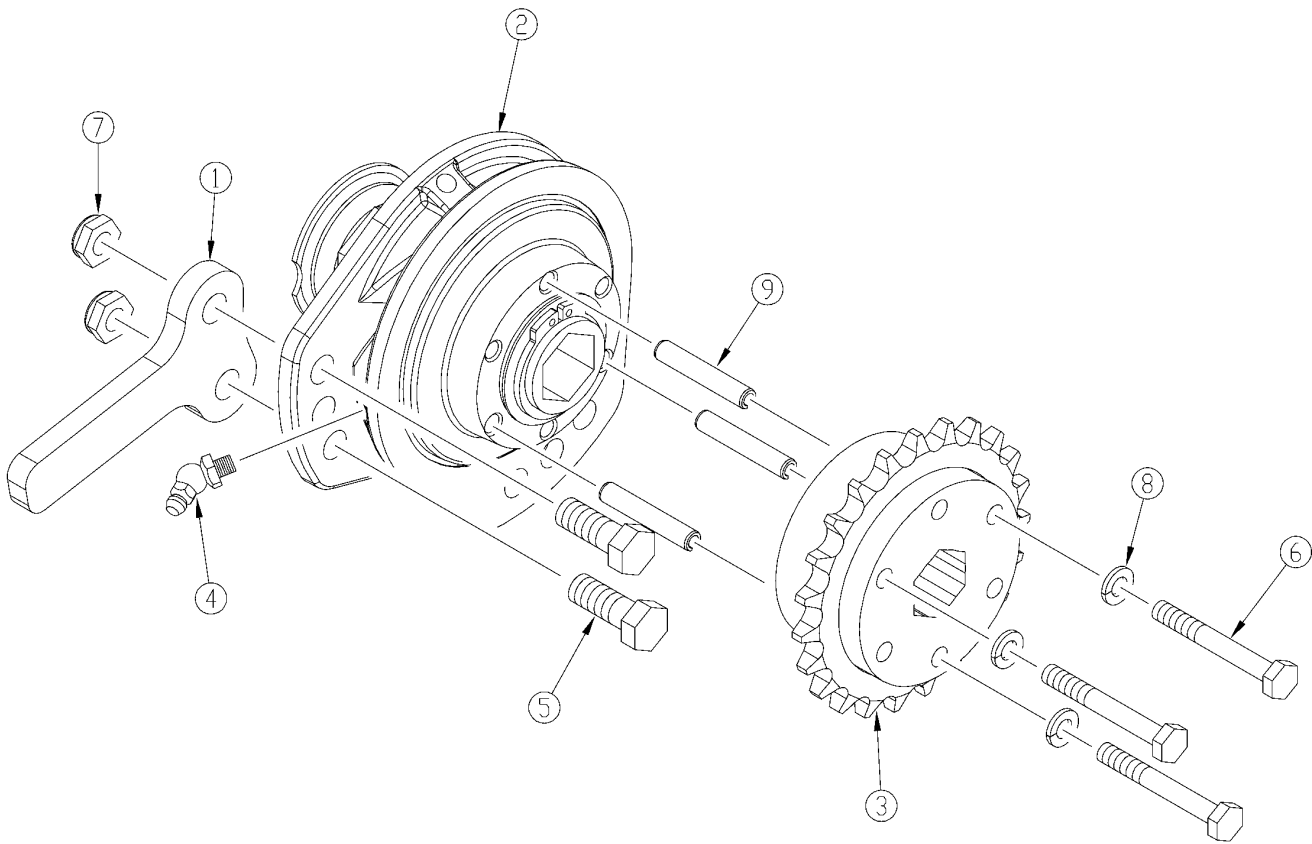
Clutch Linkage

(Applies to 3S-4000, 3S-4000F only)

Ref	Part No.	Part Description	Comments	Revision
	dwg18818	Image No.		
1.	152-263D	CLUTCH ENGAGE TAB		
2.	195-130H	CLUTCH SHUTOFF LINK, 00 SERIES		
3.	195-131H	SUBFRM CLUTCH BRKT,SOLID STAND		
4.	195-144D	CLUTCH SHUTOFF CAM, 00 SERIES		
5.	195-254D	CLUTCH PULL TAB		
6.	802-012C	HHCS 5/16-18X1 1/2 GR5		
7.	802-017C	HHCS 3/8-16X1 GR5		
8.	802-079C	HHCS 3/8-16X1 1/4 GR5		
9.	803-008C	NUT HEX 5/16-18 PLT		
10.	803-014C	NUT HEX 3/8-16 PLT		
11.	803-020C	NUT HEX 1/2-13 PLT		
12.	803-215C	NUT NYLOCK JAM THIN 3/8-16 PLT		
13.	804-011C	WASHER FLAT 3/8 USS PLT		
14.	804-013C	WASHER LOCK SPRING 3/8 PLT		
15.	804-015C	WASHER LOCK SPRING 1/2 PLT		
16.	805-083C	PIN CLEVIS 3/4 X 1 1/2		
17.	805-109C	PIN COTTER 1/8 X 1 1/4 PLT		
18.	806-066C	U-BOLT 1/2-13X3 1/32X4		
19.	807-072C	SPRING EXT 1 1/16 ODX.120WX5.5		

Fertilizer Clutch Center Box Breakdown (195-272K)

(Applies to 3S-4000, 3S-4000F only)



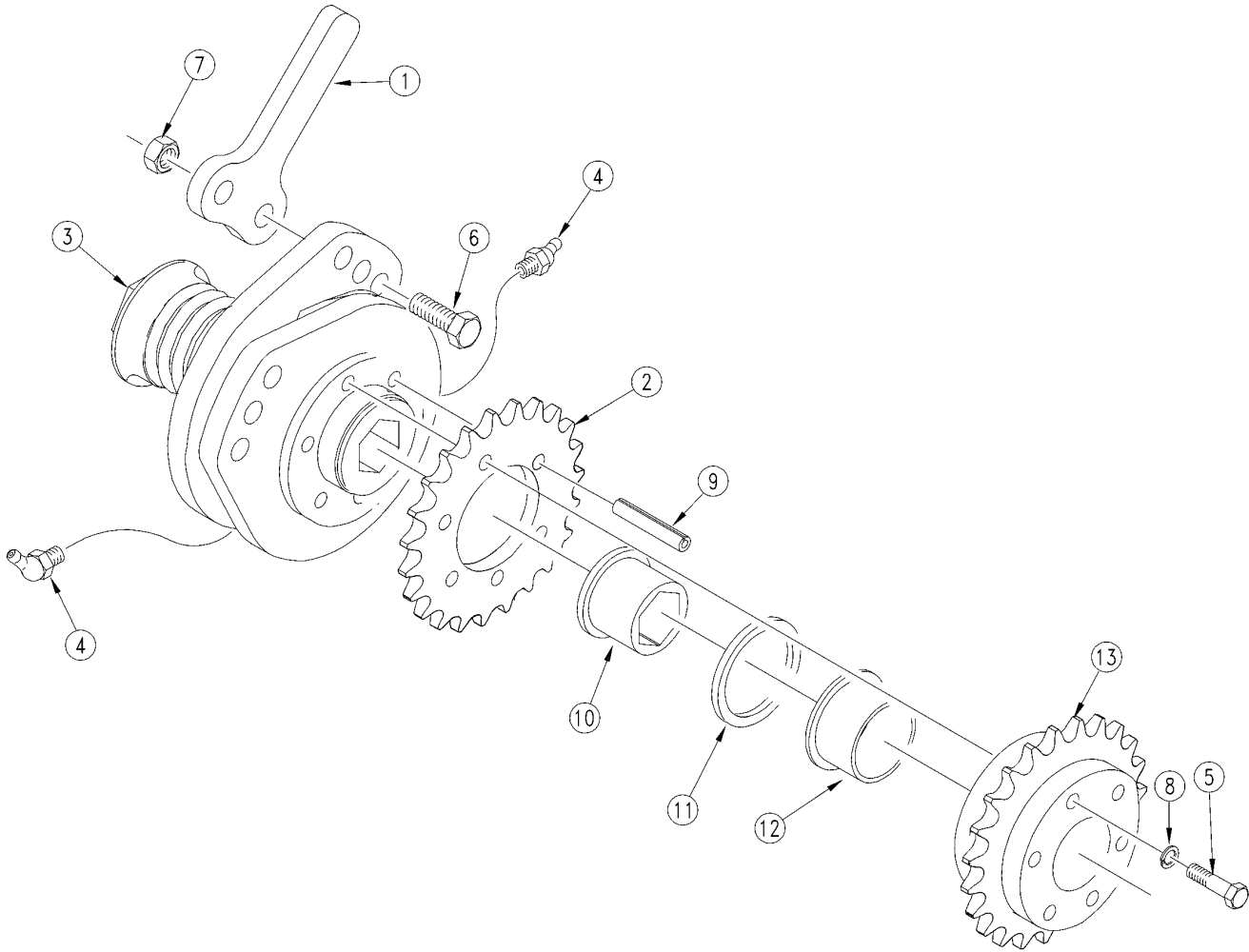
Fertilizer Clutch Center Box Breakdown (195-272K)

(Applies to 3S-4000, 3S-4000F only)

Ref	Part No.	Part Description	Comments	Revision
	dwg21526	Image No.		
1.	152-262D	CLUTCH ENGAGE ARM		
2.	176-042S	JAW CLUTCH CW EXT 7/8 HEX		
3.	195-280H	SPKT CLUTCH 40B23T 7/8HEX BORE		
4.	800-058C	GREASE ZERK 1/4-28 X 45-DEG		
5.	802-017C	HHCS 3/8-16X1 GR5		
6.	802-152C	HHCS 1/4-20X2 GR5		
7.	803-215C	NUT NYLOCK JAM THIN 3/8-16 PLT		
8.	804-006C	WASHER LOCK SPRING 1/4 PLT		
9.	805-180C	PIN ROLL 1/4 X 1 1/2 LG PLT		

Fertilizer Clutch LH/RH Box Breakdown (195-187K)

(Applies to 3S-4000, 3S-4000F only)



16465

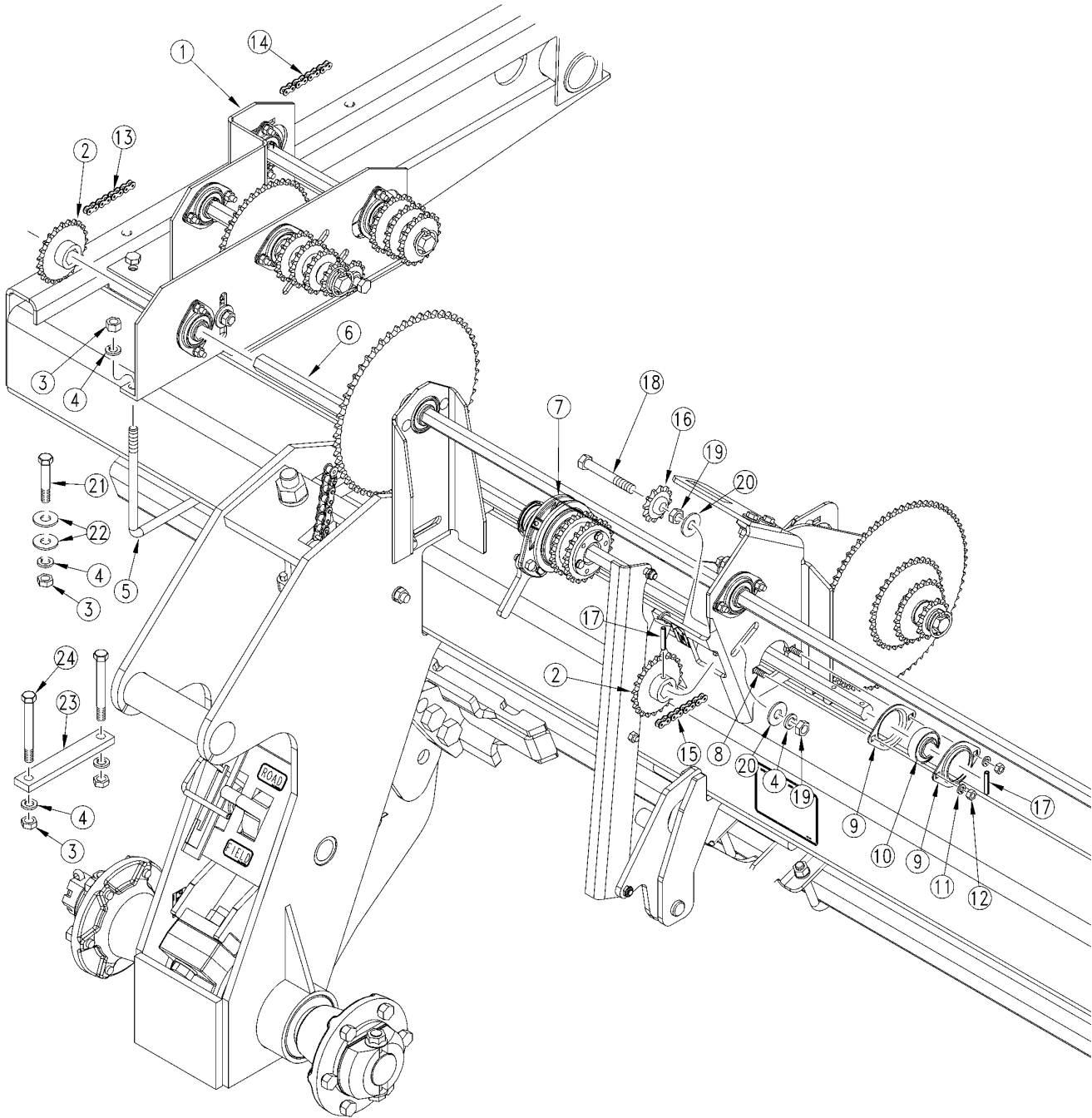
Fertilizer Clutch LH/RH Box Breakdown (195-187K)

(Applies to 3S-4000, 3S-4000F only)

Ref	Part No.	Part Description	Comments	Revision
	dwg16465	Image No.		
1.	152-262D	CLUTCH ENGAGE ARM		
2.	808-240C	SPKT 40A23X1.813-1.818 BR/6HOL		
3.	176-042S	JAW CLUTCH CW EXT 7/8 HEX		
4.	800-058C	GREASE ZERK 1/4-28 X 45-DEG		
5.	802-152C	HHCS 1/4-20X2 GR5		
6.	802-017C	HHCS 3/8-16X1 GR5		
7.	803-215C	NUT NYLOCK JAM THIN 3/8-16 PLT		
8.	804-006C	WASHER LOCK SPRING 1/4 PLT		
9.	805-180C	PIN ROLL 1/4 X 1 1/2 LG PLT		
10.	195-222D	BEARING 7/8 HEX ID X 1.254 OD		
11.	176-065D	CLUTCH FRICTION WASHER		
12.	817-111C	BSHG FLG 1.261DX1.41ODX.87L		
13.	195-160H	SPKT CLUTCH 40B23T RND BORE		

Fertilizer Drive

(Applies to 3S-4000, 3S-4000F only)



21523

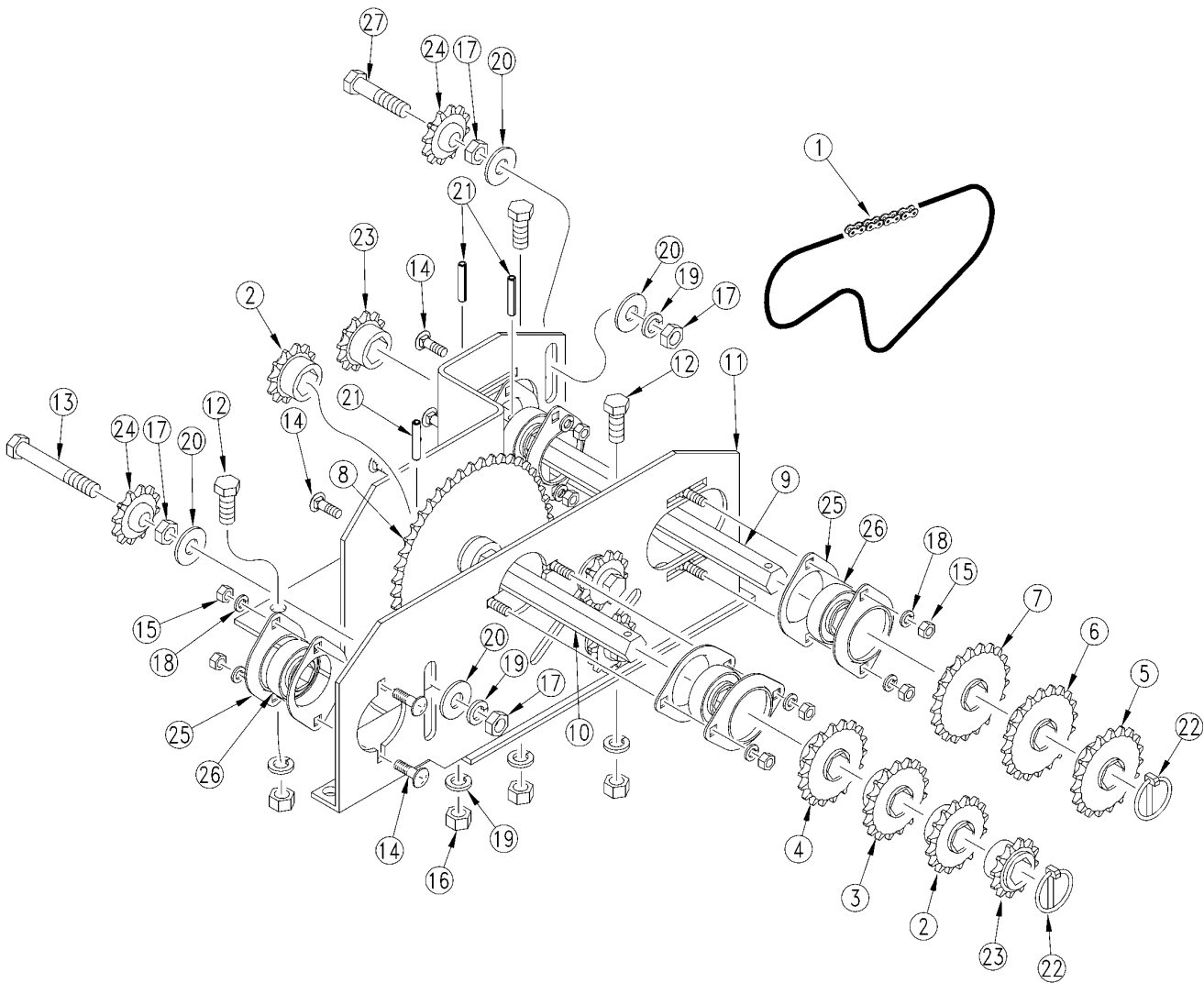
Fertilizer Drive

(Applies to 3S-4000, 3S-4000F only)

Ref	Part No.	Part Description	Comments	Revision
	dwg21523	Image No.		
1.	195-273S	40'-3S FERT DR SUBASSY LH	Refer to "Center Clutch Breakdown (195-246K)"	
2.	808-143C	SPKT 40B12 7/8 HEX BORE W/SS		
3.	803-020C	NUT HEX 1/2-13 PLT		
4.	804-015C	WASHER LOCK SPRING 1/2 PLT		
5.	806-060C	U-BOLT 1/2-13 X 6 1/32 X 7 1/4		
6.	195-271D	HEX SHAFT 7/8,4000 FERT JS RH		
6.	195-270D	HEX SHAFT 7/8,4000 FERT JS CTR		
6.	195-272D	HEX SHAFT 7/8,4000 FERT JS LH		
7.	195-187K	3S-3000F LH WING CLUTCH ASSY	Refer to "Center Clutch Breakdown (195-246K)"	
7.	195-272K	3S-4000F CTR CLUTCH ASSY	Refer to "Center Clutch Breakdown (195-246K)"	
8.	802-282C	RHSNB 5/16-18X1 GR5		
9.	822-032C	FLANGETTE 52 MST		
10.	822-119C	BRG 7/8HEXX2.05OD SPH		
11.	804-009C	WASHER LOCK SPRING 5/16 PLT		
12.	803-008C	NUT HEX 5/16-18 PLT		
13.	136-151D	CHAIN RL #40 59 PITCHES		
14.	136-207D	CHAIN RL #40 109 PITCHES W/CON		
15.	136-064D	CHAIN RL #40 51 PITCHES		
16.	817-025C	NO. 40 12T IDLER SPKT.		
17.	805-180C	PIN ROLL 1/4 X 1 1/2 LG PLT		
18.	802-041C	HHCS 1/2-13X3 1/2 GR5		
19.	803-036C	NUT HEX JAM 1/2-13 PLT		
20.	804-113C	WASHER FLAT 1/2 USS HARD PLT		
21.	802-091C	HHCS 1/2-13X1 1/2 GR5	Left box only	
22.	804-016C	WASHER FLAT 1/2 SAE PLT		
23.	195-007D	RH FERT DRIVE MNT CLAMP PLT	Use with marker only	
24.	802-377C	HHCS 1/2-13X7 1/2 GR5	Use with marker only	

Fertilizer Drive Subassembly

(Applies to 3S-4000, 3S-4000F only)



21524

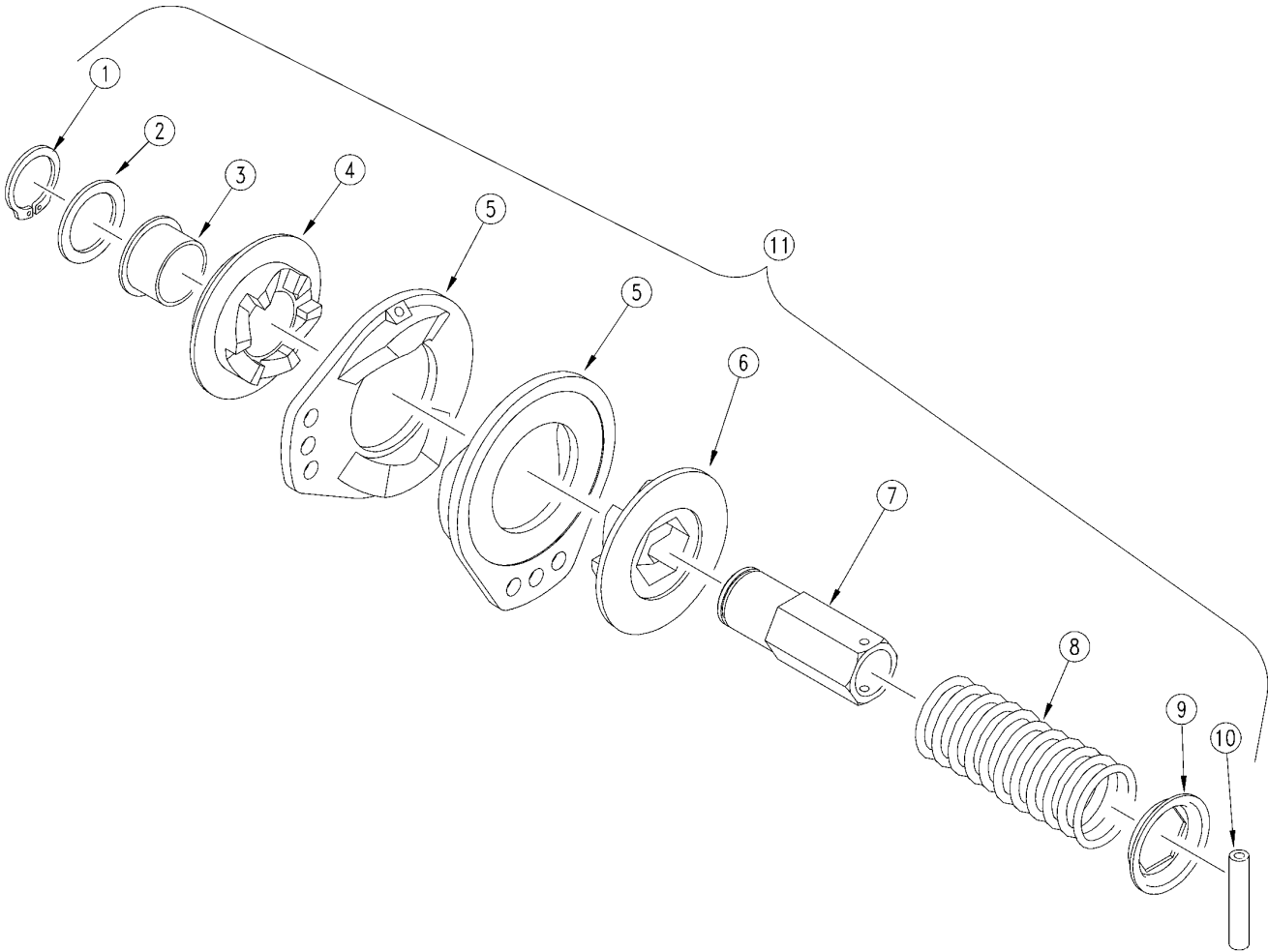
Fertilizer Drive Subassembly

(Applies to 3S-4000, 3S-4000F only)

Ref	Part No.	Part Description	Comments	Revision
	dwg21524	Image No.		
1.	136-027D	CHAIN RL #40 57 PITCHES		
2.	195-153H	SPKT 40B16T X 7/8 HEX BORE		
3.	195-154H	SPKT 40B17T X 7/8 HEX BORE		
4.	195-155H	SPKT 40B18T X 7/8 HEX BORE		
5.	195-156H	SPKT 40B19T X 7/8 HEX BORE		
6.	195-157H	SPKT 40B20T X 7/8 HEX BORE		
7.	195-158H	SPKT 40B21T X 7/8 HEX BORE		
8.	195-159H	SPKT 40B44T X 7/8 HEX BORE		
9.	195-210D	HEX SHAFT 7/8,FERT JACKSHAFT 2		
10.	195-268D	HEX SHAFT 7/8,FERT JACKSHAFT		
11.	195-269H	40'-3S FERT DRIVE WELDMENT RH		
12.	802-034C	HHCS 1/2-13X1 1/4 GR5		
13.	802-041C	HHCS 1/2-13X3 1/2 GR5		
14.	802-282C	RHSNB 5/16-18X1 GR5		
15.	803-008C	NUT HEX 5/16-18 PLT		
16.	803-020C	NUT HEX 1/2-13 PLT		
17.	803-036C	NUT HEX JAM 1/2-13 PLT		
18.	804-009C	WASHER LOCK SPRING 5/16 PLT		
19.	804-015C	WASHER LOCK SPRING 1/2 PLT		
20.	804-113C	WASHER FLAT 1/2 USS HARD PLT		
21.	805-180C	PIN ROLL 1/4 X 1 1/2 LG PLT		
22.	805-240C	PIN LINCH 3/16 X 1 9/16 LONG		
23.	808-260C	SPKT 40B12 X 7/8 HEX BORE		
24.	817-025C	NO. 40 12T IDLER SPKT.		
25.	822-032C	FLANGETTE 52 MST		
26.	822-119C	BRG 7/8HEXX2.05OD SPH		
27.	802-130C	HHCS 1/2-13X2 1/2 GR5		

Jaw Clutch

(Applies to 3S-4000, 3S-4000F only)



10249

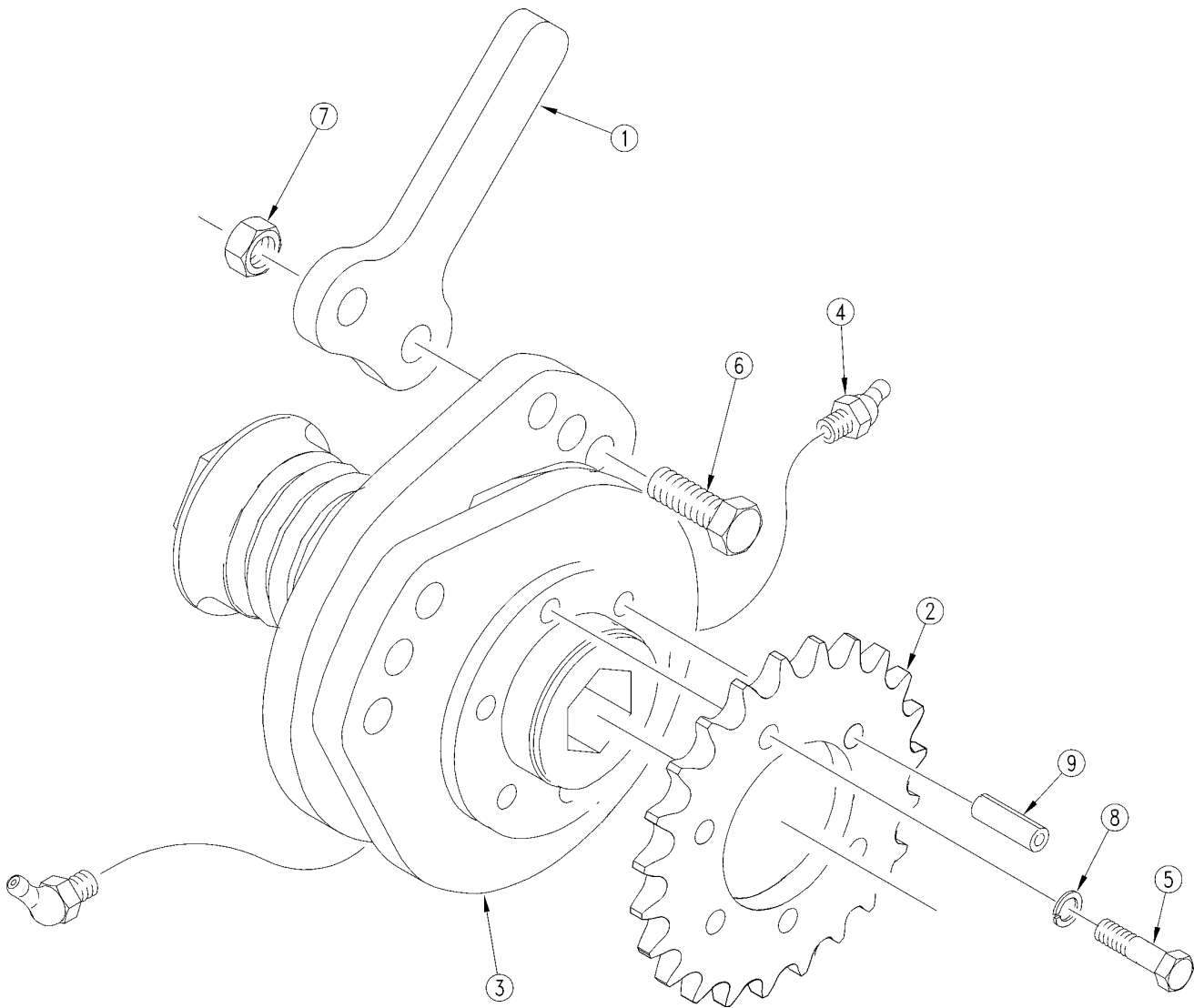
Jaw Clutch

(Applies to 3S-4000, 3S-4000F only)

Ref	Part No.	Part Description	Comments	Revision
	dwg10249	Image No.		
1.	800-177C	SNAP RING EXT 1 1/4 HEAVY		
2.	176-065D	CLUTCH FRICTION WASHER		
3.	817-111C	BSHG FLG 1.26IDX1.41ODX.87L		
4.	176-078D	CLUTCH DRIVE PLATE LONG - CW		
5.	176-080D	CLUTCH ARM PLATE		
6.	176-076D	CLUTCH SLIDE PLATE - CW		
7.	176-084D	CLUTCH HUB 7/8 HEX BORE		
8.	807-097C	SPRING COMP 2 1/16 OD X 4 LG		
9.	176-066D	CLUTCH SPRING RETAINER		
10.	805-024C	PIN ROLL 3/16X 1 1/2 PLT		
11.	176-042S	JAW CLUTCH CW EXT 7/8 HEX		

Left Hand Clutch Breakdown (195-152K)

(Applies to 3S-4000, 3S-4000F only)



18822

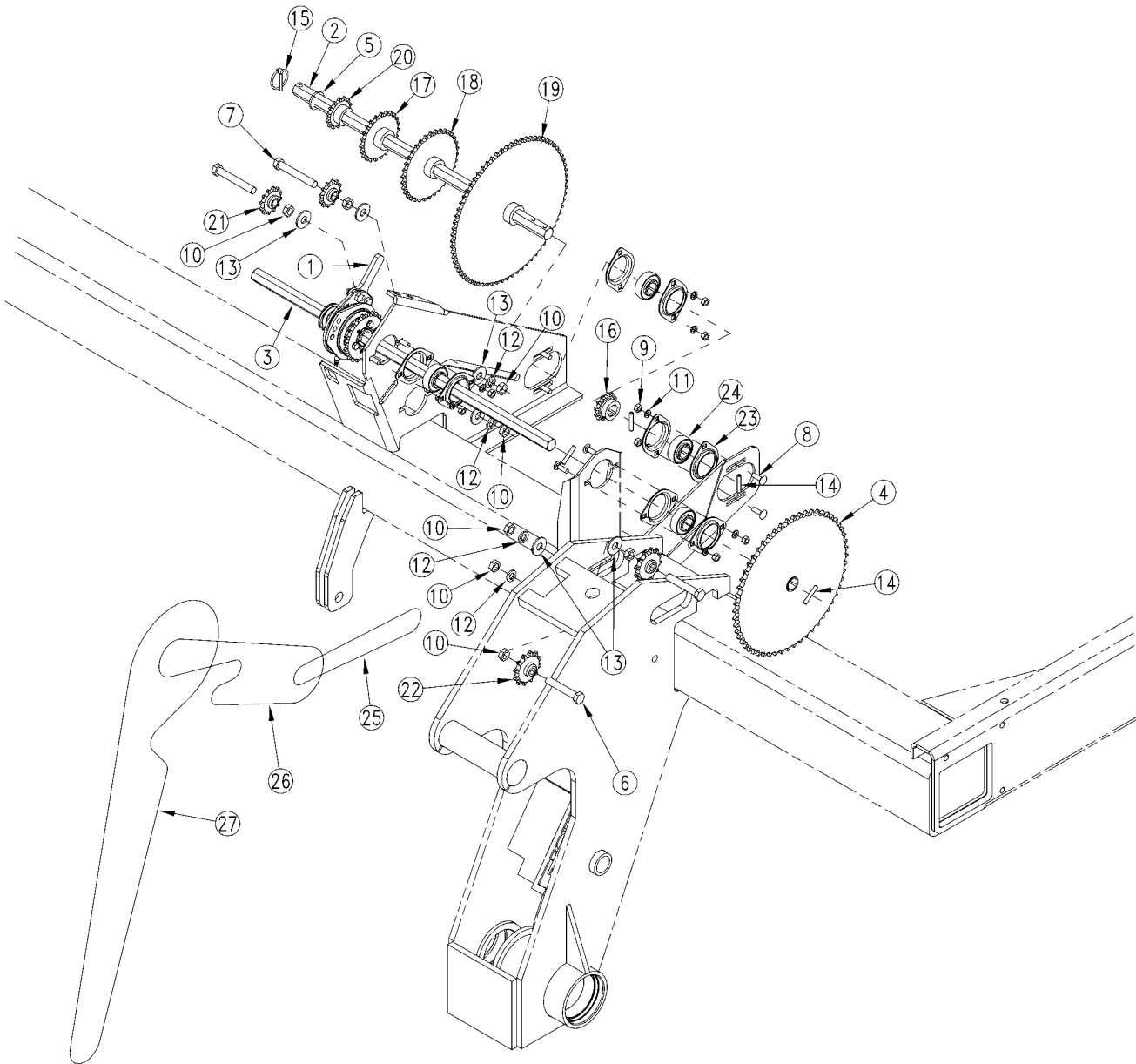
Left Hand Clutch Breakdown (195-152K)

(Applies to 3S-4000, 3S-4000F only)

Ref	Part No.	Part Description	Comments	Revision
	dwg18822	Image No.		
1.	152-262D	CLUTCH ENGAGE ARM		
2.	808-240C	SPKT 40A23X1.813-1.818 BR/6HOL		
3.	176-042S	JAW CLUTCH CW EXT 7/8 HEX		
4.	800-058C	GREASE ZERK 1/4-28 X 45-DEG		
5.	802-004C	HHCS 1/4-20X3/4 GR5		
6.	802-017C	HHCS 3/8-16X1 GR5		
7.	803-215C	NUT NYLOCK JAM THIN 3/8-16 PLT		
8.	804-006C	WASHER LOCK SPRING 1/4 PLT		
9.	805-026C	PIN ROLL 1/4 X 3/4 PLT		

Left Hand Drive (S/N YY1151-)

(Applies to 3S-4000, 3S-4000F only)



18814

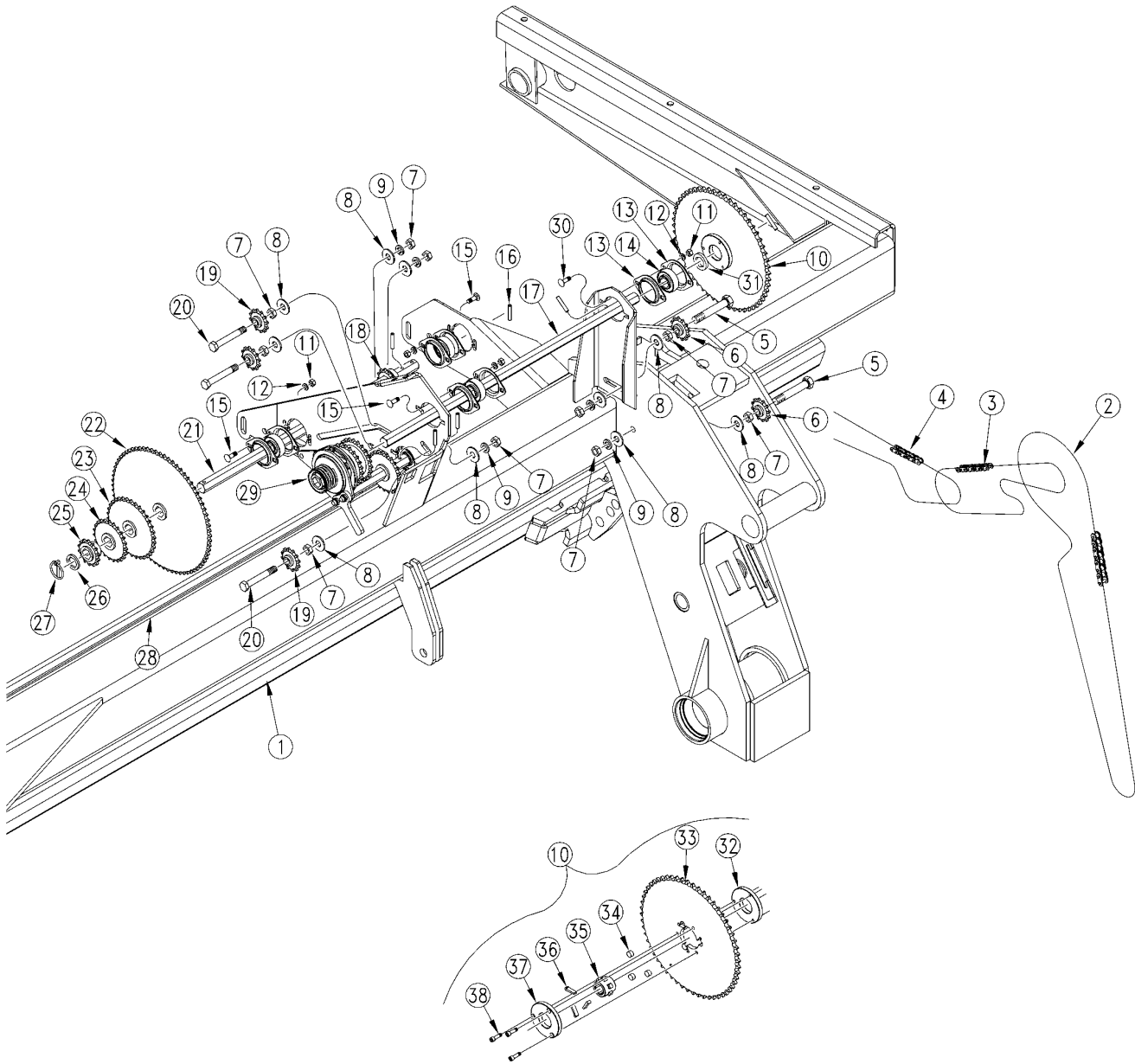
Left Hand Drive (S/N YY1151-)

(Applies to 3S-4000, 3S-4000F only)

Ref	Part No.	Part Description	Comments	Revision
	dwg18814	Image No.		
1.	195-152K	3S-3000 LH WING CLUTCH ASSY		
2.	195-172D	SEED JACKSHAFT 7/8 HEX CENTER		
3.	195-189D	POWER SHAFT 7/8 HEX LH		
4.	195-232H	SPKT 50A56 WITH 7/8 HEX HUB		
5.	195-243D	7/8 HEX SPROCKET WASHER	Used only if needed.	
6.	802-039C	HHCS 1/2-13X3 GR5		
7.	802-041C	HHCS 1/2-13X3 1/2 GR5		
8.	802-282C	RHSNB 5/16-18X1 GR5		
9.	803-008C	NUT HEX 5/16-18 PLT		
10.	803-036C	NUT HEX JAM 1/2-13 PLT		
11.	804-009C	WASHER LOCK SPRING 5/16 PLT		
12.	804-015C	WASHER LOCK SPRING 1/2 PLT		
13.	804-113C	WASHER FLAT 1/2 USS HARD PLT		
14.	805-180C	PIN ROLL 1/4 X 1 1/2 LG PLT		
15.	805-240C	PIN LINCH 3/16 X 1 9/16 LONG		
16.	808-143C	SPKT 40B12 7/8 HEX BORE W/SS		
17.	808-256C	SPKT 40C23 X 7/8 HEX BORE		
18.	808-257C	SPKT 40B34 X 7/8 HEX BORE		
19.	808-258C	SPKT 40B72 X 7/8 HEX BORE		
20.	808-259C	SPKT 40B14 X 7/8 HEX BORE		
21.	817-025C	NO. 40 12T IDLER SPKT.		
22.	817-423C	NO. 50 12T IDLER SPKT		
23.	822-032C	FLANGETTE 52 MST		
24.	822-119C	BRG 7/8HEXX2.05OD SPH		
25.	136-111D	CHAIN RL #40 68 PITCHES		
26.	136-122D	CHAIN RL #40 129 PITCHES		
27.	136-173D	CHAIN RL #50 X 161 PITCHES		

Left Hand Drive (S/N YY1152+)

(Applies to 3S-4000, 3S-4000F only)



27446

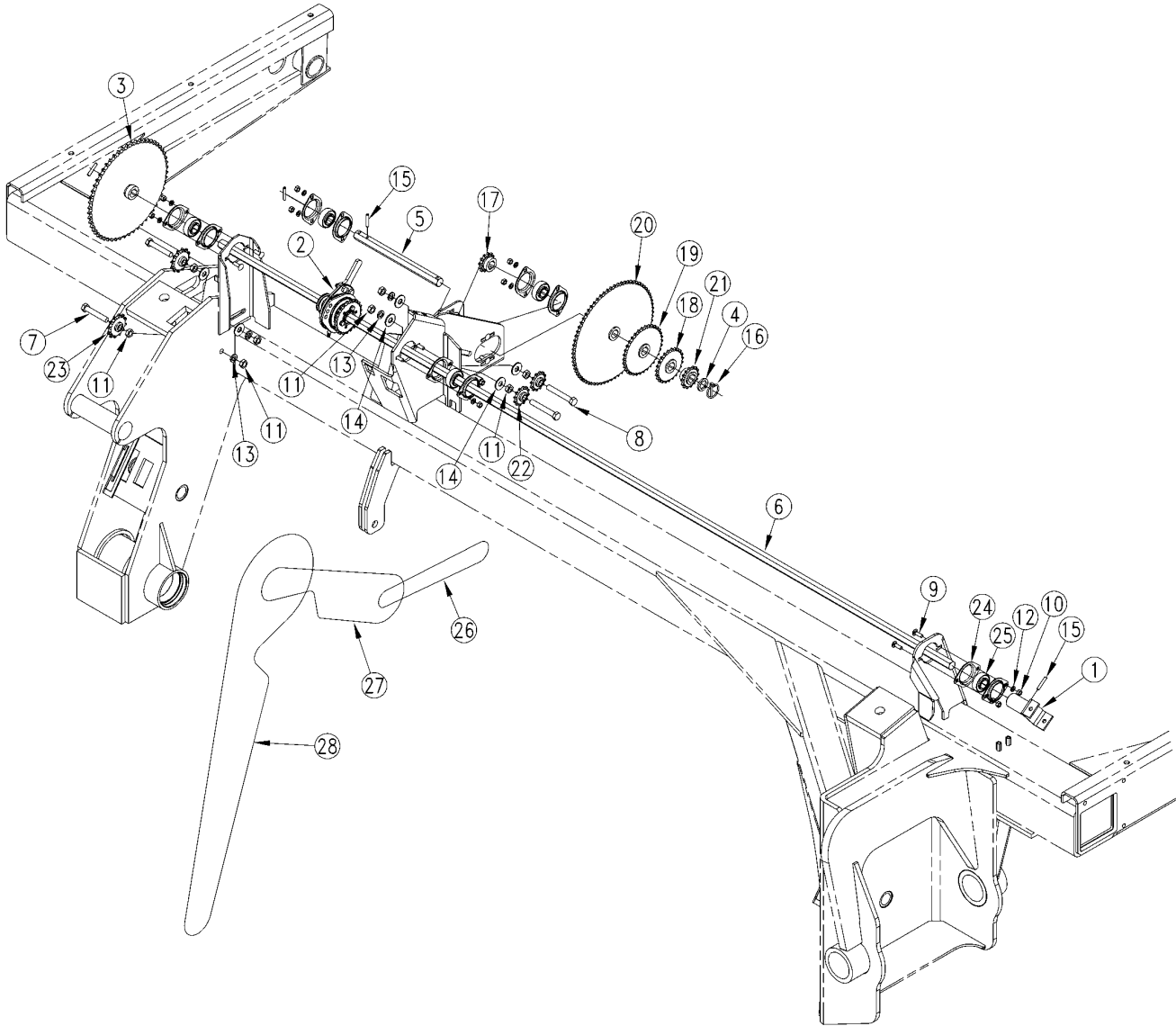
Left Hand Drive (S/N YY1152+)

(Applies to 3S-4000, 3S-4000F only)

Ref	Part No.	Part Description	Comments	Revision
	dwg27446	Image No.		
1.	194-182H	3S-4000 LH WING FRAME		
2.	136-173D	CHAIN RL #50 161 PITCHES		
3.	136-111D	CHAIN RL #40 68 PITCHES		
4.	136-122D	CHAIN RL #40 129 PITCHES		
5.	802-039C	HHCS 1/2-13X3 GR5		
6.	817-423C	NO. 50 12T IDLER SPKT		
7.	803-036C	NUT HEX JAM 1/2-13 PLT		
8.	804-113C	WASHER FLAT 1/2 USS HARD PLT		
9.	804-015C	WASHER LOCK SPRING 1/2 PLT		
10.	195-232H	SPKT 50A56 WITH 7/8 HEX HUB	(S/N YY2531-)	
10.	195-321S	SPKT 50C56 RATCHET DRIVE	(S/N YY2532+) Includes items: 32-38	
11.	803-008C	NUT HEX 5/16-18 PLT		
12.	804-009C	WASHER LOCK SPRING 5/16 PLT		
13.	802-032C	HHCS 1/2-13X3/4 GR5		
14.	822-119C	BRG 7/8HEXX2.05OD SPH		
15.	802-282C	RHSNB 5/16-18X1 GR5		
16.	805-180C	PIN ROLL 1/4 X 1 1/2 LG PLT		
17.	195-189D	POWER SHAFT 7/8 HEX LH	(S/N YY2531-)	
17.	195-375D	POWER SHAFT 7/8 HEX LH	(S/N YY2532+)	
18.	808-143C	SPKT 40B12 7/8 HEX BORE W/SS		
19.	817-025C	NO. 40 12T IDLER SPKT.		
20.	802-041C	HHCS 1/2-13X3 1/2 GR5		
21.	195-172D	SEED JACKSHAFT 7/8 HEX CENTER		
22.	808-258C	SPKT 40B72 X 7/8 HEX BORE		
23.	808-257C	SPKT 40B34 X 7/8 HEX BORE		
24.	808-256C	SPKT 40C23 X 7/8 HEX BORE		
25.	808-259C	SPKT 40B14 X 7/8 HEX BORE		
26.	195-243D	7/8 HEX SPROCKET WASHER		
27.	805-240C	PIN LINCH 3/16 X 1 9/16 LONG		
28.	195-272D	HEX SHAFT 7/8,4000 FERT JS LH		
29.	195-187K	3S-3000F LH WING CLUTCH ASSY		
30.	802-092C	RHSNB 5/16-18X3/4 GR5	(S/N YY2532+)	
31.	195-376D	7/8 HEX WASHER X .21	(S/N YY2532+)	
32.	402-050D	CLUTCH, SIDE PLATE TAPPED		
33.	808-450C	SPKT 50A56 SPECIAL BORE		
34.	402-376D	POLYURETHANE ROD SPRING 5/16 L		
35.	890-954C	HUB RATCHET SPKT #50		
36.	403-751D	KEY RATCHET CLUTCH #50 SPKT		
37.	402-051D	CLUTCH, SIDE PLATE C/BORED		
38.	802-418C	SHCS 1/4-20X7/8		

Right Hand Drive (S/N YY1151-)

(Applies to 3S-4000, 3S-4000F only)



18812

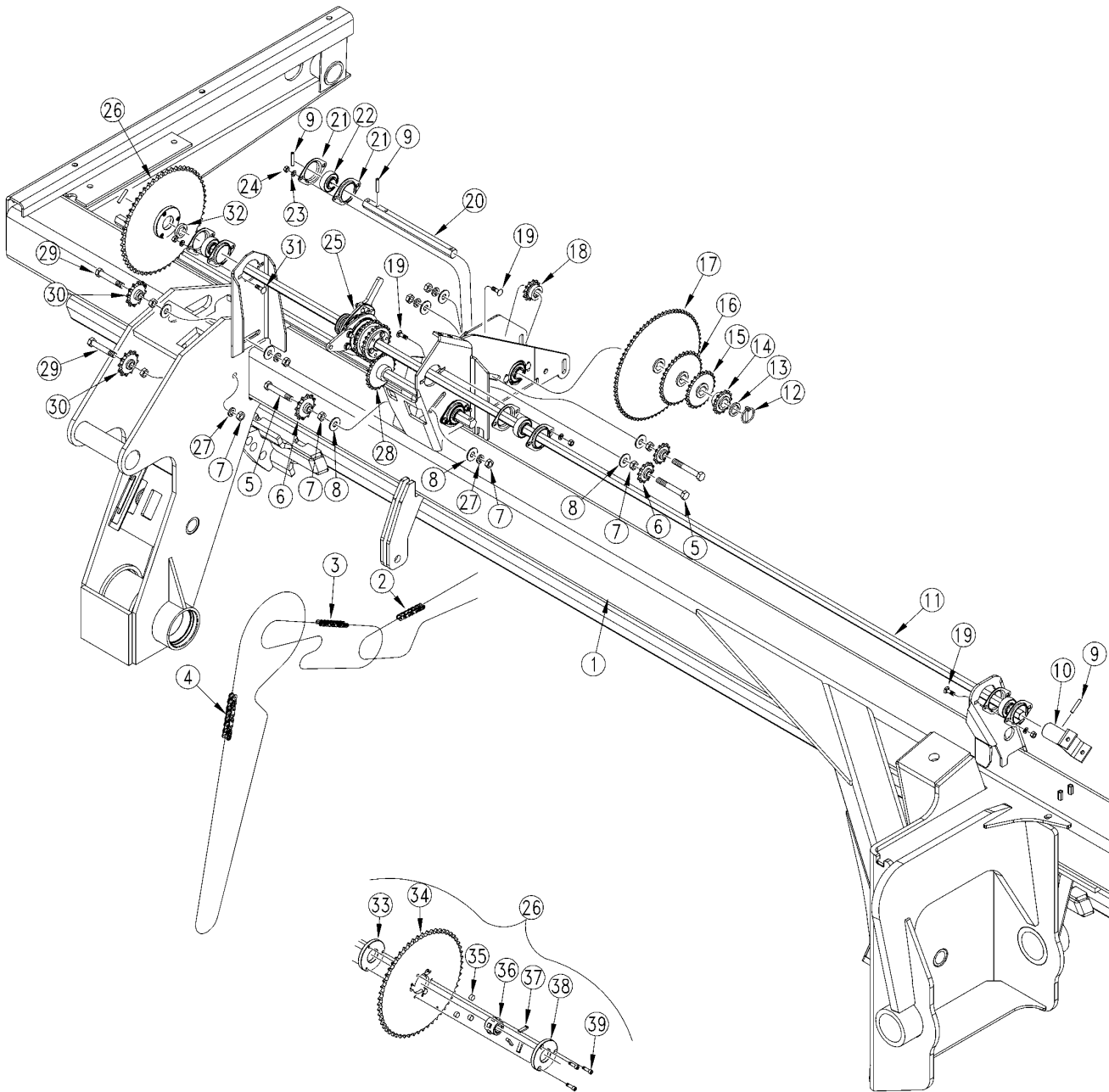
Right Hand Drive (S/N YY1151-)

(Applies to 3S-4000, 3S-4000F only)

Ref	Part No.	Part Description	Comments	Revision
	dwg18812	Image No.		
1.	195-129H	U-JOINT YOKE 7/8 HEX BORE		
2.	195-152K	3S-3000 LH WING CLUTCH ASSY		
3.	195-232H	SPKT 50A56 WITH 7/8 HEX HUB		
4.	195-243D	7/8 HEX SPROCKET WASHER	Used only if needed.	
5.	195-259D	SEED JACK SHAFT 7/8 HEX WING		
6.	195-260D	POWER SHAFT 7/8 HEX RH OUTPUT		
7.	802-039C	HHCS 1/2-13X3 GR5		
8.	802-041C	HHCS 1/2-13X3 1/2 GR5		
9.	802-282C	RHSNB 5/16-18X1 GR5		
10.	803-008C	NUT HEX 5/16-18 PLT		
11.	803-036C	NUT HEX JAM 1/2-13 PLT		
12.	804-009C	WASHER LOCK SPRING 5/16 PLT		
13.	804-015C	WASHER LOCK SPRING 1/2 PLT		
14.	804-113C	WASHER FLAT 1/2 USS HARD PLT		
15.	805-180C	PIN ROLL 1/4 X 1 1/2 LG PLT		
16.	805-240C	PIN LINCH 3/16 X 1 9/16 LONG		
17.	808-143C	SPKT 40B12 7/8 HEX BORE W/SS		
18.	808-256C	SPKT 40C23 X 7/8 HEX BORE		
19.	808-257C	SPKT 40B34 X 7/8 HEX BORE		
20.	808-258C	SPKT 40B72 X 7/8 HEX BORE		
21.	808-259C	SPKT 40B14 X 7/8 HEX BORE		
22.	817-025C	NO. 40 12T IDLER SPKT.		
23.	817-423C	NO. 50 12T IDLER SPKT		
24.	822-032C	FLANGETTE 52 MST		
25.	822-119C	BRG 7/8HEXX2.05OD SPH		
26.	136-111D	CHAIN RL #40 68 PITCHES		
27.	136-122D	CHAIN RL #40 129 PITCHES		
28.	136-173D	CHAIN RL #50 X 161 PITCHES		

Right Hand Drive (S/N YY1152+)

(Applies to 3S-4000, 3S-4000F only)



27474

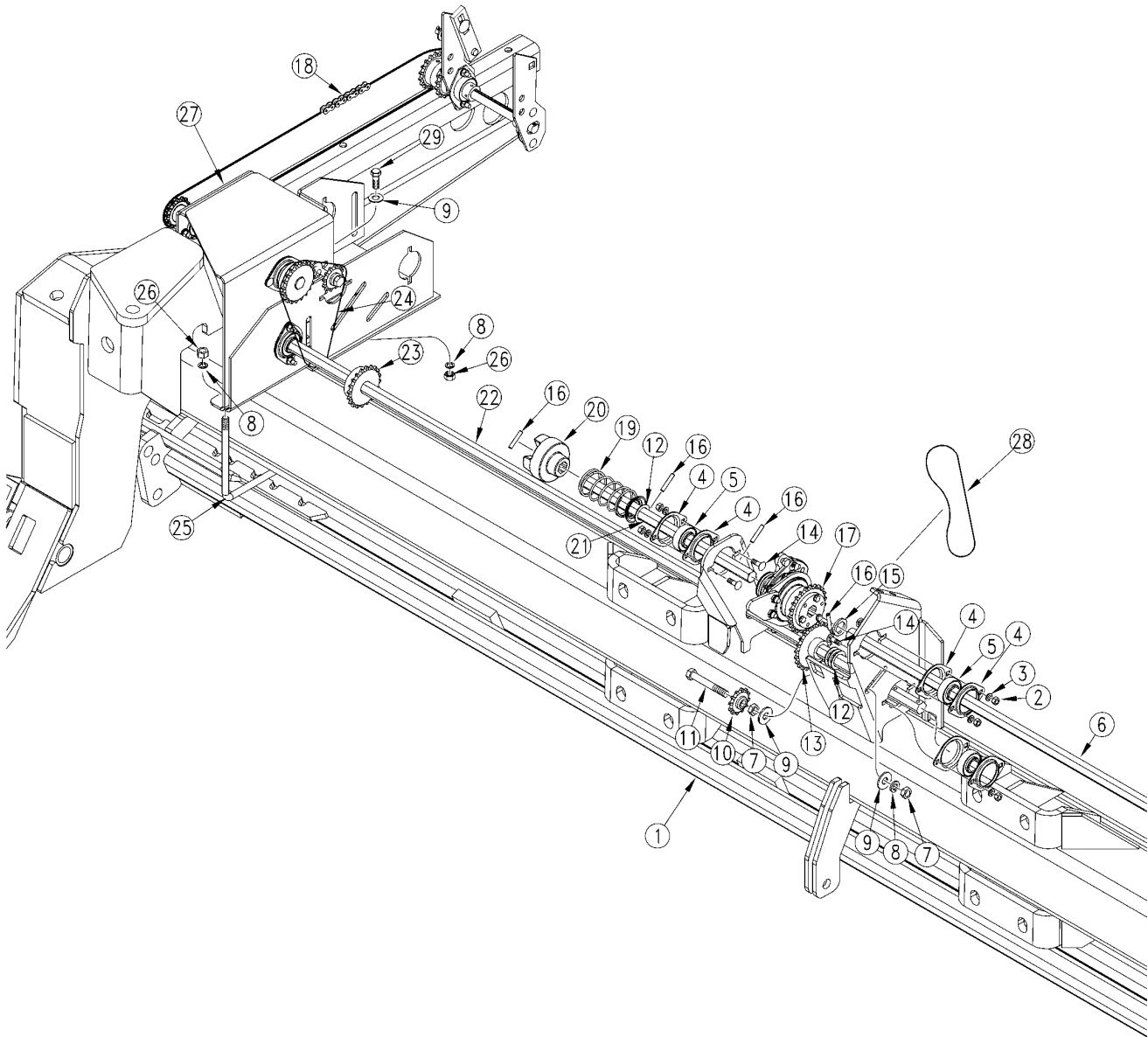
Right Hand Drive (S/N YY1152+)

(Applies to 3S-4000, 3S-4000F only)

Ref	Part No.	Part Description	Comments	Revision
	dwg27474	Image No.		
1.	194-183H	3S-4000 RH WING FRAME		
2.	136-111D	CHAIN RL #40 68 PITCHES		
3.	136-122D	CHAIN RL #40 129 PITCHES		
4.	136-173D	CHAIN RL #50 161 PITCHES		
5.	802-041C	HHCS 1/2-13X3 1/2 GR5		
6.	817-025C	NO. 40 12T IDLER SPKT.		
7.	803-036C	NUT HEX JAM 1/2-13 PLT		
8.	804-113C	WASHER FLAT 1/2 USS HARD PLT		
9.	805-180C	PIN ROLL 1/4 X 1 1/2 LG PLT		
10.	195-129H	U-JOINT YOKE, 7/8 HEX BORE		
11.	195-260D	POWER SHAFT 7/8 HEX RH OUTPUT	(S/N YY2531-)	
11.	195-375D	POWER SHAFT 7/8 HEX LH	(S/N YY2532+)	
12.	805-240C	PIN LINCH 3/16 X 1 9/16 LONG		
13.	195-243D	7/8 HEX SPROCKET WASHER		
14.	808-259C	SPKT 40B14 X 7/8 HEX BORE		
15.	802-256C	HHCS 5/16-18X5 1/2 GR5		
16.	808-257C	SPKT 40B34 X 7/8 HEX BORE		
17.	808-258C	SPKT 40B72 X 7/8 HEX BORE		
18.	808-143C	SPKT 40B12 7/8 HEX BORE W/SS		
19.	802-282C	RHSNB 5/16-18X1 GR5		
20.	195-169D	SEED JACK SHAFT 7/8 HEX WING		
21.	822-032C	FLANGETTE 52 MST		
22.	822-119C	BRG 7/8HEXX2.05OD SPH		
23.	804-009C	WASHER LOCK SPRING 5/16 PLT		
24.	803-008C	NUT HEX 5/16-18 PLT		
25.	195-187K	3S-3000F LH WING CLUTCH ASSY		
26.	195-232H	SPKT 50A56 WITH 7/8 HEX HUB	(S/N YY2531-)	
26.	195-321S	SPKT 50C56 RATCHET DRIVE	(S/N YY2532+) Includes items: 33-39	
27.	804-015C	WASHER LOCK SPRING 1/2 PLT		
28.	808-256C	SPKT 40C23 X 7/8 HEX BORE		
29.	802-039C	HHCS 1/2-13X3 GR5		
30.	817-423C	NO. 50 12T IDLER SPKT		
31.	802-092C	RHSNB 5/16-18X3/4 GR5	(S/N YY2532+)	
32.	195-376D	7/8 HEX WASHER X .21	(S/N YY2532+)	
33.	402-050D	CLUTCH, SIDE PLATE TAPPED		
34.	808-450C	SPKT 50A56 SPECIAL BORE		
35.	402-376D	POLYURETHANE ROD SPRING 5/16 L		
36.	890-954C	HUB RATCHET SPKT #50		
37.	403-751D	KEY RATCHET CLUTCH #50 SPKT		
38.	402-051D	CLUTCH, SIDE PLATE C/BORED		
39.	802-418C	SHCS 1/4-20X7/8		

Small Seeds Drive

(Applies to 3S-4000, 3S-4000F only)



27411

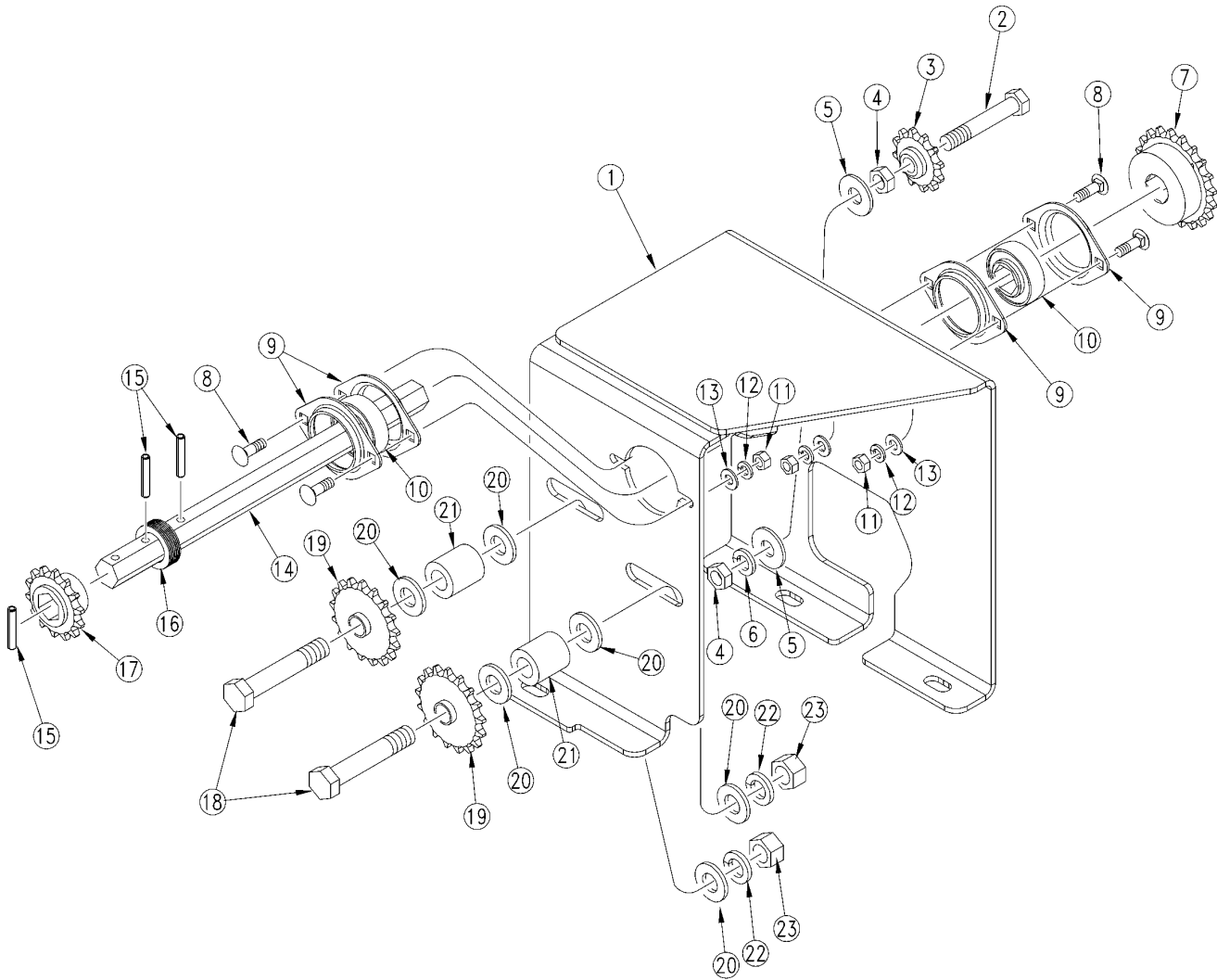
Small Seeds Drive

(Applies to 3S-4000, 3S-4000F only)

Ref	Part No.	Part Description	Comments	Revision
	dwg27411	Image No.		
1.	194-184H	3S-4000 CENTER BOX FRAME		
1.	194-182H	3S-4000 LH WING FRAME		
1.	194-183H	3S-4000 RH WING FRAME		
2.	804-009C	WASHER LOCK SPRING 5/16 PLT		
3.	803-008C	NUT HEX 5/16-18 PLT		
4.	822-032C	FLANGETTE 52 MST		
5.	822-119C	BRG 7/8HEXX2.05OD SPH		
6.	195-258D	ACRE METER SHAFT		
7.	803-036C	NUT HEX JAM 1/2-13 PLT		
8.	804-015C	WASHER LOCK SPRING 1/2 PLT		
9.	804-113C	WASHER FLAT 1/2 USS HARD PLT		
10.	817-025C	NO. 40 12T IDLER SPKT.		
11.	802-041C	HHCS 1/2-13X3 1/2 GR5		
12.	804-061C	WASHER MACH 1.50 X 1.00 X 18GA		
13.	808-256C	SPKT 40C23 X 7/8 HEX BORE		
14.	802-282C	RHSNB 5/16-18X1 GR5		
15.	195-243D	7/8 HEX SPROCKET WASHER		
16.	805-180C	PIN ROLL 1/4 X 1 1/2 LG PLT		
17.	195-272K	3S-4000F CTR CLUTCH ASSY	Refer to "Fertilizer Clutch Center Box Breakdown (195-272K)" for breakdown	
18.	136-154D	CHAIN RL #40 214 PITCHES		
19.	807-097C	SPRING COMP 2 1/16 OD X 4 LG		
20.	195-109D	BRKAWAY CLUTCH 7/8 HX LONG BR		
21.	195-257D	POWER SHAFT 7/8 HEX CENTER		
22.	195-270D	HEX SHAFT 7/8,4000 FERT JS CTR		
23.	808-194C	SPKT 40B22 7/8 HEX BORE & SS		
24.	136-078D	CHAIN RL #40 52 PITCHES		
25.	806-020C	U-BOLT 5/8-11 X 2 1/32 X 3 1/2		
26.	803-020C	NUT HEX 1/2-13 PLT		
27.	133-324K	SML SDS ON FERT JS MNT ASY	Refer to "Small Seeds Drive Subassembly" for breakdown	
28.	136-064D	CHAIN RL #40 51 PITCHES		
29.	802-034C	HHCS 1/2-13X1 1/4 GR5		

Small Seeds Drive Subassembly

(Applies to 3S-4000, 3S-4000F only)



27417

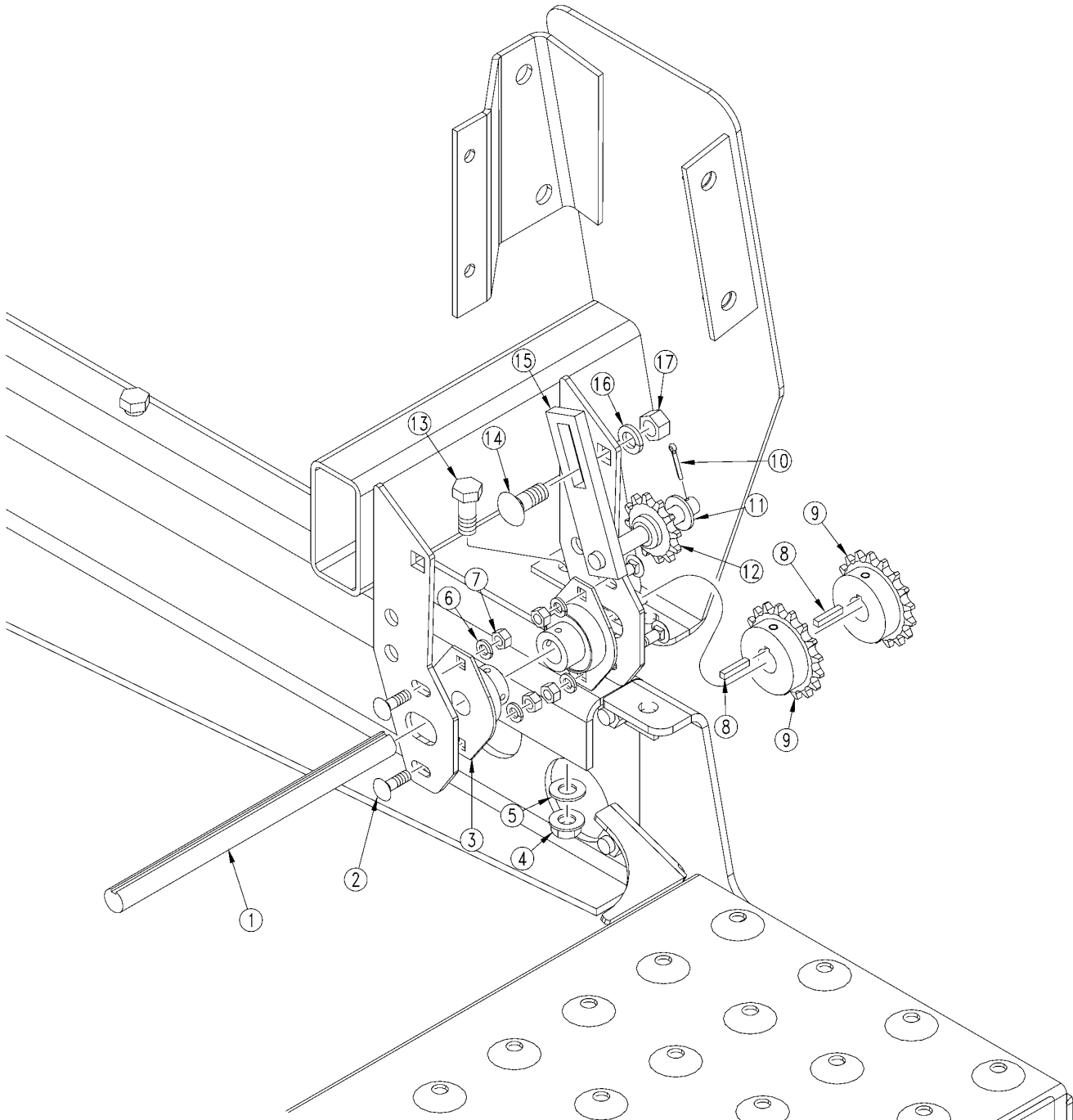
Small Seeds Drive Subassembly

(Applies to 3S-4000, 3S-4000F only)

Ref	Part No.	Part Description	Comments	Revision
	dwg27417	Image No.		
1.	133-323H	SML SDS ON FERT JS MNT WLMT		
2.	802-039C	HHCS 1/2-13X3 GR5		
3.	817-025C	NO. 40 12T IDLER SPKT.		
4.	803-036C	NUT HEX JAM 1/2-13 PLT		
5.	804-113C	WASHER FLAT 1/2 USS HARD PLT		
6.	804-015C	WASHER LOCK SPRING 1/2 PLT		
7.	808-194C	SPKT 40B22 7/8 HEX BORE & SS		
8.	802-282C	RHSNB 5/16-18X1 GR5		
9.	822-032C	FLANGETTE 52 MST		
10.	822-119C	BRG 7/8HEXX2.05OD SPH		
11.	803-008C	NUT HEX 5/16-18 PLT		
12.	804-009C	WASHER LOCK SPRING 5/16 PLT		
13.	804-036C	WASHER FLAT 5/16 SAE PLT		
14.	133-101D	SML SDS ON FERT JS		
15.	805-180C	PIN ROLL 1/4 X 1 1/2 LG PLT		
16.	804-061C	WASHER MACH 1.50 X 1.00 X 18GA		
17.	808-259C	SPKT 40B14 X 7/8 HEX BORE		
18.	802-162C	HHCS 5/8-11X3 1/2 GR5		
19.	808-146C	SPKT 40C29 X 7/8 HEX BORE		
20.	804-095C	WASHER FLAT 5/8 HARD ASTM436		
21.	166-389D	AUGER PIVOT ARM LOCK TUBE		
22.	804-022C	WASHER LOCK SPRING 5/8 PLT		
23.	803-021C	NUT HEX 5/8-11 PLT		

Small Seeds to Drive

(Applies to 3S-4000, 3S-4000F only)



27420

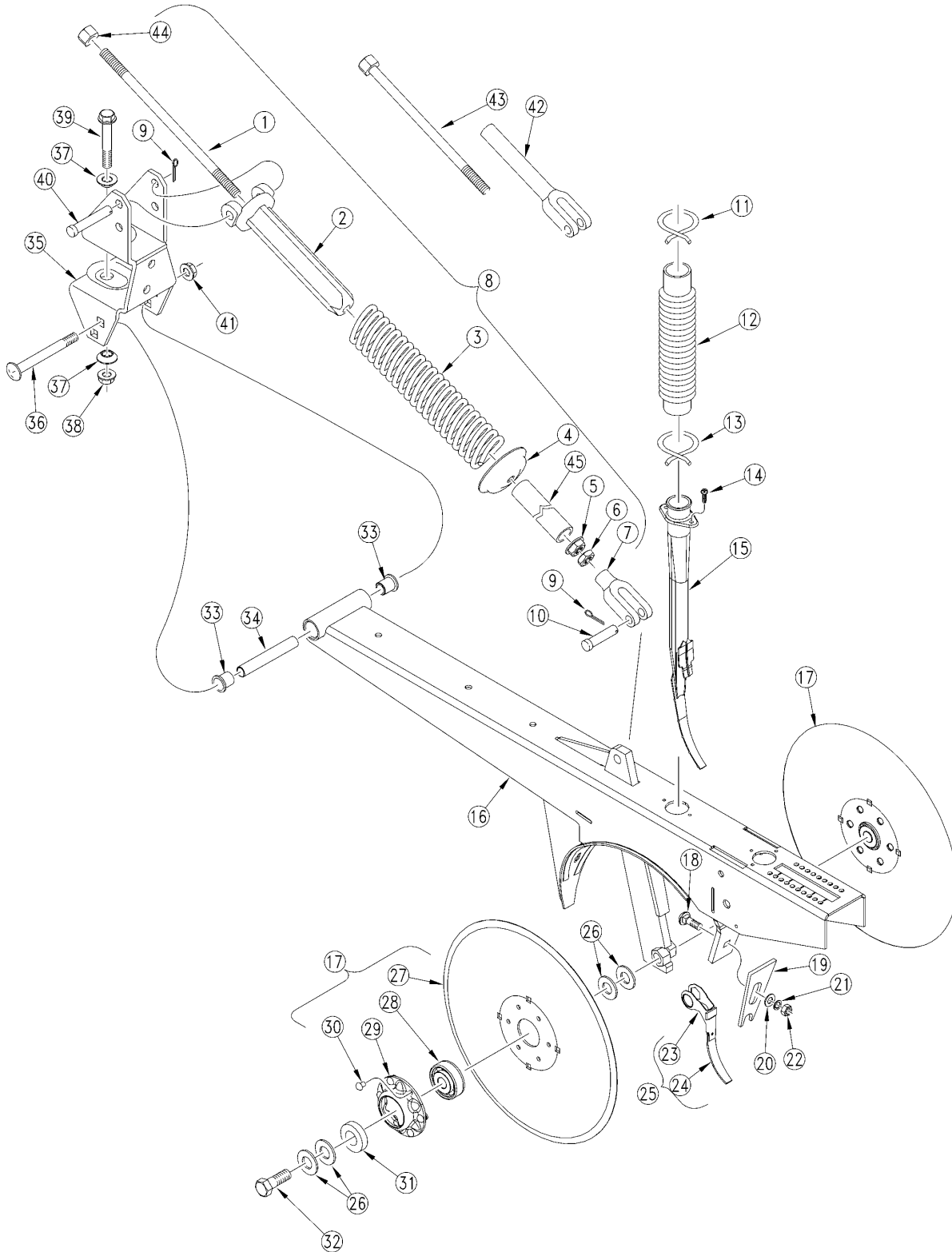
Small Seeds to Drive

(Applies to 3S-4000, 3S-4000F only)

Ref	Part No.	Part Description	Comments	Revision
	dwg27420	Image No.		
1.	133-024D	RND SHAFT 3/4 X 11 W/KW		
2.	802-282C	RHSNB 5/16-18X1 GR5		
3.	822-126C	BRG FLG .75ID 2BOLT		
4.	803-169C	NUT HEX FLG. LOCK 1/2-13 PLT		
5.	804-113C	WASHER FLAT 1/2 USS HARD PLT		
6.	804-009C	WASHER LOCK SPRING 5/16 PLT		
7.	803-008C	NUT HEX 5/16-18 PLT		
8.	168-127D	3/16 X 1 KEY		
9.	808-170C	SPKT 40B17 X 3/4BORE W/KW&SS		
10.	805-067C	PIN COTTER 1/8 X 3/4		
11.	804-016C	WASHER FLAT 1/2 SAE PLT		
12.	817-025C	NO. 40 12T IDLER SPKT.		
13.	802-203C	HFSS 1/2-13X1 1/2 GR5		
14.	802-214C	RHSNB 1/2-13X1 1/4 GR5		
15.	123-832H	SLOTTED IDLER ARM 1/2 X 3 5/16		
16.	804-015C	WASHER LOCK SPRING 1/2 PLT		
17.	803-020C	NUT HEX 1/2-13 PLT		

00 Series Opener

(Applies to 3S-4000, 3S-4000F only)



18787

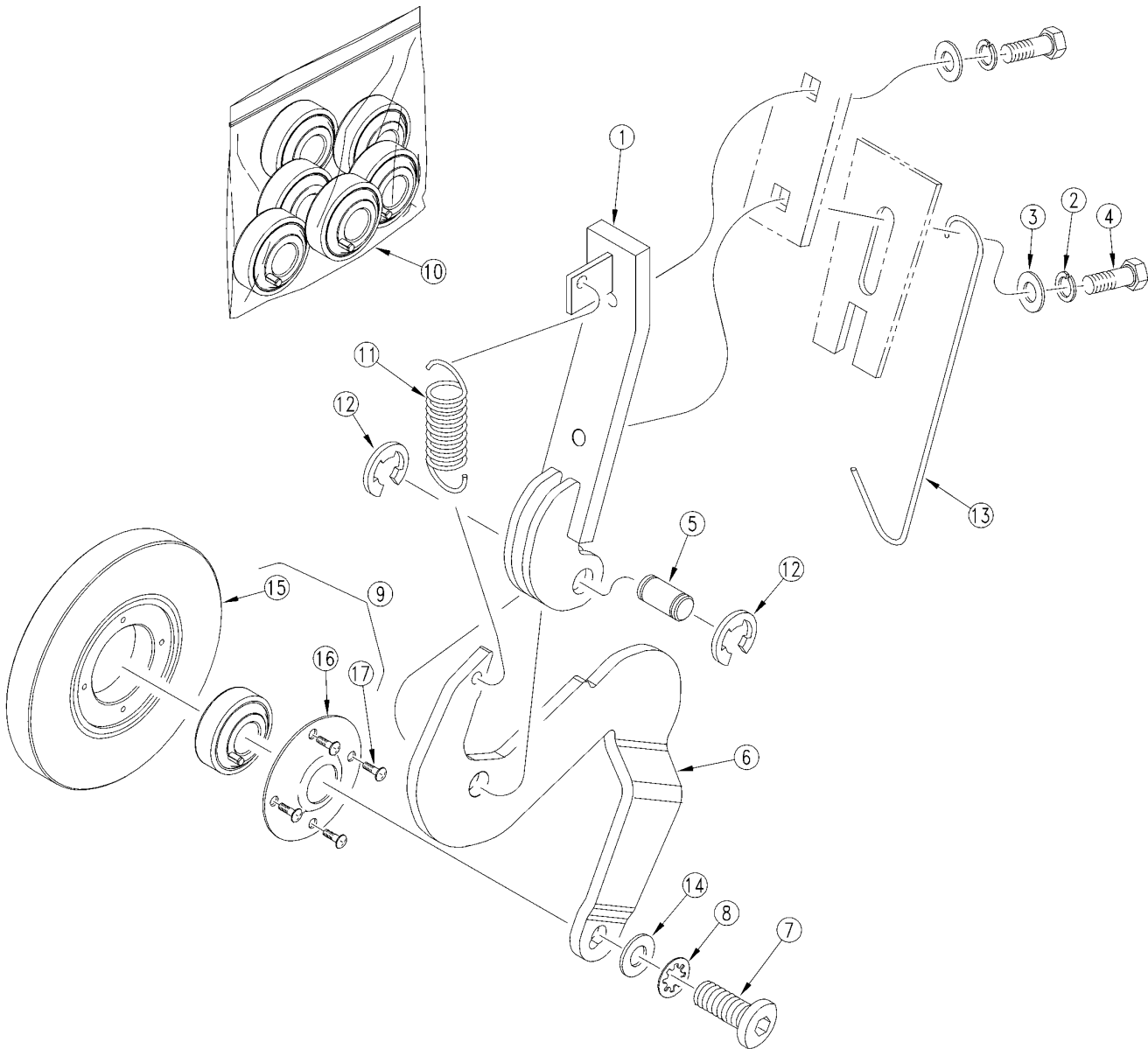
00 Series Opener

(Applies to 3S-4000, 3S-4000F only)

Ref	Part No.	Part Description	Comments	Revision
	dwg18787	Image No.		
1.	800-322C	STUD 1/2-13X17.6 SPTHDBBLEND		
2.	121-167D	RPBY 812-236C		
3.	807-159C	SPRING COMP 2 1/2ODX3/8X12 7/8		
4.	121-154D	SPRING STOP STAMPING		
5.	803-193C	NUT HEX FLANGE 1/2-13 GR G PLT		
6.	803-036C	NUT HEX JAM 1/2-13 PLT		
7.	121-166D	ADJ. YOKE END		
7.	812-245C	ADJUSTABLE YOKE END		
8.	121-762S	OPENER SPRING ROD ASSY. LONG	Includes items 1-7	
8.	121-763S	OPENER SPRING ROD ASSY. SHRT.		
9.	805-109C	PIN COTTER 1/8 X 1 1/4 PLT		
10.	805-127C	PIN CLEVIS 1/2 X 1 3/4		
11.	800-009C	CLAMP HOSE 1 5/8 NO. 26		
12.	816-239C	SEED HOSE 56 RIBS X 11 LONG		
13.	800-008C	CLAMP HOSE 1 1/2 NO. 24		
14.	801-002C	SCREW HEX SLT10-16X1/2P.THD CT		
15.	817-314C	OPENER SEED TUBE, PLASTIC		
16.	121-702H	OPENER WELDMENT - LONG		
16.	121-703H	OPENER WELDMENT - SHORT		
17.	107-133S	RPBY 107-135S	Includes items 27-30	
18.	802-015C	RHSNB 3/8-16X1 GR5		
19.	107-113D	D.D. SLOTTED SCRAPER		
20.	804-012C	WASHER FLAT 3/8 SAE PLT		
21.	804-013C	WASHER LOCK SPRING 3/8 PLT		
22.	803-014C	NUT HEX 3/8-16 PLT		
23.	121-164D	HEX SEED FLAP MOUNTING CLIP		
24.	816-302C	SEED FLAP, RUBBER, SEED-LOK	Includes items 23,24	
25.	122-242S	SEED FLAP & HEX CLIP, SEEDLOK		
26.	804-040C	WASHER MACH 1.19 X .63 X 18GA		
27.	820-155C	RPBY 820-187C		
28.	188-001V	BEARING AA205DD		
29.	890-466C	HSG RIBB FLG 6BOLT PLT		
30.	800-213C	RIVET,BUTTON HEAD 1/4 X 1/2		
31.	107-111D	DD BRG FLANGE DUST COVER		
32.	802-228C	HHCS 5/8-11X1 1/2 GR5 NYL		
33.	817-084C	PARALLEL ARM PIVOT BUSHING		
34.	142-198D	STRAIGHT ARM OPENER PIVOT PIPE		
35.	121-151D	OPENER MOUNTING BRACKET		
36.	802-121C	RHSNB 1/2-13X5 1/2 GR5		
37.	804-154C	WASHER POWDER METAL CONE 1/2		
38.	803-037C	NUT HEX WHIZ 1/2-13 PLT		
39.	802-045C	HHCS 1/2-13X5 GR5		
40.	805-234C	PIN CLEVIS 1/2 X 4 PLATED		
41.	803-169C	NUT HEX FLG. LOCK 1/2-13 PLT.		
42.	121-152D	RPBY 221-100K	Order kit 221-100K	
43.	802-550C	HHCS 1/2-13X10 SPTHDBBLEND GR8	Order kit 221-100K long opener only	
44.	803-310C	NUT HEX 1/2-20 X 5/8 HIGH		
45.	121-169D	SPACER TB ALUM 1ODX 1/2 X 7.28		

5" & 6" Seed-Lok (Option)

(Applies to 3S-4000, 3S-4000F only)



18793

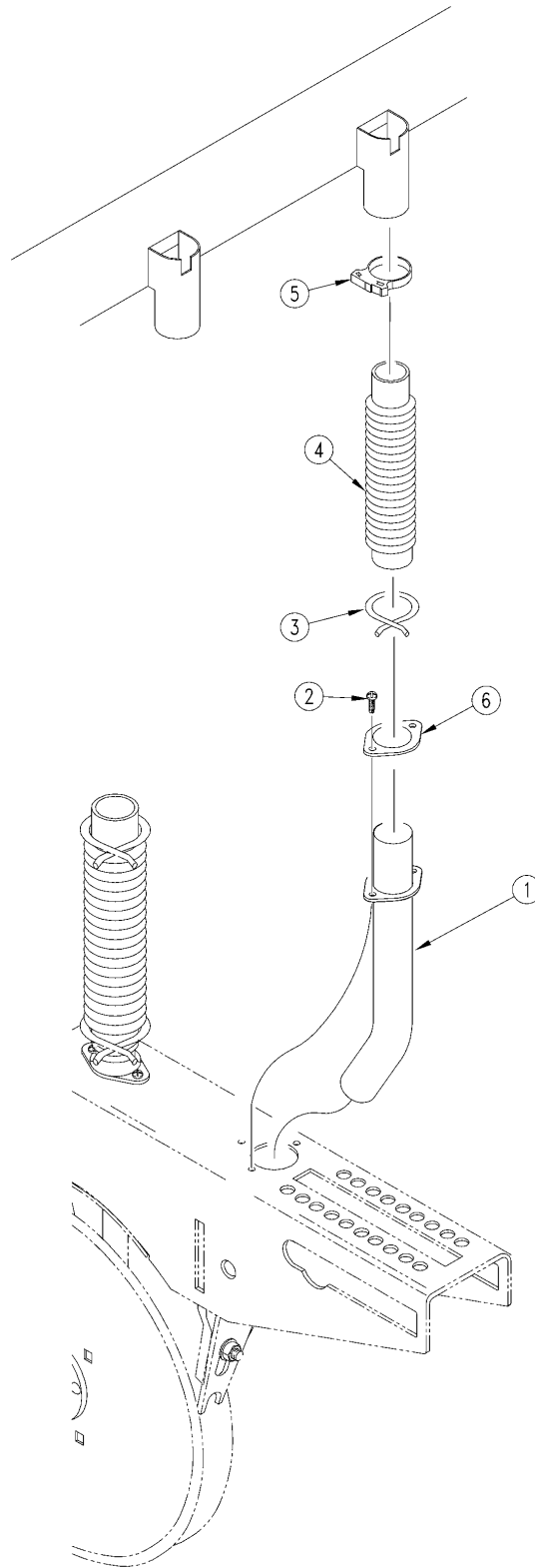
5" & 6" Seed-Lok (Option)

(Applies to 3S-4000, 3S-4000F only)

Ref	Part No.	Part Description	Comments	Revision
	dwg18793	Image No.		
1.	122-173H	SS RMVBL SD-LOK MNT WLDMT		
2.	804-013C	WASHER LOCK SPRING 3/8 PLT		
3.	804-012C	WASHER FLAT 3/8 SAE PLT		
4.	802-017C	HHCS 3/8-16X1 GR5		
5.	122-120D	5 SEED-LOK WHL ARM PIVOT PIN		
6.	122-151D	SEED-LOK ARM (1994)		
7.	801-141C	LHS CP 3/8-16X3/4 GR8 PLATED		
8.	804-078C	WASHER INTERNAL STAR 3/8 PLT.		
9.	122-201S	SD-LK 203 BEARING WHEEL ASSY	5" Seed-lok	
9.	206-014S	6 SEED LOK ASSEMBLY	6" Seed-lok	
10.	122-231A	RPBY 188-008V	Contains six bearings.	
11.	807-101C	SPRING, 1 O.D.X.125WIREX 3 1/2		
12.	800-093C	RING SNAP EXTERNAL "E" 1/2		
13.	800-310C	SEED LOK HANGER SPRING		
14.	804-011C	WASHER FLAT 3/8 USS PLT		
15.	817-134C	5/8 X 5 SEED FIRING WHEEL	5" Seed-lok	
15.	817-191C	5/8 X 6 SEED LOK WHEEL	6" Seed-lok	
16.	816-173C	RETAINER W/BONDED SEAL 4BLT		
17.	801-084C	SCR PH THD FMG #10X1/2 TP ZP		

Fertilizer Hose

(Applies to 3S-4000, 3S-4000F only)



16459

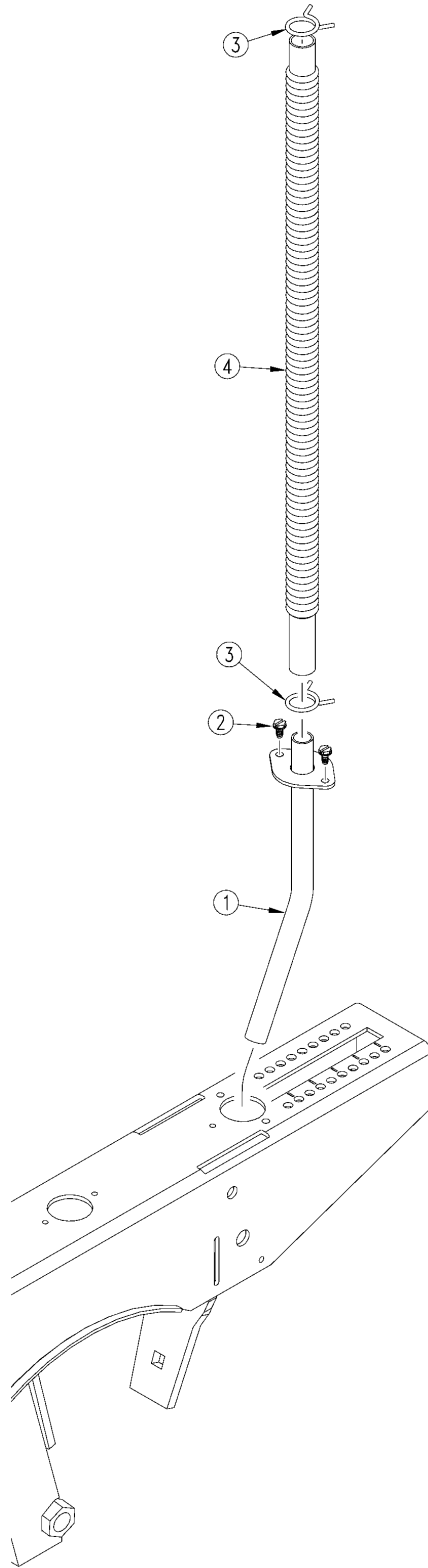
Fertilizer Hose

(Applies to 3S-4000, 3S-4000F only)

Ref	Part No.	Part Description	Comments	Revision
	dwg16459	Image No.		
1.	817-346C	PLASTIC FERTILIZER TUBE		
2.	801-002C	SCREW HEX SLT10-16X1/2P.THD CT		
3.	800-008C	CLAMP HOSE 1 1/2 NO. 24		
4.	816-007C	SEED HOSE X 59 RIBS 1.5-1.25		
5.	800-016C	UPPER FERT HOSE CLAMP		
6.	133-065D	SML SDS TB REINFORCEMENT RING		

Small Seeds Hose

(Applies to 3S-4000, 3S-4000F only)



27002

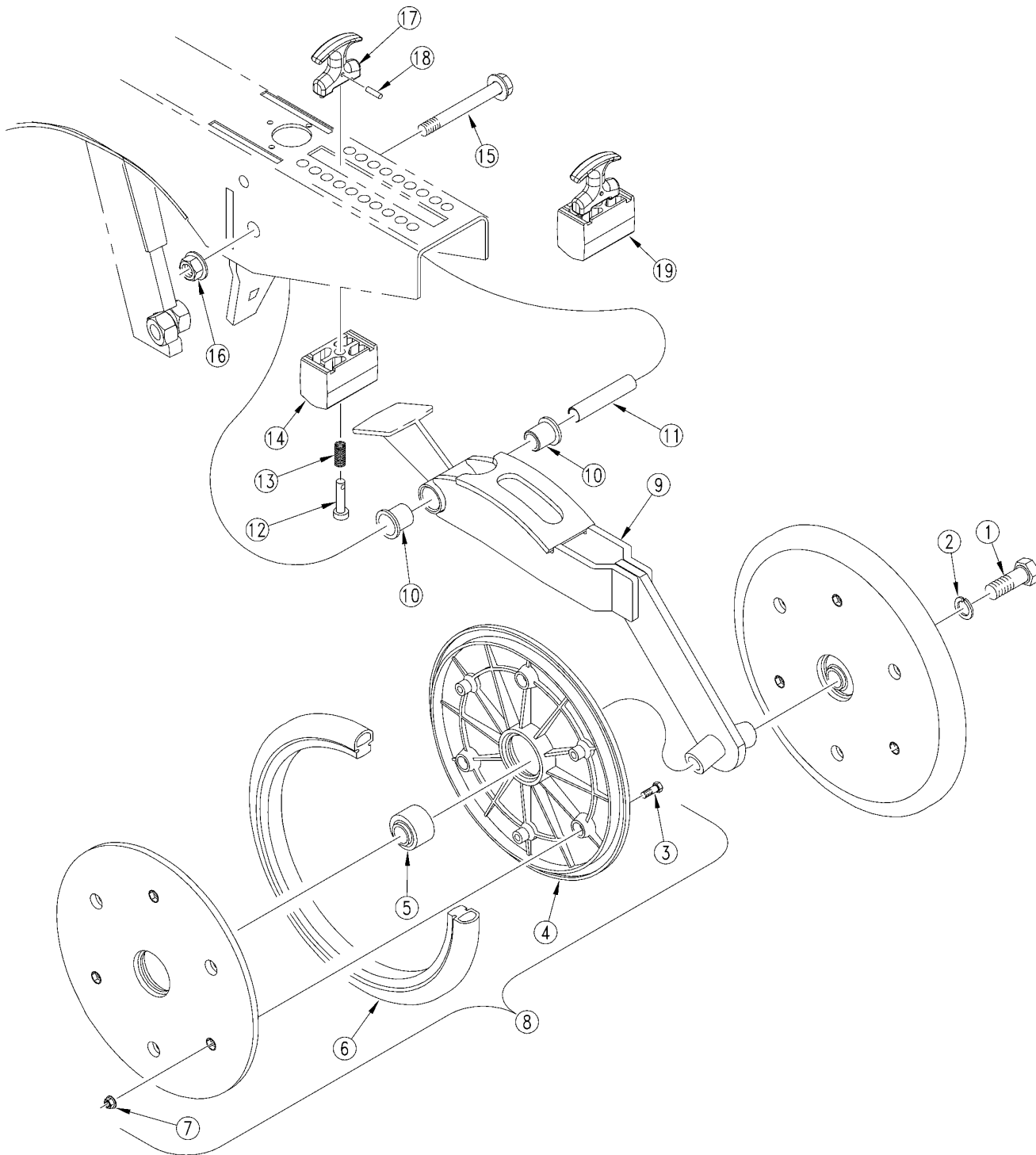
Small Seeds Hose

(Applies to 3S-4000, 3S-4000F only)

Ref	Part No.	Part Description	Comments	Revision
	dwg-27002	Image No.		
1.	123-939H	SMALL SEEDS TUBE WELDMENT		
2.	801-002C	SCREW HEX SLT10-16X1/2P.TH D CT		
3.	800-321C	HOSE CLAMP NO.12 3/4 ID		
4.	816-358C	SGS HOSE 122 RIBS		

1" x 12" Double "V" Press Wheel

(Applies to 3S-4000, 3S-4000F only)



17437

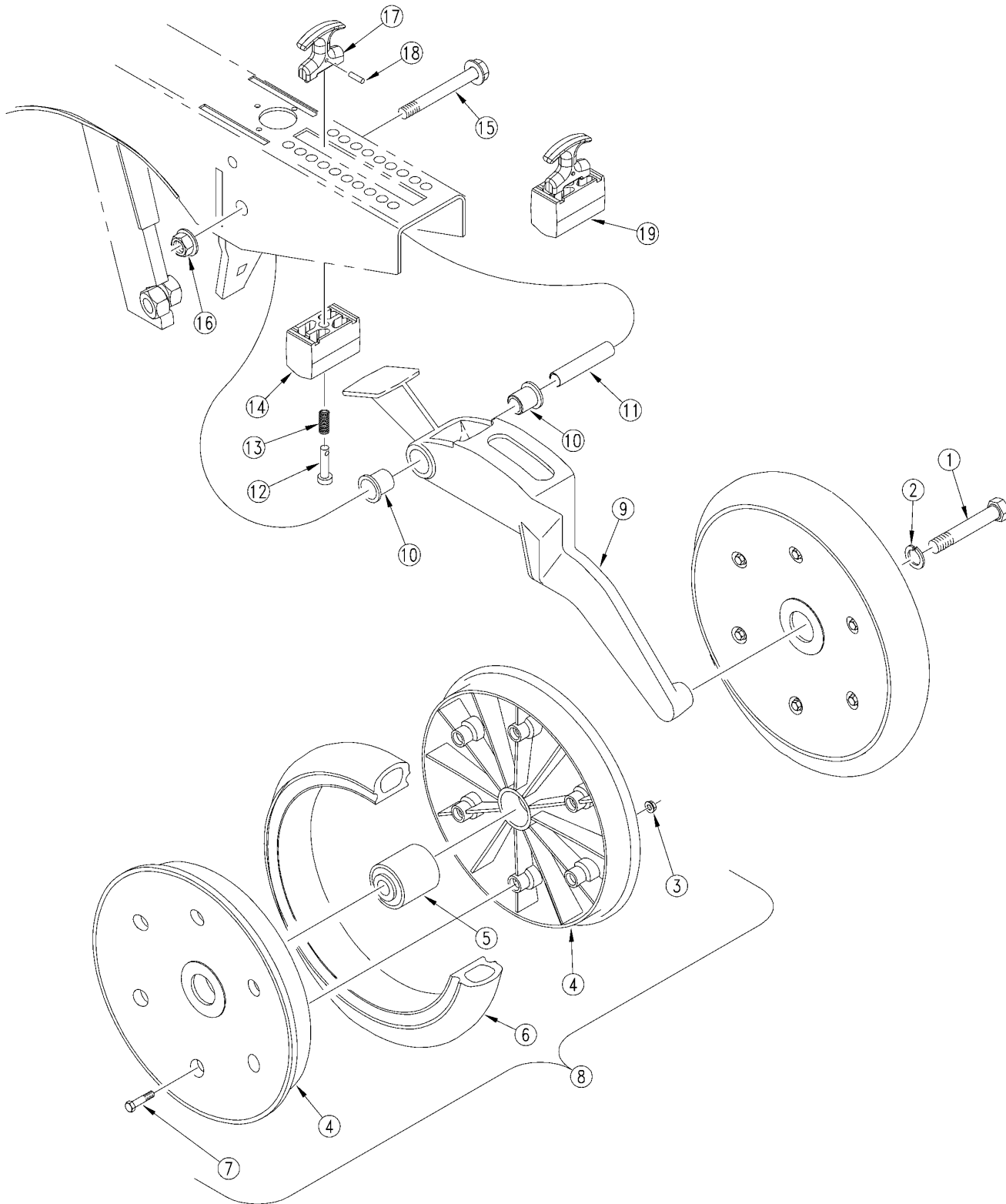
1" x 12" Double "V" Press Wheel

(Applies to 3S-4000, 3S-4000F only)

Ref	Part No.	Part Description	Comments	Revision
	dwg17437	Image No.		
1.	802-058C	HHCS 5/8-11X2 1/2 GR5		
2.	804-022C	WASHER LOCK SPRING 5/8 PLT		
3.	802-005C	HHCS 1/4-20X1 GR5		
4.	817-330C	1 X 12 PRESS WHEEL RIM HALF		
5.	822-170C	BRG .63ID PRESS WHL ASY		
6.	814-034C	TIRE RUBBER 1 X 12		
7.	803-088C	NUT HEX LOCK 1/4-20 FLG		
8.	814-174C	1 X 12 PRESS WHL ASSY-5203BRG		
9.	199-022H	98 1X12 PRESS WHEEL WELDMENT		
10.	817-084C	PARALLEL ARM PIVOT BUSHING		
11.	198-137D	PRESS WHEEL PIVOT TUBE		
12.	805-154C	PIN CLEVIS 3/8 X 2 1/8 USABLE		
13.	807-106C	SPRING .540 O.D.X 1 1/4 X.054W		
14.	817-347C	OPENER TRUNION		
15.	802-421C	HFS 1/2-13X3 3/4 GR5 SPTHD		
16.	803-169C	NUT HEX FLG. LOCK 1/2-13 PLT.		
17.	817-328C	T-HANDLE ASSEMBLY		
18.	805-186C	PIN ROLL 5/32 X 5/8 PLT		
19.	122-202S	PW ADJUSTMENT TRUNNION ASSY	Includes 12-14, 17 & 18.	

2" x 13" Single Press Wheel

(Applies to 3S-4000, 3S-4000F only)



17439

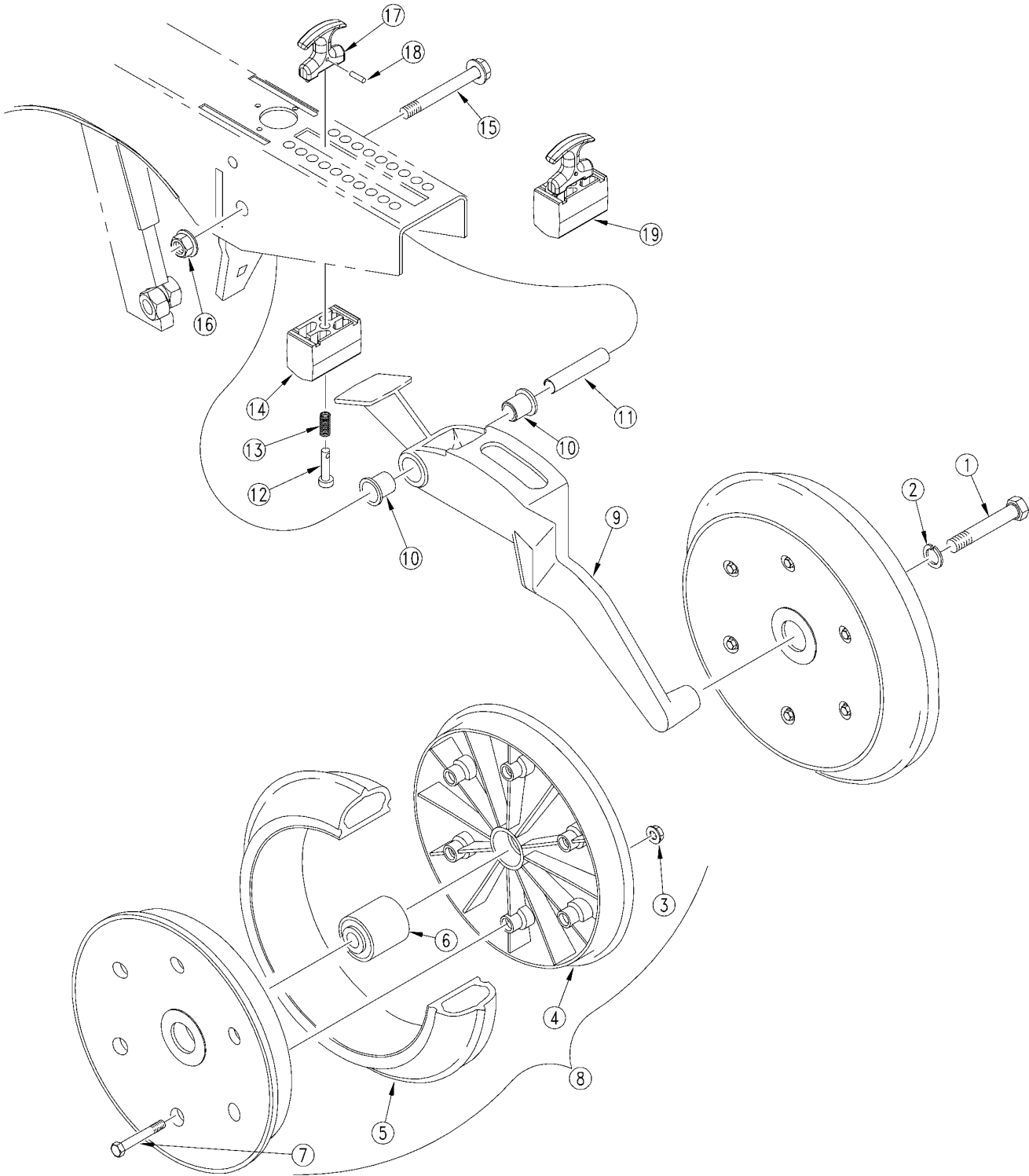
2" x 13" Single Press Wheel

(Applies to 3S-4000, 3S-4000F only)

Ref	Part No.	Part Description	Comments	Revision
	dwg17439	Image No.		
1.	802-058C	HHCS 5/8-11X2 1/2 GR5		
2.	804-022C	WASHER LOCK SPRING 5/8 PLT		
3.	803-088C	NUT HEX LOCK 1/4-20 FLG		
4.	817-296C	2 X 13 PRESS WHEEL RIM HALF		
5.	822-170C	BRG .63ID PRESS WHL ASY		
6.	814-159C	2 X 13 PRESS WHEEL TIRE		
7.	802-617C	HHFS 1/4-20 X 1 1/2 GR 5		
8.	814-157C	2 X 13 PRESS WHEEL ASSEMBLY		
9.	199-042D	UNIVERSAL PW ARM MACH 2&3X13		
10.	817-084C	PARALLEL ARM PIVOT BUSHING		
11.	198-137D	PRESS WHEEL PIVOT TUBE		
12.	805-154C	PIN CLEVIS 3/8 X 2 1/8 USABLE		
13.	807-106C	SPRING .540 O.D.X 1 1/4 X.054W		
14.	817-347C	OPENER TRUNION		
15.	802-421C	HFS 1/2-13X3 3/4 GR5 SPTHD		
16.	803-169C	NUT HEX FLG. LOCK 1/2-13 PLT.		
17.	817-328C	T-HANDLE ASSEMBLY		
18.	805-186C	PIN ROLL 5/32 X 5/8 PLT		
19.	122-202S	PW ADJUSTMENT TRUNNION ASSY	Includes 12-14, 17 & 18.	

3" x 13" Single Press Wheel

(Applies to 3S-4000, 3S-4000F only)



17438

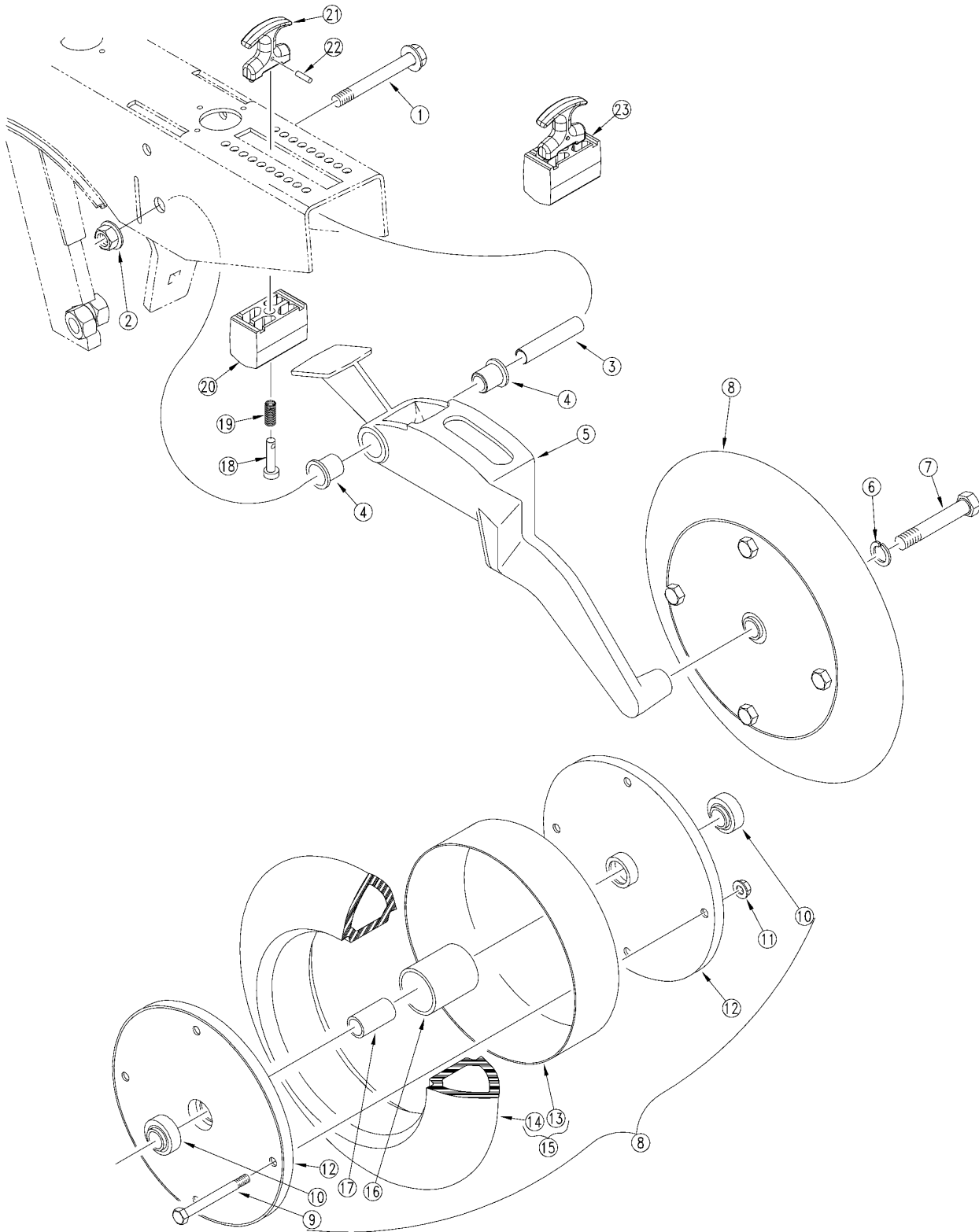
3" x 13" Single Press Wheel

(Applies to 3S-4000, 3S-4000F only)

Ref	Part No.	Part Description	Comments	Revision
	dwg17438	Image No.		
1.	802-058C	HHCS 5/8-11X2 1/2 GR5		
2.	804-022C	WASHER LOCK SPRING 5/8 PLT		
3.	803-088C	NUT HEX LOCK 1/4-20 FLG		
4.	817-297C	3 X 13 PRESS WHEEL RIM HALF		
5.	814-160C	3 X 13 PRESS WHEEL TIRE		
6.	822-170C	BRG .63ID PRESS WHL ASY		
7.	802-618C	HHFS 1/4-20 X 2 GR 5		
8.	814-158C	3 X 13 PRESS WHEEL ASSEMBLY		
9.	199-042D	UNIVERSAL PW ARM MACH 2&3X13		
10.	817-084C	PARALLEL ARM PIVOT BUSHING		
11.	198-137D	PRESS WHEEL PIVOT TUBE		
12.	805-154C	PIN CLEVIS 3/8 X 2 1/8 USABLE		
13.	807-106C	SPRING .540 O.D.X 1 1/4 X.054W		
14.	817-347C	OPENER TRUNION		
15.	802-421C	HFS 1/2-13X3 3/4 GR5 SPTHD		
16.	803-169C	NUT HEX FLG. LOCK 1/2-13 PLT.		
17.	817-328C	T-HANDLE ASSEMBLY		
18.	805-186C	PIN ROLL 5/32 X 5/8 PLT		
19.	122-202S	PW ADJUSTMENT TRUNNION ASSY	Includes 12-14, 17 &18.	

3" x 14" Peaked Single Press Wheel

(Applies to 3S-4000, 3S-4000F only)



24435

3" x 14" Peaked Single Press Wheel

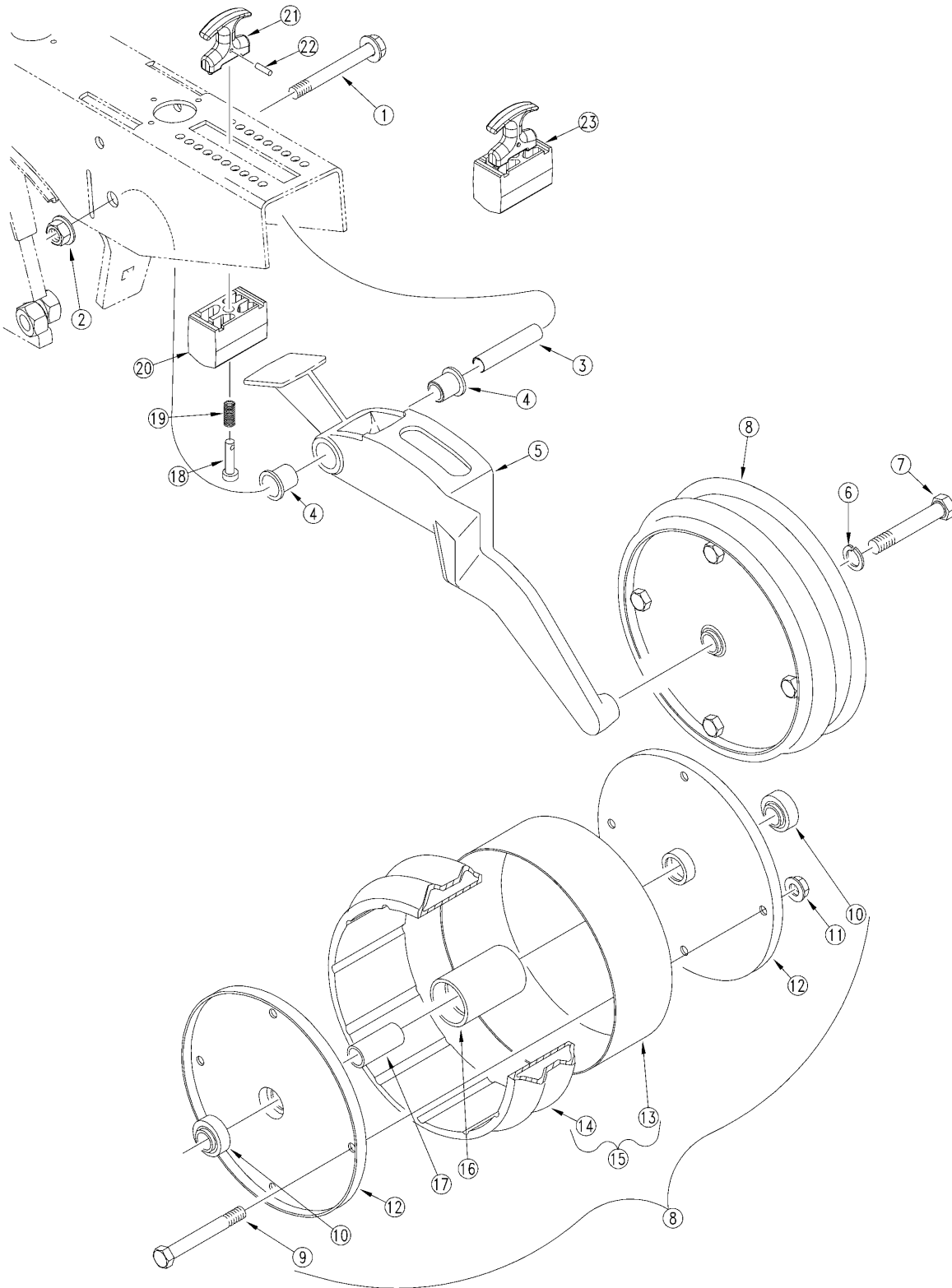
(Applies to 3S-4000, 3S-4000F only)

Ref	Part No.	Part Description	Comments	Revision
	dwg24435	Image No.		
1.	802-421C	HFS 1/2-13X3 3/4 GR5 SPTHD		
2.	803-169C	NUT HEX FLG. LOCK 1/2-13 PLT.		
3.	198-137D	PRESS WHEEL PIVOT TUBE		
4.	817-084C	PARALLEL ARM PIVOT BUSHING		
5.	199-030D	3 X 14 PRESS WHEEL ARM		
6.	804-022C	WASHER LOCK SPRING 5/8 PLT		
7.	802-059C	HHCS 5/8-11X3 GR5		
8.	122-117S	3 X 14 PEAKED P.W. ASSEMBLY		
9.	802-197C	HHCS 5/16-18X2 3/4 GR5		
10.	822-095C	BRG INS .63IDX1.57OD DBL LIP		
11.	803-177C	803-184 FLG TP LK 5/16-18ZNYCR		
12.	122-041D	4X12 PW RIM HALF		
13.	817-063C	3 X 14 RIM SPACER RING		
14.	814-067C	3 X 14 PEAKED PRESS WHEEL TIRE		
15.	122-198V	3 X 14 TIRE & RING ASSEMBLY		
16.	817-062C	LARGE SPACER TUBE		
17.	122-110D	SMALL SPACER TUBE		
18.	805-154C	PIN CLEVIS 3/8 X 2 1/8 USABLE		
19.	807-106C	SPRING .540 O.D.X 1 1/4 X.054W		
20.	817-347C	OPENER TRUNION		
21.	817-328C	T-HANDLE ASSEMBLY		
22.	805-186C	PIN ROLL 5/32 X 5/8 PLT		
23.	122-202S	PW ADJUSTMENT TRUNNION ASSY	Includes 12-14, 17 & 18	

[Table of Contents](#) [Part Number Index](#)

4" x 12" Double Ribbed Single Press Wheel

(Applies to 3S-4000, 3S-4000F only)



24436

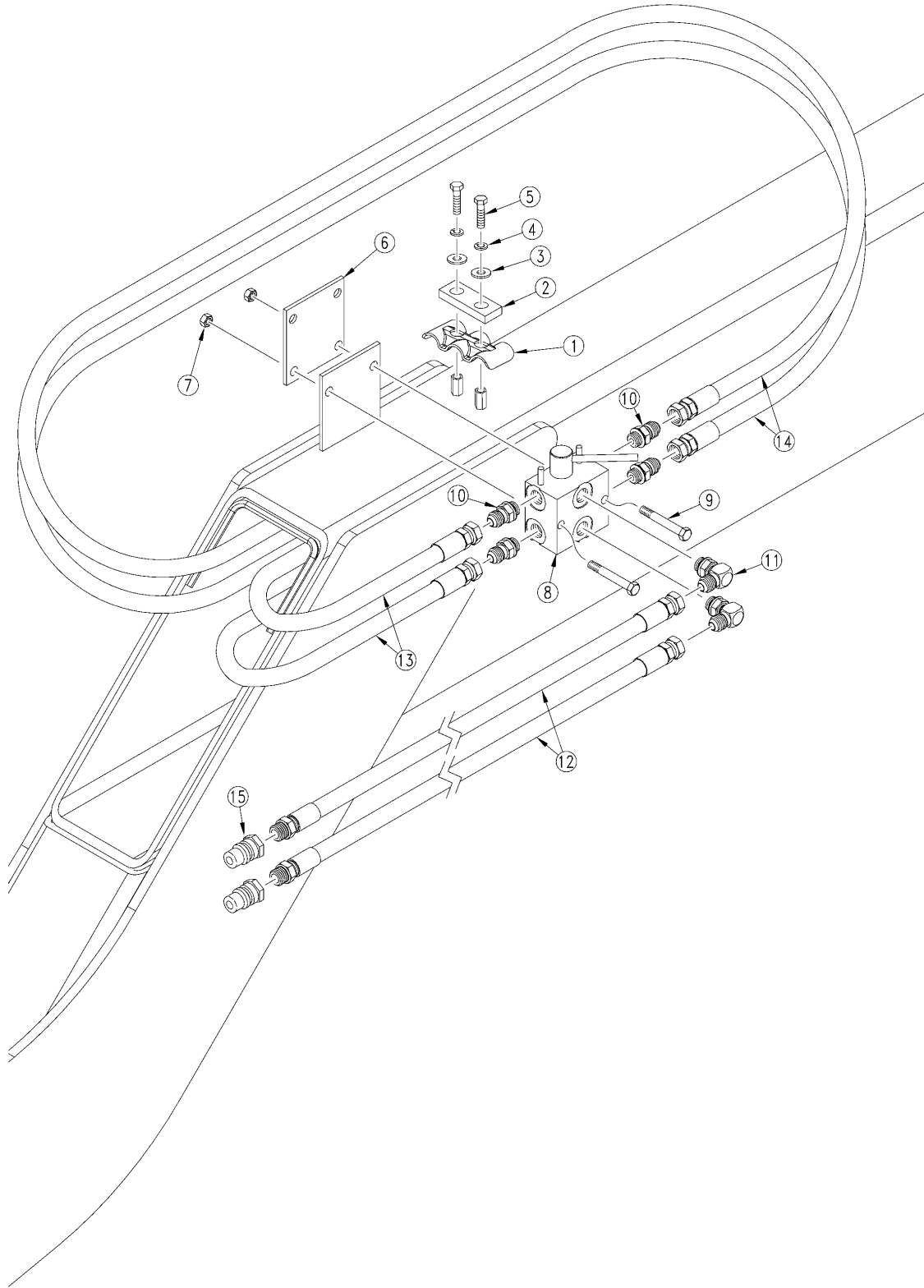
4" x 12" Double Ribbed Single Press Wheel

(Applies to 3S-4000, 3S-4000F only)

Ref	Part No.	Part Description	Comments	Revision
	dwg24436	Image No.		
1.	802-421C	HFS 1/2-13X3 3/4 GR5 SPTH		
2.	803-169C	NUT HEX FLG. LOCK 1/2-13 PLT.		
3.	198-137D	PRESS WHEEL PIVOT TUBE		
4.	817-084C	PARALLEL ARM PIVOT BUSHING		
5.	199-031D	4 X 12 PRESS WHEEL ARM		
6.	804-022C	WASHER LOCK SPRING 5/8 PLT		
7.	802-151C	HHCS 5/8-11X4 1/4 GR5		
8.	122-103S	4X12 V-GROOVE PRESS WHL ASSY		
9.	802-119C	HHCS 5/16-18X3 3/4 GR5		
10.	822-095C	BRG INS .63IDX1.57OD DBL LIP		
11.	803-177C	803-184 FLG TP LK 5/16-18ZNYCR		
12.	122-041D	4X12 PW RIM HALF		
13.	817-023C	4 X 12 RIM SPACER RING		
14.	814-010C	TIRE PW 4 X 12		
15.	122-197V	4X12 V-GROOVE TIRE & RING ASSY		
16.	817-022C	4 X 12 LARGE SPREADER TUBE		
17.	122-094D	4X12 SMALL SPREADER TUBE-SHORT		
18.	805-154C	PIN CLEVIS 3/8 X 2 1/8 USABLE		
19.	807-106C	SPRING .540 O.D.X 1 1/4 X.054W		
20.	817-347C	OPENER TRUNION		
21.	817-328C	T-HANDLE ASSEMBLY		
22.	805-186C	PIN ROLL 5/32 X 5/8 PLT		
23.	122-202S	PW ADJUSTMENT TRUNNION ASSY	Includes 18-22	

Double Selector Valve Mounting

(Applies to 3S-4000, 3S-4000F only)



27020

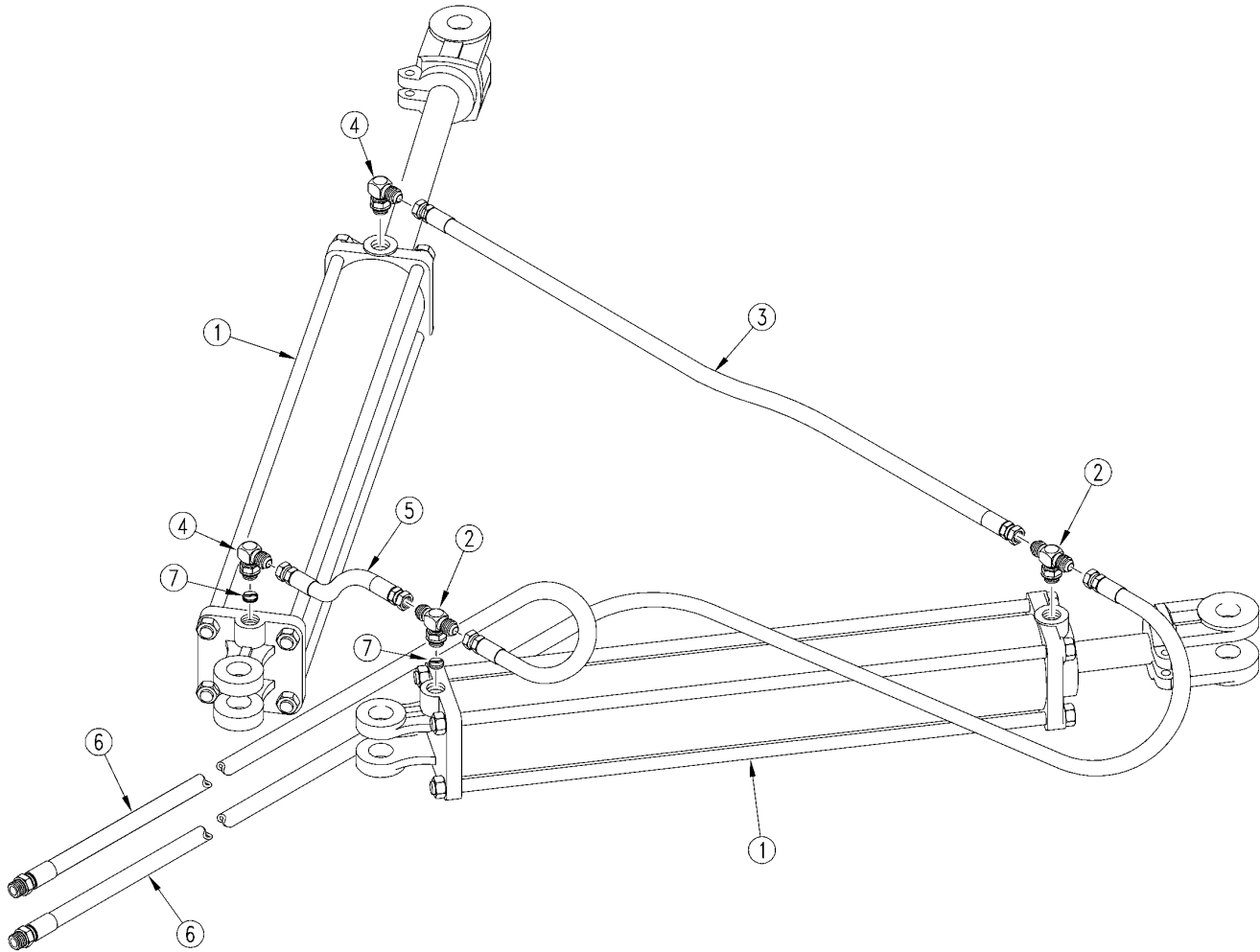
Double Selector Valve Mounting

(Applies to 3S-4000, 3S-4000F only)

Ref	Part No.	Part Description	Comments	Revision
	dwg27020	Image No.		
1.	196-146D	3-HOSE CLAMP BRACKET		
2.	196-885D	HOSE CLAMP HOLDDOWN		
3.	804-010C	WASHER FLAT 5/16 USS PLT		
4.	804-009C	WASHER LOCK SPRING 5/16 PLT		
5.	802-010C	HHCS 5/16-18X1 1/4 GR5		
6.	194-249D	BRACKET, 2ND SELECTOR VALVE		
7.	803-013C	NUT LOCK 3/8-16 PLT		
8.	810-274C	DOUBLE SELECTOR VALVE 3/4FORB		
9.	802-168C	HHCS 3/8-16X3 1/4 GR5		
10.	811-021C	AD 1/2FNPTS 3/4MORB		
11.	811-063C	EL 3/4MJIC 3/4MORB		
12.	811-272C	HH1/2R2 096 3/4MORB 3/4FJIC		
13.	811-181C	HH1/4R1 405 1/2MNPT 9/16FJIC		
14.	811-585C	HH3/8R1 408 1/2MNPT 9/16FJIC		
15.	811-394C	CP 3/4FORB MALE QD POPPET TYPE		

Fold Hydraulics

(Applies to 3S-4000, 3S-4000F only)



15473

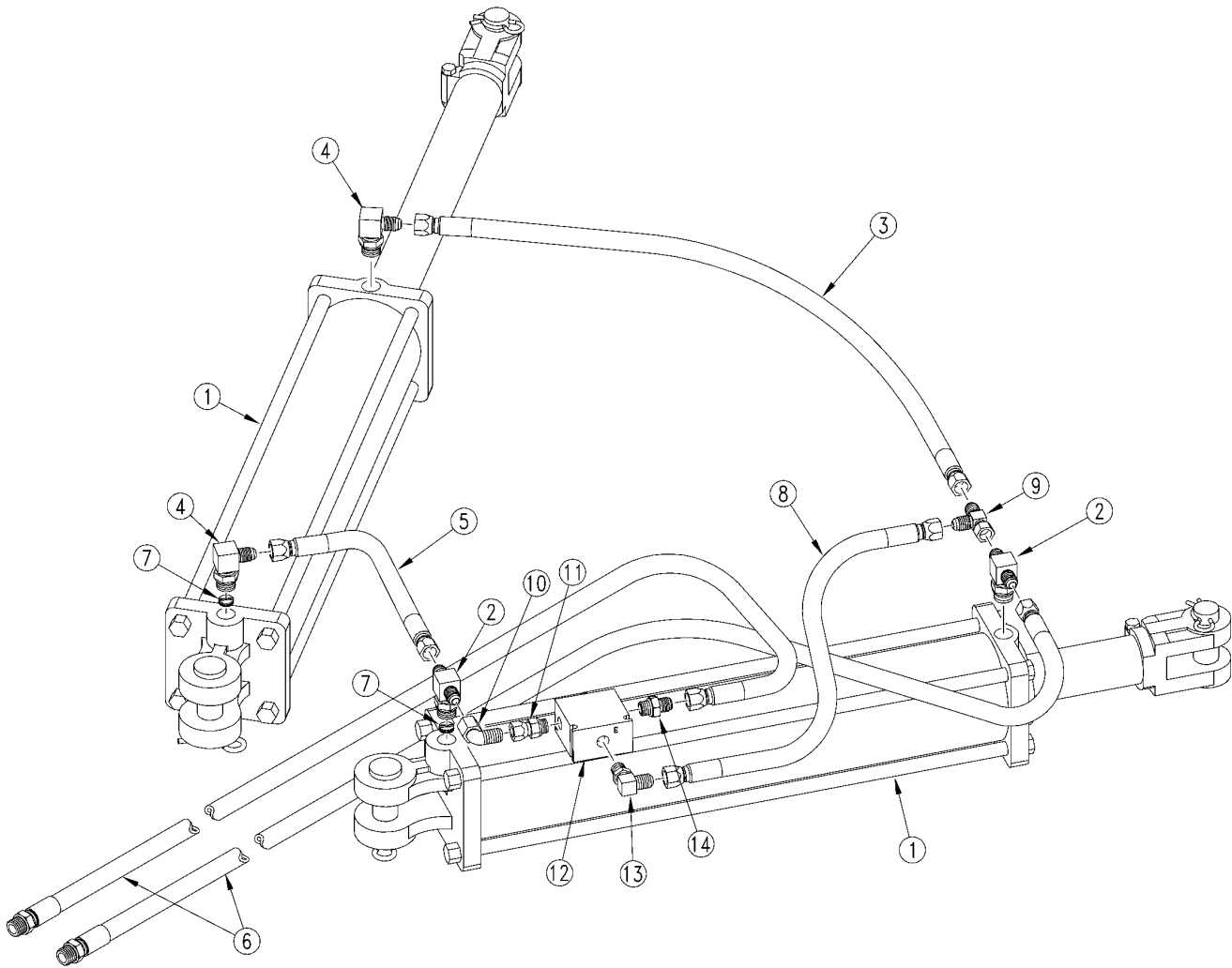
Fold Hydraulics

(Applies to 3S-4000, 3S-4000F only)

Ref	Part No.	Part Description	Comments	Revision
	dwg15473	Image No.		
1.	810-421C	CYL 4X20X 2 ROD (TIE ROD)		
2.	811-470C	TE 9/16MJIC 3/4MORB 9/16MJIC		
3.	811-574C	HH1/4R1 040 9/16FJIC		
4.	811-171C	EL 3/4MORB 9/16MJIC		
5.	811-057C	HH1/4R2 020 9/16FJIC		
6.	811-181C	HH1/4R1 405 1/2MNPT 9/16FJIC		
7.	811-490C	RPBY 196-429D		

Fold Hydraulics With Check Valve

(Applies to 3S-4000, 3S-4000F only)



25012

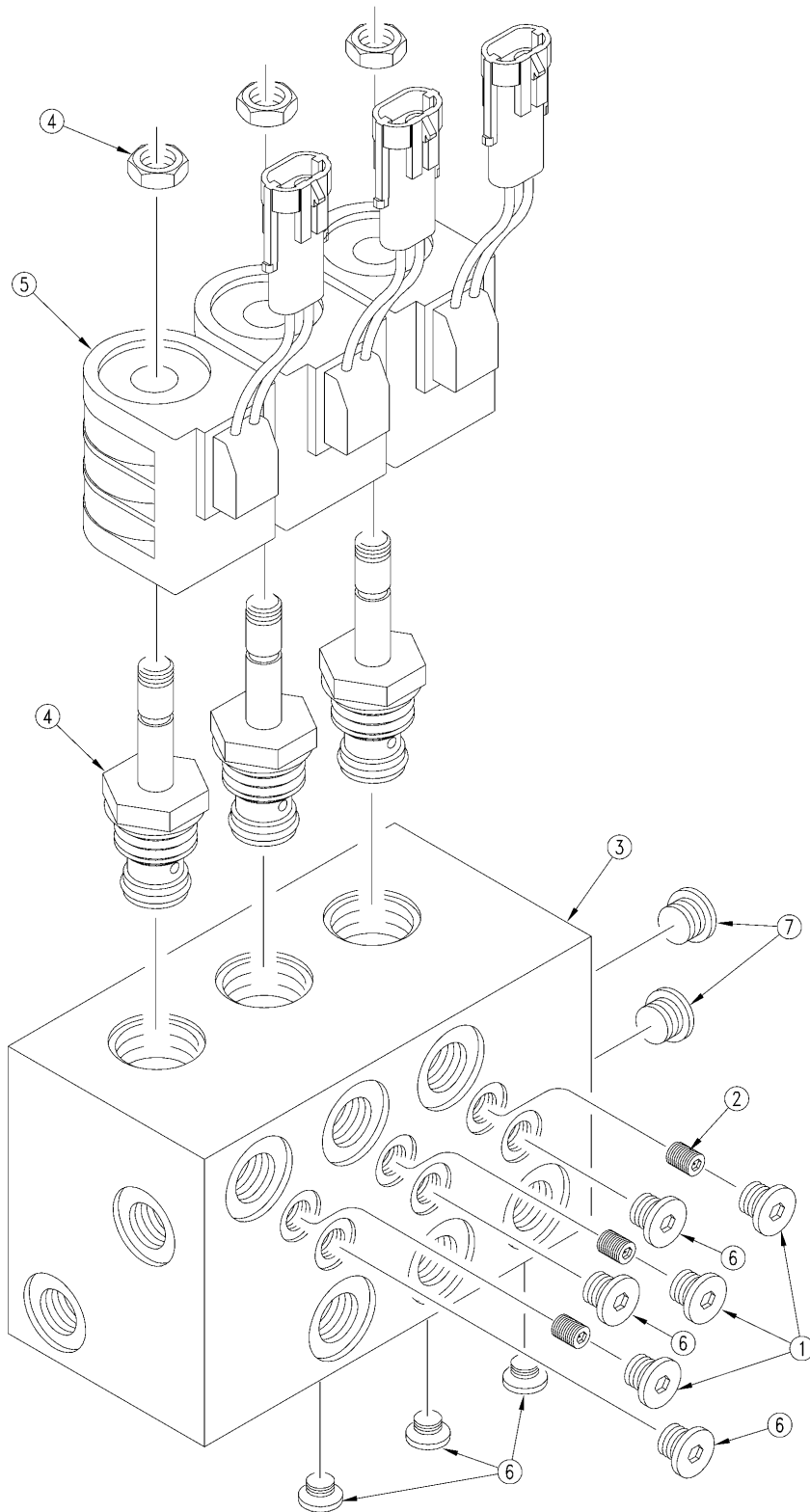
Fold Hydraulics With Check Valve

(Applies to 3S-4000, 3S-4000F only)

Ref	Part No.	Part Description	Comments	Revision
	dwg25012	Image No.		
1.	810-298C	CYL 3.5X20X1.5 ROD (TIE ROD)		
2.	811-470C	TE 9/16MJIC 3/4MORB 9/16MJIC		
3.	811-574C	HH1/4R1 040 9/16FJIC		
4.	811-171C	EL 3/4MORB 9/16MJIC		
5.	811-140C	HH1/4R1 012 9/16FJIC		
6.	811-183C	HH1/4R1 381 1/2MNPT 9/16FJIC		
7.	811-490C	RPBY 196-429D		
8.	811-362C	HH1/4R1 025 9/16FJIC		
9.	811-061C	TE 9/16MJIC 9/16MJIC 9/16FJIC		
10.	811-169C	EL 9/16MJIC 9/16FJIC		
11.	811-627C	AD 9/16MORB 9/16FJIC		
12.	810-343C	VALVE PO CHECK 2:1 W/9/16FORB		
13.	811-065C	EL 9/16MJIC 9/16MORB		
14.	811-170C	AD 9/16MORB 9/16MJIC		

Manifold Block (810-371C) (Option)

(Applies to 3S-4000, 3S-4000F only)



17027

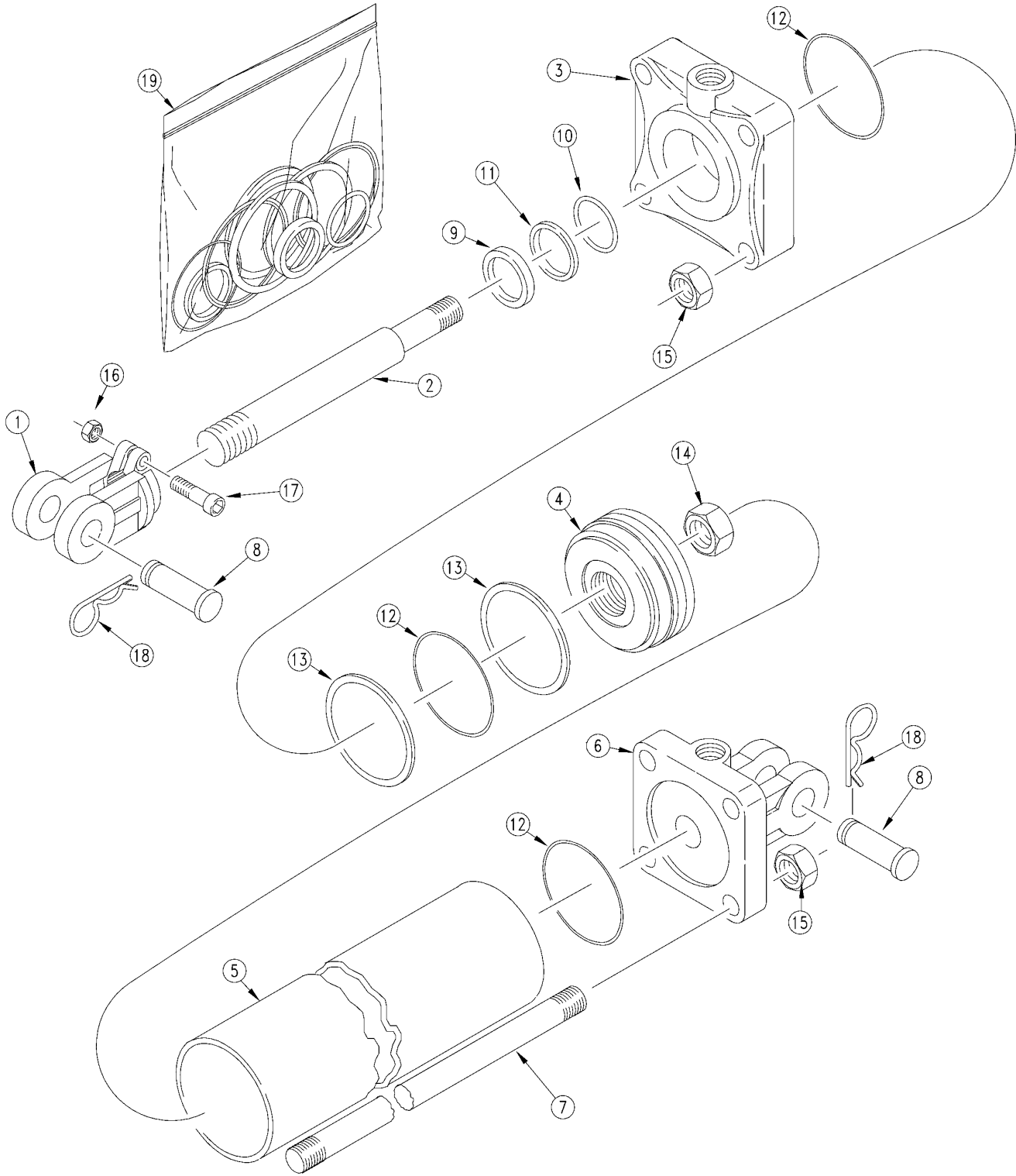
Manifold Block (810-371C) (Option)

(Applies to 3S-4000, 3S-4000F only)

Ref	Part No.	Part Description	Comments	Revision
	dwg17027	Image No.		
1.	61010016	#4 SAE PLUG		
2.	61010039	.078 ORIFICE PLUG		
3.	30102754	MANIFOLD		
4.	85002333	DELTA 4W2P VALVE DGS4D-00		
5.	39680008	DELTA COIL 12VDC W CONN		
6.	61011003	#4 SAE PLUG ZL		
7.	811-203C	PL 3/4MORB HOLLOW HEX		
7.	500-090B	SEAL KIT 7/8-14 DELTA W/ LTITE		

Midway Hydraulic Cylinder (810-020C)

(Applies to 3S-4000, 3S-4000F only)



10035

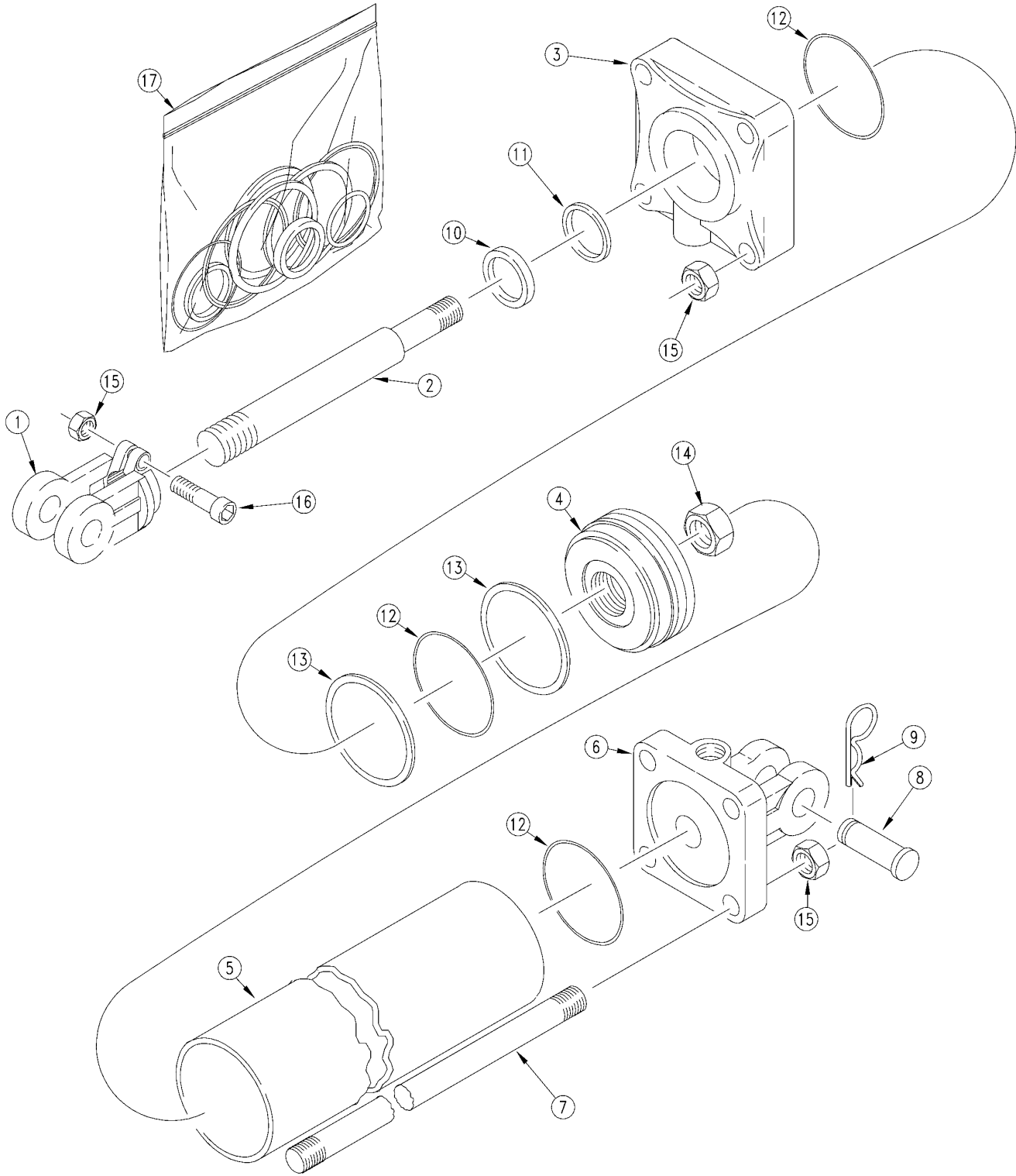
Midway Hydraulic Cylinder (810-020C)

(Applies to 3S-4000, 3S-4000F only)

Ref	Part No.	Part Description	Comments	Revision
	dwg10035	Image No.		
1.	1M7016	CLEVIS ROD MIDWAY		
2.	2M6470	MW ROD 1-1/4 DIA.X 10 STROKE		
3.	3R5712	MW HEAD		
4.	4M6108	MW PISTON		
5.	2M6108	MW TUBE		
6.	6R5164	BASE MIDWAY		
7.	7M6318	MW TIE ROD 4 X 10 CYLINDER		
8.	2A0208	RPBY 805-124C		
9.		WIPER	Only found in seal kit #19	
10.		O-RING	Only found in seal kit #19	
11.		BACK-UP	Only found in seal kit #19	
12.		O-RING	Only found in seal kit #19	
13.		BACK-UP	Only found in seal kit #19	
14.	2A0024	MW PISTON NUT 1-14		
15.	2A0018	MW TIE ROD NUT		
16.	2A0012	RPBY 803-234C		
17.	2A0006	RPBY 802-023C		
18.	2A0132	MW PIN CLIP		
19.	810-013C	CYL SEAL KIT 4 X 14 MW 5A6102		

Midway Hydraulic Cylinder (810-299C)

(Applies to 3S-4000, 3S-4000F only)



15705

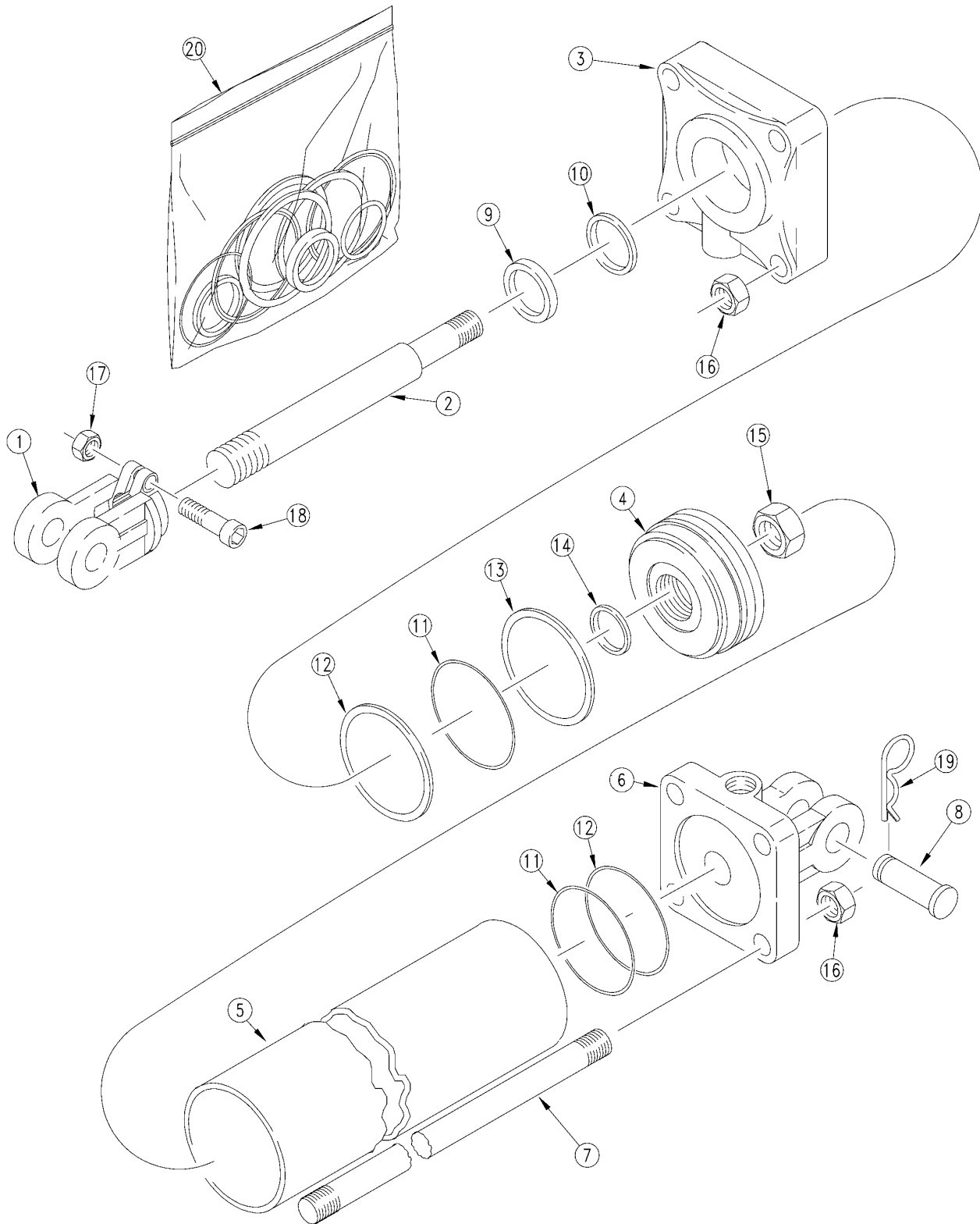
Midway Hydraulic Cylinder (810-299C)

(Applies to 3S-4000, 3S-4000F only)

Ref	Part No.	Part Description	Comments	Revision
	dwg15705	Image No.		
1.	1M6006	MW ROD CLEVIS		
2.	2M2316	MW ROD		
3.	3R0122	MW HEAD		
4.	4M2102	RPBY 4M2108		
5.	5M2116	MW TUBE		
6.	6R0032	BASE MIDWAY		
7.	7M2316	MW TIE ROD		
8.	2A0208	RPBY 805-124C		
9.	2A0132	MW PIN CLIP		
10.		MW WIPER	Only found in seal kit #17	
11.		MW U-CUP	Only found in seal kit #17	
12.		MW O-RING	Only found in seal kit #17	
13.		MW BACKUP	Only found in seal kit #17	
14.	2A0022	RPBY 803-114C		
15.	2A0012	RPBY 803-234C		
16.	2A0006	RPBY 802-023C		
17.	810-310C	SEAL KIT MW 5A2104		

Midway Hydraulic Cylinder (810-416C)

(Applies to 3S-4000, 3S-4000F only)



18802

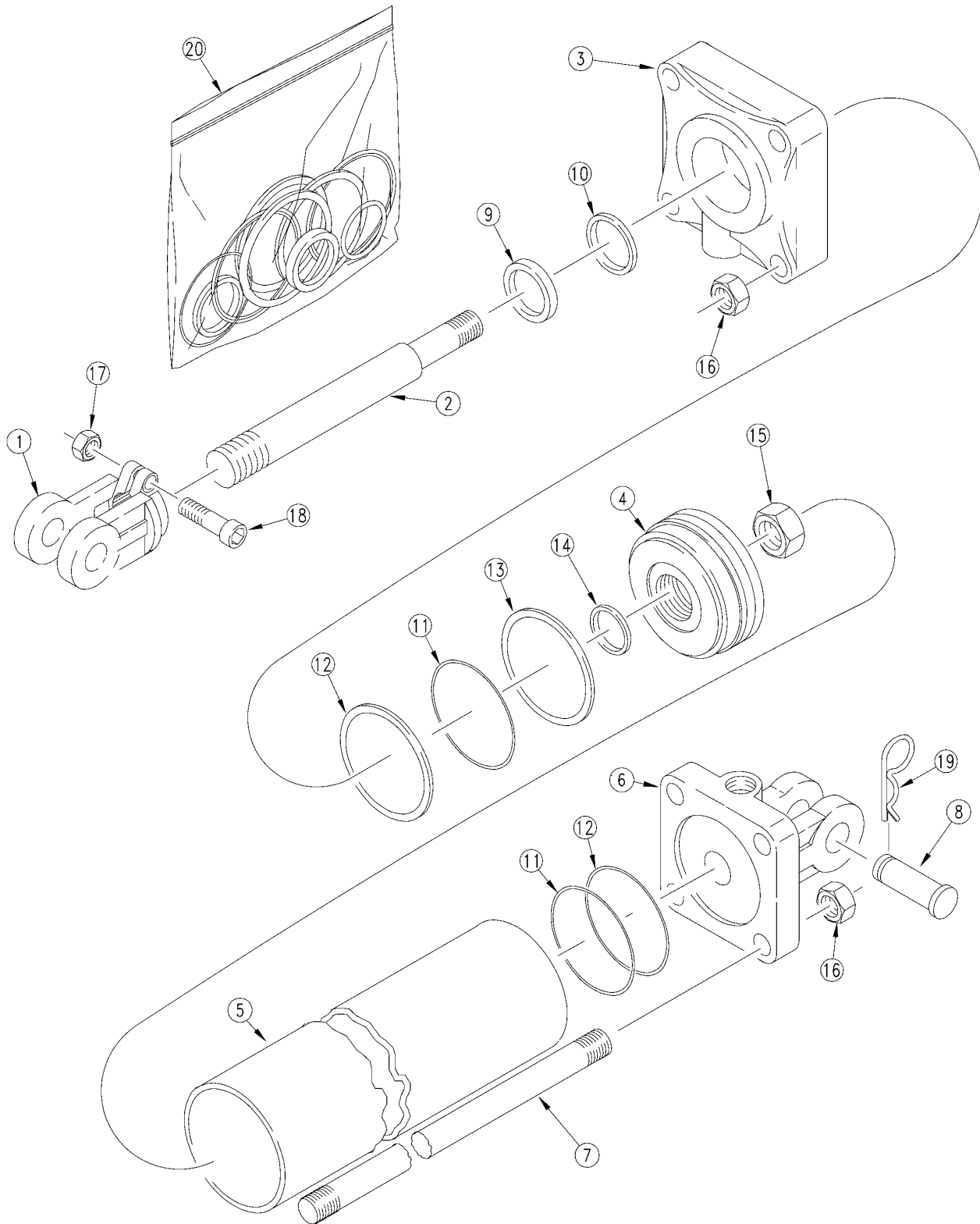
Midway Hydraulic Cylinder (810-416C)

(Applies to 3S-4000, 3S-4000F only)

Ref	Part No.	Part Description	Comments	Revision
	dwg18802	Image No.		
1.	1M7016	CLEVIS ROD MIDWAY		
2.	2M6526	MIDWAY ROD		
3.	3R5412	MIDWAY HEAD		
4.	4M6108	MW PISTON		
5.	5M6124	MW TUBE 4 X 16 CYLINDER		
6.	6R5162	MW BASE		
7.	7M6324	MW TIE ROD 4 X 16 CYLINDER		
8.	2A0208	RPBY 805-124C		
9.		MW WIPER	Only found in seal kit #20	
10.		U-CUP	Only found in seal kit #20	
11.		O-RING MIDWAY	Only found in seal kit #20	
12.		BACK UP MIDWAY	Only found in seal kit #20	
13.		CROWN SEAL	Only found in seal kit #20	
14.	2A0052	MW PISTON NUT SEAL		
15.	2A0024	MW PISTON NUT 1-14		
16.	2A0018	MW TIE ROD NUT		
17.	2A0012	RPBY 803-234C		
18.	2A0006	RPBY 802-023C		
19.	2A0132	MW PIN CLIP		
20.	810-060C	CYL SEAL KIT-810-031C-5A6104		

Midway Hydraulic Cylinder (810-421C)

(Applies to 3S-4000, 3S-4000F only)



18802

Midway Hydraulic Cylinder (810-421C)

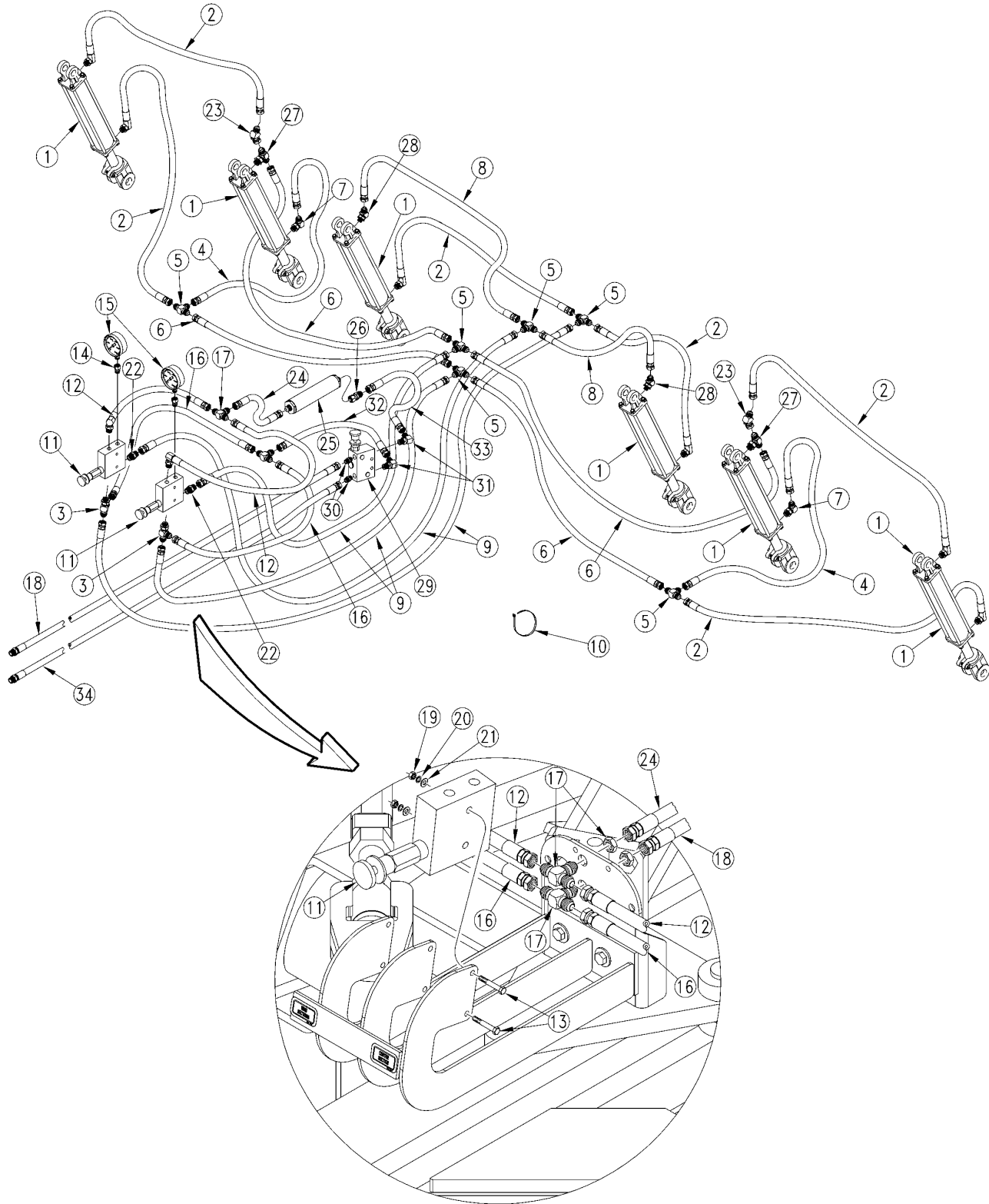
(Applies to 3S-4000, 3S-4000F only)

Ref	Part No.	Part Description	Comments	Revision
	dwg18802	Image No.		
1.	1M7016	CLEVIS ROD MIDWAY		
2.	2M6628	MW ROD		
3.	3R6012	HEAD MIDWAY		
4.	4M6108	MW PISTON		
5.	5M6128	MIDWAY TUBE		
6.	6R5162	MW BASE		
7.	7M6328	MW TIE ROD		
8.	2A0208	RPBY 805-124C		
9.	2A0042	MW WIPER	Only Available in Seal Kit #20	
10.	2A0426	U-CUP	Only Available in Seal Kit #20	
11.	2A0245	O-RING MIDWAY	Only Available in Seal Kit #20	
12.	2A0275	BACK UP MIDWAY	Only Available in Seal Kit #20	
13.	2A0458	CROWN SEAL MIDWAY		
14.	2A0052	MW PISTON NUT SEAL		
15.	2A0024	MW PISTON NUT 1-14		
16.	2A0018	MW TIE ROD NUT		
17.	2A0012	RPBY 803-234C		
18.	802-023C	HHCS 3/8-16X1 3/4 GR5		
19.	2A0132	MW PIN CLIP		
20.	810-014C	CYL SEAL KIT 4 X 16 MW 5A6106		

[Table of Contents](#) [Part Number Index](#)

Opener Down Pressure Hydraulics (Closed Center) (S/N YY1310-)

(Applies to 3S-4000, 3S-4000F only)



18798

Opener Down Pressure Hydraulics (Closed Center) (S/N YY1310-)

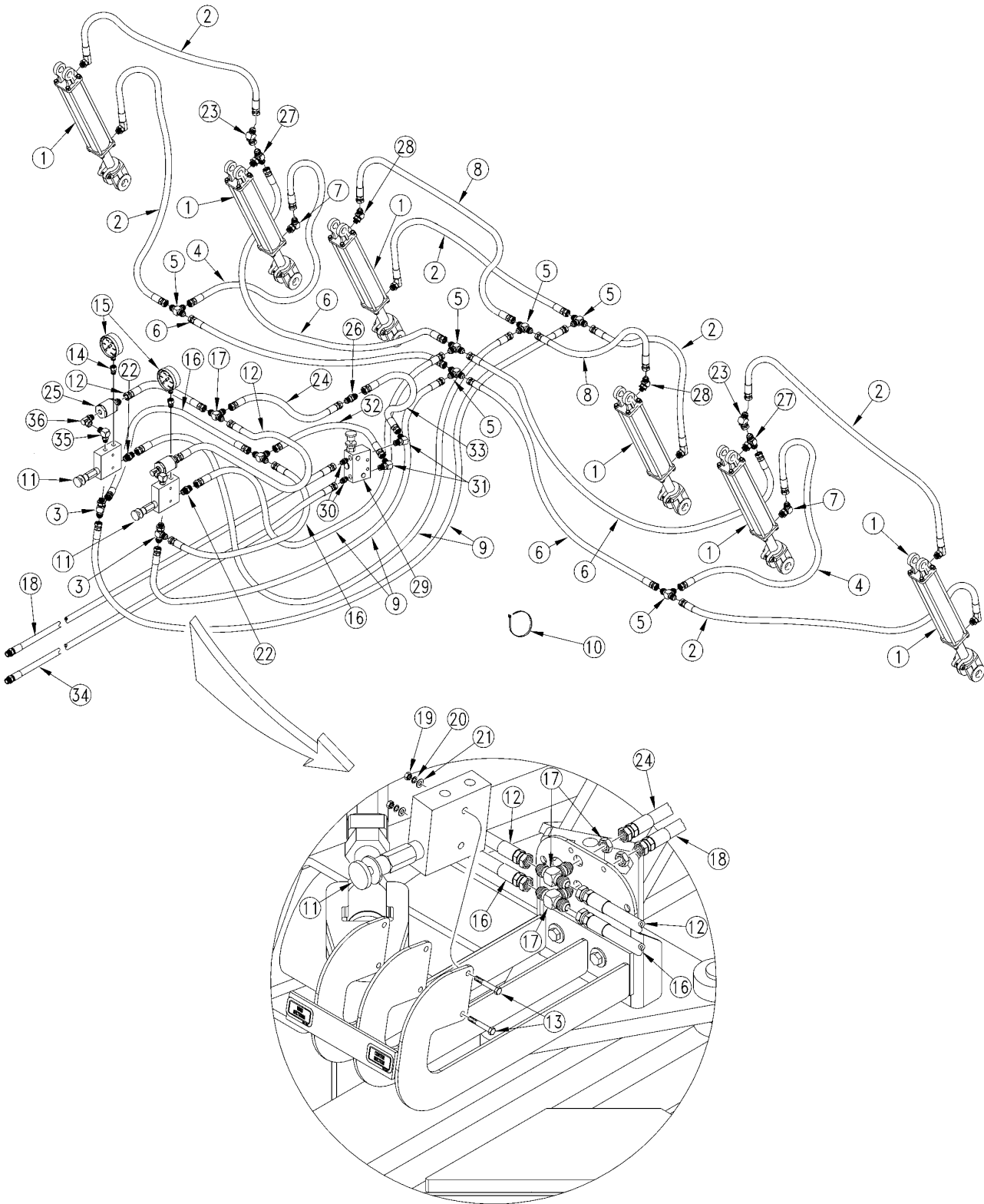
(Applies to 3S-4000, 3S-4000F only)

Ref	Part No.	Part Description	Comments	Revision
	dwg18798	Image No.		
1.	810-299C	CYL 2X8X1.12 ROD (TIE ROD)		
2.	811-775C	HH1/4R1 124 9/16FJIC9/16MORB90		
3.	811-064C	TE 9/16MJIC 9/16MJIC 9/16MORB		
4.	811-364C	HH3/8R1 026 9/16FJIC		
5.	811-312C	TE 9/16MJIC		
6.	811-713C	HH3/8R2 147 9/16FJIC		
7.	811-065C	EL 9/16MJIC 9/16MORB		
8.	811-212C	HH1/4R1 102 9/16FJIC		
9.	811-774C	HH3/8R1 072 9/16FJIC		
10.	800-082C	CABLE TIE .31X21.5 6DIA 120LB		
11.	810-301C	VALVE PRESS REDUCING W/CHECK		
12.	811-632C	HH3/8R1 021 9/16FJIC9/16MORB90		
13.	802-551C	HHCS 1/4-20X2 1/4 GR5		
14.	811-677C	AD 9/16MORB 1/4FNPT		
15.	810-300C	PRESSURE GAUGE 3000 PSI		
16.	811-631C	HH3/8R1 018 9/16FJIC		
17.	811-356C	TE 9/16MJIC BH 9/16MJIC 9/16MJ		
18.	811-585C	HH3/8R1 408 1/2MNPT 9/16FJIC		
19.	803-006C	NUT-HEX 1/4-20 PLT		
20.	804-006C	WASHER LOCK SPRING 1/4 PLT		
21.	804-075C	WASHER FLAT 1/4 USS PLT		
22.	811-170C	AD 9/16MORB 9/16MJIC		
23.	811-397C	EL 45 9/16MJIC 9/16FJIC		
24.	811-286C	HH3/8R2 020 3/4FJIC 9/16FJIC		
25.	810-410C	FILTER INLINE SHOEMAKER #8055		
26.	811-146C	AD 3/4FJIC 9/16MJIC		
27.	811-439C	TE 9/16MORB 9/16MJIC 9/16MJIC		
28.	811-416C	EL 45 9/16MJIC 9/16MORB		
29.	810-432C	HYDRAULIC BYPASS VALVE		
30.	811-133C	AD 9/16MJIC 3/4MORB		
31.	811-171C	EL 3/4MORB 9/16MJIC		
32.	811-631C	HH3/8R1 018 9/16FJIC		
33.	811-118C	HH3/8R1 041 9/16FJIC 3/4FJIC		
34.	811-796C	HH1/2R1 408 1/2MNPT 9/16FJIC		

[Table of Contents](#) [Part Number Index](#)

Opener Down Pressure Hydraulics (Closed Center) (S/N YY1311+)

(Applies to 3S-4000, 3S-4000F only)



22968

Opener Down Pressure Hydraulics (Closed Center) (S/N YY1311+)

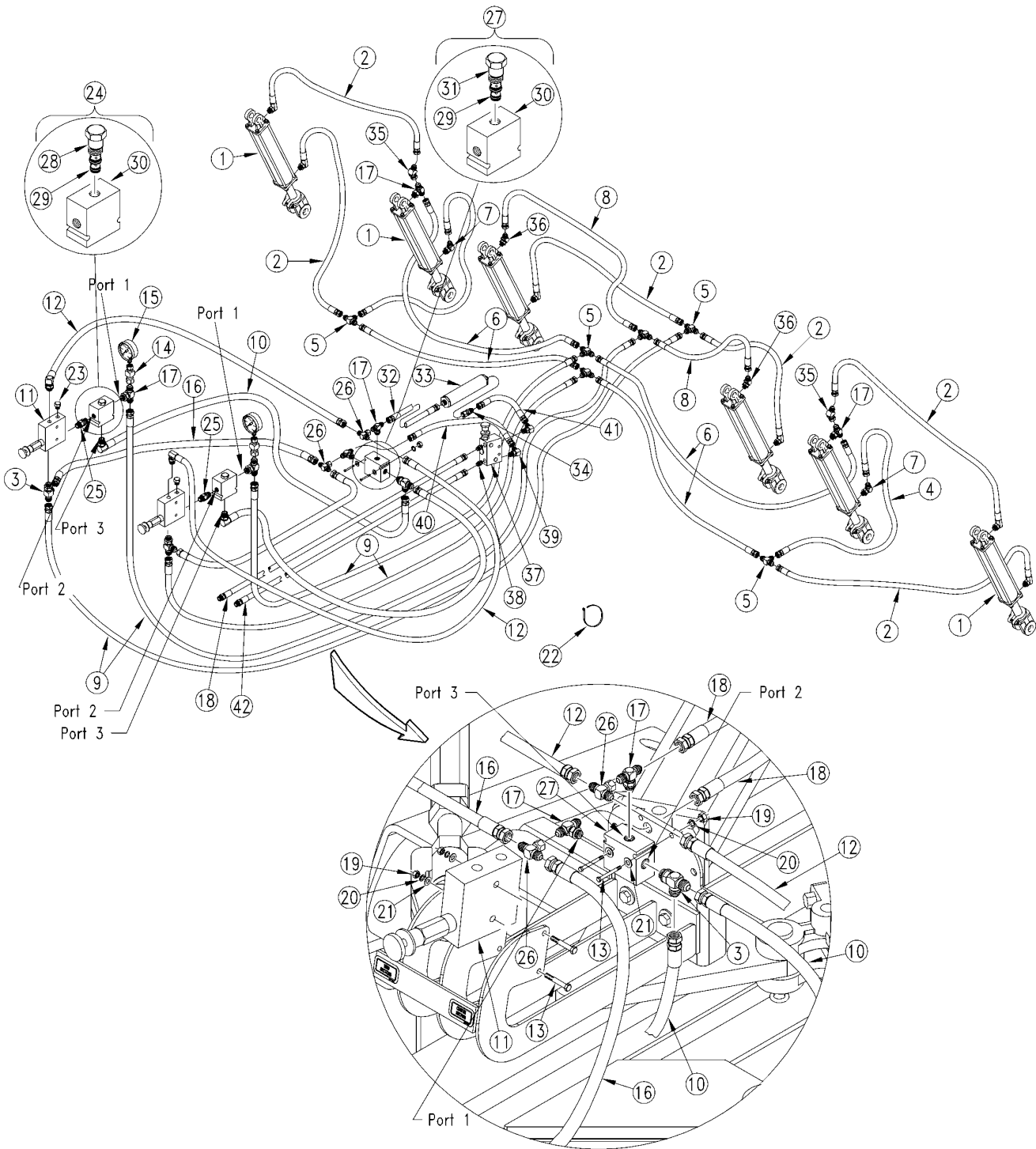
(Applies to 3S-4000, 3S-4000F only)

Ref	Part No.	Part Description	Comments	Revision
	dwg22968	Image No.		
1.	810-299C	CYL 2X8X1.12 ROD (TIE ROD)		
2.	811-775C	HH1/4R1 124 9/16FJIC9/16MORB90		
3.	811-064C	TE 9/16MJIC 9/16MJIC 9/16MORB		
4.	811-364C	HH3/8R1 026 9/16FJIC		
5.	811-312C	TE 9/16MJIC		
6.	811-713C	HH3/8R2 147 9/16FJIC		
7.	811-065C	EL 9/16MJIC 9/16MORB		
8.	811-212C	HH1/4R1 102 9/16FJIC		
9.	811-774C	HH3/8R1 072 9/16FJIC		
10.	800-082C	CABLE TIE .31X21.5 6DIA 120LB		
11.	810-301C	VALVE PRESS REDUCING W/CHECK		
12.	811-286C	HH3/8R2 020 3/4FJIC 9/16FJIC		
13.	802-551C	HHCS 1/4-20X2 1/4 GR5		
14.	811-677C	AD 9/16MORB 1/4FNPT		
15.	810-300C	PRESSURE GAUGE 3000 PSI		
16.	811-631C	HH3/8R1 018 9/16FJIC		
17.	811-356C	TE 9/16MJIC BH 9/16MJIC 9/16MJ		
18.	811-585C	HH3/8R1 408 1/2MNPT 9/16FJIC		
19.	803-006C	NUT-HEX 1/4-20 PLT		
20.	804-006C	WASHER LOCK SPRING 1/4 PLT		
21.	804-075C	WASHER FLAT 1/4 USS PLT		
22.	811-170C	AD 9/16MORB 9/16MJIC		
23.	811-397C	EL 45 9/16MJIC 9/16FJIC		
24.	811-286C	HH3/8R2 020 3/4FJIC 9/16FJIC		
25.	810-554C	FILTER INLINE 3/4FORB 3/4MJIC	For replacement screen order 810-553C	
26.	811-430C	AD 3/4MJIC 3/4MJIC		
27.	811-439C	TE 9/16MORB 9/16MJIC 9/16MJIC		
28.	811-416C	EL 45 9/16MJIC 9/16MORB		
29.	810-432C	HYDRAULIC BYPASS VALVE		
30.	811-133C	AD 9/16MJIC 3/4MORB		
31.	811-171C	EL 3/4MORB 9/16MJIC		
32.	811-631C	HH3/8R1 018 9/16FJIC		
33.	811-118C	HH3/8R1 041 9/16FJIC 3/4FJIC		
34.	811-796C	HH1/2R1 408 1/2MNPT 9/16FJIC		
35.	811-216C	EL 3/4MJIC 9/16MORB		
36.	841-077C	EL 3/4FJIC 3/4MORB		

[Table of Contents](#) [Part Number Index](#)

Opener Down Pressure Hydraulics (Open Center) (S/N YY1310-)

(Applies to 3S-4000, 3S-4000F only)



18801

Opener Down Pressure Hydraulics (Open Center) (S/N YY1310-)

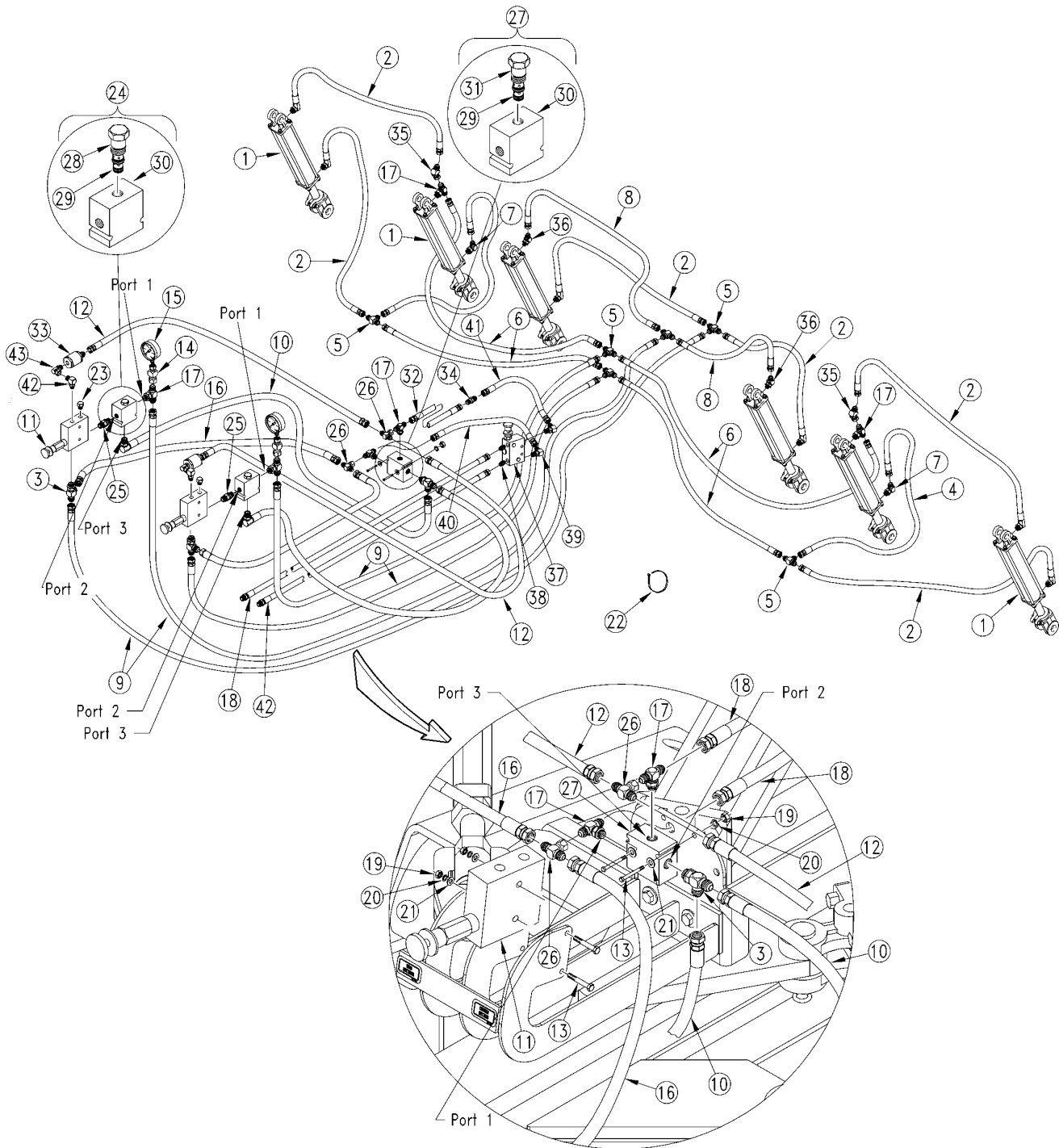
(Applies to 3S-4000, 3S-4000F only)

Ref	Part No.	Part Description	Comments	Revision
	dwg18801	Image No.		
1.	810-299C	CYL 2X8X1.12 ROD (TIE ROD)		
2.	811-775C	HH1/4R1 124 9/16FJIC9/16MORB90		
3.	811-064C	TE 9/16MJIC 9/16MJIC 9/16MORB		
4.	811-364C	HH3/8R1 026 9/16FJIC		
5.	811-312C	TE 9/16MJIC		
6.	811-713C	HH3/8R2 147 9/16FJIC		
7.	811-065C	EL 9/16MJIC 9/16MORB		
8.	811-212C	HH1/4R1 102 9/16FJIC		
9.	811-774C	HH3/8R1 072 9/16FJIC		
10.	811-531C	HH1/4R2 018 9/16FJIC9/16MORB90		
11.	810-301C	VALVE PRESS REDUCING W/CHECK		
12.	811-632C	HH3/8R1 021 9/16FJIC9/16MORB90		
13.	802-551C	HHCS 1/4-20X2 1/4 GR5		
14.	811-582C	AD 9/16FJIC 1/4FNPT		
15.	810-300C	PRESSURE GAUGE 3000 PSI		
16.	811-631C	HH3/8R1 018 9/16FJIC		
17.	811-439C	TE 9/16MORB 9/16MJIC 9/16MJIC		
18.	811-585C	HH3/8R1 408 1/2MNPT 9/16FJIC		
19.	803-006C	NUT-HEX 1/4-20 PLT		
20.	804-006C	WASHER LOCK SPRING 1/4 PLT		
21.	804-075C	WASHER FLAT 1/4 USS PLT		
22.	800-082C	CABLE TIE .31X21.5 6DIA 120LB		
23.	811-675C	PL 9/16MORB HEX HEAD		
24.	810-343C	VALVE PO CHECK 2:1 W/9/16FORB		
25.	811-636C	AD 9/16MORB STRAIGHT UNION		
26.	811-193C	TE 9/16FJIC 9/16MJIC 9/16MJIC		
27.	810-344C	VALVE SHUTTLE 9/16FORB PORTS		
28.	810-293C	VALVE P O CHECK DELTA 85002692		
29.	810-303C	SEAL KIT 7/8-14 DELTA 21170040		
30.	30102360	DELTA BODY ONLY FS#6 SAE PORTS		
31.	85002946	DELTA SHUTTLE VALVE CARTRIDGE		
32.	811-286C	HH3/8R2 020 3/4FJIC 9/16FJIC		
33.	810-410C	FILTER INLINE SHOEMAKER #8055		
34.	811-146C	AD 3/4FJIC 9/16MJIC		
35.	811-397C	EL 45 9/16MJIC 9/16FJIC		
36.	811-416C	EL 45 9/16MJIC 9/16MORB		
37.	810-432C	HYDRAULIC BYPASS VALVE		
38.	811-133C	AD 9/16MJIC 3/4MORB		
39.	811-171C	EL 3/4MORB 9/16MJIC		
40.	811-631C	HH3/8R1 018 9/16FJIC		
41.	811-118C	HH3/8R1 041 9/16FJIC 3/4FJIC		
42.	811-796C	HH1/2R1 408 1/2MNPT 9/16FJIC		

[Table of Contents](#) [Part Number Index](#)

Opener Down Pressure Hydraulics (Open Center) (S/N YY1311+)

(Applies to 3S-4000, 3S-4000F only)



22970

Opener Down Pressure Hydraulics (Open Center) (S/N YY1311+)

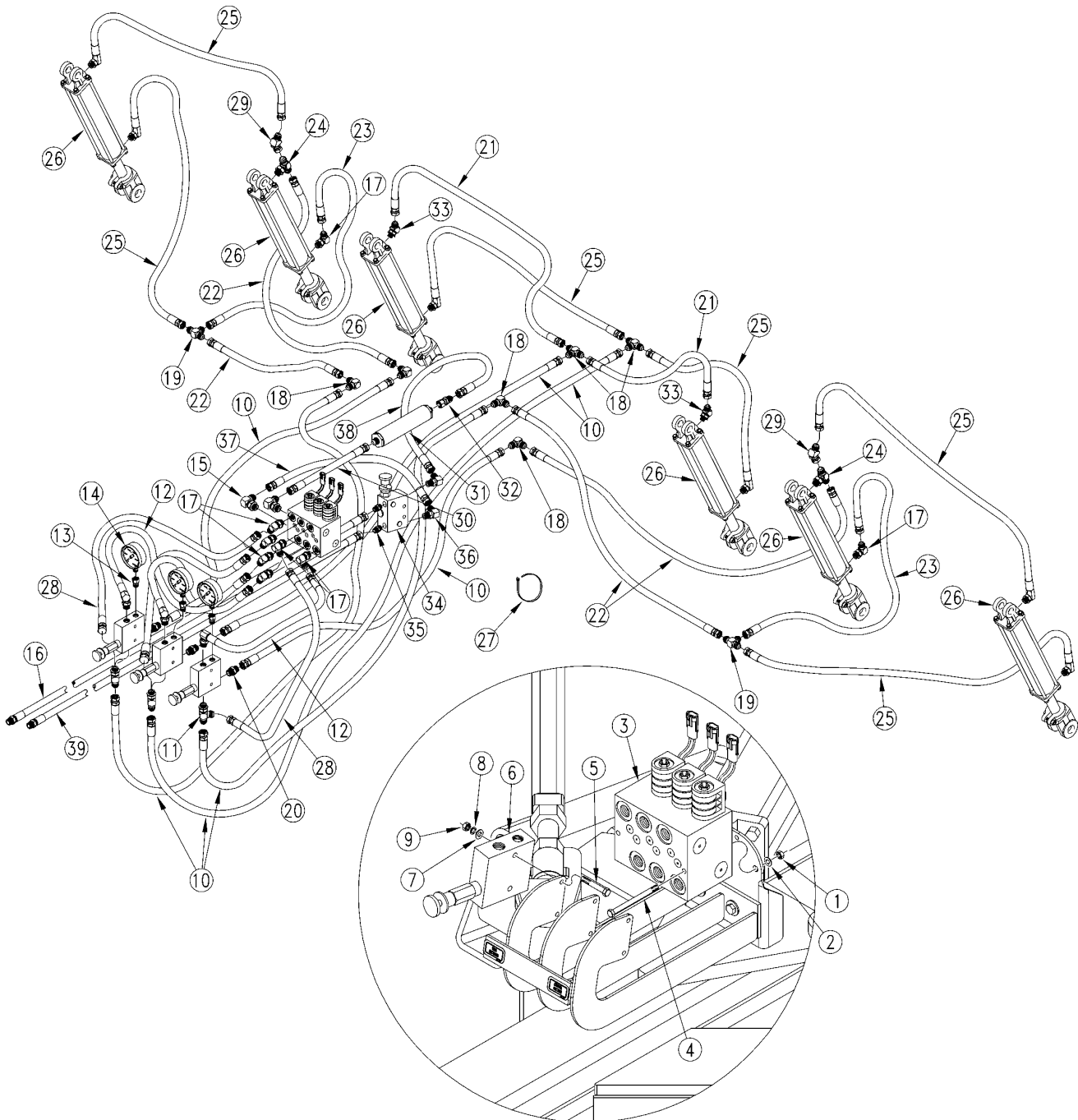
(Applies to 3S-4000, 3S-4000F only)

Ref	Part No.	Part Description	Comments	Revision
	dwg22970	Image No.		
1.	810-299C	CYL 2X8X1.12 ROD (TIE ROD)		
2.	811-775C	HH1/4R1 124 9/16FJIC9/16MORB90		
3.	811-064C	TE 9/16MJIC 9/16MJIC 9/16MORB		
4.	811-364C	HH3/8R1 026 9/16FJIC		
5.	811-312C	TE 9/16MJIC		
6.	811-713C	HH3/8R2 147 9/16FJIC		
7.	811-065C	EL 9/16MJIC 9/16MORB		
8.	811-212C	HH1/4R1 102 9/16FJIC		
9.	811-774C	HH3/8R1 072 9/16FJIC		
10.	811-531C	HH1/4R2 018 9/16FJIC9/16MORB90		
11.	810-301C	VALVE PRESS REDUCING W/CHECK		
12.	811-286C	HH3/8R2 020 3/4FJIC 9/16FJIC		
13.	802-551C	HHCS 1/4-20X2 1/4 GR5		
14.	811-582C	AD 9/16FJIC 1/4FNPT		
15.	810-300C	PRESSURE GAUGE 3000 PSI		
16.	811-631C	HH3/8R1 018 9/16FJIC		
17.	811-439C	TE 9/16MORB 9/16MJIC 9/16MJIC		
18.	811-585C	HH3/8R1 408 1/2MNPT 9/16FJIC		
19.	803-006C	NUT-HEX 1/4-20 PLT		
20.	804-006C	WASHER LOCK SPRING 1/4 PLT		
21.	804-075C	WASHER FLAT 1/4 USS PLT		
22.	800-082C	CABLE TIE .31X21.5 6DIA 120LB		
23.	811-675C	PL 9/16MORB HEX HEAD		
24.	810-343C	VALVE PO CHECK 2:1 W/9/16FORB		
25.	811-636C	AD 9/16MORB STRAIGHT UNION		
26.	811-193C	TE 9/16FJIC 9/16MJIC 9/16MJIC		
27.	810-344C	VALVE SHUTTLE 9/16FORB PORTS		
28.	810-293C	VALVE P O CHECK DELTA 85002692		
29.	810-303C	SEAL KIT 7/8-14 DELTA 21170040		
30.	30102360	DELTA BODY ONLY FS#6 SAE PORTS		
31.	85002946	DELTA SHUTTLE VALVE CARTRIDGE		
32.	811-286C	HH3/8R2 020 3/4FJIC 9/16FJIC		
33.	810-554C	FILTER INLINE 3/4FORB 3/4MJIC	For replacement screen order 810-553C	
34.	811-430C	AD 3/4MJIC 3/4MJIC		
35.	811-397C	EL 45 9/16MJIC 9/16FJIC		
36.	811-416C	EL 45 9/16MJIC 9/16MORB		
37.	810-432C	HYDRAULIC BYPASS VALVE		
38.	811-133C	AD 9/16MJIC 3/4MORB		
39.	811-171C	EL 3/4MORB 9/16MJIC		
40.	811-631C	HH3/8R1 018 9/16FJIC		
41.	811-118C	HH3/8R1 041 9/16FJIC 3/4FJIC		
42.	811-216C	EL 3/4MJIC 9/16MORB		
43.	841-077C	EL 3/4FJIC 3/4MORB		

[Table of Contents](#) [Part Number Index](#)

Opener Down Pressure Hydraulics With Point Row (Option) (S/N YY1310-)

(Applies to 3S-4000, 3S-4000F only)



18800

Opener Down Pressure Hydraulics With Point Row (Option) (S/N YY1310-)

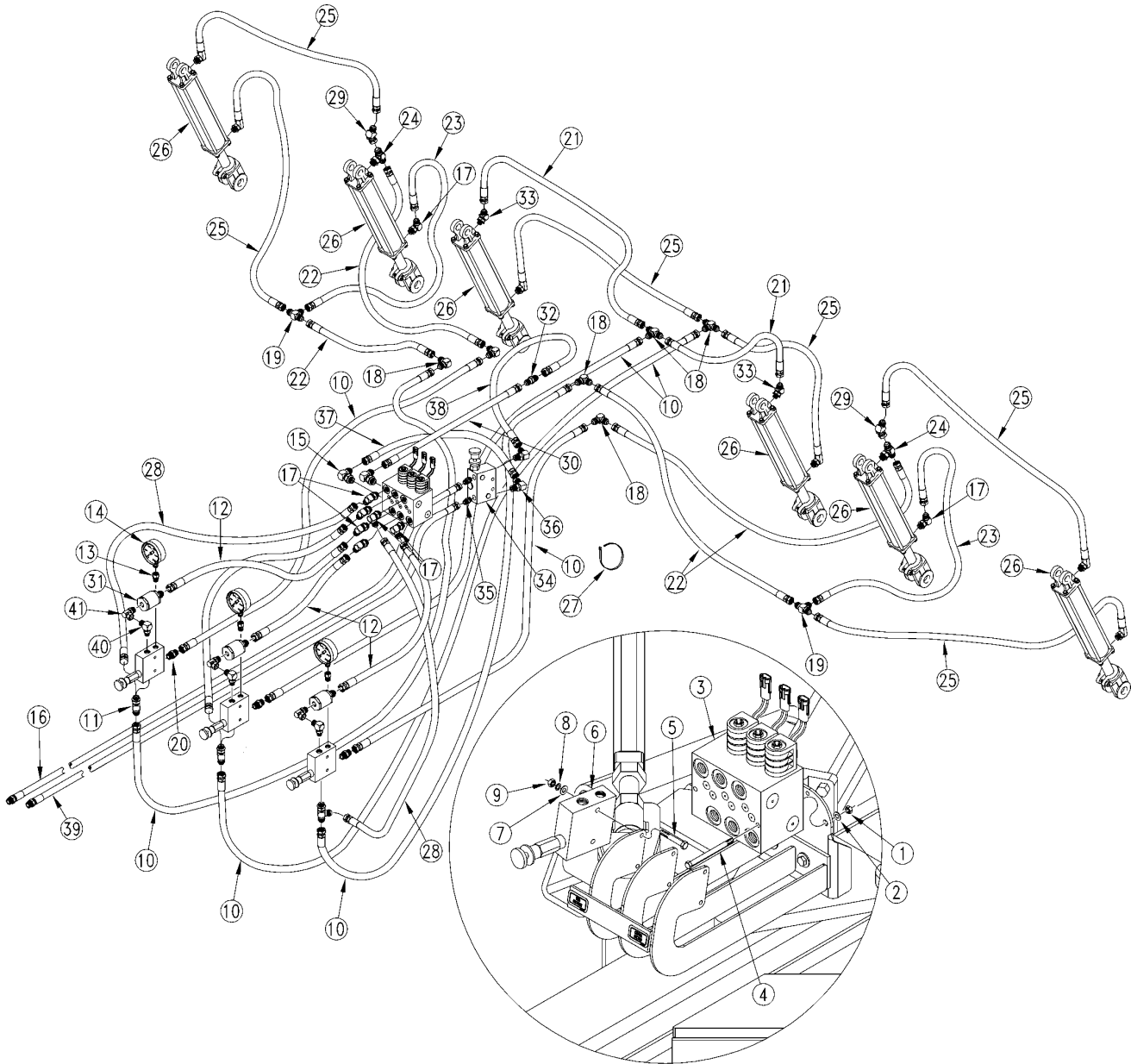
(Applies to 3S-4000, 3S-4000F only)

Ref	Part No.	Part Description	Comments	Revision
	dwg18800	Image No.		
1.	803-013C	NUT LOCK 3/8-16 PLT		
2.	804-011C	WASHER FLAT 3/8 USS PLT		
3.	810-371C	MANIFOLD ASY 3S-3000 POINT ROW		
4.	802-026C	HHCS 3/8-16X3 3/4 GR5		
5.	802-551C	HHCS 1/4-20X2 1/4 GR5		
6.	810-301C	VALVE PRESS REDUCING W/CHECK		
7.	804-075C	WASHER FLAT 1/4 USS PLT		
8.	804-006C	WASHER LOCK SPRING 1/4 PLT		
9.	803-006C	NUT-HEX 1/4-20 PLT		
10.	811-774C	HH3/8R1 072 9/16FJIC		
11.	811-064C	TE 9/16MJIC 9/16MJIC 9/16MORB		
12.	811-632C	HH3/8R1 021 9/16FJIC9/16MORB90		
13.	811-677C	AD 9/16MORB 1/4FNPT		
14.	810-300C	PRESSURE GAUGE 3000 PSI		
15.	811-171C	EL 3/4MORB 9/16MJIC		
16.	811-585C	HH3/8R1 408 1/2MNPT 9/16FJIC		
17.	811-065C	EL 9/16MJIC 9/16MORB		
18.	811-393C	EL 9/16MJIC		
19.	811-312C	TE 9/16MJIC		
20.	811-170C	AD 9/16MORB 9/16MJIC		
21.	811-212C	HH1/4R1 102 9/16FJIC		
22.	811-713C	HH3/8R2 147 9/16FJIC		
23.	811-364C	HH3/8R1 026 9/16FJIC		
24.	811-439C	TE 9/16MORB 9/16MJIC 9/16MJIC		
25.	811-775C	HH1/4R1 124 9/16FJIC9/16MORB90		
26.	810-299C	CYL 2X8X1.12 ROD (TIE ROD)		
27.	800-082C	CABLE TIE .31X21.5 6DIA 120LB		
28.	811-631C	HH3/8R1 018 9/16FJIC		
29.	811-397C	EL 45 9/16MJIC 9/16FJIC		
30.	811-286C	HH3/8R2 020 3/4FJIC 9/16FJIC		
31.	810-410C	FILTER INLINE SHOEMAKER #8055		
32.	811-146C	AD 3/4FJIC 9/16MJIC		
33.	811-416C	EL 45 9/16MJIC 9/16MORB		
34.	810-432C	HYDRAULIC BYPASS VALVE		
35.	811-133C	AD 9/16MJIC 3/4MORB		
36.	811-171C	EL 3/4MORB 9/16MJIC		
37.	811-631C	HH3/8R1 018 9/16FJIC		
38.	811-118C	HH3/8R1 041 9/16FJIC 3/4FJIC		
39.	811-796C	HH1/2R1 408 1/2MNPT 9/16FJIC		

Table of Contents Part Number Index

Opener Down Pressure Hydraulics With Point Row (Option) (S/N YY1311+)

(Applies to 3S-4000, 3S-4000F only)



22969

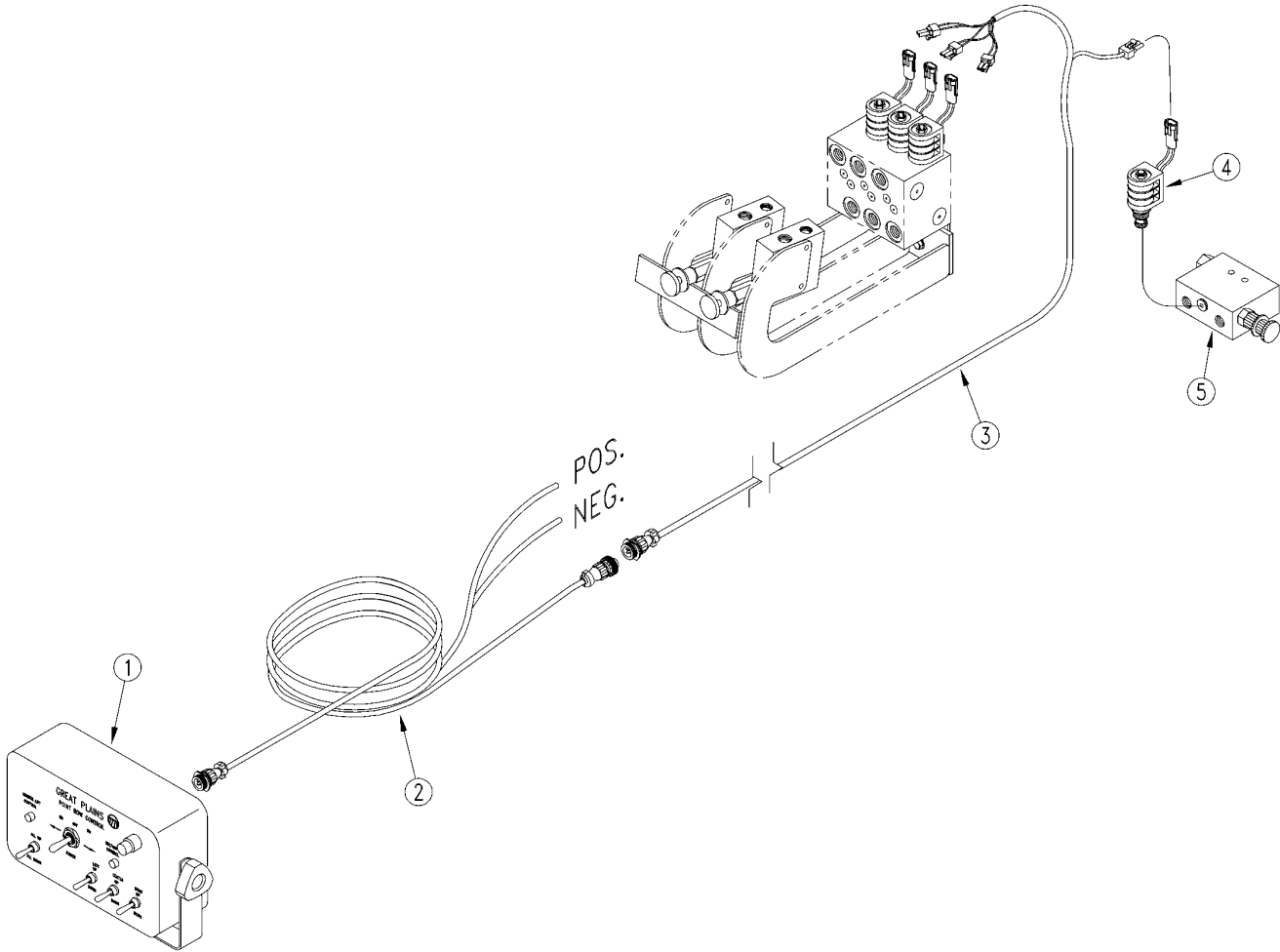
Opener Down Pressure Hydraulics With Point Row (Option) (S/N YY1311+)

(Applies to 3S-4000, 3S-4000F only)

Ref	Part No.	Part Description	Comments	Revision
	dwg22969	Image No.		
1.	803-013C	NUT LOCK 3/8-16 PLT		
2.	804-011C	WASHER FLAT 3/8 USS PLT		
3.	810-371C	MANIFOLD ASY 3S-3000 POINT ROW		
4.	802-026C	HHCS 3/8-16X3 3/4 GR5		
5.	802-551C	HHCS 1/4-20X2 1/4 GR5		
6.	810-301C	VALVE PRESS REDUCING W/CHECK		
7.	804-075C	WASHER FLAT 1/4 USS PLT		
8.	804-006C	WASHER LOCK SPRING 1/4 PLT		
9.	803-006C	NUT-HEX 1/4-20 PLT		
10.	811-774C	HH3/8R1 072 9/16FJIC		
11.	811-064C	TE 9/16MJIC 9/16MJIC 9/16MORB		
12.	811-286C	HH3/8R2 020 3/4FJIC 9/16FJIC		
13.	811-677C	AD 9/16MORB 1/4FNPT		
14.	810-300C	PRESSURE GAUGE 3000 PSI		
15.	811-171C	EL 3/4MORB 9/16MJIC		
16.	811-585C	HH3/8R1 408 1/2MNPT 9/16FJIC		
17.	811-065C	EL 9/16MJIC 9/16MORB		
18.	811-393C	EL 9/16MJIC		
19.	811-312C	TE 9/16MJIC		
20.	811-170C	AD 9/16MORB 9/16MJIC		
21.	811-212C	HH1/4R1 102 9/16FJIC		
22.	811-713C	HH3/8R2 147 9/16FJIC		
23.	811-364C	HH3/8R1 026 9/16FJIC		
24.	811-439C	TE 9/16MORB 9/16MJIC 9/16MJIC		
25.	811-775C	HH1/4R1 124 9/16FJIC9/16MORB90		
26.	810-299C	CYL 2X8X1.12 ROD (TIE ROD)		
27.	800-082C	CABLE TIE .31X21.5 6DIA 120LB		
28.	811-631C	HH3/8R1 018 9/16FJIC		
29.	811-397C	EL 45 9/16MJIC 9/16FJIC		
30.	811-286C	HH3/8R2 020 3/4FJIC 9/16FJIC		
31.	810-554C	FILTER INLINE 3/4FORB 3/4MJIC	For replacement screen order 810-553C	
32.	811-430C	AD 3/4MJIC 3/4MJIC		
33.	811-416C	EL 45 9/16MJIC 9/16MORB		
34.	810-432C	HYDRAULIC BYPASS VALVE		
35.	811-133C	AD 9/16MJIC 3/4MORB		
36.	811-171C	EL 3/4MORB 9/16MJIC		
37.	811-631C	HH3/8R1 018 9/16FJIC		
38.	811-118C	HH3/8R1 041 9/16FJIC 3/4FJIC		
39.	811-796C	HH1/2R1 408 1/2MNPT 9/16FJIC		
40.	811-216C	EL 3/4MJIC 9/16MORB		
41.	841-077C	EL 3/4FJIC 3/4MORB		

Point Row Control Box With Cables

(Applies to 3S-4000, 3S-4000F only)



22972

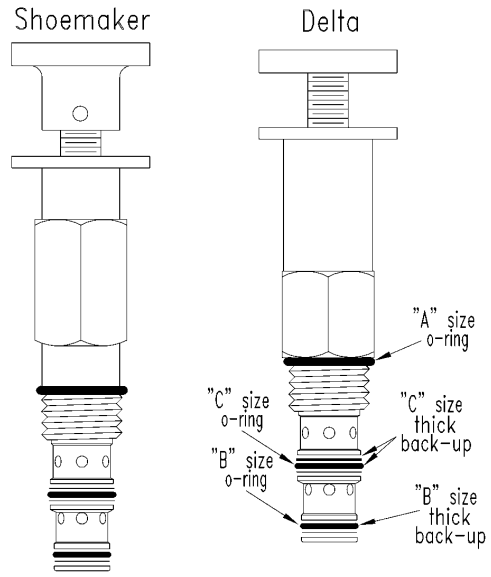
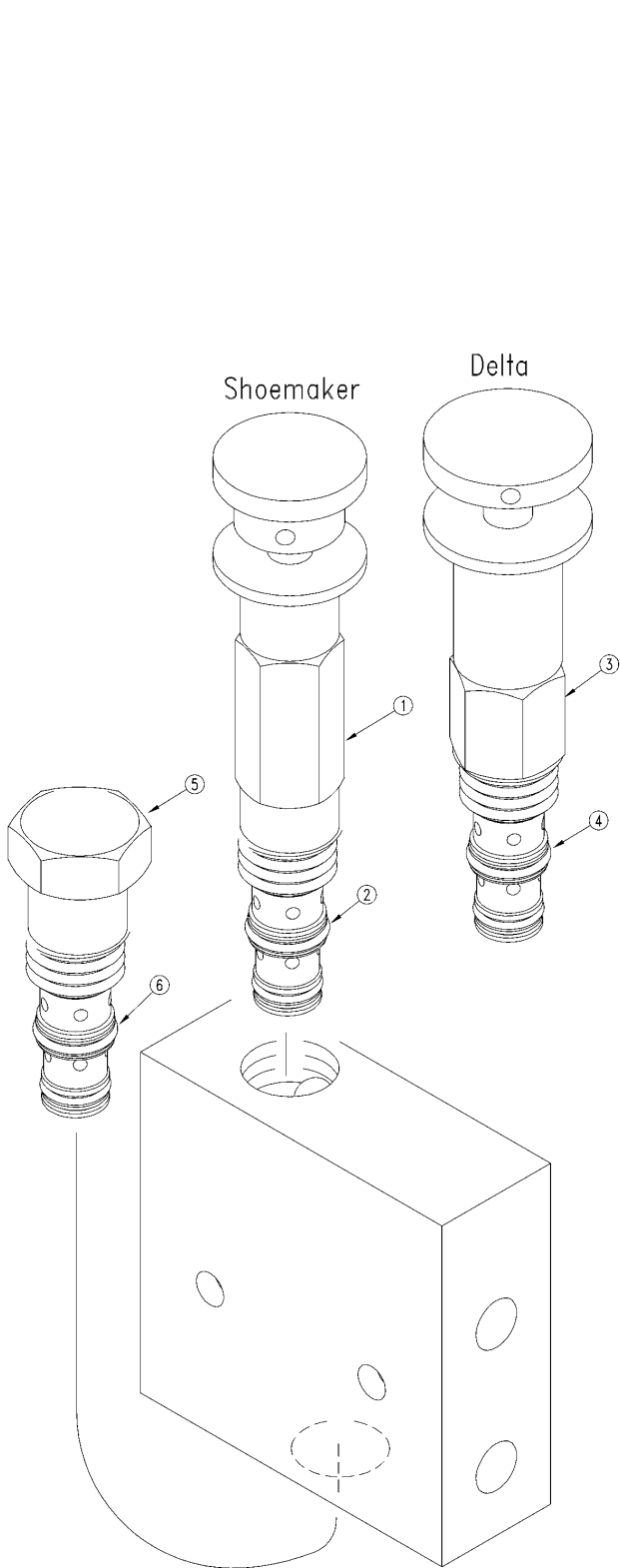
Point Row Control Box With Cables

(Applies to 3S-4000, 3S-4000F only)

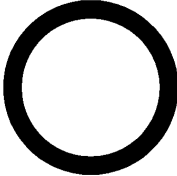

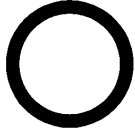
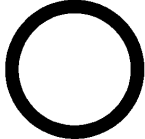
Ref	Part No.	Part Description	Comments	Revision
	dwg22972	Image No.		
1.	823-185C	POINT ROW CONTROL BOX		
2.	823-190C	POINT ROW CABLE W/ POWER LEAD		
3.	823-175C	3 SECT POINT ROW WIRE HARNESS		
4.	810-408C	BYPASS CARTRIDGE AND SOLENOID		
5.	810-432C	HYDRAULIC BYPASS VALVE		

Pressure Reducing Valve (810-301C)

(Applies to 3S-4000, 3S-4000F only)



Seal Kit
For 7/8"-14 Series Valves

	<u>A</u> OD .949 ID .754
	<u>B</u> OD .629 ID .489
	<u>C</u> OD .691 ID .551
	<u>D</u> OD .754 ID .614

Scale: 1=1

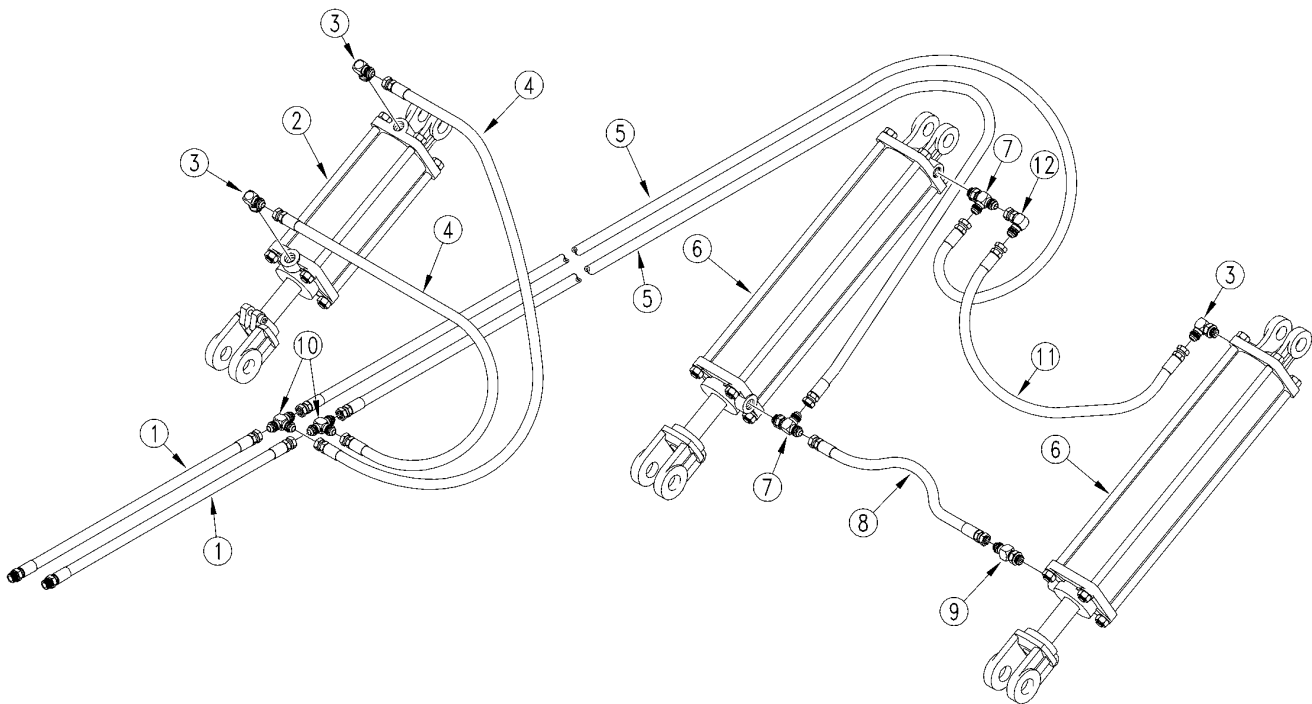
Pressure Reducing Valve (810-301C)

(Applies to 3S-4000, 3S-4000F only)

Ref	Part No.	Part Description	Comments	Revision
	dwg18804	Image No.		
1.	PRPIL-10-K-25	CARTRIDGE PRESS RED SHOEMAKER		
2.	5075	RPBY 810-452C		
3.	85020040	DELTA CARTRIDGE ONLY WITH KNOB		
4.	810-303C	SEAL KIT 7/8-14 DELTA 21170040	See chart for sizes	
5.	CP2-10	REPLACED BY CP2-10-0		
6.	5070	RPBY 5075		
	810-303C	SEAL KIT 7/8-14 DELTA 21170040	Includes: 2 Each of the thin Back-Up Rings, sizes B, C, and D. 1 Each of the thick Back-Up Rings, sizes C and D. 2 Each of the thick Back-Up Rings size B. 1 Each of O-Rings sizes A, B, C, and D.	

Transport Axle And Transport Hook Hydraulics

(Applies to 3S-4000, 3S-4000F only)



18797

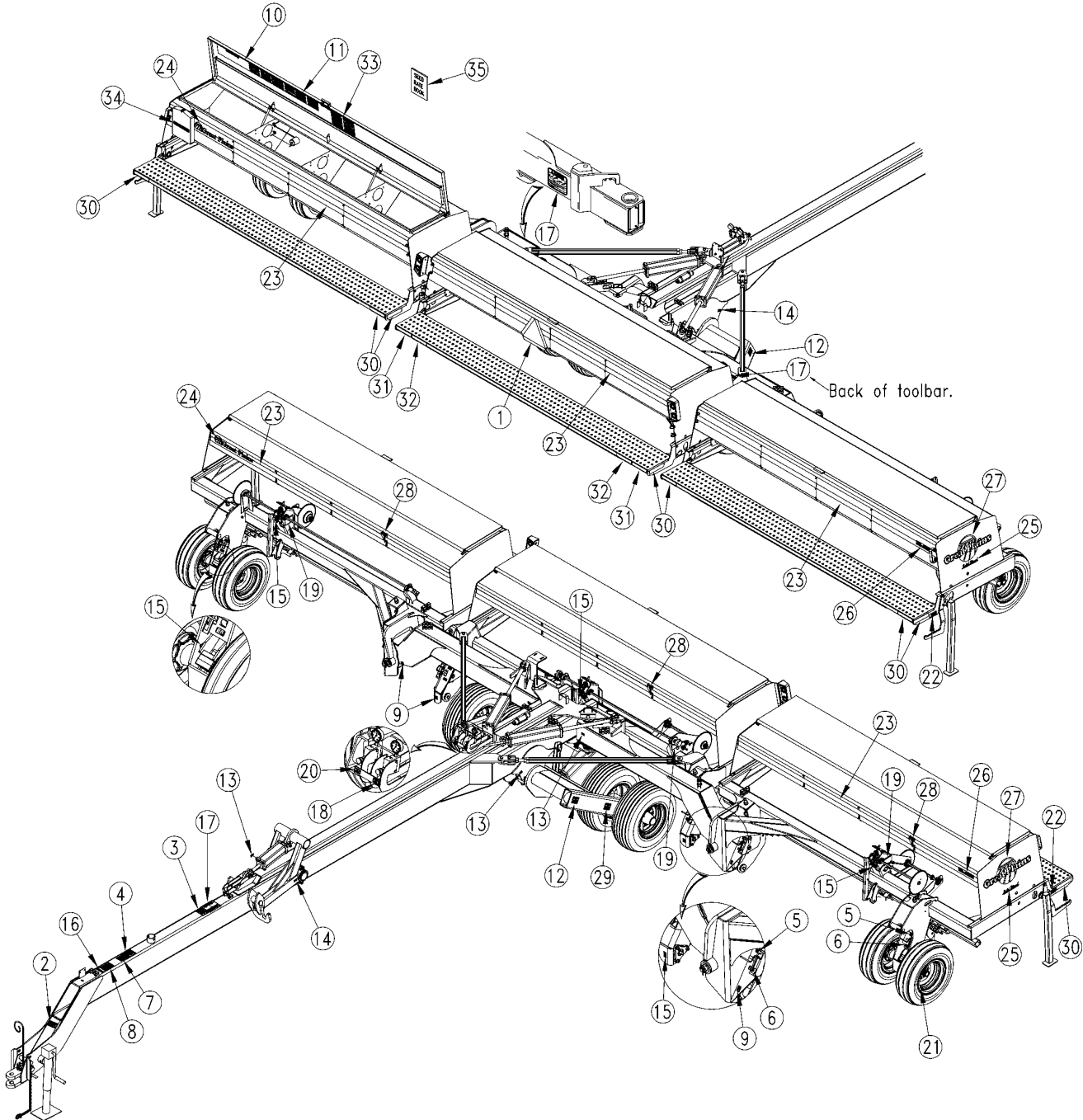
Transport Axle And Transport Hook Hydraulics

(Applies to 3S-4000, 3S-4000F only)

Ref	Part No.	Part Description	Comments	Revision
	dwg18797	Image No.		
1.	811-724C	HH1/4R2 084 1/2MNPT 9/16FJIC		
2.	810-020C	CYL 4X10X1.25 ROD (TIE ROD)		
3.	811-171C	EL 3/4MORB 9/16MJIC		
4.	811-173C	HH1/4R1 145 9/16FJIC		
5.	811-231C	HH1/4R1 340 9/16FJIC		
6.	810-416C	CYL 4X16X1.50 ROD (TIE ROD)		
7.	811-249C	TE 9/16MJIC 3/4MORB 9/16MJIC		
8.	811-057C	HH1/4R2 020 9/16FJIC		
9.	811-133C	AD 9/16MJIC 3/4MORB		
10.	811-312C	TE 9/16MJIC		
11.	811-442C	HH1/4R2 028 9/16FJIC		
12.	811-169C	EL 9/16MJIC 9/16FJIC		

Decal Placement

(Applies to 3S-4000, 3S-4000F only)



18821

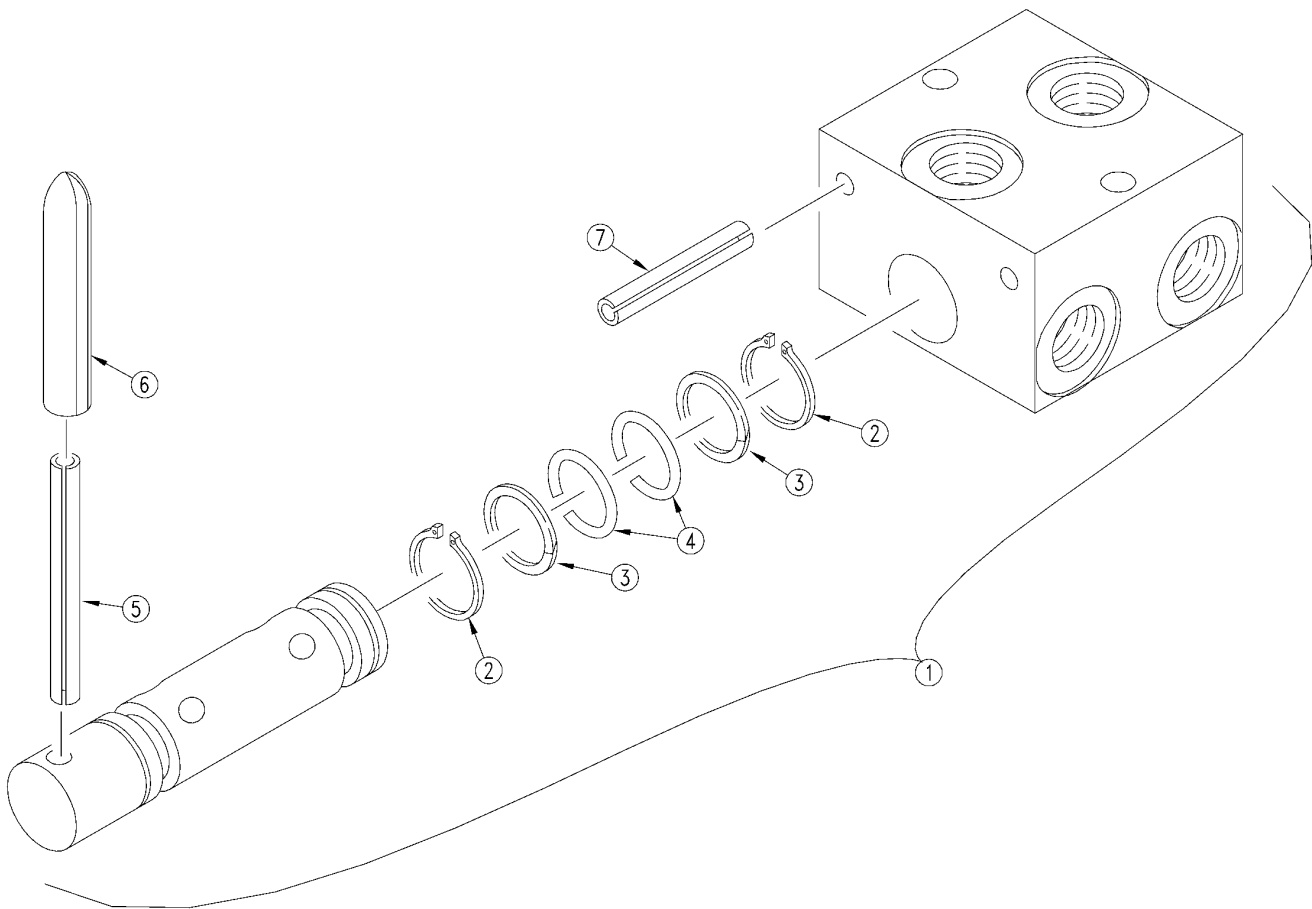
Decal Placement

(Applies to 3S-4000, 3S-4000F only)

Ref	Part No.	Part Description	Comments	Revision
	dwg18821	Image No.		
1.	818-003C	DECAL SLOW MOVING VEHICLE		
2.	818-019C	DECAL WARNING NEG TONGUE WT		
3.	818-045C	DECAL WARNING PINCH PT/CRUSH		
4.	818-078C	DECAL CAUTION FP-HC-MF-24&30		
5.	818-257C	DECAL TRANSPORT LOCK ROAD		
6.	818-258C	DECAL TRANSPORT LOCK FIELD		
7.	818-337C	DECAL WARNING 20 MPH TRANS SML		
8.	818-339C	DECAL WARNING HIGH PRESSUR SML		
9.	818-349C	DECAL GREASE 10 HRS LH		
10.	818-369C	DECAL 3PT,2&3SEC SEEDRATE 1OF2	2003-	
11.	818-370C	DECAL 3PT,2&3SEC SEEDRATE 2OF2	2003-	
12.	818-398C	DECAL CAUTION TIRES NOT A STEP		
13.	818-400C	DECAL GREASE 50 HRS LH		
14.	818-401C	DECAL GREASE 50 HRS RH		
15.	818-402C	DECAL GREASE 10 HRS RH		
16.	818-557C	DECAL DANGER CANNOT READ ENG		
17.	818-660C	DECAL TRANSPORT LOCK WARNING		
18.	818-664C	DECAL CENTER SECTION		
19.	818-708C	DECAL DRIVE TYPE&CHAIN ROUTING		
20.	818-710C	DECAL WING SECTIONS		
21.	818-855C	DECAL CAUTION TIRE 36 PSI	Used with Rib Implement Tire	
21.	838-092C	DECAL CAUTION TIRE 60PSI/85FT	Used with Skid Steer Tire	
22.	838-102C	DECAL WARNING FALLING HAZARD		
23.	838-160C	DECAL 3 COLOR STRIPE 2.50 WIDE		
24.	838-161C	DECAL LOGO&GP F/STRIPE 4 X 24		
25.	838-169C	DECAL SCRIPT SOLID STAND LARGE		
26.	838-206C	DECAL 3S-4000		
27.	838-229C	DECAL GREAT PLAINS ON LOGO LRG		
28.	838-237C	DECAL SEED LEVEL LH		
29.	838-259C	DECAL CAUTION TIRE 90 PSI/170	Used with Rib Implement Tire	
29.	838-426C	DECAL CAUTION TIRE 60 PSI/170	Used with Skid Steer Tire	
30.	838-265C	DECAL REFLECTOR AMBER 1 1/2X9		
31.	838-266C	DECAL REFLECTOR RED 1 1/2X9		
32.	838-267C	DECAL REFLECTR DAYTIME 1 1/2X9		
33.	818-371C	DECAL 3PT FERT RATE (METRIC)		
34.	838-482C	DECAL GP PLANTING COMPONENTS		
35.	195-242B	3S-4000 SEEDRATE BOOK		2004+

Double Selector Valve (810-274C)

(Applies to 3S-4000, 3S-4000F only)



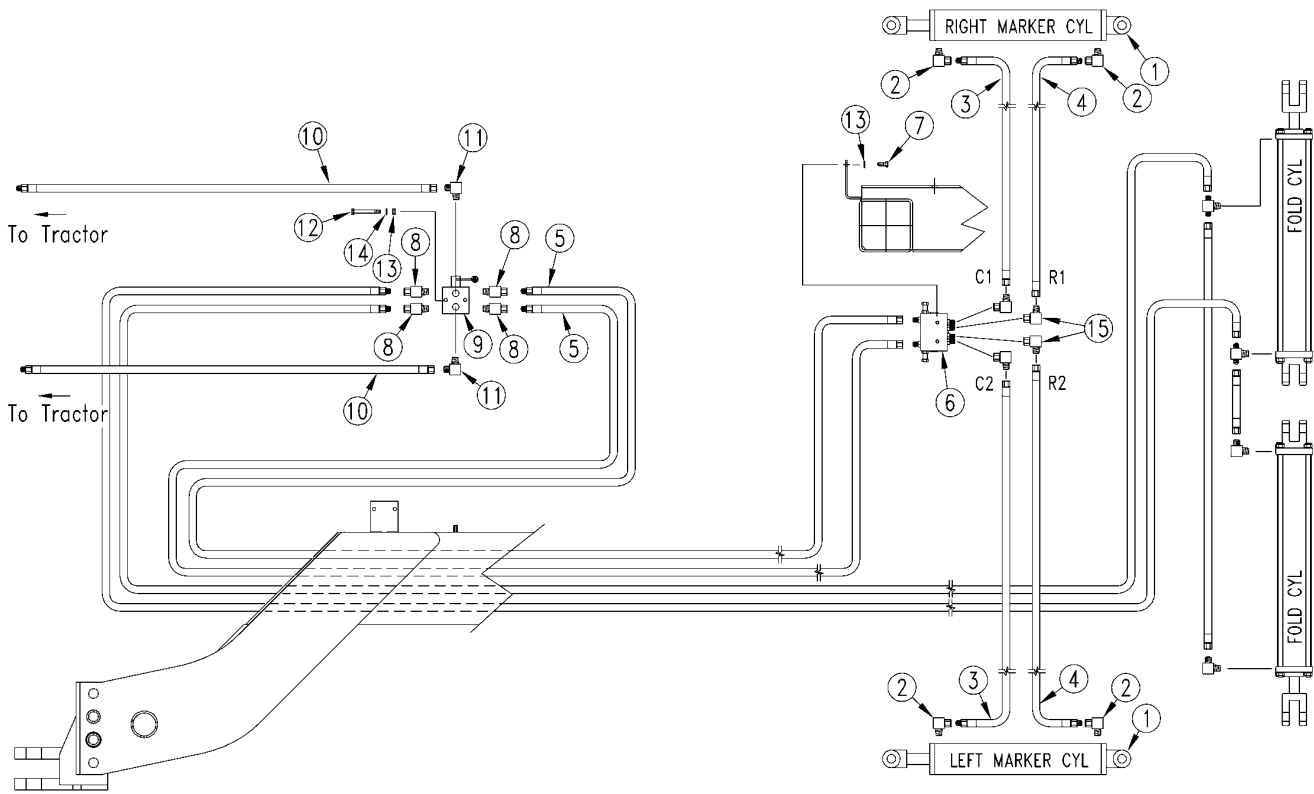
Double Selector Valve (810-274C)

(Applies to 3S-4000, 3S-4000F only)

Ref	Part No.	Part Description	Comments	Revision
	dwg14927	Image No.		
1.	810-274C	DOUBLE SELECTOR VALVE 3/4FORB		
2.	1079	RPBY SEAL KIT		
3.	1089-210	RPBY SEAL KIT 810-458C		
4.	1088-210	SHOEMAKER O-RING BUNA N 70DURO		
5.	1285	SH GROOVE PIN		
6.	817-255C	BLACK VINYL GRIP		
7.	1084	SH PIN, SPRING 0.25 DIAMETER		

Dual Marker Hydraulics

(Applies to 3S-4000, 3S-4000F only)



18825

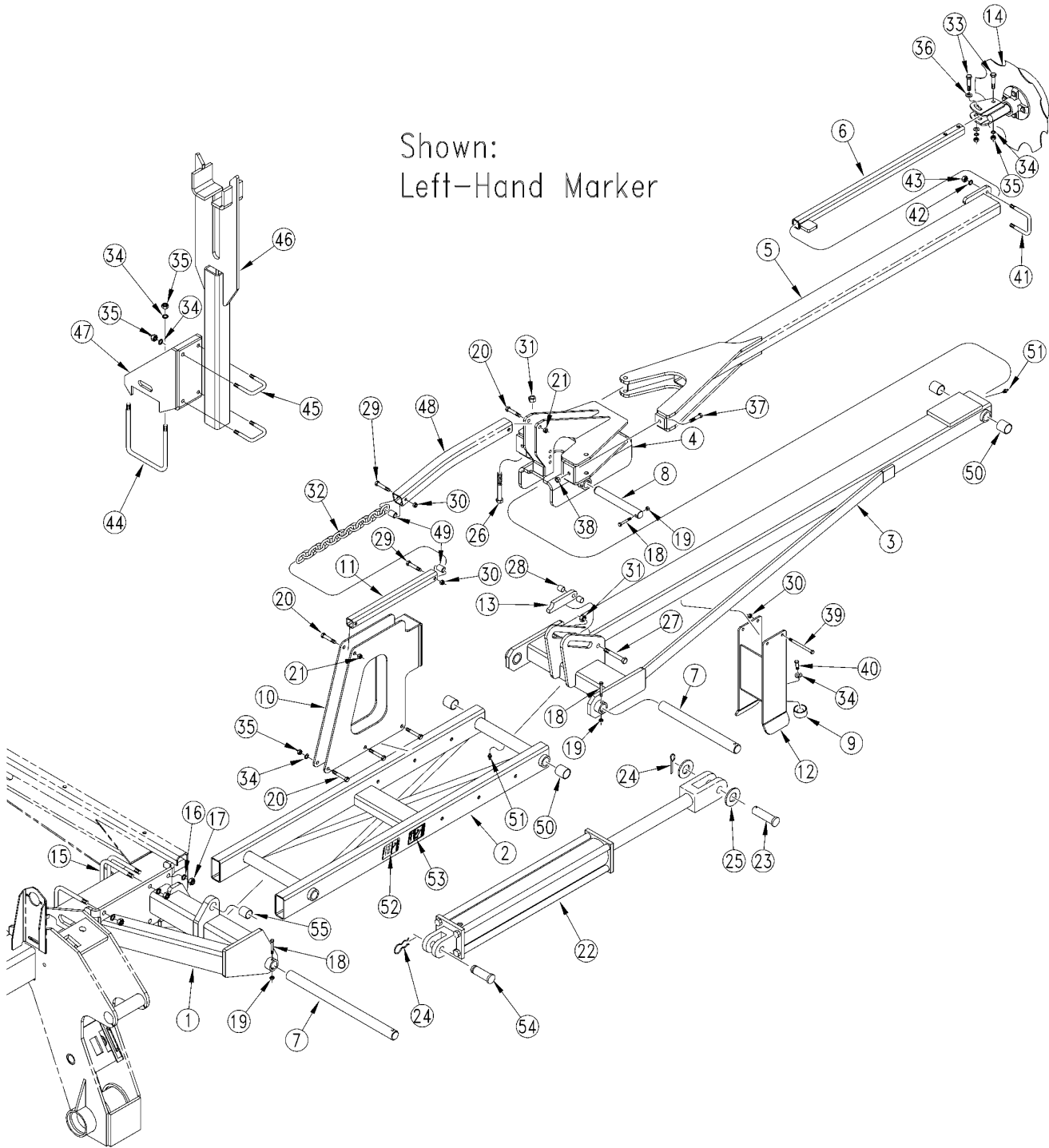
Dual Marker Hydraulics

(Applies to 3S-4000, 3S-4000F only)

Ref	Part No.	Part Description	Comments	Revision
	dwg18825	Image No.		
1.	810-423C	CYL 3X24X1.50 ROD (TIE ROD)	Refer to "Midway Hydraulic Cylinder (810-423C)" for breakdown.	
2.	811-281C	EL 3/8FNPT 9/16MORB		
3.	811-776C	HH3/8R1 270 9/16FJIC		
4.	811-777C	HH3/8R1 290 9/16FJIC		
5.	811-585C	HH3/8R1 408 1/2MNPT 9/16FJIC		
6.	810-422C	VALVE,SEQ SHOEMAKER HI FLO	Refer to "Sequence Valve (810-422C)" for breakdown.	
7.	802-014C	HHCS 3/8-16X3/4 GR5		
8.	811-021C	AD 1/2FNPTS 3/4MORB		
9.	810-274C	DOUBLE SELECTOR VALVE 3/4FORB		
10.	811-579C	HH3/8R1 096 1/2MNPT 9/16FJIC		
11.	811-171C	EL 3/4MORB 9/16MJIC		
12.	802-168C	HHCS 3/8-16X3 1/4 GR5		
13.	803-014C	NUT HEX 3/8-16 PLT		
14.	804-013C	WASHER LOCK SPRING 3/8 PLT		
15.	811-169C	EL 9/16MJIC 9/16FJIC		

Flat Fold Marker

(Applies to 3S-4000, 3S-4000F only)



18794

Flat Fold Marker

(Applies to 3S-4000, 3S-4000F only)

Ref	Part No.	Part Description	Comments	Revision
	dwg18794	Image No.		
1.	113-713H	3S-4000 MARKER MNT WLMT LH	Shown.	
1.	113-714H	3S-4000 MARKER MNT WLMT RH		
2.	113-715H	3S-4000 MARKER 1ST SEC WLMT		
3.	113-716H	3S-4000 MARKER 2ND SEC WLMT LH	Shown.	
3.	113-717H	3S-4000 MARKER 2ND SEC WLMT RH		
4.	113-792H	MARKER SHEAR BASE		
5.	113-794H	MARKER SHEAR ARM 4000		
6.	113-721H	3S-4000 MARKER EXT TUBE WLMT		
7.	113-686D	3S-4000 MARKER HINGE PIN LG		
8.	113-687D	3S-4000 MARKER HING PIN SHORT		
9.	816-170C	RD BUMP STOP 2 X 1 X 1/2-13		
10.	113-722H	3S-4000 MARKER TRANS BRC WLMT		
11.	113-685D	3S-4000 MARKER LIFT ARM		
12.	113-725H	3S-4000 MARKER REST BRKT WLMT		
13.	113-682D	3S-4000 MARKER CYL PIN LOCK		
14.	113-563S	MARKER DISC & HUB ASSEMBLY		
15.	806-039C	U-BOLT 5/8-11 X 6 1/32 X 7 3/4		
16.	804-022C	WASHER LOCK SPRING 5/8 PLT		
17.	803-021C	NUT HEX 5/8-11 PLT		
18.	802-138C	HHCS 5/16-18X2 1/4 GR5		
19.	803-011C	NUT LOCK 5/16-18 PLT		
20.	802-099C	HHCS 1/2-13X3 1/4 GR5		
21.	803-019C	NUT LOCK 1/2-13 PLT		
22.	810-423C	CYL 3X24X1.50 ROD (TIE ROD)	Refer to "Midway Hydraulic Cylinder (810-423C)" for breakdown.	
23.	805-131C	PIN CLEVIS 1 X 4 11/16 USABLE		
24.	805-058C	PIN COTTER 3/16 X 2		
25.	804-028C	WASHER FLAT 1 USS PLT		
26.	802-062C	HHCS 5/8-11X5 GR5		
27.	802-100C	HHCS 5/8-11X4 1/2 GR5		
28.	113-683D	3S-4000 MARKER CYL PIN SPACER		
29.	802-114C	HHCS 3/8-16X2 1/2 GR5		
30.	803-013C	NUT LOCK 3/8-16 PLT		
31.	803-024C	NUT LOCK 5/8-11 PLT		
32.	113-717D	CHAIN COIL 1/4 HIGH TEST 73 IN		
33.	802-039C	HHCS 1/2-13X3 GR5		
34.	804-015C	WASHER LOCK SPRING 1/2 PLT		
35.	803-020C	NUT HEX 1/2-13 PLT		
36.	804-017C	WASHER FLAT 1/2 USS PLT		
37.	802-589C	HHCS 7/16-14X2 GR5		
38.	803-200C	NUT HEX LOCK 7/16-14 PLT		
39.	802-381C	HHCS 3/8-16X6 GR5		
40.	802-032C	HHCS 1/2-13X3/4 GR5		
41.	806-162C	U-BOLT 3/8-16X 1 17/32 X 3 3/4		
42.	804-013C	WASHER LOCK SPRING 3/8 PLT		
43.	803-014C	NUT HEX 3/8-16 PLT		
44.	806-060C	U-BOLT 1/2-13 X 6 1/32 X 7 1/4		
45.	806-066C	U-BOLT 1/2-13X3 1/32X4		
46.	113-723H	3S-4000 MARKER TRANS REST WLMT		
47.	113-724H	3S-4000 MARKER TRANS MNT WLMT		
48.	113-790D	MARKER LIFT ARM TUBE BENT		
49.	123-199D	TUBE RND .62ODX.385IDX1.06 LG		
50.	890-143C	1 1/4 X 1 X 3/4 HDR BUSHING		
51.	800-001C	GREASE ZERK STRAIGHT 1/4-28		
52.	818-579C	DECAL WARNING PINCH/SHEAR HAZ		
53.	818-580C	DECAL WARNING OVERHEAD MKR HAZ		
54.	805-004C	PIN CLEVIS 1 X 2 3/4 USABLE LG		

Flat Fold Marker (continued)

(Applies to 3S-4000, 3S-4000F only)

Ref	Part No.	Part Description	Comments	Revision
55.	890-005C	BUSHING CYL 1 1/4 X 1 X 1		

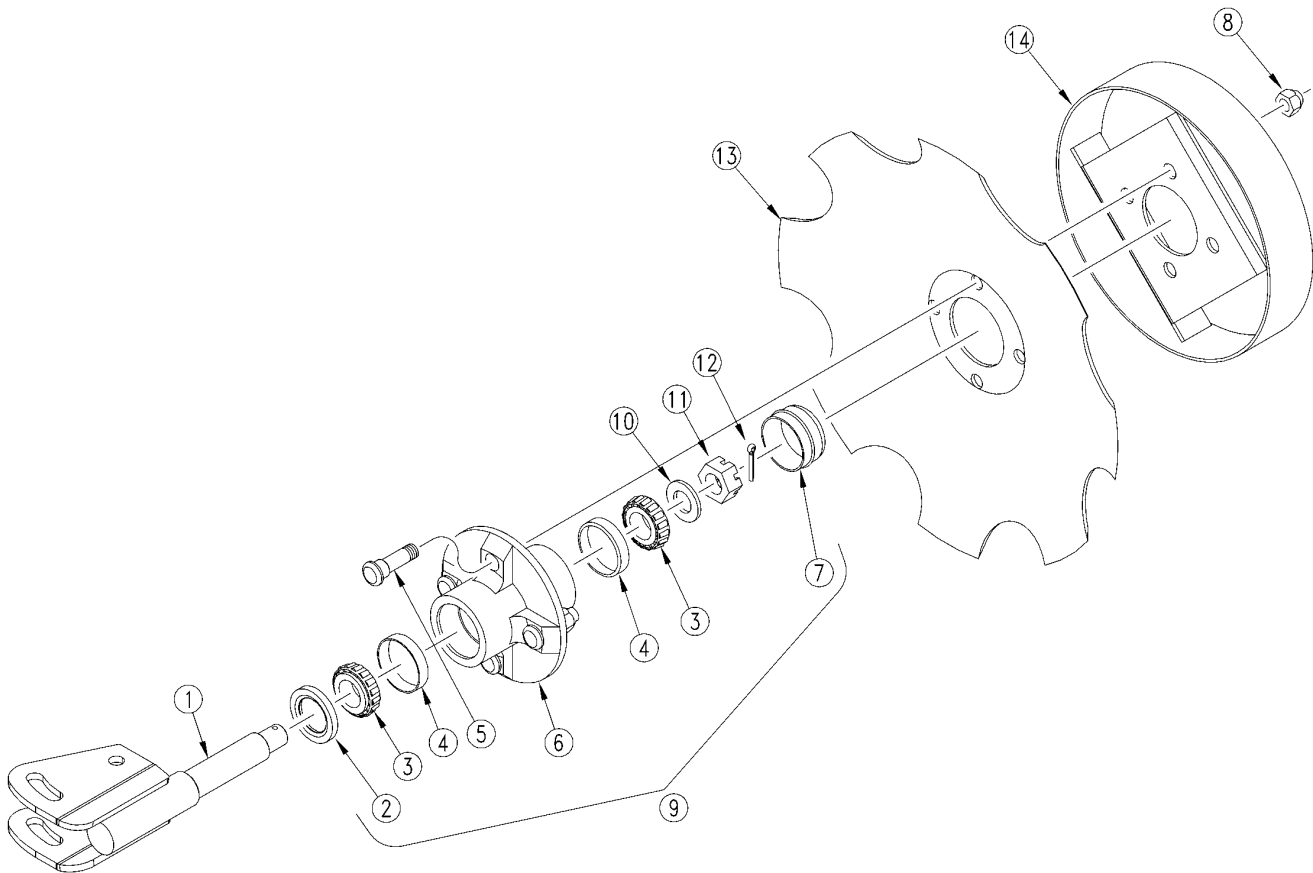
Flat Fold Marker (continued)

(Applies to 3S-4000, 3S-4000F only)

This Page Intentionally Left Blank

Marker Disk And Hub (113-563S)

(Applies to 3S-4000, 3S-4000F only)



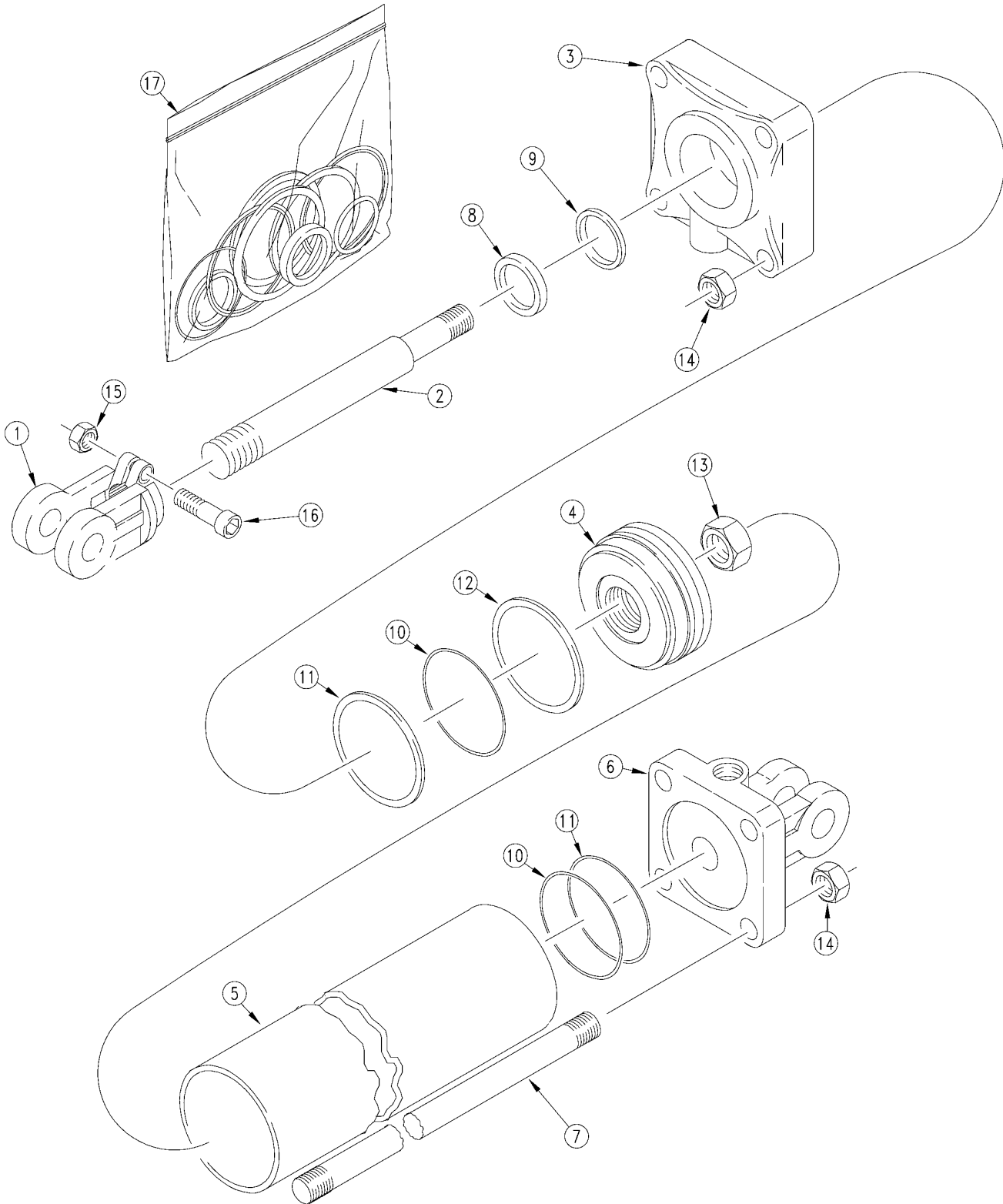
Marker Disk And Hub (113-563S)

(Applies to 3S-4000, 3S-4000F only)

Ref	Part No.	Part Description	Comments	Revision
	dwg18795	Image No.		
1.	113-562H	1 SPINDLE MARKER WELDMENT		
2.	816-014C	TINE GAUGE WHEEL HUB SEAL		
3.	822-030C	BRG CONE 1.00ID L44643		
4.	822-080C	BRG CUP 1.98OD L44610		
5.	BO-47	NEILSON STUD 1/2-20UNFX1 13/16		
6.	1-100-02-00	RELIABLE HUB 4 BOLT		
7.	890-614C	GREASE CAP #1505		
8.	803-159C	NUT LUG 1/2-20X60DEG PLT(.75AF		
9.	815-001C	TINE GW HUB		
10.	804-025C	WASHER FLAT 3/4 SAE PLT		
11.	803-053C	NUT HEX SLOTTED 3/4-16		
12.	805-019C	PIN COTTER 5/32 X 1 PLT		
13.	820-094C	16 4-BOLT NOTCHED MARKER DISK		
14.	113-369H	DEPTH BAND 10 4-BOLT 4B.C.		

Midway Hydraulic Cylinder (810-423C)

(Applies to 3S-4000, 3S-4000F only)



18964

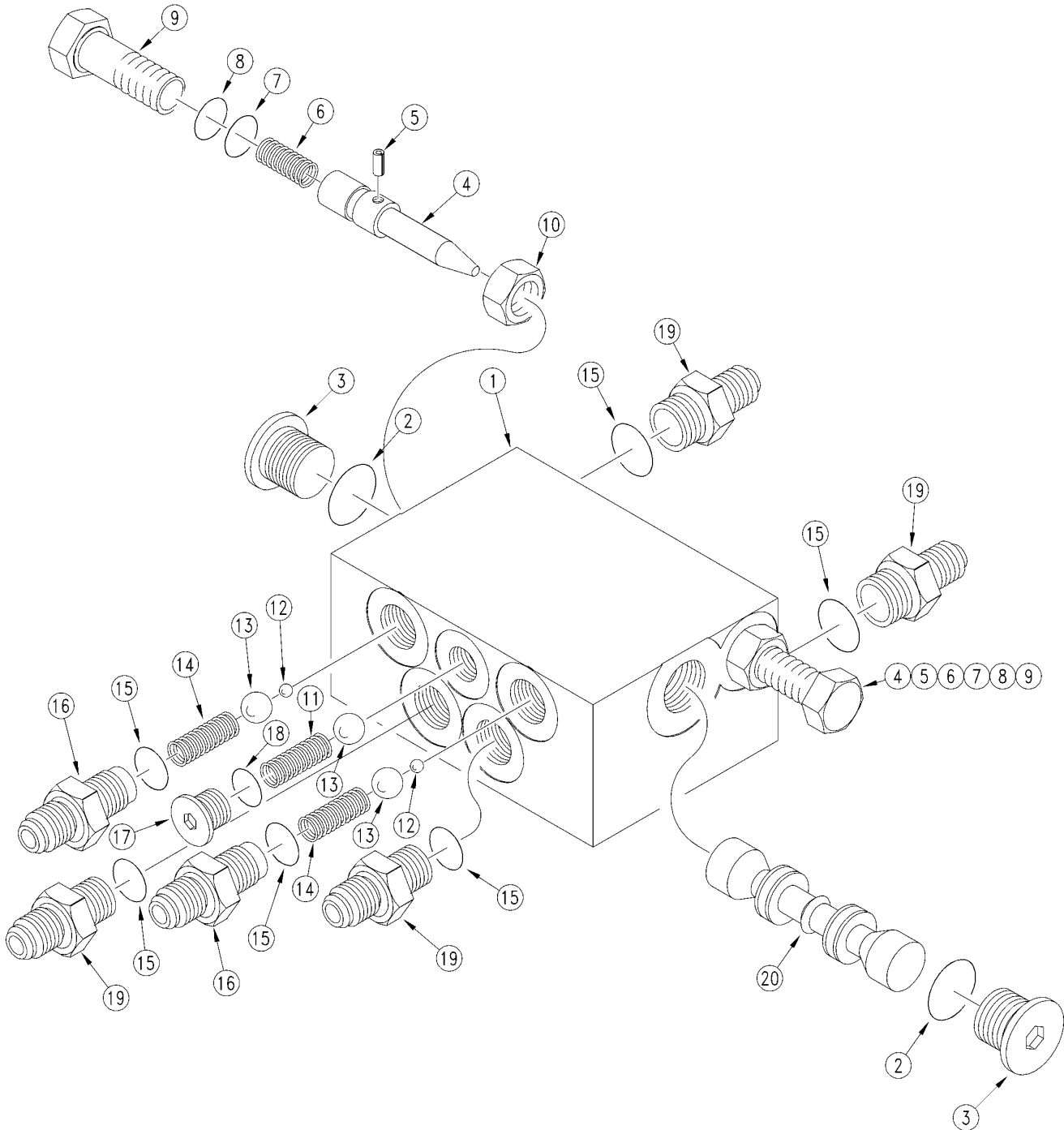
Midway Hydraulic Cylinder (810-423C)

(Applies to 3S-4000, 3S-4000F only)

Ref	Part No.	Part Description	Comments	Revision
	dwg18964	Image No.		
1.	1M7016	CLEVIS ROD MIDWAY		
2.	2M4532	MW ROD		
3.	3R1510	MW HEAD		
4.	4M4108	MW PISTON		
5.	5M4132	MW TUBE		
6.	6R1144	BASE MIDWAY		
7.	7M4332	MW TIE ROD		
8.		MW WIPER	Only found in seal kit 17	
9.		MW U-CUP	Only found in seal kit 17	
10.		MW O-RING	Only found in seal kit 17	
11.		MW BACKUP	Only found in seal kit 17	
12.		MW CROWN SEAL	Only found in seal kit 17	
13.	2A0024	MW PISTON NUT 1-14		
14.	2A0014	MW TIE ROD NUT		
15.	2A0012	RPBY 803-234C		
16.	2A0006	RPBY 802-023C		
17.	810-430C	SEAL KIT MW 3 CYL 5A4106		

Sequence Valve (810-422C)

(Applies to 3S-4000, 3S-4000F only)



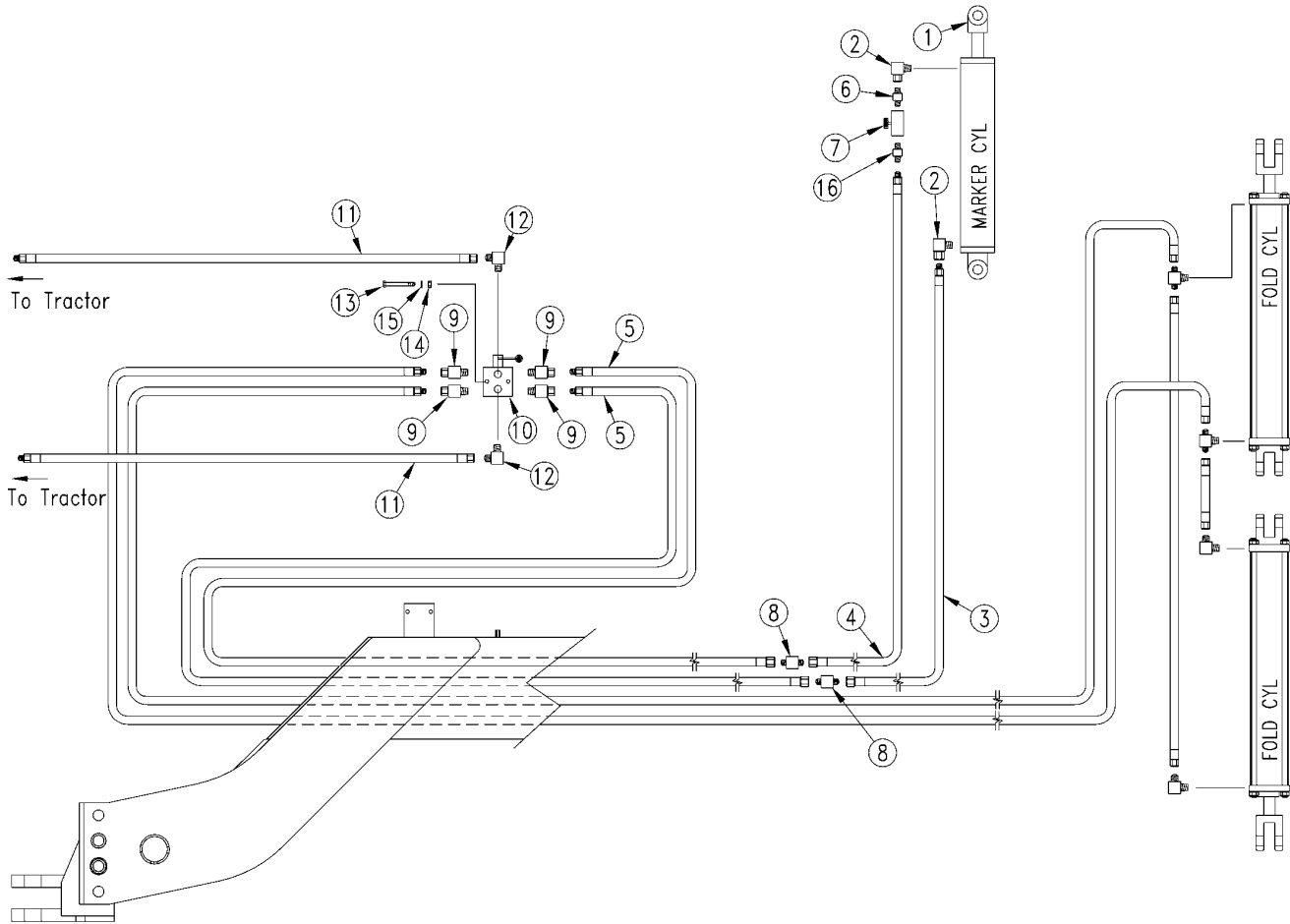
Sequence Valve (810-422C)

(Applies to 3S-4000, 3S-4000F only)

Ref	Part No.	Part Description	Comments	Revision
	dwg12024	Image No.		
1.	3089	SHOEMAKER BODY MKR SEQ VALVE		
2.	1088-908	SHOEMAKER O-RING		
3.	1132-08	SHOEMAKER PLUG, HEX SOCKET		
4.	1179	SHOEMAKER NEEDLE, FLOW CONTROL		
5.	1217	SHOEMAKER .125 SPRING PIN		
6.	1211	SHOEMAKER SPRING COMPRESSION		
7.	1088-011	RPBY 1100-011		
8.	1089-011	RPBY SEAL KIT		
9.	1180	SHOEMAKER SCREW, FLOW CON.ADJ.		
10.	1218	SHOEMAKER HEX, JAM NUT Z PLTD.		
11.	1099	RPBY SEAL KIT		
12.	1087-250	RPBY SEAL KIT		
13.	1087-437	RPBY SEAL KIT		
14.	1042	RPBY SEAL KIT		
15.	1088-906	SHOEMAKER O-RING		
16.	1182	SHOEMAKER FITTING PORT ADPT.		
17.	1132-05	SHOEMAKER HEX, SKT O-RING PLUG		
18.	1088-905	SHOEMAKER O-RING		
19.	1092-6	RPBY 1092-6-6		
20.	2154	SHOEMAKER SPOOL, MKR SEQ. .076		

Single Marker Hydraulics

(Applies to 3S-4000, 3S-4000F only)



18823

Single Marker Hydraulics

(Applies to 3S-4000, 3S-4000F only)

Ref	Part No.	Part Description	Comments	Revision
	dwg18823	Image No.		
1.	810-423C	CYL 3X24X1.50 ROD (TIE ROD)	Refer to "Midway Hydraulic Cylinder (810-423C)" for breakdown.	
2.	811-281C	EL 3/8FNPT 9/16MORB		
3.	811-776C	HH3/8R1 270 9/16FJIC		
4.	811-777C	HH3/8R1 290 9/16FJIC		
5.	811-585C	HH3/8R1 408 1/2MNPT 9/16FJIC		
6.	811-044C	AD 3/8MNPT		
7.	810-058C	VALVE 3/8 NEEDLE		
8.	811-315C	AD 9/16MJIC		
9.	811-021C	AD 1/2FNPTS 3/4MORB		
10.	810-274C	DOUBLE SELECTOR VALVE 3/4FORB	Refer to "Double Selector Valve (810-274C)" for breakdown.	
11.	811-579C	HH3/8R1 096 1/2MNPT 9/16FJIC		
12.	811-171C	EL 3/4MORB 9/16MJIC		
13.	802-168C	HHCS 3/8-16X3 1/4 GR5		
14.	803-014C	NUT HEX 3/8-16 PLT		
15.	804-013C	WASHER LOCK SPRING 3/8 PLT		
16.	811-151C	AD 9/16MJIC 3/8MNPT		



Part Number Index

The Part Number Index is a numeric index of all part numbers included in this manual. The index shows what page(s) the part is used on.

Part Number	Page	Part Number	Page	Part Number	Page	Part Number	Page
1-100-02-00	185	118-467D	75	133-381K	55	194-135H	59, 61
1042	189	118-468D	77	136-027D	103	194-155H	39, 47
107-111D	123	118-508D	67, 69, 71, 73, 75, 77	136-064D	101, 117	194-156H	23, 39, 47
107-113D	123	1180	189	136-078D	117	194-179H	39
107-133S	123	1182	189	136-111D	89, 91, 109, 111, 113, 115	194-180H	47
1079	177	119-153D	41, 43	136-122D	89, 91, 109, 111, 113, 115	194-181H	23
1084	177	119-154D	41, 43	136-151D	101	194-182H	27, 37, 111, 117
1087-250	189	119-190D	27, 37, 45, 55	136-154D	117	194-183H	27, 45, 115, 117
1087-437	189	120-198D	85	136-173D	109, 111, 113, 115	194-184H	21, 27, 117
1088-011	189	120-247D	23, 39, 47	136-207D	101	194-187H	19
1088-210	177	121-151D	123	141-084D	32	194-188H	19
1088-905	189	121-152D	123	142-198D	123	194-189H	13
1088-906	189	121-154D	123	148-613D	21, 27, 37, 45	194-190H	9
1088-908	189	121-164D	123	150-138D	21	194-191H	57
1089-011	189	121-166D	123	152-044D	71, 73	194-192H	57
1089-210	177	121-167D	123	152-262D	87, 97, 99, 107	194-194H	11
109-025H	79	121-169D	123	152-263D	95	194-195H	93
109-069D	79	121-702H	123	152-390D	85	194-198H	13
109-091D	67, 69, 71, 73, 75, 77	121-703H	123	166-389D	119	194-249D	141
1092-6	189	121-762S	123	168-127D	121	194-270D	17
1099	189	121-763S	123	168-240D	91	194-273D	21, 37
113-271D	91	1211	189	170-033H	9	194-274D	21, 45
113-369H	185	1217	189	170-034H	9	194-401D	13
113-370D	9, 19, 27, 37, 45	1218	189	171-043D	63	194-402D	13
113-562H	185	122-041D	137, 139	171-101H	63	194-472D	19
113-563S	181	122-094D	139	171-102H	63	194-473D	17
113-682D	181	122-103S	139	175-102H	31	194-495D	19
113-683D	181	122-110D	137	175-146H	41, 43	194-516D	23, 39, 47
113-685D	181	122-117S	137	175-180S	41, 43	194-525D	19
113-686D	181	122-120D	125	175-182H	31	194-526D	19
113-687D	181	122-151D	125	175-183H	31	194-527D	19
113-713H	181	122-173H	125	175-184H	31	194-577D	19
113-714H	181	122-197V	139	175-190S	25	195-007D	101
113-715H	181	122-198V	137	175-190S	25	195-062H	61
113-716H	181	122-201S	125	175-219H	27	195-063H	61
113-717D	181	122-202S	131, 133, 135, 137, 139	175-233D	67, 69, 71, 73, 75, 77	195-064H	61
113-717H	181	122-231A	125	175-280D	67, 69	195-100D	21, 27, 37, 45
113-721H	181	122-242S	123	175-289D	25	195-101D	21, 27, 37, 45
113-722H	181	123-050H	53	175-325D	29	195-102D	21, 27, 37, 45
113-723H	181	123-113D	53	175-326D	29	195-108D	93
113-724H	181	123-116D	53	175-327D	29, 49	195-109D	89, 91, 117
113-725H	181	123-118D	53	175-331D	29	195-121D	59
113-790D	181	123-199D	181	175-332D	49	195-122D	59
113-792H	181	123-356D	53	175-338D	31	195-124H	51
113-794H	181	123-409D	53	175-341D	31	195-129H	93, 113, 115
1132-05	189	123-410D	53	176-042S	87, 97, 99, 105, 107	195-130H	95
1132-08	189	123-476H	53	176-065D	99, 105	195-131H	95
116-019D	83	123-491D	55	176-066D	89, 91, 105	195-144D	95
116-020D	83	123-492D	55	176-076D	105	195-152D	93
116-132K	81	123-832H	121	176-078D	105	195-152K	109, 113
116-181D	81	123-834H	53	176-080D	105	195-153D	93
1179	189	123-939H	129	176-084D	105	195-153H	103
118-226S	67, 69, 71, 73, 75, 77	1285	177	181-064D	15	195-154H	103
118-336D	67, 69, 71, 73, 75, 77	133-024D	121	185-014D	11	195-155H	103
118-338D	67, 69, 77	133-056D	53	188-001V	123	195-156H	103
118-341D	67, 69, 71, 73, 75, 77	133-061H	53	191-001D	32	195-157D	93
118-431D	71, 73	133-062H	53	191-002D	31	195-157H	103
118-432D	71, 73, 77	133-063H	53	191-018D	31	195-158H	103
118-433D	71, 73	133-064H	53	194-028H	19	195-159D	21, 37, 45
118-434D	71, 73	133-065D	127	194-058D	65	195-159H	103
118-437D	73, 75, 77	133-070D	59, 61	194-059D	65	195-160D	21, 37, 45
118-438D	75, 77	133-101D	119	194-070D	9	195-160H	99
118-440D	77	133-153K	55	194-106H	11	195-169D	115
118-443H	79	133-155K	55	194-123K	39, 47	195-170D	87
118-444H	79	133-157K	55	194-129H	23, 39, 47	195-172D	89, 91, 109, 111
118-466D	77	133-323H	119	194-134H	21	195-177S	43
		133-324K	117			195-181H	25
		133-380H	55			195-182H	25
						195-183H	25
						195-187K	101, 111, 115

[Table of Contents](#) [Part Number Index](#)



Part Number Index (continued)

Part Number	Page	Part Number	Page	Part Number	Page	Part Number	Page
195-188H	23, 39, 47	197-148K	85	5M4132	187	802-007C	79
195-189D	109, 111	198-137D	131, 133, 135,	5M6124	153	802-010C	9, 141
195-192D	29		137, 139	5M6128	155	802-012C	95
195-193H	59, 61	199-022H	131	61010016	147	802-014C	67, 69, 71, 73,
195-194D	25	199-030D	137	61010039	147		75, 77, 79, 179
195-197D	29, 43, 49	199-031D	139	61011003	147	802-015C	41, 43, 123
195-198D	43	199-042D	133, 135	6R0032	151	802-017C	25, 61, 87, 95,
195-205D	27	1M6006	151	6R1144	187		97, 99, 107, 125
195-206D	27	1M7016	149, 153, 155,	6R5162	153, 155	802-022C	65
195-207D	27		187	6R5164	149	802-023C	155
195-208D	25	200-006D	15	710425	83	802-026C	165, 167
195-210D	103	206-014S	125	770026	83	802-030C	61
195-222D	99	2154	189	7M2316	151	802-032C	111, 181
195-223K	35	248-251D	37	7M4332	187	802-034C	21, 27, 37, 45,
195-224K	35	253000	81	7M6318	149		59, 61, 103, 117
195-225K	35	253001	81	7M6324	153	802-039C	9, 109, 111, 113,
195-229D	85	253016	83	7M6328	155		115, 119, 181
195-232H	109, 111, 113,	253017	83	800-001C	13, 19, 39, 47,	802-041C	89, 91, 101, 103,
	115	253100	83		93, 181		109, 111, 113,
195-234D	85	253700	81	800-003C	79		115, 117
195-236D	73	253701	81	800-004C	67, 69, 71, 73,	802-045C	123
195-237D	77	2A0006	149, 151, 153,		75, 77	802-055C	63
195-238D	69		187	800-008C	123, 127	802-058C	131, 133, 135
195-242B	37, 175	2A0012	149, 151, 153,	800-009C	67, 69, 71, 73,	802-059C	137
195-243D	89, 91, 109, 111,		155, 187		75, 77, 123	802-062C	181
	113, 115, 117	2A0014	187	800-012C	29, 31, 32	802-068C	39, 47
195-244D	71	2A0018	149, 153, 155	800-016C	93, 127	802-069C	15
195-244H	21, 37, 45, 55	2A0022	151	800-028C	53	802-078C	29, 49, 53
195-245D	75	2A0024	149, 153, 155,	800-032C	32	802-079C	21, 27, 32, 37,
195-246D	67		187	800-052C	83		45, 61, 95
195-246K	89, 91	2A0042	155	800-058C	23, 39, 47, 87,	802-082C	23, 39, 47, 59
195-253H	79	2A0052	153, 155		97, 99, 107	802-088C	19
195-254D	95	2A0132	149, 151, 153,	800-064C	21	802-091C	101
195-256D	93		155	800-073C	11, 19	802-092C	31, 53, 111, 115
195-257D	89, 91, 117	2A0208	149, 151, 153,	800-082C	157, 159, 161,	802-095C	23, 39, 47
195-258D	89, 91, 117		155		163, 165, 167	802-099C	181
195-259D	113	2A0245	155	800-093C	125	802-100C	181
195-260D	113, 115	2A0275	155	800-101C	51, 53	802-103C	21
195-265D	85	2A0426	155	800-107C	67, 69, 71, 73,	802-104C	85
195-268D	103	2A0458	155		75, 77	802-106C	93
195-269H	103	2M2316	151	800-112C	21, 81	802-114C	181
195-270D	101, 117	2M4532	187	800-121C	41, 43	802-119C	139
195-271D	101	2M6108	149	800-148C	21	802-121C	123
195-272D	101, 111	2M6470	149	800-177C	105	802-128C	11
195-272K	101, 117	2M6526	153	800-213C	123	802-130C	103
195-273S	101	2M6628	155	800-310C	125	802-138C	19, 21, 27, 37,
195-280H	97	30102360	161, 163	800-321C	129		45, 181
195-310H	61	30102754	147	800-322C	123	802-139C	23
195-311H	61	3089	189	801-001C	53, 79	802-148C	31, 53
195-321S	111, 115	313-176D	41, 43	801-002C	123, 127, 129	802-151C	139
195-340D	61	313-186D	41, 43	801-003C	53	802-152C	87, 97, 99
195-351D	85	318917	83	801-009C	32	802-155C	19
195-352D	85	318951	83	801-016C	81	802-162C	119
195-355D	85	39680008	147	801-018C	59, 61	802-168C	141, 179, 191
195-375D	111, 115	3R0122	151	801-035C	53, 67, 69, 71,	802-178C	19
195-376D	111, 115	3R1510	187		73, 75, 77	802-182C	15
195-398H	85	3R5412	153	801-057C	67, 69, 71, 73,	802-196C	25, 35, 79
196-112D	9, 19, 27, 37, 45	3R5712	149		75, 77	802-197C	137
196-136H	9	3R6012	155	801-067C	81, 91	802-203C	21, 27, 37, 45,
196-145V	13	402-050D	111, 115		59, 61		55, 121
196-146D	141	402-051D	111, 115	801-081C	21	802-205C	13
196-208K	15	402-376D	111, 115	801-084C	125	802-214C	121
196-272K	15	403-751D	111, 115	801-096C	51	802-228C	123
196-273K	15	4M2102	151	801-141C	125	802-252C	19, 31
196-274K	85	4M4108	187	801-154C	51	802-256C	115
196-275K	85	4M6108	149, 153, 155	801-172C	91	802-257C	83
196-885D	141	500-090B	147	801-199C	83	802-282C	89, 91, 93, 101,
197-001D	17, 19	5070	171	802-004C	37, 53, 67, 69,		103, 109, 111,
197-089D	51	5075	171		71, 73, 75, 77,		113, 115, 117,
197-091D	51	540017	83		107		119, 121
197-096D	51	5M2116	151	802-005C	25, 131	802-283C	13



Part Number Index (continued)

Part Number	Page	Part Number	Page	Part Number	Page	Part Number	Page
802-375C	25, 29, 35, 43	803-079C	17, 19	804-028C	181	806-093C	63
802-377C	101	803-088C	25, 29, 31, 35,	804-029C	13	806-162C	181
802-381C	181		43, 79, 83, 131,	804-030C	9, 21	807-072C	95
802-387C	21, 25, 27, 37, 45		133, 135	804-031C	67, 69, 71, 73,	807-073C	9
802-388C	55	803-159C	185		75, 77	807-097C	89, 91, 105, 117
802-411C	41, 43	803-169C	21, 27, 37, 45,	804-035C	17, 19	807-101C	125
802-413C	91		55, 91, 121, 123,	804-036C	19, 41, 43, 79,	807-106C	41, 43, 131, 133,
802-418C	111, 115		131, 133, 135,		119		135, 137, 139
802-421C	131, 133, 135,	803-177C	137, 139	804-037C	21	807-159C	123
	137, 139		27, 137, 139	804-040C	79, 123	808-086C	32
802-425C	41, 43	803-193C	123	804-042C	53	808-143C	89, 91, 101, 109,
802-426C	21	803-194C	67, 69, 71, 73,	804-043C	81, 91		111, 113, 115
802-442C	27		75, 77	804-044C	53	808-146C	119
802-543C	9	803-199C	21, 25, 27, 37, 45	804-046C	53	808-170C	121
802-544C	9	803-200C	181	804-048C	32	808-194C	117, 119
802-550C	123	803-208C	85	804-061C	89, 91, 117, 119	808-240C	99, 107
802-551C	157, 159, 161,	803-209C	19, 25, 41, 43, 61	804-075C	51, 157, 159,	808-256C	89, 91, 109, 111,
	163, 165, 167	803-215C	87, 95, 97, 99,		161, 163, 165,		113, 115, 117
802-589C	181		107		167	808-257C	89, 91, 109, 111,
802-617C	133	803-219C	15	804-078C	125		113, 115
802-618C	135	803-239C	85	804-082C	11, 13	808-258C	89, 91, 109, 111,
802-633C	31	803-263C	85	804-088C	81, 91		113, 115
802-662C	39, 47	803-293C	37	804-095C	19, 85, 119	808-259C	89, 91, 109, 111,
802-687C	85	803-310C	123	804-098C	85		113, 115, 119
803-001C	51, 53	804-001C	79	804-113C	89, 91, 101, 103,	808-260C	103
803-003C	51	804-002C	53, 79		109, 111, 113,	808-287C	85
803-006C	32, 53, 59, 61,	804-003C	53, 79		115, 117, 119,	808-413C	85
	157, 159, 161,	804-004C	51, 53		121	808-450C	111, 115
	163, 165, 167	804-006C	32, 53, 59, 61,	804-134C	21	810-013C	149
803-007C	25, 49, 53		87, 97, 99, 107,	804-154C	123	810-014C	155
803-008C	31, 79, 89, 91,		157, 159, 161,	804-182C	85	810-020C	11, 173
	93, 95, 101, 103,	804-007C	29	805-004C	181	810-058C	191
	109, 111, 113,	804-009C	9, 19, 27, 31, 37,	805-016C	15, 79	810-060C	153
	115, 117, 119,		45, 79, 89, 91,	805-019C	53, 185	810-274C	141, 177, 179,
	121		93, 101, 103,	805-023C	67, 69, 71, 73,		191
803-011C	21, 37, 41, 43,		109, 111, 113,		75, 77	810-293C	161, 163
	45, 181		115, 117, 119,	805-024C	105	810-298C	145
803-013C	141, 165, 167,		121, 141	805-026C	107	810-299C	23, 39, 47, 157,
	181	804-010C	141	805-030C	85		159, 161, 163,
803-014C	21, 27, 32, 37,	804-011C	19, 21, 27, 37,	805-032C	59, 61		165, 167
	45, 55, 65, 95,		45, 95, 125, 165,	805-058C	181	810-300C	157, 159, 161,
	123, 179, 181,		167	805-067C	51, 93, 121		163, 165, 167
	191	804-012C	53, 67, 69, 71,	805-076C	53	810-301C	157, 159, 161,
803-015C	61		73, 75, 77, 79,	805-083C	95		163, 165, 167
803-016C	79		123, 125	805-085C	17, 19	810-303C	161, 163, 171
803-019C	181	804-013C	21, 27, 32, 37,	805-104C	11, 13, 23, 39,	810-310C	151
803-020C	9, 11, 21, 23, 27,		45, 55, 61, 65,		47, 57	810-343C	145, 161, 163
	37, 39, 45, 47,		67, 69, 71, 73,	805-109C	95, 123	810-344C	161, 163
	59, 61, 93, 95,		75, 77, 79, 95,	805-124C	11, 13	810-371C	165, 167
	101, 103, 117,		123, 125, 179,	805-127C	123	810-408C	169
	121, 181		181, 191	805-131C	181	810-410C	157, 161, 165
803-021C	19, 63, 119, 181			805-148C	85	810-416C	13, 173
803-024C	181	804-014C	61	805-154C	131, 133, 135,	810-421C	19, 143
803-026C	15, 23, 39, 47	804-015C	9, 11, 21, 23, 27,		137, 139	810-422C	179
803-027C	39, 47, 63		37, 39, 45, 47,	805-180C	87, 89, 91, 93,	810-423C	179, 181, 191
803-028C	19, 23, 39, 47		59, 61, 89, 91,		97, 99, 101, 103,	810-430C	187
803-029C	15		93, 95, 101, 103,		109, 111, 113,	810-432C	157, 159, 161,
803-031C	13, 23, 39, 47		109, 111, 113,		115, 117, 119		163, 165, 167,
803-032C	21		115, 117, 119,	805-186C	131, 133, 135,		169
803-034C	9, 57		121, 181		137, 139	810-554C	159, 163, 167
803-035C	53, 79	804-016C	11, 21, 55, 61,	805-187C	57	811-021C	141, 179, 191
803-036C	89, 91, 101, 103,		93, 101, 121	805-197C	59, 61	811-044C	191
	109, 111, 113,	804-017C	9, 181	805-234C	123	811-057C	143, 173
	115, 117, 119,	804-019C	63	805-236C	23, 39, 47	811-061C	145
	123	804-021C	79	805-240C	89, 91, 103, 109,	811-063C	141
803-037C	123	804-022C	19, 63, 119, 131,		111, 113, 115	811-064C	157, 159, 161,
803-049C	21		133, 135, 137,	805-249C	85		163, 165, 167
803-053C	185		139, 181	806-020C	117	811-065C	145, 157, 159,
803-058C	53	804-023C	39, 47, 63	806-039C	181		161, 163, 165,
803-064C	81, 91	804-025C	23, 39, 47, 185	806-060C	101, 181		167
803-068C	61	804-027C	13, 23, 39, 47	806-066C	95, 181		

[Table of Contents](#) [Part Number Index](#)



Part Number Index (continued)

Part Number	Page	Part Number	Page	Part Number	Page	Part Number	Page
811-118C	157, 159, 161, 163, 165, 167	811-776C	179, 191	817-074C	67, 69, 71, 73, 75, 77	822-038C	15
811-133C	157, 159, 161, 163, 165, 167, 173	811-777C	179, 191	817-075C	67, 69, 71, 73, 75, 77	822-039C	15
811-140C	145	811-796C	157, 159, 161, 165, 167	817-084C	123, 131, 133, 135, 137, 139	822-080C	185
811-146C	157, 161, 165	812-245C	123	817-086C	51	822-083C	32
811-151C	191	814-008C	85	817-087C	79	822-095C	137, 139
811-169C	145, 173, 179	814-010C	139	817-111C	99, 105	822-103C	67, 69, 71, 73, 75, 77
811-170C	145, 157, 159, 165, 167	814-034C	131	817-134C	125	822-117C	85
811-171C	143, 145, 157, 159, 161, 163, 165, 167, 173, 179, 191	814-067C	137	817-191C	125	822-118C	85
811-173C	173	814-104C	15	817-202C	51	822-119C	89, 91, 93, 101, 103, 109, 111, 113, 115, 117, 119
811-181C	141, 143	814-157C	133	817-255C	177	822-126C	121
811-183C	145	814-158C	135	817-273C	93	822-170C	131, 133, 135
811-193C	161, 163	814-159C	133	817-296C	133	823-059C	81
811-203C	147	814-160C	135	817-297C	135	823-060C	81
811-212C	157, 159, 161, 163, 165, 167	814-174C	131	817-314C	123	823-076C	81
811-216C	159, 163, 167	814-177C	15	817-322C	25	823-175C	169
811-231C	173	814-178C	85	817-323C	31	823-184C	91
811-249C	173	814-206C	15	817-324C	25	823-185C	169
811-272C	141	814-207C	85	817-328C	131, 133, 135, 137, 139	823-190C	169
811-281C	179, 191	814-208C	15	817-330C	131	833-595C	83
811-286C	157, 159, 161, 163, 165, 167	814-209C	85	817-346C	127	833-596C	83
811-312C	157, 159, 161, 163, 165, 167, 173	814-210C	15, 85	817-347C	131, 133, 135, 137, 139	838-092C	175
811-315C	191	815-001C	185	817-350C	51	838-102C	175
811-356C	157, 159	815-099C	15	817-423C	109, 111, 113, 115	838-160C	175
811-362C	145	815-101C	15	817-504C	53	838-161C	175
811-364C	157, 159, 161, 163, 165, 167	815-103C	15	817-516C	37	838-169C	175
811-393C	165, 167	816-007C	127	817-802C	32	838-206C	175
811-394C	141	816-012C	85	817-806C	53	838-229C	175
811-397C	157, 159, 161, 163, 165, 167	816-014C	185	818-003C	175	838-237C	51, 175
811-416C	157, 159, 161, 163, 165, 167	816-019C	15	818-019C	175	838-259C	175
811-430C	159, 163, 167	816-035C	15, 85	818-045C	175	838-265C	175
811-439C	157, 159, 161, 163, 165, 167	816-112C	53	818-055C	59, 61	838-266C	175
811-442C	173	816-113C	53	818-078C	175	838-267C	175
811-470C	143, 145	816-138C	85	818-257C	175	838-426C	175
811-490C	143, 145	816-170C	181	818-258C	175	838-482C	37, 175
811-531C	161, 163	816-173C	125	818-337C	175	841-077C	159, 163, 167
811-574C	143, 145	816-173C	125	818-339C	175	85002333	147
811-579C	179, 191	816-239C	67, 69, 71, 73, 75, 77, 123	818-349C	175	85002946	161, 163
811-582C	161, 163	816-241C	21, 37, 45	818-369C	175	85020040	171
811-585C	141, 157, 159, 161, 163, 165, 167, 179, 191	816-242C	93	818-370C	175	890-005C	182
811-627C	145	816-278C	29	818-371C	175	890-026C	32
811-631C	157, 159, 161, 163, 165, 167	816-291C	29, 49	818-398C	175	890-143C	181
811-632C	157, 161, 165	816-292C	31	818-400C	175	890-184C	9
811-636C	161, 163	816-302C	123	818-401C	175	890-190C	67, 69, 71, 73, 75, 77
811-675C	161, 163	816-358C	129	818-402C	175	890-193C	19
811-677C	157, 159, 165, 167	817-004C	67, 69, 71, 73, 75, 77	818-403C	175	890-221C	41
811-713C	157, 159, 161, 163, 165, 167	817-009C	53	818-404C	175	890-305C	51
811-724C	173	817-010C	53	818-405C	175	890-308C	43
811-774C	157, 159, 161, 163, 165, 167	817-022C	139	818-579C	181	890-311C	21
811-775C	157, 159, 161, 163, 165, 167	817-023C	139	818-580C	181	890-312C	21
		817-025C	89, 91, 101, 103, 109, 111, 113, 115, 117, 119, 121	818-660C	175	890-321C	81
		817-026C	53	818-664C	175	890-349C	53
		817-042C	37	818-708C	175	890-350C	67, 69, 71, 73, 75, 77
		817-053C	31	818-710C	175	890-390C	21
		817-062C	137	818-855C	175	890-431C	21
		817-063C	137	819-001C	79	890-466C	123
		817-068C	67, 69, 71, 73, 75, 77	819-041C	53	890-610C	9
		817-069C	67, 69, 71, 73, 75, 77	819-109C	79	890-614C	185
		817-070C	67, 69, 71, 73, 75, 77	820-094C	185	890-711C	89
		817-071C	67, 69, 71, 73, 75, 77	820-155C	123	890-954C	111, 115
		817-073C	67, 69, 71, 73, 75, 77	822-008C	79	891-061C	91
				822-030C	185	891-062C	91
				822-032C	89, 91, 93, 101, 103, 109, 113, 115, 117, 119	891-137C	85
				822-036C	15	990-109R	19
				822-037C	15	BO-47	185
						CP2-10	171



Part Number Index (continued)

<u>Part Number</u>	<u>Page</u>	<u>Part Number</u>	<u>Page</u>
dwg-27002	129	dwg22972	169
dwg10035	149	dwg24414	63
dwg10249	105	dwg24435	137
dwg12024	189	dwg24436	139
dwg14927	177	dwg25012	145
dwg15473	143	dwg26014	65
dwg15705	151	dwg27009	81
dwg16459	127	dwg27020	141
dwg16465	99	dwg27411	117
dwg16578	49	dwg27417	119
dwg16579	29	dwg27420	121
dwg16676	79	dwg27425	55
dwg17027	147	dwg27429	53
dwg17242	71	dwg27430	31
dwg17243	73	dwg27446	111
dwg17244	75	dwg27474	115
dwg17245	77	dwg29325	31
dwg17246	67	dwg31229	61
dwg17247	69	dwg34220	83
dwg17437	131	P502001	15
dwg17438	135	PRPIL-10-K-25	171
dwg17439	133	VA-080002	81
dwg18787	123	VA-111005-1	91
dwg18788	9	VA-253307	81
dwg18789	11	VA-267000	91
dwg18790	13	VA-267304	91
dwg18791	15	VA-JX-B76	81
dwg18792	19	VA-JX-B77	81
dwg18793	125	VA-VMM253501	81
dwg18794	181		
dwg18795	185		
dwg18796	17		
dwg18797	173		
dwg18798	157		
dwg18800	165		
dwg18801	161		
dwg18802	153, 155		
dwg18803	21		
dwg18804	171		
dwg18805	45		
dwg18806	37		
dwg18807	51		
dwg18808	41		
dwg18809	85		
dwg18810	59		
dwg18811	57		
dwg18812	113		
dwg18813	89		
dwg18814	109		
dwg18815	23		
dwg18816	47		
dwg18817	39		
dwg18818	95		
dwg18819	87		
dwg18820	93		
dwg18821	175		
dwg18822	107		
dwg18823	191		
dwg18825	179		
dwg18964	187		
dwg19312	43		
dwg19314	25		
dwg19316	35		
dwg21262	91		
dwg21522	27		
dwg21523	101		
dwg21524	103		
dwg21526	97		
dwg22968	159		
dwg22969	167		
dwg22970	163		

This Page Intentionally Left Blank



Great Plains Mfg., Inc.
1525 E. North Street
Salina, Kansas 67401 USA

www.greatplainsmfg.com
