

---

# Parts Manual

NTA3010 & NTA3510  
No-Till Air Drill Implement



*Read the Operator's manual entirely. When you see this symbol, the subsequent instructions and warnings are serious - follow without exception. Your life and the lives of others depend on it!*



16178

*Cover illustration may show optional equipment not supplied with standard unit.*



# Table of Contents

<b>Section 1: Introduction.....</b>	<b>4</b>	Transport Hydraulics (RPIL Cartridge).....	76
Using This Manual.....	4	<b>Monitor.....</b>	<b>78</b>
Manual Replacement Information.....	4	Blockage Monitor (Option).....	78
Manual Revisions.....	4	Agtron Sensor (Option) (S/N Z1263-).....	80
Touch-up Paint.....	4	Agtron AGS25 Blockage Sensor (Option) (S/N Z1264+).....	82
Hardware Legend.....	5	Implement Kit.....	84
Replacement Hardware.....	5	Monitor NTA3010.....	86
Serial Numbers.....	5	Monitor NTA3510.....	88
Part Number Service Coding.....	5	<b>Towers.....</b>	<b>90</b>
<b>Frames.....</b>	<b>6</b>	Tower for ADC2220 Air Cart Drill.....	90
Center Frame To Rockshaft.....	6	Tower for ADC2350 Air Cart Drill.....	92
Left Wing To Center.....	8	<b>Decals.....</b>	<b>94</b>
Right Wing To Center.....	10	Decal Placement.....	94
Cart Hook-Up for ADC2220 Air Drill Cart.....	12	<b>Options.....</b>	<b>96</b>
Cart Hook-Up for ADC2350 Air Drill Cart.....	14	Coulter Tine.....	96
Harness & Light Kit for ADC2220 Air Drill Cart.....	16	Harrow Assembly.....	98
Harness & Light Kit for ADC2350 Air Drill Cart.....	18	Harrow Center Mount.....	100
Slow Moving Vehicle Emblem.....	20	Harrow Wing Mount.....	102
<b>Gauge Wheels.....</b>	<b>22</b>	Spring Scraper Assembly.....	104
Dual Gauge Wheel.....	22	Weights (160-296S).....	106
Gauge Wheel And Tire.....	24		
Parallel Arm Dual Gauge Wheel.....	26		
Parallel Arm Lift Assembly.....	28		
<b>Openers.....</b>	<b>30</b>		
Parallel Arm Opener.....	30		
Coulter (S/N Z1148-).....	32		
Coulter (S/N Z1149+).....	34		
Grease Bank.....	36		
<b>Press Wheels.....</b>	<b>38</b>		
1" x 12" Double "V" Press Wheel.....	38		
2" x 13" Single Press Wheel.....	40		
3" x 13" Single Press Wheel.....	42		
3" x 14" Peaked Single Press Wheel.....	44		
<b>Hydraulics.....</b>	<b>46</b>		
Folding Hydraulics.....	46		
Depth Stop Valve Assembly.....	48		
Hydraulic Cylinder (810-221C).....	50		
Hydraulic Cylinder (810-287C).....	52		
Hydraulic Cylinder (810-332C).....	54		
Hydraulic Cylinder (810-333C).....	56		
Hydraulic Shut-Off Valve (810-084C).....	58		
NTA Control Valve (S/N Z1101+).....	60		
Pressure Reducing Valve (810-349C).....	62		
Relief & Solenoid Valves.....	64		
Relief Valve (810-348C).....	66		
Relief Valve (810-370C).....	68		
Solenoid Valve (810-342C).....	70		
Stroke Control Valve (810-445C).....	72		
Transport Hydraulics (RDIF Cartridge).....	74		

<b>Part Number Index.....</b>	<b>108</b>
-------------------------------	------------

© Copyright 2013 All rights reserved Printed 04/10/13

Great Plains Manufacturing, Inc. provides this publication "as is" without warranty of any kind, either expressed or implied. While every precaution has been taken in the preparation of this manual, Great Plains Manufacturing, Inc. assumes no responsibility for errors or omissions. Neither is any liability assumed for damages resulting from the use of the information contained herein. Great Plains Manufacturing, Inc. reserves the right to revise and improve its products as it sees fit. This publication describes the state of this product at the time of its publication, and may not reflect the product in the future.

Great Plains Manufacturing, Incorporated Trademarks

The following are trademarks of Great Plains Mfg., Inc.: Application Systems, Ausherman, Land Pride, Great Plains

All other brands and product names are trademarks or registered trademarks of their respective holders.

Printed in the United States of America.



# Alphabetized Table of Contents

## Selected Models

**1**  
1" x 12" Double "V" Press Wheel.....38

**2**  
2" x 13" Single Press Wheel.....40

**3**  
3" x 13" Single Press Wheel.....42  
3" x 14" Peaked Single Press Wheel.....44

**A**  
Agtron AGS25 Blockage Sensor (Option) (S/N Z1264+).....82  
Agtron Sensor (Option) (S/N Z1263-).....80

**B**  
Blockage Monitor (Option).....78

**C**  
Cart Hook-Up for ADC2220 Air Drill Cart.....12  
Cart Hook-Up for ADC2350 Air Drill Cart.....14  
Center Frame To Rockshaft.....6  
Coulter (S/N Z1148-).....32  
Coulter (S/N Z1149+).....34  
Coulter Tine.....96

**D**  
Decal Placement.....94  
Depth Stop Valve Assembly.....48  
Dual Gauge Wheel.....22

**F**  
Folding Hydraulics.....46

**G**  
Gauge Wheel And Tire.....24  
Grease Bank.....36

**H**  
Harness & Light Kit for ADC2220 Air Drill Cart.....16  
Harness & Light Kit for ADC2350 Air Drill Cart.....18  
Harrow Assembly.....98  
Harrow Center Mount.....100  
Harrow Wing Mount.....102  
Hydraulic Cylinder (810-221C).....50  
Hydraulic Cylinder (810-287C).....52  
Hydraulic Cylinder (810-332C).....54  
Hydraulic Cylinder (810-333C).....56  
Hydraulic Shut-Off Valve (810-084C).....58

**I**  
Implement Kit.....84

**L**  
Left Wing To Center.....8

**M**  
Monitor NTA3010.....86  
Monitor NTA3510.....88

**N**  
NTA Control Valve (S/N Z1101+).....60

**P**  
Parallel Arm Dual Gauge Wheel.....26  
Parallel Arm Lift Assembly.....28  
Parallel Arm Opener.....30  
Pressure Reducing Valve (810-349C).....62

**R**  
Relief & Solenoid Valves.....64  
Relief Valve (810-348C).....66  
Relief Valve (810-370C).....68  
Right Wing To Center.....10

**S**  
Slow Moving Vehicle Emblem.....20  
Solenoid Valve (810-342C).....70  
Spring Scraper Assembly.....104  
Stroke Control Valve (810-445C).....72

**T**  
Tower for ADC2220 Air Cart Drill.....90  
Tower for ADC2350 Air Cart Drill.....92  
Transport Hydraulics (RDIF Cartridge).....74  
Transport Hydraulics (RPIL Cartridge).....76

**W**  
Weights (160-296S).....106



## General Information

### Using This Manual

This manual is divided into sections. The first section contains General Information, a Table of Contents, an Alphabetical Page Index, and a Part Number Index. The remaining sections divide the machine into segments (i.e. Frames, Drives, Hydraulics, etc.) which illustrate and list all parts.

The Great Plains parts in this manual are specially designed for this machine and should be replaced with Great Plains parts only.

The information in this manual is current at printing. Some parts may change to assure top performance.

Right-hand and left-hand as used in this manual are determined by facing the direction the machine will travel while in use.

Below is an example of two facing pages from a parts manual. Familiarize yourself with the contents of these pages.

### Manual Replacement Information

Replacement manuals are available. Refer to your dealer or the Great Plains Publications Catalog for additional information.

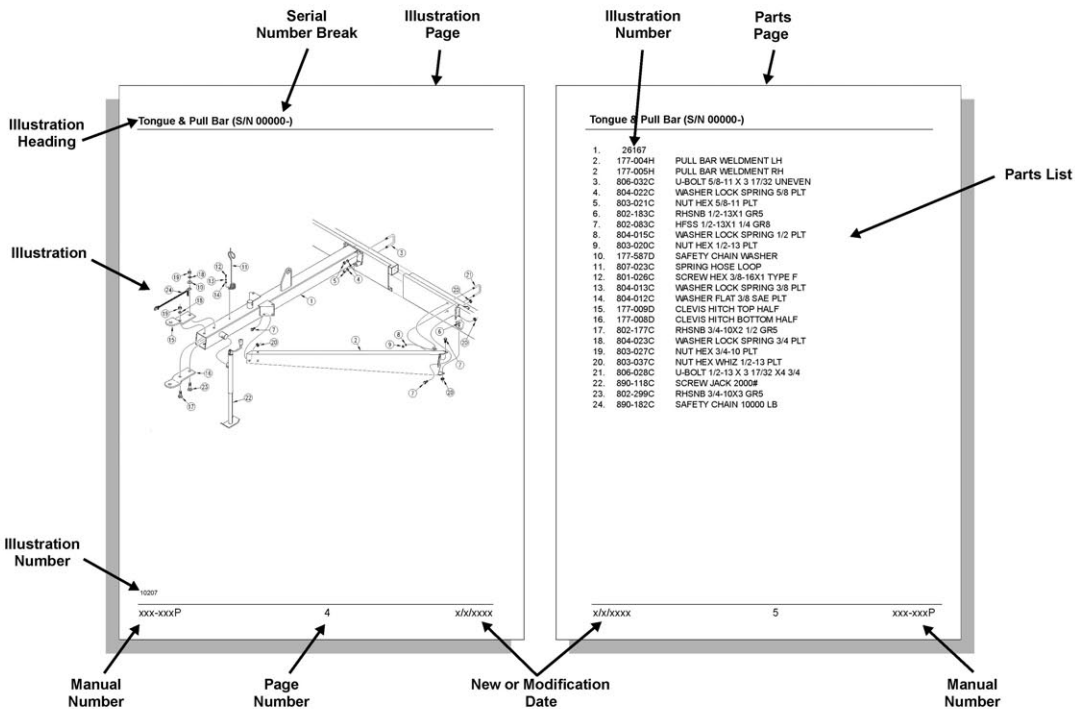
### Manual Revisions

When this manual is revised, the modification date is printed on the front cover and on the revised page(s).

### Touch-up Paint

Repaint parts where paint is worn or scratched to prevent rust. Aerosol touch-up paint is available. To order use Great Plains parts numbers below:

GP Green . . . . .	821-001C
GP Black . . . . .	821-002C
GP Beige . . . . .	821-003C
GP Buckskin . . . . .	821-004C



## Hardware Legend

<b>AR</b>	As Required
<b>BLADE</b>	Blade Bolt
<b>C</b>	Cap Screw
<b>CP</b>	Cotter Pin
<b>CPHSSS</b>	Cup Point Hex Socket Set Screw
<b>CPSHSS</b>	Cup Point Square Head Set Screw
<b>CPSQHSS</b>	Cup Point Square Head Set Screw
<b>CRFCHMS</b>	Cross Recess Flat Countersunk Head Mach. Screw
<b>CRPHMS</b>	Cross Recess Pan Head Machine Screw
<b>CRPHTFS</b>	Cross Recess Pan Head Thread Forming
<b>CRRHMS</b>	Cross Recess Round Head Machine Screw
<b>CRTHMS</b>	Cross Recess Truss Head Machine Screw
<b>CSNB</b>	Countersunk Square Neck Bolt
<b>FHMS</b>	Flat Head Machine Screw
<b>FTC</b>	Full Thread Cap Screw
<b>H</b>	Hex Nut
<b>HCLN</b>	Hex Center Lock Nut
<b>HFLCS</b>	Hex Flange Lock Cap Screw
<b>HFS</b>	Hex Flange Screw
<b>HFSLN</b>	Hex Flange Serrated Lock Nut
<b>HFSS</b>	Hex Flange Serrated Screw
<b>HHCS</b>	Hex Head Cap Screw or Metric Bolt
<b>HSBHCS</b>	Hex Socket Button Head Cap Screw
<b>HSFCHCS</b>	Hex Socket Flat Countersunk Head Cap Screw
<b>HSCHS</b>	Hex Socket Head Cap Screw
<b>HSSS</b>	Hex Socket Head Screw
<b>HTLN</b>	Hex Top Lock Nut
<b>HWHCS</b>	Hex Washer Head Cap Screw

<b>HWHMS</b>	Hex Washer Head Machine Screw
<b>HXBHCS</b>	Hex Socket Button Head Cap Screw
<b>J</b>	Hex Jam Nut
<b>JIC</b>	37 Degree Tapered Thread
<b>L</b>	Helical Spring Lock Washer
<b>LUG</b>	Lug Bolt
<b>NFC</b>	National Fine Cap Screw
<b>NPSM</b>	National Pipe Straight Mechanical
<b>NPTF</b>	National Pipe Taper Fuel
<b>P</b>	Wide Plain Washer
<b>PHMS</b>	Pan Head Machine Screw
<b>PLOW</b>	Plow Bolt
<b>RHMS</b>	Round Head Machine Screw
<b>RHSNB</b>	Round Head Square Neck Bolt
<b>SCREW LEVELING</b>	Leveling Screw
<b>SCREW THUMB</b>	Thumb Screw
<b>SCREW WELD</b>	Weld Screw
<b>SFCHMS</b>	Slotted Flat Countersunk Head Machine Screw
<b>SFHMS</b>	Slotted Fillister Head Machine Screw
<b>SP</b>	Special
<b>SP SCREW</b>	Special Screw
<b>SQHSS</b>	Square Head Set Screw
<b>SRHMS</b>	Slotted Round Head Machine Screw
<b>SSS</b>	Socket Set Screw
<b>STCS</b>	Self Tapping Cap Screw
<b>STHMS</b>	Slotted Truss Head Machine Screw
<b>WHEEL</b>	Wheel Studs and Hub Long Bolts
<b>WING</b>	Wing Bolt

## Replacement Hardware

The **Hardware Legend** above lists hardware abbreviations used in the parts lists. All bolts and nuts are grade 5 unless otherwise noted. The use of improper grades of hardware can result in personal injury, damage to equipment, or loss of property.

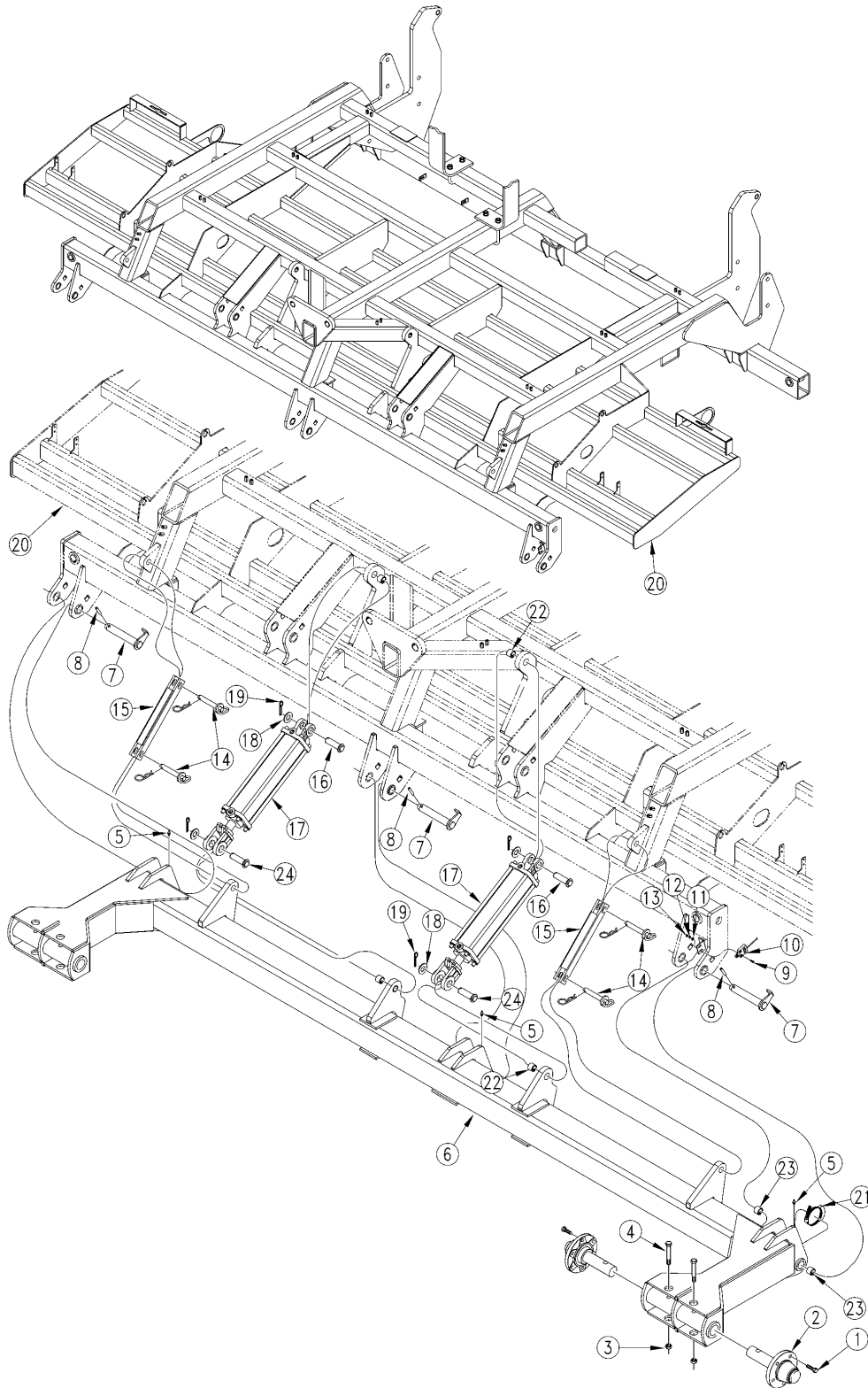
### Serial Numbers

Always use the serial and model number when ordering parts. Refer to the operator's manual for serial number plate location.

- |                                     |  |
|-------------------------------------|--|
| (S/N 20001+ or S/N 20001 and above) | Includes serial numbers 20001 and above (to the latest number)   |
| (S/N 10001+→20000)                  | Includes serial numbers between 10000 and 20001                  |
| (S/N 10000- or S/N 10000 and below) | Includes serial numbers 10000 and below (to the earliest number) |

## Center Frame To Rockshaft

(Applies to NTA3010, NTA3510 only)



16296

## Center Frame To Rockshaft

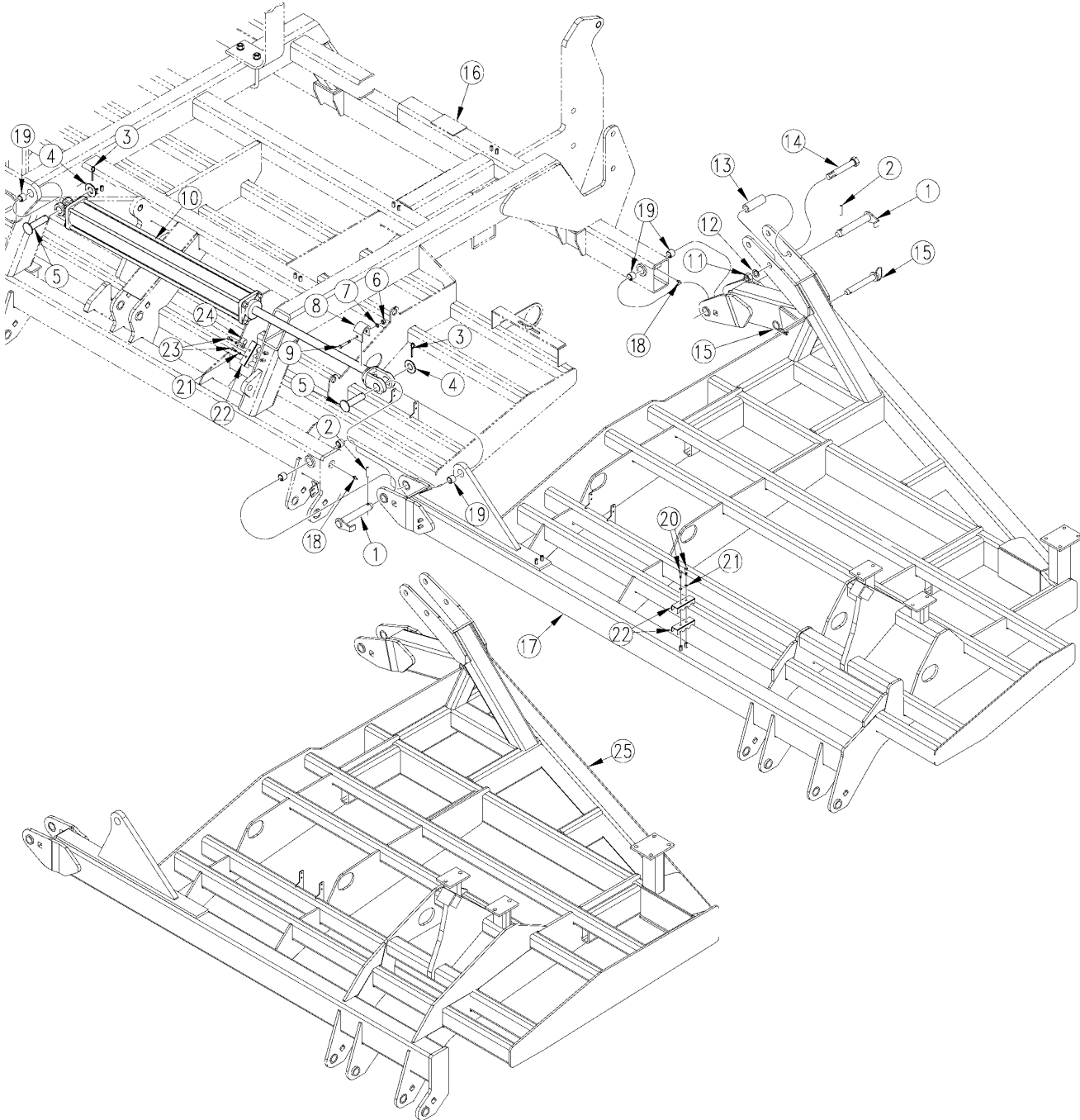
---

(Applies to NTA3010, NTA3510 only)

Ref	Part No.	Part Description	Comments	Revision
	dwg16296	Image No.		
1.	802-104C	BOLT WHEEL 1/2-20X1 90-DEG		
2.	815-090C	HUB & SPINDLE 6 BOLT 4570 LB		
3.	803-148C	NUT HEX NYLOCK 5/8-11 PLT		
4.	802-153C	HHCS 5/8-11X3 3/4 GR5		
5.	800-001C	GREASE ZERK STRAIGHT 1/4-28		
6.	161-074H	NTA 35' ROCKSHAFT WELDMENT		
7.	160-201H	WING PIVOT PIN WELDMENT		
8.	805-249C	PIN ROLL 3/8 X 2 PLT		
9.	801-055C	SCREW RD HD 10-24 X 1 PLT		
10.	823-157C	NTA CLUTCH/SOLENOID SWITCH		
11.	804-046C	WASHER FLAT #10 SAE PLT		
12.	804-004C	WASHER INTERNAL STAR #10 PLT		
13.	803-001C	NUT HEX 10-24 PLT		
14.	805-007C	PIN HITCH 1 X 3 3/8 USABLE LG		
15.	161-108H	NTA35 TRANSPORT LOCK		
16.	805-124C	PIN CLEVIS 1 X 3 11/16 GR5 PLT		
17.	810-287C	CYL REP 4.75 X 12 X 1.50 ROD		
18.	804-029C	WASHER FLAT 1 SAE		
19.	805-017C	PIN COTTER 3/16 X 1 3/4 PLT		
20.	160-200H	NTA35 CENTERFRAME WELDMENT		
21.	890-433C	ELE. CLUTCH SWITCH CAM CLAMP		
22.	890-005C	BUSHING CYL 1 1/4 X 1 X 1		
23.	890-011C	BUSHING SPINDLE 1 1/2X1 1/4X1		
24.	805-239C	PIN CLEVIS 1 X 3 5/16 HRD PLT		

## Left Wing To Center

(Applies to NTA3010, NTA3510 only)



16285



## ***Left Wing To Center***

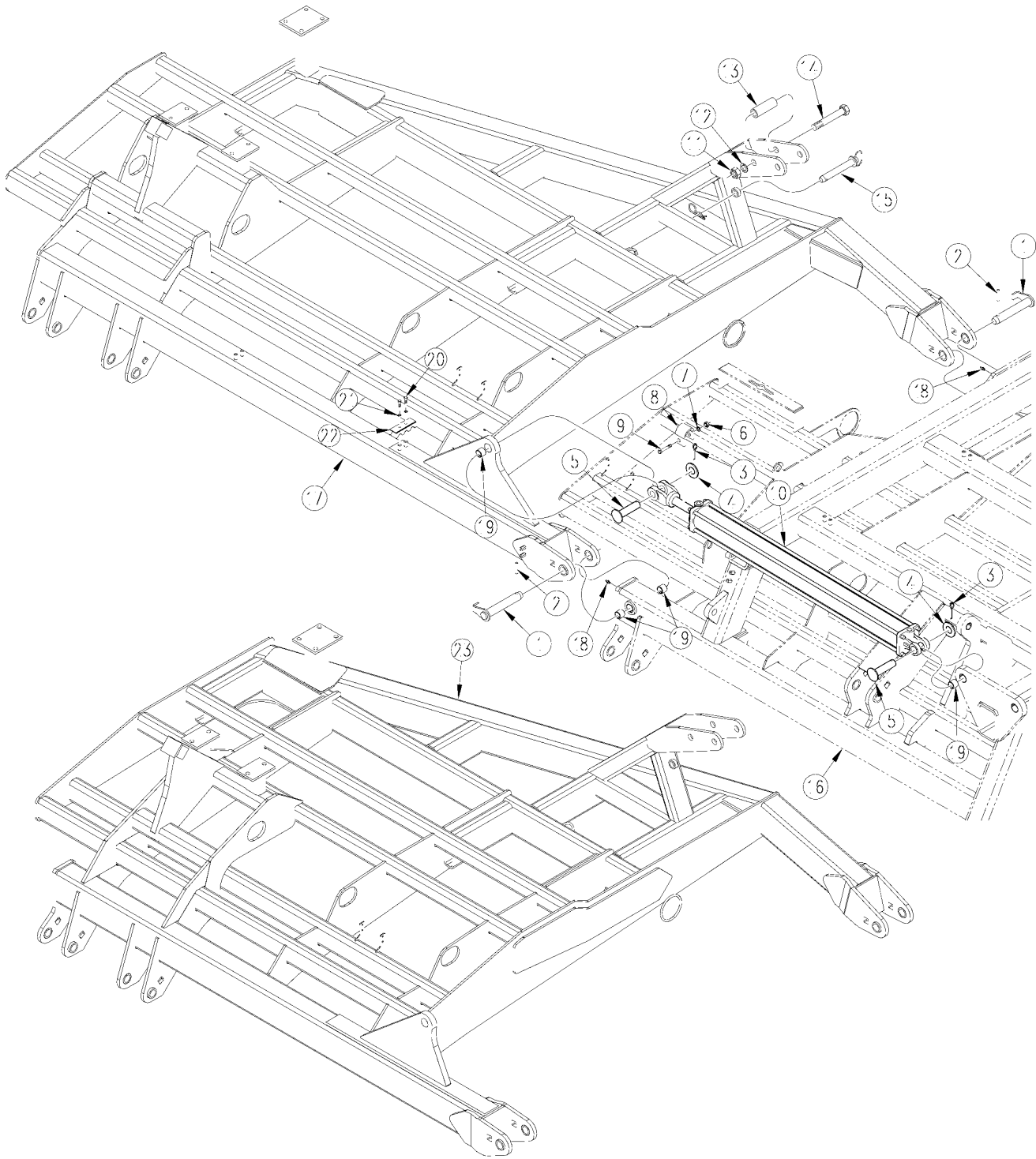
---

**(Applies to NTA3010, NTA3510 only)**

<b>Ref</b>	<b>Part No.</b>	<b>Part Description</b>	<b>Comments</b>	<b>Revision</b>
	dwg16285	Image No.		
1.	160-201H	WING PIVOT PIN WELDMENT		
2.	805-249C	PIN ROLL 3/8 X 2 PLT		
3.	805-060C	PIN COTTER 7/32 X 2		
4.	804-039C	WASHER FLAT 1 1/4 SAE PLT		
5.	805-196C	PIN CLEVIS 1 1/4 X 3 3/8 GR5		
6.	803-020C	NUT HEX 1/2-13 PLT		
7.	804-015C	WASHER LOCK SPRING 1/2 PLT		
8.	113-612D	NTA MARKER FOLD CYL STOP		
9.	802-042C	HHCS 1/2-13X3 3/4 GR5		
10.	810-332C	CYL 4.5X41.75X2 ROD		
11.	803-031C	NUT HEX 1-8 PLT		
12.	804-027C	WASHER LOCK SPRING 1 PLT		
13.	113-609D	NTA MARKER WING FOLD STOP		
14.	802-075C	HHCS 1-8X7 GR5		
15.	805-033C	PIN HITCH 1 X 6 W/HAIRPIN		
16.	160-200H	NTA35 CENTERFRAME WELDMENT		
17.	160-204H	NTA35 LH WING WELDMENT		
18.	800-001C	GREASE ZERK STRAIGHT 1/4-28		
19.	890-011C	BUSHING SPINDLE 1 1/2X1 1/4X1		
20.	802-172C	HHCS 5/16-18X2 1/2 GR5		
21.	804-009C	WASHER LOCK SPRING 5/16 PLT		
22.	196-112D	RPBY 196-146D		
23.	802-010C	HHCS 5/16-18X1 1/4 GR5		
24.	800-064C	HOSE CLIP 13/16 ID		
25.	160-234H	NTA30 LH WING WELDMENT		

## Right Wing To Center

(Applies to NTA3010, NTA3510 only)



16290

## ***Right Wing To Center***

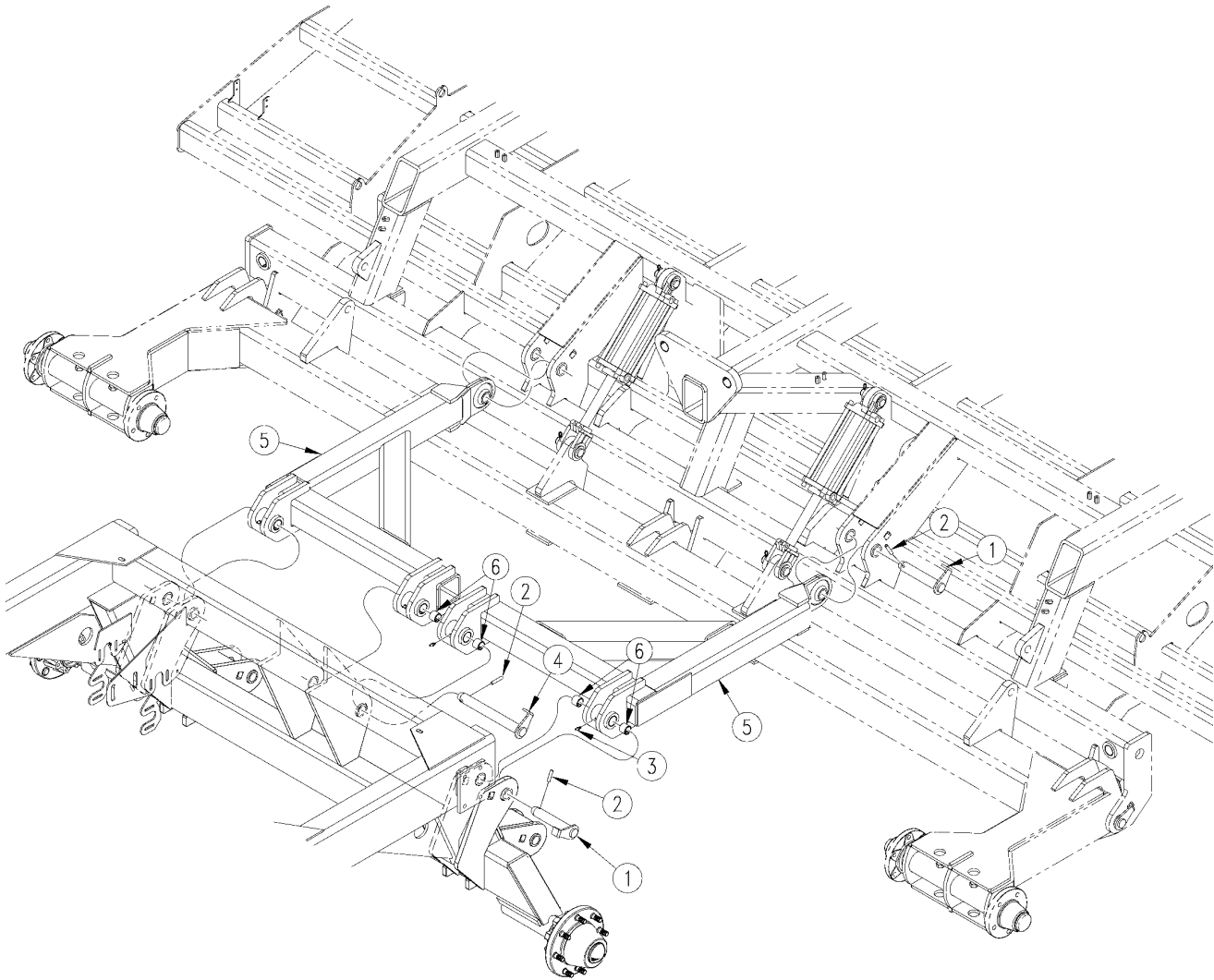
---

(Applies to NTA3010, NTA3510 only)

<b>Ref</b>	<b>Part No.</b>	<b>Part Description</b>	<b>Comments</b>	<b>Revision</b>
	dwg16290	Image No.		
1.	160-201H	WING PIVOT PIN WELDMENT		
2.	805-249C	PIN ROLL 3/8 X 2 PLT		
3.	805-060C	PIN COTTER 7/32 X 2		
4.	804-039C	WASHER FLAT 1 1/4 SAE PLT		
5.	805-196C	PIN CLEVIS 1 1/4 X 3 3/8 GR5		
6.	803-020C	NUT HEX 1/2-13 PLT		
7.	804-015C	WASHER LOCK SPRING 1/2 PLT		
8.	113-612D	NTA MARKER FOLD CYL STOP		
9.	802-042C	HHCS 1/2-13X3 3/4 GR5		
10.	810-332C	CYL 4.5X41.75X2 ROD		
11.	803-031C	NUT HEX 1-8 PLT		
12.	804-027C	WASHER LOCK SPRING 1 PLT		
13.	113-609D	NTA MARKER WING FOLD STOP		
14.	802-075C	HHCS 1-8X7 GR5		
15.	805-033C	PIN HITCH 1 X 6 W/HAIRPIN		
16.	160-200H	NTA35 CENTERFRAME WELDMENT		
17.	160-205H	NTA35 RH WING WELDMENT		
18.	800-001C	GREASE ZERK STRAIGHT 1/4-28		
19.	890-011C	BUSHING SPINDLE 1 1/2X1 1/4X1		
20.	802-010C	HHCS 5/16-18X1 1/4 GR5		
21.	804-009C	WASHER LOCK SPRING 5/16 PLT		
22.	196-112D	RPBY 196-146D		
23.	160-235H	NTA30 RH WING WELDMENT		

## Cart Hook-Up for ADC2220 Air Drill Cart

(Applies to NTA3010, NTA3510 only)



16311

## ***Cart Hook-Up for ADC2220 Air Drill Cart***

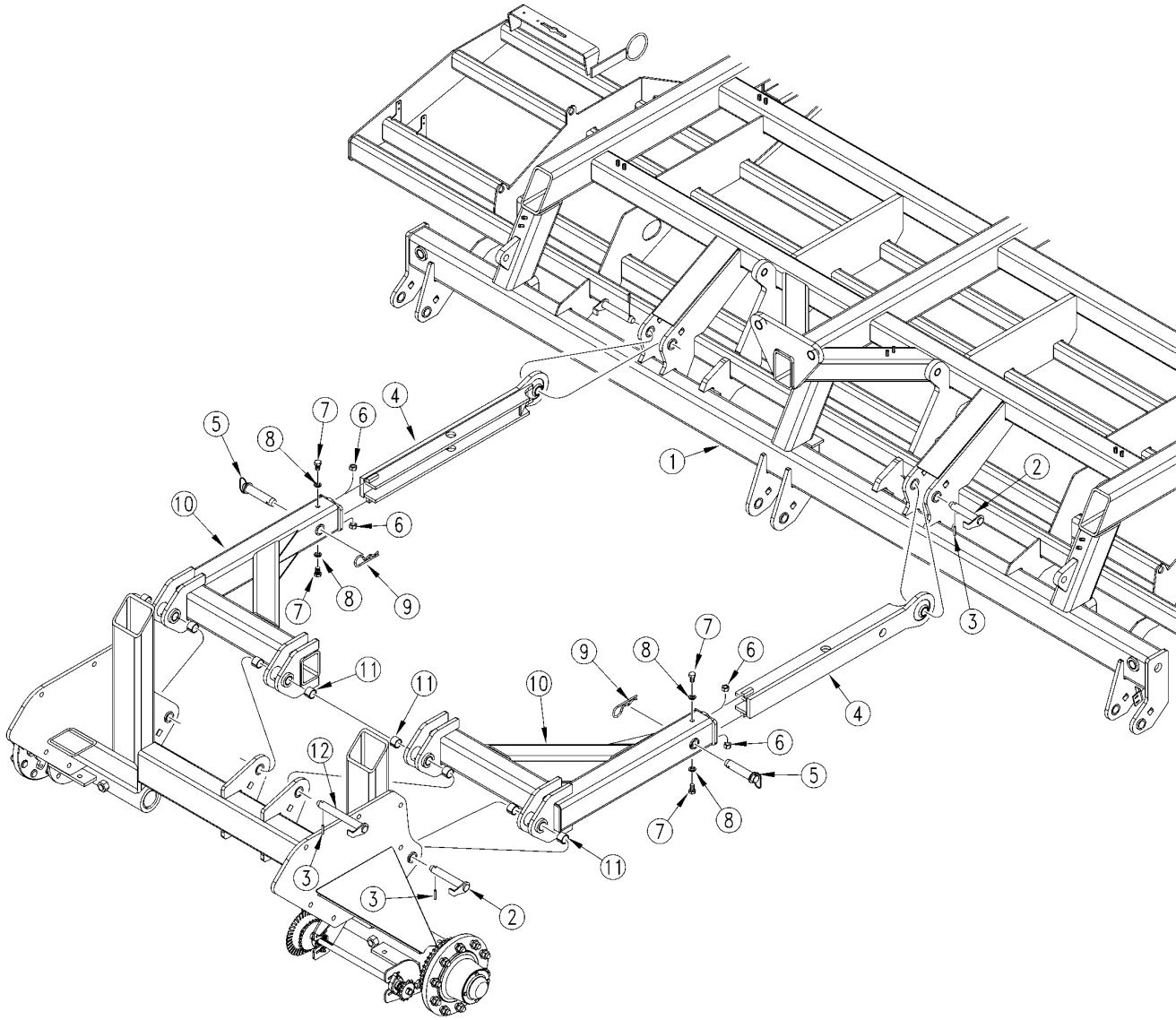
---

(Applies to NTA3010, NTA3510 only)

<b>Ref</b>	<b>Part No.</b>	<b>Part Description</b>	<b>Comments</b>	<b>Revision</b>
	dwg16311	Image No.		
1.	160-202H	NTA CART LINK PIN WELDMENT		
2.	805-249C	PIN ROLL 3/8 X 2 PLT		
3.	800-073C	GREASE ZERK 1/4-28 X 90-DEG		
4.	160-203H	NTA CENT. CART LINK PIN WLDMNT		
5.	160-210H	NTA CARTLINK WELDMENT		
6.	890-011C	BUSHING SPINDLE 1 1/2X1 1/4X1		

## Cart Hook-Up for ADC2350 Air Drill Cart

(Applies to NTA3010, NTA3510 only)



26376

## ***Cart Hook-Up for ADC2350 Air Drill Cart***

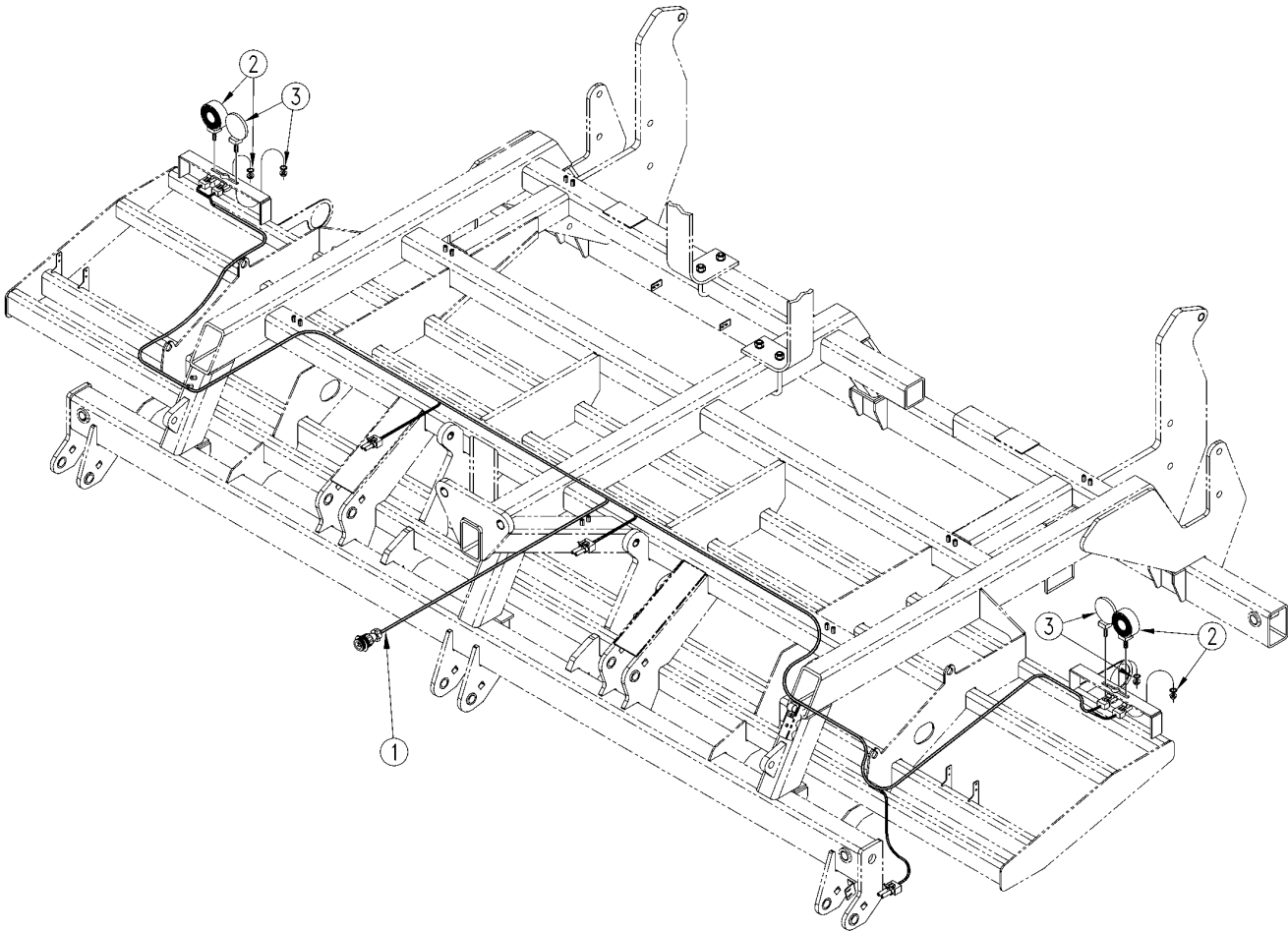
---

**(Applies to NTA3010, NTA3510 only)**

<b>Ref</b>	<b>Part No.</b>	<b>Part Description</b>	<b>Comments</b>	<b>Revision</b>
	dwg26376	Image No.		
1.	160-200H	NTA35 CENTERFRAME WELDMENT		
2.	160-202H	NTA CART LINK PIN WELDMENT		
3.	805-249C	PIN ROLL 3/8 X 2 PLT		
4.	160-023H	PULL BAR WELDMENT		
5.	805-119C	PIN HITCH 1 1/4 X 4 1/2		
6.	803-021C	NUT HEX 5/8-11 PLT		
7.	802-049C	HHCS 5/8-11X1 GR5 NYL		
8.	804-022C	WASHER LOCK SPRING 5/8 PLT		
9.	805-167C	PIN HAIR COTTER .243 WIRE PLT		
10.	160-022H	PULL LINK WELDMENT		
11.	890-011C	BUSHING SPINDLE 1 1/2X1 1/4X1		
12.	160-203H	NTA CENT. CART LINK PIN WLDMNT		

# Harness & Light Kit for ADC2220 Air Drill Cart

(Applies to NTA3010, NTA3510 only)



16369



## ***Harness & Light Kit for ADC2220 Air Drill Cart***

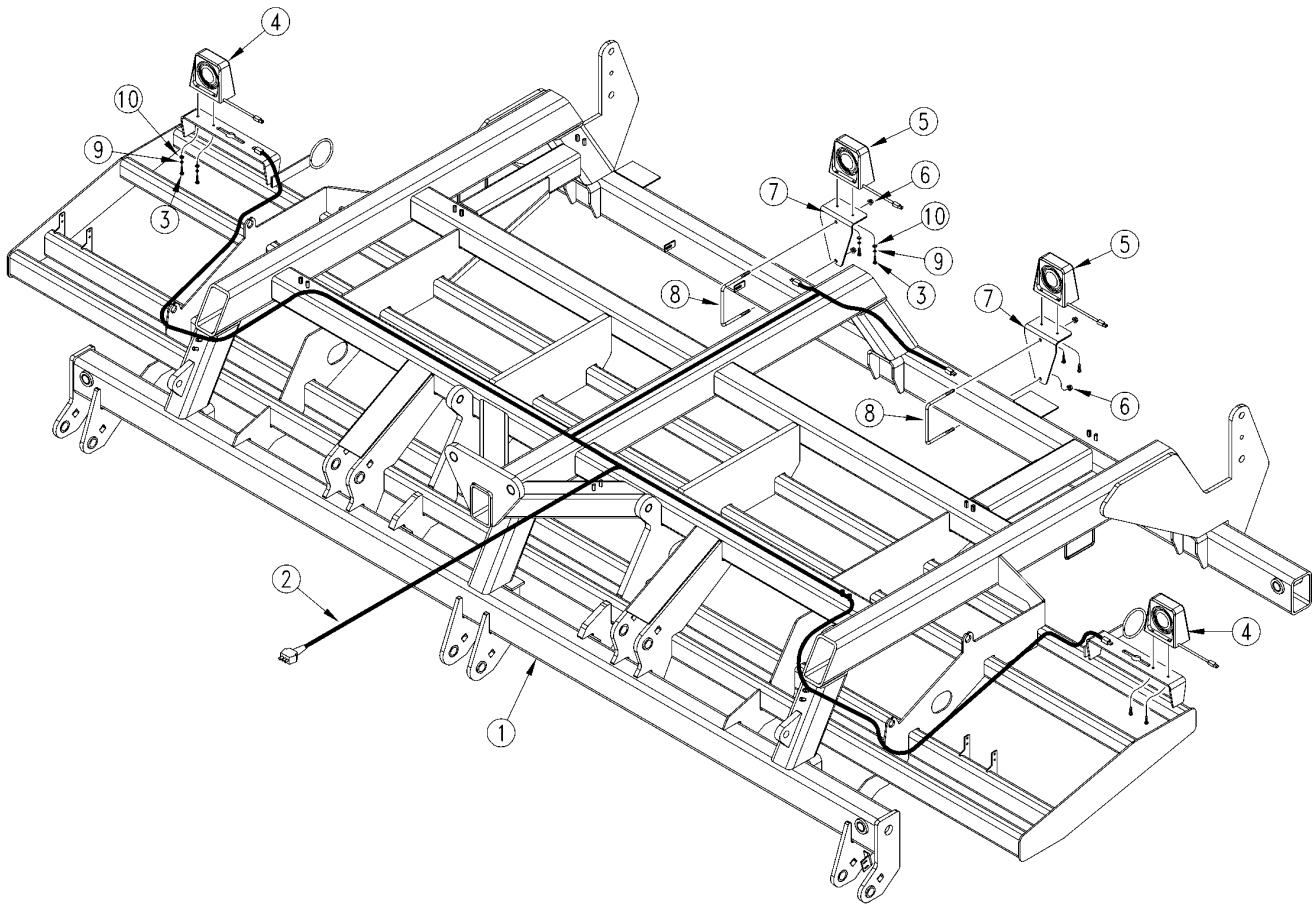
---

(Applies to NTA3010, NTA3510 only)

<b>Ref</b>	<b>Part No.</b>	<b>Part Description</b>	<b>Comments</b>	<b>Revision</b>
	dwg16369	Image No.		
1.	VA-490703	RPBY 823-194C		
2.	890-607C	PEDESTAL SAFETY LAMP AMBER		
3.	890-606C	PEDESTAL SAFETY LAMP RED		

# Harness & Light Kit for ADC2350 Air Drill Cart

(Applies to NTA3010, NTA3510 only)



26378

## ***Harness & Light Kit for ADC2350 Air Drill Cart***

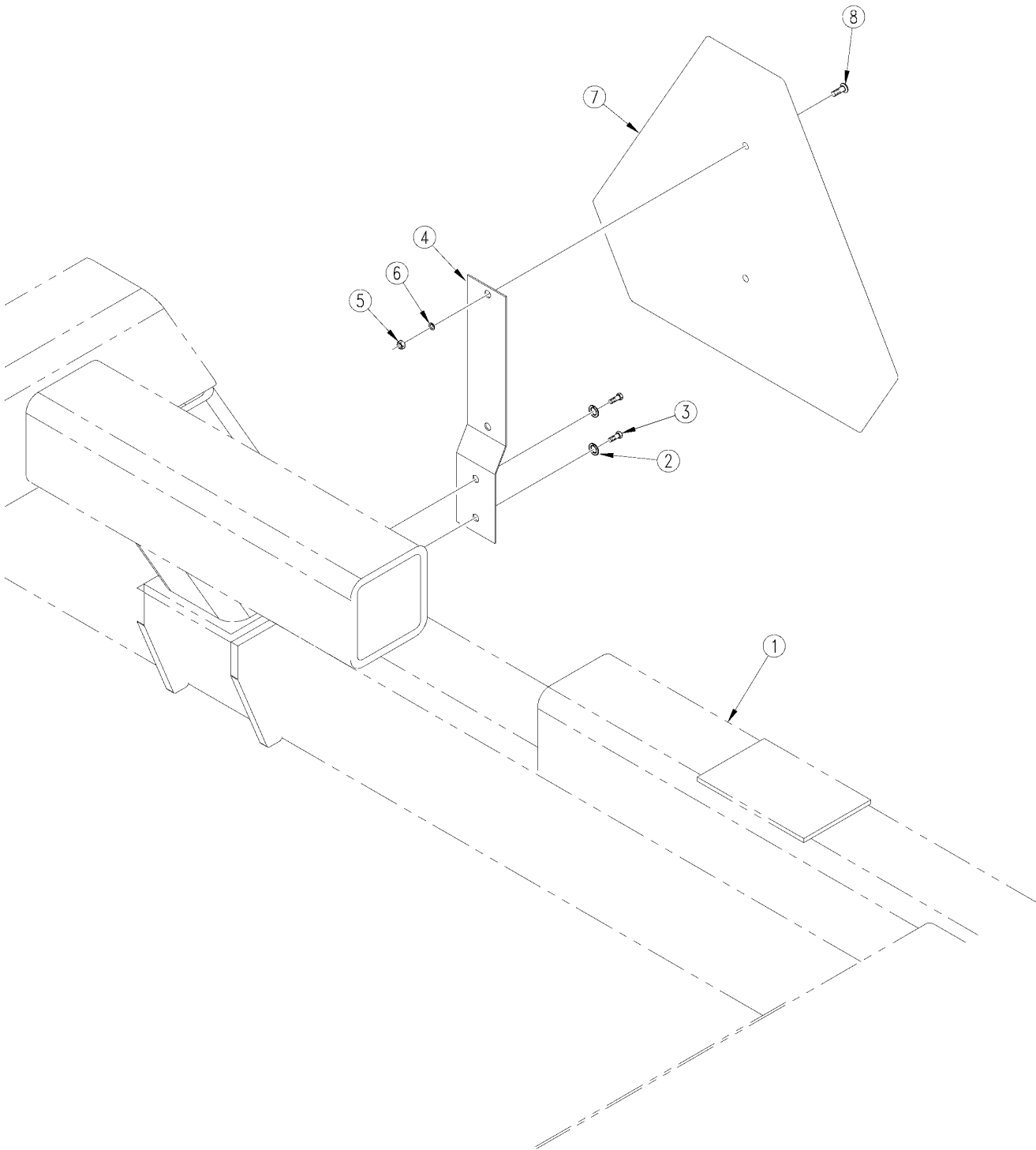
---

(Applies to NTA3010, NTA3510 only)

<b>Ref</b>	<b>Part No.</b>	<b>Part Description</b>	<b>Comments</b>	<b>Revision</b>
	dwg26378	Image No.		
1.	160-200H	NTA35 CENTERFRAME WELDMENT		
2.	833-462C	LIGHT KIT ADC IMPLEMENT		
3.	801-151C	SCR HEX SELF TAP 1/4-20X1TYPEF		
4.	2606	WESBAR SNGL AG LAMP, AMBER/AMB		
5.	2610	WESBAR SNGL AG LAMP, RED/BLANK		
6.	803-068C	NUT HEX FLANGE 3/8-16 PLT		
7.	160-506D	NTA LIGHT BRACKET		
8.	806-022C	U-BOLT 3/8-16 X 6 1/32 X 5 PLT		
9.	804-050C	WASHER LOCK #6 SS		
10.	804-109C	WASHER FLAT #6 PLT		

## Slow Moving Vehicle Emblem

(Applies to NTA3010, NTA3510 only)



## ***Slow Moving Vehicle Emblem***

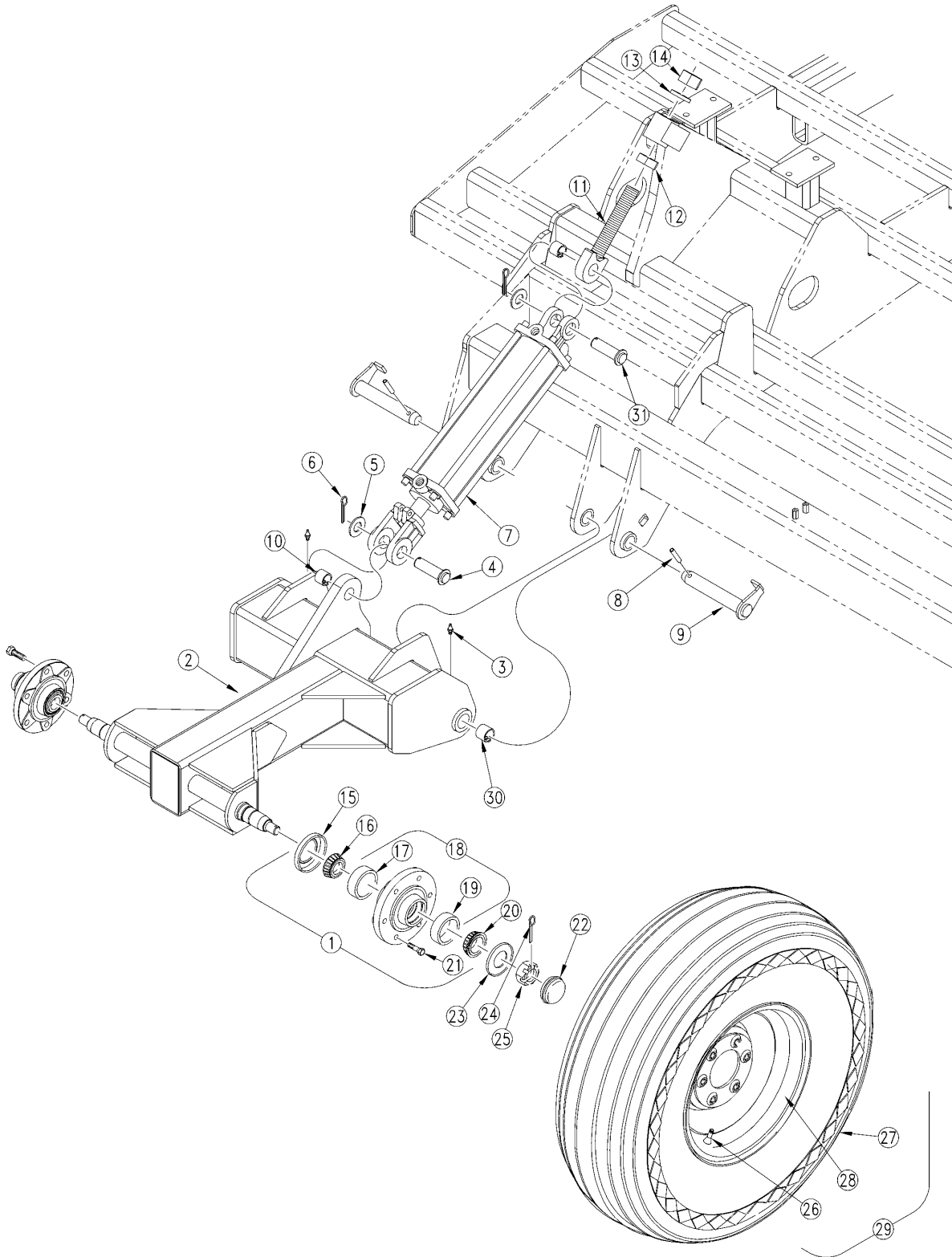
---

**(Applies to NTA3010, NTA3510 only)**

<b>Ref</b>	<b>Part No.</b>	<b>Part Description</b>	<b>Comments</b>	<b>Revision</b>
	dwg16294	Image No.		
1.	160-200H	NTA35 CENTERFRAME WELDMENT		
2.	804-009C	WASHER LOCK SPRING 5/16 PLT		
3.	802-007C	HHCS 5/16-18X3/4 GR5		
4.	890-153C	SMV MOUNTING BLADE		
5.	803-006C	NUT-HEX 1/4-20 PLT		
6.	804-006C	WASHER LOCK SPRING 1/4 PLT		
7.	818-055C	DECAL SLOW MOVING-GALV. BACKED		
8.	801-018C	SCREW RD HD 1/4-20 X 5/8		

## Dual Gauge Wheel

(Applies to NTA3010, NTA3510 only)



16331

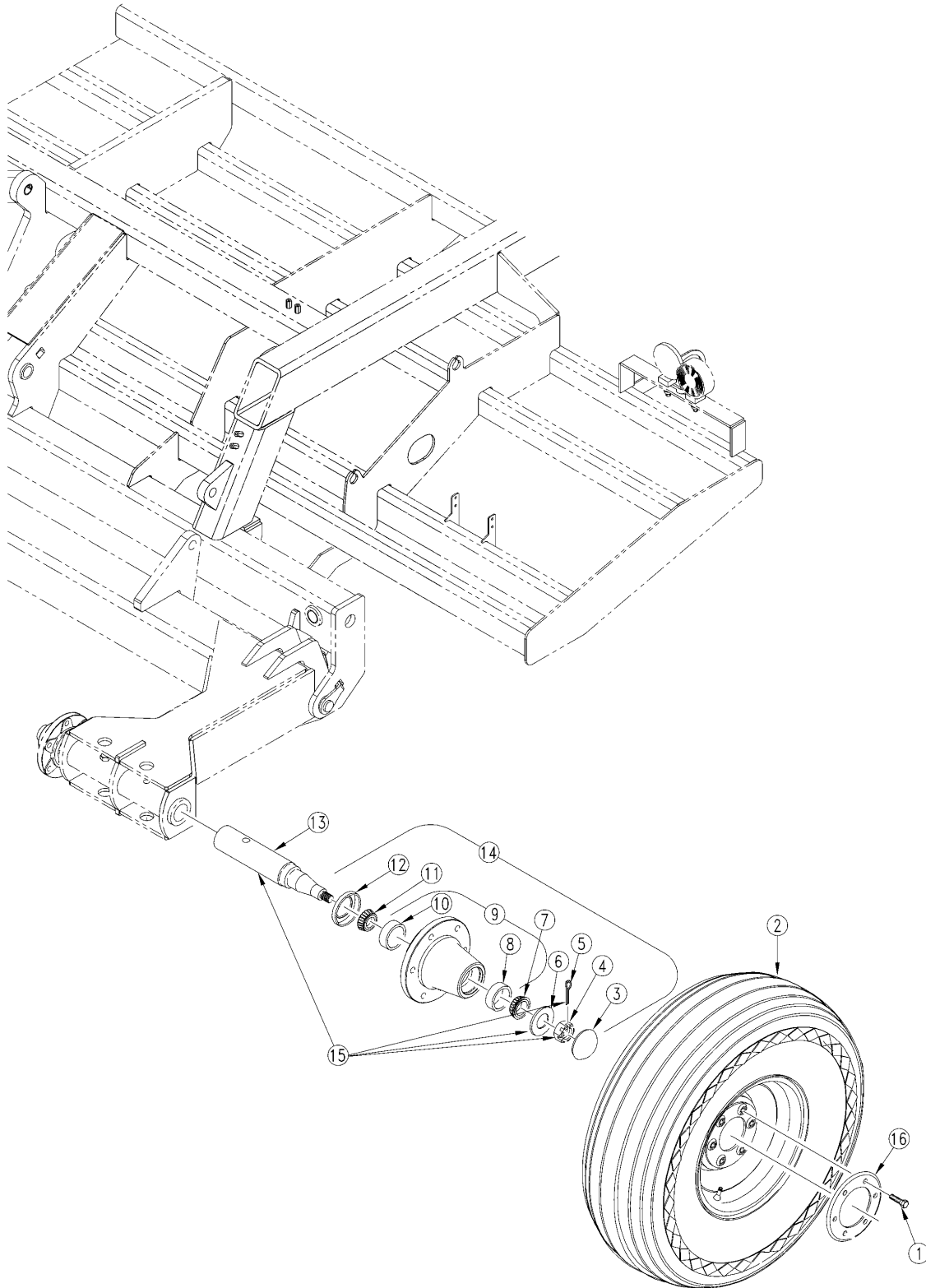
## Dual Gauge Wheel

(Applies to NTA3010, NTA3510 only)

Ref	Part No.	Part Description	Comments	Revision
	dwg16331	Image No.		
1.	815-077C	HUB 6 BOLT 4 5/8 PILOT 3600 LB	Includes items 15-20 & 22	
2.	161-076H	NTA WING GAUGE WHEEL WLDMNT RH		
2.	161-077H	NTA WING GAUGE WHEEL WLDMNT LH		
3.	800-001C	GREASE ZERK STRAIGHT 1/4-28		
4.	805-159C	PIN CLEVIS 1 X 3 1/8 GR5 PLT		
5.	804-029C	WASHER FLAT 1 SAE		
6.	805-017C	PIN COTTER 3/16 X 1 3/4 PLT		
7.	810-221C	CYL REP 4.25X12X1.5 ROD (TIE)		
8.	805-249C	PIN ROLL 3/8 X 2 PLT		
9.	160-201H	WING PIVOT PIN WELDMNT		
10.	890-005C	BUSHING CYL 1 1/4 X 1 X 1		
11.	161-107H	NTA35 WING EYEBOLT WELDMNT		
12.	803-032C	NUT HEX JAM 1 1/4-7 PLT		
13.	804-030C	WASHER LOCK 1 1/4 SPRING PLT		
14.	803-034C	NUT HEX 1 1/4-7 PLT		
15.	816-011C	SEAL 2.56X1.625X.438 CR16289		
16.	822-018C	BRG CONE 1.50ID LM-29749		
17.	822-019C	BRG CUP LM-29710		
18.	815-082C	HUB 6 BOLT 4 5/8 PILOT W/ CUPS		
19.	822-020C	BEARING CUP LM-67010		
20.	822-021C	BEARING CONE LM-67048		
21.	802-104C	BOLT WHEEL 1/2-20X1 90-DEG		
22.	200-001D	HUB GREASE CAP		
23.	804-055C	WASHER SPINDLE - 7/8		
24.	805-246C	PIN COTTER 5/32 X 1 3/4 LG		
25.	803-029C	NUT HEX SLOTTED 7/8-14 PLT		
26.	816-035C	VALVE STEM TR415X.625X1 1/4 LG		
27.	814-031C	TIRE 11L-15SL 12 PLY TUBELESS		
28.	814-023C	WHEEL 15 DIA X 10 WIDE X 6 BLT		
29.	155-012K	TRANSPORT WHEEL & TIRE ASSY		
30.	890-011C	BUSHING SPINDLE 1 1/2X1 1/4X1		
31.	805-239C	PIN CLEVIS 1 X 3 5/16 HRD PLT		

## Gauge Wheel And Tire

(Applies to NTA3010, NTA3510 only)



16357



## ***Gauge Wheel And Tire***

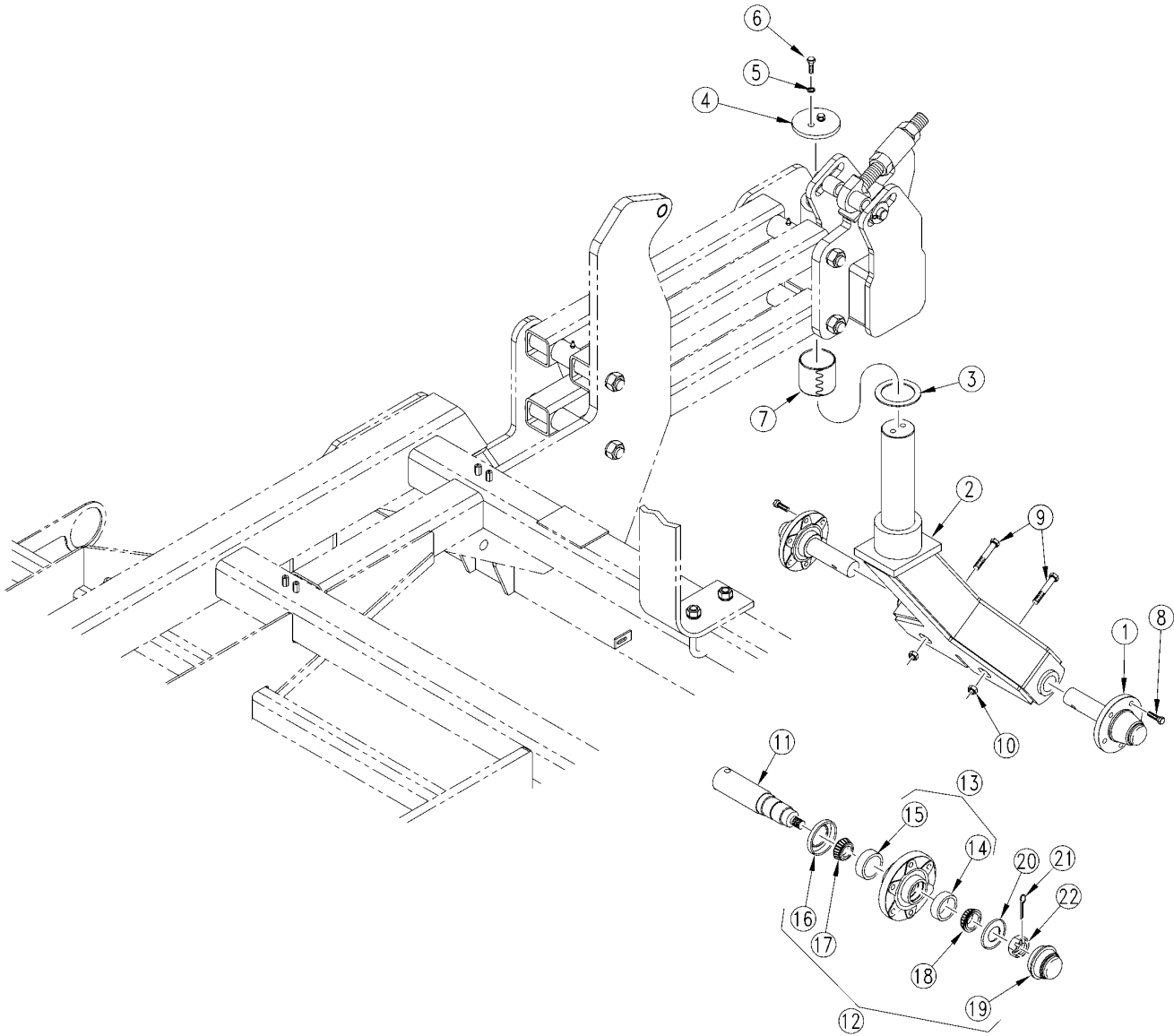
---

**(Applies to NTA3010, NTA3510 only)**

<b>Ref</b>	<b>Part No.</b>	<b>Part Description</b>	<b>Comments</b>	<b>Revision</b>
	dwg16357	Image No.		
1.	802-399C	HFS 1/2-20X1 1/2 GR5		
2.	155-012K	TRANSPORT WHEEL & TIRE ASSY		
3.	200-001D	HUB GREASE CAP		
4.	803-029C	NUT HEX SLOTTED 7/8-14 PLT		
5.	805-016C	PIN COTTER 3/16 X 1 1/4 PLT		
6.	181-064D	7/8 SPINDLE WASHER, HARDENED		
7.	822-021C	BEARING CONE LM-67048		
8.	822-020C	BEARING CUP LM-67010		
9.	815-094C	HUB 6 BOLT 4570# W/CUPS PAINTD		
10.	822-053C	BRG CUP 2.89ODX.58WD #LM501310		
11.	822-048C	BRG CONE 1.62IDX.78WD#LM501349		
12.	816-265C	SEAL 1.875 ID X 3.00 OD QDS		
13.	815-089C	SPINDLE SGL 1.98X11.00		
14.	815-097C	HUB 6 BOLT 4570# ASY LESS BLTS	Includes items 3-7,9,11,&12	
15.	815-096C	SPINDLE ASSY SGL 1.98X11		
16.	152-215D	WHEEL REINFORCING RING		

# Parallel Arm Dual Gauge Wheel

(Applies to NTA3010, NTA3510 only)



16351

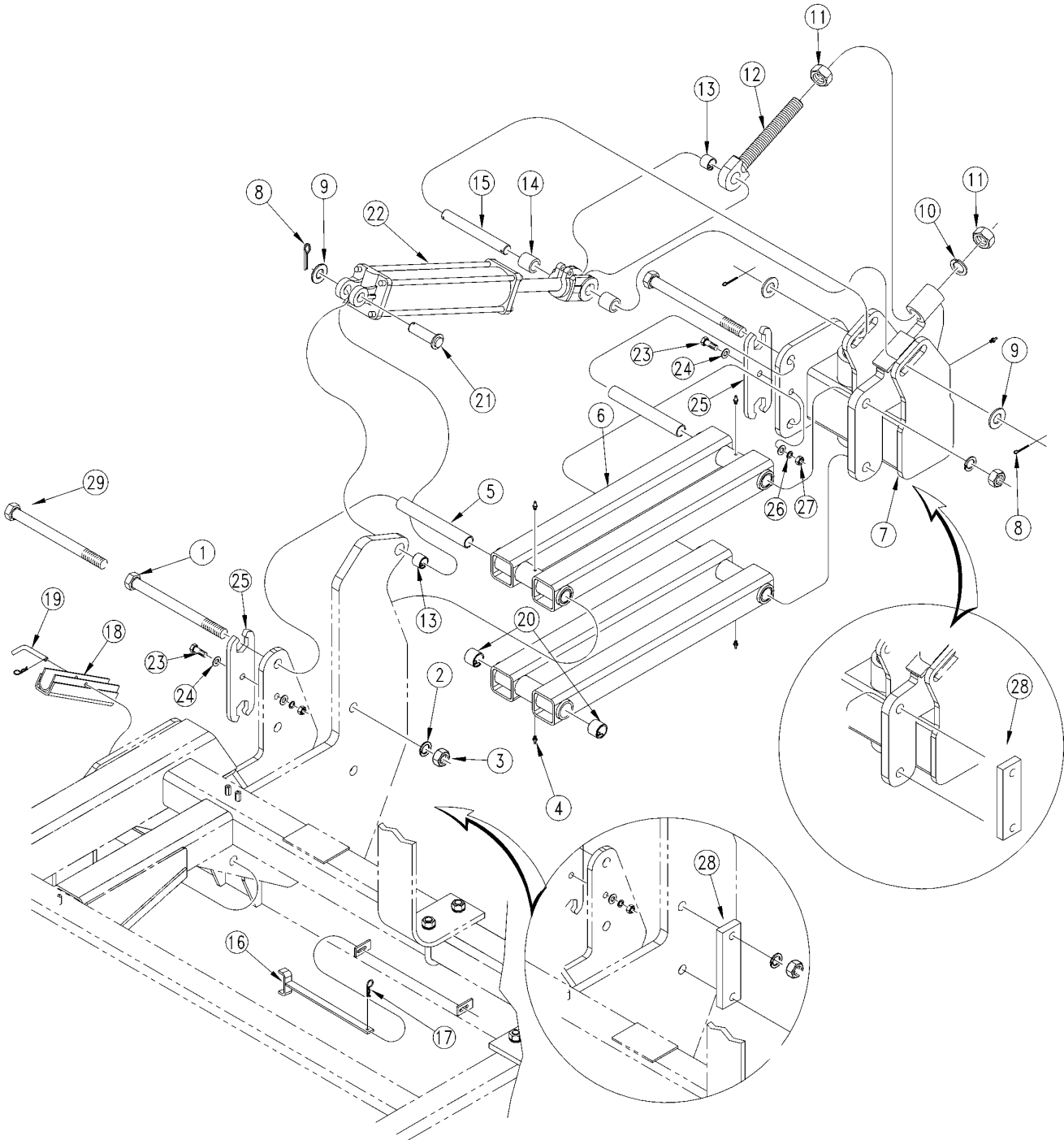
## ***Parallel Arm Dual Gauge Wheel***

**(Applies to NTA3010, NTA3510 only)**

<b>Ref</b>	<b>Part No.</b>	<b>Part Description</b>	<b>Comments</b>	<b>Revision</b>
	dwg16351	Image No.		
1.	815-090C	HUB & SPINDLE 6 BOLT 4570 LB	Includes 11-22.	
2.	161-127H	RPBY 161-132H		
3.	804-102C	PIVOT THRUST WASHER		
4.	161-231D	NTA CASTER RETAINER CAP		
5.	804-015C	WASHER LOCK SPRING 1/2 PLT		
6.	802-034C	HHCS 1/2-13X1 1/4 GR5		
7.	890-193C	STEEL BUSHING 3 1/4X3IDX3LONG		
8.	802-104C	BOLT WHEEL 1/2-20X1 90-DEG		
9.	802-153C	HHCS 5/8-11X3 3/4 GR5		
10.	803-024C	NUT LOCK 5/8-11 PLT		
11.	815-089C	SPINDLE SGL 1.98X11.00		
12.	815-097C	HUB 6 BOLT 4570# ASY LESS BLTS	Includes 16-19.	
13.	815-094C	HUB 6 BOLT 4570# W/CUPS PAINTD	Includes 14,15.	
14.	822-020C	BEARING CUP LM-67010		
15.	822-053C	BRG CUP 2.89ODX.58WD #LM501310		
16.	816-265C	SEAL 1.875 ID X 3.00 OD QDS		
17.	822-048C	BRG CONE 1.62IDX.78WD#LM501349		
18.	822-021C	BEARING CONE LM-67048		
19.	200-001D	HUB GREASE CAP		
20.	181-064D	7/8 SPINDLE WASHER, HARDENED		
21.	805-016C	PIN COTTER 3/16 X 1 1/4 PLT		
22.	803-029C	NUT HEX SLOTTED 7/8-14 PLT		

# Parallel Arm Lift Assembly

(Applies to NTA3010, NTA3510 only)



16353

## **Parallel Arm Lift Assembly**

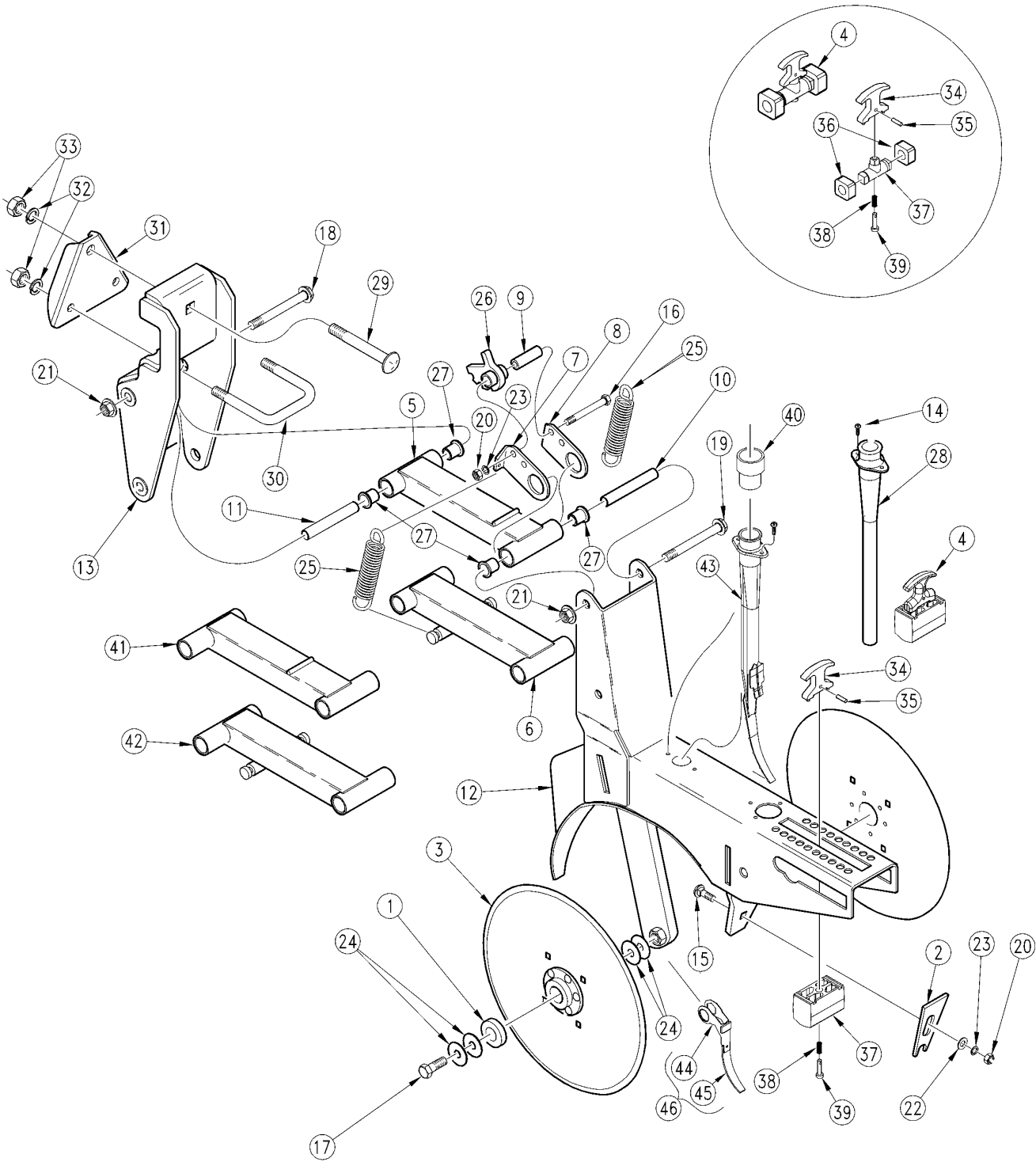
**(Applies to NTA3010, NTA3510 only)**

<b>Ref</b>	<b>Part No.</b>	<b>Part Description</b>	<b>Comments</b>	<b>Revision</b>
	dwg16353	Image No.		
1.	802-638C	HHCS 1-8X12 1/4 GR8		
2.	804-027C	WASHER LOCK SPRING 1 PLT		
3.	803-031C	NUT HEX 1-8 PLT		
4.	800-001C	GREASE ZERK STRAIGHT 1/4-28		
5.	161-246D	NTA CASTER ARM SPACER TUBE		2nd rev.
5.	161-210D	RR LIFT CSTR LINKARM SPACER TB		1st rev.
6.	161-128H	CASTER PARALLEL ARM LARGE PVT		2nd rev.
6.	161-129A	CASTER ARM SINGLE REPLACEMENT	Formerly 161-103H	1st rev.
7.	161-101H	REAR LIFT CASTER WELDMENT - RH		
7.	161-102H	REAR LIFT CASTER WELDMENT - LH		
8.	805-017C	PIN COTTER 3/16 X 1 3/4 PLT		
9.	804-029C	WASHER FLAT 1 SAE		
10.	804-030C	WASHER LOCK 1 1/4 SPRING PLT		
11.	803-034C	NUT HEX 1 1/4-7 PLT		
12.	161-121H	NTA REAR EYEBOLT WELDMENT		
13.	890-005C	BUSHING CYL 1 1/4 X 1 X 1		
14.	161-221D	SPACER 1.5X1.032X1.5		
15.	161-211D	REAR LIFT CASTER CYLINDER PIN		
16.	198-126H	SPRING ADJUSTMENT TOOL WELD		
17.	805-032C	PIN HAIR COTTER .148 WIRE		
18.	161-118H	CYLINDER LCK CHNL 1 1/2X11 1/2		
19.	805-001C	PIN 3/8 X 3 USABLE LW/PIN	Formerly 805-152C	
20.	890-666C	BUSHING 1 7/8X1 5/8X1 1/2 SPLT		2nd rev.
20.	890-122C	BUSHING 1 1/2 X 1 1/4 X 1 1/2		1st rev.
21.	805-124C	PIN CLEVIS 1 X 3 11/16 GR5 PLT		
22.	810-333C	CYL REP 4.5X12X1.5 ROD 22.25L		
23.	802-128C	HHCS 1/2-13X2 GR5		
24.	804-016C	WASHER FLAT 1/2 SAE PLT		
25.	161-238D	NTA CASTER PIVOT BOLT HOLDER		
26.	804-015C	WASHER LOCK SPRING 1/2 PLT		
27.	803-020C	NUT HEX 1/2-13 PLT		
28.	161-247D	CASTER FIELD PLATE	Part for Field Update Kit	
29.	802-666C	HHCS 1-8X13 5/8 GR8	Part for Field Update Kit	

# Table of Contents    Part Number Index

## Parallel Arm Opener

(Applies to NTA3010, NTA3510 only)



16361

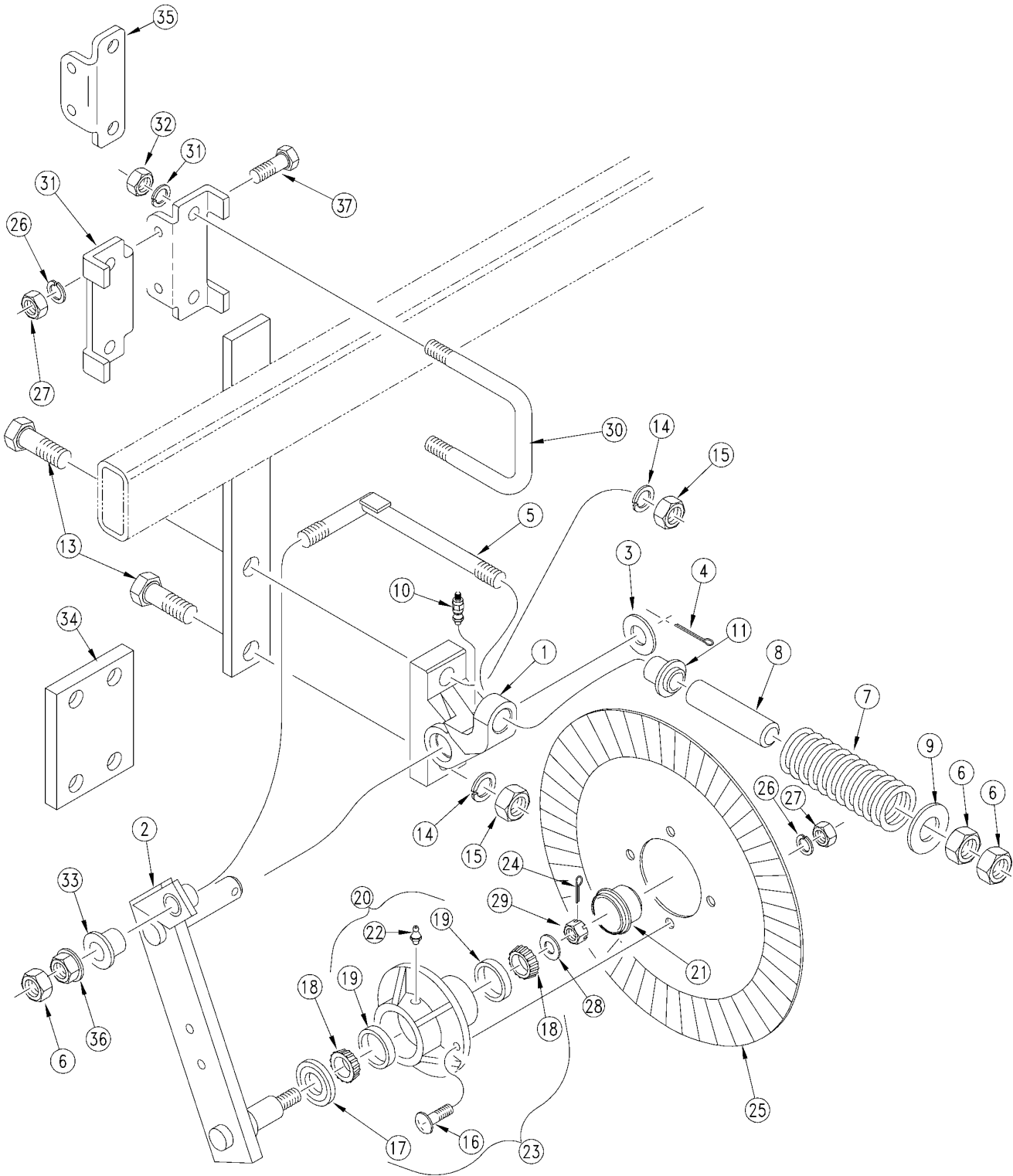
***Parallel Arm Opener***

**(Applies to NTA3010, NTA3510 only)**

<b>Ref</b>	<b>Part No.</b>	<b>Part Description</b>	<b>Comments</b>	<b>Revision</b>
	dwg16361	Image No.		
1.	107-111D	DD BRG FLANGE DUST COVER		
2.	107-113D	D.D. SLOTTED SCRAPER		
3.	107-133S	RPBY 107-135S		
4.	122-202S	PW ADJUSTMENT TRUNNION ASSY	Includes items 34, 35, 37, 38 and 39. S/N Z1118- also includes item 5.	
5.	198-089H	TOP PARALLEL ARM WELDMENT		
6.	198-090H	BOTTOM PARALLEL ARM WELDMENT		
7.	198-127D	SPRING ADJUST PLATE LH		
8.	198-128D	SPRING ADJUST PLATE RH		
9.	198-134D	SPRING ADJUST PIVOT TUBE		
10.	198-139D	REAR PARALLEL ARM PIVOT TUBE		
11.	198-140D	FRONT PARALLEL ARM PIVOT TUBE		
12.	198-409H	PARALLEL LINKAGE OPENER WELD		
13.	198-436H	PARALLEL ARM OPENER MOUNT		
14.	801-002C	SCREW HEX SLT10-16X1/2P.TH D CT		
15.	802-015C	RHSNB 3/8-16X1 GR5		
16.	802-147C	HHCS 3/8-16X3 1/2 GR5		
17.	802-228C	HHCS 5/8-11X1 1/2 GR5 NYL		
18.	802-420C	HFS 1/2-13 X 5 1/2		
19.	802-648C	HFS 1/2-13 X 5 1/4		
20.	803-014C	NUT HEX 3/8-16 PLT		
21.	803-169C	NUT HEX FLG. LOCK 1/2-13 PLT.		
22.	804-012C	WASHER FLAT 3/8 SAE PLT		
23.	804-013C	WASHER LOCK SPRING 3/8 PLT		
24.	804-040C	WASHER MACH 1.19 X .63 X 18GA		
25.	807-116C	SPRING EXT 1 5/8OD X 6.6X.177		
26.	812-204C	CASTING SPRING ADJUST		
27.	817-084C	PARALLEL ARM PIVOT BUSHING		
28.	817-133C	PLASTIC OPENER SEED TUBE	Model year 1998-	
29.	802-193C	RHSNB 5/8-11X4 GR5		
30.	806-149C	U-BOLT 5/8-11 X 2 1/32 X 2 GR5		
31.	198-210D	PARALLEL OPENER MOUNT PLATE		
32.	804-022C	WASHER LOCK SPRING 5/8 PLT		
33.	803-021C	NUT HEX 5/8-11 PLT		
34.	198-104D	RPBY 817-328C		
35.	805-186C	PIN ROLL 5/32 X 5/8 PLT		
36.	817-132C	PRESS WHEEL ARM BUMPER	(S/N Z1118-) Use only with 812-194C.	
37.	817-347C	OPENER TRUNION	(S/N Z1119+) Replaces 812-194C and 2nd rev. item 5.	
37.	812-194C	RPBY 817-347C	(S/N Z1118-)	Use existing stock; 1st rev.
38.	807-106C	SPRING .540 O.D.X 1 1/4 X.054W		
39.	805-154C	PIN CLEVIS 3/8 X 2 1/8 USABLE		
40.	816-352C	AIR DRILL DD OPNR HOSE BOOT		
41.	198-437H	TOP PARALLEL ARM OFFSET WELDMT		
42.	198-438H	BOTTOM PARALLEL ARM RH OFFSET		
42.	198-439H	BOTTOM PARALLEL ARM LH OFFSET		
43.	817-314C	OPENER SEED TUBE, PLASTIC	Model year 1999+	
44.	121-164D	HEX SEED FLAP MOUNTING CLIP	Model year 1999+	
45.	816-302C	SEED FLAP, RUBBER, SEED-LOK	Model year 1999+	
46.	122-242S	SEED FLAP & HEX CLIP, SEEDLOK	Model year 1999+	

**Coulter (S/N Z1148-)**

(Applies to NTA3010, NTA3510 only)



16358



**Coulter (S/N Z1148-)**

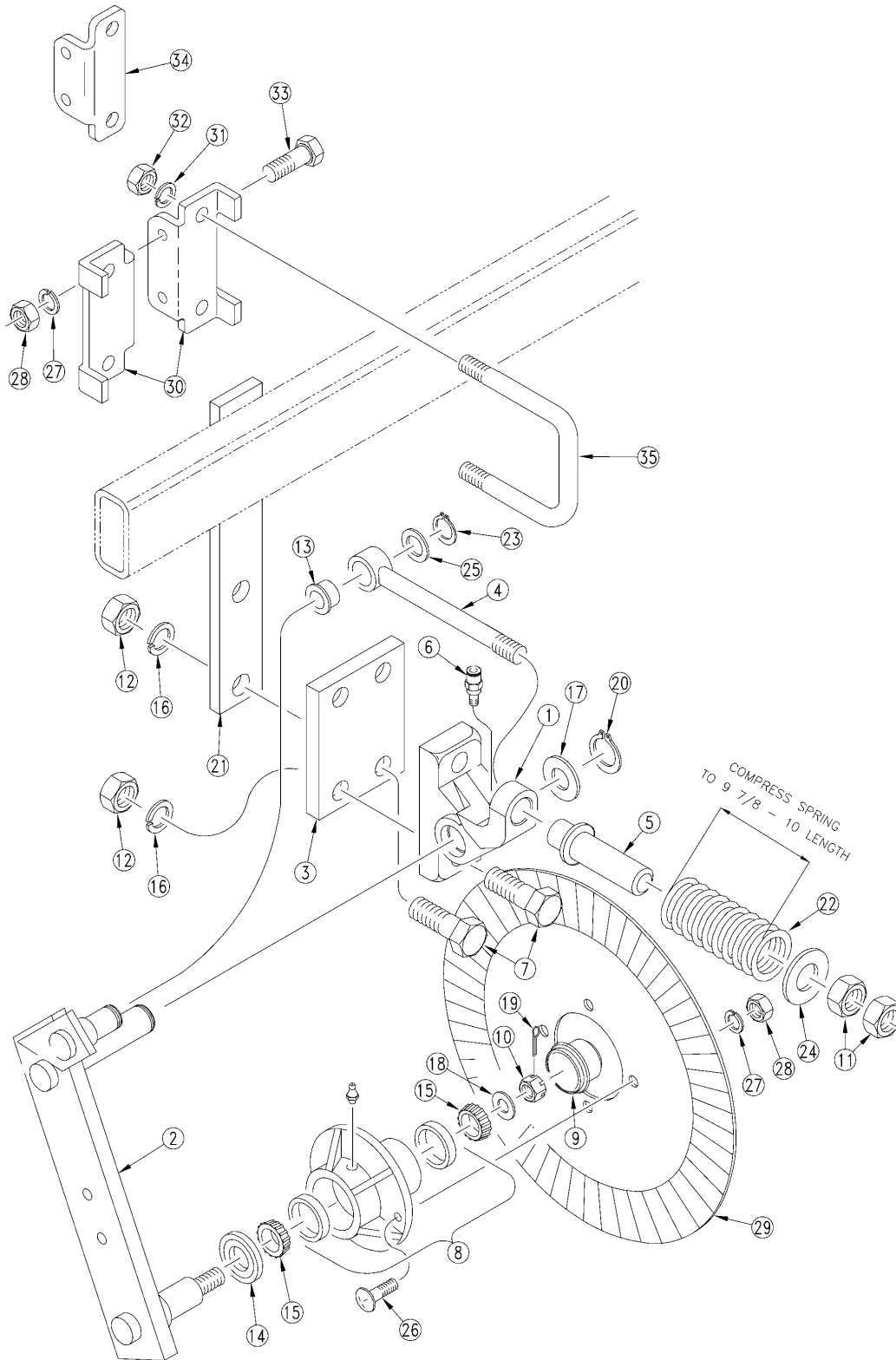
**(Applies to NTA3010, NTA3510 only)**

<b>Ref</b>	<b>Part No.</b>	<b>Part Description</b>	<b>Comments</b>	<b>Revision</b>
	dwg16358	Image No.		
1.	149-962S	RPBY 249-136A		2nd rev.
1.	149-006D	RPBY 149-962S		1st rev.
2.	149-181E	FERT COULTER SWING ARM		2nd rev.
2.	149-928E	RPBY 149-181E		Use existing stock; 1st rev.
2.	149-181E	FERT COULTER SWING ARM	USED IN OFFSET COULTER ASSY	
3.	804-039C	WASHER FLAT 1 1/4 SAE PLT		
4.	805-021C	PIN COTTER 1/4 X 2 PLT		
5.	204-075H	COULTER SPRING ROD WLDMT		
6.	803-048C	NUT HEX JAM 3/4-10 PLT		
7.	149-559D	SPRING 2.25 O.D. X .5 COIL		
8.	204-107D	SPRING ROD SLEEVE 1 1/8 OD		
9.	149-558D	COULTER SPRING WASHER		
10.	800-211C	GREASE ADAPT 1/4-28M X 1/4 TB		
11.	817-029C	BUSHING COULTER CASTING		
12.	204-272D	COULT. SPRING BAR		
13.	802-103C	HHCS 7/8-9X2 3/4 GR5		
14.	804-037C	WASHER LOCK SPRING 7/8 PLT		
15.	803-049C	NUT HEX 7/8-9 PLT		
16.	802-214C	RHSNB 1/2-13X1 1/4 GR5		
17.	816-009C	OIL-SEAL DOUBLE LIP		
18.	822-021C	BEARING CONE LM-67048		
19.	822-020C	BEARING CUP LM-67010		
20.	200-039V	COULTER HUB & CUP ASSY	Includes hub and items 19 and 22.	2nd rev.
20.	200-002D	RPBY 200-039V		1st rev.
21.	200-001D	HUB GREASE CAP		
22.	800-001C	GREASE ZERK STRAIGHT 1/4-28		
23.	200-002S	COULTER HUB PACKAGE		
24.	805-017C	PIN COTTER 3/16 X 1 3/4 PLT		
25.	820-018C	COULTER BLADE FLUTED		
25.	820-116C	17 COULTER BLADE 5/8 WAVY		
25.	820-082C	17 COULTER BLADE 3/4 WAVY		
25.	820-156C	5/8 WAVY TURBO BLADE		
26.	804-015C	WASHER LOCK SPRING 1/2 PLT		
27.	803-020C	NUT HEX 1/2-13 PLT		
28.	804-055C	WASHER SPINDLE - 7/8		
29.	803-029C	NUT HEX SLOTTED 7/8-14 PLT		
30.	806-106C	U-BOLT 5/8-11 X 4 1/32 X 4		
31.	149-059D	COULTER CLAMP BAR		
32.	803-021C	NUT HEX 5/8-11 PLT		
33.	817-051C	SWING ARM BUSHING		
34.	149-086D	OFFSET COULTER MOUNT PLATE	USED IN OFFSET COULTER ASSY	
35.	197-010D	OFFSET COULTER BRKT F/LH BOX	USED IN OFFSET COULTER ASSY	
36.	803-181C	NUT HEX FLANGE LOCK 3/4-10 PLT		
37.	802-082C	HHCS 1/2-13X1 3/4 GR5		

# Table of Contents    Part Number Index

## Coulter (S/N Z1149+)

(Applies to NTA3010, NTA3510 only)



21715

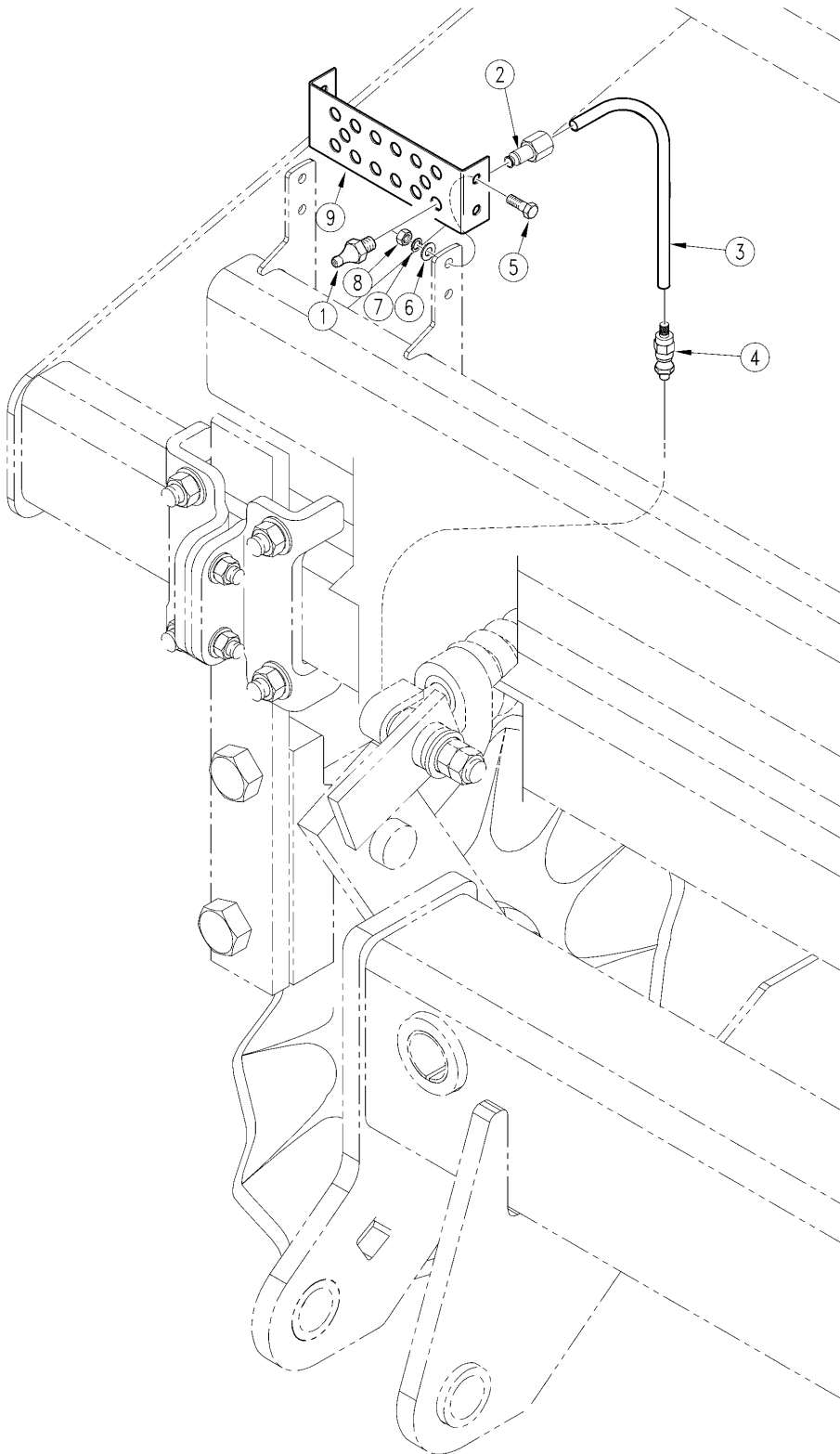
**Coulter (S/N Z1149+)**

(Applies to NTA3010, NTA3510 only)

Ref	Part No.	Part Description	Comments	Revision
	dwg21715	Image No.		
1.	249-050S	CLTR CASTING ASSY		
2.	249-051H	CLTR SWING ARM WLMT		
3.	149-086D	OFFSET COULTER MOUNT PLATE		
4.	802-718C	EYE BOLT 3/4-10X14 3/4 LG SP		
5.	805-331C	COULTER SPRING GUIDE TUBE		
6.	800-211C	GREASE ADAPT 1/4-28M X 1/4 TB		
7.	802-103C	HHCS 7/8-9X2 3/4 GR5		
8.	200-039V	COULTER HUB & CUP ASSY		
9.	200-001D	HUB GREASE CAP		
10.	803-029C	NUT HEX SLOTTED 7/8-14 PLT		
11.	803-048C	NUT HEX JAM 3/4-10 PLT		
12.	803-049C	NUT HEX 7/8-9 PLT		
13.	817-513C	BUSHING 1X3/4X1 1/8 FLG HD		
14.	816-009C	OIL-SEAL DOUBLE LIP		
15.	822-021C	BEARING CONE LM-67048		
16.	804-037C	WASHER LOCK SPRING 7/8 PLT		
17.	804-165C	WASHER MACH 1 7/8X1 1/4X 14GA		
18.	804-055C	WASHER SPINDLE - 7/8		
19.	805-017C	PIN COTTER 3/16 X 1 3/4 PLT		
20.	800-177C	SNAP RING EXT 1 1/4 HEAVY		
21.	204-272D	COULT. SPRING BAR		
22.	149-559D	SPRING 2.25 O.D. X .5 COIL		
23.	800-164C	SNAP RING 3/4 EXTERNAL HEAVY		
24.	149-558D	COULTER SPRING WASHER		
25.	804-156C	WASHER MACH 1 1/4X3/4X14GA		
26.	802-214C	RHSNB 1/2-13X1 1/4 GR5		
27.	804-015C	WASHER LOCK SPRING 1/2 PLT		
28.	803-020C	NUT HEX 1/2-13 PLT		
29.	820-215C	18 INCH TURBO COULTER BLADE	Factory Installed	
29.	820-018C	COULTER BLADE FLUTED		
29.	820-116C	17 COULTER BLADE 5/8 WAVY		
29.	820-082C	17 COULTER BLADE 3/4 WAVY		
30.	149-059D	COULTER CLAMP BAR		
31.	804-022C	WASHER LOCK SPRING 5/8 PLT		
32.	803-021C	NUT HEX 5/8-11 PLT		
33.	802-028C	HHCS 3/8-16X6 1/2 GR5		
34.	197-010D	OFFSET COULTER BRKT F/LH BOX		
35.	806-106C	U-BOLT 5/8-11 X 4 1/32 X 4		

## Grease Bank

(Applies to NTA3010, NTA3510 only)



16360

## **Grease Bank**

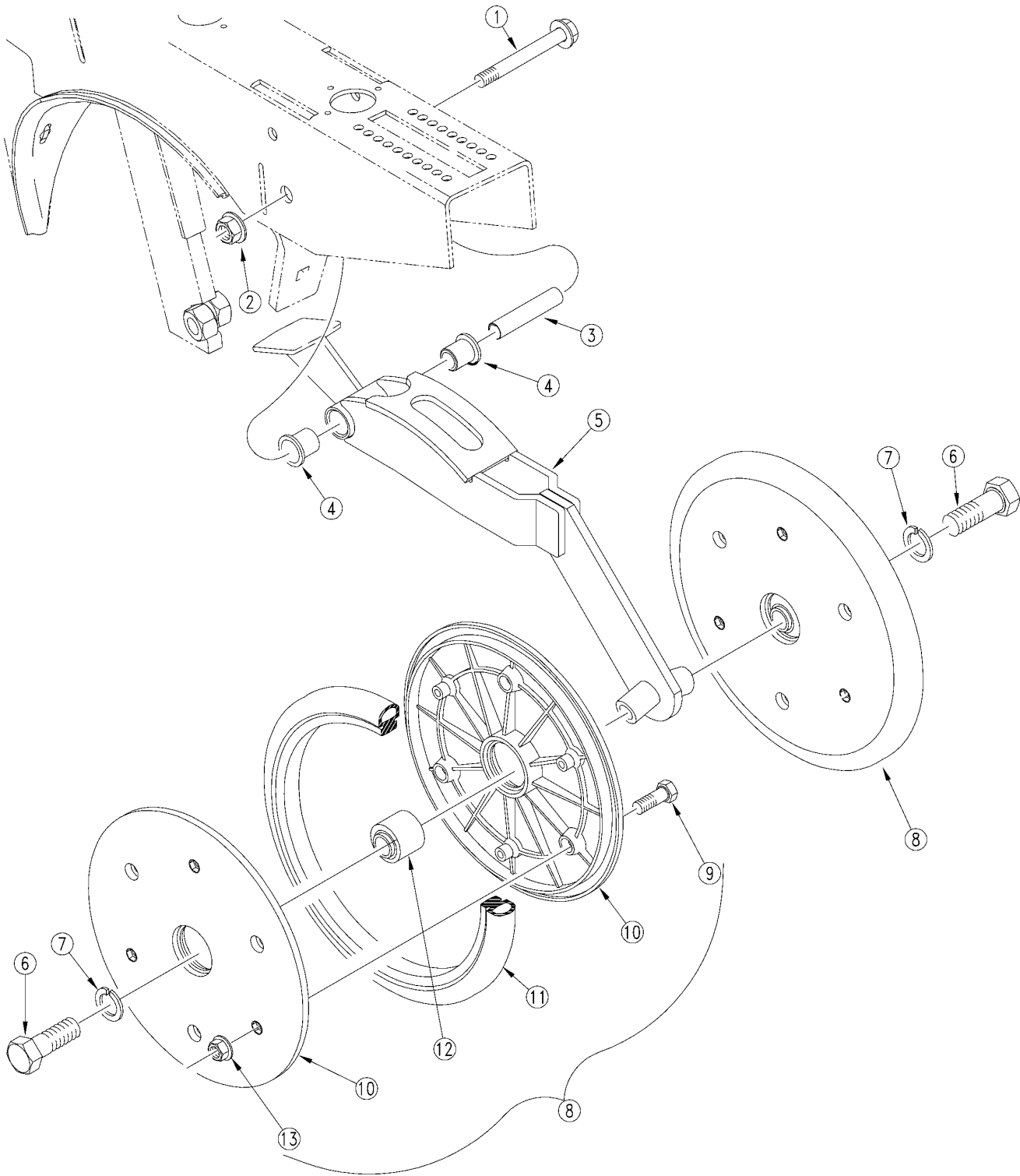
---

(Applies to NTA3010, NTA3510 only)

<b>Ref</b>	<b>Part No.</b>	<b>Part Description</b>	<b>Comments</b>	<b>Revision</b>
	dwg16360	Image No.		
1.	800-130C	GREASE ZERK STRAIGHT 1/8-27NPT		
2.	800-449C	AD PUSH 1/4 TUBE 1/8 FNPT		
3.	990-109R	TUBE NYLON 1/4OD X 062WL		
4.	800-211C	GREASE ADAPT 1/4-28M X 1/4 TB		
5.	802-148C	HFSS 1/4-20X1/2 GR5		
6.	804-007C	WASHER FLAT 1/4 SAE PLT		
7.	804-006C	WASHER LOCK SPRING 1/4 PLT		
8.	803-006C	NUT HEX 1/4-20 PLT		
9.	197-194D	GREASE BANK MOUNT		

# 1" x 12" Double "V" Press Wheel

(Applies to NTA3010, NTA3510 only)



15466

## 1" x 12" Double "V" Press Wheel

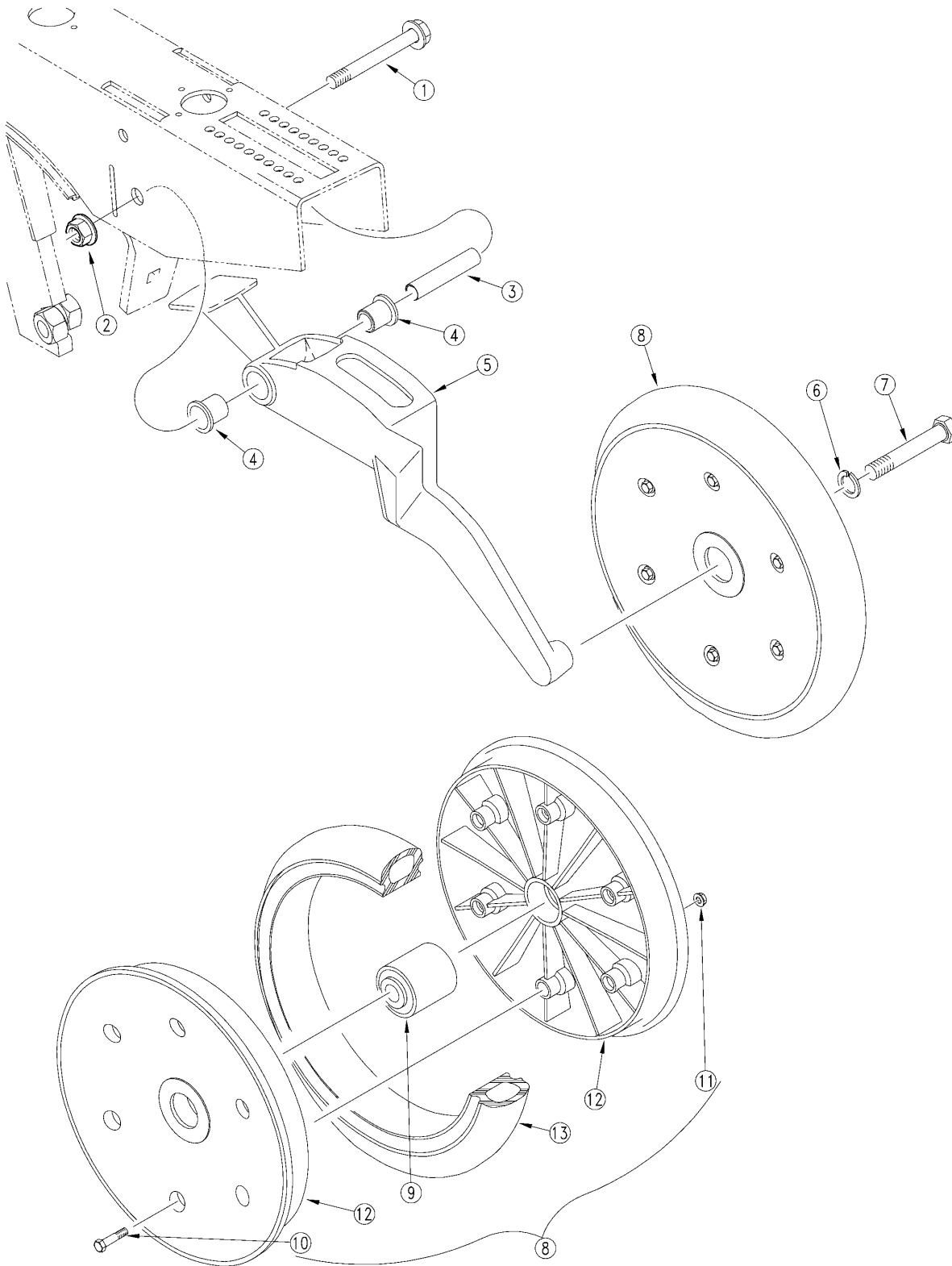
---

(Applies to NTA3010, NTA3510 only)

Ref	Part No.	Part Description	Comments	Revision
	dwg15466	Image No.		
1.	802-421C	HFS 1/2-13X3 3/4 GR5 SPTH		
2.	803-169C	NUT HEX FLG. LOCK 1/2-13 PLT.		
3.	198-137D	PRESS WHEEL PIVOT TUBE		
4.	817-084C	PARALLEL ARM PIVOT BUSHING		
5.	199-022H	98 1X12 PRESS WHEEL WELDMNT		
6.	802-051C	HHCS 5/8-11X1 1/2 GR5		
7.	804-022C	WASHER LOCK SPRING 5/8 PLT		
8.	814-174C	1 X 12 PRESS WHL ASSY-5203BRG		
9.	802-005C	HHCS 1/4-20X1 GR5		
10.	817-330C	1 X 12 PRESS WHEEL RIM HALF		
11.	814-034C	TIRE RUBBER 1 X 12		
12.	822-170C	BRG .63ID PRESS WHL ASY		
13.	803-088C	NUT HEX LOCK 1/4-20 FLG		

## 2" x 13" Single Press Wheel

(Applies to NTA3010, NTA3510 only)



15467



## 2" x 13" Single Press Wheel

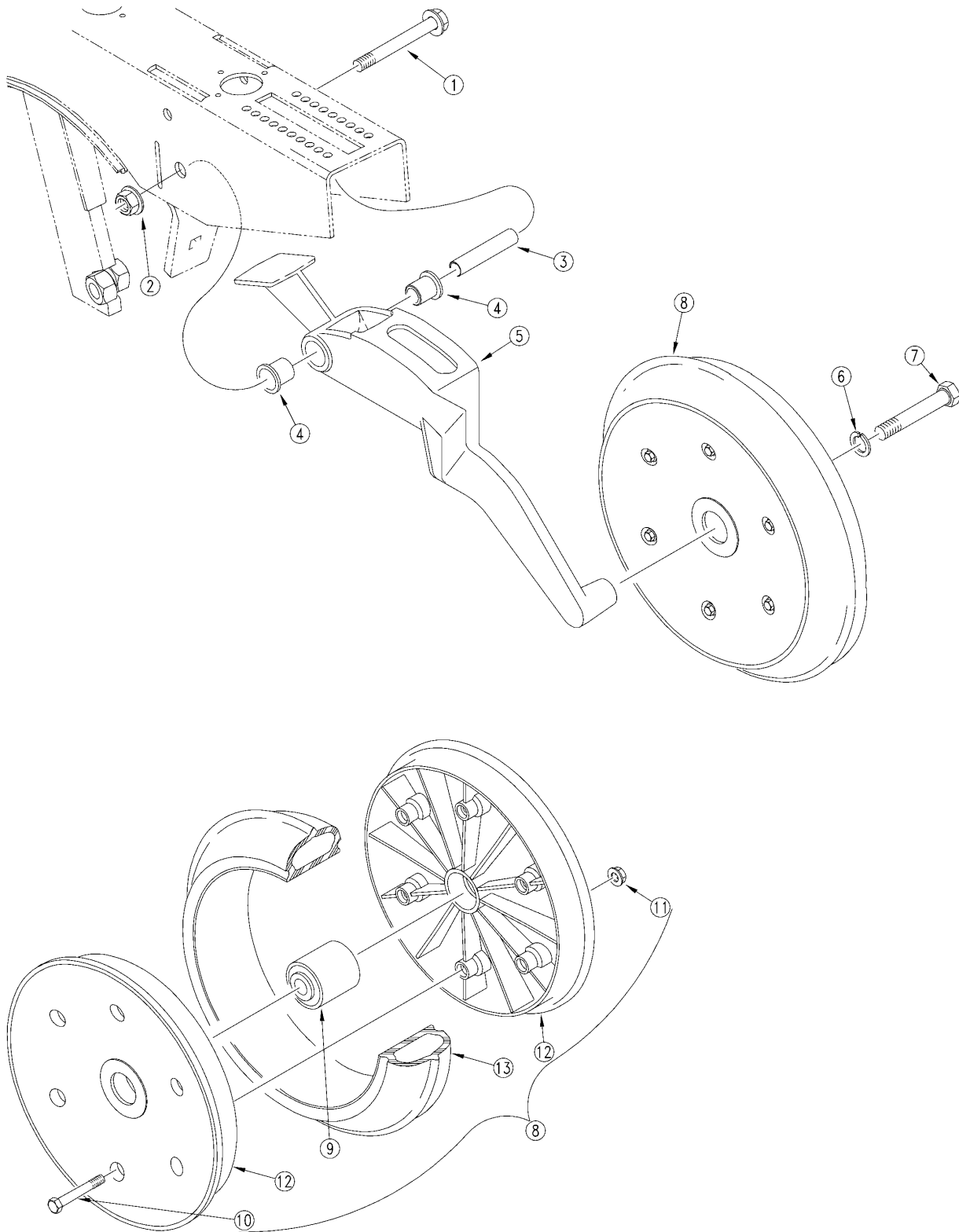
---

(Applies to NTA3010, NTA3510 only)

Ref	Part No.	Part Description	Comments	Revision
	dwg15467	Image No.		
1.	802-421C	HFS 1/2-13X3 3/4 GR5 SPTH		
2.	803-169C	NUT HEX FLG. LOCK 1/2-13 PLT.		
3.	198-137D	PRESS WHEEL PIVOT TUBE		
4.	817-084C	PARALLEL ARM PIVOT BUSHING		
5.	199-042D	UNIVERSAL PW ARM MACH 2&3X13		2nd rev.
5.	199-028D	RPBY 199-042D		1st rev.
6.	804-022C	WASHER LOCK SPRING 5/8 PLT		
7.	802-058C	HHCS 5/8-11X2 1/2 GR5		
8.	814-157C	2 X 13 PRESS WHEEL ASSEMBLY		
9.	822-170C	BRG .63ID PRESS WHL ASY		
10.	802-617C	HHFS 1/4-20 X 1 1/2 GR 5		
11.	803-088C	NUT HEX LOCK 1/4-20 FLG		
12.	817-296C	2 X 13 PRESS WHEEL RIM HALF		
13.	814-159C	2 X 13 PRESS WHEEL TIRE		

### 3" x 13" Single Press Wheel

(Applies to NTA3010, NTA3510 only)



15468

### 3" x 13" Single Press Wheel

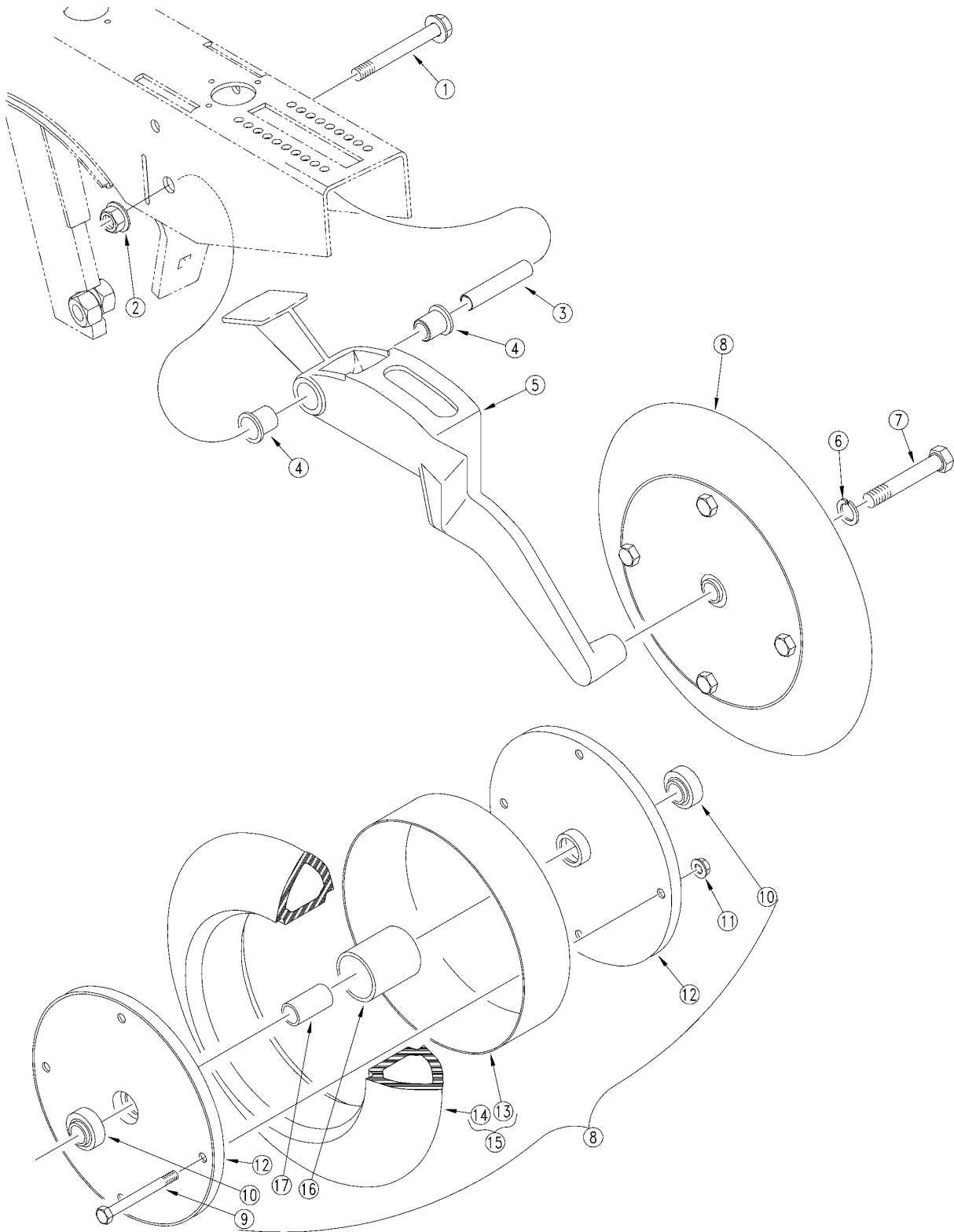
---

(Applies to NTA3010, NTA3510 only)

Ref	Part No.	Part Description	Comments	Revision
	dwg15468	Image No.		
1.	802-421C	HFS 1/2-13X3 3/4 GR5 SPTH		
2.	803-169C	NUT HEX FLG. LOCK 1/2-13 PLT.		
3.	198-137D	PRESS WHEEL PIVOT TUBE		
4.	817-084C	PARALLEL ARM PIVOT BUSHING		
5.	199-042D	UNIVERSAL PW ARM MACH 2&3X13		2nd rev.
5.	199-029D	RPBY 199-042D		1st rev.
6.	804-022C	WASHER LOCK SPRING 5/8 PLT		
7.	802-058C	HHCS 5/8-11X2 1/2 GR5		
8.	814-158C	3 X 13 PRESS WHEEL ASSEMBLY		
9.	822-170C	BRG .63ID PRESS WHL ASY		
10.	802-618C	HHFS 1/4-20 X 2 GR 5		
11.	803-088C	NUT HEX LOCK 1/4-20 FLG		
12.	817-297C	3 X 13 PRESS WHEEL RIM HALF		
13.	814-160C	3 X 13 PRESS WHEEL TIRE		

### 3" x 14" Peaked Single Press Wheel

(Applies to NTA3010, NTA3510 only)



15469

### **3" x 14" Peaked Single Press Wheel**

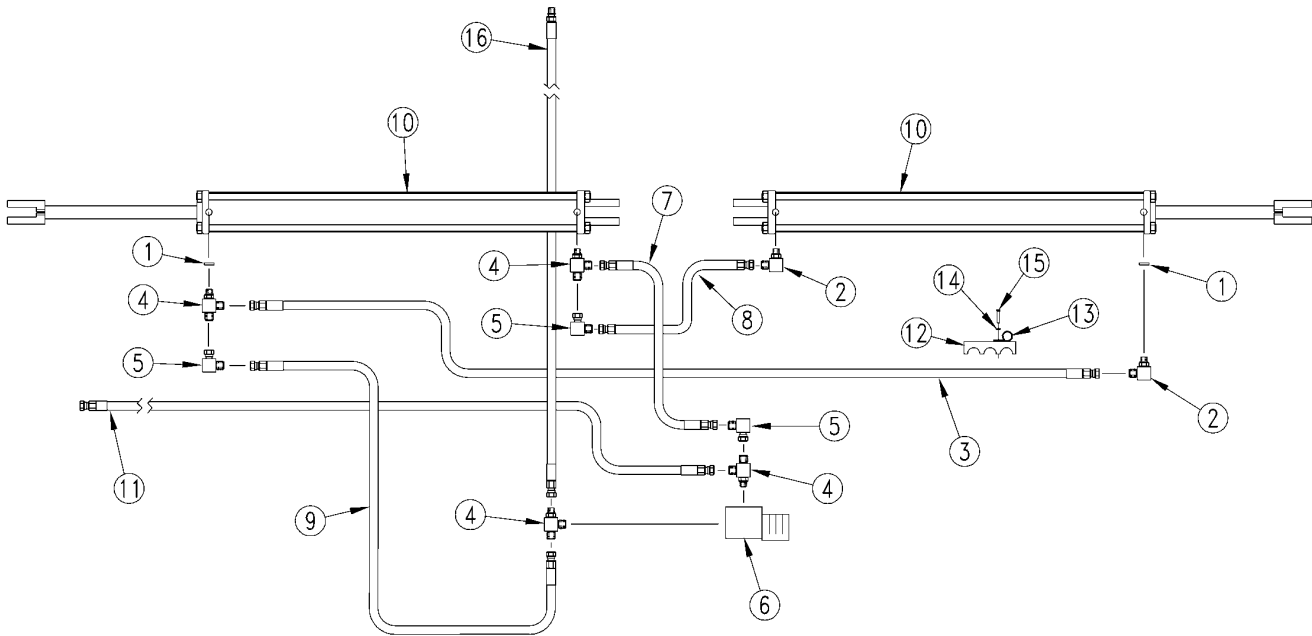
---

(Applies to NTA3010, NTA3510 only)

<b>Ref</b>	<b>Part No.</b>	<b>Part Description</b>	<b>Comments</b>	<b>Revision</b>
	dwg15469	Image No.		
1.	802-421C	HFS 1/2-13X3 3/4 GR5 SPTH		
2.	803-169C	NUT HEX FLG. LOCK 1/2-13 PLT.		
3.	198-137D	PRESS WHEEL PIVOT TUBE		
4.	817-084C	PARALLEL ARM PIVOT BUSHING		
5.	199-030D	3 X 14 PRESS WHEEL ARM		
6.	804-022C	WASHER LOCK SPRING 5/8 PLT		
7.	802-059C	HHCS 5/8-11X3 GR5		
8.	122-117S	3 X 14 PEAKED P.W. ASSEMBLY		
9.	802-197C	HHCS 5/16-18X2 3/4 GR5		
10.	822-095C	BRG INS .63IDX1.57OD DBL LIP		
11.	803-177C	803-184 FLG TP LK 5/16-18ZNYCR		
12.	122-041D	4X12 PW RIM HALF		
13.	817-063C	3 X 14 RIM SPACER RING		
14.	814-067C	3 X 14 PEAKED PRESS WHEEL TIRE		
15.	122-198V	3 X 14 TIRE & RING ASSEMBLY		
16.	817-062C	LARGE SPACER TUBE		
17.	122-110D	SMALL SPACER TUBE		

## Folding Hydraulics

(Applies to NTA3010, NTA3510 only)



16364

## ***Folding Hydraulics***

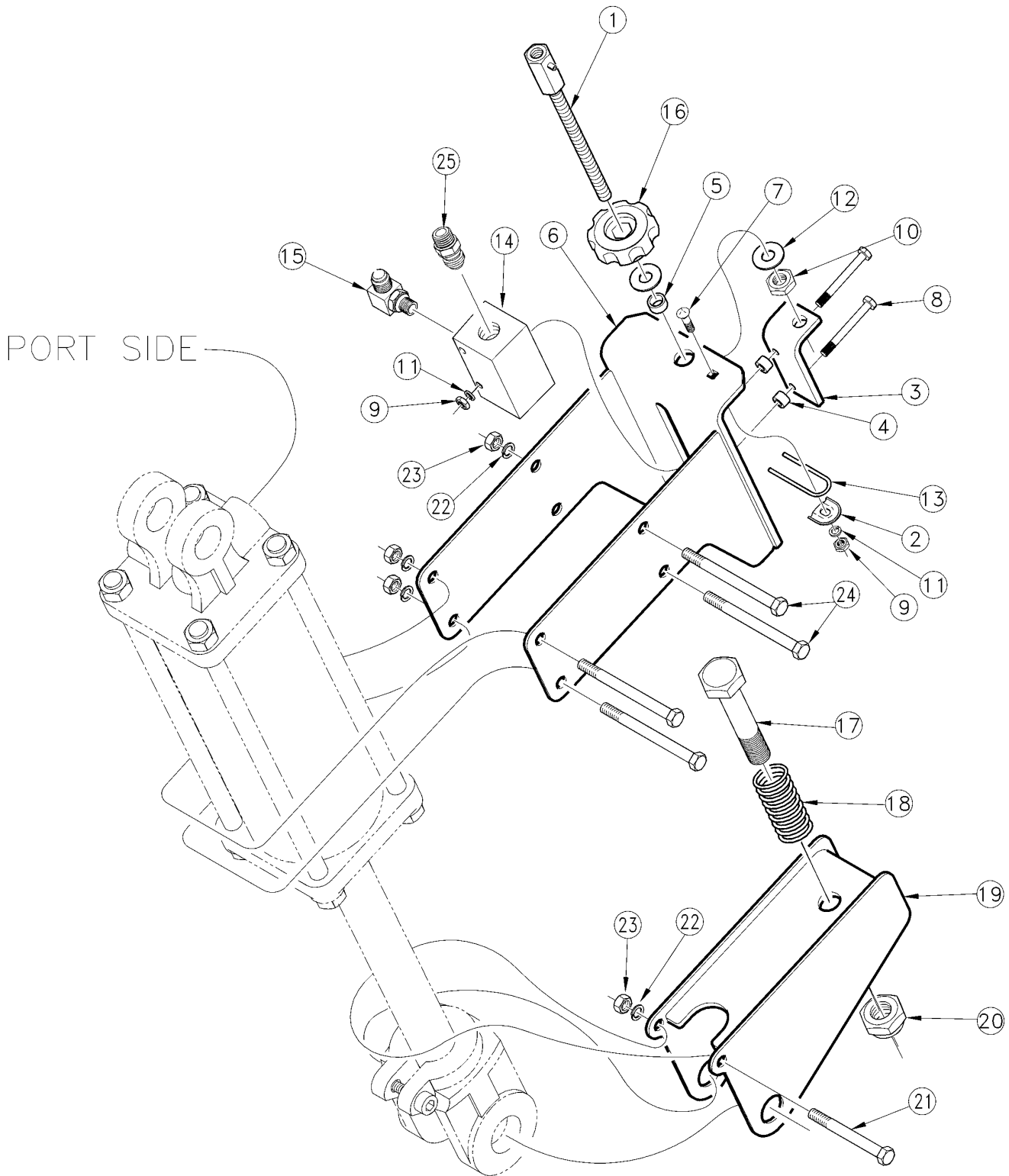
---

**(Applies to NTA3010, NTA3510 only)**

<b>Ref</b>	<b>Part No.</b>	<b>Part Description</b>	<b>Comments</b>	<b>Revision</b>
	dwg16364	Image No.		
1.	811-172C	RPBY 196-430D		
2.	811-063C	EL 3/4MJIC 3/4MORB		
3.	811-687C	HH3/8R2 108 3/4FJIC 3/4FJIC		
4.	811-080C	TE 3/4MJIC 3/4MORB 3/4MJIC		
5.	811-150C	EL 3/4FJIC 3/4MJIC		
6.	810-342C	NC POPPET SOLENOID VALVE	Refer to "Solenoid Valve (810-342C)" for breakdown	
7.	811-686C	HH3/8R2 012 3/4FJIC 3/4FJIC		
8.	811-688C	HH3/8R2 019 3/4FJIC 3/4FJIC		
9.	811-685C	HH3/8R2 048 3/4FJIC 3/4FJIC		
10.	810-332C	CYL 4.5X41.75X2 ROD	Refer to "Hydraulic Cylinder (810-332C)" for breakdown	
11.	811-671C	HH3/8R2 099 3/4FJIC		
12.	196-112D	RPBY 196-146D		
13.	800-064C	HOSE CLIP 13/16 ID		
14.	804-009C	WASHER LOCK SPRING 5/16 PLT		
15.	802-010C	HHCS 5/16-18X1 1/4 GR5		
16.	811-683C	HH3/8R2 080 3/4MORB 3/4FJIC RF		

**Depth Stop Valve Assembly**

(Applies to NTA3010, NTA3510 only)



16367



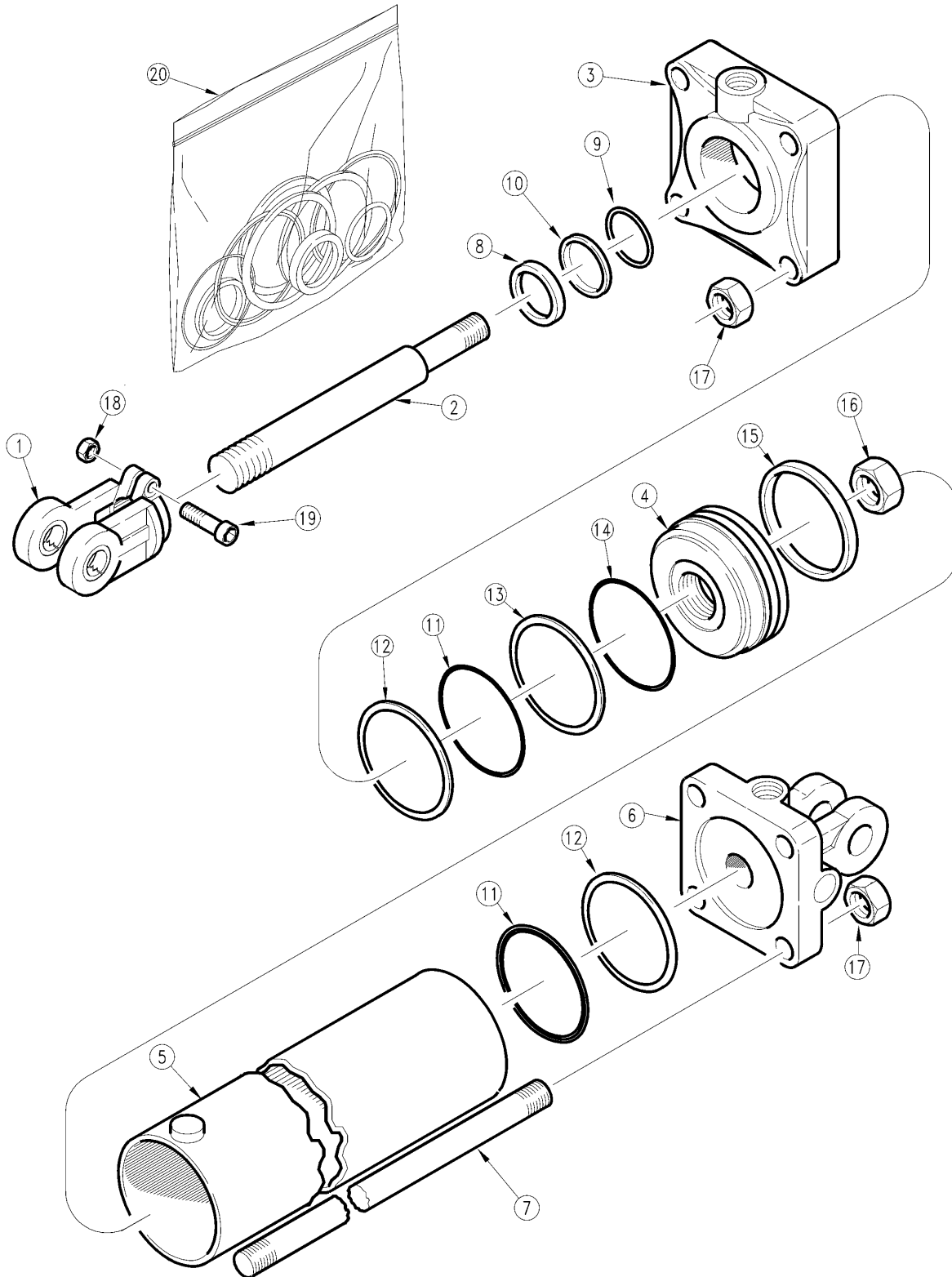
## ***Depth Stop Valve Assembly***

**(Applies to NTA3010, NTA3510 only)**

<b>Ref</b>	<b>Part No.</b>	<b>Part Description</b>	<b>Comments</b>	<b>Revision</b>
	dwg16367	Image No.		
1.	122-055S	SCREW ADJUSTMENT ROD		
2.	122-065D	TENSION SPRING RETAINER		
3.	152-179H	DEPTH ADJUSTMENT BRACKET WLMT		
4.	152-379D	1/4 SPACER TUBE		
5.	152-380D	7/16 SPACER TUBE		
6.	196-185H	2SNT DEPTH VALVE MNT WELDMENT		
7.	802-002C	RHSNB 1/4-20X3/4 GR5		
8.	802-274C	HHCS 1/4-20X3 GR5		
9.	803-006C	NUT-HEX 1/4-20 PLT		
10.	803-273C	HUT HEX NYLOCK 7/16-14 PLT		
11.	804-006C	WASHER LOCK SPRING 1/4 PLT		
12.	804-041C	WASHER FLAT 7/16 SAE PLT		
13.	807-020C	SPRING SCREW ADJ TENSION STRHT		
14.	810-445C	STROKE CONTROL VALVE	Refer to "Hydraulic Shut-Off Valve (810-084C)"	2nd rev.
14.	810-084C	RPBY 810-445C	Refer to "Stroke Control Valve (810-445C)"	1st rev.
15.	811-063C	EL 3/4MJIC 3/4MORB		
16.	817-021C	KNOB P.W. ADJUSTMENT		
17.	802-070C	HHCS 3/4-10X6 GR5		
18.	807-007C	SPRING LEVER		
19.	196-186H	2SNT DPTH VAL CLEVIS PLT WLMT		
20.	803-025C	NUT HEX 3/4-10 PLT NYLOCK		
21.	802-026C	HHCS 3/8-16X3 3/4 GR5		
22.	804-013C	WASHER LOCK SPRING 3/8 PLT		
23.	803-014C	NUT HEX 3/8-16 PLT		
24.	802-616C	HHCS 3/8-16X5 1/2 GR5		
25.	811-088C	AD 3/4MORB 3/4MJIC		

# Hydraulic Cylinder (810-221C)

(Applies to NTA3010, NTA3510 only)



14712

## Hydraulic Cylinder (810-221C)

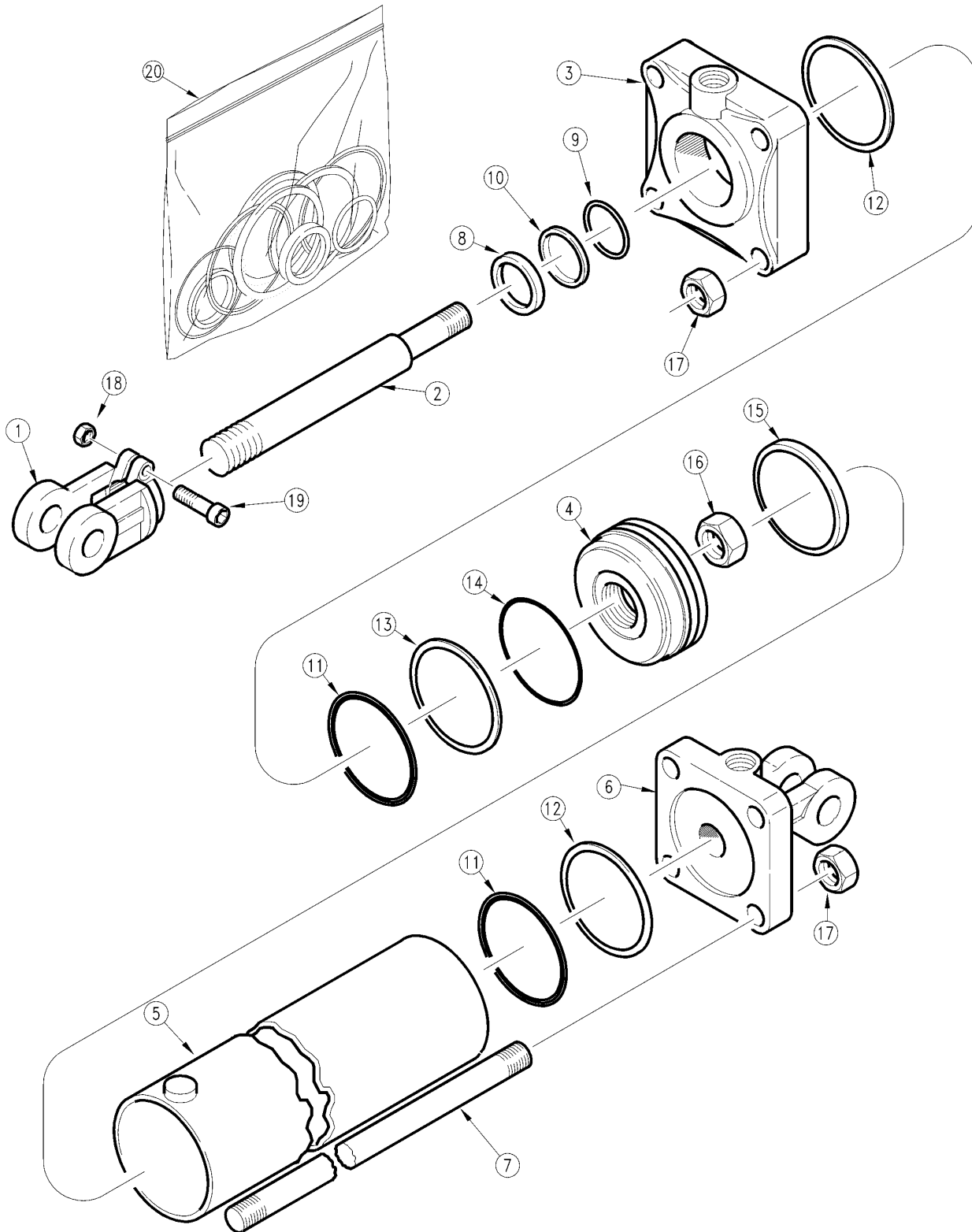
---

(Applies to NTA3010, NTA3510 only)

Ref	Part No.	Part Description	Comments	Revision
	dwg14712	Image No.		
2.	2M7520	ROD MIDWAY		
3.	3R6912	HEAD MIDWAY		
4.	4R6106	RPBY 4R6108		
5.	5R6120	TUBE MIDWAY		
6.	6R6164	MW BASE		
7.	7M7320	TIE ROD MIDWAY		
8.		WIPER SEAL	Only available in item 20.	
9.		O-RING	Only available in item 20.	
10.		BACK-UP	Only available in item 20.	
11.		O-RING	Only available in item 20.	
12.		BACK-UP	Only available in item 20.	
13.		TEFLON SEAL	Only available in item 20.	
14.		LOADER O-RING	Only available in item 20.	
15.		WEAR RING	Only available in item 20.	
16.	2A0024	MW PISTON NUT 1-14		
17.	2A0019	RPBY 803-257C		
18.	2A0012	RPBY 803-234C		
19.	2A0006	RPBY 802-023C		
20.	810-144C	SEAL KIT MW 4.25 RPHCYL 4A6104		

### Hydraulic Cylinder (810-287C)

(Applies to NTA3010, NTA3510 only)



15166

## Hydraulic Cylinder (810-287C)

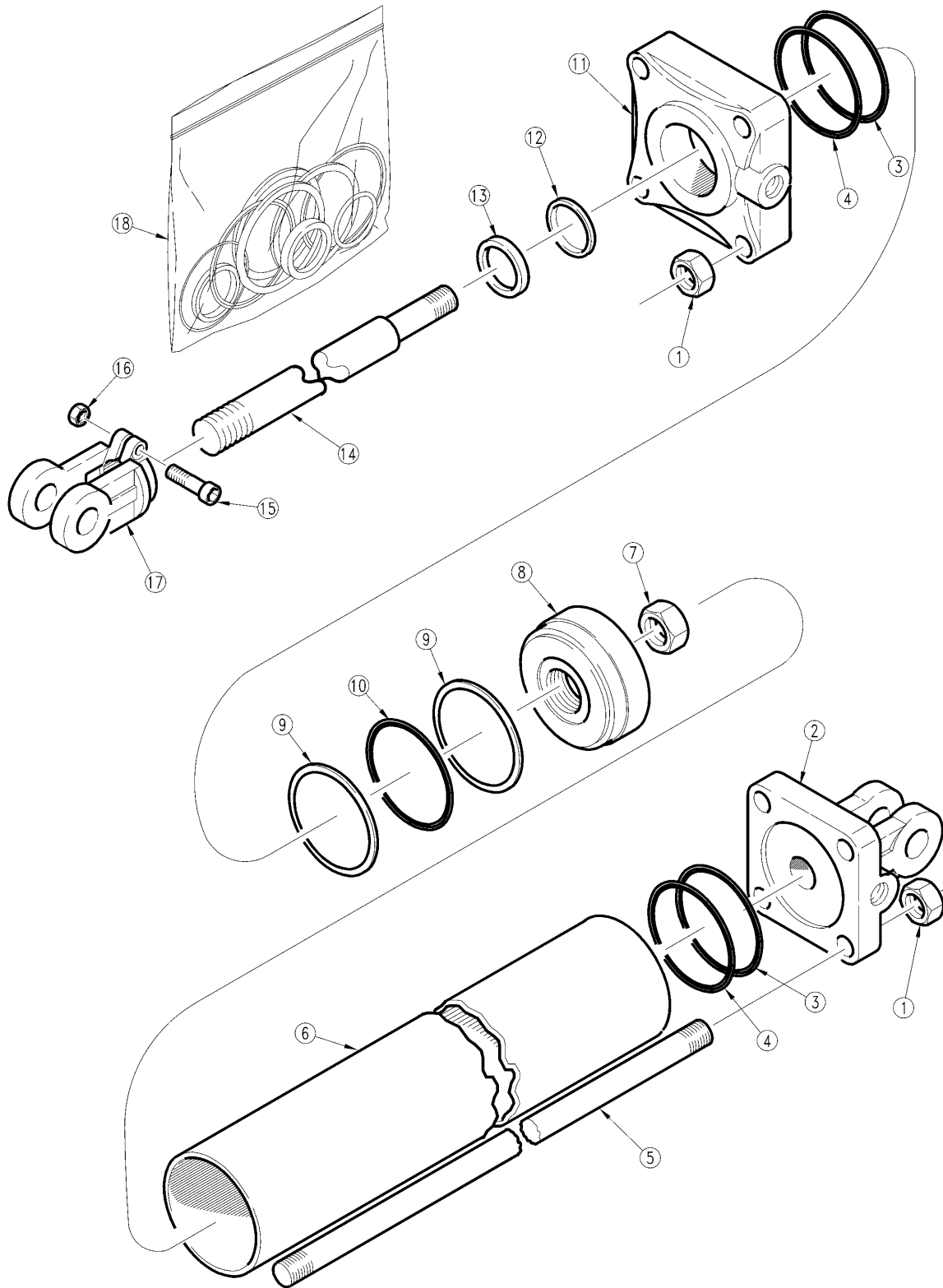
---

(Applies to NTA3010, NTA3510 only)

Ref	Part No.	Part Description	Comments	Revision
	dwg15166	Image No.		
1.	1M7018	RPBY 1M7016-ADI		
2.	2M8518	MW ROD		
3.	3R8512	MIDWAY HEAD F/ 4 3/4 CYL		
4.	4R8106	PISTON MIDWAY		
5.	5R8120	MIDWAY TUBE		
6.	6R8164	MW BASE		
8.		ROD WIPER	Only available in item 20.	
10.		BACK-UP	Only available in item 20.	
11.		O-RING	Only available in item 20.	
13.		TEFLON SEAL	Only available in item 20.	
14.		LOADER O-RING	Only available in item 20.	
15.		WEAR RING	Only available in item 20.	
16.	2A0025	MW PISTON NUT 1 1/4"-12 UNF		
17.	2A0019	RPBY 803-257C		
18.	2A0012	RPBY 803-234C		
19.	2A0006	RPBY 802-023C		
20.	810-160C	SEAL KIT MW 4.75 RPHCYL 4A8104		

# Hydraulic Cylinder (810-332C)

(Applies to NTA3010, NTA3510 only)



16394

## Hydraulic Cylinder (810-332C)

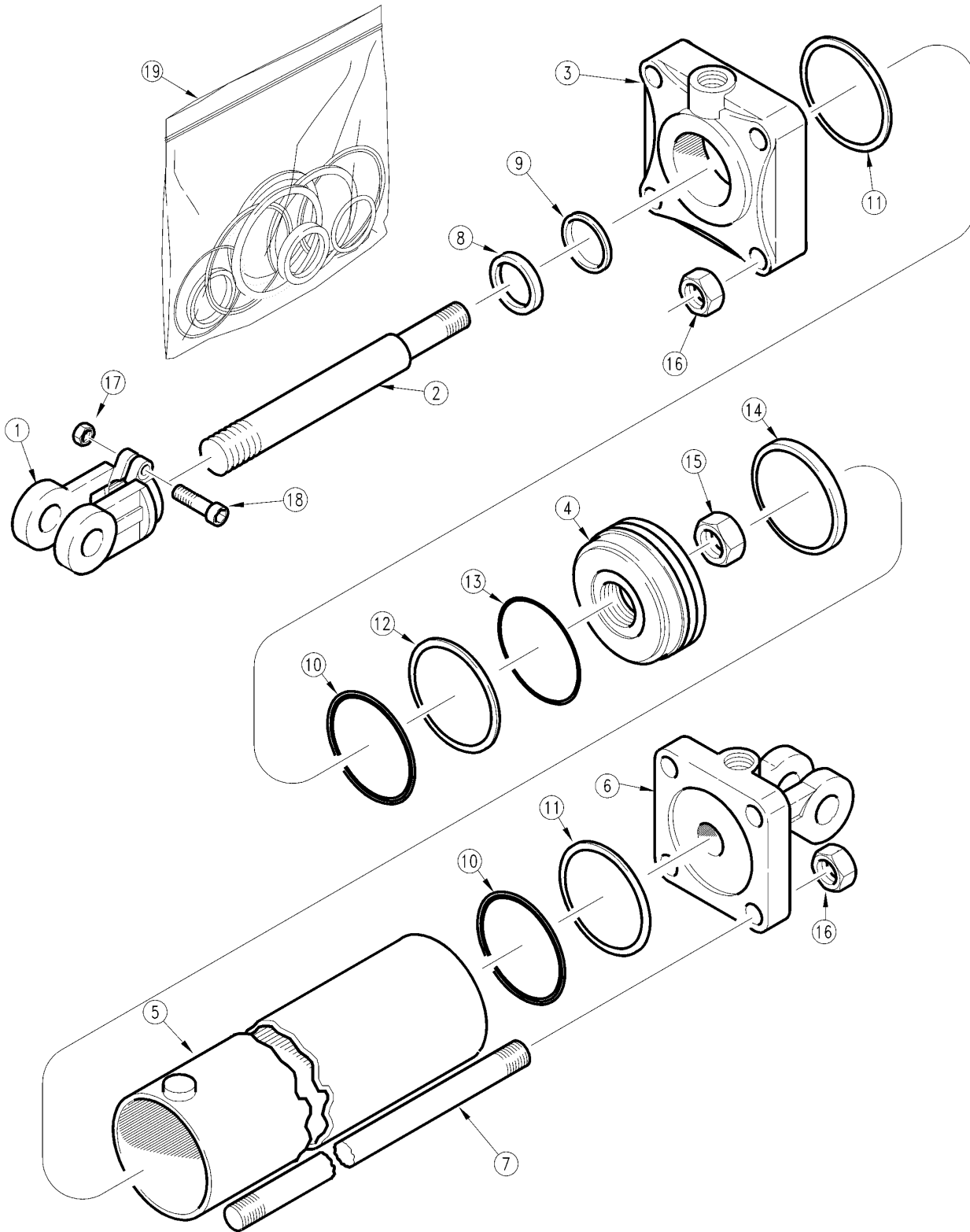
---

(Applies to NTA3010, NTA3510 only)

Ref	Part No.	Part Description	Comments	Revision
	dwg16394	Image No.		
1.	2A0019	RPBY 803-257C		
2.	6R7170	MW BASE		
3.		BACK-UP MIDWAY	Only available in item 18.	
4.		O-RING	Only available in item 18.	
5.	7M7398	TIE ROD MIDWAY		
6.	5M7595	MW TUBE		
7.	2A0024	MW PISTON NUT 1-14		
8.	4M7108	MW PISTON		
9.		MW BACK-UP	Only available in item 18.	
10.		MW O-RING	Only available in item 18.	
11.	3R7612	MW HEAD 4.5 X 16 X 2		
12.		U-CUP	Only available in item 18.	
13.		MW WIPER	Only available in item 18.	
14.	2M7690	MW ROD		
15.	2A0006	RPBY 802-023C		
16.	2A0012	RPBY 803-234C		
17.	1M7020	MIDWAY ROD CLEVIS		
18.	810-236C	SEAL KIT MW 4.5 CYL 5A7116		

**Hydraulic Cylinder (810-333C)**

(Applies to NTA3010, NTA3510 only)



16395



## Hydraulic Cylinder (810-333C)

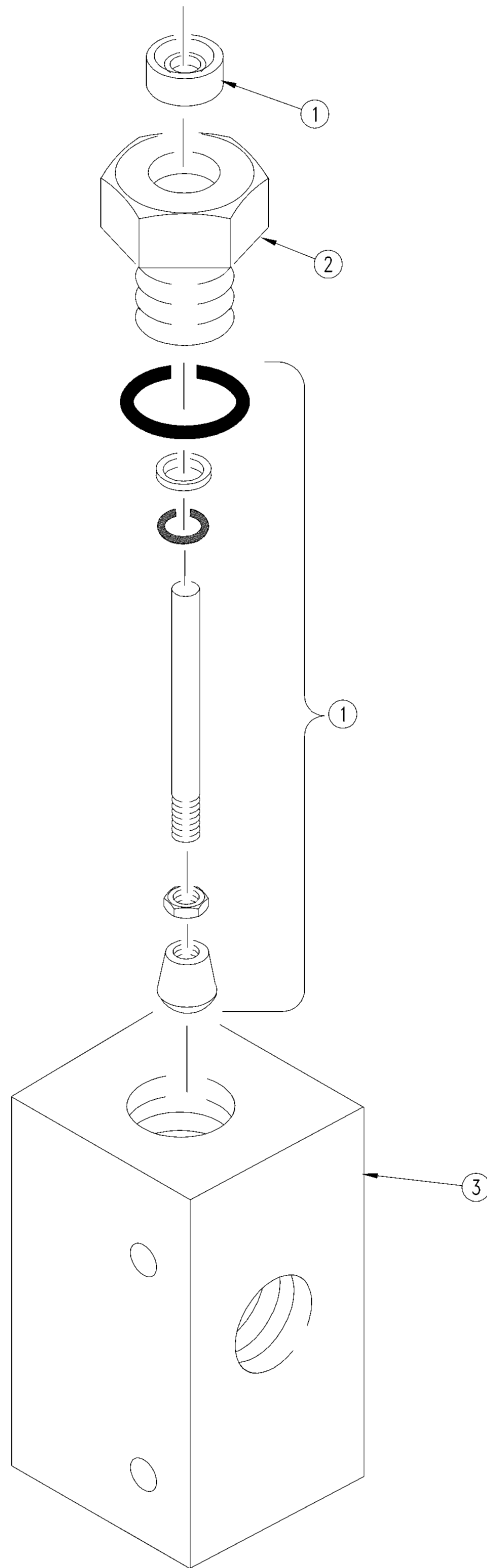
---

(Applies to NTA3010, NTA3510 only)

Ref	Part No.	Part Description	Comments	Revision
	dwg16395	Image No.		
1.	1M7018	RPBY 1M7016-ADI		
2.	2M7518	MW ROD		
3.	3R7512	HEAD MIDWAY		
4.	4R7106	RPBY 4R7108		
5.	5R7120	TUBE MIDWAY		
6.	6R7177	MW BASE		
7.	7M7320	TIE ROD MIDWAY		
8.		MW WIPER	Only available in item 19.	
9.		U-CUP	Only available in item 19.	
10.		O-RING	Only available in item 19.	
11.		BACK-UP MIDWAY	Only available in item 19.	
12.		SEAL, TEFLON MIDWAY	Only available in item 19.	
13.		O-RING LOADER MIDWAY	Only available in item 19.	
14.	2A0327	WEAR RING MIDWAY		
15.	2A0024	MW PISTON NUT 1-14		
16.	2A0019	RPBY 803-257C		
17.	2A0012	RPBY 803-234C		
18.	2A0006	RPBY 802-023C		
19.	810-158C	SEAL KIT MW 4.5 RPHCYL 4A7104		

**Hydraulic Shut-Off Valve (810-084C)**

(Applies to NTA3010, NTA3510 only)



16327

***Hydraulic Shut-Off Valve (810-084C)***

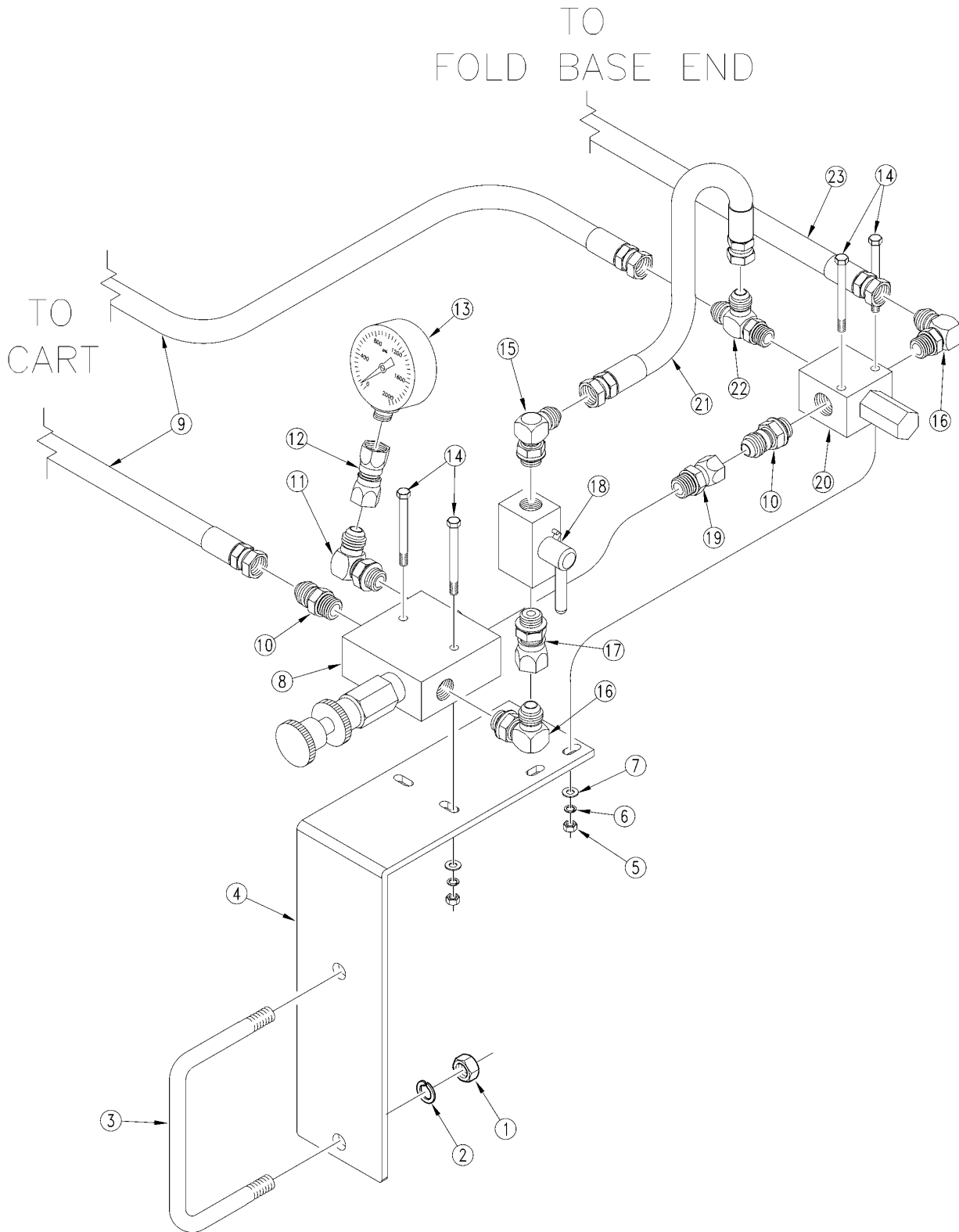
---

(Applies to NTA3010, NTA3510 only)

<b>Ref</b>	<b>Part No.</b>	<b>Part Description</b>	<b>Comments</b>	<b>Revision</b>
	dwg16327	Image No.		
1.	810-335C	SEAL KIT MONARCH STROKE CONTRL		
2.	494665	MONARCH ROD CAP		
3.	492544	MONARCH STROKE CONTROL VALVE		
	810-084C	RPBY 810-445C		

**NTA Control Valve (S/N Z1101+)**

(Applies to NTA3010, NTA3510 only)



17216

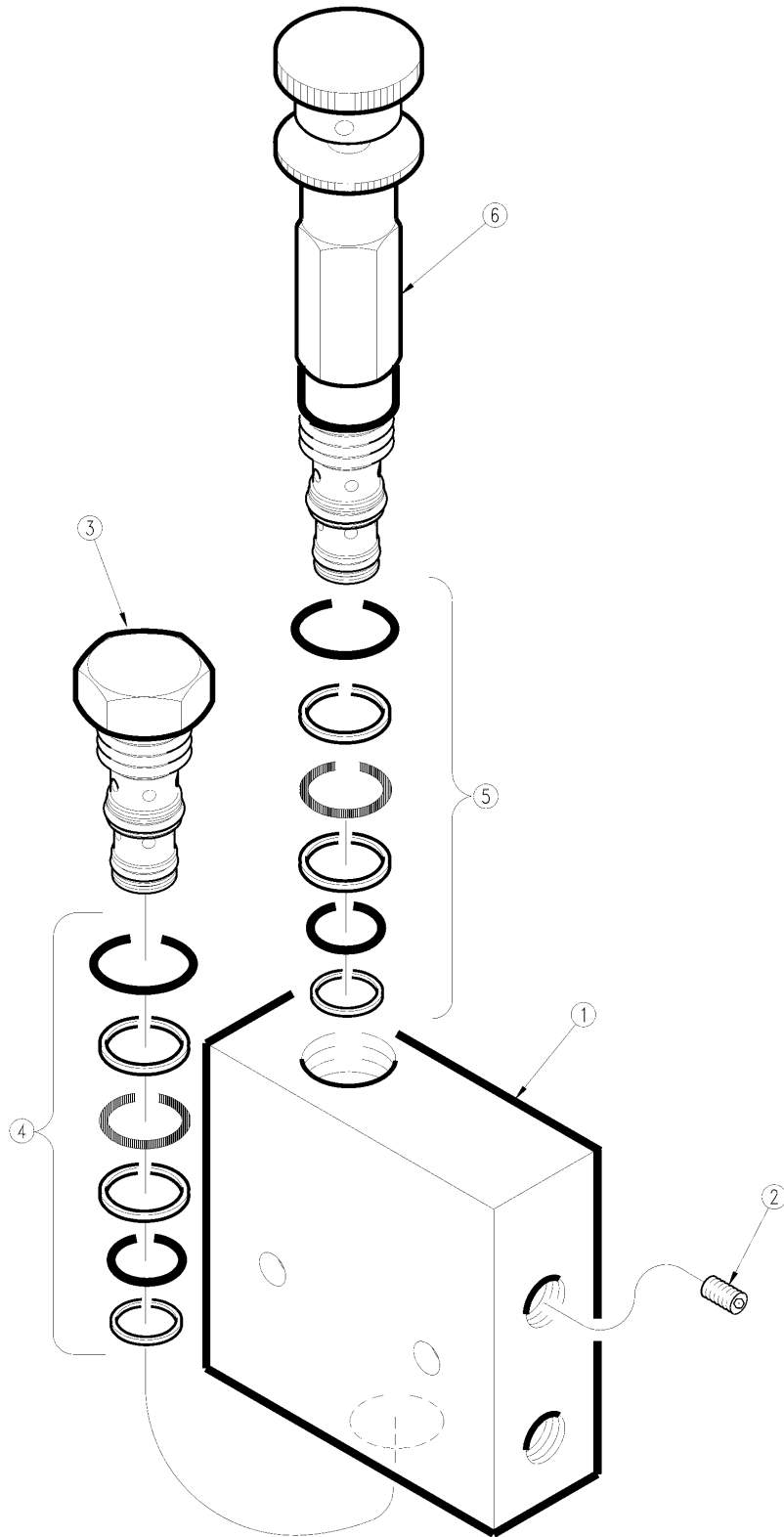
**NTA Control Valve (S/N Z1101+)**

(Applies to NTA3010, NTA3510 only)

Ref	Part No.	Part Description	Comments	Revision
	dwg17216	Image No.		
1.	803-014C	NUT HEX 3/8-16 PLT		
2.	804-013C	WASHER LOCK SPRING 3/8 PLT		
3.	806-111C	U-BOLT 3/8-16 X 4 1/32 X 2 3/4		
4.	160-613D	NTA VALVE ASSY IMPLEMENT MNT		
5.	803-006C	NUT-HEX 1/4-20 PLT		
6.	804-006C	WASHER LOCK SPRING 1/4 PLT		
7.	804-007C	WASHER FLAT 1/4 SAE PLT		
8.	810-349C	VALVE PRESS RED W/ CHK 1/16 OR	Refer to "Relief Valve (810-370C)"	
9.	811-681C	HH3/8R2 148 3/4MORB 9/16FJIC		
10.	811-170C	AD 9/16MORB 9/16MJIC		
11.	811-065C	EL 9/16MJIC 9/16MORB		
12.	811-582C	AD 9/16FJIC 1/4FNPT		
13.	810-347C	PRESSURE GAUGE 2000 PSI		
14.	802-551C	HHCS 1/4-20X2 1/4 GR5		
15.	811-171C	EL 3/4MORB 9/16MJIC		
16.	811-216C	EL 3/4MJIC 9/16MORB		
17.	811-324C	AD 3/4MORB 3/4FJIC		
18.	810-345C	VALVE 90 DEGREE SHUT-OFF		
19.	811-627C	AD 9/16MORB 9/16FJIC		
20.	810-348C	RELIEF VALVE 1500 PSI TAMP PRF	Refer to "Hydraulic Shut-Off Valve (810-084C)"	
21.	811-702C	HH3/8R2 017 9/16FJIC		
22.	811-064C	TE 9/16MJIC 9/16MJIC 9/16MORB		
23.	811-671C	HH3/8R2 099 3/4FJIC		

**Pressure Reducing Valve (810-349C)**

(Applies to NTA3010, NTA3510 only)



16442

***Pressure Reducing Valve (810-349C)***

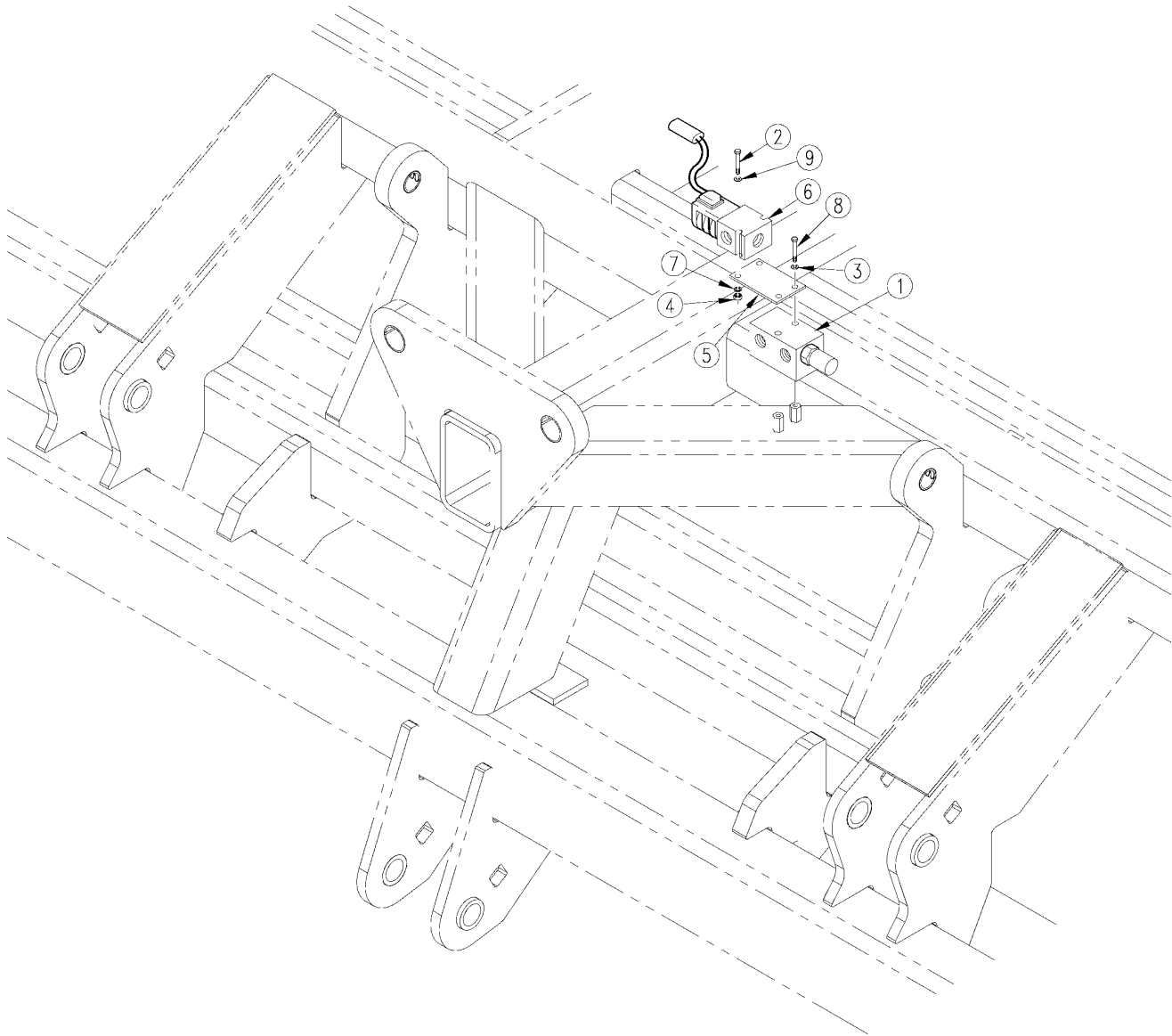
---

(Applies to NTA3010, NTA3510 only)

<b>Ref</b>	<b>Part No.</b>	<b>Part Description</b>	<b>Comments</b>	<b>Revision</b>
	dwg16442	Image No.		
1.	5089	VALVE BODY PRV W/CHECK SHOEMKR		
2.	5106	SHOEMAKER ORIFACE		
3.	CP2-10	REPLACED BY CP2-10-0		
4.	5070	RPBY 5075		
5.	5075	RPBY 810-452C		
6.	PRPIL-10-K-25	CARTRIDGE PRESS RED SHOEMAKER		

**Relief & Solenoid Valves**

(Applies to NTA3010, NTA3510 only)



16368



## ***Relief & Solenoid Valves***

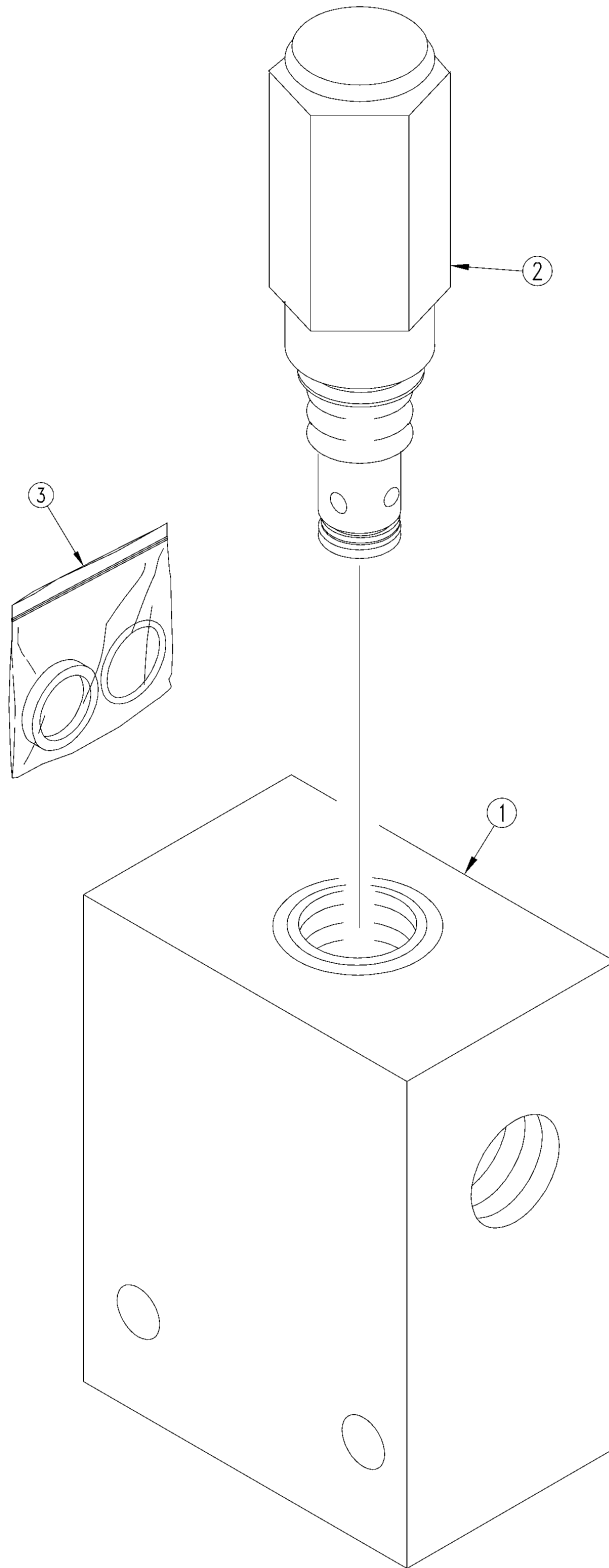
---

**(Applies to NTA3010, NTA3510 only)**

<b>Ref</b>	<b>Part No.</b>	<b>Part Description</b>	<b>Comments</b>	<b>Revision</b>
	dwg16368	Image No.		
1.	810-370C	RELIEF VALVE TAMP PROOF1300PSI	Refer to "Relief Valve (810-370C)"	
2.	804-036C	WASHER FLAT 5/16 SAE PLT		
3.	804-007C	WASHER FLAT 1/4 SAE PLT		
4.	803-006C	NUT-HEX 1/4-20 PLT		
5.	160-463D	NTA SOLENOID VALVE MOUNT		
6.	810-342C	NC POPPET SOLENOID VALVE	Refer to "Solenoid Valve (810-342C)"	
7.	804-006C	WASHER LOCK SPRING 1/4 PLT		
8.	802-172C	HHCS 5/16-18X2 1/2 GR5		
9.	804-007C	WASHER FLAT 1/4 SAE PLT		

**Relief Valve (810-348C)**

(Applies to NTA3010, NTA3510 only)



16441

## ***Relief Valve (810-348C)***

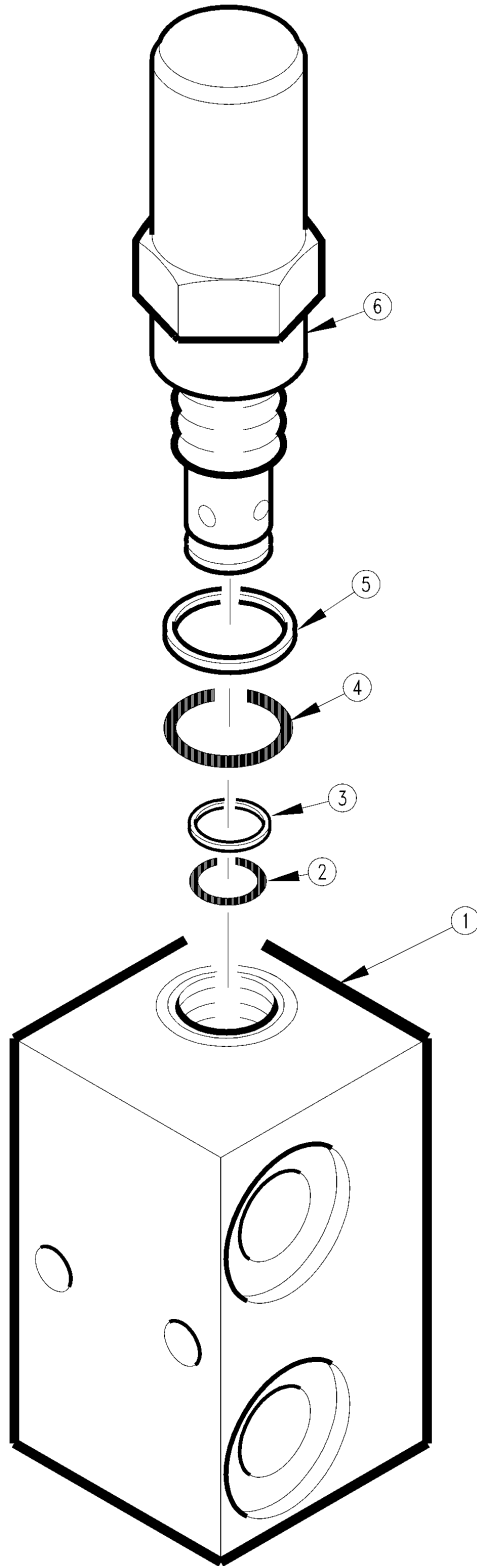
---

(Applies to NTA3010, NTA3510 only)

<b>Ref</b>	<b>Part No.</b>	<b>Part Description</b>	<b>Comments</b>	<b>Revision</b>
	dwg16441	Image No.		
1.	5381	SHOEMAKER BODY FOR 810-348C		
2.	RDIF10F18/13.5	SHOEMAKER CARTRIDGE		
3.	810-452C	SEAL KIT SHOEMAKER #5075		

**Relief Valve (810-370C)**

(Applies to NTA3010, NTA3510 only)



14738

## **Relief Valve (810-370C)**

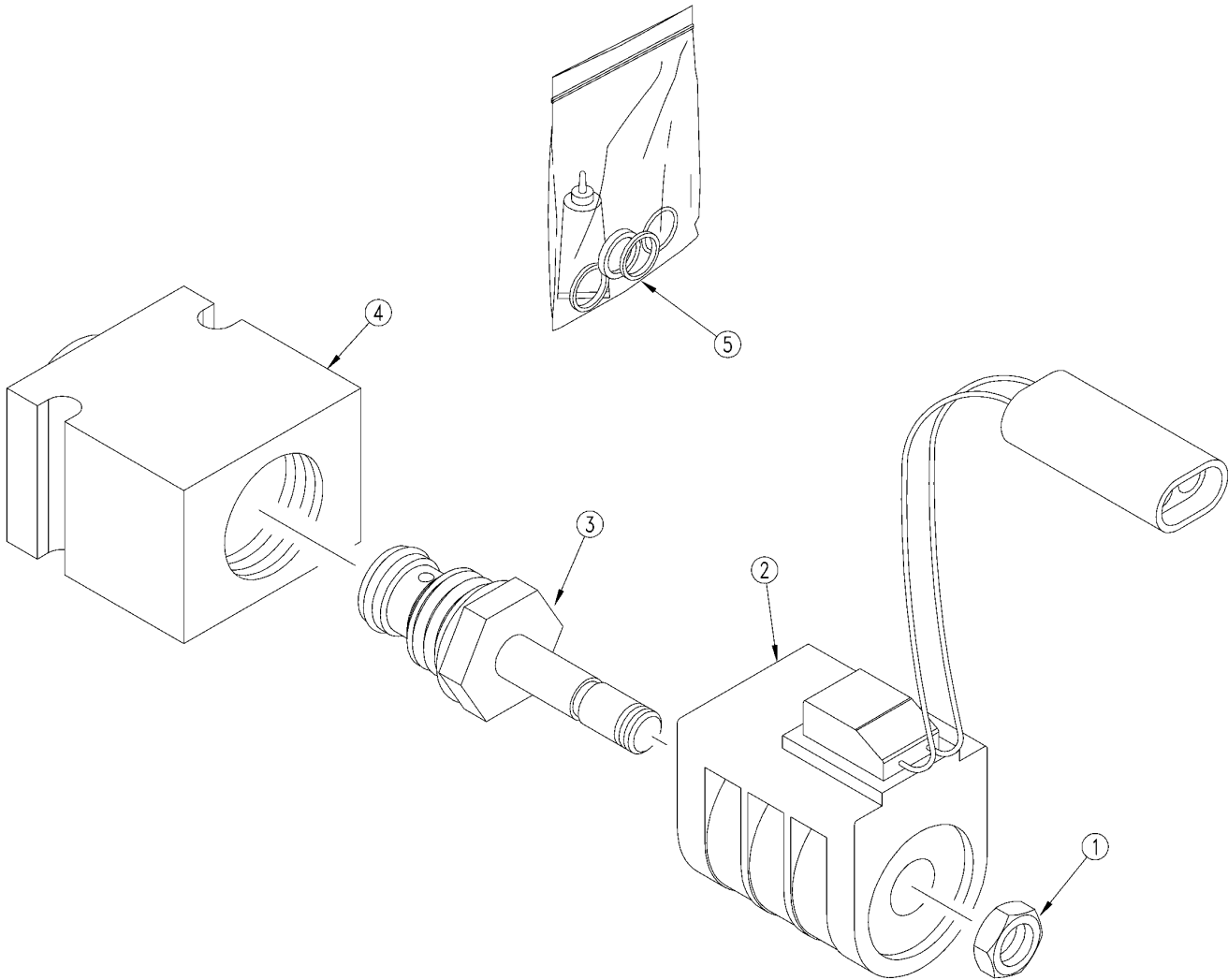
---

(Applies to NTA3010, NTA3510 only)

<b>Ref</b>	<b>Part No.</b>	<b>Part Description</b>	<b>Comments</b>	<b>Revision</b>
	dwg14738	Image No.		
1.	5149	RELIEF VALVE BODY-SHOEMAKER		
2.	1088-015	SHOEMAKER O-RING		
3.	1369-015	SHOEMAKER BACK-UP BOTTOM		
4.	1088-017	SHOEMAKER O-RING		
5.	10369-017	SHOEMAKER BACK-UP		
6.	RDIF-10-F18/13	CARTRIDGE SHOEMAKER RLF 1300		2nd rev.
6.	RPILS-10-S25/13	CARTRIDGE SHOEMAKER RLF 1300	Check "Transport Hydraulics (RDIF Cartridge)" for new hose routing on new RDIF Cartridge	1st rev.

## Solenoid Valve (810-342C)

(Applies to NTA3010, NTA3510 only)



16397

## **Solenoid Valve (810-342C)**

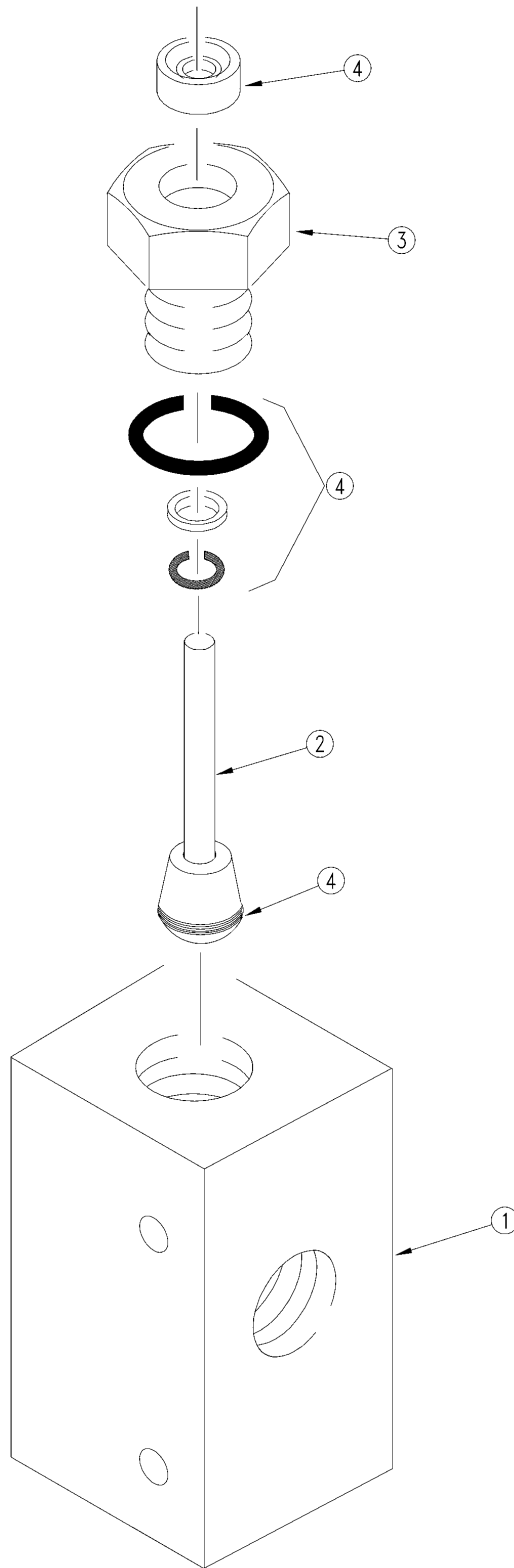
---

(Applies to NTA3010, NTA3510 only)

<b>Ref</b>	<b>Part No.</b>	<b>Part Description</b>	<b>Comments</b>	<b>Revision</b>
	dwg16397	Image No.		
1.	803-059C	NUT HEX JAM 1/2-20 PLT		
2.	39680008	DELTA COIL 12VDC W CONN		
3.	85002733	DELTA CARTRIDGE VALVE		
4.	30102359	DELTA SERIES ES VAVLE BODY		
5.	500-090B	SEAL KIT 7/8-14 DELTA W/ LTITE		

### Stroke Control Valve (810-445C)

(Applies to NTA3010, NTA3510 only)



19650



**Stroke Control Valve (810-445C)**

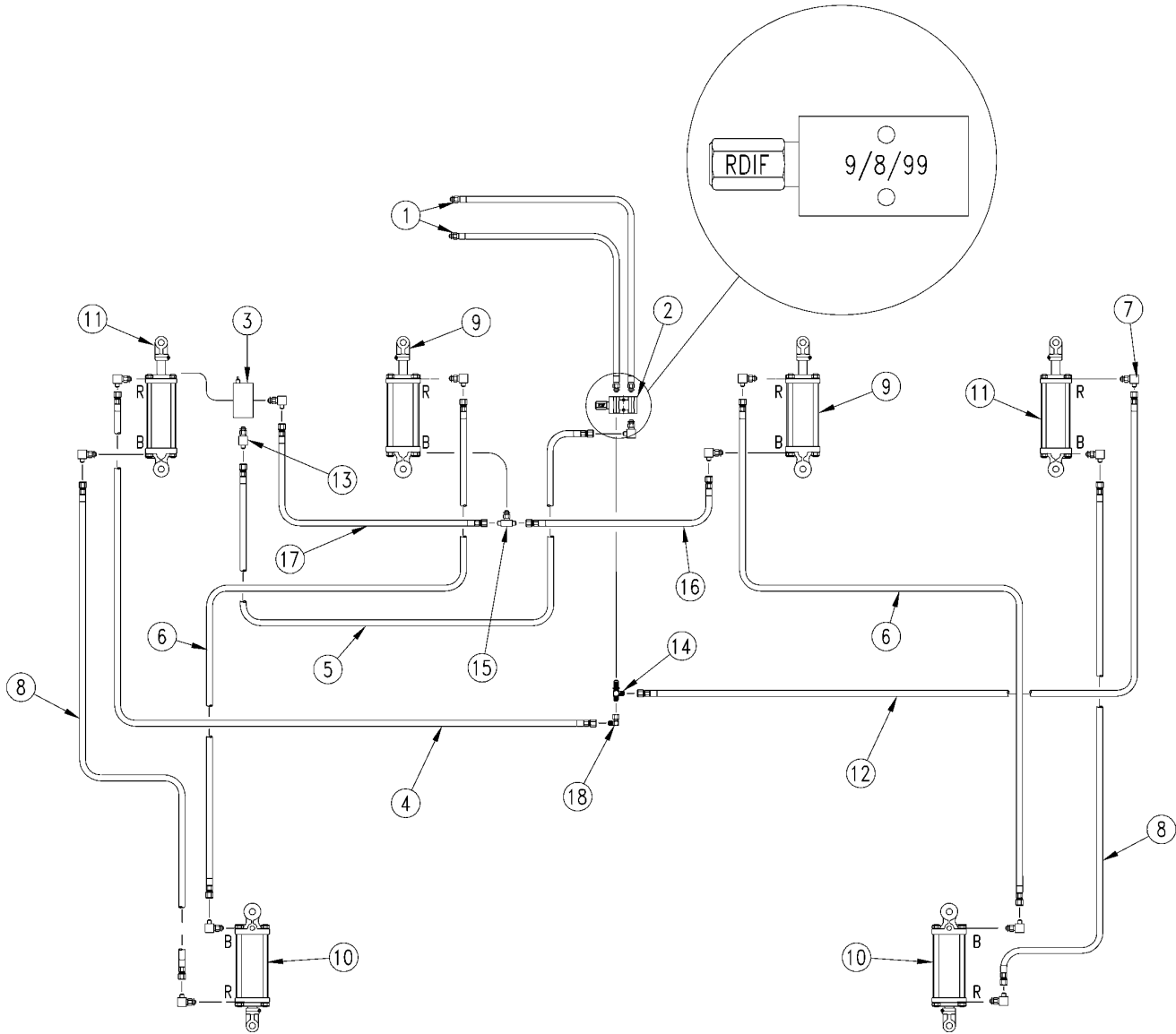
---

(Applies to NTA3010, NTA3510 only)

<b>Ref</b>	<b>Part No.</b>	<b>Part Description</b>	<b>Comments</b>	<b>Revision</b>
	dwg19650	Image No.		
1.	5396	BODY		
2.	5397	SHOEMAKER PISTON		
3.	8062	PLUG, ADAPTER, ASM.		
4.	810-446C	SEAL KIT 5398 810-445C		

**Transport Hydraulics (RDIF Cartridge)**

(Applies to NTA3010, NTA3510 only)



## ***Transport Hydraulics (RDIF Cartridge)***

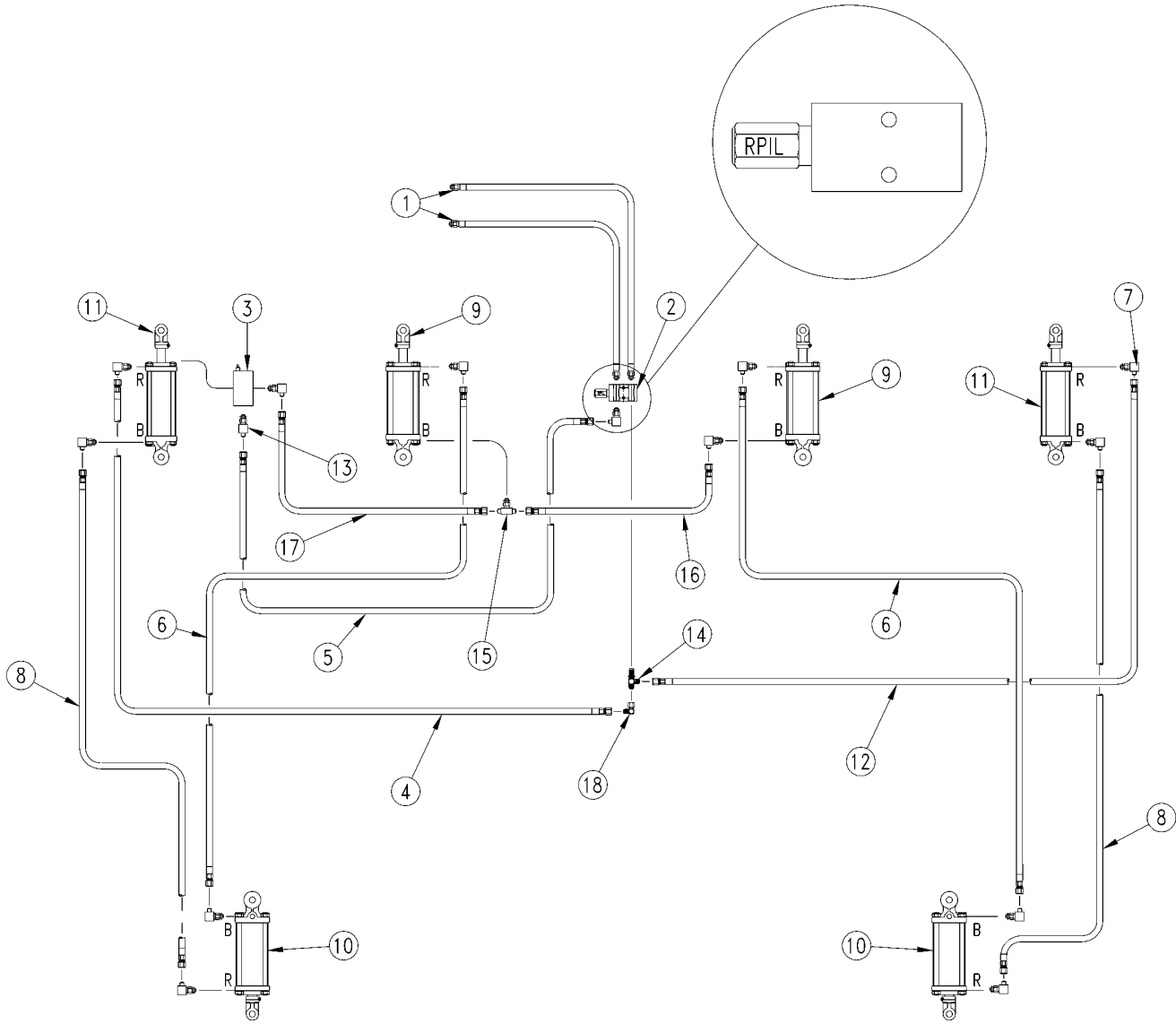
**(Applies to NTA3010, NTA3510 only)**

<b>Ref</b>	<b>Part No.</b>	<b>Part Description</b>	<b>Comments</b>	<b>Revision</b>
	dwg19928	Image No.		
1.	811-658C	HH1/2R2 80 3/4MORB LIFT		
2.	810-370C	RELIEF VALVE TAMP PROOF1300PSI	Refer to "Relief Valve (810-370C)"	
3.	810-445C	STROKE CONTROL VALVE	Refer to "Hydraulic Shut-Off Valve (810-084C)"	2nd rev.
3.	810-084C	RPBY 810-445C	Refer to "Hydraulic Shut-Off Valve (810-084C)"	1st rev.
4.	811-659C	HH3/8R2 214 3/4FJIC		
5.	811-660C	HH1/2R2 220 3/4FJIC		
6.	811-661C	HH3/8R2 168 3/4FJIC		
7.	811-063C	EL 3/4MJIC 3/4MORB		
8.	811-662C	HH3/8R2 268 3/4FJIC		
9.	810-287C	CYL REP 4.75 X 12 X 1.50 ROD	Refer to "Hydraulic Cylinder (810-287C)"	
10.	810-333C	CYL REP 4.5X12X1.5 ROD 22.25L	Refer to "Hydraulic Cylinder (810-333C)"	
11.	810-221C	CYL REP 4.25X12X1.5 ROD (TIE)	Refer to "Hydraulic Cylinder (810-221C)"	
12.	811-663C	HH3/8R2 225 3/4FJIC		
13.	811-088C	AD 3/4MORB 3/4MJIC		
14.	811-080C	TE 3/4MJIC 3/4MORB 3/4MJIC		
15.	811-077C	TE 3/4MORB 3/4MJIC 3/4MJIC		
16.	811-664C	HH3/8R2 38 3/4FJIC		
17.	811-665C	HH1/2R2 208 3/4FJIC		
18.	811-150C	EL 3/4FJIC 3/4MJIC		

[Table of Contents](#)   [Part Number Index](#)

**Transport Hydraulics (RPIL Cartridge)**

(Applies to NTA3010, NTA3510 only)



16363

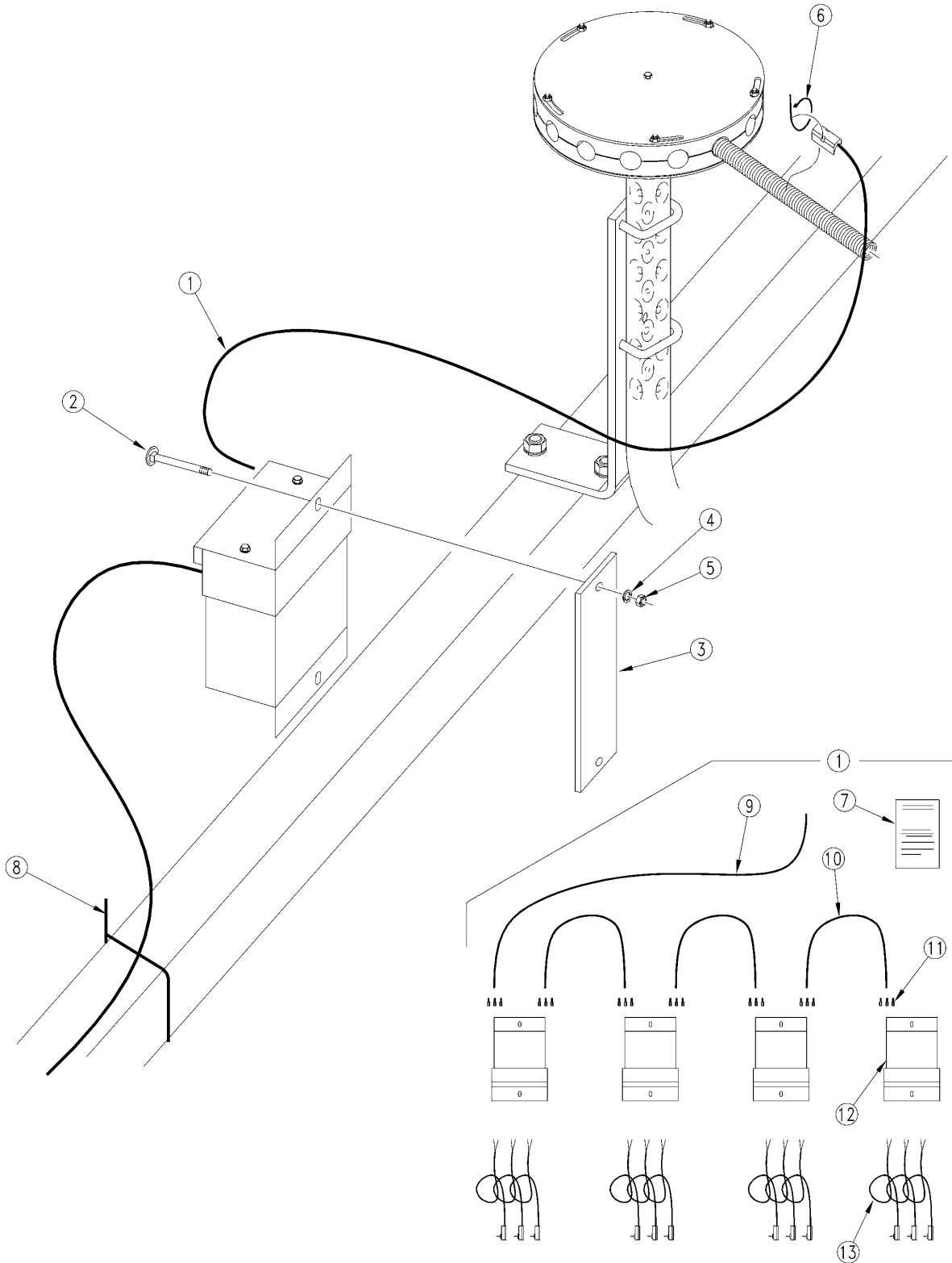
***Transport Hydraulics (RPIL Cartridge)***

**(Applies to NTA3010, NTA3510 only)**

<b>Ref</b>	<b>Part No.</b>	<b>Part Description</b>	<b>Comments</b>	<b>Revision</b>
	dwg16363	Image No.		
1.	811-658C	HH1/2R2 80 3/4MORB LIFT		
2.	810-370C	RELIEF VALVE TAMP PROOF1300PSI	Refer to "Relief Valve (810-370C)"	
3.	810-445C	STROKE CONTROL VALVE	Refer to "Hydraulic Shut-Off Valve (810-084C)"	2nd rev.
3.	810-084C	RPBY 810-445C	Refer to "Hydraulic Shut-Off Valve (810-084C)"	1st rev.
4.	811-659C	HH3/8R2 214 3/4FJIC		
5.	811-660C	HH1/2R2 220 3/4FJIC		
6.	811-661C	HH3/8R2 168 3/4FJIC		
7.	811-063C	EL 3/4MJIC 3/4MORB		
8.	811-662C	HH3/8R2 268 3/4FJIC		
9.	810-287C	CYL REP 4.75 X 12 X 1.50 ROD	Refer to "Hydraulic Cylinder (810-287C)"	
10.	810-333C	CYL REP 4.5X12X1.5 ROD 22.25L	Refer to "Hydraulic Cylinder (810-333C)"	
11.	810-221C	CYL REP 4.25X12X1.5 ROD (TIE)	Refer to "Hydraulic Cylinder (810-221C)"	
12.	811-663C	HH3/8R2 225 3/4FJIC		
13.	811-088C	AD 3/4MORB 3/4MJIC		
14.	811-080C	TE 3/4MJIC 3/4MORB 3/4MJIC		
15.	811-077C	TE 3/4MORB 3/4MJIC 3/4MJIC		
16.	811-664C	HH3/8R2 38 3/4FJIC		
17.	811-665C	HH1/2R2 208 3/4FJIC		
18.	811-150C	EL 3/4FJIC 3/4MJIC		

### Blockage Monitor (Option)

(Applies to NTA3010, NTA3510 only)



16480

## ***Blockage Monitor (Option)***

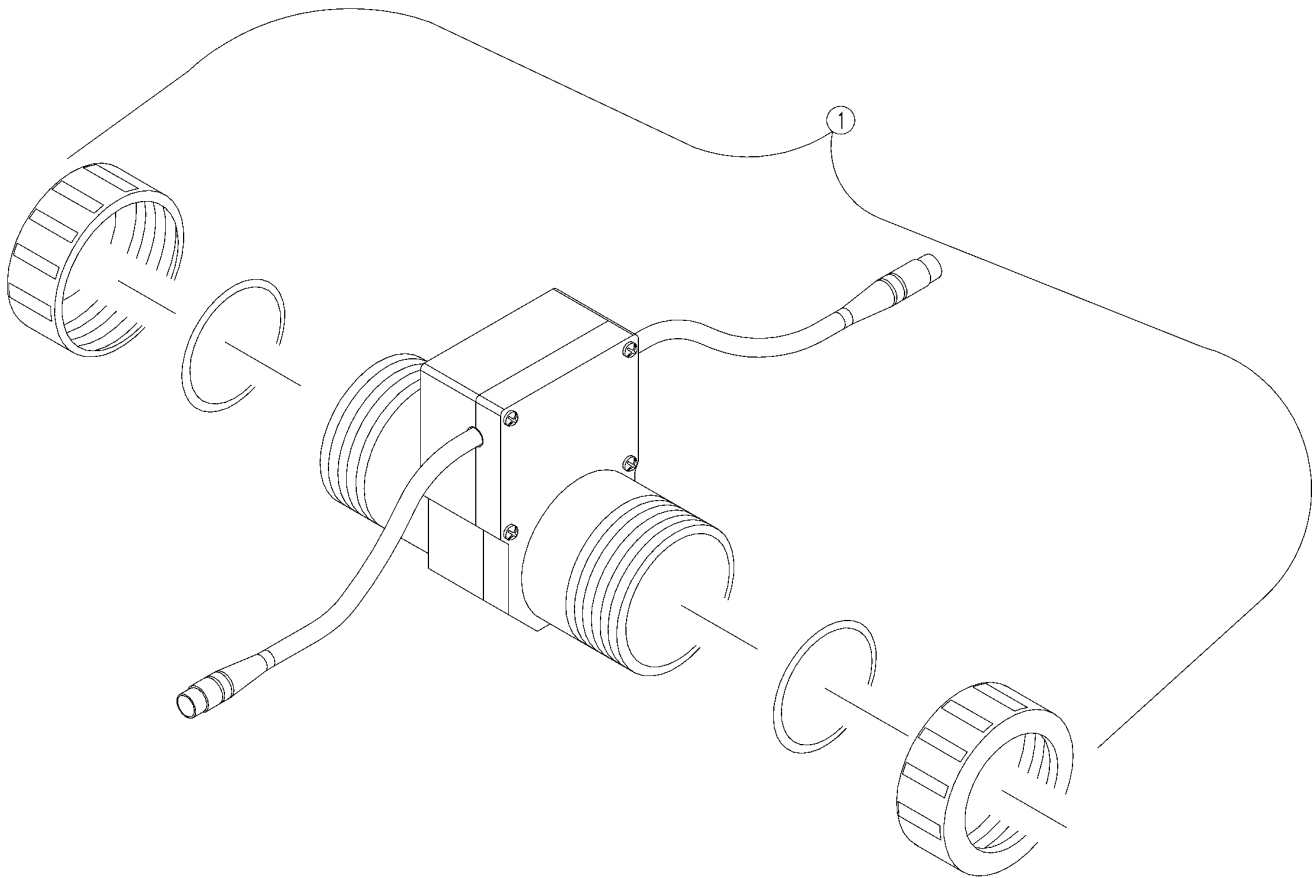
---

**(Applies to NTA3010, NTA3510 only)**

<b>Ref</b>	<b>Part No.</b>	<b>Part Description</b>	<b>Comments</b>	<b>Revision</b>
	dwg16480	Image No.		
1.	823-158C	VANSCO BLOCK PKG NTA55ROWS 7.5	NTA3510-7 1/2" spacing	
1.	823-159C	VANSCO BLOCK PKG NTA40ROWS 10	NTA3510-10" spacing	
1.	823-161C	VANSCO BLOCK PKG NTA3010 48R	NTA3010-7 1/2" spacing	
1.	823-162C	VANSCO BLOCK PKG NTA3010 36R	NTA3010-10" spacing	
2.	802-389C	FRHSNB 1/4-20X4 3/4 GR5		
3.	168-365D	BLOCKAGE MODULE MOUNTING BKT		
4.	804-006C	WASHER LOCK SPRING 1/4 PLT		
5.	803-006C	NUT-HEX 1/4-20 PLT		
6.	800-112C	CABLE TIE .19X7.25 1.75D 50LB		
7.	168-258M	MANUAL BLOCK MONITOR INSTALL		
8.	800-082C	CABLE TIE .31X21.5 6DIA 120LB		
9.	VA-490704	MAIN HARNESS LEAD		
10.	990-184R	WIRE 3 COND. 16GA RUBBER COVER		
11.	833-107C	TERM FEMALE INSUL PUSH ON .250		
12.	VA-150004	MULTIPLEX BLOCK MODULE LOWRATE		
13.	VA-141000-04	BLOCKAGE PIN SENSOR - 4 FT		
	168-257A	NTA3510-4010 BLKG MONITOR PKG		
	168-256A	NTA3510-5575 BLKG MONITOR PKG		
	168-260A	NTA3010 48R BLKG MONITOR PKG		
	168-261A	NTA3010 36R BLKG MONITOR PKG		

**Agtron Sensor (Option) (S/N Z1263-)**

(Applies to NTA3010, NTA3510 only)



23262



**Agtron Sensor (Option) (S/N Z1263-)**

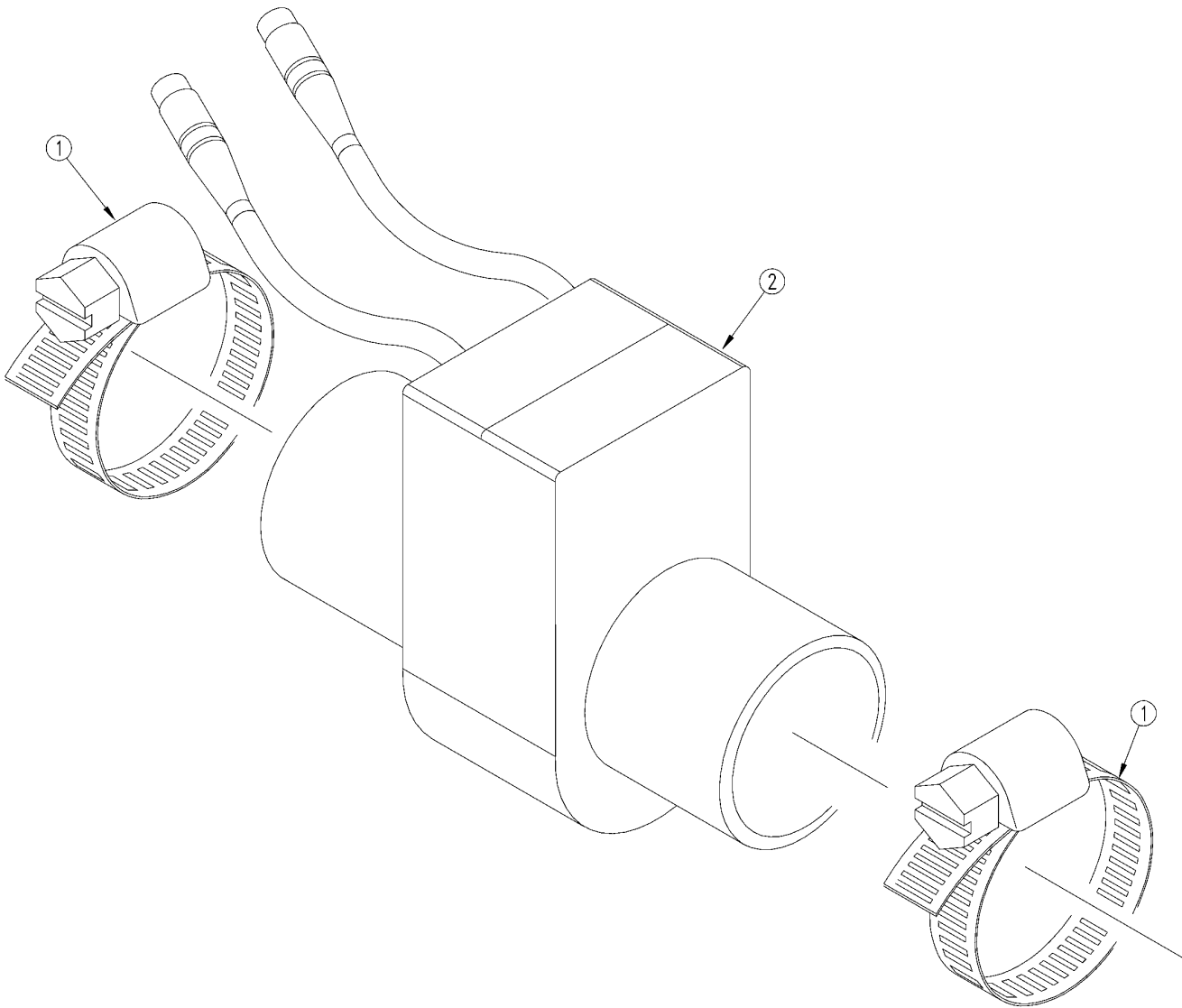
---

(Applies to NTA3010, NTA3510 only)

<b>Ref</b>	<b>Part No.</b>	<b>Part Description</b>	<b>Comments</b>	<b>Revision</b>
	dwg23262	Image No.		
1.	823-201C	AGTRON AR99 SEED FLOW SENSOR		
	168-352A	NTA3010-4875 AGTRON BLOCK PKG		
	168-353A	NTA3010-3610 AGTRON BLOCK PKG		
	168-354A	NTA3510-5575 AGTRON BLOCK PKG		
	168-355A	NTA3510-4010 AGTRON BLOCK PKG		

**Agtron AGS25 Blockage Sensor (Option) (S/N Z1264+)**

(Applies to NTA3010, NTA3510 only)



25104

**Agtron AGS25 Blockage Sensor (Option) (S/N Z1264+)**

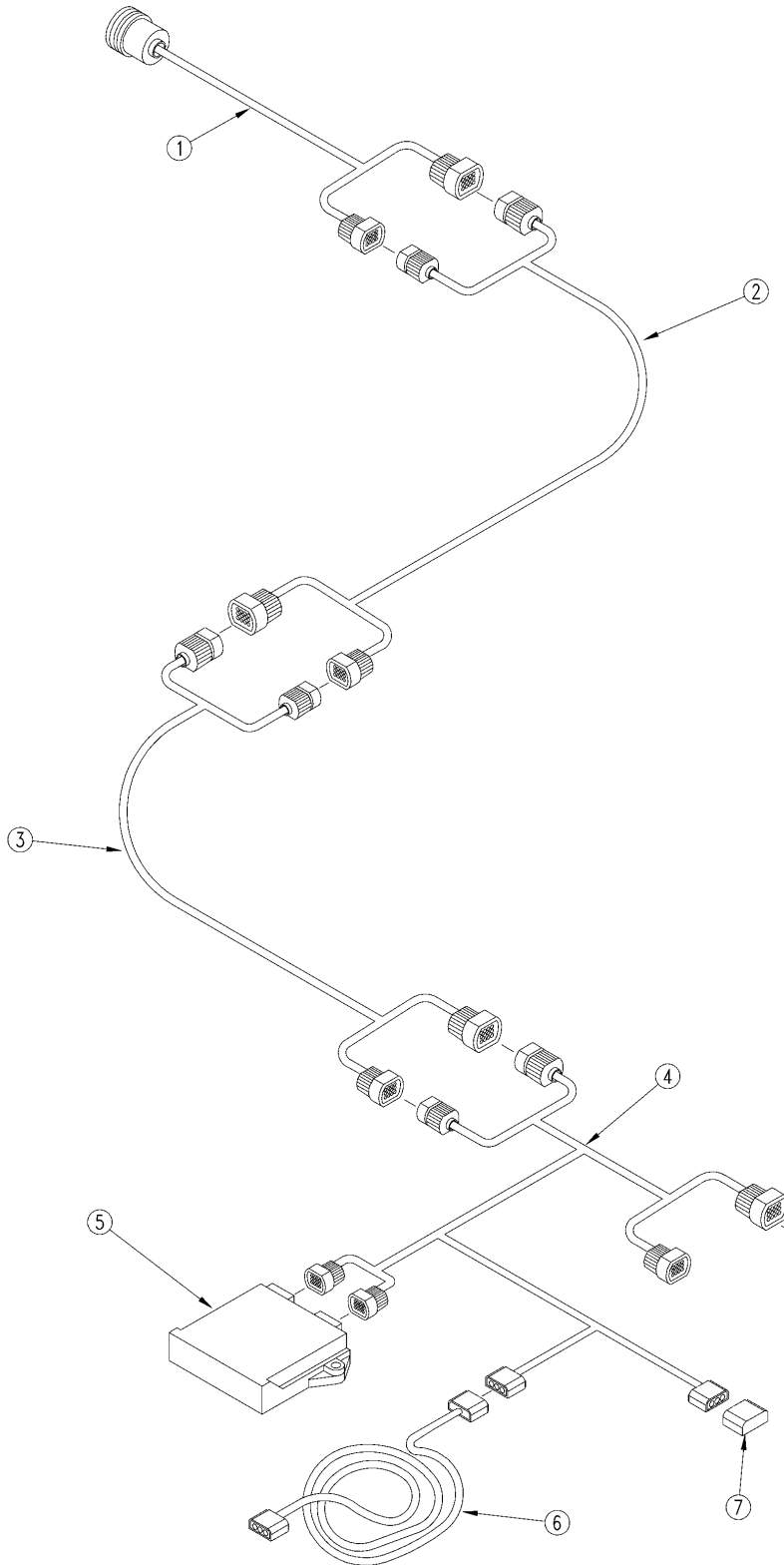
---

(Applies to NTA3010, NTA3510 only)

<b>Ref</b>	<b>Part No.</b>	<b>Part Description</b>	<b>Comments</b>	<b>Revision</b>
	dwg25104	Image No.		
1.	800-257C	CLAMP WRM DRV #20SS (.81-1.75)		
2.	823-246C	AGTRON AGSS25 BLOCKAGE SENSOR		
	168-352A	NTA3010-4875 AGTRON BLOCK PKG		
	168-353A	NTA3010-3610 AGTRON BLOCK PKG		
	168-354A	NTA3510-5575 AGTRON BLOCK PKG		
	168-355A	NTA3510-4010 AGTRON BLOCK PKG		

# Implement Kit

(Applies to NTA3010, NTA3510 only)



26391

## ***Implement Kit***

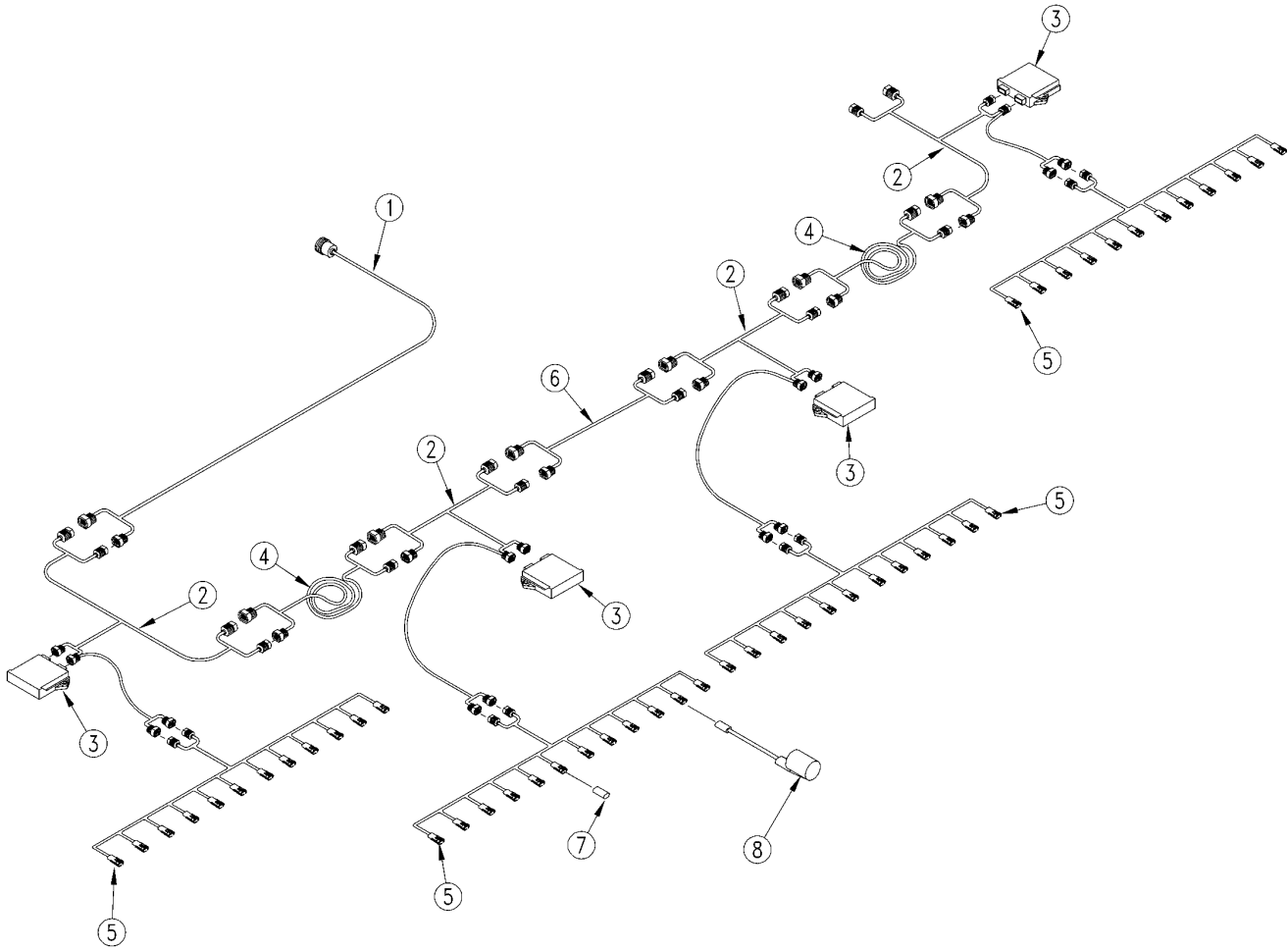
---

**(Applies to NTA3010, NTA3510 only)**

<b>Ref</b>	<b>Part No.</b>	<b>Part Description</b>	<b>Comments</b>	<b>Revision</b>
	dwg26391	Image No.		
1.	467980141	10' EXT HARNESS		
2.	467980360	3' REAR HITCH HARNESS		
3.	467980134	DJ 6' HITCH EXTENSION		
4.	467983502	DJ 2SOL YP24LIFT/HITCH FCM HRN		
5.	467982000S1	PLNTR CNTRL OUTPUT MODULE(POM)		
6.	467980476	NTA SOL INTERFACE EXT CABLE		
7.	464211330	DJ SE SEED MAN 2-PIN CABLE PLG		

# Monitor NTA3010

(Applies to NTA3010, NTA3510 only)



26393

## **Monitor NTA3010**

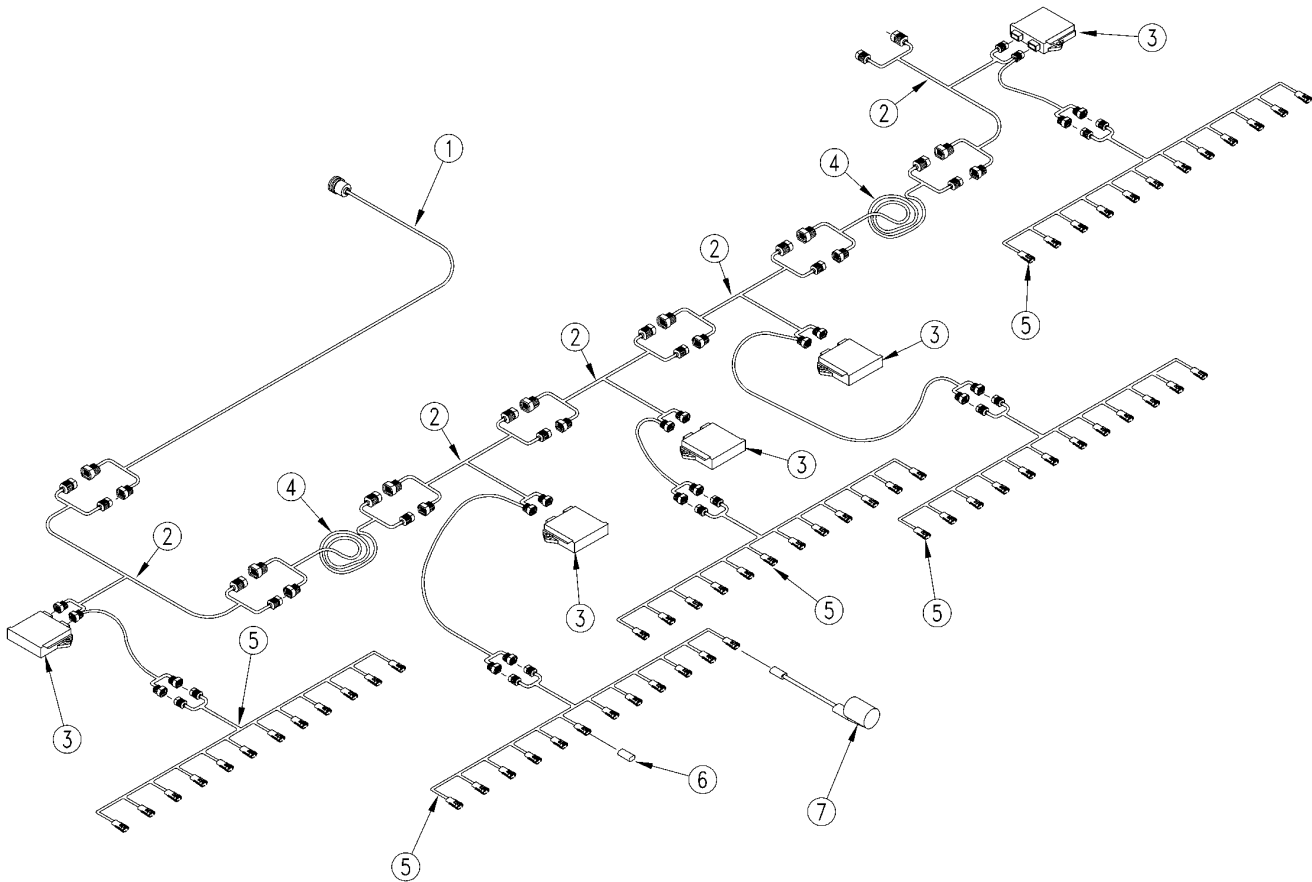
---

(Applies to NTA3010, NTA3510 only)

<b>Ref</b>	<b>Part No.</b>	<b>Part Description</b>	<b>Comments</b>	<b>Revision</b>
	dwg26393	Image No.		
1.	467980140	DJ 20' HARNESS EXT ISO SYS CAN		
2.	467981201	INT AG HARNESS, WSMB MODULE		
3.	467981100S1	INTAG WSMB/FLW MNTR MODULE 18R		
4.	467980141	10' EXT HARNESS		
5.	467751320	12 ROW HARNESS		
6.	467980142	5' EXT HARNESS		
7.	464211090	DUST PLUG		
8.	467420352S1	RECON II	Rev. 1	
8.	467420701	VIGILENSE BLOCKAGE SENSOR 25MM	Rev. 2	

# Monitor NTA3510

(Applies to NTA3010, NTA3510 only)



26392



## **Monitor NTA3510**

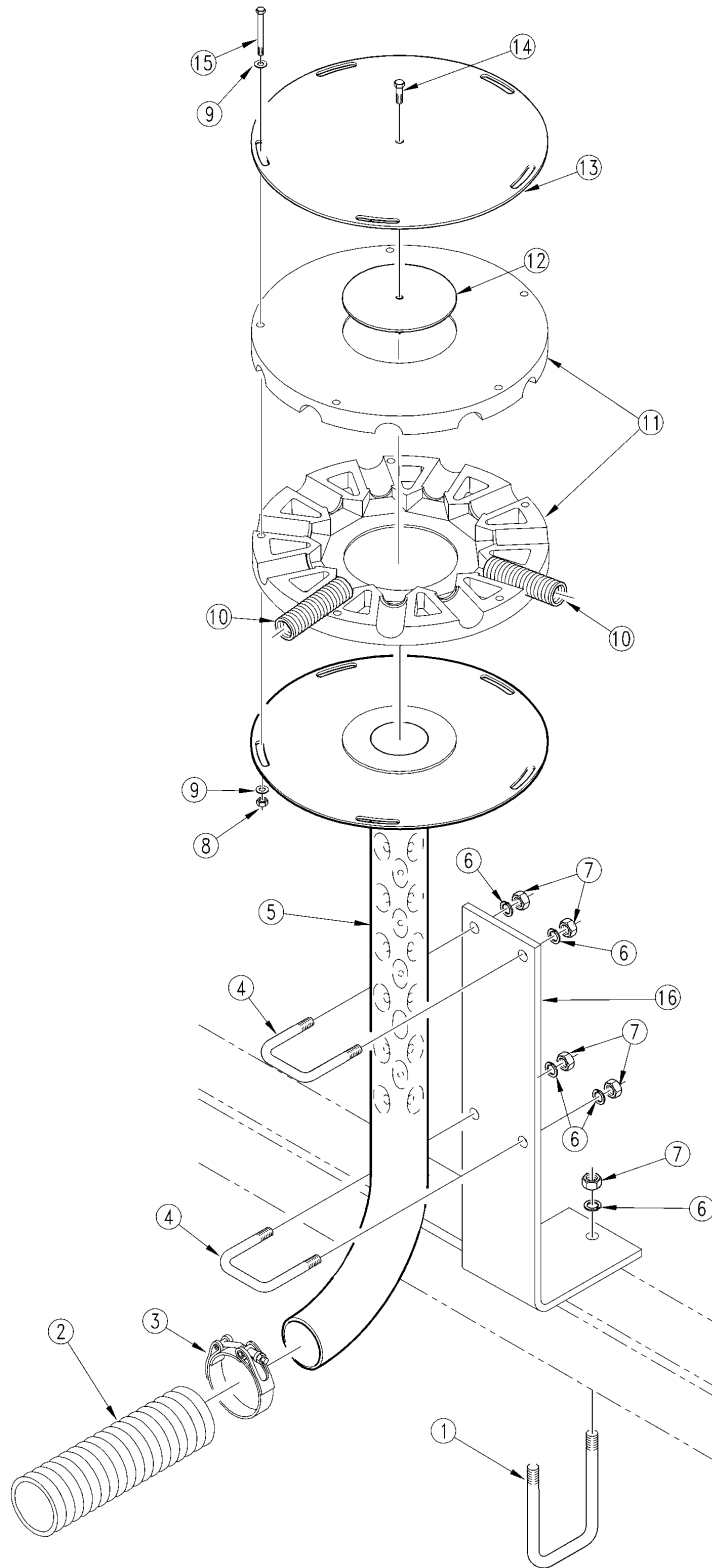
---

(Applies to NTA3010, NTA3510 only)

<b>Ref</b>	<b>Part No.</b>	<b>Part Description</b>	<b>Comments</b>	<b>Revision</b>
	dwg26392	Image No.		
1.	467980140	DJ 20' HARNESS EXT ISO SYS CAN		
2.	467981201	INT AG HARNESS, WSMB MODULE		
3.	467981100S1	INTAG WSMB/FLW MNTR MODULE 18R		
4.	467980141	10' EXT HARNESS		
5.	467751320	12 ROW HARNESS		
6.	464211090	DUST PLUG		
7.	467420352S1	RECON II	Rev. 1	
7.	467420701	VIGILENSE BLOCKAGE SENSOR 25MM	Rev. 2	

**Tower for ADC2220 Air Cart Drill**

(Applies to NTA3010, NTA3510 only)



16282

## **Tower for ADC2220 Air Cart Drill**

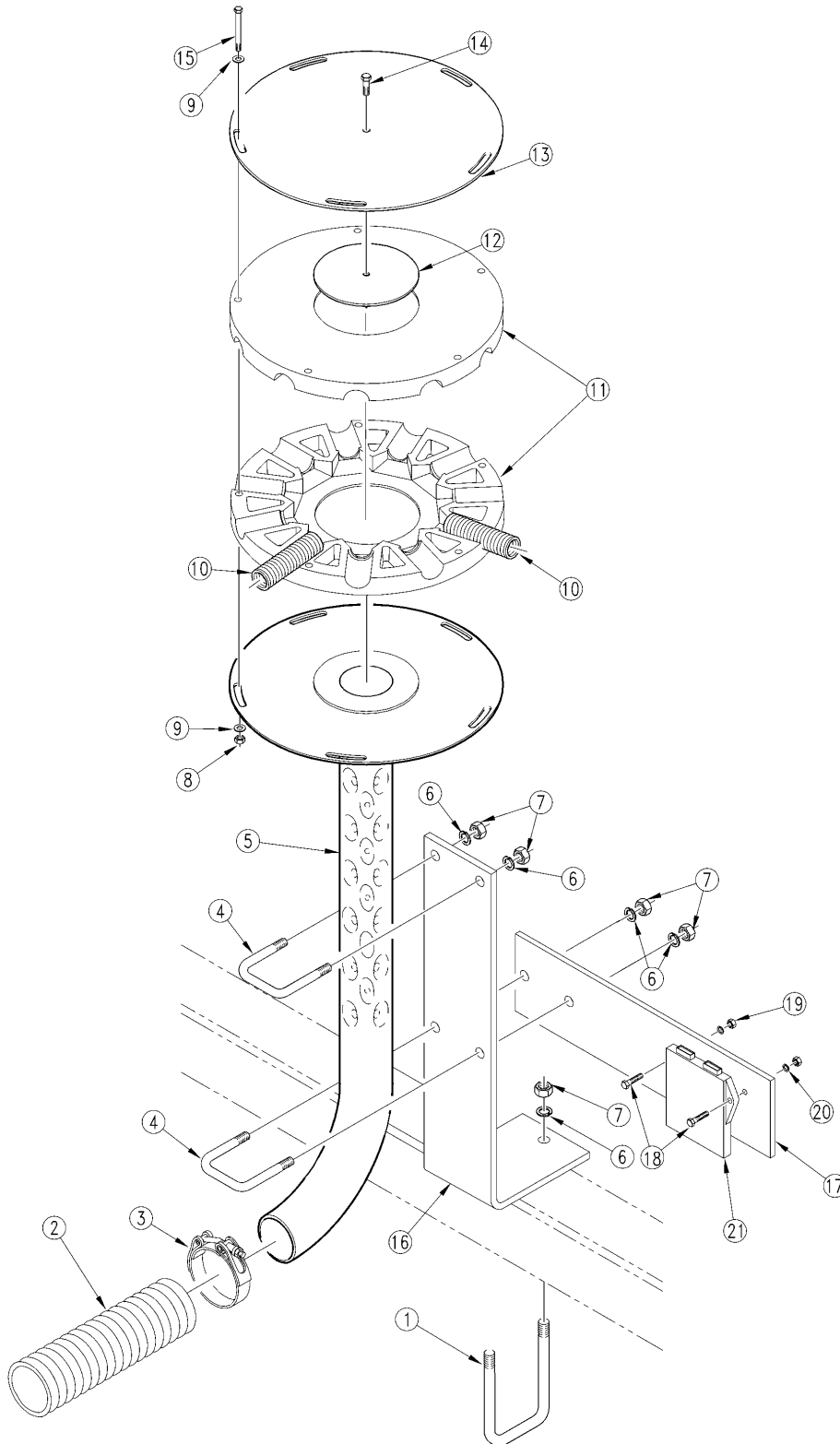
---

(Applies to NTA3010, NTA3510 only)

<b>Ref</b>	<b>Part No.</b>	<b>Part Description</b>	<b>Comments</b>	<b>Revision</b>
	dwg16282	Image No.		
1.	806-056C	U-BOLT 1/2-13 X 4 1/32 X 5 1/4		
1.	806-069C	U-BOLT 1/2-13 X 4 1/32 X 7 1/4		
2.	990-125R	SEED HOSE 2 1/2 ID KANAFLEX		
3.	800-180C	2 1/2 AIR HOSE BAND CLAMP		
4.	806-010C	U-BOLT 1/2-13 X 2 1/2 X 3 1/2		
5.	168-216H	DESTRIBUTION TOWER WELDMENT		
6.	804-015C	WASHER LOCK SPRING 1/2 PLT		
7.	803-020C	NUT HEX 1/2-13 PLT		
8.	803-084C	NUT HEX NYLOCK 5/16-18 PLT		
9.	804-010C	WASHER FLAT 5/16 USS PLT		
10.	817-039C	PVC SEED HOSE 1 IN/FT		
11.	816-218C	11 OUTLET SEED DIST. RING		
11.	816-216C	8 OUTLET SEED DIST. RING		
11.	816-217C	9 OUTLET SEED DIST. RING		
11.	816-288C	212 OUTLETSEED DIST. RING		
12.	817-234C	DIST TOWER DIVIDER		
13.	834-014C	RPBY 168-314D		
14.	802-007C	HHCS 5/16-18X3/4 GR5		
15.	802-131C	HHCS 5/16-18X3 GR5		
16.	168-362D	NTA35 DIST TOWER MOUNT		

# Tower for ADC2350 Air Cart Drill

(Applies to NTA3010, NTA3510 only)



26421

## Tower for ADC2350 Air Cart Drill

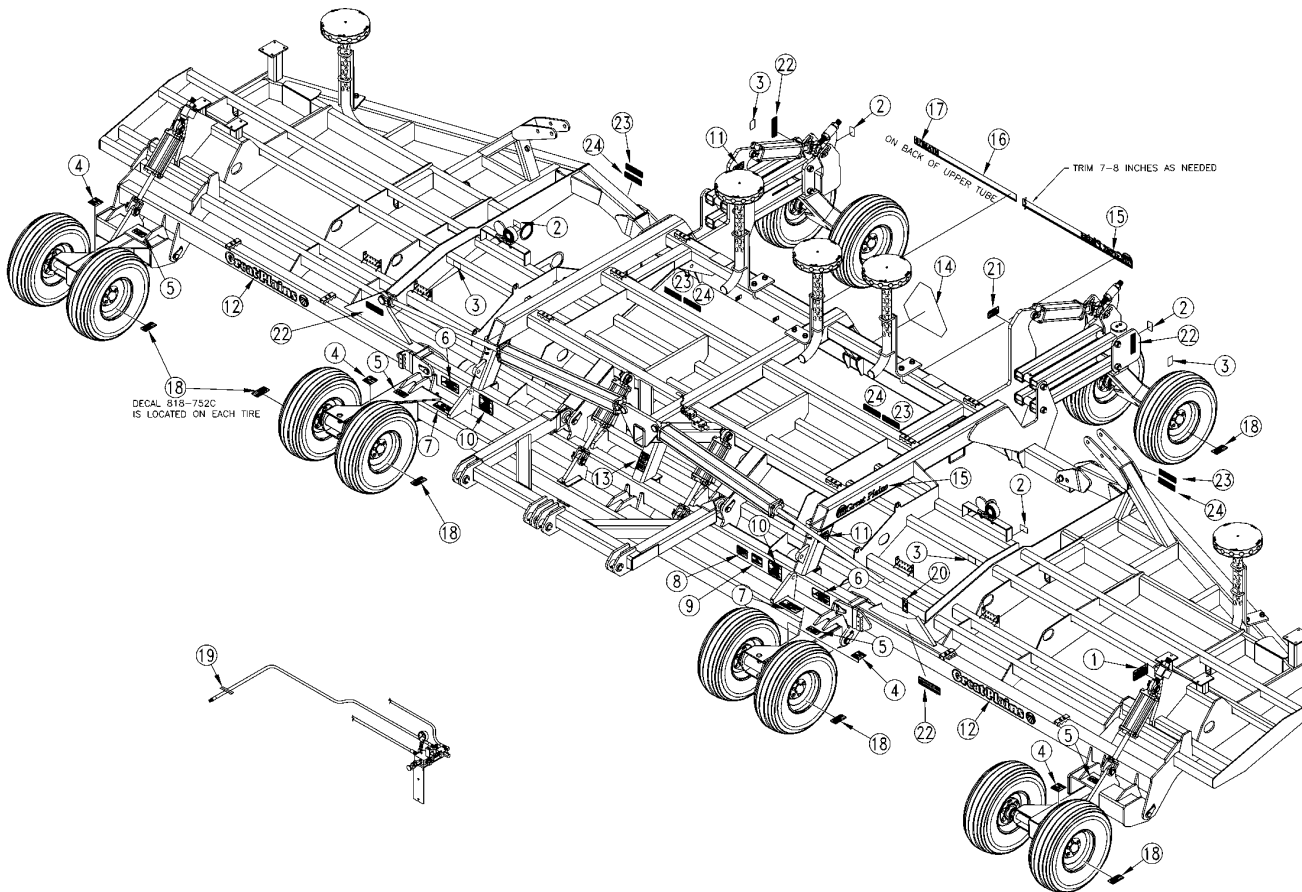
---

(Applies to NTA3010, NTA3510 only)

Ref	Part No.	Part Description	Comments	Revision
	dwg16282	Image No.		
1.	806-056C	U-BOLT 1/2-13 X 4 1/32 X 5 1/4		
1.	806-069C	U-BOLT 1/2-13 X 4 1/32 X 7 1/4		
2.	990-125R	SEED HOSE 2 1/2 ID KANAFLEX		
3.	800-180C	2 1/2 AIR HOSE BAND CLAMP		
4.	806-010C	U-BOLT 1/2-13 X 2 1/2 X 3 1/2		
5.	168-216H	DESTRIBUTION TOWER WELDMENT		
6.	804-015C	WASHER LOCK SPRING 1/2 PLT		
7.	803-020C	NUT HEX 1/2-13 PLT		
8.	803-084C	NUT HEX NYLOCK 5/16-18 PLT		
9.	804-010C	WASHER FLAT 5/16 USS PLT		
10.	817-039C	PVC SEED HOSE 1 IN/FT		
11.	816-290C	16 OUTLET SEED DIST. RING		
11.	816-289C	13 OUTLET SEED DIST. RING		
11.	816-287C	10 OUTLET SEED DIST. RING		
12.	817-234C	DIST TOWER DIVIDER		
13.	834-014C	RPBY 168-314D		
14.	802-007C	HHCS 5/16-18X3/4 GR5		
15.	802-131C	HHCS 5/16-18X3 GR5		
16.	168-362D	NTA35 DIST TOWER MOUNT		
17.	802-185C	HFSS 3/8-16X3/4 LG		
18.	802-224C	HHCS 1/4-20X1 1/4 GR5		
19.	803-006C	NUT-HEX 1/4-20 PLT		
20.	804-006C	WASHER LOCK SPRING 1/4 PLT		
21.	467981100S1	INTAG WSMB/FLW MNTR MODULE 18R		

## Decal Placement

(Applies to NTA3010, NTA3510 only)



16371

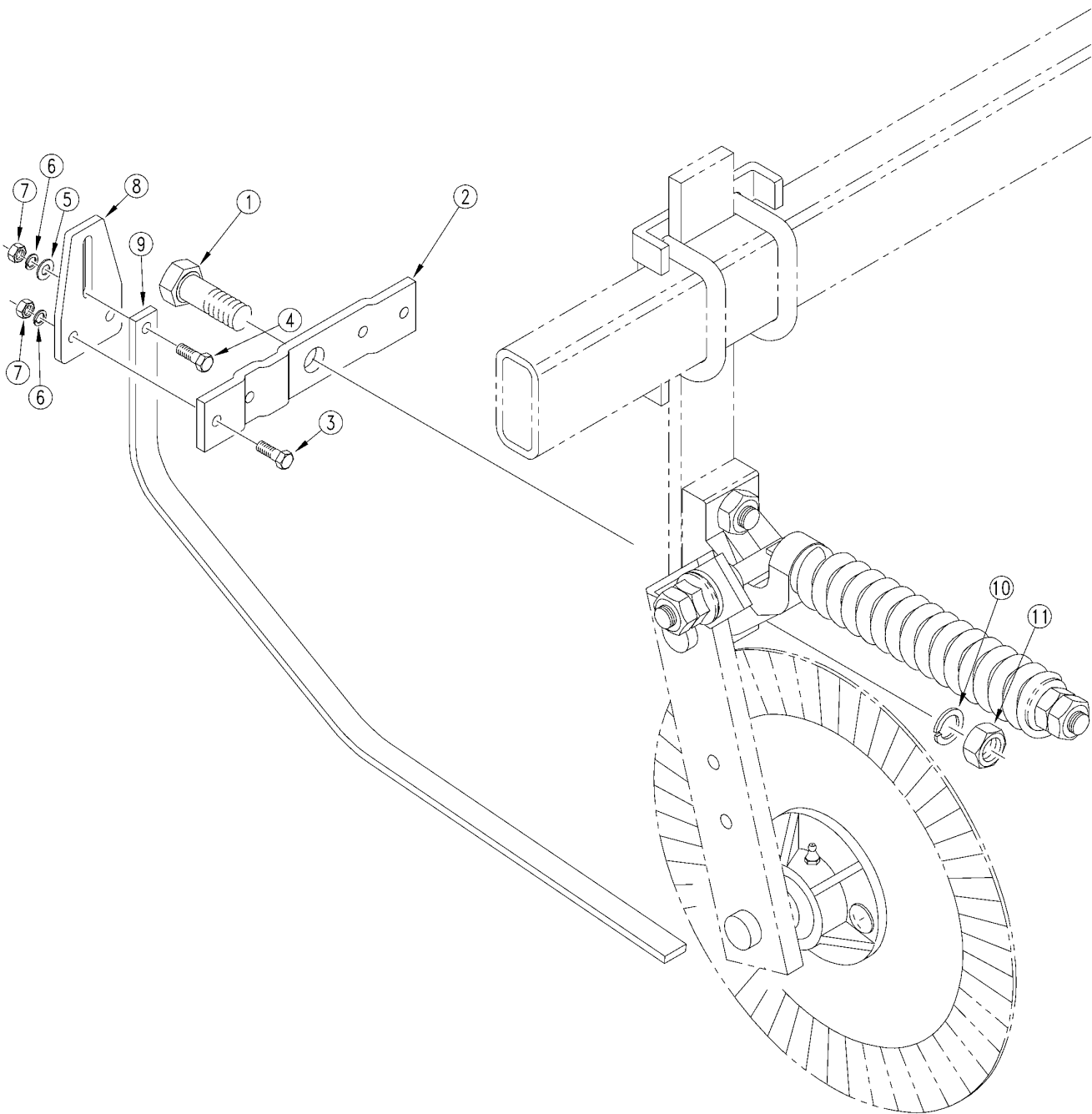
***Decal Placement***

**(Applies to NTA3010, NTA3510 only)**

<b>Ref</b>	<b>Part No.</b>	<b>Part Description</b>	<b>Comments</b>	<b>Revision</b>
	dwg16371	Image No.		
1.	818-043C	DECAL LIFT CYL OPERATING INSTR		
2.	818-230C	DECAL RED REFLECTOR	2000-	
3.	818-229C	DECAL AMBER REFLECTOR	2001-	
4.	818-398C	DECAL CAUTION TIRES NOT A STEP		
5.	818-798C	DECAL WARNING PINCH POINT GEN		
6.	818-046C	DECAL DANGER CHARGE FOLD CYL		
7.	818-624C	DECAL DANGER CRUSH AD/IMPLEM		
8.	818-560C	DECAL NOTICE TO OWNER-NO WARRA		
9.	818-557C	DECAL DANGER CANNOT READ ENG		
10.	818-627C	DECAL DANGER ELECTROCUTION AUG		
11.	818-631C	DECAL NOTICE FOLD IMP/CYL LOCK		
12.	818-412C	DECAL GREAT PLAINS W/LOGO		
13.	818-339C	DECAL WARNING HIGH PRESSUR SML		
14.	818-055C	DECAL SLOW MOVING-GALV. BACKED	Refer to "Slow Moving Vehicle Emblem" for mounting hardware.	
15.	838-161C	DECAL LOGO&GP F/STRIPE 4 X 24		
16.	838-160C	DECAL 3 COLOR STRIPE 2.50 WIDE		2nd rev.
16.	818-800C	DECAL 4 COLOR STRIPE - 2 3/8		1st rev.
17.	838-223C	DECAL NTA3510		2nd rev.
17.	818-813C	DECAL NTA3510		1st rev.
17.	838-222C	DECAL NTA3010		2nd rev.
17.	818-853C	DECAL NTA3010		1st rev.
18.	818-752C	DECAL CAUTION TIRE 52 PSI	This decal is located on each tire.	
19.	818-882C	DECAL SUMP		
20.	818-795C	DECAL SEL VALVE FOLD/FIELD		
21.	818-631C	DECAL NOTICE FOLD IMP/CYL LOCK		
22.	838-265C	DECAL REFLECTOR AMBER 1 1/2X9	2001+	
23.	838-266C	DECAL REFLECTOR RED 1 1/2X9	2001+	
24.	838-267C	DECAL REFLECTR DAYTIME 1 1/2X9	2001+	

## Coulter Tine

(Applies to NTA3010, NTA3510 only)



15683



## ***Coulter Tine***

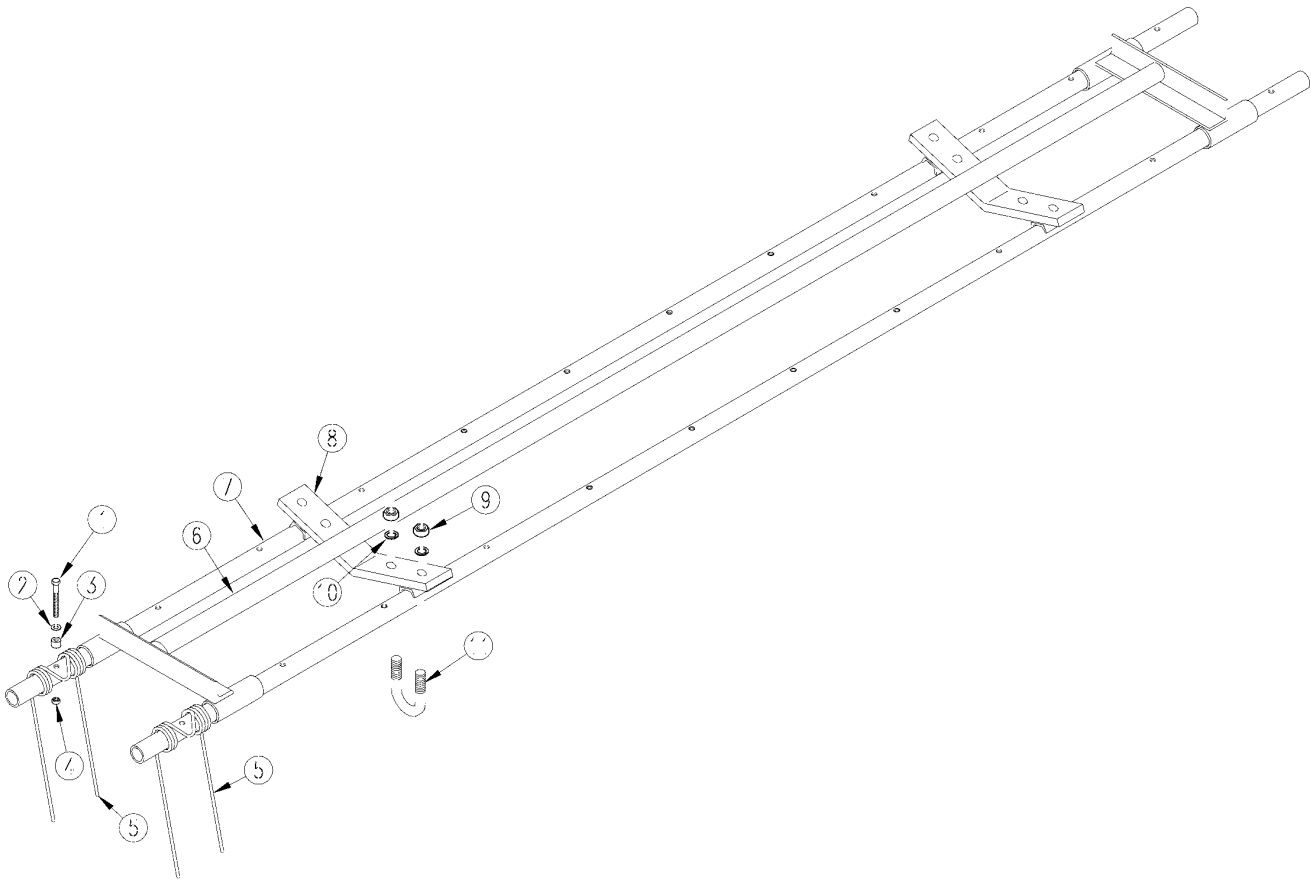
---

(Applies to NTA3010, NTA3510 only)

<b>Ref</b>	<b>Part No.</b>	<b>Part Description</b>	<b>Comments</b>	<b>Revision</b>
	dwg15683	Image No.		
1.	802-126C	HHCS 7/8-9X3 1/2 GR5		
2.	149-550D	COULTER TINE MOUNT		
3.	802-100C	HHCS 5/8-11X4 1/2 GR5		
4.	802-022C	HHCS 3/8-16X1 1/2 GR5		
5.	804-011C	WASHER FLAT 3/8 USS PLT		
6.	804-013C	WASHER LOCK SPRING 3/8 PLT		
7.	803-014C	NUT HEX 3/8-16 PLT		
8.	149-549D	COULTER TINE CLAMP PLATE		
9.	820-114C	2SNT COULTER TINE		
10.	804-037C	WASHER LOCK SPRING 7/8 PLT		
11.	803-049C	NUT HEX 7/8-9 PLT		

## Harrow Assembly

(Applies to NTA3010, NTA3510 only)



16951

## ***Harrow Assembly***

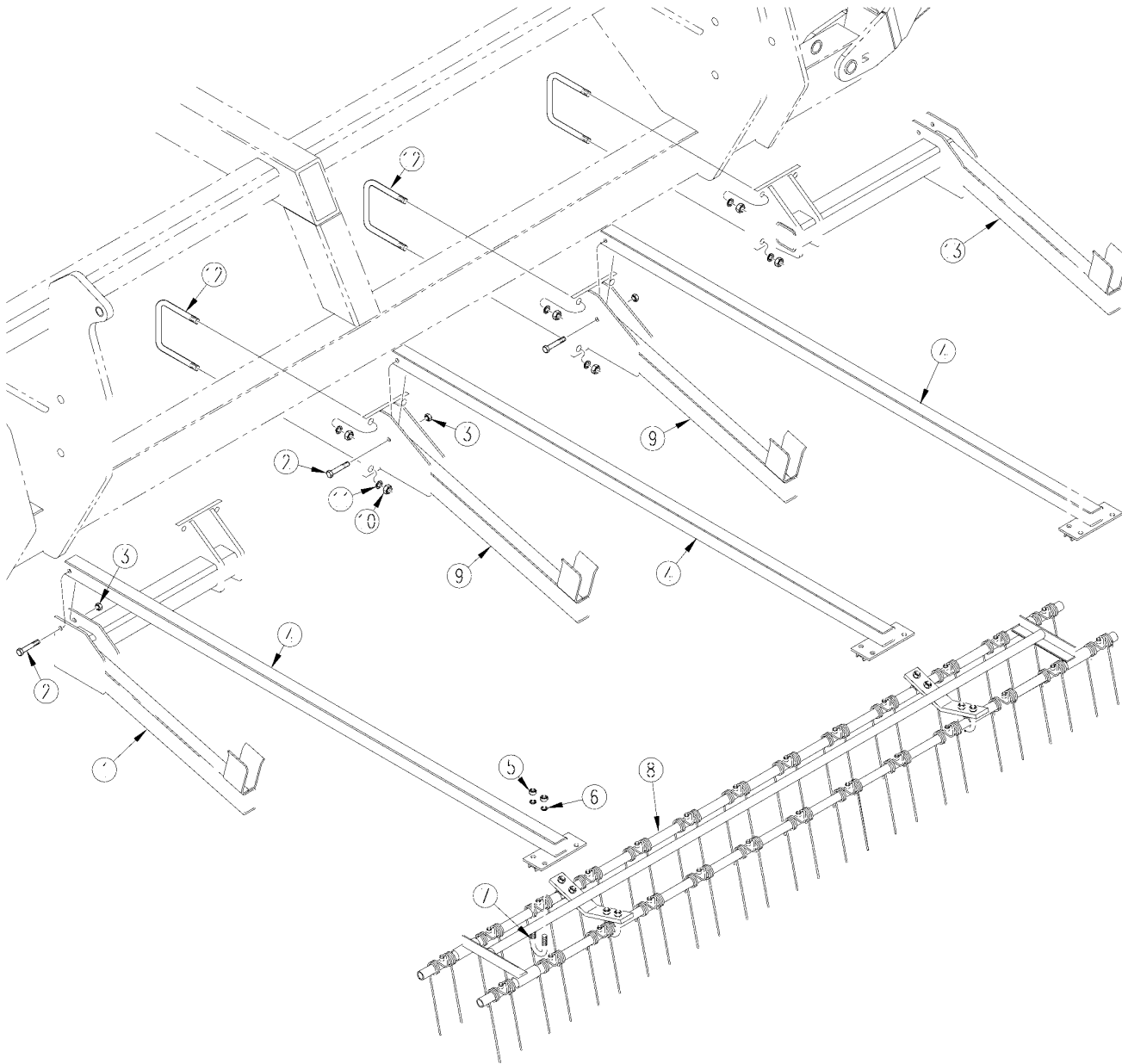
---

**(Applies to NTA3010, NTA3510 only)**

<b>Ref</b>	<b>Part No.</b>	<b>Part Description</b>	<b>Comments</b>	<b>Revision</b>
	dwg16951	Image No.		
1.	802-138C	HHCS 5/16-18X2 1/4 GR5		
2.	804-010C	WASHER FLAT 5/16 USS PLT		
3.	113-271D	SHEAR BUSHING 5/8X.357		
4.	803-084C	NUT HEX NYLOCK 5/16-18 PLT		
5.	807-079C	SPRING HARROW DBL TORSION 11		
6.	116-064H	20' FRAME WELDMENT	All except NTA3010 wings.	
6.	116-179H	NTA HARROW WING FRAME - 30'	For NTA3010 wings.	
7.	116-116D	14' TINE TUBE	For NTA3010 wings.	
7.	116-205D	NTA HARROW TINE TUBE-35' WING	For NTA3510 wings.	
7.	116-208D	NTA HARROW TINE TUBE - CTR	For all centers.	
8.	116-062H	CENTER BRACE WELDMENT		
9.	803-020C	NUT HEX 1/2-13 PLT		
10.	804-015C	WASHER LOCK SPRING 1/2 PLT		
11.	806-046C	U-BOLT 1/2-13 X 1 3/8X2 3/4 LG		

# Harrow Center Mount

(Applies to NTA3010, NTA3510 only)



16949

## ***Harrow Center Mount***

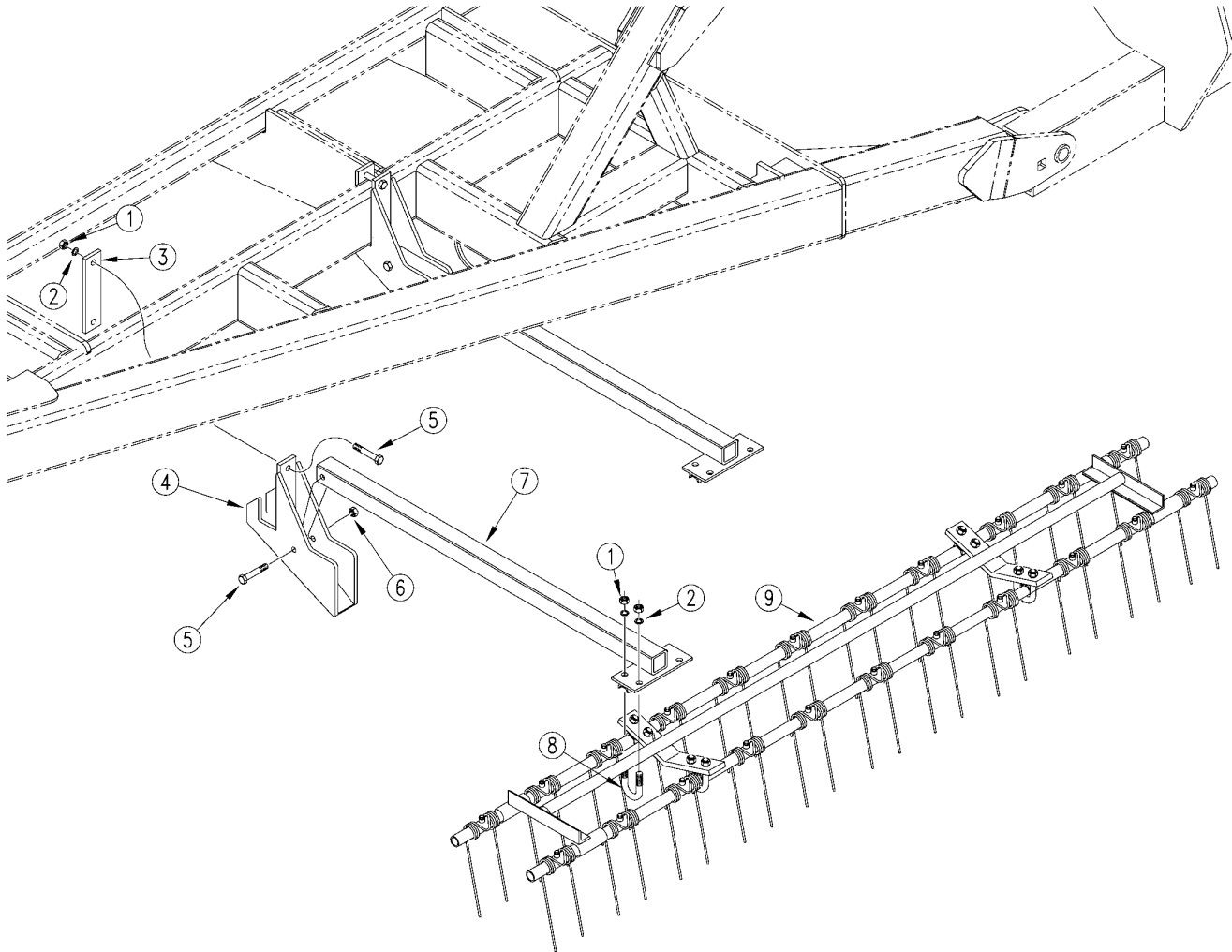
---

**(Applies to NTA3010, NTA3510 only)**

<b>Ref</b>	<b>Part No.</b>	<b>Part Description</b>	<b>Comments</b>	<b>Revision</b>
	dwg16949	Image No.		
1.	116-174H	NTA HARROW LH CENTER OS MNT		
2.	802-226C	HHCS 1/2-13X2 3/4 GR5		
3.	803-147C	NUT HEX NYLOCK 1/2-13		
4.	116-177H	NTA HARROW CENTER HANGER TUBE		
5.	803-020C	NUT HEX 1/2-13 PLT		
6.	804-015C	WASHER LOCK SPRING 1/2 PLT		
7.	806-046C	U-BOLT 1/2-13 X 1 3/8X2 3/4 LG		
8.	116-180K	NTA HARROW CENTER ASSY		
9.	116-176H	NTA HARROW INNER CENTER MNT		
10.	803-021C	NUT HEX 5/8-11 PLT		
11.	804-022C	WASHER LOCK SPRING 5/8 PLT		
12.	806-016C	U-BOLT 5/8-11 X 6 1/32 X 5 3/4		
13.	116-175H	NTA HARROW RH CENTER OS MNT		

## Harrow Wing Mount

(Applies to NTA3010, NTA3510 only)



16950

## ***Harrow Wing Mount***

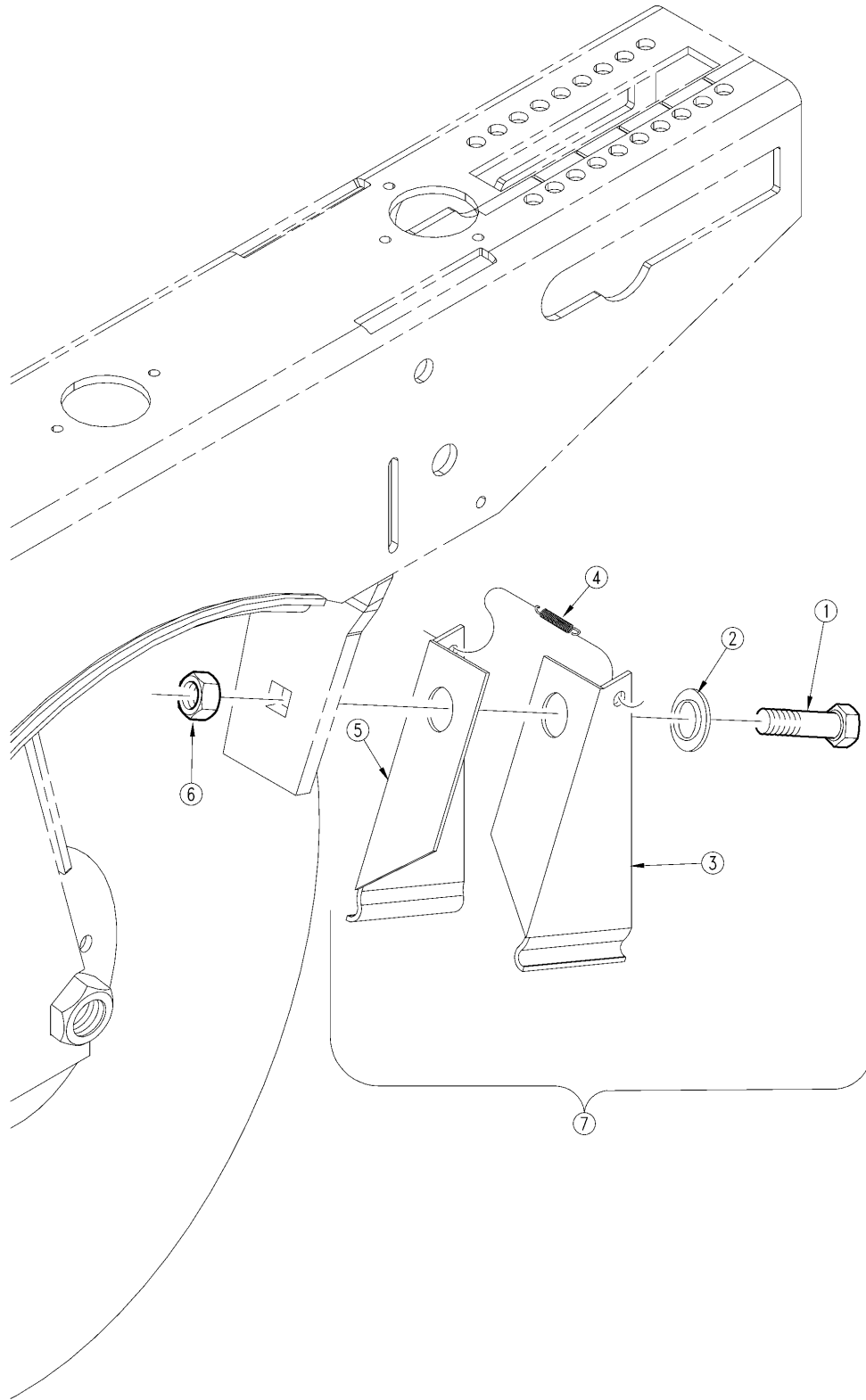
---

**(Applies to NTA3010, NTA3510 only)**

<b>Ref</b>	<b>Part No.</b>	<b>Part Description</b>	<b>Comments</b>	<b>Revision</b>
	dwg16950	Image No.		
1.	803-020C	NUT HEX 1/2-13 PLT		
2.	804-015C	WASHER LOCK SPRING 1/2 PLT		
3.	116-206D	NTA HARROW WING MOUNT BRKT BAR		
4.	116-173H	NTA HARROW WING MOUNT		
5.	802-226C	HHCS 1/2-13X2 3/4 GR5		
6.	803-147C	NUT HEX NYLOCK 1/2-13		
7.	116-178H	NTA HARROW WING HANGER TUBE		
8.	806-046C	U-BOLT 1/2-13 X 1 3/8X2 3/4 LG		
9.	116-181K	NTA35 HARROW ASSY LH WING		
9.	116-182K	NTA35 HARROW ASSY RH WING		
9.	116-183K	NTA30 HARROW ASSY WING		

# Spring Scraper Assembly

(Applies to NTA3010, NTA3510 only)



16402



## **Spring Scraper Assembly**

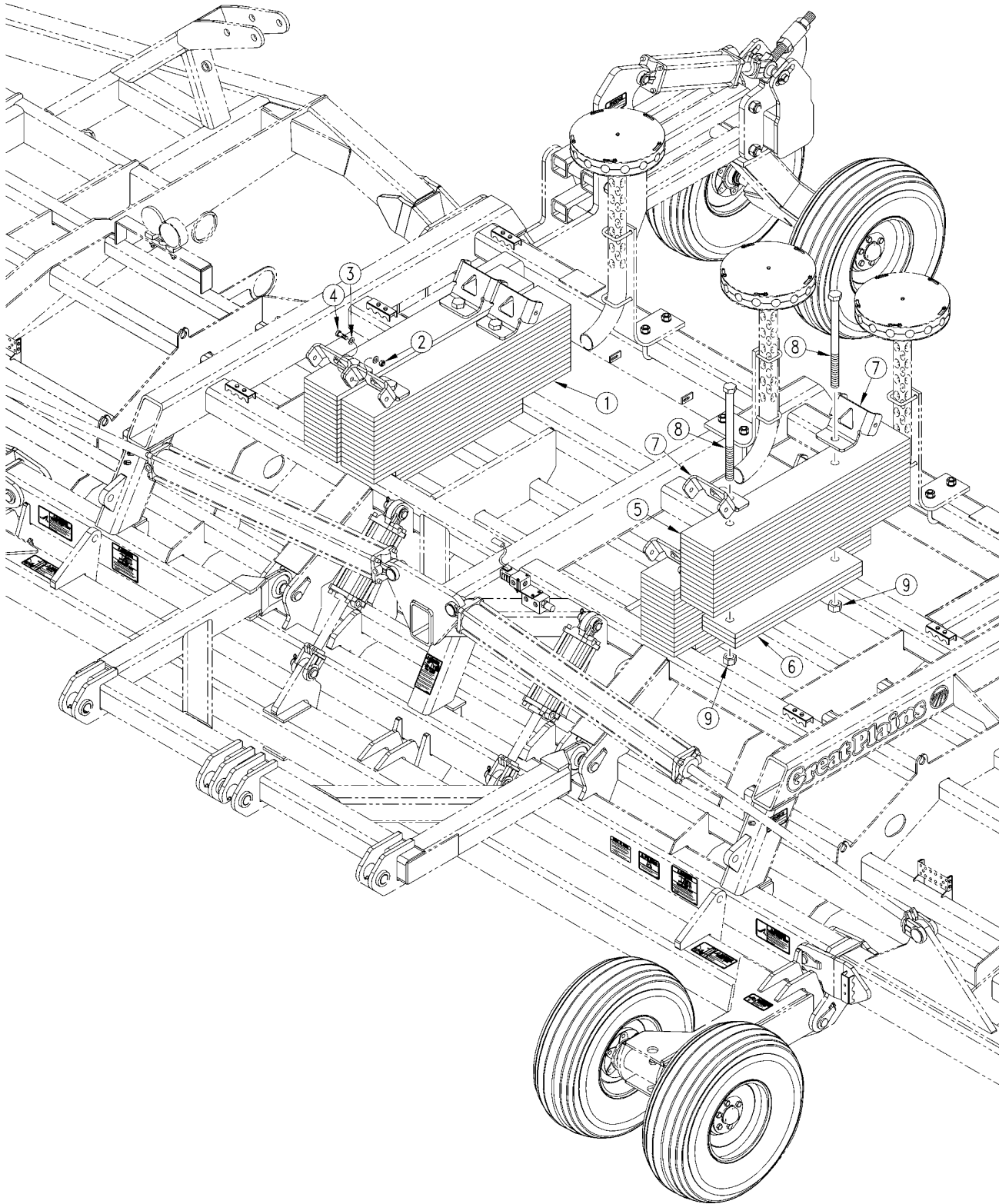
---

(Applies to NTA3010, NTA3510 only)

<b>Ref</b>	<b>Part No.</b>	<b>Part Description</b>	<b>Comments</b>	<b>Revision</b>
	dwg16402	Image No.		
1.	802-079C	HHCS 3/8-16X1 1/4 GR5		
2.	K7096	SPACER AND WASHER ASSEMBLY		
3.	K7090	AIR DESIGN SCRAPER LH SIDE		
4.	K7093	AIR DESIGN SCRAPER 15LB SPRING		
5.	K7091	AIR DESIGN SCRAPER RH SIDE		
6.	803-014C	NUT HEX 3/8-16 PLT		
7.	121-781A	SPRING SCRAPER ASSEMBLY		

## Weights (160-296S)

(Applies to NTA3010, NTA3510 only)



16398

## **Weights (160-296S)**

---

(Applies to NTA3010, NTA3510 only)

<b>Ref</b>	<b>Part No.</b>	<b>Part Description</b>	<b>Comments</b>	<b>Revision</b>
	dwg16398	Image No.		
1.	160-296S	NTA WEIGHT BRACKET ASSY	Includes items 5 thru 9	
1.	160-233A	NTA35 WEIGHT TUBE PAIR		
2.	803-019C	NUT LOCK 1/2-13 PLT		
3.	804-016C	WASHER FLAT 1/2 SAE PLT		
4.	802-091C	HHCS 1/2-13X1 1/2 GR5		
5.	160-628D	NTA WEIGHT BRKT. BAR-LONG		
6.	160-629D	NTA WEIGHT BKT. BAR-SHORT		
7.	160-630D	NTA WEIGHT BRKT MOUNT		
8.	802-712C	HHCS 1-8X14 1/2 GR5 SPTHD		
9.	803-168C	NUT HEX TOP LOCK 1-8 PLT		



# Part Number Index

The Part Number Index is a numeric index of all part numbers included in this manual. The index shows what page(s) the part is used on.

Part Number	Page	Part Number	Page	Part Number	Page	Part Number	Page
10369-017	69	160-629D	107	249-051H	35	800-257C	83
107-111D	31	160-630D	107	2606	19	800-449C	37
107-113D	31	161-074H	7	2610	19	801-002C	31
107-133S	31	161-076H	23	2A0006	51, 53, 55, 57	801-018C	21
1088-015	69	161-077H	23	2A0012	51, 53, 55, 57	801-055C	7
1088-017	69	161-101H	29	2A0019	51, 53, 55, 57	801-151C	19
113-271D	99	161-102H	29	2A0024	51, 55, 57	802-002C	49
113-609D	9, 11	161-107H	23	2A0025	53	802-005C	39
113-612D	9, 11	161-108H	7	2A0327	57	802-007C	21, 91, 93
116-062H	99	161-118H	29	2M7518	57	802-010C	9, 11, 47
116-064H	99	161-121H	29	2M7520	51	802-015C	31
116-116D	99	161-127H	27	2M7690	55	802-022C	97
116-173H	103	161-128H	29	2M8518	53	802-026C	49
116-174H	101	161-129A	29	30102359	71	802-028C	35
116-175H	101	161-210D	29	39680008	71	802-034C	27
116-176H	101	161-211D	29	3R6912	51	802-042C	9, 11
116-177H	101	161-221D	29	3R7512	57	802-049C	15
116-178H	103	161-231D	27	3R7612	55	802-051C	39
116-179H	99	161-238D	29	3R8512	53	802-058C	41, 43
116-180K	101	161-246D	29	464211090	87, 89	802-059C	45
116-181K	103	161-247D	29	464211330	85	802-070C	49
116-182K	103	168-216H	91, 93	467420352S1	87, 89	802-075C	9, 11
116-183K	103	168-256A	79	467420701	87, 89	802-079C	105
116-205D	99	168-257A	79	467751320	87, 89	802-082C	33
116-206D	103	168-258M	79	467980134	85	802-091C	107
116-208D	99	168-260A	79	467980140	87, 89	802-100C	97
121-164D	31	168-261A	79	467980141	85, 87, 89	802-103C	33, 35
121-781A	105	168-352A	81, 83	467980142	87	802-104C	7, 23, 27
122-041D	45	168-353A	81, 83	467980360	85	802-126C	97
122-055S	49	168-354A	81, 83	467980476	85	802-128C	29
122-065D	49	168-355A	81, 83	467981100S1	87, 89, 93	802-131C	91, 93
122-110D	45	168-362D	91, 93	467981201	87, 89	802-138C	99
122-117S	45	168-365D	79	467982000S1	85	802-147C	31
122-198V	45	181-064D	25, 27	467983502	85	802-148C	37
122-202S	31	196-112D	9, 11, 47	492544	59	802-153C	7, 27
122-242S	31	196-185H	49	494665	59	802-172C	9, 65
1369-015	69	196-186H	49	4M7108	55	802-185C	93
149-006D	33	197-010D	33, 35	4R6106	51	802-193C	31
149-059D	33, 35	197-194D	37	4R7106	57	802-197C	45
149-086D	33, 35	198-089H	31	4R8106	53	802-214C	33, 35
149-181E	33	198-090H	31	500-090B	71	802-224C	93
149-549D	97	198-104D	31	5070	63	802-226C	101, 103
149-550D	97	198-126H	29	5075	63	802-228C	31
149-558D	33, 35	198-127D	31	5089	63	802-274C	49
149-559D	33, 35	198-128D	31	5106	63	802-389C	79
149-928E	33	198-134D	31	5149	69	802-399C	25
149-962S	33	198-137D	39, 41, 43, 45	5381	67	802-420C	31
152-179H	49	198-139D	31	5396	73	802-421C	39, 41, 43, 45
152-215D	25	198-140D	31	5397	73	802-551C	61
152-379D	49	198-210D	31	5M7595	55	802-616C	49
152-380D	49	198-409H	31	5R6120	51	802-617C	41
155-012K	23, 25	198-436H	31	5R7120	57	802-618C	43
160-022H	15	198-437H	31	5R8120	53	802-638C	29
160-023H	15	198-438H	31	6R6164	51	802-648C	31
160-200H	7, 9, 11, 15, 19, 21	198-439H	31	6R7170	55	802-666C	29
160-201H	7, 9, 11, 23	199-022H	39	6R7177	57	802-712C	107
160-202H	13, 15	199-028D	41	6R8164	53	802-718C	35
160-203H	13, 15	199-029D	43	7M7320	51, 57	803-001C	7
160-204H	9	199-030D	45	7M7398	55	803-006C	21, 37, 49, 61, 65, 79, 93
160-205H	11	199-042D	41, 43	800-001C	7, 9, 11, 23, 29, 33	803-014C	31, 49, 61, 97, 105
160-210H	13	1M7018	53, 57	800-064C	9, 47	803-019C	107
160-233A	107	1M7020	55	800-073C	13	803-020C	9, 11, 29, 33, 35, 91, 93, 99, 101, 103
160-234H	9	200-001D	23, 25, 27, 33, 35	800-082C	79	803-021C	15, 31, 33, 35, 101
160-235H	11	200-002D	33	800-112C	79	803-024C	27
160-296S	107	200-002S	33	800-130C	37	803-025C	49
160-463D	65	200-039V	33, 35	800-164C	35		
160-506D	19	204-075H	33	800-177C	35		
160-613D	61	204-107D	33	800-180C	91, 93		
160-628D	107	204-272D	33, 35	800-211C	33, 35, 37		
		249-050S	35				

[Table of Contents](#)    [Part Number Index](#)



# Part Number Index (continued)

Part Number	Page	Part Number	Page	Part Number	Page	Part Number	Page
803-029C	23, 25, 27, 33, 35	806-056C	91, 93	815-077C	23	823-158C	79
803-031C	9, 11, 29	806-069C	91, 93	815-082C	23	823-159C	79
803-032C	23	806-106C	33, 35	815-089C	25, 27	823-161C	79
803-034C	23, 29	806-111C	61	815-090C	7, 27	823-162C	79
803-048C	33, 35	806-149C	31	815-094C	25, 27	823-201C	81
803-049C	33, 35, 97	8062	73	815-096C	25	823-246C	83
803-059C	71	807-007C	49	815-097C	25, 27	833-107C	79
803-068C	19	807-020C	49	816-009C	33, 35	833-462C	19
803-084C	91, 93, 99	807-079C	99	816-011C	23	834-014C	91, 93
803-088C	39, 41, 43	807-106C	31	816-035C	23	838-160C	95
803-147C	101, 103	807-116C	31	816-216C	91	838-161C	95
803-148C	7	810-084C	49, 59, 75, 77	816-217C	91	838-222C	95
803-168C	107	810-144C	51	816-218C	91	838-223C	95
803-169C	31, 39, 41, 43, 45	810-158C	57	816-265C	25, 27	838-265C	95
803-177C	45	810-160C	53	816-287C	93	838-266C	95
803-181C	33	810-221C	23, 75, 77	816-288C	91	838-267C	95
803-273C	49	810-236C	55	816-289C	93	85002733	71
804-004C	7	810-287C	7, 75, 77	816-290C	93	890-005C	7, 23, 29
804-006C	21, 37, 49, 61, 65, 79, 93	810-332C	9, 11, 47	816-302C	31	890-011C	7, 9, 11, 13, 15, 23
804-007C	37, 61, 65	810-333C	29, 75, 77	816-352C	31	890-122C	29
804-009C	9, 11, 21, 47	810-335C	59	817-021C	49	890-153C	21
804-010C	91, 93, 99	810-342C	47, 65	817-029C	33	890-193C	27
804-011C	97	810-345C	61	817-039C	91, 93	890-433C	7
804-012C	31	810-347C	61	817-051C	33	890-433C	7
804-012C	31	810-348C	61	817-062C	45	890-606C	17
804-013C	31, 49, 61, 97	810-349C	61	817-063C	45	890-607C	17
804-015C	9, 11, 27, 29, 33, 35, 91, 93, 99, 101, 103	810-370C	65, 75, 77	817-084C	31, 39, 41, 43, 45	890-666C	29
804-016C	29, 107	810-445C	49, 75, 77	817-132C	31	990-109R	37
804-022C	15, 31, 35, 39, 41, 43, 45, 101	810-446C	73	817-133C	31	990-125R	91, 93
804-027C	9, 11, 29	810-452C	67	817-234C	91, 93	990-184R	79
804-029C	7, 23, 29	811-063C	47, 49, 75, 77	817-296C	41	CP2-10	63
804-030C	23, 29	811-064C	61	817-297C	43	dwg14712	51
804-036C	65	811-065C	61	817-314C	31	dwg14738	69
804-037C	33, 35, 97	811-077C	75, 77	817-330C	39	dwg15166	53
804-039C	9, 11, 33	811-080C	47, 75, 77	817-347C	31	dwg15466	39
804-040C	31	811-088C	49, 75, 77	817-513C	35	dwg15467	41
804-041C	49	811-150C	47, 75, 77	818-043C	95	dwg15468	43
804-046C	7	811-170C	61	818-046C	95	dwg15469	45
804-050C	19	811-171C	61	818-055C	21, 95	dwg15469	45
804-055C	23, 33, 35	811-172C	47	818-229C	95	dwg15683	97
804-102C	27	811-172C	47	818-230C	95	dwg16282	91, 93
804-109C	19	811-216C	61	818-230C	95	dwg16285	9
804-156C	35	811-324C	61	818-339C	95	dwg16290	11
804-165C	35	811-582C	61	818-398C	95	dwg16294	21
805-001C	29	811-627C	61	818-412C	95	dwg16296	7
805-007C	7	811-658C	75, 77	818-557C	95	dwg16311	13
805-016C	25, 27	811-659C	75, 77	818-560C	95	dwg16327	59
805-017C	7, 23, 29, 33, 35	811-660C	75, 77	818-624C	95	dwg16331	23
805-021C	33	811-661C	75, 77	818-627C	95	dwg16351	27
805-032C	29	811-662C	75, 77	818-631C	95	dwg16353	29
805-033C	9, 11	811-663C	75, 77	818-752C	95	dwg16357	25
805-060C	9, 11	811-664C	75, 77	818-795C	95	dwg16358	33
805-119C	15	811-665C	75, 77	818-798C	95	dwg16360	37
805-124C	7, 29	811-671C	47, 61	818-800C	95	dwg16361	31
805-154C	31	811-681C	61	818-813C	95	dwg16363	77
805-159C	23	811-683C	47	818-853C	95	dwg16364	47
805-167C	15	811-685C	47	818-882C	95	dwg16367	49
805-186C	31	811-686C	47	820-018C	33, 35	dwg16368	65
805-196C	9, 11	811-687C	47	820-082C	33, 35	dwg16369	17
805-239C	7, 23	811-688C	47	820-114C	97	dwg16371	95
805-246C	23	811-702C	61	820-116C	33, 35	dwg16394	55
805-249C	7, 9, 11, 13, 15, 23	812-194C	31	820-156C	33	dwg16395	57
805-331C	35	812-204C	31	820-215C	35	dwg16397	71
806-010C	91, 93	814-023C	23	822-018C	23	dwg16398	107
806-016C	101	814-031C	23	822-019C	23	dwg16402	105
806-022C	19	814-034C	39	822-020C	23, 25, 27, 33	dwg16441	67
806-046C	99, 101, 103	814-067C	45	822-021C	23, 25, 27, 33, 35	dwg16442	63
		814-157C	41	822-048C	25, 27	dwg16480	79
		814-158C	43	822-053C	25, 27	dwg16949	101
		814-159C	41	822-095C	45	dwg16950	103
		814-160C	43	822-170C	39, 41, 43	dwg16951	99
		814-174C	39	823-157C	7	dwg17216	61



## Part Number Index (continued)

---

<b>Part Number</b>	<b>Page</b>
dwg19650 .....	73
dwg19928 .....	75
dwg21715 .....	35
dwg23262 .....	81
dwg25104 .....	83
dwg26376 .....	15
dwg26378 .....	19
dwg26391 .....	85
dwg26392 .....	89
dwg26393 .....	87
K7090 .....	105
K7091 .....	105
K7093 .....	105
K7096 .....	105
PRPIL-10-K-25 .....	63
RDIF-1O-F18/13 .....	69
RDIF10F18/13.5 .....	67
RPILS-10-S25/13 .....	69
VA-141000-04 .....	79
VA-150004 .....	79
VA-490703 .....	17
VA-490704 .....	79

*This Page Intentionally Left Blank*



Great Plains Mfg., Inc.  
1525 E. North Street  
Salina, Kansas 67401 USA

[www.greatplainsmfg.com](http://www.greatplainsmfg.com)

---