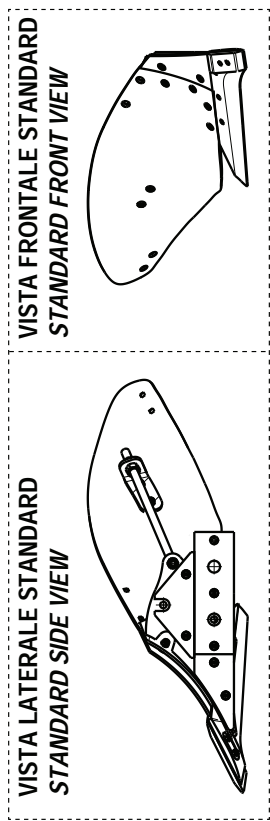
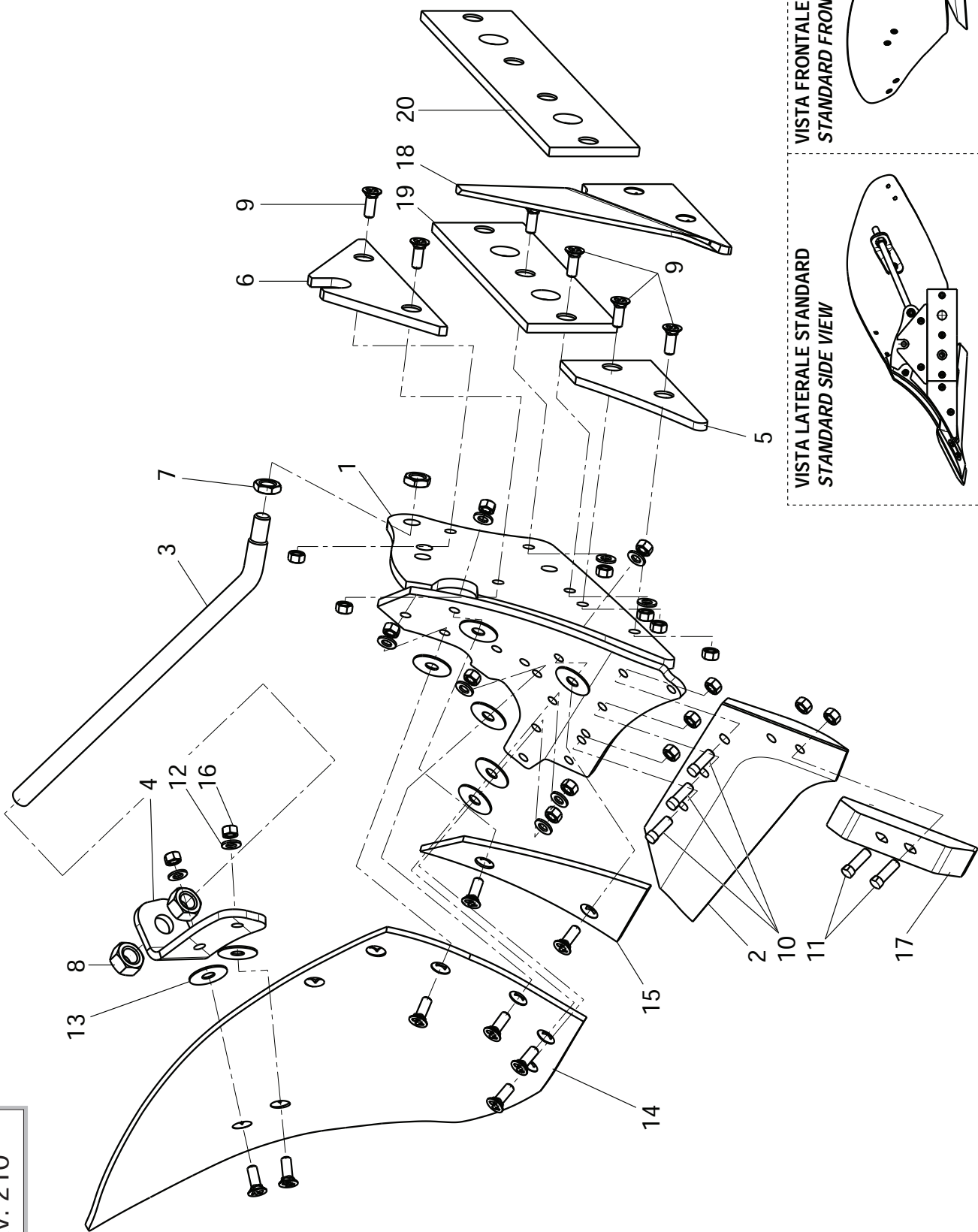


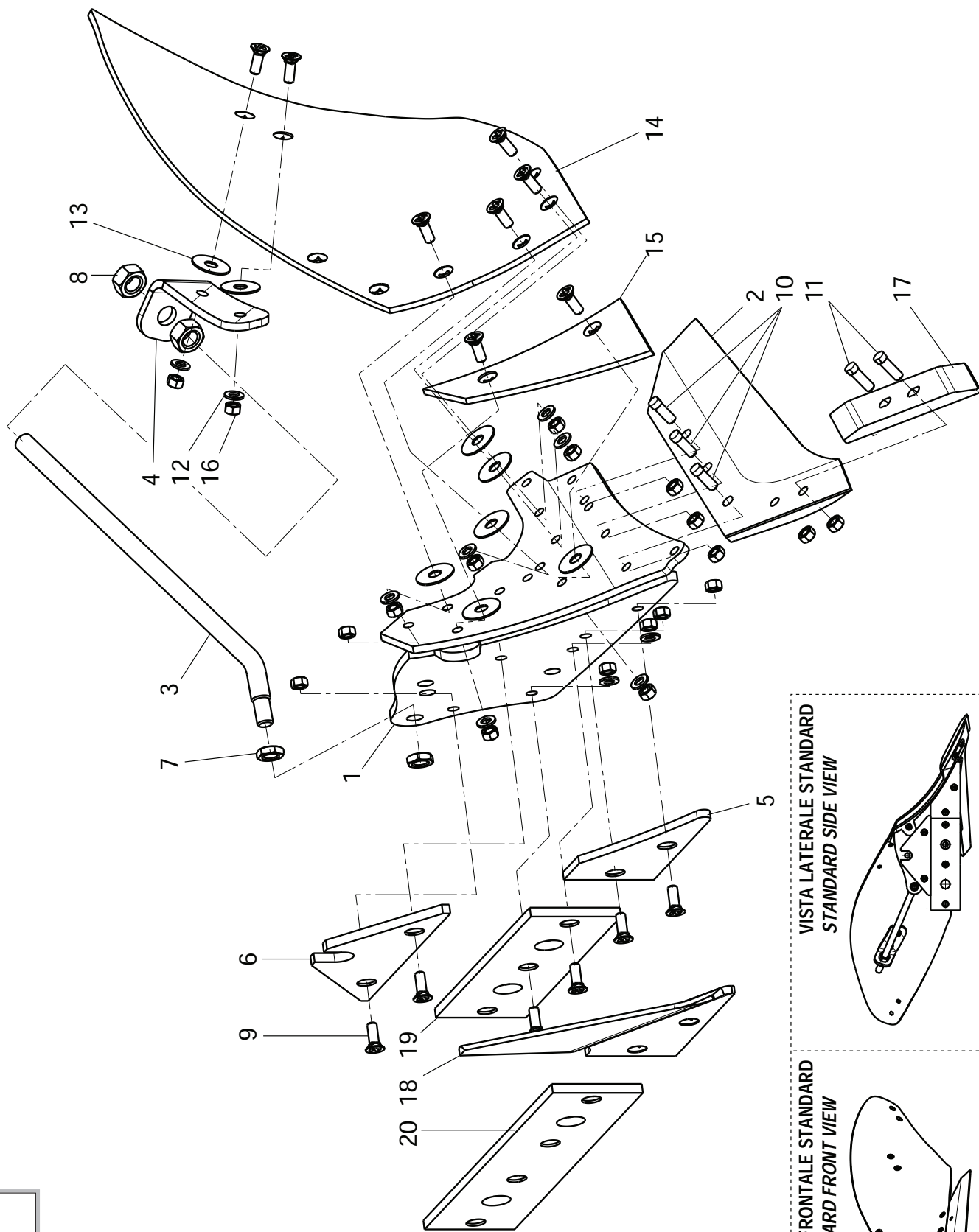
TAV. 210



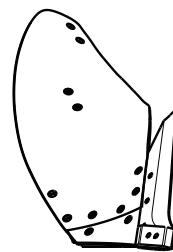
## CORPO LAVORANTE MP4WS DESTRO / RIGHT MP4WS WORKING BODY

TAV. 210

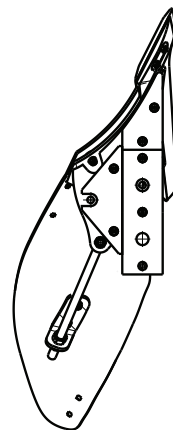
Pos.	Cod.	Descrizione	Description
1	A50050081	ASS. CORPO MP4WN-4WS-4WD DX [U	MP4WN-4WS-4WD RH [U ELEM. ASS
2	A51908060	VOMERE B SCALP IMBU DX 3	HARDENED BORON STEEL RH 3
3	A52300020	FRONTONE MP4WN,4WS,4R,4S M24 L	4R BRACE
4	A50420890	SUPP. FRONTONE CORPO MP4WN-4WS	SUPP. FRONT ELEMENT MP4WN-4W
5	A50341940	PIASTRA TRIANGOLARE PRE-GUIDA	PIASTRA TRIANGOLARE PRE-GUIDA.
6	A52100440	GUIDA SUP CORPO 4WN-4WS-4WD	SUPERIOR LANDSLIDE
7	F01200468	DADO M20X2.5 U5589 6.8ZN	NUT M20X2.5 U5589 6.8ZN
8	F01200379	DADO M24X3 U5588 6.8ZN	NUT M24X3 U5588 6.8ZN
9	F01090253	VITE M12X35 D608 ZD D.SOTTOQ10	SCREW M12X1,75X35 10.9 D608 ZD
10	F01110052	VITE TESTA CONICA OVALE M12X38	SCREW CONE-HEAD OVAL M12X39
11	F01110053	VITE TESTA CONICA OVALE M12X42	GALVANIZED OVAL CONIC SCREW M1
12	F01410076	ROS.M12 13X 24X2.5 U6592 ZN	WASHER 12 13X 24X2.5 U6592 ZN
13	F05150010	DISCHETTO SPUGNAAD. ANTIVIBRA	DISC SPUGNAAD. ANTIVIBRA
14	A51504001	VERSOIO MP4WS DX B R2002	MOULDBOARD MP4WS RH B [V14]
15	A51604001	PREVERSOIO MP4WS-4WD DX B R200	SHIN MP4WS-4WD RH B
16	F01200296	DADO M12X1.75 U5588 8G ZN	NUT M12X1.75 U5588 8G ZN
17	A52000010	SCALPELLO REV DX 30B T. R2002	POINT CH REV RH
18	A50900051	COLTRINO NR1 DX A COLTELLO SAG	KNIFE NR1 RH SAG
19	A52100012	GUIDA STRISCIANTE 4M-4WN DX/SX	SHORT LANDSLIDE 27B 4M-4WN
20	A52100032	GUIDA STRISCIANTE 4M-4WN DX SX	LONG LANDSLIDE 7B 4M-4WN



VISTA FRONTALE STANDARD  
STANDARD FRONT VIEW



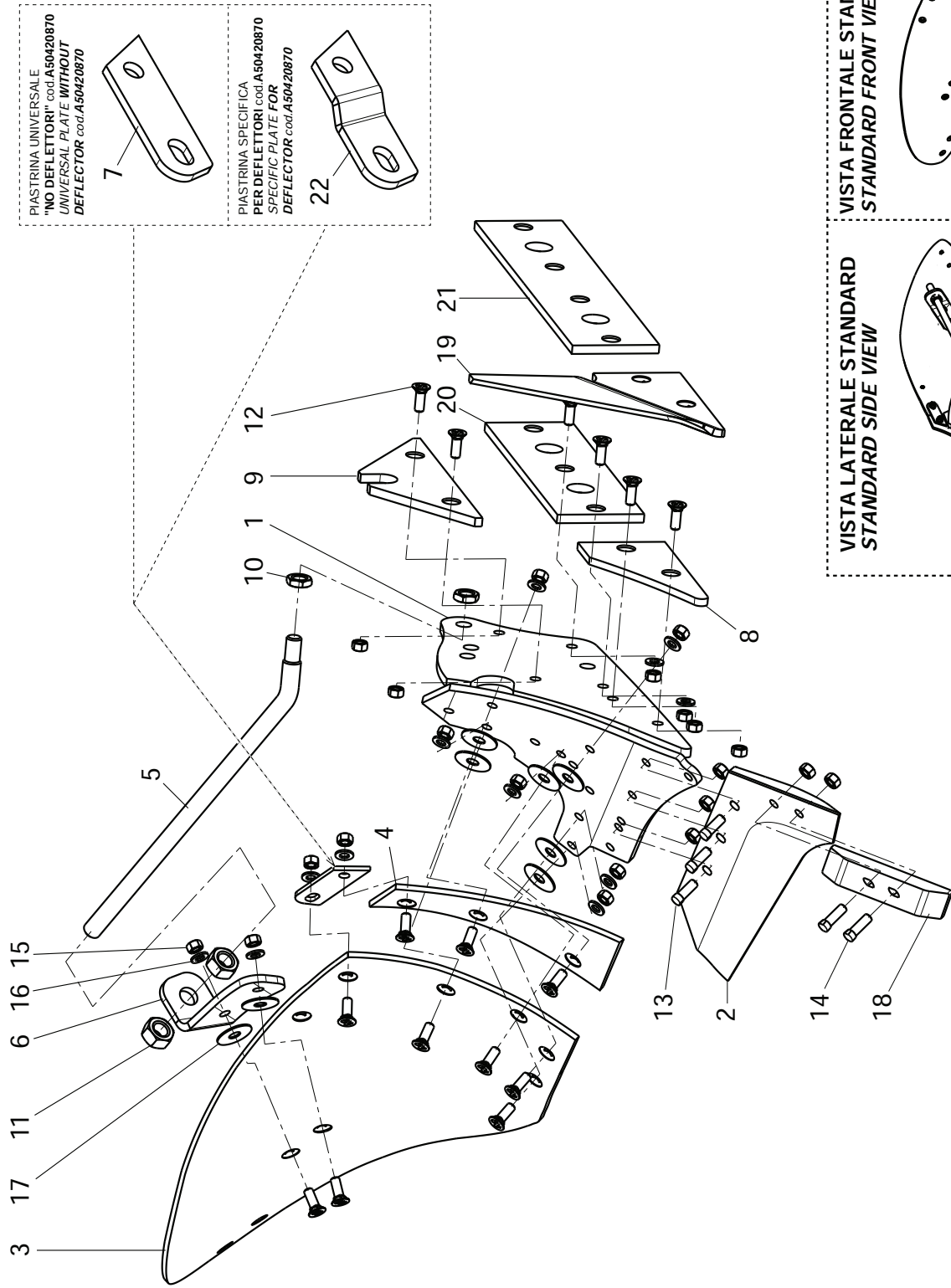
VISTA LATERALE STANDARD  
STANDARD SIDE VIEW



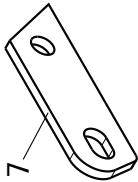
## CORPO LAVORANTE MP4WS SINISTRO / LEFT MP4WS WORKING BODY

TAV. 220

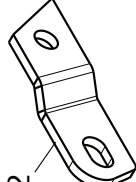
Pos.	Cod.	Descrizione	Description
1	A50050071	ASS. CORPO MP4WN-4WS-4WD SX [U	MP4WN-4WS-4WD LH [U ELEM.AS
2	A51908070	VOMERE B SCALP IMBU SX 3	HARDENED BORON STEEL LH 3
3	A52300020	FRONTONE MP4WN,4WS,4R,4S M24 L	4R BRACE
4	A50420860	SUPP. FRONTONE CORPO MP4WN-4WS	SUPP. FRONT ELEMENT MP4WN-4W
5	A50341930	PIASTRA TRIANGOLARE PRE-GUIDA	PIASTRA TRIANGOLARE PRE-GUIDA.
6	A52100440	GUIDA SUP CORPO 4WN-4WS-4WD	SUPERIOR LANDSLIDE
7	F01200468	DADO M20X2.5 U5589 6.8ZN	NUT M20X2.5 U5589 6.8ZN
8	F01200379	DADO M24X3 U5588 6.8ZN	NUT M24X3 U5588 6.8ZN
9	F01090253	VITE M12X35 D608 ZD D.SOTTOQ10	SCREW M12X1,75X35 10.9 D608 ZD
10	F01110052	VITE TESTA CONICA OVALE M12X38	SCREW CONE-HEAD OVAL M12X39
11	F01110053	VITE TESTA CONICA OVALE M12X42	GALVANIZED OVAL CONIC SCREW M1
12	F01410076	ROS.M12 13X 24X2.5 U6592 ZN	WASHER 12 13X 24X2.5 U6592 ZN
13	F05150010	DISCHETTO SPUGNAAD. ANTIVIBRA	DISC SPUGNAAD. ANTIVIBRA
14	A51604011	PREVERSOIO MP4WS-4WD SX B R200	SHIN MP4WS-4WD LH B
15	A515004011	VERSOIO MP4WS SX B R2002	MOULDBOARD MP4WS LH B [V14]
16	F01200296	DADO M12X1.75 U5588 8G ZN	NUT M12X1,75 U5588 8G ZN
17	A52000020	SCALPELLO REV SX 30B T. R2002	POINT CH REV LH
18	A50900041	COLTRINO NR1 SX A COLTELLO SAG	KNIFE NR1 LH SAG
19	A52100012	GUIDA STRISCIANTE 4M-4WN DX/SX	SHORT LANDSLIDE 27B 4M-4WN
20	A52100032	GUIDA STRISCIANTE 4M-4WN DX SX	LONG LANDSLIDE 7B 4M-4WN



PIASTRINA UNIVERSALE  
"NO DEFFLETTORI" cod.A50420870  
UNIVERSAL PLATE WITHOUT  
DEFLECTOR cod.A50420870



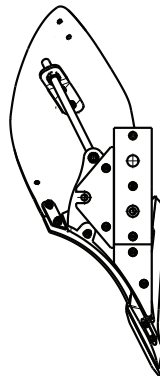
PIASTRINA SPECIFICA  
PER DEFFLETTORI cod.A50420870  
SPECIFIC PLATE FOR  
DEFLECTOR cod.A50420870



VISTA FRONTALE STANDARD  
STANDARD FRONT VIEW



VISTA LATERALE STANDARD  
STANDARD SIDE VIEW



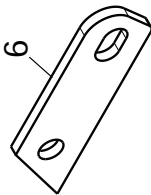
## CORPO LAVORANTE MP4WN DESTRO / RIGHT MP4WN WORKING BODY

TAV. 230

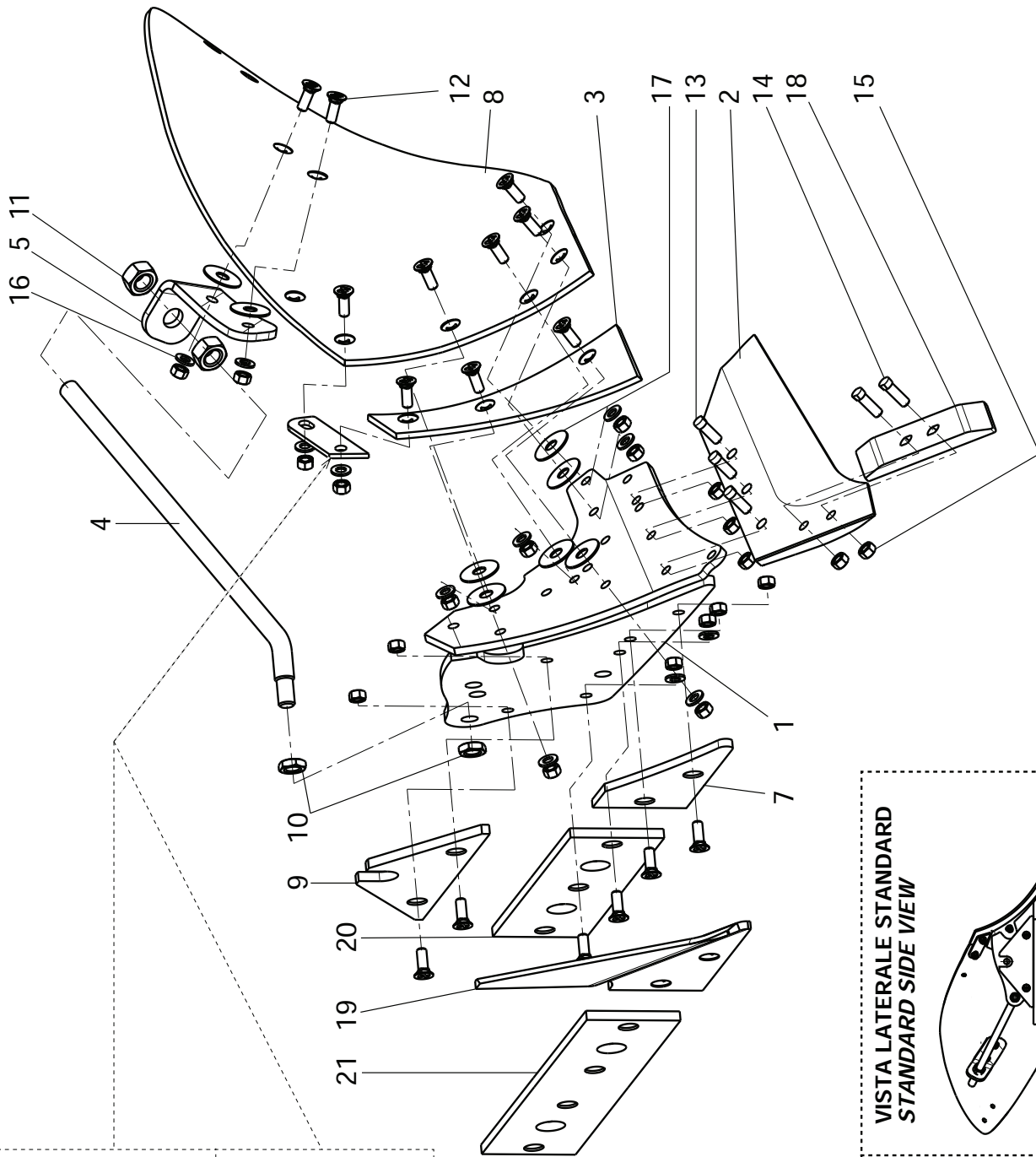
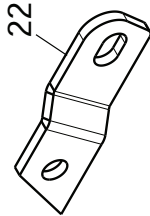
Pos.	Cod.	Descrizione	Description
1	A50050081	ASS. CORPO MP4WN-4WS-4WD DX [U	MP4WN-4WS-4WD RH [U ELEM. ASS
2	A51908060	VOMERE B SCALP IMBU DX 3	HARDENED BORON STEEL RH 3
3	A51505001	VERSOIO MP4WN DX B R2002 [V20	MOULDBOARD MP4WNRH BR2002[V.2
4	A51605011	PREVERSOIO MP4WN-STR DX BV2014	SHIN MP4WN-STR DX B V2014
5	A52300020	FRONTONE MP4WN,4WS,4R,4S M24 L	4R BRACE
6	A50420890	SUPP. FRONTOINE CORPO MP4WN-4WS	SUPP. FRONT ELEMENT MP4WN-4W
7	A50420870	PIASTRINA DRTTA DI COLLEGAM.	CONNECTING PLATE
8	A50341940	PIASTRA TRIANGOLARE PRE-GUIDA	PIASTRA TRIANGOLARE PRE-GUIDA.
9	A52100440	GUIDA SUP CORPO 4WN-4WS-4WD	SUPERIOR LANDSLIDE
10	F01200468	DADO M20X2,5 U5589 6.8ZN	NUT M20X2.5 U5589 6.8ZN
11	F01200379	DADO M24X3 U5588 6.8ZN	NUT M24X3 U5588 6.8ZN
12	F01090253	VITE M12X35 D608 ZD D.SOTTTOQ10	SCREW M12X1.75X35 10.9 D608 ZD
13	F01110052	VITE TESTA CONICA OVALE M12X38	SCREW CONE-HEAD OVAL M12X39
14	F01110053	VITE TESTA CONICA OVALE M12X42	GALVANIZED OVAL CONIC SCREW M1
15	F01200293	DADO M12X1,75 U5588 6.8ZN	NUT M12X1,75 U5588 6.8ZN
16	F01410076	ROS.M12 13X 24X2,5 U6592 ZN	WASHER 12 13X 24X2.5 U6592 ZN
17	F05150010	DISCHETTO SPUGNAAD. ANTIVIBRA	DISC SPUGNAAD. ANTIVIBRA
18	A52000010	SCALPELLO REV DX 30B T. R2002	POINT CH REV RH
19	A50900051	COLTRINO NR1 DX A COLTELLO SAG	KNIFE NR1 RH SAG
20	A52100012	GUIDA STRISCIANTE 4M-4WN DX/SX	SHORT LANDSLIDE 27B 4M-4WN
21	A52100032	GUIDA STRISCIANTE 4M-4WN DX SX	LONG LANDSLIDE 7B 4M-4WN
22	A50421080	PIASTRINA PIEG. DX COL.VERS. *	PLATE PIEG. RX COL.VERS.

TAV. 240

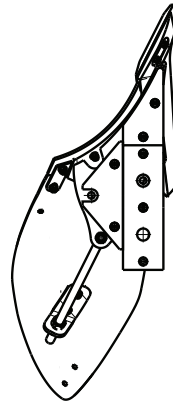
PIASTRINA UNIVERSALE  
"NO DEFEETTORI" cod. A50420870  
UNIVERSAL PLATE "WITHOUT  
DEFLECTOR" cod. A50420870



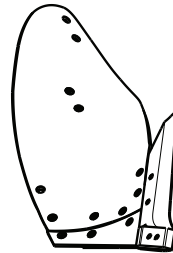
PIASTRINA SPECIFICA  
PER DEFEETTORI cod. A50420870  
SPECIFIC PLATE FOR  
DEFLECTOR cod. A50420870



VISTA LATERALE STANDARD  
STANDARD SIDE VIEW



VISTA FRONTALE STANDARD  
STANDARD FRONT VIEW

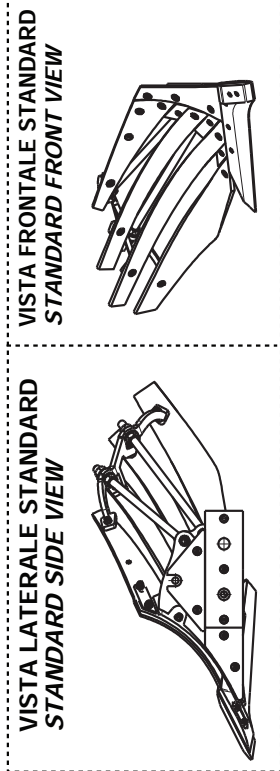
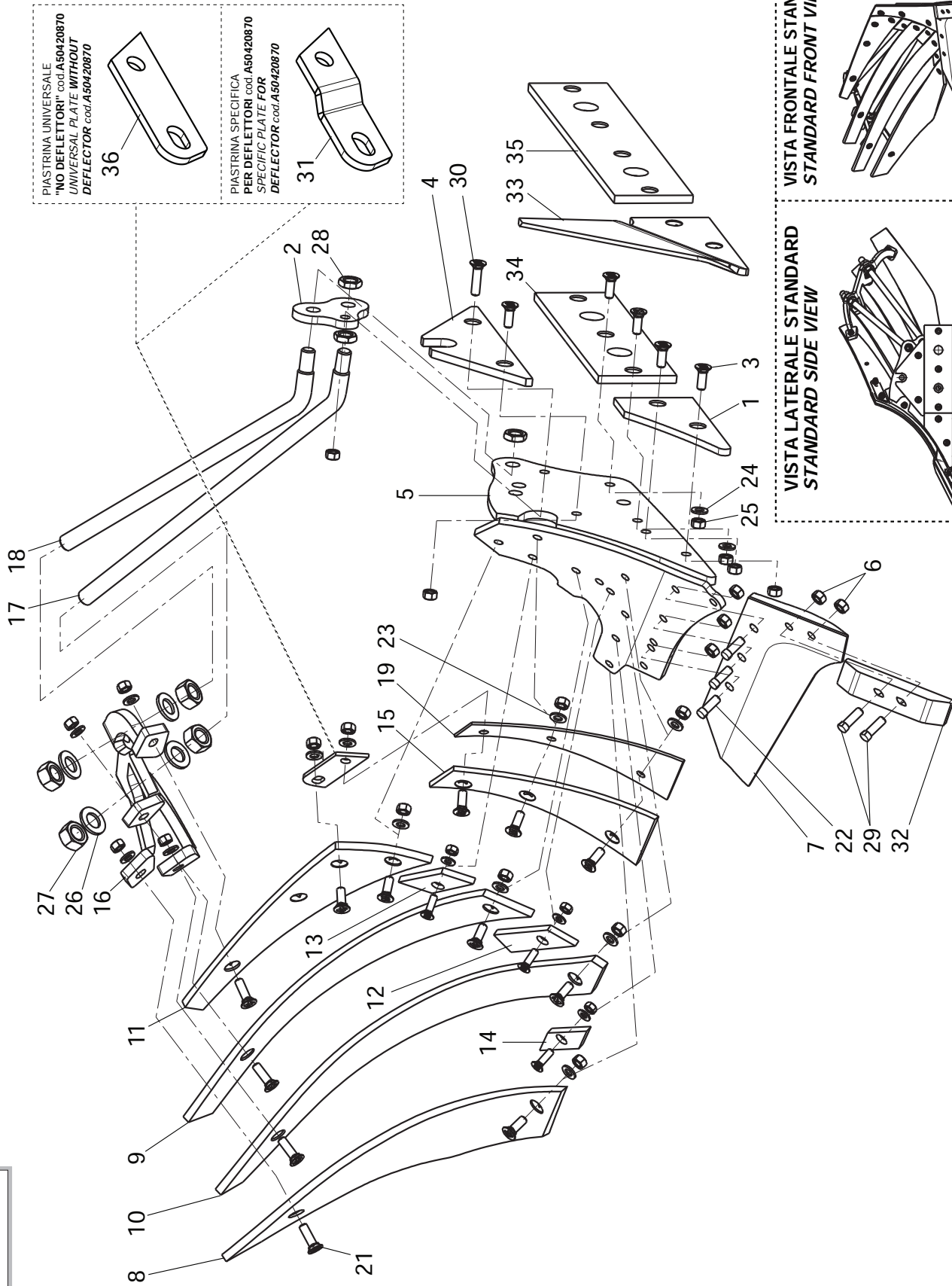


## CORPO LAVORANTE MP4WN SINISTRO / LEFT MP4WN WORKING BODY

TAV. 240

Pos.	Cod.	Descrizione	Description
1	A50050071	ASS. CORPO MP4WN-4WS-4WD SX (U	MP4WN-4WS-4WD LH (U ELEMA.S
2	A51908070	VOMERE B SCALP IMBU SX 3	HARDENDEE BORON STEEL LH 3
3	A51605021	PREVERSOIO MP4WN-STR SX BV2014	SHIN MP4WN-STR SX B V2014
4	A52300020	FRONTONE MP4WN,4WS,4R,4S M24 L	4R BRACE
5	A50420860	SUPP. FRONTONE CORPO MP4WN-4WS	SUPP. FRONT ELEMENT MP4WN-4W
6	A50420870	PIASTRINA DRIITTA DI COLLEGAM.	CONNECTING PLATE
7	A50341930	PIASTRA TRIANGOLARE PRE-GUIDA	PIASTRA TRIANGOLARE PRE-GUIDA.
8	A51505011	VERSOIO MP4WN SX B R2002 (V.20	MOULDBOARD MP4WNLH BR2002[V.2
9	A52100440	GUIDA SUP CORPO 4WN-4WS-4WD	SUPERIOR LANDSLIDE
10	F01200468	DADO M20X2,5 U5589 6.8ZN	NUT M20X2,5 U5589 6.8ZN
11	F01200379	DADO M24X3 U5588 6.8ZN	NUT M24X3 U5588 6.8ZN
12	F01090253	VITE M12X35 D608 ZD D. SOTTOQ10	SCREW M12X1,75X35 10.9 D608 ZD
13	F01110052	VITE TESTA CONICA OVALE M12X38	SCREW CONE-HEAD OVAL M12X39
14	F01110053	VITE TESTA CONICA OVALE M12X42	GALVANIZED OVAL CONIC SCREW M1
15	F01200293	DADO M12X1,75 U5588 6.8ZN	NUT M12X1,75 U5588 6.8ZN
16	F01410076	ROS.M12 13X 24X2,5 U6592 ZN	WASHER 12 13X 24X2,5 U6592 ZN
17	F05150010	DISCHETTO SPUGNA AD. ANTIVIBRA	DISC SPUGNA AD. ANTIVIBRA
18	A52000020	SCALPELLO REV SX 30B T. R2002	POINT CH REV LH
19	A50900041	COLTRINO NR1 SX A COLTELLO SAG	KNIFE NR1 LH SAG
20	A52100012	GUIDA STRISCIANTE 4M-4WN DX/SX	SHORT LANDSLIDE 27B 4M-4WN
21	A52100032	GUIDA STRISCIANTE 4M-4WN DX SX	LONG LANDSLIDE 7B 4M-4WN
22	A50421070	PIASTRINA PIEG. SX COL.VERS. *	PLATE PIEG. LX COL.VERS.





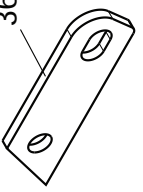
## CORPO LAVORANTE MP4N DESTRO / RIGHT MP4N WORKING BODY

TAV. 250

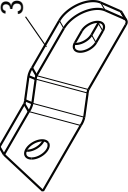
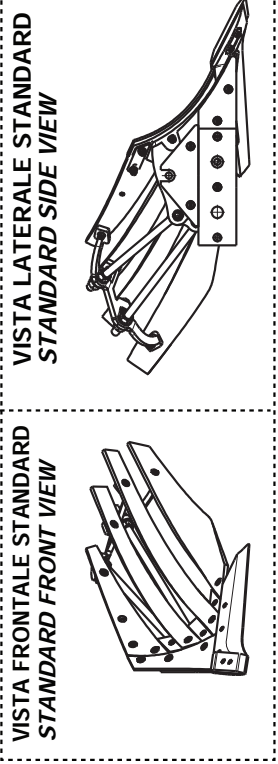
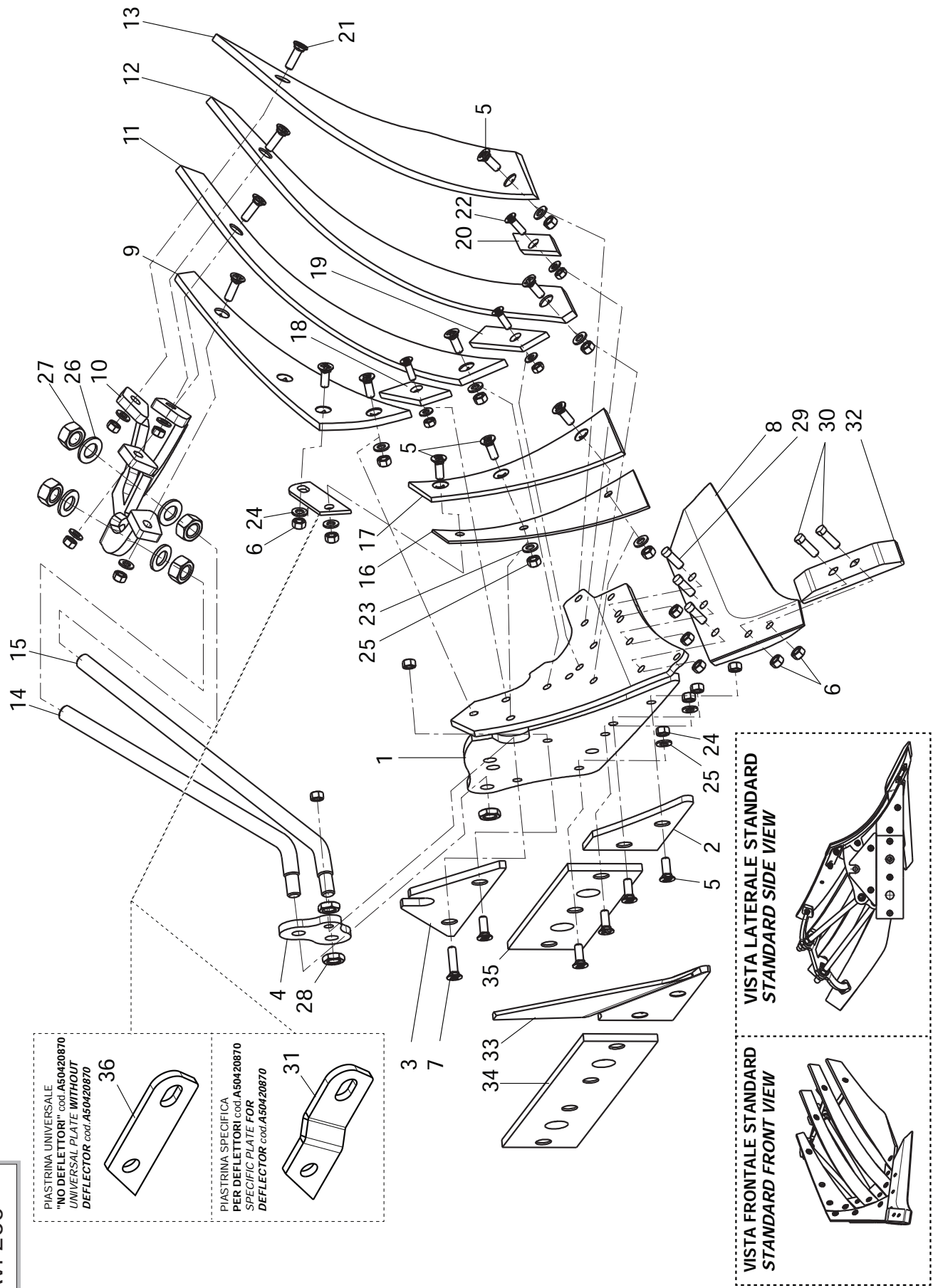
Pos.	Cod.	Descrizione	Description
1	A50341940	PIASTRA TRIANGOLARE PRE-GUIDA	PIASTRA TRIANGOLARE PRE-GUIDA.
2	A50420880	PIASTRA SUPP. FRONTONE AGG. CO	PLATE SUPP. FRONT AGG. CO
3	F01090253	VITE M12X35 D608 ZD D. SOTTOQ10	SCREW M12X1,75X35 10.9 D608 ZD
4	A52100440	GUIDA SUP CORPO 4WN-4WS-4WD	SUPERIOR LANDSLIDE
5	A50050081	ASS. CORPO MP4WN-4WS-4WD DX [U	MP4WN-4WS-4WD RH [U ELEM. ASS
6	F01200293	DADO M12X1,75 U5588 6.8ZN	NUT M12X1,75 U5588 6.8ZN
7	A51908060	VOMERE B SCALP IMBU DX 3	HARDENED BORON STEEL RH 3
8	A51507160	VERSOIO MP4N-ST STRISCIA 3 DX	HARD BORON STEEL 4N SLAT 3 RH
9	A51507120	VERSOIO MP4N-ST STRISCIA 0 DX	SLAT MP4N 1 RH
10	A51507140	VERSOIO MP4N-ST STRISCIA 2 DX	SLAT MP4N 0 RH
11	A51507100	VERSOIO MP4N-ST STRISCIA 0 DX	RIVET 1-2 RH IN POLIET. 167X
12	A52490050	INSERTO 1-2 DX IN POLIET. 167X	RIVET 0-1 RH IN POLIET. 128X
13	A52490040	INSERTO 0-1 DX IN POLIET. 128X	RIVET 2-3 RH IN POLIET. 170X
14	A52490060	INSERTO 2-3 DX IN POLIET. 170X	SHIN MP4WN-STR DX B V2014
15	A51605011	PREVERSOIO MP4WN-STR DX BV2014	ASS WELD SUPPORT FRONT 4N RH
16	A50051790	ASS S SUPPORTO FRONTONE 4N DX	FRONT INF. MP4M - MP4WN-STR
17	A52300090	FRONTONE INF. MP4M - MP4WN-STR	FRONT SUP. MP4L - MP4N M24
18	A52300050	FRONTONE SUP. MP4L - MP4N M24	SHIM 4 MM PREMOULDBOARD MP4N
19	A51605050	SPESSORE 4 MM PREVERSOIO MP4N	SCREW M10X1,5X35 10.9 D608 ZD
20	F01090250	VITE M10X1,5X35 10.9 D608 ZD	SCREW M12X1,75X42 10.9 D608 ZD
21	F01090251	VITE M12X1,75X42 10.9 D608 ZD	SCREW CONE-HEAD OVAL M12X39
22	F01110052	VITE TESTA CONICA OVALE M12X38	WASHER 12 13X 24X2,5 U6592 ZN
23	F01410076	ROS.M12 13X 24X2,5 U6592 ZN	WASHER M10 10,5X20X2 U6592 ZN
24	F01410064	ROS.M10 10,5X 20X 2 U6592 ZN	WASHER M10 10,5X20X2 U6592 ZN
25	F01200270	DADO M10X1,5 U5588 6.8ZN	NUT M10X1,5 U5588 6.8ZN
26	F01410147	ROS.M24 25X 44X 4 U6592 ZN	WASHER M24 25X44X 4 U6592 ZN
27	F01200379	DADO M24X3 U5588 6.8ZN	NUT M24X3 U5588 6.8ZN
28	F011200468	DADO M20X2,5 U5589 6.8ZN	NUT M20X2,5 U5589 6.8ZN
29	F01110053	VITE TESTA CONICA OVALE M12X42	GALVANIZED OVAL CONIC SCREW M1
30	F01090252	VITE M12X50 D608 ZD D. SOTTOQ10	BOLT M12X1,75X50 10.9 D608 ZD
31	A50421080	PIASTRINA PIEG. DX COL.VERS.*	PLATE PIEG. RX COL.VERS.
32	A52000010	SCALPELLO REV DX 30B T. R2002	POINT CH REV / RH
33	A50900051	COLTRINO NR1 DX A COLTELLO SAG	KNIFE NR1 RH SAG
34	A52100012	GUIDA STRISCIANTE 4M-4WN DX/SX	SHORT LANDSLIDE 27B 4M-4WN
35	A52100032	GUIDA STRISCIANTE 4M-4WN DX SX	LONG LANDSLIDE 7B 4M-4WN
36	A50420870	PIASTRINA DRITTA DI COLLEGAM.	CONNECTING PLATE

TAV. 260

PIASTRINA UNIVERSALE  
 "NO DEFLETTORI" cod. A50420870  
 UNIVERSAL PLATE WITHOUT  
 DEFLECTOR cod. A50420870

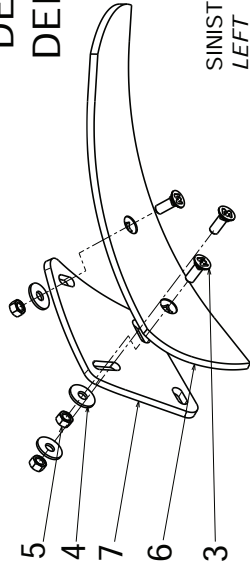


PIASTRINA SPECIFICA  
 PER DEFLETTORI cod. A50420870  
 SPECIFIC PLATE FOR  
 DEFLECTOR cod. A50420870

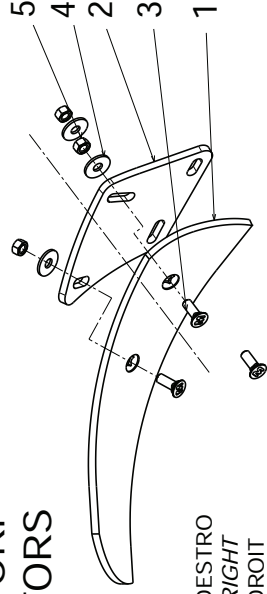



Pos.	Cod.	Descrizione	Description
1	A50050071	ASS. CORPO MP4WN-4WS-4WD SX (U	MP4WN-4WS-4WD LH (U ELEM.AS
2	A50341930	PIASTRA TRIANGOLARE PRE-GUIDA	PIASTRA TRIANGOLARE PRE-GUIDA.
3	A52100440	GUIDA SUP CORPO 4WN-4WS-4WD	SUPERIOR LANDSLIDE
4	A50420880	PIASTRA SUPP. FRONTONE AGG. CO	PLATE SUPP. FRONT AGG. CO
5	F01090253	VITE M12X35 D608 ZD D.SOTTOQ10	SCREW M12X1,75X35 10.9 D608 ZD
6	F01200293	DADO M12X1,75 U5588 6.8ZN	NUT M12X1,75 U5588 6.8ZN
7	F01090252	VITE M12X50 D608 ZD D.SOTTOQ10	BOLT M12X1,75X50 10.9 D608 ZD
8	A51908070	VOMERE B SCALP IMBU SX 3	HARDENED BORON STEEL LH 3
9	A51507110	VERSOIO MP4N-ST STRISCIA 0 SX	SLAT MP4N 0 LH
10	A50051800	ASS. SUPP. FRONTONE SX MP4N-ST	LH FRONT SUPP. ASS.
11	A51507130	VERSOIO MP4N-ST STRISCIA 1 SX	SLAT MP4N 1 LH
12	A51507150	VERSOIO MP4N-ST STRISCIA 2 SX	SLAT MP4N 2 LH
13	A51507170	VERSOIO MP4N-ST STRISCIA 3 SX	SLAT MP4N 3 LH
14	A52300050	FRONTONE SUP. MP4L - MP4N M24	FRONT SUP. MP4L - MP4N M24
15	A52300090	FRONTONE INF. MP4M - MP4WN-STR	FRONT INF. MP4M - MP4WN-STR
16	A51605060	SPESSORE 4 MM PREVERSOIO MP4N	SHIM 4 MM PREMOULDBOARD MP4N
17	A51605021	PREVERSOIO MP4WN-STR SX BV2014	SHIN MP4WN-STR SX B V2014
18	A52490150	INSERTO 0-1 SX IN POLIET. 128X	RIVET 0-1 LH IN POLIET. 128X
19	A52490160	INSERTO 1-2 SX IN POLIET. 167X	RIVET 1-2 LH IN POLIET. 167X
20	A52490170	INSERTO 2-3 SX IN POLIET. 170X	RIVET 2-3 LH IN POLIET. 170X
21	F01090251	VITE M12X1,75X42 10.9 D608 ZD	SCREW M12X1,75X42 10.9 D608 ZD
22	F01090250	VITE M10X1,5X35 10.9 D608 ZD	SCREW M10X1,5X35 10.9 D608 ZD
23	F01410064	ROS.M10 10.5X 20X 2 U6592 ZN	WASHER M10 10.5X20X2 U6592 ZN
24	F01410076	ROS.M12 13X 24X2.5 U6592 ZN	WASHER 12 13X 24X2.5 U6592 ZN
25	F01200270	DADO M10X1,5 U5588 6.8ZN	NUT M10X1,5 U5588 6.8ZN
26	F01410147	ROS.M24 25X 44X 4 U6592 ZN	WASHER M24 25X44X 4 U6592 ZN
27	F01200379	DADO M24X3 U5588 6.8ZN	NUT M24X3 U5588 6.8ZN
28	F01200468	DADO M20X2,5 U5589 6.8ZN	NUT M20X2,5 U5589 6.8ZN
29	F01110052	VITE TESTA CONICA OVALE M12X38	SCREW CONE-HEAD OVAL M12X39
30	F01110053	VITE TESTA CONICA OVALE M12X42	GALVANIZED OVAL CONIC SCREW M1
31	A50421070	PIASTRINA PIEG. SX COL.VERS. *	PLATE PIEG. LX COL.VERS.
32	A52000020	SCALPELLO REV SX 308 T. R2002	POINT CH REV LH
33	A50900041	COLTRINO NR1 SX A COLTELLO SAG	KNIFE NR1 LH SAG
34	A52100012	GUIDA STRISCIANTE 4M-4WN DX/SX	SHORT LANDSLIDE 27B 4M-4WN
35	A52100032	GUIDA STRISCIANTE 4M-4WN DX SX	LONG LANDSLIDE 7B 4M-4WN
36	A50420870	PIASTRINA DRITTA DI COLLEGAM.	CONNECTING PLATE

DEFLETTORI  
DEFLECTORS

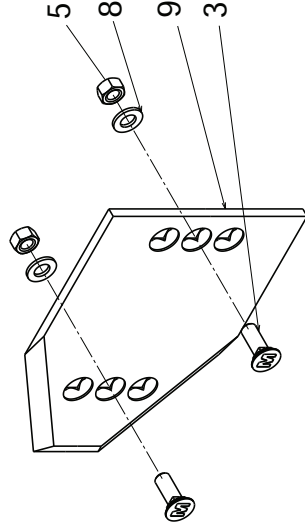


SINISTRO  
LEFT  
GAUCHE  
LINKS  
IZQUIERDO



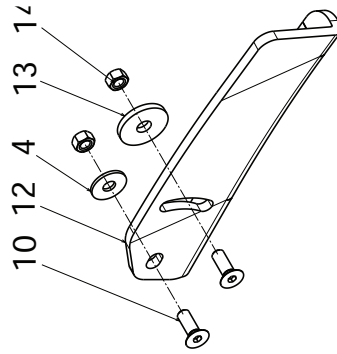
DESTRO  
RIGHT  
DROIT  
RECHTS  
DERECHO

STRISCIANTI COPRIGUIDA

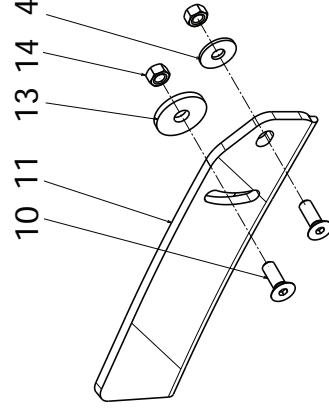


SINISTRO E DESTRO  
LEFT AND RIGHT  
GAUCHE ET DROIT  
LINKS UND RECHTS  
IZQUIERDO Y DERECHO

SOTTOVERSOI



SINISTRO  
LEFT  
GAUCHE  
LINKS  
IZQUIERDO



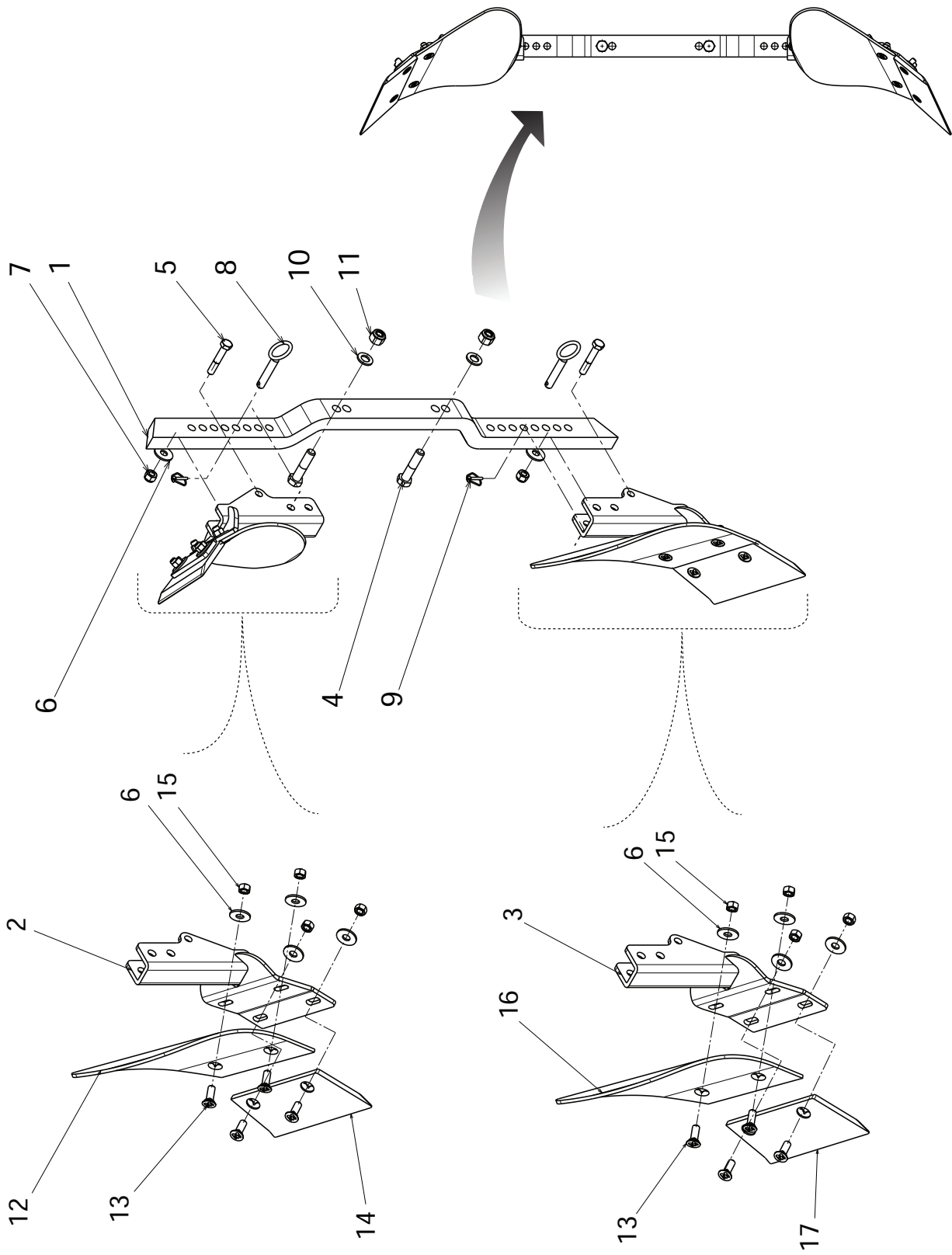
DESTRO  
RIGHT  
DROIT  
RECHTS  
DERECHO

ACCESSORI DEI CORPI LAVORANTI / WORKING BODIES FITTINGS

TAV. 270

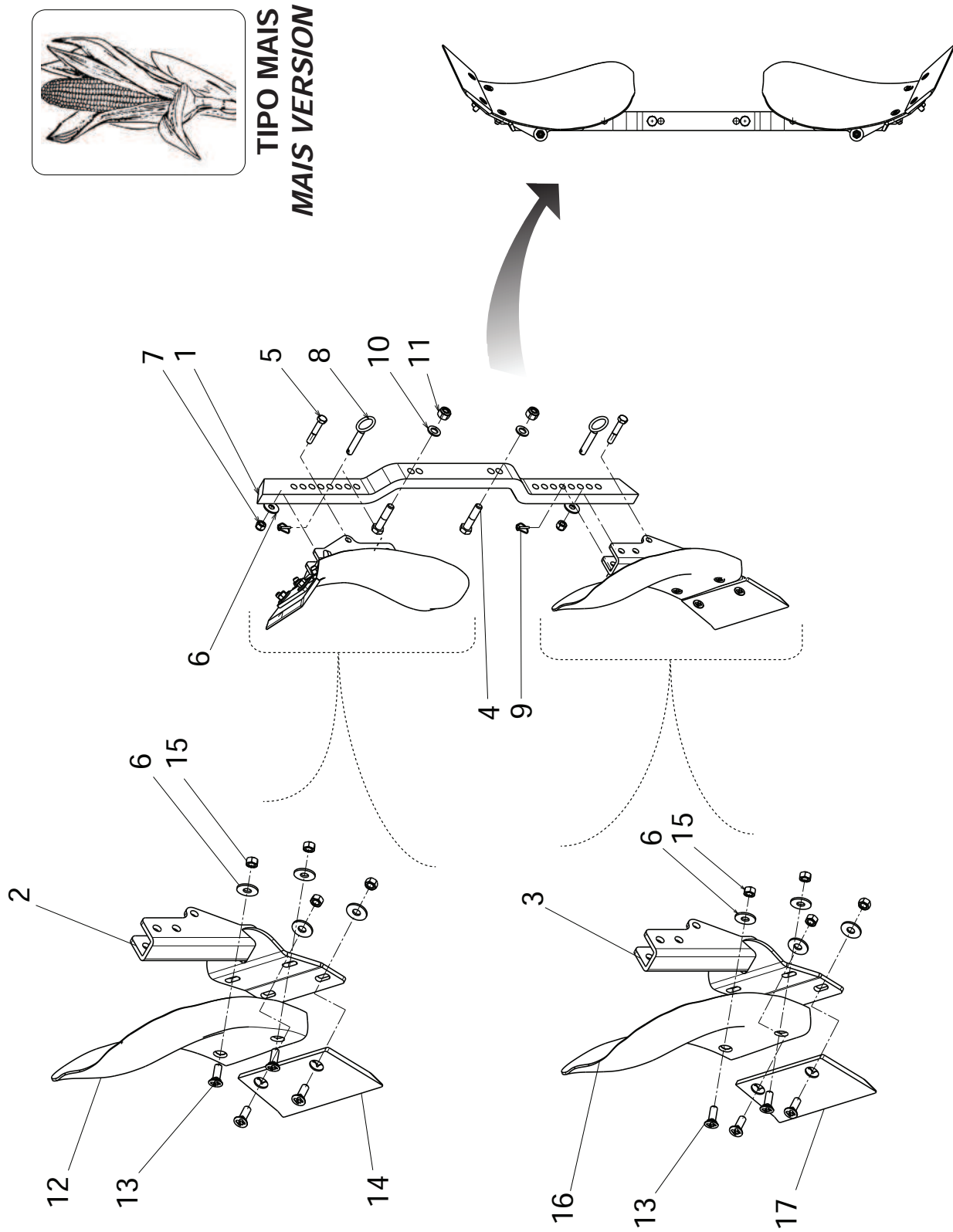
Pos.	Cod.	Descrizione	Description
1	A50420011	ALETTA DEFLETTORE DX	DEFLECTOR RH
2	A50500051	SUPPORTO PER ALETTA DEFL DX	DEFLECTOR SUPPORT RH
3	F01090253	VITE M12X35 D608 ZD D.SOTTOQ10	SCREW M12X1,75X35 10.9 D608 ZD
4	F01420120	ROS.M12 13X36X2,5 U6593 ZN	WASHER M12 13X36X2,5 U6593 ZN
5	F01200293	DADO M12X1,75 U5588 6.8ZN	NUT M12X1,75 U5588 6.8ZN
6	A50420021	ALETTA DEFLETTORE SX	DEFLECTOR LH
7	A50500711	SUPPORTO PER ALETTA DEFL SX	DEFLECTOR SUPPORT LH
8	F01410076	ROS.M12 13X 24X2,5 U6592 ZN	WASHER 12 13X 24X2,5 U6592 ZN
9	A52100510	STRISCIANTE COPRIGUIDA SP8 UNI	STRISCIANTE COPRIGUIDA SP8 UNI
10	F01030232	VITE M12X1,75X35 U5933 10.9ZN	SCREW M12X1,75X35 U5933 10.9ZN
11	A50420131	SOTTOVERSOIO 4WN-4WS DX V2015	4WN-4WS MOULBOARD EXT RH V2015
12	A50420141	SOTTOVERSOIO 4WN-4WS SX V2015	4WN-4WS MOULBOARD EXT LH V2015
13	A50220060	RONDELLA 15X50X6 R2002	WASHER 15X50X6 R2002
14	F01200296	DADO M12X1,75 U5588 8G ZN	NUT M12X1,75 U5588 8G ZN

TAV. 280



Pos.	Cod.	Descrizione	Description
1	A50700591	ASTA AVANV SPOST 50X30X1050 IN	SKIMMER ROD 50X30X1050 IN
2	A50090090	ASS. SALD CORP AV REG RAP SX	ASS WELD BODY SKIM FAST REG LH
3	A50090080	ASS. SALD CORP AV REG RAP DX	ASS WELD BODY SKIM FAST REG RH
4	F01020260	VITE M16X2X70 U5737 8.8ZN	SCR. M16X2X70 U5737 8.8ZN
5	F01020164	VITE M12X1,75X70 U5737 8.8ZN	BOLT M12X1,75X70 U5737 8.8ZN
6	F01420120	ROS.M12 13X36X2,5 U6593 ZN	WASHER M12 13X36X2,5 U6593 ZN
7	F01230059	DADO M12X1,75 D982 8ZN	LOCK-NUT M12X1,75 D982 8ZN
8	A50092020	ASS. PERNO D.14 L62 C40 SPINA	D.14 L62 C40 PIN ASS.
9	F02200487	SPINA SCATTO D.4 X27 ZN	SNAP PIN D.3.5X21 ZN
10	F01410100	ROS.M16 17X 30X 3 U6592 ZN	WASHER M16 17X30X3 U6592 ZN
11	F01230085	DADO M16X2 D982 10ZN	NUT M16X2 D982 8ZN
12	A51701010	ALETTA AVANVOMERE 4-5-6 SX 700	SKIM MOULDBOARD 4-5-6 LH
13	F01090253	VITE M12X35 D608 ZD D.SOTTOQ10	SCREW M12X1,75X35 10.9 D608 ZD
14	A51801010	VOMERINO 22 SX 30BR TEMPR	UPPER BLADE 22 30BR
15	F01200293	DADO M12X1,75 U5588 6.8ZN	NUT M12X1,75 U5588 6.8ZN
16	A51701000	ALETTA AVANVOMERE 4-5-6 DX 700	SKIM MOULDBOARD 4-5-6 RH
17	A51801000	VOMERINO 22 DX 30BR TEMPR	UPPER BLADE 22 30BR

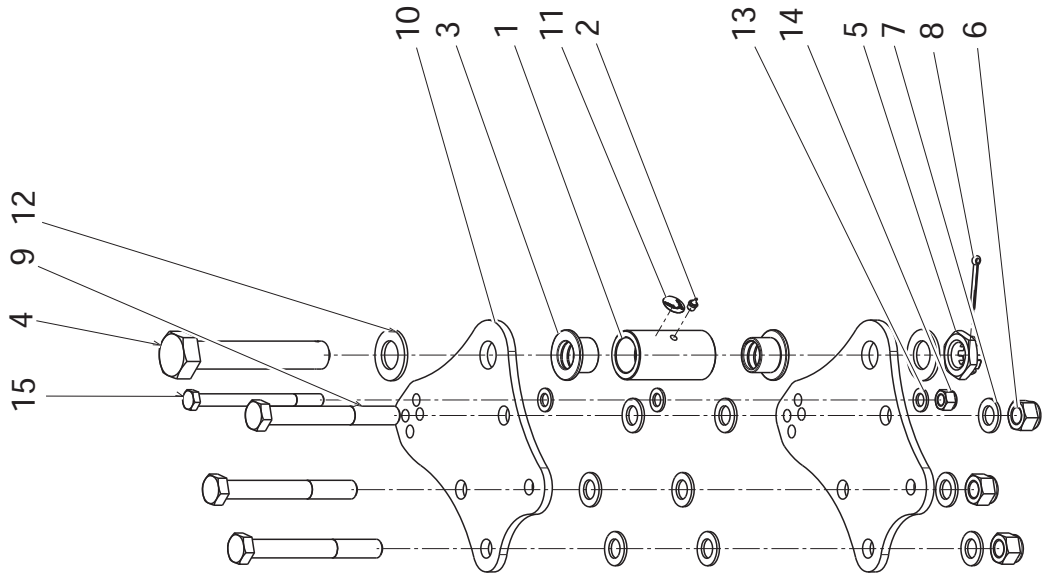




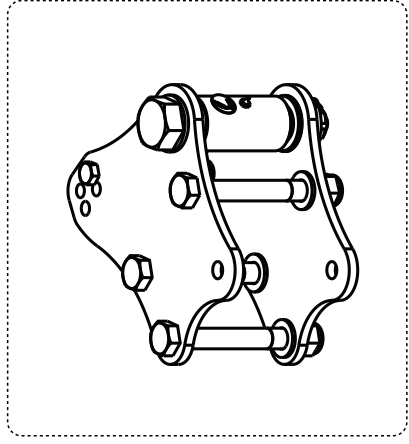
## GRUPPO AVANVOMERI TIPO MAIS / MAIS VERSION SKIMMER ASSEMBLY

TAV. 290

Pos.	Cod.	Descrizione	Description
1	A50700591	ASTA AVANV SPOST 50X30X1050 IN	SKIMMER ROD 50X30X1050 IN
2	A50090090	ASS. SALD CORP AV REG RAP SX	ASS WELD BODY SKIM FAST REG LH
3	A50090080	ASS. SALD CORP AV REG RAP DX	ASS WELD BODY SKIM FAST REG RH
4	F01020260	VITE M16X2X70 U5737 8.8ZN	SCR. M16X2X70 U5737 8.8ZN
5	F01020164	VITE M12X1,75X70 U5737 8.8ZN	BOLT M12X1,75X70 U5737 8.8ZN
6	F01420120	ROS.M12 13X36X2,5 U6593 ZN	WASHER M12 13X36X2,5 U6593 ZN
7	F01230059	DADO M12X1,75 D982 8ZN	LOCK-NUT M12X1,75 D982 8ZN
8	A50092020	ASS. PERNO D.14 L62 C40 SPINA	D.14 L62 C40 PIN ASS.
9	F02200487	SPINA SCATTO D.4 X27 ZN	SNAP PIN D.3.5X21 ZN
10	F01410100	ROS.M16 17X 30X 3 U6592 ZN	WASHER M16 17X30X3 U6592 ZN
11	F01230085	DADO M16X2 D982 10ZN	NUT M16X2 D982 8ZN
12	A51703011	ALETTA AVANV TIPO MAIS SX RAP	MAIZE SKIM LH FAST REG
13	F01090253	VITE M12X35 D608 ZD D.SOTTOQ10	SCREW M12X1,75X35 10.9 D608 ZD
14	A51801010	VOMERINO 22 SX 30BR TEMPR	UPPER BLADE 22 30BR
15	F01200293	DADO M12X1,75 U5588 6.8ZN	NUT M12X1,75 U5588 6.8ZN
16	A51703001	ALETTA AVANV TIPO MAIS DX RAP	MAIZE SKIM RH FAST REG
17	A51801000	VOMERINO 22 DX 30BR TEMPR	UPPER BLADE 22 30BR

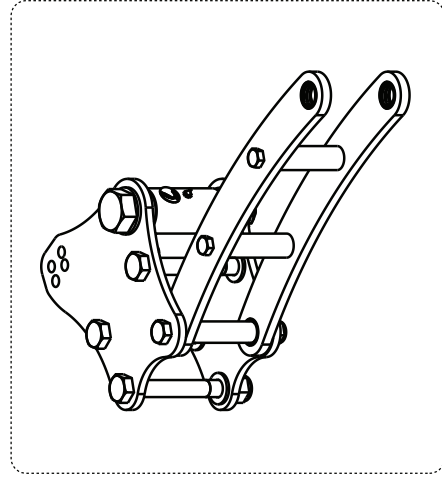
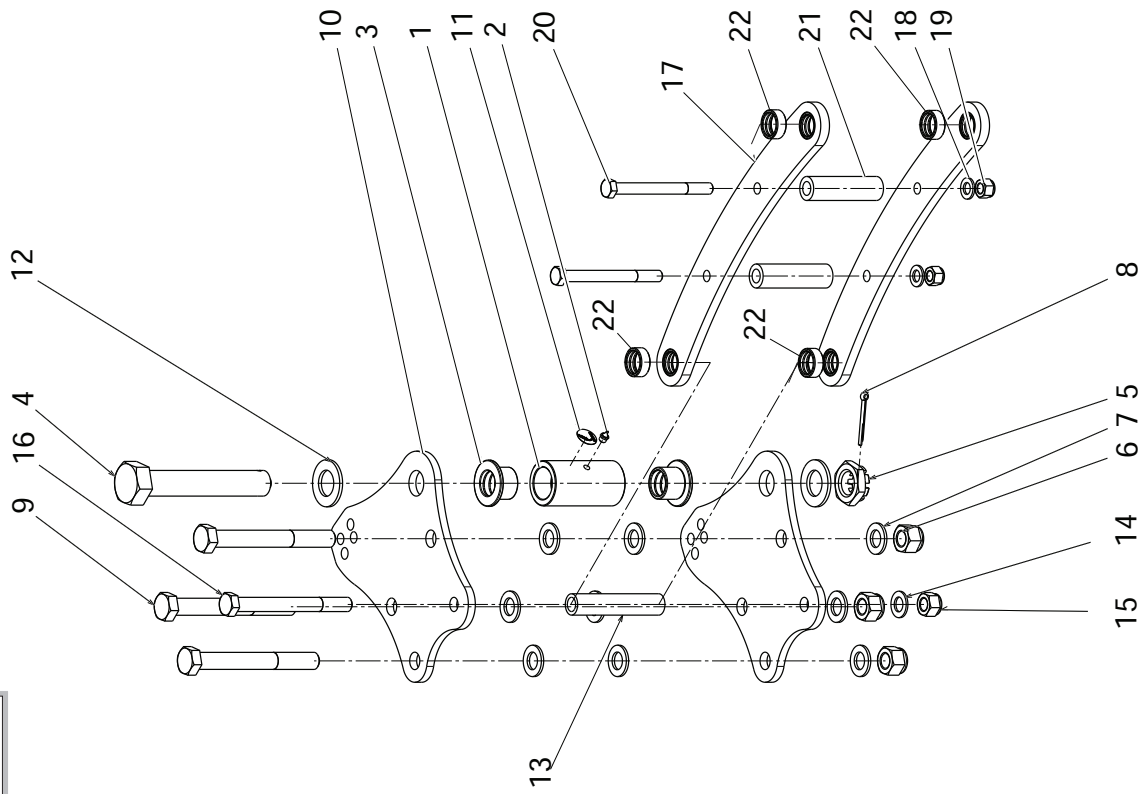


VERSIONE PASSO  
"PASSO" VERSION



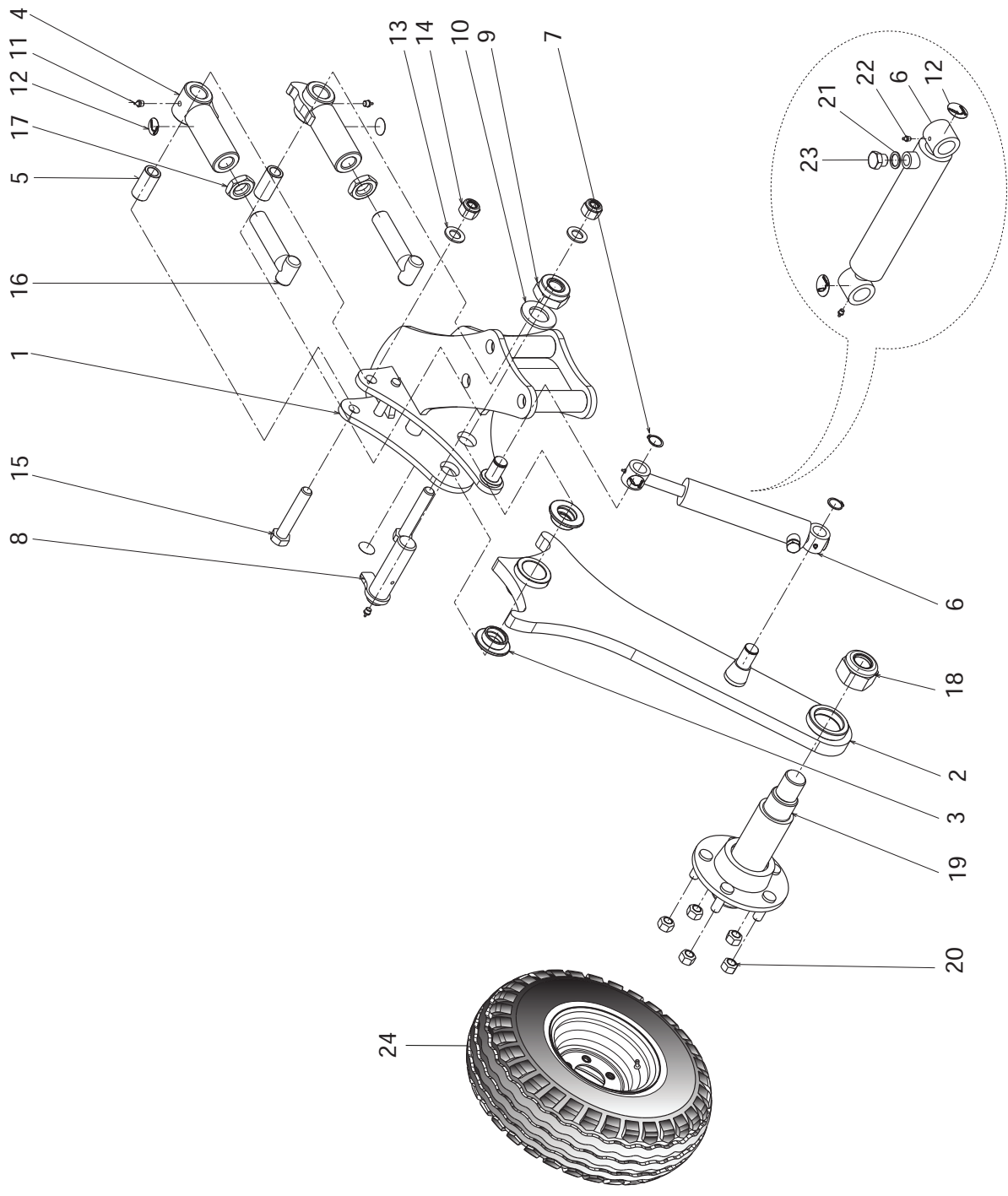
Pos.	Cod.	Descrizione	Description
1	A51203150	BOCCOLA 41,5-45X63,5X120 (SNOD	BUSHING JOINT WHEEL UNICO
2	F01100061	ING.M10X1 7663-A 9SMNPB28 ZN	GREASE NIPPLE M10X1 7663-A ZN
3	A52200200	BOCCOLA CEMENTATA	BUSHING CEM 45X36 L32
4	A52400180	VITE M36X3x219 LG=176 ZN	BOLT M36X3X219 LG=176 ZN
5	F01210124	DADO M36X3 U5594 6S ZN	NUT M36X3 U5594 6S ZN
6	F01230144	DADO M24X3 D982 8ZN	NUT M24X3 D982 8ZN
7	F01410147	ROS.M24 25X 44X 4 U6592 ZN	WASHER M24 25X44X 4 U6592 ZN
8	F02200247	COPIGLIA 6X 60 U1336 ZN	SPLIT PIN 6X 60 U1336 ZN
9	F01020898	VITE M24X3X210 U5737 8.8 ZN	BOLT M24X3X210 U5737 8.8 ZN
10	A50470941	PIASTRA ATT.RUOTA PROF.AV.UN.	PLATE ATT.WHEEL PROF.
11	F20030065	ETICH.PUNTO DA INGRASSARE >	DECAL.GREASING POINT
12	F01410190	ROS.M36 37X66X5 U6592 ZN	FLAT WASHER M36 37X66X5 ZN
13	F01410100	ROS.M16 17X 30X 3 U6592 ZN	WASHER M16 17X30X3 U6592 ZN
14	F01230085	DADO M16X2 D982 10ZN	NUT M16X2 D982 8ZN
15	F01020655	VITE M16X2X200 U5737 8.8 ZN	BOLT M16X2X200 U5737 8.8 ZN

VERSIONE "VARIO"  
"VARIO" VERSION



Pos.	Cod.	Descrizione	Description
1	A51203150	BOCCOLA 41,5-45X63,5X120 (SNOD	BUSHING JOINT WHEEL UNICO
2	F01100061	ING.M10X1 7663-A 9SMNPB28 ZN	GREASE NIPPLE M10X1 7663-A ZN
3	A52200200	BOCCOLA CEMENTATA	BUSHING CEM 45X36 L32
4	A52400180	VITE M36X3x219 LG=176 ZN	BOLT M36X3X219 LG=176 ZN
5	F01210124	DADO M36X3 U5594 6S ZN	NUT M36X3 U5594 6S ZN
6	F01230144	DADO M24X3 D982 8ZN	NUT M24X3 D982 8ZN
7	F01410147	ROS.M24 25X 44X 4 U6592 ZN	WASHER M24 25X44X 4 U6592 ZN
8	F02200247	COPIGLIA 6X 60 U1336 ZN	SPLIT PIN 6X 60 U1336 ZN
9	F01020898	VITE M24X3X210 U5737 8.8 ZN	BOLT M24X3X210 U5737 8.8 ZN
10	A50470941	PIASTRA ATT.RUOTA PROF.AV.UN.	PLATE ATT.WHEEL PROF.
11	F20030065	ETICH.PUNTO DA INGRASSARE >	DECAL.GREASING POINT
12	F01410190	ROS.M36 37X66X5 U6592 ZN	FLAT WASHER M36 37X66X5 ZN
13	A51302580	PERNO INT. TIRANTE MOD. UNICO	PIN INT. TIRANTE MOD. UNICO
14	F01410124	ROS.M20 21X 37X 3 U6592 ZN	WASHER M20 21X 37X 3 U6592 ZN
15	F01230131	DADO M20X2,5 D982 6ZN	NUT M20X2,5 D982 6ZN
16	F01020323	VITE M20X2,5X200 U5737 8.8ZN	SCR. M20X2,5X200 U5737 8.8ZN
17	A31080350	MONT. BIELLA ATT. RUOTA UNICO	MONT.CONNECTING ATT.WHEEL UNIC
18	F01410100	ROS.M16 17X 30X 3 U6592 ZN	WASHER M16 17X30X3 U6592 ZN
19	F01230085	DADO M16X2 D982 10ZN	NUT M16X2 D982 8ZN
20	F01020276	VITE M16X2X170 U5737 8.8ZN	SCR. M16X2X170 U5737 8.8ZN
21	A51201110	BOCCOLA 19,5X33,7X120 ZN	BUSHING 19.5X33.7X120
22	A52200230	BOCCOLA CEM 38X30 L15	BUSHING CEM 38X30 L15

TAV. 320



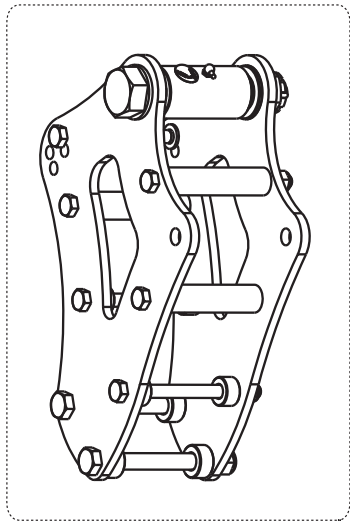
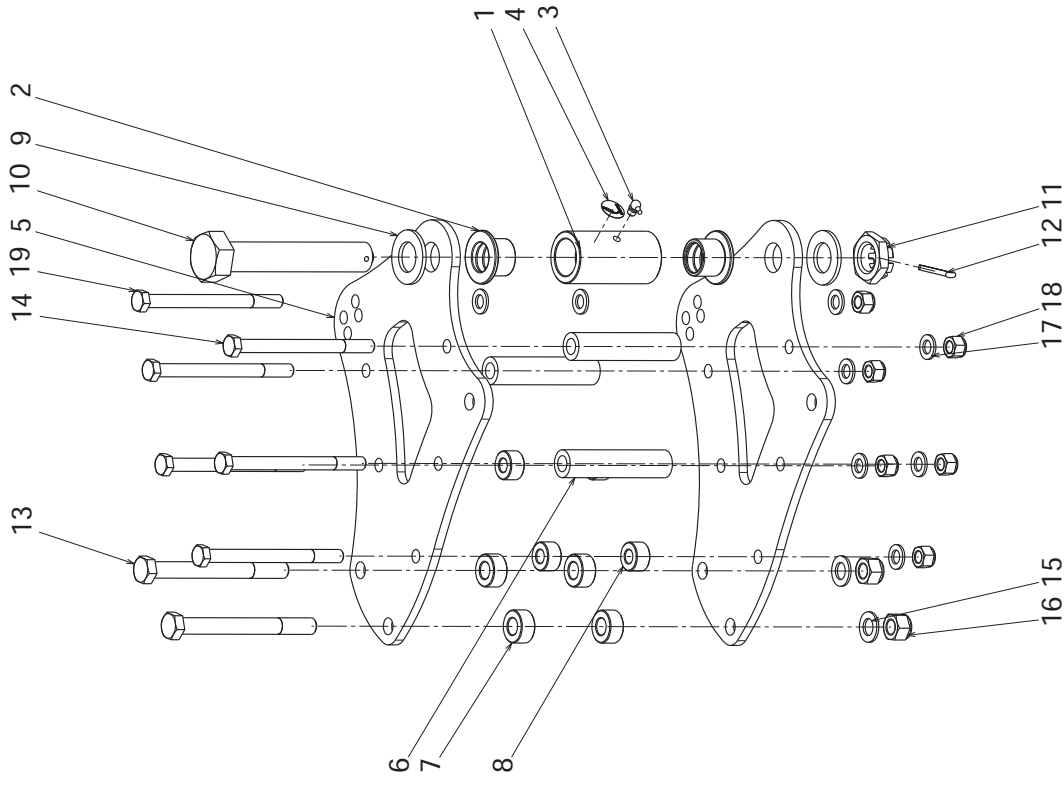
## GRUPPO RUOTA AVANZATA DI PROFONDITÀ / ADVANCED DEPTH WHEEL ASSEMBLY

TAV. 320

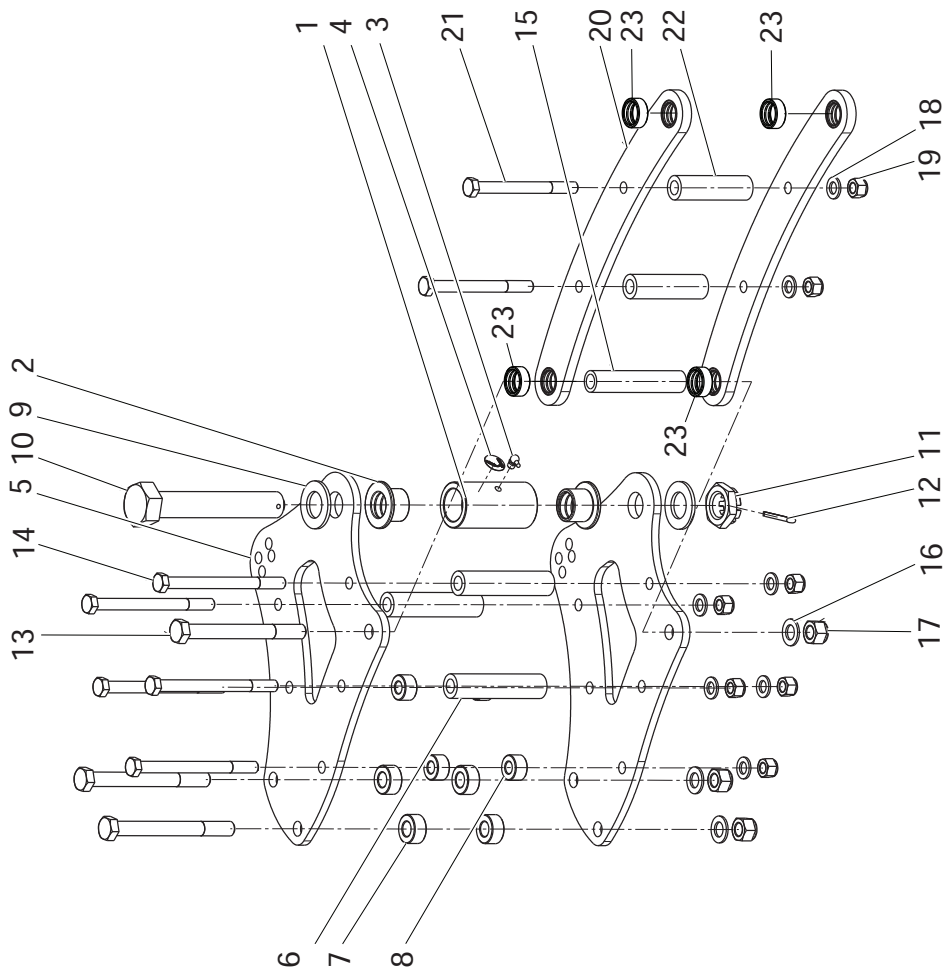
Pos.	Cod.	Descrizione	Description
1	A50080670	ASS. SUPP. RUOTA ANT. UNICO -	UNICO FRONT WHEEL SUPP.ASS.
2	A50080690	ASS. GAMBO RUOTA ANT. MIRCO	MIRCO FRONT WHEEL SUPP.
3	A52200260	BOCCOLA CEM 45X36 L15 - 65X36	BUSHING CEM 45X36 L15 - 65X36
4	A50080660	ASS. SUPP. REGOLAZ. RUOTA MIRC	MIRCO WHEEL ADJUSTING SUPP.
5	A51301660	BOCCOLA 20X30X61	BUSHING 20X30X61
6	A72000380	MONTE.MART.ISE A40 D20 C150	ASS PREM HYDR CYLINDER
7	F02050101	ANELLO E. DE 25X 1,2 U7435 C70	SEEGER RING E. 25X1,2 7435 C70
8	A50080740	ASS. PERNO RUOTA PROF. UNICO -	UNICO DEPTH WHEEL PIN ASS.
9	F01230066	DADO M36X3 D985 8 ZN	NUT M36X3 D985 6S (8) ZN
10	F01410190	ROS.M36 37X66X5 U6592 ZN	FLAT WASHER M36 37X66X5 ZN
11	F01100061	ING.M10X1 7663-A 9SMNPB28 ZN	GREASE NIPPLE M10X1 7663-A ZN
12	F20030065	ETICH.PUNTO DA INGRASSARE >	DECAL.GREASING POINT
13	F01410124	ROS.M20 21X 37X 3 U6592 ZN	WASHER M20 21X 37X 3 U6592 ZN
14	F01230131	DADO M20X2.5 D982 6ZN	NUT M20X2.5 D982 6ZN
15	F01020988	VITE M20X2.5X110 U5737 8.8 ZN	BOLT M20X2.5X110 U5737 8.8 ZN
16	F01090240	VITE M30X120 TESTA MART.28X50	SCREW M30X120 HH 28X50
17	F01200496	DADO M30X3.5 U5589 8ZN	NUT M30X3.5 U5589 8ZN
18	F01230161	DADO M39X 3 D982 8 ZN	NUT M39X3 D982 6S (8) ZN
19	A34012820	ASS.PREM.MOZZO 5F.RUOTA UNICO*	ASS. HUB 5F. WHEEL UNICO
20	F01220070	DADO M16X1.5 D980 8ZN	NUT M16X1.5 D980 8ZN
21	F03100023	ROS. 17 X23X1.5 RAME -3/8"	WASHER 17X23X1.5 RAME -3/8"
22	F01100011	ING.M 6X1 7663-A 9SMNPB28 ZN	GREASE NIPPLE M6X1 7663-A ZN
23	F03150666	TAPPO MASCHIO 3/8 E336	COVER MASCHIO 3/8 E336
24	F06120098	RUOTA 215/70 R15 (10.0/80-12)	WHEEL 215/70 R15



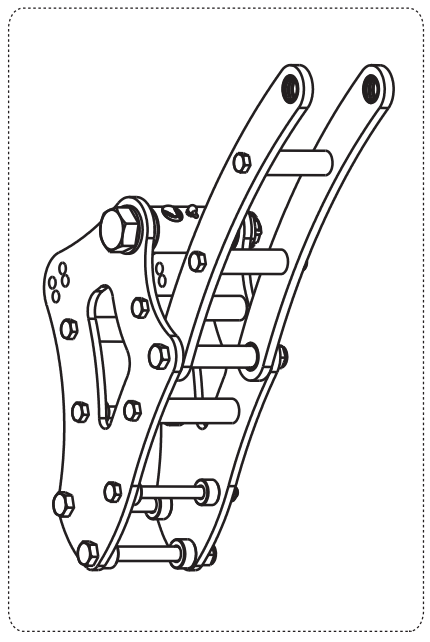
VERSIONE PASSO  
"PASSO" VERSION



Pos.	Cod.	Descrizione	Description
1	A51203150	BOCCOLA 41,5-45X63,5X120 (SNOD	BUSHING JOINT WHEEL UNICO
2	A52200200	BOCCOLA CEMENTATA	BUSHING CEM 45X36 L32
3	F01100063	ING.M10X1 7663-C 9SMMPB28 ZN	GREASE NIPPLE M10X1 7663
4	F20030065	ETICH.PUNTO DA INGRASSARE >	DECAL.GREASING POINT
5	A50470540	PIASTRA ATT. RUOTA COMB.UNICO	UNICO COMB. WHEEL CONN. PLATE
6	A51201120	BOCCOLA 19,5X33,7X150 ZN	BUSHING 19.5X33.7X150 ZN
7	A51302290	BOCCOLA 20X40X20 ZN	BUSHING 20X40X20 ZN
8	A51300160	BOCCOLA 16X35X20 ZN	BUSHING 16X35X20 ZN
9	F01410190	ROS.M36 37X66X5 U6592 ZN	FLAT WASHER M36 37X66X5 ZN
10	A52400180	VITE M36X3x219 LG=176 ZN	BOLT M36X3X219 LG=176 ZN
11	F01210124	DADO M36X3 U5594 6S ZN	NUT M36X3 U5594 6S ZN
12	F02200247	COPIGLIA 6X 60 U1336 ZN	SPLIT PIN 6X 60 U1336 ZN
13	F01020323	VITE M20X2,5X200 U5737 8.8ZN	SCR. M20X2,5X200 U5737 8.8ZN
14	F01020655	VITE M16X2X200 U5737 8.8 ZN	BOLT M16X2X200 U5737 8.8 ZN
15	F01410124	ROS.M20 21X 37X 3 U6592 ZN	WASHER M20 21X 37X 3 U6592 ZN
16	F01230131	DADO M20X2,5 D982 6ZN	NUT M20X2,5 D982 6ZN
17	F01410100	ROS.M16 17X 30X 3 U6592 ZN	WASHER M16 17X30X3 U6592 ZN
18	F01230085	DADO M16X2 D982 10ZN	NUT M16X2 D982 8ZN
19	F01020655	VITE M16X2X200 U5737 8.8 ZN	BOLT M16X2X200 U5737 8.8 ZN

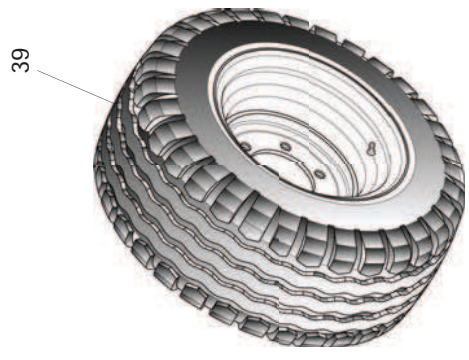
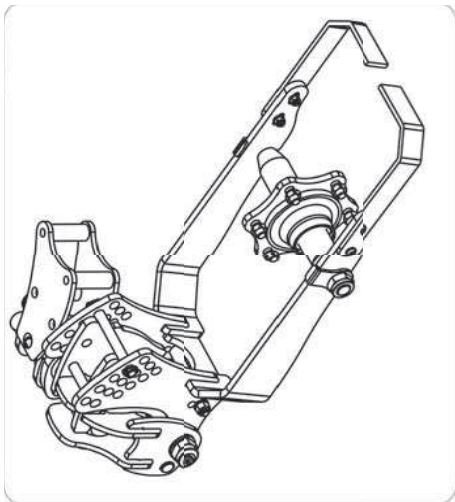
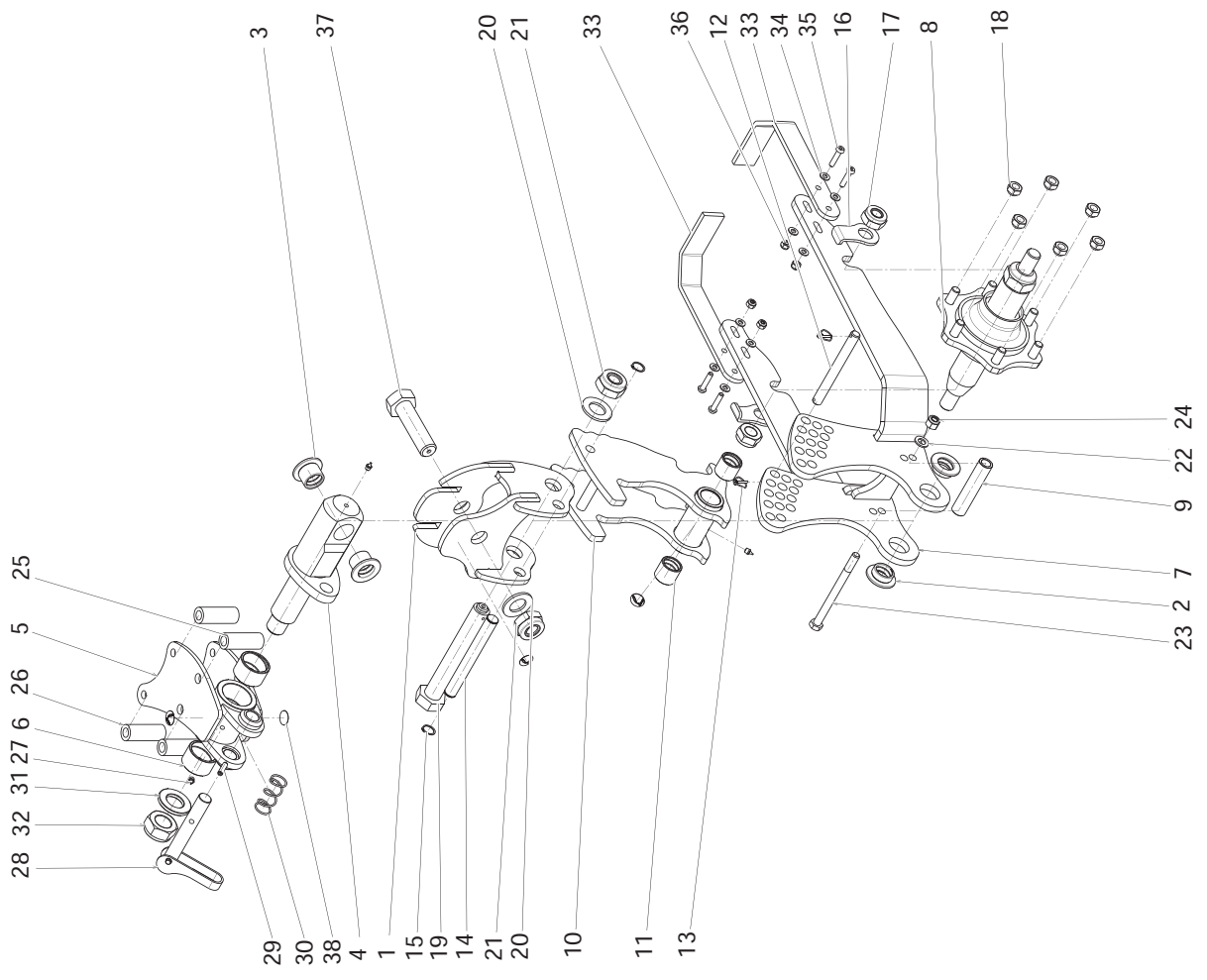


VERSIONE "VARIO"  
"VARIO" VERSION



Pos.	Cod.	Descrizione	Description
1	A51203150	BOCCOLA 41,5-45X63,5X120 (SNOD	BUSHING JOINT WHEEL UNICO
2	A52200200	BOCCOLA CEMENTATA	BUSHING CEM 45X36 L32
3	F01100063	ING.M10X1 7663-C 9SMNPB28 ZN	GREASE NIPPLE M10X1 7663
4	F20030065	ETICH.PUNTO DA INGRASSARE >	DECAL.GREASING POINT
5	A50470540	PIASTRA ATT. RUOTA COMB.UNICO	UNICO COMB. WHEEL CONN. PLATE
6	A51201120	BOCCOLA 19,5X33,7X150 ZN	BUSHING 19.5X33.7X150 ZN
7	A51302290	BOCCOLA 20X40X20 ZN	BUSHING 20X40X20 ZN
8	A51300160	BOCCOLA 16X35X20 ZN	BUSHING 16X35X20 ZN
9	F01410190	ROS.M36 37X66X5 U6592 ZN	FLAT WASHER M36 37X66X5 ZN
10	A52400180	VITE M36X3x219 LG=176 ZN	BOLT M36X3X219 LG=176 ZN
11	F01210124	DADO M36X3 U5594 6S ZN	NUT M36X3 U5594 6S ZN
12	F02200247	COPIGLIA 6X 60 U1336 ZN	SPLIT PIN 6X 60 U1336 ZN
13	F01020323	VITE M20X2,5X200 U5737 8.8ZN	SCR. M20X2,5X200 U5737 8.8ZN
14	F01020655	VITE M16X2X200 U5737 8.8 ZN	BOLT M16X2X200 U5737 8.8 ZN
15	A51302580	PERNO INT. TIRANTE MOD. UNICO	PIN INT. TIRANTE MOD. UNICO
16	F01410124	ROS.M20 21X 37X 3 U6592 ZN	WASHER M20 21X 37X 3 U6592 ZN
17	F01230131	DADO M20X2,5 D982 6ZN	NUT M20X2,5 D982 6ZN
18	F01410100	ROS.M16 17X 30X 3 U6592 ZN	WASHER M16 17X30X3 U6592 ZN
19	F01230085	DADO M16X2 D982 10ZN	NUT M16X2 D982 8ZN
20	A50470450	BIELLA ATT. RUOTA UNICO	UNICO WHEEL CON. PLATE
21	F01020276	VITE M16X2X170 U5737 8.8ZN	SCR. M16X2X170 U5737 8.8ZN
22	A51201110	BOCCOLA 19,5X33,7X120 ZN	BUSHING 19.5X33.7X120
23	A52200230	BOCCOLA CEM 38X30 L15	BUSHING CEM 38X30 L15

TAV. 350

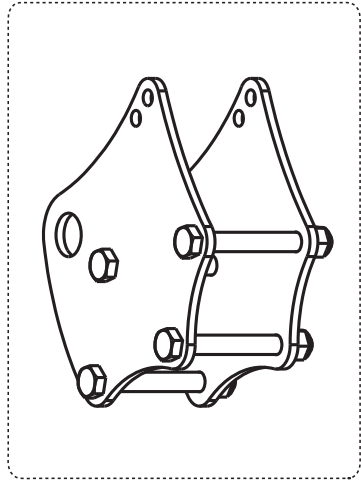
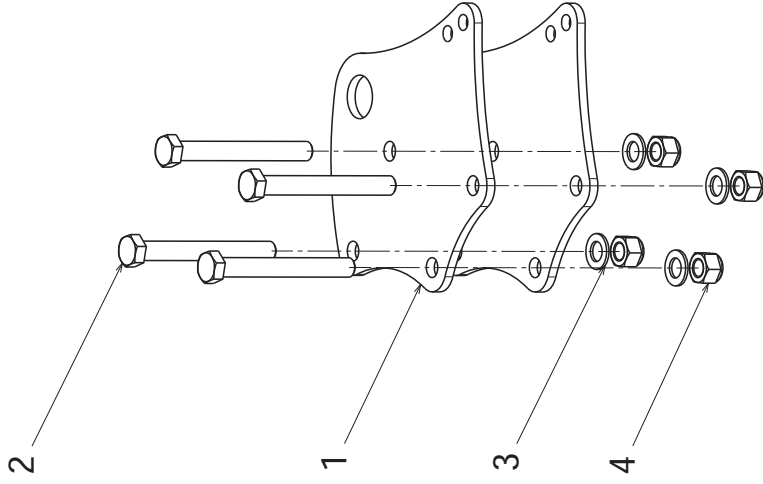


## GRUPPO RUOTA COMBINATA AVANZATA DI PROFONDITA' / ADVANCED COMBINED DEPTH WHEEL ASSEMBLY

TAV. 350

Pos.	Cod.	Descrizione	Description
1	A50080520	ASS SALD SNODO RUOTA COMBINATA	ASS WELD JOINT WHEEL
2	A52200260	BOCCOLA CEM 45X36 L15 - 65X36	BUSHING CEM 45X36 L15 - 65X36
3	A52200200	BOCCOLA CEMENTATA	BUSHING CEM 45X36 L32
4	A50080550	ASS. PERNO SNODO RUOTA COMB.UN	COMB.WHEEL ARTIC. PIN. ASS.
5	A50080530	ASS. SUPP. PERNO E FERMO RUOTA	PIN AND WHEEL STOP SUPPORT
6	A52200030	BOCCOLA CEM 65X55 L40	BUSHING CEM. 65X55 L40
7	A50080600	ASS. SUPP. RUOTA COMB.UNICO	UNICO COMB. WHEEL SUPPORT ASS
8	A34075020	MONT. MOZZO 6 FORI UNICO	MONT. HUB 6 HOLES UNICO
9	A51201160	TUBO DISTANZIALE 20.5X33.7X140	HOSE SPACER 20.5X33.7X140
10	A50080570	ASS S AGG RUOTA COMB UNICO ZN	ASS.WELD WHEEL UNICO ZN
11	A52200160	BOCCOLA CEM 45X36 L40 GF	BUSHING CEM 45X36 L40 GF
12	A51303260	PERNO D.20 L=200 REG. PROF. RU	PIN D.20 L=200 REG. PROF. RU
13	F02200487	SPINA SCATTO D.4 X27	SNAP PIN D.4 X27
14	A51303250	PERNO D.25 L=218 BATT. RUOTA C	PIN D.25 L=218 BATT. RUOTA C
15	F02050101	ANELLO E. DE.25X 1,2 U7435 C70	SEEGER RING E. 25X1,2 7435 C70
16	A50270450	PIASTRINA SOSTEGNO GR. RUOTA C	WHEEL ASS. SUPP. PLATE
17	F01230053	DADO M30X2 D985 6 ZN	NUT M30X2 D985 6S ZN
18	F01250052	DADO COLON. 18X1,5 ZN	COLUMN NUT M18X1,5 ZN
19	A52400230	VITE M36X3X253 LG=210 ZN	BOLT M36X3X253 LG. 210 ZN
20	F01410190	ROS.M36 37X66X5 U6592 ZN	FLAT WASHER M36 37X66X5 ZN
21	F01230066	DADO M36X3 D985 8 ZN	NUT M36X3 D985 6S (8) ZN
22	F01410100	ROS.M16 17X 30X 3 U6592 ZN	WASHER M16 17X30X3 U6592 ZN
23	F01020655	VITE M16X2X200 U5737 8.8 ZN	BOLT M16X2X200 U5737 8.8 ZN
24	F01230085	DADO M16X2 D982 10ZN	NUT M16X2 D982 8ZN
25	A51201170	BOCCOLA 20.5X33.7X90	BUSHING 20.5X33.7X90
26	A51202430	BOCCOLA 19.5X33.7X90 ZN	BUSHING 19.5X33.7X90
27	F01100061	ING.M10X1 7663-A 95MNPB28 ZN	GREASE NIPPLE M10X1 7663-A ZN
28	A35500010	MONT. MANIGLIA SGANCIO RAPIDO	MONT. KNOB QUICK FIT
29	F02100170	SPINA E.P. 10X 40 U6873 C70 ZN	PIN E.P. 10X 40 U6873 C70 ZN
30	A52400510	MOLLA COMP. FERMO TRASP. D.33	SPRING COMP. FERMO TRASP.D.33
31	A51300920	BOCCOLA 39.5X72.5X8	BUSHING 39.5X72.5X8
32	F01230064	DADO M39X3 D985 6 ZN	NUT M39X3 D985 6S ZN
33	A50470600	RASCHIATERRA RUOTA COMB.UNICO	UNICO COMB. WHEEL MUD SCRAPER
34	F01410064	ROS.M10 10.5X 20X 2 U6592 ZN	WASHER M10 10.5X20X2 U6592 ZN
35	F01030227	VITE M10X1.5 X 50 U7380 10.9ZD	BOLT M10X1.5X50 ISO7380 10.9 Z
36	F01230048	DADO M10X1.5 D982 8ZN	NUT M10X1.5 D982 8ZN
37	A52401070	VITE M36X3X135 LG=110 8.8 ZN [	BOLT M36X3X133 LG 75 ZN [MP]
38	F20030065	ETICH.PUNTO DA INGRASSARE >	DECAL.GREASING POINT
39	F06120424	RUOTA 13.0/55-16 AW702 6F.18PR	WHEEL13.0/55-16 AW702 6F.18PR

**SOLAMENTE OLTRE I 5 CORPI**  
**ONLY IF MORE THAN 5 WORKING ELEMENTS**



**PIASTRA AGGIUNTIVA (OLTRE 5 CORPI) / ADDITIONAL PLATE (MORE THAN 5 WORKING ELEMENTS)**

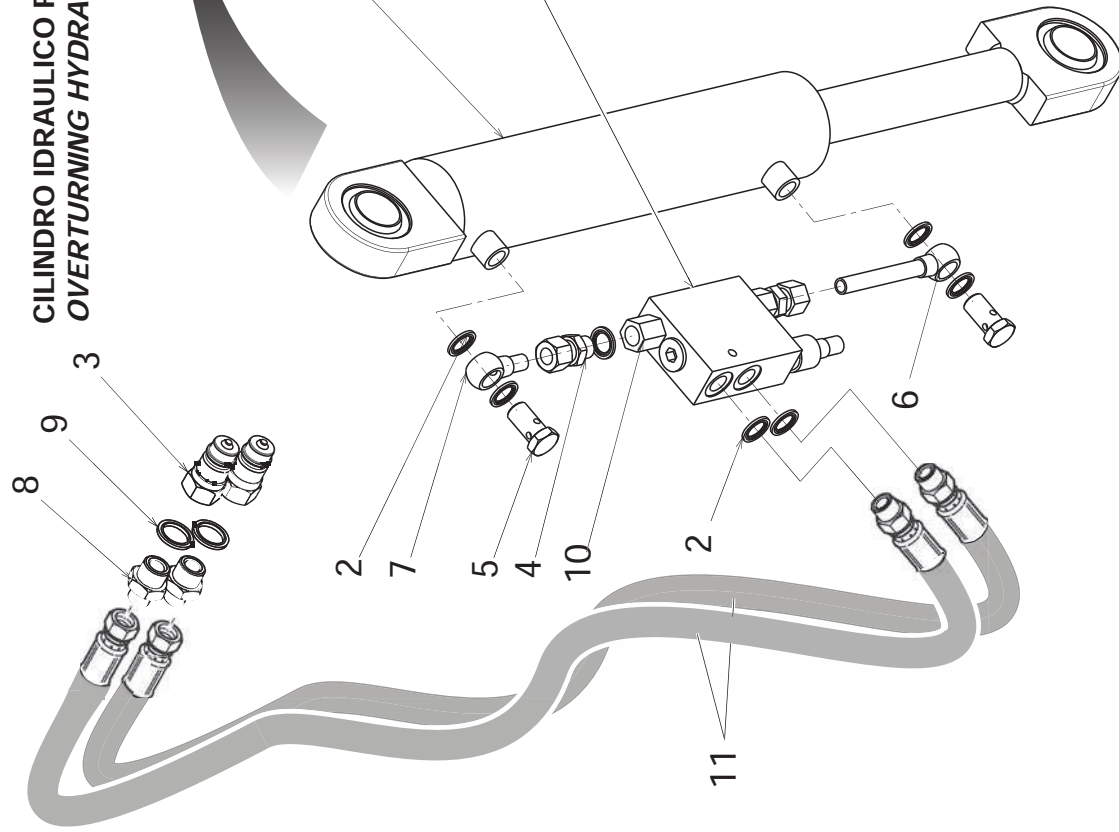
TAV. 360

Pos.	Cod.	Descrizione	Description
1	A50470442	PIASTRA SUPP. RUOTA UNICO S-M	UNICO WHEEL SUPP. PLATE
2	F01060605	VITE M20X2,5X170 U5712 10.9 ZD	BOLT M20X2,5X170 U5712 10.9 ZD
3	F01410124	ROS.M20 21X 37X 3 U6592 ZN	WASHER M20 21X 37X 3 U6592 ZN
4	F01230131	DADO M20X2,5 D982 6ZN	NUT M20X2,5 D982 6ZN



**2-3 CORPI DI LAVORO**  
**2-3 WORKING ELEMENTS**

**CILINDRO IDRAULICO RIBALTAMENTO**  
**OVERTURNING HYDRAULIC CYLINDER**



- 1 - **A**
- 12 - **B**
- 10 - **A**
- 13 - **B**

**D = 85 mm** **A**

**D = 100 mm** **B**

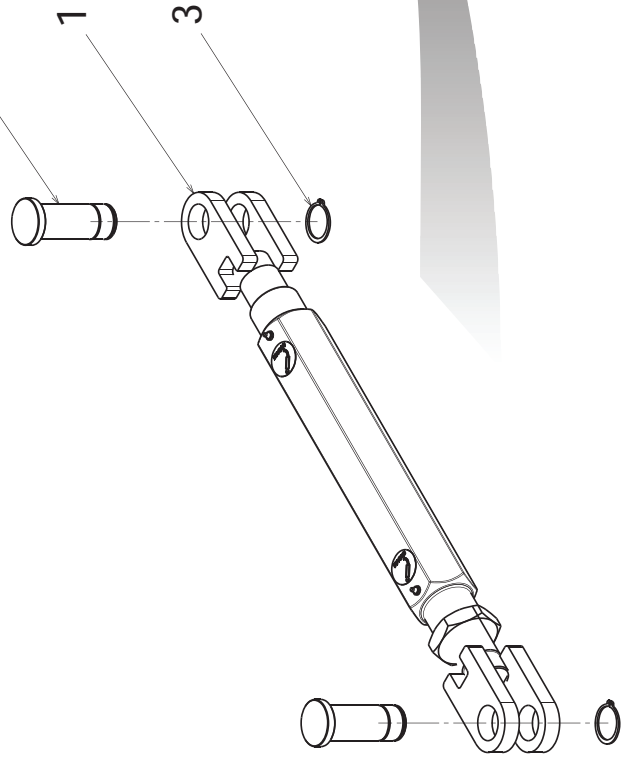
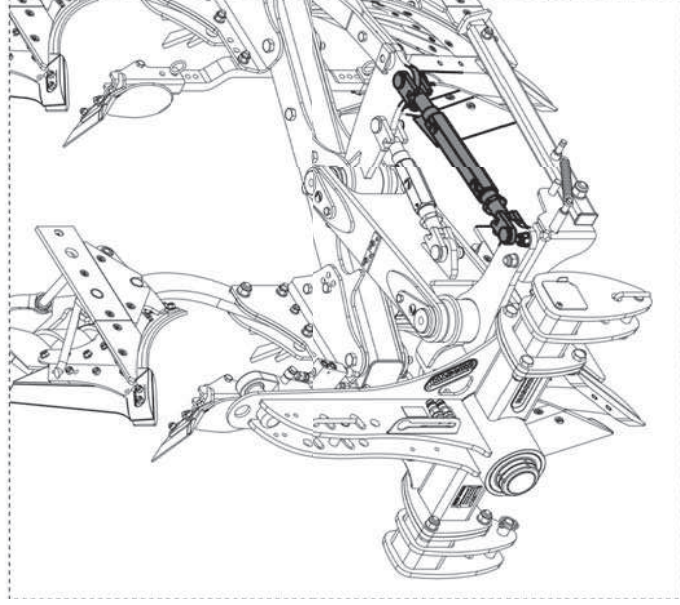


IMPIANTO IDRAULICO DI RIBALTAMENTO PER 2-3 CORPI / 2-3 WORKING ELEMENTS OVERTURNING HYDRAULIC PLANT

TAV. 370

Pos.	Cod.	Descrizione	Description
1	A71000540	MARTINETTO IDE A=70 D=40 C=250	CYLINDER IDE (RIB. EV/16)
2	F03020070	RONDELLA BONDED AUTOCENT 3/8	AUTOCENT BONDED WASHER 3/8
3	F03150935	INNESTO RAP.MASCH.1/2 A VALV.	QUICK CONNECT MALE CONE 1/2
4	F03151150	GIUNZ.DIRITTA FIL.CIL.3/8-12LR	CHAIN JOINT CYL. 3/8-12LR
5	F03151223	RACCORDO VITE C'AVA 3/8" L=39MM	UNION BOLT 3/8
6	F03080292	OCCHIO MEDIO OM 3/8" CON TUBO	MEDIUM EYE OM 3/8" WITH PIPE
7	F03080236	OCCHIO CORTO OC3/8" C/TUB.L40	SHORT EYE OC3/8" C/TUB.L40
8	F03150311	NIPPLO MM CIL-CIL 3/8-1/2 ZN	NIPPLE 3/8"- 1/2"
9	F03020200	RONDELLA BONDED AUTOCENT 1/2	BONDED WASHER AUTOCENT 1/2
10	F03152100	VALVOLA VRAP 60-80 DE	VALVE INVER 60-80 DE
11	F03050878	TUBO OLEODINAMICO GOMMA EN853	RUBBER PIPE EN853
12	A71000570	MARTIN. IDR DOPPIO EFF A=90	CYLINDER HYDR. DOUBLE EFF A=90
13	F03152102	VALV. RIB. ARATRO PIL. VRAP 80	VALV RIB. ARATRO PIL. VRAP 80

TAV. 380



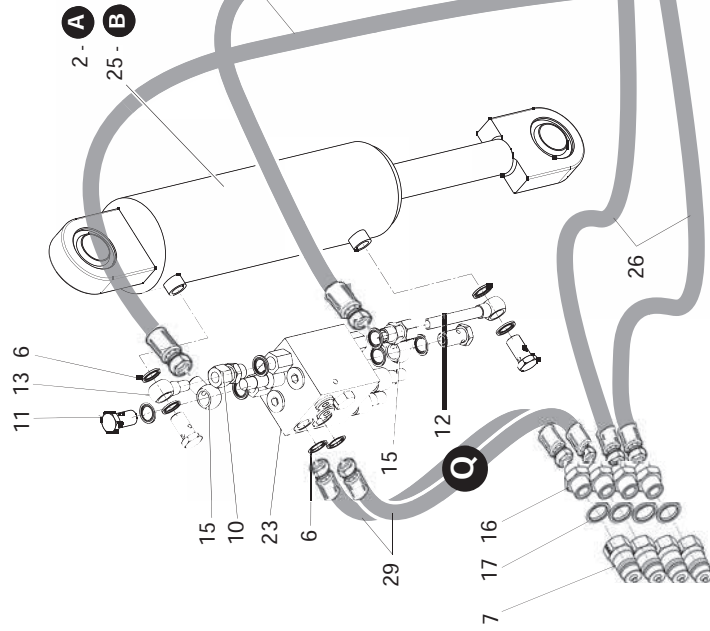
**TIRANTE DI REGOLAZIONE MANUALE / TURNBUCKLE**

TAV. 380

Pos.	Cod.	Descrizione	Description
1	A31080100	MONT. TIRANTE REG. PRIMO CORPO	MONT. TIE ROD REG.
2	A51302621	PERNO D.30 L=59-74 FISS. MART.	PIN D.30 L=59-74 FISS. MART.
3	F02050112	ANELLO E. DE 30X 1,5 U7435 C70	SEEGER RING 30X 1,5 U7435 C70

TAV. 390

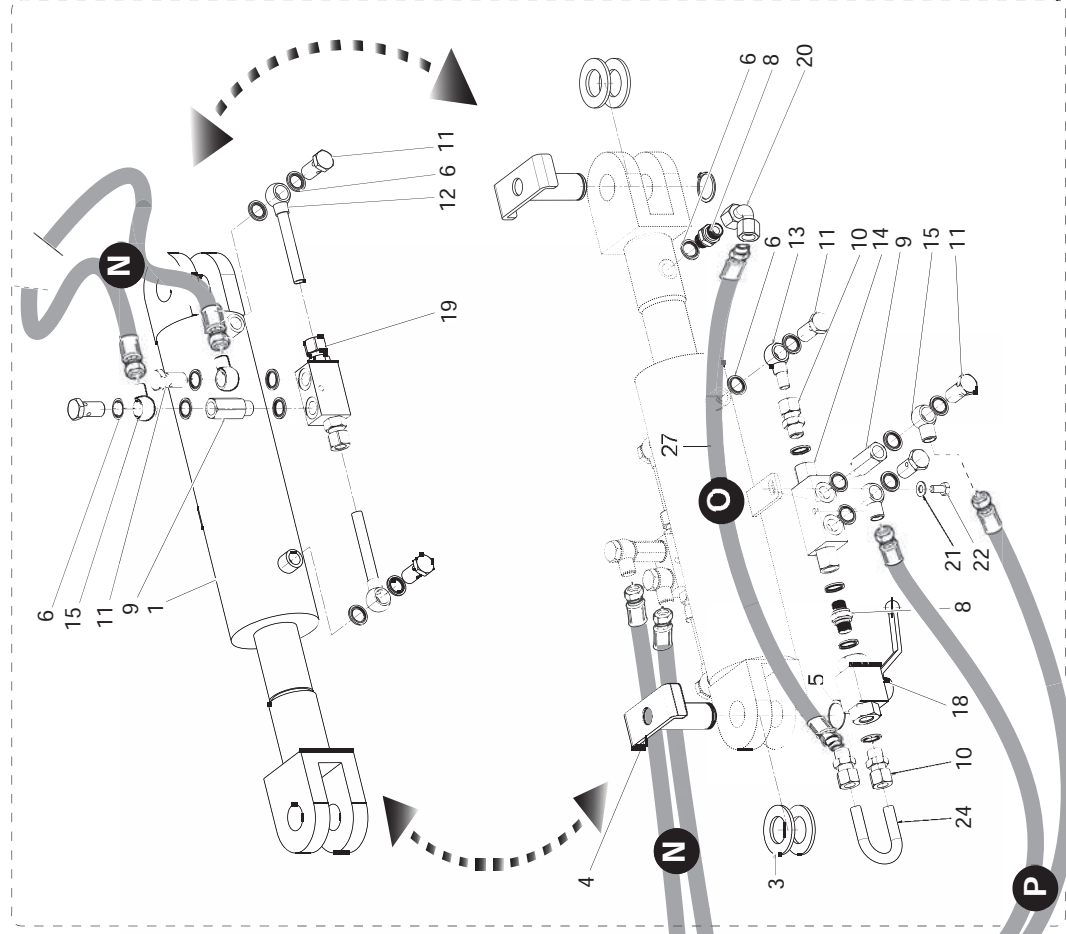
CILINDRO IDRAULICO RIBALTAMENTO  
OVERTURNING HYDRAULIC CYLINDER



D = 85 mm **A**

D = 100 mm **B**

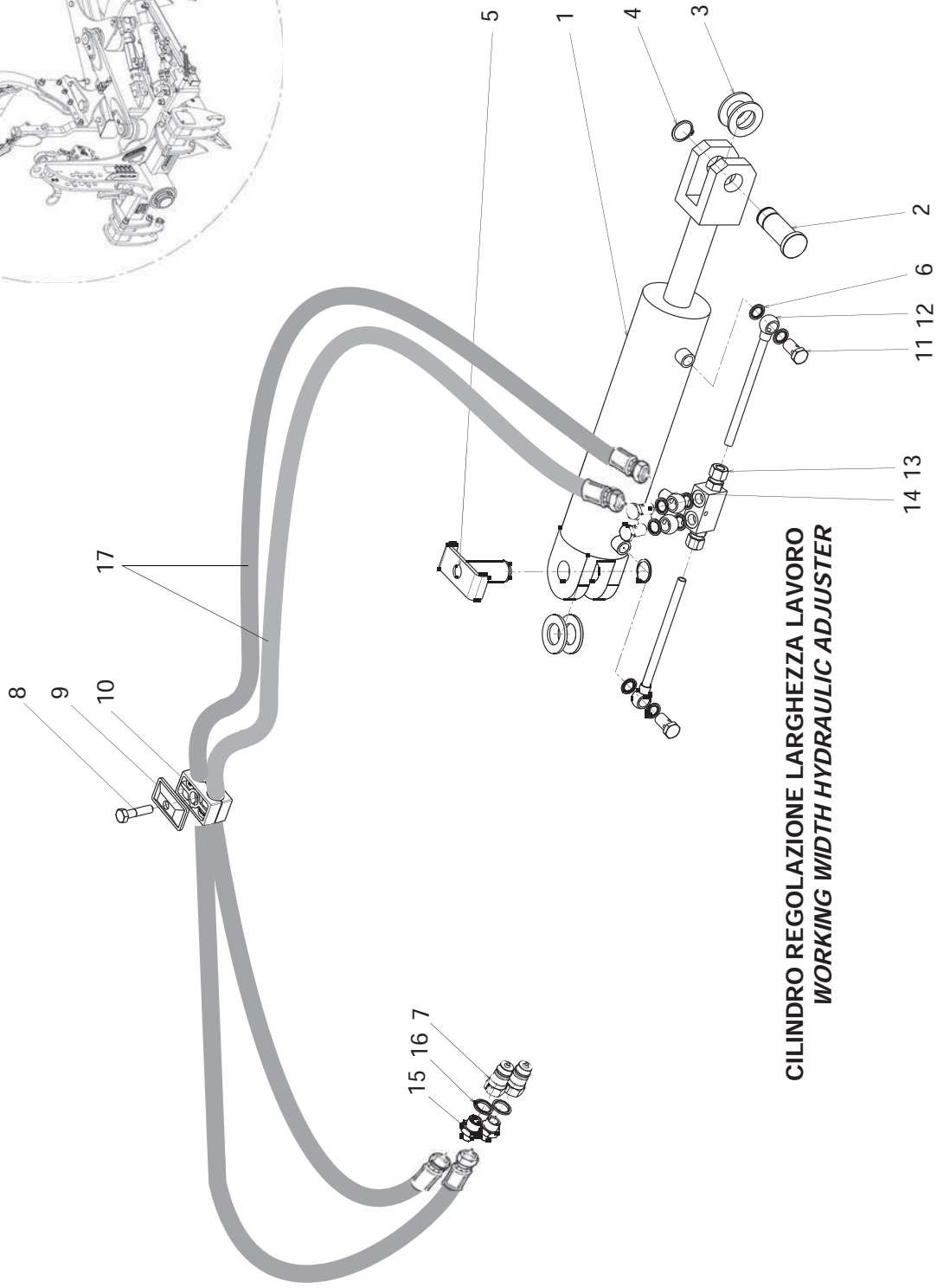
4-5 CORPI DI LAVORO  
4-5 WORKING ELEMENTS



CILINDRO IDRAULICO ALLINEAMENTO  
ALIGNING HYDRAULIC CYLINDER

Pos.	Cod.	Descrizione	Description
1	A71000661	MARTINETTO IDR DOPPIO EFF A=90	CYLINDER HYDRAULIC DOUBLE EFF
2	A71000580	MART.IDR.DOPPEFF.A80 D40 C250	CYLINDER HYDR. DOUBLE EFF A=80
3	F01410168	ROS.M30 31X 56X 4 U6592 ZN	WASHER M30 31X56X4 U6592 ZN
4	A50092560	ASS. PERNO DI FISS. D.30X74 UN	FIX. PIN D.30X74 UN ASS.
5	F02050112	ANELLO E. DE 30X 1,5 U7435 C70	SEEGER RING 30X 1,5 U7435 C70
6	F03020070	RONDELLA BONDED AUTOCENT 3/8	AUTOCENT BONDED WASHER 3/8
7	F03150935	INNESTO RAP.MASCH.1/2 A VALV.	QUICK CONNECT MALE CONE 1/2
8	F03150321	NIPPLO MM CIL-CIL 3/8-3/8 ZG	NIPPLE MM CIL-CIL 3/8-3/8 ZN
9	F03151026	PROLUNGAM-F 3/8 L=40	EXTENSION M.F 3/8 L
10	F03151150	GIUNZ.DIRITTA FIL.CIL 3/8-12LR	CHAIN JOINT CYL. 3/8-12LR
11	F03151223	RACCORDO VITE CAVA 3/8" L=39MM	UNION BOLT 3/8
12	F03080292	OCCHIO MEDIO OM 3/8" CON TUBO	MEDIUM EYE OM 3/8" WITH PIPE
13	F03080236	OCCHIO CORTO OC3/8" C/TUB.L40	SHORT EYE OC3/8" C/TUB.L40
14	F03151687	VALV. DI BLOCCO PIL. DE VBPDE	BLOCK VALVE PIL. DE VBPDE
15	F03151269	OCCHIO FILETTATO 3/8-3/8	EYE FILET. 3/8-3/8
16	F03150311	NIPPLO MM CIL-CIL 3/8-1/2 ZN	NIPPLE 3/8". 1/2"
17	F03020200	RONDELLA BONDED AUTOCENT 1/2	BONDED WASHER AUTOCENT 1/2
18	F03151246	RUBINETTO F-F 3/8	BREATHER TAP F-F 3/8
19	F03152104	VALVOLA DI BLOCCO PILOTATA	VALVE BLOCK
20	F03151677	RACC.GOMITO A 90 FF 3/8'	ELBOW CONN. 90° FF 3/8
21	F01410051	ROS.M8 8.4X 17X1.6 U6592 ZN	WASHER M8 8.4X17X1.6 U6592 ZN
22	F01020432	VITE M8X1,25X16 U5739 8.8ZN	SCR. M8X1,25X16 U5739 8.8ZN
23	F03152103	VALVOLA VRAP 80-100 SV TN	VALVE VRAP 80-100 SV TN (V0340
24	A51203010	TUBO BOND. A "U" D.12.5X1,5 L=	TUBE BOND. A "U" D.12.5X1,5 L
25	A71000570	MARTIN. IDR DOPPIO EFF A=90	CYLINDER HYDR. DOUBLE EFF A=90
26	F03050938	TUBO G. R2 3/8 F3/8 F3/8 4000	HOSE G. R2 3/8 F3/8 F3/8 4000
27	F03050952	TUBO G. R2 3/8 M3/8 F3/8 500	HOSE G. R2 3/8 M3/8 F3/8 500
28	F03050889	TR R2SGV 3/8 FD3/8 FD3/8 2000	TR R2 3/8 FD3/8 FD3/8 2000
29	F03050878	TUBO OLEODINAMICO GOMMA EN853	RUBBER PIPE EN853

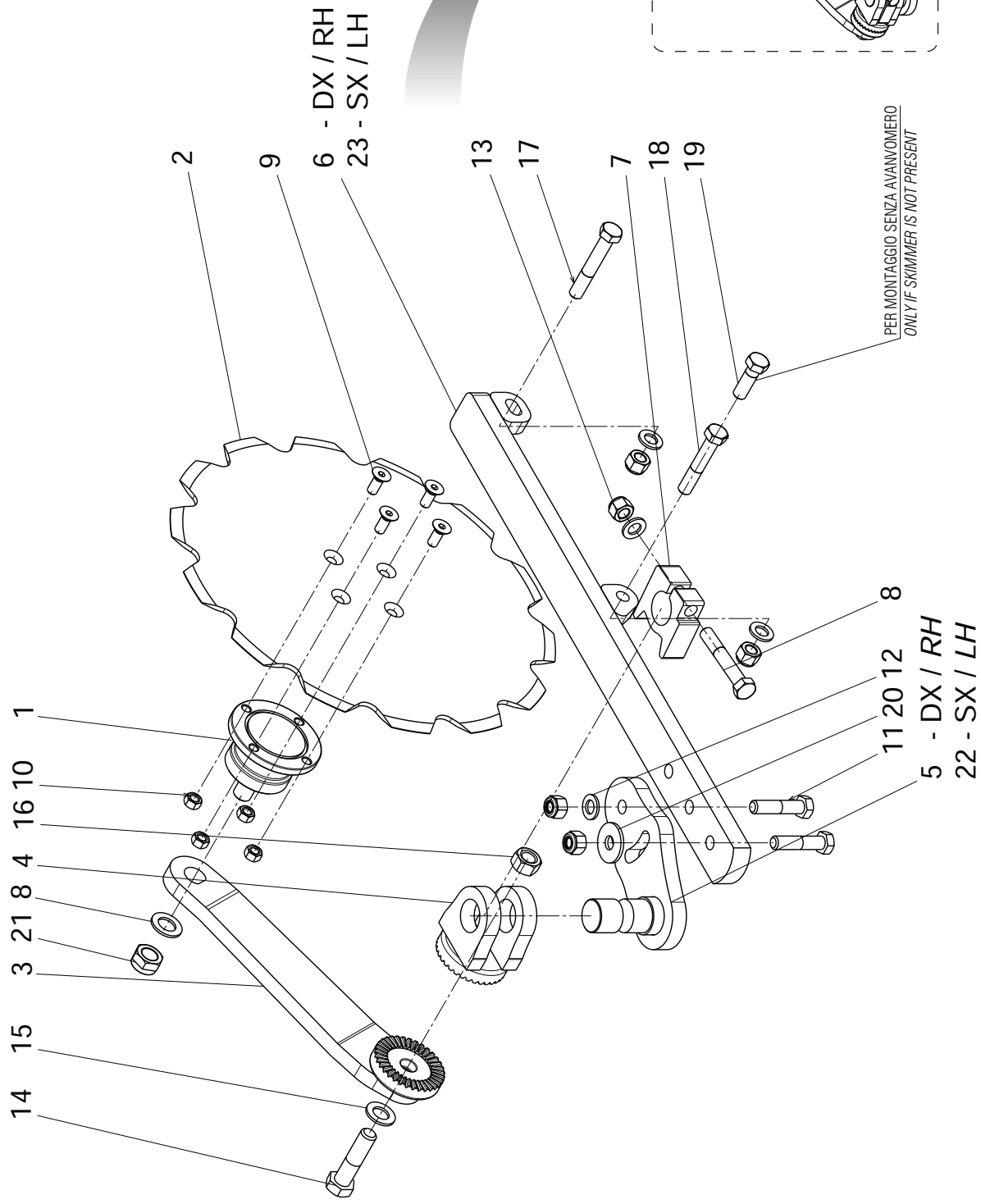
VERSIONE "VARIO"  
"VARIO" VERSION



CILINDRO REGOLAZIONE LARGHEZZA LAVORO  
WORKING WIDTH HYDRAULIC ADJUSTER

Pos.	Cod.	Descrizione	Description
1	A71000651	MARTINETTO IDR DOPPIO EFF A=90	CYLINDER EFF A=90 D=40 C=100
2	A51302621	PERNO D.30 L=59-74 FISS. MART.	PIN D.30 L=59-74 FISS. MART.
3	F01410168	ROS.M30 31X 56X 4 U6592 ZN	WASHER M30 31X56X4 U6592 ZN
4	F02050112	ANELLO E. DE.30X 1,5 U7435 C70	SEEGER RING 30X 1,5 U7435 C70
5	A50092560	ASS. PERNO DI FISS. D:30X74 UN	FIX. PIN D.30X74 UN ASS.
6	F03020070	RONDELLA BONDED AUTOCENT 3/8	AUTOCENT BONDED WASHER 3/8
7	F03150935	INNESTO RAP.MASCH.1/2 A VALV.	QUICK CONNECT MALE CONE 1/2
8	F01020063	VITE M8X1,25X35 U5737 8.8ZN	SCR. M8X1,25X35 U5737 8.8ZN
9	F03150993	PIATTO X COLLARE SUPERIORE ZN	PLATE
10	F03150996	COPPIA COLLARI X TUBO D.18	DOUBLE TUBE SUPPORT D.19
11	F03151223	RACCORDO VITE CAVA 3/8" L=39MM	UNION BOLT 3/8
12	F03080294	OCCHIO LUNGO OL 3/8" CON TUBO	LONG EYE WITH PIPE
13	F03152104	VALVOLA DI BLOCCO PILOTATA	VALVE BLOCK
14	F03151269	OCCHIO FILETTATO 3/8-3/8	EYE FILET. 3/8-3/8
15	F03150311	NIPPLO MM CIL-CIL 3/8-1/2 ZN	NIPPLE 3/8"- 1/2"
16	F03020200	RONDELLA BONDED AUTOCENT 1/2	BONDED WASHER AUTOCENT 1/2
17	F03050938	TUBO G. R2 3/8 F3/8 F3/8 4000	HOSE G. R2 3/8 F3/8 F3/8 4000





**COLTRO A DISCO DENTATO (OPTIONAL) / OPTIONAL TOOTHED DISC COULTER**

**TAV. 410**

Pos.	Cod.	Descrizione	Description
1	F06160015	MOZZO SKF AGRI HUB BAA-0004	HUB SKF AGRI HUB BAA-0004
2	A52090021	DISCO DENT DN500 SP6 4 FORI CO	TOOTHED DISC DN500SP6 4HOL. C
3	A50052400	ASS. ASTA COLTRO A DISCO	DISC COULTER ROD ASS.
4	A50052410	ASS. SNODO COLTRO A DISCO	DISC COULTER ARTICULATION ASS
5	A50052380	ASS. SUPP. COLTRO A DISCO DX C	RH DISC COULTER SUPP. ASS.
6	A50052440	ASS. PIASTRA 60X25 DI SUPP. CO	60X25 SUPP. PLATE ASS.
7	A50421170	PIASTRA FISS. COLTRO DISCO ZN	DISC COULTER FIX. PLATE ZN
8	F01410135	ROS.M22 23X 39X 3 U6592 ZN	WASHER M22 23X 39X 3 U6592 ZN
9	F01030236	VITE M12X1,75X 30 U5933 10.9ZD	SCREW M12X1,75X30 U5933 10.9ZD
10	F01200293	DADO M12X1,75 U5588 6.8ZN	NUT M12X1,75 U5588 6.8ZN
11	F01020260	VITE M16X2X70 U5737 8.8ZN	SCR. M16X2X70 U5737 8.8ZN
12	F01410100	ROS.M16 17X 30X 3 U6592 ZN	WASHER M16 17X30X3 U6592 ZN
13	F01230085	DADO M16X2 D982 10ZN	NUT M16X2 D982 8ZN
14	F01020311	VITE M20X2,5X80 U5737 8.8ZN	SCR. M20X2,5X80 U5737 8.8ZN
15	F01410124	ROS.M20 21X 37X 3 U6592 ZN	WASHER M20 21X 37X 3 U6592 ZN
16	F01200352	DADO M20X2,5 U5588 6.8ZN	NUT M20X2,5 U5588 6.8ZN
17	F01020285	VITE M16X2X100 U5737 8.8ZN	SCR. M16X2X100 U5737 8.8ZN
18	F01020264	VITE M16X2X90 U5737 8.8ZN	SCR. M16X2X90 U5737 8.8ZN
19	F01020252	VITE M16X2X50 U5737 8.8ZN	SCR. M16X2X50 U5737 8.8ZN
20	F01420096	ROS.M16 16.5X 42X 4 U6593 ZN	WASHER M16 17X48X4 U6593 ZN
21	F01230041	DADO M22X1,5 U7474 6S ZN	NUT M22X1,5 U7474 6S ZN
22	A50052390	ASS. SUPP. COLTRO A DISCO SX	LH DISC COULTER SUPP. ASS.
23	A50052450	ASS. PIASTRA 60X25 DI SUPP. CO	60X25 SUPP. PLATE ASS.

**USATE SEMPRE RICAMBI ORIGINALI  
ALWAYS USE ORIGINAL SPARE PARTS  
IMMER DIE ORIGINAL-ERSATZTEILE VERWENDEN  
EMPLOYEZ TOUJOURS LES PIECES DE RECHANGE ORIGINALES  
UTILIZAR SIEMPRE REPUESTOS ORIGINALES**



**Servizio Assistenza Tecnica - After Sales Service**

**+39 049 9289960**

**+39 049 9289836**

**Servizio Ricambi - Spare Parts Service  
+39 049 9289888**

DEALER:



**MASCHIO GASPARDO SpA**  
**Registered Office and Production Plant**  
Via Marcello, 73 - 35075 Campodarsego (Padova) - Italy  
Tel. +39 049 9289810  
Fax +39 049 9289900  
info@maschio.com  
www.maschionet.com

**MASCHIO GASPARDO SpA**  
**Production Plant**  
Via Mussons, 7 - 33075 Morsano al Tagliamento (PN) - Italy  
Tel. +39 0434 695410  
Fax +39 0434 695425  
info@gaspardo.it

**MASCHIO DEUTSCHLAND GMBH**  
Äußere Nürnberger Straße 5  
D - 91177 Thalimässing - Deutschland  
Tel. +49 (0) 9173 79000  
Fax +49 (0) 9173 790079  
dialog@maschio.de  
www.maschionet.de

**MASCHIO GASPARDO North America**  
112 3rd Avenue East  
DeWitt, IA 52742 (USA)  
Phone: (563) 659-6400  
Fax: (563) 659-6404  
e-mail: info@maschio.us

**MASCHIO FRANCE Sarl**  
1 rue Denis Papin ZA  
F - 45240 La Ferte St. Aubin  
France  
Tel. +33 (0) 2.38.64.12.12  
Fax +33 (0) 2.38.64.66.79  
info@maschio.fr

**MASCHIO-GASPARDO ROMANIA S.R.L.**  
Strada Înfrățirii, F.N.  
315100 Chisineu-Cris (Arad) -România  
Tel. +40 257 307030  
Fax +40 257 307040  
info@maschio.ro

**ООО МАСКИО-ГАСПАРДО РУССИЯ**  
404126, Россия, Волгоградская область,  
г.Волжский, ул.Пушкина, 117 \*6\*.  
Тел.: +7 8443 203100  
Факс: +7 8443 203101  
e-mail: info@maschio.ru  
http://www.maschionet.com

**MASCHIO IBERICA S.L.**  
**MASCHIO-GASPARDO POLAND**  
**MASCHIO-GASPARDO UCRAINA**  
**GASPARDO-MASCHIO TURCHIA**  
**MASCHIO-GASPARDO CINA**  
**MASCHIO-GASPARDO INDIA**  
**MASCHIO-GASPARDO KOREA**