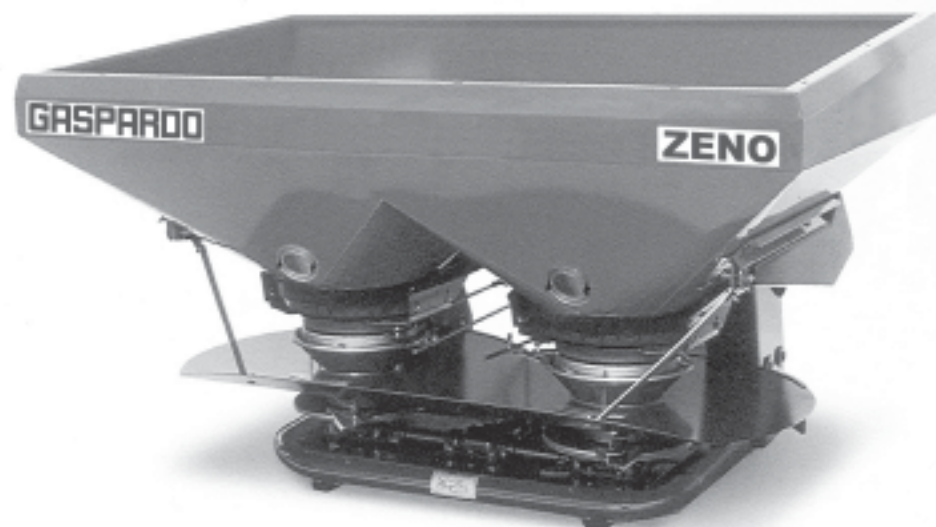




# GASPARDO



# ZENO 24-28-32

Cod: G19531040 2009-11

- IT** PARTI DI RICAMBIO
- EN** SPARE PARTS
- DE** ERSATZTEILE
- FR** PIÈCES DÉTACHÉES
- ES** PIEZAS DE REPUESTO



**PARTI DI RICAMBIO****SPARE PARTS****ERSATZTEILE****PIECES DÉTACHÉES****RESPUESTOS**

Le ordinazioni delle parti di ricambio vanno fatte presso i nostri concessionari di zona e devono essere sempre corredate dalle seguenti indicazioni:

- **Tipo, modello e numero di matricola dell'attrezzatura.** Tali dati sono stampigliati nell'apposita targhetta di cui è dotata ogni attrezzatura.

- **Numero di codice della parte richiesta** rilevabile dal catalogo ricambi.

- **Descrizione del particolare e quantità richiesta.**

- **Numero della tavola.**

- **Mezzo di trasporto.** Nel caso questa voce non sia specificata, la Ditta Costruttrice, pur dedicando a questo servizio una particolare cura, non risponde di eventuali ritardi di spedizione dovuti a cause di forza maggiore.

Le spese di trasporto si intendono sempre a carico del destinatario. La merce viaggia a rischio e pericolo del committente anche se venduta franco destino.

**NOTA:** Il termine **(Dx) Destro** o **(Sx) Sinistro** della macchina o di parti di essa, è inteso guardando la macchina dalla parte posteriore. Le eccezioni saranno indicate.

*Orders must be transmitted through our area dealers and should always include the following indications:*

- **Type, model and serial number of the machine.** *These data are punched on the data plate with which every implement is equipped.*

- **Code number of the required spare part.** *This will be found in the spare parts catalogue.*

- **Description of the part and required quantity.**

- **Table number.**

- **Means of dispatch.** *If this item is not indicated, the Manufacturer, while dedicating particular care to this service, shall not be held responsible for delays in delivery caused by cases of force majeure.*

*Transport expenses shall always be at the consignee's charge. The goods travel at the purchaser's risk and peril even when sold ex destination.*

**NOTE:** *The symbols (Dx) right and (Sx) left, concerning the machine or single parts of it, are referred, as in the figure, to a rear view of them. Exceptions will be indicated.*

Die Bestellungen müssen bei unseren Gebietshändlern aufgegeben werden. Bei der Bestellung sind stets die folgenden Angaben zu machen:

- **Typ, Modell und Serien-Nummer des Geräts.** Diese Daten stehen auf dem Typenschild, mit dem jedes Gerät versehen ist.

- **Artikel Nr. der erforderlichen Ersatzteile.** Diese stehen im Ersatzteil-Katalog.

- **Beschreibung des Ersatzteils und die erforderliche Stückzahl.**

- **Tafelnummer.**

- **Versandmittel.** Wenn dieser Punkt nicht spezifiziert wird, haftet die Herstellerfirma nicht für etwaigen Lieferverzug aufgrund höherer Gewalt, auch wenn er diesen Service besonders aufmerksam abwickelt. Die Frachtkosten gehen dagegen immer zu Lasten des Empfängers. Die Ware reist auf Gefahr und Risiko des Auftraggebers, auch wenn frei Haus Verkauft vereinbart worden ist.

**N.B.:** Die Merkzeichen **(Dx) rechts** und **(Sx) links** betreffen eine rückwärtige Aussicht der Maschine oder Teile von ihr (siehe Bild). Ausnahmen werden gezeigt.

*Les ordres doivent être effectués auprès de nos concessionnaires de zone en précisant les indications suivantes:*

- **Type, modèle et numéro de série de la machine.** *Ces données sont gravées sur la plaque d'identification de chaque outil.*

- **Numéro de code de la pièce détachée** indiqué sur le catalogue des pièces détachées.

- **Description de la pièce et quantité requise.**

- **Numéro de plan.**

- **Moyen d'expédition.** *Si cette rubrique n'est pas indiquée, le Constructeur, bien que soucieux de ce service, ne répond pas des retards d'expédition pour des causes de force majeure.*

*Les frais de transport sont toujours à la charge du destinataire. La marchandise voyage aux risques et périls de l'acheteur même si vendue franco de port.*

**N.B.:** *Les références (Dx) droit et (Sx) gauche de la machine ou des parties de la même, est entendue, comme de la figure, en regardant la machine de derriere dans le sens de marche.*

Los pedidos han de efectuarse en nuestros concesionarios de zona y deben incluir siempre las siguientes indicaciones:

- **Tipo, modelo y número de matrícula del equipo.** Dichos datos están impresos en la relativa placa presente en el equipo.

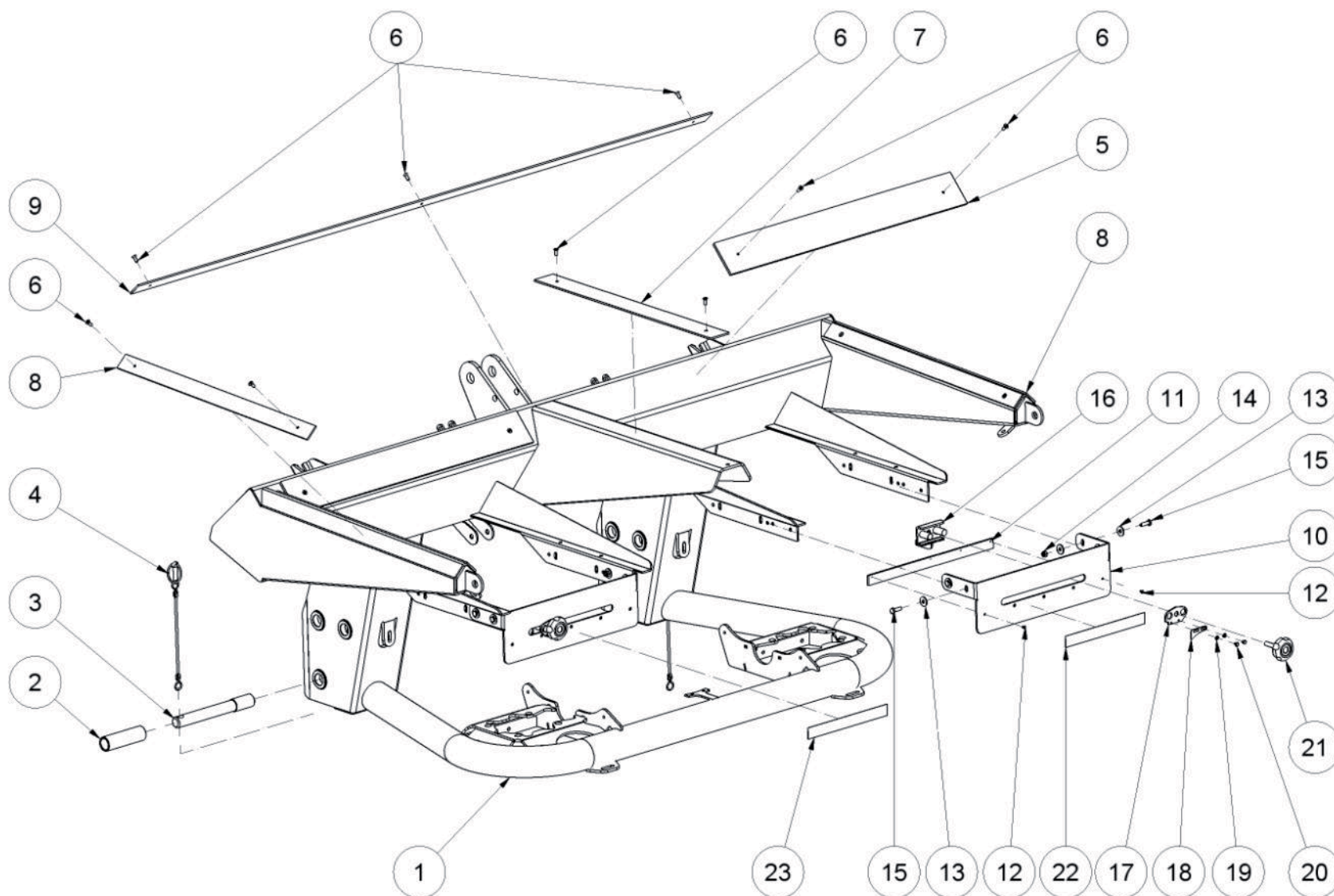
- **Número de código de la parte requerida** presente en el catálogo respuestas.

- **Descripción de la pieza y cantidad requerida.**

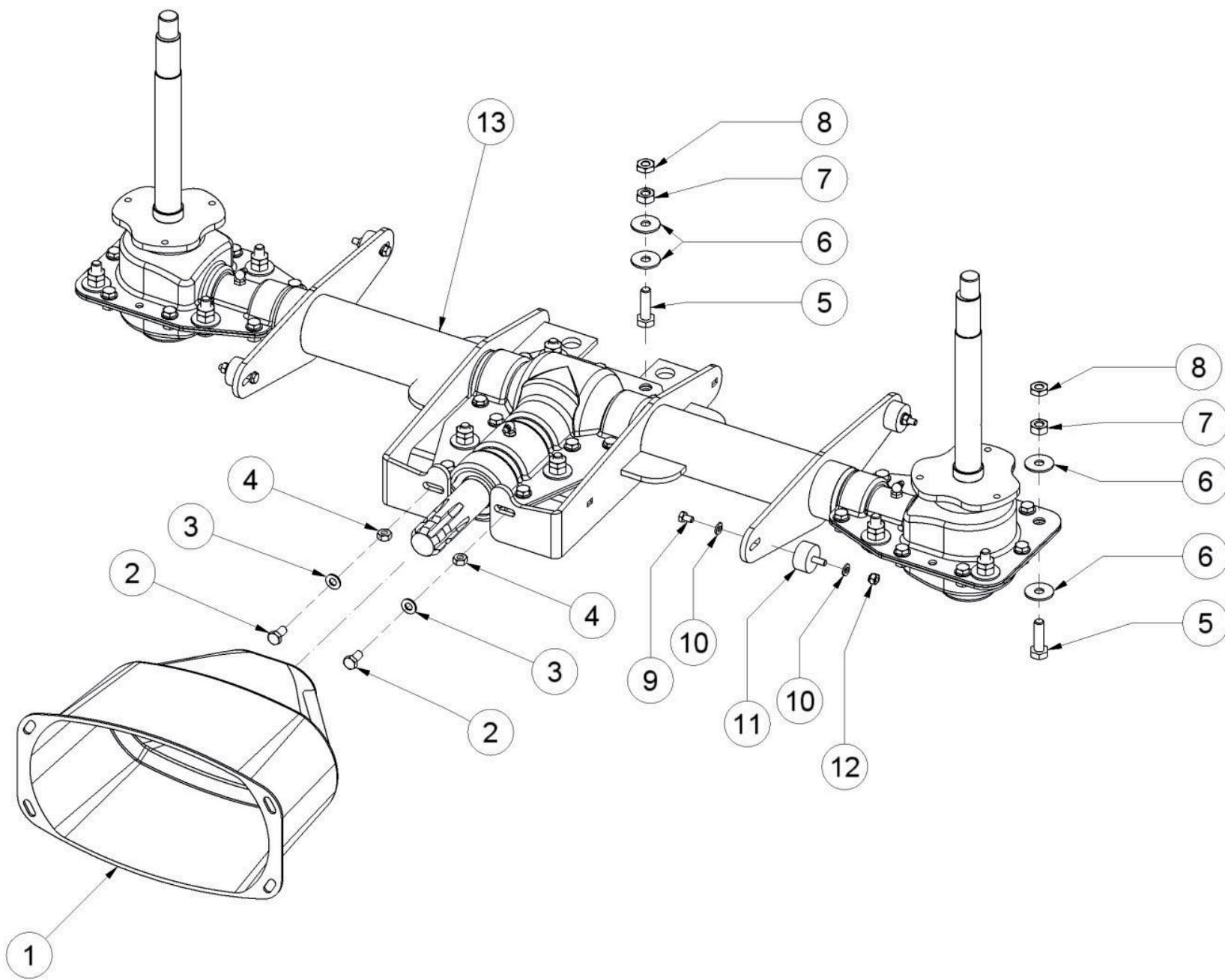
- **Numero de ilustración.**

- **Medio de transporte.** En caso que este ítem no esté especificado, el Fabricante, aún prestando la debidas consideraciones para este aspecto, no responde por eventuales retardos de env'o debidos a causas de fuerza mayor. Los gastos de transporte se consideran siempre a cargo del destinatario. La mercadería viaja bajo riesgo y peligro del comprador, incluso cuando se vende franco destino.

**N.B.:** La referencia **(Dx) derecha** o **(Sx) izquierda** de la máquina o de sus componentes, se entiende, como en la figura, mirando la máquina por la parte trasera. Se indicarán las excepciones.

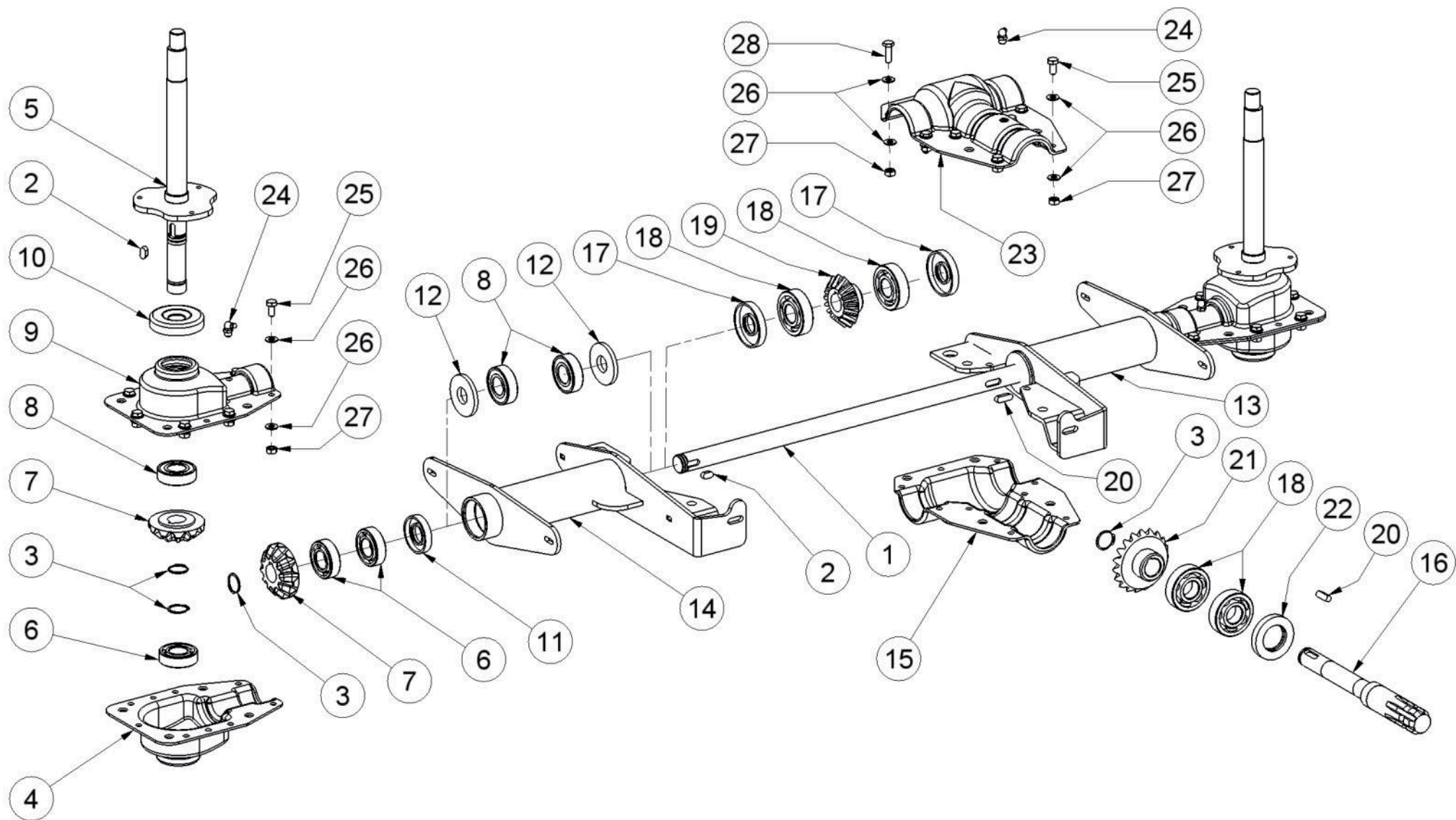


Pos.	Cod.	Descrizione	Description	Qtà
1	T003.223	TELAIO I=950 BASCULANTE ZENO 2009 .....	SWINGING CHASSIS I=950 ZENO 2009 .....	1
2	B004.186	BOCCOLA SOLLEV.DT28 DM36 SP-70-95 .....	LIFT BUSHING DT28 DM36 SP-70-95 .....	2
3	P004.182	PERNO SOLL.DM 28 SP70-95 .....	LIFT ARM PIN DM 28 SP70-95 .....	2
4	S006.032	SPINAA SCATTO DM 10 CON TIRANTE GOMMA .....	SAFETY PIN DM 10 WITH RUBBER ROD .....	2
5	G014.013	GOMMA SP 8 APPOGGIO TRAMOGGIA SP 95 .....	RUBBER 8MM THICK (HOPPER SUPPORT SP95) .....	2
6	V003.323	VITE TSCEI 6 X 16 UNI 5933 .....	ST.ST.SOCK.FL.HEAD CAP SCREW 6X16UNI5933 .....	17
7	G014.014	GOMMA SP 4 APPOGGIO CENTRALE SP 95 .....	RUBBER 4MM THICK (CEN.HOPP.SUPPORT SP95) .....	1
8	G014.015	GOMMA SP 4 APPOGGIO LATERALE SP 95 .....	RUBBER 4MM THICK(SIDE HOPP.SUPPORT SP95) .....	4
9	G014.016	GOMMA SP 4 APPOGGIO POSTER. SP 95 .....	RUBBER 4MM THICK(REAR HOPP.SUPPORT SP95) .....	1
10	T013.239	TRAVERSA GUIDA LEVE SP 70/95 .....	LEVER TRAVERSE BAR SP 70/95 .....	2
11	P005.153	PIASTRA PVC 400X25X5 SP52/SP70NEW .....	PVC PLATE 410 X 25 X 5 SP52/SP70 NEW .....	2
12	V003.324	VITE A2 TS 3,9X9,5 UNI 6955 AB .....	STAIN.ST. SCREW A2 TS 3,9X9,5 UNI6955 AB .....	10
13	R005.080	RONDELLA PIANA DM 8X24 INOX UNI 6593 .....	STAINLESS STEEL FLAT WASHER 8X24 UNI6593 .....	16
14	D001.031	DADO E M 8 STOP INOX UNI 7473 .....	ST.STEEL HEXAGON NUT DM 8 STOP UNI 7473 .....	8
15	V003.172	VITE TE 8 X 25 INOX UNI 5739 DIN 933 .....	ST.STEEL HEXAGON HEAD SCREW 8X25 UNI5739 .....	8
16	S008.250	STAFFA FIX APERTURA COMPLETA SP 52 .....	OPENING FIXING BRACKET (COMPLETE) SP52 .....	2
17	I001.016	INDICATORE APERTURA SARACINESCA SP52 .....	SHUTTER OPENING POINTER SP52 .....	2
18	I001.018	INDICATORE MOBILE APERTURA SARACINESCA .....	MOVABLE SHUTTER OPENING POINTER .....	2
19	R005.041	RONDELLA DM 5X10 INOX UNI 6592 .....	STAINLESS STEEL WASHER DM 5X10 UNI 6592 .....	4
20	V003.081	VITE TE 5 X 6 INOX UNI 5739 .....	ST.STEEL HEXAGON HEAD SCREW 5X6 UNI 5739 .....	4
21	I006.029	VOLANTINO 5 LOBI DM60 M10X45 INOX .....	STAINLESS STEEL KNOB DM60 M10X45 .....	2
22	A001.360	ADESIVO -0-5- DX LEXAN SP 52 .....	SCALE DX SP52 .....	1
23	A001.361	ADESIVO -0-5- SX LEXAN SP 52 .....	SCALE SX SP 52 .....	1



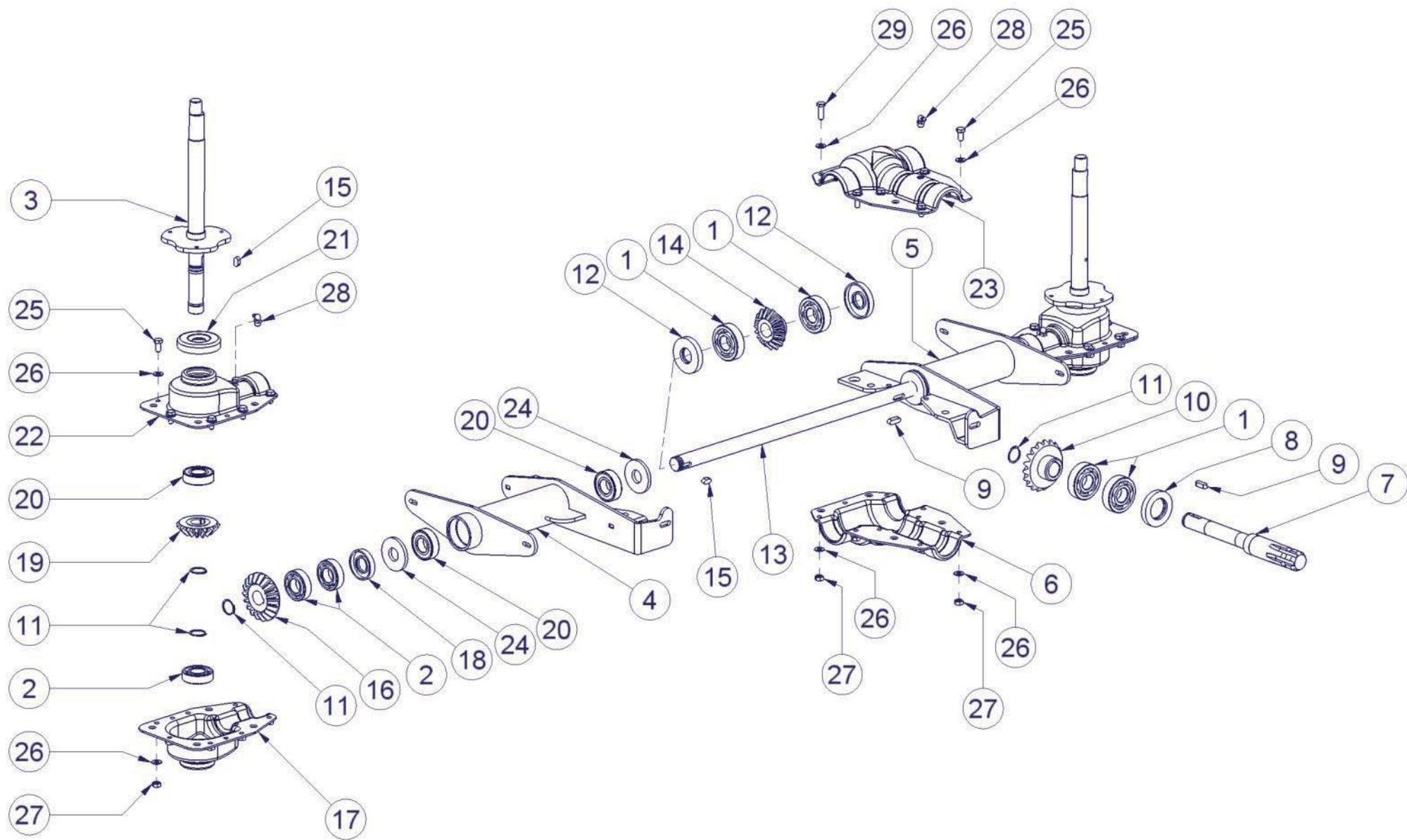


Pos.	Cod.	Descrizione	Description	Qtà
1	P012.138	PROTEZ.LATO MACCHINAALBERO PTO .....	DRIVE SHAFT PROTECTION .....	1
2	V003.014	VITE TE 8 X 16 INOX UNI 5739 DIN933 .....	ST.STEEL HEXAGON HEAD SCREW 8X16 UNI5739 .....	2
3	R005.017	RONDELLA PIANA DM 8 INOX UNI6592 DIN125A .....	ST.STEEL FLAT WASHER DM 8 UNI 6592 .....	2
4	D001.006	DADO E M 8 INOX UNI 5588 .....	STAINLESS STEEL HEXAGON NUT M8 UNI 5588 .....	2
5	V003.268	VITE TE 10 X 35 INOX UNI 5737 DIN 931 .....	ST.STEEL HEX.HEAD SCREW 10 X 35 UNI 5737 .....	12
6	R005.037	RONDELLA PIANA DM 10X30 INOX UNI6593/69 .....	ST.STEEL FLAT WASHER DM 10X30 UNI6593/69 .....	24
7	D001.005	DADO E M 10 INOX UNI 5588 .....	ST. STEEL HEXAGON NUT M 10 UNI 5588 .....	12
8	D001.071	DADO E M 10 DX INOX BASSO UNI 5589 .....	ST.STEEL HEXAGON NUT DM10 UNI 5589 .....	12
9	V003.039	VITE TE 6 X 10 INOX UNI 5739 DIN 933 .....	ST.STEEL HEXAG.HEAD SCREW 6 X 10 UNI5739 .....	4
10	R005.027	RONDELLA PIANA DM 6 INOX UNI6592DIN125A .....	ST.STEEL FLAT WASHER DM 6 UNI6592 DIN125 .....	8
11	G014.037	GOMM.ANTIVIBRANTE 30X15 M6X15 MF(BD)40SH .....	RUBBER MOUNTING 30X15 M6X15 MF(BD)40SH .....	4
12	D001.055	DADO E M 6 STOP INOX UNI 7473 DIN 982 .....	ST.STEEL HEXAGON NUT DM 6 STOP UNI 7473 .....	4
13	G005.084	GRUPPO ANGOLO ZENO 24 OSCILLANTE .....	OSCILLATING ANGLE GEARBOX ZENO 24 .....	1
14	G005.085	GRUPPO ANGOLO ZENO 28 OSCILLANTE .....	OSCILLATING ANGLE GEARBOX ZENO 28 .....	1
15	G005.086	GRUPPO ANGOLO ZENO 32 OSCILLANTE .....	OSCILLATING ANGLE GEARBOX ZENO 32 .....	1

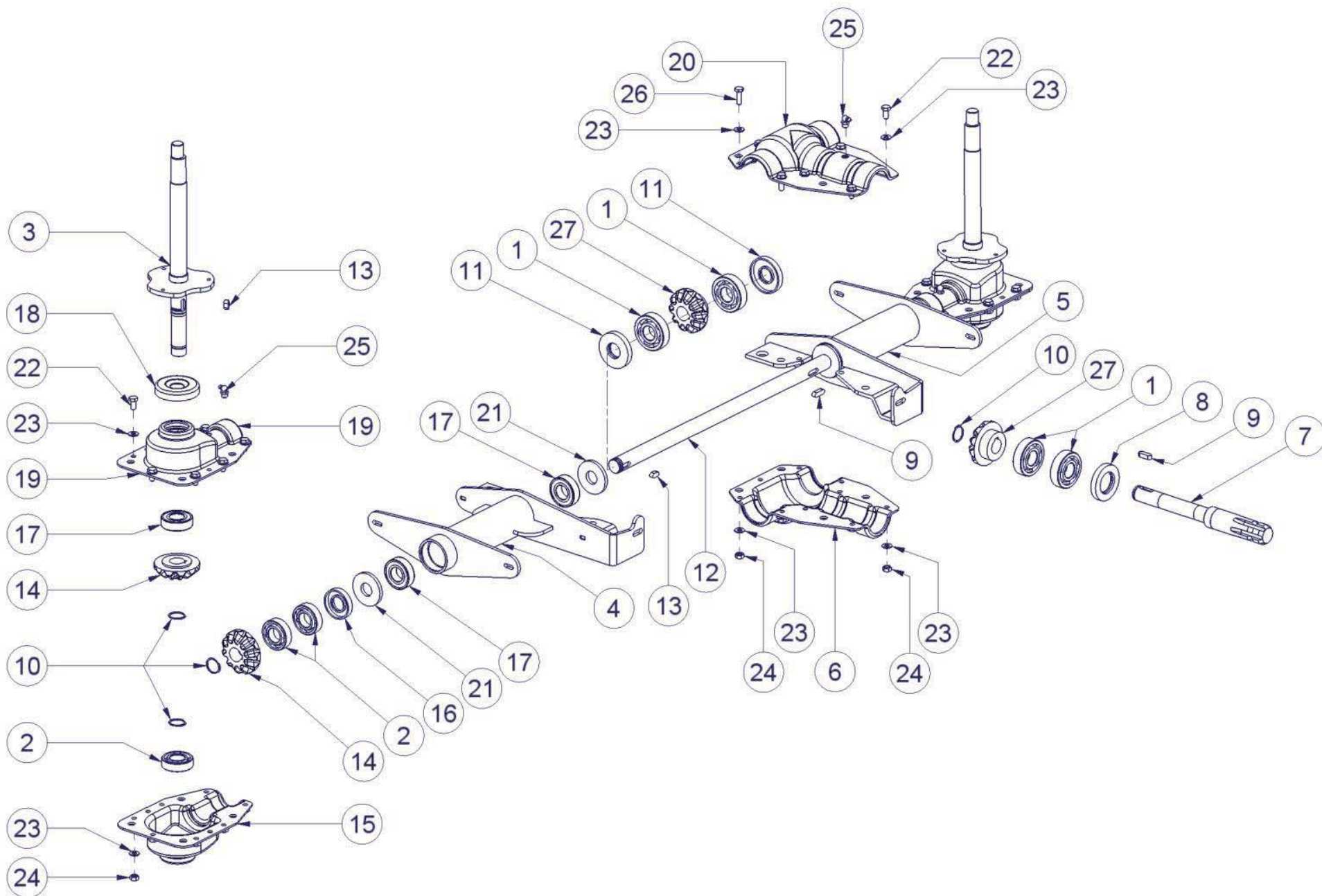




Pos.	Cod.	Descrizione	Description	Qtà
1	A005.138	ALBERO TRASVERSALE ZENO 24-28-32 .....	TRANSVERSAL SHAFT ZENO 24-28-32 .....	1
2	L005.015	LINGUETTA 8 X 7 X 16 .....	KEY 8 X 7 X 16 .....	4
3	S011.001	SEEGER E 25 UNI 7435 .....	RETAINING RING E 25 UNI 7435 .....	7
4	S002.002	SEMISCATOLA INFERIORE .....	LOWER GEAR HOUSING .....	2
5	A005.171	ALBERO USCITA GRUPPO SP-52-70-95 .....	OUTPUT SHAFT GEARBOX SP-52-70-95 .....	2
6	C012.002	CUSCINETTO 6205 .....	BEARING 6205 .....	6
7	R009.072	RUOTA DENTATA M6,5 Z11 25X45,75 C48 .....	TOOTHED WHEEL M6,5 Z11 25X45,75 C48 .....	4
8	C012.001	CUSCINETTO 6205 2RS .....	BEARING 6205 2RS .....	6
9	S002.001	SEMISCATOLA SUPERIORE .....	UPPER GEAR HOUSING .....	2
10	F005.001	FLANGIA COPRIPOLVERE INOX .....	STAINLESS STEEL DUST PROTECTION FLANGE .....	2
11	A003.023	ANELLO TENUTAAS 25X52X10 PARAPOLVERE .....	OIL SEAL 25X52X10 .....	2
12	R005.128	RONDELLA DM 58 DM 26 SP 6 GOMMA .....	RUBBER WASHER DM 58 DM 26 SP 6 .....	4
13	S018.047	STRUTTURA OSCILLANTE SX SP95 .....	LEFT OSCILLATING STRUCTURE SP95 .....	1
14	S018.046	STRUTTURA OSCILLANTE DX SP95 .....	RIGHT OSCILLATING STRUCTURE SP95 .....	1
15	S002.009	SEMISCATOLA INFERIORE .....	LOWER GEAR BOX .....	1
16	A005.100	ALBERO ENTRATA P.T.O. 1"3/8 DM25 .....	INPUT SHAFT P.T.O. 1"3/8 DM25 .....	1
17	A003.013	ANELLO TENUTAAS 25X62X10 PARAPOLVERE .....	OIL SEAL 25X62X10 .....	2
18	C012.008	CUSCINETTO 6305 .....	BEARING 6305 .....	4
19	R009.003	RUOTA DENT.M4,5 Z15 2E (MAT.20MNCR5) .....	TOOTHED WHEEL M4,5 Z 15 2E .....	1
20	L005.011	LINGUETTA 7 X 8 X 25 .....	KEY 7 X 8 X 25 .....	2
21	R009.004	RUOTA DENT.M4,5 Z19 2E (MAT.20MNCR5) .....	TOOTHED WHEEL M4,5 Z 19 2E .....	1
22	A003.005	ANELLO TENUTAAS 35X62X10 PARAPOLVERE .....	OIL SEAL 35X62X10 .....	1
23	S002.056	SEMISCATOLA SUPERIORE .....	UPPER GEAR BOX .....	1
24	I002.002	INGRASSATORE M 10 X 1,5 90°UNI 7663C .....	GREASE NIPPLE M 10 X 1,5 90°UNI 7663C .....	3
25	V003.014	VITE TE 8 X 16 INOX UNI 5739 DIN933 .....	ST.STEEL HEXAGON HEAD SCREW 8X16 UNI5739 .....	19
26	R005.017	RONDELLA PIANA DM 8 INOX UNI6592 DIN125A .....	ST.STEEL FLAT WASHER DM 8 UNI 6592 .....	46
27	D001.006	DADO E M 8 INOX UNI 5588 .....	STAINLESS STEEL HEXAGON NUT M8 UNI 5588 .....	23
28	V003.172	VITE TE 8 X 25 INOX UNI 5739 DIN 933 .....	ST.STEEL HEXAGON HEAD SCREW 8X25 UNI5739 .....	4

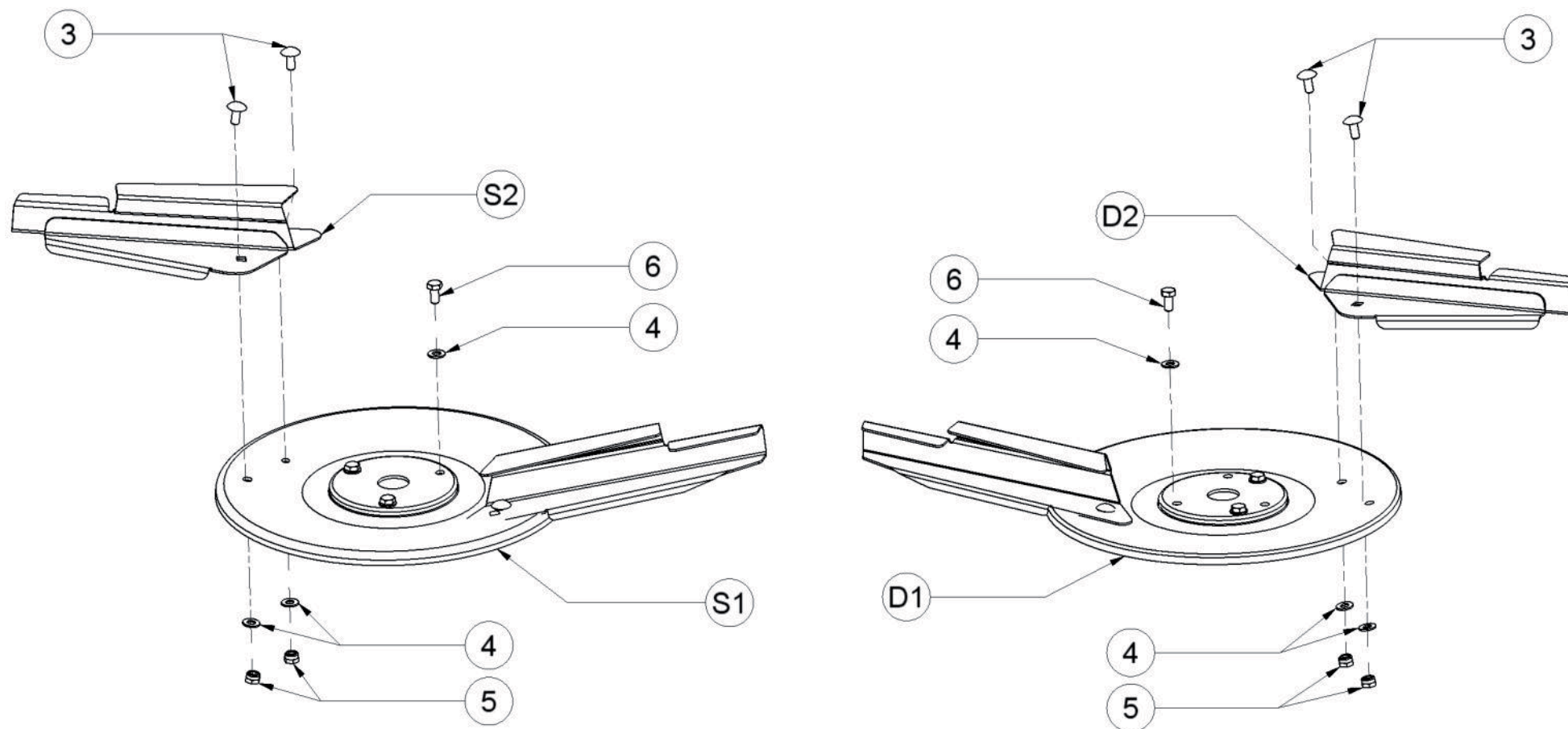


Pos.	Cod.	Descrizione	Description	Qtà
1	C012.008	CUSCINETTO 6305 .....	BEARING 6305 .....	4
2	C012.002	CUSCINETTO 6205 .....	BEARING 6205 .....	6
3	A005.171	ALBERO USCITA GRUPPO SP-52-70-95 .....	OUTPUT SHAFT GEARBOX SP-52-70-95 .....	2
4	S018.046	STRUTTURA OSCILLANTE DX SP95 .....	RIGHT OSCILLATING STRUCTURE SP95 .....	1
5	S018.047	STRUTTURA OSCILLANTE SX SP95 .....	LEFT OSCILLATING STRUCTURE SP95 .....	1
6	S002.009	SEMISCATOLA INFERIORE .....	LOWER GEAR BOX .....	1
7	A005.100	ALBERO ENTRATA P.T.O. 1"3/8 DM25 .....	INPUT SHAFT P.T.O. 1"3/8 DM25 .....	1
8	A003.005	ANELLO TENUTAAS 35X62X10 PARAPOLVERE .....	OIL SEAL 35X62X10 .....	1
9	L005.011	LINGUETTA 7 X 8 X 25 .....	KEY 7 X 8 X 25 .....	2
10	R009.004	RUOTA DENT.M4,5 Z19 2E (MAT.20MNCR5) .....	TOOTHED WHEEL M4,5 Z 19 2E .....	1
11	S011.001	SEEGER E 25 UNI 7435 .....	RETAINING RING E 25 UNI 7435 .....	7
12	A003.013	ANELLO TENUTAAS 25X62X10 PARAPOLVERE .....	OIL SEAL 25X62X10 .....	2
13	A005.138	ALBERO TRASVERSALE ZENO 24-28-32 .....	TRANSVERSAL SHAFT ZENO 24-28-32 .....	1
14	R009.003	RUOTA DENT.M4,5 Z15 2E (MAT.20MNCR5) .....	TOOTHED WHEEL M4,5 Z 15 2E .....	1
15	L005.015	LINGUETTA 8 X 7 X 16 .....	KEY 8 X 7 X 16 .....	4
16	R009.006	RUOTA CONI.M4,5 Z19 (MAT.20MNCR5) .....	TOOTHED WHEEL M4,5 Z 19 .....	2
17	S002.002	SEMISCATOLA INFERIORE .....	LOWER GEAR HOUSING .....	2
18	A003.023	ANELLO TENUTAAS 25X52X10 PARAPOLVERE .....	OIL SEAL 25X52X10 .....	2
19	R009.005	RUOTA CONI.M4,5 Z15 (MAT.20MNCR5) .....	TOOTHED WHEEL M4,5 Z 15 .....	2
20	C012.001	CUSCINETTO 6205 2RS .....	BEARING 6205 2RS .....	6
21	F005.001	FLANGIA COPRIPOLVERE INOX .....	STAINLESS STEEL DUST PROTECTION FLANGE .....	2
22	S002.001	SEMISCATOLA SUPERIORE .....	UPPER GEAR HOUSING .....	2
23	S002.056	SEMISCATOLA SUPERIORE .....	UPPER GEAR BOX .....	1
24	R005.128	RONDELLA DM 58 DM 26 SP 6 GOMMA .....	RUBBER WASHER DM 58 DM 26 SP 6 .....	4
25	V003.014	VITE TE 8 X 16 INOX UNI 5739 DIN933 .....	ST.STEEL HEXAGON HEAD SCREW 8X16 UNI5739 .....	19
26	R005.017	RONDELLA PIANA DM 8 INOX UNI6592 DIN125A .....	ST.STEEL FLAT WASHER DM 8 UNI 6592 .....	46
27	D001.006	DADO E M 8 INOX UNI 5588 .....	STAINLESS STEEL HEXAGON NUT M8 UNI 5588 .....	23
28	I002.002	INGRASSATORE M 10 X 1,5 90°UNI 7663C .....	GREASE NIPPLE M 10 X 1,5 90°UNI 7663C .....	3
29	V003.172	VITE TE 8 X 25 INOX UNI 5739 DIN 933 .....	ST.STEEL HEXAGON HEAD SCREW 8X25 UNI5739 .....	4

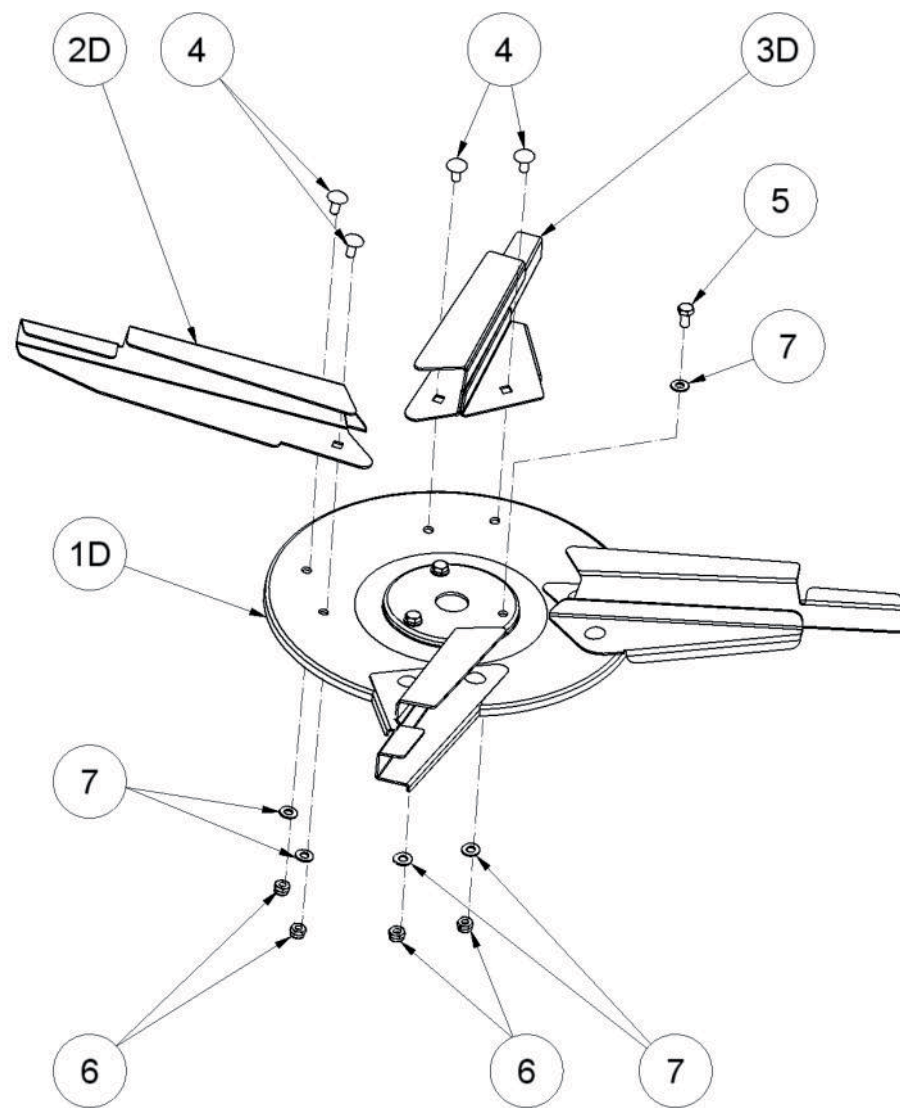
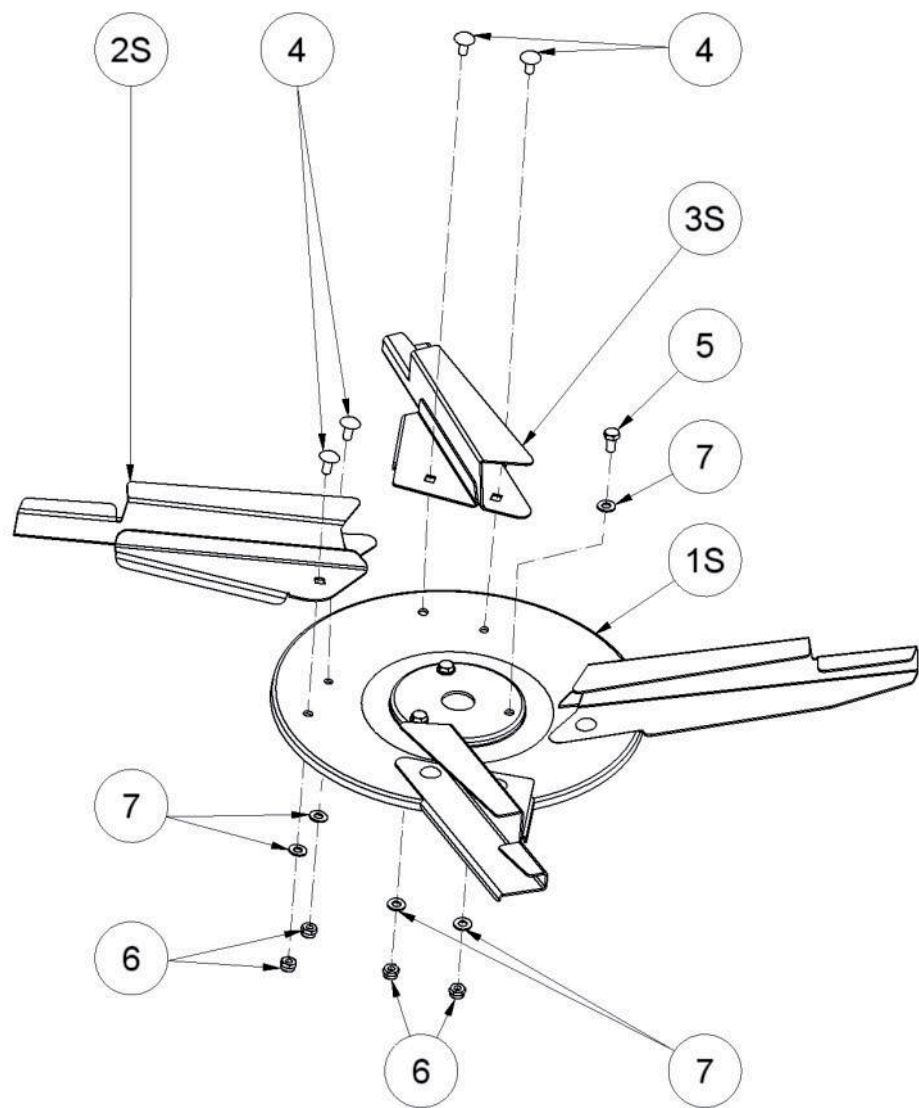


Pos.	Cod.	Descrizione	Description	Qtà
1	C012.008	CUSCINETTO 6305 .....	BEARING 6305 .....	4
2	C012.002	CUSCINETTO 6205 .....	BEARING 6205 .....	6
3	A005.171	ALBERO USCITA GRUPPO SP-52-70-95 .....	OUTPUT SHAFT GEARBOX SP-52-70-95 .....	2
4	S018.046	STRUTTURA OSCILLANTE DX SP95 .....	RIGHT OSCILLATING STRUCTURE SP95 .....	1
5	S018.047	STRUTTURA OSCILLANTE SX SP95 .....	LEFT OSCILLATING STRUCTURE SP95 .....	1
6	S002.009	SEMISCATOLA INFERIORE .....	LOWER GEAR BOX .....	1
7	A005.100	ALBERO ENTRATA P.T.O. 1"3/8 DM25 .....	INPUT SHAFT P.T.O. 1"3/8 DM25 .....	1
8	A003.005	ANELLO TENUTAAS 35X62X10 PARAPOLVERE .....	OIL SEAL 35X62X10 .....	1
9	L005.011	LINGUETTA 7 X 8 X 25 .....	KEY 7 X 8 X 25 .....	2
10	S011.001	SEEGER E 25 UNI 7435 .....	RETAINING RING E 25 UNI 7435 .....	7
11	A003.013	ANELLO TENUTAAS 25X62X10 PARAPOLVERE .....	OIL SEAL 25X62X10 .....	2
12	A005.138	ALBERO TRASVERSALE ZENO 24-28-32 .....	TRANSVERSAL SHAFT ZENO 24-28-32 .....	1
13	L005.015	LINGUETTA 8 X 7 X 16 .....	KEY 8 X 7 X 16 .....	4
14	R009.072	RUOTA DENTATA M6,5 Z11 25X45,75 C48 .....	TOOTHED WHEEL M6,5 Z11 25X45,75 C48 .....	4
15	S002.002	SEMISCATOLA INFERIORE .....	LOWER GEAR HOUSING .....	2
16	A003.023	ANELLO TENUTAAS 25X52X10 PARAPOLVERE .....	OIL SEAL 25X52X10 .....	2
17	C012.001	CUSCINETTO 6205 2RS .....	BEARING 6205 2RS .....	6
18	F005.001	FLANGIA COPRIPOLVERE INOX .....	STAINLESS STEEL DUST PROTECTION FLANGE .....	2
19	S002.001	SEMISCATOLA SUPERIORE .....	UPPER GEAR HOUSING .....	2
20	S002.056	SEMISCATOLA SUPERIORE .....	UPPER GEAR BOX .....	1
21	R005.128	RONDELLA DM 58 DM 26 SP 6 GOMMA .....	RUBBER WASHER DM 58 DM 26 SP 6 .....	4
22	V003.014	VITE TE 8 X 16 INOX UNI 5739 DIN933 .....	ST.STEEL HEXAGON HEAD SCREW 8X16 UNI5739 .....	19
23	R005.017	RONDELLA PIANA DM 8 INOX UNI6592 DIN125A .....	ST.STEEL FLAT WASHER DM 8 UNI 6592 .....	46
24	D001.006	DADO E M 8 INOX UNI 5588 .....	STAINLESS STEEL HEXAGON NUT M8 UNI 5588 .....	23
25	I002.002	INGRASSATORE M 10 X 1,5 90°UNI 7663C .....	GREASE NIPPLE M 10 X 1,5 90°UNI 7663C .....	3
26	V003.172	VITE TE 8 X 25 INOX UNI 5739 DIN 933 .....	ST.STEEL HEXAGON HEAD SCREW 8X25 UNI5739 .....	4
27	R009.002	RUOTA CONI.M4,5 Z17 (MAT.20MNCR5) .....	TOOTHED WHEEL M4,5 Z17 .....	2



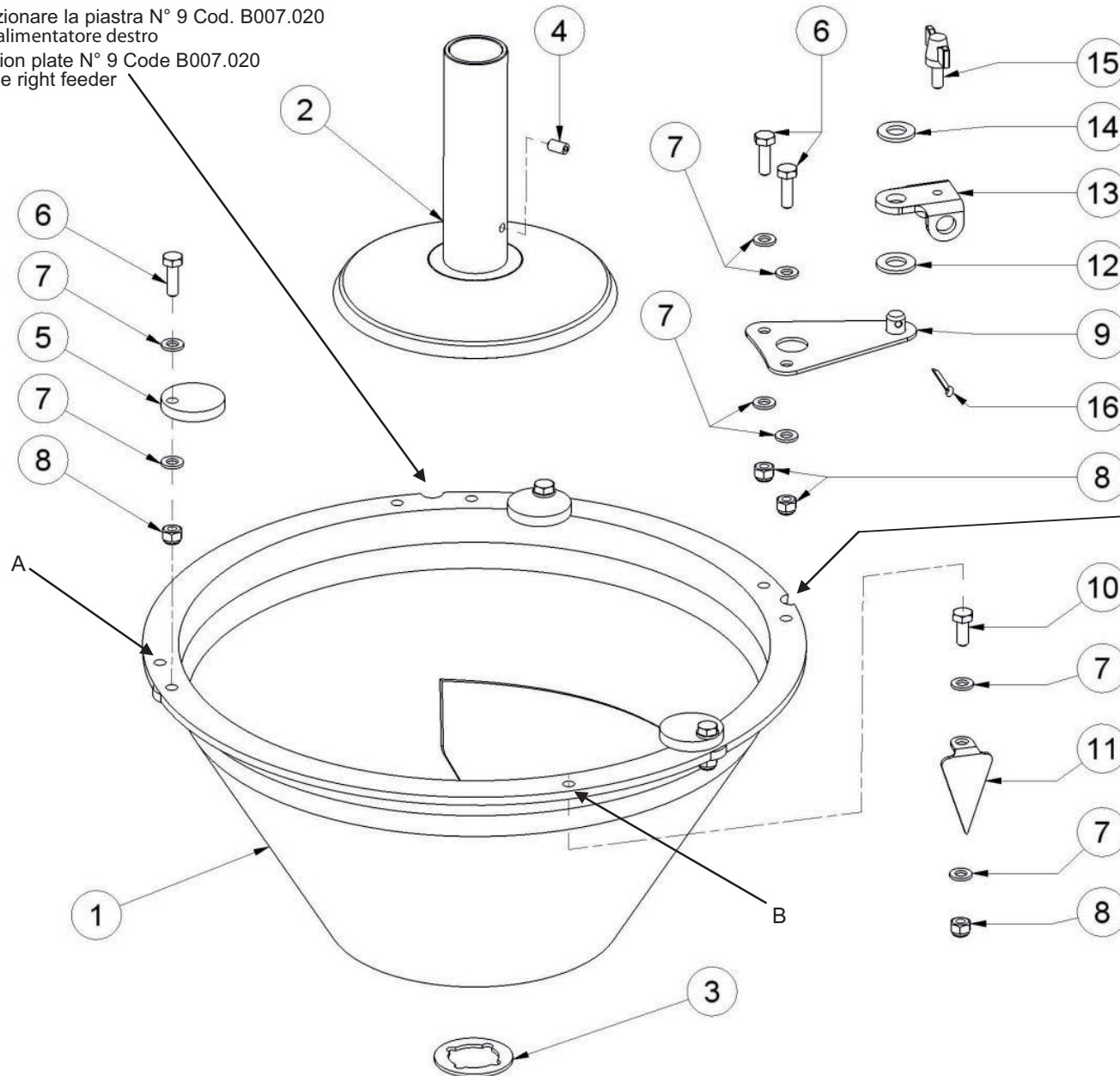


Pos.	Cod.	Descrizione	Description	Qtà
S1	D002.062	DISCO SPARG. SX K2 CX 24-28 SP 52-70-95 .....	LEFT SPREAD.DISC K2 CX24-28 SP 52-70-95 .....	1
S2	P001.094	PALETTA MM 280 SX COMPLETA 24-28MT .....	COMPLETE LEFT VANE MM 280 .....	2
3	V003.007	VITE TB 8 X 16 INOX DIN 603 .....	ST.STEEL CUP SQUARE SCREW 8X16 DIN 603 .....	4
4	R005.017	RONDELLA PIANA DM 8 INOX UNI6592 DIN125A .....	ST.STEEL FLAT WASHER DM 8 UNI 6592 .....	7
5	D001.037	DADO E M 8 STOP INOX BASSO UNI 7474 .....	STAINLESS STEEL HEXAGON NUT M8 UNI 7474 .....	4
6	V003.014	VITE TE 8 X 16 INOX UNI 5739 DIN933 .....	ST.STEEL HEXAGON HEAD SCREW 8X16 UNI5739 .....	3
D1	D002.060	DISCO SPARG. DX K2 CX 24-28 SP 52-70-95 .....	RIGHT SPREADER DISC K2CX24-28 SP52-70-95 .....	1
D2	P001.095	PALETTA MM 280 DX COMPLETA 24-28MT .....	COMPLETE RIGHT VANE MM 280 .....	2
3	V003.007	VITE TB 8 X 16 INOX DIN 603 .....	ST.STEEL CUP SQUARE SCREW 8X16 DIN 603 .....	4
4	R005.017	RONDELLA PIANA DM 8 INOX UNI6592 DIN125A .....	ST.STEEL FLAT WASHER DM 8 UNI 6592 .....	7
5	D001.037	DADO E M 8 STOP INOX BASSO UNI 7474 .....	STAINLESS STEEL HEXAGON NUT M8 UNI 7474 .....	4
6	V003.014	VITE TE 8 X 16 INOX UNI 5739 DIN933 .....	ST.STEEL HEXAGON HEAD SCREW 8X16 UNI5739 .....	3



Pos.	Cod.	Descrizione	Description	Qtà
1D	D002.066	DISCO SPARG. DX K2-CX2-ZENO 32 .....	RIGHT SPREADER PLATE K2-CX2-ZENO 32 .....	1
1S	D002.067	DISCO SPARG. SX K2-CX2-ZENO 32 .....	LEFT SPREADER PLATE K2-CX2 ZENO 32 .....	1
2D	P001.061	PALETTA DX 330 MM COMPLETA 32MT .....	COMPLETE RIGHT VANE 330 MM .....	2
2D	P001.062	PALETTA SX 330 MM COMPLETA 32MT .....	COMPLETE LEFT VANE 330 MM .....	2
3D	P001.057	PALETTA DX 230 MM COMPLETA 18MT .....	COMPLETE RIGHT VANE 230MM - 18M .....	2
3S	P001.058	PALETTA SX 230 MM COMPLETA 18MT .....	COMPLETE LEFT VANE 230MM - 18M .....	2
4	V003.007	VITE TB 8 X 16 INOX DIN 603 .....	ST.STEEL CUP SQUARE SCREW 8X16 DIN 603 .....	16
5	V003.014	VITE TE 8 X 16 INOX UNI 5739 DIN933 .....	ST.STEEL HEXAGON HEAD SCREW 8X16 UNI5739 .....	6
6	D001.037	DADO E M 8 STOP INOX BASSO UNI 7474 .....	STAINLESS STEEL HEXAGON NUT M8 UNI 7474 .....	16
7	R005.017	RONDELLA PIANA DM 8 INOX UNI6592 DIN125A .....	ST.STEEL FLAT WASHER DM 8 UNI 6592 .....	22

Posizionare la piastra N° 9 Cod. B007.020  
per l'alimentatore destro  
Position plate N° 9 Code B007.020  
for the right feeder



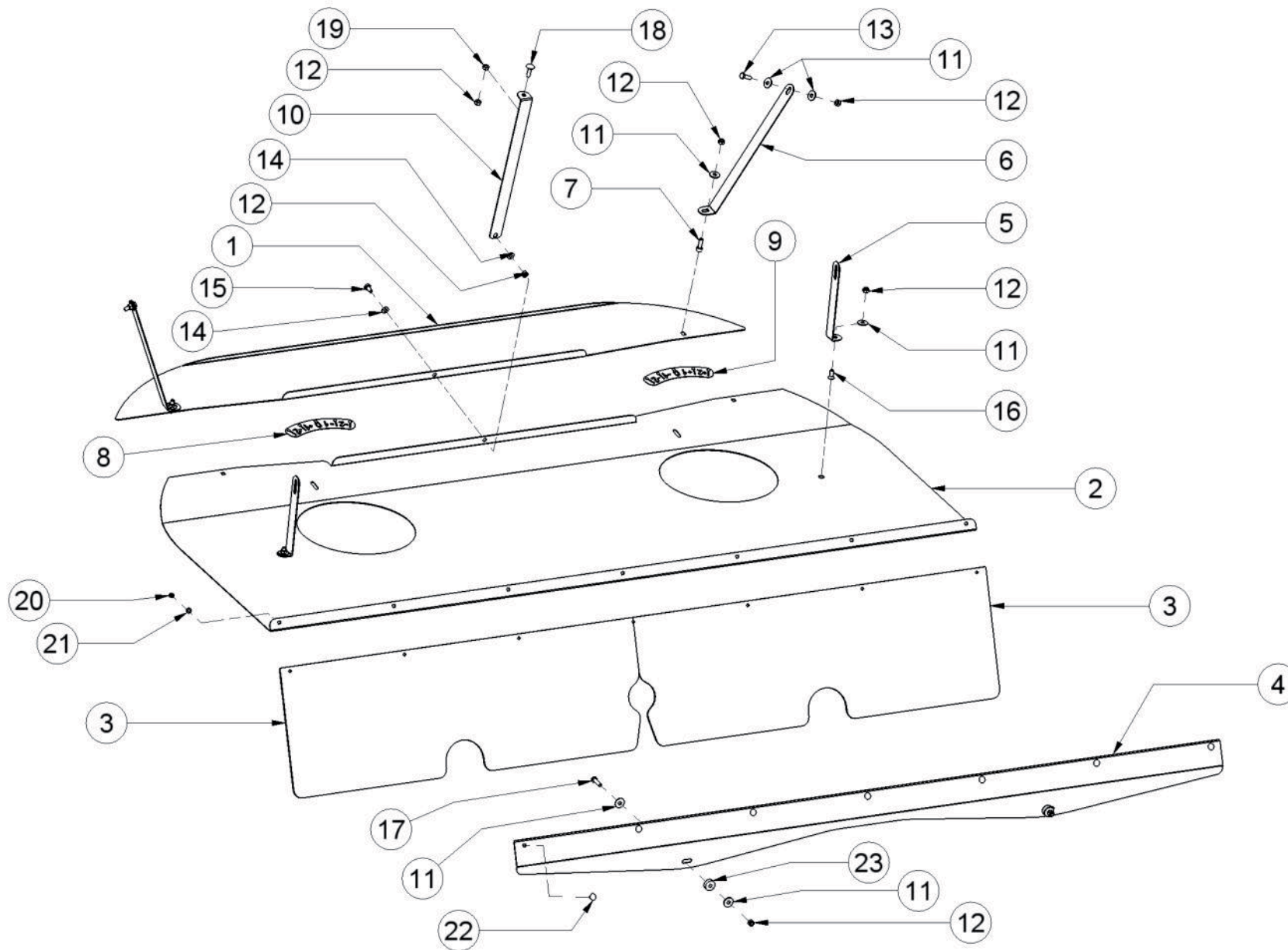
Posizionare la piastra N° 9 Cod. B007.020 per  
l'alimentatore sinistro  
Position plate N° 9 Code B007.020 for the left  
feeder

A - Posizione l'indicatore N° 11 per l'alimentatore  
destro  
Position pointer N° 11 for the right feeder

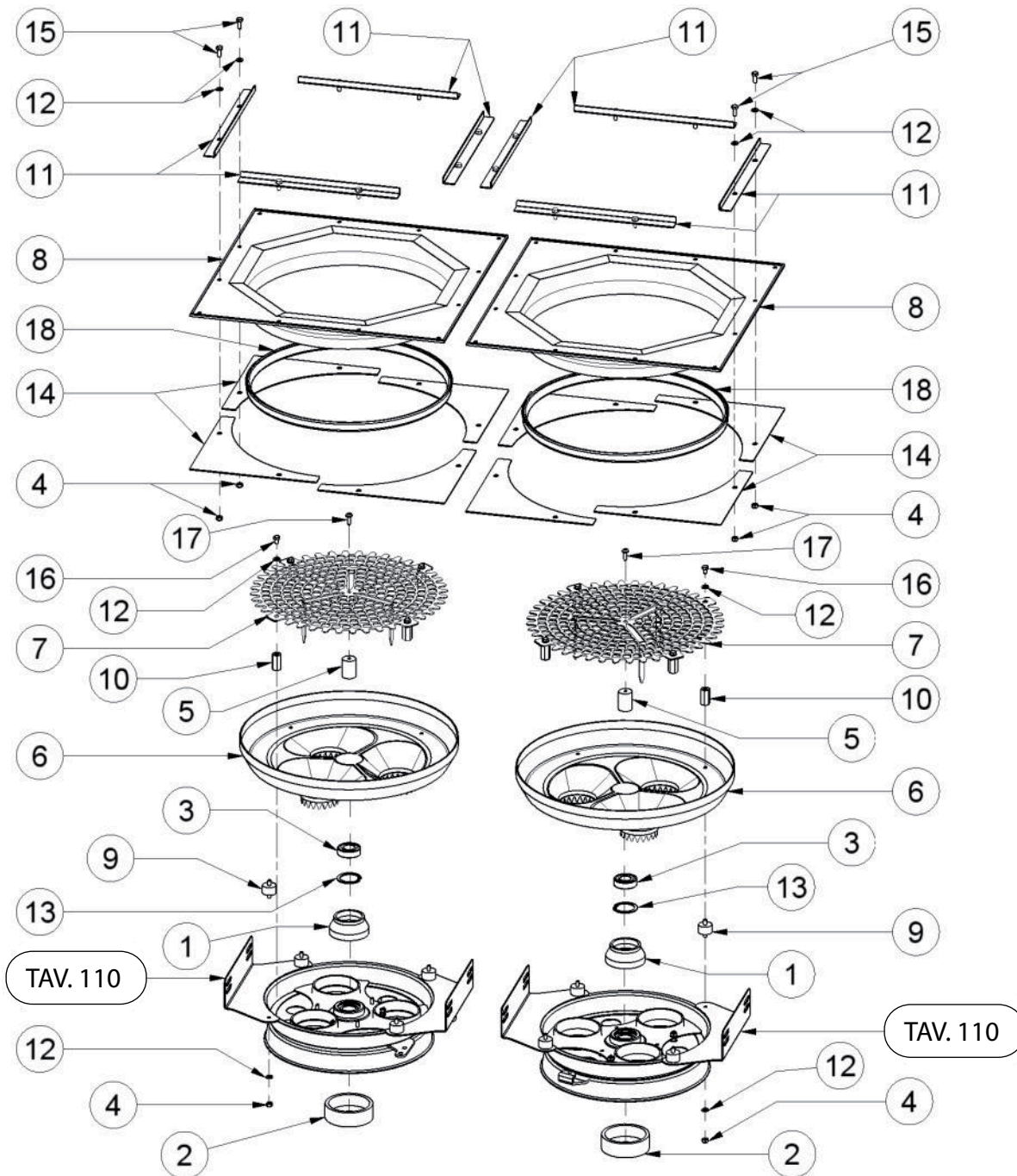
B - Posizione l'indicatore N° 11 per l'alimentatore  
sinistro  
Position pointer N° 11 for the left feeder



Pos.	Cod.	Descrizione	Description	Qtà
1	A007.100	ALIMENTATORE BASE VTR .....	FEEDER IN FIBERGLASS .....	1
2	D002.086	DISCO ALIMENTATORE COMPLETO .....	COMPLETE FEED. DISC (ST.STEEL) .....	1
3	R005.111	RONDELLA 27X42X2 .....	WASHER 27X42X2 .....	1
4	V003.318	VITE STEI 6 X 10 INOX UNI 5927 .....	ST.STEEL SCREW 6X10 UNI 5927 .....	1
5	B002.008	BLOCCAGGIO ECCENTRICO ALIMENTATORE .....	ECCENTRIC PLASTIC RING .....	3
6	V003.027	VITE TE 6 X 20 INOX UNI 5739 .....	ST.STEEL HEXAGON HEAD SCREW 6X20 UNI5739 .....	5
7	R005.057	RONDELLA PIANA DM 6X12 INOX UNI6592 .....	ST.STEEL FLAT WASHER DM 6X12 UNI6592 .....	12
8	D001.055	DADO E M 6 STOP INOX UNI 7473 DIN 982 .....	ST.STEEL HEXAGON NUT DM 6 STOP UNI 7473 .....	6
9	B007.020	PIASTRA ORIENT ALIM VTR SP 70-95 COMPL .....	ORIENT.PLATE FOR FIBERGLASS FEED.SP70-95 .....	1
10	V003.012	VITE TE 6 X 16 INOX UNI 5739 .....	ST.STEEL HEXAGON HEAD SCREW 6X16 UNI5739 .....	1
11	I001.011	INDICATORE ORIENT MOBILE SP 70-95 .....	MOVABLE POINTER SP 70-95 .....	1
12	R005.085	RONDELLA NYLON 10 X 21 X 2 .....	NYLON WASHER 10 X 21 X 2 .....	1
13	B002.009	BLOCCAGGIO ANTICIPO RITARDO ALIMENTATORE .....	ANTICIPATION/DELAY FEEDER BLOCK CLAMP .....	1
14	R005.013	RONDELLA PIANA DM10 INOX UNI6592 DIN125A .....	ST. STEEL FLAT WASHER DM10 UNI6592 .....	1
15	I006.027	GALLETTO M6X15 M (PLA9548) .....	WING NUT AND BOLT M6X15 M .....	1
16	C019.015	COPPIGLIA SPACCATA 2,5 X 25 INOX UNI1336 .....	STAINLESS STEEL SPLIT PIN 2,5 X 25 .....	1

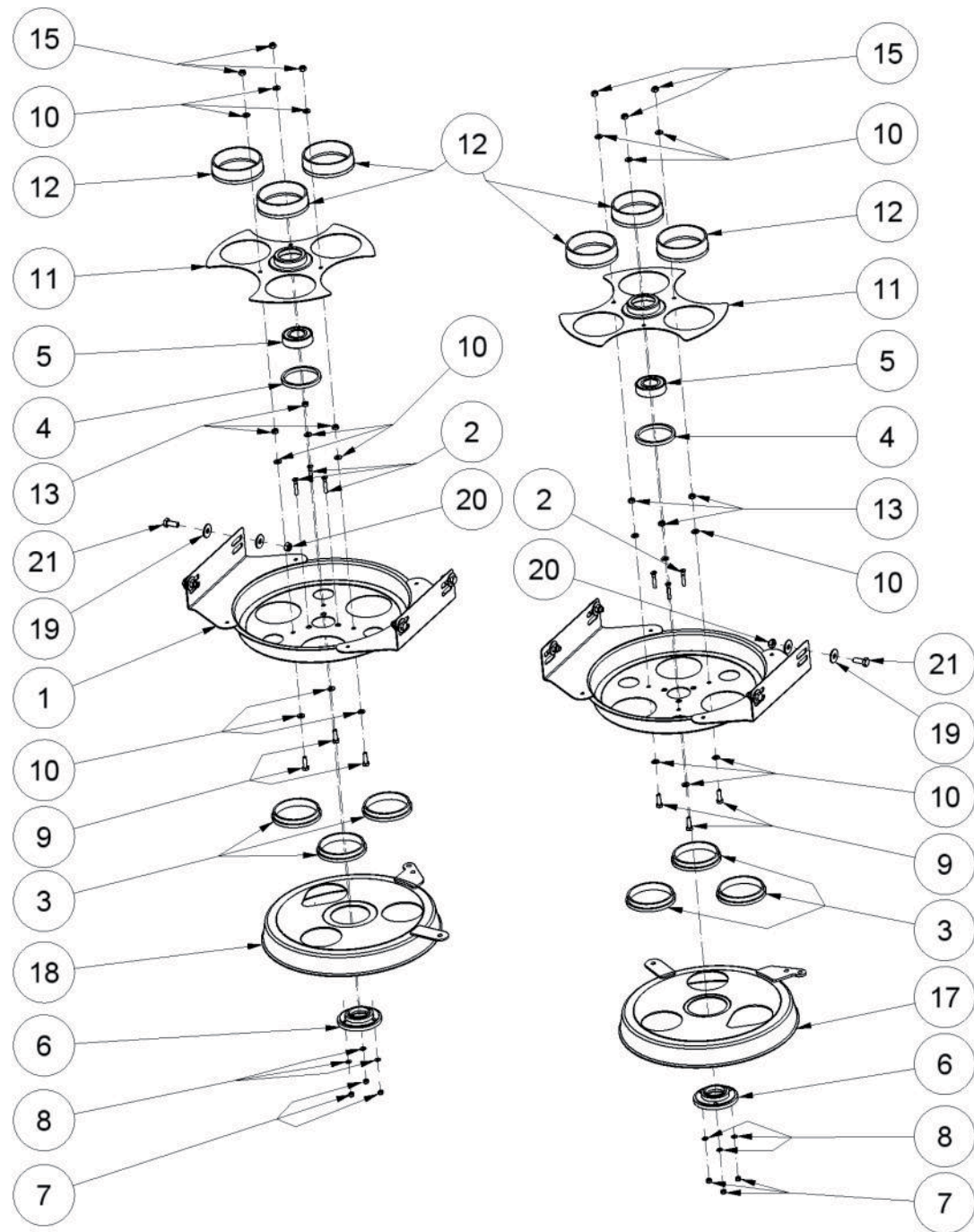


Pos.	Cod.	Descrizione	Description	Qtà
		<b>LAMIERA VERNICIATA</b>	<b>PAINTED STEEL</b>	
1	P012.134	PROTEZIONE MOBILE ANTITURBO SP95 .....	MOVABLE ANTITURBULENCE PROTECTION SP95 .....	1
2	P012.133	PROTEZIONE FISSA ANTITURBO SP95 .....	FIXED ANTITURBULENCE PROTECTION SP95 .....	1
3	C006.162	CARTER GOMMA SP95 .....	RUBBER CASING SP95 .....	2
4	P005.185	PIASTRA FISSAGGIO C006.162 SP95 .....	FIXING PLATE C006.162 SP95 .....	1
5	S008.262	STAFFA LAT FIX ANTIT.SP52-70-95+PROT.33E .....	SIDE CLAMP (ANTITURBULENCE FIX.) .....	2
6	T008.115	TIRANTE SOST ANTITURBO SP 95/2004 .....	ANTITURBULENCE SUPPORT TIE ROD SP95/2004 .....	2
7	V003.072	VITE TCEI 8 X 25 INOX UNI 5931 .....	HEXAG.SOCKET HEAD CAP SCREW 8X25 UNI5931 .....	2
8	I001.012	INDICATORE ORIENTAMENTO DX SP 52-70-95 .....	RIGHT ORIENTATION STICKER SP 52-70-95 .....	1
9	I001.013	INDICATORE ORIENTAMENTO SX SP 52-70-95 .....	LEFT ORIENTATION STICKER SP 52-70-95 .....	1
10	T008.127	TIRANTE CENTR ANTITURBO SP 95/5 .....	ANTITURBULENCE CENTRAL TIE ROD SP 95/5 .....	1
11	R005.080	RONDELLA PIANA DM 8X24 INOX UNI 6593 .....	STAINLESS STEEL FLAT WASHER 8X24 UNI6593 .....	13
12	D001.031	DADO E M 8 STOP INOX UNI 7473 .....	ST.STEEL HEXAGON NUT DM 8 STOP UNI 7473 .....	10
13	V003.172	VITE TE 8 X 25 INOX UNI 5739 DIN 933 .....	ST.STEEL HEXAGON HEAD SCREW 8X25 UNI5739 .....	2
14	R005.017	RONDELLA PIANA DM 8 INOX UNI6592 DIN125A .....	ST.STEEL FLAT WASHER DM 8 UNI 6592 .....	2
15	V003.014	VITE TE 8 X 16 INOX UNI 5739 DIN933 .....	ST.STEEL HEXAGON HEAD SCREW 8X16 UNI5739 .....	1
16	V003.327	VITE TSPEI 8 X 20 INOX UNI 5933 .....	SOCK.FLAT HEAD CUP SCREW 8X20 UNI 5933 .....	2
17	V003.032	VITE TE 8 X 30 INOX UNI 5739 .....	ST.STEEL HEXAGON HEAD SCREW 8X30 UNI5739 .....	2
18	V003.179	VITE TB 8 X 25 INOX DIN 603 .....	ST.STEEL CUP SQUARE SCREW 8X25 DIN 603 .....	1
19	D001.006	DADO E M 8 INOX UNI 5588 .....	STAINLESS STEEL HEXAGON NUT M8 UNI 5588 .....	1
20	D001.055	DADO E M 6 STOP INOX UNI 7473 DIN 982 .....	ST.STEEL HEXAGON NUT DM 6 STOP UNI 7473 .....	7
21	R005.027	RONDELLA PIANA DM 6 INOX UNI6592DIN125A .....	ST.STEEL FLAT WASHER DM 6 UNI6592 DIN125 .....	7
22	V003.243	VITE TB 6 X 16 INOX DIN 603 .....	ST.STEEL CUP SQUARE SCREW 6X16 DIN 603 .....	7
23	D004.056	DISTANZIALE PVC DM 25 DMI 8,5 X 8,8 .....	SPACER OUT.DIAM.25- INS.DIAM.8,5 X 8,8 .....	2
		<b>INOX</b>	<b>STAINLESS STEEL</b>	
1	P012.136	PROTEZIONE MOBILE ANTITURBO SP95 .....	ST.STEEL MOVAB.ANTITURB.PROTECTION SP95 .....	1
2	P012.135	PROTEZIONE FISSA ANTITURBO INOX SP 95 .....	ST.STEEL FIXED ANTITURB.PROTECTION SP95 .....	1
3	C006.162	CARTER GOMMA SP95 .....	RUBBER CASING SP95 .....	2
4	P005.198	PIASTRA INOX FISSAGGIO C006.162 SP95 .....	ST.STEEL FIXING PLATE C006.162 SP95 .....	1
5	S008.262	STAFFA LAT FIX ANTIT.SP52-70-95+PROT.33E .....	SIDE CLAMP (ANTITURBULENCE FIX.) .....	2
6	T008.115	TIRANTE SOST ANTITURBO SP 95/2004 .....	ANTITURBULENCE SUPPORT TIE ROD SP95/2004 .....	2
7	V003.072	VITE TCEI 8 X 25 INOX UNI 5931 .....	HEXAG.SOCKET HEAD CAP SCREW 8X25 UNI5931 .....	2
8	I001.012	INDICATORE ORIENTAMENTO DX SP 52-70-95 .....	RIGHT ORIENTATION STICKER SP 52-70-95 .....	1
9	I001.013	INDICATORE ORIENTAMENTO SX SP 52-70-95 .....	LEFT ORIENTATION STICKER SP 52-70-95 .....	1
10	T008.127	TIRANTE CENTR ANTITURBO SP 95/5 .....	ANTITURBULENCE CENTRAL TIE ROD SP 95/5 .....	1
11	R005.080	RONDELLA PIANA DM 8X24 INOX UNI 6593 .....	STAINLESS STEEL FLAT WASHER 8X24 UNI6593 .....	13
12	D001.031	DADO E M 8 STOP INOX UNI 7473 .....	ST.STEEL HEXAGON NUT DM 8 STOP UNI 7473 .....	10
13	V003.172	VITE TE 8 X 25 INOX UNI 5739 DIN 933 .....	ST.STEEL HEXAGON HEAD SCREW 8X25 UNI5739 .....	2
14	R005.017	RONDELLA PIANA DM 8 INOX UNI6592 DIN125A .....	ST.STEEL FLAT WASHER DM 8 UNI 6592 .....	2
15	V003.014	VITE TE 8 X 16 INOX UNI 5739 DIN933 .....	ST.STEEL HEXAGON HEAD SCREW 8X16 UNI5739 .....	1
16	V003.327	VITE TSPEI 8 X 20 INOX UNI 5933 .....	SOCK.FLAT HEAD CUP SCREW 8X20 UNI 5933 .....	2
17	V003.032	VITE TE 8 X 30 INOX UNI 5739 .....	ST.STEEL HEXAGON HEAD SCREW 8X30 UNI5739 .....	2
18	V003.179	VITE TB 8 X 25 INOX DIN 603 .....	ST.STEEL CUP SQUARE SCREW 8X25 DIN 603 .....	1
19	D001.006	DADO E M 8 INOX UNI 5588 .....	STAINLESS STEEL HEXAGON NUT M8 UNI 5588 .....	1
20	D001.055	DADO E M 6 STOP INOX UNI 7473 DIN 982 .....	ST.STEEL HEXAGON NUT DM 6 STOP UNI 7473 .....	7
21	R005.027	RONDELLA PIANA DM 6 INOX UNI6592DIN125A .....	ST.STEEL FLAT WASHER DM 6 UNI6592 DIN125 .....	7
22	V003.243	VITE TB 6 X 16 INOX DIN 603 .....	ST.STEEL CUP SQUARE SCREW 6X16 DIN 603 .....	7
23	D004.056	DISTANZIALE PVC DM 25 DMI 8,5 X 8,8 .....	SPACER OUT.DIAM.25- INS.DIAM.8,5 X 8,8 .....	2

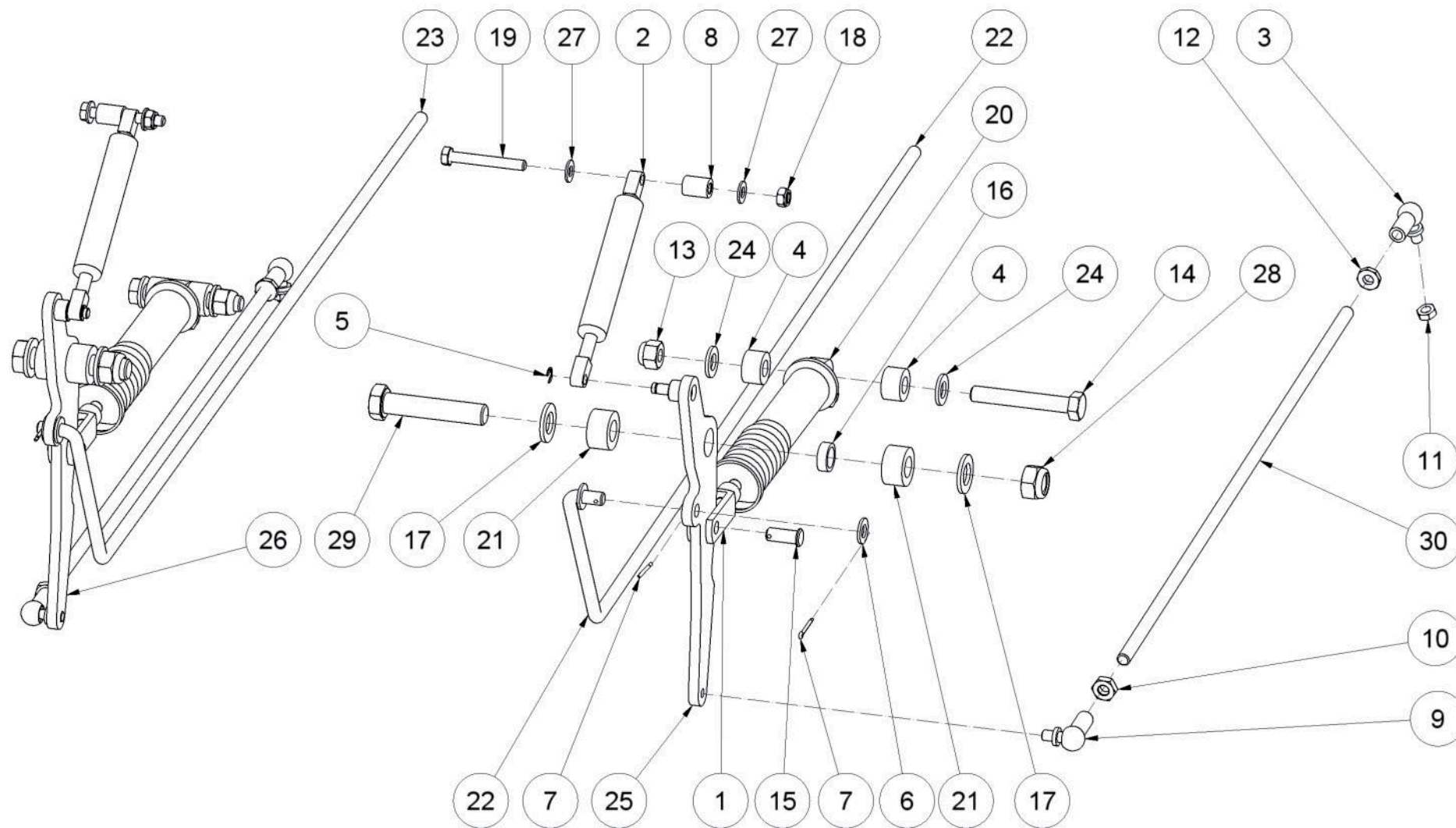


Pos.	Cod.	Descrizione	Description	Qtà
1	A003.060	ANELLO IN GOMMA 72X48X33 ALIMENTAT.VIBRO .....	RUBBER RING 72X48X33 (VIBRO FEEDER) .....	2
2	A003.062	ANELLO IN GOMMA 87X27X28 ALIMENT.VIBRO .....	RUBBER RING 87X27X28 (VIBRO FEEDER) .....	2
3	C012.074	CUSCINETTO 6004 2RS .....	BEARING 6004 2RS .....	2
4	D001.077	DADO E M 6 INOX STOP BASSO UNI 7474 .....	STAINLESS STEEL HAXAGON NUT DM6 UNI 7474 .....	24
5	D004.039	DISTANZIALE CENTRALE GRIGLIA VIBRO .....	CENTRAL SPACER (VIBRO GRID) .....	2
6	D005.072	FONDO VIBRANTE INOX 2007 COMPLETO .....	ST.STEEL COMPLETE VIBRATING BOTTOM 2007 .....	2
7	G003.084N	GRIGLIA VIBRO DOPPI PIATTI 2008 .....	DOUBLE DISC VIBRO GRID 2008 - WITH RING .....	2
8	G013.016	GUARNIZIONE OTTAGONALE TRAMOGGIA .....	OCTAGONAL HOPPER GASKET SEAL .....	2
9	G014.034	GOMMINO ANTIVIBRANTE 30X15 M6X15 MM SH40 .....	RUBBER MOUNTING 30X15 M6X15 MM SH40 .....	8
10	N003.008	NOTTOLINO ESAGONALE INOX FISSAGG.GRIGLIA .....	ST.STEEL HEXAGON PAWL (FIX.GRID) .....	8
11	P005.234	PIASTRA TEL.FIX.SUP.G013.016 .....	UPPER FRAME FIXING PLATE G013.016 .....	8
12	R005.027	RONDELLA PIANA DM 6 INOX UNI6592DIN125A .....	ST.STEEL FLAT WASHER DM 6 UNI6592 DIN125 .....	32
13	S011.028	SEEGER I 42 UNI 7437 .....	ST.STEEL RETAINING RING I 42 UNI 7437 .....	2
14	T013.260	TRAVERSINE PORTA GUARNIZIONE TRAMOGGIA .....	GASKET SUPPORT CROSS-TIES (HOPPER) .....	8
15	V003.012	VITE TE 6 X 16 INOX UNI 5739 .....	ST.STEEL HEXAGON HEAD SCREW 6X16 UNI5739 .....	16
16	V003.039	VITE TE 6 X 10 INOX UNI 5739 DIN 933 .....	ST.STEEL HEXAG.HEAD SCREW 6 X 10 UNI5739 .....	8
17	V003.325	VITE A2 AUTOF TC 6,3X19 UNI 6954 AB .....	ST.STEEL SCREW A2 AUTOF 6,3X19 UNI6954 .....	2
18	A003.088	ANELLO 8X18 NY-VT DM 374 .....	RING 8X18 NY-VT DM 374 .....	2

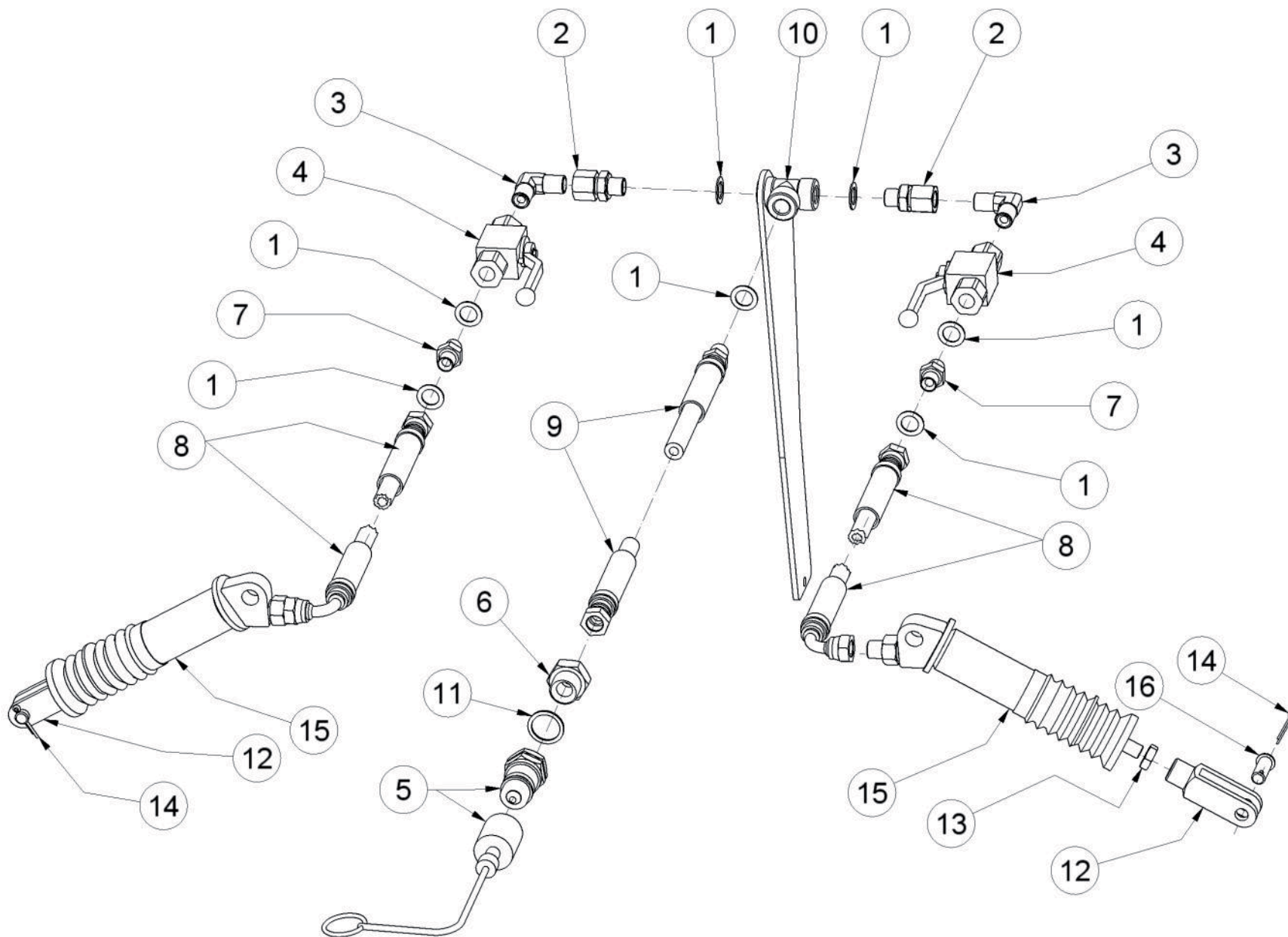




Pos.	Cod.	Descrizione	Description	Qtà
1	S012.092	SARACINESCA FISSA SP 52-70-95 COMPLETA .....	COMPLETE FIXED SHUTTER SP 52-70-95 .....	2
2	V003.314	VITE TSPEI 5 X 25 INOX UNI 5933 .....	ST.STEEL SOCK.FLAT HEAD SCR.5X25 UNI5933 .....	6
3	A003.085	ANELLO PLASTICA 85X73X13 PER SARACINESCA .....	SHUTTER PLASTIC RING DM 73 .....	6
4	A003.061	ANELLO IN GOMMA 68X60X6 ALIMENTAT.VIBRO .....	RUBBER RING 68X60X6 (VIBRO FEEDER) .....	2
5	C012.001	CUSCINETTO 6205 2RS .....	BEARING 6205 2RS .....	2
6	F005.045	FLANGIA ROTAZIONE SARACINESCA .....	FLANGE SHUTTER ROTATION .....	2
7	D001.075	DADO E M 5 INOX STOP BASSO UNI 7474 .....	STAINLESS STEEL HEXAGON NUT DM5 UNI 7474 .....	6
8	R005.041	RONDELLA DM 5X10 INOX UNI 6592 .....	STAINLESS STEEL WASHER DM 5X10 UNI 6592 .....	6
9	V003.027	VITE TE 6 X 20 INOX UNI 5739 .....	ST.STEEL HEXAGON HEAD SCREW 6X20 UNI5739 .....	6
10	R005.027	RONDELLA PIANA DM 6 INOX UNI6592DIN125A .....	ST.STEEL FLAT WASHER DM 6 UNI6592 DIN125 .....	18
11	D002.095	DISCO INTERMEDIO ALIMENTATORE SP52-70-95 .....	FEEDER INTERMEDIATE DISC SP52-70-95 .....	2
12	A003.086	ANELLO IN GOMMA 89X73X25 ALIMENTAT.VIBRO .....	VIBRO FEEDER RUBBER RING 73X25 .....	6
13	D001.010	DADO E M 6 INOX UNI 5588 .....	STAINLESS STEEL HEXAGON NUT M 6 UNI 5588 .....	6
15	D001.077	DADO E M 6 INOX STOP BASSO UNI 7474 .....	STAINLESS STEEL HAXAGON NUT DM6 UNI 7474 .....	6
17	S012.098	SARACINESCA MOBILE SX COMPL SP70-95 2009 .....	COMPLETE MOBILE LEFT SHUTTER .....	1
18	S012.097	SARACINESCA MOBILE DX COMPL SP70-95 2009 .....	COMPLETE MOBILE RIGHT SHUTTER .....	1
19	R005.080	RONDELLA PIANA DM 8X24 INOX UNI 6593 .....	STAINLESS STEEL FLAT WASHER 8X24 UNI6593 .....	16
20	D001.031	DADO E M 8 STOP INOX UNI 7473 .....	ST.STEEL HEXAGON NUT DM 8 STOP UNI 7473 .....	8
21	V003.008	VITE TE 8 X 20 INOX UNI 5739 .....	ST.STEEL HEXAGON HEAD SCREW 8X20 UNI5739 .....	8

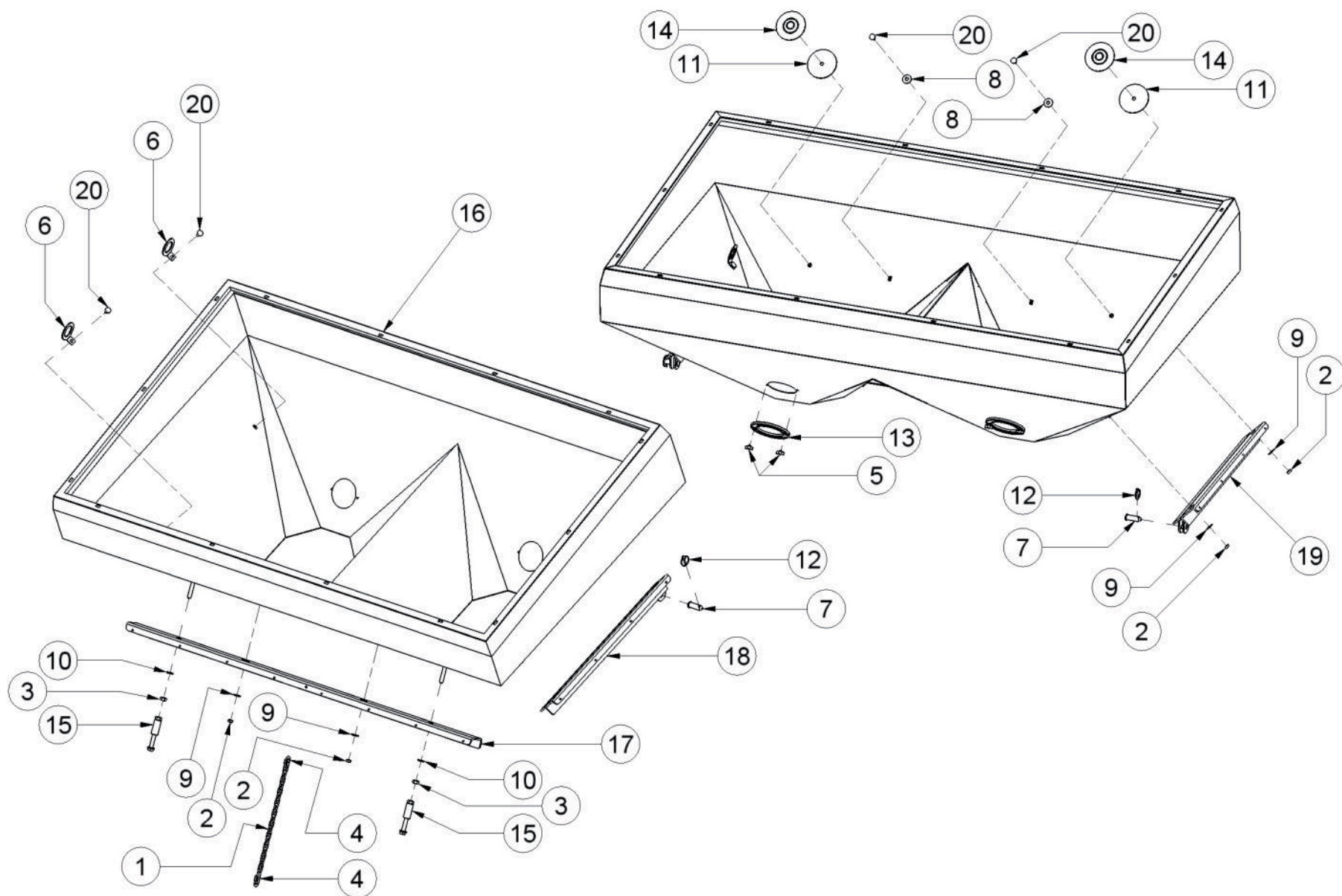


Pos.	Cod.	Descrizione	Description	Qtà
1	F007.003	FORCELLA M 10 X 40 ZINCATA GIALLA .....	GALVANIZED FORK M 10 X 40 (YELLOW) .....	2
2	M003.039	MOLLA A GAS 16-4-11279 1150 N.CORSA 85MM .....	GAS SHOCK ABSORBER (1150N.85MM STRETCH) .....	2
3	C001.009	SNODO ANGOLARE M10 DM13 M8X10 INOX SX .....	STAINLESS ST.JOINT M10 DM13 M8X10 (LEFT) .....	2
4	D004.055	DISTANZIALE DM 25 DM 13 X 15 .....	SPACER DM 25 DM 13 X 15 .....	4
5	S011.011	SEEGER 6 UNI 7434 DIN 6799 INOX .....	ST.STEEL RETAINING RING 6 UNI 7434 .....	2
6	R005.013	RONDELLA PIANA DM10 INOX UNI6592 DIN125A .....	ST. STEEL FLAT WASHER DM10 UNI6592 .....	2
7	C019.015	COPPIGLIA SPACCATA 2,5 X 25 INOX UNI1336 .....	STAINLESS STEEL SPLIT PIN 2,5 X 25 .....	4
8	B004.253	BOCCOLA PERNO MOLLA GAS Z/J 2009 .....	GAS SHOCK ABSORBER PIN BUSHING Z/J 2009 .....	2
9	C001.008	SNODO ANGOLARE M10 DM13 M8X10 INOX DX .....	STAINLESS ST.JOINT M10 DM13 M8X10(RIGHT) .....	2
10	D001.071	DADO E M 10 DX INOX BASSO UNI 5589 .....	ST.STEEL HEXAGON NUT DM10 UNI 5589 .....	2
11	D001.030	DADO E M 8 BASSO INOX UNI 5589 .....	ST.STEEL HEXAGON NUT DM 8 UNI 5589 .....	2
12	D001.069	DADO E M 10 SX INOX BASSO UNI 5589 .....	ST.STEEL HEXAGON NUT LEFT DM10 UNI 5589 .....	2
13	D001.034	DADO E M 12 STOP INOX .....	ST.STEEL HEXAGON NUT DM 12 (STOP) .....	2
14	V003.058	VITE TE 12 X 80 INOX UNI 5737 .....	ST.STEEL HEX.HEAD SCREW 12X80 UNI 5737 .....	2
15	P004.043	PERNO DM 10 X 25 ZINCATO GIALLO .....	GALVANIZED PIN DM 10 X 25 (YELLOW) .....	2
16	B004.206	BOCCOLA FULCRO LEVE SP 52 .....	LEVER FULCRUM BUSHING SP52 .....	2
17	R005.053	RONDELLA PIANA DM 16 INOX UNI 6592 .....	ST.STEEL FLAT WASHER DM 16 UNI 6592 .....	4
18	D001.031	DADO E M 8 STOP INOX UNI 7473 .....	ST.STEEL HEXAGON NUT DM 8 STOP UNI 7473 .....	2
19	V003.057	VITE TE 8 X 60 INOX UNI 5737 .....	ST.STEEL HEXAGON HEAD SCREW 8 X 60 .....	2
20	C013.024	CILINDRO A 20 C 62 TIPO NUOVO .....	CYLINDER 20 C62 NEW TYPE .....	2
21	D004.069	DISTANZIALE LEVA COMANDO ZENO 2009 .....	CONTROL LEVER SPACER ZENO 2009 .....	4
22	T008.155	TIRANTE REG.ORIENTAM.SP70-95 COMPLETO SX .....	COMPLETE LEFT ORIENT.TIE ROD SP70-95 .....	1
23	T008.154	TIRANTE REG.ORIENTAM.SP70-95 COMPLETO DX .....	COMPLETE RIGHT ORIENT.TIE ROD SP70-95 .....	1
24	R005.018	RONDELLA PIANA DM12 INOX UNI6592 DIN125A .....	ST.STEEL FLAT WASHER DM12 UNI 6592 .....	4
25	L003.177	LEVA COMANDO SX COMPLETA ZENO 2009 IDR .....	COMPLETE LEFT CONTROL LEVER ZENO 2009 HYD .....	1
26	L003.176	LEVA COMANDO DX COMPLETA ZENO 2009 IDR .....	COMPLETE RIGHT CONTROL LEVER ZENO 2009 HYD .....	1
27	R005.017	RONDELLA PIANA DM 8 INOX UNI6592 DIN125A .....	ST.STEEL FLAT WASHER DM 8 UNI 6592 .....	4
28	D001.026	DADO E M 16 STOP INOX BASSO UNI 7474 .....	STAINLESS STEEL HEXAGON NUT DM16 UNI7424 .....	2
29	V003.346	VITE TE 16 X 80 INOX UNI 5737 .....	ST.STEEL HEX.HEAD SCREW 16X80 UNI 5737 .....	2
30	T008.099	TIRANTE M10 DX M10 SX L540 INOX SP.70-95 .....	ST.STEEL TIE ROD M10 L/R L540 SP 70-95 .....	2





Pos.	Cod.	Descrizione	Description	Qtà
1	R005.030	RONDELLA PIANA 1/4" RAME .....	COPPER FLAT WASHER 1/4" .....	7
2	R001.026	ADATTATORE 1/4M 1/4"F GIREVOLE .....	ORIENTABLE ADAPTER 1/4"M 1/4"F .....	2
3	R001.009	RACCORDO GOMITO 1/4" 90° .....	ADAPTER 1/4" 90° .....	2
4	V004.002	VALVOLA RUBINETTO 1/4" 2 VIE CON LEVA .....	COCK VALVE 1/4" (2 WAYS WITH LEVER) .....	2
5	V004.003	VALVOLA INNESTO RAPIDO 1/2" MS CON TAPPO .....	VALVE WITH MALE COUPLING 1/2" WITH CAP .....	1
6	R001.014	RACCORDO VITE DOPPIA 1/2"-1/4" .....	DOUBLE SCREW COUPLING 1/2"-1/4" .....	1
7	R001.001	RACCORDO VITE DOPPIA 1/4"-1/4" .....	ADAPTER DOUBLE SCREW 1/4"-1/4" .....	2
8	T015.027	TUBO 1/4" R1AP-AS 1/4"F 1/4"F 90° L3200 .....	PIPE 1/4" R1AP-AS 1/4"M 1/4"F 90° L3200 .....	2
9	T015.032	TUBO 1/4"R1AP-AS 1/4"M 1/4"F L=2000 .....	PIPE 1/4"R1AP-AS 1/4"M 1/4"F L=2000 .....	1
10	S008.248	STAFFA COMANDO IDRAULICO .....	HYDRAULIC CONTROL CLAMP .....	1
11	R005.061	RONDELLA PIANA 1/2" RAME .....	COPPER FLAT WASHER 1/2" .....	1
12	F007.003	FORCELLA M 10 X 40 ZINCATA GIALLA .....	GALVANIZED FORK M 10 X 40 (YELLOW) .....	2
13	D001.071	DADO E M 10 DX INOX BASSO UNI 5589 .....	ST. STEEL HEXAGON NUT DM10 UNI 5589 .....	2
14	C019.015	COPPIGLIA SPACCATA 2,5 X 25 INOX UNI1336 .....	STAINLESS STEEL SPLIT PIN 2,5 X 25 .....	2
15	C013.024	CILINDRO A 20 C 62 TIPO NUOVO .....	CYLINDER 20 C62 NEW TYPE .....	2
16	P004.043	PERNO DM 10 X 25 ZINCATO GIALLO .....	GALVANIZED PIN DM 10 X 25 (YELLOW) .....	2



Pos.	Cod.	Descrizione	Description	Qtà
1	C007.014	CATENA GENOVESE N°22 ZN .....	CHAIN MM22 ZN .....	1
2	D001.005	DADO E M 10 INOX UNI 5588 .....	ST. STEEL HEXAGON NUT M 10 UNI 5588 .....	6
3	D001.018	DADO E M 14 GREZZO .....	GALVANIZED HEXAGON NUT UNI 5588 .....	2
4	G001.008	GANCIO MOSCHETTONE A VITE D6 .....	SCREW HOOK D6 .....	2
5	I006.021	GALLETTO M8 F(PLA 9548/8) .....	WING NUT M8 F(PLA 9548) .....	4
6	O003.220	ORECCHIA SOLLEVAMENTO MACCHINE FE .....	LIFT HORN (IRON IMPLEMENTS) .....	4
6	O003.221	ORECCHIA SOLLEVAMENTO MACCHINE INOX .....	LIFT HORN (STAINLESS STEEL IMPLEMENTS) .....	4
7	P004.116	PERNO RIBALTAMENTO TRAMOG.K2 ZENO .....	TILTING HOPPER PIN ZENO .....	2
8	R005.008	RONDELLA PIANA DM 12X36X3 INOX UNI 6593 .....	ST.STEEL FLAT WASHER DM 12X36X3 UNI 6593 .....	2
9	R005.037	RONDELLA PIANA DM 10X30 INOX UNI6593/69 .....	ST.STEEL FLAT WASHER DM 10X30 UNI6593/69 .....	6
10	R005.038	RONDELLA PIANA DM 14 INOX UNI 6592 .....	ST.STEEL FLAT WASHER DM 14 UNI 6592 .....	2
11	R005.127	RONDELLA DM 120 DM 14 SP 4 GOMMA .....	RUBBER WASHER DM 120 DM 14 SP 4 .....	2
12	S006.030	SPINA A SCATTO DM 5 .....	SAFETY PIN DM 5 .....	2
13	S012.062	SPORTELLO ISPEZIONE TRAMOGGIA .....	HOPPER INSPECTION PLEXIGLASS DOOR .....	2
14	T008.108	TIRANTE FIX TRAM ZENO SP 70-95 .....	HOPPER FIXING TIE ROD SP 70-95 .....	2
15	T008.109	TIRANTE FIX TRAM SP 70-95 .....	HOPPER FIXING TIE ROD SP 70-95 .....	2
16	T010.315	TRAMOGGIA 1600L 8 Z95 .....	HOPPER 1600L 8 Z95 .....	1
16	T010.316	TRAMOGGIA 1600 L. 8 Z95 INOX .....	STAINLESS STEEL HOPPER 1600 L. 8 Z95 .....	1
17	T013.188	TRAVERSA POST.SUPP.TRAMOGGIA SP 95 .....	REAR HOPPER SUPPORT CROSS BRACE SP 95 .....	1
18	T013.211	TRAVERSA LATERALE TRAMOGGIA SP-95 SX .....	SIDE HOPPER CROSS BRACE SP 95 (LEFT) .....	1
19	T013.212	TRAVERSA LATERALE TRAMOGGIA SP-95 DX .....	SIDE HOPPER CROSS BRACE SP 95 (RIGHT) .....	1
20	V003.171	VITE TB 10 X 25 INOX DIN 603 .....	ST.STEEL CUP SQUARE SCREW 10X25 DIN 603 .....	6

**USATE SEMPRE RICAMBI ORIGINALI  
 ALWAYS USE ORIGINAL SPARE PARTS  
 IMMER DIE ORIGINAL-ERSATZTEILE VERWENDEN  
 EMPLOYEZ TOUJOURS LES PIECES DE RECHANGE ORIGINALES  
 UTILIZAR SIEMPRE REPUESTOS ORIGINALES**



**GASPARDO**

DEALER:



**MASCHIO GASPARDO SpA**  
**Sede legale e stabilimento produttivo**  
 Via Marcello, 73 - 35011 Campodarsego (Padova) - Italy  
 Tel. +39 049 9289810  
 Fax +39 049 9289900  
 Email: info@maschio.com  
 www.maschionet.com

**MASCHIO GASPARDO SpA**  
**Stabilimento produttivo**  
 Via Mussons, 7 - 33075  
 Morsano al Tagliamento (PN) - Italy  
 Tel. +39 0434 695410  
 Fax +39 0434 695425  
 Email: info@gaspardo.it

**MASCHIO DEUTSCHLAND GMBH**  
 Äußere Nürnberger Straße 5  
 D - 91177 Thalmässing  
 Deutschland  
 Tel. +49 (0) 9173 79000  
 Fax +49 (0) 9173 790079

**ООО МАСКИО-ГАСПАРДО РУССИЯ**  
 Улица Пушкина, 117 Б  
 404126 Волжский  
 Волгоградская область  
 Тел. +7 8443 525065  
 факс. +7 8443 525064

**MASCHIO FRANCE Sarl**  
 1, Rue de Mérignan ZA  
 F - 45240 La Ferte St. Aubin  
 France  
 Tel. +33 (0) 2.38.64.12.12  
 Fax +33 (0) 2.38.64.66.79

**MASCHIO-GASPARDO ROMANIA S.R.L.**  
 Strada Înfrâții, F.N.  
 315100 Chisineu-Cris (Arad) - România  
 Tel. +40 257 307030  
 Fax +40 257 307040  
 e-mail: maschio@maschio.ro

**MASCHIO IBERICA S.L.**  
 Calle Cabernet, 10  
 Polígono Industrial Clot de Moja  
 Olerdola - 08734 Barcelona  
 Tel. +34 93.81.99.058  
 Fax +34 93.81.99.059

**MASCHIO MIDDLE EAST**  
 P.O. Box 922388  
 Amman, 11192 Jordan  
 Tel. 962 605511384  
 Fax 962 6 5538398  
 e-mail: tahaeng@nets.com.jo

**MASCHIO-GASPARDO USA Inc**  
 120 North Scott Park Road  
 Eldridge, IA 52748 - USA  
 Ph. +1 563 2859937  
 Fax +1 563 2859938  
 e-mail: info@maschio.us

**GASPARDO-MASCHIO TURCHIA**  
**MASCHIO-GASPARDO CANADA Inc**  
**MASCHIO-GASPARDO CINA**  
**MASCHIO-GASPARDO POLAND**  
**MASCHIO-GASPARDO UCRAINA**  
**GASPARDO BIELORUSSIA**  
**MASCHIO-GASPARDO KOREA**