



PARTS CATALOG

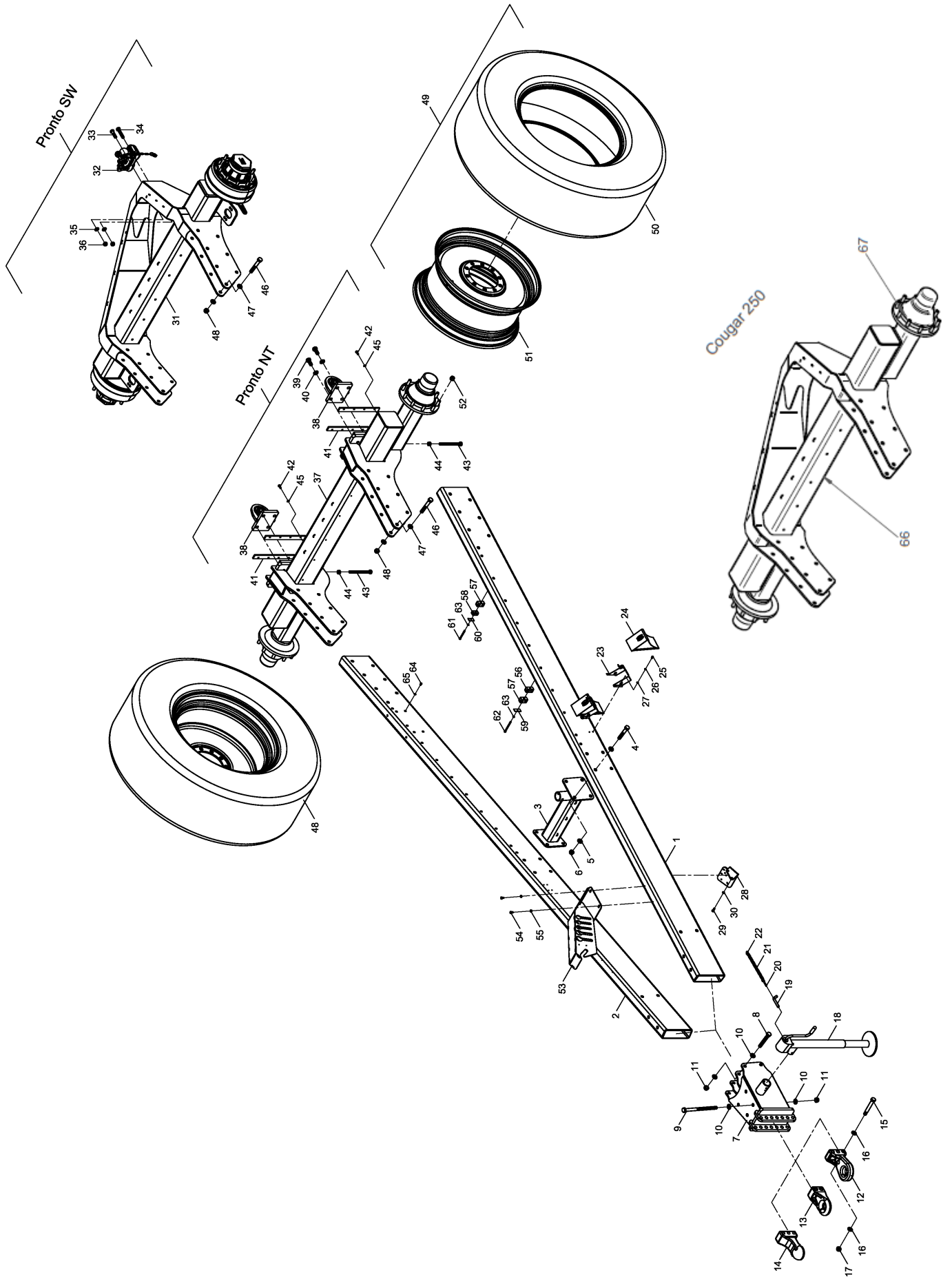
SW 12000 SD

01/2011

HORSCH

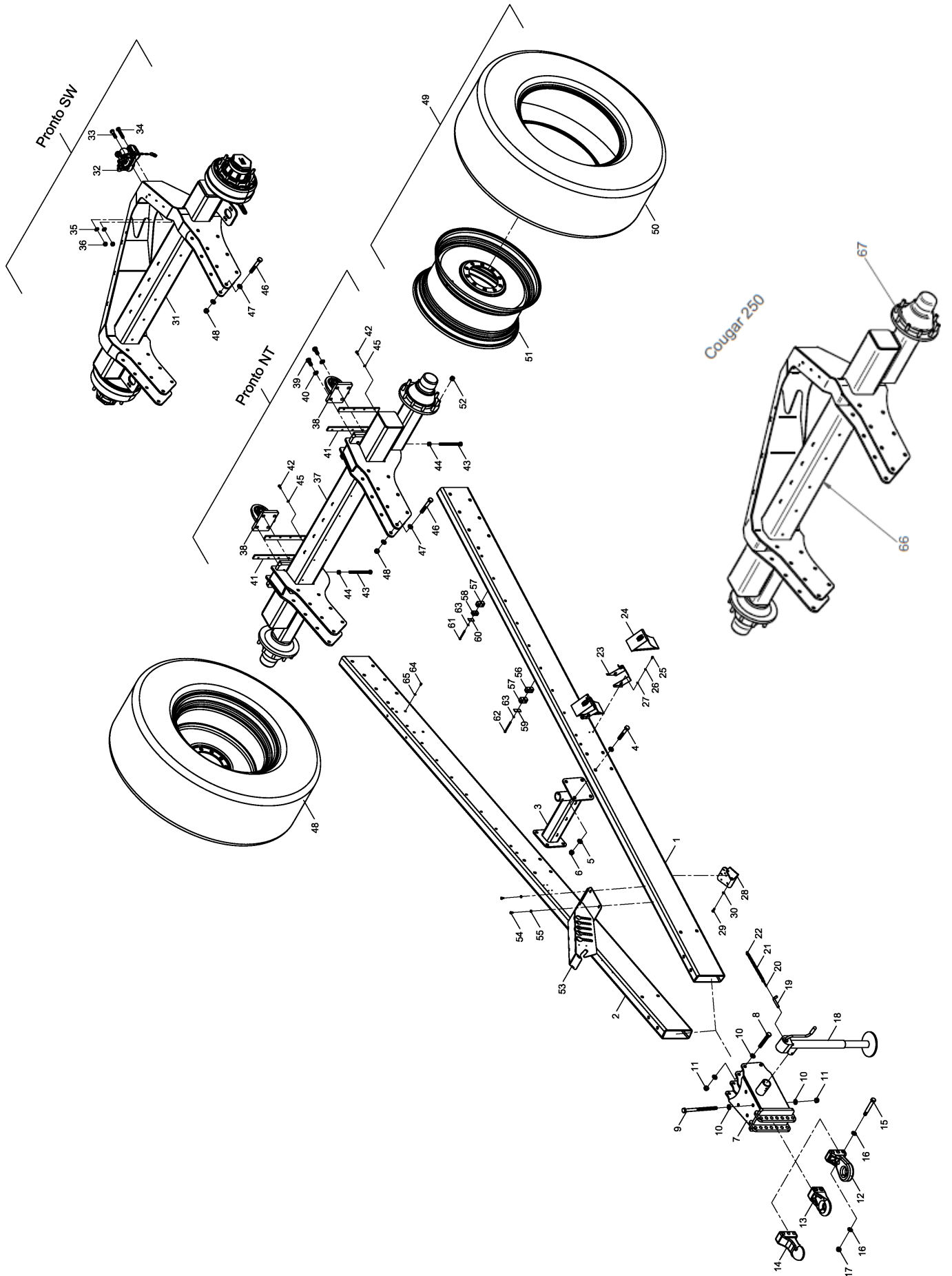
Farming with passion

SW 12000 SD	2
all models from 01.05.2011	2
Base machine	2
main Frame	2
wheels SW 12000 SD	6
tank	8
tank support	12
axle type 10000 ROC	14
brake parts axle type 10000 ROC	16
carrying axle stump type 10000 ROC	18
tank lid	20
ladder and railings	22
lighting	24
Hydraulic	26
hydraulic system SW 12000 SD	26
hydraulic Fan 6"	30
hydraulic Fan 8"	34
folding ME/ lifting ME/ marker valve block	38
hydraulic Cylinder – SW 12000 SD	40
Pneumatic	42
pneumatic seeding system	42
pneumatic seeding/fertilizer system	46
hydraulic Fan choice	50
Drill Manager	52
DrillManager ME ECO	52
DrillManager ME ISOBUS	56
seed control unit ME – Pronto 12 NT	60
seed control unit ME Pronto 8 SW	62
Horsch Roller	64
Horsch Dosing unit VDO 2011	70
Horsch Dosing unit PP 2012	72
Additional parts	76
filling auger	76
support arm filling auger	80
hyd.- filling auger	84
electric partial shut off	88
pneumatic brake system	90
hydraulic brake system	94
valve block for brake	96
Other	98
decals and directions	98
Index	100



23922000	main Frame	SW 12000 SD	EB	2011
----------	------------	-------------	----	------

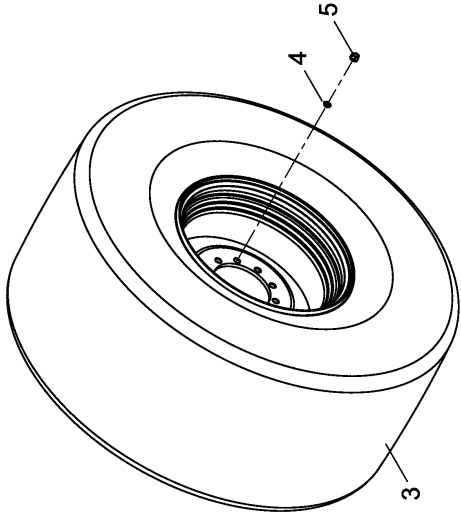
Pos.	Bestell-Nr.	Kurzbezeichnung	DIN	Bezeichnung	Menge	Bemerkung
1	23922001			Main Frame rail left	1	
2	23922002			Main Frame rail right	1	
3	23920100			crossmember frame	1	
4	00360087	M 24 x 150	931	hex screw	4	
5	00370110	B 25	125	washer	16	
6	00350065	M 24	985	nut, nylock	4	
7	23920200			hitch adapter	1	
8	00360091	M 24 x 170	931	hex screw	4	
9	34060846	M 24 x 360		hex screw	4	
10	00370110	B 25	125	washer	16	
11	00350065	M 24	985	nut, nylock	3	
12	00341081	CT 5 ø 60 - 70		hitch, CAT V	1	
13	00340873	CT 4 ø 50 - 55		hitch, CAT IV	1	
14	00340447	K 80, 3 x 1"		hitch ball head	1	
15	27033007	M 24 x 1.5		hex screw	3	
16	00370110	B 25	125	washer	6	
17	00350071	M 24 x 1.5	985	nut, nylock	3	
18	00310167			Lift Jack	1	
19	23062803	ø 16 x 95 gebogen		Jack Pin	1	
20	00170192	ø 5,8 x 24 x 30		safety clip, linch pin	1	
21	00250037	ø 3 x 200		chain	1	
22	00260059	ø 30		key ring	1	
23	00310822			wheel chock holder	2	
24	00310821	Gr.360		wheel chock	2	
25	00360109	M 8 x 16	933	hex screw	6	
26	00370104	A 8,4	125	washer	6	
27	00170028	ø 8	127	lock washer	6	
28	23107203			radar sensor bracket	1	
29	00360120	M 10 x 30	933	hex screw	2	
30	00370105	B 10,5	125	washer	2	
31	23920300			axle for Pronto SW	1	
32	00340446	ø 80, 3 t		rear ball hitch	1	
33	00360605	M 20 x 1,5 x 70	960	hex screw	2	
34	00360196	M 20 x 1,5 x 100	960	hex screw	2	
35	00370109	B 21	125	washer	8	
36	00350132	M 20 x 1,5	985	nut, nylock	4	
37	23920400			axle for Pronto NT	1	
38	23108400			attachment eye	2	
39	00360320	M 24 x 55	933	hex screw	8	
40	00370110	B 25	125	washer	8	
41	23107103			cover piece movable	4	
42	00360120	M 10 x 30	933	hex screw	16	
43	00360162	M 20 x 220	933	hex screw	2	
44	00350014	M 20		hex nut	2	
45	00370105	B 10,5	125	washer	16	
46	00360091	M 24 x 170	931	hex screw	14	
47	00370110	B 25	125	washer	28	
48	00350065	M 24	985	nut, nylock	14	
49	00330214			tire and wheel rim complete	2	
50	00330345	580/70 R38 AL 370 TL		tire	2	



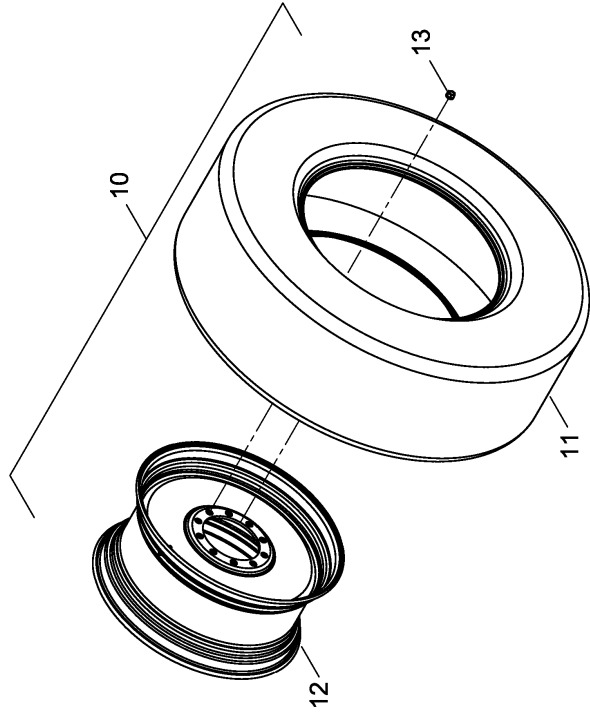
23922000	main Frame	SW 12000 SD	EB	2011
----------	------------	-------------	----	------

Pos.	Bestell-Nr.	Kurzbezeichnung	DIN	Bezeichnung	Menge	Bemerkung
51	00330346	18L x 38, ET=130, 10 - Loch		rim	2	
52	00311057	M 22 x 1,5		lug nut	20	
53	24582500			hydr. hose bracket	1	
54	00360117	M 10 x 20	933	hex screw	4	
55	00370105	B 10,5	125	washer	4	
56	00100363	RBP - 322 DN12		twin clamp	8	
57	00100347	RBP - 319 DN10		twin clamp	8	
58	00100350	RBP - 215 DN8		twin clamp	5	
59	00100345	DP - B3		twin clamp cover plate	3	
60	00100349	DP - B2		twin clamp cover plate	5	
61	00360014	M 8 x 100	931	hex screw	4	
62	00360015	M 8 x 120	931	hex screw	5	
63	00370104	A 8,4	125	washer	8	
64	00360109	M 8 x16	933	hex screw	7	
65	00370104	A 8,4	125	washer	7	
66	95154184			Cougar 250 Axle	1	
67	00310787	10k 10-Bolt x M22		Hub & Spindle Assembly	2	

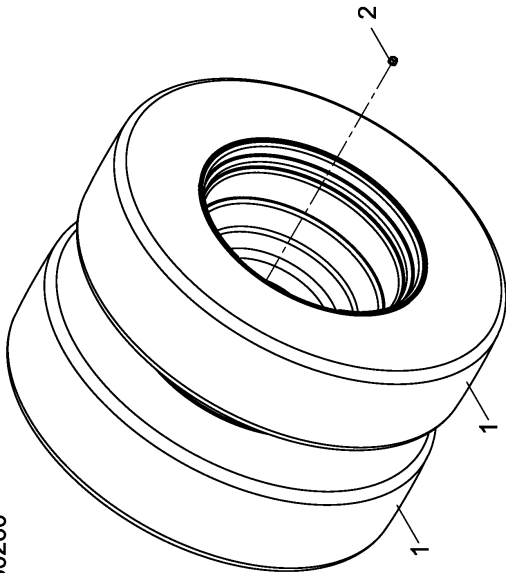
00330287



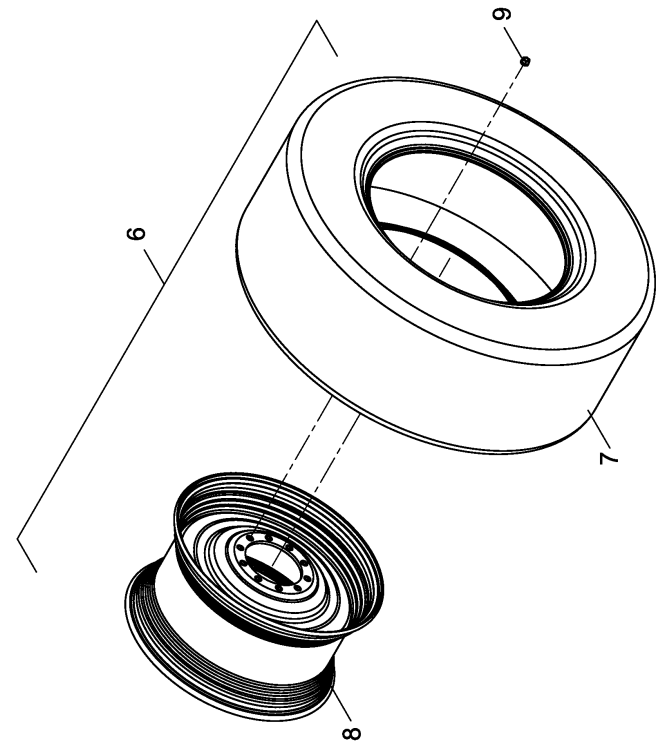
00330214



00330260

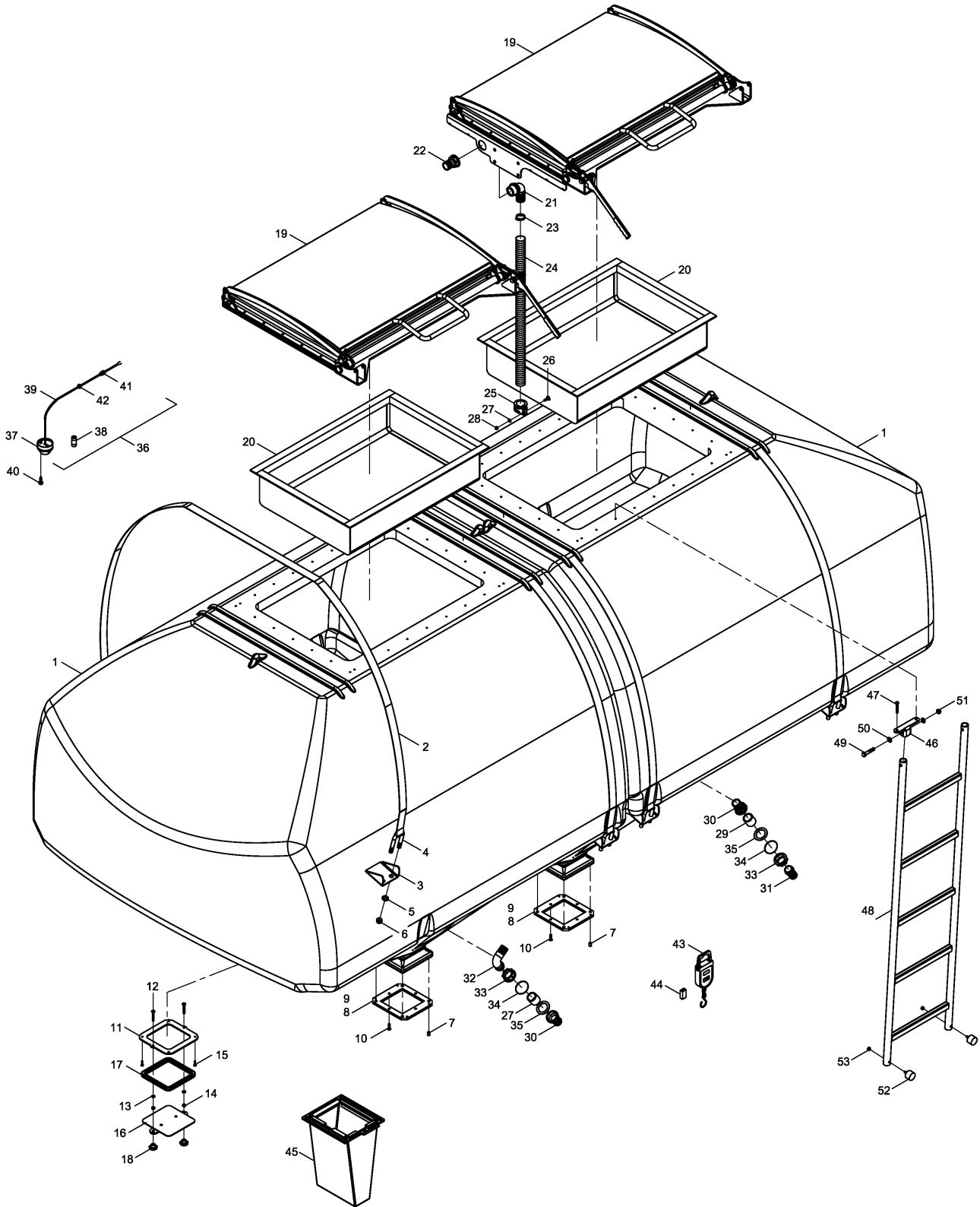


00330783



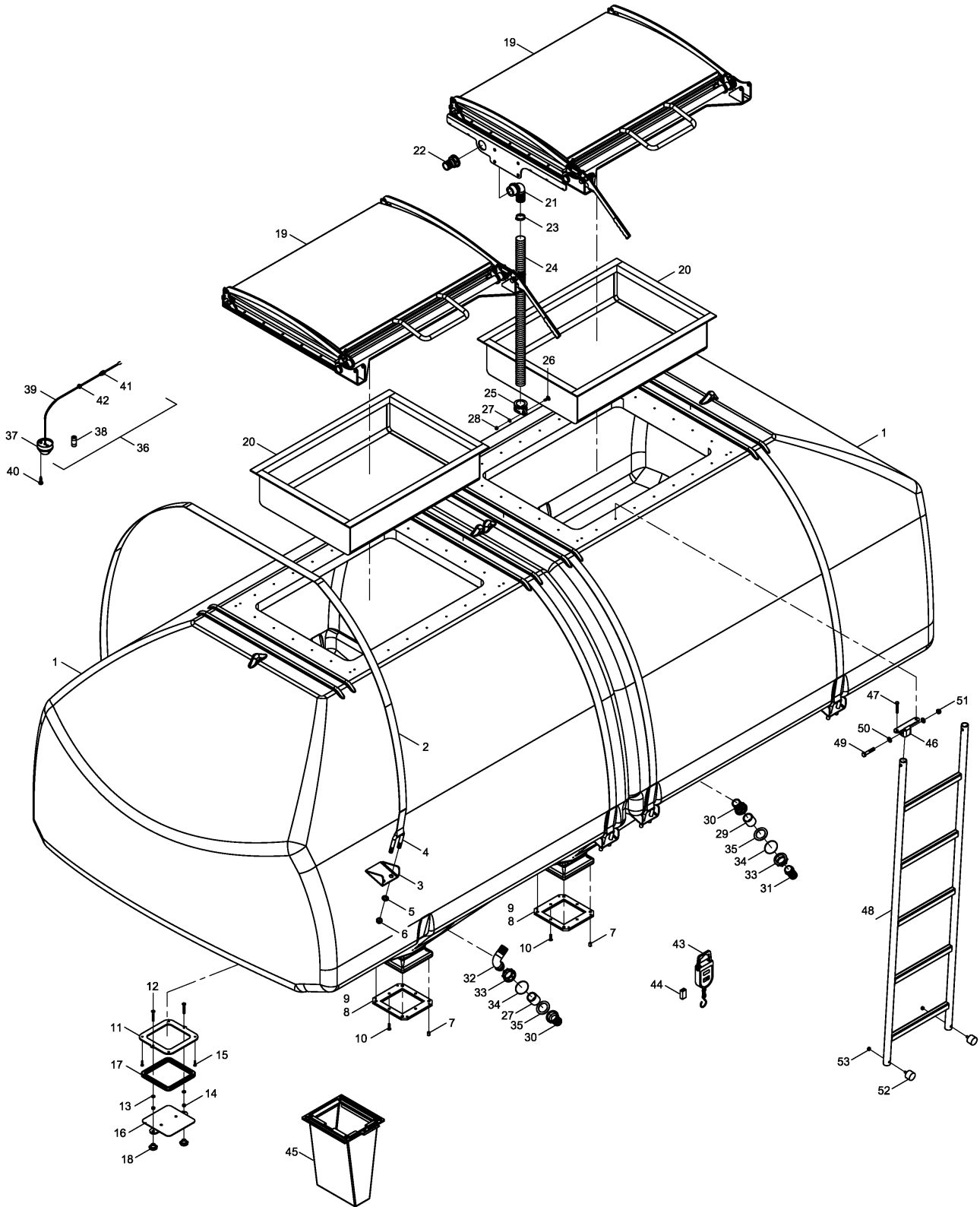
23925700	wheels SW 12000 SD	SW 12000 SD	EB	2011
----------	--------------------	-------------	----	------

Pos.	Bestell-Nr.	Kurzbezeichnung	DIN	Bezeichnung	Menge	Bemerkung
1	00330260	20.8 R42, 10 - Loch		double wheels complete	4	
2	00310840	M 22 x 1,5		wheel cap for double wheels	40	
3	00330287	Trelleborg TM 2000		Terra Wheel	2	
4	00370509	ø 22,5		cone lock washer	20	
5	00310840	M 22 x 1,5		wheel nut	20	
6	00330783			tire & wheel complete	2	
7	00330349	650/65 R38 RT657		tires	2	
8	00330350	TW20B x 38, ET=200		rim	2	
9	00311057	M 22 x 1,5		wheel nut	20	
10	00330214			tire & wheel complete	2	
11	00330345	580/70 R38 AL 370 TL		tire	2	
12	00330346	18L x 38, ET=130, 10 - Loch		rim	2	
13	00311057	M 22 x 1,5		wheel nut	20	



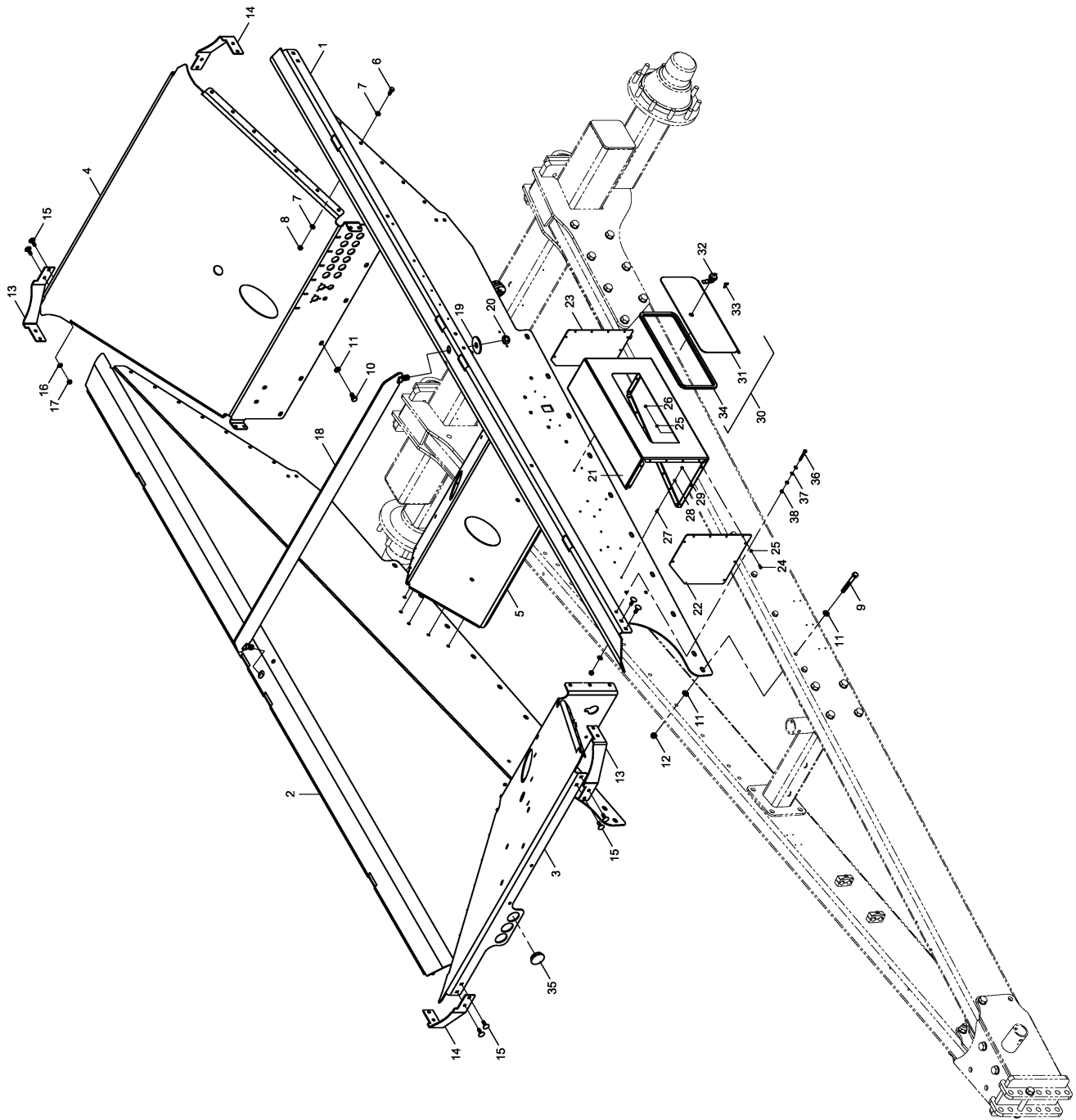
23922400	tank	SW 12000 SD	9B	2011
----------	------	-------------	----	------

Pos.	Bestell-Nr.	Kurzbezeichnung	DIN	Bezeichnung	Menge	Bemerkung
1	23922401	6000 Ltr.		tank	2	
2	23922411	3800 mm		strap	4	
3	23922412			strap bracket	8	
4	31502414	40 x 100 - M 16 x 80		U-bolt	8	
5	00370108	B 17	125	washer	16	
6	00350061	M 16	985	nut, nylock	16	
7	00370554	M 8		Ensat threaded insert	20	
8	33422804			flange plate dosing unit	2	
9	00390150			clear silicone	1	
10	00370337	M 8 x 30	7991	countersunk bolt	8	
11	31502408			flange plate cleaning flap	2	
12	00370629	M 8 x 55	7991	countersunk bolt	4	
13	00370389	A 8,4 V2A	125	washer	4	
14	00350006	M 8	934	hex screw	4	
15	00370338	M 6 x 20	7991	countersunk bolt	8	
16	33328400			lid for seed tank cleaner	2	
17	00200074	1700 mm		seal profile	1	
18	00370340	M 8 x 40		star grip	4	
19	31502500			lid for pressure tank complete	2	
20	31503700			tank lid hopper	2	
21	00270277	AG 1 1/2" - 40		hose nozzle curved	2	
22	00270270	IG 1 1/2" - 40		hose nozzle straight	2	
23	00270633	SGT 32 - 50 V2A - 12 mm		hose bracket	4	
24	00270268	1 1/2" x 3800 mm		clear suction hose	1	
25	00190027	RSGU 50/25 M 10		00190027	2	
26	00370555	M 8 x 25 m.4kt	603	flathead screw	2	
27	00370389	A 8,4 V2A	125	washer	2	
28	00350062	M 8	985	nut, nylock	2	
29	00270616	AG 1 1/2"		fitting	2	
30	00270270	IG 1 1/2" - 40		hose nozzle straight	2	
31	00270697	1 1/2" ÜM T 3		hose nozzle straight	1	
32	00270641	1 1/2" ÜM T 3		hose nozzle curved	1	
33	00270307	1 1/2"		union nut	2	
34	00270312	ø 29.20 x 3.00		O-ring	2	
35	00270632	64 x 47 x 30		flat seal	2	
36	00340980			tank light with cable complete	2	
37	00340097			tank light white	2	
38	00340098	12 V 5 W Sofitte		bulb	2	
39	00341155	2 - pol. - 0,75mm ² x 8000 mm		cable	1	
40	00370005	B 4,8 x 16,0	7981	oval head screw	4	
41	00340933	M 12 x 1,5		cable screw	2	
42	00340938	M 12 x 1,5		lock nut	2	
43	00390564			digital scale	1	
44	00340892	9 Volt		block battery	1	
45	23279600			bag for calibration	1	
46	33422805			ladder bracket	4	
47	00360632	M 8 x 50 V2A	933	hex screw	8	
48	23926600			ladder to enter tank	2	
49	00360246	M 12 x 65	931	hex screw	4	
50	00370106	B 13	125	washer	8	



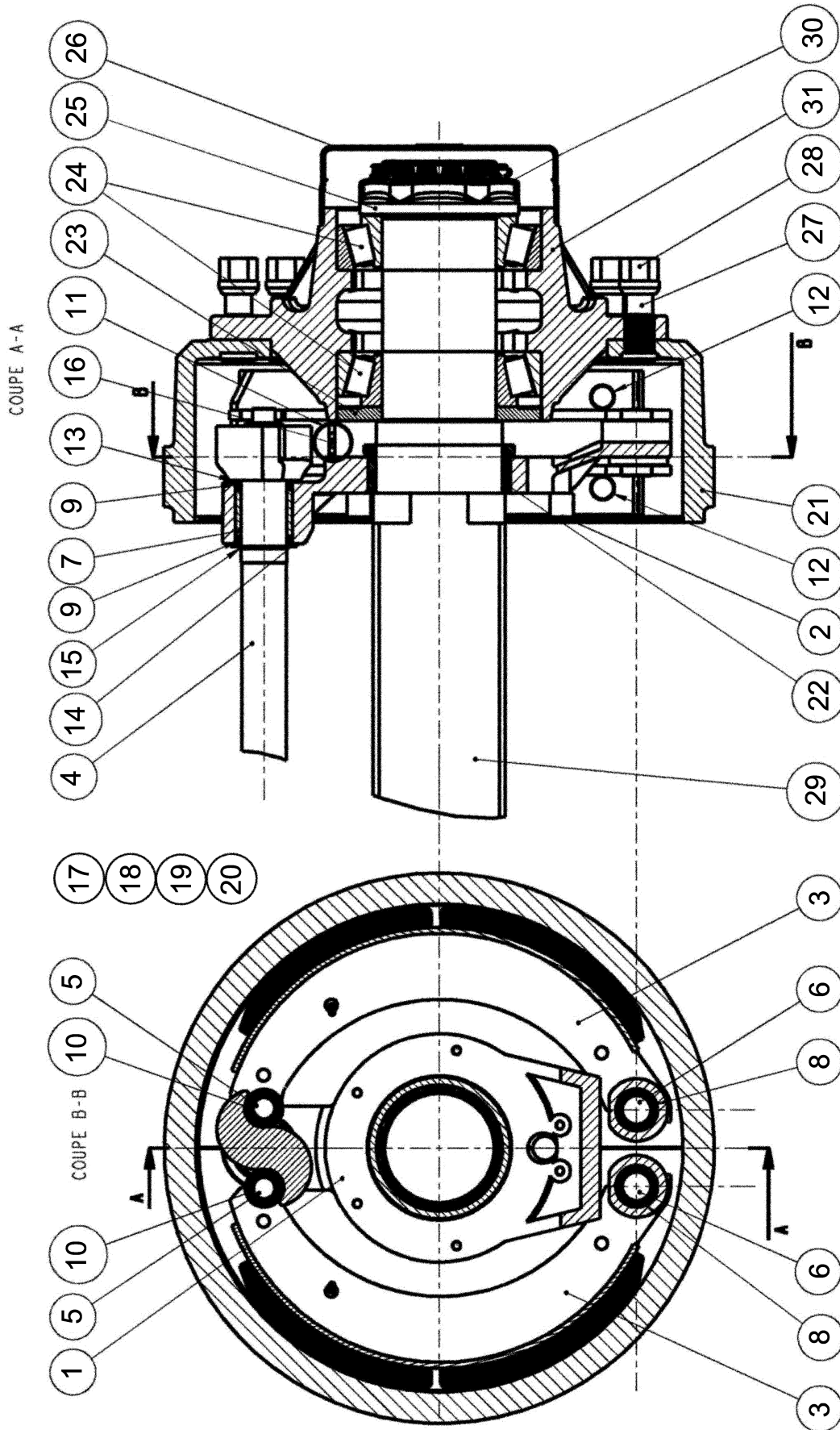
23922400	tank	SW 12000 SD	EB	2011
----------	------	-------------	----	------

Pos.	Bestell-Nr.	Kurzbezeichnung	DIN	Bezeichnung	Menge	Bemerkung
51	00350059	M 12	985	nut, nylock	4	
52	00200017	ø 40 M 8 x 23		rubber bumper	4	
53	00350057	M 8	985	nut, nylock	4	



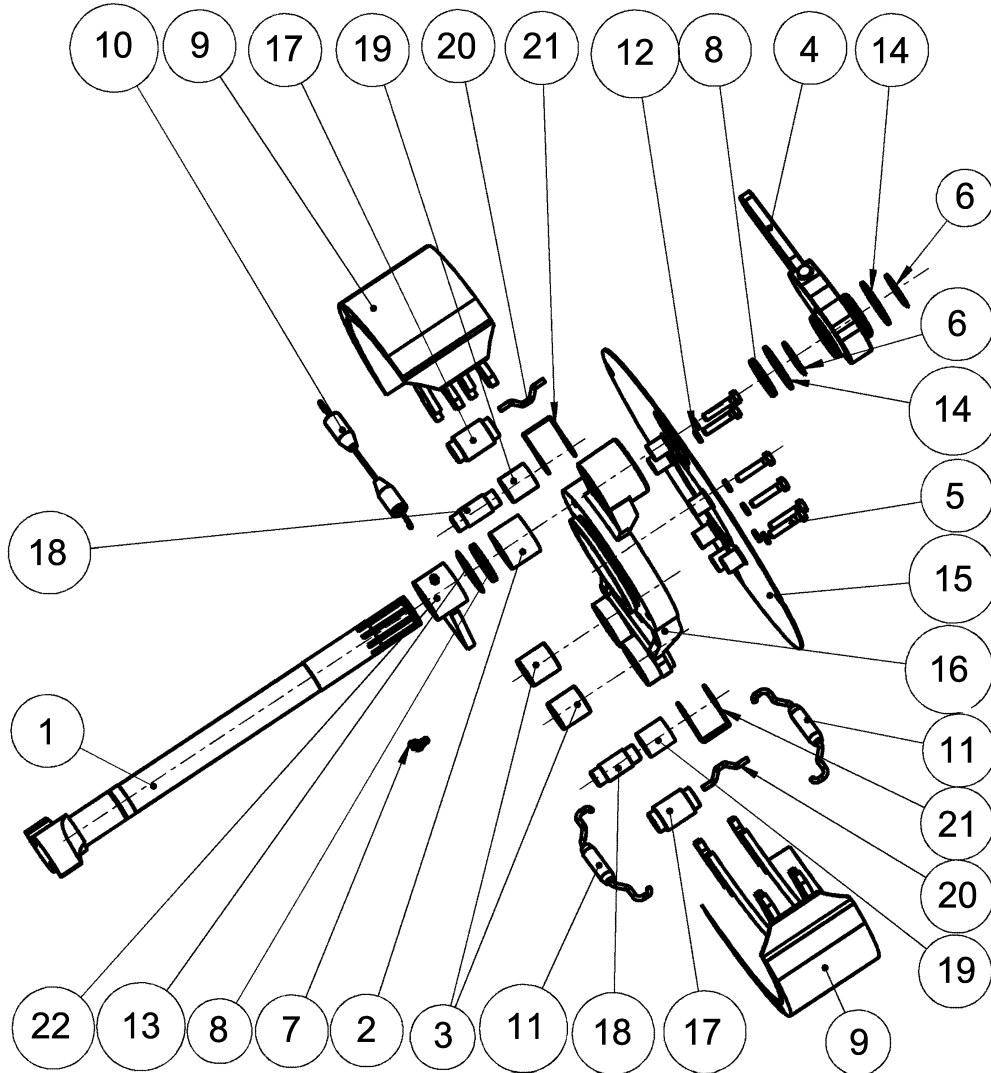
23922400	tank support	SW 12000 SD	EB	2011
----------	--------------	-------------	----	------

Pos.	Bestell-Nr.	Kurzbezeichnung	DIN	Bezeichnung	Menge	Bemerkung
1	23922404			tank support left	1	
2	23922405			tank support right	1	
3	23922406			tank support front	1	
4	23922407			tank support rear	1	
5	23922408			tank support middle	1	
6	00360132	M 12 x 30	933	hex screw	48	
7	00370106	B 13	125	washer	96	
8	00350059	M 12	985	nut, nylock	48	
9	00360258	M 16 x 130	931	hex screw	20	
10	00360148	M 16 x 30	933	hex screw	6	
11	00370108	B 17	125	washer	46	
12	00350061	M 16	985	nut, nylock	20	
13	23922409			connecting bracket left	2	
14	23922410			connecting bracket right	2	
15	00370492	M 12 x 35	603	flat head screw	16	
16	00370106	B 13	125	washer	16	
17	00350059	M 12	985	nut, nylock	16	
18	23920500			tank brace middle	1	
19	00370252	R 26	440	washer	2	
20	00350065	M 24	985	nut, nylock	2	
21	23922413			toolbox	1	
22	23922414			toolbox panel front	1	
23	23922415			toolbox panel rear	1	
24	00360104	M 6 x 16	933	hex screw	18	
25	00370103	A 6,4	125	washer	36	
26	00350067	M 6	985	nut, nylock	18	
27	00370419	M 6 x 16	7991	countersunk bolt	15	
28	00370103	A 6,4	125	washer	15	
29	00350067	M 6	985	nut, nylock	15	
30	31042800			lid for toolbox complete	1	
31	31042900			lid for toolbox	1	
32	00210232			lock button with key complete	1	
33	00210256			replacement key	1	
34	00200074	1500 mm		seal profile	1	
35	00200077	ø 63		plug	1	
36	00360011	M 8 x 60	931	hex screw	1	
37	00370104	A 8,4	125	washer	2	
38	00350008	M 8	934	hex nut	2	



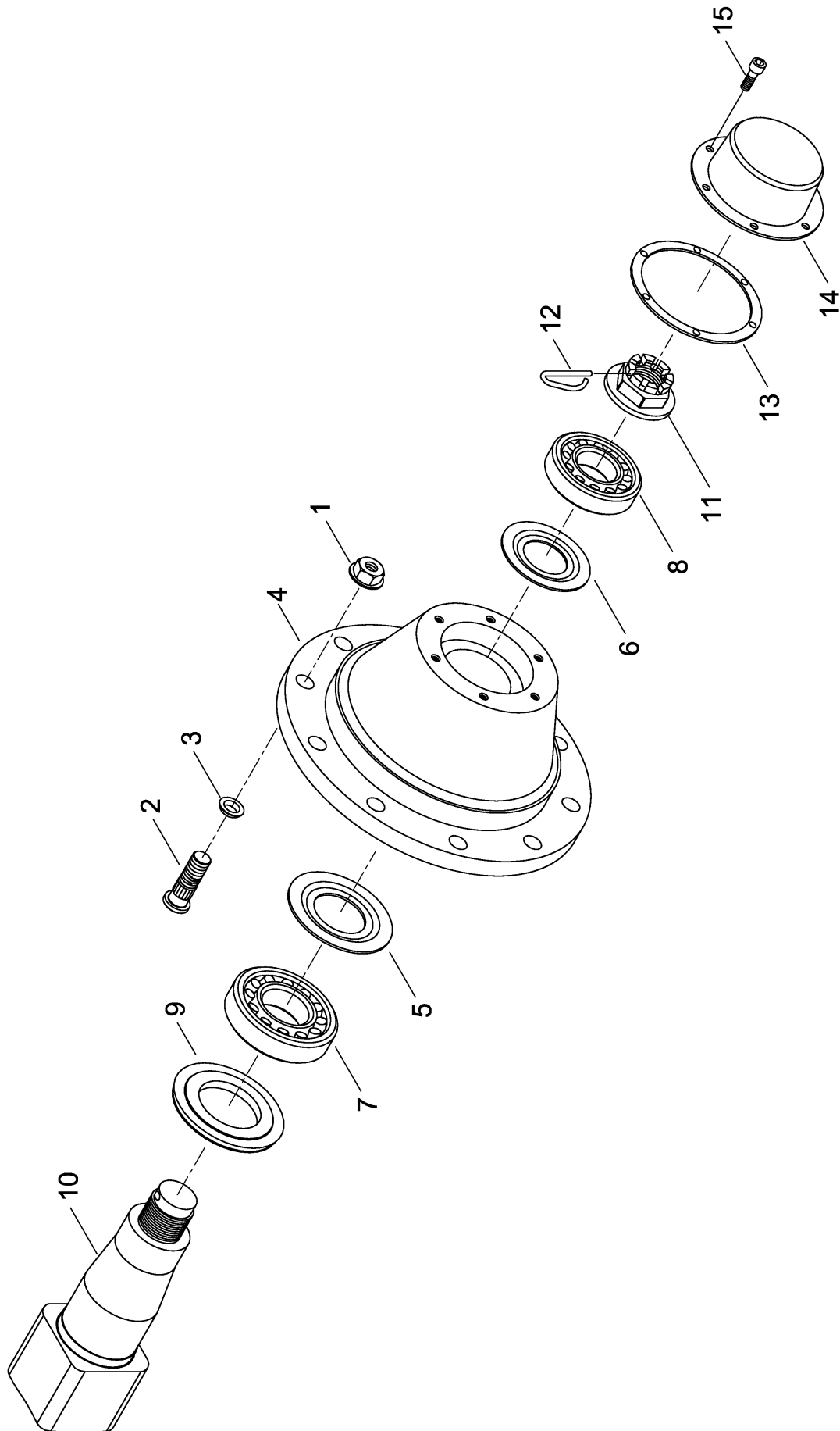
\$\$\$10965	axle type 10000 ROC	SW 12000 SD	EB	2011
--------------------	----------------------------	--------------------	-----------	-------------

Pos.	Bestell-Nr.	Kurzbezeichnung	DIN	Bezeichnung	Menge	Bemerkung
1	00311030			basic sheet	2	
2	00311031			protection sheet	2	
3	00311032			brake shoe	4	
4	00311033			camshaft right	1	
4	00311034			camshaft left	1	
5	00311035			brake roll	4	
6	00311036			brake bolt	4	
7	00311037			camshaft bushing	4	
8	00311038			brake bolt bushing	4	
9	00311039			security ring	4	
10	00311040			bracket clip	4	
11	00311041			tension spring long	2	
12	00311042			tension spring short	4	
13	00311043	ø 40.5 x 54.5 x 0.6		washer	2	
14	00311044	ø 38.5 x 55 x 2.7		washer	4	
15	00311045	ø 35		snap ring	4	
16	00311046			brake spring clip	4	
17	00311047			brake roll clip	4	
18	00311048			brake lever	2	
19	00311049	1/8" - 67.5°		grease zerk	2	
20	00311050			tension spring	2	
21	00311051	ø 406 x 120 - 10 Loch		brake drum	2	
22	00311052			spacer ring	2	
23	00311053			sealing ring	2	
24	00240071	Lager 32219 A		tapered roller bearing	4	
25	00311054	M 95 x 2 H-K		crown nut	2	
26	00311055	M 195 x 200		wheel cap	2	
27	00311056	M 22 x 1.5 - 150 - 80 lg.		wheel bolt	20	
28	00311057	M 22 x 1.5 - 27 Plat.		wheel nut	20	
29	00311058			raw stump	2	
30	00311060	ø 5.5		pin	2	
31	00311061			wheel hub	2	



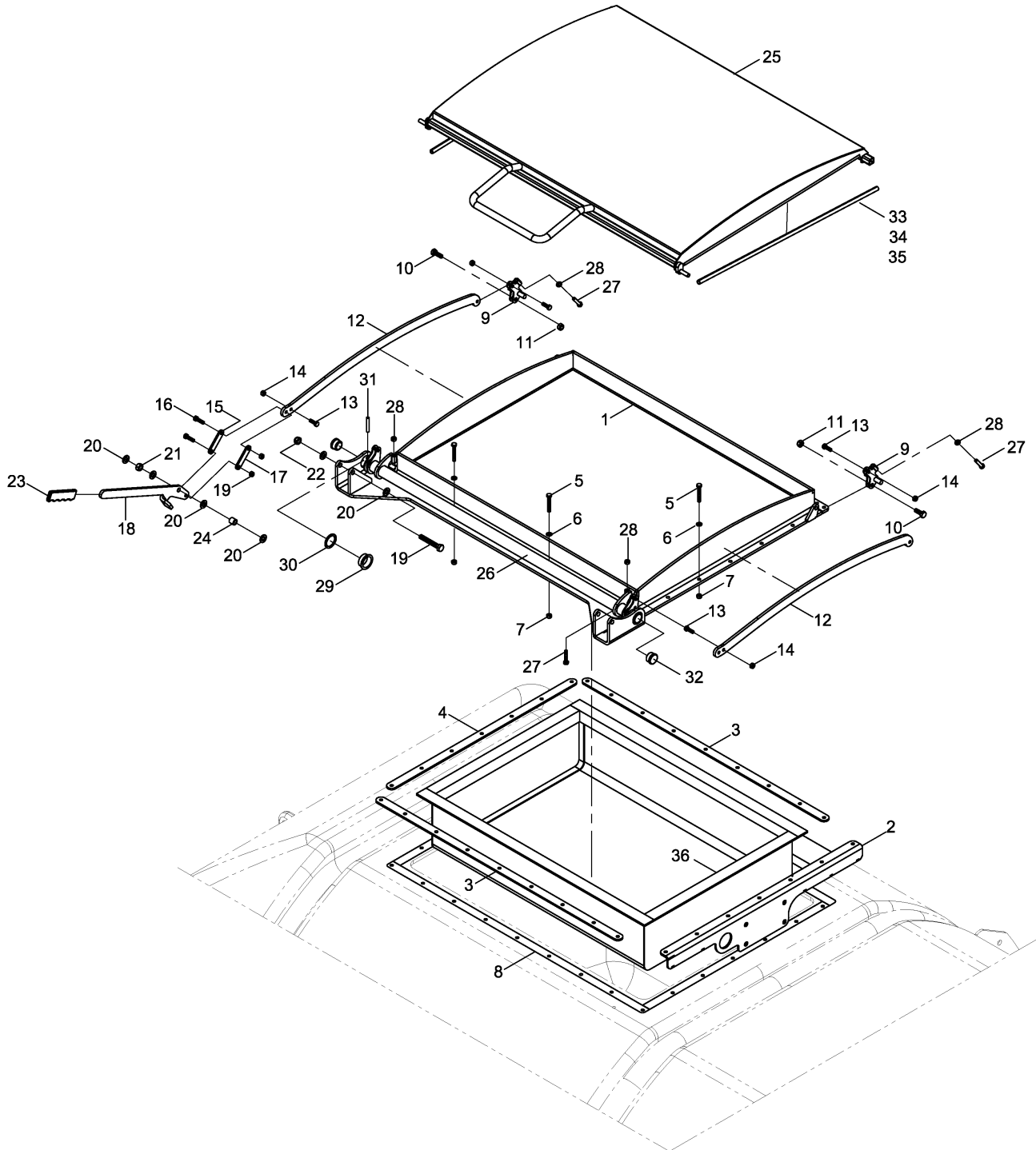
\$\$310965	brake parts axle type 10000 ROC	SW 12000 SD	EB	2011
-------------------	--	--------------------	-----------	-------------

Pos.	Bestell-Nr.	Kurzbezeichnung	DIN	Bezeichnung	Menge	Bemerkung
1	00311033			camshaft right	1	
1	00311034			camshaft left	1	
2	00311037			camshaft bushing	4	
3	00311038			brake bolt	4	
4	00311048			brake lever	2	
5	00360009	M 8 x 40	931	hex screw	12	
6	00311045	ø 35		snap ring	4	
7	00311049	1/8" - 67.5°		grease zerk	2	
8	00311039			security ring	4	
9	00311032			brake shoe	4	
10	00311041			tension spring long	2	
11	00311042			tension spring short	4	
12	00370104	A 8,4	125	washer	12	
13	00311043	ø 40.5 x 54.5 x 0.6		washer	2	
14	00311044	ø 38.5 x 55 x 2.7		washer	4	
15	00311031			protection sheet	2	
16	00311030			basic sheet	2	
17	00311036			brake bolt	4	
18	00311035			brake roll	4	
19	00311040			roll	4	
20	00311046			brake spring clip	4	
21	00311047			brake roll clip	4	
22	00311071			camshaft bearing	2	



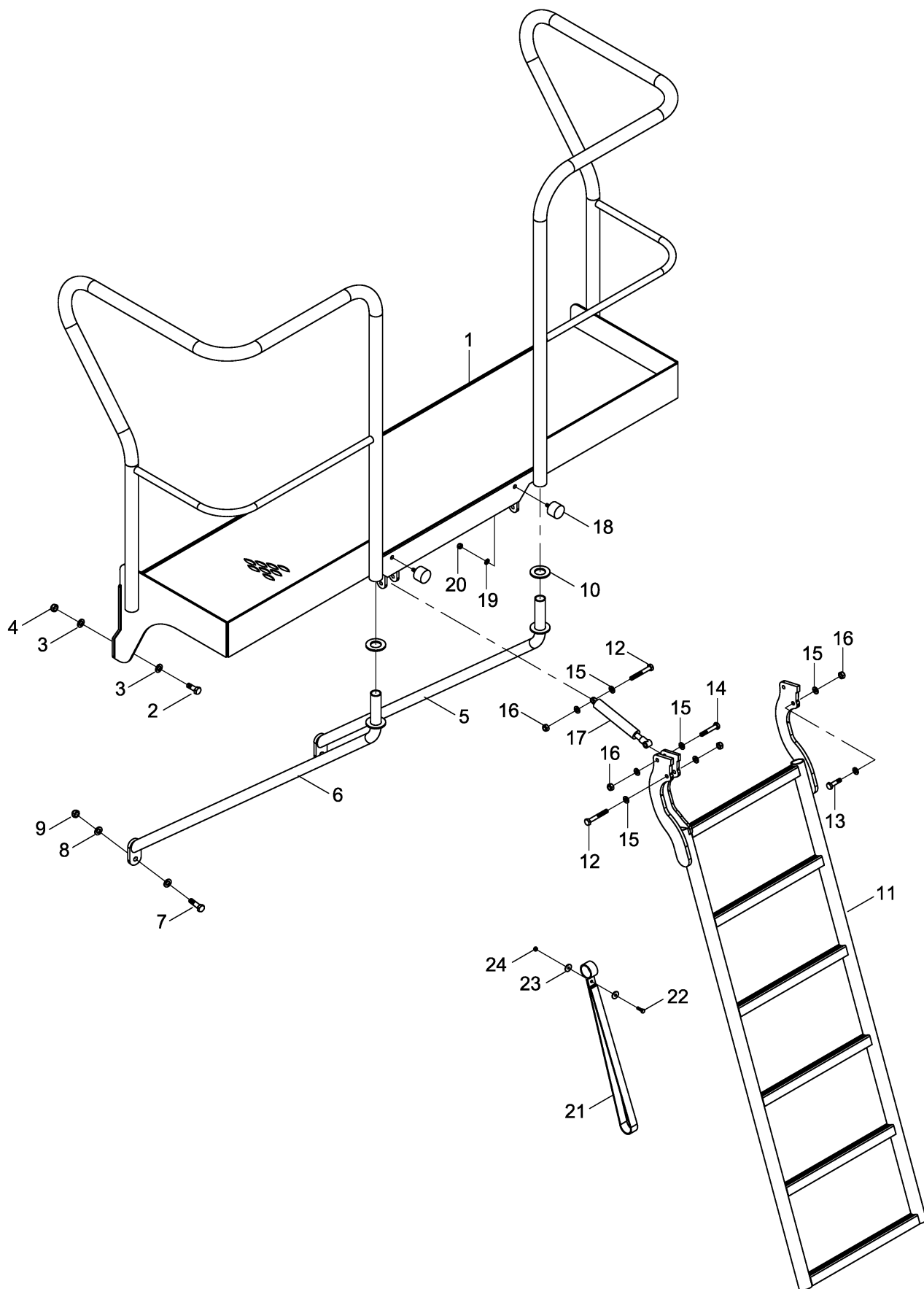
\$\$310787	carrying axle stump type 10000 ROC	SW 12000 SD	EB	2011
-------------------	---	--------------------	-----------	-------------

Pos.	Bestell-Nr.	Kurzbezeichnung	DIN	Bezeichnung	Menge	Bemerkung
1	00310840	M 22 x 1.5 mit Bund		wheel nut	2	
2	00311094	M 22 x 1.5 x 90		wheel bolt	2	
3	00370509	ø 22.5		cone lock washer	2	
4	00310842	10 t		wheel hub for carrying axle	2	
5	00310843	ø 110		sealing ring	2	
6	00310844	ø 90		sealing ring	2	
7	00310845	33122		bearing	2	
8	00310846	33118		bearing	2	
9	00310847	ø 110		sealing washer	2	
10	00310848			carrying axle	2	
11	00310849			crown nut	2	
12	00310850			pin	2	
13	00310851			seal for closing cap	2	
14	00310852			closing cap	2	
15	00310853			seal for closing cap	2	



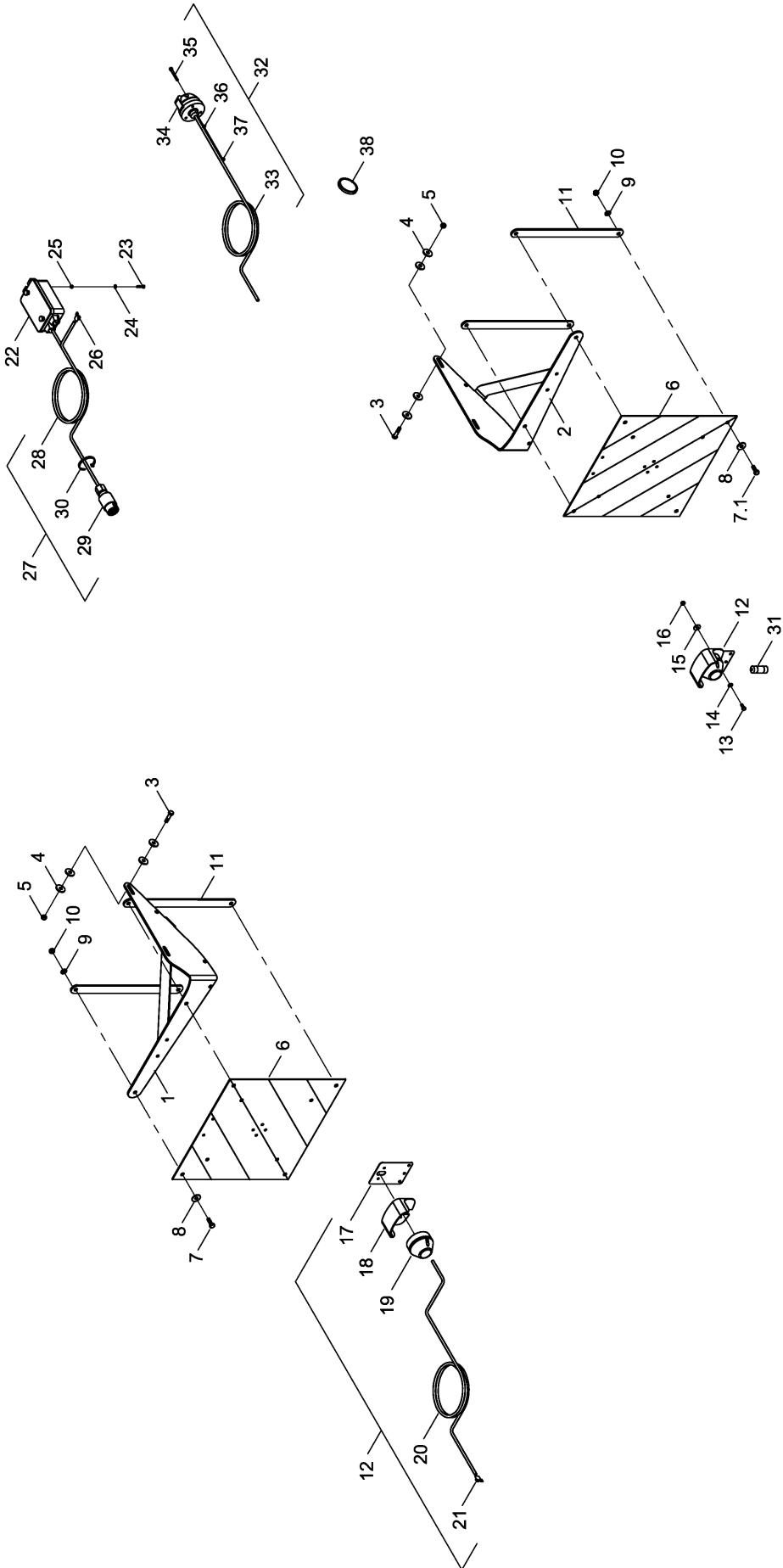
31502500	tank lid	SW 12000 SD	9B	2011
----------	----------	-------------	----	------

Pos.	Bestell-Nr.	Kurzbezeichnung	DIN	Bezeichnung	Menge	Bemerkung
1	31506600			frame lid pressure tank curved	1	
2	31502512			mounting bar tube holder	1	
3	31502513			mounting bar left/right	2	
4	31502514			mounting bar rear	1	
5	00360632	M 8 x 50	933	hex screw	32	
6	00370389	A 8,4	125	washer	64	
7	00350062	M 8	985	nut, nylock	32	
8	00200106	5 x 30 x 1000		foam rubber	2	
9	31503100			lid for hinge lever	2	
10	00360120	M 10 x 30	933	hex screw	2	
11	00350058	M 10	985	nut, nylock	2	
12	31502501			latch bar tank mechanism	2	
13	00360111	M 8 x 25	933	hex screw	4	
14	00350057	M 8	985	nut, nylock	4	
15	31502503			latch link	2	
16	00360112	M 8 x 30	933	hex screw	2	
17	00350057	M 8	985	nut, nylock	2	
18	31502502			tank opening lever	1	
19	00360039	M 12 x 80	931	hex screw	1	
20	00370106	B 13	125	washer	6	
21	00350010	M 12	934	hex screw	1	
22	00350059	M 12	985	nut, nylock	1	
23	00200189	PVC 25 x 6		handle	1	
24	23883607	ø 17 x 2.5 x 16		bushing	1	
25	31506800			lid	1	
26	31506700			shaft	1	
27	00360009	M 8 x 40	931	hex screw	2	
28	00350057	M 8	985	nut, nylock	2	
29	00230268	GFM 35 x 39 x 16		bushing	2	
30	00300087	ø 35 x 45 x 2		shim ring	2	
31	00370001	ø 8 x 50		dowel pin	2	
32	00200180	ø 32		cap	2	
33	00190147	ø 12 x 1600 mm		plastic hose	1	
34	00200071	8 x 30 x 860 grau		foam rubber	8	
35	00390151	310 ml schwarz 260		glue	1	
36	31503700			hopper for convex tank lid	1	



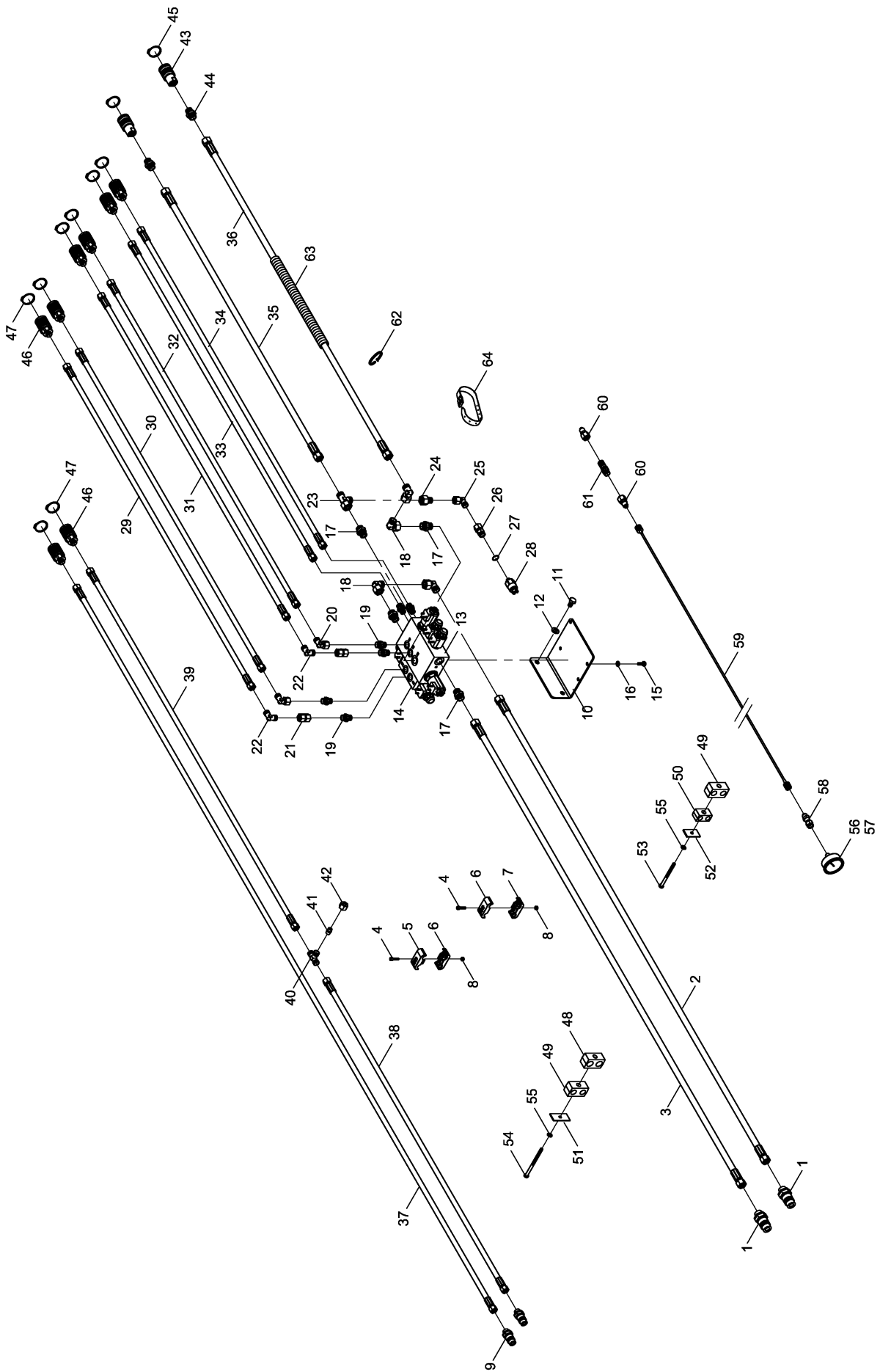
23922500	ladder and railings	SW 12000 SD	EB	2011
----------	---------------------	-------------	----	------

Pos.	Bestell-Nr.	Kurzbezeichnung	DIN	Bezeichnung	Menge	Bemerkung
1	23920600			walk way	1	
2	00360133	M 12 x 35	933	hex screw	4	
3	00370106	B 13	440	washer	8	
4	00350059	M 12	985	nut, nylock	4	
5	23926200			walk way brace back	1	
6	23926300			walk way brace front	1	
7	00360133	M 12 x 35	931	hex screw	2	
8	00370106	B 13	125	washer	4	
9	00350059	M 12	985	nut, nylock	2	
10	00370111	B 31	125	washer	2	
11	23926500			ladder	1	
12	00360030	M 10 x 75	931	hex screw	2	
13	00360021	M 10 x 40	931	hex screw	1	
14	00360024	M 10 x 60	931	hex screw	1	
15	00370105	B 10,5	125	washer	24	
16	00350058	M 10	985	nut, nylock	4	
17	00110621	1700 N Hub 100 mm		pneumatic spring	1	
18	00200017	ø 40 x 28 M 8 x 23		rubber buffer	2	
19	00370104	A 8,4	125	washer	2	
20	00350057	M 8	985	nut, nylock	2	
21	00180071	25 x 2 x 800 mm		woven strap	1	
22	00360105	M 6 x 20	933	hex screw	1	
23	00370115	R 6,6	440	washer	2	
24	00350067	M 6	985	nut, nylock	1	



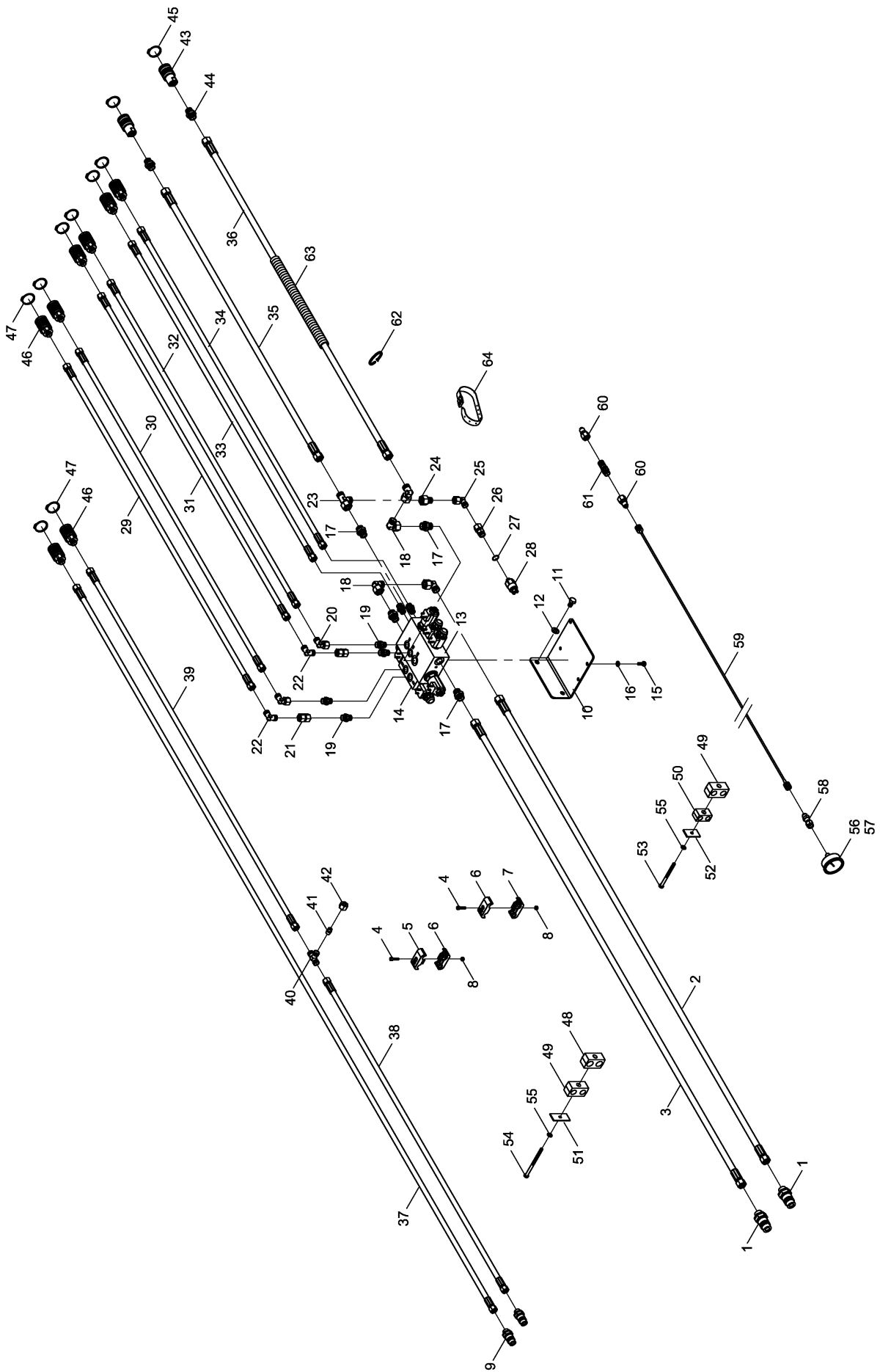
23922100	lighting	SW 12000 SD	EB	2011
----------	----------	-------------	----	------

Pos.	Bestell-Nr.	Kurzbezeichnung	DIN	Bezeichnung	Menge	Bemerkung
1	31501604			lighting beam right	1	
2	31501605			lighting beam left	1	
3	00360111	M 8 x 25	931	hex screw	4	
4	00370116	R 9	440	washer	8	
5	00350057	M 8	985	nut, nylock	4	
6	00345109	423 x 423		caution sign bracket	2	
7	00360111	M 8 x 25	933	hex screw	4	
7.1	00360110	M 8 x 20	933	hex screw	4	
8	00370116	R 9	440	washer	8	
9	00370104	A 8,4	125	washer	8	
10	00350057	M 8		nut, nylock	8	
11	31501606			caution sign bracket	4	
12	00341201			marker light beam complete	2	
13	00360105	M 6 x 20	933	hex screw	4	
14	00370103	A 6,4	125	washer	4	
15	00370115	R 6,6	440	washer	4	
16	00350067	M 6	985	nut, nylock	4	
17	00341197			holding sheet	2	
18	00346000			protection cap	2	
19	00340097			marker light white	2	
20	00340037	2-pol. - 1,5 mm ² x 7,5 m		cable	2	
21	00340950	0,75 - 1,5 mm ²		receptacle	4	
22	00340977			distributor box	1	
23	00360434	M 5 x 22	933	hex screw	2	
24	00370102	A 5,3	125	washer	2	
25	00350056	M 5	985	nut, nylock	2	
26	00340950			receptacle	20	
27	00340978	7-pol. - 12 V x 9 m		plug socket with cable	1	
28	00340035	7-pol. - 1,5 mm ² x 9 m		cable	1	
29	00340995	7-pol. - 12 V		socket	1	
30	00190013	T 30 - L 200 x 3,6		zip tie	20	
31	00340098	12 V - 5 W - Sofitte		bulb - marker light	2	
32	00340979	7-pol. - 12 V		plug socket with cable	1	
33	00340035	7-pol. - 1,5 mm ² x 3,5 m		cable	1	
34	00340943	7-pol. - 12 V		socket	1	
35	00370399	M 5 x 45	912	Cyl.- screw	3	
36	00370102	A 5,3	125	washer	3	
37	00350056	M 5		nut, nylock	3	
38	00340201			back light yellow	6	



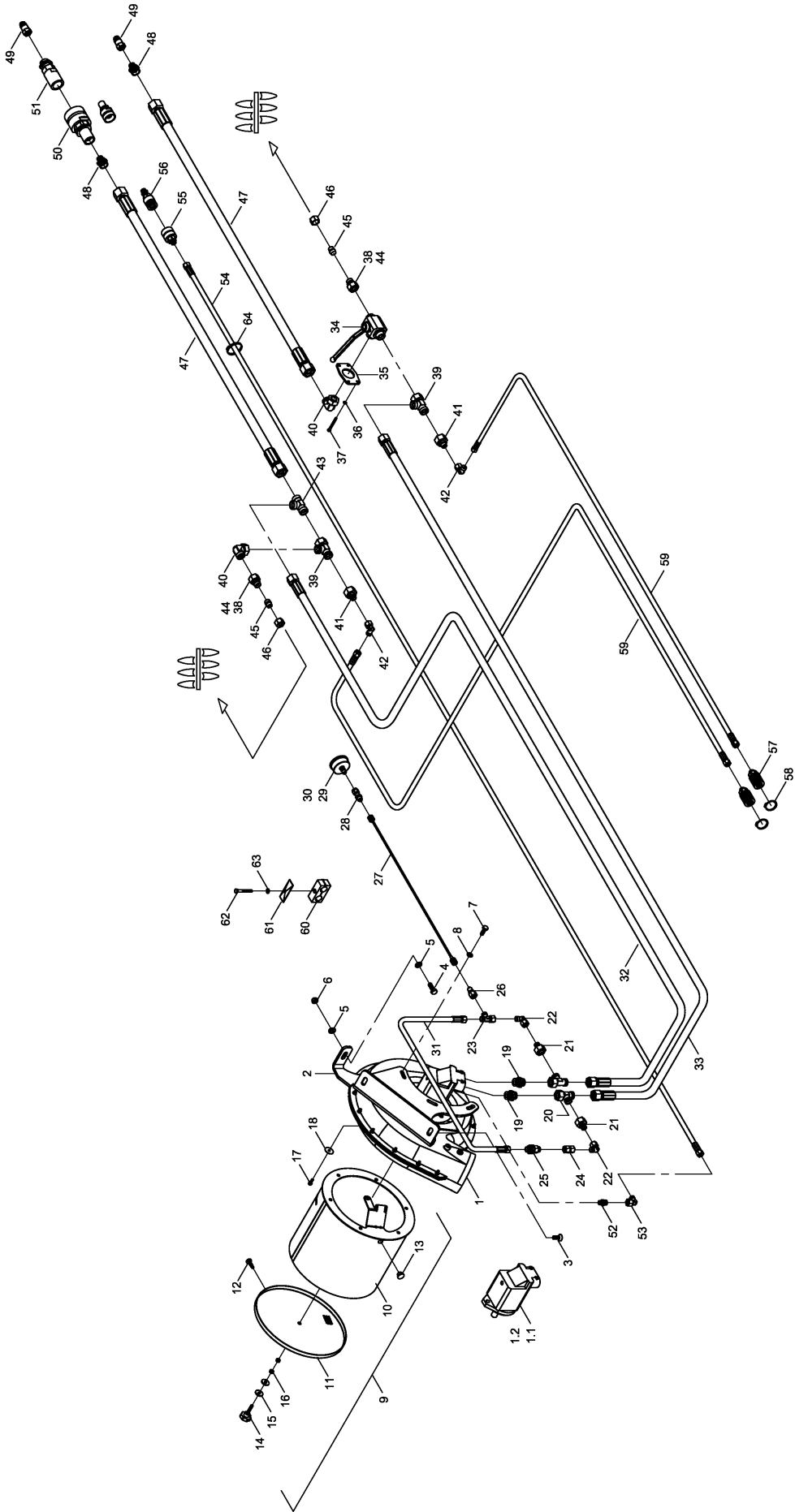
23922200	hydraulic system SW 12000 SD	SW 12000 SD	EB	2011
----------	------------------------------	-------------	----	------

Pos.	Bestell-Nr.	Kurzbezeichnung	DIN	Bezeichnung	Menge	Bemerkung
1	00110179	M 22 x 1.5 - 15 L		Hyd.-plug	2	
2	00120841	2SC DN 12 A05-A05 6900 lg.		Hyd.-hose	1	
3	00120753	2SC DN 12 A05-A05 6700 lg.		Hyd.- Hose	1	
4	00370184	M 6 x 25	912	Cyl.- screw	2	
5	00110684			pipe clamp toolbox	1	
6	00110685			pipe clamp hydraulic cover	1	
7	00110680			hose clamp wo name	2	
8	00350067	M 6	985	nut, nylock	2	
9	00110127	M 18 x 1.5 - 12 L		Hyd.-plug	2	
10	23107301			control block bracket	1	
11	00360140	M 12 x 20	933	hex screw	2	
12	00370106	B 13	125	washer	2	
13	00110350			marker valve - lift	1	
14	00110351			folding valve	1	
15	00360110	M 8 x 20	933	hex screw	4	
16	00370104	A 8,4	125	washer	4	
17	00100265	GE 15 PL - R 1/2" - ED		straight adapter	4	
18	00100056	EVW 15 L		adjustable adapter	4	
19	00100312	GE 12 PL - R 3/8" - ED		straight adapter	6	
20	00100055	EVW 12 L		adjustable adapter	2	
21	00100342	GZ 12 L		connector	2	
22	00100219	W 12 L		adapter	2	
23	00100274	EVL 15 L		adjustable L-adapter	1	
24	00100141	KOR 15 - 12 L		cone reduction connector	1	
25	00100055	EVW 12 L		adjustable adapter	1	
26	00100154	MAV - EV 12 L - R 1/4"		connector	1	
27	00260076	A 14 x 20		copper ring	1	
28	00345254	50 bar 3pol. AMP		signal switch	1	
29	00120114	2SC DN 10 A05-A05 1000 lg.		Hyd.- Hose	1	
30	00120111	2SC DN 10 A05-A05 950 lg.		Hyd.- Hose	1	
31	00120114	2SC DN 10 A05-A05 1000 lg.		Hyd.- Hose	1	
32	00120120	2SC DN 10 A05-A05 1100 lg.		Hyd.- Hose	1	
33	00120111	2SC DN 10 A05-A05 950 lg.		Hyd.- Hose	1	
34	00120114	2SC DN 10 A05-A05 1000 lg.		Hyd.- Hose	1	
35	00120466	2SC DN 12 A05-A05 800 lg.		Hyd.- Hose	1	
36	00120465	2SC DN 12 A05-A05 900 lg.		Hyd.- Hose	1	
37	00120384	2SC DN 10 A05-A05 8000 lg.		Hyd.- Hose	1	
38	00120335	2SC DN 10 A05-A05 4500 lg.		Hyd.- Hose	1	
39	00120294	2SC DN 10 A05-A05 3500 lg.		Hyd.- Hose	1	
40	00100189	T 12 L		adapter	1	
41	00100011	BUZ 12 L		closing cap	1	
42	00110244	12 L		union nut	1	
43	00110598	R1/2" Grösse 3		Hyd.-sleeve	2	
44	00100265	GE 15 PL - R 1/2" - ED		adapter	2	
45	00260004	ø 38 x 1,75		snap ring	4	
46	00110194	M 18 x 1.5 - 12 L		Hyd.-sleeve	10	
47	00260004	ø 38 x 1,75		snap ring	20	
48	00100363	RBP-322 DN12		pipe bracket	8	
49	00100347	RBP-322 DN10		pipe bracket	8	
50	00100350	RBP-322 DN 8		pipe bracket	5	



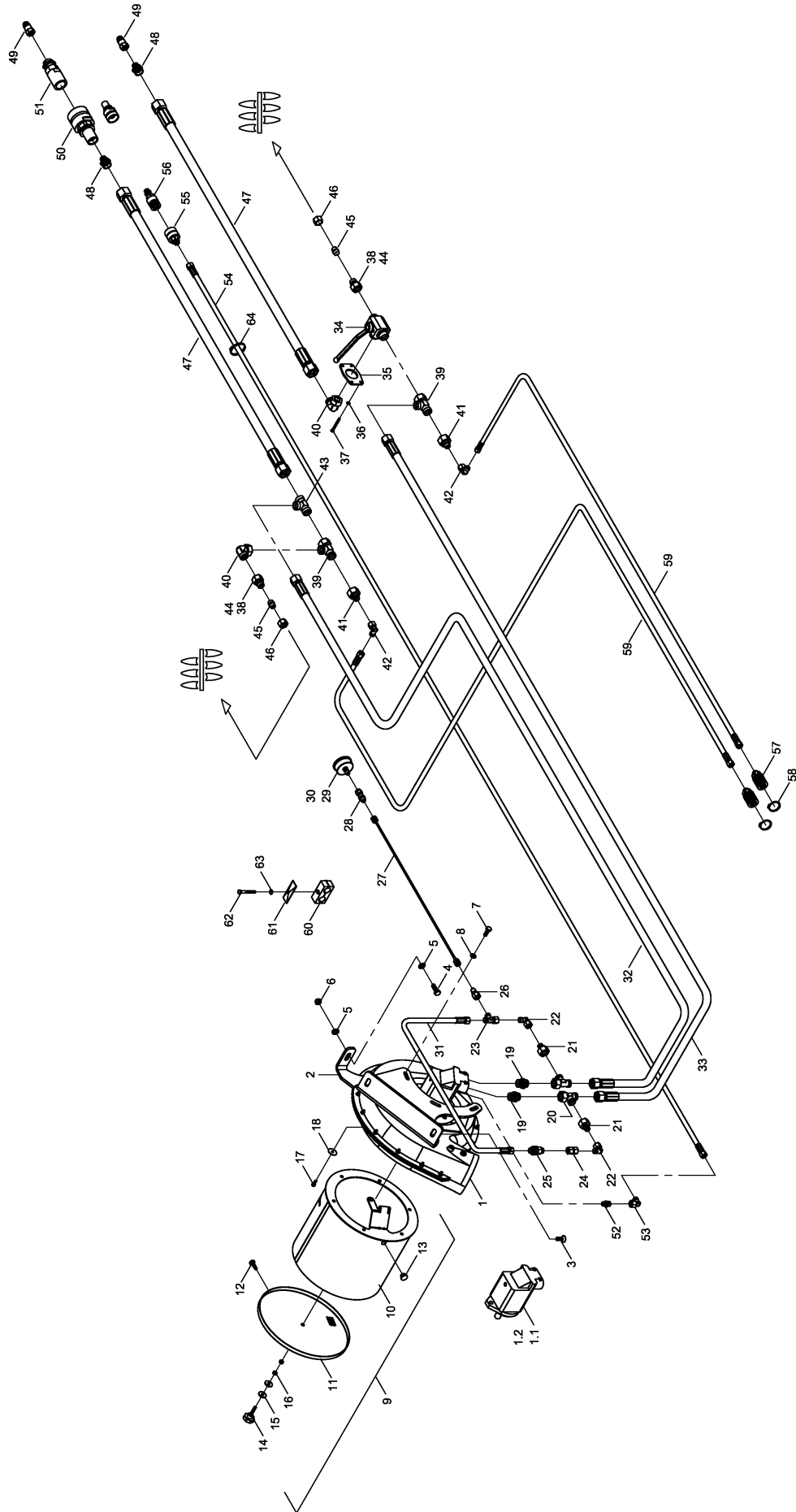
23922200	hydraulic system SW 12000 SD	SW 12000 SD	EB	2011
----------	------------------------------	-------------	----	------

Pos.	Bestell-Nr.	Kurzbezeichnung	DIN	Bezeichnung	Menge	Bemerkung
51	00100345	DP-B3		cover piece f pipe bracket	3	
52	00100349	DP-B2		cover piece f pipe bracket	5	
53	00360014	M 8 x 100	931	hex screw	4	
54	00360015	M 8 x 120	931	hex screw	5	
55	00370104	A 8,4	125	washer	8	
56	00110144	ø 63 - 250 bar		pressure gage	1	
57	00360183	M 5 x 30	933	hex screw	2	
58	00100155	SMA 20 - G 1/4"		pressure gage connection	1	
59	00120360	SMS 20/20 x 5100 lg.		measuring hose	1	
60	00100244	12 L		measuring coupling	2	
61	00100172	SV 12 L - M 18 x 1,5		adapter	1	
62	00190017	T 150 R 363x 7.8		zip tie	100	
63	00180065	ø 24 x 2000 mm		plastic coil	1	
64	00200088	360 x20 x 2.1		leather straps	2	



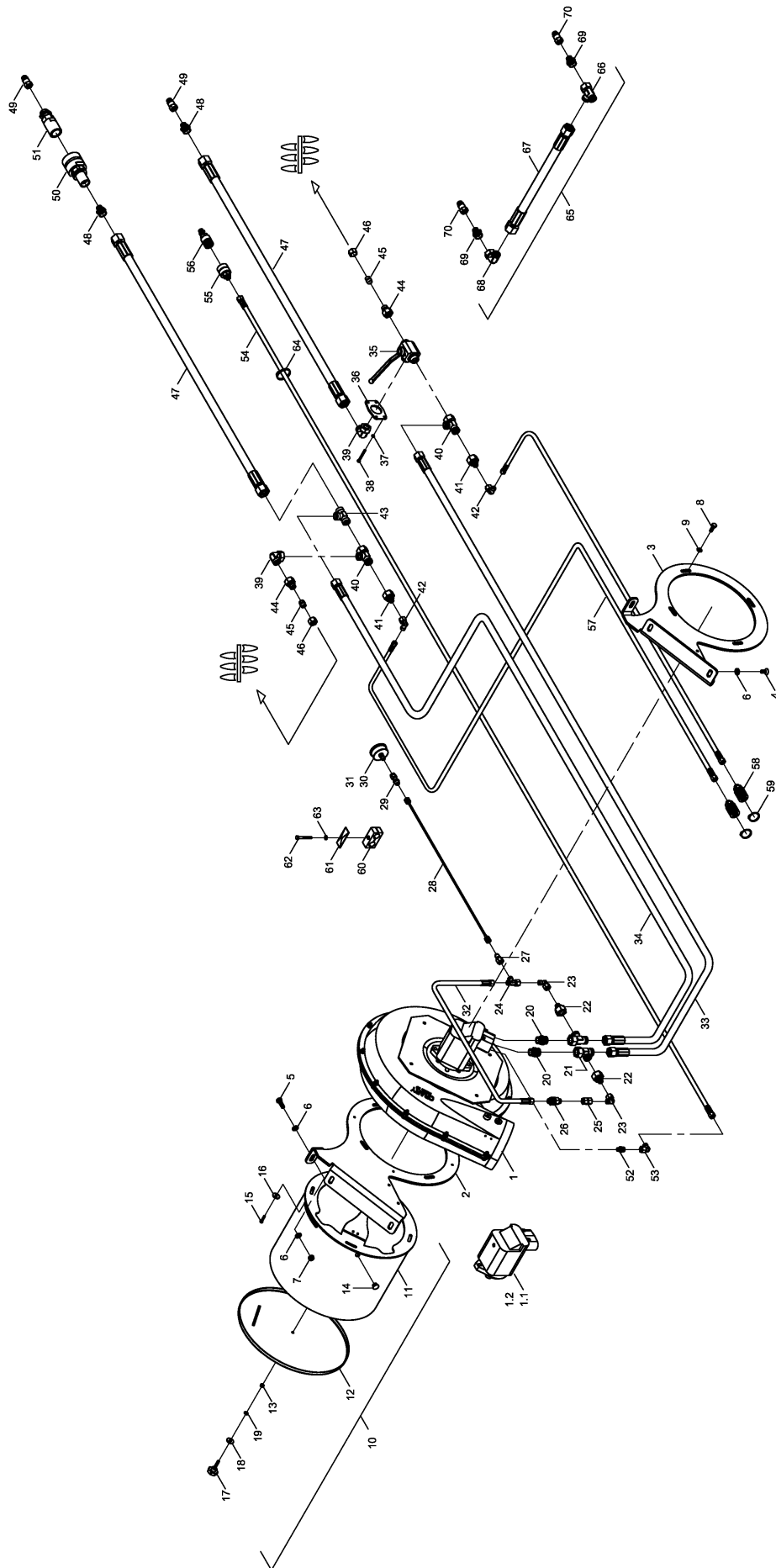
23922800	hydraulic Fan 6"	SW 12000 SD	EB	2011
----------	------------------	-------------	----	------

Pos.	Bestell-Nr.	Kurzbezeichnung	DIN	Bezeichnung	Menge	Bemerkung
1	00380032	10 cm ³		Hydraulic Fan	1	
1.1	00380127	10 cm ³		Hyd. Motor	1	
1.2	00380261			seal repair kit	1	
2	23922801			fan bracket	1	
3	00370004	M 12 x 30	7991	countersunk bolt	2	
4	00360133	M 12 x 35	933	hex screw	1	
5	00370106	B 13	125	washer	4	
6	00350059	M 12	985	nut, nylock	3	
7	00360120	M 10 x 30	933	hex screw	3	
8	00370105	B 10,5	125	washer	3	
9	23473900			fan screen complete	1	
10	23473800	ø 350		fan screen	1	
11	23473901	ø 350		lid for fan screen	1	
12	00370005	B 4,8 x 16,0	7981	raised countersunk screw	6	
13	00200047	ø 16 mm		closing cap	1	
14	00370101	M 8 x 40		star grip thumb knob thumb knob	1	
15	00370116	R 9	440	washer	2	
16	00350008	M 8	934	hex screw	2	
17	00360411	1/4" x 3/4"		self tapping screw	9	
18	00380155	1/4" - ø 32		washer	6	
19	00100316	GE 18L - R 1 1/16" - 12 UN		adapter	2	
20	00100038	EVL 18 L		adjustable adapter	2	
21	00100143	KOR 18 - 12 L		adapter	2	
22	00100055	EVW 12 L		adjustable adapter	2	
23	00100037	EVL 12 L		adjustable adapter	1	
24	00100342	GZ 12 L		connector	1	
25	00100157	RHD 12 L		check valve	1	
26	00100244	12 L		measuring coupling with pipe	1	
27	00120362	SMS 20/20 1000 lg.		measuring hose	1	
28	00100155	SMA 20 - G 1/4"		pressure gage connection	1	
29	00110144	ø 63 - 250 bar		pressure gage	1	
30	00360183	M 5 x 30	933	hex screw	2	
31	00120033	2SC DN 10 A05-A05 600 lg.		Hyd.- Hose	1	
32	00120814	2SC DN 16 A05-A05 600 lg.		Hyd.- Hose	1	
33	00120838	2SC DN 16 A05-A05 550 lg.		Hyd.- Hose	1	
34	00110120	BK 3 22 L		three way valve	1	
35	33420704	BK 3 22L		three way valve bracket	1	
36	00370103	A 6,4	125	washer	4	
37	00360287	M 6 x 70	931	hex screw	4	
38	00100145	KOR 22 - 18 L		adapter	2	
39	00100040	EVL 22 L		adjustable L-adapter	2	
40	00100058	EVW 22 L		adjustable adapter	2	
41	00100151	KOR 22 - 12 L		adapter	2	
42	00100055	EVW 12 L		adjustable w-adapter	2	
43	00100193	T 22 L		T-adapter	1	
44	00100256	KOR 22 - 15 L		adapter	2	
45	00100012	BUZ 15 L		closing cap	2	
46	00110255	22 L		union union nut	2	
47	00120586	2SC DN 20 A05-A05 4200 lg.		Hyd. Hose	2	
48	00100329	GE 22 - PL - R 1/2" - ED		straight adapter	2	



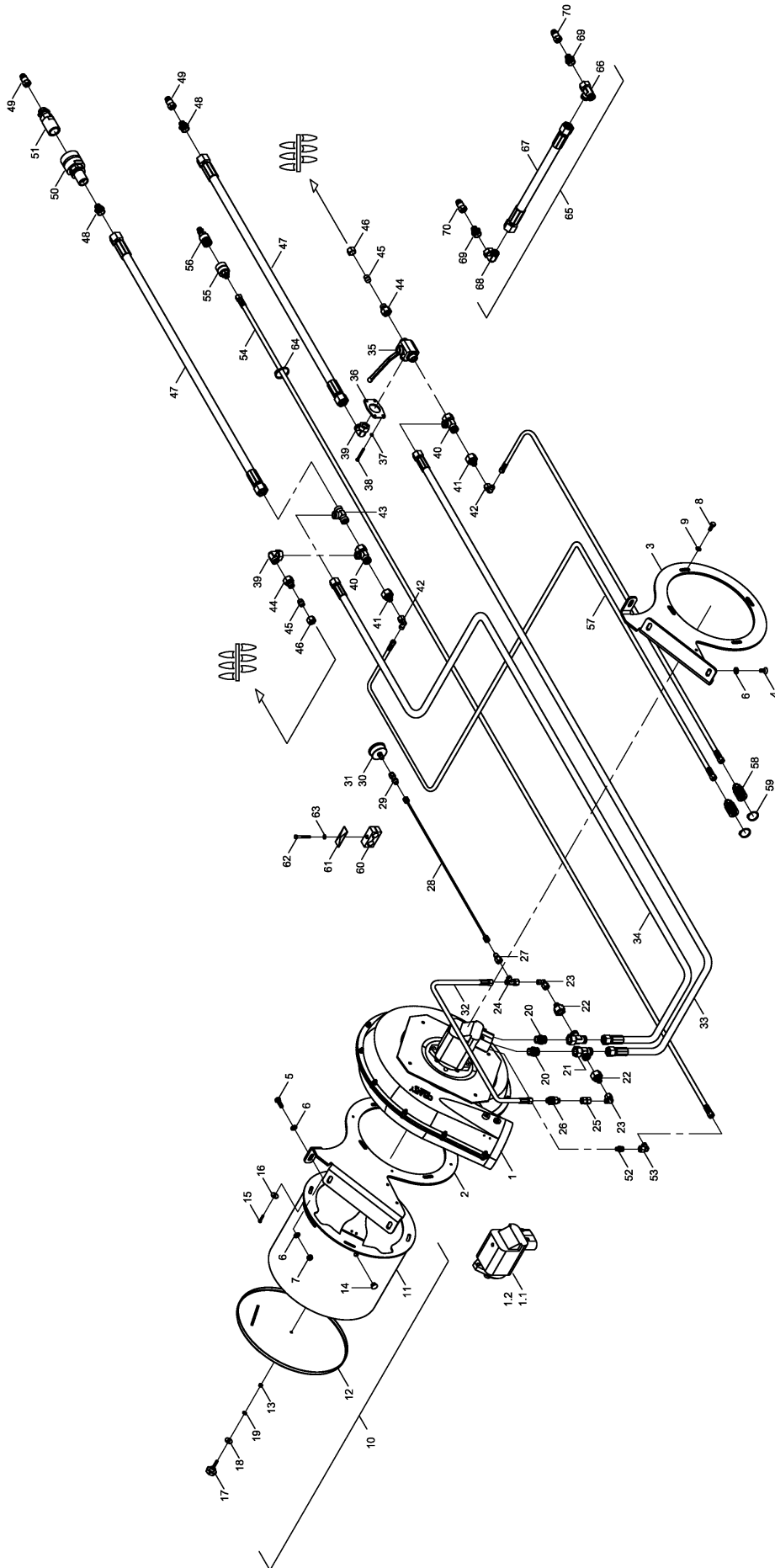
23922800	hydraulic Fan 6"	SW 12000 SD	EB	2011
----------	------------------	-------------	----	------

Pos.	Bestell-Nr.	Kurzbezeichnung	DIN	Bezeichnung	Menge	Bemerkung
49	00110597	IG R 1/2"		Hyd.-plug	2	
50	00110841	DN20		Case Drain Connect Female	1	
51	00110840	DN20		Case Drain Connect male	1	
52	00100089	GE 12 L - 9/16" -18 UNF		adapter	1	
53	00100055	EVW 12 L		adjustable w-adapter	1	
54	00120365	2SC DN 10 A05-A05 5200 lg.		Hyd. Hose	1	
55	00110121	DN10		Case Drain Connect Female	1	
56	00110123	DN10 Schott		Case Drain Connect male	1	
57	00110194	M 18 x 1,5 - 12 L		Hyd.-sleeve	2	
58	00260004	ø 38 x 1,75		snap ring	4	
59	00120664	2SC DN 8 A05-A05 3900 lg.		Hyd. Hose	2	
60	00100392	RBP - 428		pipe bracket	2	
61	00100393	DP - B4		cover plate	2	
62	00360291	M 8 x 65	931	hex screw	2	
63	00370104	A 8,4	125	washer	2	
64	00190017	T 150 R 363 x 7.8		zip tie	30	



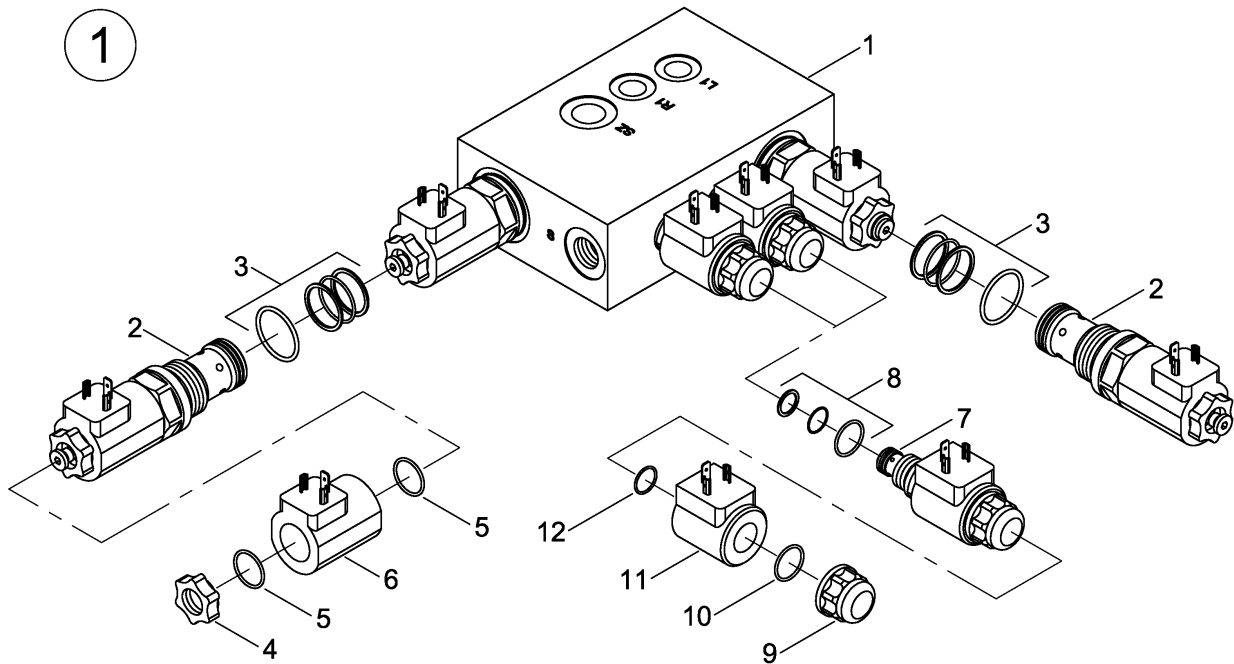
23923000	hydraulic Fan 8"	SW 12000 SD	EB	2011
----------	------------------	-------------	----	------

Pos.	Bestell-Nr.	Kurzbezeichnung	DIN	Bezeichnung	Menge	Bemerkung
1	00380531	19 cm ³		Hyd. Fan 8"	1	
1.1	00380524	19 cm ³		hyd.-Motor	1	
1.2	00381087			seal repair kit	1	
2	23923001			fan bracket left	1	
3	23923002			fan bracket right	1	
4	00370004	M 12 x 35	7991	countersunk bolt	4	
5	00360133	M 12 x 35	933	hex screw	2	
6	00370106	B 13	125	washer	8	
7	00350059	M 12	985	nut, nylock	6	
8	00360120	M 10 x 30	933	hex screw	4	
9	00370105	B 10,5	125	washer	4	
10	33426300			fan sleeve complete	1	
11	33426400	ø 470		fan sleeve	1	
12	33426301	ø 470		lid for fan sleeve	1	
13	00350008	M 8	934	hex nut	2	
14	00200047	ø 16 mm		closing cap	1	
15	00360106	M 8 x 16	933	hex screw	4	
16	00370116	R 9	440	washer	4	
17	00370101	M 8 x 40		star grip thumb knob	1	
18	00370116	R 9	440	washer	1	
19	00370104	A 8,4	125	washer	1	
20	00100101	GE 22L - R 1 1/16" - 12 UN		straight adapter	2	
21	00100040	EVL 22 L		adjustable L-adapter	2	
22	00100151	KOR 22 - 12 L		adapter	2	
23	00100055	EVW 12 L		adjustable w-adapter	2	
24	00100037	EVL 12 L		adjustable L-adapter	1	
25	00100342	GZ 12 L		connector	1	
26	00100157	RHD 12 L		check valve	1	
27	00100244	12 L		measuring coupling with pipe	1	
28	00120362	SMS 20/20 1000 lg.		measuring hose	1	
29	00100155	SMA 20 - G 1/4"		pressure gage connection	1	
30	00110144	ø 63 - 250 bar		pressure gage	1	
31	00360183	M 5 x 30	933	hex screw	2	
32	00120033	2SC DN 10 A05-A05 600 lg.		Hyd.-hose	1	
33	00120448	2SC DN 20 A05-A05 600 lg.		Hyd.- Hose	1	
34	00120854	2SC DN 20 A05-A05 500 lg.		Hyd.- Hose	1	
35	00110120	BK 3 22 L		three way valve	1	
36	33420704	BK 3 22L		three way valve bracket	1	
37	00370103	A 6,4	125	washer	4	
38	00360287	M 6 x 70	931	hex screw	4	
39	00100058	EVW 22 L		adjustable w-adapter	2	
40	00100040	EVL 22 L		adjustable L-adapter	2	
41	00100151	KOR 22 - 12 L		adapter	2	
42	00100055	EVW 12 L		adjustable w-adapter	2	
43	00100193	T 22 L		T-adapter	1	
44	00100256	KOR 22 - 15 L		adapter	2	
45	00100012	BUZ 15 L		closing cap	2	
46	00110255	15 L		union nut	2	
47	00120586	2SC DN 20 A05-A05 4200 lg.		Hyd.- Hose	2	
48	00100329	GE 22 - PL - R 1/2" - ED		straight adapter	2	

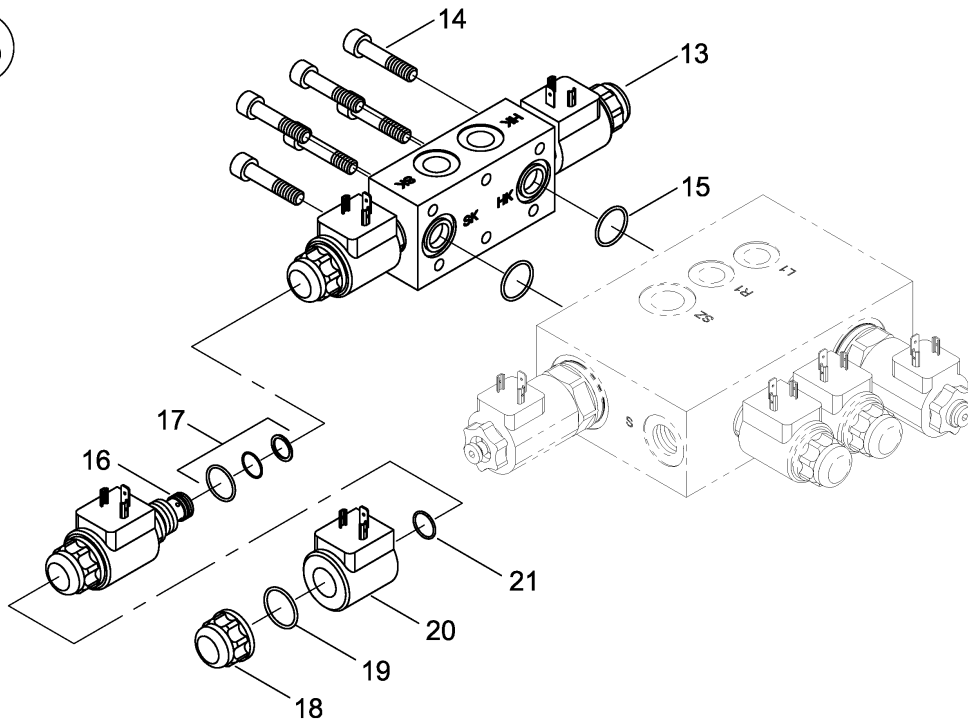


23923000	hydraulic Fan 8"	SW 12000 SD	EB	2011
----------	------------------	-------------	----	------

Pos.	Bestell-Nr.	Kurzbezeichnung	DIN	Bezeichnung	Menge	Bemerkung
49	00110597	IG R 1/2"		Hyd.-plug	2	
50	00110841	DN 20		Case Drain Connect Female	1	
51	00110840	DN 20		Case Drain Connect male	1	
52	00100089	GE 12 L - 9/16" -18 UNF		straight adapter	1	
53	00100055	EVW 12 L		adjustable w-adapter	1	
54	00120365	2SC DN 10 A05-A05 5200 Ig.		Hyd.- Hose	1	
55	00110121	DN10		Case Drain Connect Female	1	
56	00110123	DN10 Schott		Case Drain Connect male	1	
57	00120664	2SC DN 8 A05-A05 3900 Ig.		Hyd.- Hose	2	
58	00110194	M 18 x 1,5 - 12 L		Hyd.-sleeve	2	
59	00260004	ø 38 x 1,75		snap ring	4	
60	00100392	RBP - 428		pipe bracket	2	
61	00100393	DP - B4		cover plate	2	
62	00360291	M 8 x 65	931	hex screw	2	
63	00370104	A 8,4	125	washer	2	
64	00190017	T 150 R 363 x 7.8		zip tie	30	
65	33427900			control unit fan complete	1	
66	00100040	EVL 22 L		adjustable L-adapter	2	
67	00120842	2SC DN 20 A05-A05 400 Ig.		Hyd.- Hose	2	
68	00100058	EVW 22 L		adjustable w-adapter	2	
69	00100329	GE 22-PL - R 1/2"-ED		straight adapter	2	
70	00110597	IG R 1/2"		Hyd.-plug	2	



13

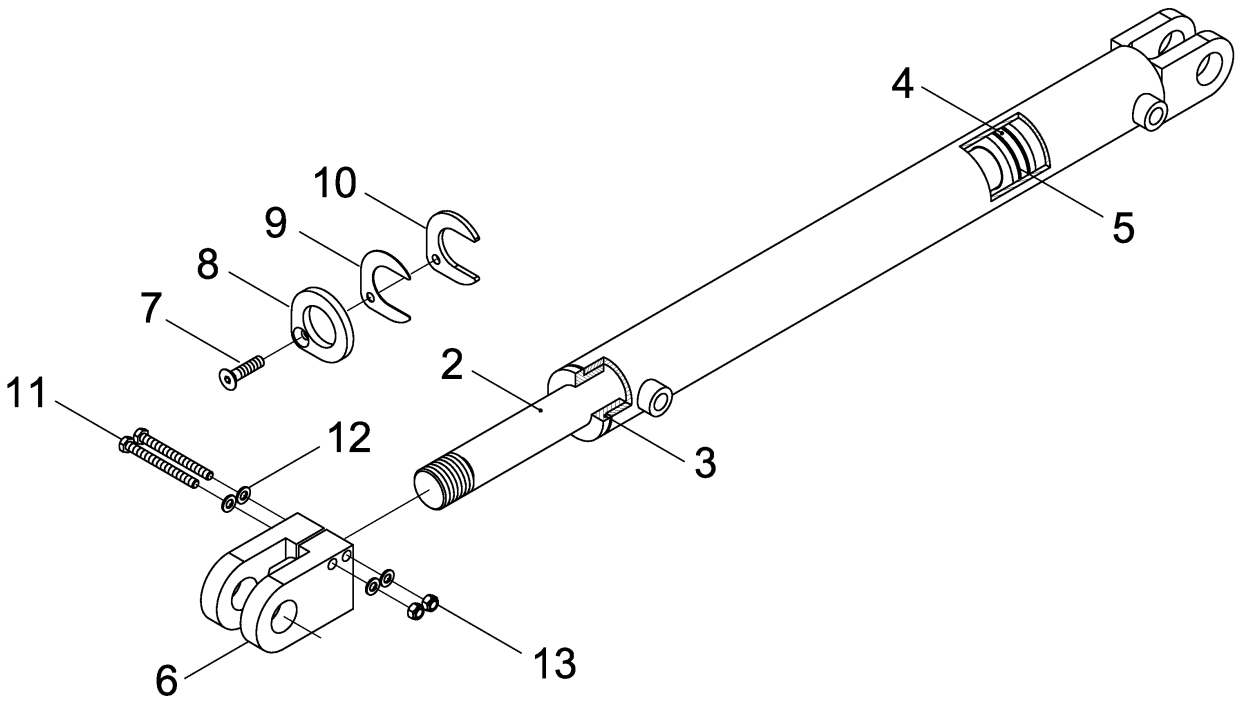


00110350 / 00110351	folding ME/ lifting ME/ marker valve block	SW 12000 SD	EB	2011
---------------------	--	-------------	----	------

Pos.	Bestell-Nr.	Kurzbezeichnung	DIN	Bezeichnung	Menge	Bemerkung
1	00110350			valve block complete	1	
2	00110818	SVSPM33-AB/35		valve insert complete	2	
3	00110824			seal complete	2	
4	00110819			screw cap	2	
5	00110826	ø 19.2 x 1.7		O-ring	4	
6	00110820	12 V		magnetic spiral	2	
7	00110821	WSM 06020		valve insert complete	2	
8	00110825			seal complete	2	
9	00110822			screw cap	2	
10	00110828	ø 27.3 x 2.5		O-ring	2	
11	00110823	12 V		magnetic spiral	2	
12	00110827	ø 20 x 1		O-ring	2	
13	00110351			folding ME. Valve block	1	
14	00370204	M 6 x 40	912	cyl.-screw	6	
15	00110830	ø 22 x 2.5		O-ring	2	
16	00110831	WSM 06020 W		valve insert complete	2	
17	00110832			seal complete	2	
18	00110822			screw cap	2	
19	00110828	ø 27.3 x 2.5		O-ring	2	
20	00110823	12 V		magnetic spiral	2	
21	00110827	ø 20 x 1		O-ring	2	

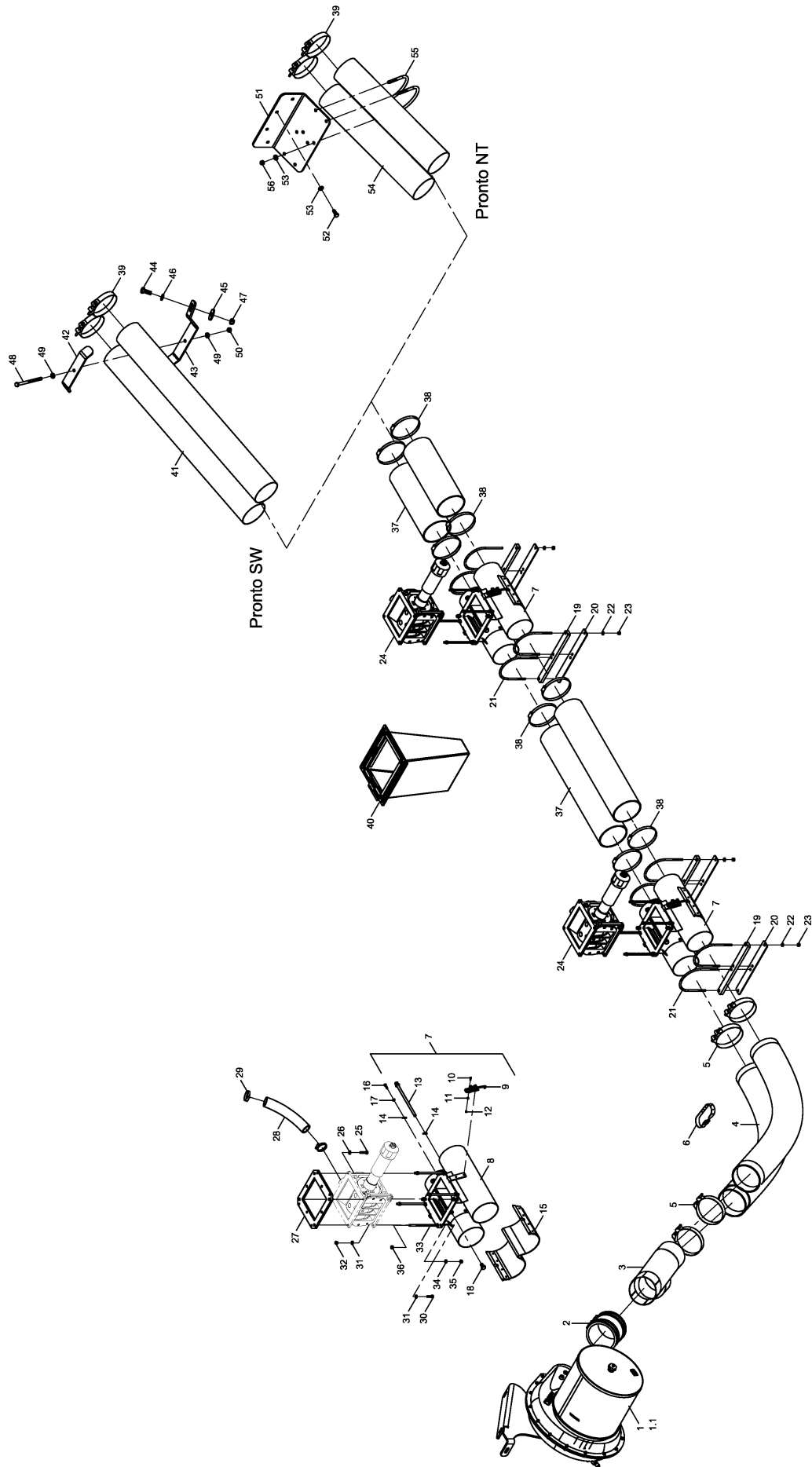
1

00130380
DZ 60 x 40 x 550



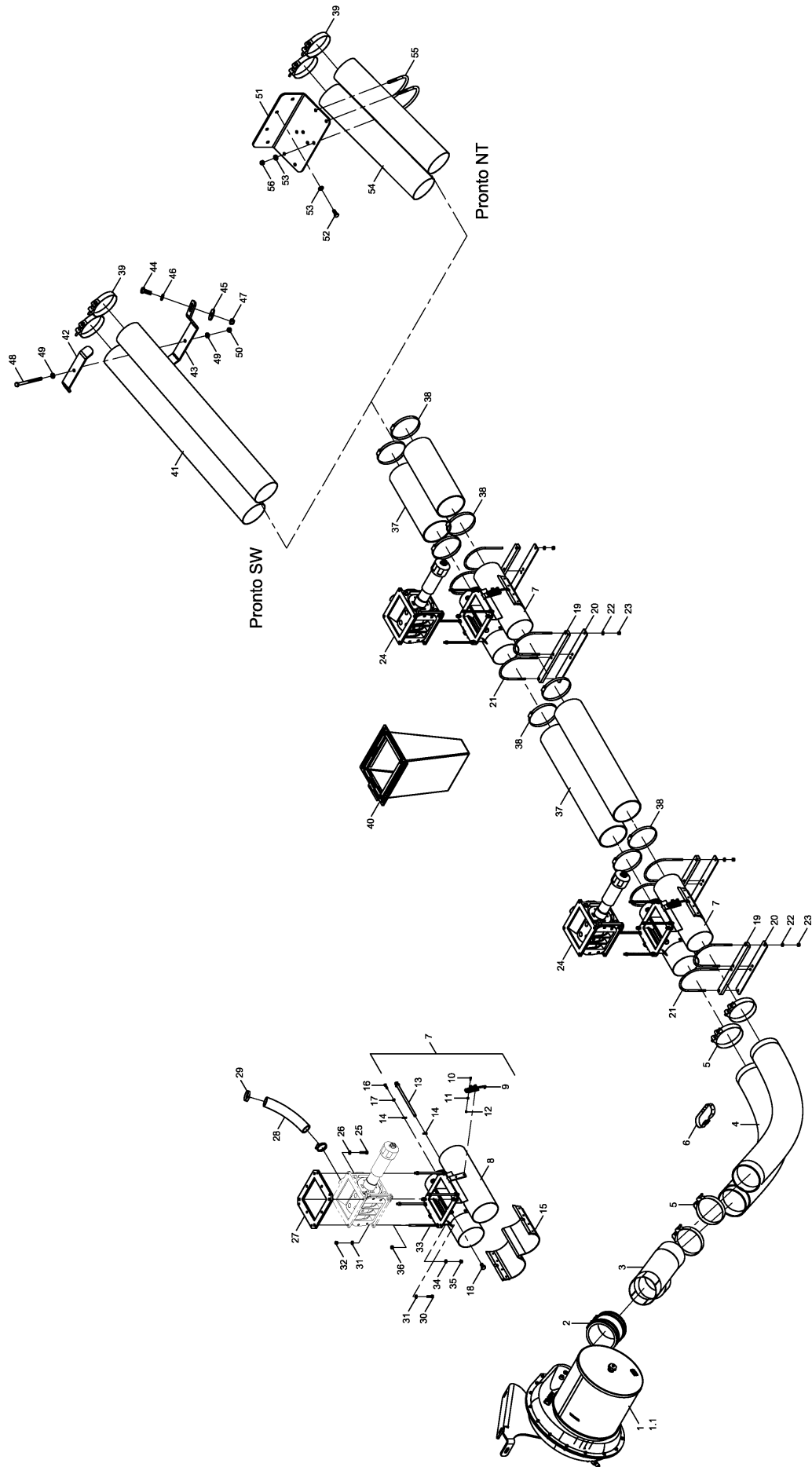
0\$\$\$\$\$\$	hydraulic Cylinder – SW 12000 SD	SW 12000 SD	9B	2011
----------------------	---	--------------------	-----------	-------------

Pos.	Bestell-Nr.	Kurzbezeichnung	DIN	Bezeichnung	Menge	Bemerkung
1	00130380	DZ 60 x 40 x 550		hyd.-Cylinder compl	1	
2	00130422			piston rod	1	
3	00130423			rod guide	1	
4	00130487			rod	1	
5	00130394			seal repair kit	1	
6	00130230	ø 32 x 87		cylinder fork	1	
7	00370280	M 8 x 25	7991	countersunk bolt	1	
8	34217001	8 mm		clamp plate	1	
9	34217002	1 mm		spacer	NB	
10	34217003	5 mm		spacer	NB	
11	00370580	M 10 x 85	912	Cyl.- screw	2	
12	00370105	B 10,5	125	washer	4	
13	00350058	M 10	985	nut, nylock	2	



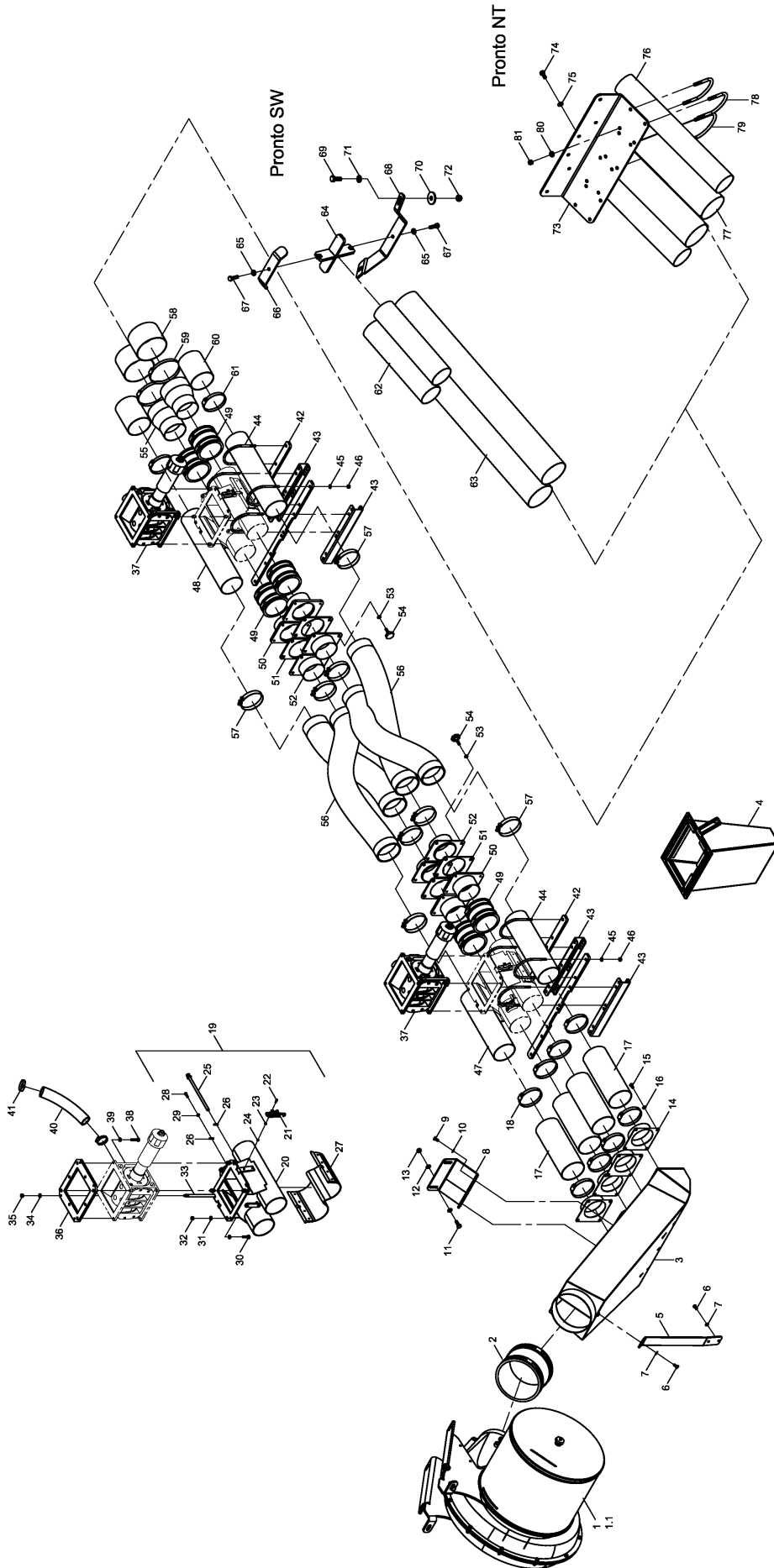
23922900	pneumatic seeding system	SW 12000 SD	EB	2011
----------	--------------------------	-------------	----	------

Pos.	Bestell-Nr.	Kurzbezeichnung	DIN	Bezeichnung	Menge	Bemerkung
1	00380032	10.0 cm ³		Hyd. Fan complete	1	
1.1	23473900			Fan screen complete	1	
2	00190269	ø 125 - 150 mm		rubber sleeve	1	
3	33730900			air flow divider pants	1	
4	00180004	PEM PUR S 355 110 x 4000 lg.		air hose	1	
5	00190285	ø 140 - 148		hose clamp	4	
6	00200100	ø 500 x 20 x 2,1		straps	3	
7	01506500			drop channel with cap complete	2	
8	01506400			drop channel	2	
9	00150109			eccentric lock with latch	4	
10	00360490	M 4 x 18	933	hex screw	8	
11	00370558	A 4,3	125	washer	8	
12	00350129	M 4	985	nut, nylock	8	
13	01506700	ø 10 x 206		bolt	2	
14	00170047	1,8 x 25		spring cotter pin	4	
15	01506600	ø 135		drop channel lock	2	
16	33360401	M 6 x 20	912	Cyl.- screw	2	
17	00370103	A 6,4	125	washer	2	
18	00310905	M 12 x 1 x 20	961	hex screw	2	
19	33422602			distance bracket	4	
20	33422603			guide f calibration bag	4	
21	33422601	ø 140 x 183 - M 8 x 35		U-bolt	8	
22	00370104	A 8,4	125	washer	16	
23	00350057	M 8	985	nut, nylock	16	
24	01503200			Horsch Dosing unit	2	
25	00360112	M 8 x 30	933	hex screw	8	
26	00370104	A 8,4	125	washer	16	
27	33422804			flange plate	2	
28	00190211	G38/0.9 x 300 mm		hose	1	
29	00190044	ø 32 - 50		hose ties	4	
30	00360290	M 8 x 35	933	hex screw	8	
31	00370389	A 8,4	125	washer	16	
32	00350062	M 8	985	nut, nylock	8	
33	33420705	Doppelgewinde M8		threaded rod	8	
34	00370104	A 8,4	125	washer	8	
35	00350062	M 8	985	nut, nylock	8	
36	00350020	M 8		hex nut	16	
37	00180004	PEM PUR S 355 110 x 3000 lg.		air hose	1	
38	00190055	ø 140 - 160		hose ties	8	
39	00190285	ø 140 - 148		hose clamp	2	
40	23279600	10 Ltr		bag for calibration	1	
41	31505601	ø 139,7 x 2 x 1150		steel pipe	2	
42	33808403	ø 140		bracket	1	
43	23923103	ø 140		pipe bracket for pneumatic pipes	1	
44	00360149	M 16 x 40	933	hex screw	2	
45	00370119	R 18	440	washer	2	
46	00370108	B 17	125	washer	2	
47	00350061	M 16	985	nut, nylock	2	
48	00360482	M 12 x 170	931	hex screw	1	
49	00370106	B 13	125	washer	2	



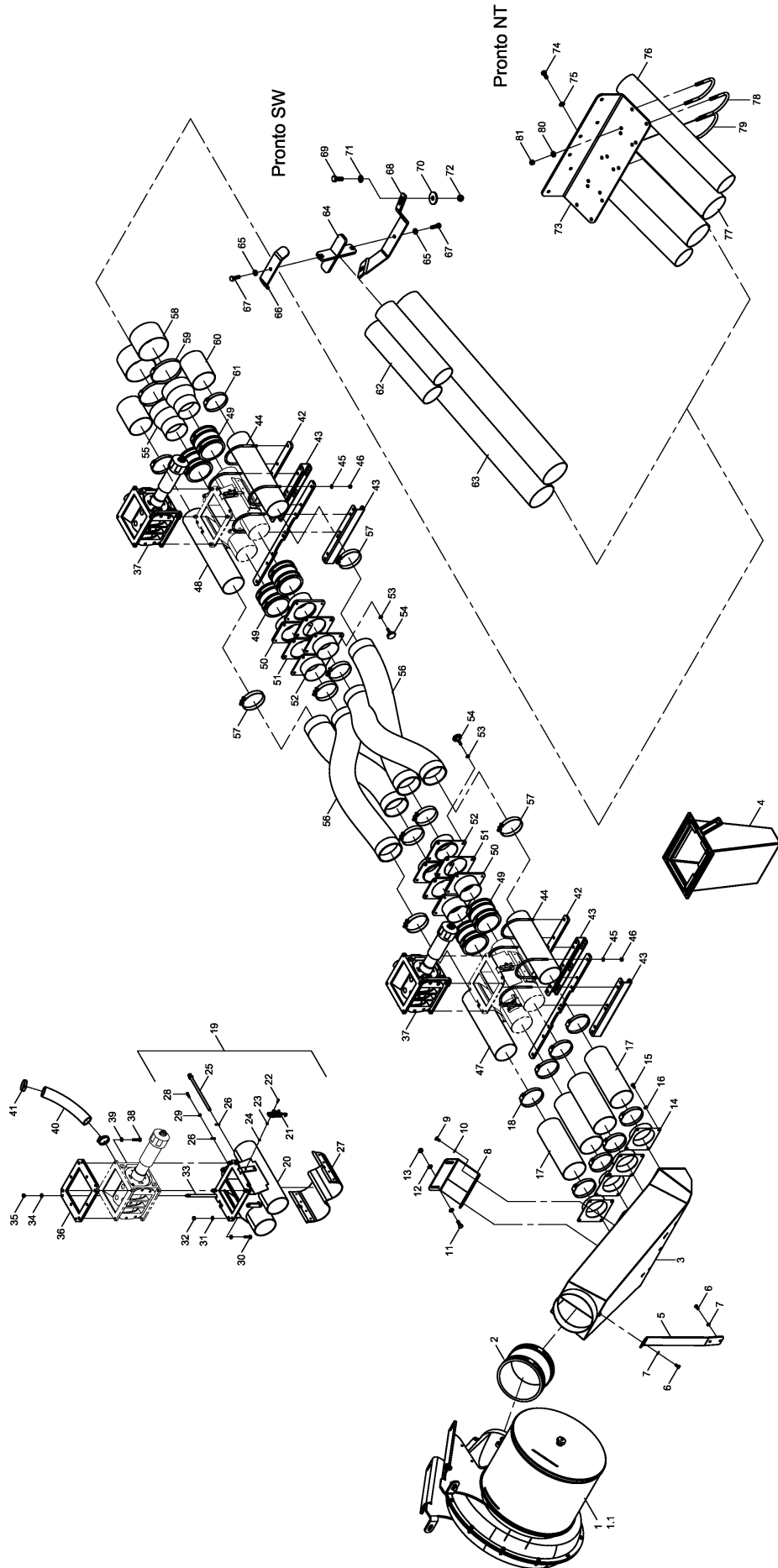
23922900	pneumatic seeding system	SW 12000 SD	EB	2011
----------	--------------------------	-------------	----	------

Pos.	Bestell-Nr.	Kurzbezeichnung	DIN	Bezeichnung	Menge	Bemerkung
50	00350059	M 12	985	nut, nylock	1	
51	23107501			securing pipes	1	
52	00360132	M 12 x 30	933	hex screw	6	
53	00370106	B 13	125	washer	14	
54	23107607	ø 139,7x 2 x 700		steel pipe	2	
55	33117302	ø 140 x 175 - M 12 x 30		U-bolt	4	
56	00350059	M 12	985	nut, nylock	8	



23923100	pneumatic seeding/fertilizer system	SW 12000 SD	EB	2011
----------	-------------------------------------	-------------	----	------

Pos.	Bestell-Nr.	Kurzbezeichnung	DIN	Bezeichnung	Menge	Bemerkung
1	00380531	19.0 cm ³		Hyd. fan complete	1	
1.1	33426300			fan sleeve complete	1	
2	00190345			rubber sleeve	1	
3	31502600	8" 4-fach		air flow divider pants	1	
4	23279600	10 Ltr		bag for calibration	1	
5	23923101			securing angle for air divider pants	1	
6	00360109	M 8 x 16	933	hex screw	3	
7	00370104	A 8,4	125	washer	3	
8	23923102			securing plate for air divider pants	1	
9	00360109	M 8 x 16	933	hex screw	2	
10	00370104	A 8,4	125	washer	2	
11	00360120	M 10 x 30	933	hex screw	2	
12	00370105	B 10,5	125	washer	4	
13	00350058	M 10	985	nut, nylock	2	
14	31502800			flan	4	
15	00360485	M 8 x 16	933	hex screw	16	
16	00370389	A 8,4	125	washer	16	
17	00180004	PEM PUR S 355 110 x 1200 lg.		air hose	1	
18	00190049	ø 100 - 120		hose ties	8	
19	01507700	ø 110		drop channel w lock complete	2	
20	01507500			drop channel	2	
21	00150109			eccentric lock with latch	4	
22	00360490	M 4 x 18	933	hex screw	8	
23	00370558	A 4,3	125	washer	8	
24	00350129	M 4	985	nut, nylock	8	
25	01506700	ø 10 x 206		bolt	2	
26	00170047	1.8 x 25		spring cotter pin	4	
27	01507600			drop channel w lock	2	
28	33360401	M 6 x 20	912	Cyl.- screw	2	
29	00370388	A 6,4	125	washer	2	
30	00360441	M 8 x 30	933	hex screw	8	
31	00370389	A 8,4	125	washer	16	
32	00350062	M 8	985	nut, nylock	8	
33	33420705	M 8		threaded rod	8	
34	00370104	A 8,4	125	washer	8	
35	00350062	M 8	985	nut, nylock	8	
36	33422804			dosing unit flange plate	2	
37	01503200			Horsch Dosing unit	2	
38	00360112	M 8 x 30	933	hex screw	8	
39	00370104	A 8,4	125	washer	16	
40	00190211	G38/0.9 x 300 mm		spiral flex hose	1	
41	00190044	ø 32 - 50		hose ties	4	
42	23107602			securing pipes	4	
43	24201802			calibration bag guide	4	
44	23923104	ø 110 x 143 - M 8 x 30		U-bolt	16	
45	00370104	A 8,4	125	washer	32	
46	00350057	M 8	985	nut, nylock	32	
47	23107603	ø 108 x 2 x 370		steel pipe	2	
48	33423901	ø 108 x 2 x 450		steel pipe	2	
49	00190348	ø 100 - 115 mm		rubber sleeve	6	

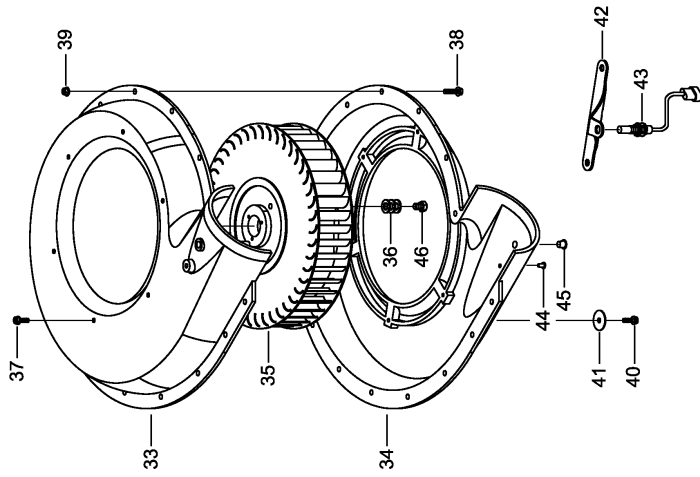


23923100	pneumatic seeding/fertilizer system	SW 12000 SD	EB	2011
----------	-------------------------------------	-------------	----	------

Pos.	Bestell-Nr.	Kurzbezeichnung	DIN	Bezeichnung	Menge	Bemerkung
50	23101400	ø 110		coupling part 1 airduc	4	
51	23107604	ø 110		seal for coupling airduc	4	
52	23101900	ø 110		coupling part 2 airduc	4	
53	00370104	A 8,4	125	washer	16	
54	29210209	M 8 x 25		star grip thumb knob	16	
55	00190172	ø 138 - 109		crossing pipe	2	
56	00180004	PEM PUR S 355 140 x 6000lg.		air hose	1	
57	00190068	ø 113 - 121		hose clamp	8	
58	00180006	PEM PUR S 355 140 x 500lg.		air hose	1	
59	00190055	ø 140 - 160		hose ties	4	
60	00180004	PEM PUR S 355 110 x 3000lg.		air hose	1	
61	00190049	ø 100 - 120		hose ties	1	
62	33423901	ø 108 x 2 x 450		steel pipe	2	
63	31505601	ø 139,7 x 2 x 1150		steel pipe	2	
64	33425100			cross bracket pipes	1	
65	00370106	B 13	125	washer	2	
66	33423904	ø 110		bracket	1	
67	00360032	M 12 x 45	931	hex screw	2	
68	23923103	ø 140		pipe bracket pneumatic pipes	1	
69	00360149	M 16 x 40	933	hex screw	2	
70	00370119	R 18	440	washer	2	
71	00370108	B 17	125	washer	2	
72	00350061	M 16	985	nut,nylock	2	
73	23107605			bracket for fertilizer pipes	1	
74	00360132	M 12 x 30	933	hex screw	4	
75	00370106	B 13	125	washer	4	
76	23107606	ø 108 x 2 x 700		steel pipe	2	
77	23107607	ø 139,7x 2 x 700		steel pipe	2	
78	23193301	ø 110 x 148 - M 12 x 30		U-bolt	4	
79	33117302	ø 140 x 175 - M 12 x 30		U-bolt	4	
80	00370106	B 13	125	washer	16	
81	00350059	M 12	985	nut, nylock	16	

Hydr. Gebl. 6" (Axial Piston Fan)

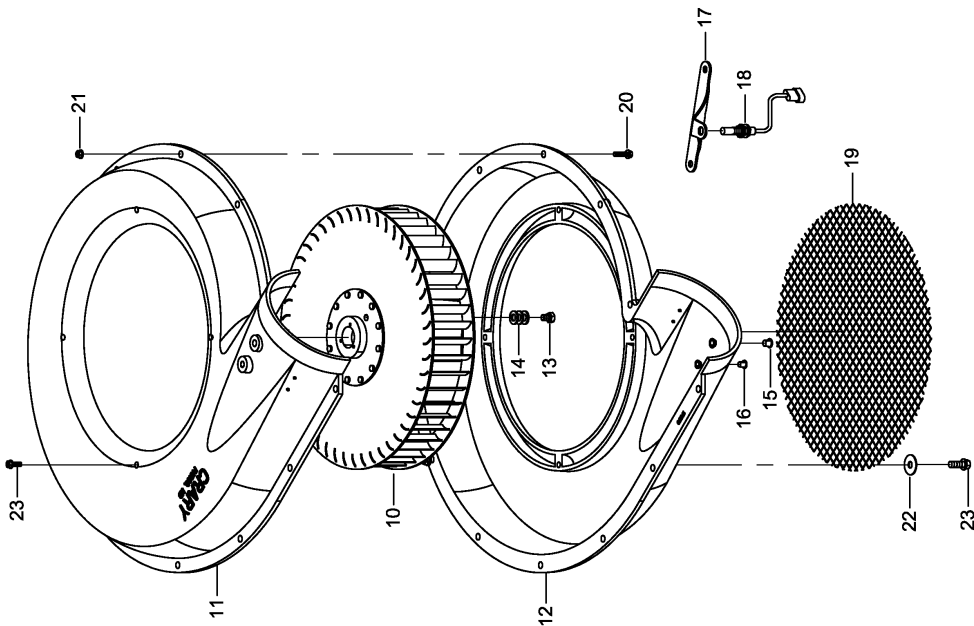
24



10 cm³ - Axial P.

Hydr. Gebl. 8" (Axial Piston Fan)

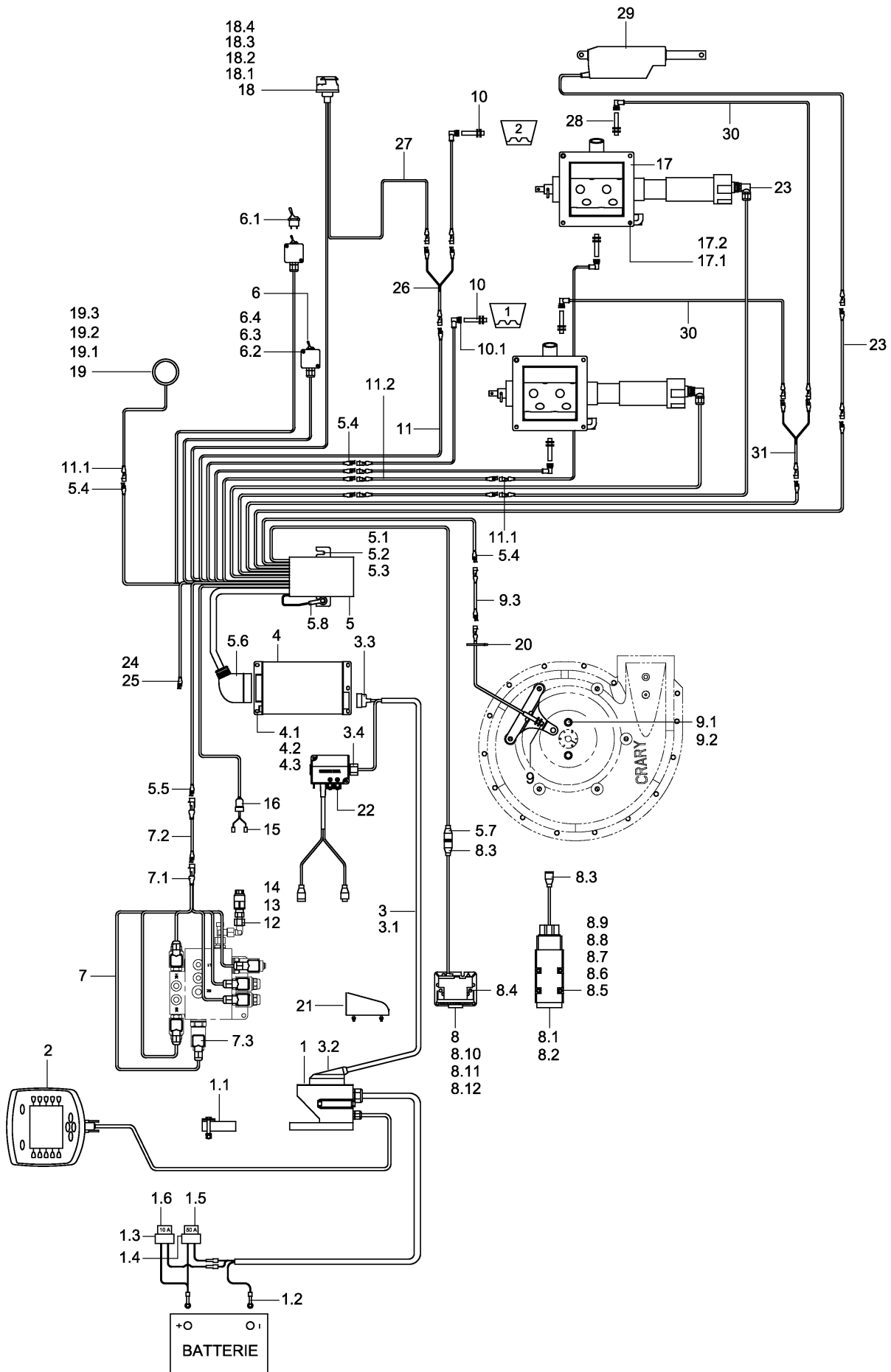
1



19 cm³ - Axial P.

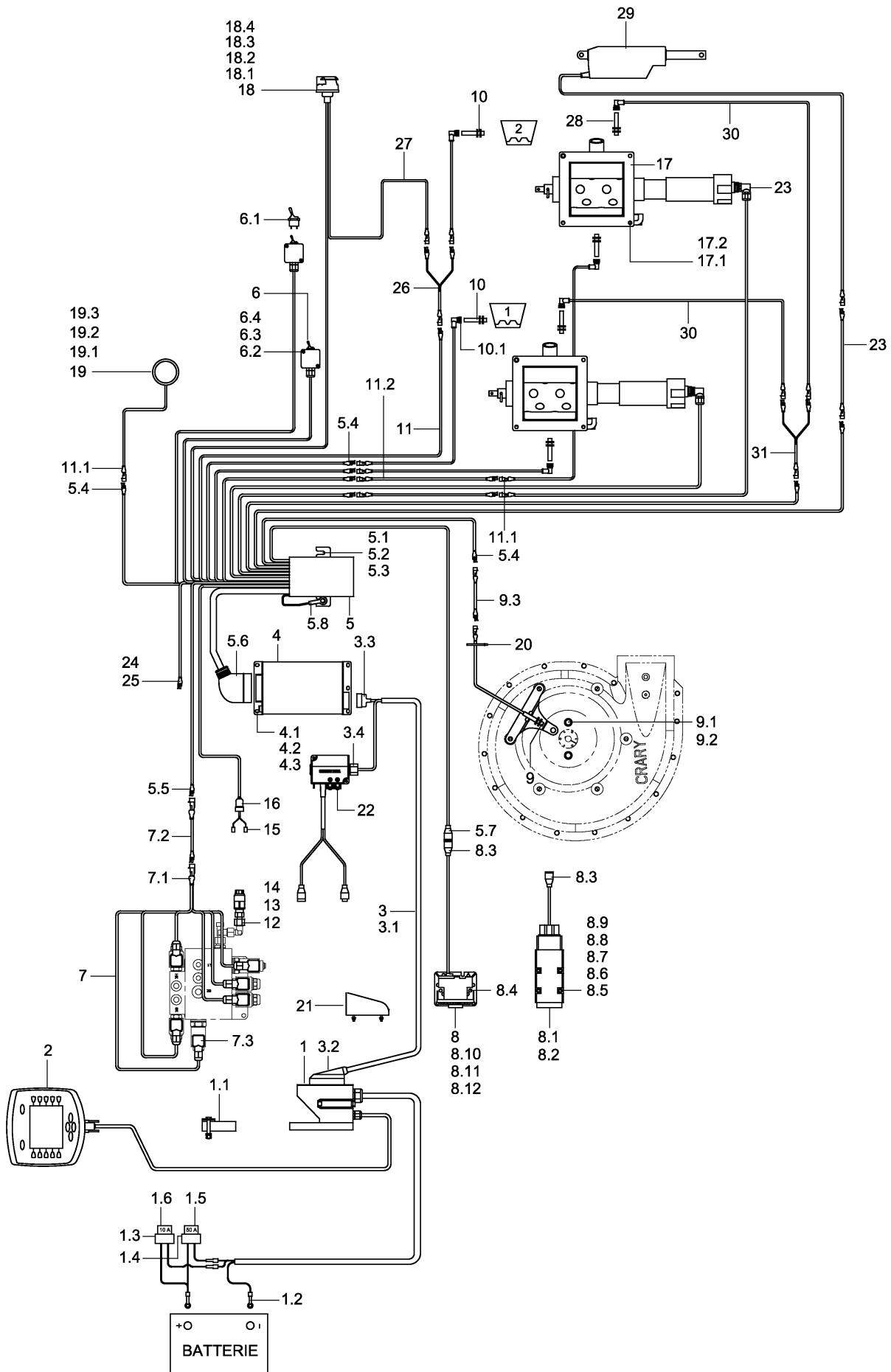
00000000	hydraulic Fan choice	SW 12000 SD	EB	2011
----------	----------------------	-------------	----	------

Pos.	Bestell-Nr.	Kurzbezeichnung	DIN	Bezeichnung	Menge	Bemerkung
1	00380531	Axial Piston - 19 cm ³		Hyd. Fan complete	1	
2	00385467	∅		flange plate for motor	1	
3	00360032	M 12 x 30	933	hex screw	2	
4	00370106	B 13	125	washer	2	
5	00350059	M 12	985	nut, nylock	2	
6	00380513			rotor-flan socket	1	
7	00380320	10 - 24 x 1" UNC		hex screw	3	
8	00380524	Axial Piston - 4.9 cm ³		hyd.-axial piston motor	1	
9	00381087			seal repair kit	1	
10	00380512			rotor	1	
11	00385468			fan housing left	1	
12	00385469			fan housing right	1	
13	00360411	3/8" x 1/2" UNC		hex screw	2	
14	00370105	B 10,5	125	washer	6	
15	00380157	7/16"		plastic plug	2	
16	00385470	1/4 "		plastic plug	2	
17	24052001			sensor bracket-fan	1	
18	24052200			fan sensor	1	
19	00385471			protection net	1	
20	00360120	M 10 x 30	933	hex screw	12	
21	00350058	M 10	985	hex nut	12	
22	00370117	R 11	440	washer	4	
23	00401731	3/8" -16 x 1"		hex screw	8	
24	00380032	Axial Piston - 10 cm ³		Hyd. Fan complete	1	
25	00380124			flange plate for motor	1	
26	00370302	M 12 x 40 - 4 kt.	603	cyl. Flathead screw	2	
27	00370106	B 13	125	washer	2	
28	00350059	M 12	985	nut, nylock	2	
29	00380126	∅ 20.009		rotor-flan socket	1	
30	00380320	10 - 24 x 1" UNC		hex screw	3	
31	00380127	Axial Piston - 10 cm ³		hyd.-axial piston motor	1	
32	00380261			seal repair kit	1	
33	00380115			fan housing left	1	
34	00380119			fan housing right	1	
35	00380118			rotor	1	
36	00370105	B 10,5	125	washer	6	
37	00380154	1/4" x 3/4"		self tapping screw	6	
38	00380151	1/4" x 1" - Sperrverz.		hex screw	15	
39	00380152	1/4" - Sperrverz.		hex nut	15	
40	00380154	1/4" x 3/4"		self tapping screw	6	
41	00380155	1/4" - ∅ 32		washer	6	
42	24052001			sensor bracket-fan	1	
43	24052200			fan sensor	1	
44	00380156	1/4"		plastic plug	2	
45	00380157	7/16"		plastic plug	2	
46	00360411	3/8" x 1/2" UNC		hex screw	2	



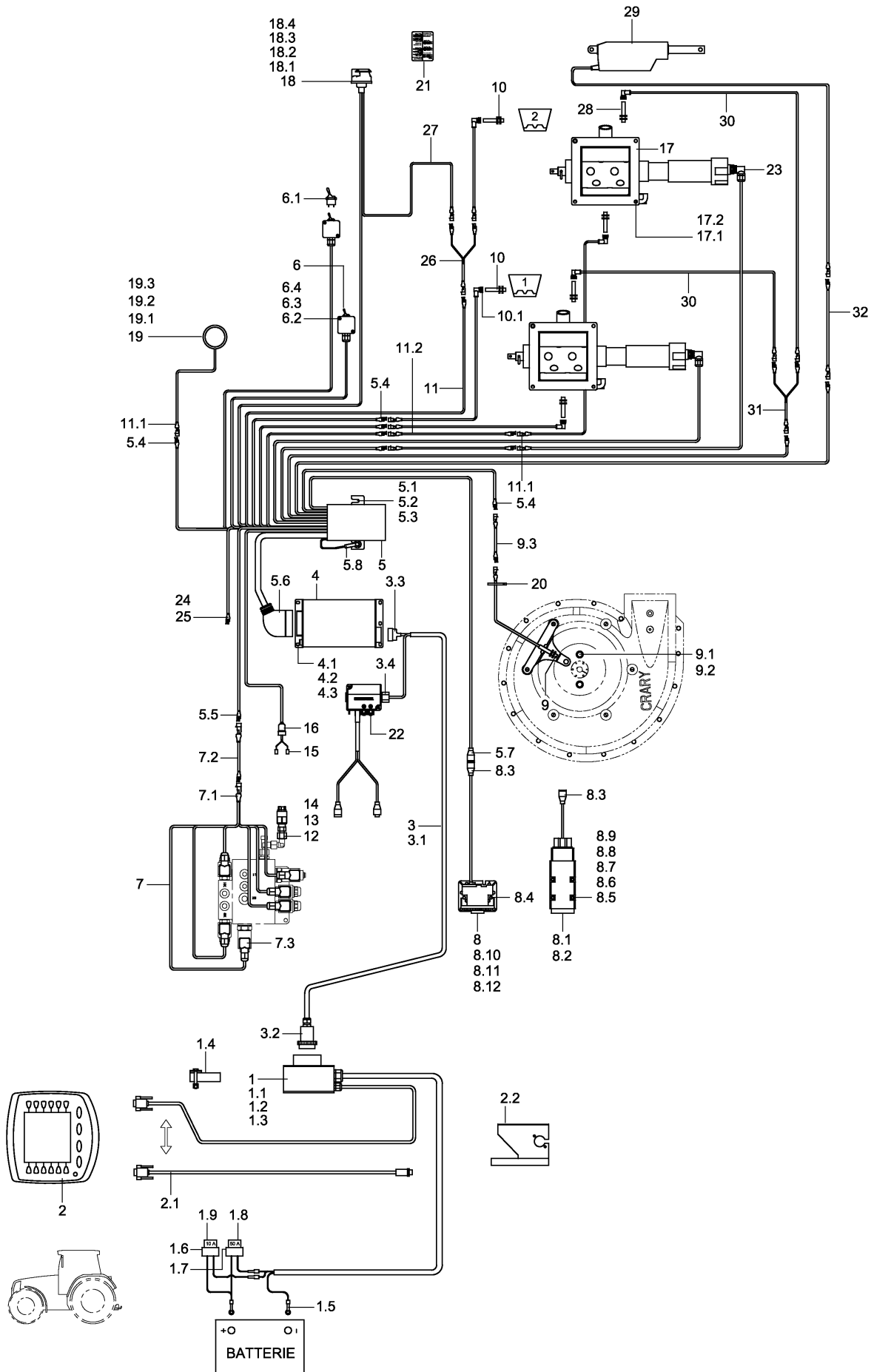
23922300	DrillManager ME ECO	SW 12000 SD	EB	2011
----------	---------------------	-------------	----	------

Pos.	Bestell-Nr.	Kurzbezeichnung	DIN	Bezeichnung	Menge	Bemerkung
1	00345001			Basic needs ECO	1	
1.1	00345092			bracket f. Terminal	1	
1.2	00340947	1 - 2.5 mm ² - M 8		eyelet	2	
1.3	00345093			Security cable for connection 50 A	1	
1.4	00345123			security cable for connection 10 A	1	
1.5	00345094	50 A		fuse	1	
1.6	00340115	10:00 AM		fuse	1	
2	00345002			Terminal HORSCH ECO	1	
3	00345088	11 m		computer cable	1	
3.1	00345129	14 m		computer cable	1	
3.2	00345095	16-pol.		plug for the computer cable	1	
3.3	00345096	16-pol.		plug for the computer cable	1	
3.4	00340994			plug for module connection cable	1	
4	00345005	1 x 16 pol.		Computer ME	1	
4.1	00360453	M 5 x 18		hex screw	4	
4.2	00370102	A 5,3	125	washer	8	
4.3	00350056	M 5	985	nut, nylock	4	
5	00345101			harness assembly complete	1	
5.1	00360107	M 6 x 25	933	hex screw	2	
5.2	00370103	A 6,4	125	washer	4	
5.3	00350067	M 6	985	nut, nylock	2	
5.4	00345028	3-pol.		socket	5	
5.5	00345098	6-pol.		socket	1	
5.6	00345097	42-pol.		plug for the cable tree	1	
5.7	00340997			socket for Radar sensor	1	
5.8	00340945	1 - 2.5 mm ² - M 5		eyelet	1	
6	00345099			turn off switch complete	1	
6.1	00345103			turn off switch	1	
6.2	00370489	M 4 x 16	912	cyl.- screw	4	
6.3	00370100	A 4,3	125	washer	4	
6.4	00350055	M 4	985	nut, nylock	4	
7	00345057			harness for hyd. steering complete	1	
7.1	00345033	6-pol.		plug	1	
7.2	00345064	0,5 m		extension cable – Hyd. Block	1	
7.3	00340263			plug for magnetic vent	6	
8	00345250	RVS III		Sensor – Radar	1	
8.1	00345076	RVS II		Sensor – Radar	1	
8.2	00340634	RVS II		Sensor – Radar	1	
8.3	00340996			Plug for sensor – Radar	1	
8.4	00341184			Mounting Hardware sensor – Radar complete	1	
8.5	00360289	M 6 x 110	931	hex screw	4	
8.6	21671021	ø 12 x 1.5 x 22		pipe	4	
8.7	00370103	A 6,4	125	washer	4	
8.8	00370115	R 6,6	440	washer	4	
8.9	00350067	M 6	985	nut, nylock	4	
8.10	23107203			bracket Sensor- Radar	1	
8.11	00360120	M 10 x 30	933	hex screw	2	
8.12	00370110	B 10,5	125	washer	2	
9	24052200			Sensor – Fan including plug	1	
9.1	00360411	UNC 3/8" x 1/2"		hex screw	2	



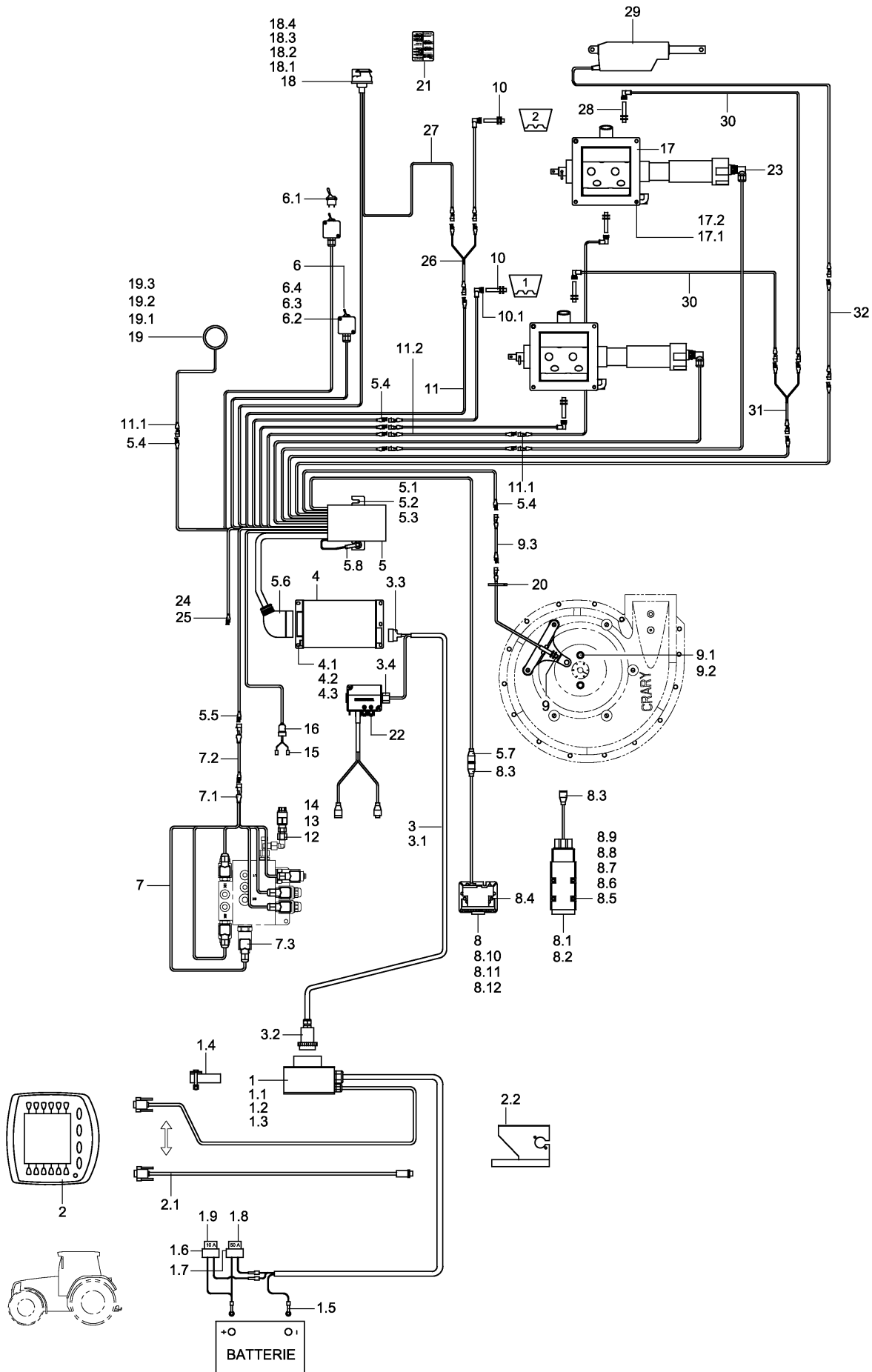
23922300	DrillManager ME ECO	SW 12000 SD	EB	2011
----------	---------------------	-------------	----	------

Pos.	Bestell-Nr.	Kurzbezeichnung	DIN	Bezeichnung	Menge	Bemerkung
9.2	00370105	B 10,5		washer	6	
9.3	00345059	0,5 m		extension cable – Sensor	1	
10	00341012			Sensor- empty tank/ seeds	4	
10.1	00310943	M 12 x 1 x 16 - V2A	961	screw cap f sensor	4	
11	00345107			cable w coupling f sensor	4	
11.1	00345024	3-pol.		plug	4	
11.2	00345059	0,5 m		extension cable – Sensor	1	
12	00100154	MAV-EV 12 L - R 1/4"		pressure gage	1	
13	00345254	50 bar		Sensor- working signal	1	
14	00260076	A 14 x 20	7603	copper ring	1	
15	00340948	0,5 - 1,0		receptacles with catch	2	
16	00340266			protection cap	1	
17	01503200			Horsch Dosing unit CDO	1	
17.1	00360112	M 8 x 30	933	hex screw	8	
17.2	00370389	A 8,4	125	washer	16	
18	00340932	13 pol.		socket	1	
18.1	00370399	M 5 x 45	912	cyl.- screw	3	
18.2	00370102	B 5,3	125	washer	3	
18.3	00350056	M 5	985	nut, nylock	3	
18.4	00340785	1.5 x 7		end splice	8	
19	00340931			Horn w Interval sound	1	
19.1	00360110	M 8 x 20	933	hex screw	1	
19.2	00370104	A 8,4	125	washer	2	
19.3	00350057	M 8	985	nut,nylock	1	
20	00190013	T 30 L 200 x 3.6		cable ties	50	
21	31014400			park-box for plug complete	1	
22	00340695			module for seed control	1	
23	00340636			plug for gear motor	1	
24	00345036	5-pol.		plug cover	1	
25	00345021	3-pol.		plug cover	1	
26	00345058			Y-cable	1	
27	00345181	4 m		extension cable- sensor- empty tank	1	
28	00341165			sensor- partial shut off	2	
29	23776700			adjustment drive	1	
30	00345107			sensor cable	2	
31	00345264			Harness, partial shut off	1	
32	00345226	1,5 m		extension cable – partial shut off	1	



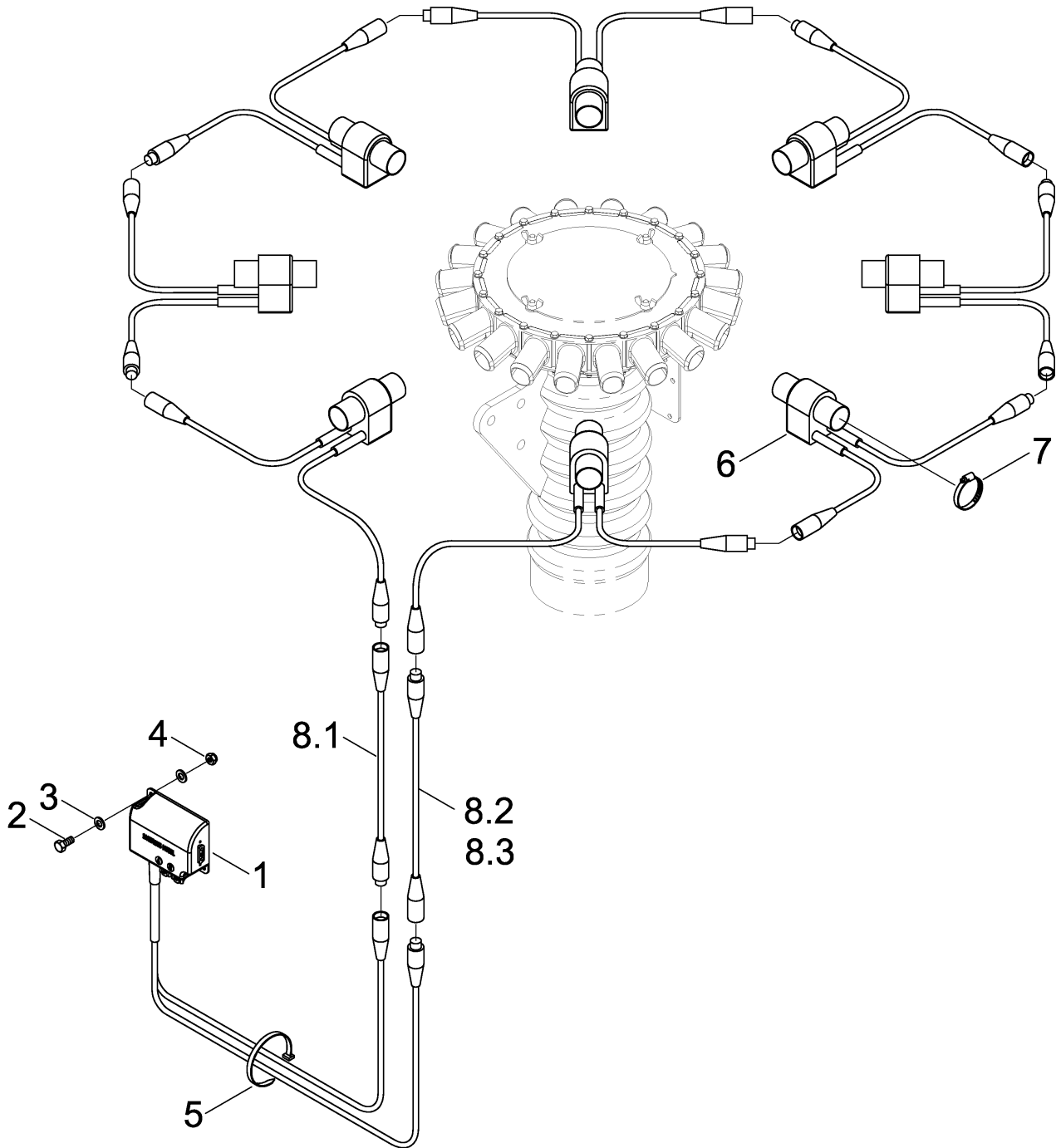
23922300	DrillManager ME ISOBUS	SW 12000 SD	EB	2011
----------	------------------------	-------------	----	------

Pos.	Bestell-Nr.	Kurzbezeichnung	DIN	Bezeichnung	Menge	Bemerkung
1	00345267			Basic needs ISOBUS (long cable)	1	
1.1	00360107	M 6 x 25	933	hex screw	7	
1.2	00170027	A 6	127	spring cotter pin	7	
1.3	00350007	M 6	934	hex nut	7	
1.4	00345092			bracket f Terminal	1	
1.5	00340947	1 - 2.5 mm ² - M 8		eyelet	2	
1.6	00345093			Security cable for connection 50 A	1	
1.7	00345123			security cable for connection 10 A	1	
1.8	00345094	50 A		fuse	1	
1.9	00340115	10:00 AM		fuse	1	
2	00345263			Terminal HORSCH ISOBUS	1	
2.1	00345265			ISOBUS – Terminal connector cable	1	
2.2	00346049			Terminal bracket panel	1	
3	00345045	8,5 m		connection cable ISOUBS complete	1	
3.1	00345046	11 m		connection cable ISOUBS complete	1	
3.2	00346043	9-pol.		ISOBUS – plug	1	
3.3	00345096	16-pol.		plug for Computer cable	1	
3.4	00340994			plug for module connection cable	1	
4	00345005	1 x 16 pol.		ME computer	1	
4.1	00360453	M 5 x 18		hex screw	4	
4.2	00370102	A 5,3	125	washer	8	
4.3	00350056	M 5	985	nut, nylock	4	
5	00345101			cable tree complete	1	
5.1	00360107	M 6 x 25	933	hex screw	2	
5.2	00370103	A 6,4	125	washer	4	
5.3	00350067	M 6	985	nut, nylock	2	
5.4	00345028	3-pol.		socket	5	
5.5	00345098	6-pol.		socket	1	
5.6	00345097	42-pol.		plug	1	
5.7	00340997			socket for Radar sensor	1	
5.8	00340945	1 - 2.5 mm ² - M 5		eyelet	1	
6	00345099			turn off switch complete	1	
6.1	00345103			turn off switch	1	
6.2	00370489	M 4 x 16	912	cyl.- screw	4	
6.3	00370100	A 4,3	125	washer	4	
6.4	00350055	M 4	985	nut, nylock	4	
7	00345057			cable tree hyd. Steering compl	1	
7.1	00345033	6-pol.		plug	1	
7.2	00345064	0,5 m		extension cable – Hyd. Block	1	
7.3	00340263			plug for magnetic vent	6	
8	00345250	RVS III		radar sensor	1	
8.1	00345076	RVS II		radar sensor	1	
8.2	00340634	RVS II		radar sensor	1	
8.3	00340996			Plug for sensor – Radar	1	
8.4	00341184			building parts sensor – Radar complete	1	
8.5	00360289	M 6 x 110	931	hex screw	4	
8.6	21671021	ø 12 x 1.5 x 22		pipe	4	
8.7	00370103	A 6,4	125	washer	4	
8.8	00370115	R 6,6	440	washer	4	
8.9	00350067	M 6	985	nut,nylock	4	



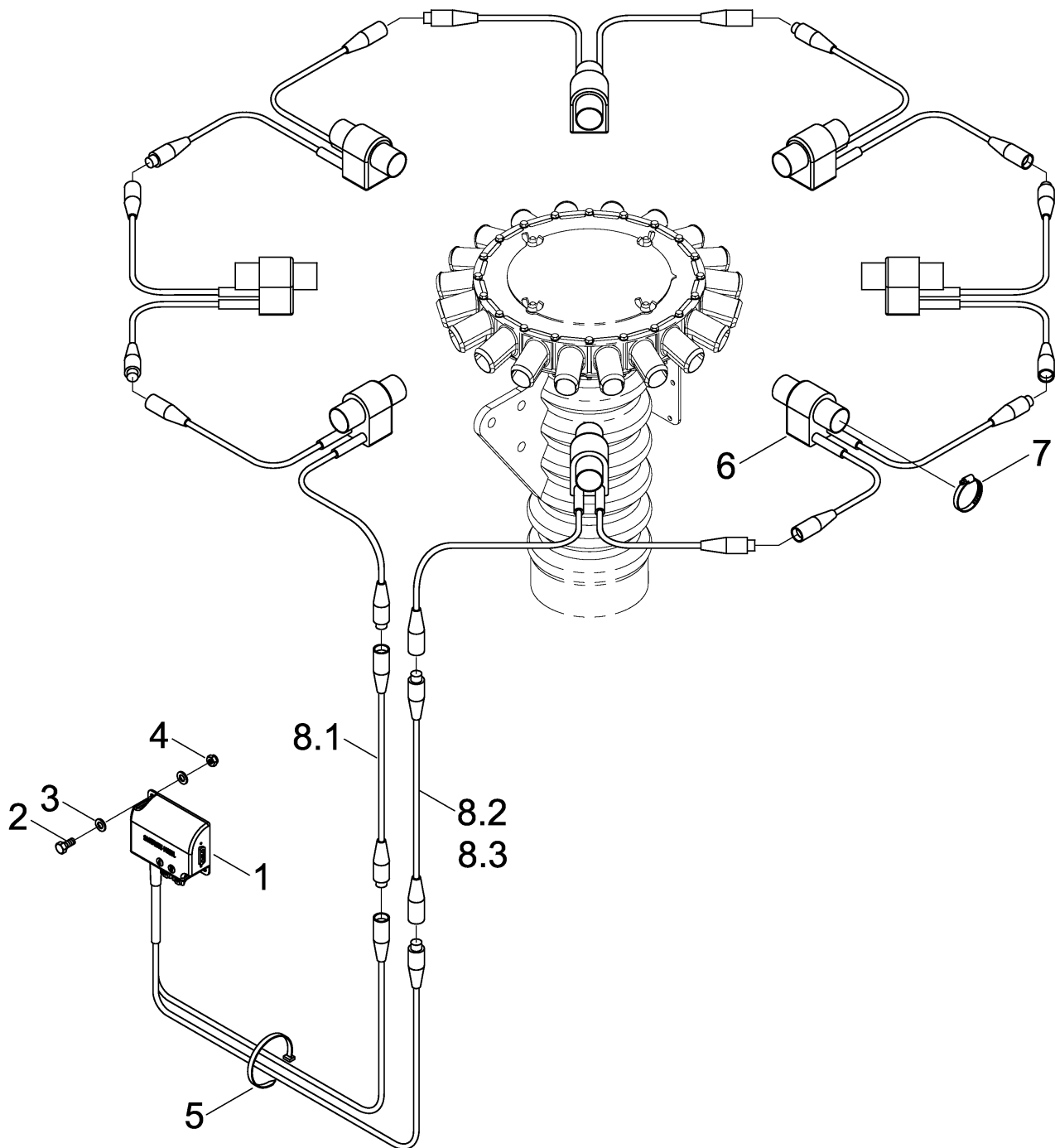
23922300	DrillManager ME ISOBUS	SW 12000 SD	EB	2011
----------	------------------------	-------------	----	------

Pos.	Bestell-Nr.	Kurzbezeichnung	DIN	Bezeichnung	Menge	Bemerkung
8.10	23107203			bracket Sensor- Radar	1	
8.11	00360120	M 10 x 30	933	hex screw	2	
8.12	00370110	B 10,5	125	washer	2	
9	24052200			Sensor – Fan including plug	1	
9.1	00360411	UNC 3/8" x 1/2"		hex screw	2	
9.2	00370105	B 10,5		washer	6	
9.3	00345059	0,5 m		extension cable- sensor	1	
10	00341012			Sensor – empty tank/ seeds	4	
10.1	00310943	M 12 x 1 x 16 - V2A	961	closing cap for sensor	4	
11	00345107			cable w coupling f sensor	4	
11.1	00345024	3-pol.		plug	4	
11.2	00345059	0,5 m		extension cable – Sensor	1	
12	00100154	MAV-EV 12 L - R 1/4"		pressure gage connection	1	
13	00345254	50 bar		Sensor – working signal	1	
14	00260076	A 14 x 20	7603	copper ring	1	
15	00340948	0,5 - 1,0		receptacles with catch	2	
16	00340266			protection cap	1	
17	01503200			Horsch Metering unit VDO complete	1	
17.1	00360112	M 8 x 30	933	hex screw	8	
17.2	00370389	A 8,4	125	washer	16	
18	00340932	13 pol.		socket	1	
18.1	00370399	M 5 x 45	912	cyl.- screw	3	
18.2	00370102	B 5,3	125	washer	3	
18.3	00350056	M 5	985	nut, nylock	3	
18.4	00340785	1.5 x 7		end splice	8	
19	00340931			Horn w Interval sound	1	
19.1	00360110	M 8 x 20	933	hex screw	1	
19.2	00370104	A 8,4	125	washer	2	
19.3	00350057	M 8	985	nut, nylock	1	
20	00190013	T 30 L 200 x 3.6		cable ties	50	
21	00381021			Decal for Connections	1	
22	00340695	Option !		module for seed control	1	
23	00340636			plug for motor drive	1	
24	00345036	5-pol.		plug cover	1	
25	00345021	3-pol.		plug cover	1	
26	00345058			Y-cable	1	
27	00345181	4 m		Extension cable – empty tank sensor	1	
28	00341165			Sensor – partial shut off	2	
29	23776700			adjustment drive	1	
30	00345107			cable f. Sensor	2	
31	00345264			Cable tree partial shut off	1	
32	00345226	1,5 m		extension cable – partial shut off	1	



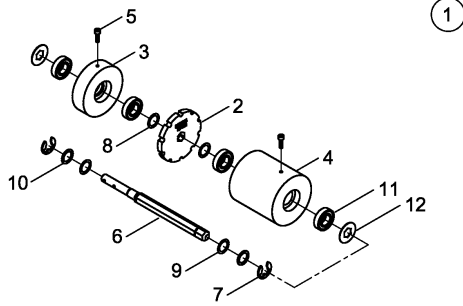
23102700	seed control unit ME – Pronto 12 NT	SW 12000 SD	EB	2011
----------	-------------------------------------	-------------	----	------

Pos.	Bestell-Nr.	Kurzbezeichnung	DIN	Bezeichnung	Menge	Bemerkung
Ē	23102700			seed control unit ME complete		
1	00340695			module for seed control	1	
2	00360102	M 5 x 16	933	hex screw	2	
3	00370102	A 5,3	125	washer	4	
4	00350056	M 5	985	nut, nylock	2	
5	00190013	T 50 - L 300 x 3.6		cable ties	10	
6	01554400			Sensor – seed control D2	NB	
7	00190043	ø 25 - 40		hose ties	NB	
8.1	00341064	D2 x 6.1 m		extension cable	2	
8.2	00341066	D2 x 1.2 m		extension cable	1	
8.3	00341065	D2 x 3.0 m		extension cable	3	

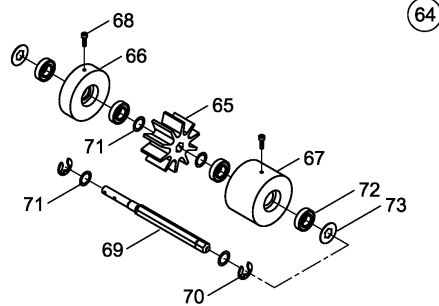


23903800	seed control unit ME Pronto 8 SW	SW 12000 SD	EB	2011
----------	----------------------------------	-------------	----	------

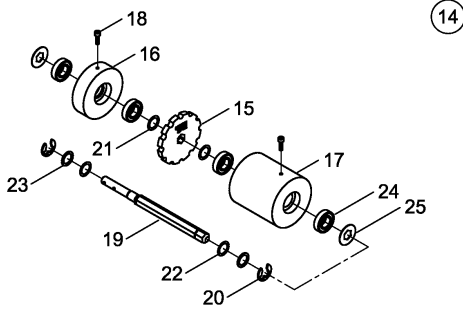
Pos.	Bestell-Nr.	Kurzbezeichnung	DIN	Bezeichnung	Menge	Bemerkung
Ě	23903800			seed control unit ME complete	-	
1	00340695			module for seed control	1	
2	00360102	M 5 x 16	933	hex screw	2	
3	00370102	A 5,3	125	washer	4	
4	00350056	M 5	985	nut, nylock	2	
5	00190013	T 50 - L 300 x 3.6		cable ties	10	
6	01554400			sensor – seed control D2	NB	
7	00190043	ø 25 - 40		hose ties	NB	
8.1	00341064	D2 x 6.1 m		extension cable	4	
8.2	00341065	D2 x 3.0 m		extension cable	3	
8.3	00341066	D2 x 1.2 m		extension cable	2	



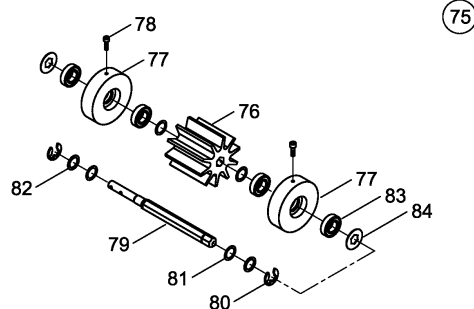
Zellenrotor 3.5 cm³



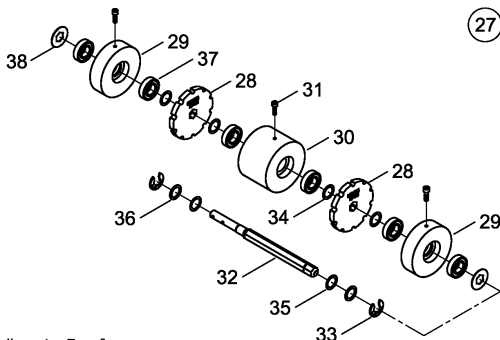
Zellenrotor 170 cm³



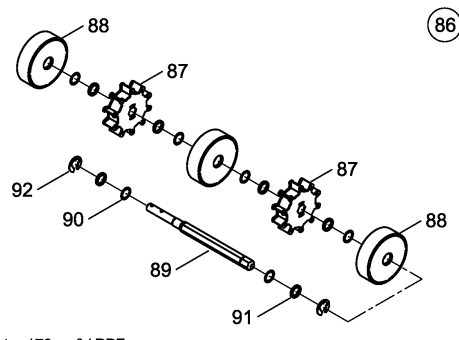
Zellenrotor 5 cm³



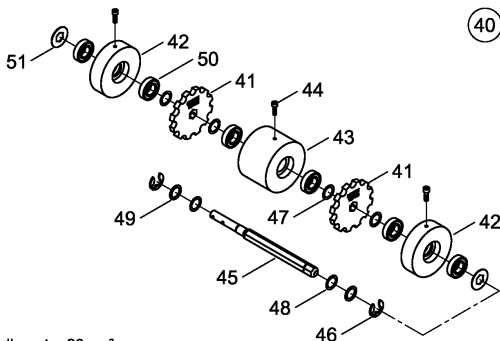
Zellenrotor 320 cm³



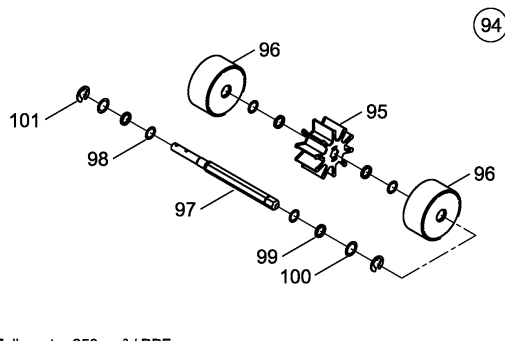
Zellenrotor 7 cm³



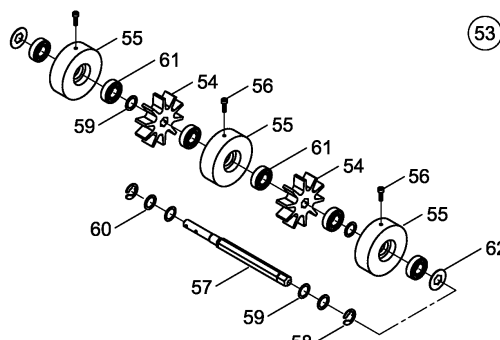
Zellenrotor 170 cm³ / PPF



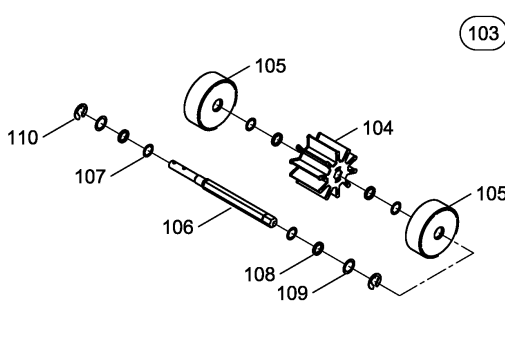
Zellenrotor 20 cm³



Zellenrotor 250 cm³ / PPF



Zellenrotor 170 cm³

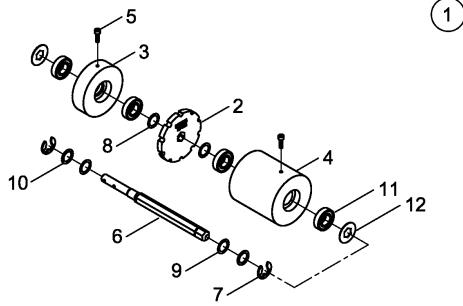


Zellenrotor 375 cm³ / PPF

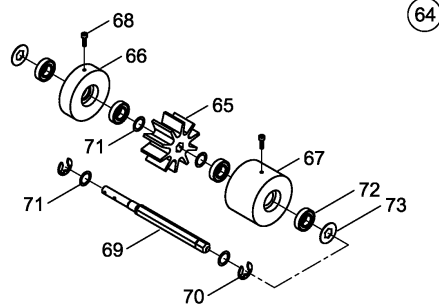
- 112
- 3.5 cm³
- 113
- 5 cm³
- 114
- 10 cm³
- 115
- 15 cm³
- 116
- 25 cm³
- 117
- 85 cm³
- 118
- 170 cm³
- 119
- 320 cm³
- 120
- 20 cm³
- 121
- 40 cm³
- 122
- 100 cm³
- 123
- 250 cm³
- 124
- 500 cm³
- 125
- 800 cm³
- 126
- 85 cm³ / PPF
- 127
- 250 cm³ / PPF
- 128
- 375 cm³ / PPF

0\$\$\$\$\$\$	Horsch Roller	SW 12000 SD	9B	2011
----------------------	----------------------	--------------------	-----------	-------------

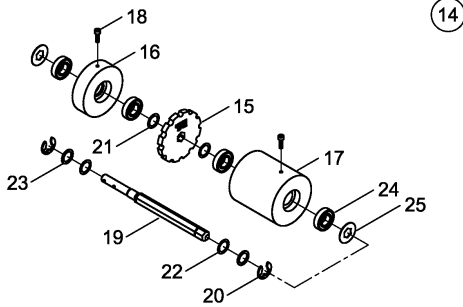
Pos.	Bestell-Nr.	Kurzbezeichnung	DIN	Bezeichnung	Menge	Bemerkung
1	01504300	3.5 cm ³ - V2A		Rollers for fine seeds	1	
2	01501206	3.5 cm ³ - V2A		seed disc	1	
3	01501203	ø 100 x 28		distance piece	1	
4	01504002	ø 100 x 108		distance piece	1	
5	00370183	M 6 x 20	912	cyl.- screw	2	
6	01501905	SW 17 x 264 lg.		roller shaft	1	
7	00260190	ø 15 x 1,5		safety ring	2	
8	00300579	ø 20 x 28 x 0.1 - V2A		shim ring	2	
9	00230125	ø 20 x 28 x 0.2 - V2A		shim ring	8	
10	00230042	ø 20 x 28 x 1.0 - V2A		shim ring	2	
11	00240054	6004 2 RSR		grooved ball bearing	4	
12	01500210	ø 40 x 1 - SW 17		washer	2	
14	01504000	5.0 cm ³		Rollers for fine seeds	1	
15	01501201	5.0 cm ³ - V2A		cell disc	1	
16	01501203	ø 100 x 28		distance piece	1	
17	01504002	ø 100 x 108		distance piece	1	
18	00370183	M 6 x 20	912	cyl.- screw	2	
19	01501905	SW 17 x 264 lg.		roller shaft	1	
20	00260190	ø 15 x 1,5		safety ring	2	
21	00300579	ø 20 x 28 x 0.1 - V2A		shim ring	2	
22	00230125	ø 20 x 28 x 0.2 - V2A		shim ring	8	
23	00230042	ø 20 x 28 x 1.0 - V2A		shim ring	2	
24	00240054	6004 2 RSR		grooved ball bearing	4	
25	01500210	ø 40 x 1 - SW 17		washer	2	
27	01502500	7.0 cm ³		rollers for fine seeds	1	
28	01501206	3.5 cm ³		cell disc	2	
29	01501203	ø 100 x 28		distance piece	1	
30	01501202	ø 100 x 70		distance piece	2	
31	00370183	M 6 x 20	912	cyl.- screw	3	
32	01501905	SW 17 x 264 lg.		roller shaft	1	
33	00260190	ø 15 x 1,5		safety ring	2	
34	00300579	ø 20 x 28 x 0.1 - V2A		shim ring	6	
35	00230125	ø 20 x 28 x 0.2 - V2A		shim ring	10	
36	00230042	ø 20 x 28 x 1.0 - V2A		shim ring	6	
37	00240054	6004 2 RSR		grooved ball bearing	6	
38	01500210	ø 40 x 1 - SW 17		washer	2	
40	01503700	20.0 cm ³		rollers for fine seeds	1	
41	01502701	10.0 cm ³		cell disc	2	
42	01501203	ø 100 x 28		distance piece	1	
43	01501202	ø 100 x 70		distance piece	2	
44	00370183	M 6 x 20	912	cyl.- screw	3	
45	01501905	SW 17 x 264 lg.		roller shaft	1	
46	00260190	ø 15 x 1,5		safety ring	2	
47	00300579	ø 20 x 28 x 0.1 - V2A		shim ring	6	
48	00230125	ø 20 x 28 x 0.2 - V2A		shim ring	10	
49	00230042	ø 20 x 28 x 1.0 - V2A		shim ring	6	
50	00240054	6004 2 RSR		grooved ball bearing	6	
51	01500210	ø 40 x 1 - SW 17		washer	2	
53	01507400	170 cm ³		roller for peas complete	1	
54	01507401	85 cm ³		cell divider module	2	



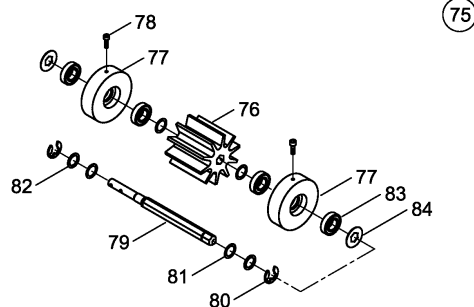
Zellenrotor 3.5 cm³



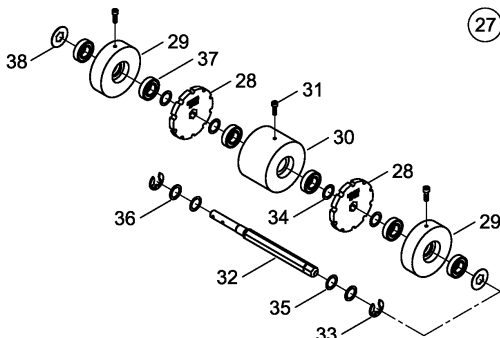
Zellenrotor 170 cm³



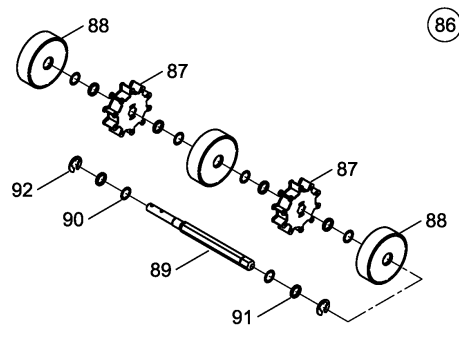
Zellenrotor 5 cm³



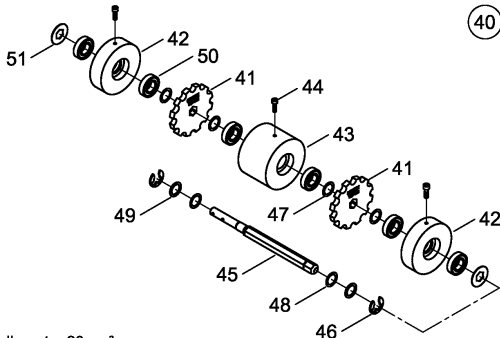
Zellenrotor 320 cm³



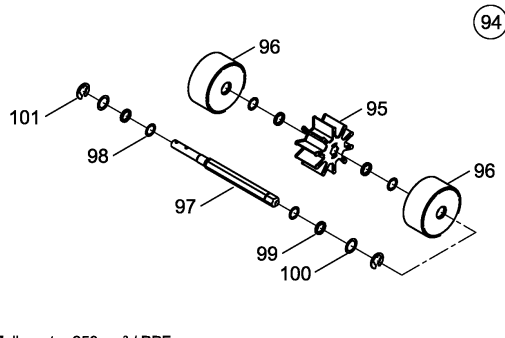
Zellenrotor 7 cm³



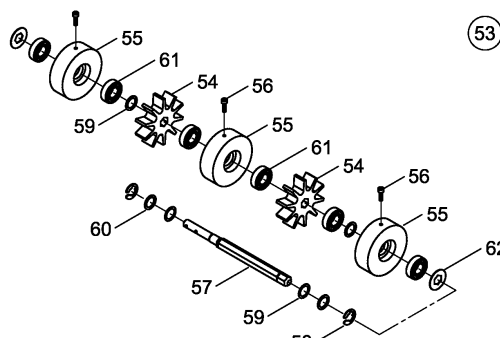
Zellenrotor 170 cm³ / PPF



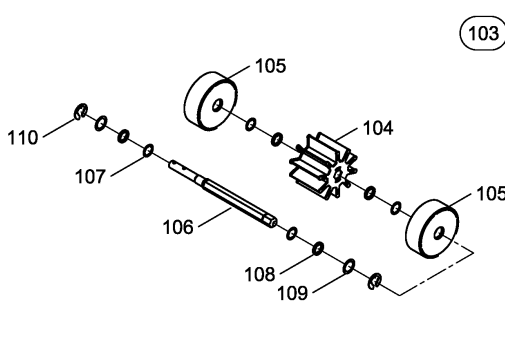
Zellenrotor 20 cm³



Zellenrotor 250 cm³ / PPF



Zellenrotor 170 cm³



Zellenrotor 375 cm³ / PPF



3.5 cm³



5 cm³



10 cm³



15 cm³



25 cm³



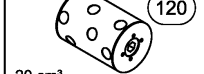
85 cm³



170 cm³



320 cm³



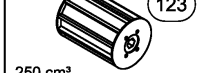
20 cm³



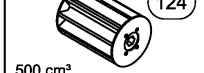
40 cm³



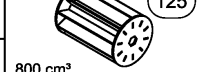
100 cm³



250 cm³



500 cm³



800 cm³



85 cm³ / PPF



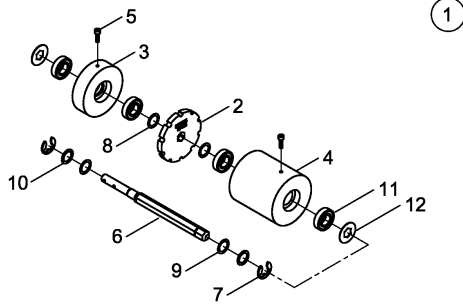
250 cm³ / PPF



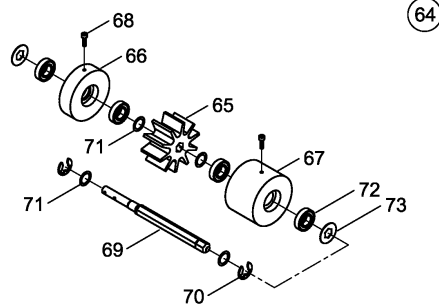
375 cm³ / PPF

0\$\$\$\$\$\$	Horsch Roller	SW 12000 SD	EB	2011
----------------------	----------------------	--------------------	-----------	-------------

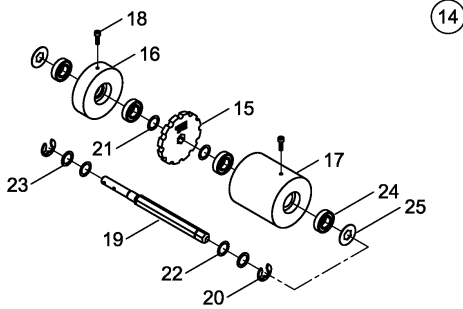
Pos.	Bestell-Nr.	Kurzbezeichnung	DIN	Bezeichnung	Menge	Bemerkung
55	01501207	ø 100 x 32		distance piece	3	
56	00370183	M 6 x 20	912	cyl.- screw	3	
57	01501905	SW 17 x 264 lg.		roller shaft	1	
58	00260190	ø 15 x 1,5		safety ring	2	
59	00230125	ø 20 x 28 x 0.2 - V2A		shim ring	10	
60	00230042	ø 20 x 28 x 1.0 - V2A		shim ring	4	
61	00240054	6004 2 RSR		grooved ball bearing	6	
62	01500210	ø 40 x 1 - SW 17		washer	2	
64	01507000	170 cm³		roller for peas complete	1	
65	01504402	170 cm³		cell divider module	1	
66	01501203	ø 100 x 28		distance piece	1	
67	01501202	ø 100 x 70		distance piece	1	
68	00370183	M 6 x 20	912	cyl.- screw	2	
69	01501905	SW 17 x 264 lg.		roller shaft	1	
70	00260190	ø 15 x 1,5		safety ring	2	
71	00230125	ø 20 x 28 x 0.2 - V2A		shim ring	10	
72	00240054	6004 2 RSR		grooved ball bearing	4	
73	01500210	ø 40 x 1 - SW 17		washer	2	
75	01507100	320 cm³		roller for peas complete	1	
76	01504401	320 cm³		cell divider module	1	
77	01501203	ø 100 x 28		distance piece	2	
78	00370183	M 6 x 20	912	cyl.- screw	2	
79	01501905	SW 17 x 264 lg.		roller shaft	1	
80	00260190	ø 15 x 1,5		safety ring	2	
81	00230125	ø 20 x 28 x 0.2 - V2A		shim ring	10	
82	00230042	ø 20 x 28 x 1.0 - V2A		shim ring	6	
83	00240054	6004 2 RSR		grooved ball bearing	4	
84	01500210	ø 40 x 1 - SW 17		washer	2	
86	01509000	170 cm³ / PPF		rollers complete	1	
87	01509200	85 cm³ / PPF		cell divider module	2	
88	01509100	ø 100 x 30,5		connecting piece complete	3	
89	01501905	SW 17 x 264 lg.		roller shaft	1	
90	01508401	ø 23,7 x 0,5		connecting disc	6	
91	01508402	ø 23,7 x 3,0		connecting disc	6	
92	00260190	ø 15 x 1,5		safety ring	2	
94	01508400	250 cm³ / PPF		rollers complete	1	
95	01508500	250 cm³ / PPF		cell divider module	1	
96	01508600	ø 100 x 47,5		Connecting disc	2	
97	01501905	SW 17 x 264 lg.		roller shaft	1	
98	01508401	ø 23,7 x 0,5		connecting disc	4	
99	01508402	ø 23,7 x 3,0		connecting disc	4	
100	00230125	ø 20 x 28 x 0.2 - V2A		shim ring	2	
101	00260190	ø 15 x 1,5		safety ring	2	
103	01508700	375 cm³ / PPF		roller complete	1	
104	01508900	375 cm³ / PPF		cell divider module	1	
105	01508800	ø 100 x 36		connecting piece complete	2	
106	01501905	SW 17 x 264 lg.		roller shaft	1	
107	01508401	ø 23,7 x 0,5		connecting disc	4	
108	01508402	ø 23,7 x 3,0		connecting disc	4	
109	00230125	ø 20 x 28 x 0.2 - V2A		shim ring	2	



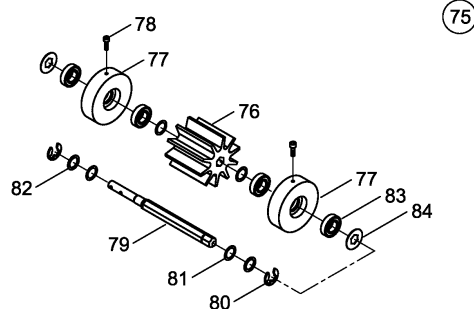
Zellenrotor 3.5 cm³



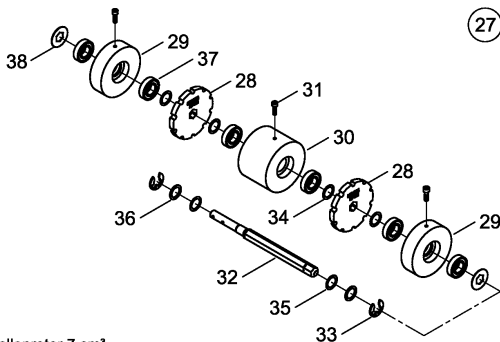
Zellenrotor 170 cm³



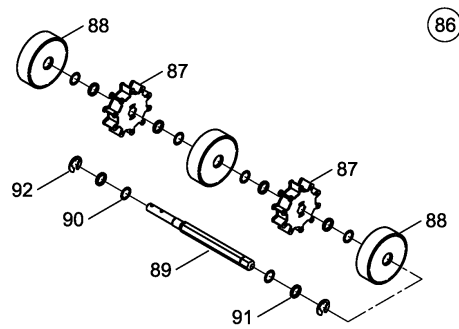
Zellenrotor 5 cm³



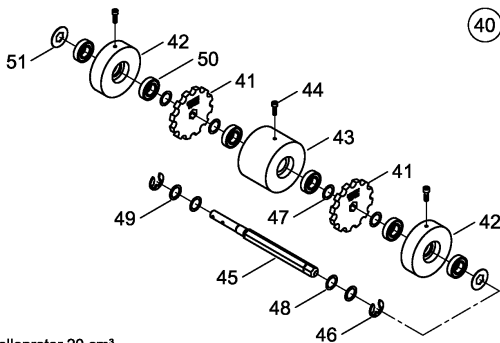
Zellenrotor 320 cm³



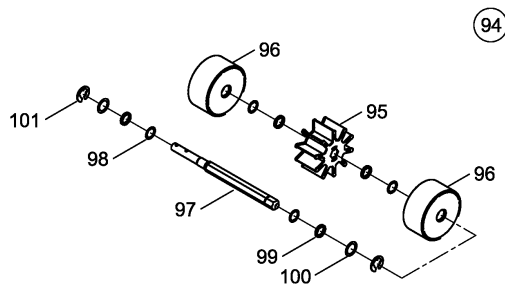
Zellenrotor 7 cm³



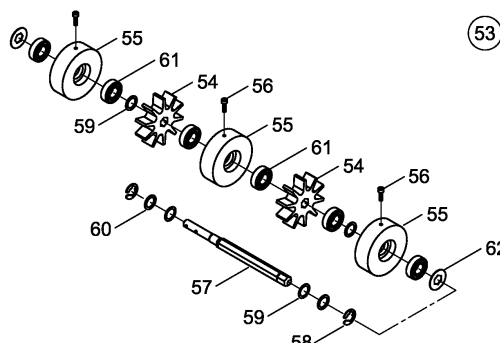
Zellenrotor 170 cm³ / PPF



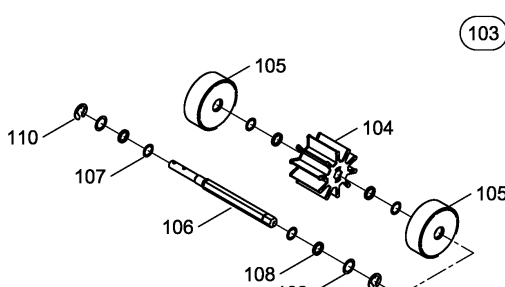
Zellenrotor 20 cm³



Zellenrotor 250 cm³ / PPF



Zellenrotor 170 cm³



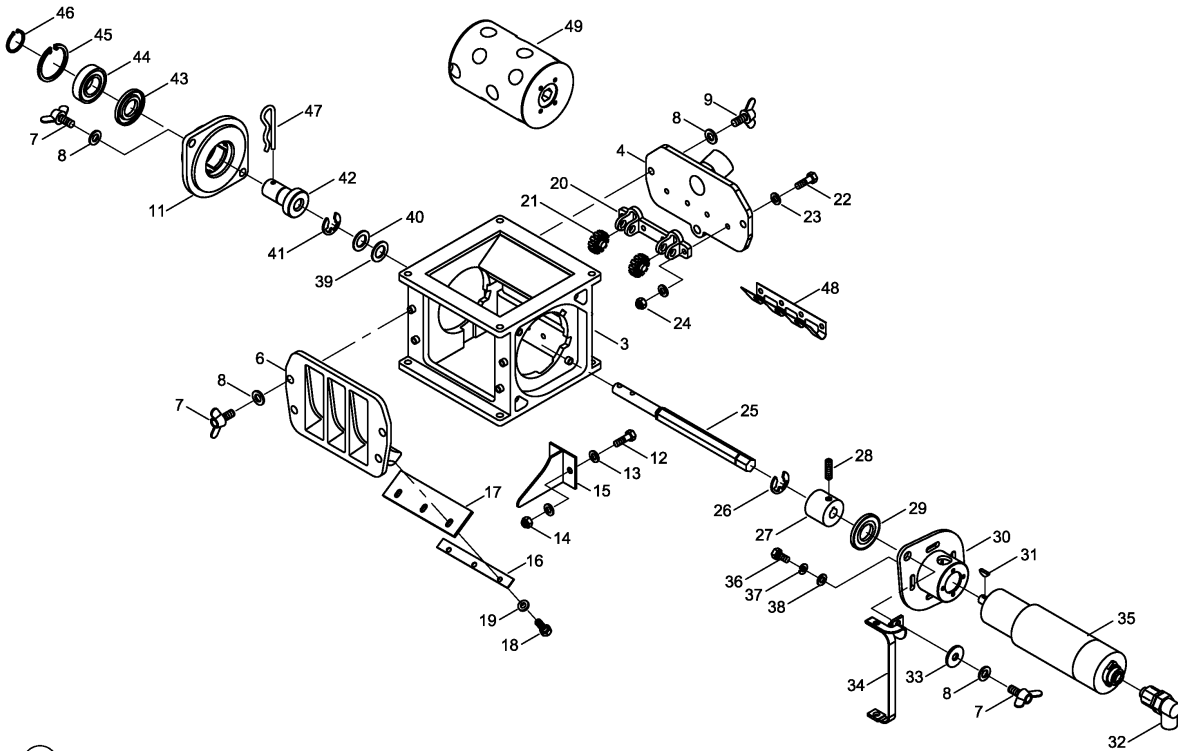
Zellenrotor 375 cm³ / PPF

- 112
- 3.5 cm³
- 113
- 5 cm³
- 114
- 10 cm³
- 115
- 15 cm³
- 116
- 25 cm³
- 117
- 85 cm³
- 118
- 170 cm³
- 119
- 320 cm³
- 120
- 20 cm³
- 121
- 40 cm³
- 122
- 100 cm³
- 123
- 250 cm³
- 124
- 500 cm³
- 125
- 800 cm³
- 126
- 85 cm³ / PPF
- 127
- 250 cm³ / PPF
- 128
- 375 cm³ / PPF

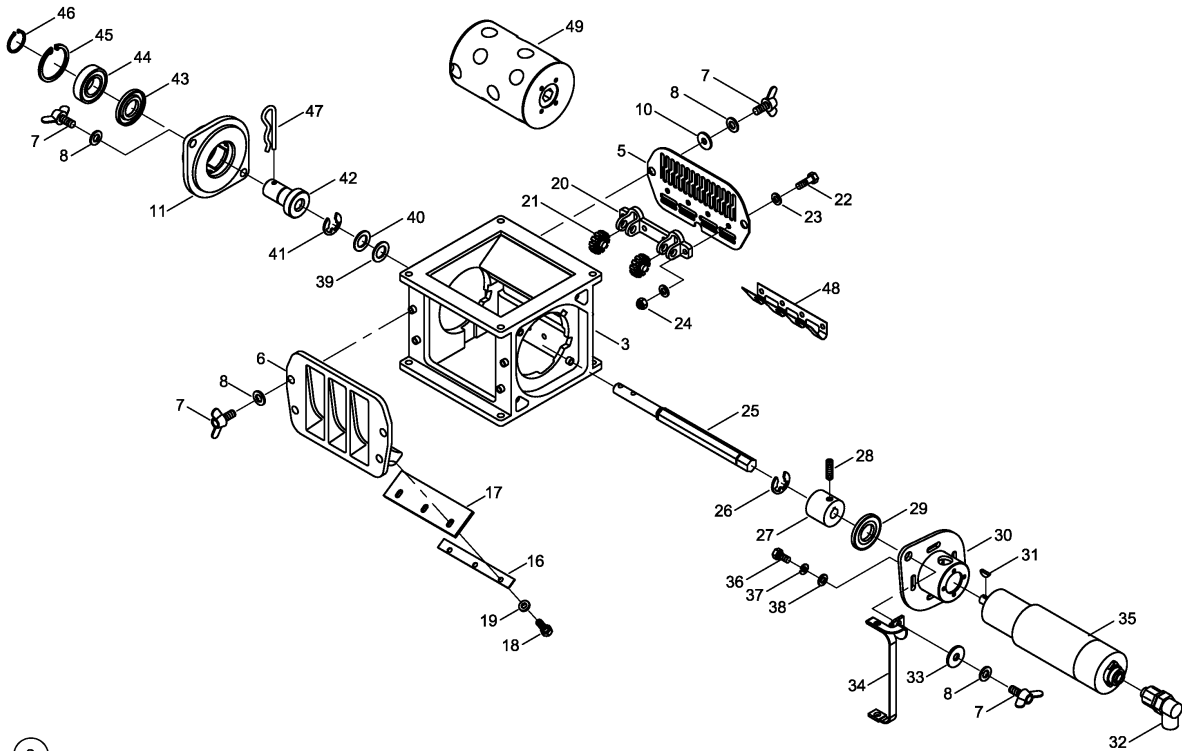
0\$\$\$\$\$\$	Horsch Roller	SW 12000 SD	EB	2011
----------------------	----------------------	--------------------	-----------	-------------

Pos.	Bestell-Nr.	Kurzbezeichnung	DIN	Bezeichnung	Menge	Bemerkung
110	00260190	ø 15 x 1,5		safety ring	2	
112	01501206	3.5 cm ³		cell disc	1	
113	01501201	5.0 cm ³		cell disc	1	
114	01502701	10 cm ³		cell disc	1	
115	01502703	15 cm ³		cell disc	1	
116	01502704	25 cm ³		cell disc	1	
117	01507401	85 cm ³		cell divider module	1	
118	01504402	170 cm ³		cell divider module	1	
119	01504401	320 cm ³		cell divider module	1	
120	01500809	20 cm ³ - gelb		metering unit corn complete	1	
121	01500804	40 cm ³ - rot		metering unit corn complete	1	
122	01500805	100 cm ³ - blau		metering unit normal seeds complete	1	
123	01500600	250 cm ³ - schwarz		metering unit normal seeds complete	1	
124	01500300	500 cm ³ - beige		metering unit normal seeds complete	1	
125	01504100	800 cm ³ - silber		metering unit normal seeds complete	1	
126	01509200	85 cm ³ / PPF		cell divider module	1	
127	01508500	250 cm ³ / PPF		cell divider module	1	
128	01508900	375 cm ³ / PPF		cell divider module	1	

HORSCH Dosiergerät VDO - Drucktank



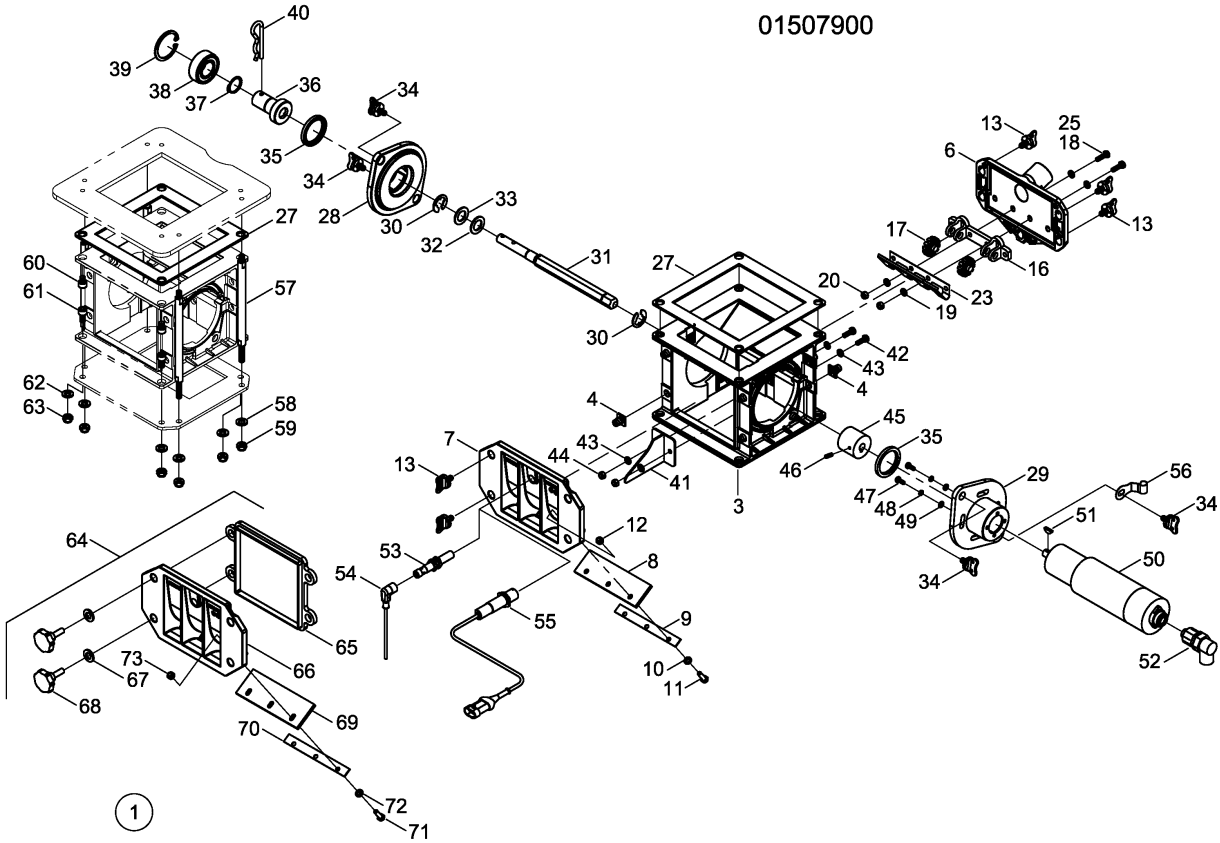
HORSCH Dosiergerät VDO - Injektor



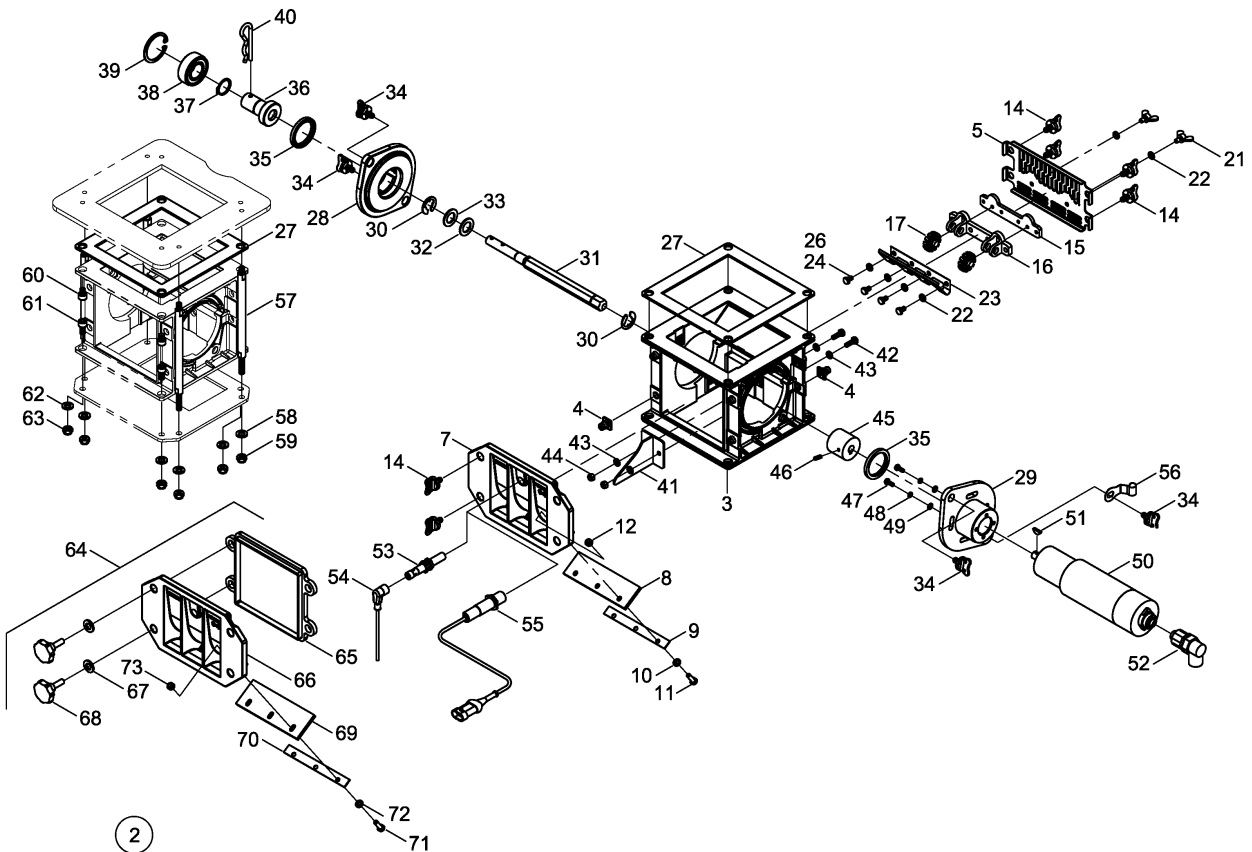
01503200 / 01503800	Horsch Dosing unit VDO 2011	SW 12000 SD	EB	2011
---------------------	-----------------------------	-------------	----	------

Pos.	Bestell-Nr.	Kurzbezeichnung	DIN	Bezeichnung	Menge	Bemerkung
1	01503200			Horsch Dosing unit VDO complete	1	
2	01503800			Horsch dosing unit vdo complete	1	
3	01503301			metering case	1	
4	01503304			casing lid pressure tank	1	
5	01503804			injector window	1	
6	01503302			side cover	1	
7	00360371	M 8 x 12 - V2A	316	wing screw	10	
8	00370389	A 8,4 - V2A	125	washer	11	
9	00360407	M 8 x 16 - V2A	316	wing screw	3	
10	00370464	R 11 - V2A	440	washer	3	
11	01503303			flan bearing	1	
12	00360372	M 6 x 25 - V2A	933	hex screw	2	
13	00370388	A 6,4 - V2A	125	washer	4	
14	00350064	M 6 - V2A	985	nut, nylock	2	
15	01503600			divider	1	
16	01501901	138 x 15 x 1.5		clamp plate	1	
17	01501902	139 x 43 x 5		sealing lip	1	
18	00360337	M 6 x 18 - V2A	933	hex screw	3	
19	00370388	A 6,4 - V2A	125	washer	3	
20	01501100			brush holder	1	
21	01500001			brush	2	
22	00360372	M 6 x 25 - V2A	933	hex screw	4	
23	00370388	A 6,4 - V2A	125	washer	8	
24	00350064	M 6 - V2A	985	nut, nylock	4	
25	01501905	SW 17 x 264		shaft	1	
26	00260190	ø 15 x 1.5 - V2A	6799	safety ring	1	
27	33336100			drive shaft	1	
28	00370463	M 5 x 16 - V2A	914	threaded pin	1	
29	00240002	G 40 x 52 x 5 INA		waved sealing ring	1	
30	33336200			bearing housing	1	
31	00280414	A 5 x 5 x 18		fitted key	1	
32	00340636			plug for drive motor	1	
33	00370464	R 11 - V2A	440	washer	2	
34	00341156			ground stap	1	
35	00340616	M 63 x 60 - P 52/25		gear motor	1	
36	00360416	M 5 x 12 - V2A	933	hex screw	4	
37	00170049	A 5 - V2A	127	spring cotter pin	4	
38	00370465	A 5,3 - V2A	125	washer	4	
39	00230042	ø 20/28 x 1 - V2A		shim ring	4	
40	00230125	ø 20/28 x 0.2 - V2A		shim ring	4	
41	00260190	ø 15 x 1.5 - V2A	6799	safety ring	1	
42	01501904	ø 40 x 60 - V2A		bearing guide	1	
43	00240002	G 40 x 52 x 5 INA		waved sealing ring	1	
44	00240001	62205 2RS INA		grooved ball bearing	1	
45	00260125	ø 52 x 2 - V2A	472	safety ring	1	
46	00260126	ø 25 x 1.2 - V2A	471	safety ring	1	
47	00170060	Gr. 5 doppelt - V2A		spring cotter pin	1	
48	01503210	135 x 69.4 x 0.5		scraper f peas	1	
49	01500804	40 cm ³		rollers	1	

HORSCH Dosiergerät PP - Drucktank 01507900

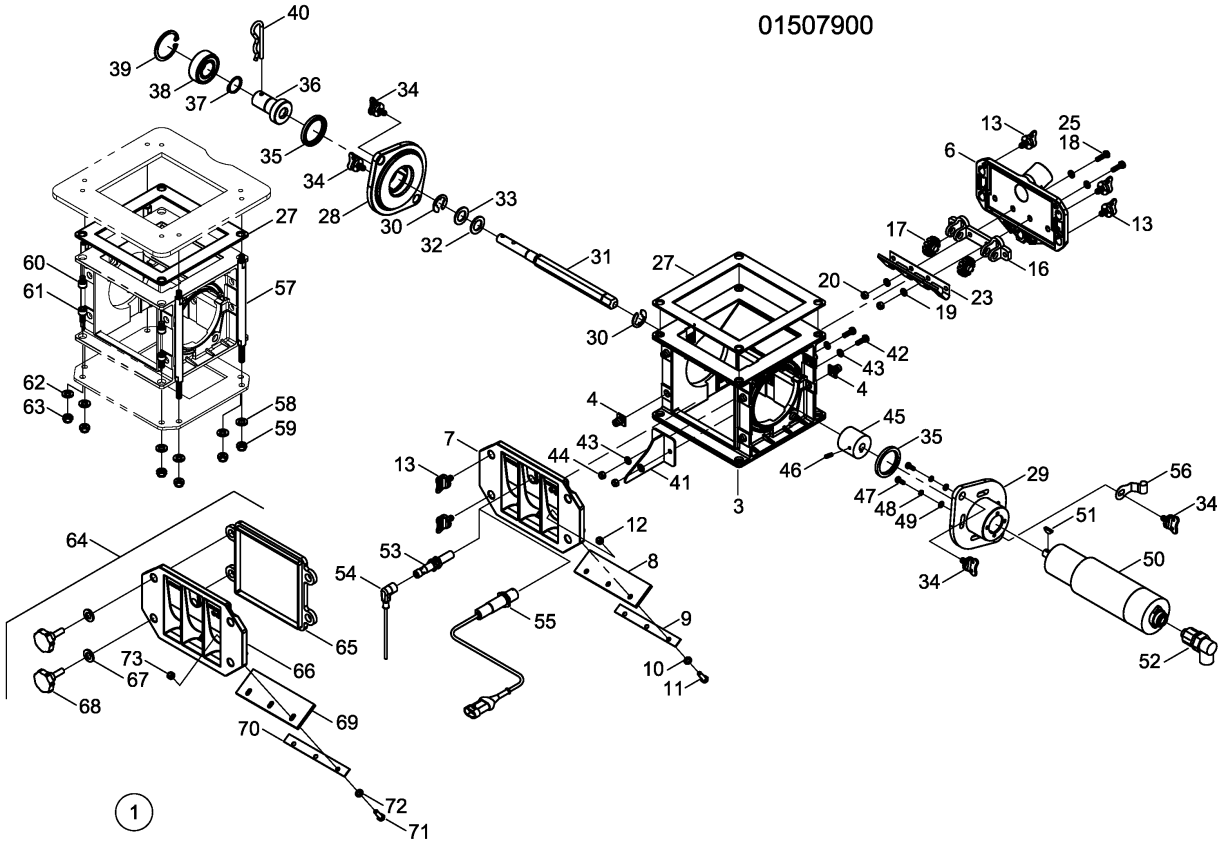


HORSCH Dosiergerät PP - Injektor 01507800

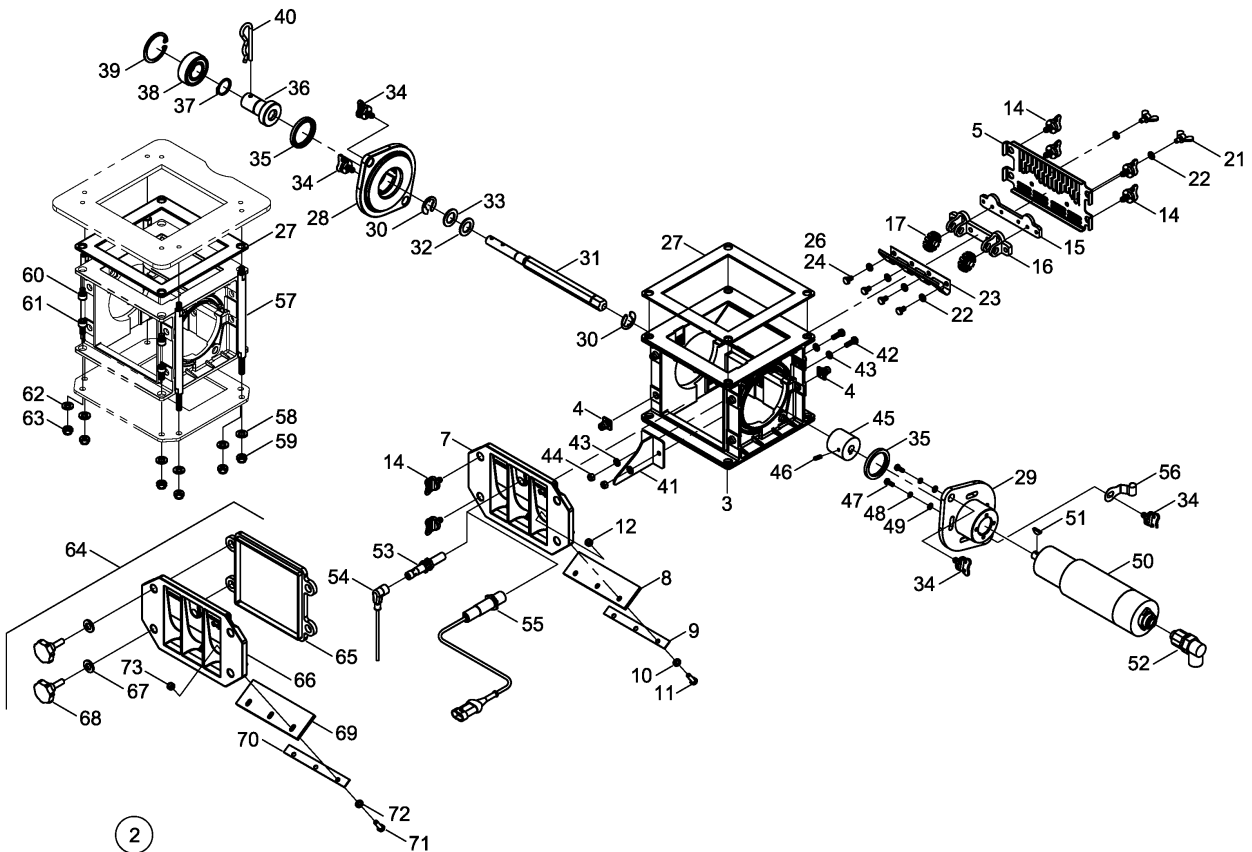


Pos.	Bestell-Nr.	Kurzbezeichnung	DIN	Bezeichnung	Menge	Bemerkung
1	01507900			Horsch Dosing unit PP compl	1	
2	01507800			Horsch Dosing unit pp compl	1	
3	01503220			metering case	1	
4	01503225	M 8		Plug-in nut	13	
5	01507804			injector window	1	
6	01503223			pressure tank window	1	
7	01503222			housing lid seal lip	1	
8	01501902			sealing lip	1	
9	01501901	138 x 15 x 1,5		clamp plate	1	
10	00360607	M 6 x 20 - V2A	933	hex screw	3	
11	00370388	A 6,4 - V2A	125	washer	3	
12	00350104	M 6 - V2A	934	hex nut	3	
13	01503224	M 8		gripped screw	9	
14	01503224	M 8		gripped screw	8	
15	01507803			connector raps brush	1	
16	01501100			brush holder	1	
17	01500001			brush	2	
18	00360607	M 6 x 20 - V2A	933	hex screw	4	
19	00370388	A 6,4 - V2A	125	washer	8	
20	00350064	M 6 - V2A	985	nut, nylock	4	
21	00360463	M 6 x 10 - V2A		wing screw	2	
22	00370388	A 6,4 - V2A	125	washer	6	
23	01503210	135 x 68 x 0,5		scraper	1	
24	00360645	M 6 x10 - V2A	933	hex screw	4	
25	00360628	M 6 x 14 - V2A	933	hex screw	4	
26	00360477	M 6 x 6 - V2A	933	hex screw	4	
27	01507801			seal metering unit	2	
28	01503221			flan bearing	1	
29	33336200			flan casing	1	
30	00260190	15 x 1,5 - V2A	6799	safety ring	2	
31	01501905	SW 17 x 264		Shaft	1	
32	00230042	ø 20/28 x 1 - V2A		shim ring	4	
33	00230125	ø 20/28 x 0.2 - V2A		shim ring	4	
34	01503224	M 8		gripped screw	4	
35	00240002	G 40 x 52 x 5 INA		waved sealing ring	2	
36	01501904	ø 40 x 60 - V2A		bearing guide	1	
37	00260126	ø 25 x 1.2 - V2A	471	safety ring	1	
38	00240001	62205 2RS SLF		grooved ball bearing	1	
39	00260125	ø 52 x 2 - V2A	472	safety ring	1	
40	00170060	Gr. 5 doppelt - V2A		spring cotter pin	1	
41	01503600			metering unit – dividerplate	1	
42	00360337	M 6 x 18 - V2A	933	hex screw	2	
43	00370388	A 6,4 - V2A	125	washer	4	
44	00350064	M 6 - V2A	985	nut, nylock	2	
45	33336100			drive shaft	1	
46	00370463	M 5 x 16 - V2A	914	threaded pin	1	
47	00360416	M 5 x 12 - V2A	933	hex screw	4	
48	00370263	A 5,3 - V2A	125	washer	4	
49	00170049	ø 5 - V2A	127	spring cotter pin	4	
50	00340616	M 63 x 60 - P 52/25		gear motor	1	

HORSCH Dosiergerät PP - Drucktank 01507900

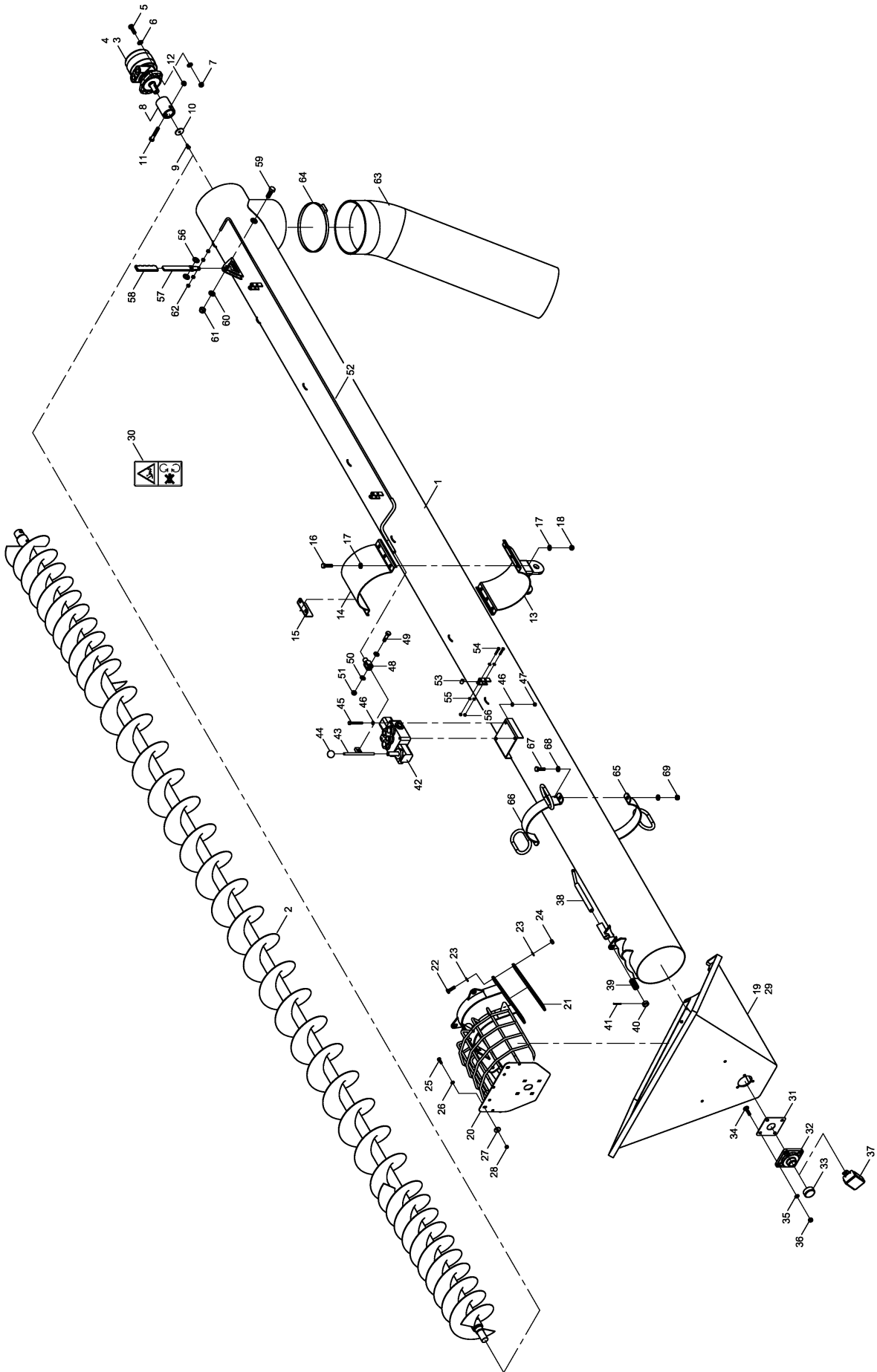


HORSCH Dosiergerät PP - Injektor 01507800



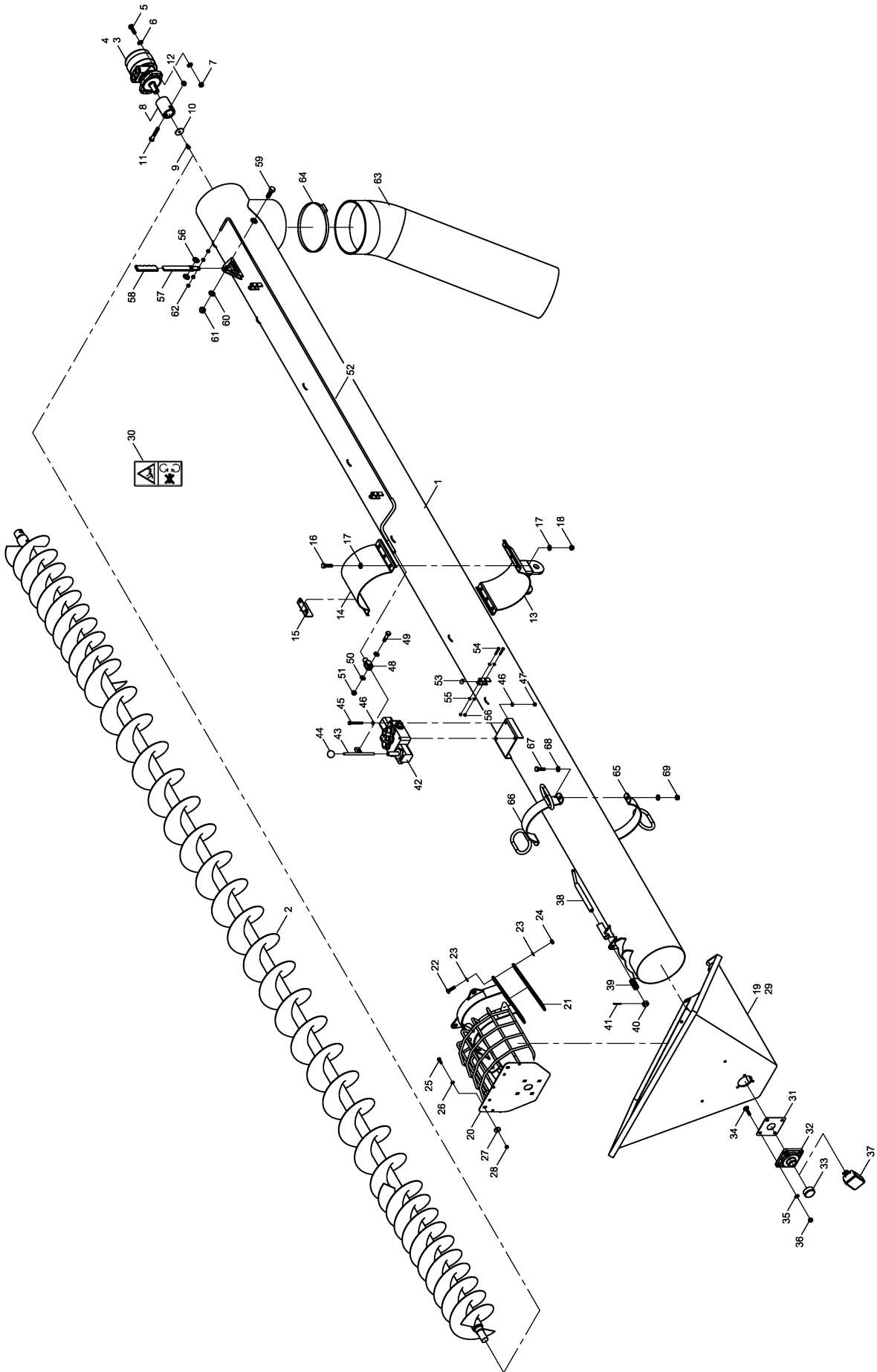
01507900 / 01507800	Horsch Dosing unit PP 2012	SW 12000 SD	EB	2011
---------------------	----------------------------	-------------	----	------

Pos.	Bestell-Nr.	Kurzbezeichnung	DIN	Bezeichnung	Menge	Bemerkung
51	00280414	4 x 6,5		spring disk	1	
52	00340636			plug for drive motor	1	
53	00341012	M 12 x 1		capacity/ seeding Sensor	1	
54	00345107			Sensor cable w coupling	1	
55	00341082	M 18 x 1 - AMP		capacity/ seeding Sensor	1	
56	00341261			ground strap	1	
57	01507802			mounting rod	4	
58	00370104	A 8,4	125	washer	4	
59	00350057	M 8	985	nut, nylock	4	
60	00370564	M 8 x 10 - V2A	912	cyl.- screw	4	
61	00370186	M 8 x 16	912	cyl.- screw	4	
62	00370104	A 8,4	125	washer	4	
63	00350057	M 8	985	nut, nylock	4	
64	01508300			adapter for beans complete	1	
65	01508301			adapter plate for beans	1	
66	01508302			housing lid seal lip for beans	1	
67	00370104	A 8,4	125	washer	4	
68	29210209	M 8 x 25		star grip thumb knob	4	
69	01501906			seal lip bean adapter	1	
70	01501901	138 x 15 x 1,5		clamp plate	1	
71	00360607	M 6 x 20 - V2A	933	hex screw	3	
72	00370388	A 6,4 - V2A	125	washer	3	
73	00350064	M 6 - V2A	985	nut, nylock	3	

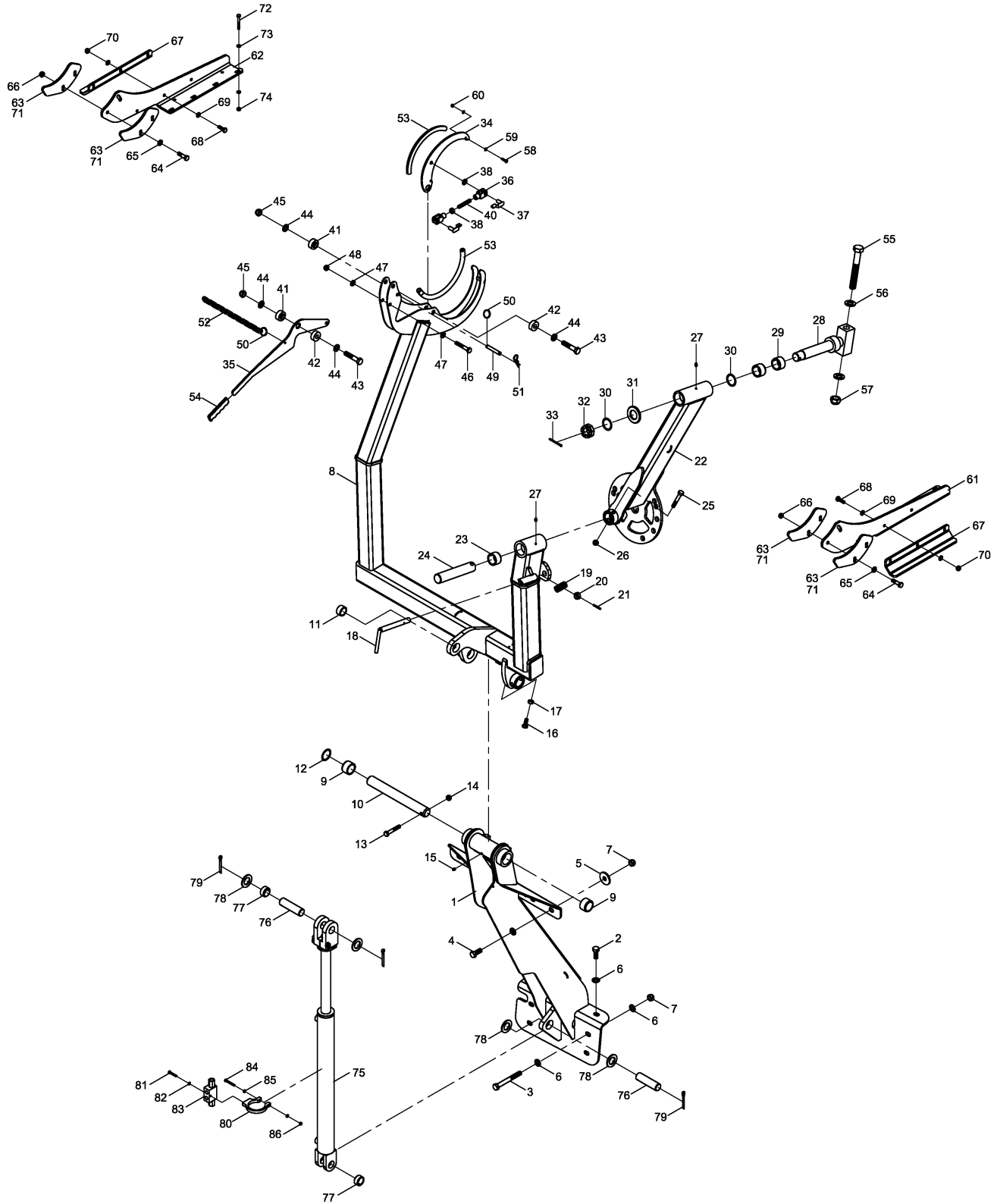


23924500	filling auger	SW 12000 SD	EB	2011
----------	---------------	-------------	----	------

Pos.	Bestell-Nr.	Kurzbezeichnung	DIN	Bezeichnung	Menge	Bemerkung
Ě	23924500			filling auger complete	1	
1	23924600			auger pipe	1	
2	23924700	ø 220 x 5200		auger spiral	1	
3	00110814	BREL 120 A58 12000		hyd. Motor	1	
4	00110829			sealkit f. hyd. Motor	1	
5	00360134	M 12 x 40	933	hex screw	4	
6	00370106	B 13	125	washer	8	
7	00350059	M 12	985	nut, nylock	4	
8	23924509	120cm ²		coupling	1	
9	00360109	M 8 x 16	933	hex screw	1	
10	23924510			washer	1	
11	00360036	M 12 x 70	931	hex screw	1	
12	00350059	M 12	985	nut, nylock	1	
13	23924900	ø 245		auger clamp top	1	
14	23924502	ø 245		auger clamp bottom	1	
15	23923211			bracket hose clamp	1	
16	00360135	M12 x 45	933	hex screw	6	
17	00370106	B 13	125	washer	12	
18	00350059	M 12	985	nut, nylock	6	
19	00381001			fill funnel	1	
20	23924800			funnel frame	1	
21	23924501			flange plate for funnel frame	2	
22	00360121	M 10 x 35	933	hex screw	4	
23	00370105	B 10,5	125	washer	8	
24	00350058	M 10	985	nut, nylock	4	
25	00360111	M 8 x 25	933	hex screw	2	
26	00370104	A 8,4	125	washer	4	
27	00370116	R 9	440	washer	2	
28	00350057	M 8		nut, nylock	2	
29	00381008			fill sifter	1	
30	00380163			decal	1	
31	23924508			support plate for bearing	1	
32	00240212	FY30FM SKF		Y-bearing	1	
33	00380418	ECY 205		bearing lid	1	
34	00370339	M 10 x 40 - 4kt.		flat head screw	4	
35	00370105	B 10,5	125	washer	4	
36	00350058	M 10	985	nut, nylock	4	
37	23923210			bearing protection	1	
38	23925300			locking bolt	1	
39	00170087	ø 2.5 x 25 x 50		pressure ring	1	
40	33735101	ø 26.9 x 4.5 x 10		pipe	1	
41	00370303	ø 5 x 40	1481	cotter pin	1	
42	00110915			mechanic control block	1	
43	23926400			handle	1	
44	00200219			ball head	1	
45	00360228	M 8 x 70	933	hex screw	3	
46	00370104	A 8,4	125	washer	6	
47	00350057	M 8	985	nut, nylock	3	
48	00150065	M 12 x 24		fork head	1	
49	00360135	M 12 x 45	933	hex screw	1	

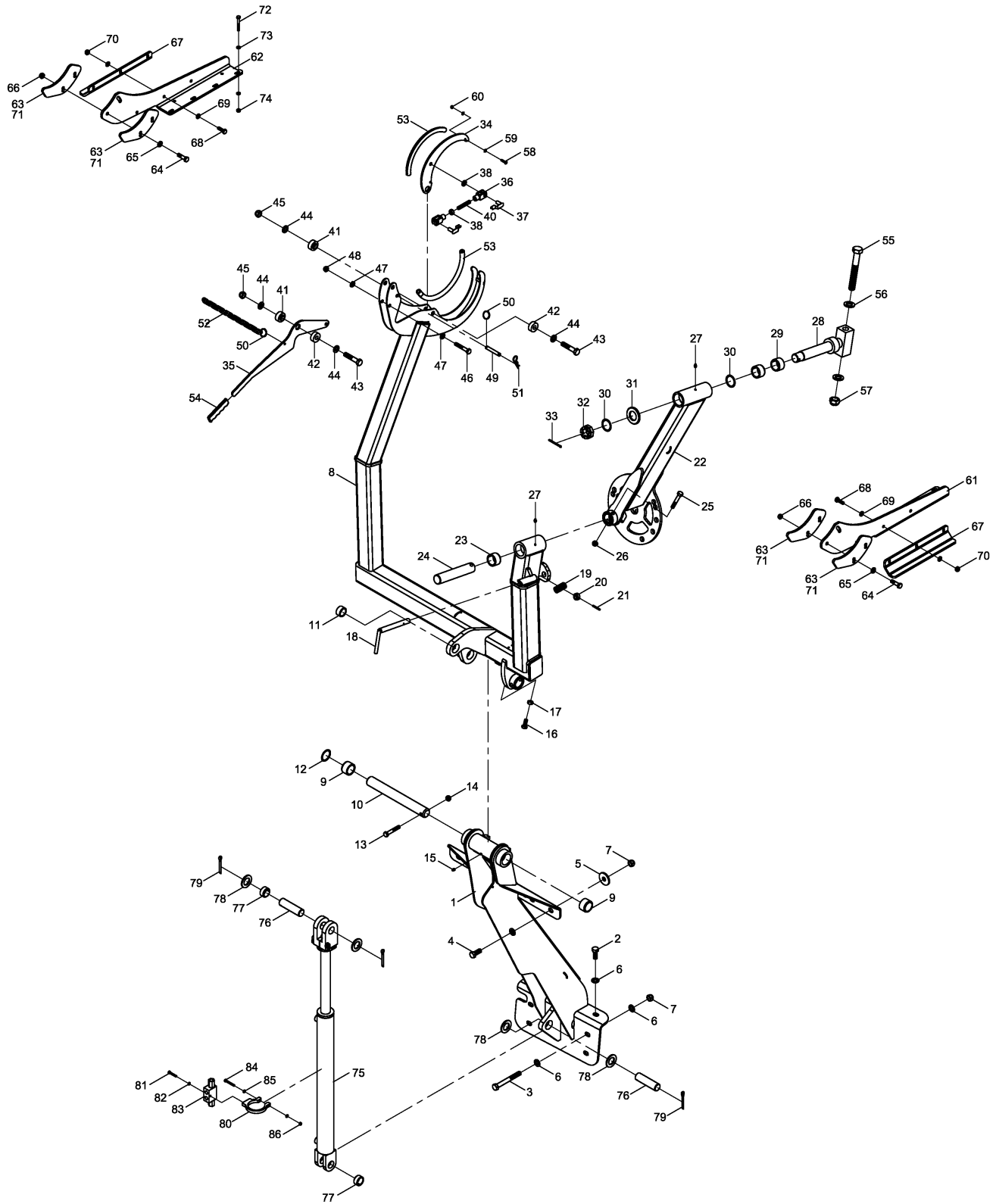


23924500		filling auger			SW 12000 SD	EB	2011
Pos.	Bestell-Nr.	Kurzbezeichnung	DIN	Bezeichnung	Menge	Bemerkung	
50	00370106	B 13	125	washer	2		
51	00350059	M 12	985	nut, nylock	1		
52	23924511			push rod	1		
53	23924507			bushing push rod	6		
54	00360318	M 6 x 35	931	hex screw	6		
55	00370103	A 6,4	125	washer	12		
56	00350067	M 6	985	nut, nylock	6		
57	23924506			lever top valve control	1		
58	00200189	ø 25 x 6		wavy handle	1		
59	00360150	M 16 x 45	933	hex screw	1		
60	00370108	B 17	125	washer	4		
61	00350061	M 16	985	nut, nylock	1		
62	00350112	M12	934	hex nut	4		
63	00180086	ø 250		Airduc-hose	1		
64	00190360	ø 240 - 270		hose ties	1		
65	23925100			bracket	1		
66	23925200			bracket	1		
67	00360134	M 12 x 40	933	hex screw	2		
68	00370106	B 13	125	washer	4		
69	00350059	M 12	985	nut, nylock	2		



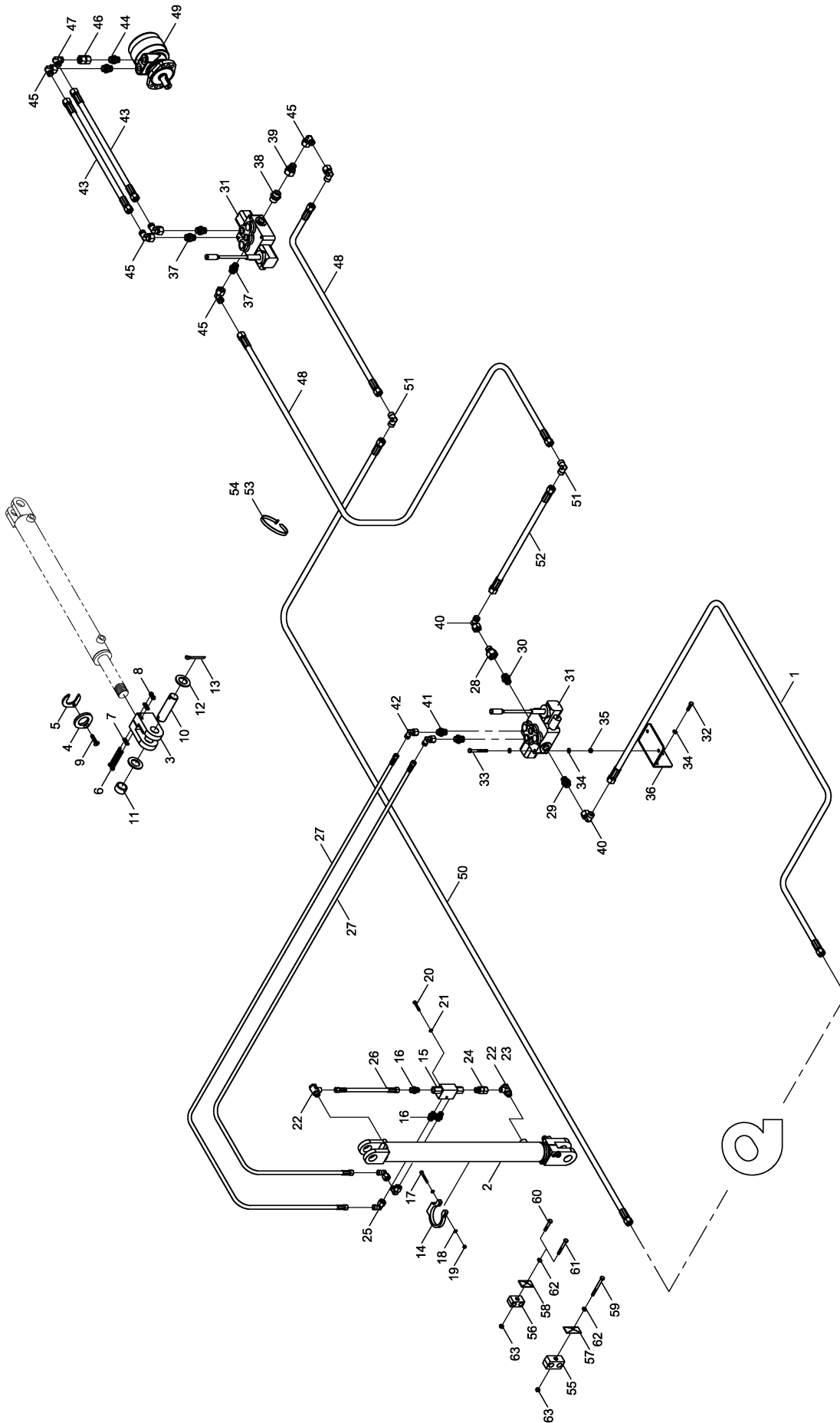
23923200	support arm filling auger	SW 12000 SD	EB	2011
----------	---------------------------	-------------	----	------

Pos.	Bestell-Nr.	Kurzbezeichnung	DIN	Bezeichnung	Menge	Bemerkung
1	23924100			auger frame fueling side	1	
2	00360149	M 16 x 40	933	hex screw	2	
3	00360068	M 16 x 140	931	hex screw	4	
4	00360149	M 16 x 40	933	hex screw	4	
5	00370119	R 18	440	washer	3	
6	00370108	B 17	125	washer	11	
7	00350061	M 16	985	nut, nylock	8	
8	23924200			folding frame	1	
9	00230005	EG 50 / 40 x 30		bushing	2	
10	23811510	ø 40 x 340	671	bolt	1	
11	00230120	EG 40 / 32 x 20		bushing	1	
12	00230048	ø 42 x 52 x 0.50	988	shim ring	8	
13	00360264	M 12 x 1,5 x 75	960	hex screw	1	
14	00350048	M 12 x 1.5	985	nut, nylock	1	
15	00370093	H 1 - M 8 x 1		grease zerk	1	
16	00360132	M 12 x 30	933	hex screw	2	
17	00350010	M 12	934	hex nut	2	
18	23925300			locking bolt	1	
19	00170087	2.5 x 25 x 50		pressure ring	1	
20	33735101	ø 26.9 x 4.5 x 10		pipe	1	
21	00370303	ø 5 x 40	1481	cotter pin	1	
22	23924300			support arm	1	
23	00230005	EG 50 / 40 x 30		bushing	2	
24	23481305	ø 40 x 210		bolt	1	
25	00360264	M 12 x 1,5 x 75	960	hex screw	1	
26	00350048	M 12 x 1,5	985	nut, nylock	1	
27	00370093	H 1 - M 8 x 1		grease zerk	2	
28	23924400			turning joint	1	
29	00230005	EG 50 / 40 x 30		bushing	2	
30	00230048	ø 42 x 52 x 0.50		shim ring	3	
31	00370532	B 40	125	washer	1	
32	00350626	M 36 x 2		crowned nut	1	
33	00170117	ø 5 x 60	94	cotter pin	1	
34	23923201			hock plate bracket	1	
35	23923202			lever plate bracket	1	
36	00150065			fork head	2	
37	00200220	ø 12		snap hock pin	2	
38	00370106	B 13	125	washer	2	
39	00350010	M 12	934	hex nut	2	
40	33733701	M 12		threaded rod	1	
41	33422306	ø 40 x 24 x 24		bearing bushing	2	
42	23923203	ø 40 x 16,5 x 16		bearing bushing	2	
43	00360061	M 16 x 80	931	hex screw	2	
44	00370108	B 17	125	washer	4	
45	00350061	M 16	985	nut, nylock	2	
46	00360038	M 12 x 75	931	hex screw	1	
47	00370106	B 13	125	washer	2	
48	00350059	M 12	985	nut, nylock	1	
49	33733601	ø 12 x 65		bolt	1	
50	00260059	ø 30		key ring	2	



23923200	support arm filling auger	SW 12000 SD	EB	2011
----------	---------------------------	-------------	----	------

Pos.	Bestell-Nr.	Kurzbezeichnung	DIN	Bezeichnung	Menge	Bemerkung
51	00170045	Gr. 3 einfach		spring cotter pin	1	
52	00250037	ø 3 x 250 mm		chain	1	
53	00190177	ø 11 x 4 x 1500 mm		brake hose	1	
54	00200189	PVC 25x 6		wavy handle	1	
55	00360092	M 24 x 180	931	hex screw	1	
56	00370110	B 25	125	washer	2	
57	00350065	M 24	985	nut, nylock	1	
58	00360107	M 6 x 25	933	hex screw	6	
59	00370103	A 6,4	125	washer	12	
60	00350067	M 6	985	nut, nylock	6	
61	23923212			supportive angle front	1	
62	23923213			supportive angle back	1	
63	23923215			auger holder plate	4	
64	00360032	M 12 x 45	931	hex screw	4	
65	00370106	B 13	125	washer	8	
66	00350059	M 12	985	nut, nylock	4	
67	23923214			mounting angle	2	
68	00360121	M 10 x 35	933	6 kt -screw	6	
69	00370105	B 10,5	125	washer	12	
70	00350058	M 10	985	nut, nylock	6	
71	00200159	8 x 1500 mm		auger holder plate	1	
72	00360486	M 8 x 65	931	hex screw	8	
73	00370389	A 8,4		washer	16	
74	00350062	M 8	985	nut, nylock	8	
75	00130380	DZ 60 x 40 x 550		Hyd.- cylinder	1	
76	34272204	ø 32 x 92		bolt	2	
77	00230120	EG 40 / 32 x 20		bushing	2	
78	00370438	ø 33	126	washer	4	
79	00170106	ø 8 x 56	94	cotter pin	4	
80	35102101			attachment to secure valve	1	
81	00360318	M 6 x 35	931	hex screw	1	
82	00370103	A 6,4	125	washer	1	
83	00110223	90° 3/8"		double stop valve	1	
84	00360288	M 6 x 80	931	hex screw	1	
85	00370103	A 6,4	125	washer	2	
86	00350067	M 6	985	nut, nylock	1	

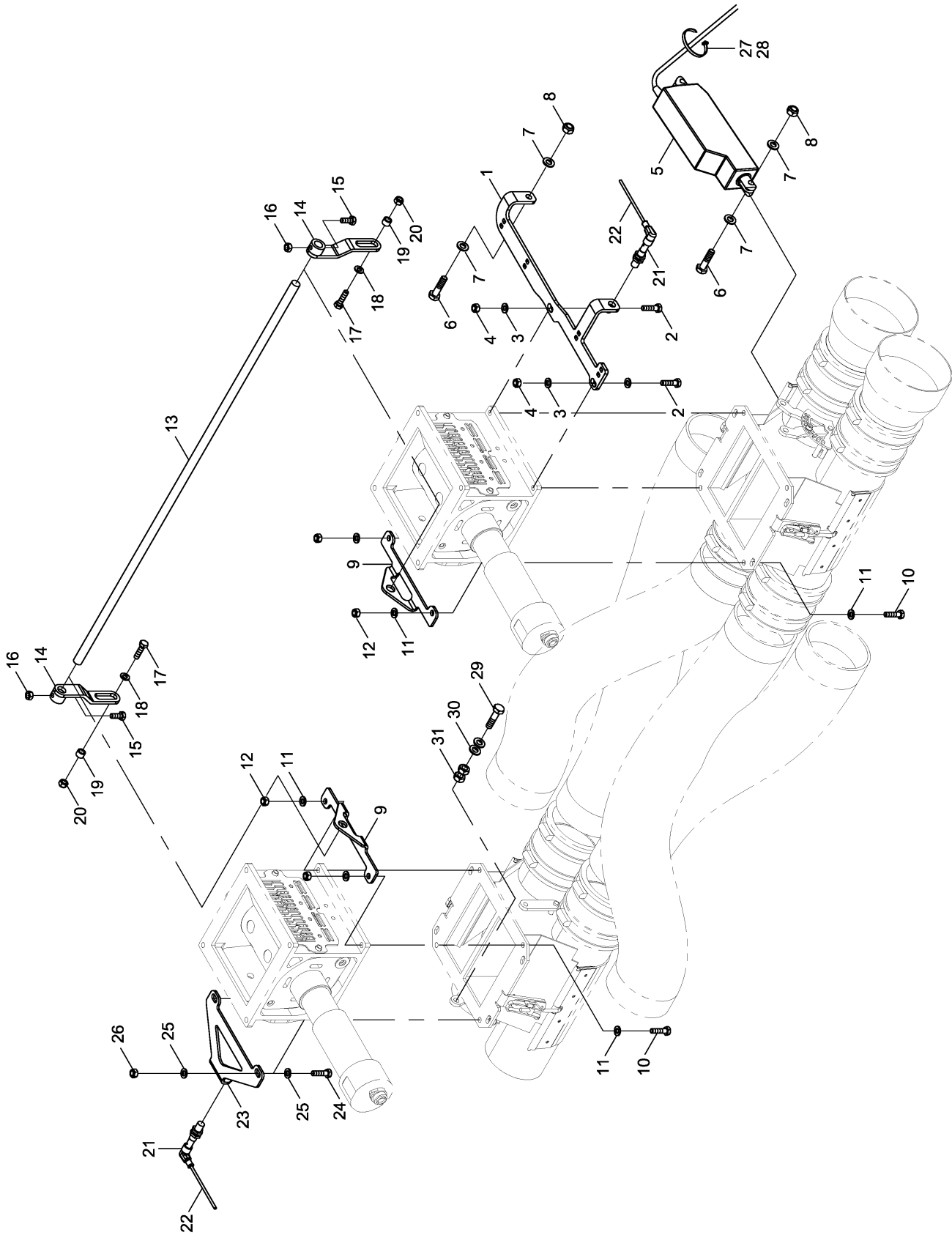


23923200	hyd.- filling auger	SW 12000 SD	EB	2011
----------	---------------------	-------------	----	------

Pos.	Bestell-Nr.	Kurzbezeichnung	DIN	Bezeichnung	Menge	Bemerkung
1	00120464	2SC DN12 A05-A05 500lg.	125	hyd.-hose	1	
2	00130380	DZ 60 x 40 x 550		hyd.- cylinder	1	
3	00130230	ø 32 x 87		cylinder fork	1	
4	34217001	8 mm		shim ring	1	
5	34217003	5 mm		shim ring	1	
6	00370580	M 10 x 85	912	cyl.- screw	2	
7	00370105	B 10,5	125	washer	4	
8	00350058	M 10	985	nut, nylock	2	
9	00370280	M 8 x 25	7991	countersunk bolt	1	
10	34272204	ø 32 x 84		bolt	2	
11	00230120	EG 40 / 32 x 20		bushing	2	
12	00370438	ø 33	126	washer	4	
13	00170106	ø 8 x 56	94	cotter pin	4	
14	35102101			attachment to secure valve	1	
15	00110223	90° 3/8"		double stop valve	1	
16	00100312	GE 12 PL - R 3/8" - ED		straight adapter	3	
17	00360288	M 6 x 80	931	hex screw	1	
18	00370103	A 6,4	125	washer	2	
19	00350067	M 6	985	nut, nylock	1	
20	00360318	M 6 x 35	931	hex screw	1	
21	00370103	A 6,4	125	washer	1	
22	00100180	SWVE 12 L - M 18 x 1.5		swivel adapter	2	
23	33652601	ø 1		throttle	2	
24	00100308	EVGE 12 PL - R 3/8" - ED		straight adapter w. nozzle	1	
25	00100055	EVW 12 L		adjustable w- adapter	3	
26	00120437	2SC DN8 A05-A05 450lg.		hyd.-hose	1	
27	00120659	2SC DN8 A05-A05 4000lg.		hyd.-hose	2	
28	00100144	KOR 18 - 15 L		adapter	1	
29	00100265	GE 15 PL - R 1/2" - ED		straight adapter	1	
30	00100357	GE 18 PL - R 3/4" - ED		straight adapter	1	
31	00110915			control block mechanic	2	
32	00360111	M 8 x 25	933	hex screw	3	
33	00360292	M 8 x 75	931	hex screw	3	
34	00370104	A 8,4	125	washer	9	
35	00350057	M 8	985	nut, nylock	3	
36	23923209			support bracket control valve	1	
37	00100265	GE 15 PL - R 1/2" - ED		straight adapter	3	
38	00100357	GE 18 PL - R 3/4" - ED		straight adapter	1	
39	00100144	KOR 18 - 15 L		adapter	1	
40	00100056	EVW 15 L		adjustable w- adapter	2	
41	00100313	GE 12 PL - R 1/2" - ED		straight adapter	2	
42	00100055	EVW 12 L		adjustable w- adapter	2	
43	00120685	2SC DN12 A05-A05 3700lg.		hyd.-hose	2	
44	00100265	GE 15 PL-R 1/2" - ED		straight adapter	2	
45	00100056	EVW 15 L		adjustable elbow adapter	6	
46	00100309	GZ 15 L		connector	1	
47	00100220	W 15 L		elbow adapter	1	
48	00120581	2SC DN12 A05-A05 1000lg.		hyd.-hose	2	
49	00110814	BREL 120 A58 12000		hyd.-motor	1	
50	00120395	2SC DN12 A05-A05 5800lg.		hyd.-hose	1	

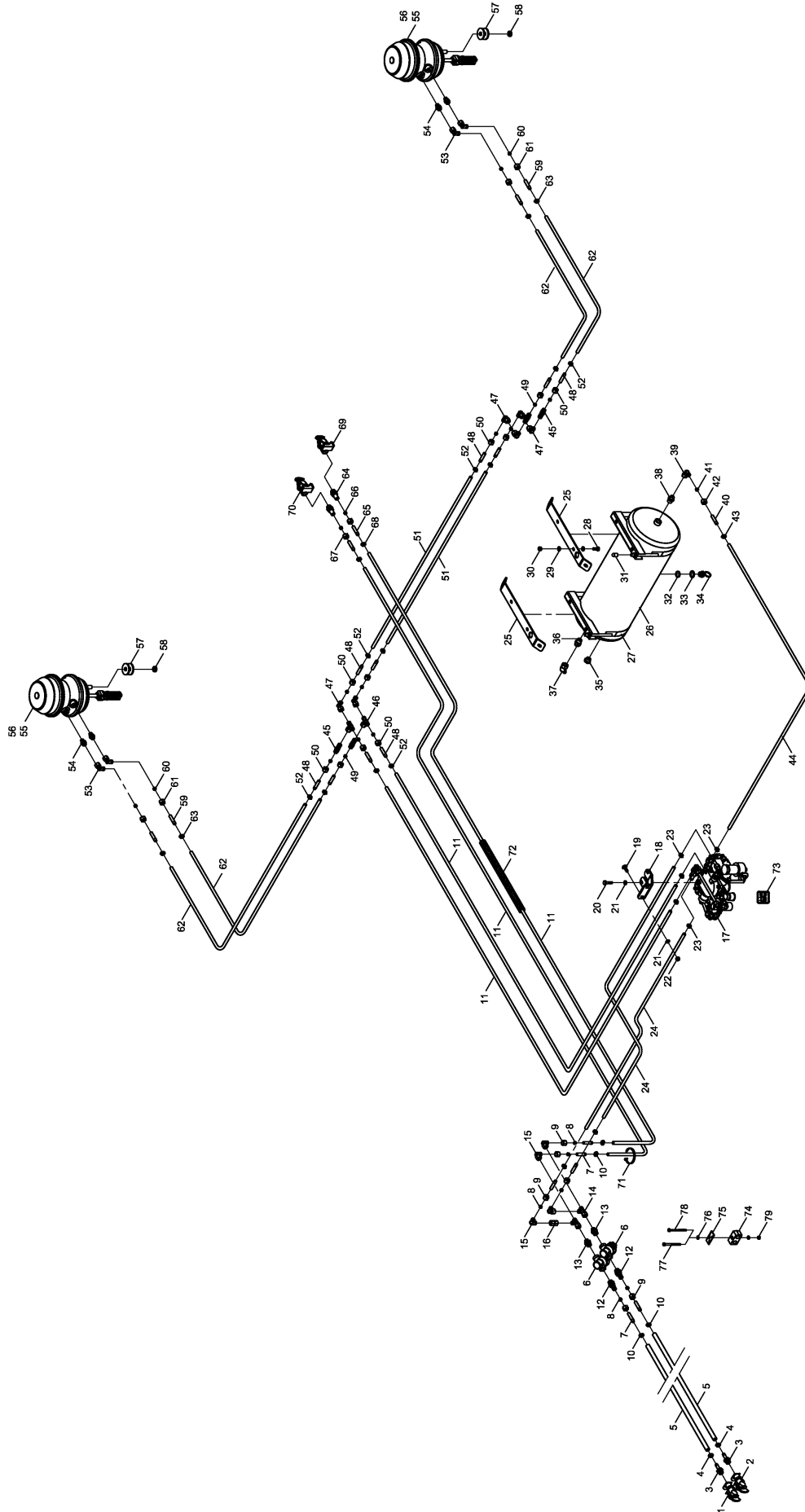
23923200	hyd.- filling auger	SW 12000 SD	EB	2011
----------	---------------------	-------------	----	------

Pos.	Bestell-Nr.	Kurzbezeichnung	DIN	Bezeichnung	Menge	Bemerkung
51	00100220	W 15 L		elbow adapter	2	
52	00120753	2SC DN12 A05-A05 6700lg.		hyd.-hose	1	
53	00190013	T 30 L 200 x 3.6		cable ties	15	
54	00190016	T 50 L 360 x 4.8		cable ties	15	
55	00100347	RBP-319 DN10		pipe bracket	8	
56	00100350	RBP-215 DN 8		pipe bracket	4	
57	00100345	DP-B3		cover for pipe bracket	5	
58	00100349	DP-B2		cover for pipe bracket	4	
59	00360230	M 8 x 85	931	hex screw	3	
60	00360007	M 8 x 45	931	hex screw	1	
61	00360291	M 8 x 65	931	hex screw	6	
62	00370104	A 8,4	125	washer	12	
63	00350057	M 8	985	nut, nylock	2	



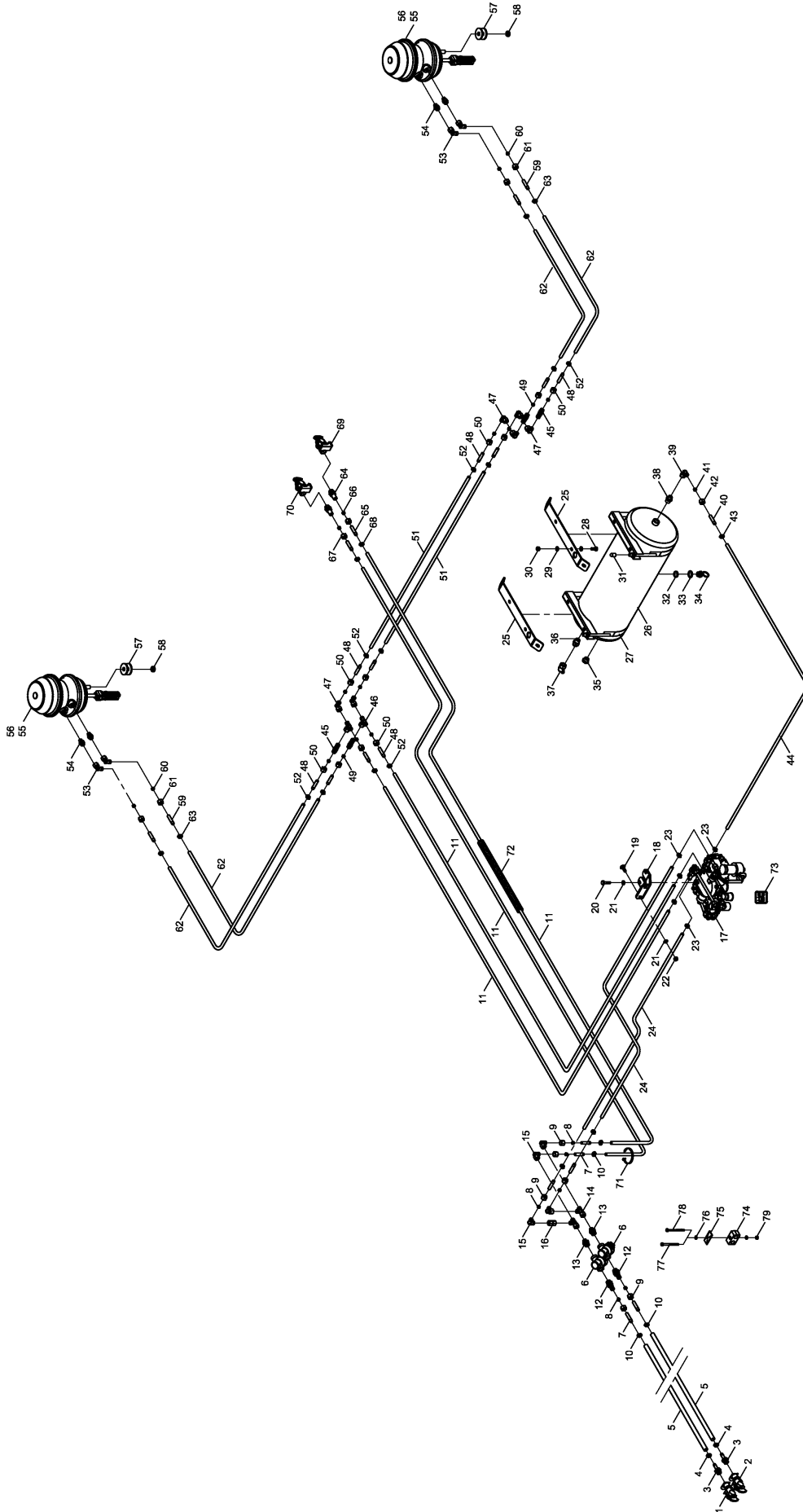
23923500	electric partial shut off	SW 12000 SD	9B	2011
----------	---------------------------	-------------	----	------

Pos.	Bestell-Nr.	Kurzbezeichnung	DIN	Bezeichnung	Menge	Bemerkung
1	23923501			lever for partial shut off	1	
2	00360224	M 8 x 35	931	hex screw	2	
3	00370104	A 8,4	125	washer	4	
4	00350057	M 8	985	nut, nylock	2	
5	23776700			Half Width	1	
6	00360021	M 10 x 40	931	hex screw	2	
7	00370105	B 10,5	125	washer	4	
8	00350058	M 10	985	nut, nylock	2	
9	23923502			axle bracket	2	
10	00360224	M 8 x 35	931	hex screw	4	
11	00370104	A 8,4	125	washer	8	
12	00350057	M 8	985	nut, nylock	4	
13	23923503			axle	1	
14	23925400			lever	2	
15	00360110	M 8 x 20	933	hex screw	2	
16	00350008	M 8	934	hex nut	2	
17	00360112	M 8 x 30	933	hex screw	2	
18	00370104	A 8,4	125	washer	4	
19	23036811	∅ 13.5 x 2.3 x 9		bushing	2	
20	00350057	M 8	985	nut, nylock	2	
21	00341165			sensor for fan and partial shut off	2	
22	00345107			cable for sensor	2	
23	23923504			bracket for sensor	1	
24	00360224	M 8 x 35	931	hex screw	2	
25	00370104	A 8,4	125	washer	4	
26	00350057	M 8	985	nut, nylock	2	
27	00190013	T 30 L 200x 3.6		cable ties	10	
28	00190246	T 18 L 200x 2.5		cable ties	10	
29	00360021	M 10 x 40	931	hex screw	1	
30	00370105	B 10,5	125	washer	2	
31	00350009	M 10	934	hex nut	2	



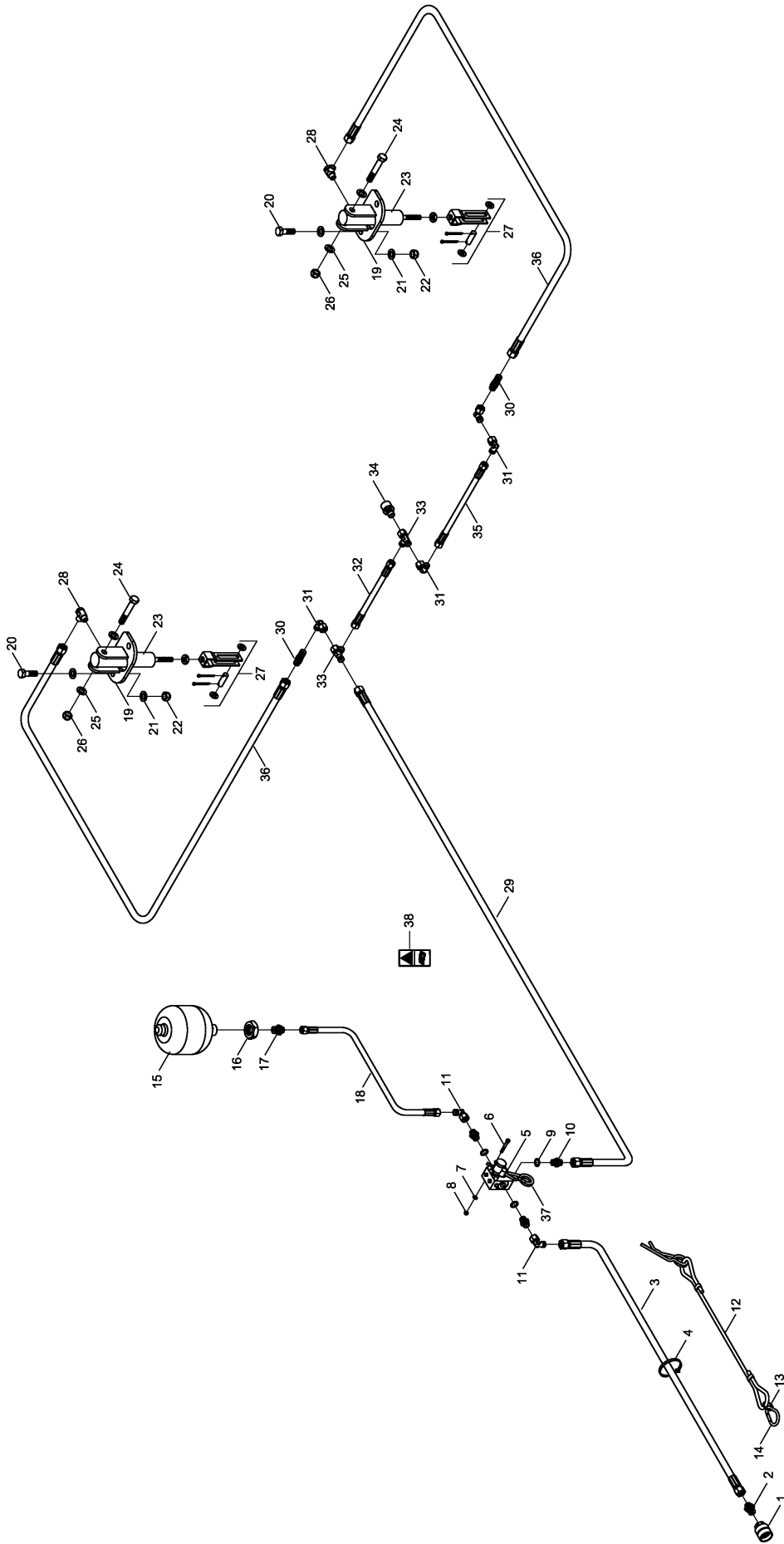
23922700	pneumatic brake system	SW 12000 SD	EB	2011
----------	------------------------	-------------	----	------

Pos.	Bestell-Nr.	Kurzbezeichnung	DIN	Bezeichnung	Menge	Bemerkung
1	00190241	M 22 x 1,5		coupling head yellow	1	
2	00190240	M 22 x 1,5		coupling head red	1	
3	00190239	ø 11x 3,5 - M 22 x 1,5		hose nozzle	2	
4	00190184	ø 8 x 5		hose bracket pneum.	2	
5	00190177	ø 11 x 4 x 11000 mm		brake hose	1	
6	00190242	M 22 x 1,5		pneumatic connection filter	2	
7	00190183	12L - 11 x 3,5		hose nozzle	6	
8	00110259	12 L		cutting ring	6	
9	00110244	12 L		Cap nut	6	
10	00190184	ø 8 x 5		hose bracket	6	
11	00190177	ø 11 x 4 x 14000 mm		brake hose	1	
12	00190195	SV 12 M 22 x 1,5		bulkhead adapter	2	
13	00100399	GE 12 PL - M 22 x 1,5		straight adapter	2	
14	00100037	EVL 12 L		adjustable l- adapter	2	
15	00100055	EVW 12 L		adjustable w- adapter	6	
16	00100342	GZ 12 L		connector	1	
17	23926700			brake valve	1	
18	27034001			bracket for brake valve	1	
19	00370041	M 10 x 30 - 4kt.	603	flat head screw	2	
20	00360021	M 10 x 40	931	hex screw	2	
21	00370105	B 10,5	125	washer	6	
22	00350058	M 10	985	nut, nylock	4	
23	00190184	ø 8 x 5		hose bracket	5	
24	00190177	ø 11 x 4 x 2000 mm		brake hose	1	
25	23922701			bracket for air reservoir	2	
26	00190158	40 L		air reservoir	1	
27	00190171			strap for air reservoir	2	
28	00360119	M 10 x 25	933	hex screw	8	
29	00370105	B 10,5	125	washer	16	
30	00350058	M 10	985	nut,nylock	8	
31	00200162	ø 12 - 40		thread protection	2	
32	00190095	M 22 x 1.5		O-ring	1	
33	00190090	M 22 x 1.5		pressure ring	1	
34	00190087	M 22 x 1.5		drain valve	1	
35	00190301	M 22 x 1.5		closing cap	1	
36	00100401	GE 15 PL - M 22 x 1.5 - ED		straight adapter	1	
37	00190243	M 22 x 1.5 IG		check connection	1	
38	00100399	GE 12 PL - M 22 x 1.5 - ED		straight adapter	1	
39	00100055	EVW 12 L		adjustable w- adapter	1	
40	00190183	12 L - 11 x 3.5		hose nozzle	1	
41	00110259	12 L		cutting ring	1	
42	00110244	12 L		union nut	1	
43	00190184	ø 8 x 5		hose bracket	1	
44	00190177	ø 11 x 4 x 2000 mm		brake hose	1	
45	00100172	SV 12 L - M 18 x 1,5		bulkhead adapter	10	
46	00100045	EVT 12 L		adjustable t - adapter	10	
47	00100055	EVW 12 L		adjustable w - adapter	10	
48	00190183	12L - 11 x 3,5		hose nozzle	10	
49	00110259	12 L		cutting ring	10	
50	00110244	12 L		union nut	10	



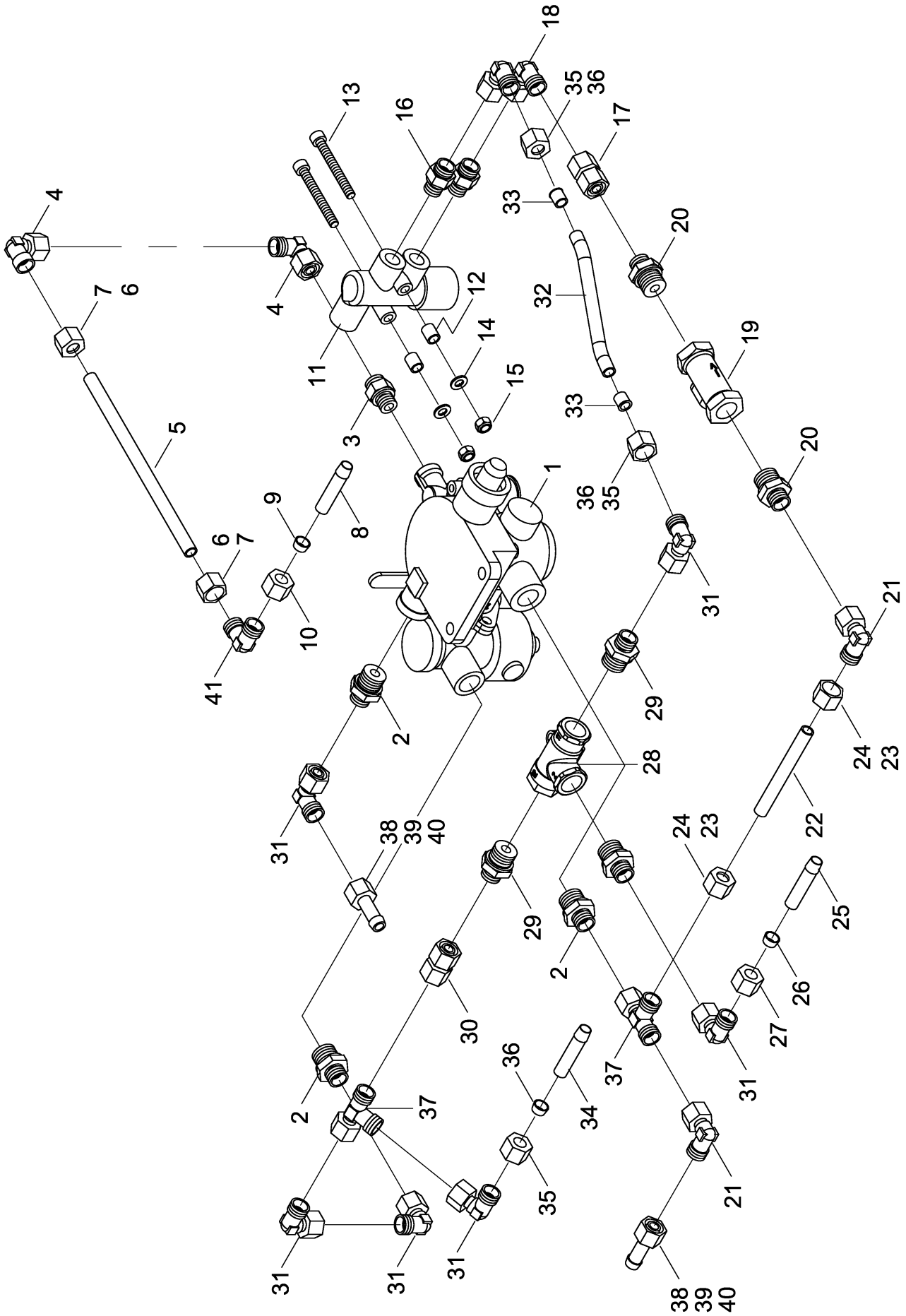
23922700	pneumatic brake system	SW 12000 SD	EB	2011
----------	------------------------	-------------	----	------

Pos.	Bestell-Nr.	Kurzbezeichnung	DIN	Bezeichnung	Menge	Bemerkung
51	00190177	ø 11 x 4 x 4000 mm		brake hose	1	
52	00190184	ø 8 x 5		hose bracket	10	
53	00100055	EVW 12 L		adjustable w- adapter	4	
54	00100400	GE 12 PL - M 16 x 1.5 - ED		straight adapter	4	
55	00190319	Typ 30/30 Federspeicher		brake cylinder	2	
56	00310066	Typ 30 Beipack LL		accessory kit brake cylinder	2	
57	00370119	R 18	440	washer	4	
58	00350089	M 16 x 1.5	439	hex screw	2	
59	00190183	12L - 11 x 3,5		hose nozzle	4	
60	00110259	12 L		cutting ring	4	
61	00110244	12 L		Union nut	4	
62	00190177	ø 11 x 4 x 3000		brake hose	1	
63	00190184	ø 8 x 5		hose bracket	4	
64	00190195	SV 12 M 22 x 1,5		bulkhead adapter	2	
65	00190183	12L - 11 x 3,5		hose nozzle	2	
66	00110259	12 L		cutting ring	2	
67	00110244	12 L		union nut	2	
68	00190184	ø 8 x 5		hose bracket	2	
69	00190355	M 22 x 1,5		coupling head red	1	
70	00190356	M 22 x 1,5		coupling head yellow	1	
71	00190013	T 30 L 200x 3.6		cable ties	30	
72	00180065	ø 24 x 3000 mm		plastic coil	1	
73	00380557	Parkstellung Federspeicher		decal	1	
74	00100347	RBP-319 DN10		pipe bracket	10	
75	00100345	DP-B3		cover plate	5	
76	00370104	A 8,4	125	washer	7	
77	00360208	M 8 x 95	931	hex screw	3	
78	00360014	M 8 x 100	931	hex screw	2	
79	00350057	M 8	985	nut, nylock	2	



23923600	hydraulic brake system	SW 12000 SD	EB	2011
----------	------------------------	-------------	----	------

Pos.	Bestell-Nr.	Kurzbezeichnung	DIN	Bezeichnung	Menge	Bemerkung
1	00110811	IGF 08 - G 1/2"		hyd.-coupling	1	
2	00100087	GE 12 L - R 1/2"		straight adapter	1	
3	00120249	2 SC DN 10 A05-A05 2600 lg.		hyd.-hose	1	
4	00190017	T 150 - R 363 x 7.8		cable ties	10	
5	00110850			valve- emergency brakes	1	
6	00370185	M 6 x 55	912	cyl.- screw	2	
7	00370103	A 6,4	125	washer	2	
8	00350067	M 6	985	nut, nylock	2	
9	00260062	A 18 x 25		copper seal ring	3	
10	00100090	GE 12 L - M 18 x 1.5		straight adapter	3	
11	00100055	EVW 12 L		adjustable w - adapter	2	
12	00160010			Steel cable	1	
13	00260059	ø 30		key ring	1	
14	00140029	100 x 10		D-ring	1	
15	00110932	1,4 L 70bar		pressure tank	1	
16	00350044	M 33 x 1.5	439	hex nut	1	
17	00100313	GE 12 PL - R 1/2" - ED		straight adapter	1	
18	00120259	2 SC DN 10 A05-A05 2900 lg.		hyd.-hose	1	
19	23659600			bracket for brake cylinder	2	
20	00360057	M 16 x 50	931	hex screw	4	
21	00370108	B 17	125	washer	8	
22	00350061	M 16	985	nut, nylock	4	
23	00130679	ø 25		brake cylinder	2	
24	00360257	M 16 x 95	931	hex screw	2	
25	00370108	B 17	125	washer	4	
26	00350061	M 16	985	nut, nylock	2	
27	00310950	Typ 16 LL		brake cylinder accessories kit	2	
28	00100181	SWVE 12 L - R 3/8" - ED		adapter	2	
29	00120720	2 SC DN 10 A05-A05 5400 lg.		hyd.-hose	1	
30	00100172	SV 12 L - M 18 x 1,5		bulkhead adapter	2	
31	00100055	EVW 12 L		adjustable w- adapter	4	
32	00120820	2 SC DN 10 A05-A05 200 lg.		hyd.-hose	2	
33	00100037	EVL 12 L		adjustable l- adapter	2	
34	00110869	12 L		hyd.-plug	1	
35	00120141	2 SC DN 10 A05-A05 1200 lg.		hyd.-hose	1	
36	00120024	2 SC DN 10 A05-A05 500 lg.		hyd.-hose	2	
37	00110850			spring pin	1	
38	00380252			security decal	1	



23926700	valve block for brake	SW 12000 SD	EB	2011
----------	-----------------------	-------------	----	------

Pos.	Bestell-Nr.	Kurzbezeichnung	DIN	Bezeichnung	Menge	Bemerkung
1	00190330			brake valve	1	
2	00100339	EVGE 12-PL - R 1/2"- ED		straight adapter w. nozzle	3	
3	00100400	GE 12 PL - M 16 x 1,5 - ED		straight adapter	1	
4	00100055	EVW 12 L		adjustable elbow adapter	2	
5	23571401	ø 12 x 1,5 x 225		Hyd. - tube	1	
6	00110259	12 L		cutting ring	2	
7	00110244	12 L		union nut	2	
8	00190183	12L - 11 x 3,5		hose nozzle	1	
9	00110259	12 L		cutting ring	1	
10	00110244	12 L		union nut	1	
11	00190266			additional valve for release valve	1	
12	21541205	ø 12 x 1,5 x 14		hyd.-pipe	2	
13	00370144	M 8 x 70	912	cyl.- screw	2	
14	00370104	A 8,4	125	washer	2	
15	00350057	M 8	985	nut, nylock	2	
16	00100400	GE 12 PL - M 16 x 1,5 - ED		straight adapter	2	
17	00100342	GZ 12 L		connector	1	
18	00100055	EVW 12 L		adjustable w- adapter	2	
19	00190265			stop valve pneu. Brake	1	
20	00100399	GE 12 PL - M 22 x 1,5 - ED		straight adapter	2	
21	00100055	EVW 12 L		adjustable – W-adapter	2	
22	23077303	ø 12 x 1,5 x 105		hyd.-pipe	1	
23	00110259	12 L		cutting ring	2	
24	00110244	12 L		union nut	2	
25	00190183	12L - 11 x 3,5		hose nozzle	1	
26	00110259	12 L		cutting ring	1	
27	00110244	12 L		union nut	1	
28	00190267			2 way valve	1	
29	00100399	GE 12 PL - M 22 x 1,5 - ED		straight adapter	3	
30	00100342	GZ 12 L		connector	1	
31	00100055	EVW 12 L		adjustable w- adapter	6	
32	00190147	ø 12 x 1,5 x 150 mm		plastic hose	1	
33	00190198	12 x 1,5		support sleeve	2	
34	00190183	12L - 11 x 3,5		hose nozzle	1	
35	00110244	12 L		union nut	3	
36	00110259	12 L		cutting ring	3	
37	00100037	EVL 12 L		adjustable – L adapter	2	
38	00190183	12L - 11 x 3,5		hose nozzle	2	
39	00110244	12 L		union nut	2	
40	00110259	12 L		cutting ring	2	
41	00100219	W 12 L		W-adapter	1	



1



2



3



4



5



6



7



8



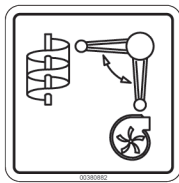
9



10



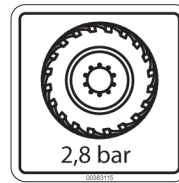
11



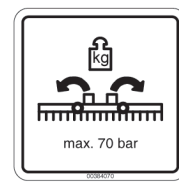
12



13



14



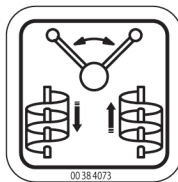
15



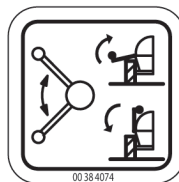
16



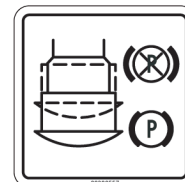
17



18



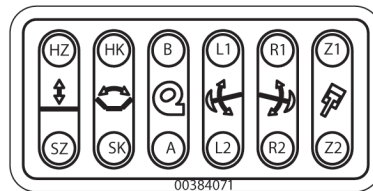
19



20



21



22



23



24

23923700	decals and directions	SW 12000 SD	DE	2011
----------	-----------------------	-------------	----	------

Pos.	Bestell-Nr.	Kurzbezeichnung	DIN	Bezeichnung	Menge	Bemerkung
1	00380054			security decal, tripping hazard	-	
2	00380294			security decal, refer to operators manual	-	
3	00380055			security decal, read operators manual	-	
4	00380134			security decal, pinching hazard	-	
5	00380133			security decal, do not touch	-	
6	00380894			security decal, radar	-	
7	00380163			security decal, moving objects	-	
8	00380252			security decal, contents under pressure	-	
9	00380879			service guide, scale	-	
10	00380359			service guide, Wheel torque	-	
11	00380242			service guide, Fan Speed	-	
12	00380882			service guide, Fan direction	-	
13	00384068			service guide, Fan	-	
14	00383115			service guide, tire PSI	-	
15	00384070			service guide, wing pressure	-	
16	00380210			service guide, tank lid	-	
17	00384072			service guide, ground pressure	-	
18	00384073			service guide, Wing	-	
19	00384074			service guide, Wing pivot	-	
20	00380557			service guide, emergency stop	-	
21	00380880			service guide, tow hook	-	
22	00384071			service guide, controls	-	
23	00383104			decal "HORSCH"	-	
24	00383106	94 x 150		decal stripe	-	

2011	EB	SW 12000 SD	Index
00100011,BUZ 12 L,closing cap	27	00100312,GE 12 PL - R 3/8" - ED,straight adapter.....	27
00100012,BUZ 15 L,closing cap	31	00100313,GE 12 PL - R 1/2" - ED,straight adapter.....	85
00100037,EVL 12 L,adjustable L-adapter.....	35	00100316,GE 18L - R 1 1/16" - 12 UN,adapter.....	31
00100037,EVL 12 L,adjustable adapter.....	31	00100329,GE 22 - PL - R 1/2" - ED,straight adapter	31
00100037,EVL 12 L,adjustable l- adapter	91	00100329,GE 22-PL - R 1/2"-ED,straight adapter	37
00100037,EVL 12 L,adjustable – L adapter	97	00100339,EVGE 12-PL - R 1/2" - ED,straight adapter w. nozzle....	97
00100038,EVL 18 L,adjustable adapter	31	00100342,GZ 12 L,connector.....	27
00100040,EVL 22 L,adjustable L-adapter	31	00100345,DP - B3,twin clamp cover plate	5
00100045,EVT 12 L,adjustable t - adapter.....	91	00100345,DP-B3,cover for pipe bracket	87
00100055,EVV 12 L,adjustable adapter.....	27	00100345,DP-B3,cover piece f pipe bracket.....	29
00100055,EVV 12 L,adjustable elbow adapter	97	00100345,DP-B3,cover plate	93
00100055,EVV 12 L,adjustable w - adapter.....	91	00100347,RBP - 319 DN10,twin clamp.....	5
00100055,EVV 12 L,adjustable w- adapter.....	85	00100347,RBP-319 DN10,pipe bracket.....	93
00100055,EVV 12 L,adjustable w-adapter.....	31	00100347,RBP-319 DN10,pipe bracket	87
00100055,EVV 12 L,adjustable – W-adapter	97	00100347,RBP-322 DN10,pipe bracket	27
00100056,EVV 15 L,adjustable adapter.....	27	00100349,DP - B2,twin clamp cover plate	5
00100056,EVV 15 L,adjustable elbow adapter	85	00100349,DP-B2,cover for pipe bracket	87
00100056,EVV 15 L,adjustable w- adapter.....	85	00100349,DP-B2,cover piece f pipe bracket.....	29
00100058,EVV 22 L,adjustable adapter.....	31	00100350,RBP - 215 DN8,twin clamp.....	5
00100058,EVV 22 L,adjustable w-adapter.....	35	00100350,RBP-215 DN 8,pipe bracket	87
00100087,GE 12 L - R 1/2",straight adapter	95	00100350,RBP-322 DN 8,pipe bracket.....	27
00100089,GE 12 L - 9/16" -18 UNF,adapter.....	33	00100357,GE 18 PL - R 3/4" - ED,straight adapter.....	85
00100089,GE 12 L - 9/16" -18 UNF,straight adapter	37	00100363,RBP - 322 DN12,twin clamp.....	5
00100090,GE 12 L - M 18 x 1.5,straight adapter	95	00100363,RBP-322 DN12,pipe bracket	27
00100101,GE 22L - R 1 1/16" - 12 UN,straight adapter.....	35	00100392,RBP - 428,pipe bracket	33
00100141,KOR 15 - 12 L,cone reduction connector.....	27	00100393,DP - B4,cover plate	33
00100143,KOR 18 - 12 L,adapter	31	00100399,GE 12 PL - M 22 x 1,5 - ED,straight adapter.....	97
00100144,KOR 18 - 15 L,adapter	85	00100399,GE 12 PL - M 22 x 1,5,straight adapter.....	91
00100145,KOR 22 - 18 L,adapter	31	00100399,GE 12 PL - M 22 x 1.5 - ED,straight adapter.....	91
00100151,KOR 22 - 12 L,adapter	31	00100400,GE 12 PL - M 16 x 1,5 - ED,straight adapter.....	97
00100154,MAV - EV 12 L - R 1/4",connector.....	27	00100400,GE 12 PL - M 16 x 1.5 - ED,straight adapter.....	93
00100154,MAV-EV 12 L - R 1/4",pressure gage.....	55	00100401,GE 15 PL - M 22 x 1.5 - ED,straight adapter.....	91
00100154,MAV-EV 12 L - R 1/4",pressure gage connection	59	00110120,BK 3 22 L,three way valve.....	31
00100155,SMA 20 - G 1/4",pressure gage connection	29	00110121,DN10,Case Drain Connect Female.....	33
00100157,RHD 12 L,check valve.....	31	00110123,DN10 Schott,Case Drain Connect male.....	33
00100172,SV 12 L - M 18 x 1,5,adapter	29	00110127,M 18 x 1.5 - 12 L,Hyd.-plug	27
00100172,SV 12 L - M 18 x 1,5,bulkhead adapter.....	91	00110144,ø 63 - 250 bar,pressure gage.....	29
00100180,SWVE 12 L - M 18 x 1.5,swivel adapter.....	85	00110179,M 22 x 1.5 - 15 L,Hyd.-plug	27
00100181,SWVE 12 L - R 3/8" - ED,adapter	95	00110194,M 18 x 1,5 - 12 L,Hyd.-sleeve	33
00100189,T 12 L,adapter	27	00110194,M 18 x 1.5 - 12 L,Hyd.-sleeve	27
00100193,T 22 L,T-adapter.....	31	00110223,90° 3/8",double stop valve.....	83
00100219,W 12 L,W-adapter	97	00110244,12 L,Cap nut.....	91
00100219,W 12 L,adapter.....	27	00110244,12 L,Union nut	93
00100220,W 15 L,elbow adapter	85	00110244,12 L,union nut.....	27
00100244,12 L,measuring coupling	29	00110255,15 L,union nut.....	35
00100244,12 L,measuring coupling with pipe	31	00110255,22 L,union union nut.....	31
00100256,KOR 22 - 15 L,adapter	31	00110259,12 L,cutting ring.....	91
00100265,GE 15 PL - R 1/2" - ED,adapter	27	00110350,marker valve - lift	27
00100265,GE 15 PL - R 1/2" - ED,straight adapter.....	27	00110350,marker valve - lift	27
00100265,GE 15 PL-R 1/2" - ED,straight adapter.....	85	00110350,valve block complete	39
00100274,EVL 15 L,adjustable L-adapter.....	27	00110351,folding ME. Valve block.....	39
00100308,EVGE 12 PL - R 3/8"- ED,straight adapter w. nozzle....	85	00110351,folding valve	27
00100309,GZ 15 L,connector.....	85	00110597,IG R 1/2",Hyd.-plug	33
		00110598,R1/2" Größe 3,Hyd.-sleeve	27

Index		SW 12000 SD	EB	2011
00110621,1700 N Hub 100 mm,pneumatic spring.....	23	00120466,2SC DN 12 A05-A05 800 lg.,Hyd.- Hose		27
00110680,hose clamp wo name	27	00120581,2SC DN12 A05-A05 1000lg.,hyd.-hose.....		85
00110684,pipe clamp toolbox	27	00120586,2SC DN 20 A05-A05 4200 lg.,Hyd. Hose.....		31
00110685,pipe clamp hydraulic cover.....	27	00120586,2SC DN 20 A05-A05 4200 lg.,Hyd.- Hose		35
00110811,IGF 08 - G 1/2",hyd.-coupling.....	95	00120659,2SC DN8 A05-A05 4000lg.,hyd.-hose.....		85
00110814,BREL 120 A58 12000,hyd. Motor.....	77	00120664,2SC DN 8 A05-A05 3900 lg.,Hyd. Hose.....		33
00110814,BREL 120 A58 12000,hyd.-motor	85	00120664,2SC DN 8 A05-A05 3900 lg.,Hyd.- Hose		37
00110818,SVSPM33-AB/35, valve insert complete	39	00120685,2SC DN12 A05-A05 3700lg.,hyd.-hose.....		85
00110819,screw cap	39	00120720,2 SC DN 10 A05-A05 5400 lg.,hyd.-hose.....		95
00110820,12 V,magnetic spiral.....	39	00120753,2SC DN 12 A05-A05 6700 lg.,Hyd.- Hose		27
00110821,WSM 06020, valve insert complete.....	39	00120753,2SC DN12 A05-A05 6700lg.,hyd.-hose.....		87
00110822,screw cap	39	00120814,2SC DN 16 A05-A05 600 lg.,Hyd.- Hose		31
00110823,12 V,magnetic spiral.....	39	00120820,2 SC DN 10 A05-A05 200 lg.,hyd.-hose.....		95
00110824,seal complete	39	00120838,2SC DN 16 A05-A05 550 lg.,Hyd.- Hose		31
00110825,seal complete	39	00120841,2SC DN 12 A05-A05 6900 lg.,Hyd.-hose		27
00110826,ø 19.2 x 1.7,O-ring	39	00120842,2SC DN 20 A05-A05 400 lg.,Hyd.- Hose		37
00110827,ø 20 x 1,O-ring	39	00120854,2SC DN 20 A05-A05 500 lg.,Hyd.- Hose		35
00110828,ø 27.3 x 2.5,O-ring	39	00130230,ø 32 x 87,cylinder fork		41
00110829,sealkit f. hyd. Motor	77	00130380,DZ 60 x 40 x 550,Hyd.- cylinder.....		83
00110830,ø 22 x 2.5,O-ring	39	00130380,DZ 60 x 40 x 550,hyd.- cylinder.....		85
00110831,WSM 06020 W, valve insert complete	39	00130380,DZ 60 x 40 x 550,hyd.-Cylinder compl		41
00110832,seal complete	39	00130394,seal repair kit		41
00110840,DN 20,Case Drain Connect male.....	37	00130422,piston rod.....		41
00110840,DN20,Case Drain Connect male	33	00130423,rod guide		41
00110841,DN 20,Case Drain Connect Female.....	37	00130487,rod		41
00110841,DN20,Case Drain Connect Female.....	33	00130679,ø 25,brake cylinder.....		95
00110850,spring pin.....	95	00140029,100 x 10,D-ring.....		95
00110850, valve- emergency brakes	95	00150065,M 12 x 24,fork head.....		77
00110869,12 L,hyd.-plug.....	95	00150065,fork head		81
00110915,control block mechanic.....	85	00150109,eccentric lock with latch.....		43
00110915,mechanic control block.....	77	00160010,Steel cable.....		95
00110932,1,4 L 70bar,pressure tank	95	00170027,A 6,127,spring cotter pin		57
00120024,2 SC DN 10 A05-A05 500 lg.,hyd.-hose.....	95	00170028,ø 8,127,lock washer		3
00120033,2SC DN 10 A05-A05 600 lg.,Hyd.- Hose	31	00170045,Gr. 3 einfach,spring cotter pin		83
00120033,2SC DN 10 A05-A05 600 lg.,Hyd.-hose.....	35	00170047,1,8 x 25,spring cotter pin		43
00120111,2SC DN 10 A05-A05 950 lg.,Hyd.- Hose	27	00170047,1,8 x 25,spring cotter pin.....		47
00120114,2SC DN 10 A05-A05 1000 lg.,Hyd.- Hose	27	00170049,A 5 - V2A,127,spring cotter pin		71
00120120,2SC DN 10 A05-A05 1100 lg.,Hyd.- Hose	27	00170049,ø 5 - V2A,127,spring cotter pin.....		73
00120141,2 SC DN 10 A05-A05 1200 lg.,hyd.-hose.....	95	00170060,Gr. 5 doppelt - V2A,spring cotter pin		71
00120249,2 SC DN 10 A05-A05 2600 lg.,hyd.-hose.....	95	00170087,2,5 x 25 x 50,pressure ring.....		81
00120259,2 SC DN 10 A05-A05 2900 lg.,hyd.-hose.....	95	00170087,ø 2.5 x 25 x 50,pressure ring.....		77
00120294,2SC DN 10 A05-A05 3500 lg.,Hyd.- Hose	27	00170106,ø 8 x 56,94,cotter pin.....		83
00120335,2SC DN 10 A05-A05 4500 lg.,Hyd.- Hose	27	00170117,ø 5 x 60,94,cotter pin.....		81
00120360,SMS 20/20 x 5100 lg.,measuring hose	29	00170192,ø 5,8 x 24 x 30,safety clip, lynch pin		3
00120362,SMS 20/20 1000 lg.,measuring hose	31	00180004,PEM PUR S 355 110 x 1200 lg.,air hose		47
00120365,2SC DN 10 A05-A05 5200 lg.,Hyd. Hose.....	33	00180004,PEM PUR S 355 110 x 3000 lg.,air hose		43
00120365,2SC DN 10 A05-A05 5200 lg.,Hyd.- Hose	37	00180004,PEM PUR S 355 110 x 3000lg.,air hose		49
00120384,2SC DN 10 A05-A05 8000 lg.,Hyd.- Hose	27	00180004,PEM PUR S 355 110 x 4000 lg.,air hose		43
00120395,2SC DN12 A05-A05 5800lg.,hyd.-hose.....	85	00180004,PEM PUR S 355 140 x 6000lg.,air hose		49
00120437,2SC DN8 A05-A05 450lg.,hyd.-hose.....	85	00180006,PEM PUR S 355 140 x 500lg.,air hose		49
00120448,2SC DN 20 A05-A05 600 lg.,Hyd.- Hose	35	00180065,ø 24 x 2000 mm,plastic coil.....		29
00120464,2SC DN12 A05-A05 500lg.,125,hyd.-hose.....	85	00180065,ø 24 x 3000 mm,plastic coil.....		93
00120465,2SC DN 12 A05-A05 900 lg.,Hyd.- Hose	27	00180071,25 x 2 x 800 mm,woven strap		23

2011	EB	SW 12000 SD	Index
00180086,ø 250,Airduc-hose			79
00190013,T 30 L 200 x 3.6,cable ties			87
00190013,T 30 L 200x 3.6,cable ties			89
00190013,T 30 L 200 x 3.6,cable ties			55
00190013,T 30 - L 200 x 3.6,zip tie			25
00190013,T 50 - L 300 x 3.6,cable ties			61
00190016,T 50 L 360 x 4.8,cable ties			87
00190017,T 150 R 363 x 7.8,zip tie			33
00190017,T 150 R 363x 7.8,zip tie			29
00190017,T 150 - R 363 x 7.8,cable ties			95
00190027,RSGU 50/25 M 10			9
00190043,ø 25 - 40,hose ties			61
00190044,ø 32 - 50,hose ties			43
00190049,ø 100 - 120,hose ties			47
00190055,ø 140 - 160,hose ties			43
00190068,ø 113 - 121,hose clamp			49
00190087,M 22 x 1.5,drain valve			91
00190090,M 22 x 1.5,pressure ring			91
00190095,M 22 x 1.5,O-ring			91
00190147,ø 12 x 1,5 x 150 mm,plastic hose			97
00190147,ø 12 x 1600 mm,plastic hose			21
00190158,40 L,air reservoir			91
00190171,strap for air reservoir			91
00190172,ø 138 - 109,crossing pipe			49
00190177,ø 11 x 4 x 11000 mm,brake hose			91
00190177,ø 11 x 4 x 14000 mm,brake hose			91
00190177,ø 11 x 4 x 1500 mm,brake hose			83
00190177,ø 11 x 4 x 2000 mm,brake hose			91
00190177,ø 11 x 4 x 3000,brake hose			93
00190177,ø 11 x 4 x 4000 mm,brake hose			93
00190183,12 L - 11 x 3.5,hose nozzle			91
00190183,12L - 11 x 3,5,hose nozzle			91
00190184,ø 8 x 5,hose bracket			91
00190184,ø 8 x 5,hose bracket pneum.			91
00190195,SV 12 M 22 x 1,5,bulkhead adapter			93
00190195,SV 12 M 22 x 1,5,bulkhead adapter			91
00190198,12 x 1,5,support sleeve			97
00190211,G38/0.9 x 300 mm,hose			43
00190211,G38/0.9 x 300 mm,spiral flex hose			47
00190239,ø 11x 3,5 - M 22 x 1,5,hose nozzle			91
00190240,M 22 x 1,5,coupling head red			91
00190241,M 22 x 1,5,coupling head yellow			91
00190242,M 22 x 1,5,pneumatic connection filter			91
00190243,M 22 x 1.5 IG,check connection			91
00190246,T 18 L 200x 2.5,cable ties			89
00190265,stop valve pneu. Brake			97
00190266,additional valve for release valve			97
00190267,2 way valve			97
00190269,ø 125 - 150 mm,rubber sleeve			43
00190285,ø 140 - 148,hose clamp			43
00190301,M 22 x 1.5,closing cap			91
00190319,Typ 30/30 Federspeicher,brake cylinder			93
00190330,brake valve			97
00190345,rubber sleeve			47
00190348,ø 100 - 115 mm,rubber sleeve			47
00190355,M 22 x 1,5,coupling head red			93
00190356,M 22 x 1,5,coupling head yellow			93
00190360,ø 240 - 270,hose ties			79
00200017,ø 40 M 8 x 23,rubber bumper			11
00200017,ø 40 x 28 M 8 x 23,rubber buffer			23
00200047,ø 16 mm,closing cap			31
00200071,8 x 30 x 860 grau,foam rubber			21
00200074,1500 mm,seal profile			13
00200074,1700 mm,seal profile			9
00200077,ø 63,plug			13
00200088,360 x20 x 2.1,leather straps			29
00200100,ø 500 x 20 x 2,1,straps			43
00200106,5 x 30 x 1000,foam rubber			21
00200159,8 x 1500 mm,auger holder plate			83
00200162,ø 12 - 40,thread protection			91
00200180,ø 32,cap			21
00200189,PVC 25 x 6,handle			21
00200189,PVC 25x 6,wavy handle			83
00200189,ø 25 x 6,wavy handle			79
00200219,ball head			77
00200220,ø 12,snap hock pin			81
00210232,lock button with key complete			13
00210256,replacement key			13
00230005,EG 50 / 40 x 30,bushing			81
00230042,ø 20 x 28 x 1.0 - V2A,shim ring			65
00230042,ø 20/28 x 1 - V2A,shim ring			71
00230048,ø 42 x 52 x 0.50,988,shim ring			81
00230048,ø 42 x 52 x 0.50,shim ring			81
00230120,EG 40 / 32 x 20,bushing			81
00230125,ø 20 x 28 x 0.2 - V2A,shim ring			65
00230125,ø 20/28 x 0.2 - V2A,shim ring			71
00230268,GFM 35 x 39 x 16,bushing			21
00240001,62205 2RS INA,grooved ball bearing			71
00240001,62205 2RS SLF,grooved ball bearing			73
00240002,G 40 x 52 x 5 INA,waved sealing ring			71
00240054,6004 2 RSR,grooved ball bearing			65
00240071,Lager 32219 A,tapered roller bearing			15
00240212,FY30FM SKF,Y-bearing			77
00250037,ø 3 x 200,chain			3
00250037,ø 3 x 250 mm,chain			83
00260004,ø 38 x 1,75,snap ring			27
00260004,ø 38 x 1,75,snap ring			27
00260059,ø 30,key ring			3
00260062,A 18 x 25,copper seal ring			95
00260076,A 14 x 20,7603,copper ring			55
00260076,A 14 x 20,copper ring			27
00260125,ø 52 x 2 - V2A,472,safety ring			71
00260126,ø 25 x 1.2 - V2A,471,safety ring			71
00260190,15 x 1,5 - V2A,6799,safety ring			73
00260190,ø 15 x 1,5,safety ring			65
00260190,ø 15 x 1.5 - V2A,6799,safety ring			71

Index		SW 12000 SD	EB	2011
00270268,1 1/2" x 3800 mm,clear suction hose	9	00311044,ø 38.5 x 55 x 2.7,washer		15
00270270,IG 1 1/2" - 40,hose nozzle straight	9	00311045,ø 35,snap ring		15
00270277,AG 1 1/2" - 40,hose nozzle curved	9	00311046,brake spring clip		15
00270307,1 1/2",union nut	9	00311047,brake roll clip		15
00270312,ø 29.20 x 3.00,O-ring	9	00311048,brake lever		15
00270616,AG 1 1/2",fitting	9	00311049,1/8" - 67.5°,grease zerk		15
00270632,64 x 47 x 30,flat seal	9	00311050,tension spring		15
00270633,SGT 32 - 50 V2A - 12 mm,hose bracket	9	00311051,ø 406 x 120 - 10 Loch,brake drum		15
00270641,1 1/2" ÜM T 3,hose nozzle curved	9	00311052,spacer ring		15
00270697,1 1/2" ÜM T 3,hose nozzle straight	9	00311053,sealing ring		15
00280414,4 x 6,5,spring disk	75	00311054,M 95 x 2 H-K,crown nut		15
00280414,A 5 x 5 x 18,fitted key	71	00311055,M 195 x 200,wheel cap		15
00300087,ø 35 x 45 x 2,shim ring	21	00311056,M 22 x 1.5 - 150 - 80 lg.,wheel bolt		15
00300579,ø 20 x 28 x 0.1 - V2A,shim ring	65	00311057,M 22 x 1,5,lug nut		5
00310066,Typ 30 Beipack LL,accessory kit brake cylinder	93	00311057,M 22 x 1,5,wheel nut		7
00310167,Lift Jack	3	00311057,M 22 x 1.5 - 27 Plat.,wheel nut		15
00310821,Gr.360,wheel chock	3	00311058,raw stump		15
00310822,wheel chock holder	3	00311060,ø 5.5,pin		15
00310840,M 22 x 1,5,wheel cap for double wheels	7	00311061,wheel hub		15
00310840,M 22 x 1,5,wheel nut	7	00311071,camshaft bearing		17
00310840,M 22 x 1.5 mit Bund,wheel nut	19	00311094,M 22 x 1.5 x 90,wheel bolt		19
00310842,10 t,wheel hub for carrying axle	19	00330214,tire & wheel complete		7
00310843,ø 110,sealing ring	19	00330214,tire and wheel rim complete		3
00310844,ø 90,sealing ring	19	00330260,20.8 R42, 10 - Loch,double wheels complete		7
00310845,33122,bearing	19	00330287,Trelleborg TM 2000,Terra Wheel		7
00310846,33118,bearing	19	00330345,580/70 R38 AL 370 TL,tire		3
00310847,ø 110,sealing washer	19	00330346,18L x 38, ET=130, 10 - Loch,rim		5
00310848,carrying axle	19	00330349,650/65 R38 RT657,tires		7
00310849,crown nut	19	00330350,TW20B x 38, ET=200,rim		7
00310850,pin	19	00330783,tire & wheel complete		7
00310851,seal for closing cap	19	00340035,7-pol. - 1,5 mm² x 3,5 m,cable		25
00310852,closing cap	19	00340035,7-pol. - 1,5 mm² x 9 m,cable		25
00310853,seal for closing cap	19	00340037,2-pol. - 1,5 mm² x 7.5 m,cable		25
00310905,M 12 x 1 x 20,961,hex screw	43	00340097,marker light white		25
00310943,M 12 x 1 x 16 - V2A,961,closing cap for sensor	59	00340097,tank light white		9
00310943,M 12 x 1 x 16 - V2A,961,screw cap f sensor	55	00340098,12 V 5 W Sofitte,bulb		9
00310950,Typ 16 LL,brake cylinder accessories kit	95	00340098,12 V - 5 W - Sofitte,bulb – marker light		25
00311030,basic sheet	15	00340115,10:00 AM,fuse		53
00311031,protection sheet	15	00340201,back light yellow		25
00311032,brake shoe	15	00340263,plug for magnetic vent		53
00311033,camshaft right	15	00340266,protection cap		55
00311034,camshaft left	15	00340446,ø 80, 3 t,rear ball hitch		3
00311035,brake roll	15	00340447,K 80, 3 x 1",hitch ball head		3
00311036,brake bolt	15	00340616,M 63 x 60 - P 52/25,gear motor		71
00311037,camshaft bushing	15	00340634,RVS II,Sensor – Radar		53
00311038,brake bolt	17	00340634,RVS II,radar sensor		57
00311038,brake bolt bushing	15	00340636,plug for drive motor		71
00311039,security ring	15	00340636,plug for gear motor		55
00311040,bracket clip	15	00340636,plug for motor drive		59
00311040,roll	17	00340695,Option !,module for seed control		59
00311041,tension spring long	15	00340695,module for seed control		55
00311042,tension spring short	15	00340785,1.5 x 7,end splice		55
00311043,ø 40.5 x 54.5 x 0.6,washer	15	00340873,CT 4 ø 50 - 55,hitch, CAT IV		3

2011	EB	SW 12000 SD	Index
00340892,9 Volt,block battery.....	9	00345064,0,5 m,extension cable – Hyd. Block.....	53
00340931,Horn w Interval sound.....	55	00345076,RVS II,Sensor – Radar.....	53
00340932,13 pol.,socket.....	55	00345076,RVS II,radar sensor.....	57
00340933,M 12 x 1,5,cable screw.....	9	00345088,11 m,computer cable.....	53
00340938,M 12 x 1,5,lock nut.....	9	00345092,bracket f Terminal.....	57
00340943,7-pol. - 12 V,socket.....	25	00345092,bracket f. Terminal.....	53
00340945,1 - 2.5 mm ² - M 5,eyelet.....	53	00345093,Security cable for connection 50 A.....	53
00340947,1 - 2.5 mm ² - M 8,eyelet.....	53	00345094,50 A,fuse.....	53
00340948,0,5 - 1,0,receptacles with catch.....	55	00345095,16-pol.,plug for the computer cable.....	53
00340950,0,75 - 1,5 mm ² ,receptacle.....	25	00345096,16-pol.,plug for Computer cable.....	57
00340950,receptacle.....	25	00345096,16-pol.,plug for the computer cable.....	53
00340977,distributor box.....	25	00345097,42-pol.,plug.....	57
00340978,7-pol. - 12 V x 9 m,plug socket with cable.....	25	00345097,42-pol.,plug for the cable tree.....	53
00340979,7-pol. - 12 V,plug socket with cable.....	25	00345098,6-pol.,socket.....	53
00340980,tank light with cable complete.....	9	00345099,turn off switch complete.....	53
00340994,plug for module connection cable.....	53	00345101,cable tree complete.....	57
00340995,7-pol. - 12 V,socket.....	25	00345101,harness assembly complete.....	53
00340996,Plug for sensor – Radar.....	53	00345103,turn off switch.....	53
00340997,socket for Radar sensor.....	53	00345107,Sensor cable w coupling.....	75
00341012,M 12 x 1,capacity/ seeding Sensor.....	75	00345107,cable f. Sensor.....	59
00341012,Sensor – empty tank/ seeds.....	59	00345107,cable for sensor.....	89
00341012,Sensor- empty tank/ seeds.....	55	00345107,cable w coupling f sensor.....	55
00341064,D2 x 6.1 m,extension cable.....	61	00345107,sensor cable.....	55
00341065,D2 x 3.0 m,extension cable.....	61	00345109,423 x 423,caution sign bracket.....	25
00341066,D2 x 1.2 m,extension cable.....	61	00345123,security cable for connection 10 A.....	53
00341081,CT 5 ø 60 - 70,hitch, CAT V.....	3	00345129,14 m,computer cable.....	53
00341082,M 18 x 1 - AMP,capacity/ seeding Sensor.....	75	00345181,4 m,Extension cable – empty tank sensor.....	59
00341155,2 - pol. - 0,75mm ² x 8000 mm,cable.....	9	00345181,4 m,extension cable- sensor- empty tank.....	55
00341156,ground stap.....	71	00345226,1,5 m,extension cable – partial shut off.....	55
00341165,Sensor – partial shut off.....	59	00345250,RVS III,Sensor – Radar.....	53
00341165,sensor for fan and partial shut off.....	89	00345250,RVS III,radar sensor.....	57
00341165,sensor- partial shut off.....	55	00345254,50 bar 3pol. AMP,signal switch.....	27
00341184,Mounting Hardware sensor – Radar complete.....	53	00345254,50 bar,Sensor – working signal.....	59
00341184,building parts sensor – Radar complete.....	57	00345254,50 bar,Sensor- working signal.....	55
00341197,holding sheet.....	25	00345263,Terminal HORSCH ISOBUS.....	57
00341201,marker light beam complete.....	25	00345264,Cable tree partial shut off.....	59
00341261,ground strap.....	75	00345264,Harness, partial shut off.....	55
00345001,Basic needs ECO.....	53	00345265,ISOBUS – Terminal connector cable.....	57
00345002,Terminal HORSCH ECO.....	53	00345267,Basic needs ISOBUS (long cable).....	57
00345005,1 x 16 pol.,Computer ME.....	53	00346000,protection cap.....	25
00345005,1 x 16 pol.,ME computer.....	57	00346043,9-pol.,ISOBUS – plug.....	57
00345021,3-pol.,plug cover.....	55	00346049,Terminal bracket panel.....	57
00345024,3-pol.,plug.....	55	00350006,M 8,934,hex screw.....	9
00345028,3-pol.,socket.....	53	00350007,M 6,934,hex nut.....	57
00345033,6-pol.,plug.....	53	00350008,M 8,934,hex nut.....	13
00345036,5-pol.,plug cover.....	55	00350008,M 8,934,hex nut.....	35
00345045,8,5 m,connection cable ISOUBS complete.....	57	00350008,M 8,934,hex screw.....	31
00345046,11 m,connection cable ISOUBS complete.....	57	00350009,M 10,934,hex nut.....	89
00345057,cable tree hyd. Steering compl.....	57	00350010,M 12,934,hex nut.....	81
00345057,harness for hyd. steering complete.....	53	00350010,M 12,934,hex screw.....	21
00345058,Y-cable.....	55	00350014,M 20,hex nut.....	3
00345059,0,5 m,extension cable – Sensor.....	55	00350020,M 8,hex nut.....	43
00345059,0,5 m,extension cable- sensor.....	59	00350044,M 33 x 1.5,439,hex nut.....	95

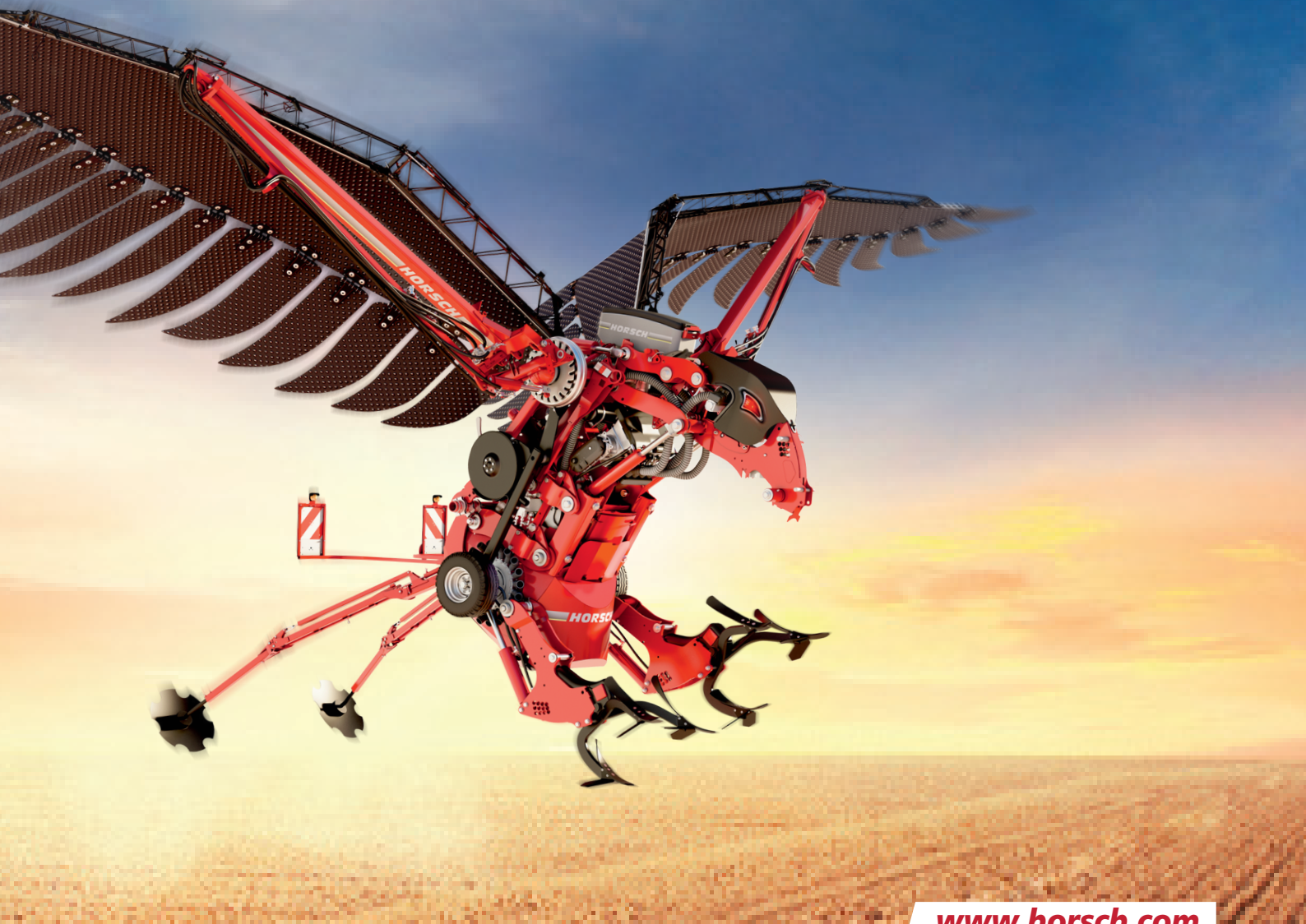
Index		SW 12000 SD	EB	2011
00350048,M 12 x 1,5,985,nut, nylock	81	00360109,M 8 x 16,933,hex screw		3
00350048,M 12 x 1.5,985,nut, nylock	81	00360109,M 8 x16,933,hex screw		5
00350055,M 4,985,nut, nylock	53	00360110,M 8 x 20,933,hex screw		25
00350056,M 5,nut, nylock	25	00360111,M 8 x 25,931,hex screw		25
00350056,M 5,985,nut, nylock	25	00360111,M 8 x 25,933,hex screw		21
00350057,M 8,985,nut, nylock	97	00360112,M 8 x 30,933,hex screw		21
00350057,M 8,985,nut, nylock	11	00360117,M 10 x 20,933,hex screw		5
00350057,M 8,985,nut,nylock	55	00360119,M 10 x 25,933,hex screw		91
00350057,M 8,nut, nylock	25	00360120,M 10 x 30,933,hex screw		3
00350058,M 10,985,hex nut	51	00360121,M 10 x 35,933,6 kt -screw		83
00350058,M 10,985,nut, nylock	21	00360121,M 10 x 35,933,hex screw		77
00350058,M 10,985,nut,nylock	91	00360132,M 12 x 30,933,hex screw		13
00350059,M 12,985,nut, nylock	11	00360133,M 12 x 35,931,hex screw		23
00350061,M 16,985,nut, nylock	9	00360133,M 12 x 35,933,hex screw		23
00350061,M 16,985,nut,nylock	49	00360134,M 12 x 40,933,hex screw		77
00350062,M 8,985,nut, nylock	9	00360135,M 12 x 45,933,hex screw		77
00350064,M 6 - V2A,985,nut, nylock	71	00360135,M12 x 45,933,hex screw		77
00350065,M 24,985,nut, nylock	3	00360140,M 12 x 20,933,hex screw		27
00350067,M 6,985,nut, nylock	13	00360148,M 16 x 30,933,hex screw		13
00350067,M 6,985,nut,nylock	57	00360149,M 16 x 40,933,hex screw		43
00350071,M 24 x 1.5,985,nut, nylock	3	00360150,M 16 x 45,933,hex screw		79
00350089,M 16 x 1.5,439,hex screw	93	00360162,M 20 x 220,933,hex screw		3
00350104,M 6 - V2A,934,hex nut	73	00360183,M 5 x 30,933,hex screw		29
00350112,M12,934,hex nut	79	00360196,M 20 x 1,5 x 100,960,hex screw		3
00350129,M 4,985,nut, nylock	43	00360208,M 8 x 95,931,hex screw		93
00350132,M 20 x 1,5,985,nut, nylock	3	00360224,M 8 x 35,931,hex screw		89
00350626,M 36 x 2,crowned nut	81	00360228,M 8 x 70,933,hex screw		77
00360007,M 8 x 45,931,hex screw	87	00360230,M 8 x 85,931,hex screw		87
00360009,M 8 x 40,931,hex screw	17	00360246,M 12 x 65,931,hex screw		9
00360011,M 8 x 60,931,hex screw	13	00360257,M 16 x 95,931,hex screw		95
00360014,M 8 x 100,931,hex screw	5	00360258,M 16 x 130,931,hex screw		13
00360015,M 8 x 120,931,hex screw	5	00360264,M 12 x 1,5 x 75,960,hex screw		81
00360021,M 10 x 40,931,hex screw	23	00360287,M 6 x 70,931,hex screw		31
00360024,M 10 x 60,931,hex screw	23	00360288,M 6 x 80,931,hex screw		83
00360030,M 10 x 75,931,hex screw	23	00360289,M 6 x 110,931,hex screw		53
00360032,M 12 x 45,931,hex screw	83	00360290,M 8 x 35,933,hex screw		43
00360032,M 12 x 30,933,hex screw	51	00360291,M 8 x 65,931,hex screw		33
00360032,M 12 x 45,931,hex screw	49	00360292,M 8 x 75,931,hex screw		85
00360036,M 12 x 70,931,hex screw	77	00360318,M 6 x 35,931,hex screw		79
00360038,M 12 x 75,931,hex screw	81	00360318,M 6 x 35,931,hex screw		83
00360039,M 12 x 80,931,hex screw	21	00360320,M 24 x 55,933,hex screw		3
00360057,M 16 x 50,931,hex screw	95	00360337,M 6 x 18 - V2A,933,hex screw		71
00360061,M 16 x 80,931,hex screw	81	00360371,M 8 x 12 - V2A,316,wing screw		71
00360068,M 16 x 140,931,hex screw	81	00360372,M 6 x 25 - V2A,933,hex screw		71
00360087,M 24 x 150,931,hex screw	3	00360407,M 8 x 16 - V2A,316,wing screw		71
00360091,M 24 x 170,931,hex screw	3	00360411,1/4" x 3/4",self tapping screw		31
00360092,M 24 x 180,931,hex screw	83	00360411,3/8" x 1/2" UNC,hex screw		51
00360102,M 5 x 16,933,hex screw	61	00360411,UNC 3/8" x 1/2",hex screw		53
00360104,M 6 x 16,933,hex screw	13	00360416,M 5 x 12 - V2A,933,hex screw		71
00360105,M 6 x 20,933,hex screw	23	00360434,M 5 x 22,933,hex screw		25
00360106,M 8 x 16,933,hex screw	35	00360441,M 8 x 30,933,hex screw		47
00360107,M 6 x 25,933,hex screw	53	00360453,M 5 x 18,hex screw		53
00360109,M 8 x 16,933,hex screw	47	00360463,M 6 x 10 - V2A,wing screw		73

2011	EB	SW 12000 SD	Index	
00360477	M 6 x 6 - V2A,933,hex screw	73	00370337,M 8x 30,7991,countersunk bolt	9
00360482	M 12 x 170,931,hex screw	43	00370338,M 6 x 20,7991,countersunk bolt	9
00360485	M 8 x 16,933,hex screw	47	00370339,M 10 x 40 - 4kt.,flat head screw	77
00360486	M 8 x 65,931,hex screw	83	00370340,M 8 x 40,star grip	9
00360490	M 4 x 18,933,hex screw	43	00370388,A 6,4 - V2A,125,washer	73
00360605	M 20 x 1,5 x 70,960,hex screw	3	00370388,A 6,4,125,washer	47
00360607	M 6 x 20 - V2A,933,hex screw	73	00370388,A 6,4 - V2A,125,washer	71
00360628	M 6 x 14 - V2A,933,hex screw	73	00370389,A 8,4 V2A,125,washer	9
00360632	M 8 x 50 V2A,933,hex screw	9	00370389,A 8,4,125,washer	21
00360632	M 8 x 50,933,hex screw	21	00370389,A 8,4 V2A,125,washer	9
00360645	M 6 x10 - V2A,933,hex screw	73	00370389,A 8,4 - V2A,125,washer	71
00370001	ø 8 x 50,dowel pin	21	00370389,A 8,4,125,washer	55
00370004	M 12 x 30,7991,countersunk bolt	31	00370389,A 8,4,washer	83
00370004	M 12 x 35,7991,countersunk bolt	35	00370399,M 5 x 45,912,Cyl.- screw	25
00370005	B 4,8 x 16,0,7981,oval head screw	9	00370399,M 5 x 45,912,cyl.- screw	55
00370005	B 4,8 x 16,0,7981,raised countersunk screw	31	00370419,M 6 x 16,7991,countersunk bolt	13
00370041	M 10 x 30 - 4kt.,603,flat head screw	91	00370438,ø 33,126,washer	83
00370093	H 1 - M 8 x 1,grease zerk	81	00370463,M 5 x 16 - V2A,914,threaded pin	71
00370093	H 1 - M 8 x 1,grease zerk	81	00370464,R 11 - V2A,440,washer	71
00370100	A 4,3,125,washer	53	00370465,A 5,3 - V2A,125,washer	71
00370101	M 8 x 40,star grip thumb knob	35	00370489,M 4 x 16,912,cyl.- screw	53
00370101	M 8 x 40,star grip thumb knob thumb knob	31	00370492,M 12 x 35,603,flat head screw	13
00370102	A 5,3,125,washer	25	00370509,ø 22,5,cone lock washer	7
00370102	B 5,3,125,washer	55	00370509,ø 22.5,cone lock washer	19
00370103	A 6,4,125,washer	31	00370532,B 40,125,washer	81
00370103	A 6,4,125,washer	13	00370554,M 8,Ensat threaded insert	9
00370104	A 8,4,125,washer	3	00370555,M 8 x 25 m.4kt,603,flathead screw	9
00370104	A 8,4,125,washer	5	00370558,A 4,3,125,washer	43
00370105	B 10,5,125,washer	3	00370564,M 8 x 10 - V2A,912,cyl.- screw	75
00370105	B 10,5,washer	55	00370580,M 10 x 85,912,Cyl.- screw	41
00370106	B 13,125,washer	9	00370580,M 10 x 85,912,cyl.- screw	85
00370106	B 13,440,washer	23	00370629,M 8 x 55,7991,countersunk bolt	9
00370108	B 17,125,washer	9	00380032,10 cm³,Hydraulic Fan	31
00370109	B 21,125,washer	3	00380032,10.0 cm³,Hyd. Fan complete	43
00370110	B 10,5,125,washer	53	00380032,Axial Piston - 10 cm³,Hyd. Fan complete	51
00370110	B 25,125,washer	3	00380054,security decal, tripping hazard	99
00370111	B 31,125,washer	23	00380055,security decal, read operators manual	99
00370115	R 6,6,440,washer	23	00380115,fan housing left	51
00370116	R 9,440,washer	25	00380118,rotor	51
00370116	R 9,440,washer	25	00380119,fan housing right	51
00370117	R 11,440,washer	51	00380124,flange plate for motor	51
00370119	R 18,440,washer	43	00380126,ø 20.009,rotor-flan socket	51
00370144	M 8 x 70,912,cyl.- screw	97	00380127,10 cm³,Hyd. Motor	31
00370183	M 6 x 20,912,cyl.- screw	65	00380127,Axial Piston - 10 cm³,hyd.-axial piston motor	51
00370184	M 6 x 25,912,Cyl.- screw	27	00380133,security decal, do not touch	99
00370185	M 6 x 55,912,cyl.- screw	95	00380134,security decal, pinching hazard	99
00370186	M 8 x 16,912,cyl.- screw	75	00380151,1/4" x 1" - Sperrverz.,hex screw	51
00370204	M 6 x 40,912,cyl.-screw	39	00380152,1/4" - Sperrverz.,hex nut	51
00370252	R 26,440,washer	13	00380154,1/4" x 3/4",self tapping screw	51
00370263	A 5,3 - V2A,125,washer	73	00380155,1/4" - ø 32,washer	31
00370280	M 8 x 25,7991,countersunk bolt	41	00380156,1/4",plastic plug	51
00370302	M 12 x 40 - 4 kt.,603,cyl. Flathead screw	51	00380157,7/16",plastic plug	51
00370303	ø 5 x 40,1481,cotter pin	77	00380163,decal	77

Index	SW 12000 SD	EB	2011
00380163,security decal, moving objects	99	01501100,brush holder	71
00380210,service guide, tank lid	99	01501201,5.0 cm ³ - V2A,cell disc.....	65
00380242,service guide, Fan Speed.....	99	01501201,5.0 cm ³ ,cell disc.....	69
00380252,security decal	95	01501202,ø 100 x 70,distance piece	65
00380252,security decal, contents under pressure.....	99	01501203,ø 100 x 28,distance piece	65
00380261,seal repair kit	31	01501206,3.5 cm ³ - V2A,seed disc	65
00380294,security decal, refer to operators manual	99	01501206,3.5 cm ³ ,cell disc.....	65
00380320,10 - 24 x 1" UNC,hex screw	51	01501207,ø 100 x 32,distance piece	67
00380359,service guide, Wheel torque.....	99	01501901,138 x 15 x 1,5,clamp plate	73
00380418,ECY 205,bearing lid	77	01501901,138 x 15 x 1.5,clamp plate	71
00380512,rotor	51	01501902,139 x 43 x 5,sealing lip.....	71
00380513,rotor-flan socket.....	51	01501902,sealing lip	73
00380524,19 cm ³ ,hyd.-Motor	35	01501904,ø 40 x 60 - V2A,bearing guide.....	71
00380524,Axial Psiton - 4.9 cm ³ ,hyd.-axial piston motor	51	01501905,SW 17 x 264 lg.,roller shaft	65
00380531,19 cm ³ ,Hyd. Fan 8".....	35	01501905,SW 17 x 264,Shaft	73
00380531,19.0 cm ³ ,Hyd. fan complete	47	01501905,SW 17 x 264,shaft	71
00380531,Axial Piston - 19 cm ³ ,Hyd. Fan complete	51	01501906,seal lip bean adapter	75
00380557,Parkstellung Federspeicher,decal	93	01502500,7.0 cm ³ ,rollers for fine seeds	65
00380557,service guide, emergency stop.....	99	01502701,10 cm ³ ,cell disc.....	69
00380879,service guide, scale.....	99	01502701,10.0 cm ³ ,cell disc.....	65
00380880,service guide, tow hook	99	01502703,15 cm ³ ,cell disc.....	69
00380882,service guide, Fan direction	99	01502704,25 cm ³ ,cell disc.....	69
00380894,security decal, radar	99	01503200,Horsch Dosing unit.....	43
00381001,fill funnel	77	01503200,Horsch Dosing unit CDO	55
00381008,fill sifter	77	01503200,Horsch Dosing unit VDO complete.....	71
00381021,Decal for Connections	59	01503200,Horsch Metering unit VDO complete.....	59
00381087,seal repair kit	35	01503210,135 x 68 x 0,5,scraper.....	73
00383104,decal "HORSCH".....	99	01503210,135 x 69.4 x 0.5,scraper f peas	71
00383106,94 x 150,decal stripe	99	01503220,metering case	73
00383115,service guide, tire PSI	99	01503221,flan bearing.....	73
00384068,service guide, Fan	99	01503222,housing lid seal lip	73
00384070,service guide, wing pressure.....	99	01503223,pressure tank window.....	73
00384071,service guide, controls.....	99	01503224,M 8,gripped screw	73
00384072,service guide, ground pressure	99	01503225,M 8,Plug-in nut	73
00384073,service guide, Wing.....	99	01503301,metering case	71
00384074,service guide, Wing pivot	99	01503302,side cover	71
00385467,ø,flange plate for motor	51	01503303,flan bearing.....	71
00385468,fan housing left.....	51	01503304,casing lid pressure tank.....	71
00385469,fan housing right.....	51	01503600,divider.....	71
00385470,1/4 ",plastic plug	51	01503600,metering unit – dividerplate	73
00385471,protection net.....	51	01503700,20.0 cm ³ ,rollers for fine seeds	65
00390150,clear silicone.....	9	01503800,Horsch dosing unit vdo complete	71
00390151,310 ml schwarz 260,glue.....	21	01503804,injector window	71
00390564,digital scale.....	9	01504000,5.0 cm ³ ,Rollers for fine seeds.....	65
00401731,3/8" -16 x 1",hex screw.....	51	01504002,ø 100 x 108,distance piece	65
01500001,brush	71	01504100,800 cm ³ - silber,metering unit normal seeds complete..	69
01500210,ø 40 x 1 - SW 17,washer.....	65	01504300,3.5 cm ³ - V2A,Rollers for fine seeds.....	65
01500300,500 cm ³ - beige,metering unit normal seeds complete .	69	01504401,320 cm ³ ,cell divider module.....	67
01500600,250 cm ³ - schwarz,metering unit normal seeds complete	69	01504402,170 cm ³ ,cell divider module.....	67
01500804,40 cm ³ - rot,metering unit corn complete.....	69	01506400,drop channel.....	43
01500804,40 cm ³ ,rollers.....	71	01506500,drop channel with cap complete.....	43
01500805,100 cm ³ - blau,metering unit normal seeds complete ...	69	01506600,ø 135,drop channel lock	43
01500809,20 cm ³ - gelb,metering unit corn complete	69	01506700,ø 10 x 206,bolt.....	43

2011	EB	SW 12000 SD		Index	
01507000		170 cm ³ ,roller for peas complete	67	23473900,Fan screen complete	43
01507100		320 cm ³ ,roller for peas complete	67	23473900,fan screen complete	31
01507400		170 cm ³ ,roller for peas complete	65	23473901,ø 350,lid for fan screen	31
01507401		85 cm ³ ,cell divider module	65	23481305,ø 40 x 210,bolt	81
01507500		drop channel	47	23571401,ø 12 x 1,5 x 225,Hyd. - tube	97
01507600		drop channel w lock	47	23659600,bracket for brake cylinder	95
01507700		ø 110,drop channel w lock complete	47	23776700,Half Width	89
01507800		Horsch Dosing unit pp compl	73	23776700,adjustment drive	55
01507801		seal metering unit	73	23811510,ø 40 x 340,671,bolt	81
01507802		mounting rod	75	23883607,ø 17 x 2.5 x 16,bushing	21
01507803		connector raps brush	73	23903800,seed control unit ME complete	63
01507804		injector window	73	23920100,crossmember frame	3
01507900		Horsch Dosing unit PP compl	73	23920200,hitch adapter	3
01508300		adapter for beans complete	75	23920300,axle for Pronto SW	3
01508301		adapter plate for beans	75	23920400,axle for Pronto NT	3
01508302		housing lid seal lip for beans	75	23920500,tank brace middle	13
01508400		250 cm ³ / PPF,rollers complete	67	23920600,walk way	23
01508401		ø 23,7 x 0,5,connecting disc	67	23922001,Main Frame rail left	3
01508402		ø 23,7 x 3,0,connecting disc	67	23922002,Main Frame rail right	3
01508500		250 cm ³ / PPF,cell divider module	67	23922401,6000 Ltr.,tank	9
01508600		ø 100 x 47,5,Connecting disc	67	23922404,tank support left	13
01508700		375 cm ³ / PPF,roller complete	67	23922405,tank support right	13
01508800		ø 100 x 36,connecting piece complete	67	23922406,tank support front	13
01508900		375 cm ³ / PPF,cell divider module	67	23922407,tank support rear	13
01509000		170 cm ³ / PPF,rollers complete	67	23922408,tank support middle	13
01509100		ø 100 x 30,5,connecting piece complete	67	23922409,connecting bracket left	13
01509200		85 cm ³ / PPF,cell divider module	67	23922410,connecting bracket right	13
01554400		Sensor – seed control D2	61	23922411,3800 mm,strap	9
01554400		sensor – seed control D2	63	23922412,strap bracket	9
21541205		ø 12 x 1,5 x 14,hyd.-pipe	97	23922413,toolbox	13
21671021		ø 12 x 1.5 x 22,pipe	53	23922414,toolbox panel front	13
23036811		ø 13.5 x 2.3 x 9,bushing	89	23922415,toolbox panel rear	13
23062803		ø 16 x 95 gebogen,Jack Pin	3	23922701,bracket for air reservoir	91
23077303		ø 12 x 1,5 x 105,hyd.-pipe	97	23922801,fan bracket	31
23101400		ø 110,coupling part 1 airduc	49	23923001,fan bracket left	35
23101900		ø 110,coupling part 2 airduc	49	23923002,fan bracket right	35
23102700		seed control unit ME complete	61	23923101,securing angle for air divider pants	47
23107103		cover piece movable	3	23923102,securing plate for air divider pants	47
23107203		bracket Sensor- Radar	53	23923103,ø 140,pipe bracket for pneumatic pipes	43
23107203		radar sensor bracket	3	23923103,ø 140,pipe bracket pneumatic pipes	49
23107301		control block bracket	27	23923104,ø 110 x 143 - M 8 x 30,U-bolt	47
23107501		securing pipes	45	23923201,hock plate bracket	81
23107602		securing pipes	47	23923202,lever plate bracket	81
23107603		ø 108 x 2 x 370,steel pipe	47	23923203,ø 40 x 16,5 x 16,bearing bushing	81
23107604		ø 110,seal for coupling airduc	49	23923209,support bracket control valve	85
23107605		bracket for fertilizer pipes	49	23923210,bearing protection	77
23107606		ø 108 x 2 x 700,steel pipe	49	23923211,bracket hose clamp	77
23107607		ø 139,7x 2 x 700,steel pipe	45	23923212,supportive angle front	83
23108400		attachment eye	3	23923213,supportive angle back	83
23193301		ø 110 x 148 - M 12 x 30,U-bolt	49	23923214,mounting angle	83
23279600		10 Ltr,bag for calibration	43	23923215,auger holder plate	83
23279600		bag for calibration	9	23923501,lever for partial shut off	89
23473800		ø 350,fan screen	31	23923502,axle bracket	89

Index		SW 12000 SD	EB	2011
23923503,axle.....	89	31502800,flan.....		47
23923504,bracket for sensor.....	89	31503100,lid for hinge lever.....		21
23924100,auger frame fueling side.....	81	31503700,hopper for convex tank lid.....		21
23924200,folding frame.....	81	31503700,tank lid hopper.....		9
23924300,support arm.....	81	31505601,ø 139,7 x 2 x 1150,steel pipe.....		43
23924400,turning joint.....	81	31506600,frame lid pressure tank curved.....		21
23924500,filling auger complete.....	77	31506700,shaft.....		21
23924501,flange plate for funnel frame.....	77	31506800,lid.....		21
23924502,ø 245, auger clamp bottom.....	77	33117302,ø 140 x 175 - M 12 x 30,U-bolt.....		45
23924506,lever top valve control.....	79	33328400,lid for seed tank cleaner.....		9
23924507,bushing push rod.....	79	33336100,drive shaft.....		71
23924508,support plate for bearing.....	77	33336200,bearing housing.....		71
23924509,120cm²,coupling.....	77	33336200,flan casing.....		73
23924510,washer.....	77	33360401,M 6 x 20,912,Cyl.- screw.....		43
23924511,push rod.....	79	33420704,BK 3 22L,three way valve bracket.....		31
23924600, auger pipe.....	77	33420705,Doppelgewinde M8,threaded rod.....		43
23924700,ø 220 x 5200, auger spiral.....	77	33420705,M 8,threaded rod.....		47
23924800,funnel frame.....	77	33422306,ø 40 x 24 x 24,bearing bushing.....		81
23924900,ø 245, auger clamp top.....	77	33422601,ø 140 x 183 - M 8 x 35,U-bolt.....		43
23925100,bracket.....	79	33422602,distance bracket.....		43
23925200,bracket.....	79	33422603,guide f calibration bag.....		43
23925300,locking bolt.....	77	33422804,dosing unit flange plate.....		47
23925400,lever.....	89	33422804,flange plate.....		43
23926200,walk way brace back.....	23	33422804,flange plate dosing unit.....		9
23926300,walk way brace front.....	23	33422805,ladder bracket.....		9
23926400,handle.....	77	33423901,ø 108 x 2 x 450,steel pipe.....		47
23926500,ladder.....	23	33423904,ø 110,bracket.....		49
23926600,ladder to enter tank.....	9	33425100,cross bracket pipes.....		49
23926700,brake valve.....	91	33426300,fan sleeve complete.....		35
24052001,sensor bracket-fan.....	51	33426301,ø 470,lid for fan sleeve.....		35
24052200,Sensor – Fan including plug.....	53	33426400,ø 470,fan sleeve.....		35
24052200,fan sensor.....	51	33427900,control unit fan complete.....		37
24201802,calibration bag guide.....	47	33652601,ø 1,throttle.....		85
24582500,hydr. hose bracket.....	5	33730900,air flow divider pants.....		43
27033007,M 24 x 1.5,hex screw.....	3	33733601,ø 12 x 65,bolt.....		81
27034001,bracket for brake valve.....	91	33733701,M 12,threaded rod.....		81
29210209,M 8 x 25,star grip thumb knob.....	49	33735101,ø 26.9 x 4.5 x 10,pipe.....		77
31014400,park-box for plug complete.....	55	33808403,ø 140,bracket.....		43
31042800,lid for toolbox complete.....	13	34060846,M 24 x 360,hex screw.....		3
31042900,lid for toolbox.....	13	34217001,8 mm,clamp plate.....		41
31501604,lighting beam right.....	25	34217001,8 mm,shim ring.....		85
31501605,lighting beam left.....	25	34217002,1 mm,spacer.....		41
31501606,caution sign bracket.....	25	34217003,5 mm,shim ring.....		85
31502408,flange plate cleaning flap.....	9	34217003,5 mm,spacer.....		41
31502414,40 x 100 - M 16 x 80,U-bolt.....	9	34272204,ø 32 x 84,bolt.....		85
31502500,lid for pressure tank complete.....	9	34272204,ø 32 x 92,bolt.....		83
31502501,latch bar tank mechanism.....	21	35102101,attachment to secure valve.....		83
31502502,tank opening lever.....	21			
31502503,latch link.....	21			
31502512,mounting bar tube holder.....	21			
31502513,mounting bar left/right.....	21			
31502514,mounting bar rear.....	21			
31502600,8" 4-fach,air flow divider pants.....	47			



www.horsch.com

HORSCH LLC
200 Knutson Street SE
Mapleton, ND 58059

Phone.: 1-855-4HORSCH
Fax: 1-701-532-1101
E-Mail: info.na@horsch.com

HORSCH

Farming with passion