

7200 MAXEMERGE® 2 DRAWN PLANTER 6 WIDE/8 NARROW



JOHN DEERE

PARTS CATALOG 7200 MAXEMERGE® 2 DRAWN PLANTER 6 WIDE/8 NARROW

PC2145 (29FEB88) English

JOHN DEERE HARVESTER WORKS
PC2145 (29FEB88)

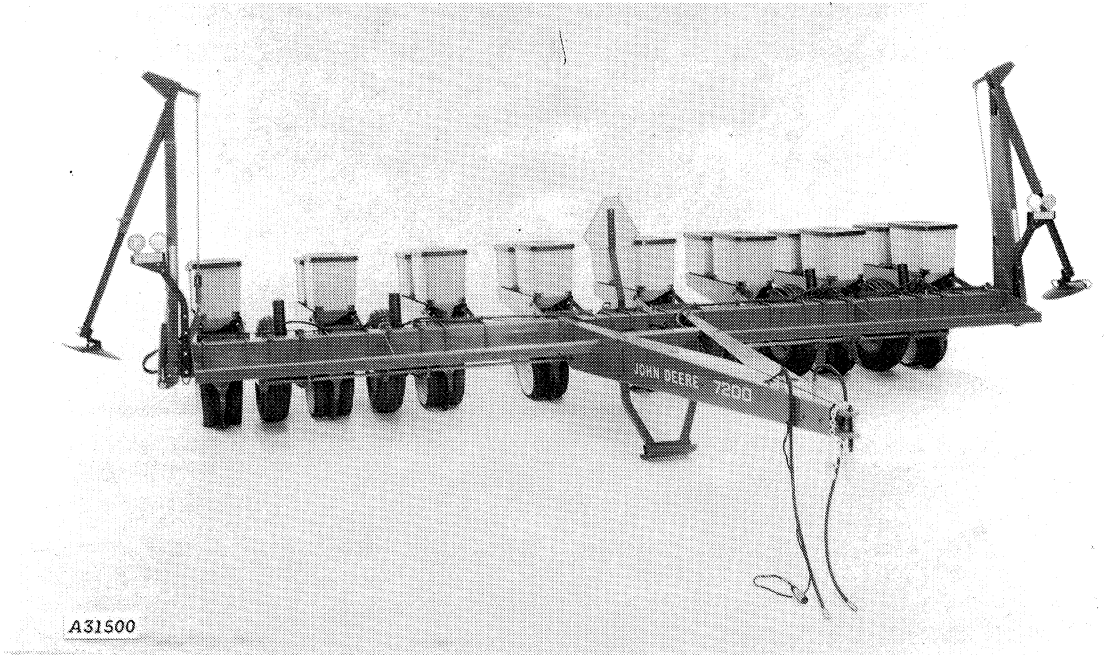
LITHO IN THE U.S.A. (REVISED)
ENGLISH



A02

7200 MAXEMERGE® 2 DRAWN PLANTERS 6 WIDE/8 NARROW

A31500



7200 MAXEMERGE®2 DRAWN PLANTERS 6-WIDE - 8-NARROW

A03

7200 MAXEMERGE® 2 DRAWN PLANTERS 6 WIDE/8 NARROW

MODEL INFORMATION

6-ROW WIDE (36- OR 38-INCH SPACING)	(1986-)
8-ROW NARROW (30-INCH SPACING)	(1986-)
8-ROW NARROW WITH 5-ROW SPLIT ROW PLANTING ATTACHMENT.	(1987-)
8-ROW NARROW WITH 7-ROW SPLIT ROW PLANTING ATTACHMENT.	(1987-)

TYPE DESIGNATION FOR THE 7200 MAXEMERGE®2 DRAWN PLANTER IS P7200

ELECTRIC SEED MONITORS, PC-1234 OR MPC-8196.
MONITROL SYSTEM, PC-1603 OR MPC-8196.
RUN-IN UNIT, PC-1217 OR MPC-8196.

SERIAL NUMBERS

WHEN WRITING OR FILLING OUT WARRANTY CLAIMS, USE ALL NUMBERS, LETTERS AND SPACES SHOWN ON THE SERIAL NUMBER PLATE

MAIN FRAME SERIAL NUMBER PLATE IS ILLUSTRATED AS DESIGNATED

A07200X100001

- A0 - DESIGNATES FACTORY
- 7200 - DESIGNATES PLANTER MODEL
- E - FOR 6W AND 8N PLANTERS
- 100001 - DESIGNATES PLANTER SPECIFIC NUMBER FOR 6W AND 8N PLANTERS

THE SERIAL NUMBER PLATE IS LOCATED ON THE RIGHT-HAND SEED DRIVE TRANSMISSION SUPPORT PLATE.

(SPECIFICATIONS AND DESIGN ARE SUBJECT TO CHANGE WITHOUT NOTICE.)

SERIAL NUMBER LISTING INFORMATION

SERIAL NUMBER INFORMATION IS LISTED TO SHOW ON WHICH MACHINES EACH PART CAN BE USED; FOR EXAMPLE:

- THE PART CAN BE USED ON ALL MACHINES.
- 000000- THE PART CAN BE USED ON ALL MACHINES BEGINNING WITH THE SERIAL NUMBER LISTED.
- 000000 THE PART CAN BE USED ON ALL MACHINES UP TO AND INCLUDING THE SERIAL NUMBER LISTED.
- 000000-000000 THE PART CAN BE USED ON ALL MACHINES BETWEEN AND INCLUDING THE SERIAL NUMBERS LISTED.

WHEN XXXXXX'S ARE LISTED IN PLACE OF A SERIAL NUMBER, A SERIAL NUMBER CHANGE WAS MADE BUT THE EXACT SERIAL NUMBER WAS NOT AVAILABLE WHEN THE CATALOG WAS PRODUCED.

DIRECTION ARROW

ARROWS ARE USED WITH ILLUSTRATIONS TO INDICATE THE FRONT OF THE UNIT. "RIGHT-HAND" AND "LEFT-HAND" SIDES ARE DETERMINED BY FACING IN THE DIRECTION OF MACHINE FORWARD TRAVEL.

BOX-ENCLOSED ILLUSTRATIONS

A KEY NUMBER, SHOWN IN THE PARTS LIST, IS ASSIGNED TO A BOX ENCLOSING ALL PARTS SOLD AS A SERVICE ASSEMBLY.

BOLT AND CAP SCREW STRENGTH IDENTIFICATION

BOLTS AND CAP SCREWS REQUIRED TO HAVE HIGH-STRENGTH QUALITIES EQUIVALENT TO SAE GRADE 8 ARE IDENTIFIED THROUGHOUT THIS CATALOG BY THE DESCRIPTION HS SAE 8. ALL STANDARD BOLTS AND CAP SCREWS ARE SAE GRADE 5 OR LOWER.

COMPLETE GOODS LISTINGS

COMPLETE GOODS ARE LISTED IN BOLD FACE TYPE. ORDER SEPARATELY. DO NOT INCLUDE ON REPLACEMENT PARTS ORDER.

SI UNITS OF MEASURE

METRIC DIMENSIONS ARE GIVEN, WHERE APPLICABLE, THROUGHOUT THIS PARTS CATALOG.

CHANGE INDICATOR LINE

CHANGES AFFECTING THE ORDERING OF PARTS ARE IDENTIFIED BY VERTICAL LINES MARKED IN THE LEFT-HAND MARGIN OF REVISED PARTS LISTING IMAGES. A LINE IS ALSO AT THE LEFT-HAND EDGE OF THE SAME PART NUMBER IN THE NUMERICAL INDEX TO SHOW THE LOCATION OF REVISED INFORMATION.

A05

7200 MAXEMERGE® 2 DRAWN PLANTERS 6 WIDE/8 NARROW

SECTIONAL INDEX

GENERAL	10
ELECTRICAL	40
HYDRAULIC	70
FRAME	90
DRIVES	100
PLANTING UNITS	110
MARKERS	120
FERTILIZER ATTACHMENTS	150
INSECTICIDE AND HERBICIDE ATTACHMENTS	160

ALPHABETICAL INDEX

GRID		PAGE	GRID		PAGE
A					
E15	ACTUATOR, CLUTCH ASSEMBLY	100-20	G4	BOTTOM, HOPPER, CELL DROP, ACID DELINTED COTTON, PLATE	110-29
B12	ALUMINUM SEED TUBE		G4	BOTTOM, HOPPER, CELL DROP, MECHANICAL DELINTED COTTON, PLATE	110-29
	BEETS AND MILO	40-24	G4	BOTTOM, HOPPER, CELL DROP, SOYBEANS PLATE	110-29
I9	APPLICATOR, FERTILIZER SURFACE DRY	150-14	G1	BOTTOM, HOPPER, FOR BEETS PLATE	110-26
H8	ARMS, PARALLEL	110-61	G2	BOTTOM, HOPPER, FOR CORN PLATE	110-27
H5	ARMS, PARALLEL WHEN USED WITH FRAME MOUNTED COULTER	110-58	F25	BOTTOM, HOPPER, FOR EDIBLE BEANS PLATE	110-25
G20	ATTACHMENT HANGER	110-46	F25	BOTTOM, HOPPER, FOR PEANUTS PLATE	110-25
H22	AUGER FILL ATTACHMENT, DRY FERTILIZER 8-ROW NARROW	150-2	G2	BOTTOM, HOPPER, FOR SOYBEANS PLATE	110-27
H22	AUGER FILL ATTACHMENT, DRY FERTILIZER 6-ROW WIDE	150-2	G2	BOTTOM, HOPPER, REG. RATE SORGHUM/MILO PLATE	110-27
H21	AUGER FILL HOPPER, DRY FERTILIZER 6-ROW WIDE	150-1	G9	BRACKET, BLOWER MANIFOLD VACUUM	110-35
H21	AUGER FILL HOPPER, DRY FERTILIZER 8-ROW NARROW	150-1	J11	BRACKET, PLACEMENT INSECTICIDE	160-7
D1	AUGER FILL HYD. FITTINGS, DRY FERT. 6W, 8N (CLOSED CENTER TRACTOR)	70-26	G8	BRACKET, VACUUM BLOWER	110-34
D3	AUGER FILL HYD. FITTINGS, DRY FERT. 6W, 8N (OPEN CENTER TRACTOR)	70-28	D18	BRACKET, SMV (SLOW MOVING VEHICLE) EMBLEM WHEN USING VACUUM PLANTING UNITS	90-10
D1	AUGER FILL HYD. HOSES, DRY FERTILIZER 6W, 8N (CLOSED CENTER TRACTOR)	70-26	F22	BRUSH, SEED METER VACUUM	110-22
D3	AUGER FILL HYD. HOSES, DRY FERTILIZER 6W, 8N (OPEN CENTER TRACTOR)	70-28	B22	BRUSH, SENSOR	40-34
C24	AUGER FILL MOTOR, DRY FERTILIZER 6-ROW WIDE	70-25	C		
D1	AUGER FILL MOTOR, DRY FERTILIZER 6W, 8N (CLOSED CENTER TRACTOR)	70-26	B13	CAPS, DUST WHEN MONITORS ARE NOT IN USE	40-25
D3	AUGER FILL MOTOR, DRY FERTILIZER 6W, 8N (OPEN CENTER TRACTOR)	70-28	G4	CELL DROP HOPPER BOTTOM FOR SOYBEANS PLATE	110-29
C24	AUGER FILL MOTOR, DRY FERTILIZER 8-ROW NARROW	70-25	G4	CELL DROP HOPPER BTM., ACID DEL. COTTON PLATE	110-29
C23	AUGER FILL SELECTOR VALVE 6-ROW WIDE	70-24	G4	CELL DROP HOPPER BTM., MECH. DEL. COTTON PLATE	110-29
C23	AUGER FILL SELECTOR VALVE 8-ROW NARROW	70-24	K2	CHAIN, ROW LEVELER	160-23
D1	AUGER FILL VALVE, DRY FERTILIZER 6W, 8N (CLOSED CENTER TRACTOR)	70-26	F22	CHAIN, SEED METERING DRIVE VACUUM	110-22
D3	AUGER FILL VALVE, DRY FERTILIZER 6W, 8N (OPEN CENTER TRACTOR)	70-28	K1	CHEMICAL INCORPORATOR	160-22
D7	AUXILIARY RETURN LINE COUPLER KIT 50 SERIES TRACTOR W/VACUUM SYSTEM	70-32	H17	CLIPS AND SHEAR BOLTS (1987-) (FOR MARKERS)	120-6
B					
G3	BAFFLE, FOR HIGH RATE CORN PLATE	110-28	G5	CLOSING WHEEL, HEAVY-DUTY	110-31
G3	BAFFLE, FOR HIGH RATE MILO PLATE	110-28	G6	CLOSING WHEEL, REGULAR	110-32
G16	BLOWER ASSEMBLY VACUUM	110-42	E15	CLUTCH ACTUATOR ASSEMBLY	100-20
G9	BLOWER MANIFOLD BRACKET VACUUM	110-35	E13	CLUTCH ASSEMBLY	100-18
G8	BLOWER, BLOWER, VACUUM	110-34	A17	COMPUTER TRAK SYSTEM COMPONENTS	40-4
C20	BLOWER, VACUUM HYDRAULIC SYSTEM 6-ROW WIDE	70-20	A19	CONSOLE, MONITOR 100 COMPUTER TRAK	40-6
C20	BLOWER, VACUUM HYDRAULIC SYSTEM 8-ROW NARROW	70-20	A21	CONSOLE, MONITOR 200 COMPUTER TRAK	40-8
G1	BOTTOM, HOPPER LOW RATE SORGHUM/MILO PLATE	110-26	A23	CONSOLE, MONITOR 300 COMPUTER TRAK	40-10
G2	BOTTOM, HOPPER, ACID DELINTED COTTON PLATE	110-27	H3	COULTER, FRAME MOUNTED 6-ROW WIDE	110-56
			H3	COULTER, FRAME MOUNTED 8-ROW NARROW	110-56
			H1	COULTER, HEAVY-DUTY	110-54
			E7	COUNTERSHAFT 6-ROW WIDE	100-12
			E7	COUNTERSHAFT 8-ROW NARROW	100-12

ALPHABETICAL INDEX - CONTINUED

GRID	PAGE	GRID	PAGE
E6	COUNTERSHAFT (1987-) SPLIT ROW PLANTING ATTACHMENT	I3	DRIVE DRY FERTILIZER 8-ROW NARROW
D7	COUPLER, AUXILIARY RETURN LINE 50 SERIES TRACTOR W/VACUUM SYSTEM	E1	DRIVE WHEEL ASSEMBLY 6-ROW WIDE, 8-ROW NARROW
F24	CUPS, SEED EDIBLE BEAN	E3	DRIVE WHEEL ASSEMBLY (1987-) SPLIT ROW PLANTING ATTACHMENT
F24	CUPS, SEED HIGH RATE SORGHUM	I1	DRIVE, DRY FERTILIZER 6-ROW WIDE
F24	CUPS, SEED LOW RATE SORGHUM	D24	DRIVE, FINGER PICKUP
F24	CUPS, SEED MILO	E17	DRIVE, HERBICIDE (-1987)
F24	CUPS, SEED SOYBEAN	J12	DRIVE, HERBICIDE (-1987)
C19	CYLINDER, HYDRAULIC (CESSNA- "WYR-LOC") 3" X 8", 8N SPLIT ROW (1987-)	E19	DRIVE, HERBICIDE (1988-)
C19	CYLINDER, HYDRAULIC (CESSNA- "WYR-LOC") 3" X 8", 8N SPLIT ROW ATT. (1987-)	J14	DRIVE, HERBICIDE (1988-)
C11	CYLINDER, MARKER, 2-1/2" X 8"	D22	DRIVE, HOPPER PLATE
C12	CYLINDER, MARKER, 2-1/2" X 8"	D24	DRIVE, HOPPER, PLATELESS
C17	CYLINDER, MASTER 6-ROW WIDE	E17	DRIVE, INSECTICIDE (-1987)
C15	CYLINDER, MASTER, 5-1/4" X 5-3/4" 6-ROW WIDE	J12	DRIVE, INSECTICIDE (-1987)
C15	CYLINDER, MASTER, 5-1/4" X 5-3/4" 8-ROW NARROW	E19	DRIVE, INSECTICIDE (1988-)
C17	CYLINDER, MASTER, 5-1/4" X 5-3/4" 8-ROW NARROW	J14	DRIVE, INSECTICIDE (1988-)
C5	CYLINDER, WHEEL MODULE, 2" X 12" 6-ROW WIDE	I11	DRIVE, LIQUID FERTILIZER 6-ROW WIDE
C5	CYLINDER, WHEEL MODULE, 2" X 12" 8-ROW NARROW	I13	DRIVE, LIQUID FERTILIZER 8-ROW NARROW
C3	CYLINDER, WHEEL, HYDRAULIC SYSTEM 6-ROW WIDE, 8-ROW NARROW	F22	DRIVE, SEED METERING VACUUM
D		H22	DRY FERTILIZER AUGER FILL ATTACHMENT 6-ROW WIDE
D20	DECAL	H22	DRY FERTILIZER AUGER FILL ATTACHMENT 8-ROW NARROW
I18	DELIVERY HOSE, FERTILIZER LIQUID	H21	DRY FERTILIZER AUGER FILL HOPPER 6-ROW WIDE
J16	DIFFUSER SUPPORT HERBICIDE	H21	DRY FERTILIZER AUGER FILL HOPPER 8-ROW NARROW
J18	DIFFUSER SUPPORT HERBICIDE	D1	DRY FERTILIZER AUGER FILL HYD. FITTINGS 6W, 8N (CLOSED CENTER TRACTOR)
J20	DIFFUSER SUPPORT HERBICIDE	D3	DRY FERTILIZER AUGER FILL HYD. FITTINGS 6W, 8N (OPEN CENTER TRACTOR)
J20	DIFFUSER SUPPORT INSECTICIDE	D1	DRY FERTILIZER AUGER FILL HYD. HOSES 6W, 8N (CLOSED CENTER TRACTOR)
J10	DIFFUSER, INSECTICIDE BAND	D3	DRY FERTILIZER AUGER FILL HYD. HOSES 6W, 8N (OPEN CENTER TRACTOR)
J16	DIFFUSER, REAR HERBICIDE	D1	DRY FERTILIZER AUGER FILL HYD. VALVE 6W, 8N (CLOSED CENTER TRACTOR)
J18	DIFFUSER, REAR HERBICIDE	D3	DRY FERTILIZER AUGER FILL HYD. VALVE 6W, 8N (OPEN CENTER TRACTOR)
F22	DISK, SEED METERING VACUUM	C24	DRY FERTILIZER AUGER FILL MOTOR 6-ROW WIDE
H5	DOWN FORCE ATTACHMENT WHEN USED WITH FRAME MOUNTED COULTER	D1	DRY FERTILIZER AUGER FILL MOTOR 6W, 8N (CLOSED CENTER TRACTOR)
H7	DOWN FORCE ATTACHMENT, HEAVY-DUTY	D3	DRY FERTILIZER AUGER FILL MOTOR 6W, 8N (OPEN CENTER TRACTOR)
H9	DOWN FORCE ATTACHMENT, LIGHT-DUTY	C24	DRY FERTILIZER AUGER FILL MOTOR 8-ROW NARROW
E7	DRILLSHAFT 6-ROW WIDE	I5	DRY FERTILIZER HOPPER
E7	DRILLSHAFT 8-ROW NARROW	I7	DRY FERTILIZER HOPPER SUPPORTS
E9	DRILLSHAFT (1987-) SPLIT ROW PLANTING ATTACHMENT	I10	DRY FERTILIZER HOSE RETAINER 6-ROW WIDE
		I7	DRY FERTILIZER SPOUTS

ALPHABETICAL INDEX - CONTINUED

GRID		PAGE	GRID		PAGE
B13	DUST CAPS WHEN MONITORS ARE NOT IN USE	40-25	D14	FRAME, WHEEL 8-ROW NARROW	90-6
E			D16	FRAME, WHEEL 8N SPLIT-ROW ATT. (1987-)	90-8
F24	EDIBLE BEAN SEED CUPS	110-24	G22	FURROWER	110-48
F24	EDIBLE BEAN SEED GUIDES	110-24	G		
B14	ELECTRICAL CONNECTOR SERVICE KIT	40-26	F7	GAUGE WHEEL	110-5
B16	ELECTRICAL CONNECTOR SERVICE KIT	40-28	F24	GUIDE, SEED EDIBLE BEAN	110-24
F			F24	GUIDE, SEED HIGH RATE SORGHUM	110-24
I9	FERTILIZER APPLICATOR, SURFACE DRY	150-14	F24	GUIDE, SEED LOW RATE SORGHUM	110-24
J3	FERTILIZER DOUBLE DISK OPENER ASSEMBLY	150-32	F24	GUIDE, SEED MILO	110-24
J3	FERTILIZER DOUBLE DISK OPENER FRAME	150-32	F24	GUIDE, SEED SOYBEAN	110-24
I1	FERTILIZER DRIVE, DRY 6-ROW WIDE	150-6	H		
I3	FERTILIZER DRIVE, DRY 8-ROW NARROW	150-8	G20	HANGER, ATTACHMENT	110-46
I11	FERTILIZER DRIVE, LIQUID 6-ROW WIDE	150-16	B2	HARNESS, WIRING FOR COMPUTER TRAK	40-14
I13	FERTILIZER DRIVE, LIQUID 8-ROW NARROW	150-18	B4	HARNESS, WIRING, 8N - 5-ROW SPLIT FOR COMPUTER TRAK (1987-)	40-16
I7	FERTILIZER HOPPER SUPPORTS, DRY	150-12	B6	HARNESS, WIRING, 8N - 7-ROW SPLIT FOR COMPUTER TRAK (1987-)	40-18
I19	FERTILIZER PLUMBING, LIQUID 6-ROW WIDE	150-24	B20	HARNESSES, MONITOR RADAR ADAPTER	40-32
I21	FERTILIZER PLUMBING, LIQUID 8-ROW NARROW	150-26	H1	HEAVY-DUTY, COULTER	110-54
I15	FERTILIZER PUMP, LIQUID	150-20	J6	HERBICIDE HOPPER	160-2
I23	FERTILIZER SINGLE DISK FRAME	150-28	J8	HERBICIDE HOPPER	160-4
J1	FERTILIZER SINGLE DISK OPENER ASSEMBLY	150-30	J24	HERBICIDE, LIQUID, MANIFOLD	160-20
I7	FERTILIZER SPOUTS, DRY	150-12	J22	HERBICIDE, PRE-EMERGENCE SPRAY ATT.	160-18
I17	FERTILIZER TANK, LIQUID, 70 GAL.	150-22	F24	HIGH RATE SORGHUM SEED CUPS	110-24
H24	FERTILIZER TRANSMISSION LIQUID AND DRY	150-4	F24	HIGH RATE SORGHUM SEED GUIDES	110-24
I10	FERTILIZER, DRY, HOSE RETAINER 6-ROW WIDE	150-15	D10	HITCH 6-ROW WIDE	90-2
I5	FERTILIZER, HOPPER, DRY	150-10	D10	HITCH 8-ROW NARROW	90-2
C17	FILTER KIT, CYLINDER, 5-1/4" X 5-3/4" 8-ROW NARROW	70-16	G1	HOPPER BOTTOM FOR BEETS PLATE	110-26
C17	FILTER REPAIR KIT, CYL., 5-1/4" X 5-3/4" 6-ROW WIDE	70-16	G2	HOPPER BOTTOM FOR CORN PLATE	110-27
F20	FINGER PICKUP METER ASSEMBLY PLATELESS	110-20	F25	HOPPER BOTTOM FOR EDIBLE BEANS PLATE	110-25
D24	FINGER PICKUP METER DRIVE	100-4	F25	HOPPER BOTTOM FOR PEANUTS PLATE	110-25
D1	FITTINGS, DRY FERT. AUGER FILL, HYD. 6W, 8N (CLOSED CENTER TRACTOR)	70-26	G2	HOPPER BOTTOM FOR SOYBEANS PLATE	110-27
D3	FITTINGS, DRY FERT. AUGER FILL, HYD. 6W, 8N (OPEN CENTER TRACTOR)	70-28	G2	HOPPER BTM. ACID DELINTED COTTON PLATE	110-27
D12	FRAME (1987-) 8-ROW NARROW SPLIT ROW PLANTING ATT.	90-4	G1	HOPPER BTM. LOW RATE SORGHUM/MILO PLATE	110-26
H3	FRAME MOUNTED COULTER 6-ROW WIDE	110-56	G2	HOPPER BTM. REG. RATE SORGHUM/MILO PLATE	110-27
H3	FRAME MOUNTED COULTER 8-ROW NARROW	110-56	D22	HOPPER DRIVE PLATE	100-2
J3	FRAME, FERTILIZER DOUBLE DISK OPENER	150-32	D24	HOPPER DRIVE, PLATELESS	100-4
I23	FRAME, FERTILIZER SINGLE DISK OPENER	150-28	F18	HOPPER SUPPORT	110-18
D10	FRAME, MAIN 6-ROW WIDE	90-2	H21	HOPPER, AUGER FILL, DRY FERTILIZER 6-ROW WIDE	150-1
D10	FRAME, MAIN 8-ROW NARROW	90-2	H21	HOPPER, AUGER FILL, DRY FERTILIZER 8-ROW NARROW	150-1
D14	FRAME, WHEEL 6-ROW WIDE	90-6			

ALPHABETICAL INDEX - CONTINUED

GRID		PAGE	GRID		PAGE
I5	HOPPER, DRY FERTILIZER	150-10	K2	LEVELER CHAIN, ROW	160-23
J6	HOPPER, HERBICIDE	160-2	E5	LIFT WHEEL (1987-) SPLIT ROW PLANTING ATTACHMENT	100-10
J8	HOPPER, HERBICIDE	160-4	I15	LIQUID FERTILIZER PUMP	150-20
J6	HOPPER, INSECTICIDE	160-2	I17	LIQUID FERTILIZER TANK, 70 GAL.	150-22
J8	HOPPER, INSECTICIDE	160-4	J24	LIQUID HERBICIDE MANIFOLD ASSEMBLY	160-20
F8	HOPPER, SEED, 1.6 BU. PLATE	110-8	J22	LIQUID HERBICIDE PRE-EMERGENCE SPRAY	160-18
F10	HOPPER, SEED, 1.6 BU. PLATELESS	110-10	F24	LOW RATE SORGHUM SEED CUPS	110-24
F14	HOPPER, SEED, 3.0 BU. PLATELESS	110-14	F24	LOW RATE SORGHUM SEED GUIDES	110-24
F12	HOPPER, VACUUM SEED 1.6 BU.	110-12	F22	LUBRICANT	110-22
F16	HOPPER, VACUUM SEED 3.9 BU.	110-16	M		
I10	HOSE RETAINER, DRY FERTILIZER 6-ROW WIDE	150-15	D10	MAIN FRAME 6-ROW WIDE	90-2
D7	HOSE, AUXILIARY RETURN LINE COUPLE KIT 50 SERIES TRACTOR W/VACUUM SYSTEM	70-32	D10	MAIN FRAME 8-ROW NARROW	90-2
I18	HOSE, FERTILIZER DELIVERY LIQUID	150-23	G10	MANIFOLD ASSEMBLY, VACUUM 6-ROW WIDE	110-36
J10	HOSE, INSECTICIDE INSECTICIDE BAND DIFFUSER	160-6	G10	MANIFOLD ASSEMBLY, VACUUM 8-ROW NARROW	110-36
D1	HOSES, DRY FERT. AUGER FILL, HYD. 6W, 8N (CLOSED CENTER TRACTOR)	70-26	G14	MANIFOLD ASSEMBLY, VACUUM (1987-) SPLIT ROW PLANTING ATT. (PLUS 5)	110-40
D3	HOSES, DRY FERT. AUGER FILL, HYD. 6W, 8N (OPEN CENTER TRACTOR)	70-28	G12	MANIFOLD ASSEMBLY, VACUUM (1987-) SPLIT ROW PLANTING ATT. (PLUS 7)	110-38
D6	HYDRAULIC COUPLER, RETAINER	70-31	J24	MANIFOLD, LIQUID HERBICIDE	160-20
C19	HYDRAULIC CYLINDER (CESSNA- "WYR-LOC") 3" X 8" 8N SPLIT ROW (1987-)	70-18	D10	MARKER BREAKAWAY WRENCH	90-2
C19	HYDRAULIC CYLINDER (CESSNA- "WYR-LOC") 3" X 8", 8N SPLIT ROW ATT. (1987-)	70-18	C11	MARKER CYLINDER, 2-1/2" X 8"	70-10
C18	HYDRAULIC SYSTEM, SPLIT ROW PLANTING, 8N SPLIT ROW ATT. (1987-)	70-17	C12	MARKER CYLINDER, 2-1/2" X 8"	70-11
I			C7	MARKER HYDRAULIC SYSTEM, AUTOMATIC 6-ROW WIDE	70-6
K1	INCORPORATOR, CHEMICAL	160-22	C7	MARKER HYDRAULIC SYSTEM, AUTOMATIC 8-ROW NARROW	70-6
J10	INSECTICIDE BAND DIFFUSER	160-6	C9	MARKER HYDRAULIC SYSTEM, INDEPENDENT 6-ROW WIDE	70-8
J6	INSECTICIDE HOPPER	160-2	C9	MARKER HYDRAULIC SYSTEM, INDEPENDENT 8-ROW NARROW	70-8
J8	INSECTICIDE HOPPER	160-4	C13	MARKER SEQUENCE VALVE	70-12
K			H15	MARKER, ARM ASSEMBLY 6-ROW WIDE	120-4
D7	KIT, AUXILIARY RETURN LINE COUPLER 50 SERIES TRACTOR W/VACUUM SYSTEM	70-32	H15	MARKER, ARM ASSEMBLY 8-ROW NARROW	120-4
C17	KIT, CYLINDER FILTER, 5-1/4" X 5-3/4" 6-ROW WIDE	70-16	H13	MARKER, PIVOT ASSEMBLY 6-ROW WIDE	120-2
B14	KIT, ELECTRICAL CONNECTOR SERVICE	40-26	H13	MARKER, PIVOT ASSEMBLY 8-ROW NARROW	120-2
B16	KIT, ELECTRICAL CONNECTOR SERVICE	40-28	C15	MASTER CYLINDER, 5-1/4" X 5-3/4" 6-ROW WIDE	70-14
C17	KIT, FILTER, CYLINDER, 5-1/4" X 5-3/4" 8-ROW NARROW	70-16	C17	MASTER CYLINDER, 5-1/4" X 5-3/4" 6-ROW WIDE	70-16
C17	KIT, SEAL, CYLINDER, 5-1/4" X 5-3/4" 6-ROW WIDE	70-16	C15	MASTER CYLINDER, 5-1/4" X 5-3/4" 8-ROW NARROW	70-14
C17	KIT, SEAL, CYLINDER, 5-1/4" X 5-3/4" 8-ROW NARROW	70-16	C17	MASTER CYLINDER, 5-1/4" X 5-3/4" 8-ROW NARROW	70-16
C11	KIT, SEAL, MARKER CYLINDER, 2-1/2" X 8"	70-10	D24	METER DRIVE, FINGER PICKUP	100-4
C12	KIT, SEAL, MASTER CYLINDER, 2-1/2" X 8"	70-11	F20	METER, FINGER PICKUP ASSEMBLY PLATELESS	110-20
C22	KIT, VACUUM MOTOR KIT	70-22	F22	METER, SEED VACUUM	110-22
L			F24	MILO SEED CUPS	110-24
D20	LABELS	90-12	F24	MILO SEED GUIDES	110-24
A15	LAMP, WARNING	40-2	A25	MODULE, POWER 100 COMPUTER TRAK	40-12
			B1	MODULE, POWER 200 COMPUTER TRAK	40-13

ALPHABETICAL INDEX - CONTINUED

GRID	PAGE	GRID	PAGE
B1	MODULE, POWER	J22	PRE-EMERGENCE SPRAY ATT., HERBICIDE
	300 COMPUTER TRAK	I15	PUMP, LIQUID FERTILIZER
A19	MONITOR CONSOLE		
	100 COMPUTER TRAK		R
A21	MONITOR CONSOLE	B8	RADAR DISTANCE SENSOR
	200 COMPUTER TRAK		200 COMPUTER TRAK
A23	MONITOR CONSOLE	B8	RADAR DISTANCE SENSOR
	300 COMPUTER TRAK		300 COMPUTER TRAK
B20	MONITOR RADAR ADAPTER HARNESSSES	J16	REAR DIFFUSER
G18	MONITORING ASSEMBLY, VACUUM		HERBICIDE
C24	MOTOR, AUGER FILL, DRY FERTILIZER	J18	REAR DIFFUSER SUPPORT
	6-ROW WIDE		HERBICIDE
C24	MOTOR, AUGER FILL, DRY FERTILIZER	J20	REAR DIFFUSER SUPPORT
	8-ROW NARROW		HERBICIDE
D1	MOTOR, DRY FERTILIZER AUGER FILL	D20	REFLECTORS
	6W, 8N (CLOSED CENTER TRACTOR)	C17	REPAIR KIT, CYLINDER, 5-1/4" X 5-3/4"
D3	MOTOR, DRY FERTILIZER AUGER FILL		8-ROW NARROW
	6W, 8N (OPEN CENTER TRACTOR)	C22	REPAIR KIT, VACUUM MOTOR
H22	MOTOR, FERTILIZER DRIVE	C17	REPAIR KIT, CYLINDER SEAL, 5-1/4" X 5-3/4"
	6-ROW WIDE		6-ROW WIDE
H22	MOTOR, FERTILIZER DRIVE	I10	RETAINER, HOSE, DRY FERTILIZER
	8-ROW NARROW		6-ROW WIDE
C22	MOTOR, VACUUM REPAIR KIT	D6	RETAINER, HYDRAULIC COUPLER
		K2	ROW LEVELER CHAIN
	O		
J3	OPENER, DOUBLE DISK FERTILIZER		S
J3	OPENER, DOUBLE DISK FERTILIZER FRAME	F6	SCRAPER
J1	OPENER, FERTILIZER SINGLE DISK	C17	SEAL KIT, CYLINDER, 5-1/4" X 5-3/4"
I23	OPENER, SINGLE DISK FERTILIZER FRAME		6-ROW WIDE
		C17	SEAL KIT, CYLINDER, 5-1/4" X 5-3/4"
	P		8-ROW NARROW
H5	PARALLEL ARMS	C11	SEAL KIT, MARKER CYLINDER, 2-1/2" X 8"
	WHEN USED WITH FRAME MOUNTED COULTER	C12	SEAL KIT, MARKER CYLINDER, 2-1/2" X 8"
H8	PARALLEL ARMS AND SPROCKET	F22	SEAL, SEED DISK
J11	PLACEMENT BRACKET		VACUUM
	INSECTICIDE	F24	SEED CUPS
H10	PLANTER, RUN-IN STAND		EDIBLE BEANS
G2	PLATE, SEED, FOR ACID DELINTED COTTON	F24	SEED CUPS
	PLATE		HIGH RATE SORGHUM
G4	PLATE, SEED, FOR ACID DELINTED COTTON	F24	SEED CUPS
	PLATE		LOW RATE SORGHUM
G2	PLATE, SEED, FOR CORN	F24	SEED CUPS
	PLATE		MILO
G1	PLATE, SEED, FOR LOW RATE MILO	F24	SEED CUPS
	PLATE		SOYBEAN
G1	PLATE, SEED, FOR LOW RATE SORGHUM	F22	SEED DISK, SEED METERING
	PLATE		VACUUM
G4	PLATE, SEED, FOR MECH. DELINTED COTTON	F24	SEED GUIDES
	PLATE		EDIBLE BEAN
G2	PLATE, SEED, FOR REGULAR RATE MILO	F24	SEED GUIDES
	PLATE		HIGH RATE SORGHUM
G2	PLATE, SEED, FOR REGULAR RATE SORGHUM	F24	SEED GUIDES
	PLATE		LOW RATE SORGHUM
G2	PLATE, SEED, FOR SOYBEANS	F24	SEED GUIDES
	PLATE		MILO
G4	PLATE, SEED, FOR SOYBEANS	F24	SEED GUIDES
	PLATE		SOYBEAN
A25	POWER MODULE	F8	SEED HOPPER, 1.6 BU.
	100 COMPUTER TRAK		PLATE
B1	POWER MODULE	F10	SEED HOPPER, 1.6 BU.
	200 COMPUTER TRAK		PLATELESS
B1	POWER MODULE	F14	SEED HOPPER, 3.0 BU.
	300 COMPUTER TRAK		PLATELESS

ALPHABETICAL INDEX - CONTINUED

GRID	PAGE	GRID	PAGE
F22	SEED METERING ASSEMBLY VACUUM	H8	SPROCKET, PARALLEL ARMS
	110-22	F22	SPROCKET, SEED METERING DRIVE VACUUM
F22	SEED METERING DRIVE VACUUM		110-22
	110-22	H10	STAND, PLANTER RUN-IN
G2	SEED PLATE, FOR ACID DELINTED COTTON PLATE	D5	STOP, SELECTIVE CONTROL VALVE
	110-27	J16	SUPPORT, DIFFUSER HERBICIDE
G4	SEED PLATE, FOR ACID DELINTED COTTON PLATE		160-12
	110-29	J18	SUPPORT, DIFFUSER HERBICIDE
G2	SEED PLATE, FOR CORN PLATE		160-14
	110-27	F18	SUPPORT, HOPPER
G1	SEED PLATE, FOR LOW RATE MILO PLATE	J18	SUPPORT, REAR DIFFUSER HERBICIDE
	110-26		160-14
G1	SEED PLATE, FOR LOW RATE SORGHUM PLATE	J20	SUPPORT, REAR DIFFUSER HERBICIDE
	110-26		160-16
G4	SEED PLATE, FOR MECH. DELINTED COTTON PLATE	I7	SUPPORTS, DRY FERTILIZER HOPPER
	110-29	J20	SUPPORT, DIFFUSER HERBICIDE
G2	SEED PLATE, FOR REGULAR RATE MILO PLATE		150-12
	110-27	J20	SUPPORT, DIFFUSER HERBICIDE
G2	SEED PLATE, FOR REGULAR RATE SORGHUM PLATE	A17	SYSTEM, COMPUTER TRAK COMPONENTS
	110-27	C18	SYSTEM, HYDRAULIC, SPLIT ROW PLANTING, 8N SPLIT ROW ATT. (1987-)
G2	SEED PLATE, FOR SOYBEANS PLATE		70-17
	110-27		
G4	SEED PLATE, FOR SOYBEANS PLATE		T
	110-29		
E11	SEED TRANSMISSION 6-ROW WIDE	F22	TALC
	100-16	I17	TANK, LIQUID FERTILIZER, 70 GAL.
B12	SEED TUBE, ALUMINUM BEETS AND MILO	B18	TEST UNIT
	40-24	G24	TINE TOOTH
G1	SEED TUBE, FOR LOW RATE MILO PLATE	H24	TRANSMISSION, FERTILIZER LIQUID AND DRY
	110-26		150-4
G1	SEED TUBE, FOR LOW RATE SORGHUM PLATE	E11	TRANSMISSION, SEED 6-ROW WIDE
	110-26		100-16
B10	SEED TUBE, LARGE USED WITH COMPUTER TRAK MONITORS	E11	TRANSMISSION, SEED 8-ROW NARROW
	40-22		100-16
B10	SEED TUBE, SMALL USED WITH COMPUTER TRAK MONITORS	F4	TRU-VEE SHANK
	40-22	B10	TUBE, LARGE SEED USED WITH COMPUTER TRAK MONITORS
B11	SEED TUBE, SMALL STRAIGHT USED WITH COMPUTER TRAK MONITORS		40-22
	40-23	F25	TUBE, SEED, FOR EDIBLE BEANS PLATE
E11	SEED, TRANSMISSION 8-ROW NARROW		110-25
	100-16	G1	TUBE, SEED, FOR LOW RATE MILO PLATE
B22	SENSOR BRUSH		110-26
	40-34	G1	TUBE, SEED, FOR LOW RATE SORGHUM PLATE
B10	SENSOR, LARGE SEED USED WITH COMPUTER TRAK MONITORS		110-26
	40-22	F25	TUBE, SEED, FOR PEANUTS PLATE
B8	SENSOR, RADAR DISTANCE 200 COMPUTER TRAK		110-25
	40-20	B10	TUBE, SMALL SEED USED WITH COMPUTER TRAK MONITORS
B8	SENSOR, RADAR DISTANCE 300 COMPUTER TRAK		40-22
	40-20	B11	TUBE, SMALL STRAIGHT SEED USED WITH COMPUTER TRAK MONITORS
B12	SENSOR, SEED TUBE, ALUMINUM BEETS AND MILO		40-23
	40-24		
B10	SENSOR, SMALL SEED USED WITH COMPUTER TRAK MONITORS		U
	40-22		
B14	SERVICE KIT, ELECTRICAL CONNECTORS		
	40-26	B18	UNIT, TEST
B16	SERVICE KIT, ELECTRICAL CONNECTORS		40-30
	40-28		
F4	SHANK, TRU-VEE		V
	110-2		
H17	SHEAR BOLT, CLIPS (1987-) (FOR MARKERS)		
	120-6	G8	VACUUM BLOWER BRACKET
D20	SIGNS		110-34
	90-12	C20	VACUUM BLOWER HYDRAULIC SYSTEM 6-ROW WIDE
D18	SLOW MOVING VEHICLE EMBLEM WHEN USING VACUUM PLANTING UNITS		70-20
	90-10	C20	VACUUM BLOWER HYDRAULIC SYSTEM 8-ROW NARROW
D18	SMV (SLOW MOVING VEHICLE) EMBLEM WHEN USING VACUUM PLANTING UNITS		70-20
	90-10	G10	VACUUM MANIFOLD ASSEMBLY 6-ROW WIDE
F24	SOYBEAN SEED CUPS		110-36
F24	SOYBEAN SEED GUIDES	G10	VACUUM MANIFOLD ASSEMBLY 8-ROW NARROW
	110-24		110-36
C18	SPLIT ROW PLANTING HYDRAULIC SYSTEM, 8N SPLIT ROW ATT. (1987-)		
	70-17		
I7	SPOUTS, DRY FERTILIZER		
	150-12		
J22	SPRAY ATT., PRE-EMERGENCE HERBICIDE		
	160-18		

ALPHABETICAL INDEX - CONTINUED

GRID		PAGE	GRID	PAGE
G14	VACUUM MANIFOLD ASSEMBLY (1987-) SPLIT ROW PLANTING ATT. (PLUS 5)	110-40		
G12	VACUUM MANIFOLD ASSEMBLY (1987-) SPLIT ROW PLANTING ATT. (PLUS 7)	110-38		
G18	VACUUM MONITORING ASSEMBLY	110-44		
C22	VACUUM MOTOR REPAIR KIT	70-22		
F12	VACUUM SEED HOPPER 1.6 BU.	110-12		
F16	VACUUM SEED HOPPER 3.0 BU.	110-16		
C23	VALVE, AUGER FILL SELECTOR 6-ROW WIDE	70-24		
C23	VALVE, AUGER FILL SELECTOR 8-ROW NARROW	70-24		
D1	VALVE, DRY FERTILIZER AUGER FILL 6W, 8N (CLOSED CENTER TRACTOR)	70-26		
D3	VALVE, DRY FERTILIZER AUGER FILL 6W, 8N (OPEN CENTER TRACTOR)	70-28		
C13	VALVE, MARKER SEQUENCE	70-12		
W				
A15	WARNING LAMP	40-2		
C3	WHEEL CYLINDER HYDRAULIC SYSTEM 6-ROW WIDE, 8-ROW NARROW	70-2		
D14	WHEEL FRAME 6-ROW WIDE	90-6		
D14	WHEEL FRAME 8-ROW NARROW	90-6		
D16	WHEEL FRAME 8N SPLIT-ROW ATT. (1987-)	90-8		
C5	WHEEL MODULE CYLINDER, 2" X 12" 6-ROW WIDE	70-4		
C5	WHEEL MODULE CYLINDER, 2" X 12" 8-ROW NARROW	70-4		
E1	WHEEL, DRIVE ASSEMBLY 6-ROW WIDE, 8-ROW NARROW	100-6		
E3	WHEEL, DRIVE, ASSEMBLY (1987-) SPLIT ROW PLANTING ATTACHMENT	100-8		
F7	WHEEL, GAUGE	110-5		
G5	WHEEL, HEAVY-DUTY CLOSING	110-31		
E5	WHEEL, LIFT (1987-) SPLIT ROW PLANTING ATTACHMENT	100-10		
G6	WHEEL, REGULAR CLOSING	110-32		
J16	WINDSHIELD HERBICIDE	160-12		
J18	WINDSHIELD HERBICIDE	160-14		
J20	WINDSHIELD HERBICIDE	160-16		
B2	WIRING HARNESS FOR COMPUTER TRAK	40-14		
B4	WIRING HARNESS, 8N - 5-ROW SPLIT FOR COMPUTER TRAK (1987-)	40-16		
B6	WIRING HARNESS, 8N - 7-ROW SPLIT FOR COMPUTER TRAK (1987-)	40-18		
D10	WRENCH, MARKER BREAKAWAY	90-2		

MEMORANDA

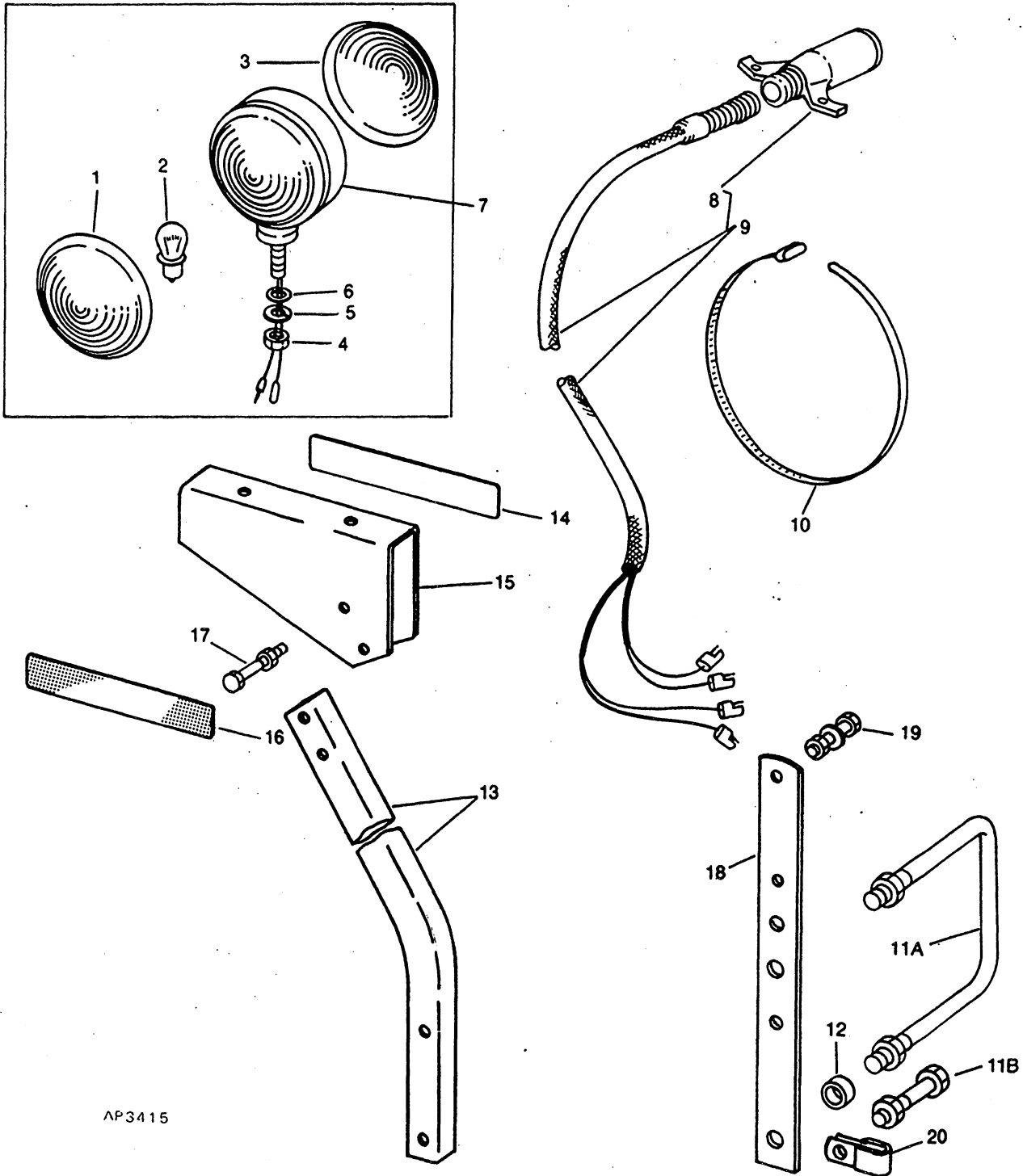
MEMORANDA

A15

ELECTRICAL

WARNING LAMP

AP3415



AP3415

A16

ELECTRICAL

WARNING LAMP - CONTINUED

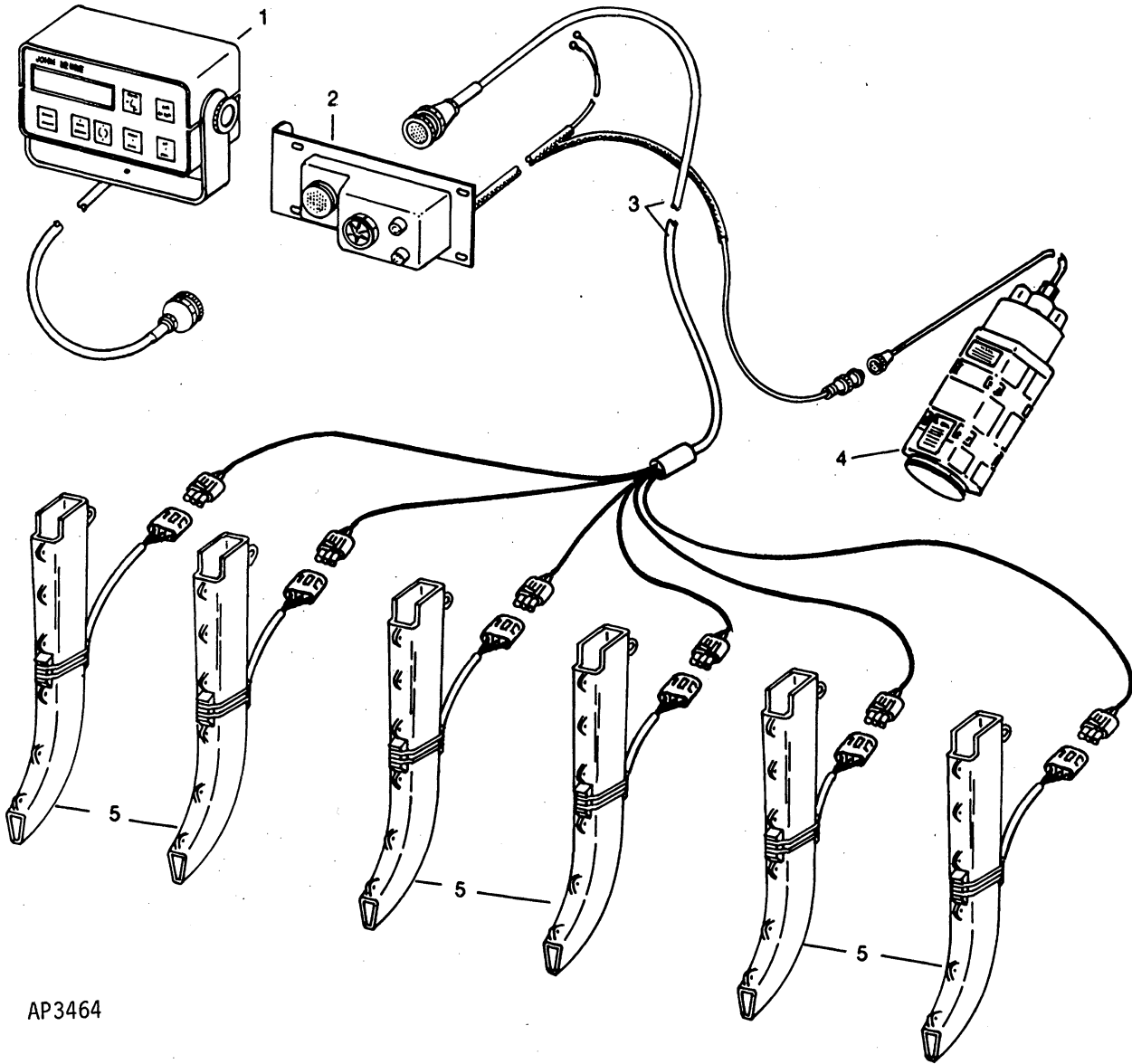
KEY	PART NO.	PART NAME	QTY	SERIAL NO. OR YEAR	REMARKS
1	A48332	REFLECTOR	2		RED
	A48331	REFLECTOR	2		AMBER
2	AD2062R	BULB	2		WARNING
	AR48041	BULB	2		TAIL LAMP
3	A48331	REFLECTOR	2		AMBER
4	14H865	NUT	4		1/2"
5	12H292	LOCK WASHER	4		1/2"
6	R69279	WASHER	1		19.050 X 25.400 X 3.175MM (3/4" X 1" X 1/8")
7	AA34967	LAMP	2		WARNING LAMP WHICH INCLUDES LENSES AND BULB
	AA34968	TAIL LAMP	2		TAIL LAMP WHICH INCLUDES LENS AND BULB
8	AH93625	PLUG	1		
9	AA34924	WIRING HARNESS	1		
10	R44302	TIE BAND	15		171 MM (6-3/4")
11A	A46534	U-BOLT	2		WHEN MOUNTED ON FRAME
	14M7299	FLANGE NUT	4		M12, WHEN MOUNTED ON FRAME
11B	19M7273	CAP SCREW	4		M12 X 60, WHEN MOUNTED ON MARKER MAST
	14M7299	FLANGE NUT	4		M12, WHEN MOUNTED ON MARKER MAST
12	P3038B	WASHER	2		16.662 X 25.400 X 8.738MM (21/32" X 1" X 11/32") WHEN MOUNTED TO "W" UNIT
13	A49581	TUBE	1		
14	JD5578	REFLECTOR	1		RED
15	A49576	SUPPORT	1		
16	JD5581	REFLECTOR	1		AMBER
17	19M7185	CAP SCREW	2		M8 X 60
	E64256	LOCK NUT	2		M8
18	A49578	STRAP	1		
19	19M7327	CAP SCREW	4		M10 X 65
	24H1367	WASHER	4		21/32" X 1-1/4" X 1/4"
	A51212	LOCK NUT	4		M10
20	T30785	CLAMP	2		

A17

ELECTRICAL

COMPUTER TRAK SYSTEM COMPONENTS

AP3464



AP3464

COMPUTER TRAK SYSTEM COMPONENTS - CONTINUED

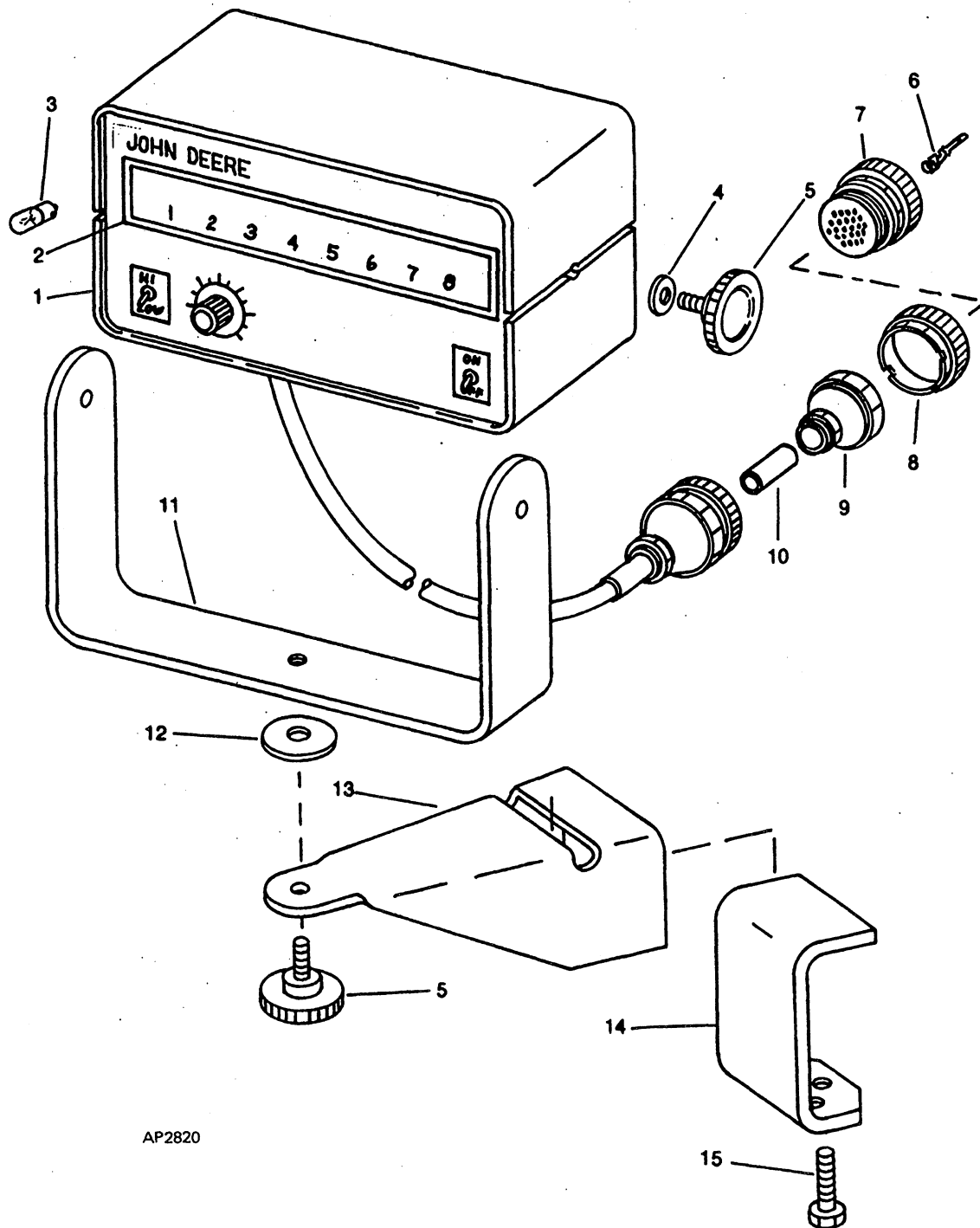
KEY	PART NO.	PART NAME	QTY	SERIAL NO. OR YEAR	REMARKS
1	AA30825	CONSOLE	1		100 COMPUTER TRAK
	AA35630	CONSOLE	1		200 COMPUTER TRAK
	AA30827	CONSOLE	1		300 COMPUTER TRAK
2	AH129222	POWER SUPPLY	1		(SUB FOR AA35632) 100 COMPUTER TRAK
	AH129223	POWER SUPPLY	1		(SUB FOR AA35631) 200 COMPUTER TRAK
	AH129224	POWER SUPPLY	1		(SUB FOR AA30831) 300 COMPUTER TRAK
3	AA36664	WIRING HARNESS	1		6-ROW WIDE
	AA36665	WIRING HARNESS	1		8-ROW NARROW
4	AA35761	SENSOR	1		
5	AA36636	TUBE	1		SMALL
	AA36643	TUBE	1		LARGE
	AA36644	TUBE	1		SMALL STRAIGHT

A19

ELECTRICAL

MONITOR CONSOLE 100 COMPUTER TRAK

AP2820



AP2820

A20

ELECTRICAL

MONITOR CONSOLE - CONTINUED 100 COMPUTER TRAK

KEY	PART NO.	PART NAME	QTY	SERIAL NO. OR YEAR	REMARKS
1	AA30825	METER	1		
2	A41047	BEZEL	1		
3	B32205	BULB	AR		
4	B32209	WASHER	2		0.354" X 0.886" X 0.079"
5	AA29884	KNOB	3		
6	R77465	SOCKET CONTACT	1		(A) PACKAGE OF (50); 14-16 OR 18 GA. WIRE.
	R77463	SOCKET CONTACT	1		(A) PACKAGE OF (40); 20-22 OR 24 GA. WIRE.
7	R77457	ELECTRICAL PLUG	1		(A) 37 WAY
8	R77458	RETAINER	1		(A) PACKAGE OF (2); SIZE (23).
9	AA35687	CLAMP	1		
10	A49718	ROLL-GARD	1		
11	A40982	BAIL	1		
12	A41282	WASHER	1		9.500 X 38 X 2.400MM (0.374" X 1.496" X 0.094")
13	A40983	SUPPORT	1		
14	A40984	CLAMP	1		
15	19H2849	CAP SCREW	3		5/16" X 1-3/4"

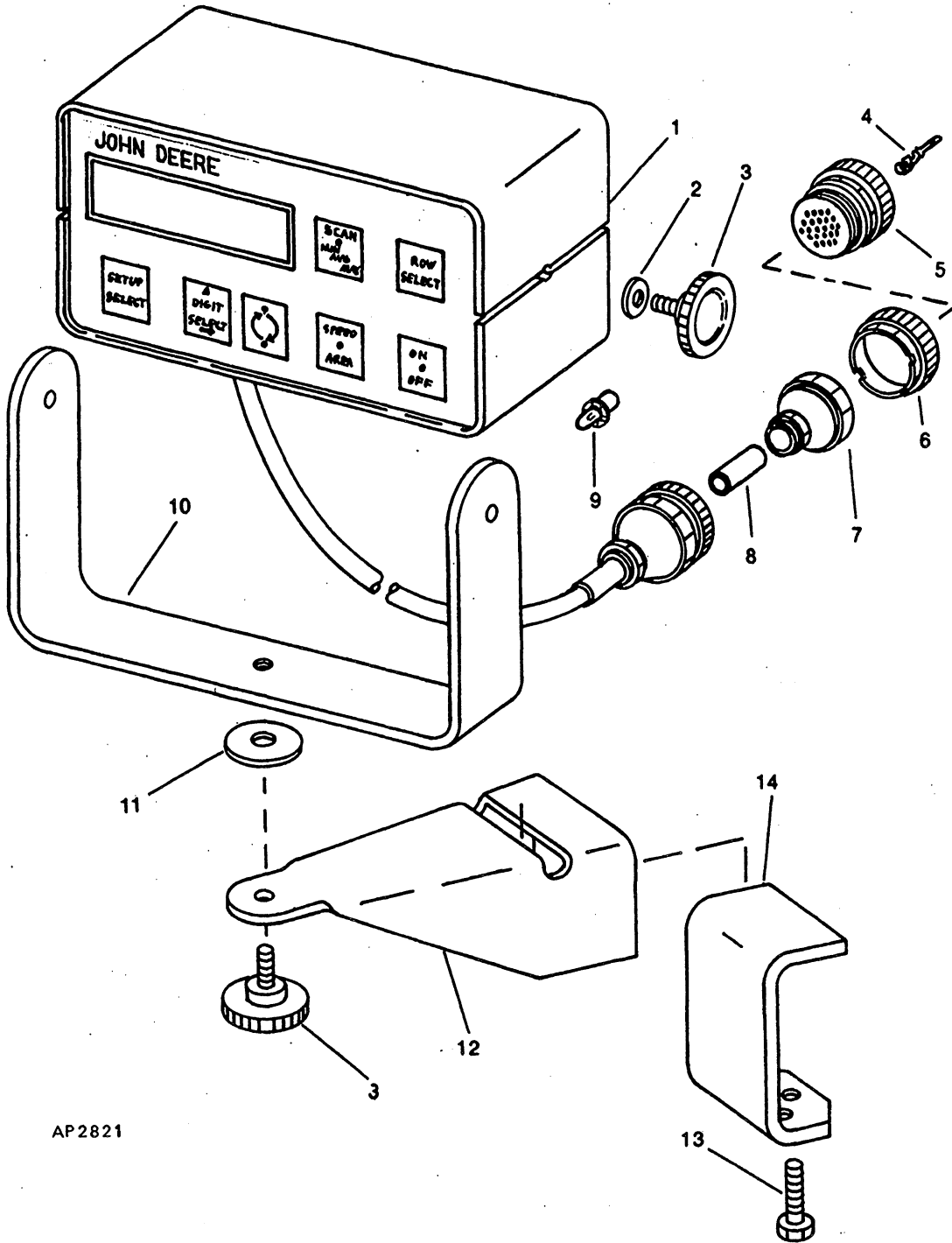
(A) INCLUDED IN RE11154 KIT, SEE GRIDS B14, B15, B16 AND B17.

A21

ELECTRICAL

MONITOR CONSOLE 200 COMPUTER TRAK

AP2821



AP2821

**MONITOR CONSOLE - CONTINUED
200 COMPUTER TRAK**

KEY	PART NO.	PART NAME	QTY	SERIAL NO. OR YEAR	REMARKS
1	AA35630	CONSOLE	1		
2	B32209	WASHER	2		9 X 22.500 X 2MM (0.354" X 0.886" X 0.079")
3	AA29884	KNOB	3		
4	R77465	SOCKET CONTACT	1		(A) PACKAGE OF (50); 14-16 OR 18 GA. WIRE.
	R77463	SOCKET CONTACT	1		(A) PACKAGE OF (40); 20-22 OR 24 GA. WIRE.
5	R77457	ELECTRICAL PLUG	1		(A) (37) WAY.
6	R77458	RETAINER	1		(A) PACKAGE OF (2); SIZE (23).
7	AA35687	CLAMP	1		
8	A49718	ROLL-GARD	1		
9	AA35633	LAMP	1		
10	A40982	BAIL	1		
11	A41282	WASHER	1		9.500 X 38 X 2.400MM (0.374" X 1.496" X 0.094")
12	A40983	SUPPORT	1		
13	19H2849	CAP SCREW	3		5/16" X 1-3/4"
14	A40984	CLAMP	1		

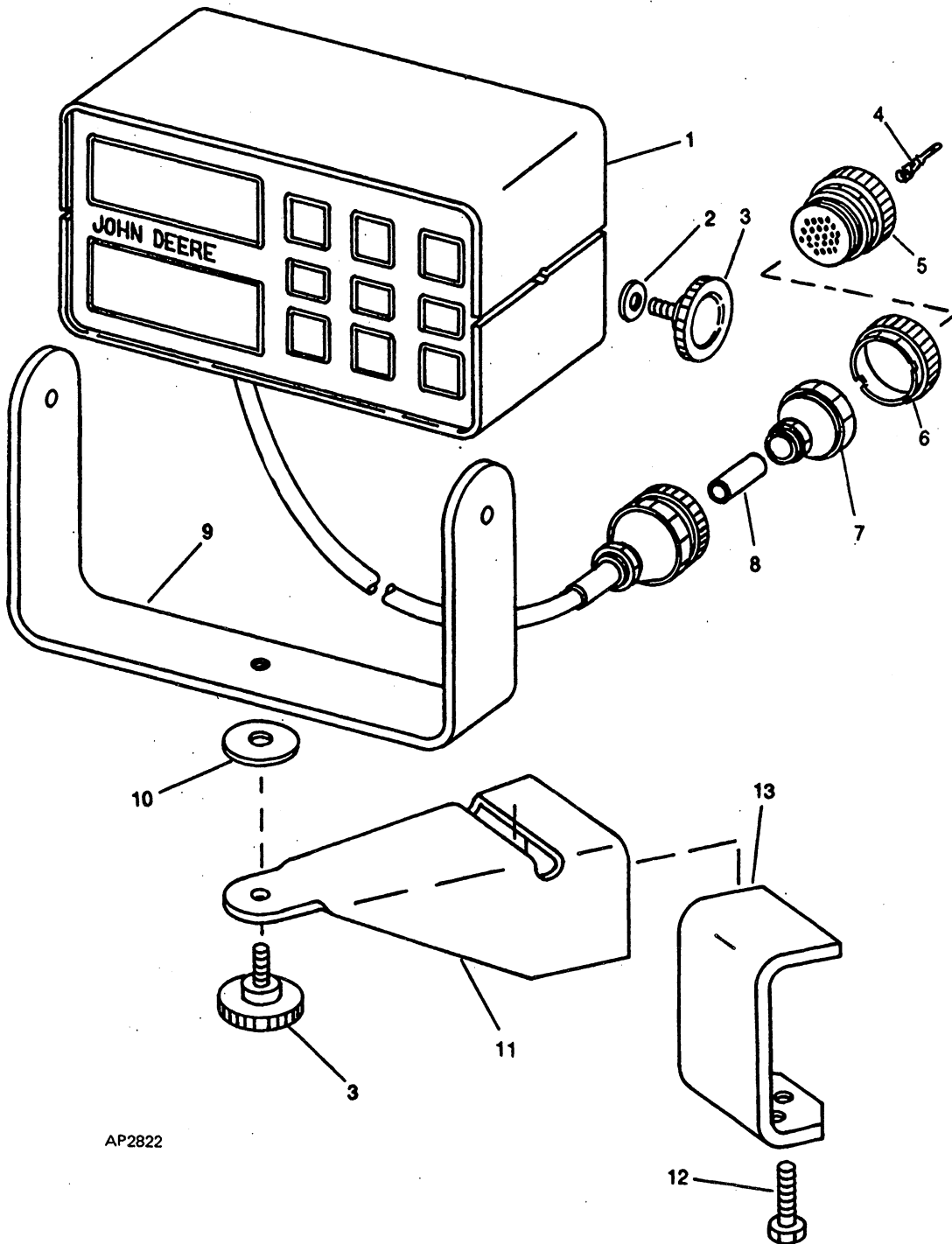
(A) INCLUDED IN RE11154 KIT, SEE GRIDS B14, B15, B16 AND B17.

A23

ELECTRICAL

MONITOR CONSOLE 300 COMPUTER TRAK

AP2822



AP2822

**MONITOR CONSOLE - CONTINUED
300 COMPUTER TRAK**

KEY	PART NO.	PART NAME	QTY	SERIAL NO. OR YEAR	REMARKS
1	AA30827	CONSOLE	1		
2	B32209	WASHER	2		9 X 22.500 X 2MM (0.354" X 0.886" X 0.079")
3	AA29884	KNOB	3		
4	R77465	SOCKET CONTACT	1		(A) PACKAGE OF (50); 14-16 OR 18 GA. WIRE.
	R77463	SOCKET CONTACT	1		(A) PACKAGE OF (40); 20-22 OR 24 GA. WIRE.
5	R77457	ELECTRICAL PLUG	1		(A) (37) WAY.
6	R77458	RETAINER	1		(A) PACKAGE OF (2); SIZE (23).
7	AA35687	CLAMP	1		
8	A50026	GUARD	1		
9	A39324	BAIL	1		
10	A41282	WASHER	1		9.500 X 38 X 2.400MM (0.374" X 1.496" X 0.094")
11	A40983	SUPPORT	1		
12	19H2849	CAP SCREW	3		5/16" X 1-3/4"
13	A40984	CLAMP	1		

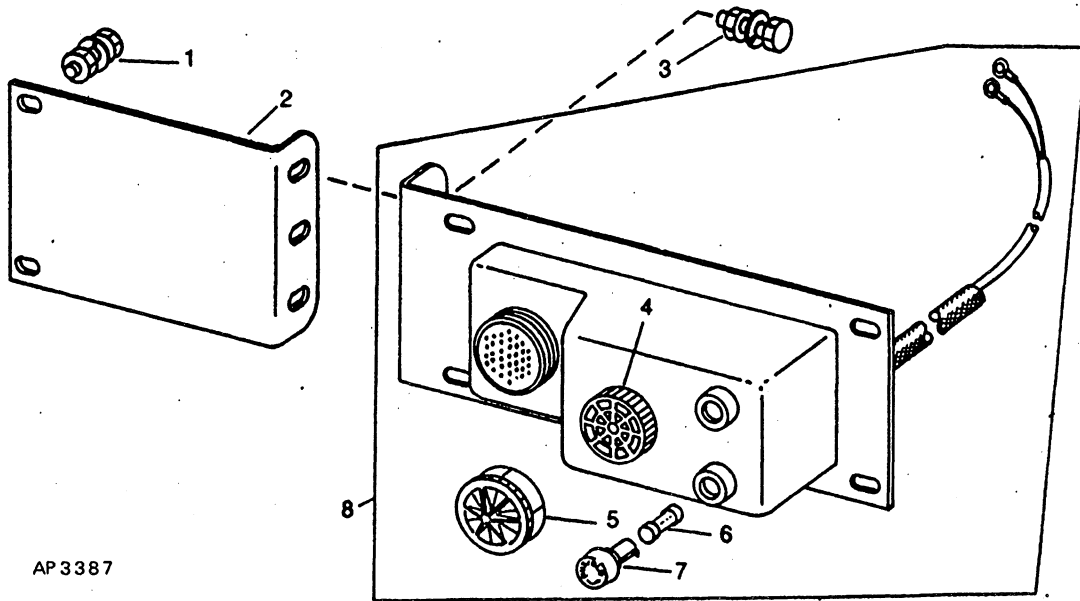
(A) INCLUDED IN RE11154 KIT, SEE GRIDS B14, B15, B16 AND B17.

A25

ELECTRICAL

POWER MODULE 100 COMPUTER TRAK

AP3387



AP 3387

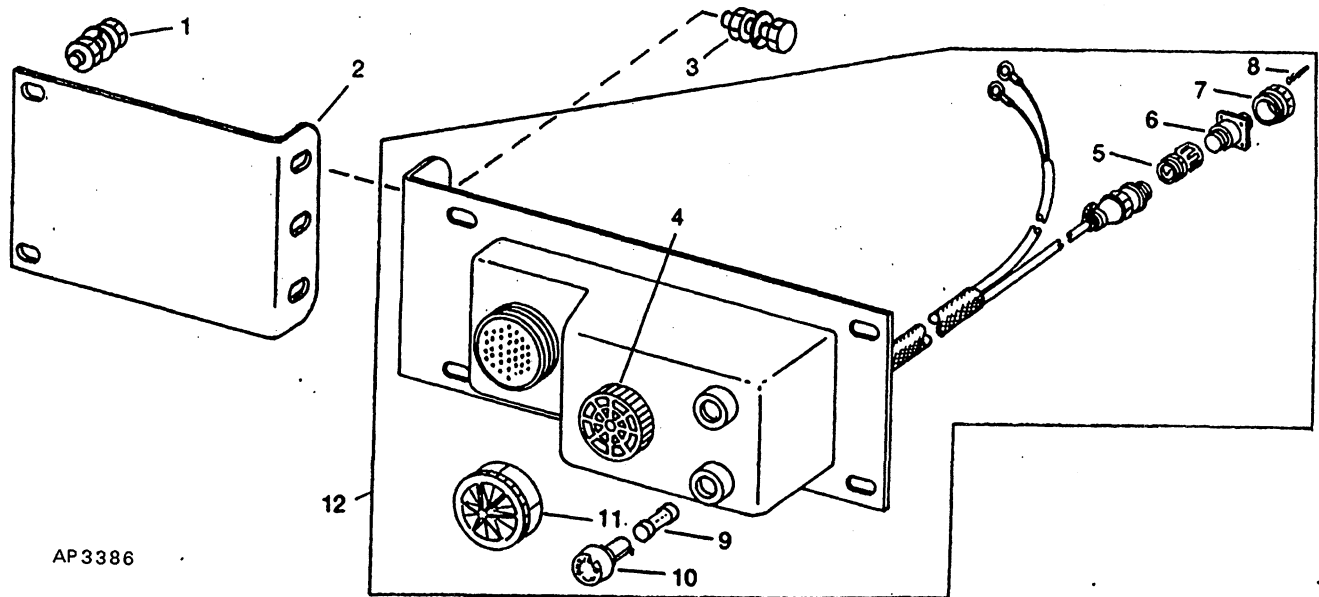
KEY	PART NO.	PART NAME	QTY	SERIAL NO. OR YEAR	REMARKS
1	19H1900	CAP SCREW	2		5/16" X 3/4"
	12H303	LOCK WASHER	2		5/16"
	14H785	NUT	2		5/16"
2	A41145	PLATE	1		
3	19H1919	CAP SCREW	2		1/4" X 5/8"
	24H1287	WASHER	2		9/32" X 5/8" X 0.060"
	K40001	LOCK NUT	2		6.350MM (1/4")
4	AA22182	DEVICE	1		
5	AH100063	ISOLATOR	1		
6	B32206	FUSE	2		3-AMP
7	AM3208T	FUSE HOLDER	2		
8	AH129222	POWER SUPPLY	1		(SUB FOR AA35632)

B01

ELECTRICAL

POWER MODULE VIEW INSIDE TRACTOR 200 AND 300 COMPUTER TRAK

AP3386



AP3386

KEY	PART NO.	PART NAME	QTY	SERIAL NO. OR YEAR	REMARKS
1	19H1900	CAP SCREW	2		5/16" X 3/4"
	12H303	LOCK WASHER	2		5/16"
	14H785	NUT	2		5/16"
2	A41145	PLATE	1		
3	19H1919	CAP SCREW	2		1/4" X 5/8"
	24H1287	WASHER	2		9/32" X 5/8" X 0.060"
	K40001	LOCK NUT	2		6.350MM (1/4")
4	AA22182	DEVICE	1		
5	AA35686	CLAMP	1		
6	AE44388	CONNECTOR	1		
7	R77461	RETAINER	1		(A) PACKAGE OF (2); SIZE (11).
8	R77465	SOCKET CONTACT	2		(A) PACKAGE OF (50); 14-16 OR 18 GA. WIRE.
9	AT28061	FUSE	2		(5-AMP) 300 COMPUTER TRAK
	B32206	FUSE	2		(3-AMP) 200 COMPUTER TRAK
10	AM3208T	FUSE HOLDER	2		
11	AH100063	ISOLATOR	1		
12	AH129224	POWER SUPPLY	1		(SUB FOR AA30831) 300 COMPUTER TRAK
	AH129223	POWER SUPPLY	1		(SUB FOR AA35631) 200 COMPUTER TRAK

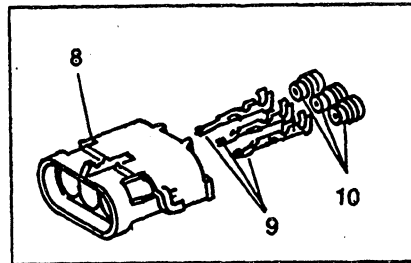
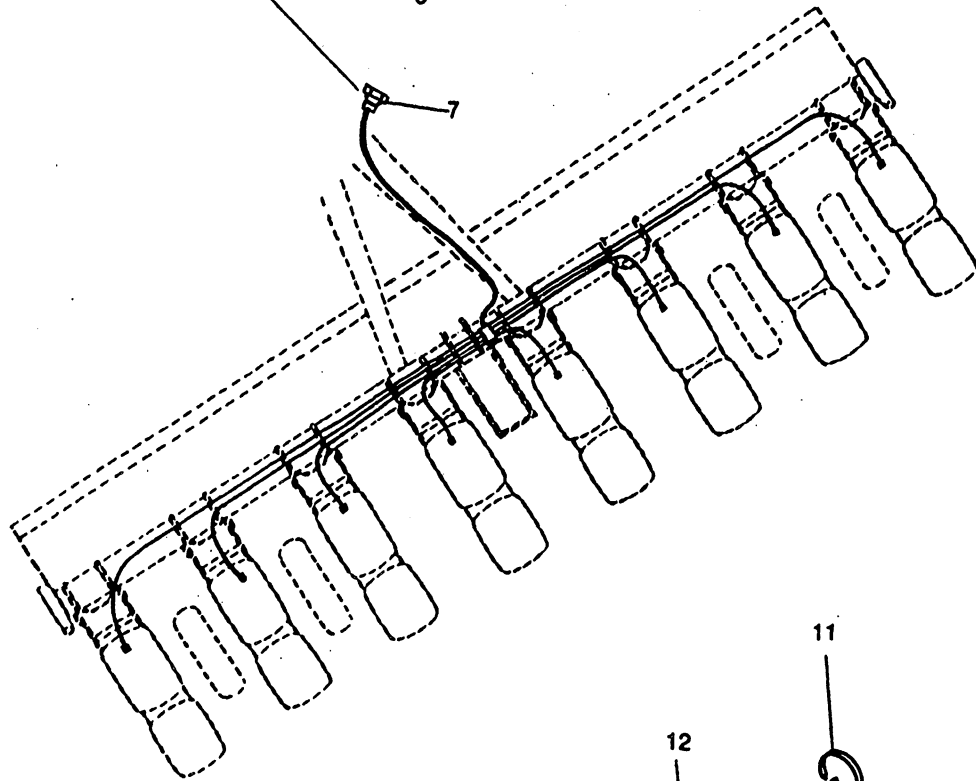
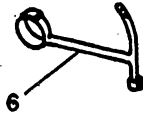
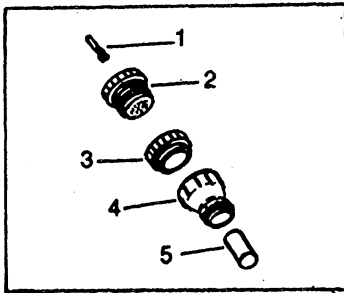
(A) INCLUDED IN RE11154 KIT, SEE GRIDS B14, B15, B16 AND B17.

B02

ELECTRICAL

WIRING HARNESS

AP3463



AP3463

WIRING HARNESS - CONTINUED

KEY	PART NO.	PART NAME	QTY	SERIAL NO. OR YEAR	REMARKS
1	R77465	SOCKET CONTACT	1		(A) PACKAGE OF (50) 14-16 OR 18 GA. WIRE
2	R77457	ELECTRICAL PLUG	1		(A) (37) WAY
3	R77458	RETAINER	1		(A) PACKAGE OF (2) SIZE (23)
4	AA35687	CLAMP	1		
5	A49718	ROLL-GARD	1		
6	A32904	CAP	1		
7	AA36664	WIRING HARNESS	1		6-ROW
	AA36665	WIRING HARNESS	1		8-ROW
8	R78054	CONNECTOR	1		PACKAGE OF (3)
9	R78058	PIN CONTACT	1		PACKAGE OF (40) 18 OR 20 GA. WIRE (NO. 19)
10	R78059	SEAL	1		PACKAGE OF (40) 18 OR 20 GA. WIRE (GREEN)
11	R44302	TIE BAND	AR		171 MM (6-3/4")
12	T44946	TIE BAND	AR		381 MM (15")

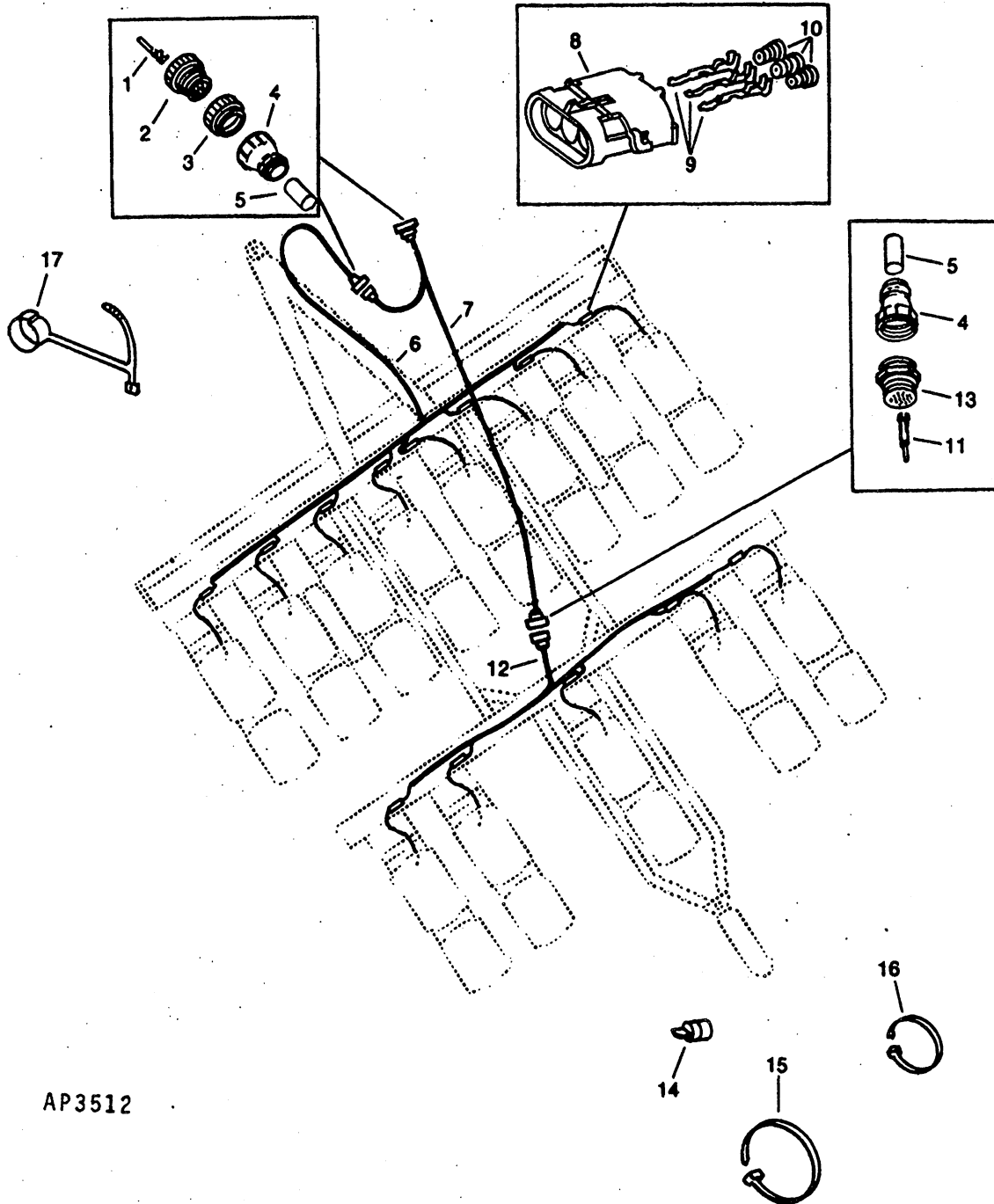
(A) INCLUDED IN RE11154 KIT, SEE GRIDS B14, B15, B16 AND B17.

B04

ELECTRICAL

WIRING HARNESS FOR 8-ROW NARROW WITH 5-ROW SPLIT ROW PLANTING ATTACHMENT (1987-) FOR COMPUTER TRAK

AP3512



AP3512

B05

ELECTRICAL

**WIRING HARNESS - CONTINUED
FOR 8-ROW NARROW WITH 5-ROW SPLIT ROW PLANTING ATTACHMENT (987-)
FOR COMPUTER TRAK**

KEY	PART NO.	PART NAME	QTY	SERIAL NO. OR YEAR	REMARKS
1	R77465	SOCKET CONTACT	1		(A) PACKAGE OF (50); 14-16 OR 18 GA. WIRE.
2	R77457	ELECTRICAL PLUG	1		(A) (37) WAY.
3	R77458	RETAINER	1		(A) PACKAGE OF (2); SIZE (23).
4	AA35687	CLAMP	1		
5	A49718	ROLL-GARD	1		
6	AA36665	WIRING HARNESS	1		8-ROW NARROW
7	AA34659	WIRING HARNESS	1		
8	R78054	CONNECTOR	1		PACKAGE OF (3)
9	R78058	PIN CONTACT	1		PACKAGE OF (40) 18 OR 20 GA. WIRE (NO. 19)
10	R78059	SEAL	1		PACKAGE OF (40) 18 OR 20 GA. WIRE (GREEN)
11	R77464	PIN CONTACT	AR		(A) 18 GAUGE MALE EACH R77464 CONTAINS (50) PIN CONTACTS.
12	AA36677	WIRING HARNESS	1		
13	R70212	RECEPTACLE	1		(A) PACKAGE OF (50) 18 GA. WIRE, MALE
14	A42746	PLUG	4		
15	T44946	TIE BAND	AR		381 MM (15")
16	R44302	TIE BAND	AR		171 MM (6-3/4")
17	A32904	CAP	1		

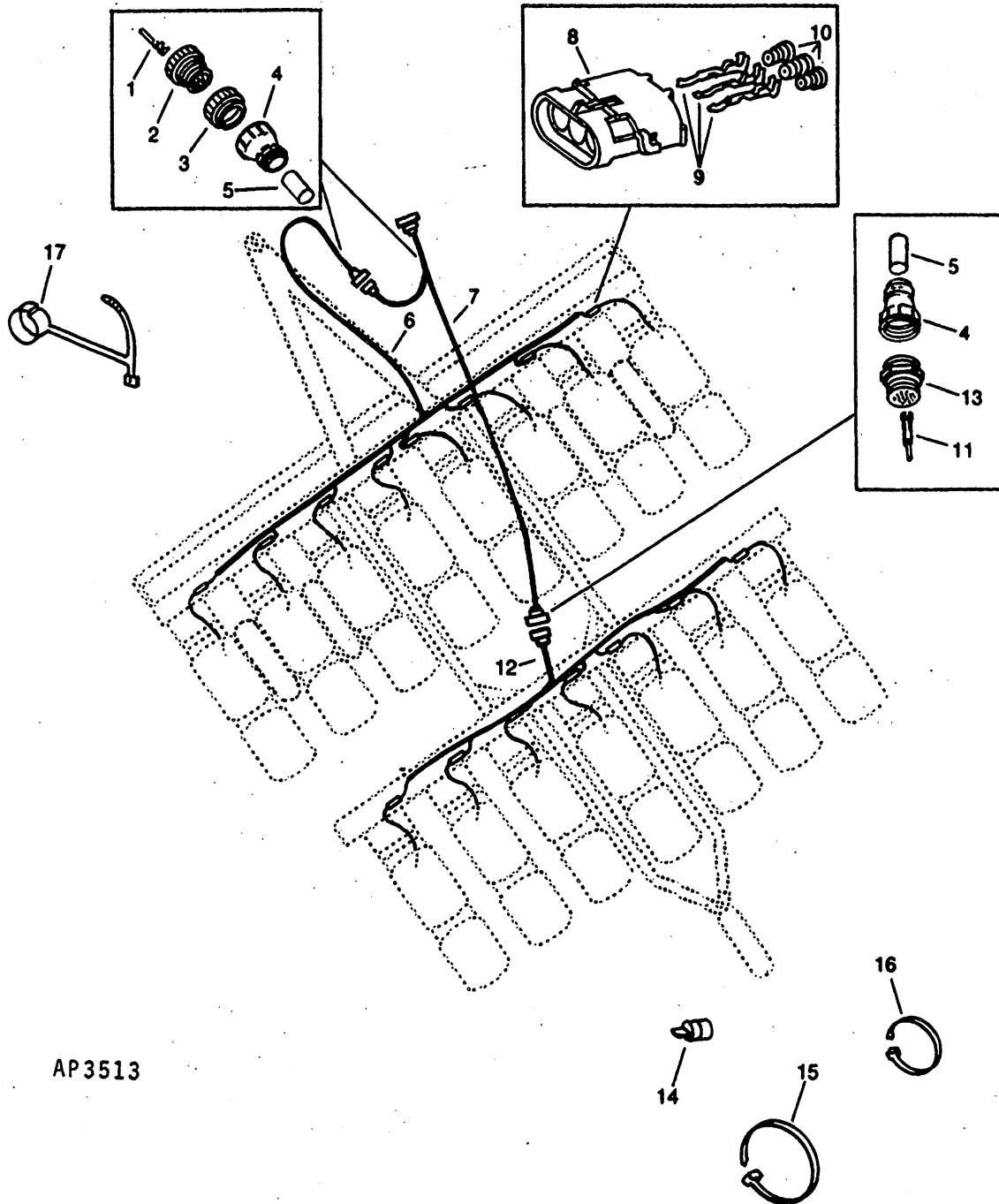
(A) INCLUDED IN RE11154 KIT; SEE GRIDS B14, B15, B16 AND B17.

B06

ELECTRICAL

WIRING HARNESS FOR 8-ROW NARROW WITH 7-ROW SPLIT ROW PLANTING ATTACHMENT (1987-) FOR COMPUTER TRAK

AP3513



AP3513

**WIRING HARNESS - CONTINUED
FOR 8-ROW NARROW WITH 7-ROW SPLIT ROW PLANTING ATTACHMENT (1987-)
FOR COMPUTER TRAK**

KEY	PART NO.	PART NAME	QTY	SERIAL NO. OR YEAR	REMARKS
1	R77465	SOCKET CONTACT	1		(A) PACKAGE OF (50); 14-16 OR 18 GA. WIRE.
2	R77457	ELECTRICAL PLUG	1		(A) (37) WAY.
3	R77458	RETAINER	1		(A) PACKAGE OF (2); SIZE (23).
4	AA35687	CLAMP	1		
5	A49718	ROLL-GARD	1		
6	AA36665	WIRING HARNESS	1		8-ROW NARROW
7	AA34659	WIRING HARNESS	1		
8	R78054	CONNECTOR	1		PACKAGE OF (3)
9	R78058	PIN CONTACT	1		PACKAGE OF (40) 18 OR 20 GA. WIRE (NO. 19)
10	R78059	SEAL	1		PACKAGE OF (40) 18 OR 20 GA. WIRE (GREEN)
11	R77464	PIN CONTACT	AR		(A) 18 GAUGE MALE EACH R77464 CONTAINS (50) PIN CONTACTS.
12	AA36665	WIRING HARNESS	1		
13	R70212	RECEPTACLE	1		(A) PACKAGE OF (50) 18 GA. WIRE, MALE
14	A42746	PLUG	4		
15	T44946	TIE BAND	AR		381 MM (15")
16	R44302	TIE BAND	AR		171 MM (6-3/4")
17	A32904	CAP	1		

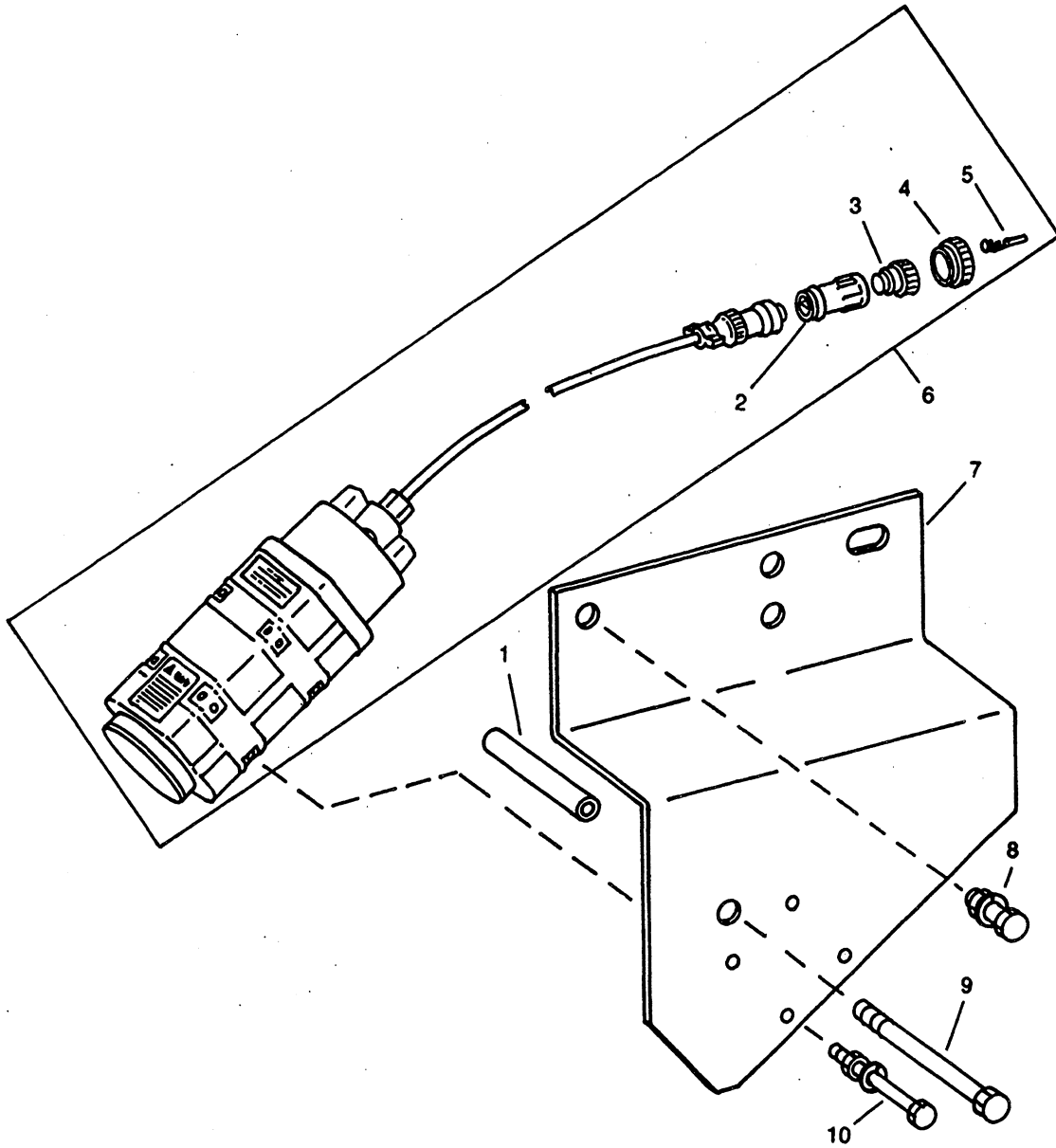
(A) INCLUDED IN RE11154 KIT; SEE GRIDS B14, B15, B16 AND B17.

B08

ELECTRICAL

RADAR DISTANCE SENSOR 200 AND 300 COMPUTER TRAK

AP2881



AP2881

B09

ELECTRICAL

RADAR DISTANCE SENSOR - CONTINUED 200 AND 300 COMPUTER TRAK

KEY	PART NO.	PART NAME	QTY	SERIAL NO. OR YEAR	REMARKS
1	A38207	BUSHING	1		FOR 4-WHEEL DRIVE TRACTORS ONLY
2	AA35686	CLAMP	1		
3	AE44391	CONNECTOR	1		
4	R77461	RETAINER	1		(A) PACKAGE OF (2); SIZE (11)
5	R77464	PIN CONTACT	1		(A) PACKAGE OF (50); 14-16 OR 18 GA. WIRE
6	AA35761	SENSOR	1		
7	A49845	BRACKET	1		
8	03H1528	BOLT	2		5/8" X 1-1/2"
	12H294	LOCK WASHER	2		5/8"
	14H1039	NUT	2		5/8"
9	19H1872	CAP SCREW	1		5/8" X 6", FOR 4-WHEEL DRIVE TRACTORS ONLY
10	19H2337	CAP SCREW	4		1/4" X 4"
	24H1287	WASHER	4		9/32" X 5/8" X 0.060"
	K40001	LOCK NUT	4		6.350MM (1/4")

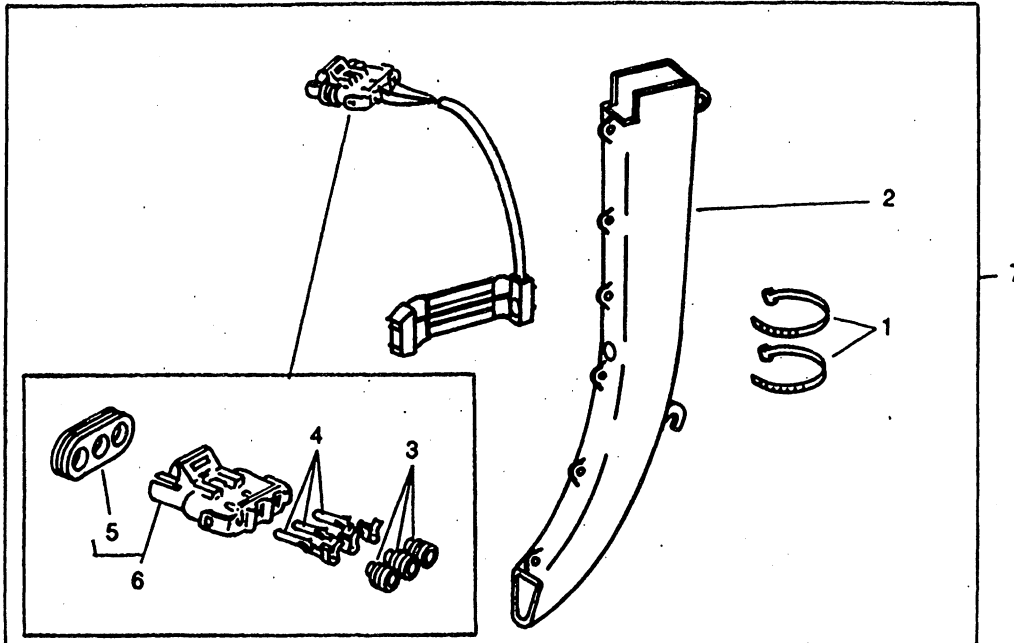
(A) INCLUDED IN RE11154 KIT, SEE GRIDS B14, B15, B16 AND B17.

B10

ELECTRICAL

SMALL AND LARGE SEED TUBE AND SENSOR USE WITH COMPUTER TRAK MONITORS

AP3462

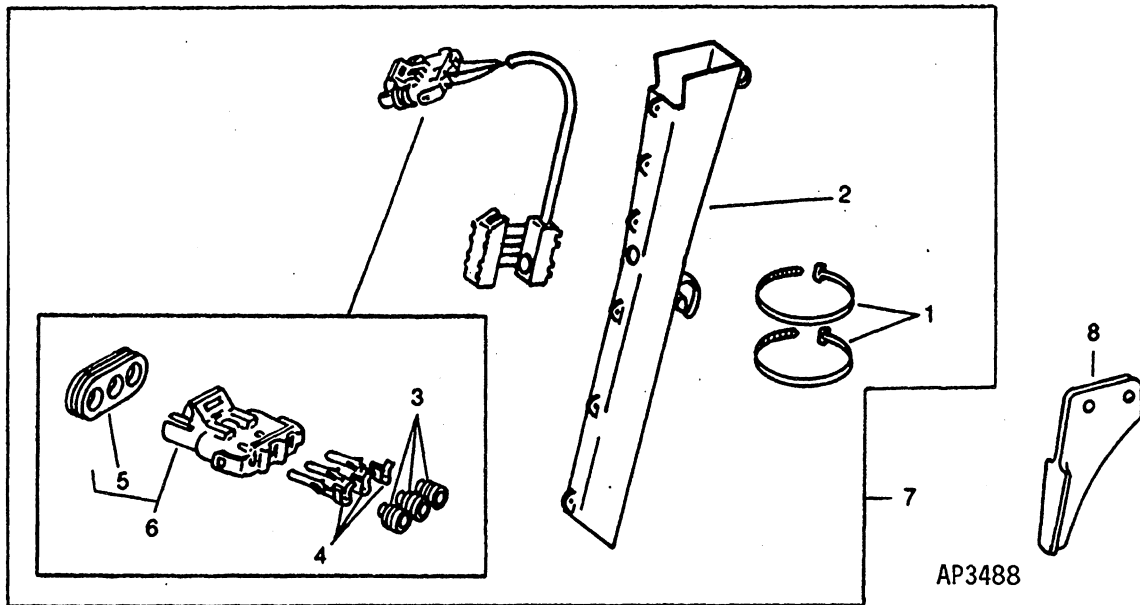


AP3462

KEY	PART NO.	PART NAME	QTY	SERIAL NO. OR YEAR	REMARKS
1	T44946	TIE BAND	2		381 MM (15")
2	A48302	TUBE	1		SMALL SEED TUBE
	A26184	TUBE	1		LARGE SEED TUBE
3	R78059	SEAL	1		PACKAGE OF (40) 18 OR 20 GA. WIRE (GREEN)
4	R78057	SOCKET CONTACT	1		PACKAGE OF (40) 18 OR 20 GA. WIRE (NO. 19)
5	R78049	SEAL	1		PACKAGE OF (5)
6	RE12364	CONNECTOR	1		PACKAGE OF (3)
7	AA36636	TUBE	1		SMALL SEED TUBE
	AA36643	TUBE	1		LARGE SEED TUBE

**SMALL STRAIGHT SEED TUBE AND SENSOR
USE WITH COMPUTER TRAK MONITORS
RECOMMENDED ONLY FOR PLANTING IN LIGHT SANDY SOIL AT SHALLOW DEPTHS**

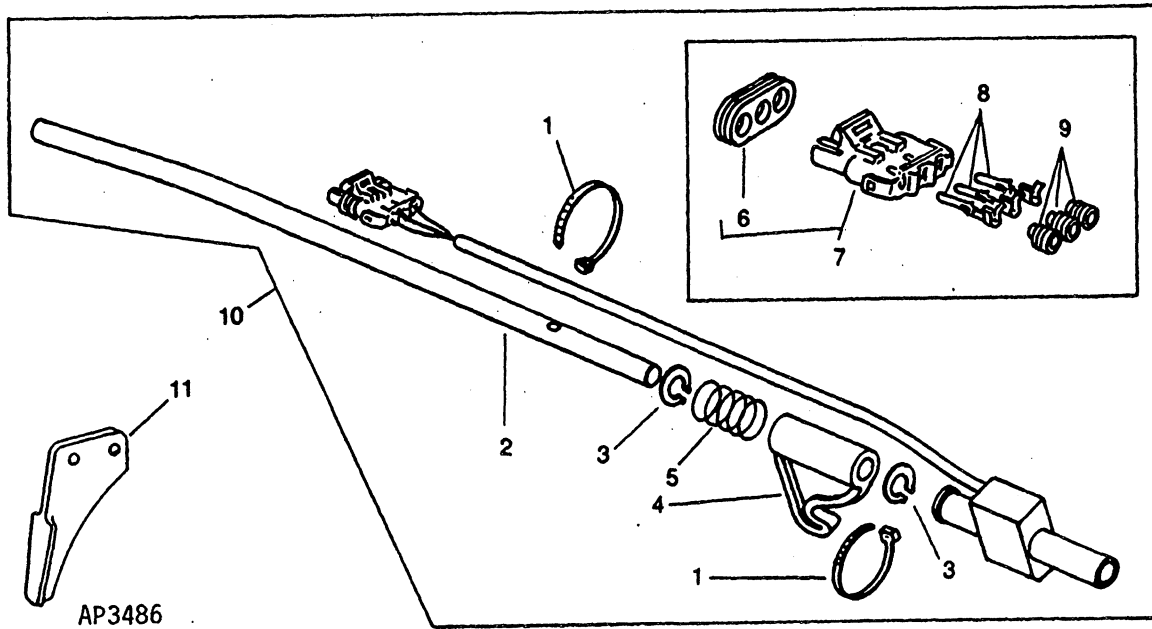
AP3488



KEY	PART NO.	PART NAME	QTY	SERIAL NO. OR YEAR	REMARKS
1	T44946	TIE BAND	2		381 MM (15")
2	A47496	TUBE	1		
3	R78059	SEAL	1		PACKAGE OF (40) 18 OR 20 GA. WIRE (GREEN)
4	R78057	SOCKET CONTACT	1		PACKAGE OF (40) 18 OR 20 GA. WIRE (NO. 19)
5	R78049	SEAL	1		PACKAGE OF (5)
6	RE12364	CONNECTOR	1		PACKAGE OF (3)
7	AA36644	TUBE	1		
8	A38818	GUARD	1		SEED TUBE

**ALUMINUM SEED TUBE AND SENOR
BEETS AND MILO
USE WITH COMPUTER TRAK MONITORS**

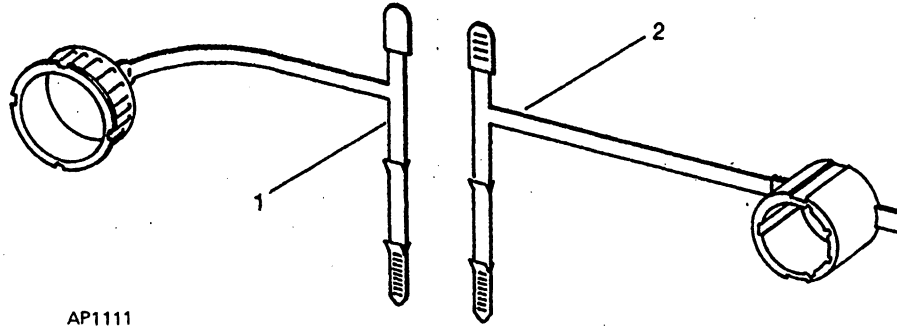
AP3486



KEY	PART NO.	PART NAME	QTY	SERIAL NO. OR YEAR	REMARKS
1	R44302	TIE BAND	2		171 MM (6-3/4")
2	A44547	TUBE	1		
3	B14203	SNAP RING	2		
4	A44546	CLIP	1		
5	B28971	SPRING	1		
6	R78049	SEAL	1		PACKAGE OF (5)
7	RE12364	CONNECTOR	1		PACKAGE OF (3)
8	R78057	SOCKET CONTACT	1		PACKAGE OF (40) 18 OR 20 GA. WIRE (NO. 19)
9	R78059	SEAL	1		PACKAGE OF (40) 18 OR 20 GA. WIRE (GREEN)
10	AA36645	SENSOR	1		SEED TUBE AND SENSOR COMPLETE
11	A38818	GUARD	1		

**DUST CAPS
WHEN COMPUTER TRAK MONITORS ARE NOT IN USE**

AP1111



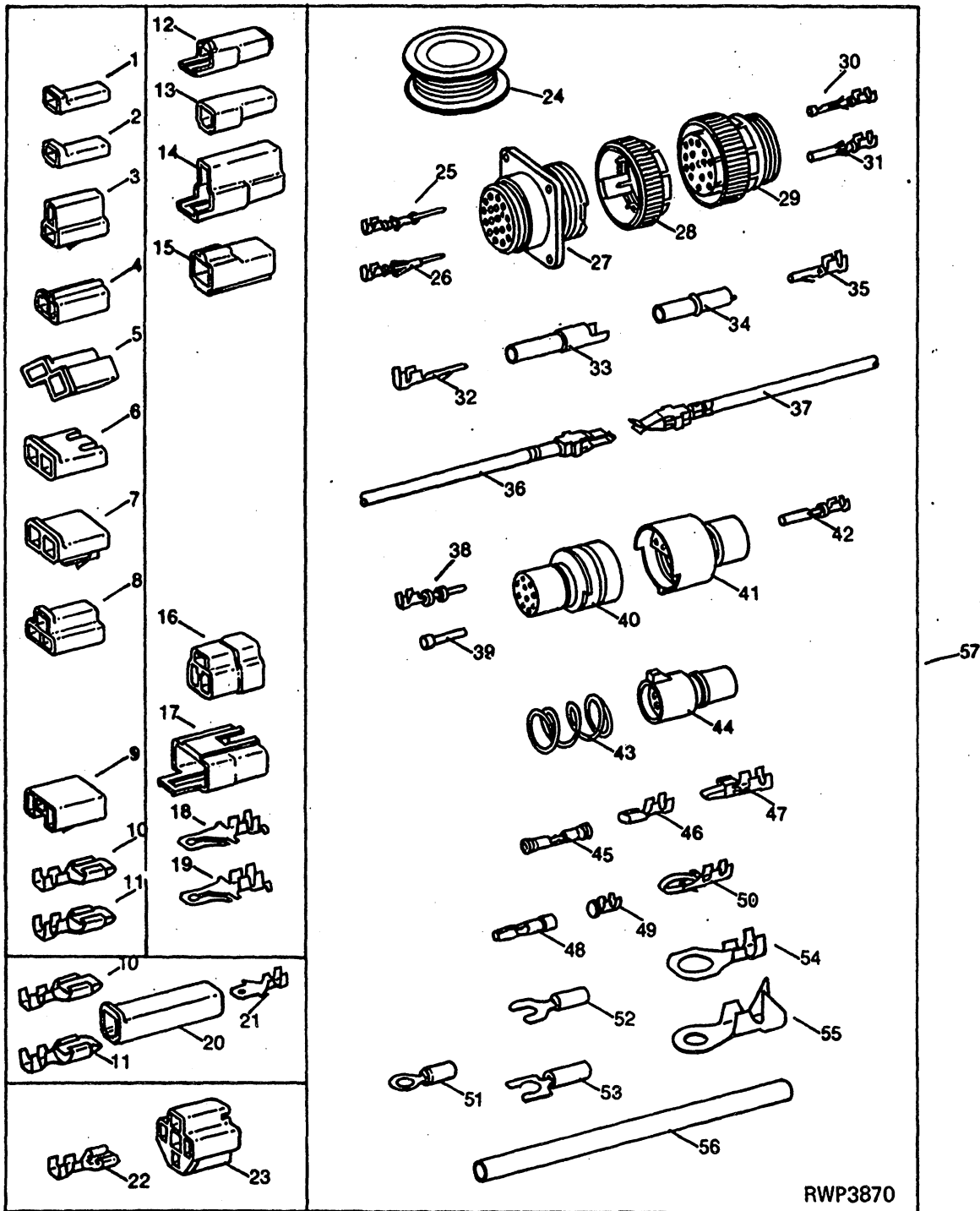
KEY	PART NO.	PART NAME	QTY	SERIAL NO. OR YEAR	REMARKS
1	A32905	CAP	1		ON CONSOLE CONNECTOR
	A32903	CAP	1		ON RADAR LEAD
2	A32904	CAP	1		ON WIRING HARNESS

B14

ELECTRICAL

ELECTRICAL CONNECTOR SERVICE KIT

RWP3870



ELECTRICAL CONNECTOR SERVICE KIT - CONTINUED

KEY	PART NO.	PART NAME	QTY	SERIAL NO. OR YEAR	REMARKS
1	T28583	RECEPTACLE	1		(B)
2	M43835	FLAT CONNECTOR	1		(B)
3	R77476	CONNECTOR	1		(A)
4	R77477	CONNECTOR	1		(A)
5	R77479	CONNECTOR	1		(A)
6	R77480	CONNECTOR	1		(A)
7	R77481	CONNECTOR	1		(A)
8	R77482	CONNECTOR	1		
9	H104855	CONNECTOR	1		
10	U46662	TERMINAL	1		(E) (F)
11	N115096	TERMINAL	1		(G) (PKG. OF 15)
12	T28585	TERMINAL	1		(B)
13	R77475	CONNECTOR	1		(B)
14	T28586	CONNECTOR	1		(A)
15	R77478	CONNECTOR	1		(A)
16	R77483	CONNECTOR	1		
17	R48887	RECEPTACLE	1		
18	T34067	TERMINAL	1		(E) (F)
19	R77484	TERMINAL	1		(G) (PKG. OF 15)
20	U46370	CONNECTOR	1		(B)
21	R77485	TERMINAL	1		(C) (F)
22	R77486	TERMINAL	1		(E)
23	R77487	CONNECTOR	1		(B)
24	R66321	WIRING LEAD	1		15M (50 FT.) 10 GA.
	R66320	WIRING LEAD	1		30.5M (100 FT.) 12 GA.
	R77501	WIRE	1		30.5M (100 FT.) 14 GA.
	R77500	WIRE	1		30.5M (100 FT.) 16 GA.
	R77499	WIRE	1		30.5M (100 FT.) 18 GA.
	R77498	WIRE	1		30.5M (100 FT.) 20 GA.
25	R77462	PIN CONTACT	1		(PKG. OF 40) 20-22 OR 24 GA. WIRE
26	R77464	PIN CONTACT	1		(H) (PKG. OF 50)
27	R77456	RECEPTACLE	1		(37 WAY)
28	R77458	RETAINER	1		(A) SIZE 23
	R77459	RETAINER	1		(A) SIZE 17
	R77460	RETAINER	1		(A) SIZE 13
	R77461	RETAINER	1		(A) SIZE 11
29	R77457	ELECTRICAL PLUG	1		37 WAY
30	R77463	SOCKET CONTACT	1		(PKG. OF 40) 20-22 OR 24 GA. WIRE
31	R77465	SOCKET CONTACT	1		(H) (PKG. OF 50)
32	R77468	TERMINAL	1		(PKG. OF 5) 18 GA.
33	R77466	CONNECTOR	1		(A)
34	R77467	CONNECTOR	1		(A)

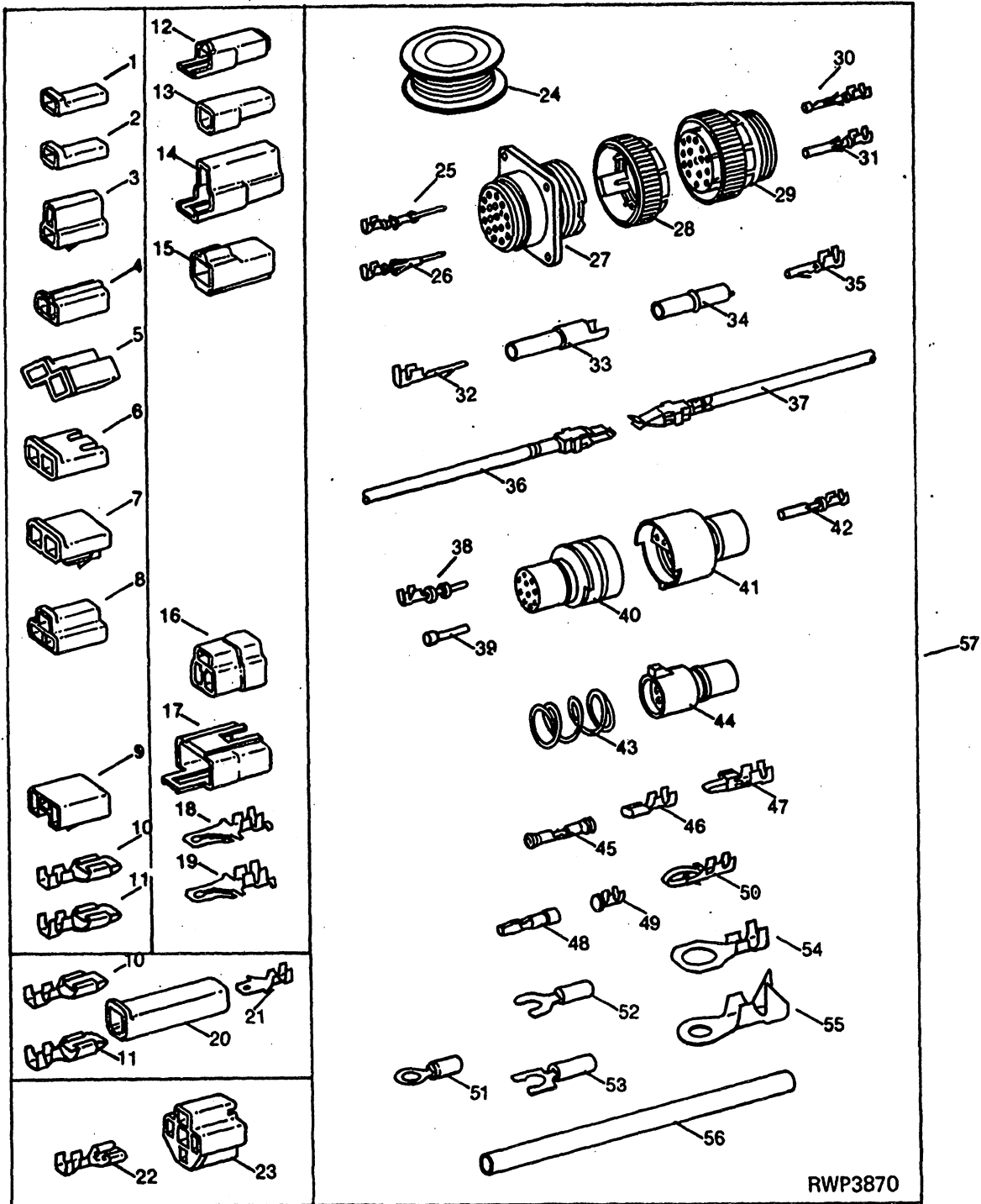
- (A) PKG. OF 2
 (B) PKG. OF 3
 (C) PKG. OF 10
 (D) PKG. OF 20
 (E) PKG. OF 25
 (F) 14 OR 16 GA. WIRE
 (G) 10 OR 12 GA. WIRE
 (H) 14-16 OR 18 GA. WIRE

B16

ELECTRICAL

ELECTRICAL CONNECTOR SERVICE KIT - CONTINUED

RWP3870



THIS PARTS LISTING IS CONTINUED

7200 MAXEMERGE® 2 DRAWN PLANTERS 6 WIDE/8 NARROW

PC-2145 (29-FEB-88)

LITHO IN U.S.A.

ELECTRICAL CONNECTOR SERVICE KIT - CONTINUED

KEY	PART NO.	PART NAME	QTY	SERIAL NO. OR YEAR	REMARKS
35	R77469	TERMINAL	1		(PKG. OF 5) 18 GA.
36	RE11156	TERMINAL	1		(B) MALE
37	RE11157	TERMINAL	1		(B) FEMALE
38	R70222	PIN CONTACT	1		(D) (H)
39	R70221	PLUG	1		(E)
40	R70219	PLUG	1		(PKG. OF (2) R70218 AND (2) R70219) 10 WAY
	R70217	PLUG	1		(PKG. OF (2) R70216 AND (2) R70217) 7 WAY
	R70215	PLUG	1		(PKG. OF (2) R70214 AND (2) R70215) 4 WAY
	R70213	PLUG	1		(PKG. OF (2) R70212 AND (2) R70213) (3 WAY)
	R70211	PLUG	1		(PKG. OF (2) R70210 AND (2) R70211) 2 WAY
41	R70218	RECEPTACLE	1		ORDER R70219 WHICH CONTAINS (2) R70218 AND (2) R70219
	R70216	RECEPTACLE	1		ORDER R70217 WHICH CONTAINS (2) R70216 AND (2) R70217
	R70214	RECEPTACLE	1		ORDER R70215 WHICH CONTAINS (2) R70214 AND (2) R70215
	R70212	RECEPTACLE	1		ORDER R70213 WHICH CONTAINS (2) R70212 AND (2) R70213
	R70210	RECEPTACLE	1		(ORDER R70211) ORDER R70211 WHICH CONTAINS (2) R70210 AND (2) R70211
42	AR91793	SOCKET CONTACT	1		(D)
43	R30378	SPRING	1		(C)
44	R77474	CONNECTOR	1		(A) 6 WAY
45	R77470	TERMINAL	1		SPLICE (PKG. OF 15) 16-18-20 OR 22 GA. WIRE
	R77471	TERMINAL	1		(C) (G) SPLICE
	R77472	TERMINAL	1		(A) SPLICE (8 GA. WIRE)
	R77473	TERMINAL	1		(A) SPLICE (6 GA. WIRE)
46	R65607	TERMINAL	1		(C) (18 OR 20 GA. WIRE)
47	U46664	TERMINAL	1		(C) (F)
48	R32026	TERMINAL	1		(D) (F)
49	R65602	CONTACT	1		(C) 16 OR 18 GA. WIRE
50	R70220	TERMINAL	1		(C) 18 OR 20 GA. WIRE
51	R77489	TERMINAL	1		(D) 14-16-18 OR 20 GA. WIRE; NO. 10 EYELET
	R77493	TERMINAL	1		(D) (G) NO. 10 EYELET
	R77488	TERMINAL	1		(D) 14-16-18 OR 20 GA. WIRE; 3/8" EYELET
	R77490	TERMINAL	1		(D) (G) (1/2" EYELET)
52	R77496	TERMINAL	1		(D) (F) NO. 8 SPADE
	R77495	TERMINAL	1		(D) 18 GA. WIRE; NO. 10 SPADE
53	R77497	TERMINAL	1		(D) (F) NO. 6 SPADE
54	R77491	TERMINAL	1		(D) (G) 3/8" EYELET
	R77492	TERMINAL	1		(D) (G) 1/4" EYELET
55	R77494	TERMINAL	1		(D) 6 OR 8 GA. WIRE; 1/4" EYELET
56	R77502	TUBE	1		(PKG. OF 8) 3/8", HEAT SHRINK
	R77503	TUBE	1		(PKG. OF 8) 3/16", HEAT SHRINK
57	RE11154	KIT	1		

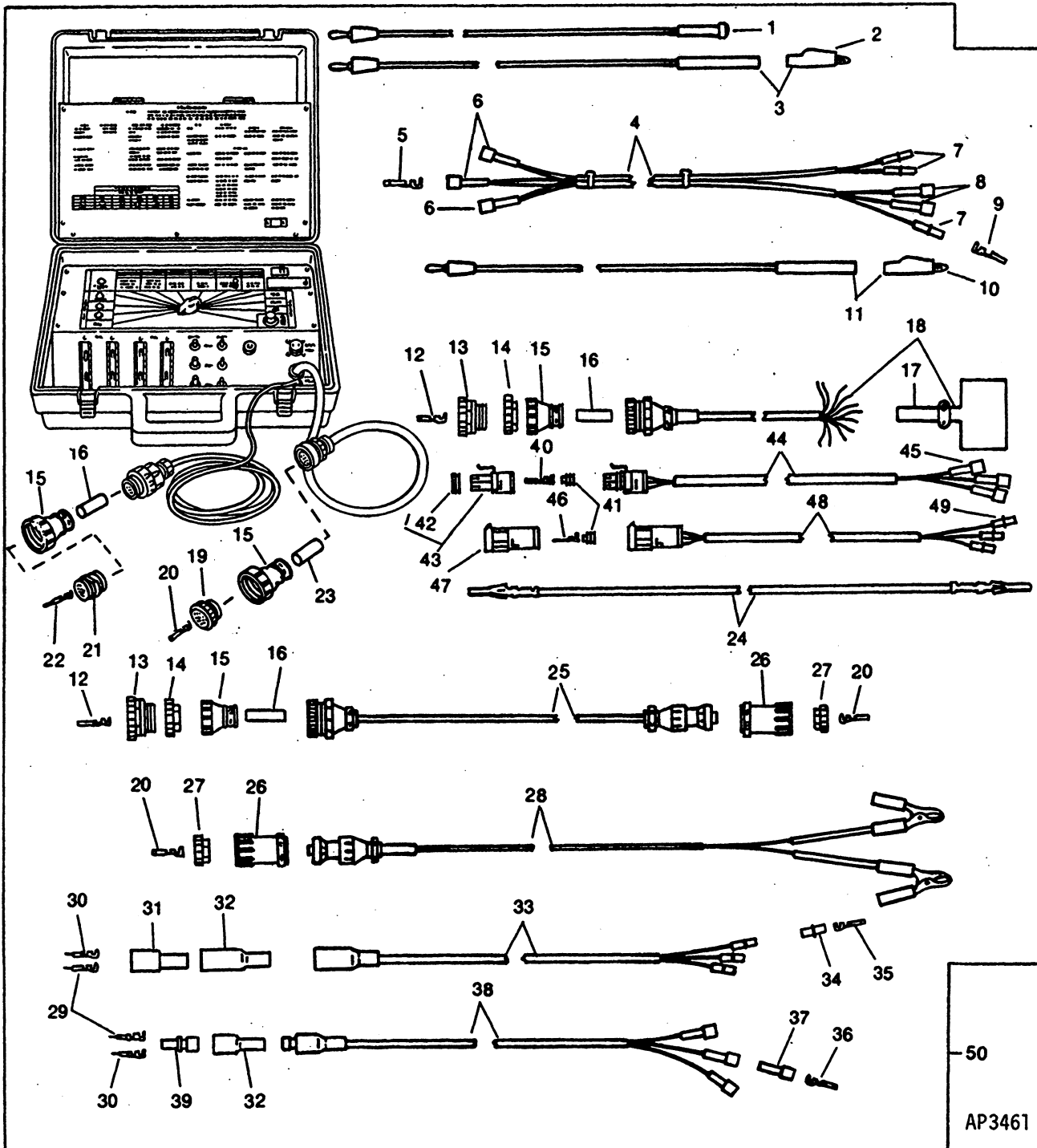
- (A) PKG. OF 2
- (B) PKG. OF 3
- (C) PKG. OF 10
- (D) PKG. OF 20
- (E) PKG. OF 25
- (F) 14 OR 16 GA. WIRE
- (G) 10 OR 12 GA. WIRE
- (H) 14-16 OR 18 GA. WIRE

B18

ELECTRICAL

TEST UNIT

AP3461



AP3461

TEST UNIT - CONTINUED

KEY	PART NO.	PART NAME	QTY	SERIAL NO. OR YEAR	REMARKS
1	AA32484	WIRING LEAD	1		EXTENSION
2	AA32497	CLIP	1		RED INSULATION
3	AA32486	LUBRICATION HARNESS	1		TEST
4	AA32485	WIRING HARNESS	1		SENSOR EXTENSION
5	AA33321	TERMINAL	1		(50) PARTS PER PACKAGE
6	R77466	CONNECTOR	1		(A) PACKAGE OF (2).
7	R77467	CONNECTOR	1		(A) PACKAGE OF (2).
8	R77466	CONNECTOR	1		(A) PACKAGE OF (2).
9	AA33322	TERMINAL	1		EACK AA33322 CONTAINS (50) TERMINAL PINS.
10	AA32498	CLIP	1		BLACK INSULATION
11	AA32487	WIRING LEAD	1		TEST
12	R77464	PIN CONTACT	1		(A) PACKAGE OF (50); 14-16 OR 18 GA. WIRE.
13	R77457	ELECTRICAL PLUG	1		(A) (37) WAY.
14	R77458	RETAINER	1		(A) PACKAGE OF (2); SIZE (23).
15	AA35687	CLAMP	1		
16	A49718	ROLL-GARD	1		
17	AA33326	CONNECTOR	1		
18	AA32488	WIRING HARNESS	1		TEST UNIT ADAPTER
19	R77457	ELECTRICAL PLUG	1		(A) (37) WAY.
20	R77465	SOCKET CONTACT	1		(A) PACKAGE OF (50); 14-16 OR 18 GA. WIRE.
	R77463	SOCKET CONTACT	1		(A) PACKAGE OF (40); 20-22 OR 24 GA. WIRE.
21	R77456	RECEPTACLE	1		(A) (37) WAY.
22	R77464	PIN CONTACT	1		(A) PACKAGE OF (50); 14-16 OR 18 GA. WIRE.
	R77462	PIN CONTACT	1		(A) PACKAGE OF (40); 20-22 OR 24 GA. WIRE.
23	A50026	GUARD	1		
24	AA35874	WIRE	1		
25	AA32489	ADAPTER	1		POWER MODULE HARNESS
26	AA35686	CLAMP	1		
27	R77461	RETAINER	1		(A) PACKAGE OF (2); SIZE (11).
28	AA32490	WIRING HARNESS	1		BATTERY
29	AR91793	SOCKET CONTACT	1		(A) PACKAGE OF (20).
30	R70222	PIN CONTACT	2		(A) PACKAGE OF (20); 14-16 OR 18 GA. WIRE.
31	R70212	RECEPTACLE	1		(A) ORDER R70213 WHICH CONTAINS (2) R70212 AND (2) R70213
32	A49717	BOOT	1		
33	AA31794	WIRING HARNESS	1		SENSOR (CAN BE USED WITH BA22348)
34	R77467	CONNECTOR	3		(A) PACKAGE OF (2).
35	R77469	TERMINAL	3		(A) PACKAGE OF (5).
36	R77468	TERMINAL	3		(A) PACKAGE OF (5).
37	R77466	CONNECTOR	1		(A) PACKAGE OF (2).
38	AA31807	ADAPTER	1		HARNESS (CAN BE USED WITH BA22348)
39	R70213	PLUG	1		(A) PACKAGE OF (2) R70212 AND (2) R70213; 3 WAY.
40	R78057	SOCKET CONTACT	1		PACKAGE OF (40) 18 OR 20 GA. WIRE (NO. 19)
41	R78059	SEAL	1		PACKAGE OF (40) 18 OR 20 GA. WIRE (GREEN)
42	R78049	SEAL	1		PACKAGE OF (5)
43	RE12364	CONNECTOR	1		PACKAGE OF (3)
44	AA36818	ADAPTER	1		
45	R77466	CONNECTOR	1		(A) PACKAGE OF (2).
46	R78058	PIN CONTACT	1		PACKAGE OF (40) 18 OR 20 GA. WIRE (NO. 19)
47	R78054	CONNECTOR	1		PACKAGE OF (3)
48	AA36819	ADAPTER	1		
49	R77467	CONNECTOR	1		(A) PACKAGE OF (2)
50	BA23927	KIT	1		BROWN SUITCASE TEST UNIT, COMPLETE

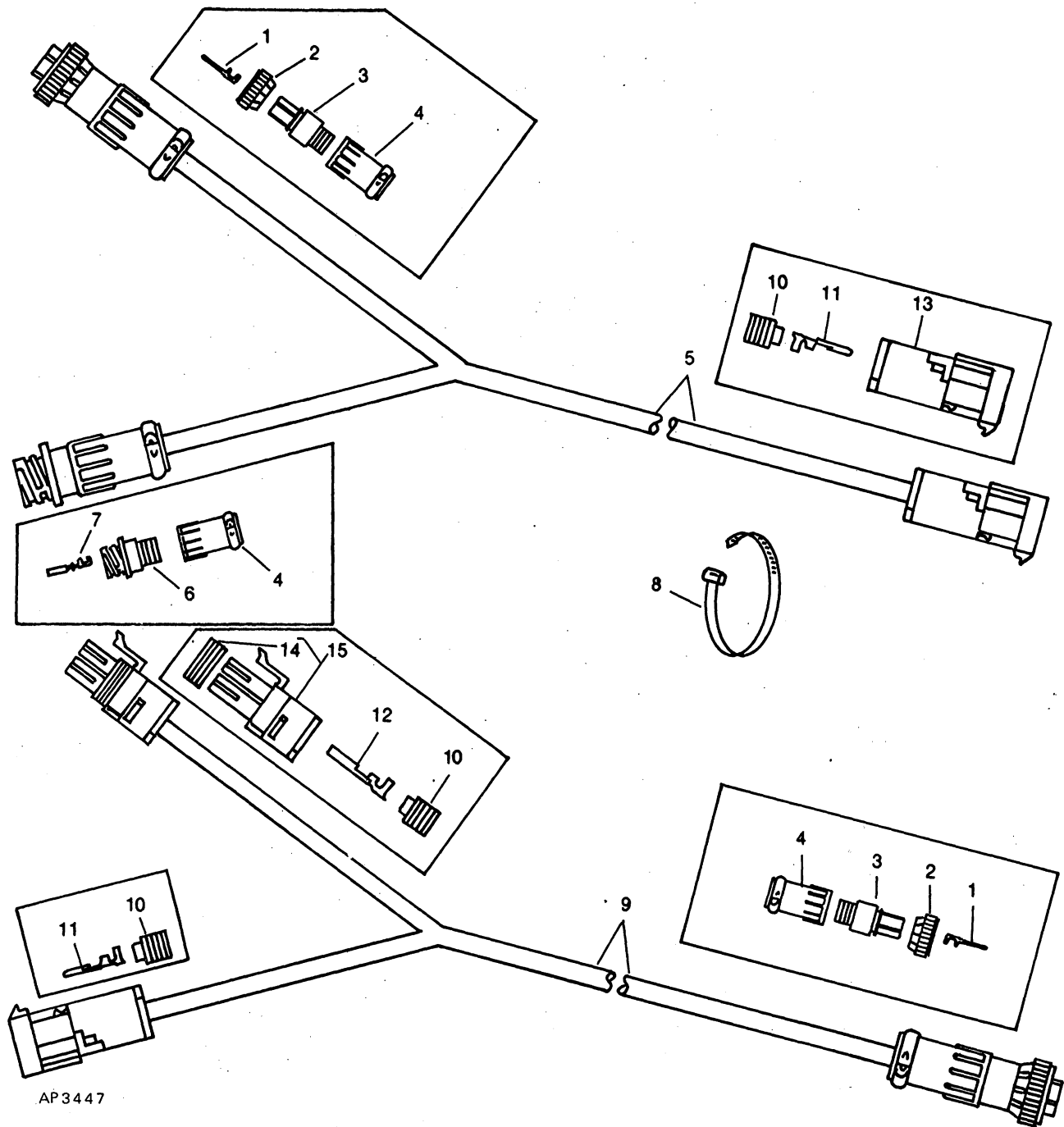
(A) INCLUDED IN RE11154 KIT, SEE GRIDS B14, B15, B16 AND B17.

B20

ELECTRICAL

MONITOR RADAR ADAPTER HARNESSES

AP3447



AP 3447

MONITOR RADAR ADAPTER HARNESSES - CONTINUED

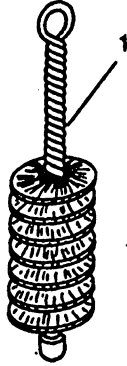
KEY	PART NO.	PART NAME	QTY	SERIAL NO. OR YEAR	REMARKS
1	R77464	PIN CONTACT	AR		PACKAGE OF (50) 18 GA. WIRE MALE
2	R77461	RETAINER	1		PACKAGE OF (2) 18 GA. WIRE
3	AE44391	CONNECTOR	1		
4	AA35686	CLAMP	1		
5	AA36628	WIRING HARNESS	1		ADAPTER, FOR USE WITH COMPUTER TRAK RADAR
6	AE44388	CONNECTOR	1		
7	R77465	SOCKET CONTACT	AR		PACKAGE OF (50) 18 GA. WIRE FEMALE
8	R44302	TIE BAND	4		171 MM (6-3/4")
9	AA36629	WIRING HARNESS	1		ADAPTER, FOR USE WITH PERFORMANCE TRAK RADAR
10	R78059	SEAL	AR		PACKAGE OF (40) 18 OR 20 GA. WIRE (GREEN)
11	R78058	PIN CONTACT	AR		PACKAGE OF (40) 18 OR 20 GA. WIRE (NO. 19)
12	R78057	SOCKET CONTACT	AR		PACKAGE OF (40) 18 OR 20 GA. WIRE (NO. 19)
13	R78054	CONNECTOR	1		PACKAGE OF (3)
14	R78049	SEAL	1		PACKAGE OF (5)
15	RE12364	CONNECTOR	1		PACKAGE OF (3)

B22

ELECTRICAL

SENSOR BRUSH

AP2843



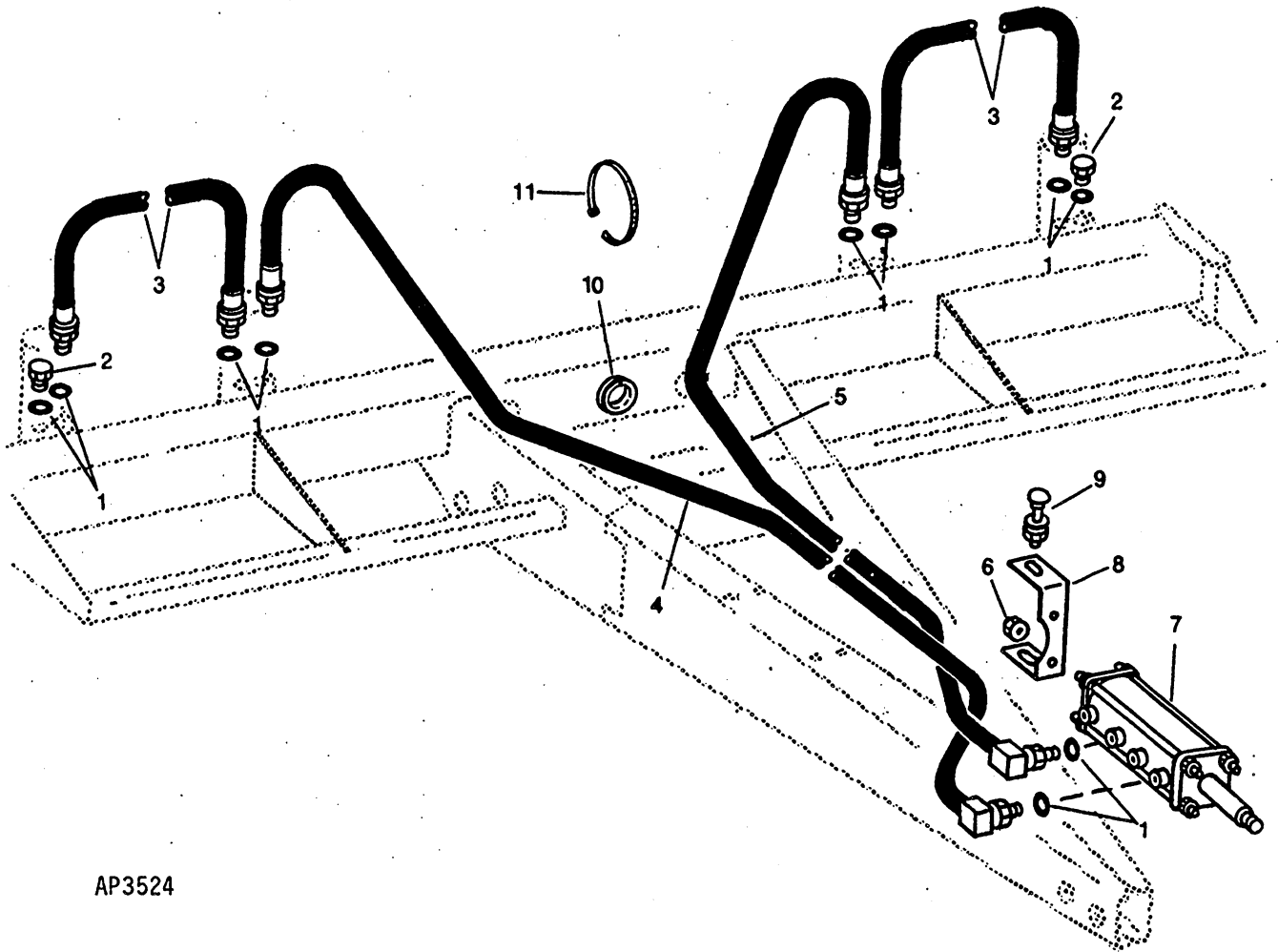
AP 2843

KEY	PART NO.	PART NAME	QTY	SERIAL NO. OR YEAR	REMARKS
1	AA36824	BRUSH	1		6 IN CARTON

MEMORANDA

WHEEL CYLINDER HYDRAULIC SYSTEM 6-ROW WIDE AND 8-ROW NARROW (6-ROW WIDE ILLUSTRATED)

AP3524



AP3524

**WHEEL CYLINDER HYDRAULIC SYSTEM - CONTINUED
6-ROW WIDE AND 8-ROW NARROW
(6-ROW WIDE ILLUSTRATED)**

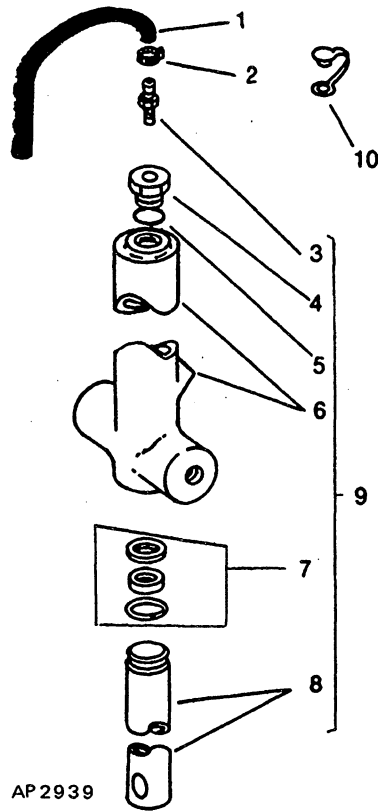
KEY	PART NO.	PART NAME	QTY	SERIAL NO. OR YEAR	REMARKS
1	R26375	O-RING	10		
2	R39112	DRAIN PLUG	2		
3	AA35091	HYDRAULIC HOSE	2		3/4" X 1 275MM (50-1/4") X 3/4", FROM INNER WHEEL MODULE CYLINDER TO OUTER WHEEL MODULE CYLINDER
4	AA35456	HYDRAULIC HOSE	1		3/4" X 3 900MM (153-1/2") X 3/4", FROM R.H. INNER WHEEL MODULE CYLINDER TO MASTER CYLINDER
5	AA35457	HYDRAULIC HOSE	1		3/4" X X 3/4", FROM L.H. INNER WHEEL MODULE CYLINDER TO MASTER CYLINDER
6	14H793	NUT	2		3/4"
7	AA35132	HYDRAULIC CYLINDER	1		136 MM X 146 MM (5-1/2" X 5-3/4") FOR DETAILS, SEE GRID C17
8	A48263	STRAP	1		
9	03M7205	BOLT	2		M16 X 40
	24M7053	WASHER	2		17 X 30 X 3MM
	14M7276	NUT	2		M16
10	A25750	HOSE GUARD	2		
11	R44302	TIE BAND	4		171 MM (6-3/4")

C05

HYDRAULIC

WHEEL MODULE CYLINDER
50.8 MM X 305 MM (2" X 12")
6-ROW WIDE AND 8-ROW NARROW

AP2939



C06

HYDRAULIC

WHEEL MODULE CYLINDER - CONTINUED
50.8 MM X 305 MM (2" X 12")
6-ROW WIDE AND 8-ROW NARROW

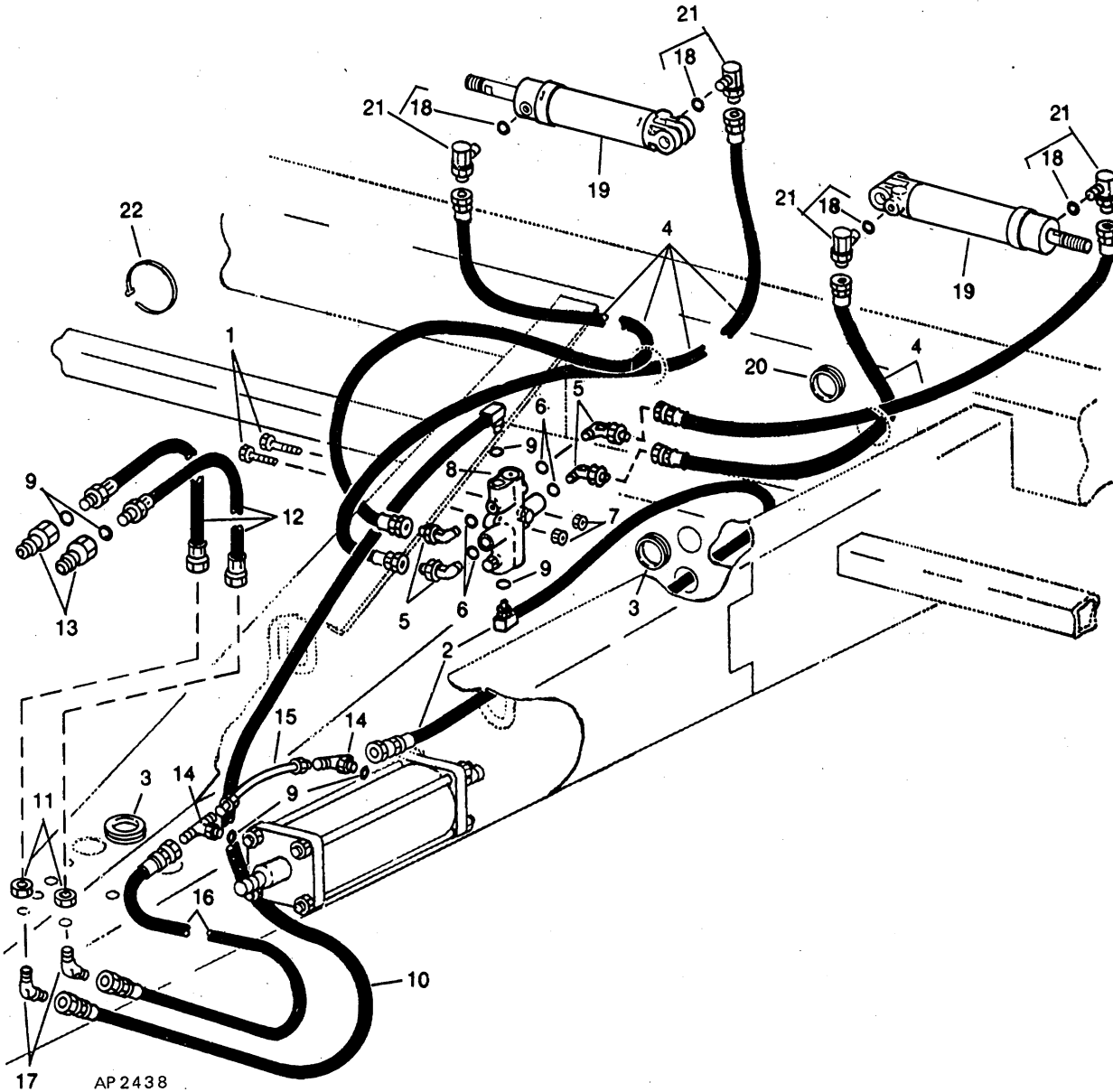
<i>KEY</i>	<i>PART NO.</i>	<i>PART NAME</i>	<i>QTY</i>	<i>SERIAL NO. OR YEAR</i>	<i>REMARKS</i>
1	A37046	HOSE	1	 X 914MM (36") X
2	AR48236	CLAMP	1		
3	A36043	BLEED VALVE	1		
4	A50138	FITTING	1		
5	U12547	O-RING	1		
6	A50140	BARREL	1		
7	AE37830	SEAL KIT	1		
8	A47346	ROD	1		
9	AA35940	HYDRAULIC CYLINDER	1		
10	R47862	CAP	1		DUST COVER

C07

HYDRAULIC

MARKER HYDRAULIC SYSTEM AUTOMATIC 6-ROW WIDE AND 8-ROW NARROW

AP2438



**HYDRAULIC MARKER SYSTEM - CONTINUED
AUTOMATIC
6-ROW WIDE AND 8-ROW NARROW**

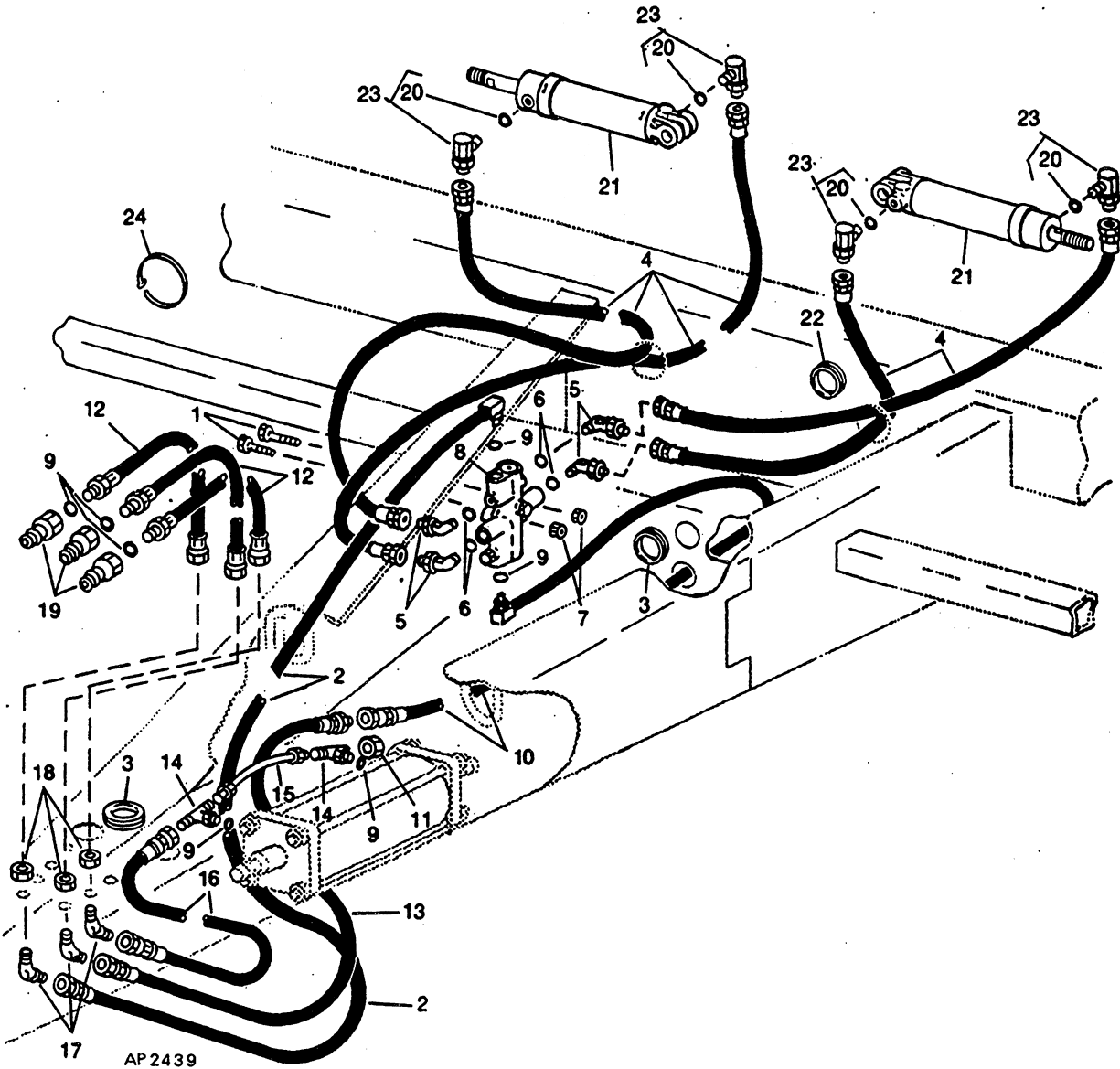
KEY	PART NO.	PART NAME	QTY	SERIAL NO. OR YEAR	REMARKS
1	19M7269	CAP SCREW	2		M8 X 50
2	AA35455	HYDRAULIC HOSE	1		3/4" X 2 100MM (82-3/4") X 3/4", FROM MASTER CYLINDER TO SEQUENCE VALVE PORT "P"
3	A25647	GROMMET	6	-1988	
	H88857	CONDUIT	6	1988-	
4	AA32778	HOSE	4		7/16" X 4 400MM (173-1/4") X 7/16", FROM SEQUENCE VALVE TO MARKER CYLINDER
5	AH63565	ELBOW FITTING	4		
6	R28782	O-RING	4		
7	14M7273	NUT	2		M8
8	AA36440	VALVE	1		FOR DETAILS SEE GRIDS C13 AND C14
9	R26375	O-RING	6		
10	AA35458	HYDRAULIC HOSE	1		3/4" X 2 400MM (94-1/2") X 3/4", FROM SEQUENCE VALVE PORT "R" TO TRACTOR
11	14H904	NUT	2		3/4"
12	AA23358	HYDRAULIC HOSE	2		3/4" X 1 524MM (60") X 3/4", FROM BULKHEAD TO TRACTOR OUTLET
13	AR94522	INTERNAL HALF COUPLER	2		ISO
	AR93819	FITTING	2		JOHN DEERE
14	AN140263	TEE FITTING	2		
15	AA35459	OIL LINE	1		12.7 MM X 175 MM (1/2" X 6-7/8")
16	AH89607	HYDRAULIC HOSE	1		3/4" X 813MM (32") X 3/4", FROM MASTER CYLINDER TO BULK HEAD
17	T54108	UNION FITTING	2		
18	R26448	O-RING	4		
19	AA35619	HYDRAULIC CYLINDER	2		63.5 MM X 203.2 MM (2-1/2" X 8") FOR DETAILS SEE GRID C12
	RE17644	HYDRAULIC CYLINDER	2		63.2 MM X 203.2MM (2-1/2" X 8") MAYBE ORDERED IN LIEU OF AA35619 FOR DETAILS SEE GRID C11
20	A25750	HOSE GUARD	2		
21	AA31975	FITTING	4		
22	R44302	TIE BAND	4		171 MM (6-3/4")
	T44946	TIE BAND	2	-1987	381 MM (15")
	AA21510	TIE BAND	2	1987-	559 MM (22")

C09

HYDRAULIC

MARKER HYDRAULIC SYSTEM INDEPENDENT 6-ROW WIDE AND 8-ROW NARROW

AP2439



C10

HYDRAULIC

**MARKER HYDRAULIC SYSTEM - CONTINUED
INDEPENDENT
6-ROW WIDE AND 8-ROW NARROW**

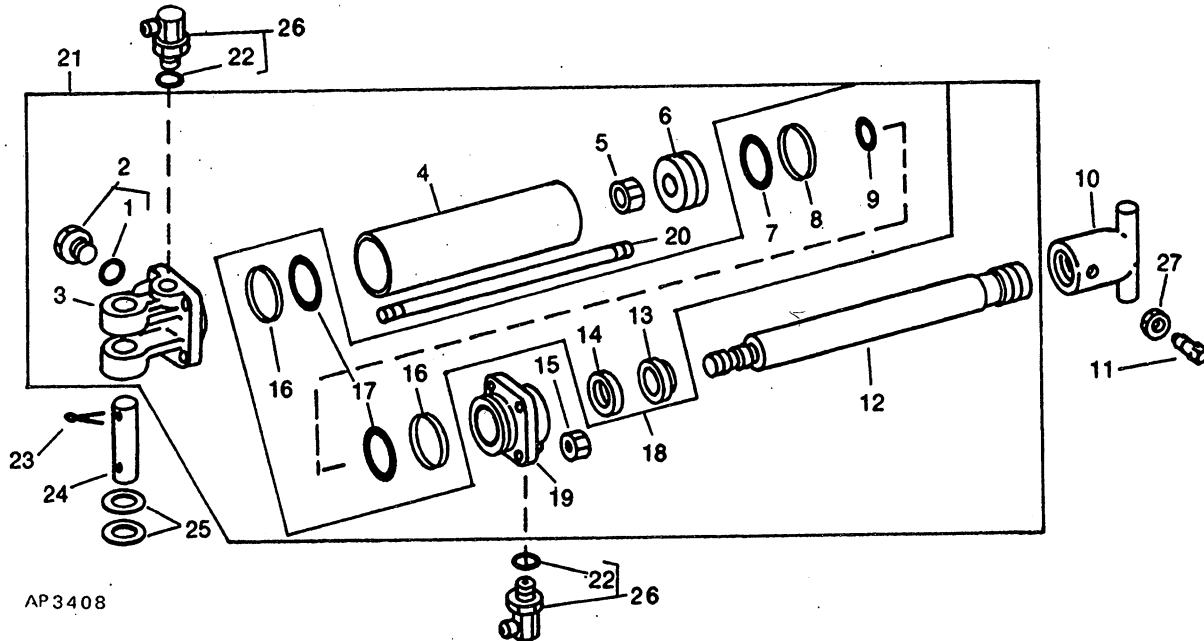
KEY	PART NO.	PART NAME	QTY	SERIAL NO. OR YEAR	REMARKS
1	19M7269	CAP SCREW	2		M8 X 50
2	AA35458	HYDRAULIC HOSE	1		3/4" X 2 400MM (94-1/2") X 3/4", FROM BULKHEAD FITTINGS TO SEQUENCE PORT "R"
3	A25647	GROMMET	6	-1988	
	H88857	CONDUIT	6	1988-	
4	AA32778	HOSE	4		7/16" X 4 400MM (173-1/4") X 7/16", FROM SEQUENCE VALVE TO MARKER CYLINDERS
5	AH63565	ELBOW FITTING	4		
6	R28782	O-RING	4		
7	14M7273	NUT	2		M8
8	AA36440	VALVE	1		DETAILS SEE GRIDS C13 AND C14
9	R26375	O-RING	7		
10	AA35455	HYDRAULIC HOSE	1		3/4" X 2 100MM (82-3/4") X 3/4", FROM SEQUENCE VALVE TO AA35945 HYDRAULIC HOSE
11	R31736	FITTING	1		
12	AA23358	HYDRAULIC HOSE	3		3/4" X 1 524MM (60") X 3/4", FROM BULKHEAD FITTING TO TRACTOR
13	AA35945	HYDRAULIC HOSE	1		3/4" X 900MM (35-1/2") X 3/4", FROM BULKHEAD FITTING TO AA35455 HYDRAULIC HOSE
14	AN140263	TEE FITTING	2		
15	AA35459	OIL LINE	1		12.7 X 175MM (1/2" X 6-7/8")
16	AH89607	HYDRAULIC HOSE	1		3/4" X 813MM (32") X 3/4", FROM MASTER CYLINDER TO BULK HEAD
17	T54108	UNION FITTING	3		
18	14H904	NUT	3		3/4"
19	AR94522	INTERNAL HALF COUPLER	3		ISO
	AR93819	FITTING	3		JOHN DEERE
20	R26448	O-RING	4		
21	AA35619	HYDRAULIC CYLINDER	2		63.2 MM X 203.2 MM (2-1/2" X 8") FOR DETAILS SEE GRID C12
	RE17644	HYDRAULIC CYLINDER	2		63.2 MM X 203.2 MM (2-1/2" X 8") MAYBE ORDERED IN LIEU OF AA35619 DETAILS SEE GRID C11
22	A25750	HOSE GUARD	2		
23	AA31975	FITTING	4		
24	R44302	TIE BAND	4		171 MM (6-3/4")
	T44946	TIE BAND	2	-1987	381 MM (15")
	AA21510	TIE BAND	2	1987-	559 MM (22")

C11

HYDRAULIC

HYDRAULIC MARKER CYLINDER 63.5 MM X 203.2 MM (2-1/2" X 8")

AP3408



AP 3408

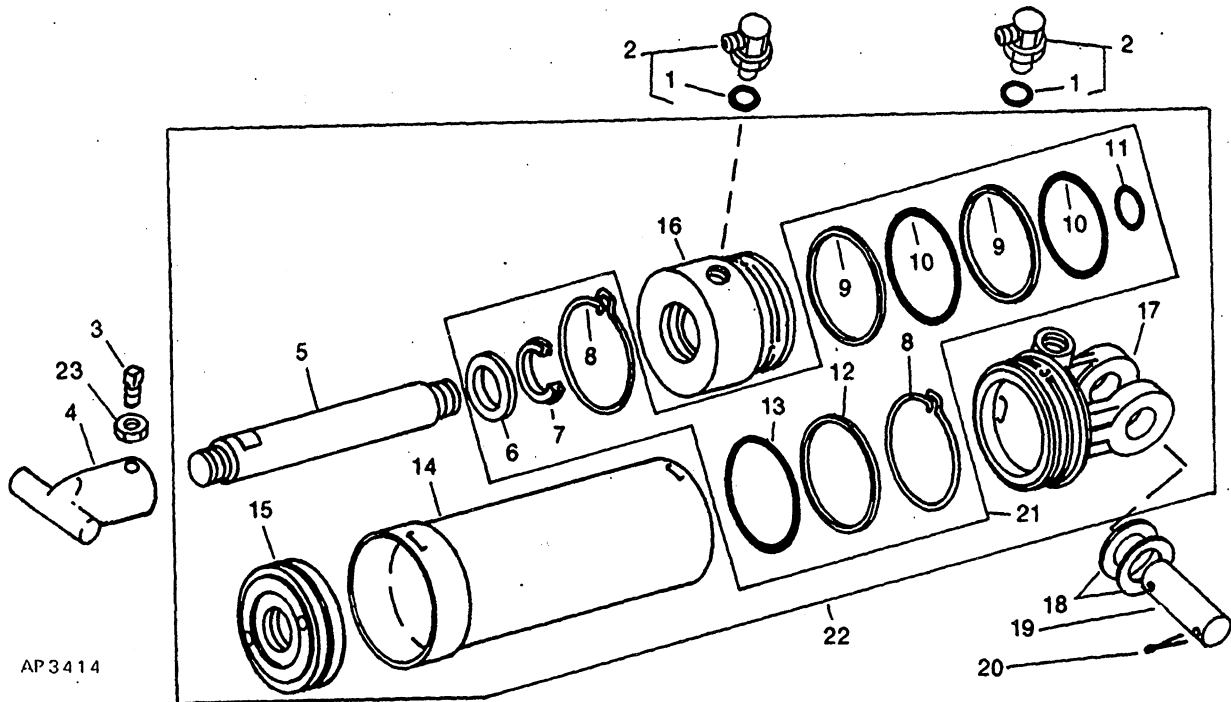
KEY	PART NO.	PART NAME	QTY	SERIAL NO. OR YEAR	REMARKS
1	R26375	O-RING	1		
2	AT49216	FITTING	1		
3	R80089	HYDRAULIC CYLINDER HEAD	1		
4	R80088	HYDRAULIC CYLINDER BARREL	1		
5	N33203	LOCK NUT	1		4 MM X 20 MM (5/32" X 25/32")
6	R80095	PISTON	1		
7	U40708	O-RING	1		
8	U40706	WASHER	1		
9	H63289	O-RING	1		
10	A43509	END	1		
11	22H836	SET SCREW	1		3/8" X 1"
12	R80093	ROD	1		
13	SEAL	1		(SUB RE16576)
14	SEAL	1		(SUB RE16576)
15	14H807	NUT	4		7/16"
16	U13461	BACK-UP RING	2		
17	F1870R	O-RING	2		
18	RE16576	HYDRAULIC CYLINDER KIT	1		
19	R80090	GUIDE	1		
20	R80830	STUD	4		
21	RE17644	HYDRAULIC CYLINDER	1		
22	R26448	O-RING	2		
23	11M7038	COTTER PIN	2		6.300 X 40MM
24	R81203	PIN	1		25.400 X 105MM (1" X 4.134")
25	24H1452	WASHER	2		1-1/32" X 1-3/4" X 0.105"
26	AA31975	FITTING	2		
27	14H732	NUT	1		3/8"

C12

HYDRAULIC

HYDRAULIC MARKER CYLINDER 63.5 MM X 203,2 MM (2-1/2" X 8")

AP3414



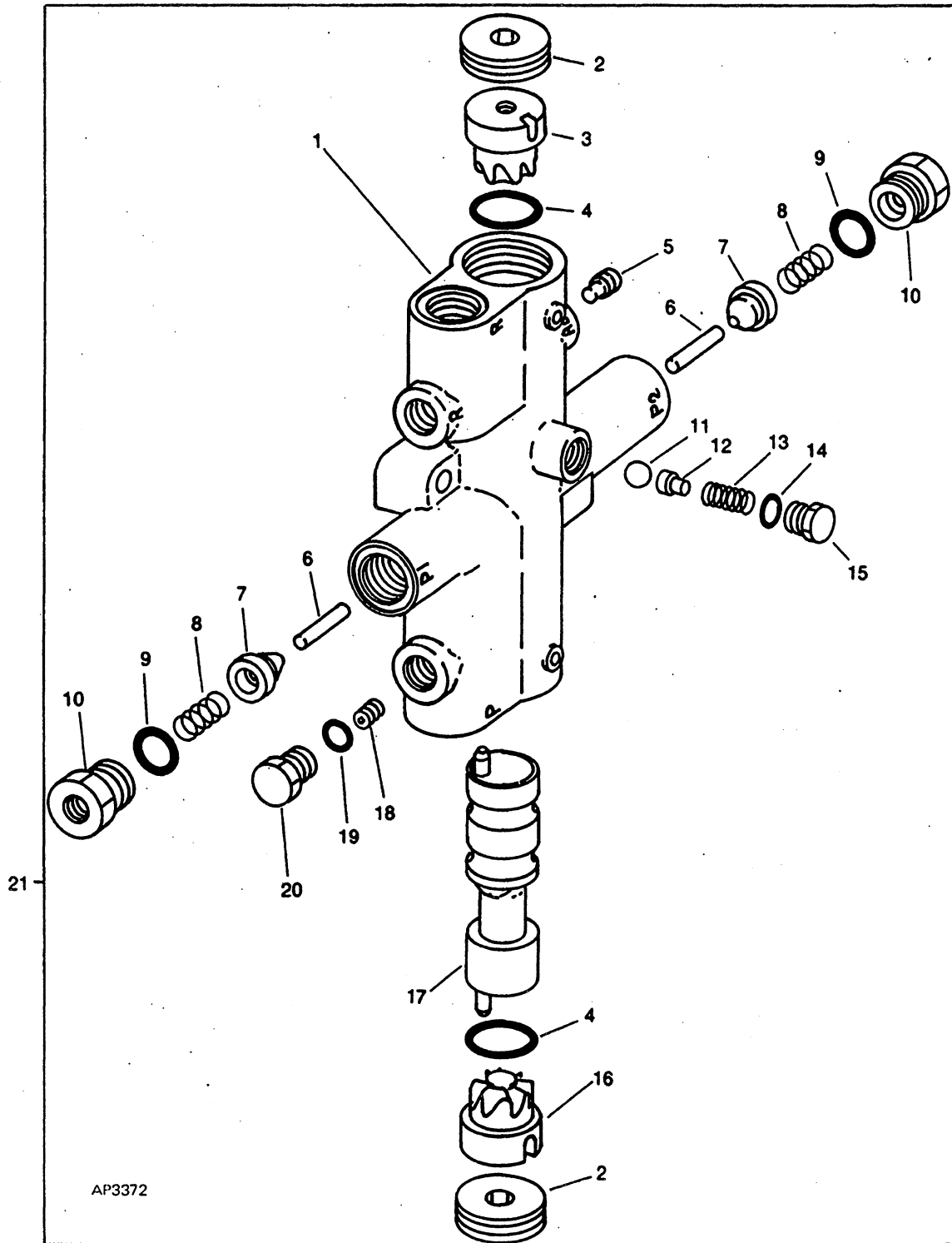
KEY	PART NO.	PART NAME	QTY	SERIAL NO. OR YEAR	REMARKS
1	R26448	O-RING	2		
2	AA31975	FITTING	2		
3	22H836	SET SCREW	1		3/8" X 1"
4	A43509	END	1		
5	A49574	ROD	1		
6	SEAL	1		(SUB AE44325)
7	SEAL	1		(SUB AE44325)
8	RING	2		(SUB AE44325)
9	A36747	BACK-UP RING	2		
10	A36745	O-RING	2		
11	T65954	O-RING	1		
12	RING	1		(SUB AE44325)
13	O-RING	1		(SUB AE44325)
14	E72947	HYDRAULIC CYLINDER BARREL	1		
15	E72949	PISTON	1		
16	E72946	HYDR. CYLINDER ROD GUIDE	1		
17	A49573	HYDRAULIC CYLINDER HEAD	1		
18	24H1452	WASHER	2		1-1/32" X 1-3/4" X 0.105"
19	N134600	PIN	1		25.400 X 110.998MM (1" X 4.370")
20	11M7038	COTTER PIN	2		6.300 X 40MM
21	AE44325	HYDRAULIC CYLINDER KIT	1		
22	AA35619	HYDRAULIC CYLINDER	1		
23	14H732	NUT	1		3/8"

C13

HYDRAULIC

MARKER SEQUENCE VALVE

AP3372



AP3372

MARKER SEQUENCE VALVE - CONTINUED

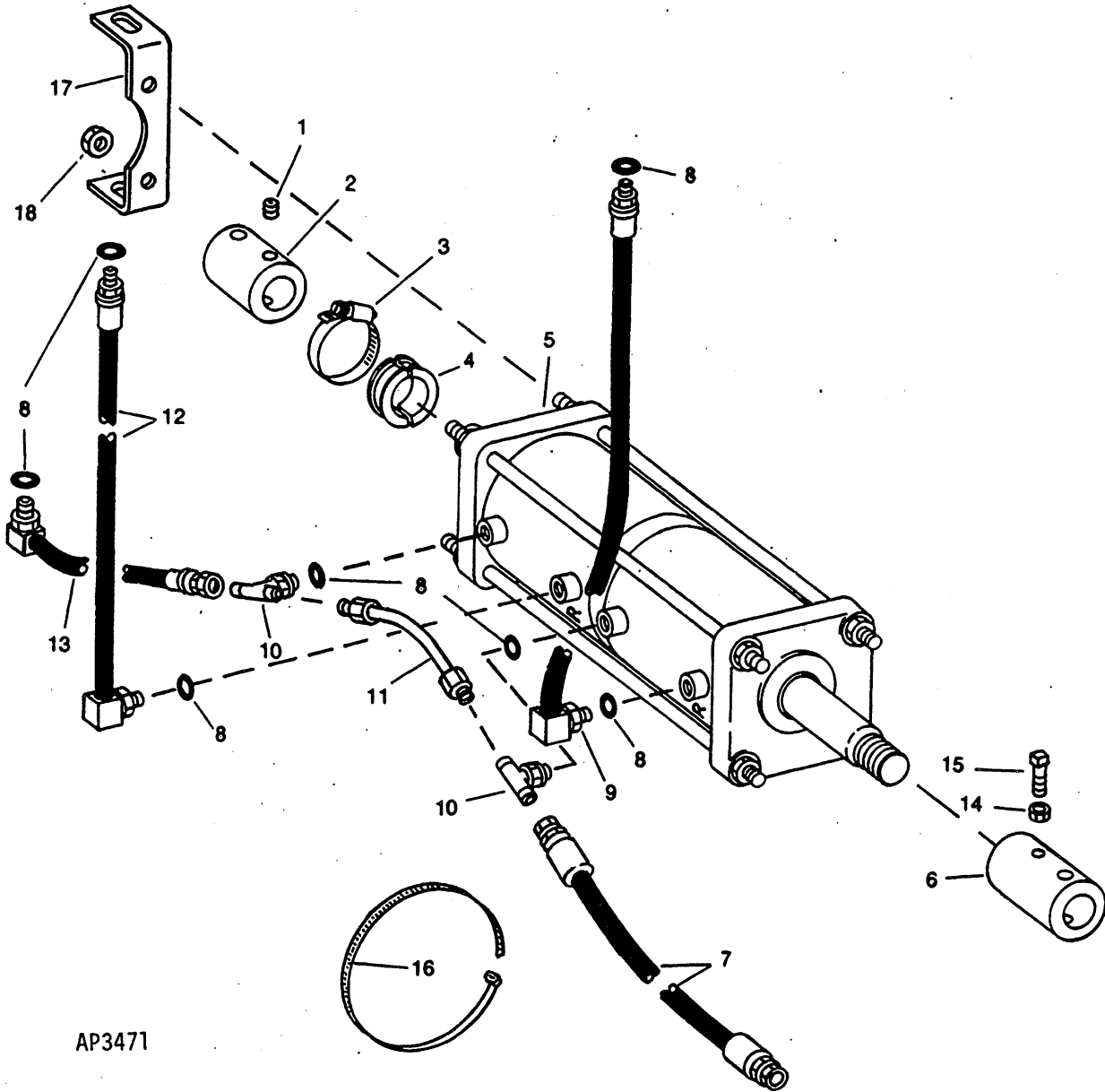
KEY	PART NO.	PART NAME	QTY	SERIAL NO. OR YEAR	REMARKS
1	A51199	VALVE	1		
2	A51194	PLUG	2		
3	A51197	CAM	1		L.H.
4	U45845	O-RING	2		
5	A51191	SET SCREW	2		
6	A51190	DOWEL PIN	2		
7	A51196	POPPET	2		
8	A51192	COMPRESSION SPRING	2		
9	R51603	O-RING	2		
10	A51189	FITTING PLUG	2		
11	A48492	BALL	1		
12	A48495	RETAINER	1		
13	A48493	COMPRESSION SPRING	1		
14	P51212	O-RING	1		
15	A48494	PLUG	1		
16	A51198	CAM	1		R.H.
17	A51195	VALVE SPOOL	1		
18	A51193	FITTING PLUG	1		
19	R65286	O-RING	1		
20	R51031	FITTING	1		
21	AA36440	VALVE	1		

C15

HYDRAULIC

MASTER HYDRAULIC CYLINDER
133 MM X 146 MM (5-1/4" X 5-3/4")
6-ROW WIDE AND 8-ROW NARROW

AP3471



AP3471

C16

HYDRAULIC

MASTER HYDRAULIC CYLINDER - CONTINUED
133 MM X 146 MM (5-1/4" X 5-3/4")
6-ROW WIDE AND 8-ROW NARROW

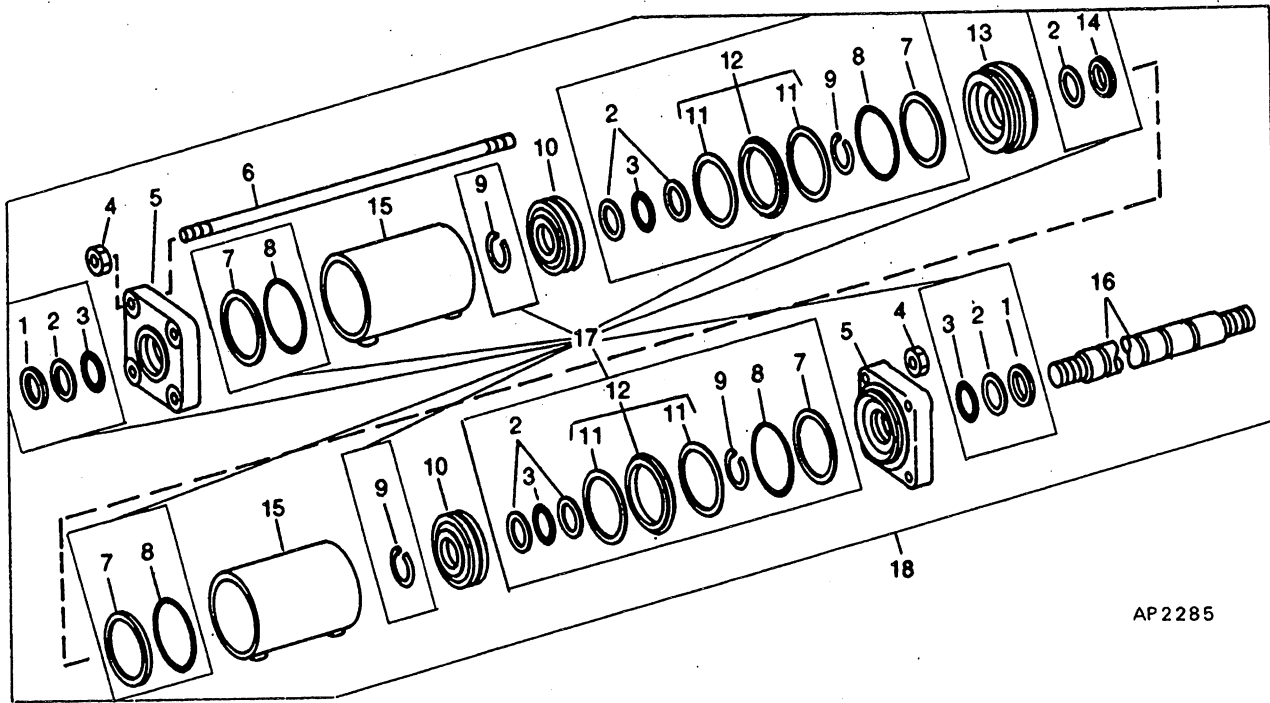
KEY	PART NO.	PART NAME	QTY	SERIAL NO. OR YEAR	REMARKS
1	22H812	SET SCREW	2		5/16" X 3/4"
2	A24698	STOP	2		
3	AR62936	CLAMP	2		
4	A25435	STOP	2		
5	AA35132	HYDRAULIC CYLINDER	1		133 MM X 146 MM (5-1/4" X 5-3/4") FOR DETAILS, SEE GRID C17
6	A46466	STOP	1		
7	AH89607	HYDRAULIC HOSE	1		3/4" X 813MM (32") X 3/4"
8	R26375	O-RING	7		
9	AA35456	HYDRAULIC HOSE	1		3/4" X 3 900MM (153-1/2") X 3/4", FROM MASTER CYLINDER TO PISTON SIDE OF R.H. INNER WHEEL MODULE CYLINDER
10	AN140263	TEE FITTING	2		
11	AA35459	OIL LINE	1		
12	AA35457	HYDRAULIC HOSE	1		3/4" X 3 600MM (141-3/4") X 3/4" FROM MASTER CYLINDER TO PISTON SIDE OF L.H. INNER WHEEL MODULE CYLINDER
13	AA35455	HYDRAULIC HOSE	1		3/4" X 2 100MM (82-3/4") X 3/4", FROM MASTER CYLINDER TO CONTROL VALVE PORT "P"
14	14M7273	NUT	1		M8
15	A50744	SET SCREW	1		
16	A49232	TIE BAND	AR		290 MM (11-7/16")
17	A48263	STRAP	1		
18	14H793	NUT	2		3/4"

C17

HYDRAULIC

MASTER HYDRAULIC CYLINDER
133 MM X 146 MM (5-1/4" X 5-3/4")
6-ROW WIDE AND 8-ROW NARROW

AP2285



AP2285

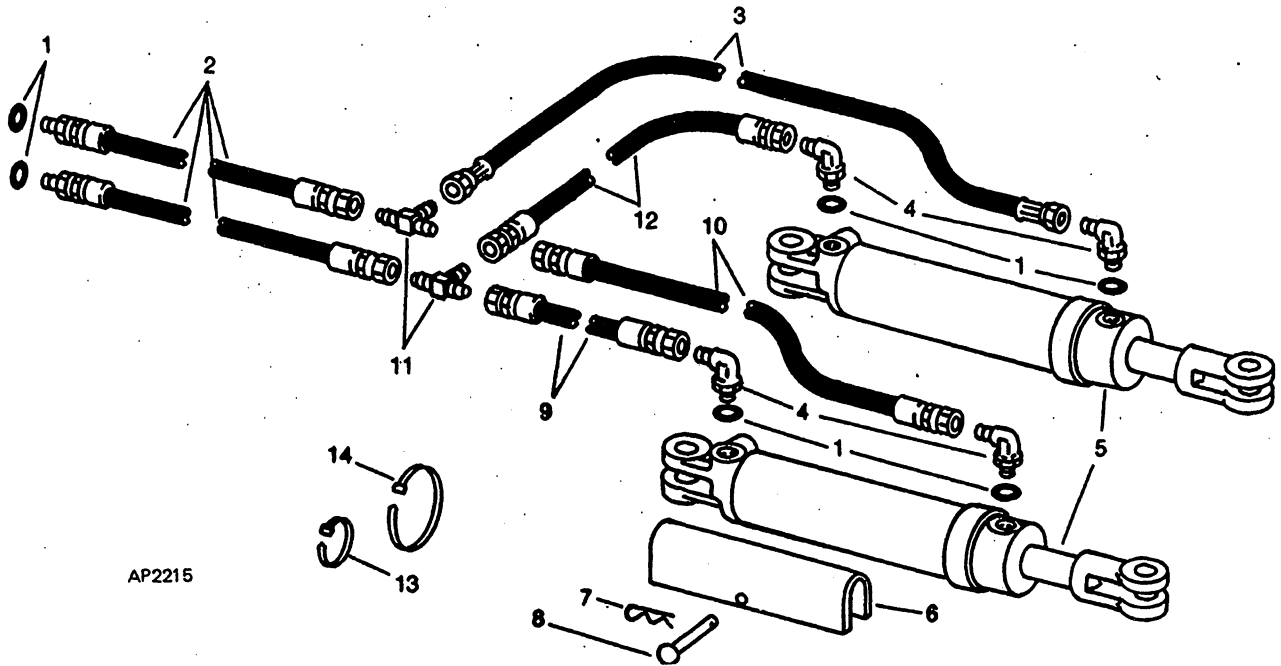
KEY	PART NO.	PART NAME	QTY	SERIAL NO. OR YEAR	REMARKS
1	A16875	SEAL	2		
2	A27313	BACK-UP RING	7		5 MM X 51 MM (13/64" X 2")
3	L2027CU	O-RING	4		5 MM X 51 MM (13/64" X 2")
4	14H400	NUT	8		3/4"
5	A42108	GUIDE	2		
	H32679	SNAP RING	2		
6	A29405	STUD	4		
7	U42720	BACK-UP RING	4		3 MM X 127 MM (1/8" X 5")
8	T12275	O-RING	4		3 MM X 127 MM (1/8" X 5")
9	A27312	SNAP RING	4		
10	A36216	PISTON	2		
11	BACK-UP RING	4		(SUB AA27981)
12	AA27981	SEAL	2		
13	A29406	GUIDE	1		
14	E45559	SEAL	1		
15	AA24515	HYDRAULIC CYLINDER BARREL	2		
16	A29404	ROD	1		
17	AA27982	SEAL KIT	1		
18	AA35132	HYDRAULIC CYLINDER	1		
..	AA26668	KIT	1		(CONTAINS FOUR HYDRAULIC LINE FILTERS, ONE FOR EACH CYLINDER PORT, AND INSTRUCTION SHEET IN CARTON)

C18

HYDRAULIC

HYDRAULIC SYSTEM 8-ROW NARROW SPLIT ROW PLANTING ATTACHMENT (1987-)

AP2215



AP2215

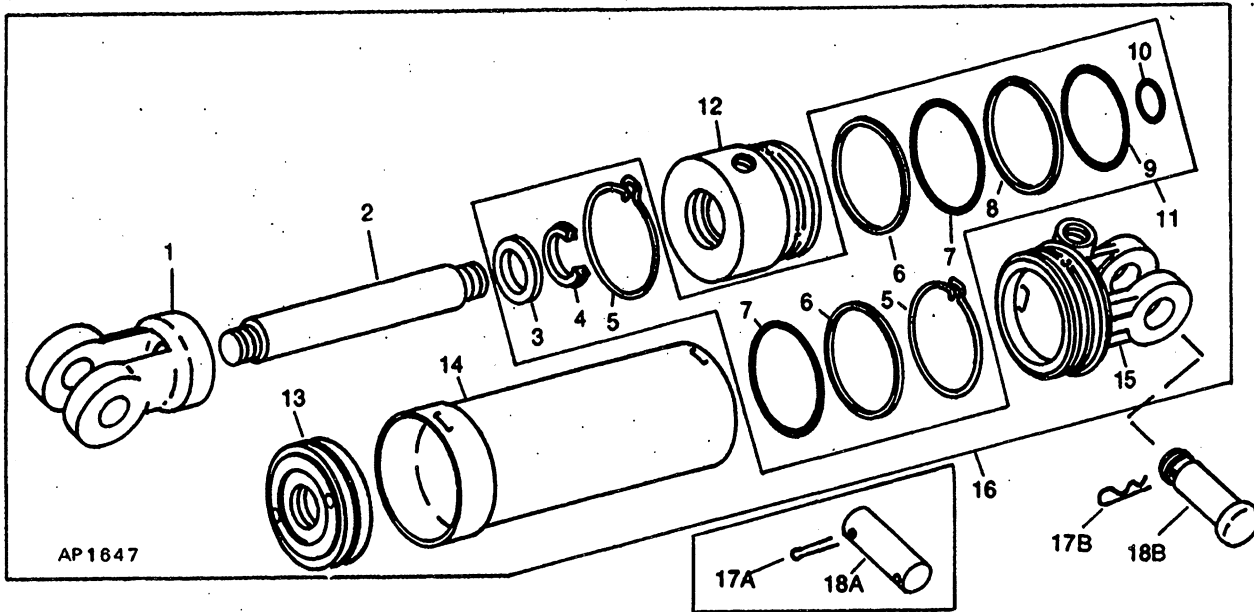
KEY	PART NO.	PART NAME	QTY	SERIAL NO. OR YEAR	REMARKS
1	R26375	O-RING	6		
2	AA26933	HYDRAULIC HOSE	2		3/4" X 6 900MM (271-3/4") X 3/4"
3	AA28333	HYDRAULIC HOSE	1		3/4" X 1 170MM (46") X 3/4"
4	AT32332	ELBOW FITTING	4		
5	AA32361	HYDRAULIC CYLINDER	2		76.2 M X 203.2 M (3" X 8") (FOR DETAILS, SEE GRID C19)
6	A22103	CLEVIS	2		
7	J16931	SPRING LOCKING PIN	2		
8	B10027	PIN	2		11.100 X 76.200MM (7/16" X 3")
9	AN112321	HYDRAULIC HOSE	1		3/4" X 457MM (18") X 3/4"
10	AH89607	HYDRAULIC HOSE	1		3/4" X 813MM (32") X 3/4"
11	E33097	TEE FITTING	2		
12	AT42218	HYDRAULIC HOSE	1		3/4" X 927MM (36-1/2") X 3/4"
13	R44302	TIE BAND	AR		171 MM (22")
14	AA21510	TIE BAND	AR		559 MM (6-3/4")

C19

HYDRAULIC

HYDRAULIC CYLINDER (CESSNA - "WYR-LOC")
76.2 MM BORE X 203.2 MM STROKE (3" X 8")
8-ROW NARROW SPLIT ROW PLANTING ATTACHMENT (1987-)

AP1647



KEY	PART NO.	PART NAME	QTY	SERIAL NO. OR YEAR	REMARKS
1	A45266	END	1		
2	A45267	ROD	1		
3	N109984	PACKING	1		
4	SEAL	1		(SUB AA33072)
5	RING	2		(SUB AA33072)
6	R35684	BACK-UP RING	2		
7	U12331	O-RING	2		
8	N131137	PISTON RING	1		
9	RING	1		(SUB AA33072)
10	N131820	O-RING	1		
11	AA33072	SEAL KIT	1		
12	A45268	HYDR. CYLINDER ROD GUIDE	1		
13	A45269	PISTON	1		
14	A45270	HYDRAULIC CYLINDER BARREL	1		
15	A45271	HYDRAULIC CYLINDER HEAD	1		
16	AA32361	HYDRAULIC CYLINDER	1		
17A	11M7071	COTTER PIN	4		8 X 40MM
17B	A15146	SPRING LOCKING PIN	2		
18A	A32475	PIN	2		25.500 X 106MM (1.004" X 4.173")
18B	PIN	2		(SUB A32475 AND 11M7071, THIS APPLICATION)

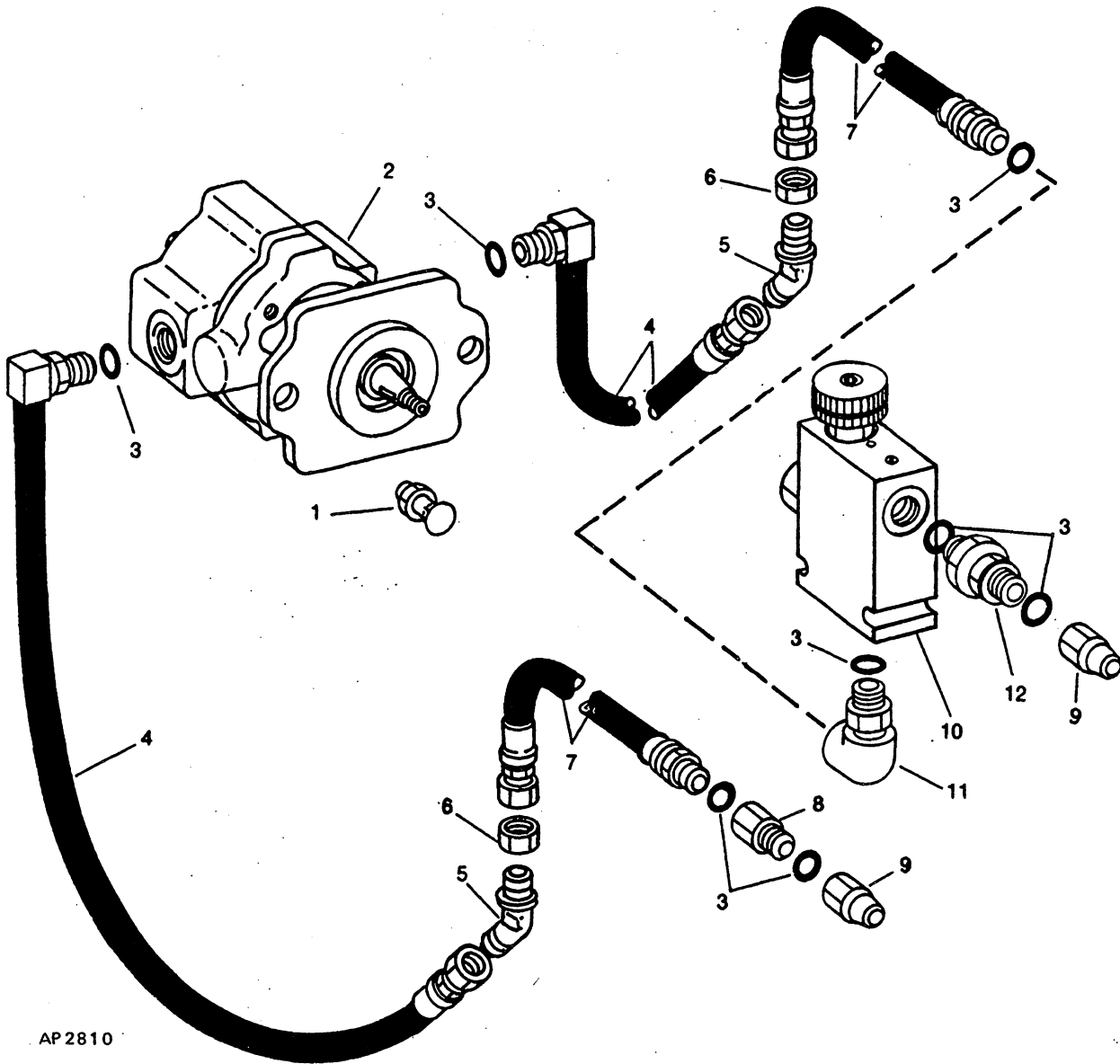
MEMORANDA

C20

HYDRAULIC

VACUUM BLOWER HYDRAULIC SYSTEM 6-ROW WIDE AND 8-ROW NARROW

AP2810



AP2810

**VACUUM BLOWER HYDRAULIC SYSTEM - CONTINUED
6-ROW WIDE AND 8-ROW NARROW**

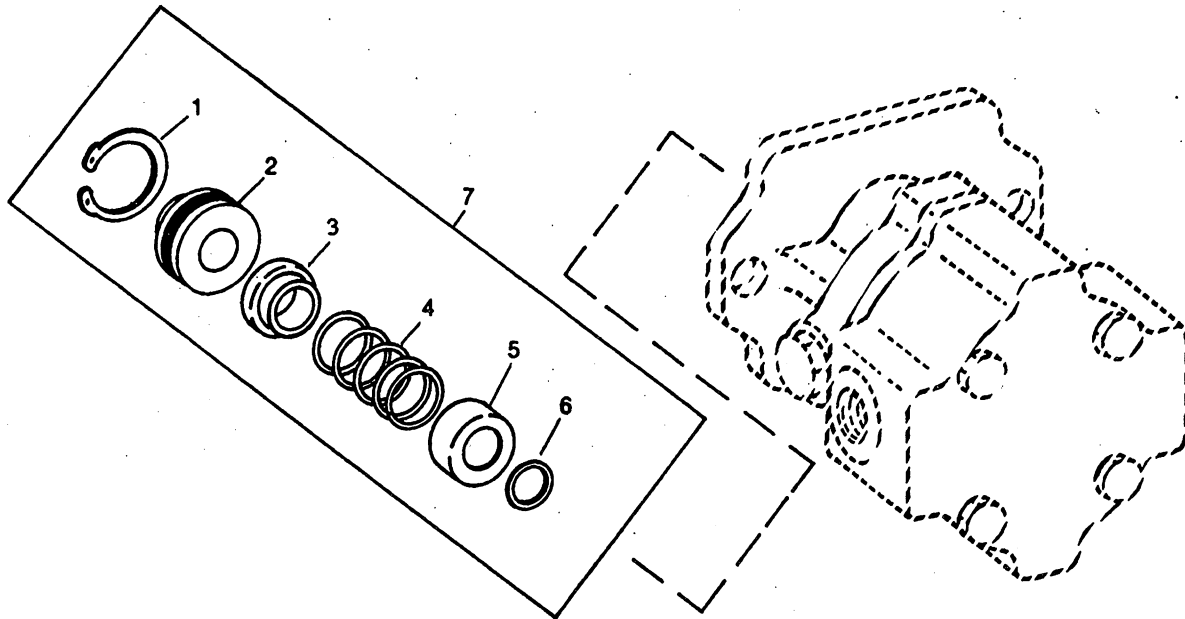
KEY	PART NO.	PART NAME	QTY	SERIAL NO. OR YEAR	REMARKS
1	03H1500	BOLT	2		3/8" X 1"
	24H1305	WASHER	2		13/32" X 13/16" X 0.060"
	K40003	LOCK NUT	2		9.525MM (3/8")
2	AH132882	MOTOR	1		
3	R26375	O-RING	8		
4	AA34140	HYDRAULIC HOSE	2		3/4" X 3 900MM (153-1/2") X 3/4"
5	T54108	UNION FITTING	2		
6	14H904	NUT	2		3/4"
7	AA23358	HYDRAULIC HOSE	2		9.52 MM X 1 524 MM (3/8" X 60")
8	AA35560	CHECK VALVE	1		
9	AR93819	FITTING	2		JOHN DEERE
	AR94522	INTERNAL HALF COUPLER	2		ISO
10	AA34009	CONTROL VALVE	1		
11	AE14428	ELBOW FITTING	1		
12	AN131153	UNION FITTING	1		

C22

HYDRAULIC

VACUUM MOTOR REPAIR KIT

AP3548



AP3548

KEY	PART NO.	PART NAME	QTY	SERIAL NO. OR YEAR	REMARKS
1	SNAP RING	1		(SUB AA36389)
2	SEAL	1		(SUB AA36389)
3	SEAL	1		(SUB AA36389)
4	SPRING	1		(SUB AA36389)
5	HOLDER	1		(SUB AA36389)
6	WASHER	1		(SUB AA36389)
7	AA36389	KIT	1		

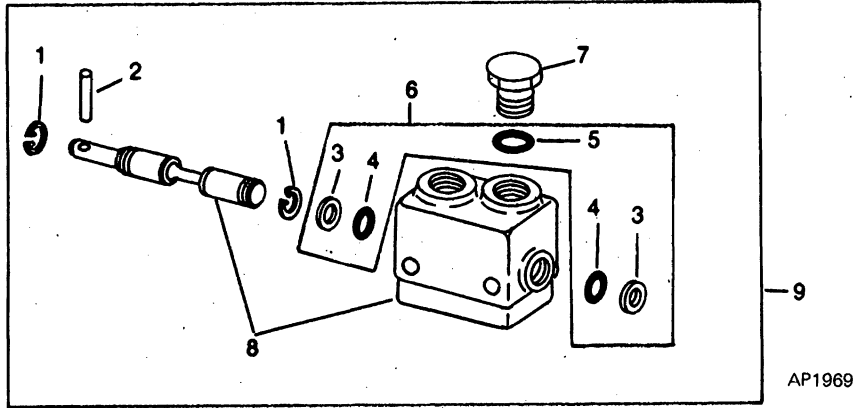
MEMORANDA

C23

HYDRAULIC

AUGER FILL SELECTOR VALVE 6-ROW WIDE AND 8-ROW NARROW

AP1969



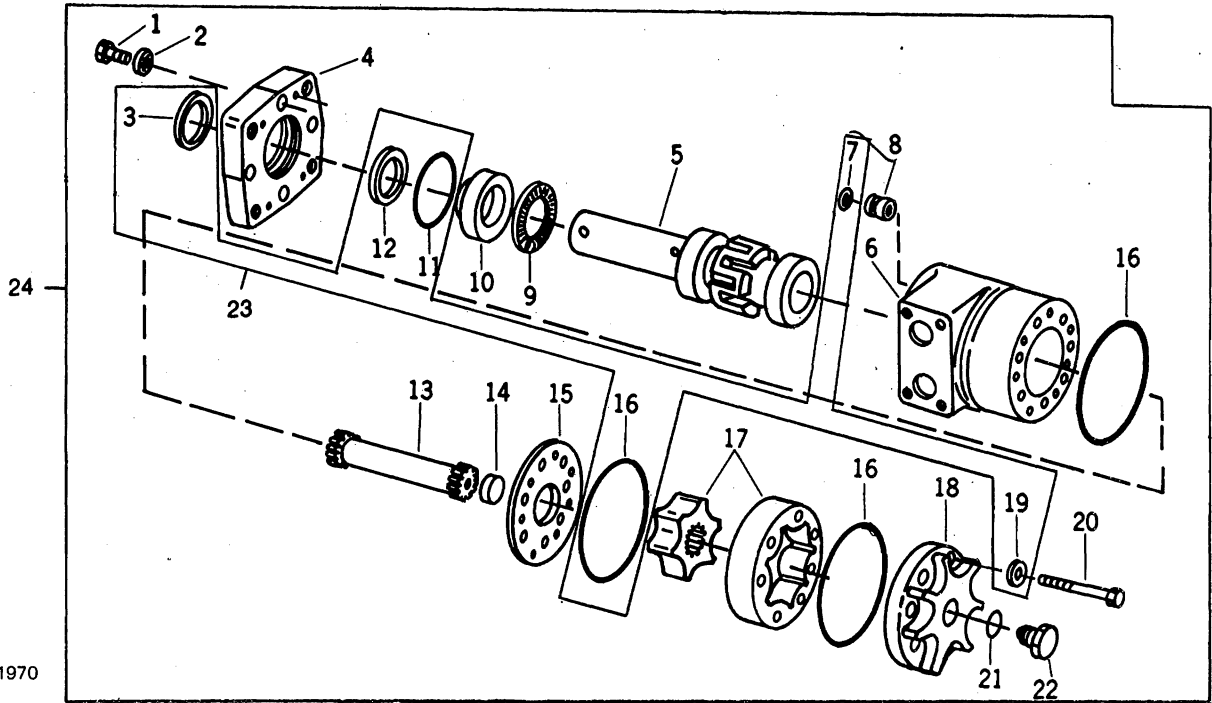
KEY	PART NO.	PART NAME	QTY	SERIAL NO. OR YEAR	REMARKS
1	A27756	PISTON RING	2		
2	34H337	SPRING PIN	1		5/16" X 2-1/2"
3	WASHER	2		(SUB AH129131) 3 MM X 16 MM (1/8" X 5/8")
4	O-RING	2		(SUB AH129131) 3 MM X 16 MM (1/8" X 5/8")
5	R26906	O-RING	1		3 MM X 19 MM (1/8" X 3/4")
6	AH129131	SEAL KIT	1		(SUB FOR AA23931)
7	AT38353	FITTING	1		(INCLUDES R26906)
8	SPOOL	1		(SUB AA23586) MATCHED SET
9	AA23586	VALVE	1		

C24

HYDRAULIC

DRY FERTILIZER AUGER FILL MOTOR 6-ROW WIDE AND 8-ROW NARROW

AP1970



AP1970

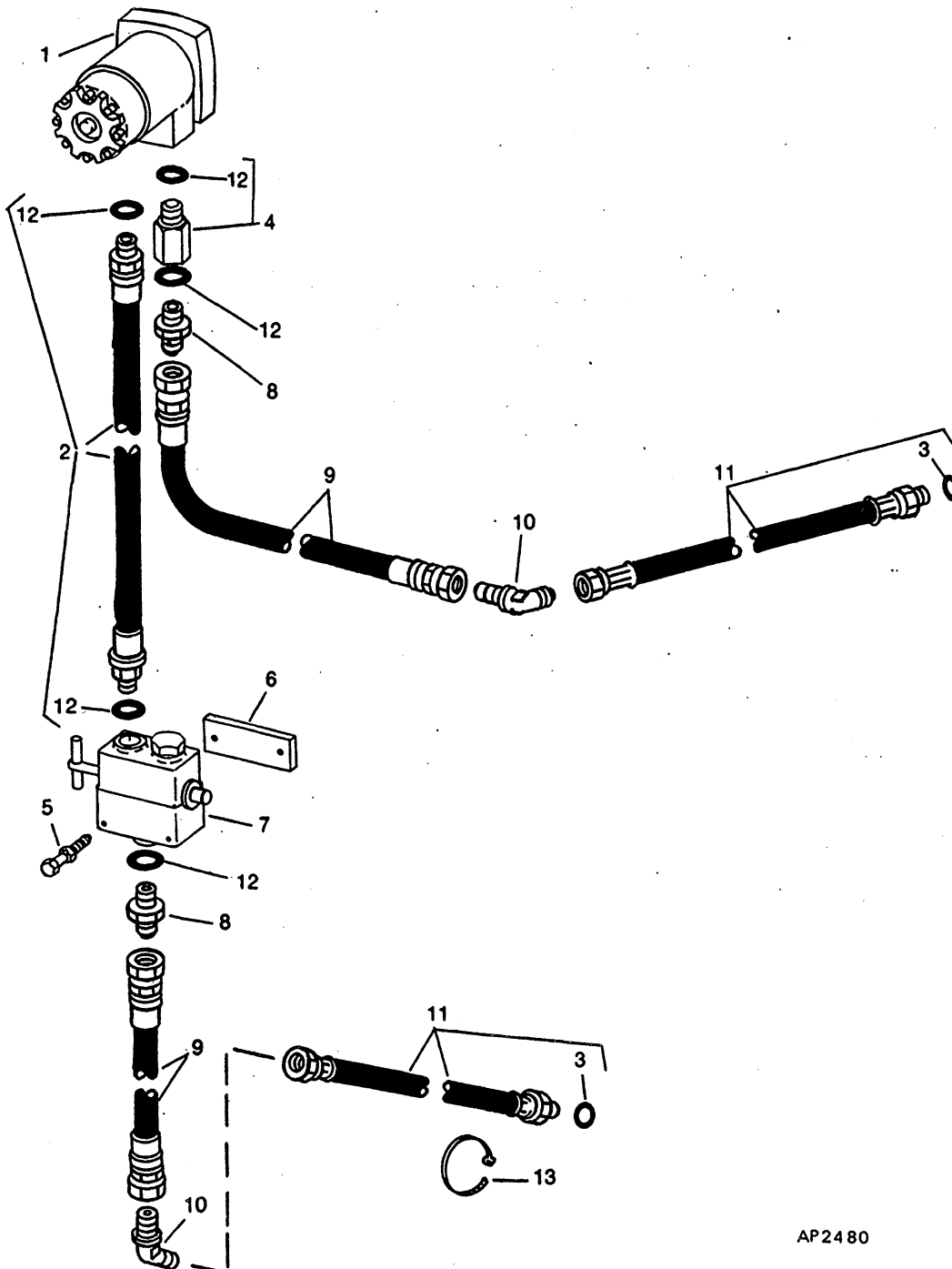
KEY	PART NO.	PART NAME	QTY	SERIAL NO. OR YEAR	REMARKS
1	N132503	BOLT	4		7.925 X 22.225MM (5/16" X 7/8")
2	N132450	LOCK WASHER	4		7.925MM (5/16")
3	N170849	SEAL	1		
4	N170838	PLATE	1		
5	A29314	SHAFT	1		
6	N170846	HOUSING	1		
7	A3917R	O-RING	1		
8	C15109	PIN	1		
9	N170871	THRUST BEARING	2		
10	N170873	BEARING RACE	1		
11	T16318	RING	1		
12	N170847	SEAL	1		
13	C15103	DRIVE SPROCKET	1		
14	N170874	SPACER	1		
15	N170837	PLATE	1		
16	N170851	O-RING	3		
17	AT50337	ROTATOR	1		
18	A29315	EXHAUST CAP	1		
19	U13489	WASHER	7		8.179 X 11.354 X 1.067MM (0.322" X 0.447" X 0.042")
20	N130453	BOLT	7		7.925 X 53.848MM (5/16" X 2.120")
21	R28782	O-RING	1		
22	U44115	FITTING PLUG	1		
23	AN103877	KIT	1		
24	AA23541	MOTOR	1		

D01

HYDRAULIC

DRY FERTILIZER AUGER FILL MOTOR, VALVE, HYDRAULIC HOSES AND FITTINGS FOR CLOSED CENTER TRACTOR 6-ROW WIDE AND 8-ROW NARROW

AP2480



AP2480

D02

HYDRAULIC

**DRY FERTILIZER AUGER FILL MOTOR, VALVE, HYDRAULIC HOSES AND FITTINGS FOR CLOSED CENTER TRACTOR
- CONTINUED
6-ROW WIDE AND 8-ROW NARROW**

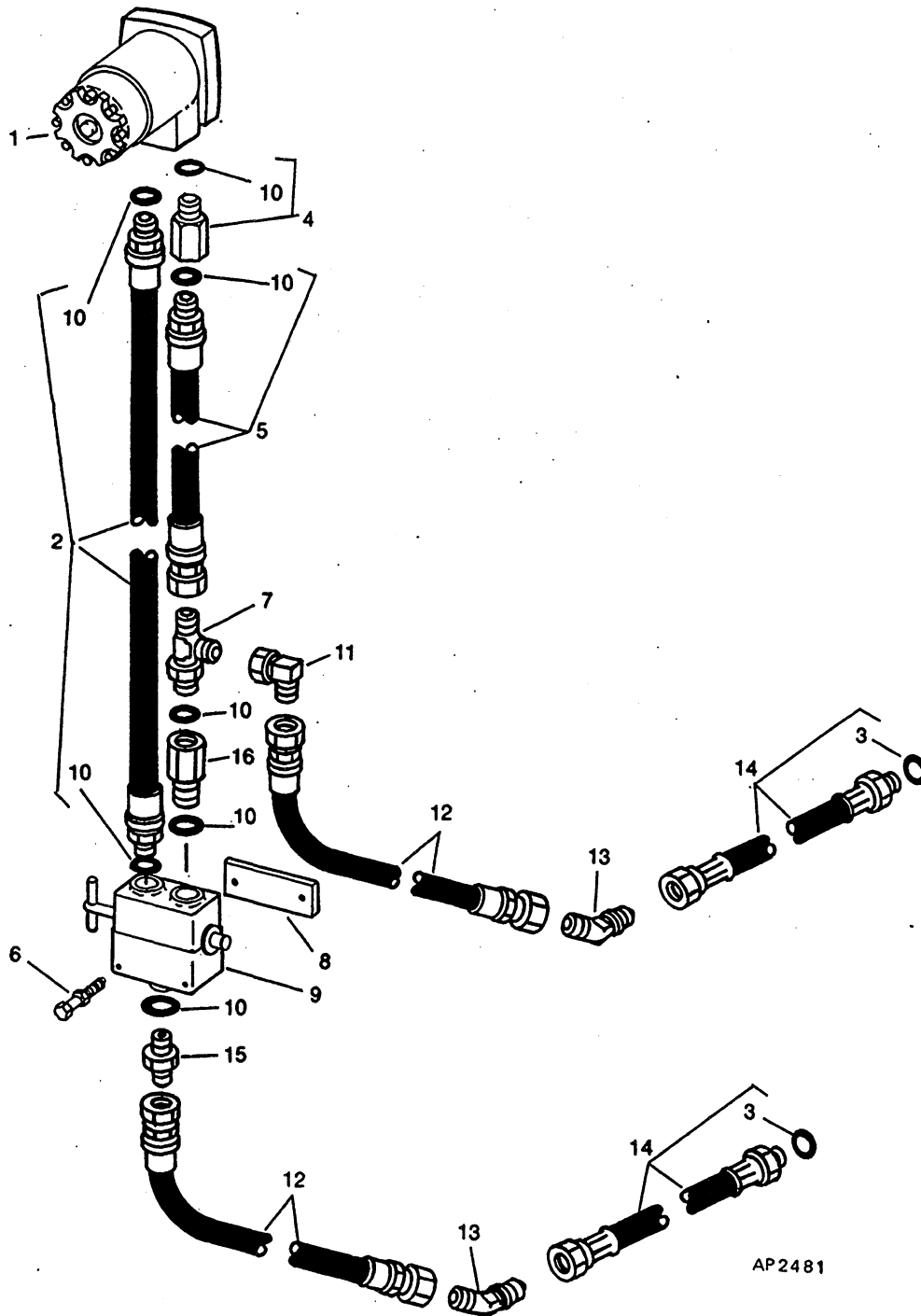
KEY	PART NO.	PART NAME	QTY	SERIAL NO. OR YEAR	REMARKS
1	AA23541	MOTOR	1		FOR DETAILS SEE GRID C24
2	AA35244	HYDRAULIC HOSE	1		7/8" X 440MM (17-1/4") X 7/8"
3	R26375	O-RING	2		
4	AW15056	CHECK VALVE	1		
5	19M8254	CAP SCREW	2		M6 X 110
	E68605	LOCK NUT	2		M6
6	A27135	STRAP	1		
7	AA23586	VALVE	1		FOR DETAILS SEE GRID C23
8	R31665	FITTING	2		
9	AA35246	HYDRAULIC HOSE	2		3/4" X 6 600MM (259-3/4") X 3/4"
10	T54108	UNION FITTING	2		
	14H904	NUT	2		3/4"
11	AA23358	HYDRAULIC HOSE	2		3/4" X 1 524MM (60") X 3/4"
12	R26906	O-RING	5		
13	R44302	TIE BAND	8		171 MM (6-3/4")

D03

HYDRAULIC

DRY FERTILIZER AUGER FILL MOTOR, VALVE, HYDRAULIC HOSES AND FITTINGS FOR OPEN CENTER TRACTOR 6-ROW WIDE AND 8-ROW NARROW

AP2481



AP2481

**DRY FERTILIZER AUGER FILL MOTOR, VALVE, HYDRAULIC HOSES AND FITTINGS FOR OPEN CENTER TRACTOR
- CONTINUED
6-ROW WIDE AND 8-ROW NARROW**

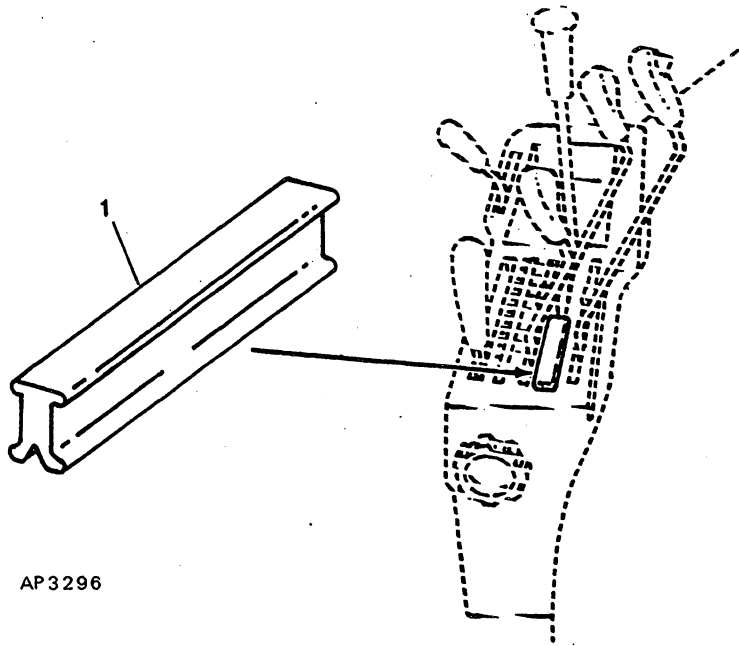
KEY	PART NO.	PART NAME	QTY	SERIAL NO. OR YEAR	REMARKS
1	AA23541	MOTOR	1		FOR DETAILS SEE GRID C24
2	AA35244	HYDRAULIC HOSE	1		7/8" X 440MM (17-1/4") X 7/8"
3	R26375	O-RING	2		
4	AW15056	CHECK VALVE	1		
5	AA35248	HYDRAULIC HOSE	1		7/8" X 330MM (13") X 3/4"
6	19M8254	CAP SCREW	2		M6 X 110
	E68605	LOCK NUT	2		M6
7	AT26327	TEE FITTING	1		
8	A27135	STRAP	1		
9	AA23586	VALVE	1		FOR DETAILS SEE GRID C23
10	R26906	O-RING	7		
11	AH75164	ELBOW FITTING	1		
12	AA35246	HYDRAULIC HOSE	2		3/4" X 6 600MM (259-3/4") X 3/4"
13	T54108	UNION FITTING	2		
	14H904	NUT	2		3/4"
14	AA23358	HYDRAULIC HOSE	1		3/4" X 1 524MM (60") X 3/4"
15	R31665	FITTING	1		
16	N110522	ADAPTER	1		

D05

HYDRAULIC

STOP, SELECTIVE CONTROL VALVE

AP3296



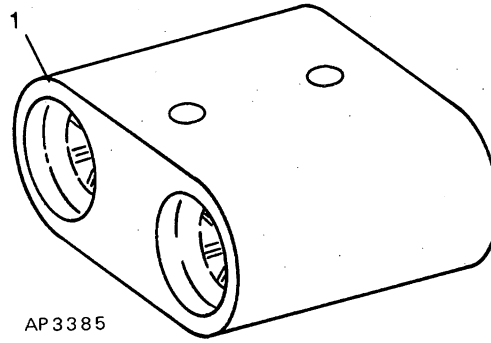
KEY	PART NO.	PART NAME	QTY	SERIAL NO. OR YEAR	REMARKS
1	R54533	STOP	1		

D06

HYDRAULIC

RETAINER, HYDRAULIC COUPLER

AP3385



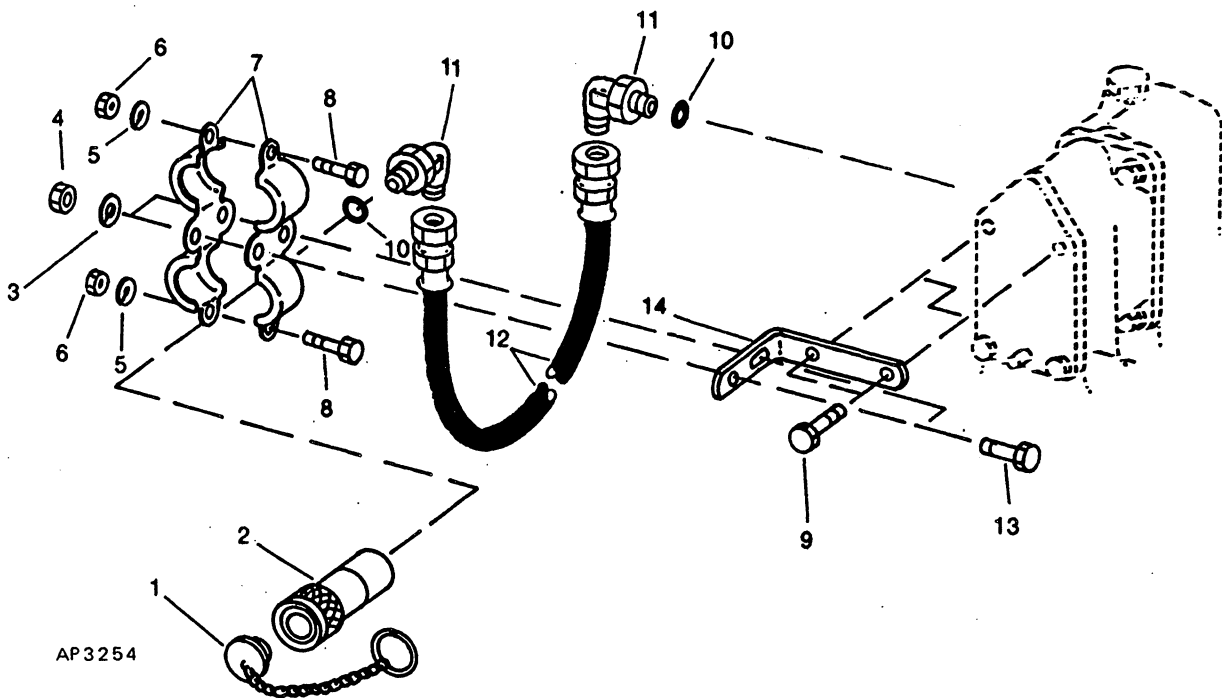
KEY	PART NO.	PART NAME	QTY	SERIAL NO. OR YEAR	REMARKS
1	A51173	CAP	1		TIP-GARD

D07

HYDRAULIC

**AUXILIARY RETURN LINE COUPLER KIT
(AUXILIARY RETURN LINE INSTALLED IN NO. 1 SELECTIVE CONTROL VALVE)
USE WITH 50 SERIES TRACTORS AND VACUUM SYSTEM**

AP3254



**AUXILIARY RETURN LINE COUPLER KIT - CONTINUED
USE WITH 50 SERIES TRACTOR AND VACUUM SYSTEM**

KEY	PART NO.	PART NAME	QTY	SERIAL NO. OR YEAR	REMARKS
1	A15899	CAP	1		
2	AH75167	HYD. QUICK-CONNECT COUPLER	1		
3	12H302	LOCK WASHER	2		1/4"
4	14H786	NUT	2		1/4"
5	12H303	LOCK WASHER	2		5/16"
6	14H785	NUT	2		5/16"
7	R79043	BRACKET	2		
8	19H1948	CAP SCREW	2		1/4" X 3/4"
9	19H1800	CAP SCREW	2		3/8" X 1-1/2"
10	R26375	O-RING	2		
11	AT32332	ELBOW FITTING	2		
12	AT47763	HOSE	1		3/4" X 419MM (16-1/2") X 3/4"
13	19H1905	CAP SCREW	2		5/16" X 1"
14	R79044	BRACKET	1		

MEMORANDA

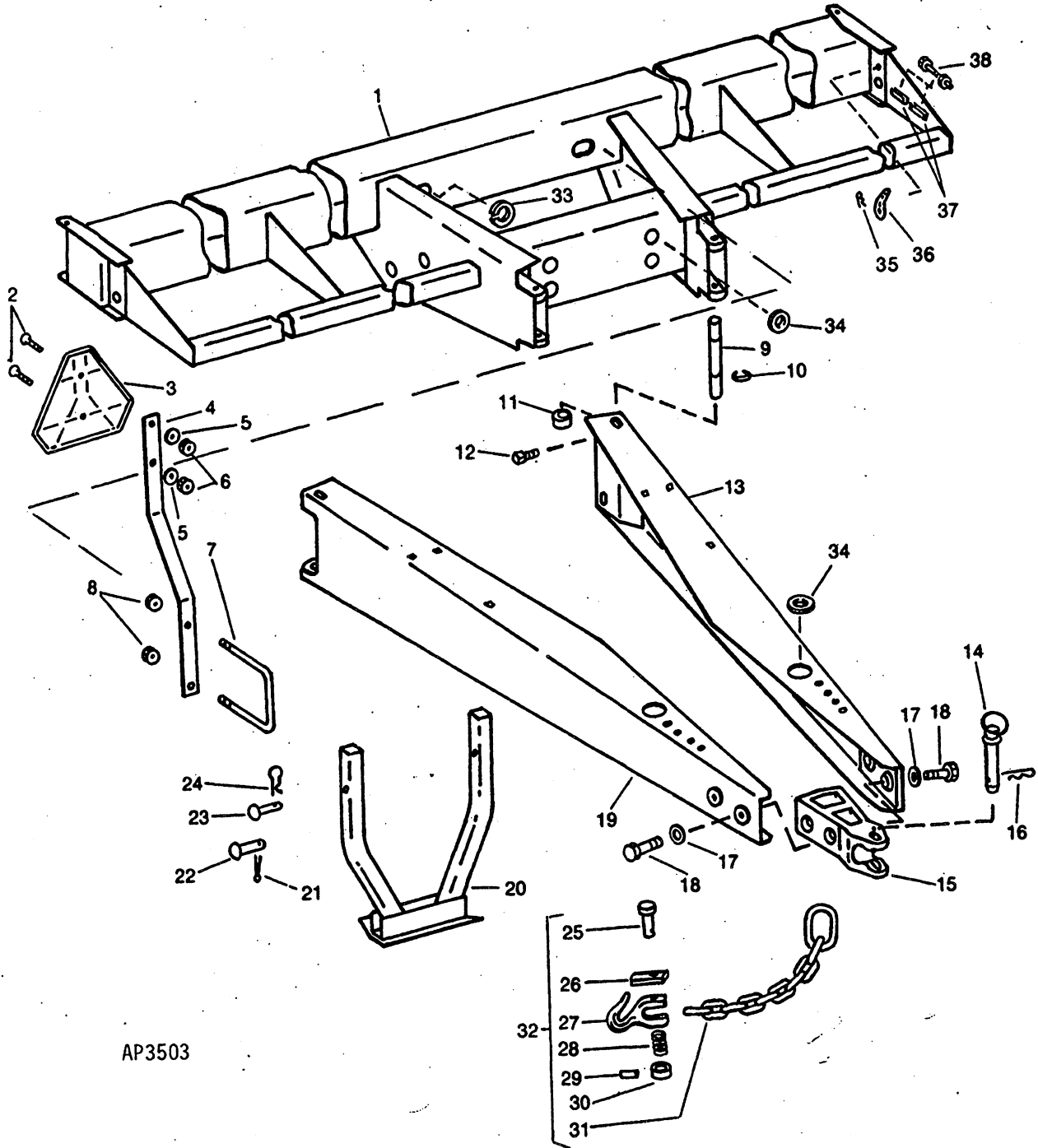
MEMORANDA

D10

FRAME

MAIN FRAME AND HITCH 6-ROW WIDE AND 8-ROW NARROW

AP3503



AP3503

D11

FRAME

MAIN FRAME AND HITCH 6-ROW WIDE AND 8-ROW NARROW

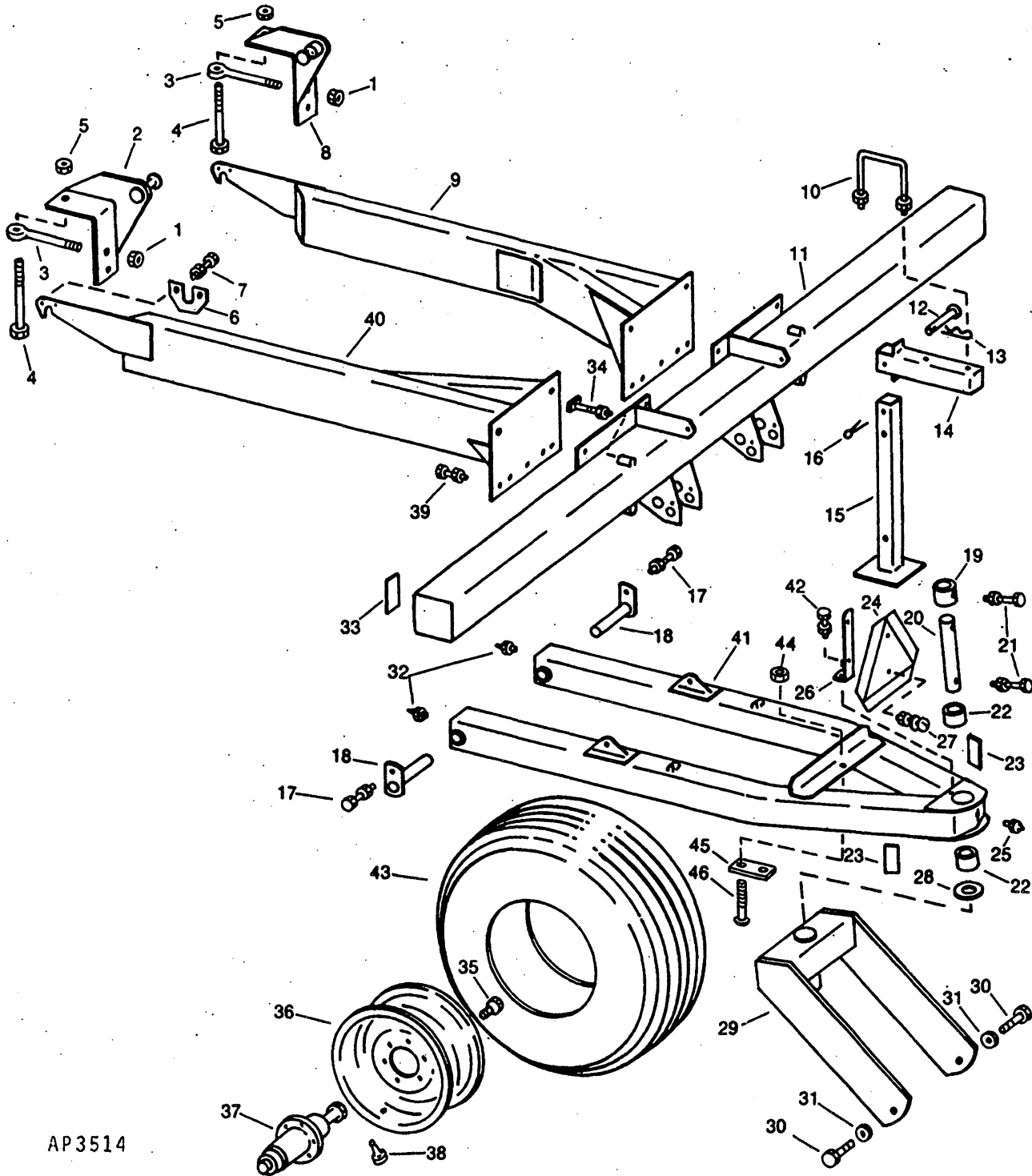
KEY	PART NO.	PART NAME	QTY	SERIAL NO. OR YEAR	REMARKS
1	AA32565	MAIN FRAME	1		
2	19M7286	CAP SCREW	2		M6 X 25
3	TY2615	SMV EMBLEM	1		
4	A49663	STRAP	1		
5	24M7088	WASHER	2		6.600 X 12.500 X 1.600MM
6	E68605	LOCK NUT	2		M6
7	A46534	U-BOLT	1		
8	14M7299	FLANGE NUT	2		M12
9	A25101	PIN	2		25.400 X 271.780MM (1" X 10.700")
10	R58806	SNAP RING	4		
11	A25589	CAM	2		
12	A50744	SET SCREW	2		
13	AA34357	PANEL	1		L.H.
14	TY4013	PIN	1		
15	A47756	CLEVIS	1		
16	A3581R	SPRING LOCKING PIN	1		
17	24M7053	WASHER	4		17 X 30 X 3MM
18	19M7343	CAP SCREW	4		M16 X 60
19	AA34356	PANEL	1		R.H.
20	AA35968	STAND	1		
21	11M7030	COTTER PIN	2		5 X 40MM
22	KK5814B	PIN	2		19.050 X 82.550MM (3/4" X 3-1/4")
23	D10033	PIN	2		12.700 X 95.250MM (1/2" X 3-3/4")
24	A15147	SPRING LOCKING PIN	2		
25	PIN	1		(SUB AR90579)
26	LATCH	1		(SUB AR90579)
27	HOOK	1		(SUB AR90579)
28	SPRING	1		(SUB AR90579)
29	34H248	SPRING PIN	1		1/8" X 13/16"
30	RETAINER	1		(SUB AR90579)
31	LINK CHAIN	1		(SUB AR90579)
32	AR90579	LINK CHAIN	1		
33	E61375	ISOLATOR	2		
34	A25647	GROMMET	6	-1988	
	H88857	CONDUIT	6	1988-	
35	B32630	SPRING LOCKING PIN	2		
36	A51302	WRENCH	2		MARKER BREAKAWAY WRENCH
37	H135758	CLIP	4	1987-	
38	19M7296	CAP SCREW	4	1987-	M8 X 100
	14M7273	NUT	8	1987-	M8

D12

FRAME

FRAME 8-ROW NARROW SPLIT ROW PLANTING ATTACHMENT (1987-)

AP3514



AP3514

THIS PARTS LISTING IS CONTINUED

7200 MAXEMERGE® 2 DRAWN PLANTERS 6 WIDE/8 NARROW

PC-2145 (29-FEB-88)

LITHO IN U.S.A.

D13

FRAME

FRAME - CONTINUED 8-ROW NARROW SPLIT ROW PLANTING ATTACHMENT (1987-)

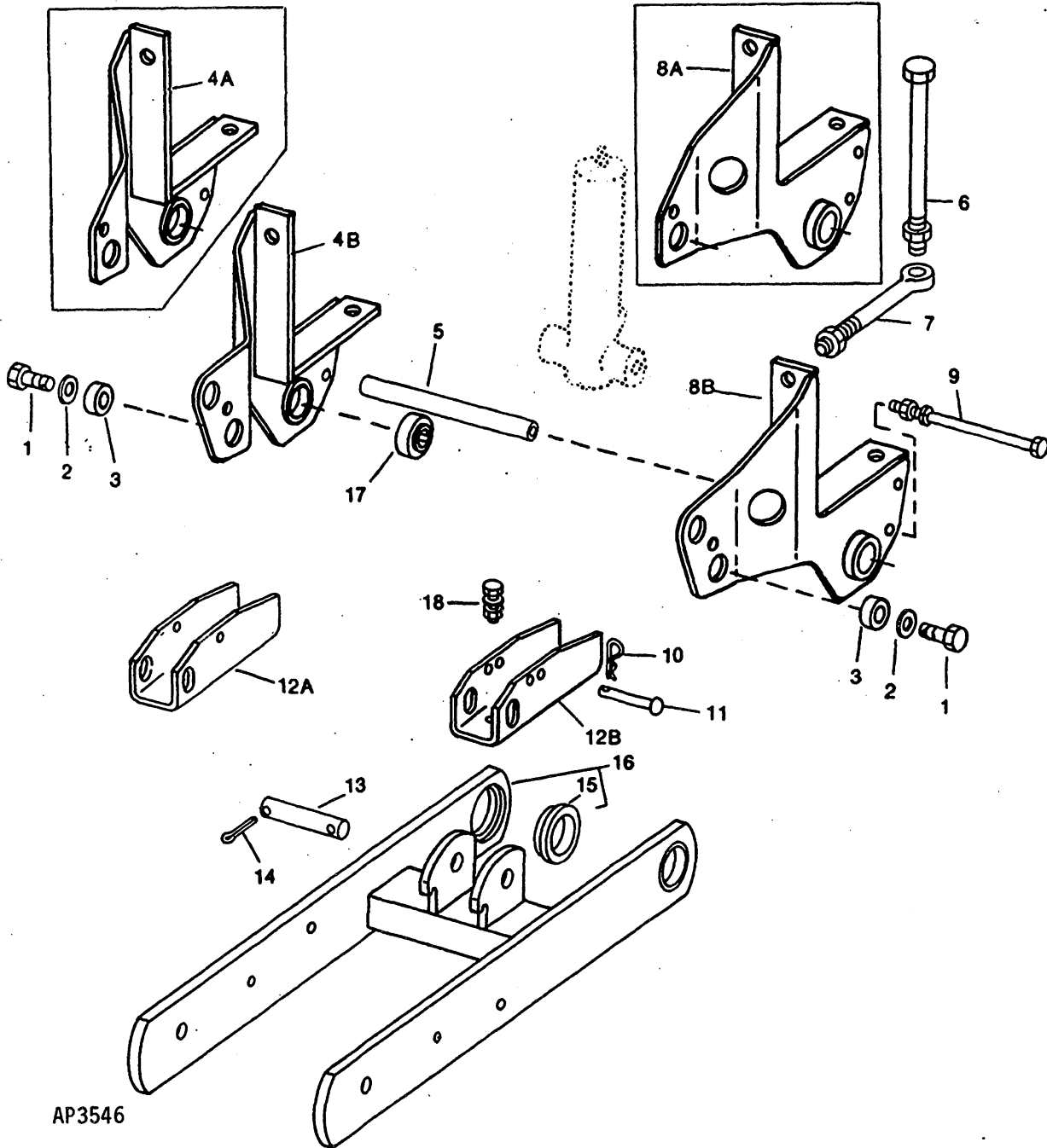
KEY	PART NO.	PART NAME	QTY	SERIAL NO. OR YEAR	REMARKS
1	14H1077	NUT	2		7/8"
2	AH129293	FRAME	1		L.H.
3	A47222	EYEBOLT	2		8-ROW
4	19M7731	CAP SCREW	2		M20 X 240
5	14M7277	NUT	2		M20
6	A47211	CLAMP	2		
7	19M7409	CAP SCREW	4		M16 X 50
	14M7276	NUT	4		M16
8	AH129292	FRAME	1		R.H.
9	AA34261	HITCH	1		R.H.
10	A46533	U-BOLT	2		
	14M7276	NUT	4		M16
11	AA34239	FRAME	1		8-ROW
12	D10033	PIN	2		12.700 X 95.250MM (1/2" X 3-3/4")
13	A15147	SPRING LOCKING PIN	2		
14	AA23104	STAND	2		
15	AA35541	STAND	2		
16	11M7071	COTTER PIN	2		8 X 40MM
17	19M7168	CAP SCREW	2		M10 X 30
	14M7274	NUT	2		M10
18	AA34218	PIN	2		
19	A47080	BUSHING	1		
20	A47079	PIN	1		57.150 X 417MM (2-1/4" X 16.417")
21	19H2233	CAP SCREW	2		5/8" X 3-1/2"
	14H1039	NUT	2		5/8"
22	U43383	BUSHING	2		
23	JD5580	REFLECTOR	2		
24	TY2615	SMV EMBLEM	1		
25	JD7844	LUBRICATION FITTING	1		
26	A16662	BRACKET	1		
27	19M7286	CAP SCREW	2		M6 X 25
	24M7088	WASHER	2		6.600 X 12.500 X 1.600MM
	E68605	LOCK NUT	2		M6
28	X8246C	WASHER	1		58.725 X 88.900 X 3.175MM (2-5/16" X 3-1/2" X 1/8")
29	AA34196	ARM	1		
30	19M7487	CAP SCREW	2		M20 X 50
31	12H236	LOCK WASHER	2		3/4"
32	JD7759	LUBRICATION FITTING	2		
33	JD5583	REFLECTOR	1		
34	19M8020	CAP SCREW	2		M16 X 100
	14M7276	NUT	2		M16
35	W14093	WHEEL BOLT	6		
36	JD3043	WHEEL	1		
37	HUB	1		(FOR DETAILS, SEE GRID D1)
38	AN132749	TIRE VALVE STEM	1		
39	19M7487	CAP SCREW	2		M20 X 50
	14M7277	NUT	2		M20
40	AA34260	HITCH	1		L.H.
41	AA34199	FRAME	1		
42	19H1833	CAP SCREW	1		5/8" X 1-1/4"
	14H1039	NUT	1		5/8"
43	TIRE	1		11L X 15, 8-PLY TIRE
44	K40015	LOCK NUT	2		15.875MM
45	N135450	STRAP	1		
46	08H4753	CAP SCREW	2		5/8" X 10-1/2"

D14

FRAME

WHEEL MODULE 6-ROW WIDE AND 8-ROW NARROW

AP3546



AP3546

D15

FRAME

WHEEL MODULE - CONTINUED 6-ROW WIDE AND 8-ROW NARROW

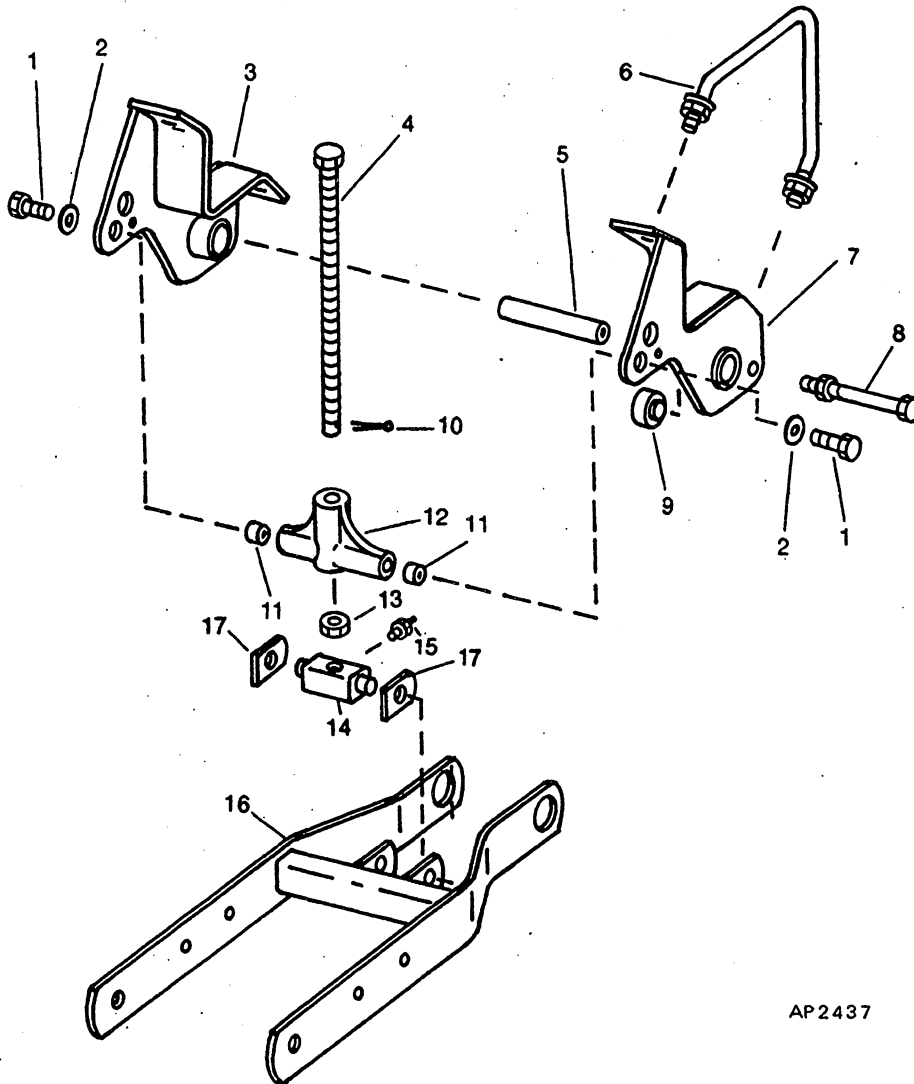
KEY	PART NO.	PART NAME	QTY	SERIAL NO. OR YEAR	REMARKS
1	19M7610	CAP SCREW	2		M20 X 40, USE T43514 OR TY9374 LOCKING MATERIAL WHEN SERVICING THIS BOLT
2	24H1236	WASHER	2		13/16" X 2" X 0.149"
3	A47210	BUSHING	2		
4A	AA33456	SUPPORT	2	-1987	(SUB AA36820) L.H.
4B	AA36820	SUPPORT	2		L.H.
5	A23383	BUSHING	1		13.868 X 21.336 X 246.380MM (0.546" X 0.840" X 9.700")
6	19M7731	CAP SCREW	2		M20 X 240
	14M7277	NUT	2		M20
7	A47222	EYEBOLT	2		
	14M7277	NUT	2		M20
8A	AA33455	SUPPORT	1	-1987	(SUB AA36821) R.H.
8B	AA36821	SUPPORT	1		R.H.
9	19M8173	CAP SCREW	1		M10 X 280
	A51212	LOCK NUT	1		M10
10	J16931	SPRING LOCKING PIN	1		
11	A26135	PIN	1		7.925 X 76.200MM (5/16" X 3")
12A	A26076	STOP	1	-1987	(SUB A51582)
12B	A51582	STOP	1		
13	A26119	PIN	1		25.400 X 113.284MM (1" X 4.460")
14	11H249	COTTER PIN	2		1/4" X 2"
15	A23337	BUSHING	1		
16	AA31774	ARM	1		
17	AA28271	BALL BEARING	1		
18	19M7268	CAP SCREW	1	1987-	M12 X 25
	24M7047	WASHER	1	1987-	13 X 24 X 2.500MM
	14M7275	NUT	1	1987-	M12

D16

FRAME

WHEEL FRAME SPLIT-ROW PLANTING ATTACHMENT (1987-)

AP2437



AP2437

D17

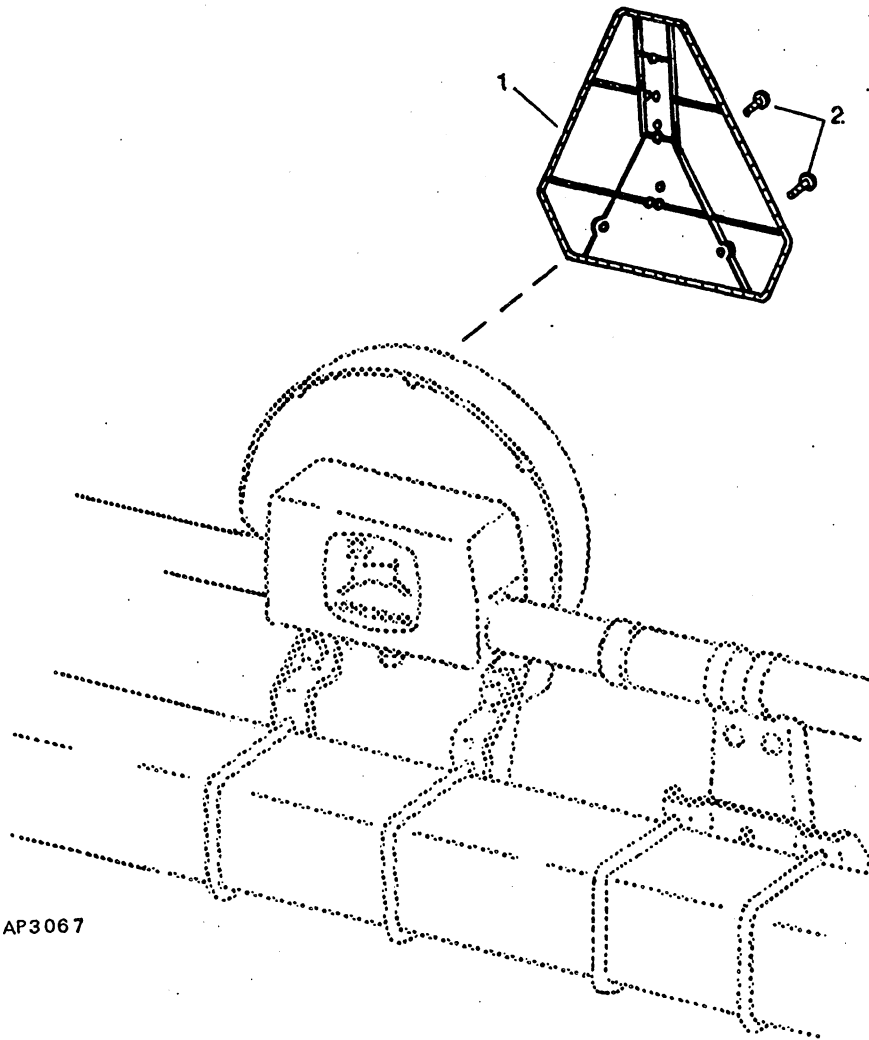
FRAME

WHEEL FRAME - CONTINUED SPLIT-ROW PLANTING ATTACHMENT (1987-)

KEY	PART NO.	PART NAME	QTY	SERIAL NO. OR YEAR	REMARKS
1	19M7283	CAP SCREW	2		M16 X 35, USE T43514 OR TY9373 LOCKING MATERIAL WHEN SERVICING THIS BOLT
2	24H1378	WASHER	2		11/16" X 1-1/2" X 0.134"
3	AA35069	SUPPORT	1		
4	A48840	CAP SCREW	1		
5	28H3348	BUSHING	1		0.546" X 0.840" X 6.060"
6	A48190	U-BOLT	2		
	24M7051	WASHER	4		21 X 37 X 3MM
	14M7277	NUT	4		M20
7	AA35070	SUPPORT	1		
8	19M8236	CAP SCREW	1		M10 X 190
	A51212	LOCK NUT	1		M10
9	AA28271	BALL BEARING	1		
10	11M7030	COTTER PIN	1		5 X 40MM
11	A48515	BUSHING	4		16.640 X 27.580 X 14.230MM (0.655" X 1.086" X 0.560")
12	A47754	TRUNNION	1		
13	14M7278	NUT	1		M24
14	A50988	TRUNNION	1		
15	JD7844	LUBRICATION FITTING	1		
16	AH131562	ARM	1		
17	H136517	STRAP	2		

SMV (SLOW MOVING VEHICLE) EMBLEM AND BRACKET
WHEN USING VACUUM PLANTING UNITS

AP3067



AP3067

D19

FRAME

**SMV (SLOW MOVING VEHICLE) EMBLEM AND BRACKET - CONTINUED
WHEN USING VACUUM PLANTING UNITS**

<i>KEY</i>	<i>PART NO.</i>	<i>PART NAME</i>	<i>QTY</i>	<i>SERIAL NO. OR YEAR</i>	<i>REMARKS</i>
1	TY2615	SMV EMBLEM	1		
2	37M7089	SCREW	2		M6 X 12

D20

FRAME

LABELS

KEY	PART NO.	PART NAME	QTY	SERIAL NO. OR YEAR	REMARKS
..	N188206	DECAL	1		"CAUTION" - LOCATED ON INSECTICIDE, HERBICIDE, AND DRY FERTILIZER AUGER FILL COVER
..	A48394	SIGN	1		"CAUTION" - LOCATED ON DRY FERTILIZER HOPPER COVER
..	H136475	SIGN	2	1987-	"CAUTION" - LOCATED ON MARKER FRAME
..	A43188	SIGN	1		"SPROCKET COMBINATION INSTRUCTION" - LOCATED ON SEED TRANSMISSION
..	A44761	SIGN	1		"CAUTION" - LOCATED ON LIQUID FERTILIZER BRACKET
..	A48677	SIGN	1		"MAXEMERGE 2" - LOCATED ON R.H. SIDE OF PLANTING UNIT
..	A48678	SIGN	1		"MAXEMERGE 2" - LOCATED ON L.H. SIDE OF PLANTING UNIT
..	JD5644	LABEL	2		"LEAPING DEER" - LOCATED ON ENDS OF FERTILIZER TANKS
..	A49415	SIGN	2		"JOHN DEERE 7200" - LOCATE ON EACH SIDE OF HITCH; FOR 6-ROW WIDE AND 8-ROW NARROW
..	A49853	SIGN	2		"WARNING" - LOCATED ON RADAR DISTANCE SENSOR
..	A49905	SIGN	1		"FCC INSTRUCTIONS" - LOCATED ON RADAR DISTANCE SENSOR
..	A49925	SIGN	1		"DOC INSTRUCTIONS" - LOCATED ON RADAR DISTANCE SENSOR
..	A43187	SIGN	1		"SPROCKET COMBINATION INSTRUCTION" - LOCATED ON FERTILIZER TRANSMISSION
..	JD5579	REFLECTOR	2		"RED" - LOCATED ON REAR ENDS OF MAINFRAME WHEN MARKERS ARE NOT USED
..	JD5582	REFLECTOR	1		"AMBER" - LOCATED ON FRONT L.H. SIDE OF MAINFRAME WHEN MARKERS ARE NOT USED
..	M45848	LABEL	1	-1988	(SUB H136469) "CAUTION" USED ON AA23837 HOPPER
..	H136469	SIGN	1	1987-	"CAUTION" USED ON AA23837 HOPPER
..	H136474	SIGN	1	1987-	"WARNING" - LOCATED ON COMPUTER TRAK POWER MODULE
..	A48746	SIGN	2	1987-	"WARNING" - LOCATED ON HITCH PLATES, SPLIT ROW ONLY

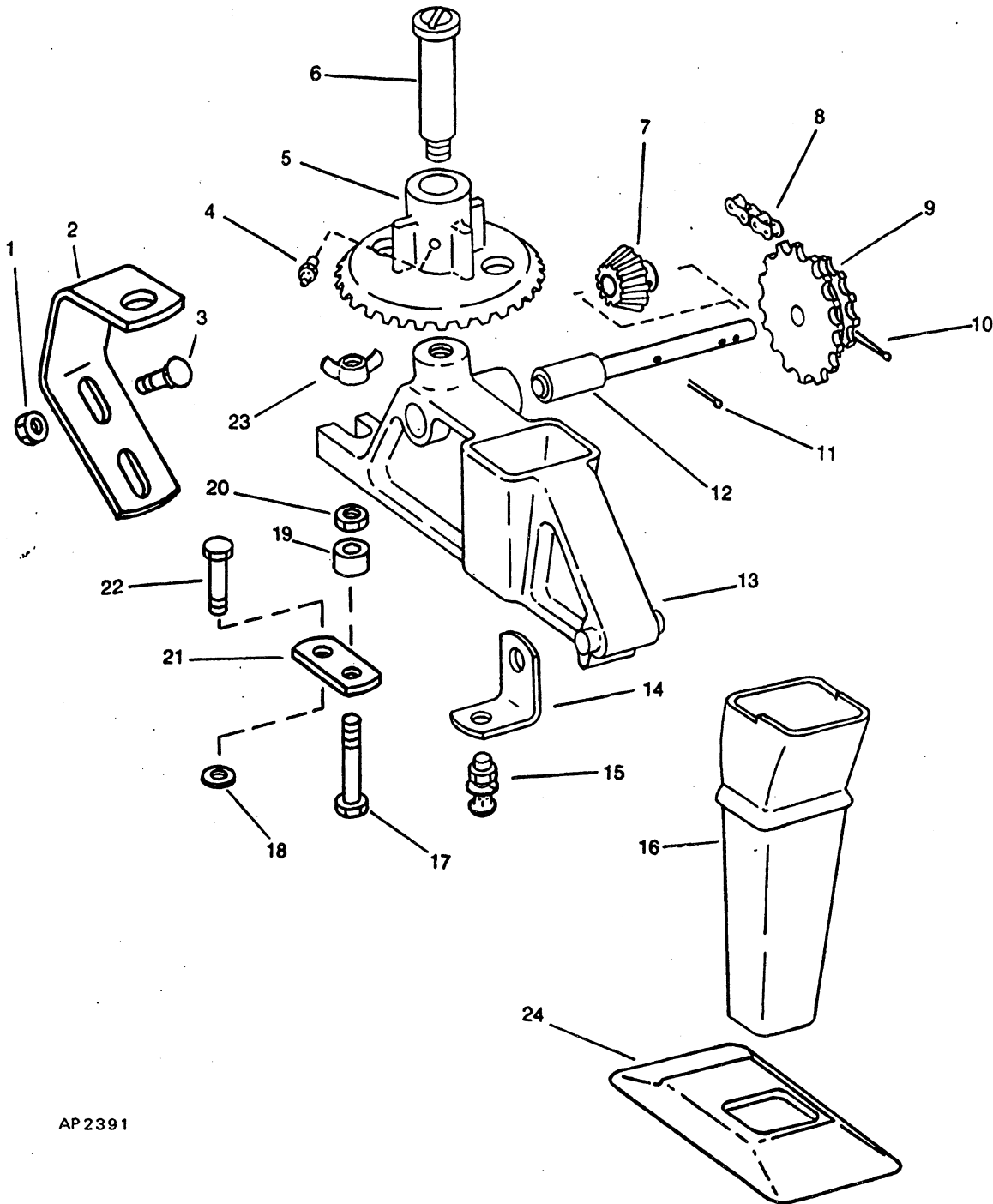
MEMORANDA

D22

DRIVES

HOPPER DRIVE PLATE

AP2391



AP 2391

D23

DRIVES

HOPPER DRIVE - CONTINUED PLATE

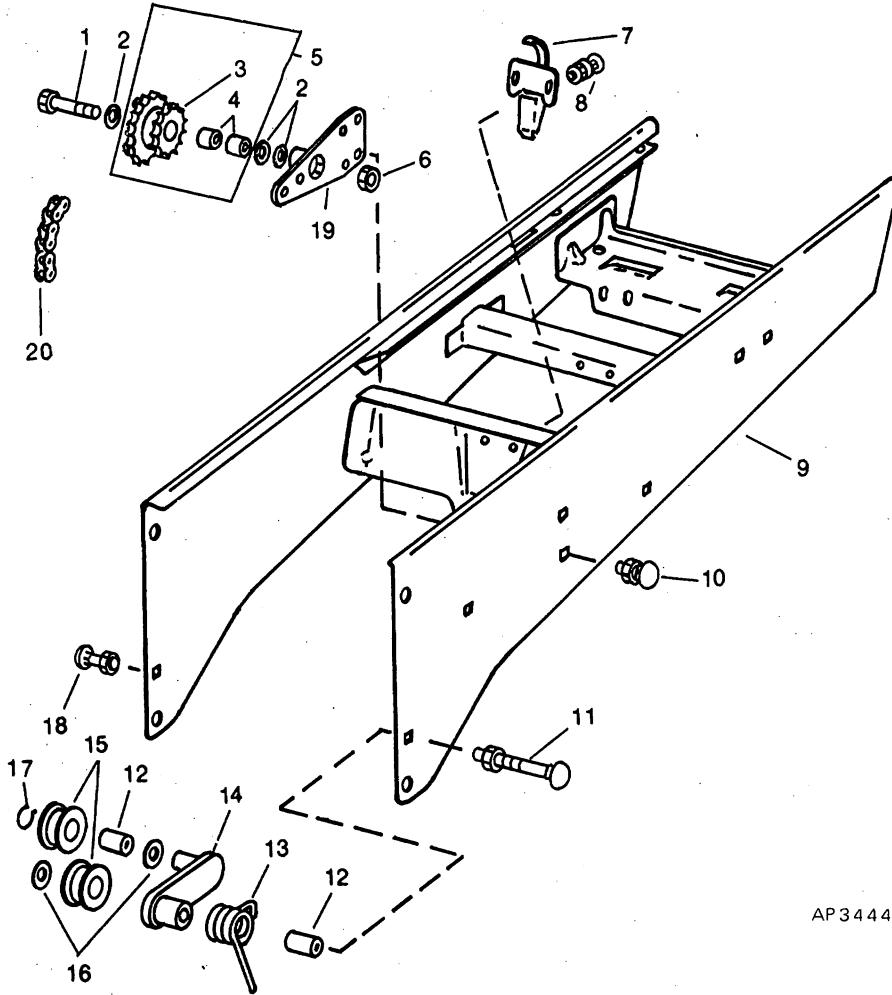
KEY	PART NO.	PART NAME	QTY	SERIAL NO. OR YEAR	REMARKS
1	14M7273	NUT	1		M8
2	A49741	BRACKET	1		
3	03M7184	BOLT	1		M8 X 20
4	JD7797	LUBRICATION FITTING	1		1/4" TAPERED THREAD
5	B15666	GEAR	1		
6	B31579	BOLT	1		
7	A33885	GEAR	1		
8	ROLLER CHAIN	1		(ASSEMBLE FROM AP22458 AND P28535) TYPE 41, 13 MM (1/2") PITCH, 104 LINKS
9	AA35400	CHAIN SPROCKET	1		11- AND 19-TOOTH
10	11H241	COTTER PIN	1		5/32" X 2"
11	11M7030	COTTER PIN	1		5 X 40MM
12	AA32941	BEARING	1		
13	A30790	SUPPORT	1		
14	A48315	ANGLE	2		
15	03M7191	BOLT	2		M10 X 25
	14M7274	NUT	2		M10
16	A31408	TUBE	1		
17	19M7724	CAP SCREW	1		M10 X 45
18	24H1308	WASHER	3		13/32" X 1" X 0.134"
19	A24092	BUSHING	1		
20	14M7274	NUT	1		M10
21	A49126	STRAP	1		
22	19M7168	CAP SCREW	1		M10 X 30
23	14M7025	WING NUT	1		M10
24	A48664	COVER	1		

D24

DRIVES

FINGER PICKUP METER DRIVE PLATELESS

AP3444



AP3444

D25

DRIVES

FINGER PICKUP METER DRIVE - CONTINUED PLATELESS

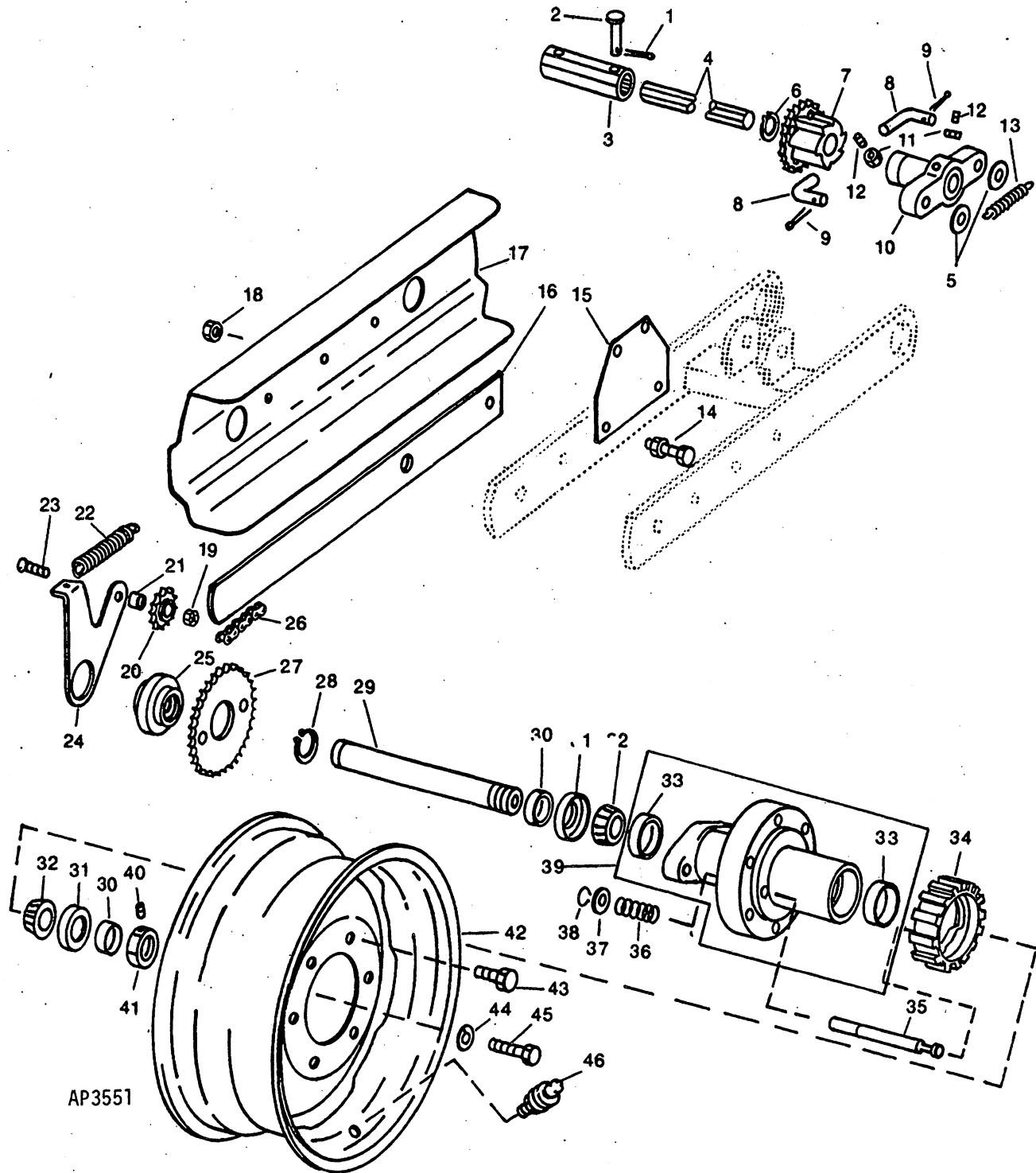
KEY	PART NO.	PART NAME	QTY	SERIAL NO. OR YEAR	REMARKS
1	19M7572	CAP SCREW	1		M10 X 45
2	R64525	THRUST WASHER	3		10.312 X 17.475 X 0.914MM
3	DRIVE SPROCKET	1		(SUB AA36888) 13- AND 19-TOOTH COMBINATION; FOR FINGER PICKUP UNIT
	DRIVE SPROCKET	1		(SUB AA34136) 28- AND 28-TOOTH COMBINATION; FOR VACUUM UNIT
4	AA34134	BALL BEARING	2		
5	AA36888	DRIVE SPROCKET	1		FOR FINGER PICKUP UNIT
	AA34136	DRIVE SPROCKET	1		FOR VACUUM UNIT
6	14M7274	NUT	2		M10
7	AA22119	LATCH	1		
8	03M7221	BOLT	2		M6 X 16
	E63524	NUT	2		M6
9	AA34795	SUPPORT	1		
10	03M7183	BOLT	3		M8 X 16
	14M7298	FLANGE NUT	3		M8
11	03M7267	BOLT	1		M8 X 80
	14M7273	NUT	1		M8
12	A50562	SPACER	2		
13	A28518	SPRING	1		
14	A50564	ARM	1		
15	A22838	ROLLER	2		
16	24M7207	WASHER	2		8.400 X 25 X 2MM
17	B14203	SNAP RING	1		
18	03M7184	BOLT	1		M8 X 20
	14M7273	NUT	1		M8
19	A49726	FLANGE	1		
20	ROLLER CHAIN	1		(ASSEMBLE FROM AP20370 AND AP20368) NO. 41, 13 MM (1/2") PITCH, 102 LINKS FOR FINGER PICKUP UNIT
	ROLLER CHAIN	1		(ASSEMBLE FROM AP20370 AND AP20368) NO. 41, 13 MM (1/2") PITCH, 112 LINKS FOR VACUUM UNIT

E01

DRIVES

DRIVE WHEEL ASSEMBLY 6-ROW WIDE AND 8-ROW NARROW

AP3551



AP3551

**DRIVE WHEEL ASSEMBLY - CONTINUED
6-ROW WIDE AND 8-ROW NARROW**

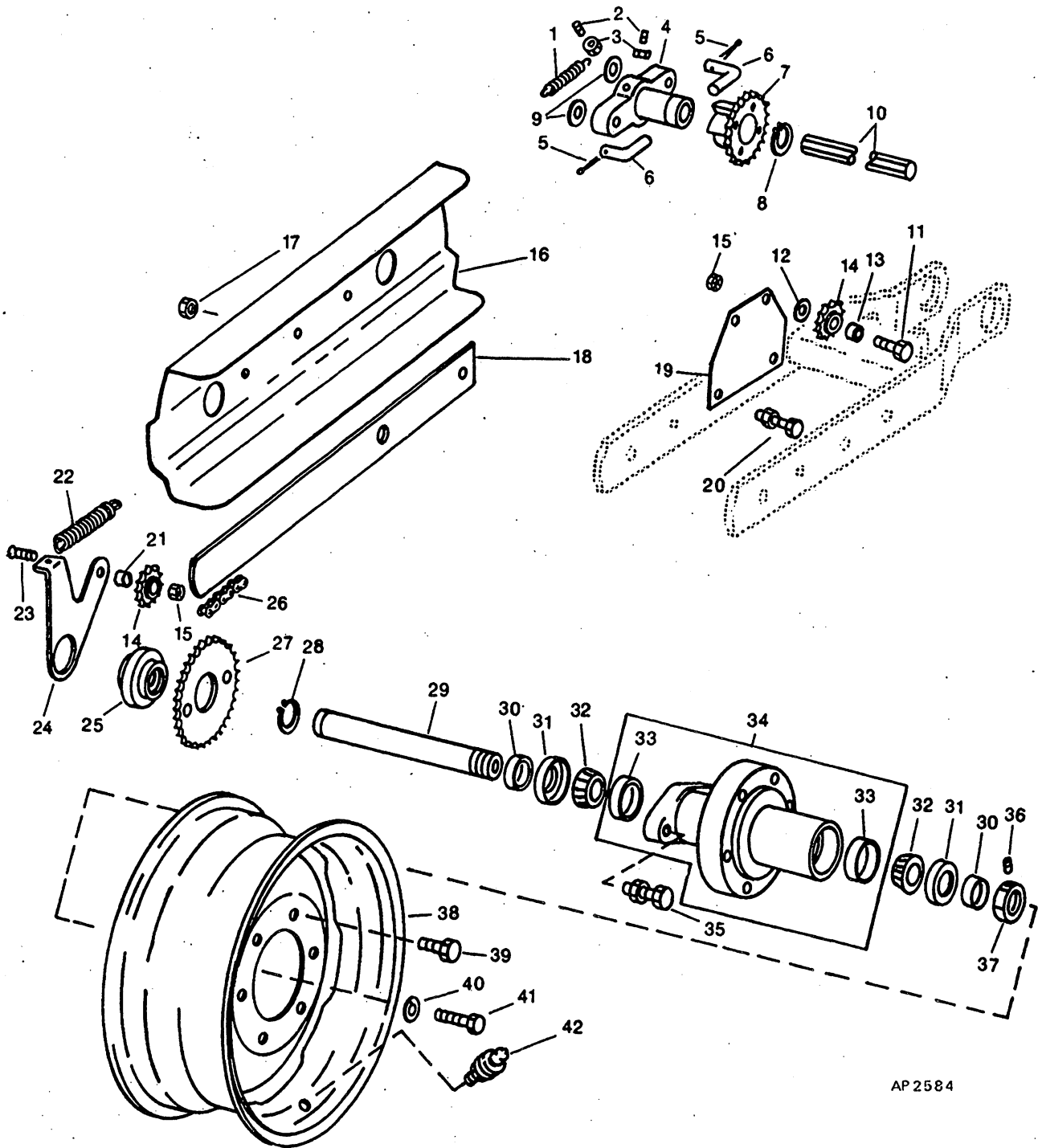
KEY	PART NO.	PART NAME	QTY	SERIAL NO. OR YEAR	REMARKS
1	11M7012	COTTER PIN	8		3.200 X 16MM
2	A48103	PIN	4		7.920 X 41MM (0.312" X 1.614")
3	A41710	COUPLING	1		
4	A44588	BAR	2		22.225 X 2 025MM (7/8" X 79.724") 6-ROW WIDE AND 8-ROW NARROW, COUNTERSHAFT, WITH FERTILIZER
	A44588	BAR	1		22.225 X 2 025MM (7/8" X 79.724") 6-ROW WIDE AND 8-ROW NARROW, COUNTERSHAFT, WITHOUT FERTILIZER
5	24M7047	WASHER	2		13 X 24 X 2.500MM
6	L1152N	SNAP RING	1		
7	A50385	CHAIN SPROCKET	1		19 TOOTH, L.H.
	A50384	CHAIN SPROCKET	1		19 TOOTH, R.H.
8	A46637	PIN	2		
9	11M7084	COTTER PIN	2		5 X 25MM
10	A46636	SHIFT COLLAR CARRIER	1		
11	14M7273	NUT	2		M8
12	A50744	SET SCREW	2		
13	A46642	SPRING	2		
14	19M7180	CAP SCREW	2		M10 X 45
	14M7274	NUT	2		M10
15	A42329	BRACKET	1		
16	A44606	STRAP	1		ROCK GUARD ATTACHMENT
17	A40690	DEFLECTOR	1		
18	14M7274	NUT	2		M10, USE WITH DEFLECTOR ONLY
19	A31867	LOCK NUT	1		M12
20	AA32776	CHAIN SPROCKET	1		12-TOOTH
21	E71573	SPACER	1		13 X 17.140 X 10MM (0.512" X 0.675" X 0.394")
22	A46643	SPRING	2		
23	A51001	SCREW	1		
24	A51003	ARM	1		L.H.
	A51002	ARM	1		R.H.
25	A40657	SPACER	1		
26	ROLLER CHAIN	2		(ASSEMBLE FROM AP22459, P20351 AND P20352) TYPE 50, 15.8 MM (5/8") PITCH, 114 LINKS
27	A50386	CHAIN SPROCKET	1		28-TOOTH
28	U12172	SNAP RING	1		
29	A40689	SHAFT	1		
30	A23321	SPACER	2		31.775 X 41.224 X 9.525MM (1.251" X 1.623" X 3/8")
31	32167	SEAL	2		
32	JD8187	BEARING CONE	2		
33	JD8225	BEARING CUP	2		
34	A40697	CAM	2		
35	A40656	PIN	2		
36	B28970	SPRING	2		
37	24H1882	WASHER	2		17/32" X 3/4" X 0.060"
38	M43940	SNAP RING	2		
39	AA30685	HUB	1		WHEEL ASSEMBLY WITHOUT DRIVE USES SAME HUB AS WHEEL ASSEMBLY WITH DRIVE
40	22H898	SET SCREW	1		1/4" X 3/8"
41	A22468	NUT	1		
42	JD1091	WHEEL	1		FOR 7.60 X 15, 8 PLY TIRE
43	W14093	WHEEL BOLT	6		
44	12M7070	LOCK WASHER	2		20.200MM
45	19M7487	CAP SCREW	2		M20 X 50
46	AN132749	TIRE VALVE STEM	1		

E03

DRIVES

DRIVE WHEEL ASSEMBLY SPLIT-ROW PLANTING ATTACHMENT (1987-)

AP2584



AP2584

E04

DRIVES

DRIVE WHEEL ASSEMBLY - CONTINUED SPLIT-ROW PLANTING ATTACHMENT (1987-)

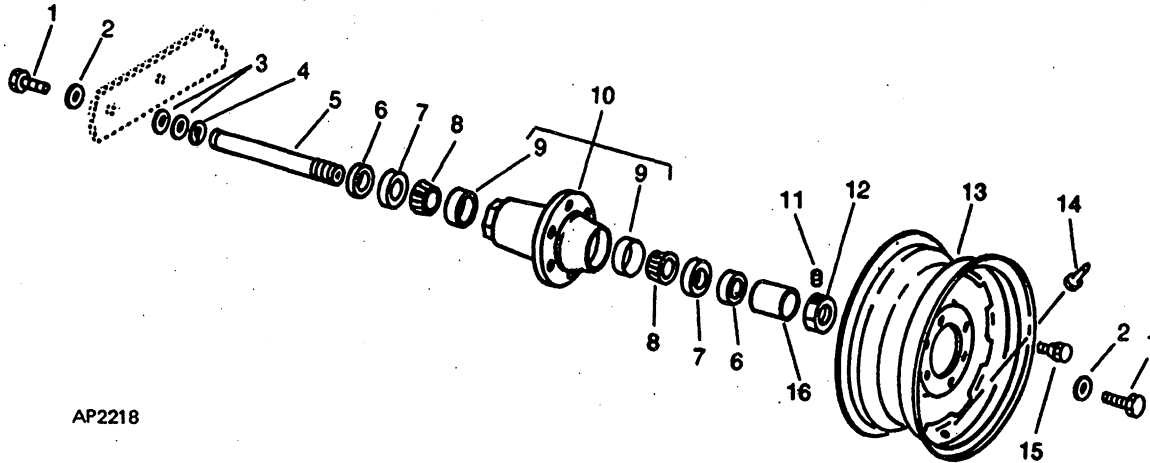
KEY	PART NO.	PART NAME	QTY	SERIAL NO. OR YEAR	REMARKS
1	A46642	SPRING	2		
2	A50744	SET SCREW	2		
3	14M7273	NUT	2		M8
4	A46636	SHIFT COLLAR CARRIER	1		
5	11M7084	COTTER PIN	2		5 X 25MM
6	A46637	PIN	2		
7	A50385	CHAIN SPROCKET	1		19 TOOTH, L.H.
	A50384	CHAIN SPROCKET	1		19 TOOTH, R.H.
8	L1152N	SNAP RING	1		
9	24M7047	WASHER	2		13 X 24 X 2.500MM
10	A50084	BAR	1		22.225 X 3 860MM (7/8" X 152") 7-ROW, COUNTERSHAFT
11	19M7303	CAP SCREW	1		M12 X 45
12	24M7047	WASHER	1		13 X 24 X 2.500MM
13	B33873	BUSHING	1		
14	AA32776	CHAIN SPROCKET	2		12-TOOTH
15	A31867	LOCK NUT	2		M12
16	A40690	DEFLECTOR	1		
17	14M7274	NUT	2		M10, USED WITH DEFLECTOR ONLY
18	A44606	STRAP	1		ROCK GUARD ATTACHMENT
19	A42329	BRACKET	1		
20	19M7180	CAP SCREW	2		M10 X 45
	14M7274	NUT	2		M10
21	E71573	SPACER	1		13 X 17.140 X 10MM (0.512" X 0.675" X 0.394")
22	A46643	SPRING	2		
23	A51001	SCREW	1		
24	A51003	ARM	1		L.H.
	A51002	ARM	1		R.H.
25	A40657	SPACER	1		
26	LINK CHAIN	2		(ASSEMBLE FROM AP22459, P20351 AND P20350) TYPE 50, 15.8 MM (5/8") PITCH, 114 LINKS
27	A50386	CHAIN SPROCKET	1		28-TOOTH
28	U12172	SNAP RING	1		
29	A40689	SHAFT	1		
30	A23321	WASHER	2		31.775 X 41.224 X 9.525MM (1.251" X 1.623" X 3/8")
31	32167	SEAL	2		
32	JD8187	BEARING CONE	2		
33	JD8225	BEARING CUP	2		
34	AA30685	HUB	1		WHEEL ASSEMBLY WITHOUT DRIVE USES SAME HUB AS WHEEL ASSEMBLY WITH DRIVE
35	19M7303	CAP SCREW	2		M12 X 45
	A31867	LOCK NUT	2		M12
36	22H898	SET SCREW	1		1/4" X 3/8"
37	A22468	NUT	1		
38	JD680	WHEEL	1		FOR 7.60 X 15, 6 PLY TIRE
39	W14093	WHEEL BOLT	6		
40	12M7070	LOCK WASHER	2		20.200MM
41	19M7487	CAP SCREW	2		M20 X 50
42	AN132749	TIRE VALVE STEM	1		

E05

DRIVES

LIFT WHEEL SPLIT ROW PLANTING ATTACHMENT (1987-)

AP2218



AP2218

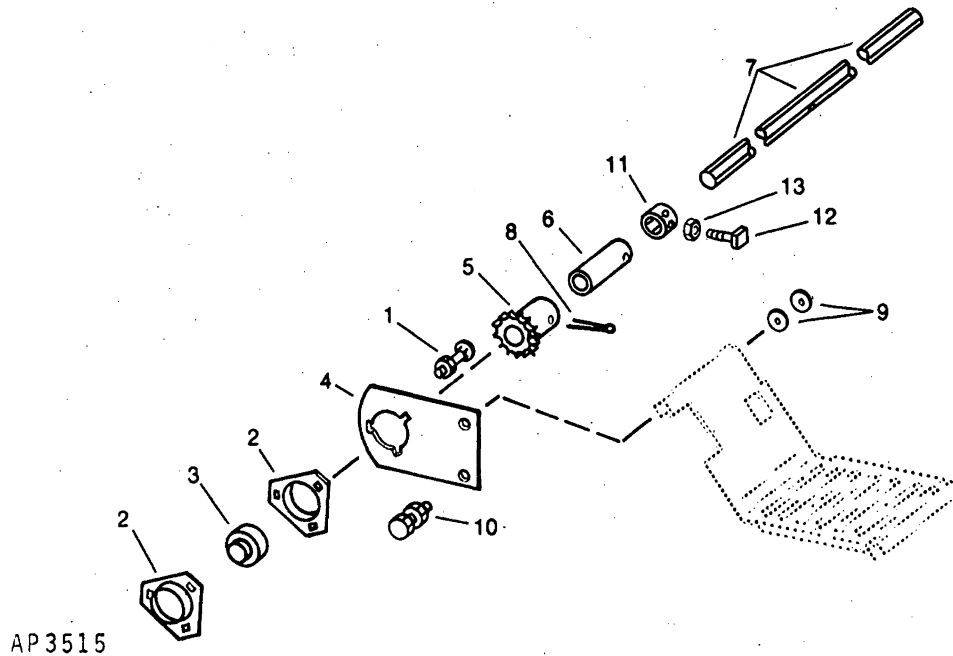
KEY	PART NO.	PART NAME	QTY	SERIAL NO. OR YEAR	REMARKS
1	19H1768	CAP SCREW	2		3/4" X 2"
2	12H236	LOCK WASHER	2		3/4"
3	24H1265	WASHER	AR		13/16" X 1-1/4" X 0.060"
4	U12172	SNAP RING	1		
5	A47215	SHAFT	1		
6	A23321	WASHER	2		31.775 X 41.224 X 9.525MM (1.251" X 1.623" X 3/8")
7	32167	SEAL	2		
8	JD8187	BEARING CONE	2		
9	JD8225	BEARING CUP	2		
10	AA21131	HUB	1		
11	22H898	SET SCREW	1		1/4" X 3/8"
12	A22468	NUT	1		1-1/4"
13	JD3043	WHEEL	1		381 MM X 127 MM (15" X 5") REGULAR, FOR 11L-15-8PR IMPLEMENT TIRE
14	AN132749	TIRE VALVE STEM	1		FOR TUBELESS TIRE
15	W14093	WHEEL BOLT	6		
16	H62220	BUSHING	1		

E06

DRIVES

COUNTERSHAFT SPLIT-ROW PLANTING ATTACHMENT (1987-)

AP3515



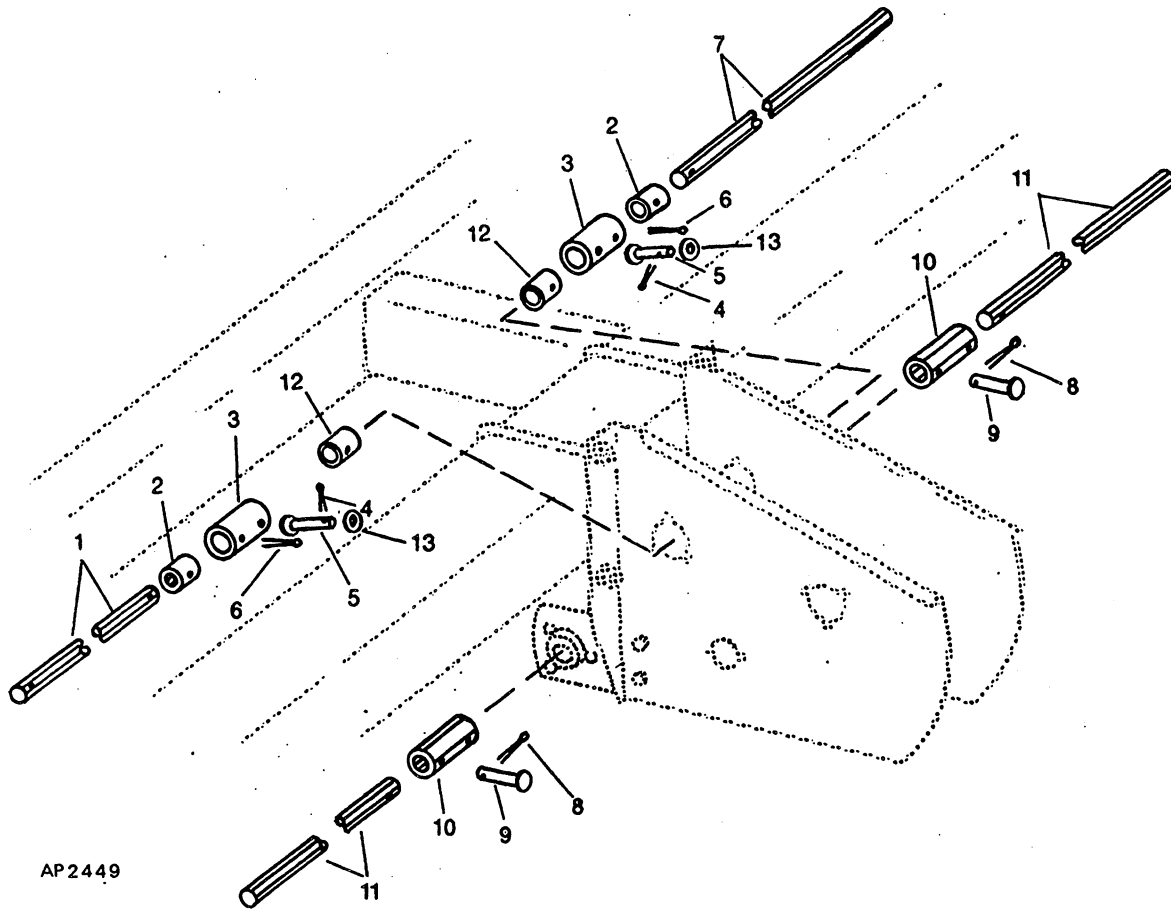
KEY	PART NO.	PART NAME	QTY	SERIAL NO. OR YEAR	REMARKS
1	03M7185	BOLT	3		M8 X 25
	12H303	LOCK WASHER	3		5/16"
	14M7273	NUT	3		M8
2	H103264	PRESSED FLANGED HOUSING	2		
3	AA22097	BALL BEARING	1		
4	A47452	PLATE	1		
5	AA34369	CHAIN SPROCKET	1		
6	A47451	TUBE	1		
7	A50084	BAR	1		22.225 X 3 000MM (7/8" X 118.110") 7-ROW SPLIT
8	11M7085	COTTER PIN	1		6.300 X 63MM
9	24M7101	WASHER	2		11 X 34 X 3MM
10	19M7166	CAP SCREW	1		M10 X 20
	14M7274	NUT	1		M10
11	A49703	LOCKING COLLAR	1		
12	A50743	SET SCREW	2		
13	14M7272	NUT	2		M6

E07

DRIVES

COUNTERSHAFT AND DRILLSHAFT 6-ROW WIDE AND 8-ROW NARROW

AP2449



AP2449

**COUNTERSHAFT AND DRILLSHAFT - CONTINUED
6-ROW WIDE AND 8-ROW NARROW**

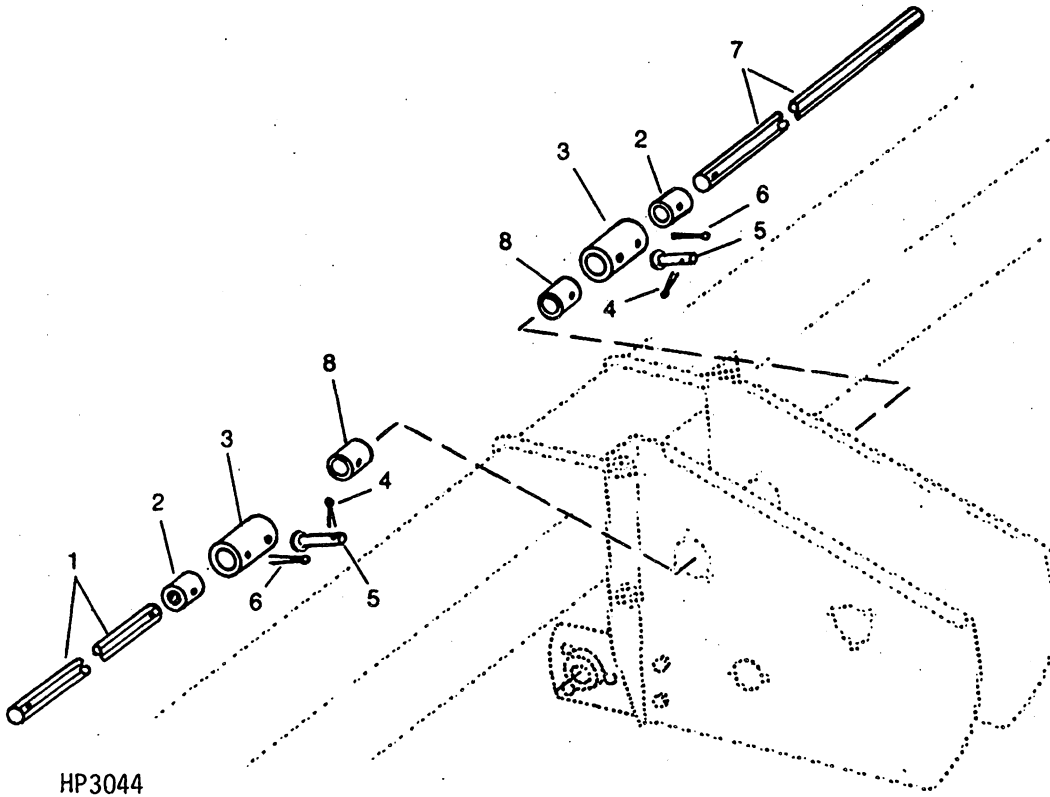
KEY	PART NO.	PART NAME	QTY	SERIAL NO. OR YEAR	REMARKS
1	A44633	BAR	1		22.225 X 2 688MM (7/8" X 105.827") 6-ROW WIDE AND 8-ROW NARROW DRILLSHAFT
2	A49667	DRIVER	2		
3	A49665	BUSHING	2		
4	11M7059	COTTER PIN	2		3.200 X 20MM
5	A49666	PIN	2		6.350 X 61MM (1/4" X 2.402")
6	11M7034	COTTER PIN	2		
7	A44633	BAR	1		22.225 X 2 688MM (7/8" X 105.827") R.H., 6-ROW WIDE AND 8-ROW NARROW DRILLSHAFT
8	11M7059	COTTER PIN	2		3.200 X 20MM
9	A48103	PIN	2		7.920 X 41MM (0.312" X 1.614")
10	A41710	COUPLING	2		
11	A44588	BAR	2		22.225 X 2 025MM (7/8" X 79.724") 6-ROW WIDE AND 8-ROW NARROW COUNTERSHAFT
12	A49664	BUSHING	2		
13	24M7054	WASHER	2		6.400 X 12.500 X 1.600MM

E09

DRIVES

DRILLSHAFT SPLIT-ROW PLANTING ATTACHMENT (1987-)

HP3044



HP3044

E10

DRIVES

DRILLSHAFT - CONTINUED
SPLIT-ROW PLANTING ATTACHMENT (1987-)

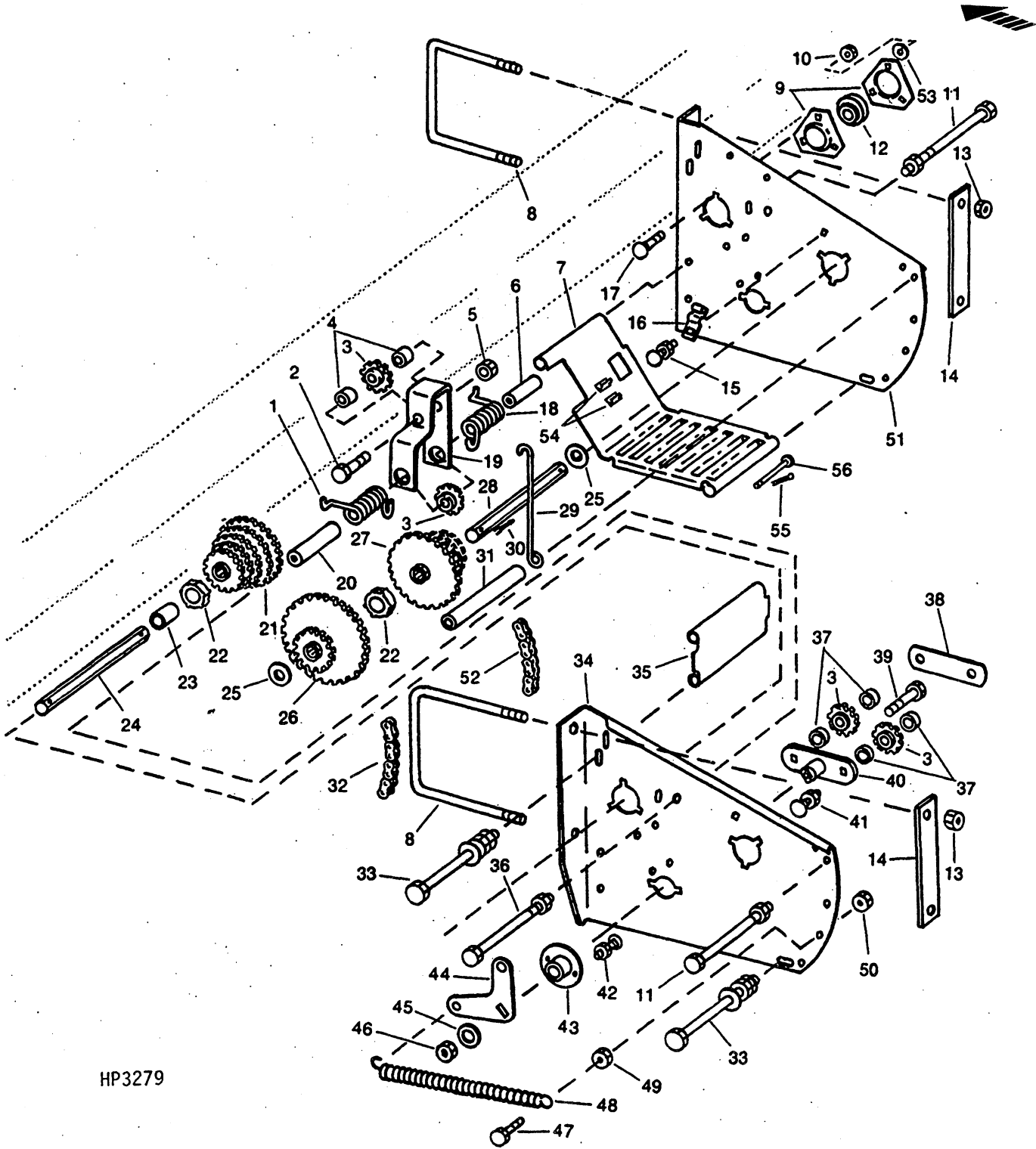
<i>KEY</i>	<i>PART NO.</i>	<i>PART NAME</i>	<i>QTY</i>	<i>SERIAL NO. OR YEAR</i>	<i>REMARKS</i>
1	A44637	BAR	1		22.225 X 4 212MM (7/8" X 165.827") 7-ROW SPLIT
2	A49667	DRIVER	2		
3	A49665	BUSHING	2		
4	11M7059	COTTER PIN	4		3.200 X 20MM
5	A49666	PIN	2		
6	11M7034	COTTER PIN	2		5 X 63MM
7	A50082	BAR	2		22.225 X 170MM (7/8" X 6-11/16")
8	A49664	BUSHING	2		

E11

DRIVES

SEED TRANSMISSION 6-ROW WIDE AND 8-ROW NARROW

HP3279



HP3279

**SEED TRANSMISSION - CONTINUED
6-ROW WIDE AND 8-ROW NARROW**

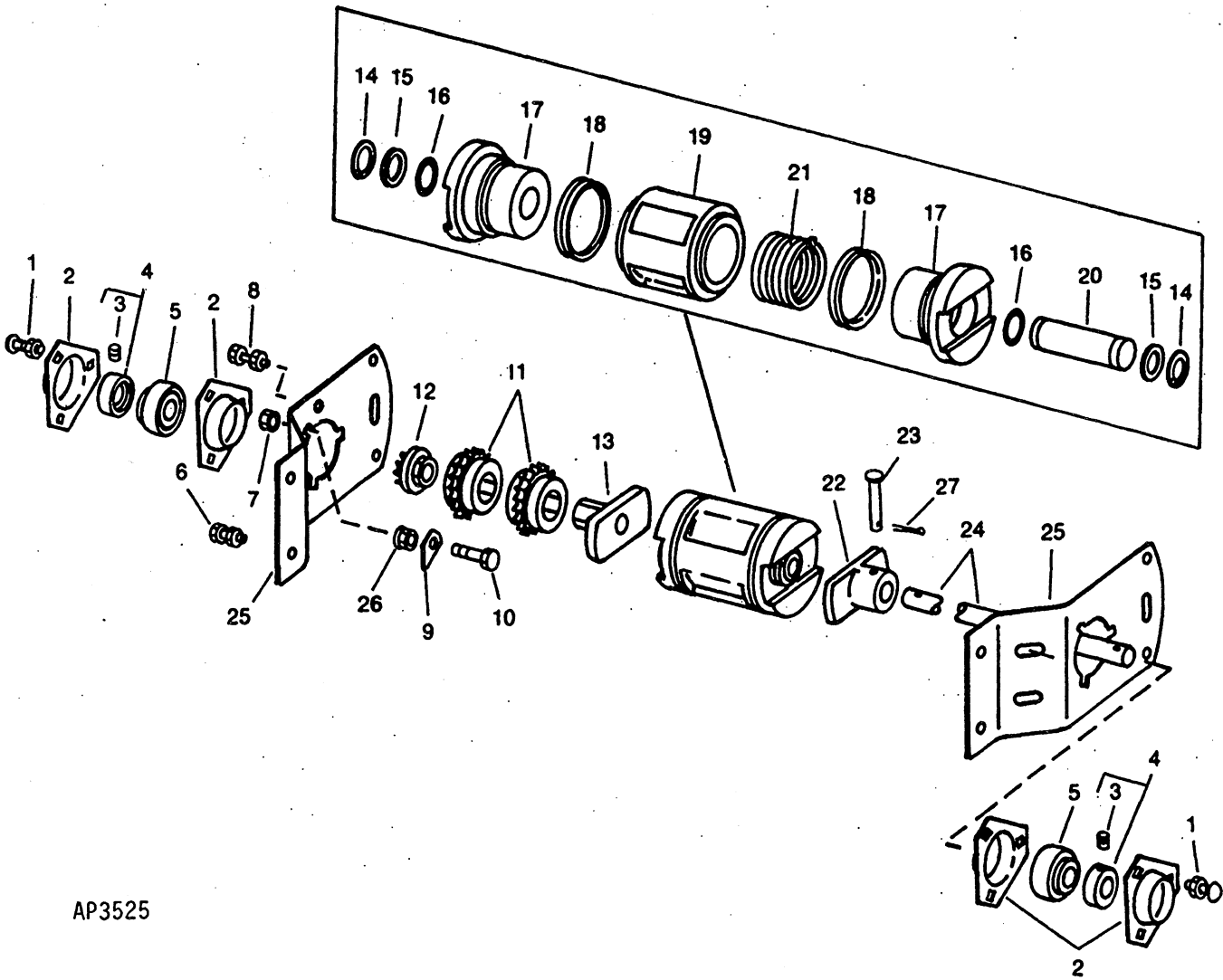
KEY	PART NO.	PART NAME	QTY	SERIAL NO. OR YEAR	REMARKS
1	A40870	TORSION SPRING	1		
2	19M7214	CAP SCREW	1		M12 X 70
3	AA32729	CHAIN SPROCKET	4		14-, 40-TOOTH
4	A50244	SPACER	2		13.290 X 18.730 X 18MM (0.523" X 0.737" X 0.709")
5	14M7275	NUT	1		M12
6	A40622	SPACER	1		
7	A41457	SHIELD	1		
8	A46533	U-BOLT	2		
9	H103264	PRESSED FLANGED HOUSING	8		
10	14M7273	NUT	12		M8
11	19M8161	CAP SCREW	4		M10 X 230
	A51212	LOCK NUT	4		M10
12	AA22097	BALL BEARING	4		
13	14M7276	NUT	4		M16
14	A41459	STRAP	2		
15	03M7251	BOLT	1		M6 X 12
	14M7272	NUT	1		M6
16	A42756	CLIP	1		
17	03M7183	BOLT	12		M8 X 16
18	A40869	TORSION SPRING	1		
19	A41458	ARM	1		
20	A40621	SPACER	1		
21	AA31692	CHAIN SPROCKET	1		24-, 25-, 26-, 27- AND 28-TOOTH COMBINATION
22	A43610	SPACER	9		
23	A47133	SPACER	1		26.210 X 31.650 X 48MM (1.032" X 1.246" X 1.890")
24	A44628	BAR	1		22.225 X 317MM (7/8" X 12.480")
25	24H1465	WASHER	2		1-3/32" X 1-3/4" X 0.060"
26	AA32197	CHAIN SPROCKET	1		18- AND 48-TOOTH COMBINATION
27	AA31691	CHAIN SPROCKET	1		16-, 20-, 24-, 29- AND 35-TOOTH COMBINATION
28	A42878	BAR	1		22.225 X 273MM (7/8" X 10.748")
29	A42757	CATCH	1		
30	11M7028	COTTER PIN	2		5 X 32MM
31	A40623	SPACER	1		
32	ROLLER CHAIN	1		(ASSEMBLE FROM AJ8878N AND P33541, TYPE ANSI 40ROLLER CHAIN, 12.7 MM (1/2") SINGLE PITCH, 105 LINKS
33	19M8161	CAP SCREW	4		M10 X 230
	24M7028	WASHER	4		10.500 X 21 X 2MM
	A51212	LOCK NUT	4		M10
34	A40627	PANEL	1		L.H.
35	A41460	HOLDER	1		
36	19M8159	CAP SCREW	1		M12 X 230
	A31867	LOCK NUT	1		M12
37	A43955	WASHER	4		13.290 X 18.070 X 8MM (0.523" X 0.711" X 0.315")
38	A43699	STRAP	1		
39	19M7185	CAP SCREW	1		M8 X 60
40	A44658	IDLER	1		
41	03M7202	BOLT	2		M12 X 50
	14M7275	NUT	2		M12
42	03M7221	BOLT	2		M6 X 16
	14M7272	NUT	2		M6
43	A44656	BEARING	1		
44	A44657	ARM	1		
45	24H1296	WASHER	1		11/32" X 1-3/8" X 0.120"
46	14M7273	NUT	1		M8
47	19M7168	CAP SCREW	1		M10 X 30
48	A45443	SPRING	1		
49	14M7274	NUT	1		M10
50	A51212	LOCK NUT	1		M10
51	A40628	PANEL	1		R.H.
52	ROLLER CHAIN	1		(ASSEMBLE FROM AJ8878N AND P33541, TYPE ANSI 40, 12.7 MM (1/2") SINGLE PITCH, 86 LINKS
53	12H303	LOCK WASHER	12		5/16"
54	H135758	CLIP	2		
55	11M7059	COTTER PIN	2		3.200 X 20MM
56	A49666	PIN	2		6.350 X 61MM (1/4" X 2.402")

E13

DRIVES

CLUTCH ASSEMBLY

AP3525



AP3525

CLUTCH ASSEMBLY - CONTINUED

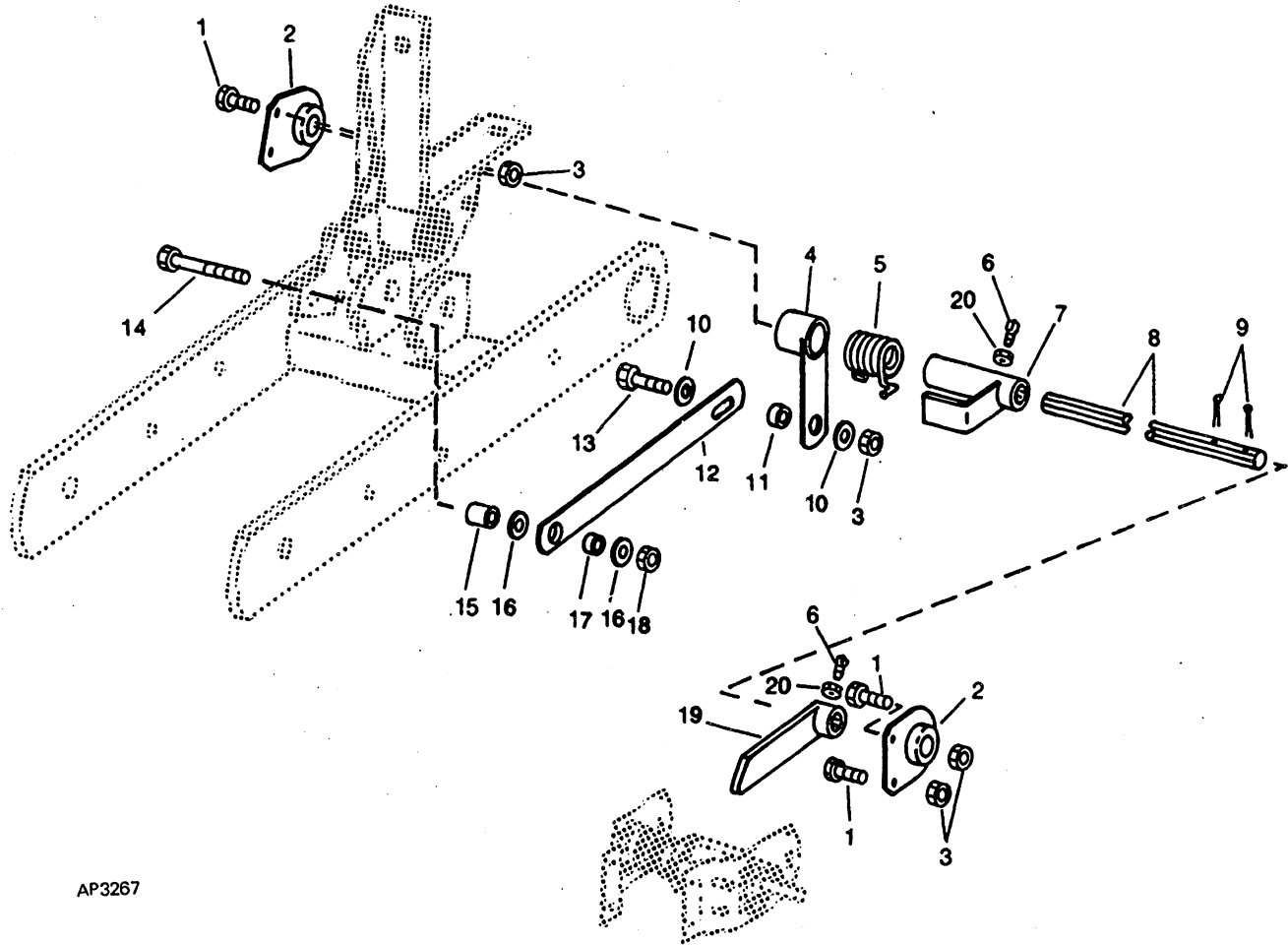
KEY	PART NO.	PART NAME	QTY	SERIAL NO. OR YEAR	REMARKS
1	19M7163	CAP SCREW	5		M8 X 25
	12H303	LOCK WASHER	5		5/16"
	14M7273	NUT	5		M8
2	H103264	PRESSED FLANGED HOUSING	4		
3	22H897	SET SCREW	2		1/4" X 1/4"
4	JD8563	ECCENTRIC LOCKING COLLAR	2		
5	JD8562	BALL BEARING	2		
6	19M7166	CAP SCREW	2		M10 X 20
	14M7274	NUT	2		M10
7	14M7273	NUT	1		M8
8	19M7163	CAP SCREW	1		M8 X 25
	12H303	LOCK WASHER	1		5/16"
	14M7273	NUT	1		M8
9	A47733	DOG	1		
10	19M7301	CAP SCREW	1		M8 X 40
11	A48326	CHAIN SPROCKET	2		
12	A48325	RATCHET	1		
13	A48324	DRIVER	1		
14	A42279	SNAP RING	2		
15	A45038	WASHER	2		32 X 44.500 X 4.775MM (1.260" X 1.752" X 0.188")
16	R29354	O-RING	2		
17	A42273	HUB	2		
18	A42278	SEAL	2		
19	A42275	COVER	1		
20	A45890	BUSHING	1		
21	A42274	SPRING	1		
22	A45889	DRIVER	1		
23	A49666	PIN	1		6.350 X 61MM (1/4" X 2.402")
24	A41734	SHAFT	1		
25	A42747	SUPPORT	2		
26	14M7298	FLANGE NUT	1		M8
27	11M7059	COTTER PIN	1		3.200 X 20MM

E15

DRIVES

CLUTCH ACTUATOR ASSEMBLY

AP3267



AP3267

E16

DRIVES

CLUTCH ACTUATOR ASSEMBLY - CONTINUED

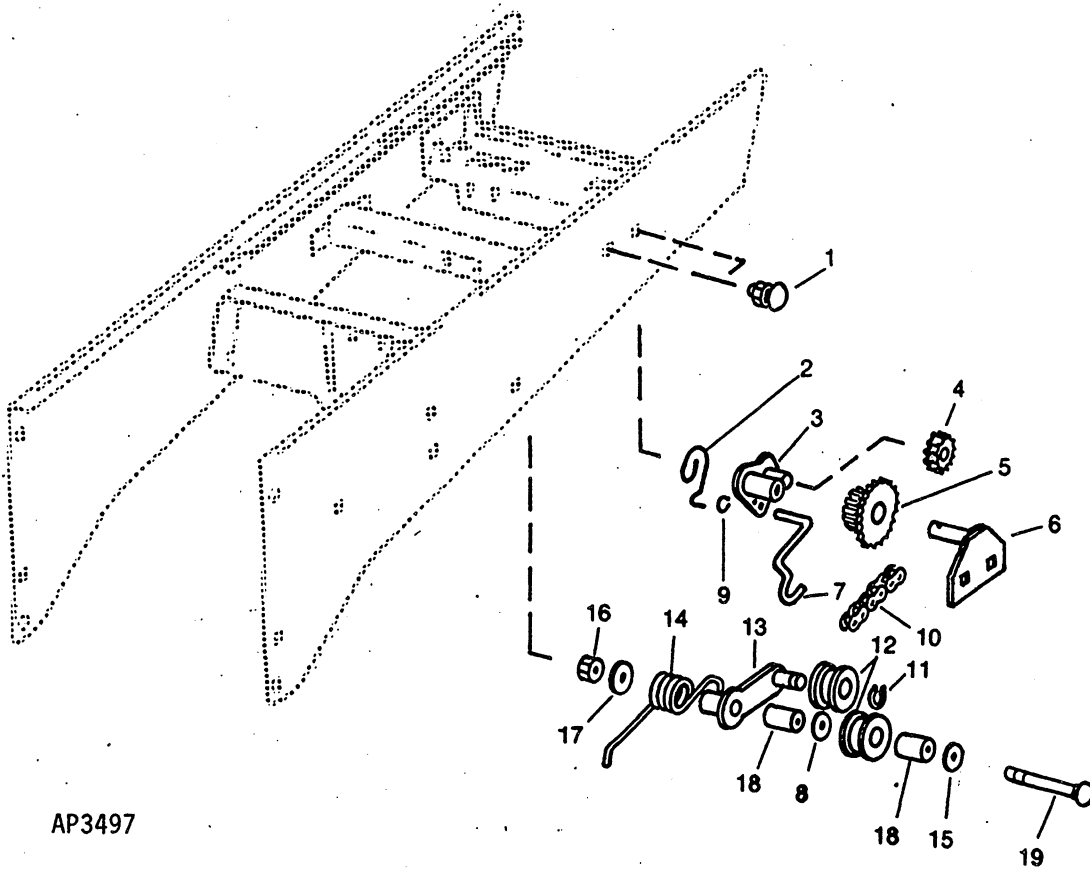
KEY	PART NO.	PART NAME	QTY	SERIAL NO. OR YEAR	REMARKS
1	19M7167	CAP SCREW	3		M10 X 25
2	AA34259	BEARING	2		
3	A51212	LOCK NUT	4		M10
4	AA34258	STRAP	1		
5	A48148	TORSION SPRING	1		R.H.
	A48149	TORSION SPRING	1		L.H.
6	A50743	SET SCREW	4		M6 X 16
7	AA34257	ACTUATOR	1		
8	A50409	BAR	1		14.275 X 1 920MM (9/16" X 75.591")
9	11M7028	COTTER PIN	2		5 X 32MM, 1 320 MM
10	24M7178	WASHER	2		10.500 X 30 X 2.500MM
11	A41207	SPACER	1		
12	A46717	STRAP	1		
13	19M7169	CAP SCREW	1		M10 X 35
14	19M7189	CAP SCREW	1		M12 X 80
15	28H1508	BUSHING	1		0.493" X 0.675" X 1-1/4"
16	24M7180	WASHER	2		13 X 40 X 3MM
17	A44890	WASHER	1	-1988	13.285 X 18.065 X 7.500MM (0.523" X 0.711" X 0.295")
	A43955	WASHER	1	1988-	13.290 X 18.070 X 8MM (0.523" X 0.711" X 0.315")
18	A31867	LOCK NUT	1		M12
19	AA33880	ARM	1		
20	14M7272	NUT	4		M6

E17

DRIVES

DRIVE (-1987) HERBICIDE AND INSECTICIDE

AP3497



THIS PARTS LISTING IS CONTINUED

E18

DRIVES

**DRIVE (-1987) - CONTINUED
HERBICIDE AND INSECTICIDE**

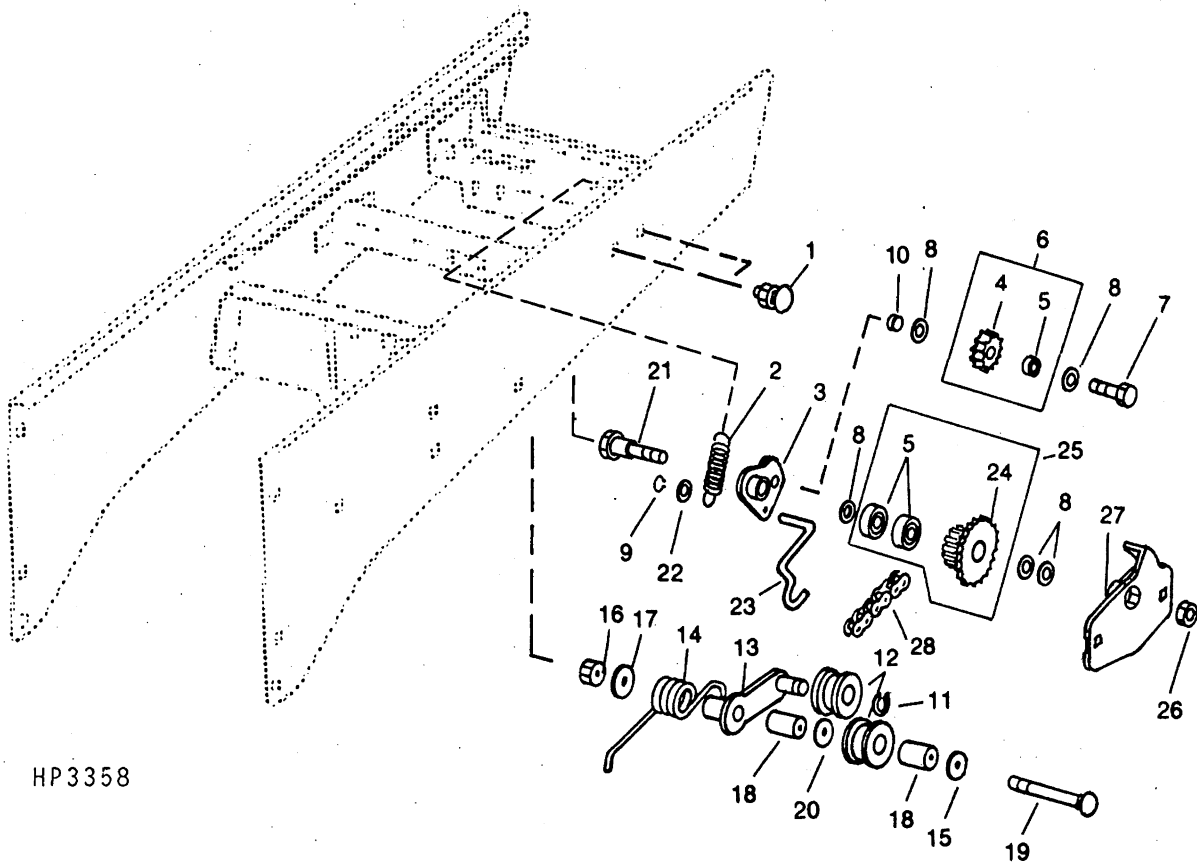
KEY	PART NO.	PART NAME	QTY	SERIAL NO. OR YEAR	REMARKS
1	03M7183	BOLT	2		M8 X 16
	14M7273	NUT	2		M8
2	A48614	SPRING	1		
3	AA35672	SHIFT COLLAR CARRIER	1		
4	A49594	SPUR GEAR	1		17-TOOTH
5	AA36124	CHAIN SPROCKET	1		12-TOOTH AND 18-TOOTH COMBINATION
6	AA35088	BRACKET	1		
7	A48581	LINK	1		
8	24M7207	WASHER	1		8.400 X 25 X 2MM
9	A49293	RING	1		
10	ROLLER CHAIN	1		(ASSEMBLE FROM AP22458 AND P28535) TYPE 41, 13 MM (1/2")PITCH; 101 LINKS W/PLATELESS; 102 LINKS W/PLATE; 104 LINKS W/VACUUM
11	B14203	SNAP RING	1		
12	A22838	ROLLER	2		
13	A50564	ARM	1		
14	A49644	TORSION SPRING	1		
15	24H1909	WASHER	1		13/32" X 1-3/8" X 1/4"
16	14M7273	NUT	1		M8
17	24H1296	WASHER	1		11/32" X 1-3/8" X 0.120"
18	A50562	SPACER	2		
19	03M7295	BOLT	1		M8 X 90

E19

DRIVES

DRIVE (1988-) HERBICIDE AND INSECTICIDE

HP3358



HP3358

THIS PARTS LISTING IS CONTINUED

E20

DRIVES

**DRIVE (1988-) - CONTINUED
HERBICIDE AND INSECTICIDE**

KEY	PART NO.	PART NAME	QTY	SERIAL NO. OR YEAR	REMARKS
1	03M7183	BOLT	2		M8 X 16
	14M7298	FLANGE NUT	2		M8
2	H136135	SPRING	1		
3	H135171	SHIFT COLLAR CARRIER	1		
4	GEAR	1		(SUB AH131038)
5	AA34134	BALL BEARING	3		
6	AH131038	SPUR GEAR	1		17-TOOTH
7	19M7167	CAP SCREW	1		M10 X 25
8	R64525	THRUST WASHER	5		10.312 X 17.475 X 0.914MM (13/32" X 11/16" X 0.036")
9	A49293	RING	1		
10	28H856	WASHER	1		0.423" X 0.675" X 3/16"
11	B14203	SNAP RING	1		
12	A22838	ROLLER	2		
13	A50564	ARM	1		
14	A49644	TORSION SPRING	1		
15	24H1909	WASHER	1		13/32" X 1-3/8" X 1/4"
16	14M7273	NUT	1		M8
17	24H1296	WASHER	1		11/32" X 1-3/8" X 0.120"
18	A50562	SPACER	2		
19	03M7295	BOLT	1		M8 X 90
20	24M7207	WASHER	1		8.400 X 25 X 2MM
21	H135078	SCREW	1		
22	24M7088	WASHER	1		6.600 X 12.500 X 1.600MM
23	A48581	LINK	1		
24	CHAIN SPROCKET	1		(SUB AH131037)
25	AH131037	CHAIN SPROCKET	1		12-TOOTH AND 18-TOOTH COMBINATION
26	14M7274	NUT	1		M10
27	H135170	FLANGE	1		
28	ROLLER CHAIN	1		(ASSEMBLE FROM AP22458 AND P28535) TYPE 41, 13 MM (1/2")PITCH, 101 LINKS W/PLATELESS; 102 LINKS W/PLATE; 104 LINKS W/VACUUM

MEMORANDA

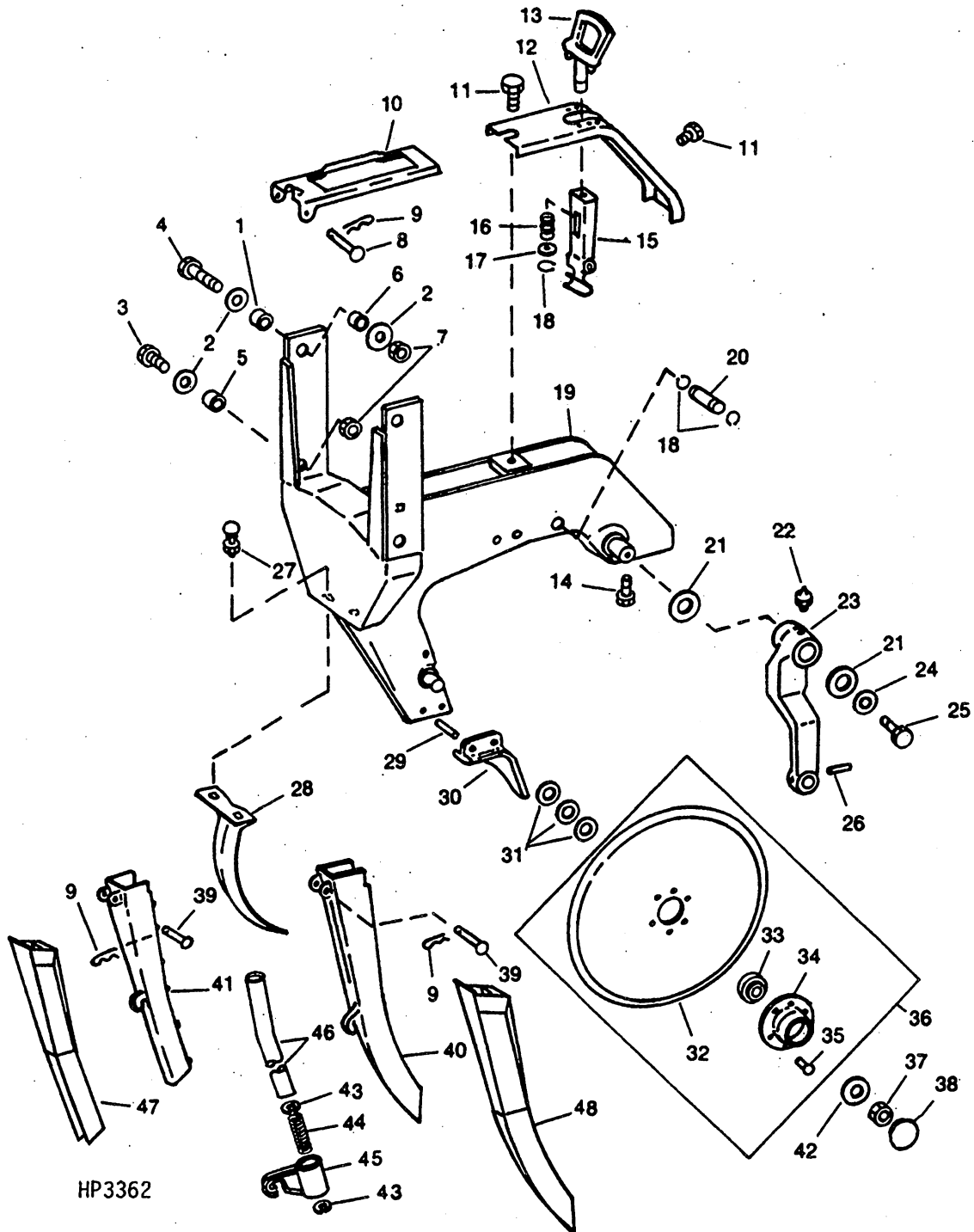
MEMORANDA

F04

PLANTING UNITS

TRU-VEE SHANK ASSEMBLY

HP3362



THIS PARTS LISTING IS CONTINUED

F05

PLANTING UNITS

TRU-VEE SHANK ASSEMBLY - CONTINUED

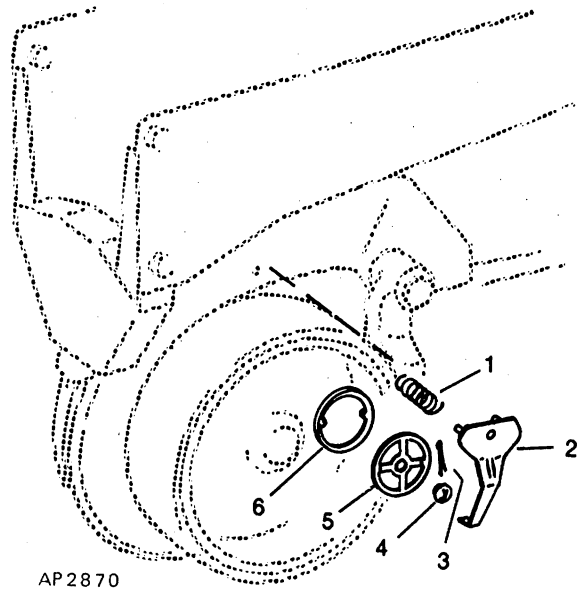
KEY	PART NO.	PART NAME	QTY	YEAR	REMARKS
1	A48515	BUSHING	2		16.640 X 27.580 X 14.230MM (0.655" X 1.086" X 0.560")
2	24H1192	WASHER	6		11/16" X 1-1/2" X 0.105"
3	19M7396	CAP SCREW	2		M16 X 45
4	19M7342	CAP SCREW	2		M16 X 55
5	A49465	BUSHING	2		16.640 X 27.65 X 17MM (0.655" X 1.089" X 0.669")
6	A48548	BUSHING	2		16.635 X 22.285 X 9MM (0.655" X 0.877" X 0.354")
7	A31869	LOCK NUT	4		M16
8	J13957	PIN	1		7.925 X 76.200MM (5/16" X 3")
9	J16931	SPRING LOCKING PIN	2		
10	A48462	COVER	1		
11	19M7785	BOLT	2		M10 X 25
12	A46838	SHANK	1		
13	A46790	HANDLE	1		
14	37M7105	SCREW	2		M12 X 25
15	A46915	STOP	1		
16	B16318	SPRING	1		
17	24M6639	WASHER	1		16 X 22 X 1MM
18	N105572	SNAP RING	2		
19	AA36642	SHANK	1		
20	A46780	GROOVE PIN	1		15.880 X 73MM (0.625" X 2.874")
21	24H1441	WASHER	18		1-1/64" X 1-1/2" X 0.048"
22	JD7844	LUBRICATION FITTING	1		
23	A51268	ARM	1		R.H.
	A51267	ARM	1		L.H.
24	24H1222	WASHER	2		17/32" X 1-3/8" X 0.120"
25	19M7268	CAP SCREW	2		M12 X 25
26	M41192	SPRING PIN	1		6.350 X 38.100MM (1/4" X 1-1/2")
27	03M7184	BOLT	2		M8 X 20
	14M7298	FLANGE NUT	2		M8
28	A48879	SHIELD	1		
29	A41826	PIN	2		6.680 X 19.050MM (0.263" X 3/4")
30	A41692	GUARD	1		
	A38818	GUARD	1		(FOR USE WITH STRAIGHT SEED TUBE AND BEET SEED TUBE)
31	J16160	SHIM	10		0.762MM (0.030")
32	A22991	DISK	2		381 X 3MM (15" X 0.118")
33	AA21480	BALL BEARING	1		
34	A30368	HOUSING	1		
35	16H644	RIVET	6		1/4" X 1/2"
36	AA20242	DISK	2		
37	14M7192	NUT	2		M16, R.H.
	14M7382	NUT	2		M16, L.H.
38	A22836	CAP	2		
39	H2691B	PIN	1		6.350 X 63.500MM (1/4" X 2-1/2")
40	AA36636	TUBE	1		SMALL, WITH SENSOR SEE GRID B10
	A48302	TUBE	1		SMALL
	A47504	TUBE	1		SMALL, WITHOUT SENSOR
	AA36643	TUBE	1		LARGE, WITH SENSOR SEE GRID B10
	A26184	TUBE	1		LARGE
	A26019	TUBE	1		LARGE, WITHOUT SENSOR
41	A47503	TUBE	1		SMALL STRAIGHT, WITHOUT SENSOR
	AA36644	TUBE	1		SMALL STRAIGHT, WITH SENSOR SEE GRID B11
	A47496	TUBE	1		SMALL STRAIGHT
42	24M7053	WASHER	2		17 X 30 X 3MM
43	B14203	SNAP RING	2		
44	B28971	SPRING	1		
45	A44546	CLIP	1		
46	A45973	TUBE	1		BEET SEED, WITHOUT SENSOR, USED WITH PLATE TYPE METERS ONLY
47	AH131883	INSERT	1		FOR USE WITH SMALL STRAIGHT SEED TUBES, ALSO USED WITH VACUUM SEED METER WHEN METERING SUGARBEETS AND LOW-RATE SORGHUM
48	AH131882	INSERT	1		FOR USE WITH SMALL CURVED SEED TUBES, ALSO USED WITH VACUUM SEED METER WHEN METERING SUGARBEET AND LOW-RATE SORGHUM

F06

PLANTING UNITS

SCRAPER

AP2870



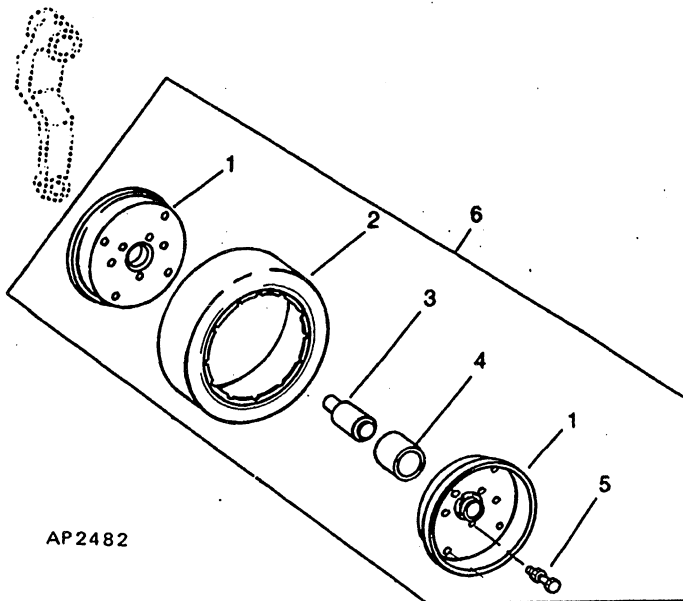
AP2870

KEY	PART NO.	PART NAME	QTY	SERIAL NO. OR YEAR	REMARKS
1	A50047	SPRING	1		
2	AA35735	ARM	1		L.H. (ILLUSTRATED)
	AA35734	ARM	1		R.H.
3	11M7077	COTTER PIN	2		1.600 X 25MM
4	A45641	PIVOT	2		
5	A45550	SCRAPER	2		
6	A47747	INSERT	2		

F07

GAUGE WHEEL, BEARING, AND TIRE

AP2482



KEY	PART NO.	PART NAME	QTY	SERIAL NO. OR YEAR	REMARKS
1	A22780	WHEEL	2		
2	A22884	TIRE	1		
3	AA35741	BALL BEARING	1		
4	A25915	BUSHING	1		
5	19M7162	CAP SCREW	7		M8 X 16
	E64256	LOCK NUT	7		M8
6	AA35392	WHEEL	1		

MEMORANDA

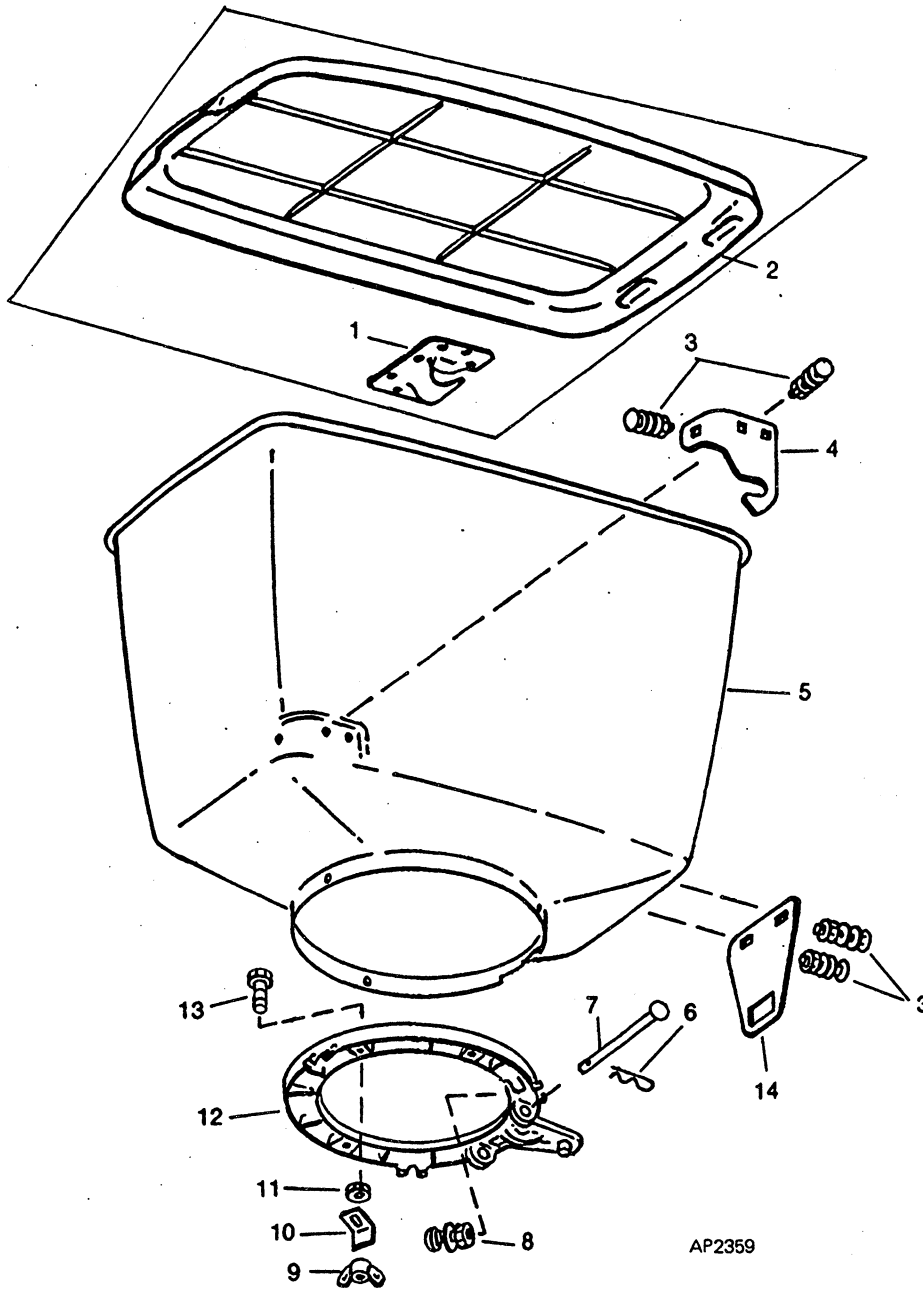
MEMORANDA

F08

PLANTING UNITS

SEED HOPPER PLATE 1.6 BUSHEL

AP2359



THIS PARTS LISTING IS CONTINUED

7200 MAXEMERGE® 2 DRAWN PLANTERS 6 WIDE/8 NARROW

PC-2145 (24-OCT-86)

LITHO IN U.S.A.

F09

PLANTING UNITS

SEED HOPPER - CONTINUED PLATE 1.6 BUSHEL

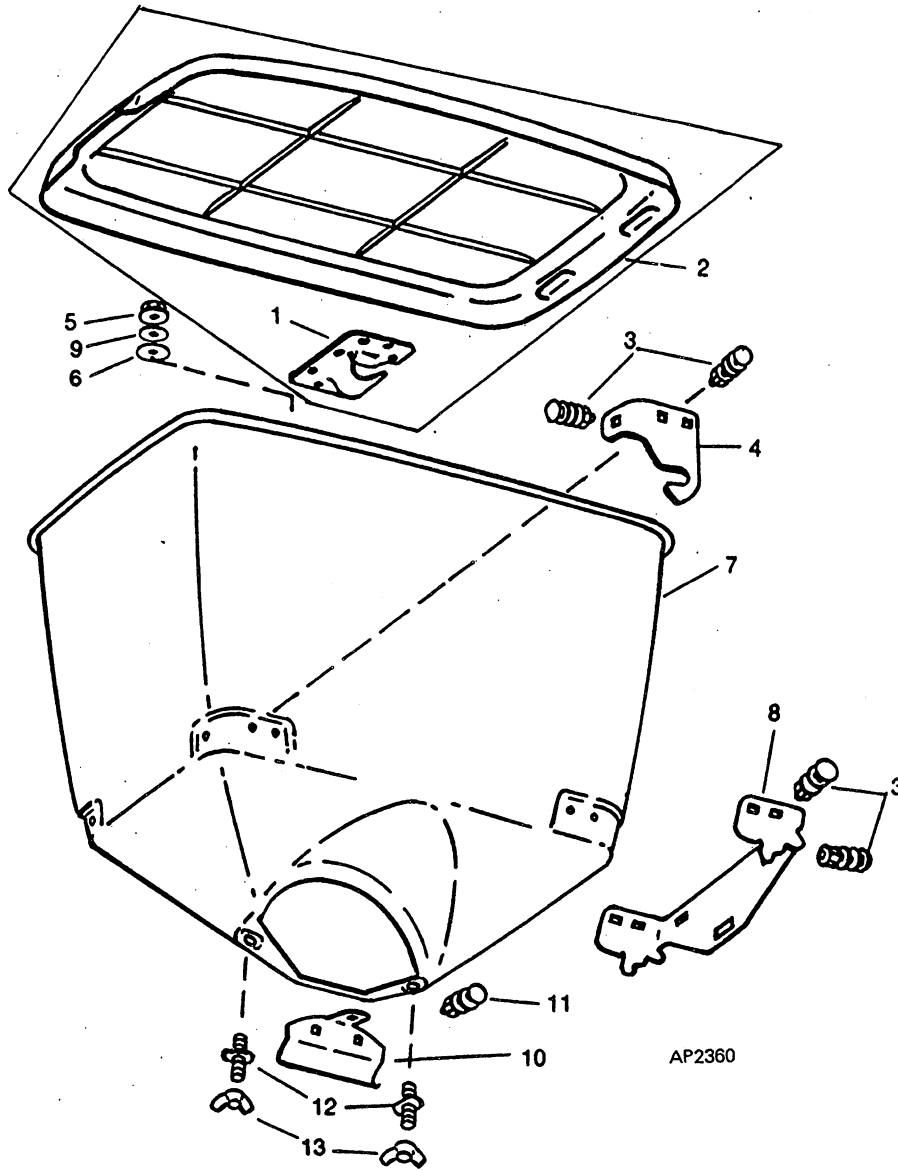
KEY	PART NO.	PART NAME	QTY	SERIAL NO. OR YEAR	REMARKS
1	A33844	LATCH	1		
2	AA34195	COVER	1		
3	03M7221	BOLT	8		M6 X 16
	A21710	WASHER	8		19/64" X 7/8" X 0.60", RUBBER
	24H1646	WASHER	8		17/64" X 3/4" X 0.060"
	E63524	NUT	8		M6
4	A44738	BRACKET	1		R.H.
	A44737	BRACKET	1		L.H.
5	A44496	HOPPER	1		
6	J16931	SPRING LOCKING PIN	1		
7	B28999	PIN	1		7.798 X 158.750MM (0.307" X 6-1/4")
8	03M7184	BOLT	3		M8 X 20
	24M7055	WASHER	3		8.400 X 17 X 1.600MM
	14M7273	NUT	3		M8
9	A49787	WING NUT	1		M6
10	A30178	ANGLE	1		
11	14M7272	NUT	1		M6
12	A44835	BOTTOM	1		
13	19M7547	CAP SCREW	1		M6 X 55
14	A49719	BRACKET	1		

F10

PLANTING UNITS

SEED HOPPER
PLATELESS
1.6 BUSHEL

AP2360



AP2360

F11

PLANTING UNITS

SEED HOPPER - CONTINUED PLATELESS 1.6 BUSHEL

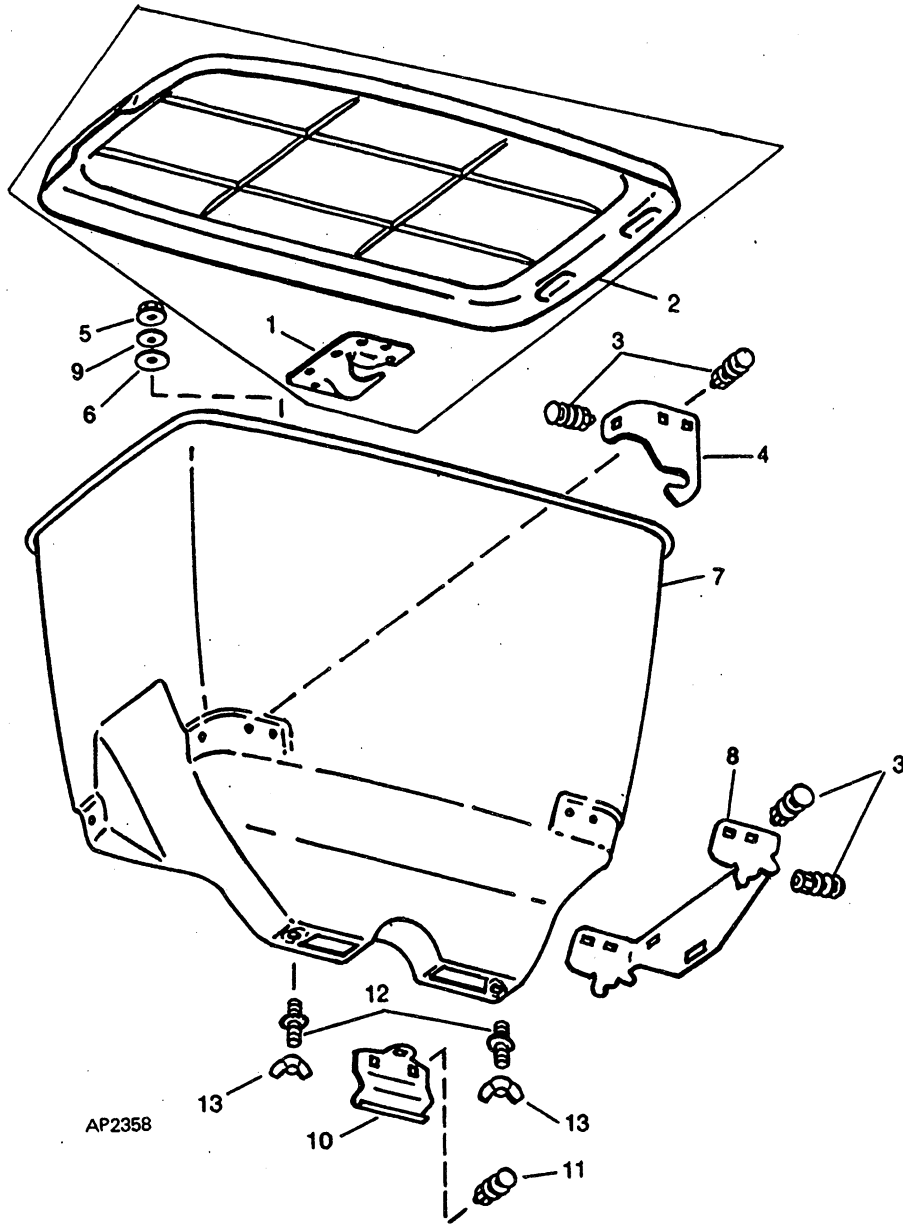
KEY	PART NO.	PART NAME	QTY	SERIAL NO. OR YEAR	REMARKS
1	A33844	LATCH	1		
2	AA34195	COVER	1		
3	03M7221	BOLT	12		M6 X 16
	A21710	WASHER	12		19/64" X 7/8" X 0.60", RUBBER
	24H1646	WASHER	12		17/64" X 3/4" X 0.060"
	E63524	NUT	12		M6
4	A44738	BRACKET	1		R.H.
	A44737	BRACKET	1		L.H.
5	E63525	NUT	2		M8
6	A21710	WASHER	2		19/64" X 7/8" X 0.60", RUBBER
7	A44198	HOPPER	1		
8	A49560	BRACKET	1		
9	24M7055	WASHER	2		8.400 X 17 X 1.600MM
10	A47317	RETAINER	1		
11	03M7221	BOLT	3		M6 X 16
	A21710	WASHER	3		19/64" X 7/8" X 0.60", RUBBER
	24H1646	WASHER	3		17/64" X 3/4" X 0.060"
	E63524	NUT	3		M6
12	A44962	BOLT	2		M8 DOUBLE, THREADED FLANGE
13	A48972	WING NUT	2		M8, M8

F12

PLANTING UNITS

SEED HOPPER VACUUM 1.6 BUSHEL

AP2358



AP2358

THIS PARTS LISTING IS CONTINUED

7200 MAXEMERGE® 2 DRAWN PLANTERS 6 WIDE/8 NARROW

PC-2145 (24-OCT-86)

LITHO IN U.S.A.

F13

PLANTING UNITS

**SEED HOPPER - CONTINUED
VACUUM
1.6 BUSHEL**

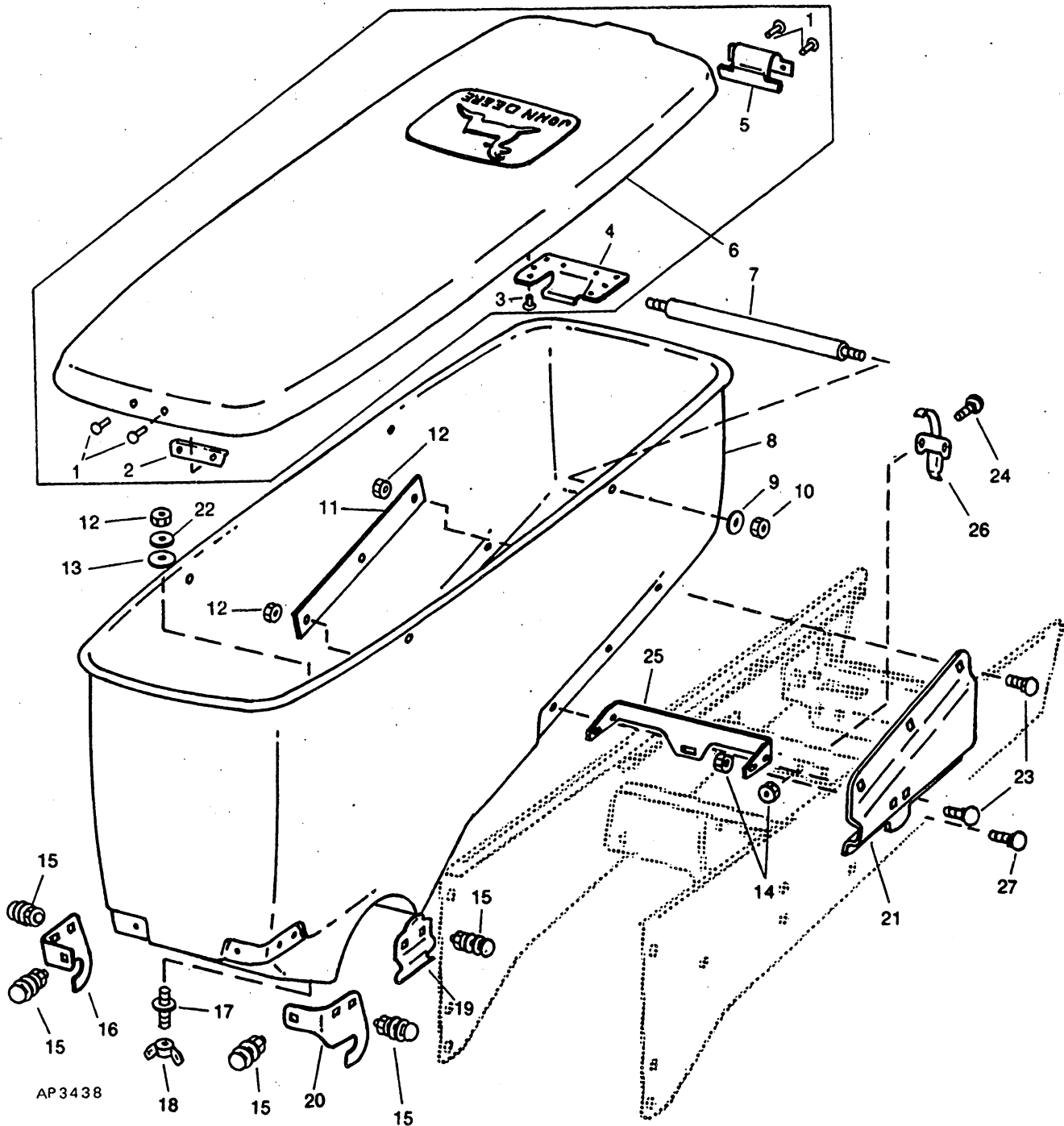
KEY	PART NO.	PART NAME	QTY	SERIAL NO. OR YEAR	REMARKS
1	A33844	LATCH	1		
2	AA34195	COVER	1		
3	03M7221	BOLT	12		M6 X 16
	A21710	WASHER	12		19/64" X 7/8" X 0.60", RUBBER
	24H1646	WASHER	12		17/64" X 3/4" X 0.060"
	E63524	NUT	12		M6
4	A44738	BRACKET	1		R.H.
	A44737	BRACKET	1		L.H.
5	E63525	NUT	2		M8
6	A21710	WASHER	2		19/64" X 7/8" X 0.60", RUBBER
7	A44497	HOPPER	1		
8	A49560	BRACKET	1		
9	24M7055	WASHER	2		8.400 X 17 X 1.600MM
10	A45104	RETAINER	1		
11	03M7221	BOLT	3		M6 X 16
	A21710	WASHER	3		19/64" X 7/8" X 0.60", RUBBER
	24H1646	WASHER	3		17/64" X 3/4" X 0.060"
	E63524	NUT	3		M6
12	A44962	BOLT	2		M8, DOUBLE THREADED FLANGE
13	A48972	WING NUT	2		M8, M8

F14

PLANTING UNITS

SEED HOPPER PLATELESS 3.0 BUSHEL

AP3438



THIS PARTS LISTING IS CONTINUED

7200 MAXEMERGE® 2 DRAWN PLANTERS 6 WIDE/8 NARROW

PC-2145 (29-FEB-88)

LITHO IN U.S.A.

F15

PLANTING UNITS

SEED HOPPER - CONTINUED
PLATELESS
3.0 BUSHEL

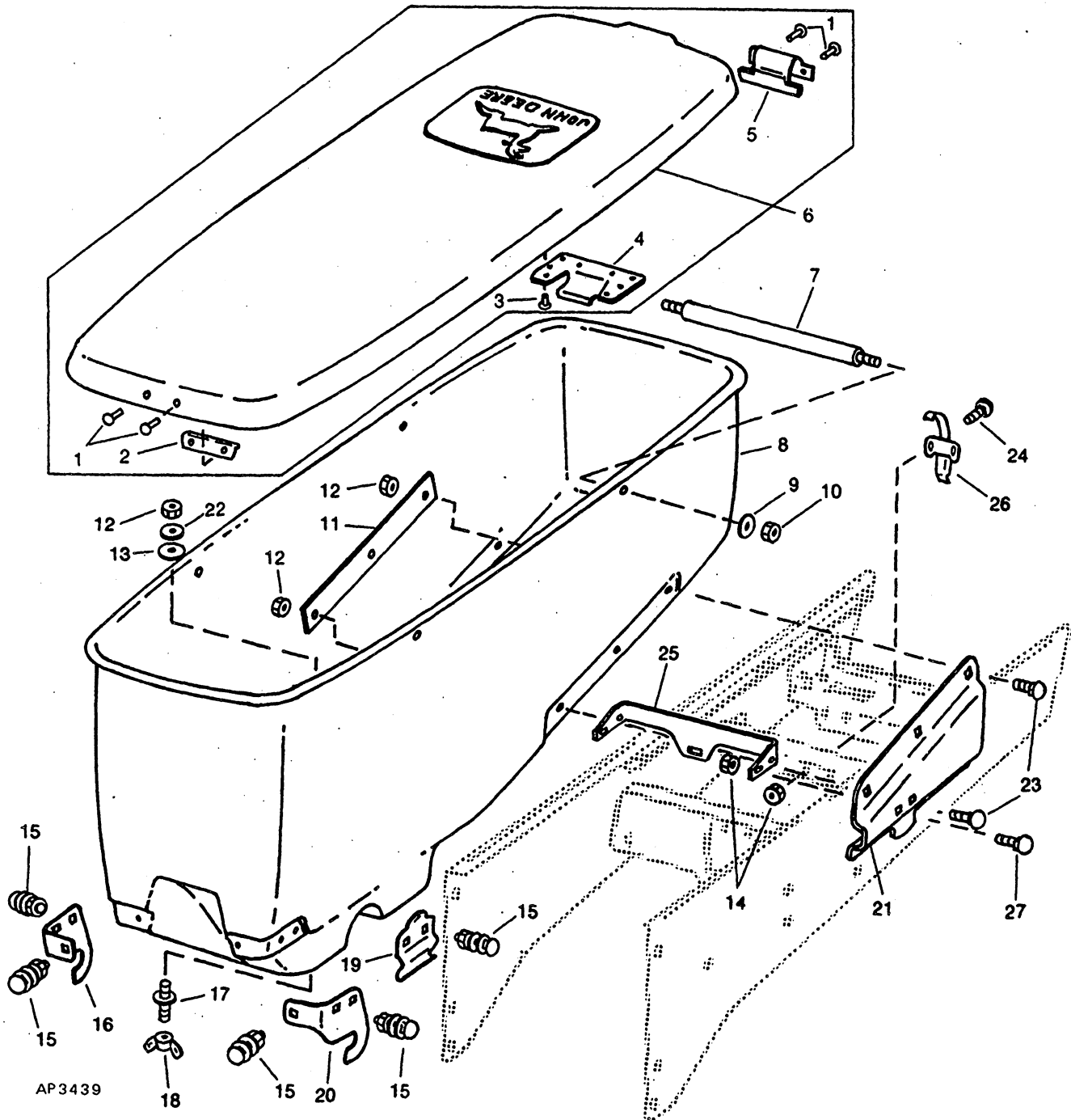
KEY	PART NO.	PART NAME	QTY	SERIAL NO. OR YEAR	REMARKS
1	16H246	RIVET	4		3/16" X 3/8"
2	A40139	LATCH	1		
3	37M7061	SCREW	4		M5 X 20
4	A33844	LATCH	1		
5	A25830	LATCH	1		
6	AA32909	COVER	1		
7	A45560	STUD	2		
8	A47531	HOPPER	1		
9	24H1646	WASHER	4		17/64" X 3/4" X 0.060"
10	14M7272	NUT	4		M6
11	A39489	STRAP	2		
12	E63525	NUT	8		M8
13	A21710	WASHER	2		19/64" X 7/8" X 0.60", RUBBER
14	E63524	NUT	4		M6
15	03M7221	BOLT	9		M6 X 16
	A21710	WASHER	9		19/64" X 7/8" X 0.60", RUBBER
	24H1646	WASHER	9		17/64" X 3/4" X 0.060"
	E63524	NUT	9		M6
16	A44738	BRACKET	1		R.H.
17	A44962	BOLT	2		M8, DOUBLE THREADED FLANGE
18	A48972	WING NUT	2		M8
19	A47317	RETAINER	1		
20	A44737	BRACKET	1		L.H.
21	A45390	BRACKET	1		R.H.
	A45389	BRACKET	1		L.H.
22	24M7055	WASHER	2		8.400 X 17 X 1.600MM
23	03M7184	BOLT	6		M8 X 20
24	03M7221	BOLT	2		M6 X 16
25	A49720	BRACKET	1		
26	AA22119	LATCH	1		
27	03M7251	BOLT	4		M6 X 12

F16

PLANTING UNITS

SEED HOPPER VACUUM 3.0 BUSHEL

AP3439



THIS PARTS LISTING IS CONTINUED

7200 MAXEMERGE® 2 DRAWN PLANTERS 6 WIDE/8 NARROW

PC-2145 (24-OCT-86)

LITHO IN U.S.A.

F17

PLANTING UNITS

**SEED HOPPER - CONTINUED
VACUUM
3.0 BUSHEL**

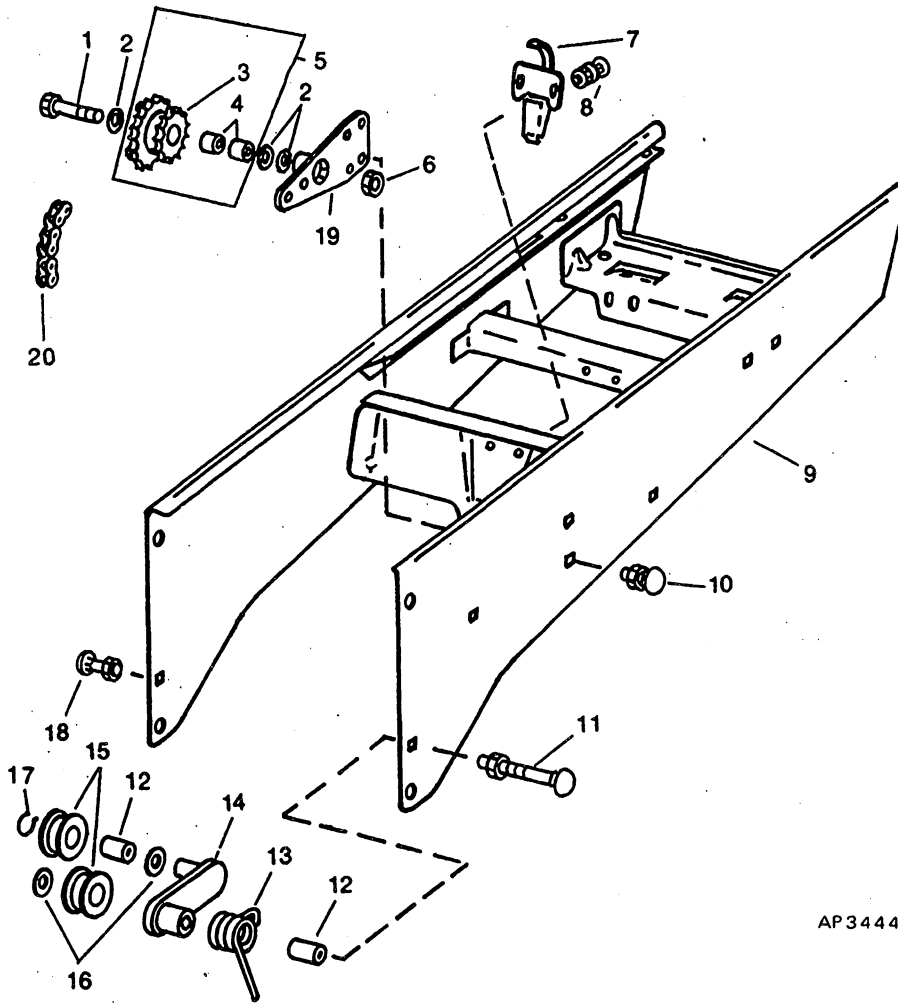
KEY	PART NO.	PART NAME	QTY	SERIAL NO. OR YEAR	REMARKS
1	16H246	RIVET	4		3/16" X 3/8"
2	A40139	LATCH	1		
3	37M7061	SCREW	4		M5 X 20
4	A33844	LATCH	1		
5	A25830	LATCH	1		
6	AA32909	COVER	1		
7	A45560	STUD	2		
8	A44498	HOPPER	1		
9	24H1646	WASHER	4		17/64" X 3/4" X 0.060"
10	14M7272	NUT	4		M6
11	A39489	STRAP	2		
12	E63525	NUT	8		M8
13	A21710	WASHER	2		19/64" X 7/8" X 0.60", RUBBER
14	E63524	NUT	4		M6
15	03M7221	BOLT	9		M6 X 16
	A21710	WASHER	9		19/64" X 7/8" X 0.60", RUBBER
	24H1646	WASHER	9		17/64" X 3/4" X 0.060"
	E63524	NUT	9		M6
16	A44738	BRACKET	1		R.H.
17	A44962	BOLT	2		M8, DOUBLE THREADED FLANGE
18	A48972	WING NUT	2		M8
19	A45104	RETAINER	1		
20	A44737	BRACKET	1		L.H.
21	A45390	BRACKET	1		R.H.
	A45389	BRACKET	1		L.H.
22	24M7055	WASHER	2		8.400 X 17 X 1.600MM
23	03M7184	BOLT	6		M8 X 20
24	03M7221	BOLT	2		M6 X 16
25	A49720	BRACKET	1		
26	AA22119	LATCH	1		
27	03M7251	BOLT	4		M6 X 12

F18

PLANTING UNITS

HOPPER SUPPORT

AP3444



AP3444

F19

PLANTING UNITS

HOPPER SUPPORT - CONTINUED

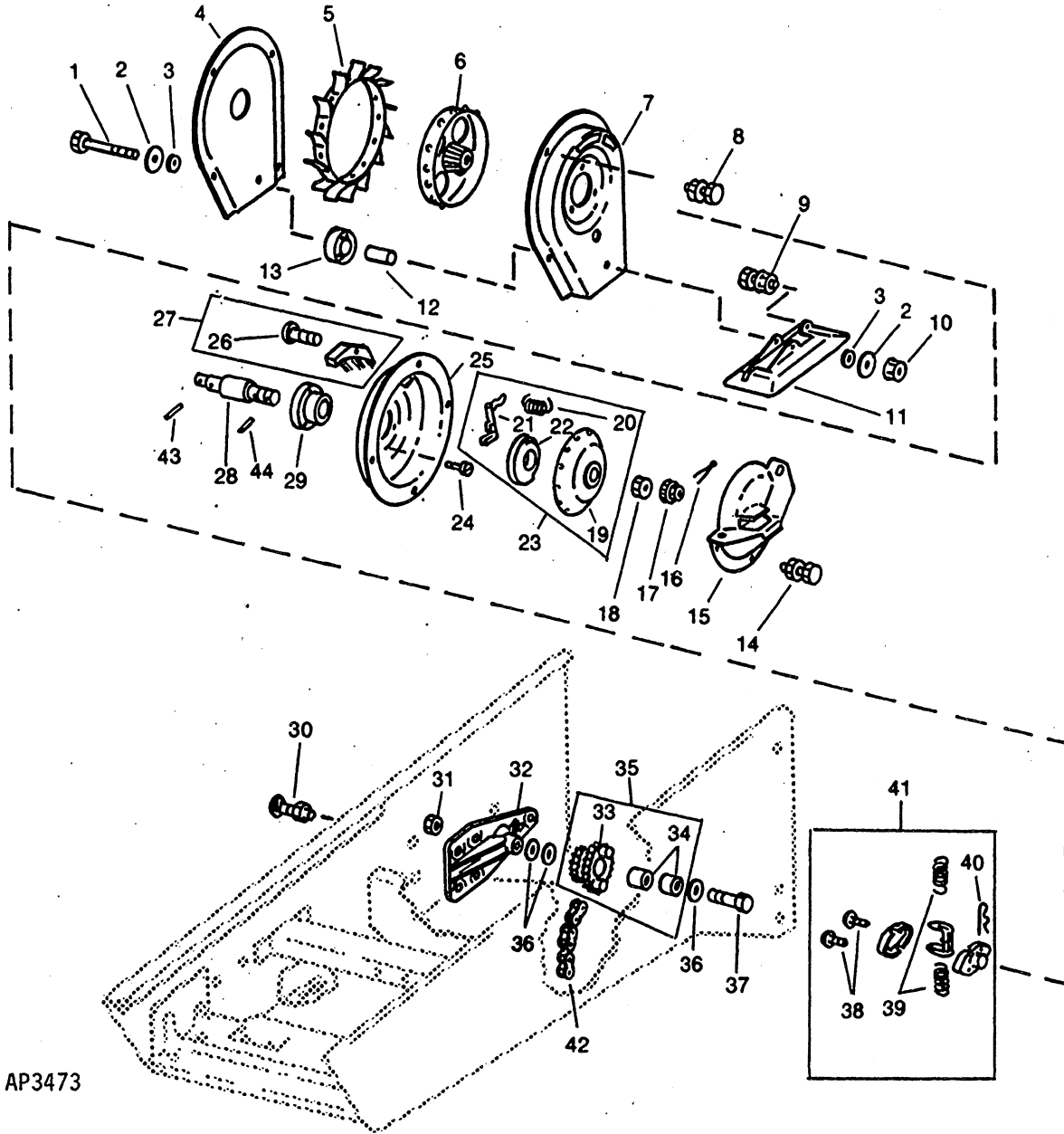
KEY	PART NO.	PART NAME	QTY	SERIAL NO. OR YEAR	REMARKS
1	19M7572	CAP SCREW	1		M10 X 45
2	R64525	THRUST WASHER	3		10.312 X 17.475 X 0.914MM
3	CHAIN SPROCKET	1		(SUB AA36888) 13- AND 19-TOOTH COMBINATION; FOR FINGER PICKUP UNIT
	CHAIN SPROCKET	1		(SUB AA34136) 28- AND 28-TOOTH COMBINATION; FOR VACUUM UNIT
4	AA34134	BALL BEARING	2		
5	AA36888	DRIVE SPROCKET	1		FOR FINGER PICKUP UNIT
	AA34136	CHAIN SPROCKET	1		FOR VACUUM UNIT
6	14M7274	NUT	2		M10
7	AA22119	LATCH	1		
8	03M7221	BOLT	2		M6 X 16
	E63524	NUT	2		M6
9	AA34795	SUPPORT	1		
10	03M7183	BOLT	3		M8 X 16
	14M7298	FLANGE NUT	3		M8
11	03M7267	BOLT	1		M8 X 80
	14M7273	NUT	1		M8
12	A50562	SPACER	2		
13	A28518	SPRING	1		
14	A50564	ARM	1		
15	A22838	ROLLER	2		
16	24M7207	WASHER	2		8.400 X 25 X 2MM
17	B14203	SNAP RING	1		
18	03M7184	BOLT	1		M8 X 20
	14M7273	NUT	1		M8
19	A49726	FLANGE	1		
20	ROLLER CHAIN	1		(ASSEMBLE FROM AP20370 AND AP20368) 13 MM (1/2") PITCH, 102 LINKS FOR FINGER PICKUP UNIT
	ROLLER CHAIN	1		(ASSEMBLE FROM AP20370 AND AP20368) 13 MM (1/2") PITCH, 112 LINKS FOR VACUUM UNIT

F20

PLANTING UNITS

FINGER PICKUP METER ASSEMBLY AND DRIVE PLATELESS

AP3473



AP3473

THIS PARTS LISTING IS CONTINUED

7200 MAXEMERGE® 2 DRAWN PLANTERS 6 WIDE/8 NARROW PC-2145 (24-OCT-86)

LITHO IN U.S.A.

F21

PLANTING UNITS

FINGER PICKUP METER ASSEMBLY AND DRIVE - CONTINUED PLATELESS

KEY	PART NO.	PART NAME	QTY	SERIAL NO. OR YEAR	REMARKS
1	19M7595	CAP SCREW	1		M6 X 50
2	24H1646	WASHER	3		17/64" X 3/4" X 0.060"
3	R78498	WASHER	3		0.260" X 1/2" X 3/16"
4	A22796	COVER	1		
5	A22451	BELTING	1		
6	A22795	DRIVER	1		
7	AA22780	HOUSING	1		
8	19M6614	CAP SCREW	3		M6 X 12
	E63524	NUT	3		M6
9	19M7077	CAP SCREW	1		M6 X 20
	24H1646	WASHER	1		17/64" X 3/4" X 0.060"
	R78498	WASHER	1		6.604 X 12.700 X 4.775MM (0.260" X 1/2" X 3/16")
	E63524	NUT	1		M6
10	E63524	NUT	1		M6
11	A48666	COVER	1		
12	A21578	BUSHING	1		
13	A22305	ROLLER	1		
14	19M7560	CAP SCREW	3		M6 X 16
	E63524	NUT	3		M6
15	A47532	DEFLECTOR	1		
16	11M7087	COTTER PIN	1		4 X 40MM
17	B31364	COVER	1		
18	14H1041	NUT	1		5/8"
19	A22307	HOLDER	1		(A) (B)
20	B31551	SPRING	12		(A) (B)
21	B30275	FINGER	12		(B) CORN
	A37177	FINGER	12		(A) SUNFLOWER
22	A22771	CAM	1		(A) (B)
23	AA31261	FINGER	1		
24	21H1295	SCREW	3		NO. 10 X 5/8"
25	AA35644	CRADLE	1		
26	A33969	SCREW	1		
27	AA35660	BRUSH	1		
28	AA35659	BEARING	1		
29	A25542	HOUSING	1		
30	03M7183	BOLT	3		M8 X 16
	14M7298	FLANGE NUT	3		M8
31	14M7274	NUT	1		M10
32	A49726	FLANGE	1		
33	CHAIN SPROCKET	1		(SUB AA36888)
34	AA34134	BALL BEARING	2		
35	AA36888	DRIVE SPROCKET	1		
36	R64525	THRUST WASHER	3		10.312 X 17.475 X 0.914MM (13/32" X 11/16" X 0.036")
37	19M7572	CAP SCREW	1		M10 X 45
38	21M7352	SCREW	2		M4 X 20
39	B31551	SPRING	2		
40	A51643	SPRING LOCKING PIN	1		
41	AA36771	DRIVE	1		
42	ROLLER CHAIN	1		(ASSEMBLE FROM AP20370 AND AP20368) NO. 41, 13 MM (1/2") PITCH, 102 LINKS
43	34H286	SPRING PIN	1		3/16" X 1-1/2"
44	34H314	SPRING PIN	1		1/4" X 1-1/4"

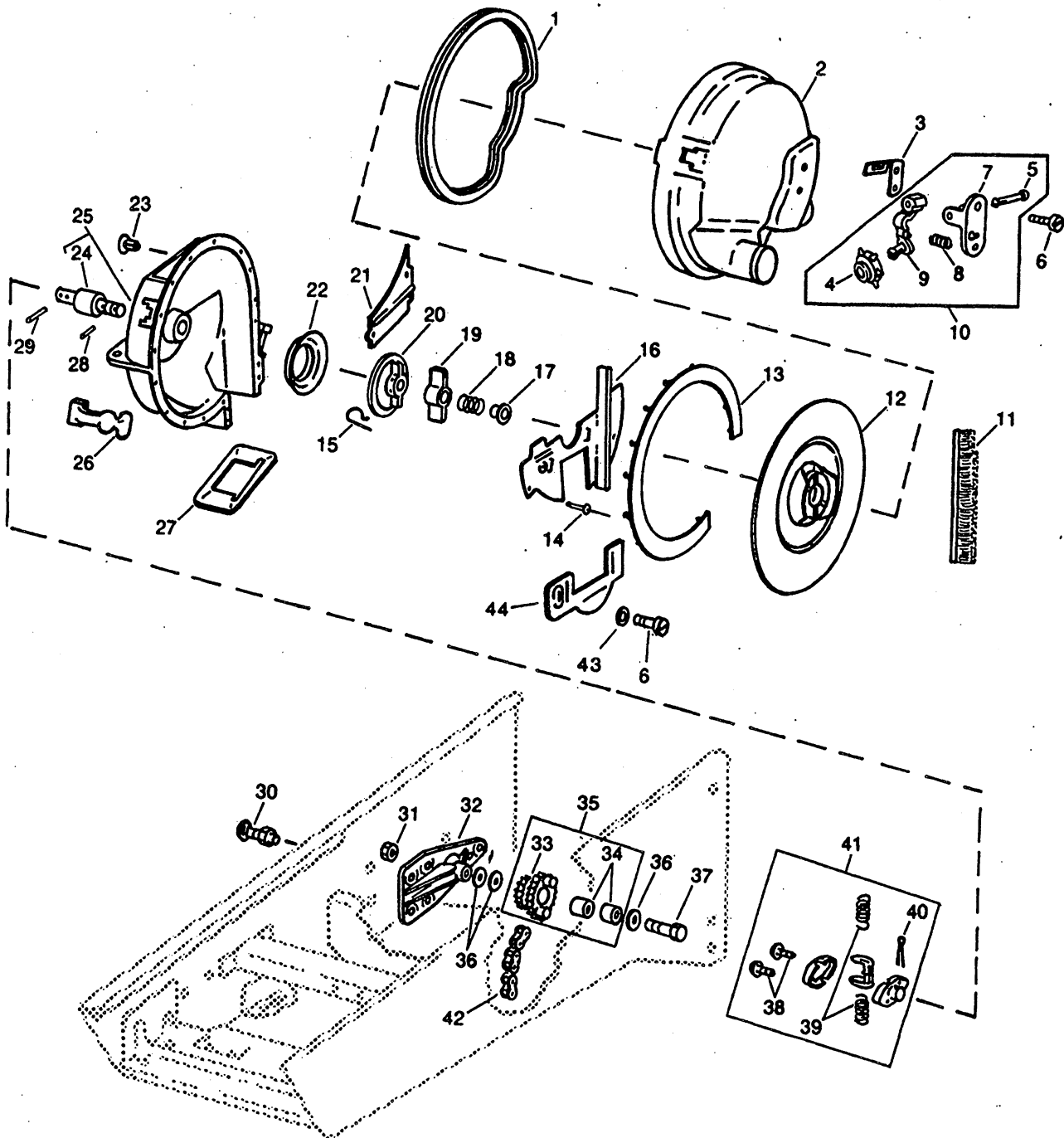
(A) AVAILABLE AS AA31262 SUNFLOWER FINGER ASSEMBLY FOR REPAIRS ONLY
(B) AVAILABLE AS AA31261 FINGER PICKUP ASSEMBLY FOR REPAIRS ONLY

F22

PLANTING UNITS

SEED METER ASSEMBLY AND DRIVE VACUUM

HP3292



HP3292

SEED METER ASSEMBLY AND DRIVE - CONTINUED VACUUM

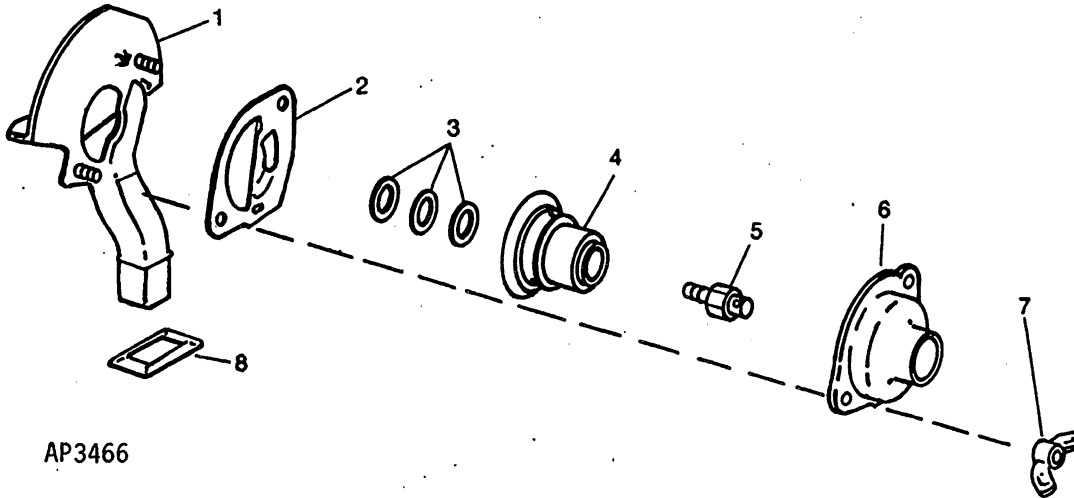
KEY	PART NO.	PART NAME	QTY	SERIAL NO. OR YEAR	REMARKS
1	H135861	SEAL	1		
2	AA35437	CHAMBER	1		
3	AA34203	SCRAPER	1		
4	H136448	KNOCKER	1		FOR SUGAR BEETS AND SORGHUM DISK
5	H136449	PIN	1		FOR SUGAR BEETS AND SORGHUM DISK
6	21M7268	SCREW	3		M3 X 6
7	H136446	SUPPORT	1		FOR SUGAR BEETS AND SORGHUM DISK
8	M61287	COMPRESSION SPRING	1		FOR SUGAR BEETS AND SORGHUM DISK
9	H136447	ARM	1		FOR SUGAR BEETS AND SORGHUM DISK
10	AH129125	KNOCKER	1		FOR SUGAR BEETS AND SORGHUM DISK
11	AA32868	BRUSH	1		
	AH132233	BRUSH	1		FOR MEDIUM EDIBLE BEAN DISK ONLY
12	A50617	DISK	1		30 CELLS, STANDARD CORN (2 PER CARTON)
	A43215	DISK	1		30 CELLS, SMALL CORN (2 PER CARTON)
	A42586	DISK	1		108 CELLS, SOYBEAN (2 PER CARTON)
	A44026	DISK	1		64 CELLS, ACID DELINTED COTTON (2 PER CARTON)
	A43066	DISK	1		45 CELLS, SMALL SORGHUM; WITH SIZES FROM 10,000 TO 16,000 SEEDS/LB. (2 PER CARTON)
	H136445	DISK	1		45 CELLS, SUGAR BEETS, CAPABLE OF HANDLING LARGER SEEDS
	H136478	DISK	1	1987-	30 CELLS, SMALL, MEDIUM AND LARGE SUNFLOWER SEED
	H136587	DISK	1	1988-	ACID-DELINTED COTTON HILLDROP
	H136467	DISK	1	1988-	MEDIUM EDIBLE BEANS
	H136468	DISK	1	1988-	SMALL EDIBLE BEANS
13	A44867	SEAL	1		
14	N155864	RIVET	6		1.626MM (0.064")
15	A51643	COTTER PIN	1		
16	AH131514	INSERT	1		BAFFLE ASSEMBLY
17	A44913	RETAINER	1		
18	T44812	SPRING	1		
19	A43934	HANDLE	1		
20	A43933	HUB	1		
21	A44866	COVER	1		
22	A46670	SEAL	1		
23	A48970	DUAL LOCK FASTENER	12		
24	AA35658	BEARING	1		
25	AA36055	HOUSING	1		
26	A44990	LATCH	1		
27	A48665	COVER	1		
28	34H314	SPRING PIN	1		1/4" X 1-1/4"
29	34H286	SPRING PIN	1		3/16" X 1-1/2"
30	03M7183	BOLT	3		M8 X 16
	14M7298	FLANGE NUT	3		M8
31	14M7274	NUT	1		M10
32	A49726	FLANGE	1		
33	CHAIN SPROCKET	1		(SUB AA34136)
34	AA34134	BALL BEARING	2		
35	AA34136	CHAIN SPROCKET	1		
36	R64525	THRUST WASHER	3		10.312 X 17.475 X 0.914MM (13/32" X 11/16" X 0.036")
37	19M7572	CAP SCREW	1		M10 X 45
38	21M7352	SCREW	2		M4 X 20
39	B31551	SPRING	2		
40	11M7017	COTTER PIN	1		
41	AA34987	DRIVE	1	-1986	(SUB AA36771)
	AA36771	DRIVE	1		
42	ROLLER CHAIN	1		(ASSEMBLE FROM AP20370 AND AP20368) NO. 41, 13 MM (1/2") PITCH, 112 LINKS
43	R52119	WASHER	1		
44	H135865	INSERT	1		ADJUSTABLE
..	A51237	LUBRICANT	1		TALC

F24

PLANTING UNITS

FEED CUPS, SEED GUIDES, AND ADAPTERS SOYBEAN, HIGH RATE SORGHUM, LOW RATE SORGHUM/MILO, AND EDIBLE BEAN PLATELESS

AP3466



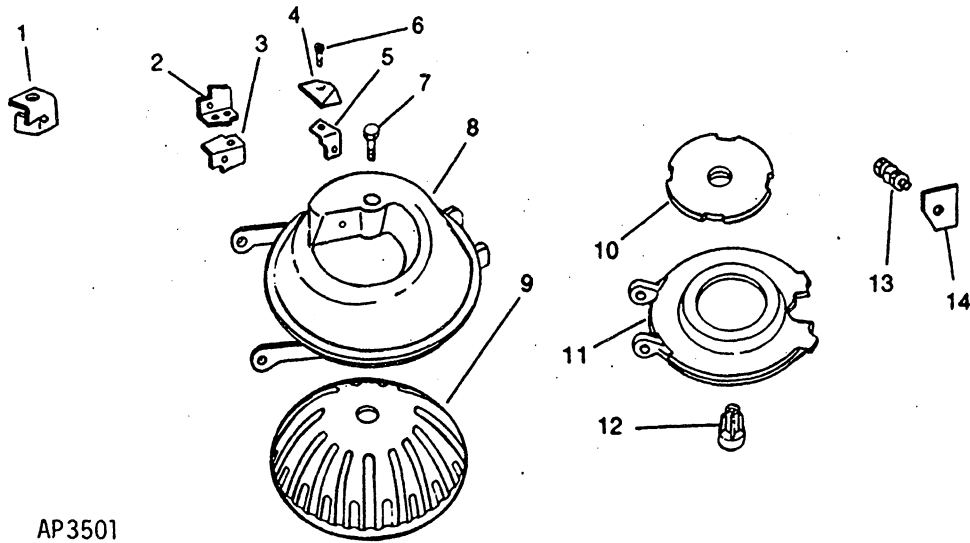
AP3466

KEY	PART NO.	PART NAME	QTY	SERIAL NO. OR YEAR	REMARKS
1	AA36864	ADAPTER	1		
2	AA34798	PLATE	1		SMALL SOYBEAN AND ACID DELINTED COTTON
	A24682	PLATE	1		HIGH RATE SORGHUM/MILO
	A36323	PLATE	1		LOW-RATE SORGHUM AND SUNFLOWER
	A24641	PLATE	1		EDIBLE BEAN AND REGULAR SOYBEAN
3	A25081	SHIM	1		LOW RATE SORGHUM AND SUNFLOWER
4	AA26713	BOWL	1		SOYBEAN
	AA30345	BOWL	1		HIGH RATE SORGHUM/MILO
	AA25319	BOWL	1		LOW RATE MILO
	AA27934	BOWL	1		SUNFLOWER
	AA26714	BOWL	1		EDIBLE BEAN
5	A49709	SHAFT	1		
6	AA28036	HOUSING	1		FEED CUP
7	M47887	WING NUT	2		6.350MM (1/4")
8	A48663	COVER	1		

F25

HOPPER BOTTOM FOR PEANUTS AND EDIBLE BEANS PLATE

AP3501

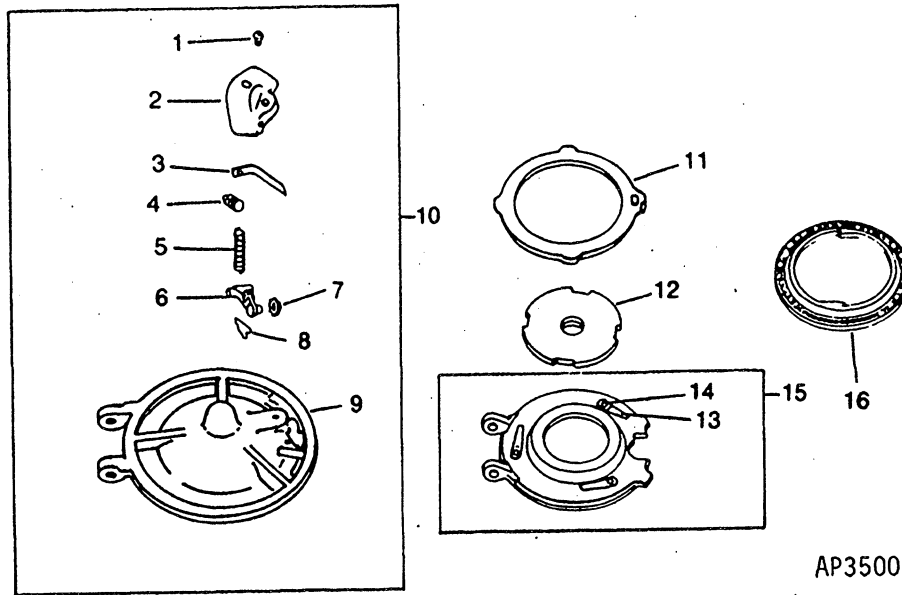


AP3501

KEY	PART NO.	PART NAME	QTY	SERIAL NO. OR YEAR	REMARKS
1	B30060	GATE	1		(USE WITH B31723 AND A22235) LARGE
2	B30058	GATE	1		(USE WITH B31724) MEDIUM
3	B30057	GATE	1		(USE WITH B31724) SMALL
4	B30061	COVER	1		
5	B28962	GATE	1		(USE WITH B31723) SMALL AND MEDIUM
6	H2841B	SCREW	1		
7	19H2971	CAP SCREW	1		5/16" X 2"
8	B30026	GATE	1		
9	B31723	PLATE	1		LARGE
	B31724	PLATE	1		EXTRA SMALL
	A22235	PLATE	1		EXTRA LARGE
10	B28725	PLATE	1		
11	A22318	PLATE	1		
12	B28973	ALIGNER	1		
13	19H2023	CAP SCREW	1		3/8" X 3-1/4"
	12H304	LOCK WASHER	1		3/8"
	14H1076	NUT	1		3/8"
14	B30959	STRAP	1		

HOPPER BOTTOM FOR BEETS OR LOW RATE SORGHUM/MILO PLATE

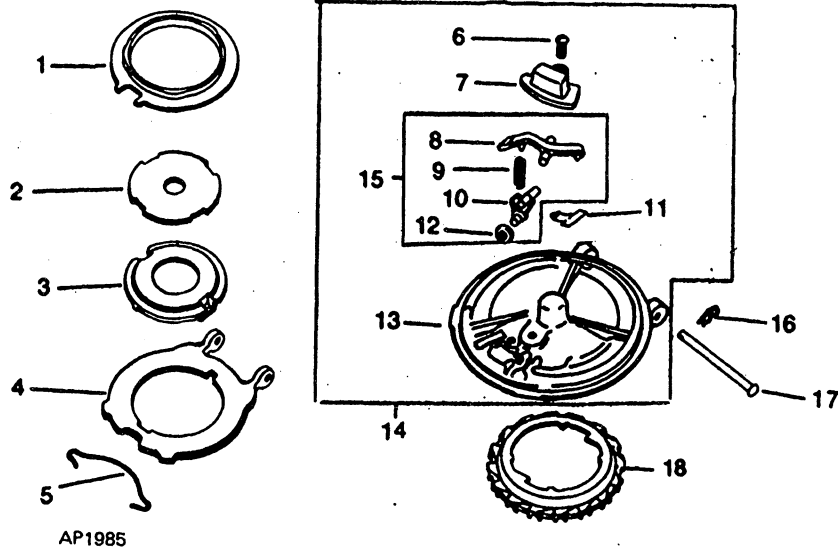
AP3500



KEY	PART NO.	PART NAME	QTY	SERIAL NO. OR YEAR	REMARKS
1	21H1303	SCREW	1		1/4" X 3/4"
2	A33166	CAP	1		
3	B31273	GATE	1		
4	21H1301	SCREW	1		NO. 10 X 1/2"
	12H246	LOCK WASHER	1		NO. 10
	14H778	NUT	1		NO. 10
5	Y2624B	COMPRESSION SPRING	1		
6	A36012	KNOCKER	1		
7	N2701DB	RIM	1		
8	B12602	DEFLECTOR	1		
9	B29473	BOTTOM	1		
10	AA26571	DEFLECTOR	1		BEET
11	A45626	PLATE	1		
12	B28725	PLATE	1		
13	Y5523B	SPRING	3		
14	16H104	RIVET	3		1/8" X 7/16"
15	AD10193	PLATE	1		
16	PLATE	1		SEE SEED PLATE PARTS CATALOG, PC-268

HOPPER BOTTOM FOR CORN, ACID DELINTED COTTON, SOYBEANS, AND REGULAR RATE SORGHUM/MILO PLATE

AP1985



AP1985

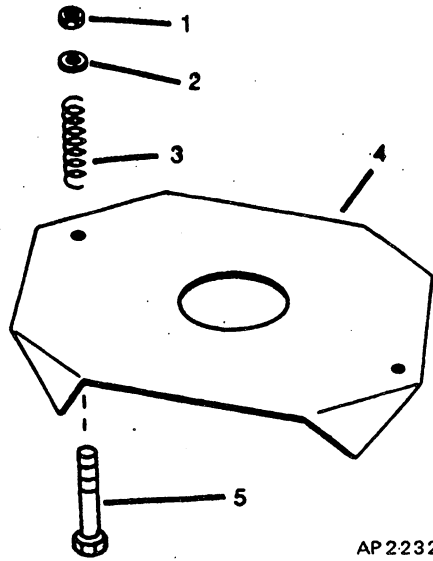
KEY	PART NO.	PART NAME	QTY	SERIAL NO. OR YEAR	REMARKS
1	A45582	PLATE	1		(A) SPECIAL
	A44988	PLATE	1		(A) (USE WITH A47490) 3.68 MM (.145") THICK
	A47468	PLATE	1		(A) (USE WITH A47490) 2.11 MM (.083") THICK
	A48500	PLATE	1		(A) (USE WITH A47483) 3.68 MM (.145") THICK
	A48683	PLATE	1		(A) (USE WITH A47492) 2.67 MM (.105") THICK
	A50730	PLATE	1		(A) (USE WITH A47483) 1.52 MM (.60") THICK
2	B28725	PLATE	1		
3	A47482	RETAINER	1		(USE WITH A47483, A47490 AND A47491) PLASTIC
4	A47483	PLATE	1		(A) (B) REGULAR, FLAT ON BOTH SIDES, NEEDS A47482
	AH306B	PLATE	1		(A) SPECIAL
	A47490	PLATE	1		(A) (B) GROOVED ON BOTH SIDES, NEEDS A47482
	A47491	PLATE	1		(A) 2.29 MM GROOVE ON ONE SIDE, NEEDS A47482
	A47492	PLATE	1		(A) 3.20 MM GROOVE ON ONE SIDE, NEEDS A47482
5	B31562	SPRING	1		NOT USED WITH A47482
6	21H1303	SCREW	1		1/4" X 3/4"
7	A40518	CAP	1		
8	A35968	GATE	1		
9	Y2624B	COMPRESSION SPRING	1		
10	A36012	KNOCKER	1		
11	B12602	DEFLECTOR	1		
12	Y2600B	WHEEL	1		
13	B29473	BOTTOM	1		
14	AA30642	PLATE	1		
15	AA27815	KNOCKER	1		PACKAGE OF TWO
16	J16931	SPRING LOCKING PIN	1		
17	B28999	PIN	1		7.798 X 158.750MM (0.307" X 6-1/4")
18	PLATE	1		(A) SPECIAL

(A) SEE SEED PLATE PARTS CATALOG, PC-0268.

(B) H685B REPLACED BY A47483 AND A47482 OR A47490 AND A47482

**BAFFLE
FOR HIGH-RATE MILO AND CORN HOPPER
PLATE**

AP2232



AP2232

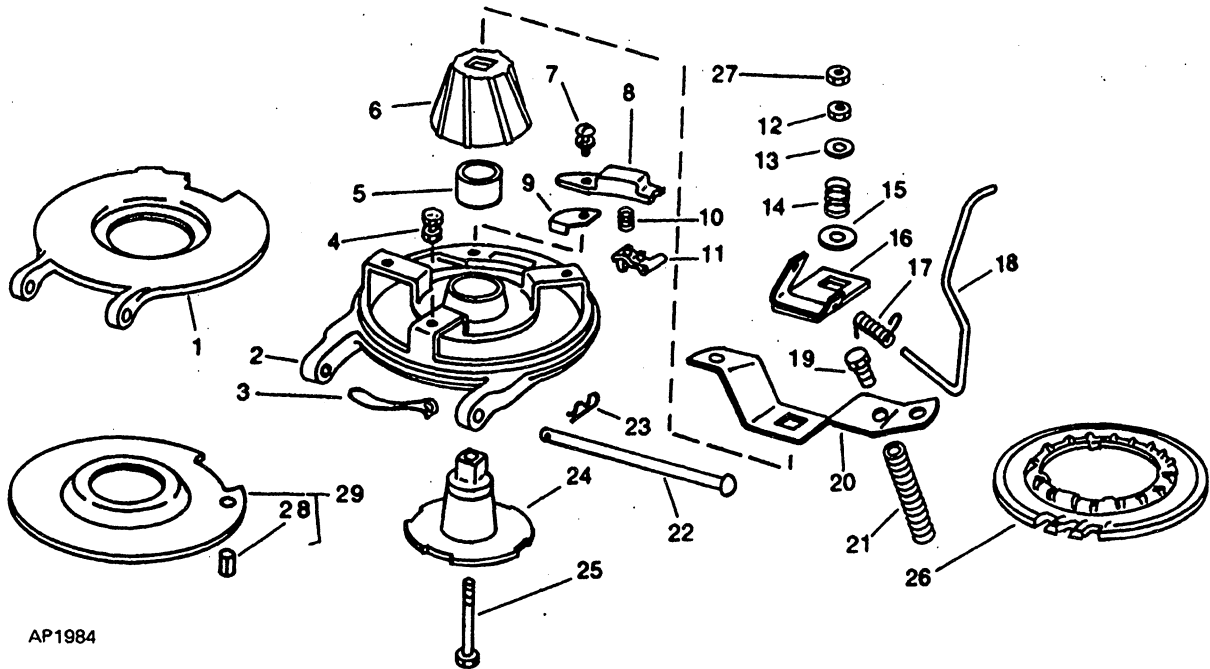
KEY	PART NO.	PART NAME	QTY	SERIAL NO. OR YEAR	REMARKS
1	K40001	LOCK NUT	2		1/4"
2	24H1287	WASHER	2		9/32" X 5/8" X 0.060"
3	Y2624B	COMPRESSION SPRING	2		
4	B32432	PLATE	1		
5	19H2240	CAP SCREW	2		1/4" X 3-1/4"

G04

PLANTING UNITS

CELL DROP HOPPER BOTTOM FOR ACID OR MECHANICALLY DELINTED COTTON AND SOYBEANS PLATE

AP1984



AP1984

KEY	PART NO.	PART NAME	QTY	SERIAL NO. OR YEAR	REMARKS
1	B32350	PLATE	1		
2	A20289	CAP	1		
3	B32340	FILTER	2		
4	19H1227	CAP SCREW	2	1/4" X 1/2"	
	K40001	LOCK NUT	2	1/4"	
5	C16321	BUSHING	1		
6	B32349	AGITATOR	1		
7	21H1302	SCREW	1	1/4" X 5/8"	
	12H302	LOCK WASHER	1	1/4"	
8	B32342	CAP	1		
9	B32339	SWEEP	1		
10	B32333	SPRING	1		
11	B32341	KNOCKER	1		
12	14H1076	NUT	1	3/8"	
13	24H1219	WASHER	1	7/16" X 1" X 0.075"	
14	H47DB	SPRING	1		
15	24H1653	WASHER	1	13/32" X 1-1/4" X 0.120"	
16	AB19001	PIVOT	1		
17	B32336	SPRING	1		
18	B32346	AGITATOR	1		
19	19H1924	CAP SCREW	1	7/16" X 3/4"	
20	A26926	AGITATOR	1		
21	P2685B	SPRING	3		
22	B28999	PIN	1	7.798 X 158.750MM (0.307" X 6-1/4")	
23	J16931	SPRING LOCKING PIN	1		
24	A20716	DRIVE	1		
25	19H1733	CAP SCREW	1	3/8" X 2-1/2"	
26	A24080	PLATE	1	(USE WITH AA23018) 48 CELL, FOR ACID DELINTED COTTON	
	B32344	SEED PLATE	1	24 CELL	
	B32345	SEED PLATE	1	24 CELL	
27	14H732	NUT	1	3/8"	
28	34H241	SPRING PIN	1	1/8" X 3/8"	
29	AA23018	RING	1	(USE WITH A24080) FOR ACID DELINTED COTTON	

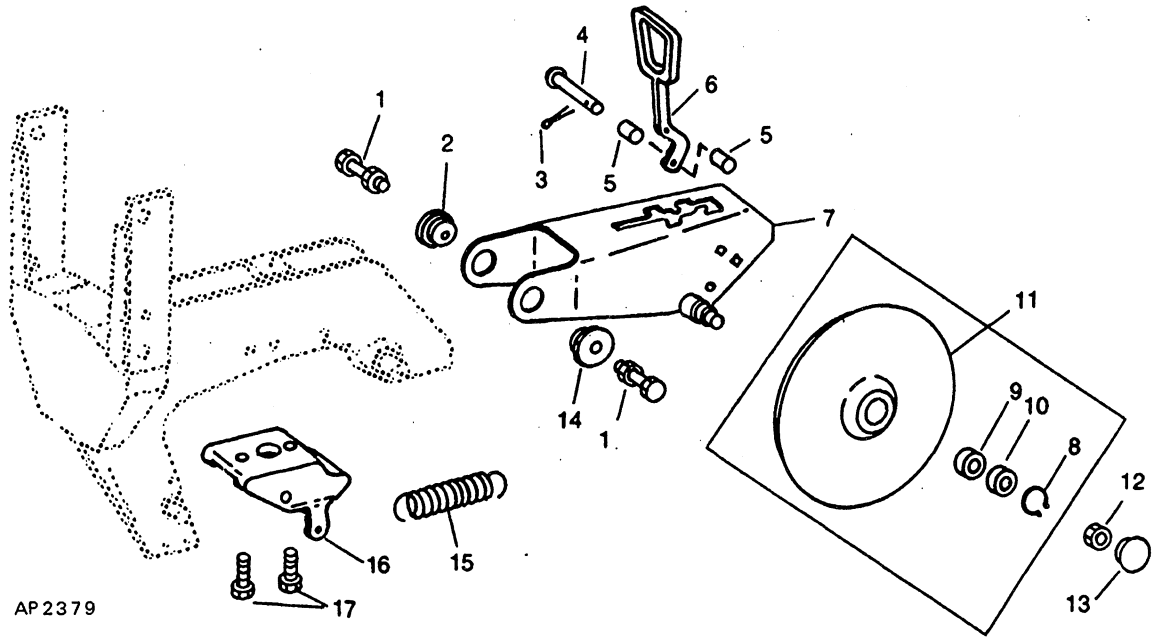
MEMORANDA

G05

PLANTING UNITS

CLOSING WHEEL HEAVY-DUTY

AP2379



AP 23 79

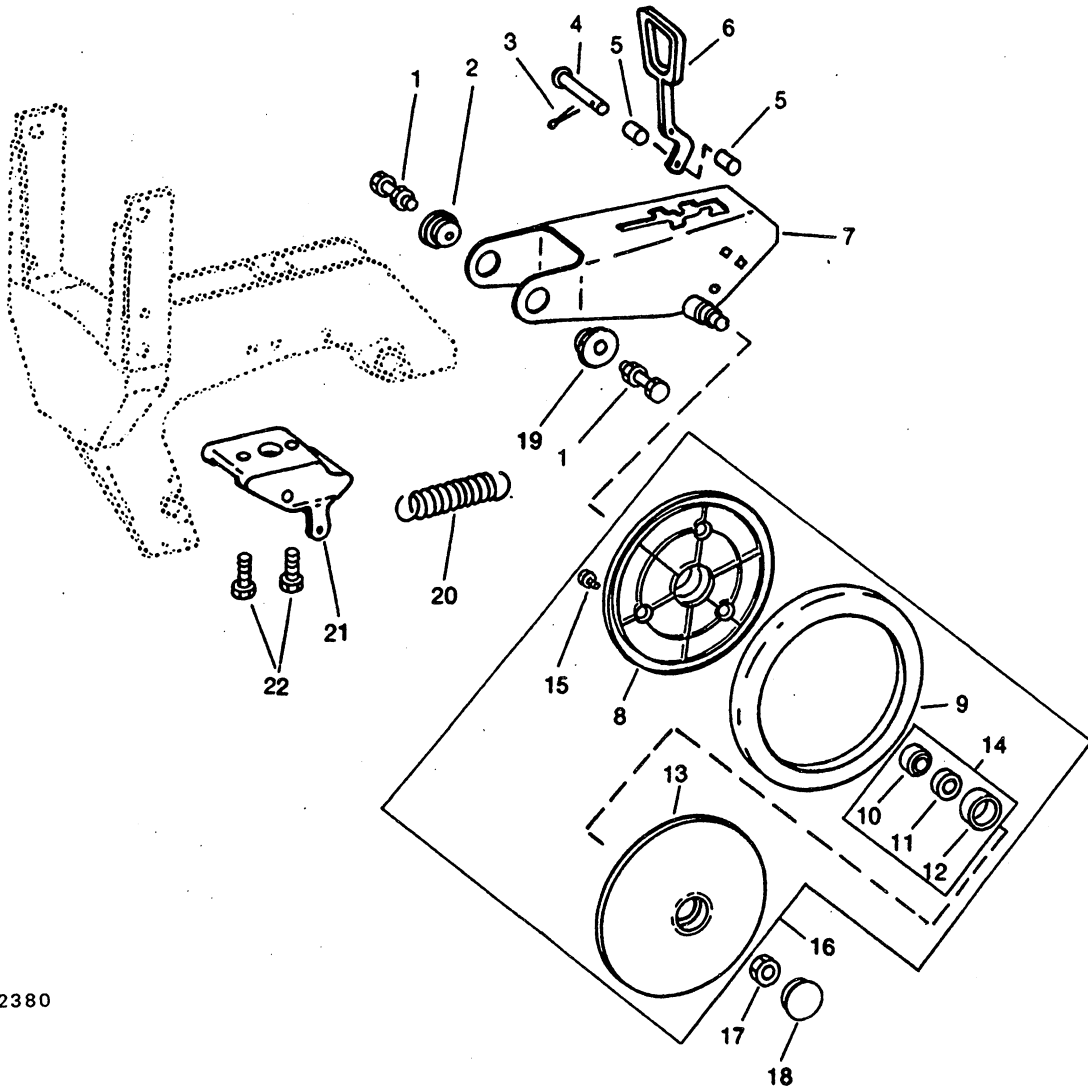
KEY	PART NO.	PART NAME	QTY	SERIAL NO. OR YEAR	REMARKS
1	19M7387	CAP SCREW	2		M12 X 40
	A31867	LOCK NUT	2		M12
2	A48430	CAM	1		
3	11M7059	COTTER PIN	1		3.200 X 20MM
4	Y5557B	PIN	1		9.525 X 85.725MM (3/8" X 3-3/8")
5	KK1286B	BUSHING	2		
6	A47131	HANDLE	1		
7	AA34212	ARM	1		
8	L1610N	SNAP RING	1		
9	AA34132	ROLLER BEARING	1		
10	JD8535	BALL BEARING	1		
11	AA34350	WHEEL	1		
12	14M7192	NUT	1		M16, R.H.
	14M7382	NUT	1		M16, L.H.
13	A47217	BEARING CAP	1		
14	A48290	BUSHING	1		
15	A47132	SPRING	1		
16	A45277	SUPPORT	1		
17	19M7788	CAP SCREW	2		M12 X 25

G06

PLANTING UNITS

CLOSING WHEEL AND ARM REGULAR

AP2380



AP 2380

G07

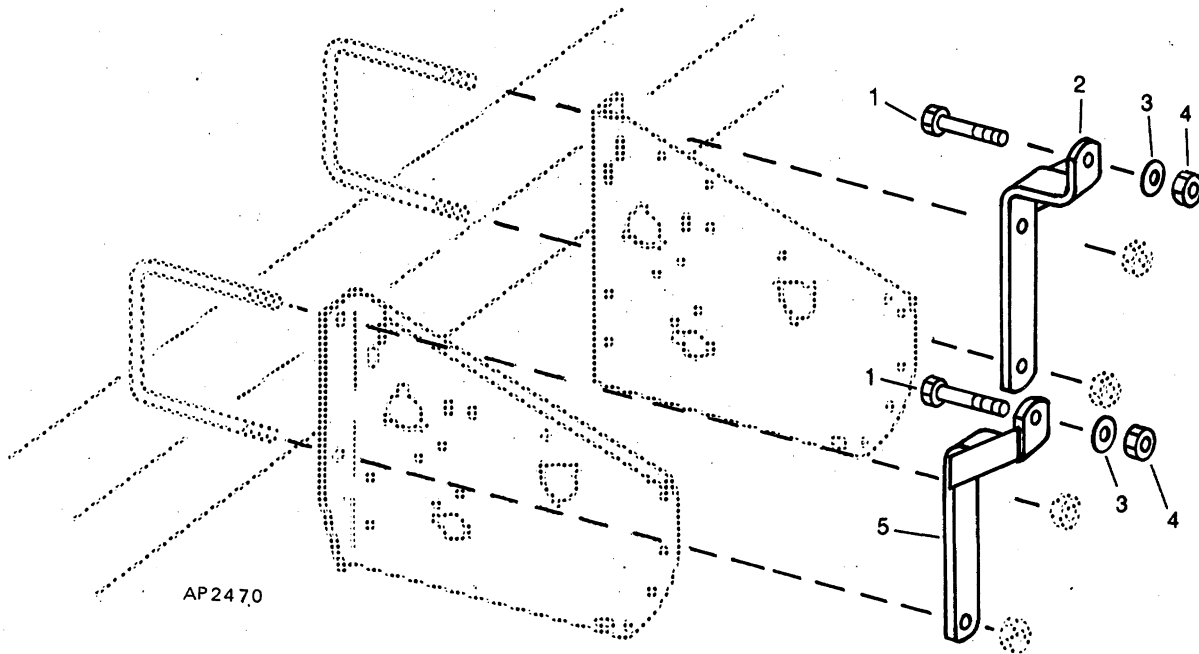
PLANTING UNITS

CLOSING WHEEL AND ARM - CONTINUED REGULAR

KEY	PART NO.	PART NAME	QTY	SERIAL NO. OR YEAR	REMARKS
1	19M7387	CAP SCREW	2		M12 X 40
	A31867	LOCK NUT	2		M12
2	A48430	CAM	1		
3	11M7059	COTTER PIN	1		3.200 X 20MM
4	Y5557B	PIN	1		9.525 X 85.725MM (3/8" X 3-3/8")
5	KK1286B	BUSHING	2		
6	A47131	HANDLE	1		
7	AA34212	ARM	1		
8	A46987	WHEEL	1		
9	A22325	TIRE	1		
10	AA34132	ROLLER BEARING	1		
11	JD8535	BALL BEARING	1		
12	A43769	BUSHING	1		
13	A46988	WHEEL	1		
14	AA35638	ROLLER BEARING	1		
15	37H152	SCREW	3		1/4" X 3/4"
16	AA34211	WHEEL	1		
17	14M7192	NUT	2		M16, R.H.
	14M7382	NUT	2		M16, L.H.
18	A47217	BEARING CAP	2		
19	A48290	BUSHING	1		
20	A47132	SPRING	1		
21	A45277	SUPPORT	1		
22	19M7788	CAP SCREW	2		M12 X 25

VACUUM BLOWER BRACKET

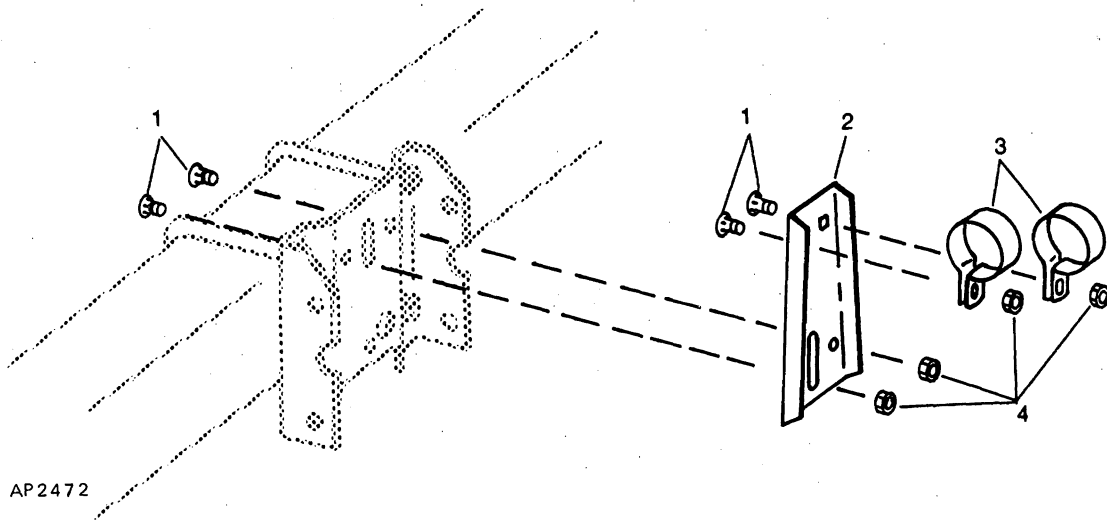
AP2470



KEY	PART NO.	PART NAME	QTY	SERIAL NO. OR YEAR	REMARKS
1	19M7216	CAP SCREW	2		M12 X 100
2	AA34060	BRACKET	1		R.H.
3	24M7047	WASHER	2		13 X 24 X 2.500MM
4	A31867	LOCK NUT	2		M12
5	AA34061	BRACKET	1		L.H.

VACUUM BLOWER MANIFOLD BRACKET

AP2472



KEY	PART NO.	PART NAME	QTY	SERIAL NO. OR YEAR	REMARKS
1	03M7190	BOLT	24		(A) M10 X 20
	03M7190	BOLT	32		(B) M10 X 20
2	A46837	BRACKET	6		(A)
	A46837	BRACKET	8		(B)
3	A46674	CLAMP	12		(A)
	A46674	CLAMP	16		(B)
4	14M7274	NUT	24		(A) M10
	14M7274	NUT	32		(B) M10

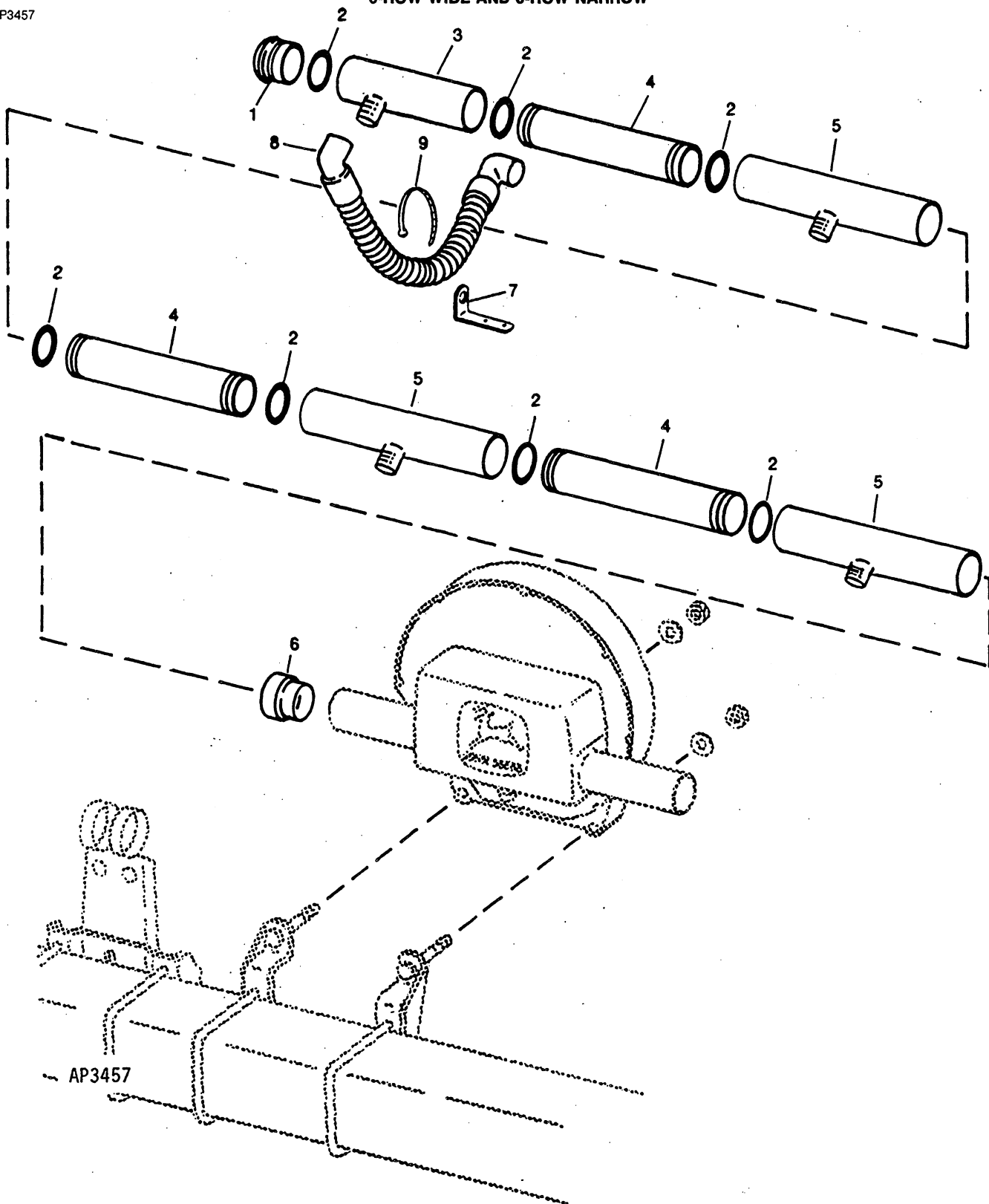
(A) FOR 6-ROW WIDE
(B) FOR 8-ROW NARROW

G10

PLANTING UNITS

VACUUM MANIFOLD ASSEMBLY 8-ROW ILLUSTRATED 6-ROW WIDE AND 8-ROW NARROW

AP3457



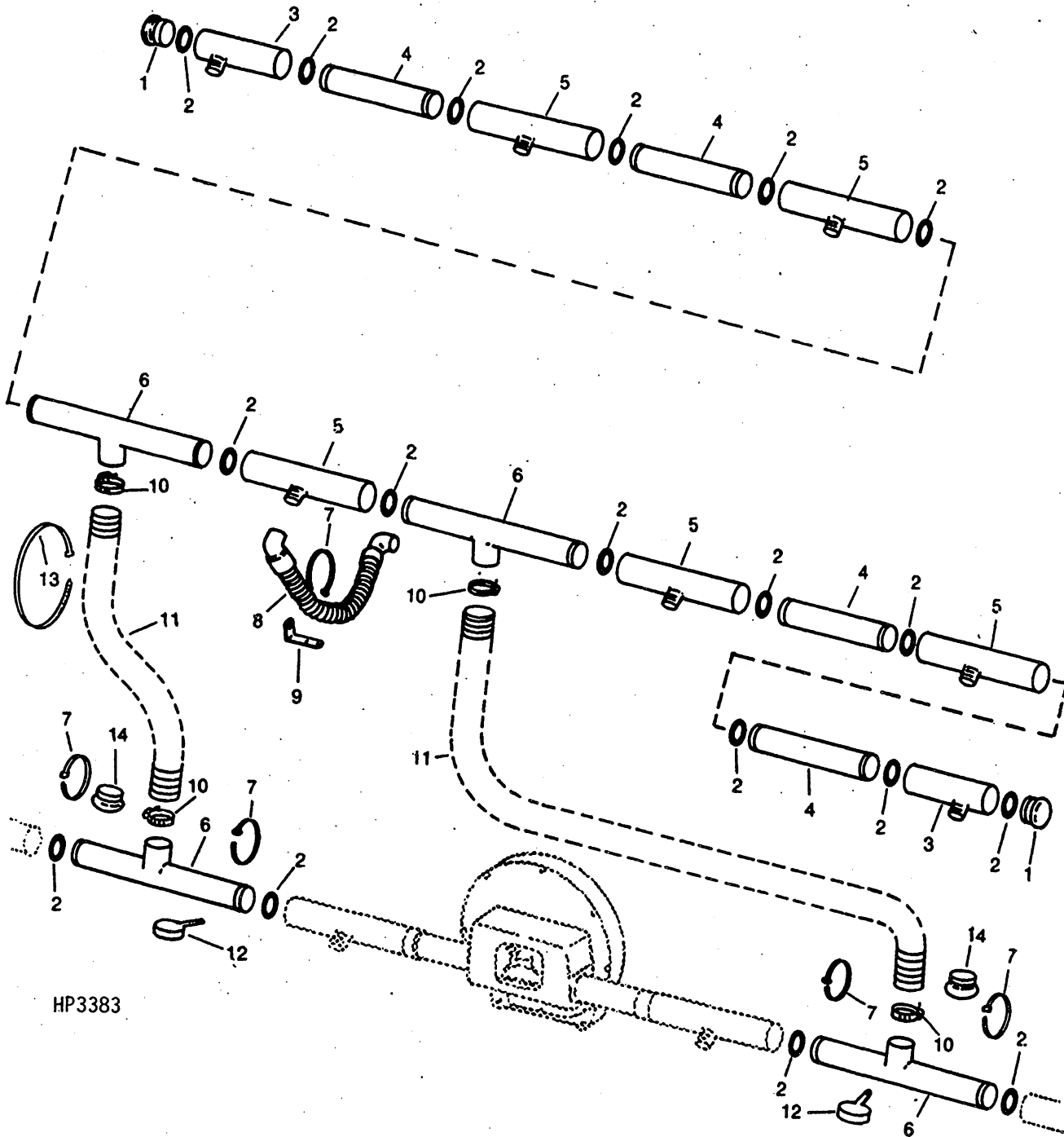
VACUUM MANIFOLD ASSEMBLY - CONTINUED
8-ROW ILLUSTRATED
6-ROW WIDE AND 8-ROW NARROW

KEY	PART NO.	PART NAME	QTY	SERIAL NO. OR YEAR	REMARKS
1	A41050	PLUG	2		
2	T12282	BACK-UP RING	12	(A)	
	T12282	BACK-UP RING	16	(B)	
3	A47748	MANIFOLD	2		
4	A40309	AIR DUCT	6	(A)	
	A40309	AIR DUCT	8	(B)	
5	A40473	MANIFOLD	6	(A)	
	A40473	MANIFOLD	8	(B)	
6	H137513	SEAL	2		
7	A49940	BRACKET	6	(A)	
	A49940	BRACKET	8	(B)	
8	AA33985	HOSE	6	(A)	31.75 MM X 1 050 MM (1-1/4" X 41-5/16")
	AA33985	HOSE	8	(B)	31.75 MM X 1 050 MM (1-1/4" X 41-5/16")
9	T44946	TIE BAND	6	(A)	381 MM (15")
	T44946	TIE BAND	8	(B)	381 MM (15")

(A) FOR 6-ROW WIDE
 (B) FOR 8-ROW NARROW

VACUUM MANIFOLD ASSEMBLY SPLIT ROW PLANTING ATTACHMENT PLUS 7-ROW SOLID (1987-)

HP3383



HP3383

THIS PARTS LISTING IS CONTINUED

VACUUM MANIFOLD ASSEMBLY - CONTINUED
SPLIT ROW PLANTING ATTACHMENT PLUS 7-ROW SOLID (1987-)

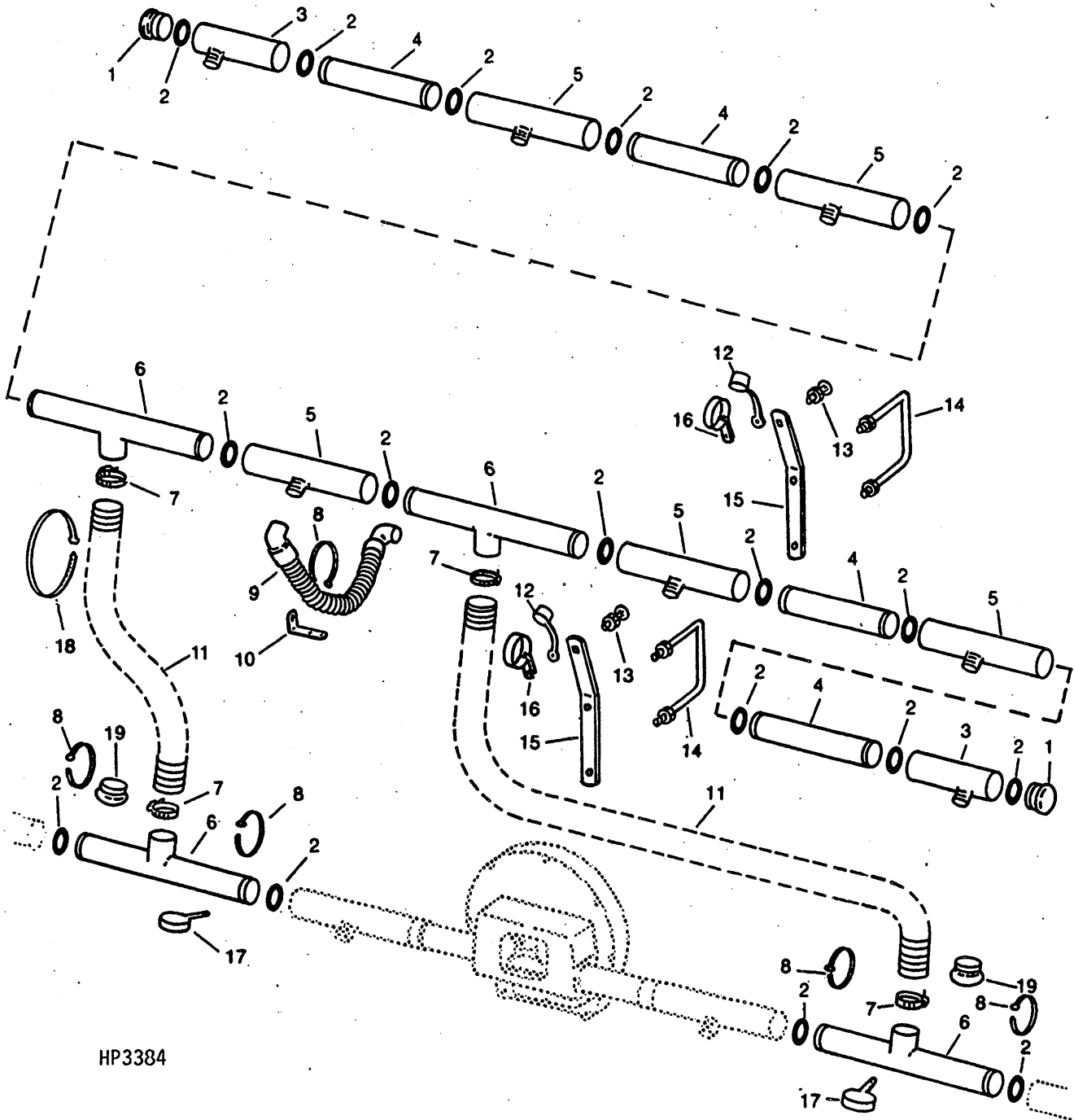
KEY	PART NO.	PART NAME	QTY	SERIAL NO. OR YEAR	REMARKS
1	A41050	PLUG	2		
2	T12282	BACK-UP RING	20		
3	A47748	MANIFOLD	2		
4	A40309	AIR DUCT	4		
5	A40473	MANIFOLD	7		
6	A46921	AIR DUCT	4		
7	H77698	TIE BAND	11		360 MM (14")
8	AA33985	HOSE	7		31.75 X 1 050MM (1-1/4" X 41-5/16")
9	A49940	BRACKET	7		
10	AT25242	CLAMP	4		
11	A48287	HOSE	2		(CUT FROM A48287) 79.4 X 2 300MM (3-1/8" X 90-1/2")
12	A50004	PLUG	2		
13	H113196	TIE BAND	4		1016 MM (40")
14	A50605	PLUG	2		

G14

PLANTING UNITS

VACUUM MANIFOLD ASSEMBLY SPLIT ROW PLANTING ATTACHMENT PLUS 5-ROW SKIP (1987-)

HP3384



HP3384

G15

PLANTING UNITS

VACUUM MANIFOLD ASSEMBLY - CONTINUED SPLIT ROW PLANTING ATTACHMENT PLUS 5-ROW SKIP (1987-)

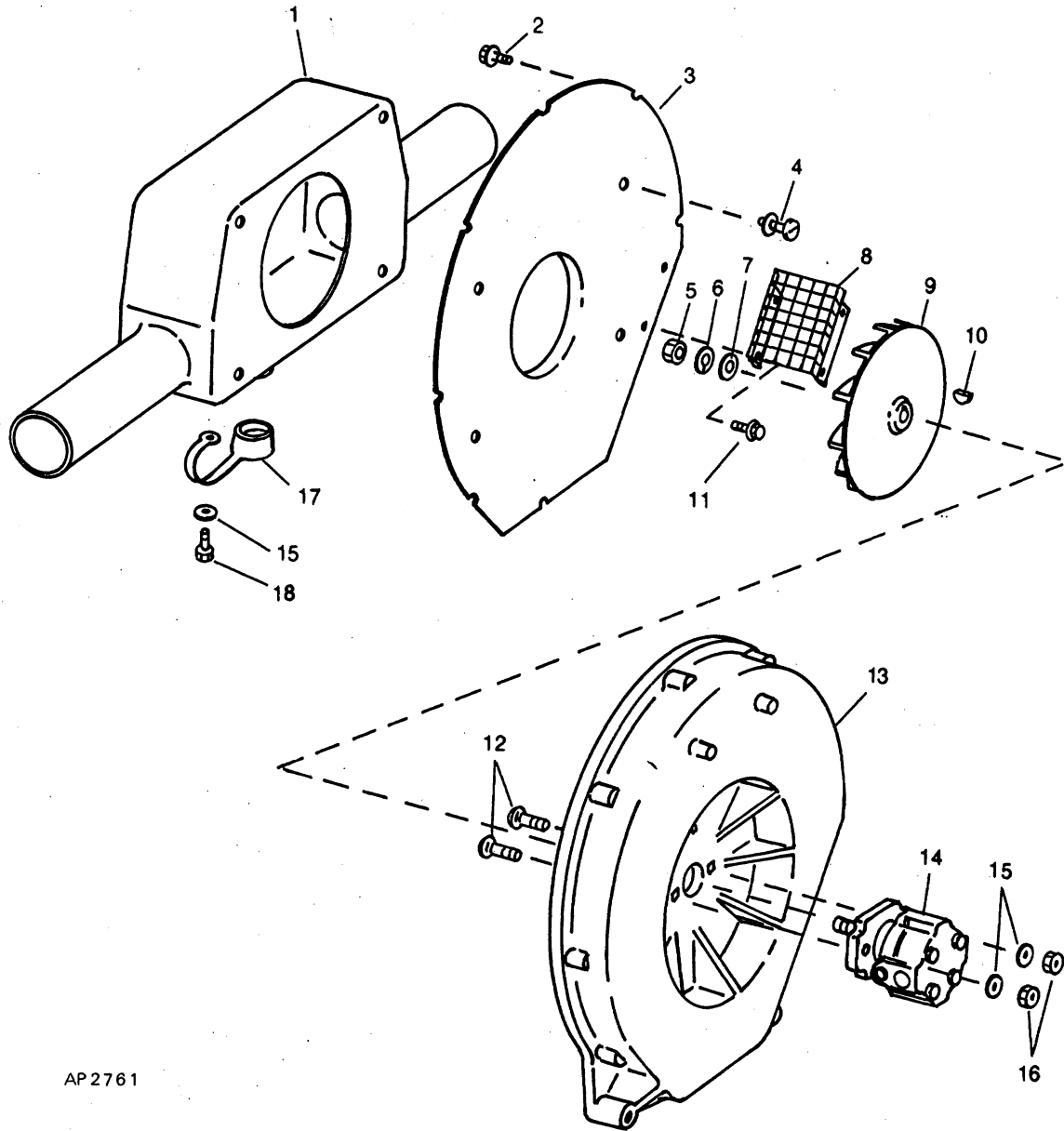
KEY	PART NO.	PART NAME	QTY	SERIAL NO. OR YEAR	REMARKS
1	A41050	PLUG	2		
2	T12282	BACK-UP RING	20		
3	A47748	MANIFOLD	2		
4	A40309	AIR DUCT	4		
5	A40473	MANIFOLD	5		
6	A46921	AIR DUCT	4		
7	AT25242	CLAMP	4		
8	H77698	TIE BAND	9		360 MM (14")
9	AA33985	HOSE	5		31.75 X 1 050MM (1-1/4" X 41-5/16")
10	A49940	BRACKET	5		
11	A48287	HOSE	2		(CUT FROM A48287) 79.4 X 2 300MM (3-1/8" X 90-1/2")
12	A45627	CAP	2		
13	03M7191	BOLT	2		M10 X 25
	14M7274	NUT	2		M10
14	A46534	U-BOLT	2		
	14M7275	NUT	4		M12
15	A50003	STRAP	2		
16	A46674	CLAMP	2		
17	A50004	PLUG	2		
18	H113196	TIE BAND	6		1016 MM (40")
19	A50605	PLUG	2		

G16

PLANTING UNITS

VACUUM BLOWER ASSEMBLY

AP2761



AP2761

G17

PLANTING UNITS

VACUUM BLOWER ASSEMBLY - CONTINUED

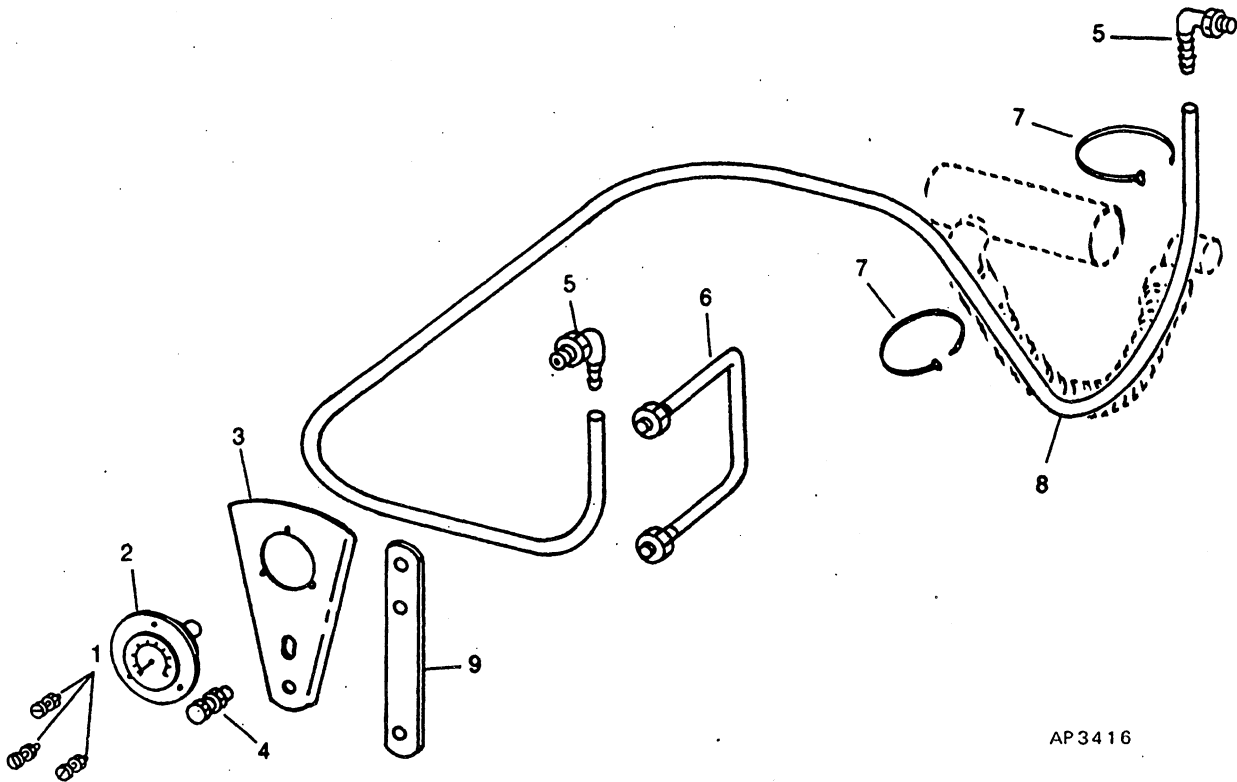
KEY	PART NO.	PART NAME	QTY	SERIAL NO. OR YEAR	REMARKS
1	A46931	ACCUMULATOR	1		
2	37M7090	SCREW	8		M6 X 16
3	A46772	PLATE	1		
4	21H1298	SCREW	4		NO. 10 X 3/8"
	24H1283	WASHER	4		7/32" X 1/2" X 0.048"
5	14H650	NUT	1		5/16"
6	12H303	LOCK WASHER	1		5/16"
7	24H1136	WASHER	1		11/32" X 11/16" X 0.060"
8	AA35021	GUARD	1		
9	A46771	IMPELLER	1		
10	26H7	SHAFT KEY	1		1/8" X 1/2"
11	37M7060	SCREW	4		M4 X 10
12	03H1519	BOLT	2		3/8" X 1"
13	A46770	HOUSING	1		
14	AH132882	MOTOR	1		
15	24H1305	WASHER	3		13/32" X 13/16" X 0.060"
16	K40003	LOCK NUT	2		3/8"
17	A45627	CAP	1		
18	19H2038	CAP SCREW	1		3/8" X 1/2"

G18

PLANTING UNITS

VACUUM MONITORING ASSEMBLY

AP3416



AP3416

G19

PLANTING UNITS

VACUUM MONITORING ASSEMBLY - CONTINUED

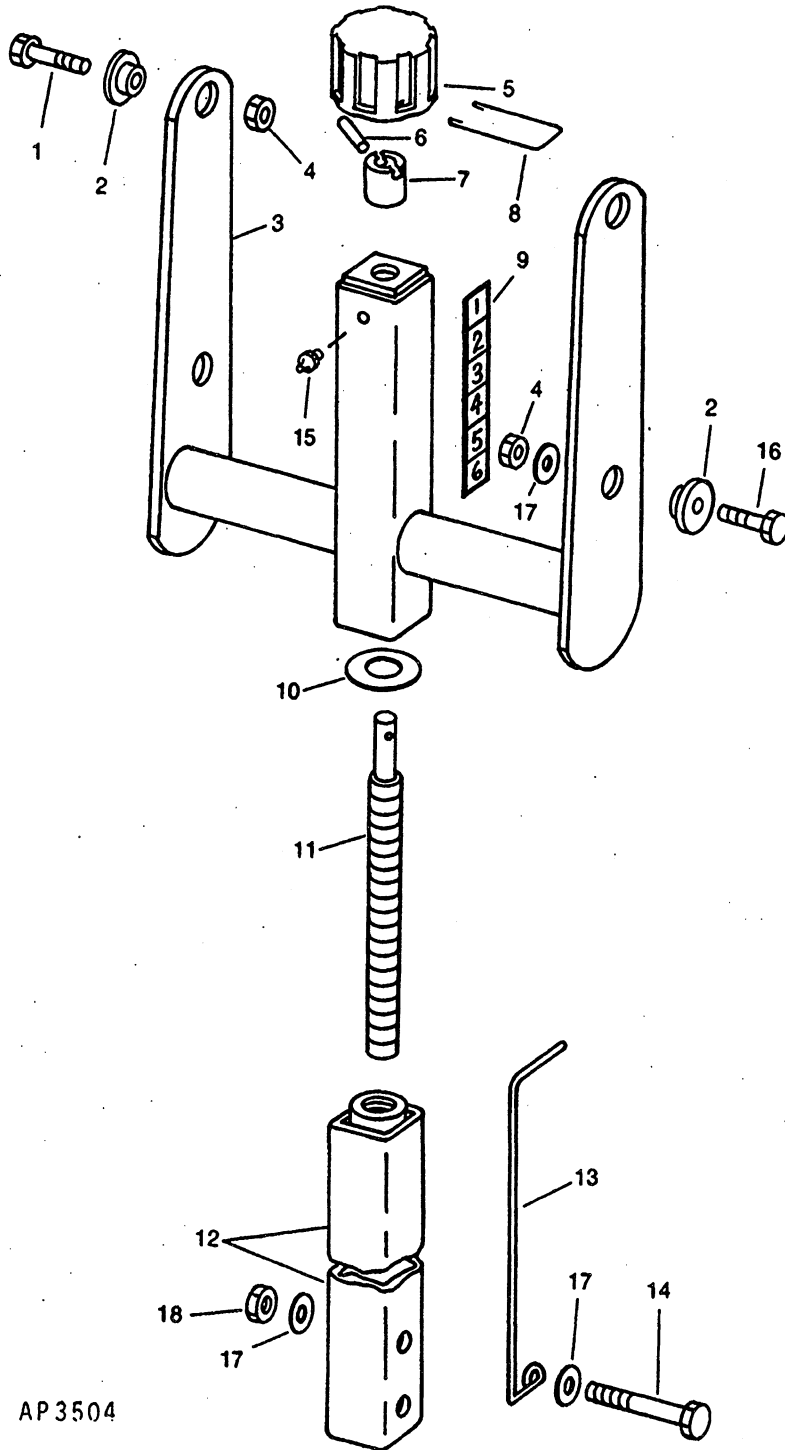
KEY	PART NO.	PART NAME	QTY	SERIAL NO. OR YEAR	REMARKS
1	21H1300	SCREW	3		NO. 10 X 3/8"
	14H778	NUT	3		NO. 10
2	AA36766	PRESSURE GAUGE	1		
3	A48915	BRACKET	1		
4	19M7268	CAP SCREW	1		M12 X 25
	14M7275	NUT	1		M12
5	N117170	HOSE FITTING	2		
6	A46534	U-BOLT	1		
	14M7275	NUT	2		M12
7	T44946	TIE BAND	2		381 MM (15")
8	A50052	HOSE	1		9.52 X 6.350 X 3 658MM (0.375" X 0.250 X 144.00")
9	A49731	STRAP	1		

G20

PLANTING UNITS

ATTACHMENT HANGER

AP3504



AP3504

ATTACHMENT HANGER - CONTINUED

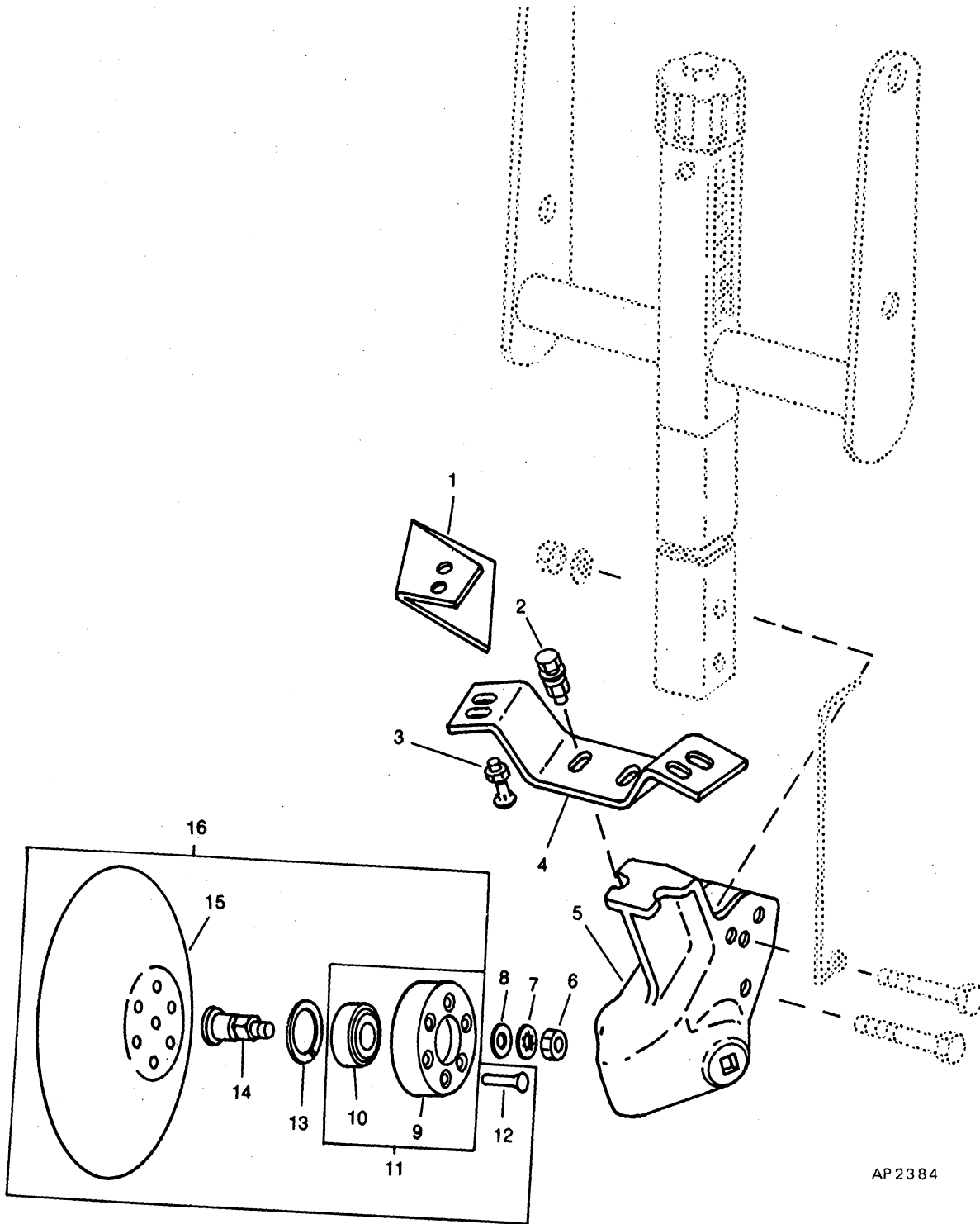
KEY	PART NO.	PART NAME	QTY	SERIAL NO. OR YEAR	REMARKS
1	19M7387	CAP SCREW	2		M12 X 40
2	A42895	SPACER	4		
3	AA32651	SUPPORT	1		
4	A31867	LOCK NUT	4		M12
5	A44677	HANDLE	1		
6	34M7044	SPRING PIN	1		
7	A49013	BUSHING	1		
8	A50048	CLIP	2		
9	A44745	SIGN	1		
10	24M7053	WASHER	1		17 X 30 X 3MM
11	A44441	STUD	1		
12	AA32652	TUBE	1		
13	A44744	ROD	1		
14	19M7189	CAP SCREW	2		M12 X 80
15	JD7797	LUBRICATION FITTING	1		
16	19M7182	CAP SCREW	2		M12 X 50
17	24M7047	WASHER	6		13 X 24 X 2.500MM
18	A31867	LOCK NUT	2		M12

G22

PLANTING UNITS

FURROWER

AP2384



AP2384

FURROWER - CONTINUED

KEY	PART NO.	PART NAME	QTY	SERIAL NO. OR YEAR	REMARKS
1	B32104	SCRAPER	1		R.H.
	B32105	SCRAPER	1		L.H.
2	19M7163	CAP SCREW	2		M8 X 25
	24M7238	WASHER	2		8.700 X 17 X 2MM
	E64256	LOCK NUT	2		M8
3	03M7184	BOLT	4		M8 X 20
	E64256	LOCK NUT	4		M8
4	A47746	BRACKET	1		
5	A40502	SHANK	1		
6	14M7289	NUT	2		M16
7	12H247	LOCK WASHER	2		5/8"
8	24H1825	WASHER	2		11/16" X 1-1/2" X 0.194"
9	A47974	HOUSING	2		
10	AA34616	BALL BEARING	2		
11	AA34617	BEARING	2		
12	16H750	RIVET	12		1/4" X 1-3/4"
13	A47973	WASHER	2		52.220 X 61 X 4.390MM (2.056" X 2.402" X 0.173")
14	A47791	STUD	2		
15	AA33718	DISK	2		330 X 3MM (13" X 0.118") SMOOTH (ILLUSTRATED)
	AA33719	DISK	2		330 X 3MM (13" X 0.118") NOTCHED
16	AA34619	TOOL	2		NOTCHED
	AA34618	TOOL	2		(ILLUSTRATED) SMOOTH

MEMORANDA

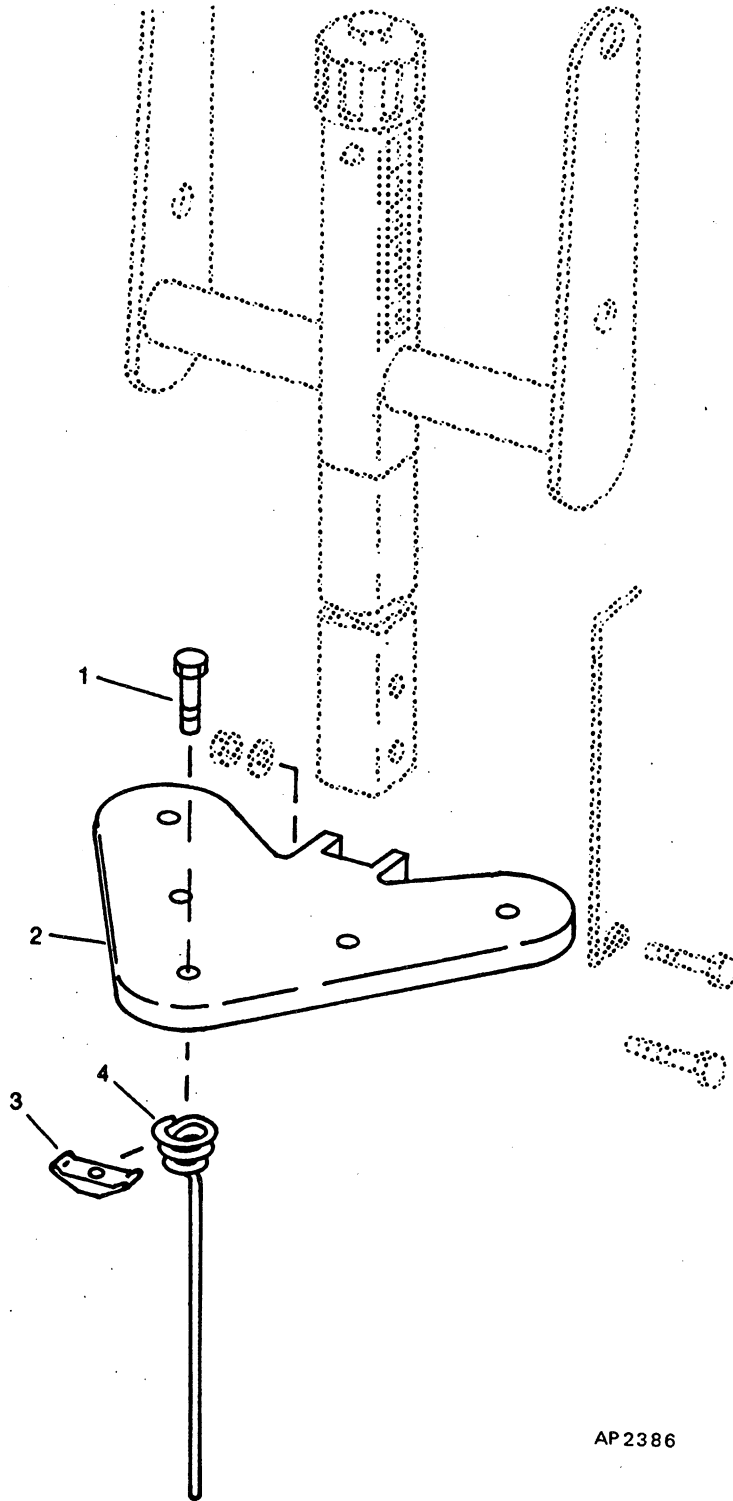
MEMORANDA

G24

PLANTING UNITS

TINE TOOTH

AP2386



AP 2386

G25

PLANTING UNITS

TINE TOOTH - CONTINUED

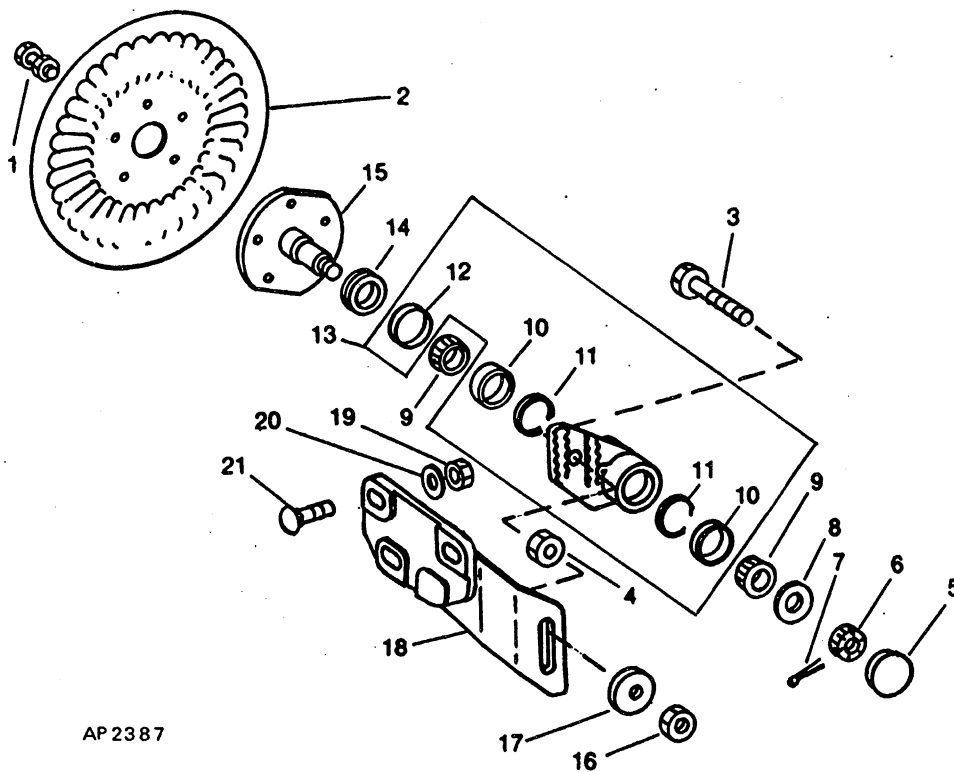
<i>KEY</i>	<i>PART NO.</i>	<i>PART NAME</i>	<i>QTY</i>	<i>SERIAL NO. OR YEAR</i>	<i>REMARKS</i>
1	19M7387	CAP SCREW	5		M12 X 40
2	A42613	SHANK	1		
3	A43604	CLAMP	5		
4	A43603	SPRING	5		

H01

PLANTING UNITS

HEAVY-DUTY COULTER

AP2387



AP 2387

H02

PLANTING UNITS

HEAVY-DUTY COULTER - CONTINUED

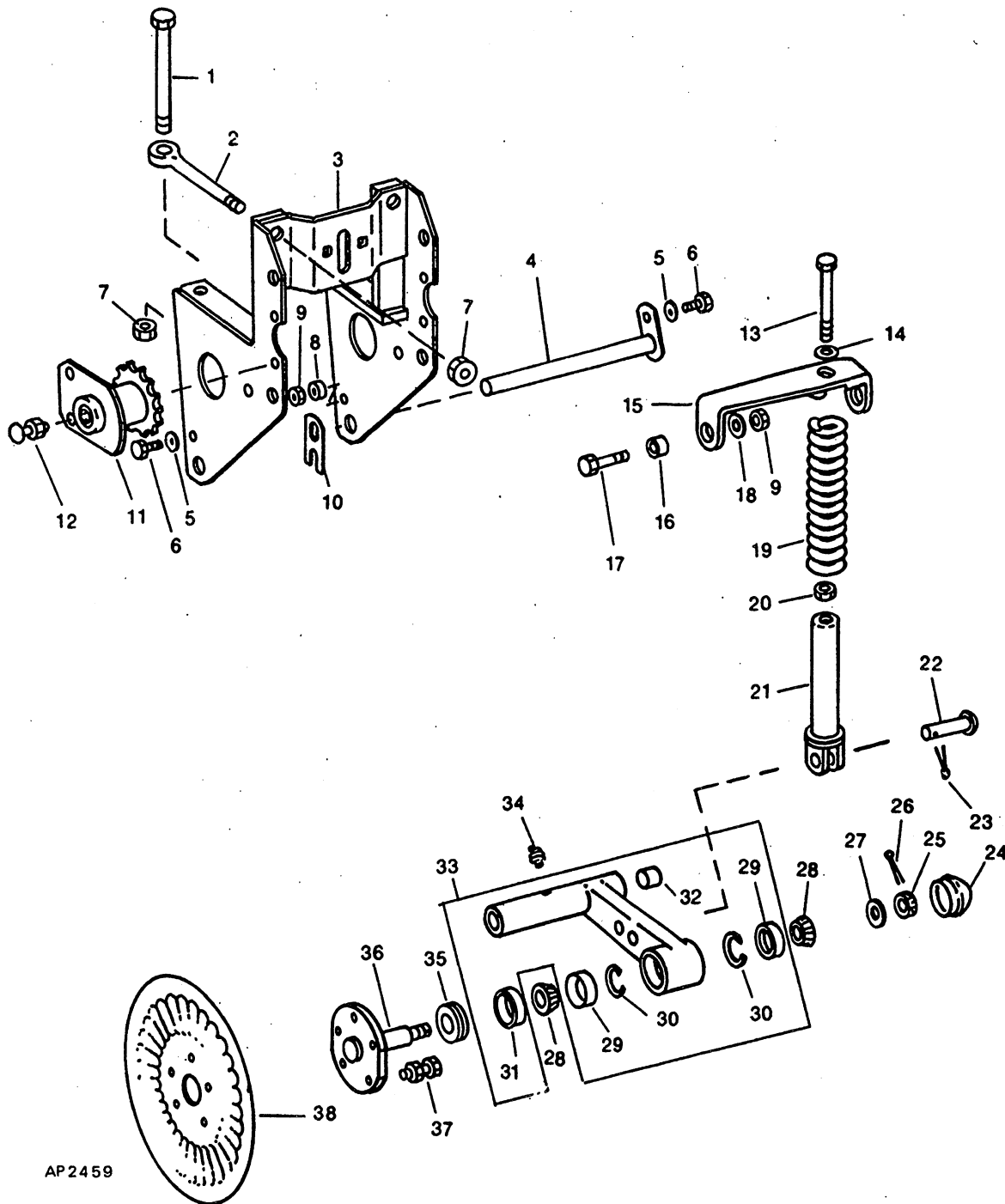
KEY	PART NO.	PART NAME	QTY	SERIAL NO. OR YEAR	REMARKS
1	19M7744	CAP SCREW	5		M12 X 35
	A31867	LOCK NUT	5		M12
2	A37977	DISK COLTER	1		402 X 4.500MM (15.827" X 0.177") FLUTED
	A46664	DISK COLTER	1		397 X 4.500MM (15.630" X 0.177") FLUTED
	A46665	DISK COLTER	1		403 X 4MM (15.866" X 0.157") RIPPLED
3	A50325	SCREW	1		M16 X 80
4	14M7192	NUT	1		M16
5	D10025	CAP	1		
6	A12188	LOCK NUT	1		25.400MM (1")
7	11M7030	COTTER PIN	1		5 X 40MM
8	24M7091	WASHER	1		26 X 44 X 4MM
9	JD8187	BEARING CONE	2		
10	JD8225	BEARING CUP	2		
11	32166	SNAP RING	2		
12	B32687	SEAL	1		
13	AA34232	HUB	1		
14	AA26234	SEAL	1		
15	AA33383	SPINDLE	1		
16	A31869	LOCK NUT	1		M16
17	24M7103	WASHER	1		18 X 58 X 5MM
18	A46816	BRACKET	1		
19	14M7275	NUT	3		M12
20	24M7234	WASHER	3		13 X 25 X 3MM
21	03M7199	BOLT	3		M12 X 35

H03

PLANTING UNITS

FRAME MOUNTED COULTER 6-ROW WIDE AND 8-ROW NARROW

AP2459



AP2459

THIS PARTS LISTING IS CONTINUED

H04

PLANTING UNITS

FRAME MOUNTED COULTER - CONTINUED 6-ROW WIDE AND 8-ROW NARROW

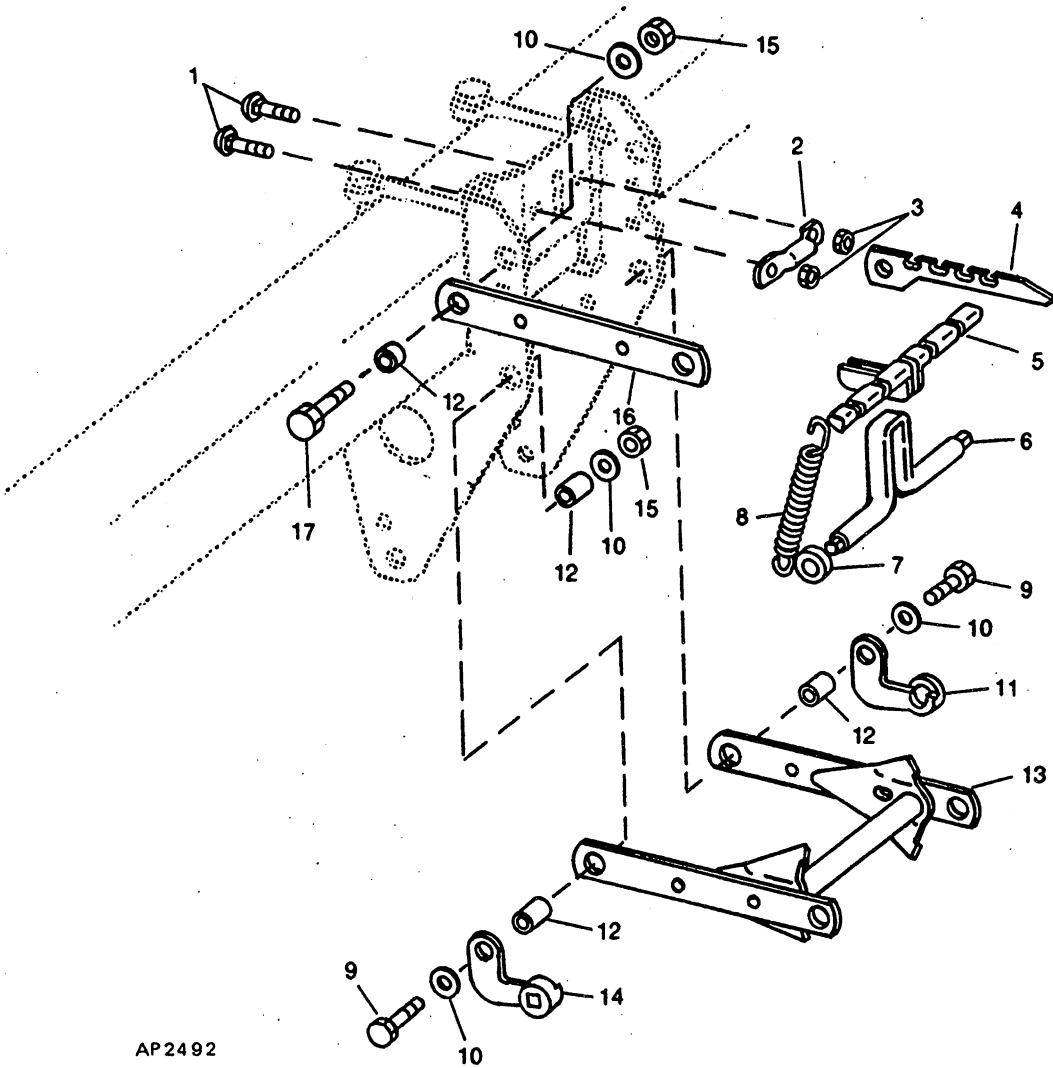
KEY	PART NO.	PART NAME	QTY	SERIAL NO. OR YEAR	REMARKS
1	19M7731	CAP SCREW	2		M20 X 240
2	A47222	EYEBOLT	2		
3	AA34050	BRACKET	1		
4	AA34049	PIN	1		
5	24M7047	WASHER	1		13 X 24 X 2.500MM
6	19M7073	CAP SCREW	1		M12 X 50
7	14M7277	NUT	4		M20
8	H1814B	WASHER	1		13.030 X 19.025 X 9.525MM (0.513" X 0.749" X 3/8")
9	A31867	LOCK NUT	1		M12
10	A50749	SPACER	AR		
11	AA36212	CHAIN SPROCKET	1		19-TOOTH
	AA35675	CHAIN SPROCKET	1		15-TOOTH, DECREASES RATE BY 21°
	AA35676	CHAIN SPROCKET	1		17-TOOTH, DECREASES RATE BY 11°
12	19M7167	CAP SCREW	2		M10 X 25
	14M7274	NUT	2		M10
13	19M8170	CAP SCREW	1		M16 X 180
14	24M7241	WASHER	1		17 X 34 X 4MM
15	A46808	BRACKET	1		
16	M80778	BUSHING	2		13.080 X 22.230 X 14.500MM (0.515" X 0.875" X 0.570")
17	19M7387	CAP SCREW	2		M12 X 40
18	24M7047	WASHER	2		13 X 24 X 2.500MM
19	A46832	COMPRESSION SPRING	1		
20	A31869	LOCK NUT	1		M16
21	A46810	CLEVIS	1		
22	A38249	PIN	1		15.875 X 76.200MM (5/8" X 3")
23	11M7023	COTTER PIN	1		4 X 32MM
24	D10025	CAP	1		
25	A12188	LOCK NUT	1		25.400MM
26	11M7030	COTTER PIN	2		5 X 40MM
27	24M7091	WASHER	2		26 X 44 X 4MM
28	JD8187	BEARING CONE	2		
29	JD8225	BEARING CUP	2		
30	32166	SNAP RING	2		
31	B32687	SEAL	1		
32	U41936	BUSHING	2		25.654 X 31.597 X 18.796MM (1.010" X 1.244" X 0.740")
33	AA34233	ARM	1		
34	JD7846	LUBRICATION FITTING	1		
35	AA26234	SEAL	1		
36	AA33383	SPINDLE	1		
37	19M7744	CAP SCREW	5		M12 X 35
	A31867	LOCK NUT	5		M12
38	A46665	DISK COLTER	1		403 X 4MM (15.866" X 0.157") RIPPLED

H05

PLANTING UNITS

PARALLEL ARMS AND DOWN FORCE ATTACHMENT WHEN USED WITH FRAME MOUNTED COULTER

AP2492



AP2492

H06

PLANTING UNITS

PARALLEL ARMS AND DOWN FORCE ATTACHMENT - CONTINUED WHEN USED WITH FRAME MOUNTED COULTER

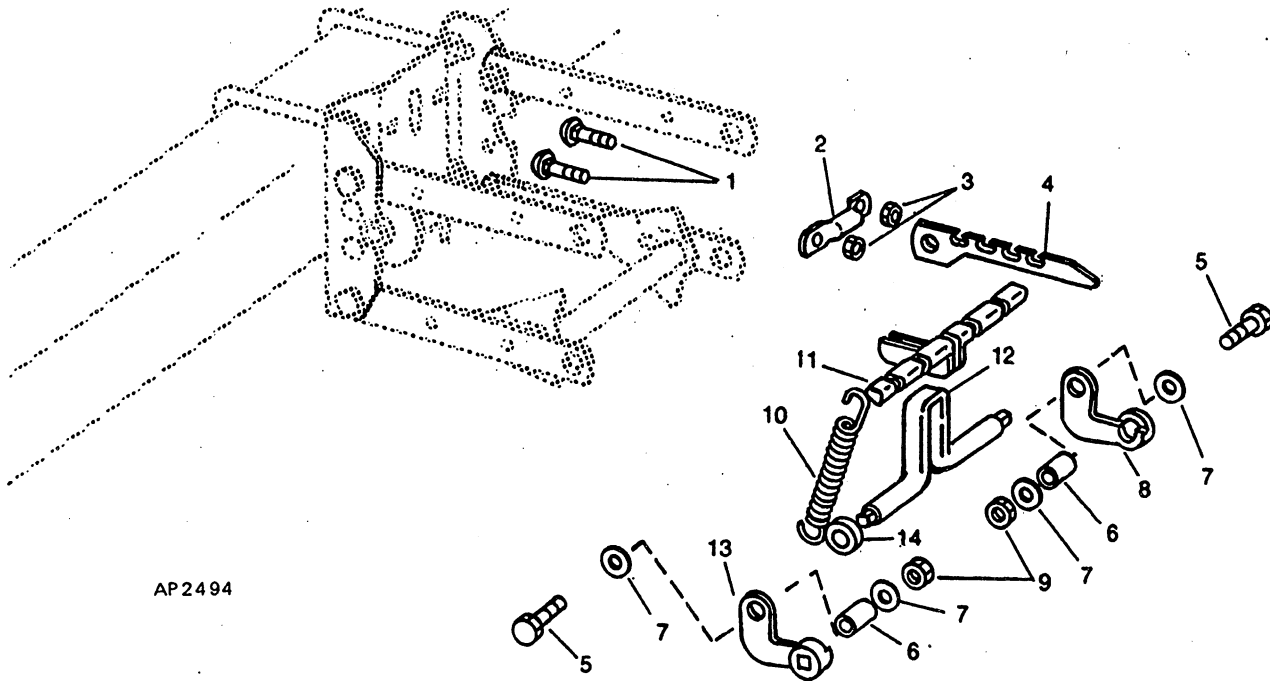
KEY	PART NO.	PART NAME	QTY	SERIAL NO. OR YEAR	REMARKS
1	03M7192	BOLT	2		M10 X 30
2	A44601	ANCHOR	1		
3	14M7274	NUT	2		M10
4	A44600	STRAP	1		
5	A46984	SUPPORT	1		
6	A44602	SUPPORT	1		
7	A50750	SPACER	2		
8	A43606	SPRING	2		
9	19M7343	CAP SCREW	2		M16 X 60
10	24H1192	WASHER	4		11/16" X 1-1/2" X 0.105"
11	A49639	ANCHOR	1		R.H.
12	A48515	BUSHING	6		16.640 X 27.580 X 14.230MM (0.655" X 1.086" X 0.560")
13	AH131833	ARM	1		
14	A49640	ANCHOR	1		L.H.
15	A31869	LOCK NUT	4		M16
16	A41358	ARM	2		
17	19M7396	CAP SCREW	2		M16 X 45

H07

PLANTING UNITS

DOWN FORCE ATTACHMENT HEAVY DUTY WHEN USED WITH SHORT PARALLEL ARMS

AP2494



AP2494

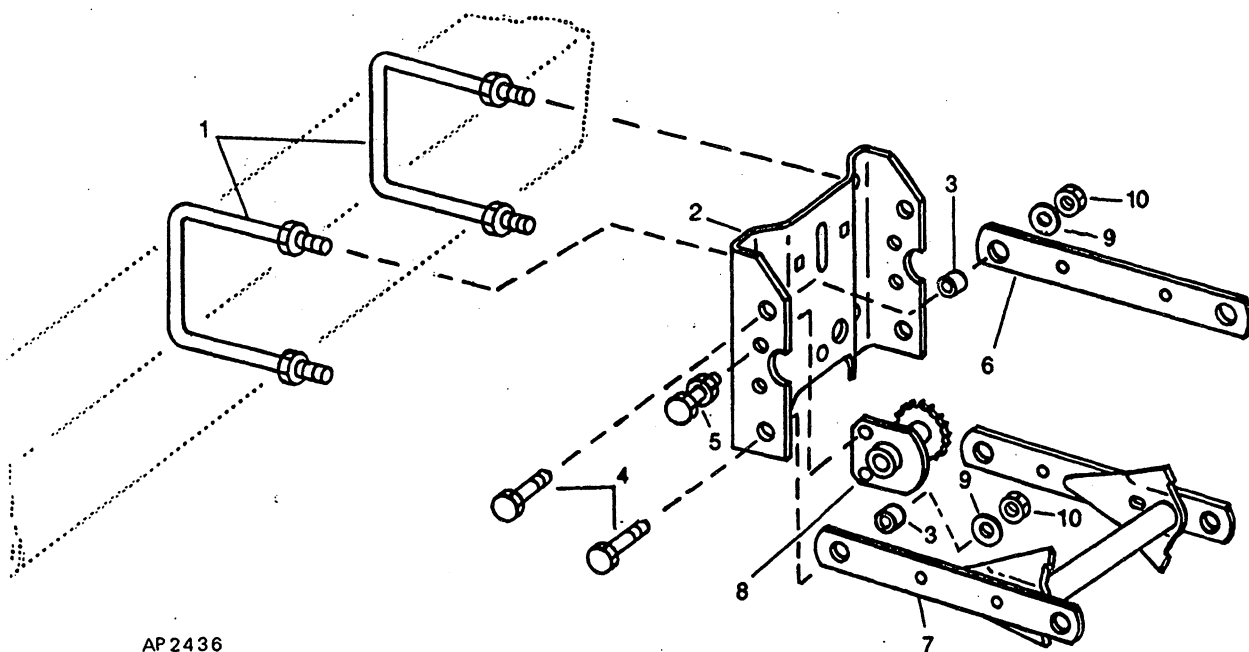
KEY	PART NO.	PART NAME	QTY	SERIAL NO. OR YEAR	REMARKS
1	03M7192	BOLT	2		M10 X 30
2	A44601	ANCHOR	1		
3	14M7274	NUT	2		M10
4	A44600	STRAP	1		
5	19M7343	CAP SCREW	2		M16 X 60
6	A48515	BUSHING	4		16.640 X 27.580 X 14.230MM (0.655" X 1.086" X 0.560")
7	24H1192	WASHER	4		11/16" X 1-1/2" X 0.105"
8	A47254	ANCHOR	1		R.H.
9	A31869	LOCK NUT	2		M16
10	A43606	SPRING	4		
11	A46984	SUPPORT	1		
12	A44602	SUPPORT	1		
13	A47255	ANCHOR	1		L.H.
14	A50073	SPACER	2		

H08

PLANTING UNITS

PARRALEL ARMS AND SPROCKET

AP2436



AP 2436

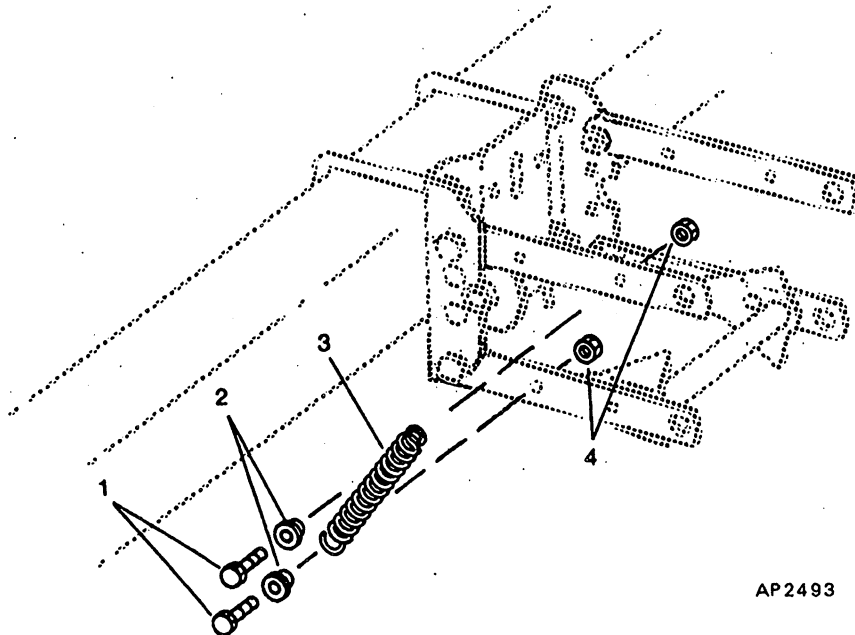
KEY	PART NO.	PART NAME	QTY	SERIAL NO. OR YEAR	REMARKS
1	A46533	U-BOLT	2		
	14M7276	NUT	4	M16	
2	A41261	PLATE	1		
3	A48515	BUSHING	4		16.640 X 27.580 X 14.230MM (0.655" X 1.086" X 0.560")
4	19M7396	CAP SCREW	4	M16 X 45	
5	19M7167	CAP SCREW	2	M10 X 25	
	14M7274	NUT	2	M10	
6	A41358	ARM	2		420 MM (16") (ILLUSTRATED)
7	AA30993	ARM	1		420 MM (16") (ILLUSTRATED)
8	AA35645	CHAIN SPROCKET	1		19-TOOTH
	AA35675	CHAIN SPROCKET	1		15-TOOTH, DESCRASES RATE BY 21°
	AA35676	CHAIN SPROCKET	1		17-TOOTH, DECREASES RATE BY 11°
9	24H1192	WASHER	4		11/16" X 1-1/2" X 0.105"
10	A31869	LOCK NUT	2	M16	

H09

PLANTING UNITS

DOWN FORCE ATTACHMENT LIGHT DUTY

AP2493



AP 2493

KEY	PART NO.	PART NAME	QTY	SERIAL NO. OR YEAR	REMARKS
1	19M7387	CAP SCREW	4		M12 X 40
	19M7273	CAP SCREW	2		M12 X 60, WHEN USED IN CONJUNCTION WITH ATTACHMENT HANGER OR TWO SETS OF DOWN FORCE ATTACHMENTS
2	A42895	SPACER	4		
3	A43609	SPRING	2		
4	A31867	LOCK NUT	4		M12

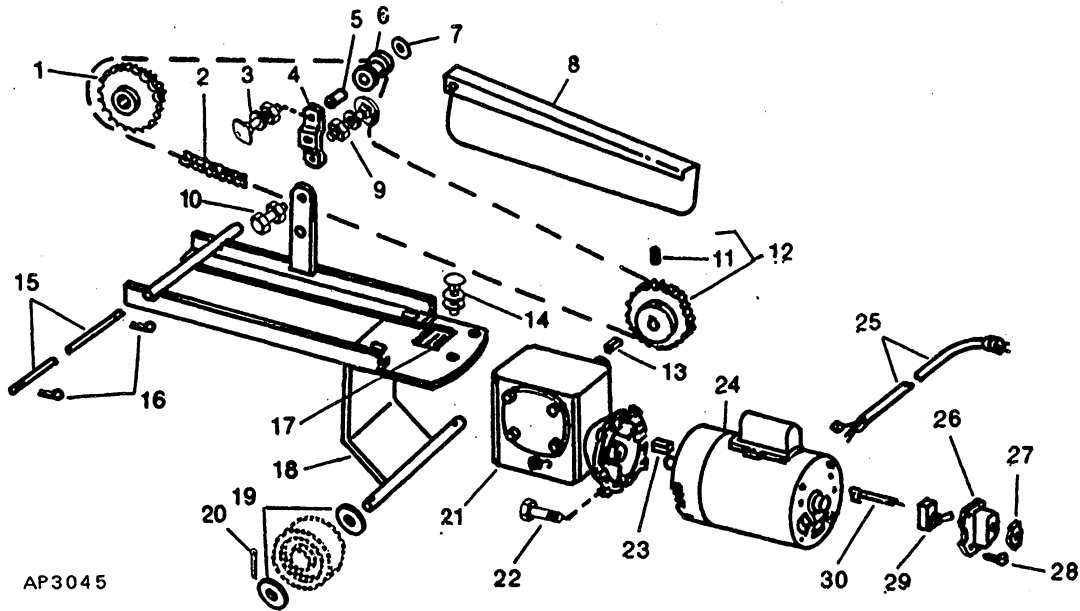
MEMORANDA

H10

PLANTING UNITS

PLANTER RUN-IN STAND

AP3045



AP3045

PLANTER RUN-IN UNIT - CONTINUED

KEY	PART NO.	PART NAME	QTY	SERIAL NO. OR YEAR	REMARKS
1	AA26795	CHAIN SPROCKET	1		
2	LINK CHAIN	1		(ASSEMBLE 67 LINKS FROM 10-FT. ROLL AP22462, ONE AP19995 AND ONE AP19993)
3	03H1512	BOLT	2		3/8" X 2-1/2"
	12H304	LOCK WASHER	2		3/8"
	24H1307	WASHER	2		13/32" X 1" X 0.060"
	14H1076	NUT	2		3/8"
4	B30247	STRIP	1		
5	B30967	BUSHING	1		
6	B30969	IDLER	2		
7	24H1139	WASHER	2		11/16" X 1-1/4" X 0.105"
8	A30185	SHIELD	1		
9	03H1746	BOLT	1		1/2" X 1-1/4"
	12H301	LOCK WASHER	1		1/2"
	24H1226	WASHER	1		1/2" X 1-1/4" X 0.075"
	14H1040	NUT	1		1/2"
10	19H1936	CAP SCREW	1		3/8" X 3/4"
	K40003	LOCK NUT	1		9.525MM (3/8")
11	22H987	SET SCREW	1		1/2" X 1-1/2"
12	AB18732	DRIVE SPROCKET	1		
13	KEY	1		1/4" X 1/4" X 1-5/16" CUT FROM H64374 IN AH64587
14	19H1936	CAP SCREW	4		3/8" X 3/4"
	12H304	LOCK WASHER	4		3/8"
	24H1139	WASHER	4		11/16" X 1-1/4" X 0.105"
15	A26332	PIN	1		9.525 X 248.920MM (3/8" X 9.800")
16	J16931	SPRING LOCKING PIN	2		
17	A30223	SIGN	1		
18	AA23259	STAND	1		
19	24H1307	WASHER	2		13/32" X 1" X 0.060"
20	11H218	COTTER PIN	2		3/16" X 1-1/2"
21	AB18730	GEAR	1		
22	19H1731	CAP SCREW	4		3/8" X 1"
23	KEY	1		3/16" X 3/16" X 1.38" CUT FROM H64373 IN AH64587
24	AB18729	MOTOR	1		
25	AB18790	POWER CORD	1		
26	B32081	BOX	1		
27	B31756	PLATE	1		
28	21H1293	SCREW	2		NO. 8 X 5/16"
29	AB18733	TOGGLE SWITCH	1		
30	AB18884	TERMINAL	1		

MEMORANDA

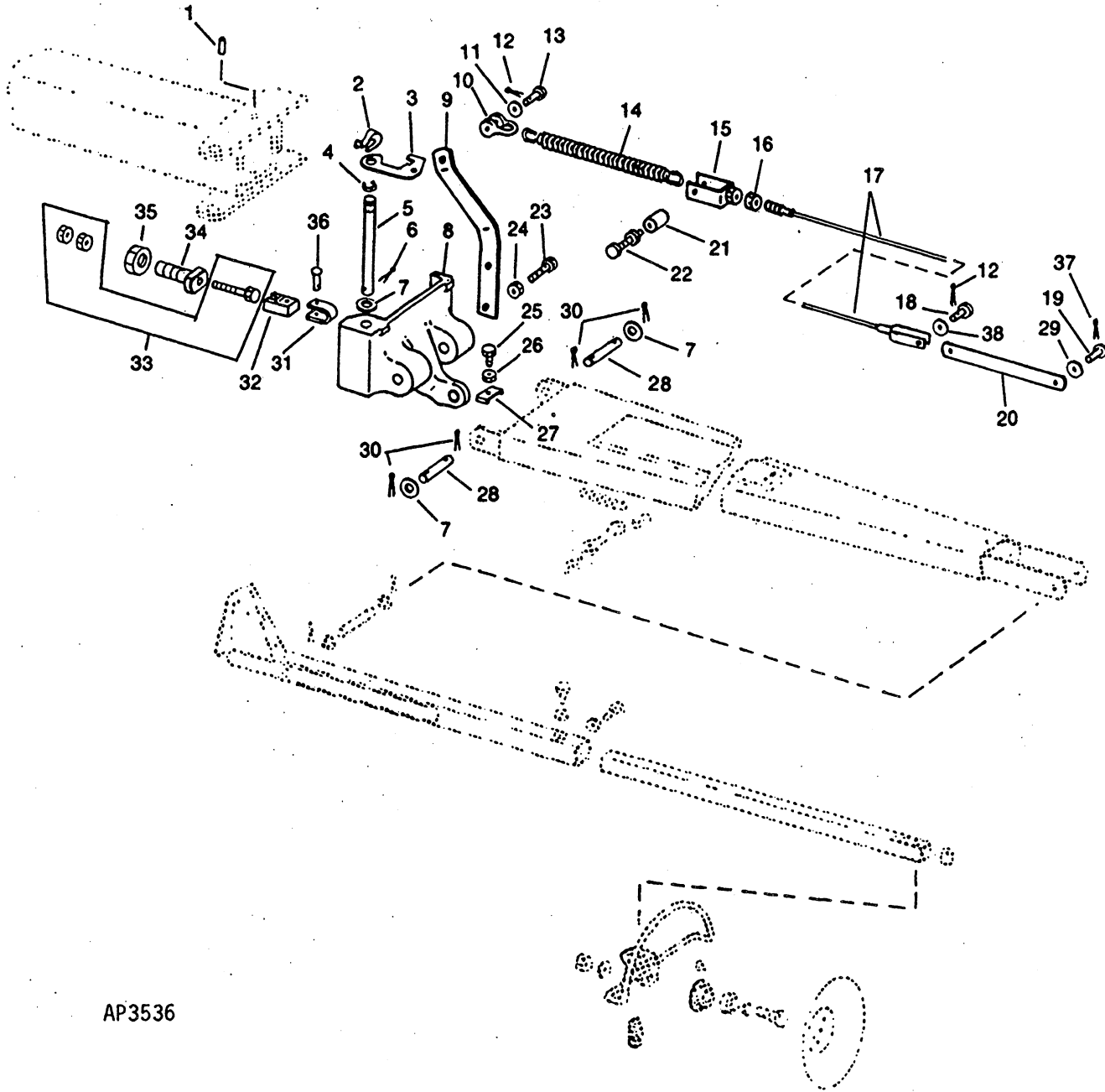
MEMORANDA

H13

MARKERS

MARKER PIVOT ASSEMBLY 6-ROW WIDE AND 8-ROW NARROW

AP3536



AP3536

H14

MARKERS

**MARKER PIVOT ASSEMBLY - CONTINUED
6-ROW WIDE AND 8-ROW NARROW**

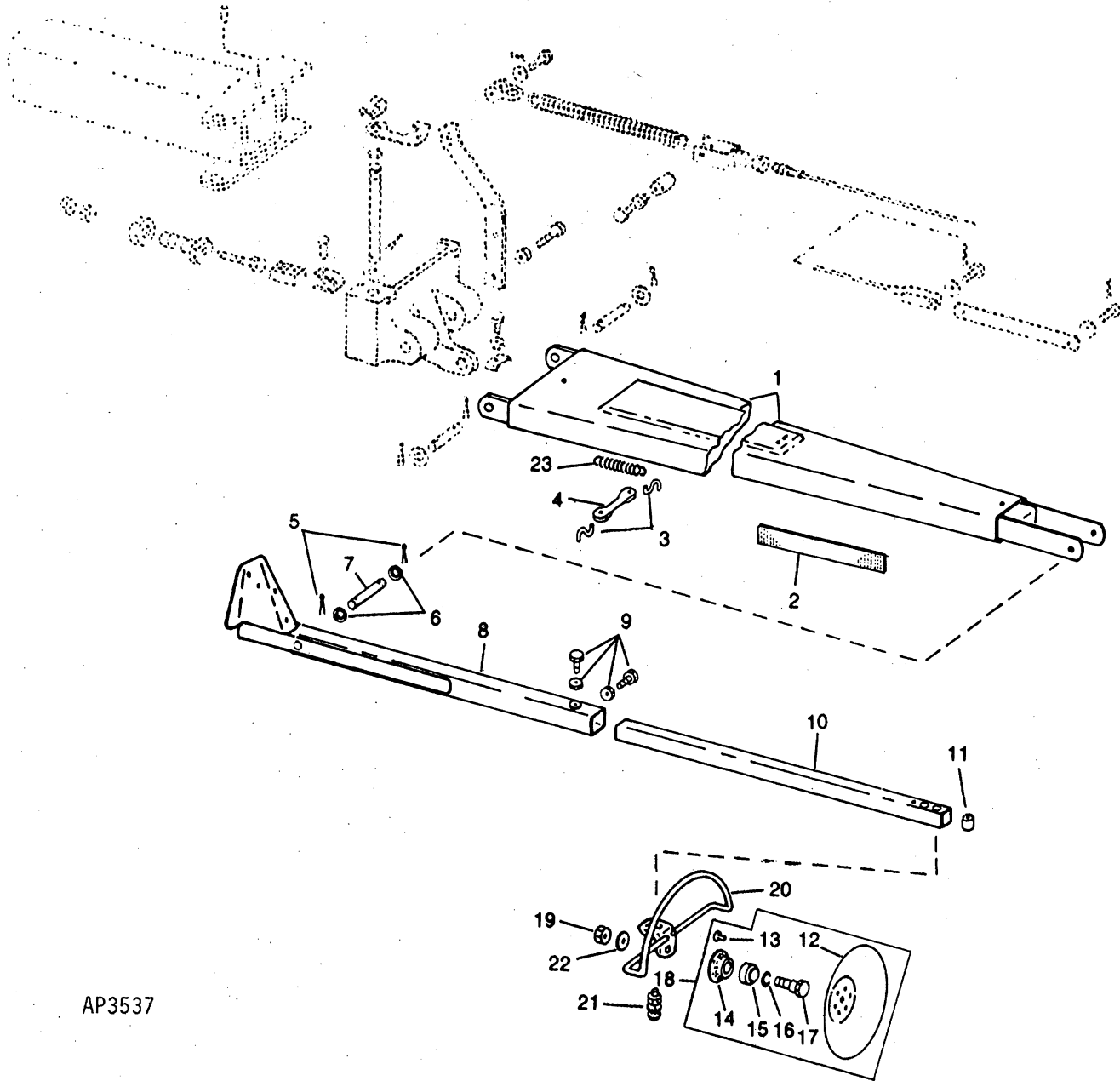
KEY	PART NO.	PART NAME	QTY	SERIAL NO. OR YEAR	REMARKS
1	34M7046	SPRING PIN	1		8 X 36MM
2	A50417	CLIP	1		
3	A47737	ANCHOR	1		
4	M40808	SNAP RING	1		
5	A41808	PIN	1		25.400 X 255MM (1" X 10.039")
6	11M7056	COTTER PIN	1		8 X 50MM
7	24H1138	WASHER	AR		1-1/16" X 2" X 0.134"
8	A50268	PIVOT	1		R.H.
	A50269	PIVOT	1		L.H.
9	A49968	MAST	1		R.H.
	A49969	MAST	1		L.H.
10	H22480	CLEVIS	1		
11	24H1111	WASHER	1		17/32" X 1-1/16" X 0.090"
12	11M7015	COTTER PIN	2		3.200 X 25MM
13	T19818	PIN	1		10.947 X 52.324MM (0.431" X 2.060")
14	A43606	SPRING	1		
15	AH129234	CLEVIS	1		
16	14M7192	NUT	2		M16
17	AA36445	CABLE	1		
18	A26927	PIN	1		15.875 X 39.624MM (5/8" X 1.560")
19	KK4893B	PIN	1		12.700 X 50.800MM (1/2" X 2")
20	A50788	STRAP	1		
21	28H1524	SPACER	1		0.493" X 0.675" X 7/8"
22	19M7724	CAP SCREW	1		M10 X 45
	14M7274	NUT	1		M10
23	19M7303	CAP SCREW	2		M12 X 45
24	14M7275	NUT	2		M12
25	19M6755	CAP SCREW	1		M6 X 35
26	14M7272	NUT	1		M6
27	M42858	CLAMP	1		
28	A23680	PIN	2		25.400 X 124.460MM (1" X 4.900")
29	24H1111	WASHER	2		17/32" X 1-1/16" X 0.090"
30	11M7038	COTTER PIN	5		6.300 X 40MM
31	A45292	CLEVIS	1		
32	A47735	PIVOT	1		
33	AA36520	KIT	1		(INCLUDES (5) 19M7296 AND (10) 14M7273)
34	A47734	CAP SCREW	1		
35	14M7278	NUT	1		M24
36	J18724	PIN	1	-1987	12.700 X 50.800MM (1/2" X 2")
	KK4893B	PIN	1	1987-	12.700 X 50.800MM (1/2" X 2")
37	11M7021	COTTER PIN	1		4 X 25MM
38	24H1368	WASHER	1		21/32" X 1-5/16" X 0.090"

H15

MARKERS

MARKER ARM ASSEMBLY 6-ROW WIDE AND 8-ROW NARROW

AP3537



AP3537

H16

MARKERS

**MARKER ARM ASSEMBLY - CONTINUED
6-ROW WIDE AND 8-ROW NARROW**

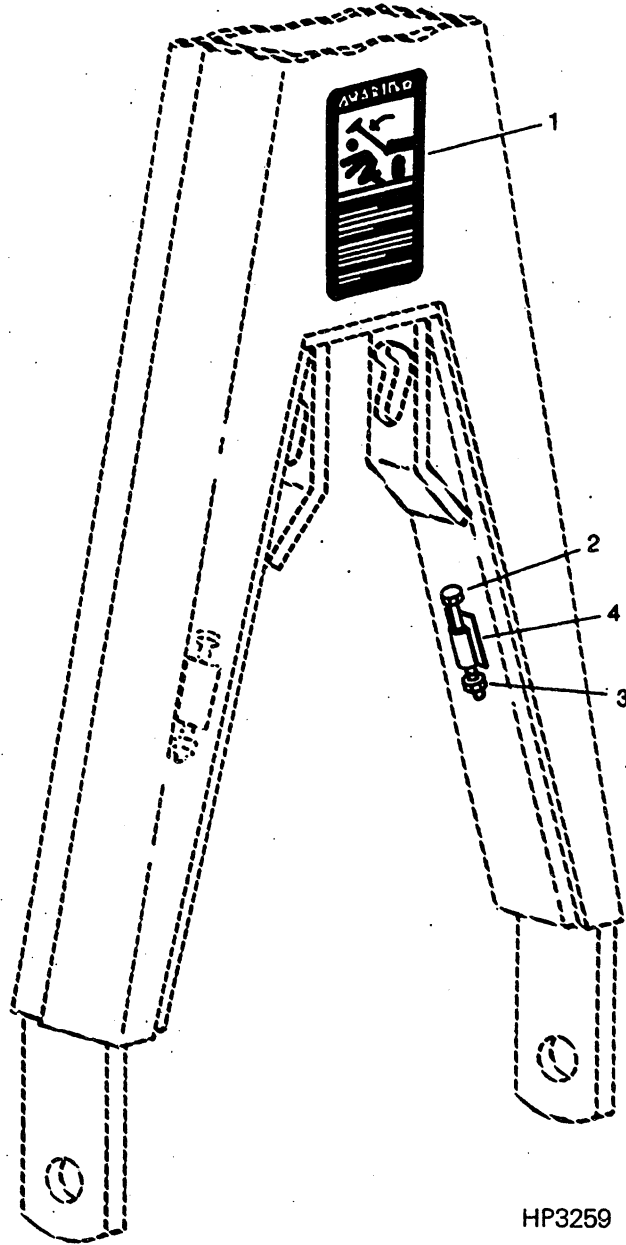
KEY	PART NO.	PART NAME	QTY	SERIAL NO. OR YEAR	REMARKS
1	AH131026	ARM	1		
2	JD5582	REFLECTOR	1		AMBER, LOCATED ON FRONT OF ARM
	JD5579	REFLECTOR	1		RED, LOCATED ON REAR OF ARM
3	A26375	HOOK	2		
4	A23153	STRAP	1		
5	11M7054	COTTER PIN	2		6.300 X 32MM
6	24H1161	WASHER	2		13/16" X 1-1/2" X 0.134"
7	E68478	PIN	1		19.050 X 152.500MM (3/4" X 6.004")
8	AH131032	ARM	1		
9	A50745	SET SCREW	2		
	14M7415	NUT	2		M12
10	A42302	TUBE	1		
11	28H3184	SPACER	1		0.742" X 1.050" X 1-7/16"
12	AA23006	DISK	1		330 X 3MM (13" X 0.118")
13	16H652	RIVET	6		1/4" X 9/16"
14	A26032	HOUSING	1		
15	A27002	BALL BEARING	1		
16	A41683	WASHER	1		
17	A48541	STUD	1		
18	AA35072	DISK	1		
19	14M7276	NUT	1		M16
20	AA27924	BRACKET	1		
21	03M7219	BOLT	2		M12 X 80
	12H301	LOCK WASHER	2		1/2"
	14M7275	NUT	2		M12
22	12M7069	LOCK WASHER	1		16.200MM
23	H135018	EXTENSION SPRING	1		

H17

MARKERS

SPARE CLIPS AND SHEAR BOLTS (1987-) (FOR MARKERS)

HP3259



HP3259

H18

MARKERS

SPARE CLIPS AND SHEAR BOLTS (1987-) - CONTINUED
(FOR MARKERS)

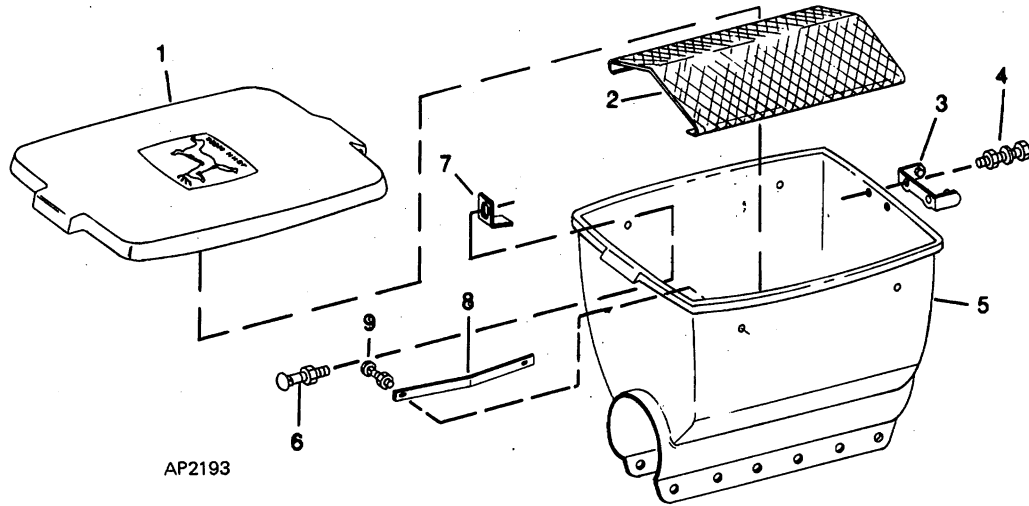
KEY	PART NO.	PART NAME	QTY	SERIAL NO. OR YEAR	REMARKS
1	H136475	SIGN	1		"WARNING"
2	19M7296	CAP SCREW	2		M8 X 100
3	14M7273	NUT	4		M8
4	H135759	CLIP	2		

MEMORANDA

H21

DRY FERTILIZER AUGER FILL HOPPER 6-ROW WIDE AND 8-ROW NARROW

AP2193

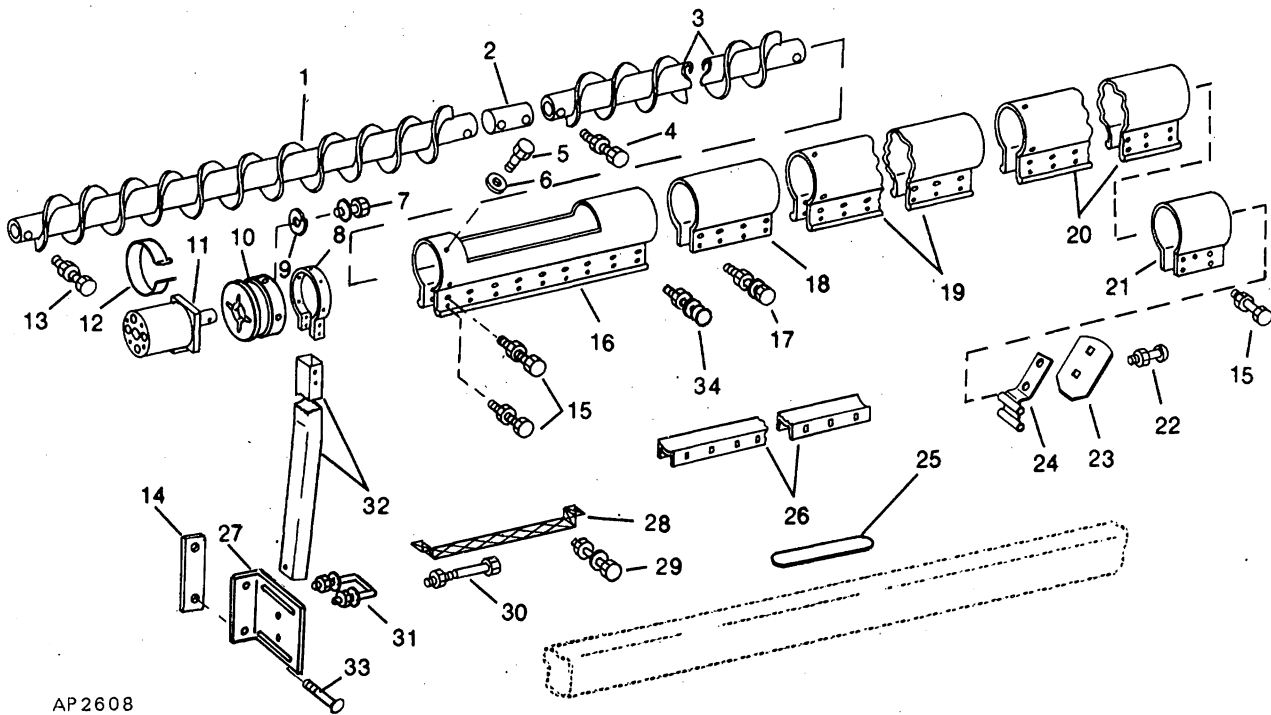


KEY	PART NO.	PART NAME	QTY	SERIAL NO. OR YEAR	REMARKS
1	AA23225	COVER	1		
2	A26508	ISOLATOR	1		
3	A22689	HINGE	1		
4	19M7077	CAP SCREW	2		M6 X 20
	24M7054	WASHER	2		6.400 X 12.500 X 1.600MM
	14M7272	NUT	2		M6
5	AA23837	HOPPER	1		
6	03M7184	BOLT	6		M8 X 20
	14M7273	NUT	6		M8
7	A27355	CLIP	2		
8	A28237	STRAP	2		
9	03M7184	BOLT	4		M8 X 20
	14M7273	NUT	4		M8

H22

DRY FERTILIZER AUGER FILL ATTACHMENT 6-ROW WIDE AND 8-ROW NARROW

AP2608



AP 2608

H23

FERTILIZER ATTACHMENTS

DRY FERTILIZER AUGER FILL ATTACHMENT - CONTINUED 6-ROW WIDE AND 8-ROW NARROW

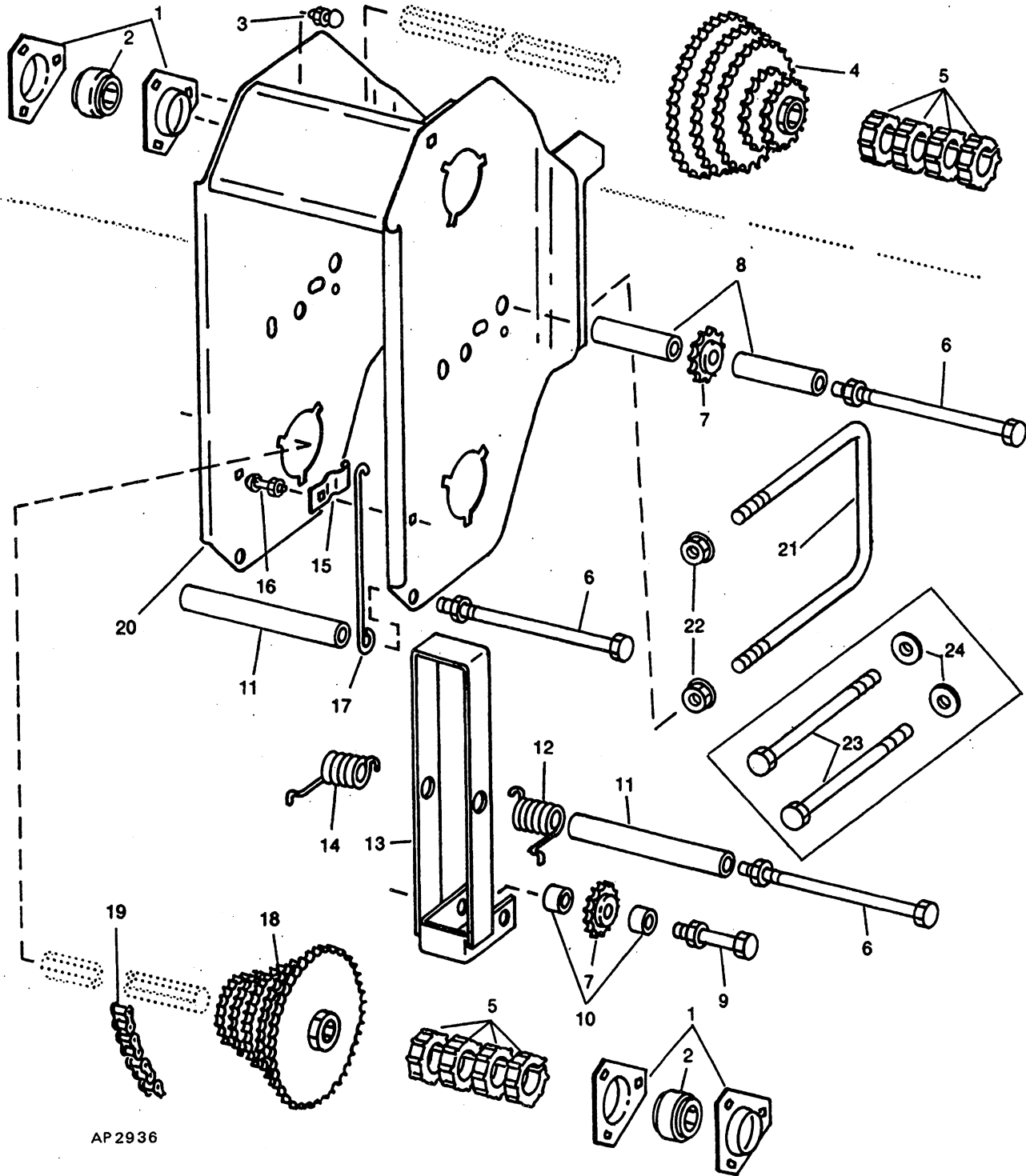
KEY	PART NO.	PART NAME	QTY	SERIAL NO. OR YEAR	REMARKS
1	AA35155	AUGER	1		
2	A33075	PIN	1		22.225 X 88.900MM (7/8" X 3-1/2")
3	AA23532	AUGER	1		
4	19M7724	CAP SCREW	AR		M10 X 45
	A51212	LOCK NUT	AR		M10
5	19M7139	CAP SCREW	AR		M8 X 20
6	24M7055	WASHER	AR		8.400 X 17 X 1.600MM
7	19H1732	CAP SCREW	4		3/8" X 1-1/4"
	24M7040	WASHER	4		11 X 21 X 2MM
8	A24777	CLAMP	1		
9	12H304	LOCK WASHER	4		3/8"
10	A39730	SUPPORT	1		
11	AA23541	MOTOR	1		
12	A39728	GUARD	1		
13	19M8275	CAP SCREW	1		M6 X 45
	E68605	LOCK NUT	1		M6
14	A45480	STRAP	AR		
15	19M7325	CAP SCREW	AR		M8 X 80
	E64256	LOCK NUT	1		M8
16	A26506	TUBE	1		
17	19M7139	CAP SCREW	AR		M8 X 20
	24M7055	WASHER	AR		8.400 X 17 X 1.600MM
	E64256	LOCK NUT	AR		M8
18	A24863	TUBE	AR		
19	A26407	TUBE	AR		
20	A27517	TUBE	AR		
21	A27250	GUARD	1		
22	03M7184	BOLT	2		M8 X 20
	E64256	LOCK NUT	2		M8
23	A31642	SHIELD	1		
24	AA25611	SUPPORT	1		
25	M43227	MAT	1		
26	A26933	SUPPORT	AR		CUT TO LENGTH
27	A48794	BRACKET	AR		
28	A31839	SCREEN	AR		
29	19M7691	CAP SCREW	AR		M8 X 90
	24M7055	WASHER	AR		8.400 X 17 X 1.600MM
	E64256	LOCK NUT	AR		M8
30	19M7189	CAP SCREW	AR		M12 X 80
	A31867	LOCK NUT	AR		M12
31	A48925	U-BOLT	AR		
	24M7047	WASHER	AR		13 X 24 X 2.500MM
	14M7275	NUT	AR		M12
32	A48924	TUBE	AR		
33	19M7996	CAP SCREW	AR		M12 X 210
34	19M7325	CAP SCREW	9		M8 X 80
	24M7055	WASHER	9		8.400 X 17 X 1.600MM
	E64256	LOCK NUT	9		M8

H24

FERTILIZER ATTACHMENTS

FERTILIZER TRANSMISSION LIQUID AND DRY

AP2936



AP 2936

THIS PARTS LISTING IS CONTINUED
7200 MAXEMERGE® 2 DRAWN PLANTERS 6 WIDE/8 NARROW PC-2145 (24-OCT-86) LITHO IN U.S.A.

H25

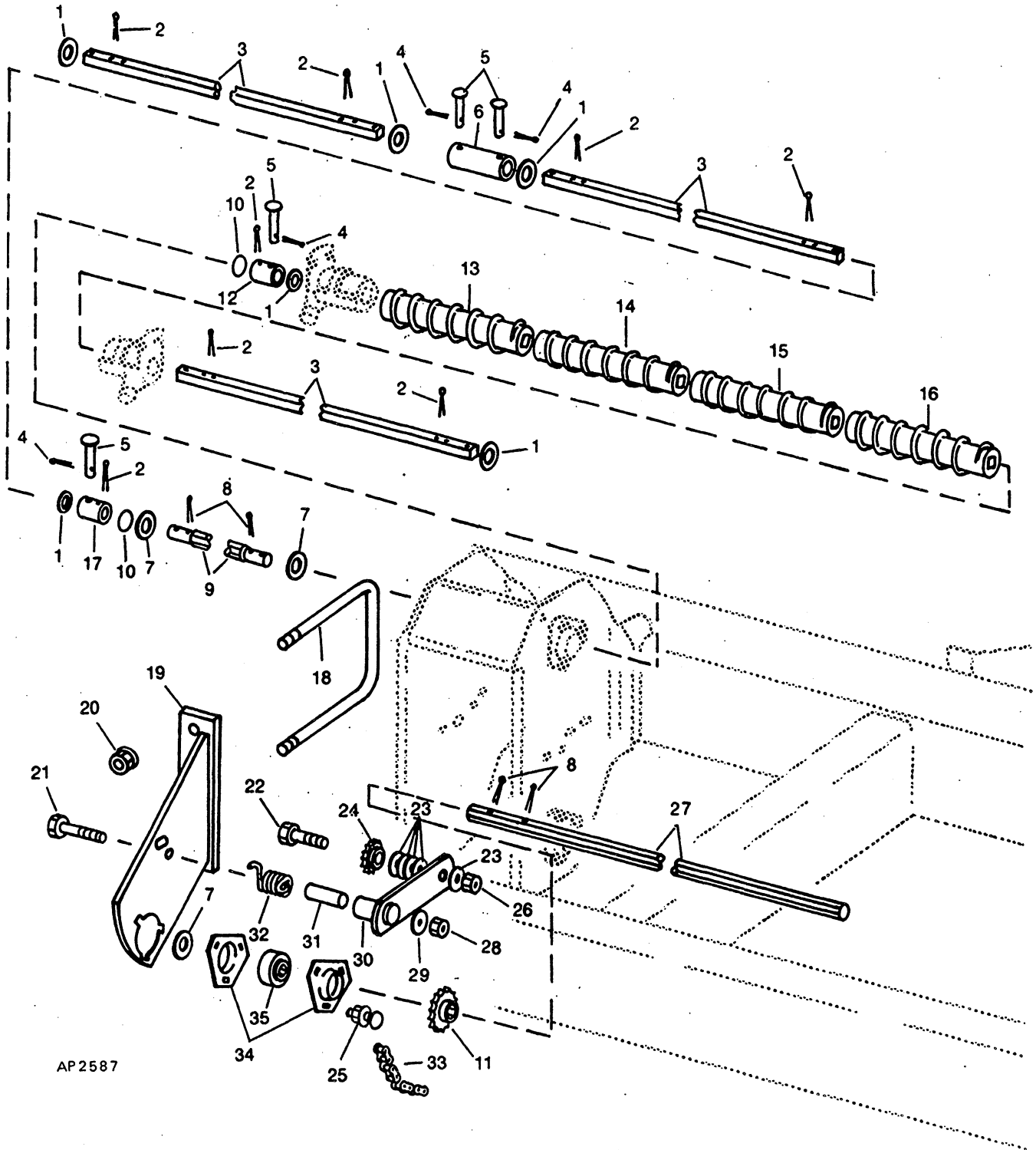
FERTILIZER ATTACHMENTS

FERTILIZER TRANSMISSION - CONTINUED LIQUID AND DRY

KEY	PART NO.	PART NAME	QTY	SERIAL NO. OR YEAR	REMARKS
1	H103264	PRESSED FLANGED HOUSING	8		
2	AA22097	BALL BEARING	4		
3	03M7183	BOLT	12		M8 X 16
	12H303	LOCK WASHER	12		5/16"
	14M7273	NUT	12		M8
4	AA31694	CHAIN SPROCKET	1		16-, 18-, 30-, 33-, AND 36-TOOTH COMBINATION
5	A43610	SPACER	8		
6	19M8037	CAP SCREW	3		M12 X 180
	14M7275	NUT	3		M12
7	AA32729	CHAIN SPROCKET	2		14-TOOTH
8	A40622	SPACER	2		
9	19M7273	CAP SCREW	1		M12 X 60
	14M7275	NUT	1		M12
10	A50245	SPACER	2		13.290 X 18.730 X 12MM (0.523" X 0.737" X 0.472")
11	A43076	SPACER	2		
12	A40869	TORSION SPRING	1		
13	AA31881	ARM	1		
14	A40870	TORSION SPRING	1		
15	A42756	CLIP	1		
16	03M7251	BOLT	1		M6 X 12
	14M7272	NUT	1		M6
17	A43143	CATCH	1		
18	AA31693	CHAIN SPROCKET	1		16-, 21-, 26-, 28-, AND 36-TOOTH COMBINATION
19	ROLLER CHAIN	1		(ASSEMBLE FROM AJ8878N, P33541 AND P33542) ANSI 40, 12.7 MM (1/2") SINGLE PITCH, 93 LINKS
20	AA36457	HOUSING	1		
21	A46534	U-BOLT	1		
22	14M7299	FLANGE NUT	2		M12
23	19M7996	CAP SCREW	2		M12 X 210, USE WITH SMV ON 8N ONLY WITHOUT VACUUM METER
24	24M7047	WASHER	2		13 X 24 X 2.500MM, USE WITH SMV ON 8N ONLY WITHOUT VACUUM METER

FERTILIZER DRIVE DRY 6-ROW WIDE

AP2587



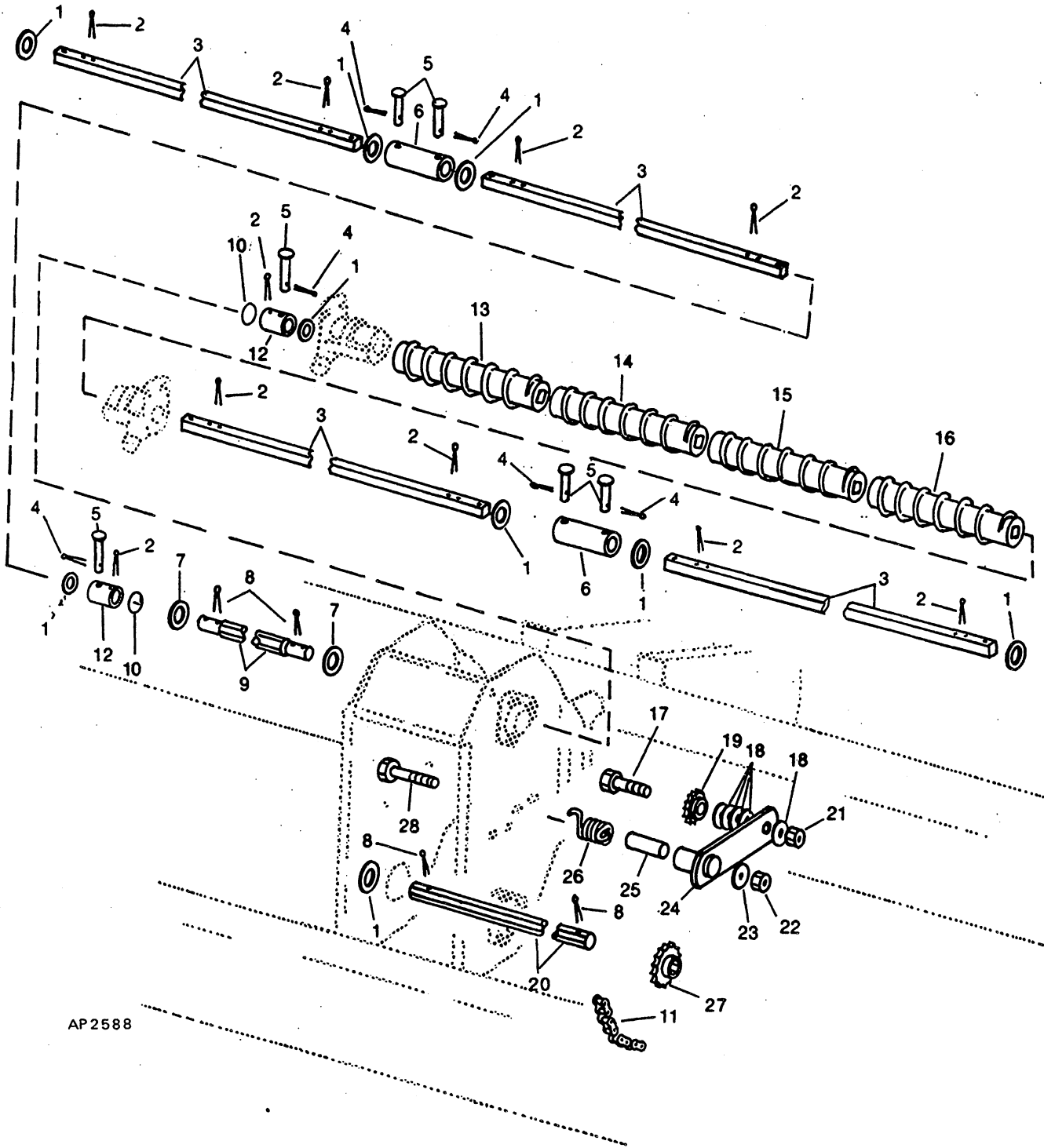
AP2587

**FERTILIZER DRIVE - CONTINUED
DRY
6-ROW WIDE**

KEY	PART NO.	PART NAME	QTY	SERIAL NO. OR YEAR	REMARKS
1	24H1167	WASHER	AR		15/16" X 1-3/8" X 0.105"
2	11M7030	COTTER PIN	8		5 X 40MM
3	B16051	SHAFT	3		15.8 X 1 117MM (5/8" X 44")
4	11M7059	COTTER PIN	4		3.200 X 20MM
5	A49666	PIN	4		6.350 X 61MM (1/4" X 2.402")
6	A47400	PIPE	1		
7	24H1465	WASHER	3		1-3/32" X 1-3/4" X 0.060"
8	11M7028	COTTER PIN	4		5 X 32MM
9	A44571	BAR	1		22.2 X 253MM (7/8" X 10")
10	B10718	RETAINER	2		
11	AA32881	CHAIN SPROCKET	1		16-TOOTH
12	A47389	SPACER	1		
13	B10570	AUGER	3		R.H. OUTSIDE, REGULAR RATE
	B12072	AUGER	3		R.H. OUTSIDE, LOW RATE
	B10574	AUGER	3		R.H. OUTSIDE, HIGH RATE
14	B10572	AUGER	3		R.H. INSIDE, REGULAR RATE
	B11546	AUGER	3		R.H. INSIDE, LOW RATE
	B10576	AUGER	3		R.H. INSIDE, HIGH RATE
15	B10573	AUGER	3		L.H. INSIDE, REGULAR RATE
	B11547	AUGER	3		L.H. INSIDE, LOW RATE
	B10577	AUGER	3		L.H. INSIDE, HIGH RATE
16	B10571	AUGER	3		L.H. OUTSIDE, REGULAR RATE
	B12073	AUGER	3		L.H. OUTSIDE, LOW RATE
	B10575	AUGER	3		L.H. OUTSIDE, HIGH RATE
17	A47390	SPACER	1		
18	A46534	U-BOLT	1		
19	AA32786	BRACKET	1		
20	14M7299	FLANGE NUT	2		M12
21	19M7328	CAP SCREW	1		M10 X 70
22	19M7387	CAP SCREW	1		M12 X 40
23	24M7047	WASHER	5		13 X 24 X 2.500MM
24	AA32729	CHAIN SPROCKET	1		14-TOOTH
25	03M7185	BOLT	3		M8 X 25
	12H303	LOCK WASHER	3		5/16"
	14M7273	NUT	3		M8
26	14M7275	NUT	1		M12
27	A48157	BAR	1		22.225 X 800MM (7/8" X 31.496")
28	14M7274	NUT	1		M10
29	24M7028	WASHER	1		10.500 X 21 X 2MM
30	AA32771	ARM	1		
31	A44705	BUSHING	1		
32	A44024	TORSION SPRING	1		
33	ROLLER CHAIN	1		(ASSEMBLE FROM AJ8878N AND P33541) TYPE ANSI 40, 12.7 MM (1/2") SINGLE PITCH, 64 LINKS
34	H103264	PRESSED FLANGED HOUSING	2		
35	AA22097	BALL BEARING	1		

FERTILIZER DRIVE DRY 8-ROW NARROW

AP2588



AP2588

**FERTILIZER DRIVE - CONTINUED
DRY
8-ROW NARROW**

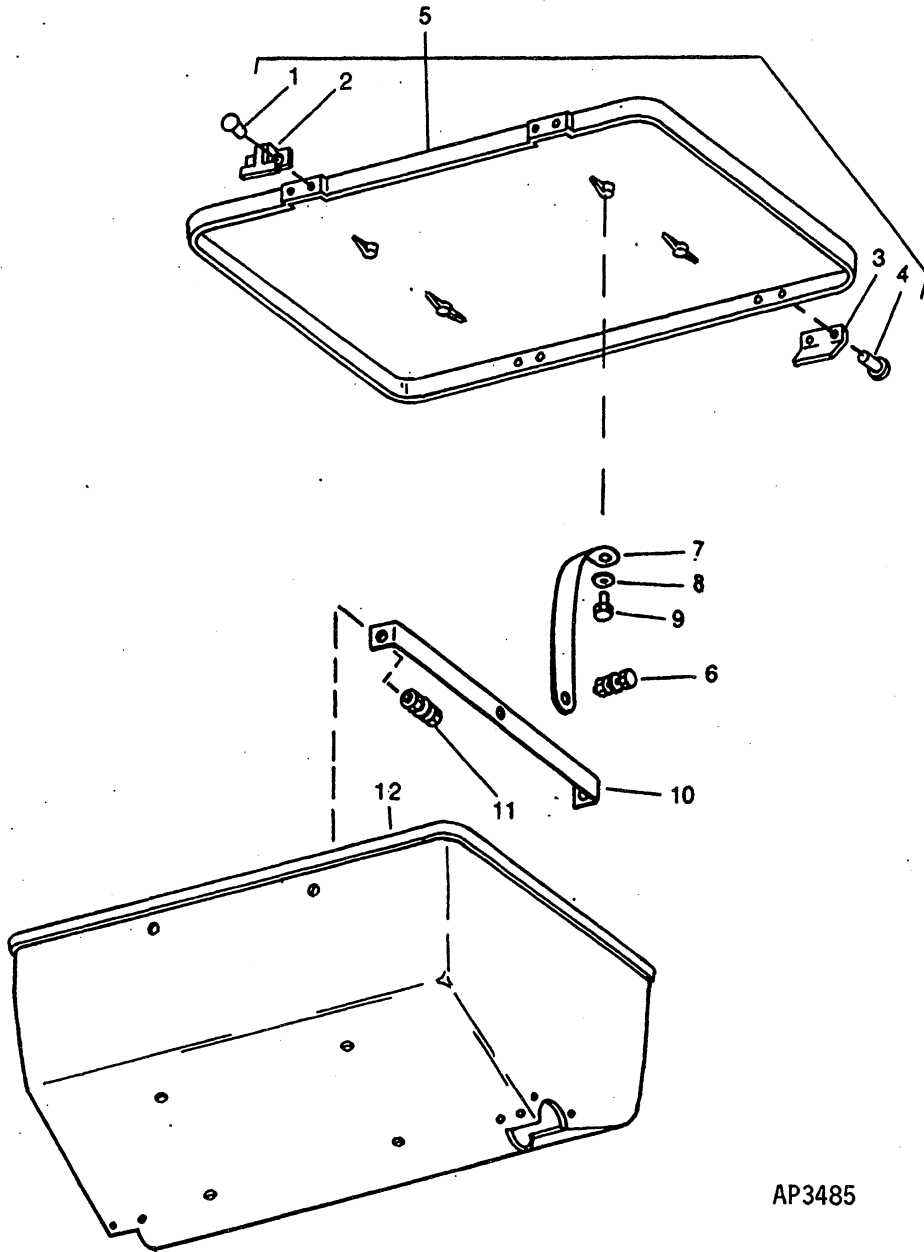
KEY	PART NO.	PART NAME	QTY	SERIAL NO. OR YEAR	REMARKS
1	24H1167	WASHER	AR		15/16" X 1-3/8" X 0.105"
2	11M7030	COTTER PIN	10		5 X 40MM
3	B16051	SHAFT	4		15.8 X 1 117MM (5/8" X 44")
4	11M7059	COTTER PIN	6		3.200 X 20MM
5	A49666	PIN	6		6.350 X 61MM (1/4" X 2.402")
6	A25588	SPACER	2		24.308 X 33.401 X 139.700MM (0.957" X 1.315" X 5-1/2")
7	24H1465	WASHER	3		1-3/32" X 1-3/4" X 0.060"
8	11M7028	COTTER PIN	4		5 X 32MM
9	A44571	BAR	2		22.2 X 253MM (7/8" X 10")
10	B10718	RETAINER	2		
11	ROLLER CHAIN	1		(ASSEMBLE FROM AJ8878N AND P33541) ABSI 40, 12.7 (1/2") SINGLE PITCH, 64 LINKS
12	A47392	SPACER	2		
13	B10570	AUGER	4		R.H. OUTSIDE, REGULAR RATE
	B12072	AUGER	4		R.H. OUTSIDE, LOW RATE
	B10574	AUGER	4		R.H. OUTSIDE, HIGH RATE
14	B10572	AUGER	4		R.H. INSIDE, REGULAR RATE
	B11546	AUGER	4		R.H. INSIDE, LOW RATE
	B10576	AUGER	4		R.H. INSIDE, HIGH RATE
15	B10573	AUGER	4		L.H. INSIDE, REGULAR RATE
	B11547	AUGER	4		L.H. INSIDE, LOW RATE
	B10577	AUGER	4		L.H. INSIDE, HIGH RATE
16	B10571	AUGER	4		L.H. OUTSIDE, REGULAR RATE
	B12073	AUGER	4		L.H. OUTSIDE, LOW RATE
	B10575	AUGER	4		L.H. OUTSIDE, HIGH RATE
17	19M7387	CAP SCREW	1		M12 X 40
18	24M7047	WASHER	5		13 X 24 X 2.500MM
19	AA32729	CHAIN SPROCKET	1		14-TOOTH
20	A44060	BAR	1		22.225 X 257MM (7/8" X 10.118")
21	14M7275	NUT	1		M12
22	14M7274	NUT	1		M10
23	24M7028	WASHER	1		10.500 X 21 X 2MM
24	AA32771	ARM	1		
25	A44705	BUSHING	1		
26	A44024	TORSION SPRING	1		
27	AA32881	CHAIN SPROCKET	1		16-TOOTH
28	19M7328	CAP SCREW	1		M10 X 70

I05

FERTILIZER ATTACHMENTS

DRY FERTILIZER HOPPER

AP3485



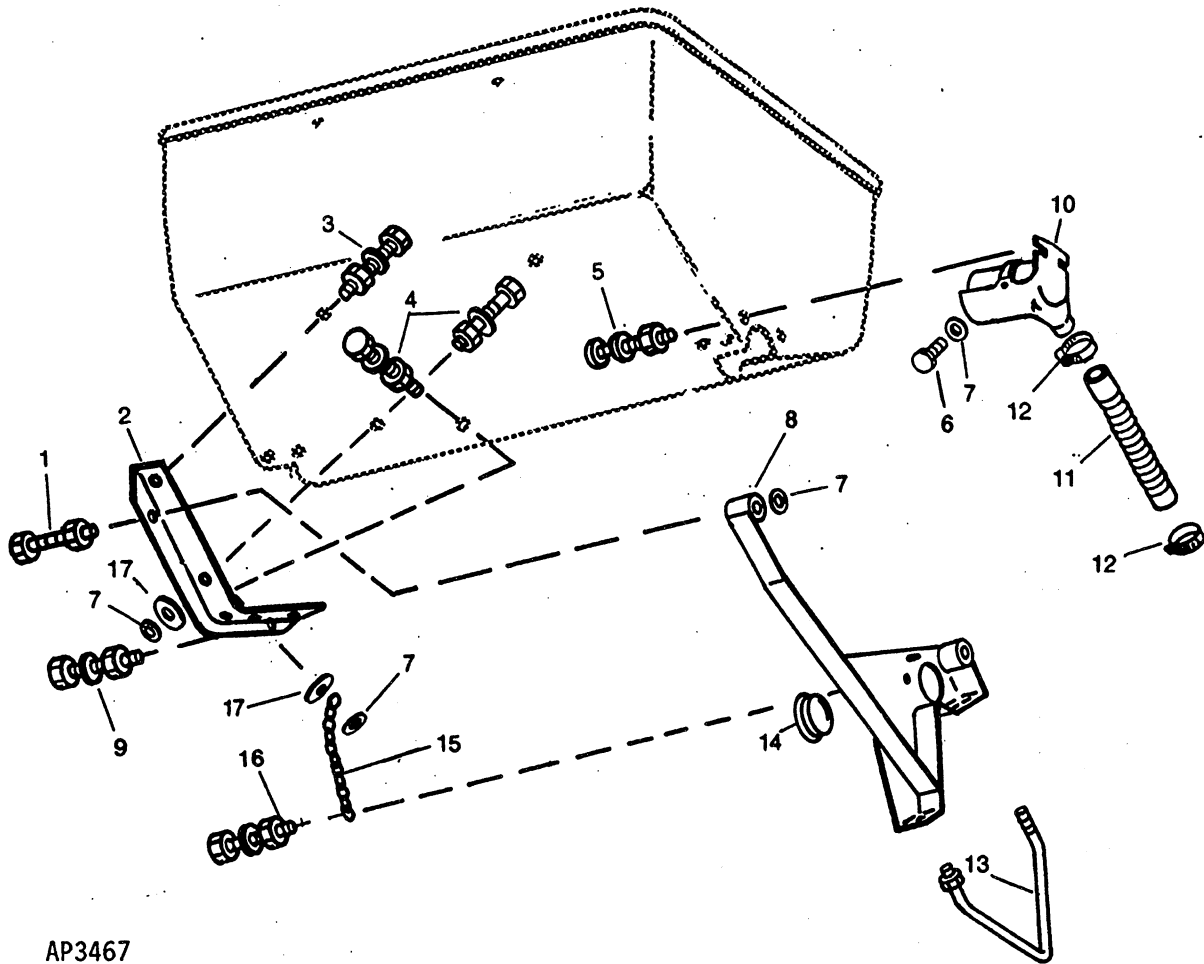
AP3485

DRY FERTILIZER HOPPER - CONTINUED

KEY	PART NO.	PART NAME	QTY	SERIAL NO. OR YEAR	REMARKS
1	16H246	RIVET	4		3/16" X 3/8"
2	A25830	LATCH	2		
3	A24097	LATCH	2		
4	16H235	RIVET	4		3/16" X 1/4"
5	AA34271	COVER	1		
6	19M7077	CAP SCREW	2		M6 X 20
	24M7139	WASHER	2		6.400 X 18 X 1.600MM
	14M7272	NUT	2		M6
7	A23153	STRAP	2		
8	24M7139	WASHER	2		6.400 X 18 X 1.600MM
9	19M7560	CAP SCREW	2		M6 X 16
10	A23433	CLEVIS	2		
11	19M7077	CAP SCREW	4		M6 X 20
	24M7139	WASHER	AR		6.400 X 18 X 1.600MM
	A23441	WASHER	4		9.525 X 28.448 X 3.175MM (3/8" X 1.120" X 1/8")
	14M7272	NUT	4		M6
12	A22413	HOPPER	1		

DRY FERTILIZER HOPPER SUPPORTS AND SPOUTS

AP3467



AP3467

THIS PARTS LISTING IS CONTINUED

7200 MAXEMERGE® 2 DRAWN PLANTERS 6 WIDE/8 NARROW

PC-2145 (24-OCT-86)

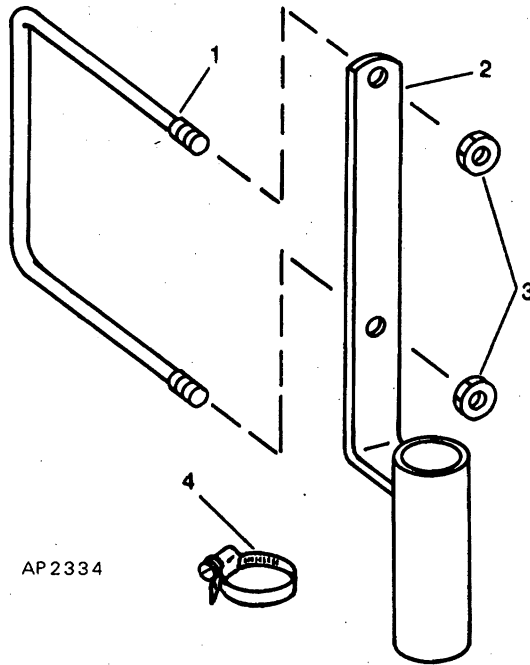
LITHO IN U.S.A.

DRY FERTILIZER HOPPER SUPPORTS AND SPOUTS - CONTINUED

KEY	PART NO.	PART NAME	QTY	SERIAL NO. OR YEAR	REMARKS
1	19M7328	CAP SCREW	2		M10 X 70
	14M7274	NUT	2		M10
2	A46561	SADDLE	2		
3	19M7167	CAP SCREW	4		M10 X 25
	24M7028	WASHER	8		10.500 X 21 X 2MM
	A23441	WASHER	4		9.525 X 28.448 X 3.175MM (3/8" X 1.120" X 1/8")
	14M7274	NUT	4		M10
4	19M7169	CAP SCREW	4		M10 X 35
	24M7101	WASHER	4		11 X 34 X 3MM
	A23441	WASHER	4		9.525 X 28.448 X 3.175MM
	14M7274	NUT	4		M10
5	03M7190	BOLT	4		M10 X 20
	24M7028	WASHER	4		10.500 X 21 X 2MM
	14M7152	NUT	4		M10
6	19M7166	CAP SCREW	4		M10 X 20
7	24M7028	WASHER	10		10.500 X 21 X 2MM
8	AA33901	SUPPORT	1		R.H. (ILLUSTRATED)
	AA33902	SUPPORT	1		L.H.
9	19M7166	CAP SCREW	2		M10 X 20
	24M7028	WASHER	2		10.500 X 21 X 2MM
	14M7274	NUT	2		M10
10	A48504	SPOUT	1		R.H.
	A48505	SPOUT	1		L.H. (ILLUSTRATED)
11	B35601	HOSE	2		
12	AR21840	CLAMP	4		
13	A46798	U-BOLT	2		
	14M7299	FLANGE NUT	4		M12
14	A44519	PLUG	AR		
15	AA34064	LINK CHAIN	2		
16	19M7166	CAP SCREW	2		M10 X 20
	24M7028	WASHER	4		10.500 X 21 X 2MM
	14M7274	NUT	2		M10
17	24M7101	WASHER	4		11 X 34 X 3MM

**SURFACE APPLICATOR
DRY FERTILIZER**

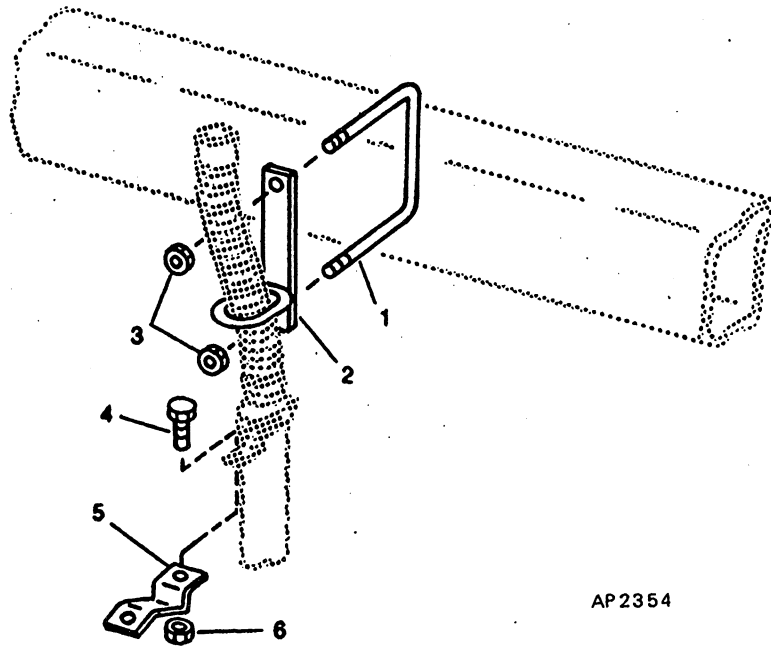
AP2334



KEY	PART NO.	PART NAME	QTY	SERIAL NO. OR YEAR	REMARKS
1	A49315	U-BOLT	1		3" X 3"
2	AA35508	BRACKET	1		
3	14M7275	NUT	2		M12
4	AR21840	CLAMP	1		

**HOSE RETAINER
 DRY FERTILIZER
 ROW 3
 6-ROW WIDE**

AP2354

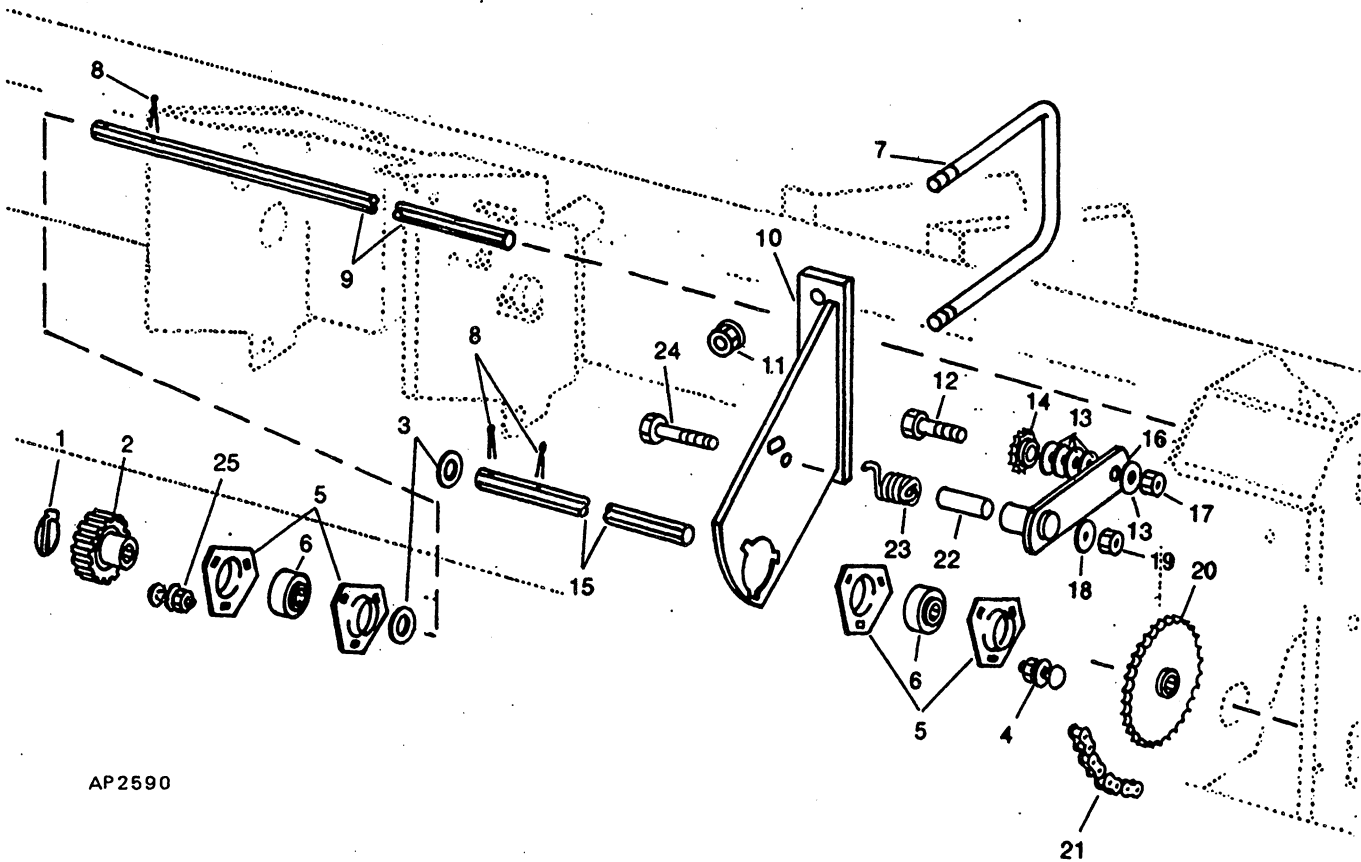


AP2354

KEY	PART NO.	PART NAME	QTY	SERIAL NO. OR YEAR	REMARKS
1	A46534	U-BOLT	1		
2	AA34944	RETAINER	1		
3	14M7276	NUT	2		M16
4	19H1731	CAP SCREW	1		3/8" X 1"
5	A46169	STRAP	1		
6	14H1076	NUT	1		3/8"

FERTILIZER DRIVE LIQUID 6-ROW WIDE

AP2590



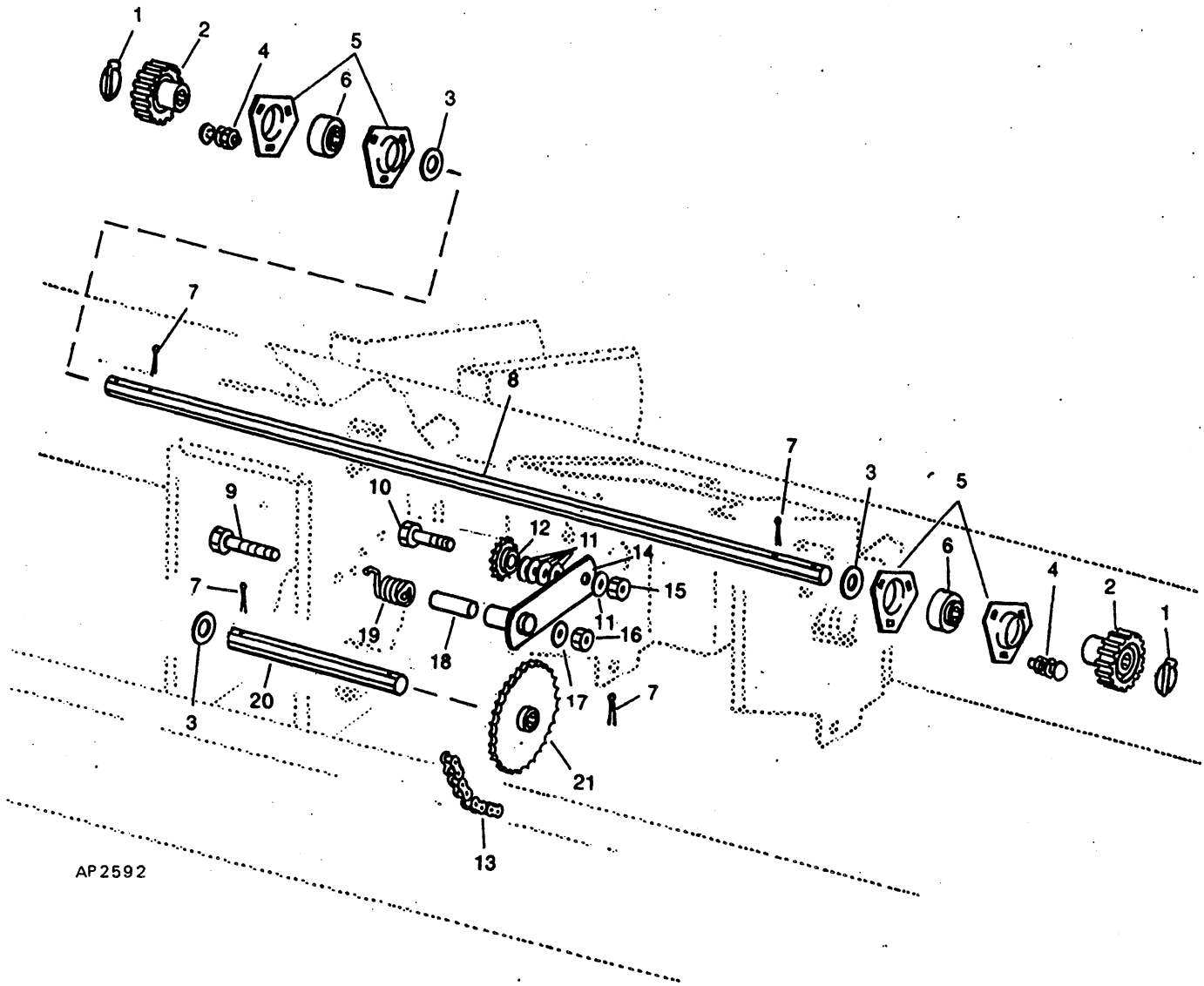
AP2590

**FERTILIZER DRIVE - CONTINUED
LIQUID
6-ROW WIDE**

KEY	PART NO.	PART NAME	QTY	SERIAL NO. OR YEAR	REMARKS
1	AA21292	QUICK LOCK PIN	1		
2	A46627	SPUR GEAR	1		14-TOOTH
	A46628	SPUR GEAR	1		28-TOOTH
3	24H1465	WASHER	2		1-3/32" X 1-3/4" X 0.060"
4	03M7185	BOLT	3		M8 X 25
	12H303	LOCK WASHER	3		5/16"
	14M7273	NUT	3		M8
5	H103264	PRESSED FLANGED HOUSING	4		
6	AA22097	BALL BEARING	2		
7	A46534	U-BOLT	1		
8	11M7028	COTTER PIN	3		5 X 32MM
9	A47371	BAR	1		22.225 X 2 020MM (7/8" X 79.528")
10	AA32786	BRACKET	1		
11	14M7299	FLANGE NUT	2		M12
12	19M7387	CAP SCREW	1		M12 X 40
13	24M7047	WASHER	5		13 X 24 X 2.500MM
14	AA32729	CHAIN SPROCKET	1		14-TOOTH
15	A48157	BAR	1		22.225 X 800MM (7/8" X 31.496")
16	AA32771	ARM	1		
17	14M7275	NUT	1		M12
18	24M7028	WASHER	1		10.500 X 21 X 2MM
19	14M7274	NUT	1		M10
20	AA32004	CHAIN SPROCKET	1		36-TOOTH
21	ROLLER CHAIN	1		(ASSEMBLE FROM AJ8878N AND P33541) TYPE ANSI 40, 12.7 MM (1/2") SINGLE PITCH, 74 LINKS
22	A44705	BUSHING	1		
23	A44024	TORSION SPRING	1		
24	19M7328	CAP SCREW	1		M10 X 70
25	03M7183	BOLT	3		M8 X 16
	12H303	LOCK WASHER	3		5/16"
	14M7273	NUT	3		M8

FERTILIZER DRIVE LIQUID 8-ROW NARROW

AP2592



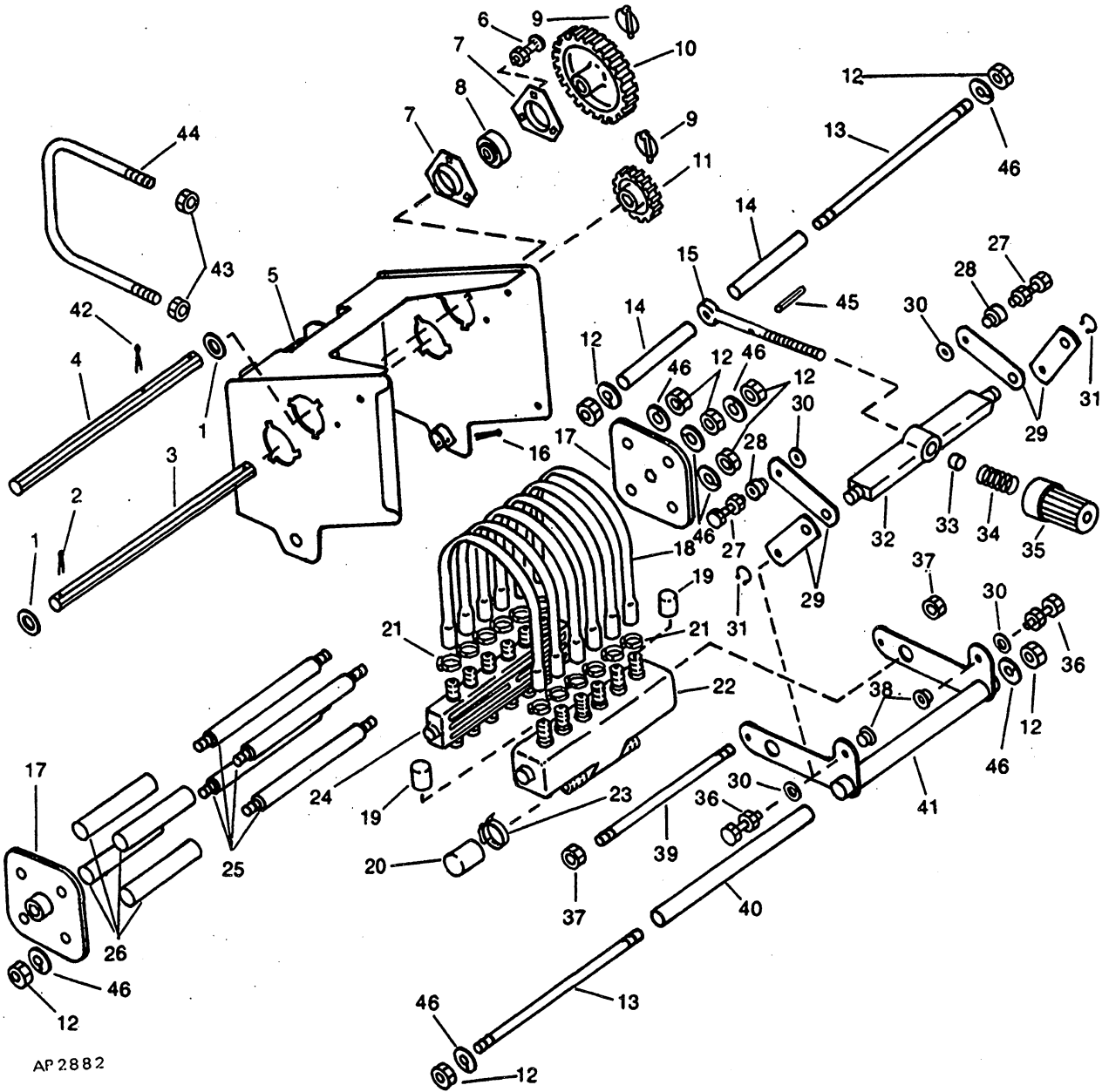
AP 2592

FERTILIZER DRIVE - CONTINUED
LIQUID
8-ROW NARROW

KEY	PART NO.	PART NAME	QTY	SERIAL NO. OR YEAR	REMARKS
1	AA21292	QUICK LOCK PIN	2		
2	A46627	SPUR GEAR	1		14-TOOTH
	A46628	SPUR GEAR	1		28-TOOTH
3	24H1465	WASHER	3		1-3/32" X 1-3/4" X 0.060"
4	03M7183	BOLT	6		M8 X 16
	12H303	LOCK WASHER	6		5/16"
	14M7273	NUT	6		M8
5	H103264	PRESSED FLANGED HOUSING	4		
6	AA22097	BALL BEARING	2		
7	11M7028	COTTER PIN	4		5 X 32MM
8	A47372	BAR	1		22.225 X 2 270MM (7/8" X 89-3/8")
9	19M7328	CAP SCREW	1		M10 X 70
10	19M7387	CAP SCREW	1		M12 X 40
11	24M7047	WASHER	5		13 X 24 X 2.500MM
12	AA32729	CHAIN SPROCKET	1		14-TOOTH
13	ROLLER CHAIN	1		(ASSEMBLE FROM AJ8878N AND P33541) TYPE ANSI 40, 12.7 MM (1/2") SINGLE PITCH, 74 LINKS
14	AA32771	ARM	1		
15	14M7275	NUT	1		M12
16	14M7274	NUT	1		M10
17	24M7028	WASHER	1		10.500 X 21 X 2MM
18	A44705	BUSHING	1		
19	A44024	TORSION SPRING	1		
20	A44060	BAR	1		22.225 X 257MM (7/8" X 10.118")
21	AA32004	CHAIN SPROCKET	1		36-TOOTH

LIQUID FERTILIZER PUMP

AP2882



AP 2882

THIS PARTS LISTING IS CONTINUED

7200 MAXEMERGE® 2 DRAWN PLANTERS 6 WIDE/8 NARROW

PC-2145 (24-OCT-86)

LITHO IN U.S.A.

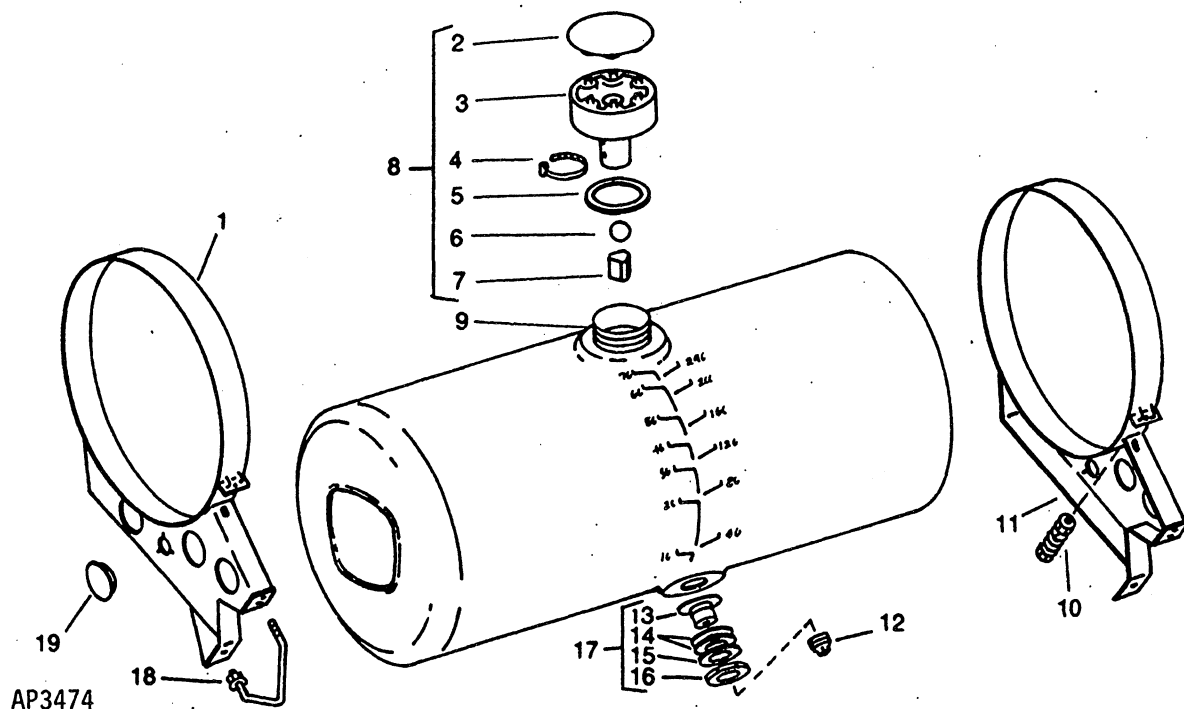
LIQUID FERTILIZER PUMP - CONTINUED

KEY	PART NO.	PART NAME	QTY	SERIAL NO. OR YEAR	REMARKS
1	24H1465	WASHER	1		1-3/32" X 1-3/4" X 0.060"
2	11M7054	COTTER PIN	1		6.300 X 32MM
3	A42512	BAR	1		22.225 X 424MM (7/8" X 16.693")
4	A47371	BAR	1		22.225 X 2 020MM (7/8" X 79.528") 6-ROW
	A47372	BAR	1		22.225 X 2 456MM (7/8" X 96-11/16") 8-ROW
5	AA31675	HOUSING	1		
6	03M7183	BOLT	6		M8 X 16
	12H303	LOCK WASHER	6		5/16"
	14M7273	NUT	6		M8
7	H103264	PRESSED FLANGED HOUSING	4		
8	AA22097	BALL BEARING	2		
9	AA21292	QUICK LOCK PIN	2		
10	A46628	SPUR GEAR	1		28-TOOTH
11	A46627	SPUR GEAR	1		14-TOOTH
12	14M7275	NUT	12		M12
13	A45042	STUD	2		
14	A47027	SPACER	2		
15	A45041	EYEBOLT	1		
16	11M7087	COTTER PIN	2		4 X 40MM
17	A43206	PLATE	2		
18	A43207	HOSE	4		(A) LOW RATE
	A43208	HOSE	4		(A) REGULAR RATE
	A43207	HOSE	6		(B) LOW RATE
	A43208	HOSE	6		(B) REGULAR RATE
19	A44950	PLUG	2		(A)
20	A48167	PLUG	1		(B)
21	AA34965	CLAMP	12		
22	A41543	MANIFOLD	1		
23	AR21839	CLAMP	1		
24	A42509	MANIFOLD	1		
25	A43199	STUD	4		
26	A43200	BUSHING	4		
27	19M7382	CAP SCREW	2		M10 X 40
	14M7274	NUT	2		M10
28	A46745	BUSHING	2		
29	A46740	STRAP	4		
30	24M7028	WASHER	4		10.500 X 21 X 2MM
31	M40514	SNAP RING	2		
32	A46752	BAR	1		
33	A48225	SPACER	1		FOR 6-HOSE PUMP, REGULAR RATE HOSE ONLY
	A49325	SPACER	1		FOR 6-HOSE PUMP, LOW RATE HOSE ONLY
34	A45045	COMPRESSION SPRING	1		FOR REGULAR RATE HOSES
	A49324	COMPRESSION SPRING	1		FOR LOW RATE HOSES
35	A46751	HANDLE	1		
36	19M3145	CAP SCREW	2		M10 X 25
	14M7274	NUT	2		M10
37	A51212	LOCK NUT	2		M10
38	A46744	BUSHING	2		
39	A45043	STUD	1		
40	A46741	SPACER	1		
41	AA34001	BRACKET	1		
42	11M7028	COTTER PIN	1		5 X 32MM
43	14M7299	FLANGE NUT	4		M12
44	A46534	U-BOLT	2		
45	34H58	SPRING PIN	1		5/32" X 7/8"
46	12H301	LOCK WASHER	12		1/2"

(A) FOR 8-ROW NARROW
 (B) FOR 6-ROW WIDE

LIQUID FERTILIZER TANK

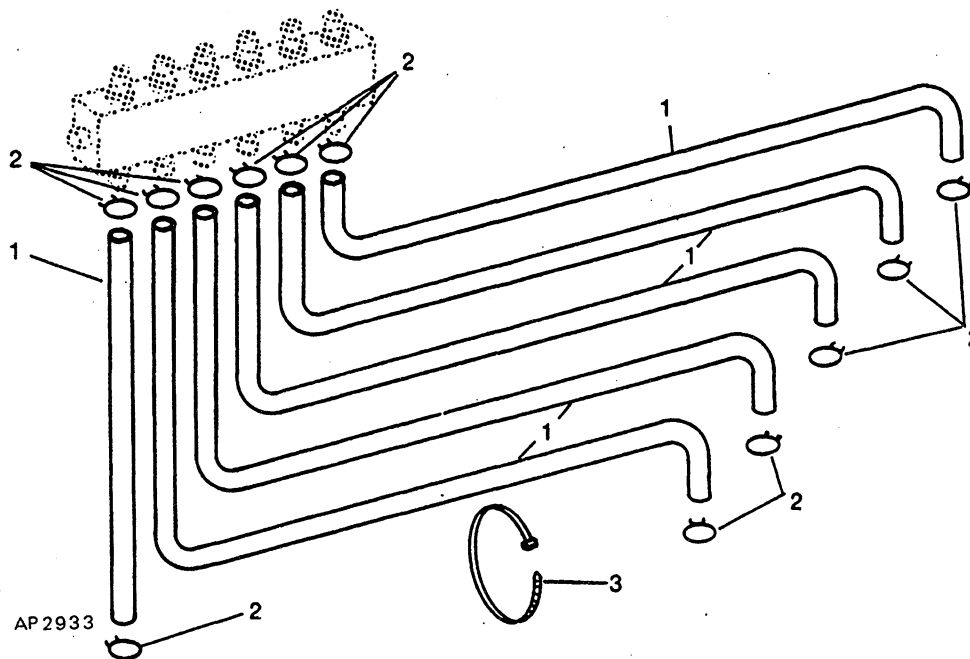
AP3474



KEY	PART NO.	PART NAME	QTY	SERIAL NO. OR YEAR	REMARKS
1	AA34109	SUPPORT	1		L.H.
2	A36897	COVER	1		
3	A36550	CAP	1		
4	R44302	TIE BAND	1		
5	A36540	WASHER	1		101.600 X 111.252 X 4.750MM (4" X 4.380" X 3/16")
6	A37537	BALL	1		
7	A37578	FLOAT	1		
8	AA28696	CAP	1		
9	A49377	TANK	1		
10	19M7385	CAP SCREW	2		M10 X 70
	24M7040	WASHER	4		11 X 21 X 2MM
	12M7066	LOCK WASHER	2		10.200MM
	14M7274	NUT	2		M10
11	AA34108	SUPPORT	1		R.H.
12	15H248	FITTING	1		1-1/4"
13	SCREW	1		(SUB AN152898)
14	N153028	WASHER	2		
15	N153101	WASHER	1		53.848 X 73.152 X 2.286MM (2.120" X 2.880" X 0.090")
16	NUT	1		(SUB AN152898)
17	AN152898	FITTING	1		
18	A46798	U-BOLT	2		
	14M7299	FLANGE NUT	4		M12
19	A44519	PLUG	AR		

**DELIVERY HOSE
LIQUID FERTILIZER**

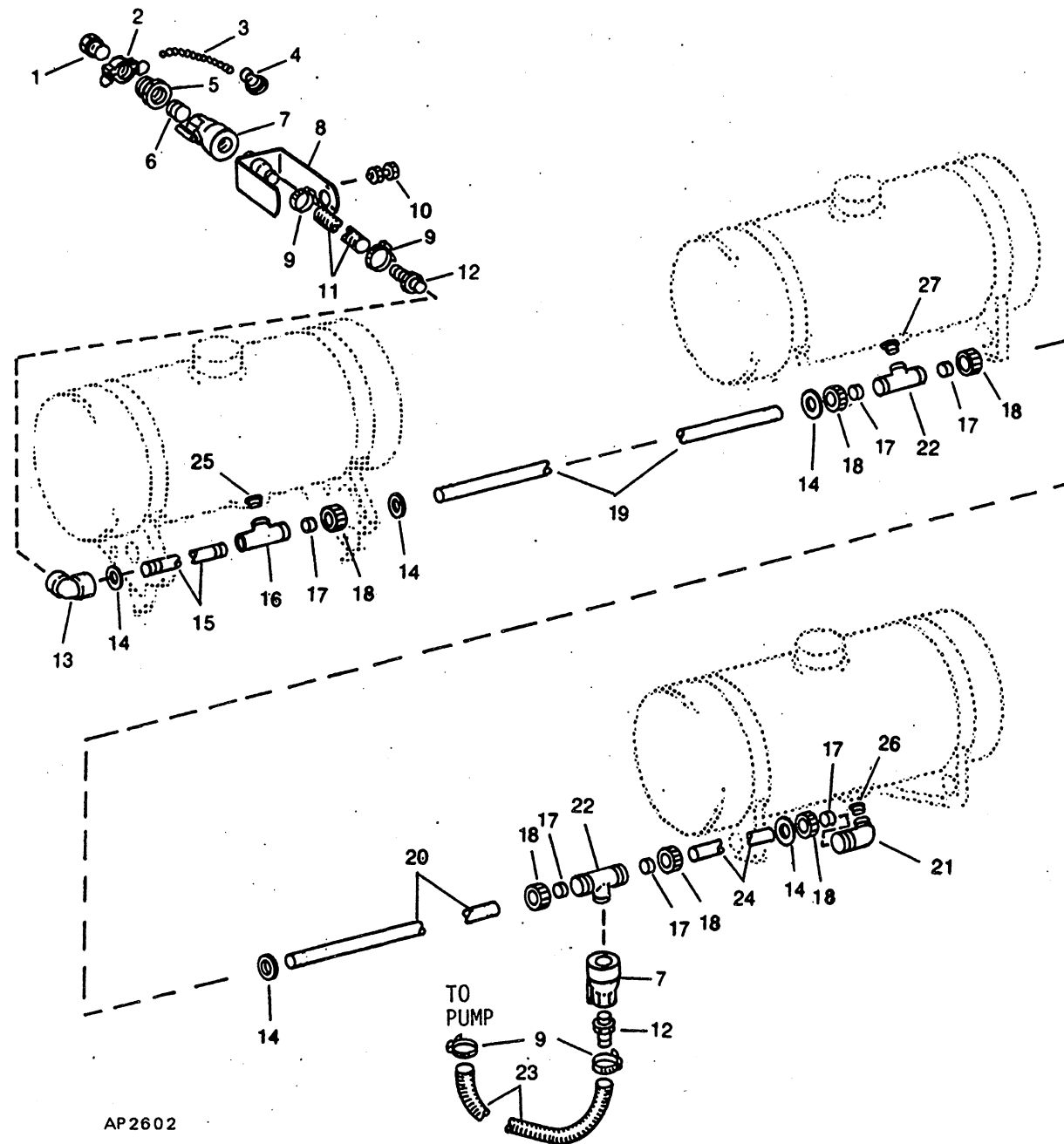
AP2933



KEY	PART NO.	PART NAME	QTY	SERIAL NO. OR YEAR	REMARKS
1	HOSE	1		(CUT FROM A47997)
2	A48267	CLAMP	AR		
3	T44946	TIE BAND	AR		

FERTILIZER PLUMBING LIQUID 6-ROW WIDE

AP2602



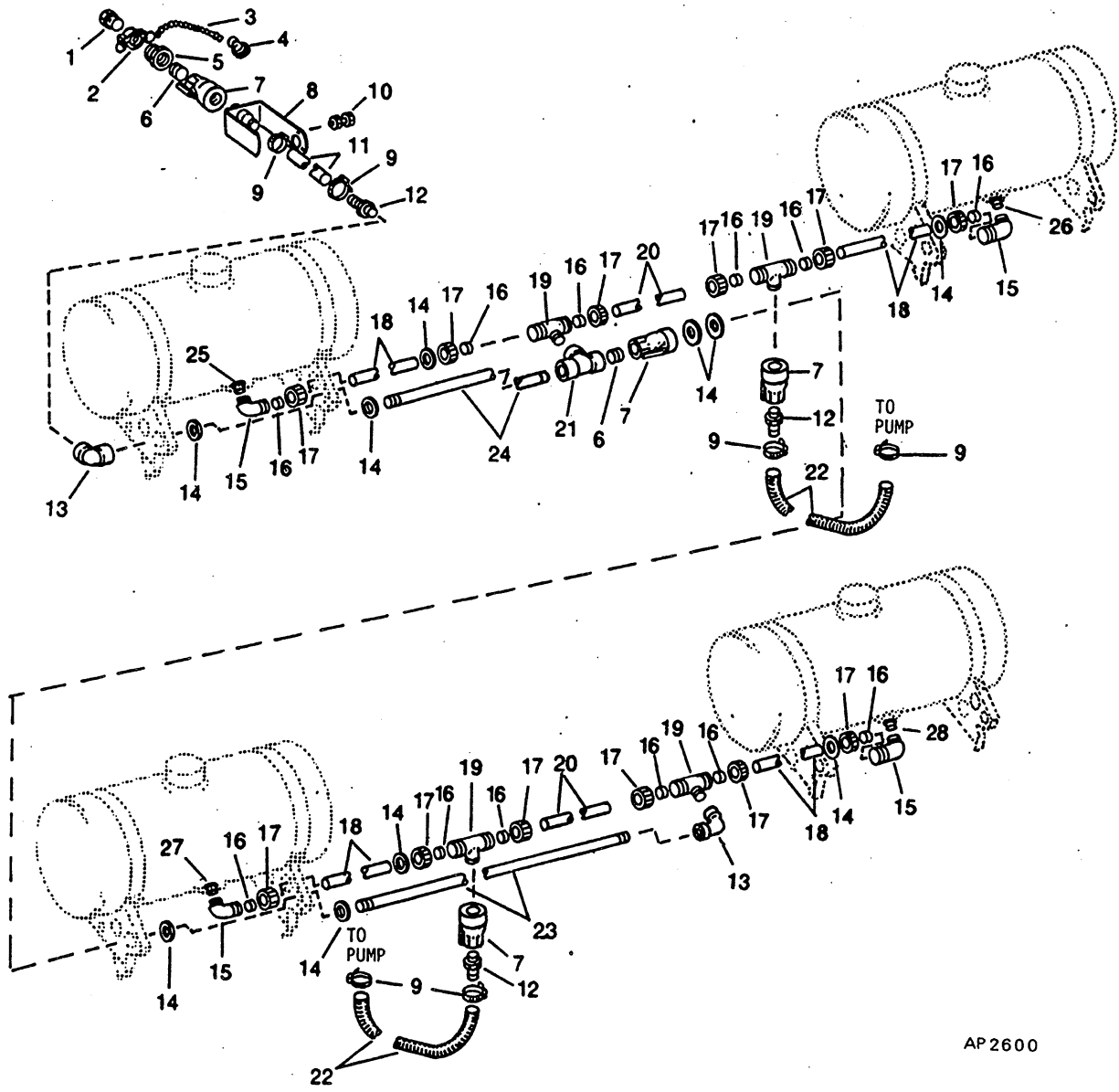
AP 2602

**FERTILIZER PLUMBING - CONTINUED
LIQUID
6-ROW WIDE**

KEY	PART NO.	PART NAME	QTY	SERIAL NO. OR YEAR	REMARKS
1	A33535	ADAPTER	1		
2	AA26500	QUICK COUPLER	1		
3	A25758	LINK CHAIN	1		
4	AA28894	PLUG	1		
5	15H644	PIPE BUSHING	1		1-1/4"
6	A43232	THREADED NIPPLE	1		
7	AN152407	VALVE	2		
8	AA32796	BRACKET	1		
9	AR21839	CLAMP	4		
10	03M7185	BOLT	3		M8 X 25
	12H303	LOCK WASHER	3		5/16"
	14M7273	NUT	3		M8
11	HOSE	1		(CUT FROM A44969)
12	A24912	FITTING	2		
13	A43235	ELBOW FITTING	1		
14	A44292	GROMMET	5		
15	A48521	PIPE	1		31.75 MM X 305 MM (1-1/4" X 12")
16	A50648	FITTING	1		
17	A50645	GASKET	6		
18	A50644	NUT	6		
19	PIPE	1		(CUT FROM A44967) 31.75 MM X 1 880 MM (1-1/4" X 74")
20	PIPE	1		(CUT FROM A44967) 31.75 MM X 385 MM (1-1/4" X 15-1/8")
21	A50647	FITTING	1		
22	A50646	FITTING	2		
23	HOSE	1		(CUT FROM A44969)
24	PIPE	1		(CUT FROM A44967) 31.75 MM X 1 455 MM (1-1/4" X 57-1/4")
25	A51618	ORIFICE	1		GREY
26	A51623	ORIFICE	1		WHITE
27	A51622	ORIFICE	1		YELLOW

FERTILIZER PLUMBING LIQUID 8-ROW NARROW

AP2600



AP 2600

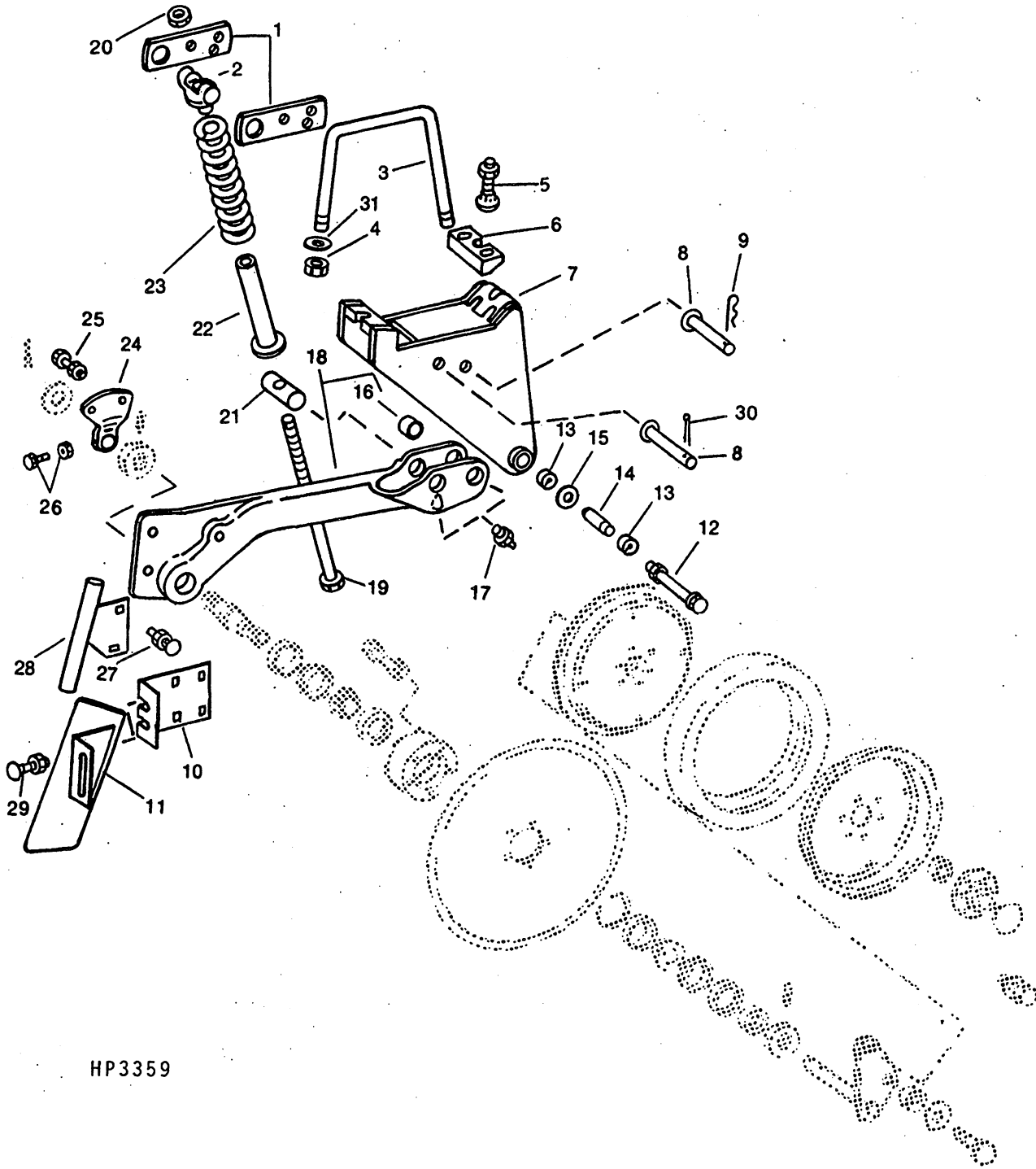
THIS PARTS LISTING IS CONTINUED

FERTILIZER PLUMBING - CONTINUED
LIQUID
8-ROW NARROW

KEY	PART NO.	PART NAME	QTY	SERIAL NO. OR YEAR	REMARKS
1	A33535	ADAPTER	1		
2	AA26500	QUICK COUPLER	1		
3	A25758	LINK CHAIN	1		
4	AA28894	PLUG	1		
5	15H644	PIPE BUSHING	1		1-1/4"
6	A43232	THREADED NIPPLE	2		
7	AN152407	VALVE	4		
8	AA32796	BRACKET	1		
9	AR21839	CLAMP	6		
10	03M7185	BOLT	3		M8 X 25
	12H303	LOCK WASHER	3		5/16"
	14M7273	NUT	3		M8
11	HOSE	1		(CUT FROM A44969)
12	A24912	FITTING	3		
13	A43235	ELBOW FITTING	2		
14	A44292	GROMMET	10		
15	A50647	FITTING	4		
16	A50645	GASKET	12		
17	A50644	NUT	12		
18	PIPE	4		(CUT FROM A44966) 31.75 MM X 385 MM (1-1/4" X 15-1/8")
19	A50646	FITTING	4		
20	PIPE	2		(CUT FROM A44966) 31.75 MM X 330 MM (1-1/4" X 13")
21	A43233	TEE FITTING	1		
22	HOSE	2		(CUT FROM A44969)
23	A47107	PIPE	1		
24	A47108	PIPE	1		
25	A51620	ORIFICE	1		BLACK
26	A51621	ORIFICE	1		GREEN
27	A51623	ORIFICE	1		WHITE
28	A51622	ORIFICE	1		YELLOW

SINGLE DISK FERTILIZER OPENER FRAME

HP3359



HP3359

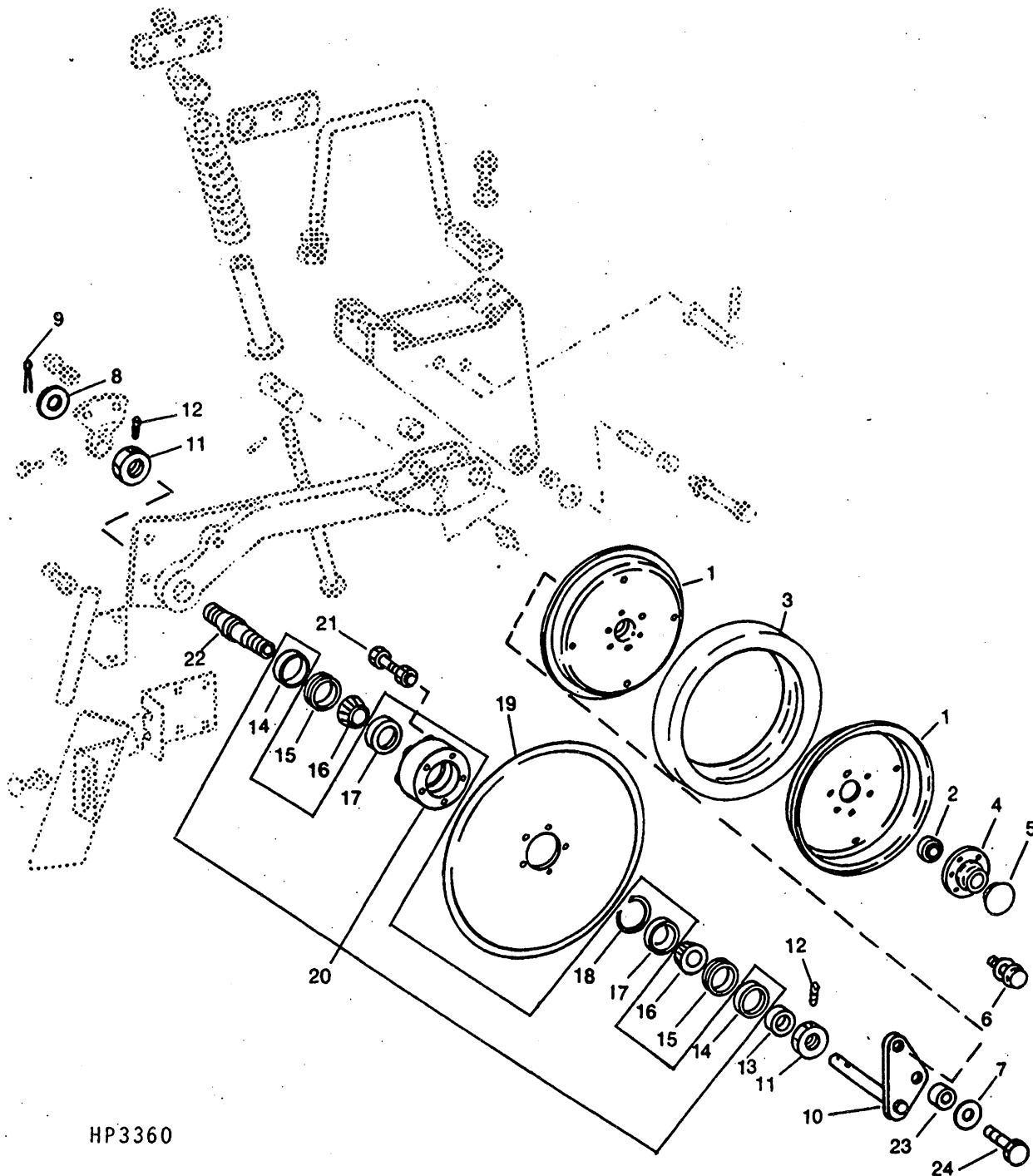
SINGLE DISK FERTILIZER OPENER FRAME - CONTINUED

KEY	PART NO.	PART NAME	QTY	SERIAL NO. OR YEAR	REMARKS
1	A48973	STRAP	2		
2	A48974	TRUNNION	1		
3	A48979	U-BOLT	1		FOR 3" X 3" TUBE
4	14M7276	NUT	2		M16
5	03M7204	BOLT	2		M12 X 60
	14M7299	FLANGE NUT	2		M12
6	A48737	WEDGE	1		
7	A48736	SUPPORT	1		FOR 3" TUBE
8	A51024	PIN	2		
9	A3581R	SPRING LOCKING PIN	1		
10	A48730	BRACKET	1		
11	AH129092	TUBE	1		R.H.
	AH129093	TUBE	1		L.H.
12	19M7838	CAP SCREW	1		M12 X 130
	14M7299	FLANGE NUT	1		M12
13	A48732	SLEEVE	2		
14	A48731	PIN	1		
15	E20664	WASHER	1		26.162 X 44.450 X 1.524MM (1.030" X 1-3/4" X 0.060")
16	U41936	BUSHING	2		
17	JD7844	LUBRICATION FITTING	3		
18	AA35469	ARM	1		R.H.
	AA35470	ARM	1		L.H.
19	A48976	BOLT	1		
20	14M7192	NUT	1		M16
21	A48738	PIN	1		
22	AA35149	SPACER	1		
23	A48975	COMPRESSION SPRING	1		GREEN
	A50733	COMPRESSION SPRING	1		YELLOW, USE IN CONSERVATION CONDITIONS WHERE HIGHER DOWNFORCE IS REQUIRED TO PENETRATE FIRMER SOILS AND TRASHY CONDITIONS
24	A48726	ARM	1		
25	19M7179	CAP SCREW	1		M10 X 50
	A51212	LOCK NUT	1		M10
26	19M7295	CAP SCREW	1		M8 X 45
	E64256	LOCK NUT	1		M8
27	03M7192	BOLT	2		M10 X 30
	24M7040	WASHER	2		11 X 21 X 2MM
	14M7274	NUT	2		M10
28	AA35152	TUBE	1		R.H.
	AA35153	TUBE	1		L.H.
29	03M7190	BOLT	2		M10 X 20
	24M7040	WASHER	2		11 X 21 X 2MM
	14M7274	NUT	2		M10
30	11M7028	COTTER PIN	1		5 X 32MM
31	24M7241	WASHER	2		17 X 34 X 4MM

J01

SINGLE DISK FERTILIZER OPENER ASSEMBLY

HP3360



HP3360

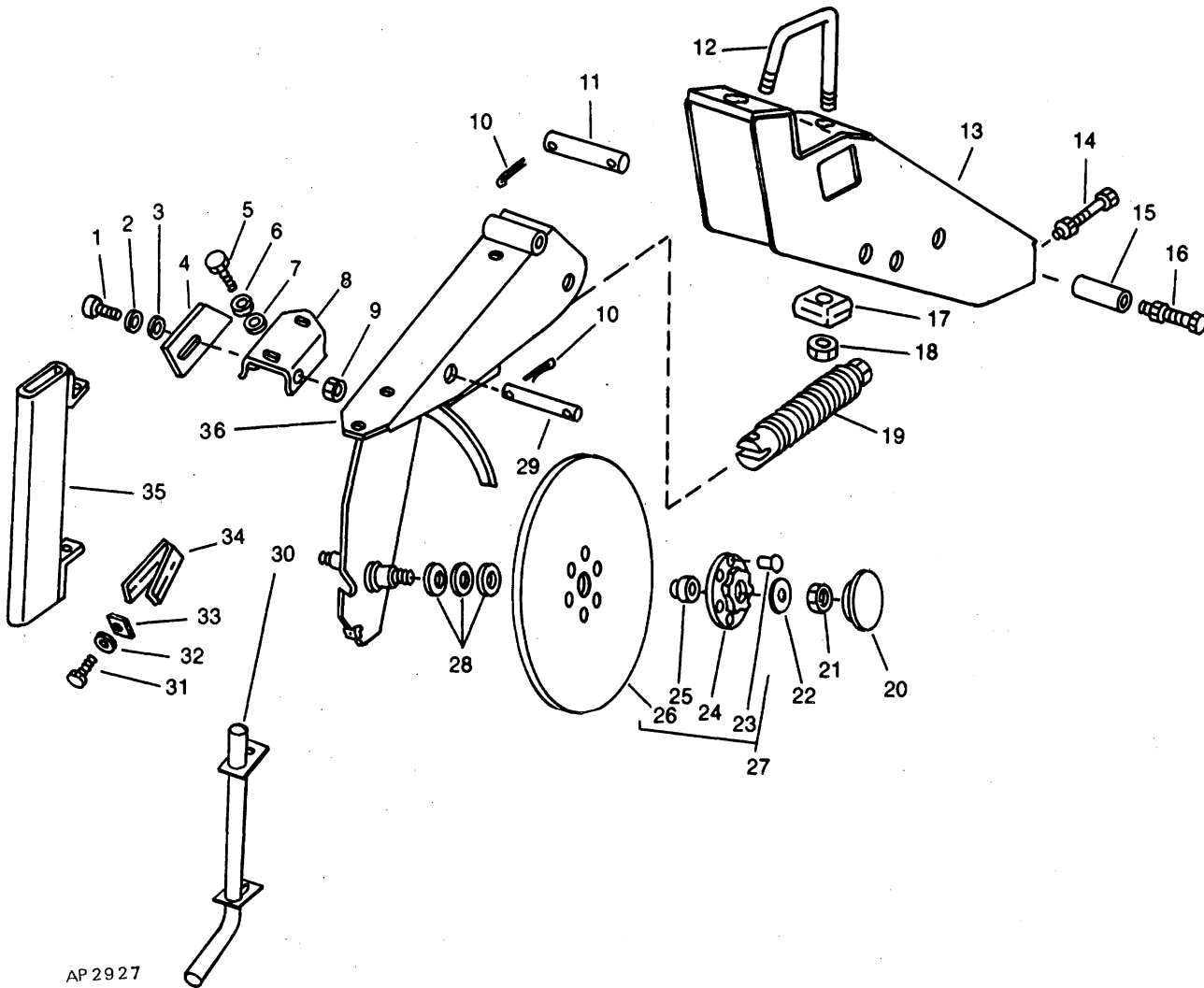
SINGLE DISK FERTILIZER OPENER ASSEMBLY - CONTINUED

KEY	PART NO.	PART NAME	QTY	SERIAL NO. OR YEAR	REMARKS
1	A49917	WHEEL	2		
2	AA21480	BALL BEARING	1		
3	A49918	TIRE	1		
4	A30368	HOUSING	1		
5	A22836	CAP	1		
6	19M7077	CAP SCREW	10		M6 X 20
	E68605	LOCK NUT	10		M6
7	J16160	SHIM	AR		0.762MM (0.030")
8	24M7051	WASHER	1		21 X 37 X 3MM
9	11M7021	COTTER PIN	1		4 X 25MM
10	AA35145	ARM	1		R.H.
	AA35146	ARM	1		L.H.
11	A48721	NUT	2		
12	22H898	SET SCREW	2		1/4" X 3/8"
13	A51614	SPACER	1		
14	B32687	SEAL	2		
15	AA26234	SEAL	2		R.H.
16	JD8187	BEARING CONE	2		
17	JD8225	BEARING CUP	2		
18	32166	SNAP RING	1		
19	A48720	DISK	1		405 X 5MM (15.945" X 0.197")
20	AA35154	HUB	1		
21	19M7163	CAP SCREW	5		M8 X 25
	14M7273	NUT	5		M8
22	A48724	SPINDLE	1		
23	N110219	BUSHING	2		
24	19M8355	CAP SCREW	1		M16 X 50, L.H. THREAD
	19M7397	CAP SCREW	1		M16 X 50

J03

DOUBLE DISK FERTILIZER OPENER ASSEMBLY

AP2927



DOUBLE DISK FERTILIZER OPENER ASSEMBLY - CONTINUED

KEY	PART NO.	PART NAME	QTY	SERIAL NO. OR YEAR	REMARKS
1	03H1765	BOLT	2		3/8" X 3/4"
2	12H304	LOCK WASHER	4		3/8"
3	24H1305	WASHER	2		13/32" X 13/16" X 0.060"
4	A24085	SCRAPER	2		
5	19H1731	CAP SCREW	2		3/8" X 1"
6	12H304	LOCK WASHER	4		3/8"
7	24H1305	WASHER	2		13/32" X 13/16" X 0.060"
8	A26264	BRACKET	1		
9	14H1076	NUT	2		3/8"
10	11H216	COTTER PIN	4		3/16" X 1"
11	A24173	PIN	1		12.700 X 98.552MM (1/2" X 3.880")
12	A49189	U-BOLT	1		FOR 76.2 X 76.2MM (3" X 3") FRAME TUBES (ILLUSTRATED)
13	AA35446	SUPPORT	1		FOR 76.2 X 76.2MM (3" X 3")
14	H77638	WHEEL BOLT	1		
	14H866	NUT	1		5/8"
15	A23662	BUSHING	1		
16	19H1781	CAP SCREW	1		1/2" X 3-1/2"
	K40014	LOCK NUT	1		12.700MM (1/2")
17	A49192	WEDGE	2		
18	14M7276	NUT	2		M16
19	AA23987	SPRING ASSEMBLY	1		
20	B29400	CAP	2		
21	14H826	NUT	1		1/2", R.H. THREAD
	14H939	NUT	1		1/2", L.H. THREAD
22	24H1111	WASHER	2		17/32" X 1-1/16" X 0.090"
23	16H728	RIVET	6		1/4" X 1-3/8"
24	B32457	HOUSING	2		
25	AA21480	BALL BEARING	2		
26	A22949	DISK	2		342.900 X 3MM (13-1/2" X 0.118")
27	AA27458	BLADE	2		
28	J16160	SHIM	AR		0.762MM (0.030")
29	A26714	PIN	1		12.700 X 85.852MM (1/2" X 3.380")
30	AA33861	SPOUT	1		
31	19H1900	CAP SCREW	1		5/16" X 3/4"
32	12H303	LOCK WASHER	1		5/16"
33	B35912	STRAP	1		
34	B35913	SCRAPER	1		
35	AA23112	SPOUT	1		
36	AA24096	OPENER	1		

MEMORANDA

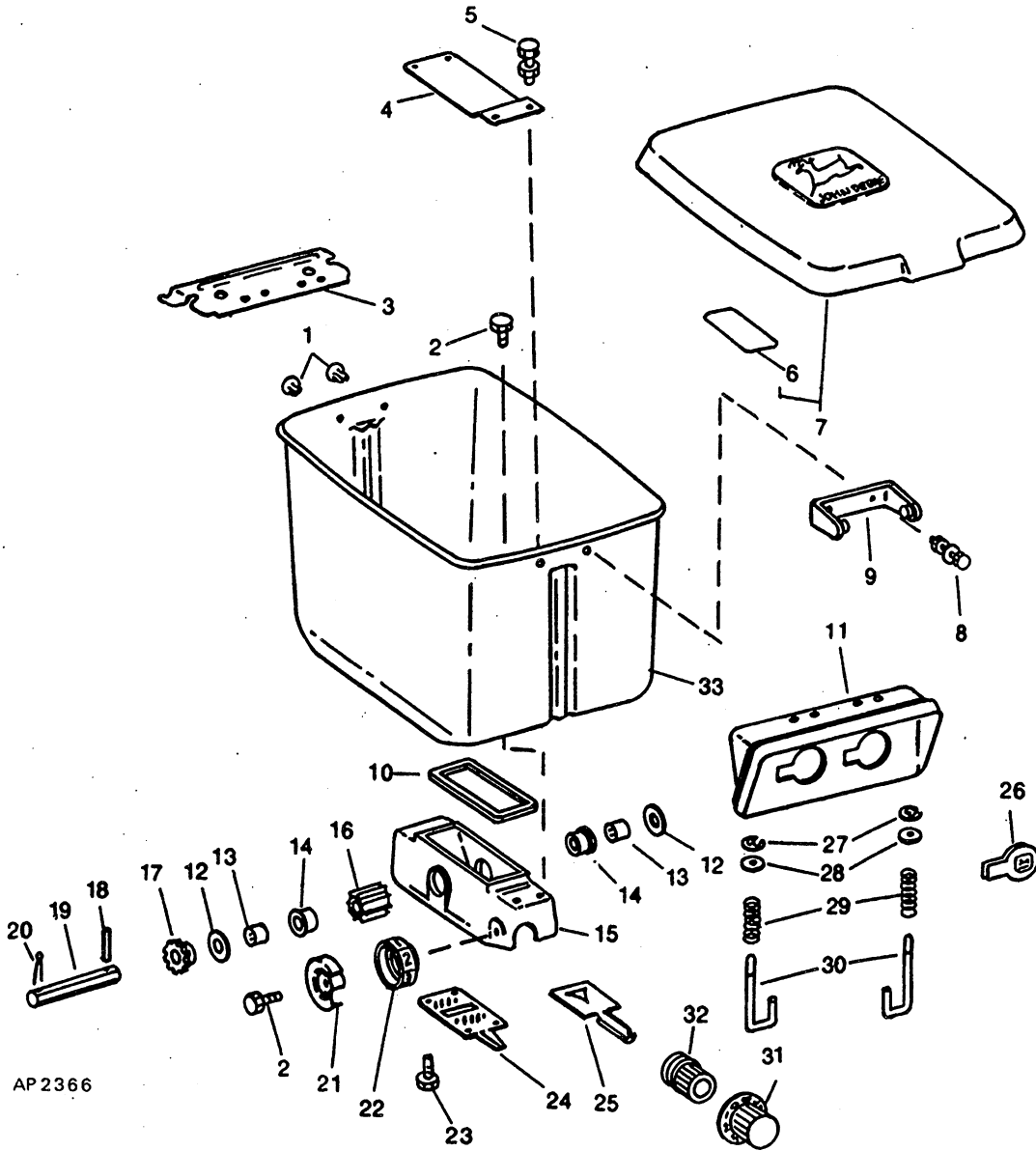
MEMORANDA

J06

INSECTICIDE AND HERBICIDE ATTACHMENTS

HOPPER HERBICIDE OR INSECTICIDE

AP2366



AP 2366

THIS PARTS LISTING IS CONTINUED

7200 MAXEMERGE® 2 DRAWN PLANTERS 6 WIDE/8 NARROW

PC-2145 (24-OCT-86)

LITHO IN U.S.A.

**HOPPER - CONTINUED
HERBICIDE OR INSECTICIDE**

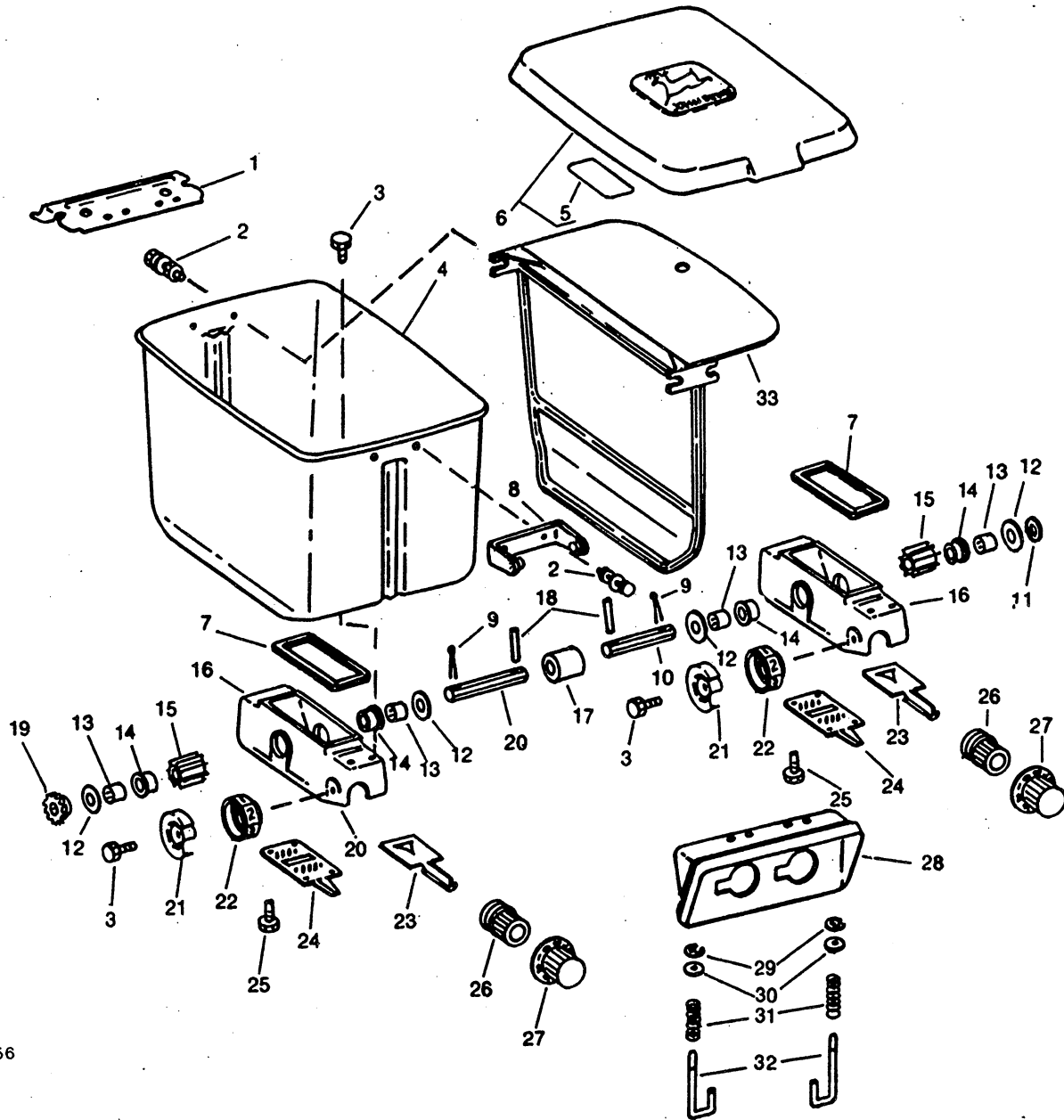
KEY	PART NO.	PART NAME	QTY	SERIAL NO. OR YEAR	REMARKS
1	A26175	PLUG	2		
2	37M7104	CAP SCREW	5		M6 X 30
3	A48065	SUPPORT	1		
4	A45010	COVER	1		
5	19M7862	CAP SCREW	4		M6 X 20
	E68605	LOCK NUT	4		M6
6	N188206	DECAL	1		
7	AA36559	COVER	1		
8	19M7077	CAP SCREW	2		M6 X 20
	24H1646	WASHER	2		17/64" X 3/4" X 0.060"
	E68605	LOCK NUT	2		M6
9	A48969	HINGE	1		
10	A48368	SEAL	1		
11	A46822	SUPPORT	1		
12	24H1415	WASHER	2		57/64" X 1-3/8" X 0.075"
13	A50869	BEARING	2		OUTER
14	A50867	BEARING	2		INNER
15	A50861	HOUSING	1		
16	A50863	WHEEL	1		
17	A50865	SPUR GEAR	1		16-TOOTH
18	34M7029	SPRING PIN	1		4 X 30MM
19	A50873	BAR	1		
20	11M7015	COTTER PIN	1		3.200 X 25MM
21	A48343	COVER	1		
22	A48342	CAM FOLLOWER	1		
23	37M7090	SCREW	4		M6 X 16
24	A48339	COVER	1		
25	A48338	GATE	1		
26	A48983	PLUG	1		
27	R27507	SNAP RING	2	-1987	
	R72654	SNAP RING	2	1987-	
28	24M7088	WASHER	2		6.600 X 12.500 X 1.600MM
29	A49740	COMPRESSION SPRING	2		
30	A49661	NEEDLE ROLLER	2		
31	A48341	KNOB	1		
32	A48340	NUT	1		
33	A44500	HOPPER	1		

J08

INSECTICIDE AND HERBICIDE ATTACHMENTS

HOPPER HERBICIDE AND INSECTICIDE

AP2456



AP2456

HOPPER - CONTINUED HERBICIDE AND INSECTICIDE

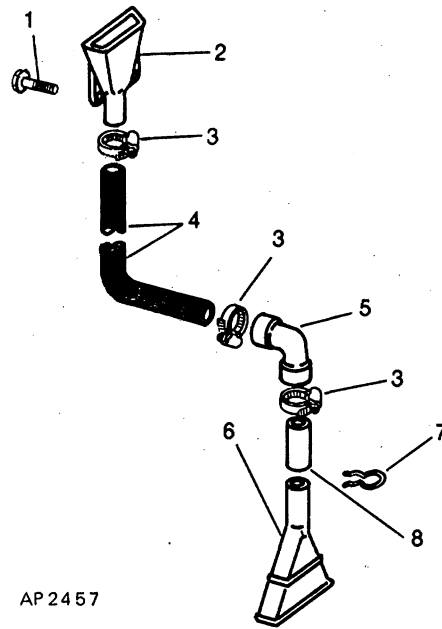
KEY	PART NO.	PART NAME	QTY	SERIAL NO. OR YEAR	REMARKS
1	A48065	SUPPORT	1		
2	19M7077	CAP SCREW	4		M6 X 20
	24H1646	WASHER	4		17/64" X 3/4" X 0.060"
	E68605	LOCK NUT	4		M6
3	37M7104	CAP SCREW	10		M6 X 30
4	A44500	HOPPER	1		
5	N188206	DECAL	1		
6	AA36559	COVER	1		
7	A48368	SEAL	1		
8	A48969	HINGE	1		
9	11M7015	COTTER PIN	2		3.200 X 25MM
10	A50875	BAR	1		14.2 X 101.7MM (9/16" X 4")
11	24H1375	WASHER	2		11/16" X 1-1/8" X 0.060"
12	24H1415	WASHER	4		57/64" X 1-3/8" X 0.075"
13	A50869	BEARING	1		OUTER
14	A50867	BEARING	1		INNER
15	A50863	WHEEL	2		
16	A50861	HOUSING	2		
17	A50871	SPACER	1		
18	34M7029	SPRING PIN	2		4 X 30MM
19	A50865	SPUR GEAR	1		16-TOOTH
20	A50873	BAR	1		14.2 X 121.7MM (9/16" X 4-1/2")
21	A48343	COVER	2		
22	A48342	CAM FOLLOWER	2		
23	A48338	GATE	2		
24	A48339	COVER	2		
25	37M7090	SCREW	8		M6 X 16
26	A48340	NUT	2		
27	A48341	KNOB	2		
28	A46822	SUPPORT	1		
29	R27507	SNAP RING	2	-1987	
	R72654	SNAP RING	2	1987-	
30	24M7088	WASHER	2		6.600 X 12.500 X 1.600MM
31	A49740	COMPRESSION SPRING	2		
32	A49661	NEEDLE ROLLER	2		
33	A44938	PANEL	1		

J10

INSECTICIDE AND HERBICIDE ATTACHMENTS

INSECTICIDE BAND DIFFUSER ATTACHMENT

AP2457

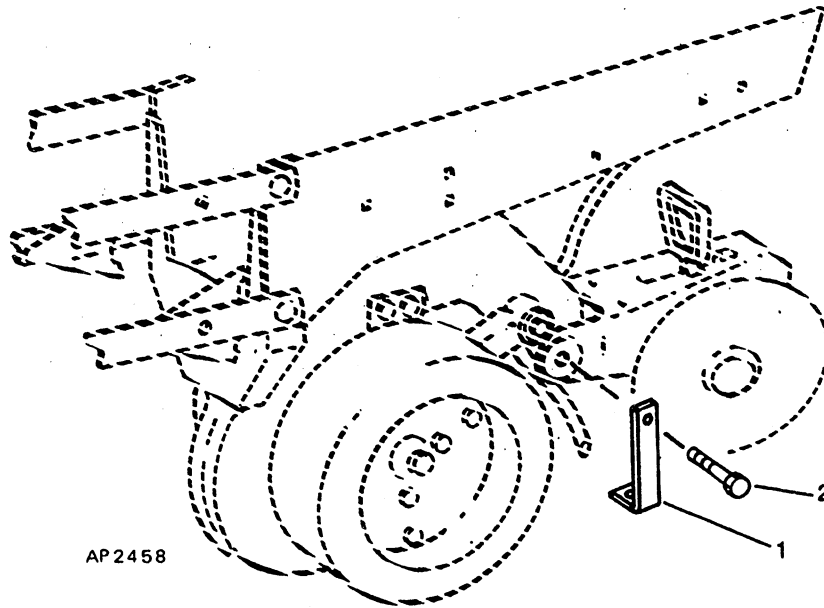


AP 24 57

KEY	PART NO.	PART NAME	QTY	SERIAL NO. OR YEAR	REMARKS
1	37H137	SCREW	2		NO. 10 X 5/8"
2	A37497	FUNNEL	1		
3	AA29204	CLAMP	3		
4	A37494	TUBE	1		19 MM X 14 MM X 635 MM (3/4" X 9/16" X 25")
5	A37495	HOSE	1		
6	B32601	DIFFUSER	1		
7	A47712	SPRING LOCKING PIN	1		
8	A23224	BUSHING	1		

PLACEMENT BRACKET INSECTICIDE

AP2458



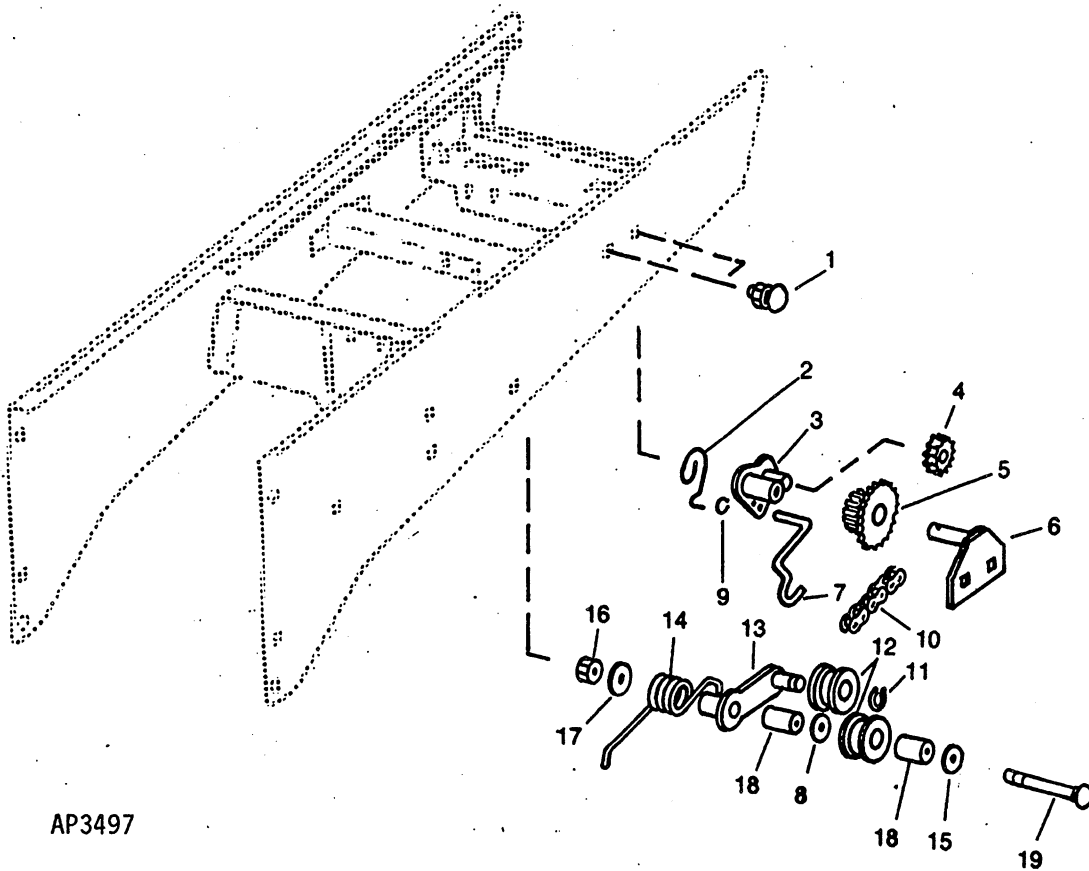
KEY	PART NO.	PART NAME	QTY	SERIAL NO. OR YEAR	REMARKS
1	A50762	ANGLE	1		
2	19M7387	CAP SCREW	1		M12 X 40
	14M7275	NUT	1		M12

J12

INSECTICIDE AND HERBICIDE ATTACHMENTS

DRIVE (-1987) HERBICIDE AND INSECTICIDE

AP3497



AP3497

THIS PARTS LISTING IS CONTINUED

7200 MAXEMERGE® 2 DRAWN PLANTERS 6 WIDE/8 NARROW

PC-2145 (29-FEB-88)

LITHO IN U.S.A.

**DRIVE (-1987) - CONTINUED
HERBICIDE AND INSECTICIDE**

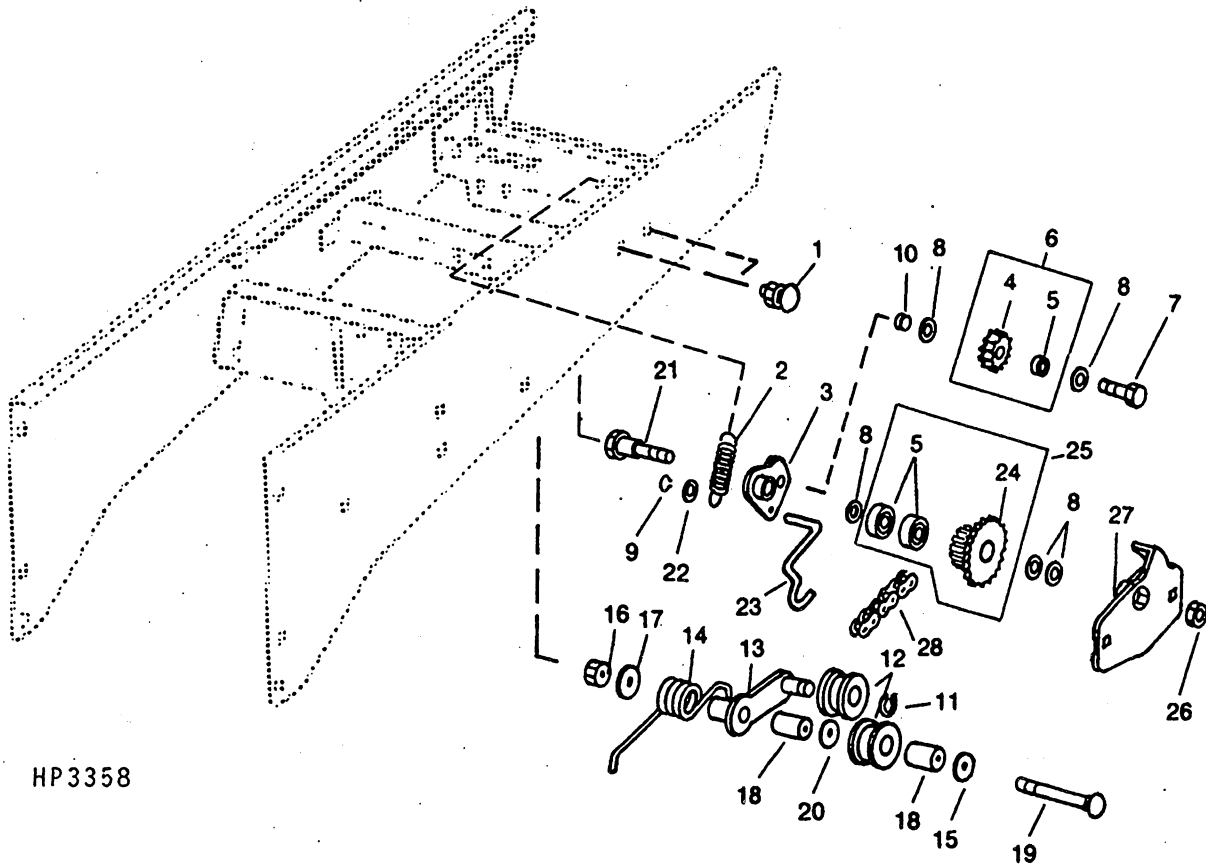
KEY	PART NO.	PART NAME	QTY	SERIAL NO. OR YEAR	REMARKS
1	03M7183	BOLT	2		M8 X 16
	14M7273	NUT	2		M8
2	A48614	SPRING	1		
3	AA35672	SHIFT COLLAR CARRIER	1		
4	A49594	SPUR GEAR	1		17-TOOTH
5	AA36124	CHAIN SPROCKET	1		12-TOOTH AND 18-TOOTH COMBINATION
6	AA35088	BRACKET	1		
7	A48581	LINK	1		
8	24M7207	WASHER	1		8.400 X 25 X 2MM
9	A49293	RING	1		
10	ROLLER CHAIN	1		(ASSEMBLE FROM AP22458 AND P28535) TYPE 41, 13 MM (1/2")PITCH; 101 LINKS W/PLATELESS; 102 LINKS W/PLATE; 104 LINKS W/VACUUM
11	B14203	SNAP RING	1		
12	A22838	ROLLER	2		
13	A50564	ARM	1		
14	A49644	TORSION SPRING	1		
15	24H1909	WASHER	1		13/32" X 1-3/8" X 1/4"
16	14M7273	NUT	1		M8
17	24H1296	WASHER	1		11/32" X 1-3/8" X 0.120"
18	A50562	SPACER	2		
19	03M7295	BOLT	1		M8 X 90

J14

INSECTICIDE AND HERBICIDE ATTACHMENTS

DRIVE (1988-)
HERBICIDE AND INSECTICIDE

HP3358



HP3358

**DRIVE (1988-) - CONTINUED
HERBICIDE AND INSECTICIDE**

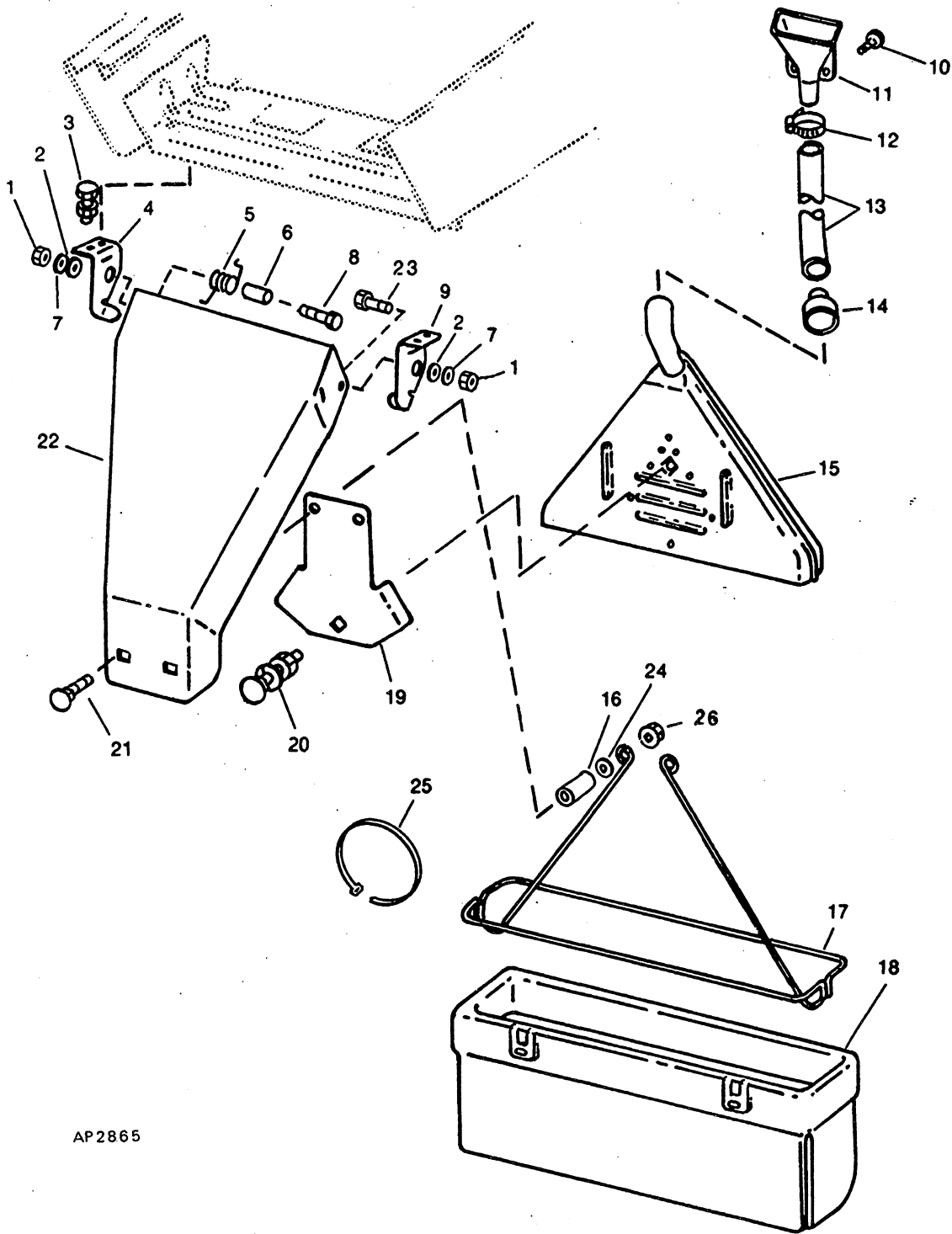
KEY	PART NO.	PART NAME	QTY	SERIAL NO. OR YEAR	REMARKS
1	03M7183	BOLT	2		M8 X 16
	14M7298	FLANGE NUT	2		M8
2	H136135	SPRING	1		
3	H135171	SHIFT COLLAR CARRIER	1		
4	GEAR	1		(SUB AH131038)
5	AA34134	BALL BEARING	3		
6	AH131038	SPUR GEAR	1		17-TOOTH
7	19M7167	CAP SCREW	1		M10 X 25
8	R64525	THRUST WASHER	5		10.312 X 17.475 X 0.914MM (13/32" X 11/16" X 0.036")
9	A49293	RING	1		
10	28H856	WASHER	1		0.423" X 0.675" X 3/16"
11	B14203	SNAP RING	1		
12	A22838	ROLLER	2		
13	A50564	ARM	1		
14	A49644	TORSION SPRING	1		
15	24H1909	WASHER	1		13/32" X 1-3/8" X 1/4"
16	14M7273	NUT	1		M8
17	24H1296	WASHER	1		11/32" X 1-3/8" X 0.120"
18	A50562	SPACER	2		
19	03M7295	BOLT	1		M8 X 90
20	24M7207	WASHER	1		8.400 X 25 X 2MM
21	H135078	SCREW	1		
22	24M7088	WASHER	1		6.600 X 12.500 X 1.600MM
23	A48581	LINK	1		
24	CHAIN SPROCKET	1		(SUB AH131037)
25	AH131037	CHAIN SPROCKET	1		12-TOOTH AND 18-TOOTH COMBINATION
26	14M7274	NUT	1		M10
27	H135170	FLANGE	1		
28	ROLLER CHAIN	1		(ASSEMBLE FROM AP22458 AND P28535) TYPE 41, 13 MM (1/2")PITCH, 101 LINKS W/PLATELESS; 102 LINKS W/PLATE; 104 LINKS W/VACUUM

J16

INSECTICIDE AND HERBICIDE ATTACHMENTS

REAR DIFFUSER, DIFFUSER SUPPORT AND WINDSHIELD HERBICIDE

AP2865



AP2865

**REAR DIFFUSER, DIFFUSER SUPPORT AND WINDSHIELD - CONTINUED
HERBICIDE**

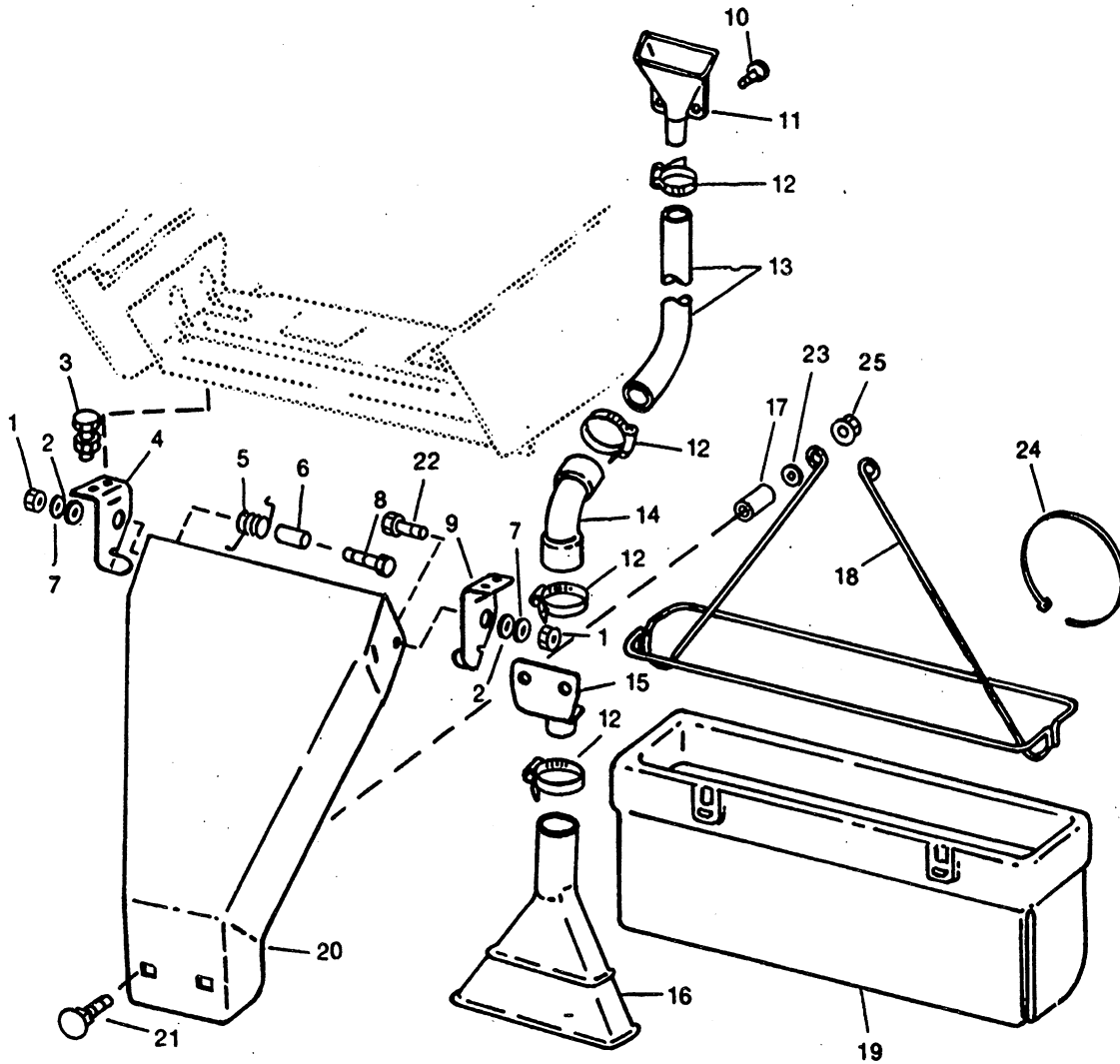
KEY	PART NO.	PART NAME	QTY	SERIAL NO. OR YEAR	REMARKS
1	14M7274	NUT	2		M10
2	28H856	WASHER	2		0.423" X 0.675" X 3/16"
3	19M7162	CAP SCREW	4		M8 X 16
	14M7298	FLANGE NUT	4		M8
4	A47051	BRACKET	1		L.H.
5	A50108	TORSION SPRING	1		
6	H77490	BUSHING	1		
7	24M7040	WASHER	2		11 X 21 X 2MM
8	19M7804	CAP SCREW	1		M10 X 40
9	A47050	BRACKET	1		R.H.
10	37H137	SCREW	2		NO. 10 X 5/8"
11	A37497	FUNNEL	1		
12	AA29204	CLAMP	1		
13	A37494	TUBE	1		
14	A37797	BOOT	1		
15	AA30614	DEFLECTOR	1		
16	28H1941	BUSHING	2		0.364" X 0.540" X 1-1/4"
17	AA34469	HANGER	1		
18	A47566	COVER	1		
19	A47180	BRACKET	1		
20	03M7195	BOLT	1		M10 X 45
	24M7040	WASHER	1		11 X 21 X 2MM
	14M7274	NUT	1		M10
21	03M7223	BOLT	2		M8 X 60, W/WINDSHIELD
	03M7183	BOLT	2		M8 X 16, WITHOUT/WINDSHIELD
22	A49598	SUPPORT	1		
23	19M7166	CAP SCREW	1		M10 X 20
24	24M7207	WASHER	2		8.400 X 25 X 2MM
25	R44302	TIE BAND	2		171 MM (6-3/4")
26	14M7298	FLANGE NUT	2		M8

J18

INSECTICIDE AND HERBICIDE ATTACHMENTS

REAR DIFFUSER, DIFFUSER SUPPORT AND WINDSHIELD INSECTICIDE

AP3101



AP3101

REAR DIFFUSER, DIFFUSER SUPPORT AND WINDSHIELD - CONTINUED INSECTICIDE

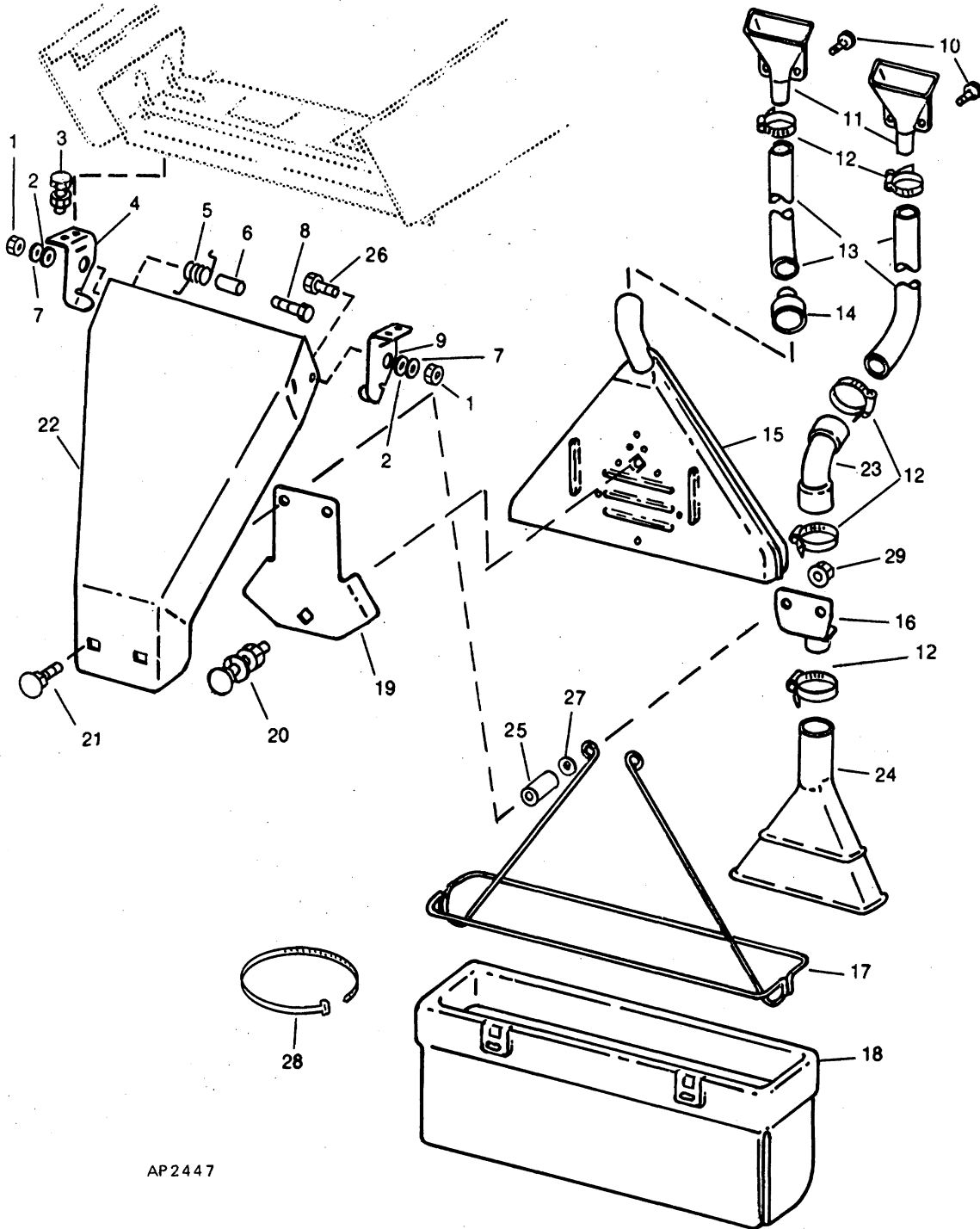
KEY	PART NO.	PART NAME	QTY	SERIAL NO. OR YEAR	REMARKS
1	14M7274	NUT	2		M10
2	28H856	WASHER	2		0.423" X 0.675" X 3/16"
3	19M7162	CAP SCREW	4		M8 X 16
	14M7298	FLANGE NUT	4		M8
4	A47051	BRACKET	1		L.H.
5	A50108	TORSION SPRING	1		
6	H77490	BUSHING	1		
7	24M7040	WASHER	2		11 X 21 X 2MM
8	19M7804	CAP SCREW	1		M10 X 40
9	A47050	BRACKET	1		R.H.
10	37H137	SCREW	2		NO. 10 X 5/8"
11	A37497	FUNNEL	1		
12	AA29204	CLAMP	4		
13	A37494	TUBE	1		
14	A37495	HOSE	1		
15	AA34194	BRACKET	1		
16	B32601	DIFFUSER	1		
17	28H1941	BUSHING	2		0.364" X 0.540" X 1-1/4"
18	AA34469	HANGER	1		
19	A47566	COVER	1		
20	A49598	SUPPORT	1		
21	03M7223	BOLT	2		M8 X 60, WITH/WINDSHIELD
	03M7183	BOLT	2		M8 X 16, WITHOUT/WINDSHIELD
22	19M7166	CAP SCREW	1		
23	24M7207	WASHER	2		8.400 X 25 X 2MM
24	R44302	TIE BAND	2		171 MM (6-3/4")
25	14M7298	FLANGE NUT	2		M8

J20

INSECTICIDE AND HERBICIDE ATTACHMENTS

REAR MOUNT INSECTICIDE SPREADER WITH HERBICIDE DIFFUSER HERBICIDE AND INSECTICIDE

AP2447



AP2447

REAR MOUNT INSECTICIDE SPREADER WITH HERBICIDE DIFFUSER - CONTINUED HERBICIDE AND INSECTICIDE

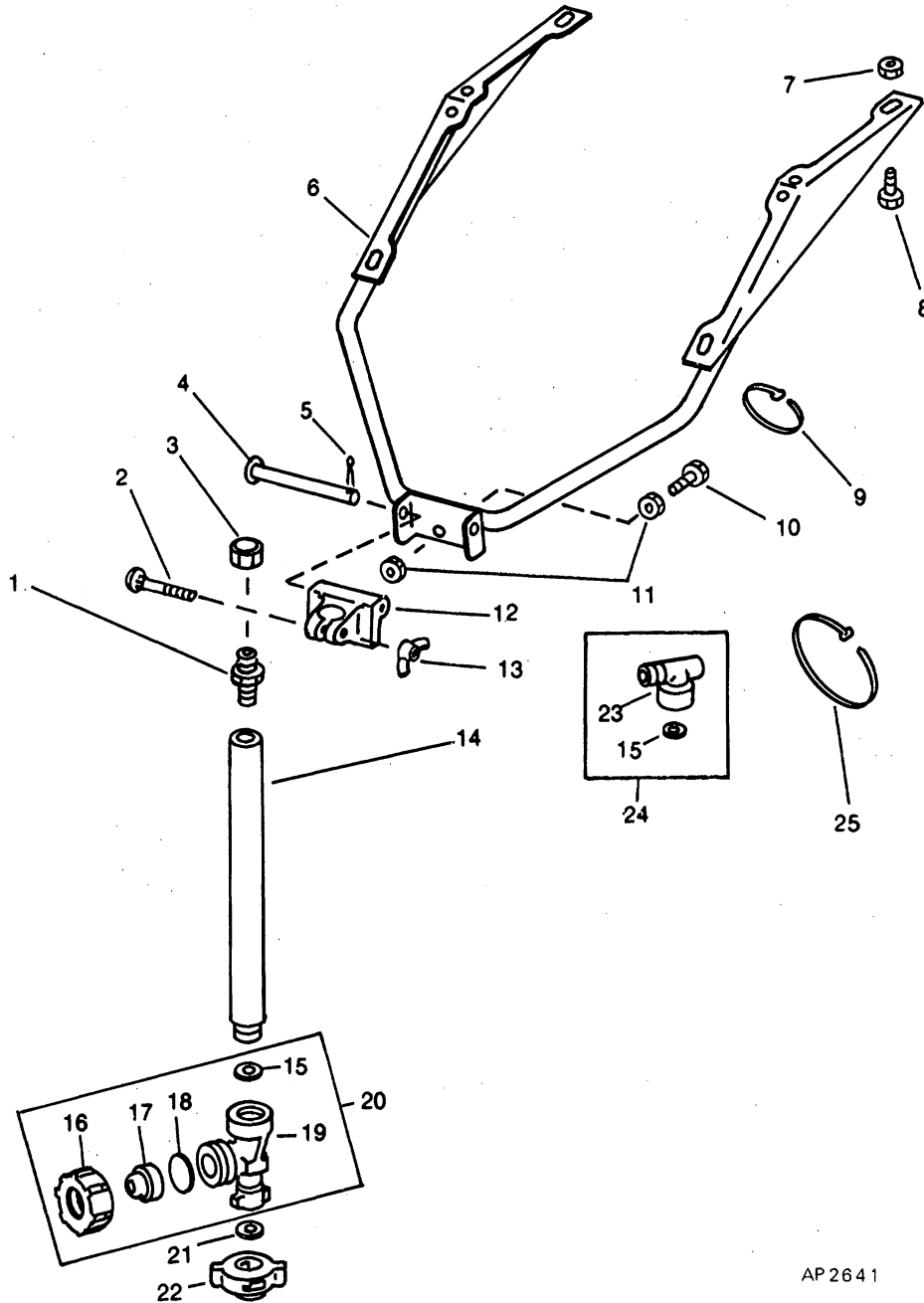
KEY	PART NO.	PART NAME	QTY	SERIAL NO. OR YEAR	REMARKS
1	14M7274	NUT	2		M10
2	28H856	WASHER	2		0.423" X 0.675" X 3/16"
3	19M7162	CAP SCREW	4		M8 X 16
	14M7298	FLANGE NUT	4		M8
4	A47051	BRACKET	1		L.H.
5	A50108	TORSION SPRING	1		
6	H77490	BUSHING	1		
7	24M7040	WASHER	2		11 X 21 X 2MM
8	19M7804	CAP SCREW	1		M10 X 40
9	A47050	BRACKET	1		R.H.
10	37H137	SCREW	4		NO. 10 X 5/8"
11	A37497	FUNNEL	2		
12	AA29204	CLAMP	5		
13	A37494	TUBE	2		
14	A37797	BOOT	1		
15	AA30614	DEFLECTOR	1		
16	AA34194	BRACKET	1		
17	AA34469	HANGER	1		
18	A47566	COVER	1		
19	A47180	BRACKET	1		
20	03M7195	BOLT	1		M10 X 45
	24M7040	WASHER	1		11 X 21 X 2MM
	14M7274	NUT	1		M10
21	03M7223	BOLT	2		M8 X 60
22	A49598	SUPPORT	1		
23	A37495	HOSE	1		
24	B32601	DIFFUSER	1		
25	28H1941	BUSHING	2		0.364" X 0.540" X 1-1/4"
26	19M7166	CAP SCREW	1		M10 X 20
27	24M7207	WASHER	2		8.400 X 25 X 2MM
28	R44302	TIE BAND	2		171 MM (6-3/4")
29	14M7298	FLANGE NUT	2		M8

J22

INSECTICIDE AND HERBICIDE ATTACHMENTS

LIQUID HERBICIDE PRE-EMERGENCE SPRAY ATTACHMENT

AP2641



AP2641

LIQUID HERBICIDE PRE-EMERGENCE SPRAY ATTACHMENT - CONTINUED

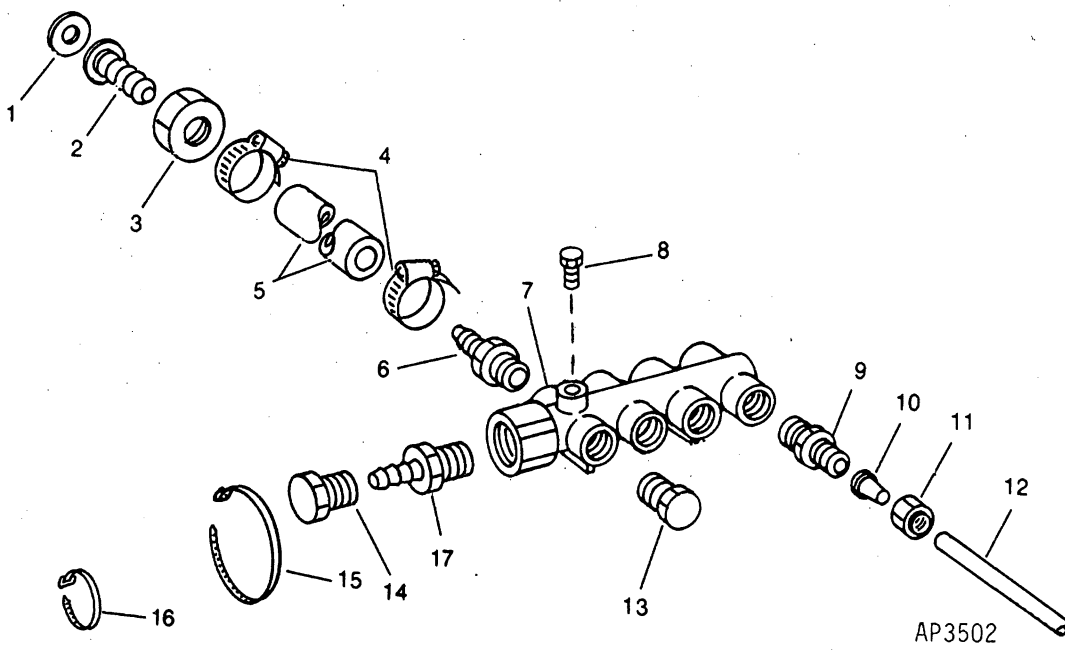
KEY	PART NO.	PART NAME	QTY	SERIAL NO. OR YEAR	REMARKS
1	A49535	UNION FITTING	1		
2	03M7269	BOLT	1		M6 X 35
3	AA33249	NUT	1		
4	A49724	PIN	1		
5	11M7059	COTTER PIN	1		3.200 X 20MM
6	AA35316	BRACKET	1		
7	E68605	LOCK NUT	4		M6
8	19M7560	CAP SCREW	4		M6 X 16
9	R44302	TIE BAND	1		171 MM (6-3/4")
10	19M7286	CAP SCREW	1		M6 X 25
11	14M7194	NUT	2		M6
12	A48947	BRACKET	1		
13	A49787	WING NUT	1		
14	A49240	TUBE	1		
15	N187818	WASHER	2		
16	N187820	RETAINER	1		
17	AN182902	SPRING	1		
18	N156945	DIAPHRAGM	1		
19	NOZZLE	1		(SUB AN182900)
20	AN182900	FITTING	1		
21	N187816	WASHER	1		
22	N187815	CAP	1		
23	A49725	FITTING	1		
24	AA35699	ASSEMBLY LINE PARTS	1		
25	T44946	TIE BAND	1		381 MM (15")

J24

INSECTICIDE AND HERBICIDE ATTACHMENTS

LIQUID HERBICIDE MANIFOLD ASSEMBLY

AP3502



AP3502

LIQUID HERBICIDE MANIFOLD ASSEMBLY - CONTINUED

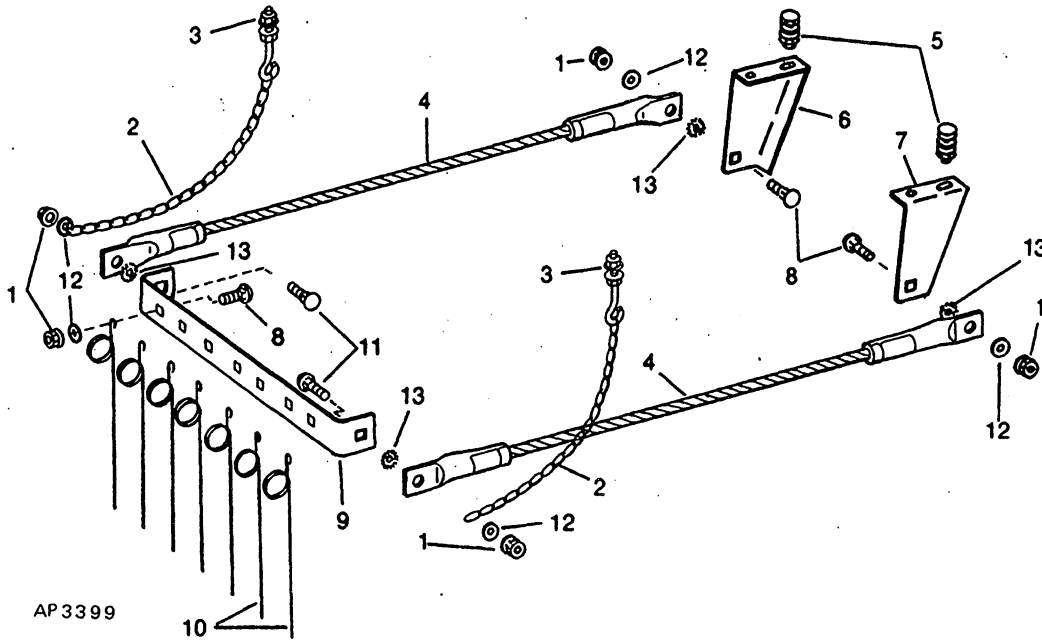
KEY	PART NO.	PART NAME	QTY	SERIAL NO. OR YEAR	REMARKS
1	B11536	WASHER	1	-1987	
	N202143	WASHER	1	1987-	
2	N154275	HOSE FITTING	1		
3	N85577	NUT	1		
4	AR21837	CLAMP	3		
5	N155877	HOSE	AR	 X 15 240MM (600") X
	A49775	HOSE	AR		
6	A49564	HOSE FITTING	2		1/2" THREAD
7	A49563	MANIFOLD	1		
8	A45398	PIPE PLUG	1		
9	A49260	ADAPTER	1		
10	A45562	INSERT	2		
11	AA33249	NUT	2		
12	A49586	HOSE	AR	 X 30 600MM (1200")
13	A49258	PIPE PLUG	6		
14	A49582	PIPE PLUG	1		
15	R45440	TIE BAND	4		698 MM (27-1/2")
16	R44302	TIE BAND	2		171 MM (6-3/4")
17	A45527	HOSE FITTING	1		3/4" THREAD

K01

INSECTICIDE AND HERBICIDE ATTACHMENTS

CHEMICAL INCORPORATOR

AP3399

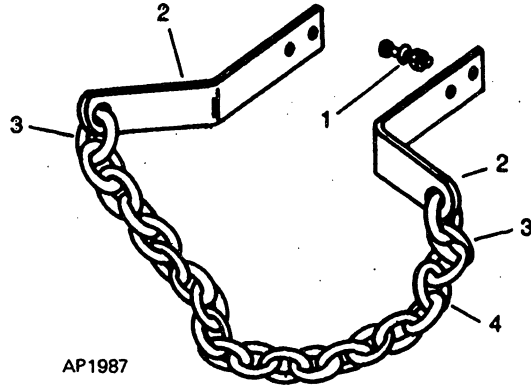


KEY	PART NO.	PART NAME	QTY	SERIAL NO. OR YEAR	REMARKS
1	A51212	LOCK NUT	11		M10
2	A35773	LINK CHAIN	2		
3	A49780	EYEBOLT	2		
	14M7303	FLANGE NUT	4		M6
4	AA27687	CABLE	2		
5	19M6614	CAP SCREW	4		M6 X 12
	14M7272	NUT	4		M6
6	A49619	BRACKET	1		L.H.
7	A49620	BRACKET	1		R.H.
8	03M7191	BOLT	9		M10 X 25
9	A49618	BRACKET	1		
10	A42681	TOOTH	7		
11	03M7192	BOLT	2		M10 X 30
12	24M7040	WASHER	11		11 X 21 X 2MM
13	12H292	LOCK WASHER	4		1/2"

K02

ROW LEVELER CHAIN

AP1987



KEY	PART NO.	PART NAME	QTY	SERIAL NO. OR YEAR	REMARKS
1	03M7190	BOLT	4		M10 X 20
	14M7274	NUT	4		M10
2	A26208	BRACKET	2		
3	H187DB	LINK	2		
4	AA23474	LINK CHAIN	1		660 MM (26")

MEMORANDA

NUMERICAL INDEX

PART NO.	GRID	KEY	PAGE	PART NO.	GRID	KEY	PAGE	PART NO.	GRID	KEY	PAGE
AA20242	F5	36	110-3	AA27815	G2	15	110-27	AA32729	I4	19	150-9
AA21131	E5	10	100-10	AA27924	H16	20	120-5	AA32729	I12	14	150-17
AA21292	I12	1	150-17	AA27934	F24	4	110-24	AA32729	I14	12	150-19
AA21292	I14	1	150-19	AA27981	C17	11	70-16	AA32771	I2	30	150-7
AA21292	I16	9	150-21	AA27981	C17	12	70-16	AA32771	I4	24	150-9
AA21480	F5	33	110-3	AA27982	C17	17	70-16	AA32771	I12	16	150-17
AA21480	J2	2	150-31	AA28036	F24	6	110-24	AA32771	I14	14	150-19
AA21480	J4	25	150-33	AA28271	D15	17	90-7	AA32776	E2	20	100-7
AA21510	C8	22	70-7	AA28271	D17	9	90-9	AA32776	E4	14	100-9
AA21510	C10	24	70-9	AA28333	C18	3	70-17	AA32778	C8	4	70-7
AA21510	C18	14	70-17	AA28696	I17	8	150-22	AA32778	C10	4	70-9
AA22097	E6	3	100-11	AA28894	I20	4	150-25	AA32786	I2	19	150-7
AA22097	E12	12	100-17	AA28894	I22	4	150-27	AA32786	I12	10	150-17
AA22097	H25	2	150-5	AA29204	J10	3	160-6	AA32796	I20	8	150-25
AA22097	I2	35	150-7	AA29204	J17	12	160-13	AA32796	I22	8	150-27
AA22097	I12	6	150-17	AA29204	J19	12	160-15	AA32868	F23	11	110-23
AA22097	I14	6	150-19	AA29204	J21	12	160-17	AA32881	I2	11	150-7
AA22097	I16	8	150-21	AA29884	A20	5	40-7	AA32881	I4	27	150-9
AA22119	D25	7	100-5	AA29884	A22	3	40-9	AA32909	F15	6	110-15
AA22119	F15	26	110-15	AA29884	A24	3	40-11	AA32909	F17	6	110-17
AA22119	F17	26	110-17	AA30345	F24	4	110-24	AA32941	D23	12	100-3
AA22119	F19	7	110-19	AA30614	J17	15	160-13	AA33072	C19	4	70-18
AA22182	A25	4	40-12	AA30614	J21	15	160-17	AA33072	C19	5	70-18
AA22182	B1	4	40-13	AA30642	G2	14	110-27	AA33072	C19	9	70-18
AA22780	F21	7	110-21	AA30685	E2	39	100-7	AA33072	C19	11	70-18
AA23006	H16	12	120-5	AA30685	E4	34	100-9	AA33249	J23	3	160-19
AA23018	G4	26	110-29	AA30825	A18	1	40-5	AA33249	J25	11	160-21
AA23018	G4	29	110-29	AA30825	A20	1	40-7	AA33321	B19	5	40-31
AA23104	D13	14	90-5	AA30827	A18	1	40-5	AA33322	B19	9	40-31
AA23112	J4	35	150-33	AA30827	A24	1	40-11	AA33326	B19	17	40-31
AA23225	H21	1	150-1	AA30831	A18	2	40-5	AA33383	H2	15	110-55
AA23259	H11	18	110-65	AA30831	B1	12	40-13	AA33383	H4	36	110-57
AA23358	C8	12	70-7	AA30993	H8	7	110-61	AA33455	D15	8A	90-7
AA23358	C10	12	70-9	AA31261	F21	23	110-21	AA33456	D15	4A	90-7
AA23358	C21	7	70-21	AA31675	I16	5	150-21	AA33718	G23	15	110-49
AA23358	D2	11	70-27	AA31691	E12	27	100-17	AA33719	G23	15	110-49
AA23358	D4	14	70-29	AA31692	E12	21	100-17	AA33861	J4	30	150-33
AA23474	K2	4	160-23	AA31693	H25	18	150-5	AA33880	E16	19	100-21
AA23532	H23	3	150-3	AA31694	H25	4	150-5	AA33901	I8	8	150-13
AA23541	C24	24	70-25	AA31774	D15	16	90-7	AA33902	I8	8	150-13
AA23541	D2	1	70-27	AA31794	B19	33	40-31	AA33985	G11	8	110-37
AA23541	D4	1	70-29	AA31807	B19	38	40-31	AA33985	G13	8	110-39
AA23541	H23	11	150-3	AA31881	H25	13	150-5	AA33985	G15	9	110-41
AA23586	C23	8	70-24	AA31975	C8	21	70-7	AA34001	I16	41	150-21
AA23586	C23	9	70-24	AA31975	C10	23	70-9	AA34009	C21	10	70-21
AA23586	D2	7	70-27	AA31975	C11	26	70-10	AA34049	H4	4	110-57
AA23586	D4	9	70-29	AA31975	C12	2	70-11	AA34050	H4	3	110-57
AA23837	H21	5	150-1	AA32004	I12	20	150-17	AA34060	G8	2	110-34
AA23931	C23	6	70-24	AA32004	I14	21	150-19	AA34061	G8	5	110-34
AA23987	J4	19	150-33	AA32197	E12	26	100-17	AA34064	I8	15	150-13
AA24096	J4	36	150-33	AA32361	C18	5	70-17	AA34108	I17	11	150-22
AA24515	C17	15	70-16	AA32361	C19	16	70-18	AA34109	I17	1	150-22
AA25319	F24	4	110-24	AA32484	B19	1	40-31	AA34132	G5	9	110-31
AA25611	H23	24	150-3	AA32485	B19	4	40-31	AA34132	G7	10	110-33
AA26234	H2	14	110-55	AA32486	B19	3	40-31	AA34134	D25	4	100-5
AA26234	H4	35	110-57	AA32487	B19	11	40-31	AA34134	E20	5	100-25
AA26234	J2	15	150-31	AA32488	B19	18	40-31	AA34134	F19	4	110-19
AA26500	I20	2	150-25	AA32489	B19	25	40-31	AA34134	F21	34	110-21
AA26500	I22	2	150-27	AA32490	B19	28	40-31	AA34134	F23	34	110-23
AA26571	G1	10	110-26	AA32497	B19	2	40-31	AA34134	J15	5	160-11
AA26668	C17	..	70-16	AA32497	B19	10	40-31	AA34136	D25	3	100-5
AA26713	F24	4	110-24	AA32565	D11	1	90-3	AA34136	D25	5	100-5
AA26714	F24	4	110-24	AA32651	G21	3	110-47	AA34136	F19	3	110-19
AA26795	H11	1	110-65	AA32652	G21	12	110-47	AA34136	F19	5	110-19
AA26933	C18	2	70-17	AA32729	E12	3	100-17	AA34136	F23	33	110-23
AA27458	J4	27	150-33	AA32729	H25	7	150-5	AA34136	F23	35	110-23
AA27687	K1	4	160-22	AA32729	I2	24	150-7	AA34140	C21	4	70-21

L16

7200 MAXEMERGE® 2 DRAWN PLANTERS 6 WIDE/8 NARROW

NUMERICAL INDEX - CONTINUED

PART NO.	GRID	KEY	PAGE	PART NO.	GRID	KEY	PAGE	PART NO.	GRID	KEY	PAGE
AA34194	J19	15	160-15	AA35400	D23	9	100-3	AA36389	C22	1	70-22
AA34194	J21	16	160-17	AA35437	F23	2	110-23	AA36389	C22	2	70-22
AA34195	F9	2	110-9	AA35446	J4	13	150-33	AA36389	C22	3	70-22
AA34195	F11	2	110-11	AA35455	C8	2	70-7	AA36389	C22	4	70-22
AA34195	F13	2	110-13	AA35455	C10	10	70-9	AA36389	C22	5	70-22
AA34196	D13	29	90-5	AA35455	C16	13	70-15	AA36389	C22	6	70-22
AA34199	D13	41	90-5	AA35456	C4	4	70-3	AA36389	C22	7	70-22
AA34203	F23	3	110-23	AA35456	C16	9	70-15	AA36440	C8	8	70-7
AA34211	G7	16	110-33	AA35457	C4	5	70-3	AA36440	C10	8	70-9
AA34212	G5	7	110-31	AA35457	C16	12	70-15	AA36440	C14	21	70-13
AA34212	G7	7	110-33	AA35458	C8	10	70-7	AA36445	H14	17	120-3
AA34218	D13	18	90-5	AA35458	C10	2	70-9	AA36457	H25	20	150-5
AA34232	H2	13	110-55	AA35459	C8	15	70-7	AA36520	H14	33	120-3
AA34233	H4	33	110-57	AA35459	C10	15	70-9	AA36559	J7	7	160-3
AA34239	D13	11	90-5	AA35459	C16	11	70-15	AA36559	J9	6	160-5
AA34257	E16	7	100-21	AA35469	I24	18	150-29	AA36628	B21	5	40-33
AA34258	E16	4	100-21	AA35470	I24	18	150-29	AA36629	B21	9	40-33
AA34259	E16	2	100-21	AA35508	I9	2	150-14	AA36636	A18	5	40-5
AA34260	D13	40	90-5	AA35541	D13	15	90-5	AA36636	B10	7	40-22
AA34261	D13	9	90-5	AA35560	C21	8	70-21	AA36636	F5	40	110-3
AA34271	I6	5	150-11	AA35619	C8	19	70-7	AA36642	F5	19	110-3
AA34350	G5	11	110-31	AA35619	C10	21	70-9	AA36643	A18	5	40-5
AA34356	D11	19	90-3	AA35619	C12	22	70-11	AA36643	B10	7	40-22
AA34357	D11	13	90-3	AA35630	A18	1	40-5	AA36643	F5	40	110-3
AA34369	E6	5	100-11	AA35630	A22	1	40-9	AA36644	A18	5	40-5
AA34469	J17	17	160-13	AA35631	A18	2	40-5	AA36644	B11	7	40-23
AA34469	J19	18	160-15	AA35631	B1	12	40-13	AA36644	F5	41	110-3
AA34469	J21	17	160-17	AA35632	A18	2	40-5	AA36645	B12	10	40-24
AA34616	G23	10	110-49	AA35632	A25	8	40-12	AA36645	A18	3	40-5
AA34617	G23	11	110-49	AA35633	A22	9	40-9	AA36664	B3	7	40-15
AA34618	G23	16	110-49	AA35633	A22	9	40-9	AA36664	B3	7	40-15
AA34619	G23	16	110-49	AA35638	G7	14	110-33	AA36665	A18	3	40-5
AA34659	B5	7	40-17	AA35644	F21	25	110-21	AA36665	B3	7	40-15
AA34659	B7	7	40-19	AA35645	H8	8	110-61	AA36665	B5	6	40-17
AA34795	D25	9	100-5	AA35658	F23	24	110-23	AA36665	B7	6	40-19
AA34795	F19	9	110-19	AA35659	F21	28	110-21	AA36665	B7	12	40-19
AA34798	F24	2	110-24	AA35660	F21	27	110-21	AA36665	B5	12	40-17
AA34924	A16	9	40-3	AA35672	E18	3	100-23	AA36677	G19	2	110-45
AA34944	I10	2	150-15	AA35672	J13	3	160-9	AA36677	F21	41	110-21
AA34965	I16	21	150-21	AA35675	H4	11	110-57	AA36677	F23	41	110-23
AA34967	A16	7	40-3	AA35675	H8	8	110-61	AA36818	B19	44	40-31
AA34968	A16	7	40-3	AA35676	H4	11	110-57	AA36819	B19	48	40-31
AA34987	F23	41	110-23	AA35676	H8	8	110-61	AA36820	D15	4A	90-7
AA35021	G17	8	110-43	AA35686	B1	5	40-13	AA36820	D15	4B	90-7
AA35069	D17	3	90-9	AA35686	B9	2	40-21	AA36820	D15	8A	90-7
AA35070	D17	7	90-9	AA35686	B19	26	40-31	AA36821	D15	8B	90-7
AA35072	H16	18	120-5	AA35686	B21	4	40-33	AA36824	B22	1	40-34
AA35088	E18	6	100-23	AA35687	A20	9	40-7	AA36864	F24	1	110-24
AA35088	J13	6	160-9	AA35687	A22	7	40-9	AA36888	D25	3	100-5
AA35091	C4	3	70-3	AA35687	A24	7	40-11	AA36888	D25	5	100-5
AA35132	C4	7	70-3	AA35687	B3	4	40-15	AA36888	F19	3	110-19
AA35132	C16	5	70-15	AA35687	B5	4	40-17	AA36888	F19	5	110-19
AA35132	C17	18	70-16	AA35687	B7	4	40-19	AA36888	F21	33	110-21
AA35145	J2	10	150-31	AA35687	B19	15	40-31	AA36888	F21	35	110-21
AA35146	J2	10	150-31	AA35699	J23	24	160-19	AB18729	H11	24	110-65
AA35149	I24	22	150-29	AA35734	F6	2	110-4	AB18730	H11	21	110-65
AA35152	I24	28	150-29	AA35735	F6	2	110-4	AB18732	H11	12	110-65
AA35153	I24	28	150-29	AA35741	F7	3	110-5	AB18733	H11	29	110-65
AA35154	J2	20	150-31	AA35761	A18	4	40-5	AB18790	H11	25	110-65
AA35155	H23	1	150-3	AA35761	B9	6	40-21	AB18884	H11	30	110-65
AA35244	D2	2	70-27	AA35874	B19	24	40-31	AB19001	G4	16	110-29
AA35244	D4	2	70-29	AA35940	C6	9	70-5	AD10193	G1	15	110-26
AA35246	D2	9	70-27	AA35945	C10	13	70-9	AD2062R	A16	2	40-3
AA35246	D4	12	70-29	AA35968	D11	20	90-3	AE14428	C21	11	70-21
AA35248	D4	5	70-29	AA36055	F23	25	110-23	AE37830	C6	7	70-5
AA35316	J23	6	160-19	AA36124	E18	5	100-23	AE44325	C12	6	70-11
AA35392	F7	6	110-5	AA36124	J13	5	160-9	AE44325	C12	7	70-11
				AA36212	H4	11	110-57	AE44325	C12	8	70-11

NUMERICAL INDEX - CONTINUED

PART NO.	GRID	KEY	PAGE	PART NO.	GRID	KEY	PAGE	PART NO.	GRID	KEY	PAGE
AE44325	C12	12	70-11	AN140263	C10	14	70-9	A15899	D8	1	70-33
AE44325	C12	13	70-11	AN140263	C16	10	70-15	A16662	D13	26	90-5
AE44325	C12	21	70-11	AN152407	I20	7	150-25	A16875	C17	1	70-16
AE44388	B1	6	40-13	AN152407	I22	7	150-27	A20289	G4	2	110-29
AE44388	B21	6	40-33	AN152898	I17	13	150-22	A20716	G4	24	110-29
AE44391	B9	3	40-21	AN152898	I17	16	150-22	A21578	F21	12	110-21
AE44391	B21	3	40-33	AN152898	I17	17	150-22	A21710	F9	3	110-9
AH100063	A25	5	40-12	AN182900	J23	19	160-19	A21710	F11	3	110-11
AH100063	B1	11	40-13	AN182900	J23	20	160-19	A21710	F11	6	110-11
AH129092	I24	11	150-29	AN182902	J23	17	160-19	A21710	F11	11	110-11
AH129093	I24	11	150-29	AP20368	D25	20	100-5	A21710	F13	3	110-13
AH129125	F23	10	110-23	AP20368	F19	20	110-19	A21710	F13	6	110-13
AH129131	C23	3	70-24	AP20368	F21	42	110-21	A21710	F13	11	110-13
AH129131	C23	4	70-24	AP20368	F23	42	110-23	A21710	F15	13	110-15
AH129131	C23	6	70-24	AP20370	D25	20	100-5	A21710	F15	15	110-15
AH129222	A18	2	40-5	AP20370	F19	20	110-19	A21710	F17	13	110-17
AH129222	A25	8	40-12	AP20370	F21	42	110-21	A21710	F17	15	110-17
AH129223	A18	2	40-5	AP20370	F23	42	110-23	A22103	C18	6	70-17
AH129223	B1	12	40-13	AP22458	D23	8	100-3	A22235	F25	1	110-25
AH129224	A18	2	40-5	AP22458	E18	10	100-23	A22235	F25	9	110-25
AH129224	B1	12	40-13	AP22458	E20	28	100-25	A22305	F21	13	110-21
AH129234	H14	15	120-3	AP22458	J13	10	160-9	A22307	F21	19	110-21
AH129292	D13	8	90-5	AP22458	J15	28	160-11	A22318	F25	11	110-25
AH129293	D13	2	90-5	AP22459	E2	26	100-7	A22325	G7	9	110-33
AH131026	H16	1	120-5	AR22459	E4	26	100-9	A22413	I6	12	150-11
AH131032	H16	8	120-5	AR21837	J25	4	160-21	A22451	F21	5	110-21
AH131037	E20	24	100-25	AR21839	I16	23	150-21	A22468	E2	41	100-7
AH131037	E20	25	100-25	AR21839	I20	9	150-25	A22468	E4	37	100-9
AH131037	J15	24	160-11	AR21839	I22	9	150-27	A22468	E5	12	100-10
AH131037	J15	25	160-11	AR21840	I8	12	150-13	A22689	H21	3	150-1
AH131038	E20	4	100-25	AR21840	I9	4	150-14	A22771	F21	22	110-21
AH131038	E20	6	100-25	AR48041	A16	2	40-3	A22780	F7	1	110-5
AH131038	J15	4	160-11	AR48236	C6	2	70-5	A22795	F21	6	110-21
AH131038	J15	6	160-11	AR62936	C16	3	70-15	A22796	F21	4	110-21
AH131514	F23	16	110-23	AR90579	D11	25	90-3	A22836	F5	38	110-3
AH131562	D17	16	90-9	AR90579	D11	26	90-3	A22836	J2	5	150-31
AH131833	H6	13	110-59	AR90579	D11	27	90-3	A22838	D25	15	100-5
AH131882	F5	48	110-3	AR90579	D11	28	90-3	A22838	E18	12	100-23
AH131883	F5	47	110-3	AR90579	D11	30	90-3	A22838	E20	12	100-25
AH132233	F23	11	110-23	AR90579	D11	31	90-3	A22838	F19	15	110-19
AH132882	C21	2	70-21	AR90579	D11	32	90-3	A22838	J13	12	160-9
AH132882	G17	14	110-43	AR91793	B17	42	40-29	A22838	J15	12	160-11
AH306B	G2	4	110-27	AR91793	B19	29	40-31	A22884	F7	2	110-5
AH63565	C8	5	70-7	AR93819	C8	13	70-7	A22949	J4	26	150-33
AH63565	C10	5	70-9	AR93819	C10	19	70-9	A22991	F5	32	110-3
AH75164	D4	11	70-29	AR93819	C21	9	70-21	A23153	H16	4	120-5
AH75167	D8	2	70-33	AR94522	C8	13	70-7	A23153	I6	7	150-11
AH89607	C8	16	70-7	AR94522	C10	19	70-9	A23224	J10	8	160-6
AH89607	C10	16	70-9	AT25242	C21	9	70-21	A23321	E2	30	100-7
AH89607	C16	7	70-15	AT25242	G13	10	110-39	A23321	E4	30	100-9
AH89607	C18	10	70-17	AT25242	G15	7	110-41	A23321	E5	6	100-10
AH93625	A16	8	40-3	AT26327	D4	7	70-29	A23337	D15	15	90-7
AJ8878N	H25	19	150-5	AT28061	B1	9	40-13	A23383	D15	5	90-7
AJ8878N	I2	33	150-7	AT32332	C18	4	70-17	A23433	I6	10	150-11
AJ8878N	I4	11	150-9	AT32332	D8	11	70-33	A23441	I6	11	150-11
AJ8878N	I12	21	150-17	AT38353	C23	7	70-24	A23441	I8	3	150-13
AJ8878N	I14	13	150-19	AT42218	C18	12	70-17	A23441	I8	4	150-13
AM3208T	A25	7	40-12	AT47763	D8	12	70-33	A23662	J4	15	150-33
AM3208T	B1	10	40-13	AT49216	C11	2	70-10	A23680	H14	28	120-3
AN103877	C24	23	70-25	AT50337	C24	17	70-25	A24080	G4	26	110-29
AN112321	C18	9	70-17	AW15056	D2	4	70-27	A24080	G4	29	110-29
AN131153	C21	12	70-21	A12188	D4	4	70-29	A24085	J4	4	150-33
AN132749	D13	38	90-5	A12188	H2	6	110-55	A24092	D23	19	100-3
AN132749	E2	46	100-7	A12188	H4	25	110-57	A24097	I6	3	150-11
AN132749	E4	42	100-9	A15146	C19	17B	70-18	A24173	J4	11	150-33
AN132749	E5	14	100-10	A15147	D11	24	90-3	A24641	F24	2	110-24
AN140263	C8	14	70-7	A15147	D13	13	90-5	A24682	F24	2	110-24

NUMERICAL INDEX - CONTINUED

PART NO.	GRID	KEY	PAGE	PART NO.	GRID	KEY	PAGE	PART NO.	GRID	KEY	PAGE
A24698	C16	2	70-15	A31839	H23	28	150-3	A37497	J21	11	160-17
A24777	H23	8	150-3	A31867	E2	19	100-7	A37537	I17	6	150-22
A24863	H23	18	150-3	A31867	E4	15	100-9	A37578	I17	7	150-22
A24912	I20	12	150-25	A31867	E4	35	100-9	A37797	J17	14	160-13
A24912	I22	12	150-27	A31867	E12	36	100-17	A37797	J21	14	160-17
A25081	F24	3	110-24	A31867	E16	18	100-21	A37977	H2	2	110-55
A25101	D11	9	90-3	A31867	G5	1	110-31	A38207	B9	1	40-21
A25435	C16	4	70-15	A31867	G7	1	110-33	A38249	H4	22	110-57
A25542	F21	29	110-21	A31867	G8	4	110-34	A38818	B11	8	40-23
A25588	I4	6	150-9	A31867	G21	4	110-47	A38818	B12	11	40-24
A25589	D11	11	90-3	A31867	G21	18	110-47	A38818	F5	30	110-3
A25647	C8	3	70-7	A31867	H2	1	110-55	A3917R	C24	7	70-25
A25647	C10	3	70-9	A31867	H4	9	110-57	A39324	A24	9	40-11
A25647	D11	34	90-3	A31867	H4	37	110-57	A39489	F15	11	110-15
A25750	C4	10	70-3	A31867	H9	4	110-62	A39489	F17	11	110-17
A25750	C8	20	70-7	A31867	H23	30	150-3	A39728	H23	12	150-3
A25750	C10	22	70-9	A31869	F5	7	110-3	A39730	H23	10	150-3
A25758	I20	3	150-25	A31869	H2	16	110-55	A40139	F15	2	110-15
A25758	I22	3	150-27	A31869	H4	20	110-57	A40139	F17	2	110-17
A25830	F15	5	110-15	A31869	H6	15	110-59	A40309	G11	4	110-37
A25830	F17	5	110-17	A31869	H7	9	110-60	A40309	G13	4	110-39
A25830	I6	2	150-11	A31869	H8	10	110-61	A40309	G15	4	110-41
A25915	F7	4	110-5	A32475	C19	18A	70-18	A40473	G11	5	110-37
A26019	F5	40	110-3	A32475	C19	18B	70-18	A40473	G13	5	110-39
A26032	H16	14	120-5	A32903	B13	1	40-25	A40473	G15	5	110-41
A26076	D15	12A	90-7	A32904	B3	6	40-15	A40502	G23	5	110-49
A26119	D15	13	90-7	A32904	B5	17	40-17	A40518	G2	7	110-27
A26135	D15	11	90-7	A32904	B7	17	40-19	A40621	E12	20	100-17
A26175	J7	1	160-3	A32904	B13	2	40-25	A40622	E12	6	100-17
A26184	B10	2	40-22	A32905	B13	1	40-25	A40622	H25	8	150-5
A26184	F5	40	110-3	A33075	H23	2	150-3	A40623	E12	31	100-17
A26208	K2	2	160-23	A33166	G1	2	110-26	A40627	E12	34	100-17
A26264	J4	8	150-33	A33535	I20	1	150-25	A40628	E12	51	100-17
A26332	H11	15	110-65	A33535	I22	1	150-27	A40656	E2	35	100-7
A26375	H16	3	120-5	A33844	F9	1	110-9	A40657	E2	25	100-7
A26407	H23	19	150-3	A33844	F11	1	110-11	A40657	E4	25	100-9
A26506	H23	16	150-3	A33844	F13	1	110-13	A40689	E2	29	100-7
A26508	H21	2	150-1	A33844	F15	4	110-15	A40689	E4	29	100-9
A26714	J4	29	150-33	A33844	F17	4	110-17	A40690	E2	17	100-7
A26926	G4	20	110-29	A33885	D23	7	100-3	A40690	E4	16	100-9
A26927	H14	18	120-3	A33969	F21	26	110-21	A40697	E2	34	100-7
A26933	H23	26	150-3	A35773	K1	2	160-22	A40869	E12	18	100-17
A27002	H16	15	120-5	A3581R	D11	16	90-3	A40869	H25	12	150-5
A27135	D2	6	70-27	A3581R	I24	9	150-29	A40870	E12	1	100-17
A27135	D4	8	70-29	A35968	G2	8	110-27	A40870	H25	14	150-5
A27250	H23	21	150-3	A36012	G1	6	110-26	A40982	A20	11	40-7
A27312	C17	9	70-16	A36012	G2	10	110-27	A40982	A22	10	40-9
A27313	C17	2	70-16	A36043	C6	3	70-5	A40983	A20	13	40-7
A27355	H21	7	150-1	A36216	C17	10	70-16	A40983	A22	12	40-9
A27517	H23	20	150-3	A36323	F24	2	110-24	A40983	A24	11	40-11
A27756	C23	1	70-24	A36540	I17	5	150-22	A40984	A20	14	40-7
A28237	H21	8	150-1	A36550	I17	3	150-22	A40984	A22	14	40-9
A28518	D25	13	100-5	A36745	C12	10	70-11	A40984	A24	13	40-11
A28518	F19	13	110-19	A36747	C12	9	70-11	A41047	A20	2	40-7
A29314	C24	5	70-25	A36897	I17	2	150-22	A41050	G11	1	110-37
A29315	C24	18	70-25	A37046	C6	1	70-5	A41050	G13	1	110-39
A29404	C17	16	70-16	A37177	F21	21	110-21	A41050	G15	1	110-41
A29405	C17	6	70-16	A37494	J10	4	160-6	A41145	A25	2	40-12
A29406	C17	13	70-16	A37494	J17	13	160-13	A41145	B1	2	40-13
A30178	F9	10	110-9	A37494	J19	13	160-15	A41207	E16	11	100-21
A30185	H11	8	110-65	A37494	J21	13	160-17	A41261	H8	2	110-61
A30223	H11	17	110-65	A37495	J10	5	160-6	A41282	A20	12	40-7
A30368	F5	34	110-3	A37495	J19	14	160-15	A41282	A22	11	40-9
A30368	J2	4	150-31	A37495	J21	23	160-17	A41282	A24	10	40-11
A30790	D23	13	100-3	A37497	J10	2	160-6	A41358	H6	16	110-59
A31408	D23	16	100-3	A37497	J17	11	160-13	A41358	H8	6	110-61
A31642	H23	23	150-3	A37497	J19	11	160-15	A41457	E12	7	100-17

NUMERICAL INDEX - CONTINUED

PART NO.	GRID	KEY	PAGE	PART NO.	GRID	KEY	PAGE	PART NO.	GRID	KEY	PAGE
A41458	E12	19	100-17	A44024	I4	26	150-9	A44962	F17	17	110-17
A41459	E12	14	100-17	A44024	I12	23	150-17	A44966	I22	18	150-27
A41460	E12	35	100-17	A44024	I14	19	150-19	A44966	I22	20	150-27
A41543	I16	22	150-21	A44026	F23	12	110-23	A44967	I20	19	150-25
A41683	H16	16	120-5	A44060	I4	20	150-9	A44967	I20	20	150-25
A41692	F5	30	110-3	A44060	I14	20	150-19	A44967	I20	24	150-25
A41710	E2	3	100-7	A44198	F11	7	110-11	A44969	I20	11	150-25
A41710	E8	10	100-13	A44292	I20	14	150-25	A44969	I20	23	150-25
A41734	E14	24	100-19	A44292	I22	14	150-27	A44969	I22	11	150-27
A41808	H14	5	120-3	A44441	G21	11	110-47	A44969	I22	22	150-27
A41826	F5	29	110-3	A44496	F9	5	110-9	A44988	G2	1	110-27
A42108	C17	5	70-16	A44497	F13	7	110-13	A44990	F23	26	110-23
A42273	E14	17	100-19	A44498	F17	8	110-17	A45010	J7	4	160-3
A42274	E14	21	100-19	A44500	J7	33	160-3	A45038	E14	15	100-19
A42275	E14	19	100-19	A44500	J9	4	160-5	A45041	I16	15	150-21
A42278	E14	18	100-19	A44519	I8	14	150-13	A45042	I16	13	150-21
A42279	E14	14	100-19	A44519	I17	19	150-22	A45043	I16	39	150-21
A42302	H16	10	120-5	A44546	B12	4	40-24	A45045	I16	34	150-21
A42329	E2	15	100-7	A44546	F5	45	110-3	A45104	F13	10	110-13
A42329	E4	19	100-9	A44547	B12	2	40-24	A45104	F17	19	110-17
A42509	I16	24	150-21	A44571	I2	9	150-7	A45266	C19	1	70-18
A42512	I16	3	150-21	A44571	I4	9	150-9	A45267	C19	2	70-18
A42586	F23	12	110-23	A44588	E2	4	100-7	A45268	C19	12	70-18
A42613	G25	2	110-53	A44588	E8	11	100-13	A45269	C19	13	70-18
A42681	K1	10	160-22	A44600	H6	4	110-59	A45270	C19	14	70-18
A42746	B5	14	40-17	A44600	H7	4	110-60	A45271	C19	15	70-18
A42746	B7	14	40-19	A44601	H6	2	110-59	A45277	G5	16	110-31
A42747	E14	25	100-19	A44601	H7	2	110-60	A45277	G7	21	110-33
A42756	E12	16	100-17	A44602	H6	6	110-59	A45292	H14	31	120-3
A42756	H25	15	150-5	A44602	H7	12	110-60	A45389	F15	21	110-15
A42757	E12	29	100-17	A44606	E2	16	100-7	A45389	F17	21	110-17
A42878	E12	28	100-17	A44606	E4	18	100-9	A45390	F15	21	110-15
A42895	G21	2	110-47	A44628	E12	24	100-17	A45390	F17	21	110-17
A42895	H9	2	110-62	A44633	E8	1	100-13	A45398	J25	8	160-21
A43066	F23	12	110-23	A44633	E8	7	100-13	A45443	E12	48	100-17
A43076	H25	11	150-5	A44637	E10	1	100-15	A45480	H23	14	150-3
A43143	H25	17	150-5	A44656	E12	43	100-17	A45527	J25	17	160-21
A43187	D20	..	90-12	A44657	E12	44	100-17	A45550	F6	5	110-4
A43188	D20	..	90-12	A44658	E12	40	100-17	A45560	F15	7	110-15
A43199	I16	25	150-21	A44677	G21	5	110-47	A45560	F17	7	110-17
A43200	I16	26	150-21	A44705	I2	31	150-7	A45562	J25	10	160-21
A43206	I16	17	150-21	A44705	I4	25	150-9	A45582	G2	1	110-27
A43207	I16	18	150-21	A44705	I12	22	150-17	A45626	G1	11	110-26
A43208	I16	18	150-21	A44705	I14	18	150-19	A45627	G15	12	110-41
A43215	F23	12	110-23	A44737	F9	4	110-9	A45627	G17	17	110-43
A43232	I20	6	150-25	A44737	F11	4	110-11	A45641	F6	4	110-4
A43232	I22	6	150-27	A44737	F13	4	110-13	A45889	E14	22	100-19
A43233	I22	21	150-27	A44737	F15	20	110-15	A45890	E14	20	100-19
A43235	I20	13	150-25	A44737	F17	20	110-17	A45973	F5	46	110-3
A43235	I22	13	150-27	A44738	F9	4	110-9	A46169	I10	5	150-15
A43509	C11	10	70-10	A44738	F11	4	110-11	A46466	C16	6	70-15
A43509	C12	4	70-11	A44738	F13	4	110-13	A46533	D13	10	90-5
A43603	G25	4	110-53	A44738	F15	16	110-15	A46533	E12	8	100-17
A43604	G25	3	110-53	A44738	F17	16	110-17	A46533	H8	1	110-61
A43606	H6	8	110-59	A44744	G21	13	110-47	A46534	A16	11A	40-3
A43606	H7	10	110-60	A44745	G21	9	110-47	A46534	D11	7	90-3
A43606	H14	14	120-3	A44761	D20	..	90-12	A46534	G15	14	110-41
A43609	H9	3	110-62	A44835	F9	12	110-9	A46534	G19	6	110-45
A43610	E12	22	100-17	A44866	F23	21	110-23	A46534	H25	21	150-5
A43610	H25	5	150-5	A44867	F23	13	110-23	A46534	I2	18	150-7
A43699	E12	38	100-17	A44890	E16	17	100-21	A46534	I10	1	150-15
A43769	G7	12	110-33	A44913	F23	17	110-23	A46534	I12	7	150-17
A43933	F23	20	110-23	A44938	J9	33	160-5	A46534	I16	44	150-21
A43934	F23	19	110-23	A44950	I16	19	150-21	A46561	I8	2	150-13
A43955	E12	37	100-17	A44962	F11	12	110-11	A46627	I12	2	150-17
A43955	E16	17	100-21	A44962	F13	12	110-13	A46627	I14	2	150-19
A44024	I2	32	150-7	A44962	F15	17	110-15	A46627	I16	11	150-21

NUMERICAL INDEX - CONTINUED

PART NO.	GRID	KEY	PAGE	PART NO.	GRID	KEY	PAGE	PART NO.	GRID	KEY	PAGE
A46628	I12	2	150-17	A47215	E5	5	100-10	A48190	D17	6	90-9
A46628	I14	2	150-19	A47217	G5	13	110-31	A48225	I16	33	150-21
A46628	I16	10	150-21	A47217	G7	18	110-33	A48263	C4	8	70-3
A46636	E2	10	100-7	A47222	D13	3	90-5	A48263	C16	17	70-15
A46636	E4	4	100-9	A47222	D15	7	90-7	A48267	I18	2	150-23
A46637	E2	8	100-7	A47222	H4	2	110-57	A48287	G13	11	110-39
A46637	E4	6	100-9	A47254	H7	8	110-60	A48287	G15	11	110-41
A46642	E2	13	100-7	A47255	H7	13	110-60	A48290	G5	14	110-31
A46642	E4	1	100-9	A47317	F11	10	110-11	A48290	G7	19	110-33
A46643	E2	22	100-7	A47317	F15	19	110-15	A48302	B10	2	40-22
A46643	E4	22	100-9	A47346	C6	8	70-5	A48302	F5	40	110-3
A46664	H2	2	110-55	A47371	I12	9	150-17	A48315	D23	14	100-3
A46665	H2	2	110-55	A47371	I16	4	150-21	A48324	E14	13	100-19
A46665	H4	38	110-57	A47372	I14	8	150-19	A48325	E14	12	100-19
A46670	F23	22	110-23	A47372	I16	4	150-21	A48326	E14	11	100-19
A46674	G9	3	110-35	A47389	I2	12	150-7	A48331	A16	1	40-3
A46674	G15	16	110-41	A47390	I2	17	150-7	A48331	A16	3	40-3
A46717	E16	12	100-21	A47392	I4	12	150-9	A48332	A16	1	40-3
A46740	I16	29	150-21	A47400	I2	6	150-7	A48338	J7	25	160-3
A46741	I16	40	150-21	A47451	E6	6	100-11	A48338	J9	23	160-5
A46744	I16	38	150-21	A47452	E6	4	100-11	A48339	J7	24	160-3
A46745	I16	28	150-21	A47468	G2	1	110-27	A48339	J9	24	160-5
A46751	I16	35	150-21	A47482	G2	3	110-27	A48340	J7	32	160-3
A46752	I16	32	150-21	A47483	G2	1	110-27	A48340	J9	26	160-5
A46770	G17	13	110-43	A47483	G2	3	110-27	A48341	J7	31	160-3
A46771	G17	9	110-43	A47483	G2	4	110-27	A48341	J9	27	160-5
A46772	G17	3	110-43	A47490	G2	1	110-27	A48342	J7	22	160-3
A46780	F5	20	110-3	A47490	G2	3	110-27	A48342	J9	22	160-5
A46790	F5	13	110-3	A47490	G2	4	110-27	A48343	J7	21	160-3
A46798	I8	13	150-13	A47491	G2	3	110-27	A48343	J9	21	160-5
A46798	I17	18	150-22	A47491	G2	4	110-27	A48368	J7	10	160-3
A46808	H4	15	110-57	A47492	G2	1	110-27	A48368	J9	7	160-5
A46810	H4	21	110-57	A47492	G2	4	110-27	A48394	D20	..	90-12
A46816	H2	18	110-55	A47496	B11	2	40-23	A48430	G5	2	110-31
A46822	J7	11	160-3	A47496	F5	41	110-3	A48430	G7	2	110-33
A46822	J9	28	160-5	A47503	F5	41	110-3	A48462	F5	10	110-3
A46832	H4	19	110-57	A47504	F5	40	110-3	A48492	C14	11	70-13
A46837	G9	2	110-35	A47531	F15	8	110-15	A48493	C14	13	70-13
A46838	F5	12	110-3	A47532	F21	15	110-21	A48494	C14	15	70-13
A46915	F5	15	110-3	A47566	J17	18	160-13	A48495	C14	12	70-13
A46921	G13	6	110-39	A47566	J19	19	160-15	A48500	G2	1	110-27
A46921	G15	6	110-41	A47566	J21	18	160-17	A48504	I8	10	150-13
A46931	G17	1	110-43	A47712	J10	7	160-6	A48505	I8	10	150-13
A46984	H6	5	110-59	A47733	E14	9	100-19	A48515	D17	11	90-9
A46984	H7	11	110-60	A47734	H14	34	120-3	A48515	F5	1	110-3
A46987	G7	8	110-33	A47735	H14	32	120-3	A48515	H6	12	110-59
A46988	G7	13	110-33	A47737	H14	3	120-3	A48515	H7	6	110-60
A47027	I16	14	150-21	A47746	G23	4	110-49	A48515	H8	3	110-61
A47050	J17	9	160-13	A47747	F6	6	110-4	A48521	I20	15	150-25
A47050	J19	9	160-15	A47748	G11	3	110-37	A48541	H16	17	120-5
A47050	J21	9	160-17	A47748	G13	3	110-39	A48548	F5	6	110-3
A47051	J17	4	160-13	A47748	G15	3	110-41	A48581	E18	7	100-23
A47051	J19	4	160-15	A47754	D17	12	90-9	A48581	E20	23	100-25
A47051	J21	4	160-17	A47756	D11	15	90-3	A48581	J13	7	160-9
A47079	D13	20	90-5	A47791	G23	14	110-49	A48581	J15	23	160-11
A47080	D13	19	90-5	A47973	G23	13	110-49	A48614	E18	2	100-23
A47107	I22	23	150-27	A47974	G23	9	110-49	A48614	J13	2	160-9
A47108	I22	24	150-27	A47997	I18	1	150-23	A48663	F24	8	110-24
A47131	G5	6	110-31	A48065	J7	3	160-3	A48664	D23	24	100-3
A47131	G7	6	110-33	A48065	J9	1	160-5	A48665	F23	27	110-23
A47132	G5	15	110-31	A48103	E2	2	100-7	A48666	F21	11	110-21
A47132	G7	20	110-33	A48103	E8	9	100-13	A48677	D20	..	90-12
A47133	E12	23	100-17	A48148	E16	5	100-21	A48678	D20	..	90-12
A47180	J17	19	160-13	A48149	E16	5	100-21	A48683	G2	1	110-27
A47180	J21	19	160-17	A48157	I2	27	150-7	A48720	J2	19	150-31
A47210	D15	3	90-7	A48157	I12	15	150-17	A48721	J2	11	150-31
A47211	D13	6	90-5	A48167	I16	20	150-21	A48724	J2	22	150-31

NUMERICAL INDEX - CONTINUED

PART NO.	GRID	KEY	PAGE	PART NO.	GRID	KEY	PAGE	PART NO.	GRID	KEY	PAGE
A48726	I24	24	150-29	A49640	H6	14	110-59	A50084	E4	10	100-9
A48730	I24	10	150-29	A49644	E18	14	100-23	A50084	E6	7	100-11
A48731	I24	14	150-29	A49644	E20	14	100-25	A50108	J17	5	160-13
A48732	I24	13	150-29	A49644	J13	14	160-9	A50108	J19	5	160-15
A48736	I24	7	150-29	A49644	J15	14	160-11	A50108	J21	5	160-17
A48737	I24	6	150-29	A49661	J7	30	160-3	A50138	C6	4	70-5
A48738	I24	21	150-29	A49661	J9	32	160-5	A50140	C6	6	70-5
A48746	D20	..	90-12	A49663	D11	4	90-3	A50244	E12	4	100-17
A48794	H23	27	150-3	A49664	E8	12	100-13	A50245	H25	10	150-5
A48840	D17	4	90-9	A49664	E10	8	100-15	A50268	H14	8	120-3
A48879	F5	28	110-3	A49665	E8	3	100-13	A50269	H14	8	120-3
A48915	G19	3	110-45	A49665	E10	3	100-15	A50325	H2	3	110-55
A48924	H23	32	150-3	A49666	E8	5	100-13	A50384	E2	7	100-7
A48925	H23	31	150-3	A49666	E10	5	100-15	A50384	E4	7	100-9
A48947	J23	12	160-19	A49666	E12	56	100-17	A50385	E2	7	100-7
A48969	J7	9	160-3	A49666	E14	23	100-19	A50385	E4	7	100-9
A48969	J9	8	160-5	A49666	I2	5	150-7	A50386	E2	27	100-7
A48970	F23	23	110-23	A49666	I4	5	150-9	A50386	E4	27	100-9
A48972	F11	13	110-11	A49667	E8	2	100-13	A50409	E16	8	100-21
A48972	F13	13	110-13	A49667	E10	2	100-15	A50417	H14	2	120-3
A48972	F15	18	110-15	A49703	E6	11	100-11	A50562	D25	12	100-5
A48972	F17	18	110-17	A49709	F24	5	110-24	A50562	E18	18	100-23
A48973	I24	1	150-29	A49717	B19	32	40-31	A50562	E20	18	100-25
A48974	I24	2	150-29	A49718	A20	10	40-7	A50562	F19	12	110-19
A48975	I24	23	150-29	A49718	A22	8	40-9	A50562	J13	18	160-9
A48976	I24	19	150-29	A49718	B3	5	40-15	A50562	J15	18	160-11
A48979	I24	3	150-29	A49718	B5	5	40-17	A50564	D25	14	100-5
A48983	J7	26	160-3	A49718	B7	5	40-19	A50564	E18	13	100-23
A49013	G21	7	110-47	A49718	B19	16	40-31	A50564	E20	13	100-25
A49126	D23	21	100-3	A49719	F9	14	110-9	A50564	F19	14	110-19
A49189	J4	12	150-33	A49720	F15	25	110-15	A50564	J13	13	160-9
A49192	J4	17	150-33	A49720	F17	25	110-17	A50564	J15	13	160-11
A49232	C16	16	70-15	A49724	J23	4	160-19	A50605	G13	14	110-39
A49240	J23	14	160-19	A49725	J23	23	160-19	A50605	G15	19	110-41
A49258	J25	13	160-21	A49726	D25	19	100-5	A50617	F23	12	110-23
A49260	J25	9	160-21	A49726	F19	19	110-19	A50644	I20	18	150-25
A49293	E18	9	100-23	A49726	F21	32	110-21	A50644	I22	17	150-27
A49293	E20	9	100-25	A49726	F23	32	110-23	A50645	I20	17	150-25
A49293	J13	9	160-9	A49731	G19	9	110-45	A50645	I22	16	150-27
A49293	J15	9	160-11	A49740	J7	29	160-3	A50645	I22	16	150-27
A49315	I9	1	150-14	A49740	J9	31	160-5	A50646	I20	22	150-25
A49324	I16	34	150-21	A49741	D23	2	100-3	A50646	I22	19	150-27
A49325	I16	33	150-21	A49775	J25	5	160-21	A50647	I20	21	150-25
A49377	I17	9	150-22	A49780	K1	3	160-22	A50647	I22	15	150-27
A49415	D20	..	90-12	A49787	F9	9	110-9	A50648	I20	16	150-25
A49465	F5	5	110-3	A49787	J23	13	160-19	A50730	G2	1	110-27
A49535	J23	1	160-19	A49845	B9	7	40-21	A50733	I24	23	150-29
A49560	F11	8	110-11	A49853	D20	..	90-12	A50743	E6	12	100-11
A49560	F13	8	110-13	A49905	D20	..	90-12	A50743	E16	6	100-21
A49563	J25	7	160-21	A49917	J2	1	150-31	A50744	C16	15	70-15
A49564	J25	6	160-21	A49918	J2	3	150-31	A50744	D11	12	90-3
A49573	C12	17	70-11	A49925	D20	..	90-12	A50744	E2	12	100-7
A49574	C12	5	70-11	A49940	G11	7	110-37	A50744	E4	2	100-9
A49576	A16	15	40-3	A49940	G13	9	110-39	A50745	H16	9	120-5
A49578	A16	18	40-3	A49940	G15	10	110-41	A50749	H4	10	110-57
A49581	A16	13	40-3	A49968	H14	9	120-3	A50750	H6	7	110-59
A49582	J25	14	160-21	A49969	H14	9	120-3	A50762	J11	1	160-7
A49586	J25	12	160-21	A50003	G15	15	110-41	A50788	H14	20	120-3
A49594	E18	4	100-23	A50004	G13	12	110-39	A50861	J7	15	160-3
A49594	J13	4	160-9	A50004	G15	17	110-41	A50861	J9	16	160-5
A49598	J17	22	160-13	A50026	A24	8	40-11	A50863	J7	16	160-3
A49598	J19	20	160-15	A50026	B19	23	40-31	A50863	J9	15	160-5
A49598	J21	22	160-17	A50047	F6	1	110-4	A50865	J7	17	160-3
A49618	K1	9	160-22	A50048	G21	8	110-47	A50865	J9	19	160-5
A49619	K1	6	160-22	A50052	G19	8	110-45	A50867	J7	14	160-3
A49620	K1	7	160-22	A50073	H7	14	110-60	A50867	J9	14	160-5
A49639	H6	11	110-59	A50082	E10	7	100-15	A50869	J7	13	160-3
								A50869	J9	13	160-5

NUMERICAL INDEX - CONTINUED

PART NO.	GRID	KEY	PAGE	PART NO.	GRID	KEY	PAGE	PART NO.	GRID	KEY	PAGE
A50871	J9	17	160-5	B10577	I2	15	150-7	B32105	G23	1	110-49
A50873	J7	19	160-3	B10577	I4	15	150-9	B32205	A20	3	40-7
A50873	J9	20	160-5	B10718	I2	10	150-7	B32206	A25	6	40-12
A50875	J9	10	160-5	B10718	I4	10	150-9	B32206	B1	9	40-13
A50988	D17	14	90-9	B11536	J25	1	160-21	B32209	A20	4	40-7
A51001	E2	23	100-7	B11546	I2	14	150-7	B32209	A22	2	40-9
A51001	E4	23	100-9	B11546	I4	14	150-9	B32209	A24	2	40-11
A51002	E2	24	100-7	B11547	I2	15	150-7	B32333	G4	10	110-29
A51002	E4	24	100-9	B11547	I4	15	150-9	B32336	G4	17	110-29
A51003	E2	24	100-7	B12072	I2	13	150-7	B32339	G4	9	110-29
A51003	E4	24	100-9	B12072	I4	13	150-9	B32340	G4	3	110-29
A51024	I24	8	150-29	B12073	I2	16	150-7	B32341	G4	11	110-29
A51173	D6	1	70-31	B12073	I4	16	150-9	B32342	G4	8	110-29
A51189	C14	10	70-13	B12602	G1	8	110-26	B32344	G4	26	110-29
A51190	C14	6	70-13	B12602	G2	11	110-27	B32345	G4	26	110-29
A51191	C14	5	70-13	B14203	B12	3	40-24	B32346	G4	18	110-29
A51192	C14	8	70-13	B14203	D25	17	100-5	B32349	G4	6	110-29
A51193	C14	18	70-13	B14203	E18	11	100-23	B32350	G4	1	110-29
A51194	C14	2	70-13	B14203	E20	11	100-25	B32432	G3	4	110-28
A51195	C14	17	70-13	B14203	F5	43	110-3	B32457	J4	24	150-33
A51196	C14	7	70-13	B14203	F19	17	110-19	B32601	J10	6	160-6
A51197	C14	3	70-13	B14203	J13	11	160-9	B32601	J19	16	160-15
A51198	C14	16	70-13	B14203	J15	11	160-11	B32601	J21	24	160-17
A51199	C14	1	70-13	B15666	D23	5	100-3	B32630	D11	35	90-3
A51212	A16	19	40-3	B16051	I2	3	150-7	B32687	H2	12	110-55
A51212	D15	9	90-7	B16051	I4	3	150-9	B32687	H4	31	110-57
A51212	D17	8	90-9	B16318	F5	16	110-3	B32687	J2	14	150-31
A51212	E12	11	100-17	B28725	F25	10	110-25	B33873	E4	13	100-9
A51212	E12	33	100-17	B28725	G1	12	110-26	B35601	I8	11	150-13
A51212	E12	50	100-17	B28725	G2	2	110-27	B35912	J4	33	150-33
A51212	E16	3	100-21	B28962	F25	5	110-25	B35913	J4	34	150-33
A51212	H23	4	150-3	B28970	E2	36	100-7	C15103	C24	13	70-25
A51212	I16	37	150-21	B28971	B12	5	40-24	C15109	C24	8	70-25
A51212	I24	25	150-29	B28971	F5	44	110-3	C16321	G4	5	110-29
A51212	K1	1	160-22	B28973	F25	12	110-25	D10025	H2	5	110-55
A51237	F23	..	110-23	B28999	F9	7	110-9	D10025	H4	24	110-57
A51267	F5	23	110-3	B28999	G2	17	110-27	D10033	D11	23	90-3
A51268	F5	23	110-3	B28999	G4	22	110-29	D10033	D13	12	90-5
A51302	D11	36	90-3	B29400	J4	20	150-33	E20664	I24	15	150-29
A51582	D15	12A	90-7	B29473	G1	9	110-26	E33097	C18	11	70-17
A51582	D15	12B	90-7	B29473	G2	13	110-27	E45559	C17	14	70-16
A51614	J2	13	150-31	B30026	F25	8	110-25	E61375	D11	33	90-3
A51618	I20	25	150-25	B30057	F25	3	110-25	E63524	D25	8	100-5
A51620	I22	25	150-27	B30058	F25	2	110-25	E63524	F9	3	110-9
A51621	I22	26	150-27	B30060	F25	1	110-25	E63524	F11	3	110-11
A51622	I20	27	150-25	B30061	F25	4	110-25	E63524	F11	11	110-11
A51622	I22	28	150-27	B30247	H11	4	110-65	E63524	F13	3	110-13
A51623	I20	26	150-25	B30275	F21	21	110-21	E63524	F13	11	110-13
A51623	I22	27	150-27	B30959	F25	14	110-25	E63524	F15	14	110-15
A51643	F21	40	110-21	B30967	H11	5	110-65	E63524	F15	15	110-15
A51643	F23	15	110-23	B30969	H11	6	110-65	E63524	F17	14	110-17
BA23927	B19	50	40-31	B31273	G1	3	110-26	E63524	F17	15	110-17
B10027	C18	8	70-17	B31364	F21	17	110-21	E63524	F19	8	110-19
B10570	I2	13	150-7	B31551	F21	20	110-21	E63524	F21	8	110-21
B10570	I4	13	150-9	B31551	F21	39	110-21	E63524	F21	9	110-21
B10571	I2	16	150-7	B31551	F23	39	110-23	E63524	F21	10	110-21
B10571	I4	16	150-9	B31562	G2	5	110-27	E63524	F21	14	110-21
B10572	I2	14	150-7	B31579	D23	6	100-3	E63525	F11	5	110-11
B10572	I4	14	150-9	B31723	F25	1	110-25	E63525	F13	5	110-13
B10573	I2	15	150-7	B31723	F25	5	110-25	E63525	F15	12	110-15
B10573	I4	15	150-9	B31723	F25	9	110-25	E63525	F17	12	110-17
B10574	I2	13	150-7	B31724	F25	2	110-25	E64256	A16	17	40-3
B10574	I4	13	150-9	B31724	F25	3	110-25	E64256	F7	5	110-5
B10575	I2	16	150-7	B31724	F25	9	110-25	E64256	G23	2	110-49
B10575	I4	16	150-9	B31756	H11	27	110-65	E64256	G23	3	110-49
B10576	I2	14	150-7	B32081	H11	26	110-65	E64256	H23	15	150-3
B10576	I4	14	150-9	B32104	G23	1	110-49	E64256	H23	17	150-3

NUMERICAL INDEX - CONTINUED

PART NO.	GRID	KEY	PAGE	PART NO.	GRID	KEY	PAGE	PART NO.	GRID	KEY	PAGE
E64256	H23	22	150-3	H47DB	G4	14	110-29	K40001	B1	3	40-13
E64256	H23	29	150-3	H62220	E5	16	100-10	K40001	B9	10	40-21
E64256	H23	34	150-3	H63289	C11	9	70-10	K40001	G3	1	110-28
E64256	I24	26	150-29	H77490	J17	6	160-13	K40001	G4	4	110-29
E68478	H16	7	120-5	H77490	J19	6	160-15	K40003	C21	1	70-21
E68605	D2	5	70-27	H77490	J21	6	160-17	K40003	G17	16	110-43
E68605	D4	6	70-29	H77638	J4	14	150-33	K40003	H11	10	110-65
E68605	D11	6	90-3	H77698	G13	7	110-39	K40014	J4	16	150-33
E68605	D13	27	90-5	H77698	G15	8	110-41	K40015	D13	44	90-5
E68605	H23	13	150-3	H88857	C8	3	70-7	L1152N	E2	6	100-7
E68605	J2	6	150-31	H88857	C10	3	70-9	L1152N	E4	8	100-9
E68605	J7	5	160-3	H88857	D11	34	90-3	L1610N	G5	8	110-31
E68605	J7	8	160-3	JD1091	E2	42	100-7	L2027CU	C17	3	70-16
E68605	J9	2	160-5	JD3043	D13	36	90-5	M40514	I16	31	150-21
E68605	J23	7	160-19	JD3043	E5	13	100-10	M40808	H14	4	120-3
E71573	E2	21	100-7	JD5578	A16	14	40-3	M41192	F5	26	110-3
E71573	E4	21	100-9	JD5579	D20	..	90-12	M42858	H14	27	120-3
E72946	C12	16	70-11	JD5579	H16	2	120-5	M43227	H23	25	150-3
E72947	C12	14	70-11	JD5580	D13	23	90-5	M43835	B15	2	40-27
E72949	C12	15	70-11	JD5581	A16	16	40-3	M43940	E2	38	100-7
F1870R	C11	17	70-10	JD5582	D20	..	90-12	M45848	D20	..	90-12
H103264	E6	2	100-11	JD5582	H16	2	120-5	M47887	F24	7	110-24
H103264	E12	9	100-17	JD5583	D13	33	90-5	M61287	F23	8	110-23
H103264	E14	2	100-19	JD5644	D20	..	90-12	M80778	H4	16	110-57
H103264	H25	1	150-5	JD680	E4	38	100-9	N105572	F5	18	110-3
H103264	I2	34	150-7	JD7759	D13	32	90-5	N109984	C19	3	70-18
H103264	I12	5	150-17	JD7797	D23	4	100-3	N110219	J2	23	150-31
H103264	I14	5	150-19	JD7797	G21	15	110-47	N110522	D4	16	70-29
H103264	I16	7	150-21	JD7844	D13	25	90-5	N115096	B15	11	40-27
H104855	B15	9	40-27	JD7844	D17	15	90-9	N117170	G19	5	110-45
H113196	G13	13	110-39	JD7844	F5	22	110-3	N130453	C24	20	70-25
H113196	G15	18	110-41	JD7844	I24	17	150-29	N131137	C19	8	70-18
H135018	H16	23	120-5	JD7846	H4	34	110-57	N131820	C19	10	70-18
H135078	E20	21	100-25	JD8187	E2	32	100-7	N132450	C24	2	70-25
H135078	J15	21	160-11	JD8187	E4	32	100-9	N132503	C24	1	70-25
H135170	E20	27	100-25	JD8187	E5	8	100-10	N134600	C12	19	70-11
H135170	J15	27	160-11	JD8187	H2	9	110-55	N135450	D13	45	90-5
H135171	E20	3	100-25	JD8187	H4	28	110-57	N153028	I17	14	150-22
H135171	J15	3	160-11	JD8187	J2	16	150-31	N153101	I17	15	150-22
H135758	D11	37	90-3	JD8225	E2	33	100-7	N154275	J25	2	160-21
H135758	E12	54	100-17	JD8225	E4	33	100-9	N155864	F23	14	110-23
H135759	H18	4	120-7	JD8225	E5	9	100-10	N155877	J25	5	160-21
H135861	F23	1	110-23	JD8225	H2	10	110-55	N156945	J23	18	160-19
H135865	F23	44	110-23	JD8225	H4	29	110-57	N170837	C24	15	70-25
H136135	E20	2	100-25	JD8225	J2	17	150-31	N170838	C24	4	70-25
H136135	J15	2	160-11	JD8535	G5	10	110-31	N170846	C24	6	70-25
H136445	F23	12	110-23	JD8535	G7	11	110-33	N170847	C24	12	70-25
H136446	F23	7	110-23	JD8562	E14	5	100-19	N170849	C24	3	70-25
H136447	F23	9	110-23	JD8563	E14	4	100-19	N170851	C24	16	70-25
H136448	F23	4	110-23	J13957	F5	8	110-3	N170871	C24	9	70-25
H136449	F23	5	110-23	J16160	F5	31	110-3	N170873	C24	10	70-25
H136467	F23	12	110-23	J16160	J2	7	150-31	N170874	C24	14	70-25
H136468	F23	12	110-23	J16160	J4	28	150-33	N187815	J23	22	160-19
H136469	D20	..	90-12	J16931	C18	7	70-17	N187816	J23	21	160-19
H136474	D20	..	90-12	J16931	D15	10	90-7	N187818	J23	15	160-19
H136475	D20	..	90-12	J16931	F5	9	110-3	N187820	J23	16	160-19
H136475	H18	1	120-7	J16931	F9	6	110-9	N188206	D20	..	90-12
H136478	F23	12	110-23	J16931	G2	16	110-27	N188206	J7	6	160-3
H136517	D17	17	90-9	J16931	G4	23	110-29	N188206	J9	5	160-5
H136587	F23	12	110-23	J16931	H11	16	110-65	N202143	J25	1	160-21
H137513	G11	6	110-37	J18724	H14	36	120-3	N2701DB	G1	7	110-26
H1814B	H4	8	110-57	KK1286B	G5	5	110-31	N33203	C11	5	70-10
H187DB	K2	3	160-23	KK1286B	G7	5	110-33	N85577	J25	3	160-21
H22480	H14	10	120-3	KK4893B	H14	19	120-3	P20350	E4	26	100-9
H2691B	F5	39	110-3	KK4893B	H14	36	120-3	P20351	E2	26	100-7
H2841B	F25	6	110-25	KK5814B	D11	22	90-3	P20351	E4	26	100-9
H32679	C17	5	70-16	K40001	A25	3	40-12	P20352	E2	26	100-7

NUMERICAL INDEX - CONTINUED

PART NO.	GRID	KEY	PAGE	PART NO.	GRID	KEY	PAGE	PART NO.	GRID	KEY	PAGE
P2685B	G4	21	110-29	R44302	B12	1	40-24	R77457	B15	29	40-27
P28535	D23	8	100-3	R44302	B21	8	40-33	R77457	B19	13	40-31
P28535	E18	10	100-23	R44302	C4	11	70-3	R77457	B19	19	40-31
P28535	E20	28	100-25	R44302	C8	22	70-7	R77458	A20	8	40-7
P28535	J13	10	160-9	R44302	C10	24	70-9	R77458	A22	6	40-9
P28535	J15	28	160-11	R44302	C18	13	70-17	R77458	A24	6	40-11
P3038B	A16	12	40-3	R44302	D2	13	70-27	R77458	B3	3	40-15
P33541	E12	32	100-17	R44302	I17	4	150-22	R77458	B5	3	40-17
P33541	E12	52	100-17	R44302	J17	25	160-13	R77458	B7	3	40-19
P33541	H25	19	150-5	R44302	J19	24	160-15	R77458	B15	28	40-27
P33541	I2	33	150-7	R44302	J21	28	160-17	R77458	B19	14	40-31
P33541	I4	11	150-9	R44302	J23	9	160-19	R77459	B15	28	40-27
P33541	I12	21	150-17	R44302	J25	16	160-21	R77460	B15	28	40-27
P33541	I14	13	150-19	R45440	J25	15	160-21	R77461	B1	7	40-13
P33542	H25	19	150-5	R47862	C6	10	70-5	R77461	B9	4	40-21
P51212	C14	14	70-13	R48887	B15	17	40-27	R77461	B15	28	40-27
RE11154	B5	..	40-17	R51031	C14	20	70-13	R77461	B19	27	40-31
RE11154	B7	..	40-19	R51603	C14	9	70-13	R77461	B21	2	40-33
RE11154	B17	57	40-29	R52119	F23	43	110-23	R77462	B15	25	40-27
RE11156	B17	36	40-29	R54533	D5	1	70-30	R77462	B19	22	40-31
RE11157	B17	37	40-29	R58806	D11	10	90-3	R77463	A20	6	40-7
RE12364	B10	6	40-22	R64525	D25	2	100-5	R77463	A22	4	40-9
RE12364	B11	6	40-23	R64525	E20	8	100-25	R77463	A24	4	40-11
RE12364	B12	7	40-24	R64525	F19	2	110-19	R77463	B15	30	40-27
RE12364	B19	43	40-31	R64525	F21	36	110-21	R77463	B19	20	40-31
RE12364	B21	15	40-33	R64525	F23	36	110-23	R77464	B5	11	40-17
RE16576	C11	13	70-10	R64525	J15	8	160-11	R77464	B7	11	40-19
RE16576	C11	14	70-10	R65286	C14	19	70-13	R77464	B9	5	40-21
RE16576	C11	18	70-10	R65602	B17	49	40-29	R77464	B15	26	40-27
RE17644	C8	19	70-7	R65607	B17	46	40-29	R77464	B19	12	40-31
RE17644	C10	21	70-9	R66320	B15	24	40-27	R77464	B19	22	40-31
RE17644	C11	21	70-10	R66321	B15	24	40-27	R77464	B21	1	40-33
R26375	C4	1	70-3	R69279	A16	6	40-3	R77465	A20	6	40-7
R26375	C8	9	70-7	R70210	B17	40	40-29	R77465	A22	4	40-9
R26375	C10	9	70-9	R70210	B17	41	40-29	R77465	A24	4	40-11
R26375	C11	1	70-10	R70211	B17	40	40-29	R77465	B1	8	40-13
R26375	C16	8	70-15	R70211	B17	41	40-29	R77465	B3	1	40-15
R26375	C18	1	70-17	R70212	B5	13	40-17	R77465	B5	1	40-17
R26375	C21	3	70-21	R70212	B7	13	40-19	R77465	B7	1	40-19
R26375	D2	3	70-27	R70212	B17	40	40-29	R77465	B15	31	40-27
R26375	D4	3	70-29	R70212	B17	41	40-29	R77465	B19	20	40-31
R26375	D8	10	70-33	R70212	B19	31	40-31	R77465	B21	7	40-33
R26448	C8	18	70-7	R70213	B17	40	40-29	R77466	B15	33	40-27
R26448	C10	20	70-9	R70213	B19	39	40-31	R77466	B19	6	40-31
R26448	C11	22	70-10	R70214	B17	40	40-29	R77466	B19	8	40-31
R26448	C12	1	70-11	R70214	B17	41	40-29	R77466	B19	37	40-31
R26906	C23	5	70-24	R70215	B17	40	40-29	R77466	B19	45	40-31
R26906	C23	7	70-24	R70216	B17	40	40-29	R77467	B15	34	40-27
R26906	D2	12	70-27	R70216	B17	41	40-29	R77467	B19	7	40-31
R26906	D4	10	70-29	R70217	B17	40	40-29	R77467	B19	34	40-31
R27507	J7	27	160-3	R70218	B17	40	40-29	R77467	B19	49	40-31
R27507	J9	29	160-5	R70218	B17	41	40-29	R77468	B15	32	40-27
R28782	C8	6	70-7	R70219	B17	40	40-29	R77468	B19	36	40-31
R28782	C10	6	70-9	R70220	B17	50	40-29	R77469	B17	35	40-29
R28782	C24	21	70-25	R70221	B17	39	40-29	R77469	B19	35	40-31
R29354	E14	16	100-19	R70222	B17	38	40-29	R77470	B17	45	40-29
R30378	B17	43	40-29	R70222	B19	30	40-31	R77471	B17	45	40-29
R31665	D2	8	70-27	R72654	J7	27	160-3	R77472	B17	45	40-29
R31665	D4	15	70-29	R72654	J9	29	160-5	R77473	B17	45	40-29
R31736	C10	11	70-9	R77456	B15	27	40-27	R77474	B17	44	40-29
R32026	B17	48	40-29	R77456	B19	21	40-31	R77475	B15	13	40-27
R35684	C19	6	70-18	R77457	A20	7	40-7	R77476	B15	3	40-27
R39112	C4	2	70-3	R77457	A22	5	40-9	R77477	B15	4	40-27
R44302	A16	10	40-3	R77457	A24	5	40-11	R77478	B15	15	40-27
R44302	B3	11	40-15	R77457	B3	2	40-15	R77479	B15	5	40-27
R44302	B5	16	40-17	R77457	B5	2	40-17	R77480	B15	6	40-27
R44302	B7	16	40-19	R77457	B7	2	40-19	R77481	B15	7	40-27

NUMERICAL INDEX - CONTINUED

PART NO.	GRID	KEY	PAGE	PART NO.	GRID	KEY	PAGE	PART NO.	GRID	KEY	PAGE
R77482	B15	8	40-27	T12282	G13	2	110-39				
R77483	B15	16	40-27	T12282	G15	2	110-41				
R77484	B15	19	40-27	T16318	C24	11	70-25				
R77485	B15	21	40-27	T19818	H14	13	120-3				
R77486	B15	22	40-27	T28583	B15	1	40-27				
R77487	B15	23	40-27	T28585	B15	12	40-27				
R77488	B17	51	40-29	T28586	B15	14	40-27				
R77489	B17	51	40-29	T30785	A16	20	40-3				
R77490	B17	51	40-29	T34067	B15	18	40-27				
R77491	B17	54	40-29	T43514	D15	1	90-7				
R77492	B17	54	40-29	T43514	D17	1	90-9				
R77493	B17	51	40-29	T44812	F23	18	110-23				
R77494	B17	55	40-29	T44946	B3	12	40-15				
R77495	B17	52	40-29	T44946	B5	15	40-17				
R77496	B17	52	40-29	T44946	B7	15	40-19				
R77497	B17	53	40-29	T44946	B10	1	40-22				
R77498	B15	24	40-27	T44946	B11	1	40-23				
R77499	B15	24	40-27	T44946	C8	22	70-7				
R77500	B15	24	40-27	T44946	C10	24	70-9				
R77501	B15	24	40-27	T44946	G11	9	110-37				
R77502	B17	56	40-29	T44946	G19	7	110-45				
R77503	B17	56	40-29	T44946	I18	3	150-23				
R78049	B10	5	40-22	T44946	J23	25	160-19				
R78049	B11	5	40-23	T54108	C8	17	70-7				
R78049	B12	6	40-24	T54108	C10	17	70-9				
R78049	B19	42	40-31	T54108	C21	5	70-21				
R78049	B21	14	40-33	T54108	D2	10	70-27				
R78054	B3	8	40-15	T54108	D4	13	70-29				
R78054	B5	8	40-17	T65954	C12	11	70-11				
R78054	B7	8	40-19	U12172	E2	28	100-7				
R78054	B19	47	40-31	U12172	E4	28	100-9				
R78054	B21	13	40-33	U12172	E5	4	100-10				
R78057	B10	4	40-22	U12331	C19	7	70-18				
R78057	B11	4	40-23	U12547	C6	5	70-5				
R78057	B12	8	40-24	U13461	C11	16	70-10				
R78057	B19	40	40-31	U13489	C24	19	70-25				
R78057	B21	12	40-33	U40706	C11	8	70-10				
R78058	B3	9	40-15	U40708	C11	7	70-10				
R78058	B5	9	40-17	U41936	H4	32	110-57				
R78058	B7	9	40-19	U41936	I24	16	150-29				
R78058	B19	46	40-31	U42720	C17	7	70-16				
R78058	B21	11	40-33	U43383	D13	22	90-5				
R78059	B3	10	40-15	U44115	C24	22	70-25				
R78059	B5	10	40-17	U45845	C14	4	70-13				
R78059	B7	10	40-19	U46370	B15	20	40-27				
R78059	B10	3	40-22	U46662	B15	10	40-27				
R78059	B11	3	40-23	U46664	B17	47	40-29				
R78059	B12	9	40-24	W14093	D13	35	90-5				
R78059	B19	41	40-31	W14093	E2	43	100-7				
R78059	B21	10	40-33	W14093	E4	39	100-9				
R78498	F21	3	110-21	W14093	E5	15	100-10				
R78498	F21	9	110-21	X8246C	D13	28	90-5				
R79043	D8	7	70-33	Y2600B	G2	12	110-27				
R79044	D8	14	70-33	Y2624B	G1	5	110-26				
R80088	C11	4	70-10	Y2624B	G2	9	110-27				
R80089	C11	3	70-10	Y2624B	G3	3	110-28				
R80090	C11	19	70-10	Y5523B	G1	13	110-26				
R80093	C11	12	70-10	Y5557B	G5	4	110-31				
R80095	C11	6	70-10	Y5557B	G7	4	110-33				
R80830	C11	20	70-10	32166	H2	11	110-55				
R81203	C11	24	70-10	32166	H4	30	110-57				
TY2615	D11	3	90-3	32166	J2	18	150-31				
TY2615	D13	24	90-5	32167	E2	31	100-7				
TY2615	D19	1	90-11	32167	E4	31	100-9				
TY4013	D11	14	90-3	32167	E5	7	100-10				
T12275	C17	8	70-16								
T12282	G11	2	110-37								

