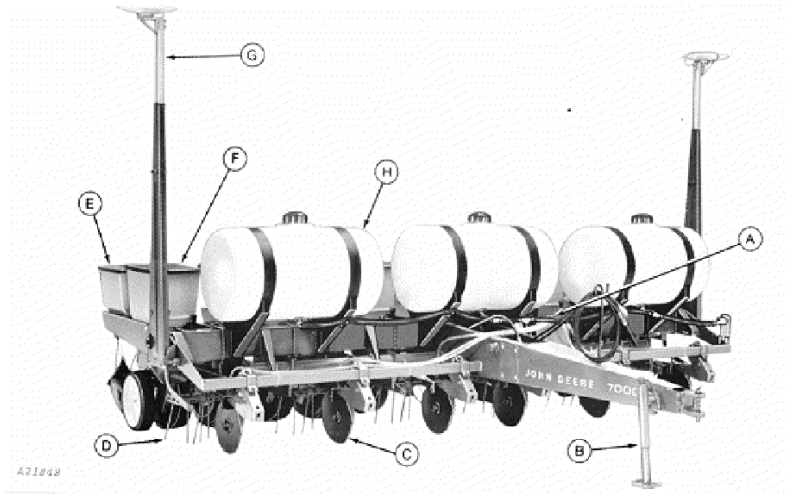


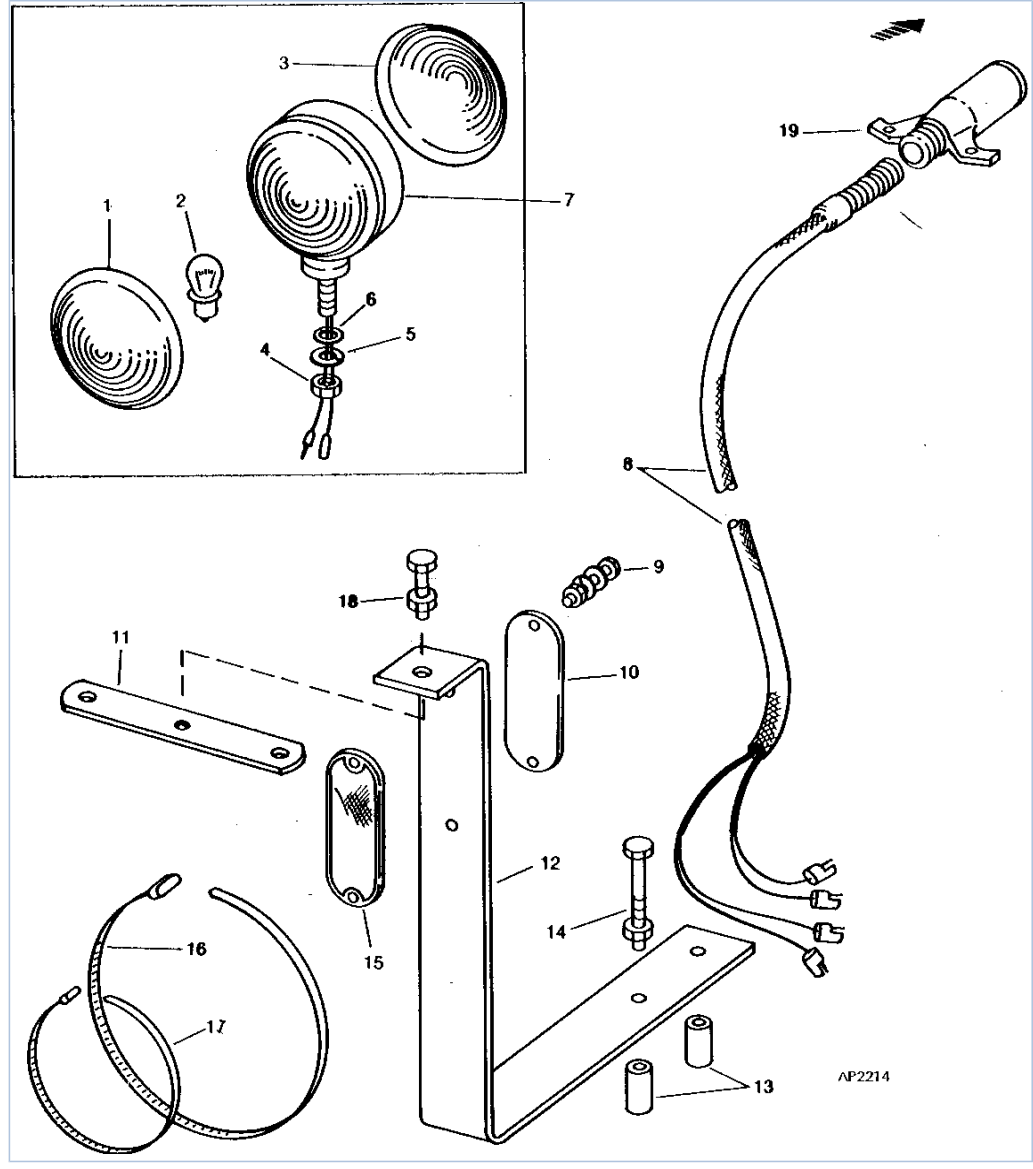
PC1467 I2 7000 Drawn Cotton and Corn Planter / Introduction ii PC1467 - HARV-SEEDING



- | | |
|-------------------------------------|--------------------------------------|
| A - LIQUID FERTILIZER METERING PUMP | E - INSECTICIDE AND HERBICIDE HOPPER |
| B - JACK STAND | F - SEED HOPPER |
| C - DOUBLE-DISK FERTILIZER OPENER | G - MARKER |
| D - TINE-TOOTH TILLAGE ATTACHMENT | H - LIQUID FERTILIZER TANK |

7000 DRAWN MAX-EMERGE® PLANTER 6-ROW NARROW WITH LIQUID FERTILIZER

PC1467 40-2 7000 Drawn Cotton and Corn Planter / WARNING LAMP (8 ROW NARROW SPLIT ROW PLANTING ATTACHMENT) [A16] PC1467 - HARV-SEEDING

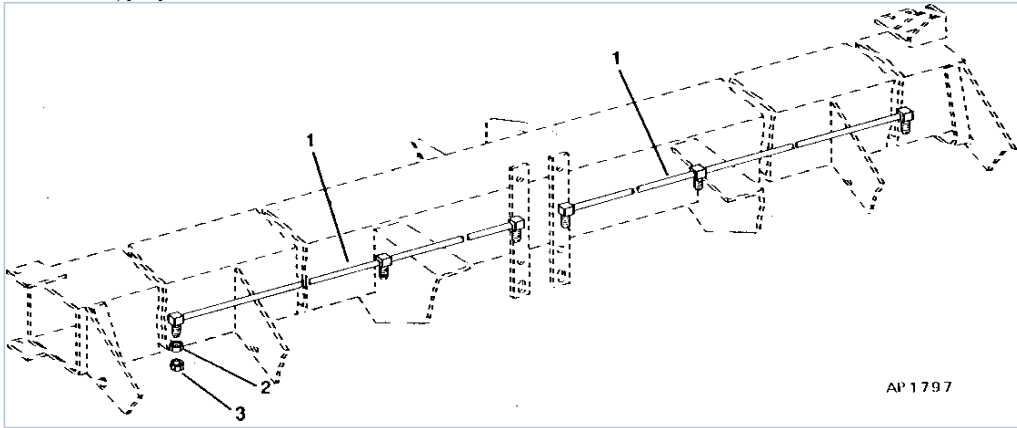


Список деталей

PC1467 40-2 7000 Drawn Cotton and Corn Planter / WARNING LAMP (8 ROW NARROW
SPLIT ROW PLANTING ATTACHMENT) [A16] PC1467 - HARV-SEEDING

КН.	№ ДЕТАЛИ	НАИМ. ДЕТАЛИ	К-ВО	SERIAL NO. OR YEAR	ПРИМЕЧАНИЯ
1	A48332	LENS	2		RED
1	A48331	LENS	2		AMBER
2	AD2062R	BULB	2		ПРЕДУПРЕЖДЕНИЕ
2	AR48041	BULB	2		TAIL LAMP
3	A48331	LENS	2		AMBER
4	14H865	NUT	4		1/2"
5	12H292	LOCK WASHER	4		1/2"
6	R69279	WASHER	1		19.050 X 25.400 X 3.175 MM (3/4" X 1" X 1/8")
7	AA34967	LAMP	2		AMBER WARNING LAMP WHICH INCLUDES LENSES AND BULB
7	AA34968	TAIL LAMP	2		RED TAIL LAMP WHICH INCLUDES LENS AND BULB
8	AA34924	WIRING HARNESS	1		(SUB AA44910) (INCLUDES AH93625 PLUG)
9	21H1356	SCREW	2		0.190" X 1-1/4", USED WITH RED AND AMBER REFLECTORS
9	21H1312	SCREW	2		0.190" X 1", USED WITH RED REFLECTORS
9	24H1283	WASHER	4		7/32" X 1/2" X 0.049"
9	12H246	LOCK WASHER	4		0.190"
9	14H778	NUT	4		0.190"
10	A21768	REFLECTOR	1		AMBER
11	M16351	LINK	2		
12	A37240	BRACKET	2	_____ 1984	(SUB FOR A48654)
13	28H1656	BUSHING	4		0.622" X 0.840" X 1-1/4"
14	19H1930	CAP SCREW	4		1/2" X 2-1/2"
14	K40014	LOCK NUT	4		12.700 MM (1/2")
15	M43048	REFLECTOR	2		RED
16	R44302	TIE BAND	AR		(SUB A78364)
16	A78364	TIE BAND	AR		
17	H77698	TIE BAND	AR		360 MM (14-3/16")
18	19H1815	CAP SCREW	1		1/2" X 1-1/4"
18	K40014	LOCK NUT	1		12.700 MM (1/2")
19	AH93625	PLUG	1		

PC1467 70-1 7000 Drawn Cotton and Corn Planter / MANIFOLD (6 ROW WIDE, 8 ROW NARROW, 8 ROW WIDE, AND 12 ROW NARROW) [A21] PC1467 - HARV-SEEDING

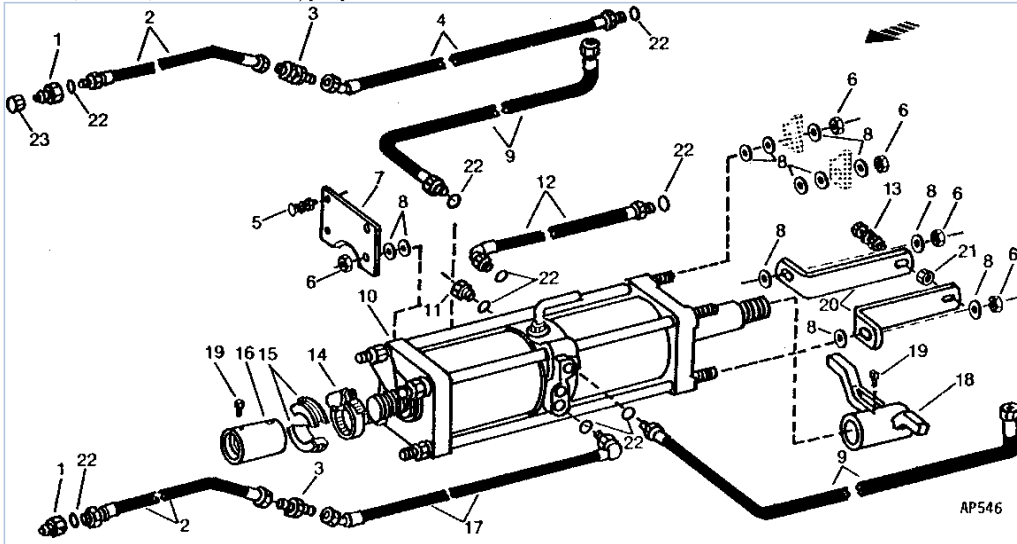


Список деталей

PC1467 70-1 7000 Drawn Cotton and Corn Planter / MANIFOLD (6 ROW WIDE, 8 ROW NARROW, 8 ROW WIDE, AND 12 ROW NARROW) [A21] PC1467 - HARV-SEEDING

КН.	№ ДЕТАЛИ	НАИМ. ДЕТАЛИ	К-ВО	SERIAL NO. OR YEAR	ПРИМЕЧАНИЯ
1	MANIFOLD	2	1982 -	(SUB A39880, (2) AA29184 AND (3) AA29185) CUT (1) A39880 INTO LENGTHS OF 365 MM (14-3/8"), 384 MM (15-7/64"), 523 MM (20-9/16") AND 698 MM (27-1/2") FOR 6W, 8N
1	MANIFOLD	2	1982 -	(SUB A39880, A44400, (2) AA29184 AND (3) AA29185) CUT A39880 TO LENGTH OF 1583 MM (62-5/16"); CUT A44400 INTO LENGTHS OF 160 MM (6-5/16"), 212 MM (8-23/64") AND 669 MM (26-11/32") FOR 8W
1	MANIFOLD	2	1982 -	(SUB A39880, A44400, (2) AA29184 AND (2) AA29185) CUT A39880 INTO LENGTHS OF 745 MM (29-5/16") AND 1228 MM (48-23/64") CUT A44400 TO A LENGTH OF 745 MM (29-5/16") FOR 12N
2	14H904	NUT	10		3/4", FOR 6W, 8N, 8W
2	14H904	NUT	8		3/4", FOR 12N
3	R31736	FITTING	4		FOR 8W

PC1467 70-2 7000 Drawn Cotton and Corn Planter / MASTER HYDRAULIC CYLINDER SYSTEM (-018499)(8R NARROW, 8R WIDE, AND 12R NARROW) [A22] PC1467 - HARV-SEEDING

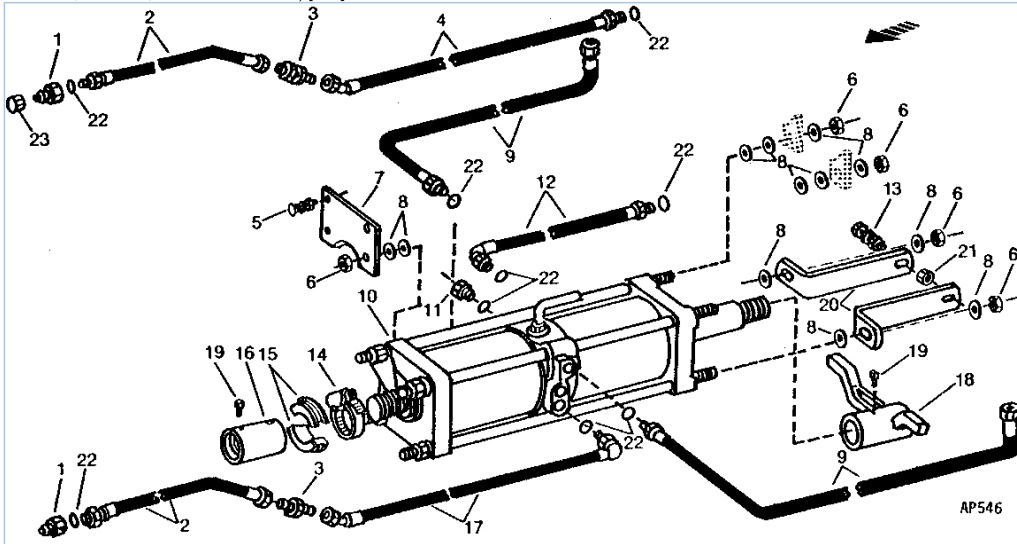


Список деталей

PC1467 70-2 7000 Drawn Cotton and Corn Planter / MASTER HYDRAULIC CYLINDER
SYSTEM (-018499)(8R NARROW, 8R WIDE, AND 12R NARROW) [A22] PC1467 - HARV-SEEDING

КН.	№ ДЕТАЛИ	НАИМ. ДЕТАЛИ	К-ВО	SERIAL NO. OR YEAR	ПРИМЕЧАНИЯ
1	AR93819	HYDR.QUICK COUPLER PLUG	1	_____- 1982	AUTOMATIC MARKER
1	AR93819	HYDR.QUICK COUPLER PLUG	2	_____- 1982	INDEPENDENT MARKER
1	AR94522	HYDR.QUICK COUPLER PLUG	1	_____- 1982	AUTOMATIC MARKER
1	AR94522	HYDR.QUICK COUPLER PLUG	2	_____- 1982	INDEPENDENT MARKER
2	AA23358	HYDRAULIC HOSE	1		3/4" X 60" X 3/4", WITH O-RING AUTOMATIC MARKER
2	AA23358	HYDRAULIC HOSE	2		3/4" X 60" X 3/4", WITH O-RING INDEPENDENT MARKER
3	A27898	UNION FITTING	1		(SUB FOR R35701) AUTOMATIC MARKER
3	A27898	UNION FITTING	2		(SUB FOR R35701) INDEPENDENT MARKER
3	14H904	NUT	1		3/4", AUTOMATIC MARKER
3	14H904	NUT	2		3/4", INDEPENDENT MARKER
4	AA22984	HYDRAULIC HOSE	1		3/4" X 101" X 3/4", WITH O-RING INDEPENDENT MARKER
5	03H1519	BOLT	2		3/8" X 1"
5	24H1307	WASHER	2		13/32" X 1" X 1/16"
5	14H1076	NUT	2		3/8"
6	14H793	NUT	6		3/4"
7	A25434	STRAP	1		
8	24H1406	WASHER	AR		13/16" X 1-1/2" X 0.060"
9	AA22840	HYDRAULIC HOSE	2		3/4" X 24" X 3/4", WITH O-RING
10	AA22943	HYDRAULIC CYLINDER	1	_____- 1976	(SUB AA27983, A28826, AA29301, AN131153 AND A51608)
11	R39112	FITTING	1		
12	AA23357	HYDRAULIC HOSE	1		3/4" X 17-1/4" X 3/4", WITH TWO O-RINGS; AUTOMATIC MARKER
13	19H1765	CAP SCREW	1		3/8" X 1-3/4"
13	24H1307	WASHER	1		13/32" X 1" X 1/16"
13	K40003	LOCK NUT	1		9.525 MM (3/8")
14	AR62936	CLAMP	1		
15	A25435	STOP	2		FOR 8N, 8W
15	A25211	STOP	2		FOR 12N
16	A25443	STOP	1		FOR 8N, 8W
16	A24698	STOP	1		FOR 12N
17	AA22839	HYDRAULIC HOSE	1		3/4" X 2 527 MM (99-1/2") X 3/4", WITH O-RING
18	A26130	ARM	1		FOR 8N, 8W
18	A26131	ARM	1		FOR 12W
19	22H834	SET SCREW	2		5/16" X 5/8"
20	A25432	GUIDE	2		
21	28H2522	SPACER	1		0.423" X 0.675" X 13/16"
22	R26375	O-RING	9		
23	R28006	CAP	1		AUTOMATIC MARKER
23	R28006	CAP	2		INDEPENDENT MARKER

PC1467 70-2 7000 Drawn Cotton and Corn Planter / MASTER HYDRAULIC CYLINDER SYSTEM (-018499)(8R NARROW, 8R WIDE, AND 12R NARROW) [A22] PC1467 - HARV-SEEDING

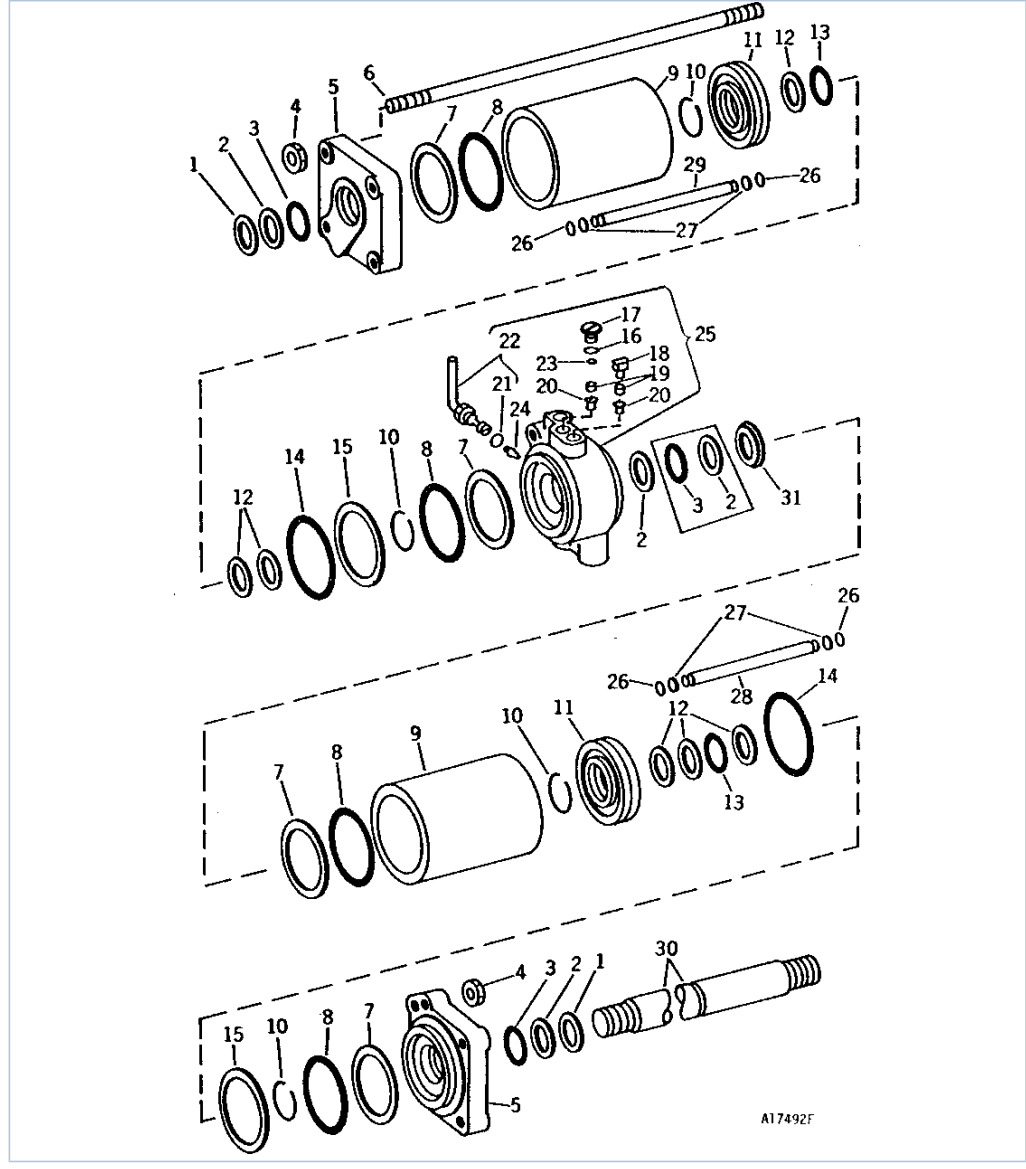


Список деталей

PC1467 70-2 7000 Drawn Cotton and Corn Planter / MASTER HYDRAULIC CYLINDER
SYSTEM (-018499)(8R NARROW, 8R WIDE, AND 12R NARROW) [A22] PC1467 - HARV-SEEDING

КН.	№ ДЕТАЛИ	НАИМ. ДЕТАЛИ	К-ВО	SERIAL NO. OR YEAR	ПРИМЕЧАНИЯ
1	AR93819	HYDR.QUICK COUPLER PLUG	1	_____ - 1982	AUTOMATIC MARKER
1	AR93819	HYDR.QUICK COUPLER PLUG	2	_____ - 1982	INDEPENDENT MARKER
1	AR94522	HYDR.QUICK COUPLER PLUG	1	1982-	AUTOMATIC MARKER
1	AR94522	HYDR.QUICK COUPLER PLUG	2	1982-	INDEPENDENT MARKER
2	AA23358	HYDRAULIC HOSE	1		3/4" X 60" X 3/4", WITH O-RING AUTOMATIC MARKER
2	AA23358	HYDRAULIC HOSE	2		3/4" X 60" X 3/4", WITH O-RING INDEPENDENT MARKER
3	A27898	UNION FITTING	1		(SUB FOR R35701) AUTOMATIC MARKER
3	A27898	UNION FITTING	2		(SUB FOR R35701) INDEPENDENT MARKER
3	14H904	NUT	1		3/4", AUTOMATIC MARKER
3	14H904	NUT	2		3/4", INDEPENDENT MARKER
4	AA22984	HYDRAULIC HOSE	1		3/4" X 101" X 3/4", WITH O-RING INDEPENDENT MARKER
5	03H1519	BOLT	2		3/8" X 1"
5	24H1307	WASHER	2		13/32" X 1" X 1/16"
5	14H1076	NUT	2		3/8"
6	14H793	NUT	6		3/4"
7	A25434	STRAP	1		
8	24H1406	WASHER	AR		13/16" X 1-1/2" X 0.060"
9	AA22840	HYDRAULIC HOSE	2		3/4" X 24" X 3/4", WITH O-RING
10	AA22943	HYDRAULIC CYLINDER	1	_____ - 1976	(SUB AA27983, A28826, AA29301, AN131153 AND A51608)
11	R39112	FITTING	1		
12	AA23357	HYDRAULIC HOSE	1		3/4" X 17-1/4" X 3/4", WITH TWO O-RINGS; AUTOMATIC MARKER
13	19H1765	CAP SCREW	1		3/8" X 1-3/4"
13	24H1307	WASHER	1		13/32" X 1" X 1/16"
13	K40003	LOCK NUT	1		9.525 MM (3/8")
14	AR62936	CLAMP	1		
15	A25435	STOP	2		FOR 8N, 8W
15	A25211	STOP	2		FOR 12N
16	A25443	STOP	1		FOR 8N, 8W
16	A24698	STOP	1		FOR 12N
17	AA22839	HYDRAULIC HOSE	1		3/4" X 2 527 MM (99-1/2") X 3/4", WITH O-RING
18	A26130	ARM	1		FOR 8N, 8W
18	A26131	ARM	1		FOR 12W
19	22H834	SET SCREW	2		5/16" X 5/8"
20	A25432	GUIDE	2		
21	28H2522	SPACER	1		0.423" X 0.675" X 13/16"
22	R26375	O-RING	9		
23	R28006	CAP	1		AUTOMATIC MARKER
23	R28006	CAP	2		INDEPENDENT MARKER

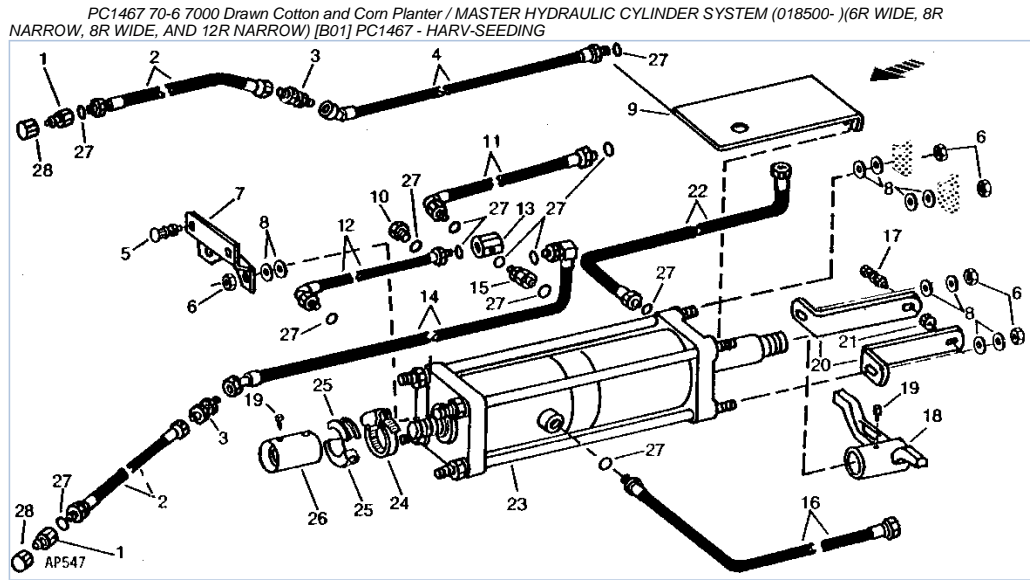
PC1467 70-4 7000 Drawn Cotton and Corn Planter / MASTER HYDRAULIC CYLINDER (-018499)(5-14" X 5-3/4")(8R NARROW, 8R WIDE, AND 12R NARROW) [A24] PC1467 - HARV-SEEDING



Список деталей

PC1467 70-4 7000 Drawn Cotton and Corn Planter / MASTER HYDRAULIC CYLINDER (-018499)(5-14" X 5-3/4")(8R NARROW, 8R WIDE, AND 12R NARROW) [A24] PC1467 - HARV-SEEDING

КН.	№ ДЕТАЛИ	НАИМ. ДЕТАЛИ	К-ВО	SERIAL NO. OR YEAR	ПРИМЕЧАНИЯ
1	A16875	SEAL	2		(A) (C) (B)
2	A27313	BACK-UP RING	4	_____ - 1976	
2	A27313	BACK-UP RING	3	_____ - 1976	
3	L2027CU	O-RING	3	_____ - 1976	
3	L2027CU	O-RING	2	_____ - 1976	
4	14H1058	NUT	8		3/4"
5	A27302	BEARING	2		
6	A27307	STUD	4		
7	U42720	BACK-UP RING	4		(A) (C) (B)
8	T12275	O-RING	4		(A) (C) (B)
9	A27303	HYDRAULIC CYLINDER BARREL	2		
10	A27312	SNAP RING	4		(A) (C) (B)
11	A27301	PISTON	2		
12	C12432	BACK-UP RING	4	_____ - 1977	(A) (C) (B) (SUB A33953)
12	A33953	BACK-UP RING	6		(C)
13	P50631	O-RING	2	_____ - 1977	(A) (C)
13	A36251	O-RING	2	_____ - 1977	(B)
14	U44083	O-RING	2	_____ - 1976	
14	A33705	O-RING	2	1976-1977	(C) (SUB A36242)
14	A36242	O-RING	2		(B)
15	A27315	RING	2	_____ - 1977	(A) (C) (SUB A36241)
15	A36241	WASHER	2		(B)
16	U40745	O-RING	1	_____ - 1974	(A)
16	R26375	O-RING	1	_____ - 1974	
17	AA23726	PLUG	1		
18	AA23728	PLUG	1		
19	A27239	SPRING	2		
20	A27300	POPPET	2		
21	U40745	O-RING	1	_____ - 1974	
21	R26375	O-RING	1	_____ - 1974	
22	AA23727	SCREW	1		
23	T24871	SHIM	AR		
24	A27309	POINT	1	_____ - 1974	(SUB AA24358)
24	AA24358	NEEDLE	1		
25	AA23831	KIT	1	_____ - 1979	(SUB AA27983, A28826, AN131153, AA29301 AND A51608)
26	F3353R	O-RING	4		
27	T56127	BACK-UP RING	4	_____ - 1979	(A) (SUB T27963)
27	T27963	BACK-UP RING	4		(A)
28	A27305	TUBE	1		14 MM X 22 MM (9/16" O.D. X 8-3/4")
29	A27306	TUBE	1		14 MM X 243 MM (9/16" O.D. X 9-9/16")
30	A27304	ROD	1		
31	E45559	SEAL	1	_____ - 1976	(C) (B)
..	AA22943	HYDRAULIC CYLINDER	1	_____ - 1976	(SUB A28826, AA29301, AA27983, AN131153 AND A51608)
..	AA24027	SEAL KIT	1	_____ - 1976	(SUB AA26645)
..	AA26645	SEAL KIT	1	_____ - 1977	(SUB AA27984)
..	AA27984	SEAL KIT	1		

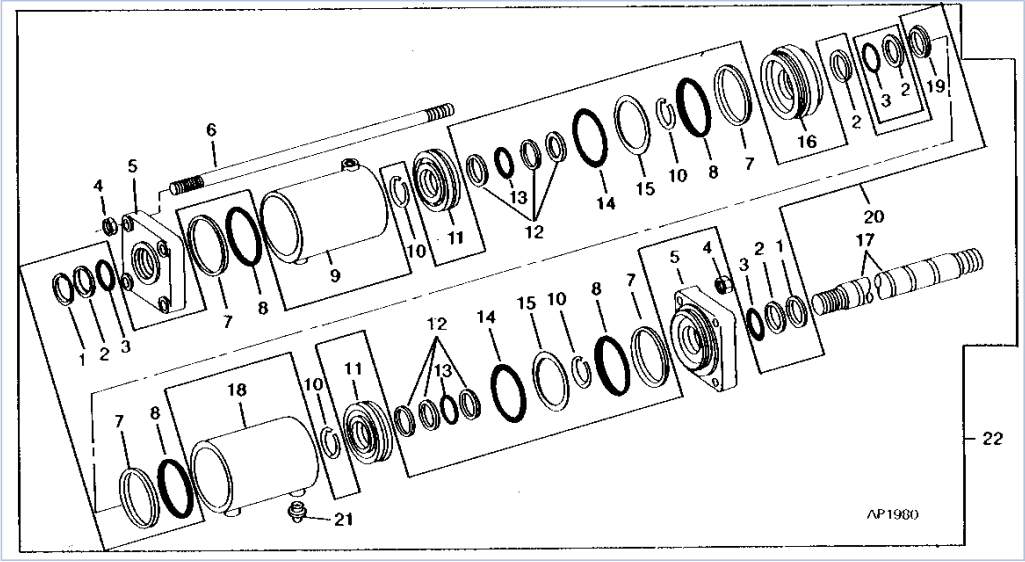


Список деталей

PC1467 70-6 7000 Drawn Cotton and Corn Planter / MASTER HYDRAULIC CYLINDER
SYSTEM (018500-) (6R WIDE, 8R NARROW, 8R WIDE, AND 12R NARROW) [B01] PC1467 - HARV-SEEDING

КН.	№ ДЕТАЛИ	НАИМ. ДЕТАЛИ	К-ВО	SERIAL NO. OR YEAR	ПРИМЕЧАНИЯ
1	AR93819	HYDR.QUICK COUPLER PLUG	1	_____-1982	FOR AUTOMATIC MARKER
1	AR93819	HYDR.QUICK COUPLER PLUG	2	_____-1982	FOR INDEPENDENT MARKER
1	AR94522	HYDR.QUICK COUPLER PLUG	1	1982-_____	FOR AUTOMATIC MARKER
1	AR94522	HYDR.QUICK COUPLER PLUG	2	1982-_____	FOR INDEPENDENT MARKER
2	AA23358	HYDRAULIC HOSE	1		3/4" X 1 524 MM (60") X 3/4", WITH O-RING FOR AUTOMATIC MARKER
2	AA23358	HYDRAULIC HOSE	2		3/4" X 1 524 MM (60") X 3/4", WITH O-RING FOR INDEPENDENT MARKER
3	A27898	UNION FITTING	1		(SUB FOR R35701) FOR AUTOMATIC MARKER
3	A27898	UNION FITTING	2		(SUB R35701) FOR INDEPENDENT MARKER
3	14H904	NUT	1		3/4", FOR AUTOMATIC MARKER
3	14H904	NUT	2		3/4", FOR INDEPENDENT MARKER
4	AA22984	HYDRAULIC HOSE	1		3/4" X 2 565 MM (101") X 3/4", WITH O-RING FOR INDEPENDENT MARKER
5	03H1519	BOLT	2		3/8" X 1"
5	24H1307	WASHER	2		13/32" X 1" X 1/16"
5	14H1076	NUT	2		3/8"
6	14H793	NUT	6		3/4"
7	A28826	STRAP	1		
8	24H1406	WASHER	12		13/16" X 1-1/2" X 0.060"
9	A28290	SHIELD	1		REQUIRED WHEN USING LIQUID FERTILIZER ATTACHMENT
10	R39112	FITTING	1		
11	AA23357	HYDRAULIC HOSE	1		3/4" X 438 MM (17-1/4") X 3/4", WITH TWO O-RINGS; FOR AUTOMATIC MARKER
12	AA24477	HYDRAULIC HOSE	1	_____-1985	3/4" X 222 MM (8-3/4") X 3/4", WITH TWO O-RINGS
12	AA29301	HOSE	1	1985-_____	3/4" X 225 MM (8-3/4") X 3/4"
13	B31190	HOSE FITTING	1		
14	AA22839	HYDRAULIC HOSE	1		3/4" X 2 527 MM (99-1/2") X 3/4"
15	AN131153	UNION FITTING	1		
16	AA22840	HYDRAULIC HOSE	1		3/4" X 610 MM (24") X 3/4", WITH O-RING
17	19H1801	CAP SCREW	1		3/8" X 2"
17	24H1307	WASHER	1		13/32" X 1" X 1/16"
17	K40003	LOCK NUT	1		9.525 MM (3/8")
18	A28825	ARM	1		FOR 6W, 8N, 8W
18	A26131	ARM	1		FOR 12N
19	22H834	SET SCREW	2		5/16" X 5/8"
20	A25432	GUIDE	2		
21	28H2522	SPACER	1		0.423" X 0.675" X 13/16"
22	AA24511	HYDRAULIC HOSE	1		3/4" X 394 MM (15-1/2") X 3/4", WITH O-RINGS
23	AA24431	CYLINDER	1	_____-1976	(SUB AA26667)
23	AA26667	CYLINDER	1	_____- 059701	(SUB AA27983)
23	AA27983	HYDRAULIC CYLINDER	1		(SUB AA47388 AND A53008)
23	AA47388	HYDRAULIC CYLINDER	1		
23	A53008	STOP	1		
24	AR62936	CLAMP	1		
25	A25435	STOP	2		FOR 6W, 8N, 8W
25	A25211	STOP	2		FOR 12N
26	A24698	STOP	1		
27	R26375	O-RING	13	1975-_____	
28	R28006	CAP	1		FOR 6W, 8N, 8W
28	R28006	CAP	2		FOR 12N

PC1467 70-8 7000 Drawn Cotton and Corn Planter / MASTER HYDRAULIC CYL. (018500-059701)(5-1/4" X 5-3/4")(6R WIDE, 8R NARROW, 8R WIDE AND 12R NARROW) [B03] PC1467 - HARV-SEEDING

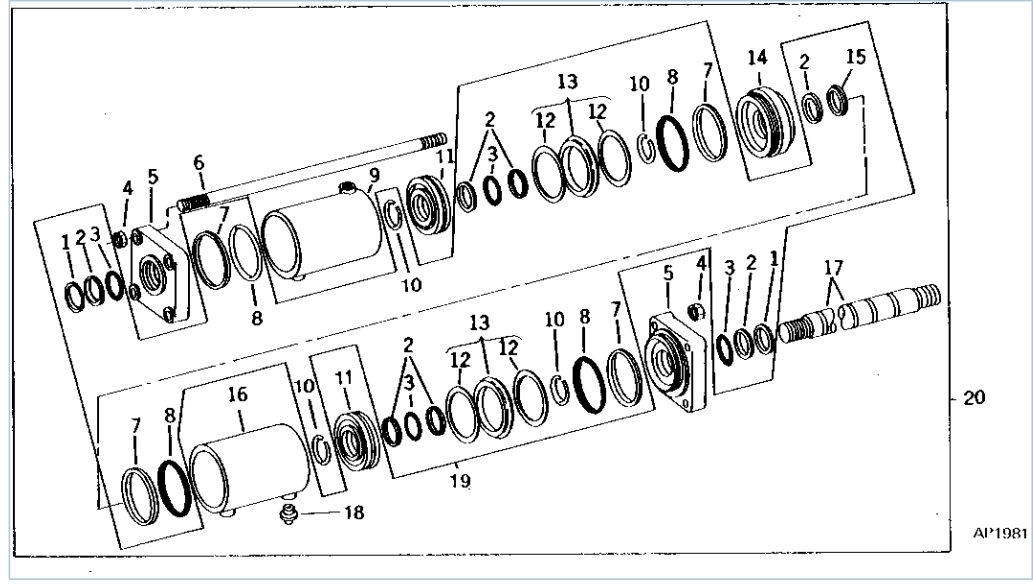


Список деталей

PC1467 70-8 7000 Drawn Cotton and Corn Planter / MASTER HYDRAULIC CYL. (018500-059701)(5-1/4" X 5-3/4")(6R WIDE, 8R NARROW, 8R WIDE AND 12R NARROW) [B03] PC1467 - HARV-SEEDING

КН.	№ ДЕТАЛИ	НАИМ. ДЕТАЛИ	К-ВО	SERIAL NO. OR YEAR	ПРИМЕЧАНИЯ
1	A16875	SEAL	2		
2	A27313	BACK-UP RING	4	_____ - 1976	5 MM X 51 MM (3/16" X 2")
2	A27313	BACK-UP RING	3	1976- _____	5 MM X 51 MM (3/16" X 2")
3	L2027CU	O-RING	3	_____ - 1976	5 MM X 51 MM (3/16" X 2")
3	L2027CU	O-RING	2	1976- _____	5 MM X 51 MM (3/16" X 2")
4	14H1058	NUT	8		3/4"
5	A29403	GUIDE	2	_____ - 1980	(SUB A42108)
5	A42108	GUIDE	2		
5	H32679	SNAP RING	2	1980- _____	
6	A29405	ROD	4		
7	U42720	BACK-UP RING	4		3 MM X 127 MM (1/8" X 5")
8	T12275	O-RING	4		3 MM X 127 MM (1/8" X 5")
9	AA24514	HYDRAULIC CYLINDER BARREL	1		
10	A27312	SNAP RING	4		
11	A27301	PISTON	2		
12	C12432	BACK-UP RING	4	_____ - 1977	50.800 X 57.150 X 1.575 MM (2" X 2-1/4" X 1/16") (SUB A33953)
12	A33953	BACK-UP RING	6		1.3 MM X 51 MM (3/64" X 2")
13	P50631	O-RING	2	_____ - 1977	3 MM X 51 MM (1/8" X 2")
13	A36251	O-RING	2	1977- _____	3 MM X 51 MM (1/8" X 2")
14	U44083	O-RING	2	_____ - 1976	3 MM X 124 MM (1/8" X 4-7/8")
14	A33705	O-RING	2	_____ - 1977	(SUB A36242) 4 MM X 121 MM (9/64" X 4-3/4") O.D.
14	A36242	O-RING	2		3 MM X 127 MM (1/8" X 5") O.D.
15	A27315	RING	2	_____ - 1977	(SUB A36241) 133 MM (5-1/4") O.D.
15	A36241	WASHER	2		126.365 X 134.112 X 3.886 MM (4.975" X 5.280" X 0.153")
16	A29406	GUIDE	1		
17	A29404	ROD	1		
18	AA24515	HYDRAULIC CYLINDER BARREL	1		REAR
19	E45559	SEAL	1	1976- _____	
20	AA24526	SEAL KIT	1	_____ - 1979	(SUB AA27984)
20	AA27984	SEAL KIT	1		(USE WITH AA26667)
20	AA26645	SEAL KIT	1	_____ - 1979	(SUB AA27984)
20	AA47224	SEAL KIT	1		(USE WITH AA27983) (SUB FOR AA27982) (ALSO ORDER AA27981 WITH HONED CYLINDER BARRELS)
21	AA26668	KIT	1	1976- _____	CONTAINS FOUR HYDRAULIC LINE FILTERS, ONE FOR EACH CYLINDER PORT
22	AA24431	CYLINDER	1	_____ - 1976	(SUB AA26667)
22	AA26667	CYLINDER	1	_____ - 1977	(SUB AA27983)
22	AA27983	HYDRAULIC CYLINDER	1		(SUB AA47388 AND A53008)
22	AA47388	HYDRAULIC CYLINDER	1		
22	A53008	STOP	1		

PC1467 70-10 7000 Drawn Cotton and Corn Planter / MASTER HYDRAULIC CYLINDER (059701-) (5-1/4" X 5-3/4") (6R WIDE, 8R NARROW, 8R WIDE & 12R NARROW) [B05] PC1467 - HARV-SEEDING

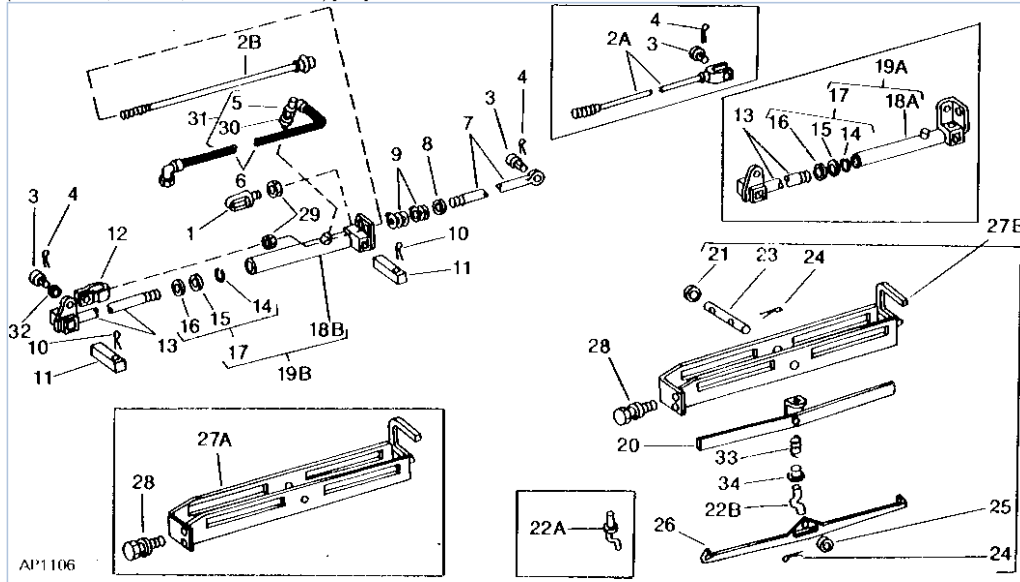


Список деталей

PC1467 70-10 7000 Drawn Cotton and Corn Planter / MASTER HYDRAULIC CYLINDER
(059701-) (5-1/4" X 5-3/4") (6R WIDE, 8R NARROW, 8R WIDE & 12R NARROW) [B05] PC1467 - HARV-SEEDING

КН.	№ ДЕТАЛИ	НАИМ. ДЕТАЛИ	К-ВО	SERIAL NO. OR YEAR	ПРИМЕЧАНИЯ
1	A16875	SEAL	2		
2	A27313	BACK-UP RING	7		5 MM X 51 MM (3/16" X 2")
3	L2027CU	O-RING	4		5 MM X 51 MM (3/16" X 2")
4	14H1058	NUT	8		3/4"
5	A29403	GUIDE	2	_____ - 1980	(SUB A42108)
5	A42108	GUIDE	2		
5	H32679	SNAP RING	2	1980- _____	
6	A29405	ROD	4		
7	U42720	BACK-UP RING	4		3 MM X 127 MM (1/8" X 5")
8	T12275	O-RING	4		3 MM X 127 MM (1/8" X 5")
9	AA24514	HYDRAULIC CYLINDER BARREL	1		FRONT
10	A27312	SNAP RING	4		
11	A36216	PISTON	2		
12	BACK-UP RING	1		(SUB AA47224)
13	AA27981	SEAL	2		
14	A29406	GUIDE	1		
15	E45559	SEAL	1		
16	AA24515	HYDRAULIC CYLINDER BARREL	1		REAR
17	A29404	ROD	1		
18	AA26668	KIT	1		CONTAINS FOUR HYDRAULIC LINE FILTERS, ONE FOR EACH CYLINDER PORT
19	AA47224	SEAL KIT	1		(SUB FOR AA27982) (ALSO ORDER AA27981 WITH HONED CYLINDER BARRELS)
20	AA27983	HYDRAULIC CYLINDER	1		(SUB AA47388 AND A53008)
20	AA47388	HYDRAULIC CYLINDER	1		
20	A53008	STOP	1		

PC1467 70-12 7000 Drawn Cotton and Corn Planter / MARKER HYDRAULIC CYLINDER, ACTUATOR, AND CONTROL
(4R NARROW, 4R WIDE, AND 6R NARROW) [B06] PC1467 - HARV-SEEDING

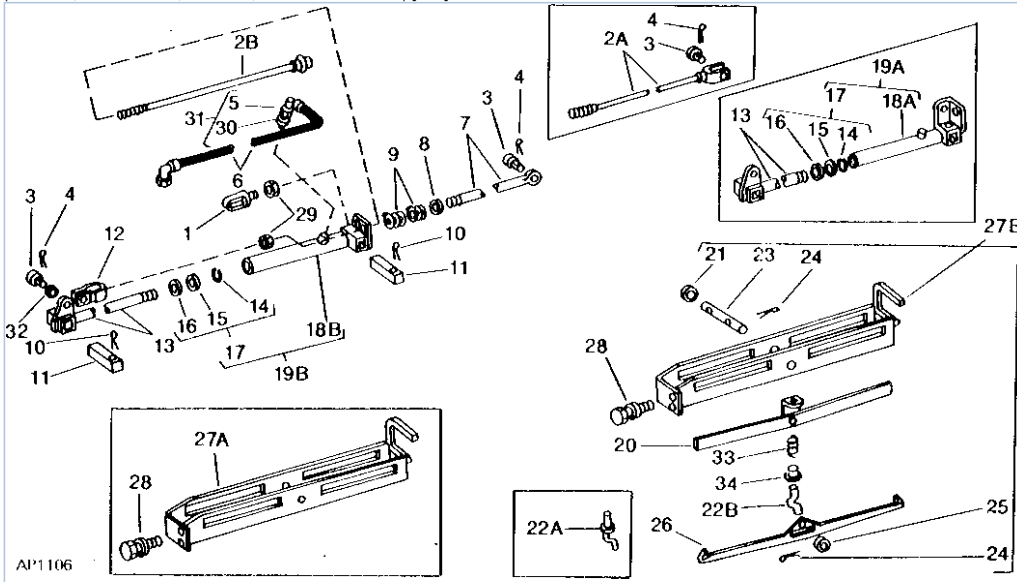


Список деталей

PC1467 70-12 7000 Drawn Cotton and Corn Planter / MARKER HYDRAULIC CYLINDER, ACTUATOR, AND CONTROL (4R NARROW, 4R WIDE, AND 6R NARROW) [B06] PC1467 - HARV-SEEDING

КН.	№ ДЕТАЛИ	НАИМ. ДЕТАЛИ	К-ВО	SERIAL NO. OR YEAR	ПРИМЕЧАНИЯ
1	A25997	NUT	1		
2A	AA23570	CABLE	1	_____-1976	600 MM (23-5/8") MARKER, R. H.
2B	AA25509	CABLE	1	1976-____	630 MM (24-7/8") MARKER, R. H.
3	A26927	PIN FASTENER	3	_____-1976	15.875 X 39.624 MM (5/8" X 1.560")
3	A26927	PIN FASTENER	2	1976-____	15.875 X 39.624 MM (5/8" X 1.560")
4	11H237	COTTER PIN	3	_____-1976	1/8" X 2"
4	11H237	COTTER PIN	2	1976-____	1/8" X 2"
5	R28782	O-RING	1		
6	AA21419	HYDRAULIC HOSE - FABRICATE	1		7/16" X 1 422 MM (56") X 7/16"
7	A26758	BOLT	1		
8	24H1367	WASHER	1		21/32" X 1-1/4" X 1/4"
9	S137M	SPRING	1		
10	11H249	COTTER PIN	2		1/4" X 2"
11	A22432	BAR	2		
12	AA23573	CLEVIS	1		
13	AA23827	ROD	1	_____-1976	25 MM (1") CYLINDER
13	AA25816	ROD	1	1976-____	30 MM (1-1/4") CYLINDER
14	RING	1		(SUB AA25815 OR AA23828)
15	SEAL	1		(SUB AA25815 OR AA23828)
16	SEAL	1		(SUB AA25815 OR AA23828)
17	AA23828	SEAL KIT	1	_____-1976	25 MM (1") CYLINDER
17	AA25815	SEAL KIT	1	1976-____	30 MM (1-1/4") CYLINDER
18A	AA23826	HYDRAULIC CYLINDER BARREL	1	_____-1976	24 MM (1)" CYLINDER
18B	AA25817	HYDRAULIC CYLINDER BARREL	1	1976-____	30 MM (1-1/4") CYLINDER
19A	AA21122	CYLINDER	1	_____-1976	25 MM (1") CYLINDER
19B	AA55518	HYDRAULIC CYLINDER	1	1976-____	(SUB FOR AA25462) 30 MM (1-1/4") CYLINDER
20	AA21633	LATCH	1	_____-1975	(SUB AA24717)
20	AA24717	LATCH	1		
21	24H1255	WASHER	1		11/16" X 1-1/4" X 0.060"
22A	AA23042	GUIDE	1	_____-1977	(SUB A24116 AND A33921)
22B	A24116	GUIDE	1		
23	A36972	PIN FASTENER	1	1979-____	15.875 X 80.010 MM (5/8" X 3.150")
24	11H268	COTTER PIN	2		5/32" X 1-1/4"
25	24H1368	WASHER	1	1979-____	21/32" X 1-5/16" X 0.090"
26	A23739	ACTUATOR	1		
27A	AA21420	PLATE	1	_____-1979	(SUB AA28587)
27B	AA28587	ACTUATOR	1		
28	19H1731	CAP SCREW	2		3/8" X 1"
28	12H304	LOCK WASHER	2		3/8"
29	14H821	NUT	2		5/8"
30	T39220	FITTING	1	_____-1985	(SUB H63599)
30	H63599	UNION FITTING	1		
31	AA21623	ADAPTER FITTING	1	_____-1975	(SUB H63599 AND R28782)
31	AM30686	FITTING	1	_____-1988	(SUB H63599 AND R28782)
32	24H1139	WASHER	1		11/16" X 1-1/4" X 0.105"
33	H2094B	COMPRESSION SPRING	1		
34	A33921	BUSHING	1	1977-____	

PC1467 70-14 7000 Drawn Cotton and Corn Planter / MARKER HYDRAULIC CYLINDER, ACTUATOR, AND CONTROL
(6R WIDE, 8R NARROW, 8R WIDE, AND 12R NARROW) [B08] PC1467 - HARV-SEEDING

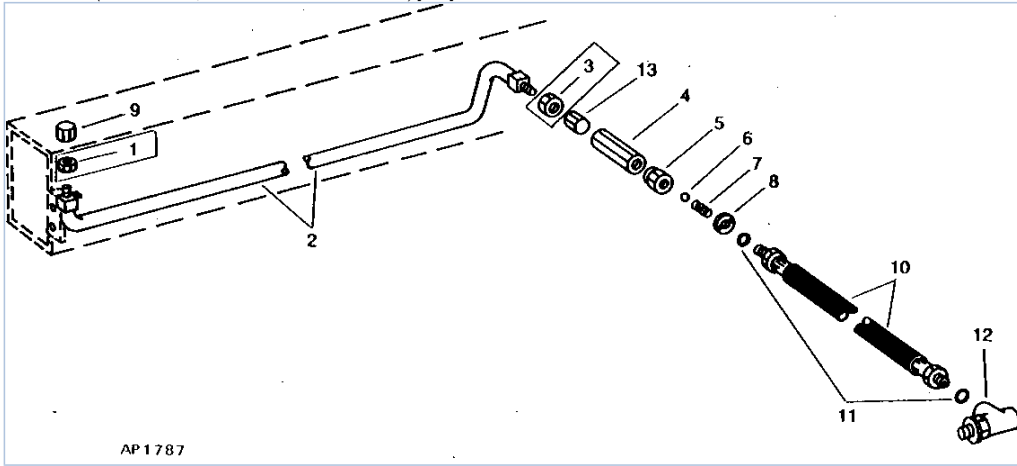


Список деталей

PC1467 70-14 7000 Drawn Cotton and Corn Planter / MARKER HYDRAULIC CYLINDER, ACTUATOR, AND CONTROL (6R WIDE, 8R NARROW, 8R WIDE, AND 12R NARROW) [B08] PC1467 - HARV-SEEDING

КН.	№ ДЕТАЛИ	НАИМ. ДЕТАЛИ	К-ВО	SERIAL NO. OR YEAR	ПРИМЕЧАНИЯ
1	A25997	NUT	1		
2A	AA23570	CABLE	1	_____ -1976	600 MM (23-5/8") MARKER, R. H.
2B	AA25509	CABLE	1	1976-_____	630 MM (24-7/8") MARKER, R. H.
3	A26927	PIN FASTENER	3	_____ -1976	15.875 X 39.624 MM (5/8" X 1.560")
3	A26927	PIN FASTENER	2	1976-_____	15.875 X 39.624 MM (5/8" X 1.560")
4	11H237	COTTER PIN	3	_____ -1976	1/8" X 2"
4	11H237	COTTER PIN	2	1976-_____	1/8" X 2"
5	R28782	O-RING	1		
6	AA21419	HYDRAULIC HOSE - FABRICATE	1		6 MM X 1 422 MM (1/4" X 56")
7	A26758	BOLT	1		
8	24H1367	WASHER	1		21/32" X 1-1/4" X 1/4"
9	S137M	SPRING	1		
10	11H249	COTTER PIN	2		1/4" X 2"
11	A24416	BAR	2		
12	AA23573	CLEVIS	1		
13	AA23824	ROD	1		45 MM (1-3/4") CYLINDER
14	RING	1		(SUB AA23825)
15	SEAL	1		(SUB AA23825)
16	SEAL	1		(SUB AA23825)
17	AA23825	SEAL KIT	1		45 MM (1-3/4") CYLINDER
18A	AA23823	HYDRAULIC CYLINDER BARREL	1	_____ -1976	45 MM (1-3/4") CYLINDER
18B	AA25818	HYDRAULIC CYLINDER BARREL	1	1976-_____	45 MM (1-3/4") CYLINDER
19A	AA22202	CYLINDER	1	_____ -1976	(SUB AA25544) 45 MM (1-3/4") CYLINDER
19B	AA25544	HYDRAULIC CYLINDER	1		45 MM (1-3/4") CYLINDER
20	AA21633	LATCH	1	_____ -1975	(SUB AA24717)
20	AA24717	LATCH	1		
21	24H1255	WASHER	1		11/16" X 1-1/4" X 0.060"
22A	AA23042	GUIDE	1	_____ -1977	(SUB A24116 AND A33921)
22B	A24116	GUIDE	1		
23	A35636	PIN FASTENER	1	1979-_____	45 MM (1-3/4") CYLINDER ONLY
24	11H240	COTTER PIN	2		5/32" X 1-1/2"
25	24H1368	WASHER	1	1979-_____	21/32" X 1-5/16" X 0.090"
26	A23739	ACTUATOR	1		
27A	AA22219	PLATE	1	_____ -1979	(SUB AA28589)
27B	AA28589	ACTUATOR	1	_____ -1980	
27B	AA31190	ACTUATOR	1	1980-_____	
28	19H1731	CAP SCREW	2		3/8" X 1"
28	12H304	LOCK WASHER	2		3/8"
29	14H821	NUT	2		5/8"
30	T39220	FITTING	1	_____ -1985	(SUB H63559)
30	H63599	UNION FITTING	1		
31	AA21623	ADAPTER FITTING	1	_____ -1975	(SUB H63599 AND R28782)
31	AM30686	FITTING	1	_____ -1988	(SUB H63599 AND R28782)
32	24H1139	WASHER	1		11/16" X 1-1/4" X 0.105"
33	H2094B	COMPRESSION SPRING	1		
34	A33921	BUSHING	1	1977-_____	

PC1467 70-16 7000 Drawn Cotton and Corn Planter / AUTOMATIC MARKER CONTROL HYD. TUBE, HOSE, FITTINGS AND VALVE (4R NARROW, 4R WIDE AND 6R NARROW) [B10] PC1467 - HARV-SEEDING



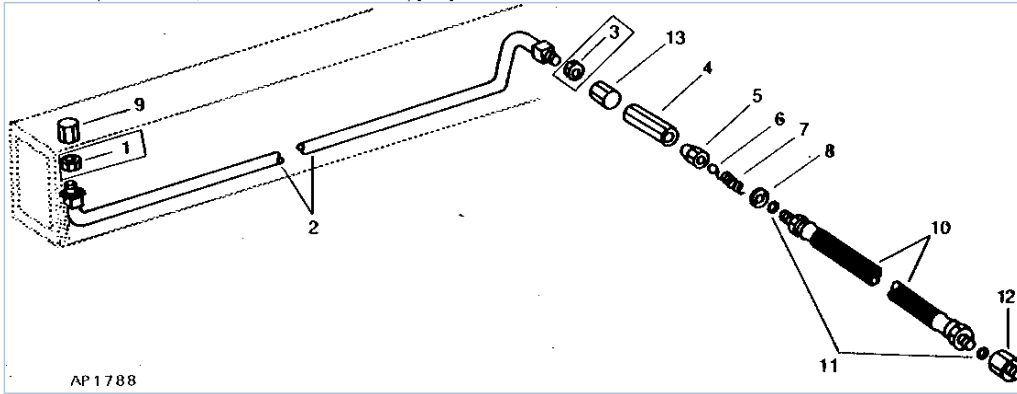
AP1787

Список деталей

PC1467 70-16 7000 Drawn Cotton and Corn Planter / AUTOMATIC MARKER CONTROL
 HYD. TUBE, HOSE, FITTINGS AND VALVE (4R NARROW, 4R WIDE AND 6R NARROW) [B10] PC1467 - HARV-SEEDING

КН.	№ ДЕТАЛИ	НАИМ. ДЕТАЛИ	К-ВО	SERIAL NO. OR YEAR	ПРИМЕЧАНИЯ
1	14H934	NUT	1	_____- 1978	7/16"
2	AA21426	OIL LINE	1		1 556 MM (61-1/4") FOR 4W, 4N
2	AA21425	OIL LINE	1		1 936 MM (76-1/4") FOR 6N
3	14H856	NUT	1	_____- 1978	1/2"
4	A22720	HOUSING	1		
5	A31732	PLUNGER	1		
6	SCREEN	1		(A)
7	SPRING	1		(A)
8	DRAIN VALVE	1		(A)
9	R31147	FITTING	1		USED WHEN PLANTER IS NOT EQUIPPED WITH MARKERS
10	AA21848	HYDRAULIC HOSE	1		3/4" X 813 MM (32") X 3/4"
11	R26375	O-RING	2		
12	AA22513	TEE FITTING	1		
13	15H21	FITTING	1		1/8", USED WHEN PLANTER IS NOT EQUIPPED WITH MARKERS
..	AA37546	KIT	1		INCLUDES PARTS MARKED (A)
..	AA21285	VALVE	1	_____- 1976	(SUB A22720, B30433, B30871, B30885 AND B32049)

PC1467 70-17 7000 Drawn Cotton and Corn Planter / INDEPENDENT MARKER CONTROL HYD. TUBE, HOSE, FITTING, AND VALVE (4R NARROW, 4R WIDE AND 6R NARROW) [B11] PC1467 - HARV-SEEDING

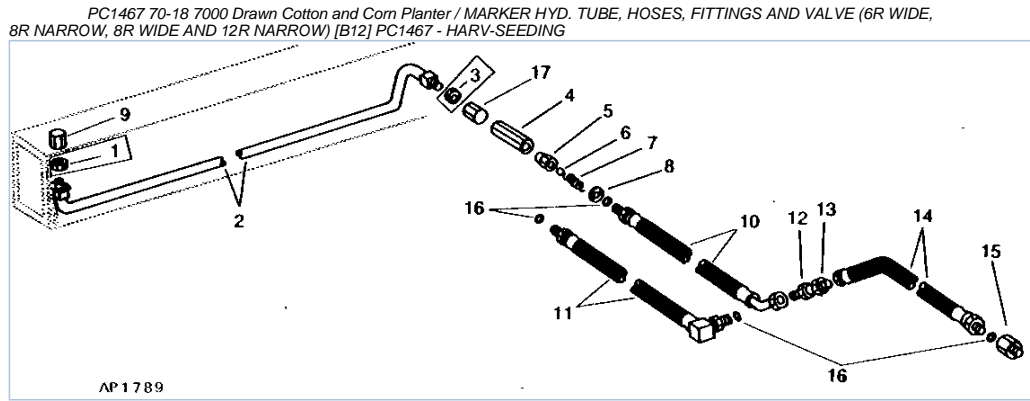


Список деталей

PC1467 70-17 7000 Drawn Cotton and Corn Planter / INDEPENDENT MARKER CONTROL

HYD. TUBE, HOSE, FITTING, AND VALVE (4R NARROW, 4R WIDE AND 6R NARROW) [B11] PC1467 - HARV-SEEDING

КН.	№ ДЕТАЛИ	НАИМ. ДЕТАЛИ	К-ВО	SERIAL NO. OR YEAR	ПРИМЕЧАНИЯ
1	14H934	NUT	1	_____- 1978	7/16"
2	AA21426	OIL LINE	1		1 556 MM (61-1/4") FOR 4W, 4N
2	AA21425	OIL LINE	1		1 936 MM (76-1/4") FOR 6N
3	14H856	NUT	1	_____- 1978	1/2"
4	A22720	HOUSING	1		
5	A31732	PLUNGER	1		
6	SCREEN	1		(A)
7	SPRING	1		(A)
8	DRAIN VALVE	1		(A)
9	R31147	FITTING	1		USED WHEN PLANTER IS NOT EQUIPPED WITH MARKERS
10	AN60663	HYDRAULIC HOSE	1	_____- 1986	3/4" X 2 946 MM (116") X 3/4"
10	AN180611	HYDRAULIC HOSE	1	1986-	3/4" X 2 946 MM (116") X 3/4"
11	R26375	O-RING	2		
12	AR93819	HYDR. QUICK COUPLER PLUG	1	_____- 1982	
12	R28006	CAP	1	_____- 1982	
12	AR94522	HYDR. QUICK COUPLER PLUG	1	1982-	
13	15H21	FITTING	1		1/8", USED WHEN PLANTER IS NOT EQUIPPED WITH MARKERS
..	AA37546	KIT	1		INCLUDES PARTS MARKED (A)
..	AA21285	VALVE	1	_____- 1976	(SUB A22720, B30433, B30871, B30885 AND B32049)

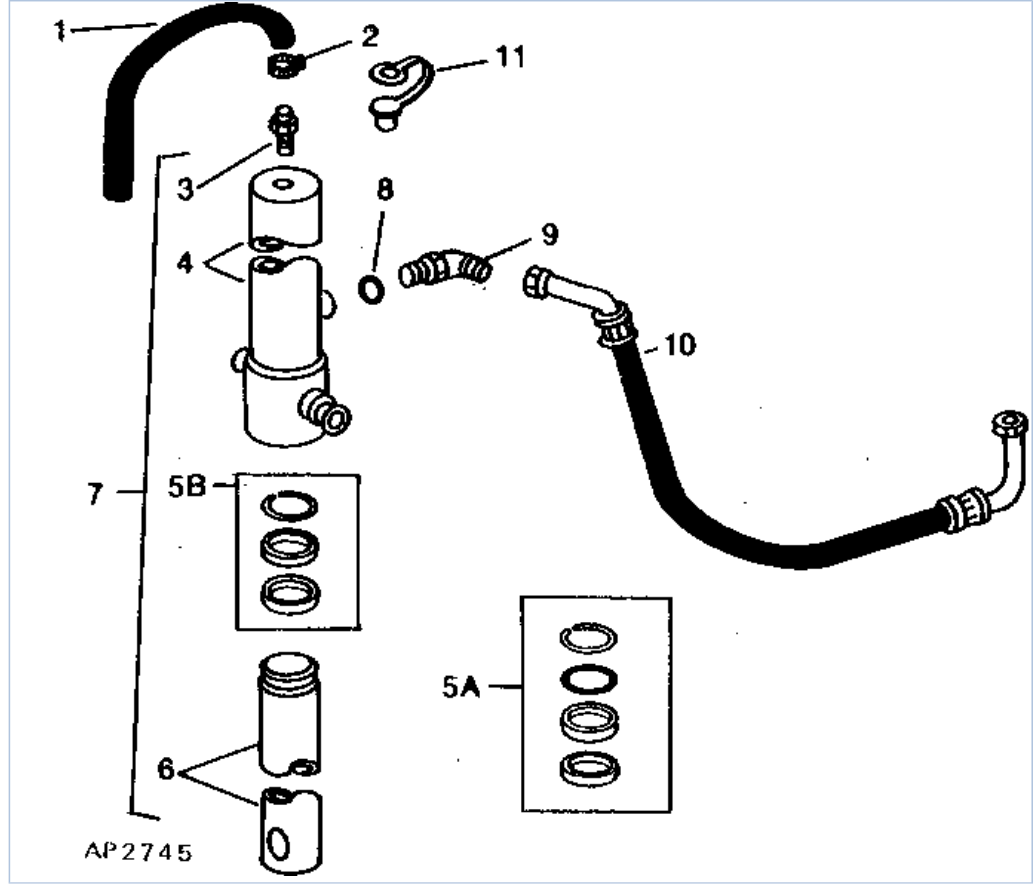


Список деталей

PC1467 70-18 7000 Drawn Cotton and Corn Planter / MARKER HYD. TUBE, HOSES,
FITTINGS AND VALVE (6R WIDE, 8R NARROW, 8R WIDE AND 12R NARROW) [B12] PC1467 - HARV-SEEDING

КН.	№ ДЕТАЛИ	НАИМ. ДЕТАЛИ	К-ВО	SERIAL NO. OR YEAR	ПРИМЕЧАНИЯ
1	14H934	NUT	1	_____- 1978	7/16"
2	AA21423	OIL LINE	1		2 699 MM (106-1/4") FOR 6W, 8N
2	AA21422	OIL LINE	1		3 588 MM (141-1/4") FOR 8W
2	AA21421	OIL LINE	1		4 223 MM (166-1/4") FOR 12N
3	14H856	NUT	1	_____- 1978	1/2"
4	A22720	HOUSING	1		
5	A31732	PLUNGER	1		
6	SCREEN	1		(A)
7	SPRING	1		(A)
8	DRAIN VALVE	1		(A)
9	R31147	FITTING	1		USED WHEN PLANTER IS NOT EQUIPPED WITH MARKERS
10	AA22984	HYDRAULIC HOSE	1		3/4" X 2 565 MM (101") X 3/4", WITH O-RING; INDEPENDENT MARKER ONLY
11	AA23357	HYDRAULIC HOSE	1		3/4" X 438 MM (17-1/4") X 3/4", WITH TWO O-RINGS, AUTOMATIC MARKER ONLY
12	A27898	UNION FITTING	1		(SUB FOR R35701) (INDEPENDENT MARKER ONLY)
13	14H904	NUT	1		3/4"
14	AA23358	HYDRAULIC HOSE	1		3/4" X 1 524 MM (60") X 3/4", WITH O-RING, INDEPENDENT MARKER ONLY
15	AR93819	HYDR.QUICK COUPLER PLUG	1	_____- 1982	(10 MM) (INDEPENDENT MARKER ONLY)
15	R28006	CAP	1	_____- 1982	
15	AR94522	HYDR.QUICK COUPLER PLUG	1	_____- 1982	
16	R26375	O-RING	4		
17	15H21	FITTING	1		1/8", USED WHEN PLANTER IS NOT EQUIPPED WITH MARKERS
..	AA37546	KIT	1		INCLUDES PARTS MARKED (A)
..	AA21285	VALVE	1	_____- 1976	(SUB A22720, B30433, B30871, B30885 AND B32049)

PC1467 70-19 7000 Drawn Cotton and Corn Planter / WHEEL FRAME HYD. CYLINDER, FITTINGS AND HOSE (6R WIDE, 8R NARROW, 8R WIDE, AND 12R NARROW) [B13] PC1467 - HARV-SEEDING

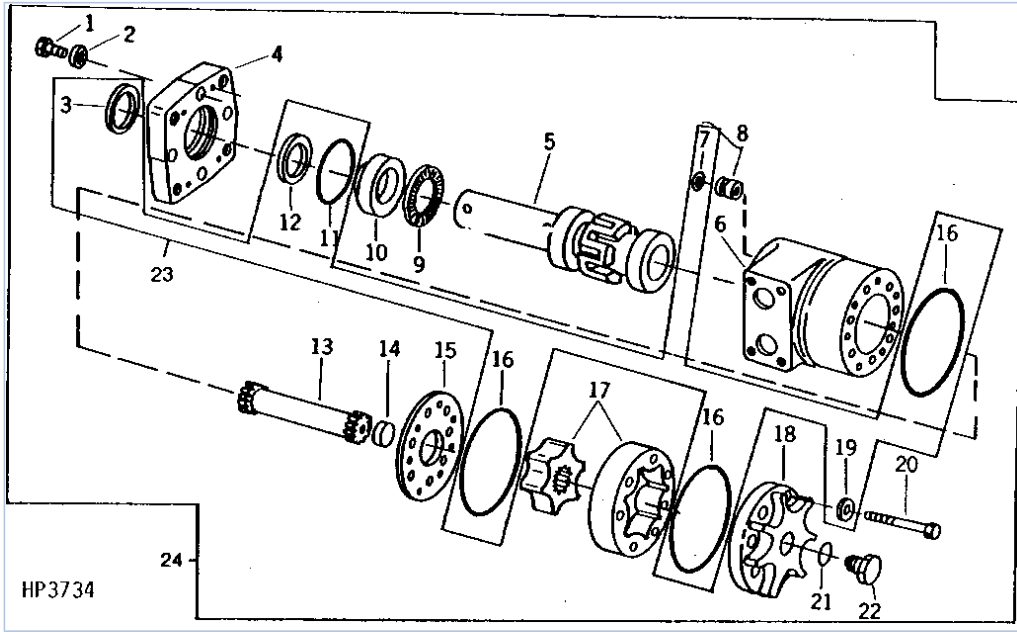


Список деталей

PC1467 70-19 7000 Drawn Cotton and Corn Planter / WHEEL FRAME HYD. CYLINDER,
FITTINGS AND HOSE (6R WIDE, 8R NARROW, 8R WIDE, AND 12R NARROW) [B13] PC1467 - HARV-SEEDING

КН.	№ ДЕТАЛИ	НАИМ. ДЕТАЛИ	К-ВО	SERIAL NO. OR YEAR	ПРИМЕЧАНИЯ
1	A37046	HOSE	1	1978-	
2	AR48236	CLAMP	1	1978-	
3	A36043	BLEED VALVE	1		
4	AA23581	HYDRAULIC CYLINDER BARREL	1	- 1980	(SUB A40577)
4	A40577	HYDRAULIC CYLINDER BARREL	1		
5A	AH78775	SEAL KIT	1	- 1981	
5A	AA31736	SEAL KIT	1	1981-1984	
5B	AE37830	SEAL KIT	1	1984-	
6	A26921	HYDRAULIC CYLINDER ROD	1		
7	AA21490	CYLINDER	1	- 1980	(SUB AA30570) 51 MM X 305 MM (2" X 12")
7	AA30570	CYLINDER	1		51 MM X 305 MM (2" X 12")
8	R26375	O-RING	1		
9	AA22978	FITTING	1	- 1981	(SUB AT35599 AND R26375)
9	AT35599	ELBOW FITTING	1		
9	R26375	O-RING	1		
10	AA22283	HYDRAULIC HOSE	1	- 1985	3/4" X 356 MM (14") X 3/4", (SUB AA29299) WITH FITTINGS
10	AA29299	HYDRAULIC HOSE - FABRICATE	1		3/4" X 350 MM (13-3/4") X 3/4"
11	R47862	CAP	1		DUST COVER

PC1467 70-20 7000 Drawn Cotton and Corn Planter / DRY FERTILIZER AUGER FILL MOTOR (-1989) [B14] PC1467 - HARV-SEEDING



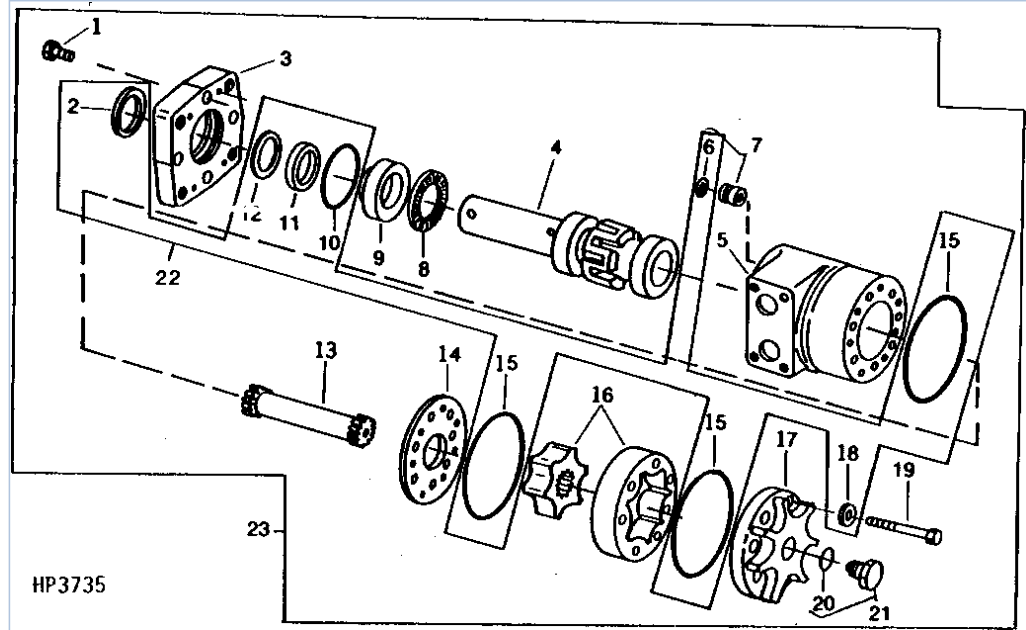
Список деталей

PC1467 70-20 7000 Drawn Cotton and Corn Planter / DRY FERTILIZER AUGER FILL

MOTOR (-1989) [B14] PC1467 - HARV-SEEDING

КН.	№ ДЕТАЛИ	НАИМ. ДЕТАЛИ	К-ВО	SERIAL NO. OR YEAR	ПРИМЕЧАНИЯ
1	N132503	SCREW	4		7.925 X 22.225 MM (5/16" X 7/8")
2	N132450	LOCK WASHER	4	_____- 1989	9.931 MM (25/64")
3	N170849	SEAL	1		
4	N170838	PLATE	1	_____- 1989	(SUB N196945, N196948 AND T124337)
5	A29314	SHAFT	1		
6	N170846	HOUSING	1		(REPLACED BY T124312, T124313, AND T77814)
7	A3917R	O-RING	1		
8	C15109	PIN FASTENER	1		12.700 X 19.050 MM (1/2" X 3/4")
9	N170871	THRUST BEARING	1		
10	N170873	THRUST BEARING RACE	1		
11	T16318	O-RING	1		
12	N170847	SEAL	1		
13	C15103	DRIVE SPROCKET	1	_____- 1989	(REPLACED BY H122139)
13	H122139	DRIVE	1		
14	N170874	SPACER	1		
15	N170837	PLATE	1		
16	N170851	O-RING	3	_____- 1989	(REPLACED BY T70321)
17	AT50337	ROTATOR	1	_____- 1989	(SUB AT130067)
18	A29315	EXHAUST CAP	1		
19	U13489	WASHER	7		8.179 X 11.354 X 1.067 MM (0.322" X 0.447" X 0.042") (REPLACED BY T124356)
20	N130453	SCREW	7		7.925 X 53.848 MM (5/16" X 2.120")
21	R28782	O-RING	1		
22	U44115	FITTING PLUG	1		
23	AN103877	MOTOR KIT	1	_____- 1989	
24	AA23541	MOTOR	1	_____- 1989	(SUB AA36915) (MARKED 101-1409-007)

PC1467 70-21 7000 Drawn Cotton and Corn Planter / DRY FERTILIZER AUGER FILL MOTOR (1989-) [B15] PC1467 - HARV-SEEDING

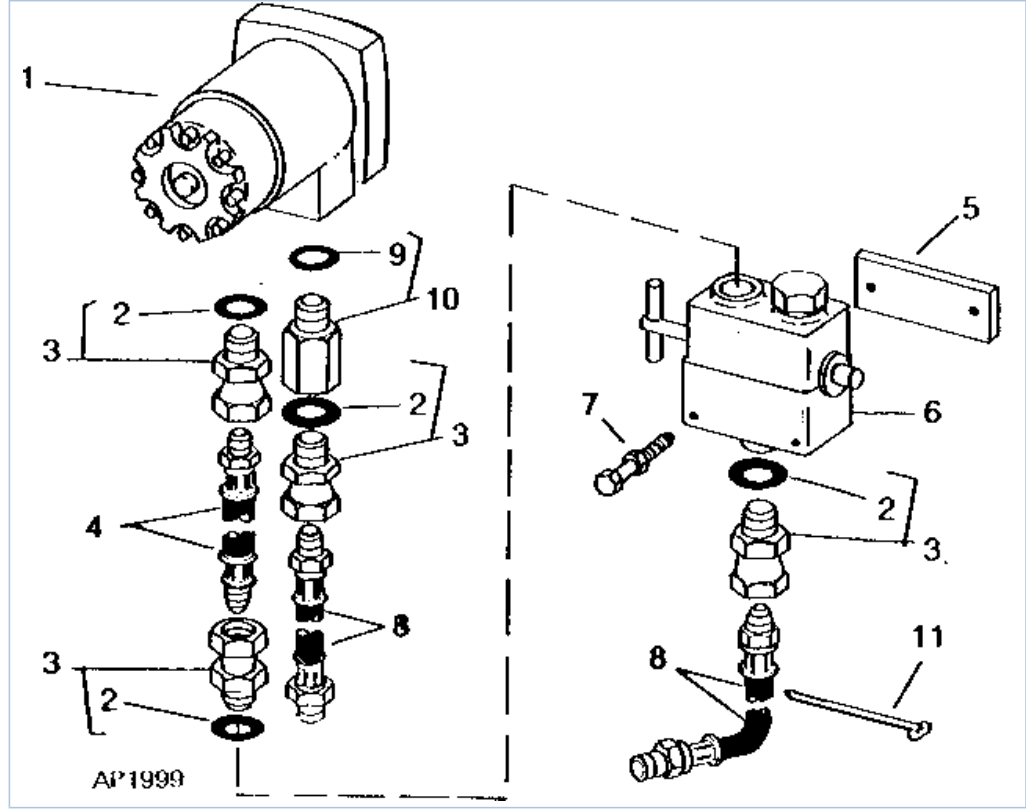


Список деталей

PC1467 70-21 7000 Drawn Cotton and Corn Planter / DRY FERTILIZER AUGER FILL
MOTOR (1989-) [B15] PC1467 - HARV-SEEDING

КН.	№ ДЕТАЛИ	НАИМ. ДЕТАЛИ	К-ВО	SERIAL NO. OR YEAR	ПРИМЕЧАНИЯ
1	N132503	SCREW	4		7.925 X 22.225 MM (5/16" X 7/8")
2	N170849	SEAL	1		
3	N196945	FLANGE	1		
4	A29314	SHAFT	1		
5	T124312	HOUSING	1		
6	T77814	O-RING	1		
7	T124313	PLUG	1		
8	N170871	THRUST BEARING	1		
9	N170873	THRUST BEARING RACE	1		
10	T16318	O-RING	1		
11	N196948	SHIM	1		
12	T124337	SEAL	1		
13	H122139	DRIVE	1		
14	N170837	PLATE	1		
15	T70321	WASHER	3		
16	AT130067	ROTATOR	1		
17	A29315	EXHAUST CAP	1		
18	T124356	WASHER	7		
19	N130453	SCREW	7		7.925 X 53.848 MM (5/16" X 2.120")
20	R28782	O-RING	1		
21	AN122518	FITTING PLUG	1		
22	AT130068	SEAL KIT	1		
23	AA36915	HYDRAULIC MOTOR	1		(MARKED 101-1409-009)

PC1467 70-22 7000 Drawn Cotton and Corn Planter / DRY FERTILIZER AUGER FILL MOTOR, VALVE, HYDRAULIC HOSES AND FITTINGS (CLOSED CENTER TRACTOR) [B16] PC1467 - HARV-SEEDING

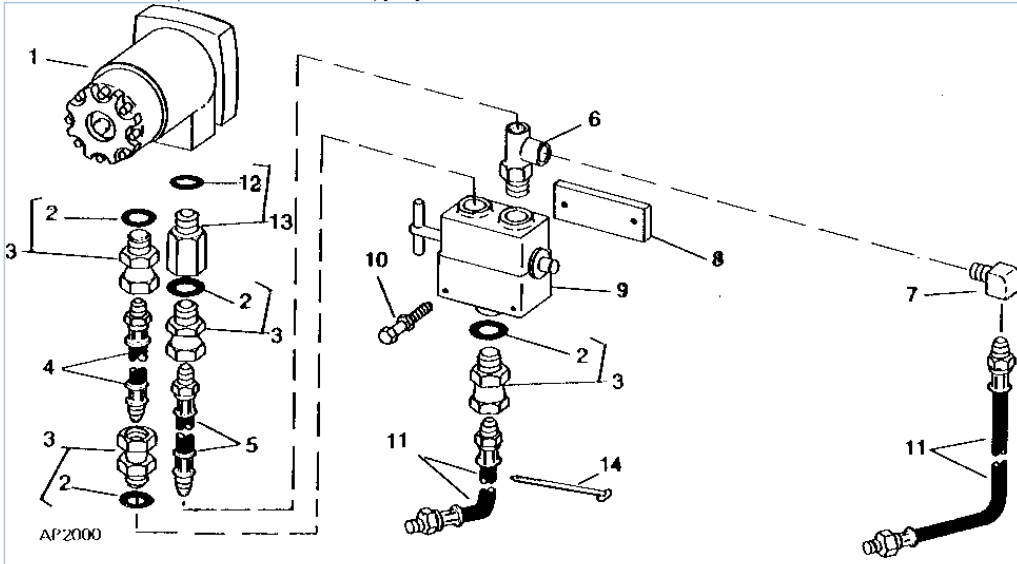


Список деталей

PC1467 70-22 7000 Drawn Cotton and Corn Planter / DRY FERTILIZER AUGER FILL
 MOTOR, VALVE, HYDRAULIC HOSES AND FITTINGS (CLOSED CENTER TRACTOR) [B16] PC1467 - HARV-SEEDING

КН.	№ ДЕТАЛИ	НАИМ. ДЕТАЛИ	К-ВО	SERIAL NO. OR YEAR	ПРИМЕЧАНИЯ
1	AA23541	MOTOR	1	_____-1989	(SUB AA36915) (MARKED 101-1409-007)
1	AA36915	HYDRAULIC MOTOR	1		(MARKED 101-1409-009)
2	R26906	O-RING	5		
3	AW10633	ADAPTER FITTING	4		
4	AA23638	HYDRAULIC HOSE	1		3/8" X 11" X 3/8"
5	A27135	STRAP	1		
6	AA23586	VALVE	1	_____-1988	(SUB AN193413, R27474, R26906)
6	AN193413	VALVE	1		
7	19H2337	CAP SCREW	2		1/4" X 4"
7	K40001	LOCK NUT	2		
8	AA23639	HYDRAULIC HOSE	2	_____-1986	3/8" X 230" X 3/4", (SUB AA23762)
8	AA23762	HYDRAULIC HOSE	2	1986-____	3/4" X 228" X 3/8"
9	R26375	O-RING	1		
10	AW15056	CHECK VALVE	1		(SUB FOR AW15161)
11	R44302	TIE BAND	AR		(SUB A78364)
11	A78364	TIE BAND	AR		

PC1467 70-23 7000 Drawn Cotton and Corn Planter / DRY FERTILIZER AUGER FILL MOTOR, VALVE, HYDRAULIC HOSES AND FITTINGS (OPEN CENTER TRACTOR) [B17] PC1467 - HARV-SEEDING

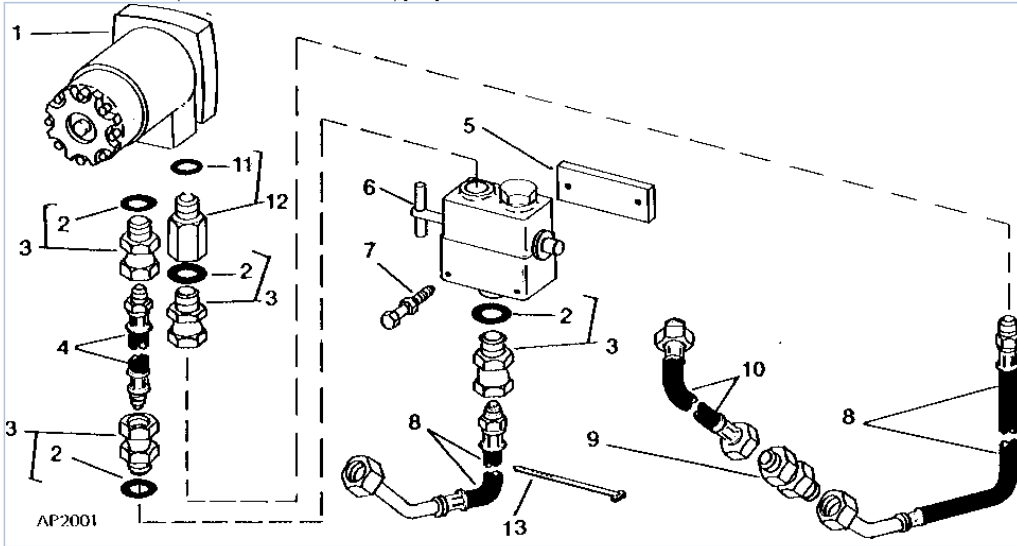


Список деталей

PC1467 70-23 7000 Drawn Cotton and Corn Planter / DRY FERTILIZER AUGER FILL
MOTOR, VALVE, HYDRAULIC HOSES AND FITTINGS (OPEN CENTER TRACTOR) [B17] PC1467 - HARV-SEEDING

КН.	№ ДЕТАЛИ	НАИМ. ДЕТАЛИ	К-ВО	SERIAL NO. OR YEAR	ПРИМЕЧАНИЯ
1	AA23541	MOTOR	1	_____ -1989	(SUB AA36915) (MARKED 101-1409-007)
1	AA36915	HYDRAULIC MOTOR	1		(MARKED 101-1409-009)
2	R26906	O-RING	9		
3	AW10633	ADAPTER FITTING	4		
4	AA23638	HYDRAULIC HOSE	1		3/8" X 11" X 3/8"
5	AA23835	HYDRAULIC HOSE	1		3/8" X 8" X 3/8"
6	AU11583	FITTING	1		
7	T23837	FITTING	1		
8	A27135	STRAP	1		
9	AA23586	VALVE	1	_____ -1989	(SUB AN193413, R27474, R26906)
9	AN193413	VALVE	1		
10	19H2337	CAP SCREW	2		1/4" X 4"
10	K40001	LOCK NUT	2		
11	AA23639	HYDRAULIC HOSE	2	_____ -1986	3/8" X 230" X 3/4", (SUB AA23762)
11	AA23762	HYDRAULIC HOSE	2	1986-_____	3/4" X 228" X 3/8"
12	R26375	O-RING	1		
13	AW15056	CHECK VALVE	1		(SUB FOR AW15161)
14	R44302	TIE BAND	AR		(SUB A78364)
14	A78364	TIE BAND	AR		

PC1467 70-24 7000 Drawn Cotton and Corn Planter / DRY FERTILIZER AUGER FILL MOTOR, VALVE, HYDRAULIC HOSES AND FITTINGS (CLOSED CENTER TRACTOR) [B18] PC1467 - HARV-SEEDING

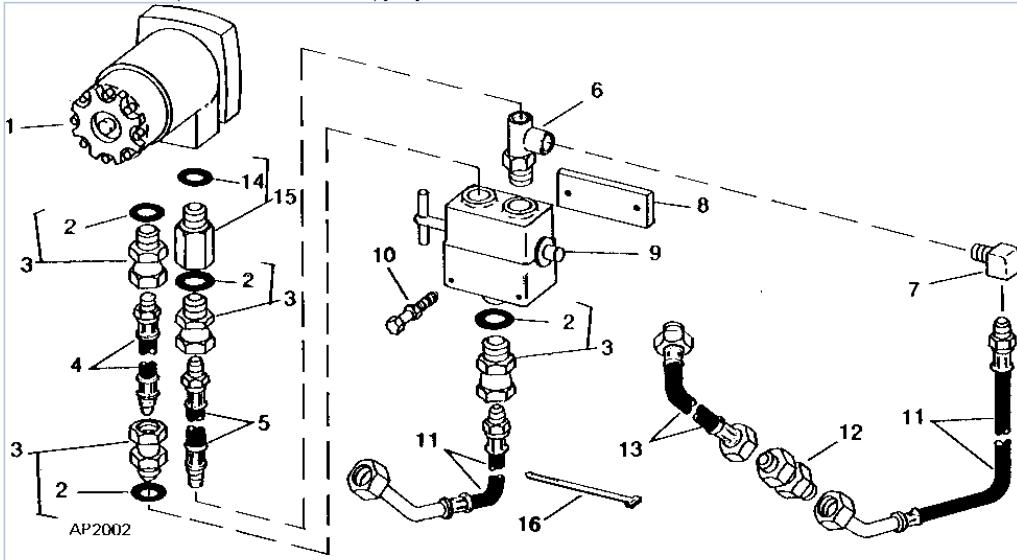


Список деталей

PC1467 70-24 7000 Drawn Cotton and Corn Planter / DRY FERTILIZER AUGER FILL
MOTOR, VALVE, HYDRAULIC HOSES AND FITTINGS (CLOSED CENTER TRACTOR) [B18] PC1467 - HARV-SEEDING

КН.	№ ДЕТАЛИ	НАИМ. ДЕТАЛИ	К-ВО	SERIAL NO. OR YEAR	ПРИМЕЧАНИЯ
1	AA23541	MOTOR	1	_____ -1989	(SUB AA36915) (MARKED 101-1409-007)
1	AA36915	HYDRAULIC MOTOR	1		(MARKED 101-1409-009)
2	R26906	O-RING	5		
3	AW10633	ADAPTER FITTING	4		
4	AA23638	HYDRAULIC HOSE	1		3/8" X 11" X 3/8"
5	A27135	STRAP	1		
6	AA23586	VALVE	1	_____ -1989	(SUB AN193413, R27474, R26906)
6	AN193413	VALVE	1		
7	19H2337	CAP SCREW	2		1/4" X 4"
7	K40001	LOCK NUT	2		
8	AA23587	HYDRAULIC HOSE	2		3/4" X 315" X 3/8", FOR 8W/12N
8	AA25782	HYDRAULIC HOSE	2		FOR 6W/8N
9	A27898	UNION FITTING	2		(SUB FOR R35701)
9	14H904	NUT	2		3/4"
10	AA23358	HYDRAULIC HOSE	2		3/4" X 60" X 3/4"
11	R26375	O-RING	1		
12	AW15056	CHECK VALVE	1		(SUB FOR AW15161)
13	R44302	TIE BAND	AR		(SUB A78364)
13	A78364	TIE BAND	AR		

PC1467 70-25 7000 Drawn Cotton and Corn Planter / DRY FERTILIZER AUGER FILL MOTOR, VALVE, HYDRAULIC HOSES AND FITTINGS (OPEN CENTER TRACTOR) [B19] PC1467 - HARV-SEEDING

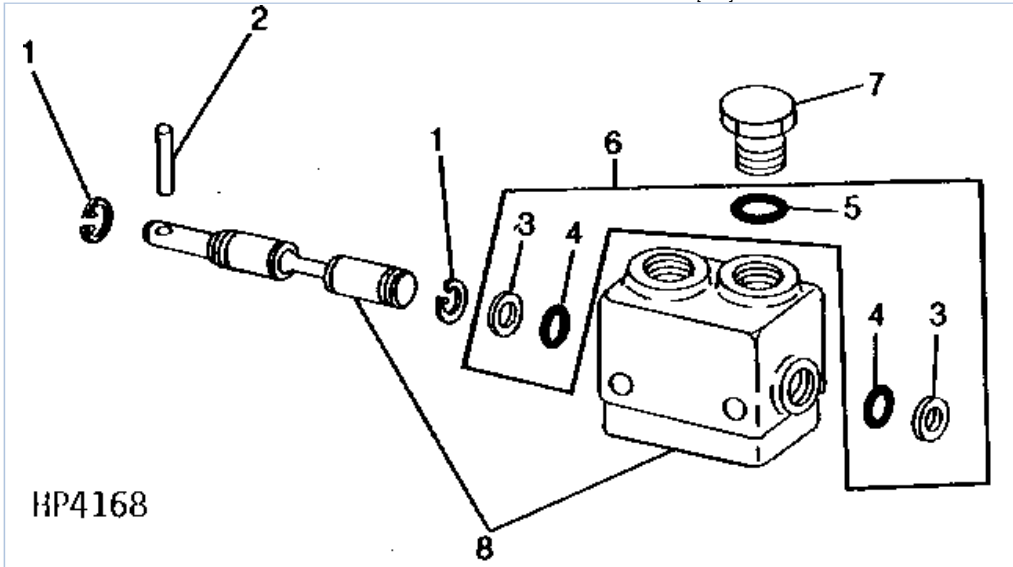


Список деталей

PC1467 70-25 7000 Drawn Cotton and Corn Planter / DRY FERTILIZER AUGER FILL
MOTOR, VALVE, HYDRAULIC HOSES AND FITTINGS (OPEN CENTER TRACTOR) [B19] PC1467 - HARV-SEEDING

КН.	№ ДЕТАЛИ	НАИМ. ДЕТАЛИ	К-ВО	SERIAL NO. OR YEAR	ПРИМЕЧАНИЯ
1	AA23541	MOTOR	1	_____ -1989	(SUB AA36915) (MARKED 101-1409-007)
1	AA36915	HYDRAULIC MOTOR	1		(MARKED 101-1409-009)
2	R26906	O-RING	4		
3	AW10633	ADAPTER FITTING	4		
4	AA23638	HYDRAULIC HOSE	1		3/8" X 11" X 3/8"
5	AA23835	HYDRAULIC HOSE	1		3/8" X 8" X 3/8"
6	AU11583	FITTING	1		
7	T23837	FITTING	1		
8	A27135	STRAP	1		
9	AA23586	VALVE	1	_____ -1989	(SUB AN193413, R27474 AND R26906)
9	AN193413	VALVE	1		
10	19H2337	CAP SCREW	2		1/4" X 4"
10	K40001	LOCK NUT	2		
11	AA23587	HYDRAULIC HOSE	2		3/4" X 315" X 3/8", FOR 8W/12N
11	AA25782	HYDRAULIC HOSE	2		3/4" X 260" X 3/8", FOR 6W/8N
12	A27898	UNION FITTING	2		(SUB FOR R35701)
12	14H904	NUT	2		
13	AA23358	HYDRAULIC HOSE	2		3/4" X 60" X 3/4"
14	R26375	O-RING	1		
15	AW15056	CHECK VALVE	1		(SUB FOR AW15161)
16	R44302	TIE BAND	AR		(SUB A78364)
16	A78364	TIE BAND	AR		

PC1467 70-26 7000 Drawn Cotton and Corn Planter / AUGER FILL SELECTOR VALVE [B20] PC1467 - HARV-SEEDING

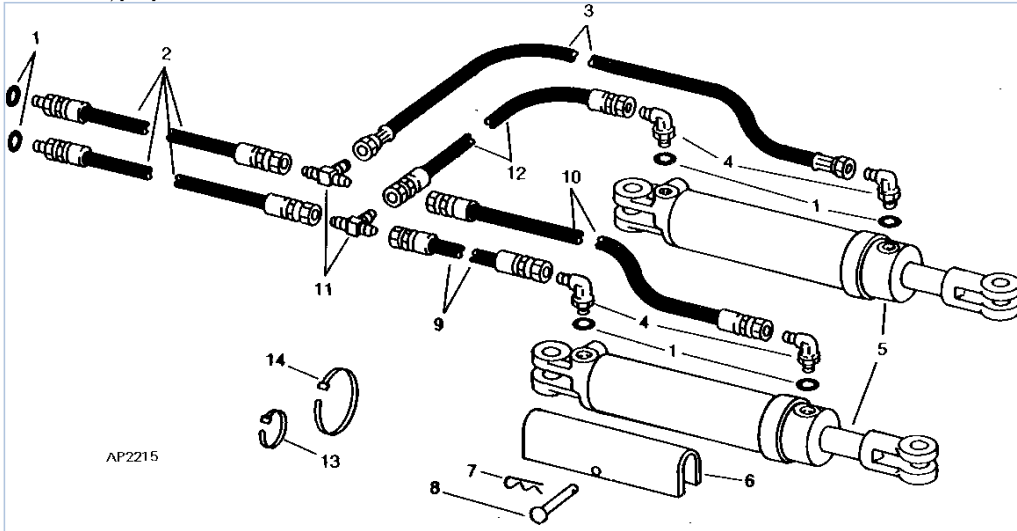


Список деталей
[B20] PC1467 - HARV-SEEDING

PC1467 70-26 7000 Drawn Cotton and Corn Planter / AUGER FILL SELECTOR VALVE

КН.	№ ДЕТАЛИ	НАИМ. ДЕТАЛИ	К-ВО	SERIAL NO. OR YEAR	ПРИМЕЧАНИЯ
1	A27756	PISTON RING	2	_____-1988	(SUB N197115)
1	N197115	SNAP RING	2		
2	34H337	SPRING PIN	1		5/16" X 2-1/2"
3	WASHER	2	_____-1988	(SUB AH129131) 3 MM X 16 MM (1/8" X 5/8")
3	H63357	BACK-UP RING	2	1988-____	3 MM X 16 MM (1/8" X 5/ 8")
4	O-RING	2		(SUB AH129131) 3 MM X 16 MM (1/8" X 5/8")
4	E69117	O-RING	2	1988-____	3 MM X 16 MM (1/8" X 5/8")
5	R26906	O-RING	1		3 MM X 19 MM (1/8" X 3/4")
6	AA23931	SEAL KIT	1	_____-1986	(SUB AH129131)
6	AH129131	SEAL KIT	1	_____-1988	(SUB H63357 AND E69117)
7	AT38353	FITTING	1	_____-1988	(INCLUDES R26906 AND R27474)
7	R27474	DRAIN PLUG	1		
8	SPOOL	1	_____-1988	(SUB AA23586) MATCHED SET
8	SPOOL	1		(SUB AN193413) MATCHED SET
..	AA23586	VALVE	1	_____-1988	(SUB AN193413, R27474 AND R26906)
..	AN193413	VALVE	1		

PC1467 70-27 7000 Drawn Cotton and Corn Planter / HYDRAULIC SYSTEM (8 ROW NARROW SPLIT ROW PLANTING ATTACHMENT) [B21] PC1467 - HARV-SEEDING

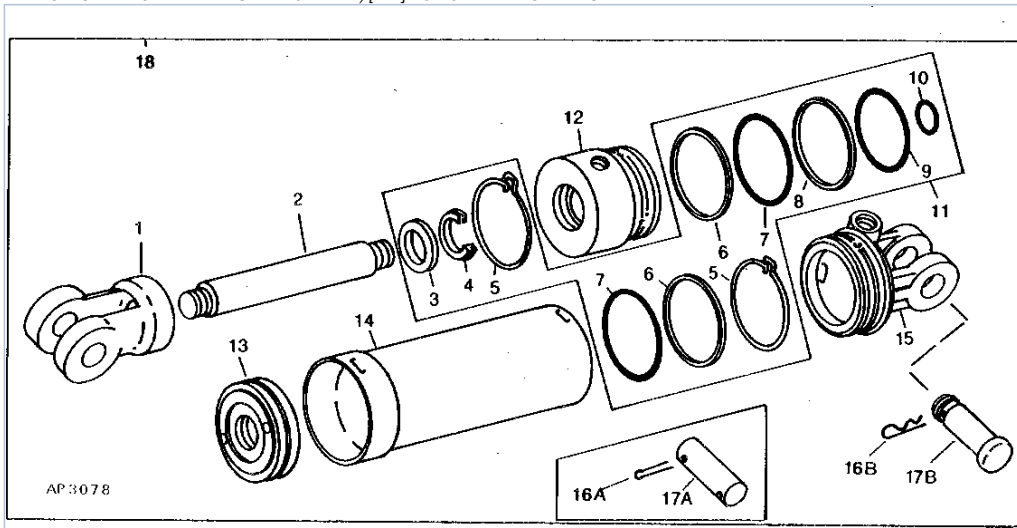


Список деталей

PC1467 70-27 7000 Drawn Cotton and Corn Planter / HYDRAULIC SYSTEM (8 ROW NARROW SPLIT ROW PLANTING ATTACHMENT) [B21] PC1467 - HARV-SEEDING

КН.	№ ДЕТАЛИ	НАИМ. ДЕТАЛИ	К-ВО	SERIAL NO. OR YEAR	ПРИМЕЧАНИЯ
1	R26375	O-RING	6		
2	AA26933	HYDRAULIC HOSE	2		3/4" X 6 900 MM (271-3/4") X 3/4"
3	AA28333	HYDRAULIC HOSE - FABRICATE	1	_____-1985	3/4" X 1 170 MM (46") X 3/4"
3	AR62297	HYDRAULIC HOSE	1	1985-_____	3/4" X 1 169 MM (46") X 3/4"
4	AT32332	ELBOW FITTING	4		
5	AA54157	HYDRAULIC CYLINDER BARREL	2		(SUB FOR AA32361) 76.2 M 203.2 M (3" X 8")
6	A22103	CLEVIS	2		
7	J16931	PIN	2		
8	B10027	PIN FASTENER	2		11.125 X 76.200 MM (7/16" X 3")
9	AT50246	HYDRAULIC HOSE - FABRICATE	1	_____-1985	3/4" X 455 MM (18") X 3/4"
9	AN112321	HYDRAULIC HOSE	1	1985-_____	3/4" X 457 MM (18") X 3/4"
10	AT74708	HYDRAULIC HOSE - FABRICATE	1	_____-1985	3/4" X 740 MM (29-1/4") X 3/4"
10	AH89607	HYDRAULIC HOSE	1	1985-_____	3/4" X 813 MM (32") X 3/4"
11	E33097	TEE FITTING	2		
12	AT42218	HYDRAULIC HOSE - FABRICATE	1		3/4" X 927 MM (36-1/2") X 3/4"
13	R44302	TIE BAND	AR		(SUB A78364) 171 MM (6-3/4")
13	A78364	TIE BAND	AR		
14	R764770	TIE BAND	AR		560 MM (22") (SUB FOR AA21510)

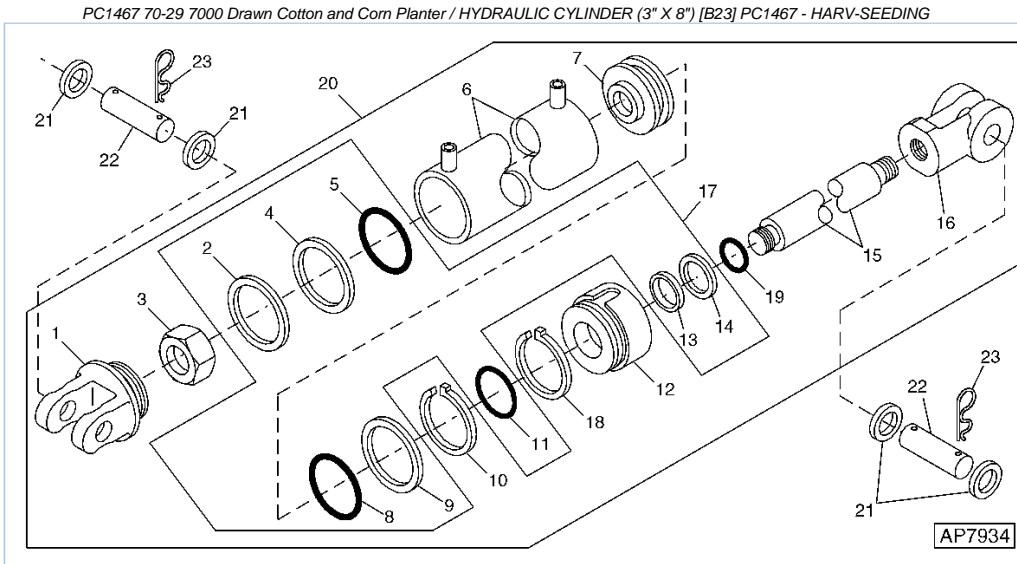
PC1467 70-28 7000 Drawn Cotton and Corn Planter / HYDRAULIC CYLINDER (CESSNA-"WYR-LOC" 3" X 8")(8R NARROW SPLIT ROW PLANTING ATTACHMENT) [B22] PC1467 - HARV-SEEDING



Список деталей

PC1467 70-28 7000 Drawn Cotton and Corn Planter / HYDRAULIC CYLINDER (CESSNA-
"WYR-LOC" 3" X 8")(8R NARROW SPLIT ROW PLANTING ATTACHMENT) [B22] PC1467 - HARV-SEEDING

КН.	№ ДЕТАЛИ	НАИМ. ДЕТАЛИ	К-ВО	SERIAL NO. OR YEAR	ПРИМЕЧАНИЯ
1	A45266	END	1		
2	A45267	HYDRAULIC CYLINDER ROD	1		
3	N109984	PACKING	1		
4	SEAL	1		(SUB AA33072)
5	RING	2		(SUB AA33072)
6	R35684	BACK-UP RING	2		
7	U12331	O-RING	2		
8	N131137	PISTON RING	1		
9	RING	1		(SUB AA33072)
10	N131820	O-RING	1		
11	AA33072	SEAL KIT	1		
12	A45268	HYDR. CYLINDER ROD GUIDE	1		
13	A45269	PISTON	1		
14	A45270	HYDRAULIC CYLINDER BARREL	1		
15	AH176368	HYDRAULIC CYLINDER	1		(SUB FOR A45271)
16A	11M7071	COTTER PIN	4		8 X 40 MM
16B	TY7014	SPRING LOCKING PIN	2-1984	(SUB A15146)
16B	A15146	PIN	2		
17A	A32475	PIN FASTENER	2-1982	25.500 X 106 MM (1.004" X 4.173")
17B	PIN	2		(SUB. A32475 AND 11M7071) (THIS APPLICATION ONLY)
18	AA54157	HYDRAULIC CYLINDER BARREL	1		(SUB FOR AA32361) (SUB AH176369)
18	AH176369	CYLINDER	1		(SUB AH176368)
18	AH176368	HYDRAULIC CYLINDER	1		

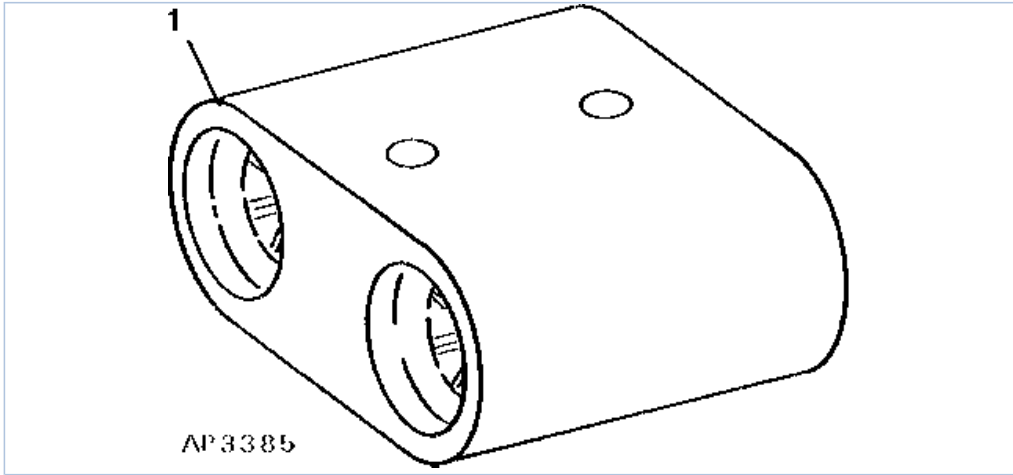


Список деталей
[B23] PC1467 - HARV-SEEDING

PC1467 70-29 7000 Drawn Cotton and Corn Planter / HYDRAULIC CYLINDER (3" X 8")

КН.	№ ДЕТАЛИ	НАИМ. ДЕТАЛИ	К-ВО	SERIAL NO. OR YEAR	ПРИМЕЧАНИЯ
1	HYDRAULIC CYLINDER CAP	1		
2	WEAR RING	1		
3	NUT	1		
4	SEAL	1		
5	T19832	O-RING	1		
6	HYDRAULIC CYLINDER BARREL	1		
7	PISTON	1		
8	T14065	O-RING	1		
9	BACK-UP RING	1		
10	H177854	SNAP RING	1		
11	O-RING	1		
12	HYDR. CYLINDER ROD GUIDE	1		
13	H161729	SEAL	1		
14	H156586	SEAL	1		
15	ROD	1		
16	H179754	END	1		
17	AH176415	HYDRAULIC CYLINDER KIT	1		SEAL
18	H180927	SNAP RING	1		
19	O-RING	1		
20	AH176369	CYLINDER	1		(SUB AH176368)
20	AH176368	HYDRAULIC CYLINDER	1		
21	24H1452	WASHER	4		1-1/32" X 1-3/4" X 0.105"
22	N183122	PIN	2		
23	11M7038	COTTER PIN	4		6.300 X 40 MM

PC1467 70-30 7000 Drawn Cotton and Corn Planter / RETAINER, HYDRAULIC COUPLER (1986-) [B24] PC1467 - HARV-
SEEDING



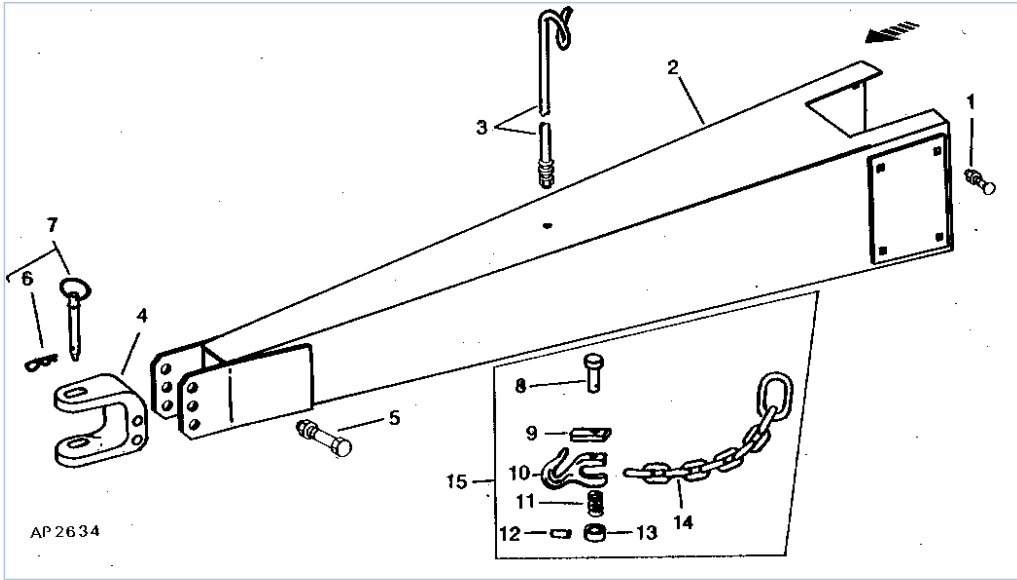
Список деталей

PC1467 70-30 7000 Drawn Cotton and Corn Planter / RETAINER, HYDRAULIC COUPLER

(1986-) [B24] PC1467 - HARV-SEEDING

КН.	№ ДЕТАЛИ	НАИМ. ДЕТАЛИ	К-ВО	SERIAL NO. OR YEAR	ПРИМЕЧАНИЯ
1	AN260487	BRACKET	1		(SUB FOR A51173)

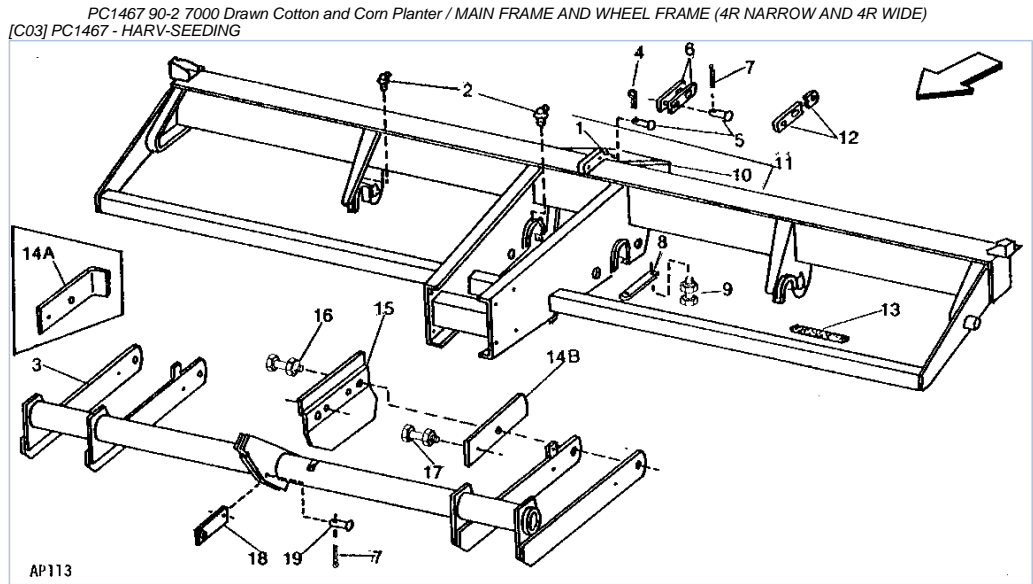
PC1467 90-1 7000 Drawn Cotton and Corn Planter / HITCH (4R NARROW, 4R WIDE AND 6R NARROW) [C02] PC1467 - HARV-SEEDING



Список деталей

PC1467 90-1 7000 Drawn Cotton and Corn Planter / HITCH (4R NARROW, 4R WIDE AND 6R NARROW) [C02] PC1467 - HARV-SEEDING

КН.	№ ДЕТАЛИ	НАИМ. ДЕТАЛИ	К-ВО	SERIAL NO. OR YEAR	ПРИМЕЧАНИЯ
1	03H1851	BOLT	8		1/2" X 1"
1	14H1040	NUT	8		1/2"
2	AA22404	HITCH	1		
3	B13667	HOSE SUPPORT	1		
3	24H1211	WASHER	2		9/16" X 1-3/8" X 0.105"
3	14H1040	NUT	2		1/2"
4	A47755	CLEVIS	1		(SUB FOR A25735)
5	19H2827	CAP SCREW	1		3/4" X 4-3/4"
5	14H1058	NUT	1		3/4"
6	A3581R	SPRING LOCKING PIN	1	1975-_____	
7	PM01604	PIN	1	1975-_____	(SUB FOR TY4012)
8	PIN FASTENER	1		(SUB AR90579)
9	LATCH	1		(SUB AR90579)
10	HOOK	1		(SUB AR90579)
11	SPRING	1		(SUB AR90579)
12	34H248	SPRING PIN	1		1/8" X 13/16"
13	RETAINER	1		(SUB AR90579)
14	LINK CHAIN	1		(SUB AR90579)
15	AR90579	LINK CHAIN	1		

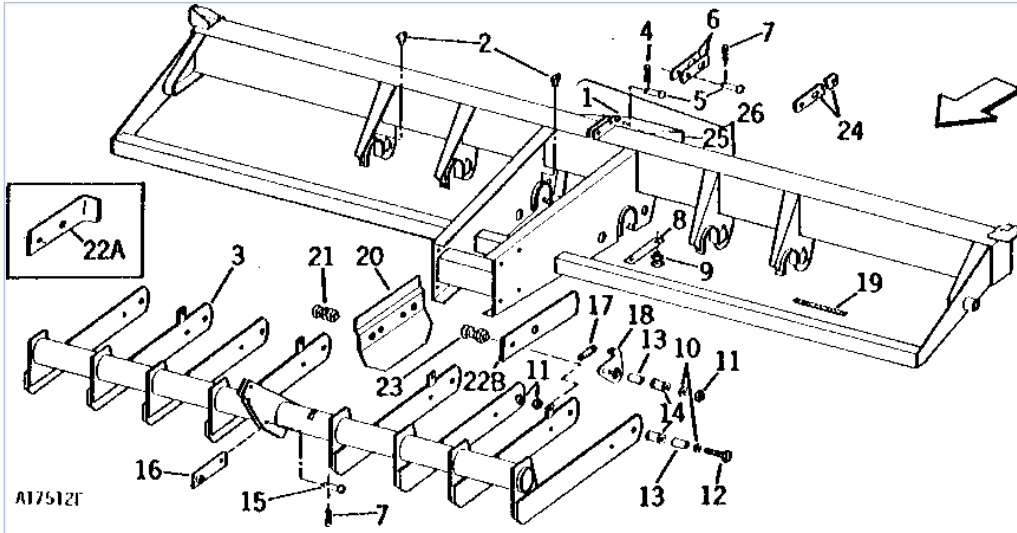


Список деталей

PC1467 90-2 7000 Drawn Cotton and Corn Planter / MAIN FRAME AND WHEEL FRAME
(4R NARROW AND 4R WIDE) [C03] PC1467 - HARV-SEEDING

КН.	№ ДЕТАЛИ	НАИМ. ДЕТАЛИ	К-ВО	SERIAL NO. OR YEAR	ПРИМЕЧАНИЯ
1	AA36505	PANEL	1	1978-_____	(SUB FOR AA22612)
2	JD7763	LUBRICATION FITTING	4		(SUB FOR JD7847)
3	AA22081	AXLE	1	_____ -1986	(SUB AA36323, (2) A42329, (4) A51212, (4) 19M7169 AND 3831SC) 4W
3	AA36323	AXLE	1	1986-_____	4W
3	AA24267	AXLE	1	1975-1986	(SUB AA36266, (2) A42329, (4) A51212, (4) 19M7169 AND (2) 3831SC) 4N
3	AA36266	AXLE	1		4N
4	28316	SPRING LOCKING PIN	1		
5	KK4519B	PIN	2		
6	A23419	STRAP	2		
7	11H216	COTTER PIN	2		3/16" X 1"
8	A22819	STRAP	2	_____ - 064400	(SUB A35818)
8	A35818	STRAP	2		
9	19H2508	CAP SCREW	4	_____ - 064400	1/2" X 1-3/8"
9	19H1721	CAP SCREW	4	064401- _____	1/2" X 1-1/2"
9	14H1040	NUT	4		1/2"
10	A25011	PANEL	1	1978-_____	
11	AA22659	MAIN FRAME	1		4W
11	AA36515	MAIN FRAME	1		(SUB FOR AA24266) 4N
12	A26370	STRAP	1		
13	M43227	MAT	1		AUGER FILL
14A	A28927	GUARD	2	1975-1977	(SUB A31946) 4N
14B	A31946	STRAP	2		4N
15	A25060	SHIELD	1	_____ -1986	(USE WITH AA22081 AND AA24267) USED WITH FURROWER ONLY
15	A51295	DEFLECTOR	1	1986-_____	(USE WITH AA36323 AND AA36266) USED WITH FURROWER
16	19H1732	CAP SCREW	2		3/8" X 1-1/4", USE WITH FURROWERS ONLY
16	12H304	LOCK WASHER	2		3/8"
16	14H1076	NUT	2		3/8"
17	19H1800	CAP SCREW	2	1975-_____	3/8" X 1-1/2", 4N
17	14H1076	NUT	2	1975-_____	3/8"
18	AA21305	LINK	1		
19	KK5573B	PIN FASTENER	1		

PC1467 90-3 7000 Drawn Cotton and Corn Planter / MAIN FRAME AND WHEEL FRAME (6R NARROW) [C04] PC1467 - HARV-SEEDING



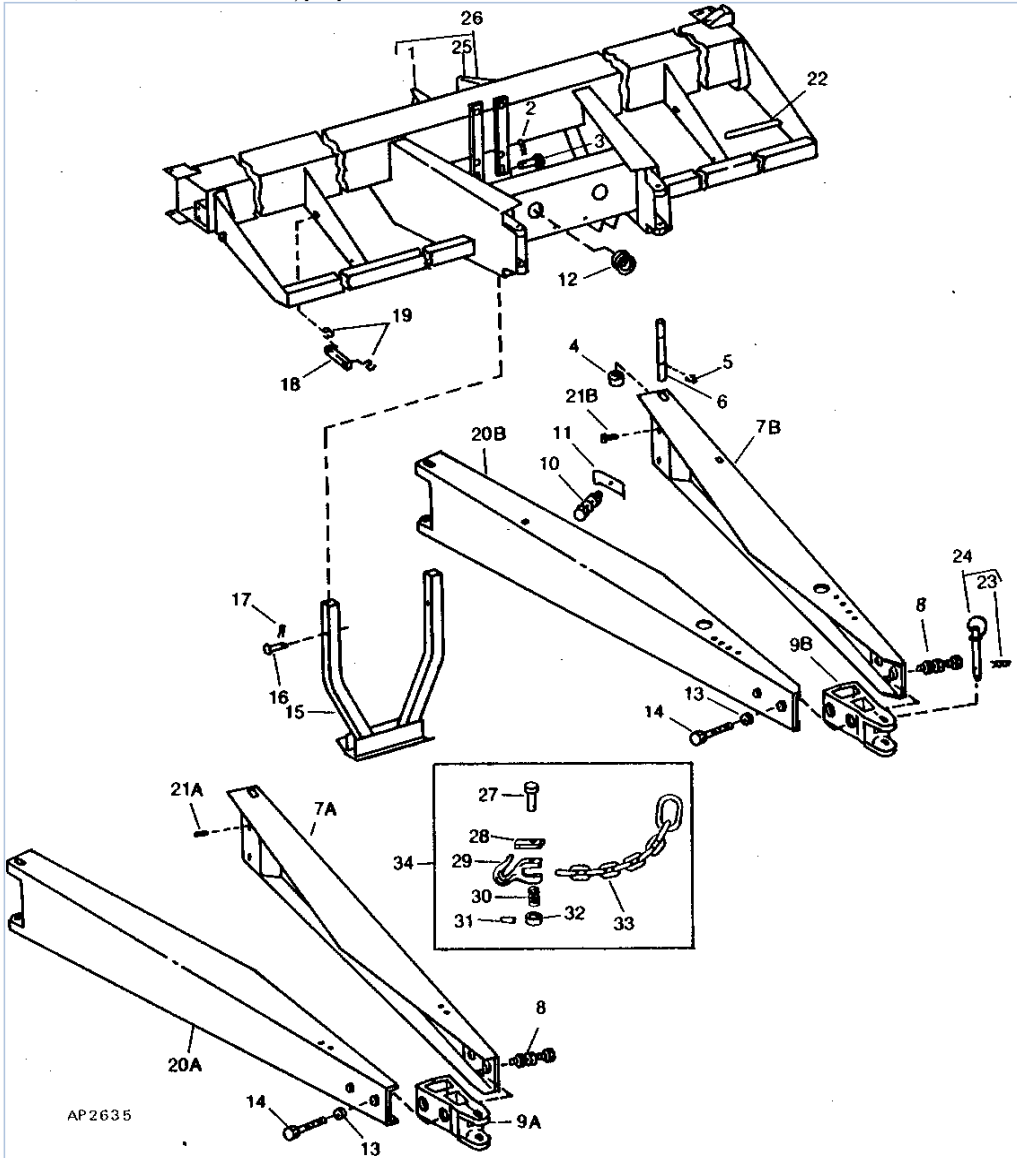
Список деталей

PC1467 90-3 7000 Drawn Cotton and Corn Planter / MAIN FRAME AND WHEEL FRAME

(6R NARROW) [C04] PC1467 - HARV-SEEDING

КН.	№ ДЕТАЛИ	НАИМ. ДЕТАЛИ	К-ВО	SERIAL NO. OR YEAR	ПРИМЕЧАНИЯ
1	AA36505	PANEL	1	1978-_____	(USE WITH AA22612)
2	JD7763	LUBRICATION FITTING	6		(SUB FOR JD7847)
3	AA22080	AXLE	1	_____ -1986	(SUB AA36247, (4) A42329, (8) A51212, (8) 19M7169 AND (4) 3831SC)
3	AA36247	AXLE	1		
4	28316	SPRING LOCKING PIN	1		
5	KK4519B	PIN	2		
6	A23419	STRAP	2		
7	11H216	COTTER PIN	2		3/16" X 1"
8	A22819	STRAP	2	_____ - 064400	(SUB A35818)
8	A35818	STRAP	2	064401- _____	
9	19H2508	CAP SCREW	4	_____ - 064400	1/2" X 1-3/8"
9	19H1721	CAP SCREW	4	064401- _____	1/2" X 1-1/2"
9	14H1040	NUT	4		1/2"
10	24H1219	WASHER	8	_____ -1986	7/16" X 1" X 0.083", (USE WITH AA22080)
10	24M7178	WASHER	8	1986-_____	10.500 X 30 X 2.500 MM, (USE WITH AA36247)
11	K40003	LOCK NUT	12	_____ -1986	(USE WITH AA22080)
11	A51212	LOCK NUT	12	1986-_____	(USE WITH AA36247)
12	19H1944	CAP SCREW	4	_____ -1986	3/8" X 2-3/4", (USE WITH AA22080)
12	19M7329	CAP SCREW	4	1986-_____	M10 X 75, (USE WITH AA36247)
13	B30966	SPACER	8		
14	A22628	IDLER	8		
15	KK5573B	PIN FASTENER	1		
16	AA21305	LINK	1		
17	A25412	SPRING	4	_____ -1986	(USE WITH AA22080)
17	3831SC	SPRING	4	1986-_____	(USE WITH AA36247)
18	AA22385	TIGHTENER	2	_____ -1986	(SUB A24724 AND 21H1248)
18	A24724	TIGHTENER	2		
18	AA22386	TIGHTENER	2	_____ -1986	(SUB A24725 AND 21H1248) (ILLUSTRATED)
18	A24725	TIGHTENER	2		
19	M43227	MAT	1		AUGER FILL
20	A25060	SHIELD	1	_____ -1986	(USE WITH AA22080) USED WITH FURROWER
20	A51295	DEFLECTOR	1	1986-_____	(USE WITH AA36247) USED WITH FURROWER
21	19H1732	CAP SCREW	2		3/8" X 1-1/4", USED WITH FURROWERS
21	12H304	LOCK WASHER	2		3/8"
21	14H1076	NUT	2		3/8"
22A	A28927	GUARD	4	1975-1977	(SUB A31946) 30" ROWS
22B	A31946	STRAP	4		30" ROWS
23	19H1800	CAP SCREW	4	1975-_____	3/8" X 1-1/2"
23	14H1076	NUT	4	1975-_____	3/8"
24	A26370	STRAP	1		
25	A25011	PANEL	1	1978-_____	
26	AA36517	MAIN FRAME	1		(SUB FOR AA22660)

PC1467 90-4 7000 Drawn Cotton and Corn Planter / MAIN FRAME, HITCH, AND PARKING STAND (6R WIDE, 8R NARROW, 8R WIDE AND 12R NARROW) [C05] PC1467 - HARV-SEEDING



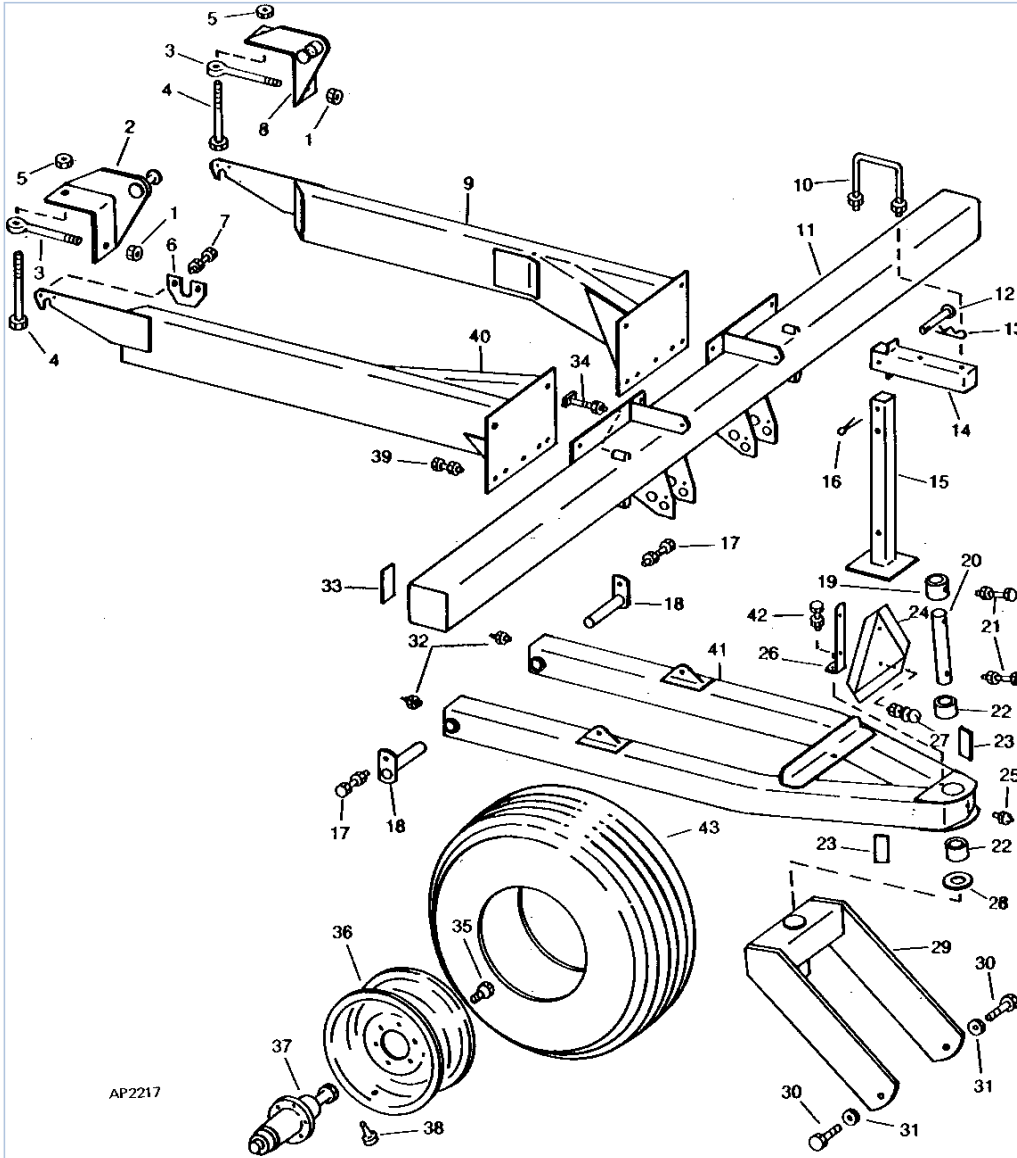
Список деталей

PC1467 90-4 7000 Drawn Cotton and Corn Planter / MAIN FRAME, HITCH, AND PARKING
STAND (6R WIDE, 8R NARROW, 8R WIDE AND 12R NARROW) [C05] PC1467 - HARV-SEEDING

КН.	№ ДЕТАЛИ	НАИМ. ДЕТАЛИ	К-ВО	SERIAL NO. OR YEAR	ПРИМЕЧАНИЯ
1	A25010	PANEL	1	1978-	R.H.
2	S2955DW	PIN	2	1985-	(SUB A15147)
2	A15147	SPRING LOCKING PIN	2		
3	B13388	PIN FASTENER	2		12.700 X 82.550 MM (1/2" X 3-1/4")
4	A25589	CAM	2		
5	A29174	SNAP RING	4	1975-1978	(SUB R58806)
5	R58806	SNAP RING	4		
6	A25101	PIN	2		25.400 X 271.780 MM (1" X 10.700") WITH TWO GROOVES
7A	AA22207	PANEL	1	1975-	(SUB AA24439) L.H. FRONT HITCH
7A	AA24439	PANEL	1	1986-	(SUB AA34357, A50744 AND 19H1890) L.H. FRONT HITCH
7B	AA34357	PANEL	1	1986-	L.H. FRONT HITCH
8	03H1857	BOLT	2	1986-	5/8" X 2-3/4"
8	19H1890	CAP SCREW	2	1986-	5/8" X 2-3/4", (USE WITH AA34357)
8	14H1039	NUT	2		5/8"
8	A26036	LOCK NUT	2		
9A	A25088	HITCH	1	1986-	(SUB A47756 AND (4) 19M7343)
9B	A47756	CLEVIS	1	1986-	
10	03H1519	BOLT	3		3/8" X 1"
10	12H304	LOCK WASHER	3		3/8"
10	14H1076	NUT	3		3/8"
11	Q25768	CLAMP	1		
12	A25647	GROMMET	1		
13	24H1368	WASHER	2		21/32" X 1-5/16" X 0.090"
14	19H1824	CAP SCREW	2	1986-	5/8" X 2-1/4"
14	19M7343	CAP SCREW	2	1986-	M16 X 60
15	AA22607	STAND	1	1986-	
15	AA35968	STAND	1	1986-	
16	KK5814B	PIN FASTENER	2		19.050 X 82.550 MM (3/4" X 3-1/4")
17	11H218	COTTER PIN	2		3/16" X 1-1/2"
18	A26181	STRAP	2		
19	A27382	HOOK	4	1975-	(SUB A26375)
19	A26375	HOOK	4		
20A	AA22206	PANEL	1	1975-	(SUB AA24438) R.H. FRONT HITCH
20A	AA24438	PANEL	1	1986-	R.H. FRONT HITCH
20B	AA34356	PANEL	1	1986-	R.H. FRONT HITCH
21A	22H836	SET SCREW	2	1986-	3/8" X 1"
21B	A50744	BOLT	2	1986-	M8 X 25
22	M43227	MAT	1		WHEN USING AUGER FILL ONLY
23	A3581R	SPRING LOCKING PIN	1	1975-	
24	TY4013	PIN FASTENER	1	1975-	
25	AA22613	PANEL	1	1978-	WITH SPACER AND NUT, L.H.
26	AA22601	FRAME	1	1976-	(SUB AA25703, (2) AA29184, (3) AA29185, (4) R31736, A39366, (2) A44392 AND A44398) FOR 8N
26	AA25703	MAIN FRAME	1		FOR 6W, 8N
26	AA22602	MAIN FRAME	1		FOR 8W
26	AA22587	MAIN FRAME	1		FOR 12N
27	PIN FASTENER	1		(SUB AR90579)
28	LATCH	1		(SUB AR90579)
29	HOOK	1		(SUB AR90579)
30	SPRING	1		(SUB AR90579)

31	34H248	SPRING PIN	1	1/8" X 13/16"
32	RETAINER	1	(SUB AR90579)
33	LINK CHAIN	1	(SUB AR90579)
34	AR90579	LINK CHAIN	1	

PC1467 90-6 7000 Drawn Cotton and Corn Planter / FRAME (8R NARROW SPLIT ROW PLANTING ATTACHMENT) [C07]
PC1467 - HARV-SEEDING

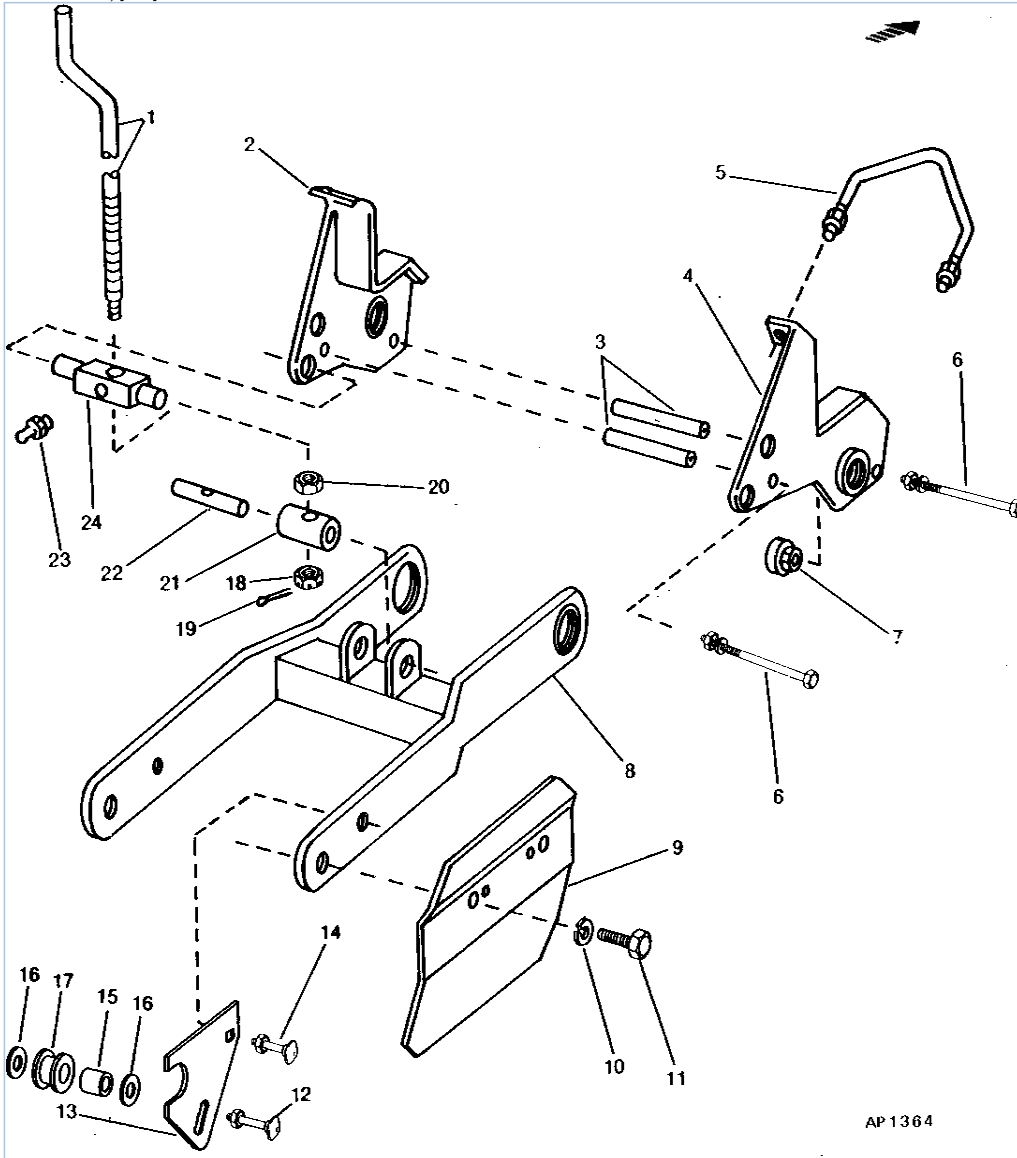


Список деталей

PC1467 90-6 7000 Drawn Cotton and Corn Planter / FRAME (8R NARROW SPLIT ROW
PLANTING ATTACHMENT) [C07] PC1467 - HARV-SEEDING

КН.	№ ДЕТАЛИ	НАИМ. ДЕТАЛИ	К- ВО	SERIAL NO. OR YEAR	ПРИМЕЧАНИЯ
1	14H1077	NUT	2		7/8"
2	AA34248	FRAME	1		L.H.
3	A32725	EYEBOLT	2		
4	08H4525	CAP SCREW	2		3/4" X 9-1/2"
5	14H794	NUT	2		3/4"
6	A47211	CLAMP	2		
7	19H2588	CAP SCREW	4		5/8" X 1-7/8"
7	K40015	LOCK NUT	4		
8	AA34247	FRAME	1		R.H.
9	AA34261	HITCH	1		R.H.
10	A22561	U-BOLT	1		
10	14H1039	NUT	2		5/8"
11	AA34239	FRAME	1		(A) (B)
12	J16931	PIN	2		
13	D10033	PIN FASTENER	2		
14	AA23104	STAND	2		
15	AA34638	STAND	2		
16	11M7071	COTTER PIN	2		8 X 40 MM
17	19H1732	CAP SCREW	2		3/8" X 1-1/4"
17	14H1076	NUT	2		3/8"
18	AA34218	PIN FASTENER	2		
19	A47080	BUSHING	1		
20	A47079	PIN FASTENER	1		
21	19H2233	CAP SCREW	2		5/8" X 3-1/2"
21	14H1039	NUT	2		5/8"
22	U43383	BUSHING	2		
23	JD5902	REFLECTOR	2		(SUB FOR GA10404 OR JD5580)
24	TY2615	SMV EMBLEM	1		
25	JD7844	LUBRICATION FITTING	1		
26	A16662	BRACKET	1		
27	21H1303	SCREW	2		1/4" X 3/4"
27	12H356	LOCK WASHER	2		1/4"
27	K40001	LOCK NUT	2		
28	X8246C	WASHER	1		
29	AA34196	ARM	1		
30	19H1768	CAP SCREW	2		3/4" X 2"
31	12H236	LOCK WASHER	2		3/4"
32	JD7759	LUBRICATION FITTING	2		
33	JD5906	REFLECTOR	1		(SUB FOR GA10405 OR JD5583)
34	K35687	BOLT	4		
34	14H1039	NUT	4		5/8"
35	JD16	WHEEL BOLT	6		(SUB FOR W14093)
36	AA50782	WHEEL	1		(SUB FOR JD3043) 381 MM X 127 MM (15" X 8") 11L-15-8PR
37	HUB	1		
38	AN132749	TIRE VALVE STEM	1		
39	19H1798	CAP SCREW	14		3/4" X 1-3/4"
39	14H794	NUT	14		3/4"
40	AA34260	HITCH	1		L.H.
41	AA34199	FRAME	1		
42	19H1833	CAP SCREW	1		5/8" X 1-1/4"
	14H1039	NUT	1		5/8"
43	TIRE	1		11L X 15, 8-PLY TIRE

PC1467 90-8 7000 Drawn Cotton and Corn Planter / WHEEL FRAME (8R NARROW SPLIT ROW PLANTING ATTACHMENT) (C09) PC1467 - HARV-SEEDING

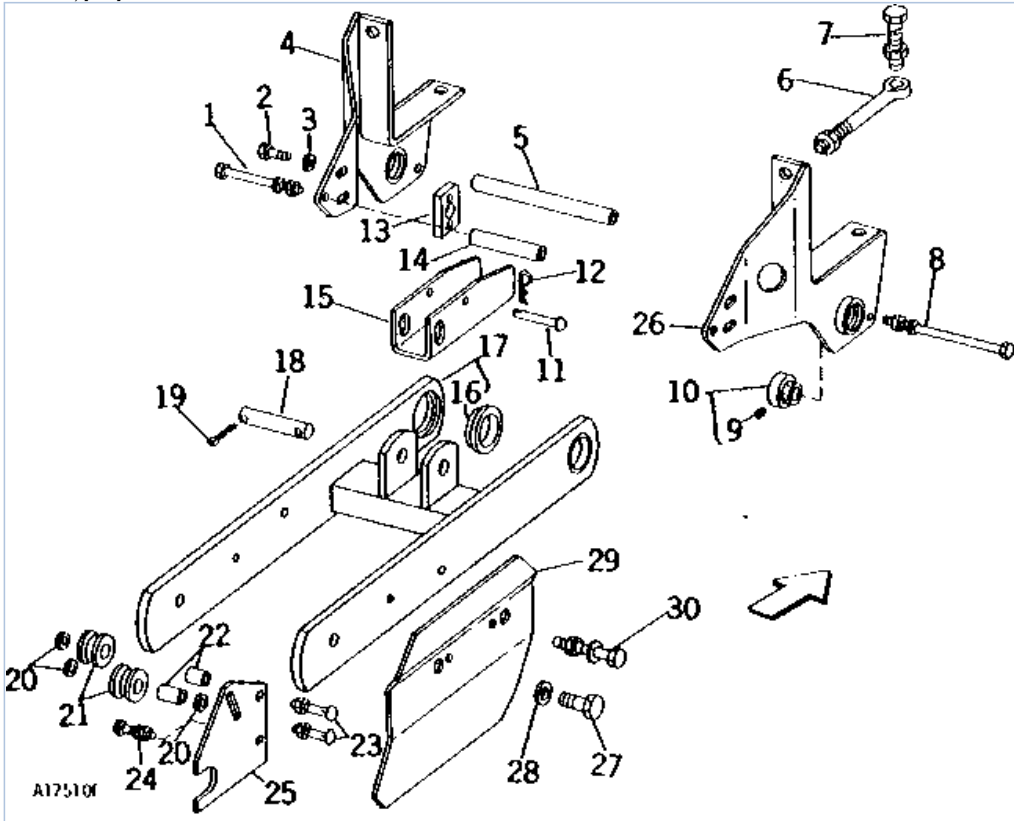


Список деталей

PC1467 90-8 7000 Drawn Cotton and Corn Planter / WHEEL FRAME (8R NARROW SPLIT
ROW PLANTING ATTACHMENT) [C09] PC1467 - HARV-SEEDING

КН.	№ ДЕТАЛИ	НАИМ. ДЕТАЛИ	К-ВО	SERIAL NO. OR YEAR	ПРИМЕЧАНИЯ
1	A43798	SCREW	1		
2	AA30381	SUPPORT	1		L.H.
3	28H3348	BUSHING	2		1/2" X 6"
4	AA30382	SUPPORT	1		R.H.
5	A34605	U-BOLT	2		
5	24H1392	WASHER	4		25/32" X 1-3/8" X 0.120"
5	14H794	NUT	4		3/4"
6	08H4792	CAP SCREW	2		3/8" X 7-1/4"
6	K40003	LOCK NUT	2		9.525 MM (3/8") 3/8"
7	AA28271	BALL BEARING	2		
8	AA27114	ARM	1		
9	A25060	SHIELD	1		
10	12H236	LOCK WASHER	2		3/4"
11	19H1768	CAP SCREW	2		3/4" X 2"
12	03H1658	BOLT	1		3/8" X 2-1/4"
12	K40003	LOCK NUT	1		9.525 MM (3/8")
13	A34608	BRACKET	1		
14	03H1480	BOLT	1		3/8" X 1-1/4"
14	12H304	LOCK WASHER	1		3/8"
14	14H1076	NUT	1		3/8"
15	B30966	SPACER	1		
16	24H1219	WASHER	2		7/16" X 1" X 0.083"
17	A22628	IDLER	1		
18	14H874	NUT	1		5/8"
19	11H237	COTTER PIN	1		1/8" X 2"
20	U14554	LOCK NUT	1		22.225 MM (7/8")
21	A30858	BUSHING	1		
22	A30857	PIN FASTENER	1		
23	JD7763	LUBRICATION FITTING	1		45° X 0.890" LONG
24	A34607	TRUNNION	1		

PC1467 90-10 7000 Drawn Cotton and Corn Planter / WHEEL FRAME (6R WIDE, 8R NARROW, 8R WIDE AND 12R NARROW) [C11] PC1467 - HARV-SEEDING

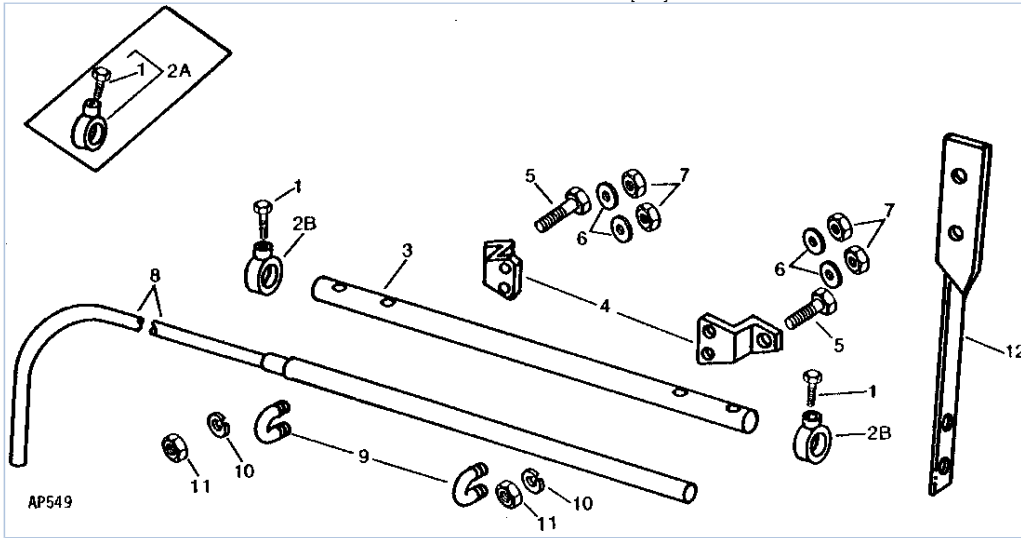


Список деталей

PC1467 90-10 7000 Drawn Cotton and Corn Planter / WHEEL FRAME (6R WIDE, 8R NARROW, 8R WIDE AND 12R NARROW) [C11] PC1467 - HARV-SEEDING

КН.	№ ДЕТАЛИ	НАИМ. ДЕТАЛИ	К-ВО	SERIAL NO. OR YEAR	ПРИМЕЧАНИЯ
1	08H4451	CAP SCREW	1		3/8" X 6-1/2"
1	12H304	LOCK WASHER	1		3/8"
1	14H1076	NUT	1		3/8"
2	19H1815	CAP SCREW	4		1/2" X 1-1/4"
3	24H1111	WASHER	1		17/32" X 1-1/16" X 0.090"
4	AA21532	SUPPORT	1	_____-1982	(SUB AA32095) L.H.
4	AA32095	SUPPORT	1		L.H.
5	A23383	BUSHING	1		
6	A26118	SCREW	2		
6	14H794	NUT	2		3/4"
7	08H4423	CAP SCREW	2		3/4" X 9"
7	14H794	NUT	2		3/4"
8	08H4496	CAP SCREW	1		3/8" X 11"
8	12H304	LOCK WASHER	1		3/8"
8	14H1076	NUT	1		3/8"
9	22H841	SET SCREW	2		1/4" X 1/4"
10	AA22558	BALL BEARING	2		
11	A26135	PIN FASTENER	1	_____-1989	7.925 X 76.200 MM (5/16" X 3")
11	J13957	PIN FASTENER	1	1989-____	
12	J16931	PIN	1		
13	A23382	STRAP	2		
14	A23450	BUSHING	1		
15	A26076	STOP	1	_____-1986	(SUB A51582)
15	A51582	STOP	1		
16	A23337	BUSHING	2		
17	AA26850	ARM	1		(SUB FOR AA21544) (WITH 2 BUSHINGS)
18	A26119	PIN FASTENER	1	_____-1989	25.400 X 113.284 MM (1" X 4.460") (SUB N183122)
18	N183122	PIN	1		
19	11H249	COTTER PIN	2		1/4" X 2"
20	24H1219	WASHER	3		7/16" X 1" X 0.083"
21	A22628	IDLER	2		
22	B30966	SPACER	2		
23	03H1512	BOLT	2		3/8" X 2-1/2"
23	K40003	LOCK NUT	2		9.525 MM (3/8")
24	03H1480	BOLT	1		3/8" X 1-1/4"
24	12H304	LOCK WASHER	1		3/8"
24	14H1076	NUT	1		3/8"
25	A24447	SUPPORT	1		
26	AA21531	SUPPORT	1	_____-1982	(SUB AA32094) R.H.
26	AA32094	SUPPORT	1		R.H.
27	19H1768	CAP SCREW	2		3/4" X 2"
28	12H236	LOCK WASHER	2		3/4"
29	A25060	SHIELD	1		USE WITH FURROWER
30	19H1732	CAP SCREW	1		3/8" X 1-1/4", USE WITH FURROWER
30	12H304	LOCK WASHER	1		3/8", USE WITH FURROWER
30	14H1076	NUT	1		3/8", USE WITH FURROWER

PC1467 90-12 7000 Drawn Cotton and Corn Planter / TRACTOR GUIDE ROD [C13] PC1467 - HARV-SEEDING

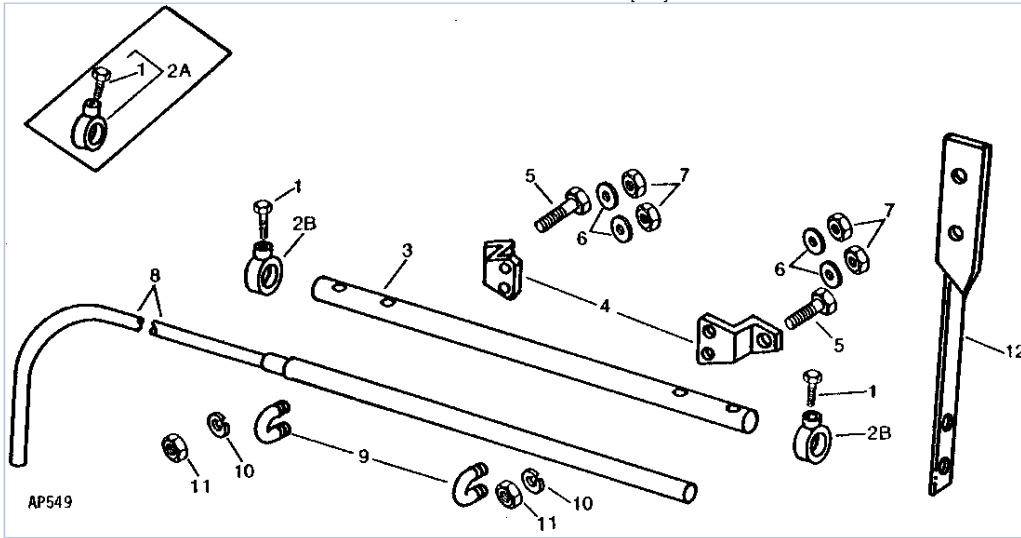


Список деталей
- HARV-SEEDING

PC1467 90-12 7000 Drawn Cotton and Corn Planter / TRACTOR GUIDE ROD [C13] PC1467

КН.	№ ДЕТАЛИ	НАИМ. ДЕТАЛИ	К-ВО	SERIAL NO. OR YEAR	ПРИМЕЧАНИЯ
1	22H731	SET SCREW	2		5/8" X 1-1/2"
2A	DA175A	LOCKING COLLAR	2	_____-1980	(MARKED D742A) (SUB D742A)
2B	D742A	LOCKING COLLAR	2		
3	B35495	PIPE	1	1972-_____	
4	A13309	BRACKET	2		
5	03H1399	BOLT	2		5/8" X 1-3/4"
6	12H304	LOCK WASHER	4		3/8"
7	14H1076	NUT	4		3/8"
8	AB19103	ROD	1		
9	CA1266A	U-BOLT	2		WITH TWO 3/8" NUTS
10	12H294	LOCK WASHER	2		5/8"
11	14H1039	NUT	2		5/8"
12	A24897	BRACKET	2		USED WITH QUIK-TATCH WEIGHTS

PC1467 90-12 7000 Drawn Cotton and Corn Planter / TRACTOR GUIDE ROD [C13] PC1467 - HARV-SEEDING

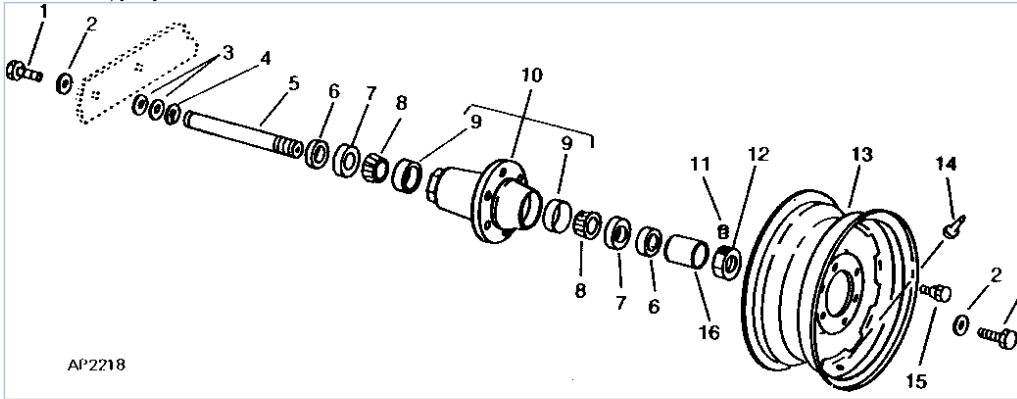


Список деталей
- HARV-SEEDING

PC1467 90-12 7000 Drawn Cotton and Corn Planter / TRACTOR GUIDE ROD [C13] PC1467

КН.	№ ДЕТАЛИ	НАИМ. ДЕТАЛИ	К-ВО	SERIAL NO. OR YEAR	ПРИМЕЧАНИЯ
1	22H731	SET SCREW	2		5/8" X 1-1/2"
2A	DA175A	LOCKING COLLAR	2	_____-1980	(MARKED D742A) (SUB D742A)
2B	D742A	LOCKING COLLAR	2		
3	B35495	PIPE	1	1972-_____	
4	A13309	BRACKET	2		
5	03H1399	BOLT	2		5/8" X 1-3/4"
6	12H304	LOCK WASHER	4		3/8"
7	14H1076	NUT	4		3/8"
8	AB19103	ROD	1		
9	CA1266A	U-BOLT	2		WITH TWO 3/8" NUTS
10	12H294	LOCK WASHER	2		5/8"
11	14H1039	NUT	2		5/8"
12	A24897	BRACKET	2		USED WITH QUIK-TATCH WEIGHTS

PC1467 100-1 7000 Drawn Cotton and Corn Planter / LIFT WHEEL (8R NARROW SPLIT ROW PLANTING ATTACHMENT) (C19) PC1467 - HARV-SEEDING

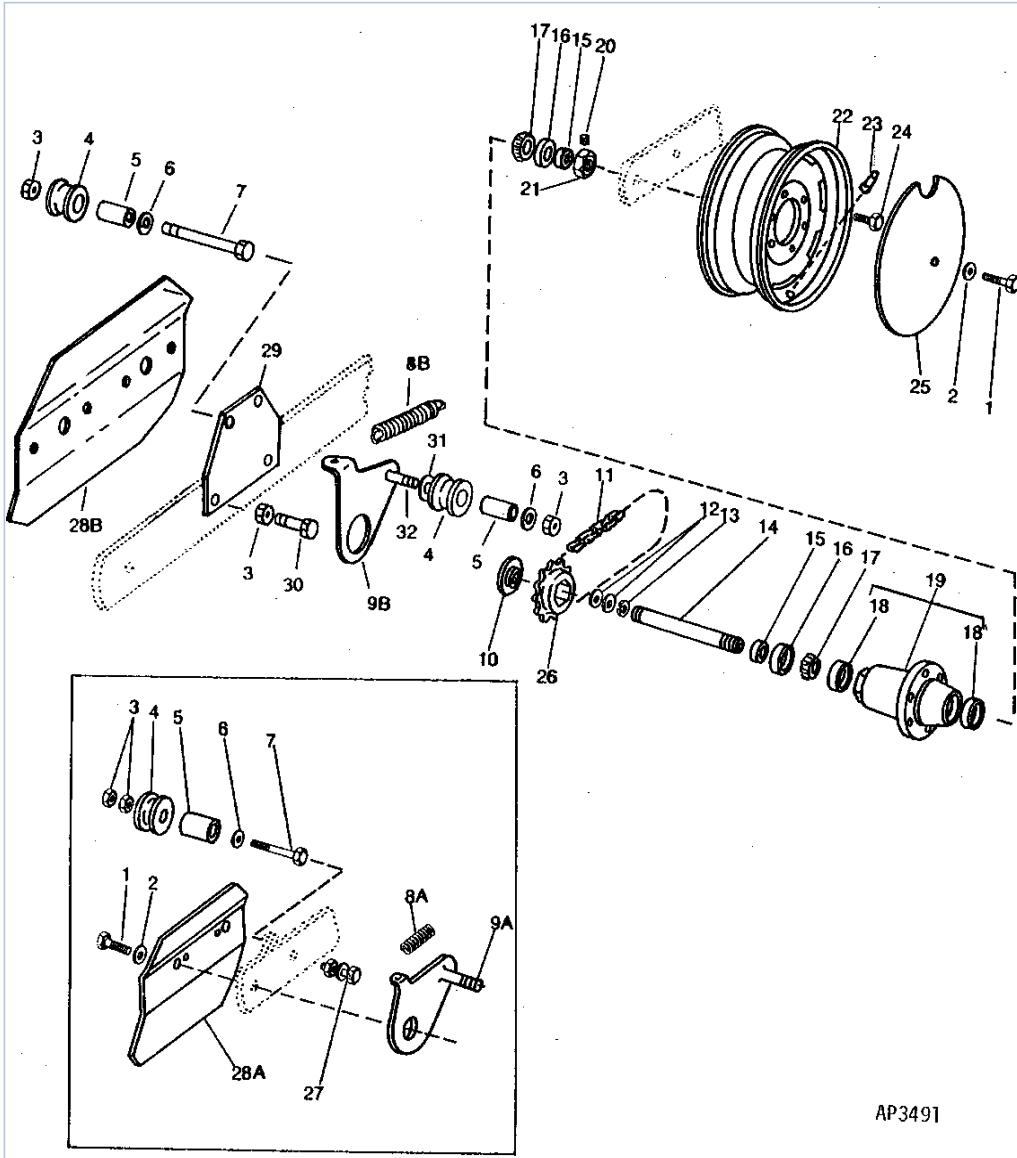


Список деталей

PC1467 100-1 7000 Drawn Cotton and Corn Planter / LIFT WHEEL (8R NARROW SPLIT
ROW PLANTING ATTACHMENT) [C19] PC1467 - HARV-SEEDING

КН.	№ ДЕТАЛИ	НАИМ. ДЕТАЛИ	К-ВО	SERIAL NO. OR YEAR	ПРИМЕЧАНИЯ
1	19H1768	CAP SCREW	2		3/4" X 2"
2	12H236	LOCK WASHER	2		3/4"
3	24H1265	WASHER	AR		13/16" X 1-1/4" X 0.060"
4	U12172	SNAP RING	1		
5	A47215	PIN FASTENER	1		
6	A23321	WASHER	2		
7	32167	SEAL	2		
8	JD8187	BEARING CONE	2		
9	JD8225	BEARING CUP	2		
10	AA21131	HUB	1		
11	22H898	SET SCREW	1		1/4" X 3/8"
12	A22468	NUT	1		
13	AA50782	WHEEL	1		(SUB FOR JD3043) 381 MM X 127 MM (15" X 8") REGULAR, FOR 11L-15-8PR IMPLEMENT TIRE
14	AN132749	TIRE VALVE STEM	1		FOR TUBELESS TIRE
15	JD16	WHEEL BOLT	6		(SUB FOR W14093)
16	H62220	BUSHING	1		

PC1467 100-2 7000 Drawn Cotton and Corn Planter / DRIVE WHEEL (RIGHT HAND SIDE ILLUSTRATED) [C20] PC1467 - HARV-SEEDING



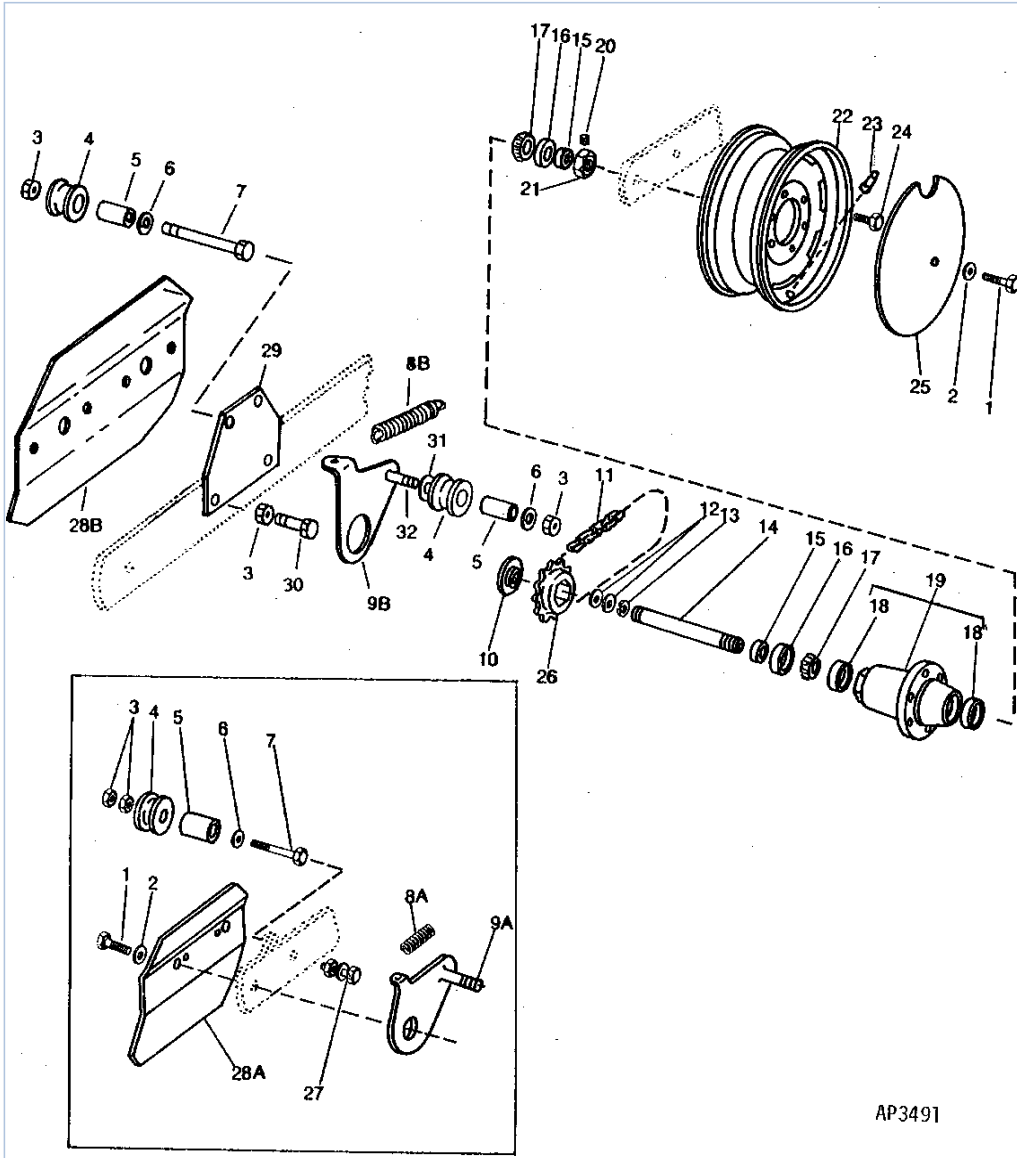
Список деталей

PC1467 100-2 7000 Drawn Cotton and Corn Planter / DRIVE WHEEL (RIGHT HAND SIDE
ILLUSTRATED) [C20] PC1467 - HARV-SEEDING

КН.	№ ДЕТАЛИ	НАИМ. ДЕТАЛИ	К-ВО	SERIAL NO. OR YEAR	ПРИМЕЧАНИЯ
1	19H1768	CAP SCREW	2		3/4" X 2"
1	19H1782	CAP SCREW	2		3/4" X 2-1/4"
2	12H236	LOCK WASHER	2		3/4"
3	K40003	LOCK NUT	6	1986-	3/8", (USE WITH AA22080, AA22081 AND AA24267)
3	A51212	LOCK NUT	6	1986-	(USE WITH AA36247, AA36266 AND AA36323) M10
4	A22628	IDLER	4		
5	B30966	SPACER	4		
6	24H1219	WASHER	4	1986-	7/16" X 1" X 0.083", (USE WITH AA22080, AA22081 AND AA24267)
6	24M7178	WASHER	4	1986-	10.500 X 30 X 2.500 MM, (USE WITH AA36247, AA36266 AND AA36323)
7	19H1944	CAP SCREW	2	1986-	3/8" X 2-3/4", (USE WITH AA22080, AA22081 AND AA24267)
7	19M7329	CAP SCREW	2	1986-	M10 X 75, (USE WITH AA36247, AA36266 AND AA36323)
8A	A25412	SPRING	2	1986-	(USE WITH AA22080, AA22081 AND AA24267)
8B	3831SC	SPRING	2	1986-	(USE WITH AA36247, AA36266 AND AA36323)
9A	AA22385	TIGHTENER	1	1986-	(SUB A24724 AND 21H1248) (ILLUSTRATED)
9A	AA22386	TIGHTENER	1	1986-	(SUB A24725 AND 21H1248)
9B	A24724	TIGHTENER	1		R.H.
9B	A24725	TIGHTENER	1		L.H.
10	A25731	SPACER	1		
11	LINK CHAIN	1		(ASSEMBLE FROM AP22463, BP10237 AND BP10238) ROLLER, TYPE 2050, 32 MM (1-1/4") DOUBLE PITCH, 53 LINKS; FOR 4N, 4W, 6N
11	AA22372	ROLLER CHAIN	1	1988-	(ASSEMBLE FROM AP22463 AND BP10237) ROLLER, TYPE 2050, 32 MM (1-1/4") DOUBLE PITCH, 56 LINKS; FOR 6W, 8N, 8W, 12N
12	24H1265	WASHER	AR		13/16" X 1-1/4" X 0.060"
13	U12172	SNAP RING	1		
14	A22470	SHAFT	1		
15	A23321	WASHER	2		31.775 X 41.224 X 9.525 MM (1.251" X 1.623" X 3/8")
16	32167	SEAL	2		
17	JD8187	BEARING CONE	2		
18	JD8225	BEARING CUP	2		
19	A22350	HUB	1	1974-	(SUB AA21131)
19	AA21131	HUB	1		
20	22H898	SET SCREW	1		1/4" X 3/8"
21	A22468	NUT	1		31.750 MM (1-1/4")
22	JD680	WHEEL	1		381 MM X 127 MM (15" X 5") REGULAR), FOR 7.60-15 RIB IMPLEMENT TIRE
23	AM30347	TIRE VALVE STEM	1	1975-	FOR TUBELESS TIRE
23	AN132749	TIRE VALVE STEM	1	1975-	FOR TUBELESS TIRE
24	JD16	WHEEL BOLT	6		
25	A33920	DISK	1	1977-	(SUB A73915)
25	A73915	DISK BLADE	1	1977-	
26	A24998	CHAIN SPROCKET	1	1983-	(SUB A46101) 12-TOOTH
26	A46101	CHAIN SPROCKET	1		12-TOOTH
27	19H1732	CAP SCREW	2		3/8" X 1-1/4", USE WITH FURROWER
27	03H1480	BOLT	2		3/8" X 1-1/4", USE WITH FURROWER; FOR 8- AND 12-ROW
27	12H304	LOCK WASHER	2		3/8"
27	14H1076	NUT	2		3/8"
28A	A25060	SHIELD	1	1986-	(USE WITH AA22080, AA22081 AND AA24267) USE WITH FURROWER
28B	A51295	DEFLECTOR	1	1986-	(USE WITH AA36247, AA36266 AND AA36323) USE WITH FURROWER
29	A42329	BRACKET	1	1986-	
30	19M7169	CAP SCREW	2	1986-	M10 X 35
31	24H1307	WASHER	2	1986-	13/32" X 1" X 1/16"

32	21H1248	SCREW	1	1986-	3/8" X 2-1/4"
----	---------	-------	---	-------	---------------

PC1467 100-2 7000 Drawn Cotton and Corn Planter / DRIVE WHEEL (RIGHT HAND SIDE ILLUSTRATED) [C20] PC1467 - HARV-SEEDING



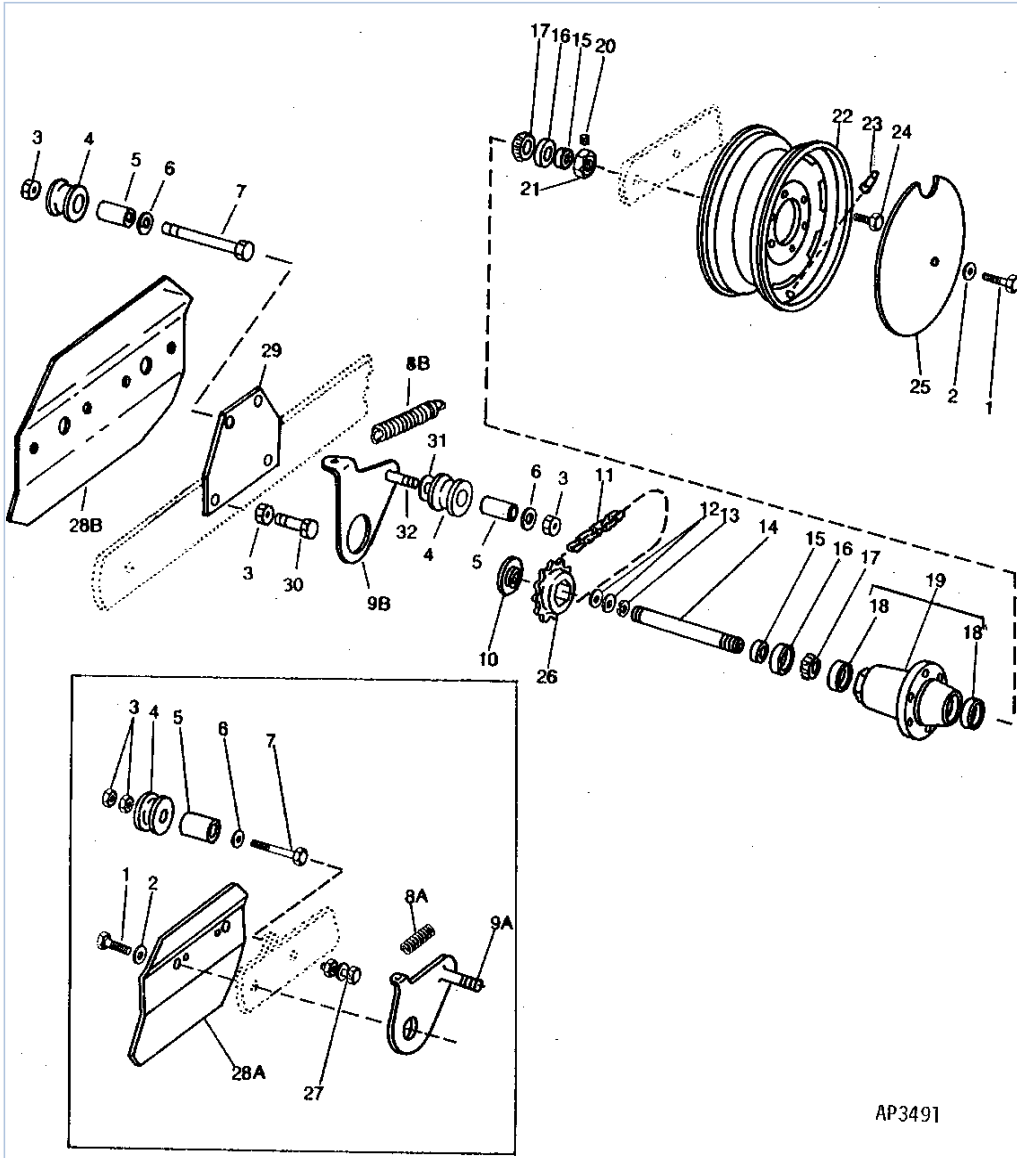
Список деталей

PC1467 100-2 7000 Drawn Cotton and Corn Planter / DRIVE WHEEL (RIGHT HAND SIDE
ILLUSTRATED) [C20] PC1467 - HARV-SEEDING

КН.	№ ДЕТАЛИ	НАИМ. ДЕТАЛИ	К-ВО	SERIAL NO. OR YEAR	ПРИМЕЧАНИЯ
1	19H1768	CAP SCREW	2		3/4" X 2"
1	19H1782	CAP SCREW	2		3/4" X 2-1/4"
2	12H236	LOCK WASHER	2		3/4"
3	K40003	LOCK NUT	6	1986-	3/8", (USE WITH AA22080, AA22081 AND AA24267)
3	A51212	LOCK NUT	6	1986-	(USE WITH AA36247, AA36266 AND AA36323) M10
4	A22628	IDLER	4		
5	B30966	SPACER	4		
6	24H1219	WASHER	4	1986-	7/16" X 1" X 0.083", (USE WITH AA22080, AA22081 AND AA24267)
6	24M7178	WASHER	4	1986-	10.500 X 30 X 2.500 MM, (USE WITH AA36247, AA36266 AND AA36323)
7	19H1944	CAP SCREW	2	1986-	3/8" X 2-3/4", (USE WITH AA22080, AA22081 AND AA24267)
7	19M7329	CAP SCREW	2	1986-	M10 X 75, (USE WITH AA36247, AA36266 AND AA36323)
8A	A25412	SPRING	2	1986-	(USE WITH AA22080, AA22081 AND AA24267)
8B	3831SC	SPRING	2	1986-	(USE WITH AA36247, AA36266 AND AA36323)
9A	AA22385	TIGHTENER	1	1986-	(SUB A24724 AND 21H1248) (ILLUSTRATED)
9A	AA22386	TIGHTENER	1	1986-	(SUB A24725 AND 21H1248)
9B	A24724	TIGHTENER	1		R.H.
9B	A24725	TIGHTENER	1		L.H.
10	A25731	SPACER	1		
11	LINK CHAIN	1		(ASSEMBLE FROM AP22463, BP10237 AND BP10238) ROLLER, TYPE 2050, 32 MM (1-1/4") DOUBLE PITCH, 53 LINKS; FOR 4N, 4W, 6N
11	AA22372	ROLLER CHAIN	1	1988-	(ASSEMBLE FROM AP22463 AND BP10237) ROLLER, TYPE 2050, 32 MM (1-1/4") DOUBLE PITCH, 56 LINKS; FOR 6W, 8N, 8W, 12N
12	24H1265	WASHER	AR		13/16" X 1-1/4" X 0.060"
13	U12172	SNAP RING	1		
14	A22470	SHAFT	1		
15	A23321	WASHER	2		31.775 X 41.224 X 9.525 MM (1.251" X 1.623" X 3/8")
16	32167	SEAL	2		
17	JD8187	BEARING CONE	2		
18	JD8225	BEARING CUP	2		
19	A22350	HUB	1	1974-	(SUB AA21131)
19	AA21131	HUB	1		
20	22H898	SET SCREW	1		1/4" X 3/8"
21	A22468	NUT	1		31.750 MM (1-1/4")
22	JD680	WHEEL	1		381 MM X 127 MM (15" X 5") REGULAR), FOR 7.60-15 RIB IMPLEMENT TIRE
23	AM30347	TIRE VALVE STEM	1	1975-	FOR TUBELESS TIRE
23	AN132749	TIRE VALVE STEM	1	1975-	FOR TUBELESS TIRE
24	JD16	WHEEL BOLT	6		
25	A33920	DISK	1	1977-	(SUB A73915)
25	A73915	DISK BLADE	1	1977-	
26	A24998	CHAIN SPROCKET	1	1983-	(SUB A46101) 12-TOOTH
26	A46101	CHAIN SPROCKET	1		12-TOOTH
27	19H1732	CAP SCREW	2		3/8" X 1-1/4", USE WITH FURROWER
27	03H1480	BOLT	2		3/8" X 1-1/4", USE WITH FURROWER; FOR 8- AND 12-ROW
27	12H304	LOCK WASHER	2		3/8"
27	14H1076	NUT	2		3/8"
28A	A25060	SHIELD	1	1986-	(USE WITH AA22080, AA22081 AND AA24267) USE WITH FURROWER
28B	A51295	DEFLECTOR	1	1986-	(USE WITH AA36247, AA36266 AND AA36323) USE WITH FURROWER
29	A42329	BRACKET	1	1986-	
30	19M7169	CAP SCREW	2	1986-	M10 X 35
31	24H1307	WASHER	2	1986-	13/32" X 1" X 1/16"

32	21H1248	SCREW	1	1986-	3/8" X 2-1/4"
----	---------	-------	---	-------	---------------

PC1467 100-2 7000 Drawn Cotton and Corn Planter / DRIVE WHEEL (RIGHT HAND SIDE ILLUSTRATED) [C20] PC1467 - HARV-SEEDING

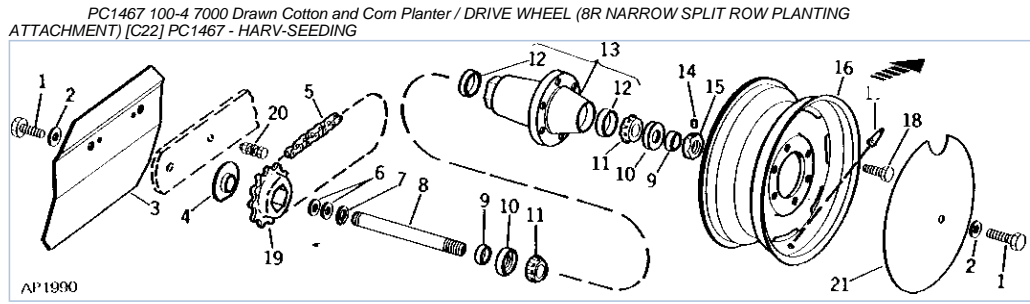


Список деталей

PC1467 100-2 7000 Drawn Cotton and Corn Planter / DRIVE WHEEL (RIGHT HAND SIDE
ILLUSTRATED) [C20] PC1467 - HARV-SEEDING

КН.	№ ДЕТАЛИ	НАИМ. ДЕТАЛИ	К-ВО	SERIAL NO. OR YEAR	ПРИМЕЧАНИЯ
1	19H1768	CAP SCREW	2		3/4" X 2"
1	19H1782	CAP SCREW	2		3/4" X 2-1/4"
2	12H236	LOCK WASHER	2		3/4"
3	K40003	LOCK NUT	6	1986-	3/8", (USE WITH AA22080, AA22081 AND AA24267)
3	A51212	LOCK NUT	6	1986-	(USE WITH AA36247, AA36266 AND AA36323) M10
4	A22628	IDLER	4		
5	B30966	SPACER	4		
6	24H1219	WASHER	4	1986-	7/16" X 1" X 0.083", (USE WITH AA22080, AA22081 AND AA24267)
6	24M7178	WASHER	4	1986-	10.500 X 30 X 2.500 MM, (USE WITH AA36247, AA36266 AND AA36323)
7	19H1944	CAP SCREW	2	1986-	3/8" X 2-3/4", (USE WITH AA22080, AA22081 AND AA24267)
7	19M7329	CAP SCREW	2	1986-	M10 X 75, (USE WITH AA36247, AA36266 AND AA36323)
8A	A25412	SPRING	2	1986-	(USE WITH AA22080, AA22081 AND AA24267)
8B	3831SC	SPRING	2	1986-	(USE WITH AA36247, AA36266 AND AA36323)
9A	AA22385	TIGHTENER	1	1986-	(SUB A24724 AND 21H1248) (ILLUSTRATED)
9A	AA22386	TIGHTENER	1	1986-	(SUB A24725 AND 21H1248)
9B	A24724	TIGHTENER	1		R.H.
9B	A24725	TIGHTENER	1		L.H.
10	A25731	SPACER	1		
11	LINK CHAIN	1		(ASSEMBLE FROM AP22463, BP10237 AND BP10238) ROLLER, TYPE 2050, 32 MM (1-1/4") DOUBLE PITCH, 53 LINKS; FOR 4N, 4W, 6N
11	AA22372	ROLLER CHAIN	1	1988-	(ASSEMBLE FROM AP22463 AND BP10237) ROLLER, TYPE 2050, 32 MM (1-1/4") DOUBLE PITCH, 56 LINKS; FOR 6W, 8N, 8W, 12N
12	24H1265	WASHER	AR		13/16" X 1-1/4" X 0.060"
13	U12172	SNAP RING	1		
14	A22470	SHAFT	1		
15	A23321	WASHER	2		31.775 X 41.224 X 9.525 MM (1.251" X 1.623" X 3/8")
16	32167	SEAL	2		
17	JD8187	BEARING CONE	2		
18	JD8225	BEARING CUP	2		
19	A22350	HUB	1	1974-	(SUB AA21131)
19	AA21131	HUB	1		
20	22H898	SET SCREW	1		1/4" X 3/8"
21	A22468	NUT	1		31.750 MM (1-1/4")
22	JD680	WHEEL	1		381 MM X 127 MM (15" X 5") REGULAR), FOR 7.60-15 RIB IMPLEMENT TIRE
23	AM30347	TIRE VALVE STEM	1	1975-	FOR TUBELESS TIRE
23	AN132749	TIRE VALVE STEM	1	1975-	FOR TUBELESS TIRE
24	JD16	WHEEL BOLT	6		
25	A33920	DISK	1	1977-	(SUB A73915)
25	A73915	DISK BLADE	1	1977-	
26	A24998	CHAIN SPROCKET	1	1983-	(SUB A46101) 12-TOOTH
26	A46101	CHAIN SPROCKET	1		12-TOOTH
27	19H1732	CAP SCREW	2		3/8" X 1-1/4", USE WITH FURROWER
27	03H1480	BOLT	2		3/8" X 1-1/4", USE WITH FURROWER; FOR 8- AND 12-ROW
27	12H304	LOCK WASHER	2		3/8"
27	14H1076	NUT	2		3/8"
28A	A25060	SHIELD	1	1986-	(USE WITH AA22080, AA22081 AND AA24267) USE WITH FURROWER
28B	A51295	DEFLECTOR	1	1986-	(USE WITH AA36247, AA36266 AND AA36323) USE WITH FURROWER
29	A42329	BRACKET	1	1986-	
30	19M7169	CAP SCREW	2	1986-	M10 X 35
31	24H1307	WASHER	2	1986-	13/32" X 1" X 1/16"

32	21H1248	SCREW	1	1986-	3/8" X 2-1/4"
----	---------	-------	---	-------	---------------

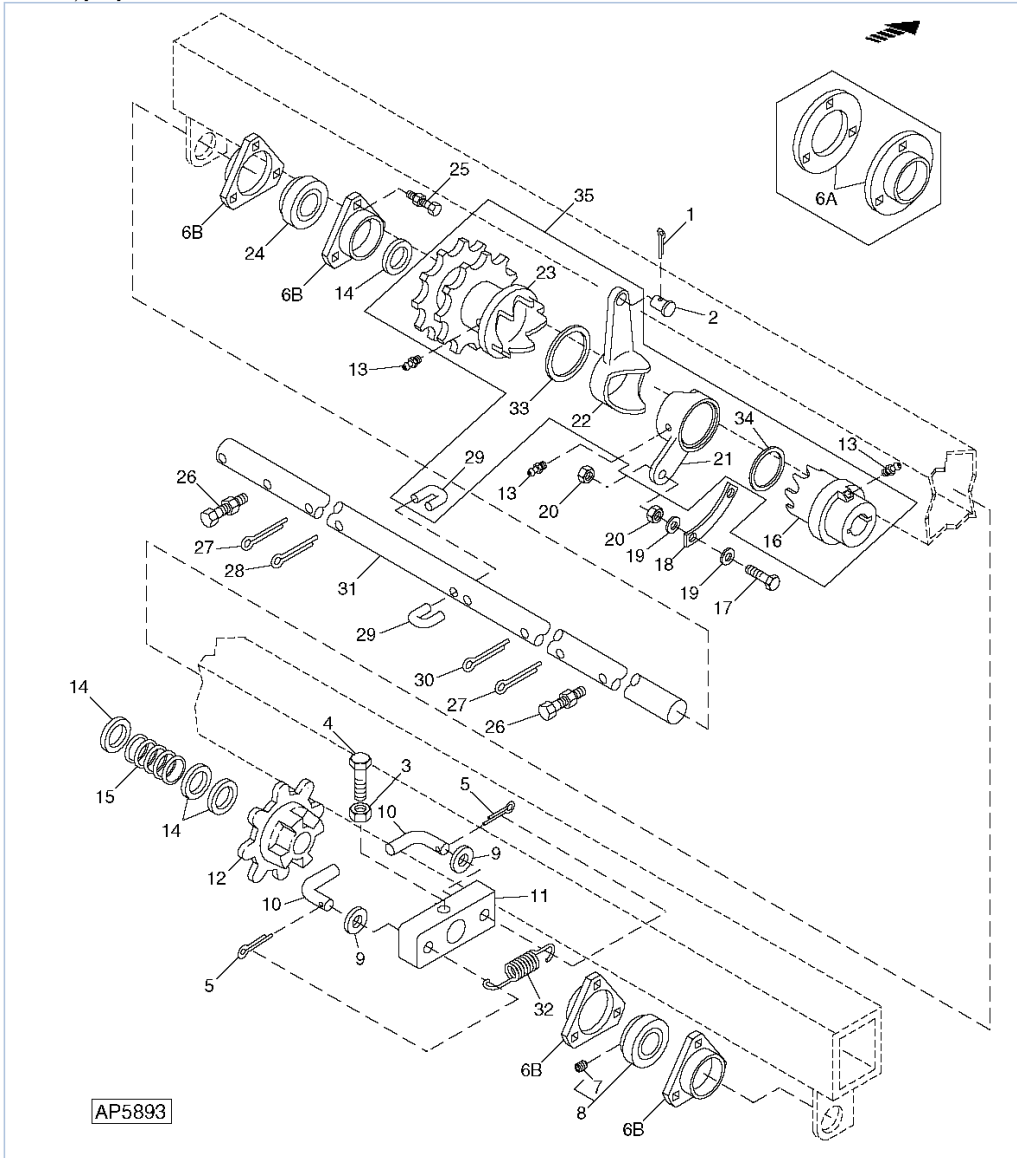


Список деталей

PC1467 100-4 7000 Drawn Cotton and Corn Planter / DRIVE WHEEL (8R NARROW SPLIT ROW PLANTING ATTACHMENT) [C22] PC1467 - HARV-SEEDING

КН.	№ ДЕТАЛИ	НАИМ. ДЕТАЛИ	К-ВО	SERIAL NO. OR YEAR	ПРИМЕЧАНИЯ
1	19H1768	CAP SCREW	2		3/4" X 2"
2	12H236	LOCK WASHER	2		3/4"
3	A25060	SHIELD	1		USE WITH FURROWER (ILLUSTRATED)
4	A25731	SPACER	1		
5	LINK CHAIN	1		ROLLER, TYPE 2050, 32 MM (1-1/4") DOUBLE PITCH (MAKE FROM 50 LINKS OF AP22463, AND BP10237 COUPLER LINKS) FOR SPLIT ROW PLANTING ATTACHMENT
6	24H1265	WASHER	AR		13/16" X 1-1/4" X 0.060"
7	U12172	SNAP RING	1		
8	A22470	SHAFT	1		
9	A23321	WASHER	2		31.775 X 41.224 X 9.525 MM (1.251" X 1.623" X 3/8")
10	32167	SEAL	2		
11	JD8187	BEARING CONE	2		
12	JD8225	BEARING CUP	2		
13	AA21131	HUB	1		
14	22H898	SET SCREW	1		1/4" X 3/8"
15	A22468	NUT	1		1-1/4"
16	JD680	WHEEL	1		381 MM X 127 MM (15" X 5.00") FOR 7.60-15 RIB IMPLEMENT TIRE
17	AM30347	TIRE VALVE STEM	1		FOR TUBELESS TIRE
18	JD16	WHEEL BOLT	6		
19	A46101	CHAIN SPROCKET	1		12-TOOTH
20	19H1732	CAP SCREW	2		3/8" X 1-1/4", USE WITH FURROWER; FOR 4W, 6N, 6W
20	03H1480	BOLT	2		3/8" X 1-1/4", FOR 8N
20	12H304	LOCK WASHER	2		3/8"
20	14H1076	NUT	2		3/8"
21	A33920	DISK	1		(SUB A73915)
21	A73915	DISK BLADE	1		

PC1467 100-6 7000 Drawn Cotton and Corn Planter / COUNTERSHAFT DRIVE (4R NARROW, 4R WIDE AND 6R NARROW) [C23] PC1467 - HARV-SEEDING

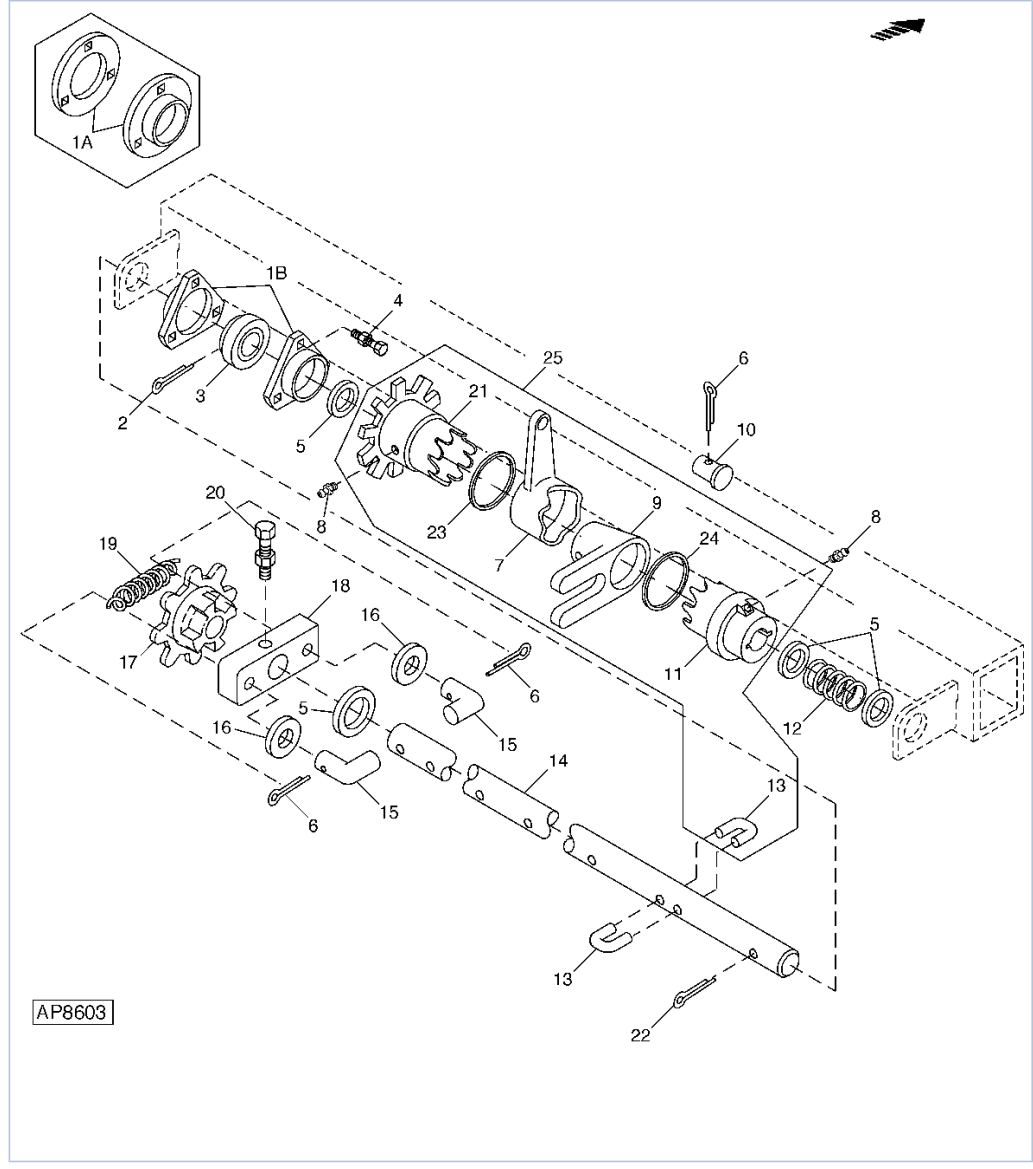


Список деталей

PC1467 100-6 7000 Drawn Cotton and Corn Planter / COUNTERSHAFT DRIVE (4R
NARROW, 4R WIDE AND 6R NARROW) [C23] PC1467 - HARV-SEEDING

КН.	№ ДЕТАЛИ	НАИМ. ДЕТАЛИ	К-ВО	SERIAL NO. OR YEAR	ПРИМЕЧАНИЯ
1	11H216	COTTER PIN	1		3/16" X 1"
2	B1726M	PIN FASTENER	1		
3	K40002	LOCK NUT	2		(A)
3	K40002	LOCK NUT	4		(B)
4	19H1949	CAP SCREW	2		(A) 5/16" X 2-1/2"
4	19H1949	CAP SCREW	4		(B) 5/16" X 2-1/2"
5	11H216	COTTER PIN	4		(A) 3/16" X 1"
5	11H216	COTTER PIN	8		(B) 3/16" X 1"
6A	B32429	FLANGE	AR	_____ -1976	(A) (SUB A31800)
6B	H103264	PRESSED FLANGED HOUSING	4		(A) (SUB FOR A31800)
6B	H103264	PRESSED FLANGED HOUSING	8		(B) (SUB FOR A31800)
7	22H841	SET SCREW	4		(A) 1/4" X 1/4"
7	22H841	SET SCREW	8		(B) 1/4" X 1/4"
8	AA22098	BALL BEARING	2		(A)
8	AA22098	BALL BEARING	4		(B)
9	24H1338	WASHER	4		(A) 33/64" X 7/8" X 0.048"
9	24H1338	WASHER	8		(B) 33/64" X 7/8" X 0.048"
10	B32701	PIN FASTENER	4		(A)
10	B32701	PIN FASTENER	8		(B)
11	A22513	CRADLE	2		(A)
11	A22513	CRADLE	4		(B)
12	A24930	CHAIN SPROCKET	2		(A)
12	A24930	CHAIN SPROCKET	4		(B)
13	JD7844	LUBRICATION FITTING	3		
14	H1611B	THRUST WASHER	5		(A)
14	H1611B	THRUST WASHER	7		(B)
15	H2622B	SPRING	1		
16	H135401	CLUTCH	1		(SUB FOR A22609)
17	19H1899	CAP SCREW	2		7/16" X 2"
18	A25776	LINK	1		
19	24H1226	WASHER	4		1/2" X 1-1/4" X 0.083"
20	14H1047	NUT	4		7/16"
21	A52296	LEVER	1		(SUB FOR A25762)
22	A52295	CAM	1		(SUB FOR A24692)
23	H135402	CHAIN SPROCKET	1		(SUB FOR A24962 OR A40215)
24	AA22099	BALL BEARING	1		
25	03H1268	BOLT	9		(A) 5/16" X 3/4"
25	03H1268	BOLT	15		(B) 5/16" X 3/4"
25	12H303	LOCK WASHER	9		(A) 5/16"
25	12H303	LOCK WASHER	15		(B) 5/16"
25	14H785	NUT	9		(A) 5/16"
25	14H785	NUT	15		(B) 5/16"
26	19H1949	CAP SCREW	2		5/16" X 2-1/2"
26	K40002	LOCK NUT	2		(SUB FOR T25249)
27	11H237	COTTER PIN	2		(A) 1/8" X 2"
27	11H237	COTTER PIN	4		(B) 1/8" X 2"
28	11H249	COTTER PIN	1		1/4" X 2"
29	P1009B	PIN FASTENER	2		
30	11H215	COTTER PIN	1		1/4" X 1-1/2"
31	A23375	COUNTERSHAFT	1		(C) 1 883 MM (74-1/8") (ILLUSTRATED)
31	A28655	COUNTERSHAFT	1	1975-_____	(A) 1 578 MM (62-1/8")
31	A23047	COUNTERSHAFT	1		(B) 3 051 MM (120-1/8")
32	B12516	EXTENSION SPRING	4		(A)
32	B12516	EXTENSION SPRING	8		(B)
33	19169	WASHER	1		2.165" X 2.756" X 0.059"
34	21600	WASHER	1		2.161" X 3" X 1/16"
35	AA49211	KIT	1		

PC1467 100-8 7000 Drawn Cotton and Corn Planter / COUNTERSHAFT DRIVE (6R WIDE, 8R NARROW, 8R WIDE, AND 12R NARROW) [D01] PC1467 - HARV-SEEDING

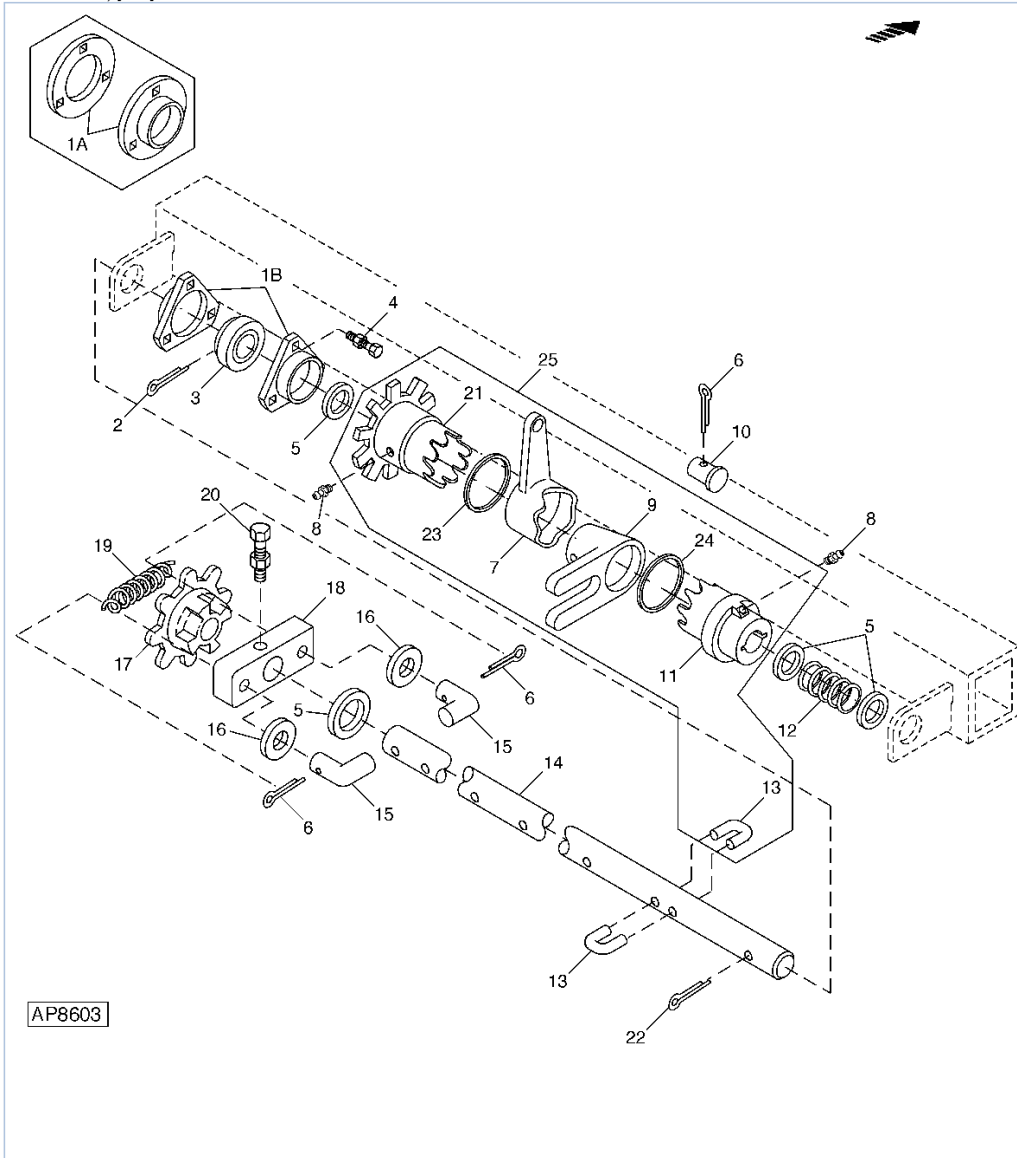


Список деталей

PC1467 100-8 7000 Drawn Cotton and Corn Planter / COUNTERSHAFT DRIVE (6R WIDE,
8R NARROW, 8R WIDE, AND 12R NARROW) [D01] PC1467 - HARV-SEEDING

КН.	№ ДЕТАЛИ	НАИМ. ДЕТАЛИ	К-ВО	SERIAL NO. OR YEAR	ПРИМЕЧАНИЯ
1A	B32429	FLANGE	4	1976	(SUB A31800)
1B	H103264	PRESSED FLANGED HOUSING	4		(SUB FOR A31800)
2	11H249	COTTER PIN	2		1/4" X 2"
3	AA22099	BALL BEARING	2		
4	03H1268	BOLT	6		5/16" X 3/4"
4	12H303	LOCK WASHER	6		5/16"
4	14H785	NUT	6		5/16"
5	H1611B	THRUST WASHER	10		
6	11H216	COTTER PIN	10		3/16" X 1"
7	A25886	CAM	2		
8	JD7844	LUBRICATION FITTING	6		
9	A24693	CAM	2		
10	B1726M	PIN FASTENER	2		11.125 X 31.750 MM (7/16" X 1-1/4")
11	H135401	CLUTCH	2		(SUB FOR A22609)
12	H2622B	SPRING	2		
13	P1009B	PIN FASTENER	4		
14	A31804	DRIVE SHAFT	1		(SUB FOR A25166) 2 277 MM (89-21/32") L.H. SIDE, 6W, 8N
14	A31805	DRIVE SHAFT	1		(SUB FOR A25167) 2 228 MM (87-45/64") R.H. SIDE, 6W, 8N
14	A25165	DRIVE SHAFT	1		2 963 MM (116-21/32") L.H. SIDE, 8W
14	A25164	DRIVE SHAFT	1		2 913 MM (114-45/64") R.H. SIDE, 8W
14	A24683	DRIVE SHAFT	1		3 039 MM (119-21/32") L.H. SIDE, 12N
14	A24684	DRIVE SHAFT	1		2 990 MM (117-45/64") R.H. SIDE, 12N
15	B32701	PIN FASTENER	8		
16	24H1338	WASHER	8		33/64" X 7/8" X 0.048"
17	A24930	CHAIN SPROCKET	4		
18	A22513	CRADLE	4		
19	B12516	EXTENSION SPRING	8		
20	19H1949	CAP SCREW	4		5/16" X 2-1/2"
20	K40002	LOCK NUT	4		5/16"
21	H135403	CHAIN SPROCKET	2		(SUB FOR A24963 OR A40216)
22	11H215	COTTER PIN	6		1/4" X 1-1/2"
23	19169	WASHER	2		
24	21600	WASHER	2		
25	AA48708	KIT	1		

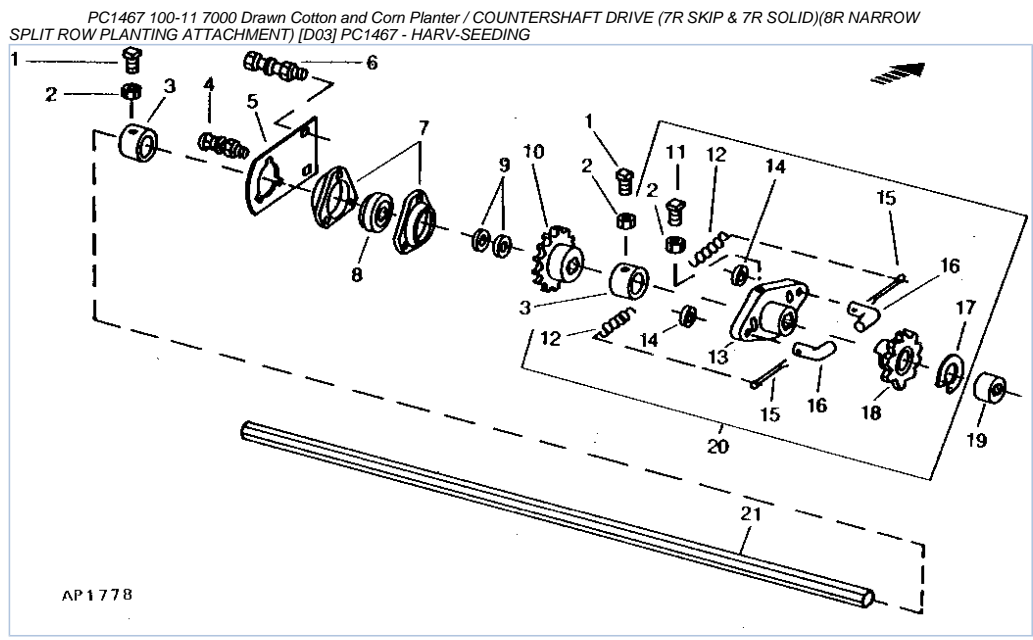
PC1467 100-8 7000 Drawn Cotton and Corn Planter / COUNTERSHAFT DRIVE (6R WIDE, 8R NARROW, 8R WIDE, AND 12R NARROW) [D01] PC1467 - HARV-SEEDING



Список деталей

PC1467 100-8 7000 Drawn Cotton and Corn Planter / COUNTERSHAFT DRIVE (6R WIDE,
8R NARROW, 8R WIDE, AND 12R NARROW) [D01] PC1467 - HARV-SEEDING

КН.	№ ДЕТАЛИ	НАИМ. ДЕТАЛИ	К-ВО	SERIAL NO. OR YEAR	ПРИМЕЧАНИЯ
1A	B32429	FLANGE	4	1976	(SUB A31800)
1B	H103264	PRESSED FLANGED HOUSING	4		(SUB FOR A31800)
2	11H249	COTTER PIN	2		1/4" X 2"
3	AA22099	BALL BEARING	2		
4	03H1268	BOLT	6		5/16" X 3/4"
4	12H303	LOCK WASHER	6		5/16"
4	14H785	NUT	6		5/16"
5	H1611B	THRUST WASHER	10		
6	11H216	COTTER PIN	10		3/16" X 1"
7	A25886	CAM	2		
8	JD7844	LUBRICATION FITTING	6		
9	A24693	CAM	2		
10	B1726M	PIN FASTENER	2		11.125 X 31.750 MM (7/16" X 1-1/4")
11	H135401	CLUTCH	2		(SUB FOR A22609)
12	H2622B	SPRING	2		
13	P1009B	PIN FASTENER	4		
14	A31804	DRIVE SHAFT	1		(SUB FOR A25166) 2 277 MM (89-21/32") L.H. SIDE, 6W, 8N
14	A31805	DRIVE SHAFT	1		(SUB FOR A25167) 2 228 MM (87-45/64") R.H. SIDE, 6W, 8N
14	A25165	DRIVE SHAFT	1		2 963 MM (116-21/32") L.H. SIDE, 8W
14	A25164	DRIVE SHAFT	1		2 913 MM (114-45/64") R.H. SIDE, 8W
14	A24683	DRIVE SHAFT	1		3 039 MM (119-21/32") L.H. SIDE, 12N
14	A24684	DRIVE SHAFT	1		2 990 MM (117-45/64") R.H. SIDE, 12N
15	B32701	PIN FASTENER	8		
16	24H1338	WASHER	8		33/64" X 7/8" X 0.048"
17	A24930	CHAIN SPROCKET	4		
18	A22513	CRADLE	4		
19	B12516	EXTENSION SPRING	8		
20	19H1949	CAP SCREW	4		5/16" X 2-1/2"
20	K40002	LOCK NUT	4		5/16"
21	H135403	CHAIN SPROCKET	2		(SUB FOR A24963 OR A40216)
22	11H215	COTTER PIN	6		1/4" X 1-1/2"
23	19169	WASHER	2		
24	21600	WASHER	2		
25	AA48708	KIT	1		

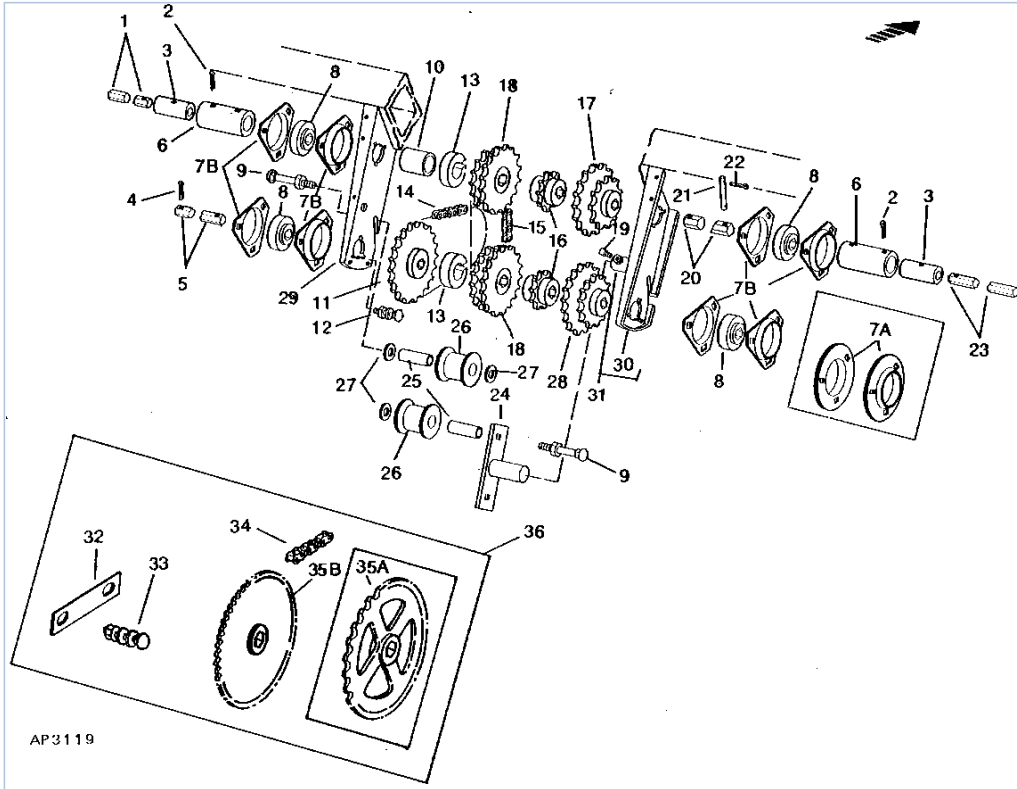


Список деталей

PC1467 100-11 7000 Drawn Cotton and Corn Planter / COUNTERSHAFT DRIVE (7R SKIP & 7R SOLID)(8R NARROW SPLIT ROW PLANTING ATTACHMENT) [D03] PC1467 - HARV-SEEDING

КН.	№ ДЕТАЛИ	НАИМ. ДЕТАЛИ	К-ВО	SERIAL NO. OR YEAR	ПРИМЕЧАНИЯ
1	22H834	SET SCREW	2		5/16" X 5/8"
2	14H611	NUT	2		5/16"
3	A37078	BUSHING	2		
4	03H1268	BOLT	3		5/16" X 3/4"
4	12H303	LOCK WASHER	3		5/16"
4	14H785	NUT	3		5/16"
5	A34893	SUPPORT	1		
6	19H1731	CAP SCREW	2		3/8" X 1"
6	24H1448	WASHER	2		1-1/32" X 1-1/2" X 0.120"
6	12H304	LOCK WASHER	2		3/8"
6	14H1076	NUT	2		3/8"
7	A31800	PRESSED FLANGED HOUSING	2	_____ -1985	(SUB H103264)
7	H103264	PRESSED FLANGED HOUSING	2		
8	AA22097	BALL BEARING	1		
9	24H1452	WASHER	2		1-1/32" X 1-3/4" X 0.105"
10	AA26800	CHAIN SPROCKET	1		(SUB A79475) 20-T00TH
10	A79475	DRIVE SPROCKET	1		
11	22H907	SET SCREW	1		5/16" X 7/8"
12	B12516	EXTENSION SPRING	2		
13	A36736	SHIFT COLLAR CARRIER	1		
14	24H1338	WASHER	2		33/64" X 7/8" X 0.048"
15	11H216	COTTER PIN	2		3/16" X 1"
16	B32701	PIN FASTENER	2		
17	L1152N	SNAP RING	1		
18	A36734	CHAIN SPROCKET	1		8-TOOTH, R.H.
18	A36735	CHAIN SPROCKET	1		8-TOOTH, L.H. (ILLUSTRATED)
19	28H1642	BUSHING	1		1" X 3/4"
20	AA28276	CRADLE	1		R.H.
20	AA28277	CRADLE	1		L.H. (ILLUSTRATED)
21	A38070	BAR	1		22.225 X 2 972 MM (7/8" X 117")

PC1467 100-12 7000 Drawn Cotton and Corn Planter / SEED DRIVE (4R NARROW, 4R WIDE AND 6R NARROW) [D04]
PC1467 - HARV-SEEDING



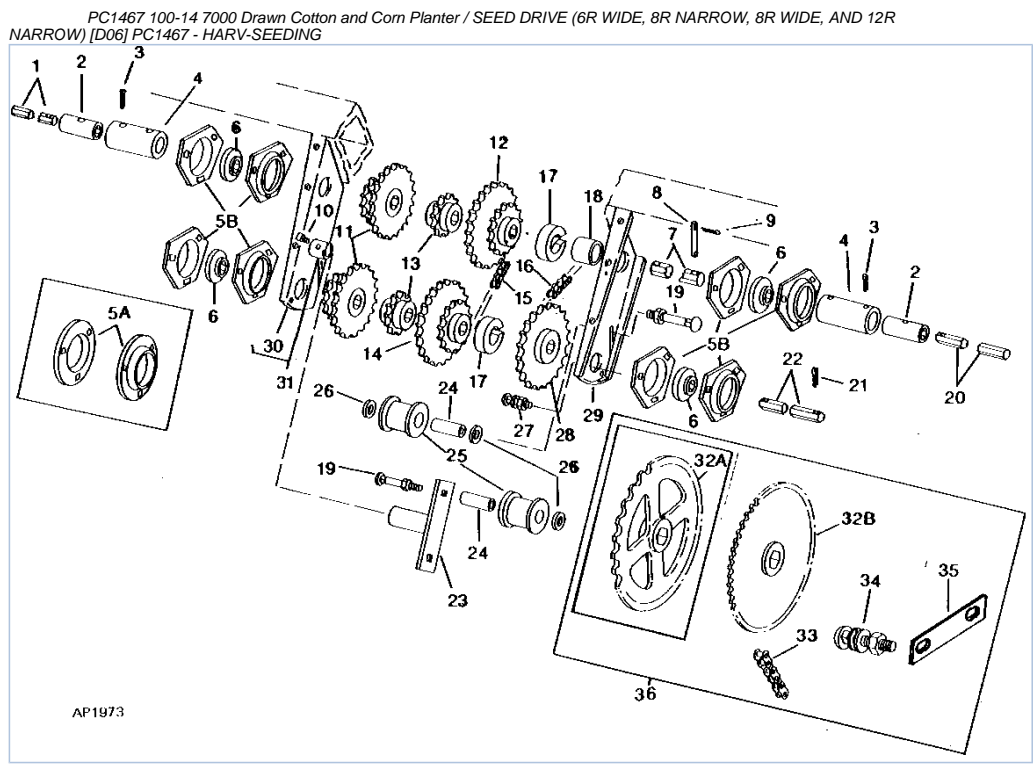
AP3119

Список деталей

PC1467 100-12 7000 Drawn Cotton and Corn Planter / SEED DRIVE (4R NARROW, 4R WIDE AND 6R NARROW) [D04] PC1467 - HARV-SEEDING

КН.	№ ДЕТАЛИ	НАИМ. ДЕТАЛИ	К-ВО	SERIAL NO. OR YEAR	ПРИМЕЧАНИЯ
1	A22951	BAR	1		DRILL FOR 4N, 4W
1	A22950	BAR	1	_____ - 1981	(SUB A40445) DRILL FOR 6N
1	A40445	BAR	1		DRILL FOR 6N
2	11H222	COTTER PIN	2		3/16" X 2"
3	A22390	DRIVER	2		
4	11H218	COTTER PIN	2		3/16" X 1-1/2"
5	A54317	BAR	1		(SUB FOR A25375) CUT TO 11" FROM END WITH TWO HOLES
6	A22392	BUSHING	2	_____ - 1979	(SUB A39743)
6	A39743	BUSHING	2		
7A	B32429	FLANGE	8	_____ - 1976	(SUB A31800)
7B	A31800	PRESSED FLANGED HOUSING	8	_____ - 1985	(SUB H103264)
7B	H103264	PRESSED FLANGED HOUSING	8		
8	AA22097	BALL BEARING	4		
9	03H1512	BOLT	3		3/8" X 2-1/2"
9	K40003	LOCK NUT	3		
10	A23183	BUSHING	1		
11	A24957	CHAIN SPROCKET	1	_____ - 064400	(SUB AA26802) 15-TOOTH
11	AA26802	CHAIN SPROCKET	1		(SUB AA63005) 30-TOOTH
12	03H1268	BOLT	14		5/16" X 3/4"
12	12H303	LOCK WASHER	14		5/16"
12	14H785	NUT	14		5/16"
13	A20337	SPACER	8		
14	AA21483	ROLLER CHAIN	1	1988- _____	(ASSEMBLE FROM AP22462 AND AP19993) ROLLER, TYPE 2040, 25 MM (1") DOUBLE PITCH, 44 LINKS
15	AA21484	ROLLER CHAIN	1	1988- _____	(ASSEMBLE FROM AP22462 AND AP19993) ROLLER, TYPE 2040, 25 MM (1") DOUBLE PITCH, 38 LINKS
16	A24956	CHAIN SPROCKET	2	_____ - 064400	(SUB AA26805) 7-TOOTH
16	AA26805	CHAIN SPROCKET	2		(SUB A79478) 14-TOOTH
16	A79478	DRIVE SPROCKET	2		
17	A24958	CHAIN SPROCKET	1	_____ - 064400	(SUB AA26796) 9- AND 14-TOOTH
17	AA26796	CHAIN SPROCKET	1		(SUB AA62993) 18- AND 28-TOOTH
17	AA62993	DRIVE SPROCKET	1		
18	A24943	CHAIN SPROCKET	2	_____ - 064400	(SUB AA26795) 11- AND 13-TOOTH
18	AA26795	CHAIN SPROCKET	2		(SUB AA62992) 22- AND 26-TOOTH
18	AA62992	DRIVE SPROCKET	2		
19	22H855	SET SCREW	1		1/2" X 7/8"
20	A54318	BAR	1	_____ - 1979	(SUB FOR A22954 AND A39744) (ALSO ORDER (2) 11M7071) CUT TO LENGTH AND ENLARGE HOLE
21	B14949	PIN FASTENER	2		
22	11H211	COTTER PIN	4		1/8" X 3/4"
23	A24104	BAR	1		DRILL FOR 4N, 4W
23	A24105	BAR	1	_____ - 1981	(SUB A40446) DRILL FOR 6N
23	A40446	BAR	1		DRILL FOR 6N
24	AA22584	ARM	1		
25	B30967	BUSHING	3		
26	B30969	IDLER	3		
27	24H1219	WASHER	4		7/16" X 1" X 0.083"
28	A24942	CHAIN SPROCKET	1	_____ - 064400	(SUB AA26794) 8- AND 14-TOOTH
28	AA26794	CHAIN SPROCKET	1		(SUB AA62991) 16- AND 30-TOOTH
28	AA62991	DRIVE SPROCKET	1		
29	A25011	PANEL	1	1978- _____	
30	A25010	PANEL	1	1978- _____	
31	AA36505	PANEL	1	1978- _____	(SUB FOR AA22612)
32	A24697	ADJUSTING STRAP	1		
33	03H1480	BOLT	1		3/8" X 1-1/4"
33	12H335	LOCK WASHER	1		3/8"

33	24H1219	WASHER	1		7/16" X 1" X 0.083"
33	K40003	LOCK NUT	1		
34	AP19995	CHAIN LINK	5		25 MM (1") ROLLER CHAIN
35A	A27962	CHAIN SPROCKET	1	1983	(SUB AA31490)
35B	AA31490	CHAIN SPROCKET	1		(SUB AA63007)
35B	AA63007	DRIVE SPROCKET	1		
36	CHAIN SPROCKET	1		EXTENDED DRILLING DISTANCE ATTACHMENT

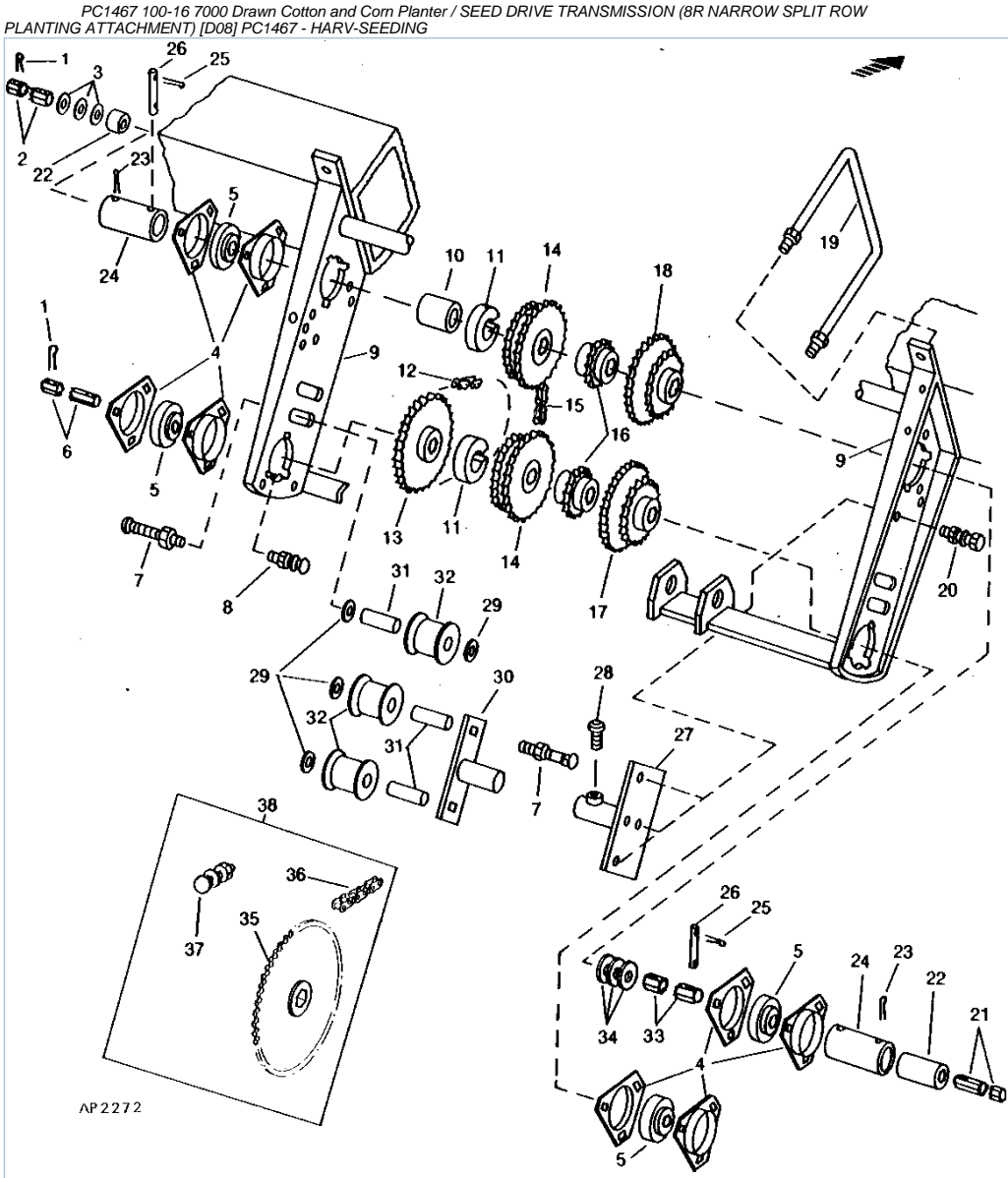


Список деталей

PC1467 100-14 7000 Drawn Cotton and Corn Planter / SEED DRIVE (6R WIDE, 8R NARROW, 8R WIDE, AND 12R NARROW) [D06] PC1467 - HARV-SEEDING

КН.	№ ДЕТАЛИ	НАИМ. ДЕТАЛИ	К-ВО	SERIAL NO. OR YEAR	ПРИМЕЧАНИЯ
1	A22952	BAR	1		DRILL FOR 6W, 8N
1	A22958	BAR	1		DRILL FOR 8W
1	A22953	BAR	1		DRILL FOR 12N
2	A22390	DRIVER	2		
3	11H222	COTTER PIN	2		3/16" X 2"
4	A22392	BUSHING	2	- 1979	(SUB A39743)
4	A39743	BUSHING	2		
5A	B32429	FLANGE	8	- 1976	(SUB A31800)
5B	A31800	PRESSED FLANGED HOUSING	8	- 1985	(SUB H103264)
5B	H103264	PRESSED FLANGED HOUSING	8		
6	AA22097	BALL BEARING	4		
7	A54318	BAR	1	- 1979	(SUB FOR A22954 AND A39744) (ALSO ORDER (2) 11M7071) UPPER - CUT TO LENGTH AND ENLARGE HOLE
8	B14949	PIN FASTENER	2		6.350 X 56.134 MM (1/4" X 2.210")
9	11H211	COTTER PIN	4		1/8" X 3/4"
10	22H855	SET SCREW	1		1/2" X 7/8"
11	A24943	CHAIN SPROCKET	2	- 064400	(SUB AA26795) 11 AND 13-TOOTH
11	AA26795	CHAIN SPROCKET	2		(SUB AA62992) 22- AND 26-TOOTH
11	AA62992	DRIVE SPROCKET	2		
12	A24958	CHAIN SPROCKET	1	- 064400	(SUB AA26796) 9- AND 14-TOOTH
12	AA26796	CHAIN SPROCKET	1		(SUB AA62993) 18- AND 28-TOOTH
12	AA62993	DRIVE SPROCKET	1		
13	A24956	CHAIN SPROCKET	2	- 064400	(SUB AA26805) 7-TOOTH
13	AA26805	CHAIN SPROCKET	2		(SUB A79478) 14-TOOTH
14	A24942	CHAIN SPROCKET	1	- 064400	(SUB AA26794) 8- AND 14-TOOTH
14	AA26794	CHAIN SPROCKET	1		(SUB AA62991) 16- AND 30-TOOTH
15	AA21484	ROLLER CHAIN	1	1988-	(ASSEMBLE FROM AP22462 AND AP19993) ROLLER, TYPE 2040, 25 MM (1") DOUBLE PITCH, 38 LINKS
16	AA21483	ROLLER CHAIN	1	1988-	(ASSEMBLE FROM AP22462 AND AP19993) ROLLER, TYPE 2040. 25 MM (1") DOUBLE PITCH, 44 LINKS
17	A20337	SPACER	8		
18	A23183	BUSHING	1		
19	03H1512	BOLT	3		3/8" X 2-1/2"
19	K40003	LOCK NUT	3		
20	A24106	BAR	1	- 1981	(SUB A40423) DRILL FOR 6W, 8N
20	A40423	BAR	1		DRILL FOR 6W, 8N
20	A24107	BAR	1		DRILL FOR 8W
20	A24108	BAR	1		DRILL FOR 12N
21	11H218	COTTER PIN	2		3/16" X 1-1/2"
22	A54317	BAR	1		(SUB FOR A25375) CUT TO 11" FROM END WITH TWO HOLES
23	AA22584	ARM	1		
24	B30967	BUSHING	3		
25	B30969	IDLER	3		
26	24H1219	WASHER	4		7/16" X 1" X 0.083"
27	03H1268	BOLT	12		5/16" X 3/4"
27	12H303	LOCK WASHER	12		5/16"
27	14H785	NUT	12		5/16"
28	A24957	CHAIN SPROCKET	1	- 064400	(SUB AA26802) 15-TOOTH
28	AA26802	CHAIN SPROCKET	1		(SUB AA63005) 30-TOOTH
29	A25010	PANEL	1	1978-	ALSO SHOWN IN SECTION 090
30	A25011	PANEL	1	1978-	ALSO SHOWN IN SECTION 090
31	AA22613	PANEL	1	1978-	WITH SPACER AND NUT, L.H.; ALSO SHOWN IN SECTION 090
32A	A27962	CHAIN SPROCKET	1	- 1983	(SUB AA31490)
32B	AA31490	CHAIN SPROCKET	1		(SUB AA63007)
33	AP19995	CHAIN LINK	5		25 MM (1") ROLLER CHAIN

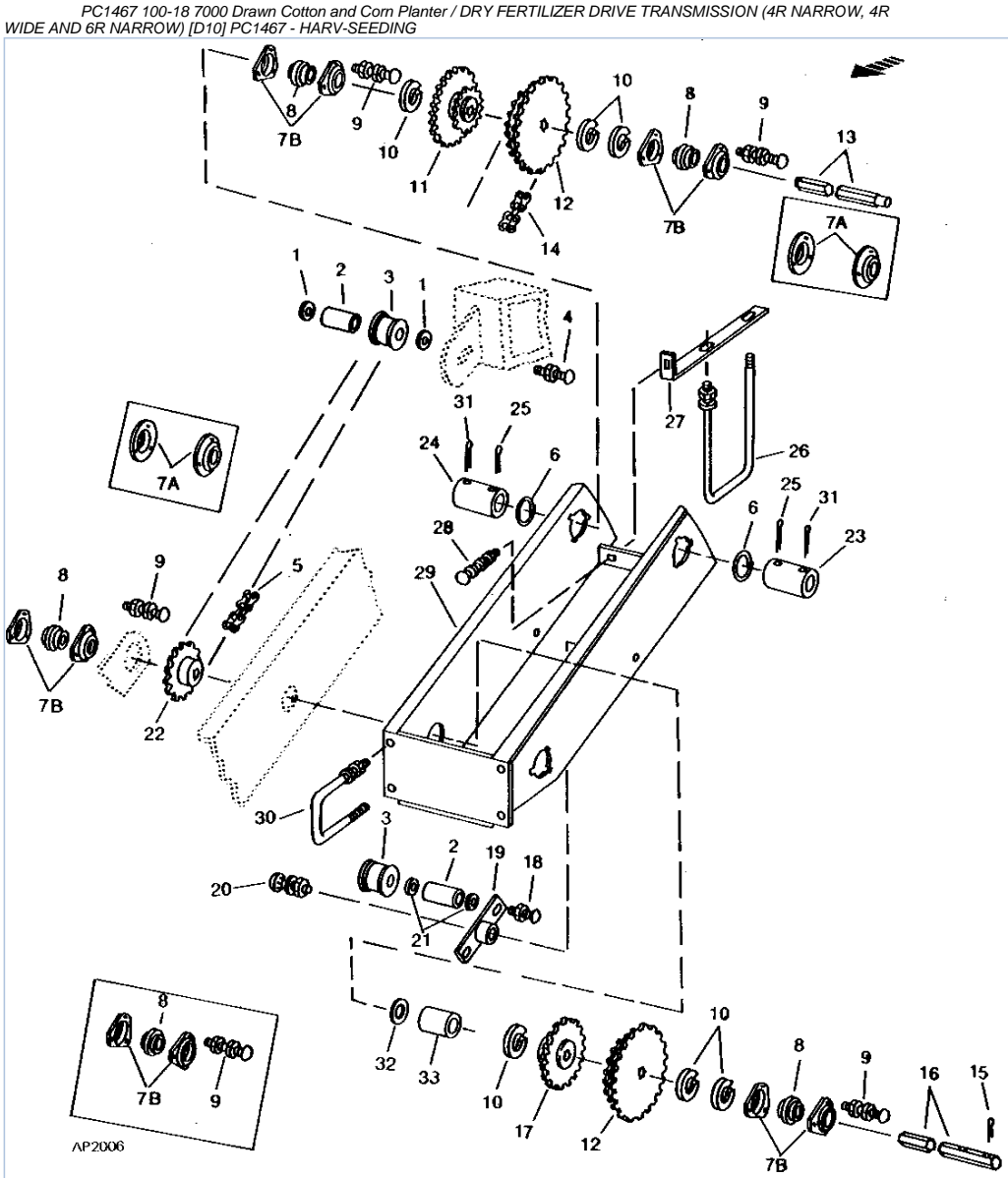
34	03H1480	BOLT	1	3/8" X 1-1/4"
35	A24697	ADJUSTING STRAP	1	
36	CHAIN SPROCKET	1	EXTENDED DRILLING DISTANCE ATTACHMENT



Список деталей

PC1467 100-16 7000 Drawn Cotton and Corn Planter / SEED DRIVE TRANSMISSION (8R NARROW SPLIT ROW PLANTING ATTACHMENT) [D08] PC1467 - HARV-SEEDING

КН.	№ ДЕТАЛИ	НАИМ. ДЕТАЛИ	К-ВО	SERIAL NO. OR YEAR	ПРИМЕЧАНИЯ
1	11H218	COTTER PIN	4		3/16" X 1-1/2"
2	A47866	BAR	1		14.3 MM X 405 MM (9/16" X 16") L.H. OUTSIDE
3	24H1465	WASHER	3		1-3/32" X 1-3/4" X 0.060"
4	A31800	PRESSED FLANGED HOUSING	8	1985	(SUB H103264)
4	H103264	PRESSED FLANGED HOUSING	8		
5	AA22097	BALL BEARING	4		
6	A54317	BAR	1		(SUB FOR A25375) LOWER DRIVE, CUT TO 11" FROM END WITH TWO HOLES
7	03H1512	BOLT	3		3/8" X 2-1/2"
7	K40003	LOCK NUT	3		9.525 MM (3/8")
8	03H1268	BOLT	12		5/16" X 3/4"
8	12H303	LOCK WASHER	12		5/16"
8	14H785	NUT	12		5/16"
9	AA27119	TRANSMISSION	1		
10	A23183	BUSHING	1		
11	A20337	SPACER	8		
12	AA21483	ROLLER CHAIN	1	1988-	(ASSEMBLE FROM AP22462, AP19995 AND AP19993) ROLLER, TYPE 2040, 25 MM (1") DOUBLE PITCH, 44 LINKS
13	AA26802	CHAIN SPROCKET	1		(SUB AA63005) 30-TOOTH
13	AA63005	DRIVE SPROCKET	1		
14	AA26795	CHAIN SPROCKET	2		(SUB AA62992) 22- AND 26-TOOTH
14	AA62992	DRIVE SPROCKET	2		
15	AA21484	ROLLER CHAIN	1	1988-	(ASSEMBLE FROM AP22462 AND AP19993) ROLLER, TYPE 2040, 25 MM (1") DOUBLE PITCH, 38 LINKS
16	AA26805	CHAIN SPROCKET	2		(SUB A79478) 14-TOOTH
17	AA26794	CHAIN SPROCKET	1		(SUB AA62991) 16- AND 30-TOOTH
17	AA62991	DRIVE SPROCKET	1		
18	AA26796	CHAIN SPROCKET	1		(SUB AA62993) 18- AND 28-TOOTH
18	AA62993	DRIVE SPROCKET	1		
19	A22561	U-BOLT	2		
19	14H1039	NUT	4		5/8"
20	19H1731	CAP SCREW	3		3/8" X 1"
20	12H304	LOCK WASHER	3		3/8"
20	14H1076	NUT	3		3/8"
21	A22953	BAR	1		14.275 X 4 212.590 MM (9/16" X 165.850") L.H. INSIDE
22	A22390	DRIVER	2		
23	11H222	COTTER PIN	4		3/16" X 2"
24	A39743	BUSHING	2		
25	11H211	COTTER PIN	8		1/8" X 3/4"
26	B14949	PIN FASTENER	4		6.350 X 56.134 MM (1/4" X 2.210")
27	AA27594	BRACKET	1		
28	22H855	SET SCREW	1		1/2" X 7/8"
29	24H1219	WASHER	4		7/16" X 1" X 0.083"
30	AA22584	ARM	1		
31	B30967	BUSHING	3		
32	B30969	IDLER	3		
33	A54318	BAR	1		(SUB FOR A39744) (ALSO ORDER (2) 11M7071) CUT TO LENGTH AND ENLARGE HOLE
34	24H1465	WASHER	3		1-3/32" X 1-3/4" X 0.060"
35	AA31490	CHAIN SPROCKET	1		(SUB AA63007) 50-TOOTH
35	AA63007	DRIVE SPROCKET	1		
36	LINK CHAIN	1		(ASSEMBLE FROM AP22462, AP19995 AND AP19993) ROLLER, TYPE 2040, 25 MM (1") DOUBLE PITCH, 5 LINKS
37	03H1658	BOLT	1		3/8" X 2-1/4", USED TO STORE KEY 13 WHEN EXTENDED DRILLING DISTANCE ATTACHMENT IS USED
37	24H1314	WASHER	1		13/32" X 1-3/4" X 7/64"
37	K40003	LOCK NUT	1		9.525 MM (3/8")
38	CHAIN SPROCKET	1		EXTENDED DRILLING DISTANCE ATTACHMENT



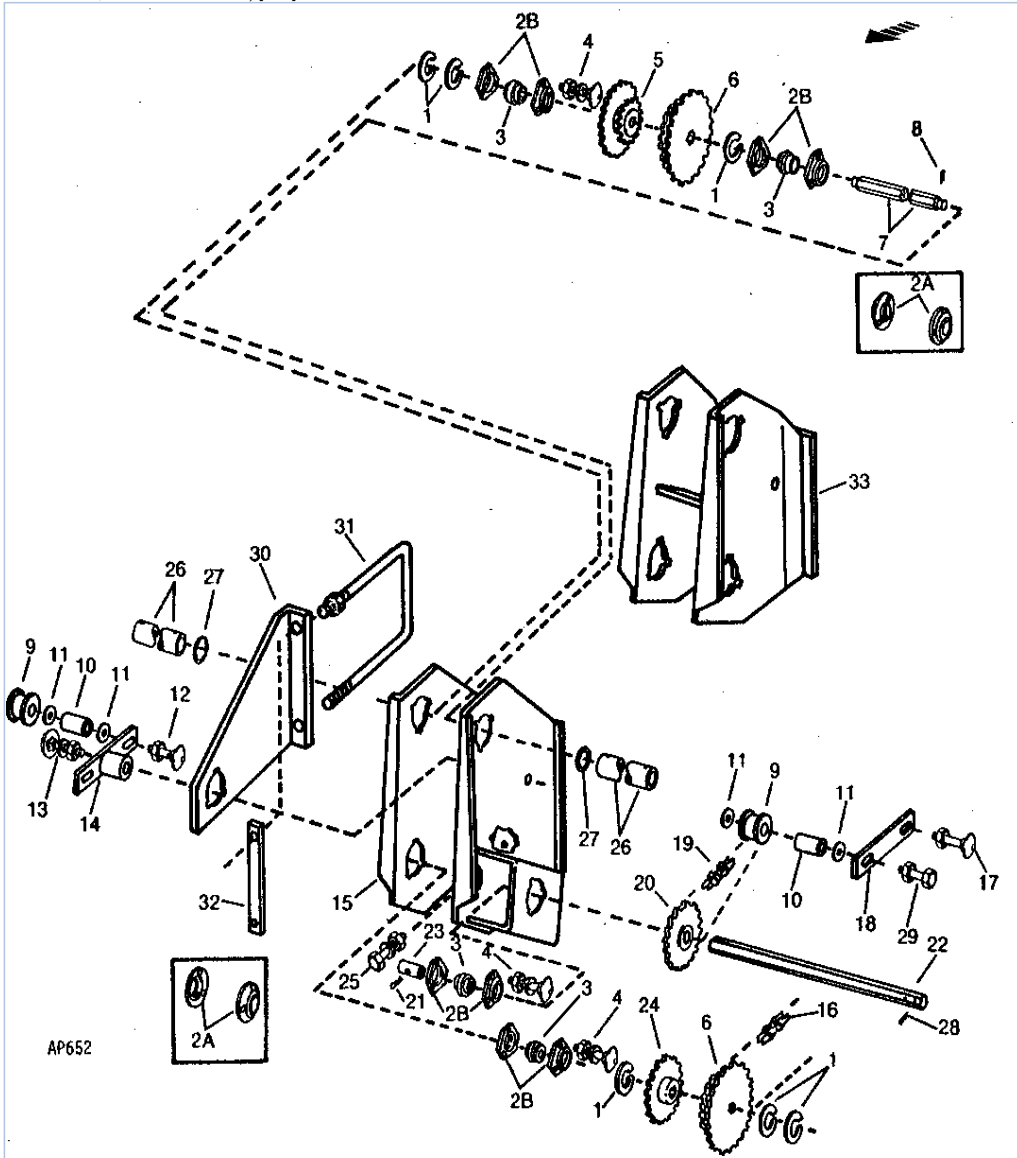
Список деталей

PC1467 100-18 7000 Drawn Cotton and Corn Planter / DRY FERTILIZER DRIVE
TRANSMISSION (4R NARROW, 4R WIDE AND 6R NARROW) [D10] PC1467 - HARV-SEEDING

КН.	№ ДЕТАЛИ	НАИМ. ДЕТАЛИ	К-ВО	SERIAL NO. OR YEAR	ПРИМЕЧАНИЯ
1	24H1219	WASHER	2		7/16" X 1" X 0.083"
2	B30967	BUSHING	3		
3	B30969	IDLER	3		
4	03H1512	BOLT	1		3/8" X 2-1/2"
4	K40003	LOCK NUT	1		9.525 MM (3/8")
5	AA21483	ROLLER CHAIN	1		(ASSEMBLE FROM AP22462 AND AP19993) ROLLER, TYPE 2040, 25 MM (1") DOUBLE PITCH, 44 LINKS
6	B10718	RETAINER	4		FOR 4N, 4W
6	B10718	RETAINER	6		FOR 6N
7A	B32429	FLANGE	10	- 1976	(SUB A31800)
7B	A31800	PRESSED FLANGED HOUSING	10	- 1978	(SUB H103264)
7B	A31800	PRESSED FLANGED HOUSING	8	- 1978	(SUB H103264)
7B	H103264	PRESSED FLANGED HOUSING	10		
7B	H103264	PRESSED FLANGED HOUSING	8		
8	AA22097	BALL BEARING	5	1978-	
8	AA22097	BALL BEARING	4	1978-	
9	03H1268	BOLT	15	- 1978	5/16" X 3/4"
9	03H1268	BOLT	12	1978-	5/16" X 3/4"
9	12H303	LOCK WASHER	12		5/16"
9	14H785	NUT	12		5/16"
10	A20337	SPACER	6		
11	A24942	CHAIN SPROCKET	1	- 064400	(SUB AA26794) 8- AND 15-TOOTH
11	AA26794	CHAIN SPROCKET	1		(SUB AA62991) 16- AND 30-TOOTH
11	AA62991	DRIVE SPROCKET	1		
12	A24959	CHAIN SPROCKET	2	- 064400	(SUB AA26797) 9- AND 18-TOOTH
12	AA26797	CHAIN SPROCKET	1	064401-	(SUB AA62994) 18- AND 36-TOOTH
12	AA62994	DRIVE SPROCKET	1		
13	A24010	SHAFT	1		221 MM (8-11/16")
14	AA21523	LINK CHAIN	1	1988-	(ASSEMBLE FROM AP22462 AND AP19993) ROLLER, TYPE 2040, 25 MM (1") DOUBLE PITCH, 50 LINKS
15	11H218	COTTER PIN	2		3/16" X 1-1/2"
16	A24083	TOOLBAR	1		356 MM (14") FOR 4N, 4W
16	A24084	TOOLBAR	1		762 MM (30") FOR 6N
17	A24961	CHAIN SPROCKET	1	- 064400	(SUB AA26801) 12-TOOTH
17	AA26801	CHAIN SPROCKET	1	064401-	(SUB A79476) 24-TOOTH
18	03H1512	BOLT	2		3/8" X 2-1/2"
18	K40003	LOCK NUT	2		9.525 MM (3/8")
19	AA22604	ARM	1		
20	03H1596	BOLT	1		1/2" X 3"
20	24H1346	WASHER	1		17/32" X 1-3/4" X 0.120"
20	12H301	LOCK WASHER	1		1/2"
20	14H1040	NUT	1		1/2"
20	12H337	LOCK WASHER	1		1/2"
21	24H1219	WASHER	4		7/16" X 1" X 0.083"
22	A24960	CHAIN SPROCKET	1	- 064400	(SUB AA26800) 10-TOOTH
22	AA26800	CHAIN SPROCKET	1		(SUB A79475) 20-TOOTH
23	A24007	BUSHING	1		55 MM (2-3/16") FOR 4W
23	A24006	BUSHING	1		68 MM (2-11/16") FOR 6N
24	A24009	PIPE	1		650 MM (25-9/16") FOR 4W
24	A24006	BUSHING	1		68 MM (2-11/16") FOR 6N
25	11H218	COTTER PIN	2		3/16" X 1-1/2"
26	A24068	BOLT	1		
26	24H1341	WASHER	2		17/32" X 15/16" X 0.060"
26	14H1040	NUT	2		1/2"
27	A24064	BRACE	1		
28	03H1480	BOLT	1		3/8" X 1-1/4"

28	24H1219	WASHER	1		7/16" X 1" X 0.083"
28	12H304	LOCK WASHER	1		3/8"
28	14H1076	NUT	1		3/8"
29	AA22690	HOUSING	1	1975-	(SUB AA25254)
29	AA25254	HOUSING	1	1977-	(SUB AA26819, 24H1197 AND 28H1643)
29	AA26819	HOUSING	1		
30	A24071	U-BOLT	2		
30	12H304	LOCK WASHER	4		3/8"
30	14H1076	NUT	4		3/8"
31	11H215	COTTER PIN	2		1/4" X 1-1/2"
32	24H1197	WASHER	1	1978-	1-1/16" X 2-1/2" X 0.164"
33	28H1643	BUSHING	1	1978-	1.049" X 1.315" X 3/8"

PC1467 100-20 7000 Drawn Cotton and Corn Planter / DRY FERTILIZER DRIVE TRANSMISSION (6R WIDE, 8R WIDE, 8R NARROW, AND 12R NARROW) [D12] PC1467 - HARV-SEEDING

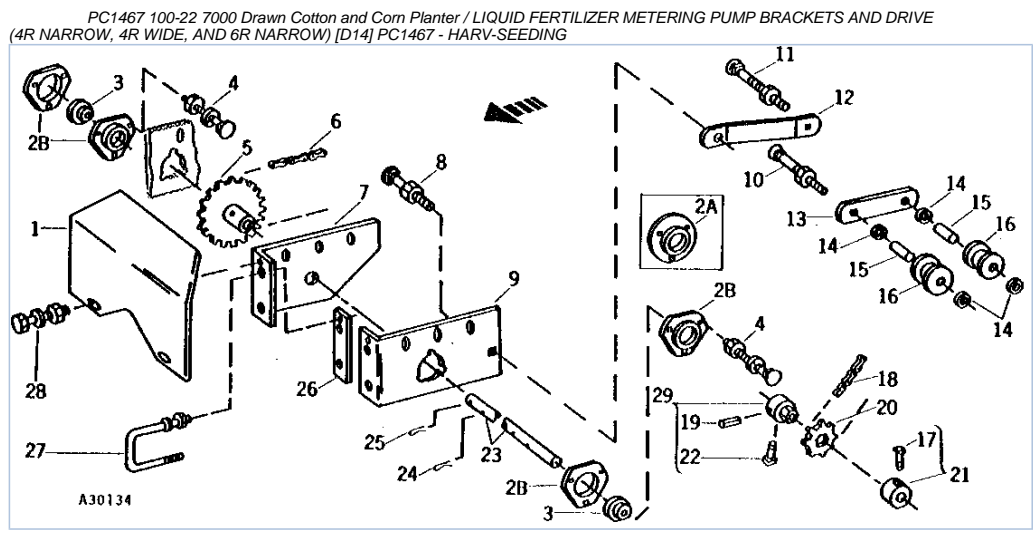


Список деталей

PC1467 100-20 7000 Drawn Cotton and Corn Planter / DRY FERTILIZER DRIVE
TRANSMISSION (6R WIDE, 8R WIDE, 8R NARROW, AND 12R NARROW) [D12] PC1467 - HARV-SEEDING

КН.	№ ДЕТАЛИ	НАИМ. ДЕТАЛИ	К-ВО	SERIAL NO. OR YEAR	ПРИМЕЧАНИЯ
1	A20337	SPACER	6		
2A	B32429	FLANGE	8	_____ - 1976	(SUB A31800)
2B	A31800	PRESSED FLANGED HOUSING	8	_____ - 1985	(SUB H103264)
2B	H103264	PRESSED FLANGED HOUSING	8		
3	AA22097	BALL BEARING	4		
4	03H1268	BOLT	12		5/16" X 3/4"
4	12H303	LOCK WASHER	12		5/16"
4	14H785	NUT	12		5/16"
5	A24942	CHAIN SPROCKET	1	_____ - 064400	(SUB AA26794) 8- AND 15-TOOTH
5	AA26794	CHAIN SPROCKET	1		(SUB AA62991) 16- AND 30-TOOTH
5	AA62991	DRIVE SPROCKET	1		
6	A24959	CHAIN SPROCKET	1	_____ - 064400	(SUB AA26797) 9- AND 18-TOOTH
6	AA26797	CHAIN SPROCKET	1		(SUB AA62994) 18- AND 36-TOOTH
6	AA62994	DRIVE SPROCKET	1		
7	A24010	SHAFT	1		221 MM (8-11/16")
8	11H218	COTTER PIN	2		3/16" X 1-1/2"
9	B30969	IDLER	3		
10	B30967	BUSHING	3		
11	24H1219	WASHER	6		7/16" X 1" X 0.083"
12	03H1512	BOLT	2		3/8" X 2-1/2"
12	14H1076	NUT	2		3/8"
13	03H1596	BOLT	1		1/2" X 3"
13	24H1346	WASHER	1		17/32" X 1-3/4" X 0.120"
13	12H301	LOCK WASHER	1		1/2"
13	14H1040	NUT	1		1/2"
13	12H337	LOCK WASHER	1		1/2"
14	AA22604	ARM	1		
15	AA22687	HOUSING	1		FOR 8N, 8W, 12N
16	LINK CHAIN	1		(ASSEMBLE FROM AP22462, AP19993, AP19994 AND AP19998) ROLLER, TYPE 2040, 25 MM (1") DOUBLE PITCH, 37 LINKS
17	03H1519	BOLT	1		3/8" X 1"
17	14H1076	NUT	1		3/8"
18	A24697	ADJUSTING STRAP	1		
19	LINK CHAIN	1		(ASSEMBLE FROM AP22462, AP19993 AND AP19995) ROLLER, TYPE 2040, 25 MM (1") DOUBLE PITCH, 39 LINKS
20	A24960	CHAIN SPROCKET	1	_____ - 064400	(SUB AA26800) 10-TOOTH
20	AA26800	CHAIN SPROCKET	1		(SUB A79475) 20-TOOTH
20	A79475	DRIVE SPROCKET	1		
21	11H218	COTTER PIN	2	_____ - 1974	3/16" X 1-1/2"
21	11H218	COTTER PIN	2	1974-	3/16" X 1-1/2"
22	A25125	BAR	1		305 MM (12") FOR 8N, 8W, 12N
22	A31803	BAR	1		695 MM (27-27/64") FOR 6W
23	A26185	BUSHING	1		
24	A24961	CHAIN SPROCKET	1	_____ - 064400	(SUB AA26801) 12-TOOTH
24	AA26801	CHAIN SPROCKET	1		(SUB A79476) 24-TOOTH
24	A79476	DRIVE SPROCKET	1		
25	19H1815	CAP SCREW	4		1/2" X 1-1/4"
25	12H301	LOCK WASHER	4		1/2"
25	14H1040	NUT	4		1/2"
26	A25141	SPACER	2		(B) 289 MM (11-3/8") FOR 8N
26	A25141	SPACER	2		(C) 289 MM (11-3/8") FOR 8W
26	A25403	LOCKING COLLAR	2		(C) 349 MM (13-3/4") FOR 8W
26	A31851	LOCKING COLLAR	1		(A) 125 MM (4-31/32") FOR 6W
26	A31849	PIPE	1		(A) 645 MM (25-13/32") FOR 6W
27	B10718	RETAINER	2		
28	11H222	COTTER PIN	1	_____ - 1974-	3/16" X 2"
29	19H1733	CAP SCREW	1		3/8" X 2-1/2"
29	14H1076	NUT	1		3/8"

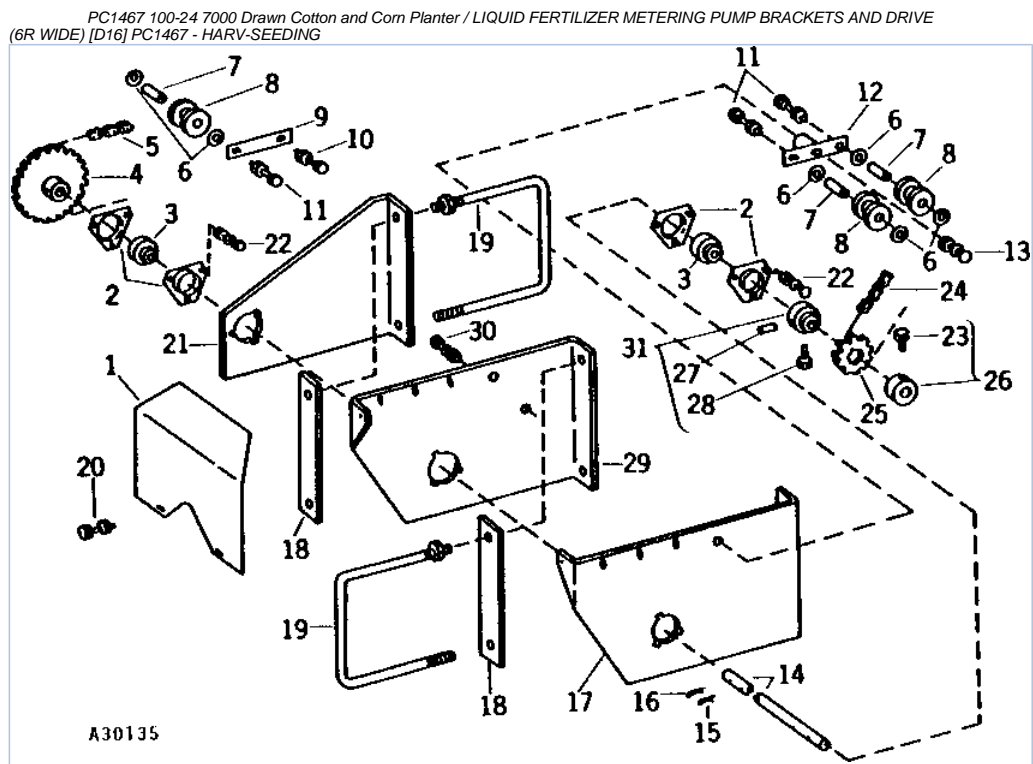
30	A31618	BRACKET	1	(A) FOR 6W
31	A22561	U-BOLT	3	(A) FOR 6W
31	14H1039	NUT	6	(A) 5/8", FOR 6W
32	A27480	STRAP	3	(A) FOR 6W
33	AA25700	HOUSING	1	(A) FOR 6W



Список деталей

PC1467 100-22 7000 Drawn Cotton and Corn Planter / LIQUID FERTILIZER METERING
PUMP BRACKETS AND DRIVE (4R NARROW, 4R WIDE, AND 6R NARROW) [D14] PC1467 - HARV-SEEDING

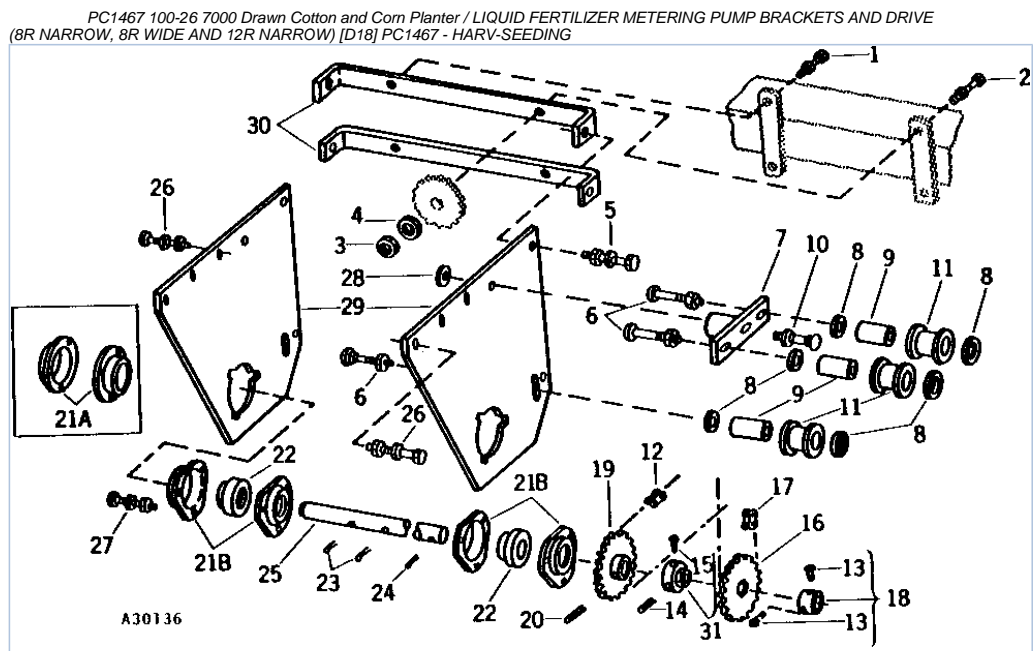
КН.	№ ДЕТАЛИ	НАИМ. ДЕТАЛИ	К-ВО	SERIAL NO. OR YEAR	ПРИМЕЧАНИЯ
1	A24609	SHIELD	1		
2A	B32429	FLANGE	4	_____ - 1976	(SUB A31800)
2B	A31800	PRESSED FLANGED HOUSING	4	_____ - 1985	(SUB H103264)
2B	H103264	PRESSED FLANGED HOUSING	4		
3	AA22099	BALL BEARING	2		
4	03H1268	BOLT	6		5/16" X 3/4"
4	12H303	LOCK WASHER	6		5/16"
4	14H785	NUT	6		5/16"
5	A24965	CHAIN SPROCKET	1	_____ - 064400	(SUB AA26806) 18-TOOTH
5	AA26806	CHAIN SPROCKET	1		(SUB AA63006) 36-TOOTH
5	AA63006	DRIVE SPROCKET	1		
6	LINK CHAIN	1		(ASSEMBLE FROM AP22462, AP19993 AND AP19995) ROLLER, TYPE 2040, 25 MM (1") DOUBLE PITCH, 47 LINKS
7	A24966	PLATE	1		
8	03H1519	BOLT	1		3/8" X 1"
8	K40003	LOCK NUT	1		9.525 MM (3/8")
9	A24613	PLATE	1		
10	03H1512	BOLT	1		3/8" X 2-1/2"
10	K40003	LOCK NUT	1		9.525 MM (3/8")
11	03H2133	BOLT	1		3/8" X 2-3/4"
11	K40003	LOCK NUT	1		9.525 MM (3/8")
12	A24611	ARM	1		
13	A24738	EXTENSION	1		
14	24H1341	WASHER	4		17/32" X 15/16" X 0.060"
15	B30967	BUSHING	2		
16	B30969	IDLER	2		
17	22H817	SET SCREW	3		3/8" X 3/4"
18	LINK CHAIN	1		(ASSEMBLE FROM AP22462, AP19993, AP19994 AND AP19998) ROLLER, TYPE 2040, 25 MM (1") DOUBLE PITCH, 37 LINKS
19	B31406	SPRING PIN	1	_____ - 1977	
19	34H344	SPRING PIN	1	_____ - 1977	5/16" X 3-3/4"
20	B31425	DRIVE SPROCKET	1		8-TOOTH
20	A24937	DRIVE SPROCKET	1		9-TOOTH
20	B31426	DRIVE SPROCKET	1		10-TOOTH
20	B31427	DRIVE SPROCKET	1		15-TOOTH
20	A24936	DRIVE SPROCKET	1		20-TOOTH
20	A24935	CHAIN SPROCKET	1		22-TOOTH
21	AB18604	RETAINER	1	_____ - 1975	(SUB AA23706)
21	AA23706	RETAINER	1		
22	22H844	SET SCREW	1	_____ - 1978	3/8" X 1/2"
23	A24612	DRIVE SHAFT	1		FOR 6N
23	A31012	DRIVE SHAFT	1	_____ - 1975	FOR 4N, 4W
24	11H250	COTTER PIN	1		1/4" X 2-1/2"
25	11H249	COTTER PIN	2		1/4" X 2"
26	A24610	STRAP	2		
27	A24071	U-BOLT	2		
27	12H304	LOCK WASHER	4		3/8"
27	14H1076	NUT	4		3/8"
28	19H1948	CAP SCREW	2		1/4" X 3/4"
28	12H302	LOCK WASHER	2		1/4"
28	14H786	NUT	2		1/4"
29	AB18603	ADAPTER FITTING	1		



Список деталей

PC1467 100-24 7000 Drawn Cotton and Corn Planter / LIQUID FERTILIZER METERING
PUMP BRACKETS AND DRIVE (6R WIDE) [D16] PC1467 - HARV-SEEDING

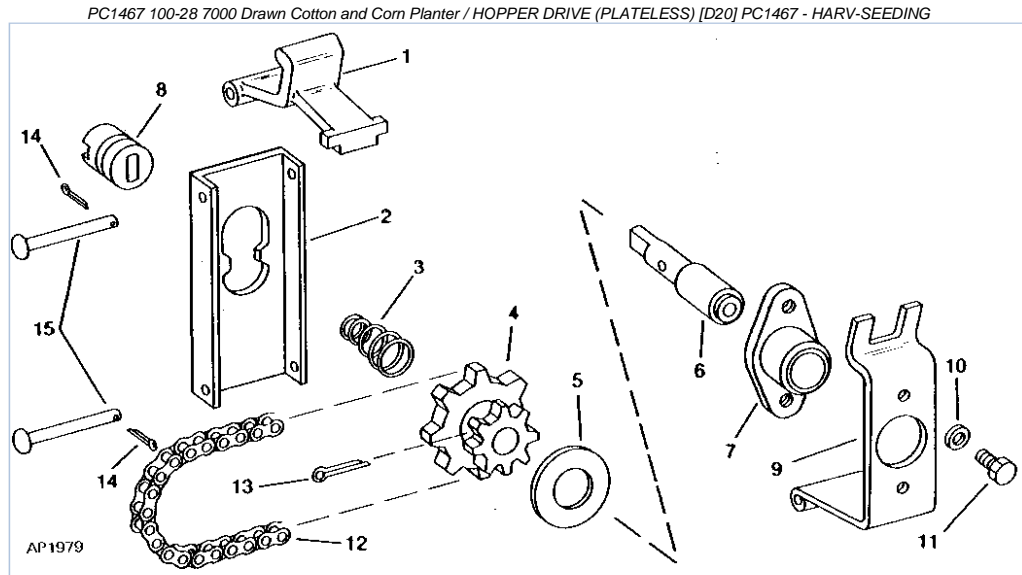
КН.	№ ДЕТАЛИ	НАИМ. ДЕТАЛИ	К-ВО	SERIAL NO. OR YEAR	ПРИМЕЧАНИЯ
1	A24609	SHIELD	1		
2	A31800	PRESSED FLANGED HOUSING	4	_____ - 1985	(SUB H103264)
2	H103264	PRESSED FLANGED HOUSING	4		
3	AA22099	BALL BEARING	2		
4	A24965	CHAIN SPROCKET	1	_____ - 064400	(SUB AA26806) 18-TOOTH
4	AA26806	CHAIN SPROCKET	1		(SUB AA63006) 36-TOOTH
4	AA63006	DRIVE SPROCKET	1		
5	LINK CHAIN	1		(ASSEMBLE FROM AP22462, AP19993 AND AP19995) ROLLER, TYPE 2040, 25 MM (1") DOUBLE PITCH, 43 LINKS
6	24H1219	WASHER	6		7/16" X 1" X 0.083"
7	B30967	BUSHING	3		
8	B30969	IDLER	3		
9	A24697	ADJUSTING STRAP	1		
10	03H1519	BOLT	1		3/8" X 1"
10	K40003	LOCK NUT	1		
11	03H1512	BOLT	3		3/8" X 2-1/2"
11	K40003	LOCK NUT	3		
12	AA22604	ARM	1		
13	03H1596	BOLT	1		1/2" X 3"
13	24H1254	WASHER	1		17/32" X 1-1/8" X 0.105"
13	K40014	LOCK NUT	1		
14	A31617	DRIVE SHAFT	1		
15	11H250	COTTER PIN	1		1/4" X 2-1/2"
16	11H249	COTTER PIN	2		1/4" X 2"
17	A31620	PLATE	1		
18	A27480	STRAP	3		
19	A22561	U-BOLT	3		
19	14H1039	NUT	6		5/8"
20	19H1948	CAP SCREW	2		1/4" X 3/4"
20	14H786	NUT	2		1/4"
21	A31618	BRACKET	1		
22	03H1268	BOLT	6		5/16" X 3/4"
22	12H303	LOCK WASHER	6		5/16"
22	14H785	NUT	6		5/16"
23	22H817	SET SCREW	3		3/8" X 3/4"
24	LINK CHAIN	1		(ASSEMBLE FROM AP22462, AP19993 AND AP19995) ROLLER, TYPE 2040, 24 MM (1") DOUBLE PITCH, 41 LINKS
25	B31425	DRIVE SPROCKET	1		8-TOOTH
25	A24937	DRIVE SPROCKET	1		9-TOOTH
25	B31426	DRIVE SPROCKET	1		10-TOOTH
25	B31427	DRIVE SPROCKET	1		15-TOOTH
25	A24935	CHAIN SPROCKET	1		22-TOOTH
25	A24936	DRIVE SPROCKET	1		20-TOOTH
26	AA23706	RETAINER	1		
27	B31406	SPRING PIN	1	_____ - 1977	
27	34H344	SPRING PIN	1	1977-	5/16" X 3-3/4"
28	22H844	SET SCREW	1	1978-	3/8" X 1/2"
29	A31619	PLATE	1		
30	19H2469	CAP SCREW	2		1/2" X 2-1/4"
30	24H1346	WASHER	2		17/32" X 1-3/4" X 0.120"
30	14H1040	NUT	2		1/2"
31	AB18603	ADAPTER FITTING	1		WITH SPRING AND SET SCREW



Список деталей

PC1467 100-26 7000 Drawn Cotton and Corn Planter / LIQUID FERTILIZER METERING
PUMP BRACKETS AND DRIVE (8R NARROW, 8R WIDE AND 12R NARROW) [D18] PC1467 - HARV-SEEDING

КН.	№ ДЕТАЛИ	НАИМ. ДЕТАЛИ	К-ВО	SERIAL NO. OR YEAR	ПРИМЕЧАНИЯ
1	19H1921	CAP SCREW	3		5/16" X 3-1/4"
1	14H1040	NUT	3		1/2"
2	19H2469	CAP SCREW	1		1/2" X 2-1/4"
2	14H1040	NUT	1		1/2"
3	14H1040	NUT	1		1/2"
4	24H1346	WASHER	1		17/32" X 1-3/4" X 0.120"
5	19H1731	CAP SCREW	4		3/8" X 1"
5	12H304	LOCK WASHER	4		3/8"
5	14H1076	NUT	4		3/8"
6	03H1512	BOLT	3		3/8" X 2-1/2"
6	K40003	LOCK NUT	3		9.525 MM (3/8")
7	AA22604	ARM	1		
8	24H1305	WASHER	6		13/32" X 13/16" X 0.065"
9	B30967	BUSHING	3		
10	03H1596	BOLT	1		1/2" X 3"
10	K40014	LOCK NUT	1		12.700 MM (1/2")
11	B30969	IDLER	3		
12	LINK CHAIN	1		(ASSEMBLE FROM AP22462 AND AP19993) ROLLER, TYPE 2040, 25 MM (1") DOUBLE PITCH, 38 LINKS
13	22H817	SET SCREW	2		3/8" X 3/4"
14	B31406	SPRING PIN	1	- 1977	
14	34H344	SPRING PIN	1	1977-	5/16" X 3-3/4"
15	22H844	SET SCREW	1	1978-	3/8" X 1/2"
16	B31425	DRIVE SPROCKET	1		8-TOOTH
16	A24937	DRIVE SPROCKET	1		9-TOOTH
16	B31426	DRIVE SPROCKET	1		10-TOOTH
16	B31427	DRIVE SPROCKET	1		15-TOOTH
16	A24936	DRIVE SPROCKET	1		20-TOOTH
16	A24935	CHAIN SPROCKET	1		22-TOOTH
17	LINK CHAIN	1		(ASSEMBLE FROM AP22462, AP19995 AND AP19993) ROLLER, TYPE 2040, 25 MM (1") DOUBLE PITCH, 47 LINKS
18	AA23706	RETAINER	1		
19	A24965	CHAIN SPROCKET	1	- 064400	(SUB AA26806) 18-TOOTH
19	AA26806	CHAIN SPROCKET	1		(SUB AA63006) 36-TOOTH
19	AA63006	DRIVE SPROCKET	1		
20	B31406	SPRING PIN	1	- 1977	
20	34H344	SPRING PIN	1	1977-	5/16" X 3-3/4"
21A	B32429	FLANGE	4	- 1976	(SUB A31800)
21B	A31800	PRESSED FLANGED HOUSING	4	- 1985	(SUB H103264)
21B	H103264	PRESSED FLANGED HOUSING	4		
22	AA22099	BALL BEARING	2		
23	11H249	COTTER PIN	2		1/4" X 2"
24	11H250	COTTER PIN	1		1/4" X 2-1/2"
25	A25169	DRIVE SHAFT	1		
26	19H1732	CAP SCREW	6		3/8" X 1-1/4"
26	12H304	LOCK WASHER	6		3/8"
26	14H1076	NUT	6		3/8"
27	03H1268	BOLT	6		5/16" X 3/4"
27	12H303	LOCK WASHER	6		5/16"
27	14H785	NUT	6		5/16"
28	24H1254	WASHER	1		17/32" X 1-1/8" X 0.105"
29	A25170	PLATE	2		
30	A26052	SPACER	2		
31	AB18603	ADAPTER FITTING	1		

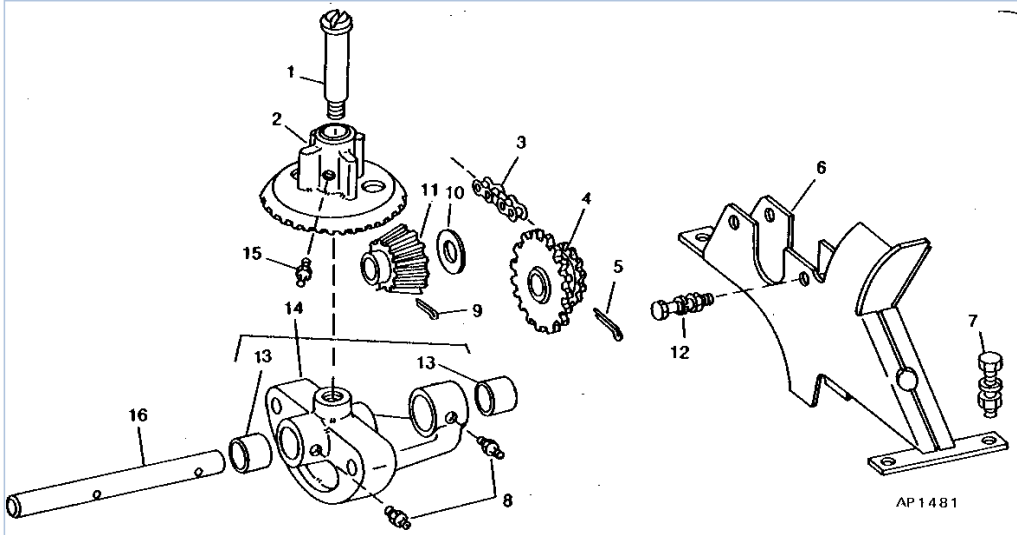


Список деталей
PC1467 - HARV-SEEDING

PC1467 100-28 7000 Drawn Cotton and Corn Planter / HOPPER DRIVE (PLATELESS) [D20]

КН.	№ ДЕТАЛИ	НАИМ. ДЕТАЛИ	К-ВО	SERIAL NO. OR YEAR	ПРИМЕЧАНИЯ
1	A25447	HANDLE	1		
2	A25072	LEVER	1		
3	B27397	COMPRESSION SPRING	1		
4	AA23155	CHAIN SPROCKET	1	- 064400	(A) (SUB A34737) 19-TOOTH
4	A34737	CHAIN SPROCKET	1		(A) 19-TOOTH
4	AA23066	CHAIN SPROCKET	1	- 064400	(B) (SUB AA27146) 19- AND 11-TOOTH (ILLUSTRATED)
4	AA27146	CHAIN SPROCKET	1		(B) 19- AND 11-TOOTH (ILLUSTRATED)
4	AA25750	CHAIN SPROCKET	1		17- AND 11-TOOTH; INCREASES RATE 12 PERCENT
4	AA25751	CHAIN SPROCKET	1		15- AND 11-TOOTH; INCREASES RATE 27 PERCENT
5	24H1368	WASHER	1		21/32" X 1-5/16" X 0.090"
6	AA22273	BALL BEARING	1		
7	A24485	HOUSING	1		
8	A24484	BUSHING	1		
9	A25073	SUPPORT	1		
10	12H303	LOCK WASHER	2		5/16"
11	19H1813	CAP SCREW	2		5/16" X 5/8"
12	AA20978	ROLLER CHAIN	1	1988-	(ASSEMBLE FROM AP22458 AND P28535) ROLLER, TYPE 41, 13 MM (1/2") PITCH 98 LINKS
13	11H241	COTTER PIN	1		5/32" X 2"
14	11H211	COTTER PIN	2		1/8" X 3/4"
15	A25068	PIN FASTENER	2		6.350 X 66.675 MM (1/4" X 2-5/8")

PC1467 100-29 7000 Drawn Cotton and Corn Planter / HOPPER DRIVE (-064400)(PLATE) [D21] PC1467 - HARV-SEEDING

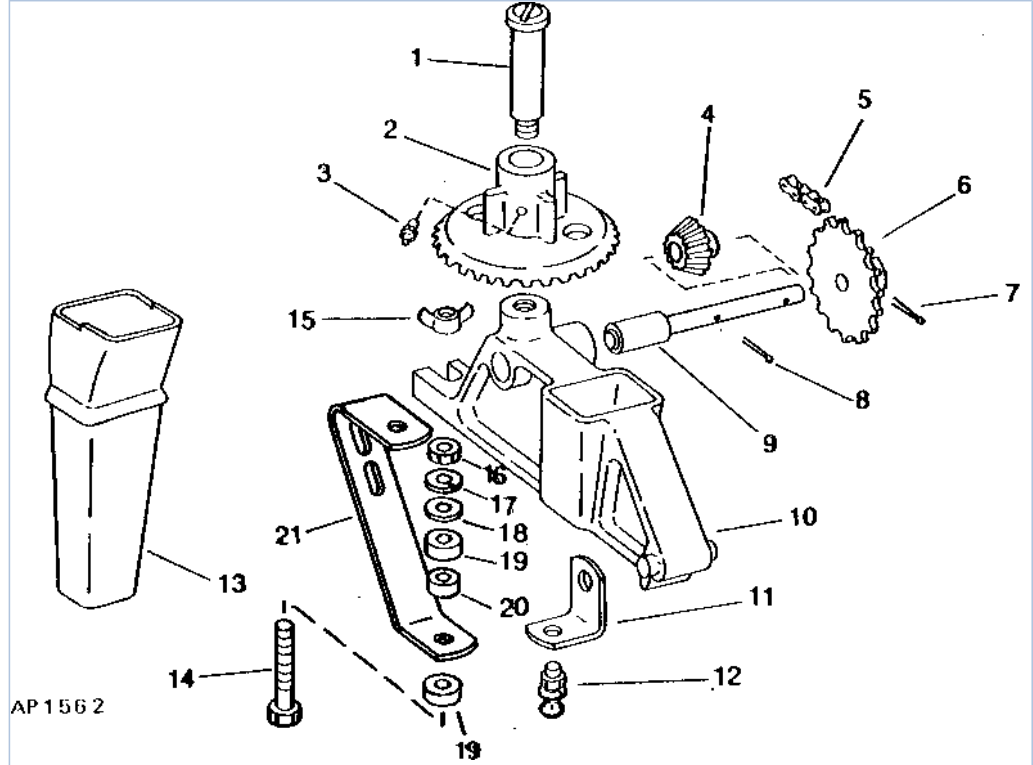


Список деталей
[D21] PC1467 - HARV-SEEDING

PC1467 100-29 7000 Drawn Cotton and Corn Planter / HOPPER DRIVE (-064400)(PLATE)

КН.	№ ДЕТАЛИ	НАИМ. ДЕТАЛИ	К-ВО	SERIAL NO. OR YEAR	ПРИМЕЧАНИЯ
1	B31579	BOLT	1		
2	B15666	GEAR	1		
3	AA20978	ROLLER CHAIN	1	1988- _____	(ASSEMBLE FROM AP22458 AND P28535) ROLLER, TYPE 41, 13 MM (1/2") PITCH, 98 LINKS
3	AP22458	ROLLER CHAIN	1		(SUB SW41X10US)
3	P28535	CHAIN LINK	1		(SUB SW41COUS)
4	AA23155	CHAIN SPROCKET	1	_____- 1978	(A) (SUB A34737) 19-TOOTH
4	AA23066	CHAIN SPROCKET	1	_____- 1979	(B) (SUB AA27146) 11- AND 19-TOOTH (ILLUSTRATED)
4	A34737	CHAIN SPROCKET	1		(A) 19-TOOTH
4	AA27146	CHAIN SPROCKET	1		(B) 19- AND 11-TOOTH
5	11H241	COTTER PIN	1		5/32" X 2"
6	AA22497	SUPPORT	1		
7	19H1731	CAP SCREW	2		3/8" X 1"
7	12H304	LOCK WASHER	2		3/8"
7	14H1076	NUT	2		3/8"
8	JD7765	LUBRICATION FITTING	2		
9	11H284	COTTER PIN	1		7/32" X 1-1/2"
10	24H1368	WASHER	1		21/32" X 1-5/16" X 0.090"
11	A24798	GEAR	1		
12	19H1765	CAP SCREW	2		3/8" X 1-3/4"
12	12H304	LOCK WASHER	2		3/8"
12	14H1076	NUT	2		3/8"
13	C11408	BUSHING	2		
14	AA22740	SUPPORT	1		
15	JD7844	LUBRICATION FITTING	1		
16	A24938	PIN FASTENER	1		15.875 X 180.340 MM (5/8" X 7.100")

PC1467 100-30 7000 Drawn Cotton and Corn Planter / HOPPER DRIVE (064401-)(PLATE) [D22] PC1467 - HARV-SEEDING



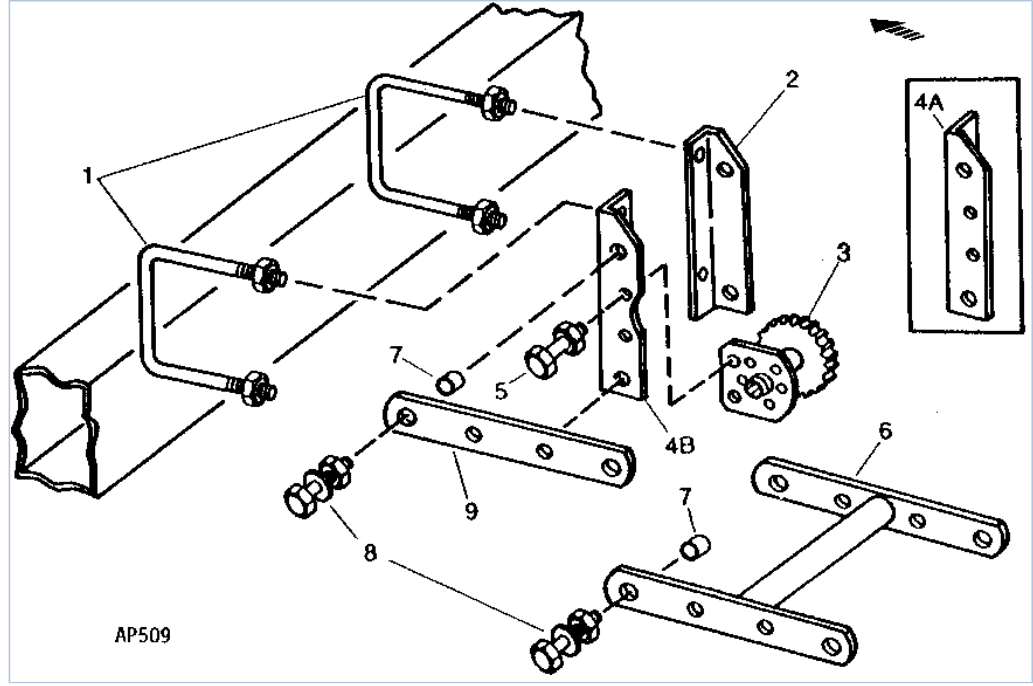
AP 156 2

Список деталей
[D22] PC1467 - HARV-SEEDING

PC1467 100-30 7000 Drawn Cotton and Corn Planter / HOPPER DRIVE (064401-)(PLATE)

КН.	№ ДЕТАЛИ	НАИМ. ДЕТАЛИ	К-ВО	SERIAL NO. OR YEAR	ПРИМЕЧАНИЯ
1	B31579	BOLT	1		
2	B15666	GEAR	1		
3	JD7844	LUBRICATION FITTING	1		
4	A33885	GEAR	1		
5	AA20978	ROLLER CHAIN	1	1988-	(ASSEMBLE FROM AP22458 AND P28535) ROLLER, TYPE 41, 13 MM (1/2") PITCH 98 LINKS
5	AP22458	ROLLER CHAIN	1		(SUB SW41X10US)
5	P28535	CHAIN LINK	1		(SUB SW41COUS)
6	A34737	CHAIN SPROCKET	1		(A) 19-TOOTH
6	AA27146	CHAIN SPROCKET	1		(B) 11- AND 19-TOOTH (ILLUSTRATED)
7	11H241	COTTER PIN	1		5/32" X 2"
8	11H284	COTTER PIN	1		7/32" X 1-1/2"
9	AA26613	BALL BEARING	1		(SUB AA32941)
9	AA32941	BALL BEARING	1		
10	A30790	SUPPORT	1		
11	A33936	ANGLE	2		
12	03H1519	BOLT	2		3/8" X 1"
12	12H304	LOCK WASHER	2		3/8"
12	14H1076	NUT	2		3/8"
13	A31408	TUBE	1		
14	19H2815	CAP SCREW	1		3/8" X 2-1/4"
14	14H1076	NUT	1		3/8"
15	14H827	WING NUT	1		3/8"
16	14H1076	NUT	1		3/8"
17	12H304	LOCK WASHER	1		3/8"
18	24H1307	WASHER	1		13/32" X 1" X 1/16"
19	A24093	WASHER	2		16.662 X 31.750 X 3.175 MM (21/32" X 1-1/4" X 1/8")
20	A24092	BUSHING	1		
21	A25659	BRACKET	1		

PC1467 110-1 7000 Drawn Cotton and Corn Planter / PARALLEL ARMS, UNIT BEARING AND SPROCKET [E04] PC1467
- HARV-SEEDING

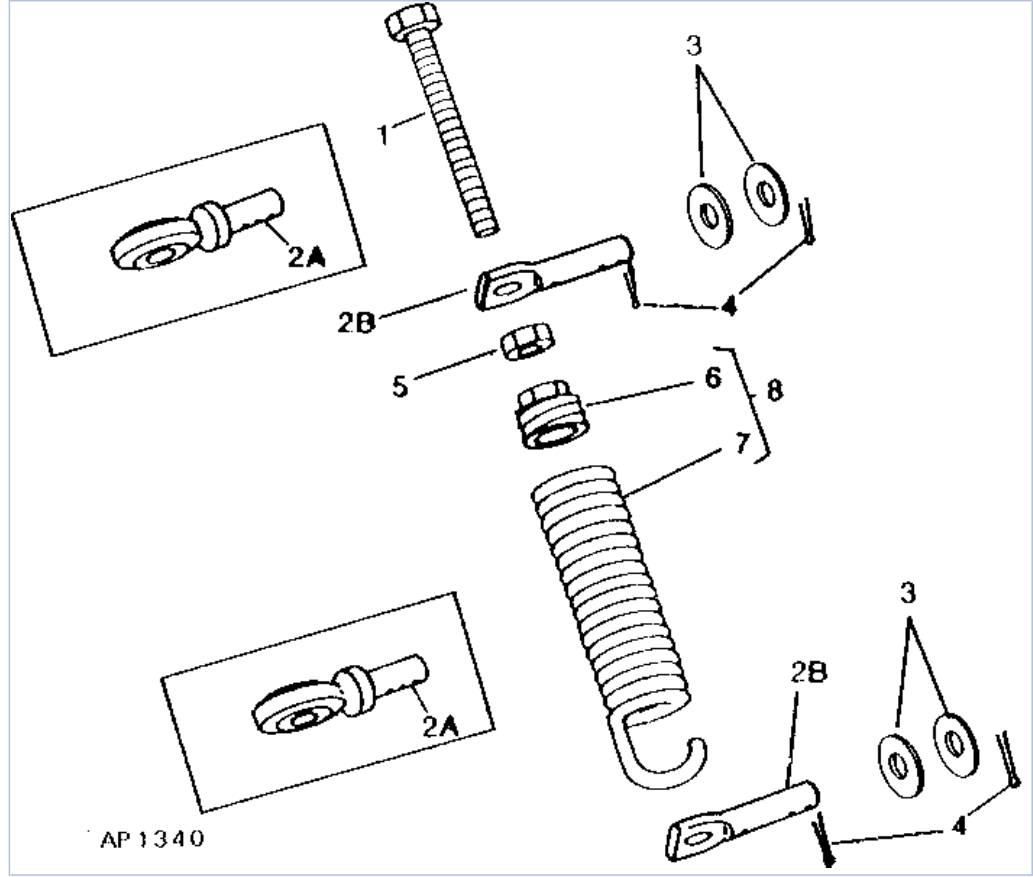


Список деталей

PC1467 110-1 7000 Drawn Cotton and Corn Planter / PARALLEL ARMS, UNIT BEARING
AND SPROCKET [E04] PC1467 - HARV-SEEDING

КН.	№ ДЕТАЛИ	НАИМ. ДЕТАЛИ	К-ВО	SERIAL NO. OR YEAR	ПРИМЕЧАНИЯ
1	A23249	U-BOLT	2		127 MM X 178 MM (5" X 7) FRAME
1	A22561	U-BOLT	2		178 MM X 178 MM (7" X 7) FRAME
1	14H1039	NUT	4		5/8"
2	A23372	ANGLE	1		
3	AA21286	BEARING	1	_____ -1980	(SUB AA30654) STANDARD EQUIPMENT
3	AA30654	CHAIN SPROCKET	1		STANDARD EQUIPMENT
3	AA25752	CHAIN SPROCKET	1		DECREASES RATE BY 21 PERCENT
3	AA25753	CHAIN SPROCKET	1		DECREASES RATE 11 PERCENT
4A	A23371	ANGLE	1	_____ -1980	(SUB A40635)
4B	A40635	ANGLE	1		
5	19H1731	CAP SCREW	2		3/8" X 1"
5	14H1076	NUT	2		3/8"
6	AA21123	ARM	1		
7	A23789	BUSHING	4		
8	19H1708	CAP SCREW	4		5/8" X 1-3/4"
8	24H1368	WASHER	4		21/32" X 1-5/16" X 0.090"
8	K40015	LOCK NUT	4		15.875 MM (5/8")
9	A22446	ARM	2		

PC1467 110-2 7000 Drawn Cotton and Corn Planter / SPRING PRESSURE ATTACHMENT [E05] PC1467 - HARV-SEEDING

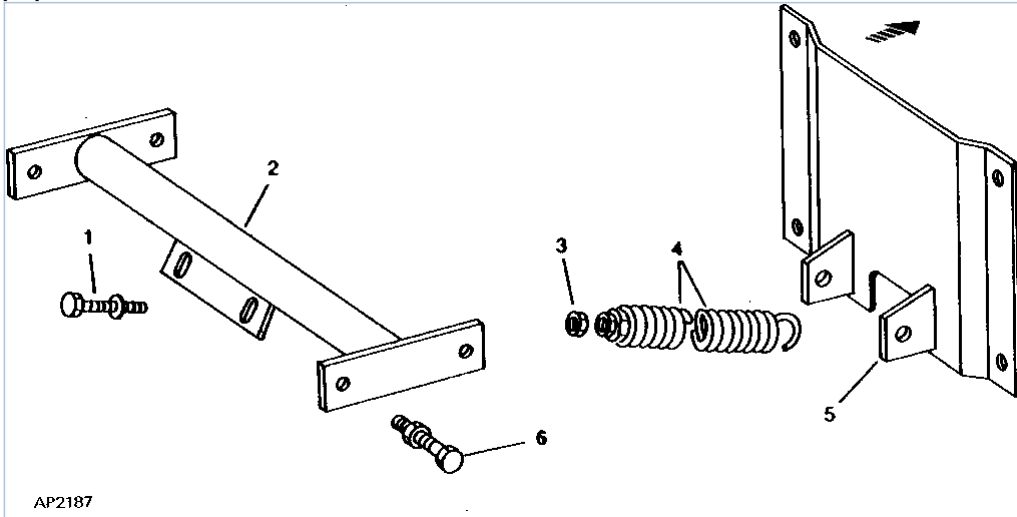


Список деталей
[E05] PC1467 - HARV-SEEDING

PC1467 110-2 7000 Drawn Cotton and Corn Planter / SPRING PRESSURE ATTACHMENT

КН.	№ ДЕТАЛИ	НАИМ. ДЕТАЛИ	К-ВО	SERIAL NO. OR YEAR	ПРИМЕЧАНИЯ
1	19H3106	CAP SCREW	1		7/16" X 4-1/4"
2A	AA26006	PIN	2	_____ -1982	(SUB A39073)
2B	A39073	EYEBOLT	2		
3	24H1341	WASHER	4		17/32" X 15/16" X 0.060"
4	11H211	COTTER PIN	4		1/8" X 3/4"
5	14H849	NUT	1		7/16"
6	H3049B	PLUG	1	_____ -1983	(SUB AB10071)
7	B10127	SPRING	1	_____ -1983	(SUB AB10071)
8	AB10071	SPRING ASSEMBLY	1		

PC1467 110-3 7000 Drawn Cotton and Corn Planter / HEAVY-DUTY DOWN PRESSURE SPRING ATTACHMENT (1977-)
[E06] PC1467 - HARV-SEEDING

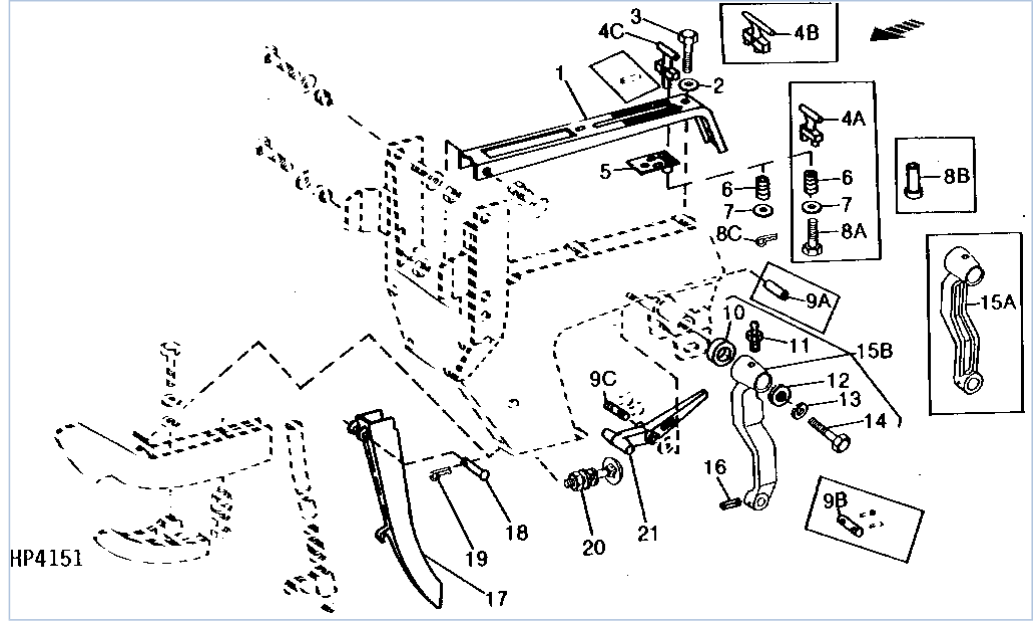


Список деталей

PC1467 110-3 7000 Drawn Cotton and Corn Planter / HEAVY-DUTY DOWN PRESSURE
 SPRING ATTACHMENT (1977-) [E06] PC1467 - HARV-SEEDING

КН.	№ ДЕТАЛИ	НАИМ. ДЕТАЛИ	К-ВО	SERIAL NO. OR YEAR	ПРИМЕЧАНИЯ
1	19H2060	CAP SCREW	2		1/2" X 3"
1	24H1111	WASHER	2		17/32" X 1-1/16" X 0.090"
2	AA25732	TUBE	1		
3	14H826	NUT	2		1/2"
4	AA26124	SPRING ASSEMBLY	2	_____ -1978	(SUB AA28046)
4	AA28046	EXTENSION SPRING	2	_____ -1985	(SUB AA35876)
4	AA35876	SPRING	2		
5	AA25733	PLATE	1		
6	19H1721	CAP SCREW	4		1/2" X 1-1/2"
6	K40014	LOCK NUT	4		

PC1467 110-4 7000 Drawn Cotton and Corn Planter / RUNNER OPENER AND SHANK (-1978) [E07] PC1467 - HARV-SEEDING



Список деталей

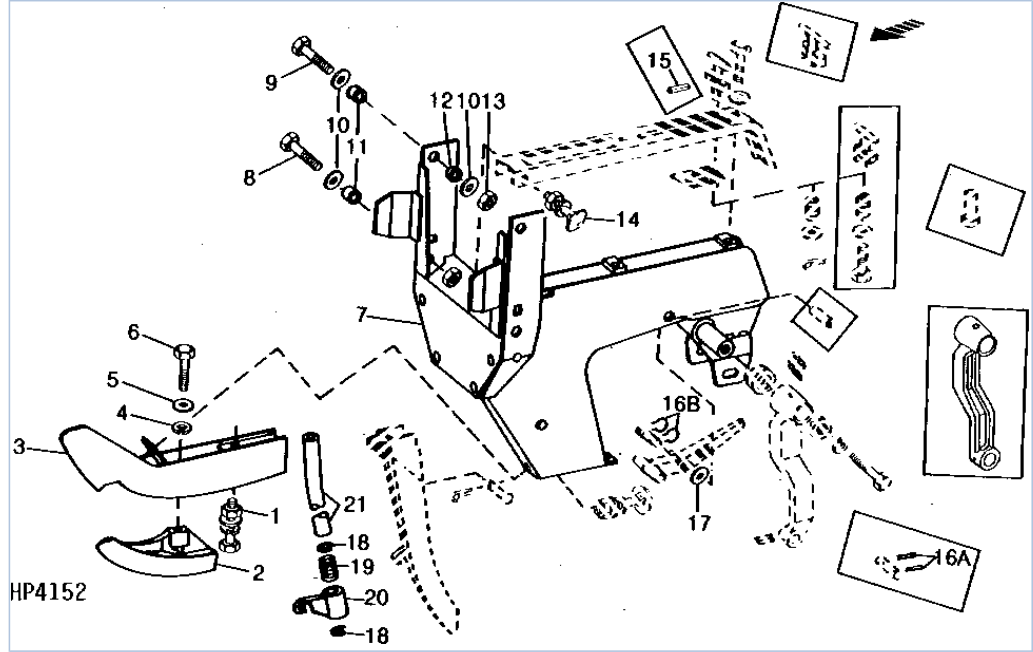
1978) [E07] PC1467 - HARV-SEEDING

PC1467 110-4 7000 Drawn Cotton and Corn Planter / RUNNER OPENER AND SHANK (-

КН.	№ ДЕТАЛИ	НАИМ. ДЕТАЛИ	К-ВО	SERIAL NO. OR YEAR	ПРИМЕЧАНИЯ
1	A22675	COVER	1	_____ - 1980	(SUB A40343)
1	A40343	COVER	1		
2	12H304	LOCK WASHER	1		3/8" 3/8"
3	19H1731	CAP SCREW	1		3/8" X 1"
4A	A22458	HANDLE	1	_____ - 1974	(SUB A28636 AND KK5091B)
4B	A28636	HANDLE	1	_____ - 1980	(SUB A31334)
4C	A31334	HANDLE	1		(SUB A42740)
4C	A42740	HANDLE	1		(SUB FOR A22458, A28636 AND A31334)
5	AA21284	PLATE	1	_____ - 064400	(SUB A32483)
5	A32483	PLATE	1	064401- 1980	(SUB A42337)
5	A42337	PLATE	1		
6	B16318	COMPRESSION SPRING	1		
7	24H1307	WASHER	1	_____ - 1980	13/32" X 1" X 1/16"
7	24H1219	WASHER	1	1980-	7/16" X 1" X 0.083"
8A	19H1726	CAP SCREW	1	_____ - 1974	3/8" X 2-1/4"
8B	KK5091B	PIN FASTENER	1	1974-1980	9.525 X 52.324 MM (3/8" X 2.060")
8C	11H236	COTTER PIN	1	1980-	1/8" X 1"
9A	A26310	SPRING PIN	1	_____ - 1975	12.700 X 57.150 MM (1/2" X 2-1/4")
9B	A28611	PIN FASTENER	1	1975-1979	12.700 X 76.200 MM (1/2" X 3") (SUB A36370 AND R32507)
9C	A36370	GROOVE PIN	1		12.700 X 66.500 MM (1/2" X 2.618")
10	A18066	BUSHING	2		
11	JD7844	LUBRICATION FITTING	2		
12	24H1368	WASHER	2		21/32" X 1-5/16" X 0.090"
13	12H294	LOCK WASHER	2		5/8"
14	19H1916	CAP SCREW	2		5/8" X 1"
15A	A22572	ARM	2	_____ - 1981	(SUB A42831 FOR LEFT AND A42830 FOR RIGHT)
15A	A42831	ARM	1	_____ - 1985	(SUB A49135) LEFT (ILLUSTRATED)
15A	A49135	ARM	1	_____ - 1986	(SUB A51267) LEFT
15A	A51267	ARM	1		(SUB AA37030) LEFT
15A	A42830	ARM	1	1981-1986	(SUB A49136) RIGHT
15A	A49136	ARM	1	_____ - 1986	(SUB A51268) RIGHT
15A	A51268	ARM	1		(SUB AA37030) RIGHT
15B	AA37030	ARM	1		
15B	AA37031	ARM	1		
16	A26311	PIN	2	_____ - 1981	6.350 X 31.750 MM (1/4" X 1-1/4")
16	M41192	SPRING PIN	2	1981-1989	6.350 X 38.100 MM (1/4" X 1-1/2")
16	M81896	SPRING PIN	2	1989-	
17	A25925	TUBE	1		SMALL, WITHOUT SENSOR
17	A26019	TUBE	1		LARGE, WITHOUT SENSOR
17	AA23354	TUBE	1	_____ - 1978	(SUB AA27650) SMALL, WITH SENSOR
17	AA27650	TUBE	1	_____ - 1980	(SUB AA31532) SMALL, WITH SENSOR
17	AA31532	TUBE	1	_____ - 1981	SMALL, WITH SENSOR
17	AA23353	TUBE	1	_____ - 1978	(SUB AA27651) LARGE, WITH SENSOR
17	AA27651	TUBE	1	_____ - 1980	(SUB AA31533) LARGE, WITH SENSOR
17	AA31533	TUBE	1	_____ - 1981	LARGE, WITH SENSOR
17	AA30830	TUBE	1	1981-	SMALL, WITH SENSOR
17	AA30862	TUBE	1	1981-	LARGE, WITH SENSOR
17	AA33731	TUBE	1	1983-	USED WHEN PLANTING ON LIGHT SOILS AT SHALLOW DEPTHS; WITH SENSOR

17	A46852	TUBE	1	1983-	USED WHEN PLANTING ON LIGHT SOIL AT SHALLOW DEPTHS; WITHOUT SENSOR
18	H2691B	PIN FASTENER	1		6.350 X 63.500 MM (1/4" X 2-1/2")
19	J16931	PIN	1		
20	03H1519	BOLT	1		3/8" X 1"
20	12H304	LOCK WASHER	1		3/8"
20	24H1305	WASHER	1		13/32" X 13/16" X 0.065"
20	14H1076	NUT	1		3/8"
21	A22457	STOP	1	- 1983	(SUB A36370, A42737 AND R32507)
21	A28613	STOP	1	- 1981	(SUB A42737)
21	A42737	STOP	1		

PC1467 110-6 7000 Drawn Cotton and Corn Planter / RUNNER OPENER AND SHANK (-1978) [E09] PC1467 - HARV-SEEDING

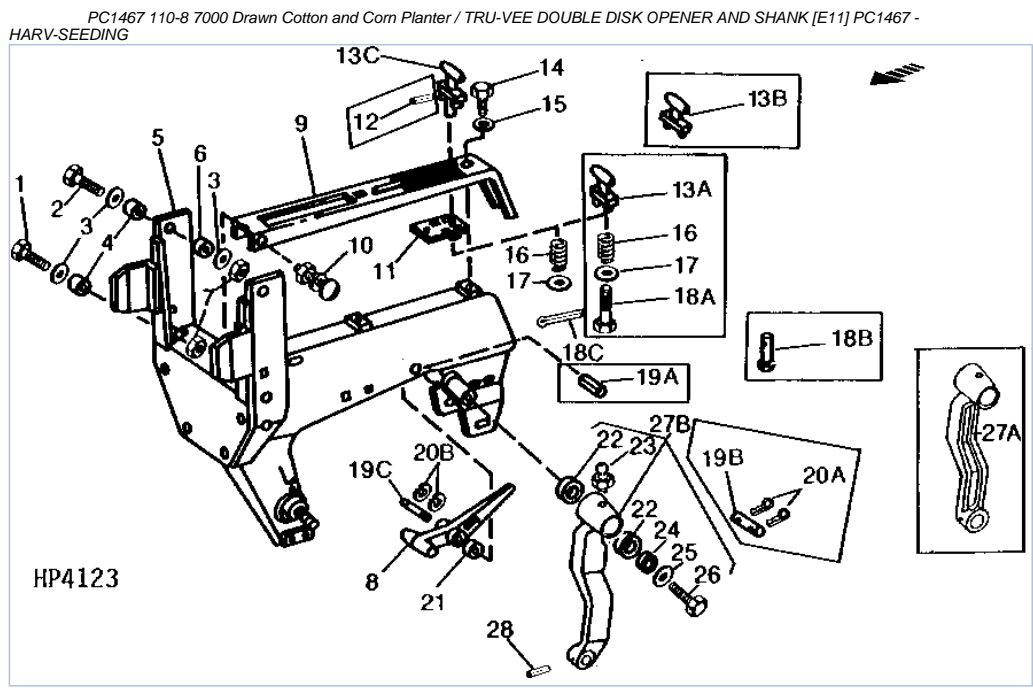


Список деталей

1978) [E09] PC1467 - HARV-SEEDING

PC1467 110-6 7000 Drawn Cotton and Corn Planter / RUNNER OPENER AND SHANK (-

КН.	№ ДЕТАЛИ	НАИМ. ДЕТАЛИ	К-ВО	SERIAL NO. OR YEAR	ПРИМЕЧАНИЯ
1	03H1519	BOLT	1		3/8" X 1"
1	12H304	LOCK WASHER	1		3/8"
1	14H1076	NUT	1		3/8"
2	A85850	RUNNER	1		(SUB FOR A24371)
3	AA22201	RUNNER	1		
4	24H1307	WASHER	2		13/32" X 1" X 1/16"
5	12H304	LOCK WASHER	1		3/8"
6	19M7785	SCREW	1		M10 X 25
7	AA22204	SHANK	1	_____ -1977	(SUB AA26200)
7	AA26200	SHANK	1	_____ -064400	(SUB AA27794)
7	AA27794	SHANK	1	_____ -1982	(SUB AA32827)
7	AA32827	SHANK	1		
8	19H1708	CAP SCREW	2		5/8" X 1-3/4"
9	19H1824	CAP SCREW	2		5/8" X 2-1/4"
10	24H1368	WASHER	6		21/32" X 1-5/16" X 0.090"
11	A23789	BUSHING	2		
12	A23785	WASHER	2		16.129 X 22.225 X 6.350 MM (0.635" X 7/8" X 1/4")
13	K40015	LOCK NUT	2		15.875 MM (5/8")
14	03H1565	BOLT	1		3/8" X 3"
14	12H304	LOCK WASHER	1		3/8"
14	14H1076	NUT	1		3/8"
15	34H262	SPRING PIN	1	1974-1980	5/32" X 3/4"
16A	11H216	COTTER PIN	2	1975-1979	3/16" X 1"
16B	R32507	SNAP RING	2		
17	24H1211	WASHER	2	1975-_____	9/16" X 1-3/8" X 0.105"
18	B14203	SNAP RING	2	1977-_____	
19	B28971	SPRING	1	1977-_____	
20	A32245	CLIP	1	1977-1982	
20	A44546	CLIP	1	1982-_____	
21	A32282	TUBE	1	1977-1982	WITHOUT SENSOR
21	AA26310	SENSOR	1	1977-1982	WITH SENSOR
21	A45973	TUBE	1	1982-_____	WITHOUT SENSOR
21	AA32691	SENSOR	1	1982-_____	WITH SENSOR



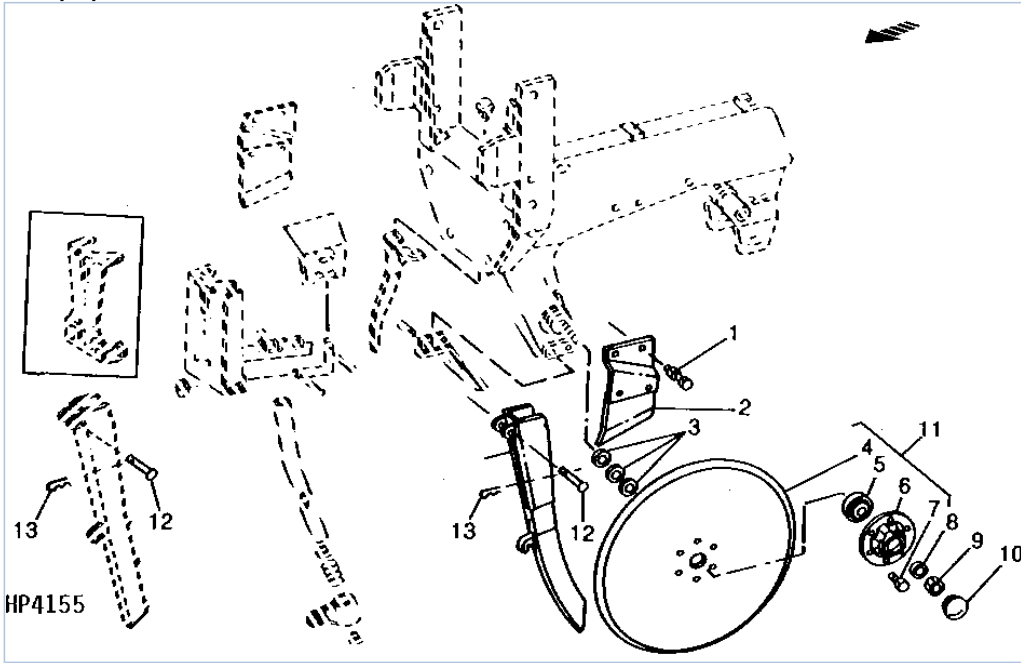
Список деталей

PC1467 110-8 7000 Drawn Cotton and Corn Planter / TRU-VEE DOUBLE DISK OPENER
AND SHANK [E11] PC1467 - HARV-SEEDING

КН.	№ ДЕТАЛИ	НАИМ. ДЕТАЛИ	К-ВО	SERIAL NO. OR YEAR	ПРИМЕЧАНИЯ
1	19H1708	CAP SCREW	2		5/8" X 1-3/4"
2	19H1824	CAP SCREW	2		5/8" X 2-1/4"
3	24H1368	WASHER	6		21/32" X 1-5/16" X 0.090"
4	A23789	BUSHING	4		
5	AA27793	SHANK	1	_____ - 1982	(SUB FOR AA26167) (SUB AA32826)
5	AA32826	SHANK	1	_____ - 1986	(SUB AA36650) (INCLUDES 14M7192, 14M7382 AND (2) 19M7268)
5	AA36650	SHANK	1		
6	A23785	WASHER	2		
7	K40015	LOCK NUT	1		15.875 MM (5/8")
8	A22457	STOP	1	_____ - 1975	(SUB A36370, A42737 AND R32507)
8	A28613	STOP	1	_____ - 1981	(SUB A42737)
8	A42737	STOP	1		
9	A22675	COVER	1	_____ - 1980	(SUB A40343)
9	A40343	COVER	1		
10	03H1565	BOLT	1		3/8" X 3"
10	12H304	LOCK WASHER	1		3/8"
10	14H1076	NUT	1		3/8"
11	AA21284	PLATE	1	_____ - 024174	(SUB A32483)
11	A32483	PLATE	1	024175- 1980	(SUB A42337)
11	A42337	PLATE	1		
12	34H262	SPRING PIN	1	1974-1980	5/32" X 3/4"
13A	A22458	HANDLE	1	_____ - 1974	(SUB A28636 AND KK5091B)
13B	A28636	HANDLE	1	_____ - 1980	(SUB A31334)
13C	A31334	HANDLE	1	_____ - 1981	(SUB A42740)
13C	A42740	HANDLE	1		(SUB FOR A22458, A28636 AND A31334)
14	19H1731	CAP SCREW	1		3/8" X 1"
15	12H304	LOCK WASHER	1		3/8"
16	B16318	COMPRESSION SPRING	1		
17	24H1307	WASHER	1	_____ - 1980	13/32" X 1" X 1/16"
17	24H1219	WASHER	1	1980-	7/16" X 1" X 0.083"
18A	19H1726	CAP SCREW	1	_____ - 1974	3/8" X 2-1/4"
18B	KK5091B	PIN FASTENER	1	1974-1980	9.525 X 52.324 MM (3/8" X 2.060")
18C	11H236	COTTER PIN	1	1980-	1/8" X 1"
19A	A26310	SPRING PIN	1	_____ - 1975	12.700 X 57.150 MM (1/2" X 2-1/4")
19B	A28611	PIN FASTENER	1	1975-1979	12.700 X 76.200 MM (1/2" X 3") (SUB A36370 AND R32507)
19C	A36370	GROOVE PIN	1		12.700 X 66.500 MM (1/2" X 2.618")
20A	11H216	COTTER PIN	2	1975-1979	3/16" X 1", (SUB R32507)
20B	R32507	SNAP RING	2		
21	24H1211	WASHER	2	1975-	9/16" X 1-3/8" X 0.105"
22	24H1441	WASHER	AR		1-1/64" X 1-1/2" X 0.048"
23	JD7849	LUBRICATION FITTING	2	_____ - 1975	
23	JD7844	LUBRICATION FITTING	2	1975-	
24	24H1368	WASHER	2		21/32" X 1-5/16" X 0.090"
24	24H1441	WASHER	16		1-1/64" X 1-1/2" X 0.048"
25	12H301	LOCK WASHER	2		1/2"
26	19H1792	CAP SCREW	2	_____ - 1986	1/2" X 1", USE WITH AA32826 ONLY
26	19M7268	CAP SCREW	2	1986-	M12 X 25, USE WITH AA36650 ONLY, REQUIRE METRIC HARDWARE TO ATTACH GAUGE WHEEL ARMS
27A	A22572	ARM	2	_____ - 1981	(SUB A42831 FOR LEFT AND A42830 FOR RIGHT)
27A	A42831	ARM	1	_____ - 1985	(SUB A49135) LEFT (ILLUSTRATED)
27A	A49135	ARM	1	_____ -	(SUB A51267) LEFT

				1986	
27A	A51267	ARM	1		(SUB AA37030) LEFT
27A	A42830	ARM	1	1981-1986	(SUB A49136) RIGHT
27A	A49136	ARM	1	_____ - 1986	(SUB A51268) RIGHT
27A	A51268	ARM	1		(SUB AA37031) RIGHT
27B	AA37030	ARM	1		
27B	AA37031	ARM	1		
28	A26311	PIN	2	_____ - 1981	6.350 X 31.750 MM (1/4" X 1-1/4")
28	M41192	SPRING PIN	2	1981-1989	6.350 X 38.100 MM (1/4" X 1-1/2")
28	M81896	SPRING PIN	2	1989- _____	

PC1467 110-10 7000 Drawn Cotton and Corn Planter / TRU-VEE DOUBLE DISK OPENER, SCRAPER, AND SEED TUBES [E13] PC1467 - HARV-SEEDING

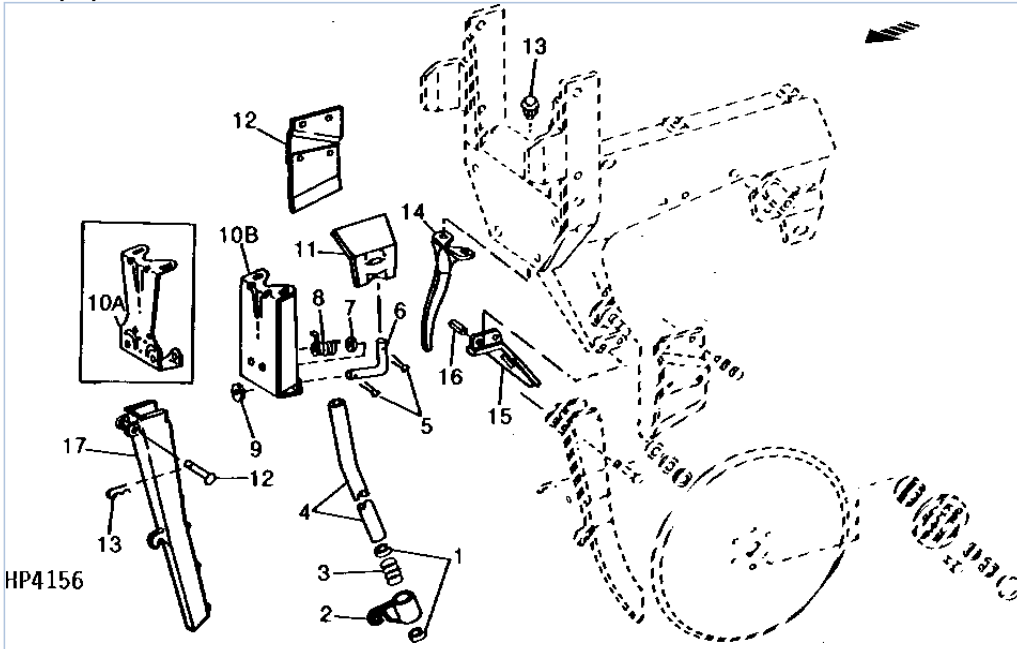


Список деталей

PC1467 110-10 7000 Drawn Cotton and Corn Planter / TRU-VEE DOUBLE DISK OPENER,
SCRAPER, AND SEED TUBES [E13] PC1467 - HARV-SEEDING

КН.	№ ДЕТАЛИ	НАИМ. ДЕТАЛИ	К-ВО	SERIAL NO. OR YEAR	ПРИМЕЧАНИЯ
1	19H1936	CAP SCREW	4		3/8" X 3/4"
1	14H1076	NUT	4		3/8"
1	24H1307	WASHER	4		13/32" X 1" X 1/16"
2	AA22529	SCRAPER	1	1975	(SUB AA24562)
2	AA24562	SCRAPER	1	1977	(SUB AA26444)
2	AA26444	SCRAPER	1		
3	J16160	SHIM	10		
4	A72357	DISK COLTER	2		(SUB FOR A22991) 380 MM X 3 MM (15" X .120")
5	AA21480	BALL BEARING	2		
6	A22785	HOUSING	2	1977	(SUB A30368)
6	A30368	HOUSING	2		
7	16H644	RIVET	12		1/4" X 1/2"
8	24H1365	WASHER	2		21/32" X 1" X 0.090"
9	14H821	NUT	1	1986	5/8", R.H. USE WITH AA32826 ONLY
9	14H944	NUT	1	1986	5/8", L.H. USE WITH AA32826 ONLY
9	14M7192	NUT	1	1986	M16, R.H. USE WITH AA36650 TRU-VEE SHANK ONLY, REQUIRE METRIC HARDWARE TO ATTACH DISK BLADES
9	14M7382	NUT	1	1986	M16, L.H. USE WITH AA36650 TRU-VEE SHANK ONLY, REQUIRE METRIC HARDWARE TO ATTACH DISK BLADES
10	A22836	CAP	2		
11	AA20242	DISK	1		
12	H2691B	PIN FASTENER	1		6.350 X 63.500 MM (1/4" X 2-1/2")
13	J16931	PIN	1		
14	A25925	TUBE	1		SMALL, WITHOUT SENSOR
14	A26019	TUBE	1		LARGE, WITHOUT SENSOR
14	AA23354	TUBE	1	1978	(SUB AA27650) SMALL, WITH SENSOR
14	AA27650	TUBE	1	1980	(SUB AA31532) SMALL, WITH SENSOR
14	AA31532	TUBE	1	1981	SMALL, WITH SENSOR
14	AA23353	TUBE	1	1978	(SUB AA27651) LARGE, WITH SENSOR
14	AA27651	TUBE	1	1980	(SUB AA31533) LARGE, WITH SENSOR
14	AA31533	TUBE	1	1981	LARGE, WITH SENSOR
14	AA30830	TUBE	1	1981	SMALL, WITH SENSOR
14	AA30862	TUBE	1	1981	LARGE, WITH SENSOR

PC1467 110-12 7000 Drawn Cotton and Corn Planter / TRU-VEE DOUBLE DISK OPENER, SCRAPER, AND SEED TUBES [E15] PC1467 - HARV-SEEDING



Список деталей

PC1467 110-12 7000 Drawn Cotton and Corn Planter / TRU-VEE DOUBLE DISK OPENER,
SCRAPER, AND SEED TUBES [E15] PC1467 - HARV-SEEDING

КН.	№ ДЕТАЛИ	НАИМ. ДЕТАЛИ	К-ВО	SERIAL NO. OR YEAR	ПРИМЕЧАНИЯ
1	B14203	SNAP RING	2	1977-	
2	A32245	CLIP	1	1977-1982	
2	A44546	CLIP	1	1982-	
3	B28971	SPRING	1	1977-	
4	A32282	TUBE	1	1977-1982	BEET SEED, WITHOUT SENSOR
4	AA26310	SENSOR	1	1977-1982	BEET SEED, WITH SENSOR
4	A45973	TUBE	1	1982-	BEET SEED, WITHOUT SENSOR
4	AA32691	SENSOR	1	1982-	BEET SEED, WITH SENSOR
5	11H211	COTTER PIN	4	1978-	1/8" X 3/4", HEAVY-DUTY SCRAPER ATTACHMENTS
6	A32636	PIN	2	1978-	HEAVY-DUTY SCRAPER ATTACHMENTS
7	24H1302	WASHER	AR	1978-	13/32" X 11/16" X 0.035", HEAVY-DUTY SCRAPER ATTACHMENTS
8	A33539	SPRING	1	- 1980	(SUB A41116) (ILLUSTRATED) R.H., FOR HEAVY-DUTY SCRAPER ATTACHMENTS
8	A41116	SPRING	1		(ILLUSTRATED) R.H., FOR HEAVY-DUTY SCRAPER ATTACHMENTS
8	A33538	SPRING	1	- 1980	(SUB A41117) L.H., FOR HEAVY-DUTY SCRAPER ATTACHMENTS
8	A41117	SPRING	1		L.H., FOR HEAVY-DUTY SCRAPER ATTACHMENTS
9	24H1302	WASHER	4	1978-	13/32" X 11/16" X 0.035", HEAVY-DUTY SCRAPER ATTACHMENTS
10A	A32638	STANDARD	1	1978-1980	(SUB AA30894) HEAVY-DUTY SCRAPER ATTACHMENTS
10B	AA30894	STANDARD	1		HEAVY-DUTY SCRAPER ATTACHMENTS
11	A32637	BLADE	2	1978-	HEAVY-DUTY SCRAPER ATTACHMENTS
12	AA22528	SCRAPER	1	- 1975	(SUB AA24561)
12	AA24561	SCRAPER	1	- 1977	(SUB AA26443)
12	AA26443	SCRAPER	1		
13	03H1709	BOLT	2		5/16" X 1"
13	24H1122	WASHER	2		3/8" X 7/8" X 0.083"
13	K40002	LOCK NUT	2		7.925 MM (5/16") HEAVY-DUTY SCRAPER ATTACHMENTS
14	A22778	SHIELD	1		
15	A24899	GUARD	1	- 1981	(SUB A41692)
15	A41692	GUARD	1		
15	A38818	GUARD	1		(FOR USE WITH STRAIGHT SEED TUBE AA32691)
16	A41826	PIN	2		6.680 X 19.050 MM (0.263" X 3/4")
17	AA33731	TUBE	1	1983-	USED WHEN PLANTING ON LIGHT SOIL AT SHALLOW DEPTHS; WITH SENSOR
17	A46852	TUBE	1	1983-	USED WHEN PLANTING ON LIGHT SOIL AT SHALLOW DEPTHS; WITHOUT SENSOR