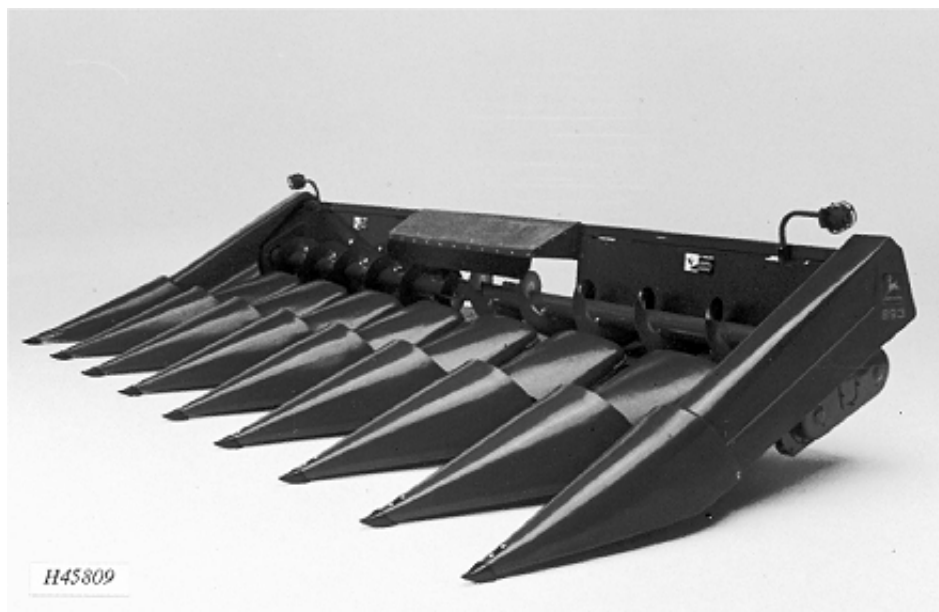


H45809 -UN-01JAN94



JOHN DEERE 893 CORN HEAD

(SPECIFICATIONS AND DESIGN SUBJECT TO CHANGE WITHOUT NOTICE)

DATE OF MANUFACTURE

| MODEL NO. | DATE |
|-----------|-------------|
| 493 | (1993-) |
| 494 | (1993-) |
| 594 | (1993-) |
| 693 | (1993-) |
| 693 SH | (1993-) |
| 694 | (1993-1999) |
| 890 | (1997-) |
| 893 | (1993-) |
| 894 | (1993-) |
| 1092 | (1996-) |
| 1290 | (1996-) |
| 1291 | (1996-) |
| 1293 | (1993-) |

SERIAL NUMBER PLATE

USE ALL NUMBERS, LETTERS AND SPACES SHOWN ON THE SERIAL NUMBER PLATE IN WARRANTY CORRESPONDENCE.

CORN HEADS (-567200)

ON THESE CORN HEADS, THE SERIAL NUMBER PLATE IS LOCATED ON THE LEFT-HAND SIDE OF THE FRAME.

EXAMPLE: E0444567200H

E - EQUIPMENT
0444 - CORN HEAD MODEL
567200 - CORN HEAD SERIAL NUMBER
H - FACTORY (HARVESTER WORKS)

CORN HEADS (567201-)

ON THESE CORN HEADS, THE SERIAL NUMBER PLATE IS LOCATED ON THE LEFT-HAND SIDE OF THE FRAME.

*EXAMPLE: H00444X567201
CORN HEAD*

(FIRST LINE) H0 - FACTORY (HARVESTER WORKS)
 0444 - CORN HEAD MODEL
 X - CONFIGURATION/MODEL SUFFIX
 567201 - CORN HEAD SEQUENCE NUMBER (SERIAL NUMBER)
(SECOND LINE) CORN HEAD - PRODUCT TYPE

SERIAL NUMBER LISTING INFORMATION

SERIAL NUMBER INFORMATION IS LISTED TO SHOW ON WHICH MACHINES EACH PART CAN BE USED;
FOR EXAMPLE:

- THE PART CAN BE USED ON ALL MACHINES
- 000000- THE PART CAN BE USED ON ALL MACHINES BEGINNING WITH THE SERIAL NUMBER LISTED.
- 000000 THE PART CAN BE USED ON ALL MACHINES UP TO AND INCLUDING THE SERIAL NUMBER LISTED.
- 000000-000000 THE PART CAN BE USED ON ALL MACHINES BETWEEN AND INCLUDING THE SERIAL NUMBERS LISTED.

WHEN XXXXXX'S ARE LISTED IN PLACE OF A SERIAL NUMBER, A SERIAL NUMBER CHANGE WAS MADE BUT THE EXACT SERIAL NUMBER WAS NOT AVAILABLE WHEN THE CATALOG WAS PRODUCED.

IMPORTANT

THIS PARTS CATALOG CONTAINS COMPLETE PARTS INFORMATION ON THE 90 SERIES CORN HEADS. VINTAGE IS DETERMINED BY SERIAL NUMBERS UNDER WHICH CORN HEADS WERE MANUFACTURED. IT IS IMPORTANT THAT THE CORRECT SERIAL NUMBER BE USED WHEN ORDERING PARTS.

JDM REMANUFACTURED COMPONENTS

THE SERVICE PARTS LISTED IN THIS CATALOG ARE INTENDED FOR THE REPAIR OF ORIGINAL EQUIPMENT COMPONENTS. ALTHOUGH MOST SERVICE PARTS MAY BE USED TO REPAIR REMANUFACTURED COMPONENTS, THE REMANUFACTURED DESIGN MAY CHANGE PARTS SUFFICIENTLY SO THAT SERVICE PARTS ARE INADEQUATE OR NOT USABLE.

BOLT AND CAP SCREW STRENGTH IDENTIFICATION

BOLTS AND CAP SCREWS REQUIRED TO HAVE HIGH-STRENGTH QUALITIES EQUIVALENT TO SAE GRADE 8 ARE IDENTIFIED THROUGHOUT THIS CATALOG BY THE DESCRIPTION HS SAE 8. ALL STANDARD BOLTS AND CAP SCREWS ARE SAE GRADE 5 OR LOWER.

BOLTS AND CAP SCREWS REQUIRED TO HAVE HIGH-STRENGTH QUALITIES EQUIVALENT TO PROPERTY CLASS 10.9 ARE IDENTIFIED THROUGHOUT THIS CATALOG BY THE DESCRIPTION HS 10.9. ALL STANDARD BOLTS AND CAP SCREWS ARE PROPERTY CLASS 8.8 OR LOWER.

COMPLETE GOODS LISTINGS

COMPLETE GOODS ARE LISTED IN BOLD FACE TYPE. ORDER SEPARATELY. DO NOT INCLUDE ON REPLACEMENT PARTS ORDER.

SI UNITS OF MEASURE

METRIC DIMENSIONS ARE GIVEN, WHERE APPLICABLE, THROUGHOUT THIS PARTS CATALOG.

CHANGE INDICATOR LINE

(MICROFICHE CATALOGS ONLY)

CHANGES AFFECTING THE ORDERING OF PARTS ARE IDENTIFIED BY VERTICAL LINES MARKED IN THE LEFT-HAND MARGIN OF REVISED PARTS LISTING IMAGES. A LINE IS ALSO AT THE LEFT-HAND EDGE OF THE SAME PART NUMBER IN THE NUMERICAL INDEX TO SHOW THE LOCATION OF REVISED INFORMATION.

*COPYRIGHT (C) 2000. DEERE & COMPANY. MOLINE, ILLINOIS.
ALL RIGHTS RESERVED*

ALPHABETICAL INDEX - CONTINUED

| GRID | | PAGE | GRID | | PAGE |
|----------|---|------|----------|--|------|
| E3 | DRIVE SHAFT, MAIN, AND COUPLER | 102 | B13 | HYDRAULIC CYLINDER AND HOSES, ADJ. DECKP LATES (660201-)..... | 36 |
| E5 | DRIVE SHAFT, MAIN, AND COUPLER | 104 | B16 | HYDRAULIC FITTINGS, ADJUSTABLE DECKPLATE S (660201-) | 40 |
| D3 | DRIVE SHIELD, ROW-UNIT | 78 | I | | |
| D5 | DRIVE SHIELD, ROW-UNIT | 80 | B18 | INDICATOR, ADJUSTABLE DECK PLATE (660201-) | 42 |
| C10 | DRIVES, ROW-UNIT AND CROSS AUGER (-659999(594,693,693SH) | 60 | B3 | INDICATOR, DECK PLATE | 26 |
| C12 | DRIVES, ROW-UNIT AND CROSS AUGER (-659999)(594,693,693SH) | 62 | A17 | INNER GATHERER COVER AND SUPPORT | 16 |
| C10 | DRIVES, ROW-UNIT AND CROSS AUGER (-659999)(694,893,894 AND 1293)..... | 60 | A13 | INNER GATHERER POINTS..... | 12 |
| C12 | DRIVES, ROW-UNIT AND CROSS AUGER (-659999)(694,893,894 AND 1293)..... | 62 | A15 | INNER GATHERER POINTS WITH ACTIVE HEIGHT CONTROL | 14 |
| C14 | DRIVES, ROW-UNIT AND CROSS AUGER (660000-)(694,893,894 AND 1293)..... | 64 | A19 | INNER GATHERER SHIELD..... | 18 |
| C16 | DRIVES, ROW-UNIT AND CROSS AUGER (660000-)(694,893,894 AND 1293)..... | 66 | A17 | INNER GATHERER SUPPORT..... | 16 |
| C14 | DRIVES, ROW-UNIT AND CROSS AUGER (660000-)(594,693,693SH) | 64 | A19 | INNER GATHERER SUPPORT AND SHIELD | 18 |
| C16 | DRIVES, ROW-UNIT AND CROSS AUGER (660000-)(594,693,693SH) | 66 | A21 | INNER POINT & COVER ROW-SPACING CONVERS. 20" & 22" ROW-SPACINGS - OPTIONAL | 20 |
| C6 | DRIVES, ROW-UNIT AND CROSS AUGER (493 AND 494) | 56 | A23 | INNER POINT & COVER ROW-SPACING CONVERS. 40" ROW-SPACING - (OPTIONAL) | 22 |
| C8 | DRIVES, ROW-UNIT AND CROSS AUGER (493 AND 494) | 58 | K | | |
| C18 | DRIVES, ROW-UNIT AND CROSS AUGER (494) CONVERSION FOR 6600SH AND 6620SH..... | 68 | F1 | KIT, ANGLE TILT WEDGE | 127 |
| F | | | B15 | KIT,ADJUSTABLE DECKPLATE CYLINDER REPAIR (660400-) | 38 |
| A11 | FENDERS, OUTER GATHERER | 10 | C1 | KNIFE STALK ROLL AND BARREL | 50 |
| B16 | FITTINGS, HYDRAULIC, ADJUSTABLE DECKPLAT ES (660201-) | 40 | B5 | KNIFE, TRASH..... | 28 |
| D3 | FLOOR, AUGER | 78 | B9 | KNIVES, ROW UNIT TRASH | 32 |
| D5 | FLOOR, AUGER | 80 | L | | |
| D11 | FRAME, MAIN | 86 | D15 | LATCH PIN ASSEMBLY, MAIN FRAME..... | 90 |
| D13 | FRAME, MAIN | 88 | D17 | LATCH PIN ASSEMBLY, MAIN FRAME..... | 92 |
| B9 | FRAME, ROW UNIT | 32 | E20 | LEVEL LAND DRIVE SHAFT | 121 |
| B5 | FRAME, ROW-UNIT..... | 28 | D19 | LIGHTS, MARKER | 94 |
| G | | | M | | |
| A17 | GATHERER COVER, INNER | 16 | E1 | MAIN DRIVE SHAFT AND COUPLER | 100 |
| A11 | GATHERER FENDER, OUTER..... | 10 | E3 | MAIN DRIVE SHAFT AND COUPLER | 102 |
| A13 | GATHERER POINTS, INNER | 12 | E5 | MAIN DRIVE SHAFT AND COUPLER | 104 |
| A9 | GATHERER POINTS, OUTER | 8 | C22 | MAIN DRIVE SHAFT, COUPLER AND SHIELD - (CONV. FOR 693 ON 6600SH AND 6620SH)..... | 72 |
| A19 | GATHERER SUPPORT, INNER | 18 | C20 | MAIN DRIVE SHAFT, COUPLER AND SHIELD - (CONV. PARTS FOR 494) | 70 |
| B7 | GATHERING CHAIN, SPROCKETS AND TENSIONER | 30 | E9 | MAIN DRIVE SHAFT, COUPLER AND SHIELD - CONTOUR MASTER (1092,1290,1291) | 108 |
| D15 | GEAR CASE SHIELD, MAIN FRAME..... | 90 | E11 | MAIN DRIVE SHAFT, COUPLER AND SHIELD - CONTOUR MASTER (1092,1290,1291)..... | 110 |
| D17 | GEAR CASE SHIELD, MAIN FRAME..... | 92 | E7 | MAIN DRIVE SHAFT, COUPLER AND SHIELD - SIDEHILL (494) | 106 |
| C4 | GEAR CASE, ROW-UNIT | 54 | E9 | MAIN DRIVE SHAFT, COUPLER AND SHIELD - SIDEHILL/CONTOUR MASTER (594,693,694) | 108 |
| H | | | E11 | MAIN DRIVE SHAFT, COUPLER AND SHIELD - SIDEHILL/CONTOUR MASTER (594,693,694) | 110 |
| D20 | HARNES, CONTOUR MASTER (660201-) | 95 | E9 | MAIN DRIVE SHAFT, COUPLER AND SHIELD - SIDEHILL/CONTOUR MASTER (893,894,1293) | 108 |
| D23 | HARNES, STUBBLE LIGHT | 98 | E11 | MAIN DRIVE SHAFT, COUPLER AND SHIELD - SIDEHILL/CONTOUR MASTER (893,894,1293) | 110 |
| E21 | HEADER DRIVE SHAFT - SIDEHILL - WEASLER (693, 694,893 AND 894) | 122 | E9 | MAIN DRIVE SHAFT, COUPLER AND SHIELD - SIDEHILL/CONTOUR MASTER (893,894,1293) | 108 |
| E23 | HEADER DRIVE SHAFT - SIDEHILL -FOR CONNECTING TO 6600SH AND 6620SH..... | 124 | E11 | MAIN DRIVE SHAFT, COUPLER AND SHIELD - SIDEHILL/CONTOUR MASTER (893,894,1293) | 110 |
| A15 | HEIGHT CONTROL, ACTIVE | 14 | D15 | MAIN FRAME GEAR CASE SHIELD | 90 |
| B13 | HOSES, HYDRAULIC, ADJ. DECKPLATES (660201-) | 36 | D17 | MAIN FRAME GEAR CASE SHIELD | 92 |

ALPHABETICAL INDEX - CONTINUED

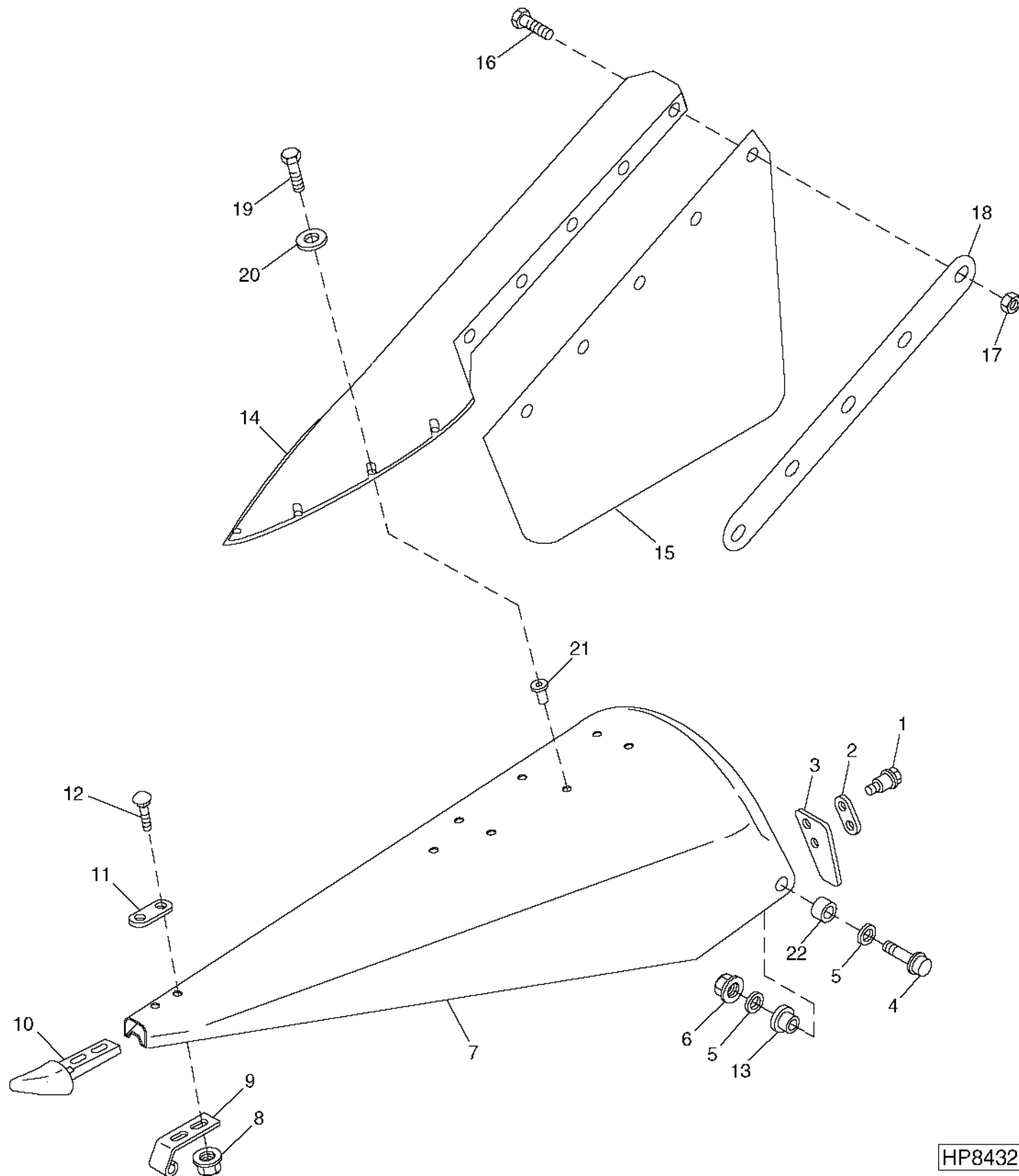
| GRID | | PAGE | GRID | | PAGE |
|------|---|------|------|--|------|
| D15 | MAIN FRAME ROW-UNIT DRIVE SHIELDS | 90 | F2 | SAFETY AND INSTRUCTIONAL DECALS..... | 128 |
| D17 | MAIN FRAME ROW-UNIT DRIVE SHIELDS | 92 | D21 | SENSOR, ULTRASONIC - CONTOUR MASTER | |
| D15 | MAIN FRAME SHIELDS & LATCH PIN ASSEMBLY | 90 | | (660201-) | 96 |
| D17 | MAIN FRAME SHIELDS & LATCH PIN ASSEMBLY | 92 | E19 | SHAFT, DRIVE (494 AND 592)..... | 120 |
| D11 | MAIN FRAME, BACK SHEETS AND STRIPPERS | 86 | E20 | SHAFT, DRIVE, FOR LEVEL LAND AND CONTOUR | |
| D13 | MAIN FRAME, BACK SHEETS AND STRIPPERS | 88 | | MASTER | 121 |
| D19 | MARKER LIGHTS | 94 | D9 | SHIELD, AUGER, CENTER CLOSURE | 84 |
| | O | | C22 | SHIELD, COUPLER AND MAIN DRIVE SHAFT - | |
| A11 | OUTER GATHERER FENDERS | 10 | | (CONV. FOR 693 ON 6600SH AND 6620SH)..... | 72 |
| A9 | OUTER GATHERER POINTS | 8 | C20 | SHIELD, COUPLER AND MAIN DRIVE SHAFT - | |
| | P | | | (CONV. PARTS FOR 494) | 70 |
| B11 | PIVOT BAR, ADJUSTABLE DECK PLATE..... | 34 | E7 | SHIELD, COUPLER AND MAIN DRIVE SHAFT - | |
| B11 | PLATE, ADJUSTABLE DECK, PIVOT BAR | 34 | | SIDEHILL (494) | 106 |
| B5 | PLATES, DECK | 28 | E9 | SHIELD, COUPLER AND MAIN DRIVE SHAFT - | |
| A13 | POINTS, INNER GATHERER | 12 | | SIDEHILL/CONTOUR MASTER (594,693,694) | 108 |
| A9 | POINTS, OUTER GATHERER | 8 | E11 | SHIELD, COUPLER AND MAIN DRIVE SHAFT - | |
| E25 | POWER SHAFT STORAGE CABLE | 126 | | SIDEHILL/CONTOUR MASTER (594,693,694) | 110 |
| | R | | E9 | SHIELD, COUPLER AND MAIN DRIVE SHAFT - | |
| A23 | ROW-SPACING CONVER.,INNER POINT & COVERS | | | SIDEHILL/CONTOUR MASTER (893,894,1293) | 108 |
| | 40" ROW-SPACING - (OPTIONAL) | 22 | E11 | SHIELD, COUPLER AND MAIN DRIVE SHAFT - | |
| A21 | ROW-SPACING CONVERS.,INNER POINT & COVER | | | SIDEHILL/CONTOUR MASTER (893,894,1293) | 110 |
| | 20" & 22" ROW-SPACINGS - OPTIONAL | 20 | A19 | SHIELD, INNER GATHERER | 18 |
| C10 | ROW-UNIT AND CROSS AUGER DRIVES | | B1 | SHIELDS, DECK PLATE ADJUSTMENT WIRING | |
| | (-659999)(594,693,693SH) | 60 | | HARNESS | 24 |
| C12 | ROW-UNIT AND CROSS AUGER DRIVES | | D15 | SHIELDS, MAIN FRAME | 90 |
| | (-659999)(594,693,693SH) | 62 | D17 | SHIELDS, MAIN FRAME | 92 |
| C10 | ROW-UNIT AND CROSS AUGER DRIVES | | E23 | SIDEHILL - HEADER DRIVE SHAFT -FOR | |
| | (-659999)(694,893,894 AND 1293)..... | 60 | | CONNECTING TO 6600SH AND 6620SH..... | 124 |
| C12 | ROW-UNIT AND CROSS AUGER DRIVES | | E21 | SIDEHILL - WEASLER - HEADER DRIVE SHAFT | |
| | (-659999)(694,893,894 AND 1293)..... | 62 | | (693, 694, 893 AND 894) | 122 |
| C6 | ROW-UNIT AND CROSS AUGER DRIVES | | C18 | SIDEHILL CONVERSION FOR 6600SH AND | |
| | (493 AND 494)..... | 56 | | 6620SH (494)..... | 68 |
| C8 | ROW-UNIT AND CROSS AUGER DRIVES | | C20 | SIDEHILL CONVERSION FOR 6600SH AND | |
| | (493 AND 494)..... | 58 | | 6620SH (494)..... | 70 |
| C14 | ROW-UNIT AND CROSS AUGER DRIVES | | C22 | SIDEHILL CONVERSION FOR 6600SH AND | |
| | (660000-)(594,693,693SH) | 64 | | 6620SH (693)..... | 72 |
| C16 | ROW-UNIT AND CROSS AUGER DRIVES | | E23 | SIDEHILL CONVERSION FOR 6600SH AND | |
| | (660000-)(594,693,693SH) | 66 | | 6620SH - HEADER DRIVE SHAFT | 124 |
| C14 | ROW-UNIT AND CROSS AUGER DRIVES | | E19 | SIDEHILL DRIVE SHAFT (494 AND 592) | 120 |
| | (660000-)(694,893,894 AND 1293)..... | 64 | E7 | SIDEHILL MAIN DRIVE SHAFT, COUPLER AND | |
| C16 | ROW-UNIT AND CROSS AUGER DRIVES | | | SHIELD (494)..... | 106 |
| | (660000-)(694,893,894 AND 1293)..... | 66 | E9 | SIDEHILL MAIN DRIVE SHAFT, COUPLER AND | |
| C18 | ROW-UNIT AND CROSS AUGER DRIVES (494) | | | SHIELD (594,693,694,893,894,1293) | 108 |
| | CONVERSION FOR 6600SH AND 6620SH..... | 68 | E11 | SIDEHILL MAIN DRIVE SHAFT, COUPLER AND | |
| D3 | ROW-UNIT DRIVE SHIELD..... | 78 | | SHIELD (594,693,694,893,894,1293) | 110 |
| D5 | ROW-UNIT DRIVE SHIELD..... | 80 | C3 | SLIP CLUTCH, ROW-UNIT | 52 |
| D15 | ROW-UNIT DRIVE SHIELDS, MAIN FRAME | 90 | C14 | SLOW DOWN, ROW-UNIT AND CROSS AUGER | |
| D17 | ROW-UNIT DRIVE SHIELDS, MAIN FRAME | 92 | | DRIVES (660000-)..... | 64 |
| B5 | ROW-UNIT FRAME AND DECK PLATES | 28 | C16 | SLOW DOWN, ROW-UNIT AND CROSS AUGER | |
| B9 | ROW-UNIT FRAME, ADJUSTABLE DECK PLATES | | | DRIVES (660000-)..... | 66 |
| | AND TRASH KNIVES | 32 | B7 | SPROCKETS, GATHERING CHAIN | 30 |
| C4 | ROW-UNIT GEAR CASE..... | 54 | C1 | STALK ROLL BARREL | 50 |
| C3 | ROW-UNIT SLIP CLUTCH | 52 | C1 | STALK ROLL, KNIFE..... | 50 |
| | S | | B24 | STALK ROLLS AND BARREL..... | 48 |
| F4 | SAFETY & INSTRUCTIONAL DECAL LOCATIONS | 130 | E25 | STORAGE CABLE, POWER SHAFT | 126 |
| | | | B24 | STRAIGHT FLUTE STALK ROLL | 48 |
| | | | D11 | STRIPPERS | 86 |
| | | | D13 | STRIPPERS | 88 |
| | | | D23 | STUBBLE LIGHT HARNESS..... | 98 |
| | | | D23 | STUBBLE LIGHTS | 98 |
| | | | A19 | SUPPORT, INNER GATHERER | 18 |
| | | | | T | |
| | | | B24 | TAPERED STALK ROLL AND BARREL..... | 48 |
| | | | B7 | TENSIONER, GATHERING CHAIN..... | 30 |

ALPHABETICAL INDEX - CONTINUED

| <i>GRID</i> | | <i>PAGE</i> | <i>GRID</i> | <i>PAGE</i> |
|-------------|--|-------------|-------------|-------------|
| C24 | TENSIONERS, DRIVE CHAIN..... | 74 | | |
| B5 | TRASH KNIVES | 28 | | |
| B9 | TRASH KNIVES, ROW UNIT | 32 | | |
| U | | | | |
| D21 | ULTRASONIC SENSOR, CONTOUR MASTER (660201-) | 96 | | |
| A17 | ULTRASONIC SENSORS, INNER GATHERER..... | 16 | | |
| W | | | | |
| E7 | WEASLER (494) MAIN DRIVE SHAFT, COUPLER AND SHIELD SIDEHILL | 106 | | |
| E21 | WEASLER HEADER DRIVE SHAFT - SIDEHILL (693, 694, 893 AND 894) | 122 | | |
| F1 | WEDGE, ANGLE TILT KIT | 127 | | |
| B1 | WIRING HARNESS, DECK PLATE ADJUSTMENT | 24 | | |

A9

OUTER GATHERER POINTS
HP8432 -UN-29JUL99



HP8432

A10

90 SERIES CORN HEADS

OUTER GATHERER POINTS - CONTINUED

| KEY | PART NO. | PART NAME | QTY | SERIAL NO. | REMARKS |
|-----|----------------|------------------------------------|----------|------------|---|
| 1 | H146489 | SCREW | 2 | | (EXCEPT 1092) |
| 2 | H148273 | STRIP | 1 | | (EXCEPT 1092) |
| 3 | H148222 | GATE | 1 | -676000 | |
| | H166582 | GATE | 1 | 676001- | (890, 1290 AND 1291) |
| 4 | H141991 | BOLT | 2 | | |
| 5 | 24H1226 | WASHER | 4 | | 1/2" X 1-1/4" X 0.083" |
| 6 | E80242 | LOCK NUT | 2 | | |
| 7 | AH146578 | GATHERER POINT | 1 | | (SUB FOR AH145269 AND AH141632) (493 -655210, 494 -655374, 594 -655408, 693 -655174, 693SH -655519, 694 -655625, 893 -656231, 894 -655748, 1293 -655818) |
| | AH158245 | GATHERER POINT | 1 | 675101- | (890, 1290, 1291) |
| 8 | 14M7296 | FLANGE NUT | 2 | | M10 |
| 9 | H150537 | REINFORCEMENT | 1 | | |
| 10 | H148121 | SHOE | 1 | | |
| 11 | H148436 | STRAP | 1 | | |
| 12 | 03M7246 | BOLT | 2 | | M10 X 60 |
| 13 | H141850 | BUSHING | 2 | | |
| 14 | H155652 | CROP DIVIDER | 1 | | (A) |
| 15 | H155653 | LIMIT CURTAIN | 1 | | (A) |
| 16 | 19M7802 | SCREW | 5 | | (A) M8 X 65 |
| 17 | 14M7396 | LOCK NUT | 5 | | M8 |
| 18 | H155702 | STRIP | 1 | | (A) |
| 19 | 19M7301 | CAP SCREW | 7 | | (A) M8 X 40 |
| 20 | 24H1136 | WASHER | 7 | | (A) 11/32" X 11/16" X 0.065" |
| 21 | H156680 | NUT | 7 | | (A) M8, (INCLUDED IN BH81180) |
| 22 | H169694 | SPACER | 2 | | (USE WITH AH146578) |
| .. | BH81180 | COMPLETE GOODS/SHIP. BUNDLE | 1 | | |

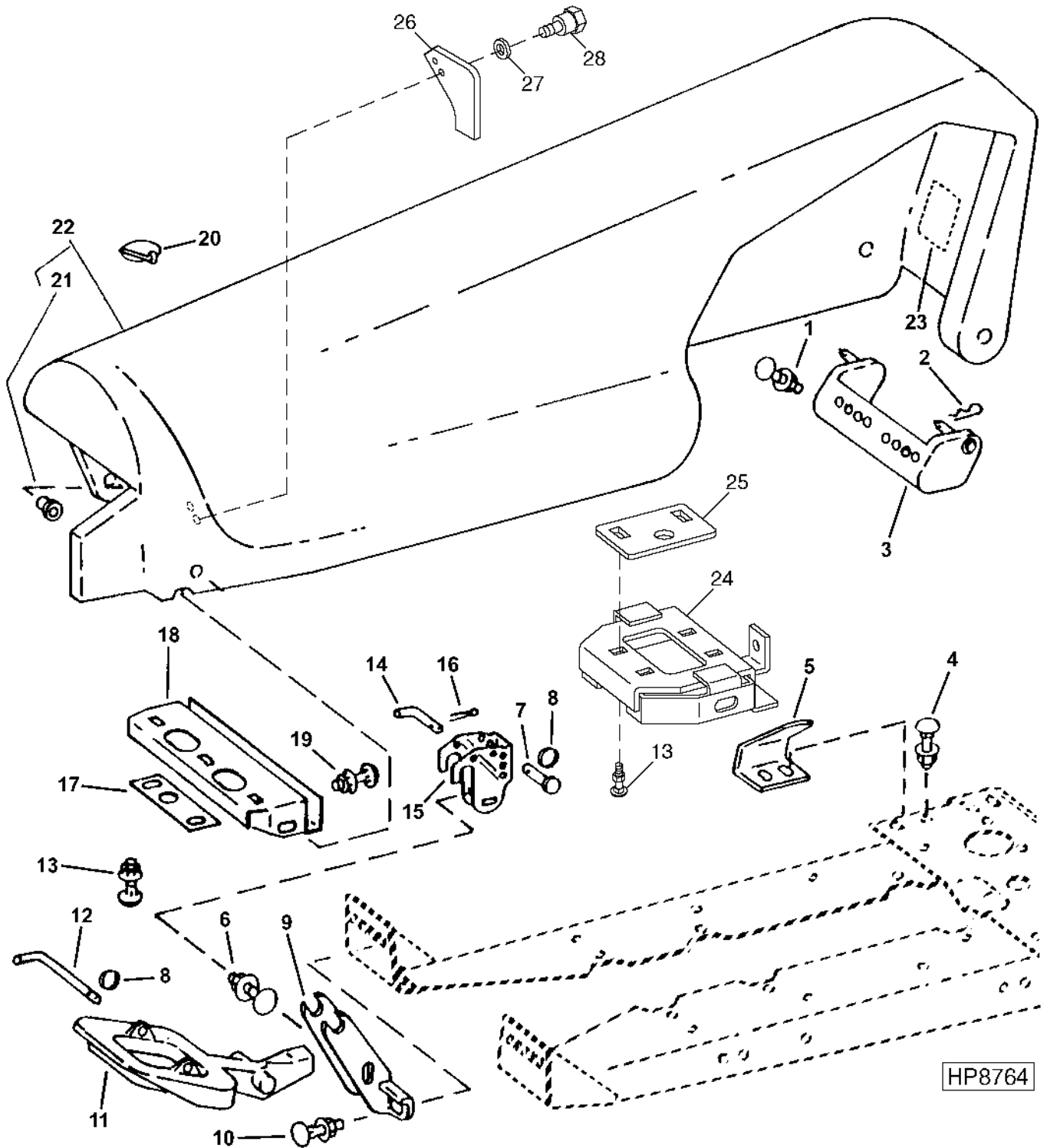
(A) THESE PARTS INCLUDED IN BH81180

NOTE: QUANTITIES SHOWN ARE FOR ONE OUTER POINT ASSEMBLY.

A11

90 SERIES CORN HEADS

OUTER GATHERER FENDERS
HP8764 -UN-09JUL99



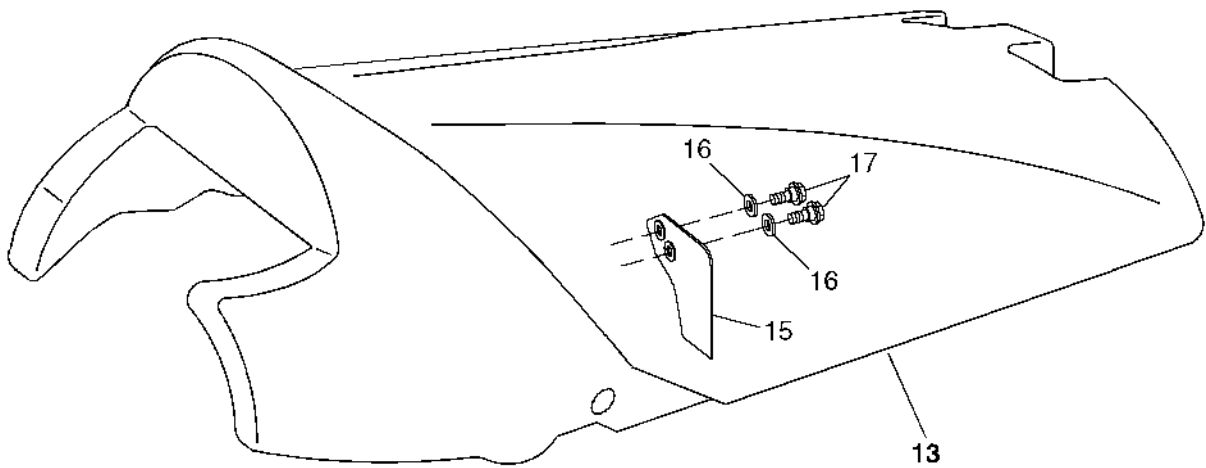
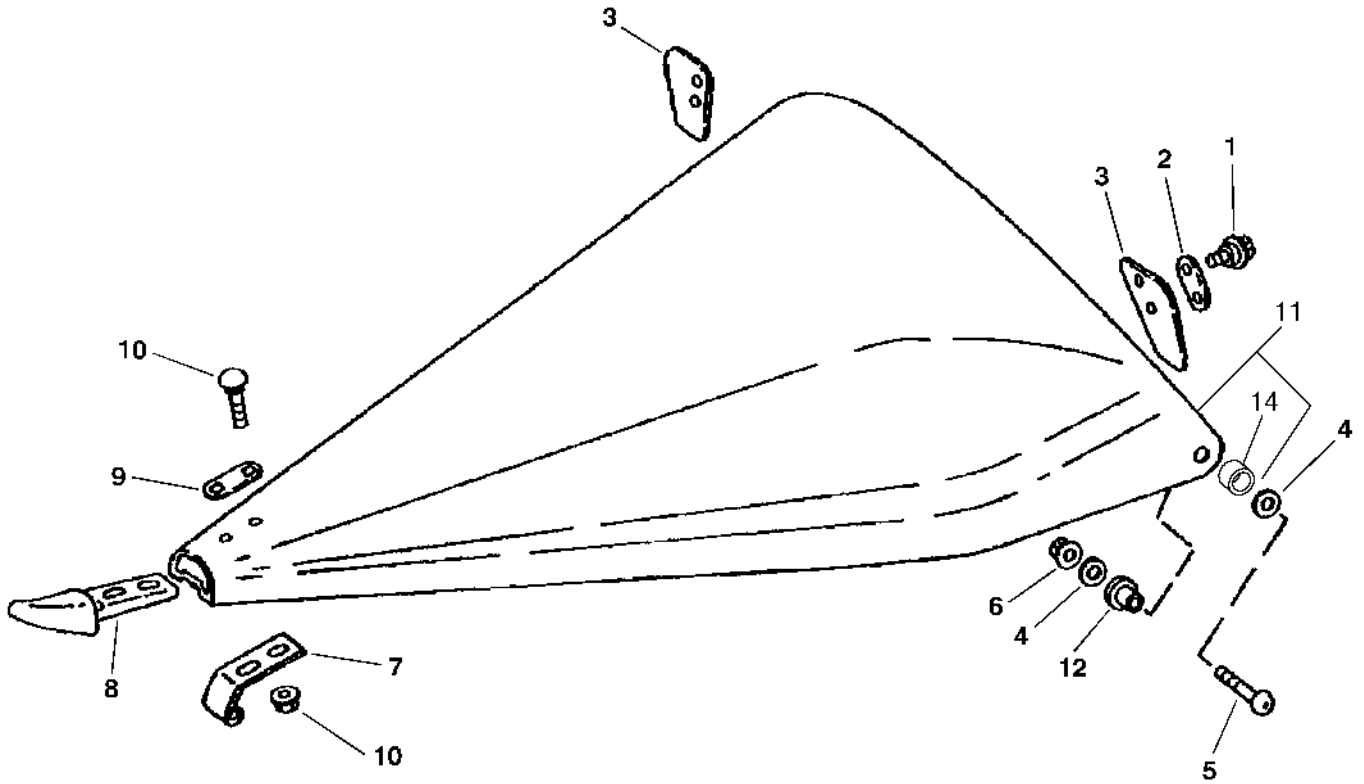
OUTER GATHERER FENDERS - CONTINUED

| KEY | PART NO. | PART NAME | QTY | SERIAL NO. | REMARKS |
|-----|----------|--------------------|-----|------------|--|
| 1 | 03M7192 | BOLT | 2 | | M10 X 30 |
| | 14M7296 | FLANGE NUT | 2 | | M10 |
| 2 | J16931 | SPRING LOCKING PIN | 2 | | |
| 3 | AH144716 | PIVOT | 2 | | ALL EXCEPT 890, 1092, 1290 AND 1291 |
| | AH147345 | PIVOT | 2 | 665101- | (890, 1092, 1290 AND 1291) |
| 4 | 03M7192 | BOLT | 2 | | M10 X 30 |
| | E80242 | LOCK NUT | 2 | | |
| 5 | H145556 | REINFORCEMENT | 1 | | |
| | H145556 | REINFORCEMENT | 2 | 670101- | (890 AND 1092) |
| 6 | 03M7192 | BOLT | 2 | | M10 X 30 |
| | 14M7296 | FLANGE NUT | 2 | | M10, ALL EXCEPT 890 |
| | 03M7192 | BOLT | 4 | 670101- | M10 X 30, (890 AND 1092) |
| 7 | H148431 | PIN | 1 | | |
| 8 | H150293 | RING | 2 | | |
| 9 | H150676 | BRACKET | 1 | | R.H., ILLUSTRATED |
| | H150677 | BRACKET | 1 | | L.H. |
| 10 | 03M7193 | BOLT | 2 | | M10 X 35 |
| | 14M7296 | FLANGE NUT | 2 | | M10 |
| 11 | H150539 | SUPPORT | 1 | | |
| 12 | H150538 | PIN | 1 | -660419 | (SUB H153022) |
| | H153022 | PIN | 1 | | |
| 13 | 03M7190 | BOLT | 4 | | M10 X 20 |
| | 14M7296 | FLANGE NUT | 4 | | M10 3/8" X 1/2" |
| | H148878 | PIN | 1 | | |
| 15 | H148313 | CAM | 1 | | |
| 16 | 11M7082 | COTTER PIN | 1 | | 2.500 X 25 MM |
| 17 | H148163 | PLATE | 1 | -675100 | |
| | H152191 | PLATE | 1 | 675101- | (890, 1290, 1291 AND 1092SP) |
| 18 | H148162 | BRACKET | 1 | | (SUB H151525) (493, -655305;494, -660200;693, -660619;694, -660562;893, -660758;894, -660712; 1293-660757) |
| | H151525 | BRACKET | 1 | | |
| 19 | 03M7196 | BOLT | 2 | | M10 X 50 |
| | 14M7296 | FLANGE NUT | 2 | | M10 |
| 20 | M72598 | QUICK LOCK PIN | 1 | | |
| 21 | H147950 | BUSHING | 2 | | |
| 22 | AH160068 | FENDER | 1 | | (SUB FOR AH145271, AH144817 AND AH141630) R.H., ILLUSTRATED |
| | AH160069 | FENDER | 1 | | (SUB FOR AH145272, AH144818 AND AH141631) L.H. |
| | AH158243 | FENDER | 1 | 675101- | R.H. 20" AND 22" ROWS ONLY (890, 1092SP, 1290 AND 1291) |
| | AH158244 | FENDER | 1 | 675101- | L.H. 20" AND 22" ROWS ONLY (890, 1092SP, 1290 AND 1291) |
| 23 | JD5902 | REFLECTOR | 2 | | |
| 24 | AH158247 | BRACKET | 1 | 675101- | (890, 1290 AND 1291) |
| 25 | H152191 | PLATE | 1 | | (890, 1290 AND 1291) |
| 26 | H166582 | GATE | 1 | 676001- | |
| 27 | 24H1111 | WASHER | 2 | 676001- | 17/32" X 1-1/16" X 0.090" |
| 28 | H169568 | SCREW | 2 | 676001- | |

NOTE: QUANTITIES SHOWN ARE FOR ONE FENDER ASSEMBLY.

A13

INNER GATHERER POINTS
HP8430 -UN-15JUL99



HP8430

A14

90 SERIES CORN HEADS

INNER GATHERER POINTS - CONTINUED

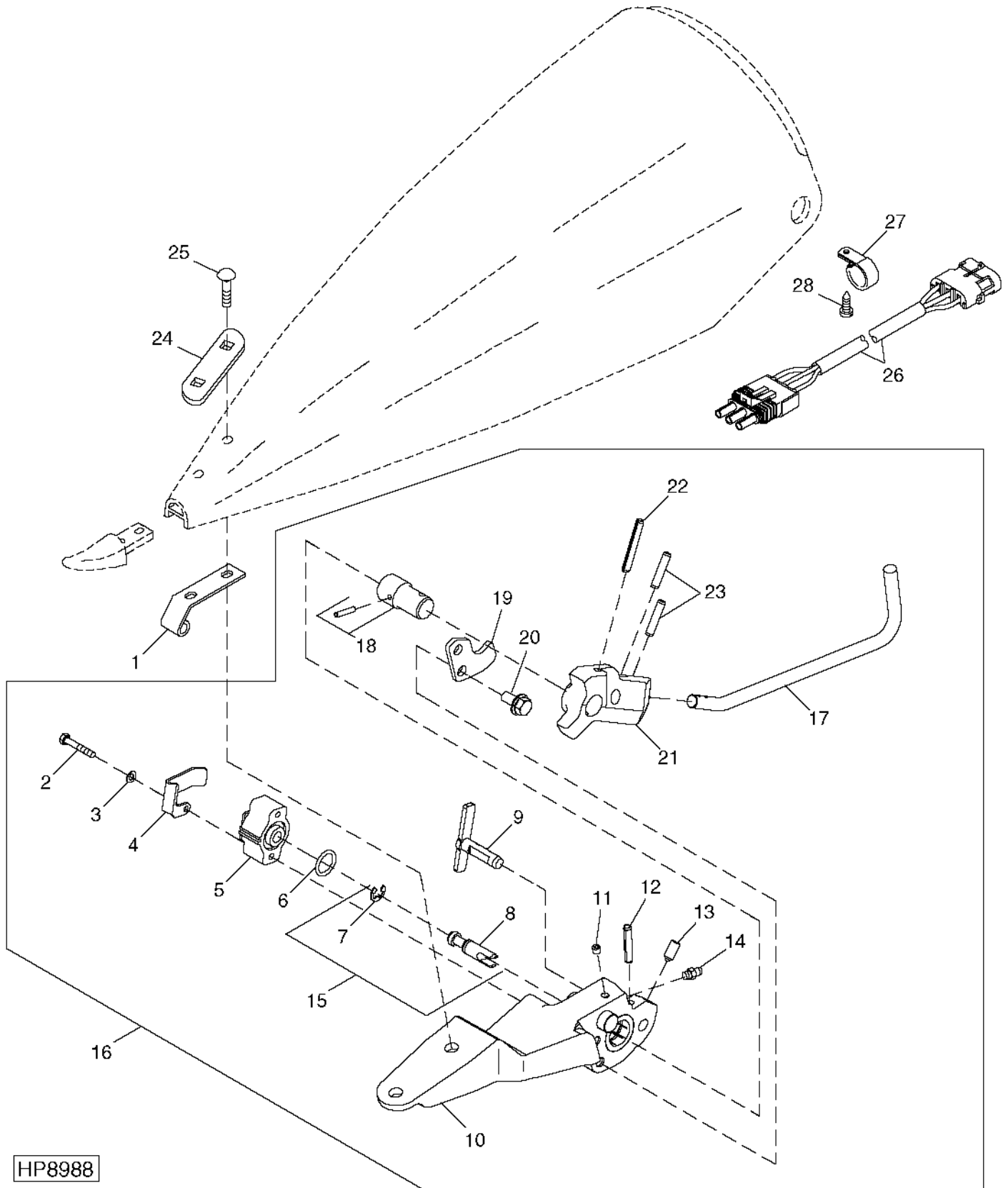
| KEY | PART NO. | PART NAME | QTY | SERIAL NO. | REMARKS |
|-----|----------|----------------|-----|------------|---|
| 1 | H146489 | SCREW | 4 | -676000 | |
| 2 | H148273 | STRIP | 2 | -676000 | |
| 3 | H148223 | GATE | 2 | -676000 | |
| | H166581 | GATE | 2 | 676001- | |
| 4 | 24H1226 | WASHER | 4 | | 1/2" X 1-1/4" X 0.083" |
| 5 | H141991 | BOLT | 2 | | |
| 6 | E80242 | LOCK NUT | 2 | | |
| 7 | H150537 | REINFORCEMENT | 1 | | |
| 8 | H148121 | SHOE | 1 | | |
| 9 | H148436 | STRAP | 1 | | |
| 10 | 03M7246 | BOLT | 2 | M10 X 60 | |
| | 14M7296 | FLANGE NUT | 2 | M10 | |
| 11 | AH146577 | GATHERER POINT | 1 | | (SUB FOR AH141626) NARROW, FOR 30" ROW SPACING (493 - 3 USED; 693 - 5 USED; 893 - 7 USED; 1293 - 11 USED) |
| | AH146188 | GATHERER POINT | 1 | | (SUB FOR AH141627) WIDE, FOR 36"-38" ROW SPACING (494 3 USED; 694 - 5 USED; 894 - 7 USED) |
| 12 | H141850 | BUSHING | 2 | | |
| 13 | AH160065 | COVER | 1 | | (SUB FOR AH149893) FOR 30" ROW SPACING |
| | AH160066 | COVER | 1 | | (SUB FOR AH149894) FOR 36/38" ROW SPACING |
| 14 | H169694 | SPACER | 1 | | |
| 15 | H166582 | GATE | 2 | 676001- | |
| 16 | 24H1111 | WASHER | 4 | 676001- | 17/32" X 1-1/16" X 0.090" |
| 17 | H169568 | SCREW | 4 | 676001- | |

NOTE: QUANTITIES SHOWN ARE FOR ONE INNER GATHERER POINT ASSEMBLY.

A15

90 SERIES CORN HEADS

INNER GATHERER POINTS WITH ACTIVE HEIGHT CONTROL
HP8988 -UN-01SEP99



HP8988

A16

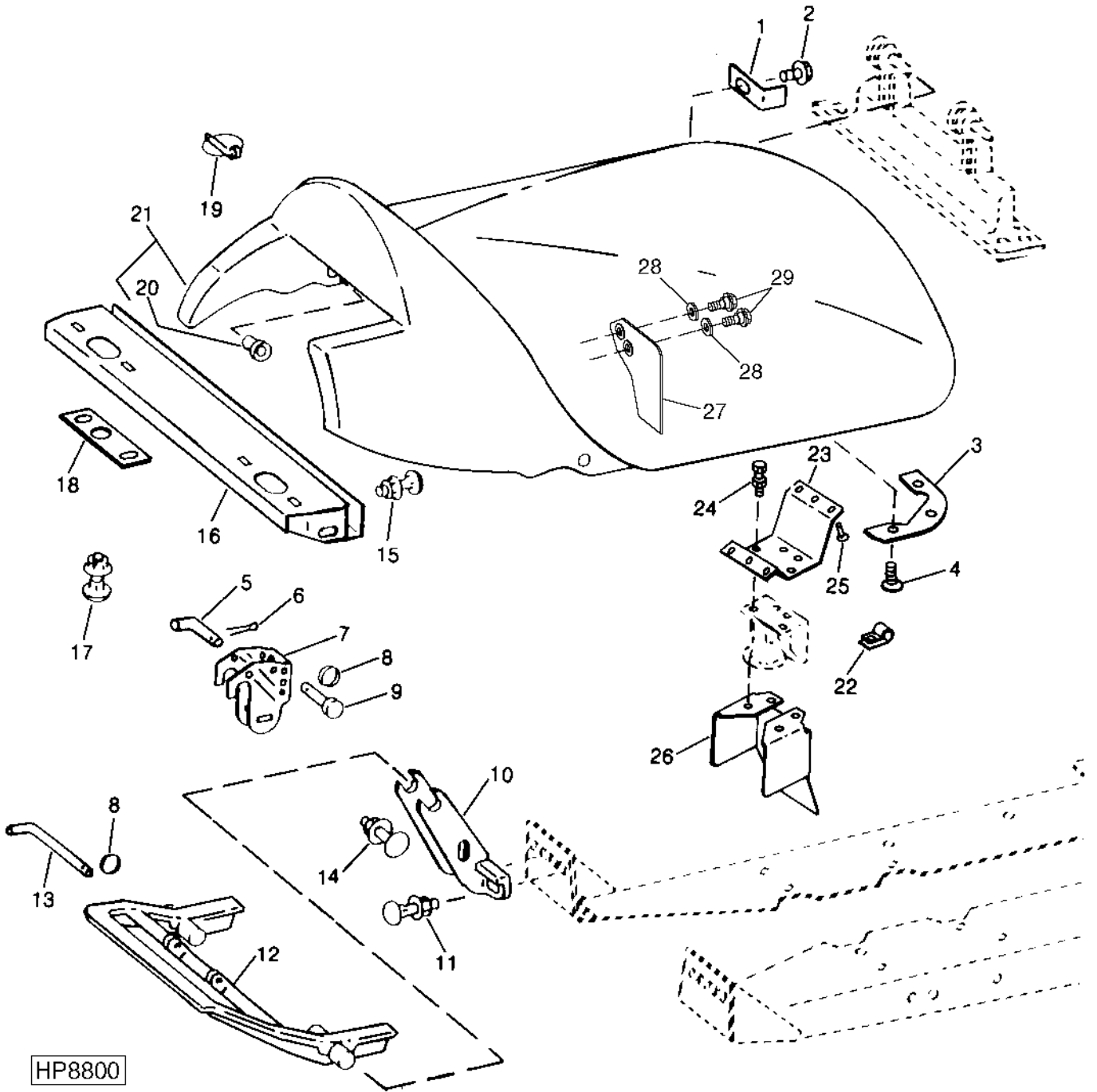
90 SERIES CORN HEADS

INNER GATHERER POINTS WITH ACTIVE HEIGHT CONTROL - CONTINUED

| KEY | PART NO. | PART NAME | QTY | SERIAL NO. | REMARKS |
|-----|----------|---------------------|-----|------------|--|
| 1 | H150537 | REINFORCEMENT | 1 | | |
| 2 | 19M7317 | SCREW | 2 | | M5 X 30 |
| 3 | 12M7060 | WASHER | 2 | | 5.300 MM |
| 4 | H172460 | BRACKET | 1 | | |
| 5 | RE69297 | SENSOR | 1 | | |
| 6 | P48347 | O-RING | 1 | | |
| 7 | R72653 | SNAP RING | 1 | | |
| 8 | H168968 | SHAFT | 1 | | |
| 9 | AH159837 | PIN | 1 | 685056- | |
| 10 | AH165088 | BASE | 1 | 685056- | |
| 11 | 22H841 | SET SCREW | 1 | | 1/4" X 1/4" |
| 12 | 34M7216 | SPRING PIN | 1 | | 6 X 35 MM |
| 13 | AH159841 | PLUNGER | 1 | | |
| 14 | JD7797 | LUBRICATION FITTING | 1 | | |
| 15 | AH159850 | SHAFT | 1 | | |
| 16 | AH159830 | SENSOR | AR | 685056- | (494, 592, 594, 692, 693, 694, 890-2 USED; 892, 893, 894, 1092, 1290, 1291, 1293-3 USED) |
| 17 | H169471 | FOLLOWER | 1 | 685056- | |
| 18 | AH159849 | SHAFT | 1 | | |
| 19 | H168965 | PLATE | 1 | | |
| 20 | 19M7865 | SCREW | 2 | | M8 X 16 |
| 21 | H168963 | ARM | 1 | 685056- | |
| 22 | 34M7043 | SPRING PIN | 1 | | 6 X 45 MM |
| 23 | 34M7040 | SPRING PIN | 2 | | 6 X 30 MM |
| 24 | H166283 | STRAP | 1 | | |
| 25 | 03M7246 | BOLT | 2 | | M10 X 60 |
| 26 | AH166626 | WIRING HARNESS | 1 | | (694 AND 894 CENTER ROW ONLY) |
| | AH166625 | WIRING HARNESS | 1 | | |
| 27 | AH89557 | CLIP | 10 | | |
| 28 | M71190 | SCREW | 10 | | |

A17

INNER GATHERER COVER AND SUPPORT WITH ULTRASONIC SENSORS
HP8800 -UN-15JUL99



INNER GATHERER COVER AND SUPPORT WITH ULTRASONIC SENSORS - CONTINUED

| KEY | PART NO. | PART NAME | QTY | SERIAL NO. | REMARKS |
|-----|----------|----------------|-----|---|---|
| 1 | H146882 | STRAP | 1 | | |
| 2 | 19M7866 | SCREW | 1 | M8 X 20 | |
| 3 | H141947 | PLATE | 2 | | |
| 4 | 19M7573 | SCREW | 6 | M8 X 20 | |
| 5 | H148878 | PIN | 2 | | |
| 6 | 11M7082 | COTTER PIN | 2 | 2.500 X 25 MM | |
| 7 | H148313 | CAM | 2 | | |
| 8 | H150293 | RING | 3 | | |
| 9 | H148431 | PIN | 1 | | |
| 10 | H150676 | BRACKET | 1 | R.H., ILLUSTRATED | |
| | H150677 | BRACKET | 1 | L.H. | |
| 11 | 03M7193 | BOLT | 4 | M10 X 35 | |
| | 14M7296 | FLANGE NUT | 4 | M10 | |
| 12 | H150540 | SUPPORT | AR | | NARROW, 30" ROW SPACING (493 - 3 USED; 693 - 5 USED; 893 - 7 USED; 1293 11 USED) |
| | H150541 | SUPPORT | AR | | WIDE, 36" AND 38" ROW SPACING (ILLUSTRATED) (494 - 3 USED; 594 - 4 USED; 694 - 5 USED; 894 - 7 USED) |
| 13 | H153022 | PIN | AR | | (SUB FOR H150538) (493, 494 - 3 USED; 594 - 4 USED; 693, 694 - 5 USED; 893, 894 - 7 USED; 1293-11 USED) |
| 14 | 03M7192 | BOLT | 4 | M10 X 30 | |
| | 14M7296 | FLANGE NUT | 4 | M10 | |
| 15 | 03M7196 | BOLT | 4 | M10 X 50 | |
| | 14M7296 | FLANGE NUT | 4 | M10 | |
| 16 | H148160 | BRACKET | 1 | NARROW, 30" ROW SPACING | |
| | H148161 | BRACKET | 1 | WIDE, 36" AND 38" ROW SPACING (ILLUSTRATED) | |
| 17 | 03M7190 | BOLT | 4 | M10 X 20 | |
| | 14M7296 | FLANGE NUT | 4 | M10 | |
| 18 | H148163 | PLATE | 2 | | |
| 19 | M72598 | QUICK LOCK PIN | 2 | -665200 | |
| | M115827 | QUICK LOCK PIN | 2 | 665201- | |
| 20 | H147950 | BUSHING | 2 | | |
| 21 | AH141628 | COVER | AR | -670000 | NARROW, 30" ROW SPACING (493-3 USED; 693-5 USED; 693SH-5 USED; 893-7 USED AND 1293-USED) |
| | AH160065 | COVER | AR | 670001- | NARROW, 30" ROW SPACING (493-3 USED; 693-5 USED; 693SH-5 USED; 8937 USED AND 1293-11 USED) |
| | AH141629 | COVER | AR | -670000 | WIDE, 36" AND 38" ROW SPACING (ILLUSTRATED) (494-3 USED, 594-4 USED, 694-5 USED AND 894-7 USED) |
| | AH160066 | COVER | AR | 670001- | WIDE, 36" AND 38" ROW SPACING (ILLUSTRATED) (4943 USED; 594-4 USED; 694-5 USED AND 894-7 USED) |
| 22 | H137101 | CLAMP | 1 | | (CONTOUR MASTER) |
| 23 | H148179 | BRACKET | 1 | | (WITH CONTOUR MASTER) |
| 24 | 19M7775 | SCREW | 4 | | M6 X 16, (WITH CONTOUR MASTER) |
| | 14M7303 | FLANGE NUT | 4 | | M6, (WITH CONTOUR MASTER) |
| 25 | R55326 | RIVET | 6 | | 4.775 MM (3/16") (WITH CONTOUR MASTER) |
| 26 | H149422 | SHIELD | 1 | | (WITH CONTOUR MASTER) |
| 27 | H166582 | GATE | 2 | 670001- | |
| 28 | 24H1111 | WASHER | 4 | 670001- | 17/32" X 1-1/16" X 0.090" |
| 29 | H169568 | SCREW | 4 | 670001- | |

BH80285 (COMPLETE GOODS) ATTACH IDENTIFICATION - LATERAL TILT CONVERSION (1293)

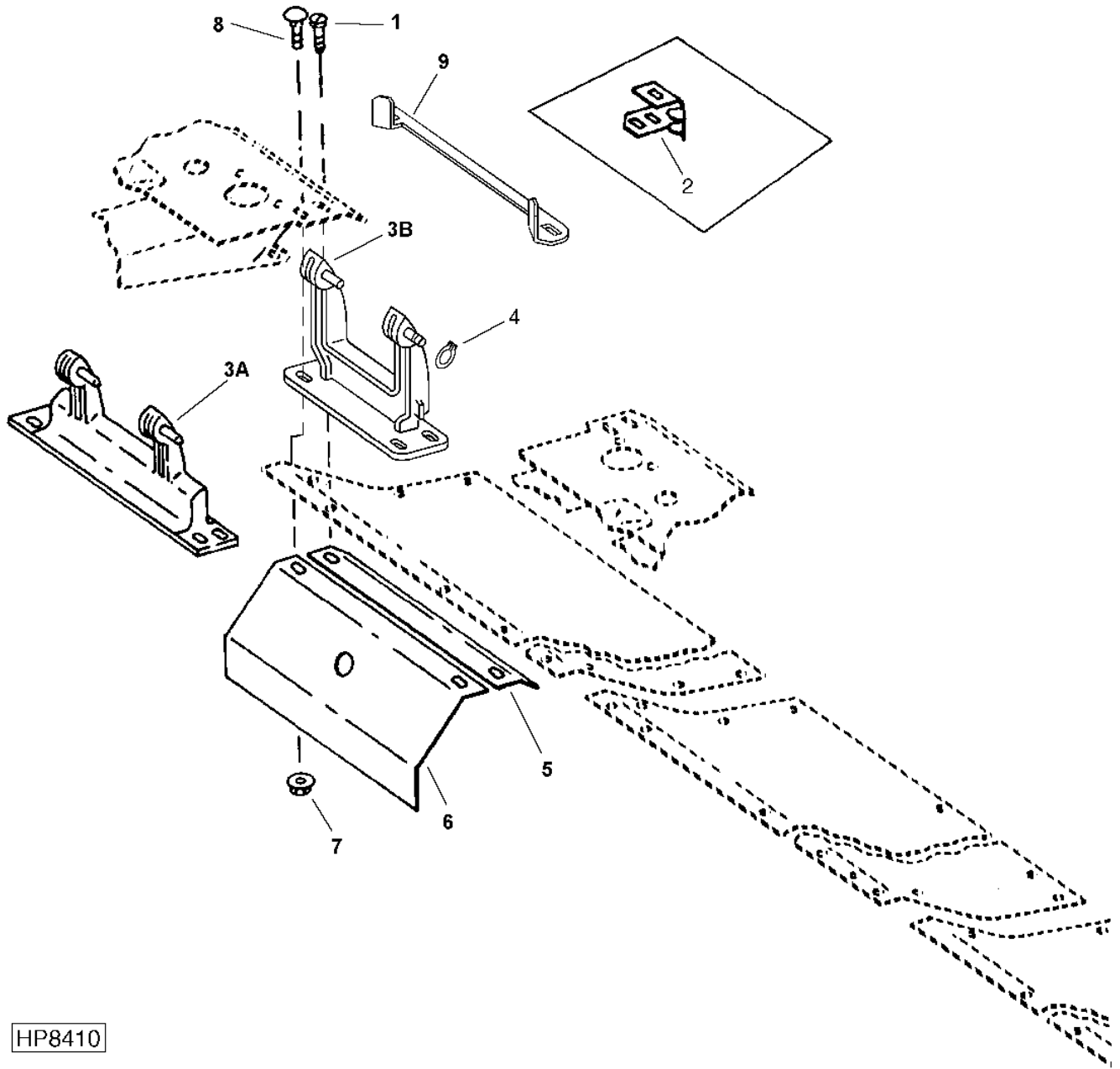
NOTE: QUANTITIES SHOWN ARE FOR ONE INNER GATHER COVER ASSEMBLY.

BH81443 (COMPLETE GOODS) LATERAL TILT CONVERSION PARTS

BH80284 (COMPLETE GOODS) ATTACH IDENTIFICATION - LATERAL CONVERSION (893,894)

A19

INNER GATHERER SUPPORT AND SHIELD
HP8410 -UN-01APR99



HP8410

INNER GATHERER SUPPORT AND SHIELD - CONTINUED

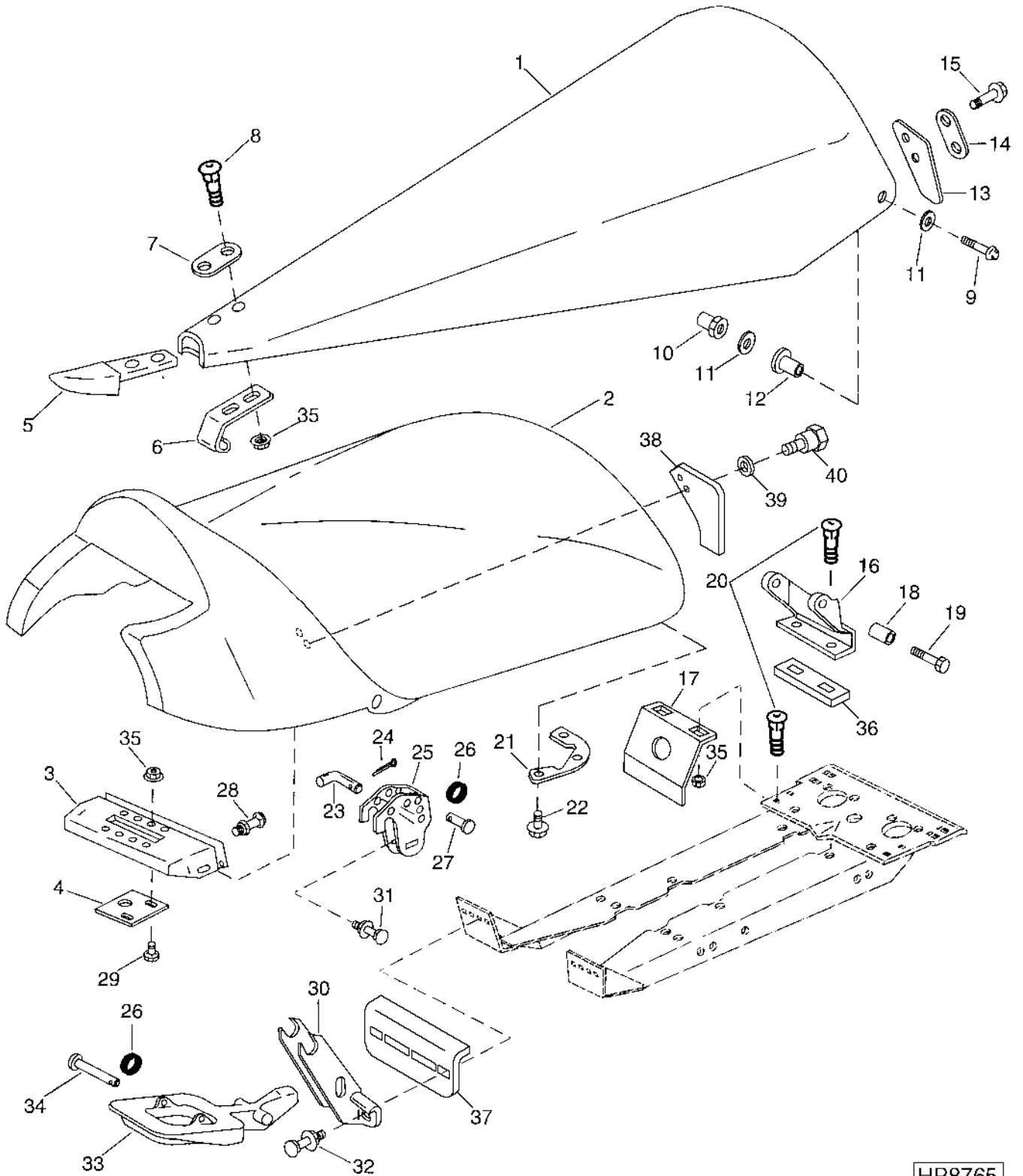
| KEY | PART NO. | PART NAME | QTY | SERIAL NO. | REMARKS |
|-----|----------|------------|-----|------------|---|
| 1 | 03M7193 | BOLT | AR | | M10 X 35, (493,494-6 USED; 594-8 USED; 693,694-10 USED; 893,894-14 USED; 1293-22 USED) |
| 2 | H149562 | DEFLECTOR | AR | | (SUB H150665 OR H150666) L.H. (493,494 - 4 USED; 594 - 5 USED; 693, 694 - 6 USED; 893,894 - 8 USED; 1293 - 12 USED) (493 -655201; 494 -655307; 594 -655402; 693 -655704; 694 -655561; 893 -655807; 894 -655707; 1293 -655759) |
| | H149561 | DEFLECTOR | AR | | (SUB H150665 OR H150666) R.H. (493, 494 - 4 USED; 594 - 5 USED; 693, 694 - 6 USED; 893, 894 - 8 USED; 1293 - 12 USED) (493 -655201; 494 -655307; 594 - 655402; 693 -655704; 694 -655561; 893 - 655807; 894 -655707; 1293 -655759) |
| 3A | AH143462 | PIVOT | AR | | NARROW, 30" ROW SPACING (493-3 USED; 693, - 5 USED; 893-7 USED; 1293-11 USED) |
| | AH143463 | PIVOT | AR | | WIDE, 36" AND 38" ROW SPACING (ILLUSTRATED) (494 - 3 USED; 594 - 4 USED; 694 - 5 USED; 894 - 7 USED) |
| 3B | AH149178 | PIVOT | 9 | 670301- | (1092) |
| 4 | H150663 | SNAP RING | 2 | | |
| 5 | H146502 | ANGLE | AR | | NARROW, 30" ROW SPACING (493 - 3 USED; 693 - 5 USED; 893 - 7 USED; 1293 - 11USED) |
| | H146503 | ANGLE | AR | | WIDE, 36" AND 38" ROW SPACING (ILLUSTRATED) (494 - 3 USED; 594 - 4 USED; 694 - 5 USED; 894 - 7 USED) |
| | H153627 | PLATE | AR | | NARROW, 20" AND 22" ROW SPACING (890 - 7 USED, 1290 AND 1291 - 11 USED) |
| | H151217 | ANGLE | AR | 670301- | (1092) |
| 6 | H151759 | SHIELD | AR | | (SUB FOR H149561) NARROW, 30" ROW SPACING (493 - 3 USED; 693 - 5 USED; 893 - 7 USED; 1293 - 11 USED) |
| | H151760 | SHIELD | AR | | (SUB FOR H146512) WIDE, 36" AND 38" ROW SPACING (ILLUSTRATED) (494 - 3 USED; 594 - 4 USED; 694 - 5 USED; 894 - 7 USED) |
| | H151761 | SHIELD | 1 | 670301- | (1092) |
| 7 | 14M7296 | FLANGE NUT | AR | | M10, (493, 494 - 12 USED; 594 - 16 USED; 693, 694 - 20 USED; 893, 894 - 21 USED; 1293 -44 USED) |
| 8 | 03M7192 | BOLT | AR | | M10 X 30, (493 - 6 USED; 594 - 8 USED; 693 - 10 USED; 890 - 14 USED; 1092 - 18 USED) |
| | 03M7191 | BOLT | AR | | M10 X 25, (594 - 8 USED; 694 - 10 USED; 893, 894 AND 1092 - 14 USED) |
| | 03M7193 | BOLT | AR | | M10 X 35, (494 - 6 USED) |
| 9 | H154839 | DEFLECTOR | AR | | (SUB FOR H151215 AND H150665) R.H. FOR NARROW SPACING (493-3 USED; 693-5 USED; 693SH-5 USED; 893-7 USED; 1293-11 USED) |
| | H154840 | DEFLECTOR | AR | | (SUB FOR H150666) L.H. FOR WIDE SPACING (494-3 USED; 594-4 USED; 694-5 USED; 894-7 USED) |

A21

90 SERIES CORN HEADS

INNER POINT AND COVER ROW-SPACING CONVERSION FOR 20" AND 22" ROW-SPACINGS - (OPTIONAL)

HP8765 -UN-09JUL99



HP8765

INNER POINT AND COVER ROW-SPACING CONVERSION - CONTINUED
20" AND 22" ROW-SPACINGS - (OPTIONAL)

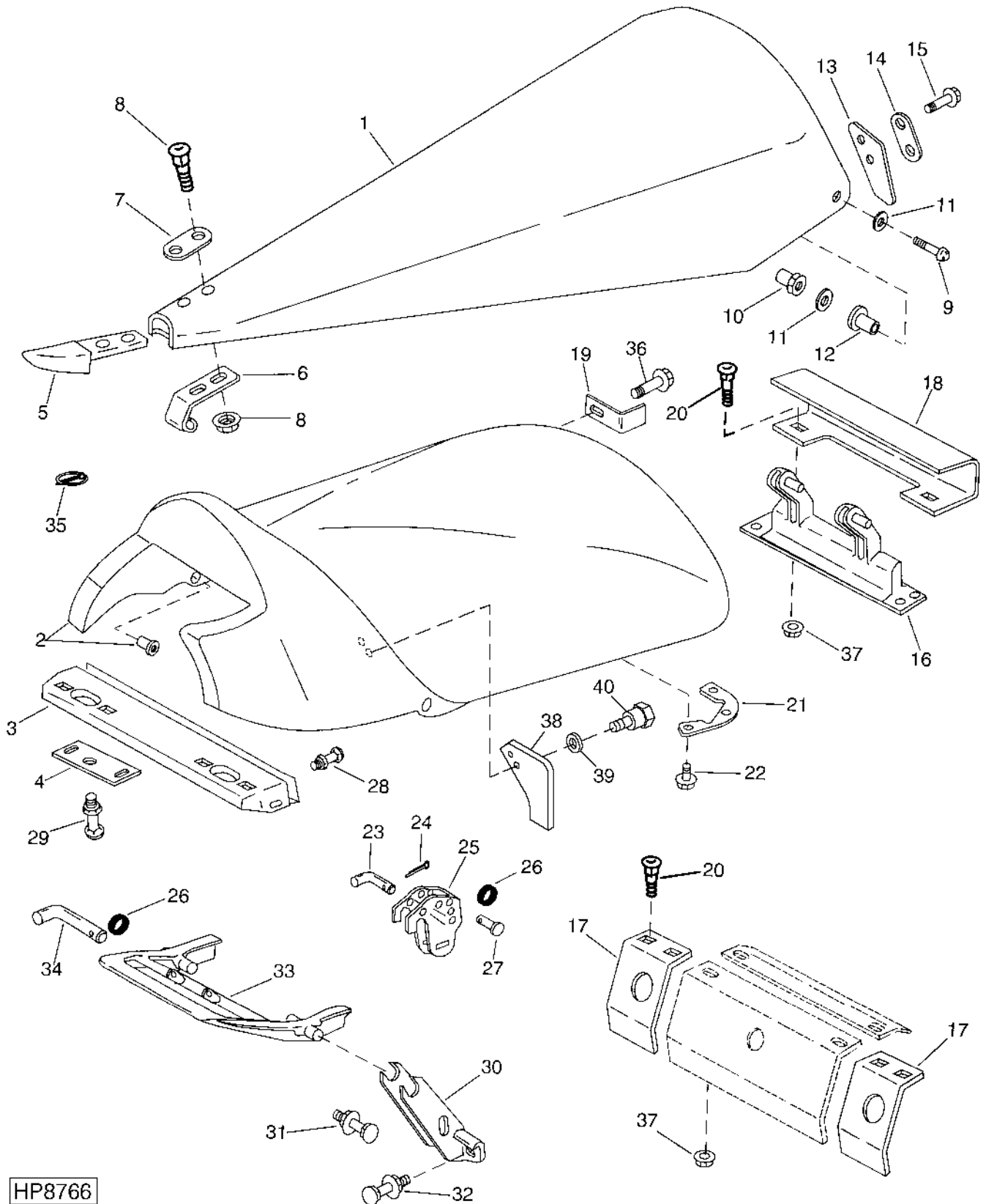
| KEY | PART NO. | PART NAME | QTY | SERIAL NO. | REMARKS |
|-----|----------------|------------------------------------|----------|------------|---|
| 1 | AH160063 | POINT | 1 | | (A) (SUB FOR AH146346) |
| 2 | AH146347 | COVER | 1 | | |
| 3 | AH146490 | BRACKET | 1 | | |
| 4 | H152191 | PLATE | 1 | | |
| 5 | H148121 | SHOE | 1 | | (A) |
| 6 | H150537 | REINFORCEMENT | 1 | | (A) |
| 7 | H148436 | STRAP | 1 | | (A) |
| 8 | 03M7246 | BOLT | 2 | | (A) M10 X 60 |
| 9 | H141991 | BOLT | 2 | | (A) |
| 10 | E80242 | LOCK NUT | 2 | | (A) |
| 11 | 24H1226 | WASHER | 4 | | (A) 1/2" X 1-1/4" X 0.083" |
| 12 | H141850 | BUSHING | 2 | | (A) |
| 13 | H148223 | GATE | 2 | -676000 | |
| 14 | H148273 | STRIP | 2 | | |
| 15 | 19M7866 | SCREW | 4 | | M8 X 20 |
| 16 | H152209 | PIVOT | 1 | | |
| 17 | H152519 | SHIELD | 1 | | (890 AND 1290) |
| | H153625 | SHIELD | 1 | | (1291) |
| 18 | H152342 | SPACER | 2 | | |
| 19 | 19M7288 | CAP SCREW | 2 | | M8 X 30 |
| 20 | 03M7193 | BOLT | 2 | | M10 X 35 |
| | 03M7192 | BOLT | 2 | | M10 X 30, (890) |
| 21 | H141947 | PLATE | 2 | | |
| 22 | 19M7573 | SCREW | 6 | | M8 X 20 |
| 23 | H148878 | PIN | 1 | | |
| 24 | 11M7082 | COTTER PIN | 1 | | 2.500 X 25 MM (0.098" X 0.984") |
| 25 | H148313 | CAM | 1 | | |
| 26 | H150293 | RING | 2 | | |
| 27 | H148431 | PIN | 1 | | |
| 28 | 03M7196 | BOLT | 2 | | M10 X 50 |
| | 14M7296 | FLANGE NUT | 2 | | M10 |
| 29 | 03M7190 | BOLT | 4 | | M10 X 20 |
| 30 | H150676 | BRACKET | 1 | | |
| 31 | 03M7192 | BOLT | 2 | | M10 X 30 |
| | 14M7296 | FLANGE NUT | 2 | | (A) M10 |
| 32 | 03M7193 | BOLT | 2 | | M10 X 35 |
| | 14M7296 | FLANGE NUT | 2 | | M10 |
| 33 | H150539 | SUPPORT | 1 | | |
| 34 | H153022 | PIN | 1 | | (SUB FOR H150538) |
| 35 | 14M7296 | FLANGE NUT | 8 | | M10 |
| 36 | H153627 | PLATE | AR | | 20" AND 22" ROWS ONLY |
| 37 | H154913 | PLATE | AR | | 20" AND 22" ROWS ONLY |
| 38 | H166581 | GATE | 2 | 676001- | (A) |
| 39 | 24H1111 | WASHER | 4 | 676001- | 17/32" X 1-1/16" X 0.090" |
| 40 | H146489 | SCREW | 4 | 676001- | |
| .. | BH81504 | COMPLETE GOODS/SHIP. BUNDLE | 1 | | PERMA GLIDE POINT - 20" AND 22" ROWS |

(A) THESE PARTS INCLUDED IN BH81504

NOTE: QUANTITIES SHOWN ARE FOR ONE ROW UNIT.

A23

INNER POINT AND COVER ROW-SPACING CONVERSION
40" ROW-SPACING - (OPTIONAL)
HP8766 -UN-09JUL99



INNER POINT AND COVER ROW-SPACING CONVERSION - CONTINUED
40" ROW-SPACING - (OPTIONAL)

| KEY | PART NO. | PART NAME | QTY | SERIAL NO. | REMARKS |
|-----|----------|----------------|-----|-------------------------------|---------------------------|
| 1 | AH146147 | GATHERER POINT | 1 | (A) | |
| 2 | AH160067 | COVER | 1 | (B) (SUB FOR AH146148) | |
| 3 | AH146332 | BRACKET | 1 | (B) | |
| 4 | H148163 | PLATE | 2 | (B) | |
| 5 | H148121 | SHOE | 1 | (A) | |
| 6 | H150537 | REINFORCEMENT | 1 | (A) | |
| 7 | H148436 | STRAP | 1 | (A) | |
| 8 | 03M7246 | BOLT | 2 | (A) M10 X 60 | |
| | 14M7296 | FLANGE NUT | 2 | (A) M10 | |
| 9 | H141991 | BOLT | 2 | (A) M12 X 93 | |
| 10 | E80242 | LOCK NUT | 2 | (A) M12 | |
| 11 | 24H1226 | WASHER | 4 | (A) 1/2" X 1-1/4" X 0.083" | |
| 12 | H141850 | BUSHING | 2 | (A) | |
| 13 | H148223 | GATE | 2 | -676000 | |
| 14 | H148273 | STRIP | 2 | -676000 | |
| 15 | H146489 | SCREW | 4 | -676000 | M8 X 25.300 |
| 16 | AH143463 | PIVOT | 1 | | |
| 17 | H151760 | SHIELD | 2 | | |
| 18 | H150666 | DEFLECTOR | 1 | | |
| 19 | H146882 | STRAP | 1 | (A) | |
| 20 | 03M7193 | BOLT | AR | M10 X 35 | |
| 21 | H141947 | PLATE | 2 | (B) | |
| 22 | 19M7573 | SCREW | 6 | (B) M8 X 20 | |
| 23 | H148878 | PIN | 1 | | |
| 24 | 11M7082 | COTTER PIN | 1 | 2.500 X 25 MM | |
| 25 | H148313 | CAM | 1 | | |
| 26 | H150293 | RING | 2 | | |
| 27 | H148431 | PIN | 1 | | |
| 28 | 03M7196 | BOLT | 2 | (B) M10 X 50 | |
| | 14M7296 | FLANGE NUT | 2 | (B) M10 | |
| 29 | 03M7190 | BOLT | 4 | (B) M10 X 20 | |
| | 14M7296 | FLANGE NUT | 4 | (B) M10 | |
| 30 | H150676 | BRACKET | 1 | R.H. | |
| | H150677 | BRACKET | 1 | L.H. | |
| 31 | 03M7192 | BOLT | 2 | (B) M10 X 30 | |
| | 14M7296 | FLANGE NUT | 2 | (B) M10 | |
| 32 | 03M7193 | BOLT | 2 | M10 X 35 | |
| | 14M7296 | FLANGE NUT | 2 | M10, ORDER FROM SERVICE PARTS | |
| 33 | H150541 | SUPPORT | 1 | | |
| 34 | H153022 | PIN | 1 | (SUB FOR H150538) | |
| 35 | M72598 | QUICK LOCK PIN | 2 | | |
| 36 | 19M7866 | SCREW | 1 | (B) M8 X 20 | |
| 37 | 14M7296 | FLANGE NUT | AR | (B) M10 | |
| 38 | H166582 | GATE | 2 | 676001- | (A) |
| 39 | 24H1111 | WASHER | 4 | 676001- | 17/32" X 1-1/16" X 0.090" |
| 40 | H169568 | SCREW | 4 | 676001- | |

BH81505 COMPLETE GOODS/SHIP. BUNDLE, PERMA-GLIDE POINT, INCLUDES PARTS MARKED (A)

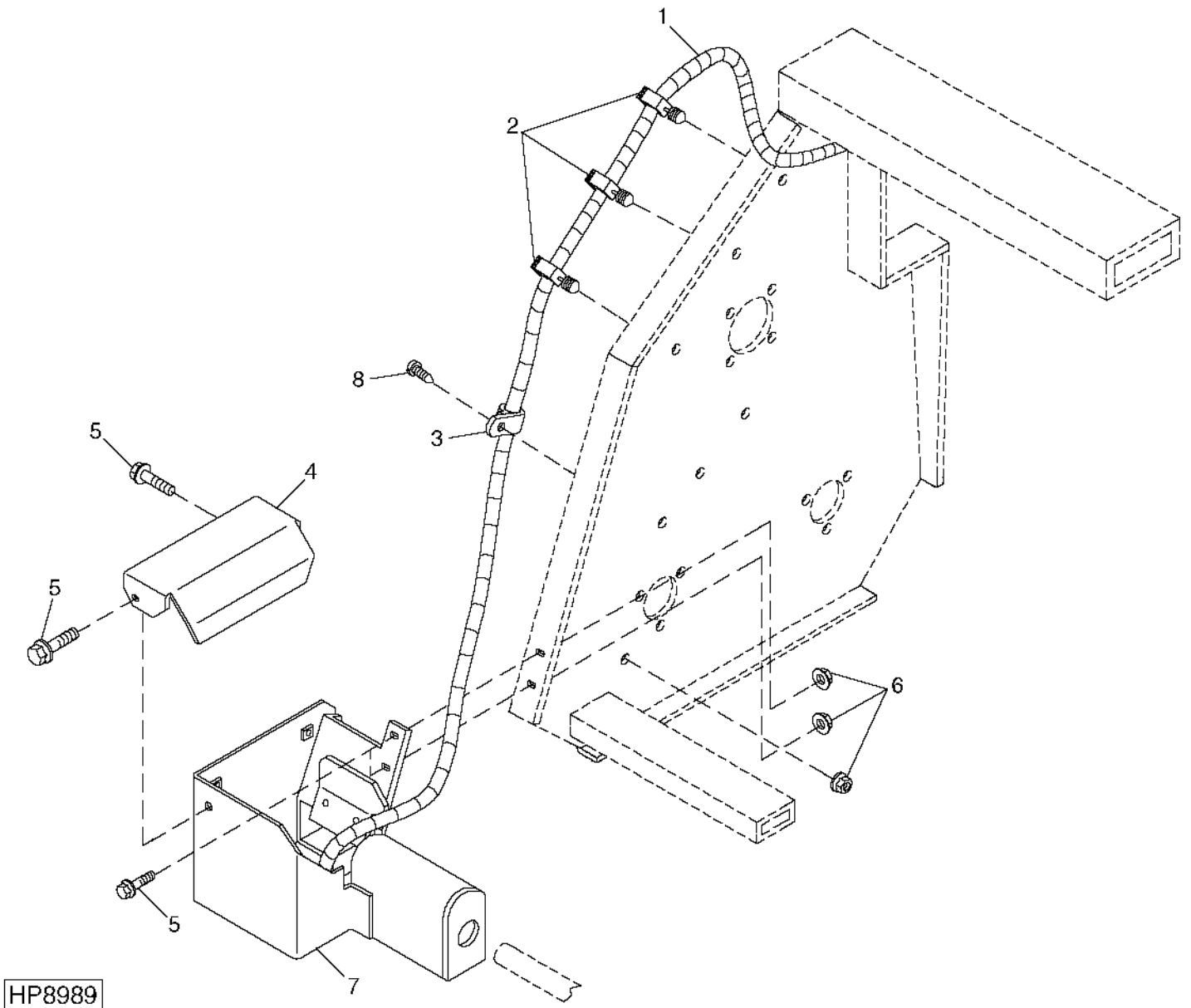
BH81506 COMPLETE GOODS/SHIP. BUNDLE, PERMA-GLIDE COVER, INCLUDES PARTS MARKED (B)

NOTE: QUANTITIES ARE FOR ONE ROW UNIT.

B1

DECK PLATE ADJUSTMENT WIRING HARNESS AND SHIELDS

HP8989 -UN-01SEP99



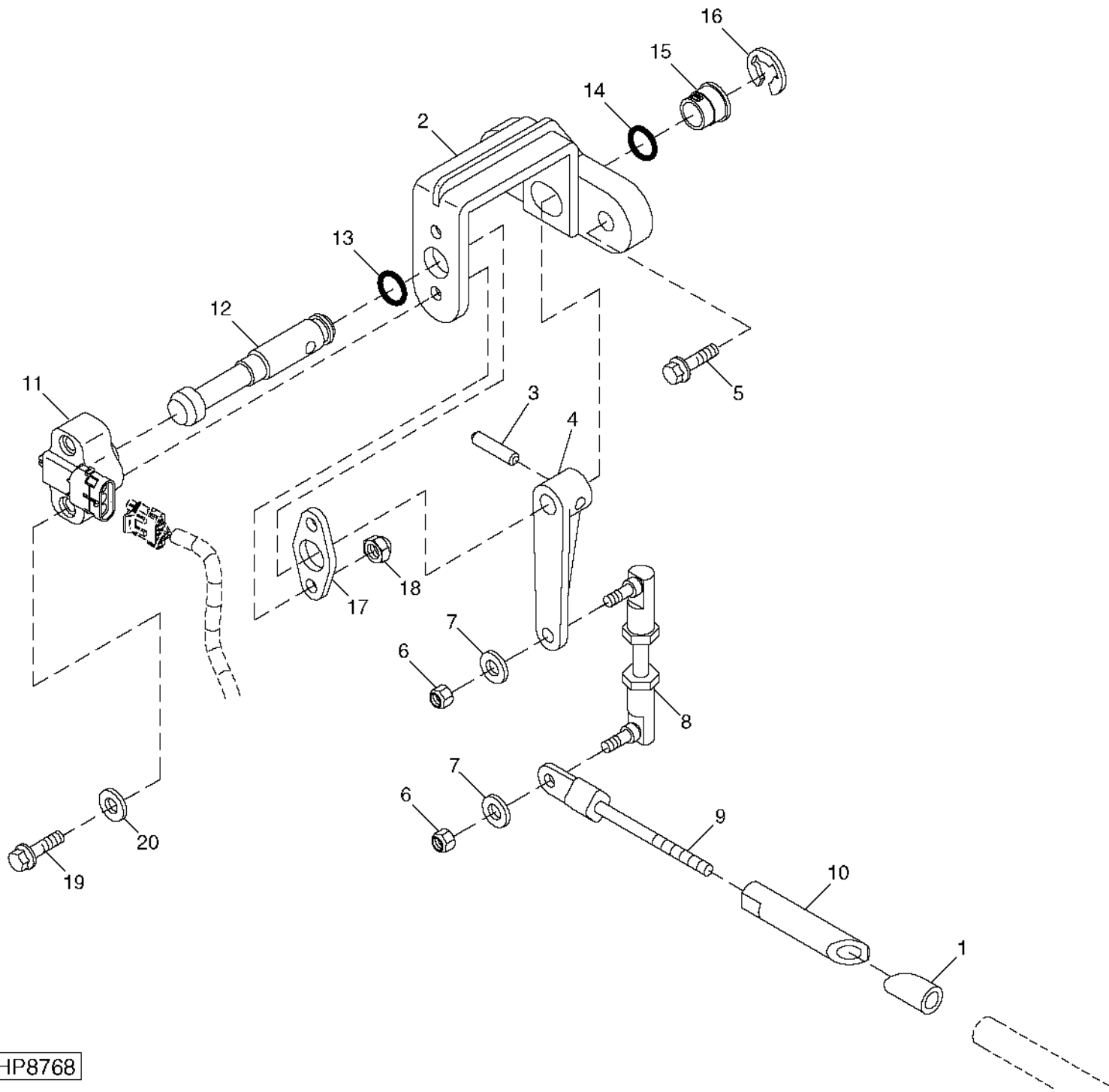
HP8989

DECK PLATE ADJUSTMENT WIRING HARNESS AND SHIELDS - CONTINUED

| KEY | PART NO. | PART NAME | QTY | SERIAL NO. | REMARKS |
|-----|----------------|------------------------------------|----------|--------------|---------|
| 1 | AH164483 | WIRING HARNESS | 1 | | |
| 2 | H141394 | CLAMP | 3 | | |
| 3 | AH89557 | CLIP | 1 | | |
| 4 | H166277 | SHIELD | 1 | | |
| 5 | 19M7866 | SCREW | 5 | M8 X 20 | |
| 6 | 14M7298 | FLANGE NUT | 3 | M8 | |
| 7 | AH159828 | BRACKET | 1 | | |
| 8 | M71190 | SCREW | 1 | SELF-TAPPING | |
| .. | BH81858 | COMPLETE GOODS/SHIP. BUNDLE | 1 | | |

B3

DECK PLATE INDICATOR HP8768 -UN-09JUL99



HP8768

B4

90 SERIES CORN HEADS

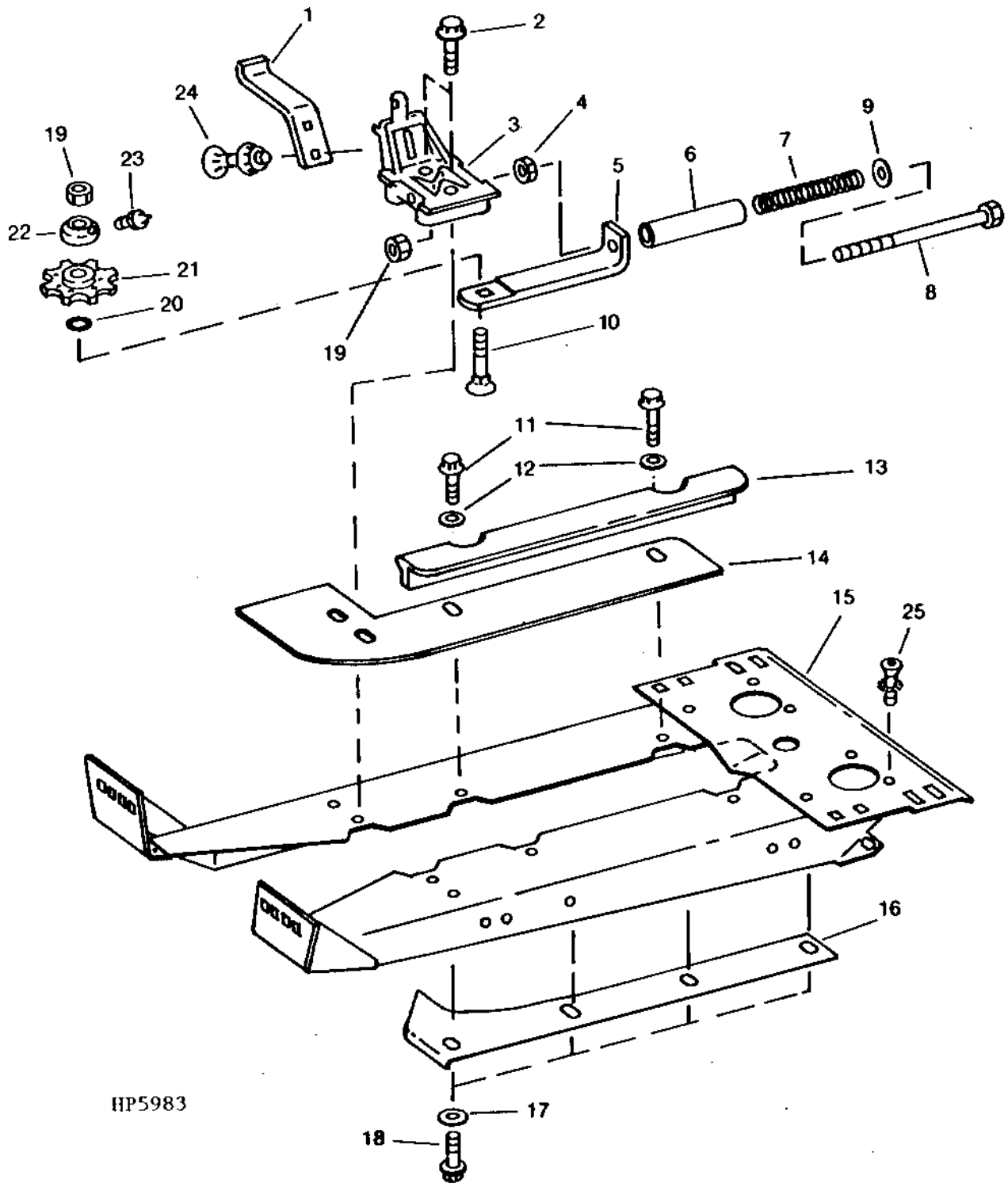
DECK PLATE INDICATOR - CONTINUED

| KEY | PART NO. | PART NAME | QTY | SERIAL NO. | REMARKS |
|-----|----------------|------------------------------------|----------|------------|------------|
| 1 | H166318 | WEDGE | 1 | | |
| 2 | H156936 | BRACKET | 1 | | |
| 3 | 34H305 | SPRING PIN | 1 | | 7/32" X 2" |
| 4 | H166313 | LEVER | 1 | | |
| 5 | 19M7868 | SCREW | 2 | | M8 X 30 |
| 6 | 14M7303 | FLANGE NUT | 2 | | M6 |
| 7 | 12H302 | LOCK WASHER | 2 | | 1/4" |
| 8 | AH159809 | LINKAGE | 1 | | |
| 9 | AH166295 | EYEBOLT | 1 | | |
| 10 | H171141 | SPACER | 1 | | |
| 11 | RE69297 | SENSOR | 1 | | |
| 12 | R111692 | SHAFT | 1 | | |
| 13 | R112679 | SEAL | 1 | | |
| 14 | P48347 | O-RING | 1 | | |
| 15 | R41076 | GROMMET | 1 | | |
| 16 | R26871 | SNAP RING | 1 | | |
| 17 | R86457 | SUPPORT | 1 | | |
| 18 | 14M7297 | NUT | 2 | | M5 |
| 19 | 21M7261 | SCREW | 2 | | M5 X 45 |
| 20 | 12M7060 | WASHER | 2 | | 5.300 MM |
| .. | BH81858 | COMPLETE GOODS/SHIP. BUNDLE | 1 | | |

B5

90 SERIES CORN HEADS

ROW-UNIT FRAME, DECK PLATES, TRASH KNIVES AND CHAIN GUIDES
HP5983 -UN-01JAN94



B6

90 SERIES CORN HEADS

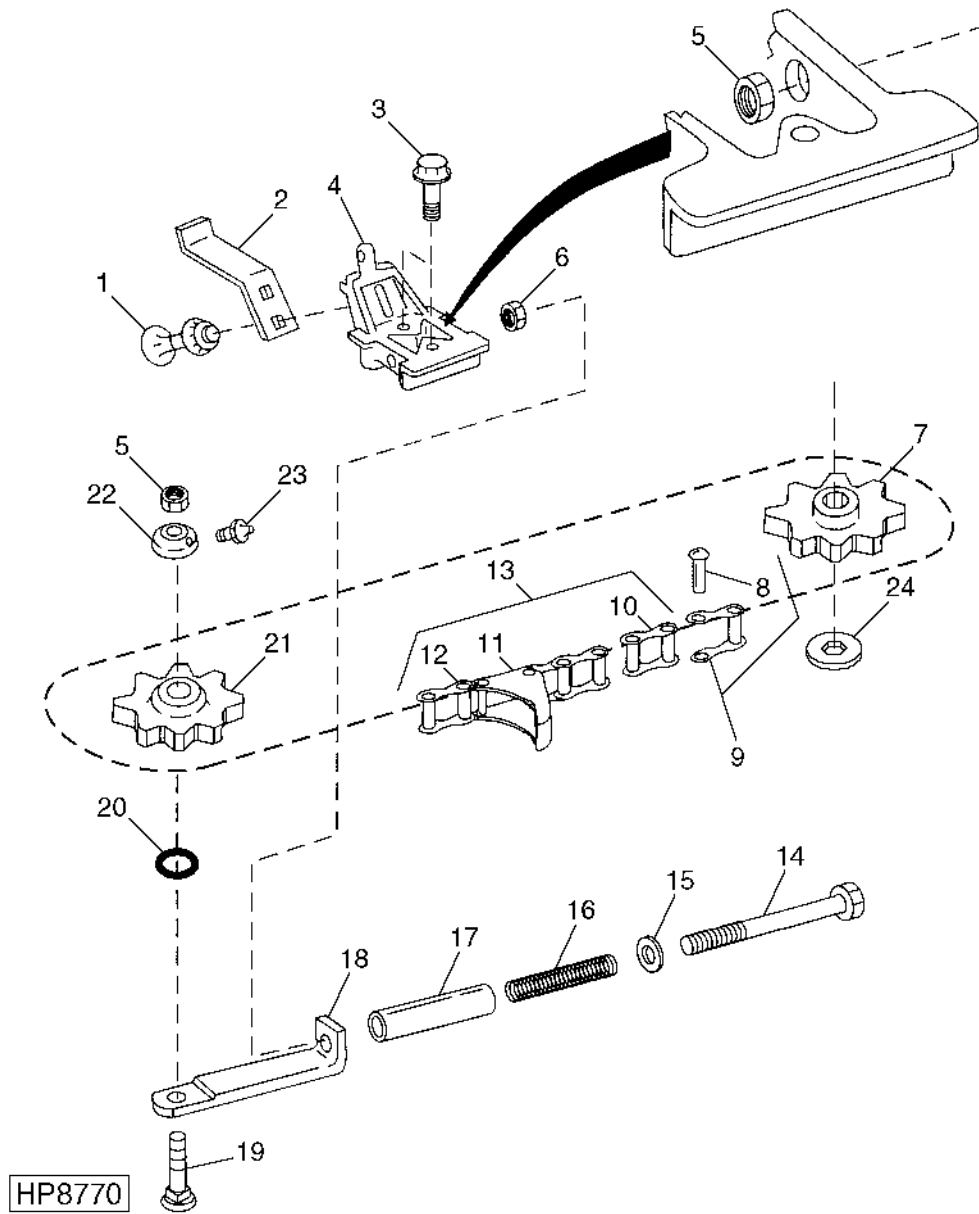
ROW-UNIT FRAME, DECK PLATES, TRASH KNIVES AND CHAIN GUIDES - CONTINUED

| KEY | PART NO. | PART NAME | QTY | SERIAL NO. | REMARKS |
|-----|----------|---------------------|-----|------------|---|
| 1 | H149506 | OUTRIGGER | 2 | | OUTSIDE ROW-UNITS ONLY |
| 2 | 19M7817 | SCREW | 4 | | M12 X 70 |
| 3 | H153898 | SUPPORT | 2 | | (SUB FOR H148130) |
| 4 | 14H821 | NUT | 2 | | 5/8" |
| 5 | H144503 | STRAP | 2 | | |
| 6 | N104096 | BUSHING | 2 | | |
| 7 | N61703 | SPRING | 2 | | |
| 8 | 08H4219 | CAP SCREW | 2 | | 5/8" X 10-1/2" |
| 9 | 24H1373 | WASHER | 2 | | 21/32" X 1-9/16" X 0.180" |
| 10 | 10H1082 | BOLT | 2 | | 5/8" X 2-3/4" |
| 11 | 19M7815 | SCREW | 4 | | M12 X 60 |
| 12 | 24M7087 | WASHER | 4 | -660315 | 5.500 X 10 X 1 MM, NO LONGER REQUIRED |
| 13 | H151211 | GUIDE | 2 | | (SUB FOR H146158) |
| 14 | H154270 | PLATE | 2 | | (SUB FOR H149176) |
| 15 | AH145988 | FRAME | 1 | | (SUB FOR AH143313) |
| | AH146566 | FRAME | 1 | | (1290 AND 1291) |
| 16 | H146880 | KNIFE | 1 | | R.H. (FOR FLUTED OR KNIFE STALK ROLLS) |
| | H146881 | KNIFE | 1 | | L.H., (ILLUSTRATED) (FOR FLUTED OR KNIFE STALK ROLLS) |
| | N102080 | KNIFE | 1 | | R.H. (USE WITH TAPERED STALK ROLL ONLY) |
| | N102081 | KNIFE | 1 | | L.H. (USE WITH TAPERED STALK ROLL ONLY) |
| 17 | 24M7180 | WASHER | 8 | | 13 X 37 X 3 MM |
| 18 | 19M7788 | SCREW | 8 | | M12 X 25 |
| 19 | 14H760 | NUT | 4 | | 5/8" |
| 20 | R375R | O-RING | 2 | | |
| 21 | AH101219 | CHAIN SPROCKET | 2 | | |
| 22 | H105622 | WASHER | 2 | | |
| 23 | JD7797 | LUBRICATION FITTING | 2 | | 1/4 IN. STRAIGHT |
| 24 | 03M7193 | BOLT | 4 | | M10 X 35 |
| | 14M7296 | FLANGE NUT | 4 | | M10 |
| 25 | N103236 | SCREW | 4 | | |
| | 12H308 | LOCK WASHER | 4 | | 1/2" |
| .. | AH136671 | GATHERER CHAIN | 2 | | |

NOTE: QUANTITIES SHOWN ARE PER ROW EXCEPT AS NOTED.

B7

GATHERING CHAIN, SPROCKETS AND TENSIONER
HP8770 -UN-30JUL99



GATHERING CHAIN, SPROCKETS AND TENSIONER - CONTINUED

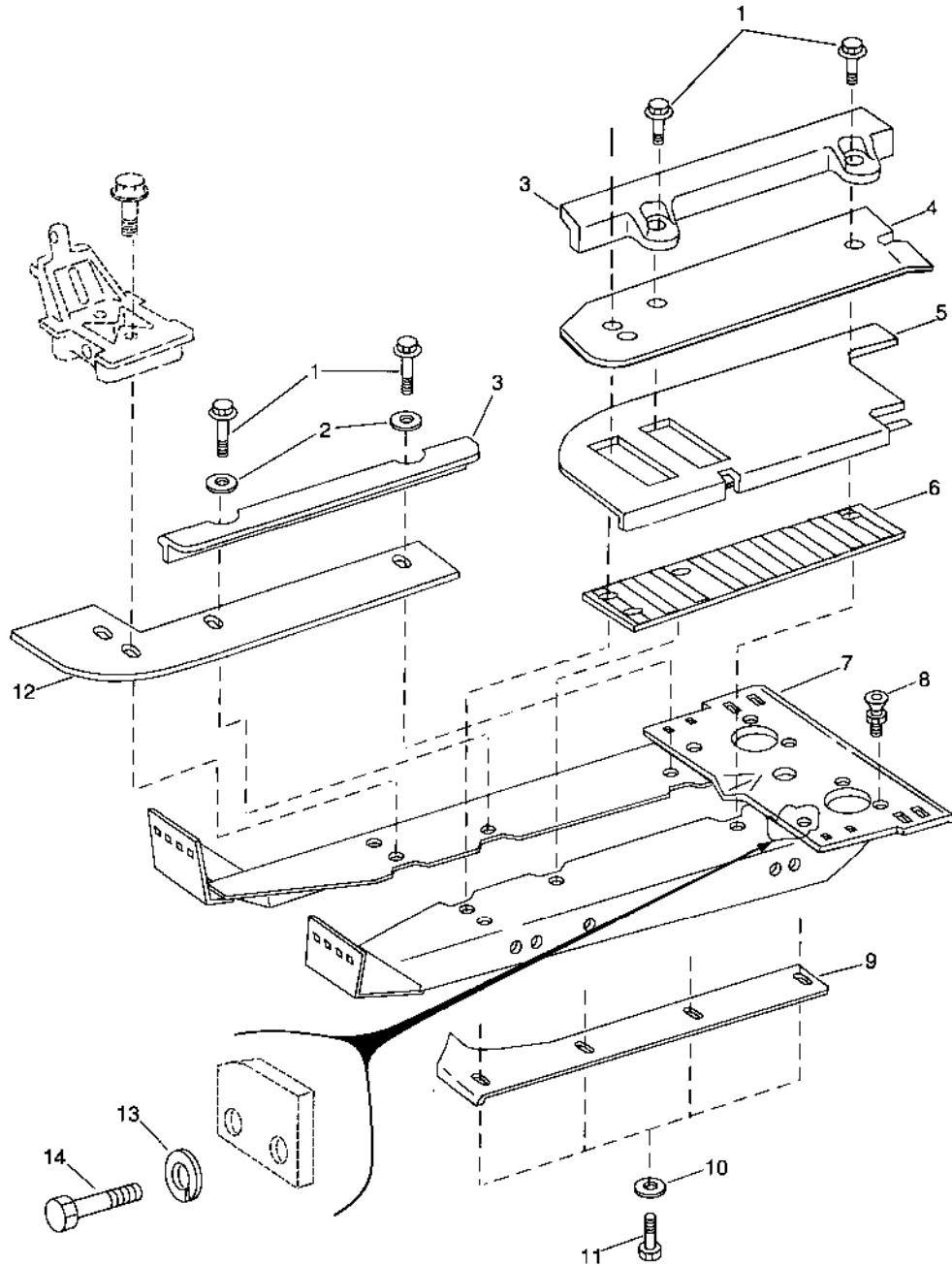
| KEY | PART NO. | PART NAME | QTY | SERIAL NO. | REMARKS |
|-----|----------|---------------------|-----|--------------------------------|---------|
| 1 | 03M7193 | BOLT | 4 | (A) M10 X 35, PER CORNHEAD | |
| | 14M7296 | FLANGE NUT | 4 | (A) M10 | |
| 2 | H149506 | OUTRIGGER | 2 | (A) OUTSIDE ROW - UNITS ONLY | |
| 3 | 19M7817 | SCREW | 1 | M12 X 70 | |
| 4 | H153898 | SUPPORT | 2 | (SUB FOR H148130) | |
| 5 | 14H760 | NUT | 4 | 5/8" | |
| 6 | 14H821 | NUT | 2 | 5/8" | |
| 7 | H85252 | CHAIN SPROCKET | 1 | 8 TEETH, DRIVE | |
| 8 | N100901 | RIVET | 1 | | |
| 9 | AN100722 | CHAIN LINK | 1 | WITH PIN | |
| 10 | AN100721 | CHAIN LINK | 1 | RIVETED, (COUPLER) | |
| 11 | AN102554 | CHAIN LINK | 1 | FLIGHT | |
| 12 | AN100725 | CHAIN LINK | 1 | ROLLER | |
| 13 | AH136671 | GATHERER CHAIN | 1 | CHROMED PIN, | |
| | AN102009 | LINK CHAIN | 1 | BLACK PIN, | |
| 14 | 08H4219 | CAP SCREW | 2 | 5/8" X 10-1/2" | |
| 15 | 24H1373 | WASHER | 2 | 21/32" X 1-9/16" X 0.180" | |
| 16 | N61703 | SPRING | 2 | | |
| 17 | N104096 | BUSHING | 2 | | |
| 18 | H144503 | STRAP | 2 | | |
| 19 | 10H1082 | BOLT | 2 | 5/8" X 2-3/4" | |
| 20 | R375R | O-RING | 2 | | |
| 21 | AH101219 | CHAIN SPROCKET | 2 | | |
| 22 | H105622 | WASHER | 2 | | |
| 23 | JD7797 | LUBRICATION FITTING | 2 | | |
| 24 | H156063 | LOCK WASHER | AR | MAXIMUM 4 PER SHAFT, L.H. ONLY | |

NOTE: QUANTITIES SHOWN ARE PER ROW EXCEPT AS NOTED.

PARTS MARKED (A) NOT USED ON 890, 1290 OR 1291

B9

ROW-UNIT FRAME, ADJUSTABLE DECK PLATES AND TRASH KNIVES
HP8881 -UN-30JUL99



HP8881

B10

90 SERIES CORN HEADS

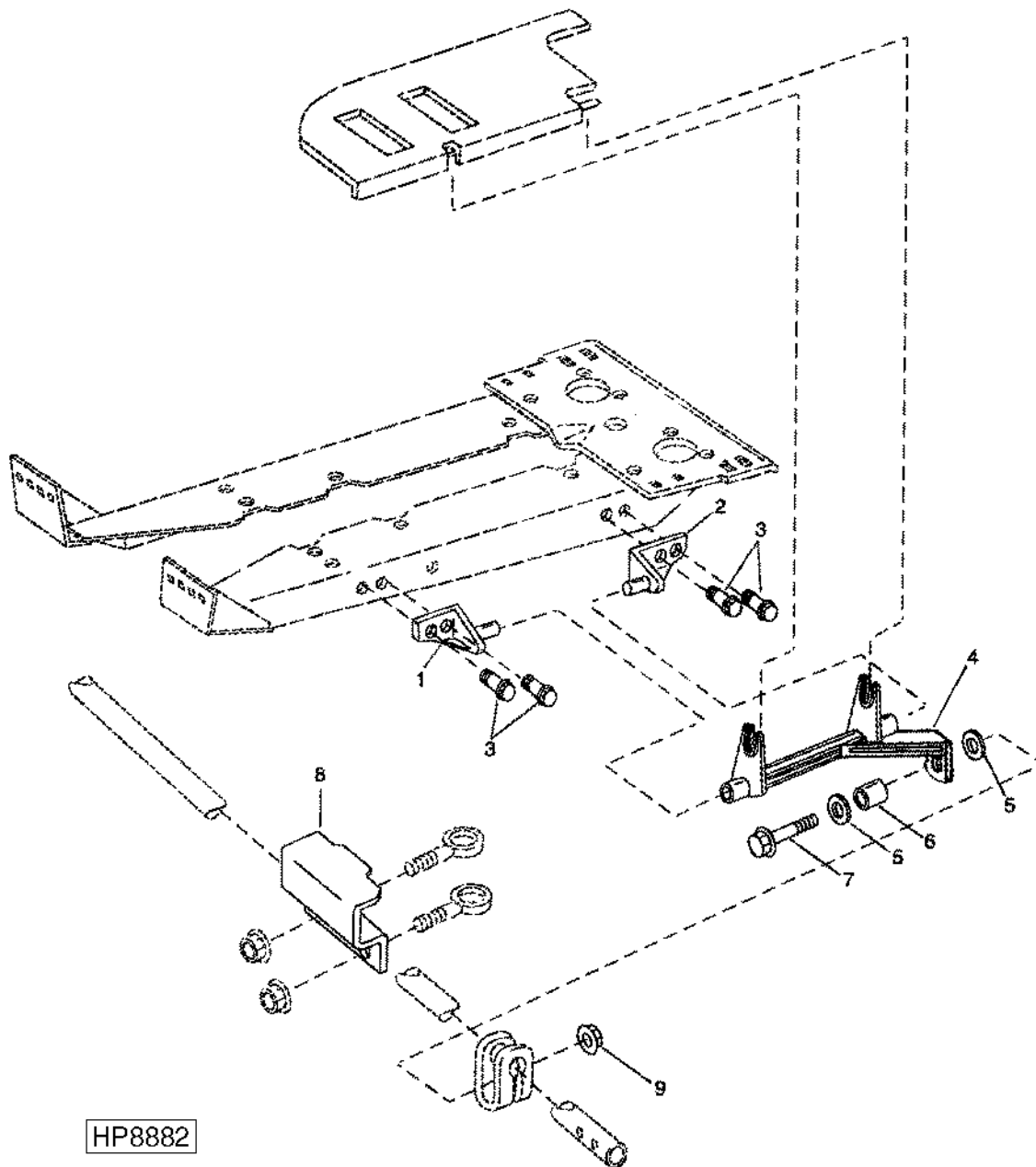
ROW-UNIT FRAME, ADJUSTABLE DECK PLATES AND TRASH KNIVES - CONTINUED

| KEY | PART NO. | PART NAME | QTY | SERIAL NO. | REMARKS |
|-----|----------|-------------|-----|------------|---|
| 1 | 19M7815 | SCREW | 2 | | M12 X 60 |
| 2 | 24M7087 | WASHER | 1 | | 5.500 X 10 X 1 MM |
| 3 | H151211 | GUIDE | 2 | | (SUB FOR H146158) |
| 4 | AH140825 | PLATE | 1 | 660201- | |
| 5 | AH147773 | PLATE | 1 | | (SUB FOR AH140299) |
| 6 | H148212 | PLATE | 1 | 660201- | |
| 7 | AH145988 | FRAME | 1 | | |
| 8 | N103236 | SCREW | 4 | | |
| | 12H308 | LOCK WASHER | 4 | | 1/2" |
| 9 | H146880 | KNIFE | 1 | | R.H., FOR FLUTED OR KNIFE STALK ROLLS |
| | H146881 | KNIFE | 1 | | L.H., (ILLUSTRATED) FOR FLUTED OR KNIFE STALK ROLLS |
| | N102080 | KNIFE | 1 | | R.H., TAPERED STALK ROLLS ONLY |
| | N102081 | KNIFE | 1 | | L.H., TAPERED STALK ROLLS ONLY |
| 10 | 24M7180 | WASHER | 8 | | 13 X 37 X 3 MM |
| 11 | 19M7788 | SCREW | 8 | | |
| 12 | H154270 | PLATE | 2 | | (SUB FOR H149176) MANUAL AND ADJUSTABLE DECK PLATES |
| 13 | 12H301 | LOCK WASHER | 4 | | 1/2" |
| 14 | 19H1815 | CAP SCREW | 4 | | 1/2" X 1-1/4" |

* QUANTITY PER CORN HEAD. ALL OTHER QUANTITIES ARE PER ROW.

B11

ADJUSTABLE DECK PLATE PIVOT BAR
HP8882 -UN-30JUL99



B12

90 SERIES CORN HEADS

ADJUSTABLE DECK PLATE PIVOT BAR - CONTINUED

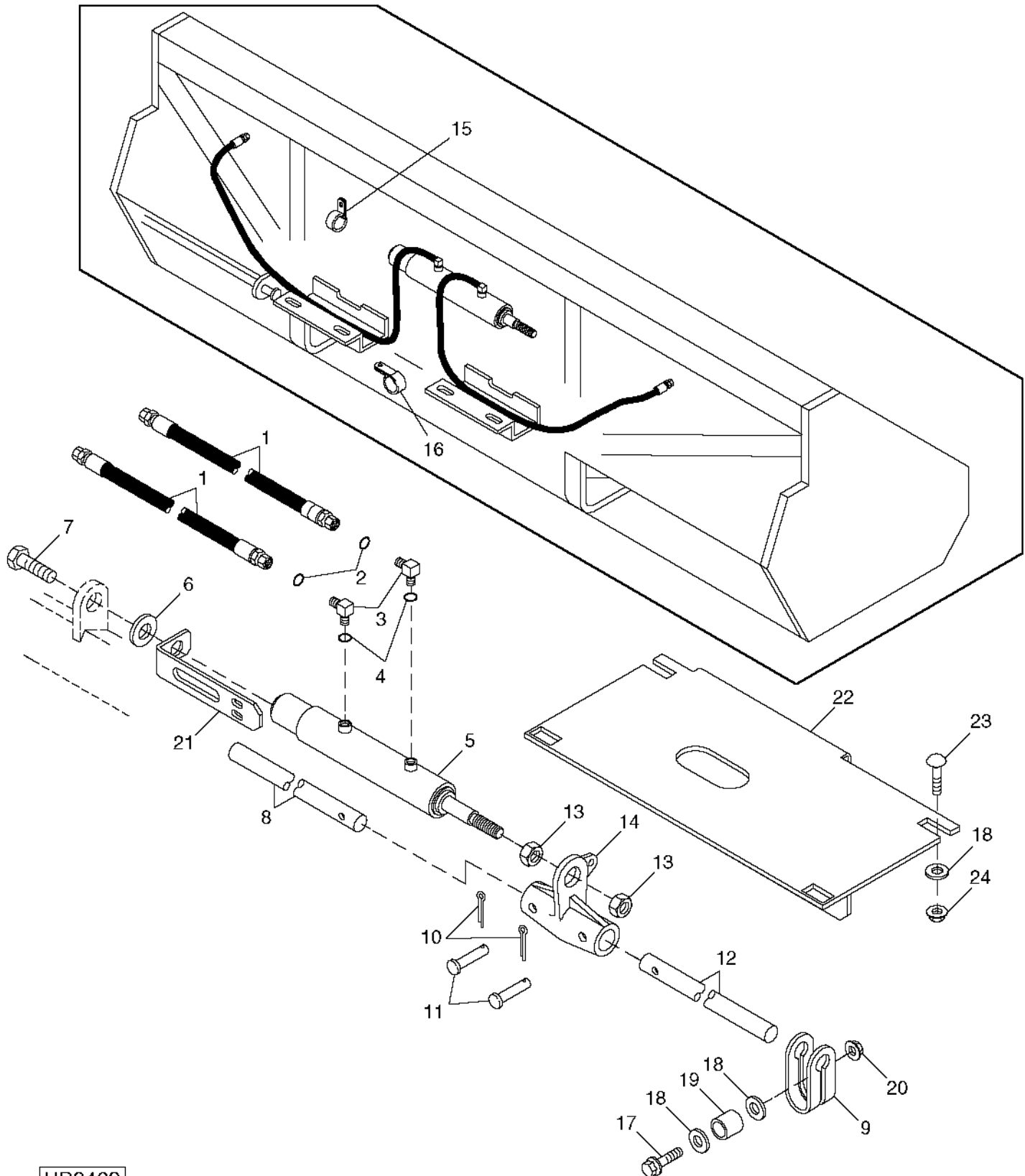
| KEY | PART NO. | PART NAME | QTY | SERIAL NO. | REMARKS |
|-----|----------|------------|-----|------------|-----------------------------|
| 1 | H147019 | PIVOT | 1 | | FRONT |
| 2 | H147018 | PIVOT | 1 | | REAR |
| 3 | 19M7788 | SCREW | 4 | | M12 X 25, INTO WELD NUTS |
| 4 | H158049 | SHAFT | 1 | | |
| 5 | 24M7180 | WASHER | 2 | | 13 X 37 X 3 MM |
| 6 | 28H2490 | BUSHING | 1 | | 13.868 X 21.336 X 14.275 MM |
| 7 | 19M7817 | SCREW | 1 | | M12 X 70 |
| | 19M7815 | SCREW | 1 | | M12 X 60, (1293) |
| 8 | H144850 | BRACKET | 1 | | |
| 9 | 14M7299 | FLANGE NUT | 1 | | |

B13

90 SERIES CORN HEADS

ADJUSTABLE DECKPLATES HYDRAULIC CYLINDER AND HOSES

(660201-)
HP9403 -UN-13DEC99



HP9403

ADJUSTABLE DECKPLATES HYDRAULIC CYLINDER AND HOSES - CONTINUED
(660201-)

| KEY | PART NO. | PART NAME | QTY | SERIAL NO. | REMARKS |
|-----|----------|-------------------|-----|---|---------|
| 1 | AH143078 | HYDRAULIC HOSE | 2 | (493, 494, 594, 693, 694 AND 893) | |
| | AH144751 | HYDRAULIC HOSE | 2 | (894 AND 1293) | |
| 2 | T77613 | O-RING | 2 | | |
| 3 | 38H1004 | ELBOW FITTING | 2 | | |
| 4 | R26448 | O-RING | 2 | | |
| 5 | AH150698 | CYLINDER | 1 | (SUB FOR AH143076) | |
| 6 | 24M7242 | WASHER | 1 | 21.400 X 42 X 5 MM | |
| 7 | 19M8060 | SCREW | 1 | M20 X 45 | |
| 8 | H149896 | AIR DUCT | 1 | (L.H.) (493) | |
| | H149894 | AIR DUCT | 1 | (L.H.) (494, 890, 894 SPECIAL, 1092, 1290 AND 1291) | |
| | H149898 | AIR DUCT | 1 | (L.H.) (594) | |
| | H149899 | AIR DUCT | 1 | (L.H.) (693) | |
| | H149901 | AIR DUCT | 1 | (L.H.) (694 AND 1290) | |
| | H149903 | AIR DUCT | 1 | (L.H.) (893, 1092 AND 1291) | |
| | H149905 | AIR DUCT | 1 | (894) | |
| | H149907 | AIR DUCT | 1 | (L.H.) (1293) | |
| 9 | H148481 | CLAMP | 1 | | |
| 10 | 11M7005 | COTTER PIN | 2 | 1.600 X 10 MM | |
| 11 | 45M7034 | PIN | 2 | 6 X 40 MM | |
| 12 | H149891 | AIR DUCT | 1 | (R.H.) (493) | |
| | H149893 | AIR DUCT | 1 | (R.H.) (494) | |
| | H149895 | AIR DUCT | 1 | R.H. (693) | |
| | H149897 | AIR DUCT | 1 | (R.H.) (594, 890 894 SPECIAL, 1092, 1290 AND 1291) | |
| | H149900 | AIR DUCT | 1 | (R.H.) (694 AND 890) | |
| | H149902 | SPACER | 1 | (R.H.) (893) | |
| | H149904 | AIR DUCT | 1 | (R.H.) (894 AND 1290) | |
| | H149906 | SPACER | 1 | (R.H.) (1293) | |
| 13 | 14M7335 | NUT | 2 | M20 | |
| 14 | H151568 | CONNECTOR | 1 | | |
| 15 | AH89557 | CLIP | AR | (1/2 IN.) | |
| 16 | AH90990 | CLIP | 1 | (1 IN.) | |
| 17 | 19M7816 | SCREW | 1 | M12 X 65 | |
| | 19M7815 | SCREW | 1 | M12 X 60, (1293) | |
| 18 | 24M7180 | WASHER | 4 | 13 X 37 X 3 MM | |
| 19 | 28H1597 | WASHER | 1 | 0.546" X 0.840" X 3/8" | |
| 20 | 14M7299 | FLANGE NUT | 1 | M12 | |
| 21 | H149952 | ANGLE | 1 | | |
| 22 | H150018 | POWERSHAFT SHIELD | 1 | WIDE (494, 594, 694, 894) | |
| | H149368 | SHIELD | 1 | NARROW (493, 693, 893, 1293) | |
| | H151763 | POWERSHAFT SHIELD | 1 | (492A, 592, 592A, 692A, 892A, 1092) | |
| 23 | 03M7190 | BOLT | 2 | M10 X 20 | |
| 24 | 14M7296 | FLANGE NUT | 2 | M10 | |

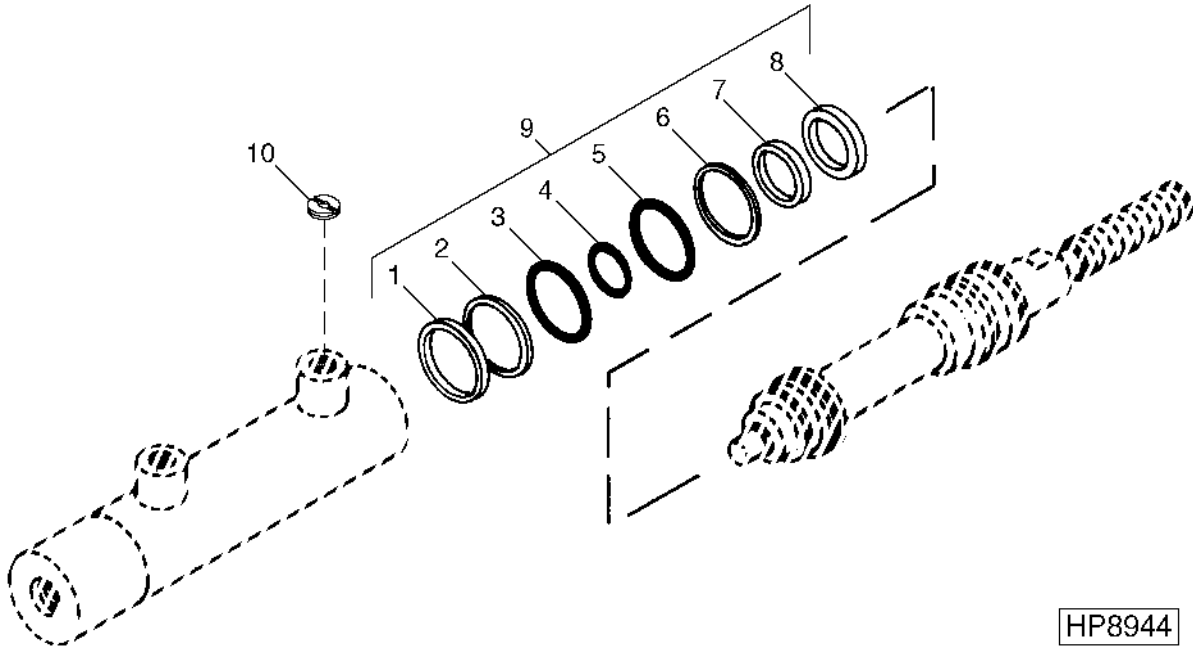
BH80307 (COMPLETE GOODS) ADJUSTABLE DECKPLATES - 493
 BH80308 (COMPLETE GOODS) ADJUSTABLE DECKPLATES - 494
 BH80310 (COMPLETE GOODS) ADJUSTABLE DECKPLATES - 693
 BH80311 (COMPLETE GOODS) ADJUSTABLE DECKPLATES - 594
 BH80312 (COMPLETE GOODS) ADJUSTABLE DECKPLATES - 694
 BH80313 (COMPLETE GOODS) ADJUSTABLE DECKPLATES - 893
 BH80314 (COMPLETE GOODS) ADJUSTABLE DECKPLATES - 894
 BH80315 (COMPLETE GOODS) ADJUSTABLE DECKPLATES - 1293
 BH81441 (COMPLETE GOODS) ADJUSTABLE DECKPLATES - 1290 AND 1291

B15

90 SERIES CORN HEADS

ADJUSTABLE DECKPLATE CYLINDER REPAIR KIT

(660400-)
 HP8944 -UN-26AUG99



HP8944

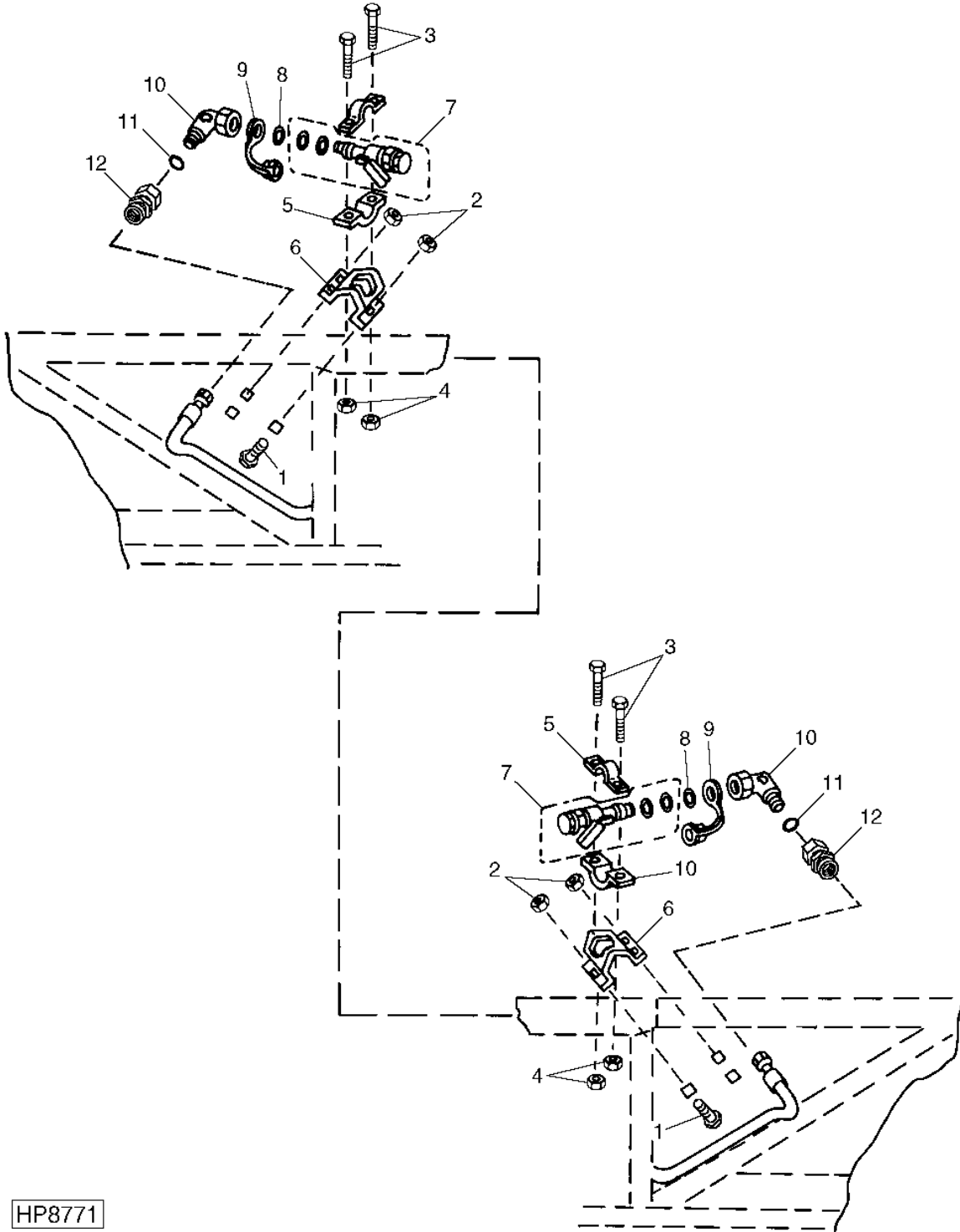
| KEY | PART NO. | PART NAME | QTY | SERIAL NO. | REMARKS |
|-----|----------|------------------------|-----|------------|------------------------------|
| 1 | | WEAR RING | 1 | | |
| 2 | | RING | 1 | | |
| 3 | | O-RING | 1 | | |
| 4 | N130510 | O-RING | 1 | | |
| 5 | U15973 | O-RING | 1 | | |
| 6 | | WASHER | 1 | | |
| 7 | H100246 | SEAL | 1 | | |
| 8 | | SEAL | 1 | | |
| 9 | AH147106 | HYDRAULIC CYLINDER KIT | 1 | -XXXXXX | SEAL REPAIR KIT FOR AH143076 |
| | AH151640 | KIT | 1 | XXXXXX- | SEAL REPAIR KIT FOR AH150698 |
| 10 | H172724 | FITTING | 1 | | ORIFICE |

MEMORANDA

B16

ADJUSTABLE DECKPLATES HYDRAULIC FITTINGS

(660201-)
HP8771 -UN-30JUL99



HP8771

B17

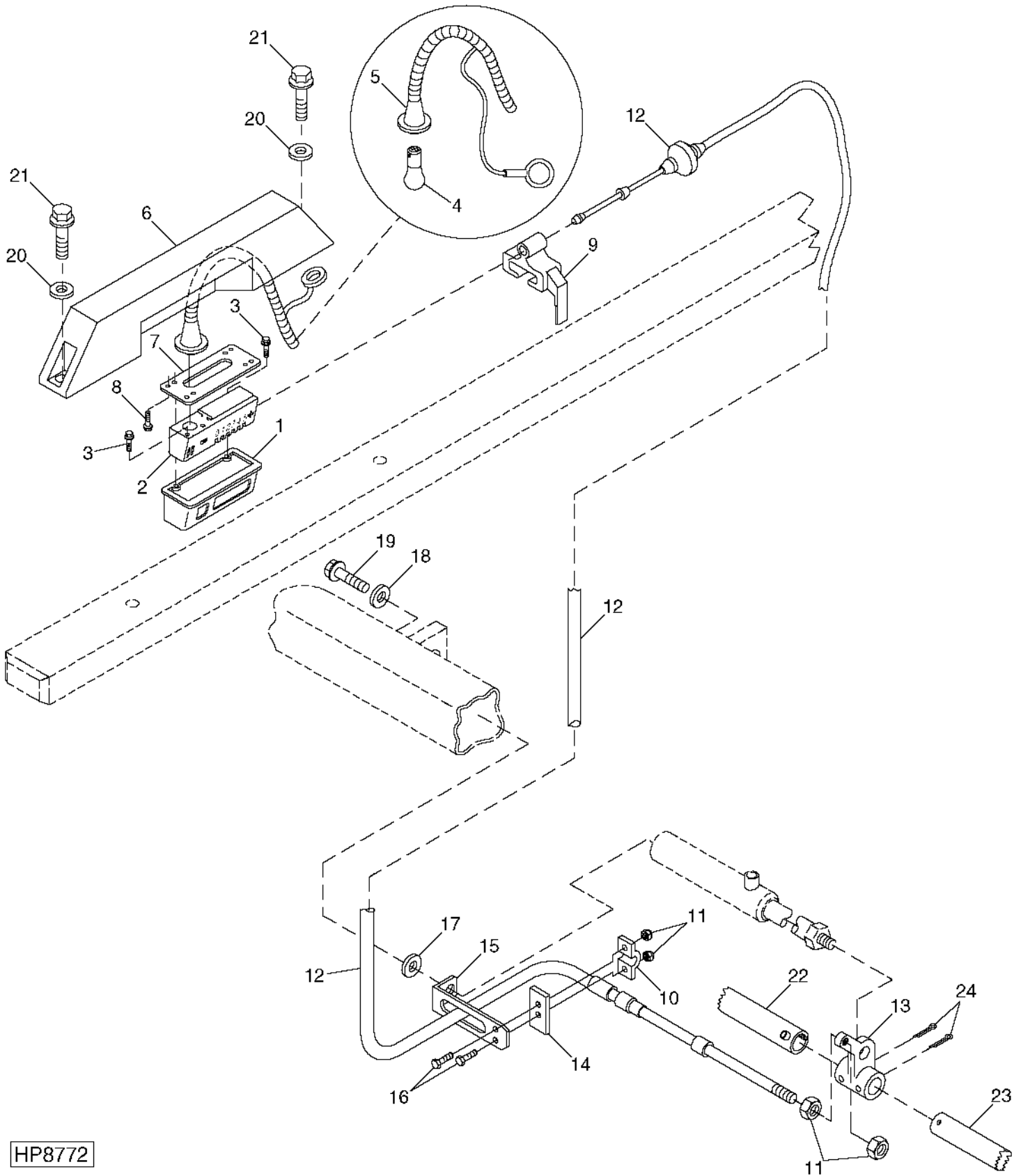
90 SERIES CORN HEADS

ADJUSTABLE DECKPLATES HYDRAULIC FITTINGS - CONTINUED
(660201-)

| KEY | PART NO. | PART NAME | QTY | SERIAL NO. | REMARKS |
|-----|----------|----------------------------|-----|------------|--------------------------|
| 1 | 03M7184 | BOLT | 6 | | M8 X 20 |
| 2 | 14M7298 | FLANGE NUT | 6 | | M8 |
| 3 | 19M7862 | SCREW | 4 | | M6 X 20 |
| 4 | 14M7303 | FLANGE NUT | 4 | | M6 |
| 5 | H117229 | YOKE | 4 | | |
| 6 | H128041 | BRACKET | 2 | | |
| 7 | AH128240 | HYD. QUICK-CONNECT COUPLER | 2 | | |
| 8 | R26448 | O-RING | 2 | | |
| 9 | H121862 | PLUG | 2 | | |
| 10 | 38H1004 | ELBOW FITTING | 2 | | SAE/-6 ORS |
| 11 | T77613 | O-RING | 2 | | |
| 12 | AH165695 | FITTING | 1 | 685056- | ORIFICED (-6 ORS/-6 ORS) |

B18

ADJUSTABLE DECK PLATE INDICATOR
(492A, 493, 592A, 594, 692A, 693, 694, 892A, 893, 894, 1092, 1293)
(660201-)
HP8772 -UN-28JUL99



HP8772

B19

90 SERIES CORN HEADS

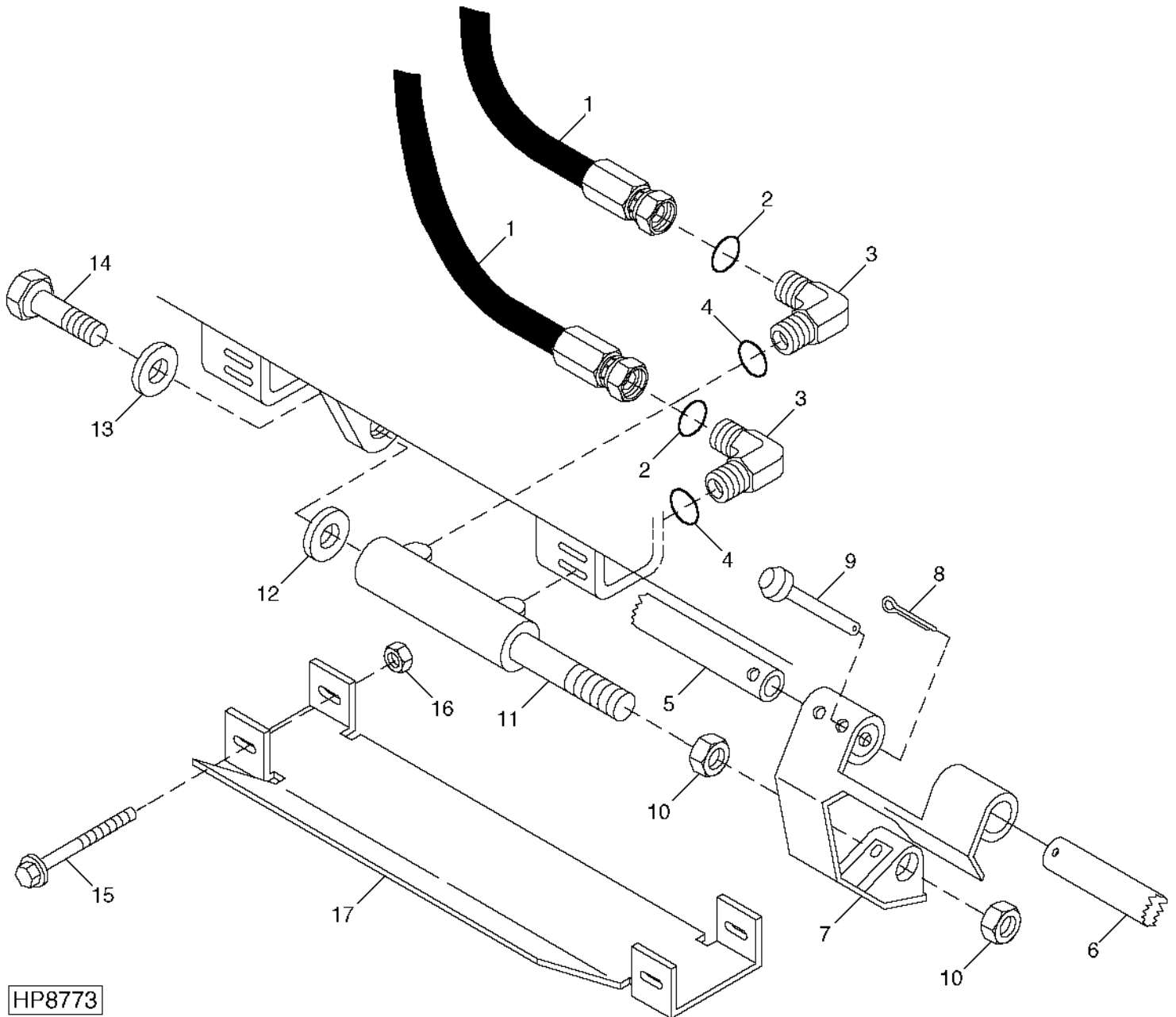
ADJUSTABLE DECKPLATE INDICATOR - CONTINUED
 (492A, 493, 592A, 594, 692A, 693, 694, 892A, 893, 894, 1092, 1293)
 (660201-)

| KEY | PART NO. | PART NAME | QTY | SERIAL NO. | REMARKS |
|-----|----------|-----------------|-----|--|---------|
| 1 | H128999 | HOUSING | 1 | | |
| 2 | AH158945 | LENS | 1 | (SUB FOR AH140827) | |
| 3 | H118166 | SCREW | 2 | | |
| 4 | AR62407 | BULB | 1 | (SUB FOR AH114882) | |
| 5 | AH166272 | WIRING HARNESS | 1 | | |
| 6 | H157824 | HOUSING | 1 | 694, 1294 | |
| 7 | H157825 | PLATE | 1 | | |
| 8 | 21M7285 | SCREW | 4 | M6 X 12 | |
| 9 | H129179 | GAUGE | 1 | | |
| 10 | H120800 | CLAMP | 1 | | |
| 11 | 14M7297 | NUT | 4 | M5 | |
| 12 | AH150330 | PUSH PULL CABLE | 1 | (SUB FOR AH146567) | |
| 13 | H151568 | CONNECTOR | 1 | | |
| 14 | H120801 | STRAP | 1 | | |
| 15 | H149952 | ANGLE | 1 | | |
| 16 | 19M7273 | CAP SCREW | 2 | M12 X 60, NARROW SPACING | |
| 17 | 24M7242 | WASHER | 1 | 21.400 X 42 X 5 MM | |
| 18 | 12H236 | LOCK WASHER | 1 | 3/4" | |
| 19 | 19M8060 | SCREW | 1 | M20 X 45 | |
| 20 | 24H1219 | WASHER | 2 | 7/16" X 1" X 0.083" | |
| 21 | 37M7096 | SCREW | 2 | M8 X 35 | |
| 22 | H149896 | AIR DUCT | 1 | L.H. (492, 493, 592-CUT TO 1615MM) | |
| | H149904 | AIR DUCT | 1 | L.H., CUT TO REQUIRED LENGTH (494-2000MM; 594- 1925MM; 692, 693-2350MM; 694-2980MM; 892- 2885MM; 893-3110MM) | |
| | H149907 | AIR DUCT | 1 | L.H., CUT TO REQUIRED LENGTH (984-3930MM; 1092- 3583MM; 1293-4635MM) | |
| 23 | H149896 | AIR DUCT | 1 | R.H. (492, 493-CUT TO 1090MM) | |
| | H149904 | AIR DUCT | 1 | R.H., CUT TO REQUIRED LENGTH (494-1280MM; 594, 694- 2125MM; 592, 692, 693-1750MM; 892-2350MM; 893 -2540MM; 894-3110MM; 1092-3583MM; 1092SP- 3040MM) | |
| | H149907 | AIR DUCT | 1 | R.H., CUT TO REQUIRED LENGTH (1293-4060MM) | |
| 24 | 11M7005 | COTTER PIN | 2 | 1.600 X 10 MM (0.063" X 0.394") | |

B20

90 SERIES CORN HEADS

ADJUSTABLE DECKPLATE INDICATOR WITHOUT REMOTE INDICATOR
(890, 1092SP, 1290, 1291)
(685056-)
HP8773 -UN-22JUL99



B21

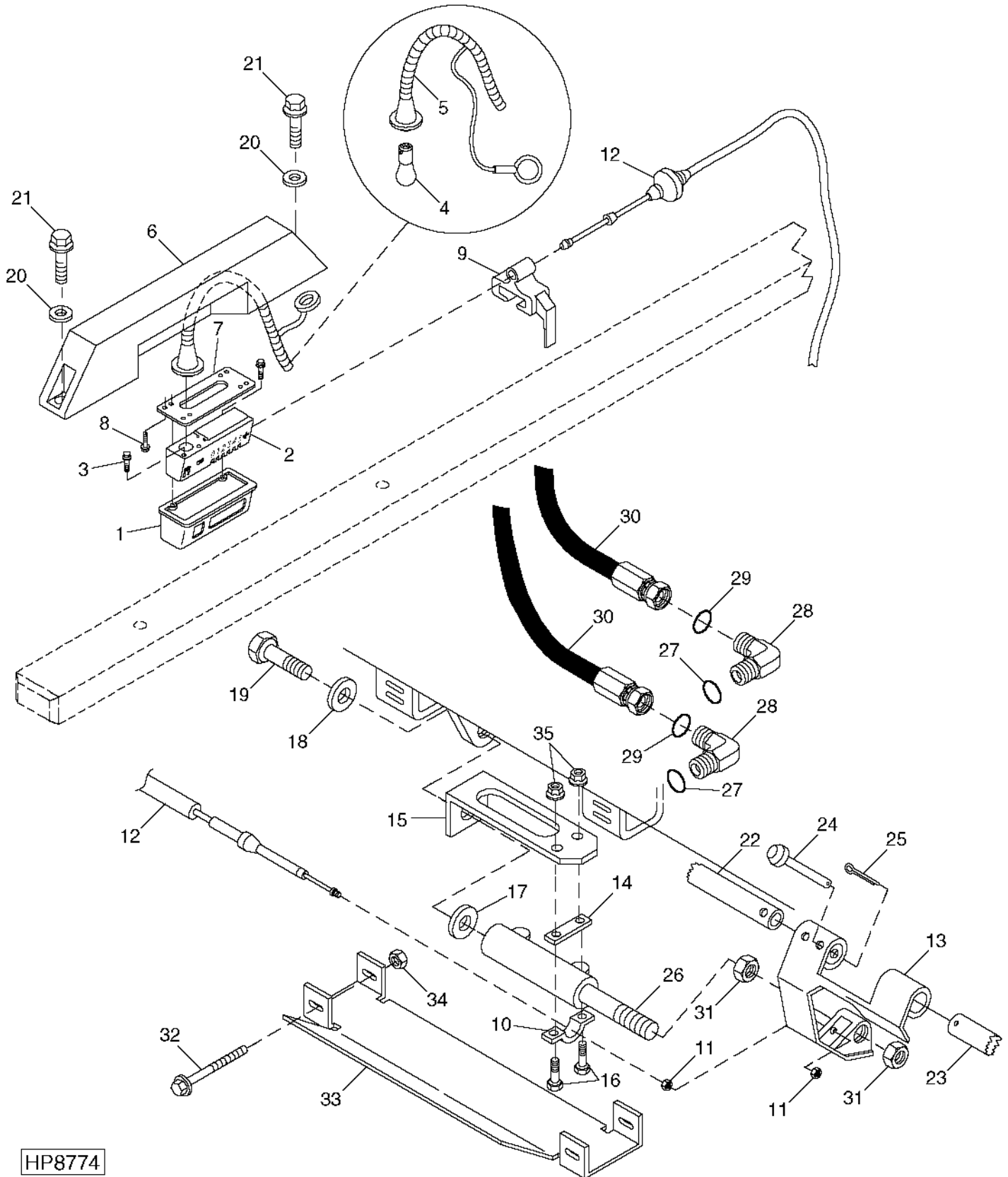
90 SERIES CORN HEADS

ADJUSTABLE DECKPLATE INDICATOR WITHOUT REMOTE INDICATOR - CONTINUED**(890, 1092SP, 1290, 1291)****(685056-)**

| KEY | PART NO. | PART NAME | QTY | SERIAL NO. | REMARKS |
|-----|----------|----------------|-----|------------|--|
| 1 | AH144751 | HYDRAULIC HOSE | 2 | | |
| 2 | T77613 | O-RING | 2 | | |
| 3 | 38H1004 | ELBOW FITTING | 2 | | |
| 4 | R26448 | O-RING | 2 | | |
| 5 | H149904 | AIR DUCT | 1 | | L.H., CUT TO REQUIRED LENGTH (890-2250MM) |
| | H149907 | AIR DUCT | 1 | | L.H., CUT TO REQUIRED LENGTH (1092SP, 1291-3040MM; 1290-3210 MM) |
| 6 | H149904 | AIR DUCT | 1 | | R.H., CUT TO REQUIRED LENGTH (890-1750MM; 1290-2760MM; 1092SP, 1291-3040MM) |
| 7 | AH149185 | BRACKET | 1 | | |
| 8 | 11M7005 | COTTER PIN | 2 | | 1.600 X 10 MM (0.063" X 0.394") |
| 9 | 45M7034 | PIN | 2 | | 6 X 40 MM (0.236" X 1.575") |
| 10 | 14M7335 | NUT | 2 | | M20 |
| 11 | AH150698 | CYLINDER | 1 | | |
| 12 | 24M7242 | WASHER | 1 | | 21.400 X 42 X 5 MM |
| 13 | 12H236 | LOCK WASHER | 1 | | 3/4" |
| 14 | 19M8060 | SCREW | 1 | | M20 X 45 |
| 15 | 19M7638 | CAP SCREW | 4 | | M10 X 130 |
| 16 | 14M7296 | FLANGE NUT | 4 | | M10 |
| 17 | H156089 | SHIELD | 1 | | |

B22

ADJUSTABLE DECKPLATE INDICATOR
(890, 1092SP, 1290, AND 1291)
HP8774 -UN-28JUL99



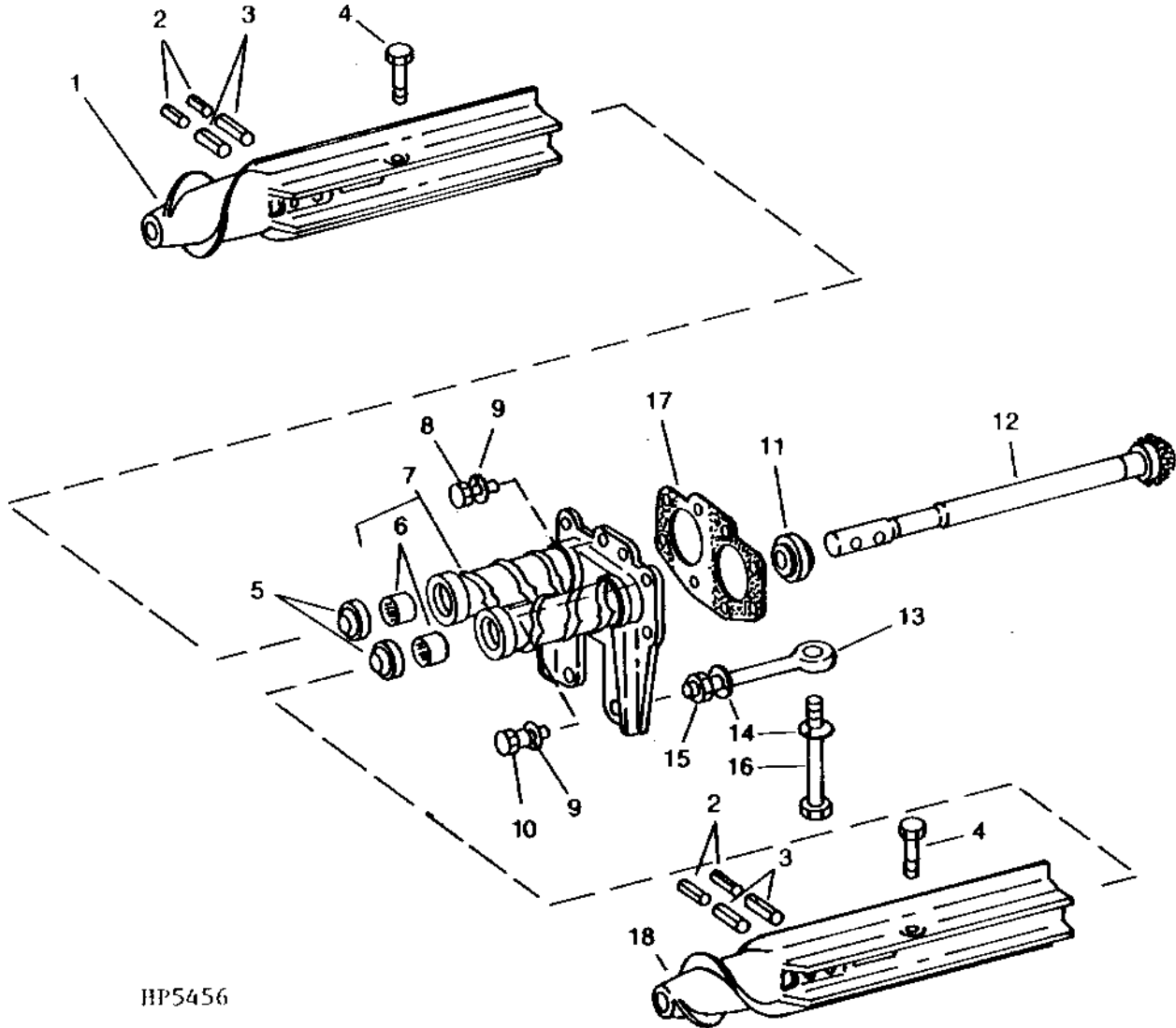
HP8774

ADJUSTABLE DECKPLATE INDICATOR - CONTINUED
(890, 1092SP, 1290, AND 1291)

| KEY | PART NO. | PART NAME | QTY | SERIAL NO. | REMARKS |
|-----|----------|-----------------|-----|------------|--|
| 1 | H128999 | HOUSING | 1 | 685056- | |
| 2 | AH158945 | LENS | 1 | 685056- | |
| 3 | H118166 | SCREW | 2 | 685056- | |
| 4 | AR62407 | BULB | 1 | 685056- | |
| 5 | AH166272 | WIRING HARNESS | 1 | 685056- | |
| 6 | H157824 | HOUSING | 1 | 685056- | |
| 7 | H157825 | PLATE | 1 | 685056- | |
| 8 | 21M7285 | SCREW | 4 | 685056- | M6 X 12 |
| 9 | H129179 | GAUGE | 1 | 685056- | |
| 10 | H120800 | CLAMP | 1 | 685056- | |
| 11 | 14M7297 | NUT | 4 | | M5 |
| 12 | AH150331 | PUSH PULL CABLE | 1 | 685056- | |
| 13 | AH149185 | BRACKET | 1 | | |
| 14 | H120801 | STRAP | 1 | 685056- | |
| 15 | H149952 | ANGLE | 1 | 685056- | |
| 16 | 19M7273 | CAP SCREW | 2 | 685056- | M12 X 60 |
| 17 | 24M7242 | WASHER | 1 | | 21.400 X 42 X 5 MM |
| 18 | 12H236 | LOCK WASHER | 1 | | 3/4" |
| 19 | 19M8060 | SCREW | 1 | | M20 X 45 |
| 20 | 24H1219 | WASHER | 2 | 685056- | 7/16" X 1" X 0.083" |
| 21 | 37M7096 | SCREW | 2 | 685056- | M8 X 35 |
| 22 | H149904 | AIR DUCT | 1 | | L.H., CUT TO REQUIRED LENGTH (890-2250MM) |
| | H149907 | AIR DUCT | 1 | | L.H., CUT TO REQUIRED LENGTH (1092SP, 1291-3040MM; 1290-3210 MM) |
| 23 | H149904 | AIR DUCT | 1 | | R.H., CUT TO REQUIRED LENGTH (890-1750MM; 1290-2760MM; 1092SP, 1291-3040MM) |
| 24 | 45M7034 | PIN | 2 | | 6 X 40 MM (0.236" X 1.575") |
| 25 | 11M7005 | COTTER PIN | 2 | | 1.600 X 10 MM (0.063" X 0.394") |
| 26 | AH150698 | CYLINDER | 1 | | |
| 27 | R26448 | O-RING | 2 | | |
| 28 | 38H1004 | ELBOW FITTING | 2 | | |
| 29 | T77613 | O-RING | 2 | | |
| 30 | AH144751 | HYDRAULIC HOSE | 2 | | |
| 31 | 14M7335 | NUT | 2 | | M20 |
| 32 | 19M7386 | CAP SCREW | 4 | | M12 X 20 |
| 33 | H156089 | SHIELD | 1 | | |
| 34 | 14M7296 | FLANGE NUT | 4 | | M10 |
| 35 | 14M7297 | NUT | 2 | | M5 |

B24

STALK ROLL AND BARREL
HP5456 -UN-01JAN94



B25

90 SERIES CORN HEADS

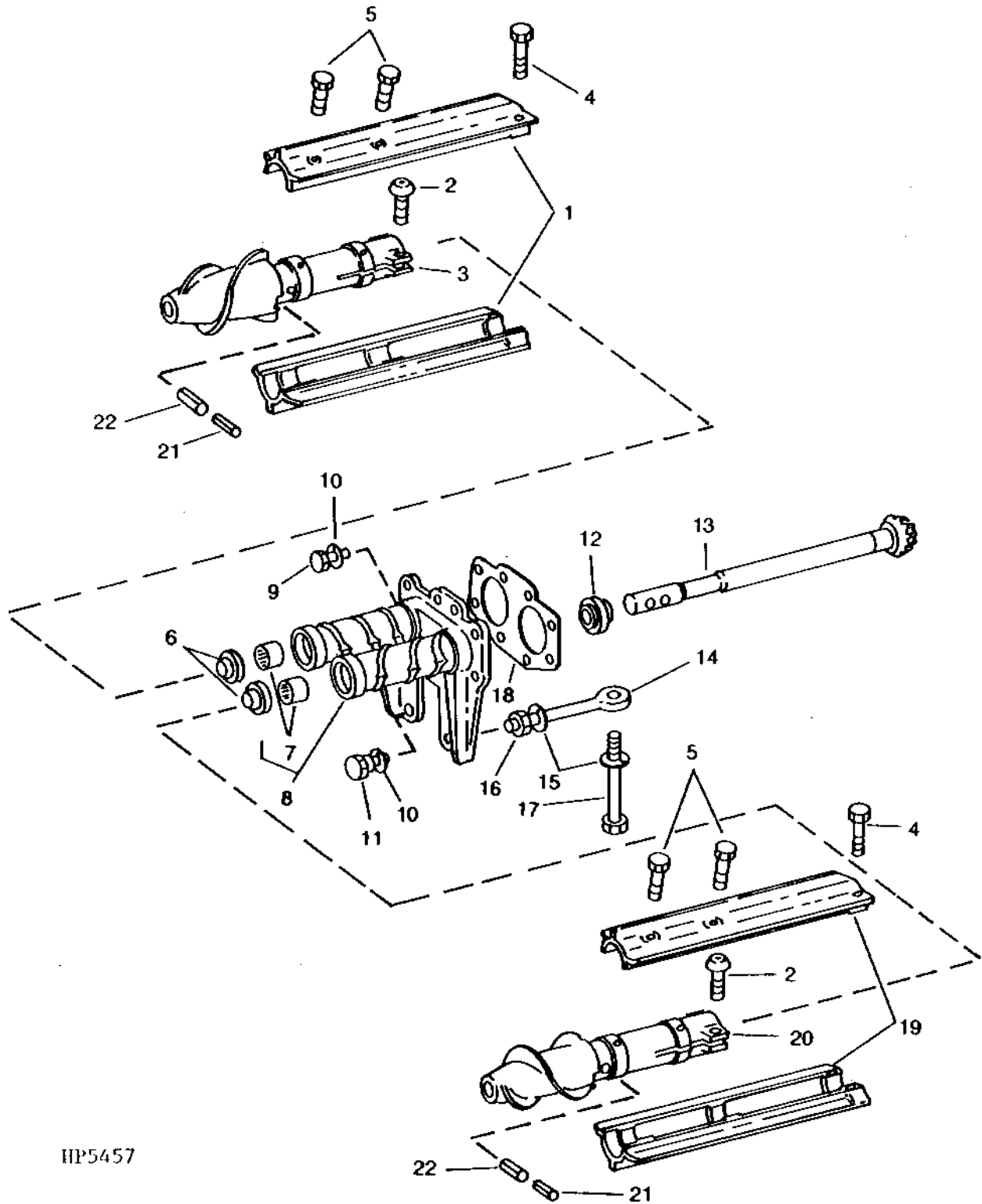
STALK ROLL AND BARREL - CONTINUED

| KEY | PART NO. | PART NAME | QTY | SERIAL NO. | REMARKS |
|-----|----------|----------------|-----|------------|----------------------------------|
| 1 | H150138 | ROLL | 1 | | R.H., STRAIGHT FLUTED ONLY |
| | H104090 | ROLL | 1 | | R.H., TAPERED (HARD FACED) ONLY |
| 2 | 34H120 | SPRING PIN | 4 | | 5/16" X 2", STRAIGHT FLUTED ONLY |
| | 34H120 | SPRING PIN | 2 | | 5/16" X 2", TAPERED ONLY |
| 3 | H149591 | PIN | 4 | | STRAIGHT FLUTED ONLY |
| | H149591 | PIN | 2 | | TAPERED ONLY |
| 4 | 19M7361 | CAP SCREW | 4 | | M12 X 50, STRAIGHT FLUTED ONLY |
| | 19H2735 | CAP SCREW | 4 | | 1/2" X 2", FOR TAPERED ONLY |
| 5 | AN102266 | SEAL | 2 | | |
| 6 | JD9900 | NEEDLE BEARING | 2 | | |
| 7 | AH84853 | HOUSING | 1 | | (MARKED H84404) |
| 8 | 19H2552 | CAP SCREW | 6 | | 3/8" X 1-1/8" |
| 9 | 12H304 | LOCK WASHER | 8 | | 3/8" |
| 10 | N102028 | BOLT | 2 | | |
| 11 | JD9415 | BALL BEARING | 2 | | |
| 12 | AH143881 | PINION SHAFT | 2 | | (SUB FOR AN102001) |
| 13 | N102180 | EYEBOLT | 2 | | |
| | N102180 | EYEBOLT | 8 | | (890) |
| 14 | 12H294 | LOCK WASHER | 4 | | 5/8" |
| | 12H294 | LOCK WASHER | 8 | | 5/8", (890) |
| 15 | 14H1039 | NUT | 2 | | 5/8" |
| | 14H760 | NUT | 8 | | 5/8", (890) |
| 16 | 19H1923 | CAP SCREW | 2 | | 5/8" X 5-1/2" |
| | 19H1923 | CAP SCREW | 8 | | 5/8" X 5-1/2", (890) |
| 17 | N102005 | SHIM | AR | | .18 MM (.007") |
| | N102004 | SHIM | AR | | .25 MM (.010") |
| 18 | H150139 | ROLL | 1 | | L.H., STRAIGHT FLUTED ONLY |
| | H104091 | ROLL | 1 | 660362- | L.H., TAPERED ONLY |

NOTE: QUANTITIES SHOWN ARE FOR ONE ROW UNIT.

C1

KNIFE STALK ROLL AND BARREL
(OPTIONAL)
HP5457 -UN-01JAN94



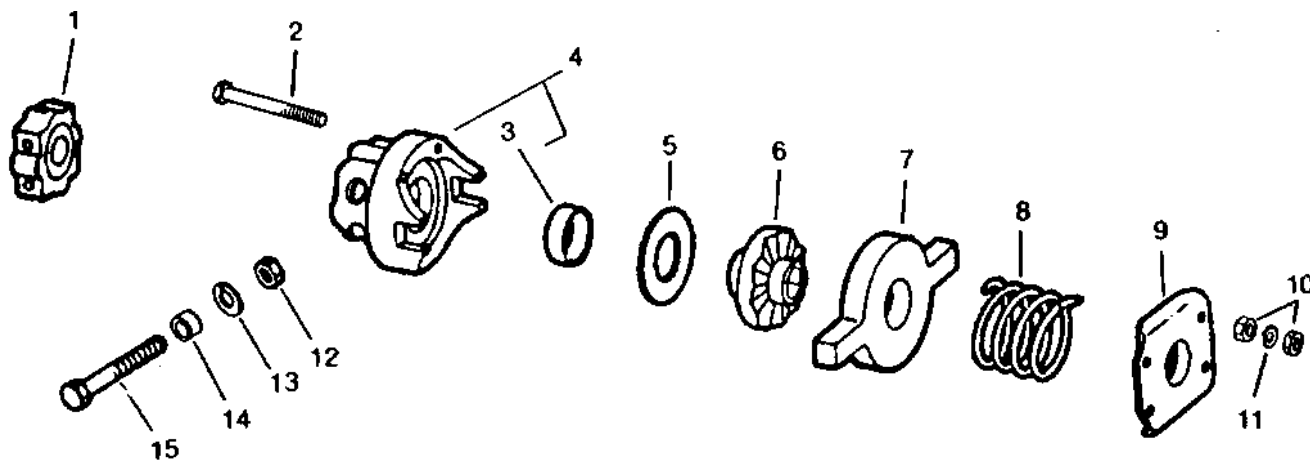
HP5457

**KNIFE STALK ROLL AND BARREL - CONTINUED
(OPTIONAL)**

| KEY | PART NO. | PART NAME | QTY | SERIAL NO. | REMARKS |
|-----|----------------|------------------------------------|----------|------------|---|
| 1 | H150690 | KNIFE | 2 | | (SUB FOR H148562) R.H. (493 -655205; 494 -655339; 594 -655403; 693 -655910; 693SH -655506; 694 -655579; 893 -655972; 894 -655730; 1293 -655778) |
| 2 | H148835 | BOLT | 4 | | |
| 3 | H148320 | ROLL | 1 | | R.H. |
| 4 | 19M7981 | CAP SCREW | 4 | | M8 X 55, (493 -655206, 494 -655349, 594 -655403, 693 -655989, 693SH -655507, 694 -655594, 893 -656044, 894 -655740, 1293 -655793) |
| | H150942 | CAP SCREW | 4 | | M8 X 50, (493 655207- , 494 655350- , 594 655404- , 693 655990- , 693SH 655508- , 694 655595- , 893656045- , 894 655741- , 1293 655794-) |
| 5 | 19M8324 | CAP SCREW | 16 | | M10 X 16, (493 -655206, 494 -655349, 594 -655403, 693 -655989, 693SH -655507, 694 -655594, 893 -656044, 894 -655740, 1293 -655793) |
| | H150941 | CAP SCREW | 16 | | M10 X 16, (493 655207- , 494 655350- , 594 655404- , 693 655990- , 693SH 655508- , 694 655595- , 893 656045- , 894 655741- , 1293 655794) |
| 6 | AN102266 | SEAL | 2 | | |
| 7 | JD9900 | NEEDLE BEARING | 2 | | |
| 8 | AH84853 | HOUSING | 1 | | (MARKED H84404) |
| 9 | 19H2552 | CAP SCREW | 6 | | 3/8" X 1-1/8" |
| 10 | 12H304 | LOCK WASHER | 8 | | 3/8" |
| 11 | N102028 | BOLT | 2 | | |
| 12 | JD9415 | BALL BEARING | 2 | | |
| 13 | AH143881 | PINION SHAFT | 2 | | (ALSO INCLUDED IN GEAR CASE ASSEMBLY) |
| 14 | N102180 | EYEBOLT | 2 | | |
| | N102180 | EYEBOLT | 8 | | (890) |
| 15 | 12H294 | LOCK WASHER | 4 | | 5/8" |
| | 12H294 | LOCK WASHER | 8 | | 5/8", (890) |
| 16 | 14H1039 | NUT | 2 | | 5/8" |
| | 14H760 | NUT | 8 | | 5/8", (890) |
| | 14H760 | NUT | 2 | | 5/8" |
| 17 | 19H1923 | CAP SCREW | 2 | | 5/8" X 5-1/2" |
| | 19H1923 | CAP SCREW | 8 | | 5/8" X 5-1/2", (890) |
| 18 | N102005 | SHIM | AR | | 0.18 MM (.007") |
| | N102004 | SHIM | AR | | 0.25 MM (.010") |
| 19 | H150691 | KNIFE | 2 | | (SUB FOR H148563) L.H. (493 -655205; 494 -655339; 594 -655403; 693 -655910; 693SH -655506; 694 -655579; 893 -655972; 894 -655730; 1293 -655778) |
| 20 | H148321 | ROLL | 1 | | L.H. |
| 21 | 34H120 | SPRING PIN | 2 | | 5/16" X 2" |
| 22 | H149591 | PIN | 2 | | |
| .. | BH80260 | COMPLETE GOODS/SHIP. BUNDLE | 1 | | KNIFE ROLL CONVERSION - 90 SERIES |

NOTE: QUANTITIES SHOWN ARE FOR ONE ROW UNIT.

ROW-UNIT SLIP CLUTCH
HP5985 -UN-01JAN94



HP5985

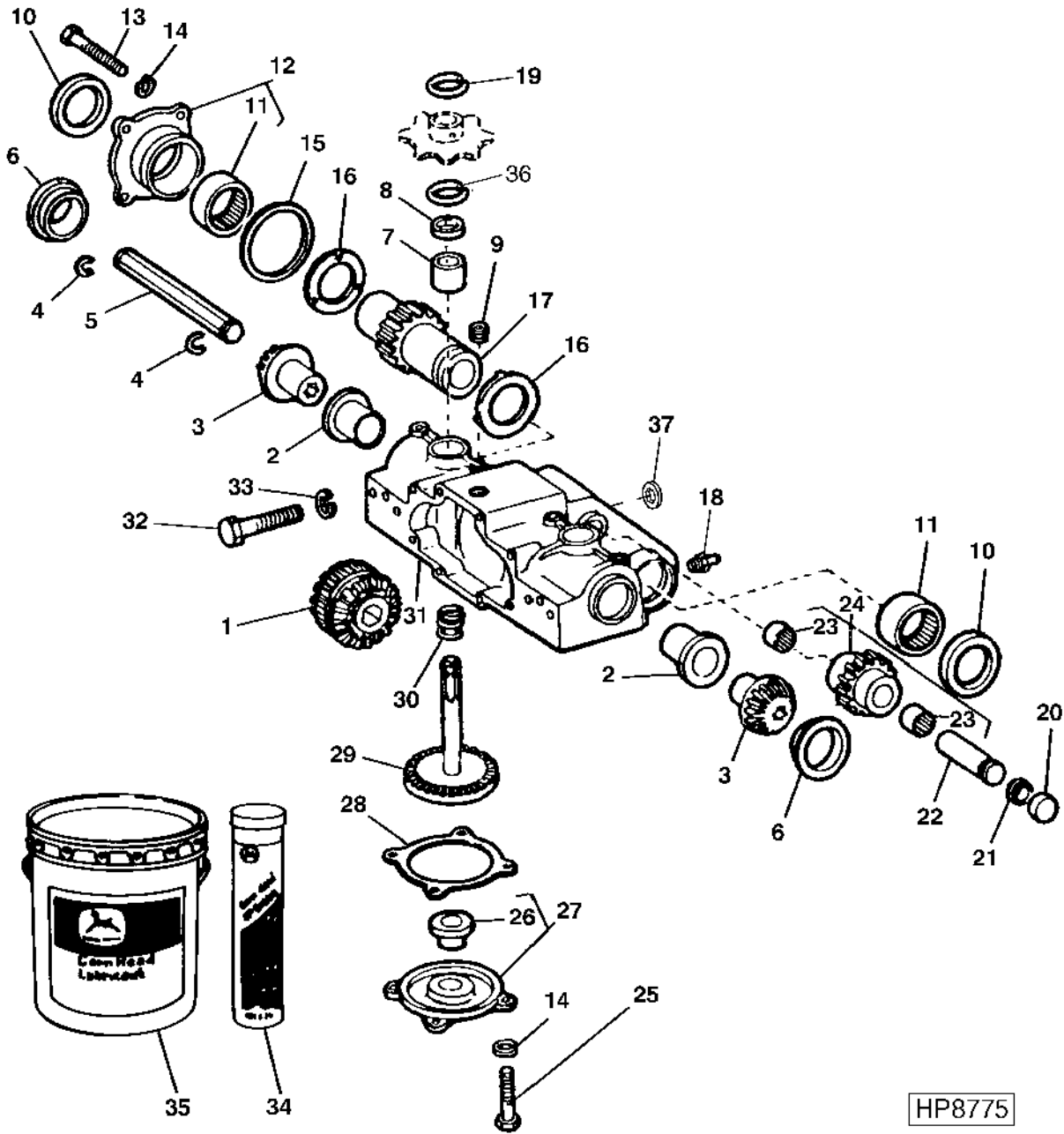
| KEY | PART NO. | PART NAME | QTY | SERIAL NO. | REMARKS |
|-----|----------|--------------------|-----|-------------------|---------|
| 1 | N102040 | QUICK COUPLER | 1 | | |
| 2 | 19M8413 | CAP SCREW | 4 | M12 X 150 | |
| 3 | N102034 | BUSHING | 1 | | |
| 4 | AN102534 | RETAINER | 1 | | |
| 5 | N102042 | WASHER | 1 | THRUST | |
| 6 | N102036 | HUB | 1 | | |
| 7 | N102023 | JAW | 1 | | |
| 8 | H151491 | COMPRESSION SPRING | 1 | (SUB FOR N102035) | |
| 9 | N102041 | RETAINER | 1 | | |
| 10 | 14M7275 | NUT | 8 | M12 | |
| 11 | 12H292 | LOCK WASHER | 4 | 1/2" | |
| 12 | 14M7296 | FLANGE NUT | 2 | M10 | |
| 13 | 12H293 | LOCK WASHER | 2 | 7/16" | |
| 14 | H115425 | SPACER | 4 | | |
| 15 | 19M7812 | SCREW | 2 | M10 X 100 | |

NOTE: QUANTITIES SHOWN ARE FOR ONE ROW UNIT.

MEMORANDA

C4

ROW-UNIT GEAR CASE
HP8775 -UN-29JUL99



HP8775

C5

90 SERIES CORN HEADS

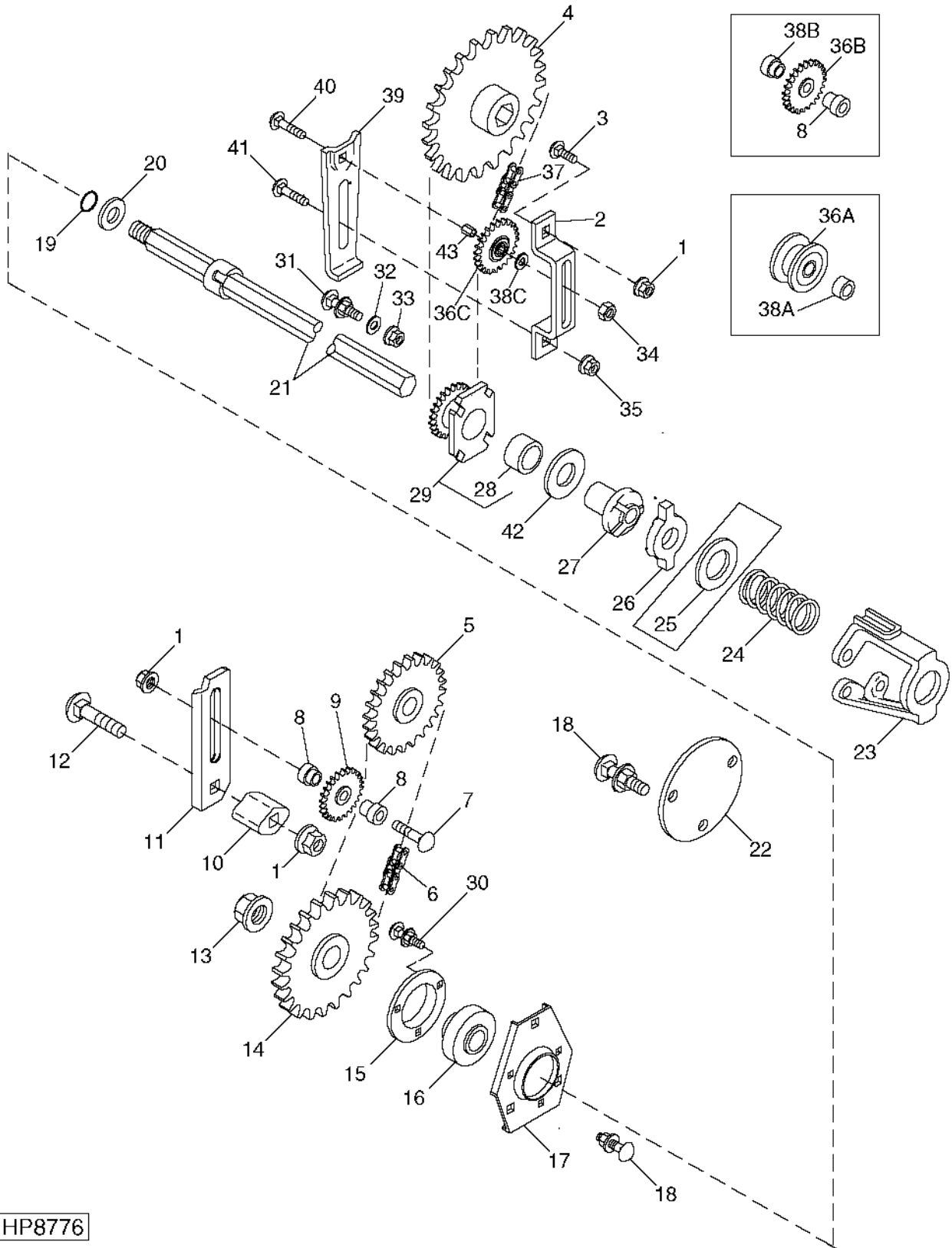
ROW-UNIT GEAR CASE - CONTINUED

| KEY | PART NO. | PART NAME | QTY | SERIAL NO. | REMARKS |
|-----|----------|---------------------|-----|------------|--|
| 1 | AH146441 | GEAR | 1 | | (SUB FOR AN102004) STALK ROLL DRIVE |
| 2 | N102030 | BUSHING | 2 | | |
| 3 | N102020 | PINION | 2 | | 17 TOOTH, BEVEL |
| 4 | N102019 | SNAP RING | 2 | | |
| 5 | N102024 | COUNTERSHAFT | 1 | | |
| 6 | N102025 | CAP | 2 | | GREASE |
| 7 | H83875 | BUSHING | 2 | | |
| 8 | AN71326 | SEAL | 2 | | |
| 9 | 15H665 | PIPE PLUG | 1 | | 3/4" |
| 10 | AN102006 | SEAL | 2 | | |
| 11 | JD8896 | NEEDLE BEARING | 1 | | |
| 12 | AN102511 | BEARING | 1 | | |
| 13 | 19H2552 | CAP SCREW | 4 | | 3/8" X 1-1/8" |
| 14 | 12H304 | LOCK WASHER | 12 | | 3/8" |
| 15 | H105623 | SHIM | AR | | |
| | N102008 | SHIM | AR | | |
| 16 | N102032 | WASHER | 2 | | THRUST |
| 17 | H107779 | GEAR | 1 | | 17 TEETH, INPUT |
| 18 | JD7759 | LUBRICATION FITTING | 1 | | 1/8 IN. STRAIGHT |
| | JD7781 | LUBRICATION FITTING | 1 | | 90° (FROM L.H. SIDE, USE ON NO. 6 GEAR CASE) |
| 19 | C17964 | RING | 1 | | |
| 20 | N102039 | CAP | 2 | | |
| 21 | N102026 | RING | 1 | | |
| 22 | N102017 | PIN | 1 | | |
| 23 | JD8877 | NEEDLE BEARING | 2 | | |
| 24 | AH93577 | BEARING | 1 | | IDLER |
| 25 | 19H1731 | CAP SCREW | 8 | | 3/8" X 1" |
| 26 | N102029 | BUSHING | 2 | | |
| 27 | AH87787 | BEARING | 2 | | |
| 28 | N102006 | SHIM | AR | | .25 MM (0.010") |
| | N102007 | SHIM | AR | | .18MM (0.007") |
| 29 | AH148769 | DRIVE SHAFT | 2 | | (SUB FOR AH83880) GATHERER DRIVE |
| 30 | N102221 | SPRING | 1 | | L.H. |
| | N102220 | SPRING | 1 | | R.H. |
| 31 | N102014 | CASE | 1 | | |
| 32 | 19H1815 | CAP SCREW | 4 | | 1/2" X 1-1/4" |
| 33 | 12H301 | LOCK WASHER | 4 | | 1/2" |
| 34 | AN102562 | LUBRICANT | 1 | | 10 - 14-1/2 OZ. GREASE GUN CARTRIDGES |
| 35 | AH80490 | LUBRICANT | 1 | | 35 LB. PAIL |
| 36 | C17964 | RING | 1 | | |
| 37 | H156063 | LOCK WASHER | 1 | | ELIMINATE WEAR ON DECK COVER PLATE |
| .. | AH144190 | GEAR CASE | AR | | COMPLETE WITH BARRELL AND PINION SHAFT |
| .. | AH144191 | GEAR CASE | 1 | | COMPLETE WITH BARRELL AND PINION SHAFT (594 CENTER ROW-UNIT ONLY) (1293 OUTER L.H ROW-UNIT ONLY) |

NOTE: QUANTITIES SHOWN ARE FOR ONE GEARCASE EACH ROW.

C6

ROW-UNIT AND CROSS AUGER DRIVES (493 AND 494)
HP8776 -UN-29JUL99



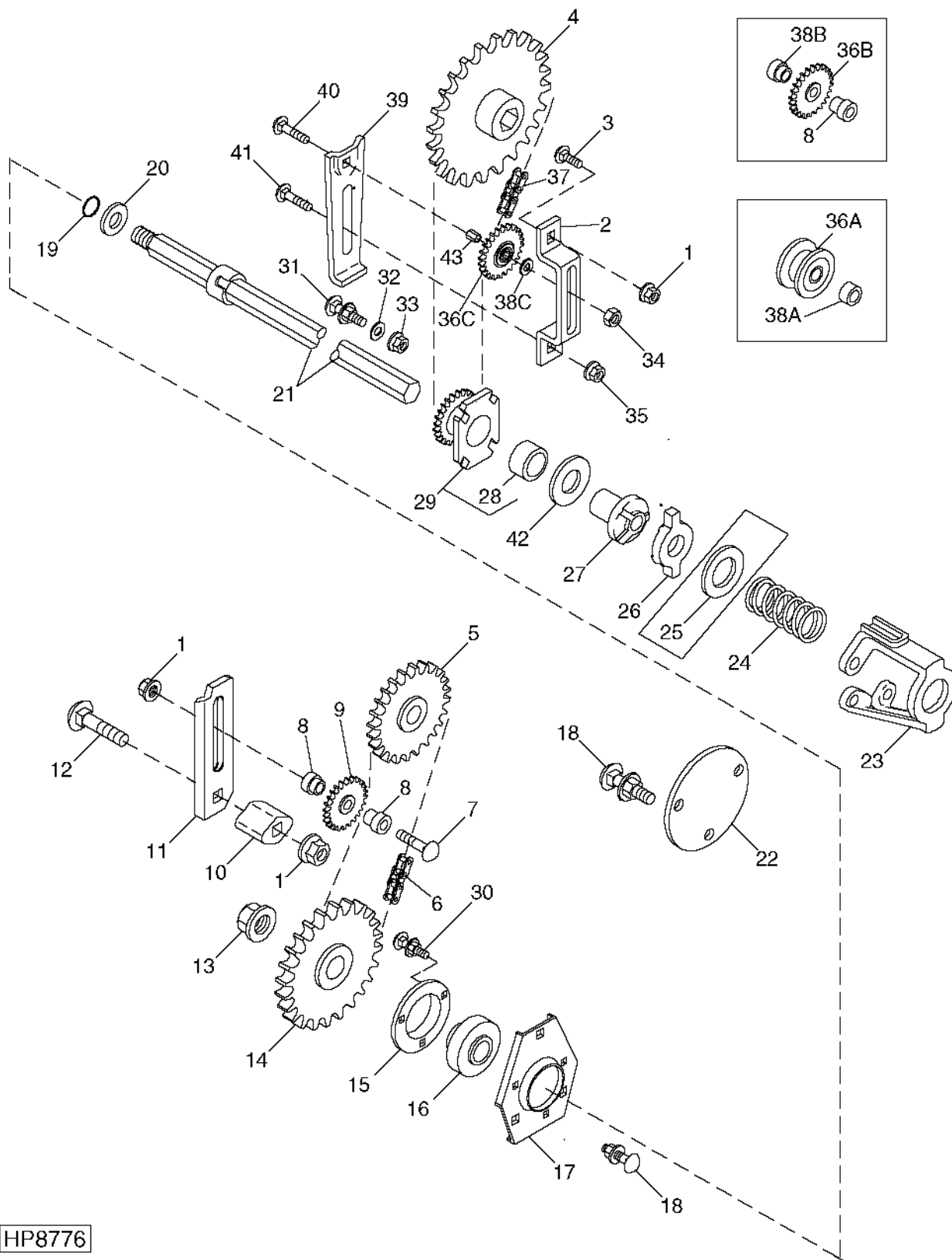
HP8776

ROW-UNIT AND CROSS AUGER DRIVES (493 AND 494) - CONTINUED

| KEY | PART NO. | PART NAME | QTY | SERIAL NO. | REMARKS |
|-----|----------|-------------------------|-----|---------------|--|
| 1 | 14M7299 | FLANGE NUT | 3 | | |
| 2 | H94808 | BRACKET | 1 | | |
| 3 | 03M7198 | BOLT | 1 | | M12 X 30 |
| 4 | AN102342 | CHAIN SPROCKET | 1 | | 54 TOOTH, TYPE 50, AUGER DRIVE (ILLUSTRATED) |
| | AH113341 | CHAIN SPROCKET | 1 | -660200 | 48 TOOTH, TYPE 50, HIGH SPEED AUGER DRIVE |
| | AH145940 | CHAIN SPROCKET | 1 | 660201-665200 | 64 TOOTH, TYPE 60, AUGER DRIVE |
| | AH147693 | DRIVE SPROCKET | 1 | 665201- | 52 TEETH, TYPE 50 |
| 5 | AH124999 | CHAIN SPROCKET | 1 | -660200 | 28 TOOTH, DRIVER |
| | AN102027 | CHAIN SPROCKET | 1 | 660201- | 30 TEETH |
| 6 | AH124998 | ROLLER CHAIN | 1 | -660200 | TYPE 60, 89 LINKS |
| | AH145984 | ROLLER CHAIN | 1 | 660201- | TYPE 60, 88 LINKS |
| 7 | 03M7204 | BOLT | 1 | | M12 X 60 |
| | 14M7299 | FLANGE NUT | 1 | | M12 |
| 8 | H110115 | SPACER | 2 | -XXXXXX | |
| | H147370 | BUSHING | 2 | XXXXXX- | |
| 9 | AE27909 | CHAIN SPROCKET | 1 | | 15 TOOTH, TYPE 60, IDLER |
| 10 | H123344 | CYLINDER BLOCK | 1 | | IDLER |
| 11 | H145166 | STRAP | 1 | | IDLER |
| 12 | 03M7219 | BOLT | 1 | | M12 X 80 |
| 13 | H149361 | LOCK NUT | 1 | | |
| 14 | AH111501 | CHAIN SPROCKET | 1 | -660200 | 34 TOOTH, DRIVEN |
| | AN102027 | CHAIN SPROCKET | 1 | 660201- | 30 TEETH |
| 15 | C3994E | PRESSED FLANGED HOUSING | 1 | | (493 -655207; 494 -655345) |
| | H150843 | PRESSED FLANGED HOUSING | 1 | | (493 655208-670200; 655346-670300) |
| | H153308 | PRESSED FLANGED HOUSING | 1 | | (493 670201-; 494 670301-) |
| 16 | AN102010 | BEARING | 1 | | |
| 17 | H94805 | PRESSED FLANGED HOUSING | 1 | | |
| 18 | 03M7190 | BOLT | 6 | | M10 X 20 |
| | 14M7296 | FLANGE NUT | 6 | | M10 |

ROW-UNIT AND CROSS AUGER DRIVES (493 AND 494) - CONTINUED

HP8776 -UN-29JUL99



HP8776

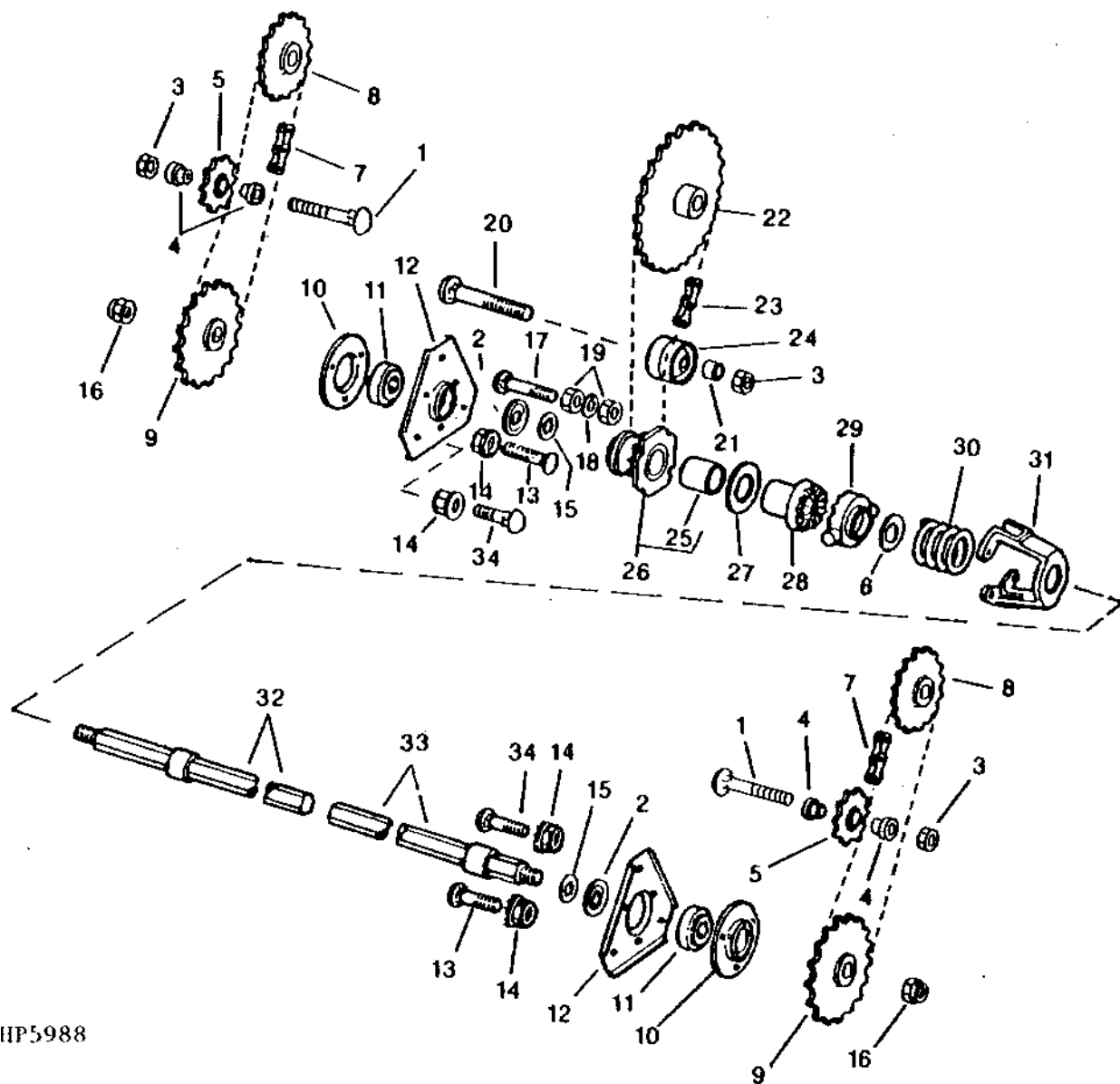
ROW-UNIT AND CROSS AUGER DRIVES (493 AND 494) - CONTINUED

| KEY | PART NO. | PART NAME | QTY | SERIAL NO. | REMARKS |
|-----|----------|----------------|-----|---------------|---|
| 19 | H135175 | RETAINER | 1 | | |
| 20 | H135176 | SEAL | 1 | | |
| 21 | AH145771 | SHAFT | 1 | | 2970.7 MM (117 IN.) (SUB FOR AH143137) R.H. |
| | AH145772 | SHAFT | 1 | | (493) 3584.9 MM (141 IN.) (SUB FOR AH143138) R.H. (494) |
| 22 | H146684 | PLATE | 1 | | R.H. |
| 23 | H112654 | HOUSING | 1 | | SLIP CLUTCH |
| 24 | H20621 | SPRING | 1 | -665200 | |
| | H101276 | SPRING | 1 | 665201- | |
| 25 | N102042 | WASHER | 2 | -665200 | THRUST (NOT USED W/H154122, H101677, H101276) |
| 26 | N102023 | JAW | 1 | -665200 | |
| | H101677 | JAW | 1 | 665201- | |
| 27 | H135198 | HUB | 1 | -665200 | |
| | H154122 | HUB | 1 | 665201- | |
| 28 | N102053 | BUSHING | 1 | -665200 | |
| | G6579E | BUSHING | 1 | 665201- | |
| 29 | AH143227 | DRIVE SPROCKET | 1 | -665200 | 17 TOOTH, TYPE 50 |
| | AH143100 | DRIVE SPROCKET | 1 | 665201- | 13 TOOTH, TYPE 60 |
| 30 | 03M7191 | BOLT | 3 | | M10 X 25, (493 -655207; 494 -655345) |
| | H150902 | BOLT | 3 | | M10 X 18, (493 655208-; 494 655346-) |
| | 14M7296 | FLANGE NUT | 3 | | M10 |
| 31 | 03M7195 | BOLT | 4 | | M10 X 45 |
| | 14M7274 | NUT | 4 | | M10 |
| 32 | 12H304 | LOCK WASHER | 4 | | 3/8" |
| 33 | 14M7274 | NUT | 4 | | M10 |
| 34 | A31867 | LOCK NUT | 1 | | |
| 35 | 14M7299 | FLANGE NUT | 1 | | M12 |
| 36A | AH83654 | IDLER | 1 | -665200 | DRIVE AUGER, ROLLER, TYPE 60, 5/8" PITCH, 69 LINKS |
| 36B | AE27909 | CHAIN SPROCKET | 1 | 665201-670356 | 15 TOOTH |
| 36C | AH89429 | CHAIN SPROCKET | 1 | 670357- | |
| 37 | AH98784 | LINK CHAIN | 1 | -660200 | AUGER DRIVE, ROLLER, TYPE 50, 5/8" PITCH, 76 LINKS |
| | AH145941 | ROLLER CHAIN | 1 | 660201-665200 | AUGER DRIVE, ROLLER, TYPE 50, 83 LINKS |
| | AH147697 | ROLLER CHAIN | 1 | 665201- | AUGER DRIVE, ROLLER, TYPE 60, 69 LINKS |
| 38A | E42803 | WASHER | 1 | | |
| 38B | H154123 | BUSHING | 1 | -670356 | (SUB AH89429, A34723 AND H147370) |
| 38C | A34723 | WASHER | 1 | 670357-685055 | |
| | 24H1850 | WASHER | 1 | 685056- | 17/32" X 1-1/4" X 0.180" |
| 39 | H94807 | PLATE | 1 | | SLIDE ADJUST |
| 40 | 03M7204 | BOLT | 1 | | M12 X 60 |
| 41 | 03M7198 | BOLT | 1 | | M12 X 30 |
| 42 | H99303 | WASHER | 1 | | 46.736 X 90.424 X 3.404 MM (1.840" X 3.560" X 0.134") THRUST |
| 43 | H147370 | BUSHING | 1 | 670357- | |

C10

90 SERIES CORN HEADS

ROW-UNIT AND CROSS AUGER DRIVES
(594, 693, 693SH, 694, 893, 894 AND 1293)
(-659999)
HP5988 -UN-01JAN94



HP5988

C11

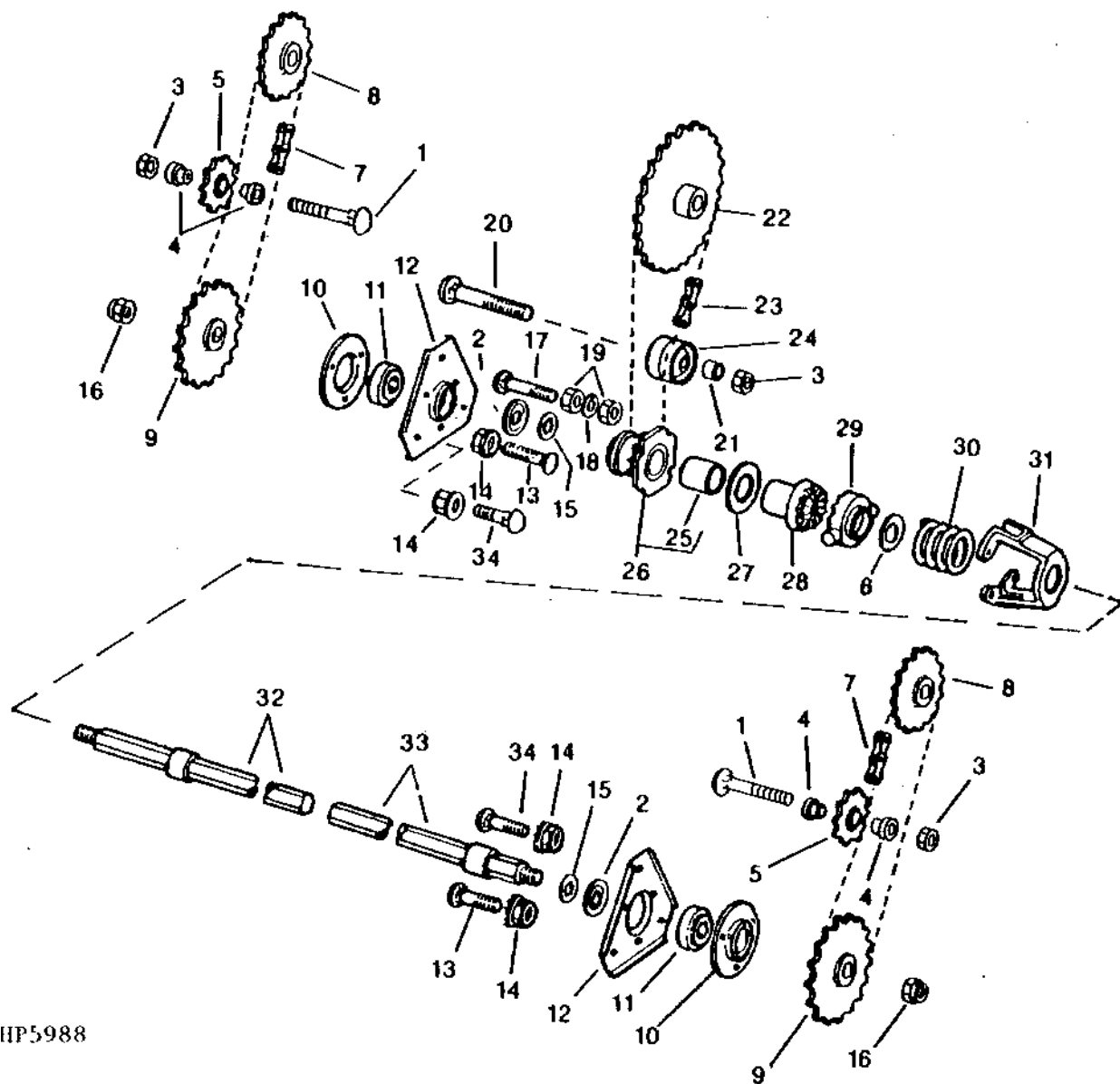
90 SERIES CORN HEADS

ROW-UNIT AND CROSS AUGER DRIVES - CONTINUED
(594, 693, 693SH, 694, 893, 894 AND 1293)
(-659999)

| KEY | PART NO. | PART NAME | QTY | SERIAL NO. | REMARKS |
|-----|----------|-------------------------|-----|--|---------|
| 1 | 03M7204 | BOLT | 2 | M12 X 60 | |
| 2 | H135175 | RETAINER | AR | ONE PER SHAFT | |
| 3 | 14M7299 | FLANGE NUT | 2 | M12 | |
| 4 | H110115 | SPACER | 2 | | |
| 5 | AE27909 | CHAIN SPROCKET | 2 | 15 TEETH (594, 693, 693SH, 694, 893 AND 894) | |
| | AN70860 | CHAIN SPROCKET | 2 | 14 TEETH (1293) | |
| 6 | N102042 | WASHER | 2 | | |
| 7 | AH124998 | ROLLER CHAIN | 2 | TYPE 60, 89 LINKS | |
| | AH114886 | ROLLER CHAIN | 1 | (1293) 63 LINKS | |
| 8 | AH124999 | CHAIN SPROCKET | AR | 28 TEETH (1 USED - 594; 2 USED - 693, 693SH, 893 AND 894) | |
| | AH114829 | CHAIN SPROCKET | 2 | 19 TEETH, (1293) | |
| 9 | AH111501 | CHAIN SPROCKET | 2 | 34 TEETH | |
| | AH114830 | CHAIN SPROCKET | 2 | 23 TEETH, (1293) | |
| 10 | C3994E | PRESSED FLANGED HOUSING | 2 | (493 -655207; 494 -655345; 594 -655404; 693 -656080; 693SH -655506; 694 -655602; 893 -656030; 894 -655742; 1293 -655792) | |
| | H150843 | PRESSED FLANGED HOUSING | 2 | (493 655208-; 494 655346-; 594 655405-; 693 656081-; 693SH 655507-; 694 655602-; 893 656031-; 894 655743-; 1293 655793-) | |
| 11 | AN102010 | BEARING | 2 | | |
| 12 | H94805 | PRESSED FLANGED HOUSING | 2 | | |
| 13 | 03M7190 | BOLT | AR | M10 X 20 | |
| 14 | 14M7296 | FLANGE NUT | AR | M10 | |
| 15 | H135176 | SEAL | AR | | |
| 16 | H149361 | LOCK NUT | AR | ONE PER SHAFT | |
| 17 | 03M7195 | BOLT | 4 | M10 X 45, ONE PER SHAFT | |
| 18 | 12H304 | LOCK WASHER | 4 | 3/8" | |
| 19 | 14M7274 | NUT | 8 | M10 | |
| 20 | 03M7204 | BOLT | 1 | M12 X 60 | |
| 21 | N102075 | WASHER | 1 | 13.487 X 22.352 X 7.112 MM (17/32" X 0.880" X 0.280") | |
| 22 | AN102342 | CHAIN SPROCKET | AR | 54 TEETH, CROSS AUGER, (594, 693, 693SH, 893 AND 894 - 1 USED; 1293 - 2 USED) | |
| 23 | AH98784 | LINK CHAIN | 1 | DRIVE AUGER, ROLLER, TYPE 50, 5/8" PITCH, 76 LINKS, (1293 - 2 USED) | |
| | AN102499 | LINK CHAIN | 1 | (594) DRIVE AUGER, ROLLER, TYPE 50, 75 LINKS DIA., CROSS AUGER DRIVE, (1293 - 2 USED) | |
| 24 | AH83654 | IDLER | AR | (1293 - 2 USED) | |
| 25 | N102053 | BUSHING | AR | (1293 - 2 USED) | |
| 26 | AH143227 | DRIVE SPROCKET | AR | 17 TEETH, AUGER SLIP CLUTCH, (1293 - 2 USED) | |
| 27 | N102042 | WASHER | AR | (1293 - 2 USED) | |
| 28 | H135198 | HUB | 1 | (1293 - 2 USED) | |
| 29 | N102023 | JAW | AR | (1293 - 2 USED) | |
| 30 | H20621 | SPRING | AR | (1293 - 2 USED) | |
| 31 | H112654 | HOUSING | AR | SLIP CLUTCH (1293 - 2 USED) | |
| 32 | AH145774 | SHAFT | 1 | 2492.5 MM (98 IN.) (SUB FOR AH143143) R.H. (594 AND 694) | |
| | AH145775 | SHAFT | 1 | 2086.3 MM (82 IN.) (SUB FOR AH143139) R.H. (693 AND 693SH) | |
| | AH145466 | SHAFT | 1 | (SUB FOR AH145776 AND AH143139) | |
| | AH145777 | SHAFT | 1 | 3457.4 MM (136 IN.) (SUB FOR AH143141) R.H. (894) | |

C12

ROW-UNIT AND CROSS AUGER DRIVES - CONTINUED
(594, 693, 693SH, 694, 893, 894 AND 1293)
(-659999)
HP5988 -UN-01JAN94



HP5988

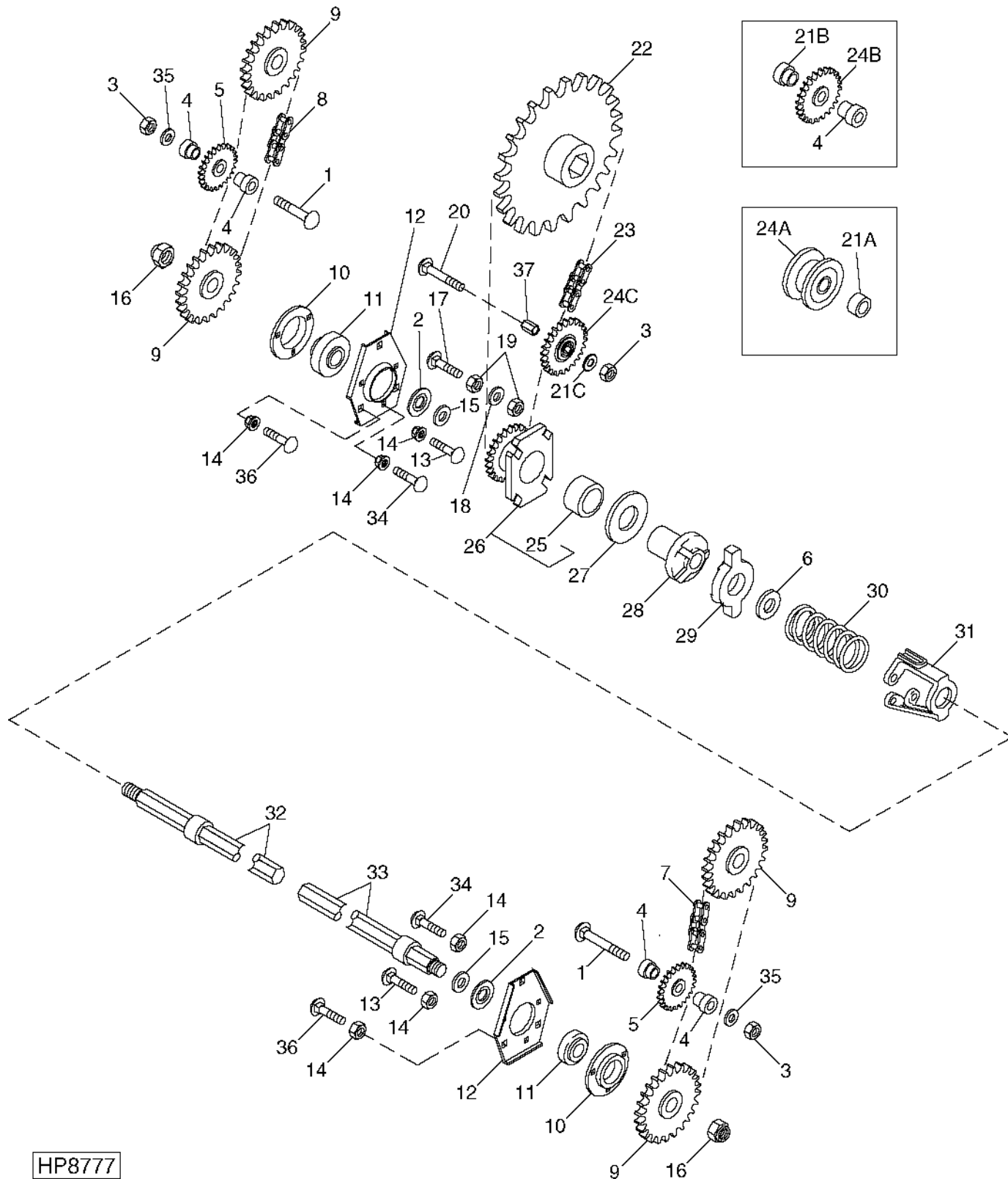
C13

ROW-UNIT AND CROSS AUGER DRIVES - CONTINUED
(594, 693, 693SH, 694, 893, 894 AND 1293)
(-659999)

| KEY | PART NO. | PART NAME | QTY | SERIAL NO. | REMARKS |
|-----|----------|-----------|-----|---------------------|---|
| 33 | AH145782 | SHAFT | 1 | 1343.6 (53 IN.) | (SUB FOR AH143131) L.H. (594) |
| | AH145783 | SHAFT | 1 | 1830.2 MM (72 IN.) | (SUB FOR AH143132) L.H. (693 AND 693SH) |
| | AH145784 | SHAFT | 1 | 2236.6 MM (88 IN.) | (SUB FOR AH143133) L.H. (694) |
| | AH145785 | SHAFT | 1 | 2592.2 MM (102 IN.) | (SUB FOR AH143134) L.H. (893) |
| | AH145786 | SHAFT | 1 | 3201.8 MM (126 IN.) | (SUB FOR AH143135) L.H. (894) |
| | AH145803 | SHAFT | 1 | | (SUB FOR AH143159) |
| 34 | H150902 | BOLT | 3 | | M10 X 18, (493 655207-; 494 655346-; 594 655405-; 693 656081-; 693SH 655507-; 694 655602-; 893 656031-; 894 655743-; 1293 655793-) |

C14

ROW-UNIT AND CROSS AUGER DRIVES (SLOW DOWN)
(594, 693, 693SH, 694, 890, 893, 894, 1092, 1290, 1291 AND 1293)
(660000-)
HP8777 -UN-29JUL99



HP8777

C15

90 SERIES CORN HEADS

ROW-UNIT AND CROSS AUGER DRIVES (SLOW DOWN) - CONTINUED

(594, 693, 693SH, 694, 890, 893, 894, 1092, 1290, 1291 AND 1293)

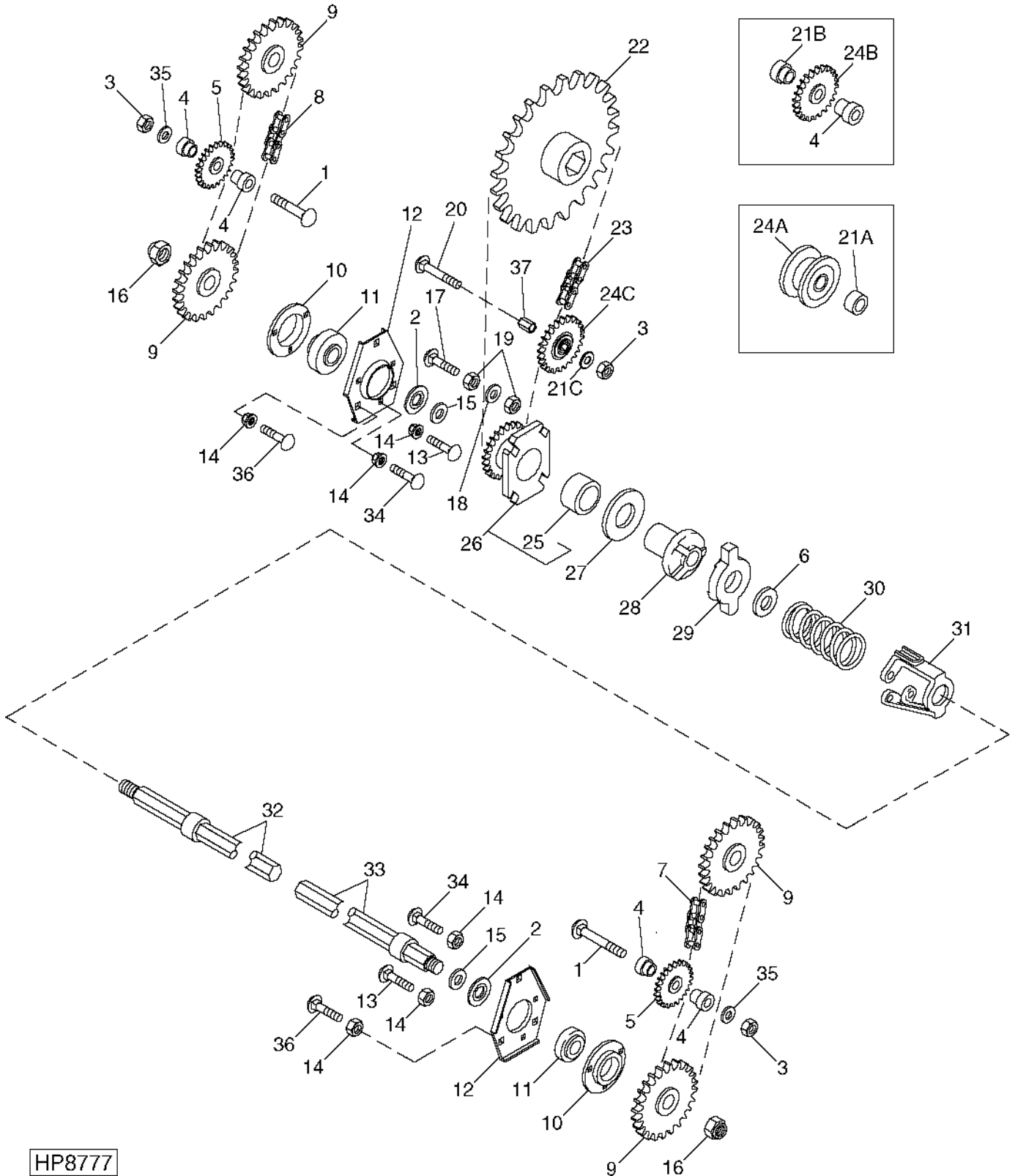
(660000-

| KEY | PART NO. | PART NAME | QTY | SERIAL NO. | REMARKS |
|-----|----------|-------------------------|-----|---------------|---|
| 1 | 03M7204 | BOLT | 2 | | M12 X 60 |
| 2 | H135175 | RETAINER | AR | | ONE PER SHAFT |
| 3 | 14M7299 | FLANGE NUT | 2 | | M12 |
| 4 | H110115 | SPACER | 2 | -XXXXXX | |
| | H147370 | BUSHING | 2 | XXXXXX- | HEX |
| 5 | AE27909 | CHAIN SPROCKET | 2 | | 15 TEETH (594, 693, 693SH, 694, 893 AND 894) |
| | AN70860 | CHAIN SPROCKET | 2 | | 14 TEETH (890, 1092, 1290, 1291 AND 1293) |
| 6 | N102042 | WASHER | 2 | -665400 | (NOT USED W/H154122, H101677, H101276) |
| 7 | AH145984 | ROLLER CHAIN | 1 | | R.H., 88 LINKS (594, 693, 693SH, 694, 893 AND 894) |
| | AH145987 | ROLLER CHAIN | 1 | | L.H., 63 LINKS (890, 1092, 1290, 1291 AND 1293) |
| 8 | AH145985 | ROLLER CHAIN | 1 | | L.H., 83 LINKS (594, 693, 693SH, 694, 893 AND 894) |
| | AH145986 | ROLLER CHAIN | 1 | | R.H., 67 LINKS (890, 1092, 1290, 1291 AND 1293) |
| 9 | AN102027 | CHAIN SPROCKET | 2 | | R.H. 30 TEETH (594, 693, 693SH, 694, 893 AND 894) |
| | AH114830 | CHAIN SPROCKET | 2 | | R.H., 23 TEETH (890, 1092, 1290, 1291 AND 1293) |
| | AH145983 | CHAIN SPROCKET | 3 | | L.H., 25 TEETH (594, 693, 693SH, 694, 893 AND 894) |
| | AH114829 | CHAIN SPROCKET | 2 | | L.H. 19 TEETH (890, 1092, 1290, 1291 AND 1293) |
| 10 | H150843 | PRESSED FLANGED HOUSING | 2 | | |
| | H153308 | PRESSED FLANGED HOUSING | 2 | | |
| 11 | AN102010 | BEARING | 2 | | |
| 12 | H94805 | PRESSED FLANGED HOUSING | 2 | | |
| 13 | 03M7191 | BOLT | AR | | M10 X 25, ALL EXCEPT (693) |
| | 03M7192 | BOLT | AR | | M10 X 30, (693) |
| 14 | 14M7296 | FLANGE NUT | AR | | M10 |
| 15 | H135176 | SEAL | AR | | |
| 16 | H149361 | LOCK NUT | AR | | ONE PER SHAFT |
| 17 | 03M7195 | BOLT | 4 | | M10 X 45, ONE PER SHAFT |
| 18 | 12H304 | LOCK WASHER | 4 | | 3/8" |
| 19 | 14M7274 | NUT | 8 | | M10 |
| 20 | 03M7204 | BOLT | 4 | | M12 X 60 |
| 21A | E42803 | WASHER | 1 | -665400 | 13.487 X 22.225 X 7.137 MM (17/32" X 7/8" X 9/32") |
| 21B | H154123 | BUSHING | 1 | -XXXXXX | (SUB AH89429, A34723 AND H147370) |
| 21C | A34723 | WASHER | 1 | XXXXXX-685055 | |
| | 24H1850 | WASHER | 1 | 685056- | 17/32" X 1-1/4" X 0.180" |
| 22 | AH145940 | CHAIN SPROCKET | AR | -665400 | 64 TEETH, TYPE 50, (594, 693, 693SH, 893 AND 894 - 1 USED; 1293 - 2 USED) |
| | AH147693 | DRIVE SPROCKET | 1 | 665401- | (594,693,693SH,893,894,1290,1291-1 USED;1293-2 USED) 52 TEETH, TYPE 60 |
| 23 | AH145941 | ROLLER CHAIN | 1 | -665400 | DRIVE AUGER, ROLLER, TYPE 50, 5/8" PITCH, 83 LINKS, (594, 693, 694, 890, 893 AND 894) |
| | AH147697 | ROLLER CHAIN | 1 | 665401- | DRIVE AUGER, ROLLER, TYPE 60, 3/4" PITCH, 69 LINKS (594, 693, 694, 893, 894 - 1 USED; 1092, 1290, 1291 AND 1293 - 2 USED) |
| | AH145941 | ROLLER CHAIN | 1 | | 5/8" PITCH, 76 LINKS, DRIVE AUGER ROLLER, TYPE 50, (890) |
| 24A | AH83654 | IDLER | AR | -665400 | DIA., CROSS AUGER DRIVE, (1293 - 2 USED) |
| 24B | AE27909 | CHAIN SPROCKET | 1 | -XXXXXX | 15 TEETH, DIA., CROSS AUGER DRIVE, (1293 - 2 USED) |
| 24C | AH89429 | CHAIN SPROCKET | 1 | XXXXXX- | HEX; 15 TEETH, DIA.; CROSS AUGER DRIVE |
| 25 | N102053 | BUSHING | AR | -665400 | |
| | G6579E | BUSHING | AR | 665401- | |
| 26 | AH143227 | DRIVE SPROCKET | AR | -665400 | 17 TEETH, TYPE 50 AUGER SLIP CLUTCH |
| | AH143100 | DRIVE SPROCKET | AR | 665401- | 13 TEETH, TYPE 60 |
| 27 | N102042 | WASHER | AR | -665400 | |
| | H99303 | WASHER | AR | 665401- | |
| 28 | H135198 | HUB | 1 | -665400 | |
| | H154122 | HUB | 1 | 665401- | |
| 29 | N102023 | JAW | AR | -665400 | |
| | H101677 | JAW | AR | 665401- | |

C16

ROW-UNIT AND CROSS AUGER DRIVES (SLOW DOWN) - CONTINUED (594, 693, 693SH, 694, 890, 893, 894, 1092, 1290, 1291 AND 1293)

(660000-)
HP8777 -UN-29JUL99



HP8777

C17

90 SERIES CORN HEADS

ROW-UNIT AND CROSS AUGER DRIVES (SLOW DOWN) - CONTINUED
(594, 693, 693SH, 694, 890, 893, 894, 1092, 1290, 1291 AND 1293)

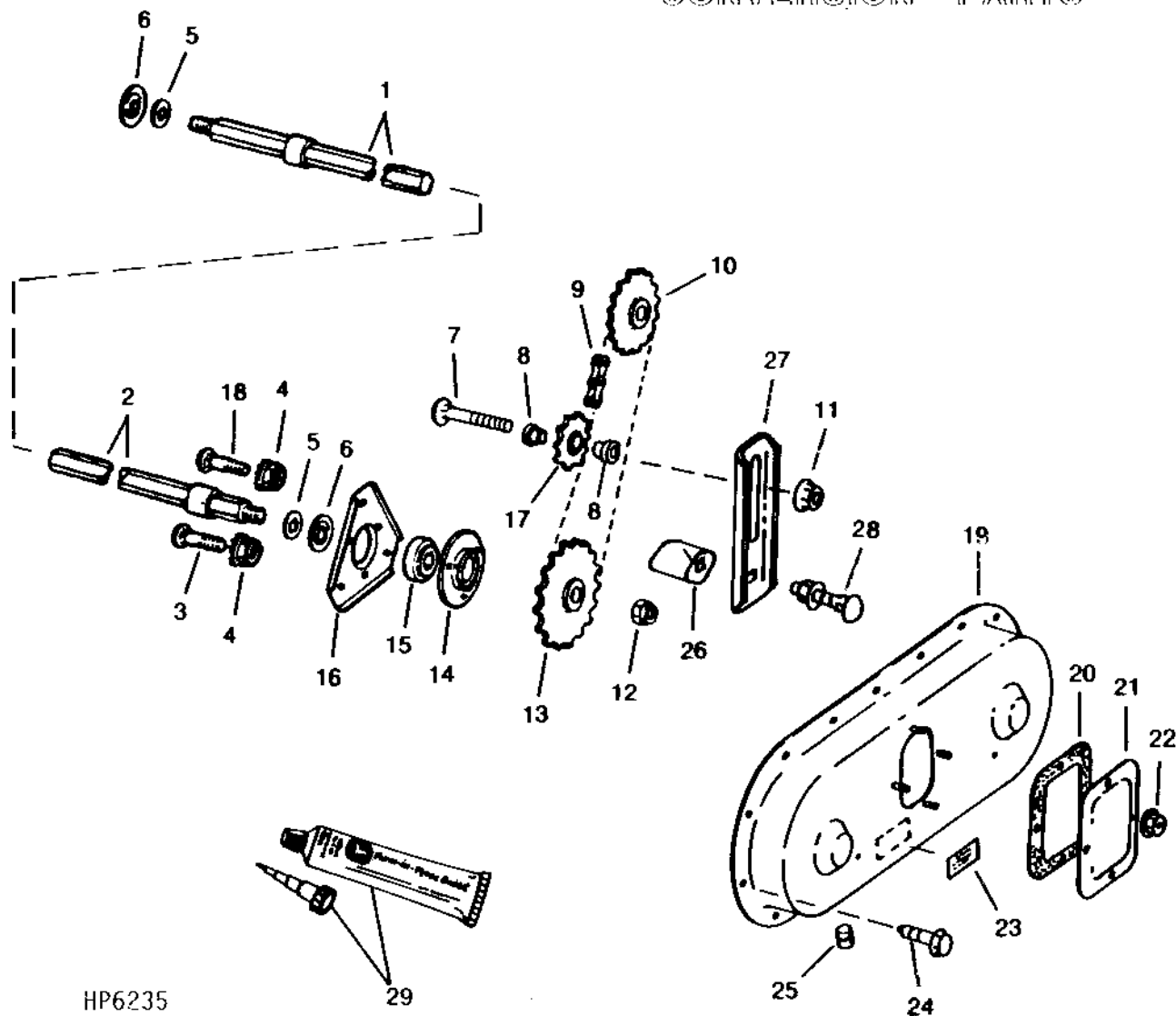
| KEY | PART NO. | PART NAME | QTY | SERIAL NO. | REMARKS |
|-----|----------|-----------|-----|------------|--|
| 30 | H20621 | SPRING | AR | -665400 | |
| | H101276 | SPRING | AR | 665401- | |
| 31 | H112654 | HOUSING | AR | | SLIP CLUTCH (1293 - 2 USED) |
| 32 | AH145774 | SHAFT | 1 | | 2492.5 MM (98 IN.) R.H. (594 AND 694) |
| | AH145775 | SHAFT | 1 | | 2086.3 MM (82 IN.) R.H. (693 AND 693SH) |
| | AH145776 | SHAFT | 1 | -666254 | 2848.3 MM (112 IN.) R.H. (893) |
| | AH145466 | SHAFT | 1 | 666255- | (893) |
| | AH145777 | SHAFT | 1 | | 3457.4 MM (136 IN.) R.H. (894) |
| | AH145802 | SHAFT | 1 | | 4346.6 MM (171 IN.) R.H. (1293) |
| | AH147422 | SHAFT | 1 | | R.H. (1290) |
| | AH145468 | SHAFT | 1 | | R.H. (1092 AND 1291) |
| | AH152118 | SHAFT | 1 | | R.H. (890) |
| 33 | AH145782 | SHAFT | 1 | | 1343.6 (53 IN.) (SUB FOR AH143131) L.H. (594) |
| | AH145783 | SHAFT | 1 | | 1830.2 MM (72 IN.) (SUB FOR AH143132) L.H. (693 AND 693SH) |
| | AH145784 | SHAFT | 1 | | 2236.6 MM (88 IN.) (SUB FOR AH143133) L.H. (694) |
| | AH145785 | SHAFT | 1 | | 2592.2 MM (102 IN.) (SUB FOR AH143134) L.H. (893) |
| | AH145786 | SHAFT | 1 | | 3201.8 MM (126 IN.) (SUB FOR AH143135) L.H. (894 AND 1092) |
| | AH147423 | SHAFT | 1 | | L.H. (1290) |
| | AH145786 | SHAFT | 1 | | L.H. (1291) |
| | AH152119 | SHAFT | 1 | | L.H. (890) |
| | AH145803 | SHAFT | 1 | | (SUB FOR AH143159) L.H. (1293) |
| 34 | H150902 | BOLT | 3 | | M10 X 18, (493 655207-; 494 655346-; 594 655405-; 693 656081-; 693SH 655507-; 694 655602-; 893 656031-; 894 655743-; 1293 655793-) |
| | H150902 | BOLT | 6 | 1997- | M10 X 18, (890, 1092, 1290 AND 1291) |
| 35 | 24H1341 | WASHER | 2 | 1997- | 17/32" X 15/16" X 0.060", R.H. (890) |
| 36 | 03M7194 | BOLT | 1 | 1996- | M10 X 40, (1092) |
| 37 | H147370 | BUSHING | 1 | | |

C18

ROW-UNIT AND CROSS AUGER DRIVES - 494
CONVERSION PARTS FOR USE ON SIDEHILL 6600 AND 6620 COMBINES
(R.H. SIDE ONLY)
HP6235 -UN-17JAN96



SIDEHILL 6600
SIDEHILL 6620
CONVERSION PARTS



HP6235

C19

90 SERIES CORN HEADS

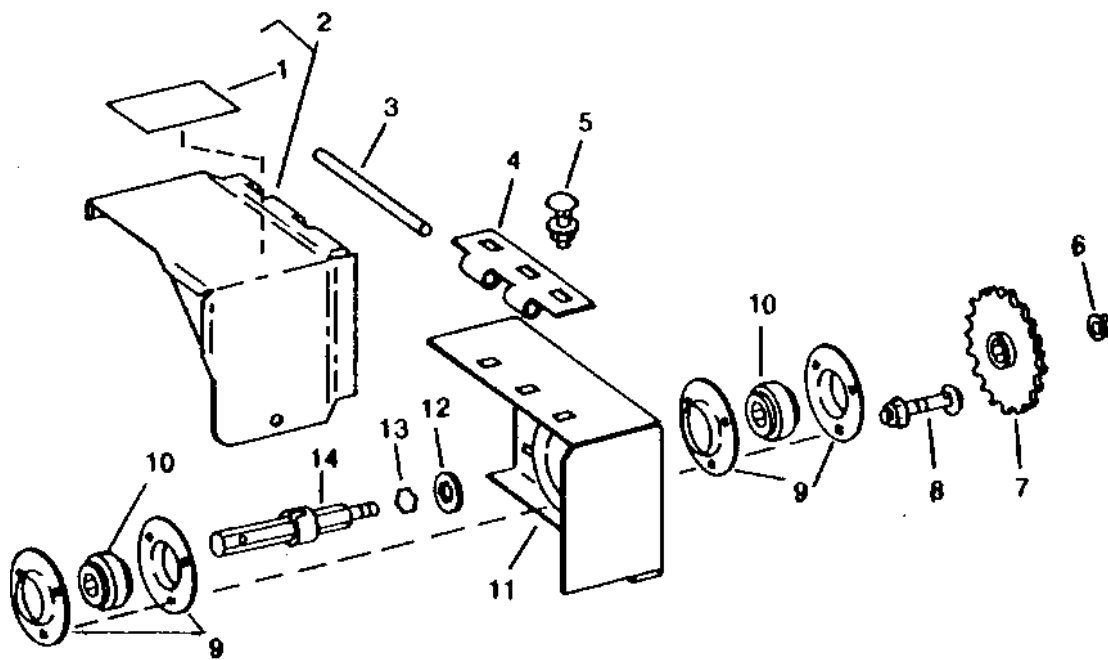
**ROW-UNIT AND CROSS AUGER DRIVES - 494 - CONTINUED
CONVERSION PARTS FOR USE ON SIDHILL 6600 AND 6620 COMBINES
(R.H. SIDE ONLY)**

| KEY | PART NO. | PART NAME | QTY | SERIAL NO. | REMARKS |
|-----|----------|-------------------------|-----|------------|--|
| 1 | AH145779 | SHAFT | 1 | | (SUB FOR AH143130) R.H. |
| 2 | AH145782 | SHAFT | 1 | | (SUB FOR AH143131) L.H. |
| 3 | 03M7190 | BOLT | 3 | | M10 X 20 |
| 4 | 14M7296 | FLANGE NUT | 6 | | M10 |
| 5 | H135176 | SEAL | 2 | | |
| 6 | H135175 | RETAINER | 2 | | |
| 7 | 03M7204 | BOLT | 1 | | M12 X 60 |
| 8 | H110115 | SPACER | 2 | | |
| 9 | AH124998 | ROLLER CHAIN | 1 | -660300 | TYPE 60, 89 LINKS |
| | AH145984 | ROLLER CHAIN | 1 | 660301- | TYPE 60, 88 LINKS |
| 10 | AH124999 | CHAIN SPROCKET | 1 | -660300 | 28 TEETH |
| | AN102027 | CHAIN SPROCKET | 1 | 660301- | 30 TEETH |
| 11 | 14M7299 | FLANGE NUT | 1 | | M12 |
| 12 | H149361 | LOCK NUT | 1 | | |
| 13 | AH111501 | CHAIN SPROCKET | 1 | -660300 | 34 TEETH |
| | AN102027 | CHAIN SPROCKET | 1 | 660301- | 30 TEETH |
| 14 | H150843 | PRESSED FLANGED HOUSING | 1 | -670300 | |
| | H153308 | PRESSED FLANGED HOUSING | 1 | 670301- | |
| 15 | AN102010 | BEARING | 1 | | |
| 16 | H94805 | PRESSED FLANGED HOUSING | 1 | | |
| 17 | AE27909 | CHAIN SPROCKET | 1 | | 15 TEETH |
| 18 | H150902 | BOLT | 3 | | M10 X 18 |
| 19 | AH143225 | SHIELD | 1 | | |
| 20 | H149353 | GASKET | 1 | | |
| 21 | H89569 | DOOR | 1 | | |
| 22 | 14M7298 | FLANGE NUT | 4 | | M8 |
| 23 | H149806 | DECAL | 1 | | "OIL FILL" |
| 24 | 37M7083 | SCREW | 15 | | M8 X 12, SELF-TAPPING |
| 25 | 15H566 | PIPE PLUG | 4 | | 1/8" |
| 26 | H123344 | CYLINDER BLOCK | 1 | | |
| 27 | H145166 | STRAP | 1 | | |
| 28 | 03M7219 | BOLT | 1 | | M12 X 80 |
| | 14M7299 | FLANGE NUT | 1 | | M12 |
| 29 | TY15130 | SEALANT | 1 | | FORM IN PLACE; 3 OZ. SQUEEZE TUBE - ILLUSTRATED |
| | TY15443 | SEALANT | 1 | | FORM IN PLACE; 10 OZ. CAULK TUBE |

MAIN DRIVE SHAFT AND SHIELD - 494
CONVERSION PARTS FOR USE ON SIDEHILL 6600 AND 6620 COMBINES
(R.H. SIDE ONLY)
HP6002 -UN-01JAN94



SIDEHILL 6600 SIDEHILL 6620 CONVERSION PARTS

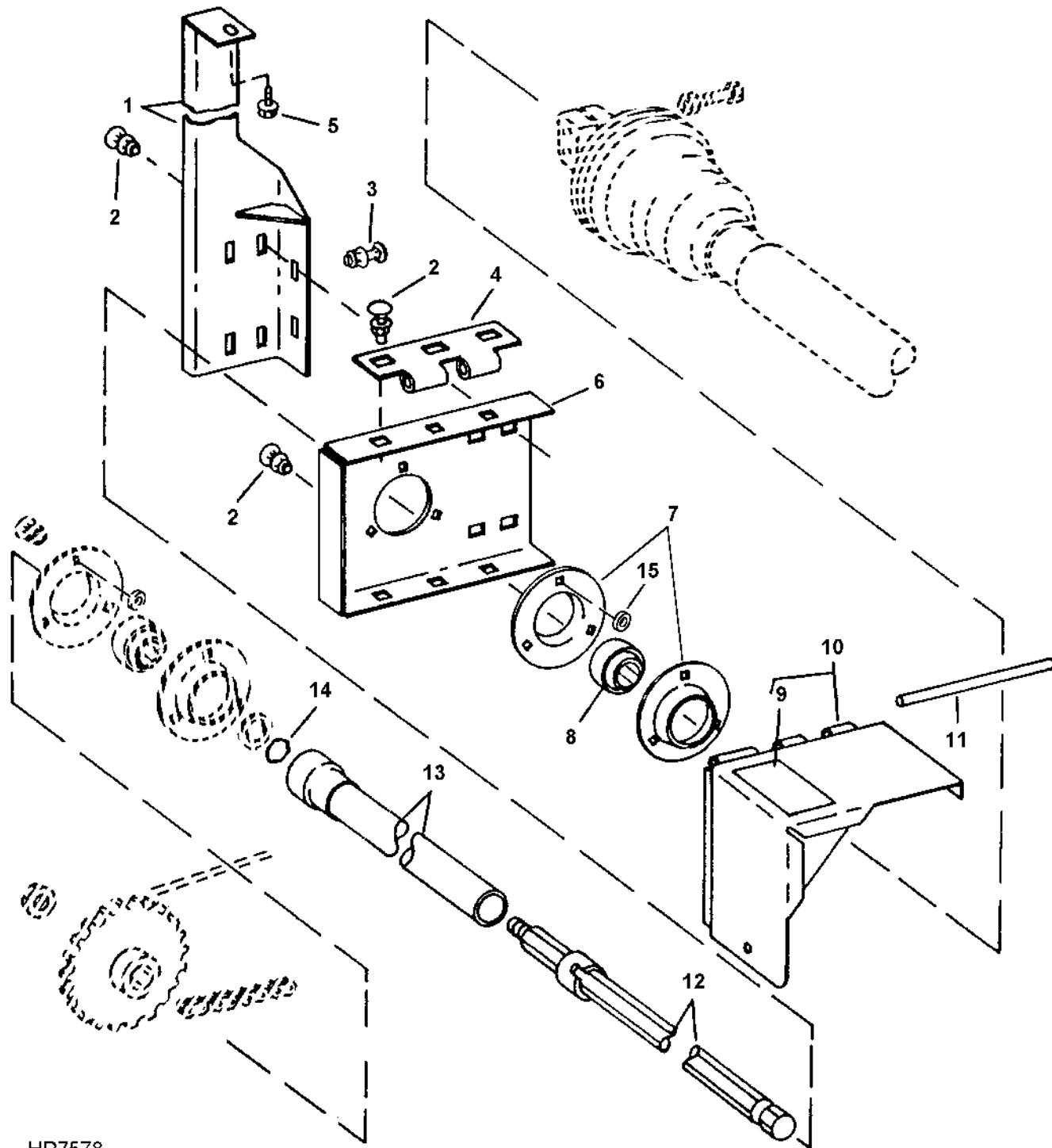


HP6002

MAIN DRIVE SHAFT AND SHIELD - 494 - CONTINUED
 CONVERSION PARTS FOR USE ON SIDHILL 6600 AND 6620 COMBINES
 (R.H. SIDE ONLY)

| KEY | PART NO. | PART NAME | QTY | SERIAL NO. | REMARKS |
|-----|----------|-------------------------|-----|--------------------|---------|
| 1 | E82514 | LABEL | 2 | | |
| 2 | AH141293 | SHIELD | 1 | R.H. (ILLUSTRATED) | |
| | AH141294 | SHIELD | 1 | L.H. | |
| 3 | H99025 | DOWEL PIN | 2 | | |
| 4 | H147245 | HINGE | 2 | | |
| 5 | 03M7190 | BOLT | 6 | M10 X 20 | |
| | 14M7296 | FLANGE NUT | 6 | M10 | |
| 6 | H149361 | LOCK NUT | 2 | | |
| 7 | AH124999 | CHAIN SPROCKET | 1 | 28 TEETH | |
| 8 | 03M7218 | BOLT | 18 | M10 X 80 | |
| | 14M7296 | FLANGE NUT | 18 | M10 | |
| 9 | H150843 | PRESSED FLANGED HOUSING | 6 | | |
| 10 | AN102010 | BEARING | 3 | | |
| 11 | AH141176 | BRACKET | 1 | R.H. (ILLUSTRATED) | |
| | AH141809 | BRACKET | 1 | L.H. | |
| 12 | H135175 | RETAINER | 1 | | |
| 13 | H135176 | SEAL | 2 | | |
| 14 | AH145801 | SHAFT | 2 | (SUB FOR AH143495) | |

MAIN DRIVE SHAFT AND SHIELD - 693
CONVERSION PARTS FOR USE ON SIDEHILL 6600 AND 6620 COMBINES
(-685055)
HP7578 -UN-31JUL98

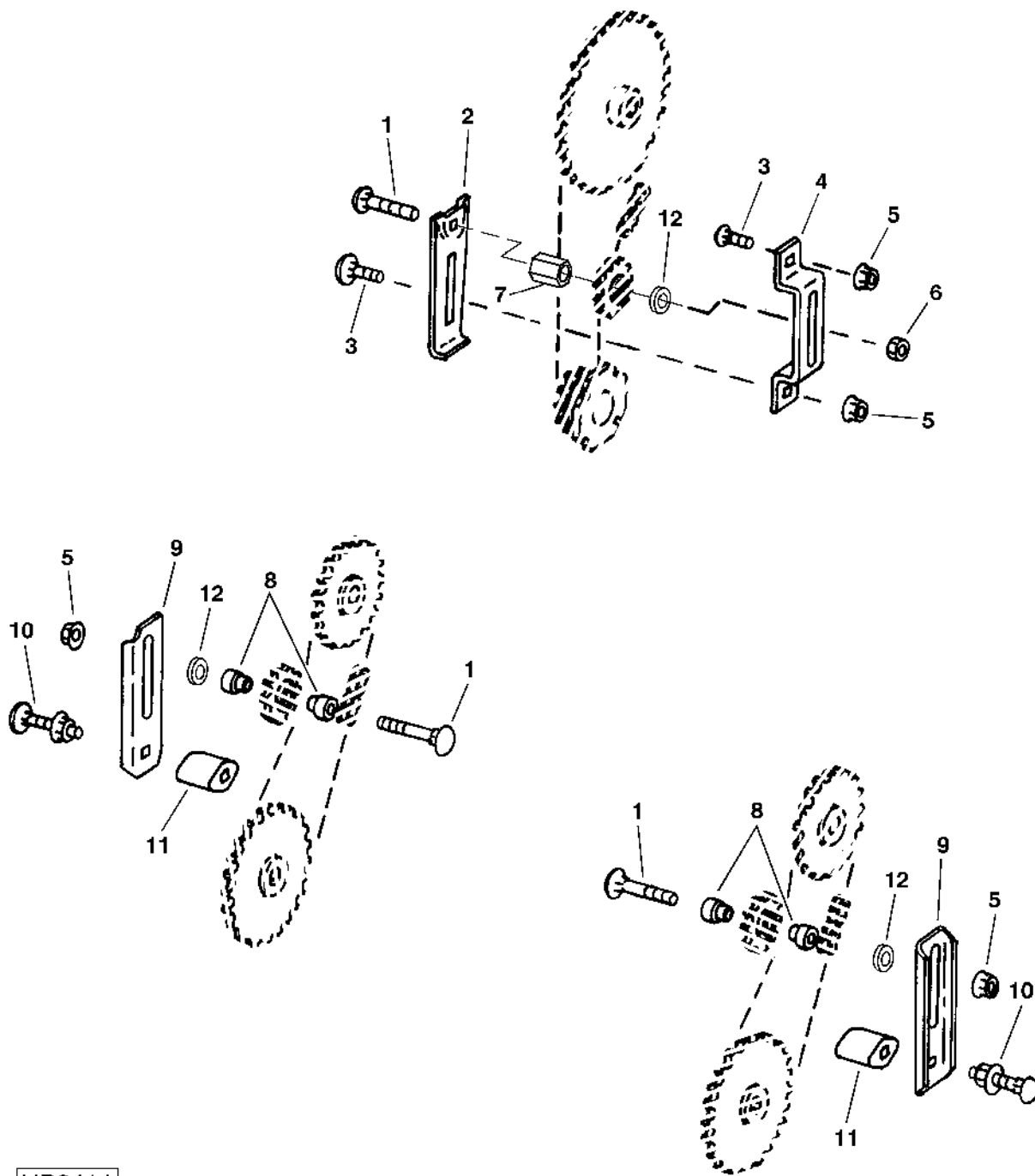


HP7578

MAIN DRIVE SHAFT AND SHIELD - 693 - CONTINUED
 CONVERSION PARTS FOR USE ON SIDEHILL 6600 AND 6620 COMBINES
 (-685055)

| KEY | PART NO. | PART NAME | QTY | SERIAL NO. | REMARKS |
|-----|----------|-------------------------|-----|------------|-------------------------|
| 1 | AH148005 | SUPPORT | 1 | | (SUB FOR AH141172) R.H. |
| | AH148006 | SUPPORT | 1 | | (SUB FOR AH141173) L.H. |
| 2 | 03M7190 | BOLT | 20 | | M10 X 20 |
| | 14M7296 | FLANGE NUT | 20 | | M10 |
| 3 | 03M7184 | BOLT | 4 | | M8 X 20 |
| | 14M7298 | FLANGE NUT | 4 | | M8 |
| 4 | H147245 | HINGE | 2 | | |
| 5 | 37M7058 | SCREW | 2 | | M8 X 20 |
| 6 | H147547 | BRACKET | 2 | | |
| 7 | H150843 | PRESSED FLANGED HOUSING | 4 | | |
| | H153308 | PRESSED FLANGED HOUSING | 4 | 670301- | |
| 8 | AN102010 | BEARING | 2 | | |
| 9 | E82514 | LABEL | 2 | | (DRIVE LINE ENTANG.) |
| 10 | AH141293 | SHIELD | 1 | | R.H. |
| | AH141294 | SHIELD | 1 | | L.H. |
| 11 | H99025 | DOWEL PIN | 2 | | |
| 12 | AH145850 | SHAFT | 2 | | (SUB FOR AH143496) |
| 13 | AH141298 | SHIELD | 2 | | (CUT TO LENGTH) |
| 14 | H135176 | SEAL | 2 | | |
| 15 | H165237 | SPACER | 3 | | |

DRIVE CHAIN TENSIONERS
HP8414 -UN-14JUL99



HP8414

DRIVE CHAIN TENSIONERS - CONTINUED

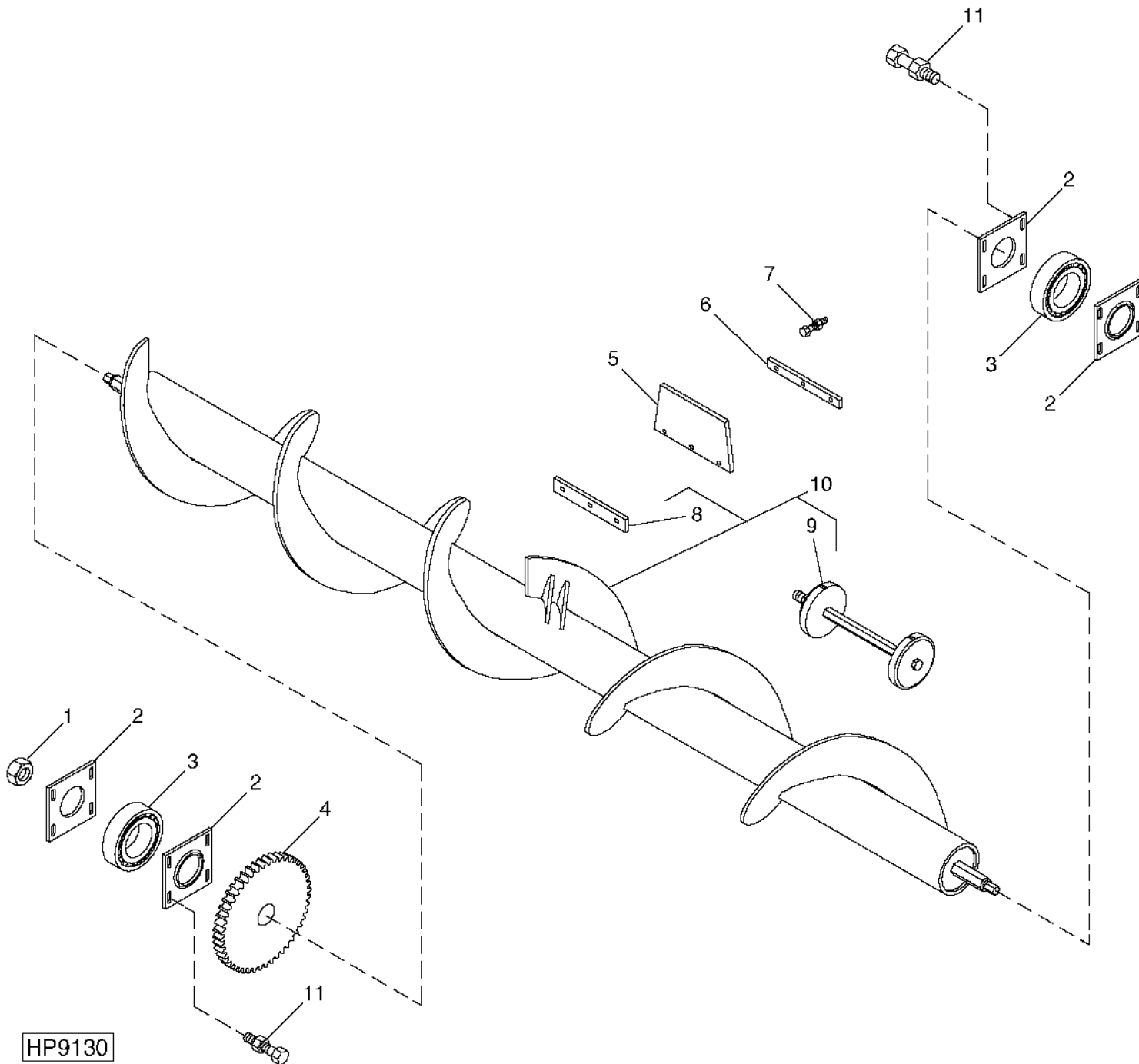
| KEY | PART NO. | PART NAME | QTY | SERIAL NO. | REMARKS |
|-----|----------|----------------|-----|------------|--|
| 1 | 03M7204 | BOLT | AR | | M12 X 60, (594, 693, 693SH, 694, 893 AND 894, 1290 AND 1291 - 3 USED; 890 2 USED; 1293 - 4 USED) |
| 2 | H94807 | PLATE | AR | | (594, 693, 693SH, 694, 893 AND 894, 1290 AND 1291 - 1 USED; 1293 - 2 USED) |
| 3 | 03M7198 | BOLT | AR | | M12 X 30, (594, 693, 693SH, 890, 893, 894, 1290 AND 1291 - 2 USED; 1293 - 4 USED; 694 - 1 USED) |
| | 03M7197 | BOLT | AR | | M12 X 25, (1092) |
| 4 | H94808 | BRACKET | AR | | (594, 693, 693SH, 694, 893 AND 894, 1290 AND 1291 - 1 USED; 1293 - 2 USED) |
| 5 | 14M7299 | FLANGE NUT | AR | | M12, (594, 693, 693SH, 694, 893 AND 894, 1290 AND 1291 - 4 USED; 1293 - 6 USED; 890 - 2 USED) |
| 6 | A31867 | LOCK NUT | AR | | M12, (594, 693, 693SH, 694, 893 AND 894, 1290 AND 1291 - 1 USED; 1293 - 2 USED) |
| 7 | H147370 | BUSHING | AR | | (594, 693, 693SH, 694, 893 AND 894, 1290 AND 1291 - 1 USED; 1293 - 2 USED) |
| 8 | H110115 | SPACER | AR | | (594, 693, 693SH, 694, 890, 893, 894, 1092, 1290, 1291 AND 1293 - 4 USED) |
| 9 | H145166 | STRAP | AR | | (594, 693, 693SH, 694, 890, 893, 894, 1092, 1290, 1291 AND 1293 - 2 USED) |
| 10 | 03M7219 | BOLT | AR | | M12 X 80, (594, 693, 693SH, 694, 890, 893, 894, 1290, 1291 AND 1293 - 2 USED) |
| | 14M7299 | FLANGE NUT | AR | | M12 |
| | 03M7226 | BOLT | AR | | M12 X 70 |
| 11 | H123344 | CYLINDER BLOCK | AR | | (594, 693, 693SH, 694, 890, 893, 894, 1092, 1290, 1291 AND 1293 - 2 USED) |
| 12 | 24H1341 | WASHER | 2 | | 17/32" X 15/16" X 0.060", (694) |

D1

CROSS AUGER

(493, 494, 594, 693, 693SH, 694, 890, 893, 894, 1092, 1290 AND 1291)

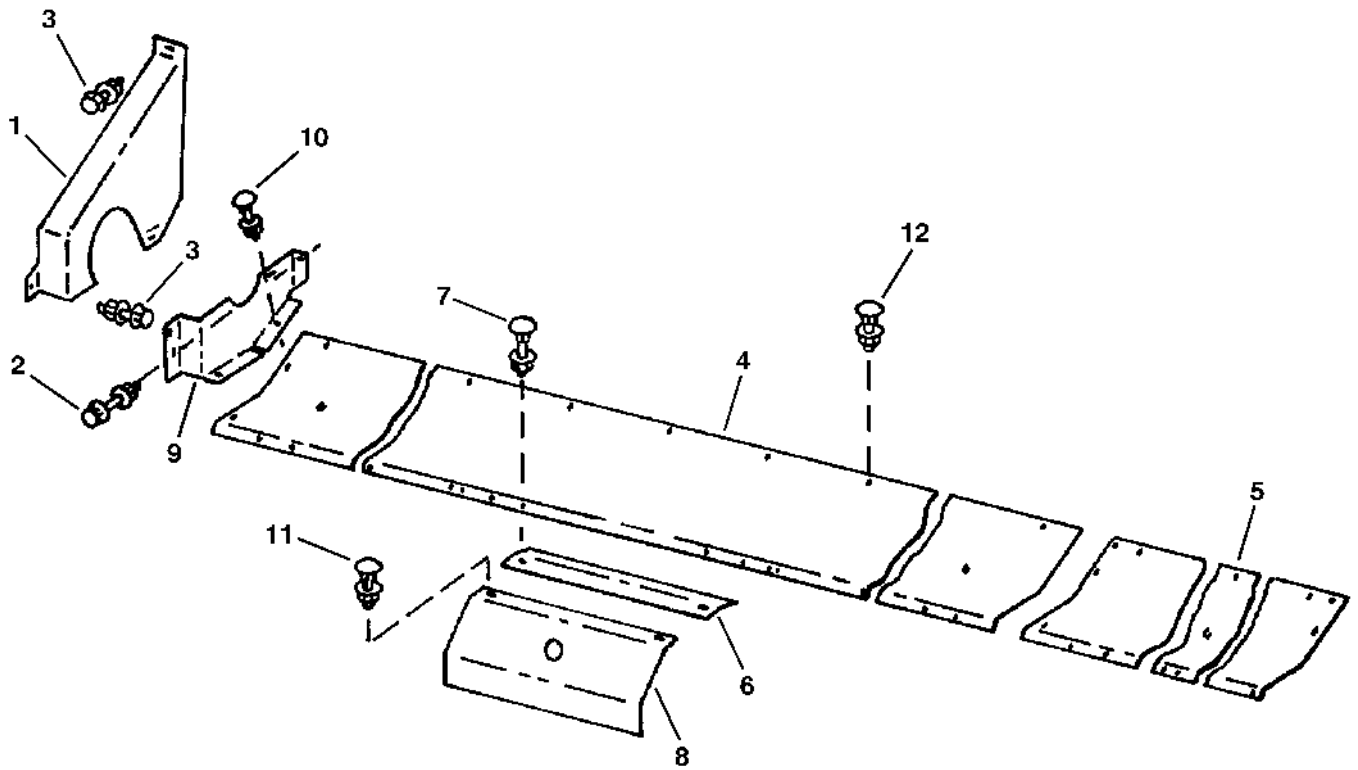
HP9130 -UN-24NOV99



CROSS AUGER - CONTINUED
(493, 494, 594, 693, 693SH, 694, 890, 893, 894, 1092, 1290 AND 1291)

| KEY | PART NO. | PART NAME | QTY | SERIAL NO. | REMARKS |
|-----|----------|-------------------------|-----|---------------|--|
| 1 | H149361 | LOCK NUT | 2 | | |
| 2 | N103830 | PRESSED FLANGED HOUSING | 4 | | |
| 3 | AN102010 | BEARING | 2 | | |
| 4 | AN102342 | CHAIN SPROCKET | 1 | -660200 | 54 TEETH, AUGER DRIVE |
| | AH113341 | CHAIN SPROCKET | 1 | | 48 TEETH (HIGH SPEED AUGER DRIVE) |
| | AH145940 | CHAIN SPROCKET | 1 | 660201-665400 | 64 TEETH, AUGER DRIVE |
| | AH147693 | DRIVE SPROCKET | 1 | 665401- | 52 TEETH, AUGER DRIVE |
| 5 | H149629 | PADDLE | AR | -XXXXXX | (493 AND 494 - 2 USED; 594, 693, 693SH, 694, AND 893 - 4 USED) |
| | H149629 | PADDLE | 6 | -660708 | (894) |
| | H84583 | PADDLE | 6 | 660709-XXXXXX | (894, 1290 AND 1291) |
| 6 | H84585 | STRAP | AR | -XXXXXX | (493 AND 494 - 2 USED; 594, 693 693SH, 694, AND 893 - 4 USED; 894, 1290 AND 1291 - 6 USED) |
| 7 | 03M7186 | BOLT | AR | -XXXXXX | M8 X 30, (493 AND 494 - 6 USED; 594, 693, 693SH, 694 AND 893 - 12 USED; 894 - 18 USED) |
| | 14M7396 | LOCK NUT | AR | -XXXXXX | M8 |
| 8 | H84584 | STRAP | AR | | (493 AND 494 - 2 USED; 594, 693 AND 693SH - 4 USED; 694, 893, 894, 1290 AND 1291) |
| 9 | AH143114 | PLUG | 1 | | (493, 494, 594, 693, 693SH, 694, 890 AND 893) |
| | AH143115 | PLUG | 1 | | (894, 1290 AND 1291) |
| 10 | AH140236 | AUGER | 1 | -670200 | (493) |
| | AH140237 | FLIGHT | 1 | -670300 | (494) |
| | AH140238 | AUGER | 1 | | (594 -670400, 693 -670450, 693SH -670450) |
| | AH140239 | FLIGHT | 1 | -670550 | (694) |
| | AH140240 | FLIGHT | 1 | -670050 | (893) |
| | AH143117 | FLIGHT | 1 | | (894) |
| | AH147361 | AUGER | 1 | | (1290) |
| | AH145471 | AUGER | 1 | | (1092 AND 1291) |
| | AH151961 | AUGER | 1 | 670101-685100 | (890) |
| | AH148501 | AUGER | 1 | 670201- | (493) |
| | AH148502 | AUGER | 1 | 670301- | (494) |
| | AH148503 | AUGER | 1 | 670401- | (594 670401-; 693 670451-) |
| | AH148504 | AUGER | 1 | 670551- | (694) |
| | AH148505 | AUGER | 1 | 670051- | (893) |
| 11 | 03M7192 | BOLT | 8 | | M10 X 30, (493, 594, 693, 1290, 1291 AND 1293) |
| | 14M7296 | FLANGE NUT | 8 | | M10 |
| | 03M7191 | BOLT | 8 | | M10 X 25, (494, 694, 893, 894 AND 1092) |

AUGER FLOOR AND DRIVE SHIELD
HP6695 -UN-14MAY97

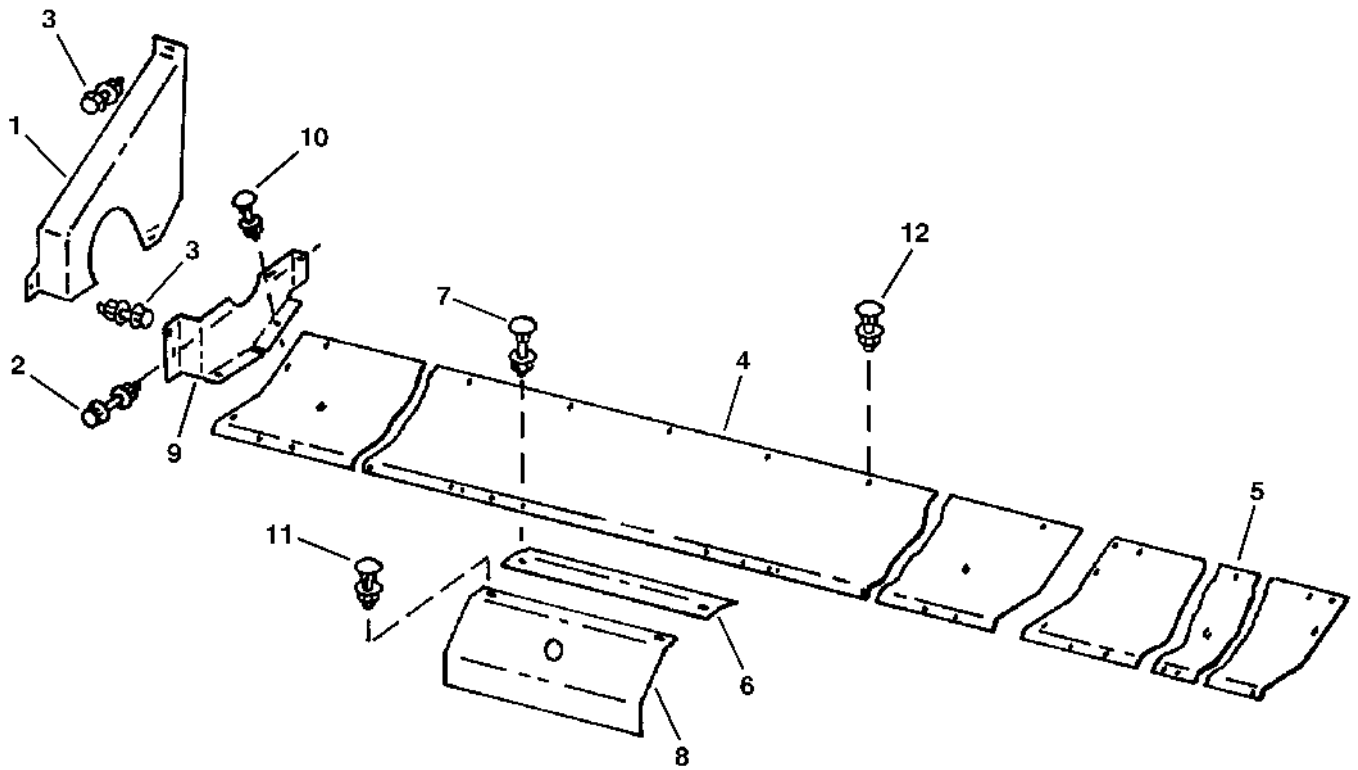


HP6695

AUGER FLOOR AND DRIVE SHIELD - CONTINUED

| KEY | PART NO. | PART NAME | QTY | SERIAL NO. | REMARKS |
|-----|----------|------------|-----|------------|--|
| 1 | H150377 | SHIELD | 1 | -660200 | (SUB FOR H105144) R.H. (493, 494, 594, 693, 693SH, 893, 894 AND 1293) |
| | H151770 | SHIELD | 1 | 660201- | (SUB FOR H151500) R.H. (493, 494, 594, 693, 693SH, 694, 893 AND 1293) |
| | H150379 | SHIELD | 1 | -660700 | (SUB FOR H100669) R.H. (894) |
| | H151771 | SHIELD | 1 | 660701- | (SUB FOR H151554) R.H. (894, 1092, 1290, AND 1291) |
| | H150378 | SHIELD | 1 | -660750 | (SUB FOR H105143) L.H. (1293) |
| | H151773 | SHIELD | 1 | 660751- | (SUB FOR H151555) L.H. (1293) |
| 2 | 19M7784 | SCREW | 1 | | M10 X 20 |
| | 14M7296 | FLANGE NUT | 1 | | M10 |
| 3 | 19M7866 | SCREW | 4 | | M8 X 20 |
| | 14M7298 | FLANGE NUT | 4 | | M8 |
| | 24M7207 | WASHER | 4 | | 8.400 X 24 X 2 MM |
| 4 | H151257 | SHEET | 1 | | (SUB FOR H146430 OR H150828) CENTER (493, 693, 693SH, 893 AND 1293) |
| | H159357 | SHEET | 1 | | (SUB FOR H146431, H150829, H151258) CENTER (494, 594, 694, 894, 1290 AND 1291) |
| 5 | H151292 | SHEET | 1 | | (SUB FOR H146432 OR H150830) R.H. EXTENSION |
| | H146434 | FLOOR | 1 | | R.H. EXTENSION (694) |
| | H151259 | SHEET | 1 | | (SUB FOR H146436 OR H150832) R.H. EXTENSION (893) |
| | H146438 | FLOOR | 1 | | R.H. EXTENSION (894) |
| | H146440 | FLOOR | 1 | | R.H. EXTENSION (1293) |
| | H151293 | SHEET | 1 | | (SUB FOR H146433 OR H150831) L.H. EXTENSION |
| | H146435 | FLOOR | 1 | | L.H. EXTENSION (694) |
| | H151260 | SHEET | 1 | | (SUB FOR H146437 OR H150833) L.H. EXTENSION (893) |
| | H146439 | FLOOR | 1 | | L.H. EXTENSION (894) |
| | H146441 | FLOOR | 1 | | L.H. EXTENSION (1293) |
| | H153643 | SHEET | 1 | | L.H. EXTENSION (1290) |
| | H153642 | SHEET | 1 | | R.H. EXTENSION (1290) |
| | H151230 | SHEET | 1 | | L.H. EXTENSION (1092 AND 1291) |
| | H151229 | SHEET | 1 | | R.H. EXTENSION (1092 AND 1291) |

AUGER FLOOR AND DRIVE SHIELD - CONTINUED
HP6695 -UN-14MAY97



HP6695

D6

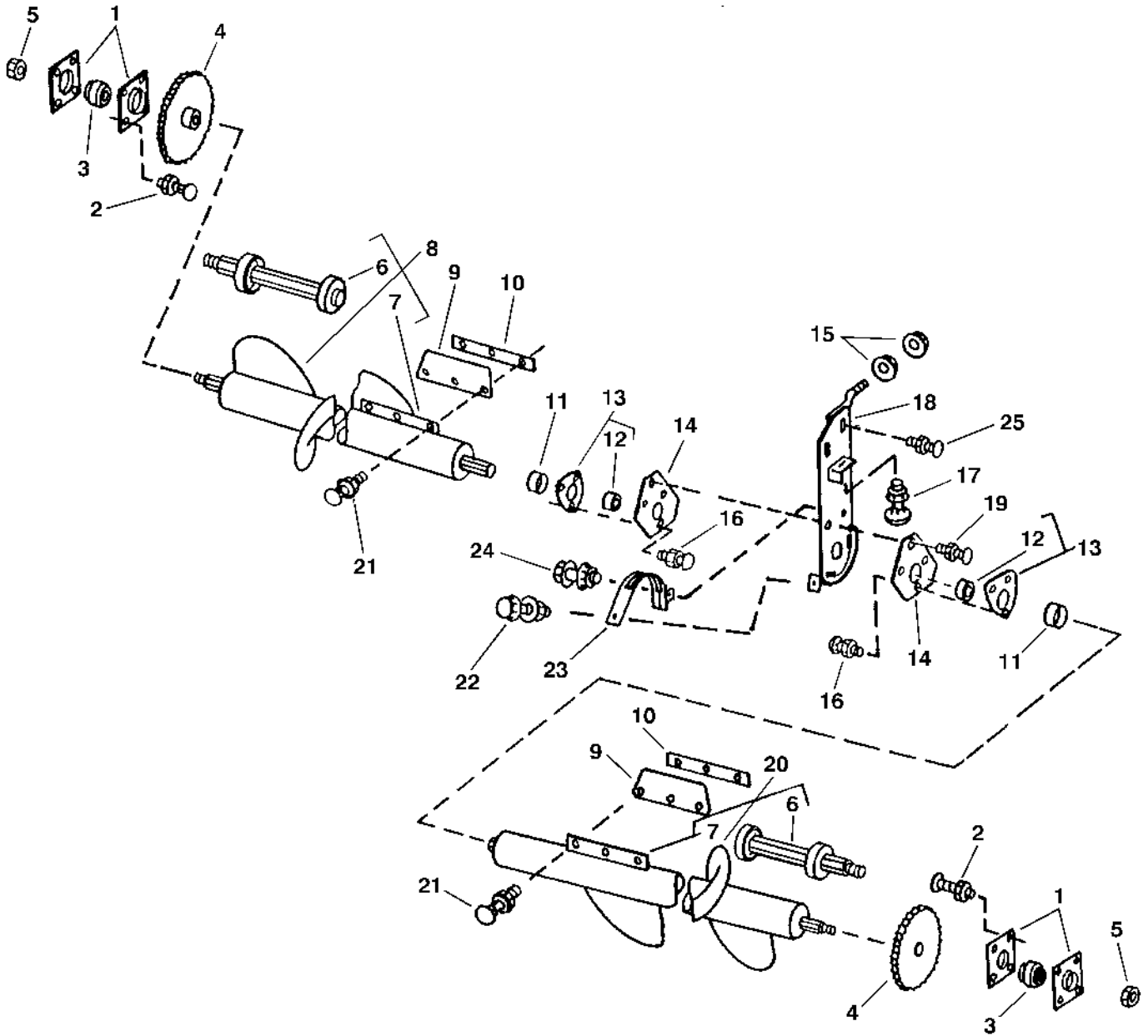
90 SERIES CORN HEADS

AUGER FLOOR AND DRIVE SHIELD - CONTINUED

| KEY | PART NO. | PART NAME | QTY | SERIAL NO. | REMARKS |
|-----|--------------------|--------------------|----------|------------|---|
| 6 | H146502 | ANGLE | AR | | (493 - 3 USED; 693 AND 693SH - 5 USED; 893 - 7 USED; 1293 - 11 USED) |
| | H146503 | ANGLE | AR | | (494 - 3 USED; 594 - 4 USED; 694 - 5 USED; 894 - 7 USED) |
| | H153627 H151217 | PLATE ANGLE | AR 9 | 670301- | (1290 AND 1291 - 11 USED) (1092) |
| 7 | 03M7193 | BOLT | AR | | M10 X 35, (493 AND 494 - 14 USED; 594 - 18 USED; 693, 693SH AND 694 - 22 USED; 893 AND 894 - 30 USED; 1293 - 46 USED) |
| | 14M7296 03M7192 | FLANGE NUT BOLT | AR AR | 670301- | M10 M10 X 30, (1092) |
| 8 | H151759 | SHIELD | AR | | (SUB FOR H146509) ROW-UNIT DRIVE (NARROW) (493 - 3 USED; 693 693SH - 5 USED; 893 - 7 USED; 1293 - 11 USED) |
| | H151760 | SHIELD | AR | | (SUB FOR H146512) ROW-UNIT DRIVE (WIDE) (494 - 3 USED; 594 - 4 USED; 694 - 5 USED; 894 - 7 USED) (1092) |
| | H151761 | SHIELD | 1 | | (1092) |
| 9 | H150380 | SHIELD | 1 | | (SUB FOR H105146) (493, 494, 594, 693, 693SH, 694, 893 AND 1293) |
| | H150382 | SHIELD | 1 | | (SUB FOR H97925) R.H. (894) |
| | H150381 | SHIELD | 1 | | (SUB FOR H105145) L.H. (1293) |
| | AH146224 | SHIELD | 1 | | (SUB FOR H151501) R.H. (493, 494, 594, 693, 694, 893, 1293) |
| | AH146225 | SHIELD | 1 | | (SUB FOR H151556) R.H. (890, 894, 1092 AND 1290) |
| 10 | AH146226 | SHIELD | 1 | | (SUB FOR H151557) L.H. (1293) |
| | 03M7192 | BOLT | AR | | M10 X 30, (493, 494, 594, 693, 693SH, 694, 893 AND 894 - 2 USED; 1293 - 4 USED) |
| 11 | 14M7296 | FLANGE NUT | AR | | M10, (493, 494, 594, 693, 693SH, 694, 893 AND 894 - 2 USED; 1293 - 4 USED) |
| | 03M7191 | BOLT | AR | | M10 X 25, (493 AND 494 - 6 USED; 594 - 8 USED; 693, 693 SH, 694 - 10 USED; 893 AND 894 - 14 USED; 1293 - 22 USED) |
| 12 | 14M7296 | FLANGE NUT | AR | | M10 |
| | 03M7190 | BOLT | AR | 670301- | M10 X 20, (1092) |
| | 14M7296 | FLANGE NUT | AR | 670301- | M10, (1092) |

D7

CROSS AUGER (1293)
HP6692 -UN-17APR97

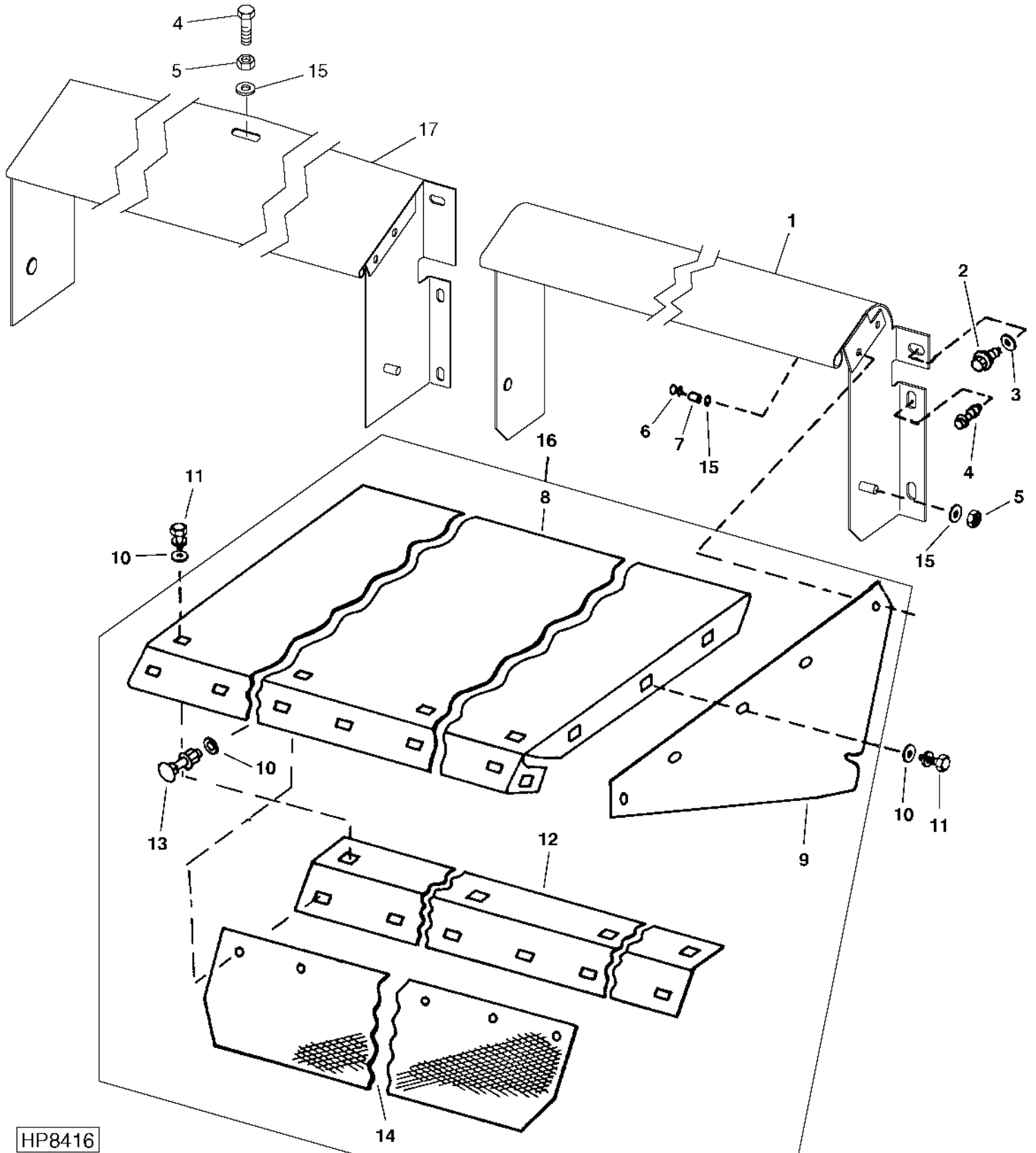


HP6692

CROSS AUGER (1293) - CONTINUED

| KEY | PART NO. | PART NAME | QTY | SERIAL NO. | REMARKS |
|-----|----------------|------------------------------------|----------|---------------|---|
| 1 | N103830 | PRESSED FLANGED HOUSING | 4 | | |
| 2 | 03M7191 | BOLT | 8 | -670750 | M10 X 25 |
| | 14M7296 | FLANGE NUT | 8 | | M10 |
| | 03M7192 | BOLT | 8 | 670751- | M10 X 30 |
| 3 | AN102010 | BEARING | 2 | | |
| 4 | AN102342 | CHAIN SPROCKET | 2 | -660400 | 54 TEETH, AUGER DRIVE |
| | AH145940 | CHAIN SPROCKET | 2 | 660401-665400 | 64 TEETH AUGER DRIVE |
| | AH113341 | CHAIN SPROCKET | 2 | | 48 TEETH (HIGH SPEED AUGER DRIVE) |
| | AH147693 | DRIVE SPROCKET | 2 | 665401- | 52 TEETH, AUGER DRIVE |
| 5 | H149361 | LOCK NUT | 2 | | |
| 6 | AH143114 | PLUG | 1 | | |
| 7 | H84584 | STRAP | 3 | | |
| 8 | AH143119 | FLIGHT | 1 | -670750 | L.H. |
| | AH150675 | AUGER | 1 | 670751-685814 | |
| | AH156625 | AUGER | 1 | 685815- | L.H. |
| 9 | H149629 | PADDLE | 6 | -685814 | |
| 10 | H84585 | STRAP | 6 | -685814 | |
| 11 | H94483 | LOCKING COLLAR | 2 | | |
| 12 | AN102010 | BEARING | 2 | | |
| 13 | AH103599 | BEARING | 2 | | WITH HOUSING |
| 14 | H103382 | BRACKET | 2 | | |
| 15 | 14M7299 | FLANGE NUT | 2 | | M12 |
| 16 | 10H1027 | BOLT | 6 | | 9.525 X 31.750 MM (3/8" X 1-1/4") |
| | E55662 | FLANGE NUT | 6 | | 9.525 MM |
| 17 | 03M7248 | BOLT | 1 | -670750 | M12 X 90 |
| | 14M7299 | FLANGE NUT | 2 | -670750 | M12 |
| | 03H2261 | BOLT | 1 | 670751- | 1/2" X 3-1/2" |
| | E54809 | LOCK NUT | 2 | 670751- | 12.700 MM (1/2") |
| 18 | AH144082 | BRACKET | 1 | -690100 | |
| | AH165708 | BRACKET | 1 | 690101- | |
| 19 | 19M8162 | CAP SCREW | 1 | | M10 X 40 |
| | 14M7299 | FLANGE NUT | 1 | | M12 |
| 20 | AH143118 | FLIGHT | 1 | -670750 | R.H. |
| | AH150674 | AUGER | 1 | 670751-685814 | |
| | AH156624 | AUGER | 1 | 685815- | R.H. |
| 21 | 03M7186 | BOLT | 18 | -685814 | M8 X 30 |
| | 14M7396 | LOCK NUT | 18 | -685814 | M8 |
| 22 | 19M7866 | SCREW | 1 | | M8 X 20 |
| | 14M7298 | FLANGE NUT | 1 | | M8 |
| 23 | AH114105 | BRACKET | 1 | | R.H. |
| 24 | 19M7785 | SCREW | 1 | | M10 X 25 |
| | 14M7296 | FLANGE NUT | 1 | | M10 |
| 25 | 03M7198 | BOLT | 2 | 670751- | M12 X 30 |
| | 14M7299 | FLANGE NUT | 2 | 670751- | M12 |
| .. | H173780 | FLIGHT | 1 | | L.H. |
| .. | H173781 | FLIGHT | 1 | | R.H. |
| .. | BH81800 | COMPLETE GOODS/SHIP. BUNDLE | 1 | | (INCLUDES H173780 AND H173781) TO REPLACE PADDLES WITH FLIGHTING |

CENTER CLOSURE AUGER SHIELD
HP8416 -UN-30JUL99



HP8416

D10

90 SERIES CORN HEADS

CENTER CLOSURE AUGER SHIELD - CONTINUED

| KEY | PART NO. | PART NAME | QTY | SERIAL NO. | REMARKS |
|-----|----------|----------------|-----|------------|---|
| 1 | AH144006 | SUPPORT | 1 | | (494, 594, 693, 693SH, 694, 893 AND 894) |
| 2 | 37M7058 | SCREW | 2 | | |
| 3 | 24M7207 | WASHER | 2 | | 8.400 X 24 X 2 MM |
| 4 | 19M7867 | SCREW | 5 | | M8 X 25, (1293) |
| | 03M7186 | BOLT | 5 | | M8 X 30, (494, 594, 693, 693SH, 694, 893 AND 894) |
| 5 | 14M7298 | FLANGE NUT | 2 | | M8 |
| 6 | 19M7867 | SCREW | 2 | | M8 X 25 |
| | 14M7298 | FLANGE NUT | 2 | | M8 |
| 7 | 28H1511 | WASHER | 2 | -690100 | 0.364" X 0.540" X 1/4" |
| | 24M7207 | WASHER | 4 | 690101- | 8.400 X 24 X 2 MM |
| 8 | | SHIELD | 1 | | (A) |
| 9 | | SHEET | 1 | | (A) L.H. |
| | | SHEET | 1 | | (A) R.H. |
| 10 | 24H1136 | WASHER | 25 | | 11/32" X 11/16" X 0.065" |
| 11 | 03M7184 | BOLT | 14 | | M8 X 20 |
| | 14M7298 | FLANGE NUT | 14 | | M8 |
| 12 | | REINFORCEMENT | 1 | | (A) |
| 13 | 03M7185 | BOLT | 11 | | M8 X 25 |
| | 14M7298 | FLANGE NUT | 11 | | M8 |
| 14 | H105561 | DEFLECTOR | 1 | | |
| 15 | 24H1293 | WASHER | 5 | | 11/32" X 1-1/16" X 0.120" |
| | 24M7024 | WASHER | 1 | | 9 X 28 X 3 MM, (1293) |
| 16 | AH144744 | KIT | 1 | | |
| 17 | AH144726 | SHIELD | 1 | -690100 | (1293) |
| | AH168809 | MOUNTING PARTS | 1 | 690101- | (1293) |
| | H175002 | PANEL | 1 | 690101- | WELDED (1293) |

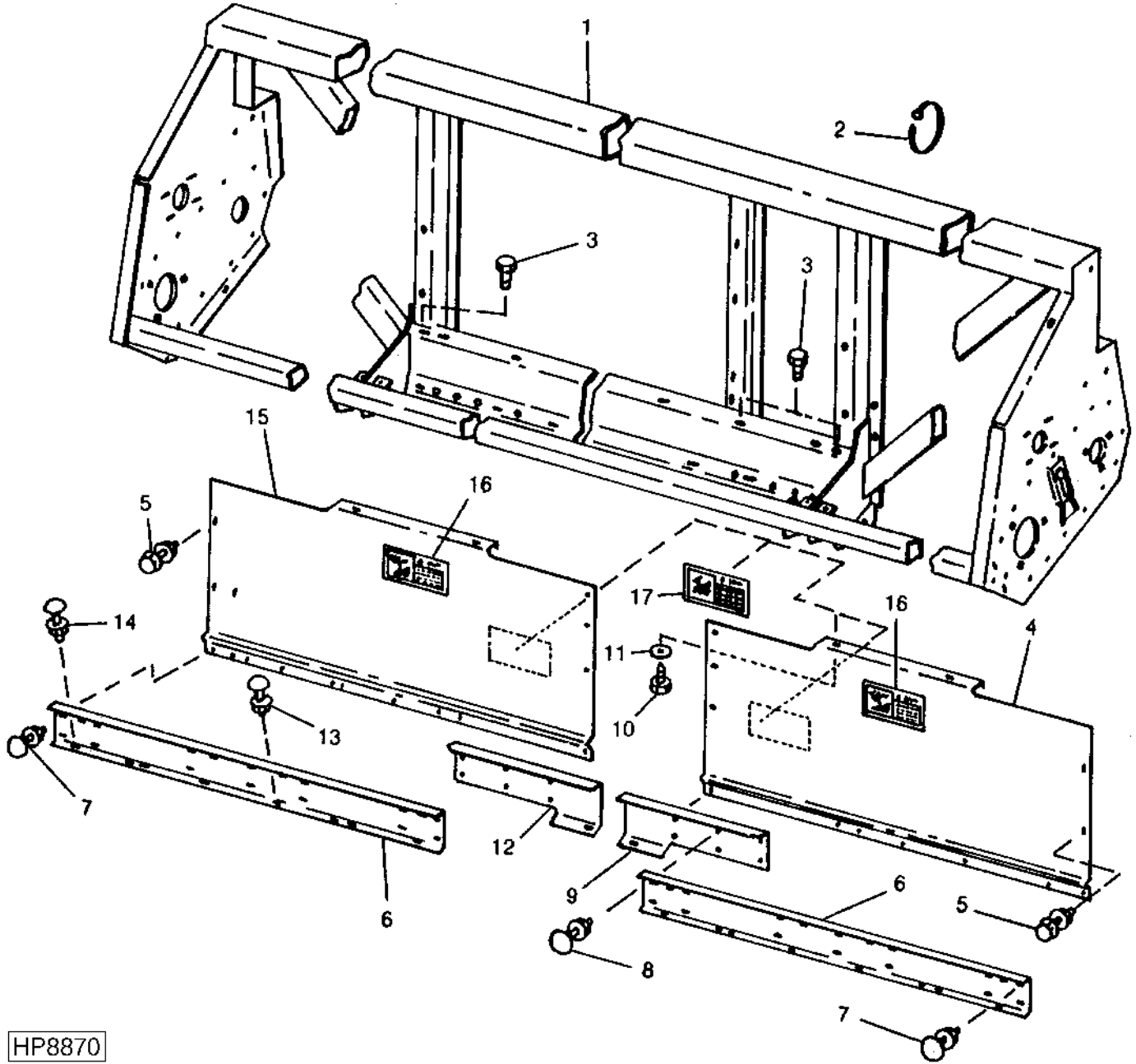
BH79944 (COMPLETE GOODS) CENTER AUGER - 494,594,693,694,893 AND 894

(A) THESE PARTS INCLUDED IN AH144744

D11

90 SERIES CORN HEADS

MAIN FRAME, BACK SHEETS AND STRIPPERS
HP8870 -UN-29JUL99



HP8870

D12

90 SERIES CORN HEADS

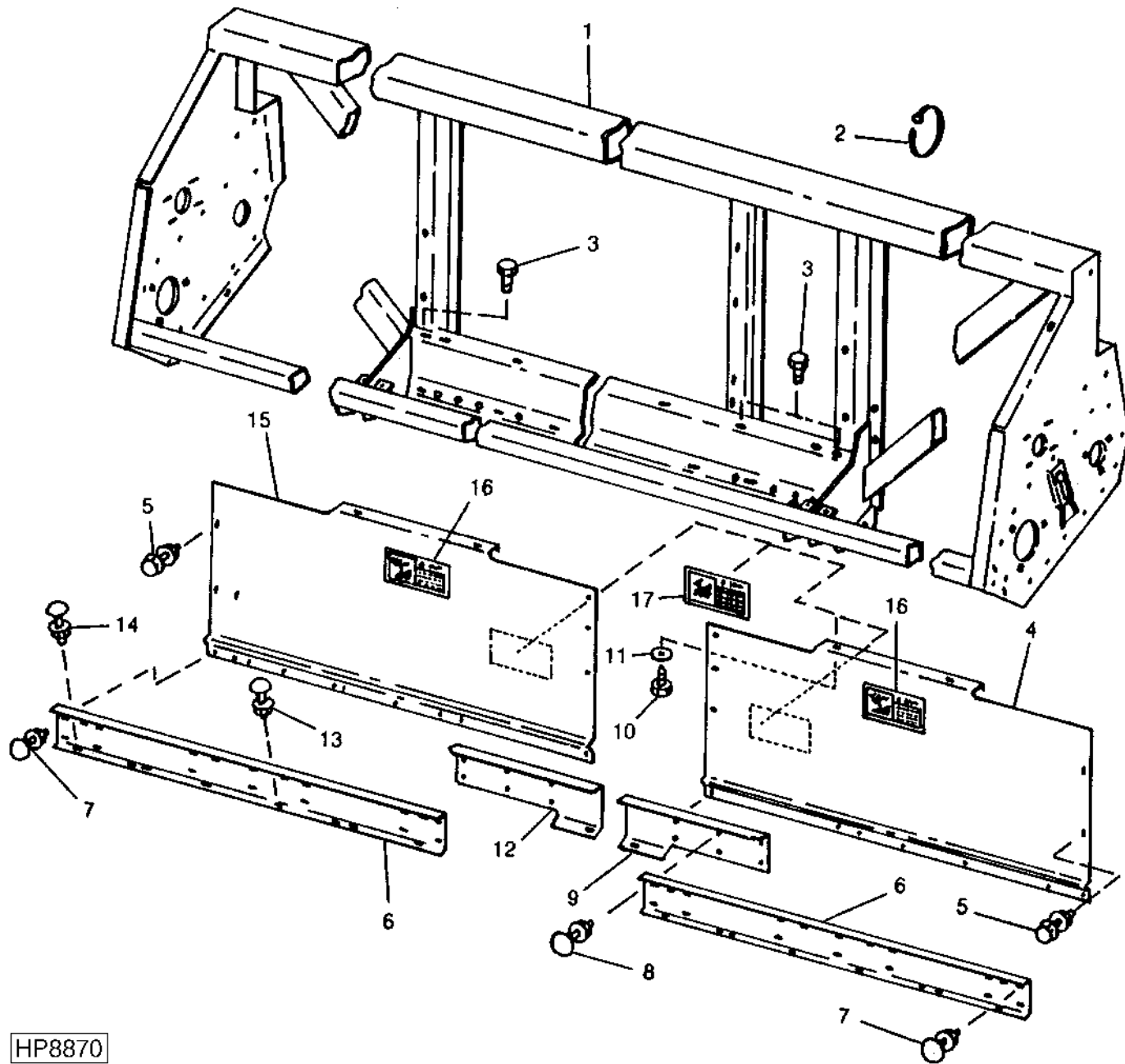
MAIN FRAME, BACK SHEETS AND STRIPPERS - CONTINUED

| KEY | PART NO. | PART NAME | QTY | SERIAL NO. | REMARKS |
|-----|----------|------------|----------|------------|--|
| 1 | AH144858 | FRAME | 1 | | (SUB FOR AH140245) (492 AND 493) |
| | AH162404 | MAIN FRAME | 1 | | (SUB FOR AH140246) (494) |
| | AH162405 | MAIN FRAME | 1 | | (SUB FOR AH140246) (592) |
| | AH162406 | MAIN FRAME | 1 | | (SUB FOR AH140247) (594) |
| | AH162407 | MAIN FRAME | 1 | | (SUB FOR AH140247) (692 AND 693) |
| | AH162408 | MAIN FRAME | 1 | | (SUB FOR AH140248) (694) |
| | AH162409 | MAIN FRAME | 1 | | (SUB FOR AH140249) (890) |
| | AH162410 | MAIN FRAME | 1 | | (SUB FOR AH140250) (892) |
| | AH162411 | MAIN FRAME | 1 | | (893) |
| | AH162412 | MAIN FRAME | 1 | | (894) |
| | AH162413 | MAIN FRAME | 1 | | (1092) |
| | AH162414 | MAIN FRAME | 1 | | (1290) |
| | AH162415 | MAIN FRAME | 1 | | (1291) |
| | AH162416 | MAIN FRAME | 1 | -690100 | (SUB FOR AH144866 AND AH140251) (1293) |
| | AH167439 | MAIN FRAME | 1 | 690101- | (SUB FOR AH162416) (1293) |
| | 2 | R44302 | TIE BAND | AR | |
| 3 | 37M7087 | SCREW | AR | | M10 X 25 |
| 4 | H150821 | SHEET | 1 | | (SUB FOR H148455) L.H. (493) |
| | H171135 | SHEET | 1 | | (SUB FOR H148456) L.H. (494) |
| | H168770 | SHEET | 1 | | (SUB FOR H148457) L.H. (594, 693, 693SH) |
| | H168771 | SHEET | 1 | | (SUB FOR H148458) L.H. (694) |
| | H168772 | SHEET | 1 | | (SUB FOR H148459) L.H. (893) |
| | H171136 | SHEET | 1 | | (SUB FOR H148460) L.H. (894) |
| | H168773 | SHEET | 1 | -690100 | (SUB FOR H148461) L.H. (1293) |
| | H171569 | SHEET | 1 | 690101- | L.H. (1293) |
| | H171137 | SHEET | 1 | | L.H. (1290) |
| | H169655 | SHEET | 1 | | L.H. (1291) |
| | H171139 | SHEET | 1 | | L.H. (890) |
| | H171138 | SHEET | 1 | | L.H. (892A) |

D13

MAIN FRAME, BACK SHEETS AND STRIPPERS - CONTINUED

HP8870 -UN-29JUL99



HP8870

D14

90 SERIES CORN HEADS

MAIN FRAME AND BACK SHEETS - CONTINUED

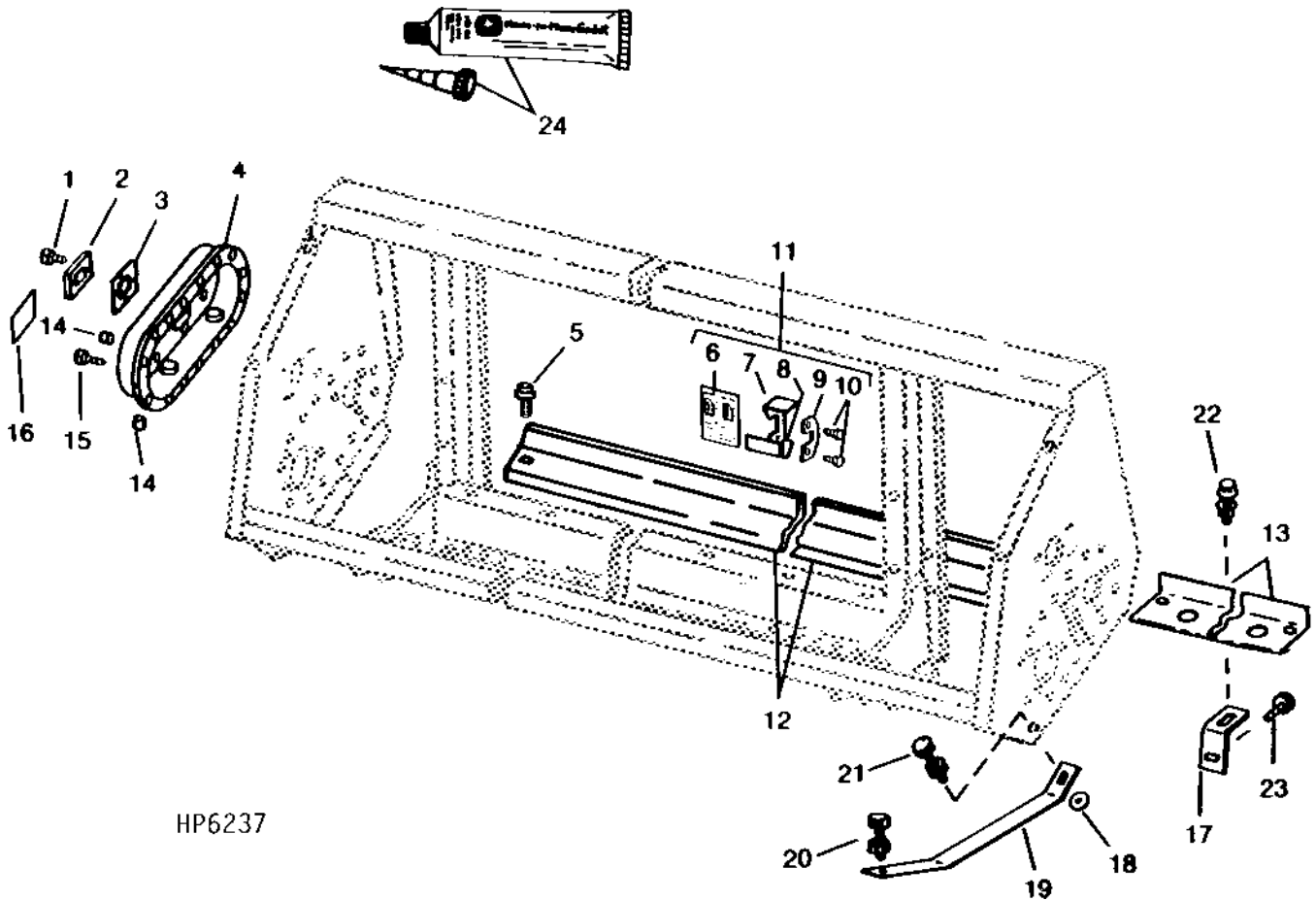
| KEY | PART NO. | PART NAME | QTY | SERIAL NO. | REMARKS |
|-----|----------|------------|-----|------------|--|
| 5 | 19M7866 | SCREW | AR | | M8 X 20, (493 - 4 USED; 494, 594, 693, 693SH, 694, 893, 894, 1290, 1291 AND 1293 - 8 USED, 890 - 11 USED; 1092 - 7 USED) |
| 6 | 14M7298 | FLANGE NUT | AR | | M8 |
| | H146442 | STRIPPER | 2 | | (493) |
| | H146443 | STRIPPER | 2 | | (494) |
| | H146444 | STRIPPER | 2 | | (594) (693) (693SH) |
| | H146445 | STRIPPER | 2 | | (694) |
| | H146446 | STRIPPER | 2 | | (893) |
| | H146447 | STRIPPER | 2 | | (894) |
| | H146448 | STRIPPER | 2 | | (1293) |
| | H153683 | STRIPPER | 2 | | (1290) |
| | H151240 | STRIPPER | 2 | | (1092 AND 1291) |
| 7 | H159197 | STRIPPER | 2 | | |
| | 03M7184 | BOLT | AR | | M8 X 20 |
| 8 | 14M7298 | FLANGE NUT | AR | | M8 |
| | 03M7186 | BOLT | AR | | M8 X 30, ALL MODELS EXCEPT (1092) |
| | 14M7298 | FLANGE NUT | AR | | M8 |
| 9 | H146450 | STRIPPER | 1 | | L.H. EXTENSION |
| 10 | 37H57 | SCREW | AR | | 5/16" X 3/4" |
| 11 | 24H1822 | WASHER | 3 | | 11/32" X 7/8" X 1/16", USE WITH WIRING HARNESS RETAINERS |
| | 24M7207 | WASHER | 3 | | 8.400 X 24 X 2 MM, (890) |
| | 24M7207 | WASHER | 8 | | 8.400 X 24 X 2 MM, (1293) |
| 12 | H146449 | STRIPPER | 1 | | R.H. EXTENSION |
| 13 | 03M7191 | BOLT | AR | | M10 X 25 |
| | 14M7296 | FLANGE NUT | AR | | M10 |
| 14 | 03M7190 | BOLT | AR | | M10 X 20 |
| | 14M7296 | FLANGE NUT | AR | | M10 |
| 15 | H150814 | SHEET | 1 | | (SUB FOR H148505) R.H. (493) |
| | H150815 | SHEET | 1 | | (SUB FOR H148506) R.H. (494) |
| | H150816 | SHEET | 1 | | (SUB FOR H148507) R.H. (594, 693, 693SH) |
| | H150817 | SHEET | 1 | | (SUB FOR H148508) R.H. (694) |
| | H150818 | SHEET | 1 | | (SUB FOR H148509) R.H. (893) |
| | H150819 | SHEET | 1 | | (SUB FOR H149404) R.H. (894) |
| | H150820 | SHEET | 1 | -690100 | (SUB FOR H149405) R.H. (1293) |
| | H171568 | SHEET | 1 | 690101- | R.H. (1293) |
| | H153681 | SHEET | 1 | | R.H. (1290) |
| | H152141 | SHEET | 1 | | R.H. (1092 AND 1291) |
| | H159115 | SHEET | 1 | | R.H. (890) |
| 16 | H149059 | SIGN | 2 | -660200 | "DANGER" ROLLS IN GATHERING UNITS |
| | H151336 | SIGN | 2 | 660201- | "DANGER" ROLLS IN GATHERING UNITS |
| 17 | H150281 | LABEL | 2 | | "WARNING" AVOID CRUSHING INJURIES - ON R.H. AND L.H. BACK SHEETS (1293 ONLY) |

D15

90 SERIES CORN HEADS

MAIN FRAME SHIELDS AND LATCH PIN ASSEMBLY

HP6237 -UN-17JAN96



HP6237

D16

90 SERIES CORN HEADS

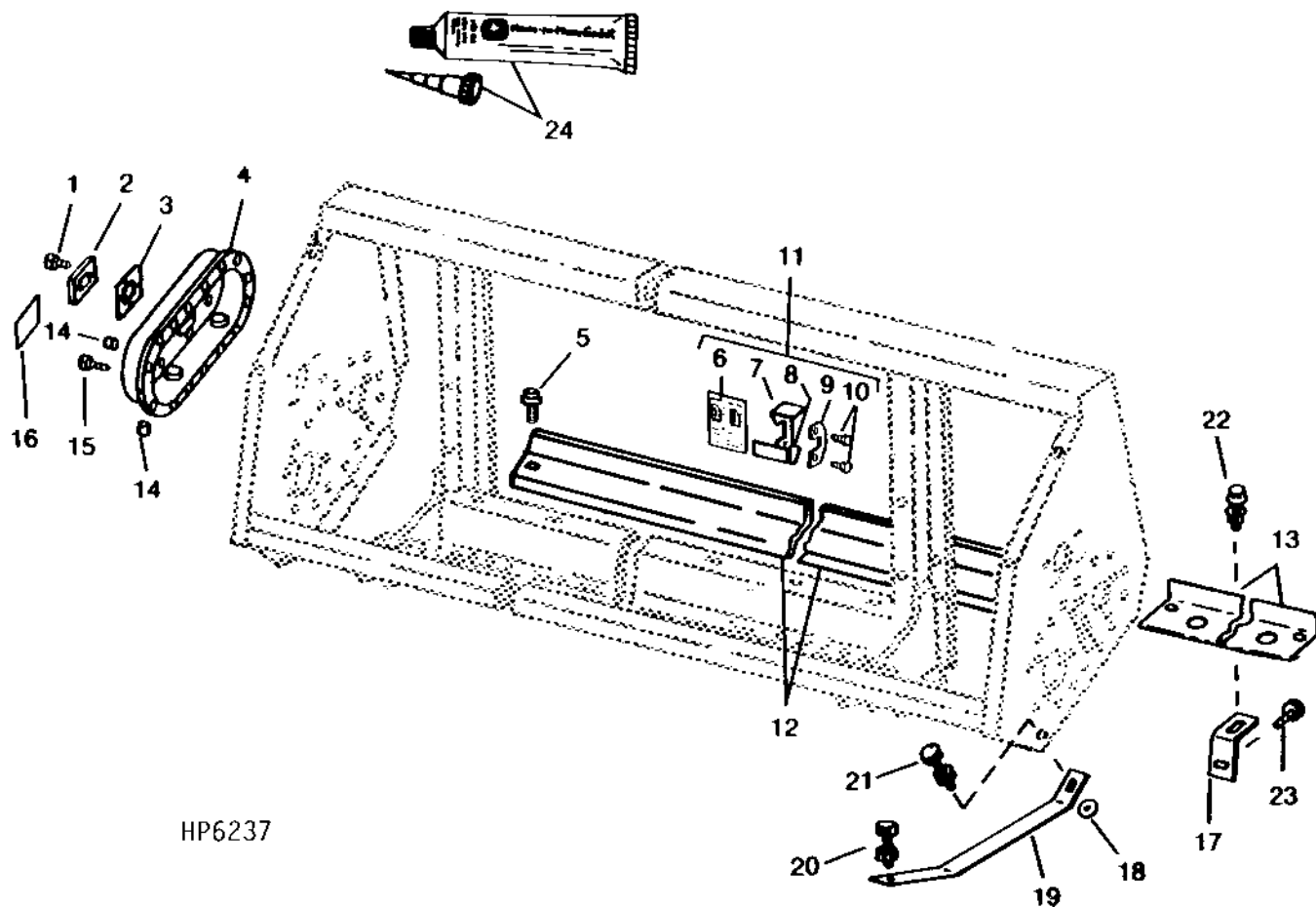
MAIN FRAME SHIELDS AND LATCH PIN ASSEMBLY - CONTINUED

| KEY | PART NO. | PART NAME | QTY | SERIAL NO. | REMARKS |
|-----|----------|-------------------|-----|------------|--|
| 1 | 14M7298 | FLANGE NUT | AR | | M8, (493 AND 494 - 4 USED; 594, 693, 693SH, 694, 893, 894, 1290, 1291 AND 1293 - 8 USED) |
| 2 | H89569 | DOOR | AR | | INSPECTION, (493 AND 494 - 1 USED; 594, 693, 693SH, 694, 893, 894, 1290, 1291 AND 1293 - 2 USED) |
| 3 | H149353 | GASKET | AR | | (493 AND 494 - 1 USED; 594, 693, 693SH, 694, 893, 894, 1290, 1291 AND 1293 - 2 USED) |
| 4 | AH143225 | SHIELD | 1 | | (493 AND 494) |
| | AH143225 | SHIELD | 2 | | (594, 693, 693SH, 694, 893, 894, 1290, 1291 AND 1293) |
| 5 | 37M7087 | SCREW | AR | | M10 X 25, SELF-TAPPING, (493 - 6 USED; 494, 594, 693, 693SH, 694 AND 893 - 8 USED; 894 AND 1293 - 12 USED) |
| 6 | H136751 | DECAL | 1 | | (INSTALLED ON L.H. SIDE OF BACKSHEET ONLY) |
| | H170826 | DECAL | 1 | | |
| 7 | | PLATE | 1 | | |
| 8 | | REINFORCEMENT | 1 | | |
| 9 | H137143 | PLATE | 1 | | |
| | H137143 | PLATE | 2 | | ALL MODELS EXCEPT (493) |
| 10 | 19M7784 | SCREW | 2 | | M10 X 20 |
| | 19M7784 | SCREW | 4 | 670101- | M10 X 20, (890) |
| 11 | AH134684 | PIN | 1 | | R.H. (LATCH PIN ASSY) |
| | AH134685 | PIN | 1 | | L.H. (LATCH PIN ASSY) |
| 12 | H130072 | SHIELD | 1 | | ROW-UNIT DRIVE, CENTER (493) |
| | H130075 | SHIELD | 1 | | (SUB H156727) ROW-UNIT DRIVE, CENTER (494, 594, 693, 693SH, 694 AND 893) |
| | H156727 | POWERSHAFT SHIELD | 1 | | ROW-UNIT DRIVE, CENTER (494, 594, 693, 693SH, 694 AND 893) |
| | H130086 | SHIELD | 2 | | ROW-UNIT DRIVE, CENTER (894 AND 1293) |
| | H156141 | POWERSHAFT SHIELD | 2 | | ROW-UNIT DRIVE, CENTER (890, 894, 1290 AND 1291) |

D17

MAIN FRAME SHIELDS AND LATCH PIN ASSEMBLY - CONTINUED

HP6237 -UN-17JAN96



MAIN FRAME SHIELDS AND LATCH PIN ASSEMBLY - CONTINUED

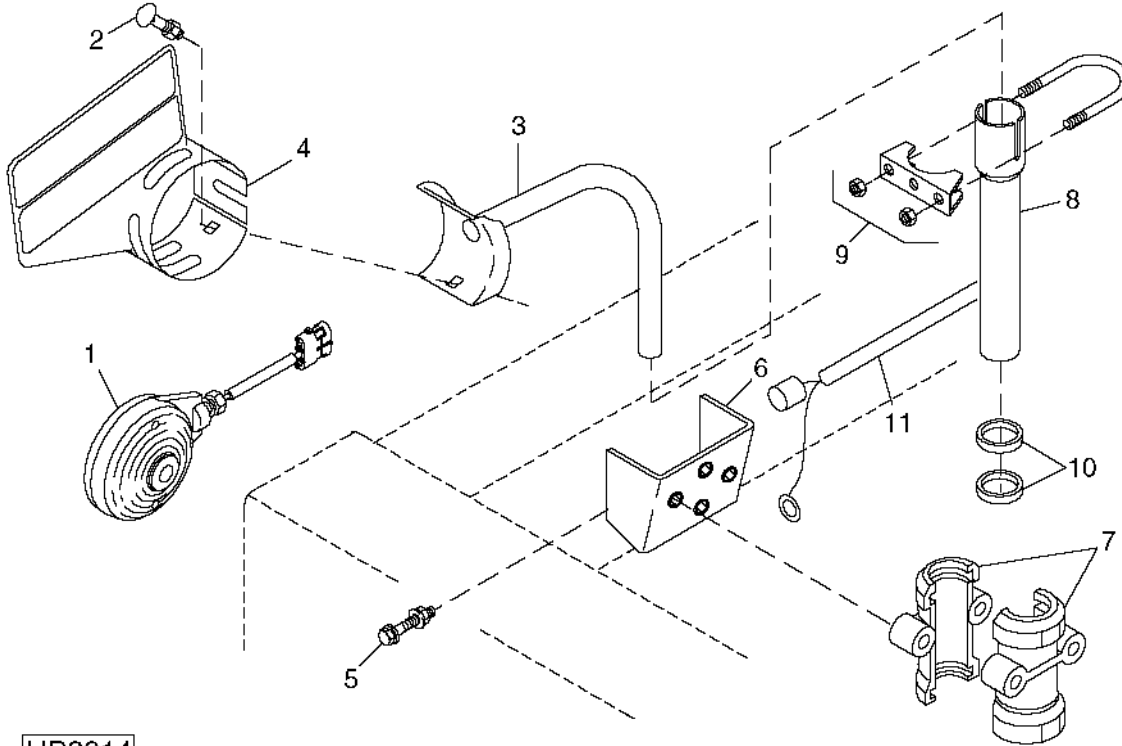
| KEY | PART NO. | PART NAME | QTY | SERIAL NO. | REMARKS |
|-----|----------|-------------------|-----|--|---------|
| 13 | H130078 | SHIELD | 1 | R.H. (594, 693 AND 693SH) | |
| | H130079 | SHIELD | 1 | L.H. (594, 693 AND 693SH) | |
| | H130080 | SHIELD | 1 | R.H. (694) | |
| | H130083 | SHIELD | 1 | L.H. (893) | |
| | H130084 | SHIELD | 1 | R.H. INNER (894 AND 1293) | |
| | H130085 | SHIELD | 1 | L.H. INNER (894 AND 1293) | |
| | H130088 | SHIELD | 2 | OUTER (1293) | |
| | H156142 | POWERSHAFT SHIELD | 1 | R.H. INNER (1290 AND 1291) | |
| | H156143 | POWERSHAFT SHIELD | 1 | L.H. INNER (1290 AND 1291) | |
| | H156145 | POWERSHAFT SHIELD | 1 | OUTER (1290) | |
| | H156146 | POWERSHAFT SHIELD | 1 | OUTER (1291) | |
| | H156726 | POWERSHAFT SHIELD | 2 | (SUB FOR H130074) OUTER (493) | |
| | H156729 | POWERSHAFT SHIELD | 1 | (SUB FOR H130077) L.H. (494) | |
| | H156728 | POWERSHAFT SHIELD | 1 | (SUB FOR H130076) R.H. (494) | |
| | H156730 | POWERSHAFT SHIELD | 1 | (SUB FOR H130081) L.H. (694) | |
| | H156731 | POWERSHAFT SHIELD | 1 | (SUB FOR H130082) R.H. (893) | |
| | H156144 | POWERSHAFT SHIELD | 1 | (SUB FOR H130087) (894) | |
| | H151309 | POWERSHAFT SHIELD | 1 | L.H. (892 ARGENTINA) | |
| | H151308 | POWERSHAFT SHIELD | 1 | R.H. (892 ARGENTINA) | |
| 14 | 15H566 | PIPE PLUG | AR | 1/8", (493 AND 494 - 4 USED; 594, 693, 693SH, 694, 893, 894 AND 1293 - 8 USED) | |
| | 15H558 | PIPE PLUG | AR | 1/8", (1290 AND 1291 - 8 USED) | |
| 15 | 37M7083 | SCREW | AR | M8 X 12, (493 AND 494 - 15 USED; 594, 693, 693SH, 694, 890, 893, 894 AND 1293 - 30 USED) | |
| 16 | H149806 | DECAL | AR | (493, 494 - 1 USED; 594, 693, 693SH, 694, 893, 894 AND 1293 - 2 USED) | |
| 17 | H108285 | CLIP | 2 | (1290, 1291 AND 1293) | |
| 18 | 24H1850 | WASHER | 2 | 17/32" X 1-1/4" X 0.180", (894 AND 1293) | |
| 19 | H112895 | BRACE | 2 | (894 AND 1293) | |
| 20 | 19M7268 | CAP SCREW | 2 | M12 X 25, (894 AND 1293) | |
| | 14M7299 | FLANGE NUT | 2 | M12 | |
| 21 | 19M7790 | SCREW | 2 | M12 X 35, (894 AND 1293) | |
| | 14M7299 | FLANGE NUT | 2 | M12 | |
| 22 | 19M7784 | SCREW | 2 | M10 X 20, (1293) | |
| | H77931 | SCREW | AR | | |
| | 14M7296 | FLANGE NUT | 2 | M10 | |
| 23 | 37H57 | SCREW | 2 | 5/16" X 3/4", SELF-TAPPING (1293) | |
| 24 | TY15130 | SEALANT | 1 | FORM IN PLACE; 3 OZ. SQUEEZE TUBE - ILLUSTRATED | |
| | TY15443 | SEALANT | 1 | FORM IN PLACE; 10 OZ. CAULK TUBE | |

D19

90 SERIES CORN HEADS

MARKER LIGHTS

HP8914 -UN-24AUG99

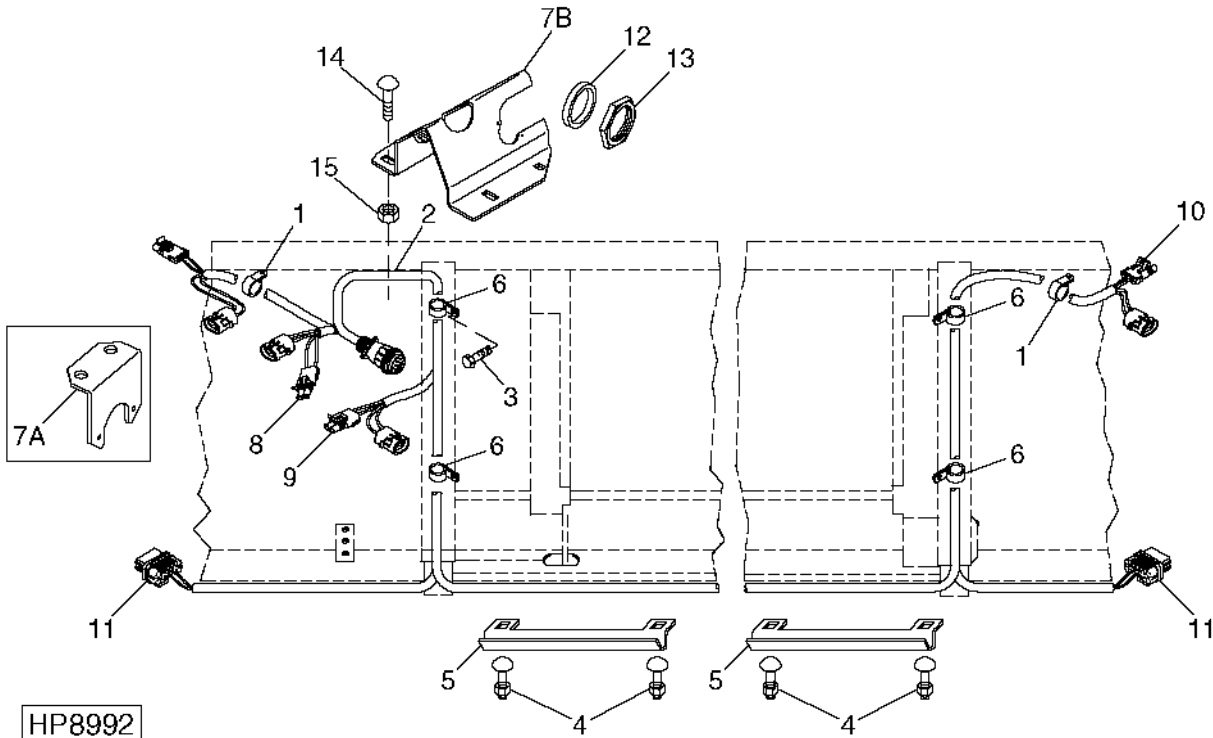


HP8914

| KEY | PART NO. | PART NAME | QTY | SERIAL NO. | REMARKS |
|-----|----------|-----------------------------|-----|------------|--|
| 1 | AH164497 | LAMP | 2 | | |
| | R78053 | PIN CONTACT CONNECTOR BODY | 2 | | (PKG. OF 30) |
| | R78058 | PIN CONTACT | 2 | | (PKG OF 40) |
| | R78059 | ELECTRICAL PLUG | 2 | | (PKG OF 40) |
| 2 | 03M7183 | BOLT | 4 | | M8 X 16 |
| | 14M7298 | FLANGE NUT | 4 | | M8 |
| 3 | AH155215 | BRACKET | 1 | 675101- | R.H. |
| | AH155216 | BRACKET | 1 | 675101- | L.H. |
| 4 | AH163087 | SHIELD | 1 | | R.H. |
| | AH163088 | SHIELD | 1 | | L.H. |
| 5 | 19M7867 | SCREW | 4 | | M8 X 25 |
| | 14M7298 | FLANGE NUT | 4 | | M8 |
| 6 | AH155397 | BRACKET | 2 | | WELD |
| 7 | H161618 | HOUSING | 4 | 675101- | |
| 8 | H158184 | TUBE | 2 | | |
| 9 | AM35457 | CLAMP | 2 | | LIGHT BRACKET EXTENSION, INCLUDED IN BH81180 |
| 10 | H136110 | ISOLATOR | 4 | 675101- | INCLUDED IN BH81180 |
| 11 | AH164785 | WIRING HARNESS | 1 | | |
| .. | BH81180 | COMPLETE GOODS/SHIP. BUNDLE | 1 | | |
| .. | BH81378 | COMPLETE GOODS/SHIP. BUNDLE | 1 | | MARKER LIGHT CONVERSION |

CONTOUR MASTER HARNESS

(660201-)
 HP8992 -UN-02SEP99

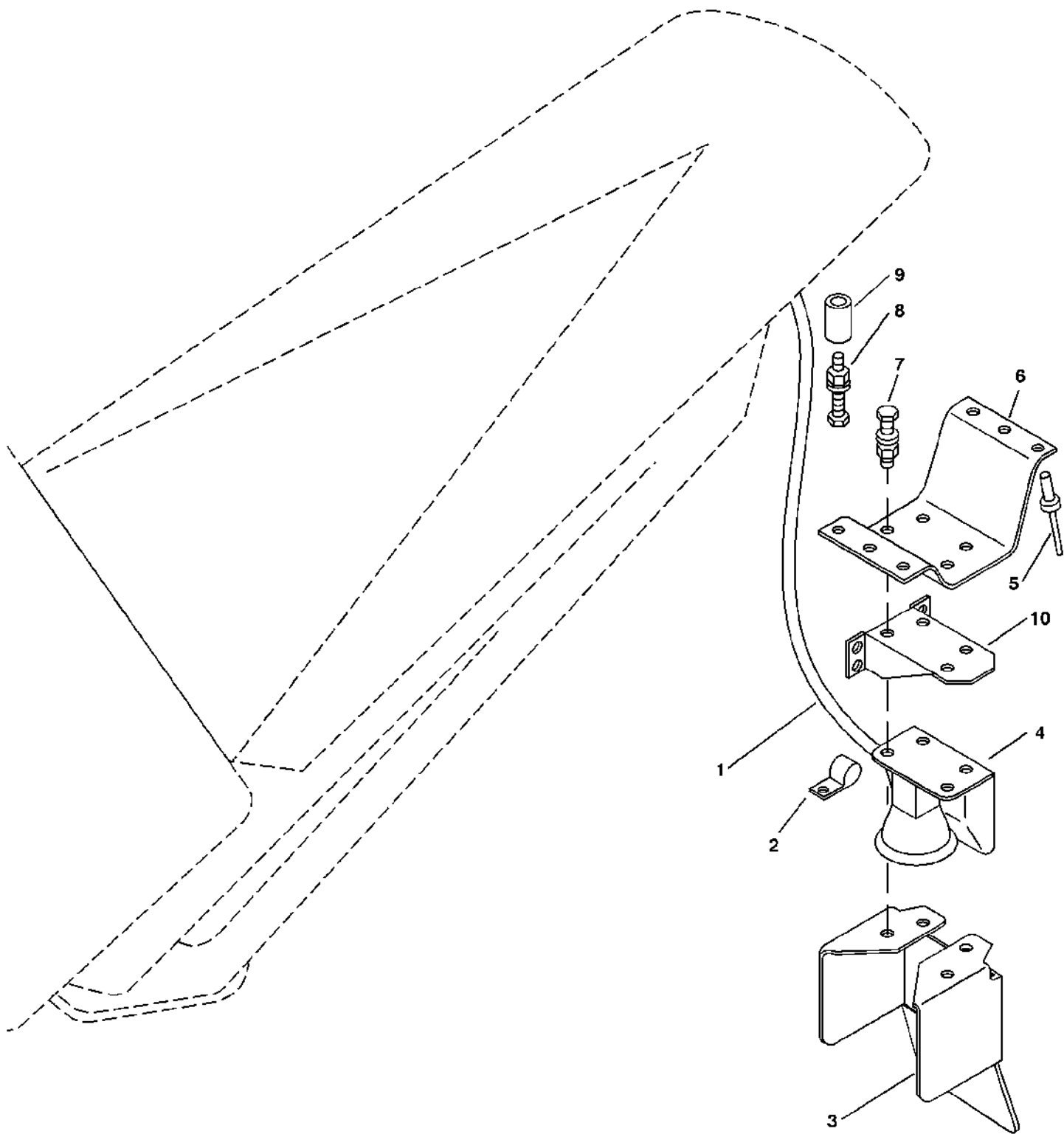


HP8992

| KEY | PART NO. | PART NAME | QTY | SERIAL NO. | REMARKS |
|-----|----------|----------------|-----|------------|---|
| 1 | AH89557 | CLIP | 6 | | |
| 2 | AH143375 | WIRING HARNESS | 1 | -685055 | 594 AND 693 |
| | AH161690 | WIRING HARNESS | 1 | 685056- | 494, 592, 692, 693 |
| | AH143376 | WIRING HARNESS | 1 | -685055 | 693, 890, 893, 894, 1290 AND 1291 |
| | AH161691 | WIRING HARNESS | 1 | 685056- | 694, 890, 892, 893, 1290 |
| | AH144761 | WIRING HARNESS | 1 | -685055 | 1293 |
| | AH161692 | WIRING HARNESS | 1 | 685055- | 894, 1092, 1291, 1293 |
| 3 | 37M7066 | SCREW | 6 | | |
| 4 | 03M7190 | BOLT | 4 | | |
| | 14M7274 | NUT | 4 | | M10, (493, 1290 AND 1291) |
| | 14M7296 | FLANGE NUT | 4 | | M10, (494, 594, 693, 694, 894 AND 1293) |
| 5 | H149876 | SHIELD | 1 | | (R.H.)(594 AND 693) OVER HARNESS AND UNDER FLOORSHEET |
| | H149875 | SHIELD | 1 | | (L.H.)(594 AND 693) OVER HARNESS AND UNDER FLOORSHEET |
| | H150348 | SHIELD | 1 | | (R.H.)(694) OVER HARNESS AND UNDER FLOORSHEET |
| | H149876 | SHIELD | 1 | | (L.H.)(694) OVER HARNESS AND UNDER FLOORSHEET |
| | H137031 | SHIELD | 1 | -660563 | (R.H.)(893 AND 894) OVER HARNESS AND UNDER FLOORSHEET |
| | H150349 | SHIELD | 1 | 660564- | (R.H.)(893 AND 894) OVER HARNESS AND UNDER FLOORSHEET |
| | H149876 | SHIELD | 2 | | (L.H.)(893 AND 894) OVER HARNESS AND UNDER FLOORSHEET |
| | H132700 | SHIELD | 2 | | (1293) OVER HARNESS AND UNDER FLOORSHEET (WELDED) |
| 6 | AH114109 | CLAMP | 4 | | (WELDED TO FRAME) |
| 7A | H136893 | PLATE | 1 | -685055 | (WELDED TO FRAME) |
| 7B | H172176 | BRACKET | 1 | 685056- | WITH ADJUSTABLE DECKPLATES |
| | H168828 | BRACKET | 1 | 685056- | WITHOUT ADJUSTABLE DECKPLATES |
| 8 | | CONNECTOR | 1 | | STUBBLE LIGHTS |
| 9 | | CONNECTOR | 1 | | DECKPLATE INDICATOR |
| 10 | RE12363 | CONNECTOR | 2 | | MARKER LIGHTS |
| 11 | RE42195 | CONNECTOR | 2 | | GROUND SENSORS |
| 12 | 57M7765 | LOCK WASHER | 1 | 685056- | |
| 13 | 57M8035 | NUT | 1 | 685056- | |
| 14 | 03M7184 | BOLT | AR | 685056- | M8 X 20 |
| 15 | 14M7298 | FLANGE NUT | AR | 685056- | M8 |
| .. | AH164791 | WIRING HARNESS | 1 | | ADAPTOR 16-PIN HEAD TO 31-PIN COMBINE |
| .. | AH166180 | WIRING HARNESS | 1 | | ADAPTOR 31-PIN HEAD TO 16-PIN COMBINE |

CONTOUR MASTER ULTRASONIC SENSOR

(660201-)
HP6761 -UN-18AUG97



HP6761

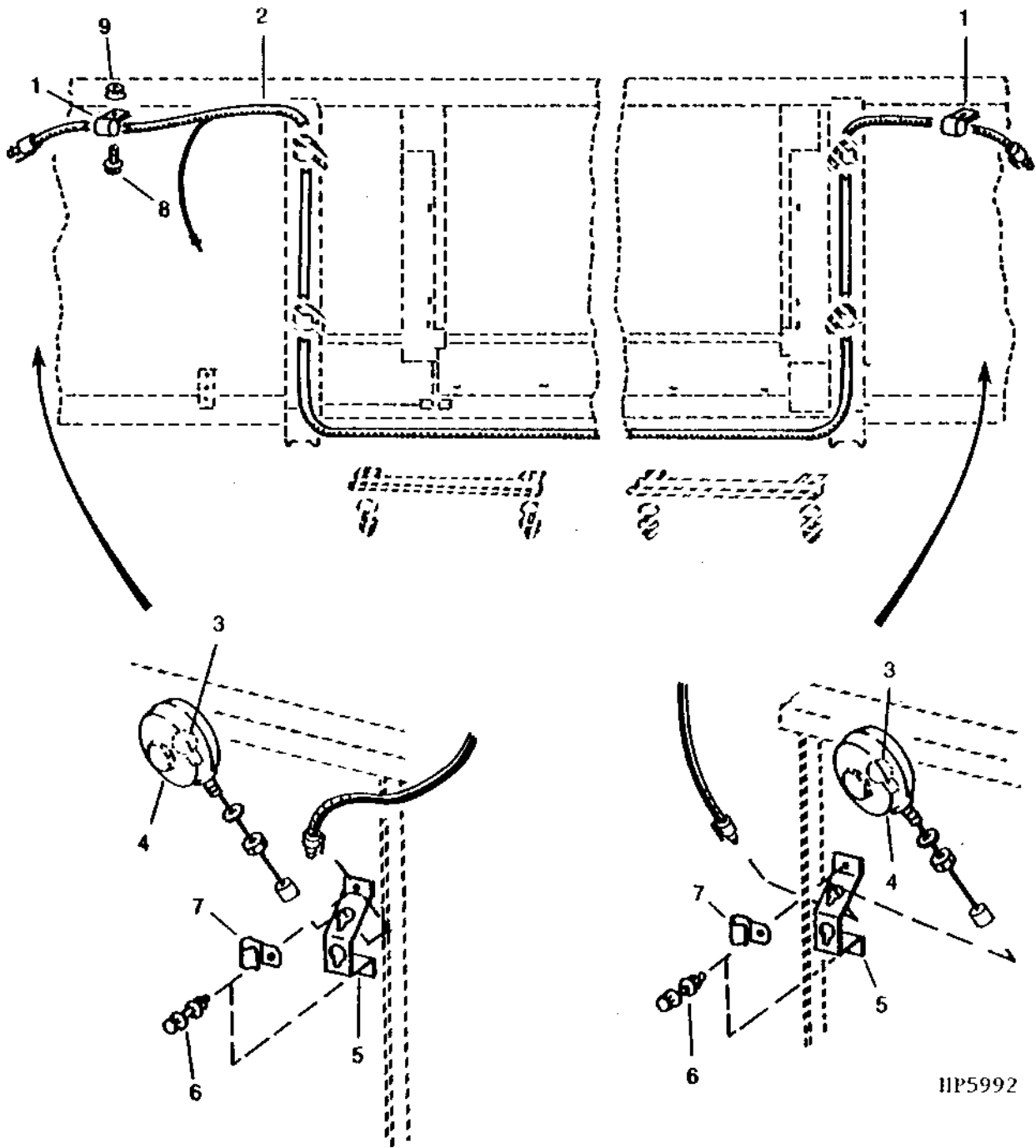
CONTOUR MASTER ULTRASONIC SENSOR - CONTINUED
(660201-)

| KEY | PART NO. | PART NAME | QTY | SERIAL NO. | REMARKS |
|-----|----------|----------------|-----|-------------------------------------|---------|
| 1 | AH143375 | WIRING HARNESS | 1 | (594 AND 693) | |
| | AH143376 | WIRING HARNESS | 1 | (694, 890, 893, 894, 1290 AND 1291) | |
| | AH144761 | WIRING HARNESS | 1 | (1293) | |
| 2 | H137101 | CLAMP | 2 | | |
| 3 | H149422 | SHIELD | 2 | | |
| | H159667 | SHEET | 1 | (890, 1290 AND 1291) | |
| 4 | AH141854 | SENSOR | 2 | | |
| 5 | R55326 | RIVET | 12 | | |
| 6 | H148179 | BRACKET | 2 | | |
| 7 | 19M7775 | SCREW | 8 | M6 X 16 | |
| | 14M7303 | FLANGE NUT | 8 | M6 | |
| 8 | 19M8039 | SCREW | 8 | M8 X 80 | |
| | 14M7298 | FLANGE NUT | 8 | M8 | |
| 9 | H149935 | SUPPORT | 8 | | |
| 10 | H148001 | BRACKET | 1 | (890, 1290 AND 1291) | |

- BH79997 (COMPLETE GOODS) CONTOUR MASTER SENSORS
- BH81444 (COMPLETE GOODS) CONTOUR MASTER CONVERSION PARTS (694)
- BH81443 (COMPLETE GOODS) CONTOUR MASTER CONVERSION PARTS (693)
- BH80283 (COMPLETE GOODS) CM HARNESS SHIELDS (694)
- BH80284 (COMPLETE GOODS) CM HARNESS SHIELDS (893, 894)
- BH80285 (COMPLETE GOODS) CM HARNESS SHIELDS (1293)

D23

STUBBLE LIGHTS
HP5992 -UN-01JAN94



D24

90 SERIES CORN HEADS

STUBBLE LIGHTS - CONTINUED

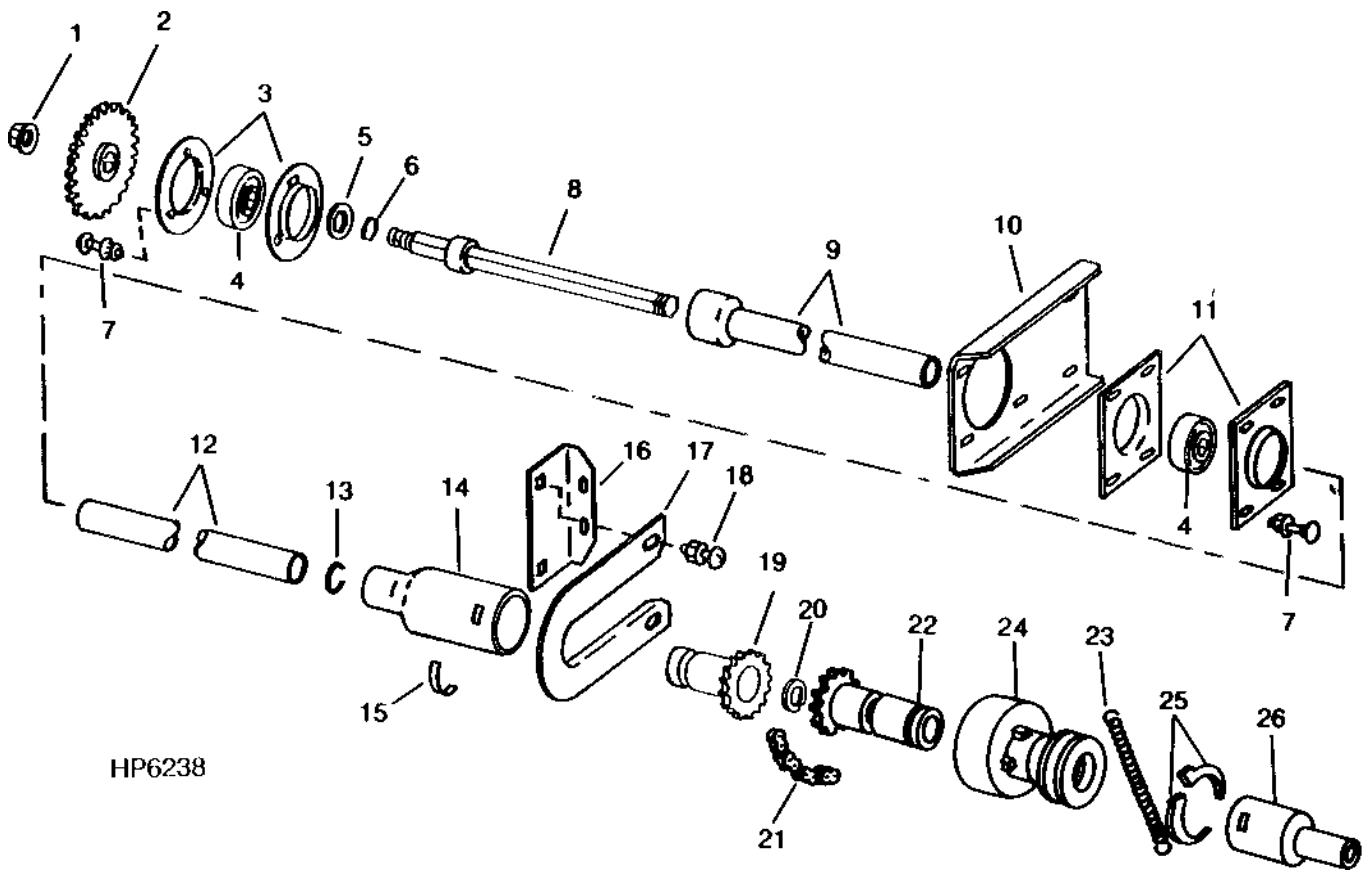
| KEY | PART NO. | PART NAME | QTY | SERIAL NO. | REMARKS |
|-----|----------|----------------------------|-----|------------|---|
| 1 | AH89557 | CLIP | 2 | | |
| 2 | AH134252 | WIRING HARNESS | 1 | | |
| | R78060 | SOCKET CONTACT | 2 | | |
| 3 | AD2062R | BULB | 2 | | |
| 4 | AH164499 | LAMP | 2 | | |
| | R78061 | PIN CONTACT | 2 | | |
| 5 | H137423 | BRACKET | 2 | | |
| 6 | 19M7775 | SCREW | 4 | | M6 X 16 |
| | 14M7303 | FLANGE NUT | 4 | | M6 |
| 7 | AH90990 | CLIP | 2 | | |
| 8 | 19M7866 | SCREW | 4 | | M8 X 20 |
| 9 | 14M7298 | FLANGE NUT | 4 | | M8 |
| .. | AH106612 | RELAY | 1 | -660400 | (INSTALL IN LOCATION K12 OF POWER DISTRIBUTION CIRCUIT BOARD) |
| .. | H151036 | PIN CONTACT CONNECTOR BODY | 1 | | (TO SINGLE PIN ON MARKER LIGHT HARNESS) |

BH81264 (COMPLETE GOODS) STUBBLE LIGHTS

MAIN DRIVE SHAFT, SHIELDS AND COUPLER

(-685055) (594, 693, 694, 890, 893, 894, 1092, 1290, 1291, 1293)

HP6238 -UN-23JAN96

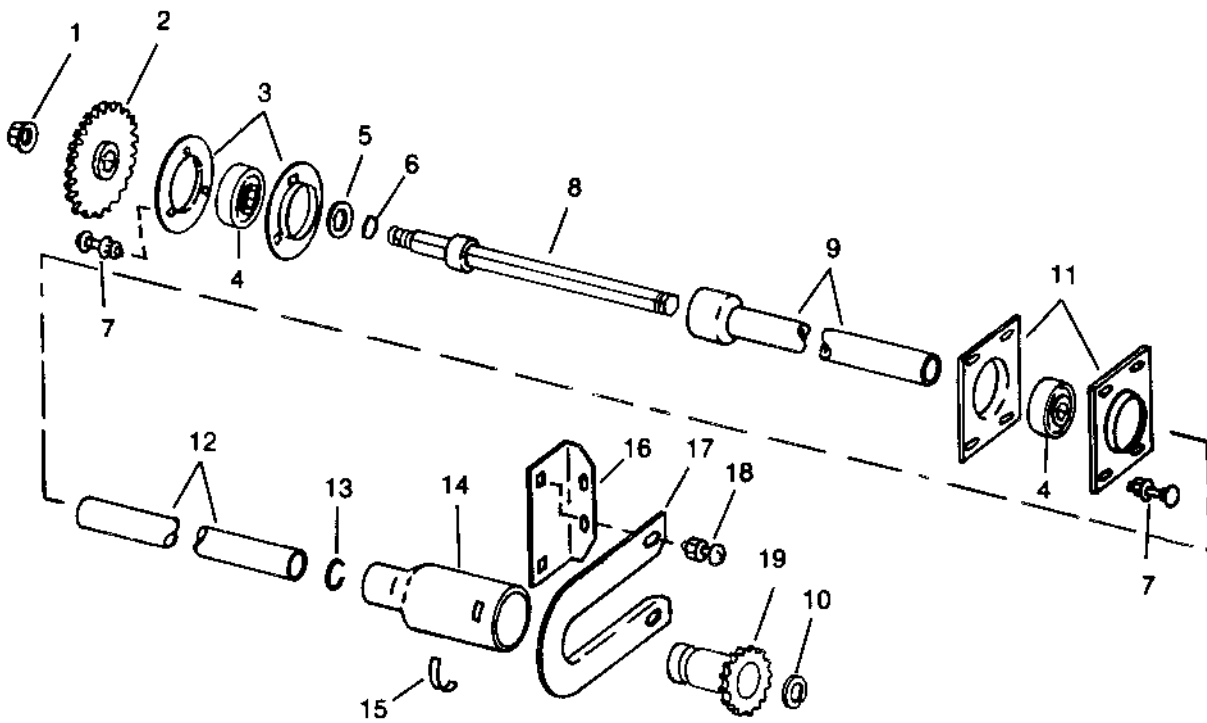


HP6238

MAIN DRIVE SHAFT, SHIELDS AND COUPLER - CONTINUED
 (-685055) (594, 693, 694, 890, 893, 894, 1092, 1290, 1291, 1293)

| KEY | PART NO. | PART NAME | QTY | SERIAL NO. | REMARKS |
|-----|----------|-------------------------|-----|------------|--|
| 1 | H149361 | LOCK NUT | 1 | | M20 |
| 2 | AH124999 | CHAIN SPROCKET | 1 | -660200 | (28 TEETH) |
| | AN102027 | CHAIN SPROCKET | 1 | 660201- | (30 TEETH) |
| | AH114829 | CHAIN SPROCKET | 2 | | 1092 AND 1293 (19 TEETH) |
| 3 | C3994E | PRESSED FLANGED HOUSING | 2 | | |
| | H150843 | PRESSED FLANGED HOUSING | 2 | | (SUB H153308) |
| | H153308 | PRESSED FLANGED HOUSING | 1 | | |
| 4 | AN102010 | BEARING | 2 | | |
| 5 | H135175 | RETAINER | 1 | | |
| 6 | H135176 | SEAL | 1 | | |
| 7 | 03M7191 | BOLT | AR | | M10 X 25 |
| | 14M7296 | FLANGE NUT | AR | | M10 |
| 8 | AH145787 | SHAFT | 1 | | 381 MM (15 IN.) (SUB FOR AH143151) R.H. (493) |
| | AH145788 | SHAFT | 1 | | 685 MM (27 IN.) (SUB FOR AH143155) R.H. (494) |
| | AH145789 | SHAFT | 1 | | 1052 MM (41 IN.) (SUB FOR AH143147) R.H. (594 AND 693) |
| | AH145790 | SHAFT | 1 | | 1562 MM (62 IN.) (SUB FOR AH143148) (694) R.H. |
| | AH145893 | SHAFT | 1 | | 1816 MM (72 IN.) (SUB FOR AH143149) (893) R.H. |
| | AH145792 | SHAFT | 1 | | 2521.2 MM (100 IN.) (SUB FOR AH143150) R.H. (894) |
| | AH145793 | SHAFT | 1 | | 3340 MM (132 IN.) (SUB FOR AH143146) R.H. (1293) |
| | AH147424 | SHAFT | 1 | | (1290) |
| | AH152116 | SHAFT | 1 | | (890) |
| 9 | AH126377 | SHIELD | AR | | (CUT TO LENGTH) |
| 10 | H135199 | BRACKET | 1 | | (894 AND 1293) |
| 11 | N103830 | PRESSED FLANGED HOUSING | 2 | | (894 AND 1293) |
| 12 | H97709 | SHIELD | AR | | (CUT TO LENGTH) (694, 894 AND 1293) |
| 13 | P50419 | SNAP RING | 1 | | (493, 494, 594, 693, 694 890, 893, 894 AND 1293) |
| 14 | H93439 | SHIELD | 1 | | (493, 494, 594, 894, 693, 694, 890, 893 AND 1293) |
| 15 | E62951 | UNIVERSAL JOINT BEARING | AR | | |
| 16 | H135342 | ANGLE | 1 | | (494 AND 594 ONLY) |
| 17 | H87226 | BRACKET | 1 | | (494, 594, 693, 694, 890 893, 894, 1290, 1291 AND 1293) |
| 18 | 03M7190 | BOLT | 2 | | M10 X 20 |
| | 14M7296 | FLANGE NUT | 2 | | M10 |
| 19 | AH91784 | CHAIN SPROCKET | 1 | | 14 TEETH (493, 494, 594, 894, 693, 694, 890, 893 AND 1293) |
| 20 | H80926 | SNAP RING | 1 | | |
| 21 | AN102383 | LINK CHAIN | 1 | | |
| 22 | AH143069 | DRIVE SPROCKET | 1 | | 14 TEETH |
| 23 | H128118 | SPRING | 3 | | |
| 24 | H148818 | QUICK COUPLER | 1 | | |
| 25 | E62951 | UNIVERSAL JOINT BEARING | 1 | | |
| 26 | H127733 | SHIELD | 1 | | |

MAIN DRIVE SHAFT, SHIELDS AND COUPLER (493)
HP8817 -UN-14JUL99



HP8817

MAIN DRIVE SHAFT, SHIELDS AND COUPLER (493) - CONTINUED

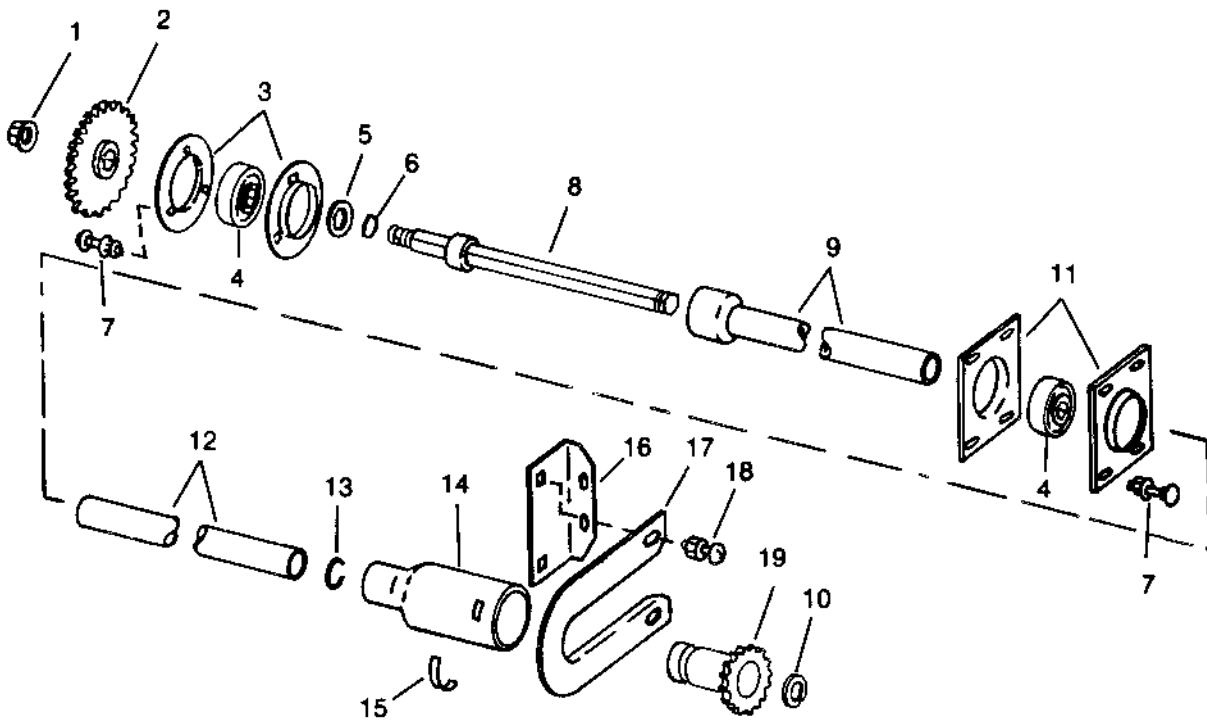
| KEY | PART NO. | PART NAME | QTY | SERIAL NO. | REMARKS |
|-----|----------|-------------------------|-----|------------|---|
| 1 | H149361 | LOCK NUT | 1 | | M20 |
| 2 | AN102027 | CHAIN SPROCKET | 1 | 660201- | (30 TEETH) |
| 3 | H153308 | PRESSED FLANGED HOUSING | 1 | | |
| 4 | AN102010 | BEARING | 2 | | |
| 5 | H135175 | RETAINER | 1 | | |
| 6 | H135176 | SEAL | 1 | | |
| 7 | 03M7191 | BOLT | AR | | M10 X 25 |
| | 14M7296 | FLANGE NUT | AR | | M10 |
| 8 | AH145787 | SHAFT | 1 | | 381 MM (15 IN.) (SUB FOR AH143151) R.H. (493) |
| | AH145788 | SHAFT | 1 | | 685 MM (27 IN.) (SUB FOR AH143155) R.H. (494) |
| 9 | AH126377 | SHIELD | AR | | (CUT TO LENGTH) |
| 10 | H80926 | SNAP RING | 1 | | |
| 11 | N103830 | PRESSED FLANGED HOUSING | 2 | | |
| 12 | H97709 | SHIELD | AR | | (CUT TO LENGTH) |
| 13 | P50419 | SNAP RING | 1 | | (493 AND 494) |
| 14 | H93439 | SHIELD | 1 | | (493 AND 494) |
| 15 | E62951 | UNIVERSAL JOINT BEARING | AR | | |
| 16 | H135342 | ANGLE | 1 | | (494) |
| 17 | H87226 | BRACKET | 1 | | (494) |
| 18 | 03M7190 | BOLT | 2 | | M10 X 20 |
| | 14M7296 | FLANGE NUT | 2 | | M10 |
| 19 | AH91784 | CHAIN SPROCKET | 1 | | 14 TEETH (493 AND 494) |

E5

MAIN DRIVE SHAFT, SHIELDS AND COUPLER (494)

(-685055)

HP8817 -UN-14JUL99



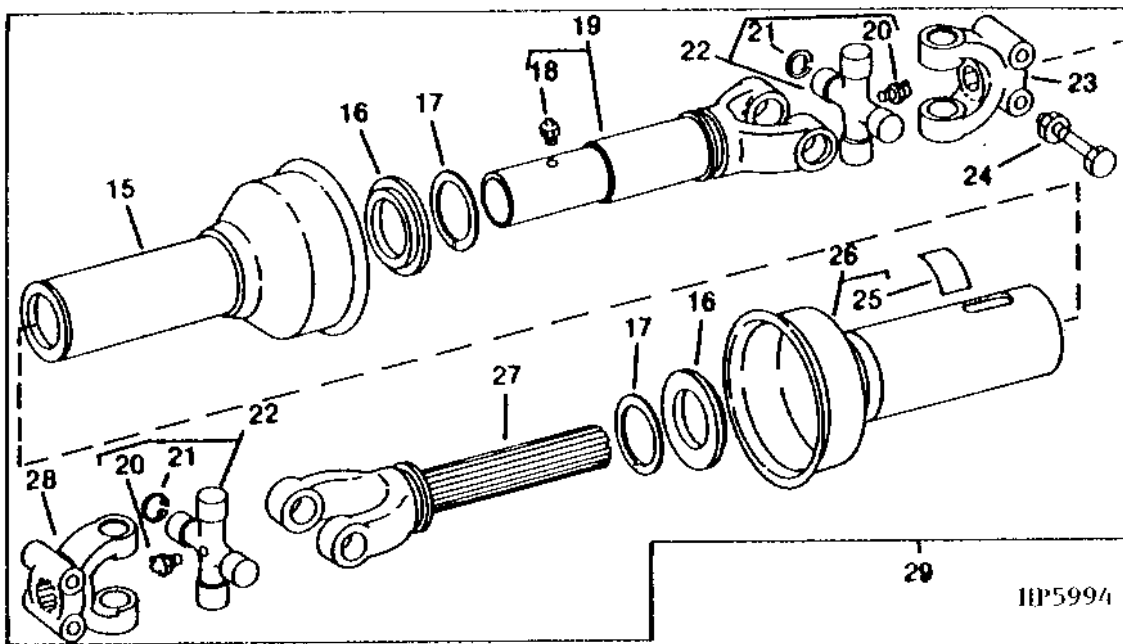
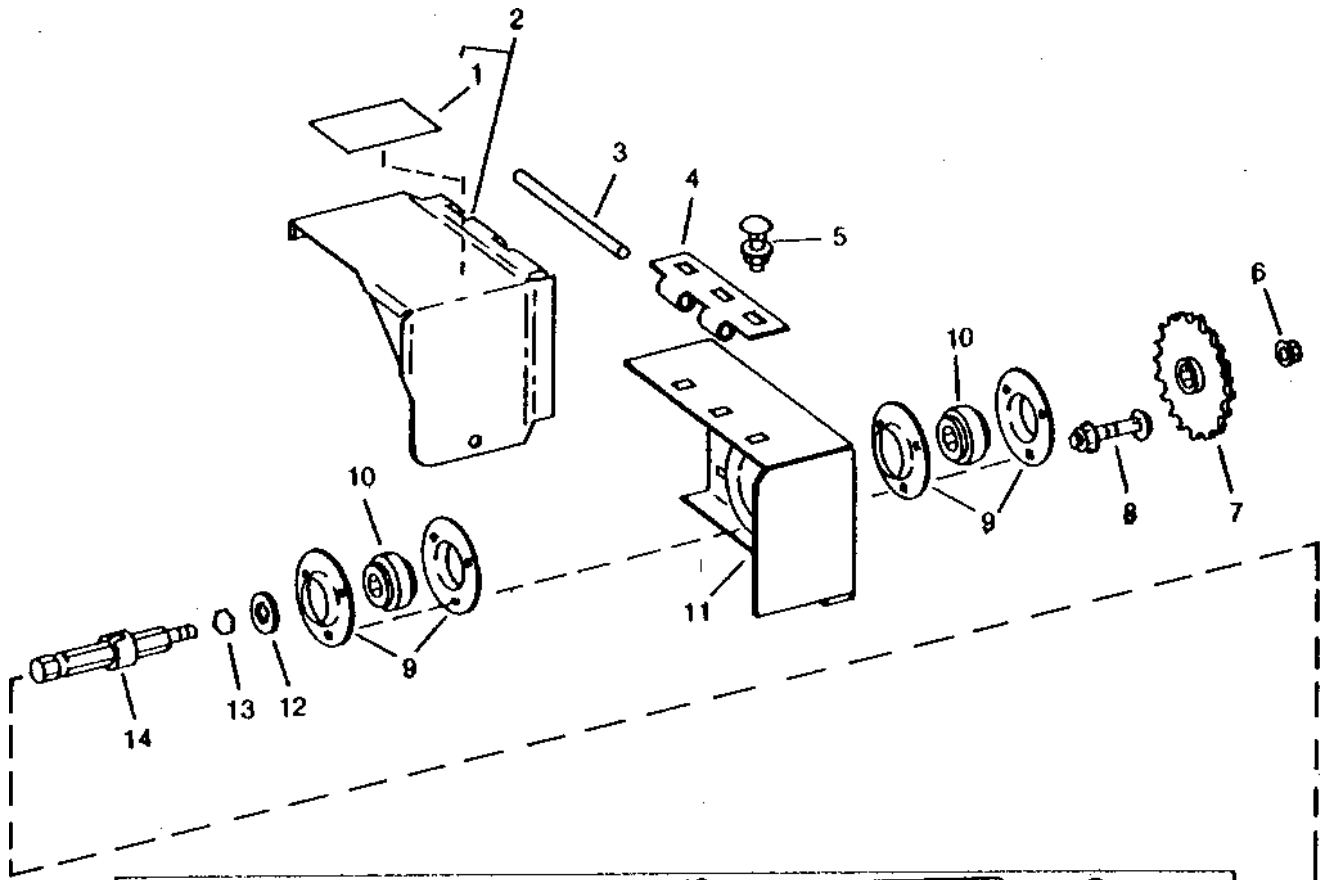
HP8817

E6

MAIN DRIVE SHAFT, SHIELDS AND COUPLER (494) - CONTINUED
 (-685055)

| KEY | PART NO. | PART NAME | QTY | SERIAL NO. | REMARKS |
|-----|----------|-------------------------|-----|------------|---|
| 1 | H149361 | LOCK NUT | 1 | | M20 |
| 2 | AN102027 | CHAIN SPROCKET | 1 | 660201- | (30 TEETH) |
| 3 | H153308 | PRESSED FLANGED HOUSING | 1 | | |
| 4 | AN102010 | BEARING | 2 | | |
| 5 | H135175 | RETAINER | 1 | | |
| 6 | H135176 | SEAL | 1 | | |
| 7 | 03M7191 | BOLT | AR | | M10 X 25 |
| | 14M7296 | FLANGE NUT | AR | | M10 |
| 8 | AH145787 | SHAFT | 1 | | 381 MM (15 IN.) (SUB FOR AH143151) R.H. (493) |
| | AH145788 | SHAFT | 1 | | 685 MM (27 IN.) (SUB FOR AH143155) R.H. (494) |
| 9 | AH126377 | SHIELD | AR | | (CUT TO LENGTH) |
| 10 | H80926 | SNAP RING | 1 | | |
| 11 | N103830 | PRESSED FLANGED HOUSING | 2 | | |
| 12 | H97709 | SHIELD | AR | | (CUT TO LENGTH) |
| 13 | P50419 | SNAP RING | 1 | | (493 AND 494) |
| 14 | H93439 | SHIELD | 1 | | (493 AND 494) |
| 15 | E62951 | UNIVERSAL JOINT BEARING | AR | | |
| 16 | H135342 | ANGLE | 1 | | (494) |
| 17 | H87226 | BRACKET | 1 | | (494) |
| 18 | 03M7190 | BOLT | 2 | | M10 X 20 |
| | 14M7296 | FLANGE NUT | 2 | | M10 |
| 19 | AH91784 | CHAIN SPROCKET | 1 | | 14 TEETH (493 AND 494) |

MAIN DRIVE SHAFT, COUPLER AND SHIELD - SIDEHILL
(R.H. SIDE ONLY) (494 AND 890)
WHEN CONNECTING TO SIDEHILL 9500 (-685055)
HP5994 -UN-01JAN94



HP5994

MAIN DRIVE SHAFT, COUPLER AND SHIELD - SIDEHILL - CONTINUED
 (R.H. SIDE ONLY) (494 AND 890)
 WHEN CONNECTING TO SIDEHILL 9500 (-685055)

| KEY | PART NO. | PART NAME | QTY | SERIAL NO. | REMARKS |
|-----|----------|----------------------------|-----|------------|---|
| 1 | E82514 | LABEL | 1 | | (494 AND 890) |
| 2 | AH141293 | SHIELD | 1 | | (494) |
| 3 | H99025 | DOWEL PIN | 1 | | (494) |
| 4 | H147245 | HINGE | 1 | | (494) |
| 5 | 03M7190 | BOLT | 3 | | M10 X 20, (494) |
| | 14M7296 | FLANGE NUT | 3 | | M10, (494) |
| 6 | H149361 | LOCK NUT | 1 | | M20, (494) |
| 7 | AH124999 | CHAIN SPROCKET | 1 | -660300 | 28 TEETH (494) |
| | AN102027 | CHAIN SPROCKET | 1 | 660301- | 30 TEETH (494) |
| 8 | 03M7218 | BOLT | 6 | | M10 X 80, (494) |
| | 14M7296 | FLANGE NUT | 6 | | M10, (494) |
| 9 | C3994E | PRESSED FLANGED HOUSING | 4 | -655345 | (494) |
| | H153308 | PRESSED FLANGED HOUSING | 4 | | (SUB H153308) (494) |
| 10 | AN102010 | BEARING | 2 | | (494) |
| 11 | AH141176 | BRACKET | 1 | | (494) |
| 12 | H135175 | RETAINER | 1 | | (494) |
| 13 | H135176 | SEAL | 1 | | (494) |
| 14 | AH145795 | SHAFT | 1 | | (SUB FOR AH143040) (494) |
| | AH152117 | SHAFT | 1 | | |
| 15 | AH141247 | POWERSHAFT SHIELD | 1 | | (494 AND 890) |
| 16 | | SNAP RING | 2 | | (494 AND 890) |
| 17 | | BEARING | 2 | | (494 AND 890) |
| 18 | JD7842 | LUBRICATION FITTING | 1 | | (494 AND 890) |
| 19 | AH141246 | YOKE, WITH TUBE | 1 | | (494 AND 890) |
| 20 | JD7760 | LUBRICATION FITTING | 2 | | (494 AND 890) |
| 21 | BP12946 | SNAP RING | 2 | | (494 AND 890) |
| 22 | AE23516 | CROSS AND BEARING ASSEMBLY | 2 | | (494 AND 890) |
| 23 | H164774 | YOKE | 1 | | (SUB FOR AH141248) HEX BORE (494 AND 890) |
| 24 | 19M7817 | SCREW | 4 | | M12 X 70, (494 AND 890) |
| | 14M7401 | LOCK NUT | 4 | | M12, (494 AND 890) |
| 25 | H147485 | LABEL | 1 | | (494 AND 890) |
| 26 | AH141245 | POWERSHAFT SHIELD | 1 | | (494 AND 890) |
| 27 | AH141244 | YOKE, WITH SHAFT | 1 | | (494 AND 890) |
| 28 | H164775 | UNIVERSAL JOINT YOKE | 1 | | (SUB FOR AH141243) HEX BORE (494 AND 890) |
| 29 | AH141139 | UNIVERSAL DRIVESHAFT | 1 | | (494 AND 890) |

BH80167 (COMPLETE GOODS) SIDEHILL CONVERSION (494)

BH79727 (COMPLETE GOODS) SIDEHILL CONVERSION (494)

BH81266 (COMPLETE GOODS) SIDEHILL CONVERSION (890)

BH80441 (COMPLETE GOODS) SIDEHILL CONVERSION (890)

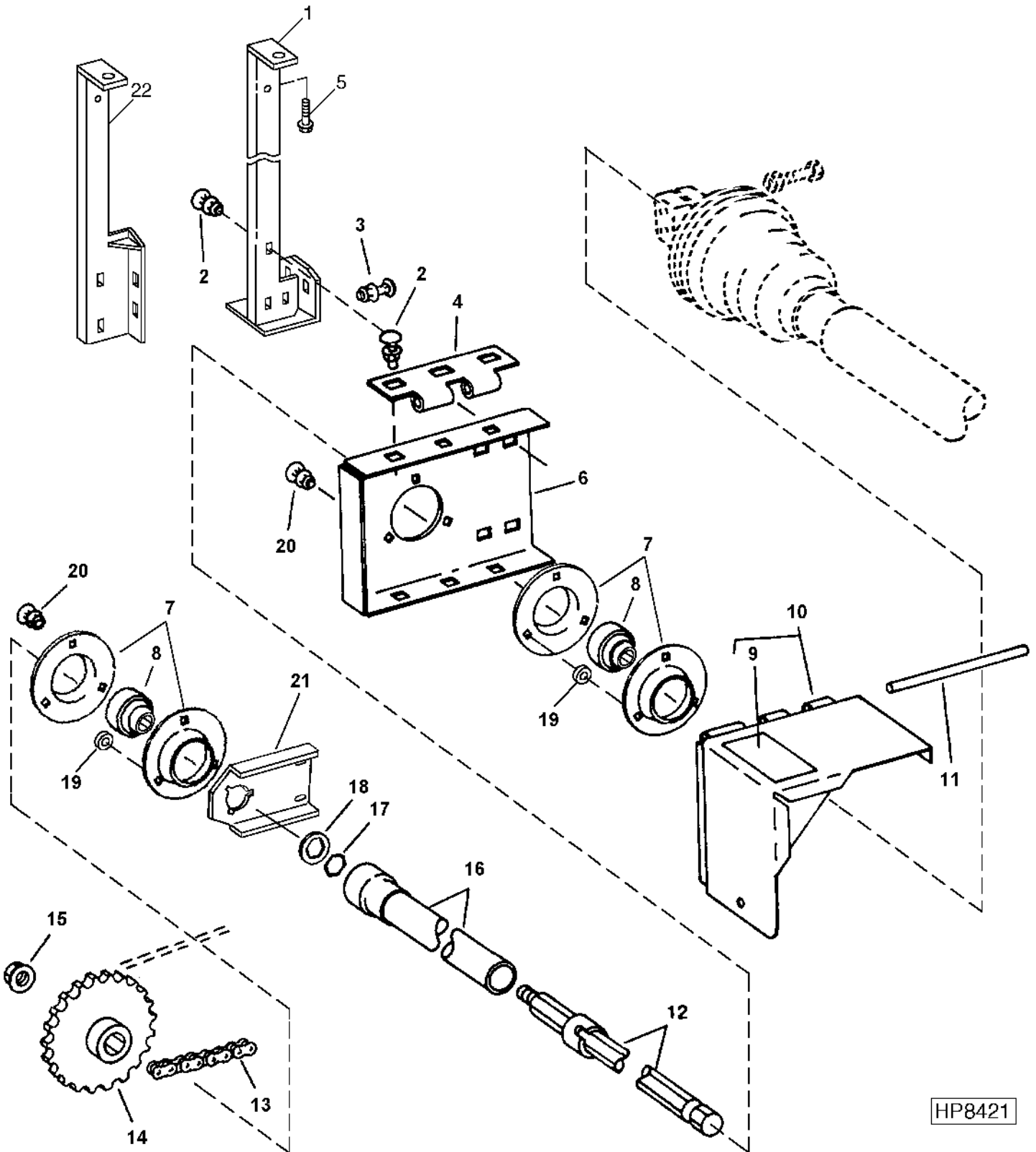
E9

MAIN DRIVE SHAFT, COUPLER AND SHIELD

(594,693, 694, 890, 893, 894, 1092, 1290, 1291 AND 1293)

WHEN CONNECTING TO SIDEHILL 9500 AND/OR CONTOUR MASTER (-685055)

HP8421 -UN-15JUL99



HP8421

E10

90 SERIES CORN HEADS

MAIN DRIVE SHAFT, COUPLER AND SHIELD (594,693,694,890,893,894, 1092, 1290, 1291 AND 1293) - CONT.
 WHEN CONNECTING TO SIDEHILL 9500 AND/OR CONTOUR MASTER (-685055)

| KEY | PART NO. | PART NAME | QTY | SERIAL NO. | REMARKS |
|-----|----------|---|-----|------------|--|
| 1 | AH141985 | SUPPORT | 1 | | R.H. (894, 1290 AND 1293) LATERAL TILT |
| | AH141986 | SUPPORT | 1 | | L.H.(894, 1290 AND 1293) LATERAL TILT |
| 2 | 03M7190 | BOLT | AR | | M10 X 20 |
| | 14M7296 | FLANGE NUT | AR | | M10 |
| 3 | 03M7184 | BOLT | 4 | | M8 X 20 |
| | 14M7298 | FLANGE NUT | 4 | | M8 |
| 4 | H147245 | HINGE | 2 | | |
| 5 | 37M7058 | SCREW | 2 | | M8 X 20 |
| | 37H57 | SCREW | 2 | | 7.925 X 19.050 MM, (1293) |
| 6 | H147547 | BRACKET | 2 | | (594, 693, 694, 890, 893, 1092, 1290 AND 1291) |
| | H147836 | BRACKET | 1 | | L.H. (1092, 1290 AND 1291) |
| | H147835 | BRACKET | 1 | | R.H. (1092, 1290 AND 1291) |
| | H148259 | BRACKET | 1 | | R.H. (894 AND 1293) |
| | H148260 | BRACKET | 1 | | L.H. (894 AND 1293) |
| 7 | C3994E | PRESSED FLANGED HOUSING | 8 | | (693SH -655506; 694 -655601; 893 -656080; 894 -655742) |
| | H150843 | PRESSED FLANGED HOUSING | 8 | | (693SH 655507-; 694 655602-; 893 656031-; 894 655743-) |
| | H103265 | PRESSED FLANGED HOUSING | 8 | | (CONTOUR MASTER) |
| 8 | AN102010 | BEARING | 4 | | |
| 9 | E82514 | LABEL | 2 | | |
| | BH80441 | (COMPLETE GOODS) SIDEHILL/CONTOUR MASTER CONVERSION | | | (890) |
| | BH80545 | (COMPLETE GOODS) SIDEHILL/CONTOUR MASTER CONVERSION | | | - 693 |
| | BH80546 | (COMPLETE GOODS) SIDEHILL/CONTOUR MASTER CONVERSION | | | - 694 |
| | BH80547 | (COMPLETE GOODS) SIDEHILL/CONTOUR MASTER CONVERSION | | | - 892 |
| | BH80548 | (COMPLETE GOODS) SIDEHILL/CONTOUR MASTER CONVERSION | | | - 893 |
| | BH80549 | (COMPLETE GOODS) SIDEHILL/CONTOUR MASTER CONVERSION | | | - 894 |
| | BH80550 | (COMPLETE GOODS) SIDEHILL/CONTOUR MASTER CONVERSION | | | - 1092/1291 |
| | BH80551 | (COMPLETE GOODS) SIDEHILL/CONTOUR MASTER CONVERSION | | | - 1290 |
| | BH80552 | (COMPLETE GOODS) SIDEHILL/CONTOUR MASTER CONVERSION | | | - 1293 |

E11

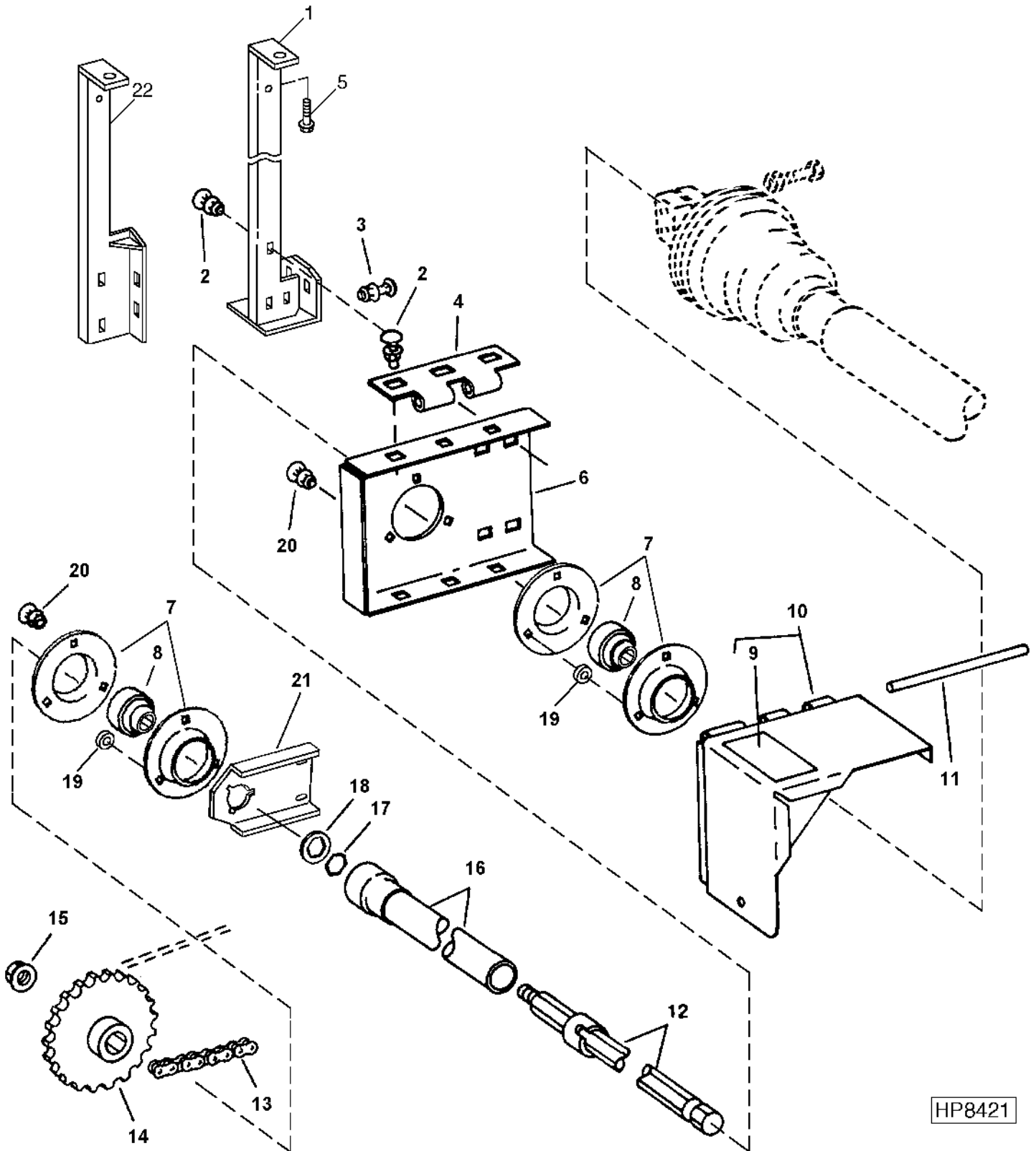
90 SERIES CORN HEADS

MAIN DRIVE SHAFT, COUPLER AND SHIELD

(594,693, 694, 890, 893, 894, 1092, 1290, 1291 AND 1293)

WHEN CONNECTING TO SIDEHILL 9500 AND/OR CONTOUR MASTER (-685055)

HP8421 -UN-15JUL99



HP8421

E12

90 SERIES CORN HEADS

MAIN DRIVE SHAFT, COUPLER AND SHIELD (594,693,694,890,893,894, 1092, 1290, 1291 AND 1293) - CONT.
WHEN CONNECTING TO SIDEHILL 9500 AND/OR CONTOUR MASTER (-685055)

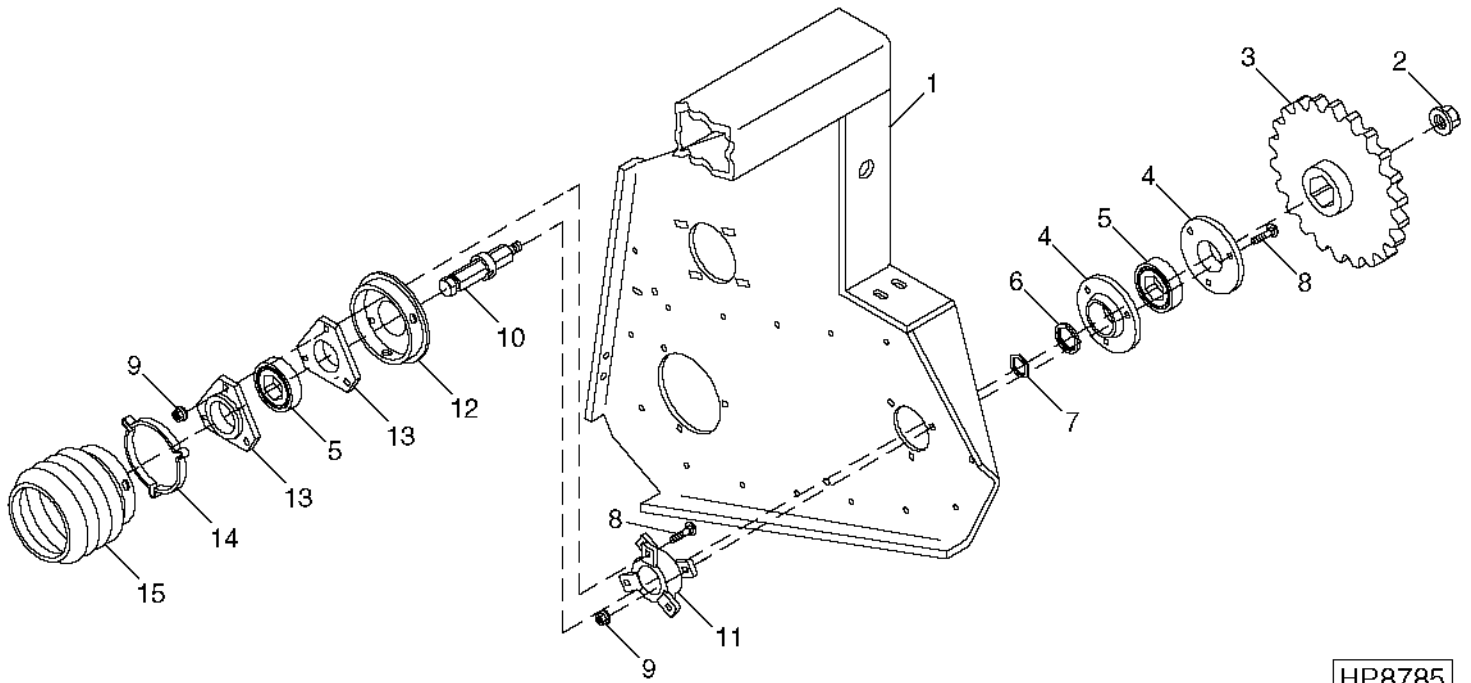
| KEY | PART NO. | PART NAME | QTY | SERIAL NO. | REMARKS |
|-----|----------|----------------|-----|------------|---|
| 10 | AH141293 | SHIELD | 1 | | R H |
| | AH141294 | SHIELD | 1 | | L H |
| 11 | H99025 | DOWEL PIN | 2 | | |
| 12 | AH145796 | SHAFT | 2 | | 251.6 MM (10 IN.) (SUB FOR AH143041) (594 AND 693) |
| | AH145797 | SHAFT | 2 | | 754.5 MM (29 3/4 IN.) (SUB FOR AH143042) (694) |
| | AH145798 | SHAFT | 2 | | 1013.5 MM (40 IN.) (SUB FOR AH143043) (893) |
| | AH145799 | SHAFT | 2 | | 1725 MM (68 IN.) (SUB FOR AH143044) (894) |
| | AH145800 | DRIVE SHAFT | 2 | | (SUB FOR AH141989) (1293) CONTOUR MASTER ONLY |
| | AH147425 | SHAFT | 2 | | (1290) CONTOUR MASTER |
| 13 | AH124998 | ROLLER CHAIN | 2 | -660450 | TYPE 60 , 87 REG LINKS, 1 COUPLER, 1 OFFSET |
| | AH145984 | ROLLER CHAIN | 2 | 660451- | TYPE 60; 88 LINKS (493,494,494SP,594,693,694, 694SP,890,893 AND 894) |
| | AH145985 | ROLLER CHAIN | 2 | | TYPE 60; 83 LINKS (594, 694, 694SP, 890, 894, 894SP) |
| 14 | AH124999 | CHAIN SPROCKET | 2 | -660450 | 28 TEETH |
| | AN102027 | CHAIN SPROCKET | 2 | 660451- | 30 TEETH |
| 15 | H149361 | LOCK NUT | 2 | | |
| 16 | AH141298 | SHIELD | 2 | | (CUT TO LENGTH) |
| 17 | H135176 | SEAL | 2 | | |
| 18 | H135175 | RETAINER | 2 | | |
| 19 | H165237 | SPACER | 6 | | |
| 20 | 03M7190 | BOLT | AR | | M10 X 20 |
| | 14M7296 | FLANGE NUT | AR | | M10 |
| | 19M7181 | CAP SCREW | 6 | | M10 X 55, (1293) |
| | 14M7296 | FLANGE NUT | 6 | | M10, (1293) |
| 21 | H94980 | BRACKET | 2 | | (1293) |
| 22 | AH148005 | SUPPORT | 1 | | (SUB FOR AH141172) R.H. (594,693, 694, 890, 893, 1092, 1290 AND 1291) |
| | AH148006 | SUPPORT | 1 | | (SUB FOR AH141173) L.H. (594,693, 694, 890, 893, 1092, 1290 AND 1291) |

BH80441 (COMPLETE GOODS) SIDEHILL/CONTOUR MASTER CONVERSION (890)
 BH80545 (COMPLETE GOODS) SIDEHILL/CONTOUR MASTER CONVERSION - 693
 BH80546 (COMPLETE GOODS) SIDEHILL/CONTOUR MASTER CONVERSION - 694
 BH80547 (COMPLETE GOODS) SIDEHILL/CONTOUR MASTER CONVERSION - 892
 BH80548 (COMPLETE GOODS) SIDEHILL/CONTOUR MASTER CONVERSION - 893
 BH80549 (COMPLETE GOODS) SIDEHILL/CONTOUR MASTER CONVERSION - 894
 BH80550 (COMPLETE GOODS) SIDEHILL/CONTOUR MASTER CONVERSION - 1092/1291
 BH80551 (COMPLETE GOODS) SIDEHILL/CONTOUR MASTER CONVERSION - 1290
 BH80552 (COMPLETE GOODS) SIDEHILL/CONTOUR MASTER CONVERSION - 1293

MEMORANDA

E13

BACKSHAFT (494 AND 592)
HP8785 -UN-29JUL99



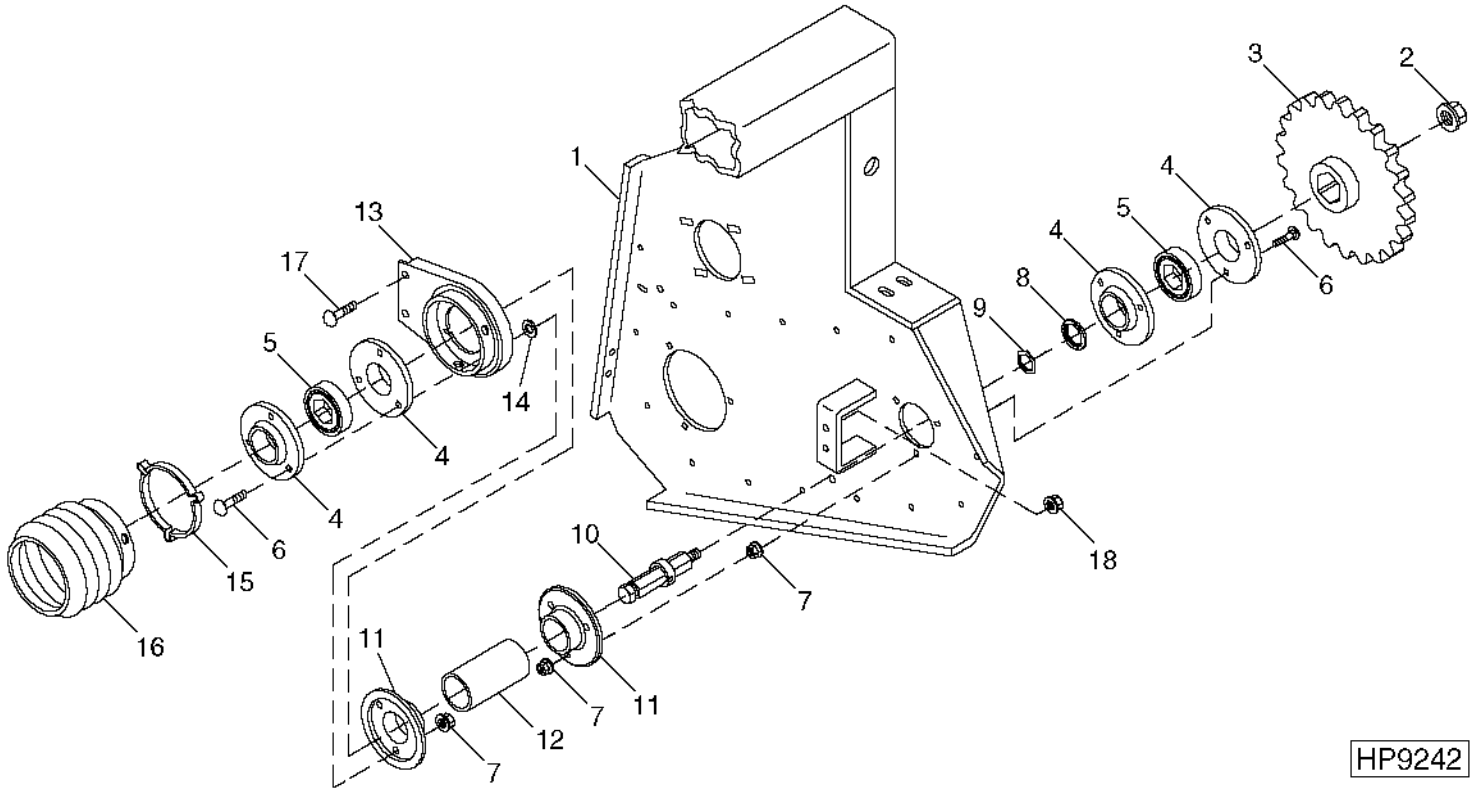
HP8785

| KEY | PART NO. | PART NAME | QTY | SERIAL NO. | REMARKS |
|-----|----------|-------------------------|-----|------------|--------------------|
| 1 | AH162404 | MAIN FRAME | 1 | (494) | |
| | AH162405 | MAIN FRAME | 1 | (592) | |
| 2 | H149361 | LOCK NUT | 1 | | |
| 3 | AH145983 | CHAIN SPROCKET | 1 | | LH - ANSI 60 - 25T |
| 4 | H153308 | PRESSED FLANGED HOUSING | 2 | | |
| 5 | AN102010 | BEARING | 2 | | |
| 6 | H135175 | RETAINER | 1 | | |
| 7 | H135176 | SEAL | 1 | | |
| 8 | 03M7193 | BOLT | 6 | | M10 X 35 |
| 9 | 14M7296 | FLANGE NUT | 6 | | M10 |
| 10 | AH145795 | SHAFT | 1 | | |
| 11 | H170548 | SPACER | 1 | | |
| 12 | AH164246 | MOUNTING PARTS | 1 | | |
| 13 | H161529 | PRESSED FLANGED HOUSING | 2 | | TRIANGULAR |
| 14 | H168246 | RING | 1 | | |
| 15 | H168297 | SHIELD | 1 | | |

NOTE: QUANTITIES ARE FOR RH SIDE (SHOWN). 592 LH SAME.

E14

BACKSHAFT (594, 692, AND 693)
 HP9242 -UN-05NOV99



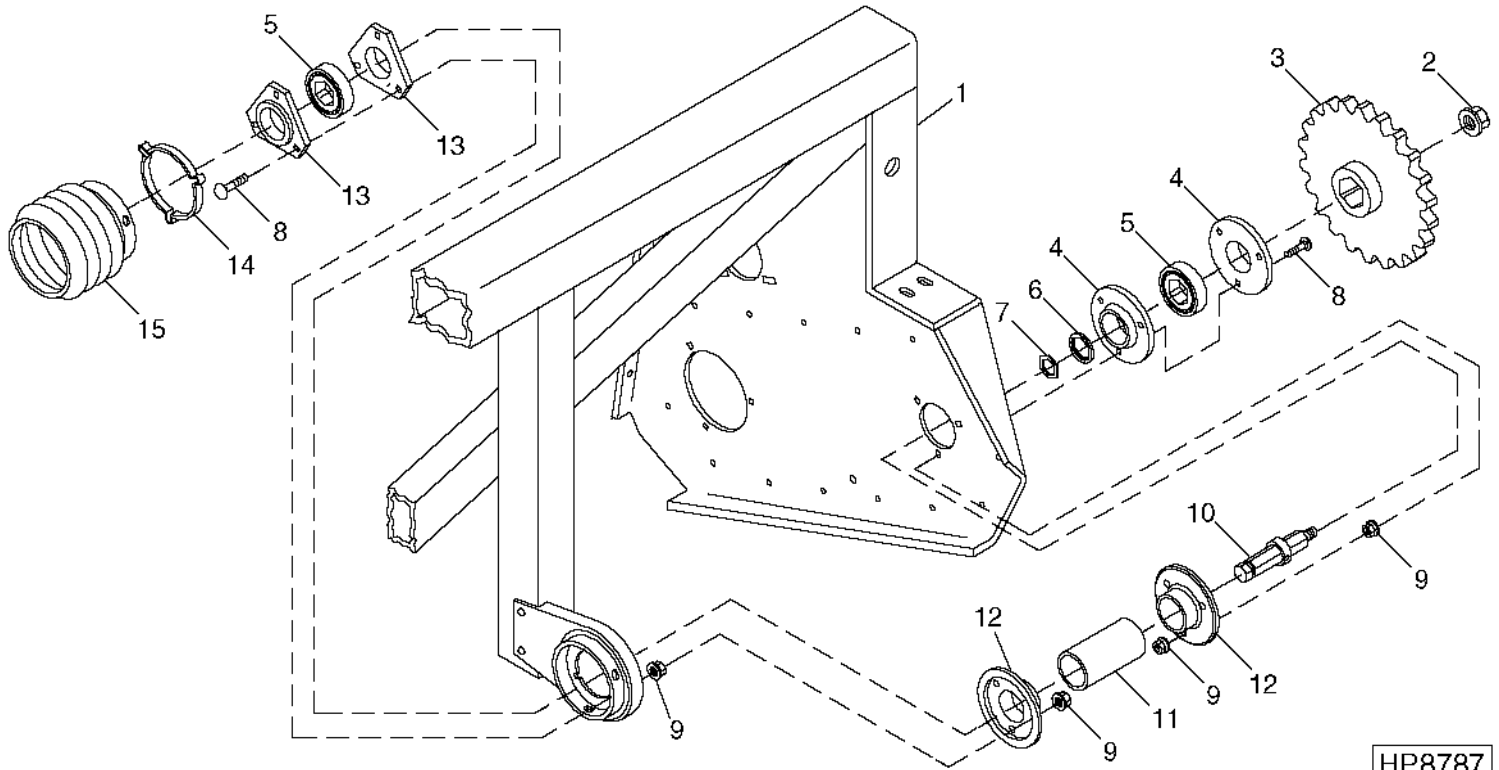
| KEY | PART NO. | PART NAME | QTY | SERIAL NO. | REMARKS |
|-----|----------|-------------------------|-----|--------------------|---------|
| 1 | AH162406 | MAIN FRAME | 1 | (594) | |
| | AH162407 | MAIN FRAME | 1 | (692 AND 693) | |
| 2 | H149361 | LOCK NUT | 1 | | |
| 3 | AH145983 | CHAIN SPROCKET | 1 | LH - ANSI 60 - 25T | |
| | AN102027 | CHAIN SPROCKET | 1 | RH - ANSI 60 - 30T | |
| 4 | H153308 | PRESSED FLANGED HOUSING | 4 | | |
| 5 | AN102010 | BEARING | 2 | | |
| 6 | 03M7194 | BOLT | 6 | M10 X 40 | |
| 7 | 14M7296 | FLANGE NUT | 9 | M10 | |
| 8 | H135175 | RETAINER | 1 | | |
| 9 | H135176 | SEAL | 1 | | |
| 10 | AH145796 | SHAFT | 1 | | |
| 11 | H162189 | RETAINER | 2 | | |
| 12 | H161892 | TUBE | 1 | | |
| 13 | AH163273 | BRACKET | 1 | | |
| 14 | H165237 | SPACER | 3 | | |
| 15 | H168246 | RING | 1 | | |
| 16 | H168297 | SHIELD | 1 | | |
| 17 | 19M7798 | SCREW | 2 | M8 X 40 | |
| 18 | 14M7401 | LOCK NUT | 2 | M12 | |

NOTE: QUANTITIES FOR ONE SIDE. RH SIDE SHOWN.

E15

90 SERIES CORN HEADS

BACKSHAFT (694, 892, 893, 894, 1092, 1290, 1291)
HP8787 -UN-29JUL99

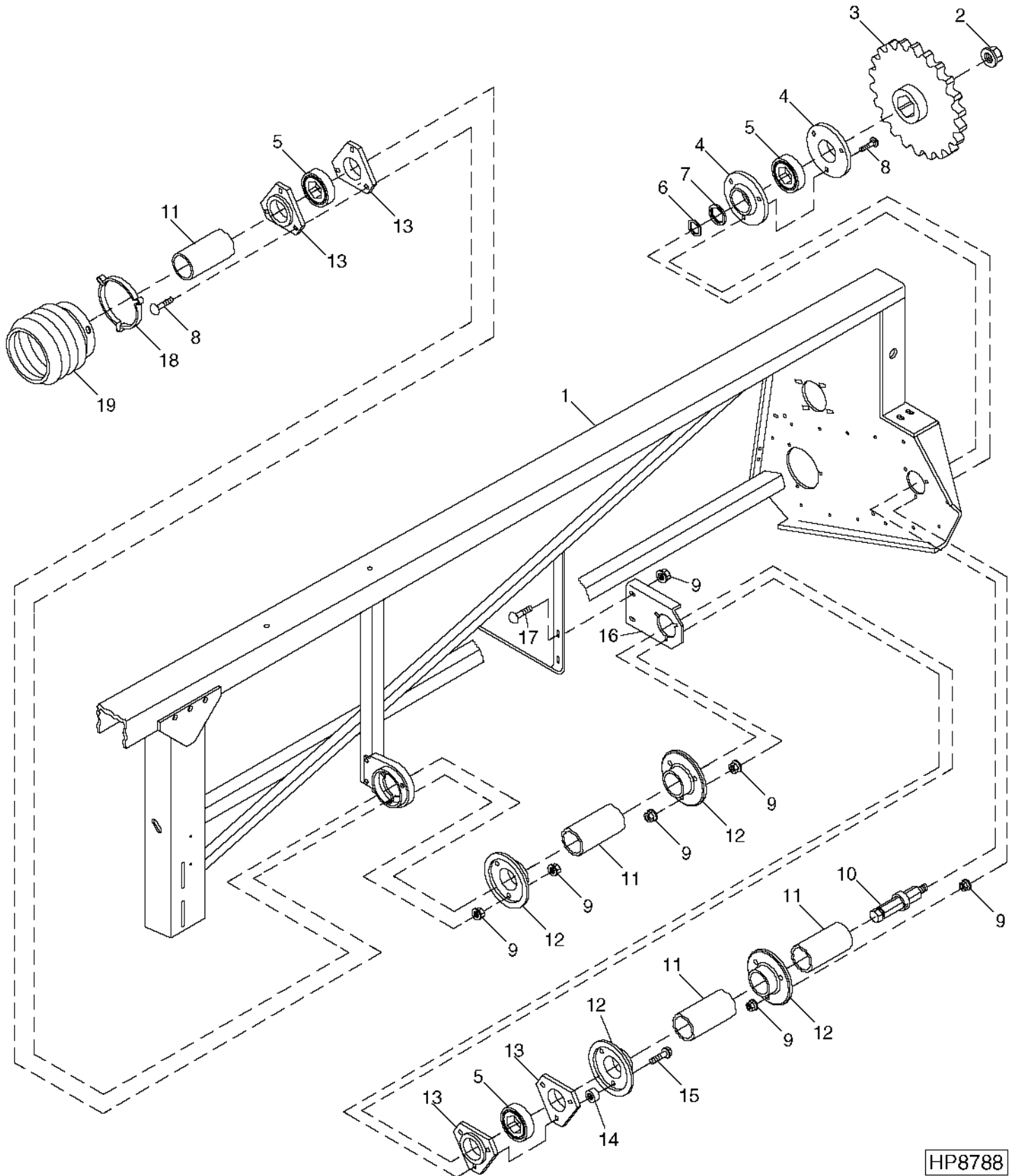


| KEY | PART NO. | PART NAME | QTY | SERIAL NO. | REMARKS | |
|-----|----------|-------------------------|----------------|-----------------|------------|--|
| 1 | AH162408 | MAIN FRAME | 1 | (694) | | |
| | AH162410 | MAIN FRAME | 1 | (892) | | |
| | AH162411 | MAIN FRAME | 1 | (893) | | |
| | AH162412 | MAIN FRAME | 1 | (894) | | |
| | AH162413 | MAIN FRAME | 1 | (1092) | | |
| | AH162414 | MAIN FRAME | 1 | (1290) | | |
| 2 | AH162415 | MAIN FRAME | 1 | (1291) | | |
| | H149361 | LOCK NUT | 1 | | | |
| | 3 | AH145983 | CHAIN SPROCKET | 1 | | LH - ANSI 60 - 25T (694, 892, 893 AND 894) |
| | | AN102027 | CHAIN SPROCKET | 1 | | RH - ANSI 60 - 30T (694, 892, 893 AND 894) |
| | | AH114829 | CHAIN SPROCKET | 1 | | LH - ANSI 80 - 19T (1092, 1290 AND 1291) |
| | | AH114830 | CHAIN SPROCKET | 1 | | RH - ANSI 80 - 23T (1092, 1290 AND 1291) |
| 4 | H153308 | PRESSED FLANGED HOUSING | 2 | | | |
| | AN102010 | BEARING | 2 | | | |
| 5 | H135175 | RETAINER | 1 | | | |
| 6 | H135176 | SEAL | 1 | | | |
| 7 | 03M7194 | BOLT | 6 | | M10 X 40 | |
| | 14M7296 | FLANGE NUT | 6 | | M10 | |
| 8 | AH145797 | SHAFT | 1 | (694) | | |
| | AH145478 | SHAFT | 1 | (892) | | |
| | AH145798 | SHAFT | 1 | (893) | | |
| | AH145799 | SHAFT | 1 | (894) | | |
| | AH145479 | SHAFT | 1 | (1092 AND 1291) | | |
| | AH147425 | SHAFT | 1 | (1290) | | |
| 9 | H161892 | TUBE | 1 | | | |
| | H162189 | RETAINER | 2 | | | |
| 10 | H161529 | PRESSED FLANGED HOUSING | 2 | | TRIANGULAR | |
| 11 | H168246 | RING | 1 | | | |
| 12 | H168297 | SHIELD | 1 | | | |

NOTE: QUANTITIES FOR ONE SIDE. RH SIDE SHOWN.

E16

BACKSHAFT (1293)
HP8788 -UN-16JUL99



HP8788

E17

90 SERIES CORN HEADS

BACKSHAFT (1293) - CONTINUED

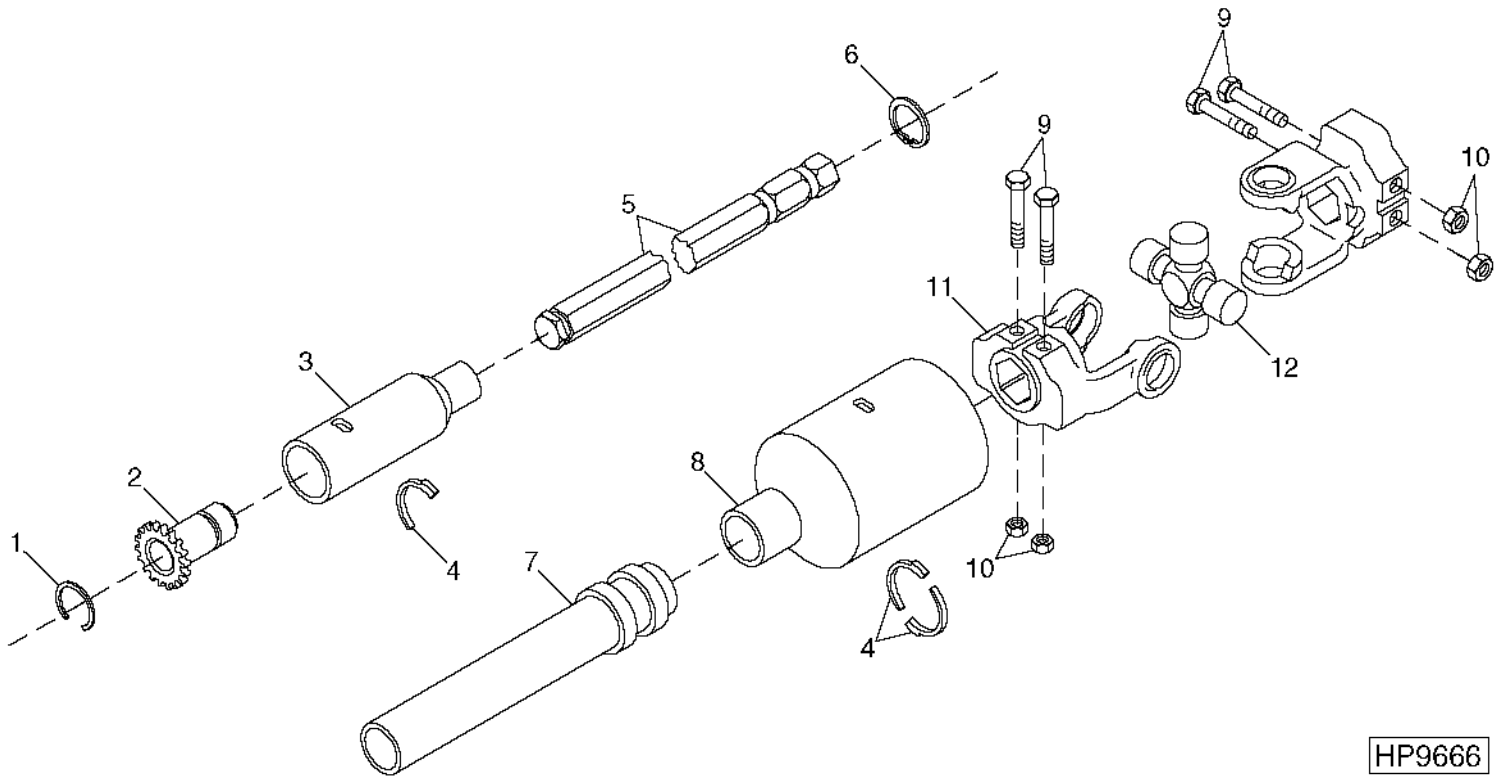
| KEY | PART NO. | PART NAME | QTY | SERIAL NO. | REMARKS |
|-----|----------|-------------------------|-----|------------|----------------------|
| 1 | AH162416 | MAIN FRAME | 1 | | |
| 2 | H149361 | LOCK NUT | 1 | | |
| 3 | AH114829 | CHAIN SPROCKET | 1 | | L.H. - ANSI 80 - 19T |
| | AH114830 | CHAIN SPROCKET | 1 | | R.H. - ANSI 80 - 23T |
| 4 | H153308 | PRESSED FLANGED HOUSING | 2 | | |
| 5 | AN102010 | BEARING | 3 | | |
| 6 | H135176 | SEAL | 1 | | |
| 7 | H135175 | RETAINER | 1 | | |
| 8 | 03M7194 | BOLT | 6 | | M10 X 40 |
| 9 | 14M7296 | FLANGE NUT | 17 | | M10 |
| 10 | AH145800 | DRIVE SHAFT | 1 | | |
| 11 | H161892 | TUBE | 2 | | |
| 12 | H162189 | RETAINER | 4 | | |
| 13 | H161529 | PRESSED FLANGED HOUSING | 4 | | TRIANGULAR |
| 14 | H165237 | SPACER | 3 | | |
| 15 | 19M7806 | SCREW | 3 | | M10 X 50 |
| 16 | H94980 | BRACKET | 1 | | |
| 17 | 03M7192 | BOLT | 2 | | M10 X 30 |
| 18 | H168246 | RING | 1 | | |
| 19 | H168297 | SHIELD | 1 | | |

NOTE: QUANTITIES FOR ONE SIDE. RH SIDE SHOWN.

E18

90 SERIES CORN HEADS

BACK SHAFT ADAPTOR
NEW HEADS TO OLD LEVEL LAND COMBINES
 HP9666 -UN-06APR00



| KEY | PART NO. | PART NAME | QTY | SERIAL NO. | REMARKS |
|-----|----------------|------------------------------------|----------|------------|--|
| 1 | H80926 | SNAP RING | 1 | | |
| 2 | AH91784 | CHAIN SPROCKET | 1 | | |
| 3 | H93439 | SHIELD | 1 | | |
| 4 | E62951 | UNIVERSAL JOINT BEARING | 3 | | |
| 5 | H168242 | SHAFT | 1 | -685313 | (494 AND 592) |
| | H173976 | SHAFT | 1 | 685314- | (494 AND 592) |
| | H168243 | SHAFT | 1 | | (594, 692, 693, 694, 893, 894, 1092, 1290, 1291, AND 1293) |
| 6 | P50419 | SNAP RING | 1 | | |
| 7 | AH167981 | SHIELD | 1 | XXXXXX- | (494 AND 592) SUB FOR H168238 |
| | AH167979 | SHIELD | 1 | XXXXXX- | (COMMON) SUB FOR H168240 |
| 8 | H168241 | POWERSHAFT SHIELD | 1 | -XXXXXX | |
| | H135222 | SHIELD | 1 | XXXXXX- | |
| 9 | 19M7363 | CAP SCREW | 4 | -XXXXXX | M12 X 60 |
| | 19M7753 | CAP SCREW | 4 | XXXXXX- | M12 X 70 |
| 10 | 14M7401 | LOCK NUT | 4 | -XXXXXX | M12 |
| | 14M7313 | LOCK NUT | 4 | XXXXXX- | M12 |
| 11 | H161295 | YOKE WITH LOCKING COLLAR | 2 | XXXXXX- | WITH AE23516, SUB FOR H168244 |
| 12 | AE23516 | CROSS AND BEARING ASSEMBLY | 1 | XXXXXX- | (INCLUDES (4) BP12946 AND JD7760) |
| .. | BH81804 | COMPLETE GOODS/SHIP. BUNDLE | 1 | | ADAPTER SHAFT BUNDLE(XXXXXX-) COMMON |
| .. | BH81805 | COMPLETE GOODS/SHIP. BUNDLE | 1 | | ADAPTER SHAFT BUNDLE (XXXXXX-) 494 |
| .. | AH167995 | UNIVERSAL JOINT YOKE | 1 | XXXXXX- | (INCLUDES (2) H161295 AND AE23516) |

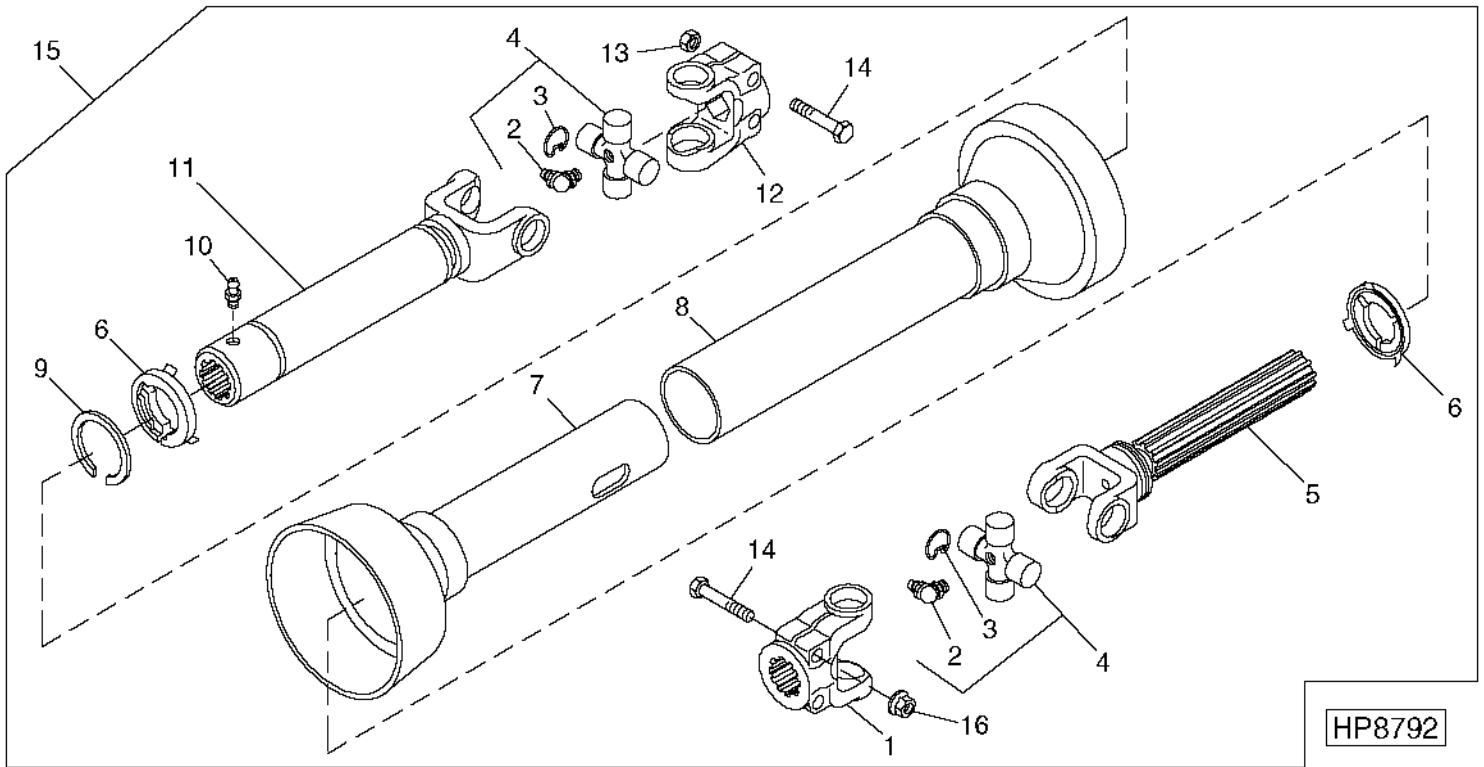
QUANTITIES SHOWN ARE FOR ONE DRIVE

MEMORANDA

E19

90 SERIES CORN HEADS

DRIVE SHAFT (494 AND 592)
(NOT FOR USE IN REGION II)
 HP8792 -UN-19JUL99

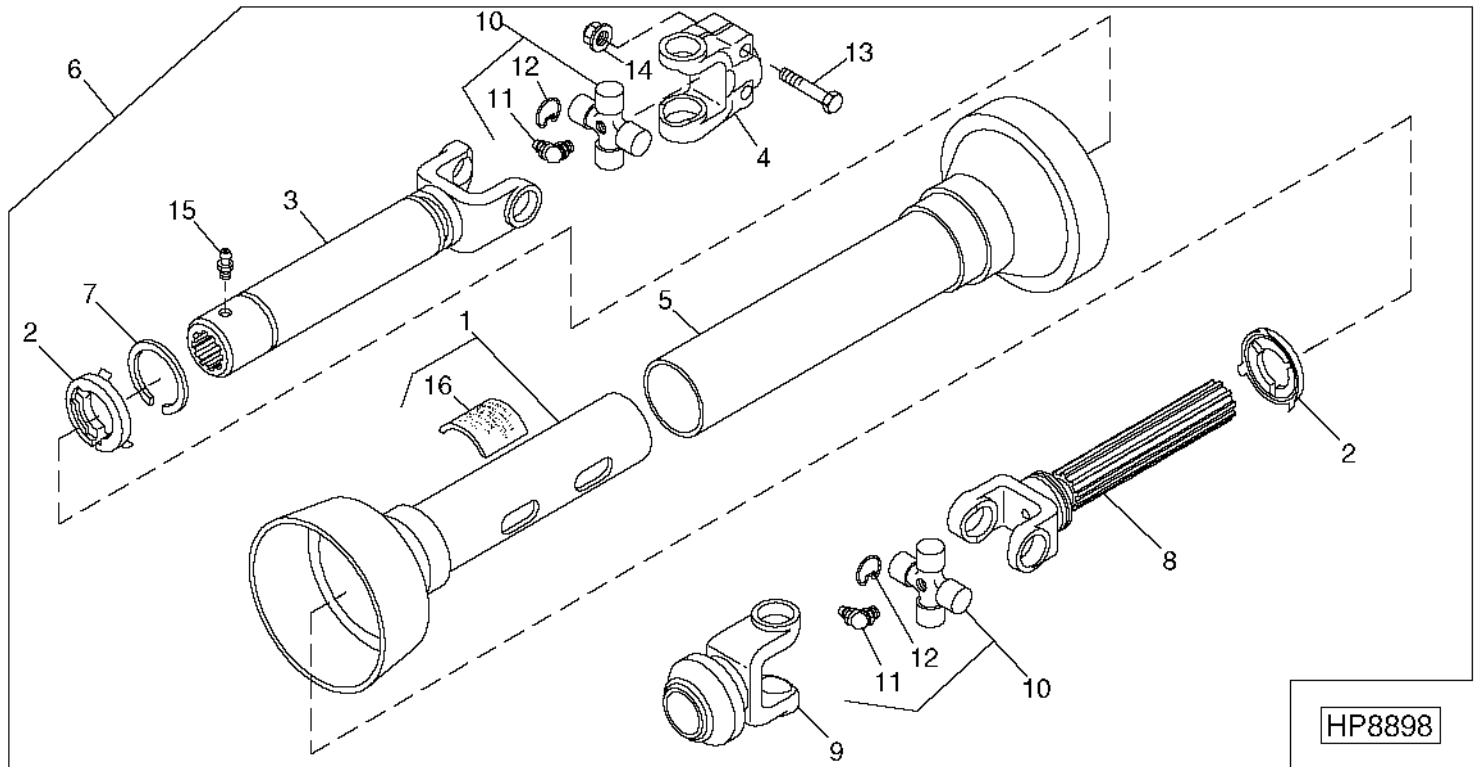


| KEY | PART NO. | PART NAME | QTY | SERIAL NO. | REMARKS |
|-----|----------------|----------------------------|----------|----------------|---------------------------|
| 1 | H172246 | UNIVERSAL JOINT YOKE | 1 | | SPLINE BORE |
| 2 | JD7760 | LUBRICATION FITTING | 2 | | |
| 3 | BP12946 | SNAP RING | 8 | | |
| 4 | AE23516 | CROSS AND BEARING ASSEMBLY | 2 | | |
| 5 | AH166082 | YOKE, WITH SHAFT | 1 | | |
| | AH166086 | YOKE, WITH SHAFT | 1 | | SIDEHILL |
| 6 | H161296 | SHIELD | 2 | | |
| 7 | AH166083 | POWERSHAFT SHIELD | 1 | | |
| | AH166087 | POWERSHAFT SHIELD | 1 | | SIDEHILL |
| 8 | AH166085 | POWERSHAFT SHIELD | 1 | | |
| | AH166089 | POWERSHAFT SHIELD | 1 | | SIDEHILL |
| 9 | H161294 | SPACER | 1 | | |
| 10 | H172925 | LUBRICATION FITTING | 2 | | |
| 11 | AH166084 | YOKE, WITH TUBE | 1 | | |
| | AH166088 | YOKE, WITH TUBE | 1 | | SIDEHILL |
| 12 | H161295 | YOKE WITH LOCKING COLLAR | 1 | | HEX BORE |
| 13 | 14M7401 | LOCK NUT | 2 | | M12 |
| 14 | 19M7817 | SCREW | 4 | | M12 X 70 |
| 15 | AH164670 | DRIVE SHAFT | 1 | -690100 | |
| | AH164671 | DRIVE SHAFT | 1 | | SIDEHILL |
| | AH168445 | UNIVERSAL DRIVESHAFT | 1 | 690101- | |
| 16 | E80242 | LOCK NUT | 2 | | M12 |
| .. | H174539 | LABEL | 1 | 690101- | USED WITH AH168445 |

E20

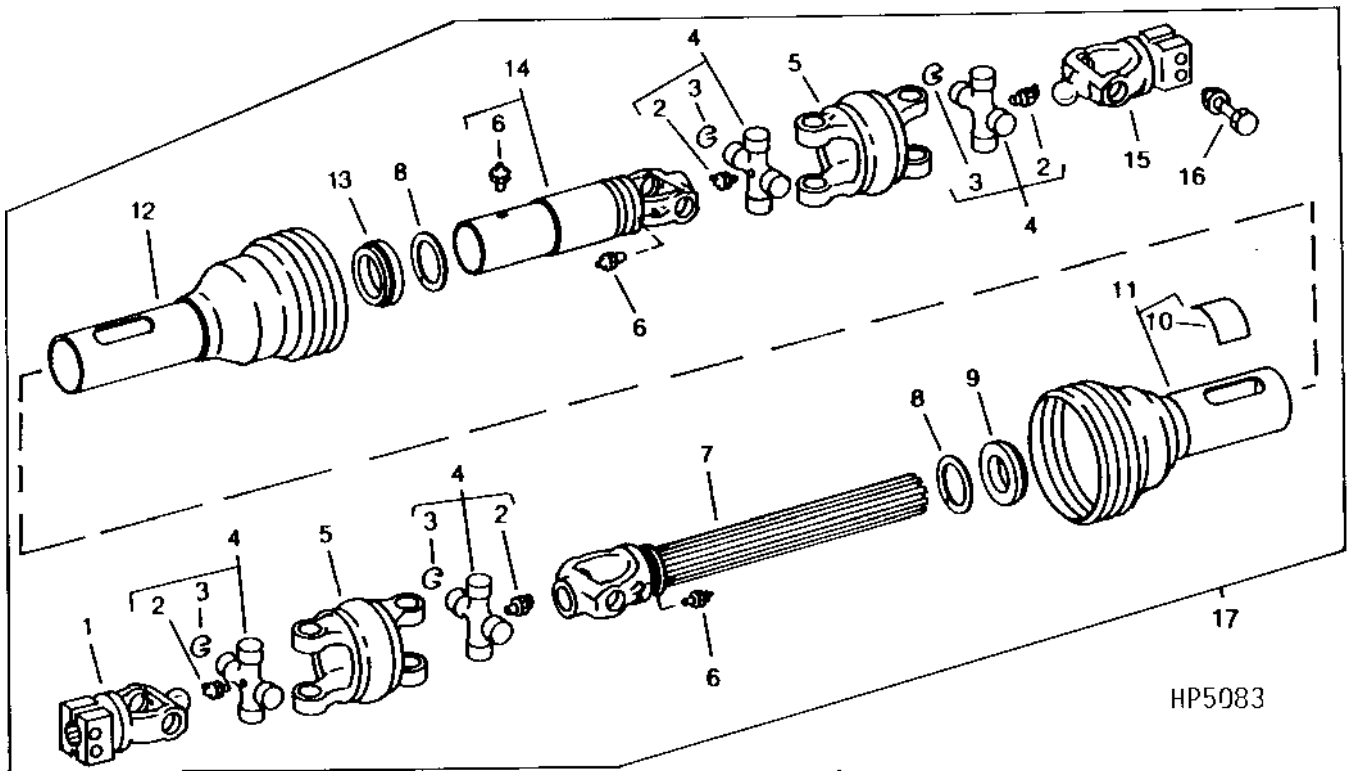
90 SERIES CORN HEADS

DRIVE SHAFT FOR LEVEL LAND AND CONTOUR MASTER
 (594, 692, 693, 694, 892, 893, 894, 1092, 1290, 1291 AND 1293)
 (NOT FOR USE IN REGION II)
 HP8898 -UN-12AUG99



| KEY | PART NO. | PART NAME | QTY | SERIAL NO. | REMARKS |
|-----|----------|----------------------------|-----|------------|---------------------|
| 1 | AH164910 | POWERSHAFT SHIELD | 1 | | |
| 2 | H161296 | SHIELD | 2 | | |
| 3 | AH164911 | YOKE, WITH TUBE | 1 | | |
| 4 | H161295 | YOKE WITH LOCKING COLLAR | 1 | | |
| 5 | AH164912 | POWERSHAFT SHIELD | 1 | | |
| 6 | AH155077 | UNIVERSAL DRIVESHAFT | 1 | | |
| 7 | H161294 | SPACER | 1 | | |
| 8 | AH164909 | YOKE, WITH SHAFT | 1 | | |
| 9 | AH144523 | UNIVERSAL JOINT YOKE | 1 | | |
| 10 | AE23516 | CROSS AND BEARING ASSEMBLY | 2 | | |
| 11 | JD7760 | LUBRICATION FITTING | 2 | | |
| 12 | BP12946 | SNAP RING | 8 | | |
| 13 | 19M7817 | SCREW | 2 | M12 X 70 | |
| 14 | 14M7401 | LOCK NUT | 2 | M12 | |
| 15 | H172925 | LUBRICATION FITTING | 2 | | |
| 16 | H171710 | LABEL | 1 | | DRIVE SHAFT WARNING |

HEADER DRIVE SHAFT - SIDEHILL
WEASLER (693, 694, 893 AND 894)
FOR CONNECTING TO SIDEHILL 9500 AND 9550
HP5083 -UN-01JAN94



HEADER DRIVE SHAFT - SIDEHILL - CONTINUED
WEASLER (693, 694, 893 AND 894)
FOR CONNECTING TO SIDEHILL 9500

| KEY | PART NO. | PART NAME | QTY | SERIAL NO. | REMARKS |
|-----|----------|----------------------------|-----|------------|------------------------------|
| 1 | AH141236 | UNIVERSAL JOINT YOKE | 1 | | |
| 2 | JD7760 | LUBRICATION FITTING | 4 | | 1/8 IN. 65 DEGREE ELBOW |
| 3 | BP12946 | SNAP RING | 4 | | |
| 4 | AE23516 | CROSS AND BEARING ASSEMBLY | 4 | | |
| 5 | AH141237 | UNIVERSAL JOINT YOKE | 2 | | |
| 6 | JD7842 | LUBRICATION FITTING | 3 | | 1/4 IN. STRAIGHT |
| 7 | AH141238 | YOKE, WITH SHAFT | 1 | | |
| 8 | | SNAP RING | 2 | | (SUB AE50072) |
| 9 | H147467 | PTO SHIELD RETAINER | 1 | | |
| 10 | | DECAL | 1 | | |
| 11 | AH141239 | POWERSHAFT SHIELD | 1 | | |
| 12 | AH141241 | POWERSHAFT SHIELD | 1 | | |
| 13 | | BEARING | 1 | | (SUB AE50072) |
| 14 | AH141240 | YOKE, WITH TUBE | 1 | | |
| 15 | AH141242 | UNIVERSAL JOINT YOKE | 1 | | |
| 16 | 19M7817 | SCREW | 4 | | M12 X 70 |
| | 14M7401 | LOCK NUT | 4 | | M12 |
| 17 | AH141138 | UNIVERSAL DRIVESHAFT | 2 | | COMPLETE DRIVE SHAFT |
| .. | AE50072 | BEARING KIT | 1 | | (INCLUDES E54212 AND E77106) |

E24

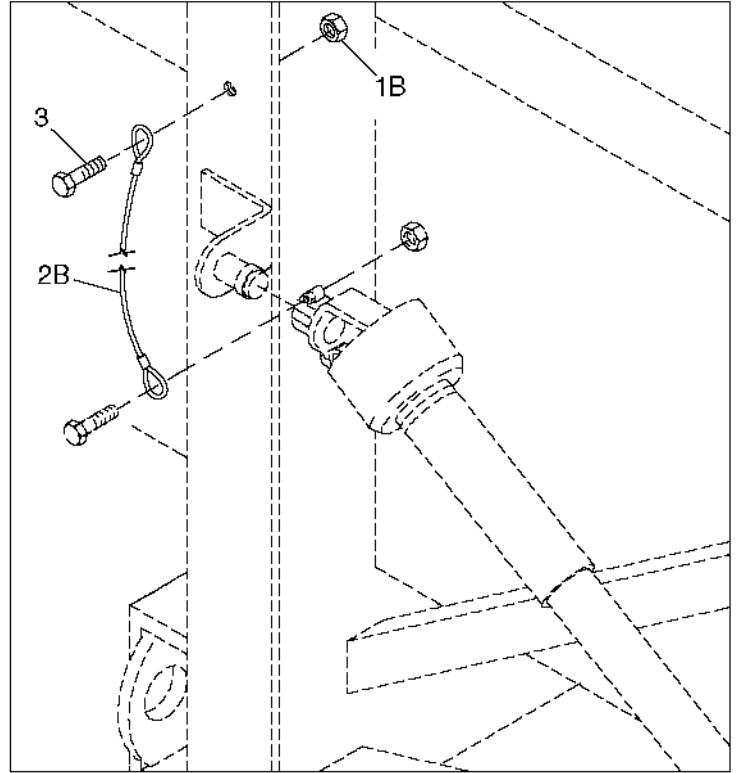
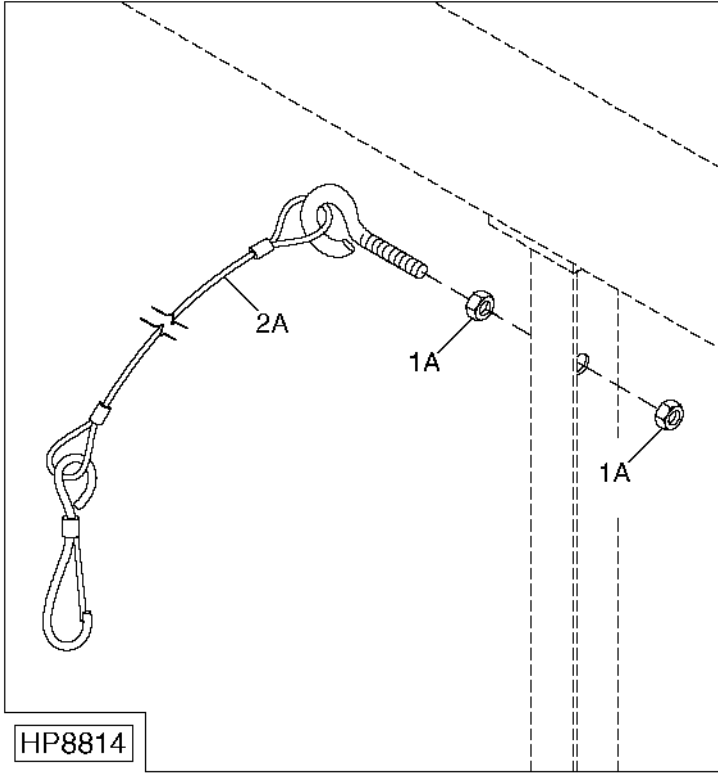
**HEADER DRIVE SHAFT - SIDEHILL - CONTINUED
FOR CONNECTING TO 6600SH AND 6620SH**

| KEY | PART NO. | PART NAME | QTY | SERIAL NO. | REMARKS |
|-----|----------|-------------------------|-----|----------------|---------|
| 1 | W36512 | BEARING | 1 | | |
| 2 | AH121566 | POWERSHAFT SHIELD | 1 | | |
| 3 | W36510 | RING | 2 | | |
| 4 | M87259 | LUBRICATION FITTING | 1 | | |
| 5 | H129222 | LABEL | 1 | | |
| 6 | AH121564 | YOKE, WITH TUBE | 1 | | |
| 7 | AW24500 | LINK CHAIN | 1 | | |
| 8 | | UNIVERSAL JOINT YOKE | 1 | (A) | |
| 9 | 19H1907 | CAP SCREW | 1 | 5/16" X 2-3/4" | |
| | 12H303 | LOCK WASHER | 1 | 5/16" | |
| | 14H785 | NUT | 1 | 5/16" | |
| 10 | H141365 | BOLT | 2 | | |
| 11 | AH122922 | POWERSHAFT SHIELD | 2 | | |
| 12 | 58M5577 | LUBRICATION FITTING | 2 | | |
| 13 | 40M7077 | SNAP RING | 8 | | |
| 14 | AH115426 | UNIVERSAL JOINT BEARING | 2 | | |
| 15 | AH121565 | POWERSHAFT SHIELD | 1 | | |
| 16 | | SHAFT | 1 | (A) | |
| 17 | 34M6446 | SPRING PIN | 1 | 10 X 75 MM | |
| 18 | | UNIVERSAL JOINT YOKE | 1 | (A) | |
| 19 | | UNIVERSAL JOINT YOKE | 1 | (A) | |
| 20 | 19H1820 | CAP SCREW | 1 | 1/2" X 3" | |
| | 12H301 | LOCK WASHER | 1 | 1/2" | |
| | 14H809 | NUT | 1 | 1/2" | |
| 21 | AH119746 | UNIVERSAL DRIVESHAFT | 1 | | |

(A) THESE PARTS INCLUDED IN AH119746

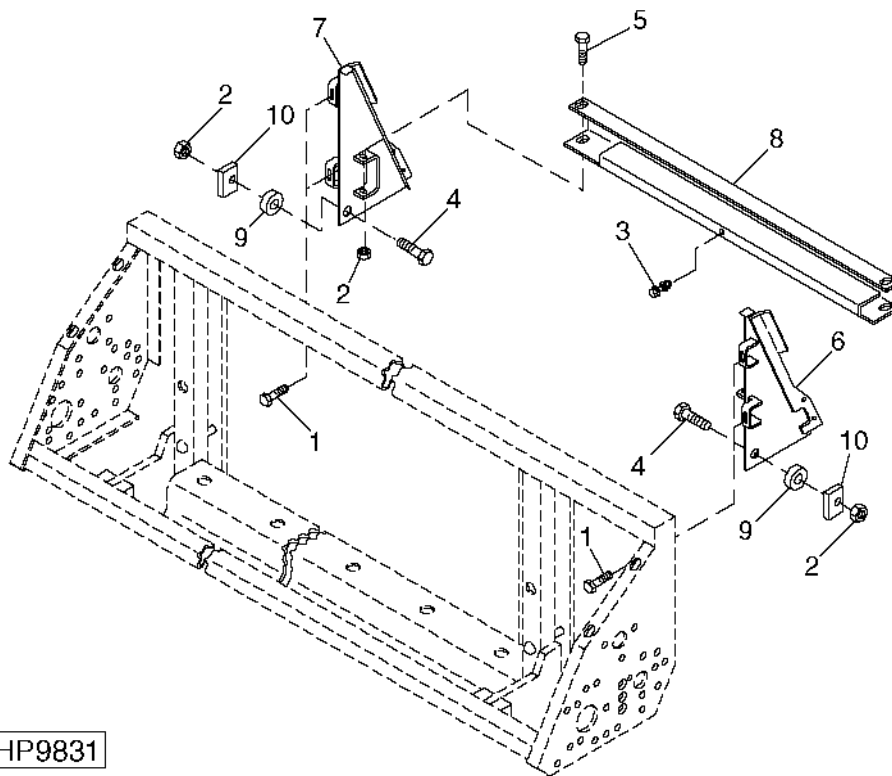
POWER SHAFT STORAGE CABLE ASSEMBLY

HP8814 -UN-15JUL99



| KEY | PART NO. | PART NAME | QTY | SERIAL NO. | REMARKS |
|-----|----------|------------------------|-----|------------|---|
| 1A | 14M7296 | FLANGE NUT | 4 | | M10, (594, 693, 694, 893, 1092, 1290, 1291, AND 1293) |
| 1B | H137328 | LOCK NUT | 2 | 685056- | (494 AND 592 ONLY) |
| 2A | AH143319 | CABLE | 2 | | (594, 693, 694, 893, 1092, 1290, 1291, AND 1293) |
| 2B | AH166496 | BATTERY BOOSTER CABLES | 2 | 685056- | (494 AND 592 ONLY) |
| 3 | 03M7184 | BOLT | 2 | 685056- | M8 X 20, (494 AND 592 ONLY) |

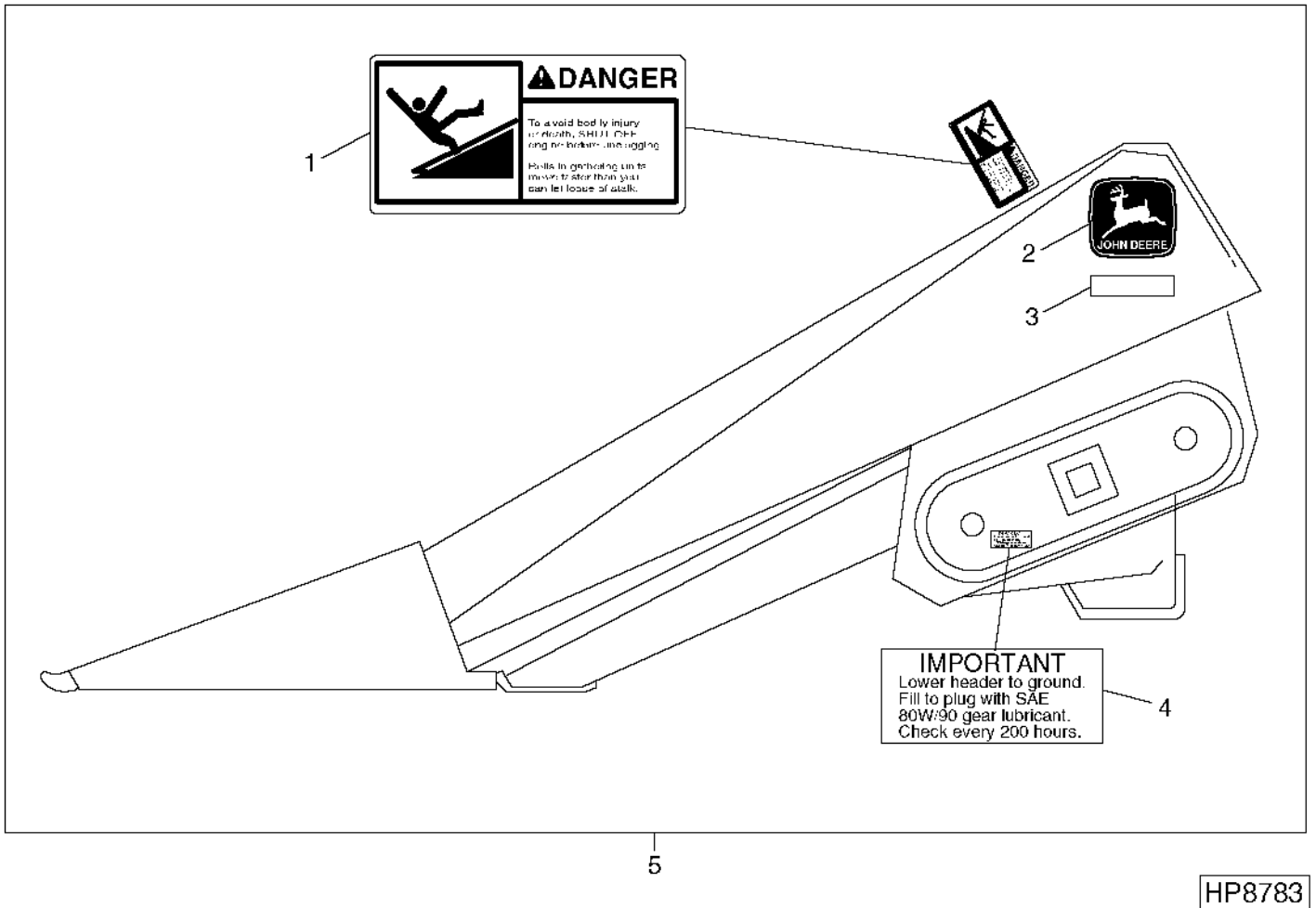
WEDGE KIT
HP9831 -UN-16JUN00



HP9831

| KEY | PART NO. | PART NAME | QTY | SERIAL NO. | REMARKS |
|-----|----------------|------------------------------------|----------|---------------------------------------|---------|
| 1 | 03M7192 | BOLT | 4 | M10 X 30 | |
| | 14M7296 | FLANGE NUT | 4 | M10 | |
| 2 | 14M7299 | FLANGE NUT | 4 | M12 | |
| 3 | 19M7789 | SCREW | 1 | M12 X 30 | |
| | 14M7299 | FLANGE NUT | 1 | M12 | |
| 4 | 19M7814 | SCREW | 2 | M12 X 50 | |
| 5 | 19M8470 | CAP SCREW | 2 | M12 X 190 | |
| 6 | AH169592 | BRACKET | 1 | L.H. UPRIGHT | |
| 7 | AH169593 | BRACKET | 1 | R.H. UPRIGHT | |
| 8 | AH169594 | WEDGE | 1 | | |
| 9 | H175832 | SPACER | 1 | | |
| 10 | H175833 | PLATE | 1 | | |
| .. | BH81842 | COMPLETE GOODS/SHIP. BUNDLE | 1 | WEDGE AND UPRIGHTS | |
| .. | BH81870 | COMPLETE GOODS/SHIP. BUNDLE | 1 | WEDGE HARDWARE AND INSTRUCTION | |

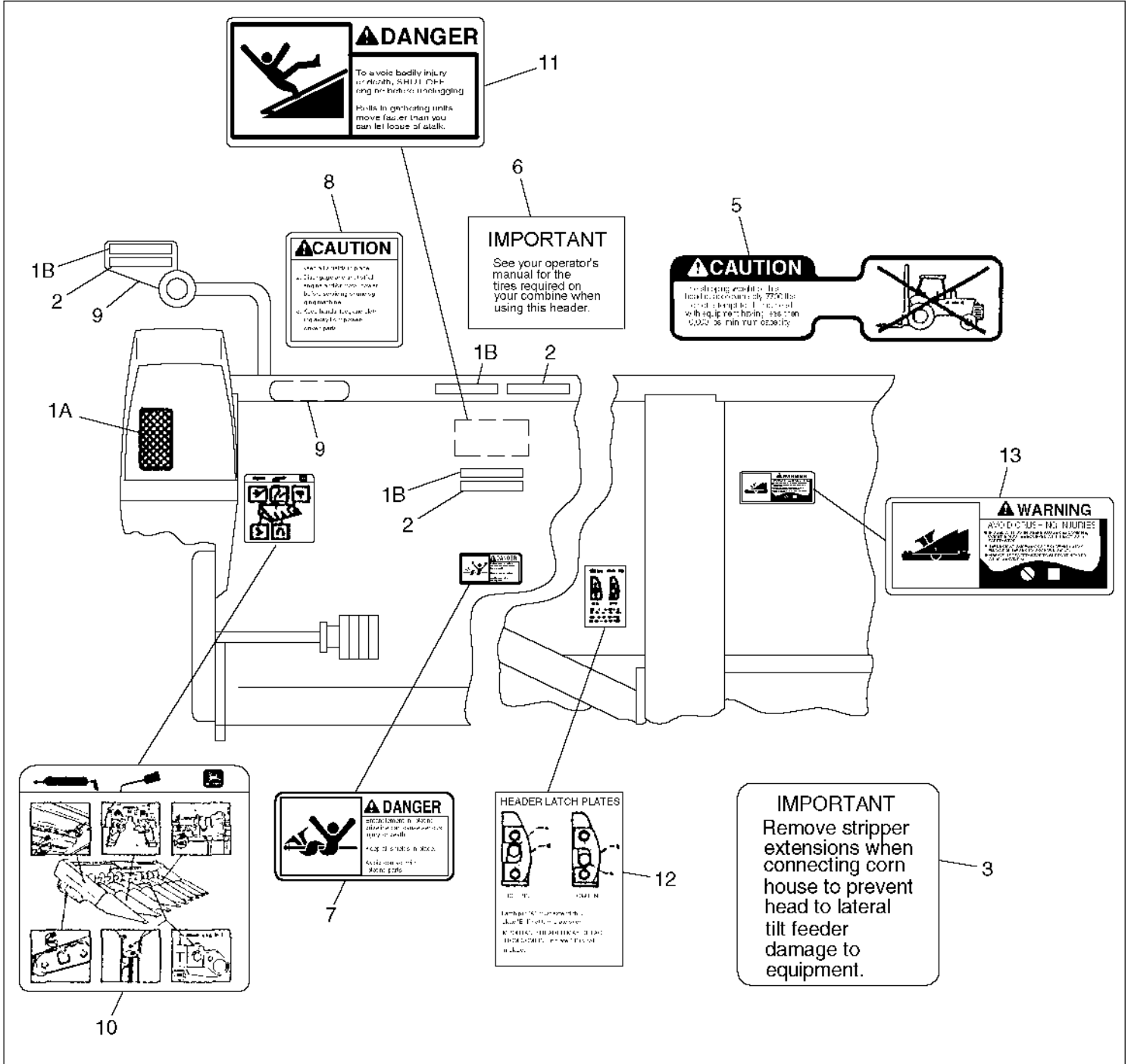
SAFETY AND INSTRUCTIONAL DECAL LOCATIONS - SIDE
HP8783 -UN-16JUL99



SAFETY AND INSTRUCTIONAL DECAL LOCATIONS - SIDE - CONTINUED

| KEY | PART NO. | PART NAME | QTY | SERIAL NO. | REMARKS |
|-----|----------|-----------|-----|------------|--|
| 1 | H149059 | SIGN | 2 | -660200 | "DANGER" ROLLS IN GATHERING UNITS - LOCATE ON FRONT SIDE OF BACKSHEET ON L.H. AND R.H. SIDE |
| | H151336 | SIGN | 2 | 660201- | "DANGER" ROLLS IN GATHERING UNITS |
| | H149060 | SIGN | 2 | | FRENCH "DANGER" ROLLS IN GATHERING UNITS |
| 2 | JD5656 | LABEL | 2 | | "LEAPING DEER" ON OUTER FENDERS |
| 3 | H150323 | LABEL | 2 | | (493) UNDER "LEAPING DEER" |
| | H150324 | LABEL | 2 | | (494) UNDER "LEAPING DEER" |
| | H151602 | LABEL | 2 | | (592) UNDER "LEAPING DEER" |
| | H150325 | LABEL | 2 | | (594) UNDER "LEAPING DEER" |
| | H150326 | LABEL | 2 | | (693 AND 693SH) UNDER "LEAPING DEER" |
| | H150327 | LABEL | 2 | | (694) UNDER "LEAPING DEER" |
| | H159149 | LABEL | 2 | | (890) UNDER "LEAPING DEER" |
| | H151604 | LABEL | 2 | | (892) UNDER "LEAPING DEER" |
| | H150328 | LABEL | 2 | | (893) UNDER "LEAPING DEER" |
| | H150329 | LABEL | 2 | | (894) "UNDER LEAPING DEER" |
| | H151605 | LABEL | 2 | | (1092) "UNDER LEAPING DEER" |
| | H156742 | LABEL | 2 | | (1290) UNDER "LEAPING DEER" |
| | H156743 | LABEL | 2 | | (1291) UNDER "LEAPING DEER" |
| | H150330 | LABEL | 2 | | (1293) UNDER "LEAPING DEER" |
| 4 | H149806 | DECAL | AR | | "OIL FILL LEVEL" ON GEAR CASE COVER - (493 AND 494 - 1 USED; 594, 693, 693SH, 694, 893, 894 AND 1293 - 2 USED) |
| | H150608 | DECAL | AR | | (A) FRENCH "OIL FILL LEVEL" ON GEARCASE COVER |
| | H158518 | DECAL | 1 | 665101- | "IMPORTANT" REMOVE STRIPPER EXTENSIONS |
| | H173327 | LABEL | 2 | | SPANISH "OIL FILL LEVEL" ON GEARCASE COVER |
| 5 | AH144615 | KIT | 1 | | ENGLISH (CONTAINS ALL DECALS EXCEPT MODEL DESIGNATION) |
| .. | AH144616 | KIT | 1 | | FRENCH, INCLUDES PARTS MARKED (A) |

SAFETY AND INSTRUCTIONAL DECAL LOCATIONS - REAR
 HP8897 -UN-12AUG99



HP8897

4

SAFETY AND INSTRUCTIONAL DECAL LOCATIONS - REAR - CONTINUED

| KEY | PART NO. | PART NAME | QTY | SERIAL NO. | REMARKS |
|-----|----------|-----------|-----|------------|--|
| 1A | JD5902 | REFLECTOR | 2 | | RED - ON REAR OF BOTH OUTSIDE FENDERS |
| 1B | JD5920 | REFLECTOR | 6 | XXXXXX- | RED - FOR LIGHT BRACKET |
| 2 | JD5922 | REFLECTOR | 6 | | ORANGE |
| 3 | H158518 | DECAL | 1 | | "IMPORTANT" REMOVE STRIPPER EXTENTIONS |
| 4 | AH144615 | KIT | 1 | | ENGLISH (CONTAINS ALL DECALS EXCEPT MODEL DESIGNATION) |
| 5 | H149041 | DECAL | 4 | | "CAUTION" TWO ON SHIPPING CHANNELS BY LIFT HOOKS, ONE ON BOTTOM CENTER, ONE ON CROSS AUGER COVER NEAR CENTER (1293 ONLY) |
| | H150613 | DECAL | 4 | | (A) FRENCH "ATTENTION" SHIPPING INSTRUCTIONS |
| | H159340 | DECAL | 4 | | SPANISH "ATTENTION" SHIPPING INSTRUCTIONS |
| 6 | H150135 | LABEL | 1 | | "IMPORTANT" TIRE REQUIREMENT - TO RIGHT-HAND SIDE OF CROSS AUGER COVER ON TOP OF MAIN FRAME (1293 ONLY) |
| | H150612 | LABEL | 1 | | (A) FRENCH "IMPORTANT" TIRE REQUIREMENT |
| 7 | E82514 | LABEL | AR | | "DANGER" DRIVE LINE ENTANGLEMENT - ON BACK SHAFT DRIVE LINE BEARING SHIELD (494 - 1 USED ON R.H. SHIELD; 693, 694, 893, 894 AND 1293 - 2 USED, ONE ON L.H. SHIELD AND ONE ON R.H. SHIELD) |
| | E82513 | LABEL | AR | | (A) FRENCH "DANGER" DRIVE LINE ENTANGLEMENT |
| | H151673 | LABEL | AR | | DRIVE LINE ENTANGLEMENT (PICTOGRAM) |
| | H159339 | LABEL | AR | | SPANISH "DANGER" DRIVE LINE ENTANGLEMENT |
| 8 | E82510 | LABEL | 2 | | "CAUTION" KEEP ALL SHIELDS IN PLACE - ABOVE AMBER REFLECTOR, ON TOP OF MAIN FRAME, ON L.H. SIDE, ON ALL MACHINES EXCEPT 493 AND 494, ON R.H. SIDE |
| | E82575 | LABEL | 2 | | (A) FRENCH "CAUTION" KEEP ALL SHIELDS IN PLACE |
| | H156231 | LABEL | 2 | | SPANISH "CAUTION" KEEP ALL SHIELDS IN PLACE |
| 9 | JD5921 | REFLECTOR | 2 | | AMBER - ON LEFT-HAND FRONT TUBE ON MAIN FRAME AND ON FRONT OF MARKER LIGHTS |
| 10 | H149658 | LABEL | 1 | | (SUB H150695) "LUBE CHART" - POSITION ON REAR BACK SHEET, 210 MM BELOW TOP BEAM AND 93 MM IN FROM L.H. END SHEET (493 -655206, 494 -655353, 594 -655403, 693 -656016, 693SH -655511, 694 -655603, 893 -656060, 894 -655742 AND 1293 -655795) |
| | H150695 | LABEL | 1 | -660666 | "LUBE CHART" POSITION ON REAR OF BACKSHEET, 210 MM BELOW TOP BEAM AND 93 MM IN FROM L.H. END SHEET |
| | H151669 | LABEL | 1 | 660667- | "LUBE CHART" POSITION ON REAR OF BACKSHEET, 210 MM BELOW TOP BEAM AND 93 MM IN FROM L.H. END SHEET |
| 11 | H149059 | SIGN | 2 | -660200 | "DANGER" ROLLS IN GATHERING UNITS - LOCATE ON FRONT SIDE OF BACKSHEET ON L.H. AND R.H. SIDE |
| | H151336 | SIGN | 2 | 660201- | "DANGER" ROLLS IN GATHERING UNITS |
| | H149060 | SIGN | 2 | | (A) FRENCH "DANGER" ROLLS IN GATHERING UNITS |
| | H151672 | LABEL | 2 | | "DANGER" (PICTOGRAM) |
| | H159346 | SIGN | 2 | | SPANISH "DANGER" ROLLS IN GATHERING UNITS |
| 12 | H136751 | DECAL | 1 | | "HEADER LATCH PINS" POSITION ON LOWER REAR BACKSHEET NEAR UPRIGHT ON L.H. SIDE OF CENTER OPENING (NOT USED ON 493) |
| | H138948 | DECAL | 1 | | (A) FRENCH "HEADER LATCH PINS" |
| | H173325 | LABEL | 1 | | SPANISH "HEADER LATCH PINS" |
| 13 | H150281 | LABEL | 2 | | "WARNING" AVOID CRUSHING INJURIES - LOCATE 195 MM DOWN FROM UNDERSIDE OF TOP BEAM NEXT TO UPRIGHT ON BOTH SIDES OF CENTER OPENING (1293 ONLY) |
| | H150607 | LABEL | 2 | | (A) FRENCH "WARNING" AVOID CURSHING INJURIES |
| | H159345 | SIGN | 2 | | SPANISH "WARNING" AVOID CURSHING INJURIES |
| .. | AH144616 | KIT | 1 | | FRENCH, INCLUDES PARTS MARKED (A) |

MEMORANDA

NUMERICAL INDEX

| PART NO. | GRID | KEY | PAGE | PART NO. | GRID | KEY | PAGE | PART NO. | GRID | KEY | PAGE |
|----------|------|-----|------|----------|------|-----|------|----------|------|-----|------|
| AD2062R | D24 | 3 | 99 | AH140238 | D2 | 10 | 77 | AH143115 | D2 | 9 | 77 |
| AE23516 | E8 | 22 | 107 | AH140239 | D2 | 10 | 77 | AH143117 | D2 | 10 | 77 |
| AE23516 | E18 | 11 | 118 | AH140240 | D2 | 10 | 77 | AH143118 | D8 | 20 | 83 |
| AE23516 | E18 | 12 | 118 | AH140245 | D12 | 1 | 87 | AH143119 | D8 | 8 | 83 |
| AE23516 | E19 | 4 | 120 | AH140246 | D12 | 1 | 87 | AH143130 | C19 | 1 | 69 |
| AE23516 | E20 | 10 | 121 | AH140247 | D12 | 1 | 87 | AH143131 | C13 | 33 | 63 |
| AE23516 | E22 | 4 | 123 | AH140248 | D12 | 1 | 87 | AH143131 | C17 | 33 | 67 |
| AE27909 | C7 | 9 | 57 | AH140249 | D12 | 1 | 87 | AH143131 | C19 | 2 | 69 |
| AE27909 | C9 | 36B | 59 | AH140250 | D12 | 1 | 87 | AH143132 | C13 | 33 | 63 |
| AE27909 | C11 | 5 | 61 | AH140251 | D12 | 1 | 87 | AH143132 | C17 | 33 | 67 |
| AE27909 | C15 | 5 | 65 | AH140299 | B10 | 5 | 33 | AH143133 | C13 | 33 | 63 |
| AE27909 | C15 | 24B | 65 | AH140825 | B10 | 4 | 33 | AH143133 | C17 | 33 | 67 |
| AE27909 | C19 | 17 | 69 | AH140827 | B19 | 2 | 43 | AH143134 | C13 | 33 | 63 |
| AE50072 | E22 | 8 | 123 | AH141138 | E22 | 17 | 123 | AH143134 | C17 | 33 | 67 |
| AE50072 | E22 | 13 | 123 | AH141139 | E8 | 29 | 107 | AH143135 | C13 | 33 | 63 |
| AE50072 | E22 | .. | 123 | AH141172 | C23 | 1 | 73 | AH143135 | C17 | 33 | 67 |
| AH101219 | B6 | 21 | 29 | AH141172 | E12 | 22 | 111 | AH143137 | C9 | 21 | 59 |
| AH101219 | B8 | 21 | 31 | AH141173 | C23 | 1 | 73 | AH143138 | C9 | 21 | 59 |
| AH103599 | D8 | 13 | 83 | AH141173 | E12 | 22 | 111 | AH143139 | C11 | 32 | 61 |
| AH106612 | D24 | .. | 99 | AH141176 | C21 | 11 | 71 | AH143141 | C11 | 32 | 61 |
| AH111501 | C7 | 14 | 57 | AH141176 | E8 | 11 | 107 | AH143143 | C11 | 32 | 61 |
| AH111501 | C11 | 9 | 61 | AH141236 | E22 | 1 | 123 | AH143146 | E2 | 8 | 101 |
| AH111501 | C19 | 13 | 69 | AH141237 | E22 | 5 | 123 | AH143147 | E2 | 8 | 101 |
| AH113341 | C7 | 4 | 57 | AH141238 | E22 | 7 | 123 | AH143148 | E2 | 8 | 101 |
| AH113341 | D2 | 4 | 77 | AH141239 | E22 | 11 | 123 | AH143149 | E2 | 8 | 101 |
| AH113341 | D8 | 4 | 83 | AH141240 | E22 | 14 | 123 | AH143150 | E2 | 8 | 101 |
| AH114105 | D8 | 23 | 83 | AH141241 | E22 | 12 | 123 | AH143151 | E2 | 8 | 101 |
| AH114109 | D20 | 6 | 95 | AH141242 | E22 | 15 | 123 | AH143151 | E4 | 8 | 103 |
| AH114829 | C11 | 8 | 61 | AH141243 | E8 | 28 | 107 | AH143151 | E6 | 8 | 105 |
| AH114829 | C15 | 9 | 65 | AH141244 | E8 | 27 | 107 | AH143155 | E2 | 8 | 101 |
| AH114829 | E2 | 2 | 101 | AH141245 | E8 | 26 | 107 | AH143155 | E4 | 8 | 103 |
| AH114829 | E15 | 3 | 115 | AH141246 | E8 | 19 | 107 | AH143155 | E6 | 8 | 105 |
| AH114829 | E17 | 3 | 117 | AH141247 | E8 | 15 | 107 | AH143159 | C13 | 33 | 63 |
| AH114830 | C11 | 9 | 61 | AH141248 | E8 | 23 | 107 | AH143159 | C17 | 33 | 67 |
| AH114830 | C15 | 9 | 65 | AH141293 | C21 | 2 | 71 | AH143225 | C19 | 19 | 69 |
| AH114830 | E15 | 3 | 115 | AH141293 | C23 | 10 | 73 | AH143225 | D16 | 4 | 91 |
| AH114830 | E17 | 3 | 117 | AH141293 | E8 | 2 | 107 | AH143227 | C9 | 29 | 59 |
| AH114882 | B19 | 4 | 43 | AH141293 | E12 | 10 | 111 | AH143227 | C11 | 26 | 61 |
| AH114886 | C11 | 7 | 61 | AH141294 | C21 | 2 | 71 | AH143227 | C15 | 26 | 65 |
| AH115426 | E24 | 14 | 125 | AH141294 | C23 | 10 | 73 | AH143313 | B6 | 15 | 29 |
| AH119746 | E24 | 21 | 125 | AH141294 | E12 | 10 | 111 | AH143319 | E25 | 2A | 126 |
| AH121564 | E24 | 6 | 125 | AH141298 | C23 | 13 | 73 | AH143375 | D20 | 2 | 95 |
| AH121565 | E24 | 15 | 125 | AH141298 | E12 | 16 | 111 | AH143375 | D22 | 1 | 97 |
| AH121566 | E24 | 2 | 125 | AH141626 | A14 | 11 | 13 | AH143376 | D20 | 2 | 95 |
| AH122922 | E24 | 11 | 125 | AH141627 | A14 | 11 | 13 | AH143376 | D22 | 1 | 97 |
| AH124998 | C7 | 6 | 57 | AH141628 | A18 | 21 | 17 | AH143462 | A20 | 3A | 19 |
| AH124998 | C11 | 7 | 61 | AH141629 | A18 | 21 | 17 | AH143463 | A20 | 3A | 19 |
| AH124998 | C19 | 9 | 69 | AH141630 | A12 | 22 | 11 | AH143463 | A24 | 16 | 23 |
| AH124998 | E12 | 13 | 111 | AH141631 | A12 | 22 | 11 | AH143495 | C21 | 14 | 71 |
| AH124999 | C7 | 5 | 57 | AH141632 | A10 | 7 | 9 | AH143496 | C23 | 12 | 73 |
| AH124999 | C11 | 8 | 61 | AH141809 | C21 | 11 | 71 | AH143881 | B25 | 12 | 49 |
| AH124999 | C19 | 10 | 69 | AH141854 | D22 | 4 | 97 | AH143881 | C2 | 13 | 51 |
| AH124999 | C21 | 7 | 71 | AH141985 | E10 | 1 | 109 | AH144006 | D10 | 1 | 85 |
| AH124999 | E2 | 2 | 101 | AH141986 | E10 | 1 | 109 | AH144082 | D8 | 18 | 83 |
| AH124999 | E8 | 7 | 107 | AH141989 | E12 | 12 | 111 | AH144190 | C5 | .. | 55 |
| AH124999 | E12 | 14 | 111 | AH143040 | E8 | 14 | 107 | AH144191 | C5 | .. | 55 |
| AH126377 | E2 | 9 | 101 | AH143041 | E12 | 12 | 111 | AH144523 | E20 | 9 | 121 |
| AH126377 | E4 | 9 | 103 | AH143042 | E12 | 12 | 111 | AH144615 | F3 | 5 | 129 |
| AH126377 | E6 | 9 | 105 | AH143043 | E12 | 12 | 111 | AH144615 | F5 | 4 | 131 |
| AH128240 | B17 | 7 | 41 | AH143044 | E12 | 12 | 111 | AH144616 | F3 | .. | 129 |
| AH134252 | D24 | 2 | 99 | AH143069 | E2 | 22 | 101 | AH144616 | F5 | .. | 131 |
| AH134684 | D16 | 11 | 91 | AH143076 | B14 | 5 | 37 | AH144716 | A12 | 3 | 11 |
| AH134685 | D16 | 11 | 91 | AH143078 | B14 | 1 | 37 | AH144726 | D10 | 17 | 85 |
| AH136671 | B6 | .. | 29 | AH143100 | C9 | 29 | 59 | AH144744 | D10 | 16 | 85 |
| AH136671 | B8 | 13 | 31 | AH143100 | C15 | 26 | 65 | AH144751 | B14 | 1 | 37 |
| AH140236 | D2 | 10 | 77 | AH143114 | D2 | 9 | 77 | AH144751 | B21 | 1 | 45 |
| AH140237 | D2 | 10 | 77 | AH143114 | D8 | 6 | 83 | AH144751 | B23 | 30 | 47 |

NUMERICAL INDEX - CONTINUED

| PART NO. | GRID | KEY | PAGE | PART NO. | GRID | KEY | PAGE | PART NO. | GRID | KEY | PAGE |
|----------|------|-----|------|----------|------|-----|------|----------|------|-----|------|
| AH144761 | D20 | 2 | 95 | AH145940 | D2 | 4 | 77 | AH150675 | D8 | 8 | 83 |
| AH144761 | D22 | 1 | 97 | AH145940 | D8 | 4 | 83 | AH150698 | B14 | 5 | 37 |
| AH144817 | A12 | 22 | 11 | AH145941 | C9 | 37 | 59 | AH150698 | B21 | 11 | 45 |
| AH144818 | A12 | 22 | 11 | AH145941 | C15 | 23 | 65 | AH150698 | B23 | 26 | 47 |
| AH144858 | D12 | 1 | 87 | AH145983 | C15 | 9 | 65 | AH151640 | B15 | 9 | 38 |
| AH144866 | D12 | 1 | 87 | AH145983 | E13 | 3 | 113 | AH151961 | D2 | 10 | 77 |
| AH145269 | A10 | 7 | 9 | AH145983 | E14 | 3 | 114 | AH152116 | E2 | 8 | 101 |
| AH145271 | A12 | 22 | 11 | AH145983 | E15 | 3 | 115 | AH152117 | E8 | 14 | 107 |
| AH145272 | A12 | 22 | 11 | AH145984 | C7 | 6 | 57 | AH152118 | C17 | 32 | 67 |
| AH145466 | C11 | 32 | 61 | AH145984 | C15 | 7 | 65 | AH152119 | C17 | 33 | 67 |
| AH145466 | C17 | 32 | 67 | AH145984 | C19 | 9 | 69 | AH155077 | E20 | 6 | 121 |
| AH145468 | C17 | 32 | 67 | AH145984 | E12 | 13 | 111 | AH155215 | D19 | 3 | 94 |
| AH145471 | D2 | 10 | 77 | AH145985 | C15 | 8 | 65 | AH155216 | D19 | 3 | 94 |
| AH145478 | E15 | 10 | 115 | AH145985 | E12 | 13 | 111 | AH155397 | D19 | 6 | 94 |
| AH145479 | E15 | 10 | 115 | AH145986 | C15 | 8 | 65 | AH156624 | D8 | 20 | 83 |
| AH145771 | C9 | 21 | 59 | AH145987 | C15 | 7 | 65 | AH156625 | D8 | 8 | 83 |
| AH145772 | C9 | 21 | 59 | AH145988 | B6 | 15 | 29 | AH158243 | A12 | 22 | 11 |
| AH145774 | C11 | 32 | 61 | AH145988 | B10 | 7 | 33 | AH158244 | A12 | 22 | 11 |
| AH145774 | C17 | 32 | 67 | AH146147 | A24 | 1 | 23 | AH158245 | A10 | 7 | 9 |
| AH145775 | C11 | 32 | 61 | AH146148 | A24 | 2 | 23 | AH158247 | A12 | 24 | 11 |
| AH145775 | C17 | 32 | 67 | AH146188 | A14 | 11 | 13 | AH158945 | B19 | 2 | 43 |
| AH145776 | C11 | 32 | 61 | AH146224 | D6 | 9 | 81 | AH158945 | B23 | 2 | 47 |
| AH145776 | C17 | 32 | 67 | AH146225 | D6 | 9 | 81 | AH159809 | B4 | 8 | 27 |
| AH145777 | C11 | 32 | 61 | AH146226 | D6 | 9 | 81 | AH159828 | B2 | 7 | 25 |
| AH145777 | C17 | 32 | 67 | AH146332 | A24 | 3 | 23 | AH159830 | A16 | 16 | 15 |
| AH145779 | C19 | 1 | 69 | AH146346 | A22 | 1 | 21 | AH159837 | A16 | 9 | 15 |
| AH145782 | C13 | 33 | 63 | AH146347 | A22 | 2 | 21 | AH159841 | A16 | 13 | 15 |
| AH145782 | C17 | 33 | 67 | AH146441 | C5 | 1 | 55 | AH159849 | A16 | 18 | 15 |
| AH145782 | C19 | 2 | 69 | AH146490 | A22 | 3 | 21 | AH159850 | A16 | 15 | 15 |
| AH145783 | C13 | 33 | 63 | AH146566 | B6 | 15 | 29 | AH160063 | A22 | 1 | 21 |
| AH145783 | C17 | 33 | 67 | AH146567 | B19 | 12 | 43 | AH160065 | A14 | 13 | 13 |
| AH145784 | C13 | 33 | 63 | AH146577 | A14 | 11 | 13 | AH160065 | A18 | 21 | 17 |
| AH145784 | C17 | 33 | 67 | AH146578 | A10 | 7 | 9 | AH160066 | A14 | 13 | 13 |
| AH145785 | C13 | 33 | 63 | AH146578 | A10 | 22 | 9 | AH160066 | A18 | 21 | 17 |
| AH145785 | C17 | 33 | 67 | AH147106 | B15 | 9 | 38 | AH160067 | A24 | 2 | 23 |
| AH145786 | C13 | 33 | 63 | AH147345 | A12 | 3 | 11 | AH160068 | A12 | 22 | 11 |
| AH145786 | C17 | 33 | 67 | AH147361 | D2 | 10 | 77 | AH160069 | A12 | 22 | 11 |
| AH145787 | E2 | 8 | 101 | AH147422 | C17 | 32 | 67 | AH161690 | D20 | 2 | 95 |
| AH145787 | E4 | 8 | 103 | AH147423 | C17 | 33 | 67 | AH161691 | D20 | 2 | 95 |
| AH145787 | E6 | 8 | 105 | AH147424 | E2 | 8 | 101 | AH161692 | D20 | 2 | 95 |
| AH145788 | E2 | 8 | 101 | AH147425 | E12 | 12 | 111 | AH162404 | D12 | 1 | 87 |
| AH145788 | E4 | 8 | 103 | AH147425 | E15 | 10 | 115 | AH162404 | E13 | 1 | 113 |
| AH145788 | E6 | 8 | 105 | AH147693 | C7 | 4 | 57 | AH162405 | D12 | 1 | 87 |
| AH145789 | E2 | 8 | 101 | AH147693 | C15 | 22 | 65 | AH162405 | E13 | 1 | 113 |
| AH145790 | E2 | 8 | 101 | AH147693 | D2 | 4 | 77 | AH162406 | D12 | 1 | 87 |
| AH145792 | E2 | 8 | 101 | AH147693 | D8 | 4 | 83 | AH162406 | E14 | 1 | 114 |
| AH145793 | E2 | 8 | 101 | AH147697 | C9 | 37 | 59 | AH162407 | D12 | 1 | 87 |
| AH145795 | E8 | 14 | 107 | AH147697 | C15 | 23 | 65 | AH162407 | E14 | 1 | 114 |
| AH145795 | E13 | 10 | 113 | AH147773 | B10 | 5 | 33 | AH162408 | D12 | 1 | 87 |
| AH145796 | E12 | 12 | 111 | AH148005 | C23 | 1 | 73 | AH162408 | E15 | 1 | 115 |
| AH145796 | E14 | 10 | 114 | AH148005 | E12 | 22 | 111 | AH162409 | D12 | 1 | 87 |
| AH145797 | E12 | 12 | 111 | AH148006 | C23 | 1 | 73 | AH162410 | D12 | 1 | 87 |
| AH145797 | E15 | 10 | 115 | AH148006 | E12 | 22 | 111 | AH162410 | E15 | 1 | 115 |
| AH145798 | E12 | 12 | 111 | AH148501 | D2 | 10 | 77 | AH162411 | D12 | 1 | 87 |
| AH145798 | E15 | 10 | 115 | AH148502 | D2 | 10 | 77 | AH162411 | E15 | 1 | 115 |
| AH145799 | E12 | 12 | 111 | AH148503 | D2 | 10 | 77 | AH162412 | D12 | 1 | 87 |
| AH145799 | E15 | 10 | 115 | AH148504 | D2 | 10 | 77 | AH162412 | E15 | 1 | 115 |
| AH145800 | E12 | 12 | 111 | AH148505 | D2 | 10 | 77 | AH162413 | D12 | 1 | 87 |
| AH145800 | E17 | 10 | 117 | AH148769 | C5 | 29 | 55 | AH162413 | E15 | 1 | 115 |
| AH145801 | C21 | 14 | 71 | AH149178 | A20 | 3B | 19 | AH162414 | D12 | 1 | 87 |
| AH145802 | C17 | 32 | 67 | AH149185 | B21 | 7 | 45 | AH162414 | E15 | 1 | 115 |
| AH145803 | C13 | 33 | 63 | AH149185 | B23 | 13 | 47 | AH162415 | D12 | 1 | 87 |
| AH145803 | C17 | 33 | 67 | AH149893 | A14 | 13 | 13 | AH162415 | E15 | 1 | 115 |
| AH145850 | C23 | 12 | 73 | AH149894 | A14 | 13 | 13 | AH162416 | D12 | 1 | 87 |
| AH145893 | E2 | 8 | 101 | AH150330 | B19 | 12 | 43 | AH162416 | E17 | 1 | 117 |
| AH145940 | C7 | 4 | 57 | AH150331 | B23 | 12 | 47 | AH163087 | D19 | 4 | 94 |
| AH145940 | C15 | 22 | 65 | AH150674 | D8 | 20 | 83 | AH163088 | D19 | 4 | 94 |

NUMERICAL INDEX - CONTINUED

| PART NO. | GRID | KEY | PAGE | PART NO. | GRID | KEY | PAGE | PART NO. | GRID | KEY | PAGE |
|----------|------|-----|------|----------|------|-----|------|----------|------|-----|------|
| AH163273 | E14 | 13 | 114 | AN100721 | B8 | 10 | 31 | BH81506 | A24 | .. | 23 |
| AH164246 | E13 | 12 | 113 | AN100722 | B8 | 9 | 31 | BH81800 | D8 | .. | 83 |
| AH164483 | B2 | 1 | 25 | AN100725 | B8 | 12 | 31 | BH81804 | E18 | .. | 118 |
| AH164497 | D19 | 1 | 94 | AN102001 | B25 | 12 | 49 | BH81805 | E18 | .. | 118 |
| AH164499 | D24 | 4 | 99 | AN102004 | C5 | 1 | 55 | BH81842 | F1 | .. | 127 |
| AH164670 | E19 | 15 | 120 | AN102006 | C5 | 10 | 55 | BH81858 | B2 | .. | 25 |
| AH164671 | E19 | 15 | 120 | AN102009 | B8 | 13 | 31 | BH81858 | B4 | .. | 27 |
| AH164785 | D19 | 11 | 94 | AN102010 | C7 | 16 | 57 | BH81870 | F1 | .. | 127 |
| AH164791 | D20 | .. | 95 | AN102010 | C11 | 11 | 61 | BP12946 | E8 | 21 | 107 |
| AH164909 | E20 | 8 | 121 | AN102010 | C15 | 11 | 65 | BP12946 | E18 | 12 | 118 |
| AH164910 | E20 | 1 | 121 | AN102010 | C19 | 15 | 69 | BP12946 | E19 | 3 | 120 |
| AH164911 | E20 | 3 | 121 | AN102010 | C21 | 10 | 71 | BP12946 | E20 | 12 | 121 |
| AH164912 | E20 | 5 | 121 | AN102010 | C23 | 8 | 73 | BP12946 | E22 | 3 | 123 |
| AH165088 | A16 | 10 | 15 | AN102010 | D2 | 3 | 77 | C17964 | C5 | 19 | 55 |
| AH165695 | B17 | 12 | 41 | AN102010 | D8 | 3 | 83 | C17964 | C5 | 36 | 55 |
| AH165708 | D8 | 18 | 83 | AN102010 | D8 | 12 | 83 | C3994E | C7 | 15 | 57 |
| AH166082 | E19 | 5 | 120 | AN102010 | E2 | 4 | 101 | C3994E | C11 | 10 | 61 |
| AH166083 | E19 | 7 | 120 | AN102010 | E4 | 4 | 103 | C3994E | E2 | 3 | 101 |
| AH166084 | E19 | 11 | 120 | AN102010 | E6 | 4 | 105 | C3994E | E8 | 9 | 107 |
| AH166085 | E19 | 8 | 120 | AN102010 | E8 | 10 | 107 | C3994E | E10 | 7 | 109 |
| AH166086 | E19 | 5 | 120 | AN102010 | E10 | 8 | 109 | E42803 | C9 | 38A | 59 |
| AH166087 | E19 | 7 | 120 | AN102010 | E13 | 5 | 113 | E42803 | C15 | 21A | 65 |
| AH166088 | E19 | 11 | 120 | AN102010 | E14 | 5 | 114 | E54212 | E22 | .. | 123 |
| AH166089 | E19 | 8 | 120 | AN102010 | E15 | 5 | 115 | E54809 | D8 | 17 | 83 |
| AH166180 | D20 | .. | 95 | AN102010 | E17 | 5 | 117 | E55662 | D8 | 16 | 83 |
| AH166272 | B19 | 5 | 43 | AN102027 | C7 | 5 | 57 | E62951 | E2 | 15 | 101 |
| AH166272 | B23 | 5 | 47 | AN102027 | C7 | 14 | 57 | E62951 | E2 | 25 | 101 |
| AH166295 | B4 | 9 | 27 | AN102027 | C15 | 9 | 65 | E62951 | E4 | 15 | 103 |
| AH166496 | E25 | 2B | 126 | AN102027 | C19 | 10 | 69 | E62951 | E6 | 15 | 105 |
| AH166625 | A16 | 26 | 15 | AN102027 | C19 | 13 | 69 | E62951 | E18 | 4 | 118 |
| AH166626 | A16 | 26 | 15 | AN102027 | E2 | 2 | 101 | E77106 | E22 | .. | 123 |
| AH167439 | D12 | 1 | 87 | AN102027 | E4 | 2 | 103 | E80242 | A10 | 6 | 9 |
| AH167979 | E18 | 7 | 118 | AN102027 | E6 | 2 | 105 | E80242 | A12 | 4 | 11 |
| AH167981 | E18 | 7 | 118 | AN102027 | E8 | 7 | 107 | E80242 | A14 | 6 | 13 |
| AH167995 | E18 | .. | 118 | AN102027 | E12 | 14 | 111 | E80242 | A22 | 10 | 21 |
| AH168445 | E19 | 15 | 120 | AN102027 | E14 | 3 | 114 | E80242 | A24 | 10 | 23 |
| AH168809 | D10 | 17 | 85 | AN102027 | E15 | 3 | 115 | E80242 | E19 | 16 | 120 |
| AH169592 | F1 | 6 | 127 | AN102266 | B25 | 5 | 49 | E82510 | F5 | 8 | 131 |
| AH169593 | F1 | 7 | 127 | AN102266 | C2 | 6 | 51 | E82513 | F5 | 7 | 131 |
| AH169594 | F1 | 8 | 127 | AN102342 | C7 | 4 | 57 | E82514 | C21 | 1 | 71 |
| AH80490 | C5 | 35 | 55 | AN102342 | C11 | 22 | 61 | E82514 | C23 | 9 | 73 |
| AH83654 | C9 | 36A | 59 | AN102342 | D2 | 4 | 77 | E82514 | E8 | 1 | 107 |
| AH83654 | C11 | 24 | 61 | AN102342 | D8 | 4 | 83 | E82514 | E10 | 9 | 109 |
| AH83654 | C15 | 24A | 65 | AN102383 | E2 | 21 | 101 | E82514 | F5 | 7 | 131 |
| AH83880 | C5 | 29 | 55 | AN102499 | C11 | 23 | 61 | E82575 | F5 | 8 | 131 |
| AH84853 | B25 | 7 | 49 | AN102511 | C5 | 12 | 55 | G6579E | C9 | 28 | 59 |
| AH84853 | C2 | 8 | 51 | AN102534 | C3 | 4 | 52 | G6579E | C15 | 25 | 65 |
| AH87787 | C5 | 27 | 55 | AN102554 | B8 | 11 | 31 | H100246 | B15 | 7 | 38 |
| AH89429 | C9 | 36C | 59 | AN102562 | C5 | 34 | 55 | H100669 | D4 | 1 | 79 |
| AH89429 | C9 | 38B | 59 | AN70860 | C11 | 5 | 61 | H101276 | C9 | 24 | 59 |
| AH89429 | C15 | 21B | 65 | AN70860 | C15 | 5 | 65 | H101276 | C17 | 30 | 67 |
| AH89429 | C15 | 24C | 65 | AN71326 | C5 | 8 | 55 | H101677 | C9 | 26 | 59 |
| AH89557 | A16 | 27 | 15 | AR62407 | B19 | 4 | 43 | H101677 | C15 | 29 | 65 |
| AH89557 | B2 | 3 | 25 | AR62407 | B23 | 4 | 47 | H103265 | E10 | 7 | 109 |
| AH89557 | B14 | 15 | 37 | AW24500 | E24 | 7 | 125 | H103382 | D8 | 14 | 83 |
| AH89557 | D20 | 1 | 95 | A31867 | C9 | 34 | 59 | H104090 | B25 | 1 | 49 |
| AH89557 | D24 | 1 | 99 | A31867 | C25 | 6 | 75 | H104091 | B25 | 18 | 49 |
| AH90990 | B14 | 16 | 37 | A34723 | C9 | 38B | 59 | H105143 | D4 | 1 | 79 |
| AH90990 | D24 | 7 | 99 | A34723 | C9 | 38C | 59 | H105144 | D4 | 1 | 79 |
| AH91784 | E2 | 19 | 101 | A34723 | C15 | 21B | 65 | H105145 | D6 | 9 | 81 |
| AH91784 | E4 | 19 | 103 | A34723 | C15 | 21C | 65 | H105146 | D6 | 9 | 81 |
| AH91784 | E6 | 19 | 105 | BH80260 | C2 | .. | 51 | H105561 | D10 | 14 | 85 |
| AH91784 | E18 | 2 | 118 | BH81180 | A10 | .. | 9 | H105622 | B6 | 22 | 29 |
| AH93577 | C5 | 24 | 55 | BH81180 | D19 | .. | 94 | H105622 | B8 | 22 | 31 |
| AH98784 | C9 | 37 | 59 | BH81378 | D19 | .. | 94 | H105623 | C5 | 15 | 55 |
| AH98784 | C11 | 23 | 61 | BH81504 | A22 | .. | 21 | H107779 | C5 | 17 | 55 |
| AM35457 | D19 | 9 | 94 | BH81505 | A24 | .. | 23 | H108285 | D18 | 17 | 93 |

NUMERICAL INDEX - CONTINUED

| PART NO. | GRID | KEY | PAGE | PART NO. | GRID | KEY | PAGE | PART NO. | GRID | KEY | PAGE |
|----------|------|-----|------|----------|------|-----|------|----------|------|-----|------|
| H110115 | C7 | 8 | 57 | H135176 | E4 | 6 | 103 | H146448 | D14 | 6 | 89 |
| H110115 | C11 | 4 | 61 | H135176 | E6 | 6 | 105 | H146449 | D14 | 12 | 89 |
| H110115 | C15 | 4 | 65 | H135176 | E8 | 13 | 107 | H146450 | D14 | 9 | 89 |
| H110115 | C19 | 8 | 69 | H135176 | E12 | 17 | 111 | H146489 | A10 | 1 | 9 |
| H110115 | C25 | 8 | 75 | H135176 | E13 | 7 | 113 | H146489 | A14 | 1 | 13 |
| H112654 | C9 | 23 | 59 | H135176 | E14 | 9 | 114 | H146489 | A22 | 40 | 21 |
| H112654 | C11 | 31 | 61 | H135176 | E15 | 7 | 115 | H146489 | A24 | 15 | 23 |
| H112654 | C17 | 31 | 67 | H135176 | E17 | 6 | 117 | H146502 | A20 | 5 | 19 |
| H112895 | D18 | 19 | 93 | H135198 | C9 | 27 | 59 | H146502 | D6 | 6 | 81 |
| H115425 | C3 | 14 | 52 | H135198 | C11 | 28 | 61 | H146503 | A20 | 5 | 19 |
| H117229 | B17 | 5 | 41 | H135198 | C15 | 28 | 65 | H146503 | D6 | 6 | 81 |
| H118166 | B19 | 3 | 43 | H135199 | E2 | 10 | 101 | H146509 | D6 | 8 | 81 |
| H118166 | B23 | 3 | 47 | H135222 | E18 | 8 | 118 | H146512 | A20 | 6 | 19 |
| H120800 | B19 | 10 | 43 | H135342 | E2 | 16 | 101 | H146512 | D6 | 8 | 81 |
| H120800 | B23 | 10 | 47 | H135342 | E4 | 16 | 103 | H146684 | C9 | 22 | 59 |
| H120801 | B19 | 14 | 43 | H135342 | E6 | 16 | 105 | H146880 | B6 | 16 | 29 |
| H120801 | B23 | 14 | 47 | H136110 | D19 | 10 | 94 | H146880 | B10 | 9 | 33 |
| H121862 | B17 | 9 | 41 | H136751 | D16 | 6 | 91 | H146881 | B6 | 16 | 29 |
| H123344 | C7 | 10 | 57 | H136751 | F5 | 12 | 131 | H146881 | B10 | 9 | 33 |
| H123344 | C19 | 26 | 69 | H136893 | D20 | 7A | 95 | H146882 | A18 | 1 | 17 |
| H123344 | C25 | 11 | 75 | H137031 | D20 | 5 | 95 | H146882 | A24 | 19 | 23 |
| H127733 | E2 | 26 | 101 | H137101 | A18 | 22 | 17 | H147018 | B12 | 2 | 35 |
| H128041 | B17 | 6 | 41 | H137101 | D22 | 2 | 97 | H147019 | B12 | 1 | 35 |
| H128118 | E2 | 23 | 101 | H137143 | D16 | 9 | 91 | H147245 | C21 | 4 | 71 |
| H128999 | B19 | 1 | 43 | H137328 | E25 | 1B | 126 | H147245 | C23 | 4 | 73 |
| H128999 | B23 | 1 | 47 | H137423 | D24 | 5 | 99 | H147245 | E8 | 4 | 107 |
| H129179 | B19 | 9 | 43 | H138948 | F5 | 12 | 131 | H147245 | E10 | 4 | 109 |
| H129179 | B23 | 9 | 47 | H141365 | E24 | 10 | 125 | H147370 | C7 | 8 | 57 |
| H129222 | E24 | 5 | 125 | H141394 | B2 | 2 | 25 | H147370 | C9 | 38B | 59 |
| H130072 | D16 | 12 | 91 | H141850 | A10 | 13 | 9 | H147370 | C9 | 43 | 59 |
| H130074 | D18 | 13 | 93 | H141850 | A14 | 12 | 13 | H147370 | C15 | 4 | 65 |
| H130075 | D16 | 12 | 91 | H141850 | A22 | 12 | 21 | H147370 | C15 | 21B | 65 |
| H130076 | D18 | 13 | 93 | H141850 | A24 | 12 | 23 | H147370 | C17 | 37 | 67 |
| H130077 | D18 | 13 | 93 | H141947 | A18 | 3 | 17 | H147370 | C25 | 7 | 75 |
| H130078 | D18 | 13 | 93 | H141947 | A22 | 21 | 21 | H147467 | E22 | 9 | 123 |
| H130079 | D18 | 13 | 93 | H141947 | A24 | 21 | 23 | H147485 | E8 | 25 | 107 |
| H130080 | D18 | 13 | 93 | H141991 | A10 | 4 | 9 | H147547 | C23 | 6 | 73 |
| H130081 | D18 | 13 | 93 | H141991 | A14 | 5 | 13 | H147547 | E10 | 6 | 109 |
| H130082 | D18 | 13 | 93 | H141991 | A22 | 9 | 21 | H147835 | E10 | 6 | 109 |
| H130083 | D18 | 13 | 93 | H141991 | A24 | 9 | 23 | H147836 | E10 | 6 | 109 |
| H130084 | D18 | 13 | 93 | H144503 | B6 | 5 | 29 | H147950 | A12 | 21 | 11 |
| H130085 | D18 | 13 | 93 | H144503 | B8 | 18 | 31 | H147950 | A18 | 20 | 17 |
| H130086 | D16 | 12 | 91 | H144850 | B12 | 8 | 35 | H148001 | D22 | 10 | 97 |
| H130087 | D18 | 13 | 93 | H145166 | C7 | 11 | 57 | H148121 | A10 | 10 | 9 |
| H130088 | D18 | 13 | 93 | H145166 | C19 | 27 | 69 | H148121 | A14 | 8 | 13 |
| H132700 | D20 | 5 | 95 | H145166 | C25 | 9 | 75 | H148121 | A22 | 5 | 21 |
| H135175 | C9 | 19 | 59 | H145556 | A12 | 5 | 11 | H148121 | A24 | 5 | 23 |
| H135175 | C11 | 2 | 61 | H146158 | B6 | 13 | 29 | H148130 | B6 | 3 | 29 |
| H135175 | C15 | 2 | 65 | H146158 | B10 | 3 | 33 | H148130 | B8 | 4 | 31 |
| H135175 | C19 | 6 | 69 | H146430 | D4 | 4 | 79 | H148160 | A18 | 16 | 17 |
| H135175 | C21 | 12 | 71 | H146431 | D4 | 4 | 79 | H148161 | A18 | 16 | 17 |
| H135175 | E2 | 5 | 101 | H146432 | D4 | 5 | 79 | H148162 | A12 | 18 | 11 |
| H135175 | E4 | 5 | 103 | H146433 | D4 | 5 | 79 | H148163 | A12 | 17 | 11 |
| H135175 | E6 | 5 | 105 | H146434 | D4 | 5 | 79 | H148163 | A18 | 18 | 17 |
| H135175 | E8 | 12 | 107 | H146435 | D4 | 5 | 79 | H148163 | A24 | 4 | 23 |
| H135175 | E12 | 18 | 111 | H146436 | D4 | 5 | 79 | H148179 | A18 | 23 | 17 |
| H135175 | E13 | 6 | 113 | H146437 | D4 | 5 | 79 | H148179 | D22 | 6 | 97 |
| H135175 | E14 | 8 | 114 | H146438 | D4 | 5 | 79 | H148212 | B10 | 6 | 33 |
| H135175 | E15 | 6 | 115 | H146439 | D4 | 5 | 79 | H148222 | A10 | 3 | 9 |
| H135175 | E17 | 7 | 117 | H146440 | D4 | 5 | 79 | H148223 | A14 | 3 | 13 |
| H135176 | C9 | 20 | 59 | H146441 | D4 | 5 | 79 | H148223 | A22 | 13 | 21 |
| H135176 | C11 | 15 | 61 | H146442 | D14 | 6 | 89 | H148223 | A24 | 13 | 23 |
| H135176 | C15 | 15 | 65 | H146443 | D14 | 6 | 89 | H148259 | E10 | 6 | 109 |
| H135176 | C19 | 5 | 69 | H146444 | D14 | 6 | 89 | H148260 | E10 | 6 | 109 |
| H135176 | C21 | 13 | 71 | H146445 | D14 | 6 | 89 | H148273 | A10 | 2 | 9 |
| H135176 | C23 | 14 | 73 | H146446 | D14 | 6 | 89 | H148273 | A14 | 2 | 13 |
| H135176 | E2 | 6 | 101 | H146447 | D14 | 6 | 89 | H148273 | A22 | 14 | 21 |

NUMERICAL INDEX - CONTINUED

| PART NO. | GRID | KEY | PAGE | PART NO. | GRID | KEY | PAGE | PART NO. | GRID | KEY | PAGE |
|----------|------|-----|------|----------|------|-----|------|----------|------|-----|------|
| H148273 | A24 | 14 | 23 | H149506 | B6 | 1 | 29 | H150377 | D4 | 1 | 79 |
| H148313 | A12 | 15 | 11 | H149506 | B8 | 2 | 31 | H150378 | D4 | 1 | 79 |
| H148313 | A18 | 7 | 17 | H149561 | A20 | 2 | 19 | H150379 | D4 | 1 | 79 |
| H148313 | A22 | 25 | 21 | H149561 | A20 | 6 | 19 | H150380 | D6 | 9 | 81 |
| H148313 | A24 | 25 | 23 | H149562 | A20 | 2 | 19 | H150381 | D6 | 9 | 81 |
| H148320 | C2 | 3 | 51 | H149591 | B25 | 3 | 49 | H150382 | D6 | 9 | 81 |
| H148321 | C2 | 20 | 51 | H149591 | C2 | 22 | 51 | H150537 | A10 | 9 | 9 |
| H148431 | A12 | 7 | 11 | H149629 | D2 | 5 | 77 | H150537 | A14 | 7 | 13 |
| H148431 | A18 | 9 | 17 | H149629 | D8 | 9 | 83 | H150537 | A16 | 1 | 15 |
| H148431 | A22 | 27 | 21 | H149658 | F5 | 10 | 131 | H150537 | A22 | 6 | 21 |
| H148431 | A24 | 27 | 23 | H149806 | C19 | 23 | 69 | H150537 | A24 | 6 | 23 |
| H148436 | A10 | 11 | 9 | H149806 | D18 | 16 | 93 | H150538 | A12 | 12 | 11 |
| H148436 | A14 | 9 | 13 | H149806 | F3 | 4 | 129 | H150538 | A18 | 13 | 17 |
| H148436 | A22 | 7 | 21 | H149875 | D20 | 5 | 95 | H150538 | A22 | 34 | 21 |
| H148436 | A24 | 7 | 23 | H149876 | D20 | 5 | 95 | H150538 | A24 | 34 | 23 |
| H148455 | D12 | 4 | 87 | H149891 | B14 | 12 | 37 | H150539 | A12 | 11 | 11 |
| H148456 | D12 | 4 | 87 | H149893 | B14 | 12 | 37 | H150539 | A22 | 33 | 21 |
| H148457 | D12 | 4 | 87 | H149894 | B14 | 8 | 37 | H150540 | A18 | 12 | 17 |
| H148458 | D12 | 4 | 87 | H149895 | B14 | 12 | 37 | H150541 | A18 | 12 | 17 |
| H148459 | D12 | 4 | 87 | H149896 | B14 | 8 | 37 | H150541 | A24 | 33 | 23 |
| H148460 | D12 | 4 | 87 | H149896 | B19 | 22 | 43 | H150607 | F5 | 13 | 131 |
| H148461 | D12 | 4 | 87 | H149896 | B19 | 23 | 43 | H150608 | F3 | 4 | 129 |
| H148481 | B14 | 9 | 37 | H149897 | B14 | 12 | 37 | H150612 | F5 | 6 | 131 |
| H148505 | D14 | 15 | 89 | H149898 | B14 | 8 | 37 | H150613 | F5 | 5 | 131 |
| H148506 | D14 | 15 | 89 | H149899 | B14 | 8 | 37 | H150663 | A20 | 4 | 19 |
| H148507 | D14 | 15 | 89 | H149900 | B14 | 12 | 37 | H150665 | A20 | 2 | 19 |
| H148508 | D14 | 15 | 89 | H149901 | B14 | 8 | 37 | H150665 | A20 | 9 | 19 |
| H148509 | D14 | 15 | 89 | H149902 | B14 | 12 | 37 | H150666 | A20 | 2 | 19 |
| H148562 | C2 | 1 | 51 | H149903 | B14 | 8 | 37 | H150666 | A20 | 9 | 19 |
| H148563 | C2 | 19 | 51 | H149904 | B14 | 12 | 37 | H150666 | A24 | 18 | 23 |
| H148818 | E2 | 24 | 101 | H149904 | B19 | 22 | 43 | H150676 | A12 | 9 | 11 |
| H148835 | C2 | 2 | 51 | H149904 | B19 | 23 | 43 | H150676 | A18 | 10 | 17 |
| H148878 | A12 | 14 | 11 | H149904 | B21 | 5 | 45 | H150676 | A22 | 30 | 21 |
| H148878 | A18 | 5 | 17 | H149904 | B21 | 6 | 45 | H150676 | A24 | 30 | 23 |
| H148878 | A22 | 23 | 21 | H149904 | B23 | 22 | 47 | H150677 | A12 | 9 | 11 |
| H148878 | A24 | 23 | 23 | H149904 | B23 | 23 | 47 | H150677 | A18 | 10 | 17 |
| H149041 | F5 | 5 | 131 | H149904 | B23 | 23 | 47 | H150677 | A18 | 10 | 17 |
| H149059 | D14 | 16 | 89 | H149905 | B14 | 8 | 37 | H150677 | A24 | 30 | 23 |
| H149059 | F3 | 1 | 129 | H149906 | B14 | 12 | 37 | H150690 | C2 | 1 | 51 |
| H149059 | F5 | 11 | 131 | H149907 | B14 | 8 | 37 | H150691 | C2 | 19 | 51 |
| H149060 | F3 | 1 | 129 | H149907 | B19 | 22 | 43 | H150695 | F5 | 10 | 131 |
| H149060 | F5 | 11 | 131 | H149907 | B19 | 23 | 43 | H150814 | D14 | 15 | 89 |
| H149176 | B6 | 14 | 29 | H149907 | B21 | 5 | 45 | H150815 | D14 | 15 | 89 |
| H149176 | B10 | 12 | 33 | H149907 | B23 | 22 | 47 | H150816 | D14 | 15 | 89 |
| H149353 | C19 | 20 | 69 | H149935 | D22 | 9 | 97 | H150817 | D14 | 15 | 89 |
| H149353 | D16 | 3 | 91 | H149952 | B14 | 21 | 37 | H150818 | D14 | 15 | 89 |
| H149361 | C7 | 13 | 57 | H149952 | B19 | 15 | 43 | H150819 | D14 | 15 | 89 |
| H149361 | C11 | 16 | 61 | H149952 | B23 | 15 | 47 | H150820 | D14 | 15 | 89 |
| H149361 | C15 | 16 | 65 | H150018 | B14 | 22 | 37 | H150821 | D12 | 4 | 87 |
| H149361 | C19 | 12 | 69 | H150135 | F5 | 6 | 131 | H150828 | D4 | 4 | 79 |
| H149361 | C21 | 6 | 71 | H150138 | B25 | 1 | 49 | H150829 | D4 | 4 | 79 |
| H149361 | D2 | 1 | 77 | H150139 | B25 | 18 | 49 | H150830 | D4 | 5 | 79 |
| H149361 | D8 | 5 | 83 | H150281 | D14 | 17 | 89 | H150831 | D4 | 5 | 79 |
| H149361 | E2 | 1 | 101 | H150281 | F5 | 13 | 131 | H150832 | D4 | 5 | 79 |
| H149361 | E4 | 1 | 103 | H150293 | A12 | 8 | 11 | H150833 | D4 | 5 | 79 |
| H149361 | E6 | 1 | 105 | H150293 | A18 | 8 | 17 | H150843 | C7 | 15 | 57 |
| H149361 | E8 | 6 | 107 | H150293 | A22 | 26 | 21 | H150843 | C11 | 10 | 61 |
| H149361 | E12 | 15 | 111 | H150293 | A24 | 26 | 23 | H150843 | C15 | 10 | 65 |
| H149361 | E13 | 2 | 113 | H150323 | F3 | 3 | 129 | H150843 | C19 | 14 | 69 |
| H149361 | E14 | 2 | 114 | H150324 | F3 | 3 | 129 | H150843 | C21 | 9 | 71 |
| H149361 | E15 | 2 | 115 | H150325 | F3 | 3 | 129 | H150843 | C23 | 7 | 73 |
| H149361 | E17 | 2 | 117 | H150326 | F3 | 3 | 129 | H150843 | E2 | 3 | 101 |
| H149368 | B14 | 22 | 37 | H150327 | F3 | 3 | 129 | H150843 | E10 | 7 | 109 |
| H149404 | D14 | 15 | 89 | H150328 | F3 | 3 | 129 | H150902 | C9 | 30 | 59 |
| H149405 | D14 | 15 | 89 | H150329 | F3 | 3 | 129 | H150902 | C13 | 34 | 63 |
| H149422 | A18 | 26 | 17 | H150330 | F3 | 3 | 129 | H150902 | C17 | 34 | 67 |
| H149422 | D22 | 3 | 97 | H150348 | D20 | 5 | 95 | H150902 | C19 | 18 | 69 |
| | | | | H150349 | D20 | 5 | 95 | H150941 | C2 | 5 | 51 |

NUMERICAL INDEX - CONTINUED

| PART NO. | GRID | KEY | PAGE | PART NO. | GRID | KEY | PAGE | PART NO. | GRID | KEY | PAGE |
|----------|------|-----|------|----------|------|-----|------|----------|------|-----|------|
| H150942 | C2 | 4 | 51 | H153308 | E13 | 4 | 113 | H161295 | E19 | 12 | 120 |
| H151036 | D24 | .. | 99 | H153308 | E14 | 4 | 114 | H161295 | E20 | 4 | 121 |
| H151211 | B6 | 13 | 29 | H153308 | E15 | 4 | 115 | H161296 | E19 | 6 | 120 |
| H151211 | B10 | 3 | 33 | H153308 | E17 | 4 | 117 | H161296 | E20 | 2 | 121 |
| H151215 | A20 | 9 | 19 | H153625 | A22 | 17 | 21 | H161529 | E13 | 13 | 113 |
| H151217 | A20 | 5 | 19 | H153627 | A20 | 5 | 19 | H161529 | E15 | 13 | 115 |
| H151217 | D6 | 6 | 81 | H153627 | A22 | 36 | 21 | H161529 | E17 | 13 | 117 |
| H151229 | D4 | 5 | 79 | H153627 | D6 | 6 | 81 | H161618 | D19 | 7 | 94 |
| H151230 | D4 | 5 | 79 | H153642 | D4 | 5 | 79 | H161892 | E14 | 12 | 114 |
| H151240 | D14 | 6 | 89 | H153643 | D4 | 5 | 79 | H161892 | E15 | 11 | 115 |
| H151257 | D4 | 4 | 79 | H153681 | D14 | 15 | 89 | H161892 | E17 | 11 | 117 |
| H151258 | D4 | 4 | 79 | H153683 | D14 | 6 | 89 | H162189 | E14 | 11 | 114 |
| H151259 | D4 | 5 | 79 | H153898 | B6 | 3 | 29 | H162189 | E15 | 12 | 115 |
| H151260 | D4 | 5 | 79 | H153898 | B8 | 4 | 31 | H162189 | E17 | 12 | 117 |
| H151292 | D4 | 5 | 79 | H154122 | C9 | 27 | 59 | H164774 | E8 | 23 | 107 |
| H151293 | D4 | 5 | 79 | H154122 | C15 | 28 | 65 | H164775 | E8 | 28 | 107 |
| H151308 | D18 | 13 | 93 | H154123 | C9 | 38B | 59 | H165237 | C23 | 15 | 73 |
| H151309 | D18 | 13 | 93 | H154123 | C15 | 21B | 65 | H165237 | E12 | 19 | 111 |
| H151336 | D14 | 16 | 89 | H154270 | B6 | 14 | 29 | H165237 | E14 | 14 | 114 |
| H151336 | F3 | 1 | 129 | H154270 | B10 | 12 | 33 | H165237 | E17 | 14 | 117 |
| H151336 | F5 | 11 | 131 | H154839 | A20 | 9 | 19 | H166277 | B2 | 4 | 25 |
| H151491 | C3 | 8 | 52 | H154840 | A20 | 9 | 19 | H166283 | A16 | 24 | 15 |
| H151500 | D4 | 1 | 79 | H154913 | A22 | 37 | 21 | H166313 | B4 | 4 | 27 |
| H151501 | D6 | 9 | 81 | H155652 | A10 | 14 | 9 | H166318 | B4 | 1 | 27 |
| H151525 | A12 | 18 | 11 | H155653 | A10 | 15 | 9 | H166581 | A14 | 3 | 13 |
| H151554 | D4 | 1 | 79 | H155702 | A10 | 18 | 9 | H166581 | A22 | 38 | 21 |
| H151555 | D4 | 1 | 79 | H156063 | B8 | 24 | 31 | H166582 | A10 | 3 | 9 |
| H151556 | D6 | 9 | 81 | H156063 | C5 | 37 | 55 | H166582 | A12 | 26 | 11 |
| H151557 | D6 | 9 | 81 | H156089 | B21 | 17 | 45 | H166582 | A14 | 15 | 13 |
| H151568 | B14 | 14 | 37 | H156089 | B23 | 33 | 47 | H166582 | A18 | 27 | 17 |
| H151568 | B19 | 13 | 43 | H156141 | D16 | 12 | 91 | H166582 | A24 | 38 | 23 |
| H151602 | F3 | 3 | 129 | H156142 | D18 | 13 | 93 | H168238 | E18 | 7 | 118 |
| H151604 | F3 | 3 | 129 | H156143 | D18 | 13 | 93 | H168240 | E18 | 7 | 118 |
| H151605 | F3 | 3 | 129 | H156144 | D18 | 13 | 93 | H168241 | E18 | 8 | 118 |
| H151669 | F5 | 10 | 131 | H156145 | D18 | 13 | 93 | H168242 | E18 | 5 | 118 |
| H151672 | F5 | 11 | 131 | H156146 | D18 | 13 | 93 | H168243 | E18 | 5 | 118 |
| H151673 | F5 | 7 | 131 | H156231 | F5 | 8 | 131 | H168246 | E13 | 14 | 113 |
| H151759 | A20 | 6 | 19 | H156680 | A10 | 21 | 9 | H168246 | E14 | 15 | 114 |
| H151759 | D6 | 8 | 81 | H156726 | D18 | 13 | 93 | H168246 | E15 | 14 | 115 |
| H151760 | A20 | 6 | 19 | H156727 | D16 | 12 | 91 | H168246 | E17 | 18 | 117 |
| H151760 | A24 | 17 | 23 | H156728 | D18 | 13 | 93 | H168297 | E13 | 15 | 113 |
| H151760 | D6 | 8 | 81 | H156729 | D18 | 13 | 93 | H168297 | E14 | 16 | 114 |
| H151761 | A20 | 6 | 19 | H156730 | D18 | 13 | 93 | H168297 | E15 | 15 | 115 |
| H151761 | D6 | 8 | 81 | H156731 | D18 | 13 | 93 | H168297 | E17 | 19 | 117 |
| H151763 | B14 | 22 | 37 | H156742 | F3 | 3 | 129 | H168770 | D12 | 4 | 87 |
| H151770 | D4 | 1 | 79 | H156743 | F3 | 3 | 129 | H168771 | D12 | 4 | 87 |
| H151771 | D4 | 1 | 79 | H156936 | B4 | 2 | 27 | H168772 | D12 | 4 | 87 |
| H151773 | D4 | 1 | 79 | H157824 | B19 | 6 | 43 | H168773 | D12 | 4 | 87 |
| H152141 | D14 | 15 | 89 | H157824 | B23 | 6 | 47 | H168828 | D20 | 7B | 95 |
| H152191 | A12 | 17 | 11 | H157825 | B19 | 7 | 43 | H168963 | A16 | 21 | 15 |
| H152191 | A12 | 25 | 11 | H157825 | B23 | 7 | 47 | H168965 | A16 | 19 | 15 |
| H152191 | A22 | 4 | 21 | H158049 | B12 | 4 | 35 | H168968 | A16 | 8 | 15 |
| H152209 | A22 | 16 | 21 | H158184 | D19 | 8 | 94 | H169471 | A16 | 17 | 15 |
| H152342 | A22 | 18 | 21 | H158518 | F3 | 4 | 129 | H169568 | A12 | 28 | 11 |
| H152519 | A22 | 17 | 21 | H158518 | F5 | 3 | 131 | H169568 | A14 | 17 | 13 |
| H153022 | A12 | 12 | 11 | H159115 | D14 | 15 | 89 | H169568 | A18 | 29 | 17 |
| H153022 | A18 | 13 | 17 | H159149 | F3 | 3 | 129 | H169568 | A24 | 40 | 23 |
| H153022 | A22 | 34 | 21 | H159197 | D14 | 6 | 89 | H169655 | D12 | 4 | 87 |
| H153022 | A24 | 34 | 23 | H159339 | F5 | 7 | 131 | H169694 | A10 | 22 | 9 |
| H153308 | C7 | 15 | 57 | H159340 | F5 | 5 | 131 | H169694 | A14 | 14 | 13 |
| H153308 | C15 | 10 | 65 | H159345 | F5 | 13 | 131 | H170548 | E13 | 11 | 113 |
| H153308 | C19 | 14 | 69 | H159346 | F5 | 11 | 131 | H170826 | D16 | 6 | 91 |
| H153308 | C23 | 7 | 73 | H159357 | D4 | 4 | 79 | H171135 | D12 | 4 | 87 |
| H153308 | E2 | 3 | 101 | H159667 | D22 | 3 | 97 | H171136 | D12 | 4 | 87 |
| H153308 | E4 | 3 | 103 | H161294 | E19 | 9 | 120 | H171137 | D12 | 4 | 87 |
| H153308 | E6 | 3 | 105 | H161294 | E20 | 7 | 121 | H171138 | D12 | 4 | 87 |
| H153308 | E8 | 9 | 107 | H161295 | E18 | 11 | 118 | H171139 | D12 | 4 | 87 |

NUMERICAL INDEX - CONTINUED

| PART NO. | GRID | KEY | PAGE | PART NO. | GRID | KEY | PAGE | PART NO. | GRID | KEY | PAGE |
|----------|------|-----|------|----------|------|-----|------|----------|------|-----|------|
| H171141 | B4 | 10 | 27 | JD5902 | A12 | 23 | 11 | N102053 | C11 | 25 | 61 |
| H171568 | D14 | 15 | 89 | JD5902 | F5 | 1A | 131 | N102053 | C15 | 25 | 65 |
| H171569 | D12 | 4 | 87 | JD5920 | F5 | 1B | 131 | N102075 | C11 | 21 | 61 |
| H171710 | E20 | 16 | 121 | JD5921 | F5 | 9 | 131 | N102080 | B6 | 16 | 29 |
| H172176 | D20 | 7B | 95 | JD5922 | F5 | 2 | 131 | N102080 | B10 | 9 | 33 |
| H172246 | E19 | 1 | 120 | JD7759 | C5 | 18 | 55 | N102081 | B6 | 16 | 29 |
| H172460 | A16 | 4 | 15 | JD7760 | E8 | 20 | 107 | N102081 | B10 | 9 | 33 |
| H172724 | B15 | 10 | 38 | JD7760 | E19 | 2 | 120 | N102180 | B25 | 13 | 49 |
| H172925 | E19 | 10 | 120 | JD7760 | E20 | 11 | 121 | N102180 | C2 | 14 | 51 |
| H172925 | E20 | 15 | 121 | JD7760 | E22 | 2 | 123 | N102220 | C5 | 30 | 55 |
| H173325 | F5 | 12 | 131 | JD7781 | C5 | 18 | 55 | N102221 | C5 | 30 | 55 |
| H173327 | F3 | 4 | 129 | JD7797 | A16 | 14 | 15 | N103236 | B6 | 25 | 29 |
| H173780 | D8 | .. | 83 | JD7797 | B6 | 23 | 29 | N103236 | B10 | 8 | 33 |
| H173781 | D8 | .. | 83 | JD7797 | B8 | 23 | 31 | N103830 | D2 | 2 | 77 |
| H173976 | E18 | 5 | 118 | JD7842 | E8 | 18 | 107 | N103830 | D8 | 1 | 83 |
| H174539 | E19 | .. | 120 | JD7842 | E22 | 6 | 123 | N103830 | E2 | 11 | 101 |
| H175002 | D10 | 17 | 85 | JD8877 | C5 | 23 | 55 | N103830 | E4 | 11 | 103 |
| H175832 | F1 | 9 | 127 | JD8896 | C5 | 11 | 55 | N103830 | E6 | 11 | 105 |
| H175833 | F1 | 10 | 127 | JD9415 | B25 | 11 | 49 | N104096 | B6 | 6 | 29 |
| H20621 | C9 | 24 | 59 | JD9415 | C2 | 12 | 51 | N104096 | B8 | 17 | 31 |
| H20621 | C11 | 30 | 61 | JD9900 | B25 | 6 | 49 | N130510 | B15 | 4 | 38 |
| H20621 | C17 | 30 | 67 | JD9900 | C2 | 7 | 51 | N61703 | B6 | 7 | 29 |
| H77931 | D18 | 22 | 93 | J16931 | A12 | 2 | 11 | N61703 | B8 | 16 | 31 |
| H80926 | E2 | 20 | 101 | M115827 | A18 | 19 | 17 | P48347 | A16 | 6 | 15 |
| H80926 | E4 | 10 | 103 | M71190 | A16 | 28 | 15 | P48347 | B4 | 14 | 27 |
| H80926 | E6 | 10 | 105 | M71190 | B2 | 8 | 25 | P50419 | E2 | 13 | 101 |
| H80926 | E18 | 1 | 118 | M72598 | A12 | 20 | 11 | P50419 | E4 | 13 | 103 |
| H83875 | C5 | 7 | 55 | M72598 | A18 | 19 | 17 | P50419 | E6 | 13 | 105 |
| H84404 | B25 | 7 | 49 | M72598 | A24 | 35 | 23 | P50419 | E18 | 6 | 118 |
| H84404 | C2 | 8 | 51 | M87259 | E24 | 4 | 125 | RE12363 | D20 | 10 | 95 |
| H84583 | D2 | 5 | 77 | N100901 | B8 | 8 | 31 | RE42195 | D20 | 11 | 95 |
| H84584 | D2 | 8 | 77 | N102004 | B25 | 17 | 49 | RE69297 | A16 | 5 | 15 |
| H84584 | D8 | 7 | 83 | N102004 | C2 | 18 | 51 | RE69297 | B4 | 11 | 27 |
| H84585 | D2 | 6 | 77 | N102005 | B25 | 17 | 49 | R111692 | B4 | 12 | 27 |
| H84585 | D8 | 10 | 83 | N102005 | C2 | 18 | 51 | R112679 | B4 | 13 | 27 |
| H85252 | B8 | 7 | 31 | N102006 | C5 | 28 | 55 | R26448 | B14 | 4 | 37 |
| H87226 | E2 | 17 | 101 | N102007 | C5 | 28 | 55 | R26448 | B17 | 8 | 41 |
| H87226 | E4 | 17 | 103 | N102008 | C5 | 15 | 55 | R26448 | B21 | 4 | 45 |
| H87226 | E6 | 17 | 105 | N102014 | C5 | 31 | 55 | R26448 | B23 | 27 | 47 |
| H89569 | C19 | 21 | 69 | N102017 | C5 | 22 | 55 | R26871 | B4 | 16 | 27 |
| H89569 | D16 | 2 | 91 | N102019 | C5 | 4 | 55 | R375R | B6 | 20 | 29 |
| H93439 | E2 | 14 | 101 | N102020 | C5 | 3 | 55 | R375R | B8 | 20 | 31 |
| H93439 | E4 | 14 | 103 | N102023 | C3 | 7 | 52 | R41076 | B4 | 15 | 27 |
| H93439 | E6 | 14 | 105 | N102023 | C9 | 26 | 59 | R44302 | D12 | 2 | 87 |
| H93439 | E18 | 3 | 118 | N102023 | C11 | 29 | 61 | R55326 | A18 | 25 | 17 |
| H94483 | D8 | 11 | 83 | N102023 | C15 | 29 | 65 | R55326 | D22 | 5 | 97 |
| H94805 | C7 | 17 | 57 | N102024 | C5 | 5 | 55 | R72653 | A16 | 7 | 15 |
| H94805 | C11 | 12 | 61 | N102025 | C5 | 6 | 55 | R78053 | D19 | 1 | 94 |
| H94805 | C15 | 12 | 65 | N102026 | C5 | 21 | 55 | R78058 | D19 | 1 | 94 |
| H94805 | C19 | 16 | 69 | N102028 | B25 | 10 | 49 | R78059 | D19 | 1 | 94 |
| H94807 | C9 | 39 | 59 | N102028 | C2 | 11 | 51 | R78060 | D24 | 2 | 99 |
| H94807 | C25 | 2 | 75 | N102029 | C5 | 26 | 55 | R78061 | D24 | 4 | 99 |
| H94808 | C7 | 2 | 57 | N102030 | C5 | 2 | 55 | R86457 | B4 | 17 | 27 |
| H94808 | C25 | 4 | 75 | N102032 | C5 | 16 | 55 | TY15130 | C19 | 29 | 69 |
| H94980 | E12 | 21 | 111 | N102034 | C3 | 3 | 52 | TY15130 | D18 | 24 | 93 |
| H94980 | E17 | 16 | 117 | N102035 | C3 | 8 | 52 | TY15443 | C19 | 29 | 69 |
| H97709 | E2 | 12 | 101 | N102036 | C3 | 6 | 52 | TY15443 | D18 | 24 | 93 |
| H97709 | E4 | 12 | 103 | N102039 | C5 | 20 | 55 | T77613 | B14 | 2 | 37 |
| H97709 | E6 | 12 | 105 | N102040 | C3 | 1 | 52 | T77613 | B17 | 11 | 41 |
| H97925 | D6 | 9 | 81 | N102041 | C3 | 9 | 52 | T77613 | B21 | 2 | 45 |
| H99025 | C21 | 3 | 71 | N102042 | C3 | 5 | 52 | T77613 | B23 | 29 | 47 |
| H99025 | C23 | 11 | 73 | N102042 | C9 | 25 | 59 | U15973 | B15 | 5 | 38 |
| H99025 | E8 | 3 | 107 | N102042 | C11 | 6 | 61 | W36510 | E24 | 3 | 125 |
| H99025 | E12 | 11 | 111 | N102042 | C11 | 27 | 61 | W36512 | E24 | 1 | 125 |
| H99303 | C9 | 42 | 59 | N102042 | C15 | 6 | 65 | | | | |
| H99303 | C15 | 27 | 65 | N102042 | C15 | 27 | 65 | | | | |
| JD5656 | F3 | 2 | 129 | N102053 | C9 | 28 | 59 | | | | |