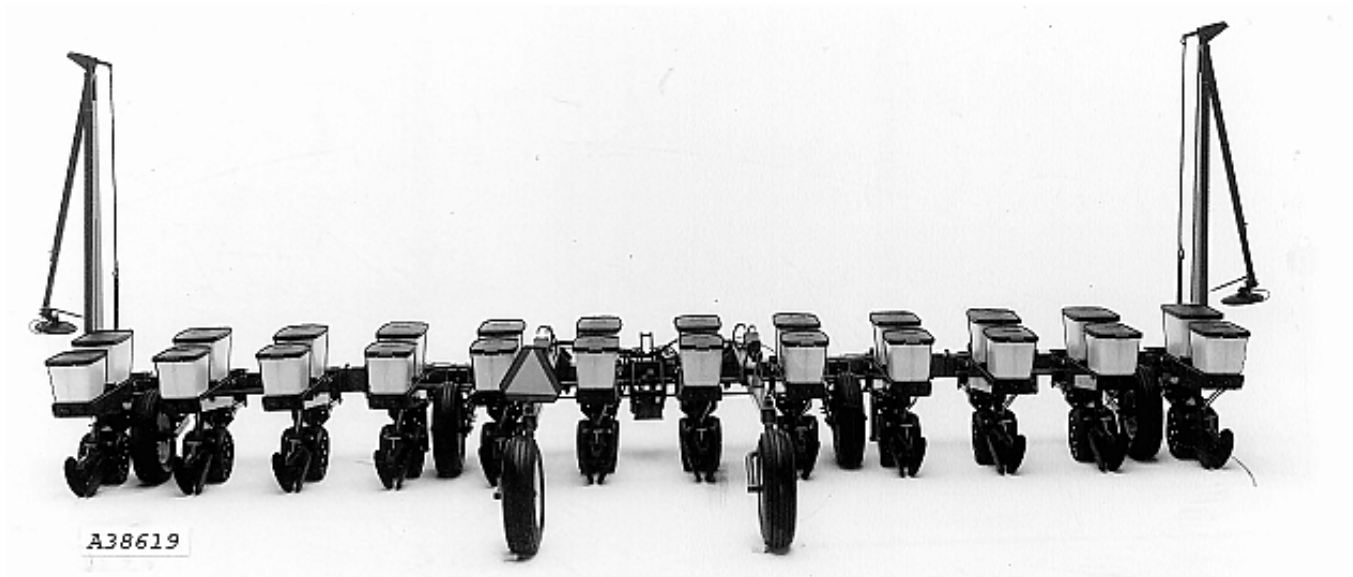


A38619

-UN-06MAR96



1710 MAXEMERGE®2 VERTICAL-FOLD INTEGRAL PLANTER

A39557 -UN-25MAR96



*MAXEMERGE® 2 PLANTING UNITS AND ATTACHMENTS
REFER TO PC2536*

MODEL INFORMATION

- 8-ROW WIDE (36-, 38-, OR 40-INCH SPACING)(1996-)
- 8-ROW WIDE SKIP ROW (36-, 38-, OR 40-INCH SPACING).(1996-)
- 12-ROW NARROW (30-INCH ROW SPACING)(1996-)
- 12-ROW (70 CM ROW SPACING).(1998-)

TYPE DESIGNATION FOR THE 1710 MAXEMERGE®PLUS VERTICAL-FOLD INTEGRAL PLANTER IS P1710

SERIAL NUMBERS

WHEN WRITING OR FILLING OUT WARRANTY CLAIMS, USE ALL NUMBERS, LETTERS AND SPACES SHOWN ON THE SERIAL NUMBER PLATE

MAIN FRAME SERIAL NUMBER PLATE IS ILLUSTRATED AS DESIGNATED

H01710R670101

- H0 - DESIGNATES FACTORY
- 1710 - DESIGNATES PLANTER MODEL
- R - FOR VERTICAL-FOLD (8W, 12N, 12 70 CM) PLANTERS
- 670101 - DESIGNATES PLANTER SPECIFIC NUMBER

THE SERIAL NUMBER PLATE IS LOCATED ON THE RIGHT-HAND SEED DRIVE TRANSMISSION SUPPORT PLATE.

SPECIFIC SERIAL NUMBERS BY MODEL YEAR AREAS FOLLOWS:

- | | | |
|------------|--|------------|
| PREFIX H0: | <ul style="list-style-type: none"> 1996 - N/A 1997 - 670101 1998 - 675101 | PREFIX H0: |
|------------|--|------------|

(SPECIFICATIONS AND DESIGN ARE SUBJECT TO CHANGE WITHOUT NOTICE.)

FOR PLANTING UNITS AND ATTACHMENTS, SEE PC-2536.
FOR ELECTRONIC SEED MONITORING PARTS, SEE PC-1234.

SERIAL NUMBER LISTING INFORMATION

SERIAL NUMBER INFORMATION IS LISTED TO SHOW ON WHICH MACHINES EACH PART CAN BE USED; FOR EXAMPLE:

- THE PART CAN BE USED ON ALL MACHINES.
- 000000- THE PART CAN BE USED ON ALL MACHINES BEGINNING WITH THE SERIAL NUMBER LISTED.
- 000000 THE PART CAN BE USED ON ALL MACHINES UP TO AND INCLUDING THE SERIAL NUMBER LISTED.
- 000000-000000 THE PART CAN BE USED ON ALL MACHINES BETWEEN AND INCLUDING THE SERIAL NUMBERS LISTED.

WHEN XXXXXX'S ARE LISTED IN PLACE OF A SERIAL NUMBER, A SERIAL NUMBER CHANGE WAS MADE BUT THE EXACT SERIAL NUMBER WAS NOT AVAILABLE WHEN THE CATALOG WAS PRODUCED.

DIRECTION ARROW

ARROWS ARE USED WITH ILLUSTRATIONS TO INDICATE THE FRONT OF THE UNIT. "RIGHT-HAND" AND "LEFT-HAND" SIDES ARE DETERMINED BY FACING IN THE DIRECTION OF MACHINE FORWARD TRAVEL.

BOX-ENCLOSED ILLUSTRATIONS

A KEY NUMBER, SHOWN IN THE PARTS LIST, IS ASSIGNED TO A BOX ENCLOSING ALL PARTS SOLD AS A SERVICE ASSEMBLY.

BOLT AND CAP SCREW STRENGTH IDENTIFICATION

BOLTS AND CAP SCREWS REQUIRED TO HAVE HIGH-STRENGTH QUALITIES EQUIVALENT TO SAE GRADE 8 ARE IDENTIFIED THROUGHOUT THIS CATALOG BY THE DESCRIPTION HS SAE 8. ALL STANDARD BOLTS AND CAP SCREWS ARE SAE GRADE 5 OR LOWER.

COMPLETE GOODS LISTINGS

COMPLETE GOODS ARE LISTED IN BOLD FACE TYPE. ORDER SEPARATELY. DO NOT INCLUDE ON REPLACEMENT PARTS ORDER.

SI UNITS OF MEASURE

METRIC DIMENSIONS ARE GIVEN, WHERE APPLICABLE, THROUGHOUT THIS PARTS CATALOG.

CHANGE INDICATOR LINE

CHANGES AFFECTING THE ORDERING OF PARTS ARE IDENTIFIED BY VERTICAL LINES MARKED IN THE LEFT-HAND MARGIN OF REVISED PARTS LISTING IMAGES. A LINE IS ALSO AT THE LEFT-HAND EDGE OF THE SAME PART NUMBER IN THE NUMERICAL INDEX TO SHOW THE LOCATION OF REVISED INFORMATION.

FUNCTION CODE

LISTED IS A GROUPING CODE THAT CAN BE USED FOR WARRANTIES AND FOR DTAC TO IDENTIFY CERTAIN AREAS (EXAMPLE FC: 5000).

TRADEMARKS

THROUGHOUT THIS PARTS CATALOG, YOU WILL FIND THE FOLLOWING DEERE & COMPANY TRADEMARKS:

SOUND-GARD BODY®
WEATHER PACK™

SECTIONAL INDEX

GENERAL	10
ELECTRICAL	40
HYDRAULIC	70
FRAME	90
DRIVES	100
VACUUM SYSTEMS	110
MARKERS	120
FERTILIZER ATTACHMENTS	150
NUMERICAL INDEX	180

ALPHABETICAL INDEX

GRID		PAGE	GRID		PAGE
	A			C	
H1	ACCUMULATOR, VACUUM BLOWER	110-14	C21	CAB MOUNTING FLOW CTRL VALVE BRACKETS FOR AA38545 VALVE	70-36
E15	APPLICATION RATE DECALS, LIQ FERTILIZER 30" AND 36" ROW SPACING	90-22	H14	CABLE, MARKER	120-4
E17	APPLICATION RATE DECALS, LIQ FERTILIZER 38" AND 40" ROW SPACING	90-24	D22	CENTER FRAME	90-2
H12	ARM ASSEMBLY, MARKER	120-2	F16	CENTER FRAME DRILLSHAFT 12-ROW NARROW	100-16
E1	ARM, WHEEL FRAME	90-6	F16	CENTER FRAME DRILLSHAFT 12-ROW 70 CM	100-16
E6	ASSIST WHEEL, STRAIGHT LIFT - 12-ROW N	90-12	F16	CENTER FRAME DRIVE ASSEMBLY 12-ROW NARROW	100-16
E6	ASSIST WHEEL, STRAIGHT LIFT-12-ROW 70 CM.....	90-12	F16	CENTER FRAME DRIVE ASSEMBLY 12-ROW 70 CM	100-16
D17	AUXILIARY HYD. OUTLET, POWER BEYOND/ VACUUM, 30-60 SERIES TRACTORS.....	70-58	F12	CENTER FRAME DRIVE ASSM; 8-ROW, 36" SPC.....	100-12
C23	AUXILIARY RETURN LINE COUPLER KIT 50 SERIES ROW CROP TRACTORS W/VACUUM.....	70-38	F14	CENTER FRAME-DRIVE ASSM-8-ROW 38-40" SPC	100-14
C25	AUXILIARY RETURN LINE COUPLER KIT 50/55 SERIES UTILITY TRACTORS W/VACUUM.....	70-40	D24	CENTER MAST, PIVOTING.....	90-4
E6	AXLE, LIFT ASSIST WHEEL - 12-ROW NARROW	90-12	D25	CENTER MAST, RIGID	90-5
E6	AXLE, LIFT ASSIST WHEEL - 12-ROW 70 CM.....	90-12	B5	CIRCUIT BREAKER, SUPPLEMENTARY WIRING 8000 SERIES TRACTORS	40-18
E4	AXLE, STRAIGHT LIFT ASSIST WHEEL-8-WIDE	90-10	B5	CIRCUIT BREAKER, SUPPLEMENTARY WIRING 9000 SERIES TRACTORS	40-18
	B		B12	CLIP, HOSE IDENTIFICATION	70-1
B23	BARREL, LIFT ASSIST CYLINDER 3" X 8"	70-13	G8	CLUTCH ASSEMBLY	100-33
B24	BARREL, LIFT ASSIST CYLINDER 8000 SERIES W/SINGLE LEVER CTRL 4"X 8".....	70-14	G10	CLUTCH ASSEMBLY	100-35
B20	BARREL, MARKER CYLINDER (AA38010 CYLINDER)	70-10	A18	CONNECTORS, ELECTRICAL, WEATHER PACK™	40-6
B15	BARREL, WING-FOLD CYLINDER 4" X 10"	70-5	C17	CONTROL, VACUUM BLOWER CONVERSION 7000 SER. TRACTORS W/SCV	70-32
E11	BILINGUAL SAFETY SIGN KIT	90-18	C17	CONTROL, VACUUM BLOWER CONVERSION 8000 SER. TRACTORS W/SCV	70-32
H1	BLOWER ASSEMBLY, VACUUM	110-14	C17	CONTROL, VACUUM BLOWER CONVERSION 9000 SER. TRACTORS W/SCV	70-32
G13	BLOWER BRACKET, 12-ROW 70 CM	110-1	C5	CONVERSION, DUAL VACUUM BLOWER 12-ROW 70 CM SPACING	70-20
G13	BLOWER BRACKET, VACUUM 8-ROW WIDE & 12-ROW NARROW	110-1	C5	CONVERSION, DUAL VACUUM BLOWER 12-ROW, 30" SPACING.....	70-20
C5	BLOWER HYDR SYSTEM, DUAL VACUUM 12-ROW, 30" SPACING.....	70-20	D15	COULER KIT, SUMP 9000 SERIES TRACTORS	70-56
C5	BLOWER HYDR SYSTEM DUAL VACUUM 12-ROW 70 CM SPACING	70-20	F9	COUNTERSHAFT	100-8
C3	BLOWER HYDRAULIC SYSTEM, VACUUM WITH AA38545 FLOW CONTROL VALVE.....	70-18	F3	COUNTERSHAFT 12-ROW NARROW	100-2
G15	BLOWER MANIFOLD BRACKET, VACUUM.....	110-3	F7	COUNTERSHAFT 12-ROW NARROW	100-6
C17	BLOWER, VACUUM CTRL CONVERSION 7000 SER. TRACTORS W/SCV	70-32	F3	COUNTERSHAFT 12-ROW 70 CM	100-2
C17	BLOWER, VACUUM CTRL CONVERSION 8000 SER. TRACTORS W/SCV	70-32	F7	COUNTERSHAFT 12-ROW 70 CM	100-6
C17	BLOWER, VACUUM CTRL CONVERSION 9000 SER. TRACTORS W/SCV	70-32	F3	COUNTERSHAFT 8-ROW WIDE	100-2
G14	BRACKET, DUAL VACUUM BLOWER 12-ROW NARROW	110-2	F7	COUNTERSHAFT 8-ROW WIDE	100-6
G14	BRACKET, DUAL VACUUM BLOWER 12-ROW, 70 CM.....	110-2	C13	COUPLER KIT, POWER BEYOND 7200 AND 7400 TRACTORS	70-28
E10	BRACKET, SLOW MOVING VEHICLE WHEN USING PLATE/PLATELESS PLANTING	90-16	C11	COUPLER KIT, POWER BEYOND 7600, 7700, 7800 TRACTORS	70-26
E10	BRACKET, SMV EMBLEM WHEN USING PLATE/PLATELESS PLANTING	90-16	C15	COUPLER KIT, POWER BEYOND-8000 SERIES FOR VACUUM CTRL HOOKUP TO POWER BEYOND	70-30
G13	BRACKET, VACUUM BLOWER 8-ROW WIDE & 12-ROW NARROW	110-1	D15	COUPLER KIT, SUMP 8000 SERIES TRACTORS	70-56
G15	BRACKET, VACUUM BLOWER MANIFOLD.....	110-3	D19	COUPLER RETAINER, HYDRAULIC	70-60
G13	BRACKET, VACUUM BRACKET 12-ROW 70 CM	110-1	C23	COUPLER, AUXILIARY RETURN LINE 50 SERIES ROW CROP TRACTORS W/VACUUM.....	70-38
C21	BRACKETS, CAB MOUNTING FLOW CONTROL FOR AA38545 VALVE	70-36	C25	COUPLER, AUXILIARY RETURN LINE 50/55 SERIES UTILITY TRACTORS W/VACUUM.....	70-40
A15	BULBS, WARNING LIGHT	40-2	C3	COUPLER, QUICK-CONNECT ON RETURN LINE AA40149	70-18

ALPHABETICAL INDEX - CONTINUED

GRID		PAGE	GRID		PAGE
D16	COUPLER, SUMP 30-60 SERIES TRACTORS.....	70-57	G1	DRIVE ASSMEBLY - WING FRAME 12-ROW, 70 CM SPACING (L.H.).....	100-26
B23	CYLINDER HYDRAULIC, LIFT ASSIST WHEEL 3" X 8"	70-13	G3	DRIVE ASSMEBLY - WING FRAME 12-ROW, 70 CM SPACING (R.H.)	100-28
B24	CYLINDER, LIFT ASSIST WHL 8000 SERIES W/SINGLE LEVER CTRL 4"X 8".....	70-14	F3	DRIVE WHEEL ASSEMBLY - CENTER FRAME	100-2
B20	CYLINDER, MARKER, 2-1/2" X 8" (AA38010 CYLINDER)	70-10	F7	DRIVE WHEEL ASSEMBLY - RIGID WING FRAME	100-6
B13	CYLINDER, WING-FOLD SYSTEM, 4" X 10"	70-2	H24	DRIVE, LIQUID FERTILIZER	150-6
B15	CYLINDER, WING-FOLD, 4" X 10"	70-5	G14	DUAL VACUUM BLOWER BRACKET 12-ROW NARROW	110-2
D			G14	DUAL VACUUM BLOWER BRACKET 12-ROW, 70 CM.....	110-2
E11	DECALS AND SAFETY SIGNS (ENGLISH)	90-18	C5	DUAL VACUUM BLOWER HYD SYSTEM 12-ROW, 30" SPACING - CONVERSION.....	70-20
E13	DECALS AND SAFETY SIGNS (ENGLISH)	90-20	C5	DUAL VACUUM BLOWER SYSTEM 12-ROW 70 CM SPACING CONVERSION	70-20
E15	DECALS, LIQ FERTILIZER APPLICATION RATE 30" AND 36" ROW SPACING	90-22	G22	DUAL VACUUM MANIFOLD ASSEMBLY 12-ROW NARROW	110-10
E17	DECALS, LIQ FERTILIZER APPLICATION RATE 38" AND 40" ROW SPACING	90-24	E		
F3	DEFLECTOR, DRIVE WHEEL ASSEMBLY CENTER FRAME	100-2	C1	ELECTRIC HITCH FOR SINGLE LEVER CONTROL LIFT ASSIST WHEELS	70-16
F7	DEFLECTOR, DRIVE WHEEL ASSEMBLY RIGID WING FRAME.....	100-6	B3	ELECTRICAL CONNECTOR SERVICE (PM797NA KIT)	40-16
A17	DISABLE SWITCH, HITCH USE WITH 55 SERIES TRACTORS.....	40-4	A20	ELECTRICAL CONNECTOR SERVICE KIT	40-8
H16	DISK ASSEMBLY, MARKER	120-6	A22	ELECTRICAL CONNECTOR SERVICE KIT	40-10
H18	DISK ASSEMBLY, NOTCHED MARKER OPTIONAL	120-8	B1	ELECTRICAL CONNECTOR SERVICE KIT	40-14
F10	DRILLSHAFT.....	100-10	B7	ELECTRICAL OUTLET SOCKET 8000 SERIES TRACTORS	40-20
F16	DRILLSHAFT, CENTER FRAME 12-ROW NARROW	100-16	B7	ELECTRICAL OUTLET SOCKET 9000 SERIES TRACTORS	40-20
F16	DRILLSHAFT, CENTER FRAME 12-ROW 70 CM	100-16	A18	ELECTRICAL TERMINALS AND CONNECTORS, WEATHER PACK™	40-6
F18	DRIVE ASSEMBLY - WING FRAME (LH) 8-ROW, 36" SPACING	100-18	E10	EMBLEM, SLOW MOVING VEHICLE WHEN USING PLATE/PLATELESS PLANTING	90-16
G1	DRIVE ASSEMBLY - WING FRAME 12-ROW, 30" SPACING (L.H.)	100-26	E8	EMBLEM, SMV (SLOW MOVING VEHICLE) WHEN USING VACUUM PLANTING UNITS	90-14
G3	DRIVE ASSEMBLY - WING FRAME 12-ROW, 30" SPACING (R.H.)	100-28	E11	ENGLISH SAFETY SIGNS AND DECALS	90-18
F20	DRIVE ASSEMBLY - WING FRAME 8 ROW, 36" SPACING (R.H.)	100-20	E13	ENGLISH SAFETY SIGNS AND DECALS	90-20
F24	DRIVE ASSEMBLY - WING FRAME 8-ROW, 38-40" SPACING (R.H.).....	100-24	H18	EXTENSION TUBE FOR NOTCHED MARKER DISK OPTIONAL	120-8
F22	DRIVE ASSEMBLY - WING FRAME 8 ROW,38-40" SPACING (L.H.)	100-22	H16	EXTENSION TUBE, MARKER DISK	120-6
F12	DRIVE ASSEMBLY; CENTER FRAME 8-ROW, 36" SPACING.....	100-12	F		
G3	DRIVE ASSEMBLY-WING FRAME 12-ROW, 70 CM SPACING (R.H.)	100-28	E15	FERTILIZER APPLICATION RATE DECALS, LIQ 30" AND 36" ROW SPACING	90-22
G3	DRIVE ASSEMBLY-WING FRAME-12-ROW 30" SPC (R.H.)	100-28	E17	FERTILIZER APPLICATION RATE DECALS, LIQ 38" AND 40" ROW SPACING	90-24
F16	DRIVE ASSEMBLY, CENTER FRAME 12-ROW NARROW	100-16	H24	FERTILIZER, LIQUID DRIVE	150-6
F16	DRIVE ASSEMBLY, CENTER FRAME 12-ROW 70 CM	100-16	H20	FERTILIZER, LIQUID PLUMBING PISTON PUMP SYSTEM.....	150-2
G5	DRIVE ASSEMBLY, WING	100-30	I1	FERTILIZER, LIQUID, PRESSURE GAUGE.....	150-8
F14	DRIVE ASSM-CTR FRAME-8-ROW 38-40" SPC	100-14	B22	FITTINGS, STRAIGHT LIFT ASSIST WHEEL 7000 SERIES TRACTORS, 12-ROW, 70 CM	70-12
G1	DRIVE ASSM-WING FRAME 12-ROW, 70 CM SPACING (L.H.).....	100-26	B21	FITTINGS, STRAIGHT LIFT ASSIST WHEEL 8-ROW WIDE AND 12-ROW NARROW	70-11
F20	DRIVE ASSM-WING FRAME 8-ROW 36" SPC (RH).....	100-20	B22	FITTINGS, STRAIGHT LIFT ASSIST WHEEL 8000 SERIES TRACTORS, 12-ROW, 70 CM	70-12
G1	DRIVE ASSM-WING FRAME-12-ROW 30" SPC(LH).....	100-26	C19	FLOW CONTROL VALVE (AA38545)	70-34
F18	DRIVE ASSM-WING FRAME-8-ROW 36" SPC (LH)	100-18	C21	FLOW CTRL VALVE BRACKETS, CAB MOUNTING FOR AA38545 VALVE	70-36
F22	DRIVE ASSM-WING FRAME-8-ROW 38-40" SPC (L.H.).....	100-22	B15	FOLD CYLINDER, WING, 4" X 10".....	70-5
F24	DRIVE ASSM-WING FRAME-8-ROW 38-40" SPC (R.H.)	100-24	B13	FOLD SYSTEM, WING, 4" X 10"	70-2
			D22	FRAME, MAIN	90-2

ALPHABETICAL INDEX - CONTINUED

GRID		PAGE	GRID		PAGE
E4	FRAME, STRAIGHT LIFT ASSIST WHEEL-8-WIDE	90 - 10		I	
E1	FRAME, WHEEL.....	90 - 6			
D22	FRAME, WING	90 - 2	B12	IDENTIFICATION CLIP, HOSE	70 - 1
E11	FRENCH DECAL KIT	90 - 18	H1	IMPELLER, VACUUM BLOWER	110 - 14
G			K		
H22	GASKET KIT, PISTON PUMP	150 - 4	B3	KIT-PM797NA ELECTRICAL CONNECTOR SERVICE	40 - 16
I1	GAUGE, LIQUID FERTILIZER	150 - 8	C23	KIT, AUXILIARY RETURN LINE COUPLER 50 SERIES ROW CROP TRACTORS W/VACUUM.....	70 - 38
H3	GAUGE, PRESSURE-VACUUM MONITORING	110 - 16	C25	KIT, AUXILIARY RETURN LINE COUPLER 50/55 SERIES UTILITY TRACTORS W/VACUUM.....	70 - 40
H9	GEAR, PTO PUMP.....	110 - 22	A20	KIT, ELECTRICAL CONNECTOR SERVICE.....	40 - 8
E11	GERMAN SIGN KIT	90 - 18	A22	KIT, ELECTRICAL CONNECTOR SERVICE.....	40 - 10
H			B1	KIT, ELECTRICAL CONNECTOR SERVICE.....	40 - 14
B15	HEAD, WING-FOLD CYLINDER 4" X 10"	70 - 5	D13	KIT, HYDRAULIC MOTOR RETURN 7200 AND 7400 TRACTORS	70 - 54
D1	HITCH CIRCUIT, LIFT ASSIST WHEELS TIED 7000 SERIES TRACTORS	70 - 42	D11	KIT, HYDRAULIC MOTOR RETURN 7600, 7700 AND 7800 TRACTORS	70 - 52
D3	HITCH CIRCUIT, LIFT ASSIST WHEELS TIED 8000 SERIES TRACTORS	70 - 44	C13	KIT, POWER BEYOND COUPLER 7200 AND 7400 TRACTORS	70 - 28
D3	HITCH CIRCUIT, LIFT ASSIST WHEELS TIED 9000 SERIES TRACTORS	70 - 44	C11	KIT, POWER BEYOND COUPLER 7600, 7700, 7800 TRACTORS	70 - 26
A17	HITCH DISABLE SWITCH USE WITH 55 SERIES TRACTORS.....	40 - 4	C15	KIT, POWER BEYOND COUPLER-8000 SERIES FOR VACUUM CTRL HOOKUP TO POWER BEYOND	70 - 30
C1	HITCH, ELECTRIC FOR SINGLE LEVER CONTROL LIFT ASSIST WHEELS	70 - 16	B20	KIT, SEAL, MARKER CYLINDER (AA38010 CYLINDER)	70 - 10
B12	HOSE IDENTIFICATION TAG	70 - 1	C18	KIT, VACUUM MOTOR KIT	70 - 33
C23	HOSE, AUXILIARY RETURN LINE COUPLER KIT 50 SERIES ROW CROP TRACTORS W/VACUUM.....	70 - 38	L		
C25	HOSE, AUXILIARY RETURN LINE COUPLER KIT 50/55 SERIES UTILITY TRACTORS W/VACUUM.....	70 - 40	E15	LABELS, LIQ FERTILIZER APPLICATION RATE 30" AND 36" ROW SPACING	90 - 22
B16	HOSES, MARKER HYDRAULIC SYSTEM WITH AA38587 SEQUENCE VALVE	70 - 6	E17	LABELS, LIQ FERTILIZER APPLICATION RATE 38" AND 40" ROW SPACING	90 - 24
B22	HOSES, STRAIGHT LIFT ASSIST WHEEL 7000 SERIES TRACTORS, 12-ROW 70 CM	70 - 12	E13	LABELS, SAFETY	90 - 20
B21	HOSES, STRAIGHT LIFT ASSIST WHEEL 8-ROW WIDE AND 12-ROW NARROW.....	70 - 11	E11	LABELS, SAFETY (ENGLISH).....	90 - 18
B22	HOSES, STRAIGHT LIFT ASSIST WHEEL 8000 SERIES TRACTORS, 12-ROW, 70 CM	70 - 12	A15	LAMP, WARNING.....	40 - 2
H9	HOUSING, PTO PUMP	110 - 22	A15	LENS, WARNING LIGHT	40 - 2
H1	HOUSING, VACUUM BLOWER.....	110 - 14	D7	LIFT ASSIST & ROCKSHAFT-SINGLE LEVER CTL 7000 SERIES TRACTORS	70 - 48
F3	HUB, DRIVE WHEEL - CENTER FRAME.....	100 - 2	D9	LIFT ASSIST & ROCKSHAFT-SINGLE LEVER CTL 8000 SERIES TRACTORS	70 - 50
F7	HUB, DRIVE WHEEL ASSM-RIGID WING FRAME	100 - 6	D9	LIFT ASSIST & ROCKSHAFT-SINGLE LEVER CTL 9000 SERIES TRACTORS	70 - 50
E6	HUB, LIFT ASSIST WHEEL - 12-ROW NARROW.....	90 - 12	B23	LIFT ASSIST HYDRAULIC CYLINDER 3" X 8"	70 - 13
E6	HUB, LIFT ASSIST WHEEL - 12-ROW 70 CM	90 - 12	D5	LIFT ASSIST WHEEL - SINGLE LEVER CONTROL 55 SERIES TRACTORS WITH E-H HITCH	70 - 46
F5	HUB, NON-DRIVE WHEEL - WING FRAME	100 - 4	D5	LIFT ASSIST WHEEL - SINGLE LEVER CONTROL 60 SERIES TRACTORS WITH E-H HITCH	70 - 46
E4	HUB, STRAIGHT LIFT ASSIST WHEEL- 8-WIDE	90 - 10	B22	LIFT ASSIST WHEEL HYD. HOSES, STRAIGHT 7000 SERIES TRACTORS, 12-ROW, 70 CM	70 - 12
D19	HYDRAULIC COUPLER, RETAINER	70 - 60	B21	LIFT ASSIST WHEEL HYD. HOSES, STRAIGHT 8-ROW WIDE AND 12-ROW NARROW.....	70 - 11
D13	HYDRAULIC MOTOR RETURN KIT 7200 AND 7400 TRACTORS	70 - 54	B22	LIFT ASSIST WHEEL HYD. HOSES, STRAIGHT 8000 SERIES TRACTORS, 12-ROW, 70 CM	70 - 12
D11	HYDRAULIC MOTOR RETURN KIT 7600, 7700 AND 7800 TRACTORS	70 - 52	E6	LIFT ASSIST WHEEL, STRAIGHT - 12-ROW N	90 - 12
D17	HYDRAULIC OUTLET, POWER BEYOND/VACUUM 30-60 SERIES TRACTORS.....	70 - 58	E4	LIFT ASSIST WHEEL, STRAIGHT - 8-ROW WIDE	90 - 10
H5	HYDRAULIC PTO PUMP, WITH COOLER 540 OR 1000 RPM	110 - 18	E6	LIFT ASSIST WHEEL, STRAIGHT-12-ROW 70 CM.....	90 - 12
C5	HYDRAULIC SYSTEM, DUAL VACUUM CONVERSION 12-ROW 70 CM SPACING	70 - 20	B25	LIFT ASSIST WHEELS AND TRACTOR ROCK SHAFT, SINGLE LEVER CONTROL	70 - 15
C5	HYDRAULIC SYSTEM, DUAL VACUUM CONVERSION 12-ROW, 30" SPACING.....	70 - 20	D1	LIFT ASSIST WHEELS TIED TO HITCH CIRCUIT 7000 SERIES TRACTORS	70 - 42
B16	HYDRAULIC SYSTEM, MARKER WITH AA38587 SEQUENCE VALVE	70 - 6			
C3	HYDRAULIC SYSTEM, VACUUM BLOWER WITH AA38545 FLOW CONTROL VALVE.....	70 - 18			

ALPHABETICAL INDEX - CONTINUED

<i>GRID</i>		<i>PAGE</i>	<i>GRID</i>		<i>PAGE</i>
D3	LIFT ASSIST WHEELS TIED TO HITCH CIRCUIT 8000 SERIES TRACTORS	70-44	H18	NOTCHED MARKER DISK ASSEMBLY OPTIONAL	120-8
D3	LIFT ASSIST WHEELS TIED TO HITCH CIRCUIT 9000 SERIES TRACTORS	70-44		O	
C1	LIFT ASSIST WHEELS, SINGLE LEVER CONTROL AND ELECTRIC HITCH.....	70-16	H5	OIL FILTER; PTO HYDRAULIC PUMP W/COOLER 540 OR 1000 RPM	110-18
B24	LIFT ASSIST WHL CYLINDER 8000 SERIES W/SINGLE LEVER CTRL 4"X 8".....	70-14	H20	OPENERS, LIQUID FERTILIZER	150-2
A15	LIGHTS, WARNING	40-2	H18	OPTIONAL NOTCHED MARKER DISK ASSEMBLY	120-8
E15	LIQUID FERTILIZER APPLICATION RATE DECAL 30" AND 36" ROW SPACING	90-22	H20	ORIFICES, LIQUID FERTILIZER OPENER	150-2
E17	LIQUID FERTILIZER APPLICATION RATE DECAL 38" AND 40" ROW SPACING	90-24	D17	OUTLET, AUX. HYD., POWER BEYOND/VACUUM 30-60 SERIES TRACTORS.....	70-58
H24	LIQUID FERTILIZER DRIVE	150-6		P	
H20	LIQUID FERTILIZER PLUMBING PISTON PUMP SYSTEM.....	150-2	H20	PIPES, LIQUID FERTILIZER MANIFOLD	150-2
I1	LIQUID FERTILIZER PRESSURE GAUGE.....	150-8	H22	PISTON PUMP (INDIVIDUAL REPAIR PARTS).....	150-4
	M		E15	PISTON PUMP FERTILIZER APPLICATION RATE DECALS-30" AND 36" ROW SPAC	90-22
D22	MAIN FRAME	90-2	E17	PISTON PUMP FERTILIZER APPLICATION RATE DECALS-38" AND 40" ROW SPAC	90-24
G22	MANIFOLD ASSEMBLY, DUAL VACUUM 12-ROW NARROW	110-10	H24	PISTON PUMP FERTILIZER DRIVE	150-6
G24	MANIFOLD ASSEMBLY, VACUUM 12-R0W 70 CM	110-12	H22	PISTON PUMP GASKET KIT	150-4
G16	MANIFOLD ASSEMBLY, VACUUM - 8-ROW WIDE	110-4	H20	PISTON PUMP LIQ FERTILIZER SYSTEM	150-2
G20	MANIFOLD ASSEMBLY, VACUUM- 12-ROW NARROW....	110-8	H24	PISTON PUMP SUPPORT AND BRACKETS.....	150-6
G18	MANIFOLD ASSEMBLY, VACUUM-8-RW WIDE SKIP	110-6	B15	PISTON, WING-FOLD CYLINDER 4" X 10"	70-5
G15	MANIFOLD BRACKET, VACUUM BLOWER.....	110-3	H14	PIVOT ASSEMBLY, MARKER.....	120-4
H20	MANIFOLD PIPES, LIQUID FERTILIZER	150-2	D24	PIVOTING CENTER MAST	90-4
H12	MARKER ARM ASSEMBLY.....	120-2	D1	PLANTER LIFT ASSIST WHEELS TO HITCH 7000 SERIES TRACTORS	70-42
D22	MARKER BREAKAWAY WRENCH	90-2	D3	PLANTER LIFT ASSIST WHEELS TO HITCH 8000 SERIES TRACTORS	70-44
H14	MARKER CABLE	120-4	D3	PLANTER LIFT ASSIST WHEELS TO HITCH 9000 SERIES TRACTORS	70-44
B20	MARKER CYLINDER, 2-1/2" X 8" (AA38010 CYLINDER).....	70-10	H20	PLUMBING, LIQUID FERTILIZER PISTON PUMP SYSTEM.....	150-2
H18	MARKER DISK ASSEMBLY, NOTCHED OPTIONAL	120-8	D17	POWER BEYOND AUXILIARY HYD. OUTLET KIT 30-60 SERIES TRACTORS.....	70-58
H16	MARKER DISK EXTENSION TUBE	120-6	C13	POWER BEYOND COUPLER KIT 7200 AND 7400 TRACTORS	70-28
H16	MARKER DISK, REGULAR	120-6	C11	POWER BEYOND COUPLER KIT 7600, 7700, 7800 TRACTORS	70-26
B16	MARKER HYDRAULIC SYSTEM WITH AA38587 SEQUENCE VALVE	70-6	C15	POWER BEYOND COUPLER KIT-8000 SERIES FOR VACUUM CTRL HOOKUP TO POWER BEYOND	70-30
H14	MARKER MAST (L.H. & R.H.).....	120-4	C7	POWER BEYOND, VACUUM CTRL VALVE HOOKUP 7000 SERIES-SINGLE BLOWERS	70-22
H14	MARKER PIVOT ASSEMBLY	120-4	C9	POWER BEYOND, VACUUM CTRL VALVE HOOKUP 8000 TRACTOR W/SINGLE BLOWER SYSTEM.....	70-24
B18	MARKER SEQUENCE VALVE (AA38587)	70-8	H3	PRESSURE GAUGE-VACUUM MONITORING.....	110-16
H14	MARKER SHEAR BOLTS	120-4	I1	PRESSURE GAUGE, LIQUID FERTILIZER	150-8
D24	MAST, CENTER, PIVOTING	90-4	H5	PTO HYDRAULIC PUMP WITH COOLER 540 OR 1000 RPM	110-18
H14	MAST, MARKER (L.H. & R.H.)	120-4	H7	PTO PUMP ASSEMBLY	110-20
D25	MAST, RIGID CENTER	90-5	H9	PTO PUMP HOUSING	110-22
H3	MONITORING ASSEMBLY, VACUUM	110-16	H9	PTO PUMP SHAFT	110-22
D13	MOTOR RETURN KIT, HYDRAULIC 7200 AND 7400 TRACTORS	70-54	H9	PTO PUMP-INDIVIDUAL REPAIR PARTS	110-22
D11	MOTOR RETURN KIT, HYDRAULIC 7600, 7700 AND 7800 TRACTORS	70-52	H7	PUMP ASSEMBLY, PTO	110-20
D15	MOTOR RETURN LINE KIT, VACUUM 8000 SERIES TRACTORS	70-56	H24	PUMP FERTILIZER DRIVE, PISTON	150-6
D15	MOTOR RETURN LINE KIT, VACUUM 9000 SERIES TRACTORS	70-56	H22	PUMP, PISTON (INDIVIDUAL REPAIR PARTS)	150-4
H1	MOTOR, VACUUM BLOWER	110-14	H9	PUMP, PTO-INDIVIDUAL REPAIR PARTS.....	110-22
C18	MOTOR, VACUUM REPAIR KIT	70-33			
C21	MOUNTING BRACKETS, CAB FLOW CTRL VALVE FOR AA38545 VALVE	70-36			
	N				
F5	NON-DRIVE WHEEL ASSEMBLY - WING FRAME	100-4			

ALPHABETICAL INDEX - CONTINUED

GRID		PAGE	GRID		PAGE
	R				
E15	RATE DECALS, LIQ FERTILIZER APPLICATION 30" AND 36" ROW SPACING	90-22	B3	SERVICE KIT-PM797NA ELECTRICAL CONNECTOR	40-16
E17	RATE DECALS, LIQ FERTILIZER APPLICATION 38" AND 40" ROW SPACING	90-24	A20	SERVICE KIT, ELECTRICAL CONNECTORS	40-8
A15	REFLECTORS	40-2	A22	SERVICE KIT, ELECTRICAL CONNECTORS	40-10
E11	REFLECTORS	90-18	B1	SERVICE KIT, ELECTRICAL CONNECTORS	40-14
H12	REFLECTORS, MARKER.....	120-2	B7	SEVEN-TERMINAL OUTLET SOCKET 8000 SERIES TRACTORS	40-20
H16	REGULAR MARKER DISK	120-6	B7	SEVEN-TERMINAL OUTLET SOCKET 9000 SERIES TRACTORS	40-20
B5	RELAY, SUPPLEMENTARY WIRING 8000 SERIES TRACTORS	40-18	B5	SEVEN-TERMINAL SOCKET WIRING KIT 8000 SERIES TRACTORS	40-18
C18	REPAIR KIT, VACUUM MOTOR	70-33	B5	SEVEN-TERMINAL SOCKET WIRING KIT 9000 SERIES TRACTORS	40-18
D19	RETAINER, HYDRAULIC COUPLER	70-60	F9	SHAFT, COUNTER	100-8
D13	RETURN KIT, HYDRAULIC MOTOR 7200 AND 7400 TRACTORS	70-54	F10	SHAFT, DRILL	100-10
D11	RETURN KIT, HYDRAULIC MOTOR 7600, 7700 AND 7800 TRACTORS	70-52	H9	SHAFT, PTO PUMP	110-22
C23	RETURN LINE COUPLER KIT, AUXILIARY 50 SERIES ROW CROP TRACTORS W/VACUUM.....	70-38	H14	SHEAR BOLTS, MARKER	120-4
C25	RETURN LINE COUPLER KIT, AUXILIARY 50/55 SERIES UTILITY TRACTORS W/VACUUM.....	70-40	E15	SIGNS, LIQ FERTILIZER APPLICATION RATE 30" AND 36" ROW SPACING	90-22
D15	RETURN LINE KIT, VACUUM MOTOR 8000 SERIES TRACTORS	70-56	E17	SIGNS, LIQ FERTILIZER APPLICATION RATE 38" AND 40" ROW SPACING	90-24
D25	RIGID MAST, CENTER	90-5	E13	SIGNS, SAFETY	90-20
F3	ROCK GUARD ATTACHMENT-DRIVE WHEEL ASSM CENTER FRAME	100-2	E11	SIGNS, SAFETY (ENGLISH)	90-18
F7	ROCK GUARD ATTACHMENT-DRIVE WHEEL ASSM RIGID WING FRAME.....	100-6	G20	SINGLE BLOWER VACUUM MANIFOLD ASSEMBLY.....	110-8
B25	ROCK SHAFT, TRACTOR, & LIFT ASSIST WHLS W/SINGLE LEVER CONTROL	70-15	D5	SINGLE LEVER CONTROL - LIFT ASSIST WHEEL 55 SERIES TRACTORS WITH E-H HITCH	70-46
D7	ROCKSHAFT & LIFT ASSIST-SINGLE LEVER CTL 7000 SERIES TRACTORS	70-48	D5	SINGLE LEVER CONTROL - LIFT ASSIST WHEEL 60 SERIES TRACTORS WITH E-H HITCH	70-46
D9	ROCKSHAFT & LIFT ASSIST-SINGLE LEVER CTL 8000 SERIES TRACTORS	70-50	C1	SINGLE LEVER CONTROL FOR LIFT ASSIST WHEELS AND ELECTRIC HITCH	70-16
D9	ROCKSHAFT & LIFT ASSIST-SINGLE LEVER CTL 9000 SERIES TRACTORS	70-50	B25	SINGLE LEVER CONTROL FOR LIFT ASSIST WHEELS AND TRACTOR ROCK SHAFT	70-15
B20	ROD, MARKER CYLINDER, 2-1/2" X 8" (AA38010 CYLINDER)	70-10	D9	SINGLE LEVER CTRL-LFT ASSIST & ROCKSHAF 9000 SERIES TRACTORS	70-50
	S		D7	SINGLE LEVER CTRL-LFT ASSIST & ROCKSHAFT 7000 SERIES TRACTORS	70-48
E11	SAFETY SIGNS AND DECALS (ENGLISH)	90-18	D9	SINGLE LEVER CTRL-LFT ASSIST & ROCKSHAFT 8000 SERIES TRACTORS	70-50
E13	SAFETY SIGNS AND DECALS (ENGLISH)	90-20	C3	SINGLE VACUUM BLOWER HYD SYSTEM WITH AA38545 FLOW CONTROL VALVE.....	70-18
H20	SCREEN, PISTON PUMP STRAINER	150-2	E4	SLOW MOVING VEHICLE AND BRACKET ON LIFT ASSIST WHEEL FRAME	90-10
B23	SEAL KIT, LIFT ASSIST CYLINDER 3" X 8"	70-13	E6	SLOW MOVING VEHICLE AND BRACKET 12-ROW 70 CM	90-12
B24	SEAL KIT, LIFT ASSIST CYLINDER 8000 SERIES W/SINGLE LEVER CTRL 4"X 8".....	70-14	E6	SLOW MOVING VEHICLE AND BRACKET-12-ROW N ON LIFT ASSIST WHEEL FRAME	90-12
B20	SEAL KIT, MARKER CYLINDER (AA38010 CYLINDER)	70-10	E10	SLOW MOVING VEHICLE EMBLEM WHEN USING PLATE/PLATELESS PLANTING	90-16
H7	SEAL KIT, PTO PUMP.....	110-20	E8	SMV (SLOW MOVING VEHICLE) EMBLEM WHEN USING VACUUM PLANTING UNITS	90-14
H9	SEAL KIT, PTO PUMP FOR 540 AND 1000 RPM	110-22	E4	SMV AND BRACKET ON LIFT ASSIST WHEEL	90-10
C19	SEAL KIT, VACUUM CONTROL VALVE FOR AA38545 VALVE	70-34	E6	SMV AND BRACKET ON LIFT ASSIST WHL FRAME 12-ROW NARROW	90-12
B15	SEAL KIT, WING-FOLD CYLINDER 4" X 10"	70-5	E6	SMV AND BRACKET ON LIFT ASSIST WHL FRAME 12-ROW 70 CM	90-12
G7	SEED TRANSMISSION	100-32	E10	SMV EMBLEM FOR PLATE/PLATELESS PLANTERS	90-16
G9	SEED TRANSMISSION - 10-ROW NARROW	100-34	B7	SOCKET, ELECTRICAL OUTLET 8000 SERIES TRACTORS	40-20
G9	SEED TRANSMISSION - 4-ROW	100-34	B7	SOCKET, ELECTRICAL OUTLET 9000 SERIES TRACTORS	40-20
G9	SEED TRANSMISSION - 6-ROW NARROW	100-34	F9	SPROCKET ON COUNTERSHAFT.....	100-8
G9	SEED TRANSMISSION - 6-ROW WIDE.....	100-34	E3	STAND, SUPPORT	90-8
G9	SEED TRANSMISSION - 8-ROW NARROW	100-34	D18	STOP, SELECTIVE CONTROL VALVE	70-59
D18	SELECTIVE CONTROL VALVE STOP	70-59	E4	STRAIGHT LIFT ASSIST WHEEL - 8-ROW WIDE	90-10
B18	SEQUENCE VALVE, MARKER (AA38587).....	70-8	H20	STRAINER, PISTON PUMP.....	150-2
			D16	SUMP COUPLER 30-60 SERIES TRACTORS.....	70-57

ALPHABETICAL INDEX - CONTINUED

GRID		PAGE	GRID		PAGE
D15	SUMP COUPLER KIT		G20	VACUUM MANIFOLD ASSEMBLY - 12-ROW NARROW ..	110-8
	8000 SERIES TRACTORS	70-56	G16	VACUUM MANIFOLD ASSEMBLY - 8-ROW WIDE	110-4
D15	SUMP COUPLER KIT		G18	VACUUM MANIFOLD ASSEMBLY-8-ROW WIDE SKIP.....	110-6
	9000 SERIES TRACTORS	70-56	G22	VACUUM MANIFOLD ASSEMBLY, DUAL	
B5	SUPPLEMENTARY WIRING KIT			12-ROW NARROW	110-10
	8000 SERIES TRACTORS	40-18	H3	VACUUM MONITORING ASSEMBLY	110-16
B5	SUPPLEMENTARY WIRING KIT		C18	VACUUM MOTOR REPAIR KIT	70-33
	9000 SERIES TRACTORS	40-18	D15	VACUUM MOTOR RETURN LINE KIT	
E3	SUPPORT STAND	90-8		8000 SERIES TRACTORS	70-56
E1	SUPPORTS, WHEEL FRAME	90-6	D15	VACUUM MOTOR RETURN LINE KIT	
A17	SWITCH, HITCH DISABLE			9000 SERIES TRACTORS	70-56
	USE WITH 55 SERIES TRACTORS.....	40-4	C5	VACUUM, DUAL CONVERSION HYDRAULIC SYSTEM	
B13	SYSTEM, WING-FOLD CYLINDER, 4" X 10".....	70-2		12-ROW 70 CM SPACING	70-20
			C5	VACUUM, DUAL CONVERSION HYDRAULIC SYSTEM	
				12-ROW, 30" SPACING.....	70-20
	T		D18	VALVE STOP, SELECTIVE CONTROL	70-59
A18	TERMINALS, ELECTRICAL, WEATHER PACK™	40-6	C19	VALVE, FLOW CONTROL (AA38545)	70-34
A24	TEST UNIT	40-12	B18	VALVE, MARKER SEQUENCE (AA38587).....	70-8
A17	TOGGLE SWITCH		H5	VALVE, PTO HYDRAULIC PUMP W/COOLER	
	USE WITH 55 SERIES TRACTORS.....	40-4		540 OR 1000 RPM	110-18
B25	TRACTOR ROCK SHAFT AND LIFT ASSIST		C19	VALVE, VACUUM CONTROL (AA38545)	70-34
	WHEELS, SINGLE LEVER CONTROL.....	70-15			
G7	TRANSMISSION, SEED.....	100-32		W	
G9	TRANSMISSION, SEED - 10-ROW NARROW	100-34	A15	WARNING LAMP	40-2
G9	TRANSMISSION, SEED - 4-ROW	100-34	A15	WARNING LIGHTS.....	40-2
G9	TRANSMISSION, SEED - 6-ROW NARROW	100-34	A18	WEATHER PACK™ CONNECTORS.....	40-6
G9	TRANSMISSION, SEED - 6-ROW WIDE	100-34	A18	WEATHER PACK™ TERMINALS	40-6
G9	TRANSMISSION, SEED - 8-ROW NARROW	100-34	E1	WHEEL FRAME	90-6
E1	TRUNNION, WHEEL FRAME	90-6	B22	WHEEL HYD. HOSES, STRAIGHT LIFT ASSIST	
H18	TUBE, EXTENSION FOR NOTCHED MARKER DISK			8000 SERIES TRACTORS, 12-ROW, 70 CM	70-12
	OPTIONAL	120-8	B22	WHEEL HYDRAULIC HOSES, LIFT ASSIST	
H16	TUBE, MARKER DISK EXTENSION	120-6		7000 SERIES TRACTORS, 12-ROW, 70 CM	70-12
			B21	WHEEL HYDRAULIC HOSES, LIFT ASSIST	
	U			8-ROW WIDE AND 12-ROW NARROW.....	70-11
A24	UNIT, TEST	40-12	D3	WHEEL-LIFT ASSIST TIED TO HITCH CIRCUIT	
				9000 SERIES TRACTORS	70-44
	V		F7	WHEEL, DRIVE, ASSEMBLY	
H1	VACUUM BLOWER ASSEMBLY	110-14		RIGID WING FRAME.....	100-6
G13	VACUUM BLOWER BRACKET		F3	WHEEL, DRIVE, ASSEMBLY - CENTER FRAME	100-2
	12-ROW 70 CM	110-1	F5	WHEEL, NON-DRIVE ASSEMBLY - WING FRAME.....	100-4
G13	VACUUM BLOWER BRACKET		E6	WHEEL, STRAIGHT LIFT ASSIST - 12-ROW N	90-12
	8-ROW WIDE & 12-ROW NARROW	110-1	E4	WHEEL, STRAIGHT LIFT ASSIST - 8-ROW WIDE	90-10
G14	VACUUM BLOWER BRACKET, DUAL		E6	WHEEL, STRAIGHT LIFT ASSIST-12-ROW 70 CM.....	90-12
	12-ROW NARROW	110-2	D1	WHEELS TIED TO HITCH CIRCUIT-LIFT ASSIST	
G14	VACUUM BLOWER BRACKET, DUAL			7000 SERIES TRACTORS	70-42
	12-ROW, 70 CM.....	110-2	D5	WHEELS-LIFT ASSIST TIED TO HITCH CIRCUIT	
C17	VACUUM BLOWER CTRL CONVERSION			55 SERIES TRACTORS WITH E-H HITCH	70-46
	7000 SER. TRACTORS W/SCV	70-32	D5	WHEELS-LIFT ASSIST TIED TO HITCH CIRCUIT	
C17	VACUUM BLOWER CTRL CONVERSION			60 SERIES TRACTORS WITH E-H HITCH	70-46
	8000 SER. TRACTORS W/SCV	70-32	D3	WHEELS-LIFT ASSIST TIED TO HITCH CIRCUIT	
C17	VACUUM BLOWER CTRL CONVERSION			8000 SERIES TRACTORS	70-44
	9000 SER. TRACTORS W/SCV	70-32	G5	WING DRIVE ASSEMBLY	100-30
C3	VACUUM BLOWER HYDRAULIC SYSTEM		D22	WING FRAME.....	90-2
	WITH AA38545 FLOW CONTROL VALVE.....	70-18	F18	WING FRAME - DRIVE ASSEMBLY	
G15	VACUUM BLOWER MANIFOLD BRACKET	110-3		(LH) 8 ROW, 36" SPACING	100-18
C19	VACUUM CONTROL VALVE (AA38545)	70-34	G1	WING FRAME - DRIVE ASSEMBLY	
C7	VACUUM CTRL VALVE HOOKUP TO POWER BEYOND			12-ROW, 30" SPACING (L.H.)	100-26
	7000 SERIES-SINGLE BLOWERS	70-22	G3	WING FRAME - DRIVE ASSEMBLY	
C9	VACUUM CTRL VALVE HOOKUP TO POWER BEYOND			12-ROW, 30" SPACING (R.H.)	100-28
	8000 TRACTOR W/SINGLE BLOWER SYSTEM.....	70-24	G1	WING FRAME - DRIVE ASSEMBLY	
G24	VACUUM MANIFOLD ASSEMBLY			12-ROW, 70 CM SPACING (L.H.).....	100-26
	12-ROW 70 CM	110-12	G3	WING FRAME - DRIVE ASSEMBLY	
				12-ROW, 70 CM SPACING (R.H.)	100-28
			F20	WING FRAME - DRIVE ASSEMBLY	
				8 ROW, 36" SPACING (R.H.)	100-20

ALPHABETICAL INDEX - CONTINUED

<i>GRID</i>		<i>PAGE</i>	<i>GRID</i>	<i>PAGE</i>
F24	WING FRAME - DRIVE ASSEMBLY 8-ROW, 38-40" SPACING (R.H.).....	100 - 24		
F22	WING FRAME - DRIVE ASSEMBLY 8 ROW,38-40" SPACING (L.H.)	100 - 22		
F20	WING FRAME DRIVE ASSM 8-ROW 36" SPC (RH).....	100 - 20		
F18	WING FRAME DRIVE ASSM-8-ROW 36" SPC (LH)	100 - 18		
F22	WING FRAME DRIVE ASSM-8-ROW 38-40" SPC (L.H.).....	100 - 22		
G3	WING FRAME-DRIVE ASSEMBLY 12-ROW, 70 CM SPACING (R.H.)	100 - 28		
G3	WING FRAME-DRIVE ASSEMBLY-12-ROW 30" SPC (R.H.)	100 - 28		
G1	WING FRAME-DRIVE ASSM-12-ROW 30" SPC(LH)	100 - 26		
F24	WING FRAME-DRIVE ASSM-8-ROW 38-40" SPC (R.H.)	100 - 24		
G1	WING FRANE-DRIVE ASSM 12-ROW, 70 CM SPACING (L.H.).....	100 - 26		
B13	WING-FOLD CYLINDER SYSTEM, 4" X 10"	70 - 2		
B15	WING-FOLD CYLINDER, 4" X 10"	70 - 5		
A15	WIRING HARNESS, WARNING LIGHT.....	40 - 2		
B5	WIRING, SUPPLEMENTARY 8000 SERIES TRACTORS	40 - 18		
B5	WIRING, SUPPLEMENTARY 9000 SERIES TRACTORS	40 - 18		
D22	WRENCH, MARKER BREAKAWAY	90 - 2		
H24	WRENCH, PISTON PUMP ADJUSTING.....	150 - 6		
Y				
F12	YOKE, UNIVERSAL JOINT-DRIVE ASSEMBLY CENTER FRAME; 8-ROW-36" SPC	100 - 12		

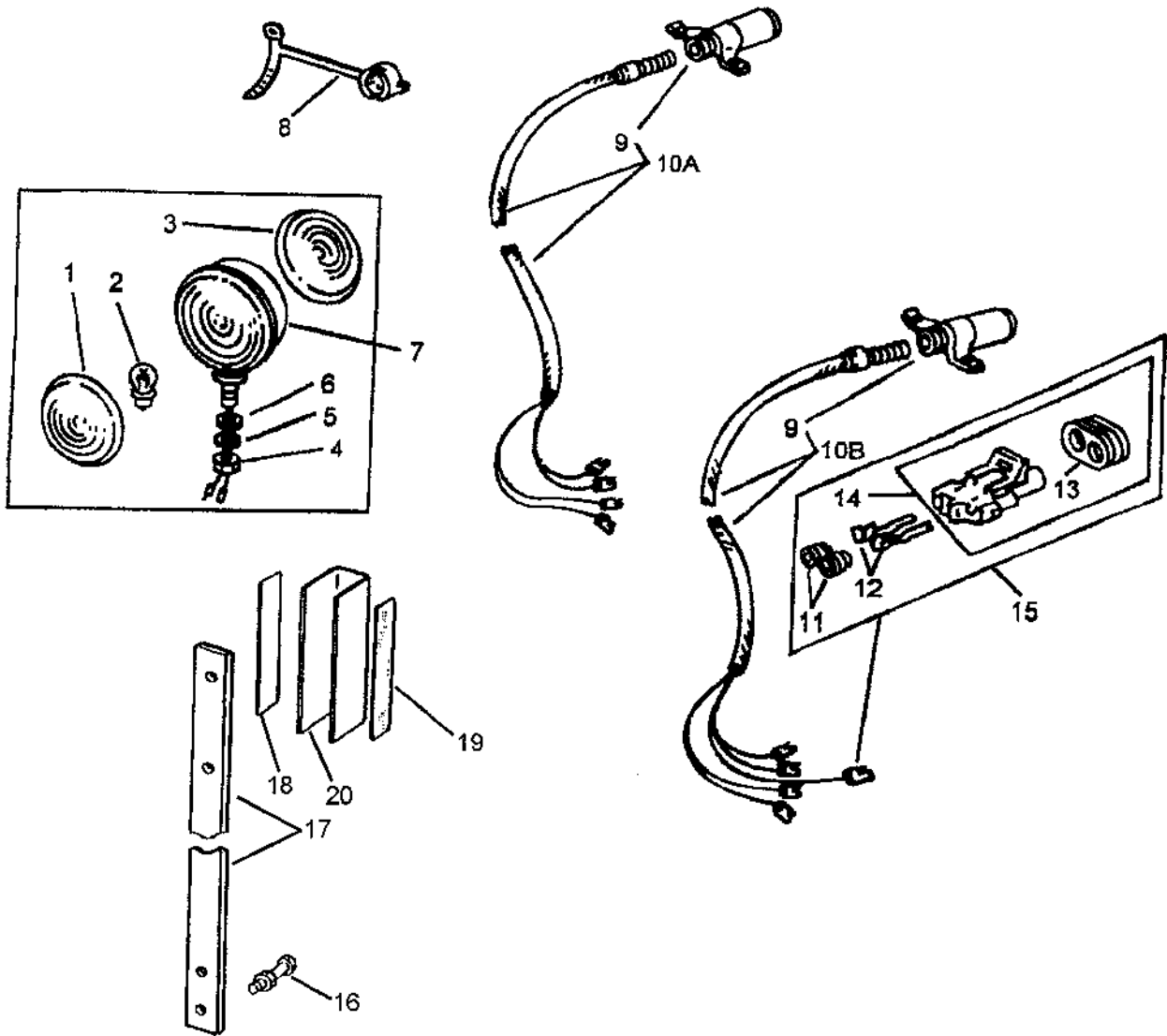
MEMORANDA

A15

FC: 6070

ELECTRICAL

WARNING LAMP
AP6033 -UN-09APR97



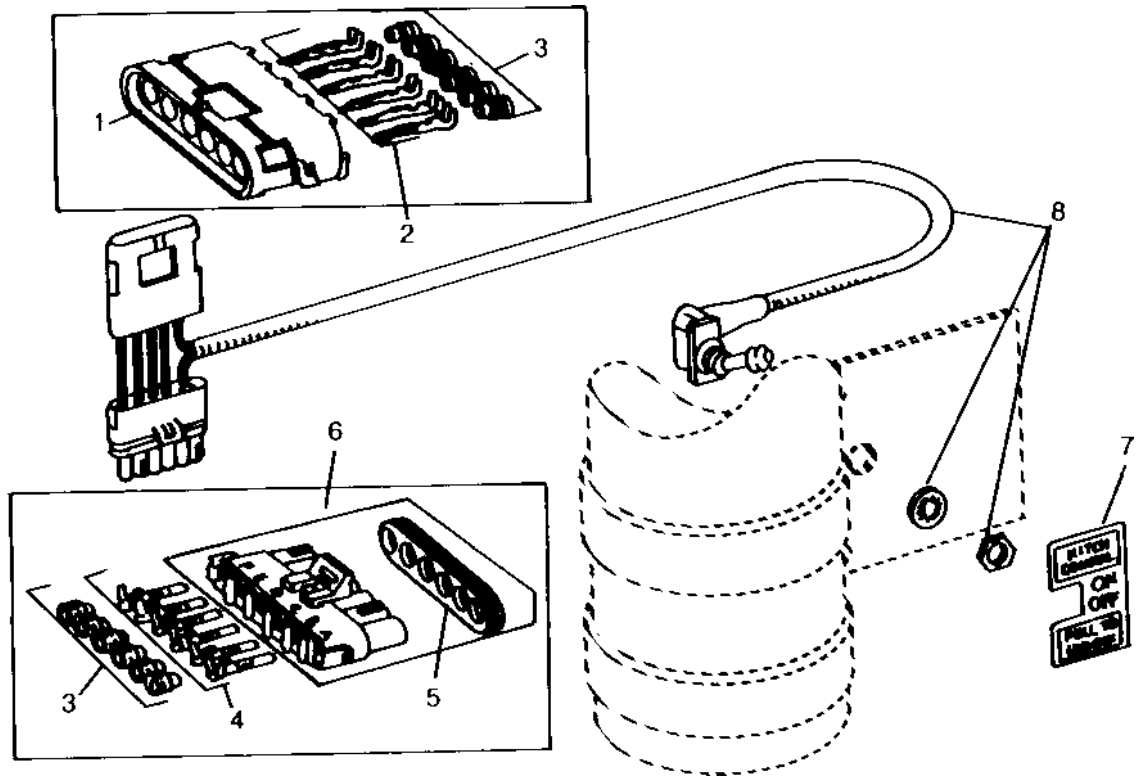
AP6033

WARNING LAMP - CONTINUED

KEY	PART NO.	PART NAME	QTY	SERIAL NO. OR YEAR	REMARKS
1	A48332	LENS	2		RED
	A48331	LENS	2		AMBER
2	AD2062R	BULB	2		WARNING
	AR48041	BULB	2		TAIL LAMP
3	A48331	LENS	2		AMBER
4	14H865	NUT	4		12.700 MM (1/2")
5	12H292	LOCK WASHER	4		12.700 MM (1/2")
6	R69279	WASHER	1		19.050 X 25.400 X 3.175 MM (3/4" X 1" X 1/8")
7	AA34967	LAMP	2		WARNING LAMP WHICH INCLUDES LENSES AND BULB
	AA34968	TAIL LAMP	2		TAIL LAMP WHICH INCLUDES LENS AND BULB
8	A32904	CAP	1		
9	AH93625	PLUG	1		
10A	AA34924	WIRING HARNESS	1	-1997	(SUB AA44914)
	AA44914	WIRING HARNESS	1		
10B	AA44910	WIRING HARNESS	1	1997-	
11	R78063	TERMINAL NIPPLE	2		(PKG. OF 40) (16 GA. WIRE) (GRAY)
12	R78060	SOCKET CONTACT	2		(PKG. OF 40) (14 OR 16 GA. WIRE) (NO. 15)
13	R78048	TERMINAL NIPPLE	1		(PKG. OF 5)
14	RE12363	CONNECTOR	1		(PKG. OF 3)
15	RE12331	CONNECTOR	1		
16	19M7744	CAP SCREW	2		M12 X 35
	A31867	LOCK NUT	2		M12
17	A50327	STRAP	1		
18	JD5901	REFLECTOR	2		RED
19	JD5905	REFLECTOR	2		AMBER
20	A50326	SUPPORT	1		

**HITCH DISABLE SWITCH
FOR USE WITH 55 SERIES TRACTORS**

AP4381 -UN-17JAN96



AP4381

KEY	PART NO.	PART NAME	QTY	SERIAL NO. OR YEAR	REMARKS
1	R78056	PIN CONTACT CONNECTOR BODY	1		(PKG. OF 2)
2	R78060	SOCKET CONTACT	6		(PKG. OF 40) (14 OR 16 GA. WIRE) (NO. 15)
3	R78063	TERMINAL NIPPLE	6		(PKG OF 40) (16 GA. WIRE) (GRAY)
4	R78061	PIN CONTACT	6		(PKG. OF 40) (14 OR 16 GA. WIRE) (NO. 15)
5	R78051	SEAL	1		(PKG OF 5)
6	RE12366	CONNECTOR	1		(PKG OF 2)
7	R106011	LABEL	1		
8	RE40508	TOGGLE SWITCH	1		

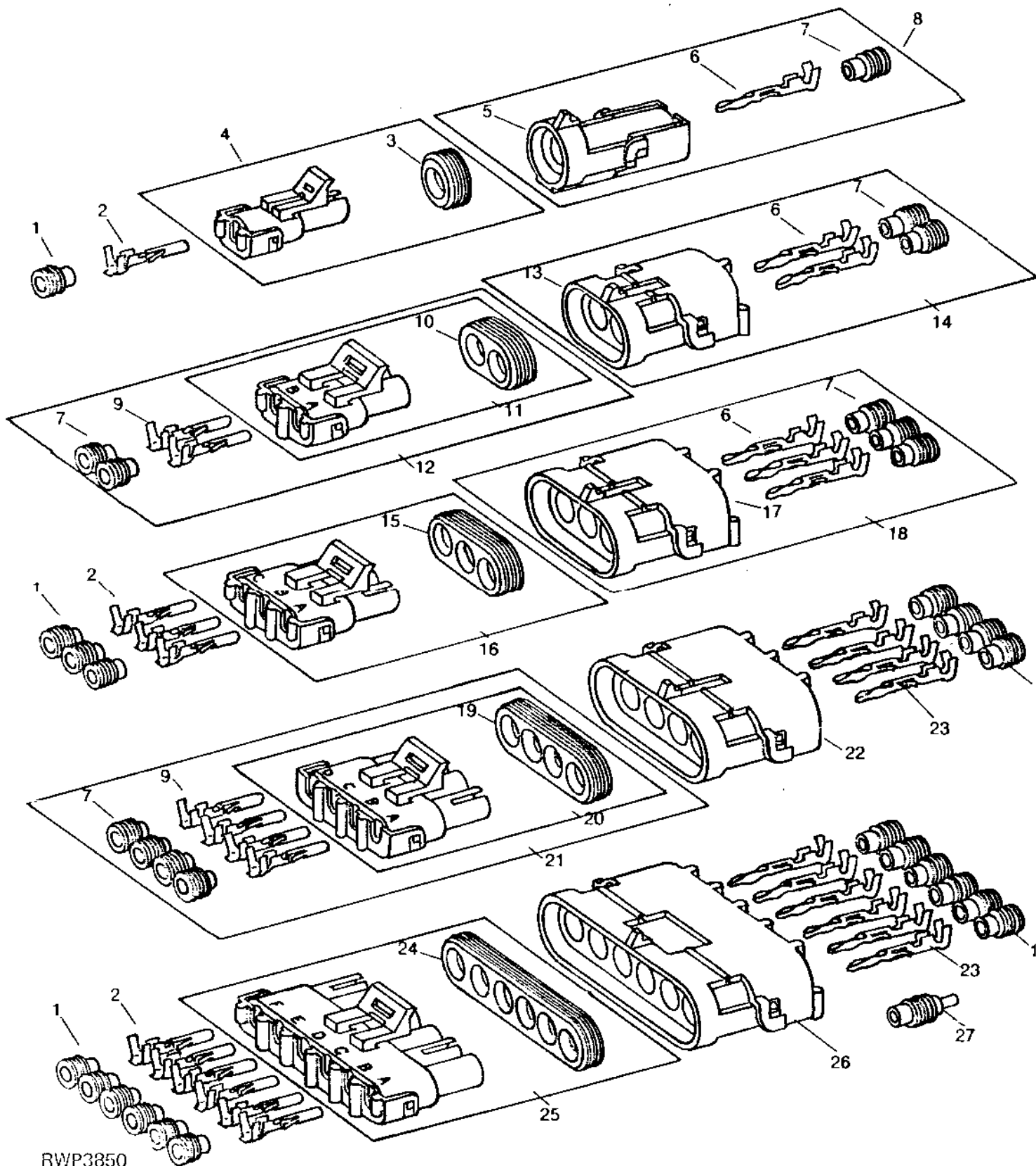
MEMORANDA

A18

FC: 6062

ELECTRICAL

WEATHER PACK™ TERMINALS AND CONNECTORS
RWP3850 -UN-01JAN94



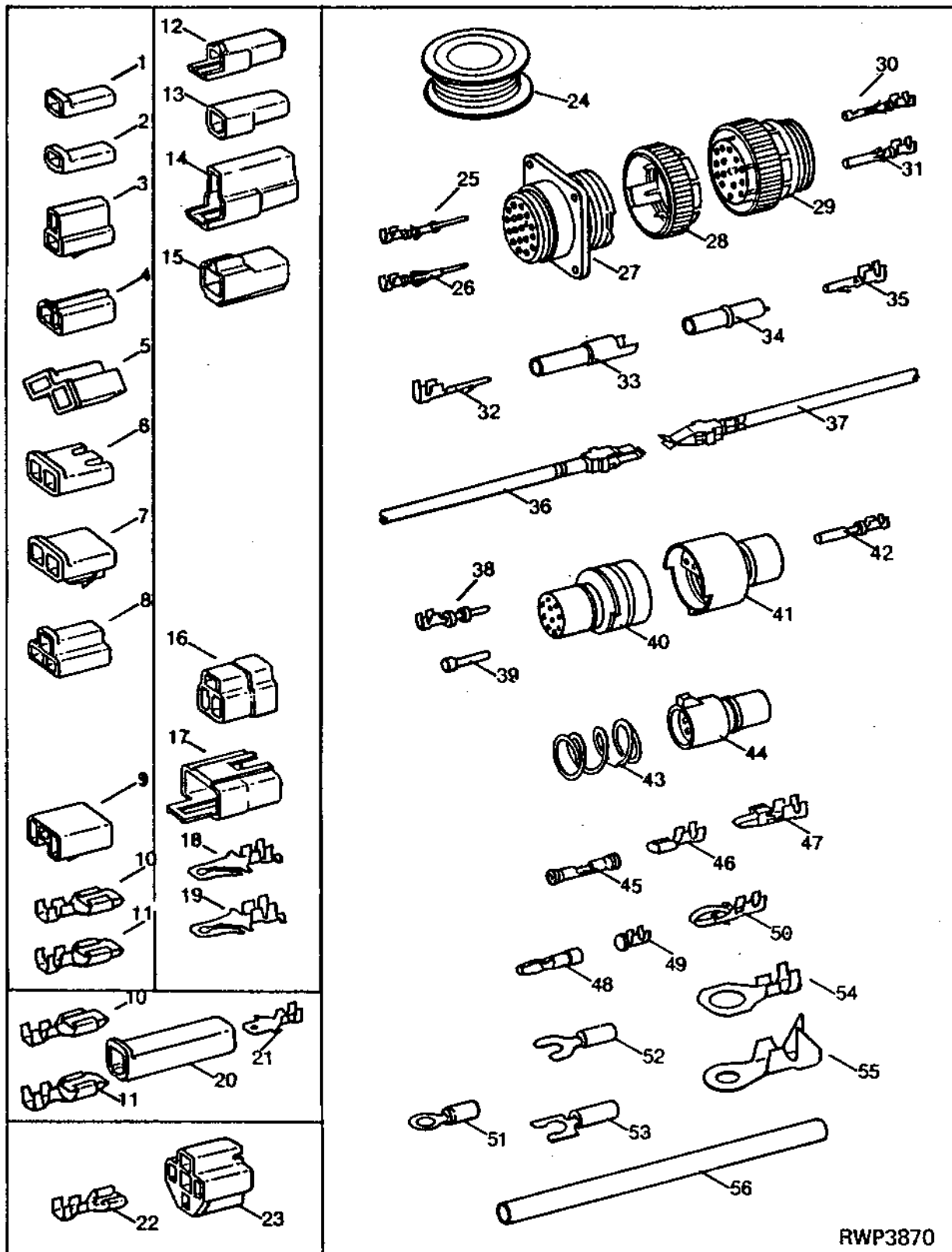
RWP3850

WEATHER PACK TERMINALS AND CONNECTORS - CONTINUED

KEY	PART NO.	PART NAME	QTY	SERIAL NO. OR YEAR	REMARKS
1	R78063	TERMINAL NIPPLE	1		(PKG. OF 40) (16 GA. WIRE) (GRAY)
	R78059	ELECTRICAL PLUG	1		(PKG. OF 40) (18 OR 20 GA. WIRE) (GREEN)
	R78062	TERMINAL NIPPLE	1		(PKG. OF 40) (14 GA. WIRE) (BLUE)
2	R78057	SOCKET CONTACT	1		(PKG. OF 40) (18 OR 20 GA. WIRE) (NO. 19)
	R78060	SOCKET CONTACT	1		(PKG. OF 40) (14 OR 16 GA. WIRE) (NO. 15)
3	R78047	SEAL	1		(PKG. OF 5)
4	RE12362	CONNECTOR	1		(PKG. OF 3)
5	R78052	PIN CONTACT CONNECTOR BODY	1		(PKG. OF 3)
6	R78061	PIN CONTACT	1		(PKG. OF 40) (14 OR 16 GA. WIRE) (NO. 15)
7	R78063	TERMINAL NIPPLE	1		(PKG. OF 40) (16 GA. WIRE) (GRAY)
8	RE12334	CONNECTOR	1		
9	R78060	SOCKET CONTACT	1		(PKG. OF 40) (14 OR 16 GA. WIRE) (NO. 15)
10	R78048	TERMINAL NIPPLE	1		(PKG. OF 5)
11	RE12363	CONNECTOR	1		(PKG. OF 3)
12	RE12331	CONNECTOR	1	-JUL96	(SUB RE12363, R78060 AND R78063)
13	R78053	PIN CONTACT CONNECTOR BODY	1		(PKG. OF 3)
14	RE12330	CONNECTOR	1		
15	R78049	SEAL	1		(PKG. OF 5)
16	RE12364	SOCKET CONT.CONNECTOR BODY	1		(PKG. OF 3)
17	R78054	PIN CONTACT CONNECTOR BODY	1		(PKG. OF 3)
18	RE12332	CONNECTOR	1		
19	R78050	SEAL	1		(PKG. OF 5)
20	RE12365	CONNECTOR	1		(PKG. OF 2)
21	RE12333	CONNECTOR	1		
22	R78055	PIN CONTACT CONNECTOR BODY	1		(PKG. OF 2)
23	R78061	PIN CONTACT	1		(PKG. OF 40) (14 OR 16 GA. WIRE) (NO. 15)
	R78058	PIN CONTACT	1		(PKG. OF 40) (18 OR 20 GA. WIRE) (NO. 19)
24	R78051	SEAL	1		(PKG. OF 5)
25	RE12366	CONNECTOR	1		(PKG. OF 2)
26	R78056	PIN CONTACT CONNECTOR BODY	1		(PKG. OF 2)
27	R78064	ELECTRICAL PLUG	1		(PKG. OF 40)

ELECTRICAL CONNECTOR SERVICE KIT

RWP3870 -UN-01JAN94



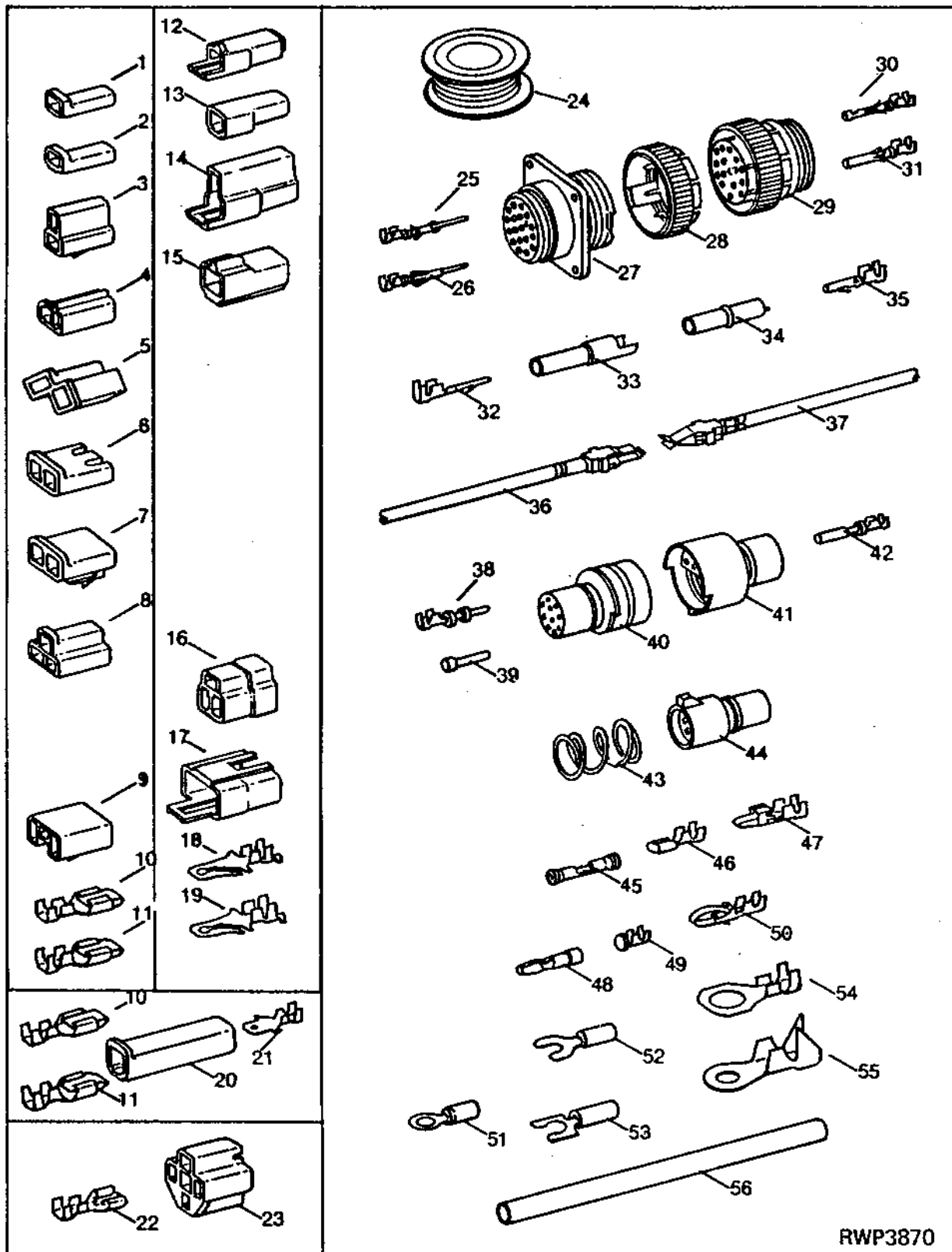
ELECTRICAL CONNECTOR SERVICE KIT - CONTINUED

KEY	PART NO.	PART NAME	QTY	SERIAL NO. OR YEAR	REMARKS
1	T28583	RECEPTACLE CONNECTOR BODY	1	(B)	
2	M43835	FLAT CONNECTOR	1	(B)	
3	R77476	CONNECTOR	1	(A)	
4	R77477	RECEPTACLE CONNECTOR BODY	1	(A)	
5	R77479	CONNECTOR	1	(A)	
6	R77480	RECEPTACLE CONNECTOR BODY	1	(A)	
7	R77481	CONNECTOR	1	(A)	
8	R77482	CONNECTOR	1		
9	H104855	RECEPTACLE CONNECTOR BODY	1		
10	U46662	TERMINAL	1	(E) (F)	
11	N115096	TERMINAL	1	(G) (PKG. OF 15)	
12	T28585	TAB CONNECTOR BODY	1	(B)	
13	R77475	CONNECTOR	1	(B)	
14	T28586	CONNECTOR	1	(A)	
15	R77478	CONNECTOR	1	(A)	
16	R77483	CONNECTOR	1		
17	R48887	TAB CONNECTOR BODY	1		
18	T34067	TERMINAL	1	(E) (F)	
19	R77484	TERMINAL	1	(G) (PKG. OF 15)	
20	U46370	CONNECTOR	1	(B)	
21	R77485	TAB	1	(C) (F)	
22	R77486	TERMINAL	1	(E)	
23	R77487	CONNECTOR	1	(B)	
24	R66321	WIRING LEAD	1	15M (50 FT.) 10 GA.	
	R66320	WIRING LEAD	1	30.5M (100 FT.) 12 GA. (SUB TY16069)	
	R77501	WIRE	1	30.5M (100 FT.) 14 GA.	
	R77500	WIRE	1	30.5M (100 FT.) 16 GA. (SUB TY16078)	
	R77499	WIRE	1	30.5M (100 FT.) 18 GA.	
	R77498	WIRE	1	30.5M (100 FT.) 20 GA.	
25	R77462	PIN CONTACT	1	(PKG. OF 40) 20-22 OR 24 GA. WIRE	
26	R77464	PIN CONTACT	1	(H) (PKG. OF 50)	
27	R77456	RECEPTACLE	1	(37 WAY)	
28	R77458	CONNECTOR	1	(A) SIZE 23	
	R77459	CONNECTOR	1	(A) SIZE 17	
	R77460	CONNECTOR	1	(A) SIZE 13	
	R77461	CONNECTOR	1	(A) SIZE 11	
29	R77457	ELECTRICAL PLUG	1	37 WAY	
30	R77463	SOCKET CONTACT	1	(PKG. OF 40) 20-22 OR 24 GA. WIRE	
31	R77465	SOCKET CONTACT	1	(H) (PKG. OF 50)	
32	R77468	TERMINAL	1	(PKG. OF 5) 18 GA.	
33	R77466	CONNECTOR	1	(A)	
34	R77467	CONNECTOR	1	(A)	

- (A) PKG. OF 2
- (B) PKG. OF 3
- (C) PKG. OF 10
- (D) PKG. OF 20
- (E) PKG. OF 25
- (F) 14 OR 16 GA. WIRE
- (G) 10 OR 12 GA. WIRE
- (H) 14-16 OR 18 GA. WIRE

ELECTRICAL CONNECTOR SERVICE KIT - CONTINUED

RWP3870 -UN-01JAN94



RWP3870

ELECTRICAL CONNECTOR SERVICE KIT - CONTINUED

KEY	PART NO.	PART NAME	QTY	SERIAL NO. OR YEAR	REMARKS
35	R77469	TERMINAL	1		(PKG. OF 5) 18 GA.
36	RE11156	TERMINAL	1		(B) MALE
37	RE11157	TERMINAL	1		(B) FEMALE
38	R70222	PIN CONTACT	1		(D) (H)
39	R70221	ELECTRICAL PLUG	1		(E)
40	R70219	PLUG	1		(PKG. OF (2) R70218 AND (2) R70219) 10 WAY
	R70217	PLUG	1		(PKG. OF (2) R70216 AND (2) R70217) 7 WAY
	R70215	PLUG	1		(PKG. OF (2) R70214 AND (2) R70215) 4 WAY
	R70213	PIN CONTACT CONNECTOR BODY	1		(PKG. OF (2) R70212 AND (2) R70213) (3 WAY)
	R70211	CONNECTOR	1		(PKG. OF (2) R70210 AND (2) R70211) 2 WAY
41	RECEPTACLE	1		ORDER R70219 WHICH CONTAINS (2) R70218 AND (2) R70219
	RECEPTACLE	1		ORDER R70217 WHICH CONTAINS (2) R70216 AND (2) R70217
	RECEPTACLE	1		ORDER R70215 WHICH CONTAINS (2) R70214 AND (2) R70215
	RECEPTACLE	1		ORDER R70213 WHICH CONTAINS (2) R70212 AND (2) R70213
	RECEPTACLE	1		(ORDER R70211) ORDER R70211 WHICH CONTAINS (2) R70210 AND (2) R70211
42	AR91793	SOCKET CONTACT	1		(D)
43	R30378	SPRING	1		(C)
44	R77474	CONNECTOR	1		(A) 6 WAY
45	R77470	TERMINAL	1		SPLICE (PKG. OF 15) 16-18-20 OR 22 GA. WIRE
	R77471	TERMINAL	1		(C) (G) SPLICE
	R77472	TERMINAL	1		(A) SPLICE (8 GA. WIRE)
	R77473	TERMINAL	1		(A) SPLICE (6 GA. WIRE)
46	R65607	TERMINAL	1		(C) (18 OR 20 GA. WIRE)
47	U46664	TERMINAL	1		(C) (F)
48	R32026	TERMINAL	1		(D) (F)
49	R65602	SOCKET CONTACT	1		(C) 16 OR 18 GA. WIRE
50	R70220	TERMINAL	1		(C) 18 OR 20 GA. WIRE
51	R77489	TERMINAL	1		(D) 14-16-18 OR 20 GA. WIRE; NO. 10 EYELET
	R77493	TERMINAL	1	-JUN 96	(D) (G) (SUB R32019) NO. 10 EYELET
	R32019	TERMINAL	1		(D) (G)
	R77488	TERMINAL	1		(D) 14-16-18 OR 20 GA. WIRE; 3/8" EYELET
	R77490	TERMINAL	1		(D) (G) (1/2" EYELET)
52	R77496	TERMINAL	1		(D) (F) NO. 8 SPADE
	R77495	TERMINAL	1		(D) 18 GA. WIRE; NO. 10 SPADE
53	R77497	TERMINAL	1		(D) (F) NO. 6 SPADE
54	R77491	TERMINAL	1		(D) (G) 3/8" EYELET
	R77492	TERMINAL	1		(D) (G) 1/4" EYELET
55	R77494	TERMINAL	1	-JUL96	(D) (SUB R65606) 6 OR 8 GA. WIRE; 1/4" EYELET
	R65606	TERMINAL	1		
56	R77502	TUBE	1		(PKG. OF 8) 3/8", HEAT SHRINK
	R77503	TUBE	1		(PKG. OF 8) 3/16", HEAT SHRINK
57	PM797NA	KIT	1		

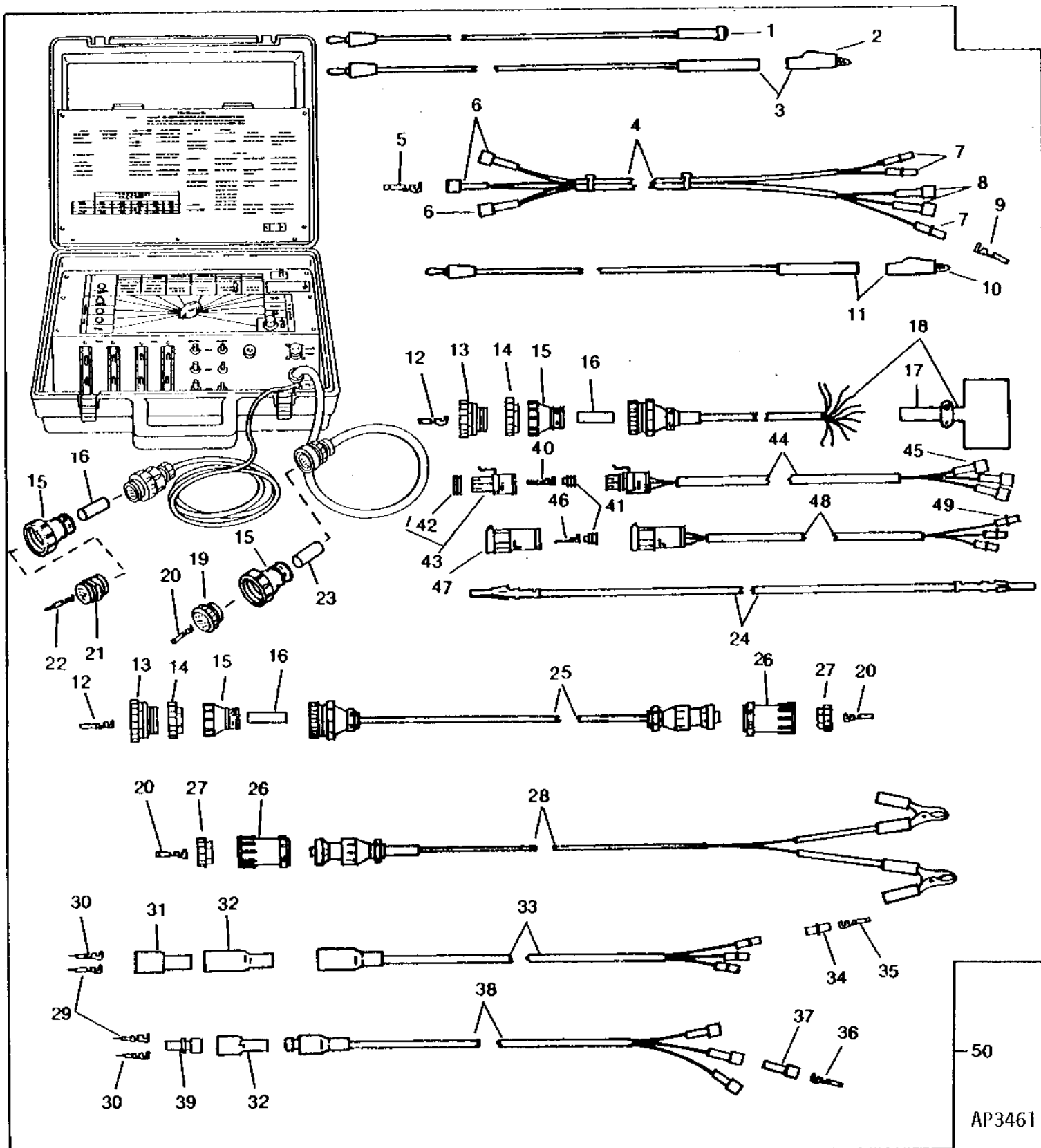
- (A) PKG. OF 2
- (B) PKG. OF 3
- (C) PKG. OF 10
- (D) PKG. OF 20
- (E) PKG. OF 25
- (F) 14 OR 16 GA. WIRE
- (G) 10 OR 12 GA. WIRE
- (H) 14-16 OR 18 GA. WIRE

A24

FC: 6300

ELECTRICAL

TEST UNIT
AP3461 -UN-01JAN94



AP3461

TEST UNIT - CONTINUED

KEY	PART NO.	PART NAME	QTY	SERIAL NO. OR YEAR	REMARKS
1	AA32484	WIRING LEAD	1		EXTENSION
2	AA32497	CLIP	1		RED INSULATION
3	AA32486	LUBRICATION HARNESS	1		TEST
4	AA32485	WIRING HARNESS	1		SENSOR EXTENSION
5	AA33321	TERMINAL	1		(50) PARTS PER PACKAGE
6	R77466	CONNECTOR	1		(A) PACKAGE OF (2)
7	R77467	CONNECTOR	1		(A) PACKAGE OF (2)
8	R77466	CONNECTOR	1		(A) PACKAGE OF (2)
9	AA33322	TERMINAL	1		EACK AA33322 CONTAINS (50) TERMINAL PINS
10	AA32498	CLIP	1		BLACK INSULATION
11	AA32487	WIRING LEAD	1		TEST
12	R77464	PIN CONTACT	1		(A) PACKAGE OF (50) 14-16 OR 18 GA. WIRE
13	R77457	ELECTRICAL PLUG	1		(A) (37) WAY
14	R77458	CONNECTOR	1		(A) PACKAGE OF (2) SIZE (23)
15	AA35687	CLAMP	1		
16	A49718	GUARD	1		
17	AA33326	CONNECTOR	1		
18	AA32488	WIRING HARNESS	1		TEST UNIT ADAPTER
19	R77457	ELECTRICAL PLUG	1		(A) (37) WAY
20	R77465	SOCKET CONTACT	1		(A) PACKAGE OF (50) 14-16 OR 18 GA. WIRE
	R77463	SOCKET CONTACT	1		(A) PACKAGE OF (40) 20-22 OR 24 GA. WIRE
21	R77456	RECEPTACLE	1		(A) (37) WAY
22	R77464	PIN CONTACT	1		(A) PACKAGE OF (50) 14-16 OR 18 GA. WIRE
	R77462	PIN CONTACT	1		(A) PACKAGE OF (40) 20-22 OR 24 GA. WIRE
23	A50026	GUARD	1		
24	AA35874	WIRE	1		
25	AA32489	ADAPTER	1		POWER MODULE HARNESS
26	AA35686	CLAMP	1		
27	R77461	CONNECTOR	1		(A) PACKAGE OF (2) SIZE (11)
28	AA32490	WIRING HARNESS	1		BATTERY
29	AR91793	SOCKET CONTACT	1		(A) PACKAGE OF (20)
30	R70222	PIN CONTACT	2		(A) PACKAGE OF (20) 14-16 OR 18 GA. WIRE
31	R70212	RECEPTACLE	1		(A) ORDER R70213 WHICH CONTAINS (2) R70212 AND (2) R70213
32	A49717	BOOT	1		
33	AA31794	ADAPTER	1		SENSOR (CAN BE USED WITH BA22348)
34	R77467	CONNECTOR	3		(A) PACKAGE OF (2)
35	R77469	TERMINAL	3		(A) PACKAGE OF (5)
36	R77468	TERMINAL	3		(A) PACKAGE OF (5)
37	R77466	CONNECTOR	1		(A) PACKAGE OF (2)
38	AA31807	ADAPTER	1		HARNESS (CAN BE USED WITH BA22348)
39	R70213	PIN CONTACT CONNECTOR BODY	1		(A) PACKAGE OF (2) R70212 AND (2) R70213, (3) WAY
40	R78057	SOCKET CONTACT	1		PACKAGE OF (40) 18 OR 20 GA. WIRE (NO. 19)
41	R78059	ELECTRICAL PLUG	1		PACKAGE OF (40) 18 OR 20 GA. WIRE (GREEN)
42	R78049	SEAL	1		PACKAGE OF (5)
43	RE12364	SOCKET CONT.CONNECTOR BODY	1		PACKAGE OF (3)
44	AA36818	ADAPTER	1		
45	R77466	CONNECTOR	1		(A) PACKAGE OF (2)
46	R78058	PIN CONTACT	1		PACKAGE OF (40) 18 OR 20 GA. WIRE (NO. 19)
47	R78054	PIN CONTACT CONNECTOR BODY	1		PACKAGE OF (3)
48	AA36819	CONNECTOR	1		
49	R77467	CONNECTOR	1		
50	BA23927	KIT	1		BROWN SUITCASE TEST UNIT, COMPLETE

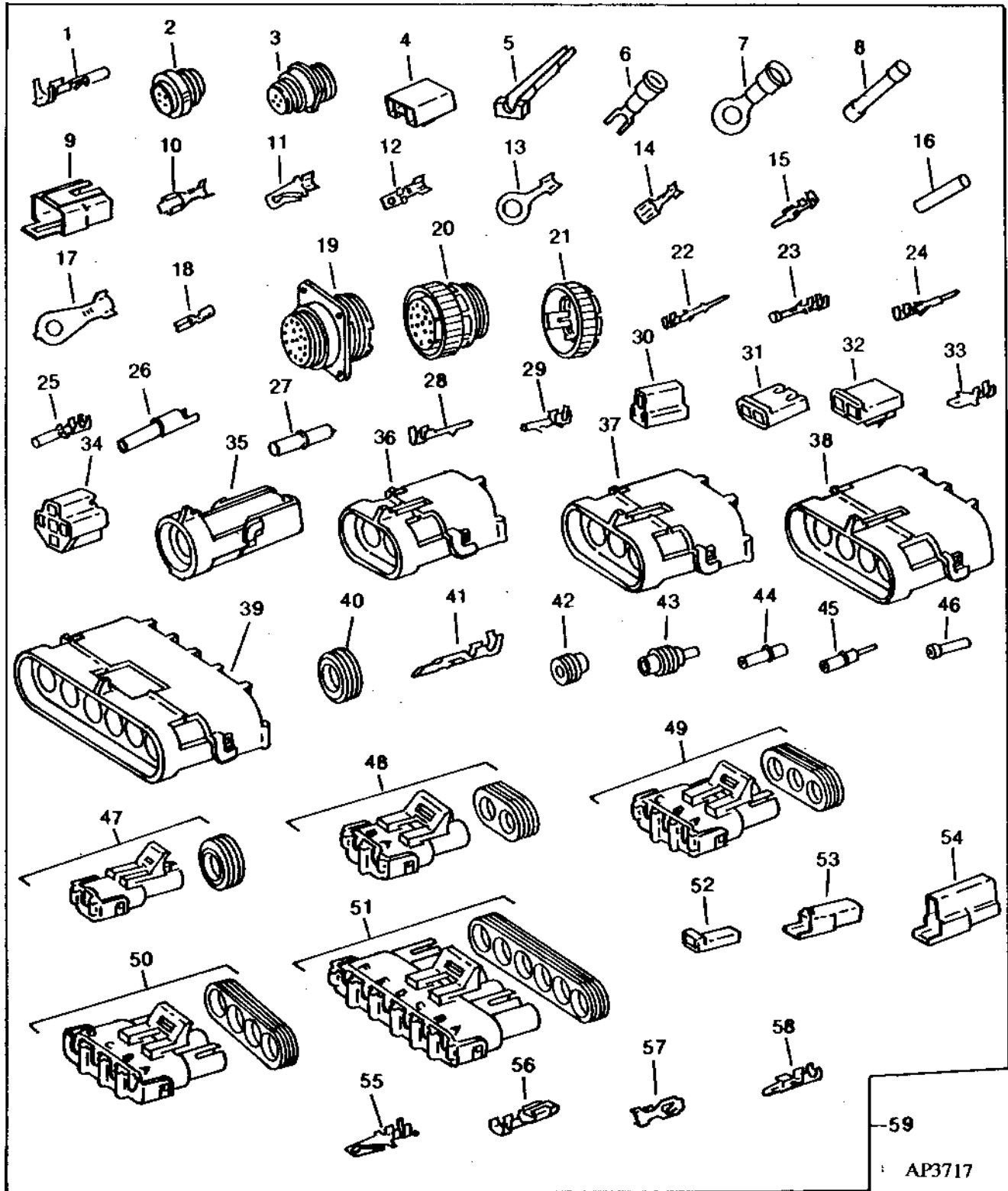
(A) INCLUDED IN PM797NA KIT

ELECTRICAL CONNECTOR SERVICE

(PM797NA KIT)

AP3717

-UN-01JAN94



59

AP3717

ELECTRICAL CONNECTOR SERVICE - CONTINUED
(PM797NA KIT)

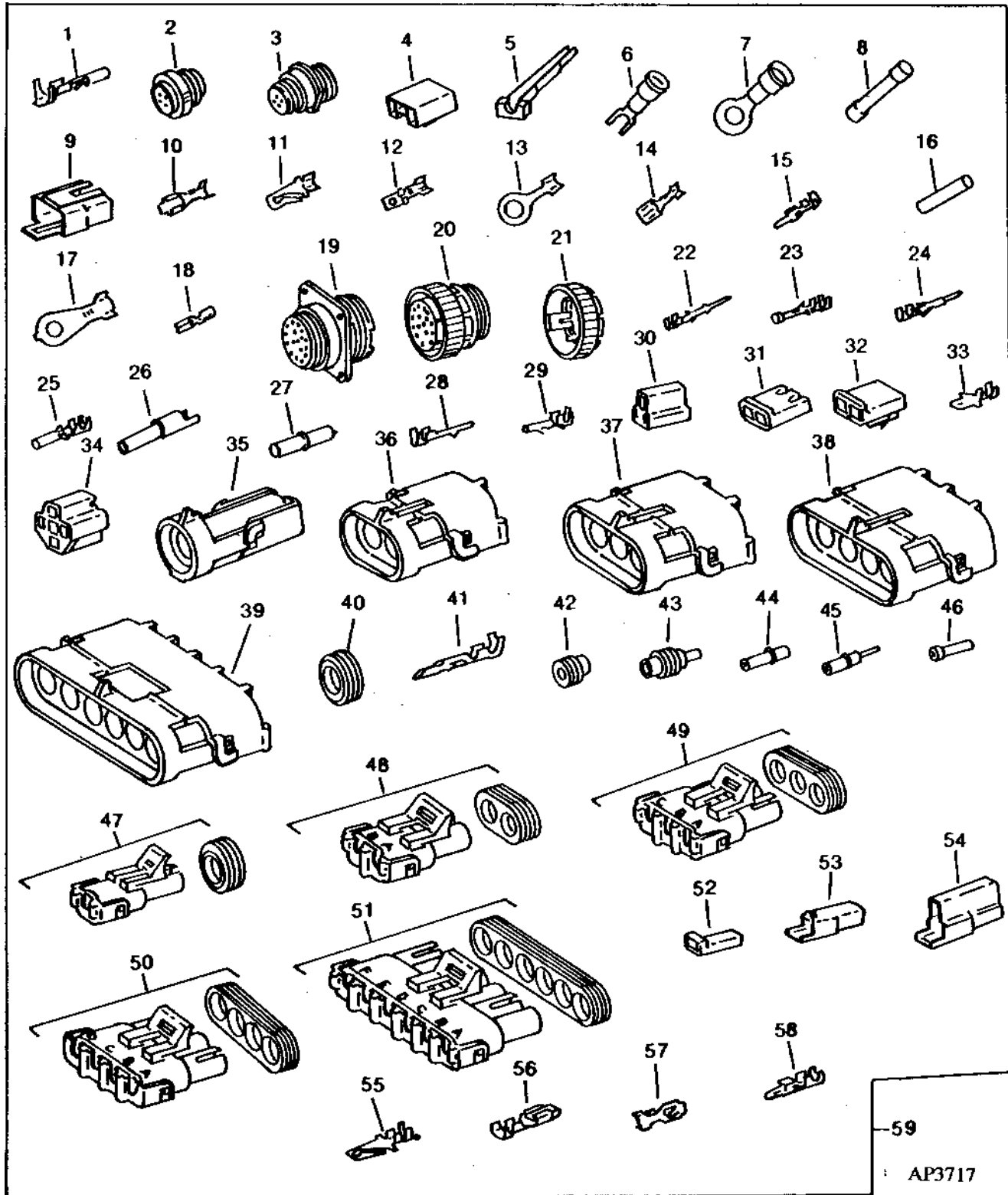
KEY	PART NO.	PART NAME	QTY	SERIAL NO. OR YEAR	REMARKS
1	AA33322	TERMINAL	30		MATE-N-LOK
2	AE44392	CONNECTOR	1		4 SOCKET PLUG
3	AE44932	CONNECTOR	1		4 PIN
4	H104855	RECEPTACLE CONNECTOR BODY	3		3-WAY LOCK, FEMALE
5	JDG361	SPECIAL SERVICE TOOL	2		
	JDG362	SPECIAL SERVICE TOOL	3		
6	R32016	TERMINAL	40		PRIMARY, 14-16 GA., NO.10 SPADE
	R32017	TERMINAL	25		10-12 GA., NO.10 SPADE
7	R32018	TERMINAL	25		PRIMARY, 14-16 GA., NO.10 EYELET
	R32019	TERMINAL	25		PRIMARY, 10-12 GA., NO.10 EYELET
	R32021	TERMINAL	25		PRIMARY, 10-12 GA., 1/4" EYELET
	R32022	TERMINAL	25		PRIMARY, 10-12 GA., 3/8" EYELET
	R32023	TERMINAL	25		PRIMARY, 10-12 GA., 1/2" EYELET
8	R32027	CONNECTOR	25		SPLICE, 14-16 GA.
	R32028	TERMINAL	25		SPLICE, 10-12 GA.
9	R48887	TAB CONNECTOR BODY	3		3 CONTACT, LOCK (MALE)
10	R65595	TERMINAL	25		FEMALE, 10 GA.
11	R65596	TERMINAL	12		MALE, 10 GA., OR TWO 14 GA. CABLES
12	R65598	TERMINAL	12		MALE, SHORT, 14-16 GA.
13	R65599	TERMINAL	12		14-16 GA., 1/4" EYELET
14	R65600	TERMINAL	25		FEMALE, 14-16 GA.
15	R65601	TERMINAL	12		TWIN-LOCK, TWO 16 GA. CABLES
16	R65604	INSULATING SLEEVE	25		14-18 GA.
	R65605	INSULATING SLEEVE	2		8-12 GA.
17	R65606	TERMINAL	12		6-8 GA., 1/4" EYELET
18	R65607	TERMINAL	25		18-20 GA.
19	R77456	RECEPTACLE	1		37-WAY
20	R77457	ELECTRICAL PLUG	1		37-WAY
21	R77458	CONNECTOR	2		LOCK-RING SIZE 23
22	R77462	PIN CONTACT	20		20-22 OR 24 GA. WIRE
23	R77463	SOCKET CONTACT	20		20-22 OR 24 GA. WIRE
24	R77464	PIN CONTACT	20		14-16 OR 18 GA. WIRE
25	R77465	SOCKET CONTACT	20		14-16 OR 18 GA. WIRE
26	R77466	CONNECTOR	12		1-WAY
27	R77467	CONNECTOR	12		1-WAY
28	R77468	TERMINAL	12		18 GA.
29	R77469	TERMINAL	20		18 GA., MATE-N-LOK
30	R77476	CONNECTOR	12		2-WAY
31	R77480	RECEPTACLE CONNECTOR BODY	12		2-WAY
32	R77481	CONNECTOR	6		2-WAY, FEMALE
33	R77485	TAB	30		14 OR 16 GA. WIRE
34	R77487	CONNECTOR	3		5-WAY, FEMALE
35	R78052	PIN CONTACT CONNECTOR BODY	6		WEATHER PAK

ELECTRICAL CONNECTOR SERVICE - CONTINUED

(PM797NA KIT)

AP3717

-UN-01JAN94

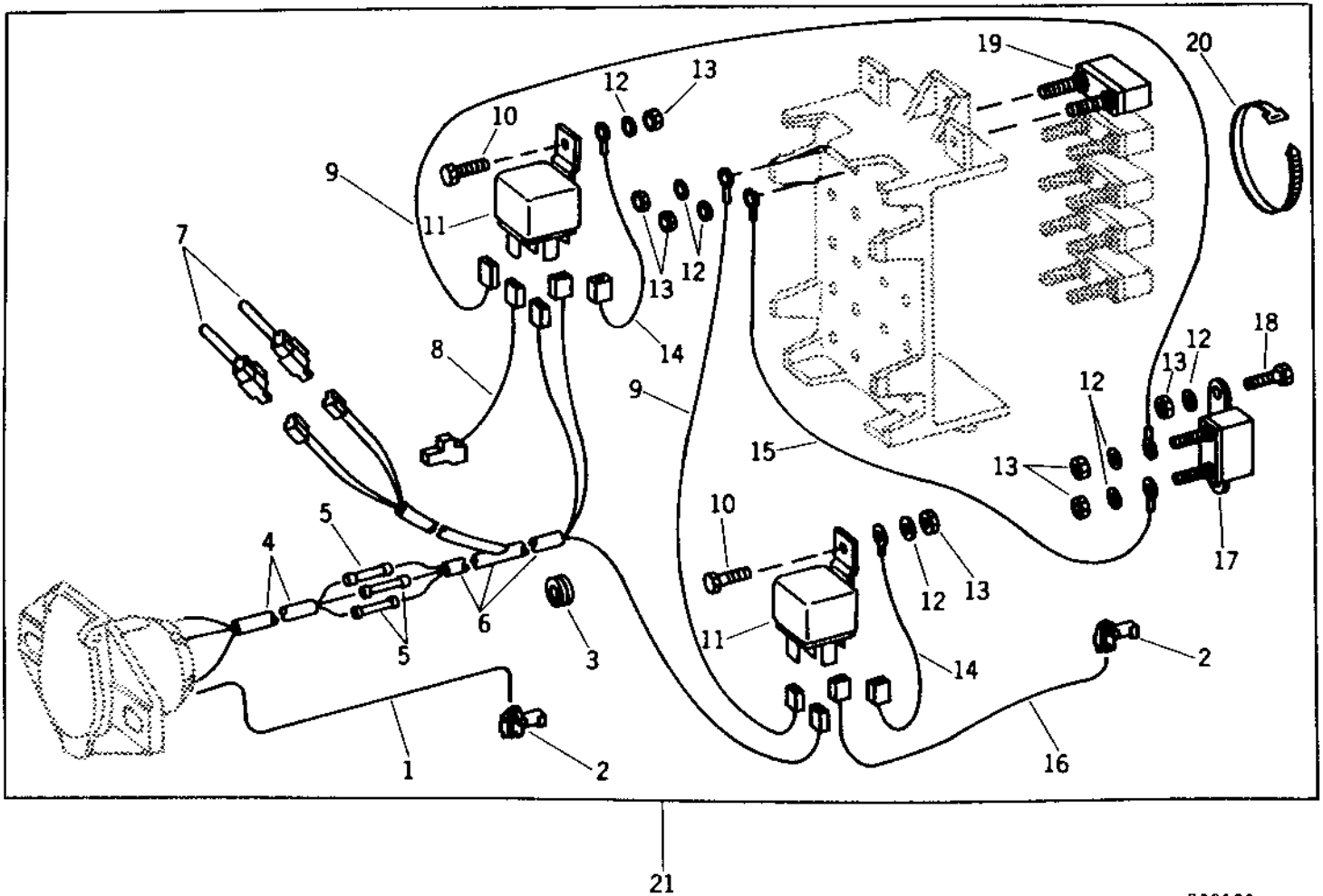


59
AP3717

ELECTRICAL CONNECTOR SERVICE - CONTINUED
(PM797NA KIT)

KEY	PART NO.	PART NAME	QTY	SERIAL NO. OR YEAR	REMARKS
36	R78053	PIN CONTACT CONNECTOR BODY	6		2-WAY WEATHER PAK
37	R78054	PIN CONTACT CONNECTOR BODY	3		3-WAY, WEATHER PAK
38	R78055	PIN CONTACT CONNECTOR BODY	3		4-WAY, WEATHER PAK
39	R78056	PIN CONTACT CONNECTOR BODY	3		WEATHER PAK
40	R78057	SOCKET CONTACT	25		18 OR 20 GA. WIRE NO. 19
	R78060	SOCKET CONTACT	50		14 OR 16 GA. WIRE NO. 15
41	R78058	PIN CONTACT	50		18 OR 20 GA. WIRE NO. 19
	R78061	PIN CONTACT	50		14 OR 16 GA. WIRE NO. 15
42	R78059	ELECTRICAL PLUG	50		18 OR 20 GA. WIRE (GREEN)
	R78062	TERMINAL NIPPLE	50		14 GA. WIRE (BLUE)
	R78063	TERMINAL NIPPLE	50		16 GA. WIRE (GRAY)
43	R78064	ELECTRICAL PLUG	50		WEATHER PAK
44	R78065	SOCKET CONTACT	25		16 OR 18 GA. WIRE
	R78067	SOCKET CONTACT	20		12 OR 14 GA. WIRE
45	R78066	PIN CONTACT	25		16 OR 18 GA. WIRE
	R78068	PIN CONTACT	20		12 OR 14 GA. WIRE
46	R78069	ELECTRICAL PLUG	30		
47	RE12362	CONNECTOR	6		1-WAY, WEATHER PAK
48	RE12363	CONNECTOR	6		2-WAY, WEATHER PAK
49	RE12364	SOCKET CONT.CONNECTOR BODY	3		3-WAY, WEATHER PAK
50	RE12365	CONNECTOR	3		4-WAY, WEATHER PAK
51	RE12366	CONNECTOR	3		6-WAY, WEATHER PAK
52	T28583	RECEPTACLE CONNECTOR BODY	25		1-WAY, LOCK (FEMALE)
53	T28585	TAB CONNECTOR BODY	25		1-WAY, LOCK (MALE)
54	T28586	CONNECTOR	12		2-WAY, LOCK (MALE)
55	T34067	TERMINAL	50		14 OR 16 GA. WIRE
56	U46662	TERMINAL	50		14 OR 16 GA. WIRE, FEMALE
57	U46663	TERMINAL	20		FEMALE
58	U46664	TERMINAL	20		14 OR 16 GA. WIRE, MALE
..	PM797NA	KIT	1		

7-TERMINAL SOCKET
SUPPLEMENTARY WIRING KIT
8000 AND 9000 SERIES TRACTORS
R32129F -UN-01JAN94

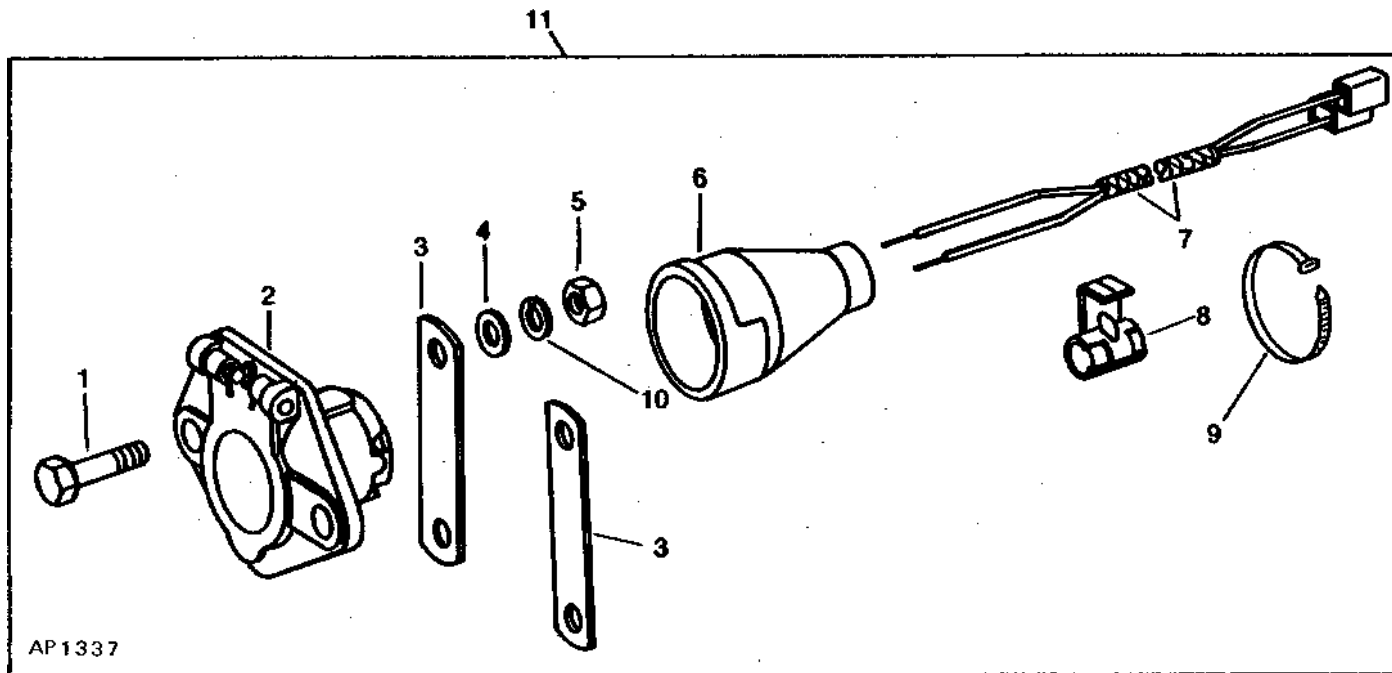


R32129

**7-TERMINAL SOCKET - CONTINUED
SUPPLEMENTARY WIRING KIT
8000 AND 9000 SERIES TRACTORS**

KEY	PART NO.	PART NAME	QTY	SERIAL NO.	REMARKS
1	WIRING LEAD	1		OUTLET SOCKET, 156" (3962 MM) (MAKE FROM R32007) (FROM AR84006 WIRE REPAIR KIT)
2	AR67855	CONNECTOR	2		WIRE TAP
3	R40445	GROMMET	1		
4	AR82910	WIRING HARNESS	1		
5	R32027	CONNECTOR	4		SPLICE
6	AR82912	WIRING HARNESS	1		
7	AR82911	WIRING LEAD	2		
8	AR50834	WIRING LEAD	1		
9	WIRING LEAD	3		RELAY, 12-1/4" (311 MM) (MAKE FROM R32007, R32024, R32018 AND R32027) (FROM AR84006 WIRE REPAIR KIT)
10	21H1282	SCREW	2		0.190" X 7/8"
11	AR74411	RELAY	2		
12	12M7060	WASHER	8		0.209"
13	14H631	NUT	8		0.190"
14	WIRING LEAD	2		RELAY GROUND, 6" (152 MM) (MAKE FROM R32007, R32025, R32021 AND R32027) (FROM AR84006 WIRE REPAIR KIT)
15	WIRING LEAD	2		CIRCUIT BREAKER, 6" (152 MM) (MAKE FROM R32007 AND (2) R32018) (FROM AR84006 WIRE REPAIR KIT)
16	AR82909	WIRING LEAD	1		
17	AR49352	CIRCUIT BREAKER	1		30 AMP
18	21H1295	SCREW	2		0.190" X 5/8"
19	AR28403	CIRCUIT BREAKER	1		20 AMP
20	R44302	TIE BAND	10		190.000 MM (7.480")
21	AR78052	KIT	1		7 TERMINAL AUXILIARY ELECTRICAL OUTLET SOCKET

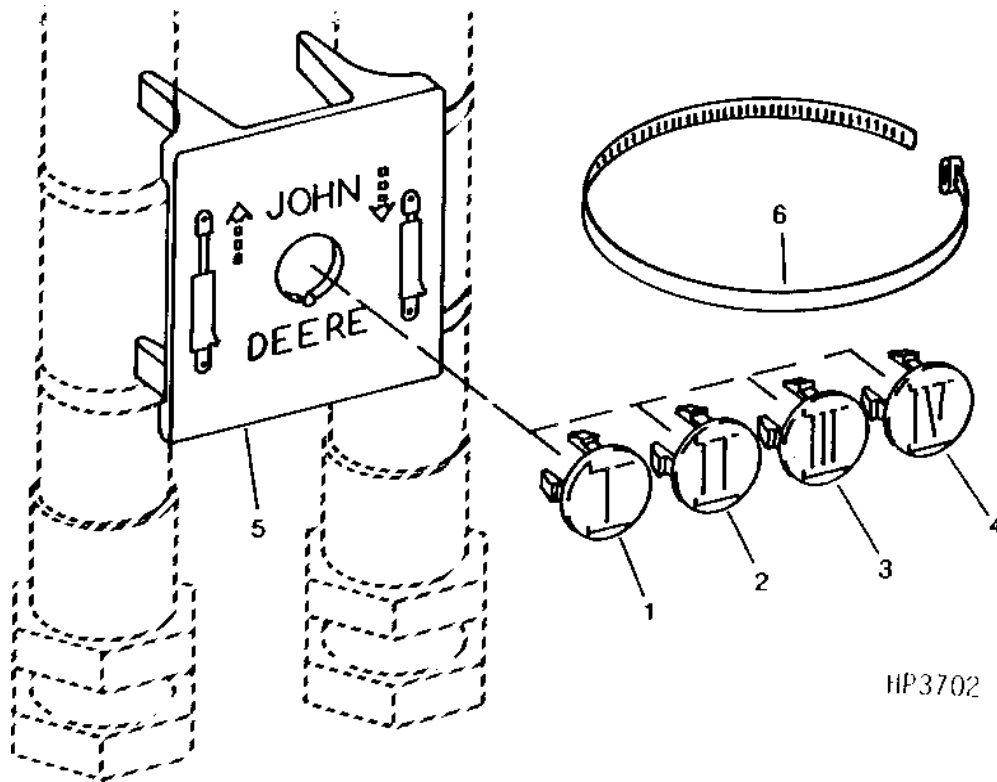
7-TERMINAL ELECTRICAL OUTLET SOCKET
8000 AND 9000 SERIES TRACTORS
 AP1337 -UN-01JAN94



KEY	PART NO.	PART NAME	QTY	SERIAL NO.	REMARKS
1	19H1905	CAP SCREW	2	5/16" X 1"	
2	AR75695	SOCKET OUTLET	1		
3	R61776	STRAP	2		
4	24H1136	WASHER	2	11/32" X 11/16" X 0.065"	
5	14H785	NUT	2	5/16"	
6	R61775	BOOT	1		
7	AR75696	WIRING HARNESS	1		
8	AR67855	CONNECTOR	2		
9	R44302	TIE BAND	AR	190.000 MM (7.480")	
10	12H303	LOCK WASHER	2	5/16"	
11	RE17282	SHIPPING BUNDLE	1		

HOSE IDENTIFICATION TAG
 (AN AVAILABLE CLIP FOR EACH HOSE PAIR IDENTIFIES WHICH IS THE PRESSURE HOSE
 AND WHICH OUTLET IT SHOULD BE PLUGGED INTO)

HP3702 -UN-01JAN94



HP3702

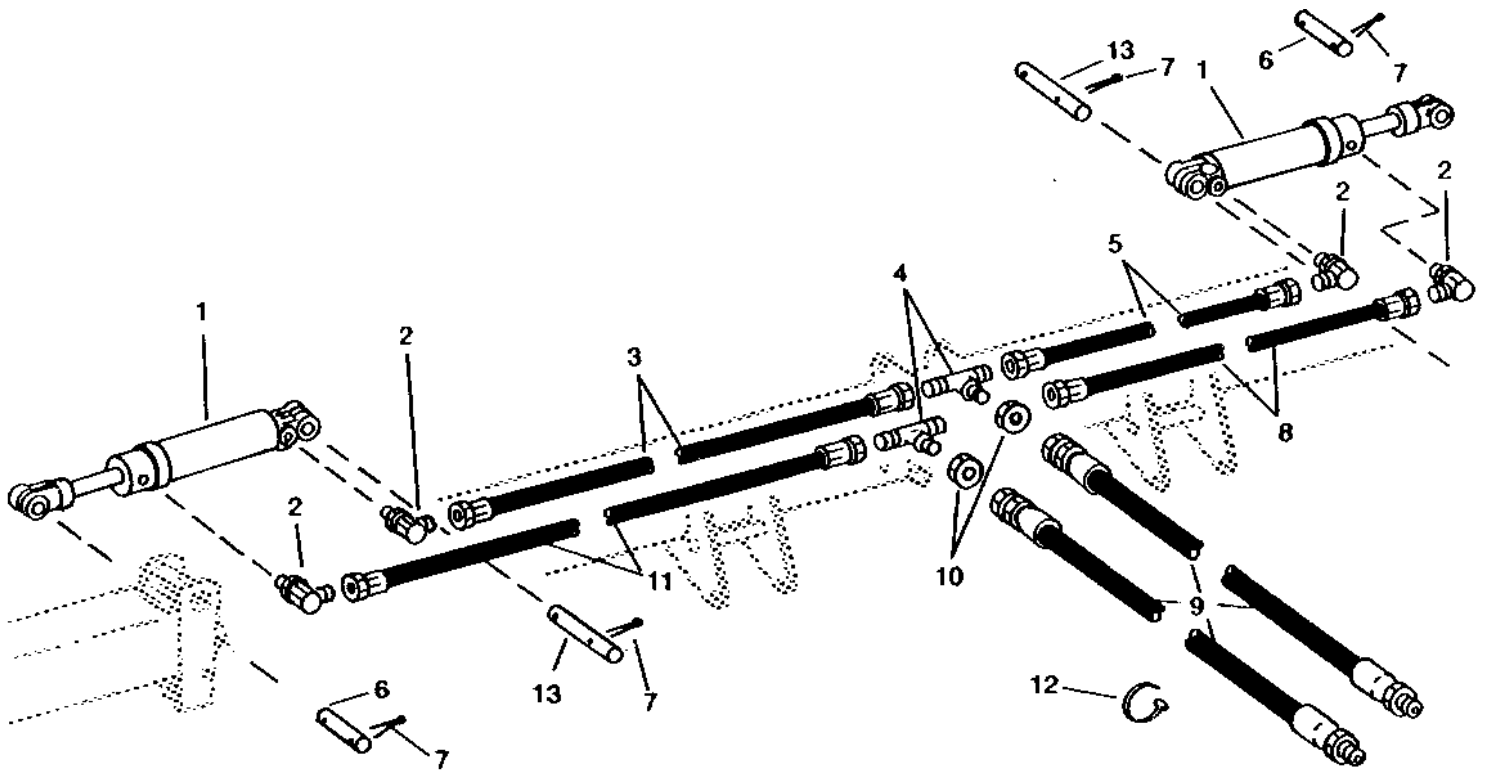
KEY	PART NO.	PART NAME	QTY	SERIAL NO. OR YEAR	REMARKS
1	R74242	PLUG	1	I	
2	R74243	PLUG	1	II	
3	R74244	PLUG	1	III	
4	R74246	PLUG	1	IV	
5	R76459	TAG	1		
6	H77698	TIE BAND	2	360 MM (14")	

B13

FC: 6020

HYDRAULIC

WING FOLD HYDRAULIC SYSTEM
AP2501 -UN-01JAN94



AP2501

WING FOLD HYDRAULIC SYSTEM - CONTINUED

KEY	PART NO.	PART NAME	QTY	SERIAL NO. OR YEAR	REMARKS
1	AA38011	HYDRAULIC CYLINDER	2		101.6 MM X 254 MM (4" X 10")
2	AA31476	FITTING	4		
3	AA32138	HYDRAULIC HOSE	1		7/16" X 1 372 MM (54") X 9/16", 8-ROW WIDE
	AA32141	HYDRAULIC HOSE	1		7/16" X 1 677 MM (66") X 9/16", 12-ROW NARROW
4	N154286	TEE FITTING	2		
5	AA32139	HYDRAULIC HOSE	1		7/16" X 1 524 MM (60") X 9/16", 8-ROW WIDE
	AA32143	HYDRAULIC HOSE	1		7/16" X 1 829 MM (72") X 9/16", 12-ROW NARROW
6	N186178	PIN	2		25.400 X 99.060 MM (1" X 3.900")
7	11M7040	COTTER PIN	8		6.300 X 50 MM
8	AA32143	HYDRAULIC HOSE	1		7/16" X 1 829 MM (72") X 9/16", 8-ROW WIDE
	AA32145	HYDRAULIC HOSE	1		7/16" X 2 083 MM (82") X 9/16", 12-ROW NARROW
9	AH108399	HOSE	2		9/16" X 1 270 MM (50") X 3/4"
10	14H832	NUT	2		9/16"
11	AA32141	HYDRAULIC HOSE	1		7/16" X 1 677 MM (66") X 9/16", 8-ROW WIDE
	AA32144	HYDRAULIC HOSE	1		7/16" X 1 931 MM (76") X 9/16", 12-ROW NARROW
12	H77698	TIE BAND	4		360 MM (14")
13	A24771	PIN	2		25.400 X 165.100 MM (1" X 6-1/2")

MEMORANDA

B15

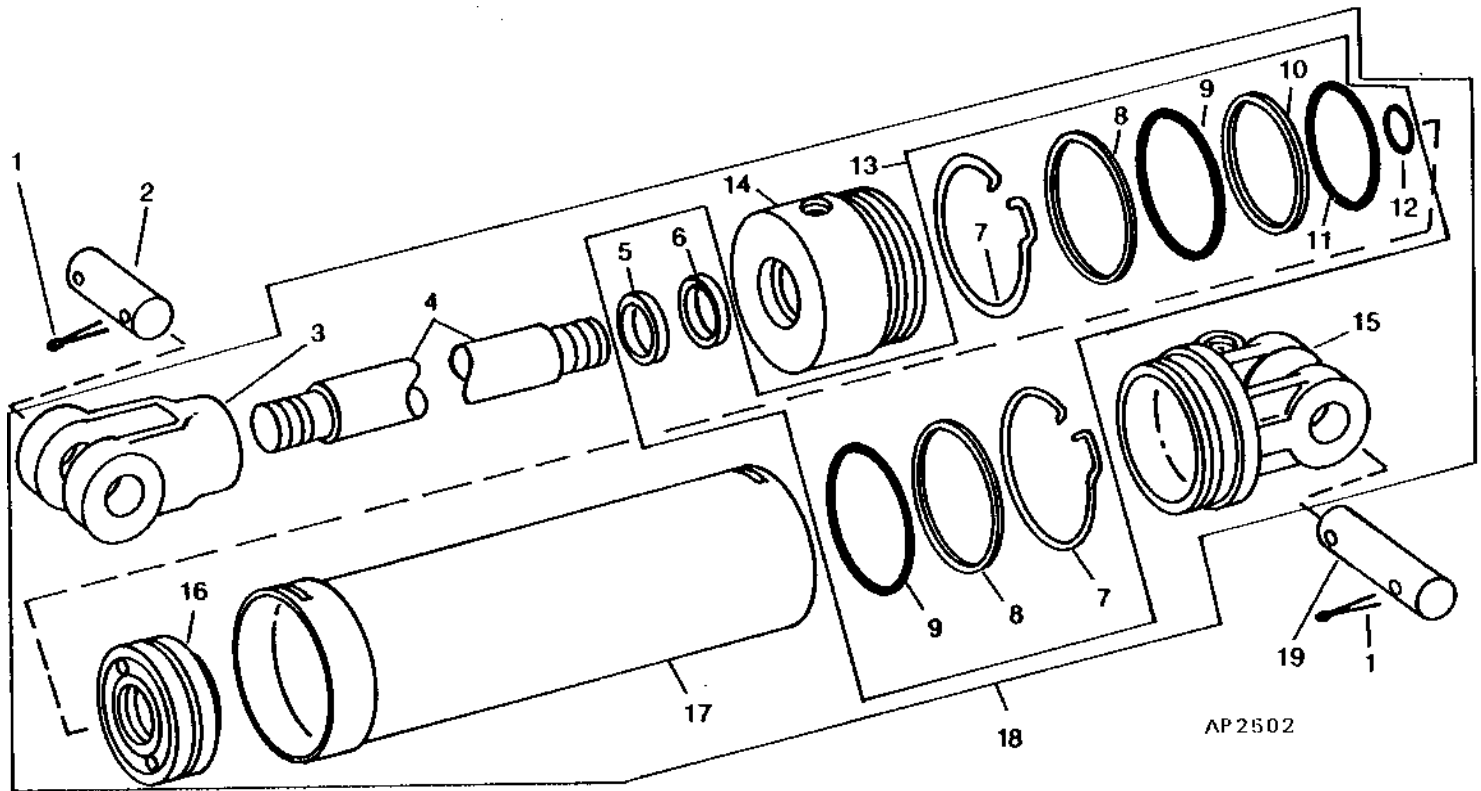
FC: 6021

HYDRAULIC

WING FOLD HYDRAULIC CYLINDER

101.6 MM X 254 MM (4" X 10")

AP2502 -UN-01JAN94



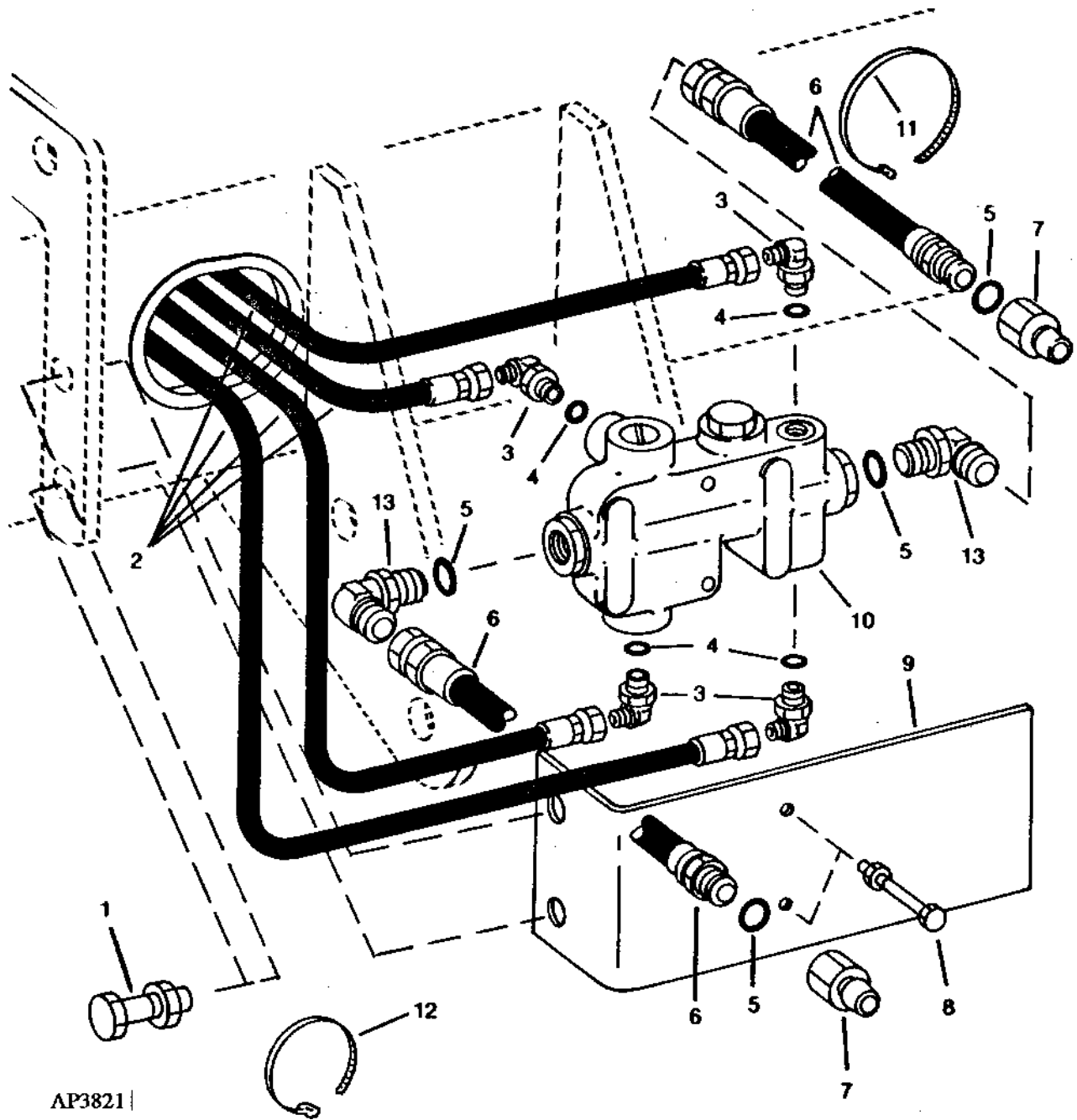
KEY	PART NO.	PART NAME	QTY	SERIAL NO. OR YEAR	REMARKS
1	11M7040	COTTER PIN	4	6.300 X 50 MM	
2	N186178	PIN	1	25.400 X 99.060 MM (1" X 3.900")	
3	A52732	END	1		
4	A52731	ROD	1		
5	A49068	SEAL	1		
6	A49072	SEAL	1		
7	RING	2	(ORDER AA35362)	
8	BACK-UP RING	2	(ORDER AA38014)	
9	L2301CU	O-RING	2	94.844 X 3.531 MM (3-47/64" X 0.139")	
10	PISTON RING	1	(ORDER AA38014)	
11	O-RING	1	(ORDER AA35362)	
12	A49065	O-RING	1	40.869 X 3.531 MM (1-39/64" X 0.139")	
13	AA38014	SEAL KIT	1		
14	HYDR. CYLINDER ROD GUIDE	1	(ORDER AA38017)	
15	A52724	CYLINDER HEAD	1		
16	A52728	PISTON	1		
17	BARREL	1	(ORDER AA38017)	
18	AA38011	HYDRAULIC CYLINDER	1		
19	A24771	PIN	1	25.400 X 165.100 MM (1" X 6-1/2")	

B16

FC: 6130

HYDRAULIC

MARKER HYDRAULIC SYSTEM
AP3821 -UN-01JAN94



AP3821 |

MARKER HYDRAULIC SYSTEM - CONTINUED

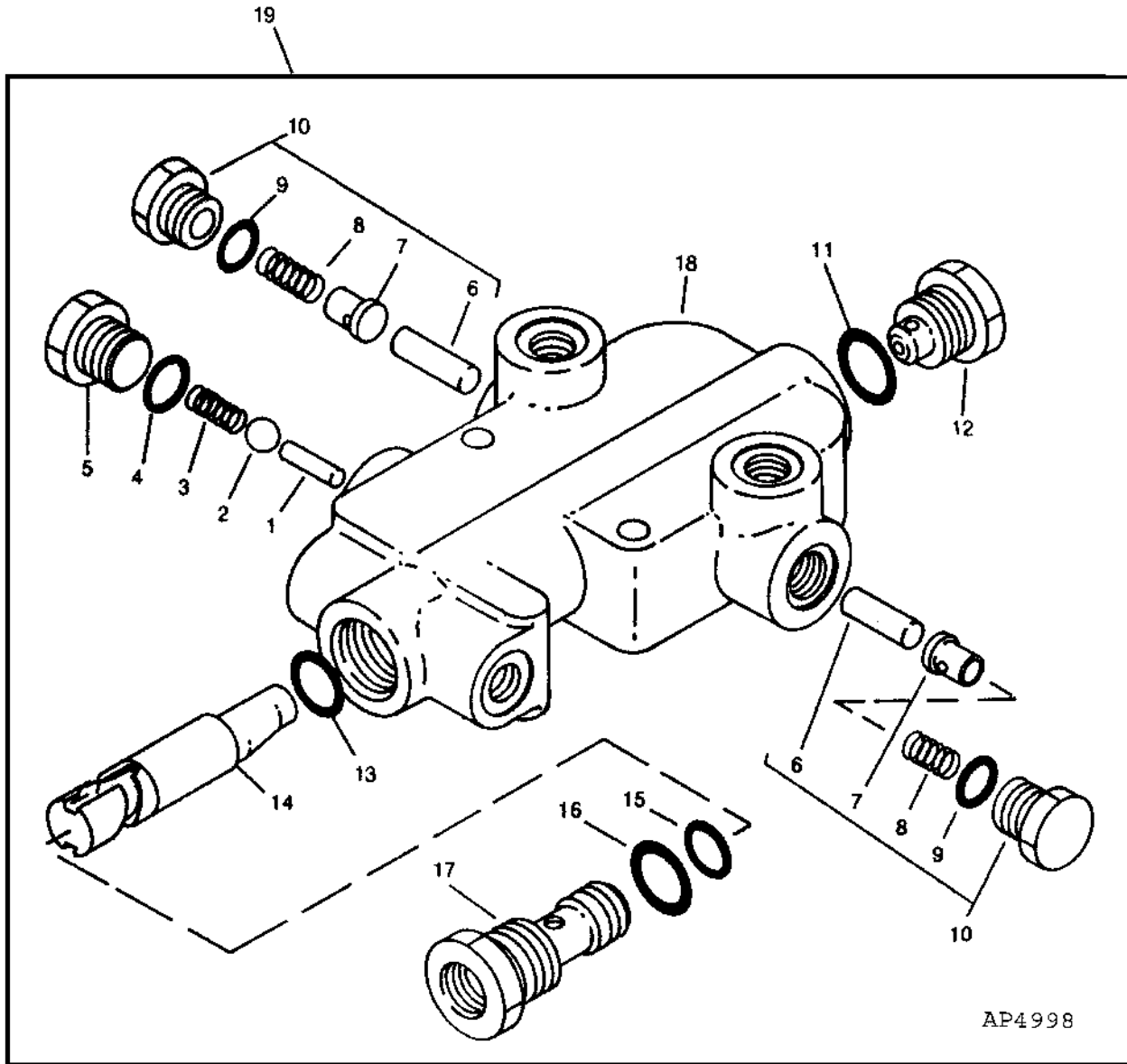
KEY	PART NO.	PART NAME	QTY	SERIAL NO. OR YEAR	REMARKS
1	19M7487	CAP SCREW	2	M20 X 50	
	14M7277	NUT	2	M20	
2	AA36283	HYDRAULIC HOSE	4	7/16" X 5 665 MM (223") X 7/16", 8-ROW WIDE,	
	AA34283	HYDRAULIC HOSE	4	7/16" X 6 250 MM (246") X 7/16", 12-ROW NARROW	
3	AH63565	ELBOW FITTING	4		
4	R28782	O-RING	4	8.915 X 1.829 MM (0.351" X 0.072")	
5	R26375	O-RING	4	16.358 X 2.210 MM (0.644" X 0.087")	
6	AA36984	HYDRAULIC HOSE	2	3/4" X 1 650 MM (65") X 3/4", WITH 90° ELBOW FITTING	
	RE63250	HOSE	2	(INCLUDES AR54425 AND R26375) (ILLUSTRATED)	
7	AR94522	INTERNAL HALF COUPLER	2	ISO	
	AR93819	HYD. QUICK-CONNECT COUPLER	2	JOHN DEERE	
8	19M7184	CAP SCREW	2	M8 X 55	
	14M7273	NUT	2	M8	
9	A47227	BRACKET	1		
10	AA38587	VALVE	1	-1997	(SUB AA43768)
	AA43768	VALVE	1		
11	R44302	TIE BAND	2	190.000 MM (7.480")	
12	H77698	TIE BAND	2	360.426 MM (14.19")	
13	AT32332	ELBOW FITTING	2	90°	

B18

FC: 6132

HYDRAULIC

MARKER SEQUENCE VALVE
AP4998 -UN-10MAR97



AP4998

MARKER SEQUENCE VALVE - CONTINUED

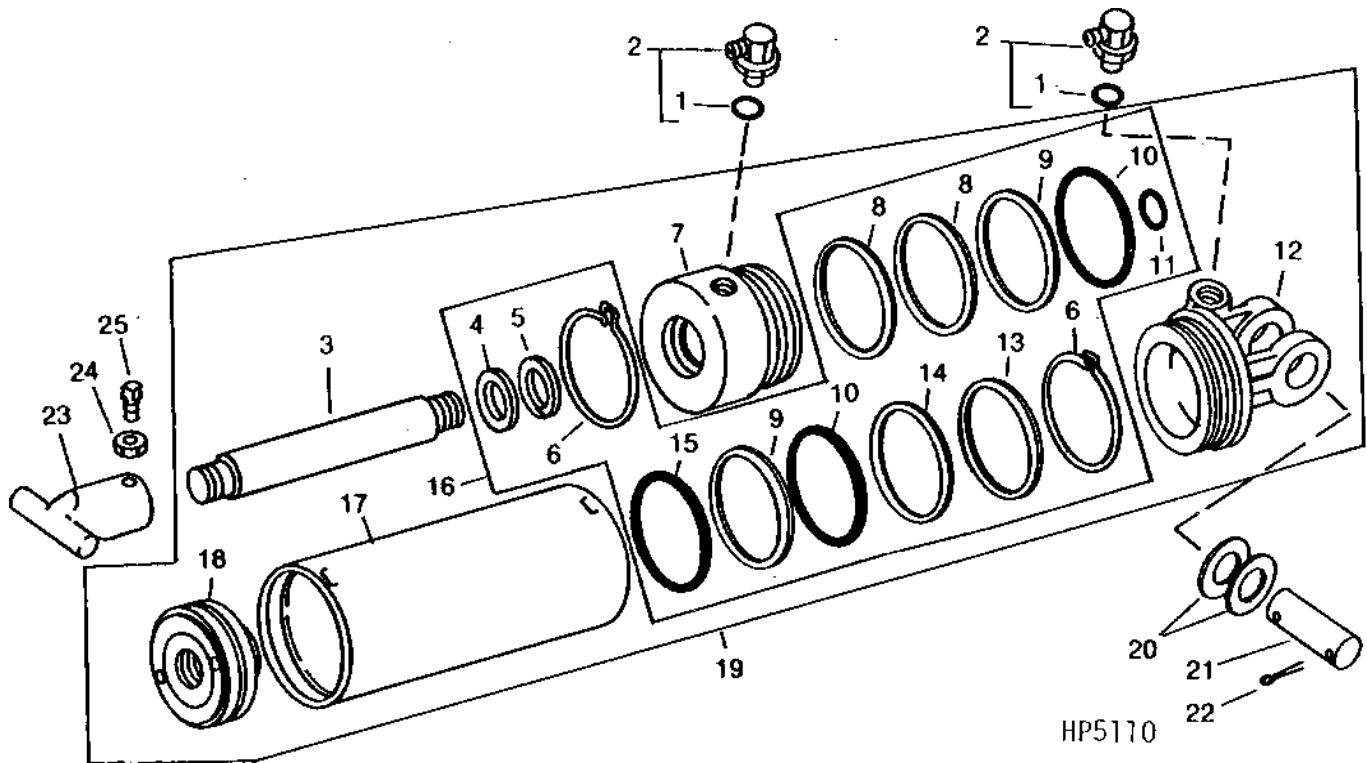
KEY	PART NO.	PART NAME	QTY	SERIAL NO. OR YEAR	REMARKS
1	PLUNGER	1	(A)	
2	BAIL	1	(A)	
3	SPRING	1	(A)	
4	O-RING	1	(B)	
5	PLUG	1	(A)	
6	U41172	PLUNGER	1		
7	POPPET	1		
8	N85304	SPRING	1		
9	O-RING	1	(B)	
10	AN85149	FITTING	2		
11	O-RING	1	(B)	
12	PLUG	1	(A)	
13	O-RING	1	(B)	
14	SPOOL	1	(A)	
15	O-RING	1	(B)	
16	O-RING	1	(B)	
17	AA43458	FITTING	1		
18	HOUSING	1	(A)	
19	AA38587	VALVE	1	-1997	(SUB AA43768)
	AA43768	VALVE	1		

(A) ORDER AA38587 COMPLETE VALVE (-1997). OR

DER AA43768 COMPLETE VALVE (1997-).

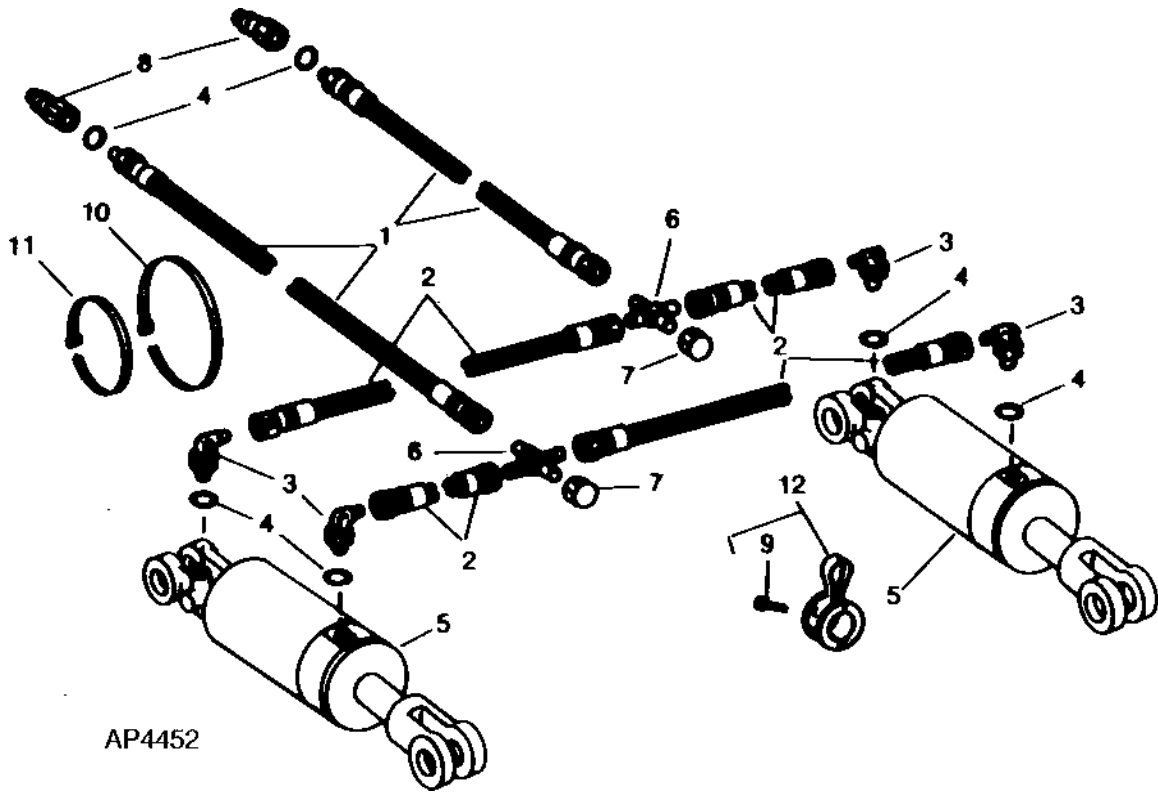
(B) ORDER AA39336 SEAL KIT FOR AA38587 VALVE.

MARKER HYDRAULIC CYLINDER
63.5 MM X 203.2 MM (2-1/2" X 8")
MAYBE ORDERED IN LIEU OF RE17644
 HP5110 -UN-01JAN94



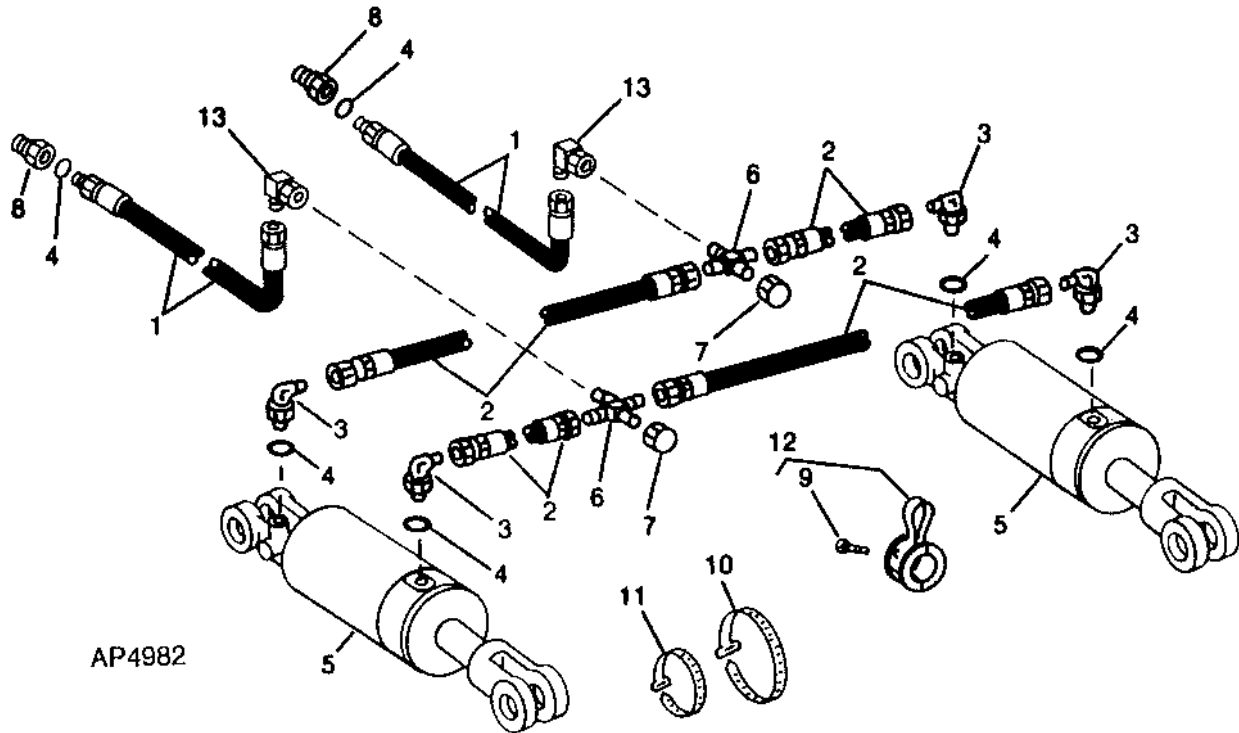
KEY	PART NO.	PART NAME	QTY	SERIAL NO. OR YEAR	REMARKS
1	R26448	O-RING	2		11.887 X 1.981 MM (0.468" X 5/64")
2	AA36455	HYDRAULIC RESTRICTOR	2		
3	A49574	ROD	1		
4	SEAL	1	(A)	
5	AH109857	SEAL KIT	1	(A)	
6	RING	2	(A) (B)	
7	BEARING	1	(B)	
8	O-RING	2	(A)	
9	A36747	BACK-UP RING	2	(A) (B)	58.725 X 63.195 X 1.143 MM (2-5/16" X 2.488" X 0.045")
10	A36745	O-RING	2	(A) (B)	58.674 X 2.286 MM (2.310" X 0.090")
11	T65954	O-RING	1	(A)	28.245 X 2.616 MM (1.112" X 0.103")
12	A52723	HYDRAULIC CYLINDER CAP	1		
13	SEAL	1	(A)	
14	RING	1	(A)	
15	WEAR RING	1	(A)	
16	AA38013	SEAL KIT	1		INCLUDES PARTS MARKED (A)
17	BARREL	1	(B)	
18	A52726	PISTON	1		
19	AA38010	HYDRAULIC CYLINDER	1		
20	24H1452	WASHER	2		1-1/32" X 1-3/4" X 0.105"
21	N183122	PIN	1		25.400 X 113.284 MM
22	11M7038	COTTER PIN	1		6.300 X 40 MM
23	A51754	END	1		
24	14H732	NUT	1		3/8"
25	22H836	SET SCREW	1		3/8" X 1"
..	AA38016	HYDR. CYLINDER ROD GUIDE	1		INCLUDES PARTS MARKED (B)

STRAIGHT LIFT ASSIST WHEEL HYDRAULIC SYSTEM
8-ROW WIDE AND 12-ROW NARROW
7000 SERIES TRACTORS
8000 SERIES TRACTORS
 AP4452 -UN-13MAR96



KEY	PART NO.	PART NAME	QTY	SERIAL NO. OR YEAR	REMARKS
1	AA36980	HYDRAULIC HOSE	2		3/4" X 1 524 MM (60") X 3/4", JOHN DEERE
2	HOSE	4		(NOT PROVIDED) (30") SPAC. 83" LONG, (36") SPAC. 89" LONG, (38") SPAC. 91" LONG, (40") SPAC. 93" LONG AND (44") SPAC. 97" LONG
3	AT32332	ELBOW FITTING	4		90°
4	R26375	O-RING	6		16.358 X 2.210 MM (0.644" X 0.087")
5	AN260360	HYDRAULIC CYLINDER	2		76.2 MM X 203.2 MM (3" X 8") USE WITH ALL JOHN DEERE TRACTORS EXCEPT THE 8000 SERIES WITH SINGLE LEVER CONTROL OF THE LIFT ASSIST WHEELS
	AN260365	HYDRAULIC CYLINDER	2		101.6 MM X 203.2 MM (4" X 8") REQUIRED WITH 8000 SERIES JOHN DEERE TRACTORS WITH SINGLE LEVER CONTROL OF LIFT ASSIST WHEELS
6	T72256	UNION FITTING	2		
7	R31736	FITTING	2		560 MM (22")
8	AR94522	INTERNAL HALF COUPLER	2		ISO
	AR93819	HYD. QUICK-CONNECT COUPLER	2		JOHN DEERE
9	37H131	SCREW	1		0.140" X 3/8"
10	H77698	TIE BAND	2		360.426 MM (14.19")
11	R44302	TIE BAND	8		190.000 MM (7.480")
12	AA33108	STOP	2		19 MM (3/4") WIDE
	AA33109	STOP	2		25 MM (1") WIDE
	AA33110	STOP	2		32 MM (1-1/4") WIDE
	AA33111	STOP	2		38 MM (1-1/2") WIDE
..	BH78640	SHIPPING BUNDLE	1		LAW HYDRAULICS 3" X 8" CYLINDER; USE WITH ALL JOHN DEERE TRACTORS EXCEPT 8000 SERIES WITH SINGLE LEVER CONTROL OF THE LIFT ASSIST WHEELS
..	BA26419	SHIPPING BUNDLE	1		LAW HYDRAULICS 4" X 8" CYLINDER; REQUIRED 8000 SERIES JOHN DEERE TRACTORS WITH SINGLE LEVER CONTROL OF THE LIFT ASSIST WHEELS

STRAIGHT LIFT ASSIST WHEEL HYDRAULIC SYSTEM
12-ROW 70 CM
7000 SERIES TRACTORS
8000 SERIES TRACTORS
 AP4982 -UN-19FEB97

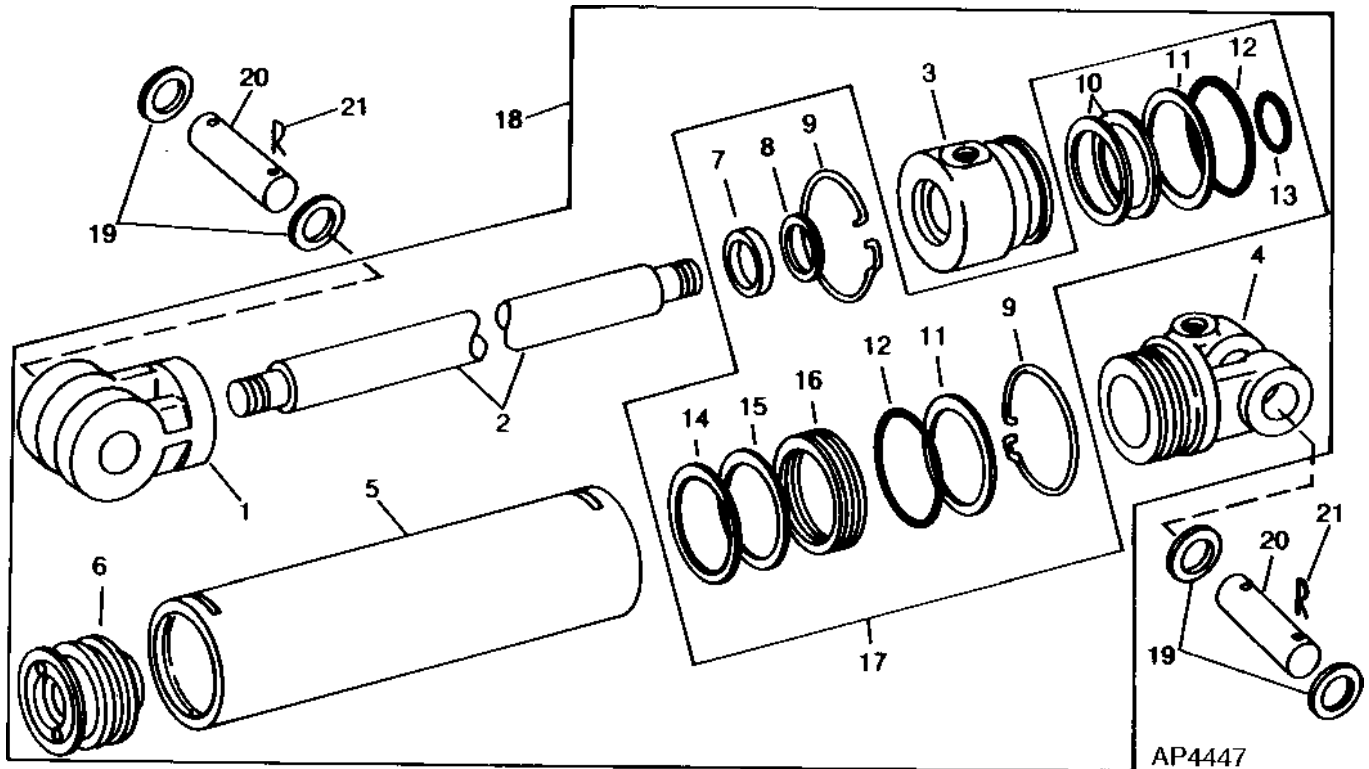


KEY	PART NO.	PART NAME	QTY	SERIAL NO. OR YEAR	REMARKS
1	AA36980	HYDRAULIC HOSE	2		3/4" X 1 524 MM (60") X 3/4", JOHN DEERE
2	AA40444	HOSE	4		2032 MM (80")
3	AT32332	ELBOW FITTING	4		90°
4	R26375	O-RING	6		16.358 X 2.210 MM (0.644" X 0.087")
5	AN260360	HYDRAULIC CYLINDER	2		76.2 MM X 203.2 MM (3" X 8") 7000 SERIES TRACTORS
	AN260365	HYDRAULIC CYLINDER	2		101.6 MM X 203.2 MM (4" X 8") USE WITH 8000 SERIES TRACTORS
6	T72256	UNION FITTING	2		
7	R31736	FITTING	2		560 MM (22")
8	AR94522	INTERNAL HALF COUPLER	2		ISO
	AR93819	HYD. QUICK-CONNECT COUPLER	2		JOHN DEERE
9	37H131	SCREW	1		3.556 X 9.525 MM (0.140" X 3/8")
10	H77698	TIE BAND	2		360.426 MM (14.19")
11	R44302	TIE BAND	8		190.000 MM (7.480")
12	AA33108	STOP	2		19 MM (3/4") WIDE
	AA33109	STOP	2		25 MM (1") WIDE
	AA33110	STOP	2		32 MM (1-1/4") WIDE
	AA33111	STOP	2		38 MM (1-1/2") WIDE
13	AH75164	ELBOW FITTING	2		

LIFT ASSIST WHEEL HYDRAULIC CYLINDER

(3" X 8")
 (USE WITH ALL JOHN DEERE TRACTORS EXCEPT 8000 SERIES WITH SINGLE LEVER CTRL OF LIFT ASSIST WHEELS)

AP4447 -UN-13MAR96



KEY	PART NO.	PART NAME	QTY	SERIAL NO. OR YEAR	REMARKS
1	A45285	END	1		
2	ROD	1		
3	HYDR. CYLINDER ROD GUIDE	1		
4	HYDRAULIC CYLINDER CAP	1		
5	HYDRAULIC CYLINDER BARREL	1		
6	PISTON	1		
7	N170780	SEAL	1	(A)	
8	N170790	SEAL	1	(A)	
9	RING	2	(A) LOCK RING	
10	O-RING	2	(A) DUST SEAL	
11	R35684	BACK-UP RING	2	(A) 70.002 X 75.997 X 1.016 MM (2.756" X 2.992" X 0.040")	
12	U12331	O-RING	2	(A) 69.444 X 3.531 MM (2-47/64" X 0.139")	
13	R29354	O-RING	1	(A) 31.344 X 3.531 MM (1-15/64" X 0.139")	
14	WEAR RING	1	(A)	
15	R112857	O-RING	1	(A)	
16	SEAL	1	(A) PISTON SEAL ASSY.	
17	AN260233	SEAL KIT	1		
18	AN260360	HYDRAULIC CYLINDER	1	COMPLETE	
19	24H1452	WASHER	4	26.187 X 44.450 X 2.667 MM (1-1/32" X 1-3/4" X 0.105")	
20	N183122	PIN	2	25.400 X 113.284 MM (1" X 4.460")	
21	11M7038	COTTER PIN	4	6.300 X 40 MM (0.248" X 1.575")	
..	BH78640	SHIPPING BUNDLE	1		LAW HYDRAULICS 3" X 8" CYLINDER; USE WITH ALL JOHN DEERE TRACTORS EXCEPT 8000 SERIES WITH SINGLE LEVER CONTROL OF THE LIFT ASSIST WHEELS

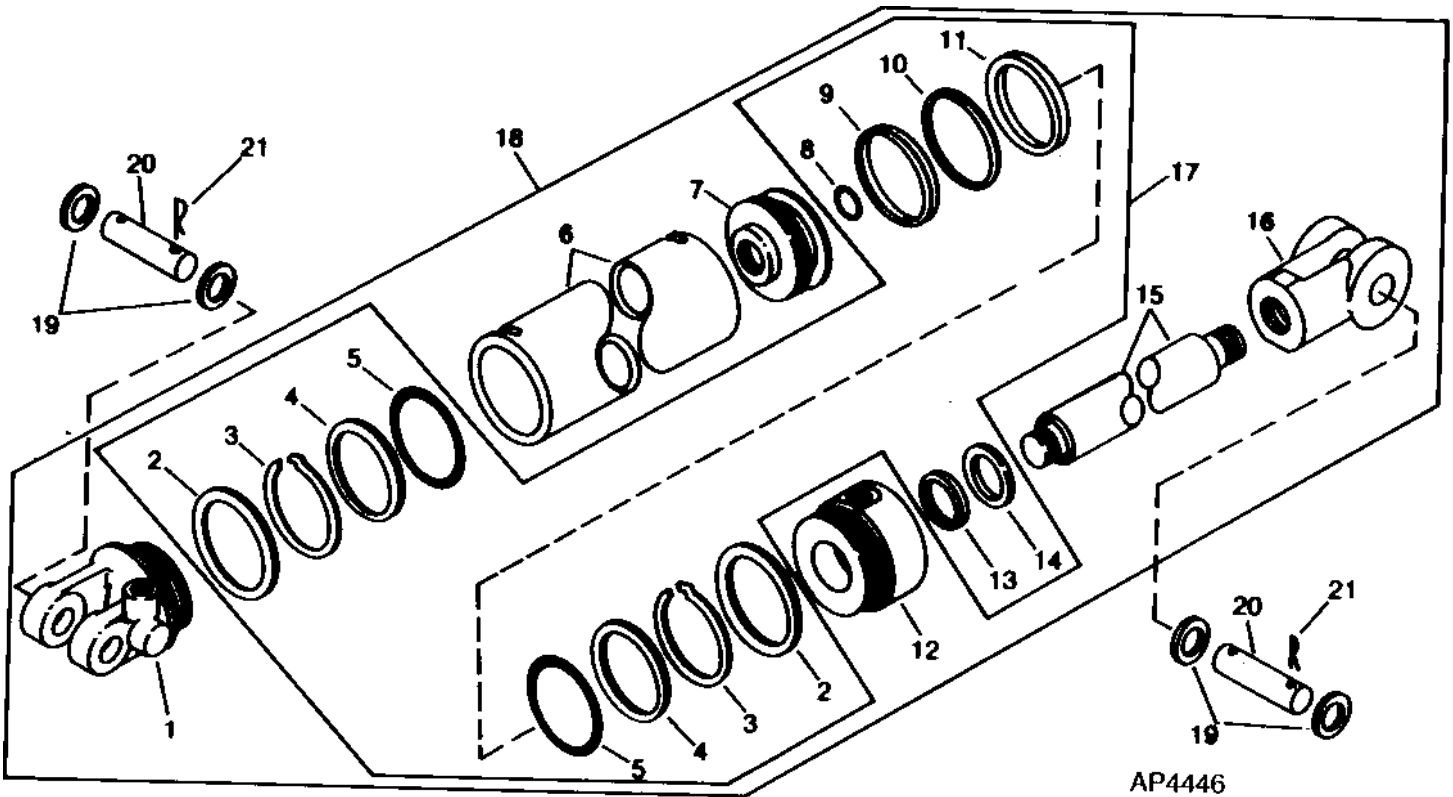
(A) ORDER SEAL KIT AN260233

LIFT ASSIST WHEEL HYDRAULIC CYLINDER

(4" X 8") EATON

(REQUIRED WITH 8000 SERIES JOHN DEERE TRACTORS WITH SINGLE LEVER CONTROL OF LIFT ASSIST WHEELS)

AP4446 -UN-13MAR96

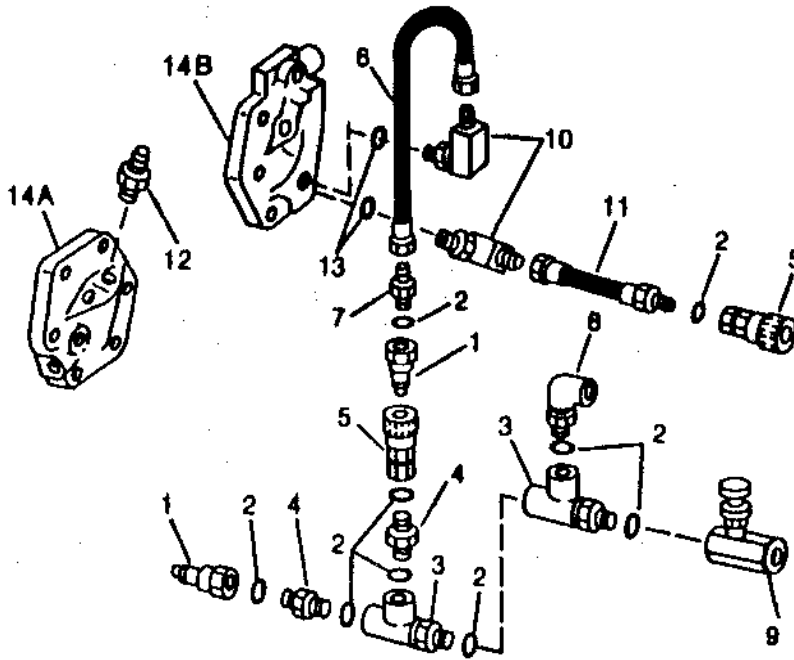


KEY	PART NO.	PART NAME	QTY	SERIAL NO.	REMARKS
1	HYDRAULIC CYLINDER CAP	1		
2	SEAL	2	(A)	
3	RING	2	(A)	
4	BACK-UP RING	2	(A)	
5	O-RING	2	(A)	
6	HYDRAULIC CYLINDER BARREL	1		
7	PISTON	1		
8	O-RING	1	(A)	
9	WEAR RING	1	(A)	
10	RING	1	(A)	
11	SEAL	1	(A)	
12	HYDR. CYLINDER ROD GUIDE	1		
13	SEAL	1	(A)	
14	SEAL	1	(A)	
15	ROD	1		
16	A45308	END	1		
17	AN260237	SEAL KIT	1		
18	AN260365	HYDRAULIC CYLINDER	1		
19	24H1452	WASHER	4		26.187 X 44.450 X 2.667 MM (1-1/32" X 1-3/4" X 0.105")
20	N183122	PIN	2		25.400 X 113.284 MM (1" X 4.460")
21	11M7038	COTTER PIN	4		6.300 X 40 MM (0.248" X 1.575")
..	BA26419	SHIPPING BUNDLE	1		LAW HYDRAULICS 4" X 8" CYLINDER; REQUIRED WITH 8000 SERIES JOHN DEERE TRACTORS WITH SINGLE LEVER CONTROL OF THE LIFT ASSIST WHEELS

(A) ORDER AN260237 SEAL KIT

INDIVIDUAL PARTS NOT AVAILABLE SEPARATELY. ORDER COMPLETE CYLINDER OR SEAL KIT.

SINGLE LEVER CONTROL FOR LIFT ASSIST WHEELS AND TRACTOR ROCK SHAFT
 AP4561 -UN-29APR96



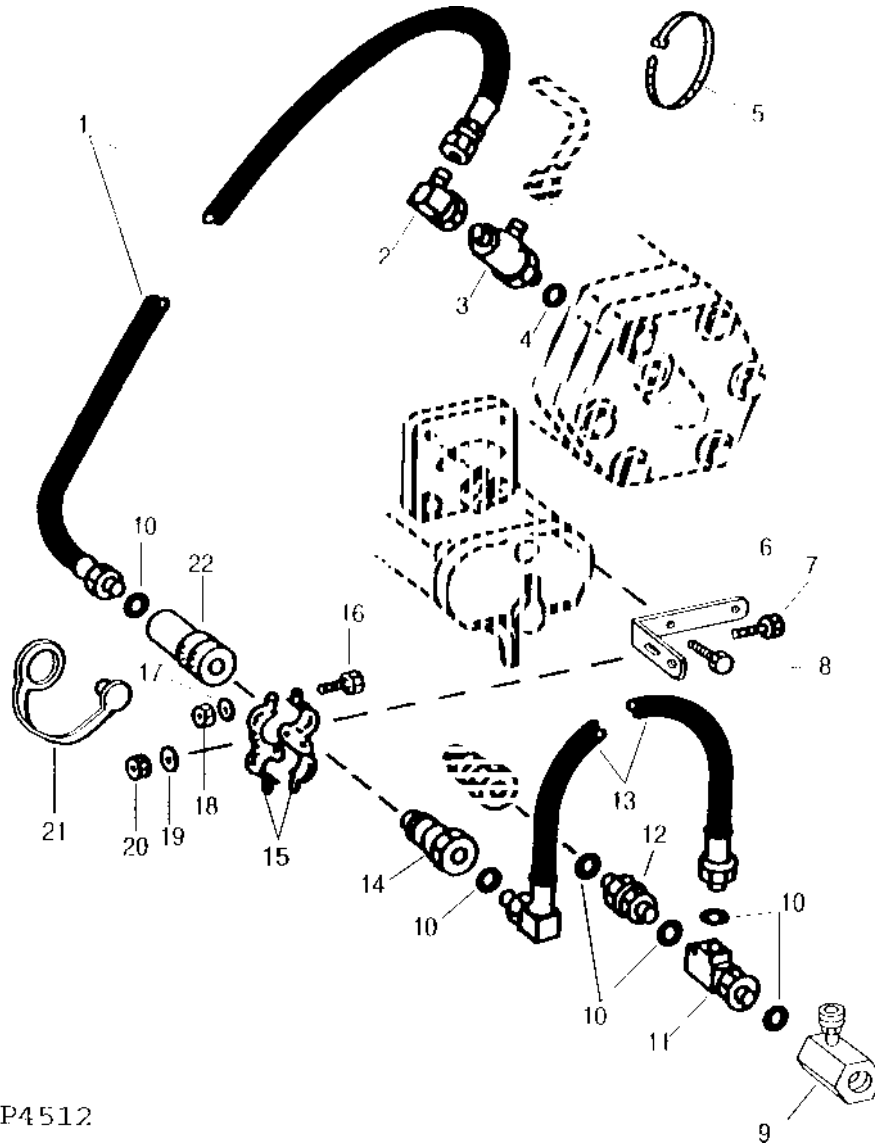
AP4561

KEY	PART NO.	PART NAME	QTY	SERIAL NO. OR YEAR	REMARKS
1	AR94522	INTERNAL HALF COUPLER	2		
2	R26375	O-RING	9		16.358 X 2.210 MM (0.644" X 0.087")
3	AA22513	TEE FITTING	2		
4	R63922	FITTING	2		
5	AH75167	HYD. QUICK-CONNECT COUPLER	2		
6	AT42233	HYDRAULIC HOSE	1		3/4" X 762 MM (30") X 3/4"
7	R27237	FITTING	1		
8	AE14428	ELBOW FITTING	1		
9	AA39044	VALVE	1		
10	AT32332	ELBOW FITTING	1	(A)	
	AT35120	ELBOW FITTING	2	(B)	
11	AN180656	HYDRAULIC HOSE	1		3/4" X 178 MM (7") X 3/4"
12	R27237	FITTING	1	(A)	
13	R26375	O-RING	2	(A)	16.358 X 2.210 MM (0.644" X 0.087")
	R26448	O-RING	2	(B)	11.887 X 1.981 MM (0.468" X 5/64")
14A	R64459	COVER	1	(A)	
14B	AR74187	COVER	1	(B)	

(A) FOR 4640, 4840 AND 4850 TRACTORS.
 (B) FOR 4040, 4240, 4440, 4450 AND 4455 TRACTORS.

**SINGLE LEVER CONTROL FOR LIFT ASSIST WHEELS AND ELECTRIC HITCH
FOR USE WITH 55 SERIES TRACTORS**

AP4512 -UN-02APR96

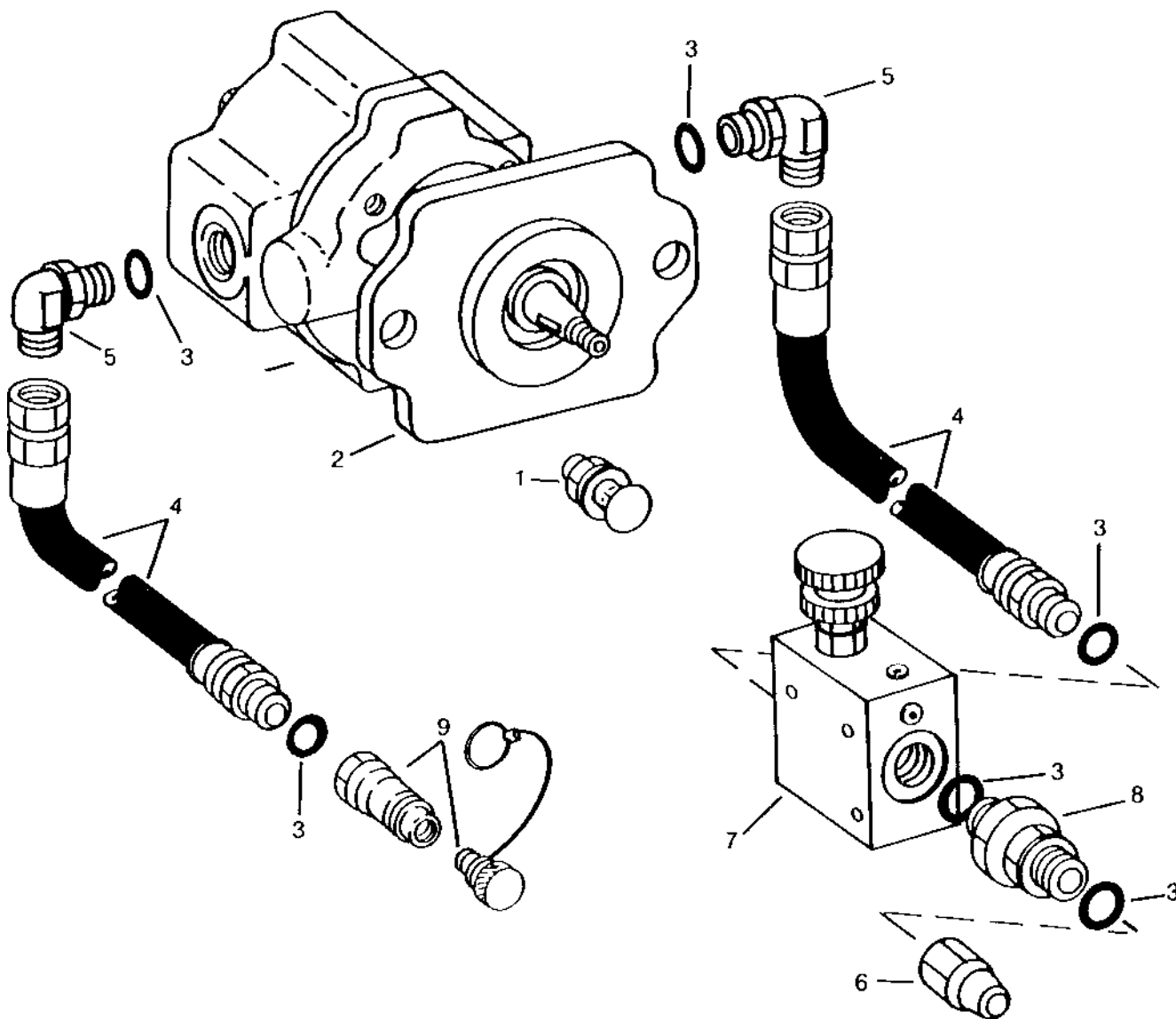


AP4512

**SINGLE LEVER CONTROL FOR LIFT ASSIST WHEELS AND ELECTRIC HITCH - CONTINUED
FOR USE WITH 55 SERIES TRACTORS**

KEY	PART NO.	PART NAME	QTY	SERIAL NO. OR YEAR	REMARKS
1	AT40759	HOSE	1		3/4" X 800 MM (31-1/2") X 7/8"
2	AH77612	ELBOW FITTING	1		
3	AT32289	FITTING	1		
4	R26906	O-RING	1		19.177 X 2.464 MM (0.755" X 0.097")
5	R44302	TIE BAND	AR		190.000 MM (7.480")
6	R79044	BRACKET	1		
7	19H1905	CAP SCREW	2		7.925 X 25.400 MM (5/16" X 1")
8	19H1800	CAP SCREW	2		9.525 X 38.100 MM (3/8" X 1-1/2")
9	AA39044	VALVE	1		
10	R26375	O-RING	6		16.358 X 2.210 MM (0.644" X 0.087")
11	AA22513	TEE FITTING	1		
12	AN131153	UNION FITTING	1		
13	AA36965	HYDRAULIC HOSE	1		3/4" X 438 MM (17-1/4") X 3/4", 438 MM (17-1/4")
14	AR94522	INTERNAL HALF COUPLER	1		ISO
15	R79043	BRACKET	2		
16	19H1948	CAP SCREW	2		6.350 X 19.050 MM (1/4" X 3/4")
17	12M7065	LOCK WASHER	2		8.100 MM
18	14H785	NUT	2		7.925 MM (5/16")
19	12H302	LOCK WASHER	2		6.350 MM (1/4")
20	14H786	NUT	2		6.350 MM (1/4")
21	AW17006	PLUG	1		
22	AH75167	HYD. QUICK-CONNECT COUPLER	1		QUICK DISCONNECT

VACUUM BLOWER HYDRAULIC SYSTEM
AP4457 -UN-13MAR96

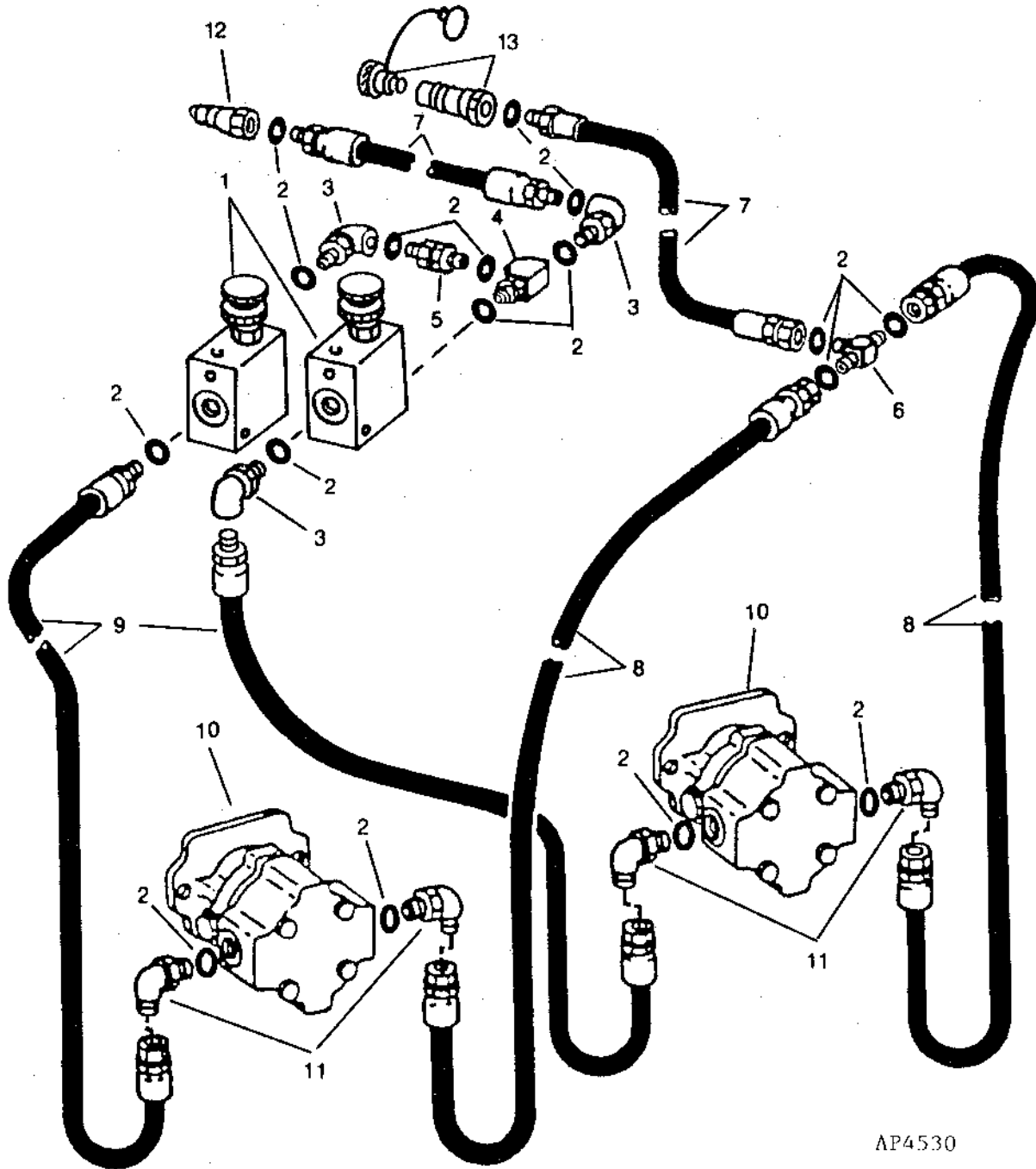


AP4457

VACUUM BLOWER HYDRAULIC SYSTEM - CONTINUED

KEY	PART NO.	PART NAME	QTY	SERIAL NO. OR YEAR	REMARKS
1	03H1500	BOLT	2		9.525 X 25.400 MM (3/8" X 1")
	24H1305	WASHER	2		10.312 X 20.625 X 1.651 MM (13/32" X 13/16" X 0.065")
	K40003	LOCK NUT	2		9.525 MM (3/8")
2	AH132882	MOTOR	1		
3	R26375	O-RING	6		16.358 X 2.210 MM (0.644" X 0.087")
4	RE63250	HOSE	2		(INCLUDES AR54425 AND R26375)
5	AT32332	ELBOW FITTING	2		
6	AR93819	HYD. QUICK-CONNECT COUPLER	1		JOHN DEERE
	AR94522	INTERNAL HALF COUPLER	1		ISO
7	AA38545	VALVE	1		
8	AN131153	UNION FITTING	1		
9	AA40149	HYD. QUICK-CONNECT COUPLER	1		

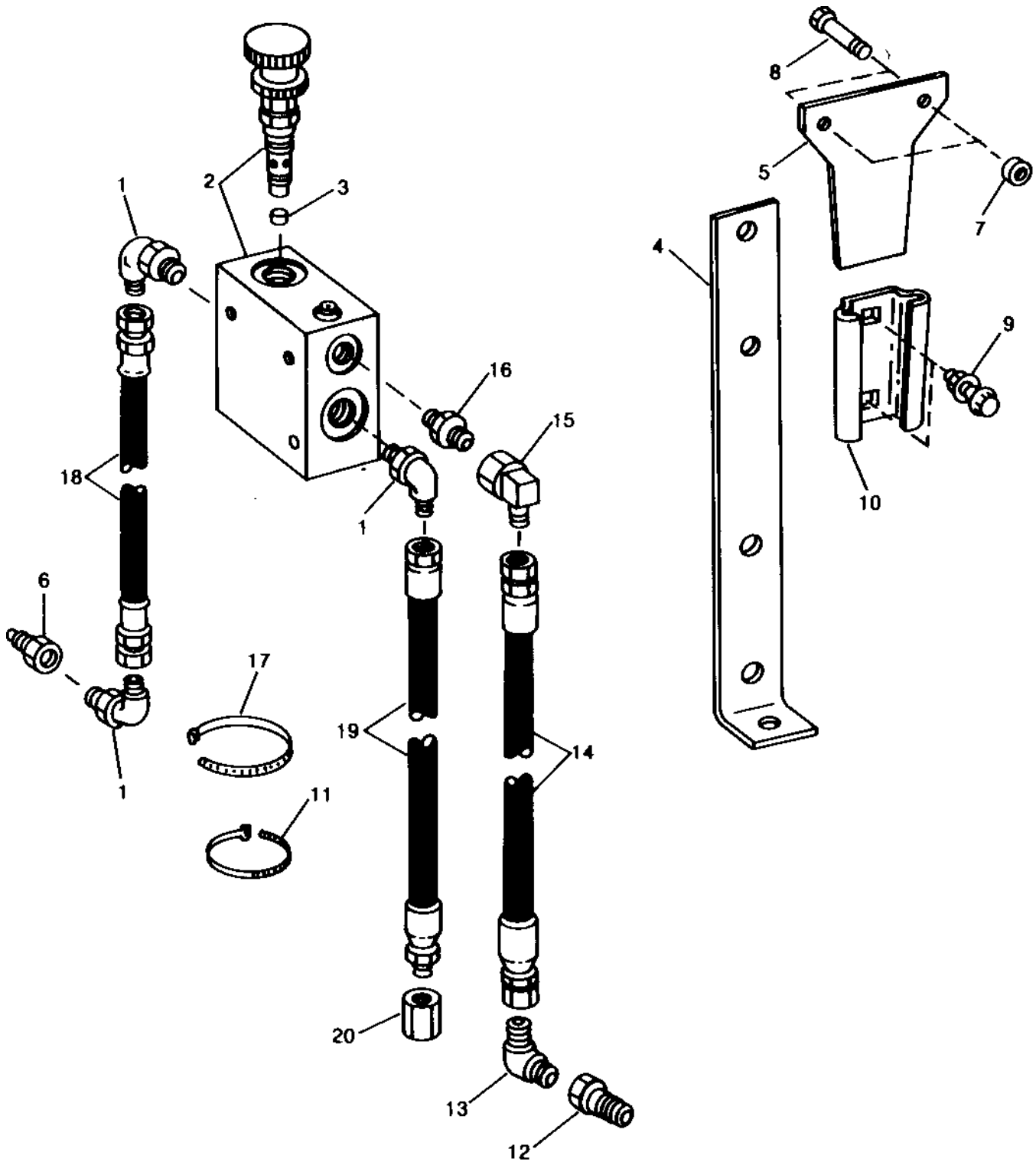
DUAL VACUUM BLOWER HYDRAULIC SYSTEM
12 ROW 30-INCH AND 12-ROW 70 CM
AP4530 -UN-15MAY96



DUAL VACUUM BLOWER HYDRAULIC SYSTEM - CONTINUED
12-ROW 30-INCH AND 12-ROW 70 CM

KEY	PART NO.	PART NAME	QTY	SERIAL NO. OR YEAR	REMARKS
1	AA38545	VALVE	2		
2	R26375	O-RING	15		16.358 X 2.210 MM (0.644" X 0.087")
3	AA43396	ELBOW FITTING	3		
4	AA22513	TEE FITTING	1		
5	AN131153	UNION FITTING	1		
6	E33097	TEE FITTING	1		
7	AA36970	HYDRAULIC HOSE	2		3/4" X 813 MM (32") X 3/4"
8	AH96712	HYDRAULIC HOSE	2		3/4" X 1 245 MM (49") X 3/4"
9	AN140272	HYDRAULIC HOSE	2		3/4" X 3 048 MM (120") X 3/4"
10	AH132882	MOTOR	2		
11	AT32332	ELBOW FITTING	4		
12	AR93819	HYD. QUICK-CONNECT COUPLER	1		JOHN DEERE
	AR94522	INTERNAL HALF COUPLER	1		ISO
13	AA40149	HYD. QUICK-CONNECT COUPLER	1		
..	BA25980	SHIPPING BUNDLE	1		DUAL VACUUM PUMP CONVERSION, 12-ROW, 30-INCH AND 70 CM

VACUUM CONTROL VALVE HOOKUP TO POWER BEYOND
SINGLE BLOWER SYSTEMS WITH AA38545 VALVE
7000 SERIES TRACTORS
AP3961 -UN-10DEC94



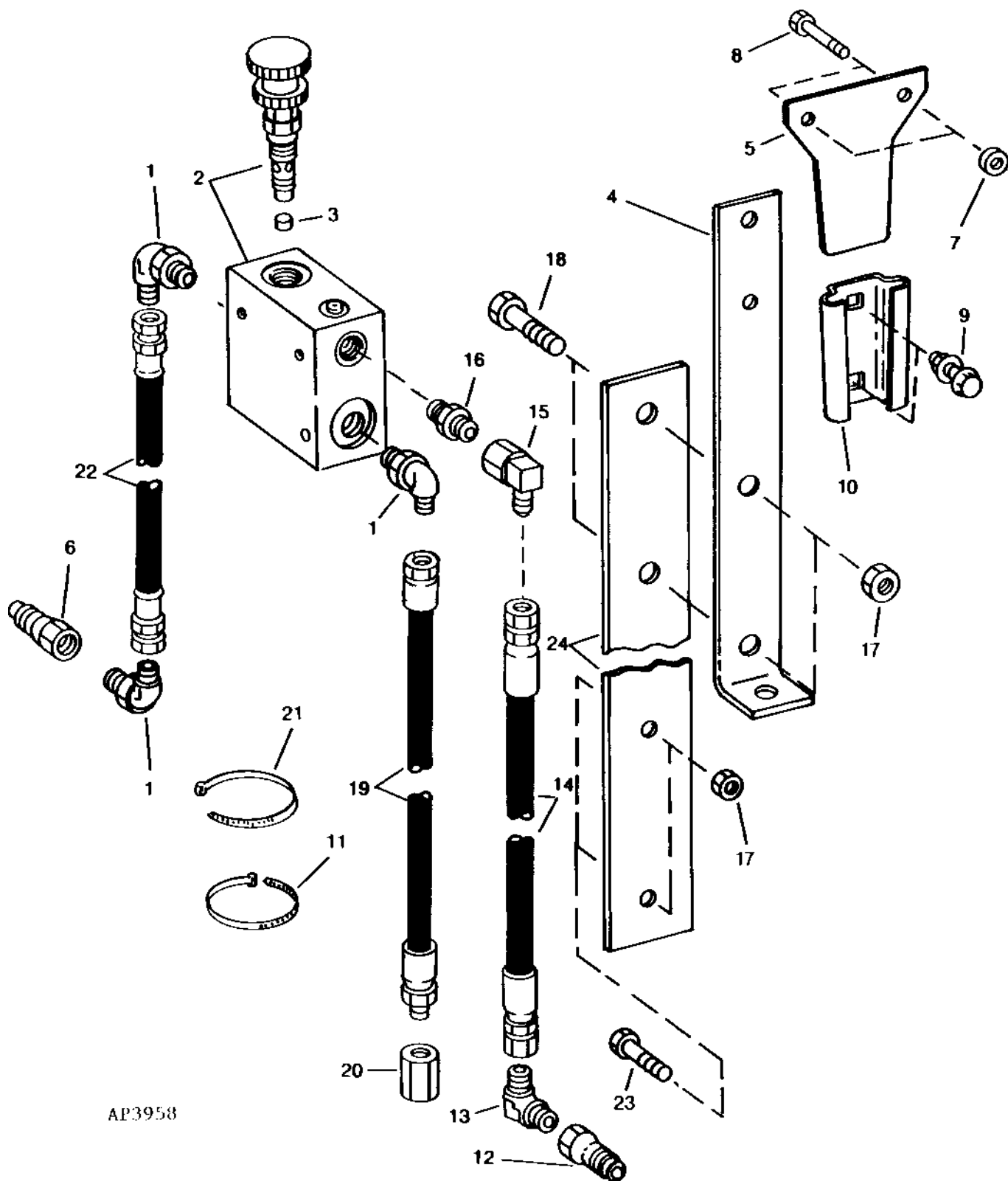
AP3961

VACUUM CONTROL VALVE HOOKUP TO POWER BEYOND - CONTINUED
 SINGLE BLOWER SYSTEMS WITH AA38545 VALVE
 7000 SERIES TRACTORS

KEY	PART NO.	PART NAME	QTY	SERIAL NO. OR YEAR	REMARKS
1	AT32332	ELBOW FITTING	3		
2	AA38545	VALVE	1		
3	A53981	ORIFICE	1		
4	A54055	BRACKET	1		
5	A51699	STRAP	1		
6	AR94522	INTERNAL HALF COUPLER	1		TO PRESSURE COUPLER ON POWER BEYOND
7	28H5	WASHER	2		6.833 X 10.287 X 6.350 MM (0.269" X 0.405" X 1/4")
8	19M7077	CAP SCREW	2		M6 X 20
9	19M7139	CAP SCREW	2		M8 X 20
	14M7273	NUT	2		M8
10	JD126	SOCKET	1		
11	H77698	TIE BAND	4		360.426 MM (14.19")
12	AH15939	HYD. QUICK-CONNECT COUPLER	1		TO LOAD SENSE
13	T107303	ELBOW FITTING	1		
14	AE42281	HYDRAULIC HOSE	1		7/16" X 1 425 MM (56") X 7/16"
15	AH89069	ELBOW FITTING	1		
16	AM30686	FITTING	1		(SUB H63599, R28782 AND T39220)
17	R44302	TIE BAND	4		190.000 MM (7.480")
18	AA36979	HYDRAULIC HOSE	1		3/4" X 1 430 MM (56-1/4") X 3/4"
19	AN33192	HYDRAULIC HOSE	1		3/4" X 762 MM (30") X 3/4"
20	R30815	FITTING	1		TO BLOWER MOTOR INPUT
..	BA26289	SHIPPING BUNDLE	1		VACUUM FOR POWER BEYOND

NOTE: REQUIRES KIT RE50393 FOR 7600, 7700 AND 7800 TRACTORS.
 REQUIRES KIT RE39738 FOR 7200 AND 7400 TRACTORS.

VACUUM CONTROL VALVE HOOKUP TO POWER BEYOND
SINGLE BLOWER SYSTEMS WITH AA38545 VALVE
8000 SERIES TRACTORS
AP3958 -UN-10DEC94



AP3958

VACUUM CONTROL VALVE HOOKUP TO POWER BEYOND - CONTINUED
 SINGLE BLOWER SYSTEMS WITH AA38545 VALVE
 8000 SERIES TRACTORS

KEY	PART NO.	PART NAME	QTY	SERIAL NO. OR YEAR	REMARKS
1	AT32332	ELBOW FITTING	3		
2	AA38545	VALVE	1		
3	A53981	ORIFICE	1		
4	A54055	BRACKET	1		
5	A51699	STRAP	1		
6	AR94522	INTERNAL HALF COUPLER	1		TO PRESSURE COUPLER ON POWER BEYOND
7	28H5	WASHER	2		6.833 X 10.287 X 6.350 MM (0.269" X 0.405" X 1/4")
8	19M7077	CAP SCREW	2		M6 X 20
9	19M7139	CAP SCREW	2		M8 X 20
	14M7273	NUT	2		M8
10	JD126	SOCKET	1		
11	H77698	TIE BAND	4		360.426 MM (14.19")
12	AH15939	HYD. QUICK-CONNECT COUPLER	1		TO LOAD SENSE
13	T107303	ELBOW FITTING	1		
14	AE42281	HYDRAULIC HOSE	1		7/16" X 1 425 MM (56") X 7/16"
15	AH89069	ELBOW FITTING	1		
16	AM30686	FITTING	1		(SUB H63599, R28782 AND T39220)
17	14M7274	NUT	4		M10
18	19M7183	CAP SCREW	2		M10 X 40
19	AN33192	HYDRAULIC HOSE	1		3/4" X 762 MM (30") X 3/4"
20	R30815	FITTING	1		TO BLOWER MOTOR INPUT
21	R44302	TIE BAND	4		190.000 MM (7.480")
22	AA36979	HYDRAULIC HOSE	1		3/4" X 1 430 MM (56-1/4") X 3/4"
23	19M7183	CAP SCREW	2		M10 X 40
24	A53954	STRAP	1		
..	BA26289	SHIPPING BUNDLE	1		VACUUM FOR POWER BEYOND

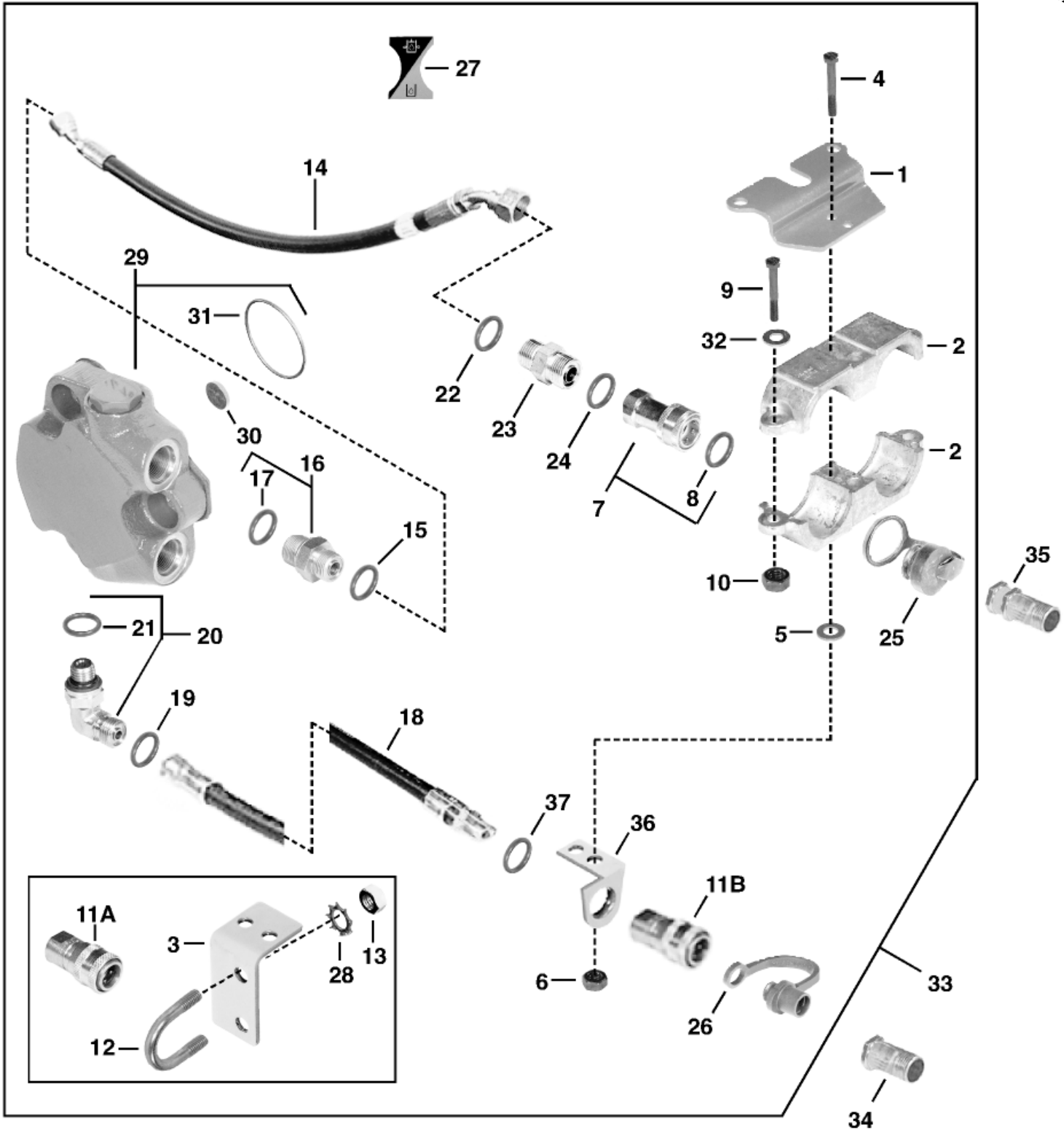
NOTE: REQUIRES KIT AR112613 FOR 8000 SERIES TRACTORS.

C11

FC: RIF260

HYDRAULIC

POWER BEYOND COUPLER KIT
6000 SERIES, 7600, 7700 AND 7800 TRACTORS
(REQUIRED WITH VACUUM CONTROL HOOKUP TO POWER BEYOND FOR 6000 SERIES, 7600, 7700 AND 7800 TRACTORS)
RE026436 -UN-12SEP95



RE026436

POWER BEYOND COUPLER KIT - CONTINUED

7600, 7700, AND 7800 TRACTORS

(REQUIRED WITH VACUUM CONTROL HOOKUP TO POWER BEYOND FOR 7600, 7700, AND 7800 TRACTORS)

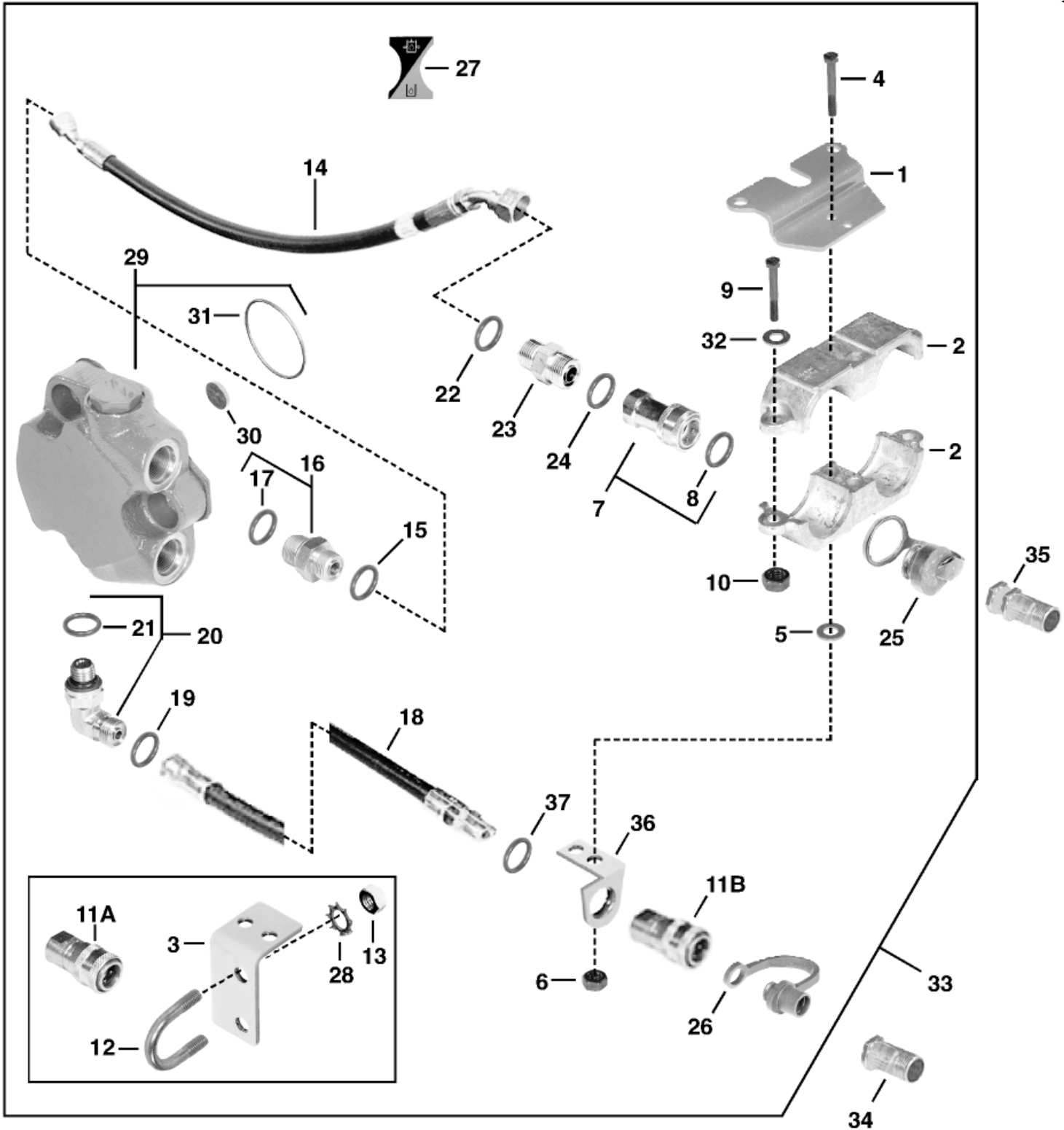
KEY	PART NO.	PART NAME	QTY	SERIAL NO. OR YEAR	REMARKS
1	R111680	BRACKET	1		
2	R113148	BRACKET	2		
3	BRACKET	1		(ORDER RE63738, R117724 AND R118245)
4	19M7185	CAP SCREW	2		M8 X 60
5	24M7055	WASHER	2		8.400 X 16 X 1.600 MM (0.331" X 0.630" X 0.063")
6	14M7151	NUT	2		M8
7	RE58243	HYD. QUICK-CONNECT COUPLER	2		
8	R21722	O-RING	2		20.218 X 3.531 MM (0.796" X 0.139")
9	19M7077	CAP SCREW	2		M6 X 20
10	14M7272	NUT	2		M6
11A	AH15940	HYD. QUICK-CONNECT COUPLER	1		(SUB RE63738, R117724 AND R118245) THIS APPLICATION
11B	RE63738	HYD. QUICK-CONNECT COUPLER	1		
12	P51263	U-BOLT	1		
13	14H785	NUT	2		5/16"
14	RE50394	HYDRAULIC HOSE	2		13/16" X 645 MM (25-1/2") X 13/16"
15	T77857	O-RING	2		12.421 X 1.778 MM (0.489" X 0.070")
16	38H5076	ADAPTER	2		
17	51M7045	O-RING	2		19.300 X 2.200 MM (0.760" X 0.087")
18	RE50395	HYDRAULIC HOSE	1		1/4" X 720 MM (28-1/4") X 9/16"
19	T77814	O-RING	1		7.645 X 1.778 MM (0.301" X 0.070")
20	38H5015	ELBOW FITTING	1		
21	51M7040	O-RING	1		9.300 X 2.200 MM (0.366" X 0.087")
22	T77857	O-RING	2		12.421 X 1.778 MM (0.489" X 0.070")
23	38H1161	ADAPTER	2		
24	R26375	O-RING	2		16.358 X 2.210 MM (0.644" X 0.087")
25	A15899	CAP	2		
26	AH83821	CAP	1		
27	R113305	DECAL	1		
28	12M7032	LOCK WASHER	2		8.400 MM (0.331")
29	AL77030	COVER	1		
30	R95493	DISK	1		
31	R95494	O-RING	1		80 X 4 MM (3.150" X 0.157")
32	24M7054	WASHER	2		6.400 X 12 X 1.600 MM
33	RE50393	KIT	1		(FI)
34	AH15939	HYD. QUICK-CONNECT COUPLER	1		1/4" NPT
35	AR94522	INTERNAL HALF COUPLER	1		ISO,3/4"-16UNF
36	R117724	BRACKET	1		
37	R118245	SNAP RING	2		

C13

FC: RIF260

HYDRAULIC

POWER BEYOND COUPLER KIT
7200 AND 7400 TRACTORS
(REQUIRED WITH VACUUM CONTROL HOOKUP TO POWER BEYOND FOR 7200 AND 7400 TRACTORS)
RE026436 -UN-12SEP95



RE026436

POWER BEYOND COUPLER KIT - CONTINUED

7600, 7700, AND 7800 TRACTORS

(REQUIRED WITH VACUUM CONTROL HOOKUP TO POWER BEYOND FOR 7600, 7700, AND 7800 TRACTORS)

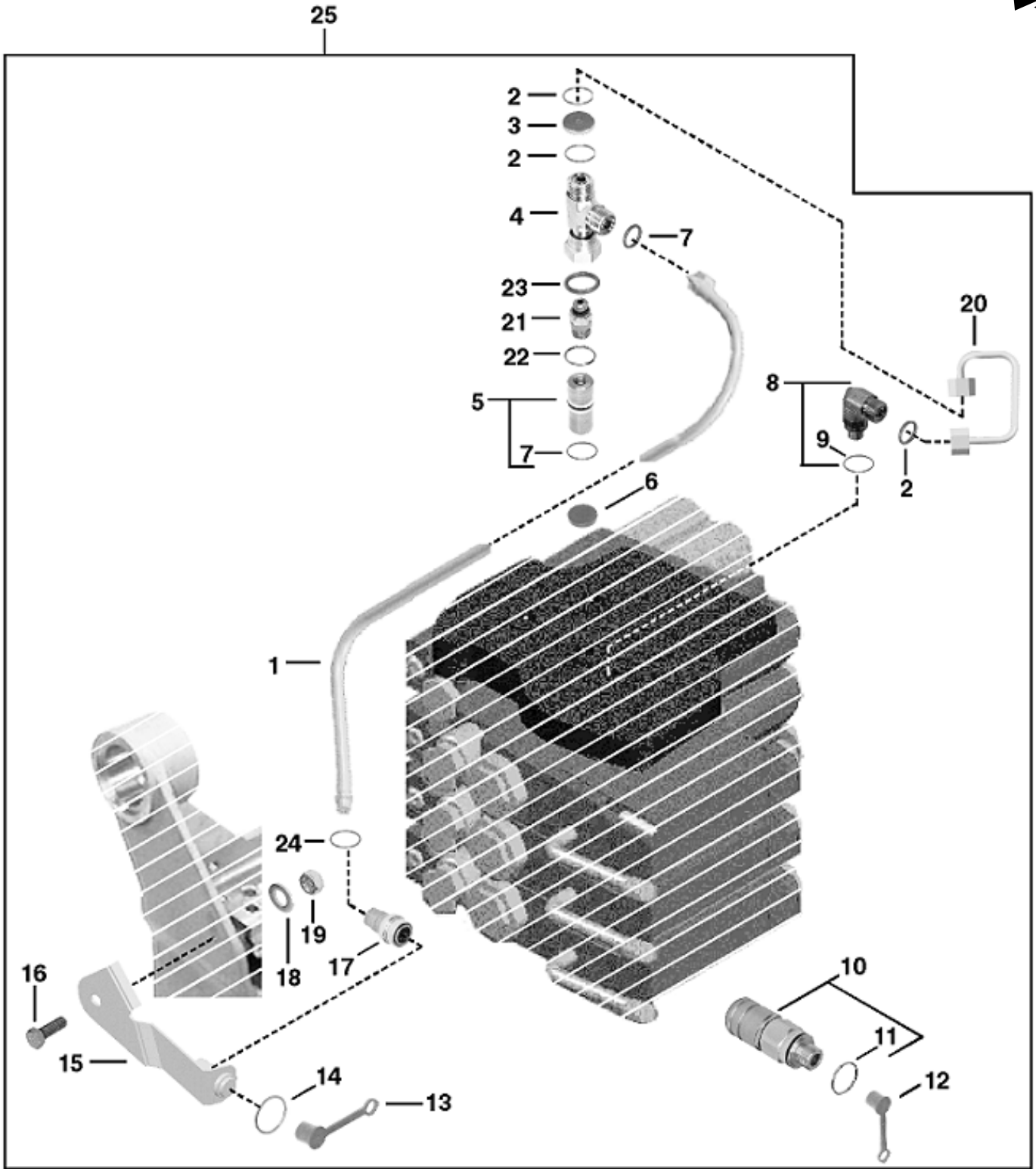
KEY	PART NO.	PART NAME	QTY	SERIAL NO. OR YEAR	REMARKS
1	R111680	BRACKET	1		
2	R113148	BRACKET	2		
3	BRACKET	1		(ORDER RE63738, R117724 AND R118245)
4	19M7185	CAP SCREW	2		M8 X 60
5	24M7055	WASHER	2		8.400 X 16 X 1.600 MM (0.331" X 0.630" X 0.063")
6	14M7151	NUT	2		M8
7	RE58243	HYD. QUICK-CONNECT COUPLER	2		
8	R21722	O-RING	2		20.218 X 3.531 MM (0.796" X 0.139")
9	19M7077	CAP SCREW	2		M6 X 20
10	14M7272	NUT	2		M6
11A	AH15940	HYD. QUICK-CONNECT COUPLER	1		(ORDER RE63738, R117724 AND R118245) THIS APPLICATION
11B	RE63738	HYD. QUICK-CONNECT COUPLER	1		
12	P51263	U-BOLT	1		
13	14H785	NUT	2		5/16"
14	RE50394	HYDRAULIC HOSE	2		13/16" X 645 MM (25-1/2") X 13/16"
15	T77857	O-RING	2		12.421 X 1.778 MM (0.489" X 0.070")
16	38H5076	ADAPTER	2		
17	51M7045	O-RING	2		19.300 X 2.200 MM (0.760" X 0.087")
18	RE50395	HYDRAULIC HOSE	1		1/4" X 720 MM (28-1/4") X 9/16"
19	T77814	O-RING	1		7.645 X 1.778 MM (0.301" X 0.070")
20	38H5015	ELBOW FITTING	1		
21	51M7040	O-RING	1		9.300 X 2.200 MM (0.366" X 0.087")
22	T77857	O-RING	2		12.421 X 1.778 MM (0.489" X 0.070")
23	38H1161	ADAPTER	2		
24	R26375	O-RING	2		16.358 X 2.210 MM (0.644" X 0.087")
25	A15899	CAP	2		
26	AH83821	CAP	1		
27	R113305	DECAL	1		
28	12M7032	LOCK WASHER	2		8.400 MM (0.331")
29	AL77030	COVER	1		
30	R95493	DISK	1		
31	R95494	O-RING	1		80 X 4 MM (3.150" X 0.157")
32	24M7054	WASHER	2		6.400 X 12 X 1.600 MM
33	RE50393	KIT	1		(FI)
34	AH15939	HYD. QUICK-CONNECT COUPLER	1		1/4" NPT
35	AR94522	INTERNAL HALF COUPLER	1		ISO,3/4"-16UNF
36	R117724	BRACKET	1		
37	R118245	SNAP RING	2		

C15

FC: RIF260

HYDRAULIC

POWER BEYOND COUPLER KIT
8000 SERIES TRACTORS
(REQUIRED WITH VACUUM CONTROL HOOKUP TO POWER BEYOND FOR 8000 SERIES TRACTORS ONLY)
RXP010850 -UN-01JAN94



RXP010850

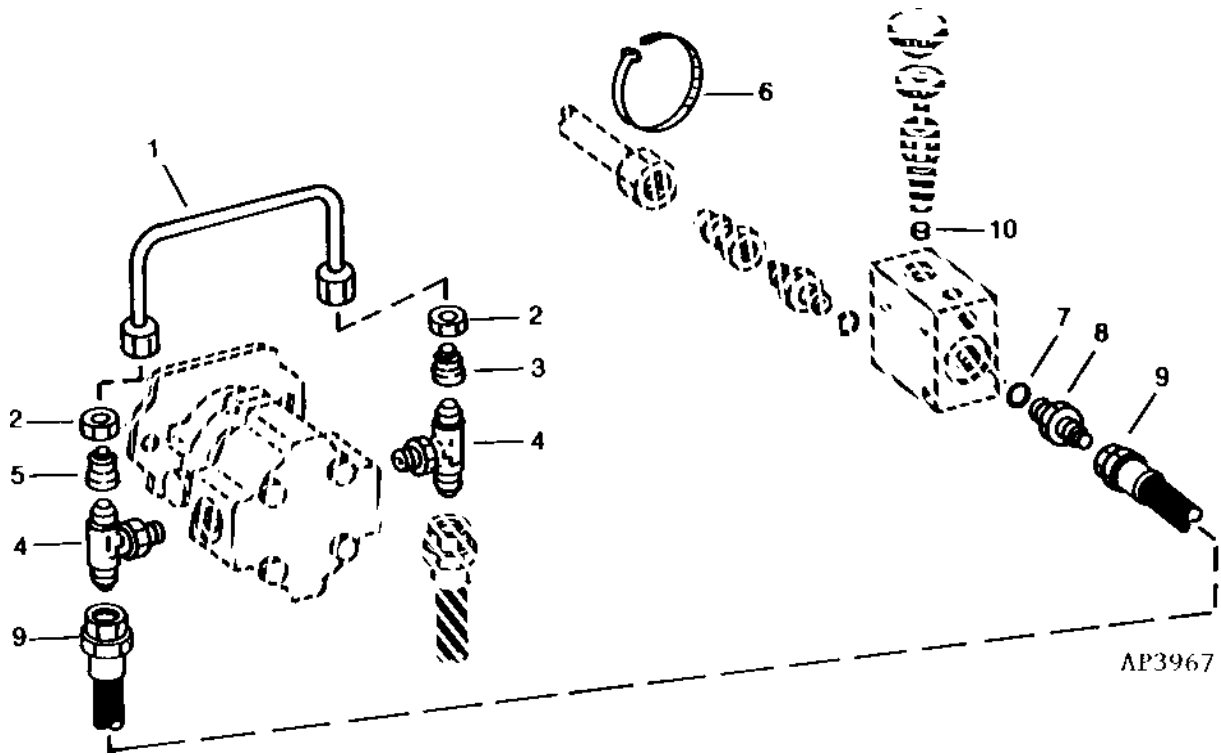
POWER BEYOND COUPLER KIT - CONTINUED

8000 SERIES TRACTORS

(REQUIRED WITH VACUUM CONTROL HOOKUP TO POWER BEYOND FOR 8000 SERIES TRACTORS ONLY)

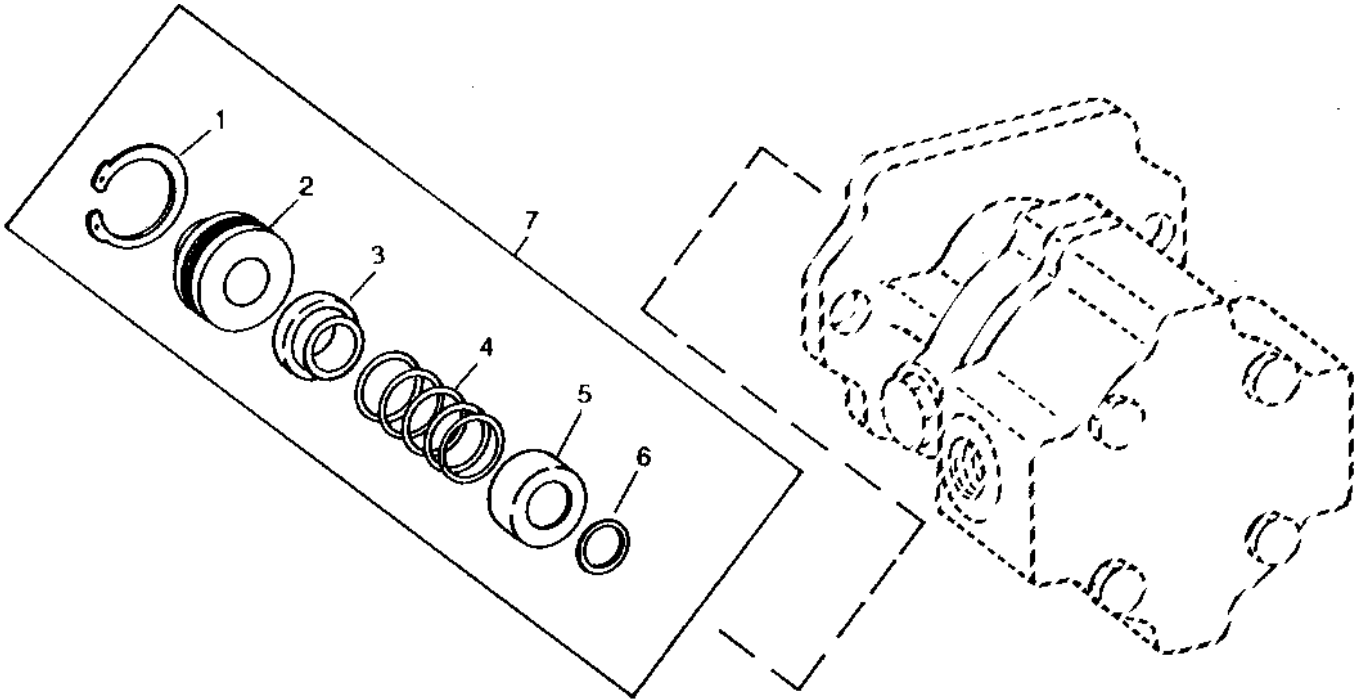
KEY	PART NO.	PART NAME	QTY	SERIAL NO. OR YEAR	REMARKS
1	RE61323	HOSE	1		
2	T77613	O-RING	3		9.246 X 1.778 MM (0.364" X 0.070")
3	N202662	ORIFICE	1		
4	38H5105	TEE FITTING	1		
5	RE58763	SPACER	1		
6	R122147	CHECK VALVE	1		
7	T11899	O-RING	2		7.645 X 1.778 MM (0.301" X 0.070")
8	38H5016	ELBOW FITTING	1		
9	51M7041	O-RING	1		11.300 X 2.200 MM
10	RE55859	HYD. QUICK-CONNECT COUPLER	2		
11	51M7045	O-RING	2		19.300 X 2.200 MM
12	R124807	CAP	2		
13	AH83821	CAP	1		
14	R118245	SNAP RING	1		
15	R112397	BRACKET	1		
16	19M7168	CAP SCREW	1		M10 X 30
17	RE61319	HYD. QUICK-CONNECT COUPLER	1		
18	24M7040	WASHER	1		11 X 20 X 2 MM
19	14M7274	NUT	1		M10
20	RE61308	OIL LINE	1		
21	RE49091	FITTING	1		
22	51M7041	O-RING	1		11.300 X 2.200 MM
23	T77613	O-RING	1		9.246 X 1.778 MM (0.364" X 0.070")
24	T77613	O-RING	1		9.246 X 1.778 MM (0.364" X 0.070")
25	AR112613	SHIPPING BUNDLE	1		POWER BEYOND COUPLER KIT

**VACUUM BLOWER CONTROL CONVERSION
FOR 7000, 8000 AND 9000 SERIES TRACTORS WITH SCV**
AP3967 -UN-10DEC94



KEY	PART NO.	PART NAME	QTY	SERIAL NO. OR YEAR	REMARKS
1	AA38537	OIL LINE	1		
2	T25462	TUBE NUT	2		
3	A52994	FITTING	1	0.8MM ORIFICE	
4	AN140263	TEE FITTING	2		
5	A52993	FITTING	1	BLACK	
6	H113196	TIE BAND	2	1016 MM (40")	
7	R26375	O-RING	1	16.358 X 2.210 MM (0.644" X 0.087") JOHN DEERE	
8	R27237	FITTING	1		
9	AN33192	HYDRAULIC HOSE	1	3/4" X 762 MM (30") X 3/4"	
10	A53981	ORIFICE	1	6.75 GPM (FOR AA38545 CONTROL VALVE)	
	A53088	ORIFICE	1	(FOR AA34009 CONTROL VALVE)	
..	BA26377	SHIPPING BUNDLE	1	VACUUM BLOWER MOTOR ADAPTER; REQUIRES AR113481 MOTOR RETURN KIT	

VACUUM MOTOR REPAIR KIT
 AP3548 -UN-01JAN94



AP3548

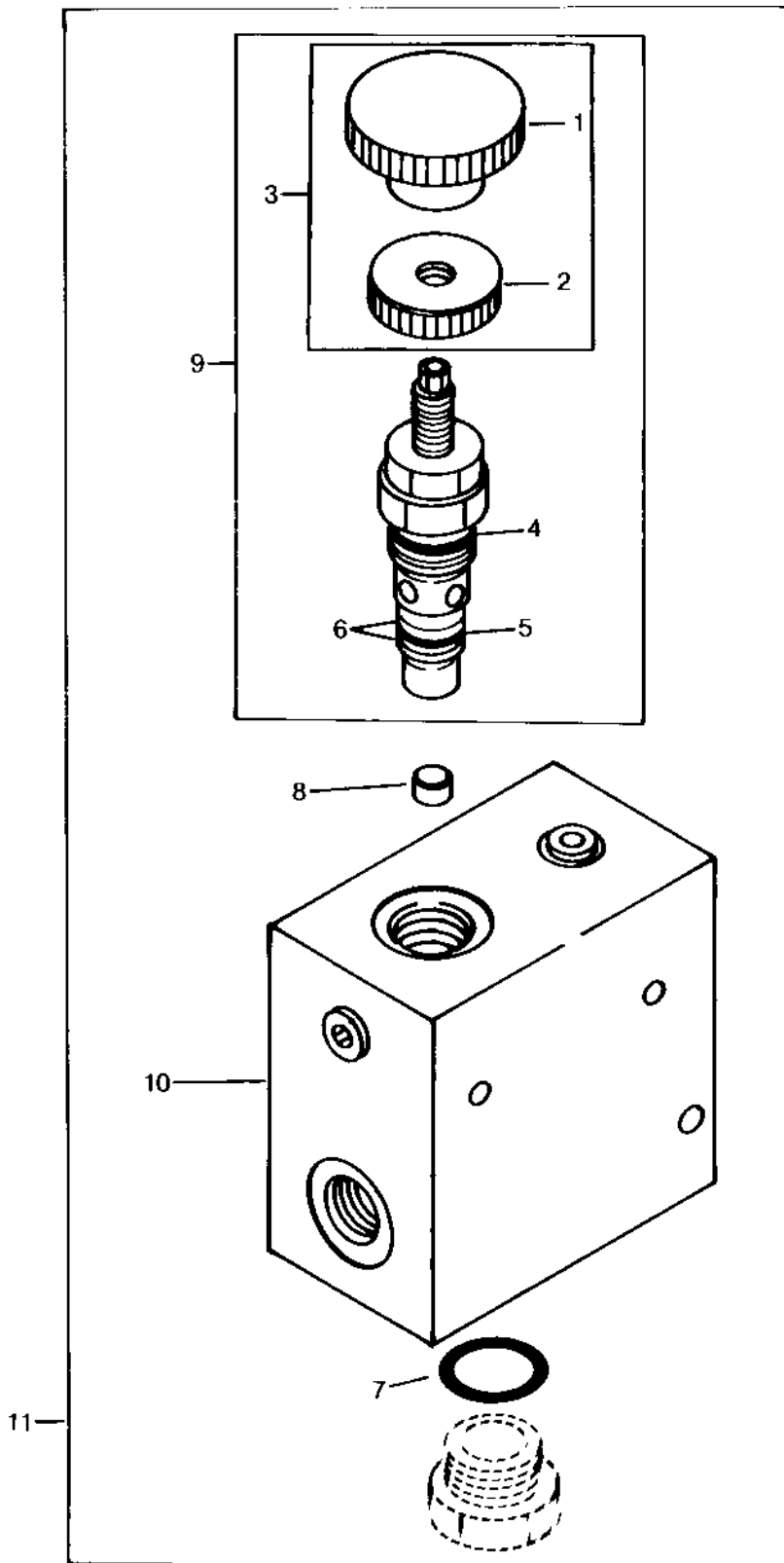
KEY	PART NO.	PART NAME	QTY	SERIAL NO. OR YEAR	REMARKS
1	SNAP RING	1		
2	SEAL	1		
3	SEAL	1		
4	SPRING	1		
5	HOLDER	1		
6	WASHER	1		
7	AA36389	KIT	1		

C19

FC: 6552

HYDRAULIC

VACUUM CONTROL VALVE
AP4130 -UN-06APR95



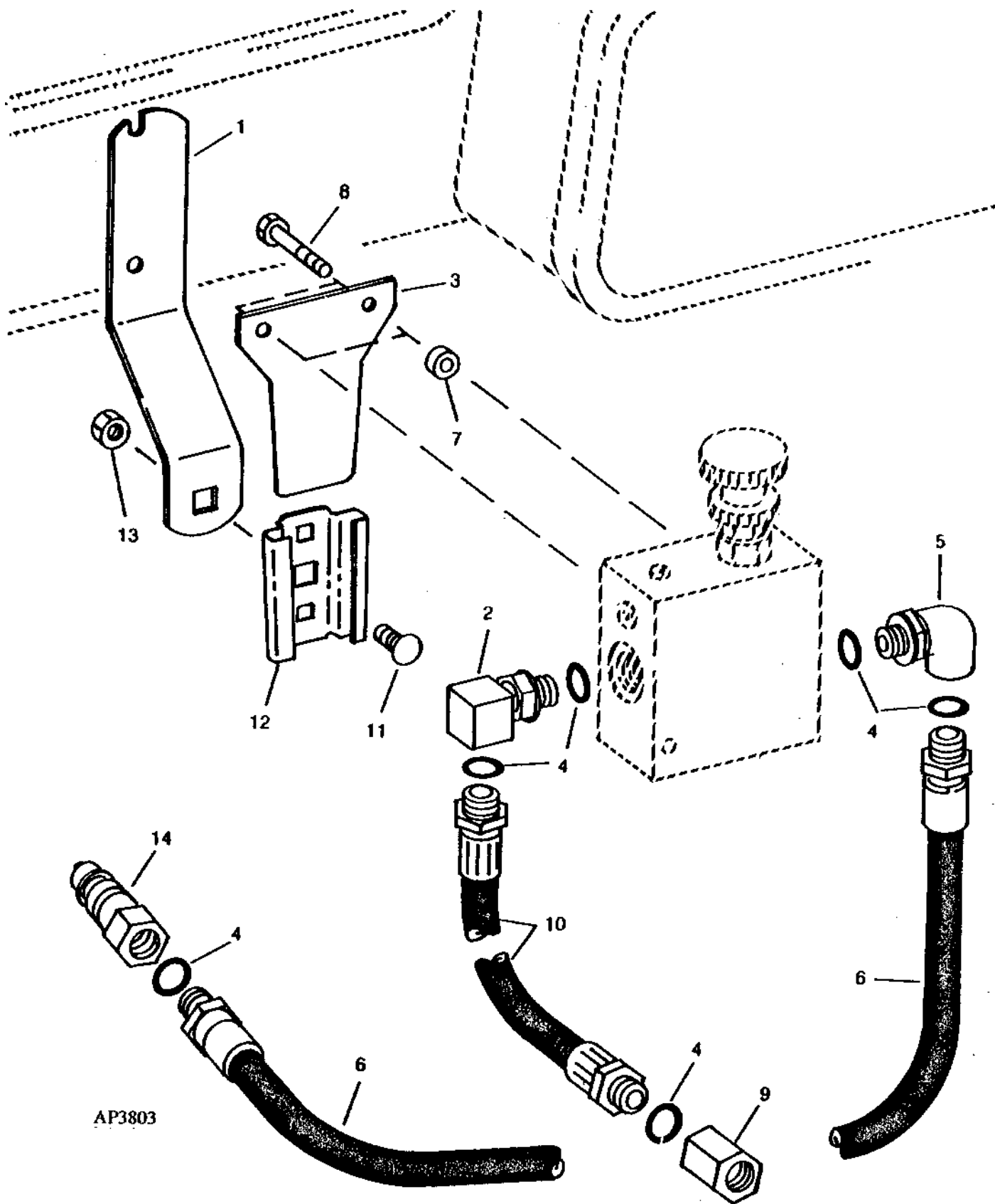
AP4130

VACUUM CONTROL VALVE - CONTINUED

KEY	PART NO.	PART NAME	QTY	SERIAL NO. OR YEAR	REMARKS
1	KNOB	1	(ORDER AA40001)	
2	LOCK NUT	1	(ORDER AA40001)	
3	AA40001	KIT	1	HANDKNOB KIT; INCLUDES KEYS 1 AND 2	
4	O-RING	1	(ORDER AA39263)	
5	O-RING	1	(ORDER AA39263)	
6	BACK-UP RING	2	(ORDER AA39263)	
7	O-RING	1	(ORDER AA39263)	
8	A53980	ORIFICE	1	BLACK	
	A53981	ORIFICE	1	SILVER	
9	AA39230	RELIEF VALVE	1		
10	A54827	VALVE SEAT	1		
11	AA38545	VALVE	1	COMPLETE VALVE	
..	AA39263	SEAL KIT	1	INCLUDES KEYS 4 - 7	

CAB MOUNTING FLOW CONTROL VALVE BRACKET ASSEMBLY

AP3803 -UN-01JAN94

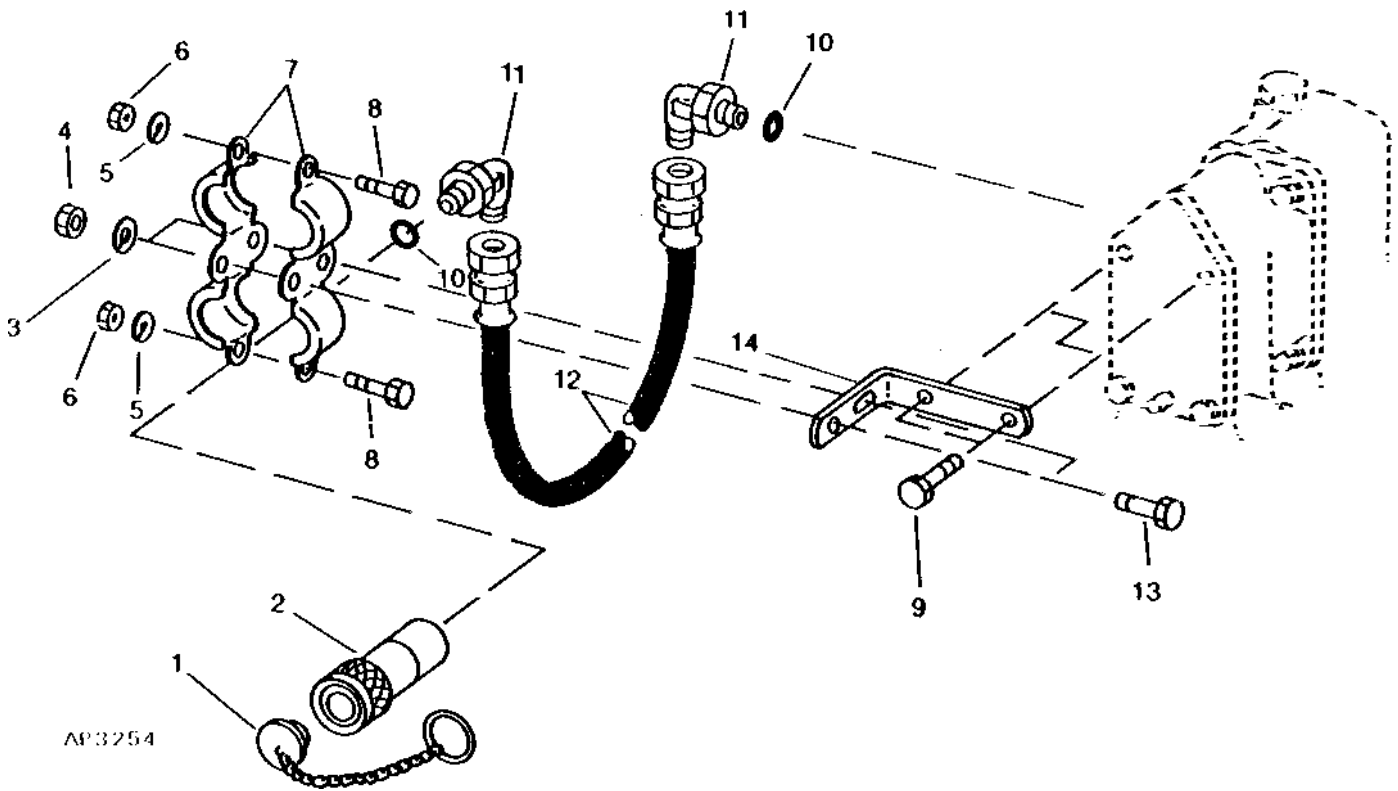


AP3803

CAB MOUNTING FLOW CONTROL VALVE BRACKET ASSEMBLY - CONTINUED

KEY	PART NO.	PART NAME	QTY	SERIAL NO. OR YEAR	REMARKS
1	A51724	STRAP	1		
2	AT32332	ELBOW FITTING	1		
3	A51699	STRAP	1		
4	R26375	O-RING	6		16.358 X 2.210 MM (0.644" X 0.087")
5	AA43396	ELBOW FITTING	1		
6	AA36976	HYDRAULIC HOSE	1		3/4" X 1 219 MM (48") X 3/4", TO TRACTOR SCV
	AA37007	HYDRAULIC HOSE	1		3/4" X 3 962 MM (156") X 3/4", USE WITH JOHN DEERE FOUR WHEEL DRIVE TRACTORS ONLY
7	28H5	WASHER	2		6.833 X 10.287 X 6.350 MM (0.269" X 0.405" X 1/4")
8	19M7077	CAP SCREW	2		M6 X 20
9	R30815	FITTING	1		
10	AA36970	HYDRAULIC HOSE	1		3/4" X 813 MM (32") X 3/4"
	AA37007	HYDRAULIC HOSE	1		3/4" X 3 962 MM (156") X 3/4", USE WITH JOHN DEERE FOUR WHEEL DRIVE TRACTORS ONLY
11	03M7190	BOLT	1		M10 X 20
12	JD126	SOCKET	1		
13	14M7274	NUT	1		M10
14	AR93819	HYD. QUICK-CONNECT COUPLER	1		JOHN DEERE
	AR94522	INTERNAL HALF COUPLER	1		ISO

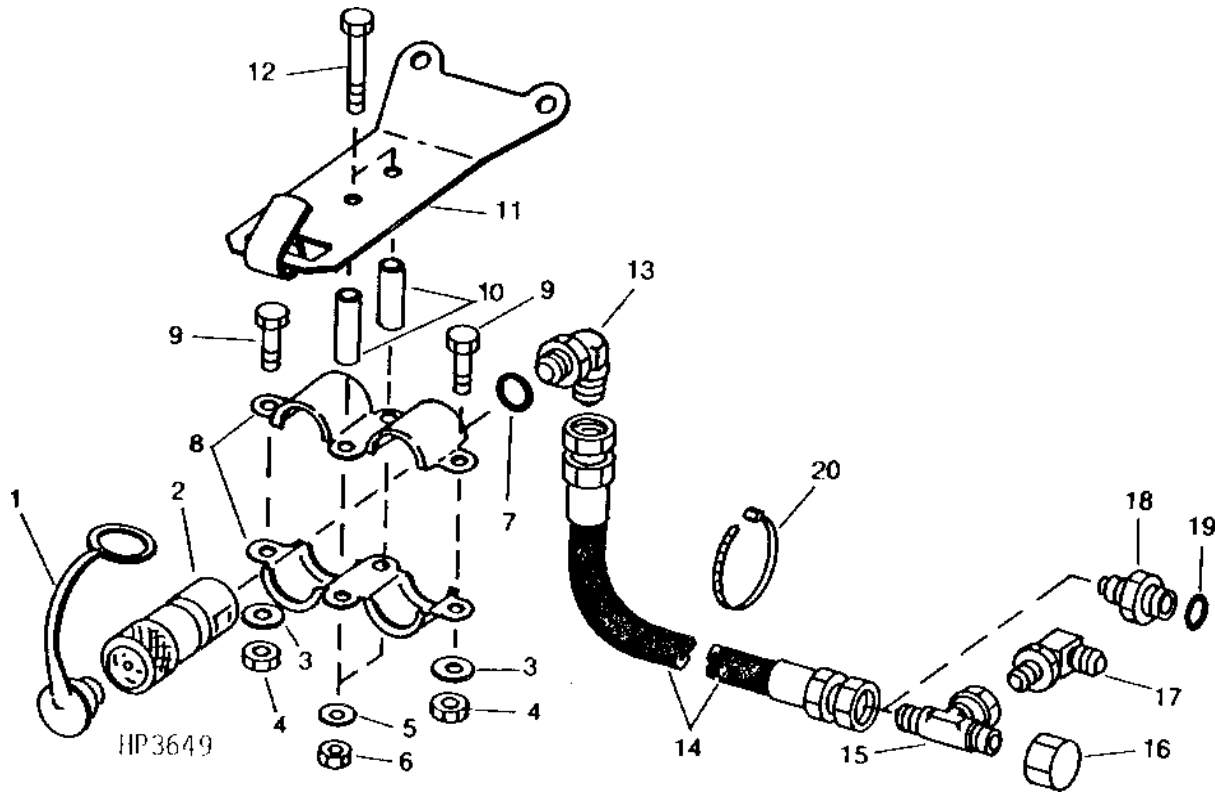
AUXILIARY RETURN LINE COUPLER KIT
(AUXILIARY RETURN LINE INSTALLED IN NO. 1 SELECTIVE CONTROL VALVE)
USE WITH 50 SERIES ROW CROP TRACTORS AND VACUUM SYSTEM
AP3254 -UN-01JAN94



AUXILIARY RETURN LINE COUPLER KIT - CONTINUED
USE WITH 50 SERIES ROW CROP TRACTORS AND VACUUM SYSTEM

KEY	PART NO.	PART NAME	QTY	SERIAL NO. OR YEAR	REMARKS
1	AW17006	PLUG	1		
2	AH75167	HYD. QUICK-CONNECT COUPLER	1		
3	12H302	LOCK WASHER	2	1/4"	
4	14H786	NUT	2	1/4"	
5	12M7065	LOCK WASHER	2	8.100 MM	
6	14H785	NUT	2	5/16"	
7	R79043	BRACKET	2		
8	19H1948	CAP SCREW	2	1/4" X 3/4"	
9	19H1800	CAP SCREW	2	3/8" X 1-1/2"	
10	R26375	O-RING	2	16.358 X 2.210 MM (0.644" X 0.087")	
11	AT32332	ELBOW FITTING	2		
12	AT47763	HOSE	1	3/4" X 419 MM (16-1/2") X 3/4"	
13	19H1905	CAP SCREW	2	5/16" X 1"	
14	R79044	BRACKET	1		
..	BA25379	SHIPPING BUNDLE	1		AUXILIARY RETURN LINE COUPLER KIT; REQUIRED FOR JOHN DEERE ROW-CROP AND FOUR WHEEL DRIVE TRACTORS WITH SELECTIVE CONTROL VALVES WITH ISO COUPLERS, USED WITH VACUUM SEED METERING SYSTEMS

AUXILIARY RETURN LINE COUPLER KIT
USE WITH 50 AND 55 SERIES UTILITY TRACTORS WITH VACUUM SYSTEM
 HP3649 -UN-01JAN94

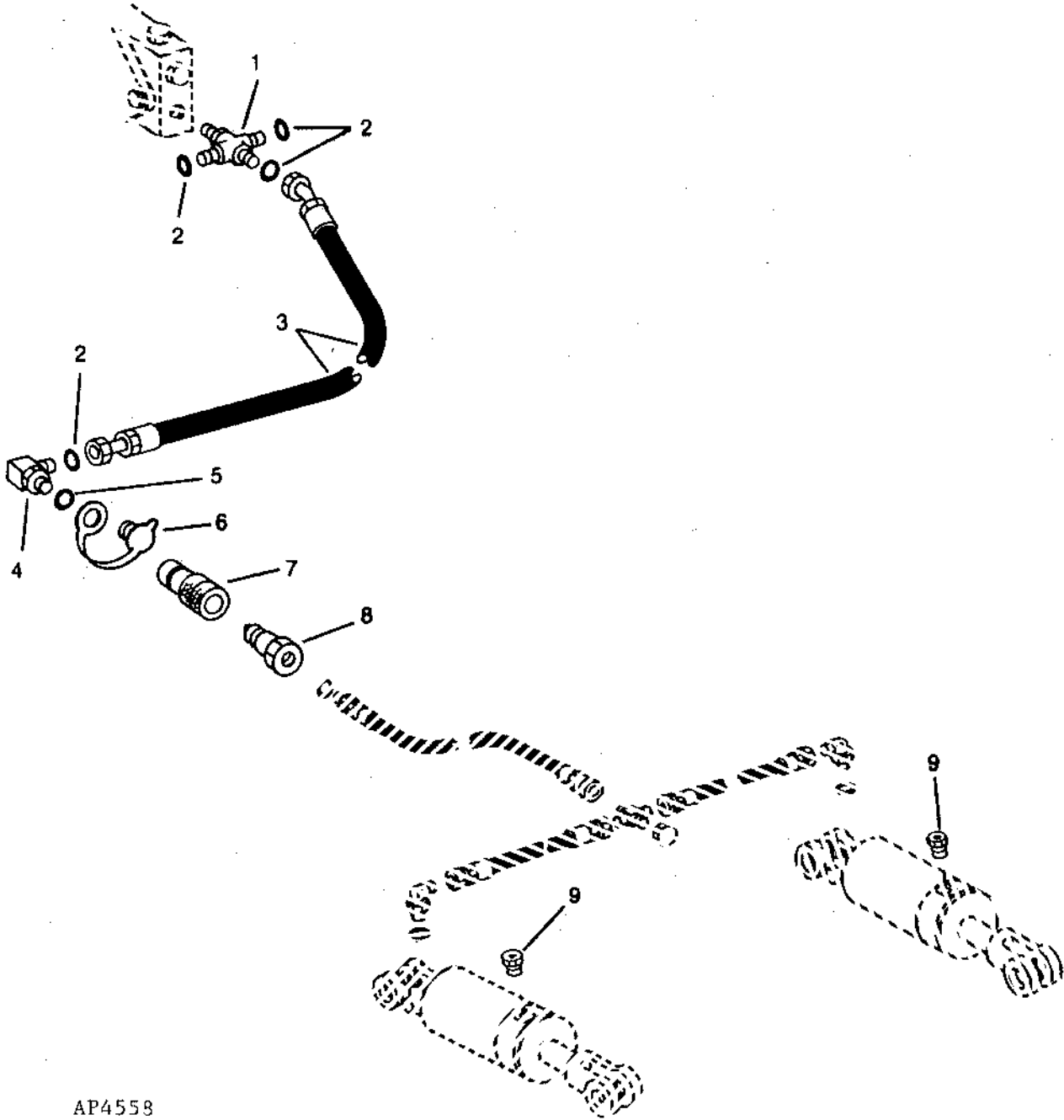


KEY	PART NO.	PART NAME	QTY	SERIAL NO. OR YEAR	REMARKS
1	AW17006	PLUG	1		
2	AH75167	HYD. QUICK-CONNECT COUPLER	1		
3	12H303	LOCK WASHER	2	7.938 MM	
4	14H785	NUT	2	5/16"	
5	12H302	LOCK WASHER	2	1/4"	
6	14H786	NUT	2	1/4"	
7	R26375	O-RING	1	16.358 X 2.210 MM (0.644" X 0.087")	
8	R79043	BRACKET	2		
9	19H1948	CAP SCREW	2	6.350 X 19.050 MM (1/4" X 3/4")	
10	28H102	SPACER	2	9.246 X 13.716 X 25.400 MM (0.364" X 0.540" X 1")	
11	AL36157	BRACKET	1		
12	19H1875	CAP SCREW	2	7.925 X 44.450 MM (5/16" X 1-3/4")	
13	AT32332	ELBOW FITTING	1		
14	AR62297	HYDRAULIC HOSE	1	3/4" X 1 168 MM (46") X 3/4"	
15	AT71050	TEE FITTING	1		FOR USE WITH: 50 SERIES W/SOUND-GARD BODY®, WITH AND WITHOUT LOADER; AND 55 SERIES OPEN STATION OR W/SOUND-GARD BODY, WITH LOADER
16	R31736	FITTING	1		FOR USE WITH AT71050 TEE FITTING ON 50 SERIES W/SOUND-GARD BODY, WITHOUT LOADER
17	AH76990	ELBOW FITTING	1		90° FITTING INTO PORTED FILTER COVER WITH AT71050 FITTING FOR USE ON 55 SERIES OPEN STATION OR W/SOUND-GARD BODY, WITH LOADER
18	R40122	ADAPTER	1		CONNECTED FROM PORTED FILTER COVER ON: 50/55 SERIES OPEN STATION, WITHOUT LOADER; 55 SERIES W/SOUND-GARD BODY, WITHOUT LOADER
19	U12547	O-RING	1	23.470 X 2.946 MM (0.924" X 0.116")	USE WITH R40122
20	R44302	TIE BAND	4		
..	BH78678	SHIPPING BUNDLE	1		AUXILIARY RETURN LINE COUPLER KIT; REQUIRED FOR ALL JOHN DEERE UTILITY TRACTORS, USED WITH VACUUM SEED METERING SYSTEMS

MEMORANDA

PLANTER LIFT ASSIST WHEELS TIED TO HITCH CIRCUIT FOR 7000 SERIES TRACTORS

AP4558 -UN-30APR96



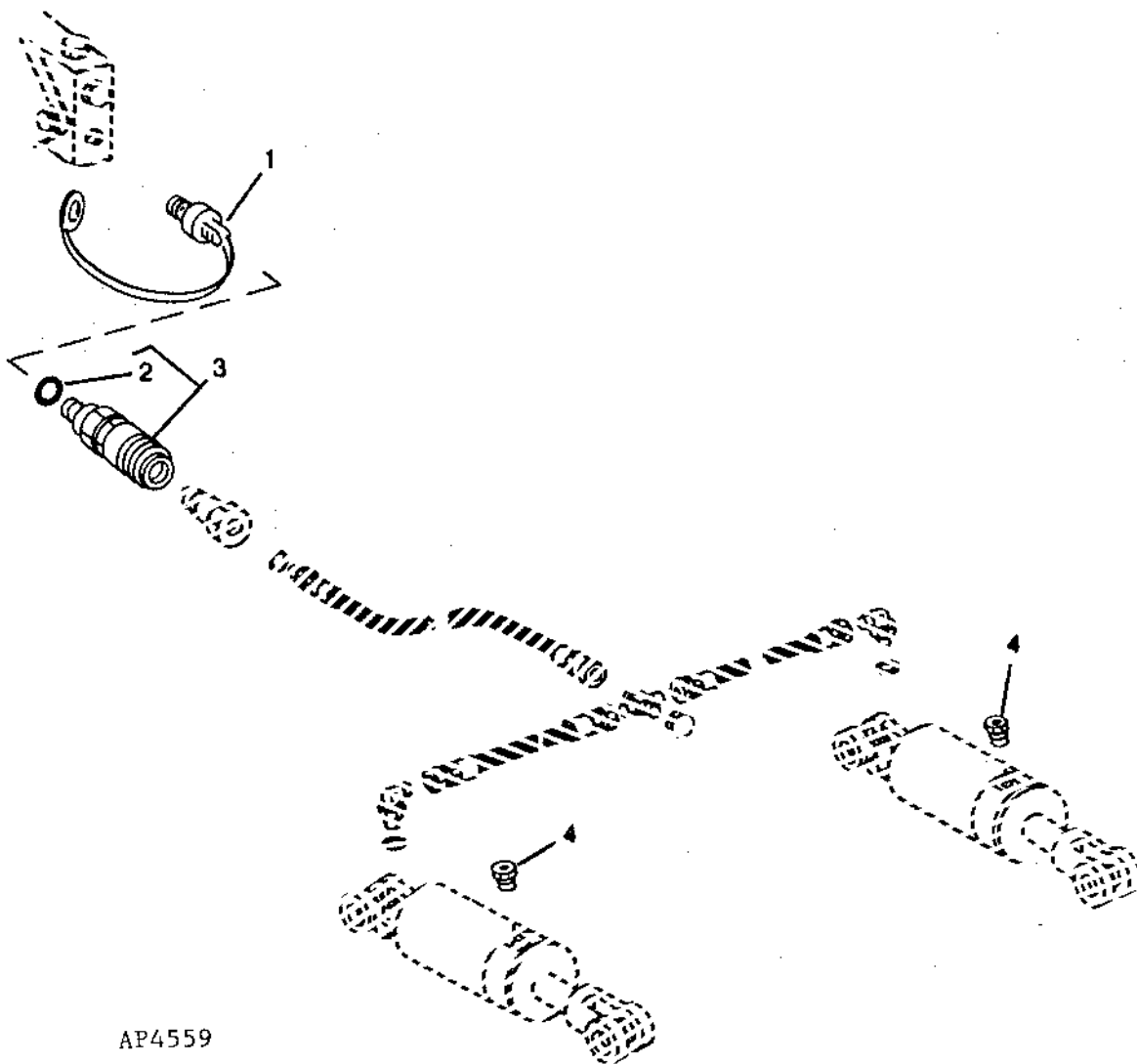
AP4558

PLANTER LIFT ASSIST WHEELS TIED TO HITCH CIRCUIT -CONTINUED
FOR 7000 SERIES TRACTORS

KEY	PART NO.	PART NAME	QTY	SERIAL NO. OR YEAR	REMARKS
1	38H5077	FITTING	1		
2	T77857	O-RING	4		
3	RE51137	OIL LINE	1		12.421 X 1.778 MM (0.489" X 0.070")
4	38H1005	ELBOW FITTING	1		
5	R26375	O-RING	1		16.358 X 2.210 MM (0.644" X 0.087")
6	AW17006	PLUG	1		
7	AH75167	HYD. QUICK-CONNECT COUPLER	1		QUICK DISCONNECT
8	AR94522	INTERNAL HALF COUPLER	1		ISO
9	AN210173	PLUG	2		

PLANTER LIFT ASSIST WHEELS TIED TO HITCH CIRCUIT FOR 8000 AND 9000 SERIES TRACTORS

AP4559 -UN-30APR96

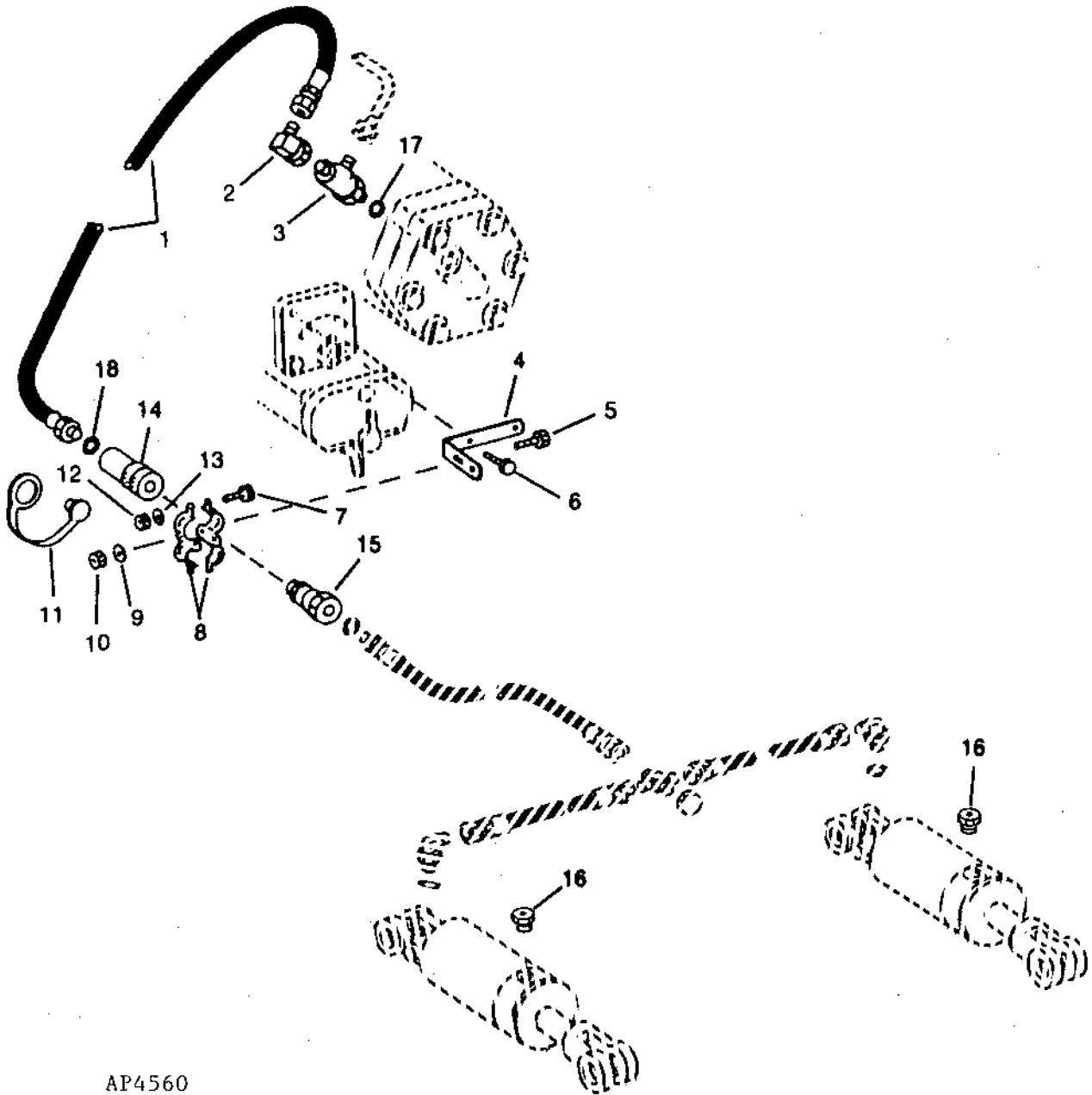


AP4559

**PLANTER LIFT ASSIST WHEELS TIED TO HITCH CIRCUIT -CONTINUED
FOR 8000 AND 9000 SERIES TRACTORS**

KEY	PART NO.	PART NAME	QTY	SERIAL NO. OR YEAR	REMARKS
1	R124807	CAP	1		
2	51M7045	O-RING	1		
3	RE55859	HYD. QUICK-CONNECT COUPLER	1		19.300 X 2.200 MM (0.760" X 0.087")
4	AN210173	PLUG	1		

LIFT ASSIST WHEELS TIED TO TRACTOR HITCH CIRCUIT
FOR 55 AND 60 SERIES TRACTORS WITH E-H HITCH
AP4560 -UN-30APR96

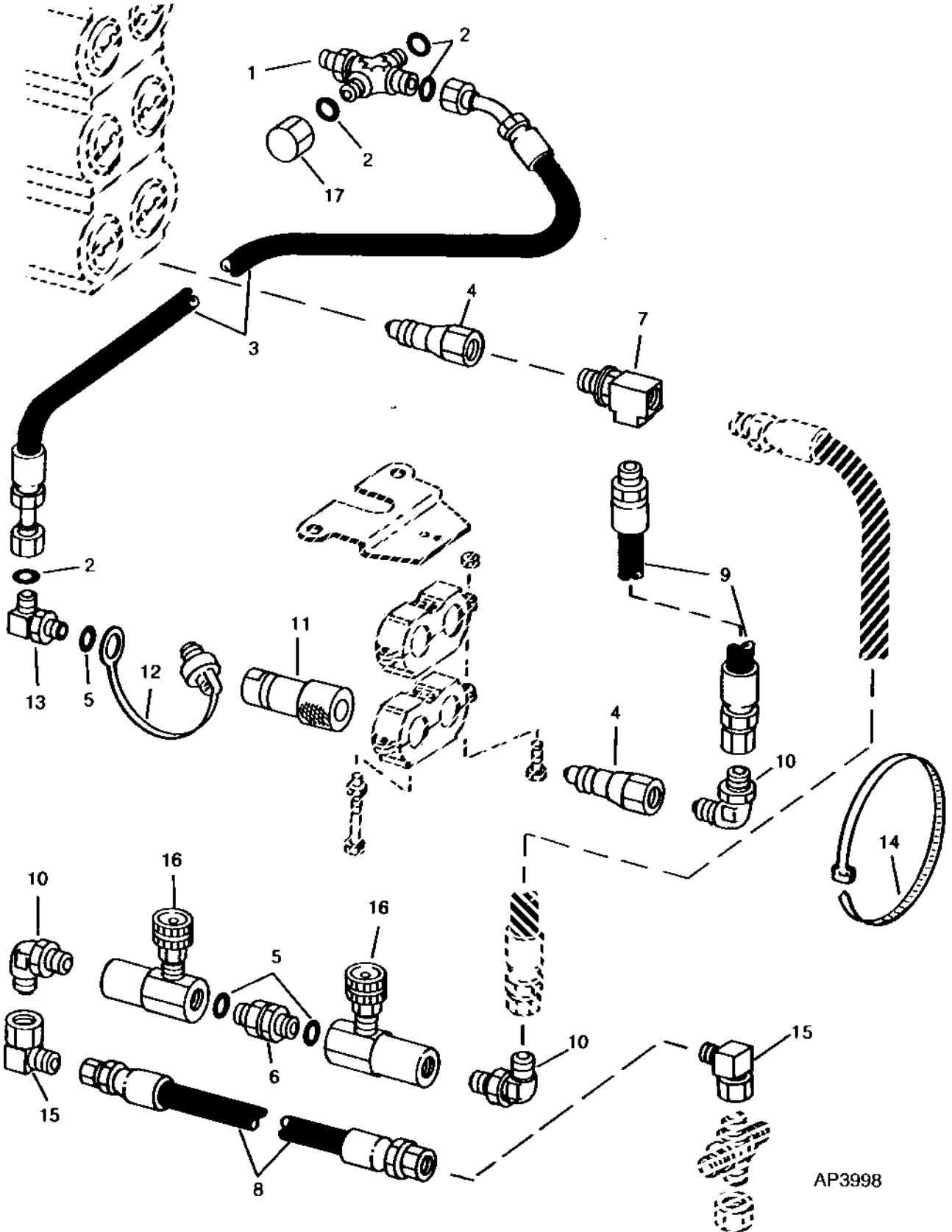


AP4560

SINGLE LEVER CONTROL FOR LIFT ASSIST WHEELS - CONTINUED
FOR 55 AND 60SERIES TRACTORS

KEY	PART NO.	PART NAME	QTY	SERIAL NO. OR YEAR	REMARKS
1	AT40759	HOSE	1		7/8" X 800 MM (31-1/2") X 3/4"
2	AH77612	ELBOW FITTING	1		
3	AT32289	FITTING	1		
4	R79044	BRACKET	1		
5	19H1905	CAP SCREW	2		7.925 X 25.400 MM (5/16" X 1")
6	19H1800	CAP SCREW	2		9.525 X 38.100 MM (3/8" X 1-1/2")
7	19H1948	CAP SCREW	2		6.350 X 19.050 MM (1/4" X 3/4")
8	R79043	BRACKET	2		
9	12H302	LOCK WASHER	2		6.350 MM (1/4")
10	14H786	NUT	2		6.350 MM (1/4")
11	AW17006	PLUG	1		
12	14H785	NUT	2		7.925 MM (5/16")
13	12H303	LOCK WASHER	2		7.938 MM (5/16")
14	AH75167	HYD. QUICK-CONNECT COUPLER	1		QUICK DISCONNECT
15	AR94522	INTERNAL HALF COUPLER	1		ISO
16	AN210173	PLUG	2		
17	R26906	O-RING	1		19.177 X 2.464 MM (0.755" X 0.097")
18	R26375	O-RING	1		16.358 X 2.210 MM (0.644" X 0.087")

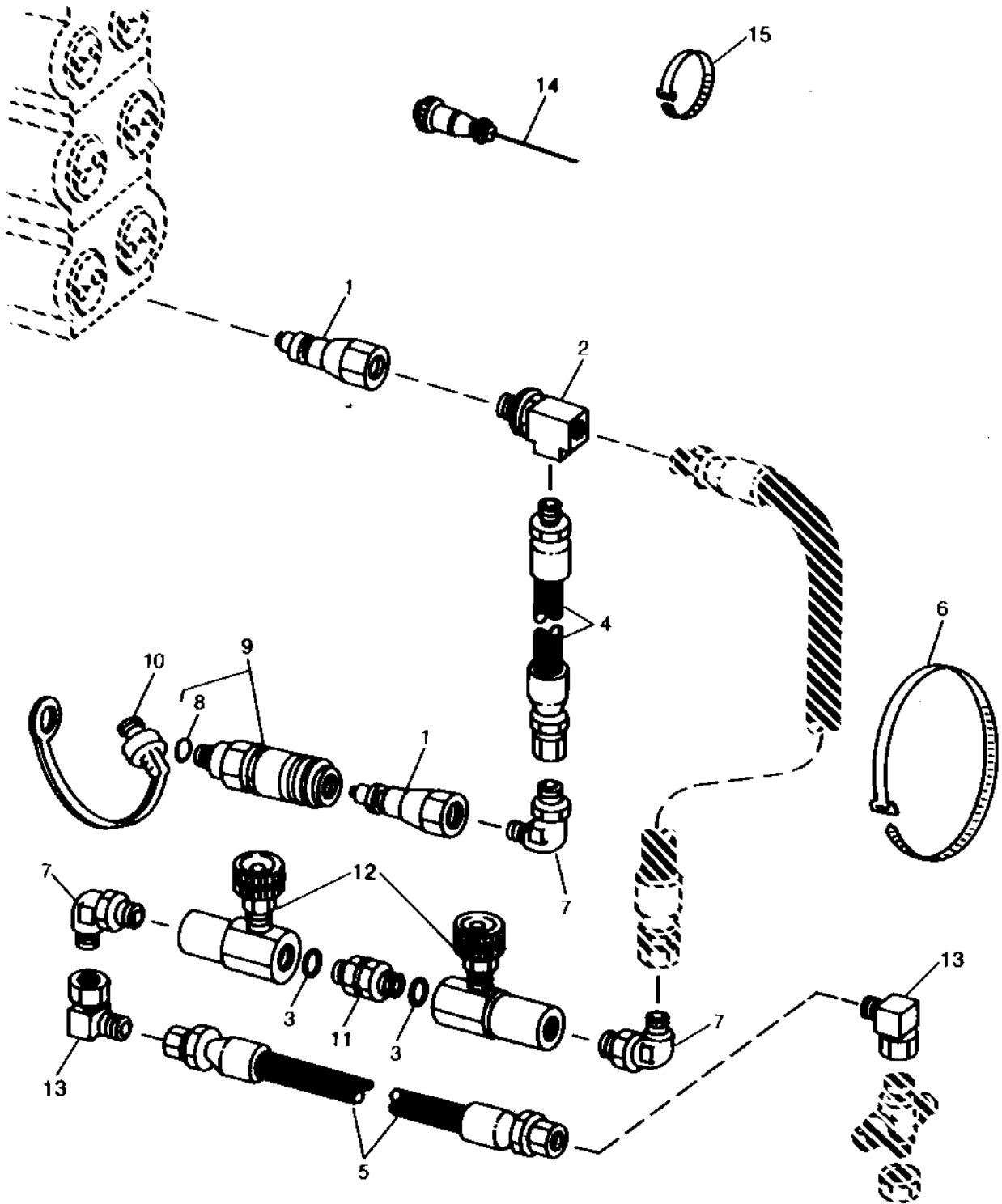
SINGLE LEVER CONTROL FOR LIFT ASSIST WHEELS & TRACTOR ROCKSHAFT
7000 SERIES TRACTORS
AP3998 -UN-04JAN95



SINGLE LEVER CONTROL FOR LIFT ASSIST WHEELS & TRACTOR ROCKSHAFT -CONTINUED
7000 SERIES TRACTORS

KEY	PART NO.	PART NAME	QTY	SERIAL NO. OR YEAR	REMARKS
1	38H5077	FITTING	1		
2	T77857	O-RING	4	12.421 X 1.778 MM (0.489" X 0.070")	
3	RE51137	OIL LINE	1		
4	AR94522	INTERNAL HALF COUPLER	2	ISO	
5	R26375	O-RING	3	16.358 X 2.210 MM (0.644" X 0.087")	
6	AN131153	UNION FITTING	1		
7	AA22513	TEE FITTING	1		
8	AA37337	HYDRAULIC HOSE	1	3/4" X 480 MM (19") X 3/4"	
9	AA36969	HYDRAULIC HOSE	1	3/4" X 610 MM (24") X 3/4"	
10	AT32332	ELBOW FITTING	3		
11	AH75167	HYD. QUICK-CONNECT COUPLER	1	QUICK DISCONNECT	
12	AW17006	PLUG	1		
13	38H1005	ELBOW FITTING	1		
14	H113196	TIE BAND	2	1016 MM (40")	
15	AH75164	ELBOW FITTING	2	ISO	
16	AA38766	VALVE	2		
17	38H1416	FITTING PLUG	1	FOR 7200 AND 7400 TRACTORS	

SINGLE LEVER CONTROL FOR LIFT ASSIST WHEELS & TRACTOR ROCKSHAFT
8000 AND 9000 SERIES TRACTORS
AP3997 -UN-04JAN95



AP3997

**SINGLE LEVER CONTROL FOR LIFT ASSIST WHEELS & TRACTOR ROCKSHAFT- CONTINUED
8000 AND 9000 SERIES TRACTORS**

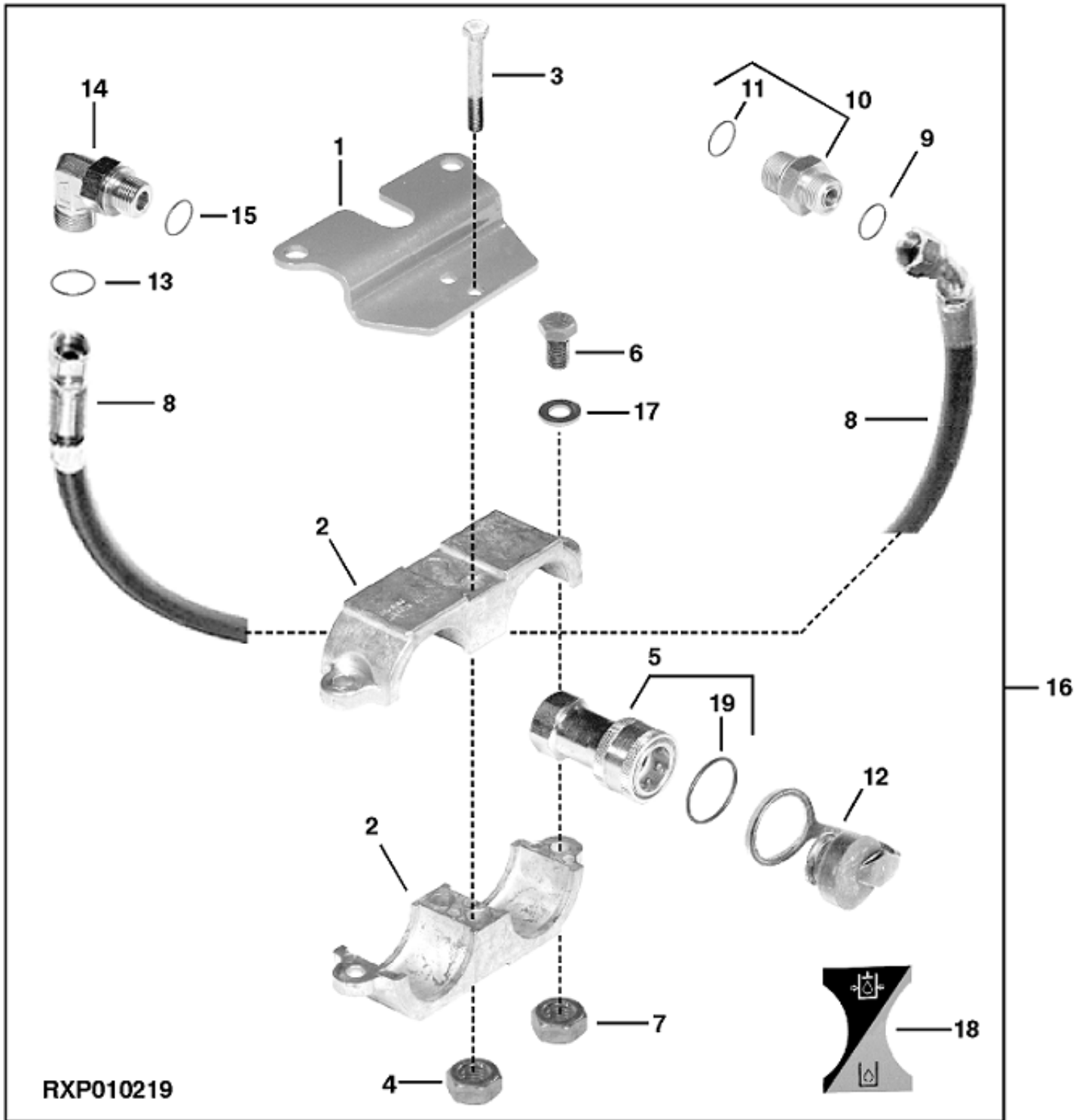
KEY	PART NO.	PART NAME	QTY	SERIAL NO. OR YEAR	REMARKS
1	AR94522	INTERNAL HALF COUPLER	2		
2	AA22513	TEE FITTING	1		
3	R26375	O-RING	2		16.358 X 2.210 MM (0.644" X 0.087") 1016 MM (40")
4	AA36969	HYDRAULIC HOSE	1		3/4" X 610 MM (24") X 3/4"
5	AA37337	HYDRAULIC HOSE	1		3/4" X 480 MM (19") X 3/4"
6	H113196	TIE BAND	2		
7	AT32332	ELBOW FITTING	3		
8	51M7045	O-RING	1		19.300 X 2.200 MM (0.760" X 0.087")
9	RE55859	HYD. QUICK-CONNECT COUPLER	1		
10	R124807	CAP	1		
11	AN131153	UNION FITTING	1		
12	AA38766	VALVE	2		
13	AH75164	ELBOW FITTING	2		
14	AA39951	WIRING HARNESS	1		
15	R44302	TIE BAND	3		

D11

FC: 6552

HYDRAULIC

HYDRAULIC MOTOR RETURN KIT
7600, 7700 AND 7800 TRACTORS
RXP010219 -UN-01JAN94



HYDRAULIC MOTOR RETURN KIT - CONTINUED
7600, 7700 AND 7800 TRACTORS

KEY	PART NO.	PART NAME	QTY	SERIAL NO. OR YEAR	REMARKS
1	R111680	BRACKET	1		
2	R113148	BRACKET	2		
3	19M7185	CAP SCREW	2	M8 X 60	
	19M8254	CAP SCREW	2	(A) M6 X 110	
4	14M7151	NUT	2	M8	
5	AH75167	HYD. QUICK-CONNECT COUPLER	1		
6	19M7077	CAP SCREW	2	M6 X 20	
7	14M7272	NUT	2	M6	
8	RE51137	OIL LINE	1		
9	T77857	O-RING	1	12.421 X 1.778 MM (0.489" X 0.070")	
10	38H5076	ADAPTER	1		
11	51M7045	O-RING	1	19.300 X 2.200 MM (0.760" X 0.087")	
12	A15899	CAP	1		
13	T77857	O-RING	1	12.421 X 1.778 MM (0.489" X 0.070")	
14	38H1005	ELBOW FITTING	1		
15	R26375	O-RING	1	16.358 X 2.210 MM (0.644" X 0.087")	
16	RE51132	KIT	1		
17	24M7054	WASHER	2	6.400 X 12 X 1.600 MM	
18	R113305	DECAL	1		
19	R21722	O-RING	1	20.218 X 3.531 MM (0.796" X 0.139")	

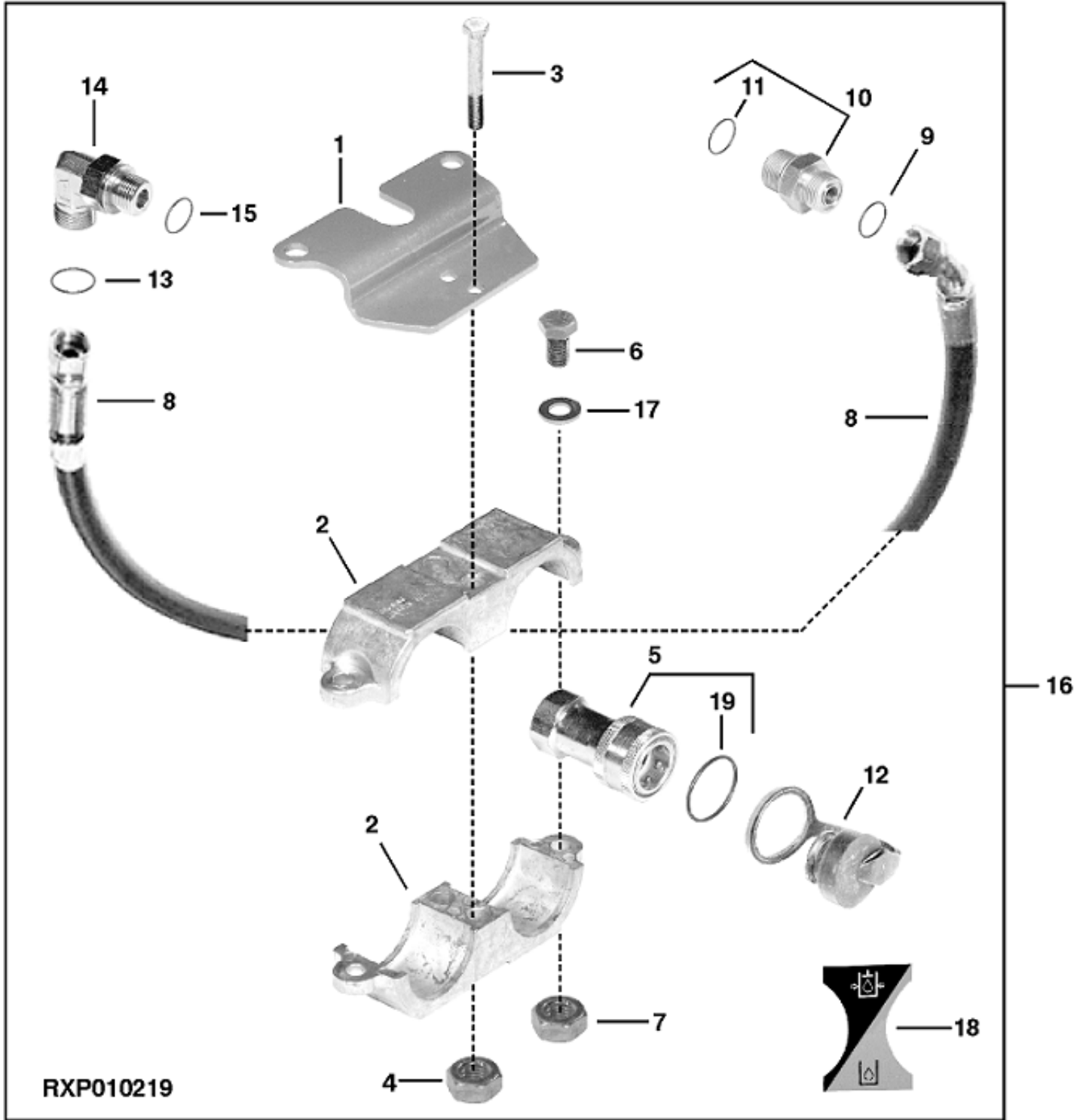
(A) POWER BEYOND

D13

FC: 6552

HYDRAULIC

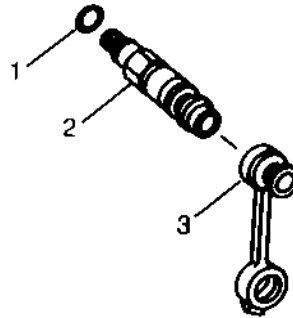
HYDRAULIC MOTOR RETURN KIT
7200 AND 7400 TRACTORS
RXP010219 -UN-01JAN94



HYDRAULIC MOTOR RETURN KIT - CONTINUED
7200 AND 7400 TRACTORS

KEY	PART NO.	PART NAME	QTY	SERIAL NO. OR YEAR	REMARKS
1	R111680	BRACKET	1		
2	R113148	BRACKET	2		
3	19M7185	CAP SCREW	2	M8 X 60	
4	14M7151	NUT	2	M8	
5	AH75167	HYD. QUICK-CONNECT COUPLER	1		
6	19M7077	CAP SCREW	2	M6 X 20	
7	14M7272	NUT	2	M6	
8	RE55154	HYDRAULIC HOSE	1	13/16" X 1 165 MM (45-3/4") X 13/16"	
9	T77857	O-RING	1	12.421 X 1.778 MM (0.489" X 0.070")	
10	38H5076	ADAPTER	1		
11	51M7045	O-RING	1	19.300 X 2.200 MM	
12	A15899	CAP	1		
13	T77857	O-RING	1	12.421 X 1.778 MM (0.489" X 0.070")	
14	38H1005	ELBOW FITTING	1		
15	R26375	O-RING	1	16.358 X 2.210 MM (0.644" X 0.087")	
16	RE55193	SHIPPING BUNDLE	1		
17	24M7088	WASHER	1	6.600 X 12 X 1.600 MM	
18	R113305	DECAL	1		
19	R21722	O-RING	1	20.218 X 3.531 MM (0.796" X 0.139")	

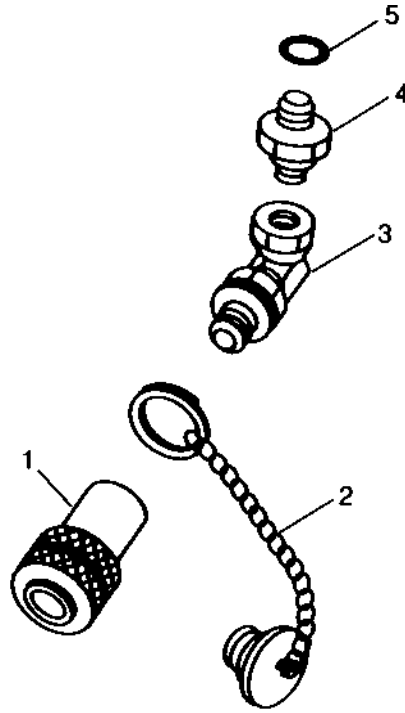
**SUMP COUPLER KIT
FOR VACUUM BLOWER RETURN LINE
8000 AND 9000 SERIES TRACTORS**
AP4010 -UN-15DEC94



AP4010

KEY	PART NO.	PART NAME	QTY	SERIAL NO.	REMARKS
1	51M7045	O-RING	1		19.300 X 2.200 MM (0.760" X 0.087")
2	RE55859	HYD. QUICK-CONNECT COUPLER	1		
3	R124807	CAP	1		
..	AR114664	KIT	1		INCLUDES KEYS 1 THROUGH 3; ORDER FROM COMPLETE GOODS THROUGH WATERLOO

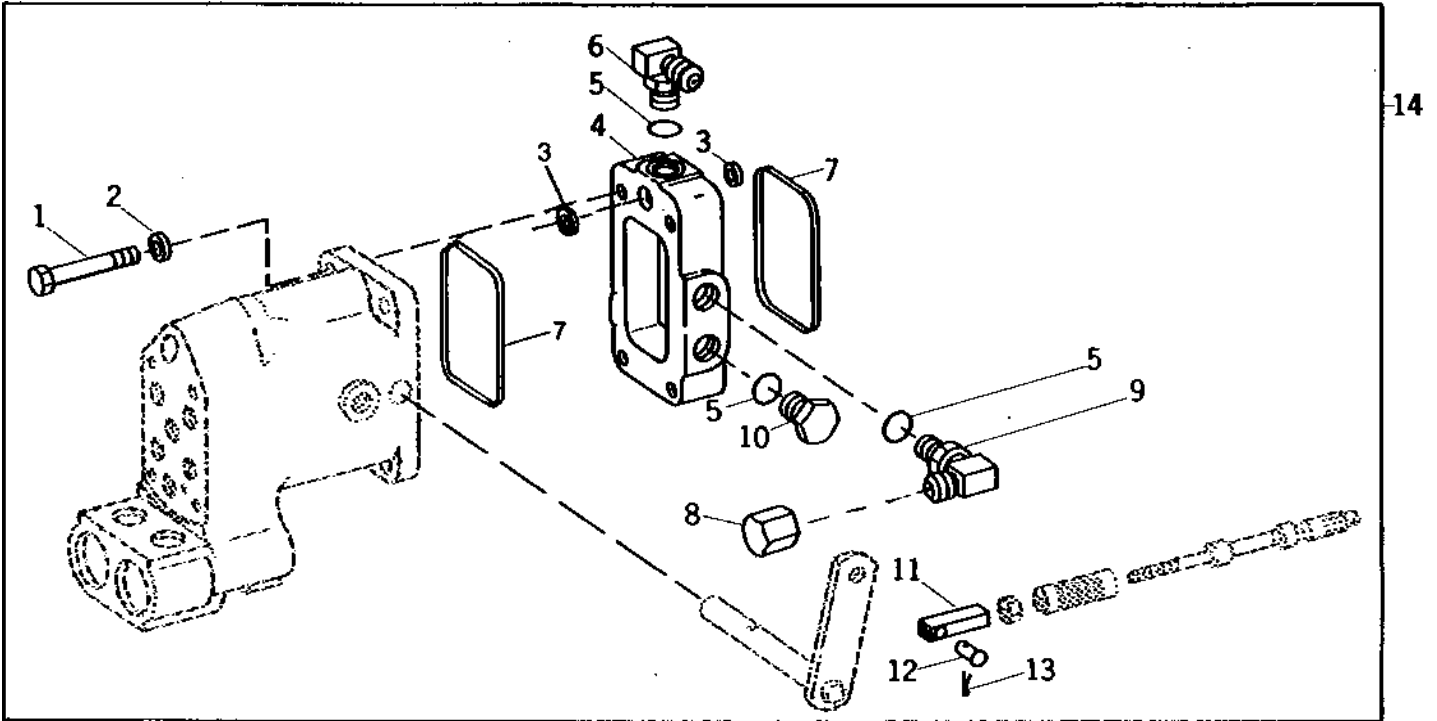
SUMP COUPLER
30 - 60 SERIES TRACTORS
 AP4011 -UN-15DEC94



AP4011

KEY	PART NO.	PART NAME	QTY	SERIAL NO.	REMARKS
1	AH75167	HYD. QUICK-CONNECT COUPLER	1		
2	AW17006	PLUG	1		
3	AA14850	ELBOW FITTING	1		
4	A15532	ADAPTER	1		
5	H851R	WASHER	1		
					28.981 X 35.712 X 1.626 MM (1-9/64" X 1-13/32" X 0.064")

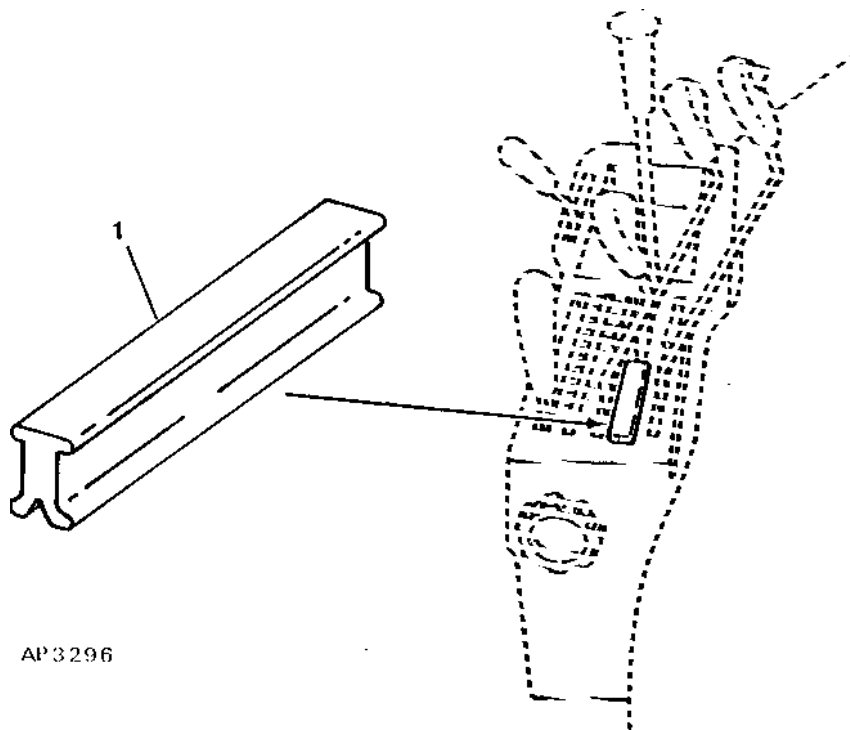
AUXILIARY HYDRAULIC OUTLET KIT
WHEN POWER BEYOND IS USED FOR VACUUM SYSTEM
30, 40, 50, 55 AND 60 SERIES TRACTORS
 RP3439 -UN-01JAN94



RP3439

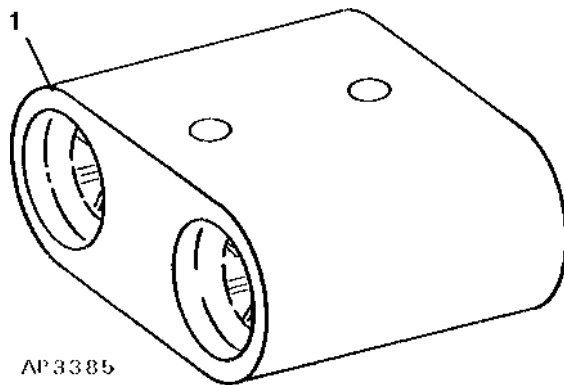
KEY	PART NO.	PART NAME	QTY	SERIAL NO.	REMARKS
1	19H2106	CAP SCREW	4	11.125 X 69.850 MM (7/16" X 2-3/4")	
2	12H293	LOCK WASHER	4	11.113 MM (7/16")	
3	F2741R	PACKING	2		
4	R54312	MANIFOLD	1		
5	R26375	O-RING	3	16.358 X 2.210 MM (0.644" X 0.087")	
6	AR27738	ELBOW FITTING	1		
7	R40922	PACKING	2		
8	R31736	FITTING	1		
9	AR27699	ELBOW FITTING	1		
10	R39112	FITTING	1		
11	R52881	ROD	1		
12	U11004	PIN	1	7.798 X 23.825 MM (0.307" X 15/16")	
13	11M7059	COTTER PIN	1	3.200 X 20 MM (0.126" X 0.787")	
..	AR71331	KIT	1	ORDER FROM COMPLETE GOODS THROUGH WATERLOO	

STOP, SELECTIVE CONTROL VALVE
AP3296 -UN-01JAN94



KEY	PART NO.	PART NAME	QTY	SERIAL NO. OR YEAR	REMARKS
1	R54533	STOP	1		

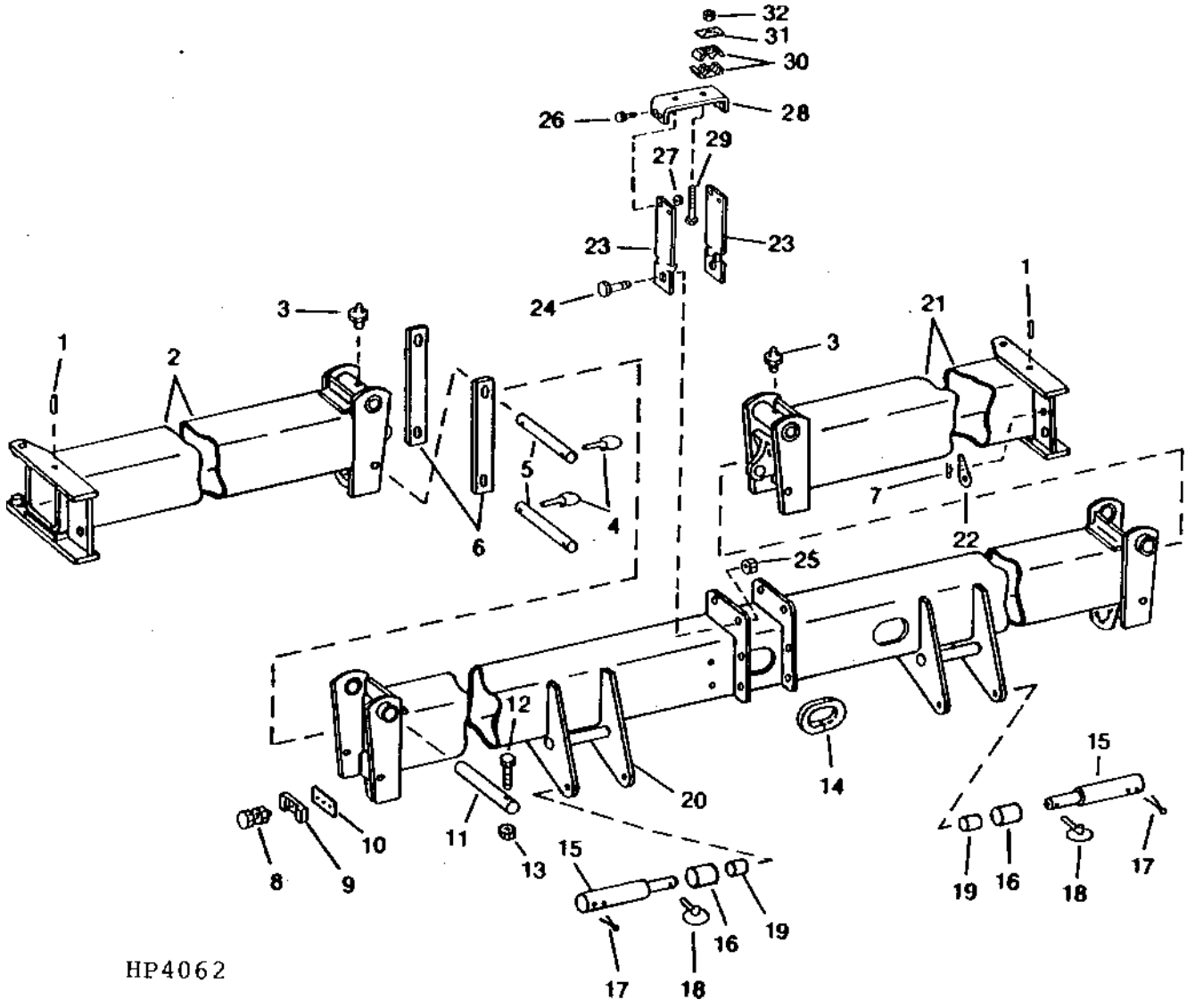
RETAINER, HYDRAULIC COUPLER
AP3385 -UN-01JAN94



KEY	PART NO.	PART NAME	QTY	SERIAL NO. OR YEAR	REMARKS
1	A51173	CAP	1		

MEMORANDA

MAIN FRAME
HP4062 -UN-01JAN94

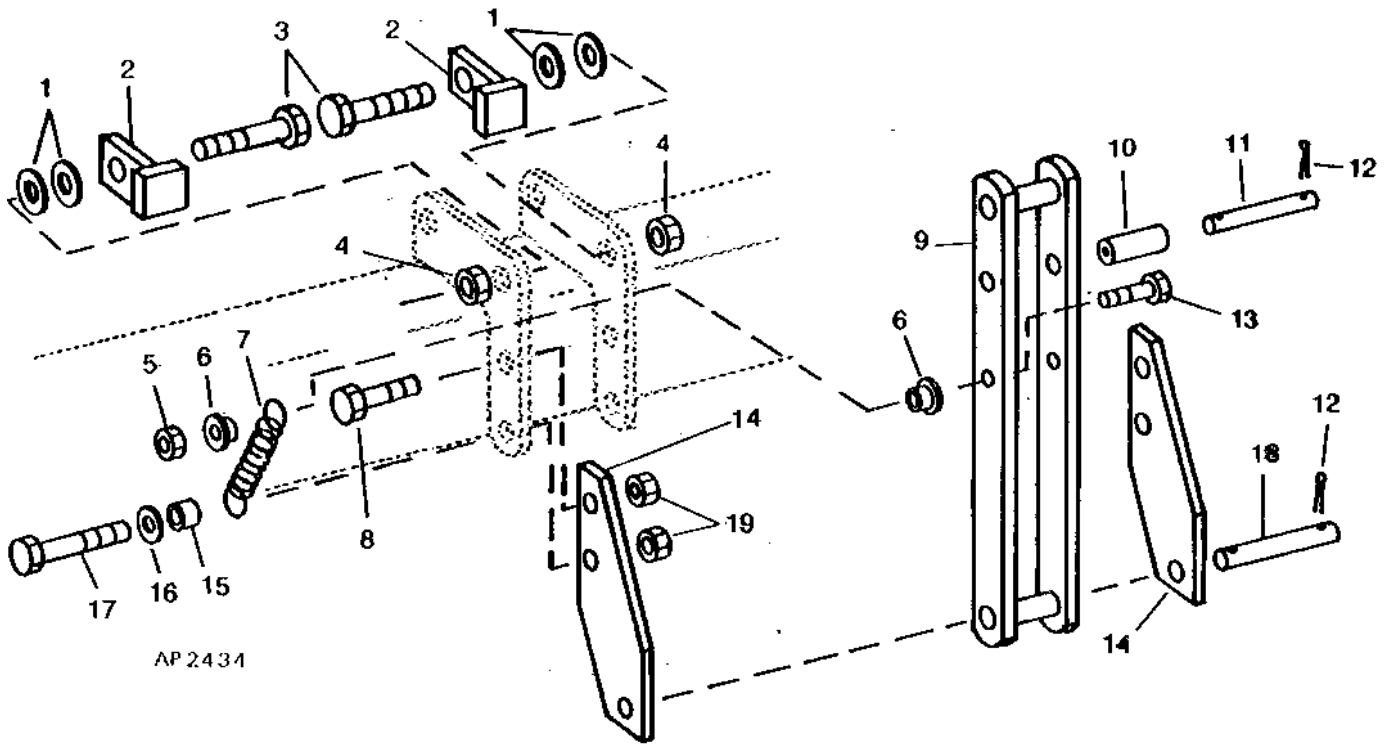


HP4062

MAIN FRAME - CONTINUED

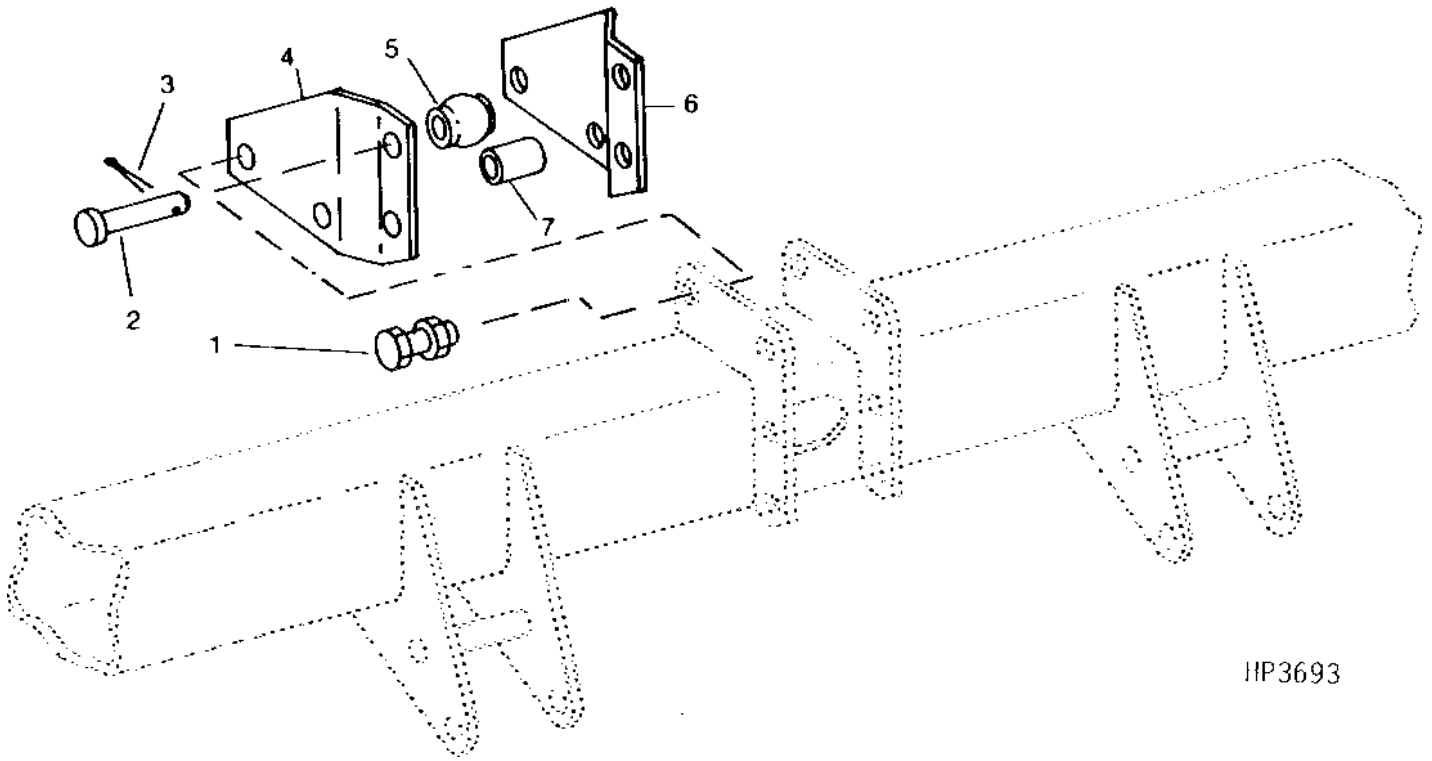
KEY	PART NO.	PART NAME	QTY	SERIAL NO. OR YEAR	REMARKS
1	34M7049	SPRING PIN	2		8 X 50 MM
2	AA39520	WING FRAME	1		R.H. (ILLUSTRATED) 8-ROW WIDE
	AA39518	WING FRAME	1		R.H. 12-ROW NARROW
	AA44688	WING FRAME	1		R.H. 12-ROW 70 CM
3	JD7797	LUBRICATION FITTING	2		
4	AA21292	QUICK LOCK PIN	8		
5	N186058	PIN	4		25.400 X 273.050 MM (1" X 10-3/4")
6	A49266	STRAP	4		
7	B32630	SPRING LOCKING PIN	2		
8	19M7273	CAP SCREW	4		M12 X 60
	14M7275	NUT	4		M12
9	A49676	STRAP	4		
10	A49677	STRAP	8		
11	A54098	PIN	2		44.450 X 274 MM (1-3/4" X 10.787")
12	19M7189	CAP SCREW	2		M12 X 80
13	A31867	LOCK NUT	2		M12
14	E61375	ISOLATOR	1		292.100 MM (11-1/2")
15	A17383	PIN	2		
16	A36380	BUSHING	2		
17	11M7056	COTTER PIN	2		8 X 50 MM
18	AR62149	QUICK LOCK PIN	2		
19	R67798	BUSHING	2		USE WITH A17383 FOR 4440 TRACTORS WITH CATEGORY 3N/2 3-POINT HITCH LESS QUIK-COUPLER
20	AA39365	WING FRAME	1		FOR 8-ROW WIDE
	AA39368	WING FRAME	1		FOR 12-ROW NARROW
	AA44690	CENTER FRAME	1		12-ROW 70 CM
21	AA39521	WING FRAME	1		L.H. (ILLUSTRATED) 8-ROW WIDE
	AA39519	WING FRAME	1		L.H. 12-ROW NARROW
	AA44689	WING FRAME	1		L.H. 12-ROW 70 CM
22	H138431	WRENCH	2		MARKER BREAKAWAY WRENCH
23	H136485	STRAP	2		
24	19M8022	CAP SCREW	2		M24 X 70
25	14M7278	NUT	2		M24
26	19M7077	CAP SCREW	4		M6 X 20
27	E68605	LOCK NUT	4		M6
28	H136477	BRACKET	1		
29	19M7296	CAP SCREW	2		M8 X 100
30	H105482	CLAMP	8		
31	H112567	PLATE	2		
32	E64256	LOCK NUT	2		M8

PIVOTING MAST
AP2434 -UN-01JAN94



KEY	PART NO.	PART NAME	QTY	SERIAL NO. OR YEAR	REMARKS
1	24M7243	WASHER	4		25.400 X 50 X 6 MM
2	AA33872	ADJUSTING STRAP	2		
3	19M7749	CAP SCREW	2		M24 X 80
4	A31871	LOCK NUT	2		M24
5	A31867	LOCK NUT	1		M12
6	A42895	SPACER	2		
7	A43609	SPRING	1		
8	19M7487	CAP SCREW	1		M20 X 50
9	AA33873	LINK	1		
10	A47234	SPACER	1		23.012 X 31.750 X 70 MM (29/32" X 1-1/4" X 2.795")
11	A33775	PIN	1		22.220 X 139 MM (0.875" X 5.512")
12	11M7038	COTTER PIN	4		6.300 X 40 MM
13	19M7273	CAP SCREW	1		M12 X 60
14	A46469	PLATE	2		
15	A36542	BUSHING	1		22.479 X 28.575 X 24.130 MM (0.885" X 1-1/8" X 0.950")
16	24M7051	WASHER	1		21 X 37 X 3 MM
17	19M7615	CAP SCREW	1		M20 X 70
18	H148923	PIN	1		
19	A31870	LOCK NUT	4		M20
..	BA24251	SHIPPING BUNDLE	1		PIVOTING CENTER MAST FOR PLANTERS EQUIPPED WITH LIFT ASSIST WHEELS AND WITH PLANTER FRAME DRIVE/GAUGE WHEELS MOUNTED TO THE REAR

RIGID MAST
HP3693 -UN-01JAN94

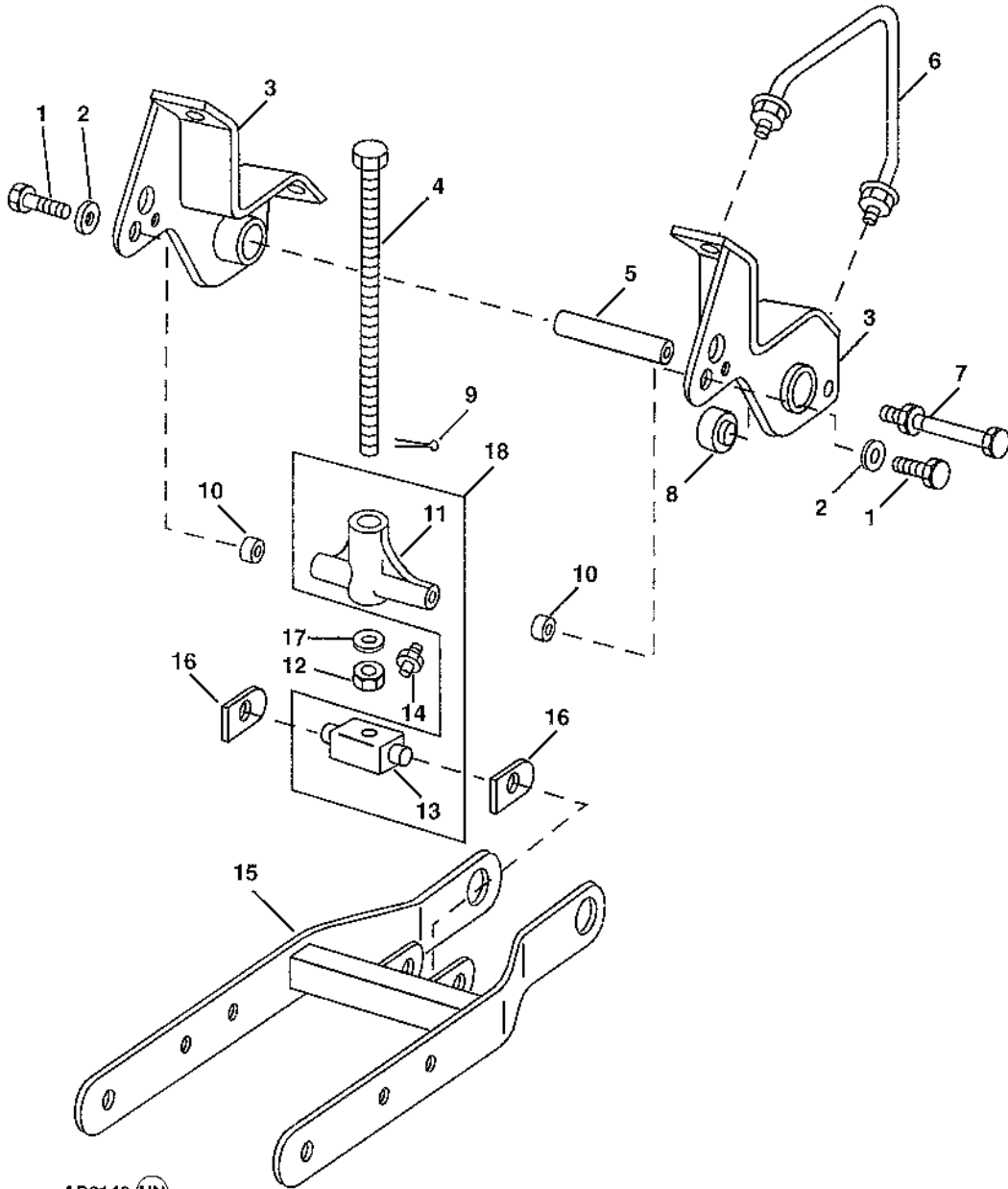


HP3693

KEY	PART NO.	PART NAME	QTY	SERIAL NO. OR YEAR	REMARKS
1	19M7991	CAP SCREW	2	M24 X 60	
	A31871	LOCK NUT	2	M24	
2	R53296	PIN	1	25.273 X 113.030 MM (0.995" X 4.450")	
3	11M7038	COTTER PIN	1	6.300 X 40 MM	
4	A45096	PLATE	1		
5	F2681R	BALL	1		
6	A43198	PLATE	1		
7	A28713	BUSHING	1		
..	BA24250	SHIPPING BUNDLE	1	RIGID MAST; FOR USE ONLY WITHOUT LIFT ASSIST WHEELS	

WHEEL FRAME

AP6140 -UN-19AUG97

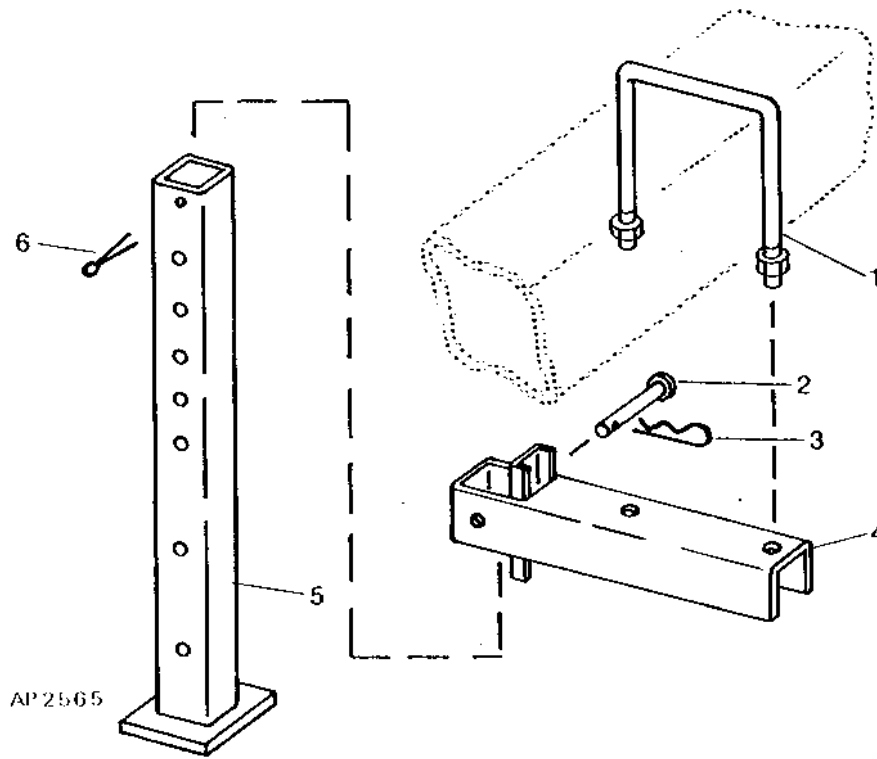


AP6140 (UN)

WHEEL FRAME - CONTINUED

KEY	PART NO.	PART NAME	QTY	SERIAL NO. OR YEAR	REMARKS
1	19M7283	CAP SCREW	2		M16 X 35, USE T43514 OR TY9373 LOCKING MATERIAL WHEN SERVICING THIS BOLT
2	24H1378	WASHER	2		17.475 X 37.313 X 3.404 MM (11/16" X 1-15/32" X 0.134")
3	SUPPORT	1		(ORDER AA37515)
4	A48840	CAP SCREW	1		M24 X 300
5	28H3348	BUSHING	1		13.868 X 21.336 X 153.924 MM (0.546" X 0.840" X 6.060")
6	A48190	U-BOLT	2		
	24M7051	WASHER	4		21 X 37 X 3 MM (0.827" X 1.457" X 0.118")
	14M7277	NUT	4		M20
7	19M8236	CAP SCREW	1		M10 X 190
	A51212	LOCK NUT	1		M10, M10
8	AA28271	BALL BEARING	1		
9	11M7030	COTTER PIN	1		5 X 40 MM (0.197" X 1.575")
10	A48515	BUSHING	2		16.640 X 27.580 X 14.230 MM (0.655" X 1.086" X 0.560")
11	AA37516	SHIPPING BUNDLE	1	-1996	(SUB AA43781)
	TRUNNION	1		(SUB AA43781)
12	14M7278	NUT	1		M24
13	TRUNNION	1		(SUB AA43781)
14	JD7844	LUBRICATION FITTING	1		
15	AH131562	ARM	1		
16	H136517	STRAP	2		
17	24M7243	WASHER	1		25.400 X 50 X 6 MM (1" X 1.969" X 0.236")
18	AA37516	SHIPPING BUNDLE	1	-1996	(SUB AA43781)
	AA43781	TRUNNION	1		REPAIR KIT

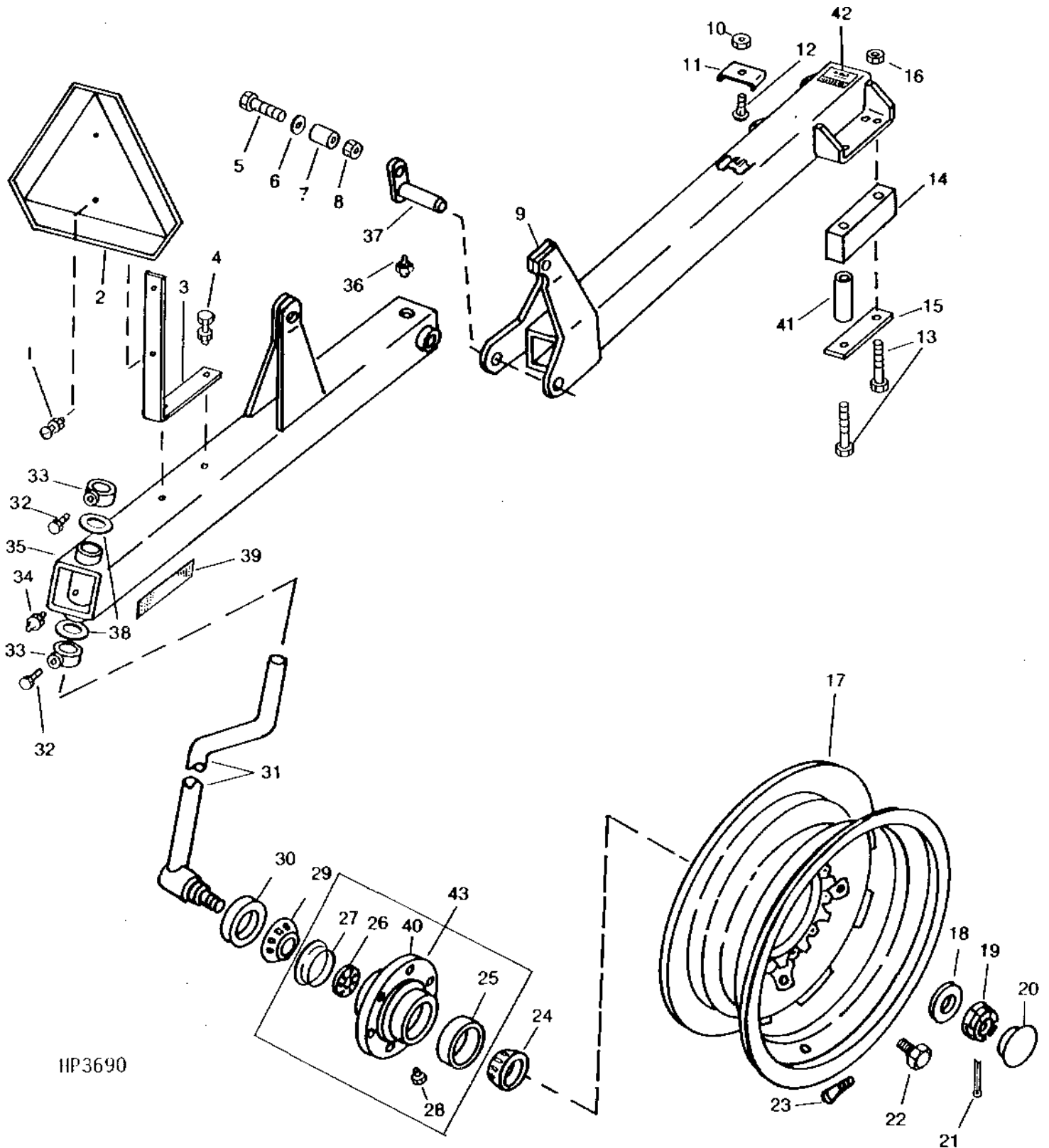
SUPPORT STAND
AP2565 -UN-01JAN94



KEY	PART NO.	PART NAME	QTY	SERIAL NO. OR YEAR	REMARKS
1	A46533	U-BOLT	1		
	14M7276	NUT	2	M16	
2	D10033	PIN	1	12.700 X 95.250 MM (1/2" X 3-3/4")	
3	A15147	SPRING LOCKING PIN	1		
4	AA23104	STAND	1		
5	AA35541	STAND	1		
6	11M7071	COTTER PIN	1	8 X 40 MM (0.315" X 1.575")	

MEMORANDA

STRAIGHT LIFT ASSIST WHEEL
8-ROW WIDE
HP3690 -UN-01JAN94

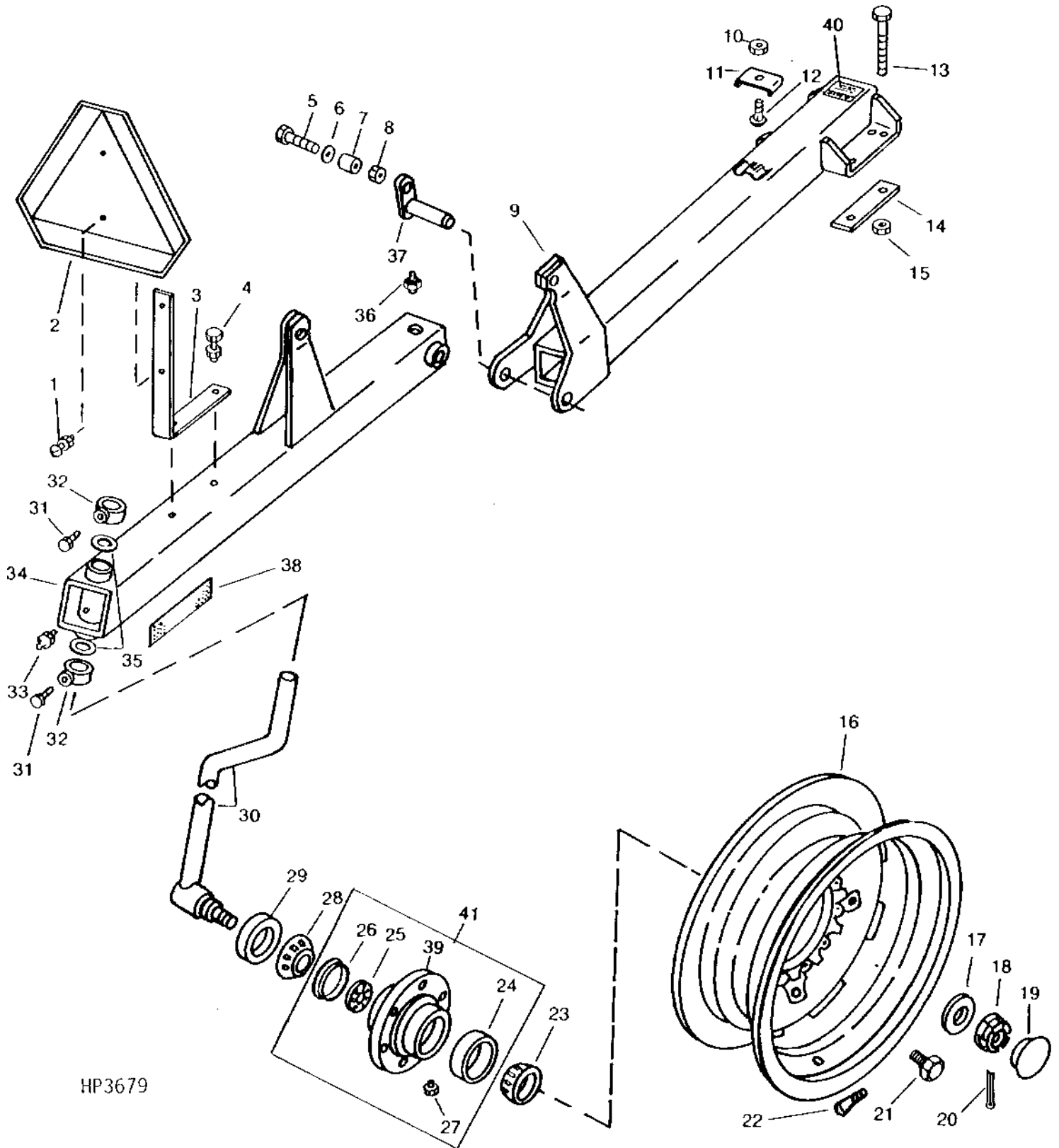


HP3690

STRAIGHT LIFT ASSIST WHEEL - CONTINUED
8-ROW WIDE

KEY	PART NO.	PART NAME	QTY	SERIAL NO. OR YEAR	REMARKS
1	21M7246	SCREW	2	M6 X 16	
	24M7088	WASHER	2	6.600 X 12 X 1.600 MM	
	E68605	LOCK NUT	2	M6	
2	TY2615	SMV EMBLEM	1		
3	A48524	STRAP	1		
4	19M7347	CAP SCREW	2	M10 X 120	
	A51212	LOCK NUT	2	M10, M10	
5	19M7169	CAP SCREW	1	M10 X 35	
6	24H1219	WASHER	1	11.125 X 25.400 X 2.108 MM (7/16" X 1" X 0.083")	
7	28H1518	WASHER	1	12.522 X 17.145 X 7.925 MM (0.493" X 0.675" X 5/16")	
8	A51212	LOCK NUT	1	M10, M10	
9	AA34119	FRAME	1		
10	14M7274	NUT	1	M10	
11	Q25768	CLAMP	1		
12	03M7191	BOLT	1	M10 X 25	
13	19M7962	CAP SCREW	4	M24 X 240	
14	A51380	STRAP	4		
15	A46952	STRAP	2		
16	14M7278	NUT	4	M24	
17	JD1091	WHEEL	1	FOR 7.60 X 15 - 6 PLY TIRE	
18	D10134	WASHER	1	19.837 X 44.450 X 4.928 MM (25/32" X 1-3/4" X 0.194")	
19	14H902	NUT	1	19.050 MM (3/4")	
20	D10025	CAP	1		
21	11M7028	COTTER PIN	1	5 X 32 MM	
22	JD16	WHEEL BOLT	6		
23	AN132749	TIRE VALVE STEM	1		
24	JD8187	BEARING CONE	1		
25	JD8225	BEARING CUP	1		
26	JD8230	BEARING CUP	1		
27	B30887	SPACER	1		
28	N10145	FITTING PLUG	1		
29	JD8194	BEARING CONE	1		
30	AH20017	SEAL	1		
31	AA31019	AXLE	1		
32	22H858	SET SCREW	2	15.875 X 25.400 MM (5/8" X 1")	
33	D742A	LOCKING COLLAR	2		
34	JD7797	LUBRICATION FITTING	1		
35	AA33845	TUBE	1		
36	JD7759	LUBRICATION FITTING	1		
37	AA35605	PIN	1		
38	M16680	WASHER	2	45.237 X 66.675 X 3.404 MM (1-25/32" X 2-5/8" X 0.134")	
39	JD5901	REFLECTOR	2	RED	
40	AN183318	HUB	1		
41	28H3374	BUSHING	AR	USED ON REAR BOLTS	
42	A53336	SIGN	1	"CAUTION"	
43	AA36144	HUB	1		

STRAIGHT LIFT ASSIST WHEEL
12-ROW NARROW AND 12-ROW 70 CM
HP3679 -UN-01JAN94

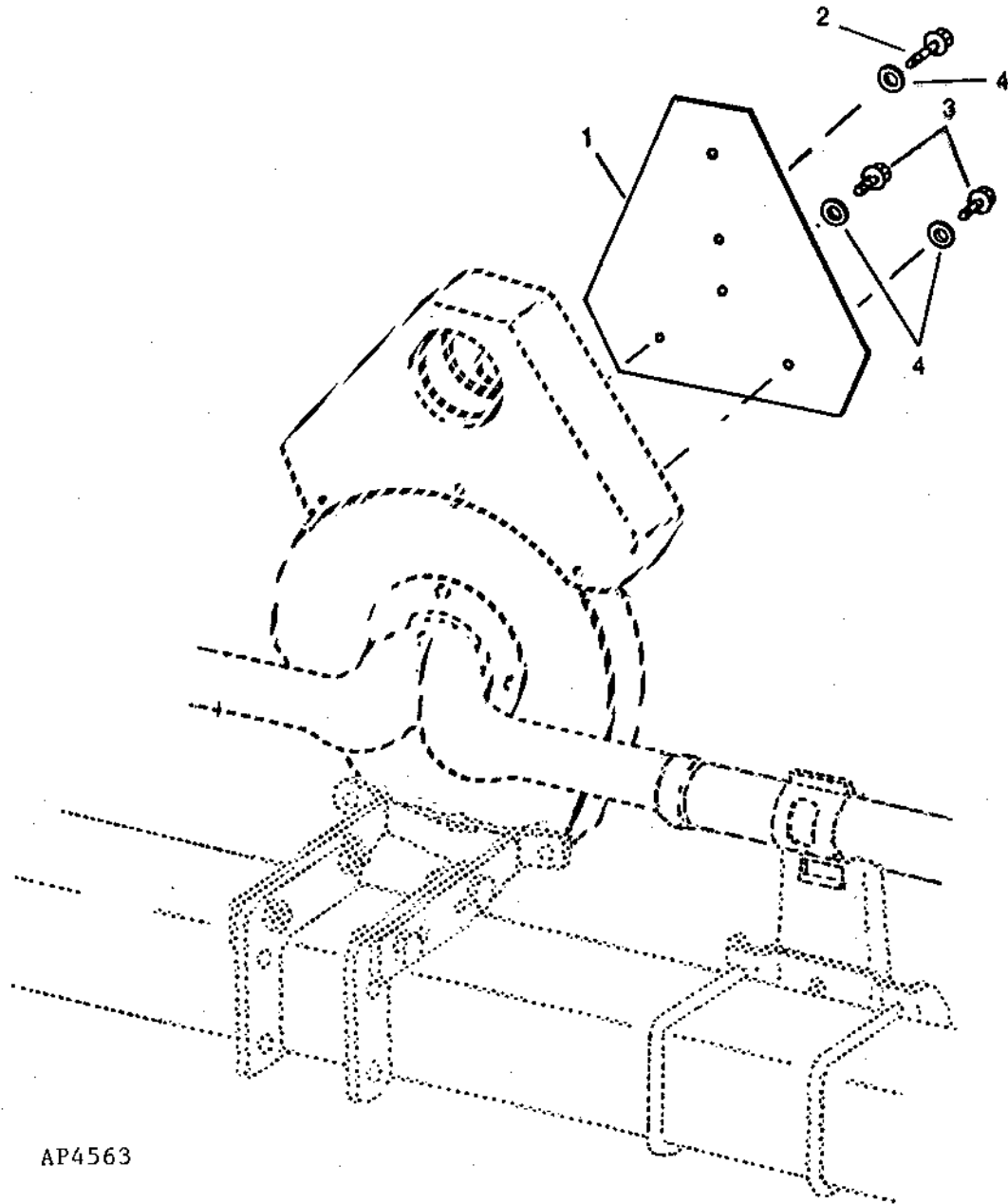


HP3679

STRAIGHT LIFT ASSIST WHEEL - CONTINUED
12-ROW NARROW AND 12-ROW 70 CM

KEY	PART NO.	PART NAME	QTY	SERIAL NO. OR YEAR	REMARKS
1	21M7246	SCREW	2	M6 X 16	
	E68605	LOCK NUT	2	M6	
2	TY2615	SMV EMBLEM	1		
3	A48524	STRAP	1		
4	19M7347	CAP SCREW	2	M10 X 120	
	A51212	LOCK NUT	2	M10	
5	19M7169	CAP SCREW	1	M10 X 35	
6	24H1219	WASHER	1	7/16" X 1" X 0.083"	
7	28H1518	WASHER	1	0.493" X 0.675" X 5/16"	
8	A51212	LOCK NUT	1	M10	
9	AA34119	FRAME	1		
10	14M7274	NUT	1	M10	
11	Q25768	CLAMP	1		
12	03M7191	BOLT	1	M10 X 25	
13	19M7962	CAP SCREW	4	M24 X 240	
14	A46952	STRAP	2		
15	14M7278	NUT	4	M24	
16	JD680	WHEEL	1	FOR 7.60 X 15 - 6 PLY TIRE	
	JD1091	WHEEL	1		
17	D10134	WASHER	1	19.837 X 44.450 X 4.928 MM (25/32" X 1-3/4" X 0.194")	
18	14H902	NUT	1	3/4"	
19	D10025	CAP	1		
20	11M7028	COTTER PIN	1	5 X 32 MM	
21	JD16	WHEEL BOLT	6		
22	AN132749	TIRE VALVE STEM	1		
23	JD8187	BEARING CONE	1		
24	JD8225	BEARING CUP	1		
25	JD8230	BEARING CUP	1		
26	B30887	SPACER	1		
27	N10145	FITTING PLUG	1		
28	JD8194	BEARING CONE	1		
29	AH20017	SEAL	1		
30	AA31019	AXLE	1		
31	22H858	SET SCREW	2	5/8" X 1"	
32	D742A	LOCKING COLLAR	2		
33	JD7797	LUBRICATION FITTING	1		
34	AA33845	TUBE	1		
35	M16680	WASHER	2	1-25/32" X 2-5/8" X 0.134"	
36	JD7759	LUBRICATION FITTING	1		
37	AA35605	PIN	1		
38	JD5901	REFLECTOR	2	RED	
39	HUB	1	(ORDER AA36144) (MARKED A50489)	
40	A53336	SIGN	1	"CAUTION"	
41	AA36144	HUB	1		

SMV (SLOW MOVING VEHICLE) EMBLEM
WHEN USING VACUUM PLANTING UNITS
AP4563 -UN-07MAY96



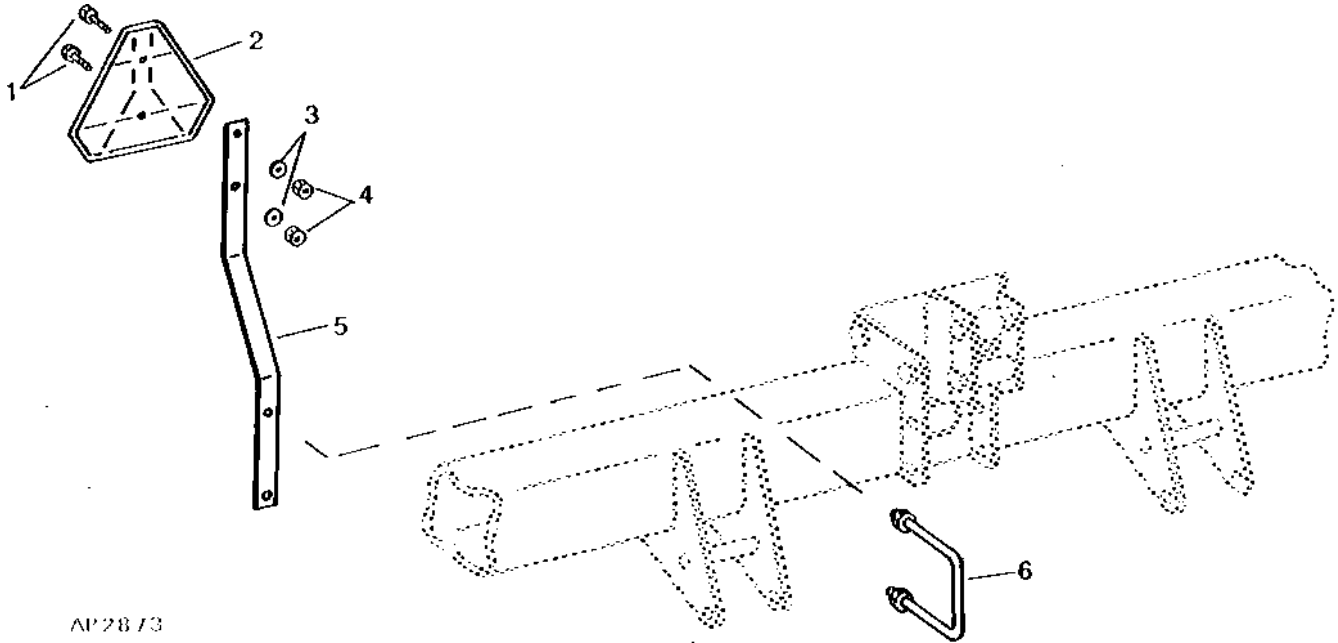
AP4563

**SMV (SLOW MOVING VEHICLE) EMBLEM - CONTINUED
WHEN USING VACUUM PLANTING UNITS**

KEY	PART NO.	PART NAME	QTY	SERIAL NO. OR YEAR	REMARKS
1	JD5403	SMV EMBLEM	1	-OCT97	(SUB JD5930)
	JD5930	SMV EMBLEM	1		
2	37M7090	SCREW	1		M6 X 16
3	37M7089	SCREW	2		M6 X 12
4	24M7054	WASHER	3		6.400 X 12 X 1.600 MM

**SMV (SLOW MOVING VEHICLE) EMBLEM AND BRACKET
WHEN USING PLATE AND PLATELESS PLANTING UNITS**

AP2873 -UN-01JAN94



AP2873

KEY	PART NO.	PART NAME	QTY	SERIAL NO. OR YEAR	REMARKS
1	19M7560	CAP SCREW	2	M6 X 16	
2	TY2615	SMV EMBLEM	1		
3	24M7088	WASHER	2	6.600 X 12 X 1.600 MM	
4	E68605	LOCK NUT	2	M6	
5	A55142	STRAP	1		
	A55142	STRAP	1		
6	A46534	U-BOLT	1		
	14M7299	FLANGE NUT	2	M12	

MEMORANDA

⚠ WARNING



Avoid Injury from falling marker:

1. Secure marker in upright position with marker lockup strap for transportation, service or storage.
2. Be sure cylinder and attaching hoses are fully charged with oil before removing marker lockup strap. Failure to do so will allow marker to fall rapidly.
3. Stay clear of markers during raising and lowering.

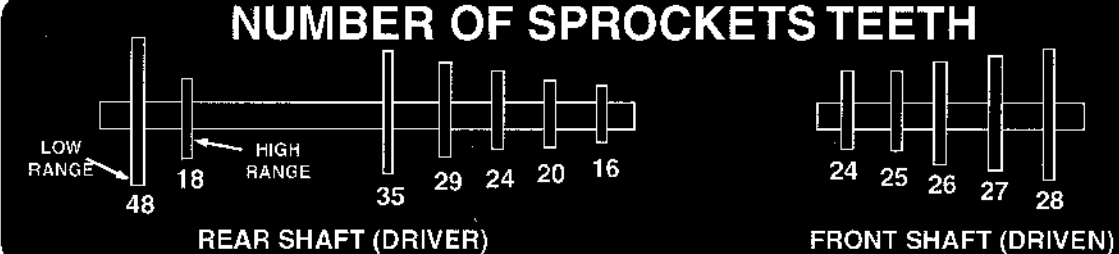
S

⚠ CAUTION

During transport, drive slowly and carefully. Lift assist wheels may make tractor less maneuverable.



NUMBER OF SPROCKETS TEETH



LOW RANGE 48 18 HIGH RANGE 35 29 24 20 16

REAR SHAFT (DRIVER)

24 25 26 27 28

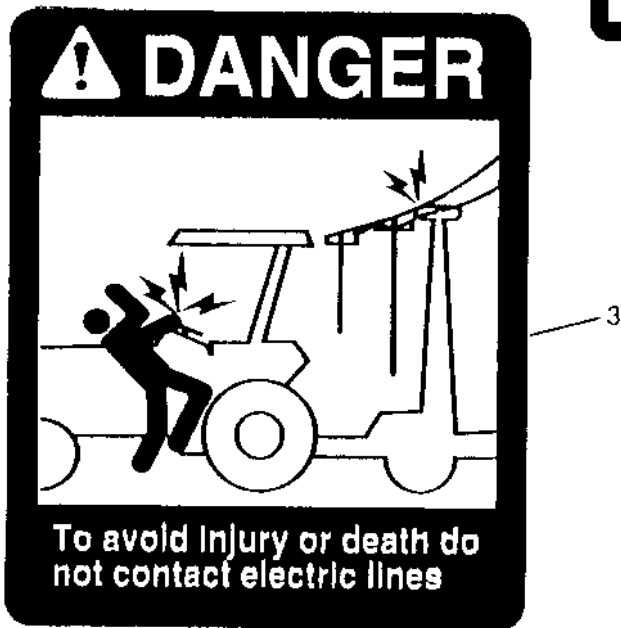
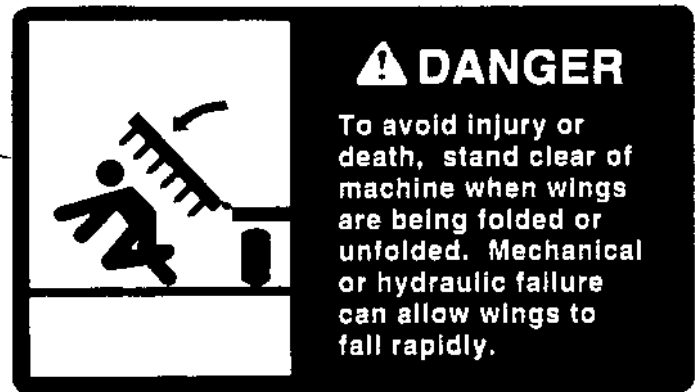
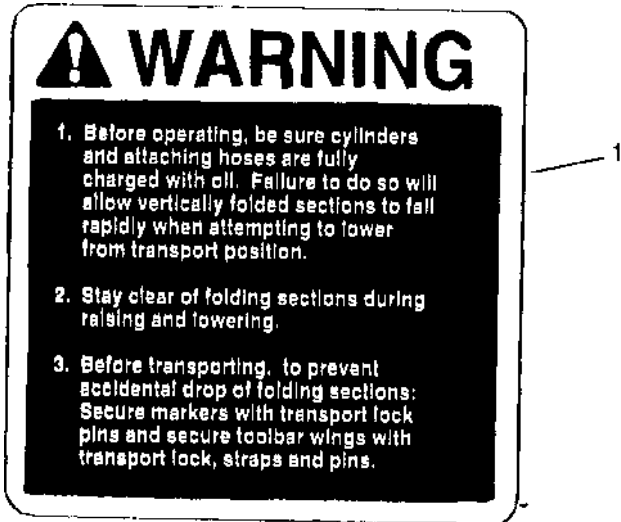
FRONT SHAFT (DRIVEN)



AP6286

ENGLISH SAFETY SIGNS AND DECALS - CONTINUED

KEY	PART NO.	PART NAME	QTY	SERIAL NO. OR YEAR	REMARKS
1	A54615	SIGN	2		"WARNING" - LOCATED ON MARKER ARM
2	A53336	SIGN	1		"CAUTION" - LOCATED ON STRAIGHT LIFT ASSIST WHEEL FRAME
3	JD5598	DECAL	1		"LEAPING DEERE" - LOCATED ON L.H. SIDE OF FRAME (4-ROW)
4	A43188	SIGN	1		"SPROCKET COMBINATION INSTRUCTION" - LOCATED ON SEED TRANSMISSION
5	A56430	DECAL	1		"JOHN DEERE" - LOCATED ON L.H. SIDE OF FRAME
6	A56428	LABEL	1		"JOHN DEERE 1710" - LOCATED ON MAIN FRAME



AP4037

ENGLISH SAFETY SIGNS AND DECALS - CONTINUED

KEY	PART NO.	PART NAME	QTY	SERIAL NO.	REMARKS
1	A53358	SIGN	2		"WARNING" - LOCATED ON FRONT OF EACH WING
2	A54038	SIGN	2		"DANGER" - LOCATED ON WING FRAME
3	A54611	SIGN	2		"DANGER" - LOCATED ON WING FRAME

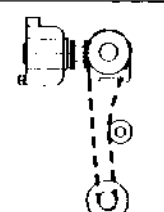
LIQUID FERTILIZER APPLICATION RATE DECALS
AP4200 -19-31MAY95

LIQUID FERTILIZER APPLICATION RATE

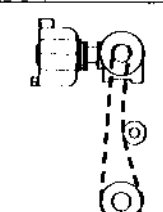
30 INCH ROW SPACING
Approximate Gallons Per Acre

PUMP SETTING	LOW RANGE			HIGH RANGE				
	GPA	TRAVEL SPEED MPH			GPA	TRAVEL SPEED MPH		
		5	6	7		5	6	7
2.0				7.9	ORIFICE #43			
2.5				9.7				
3.0	2.4			11.6				
3.5	2.8			13.4	ORIFICE #59			
4.0	3.2			15.3				
4.5	3.6	ORIFICE #31		17.1				
5.0	4.0			19.0				
5.5	4.4			20.9				
6.0	4.7			22.7				
6.5	5.1			24.6	ORIFICE #78			
7.0	5.5			26.4				
7.5	5.9			28.3				
8.0	6.3			30.2				
8.5	6.7			32.0				
9.0	7.1	ORIFICE #43		33.9	ORIFICE #95			
9.5	7.5			35.7				
10.0	7.9			37.6				

LOW RANGE



HIGH RANGE



NOTE: For information on using fertilizer rate charts, see "HOW TO USE LIQUID FERTILIZER RATE CHARTS"

IMPORTANT: To be certain you are getting the desired rate, you must do a field check.
Refer to "CHECKING FERTILIZER RATES" for instructions on how to check fertilizer rates.

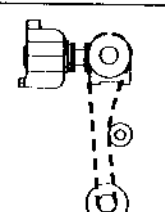
1

LIQUID FERTILIZER APPLICATION RATE

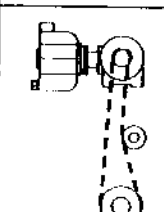
36 INCH ROW SPACING
Approximate Gallons Per Acre

PUMP SETTING	LOW RANGE			HIGH RANGE				
	GPA	TRAVEL SPEED MPH			GPA	TRAVEL SPEED MPH		
		5	6	7		5	6	7
2.0				6.5	ORIFICE #43			
2.5				8.1				
3.0	2.0			9.6				
3.5	2.3			11.2	ORIFICE #59			
4.0	2.7			12.7				
4.5	3.0	ORIFICE #31		14.3				
5.0	3.3			15.8				
5.5	3.6			17.4				
6.0	4.0			18.9				
6.5	4.3			20.5	ORIFICE #78			
7.0	4.6			22.0				
7.5	4.9			23.6				
8.0	5.3			25.1				
8.5	5.6			26.7				
9.0	5.9	ORIFICE #43		28.2	ORIFICE #95			
9.5	6.2			29.8				
10.0	6.5			31.3				

LOW RANGE



HIGH RANGE



NOTE: For information on using fertilizer rate charts, see "HOW TO USE LIQUID FERTILIZER RATE CHARTS"

IMPORTANT: To be certain you are getting the desired rate, you must do a field check.
Refer to "CHECKING FERTILIZER RATES" for instructions on how to check fertilizer rates.

2

AP4200

LIQUID FERTILIZER APPLICATION RATE DECALS - CONTINUED

KEY	PART NO.	PART NAME	QTY	SERIAL NO. OR YEAR	REMARKS
1	A55213	SIGN	1		PISTON PUMP RATE INFORMATION - 30" SPACING
2	A55214	SIGN	1		PISTON PUMP RATE INFORMATION - 36" SPACING


LIQUID FERTILIZER APPLICATION RATE DECALS
AP4199 -19-31MAY95

LIQUID FERTILIZER APPLICATION RATE


38 INCH ROW SPACING
Approximate Gallons Per Acre

PUMP SETTING	LOW RANGE			HIGH RANGE		
	GPA	TRAVEL SPEED MPH		GPA	TRAVEL SPEED MPH	
		5	6		7	5
2.0				6.2	ORIFICE #43	
2.5				7.7	ORIFICE #43	
3.0	1.9			9.1	ORIFICE #43	
3.5	2.2			10.6	ORIFICE #59	
4.0	2.5			12.1	ORIFICE #59	
4.5	2.8	ORIFICE #31		13.5	ORIFICE #59	
5.0	3.1			15.0	ORIFICE #59	
5.5	3.4			16.5	ORIFICE #59	
6.0	3.7			17.9	ORIFICE #59	
6.5	4.1			19.4	ORIFICE #78	
7.0	4.4			20.9	ORIFICE #78	
7.5	4.7			22.3	ORIFICE #78	
8.0	5.0			23.8	ORIFICE #78	
8.5	5.3			25.3	ORIFICE #78	
9.0	5.6	ORIFICE #43		26.7	ORIFICE #95	
9.5	5.9			28.2	ORIFICE #95	
10.0	6.2			29.7	ORIFICE #95	

LOW RANGE



HIGH RANGE



NOTE: For information on using fertilizer rate charts, see "HOW TO USE LIQUID FERTILIZER RATE CHARTS"

IMPORTANT: To be certain you are getting the desired rate, you must do a field check.

Refer to "CHECKING FERTILIZER RATES" for instructions on how to check fertilizer rates.

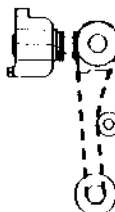
1

LIQUID FERTILIZER APPLICATION RATE

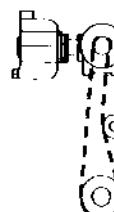
40 INCH ROW SPACING
Approximate Gallons Per Acre

PUMP SETTING	LOW RANGE			HIGH RANGE		
	GPA	TRAVEL SPEED MPH		GPA	TRAVEL SPEED MPH	
		5	6		7	5
2.0				5.9	ORIFICE #43	
2.5				7.3	ORIFICE #43	
3.0	1.8			8.7	ORIFICE #43	
3.5	2.1			10.1	ORIFICE #59	
4.0	2.4			11.5	ORIFICE #59	
4.5	2.7	ORIFICE #31		12.9	ORIFICE #59	
5.0	3.0			14.3	ORIFICE #59	
5.5	3.3			15.7	ORIFICE #59	
6.0	3.6			17.0	ORIFICE #59	
6.5	3.9			18.4	ORIFICE #78	
7.0	4.1			19.8	ORIFICE #78	
7.5	4.4			21.2	ORIFICE #78	
8.0	4.7			22.6	ORIFICE #78	
8.5	5.0			24.0	ORIFICE #78	
9.0	5.3	ORIFICE #43		25.4	ORIFICE #95	
9.5	5.6			26.8	ORIFICE #95	
10.0	5.9			28.2	ORIFICE #95	

LOW RANGE



HIGH RANGE



NOTE: For information on using fertilizer rate charts, see "HOW TO USE LIQUID FERTILIZER RATE CHARTS"

IMPORTANT: To be certain you are getting the desired rate, you must do a field check.

Refer to "CHECKING FERTILIZER RATES" for instructions on how to check fertilizer rates.

2

AP4199

LIQUID FERTILIZER APPLICATION RATE DECALS - CONTINUED

KEY	PART NO.	PART NAME	QTY	SERIAL NO. OR YEAR	REMARKS
1	A55215	SIGN	1		PISTON PUMP RATE INFORMATION - 38" SPACING
2	A55216	SIGN	1		PISTON PUMP RATE INFORMATION - 40" SPACING



⚠ ADVERTENCIA

Los productos químicos pueden afectar los ojos, la piel o la respiración. Usar una careta, guantes y gafas. Leer y observar las instrucciones de seguridad dadas en la etiqueta del envase.

⚠ ADVERTENCIA

Evitar ser golpeado por el marcador:

1. Durante el mantenimiento, transporte o almacenamiento, sujetar el marcador en la posición levantada con la barra de traba.
2. Asegurarse que el cilindro y las mangueras estén bien cargados de aceite antes de quitar la barra de traba. El no hacerlo permitirá que los marcadores caeran rápidamente.
3. Mantenerse alejado de los marcadores mientras suben y bajan.

⚠ ATENCION

Transportar la sembradora lenta y cuidadosamente. Las ruedas auxiliares de levante reducen la maniobrabilidad del tractor.

S

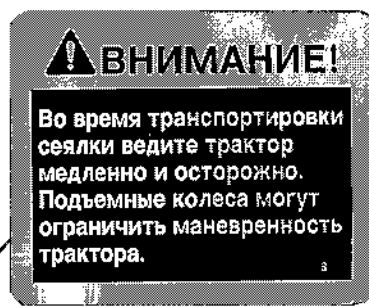
A55105

AP4052

SPANISH DECALS - CONTINUED

KEY	PART NO.	PART NAME	QTY	SERIAL NO. OR YEAR	REMARKS
1	A55103	DECAL	1		"SPROCKET COMBINATION INSTRUCTIONS" - LOCATED ON SEED TRANSMISSION
2	A55104	DECAL	1		"WARNING" - LOCATED ON MARKER FRAME
3	A55105	DECAL	1		"WARNING" - LOCATED ON STRAIGHT LIFT ASSIST WHEEL FRAME
4	A55106	DECAL	1		"CAUTION" LOCATED ON INSECTICIDE AND HERBICIDE HOPPER

RUSSIAN DECALS
AP6279 -19-23DEC97



AP6279

RUSSIAN DECALS - CONTINUED

KEY	PART NO.	PART NAME	QTY	SERIAL NO. OR YEAR	REMARKS
1	A59218	SIGN	1		"WARNING" LOCATED ON MARKER ARM
2	A59207	SIGN	1		"CAUTION" - LOCATED ON STRAIGHT LIFT ASSIST WHEEL FRAME
3	JD5598	DECAL	1		"LEAPING DEERE" - LOCATED ON L.H. SIDE OF FRAME (4-ROW)
4	A59232	SIGN	1		"SPROCKET COMBINATION INSTRUCTION" - LOCATED ON SEED TRANSMISSION
5	A56430	DECAL	1		"JOHN DEERE" - LOCATED ON L.H. SIDE OF FRAME
6	A56428	LABEL	1		"JOHN DEERE 1710" - LOCATED ON MAIN FRAME

! ОСТОРОЖНО!

1. Перед началом работы убедитесь в том, что цилиндр и шланги полностью заполнены маслом. Невыполнение этого указания может привести к быстрому падению вертикально складывающихся секций при попытке опустить сеялку из транспортного положения.
2. Стойте в стороне при поднятии и опускании складывающихся секций.
3. Перед транспортировкой, во избежание случайного падения складывающихся секций: закрепите маркеры транспортировочными стопорными штифтами и зафиксируйте крылья навесного бруса транспортировочным замком, ремнями и шпильками.

S

! DANGER



To avoid injury or death, stand clear of machine when wings are being folded or unfolded. Mechanical or hydraulic failure can allow wings to fall rapidly.

A54038 S

! DANGER



To avoid injury or death do not contact electric lines

AP6281

RUSSIAN DECALS - CONTINUED

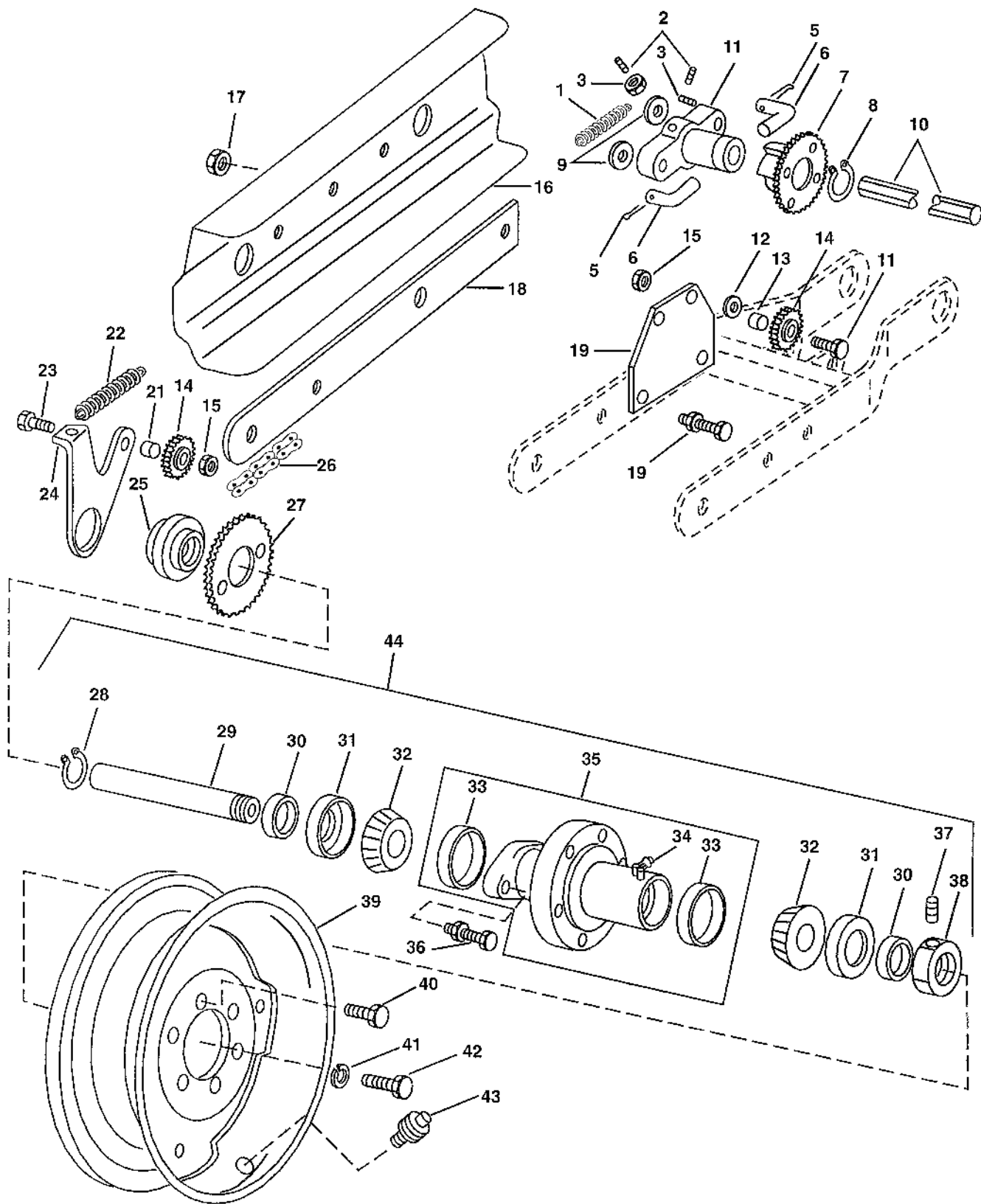
KEY	PART NO.	PART NAME	QTY	SERIAL NO. OR YEAR	REMARKS
1	A59212	SIGN	2		"WARNING" - LOCATED ON FRONT OF EACH WING
2	A54038	SIGN	2		"DANGER" - LOCATED ON WING FRAME
3	A54611	SIGN	2		"DANGER" - LOCATED ON WING FRAME

MEMORANDA

MEMORANDA

DRIVE WHEEL ASSEMBLY CENTER FRAME

AP6145 -UN-20AUG97



AP6145 (UN)

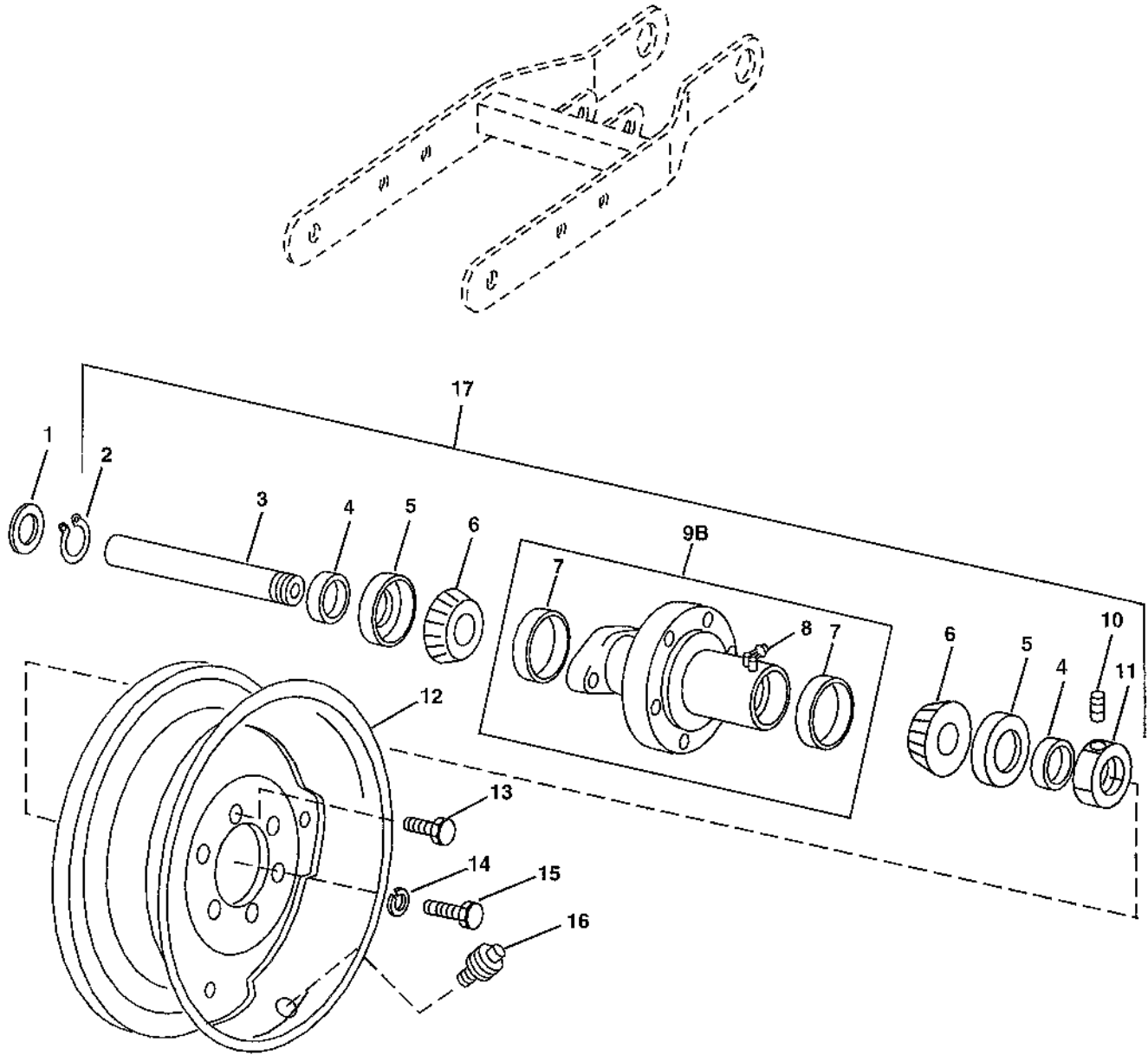
**DRIVE WHEEL ASSEMBLY - CONTINUED
CENTER FRAME**

KEY	PART NO.	PART NAME	QTY	SERIAL NO. OR YEAR	REMARKS
1	A46642	SPRING	2		
2	A50744	BOLT	2	M8 X 25	
3	14M7273	NUT	2	M8	
4	A46636	SHIFT COLLAR CARRIER	1		
5	11M7084	COTTER PIN	2	5 X 25 MM (0.197" X 0.984")	
6	A46637	PIN	2		
7	A50385	CHAIN SPROCKET	1	19 TOOTH, L.H.	
	A50384	CHAIN SPROCKET	1	19 TOOTH, R.H.	
8	L1152N	SNAP RING	1		
9	24H1338	WASHER	2	13.106 X 22.225 X 1.219 MM (33/64" X 7/8" X 0.048")	
10	A54327	SHAFT	1	22.225 X 3 860MM (7/8" X 152") COUNTERSHAFT, 8-ROW WIDE AND 12-ROW NARROW	
	COUNTERSHAFT	1	22.220 X 4 012 MM (0.875" X 157.953") COUNTERSHAFT, 12-ROW 70 CM	
11	19M7303	CAP SCREW	1	M12 X 45	
12	24M7047	WASHER	1	13 X 24 X 2.500 MM (0.512" X 0.945" X 0.098")	
13	B33873	BUSHING	1	13.030 X 19.050 X 14.224 MM (0.513" X 3/4" X 0.560")	
14	AA32776	CHAIN SPROCKET	2	12-TOOTH	
15	A31867	LOCK NUT	2	M12	
16	A40690	DEFLECTOR	1		
17	14M7274	NUT	2	M10, USED WITH DEFLECTOR ONLY	
18	A44606	STRAP	1	ROCK GUARD ATTACHMENT	
19	A42329	BRACKET	1		
20	19M7180	CAP SCREW	2	M10 X 45	
	14M7274	NUT	2	M10, M10	
21	A43955	WASHER	1	13.290 X 18.070 X 8 MM (0.523" X 0.711" X 0.315")	
22	A46643	SPRING	2		
23	A51001	SCREW	1	M12 X 40	
24	A51003	ARM	1	LEFT HAND SIDE OF TIRE ON RIGHT HAND SIDE OF PLANTER	
	A51002	ARM	1	RIGHT HAND SIDE OF TIRE ON THE LEFT HAND SIDE OF PLANTER	
25	A40657	SPACER	1		
26	AH131563	LINK CHAIN	2	(ASSEMBLE FROM AP22459 OR AH18482 AND P20351) TYPE ANSI 50, 15.8 MM (5/8") SINGLE PITCH; 116 LINKS INCLUDING (1) CONNECTING LINK	
27	A50386	CHAIN SPROCKET	1	28-TOOTH	
28	T140425	SNAP RING	1		
29	A40689	SHAFT	1	260MM (10")	
30	A23321	WASHER	2	31.775 X 41.224 X 9.525 MM (1.251" X 1.623" X 3/8")	
31	32167	SEAL	2	(A)	
32	JD8187	BEARING CONE	2	(A)	
33	JD8225	BEARING CUP	2	(A)	
34	JD7846	LUBRICATION FITTING	1	45° X 20.447 MM LONG (0.805" LONG) WHEEL ASSEMBLY WITHOUT DRIVE USES SAME HUB AS WHEEL ASSEMBLY WITH DRIVE	
35	AA30685	HUB	2	-1996 (SUB AA42528)	
	AA42528	HUB	2		
36	19M7303	CAP SCREW	1	M12 X 45	
	A31867	LOCK NUT	1	M12	
37	22H898	SET SCREW	1	6.350 X 9.525 MM (1/4" X 3/8")	
38	A22468	NUT	1	31.750 MM (1-1/4")	
39	JD1091	WHEEL	1	381 MM (15") FOR 7.60 X 15, 6 PLY TIRE	
40	JD16	WHEEL BOLT	6		
41	12M7070	LOCK WASHER	2	20.200 MM (0.795")	
42	19M7487	CAP SCREW	1	M20 X 50	
43	AN132749	TIRE VALVE STEM	1		
44	AA31725	HUB	1		
	KIT BELOW CONSISTS OF ALL PARTS IDENTIFIED BY (A):				
..	AA44263	SHIPPING BUNDLE	1		

NON-DRIVE WHEEL ASSEMBLY

WING FRAME

AP6144 -UN-20AUG97

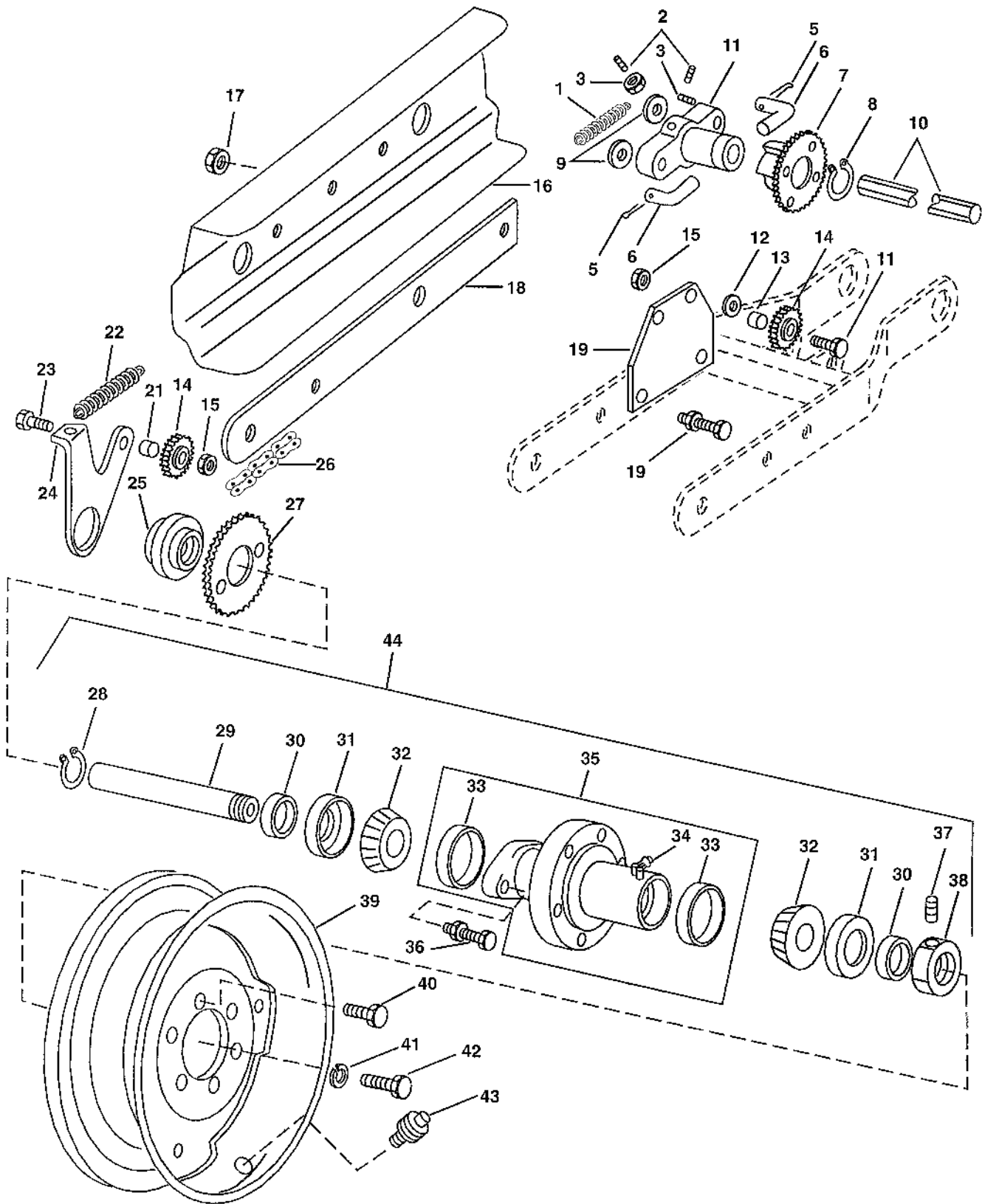


AP6144 (UN)

**NON-DRIVE WHEEL ASSEMBLY - CONTINUED
WING FRAME**

KEY	PART NO.	PART NAME	QTY	SERIAL NO. OR YEAR	REMARKS
1	A40657	SPACER	2		
2	T140425	SNAP RING	1		
3	A40689	SHAFT	1	260MM (10")	
4	A23321	WASHER	2	31.775 X 41.224 X 9.525 MM (1.251" X 1.623" X 3/8")	
5	32167	SEAL	2	(A)	
6	JD8187	BEARING CONE	2	(A)	
7	JD8225	BEARING CUP	2	(A)	
8	JD7846	LUBRICATION FITTING	1	45° X 20.447 MM LONG (0.805" LONG)	
9	AA42528	HUB	1	WHEEL ASSEMBLY WITHOUT DRIVE USES SAME HUB AS WHEEL ASSEMBLY WITH DRIVE	
10	22H898	SET SCREW	1	6.350 X 9.525 MM (1/4" X 3/8")	
11	A22468	NUT	1	31.750 MM (1-1/4")	
12	JD1091	WHEEL	1	381 MM (15") FOR 7.60 X 15, 6 PLY TIRE	
13	JD16	WHEEL BOLT	6		
14	12M7070	LOCK WASHER	2	20.200 MM (0.795")	
15	19M7597	CAP SCREW	1	M20 X 50	
16	AN132749	TIRE VALVE STEM	1		
17	AA31725	HUB	1		
KIT BELOW CONSISTS OF ALL PARTS IDENTIFIED BY (A):					
..	AA44263	SHIPPING BUNDLE	1		

DRIVE WHEEL ASSEMBLY
RIGID WING FRAME
AP6145 -UN-20AUG97

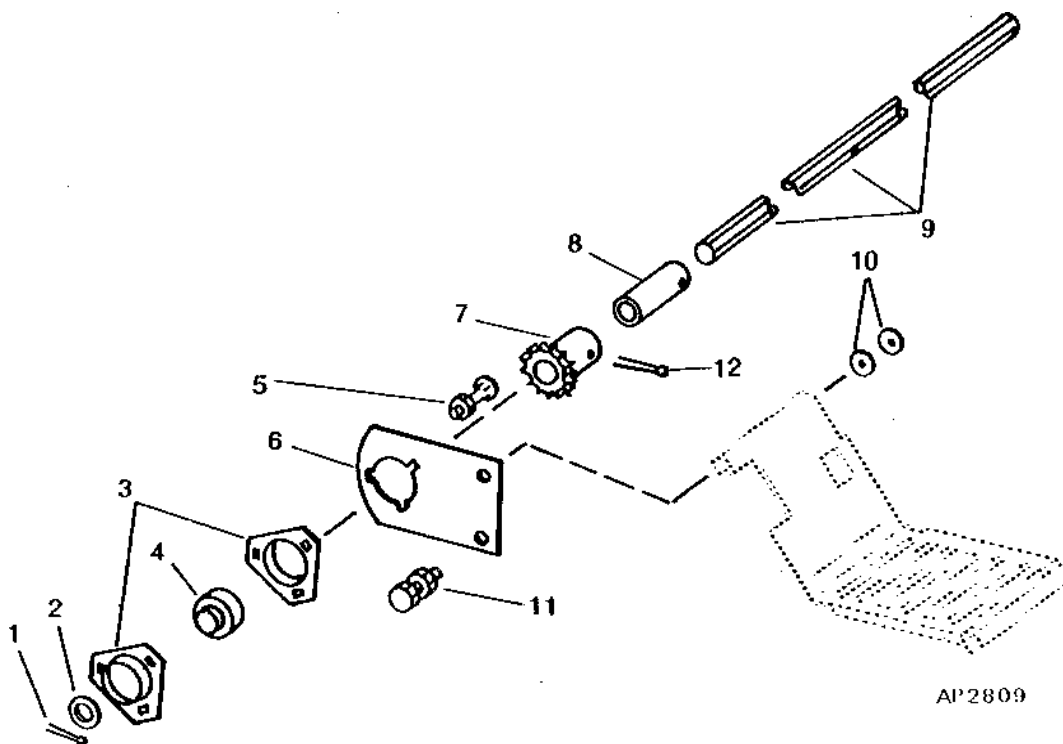


AP6145 (UN)

DRIVE WHEEL ASSEMBLY - CONTINUED
RIGID WING FRAME

KEY	PART NO.	PART NAME	QTY	SERIAL NO. OR YEAR	REMARKS
1	A46642	SPRING	2		
2	A50744	BOLT	2	M8 X 25	
3	14M7273	NUT	2	M8	
4	A46636	SHIFT COLLAR CARRIER	1		
5	11M7084	COTTER PIN	2	5 X 25 MM (0.197" X 0.984")	
6	A46637	PIN	2		
7	A50385	CHAIN SPROCKET	1	19 TOOTH, L.H.	
	A50384	CHAIN SPROCKET	1	19 TOOTH, R.H.	
8	L1152N	SNAP RING	1		
9	24M7047	WASHER	2	13 X 24 X 2.500 MM (0.512" X 0.945" X 0.098")	
10	A54322	SHAFT	1	COUNTERSHAFT, 8-ROW WIDE AND 12-ROW NARROW 22.220 X 4 012 MM (0.875" X 157.953")	
	COUNTERSHAFT	1	COUNTERSHAFT, 12-ROW 70 CM (CUT FROM A54327)	
11	19M7303	CAP SCREW	1	M12 X 45	
12	24M7047	WASHER	1	13 X 24 X 2.500 MM (0.512" X 0.945" X 0.098")	
13	B33873	BUSHING	1	13.030 X 19.050 X 14.224 MM (0.513" X 3/4" X 0.560")	
14	AA32776	CHAIN SPROCKET	2	12-TOOTH	
15	A31867	LOCK NUT	2	M12	
16	A40690	DEFLECTOR	1		
17	14M7274	NUT	2	M10, USED WITH DEFLECTOR ONLY	
18	A44606	STRAP	1	ROCK GUARD ATTACHMENT	
19	A42329	BRACKET	1		
20	19M7180	CAP SCREW	2	M10 X 45	
	14M7274	NUT	2	M10	
21	28H1519	WASHER	1	12.522 X 17.145 X 9.525 MM (0.493" X 0.675" X 3/8")	
22	A46643	SPRING	2		
23	A51001	SCREW	1	M12 X 40	
24	A51003	ARM	1	LEFT HAND SIDE OF TIRE ON THE RIGHT HAND SIDE OF PLANTER	
	A51002	ARM	1	RIGHT HAND SIDE OF TIRE ON THE LEFT HAND SIDE OF PLANTER	
25	A40657	SPACER	1		
26	AH131563	LINK CHAIN	2	(ASSEMBLE FROM AP22459 OR AH18482 AND P20351) TYPE ANSI 50, 15.8 MM (5/8") SINGLE PITCH; 116 LINKS INCLUDING ONE CONNECTING LINK 28-TOOTH	
27	A50386	CHAIN SPROCKET	1		
28	T140425	SNAP RING	1		
29	A40689	SHAFT	1	260MM (10")	
30	A23321	WASHER	2	31.775 X 41.224 X 9.525 MM (1.251" X 1.623" X 3/8")	
31	32167	SEAL	2	(A)	
32	JD8187	BEARING CONE	2	(A)	
33	JD8225	BEARING CUP	2	(A)	
34	JD7846	LUBRICATION FITTING	1	45° X 20.447 MM LONG (0.805" LONG)	
35	AA42528	HUB	1	WHEEL ASSEMBLY WITHOUT DRIVE USES SAME HUB AS WHEEL ASSEMBLY WITH DRIVE	
36	19M7303	CAP SCREW	2	M12 X 45	
	A31867	LOCK NUT	2	M12	
37	22H898	SET SCREW	1	6.350 X 9.525 MM (1/4" X 3/8")	
38	A22468	NUT	1	31.750 MM (1-1/4")	
39	JD1091	WHEEL	1	381 MM (15") FOR 7.60 X 15, 6 PLY TIRE	
40	JD16	WHEEL BOLT	6		
41	12M7070	LOCK WASHER	2	20.200 MM (0.795")	
42	19M7487	CAP SCREW	2	M20 X 50	
43	AN132749	TIRE VALVE STEM	1		
44	AA31725	HUB	1		
	KIT BELOW CONSISTS OF ALL PARTS IDENTIFIED BY (A):				
..	AA44263	SHIPPING BUNDLE	1		

COUNTERSHAFT
AP2809 -UN-01JAN94



AP'2809

KEY	PART NO.	PART NAME	QTY	SERIAL NO. OR YEAR	REMARKS
1	11M7030	COTTER PIN	1		5 X 40 MM (0.197" X 1.575")
2	24H1465	WASHER	1		27.788 X 44.450 X 1.524 MM (1-3/32" X 1-3/4" X 0.060")
3	H103264	PRESSED FLANGED HOUSING	2		
4	AA22097	BALL BEARING	1		
5	03M7185	BOLT	3		M8 X 25
	12H303	LOCK WASHER	3		7.938 MM (5/16")
	14M7273	NUT	3		M8
6	A47452	PLATE	1		
7	AA34369	CHAIN SPROCKET	1		18-TOOTH
8	A47451	LOCKING COLLAR	1		
9	A54327	SHAFT	1		COUNTERSHAFT, 8-ROW WIDE AND 12-ROW NARROW
	A60788	BAR	1		22.220 X 4 012 MM (0.875" X 157.953") COUNTERSHAFT, 12-ROW 70 CM
10	24M7101	WASHER	2		11 X 34 X 3 MM (0.433" X 1.339" X 0.118")
11	19M7166	CAP SCREW	1		M10 X 20
	14M7274	NUT	1		M10
12	11M7085	COTTER PIN	1		6.300 X 63 MM (0.248" X 2.480")

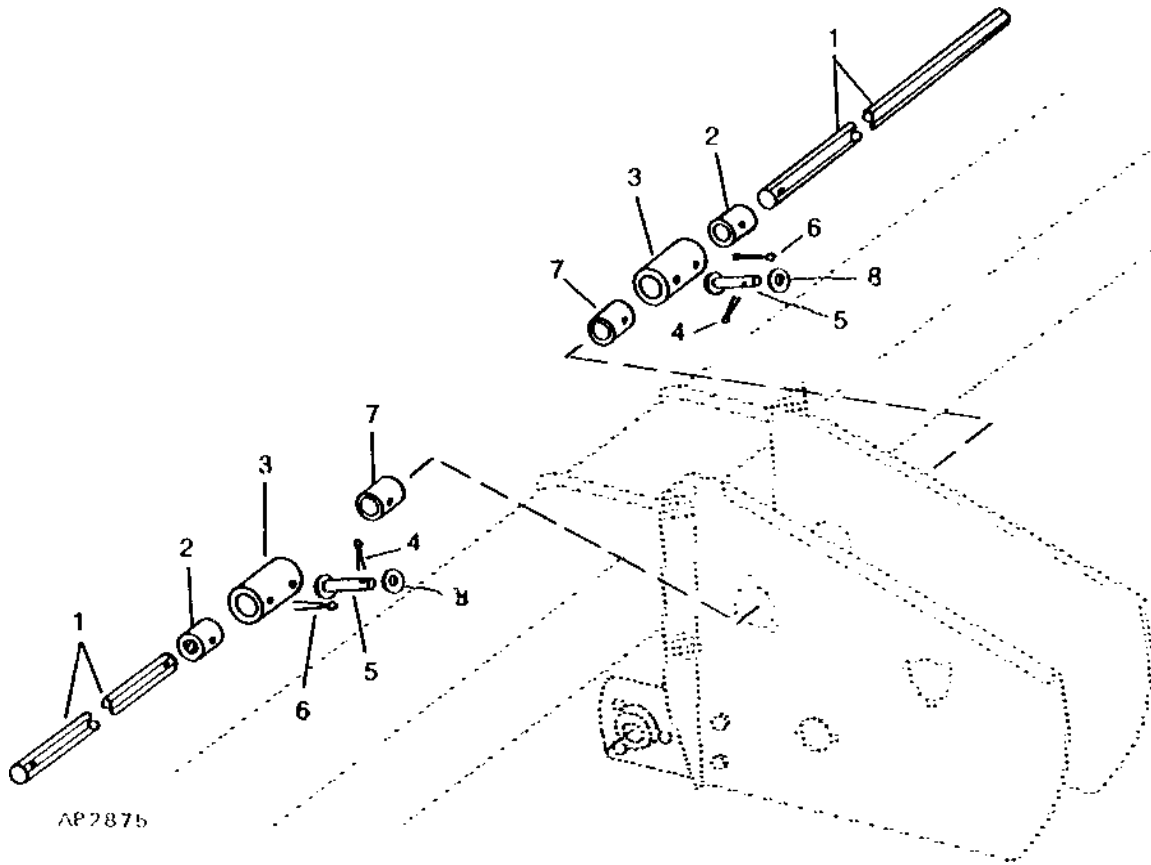
MEMORANDA

F10

FC: 6041

DRIVES

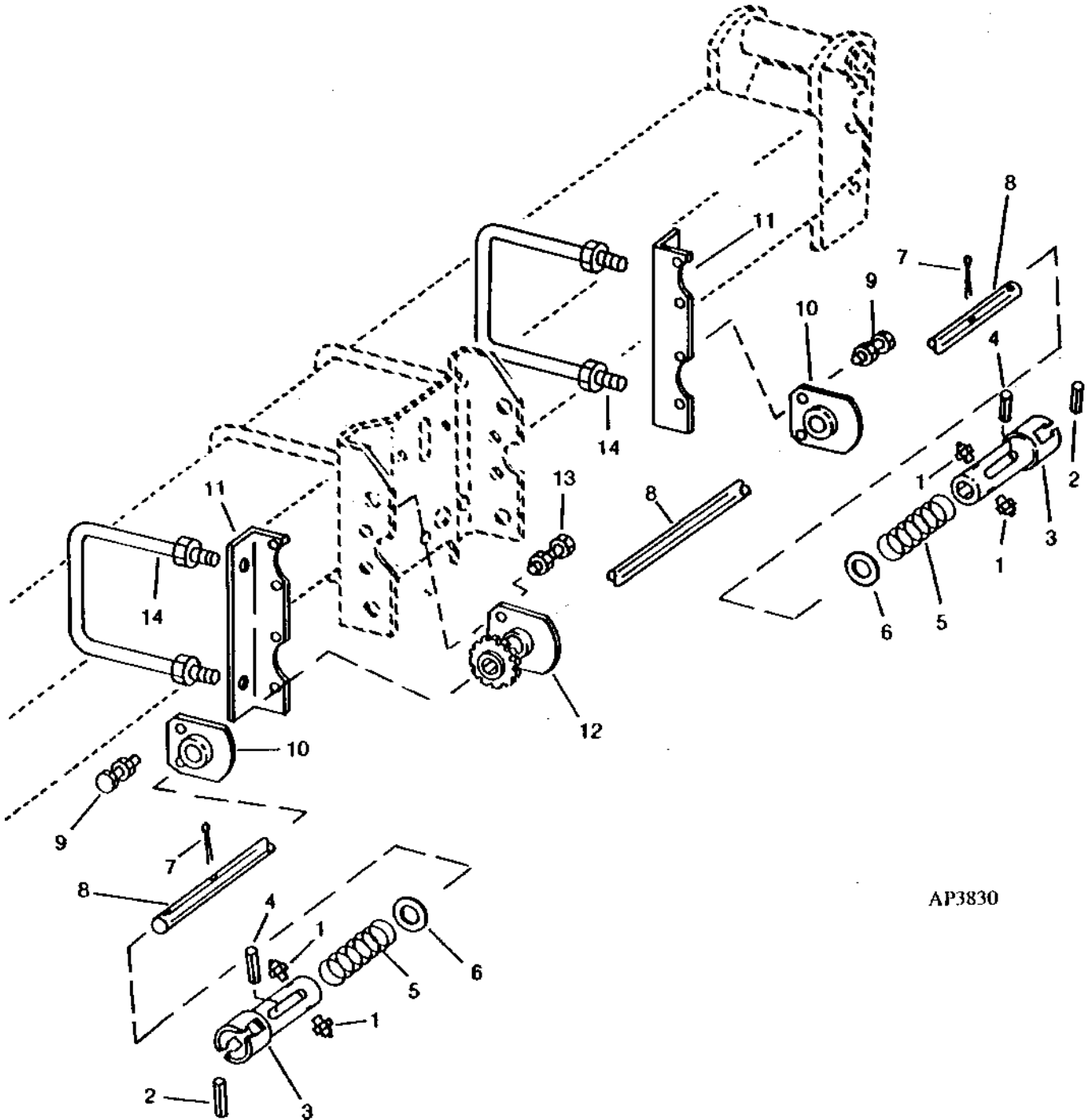
DRILLSHAFT
AP2875 -UN-01JAN94



DRILLSHAFT - CONTINUED

KEY	PART NO.	PART NAME	QTY	SERIAL NO. OR YEAR	REMARKS
1	A54322	SHAFT	2		8-ROW WIDE
	A54324	SHAFT	2		12-ROW NARROW
	A60791	BAR	1		22.220 X 1870 MM (0.875" X 73.622")
	A60790	BAR	1		DRILLSHAFT, 12-ROW 70 CM, L.H INNER 22.220 X 1900 MM (0.875" X 74.8.3") DRILLSHAFT, 12-ROW 70 CM, R.H INNER
2	A49667	LOCKING COLLAR	2		
3	A49665	BUSHING	2		38.964 X 50.800 X 72 MM (1.534" X 2" X 2.874")
4	11M7059	COTTER PIN	4		3.200 X 20 MM (0.126" X 0.787")
5	A54471	PIN	2		6.350 X 63.500 MM (1/4" X 2-1/2")
6	11M7034	COTTER PIN	2		5 X 63 MM (0.197" X 2.480")
7	A49664	BUSHING	2		
8	24M7054	WASHER	2		6.400 X 12 X 1.600 MM (0.252" X 0.472" X 0.063")

DRIVE ASSEMBLY
CENTER FRAME
8 ROW, 36" SPACING
AP3830 -UN-01JAN94



AP3830

**DRIVE ASSEMBLY - CONT.
CENTER FRAME
8 ROW, 36" SPACING**

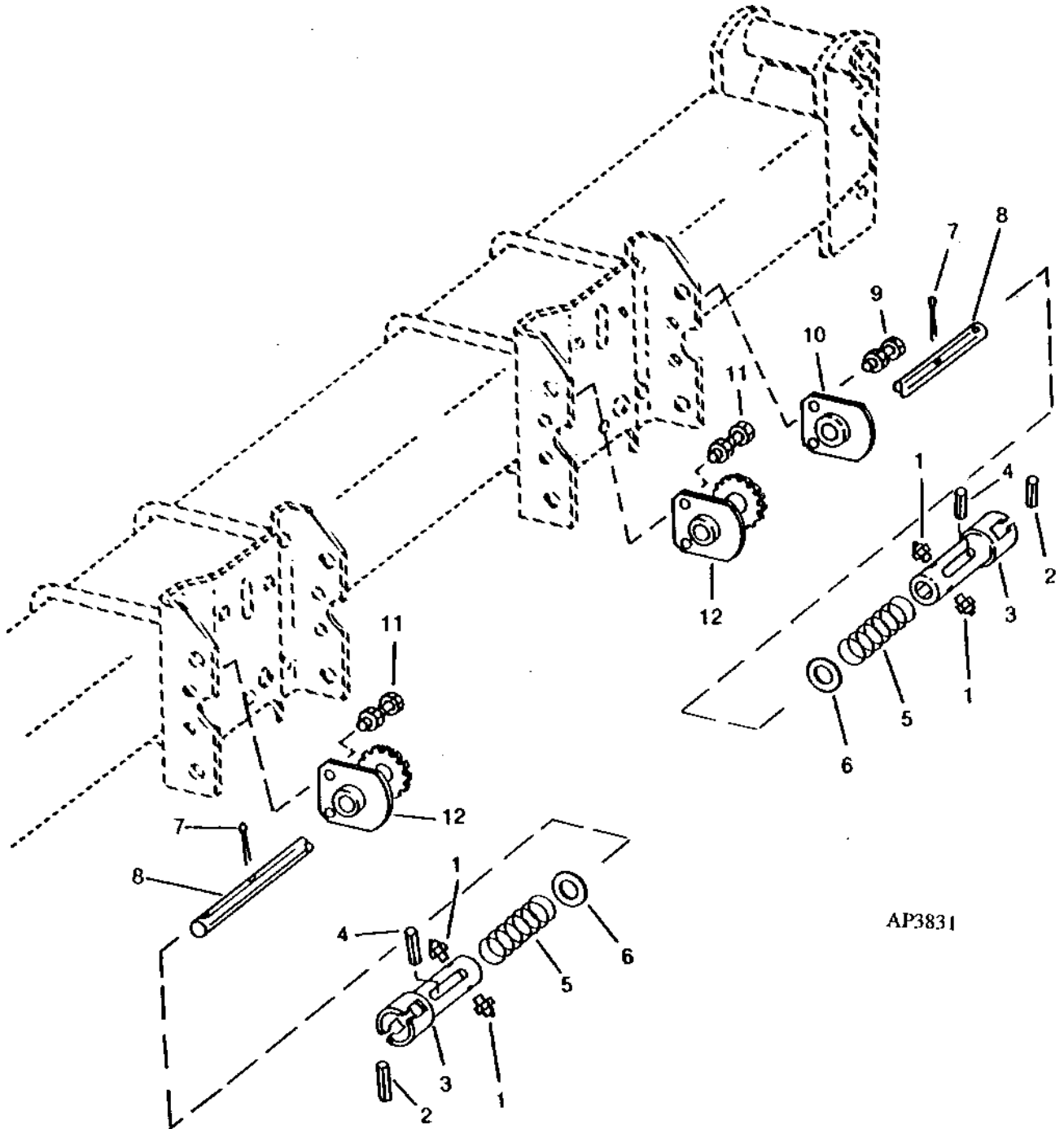
KEY	PART NO.	PART NAME	QTY	SERIAL NO. OR YEAR	REMARKS
1	JD7797	LUBRICATION FITTING	2		
2	34H359	SPRING PIN	2		9.525 X 76.200 MM (3/8" X 3")
3	A53683	DRIVER	2		
4	34M7036	SPRING PIN	2		5 X 45 MM (0.197" X 1.772")
5	D376R	SPRING	2		
6	24H1465	WASHER	2		27.788 X 44.450 X 1.524 MM (1-3/32" X 1-3/4" X 0.060")
7	11M7038	COTTER PIN	2		6.300 X 40 MM (0.248" X 1.575")
8	A54323	SHAFT	1		
9	19M7167	CAP SCREW	2		M10 X 25
	14M7274	NUT	2		M10
10	AA35646	BEARING	2		
11	A44780	ANGLE	2		
12	AA35645	CHAIN SPROCKET	1		
13	19M7169	CAP SCREW	1		M10 X 35
	A51212	LOCK NUT	1		M10
14	A46533	U-BOLT	2		
	14M7276	NUT	4		M16

F14

FC: 6041

DRIVES

DRIVE ASSEMBLY
CENTER FRAME
8 ROW, 38-40" SPACING
AP3831 -UN-01JAN94

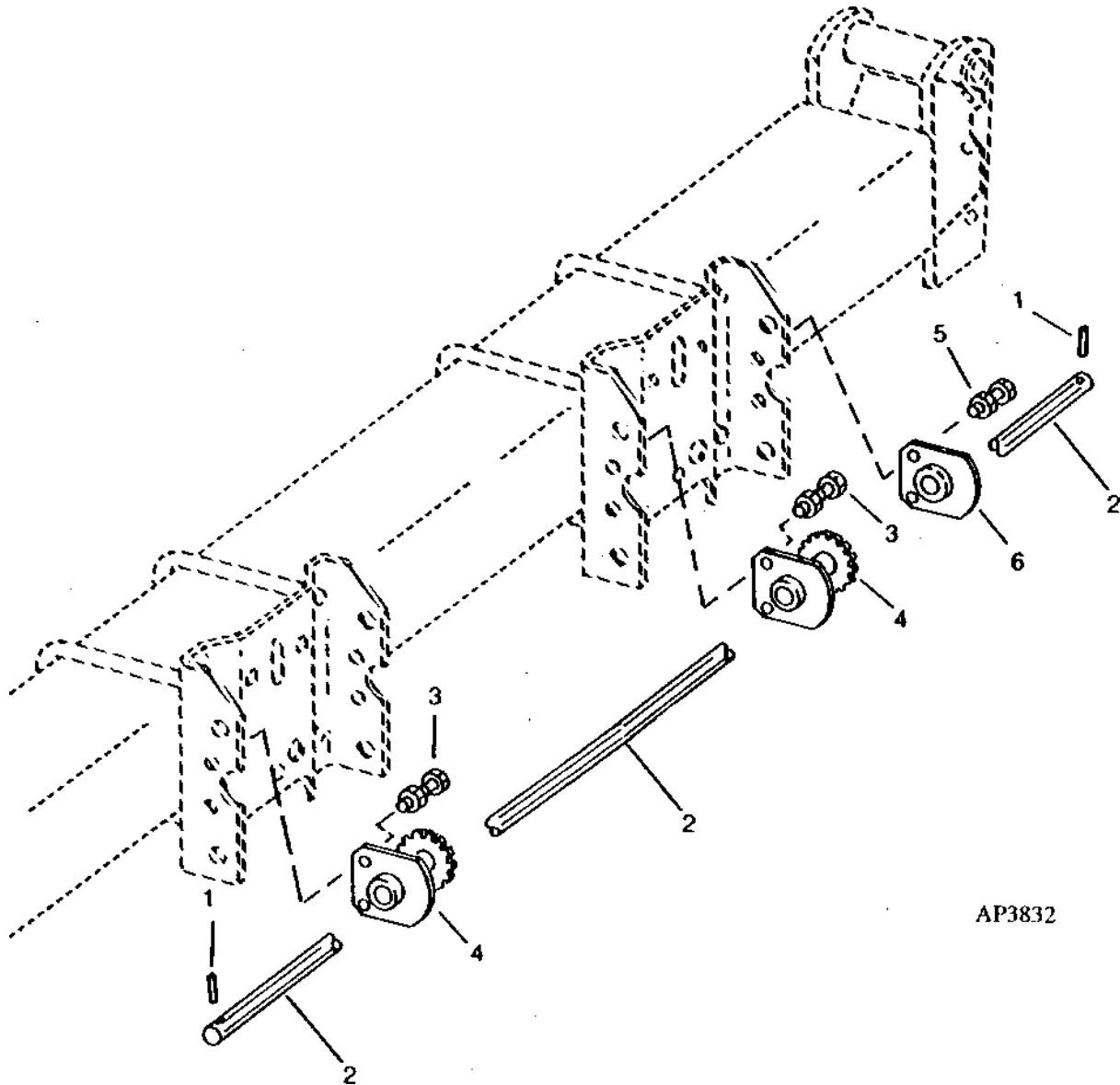


AP3831

DRIVE ASSEMBLY - CONT.
CENTER FRAME
8 ROW, 38-40" SPACING

KEY	PART NO.	PART NAME	QTY	SERIAL NO. OR YEAR	REMARKS
1	JD7797	LUBRICATION FITTING	2		
2	34H359	SPRING PIN	2		
3	A53683	DRIVER	2		9.525 X 76.200 MM (3/8" X 3")
4	34M7036	SPRING PIN	2		5 X 45 MM (0.197" X 1.772")
5	D376R	SPRING	2		
6	24H1465	WASHER	2		27.788 X 44.450 X 1.524 MM (1-3/32" X 1-3/4" X 0.060")
7	11M7038	COTTER PIN	2		
8	A54323	SHAFT	1		6.300 X 40 MM (0.248" X 1.575")
9	19M7167	CAP SCREW	1		M10 X 25
	14M7274	NUT	1		M10
10	AA35646	BEARING	1		
11	19M7169	CAP SCREW	2		M10 X 35
	A51212	LOCK NUT	2		M10
12	AA35645	CHAIN SPROCKET	2		19-TOOTH

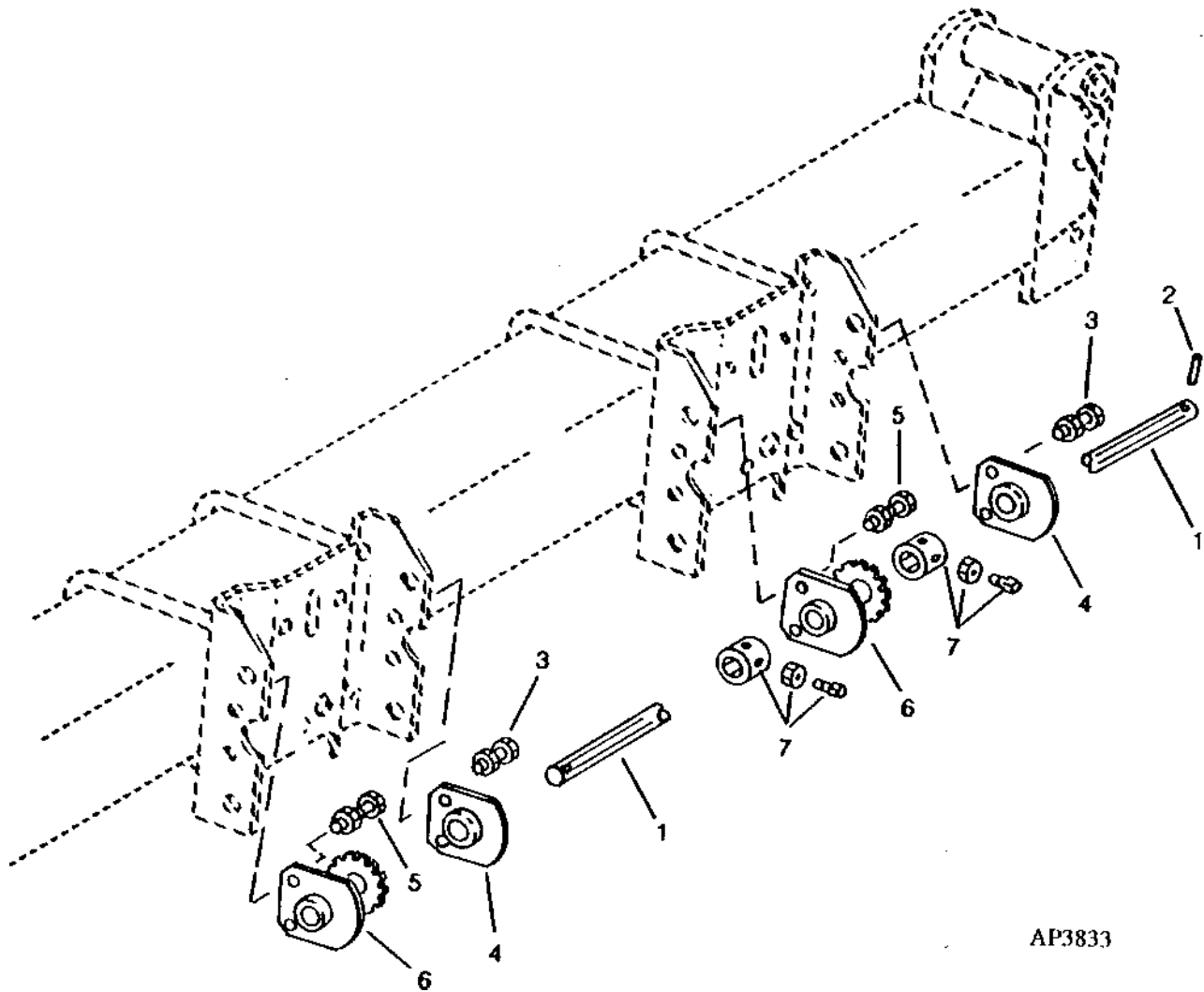
DRILLSHAFT DRIVE ASSEMBLY
CENTER FRAME
12-ROW, 30" SPACING
12-ROW, 70 CM SPACING
AP3832 -UN-01JAN94



DRILLSHAFT DRIVE ASSEMBLY - CONTINUED
CENTER FRAME
12-ROW, 30" SPACING
12-ROW, 70 CM SPACING

KEY	PART NO.	PART NAME	QTY	SERIAL NO. OR YEAR	REMARKS
1	34H359	SPRING PIN	2		9.525 X 76.200 MM (3/8" X 3")
2	A54324	SHAFT	1		DRILLSHAFT, 12-ROW NARROW
	A60791	BAR	1		22.220 X 1870 MM (0.875" X 73.622")
	A60790	BAR	1		DRILLSHAFT, 12-ROW 70 CM, L.H INNER
					22.220 X 1900 MM (0.875" X 74.803")
					DRILLSHAFT, 12-ROW 70 CM, R.H INNER
3	19M7169	CAP SCREW	2		M10 X 35
	A51212	LOCK NUT	2		M10
4	AA35645	CHAIN SPROCKET	2		19-TOOTH
5	19M7167	CAP SCREW	1		M10 X 25
	14M7274	NUT	1		M10
6	AA35646	BEARING	1		

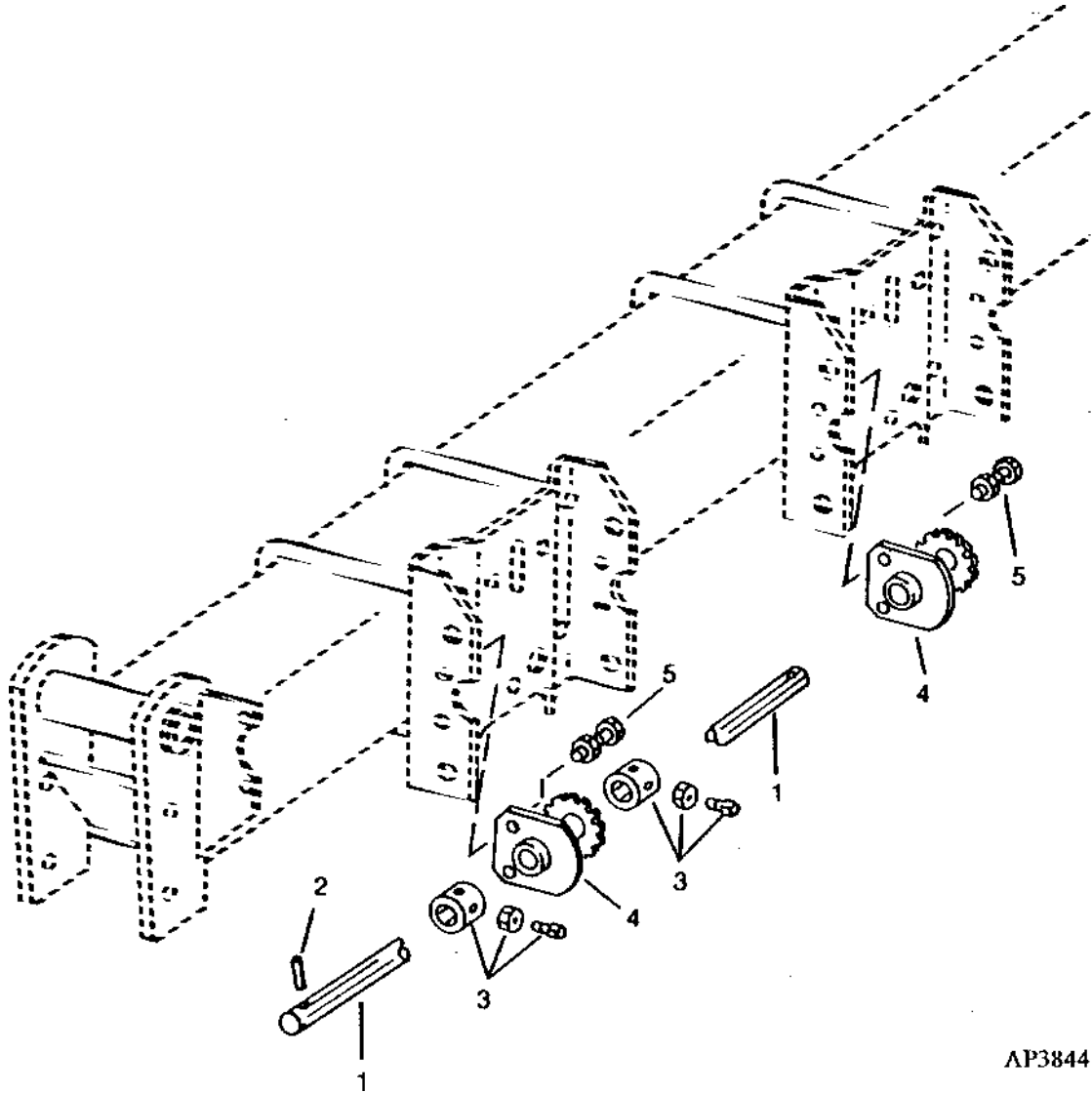
DRIVE ASSEMBLY
WING FRAME (LEFT-HAND ILLUSTRATED)
8 ROW, 36" SPACING
AP3833 -UN-01JAN94



**DRIVE ASSEMBLY - CONT.
WING FRAME (LEFT-HAND ILLUSTRATED)
8 ROW, 36" SPACING**

KEY	PART NO.	PART NAME	QTY	SERIAL NO. OR YEAR	REMARKS
1	A54323	SHAFT	1		
2	34H359	SPRING PIN	1	9.525 X 76.200 MM (3/8" X 3")	
3	19M7167	CAP SCREW	2	M10 X 25	
	14M7274	NUT	2	M10	
4	AA35646	BEARING	2		
5	19M7169	CAP SCREW	2	M10 X 35	
	A51212	LOCK NUT	2	M10	
6	AA35645	CHAIN SPROCKET	2	19-TOOTH	
7	A53746	CLAMP	2		
	19M7295	CAP SCREW	2	M8 X 45	
	14M7273	NUT	2	M8	

DRIVE ASSEMBLY
WING FRAME
8 ROW, 36" SPACING (RIGHT-HAND ILLUSTRATED)
AP3844 -UN-01JAN94

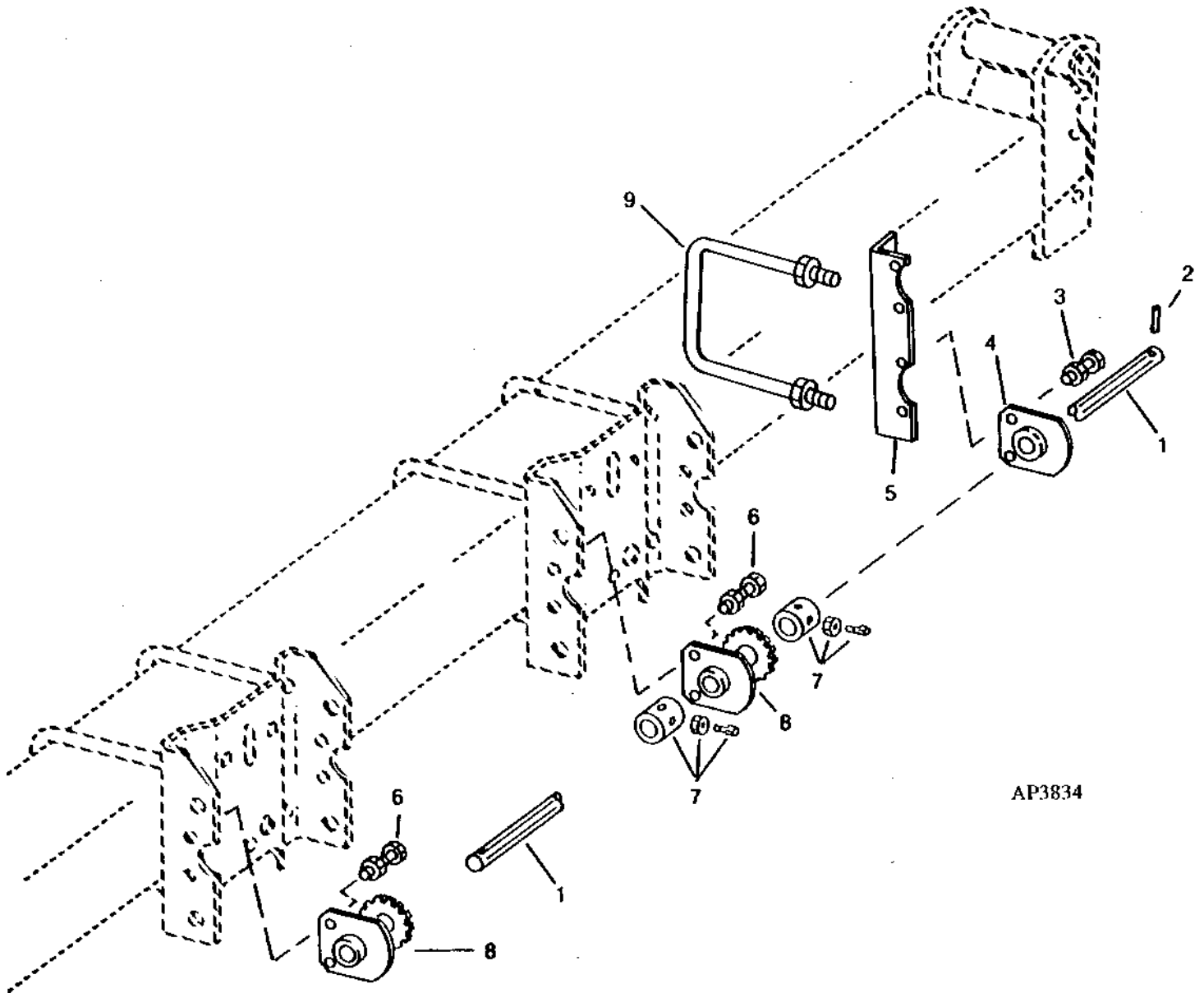


AP3844

DRIVE ASSEMBLY - CONTINUED
WING FRAME
8 ROW, 36" SPACING (RIGHT-HAND ILLUSTRATED)

KEY	PART NO.	PART NAME	QTY	SERIAL NO. OR YEAR	REMARKS
1	A54323	SHAFT	1		
2	34H359	SPRING PIN	1		
3	A53746	CLAMP	2		
	19M7295	CAP SCREW	2		
	14M7273	NUT	2		M8 X 45
4	AA35645	CHAIN SPROCKET	2		M8 19-TOOTH
5	19M7169	CAP SCREW	2		M10 X 35
	A51212	LOCK NUT	2		M10

DRIVE ASSEMBLY
WING FRAME (LEFT-HAND ILLUSTRATED)
8 ROW, 38-40" SPACING
AP3834 -UN-01JAN94

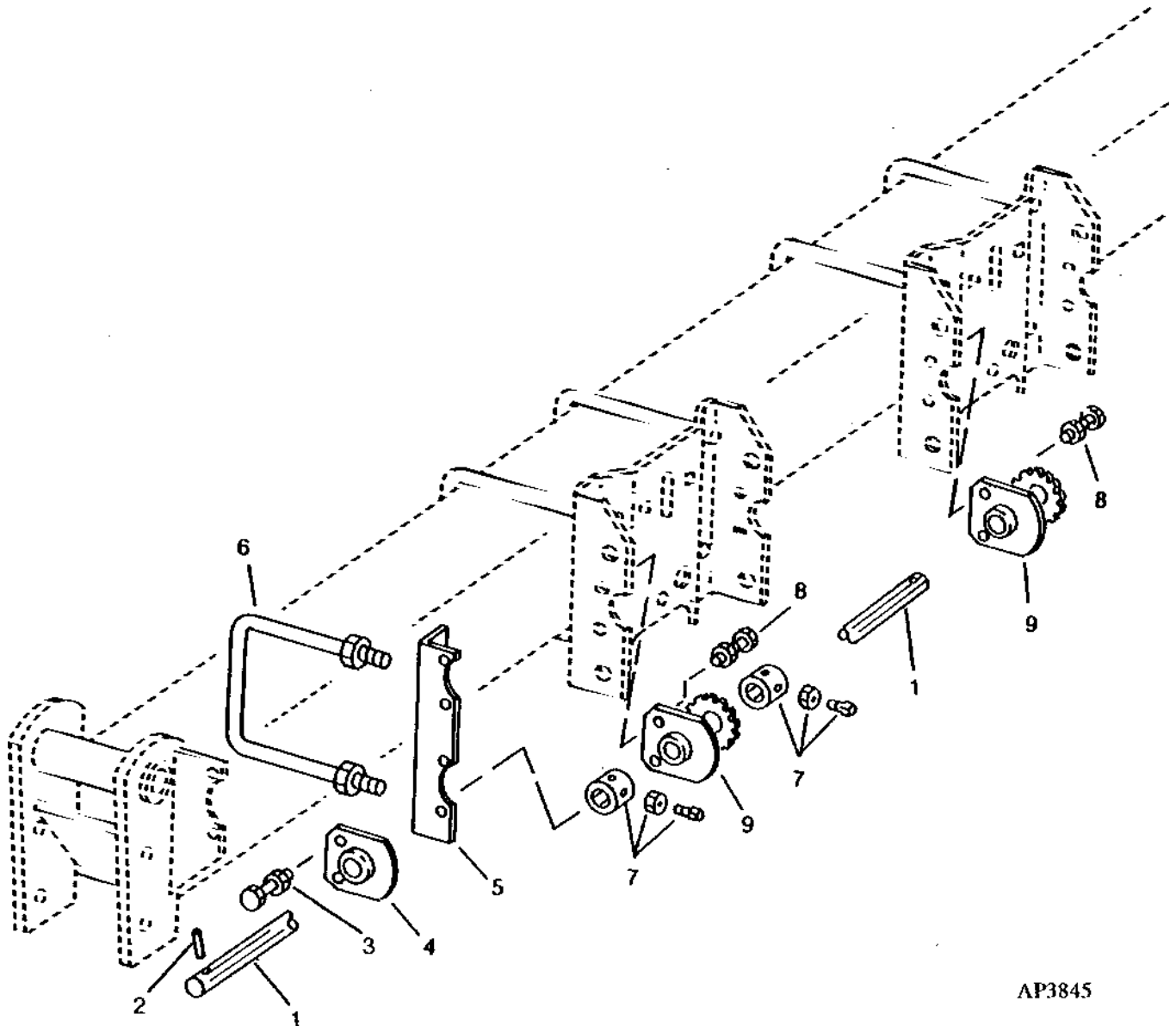


AP3834

**DRIVE ASSEMBLY - CONT.
WING FRAME (LEFT-HAND ILLUSTRATED)
8 ROW, 38-40" SPACING**

KEY	PART NO.	PART NAME	QTY	SERIAL NO. OR YEAR	REMARKS
1	A54323	SHAFT	1		
2	34H359	SPRING PIN	1	9.525 X 76.200 MM (3/8" X 3")	
3	19M7167	CAP SCREW	1	M10 X 25	
	14M7274	NUT	1	M10	
4	AA35646	BEARING	1		
5	A44780	ANGLE	1		
6	19M7169	CAP SCREW	2	M10 X 35	
	A51212	LOCK NUT	2	M10	
7	A53746	CLAMP	2		
	19M7295	CAP SCREW	2	M8 X 45	
	14M7273	NUT	2	M8	
8	AA35645	CHAIN SPROCKET	2	19-TOOTH	
9	A46533	U-BOLT	1		
	14M7276	NUT	2	M16	

DRIVE ASSEMBLY
WING FRAME
8 ROW, 38-40" (RIGHT-HAND ILLUSTRATED)
AP3845 -UN-01JAN94

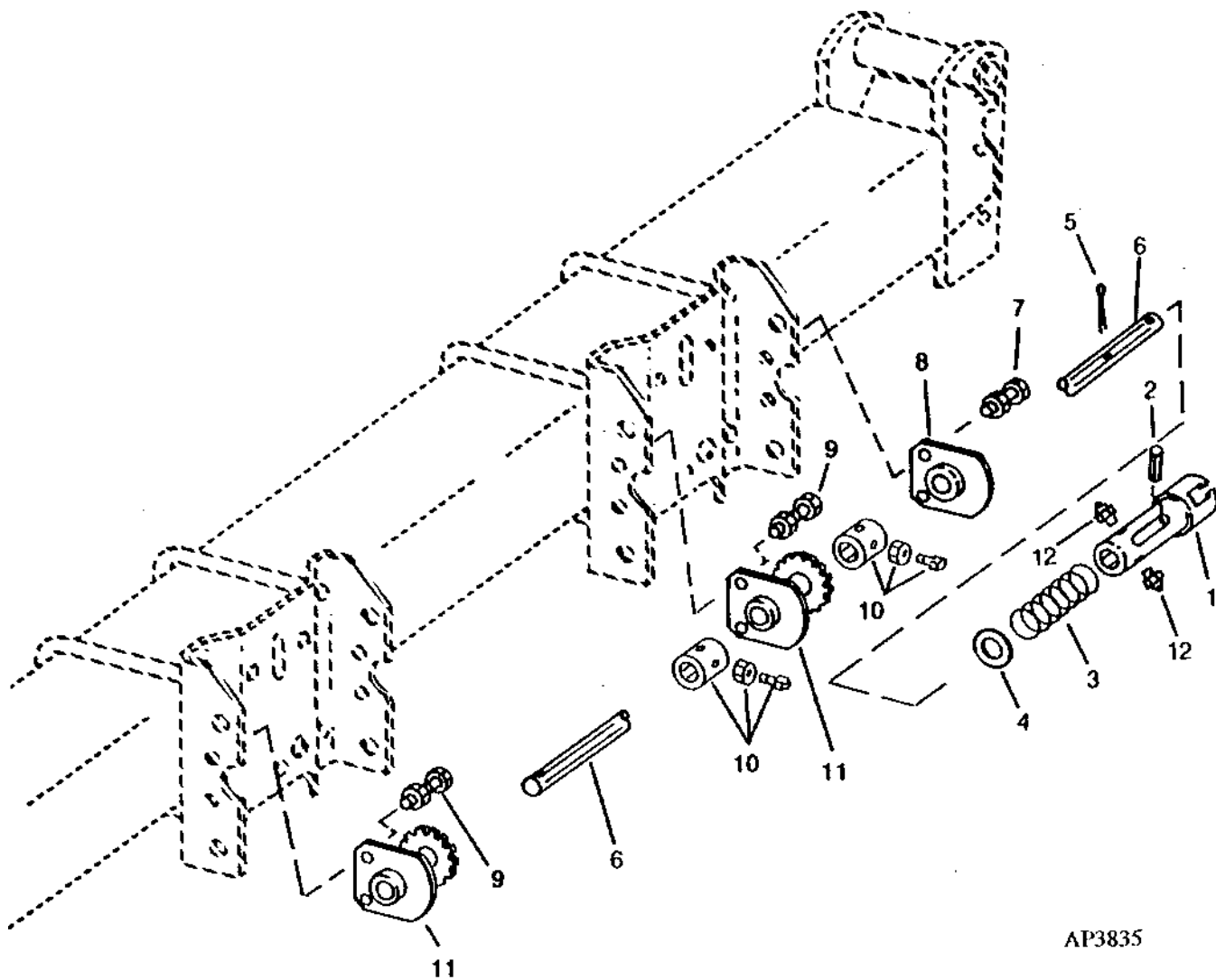


AP3845

DRIVE ASSEMBLY - CONTINUED
WING FRAME
8 ROW, 38-40" SPACING (RIGHT-HAND ILLUSTRATED)

KEY	PART NO.	PART NAME	QTY	SERIAL NO. OR YEAR	REMARKS
1	A54323	SHAFT	1		
2	34H359	SPRING PIN	1		
3	19M7167	CAP SCREW	1		9.525 X 76.200 MM (3/8" X 3")
	14M7274	NUT	1		M10 X 25
4	AA35646	BEARING	1		M10
5	A44780	ANGLE	1		
6	A46533	U-BOLT	1		
	14M7276	NUT	2		M16
7	A53746	CLAMP	2		
	19M7295	CAP SCREW	2		M8 X 45
	14M7273	NUT	2		M8
8	19M7169	CAP SCREW	2		M10 X 35
	A51212	LOCK NUT	2		M10
9	AA35645	CHAIN SPROCKET	2		19-TOOTH

DRILLSHAFT DRIVE ASSEMBLY
WING FRAME (LEFT-HAND ILLUSTRATED)
12 ROW, 30" AND 12-ROW 70 CM
AP3835 -UN-01JAN94

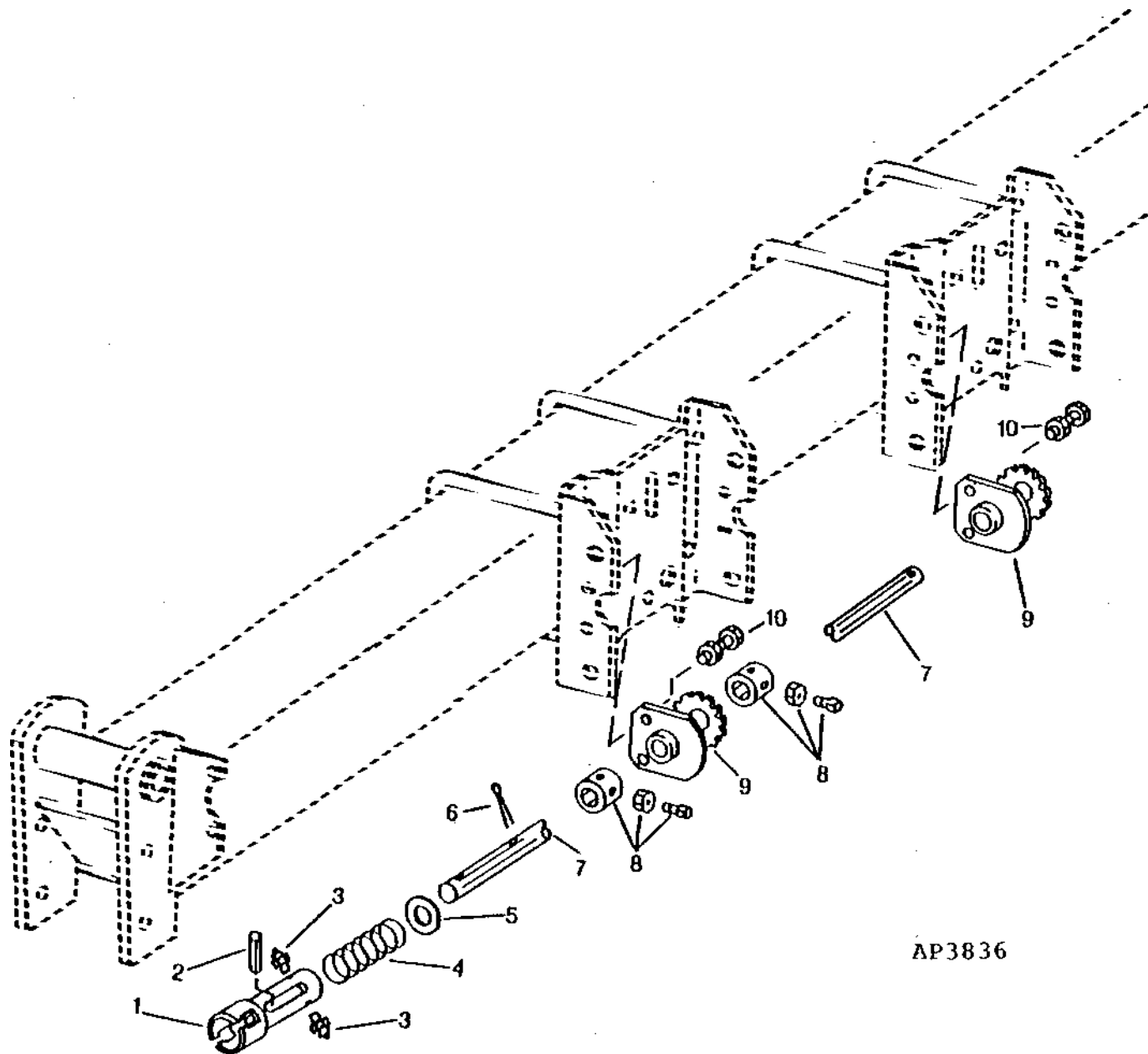


AP3835

DRILLSHAFT DRIVE ASSEMBLY - CONTINUED
 WING FRAME (LEFT-HAND ILLUSTRATED)
 12 ROW, 30" AND 12-ROW, 70 CM SPACING

KEY	PART NO.	PART NAME	QTY	SERIAL NO. OR YEAR	REMARKS
1	A53683	DRIVER	1		
2	34M7036	SPRING PIN	1		
3	D376R	SPRING	1		5 X 45 MM (0.197" X 1.772")
4	24H1465	WASHER	1		27.788 X 44.450 X 1.524 MM (1-3/32" X 1-3/4" X 0.060")
5	11M7038	COTTER PIN	1		6.300 X 40 MM (0.248" X 1.575")
6	A54325	SHAFT	1		DRILLSHAFT, 12-ROW NARROW
	A60789	BAR	1		22.220 X 2100 MM (0.875" X 82.677") DRILLSHAFT, 12-ROW 70 CM
7	19M7167	CAP SCREW	1		M10 X 25
	14M7274	NUT	1		M10
8	AA35646	BEARING	1		
9	19M7169	CAP SCREW	2		M10 X 35
	A51212	LOCK NUT	2		M10
10	A53746	CLAMP	2		
	19M7295	CAP SCREW	2		M8 X 45
	14M7273	NUT	2		M8
11	AA35645	CHAIN SPROCKET	2		19-TOOTH
12	JD7797	LUBRICATION FITTING	2		

DRILLSHAFT DRIVE ASSEMBLY
WING FRAME (RIGHT-HAND ILLUSTRATED)
12 ROW, 30" AND 12-ROW 70 CM SPACING
AP3836 -UN-01JAN94

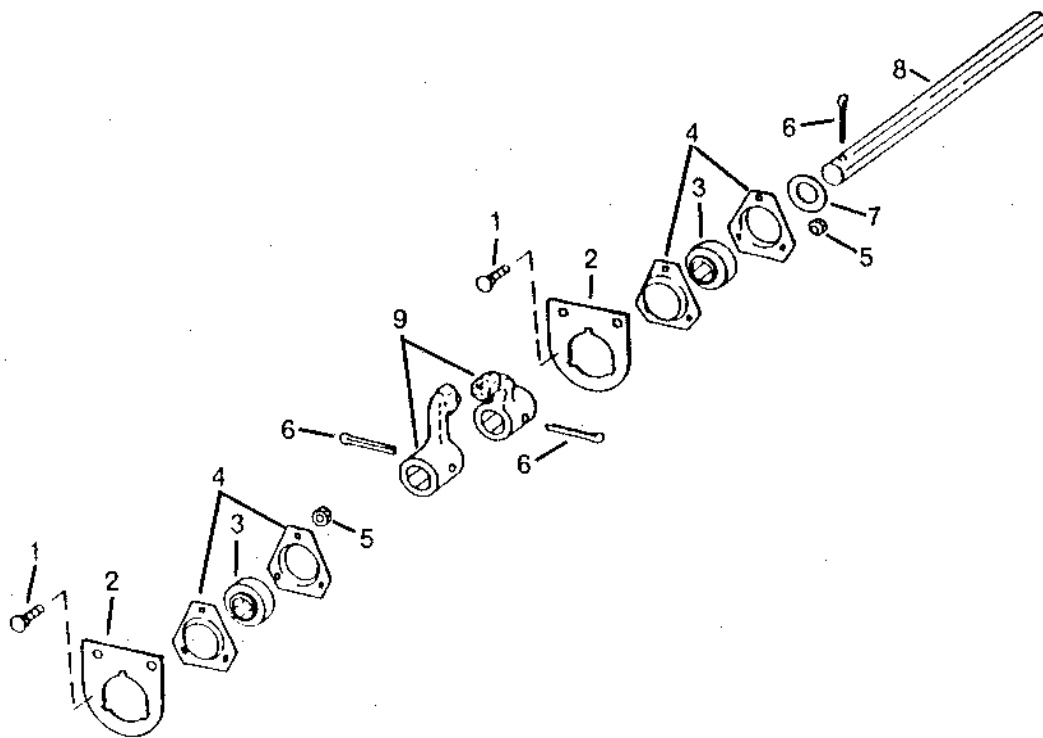


DRILLSHAFT DRIVE ASSEMBLY - CONTINUED
 WING FRAME (RIGHT-HAND ILLUSTRATED)
 12 ROW, 30" AND 12-ROW, 70 CM SPACING

KEY	PART NO.	PART NAME	QTY	SERIAL NO. OR YEAR	REMARKS
1	A53683	DRIVER	1		
2	34M7036	SPRING PIN	1		
3	JD7797	LUBRICATION FITTING	2		5 X 45 MM (0.197" X 1.772")
4	D376R	SPRING	1		
5	24H1465	WASHER	1		27.788 X 44.450 X 1.524 MM (1-3/32" X 1-3/4" X 0.060")
6	11M7038	COTTER PIN	1		6.300 X 40 MM (0.248" X 1.575")
7	A54325	SHAFT	1		12-ROW NARROW
	A60789	BAR	1		22.220 X 2100 MM (0.875" X 82.677") 12-ROW 70 CM DRILLSHAFT, 12-ROW 70 CM
8	A53746	CLAMP	2		
	19M7295	CAP SCREW	2		M8 X 45
	14M7273	NUT	2		M8
9	AA35645	CHAIN SPROCKET	2		19-TOOTH
10	19M7169	CAP SCREW	2		M10 X 35
	A51212	LOCK NUT	2		M10

WING COUNTERSHAFT DRIVE ASSEMBLY

AP4614 -UN-15MAY96

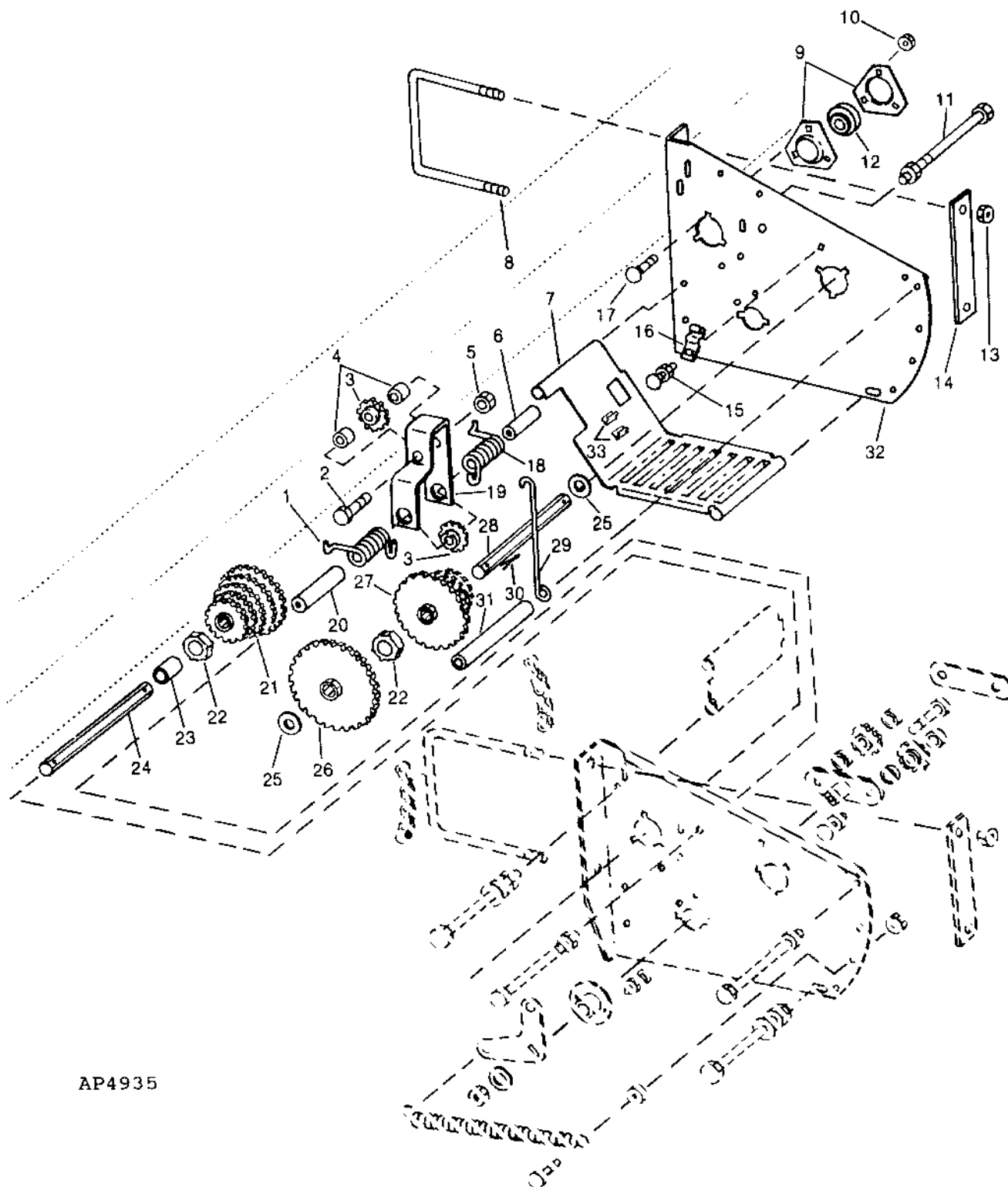


AP4614

WING COUNTERSHAFT DRIVE ASSEMBLY - CONTINUED

KEY	PART NO.	PART NAME	QTY	SERIAL NO. OR YEAR	REMARKS
1	03M7184	BOLT	2		M8 X 20
2	A48835	PLATE	2		
3	AA22097	BALL BEARING	2		
4	A31800	PRESSED FLANGED HOUSING	4		
5	14M7273	NUT	2		M8
6	11M7040	COTTER PIN	3		6.300 X 50 MM (0.248" X 1.969")
7	24H1465	WASHER	1		27.788 X 44.450 X 1.524 MM (1-3/32" X 1-3/4" X 0.060")
8	A48871	BAR	1		22.225 X 1 580 MM (7/8" X 62.205") (SUB A54322) COUNTERSHAFT
	A54322	SHAFT	1		COUNTERSHAFT
9	A52085	QUICK COUPLER	2		

SEED TRANSMISSION
AP4935 -UN-24JAN97

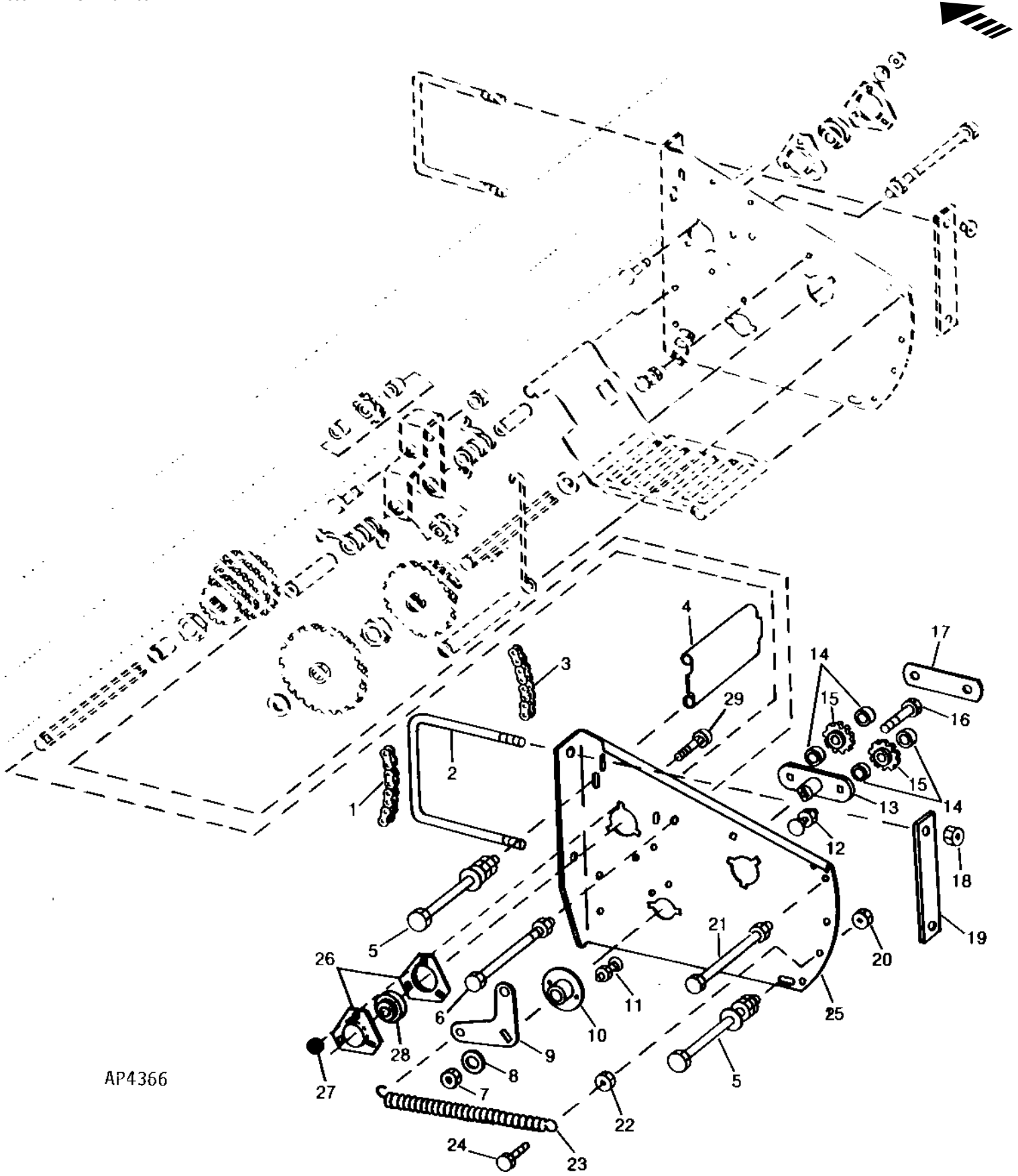


AP4935

SEED TRANSMISSION - CONTINUED

KEY	PART NO.	PART NAME	QTY	SERIAL NO. OR YEAR	REMARKS
1	A40870	TORSION SPRING	1	(SUB A60909) R.H.	
	A60909	EXTENSION SPRING	1	R.H.	
2	19M7214	CAP SCREW	1	M12 X 70	
3	AA32729	CHAIN SPROCKET	2	14-TOOTH	
4	A50244	SPACER	2	13.290 X 18.730 X 18 MM (0.523" X 0.737" X 0.709")	
5	14M7275	NUT	1	M12	
6	A40622	SPACER	1	26.570 X 32.010 X 75 MM (1.046" X 1.260" X 2.953")	
7	A41457	SHIELD	1		
8	A46533	U-BOLT	1		
9	H103264	PRESSED FLANGED HOUSING	8		
10	14M7273	NUT	12	M8	
11	19M8161	CAP SCREW	1	M10 X 230	
	A51212	LOCK NUT	1	M10, M10	
12	AA22097	BALL BEARING	4		
13	14M7276	NUT	2	M16	
14	A41459	STRAP	1		
15	03M7251	BOLT	1	M6 X 12	
	14M7272	NUT	1	M6	
16	A42756	CLIP	1		
17	03M7183	BOLT	12	M8 X 16	
18	A40869	TORSION SPRING	1	(SUB A60908) L.H.	
	A60908	EXTENSION SPRING	1	L.H.	
19	A41458	ARM	1		
20	A40621	SPACER	1	13.285 X 18.725 X 123 MM (0.523" X 0.737" X 4.843")	
21	AA31692	CHAIN SPROCKET	1	24-, 25-, 26-, 27-, AND 28-TOOTH COMBINATION	
22	A43610	SPACER	9		
23	A47133	SPACER	1	26.210 X 31.650 X 48 MM (1.032" X 1.246" X 1.890")	
24	A54318	SHAFT	1		
25	24H1465	WASHER	2	27.788 X 44.450 X 1.524 MM (1-3/32" X 1-3/4" X 0.060")	
26	AA32197	CHAIN SPROCKET	1	18- AND 48-TOOTH COMBINATION	
27	AA31691	CHAIN SPROCKET	1	16-, 20-, 24-, 29-, AND 35-TOOTH COMBINATION	
28	A54317	SHAFT	1		
29	A42757	CATCH	1		
30	11M7028	COTTER PIN	2	5 X 32 MM (0.197" X 1.260")	
31	A40623	SPACER	1	10.338 X 15.875 X 209 MM (0.407" X 5/8" X 8.268")	
32	A40628	PANEL	1	R.H.	
33	H135758	CLIP	2		

SEED TRANSMISSION - CONTINUED
 AP4366 -UN-12JAN96



AP4366

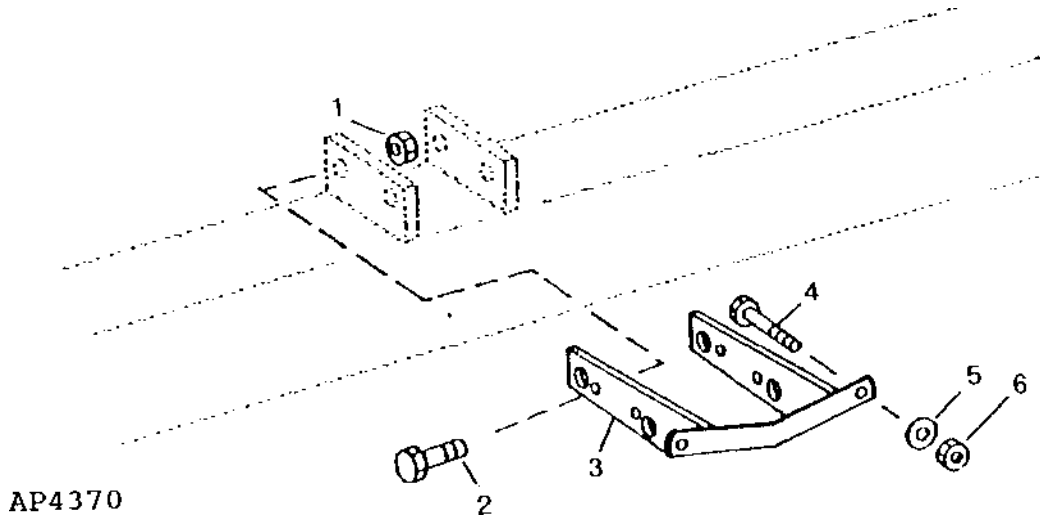
THIS PARTS LISTING IS CONTINUED

SEED TRANSMISSION - CONTINUED

KEY	PART NO.	PART NAME	QTY	SERIAL NO. OR YEAR	REMARKS
1	AA32249	ROLLER CHAIN	1		(ASSEMBLE FROM AJ8878N, P33541 AND P33542) TYPE ANSI 40, 12.7 MM (1/2") SINGLE PITCH; INCLUDING (1) CONNECTING LINK AND (1) OFFSET LINK
2	A46533	U-BOLT	1		
3	AA32250	ROLLER CHAIN	1		(ASSEMBLE FROM AJ8878N AND P33541) TYPE ANSI 40, 12.7 MM (1/2") SINGLE PITCH; 86 LINKS INCLUDING ONE CONNECTING LINK
4	A41460	HOLDER	1		
5	19M8161	CAP SCREW	2		M10 X 230
	24M7028	WASHER	4		10.500 X 20 X 2 MM
	A51212	LOCK NUT	2		M10
6	19M8159	CAP SCREW	1		M12 X 230
	A31867	LOCK NUT	1		M12
7	14M7273	NUT	1		M8
8	24H1296	WASHER	1		8.738 X 34.925 X 3.404 MM (11/32" X 1-3/8" X 0.134")
9	A44657	ARM	1		
10	A44656	BEARING	1		
11	03M7221	BOLT	2		M6 X 16
	14M7272	NUT	2		M6
12	03M7202	BOLT	2		M12 X 50
	14M7275	NUT	2		M12
13	A44658	IDLER	1		
14	A43955	WASHER	4		13.290 X 18.070 X 8 MM (0.523" X 0.711" X 0.315")
15	AA32729	CHAIN SPROCKET	2		14-TOOTH
16	19M7185	CAP SCREW	1		M8 X 60
17	A43699	STRAP	1		
18	14M7276	NUT	2		M16
19	A41459	STRAP	1		
20	A51212	LOCK NUT	1		M10
21	19M8161	CAP SCREW	2		M10 X 230
	24M7101	WASHER	2		11 X 34 X 3 MM (0.433" X 1.339" X 0.118") M10
	A51212	LOCK NUT	2		M10
22	14M7274	NUT	1		M10
23	CJ17261	SPRING	1		
24	19M7168	CAP SCREW	1		M10 X 30
25	A40627	PANEL	1		L.H.
26	H103264	PRESSED FLANGED HOUSING	4		
27	14M7273	NUT	6		M8
28	AA22097	BALL BEARING	2		
29	03M7183	BOLT	6		M8 X 16

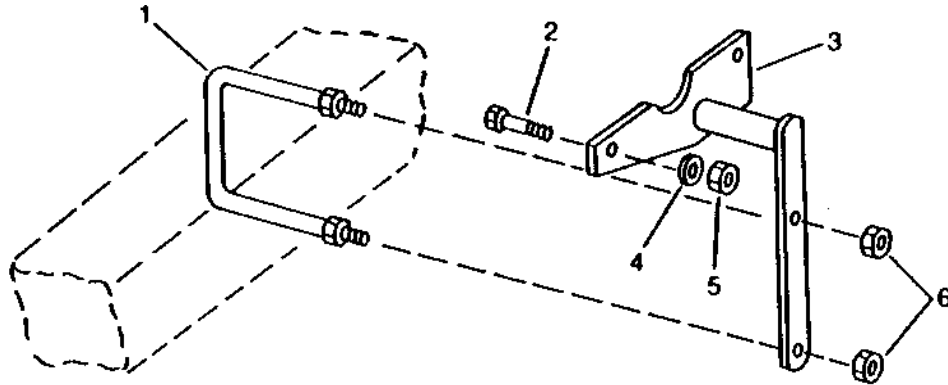
MEMORANDA

VACUUM BLOWER BRACKET
8 ROW WIDE, 12 ROW NARROW AND 12-ROW, 70CM
 AP4370 -UN-04JAN96



KEY	PART NO.	PART NAME	QTY	SERIAL NO. OR YEAR	REMARKS
1	14M7274	NUT	2	M10	
2	19M7991	CAP SCREW	2	M24 X 60	
3	AA34133	BRACKET	1		
4	19M7216	CAP SCREW	2	M12 X 100	
5	24M7047	WASHER	2	13 X 24 X 2.500 MM (0.512" X 0.945" X 0.098")	
6	A31867	LOCK NUT	2	M12	

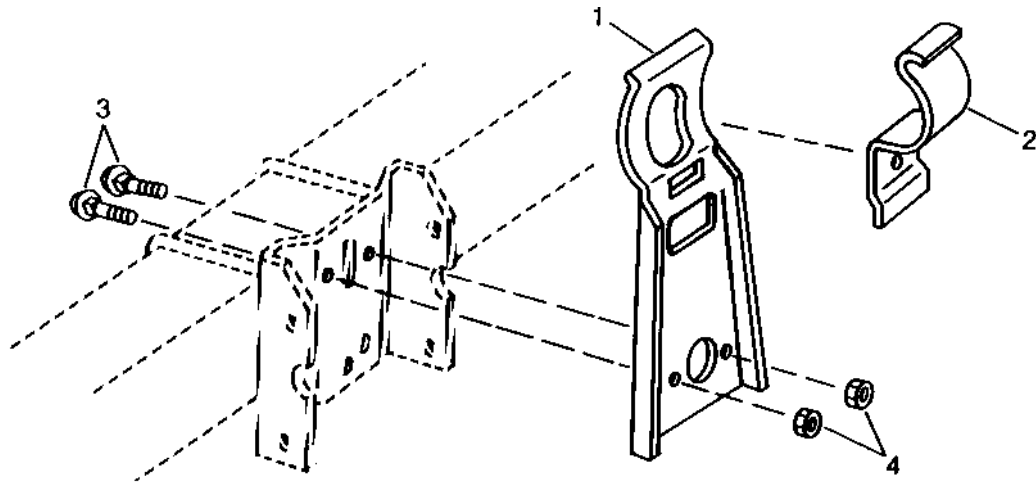
DUAL VACUUM BLOWER BRACKET
12 ROW NARROW AND 12-ROW, 70 CM
 AP3828 -UN-01JAN94



AP3828

KEY	PART NO.	PART NAME	QTY	SERIAL NO. OR YEAR	REMARKS
1	A46533	U-BOLT	1		
2	19M7216	CAP SCREW	1	M12 X 100	
3	AA34509	BRACKET	1		
4	24M7047	WASHER	1	13 X 24 X 2.500 MM (0.512" X 0.945" X 0.098")	
5	A31867	LOCK NUT	1	M12	
6	14M7276	NUT	2	M16	

VACUUM BLOWER MANIFOLD BRACKETS
AP3926 -UN-10DEC94



AP3926

KEY	PART NO.	PART NAME	QTY	SERIAL NO. OR YEAR	REMARKS
1	A54310	BRACKET	6	(A)	
	A54310	BRACKET	8	(B)	
	A54310	BRACKET	12	(C)	
2	A54309	STRAP	6	(A)	
	A54309	STRAP	8	(B)	
	A54309	STRAP	12	(C)	
3	19M7938	CAP SCREW	12	(A) M10 X 20	
	19M7938	CAP SCREW	16	(B) M10 X 20	
	19M7938	CAP SCREW	24	(C) M10 X 20	
4	14M7274	NUT	12	(A) M10	
	14M7274	NUT	16	(B) M10	
	14M7274	NUT	24	(C) M10	

- (A) FOR 8-ROW WIDE SKIP-ROW
- (B) FOR 8-ROW WIDE
- (C) FOR 12-ROW NARROW AND 12-ROW, 70 CM

G16

FC: 6542

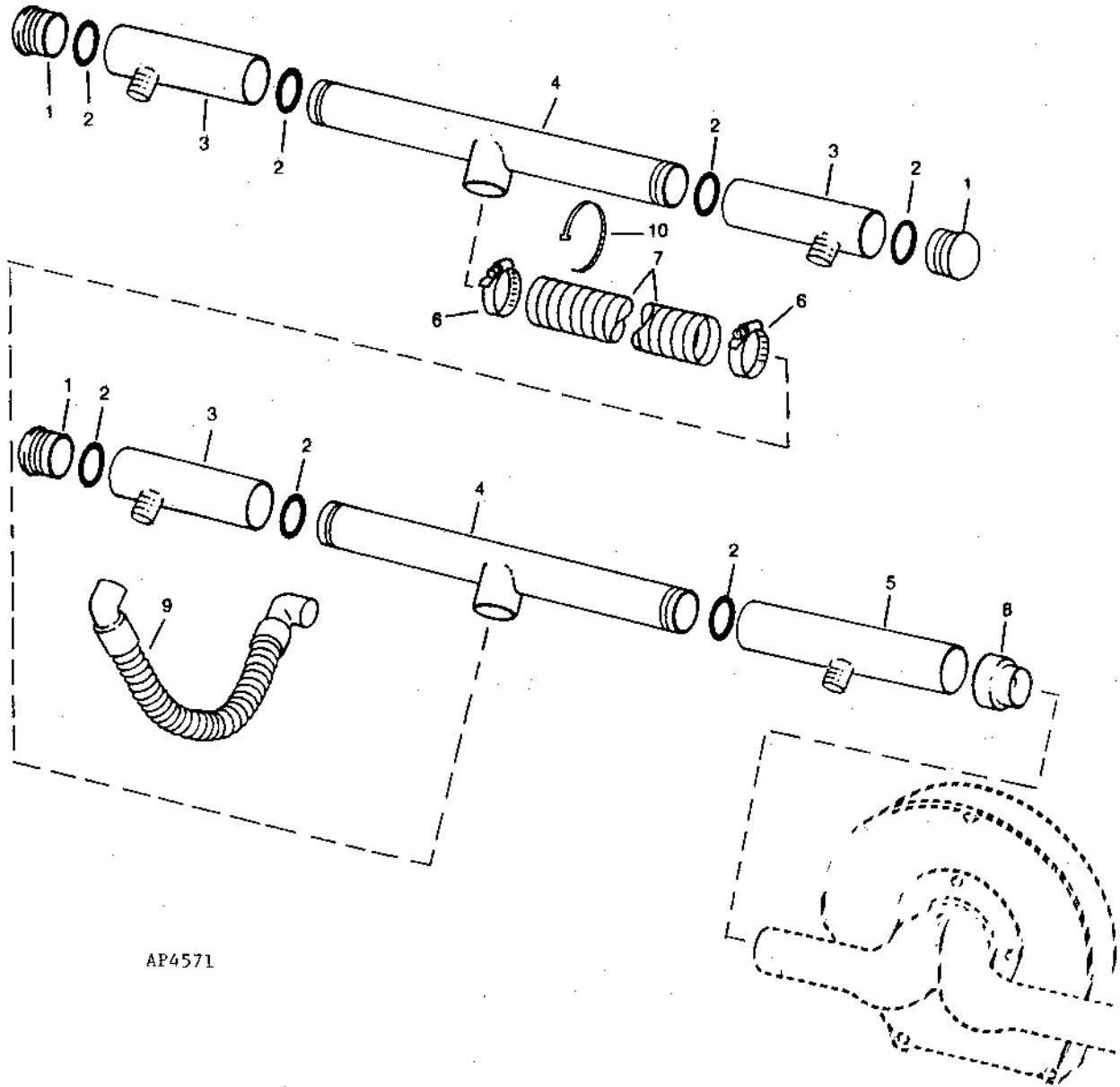
VACUUM SYSTEMS

VACUUM MANIFOLD ASSEMBLY

8-ROW WIDE

AP4571

-UN-09MAY96

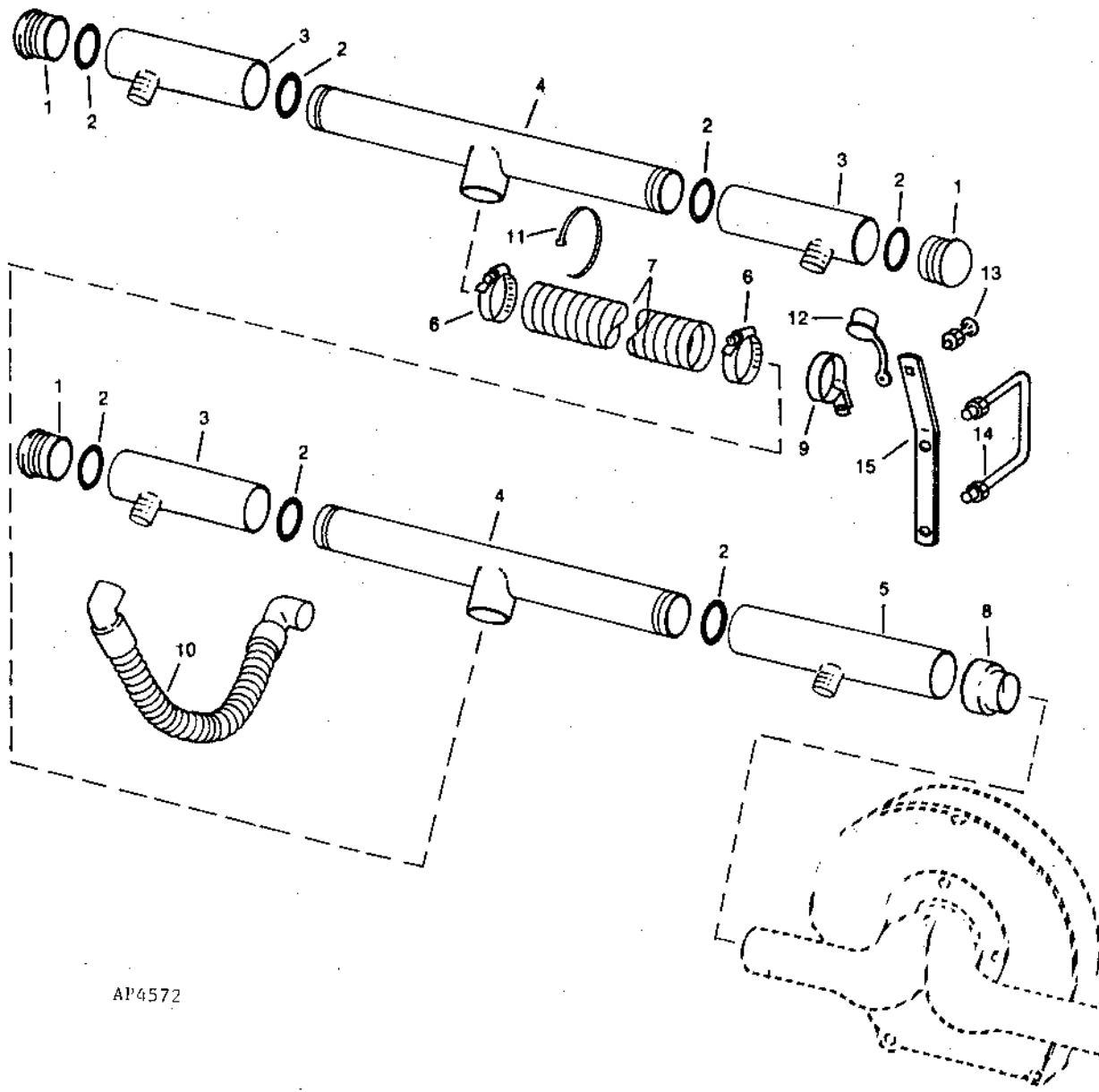


AP4571

VACUUM MANIFOLD ASSEMBLY - CONTINUED
8-ROW WIDE

KEY	PART NO.	PART NAME	QTY	SERIAL NO. OR YEAR	REMARKS
1	A52020	PLUG	6		
2	T12282	BACK-UP RING	14		
3	A47748	MANIFOLD	6		
4	A46921	AIR DUCT	4		
5	A40473	MANIFOLD	2		
6	AT25242	CLAMP	4		
7	A48287	HOSE	2		(CUT FROM A48287) 79.4 X 2 250MM (3-1/8" X 88-1/2")
8	H137513	SEAL	2		
9	AA33985	HOSE	1		
10	H77698	TIE BAND	1		360.425 MM (14.19")

VACUUM MANIFOLD ASSEMBLY
8-ROW WIDE SKIP-ROW
AP4572 -UN-09MAY96



AP4572

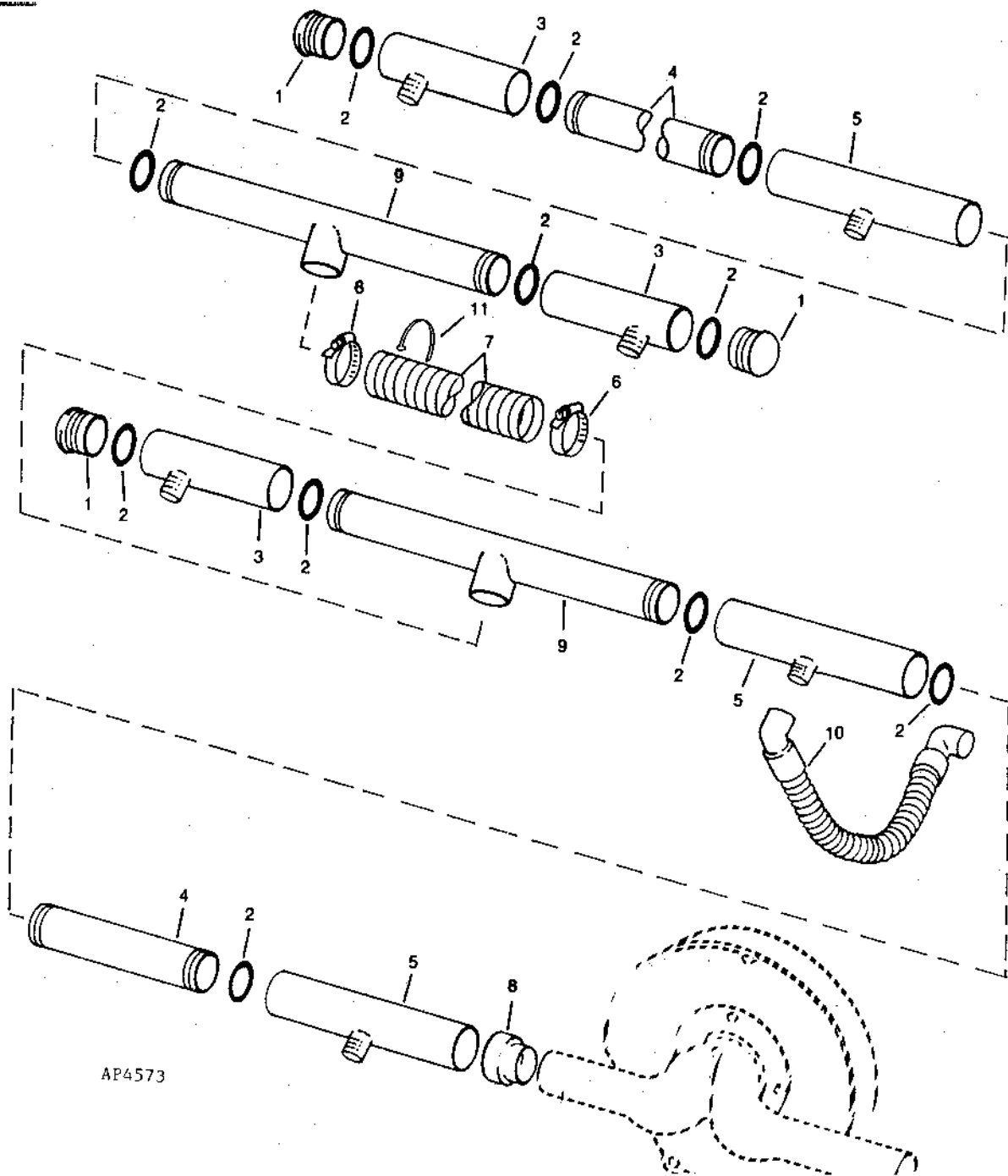
VACUUM MANIFOLD ASSEMBLY - CONTINUED
8-ROW WIDE SKIP-ROW

KEY	PART NO.	PART NAME	QTY	SERIAL NO. OR YEAR	REMARKS
1	A52020	PLUG	3		
2	T12282	BACK-UP RING	7		
3	A47748	MANIFOLD	3		
4	A46921	AIR DUCT	2		
5	A40473	MANIFOLD	1		
6	AT25242	CLAMP	2		
7	A48287	HOSE	1		(CUT FROM A48287) 79.4 X 2 250MM (3-1/8" X 88-1/2")
8	H137513	SEAL	1		
9	A46674	CLAMP	3		
10	AA33985	HOSE	3		31.75 X 1 050MM (1-1/4" X 41-5/16")
11	H77698	TIE BAND	AR		360.426 MM (14.19")
12	A45627	CAP	1		
13	03M7191	BOLT	1		M10 X 25
	14M7274	NUT	1		M10
14	A46534	U-BOLT	1		
	14M7275	NUT	2		M12
15	A50003	STRAP	1		

VACUUM MANIFOLD ASSEMBLY (SINGLE BLOWER)

12-ROW NARROW

AP4573 -UN-09MAY96

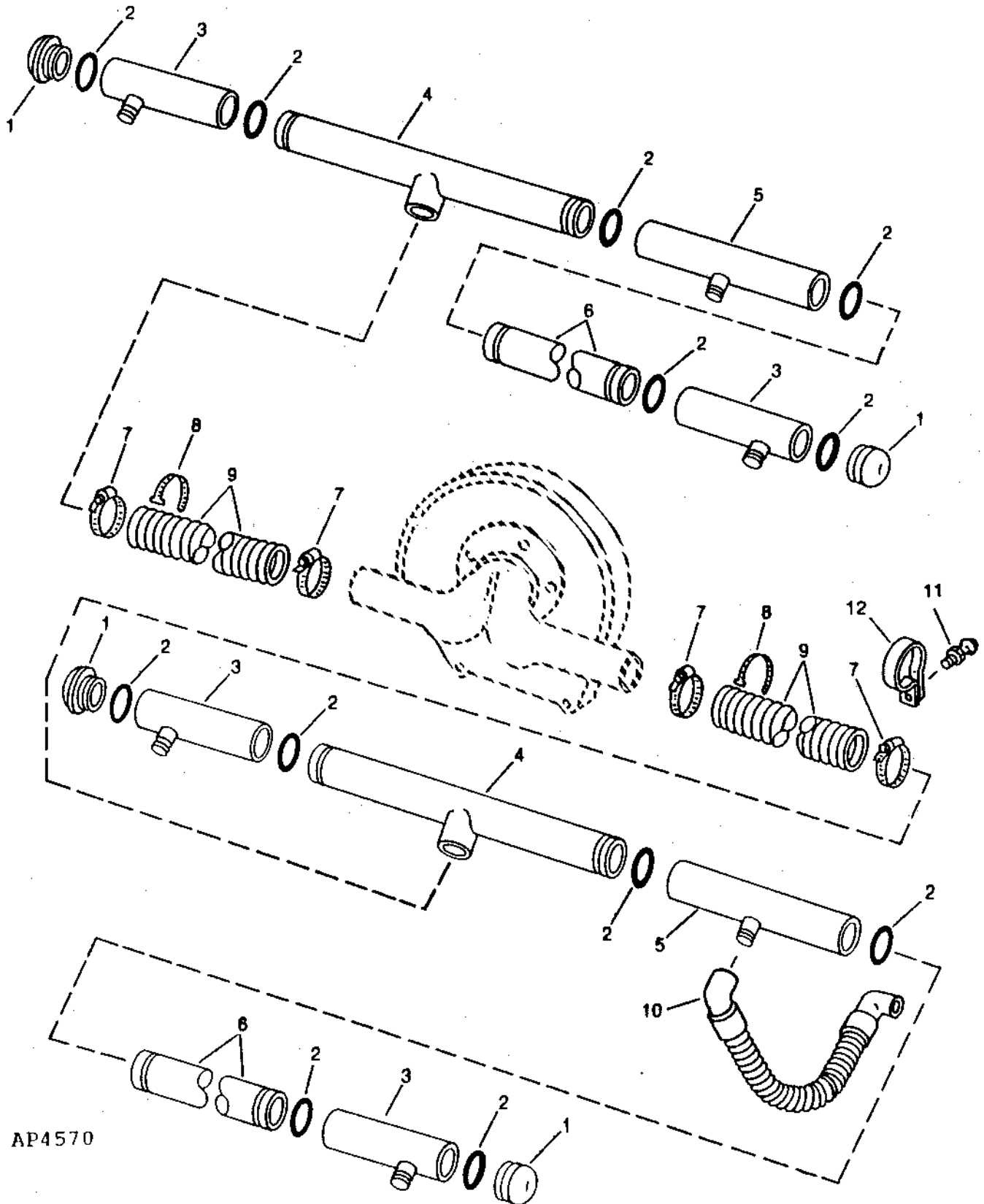


AP4573

VACUUM MANIFOLD ASSEMBLY (SINGLE BLOWER) - CONTINUED
12-ROW NARROW

KEY	PART NO.	PART NAME	QTY	SERIAL NO. OR YEAR	REMARKS
1	A52020	PLUG	3		
2	T12282	BACK-UP RING	11		
3	A47748	MANIFOLD	3		
4	A40309	AIR DUCT	2		
5	A40473	MANIFOLD	3		
6	AT25242	CLAMP	2		
7	A48287	HOSE	1		(CUT FROM A48287) 79.4 X 2 050MM (3-1/8" X 80-3/4")
8	H137513	SEAL	1		
9	A46921	AIR DUCT	2		
10	AA33985	HOSE	6		31.75 X 1 050MM (1-1/4" X 41-5/16")
11	H77698	TIE BAND	AR		360.426 MM (14.19")

DUAL VACUUM MANIFOLD ASSEMBLY
12 ROW NARROW
AP4570 -UN-07MAY96

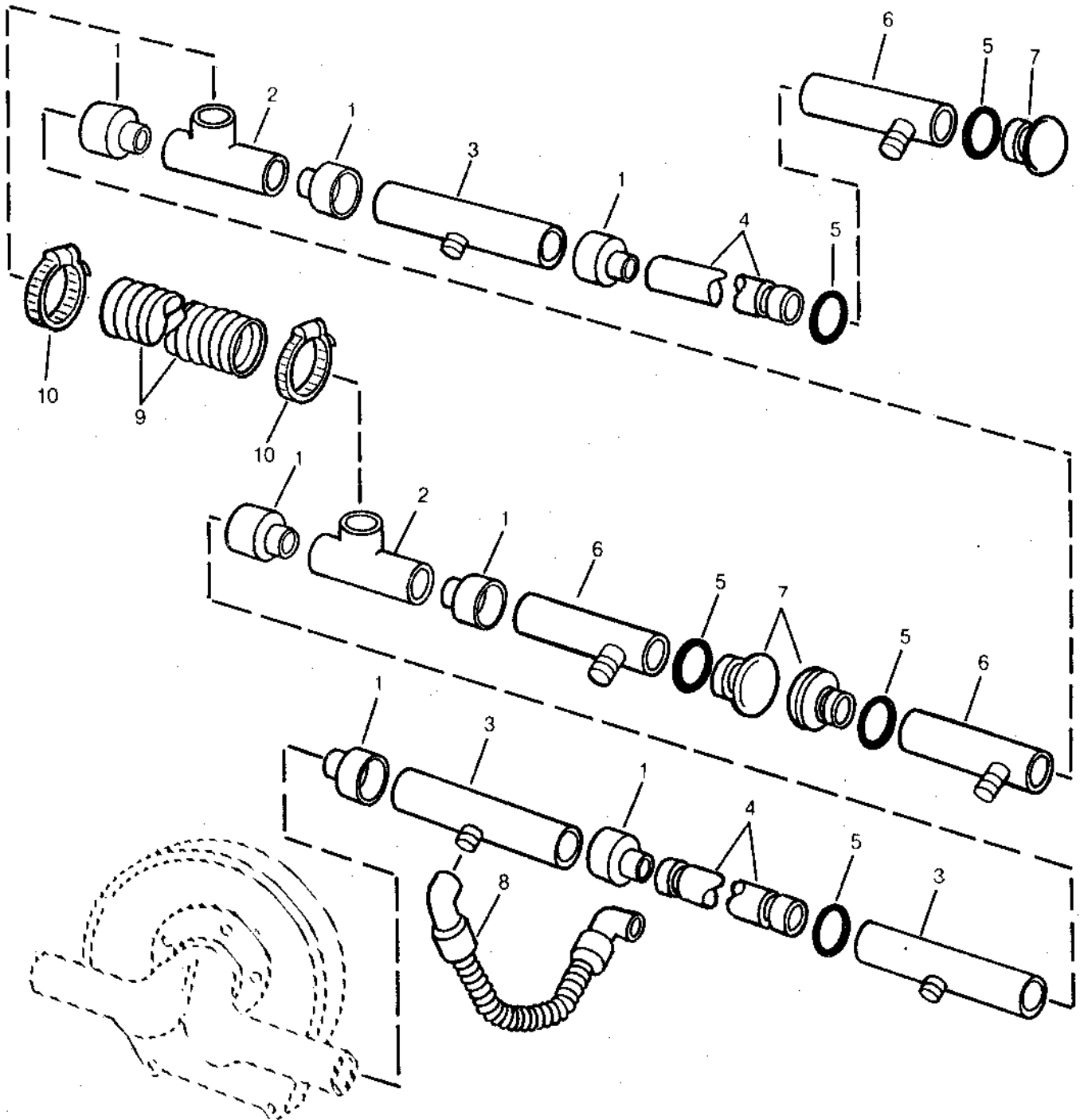


AP4570

DUAL VACUUM MANIFOLD ASSEMBLY - CONT.
12 ROW NARROW

KEY	PART NO.	PART NAME	QTY	SERIAL NO. OR YEAR	REMARKS
1	A52020	PLUG	3		
2	T12282	BACK-UP RING	11		
3	A47748	MANIFOLD	3		72.695 X 2.616 MM (2.862" X 0.103")
4	A46921	AIR DUCT	2		
5	A40473	MANIFOLD	3		
6	A40309	AIR DUCT	2		
7	AT25242	CLAMP	2		
8	H77698	TIE BAND	4		360.426 MM (14.19")
9	A48287	HOSE	1		CUT TO LENGTH FROM A48287
10	AA33985	HOSE	6		
11	03M7191	BOLT	6		
	14M7274	NUT	1		
12	A46674	CLAMP	12		

VACUUM MANIFOLD ASSEMBLY
RIGHT-HAND SIDE ILLUSTRATED
12-ROW 70 CM
AP6065 -UN-08MAY97

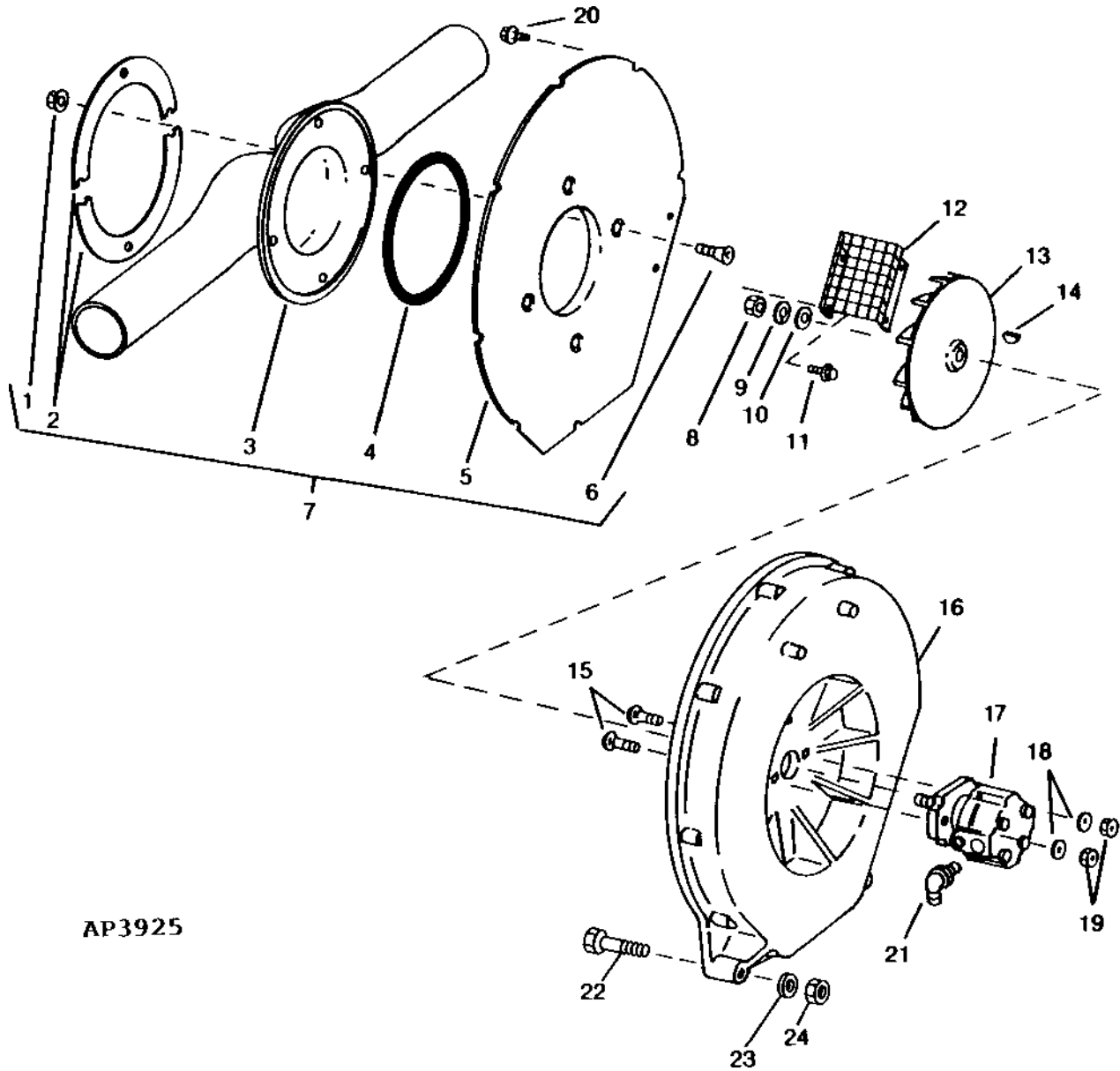


AP6065

VACUUM MANIFOLD ASSEMBLY - CONTINUED
RIGHT-HAND SIDE ILLUSTRATED
12-ROW 70 CM

KEY	PART NO.	PART NAME	QTY	SERIAL NO. OR YEAR	REMARKS
1	H137513	SEAL	7		
2	A46921	AIR DUCT	2		
3	A40473	MANIFOLD	3		
4	A40309	AIR DUCT	2		CUT 2" OFF ONE END
5	T12282	BACK-UP RING	8		
6	A47748	MANIFOLD	3		
7	A52020	PLUG	3		
8	AA33985	HOSE	AR		
9	A48287	HOSE	1		
10	AT25242	CLAMP	2		

VACUUM BLOWER ASSEMBLY
AP3925 -UN-10DEC94

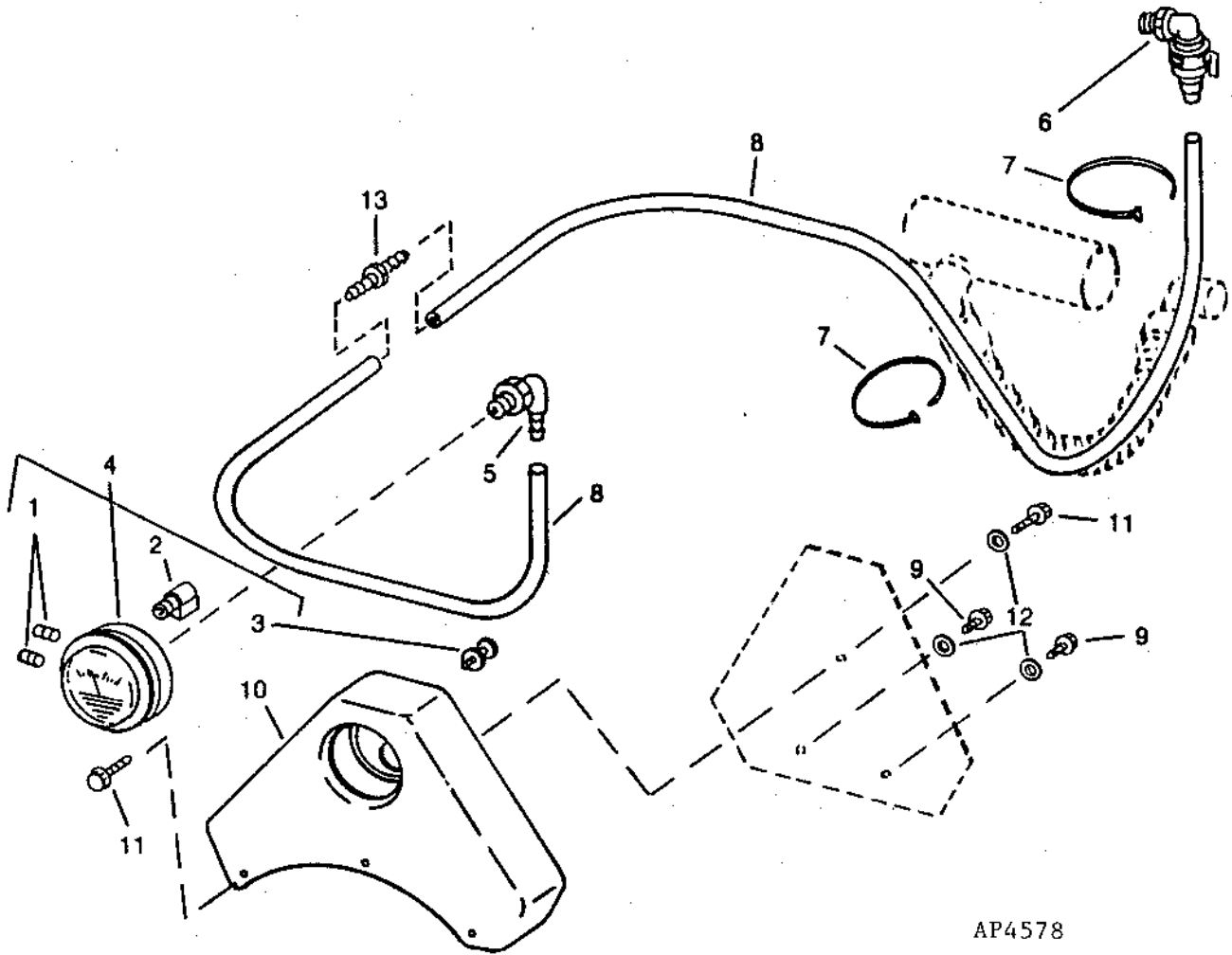


AP3925

VACUUM BLOWER ASSEMBLY

KEY	PART NO.	PART NAME	QTY	SERIAL NO. OR YEAR	REMARKS
1	14M7296	FLANGE NUT	4	M10	
2	A52522	PLATE	1		
3	A52480	ACCUMULATOR	1		
4	A52523	RING	1		
5	A52465	PLATE	1		
6	19M8551	SCREW	4	M10 X 25	
7	AA37533	ACCUMULATOR	1		
8	14H650	NUT	1	5/16"	
9	12M7065	LOCK WASHER	1	8.100 MM	
10	24H1136	WASHER	1	11/32" X 11/16" X 0.065"	
11	37M7060	SCREW	4	M4 X 10	
12	AA35021	GUARD	1		
13	A46771	IMPELLER	1		
14	26H7	SHAFT KEY	1	1/8" X 1/2"	
15	03H1519	BOLT	2	3/8" X 1"	
16	A46770	HOUSING	1		
17	AH132882	MOTOR	1		
18	24H1305	WASHER	2	13/32" X 13/16" X 0.065"	
19	K40003	LOCK NUT	2	9.525 MM (3/8")	
20	37M7089	SCREW	8	M6 X 12	
21	AT32332	ELBOW FITTING	1		
22	19M7216	CAP SCREW	2	M12 X 100	
23	24M7047	WASHER	2	13 X 24 X 2.500 MM (0.512" X 0.945" X 0.098")	
24	14M7275	NUT	2	M12	

VACUUM MONITORING ASSEMBLY
AP4578 -UN-08MAY96

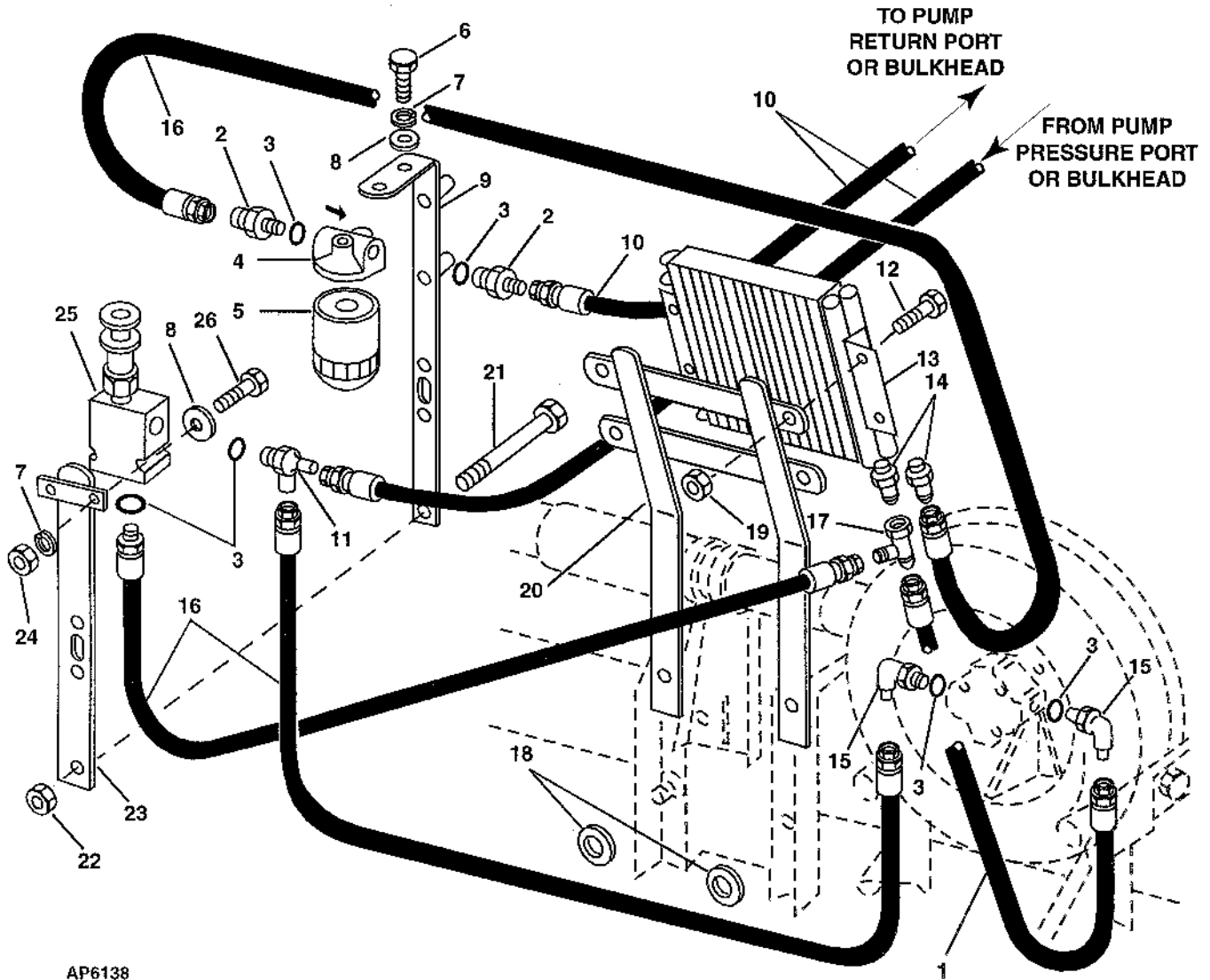


AP4578

VACUUM MONITORING ASSEMBLY - CONTINUED

KEY	PART NO.	PART NAME	QTY	SERIAL NO. OR YEAR	REMARKS
1	15H558	PIPE PLUG	2		3.175 MM (1/8")
2	A58343	PLUG	1		
3	21H1290	SCREW	3		3.505 X 12.700 MM (0.138" X 1/2")
	24H1281	WASHER	3		3.962 X 9.525 X 1.245 MM (5/32" X 3/8" X 0.049")
4	AH133360	GAUGE	1		
	AA37175	INDICATOR	1		USE WHEN PLANTING SUGARBEETS ONLY
	AA38407	PRESSURE GAUGE	1		30" USED WITH FLAT EDIBLE BEANS
5	N117170	HOSE FITTING	1		
6	AA37862	FITTING	1		90°
7	R44302	TIE BAND	2		190.000 MM (7.480")
8	TY22420	BULK HOSE	1		9.52 X 6.350 X 3 658MM (0.375" X 0.250 X 144.00")
9	37M7089	SCREW	2		M6 X 12
10	A51779	BRACKET	1		
11	37M7090	SCREW	4		M6 X 16
12	24M7088	WASHER	3		6.600 X 12 X 1.600 MM (0.260" X 0.472" X 0.063")
13	A52155	FITTING	1		

PTO HYDRAULIC PUMP WITH COOLER
AP6138 -19-08SEP97

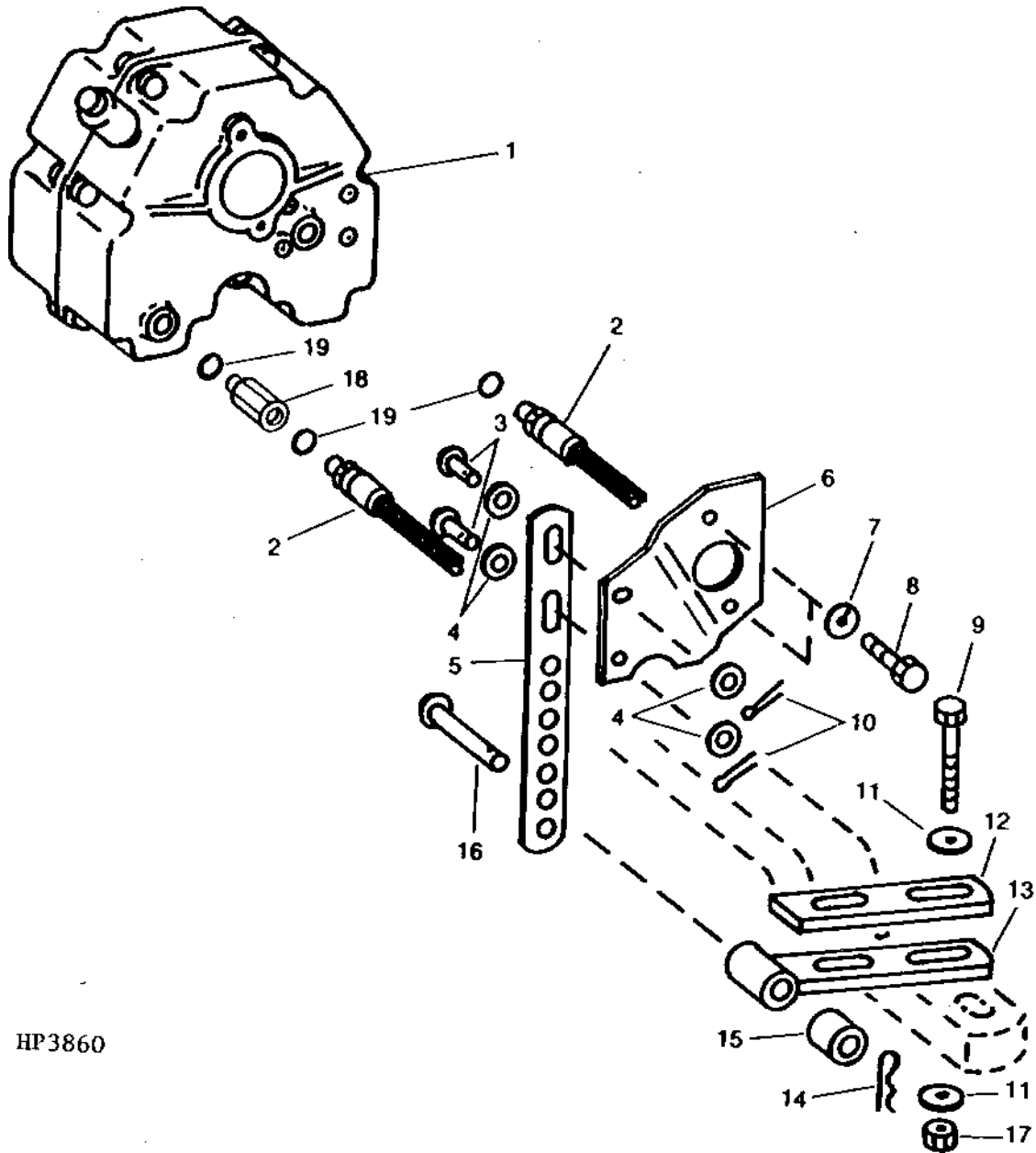


AP6138

PTO HYDRAULIC PUMP WITH COOLER - CONTINUED

KEY	PART NO.	PART NAME	QTY	SERIAL NO. OR YEAR	REMARKS
1	AT42218	HYDRAULIC HOSE	1		3/4" X 927 MM (36-1/2") X 3/4"
2	R27237	FITTING	5		
3	R26375	O-RING	5		16.358 X 2.210 MM (0.644" X 0.087")
4	AH133757	FITTING	1		
5	RE17380	OIL FILTER	1		
6	19H1914	CAP SCREW	2		6.350 X 25.400 MM (1/4" X 1")
7	12H302	LOCK WASHER	4		6.350 MM (1/4")
8	24H1287	WASHER	2		7.137 X 15.875 X 1.651 MM (9/32" X 5/8" X 0.065")
9	STRAP	1		
10	AA29068	HYDRAULIC HOSE	1		3/4" X 2 400 MM (94-1/2") X 3/4"
11	AT26327	TEE FITTING	1		
12	19H1900	CAP SCREW	4		7.925 X 19.050 MM (5/16" X 3/4")
13	AH129107	OIL COOLER	1	-1997	(SUB AA44845)
	AA44845	OIL COOLER	1		
14	T41651	FITTING	2		
15	AH75164	ELBOW FITTING	2		
16	AA36987	HYDRAULIC HOSE	3		3/4" X 1 780 MM (70") X 3/4"
17	AN33434	TEE FITTING	1		
18	24M7053	WASHER	2		17 X 30 X 3 MM (0.669" X 1.181" X 0.118")
19	A22698	NUT	4		7.925 MM (5/16")
20	AH132959	BRACKET	1		WIDE MOUNT PLANTERS
	AA46402	BRACKET	1		NARROW MOUNT (12-ROW 70 CM) PLANTERS ONLY
21	08H4490	CAP SCREW	2		12.700 X 203.200 MM (1/2" X 8")
22	14H1040	NUT	2		12.700 MM (1/2")
23	STRAP	1		
24	14H786	NUT	2		6.350 MM (1/4")
25	AA38000	VALVE	1		
26	19H2334	CAP SCREW	2		6.350 X 63.500 MM (1/4" X 2-1/2")
27	AT26327	TEE FITTING	1		
..	BH78508	SHIPPING BUNDLE	1		540 RPM PTO HYDRAULIC PUMP, HOSES AND FITTINGS; 8-ROW 36-, 38- AND 40-INCH SPACING
..	BH78873	SHIPPING BUNDLE	1		1000 RPM PTO HYDRAULIC PUMP, HOSES AND FITTINGS; 8-ROW 36-, 38- AND 40-INCH; 12-ROW 30-INCH, 70 CM SPACING
..	BH78741	SHIPPING BUNDLE	1		OIL COOLER; 8-ROW 36-, 38- AND 40-INCH; 12-ROW 30-INCH
..	BA27722	SHIPPING BUNDLE	1		OIL COOLER, 12-ROW 70 CM ONLY
INCLUDES ALL PARTS MARKED (A):					
..	AA37519	SHIPPING BUNDLE	1		

PTO PUMP ASSEMBLY
HP3860 -UN-01JAN94



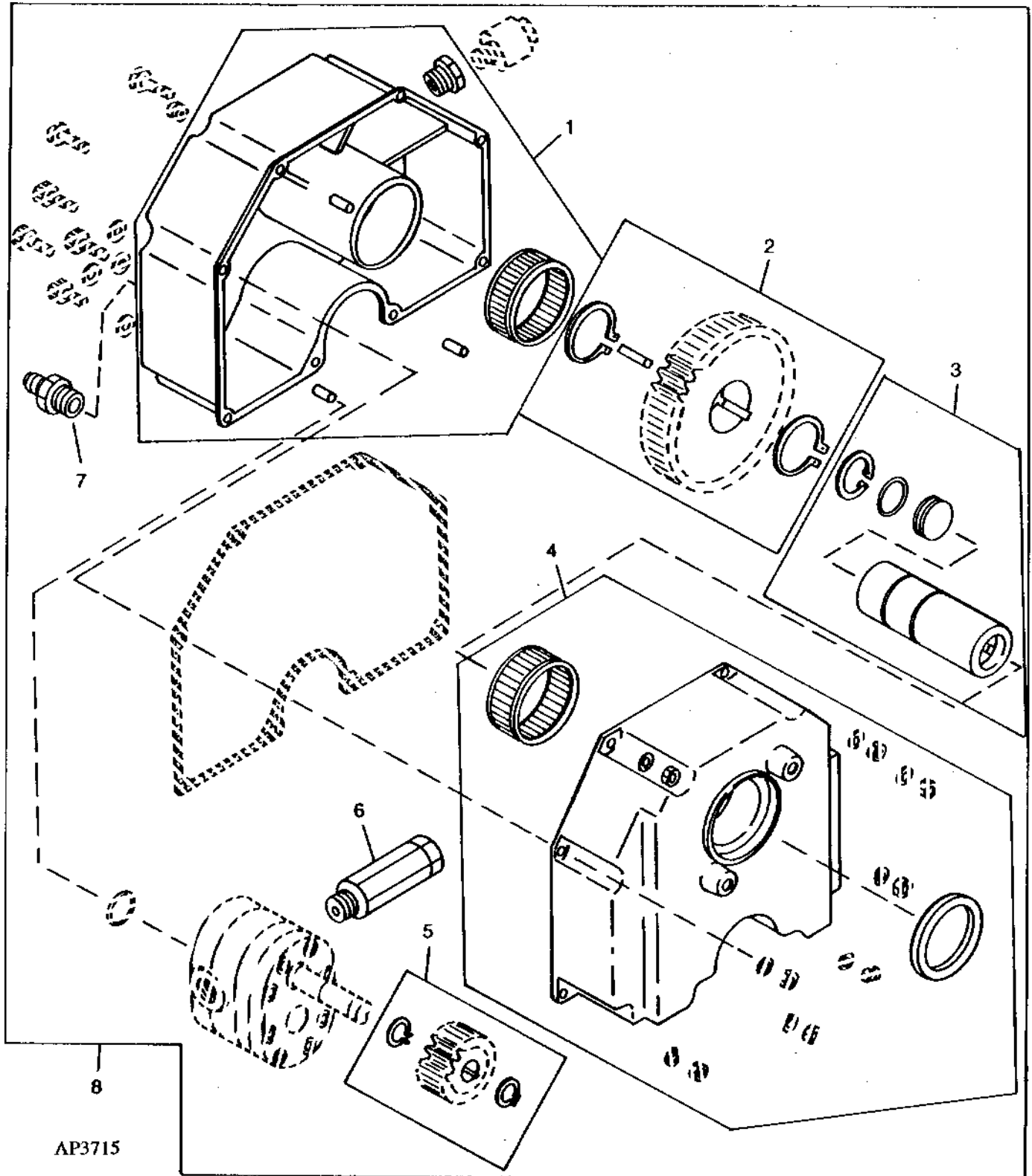
HP3860

PTO PUMP ASSEMBLY - CONTINUED

KEY	PART NO.	PART NAME	QTY	SERIAL NO. OR YEAR	REMARKS
1	AH129101	PUMP	1	540 RPM	
	AH132362	PUMP	1	1000 RPM	
2	AA29068	HYDRAULIC HOSE	1	3/4" X 2 400 MM (94-1/2") X 3/4"	
3	B1726M	PIN	2	11.125 X 31.750 MM (7/16" X 1-1/4")	
4	24H1325	WASHER	4	11.913 X 23.419 X 1.651 MM (15/32" X 59/64" X 0.065")	
5	H136479	BAR	1		
6	H136481	PLATE	1		
7	12H304	LOCK WASHER	2	9.525 MM (3/8")	
8	19H1731	CAP SCREW	2	9.525 X 25.400 MM (3/8" X 1")	
9	19H1992	CAP SCREW	2	12.700 X 101.600 MM (1/2" X 4")	
10	11H216	COTTER PIN	2	4.775 X 25.400 MM (3/16" X 1")	
11	24H1111	WASHER	4	13.487 X 26.975 X 2.286 MM (17/32" X 1-1/16" X 0.090")	
12	STRAP	1	(ORDER AA37520)	
13	STRAP	1	(ORDER AA37520)	
14	A3581R	SPRING LOCKING PIN	3		
15	BP14189	SPACER	1	17.475 X 28.575 X 25.400 MM (11/16" X 1-1/8" X 1")	
16	14779	PIN	1	15.875 X 92.075 MM (5/8" X 3-5/8")	
17	14H1040	NUT	2	12.700 MM (1/2")	
18	AA35560	CHECK VALVE	1		
19	R26375	O-RING	1	16.358 X 2.210 MM (0.644" X 0.087")	
..	AH133003	PUMP	1	540 RPM (LOCATED INSIDE OF FRONT AND REAR HOUSING)	
..	AH133698	HYDRAULIC PUMP	1	1000 RPM (LOCATED INSIDE OF FRONT AND REAR HOUSING)	
..	AH133004	SEAL KIT	1	FOR 540 AND 1000 RPM PUMPS	
..	AH133005	CAP	1		
..	AA37520	KIT	1	INLCUDES KEYS 12 & 13	

PTO PUMP
AP3715

-UN-01JAN94



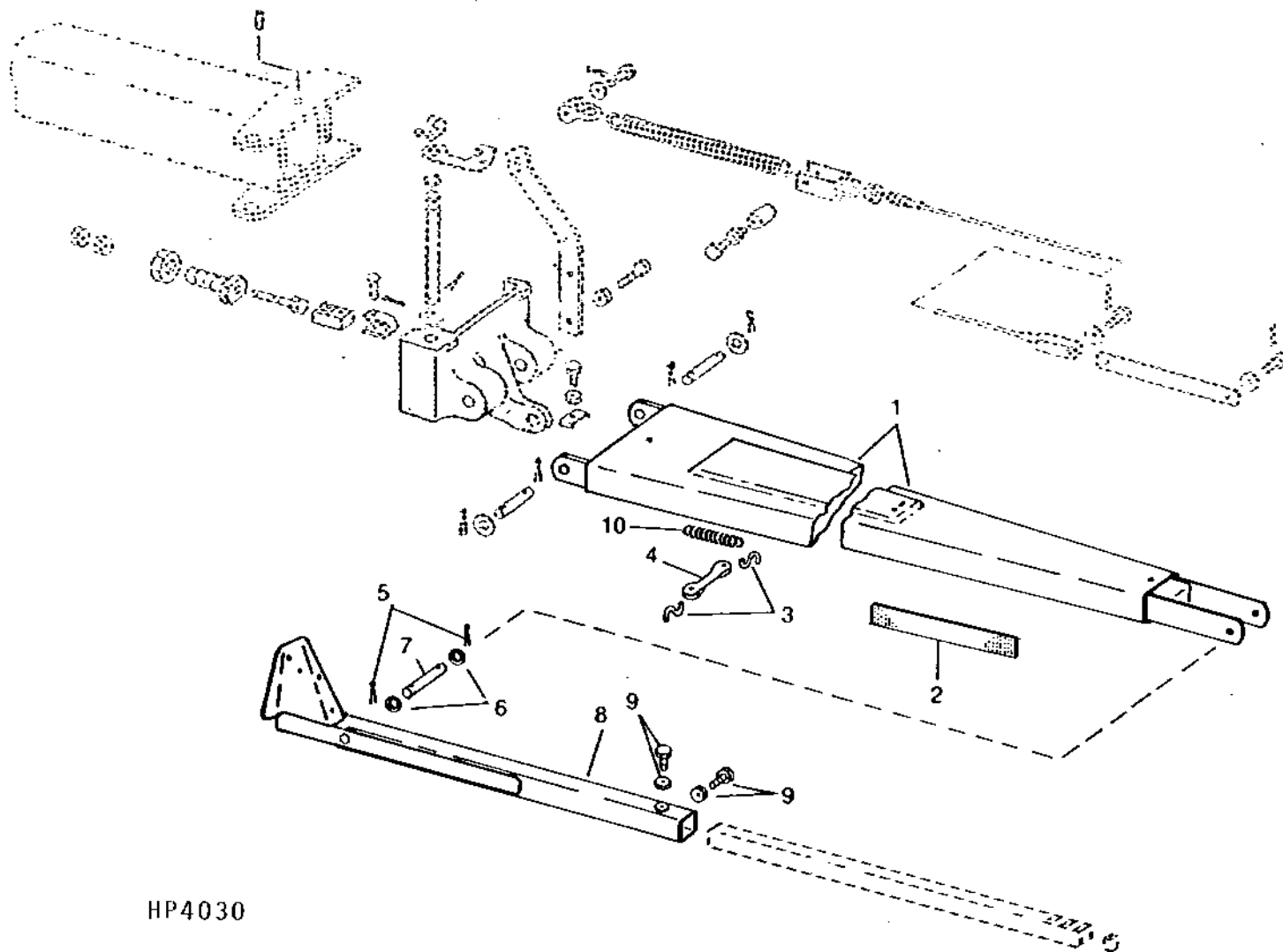
PTO PUMP - CONTINUED

KEY	PART NO.	PART NAME	QTY	SERIAL NO. OR YEAR	REMARKS
1	AA39201	HOUSING	1		REAR
2	AA39199	GEAR	1		SHAFT (DRIVEN)
3	AA39195	SHAFT	1		1000 RPM
	AA39196	SHAFT	1		540 RPM
4	AA39200	HOUSING	1		FRONT
5	AA39198	GEAR	1		DRIVEN
6	AA39197	RELIEF VALVE	1		
7	AA35560	CHECK VALVE	1		
8	AH132362	PUMP	1		1000 RPM - COMPLETE
	AH129101	PUMP	1		540 RPM - COMPLETE
..	AH133004	SEAL KIT	1		SEAL KIT; FOR 540 AND 1000 RPM PUMPS
..	AH133003	PUMP	1		540 RPM; LOCATED INSIDE OF FRONT AND REAR HOUSING
..	AH133698	HYDRAULIC PUMP	1		1000 RPM; LOCATED INSIDE OF FRONT AND REAR HOUSING

MEMORANDA

MEMORANDA

MARKER ARM ASSEMBLY
HP4030 -UN-01JAN94



HP4030

MARKER ARM ASSEMBLY - CONTINUED

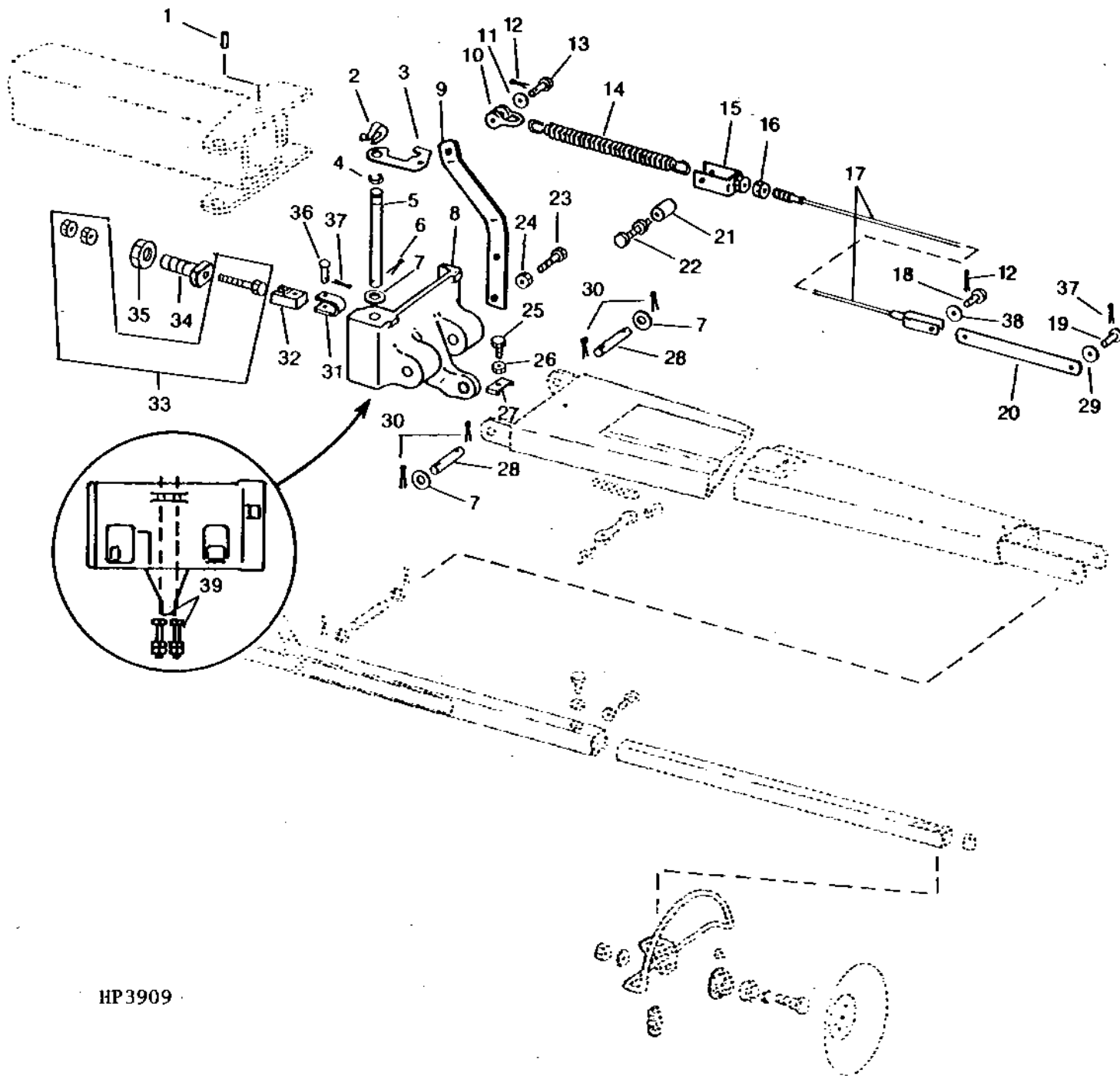
KEY	PART NO.	PART NAME	QTY	SERIAL NO. OR YEAR	REMARKS
1	AA41776	ARM	1		8-ROW, 36-, 38- AND 40-INCH; 12-ROW, 70 CM
	AA41777	ARM	1		12-ROW, 30-INCH
2	JD5904	REFLECTOR	1		AMBER, LOCATED ON FRONT OF ARM
	JD5579	REFLECTOR	1	-1993	RED, LOCATED ON REAR OF ARM
	JD5900	REFLECTOR	1		RED, LOCATED ON REAR OF ARM
3	A26375	HOOK	2		
4	A26181	STRAP	1		
5	11M7054	COTTER PIN	2		6.300 X 32 MM (0.248" X 1.260")
6	24H1161	WASHER	2		20.625 X 37.313 X 3.404 MM (13/16" X 1-15/32" X 0.134")
7	E68478	PIN	1		19.050 X 152.500 MM (3/4" X 6.004")
8	AH133853	ARM	1		8-ROW, 36-, 38- AND 40-INCH; 12-ROW, 70 CM
	AH131034	ARM	1		12-ROW, 30-INCH
9	A50745	BOLT	2		
	14M7415	NUT	2		M12
10	H135018	SPRING	1		

H14

FC: 6120

MARKERS

MARKER PIVOT ASSEMBLY
HP3909 -UN-01JAN94



HP3909

MARKER PIVOT ASSEMBLY - CONTINUED

KEY	PART NO.	PART NAME	QTY	SERIAL NO. OR YEAR	REMARKS
1	34M7049	SPRING PIN	1		8 X 50 MM (0.315" X 1.969")
2	A50417	CLIP	1		
3	A47737	ANCHOR	1		
4	M40808	SNAP RING	1		
5	A49292	PIN	1		25.400 X 280 MM (1" X 11.024")
6	11M7056	COTTER PIN	1		8 X 50 MM (0.315" X 1.969")
7	24H1138	WASHER	AR		26.975 X 50.800 X 3.404 MM (1-1/16" X 2" X 0.134")
8	A50268	PIVOT	1		R.H.
	A50269	PIVOT	1		L.H.
9	A49966	MAST	1		R.H.
	A49967	MAST	1		L.H.
10	H22480	CLEVIS	1		
11	24H1111	WASHER	1		13.487 X 26.975 X 2.286 MM (17/32" X 1-1/16" X 0.090")
12	11M7015	COTTER PIN	2		3.200 X 25 MM (0.126" X 0.984")
13	T19818	PIN	1		10.947 X 52.324 MM (0.431" X 2.060")
14	A50831	SPRING	1		
15	AA35597	CLEVIS	1		8-ROW, 36-, 38- AND 40-INCH; 12-ROW, 70 CM (ILLUSTRATED)
	AH129234	CLEVIS	1		12-ROW, 30-INCH
16	14M7260	NUT	1		M16
17	AH131991	CABLE	1		8-ROW WIDE
	AH131992	CABLE	1		8-ROW WIDE
18	A26927	PIN	1		15.875 X 39.624 MM (5/8" X 1.560")
19	KK4516B	PIN	1		15.875 X 44.450 MM (5/8" X 1-3/4")
20	A50832	STRAP	1		
21	28H1524	SPACER	1		12.522 X 17.145 X 22.225 MM (0.493" X 0.675" X 7/8")
22	19M7724	CAP SCREW	1		M10 X 45
	14M7274	NUT	1		M10
23	19M7073	CAP SCREW	2		M12 X 50
24	14M7275	NUT	2		M12
25	19M6755	CAP SCREW	1		M6 X 35
26	14M7272	NUT	1		M6
27	M42858	CLAMP	1		
28	A23680	PIN	2		25.400 X 124.460 MM (1" X 4.900")
29	24H1368	WASHER	2		16.662 X 33.325 X 2.286 MM (21/32" X 1-5/16" X 0.090")
30	11M7038	COTTER PIN	4		6.300 X 40 MM (0.248" X 1.575")
31	A45292	CLEVIS	1		
32	A47735	PIVOT	1		
33	AA36519	KIT	1		(INCLUDES (5) 19M7668 AND (10) 14M7274)
34	A45294	BOLT	1		M24 X 58
35	14M7278	NUT	1		M24
36	KK4893B	PIN	1		12.700 X 50.800 MM (1/2" X 2")
37	11M7021	COTTER PIN	2		4 X 25 MM (0.157" X 0.984")
38	24H1368	WASHER	1		16.662 X 33.325 X 2.286 MM (21/32" X 1-5/16" X 0.090")
39	19M7668	CAP SCREW	2		M10 X 100, MARKER SHEAR BOLT
	14M7274	NUT	4		M10

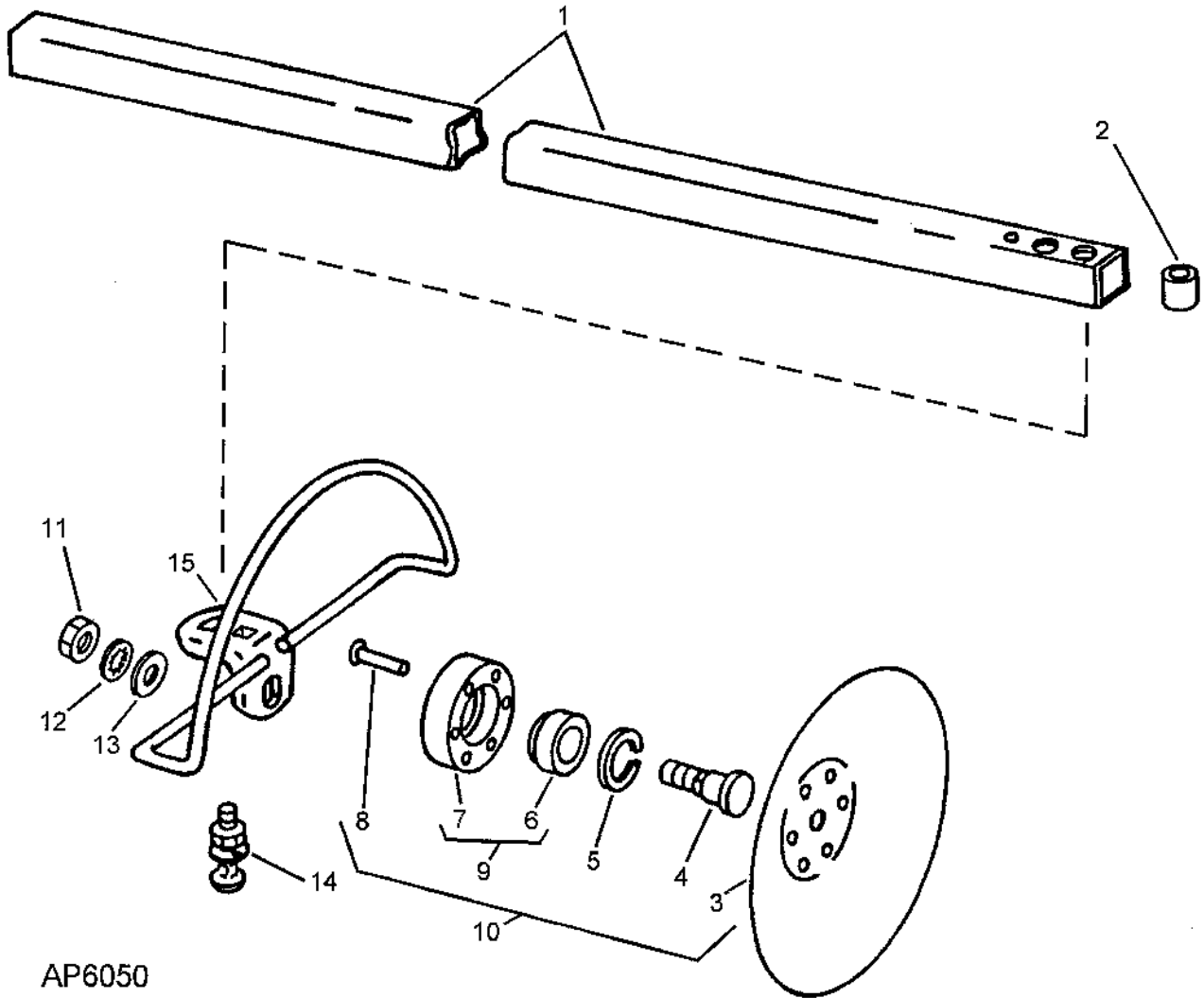
H16

FC: 6120

MARKERS

MARKER DISK AND EXTENSION TUBE

AP6050 -UN-15APR97



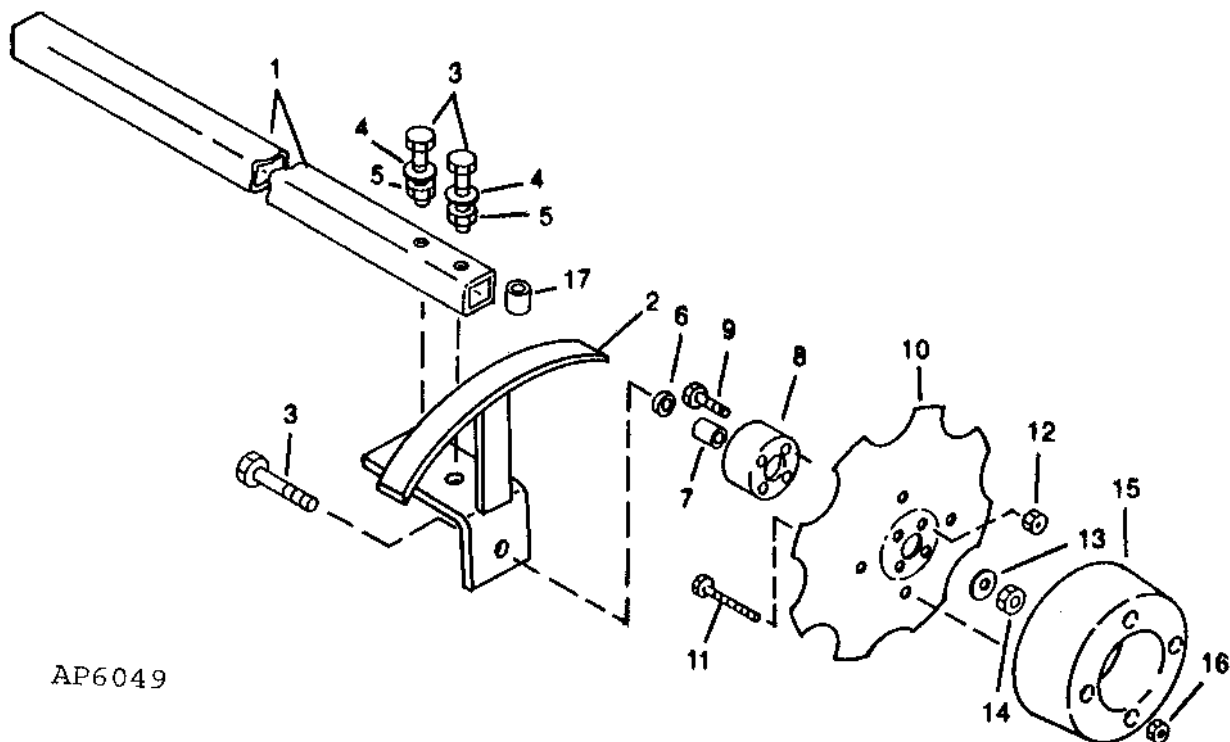
AP6050

MARKER DISK AND EXTENSION TUBE - CONTINUED

KEY	PART NO.	PART NAME	QTY	SERIAL NO. OR YEAR	REMARKS
1	A41810	TUBE	1		1 125 MM (44.291") EXTENSION, 8-ROW, 36-, 38- AND 40-INCH; 12-ROW, 70 CM
	A42302	TUBE	1		875 MM (34.449") EXTENSION, 12-ROW, 30-INCH
2	28H3184	SPACER	1		18.847 X 26.670 X 36.525 MM (0.742" X 1.050" X 1-7/16")
3	AA33718	DISK	1		330 X 3 MM (13" X 0.118")
4	A47791	BOLT	1		M16 X 56.500
5	A47973	WASHER	1		52.220 X 61 X 4.390 MM (2.056" X 2.402" X 0.173")
6	AA34616	BALL BEARING	1		
7	A47974	HOUSING	1		
8	16H750	RIVET	6		6.350 X 44.450 MM (1/4" X 1-3/4")
9	AA34617	BEARING	1		
10	AA34618	DISK	1		
11	14M7289	NUT	1		M16
12	12M7038	LOCK WASHER	1		16.500 MM (0.650")
13	24H1825	WASHER	1		17.475 X 38.100 X 4.928 MM (11/16" X 1-1/2" X 0.194")
14	03M7219	BOLT	2		M12 X 80
	12H301	LOCK WASHER	2		12.700 MM (1/2")
	14M7275	NUT	2		M12
15	AA37026	BRACKET	1		

OPTIONAL NOTCHED MARKER DISK ASSEMBLY

AP6049 -UN-15APR97



AP6049

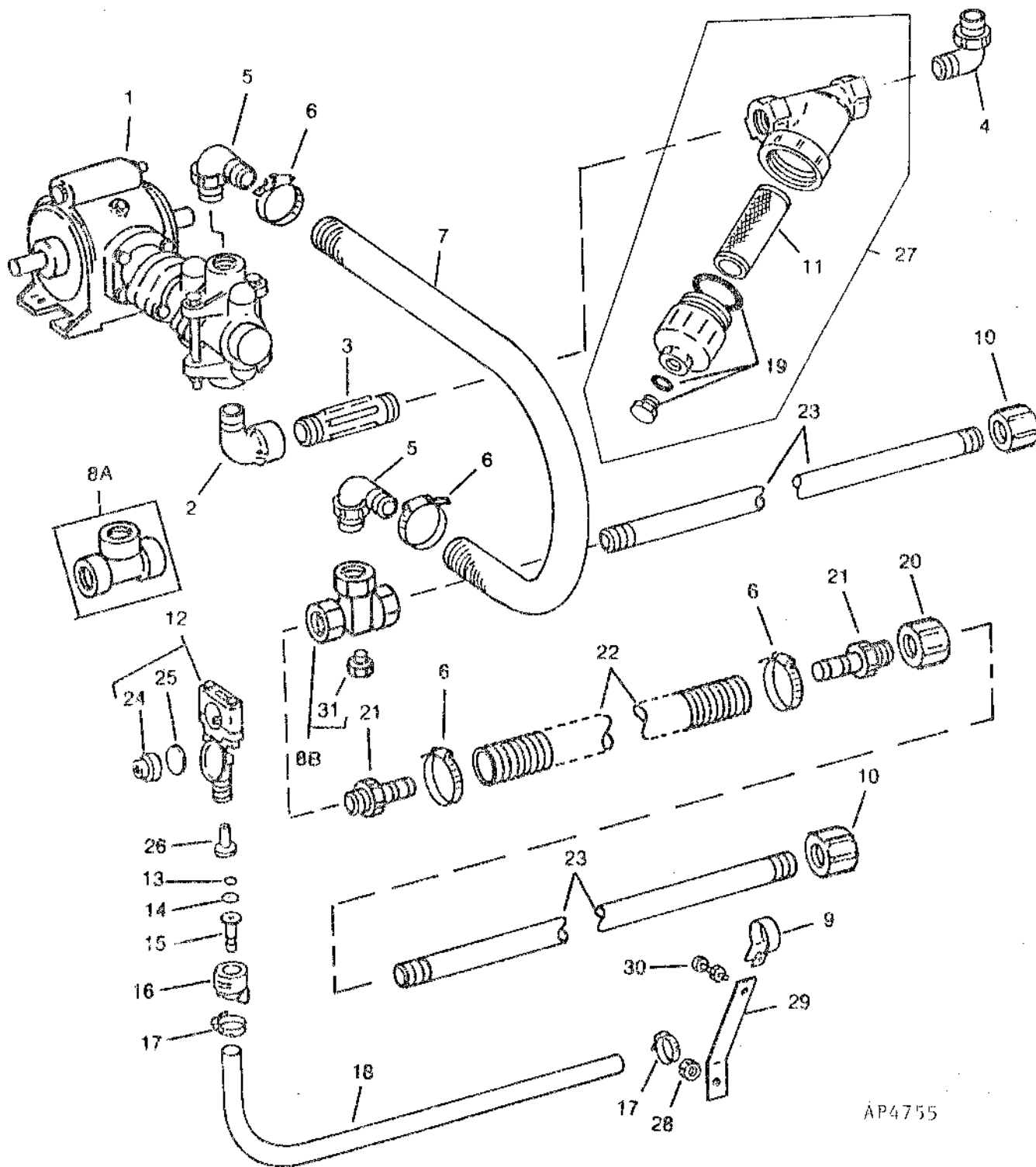
KEY	PART NO.	PART NAME	QTY	SERIAL NO. OR YEAR	REMARKS
1	A55225	BEAM	1		1 125 MM (44.291") FOR 8-ROW, 36-, 38- AND 40-INCH; 12-ROW, 70 CM
	A55131	BEAM	1		875 MM (34.449") FOR 12-ROW, 30-INCH
2	AA40362	SUPPORT	1		
3	19M7609	CAP SCREW	3	M16 X 90	
4	24M7053	WASHER	2		17 X 30 X 3 MM (0.669" X 1.181" X 0.118")
5	14M7276	NUT	2	M16	
6	P50273	BUSHING	1		16.662 X 25.222 X 16.662 MM (21/32" X 0.993" X 21/32")
7	AN212132	BALL BEARING	1		
8	A53707	HUB	1		
9	03M7246	BOLT	4	M10 X 60	
10	A53708	DISK BLADE	1		406.400 X 3 MM (16" X 0.118"), NO. 1N EDGE
11	19M7408	CAP SCREW	4	M10 X 90	
12	14M7274	NUT	4	M10	
13	N282054	WASHER	1		16.281 X 23.825 X 1.219 MM (41/64" X 15/16" X 0.048")
14	A31869	LOCK NUT	1	M16	
15	A54075	HUB	1		
16	A51212	LOCK NUT	4	M10	
17	28H3184	SPACER	1		18.847 X 26.670 X 36.525 MM (0.742" X 1.050" X 1-7/16")

MEMORANDA

LIQUID FERTILIZER PLUMBING - PISTON PUMP SYSTEM

8-ROW, 36-, 38- AND 40-INCH; 12-ROW, 30-INCH

AP4755 -UN-12AUG96

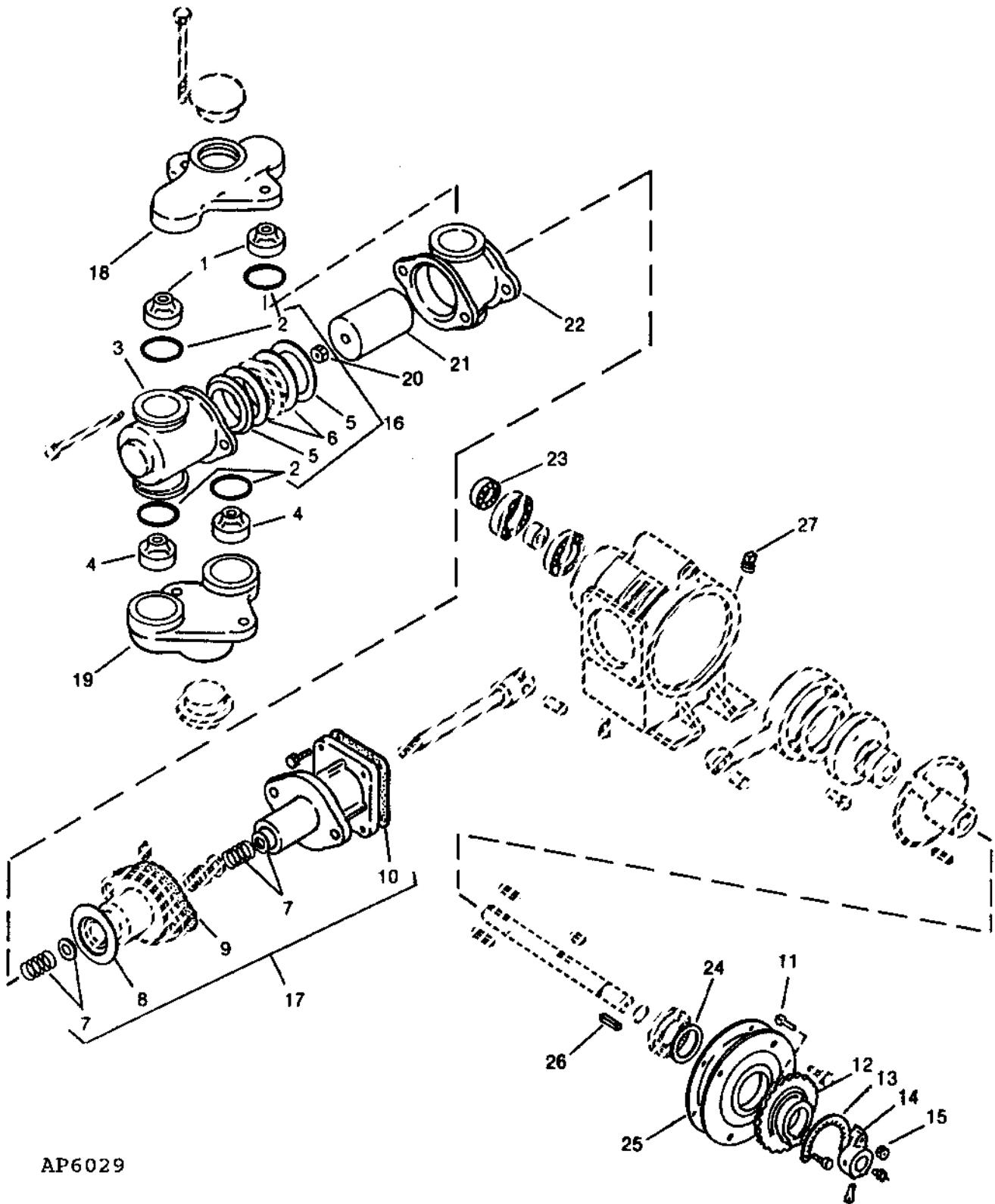


AP4755

LIQUID FERTILIZER PLUMBING - PISTON PUMP SYSTEM - CONTINUED
8-ROW, 36-, 38- AND 40-INCH; 12-ROW, 30-INCH

KEY	PART NO.	PART NAME	QTY	SERIAL NO. OR YEAR	REMARKS
1	AA37975	PUMP	1		
2	N202743	ELBOW FITTING	1		
3	N202520	THREADED NIPPLE	1		
4	A52620	ELBOW FITTING	1		
5	N203094	HOSE FITTING	2		
6	AR21839	CLAMP	2		
7	HOSE	1		(MAKE FROM A54568)
8A	A52616	TEE FITTING	1	-1996	(SUB AA41762)
8B	AA41762	FITTING	1		
9	H85741	CLAMP	4		8-ROW, 36-, 38- AND 40-INCH
	H85741	CLAMP	6		12-ROW, 30-INCH
10	A52618	FITTING	2		
11	AA40216	FILTER	1		80 MESH, FINE (ORIGINAL EQUIPMENT)
	AA40215	FILTER	1		50 MESH, COARSE (OPTIONAL)
12	AA37976	FITTING	AR		
13	N187816	WASHER	AR		(SUB N205660)
14	A52624	ORIFICE	AR		NO. 31
	A54912	ORIFICE	AR		NO. 43
	A52625	ORIFICE	AR		NO. 47
	A52626	ORIFICE	AR		NO. 78
	A52627	ORIFICE	AR		NO. 95
	A54913	ORIFICE	AR		NO. 59
15	A52628	ADAPTER	AR		
16	N187815	CAP	AR		
17	AR21837	CLAMP	AR		2 PER ROW
18	A54183	HOSE	4		8-ROW, 36-, 38- AND 40-INCH
	A54183	HOSE	6		12-ROW, 30-INCH
19	AA40210	SEAL KIT	1		
20	A52962	COUPLING	1		
21	N202992	HOSE FITTING	2		
22	HOSE	1		(MAKE FROM A54568)
23	A54575	PIPE	2		8-ROW, 36-, 38- AND 40-INCH
	A54576	PIPE	2		12-ROW, 30-INCH
24	AN183528	CAP	AR		
25	N189396	DIAPHRAGM	AR		
26	AB11378	FUEL FILTER	AR		50 MESH (RED)
	AA40214	FILTER	AR		24 MESH (WHITE)
27	AA40159	FITTING	1		WITH 80 MESH FILTER
28	14M7260	NUT	AR		M16
29	A54484	STRAP	AR	-1996	
	A59020	STRAP	AR	1996-	
30	19M7163	CAP SCREW	AR		M8 X 25
	14M7273	NUT	AR		M8
31	A45398	PIPE PLUG	1	FEB 96-	
..	A55154	SEALANT	1		

PISTON PUMP
AP6029 -UN-10APR97

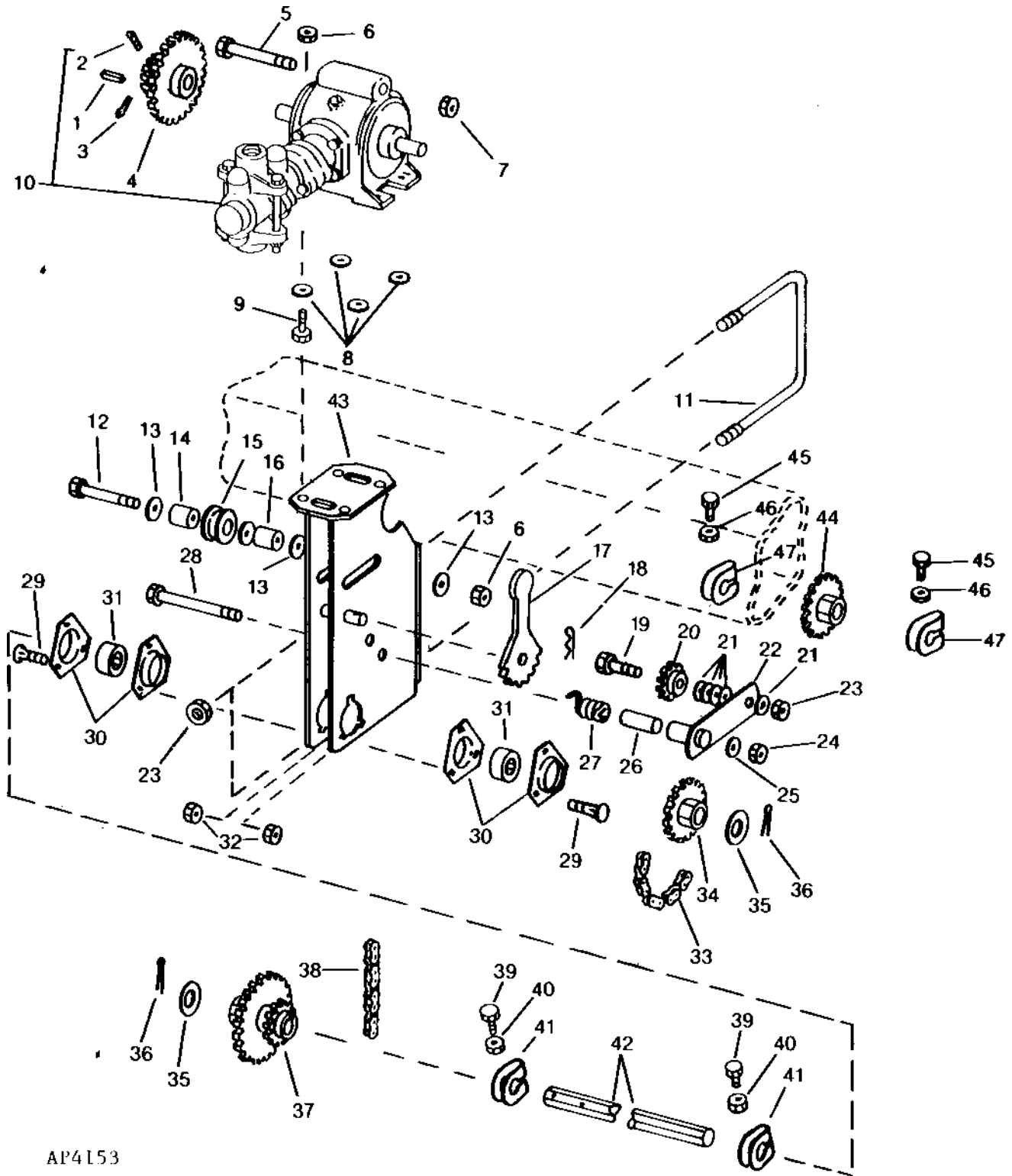


AP6029

PISTON PUMP - CONTINUED

KEY	PART NO.	PART NAME	QTY	SERIAL NO. OR YEAR	REMARKS
1	A53207	VALVE	2		DISCHARGE
2	O-RING	4		(ORDER AA38795)
3	A53204	CYLINDER	1		OUTBOARD
4	A53206	VALVE	2		SUCTION
5	PACKING	2		(ORDER AA38795) PISTON
6	GASKET	2		(ORDER AA38795)
7	PACKING	2		(ORDER AA38796) ROD
8	GASKET	1		(ORDER AA38796)
9	GASKET	1		(ORDER AA38796) STUFFING BOX
10	GASKET	1		(ORDER AA38796) CROSSHEAD GUIDE
11	03H1468	BOLT	1		3/8" X 1-3/4"
12	A53210	FLANGE	1		STROKE SETTING
13	A53211	INDICATOR	1		PUMP SETTING
14	A53209	ARM	1		STROKE SETTING
15	K40003	LOCK NUT	1		9.525 MM (3/8")
16	AA38795	GASKET KIT	1		INCLUDES KEYS 2,5 AND 6
17	AA38796	GASKET KIT	1		INCLUDES KEYS 7, 8, 9 AND 10
18	A60035	MANIFOLD	1		DISCHARGE
19	A60036	MANIFOLD	1		SUCTION
20	A60037	LOCK NUT	1		
21	A60038	PISTON	1		
22	A60039	PISTON	1		
23	A60040	SEAL	1		
24	A60041	SEAL	1		
25	A60042	SEAL	1		
26	A60043	SHAFT KEY	1		
27	A60263	PLUG	1		

**LIQUID FERTILIZER DRIVES
PISTON PUMP SYSTEM**
AP4153 -UN-09MAY95



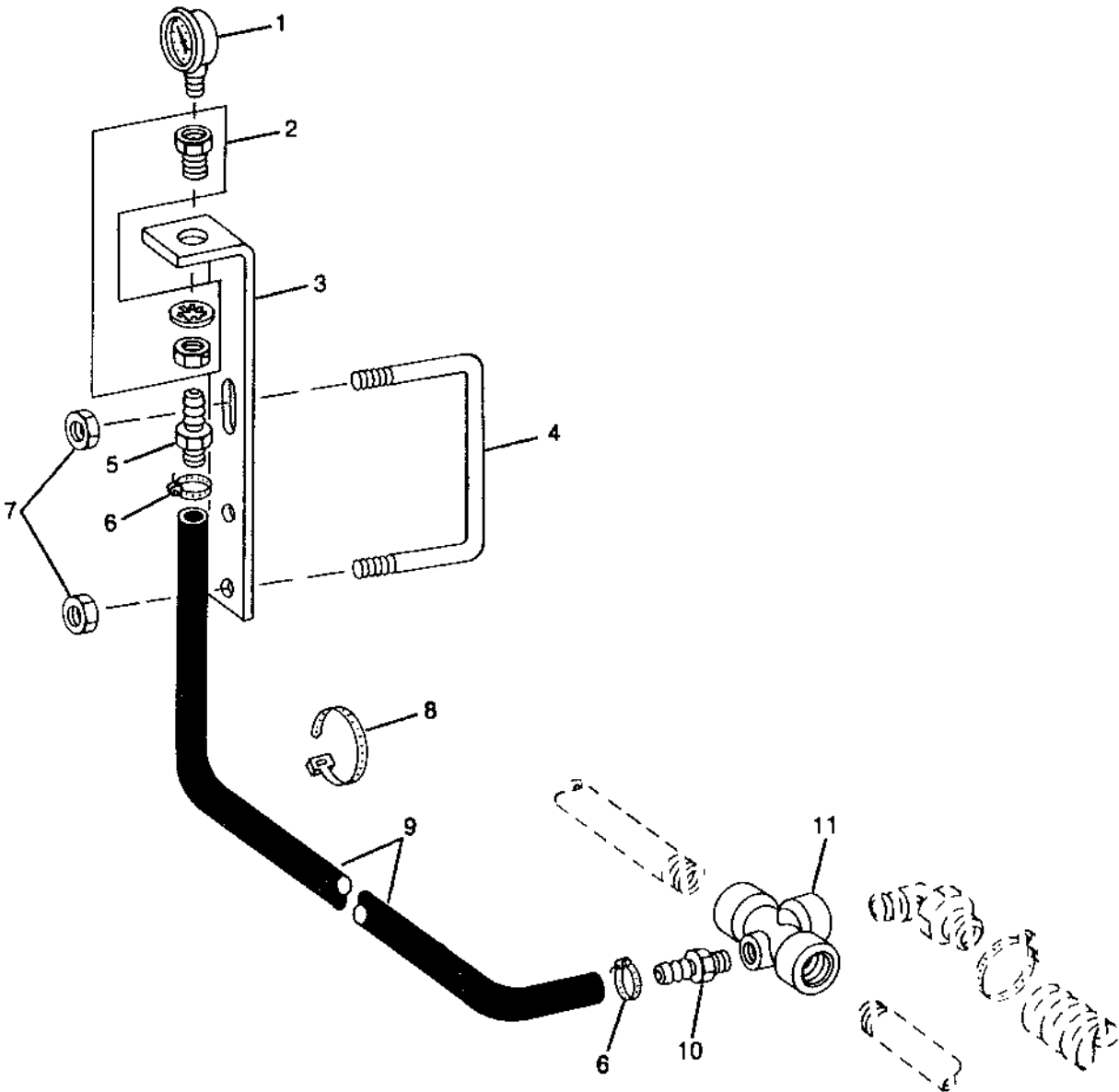
AP4153

**LIQUID FERTILIZER DRIVES - CONTINUED
PISTON PUMP SYSTEM**

KEY	PART NO.	PART NAME	QTY	SERIAL NO. OR YEAR	REMARKS
1	N119457	KEY	1		
2	22H898	SET SCREW	1		6.350 X 9.525 MM (1/4" X 3/8")
3	22H845	SET SCREW	1		9.525 X 19.050 MM (3/8" X 3/4")
4	AA37970	CHAIN SPROCKET	1		16- AND 35-TOOTH
5	19M7411	CAP SCREW	1		M16 X 130
6	14M7274	NUT	4		M10
7	A31869	LOCK NUT	1		M16
8	A23441	WASHER	4		9.525 X 28.448 X 3.175 MM (3/8" X 1.120" X 1/8")
9	19M7183	CAP SCREW	4		M10 X 40
10	AA37975	PUMP	1		(INCLUDES A52944)
11	A46534	U-BOLT	1		
12	19M7348	CAP SCREW	1		M10 X 150
13	24M7028	WASHER	3		10.500 X 20 X 2 MM (0.413" X 0.787" X 0.079")
14	L3483N	BUSHING	1		10.312 X 15.875 X 53.975 MM (13/32" X 5/8" X 2-1/8")
15	A22628	ROLLER	1		
16	N199289	SPACER	1		10.338 X 15.875 X 69.088 MM (0.407" X 5/8" X 2.720") R.H. SIDE ONLY
17	A52944	WRENCH	1		
18	P43660	SPRING LOCKING PIN	1	-1992	(SUB M40461)
	M40461	SPRING LOCKING PIN	1		
19	19M7387	CAP SCREW	1	(--1998)	M12 X 40
	19M7158	CAP SCREW	1	(1998--)	M12 X 45
20	AA32729	CHAIN SPROCKET	1		14 TOOTH
21	24M7047	WASHER	5		13 X 24 X 2.500 MM (0.512" X 0.945" X 0.098")
	24M7047	WASHER	6	(1998--)	13 X 24 X 2.500 MM
22	AA32771	ARM	1		
23	14M7275	NUT	1		M12
24	14M7274	NUT	1		M10
25	24M7028	WASHER	1		10.500 X 20 X 2 MM (0.413" X 0.787" X 0.079")
26	A44705	BUSHING	1		10.338 X 15.875 X 50.500 MM (0.407" X 5/8" X 1.988")
27	A44024	TORSION SPRING	1	-1997	(SUB A60643)
	A60643	TORSION SPRING	1		
28	19M7328	CAP SCREW	1		M10 X 70
29	03M7185	BOLT	6		M8 X 25
30	H103264	PRESSED FLANGED HOUSING	4		
31	AA22097	BALL BEARING	2		
32	14M7273	NUT	6		M8
33	M83236	ROLLER CHAIN	1		(ASSEMBLE FROM AJ8878N AND P33541) 4 ROW - TYPE ANSI 40, 12.7 MM (1/2") SINGLE PITCH, 74 LINKS
.....	ROLLER CHAIN		1		(ASSEMBLE FROM AJ8878N AND P33541) 6 & 12 ROW - TYPE ANSI 40, 12.7 MM (1/2") SINGLE PITCH; 68 LINKS INCLUDING (1) CONNECTING LINK
.....	ROLLER CHAIN		1		(ASSEMBLE FROM AJ8878N AND P33541) 8 ROW - TYPE ANSI 40, 12.7 MM (1/2") SINGLE PITCH; 65 LINKS INCLUDING (1) CONNECTING LINK
34	AA35198	CHAIN SPROCKET	1		18-TOOTH; 8-ROW 36-, 38- AND 40-INCH
	AA35333	CHAIN SPROCKET	1		16-TOOTH; 12-ROW, 30-INCH
35	24H1465	WASHER	2		27.788 X 44.450 X 1.524 MM (1-3/32" X 1-3/4" X 0.060")
36	11M7023	COTTER PIN	2		4 X 32 MM (0.157" X 1.260")
37	AA37978	DRIVE SPROCKET	1		16 & 35 TOOTH
38	AA32249	ROLLER CHAIN	1		(ASSEMBLE FROM AJ8878N AND P33541) TYPE ANSI 40, 12.7 MM (1/2") SINGLE PITCH; 105 LINKS INCLUDING (1) CONNECTING LINK
39	19M7295	CAP SCREW	4		M8 X 45
40	14M7273	NUT	4		M8
41	A53746	CLAMP	4		
42	A54317	SHAFT	1		
43	AA38832	BRACKET	1		
44	AA35198	CHAIN SPROCKET	1		ON COUNTERSHAFT - 18-TOOTH; 8-ROW, 36-, 38- AND 40-INCH
	AA37956	DRIVE SPROCKET	1		ON COUNTERSHAFT - 24-TOOTH; 12-ROW, 30-INCH
45	19M7295	CAP SCREW	1		M8 X 45, ON COUNTERSHAFT
46	14M7273	NUT	1		M8, ON COUNTERSHAFT
47	A53746	CLAMP	1		ON COUNTERSHAFT

LIQUID FERTILIZER PRESSURE GAUGE

AP4954 -UN-24JAN97



AP4954

LIQUID FERTILIZER PRESSURE GAUGE - CONTINUED

KEY	PART NO.	PART NAME	QTY	SERIAL NO. OR YEAR	REMARKS
1	AA43114	METER	1		
2	AA44812	FITTING	1		
3	A60078	BRACKET	1		
4	A46534	U-BOLT	1		
5	A60340	FITTING	1	1/2"	
6	AR21837	CLAMP	2		
7	A31867	LOCK NUT	2	M12	
8	H77698	TIE BAND	6	360.426 MM (14.19")	
9	A60264	HOSE	1	3 658 MM (144")	
10	A60341	FITTING	1	1/4"	
11	AA41762	FITTING	1		

MEMORANDA

NUMERICAL INDEX

PART NO.	GRID	KEY	PAGE	PART NO.	GRID	KEY	PAGE	PART NO.	GRID	KEY	PAGE
AA14850	D16	3	70-57	AA33845	E5	35	90-11	AA36976	C22	6	70-37
AA21292	D23	4	90-3	AA33845	E7	34	90-13	AA36979	C8	18	70-23
AA22097	F9	4	100-8	AA33872	D24	2	90-4	AA36979	C10	22	70-25
AA22097	G6	3	100-31	AA33873	D24	9	90-4	AA36980	B21	1	70-11
AA22097	G8	12	100-33	AA33985	G17	9	110-5	AA36980	B22	1	70-12
AA22097	G10	28	100-35	AA33985	G19	10	110-7	AA36984	B17	6	70-7
AA22097	H25	31	150-7	AA33985	G21	10	110-9	AA36987	H6	16	110-19
AA22513	B25	3	70-15	AA33985	G23	10	110-11	AA37007	C22	6	70-37
AA22513	C2	11	70-17	AA33985	G25	8	110-13	AA37007	C22	10	70-37
AA22513	C6	4	70-21	AA34009	C17	10	70-32	AA37026	H17	15	120-7
AA22513	D8	7	70-49	AA34119	E5	9	90-11	AA37175	H4	4	110-17
AA22513	D10	2	70-51	AA34119	E7	9	90-13	AA37337	D8	8	70-49
AA23104	E3	4	90-8	AA34133	G13	3	110-1	AA37337	D10	5	70-51
AA28271	E2	8	90-7	AA34283	B17	2	70-7	AA37515	E2	3	90-7
AA29068	H6	10	110-19	AA34369	F9	7	100-8	AA37516	E2	11	90-7
AA29068	H8	2	110-21	AA34509	G14	3	110-2	AA37516	E2	18	90-7
AA30685	F4	35	100-3	AA34616	H17	6	120-7	AA37519	H6	..	110-19
AA31019	E5	31	90-11	AA34617	H17	9	120-7	AA37520	H8	12	110-21
AA31019	E7	30	90-13	AA34618	H17	10	120-7	AA37520	H8	13	110-21
AA31476	B14	2	70-3	AA34924	A16	10A	40-3	AA37520	H8	..	110-21
AA31691	G8	27	100-33	AA34967	A16	7	40-3	AA37533	H2	7	110-15
AA31692	G8	21	100-33	AA34968	A16	7	40-3	AA37862	H4	6	110-17
AA31725	F4	44	100-3	AA35021	H2	12	110-15	AA37956	H25	44	150-7
AA31725	F6	17	100-5	AA35198	H25	34	150-7	AA37970	H25	4	150-7
AA31725	F8	44	100-7	AA35198	H25	44	150-7	AA37975	H21	1	150-3
AA31794	A25	33	40-13	AA35333	H25	34	150-7	AA37975	H25	10	150-7
AA31807	A25	38	40-13	AA35362	B15	7	70-5	AA37976	H21	12	150-3
AA32138	B14	3	70-3	AA35362	B15	11	70-5	AA37978	H25	37	150-7
AA32139	B14	5	70-3	AA35541	E3	5	90-8	AA38000	H6	25	110-19
AA32141	B14	3	70-3	AA35560	H8	18	110-21	AA38010	B20	19	70-10
AA32141	B14	11	70-3	AA35560	H10	7	110-23	AA38011	B14	1	70-3
AA32143	B14	5	70-3	AA35597	H15	15	120-5	AA38011	B15	18	70-5
AA32143	B14	8	70-3	AA35605	E5	37	90-11	AA38013	B20	16	70-10
AA32144	B14	11	70-3	AA35605	E7	37	90-13	AA38014	B15	8	70-5
AA32145	B14	8	70-3	AA35645	F13	12	100-13	AA38014	B15	10	70-5
AA32197	G8	26	100-33	AA35645	F15	12	100-15	AA38014	B15	13	70-5
AA32249	G10	1	100-35	AA35645	F17	4	100-17	AA38016	B20	..	70-10
AA32249	H25	38	150-7	AA35645	F19	6	100-19	AA38017	B15	14	70-5
AA32250	G10	3	100-35	AA35645	F21	4	100-21	AA38017	B15	17	70-5
AA32484	A25	1	40-13	AA35645	F23	8	100-23	AA38407	H4	4	110-17
AA32485	A25	4	40-13	AA35645	F25	9	100-25	AA38537	C17	1	70-32
AA32486	A25	3	40-13	AA35645	G2	11	100-27	AA38545	C4	7	70-19
AA32487	A25	11	40-13	AA35645	G4	9	100-29	AA38545	C6	1	70-21
AA32488	A25	18	40-13	AA35646	F13	10	100-13	AA38545	C8	2	70-23
AA32489	A25	25	40-13	AA35646	F15	10	100-15	AA38545	C10	2	70-25
AA32490	A25	28	40-13	AA35646	F17	6	100-17	AA38545	C17	10	70-32
AA32497	A25	2	40-13	AA35646	F19	4	100-19	AA38545	C20	11	70-35
AA32498	A25	10	40-13	AA35646	F23	4	100-23	AA38587	B17	10	70-7
AA32729	G8	3	100-33	AA35646	F25	4	100-25	AA38587	B19	19	70-9
AA32729	G10	15	100-35	AA35646	G2	8	100-27	AA38587	B19	..	70-9
AA32729	H25	20	150-7	AA35686	A25	26	40-13	AA38766	D8	16	70-49
AA32771	H25	22	150-7	AA35687	A25	15	40-13	AA38766	D10	12	70-51
AA32776	F4	14	100-3	AA35874	A25	24	40-13	AA38795	H23	2	150-5
AA32776	F8	14	100-7	AA36144	E5	43	90-11	AA38795	H23	5	150-5
AA33108	B21	12	70-11	AA36144	E7	39	90-13	AA38795	H23	6	150-5
AA33108	B22	12	70-12	AA36144	E7	41	90-13	AA38795	H23	16	150-5
AA33109	B21	12	70-11	AA36283	B17	2	70-7	AA38796	H23	7	150-5
AA33109	B22	12	70-12	AA36389	C18	7	70-33	AA38796	H23	8	150-5
AA33110	B21	12	70-11	AA36455	B20	2	70-10	AA38796	H23	9	150-5
AA33110	B22	12	70-12	AA36519	H15	33	120-5	AA38796	H23	10	150-5
AA33111	B21	12	70-11	AA36818	A25	44	40-13	AA38796	H23	17	150-5
AA33111	B22	12	70-12	AA36819	A25	48	40-13	AA38832	H25	43	150-7
AA33321	A25	5	40-13	AA36965	C2	13	70-17	AA39044	B25	9	70-15
AA33322	A25	9	40-13	AA36969	D8	9	70-49	AA39044	C2	9	70-17
AA33322	B2	1	40-15	AA36969	D10	4	70-51	AA39195	H10	3	110-23
AA33326	A25	17	40-13	AA36970	C6	7	70-21	AA39196	H10	3	110-23
AA33718	H17	3	120-7	AA36970	C22	10	70-37	AA39197	H10	6	110-23

NUMERICAL INDEX - CONTINUED

PART NO.	GRID	KEY	PAGE	PART NO.	GRID	KEY	PAGE	PART NO.	GRID	KEY	PAGE
AA39198	H10	5	110-23	AH109857	B20	5	70-10	AL77030	C12	29	70-27
AA39199	H10	2	110-23	AH129101	H8	1	110-21	AL77030	C14	29	70-29
AA39200	H10	4	110-23	AH129101	H10	8	110-23	AM30686	C8	16	70-23
AA39201	H10	1	110-23	AH129107	H6	13	110-19	AM30686	C10	16	70-25
AA39230	C20	9	70-35	AH129234	H15	15	120-5	AN131153	C2	12	70-17
AA39263	C20	4	70-35	AH131034	H13	8	120-3	AN131153	C4	8	70-19
AA39263	C20	5	70-35	AH131562	E2	15	90-7	AN131153	C6	5	70-21
AA39263	C20	6	70-35	AH131563	F4	26	100-3	AN131153	D8	6	70-49
AA39263	C20	7	70-35	AH131563	F8	26	100-7	AN131153	D10	11	70-51
AA39263	C20	..	70-35	AH131991	H15	17	120-5	AN132749	E5	23	90-11
AA39336	B19	..	70-9	AH131992	H15	17	120-5	AN132749	E7	22	90-13
AA39365	D23	20	90-3	AH132362	H8	1	110-21	AN132749	F4	43	100-3
AA39368	D23	20	90-3	AH132362	H10	8	110-23	AN132749	F6	16	100-5
AA39518	D23	2	90-3	AH132882	C4	2	70-19	AN132749	F8	43	100-7
AA39519	D23	21	90-3	AH132882	C6	10	70-21	AN140263	C17	4	70-32
AA39520	D23	2	90-3	AH132882	H2	17	110-15	AN140272	C6	9	70-21
AA39521	D23	21	90-3	AH132959	H6	20	110-19	AN180656	B25	11	70-15
AA39951	D10	14	70-51	AH133003	H8	..	110-21	AN183318	E5	40	90-11
AA40001	C20	1	70-35	AH133003	H10	..	110-23	AN183528	H21	24	150-3
AA40001	C20	2	70-35	AH133004	H8	..	110-21	AN210173	D2	9	70-43
AA40001	C20	3	70-35	AH133004	H10	..	110-23	AN210173	D4	4	70-45
AA40149	C4	9	70-19	AH133005	H8	..	110-21	AN210173	D6	16	70-47
AA40149	C6	13	70-21	AH133360	H4	4	110-17	AN212132	H18	7	120-8
AA40159	H21	27	150-3	AH133698	H8	..	110-21	AN260233	B23	17	70-13
AA40210	H21	19	150-3	AH133698	H10	..	110-23	AN260233	B23	..	70-13
AA40214	H21	26	150-3	AH133757	H6	4	110-19	AN260237	B24	17	70-14
AA40215	H21	11	150-3	AH133853	H13	8	120-3	AN260237	B24	..	70-14
AA40216	H21	11	150-3	AH15939	C8	12	70-23	AN260360	B21	5	70-11
AA40362	H18	2	120-8	AH15939	C10	12	70-25	AN260360	B22	5	70-12
AA40444	B22	2	70-12	AH15939	C12	34	70-27	AN260360	B23	18	70-13
AA41762	H21	8A	150-3	AH15939	C14	34	70-29	AN260365	B21	5	70-11
AA41762	H21	8B	150-3	AH15940	C12	11A	70-27	AN260365	B22	5	70-12
AA41762	I2	11	150-9	AH15940	C14	11A	70-29	AN260365	B24	18	70-14
AA41776	H13	1	120-3	AH18482	F4	26	100-3	AN33192	C8	19	70-23
AA41777	H13	1	120-3	AH18482	F8	26	100-7	AN33192	C10	19	70-25
AA42528	F4	35	100-3	AH20017	E5	30	90-11	AN33192	C17	9	70-32
AA42528	F6	9	100-5	AH20017	E7	29	90-13	AN33434	H6	17	110-19
AA42528	F8	35	100-7	AH63565	B17	3	70-7	AN85149	B19	10	70-9
AA43114	I2	1	150-9	AH75164	B22	13	70-12	AP22459	F4	26	100-3
AA43396	C6	3	70-21	AH75164	D8	15	70-49	AP22459	F8	26	100-7
AA43396	C22	5	70-37	AH75164	D10	13	70-51	AR112613	C16	25	70-31
AA43458	B19	17	70-9	AH75164	H6	15	110-19	AR114664	D15	..	70-56
AA43768	B17	10	70-7	AH75167	B25	5	70-15	AR21837	H21	17	150-3
AA43768	B19	19	70-9	AH75167	C2	22	70-17	AR21837	I2	6	150-9
AA43768	B19	..	70-9	AH75167	C24	2	70-39	AR21839	H21	6	150-3
AA43781	E2	11	90-7	AH75167	C25	2	70-40	AR27699	D17	9	70-58
AA43781	E2	13	90-7	AH75167	D2	7	70-43	AR27738	D17	6	70-58
AA43781	E2	18	90-7	AH75167	D6	14	70-47	AR28403	B6	19	40-19
AA44263	F4	..	100-3	AH75167	D8	11	70-49	AR48041	A16	2	40-3
AA44263	F6	..	100-5	AH75167	D12	5	70-53	AR49352	B6	17	40-19
AA44263	F8	..	100-7	AH75167	D14	5	70-55	AR50834	B6	8	40-19
AA44688	D23	2	90-3	AH75167	D16	1	70-57	AR54425	B17	6	70-7
AA44689	D23	21	90-3	AH76990	C25	17	70-40	AR54425	C4	4	70-19
AA44690	D23	20	90-3	AH77612	C2	2	70-17	AR62149	D23	18	90-3
AA44812	I2	2	150-9	AH77612	D6	2	70-47	AR62297	C25	14	70-40
AA44845	H6	13	110-19	AH83821	C12	26	70-27	AR67855	B6	2	40-19
AA44910	A16	10B	40-3	AH83821	C14	26	70-29	AR67855	B7	8	40-20
AA44914	A16	10A	40-3	AH83821	C16	13	70-31	AR71331	D17	..	70-58
AA46402	H6	20	110-19	AH89069	C8	15	70-23	AR74187	B25	14B	70-15
AB11378	H21	26	150-3	AH89069	C10	15	70-25	AR74411	B6	11	40-19
AD2062R	A16	2	40-3	AH93625	A16	9	40-3	AR75695	B7	2	40-20
AE14428	B25	8	70-15	AH96712	C6	8	70-21	AR75696	B7	7	40-20
AE42281	C8	14	70-23	AJ8878N	G10	1	100-35	AR78052	B6	21	40-19
AE42281	C10	14	70-25	AJ8878N	G10	3	100-35	AR82909	B6	16	40-19
AE44392	B2	2	40-15	AJ8878N	H25	33	150-7	AR82910	B6	4	40-19
AE44932	B2	3	40-15	AJ8878N	H25	38	150-7	AR82911	B6	7	40-19
AH108399	B14	9	70-3	AL36157	C25	11	70-40	AR82912	B6	6	40-19

NUMERICAL INDEX - CONTINUED

PART NO.	GRID	KEY	PAGE	PART NO.	GRID	KEY	PAGE	PART NO.	GRID	KEY	PAGE
AR84006	B6	1	40-19	A15899	C12	25	70-27	A40870	G8	1	100-33
AR84006	B6	9	40-19	A15899	C14	25	70-29	A41457	G8	7	100-33
AR84006	B6	14	40-19	A15899	D12	12	70-53	A41458	G8	19	100-33
AR84006	B6	15	40-19	A15899	D14	12	70-55	A41459	G8	14	100-33
AR91793	A23	42	40-11	A17383	D23	15	90-3	A41459	G10	19	100-35
AR91793	A25	29	40-13	A22468	F4	38	100-3	A41460	G10	4	100-35
AR93819	B17	7	70-7	A22468	F6	11	100-5	A41810	H17	1	120-7
AR93819	B21	8	70-11	A22468	F8	38	100-7	A42302	H17	1	120-7
AR93819	B22	8	70-12	A22628	H25	15	150-7	A42329	F4	19	100-3
AR93819	C4	6	70-19	A22698	H6	19	110-19	A42329	F8	19	100-7
AR93819	C6	12	70-21	A23321	F4	30	100-3	A42756	G8	16	100-33
AR93819	C22	14	70-37	A23321	F6	4	100-5	A42757	G8	29	100-33
AR94522	B17	7	70-7	A23321	F8	30	100-7	A42895	D24	6	90-4
AR94522	B21	8	70-11	A23441	H25	8	150-7	A43188	E12	4	90-19
AR94522	B22	8	70-12	A23680	H15	28	120-5	A43198	D25	6	90-5
AR94522	B25	1	70-15	A24771	B14	13	70-3	A43609	D24	7	90-4
AR94522	C2	14	70-17	A24771	B15	19	70-5	A43610	G8	22	100-33
AR94522	C4	6	70-19	A26181	H13	4	120-3	A43699	G10	17	100-35
AR94522	C6	12	70-21	A26375	H13	3	120-3	A43955	F4	21	100-3
AR94522	C8	6	70-23	A26927	H15	18	120-5	A43955	G10	14	100-35
AR94522	C10	6	70-25	A28713	D25	7	90-5	A44024	H25	27	150-7
AR94522	C12	35	70-27	A31800	G6	4	100-31	A44606	F4	18	100-3
AR94522	C14	35	70-29	A31867	A16	16	40-3	A44606	F8	18	100-7
AR94522	C22	14	70-37	A31867	D23	13	90-3	A44656	G10	10	100-35
AR94522	D2	8	70-43	A31867	D24	5	90-4	A44657	G10	9	100-35
AR94522	D6	15	70-47	A31867	F4	15	100-3	A44658	G10	13	100-35
AR94522	D8	4	70-49	A31867	F4	36	100-3	A44705	H25	26	150-7
AR94522	D10	1	70-51	A31867	F8	15	100-7	A44780	F13	11	100-13
AT25242	G17	6	110-5	A31867	F8	36	100-7	A44780	F23	5	100-23
AT25242	G19	6	110-7	A31867	G10	6	100-35	A44780	F25	5	100-25
AT25242	G21	6	110-9	A31867	G13	6	110-1	A45096	D25	4	90-5
AT25242	G23	7	110-11	A31867	G14	5	110-2	A45285	B23	1	70-13
AT25242	G25	10	110-13	A31867	I2	7	150-9	A45292	H15	31	120-5
AT26327	H6	11	110-19	A31869	H18	14	120-8	A45294	H15	34	120-5
AT26327	H6	27	110-19	A31869	H25	7	150-7	A45308	B24	16	70-14
AT32289	C2	3	70-17	A31870	D24	19	90-4	A45398	H21	31	150-3
AT32289	D6	3	70-47	A31871	D24	4	90-4	A45627	G19	12	110-7
AT32332	B17	13	70-7	A31871	D25	1	90-5	A46469	D24	14	90-4
AT32332	B21	3	70-11	A32904	A16	8	40-3	A46533	E3	1	90-8
AT32332	B22	3	70-12	A33775	D24	11	90-4	A46533	F13	14	100-13
AT32332	B25	10	70-15	A3581R	H8	14	110-21	A46533	F23	9	100-23
AT32332	C4	5	70-19	A36380	D23	16	90-3	A46533	F25	6	100-25
AT32332	C6	11	70-21	A36542	D24	15	90-4	A46533	G8	8	100-33
AT32332	C8	1	70-23	A36745	B20	10	70-10	A46533	G10	2	100-35
AT32332	C10	1	70-25	A36747	B20	9	70-10	A46533	G14	1	110-2
AT32332	C22	2	70-37	A40309	G21	4	110-9	A46534	E10	6	90-16
AT32332	C24	11	70-39	A40309	G23	6	110-11	A46534	G19	14	110-7
AT32332	C25	13	70-40	A40309	G25	4	110-13	A46534	H25	11	150-7
AT32332	D8	10	70-49	A40473	G17	5	110-5	A46534	I2	4	150-9
AT32332	D10	7	70-51	A40473	G19	5	110-7	A46636	F4	4	100-3
AT32332	H2	21	110-15	A40473	G21	5	110-9	A46636	F8	4	100-7
AT35120	B25	10	70-15	A40473	G23	5	110-11	A46637	F4	6	100-3
AT40759	C2	1	70-17	A40473	G25	3	110-13	A46637	F8	6	100-7
AT40759	D6	1	70-47	A40621	G8	20	100-33	A46642	F4	1	100-3
AT42218	H6	1	110-19	A40622	G8	6	100-33	A46642	F8	1	100-7
AT42233	B25	6	70-15	A40623	G8	31	100-33	A46643	F4	22	100-3
AT47763	C24	12	70-39	A40627	G10	25	100-35	A46643	F8	22	100-7
AT71050	C25	15	70-40	A40628	G8	32	100-33	A46643	F8	22	100-7
AW17006	C2	21	70-17	A40657	F4	25	100-3	A46674	G19	9	110-7
AW17006	C24	1	70-39	A40657	F6	1	100-5	A46674	G23	12	110-11
AW17006	C25	1	70-40	A40657	F8	25	100-7	A46770	H2	16	110-15
AW17006	D2	6	70-43	A40689	F4	29	100-3	A46771	H2	13	110-15
AW17006	D6	11	70-47	A40689	F6	3	100-5	A46921	G17	4	110-5
AW17006	D8	12	70-49	A40689	F8	29	100-7	A46921	G19	4	110-7
AW17006	D16	2	70-57	A40690	F4	16	100-3	A46921	G21	9	110-9
A15147	E3	3	90-8	A40690	F8	16	100-7	A46921	G23	4	110-11
A15532	D16	4	70-57	A40869	G8	18	100-33	A46921	G25	2	110-13
								A46952	E5	15	90-11

NUMERICAL INDEX - CONTINUED

PART NO.	GRID	KEY	PAGE	PART NO.	GRID	KEY	PAGE	PART NO.	GRID	KEY	PAGE
A46952	E7	14	90-13	A51001	F8	23	100-7	A53210	H23	12	150-5
A47133	G8	23	100-33	A51002	F4	24	100-3	A53211	H23	13	150-5
A47227	B17	9	70-7	A51002	F8	24	100-7	A53336	E5	42	90-11
A47234	D24	10	90-4	A51003	F4	24	100-3	A53336	E7	40	90-13
A47451	F9	8	100-8	A51003	F8	24	100-7	A53336	E12	2	90-19
A47452	F9	6	100-8	A51173	D19	1	70-60	A53358	E14	1	90-21
A47735	H15	32	120-5	A51212	E2	7	90-7	A53683	F13	3	100-13
A47737	H15	3	120-5	A51212	E5	4	90-11	A53683	F15	3	100-15
A47748	G17	3	110-5	A51212	E5	8	90-11	A53683	G2	1	100-27
A47748	G19	3	110-7	A51212	E7	4	90-13	A53683	G4	1	100-29
A47748	G21	3	110-9	A51212	E7	8	90-13	A53707	H18	8	120-8
A47748	G23	3	110-11	A51212	F13	13	100-13	A53708	H18	10	120-8
A47748	G25	6	110-13	A51212	F15	11	100-15	A53746	F19	7	100-19
A47791	H17	4	120-7	A51212	F17	3	100-17	A53746	F21	3	100-21
A47973	H17	5	120-7	A51212	F19	5	100-19	A53746	F23	7	100-23
A47974	H17	7	120-7	A51212	F21	5	100-21	A53746	F25	7	100-25
A48190	E2	6	90-7	A51212	F23	6	100-23	A53746	G2	10	100-27
A48287	G17	7	110-5	A51212	F25	8	100-25	A53746	G4	8	100-29
A48287	G19	7	110-7	A51212	G2	9	100-27	A53746	H25	41	150-7
A48287	G21	7	110-9	A51212	G4	10	100-29	A53746	H25	47	150-7
A48287	G23	9	110-11	A51212	G8	11	100-33	A53954	C10	24	70-25
A48287	G25	9	110-13	A51212	G10	5	100-35	A53980	C20	8	70-35
A48331	A16	1	40-3	A51212	G10	20	100-35	A53981	C8	3	70-23
A48331	A16	3	40-3	A51212	G10	21	100-35	A53981	C10	3	70-25
A48332	A16	1	40-3	A51212	H18	16	120-8	A53981	C17	10	70-32
A48515	E2	10	90-7	A51380	E5	14	90-11	A53981	C20	8	70-35
A48524	E5	3	90-11	A51699	C8	5	70-23	A54038	E14	2	90-21
A48524	E7	3	90-13	A51699	C10	5	70-25	A54038	E24	2	90-31
A48835	G6	2	100-31	A51699	C22	3	70-37	A54055	C8	4	70-23
A48840	E2	4	90-7	A51724	C22	1	70-37	A54055	C10	4	70-25
A48871	G6	8	100-31	A51754	B20	23	70-10	A54075	H18	15	120-8
A49065	B15	12	70-5	A51779	H4	10	110-17	A54098	D23	11	90-3
A49068	B15	5	70-5	A52020	G17	1	110-5	A54183	H21	18	150-3
A49072	B15	6	70-5	A52020	G19	1	110-7	A54309	G15	2	110-3
A49266	D23	6	90-3	A52020	G21	1	110-9	A54310	G15	1	110-3
A49292	H15	5	120-5	A52020	G23	1	110-11	A54317	G8	28	100-33
A49574	B20	3	70-10	A52020	G25	7	110-13	A54317	H25	42	150-7
A49664	F11	7	100-11	A52085	G6	9	100-31	A54318	G8	24	100-33
A49665	F11	3	100-11	A52155	H4	13	110-17	A54322	F8	10	100-7
A49667	F11	2	100-11	A52465	H2	5	110-15	A54322	F11	1	100-11
A49676	D23	9	90-3	A52480	H2	3	110-15	A54322	G6	8	100-31
A49677	D23	10	90-3	A52522	H2	2	110-15	A54323	F13	8	100-13
A49717	A25	32	40-13	A52523	H2	4	110-15	A54323	F15	8	100-15
A49718	A25	16	40-13	A52616	H21	8A	150-3	A54323	F19	1	100-19
A49966	H15	9	120-5	A52618	H21	10	150-3	A54323	F21	1	100-21
A49967	H15	9	120-5	A52620	H21	4	150-3	A54323	F23	1	100-23
A50003	G19	15	110-7	A52624	H21	14	150-3	A54323	F25	1	100-25
A50026	A25	23	40-13	A52625	H21	14	150-3	A54324	F11	1	100-11
A50244	G8	4	100-33	A52626	H21	14	150-3	A54324	F17	2	100-17
A50268	H15	8	120-5	A52627	H21	14	150-3	A54325	G2	6	100-27
A50269	H15	8	120-5	A52628	H21	15	150-3	A54325	G4	7	100-29
A50326	A16	20	40-3	A52723	B20	12	70-10	A54327	F4	10	100-3
A50327	A16	17	40-3	A52724	B15	15	70-5	A54327	F9	9	100-8
A50384	F4	7	100-3	A52726	B20	18	70-10	A54471	F11	5	100-11
A50384	F8	7	100-7	A52728	B15	16	70-5	A54484	H21	29	150-3
A50385	F4	7	100-3	A52731	B15	4	70-5	A54568	H21	7	150-3
A50385	F8	7	100-7	A52732	B15	3	70-5	A54568	H21	22	150-3
A50386	F4	27	100-3	A52944	H25	10	150-7	A54575	H21	23	150-3
A50386	F8	27	100-7	A52944	H25	17	150-7	A54576	H21	23	150-3
A50417	H15	2	120-5	A52962	H21	20	150-3	A54611	E14	3	90-21
A50489	E7	39	90-13	A52993	C17	5	70-32	A54611	E24	3	90-31
A50744	F4	2	100-3	A52994	C17	3	70-32	A54615	E12	1	90-19
A50744	F8	2	100-7	A53088	C17	10	70-32	A54827	C20	10	70-35
A50745	H13	9	120-3	A53204	H23	3	150-5	A54912	H21	14	150-3
A50831	H15	14	120-5	A53206	H23	4	150-5	A54913	H21	14	150-3
A50832	H15	20	120-5	A53207	H23	1	150-5	A55103	E20	1	90-27
A51001	F4	23	100-3	A53209	H23	14	150-5	A55104	E20	2	90-27

NUMERICAL INDEX - CONTINUED

PART NO.	GRID	KEY	PAGE	PART NO.	GRID	KEY	PAGE	PART NO.	GRID	KEY	PAGE
A55105	E20	3	90-27	B33873	F8	13	100-7	JD1091	E7	16	90-13
A55106	E20	4	90-27	CJ17261	G10	23	100-35	JD1091	F4	39	100-3
A55131	H18	1	120-8	D10025	E5	20	90-11	JD1091	F6	12	100-5
A55142	E10	5	90-16	D10025	E7	19	90-13	JD1091	F8	39	100-7
A55154	H21	..	150-3	D10033	E3	2	90-8	JD126	C8	10	70-23
A55213	E16	1	90-23	D10134	E5	18	90-11	JD126	C10	10	70-25
A55214	E16	2	90-23	D10134	E7	17	90-13	JD126	C22	12	70-37
A55215	E18	1	90-25	D376R	F13	5	100-13	JD16	E5	22	90-11
A55216	E18	2	90-25	D376R	F15	5	100-15	JD16	E7	21	90-13
A55225	H18	1	120-8	D376R	G2	3	100-27	JD16	F4	40	100-3
A56428	E12	6	90-19	D376R	G4	4	100-29	JD16	F6	13	100-5
A56428	E22	6	90-29	D742A	E5	33	90-11	JD16	F8	40	100-7
A56430	E12	5	90-19	D742A	E7	32	90-13	JD5403	E9	1	90-15
A56430	E22	5	90-29	E33097	C6	6	70-21	JD5579	H13	2	120-3
A58343	H4	2	110-17	E61375	D23	14	90-3	JD5598	E12	3	90-19
A59020	H21	29	150-3	E64256	D23	32	90-3	JD5598	E22	3	90-29
A59207	E22	2	90-29	E68478	H13	7	120-3	JD5900	H13	2	120-3
A59212	E24	1	90-31	E68605	D23	27	90-3	JD5901	A16	18	40-3
A59218	E22	1	90-29	E68605	E5	1	90-11	JD5901	E5	39	90-11
A59232	E22	4	90-29	E68605	E7	1	90-13	JD5901	E7	38	90-13
A60035	H23	18	150-5	E68605	E10	4	90-16	JD5904	H13	2	120-3
A60036	H23	19	150-5	F2681R	D25	5	90-5	JD5905	A16	19	40-3
A60037	H23	20	150-5	F2741R	D17	3	70-58	JD5930	E9	1	90-15
A60038	H23	21	150-5	H103264	F9	3	100-8	JD680	E7	16	90-13
A60039	H23	22	150-5	H103264	G8	9	100-33	JD7759	E5	36	90-11
A60040	H23	23	150-5	H103264	G10	26	100-35	JD7759	E7	36	90-13
A60041	H23	24	150-5	H103264	H25	30	150-7	JD7797	D23	3	90-3
A60042	H23	25	150-5	H104855	A21	9	40-9	JD7797	E5	34	90-11
A60043	H23	26	150-5	H104855	B2	4	40-15	JD7797	E7	33	90-13
A60078	I2	3	150-9	H105482	D23	30	90-3	JD7797	F13	1	100-13
A60263	H23	27	150-5	H112567	D23	31	90-3	JD7797	F15	1	100-15
A60264	I2	9	150-9	H113196	C17	6	70-32	JD7797	G2	12	100-27
A60340	I2	5	150-9	H113196	D8	14	70-49	JD7797	G4	3	100-29
A60341	I2	10	150-9	H113196	D10	6	70-51	JD7844	E2	14	90-7
A60643	H25	27	150-7	H135018	H13	10	120-3	JD7846	F4	34	100-3
A60788	F9	9	100-8	H135758	G8	33	100-33	JD7846	F6	8	100-5
A60789	G2	6	100-27	H136477	D23	28	90-3	JD7846	F8	34	100-7
A60789	G4	7	100-29	H136479	H8	5	110-21	JD8187	E5	24	90-11
A60790	F11	1	100-11	H136481	H8	6	110-21	JD8187	E7	23	90-13
A60790	F17	2	100-17	H136485	D23	23	90-3	JD8187	F4	32	100-3
A60791	F11	1	100-11	H136517	E2	16	90-7	JD8187	F6	6	100-5
A60791	F17	2	100-17	H137513	G17	8	110-5	JD8187	F8	32	100-7
A60908	G8	18	100-33	H137513	G19	8	110-7	JD8194	E5	29	90-11
A60909	G8	1	100-33	H137513	G21	8	110-9	JD8194	E7	28	90-13
BA23927	A25	50	40-13	H137513	G25	1	110-13	JD8225	E5	25	90-11
BA24250	D25	..	90-5	H138431	D23	22	90-3	JD8225	E7	24	90-13
BA24251	D24	..	90-4	H148923	D24	18	90-4	JD8225	F4	33	100-3
BA25379	C24	..	70-39	H22480	H15	10	120-5	JD8225	F6	7	100-5
BA25980	C6	..	70-21	H63599	C8	16	70-23	JD8225	F8	33	100-7
BA26289	C8	..	70-23	H63599	C10	16	70-25	JD8230	E5	26	90-11
BA26289	C10	..	70-25	H77698	B12	6	70-1	JD8230	E7	25	90-13
BA26377	C17	..	70-32	H77698	B14	12	70-3	KK4516B	H15	19	120-5
BA26419	B21	..	70-11	H77698	B17	12	70-7	KK4893B	H15	36	120-5
BA26419	B24	..	70-14	H77698	B21	10	70-11	K40003	C4	1	70-19
BA27722	H6	..	110-19	H77698	B22	10	70-12	K40003	H2	19	110-15
BH78508	H6	..	110-19	H77698	C8	11	70-23	K40003	H23	15	150-5
BH78640	B21	..	70-11	H77698	C10	11	70-25	L1152N	F4	8	100-3
BH78640	B23	..	70-13	H77698	G17	10	110-5	L1152N	F8	8	100-7
BH78678	C25	..	70-40	H77698	G19	11	110-7	L2301CU	B15	9	70-5
BH78741	H6	..	110-19	H77698	G21	11	110-9	L3483N	H25	14	150-7
BH78873	H6	..	110-19	H77698	G23	8	110-11	M16680	E5	38	90-11
BP14189	H8	15	110-21	H77698	I2	8	150-9	M16680	E7	35	90-13
B1726M	H8	3	110-21	H851R	D16	5	70-57	M40461	H25	18	150-7
B30887	E5	27	90-11	H85741	H21	9	150-3	M40808	H15	4	120-5
B30887	E7	26	90-13	JDG361	B2	5	40-15	M42858	H15	27	120-5
B32630	D23	7	90-3	JDG362	B2	5	40-15	M43835	A21	2	40-9
B33873	F4	13	100-3	JD1091	E5	17	90-11	M83236	H25	33	150-7

NUMERICAL INDEX - CONTINUED

PART NO.	GRID	KEY	PAGE	PART NO.	GRID	KEY	PAGE	PART NO.	GRID	KEY	PAGE
N10145	E5	28	90-11	RE50393	C12	33	70-27	R26375	B17	5	70-7
N10145	E7	27	90-13	RE50393	C14	33	70-29	R26375	B17	6	70-7
N115096	A21	11	40-9	RE50394	C12	14	70-27	R26375	B21	4	70-11
N117170	H4	5	110-17	RE50394	C14	14	70-29	R26375	B22	4	70-12
N119457	H25	1	150-7	RE50395	C12	18	70-27	R26375	B25	2	70-15
N154286	B14	4	70-3	RE50395	C14	18	70-29	R26375	B25	13	70-15
N170780	B23	7	70-13	RE51132	D12	16	70-53	R26375	C2	10	70-17
N170790	B23	8	70-13	RE51137	D2	3	70-43	R26375	C4	3	70-19
N183122	B20	21	70-10	RE51137	D8	3	70-49	R26375	C4	4	70-19
N183122	B23	20	70-13	RE51137	D12	8	70-53	R26375	C6	2	70-21
N183122	B24	20	70-14	RE55154	D14	8	70-55	R26375	C12	24	70-27
N186058	D23	5	90-3	RE55193	D14	16	70-55	R26375	C14	24	70-29
N186178	B14	6	70-3	RE55859	C16	10	70-31	R26375	C17	7	70-32
N186178	B15	2	70-5	RE55859	D4	3	70-45	R26375	C22	4	70-37
N187815	H21	16	150-3	RE55859	D10	9	70-51	R26375	C24	10	70-39
N187816	H21	13	150-3	RE55859	D15	2	70-56	R26375	C25	7	70-40
N189396	H21	25	150-3	RE58243	C12	7	70-27	R26375	D2	5	70-43
N199289	H25	16	150-7	RE58243	C14	7	70-29	R26375	D6	18	70-47
N202520	H21	3	150-3	RE58763	C16	5	70-31	R26375	D8	5	70-49
N202662	C16	3	70-31	RE61308	C16	20	70-31	R26375	D10	3	70-51
N202743	H21	2	150-3	RE61319	C16	17	70-31	R26375	D12	15	70-53
N202992	H21	21	150-3	RE61323	C16	1	70-31	R26375	D14	15	70-55
N203094	H21	5	150-3	RE63250	B17	6	70-7	R26375	D17	5	70-58
N205660	H21	13	150-3	RE63250	C4	4	70-19	R26375	H6	3	110-19
N282054	H18	13	120-8	RE63738	C12	3	70-27	R26375	H8	19	110-21
N85304	B19	8	70-9	RE63738	C12	11A	70-27	R26448	B20	1	70-10
PM797NA	A23	57	40-11	RE63738	C12	11B	70-27	R26448	B25	13	70-15
PM797NA	B4	..	40-17	RE63738	C14	3	70-29	R26906	C2	4	70-17
P20351	F4	26	100-3	RE63738	C14	11A	70-29	R26906	D6	17	70-47
P20351	F8	26	100-7	RE63738	C14	11B	70-29	R27237	B25	7	70-15
P33541	G10	1	100-35	R106011	A17	7	40-4	R27237	B25	12	70-15
P33541	G10	3	100-35	R111680	C12	1	70-27	R27237	C17	8	70-32
P33541	H25	33	150-7	R111680	C14	1	70-29	R27237	H6	2	110-19
P33541	H25	38	150-7	R111680	D12	1	70-53	R28782	B17	4	70-7
P33542	G10	1	100-35	R111680	D14	1	70-55	R28782	C8	16	70-23
P43660	H25	18	150-7	R112397	C16	15	70-31	R28782	C10	16	70-25
P50273	H18	6	120-8	R112857	B23	15	70-13	R29354	B23	13	70-13
P51263	C12	12	70-27	R113148	C12	2	70-27	R30378	A23	43	40-11
P51263	C14	12	70-29	R113148	C14	2	70-29	R30815	C8	20	70-23
Q25768	E5	11	90-11	R113148	D12	2	70-53	R30815	C10	20	70-25
Q25768	E7	11	90-13	R113148	D14	2	70-55	R30815	C22	9	70-37
RE11156	A23	36	40-11	R113305	C12	27	70-27	R31736	B21	7	70-11
RE11157	A23	37	40-11	R113305	C14	27	70-29	R31736	B22	7	70-12
RE12330	A19	14	40-7	R113305	D12	18	70-53	R31736	C25	16	70-40
RE12331	A16	15	40-3	R113305	D14	18	70-55	R31736	D17	8	70-58
RE12331	A19	12	40-7	R117724	C12	3	70-27	R32007	B6	1	40-19
RE12332	A19	18	40-7	R117724	C12	11A	70-27	R32007	B6	9	40-19
RE12333	A19	21	40-7	R117724	C12	36	70-27	R32007	B6	14	40-19
RE12334	A19	8	40-7	R117724	C14	3	70-29	R32007	B6	15	40-19
RE12362	A19	4	40-7	R117724	C14	11A	70-29	R32016	B2	6	40-15
RE12362	B4	47	40-17	R117724	C14	36	70-29	R32017	B2	6	40-15
RE12363	A16	14	40-3	R118245	C12	3	70-27	R32018	B2	7	40-15
RE12363	A19	11	40-7	R118245	C12	11A	70-27	R32018	B6	9	40-19
RE12363	A19	12	40-7	R118245	C12	37	70-27	R32018	B6	15	40-19
RE12363	B4	48	40-17	R118245	C14	3	70-29	R32019	A23	51	40-11
RE12364	A19	16	40-7	R118245	C14	11A	70-29	R32019	B2	7	40-15
RE12364	A25	43	40-13	R118245	C14	37	70-29	R32021	B2	7	40-15
RE12364	B4	49	40-17	R118245	C16	14	70-31	R32021	B6	14	40-19
RE12365	A19	20	40-7	R122147	C16	6	70-31	R32022	B2	7	40-15
RE12365	B4	50	40-17	R124807	C16	12	70-31	R32023	B2	7	40-15
RE12366	A17	6	40-4	R124807	D4	1	70-45	R32024	B6	9	40-19
RE12366	A19	25	40-7	R124807	D10	10	70-51	R32025	B6	14	40-19
RE12366	B4	51	40-17	R124807	D15	3	70-56	R32026	A23	48	40-11
RE17282	B7	11	40-20	R21722	C12	8	70-27	R32027	B2	8	40-15
RE17380	H6	5	110-19	R21722	C14	8	70-29	R32027	B6	5	40-19
RE40508	A17	8	40-4	R21722	D12	19	70-53	R32027	B6	9	40-19
RE49091	C16	21	70-31	R21722	D14	19	70-55	R32027	B6	14	40-19

NUMERICAL INDEX - CONTINUED

PART NO.	GRID	KEY	PAGE	PART NO.	GRID	KEY	PAGE	PART NO.	GRID	KEY	PAGE
R32028	B2	8	40-15	R77456	A25	21	40-13	R77489	A23	51	40-11
R35684	B23	11	70-13	R77456	B2	19	40-15	R77490	A23	51	40-11
R39112	D17	10	70-58	R77457	A21	29	40-9	R77491	A23	54	40-11
R40122	C25	18	70-40	R77457	A25	13	40-13	R77492	A23	54	40-11
R40445	B6	3	40-19	R77457	A25	19	40-13	R77493	A23	51	40-11
R40922	D17	7	70-58	R77457	B2	20	40-15	R77494	A23	55	40-11
R44302	B6	20	40-19	R77458	A21	28	40-9	R77495	A23	52	40-11
R44302	B7	9	40-20	R77458	A25	14	40-13	R77496	A23	52	40-11
R44302	B17	11	70-7	R77458	B2	21	40-15	R77497	A23	53	40-11
R44302	B21	11	70-11	R77459	A21	28	40-9	R77498	A21	24	40-9
R44302	B22	11	70-12	R77460	A21	28	40-9	R77499	A21	24	40-9
R44302	C2	5	70-17	R77461	A21	28	40-9	R77500	A21	24	40-9
R44302	C8	17	70-23	R77461	A25	27	40-13	R77501	A21	24	40-9
R44302	C10	21	70-25	R77462	A21	25	40-9	R77502	A23	56	40-11
R44302	C25	20	70-40	R77462	A25	22	40-13	R77503	A23	56	40-11
R44302	D10	15	70-51	R77462	B2	22	40-15	R78047	A19	3	40-7
R44302	H4	7	110-17	R77463	A21	30	40-9	R78048	A16	13	40-3
R48887	A21	17	40-9	R77463	A25	20	40-13	R78048	A19	10	40-7
R48887	B2	9	40-15	R77463	B2	23	40-15	R78049	A19	15	40-7
R52881	D17	11	70-58	R77464	A21	26	40-9	R78049	A25	42	40-13
R53296	D25	2	90-5	R77464	A25	12	40-13	R78050	A19	19	40-7
R54312	D17	4	70-58	R77464	A25	22	40-13	R78051	A17	5	40-4
R54533	D18	1	70-59	R77464	B2	24	40-15	R78051	A19	24	40-7
R61775	B7	6	40-20	R77465	A21	31	40-9	R78052	A19	5	40-7
R61776	B7	3	40-20	R77465	A25	20	40-13	R78052	B2	35	40-15
R63922	B25	4	70-15	R77465	B2	25	40-15	R78053	A19	13	40-7
R64459	B25	14A	70-15	R77466	A21	33	40-9	R78053	B4	36	40-17
R65595	B2	10	40-15	R77466	A25	6	40-13	R78054	A19	17	40-7
R65596	B2	11	40-15	R77466	A25	8	40-13	R78054	A25	47	40-13
R65598	B2	12	40-15	R77466	A25	37	40-13	R78054	B4	37	40-17
R65599	B2	13	40-15	R77466	A25	45	40-13	R78055	A19	22	40-7
R65600	B2	14	40-15	R77466	B2	26	40-15	R78055	B4	38	40-17
R65601	B2	15	40-15	R77467	A21	34	40-9	R78056	A17	1	40-4
R65602	A23	49	40-11	R77467	A25	7	40-13	R78056	A19	26	40-7
R65604	B2	16	40-15	R77467	A25	34	40-13	R78056	B4	39	40-17
R65605	B2	16	40-15	R77467	A25	49	40-13	R78057	A19	2	40-7
R65606	A23	55	40-11	R77467	B2	27	40-15	R78057	A25	40	40-13
R65606	B2	17	40-15	R77468	A21	32	40-9	R78057	B4	40	40-17
R65607	A23	46	40-11	R77468	A25	36	40-13	R78058	A19	23	40-7
R65607	B2	18	40-15	R77468	B2	28	40-15	R78058	A25	46	40-13
R66320	A21	24	40-9	R77469	A23	35	40-11	R78058	B4	41	40-17
R66321	A21	24	40-9	R77469	A25	35	40-13	R78059	A19	1	40-7
R67798	D23	19	90-3	R77469	B2	29	40-15	R78059	A25	41	40-13
R69279	A16	6	40-3	R77470	A23	45	40-11	R78059	B4	42	40-17
R70210	A23	40	40-11	R77471	A23	45	40-11	R78060	A16	12	40-3
R70211	A23	40	40-11	R77472	A23	45	40-11	R78060	A17	2	40-4
R70211	A23	41	40-11	R77473	A23	45	40-11	R78060	A19	2	40-7
R70212	A23	40	40-11	R77474	A23	44	40-11	R78060	A19	9	40-7
R70212	A25	31	40-13	R77475	A21	13	40-9	R78060	A19	12	40-7
R70213	A23	40	40-11	R77476	A21	3	40-9	R78060	B4	40	40-17
R70213	A25	39	40-13	R77476	B2	30	40-15	R78061	A17	4	40-4
R70214	A23	40	40-11	R77477	A21	4	40-9	R78061	A19	6	40-7
R70215	A23	40	40-11	R77478	A21	15	40-9	R78061	A19	23	40-7
R70216	A23	40	40-11	R77479	A21	5	40-9	R78061	B4	41	40-17
R70217	A23	40	40-11	R77480	A21	6	40-9	R78062	A19	1	40-7
R70218	A23	40	40-11	R77480	B2	31	40-15	R78062	B4	42	40-17
R70219	A23	40	40-11	R77481	A21	7	40-9	R78063	A16	11	40-3
R70220	A23	50	40-11	R77481	B2	32	40-15	R78063	A17	3	40-4
R70221	A23	39	40-11	R77482	A21	8	40-9	R78063	A19	1	40-7
R70222	A23	38	40-11	R77483	A21	16	40-9	R78063	A19	7	40-7
R70222	A25	30	40-13	R77484	A21	19	40-9	R78063	A19	12	40-7
R74242	B12	1	70-1	R77485	A21	21	40-9	R78063	B4	42	40-17
R74243	B12	2	70-1	R77485	B2	33	40-15	R78064	A19	27	40-7
R74244	B12	3	70-1	R77486	A21	22	40-9	R78064	B4	43	40-17
R74246	B12	4	70-1	R77487	A21	23	40-9	R78065	B4	44	40-17
R76459	B12	5	70-1	R77487	B2	34	40-15	R78066	B4	45	40-17
R77456	A21	27	40-9	R77488	A23	51	40-11	R78067	B4	44	40-17

NUMERICAL INDEX - CONTINUED

PART NO.	GRID	KEY	PAGE	PART NO.	GRID	KEY	PAGE	PART NO.	GRID	KEY	PAGE
R78068	B4	45	40-17	U46662	A21	10	40-9				
R78069	B4	46	40-17	U46662	B4	56	40-17				
R79043	C2	15	70-17	U46663	B4	57	40-17				
R79043	C24	7	70-39	U46664	A23	47	40-11				
R79043	C25	8	70-40	U46664	B4	58	40-17				
R79043	D6	8	70-47	14779	H8	16	110-21				
R79044	C2	6	70-17	32167	F4	31	100-3				
R79044	C24	14	70-39	32167	F6	5	100-5				
R79044	D6	4	70-47	32167	F8	31	100-7				
R95493	C12	30	70-27								
R95493	C14	30	70-29								
R95494	C12	31	70-27								
R95494	C14	31	70-29								
TY16069	A21	24	40-9								
TY16078	A21	24	40-9								
TY22420	H4	8	110-17								
TY2615	E5	2	90-11								
TY2615	E7	2	90-13								
TY2615	E10	2	90-16								
T107303	C8	13	70-23								
T107303	C10	13	70-25								
T11899	C16	7	70-31								
T12282	G17	2	110-5								
T12282	G19	2	110-7								
T12282	G21	2	110-9								
T12282	G23	2	110-11								
T12282	G25	5	110-13								
T140425	F4	28	100-3								
T140425	F6	2	100-5								
T140425	F8	28	100-7								
T19818	H15	13	120-5								
T25462	C17	2	70-32								
T28583	A21	1	40-9								
T28583	B4	52	40-17								
T28585	A21	12	40-9								
T28585	B4	53	40-17								
T28586	A21	14	40-9								
T28586	B4	54	40-17								
T34067	A21	18	40-9								
T34067	B4	55	40-17								
T39220	C8	16	70-23								
T39220	C10	16	70-25								
T41651	H6	14	110-19								
T43514	E2	1	90-7								
T65954	B20	11	70-10								
T72256	B21	6	70-11								
T72256	B22	6	70-12								
T77613	C16	2	70-31								
T77613	C16	23	70-31								
T77613	C16	24	70-31								
T77814	C12	19	70-27								
T77814	C14	19	70-29								
T77857	C12	15	70-27								
T77857	C12	22	70-27								
T77857	C14	15	70-29								
T77857	C14	22	70-29								
T77857	D2	2	70-43								
T77857	D8	2	70-49								
T77857	D12	9	70-53								
T77857	D12	13	70-53								
T77857	D14	9	70-55								
T77857	D14	13	70-55								
U11004	D17	12	70-58								
U12331	B23	12	70-13								
U12547	C25	19	70-40								
U41172	B19	6	70-9								
U46370	A21	20	40-9								