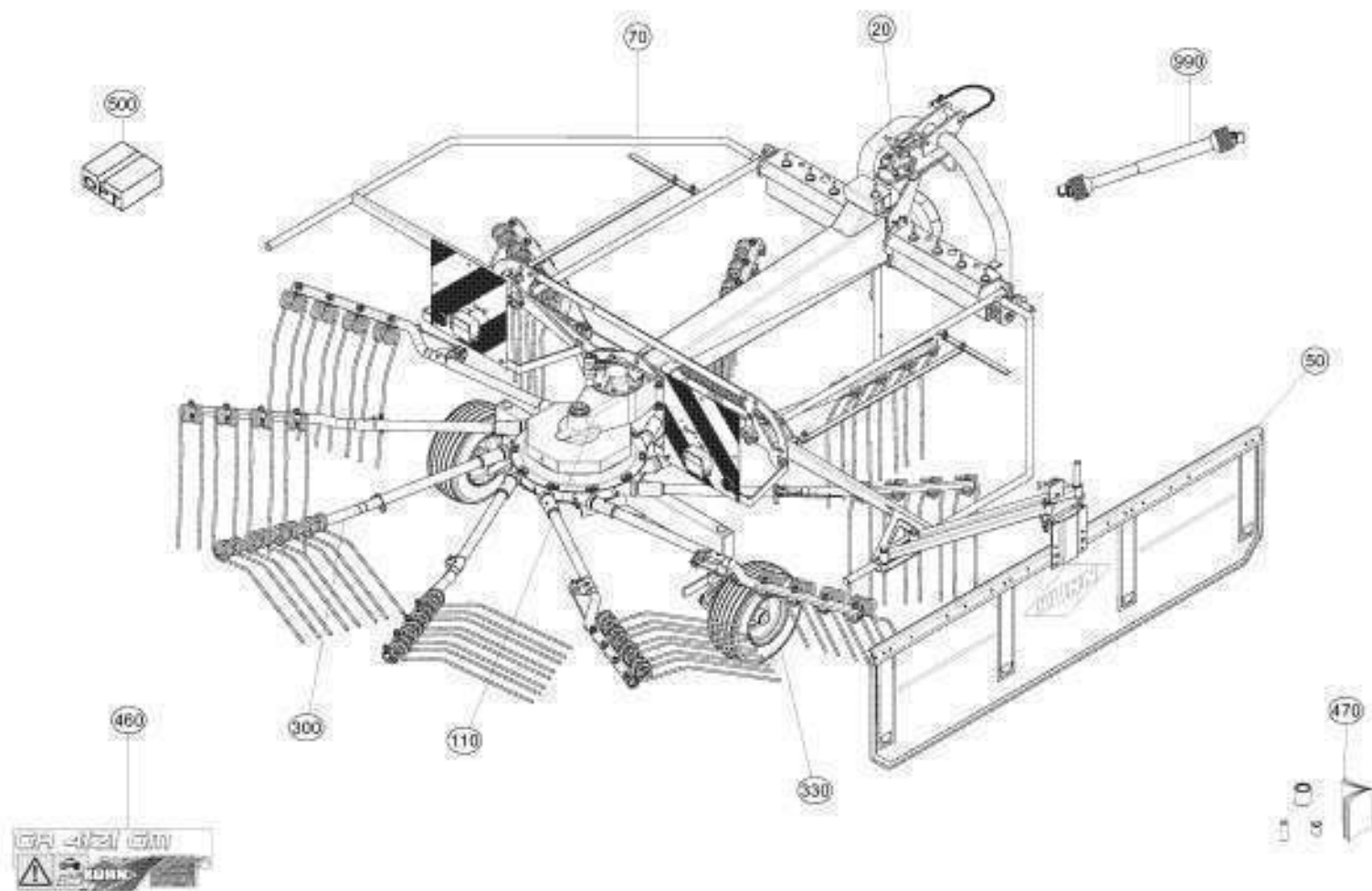


Hay / Silage Making > Rakes > Mounted Gyrorakes > GA 4121 > GA4121GM\_C0001\_D0000\_KR129CTL

Contents A

Machine : GA4121GM [Serial : C0714]

K80R0274 E



No	Description	Serial no.(from > to )	Remark	##numero-catalogue##
20	3 POINT FRAME	C 0001 > C 0500		KR129CTL_E
20	3 POINT FRAME	C 0501 > D 0000		KR129CTL_E
110	REDUCTION GEARBOX	C 0001 > C 1020		KR129CTL_E
110	REDUCTION GEARBOX	C 1021 > C 1340		KR129CTL_E
110	REDUCTION GEARBOX	C 1341 > D 0000		KR129CTL_E
110	ROTOR GEARBOX	C 0001 > D 0000		KR129CTL_E
300	TINE ARM	C 0001 > D 0000		KR129CTL_E
330	WHEEL COLUMN	C 0001 > D 0000		KR129CTL_E
330	WHEELS	C 0001 > C 2470		KR129CTL_E
330	WHEELS	C 2471 > D 0000		KR129CTL_E
70	SAFETY GUARDS	C 0001 > D 0000		KR129CTL_E
50	SWATH DEFLECTOR	C 0001 > D 0000		KR129CTL_E
470	MISCELLANEOUS	C 0001 > D 0000		KR129CTL_E
460	SET OF STICKERS	C 0001 > C 0160	<p>Safety pictorials without text (CE standard) with part no. starting with 599xxxxx, use 0 or 5 as the 7th digit of the number. In the corresponding pictorials with text the 7th digit of the number is : 1 or 6 respectively for pictorials with French text as used in French Canada. 2 or 7 respectively for pictorials with English text as used in non-European English speaking countries.</p>	KR129CTL_E
460	SET OF STICKERS	C 0161 > D 0000	<p>Safety pictorials without text (CE standard) with part no. starting with 599xxxxx, use 0 or 5 as the 7th digit of the number. In the corresponding pictorials with text the 7th digit of the number is : 1 or 6 respectively for pictorials with French text as used in French Canada. 2 or 7 respectively for pictorials with English text as used in non-European English speaking countries.</p>	KR129CTL_E
500	SIGNALLING	C 0001 > D 0000		KR129CTL_E
500	SIDE SIGNALLING	C 0001 > D 0000		KR129CTL_E
500	PROP WHEEL	C 0001 > C 2470		KR129CTL_E
500	PROP WHEEL	C 2471 > D 0000		KR129CTL_E
500	BOGIE AXLE	C 0001 > C 2470		KR129CTL_E
500	BOGIE AXLE	C 2471 > D 0000		KR129CTL_E
500	DAMPER	C 0001 > D 0000		KR129CTL_E
500	HYDRAULIC FOLDING SAFETY GUARD	C 0001 > D 0000		KR129CTL_E
990	TRANSMISSION 4500239	C 0001 > D 0000		KR129CTL_E

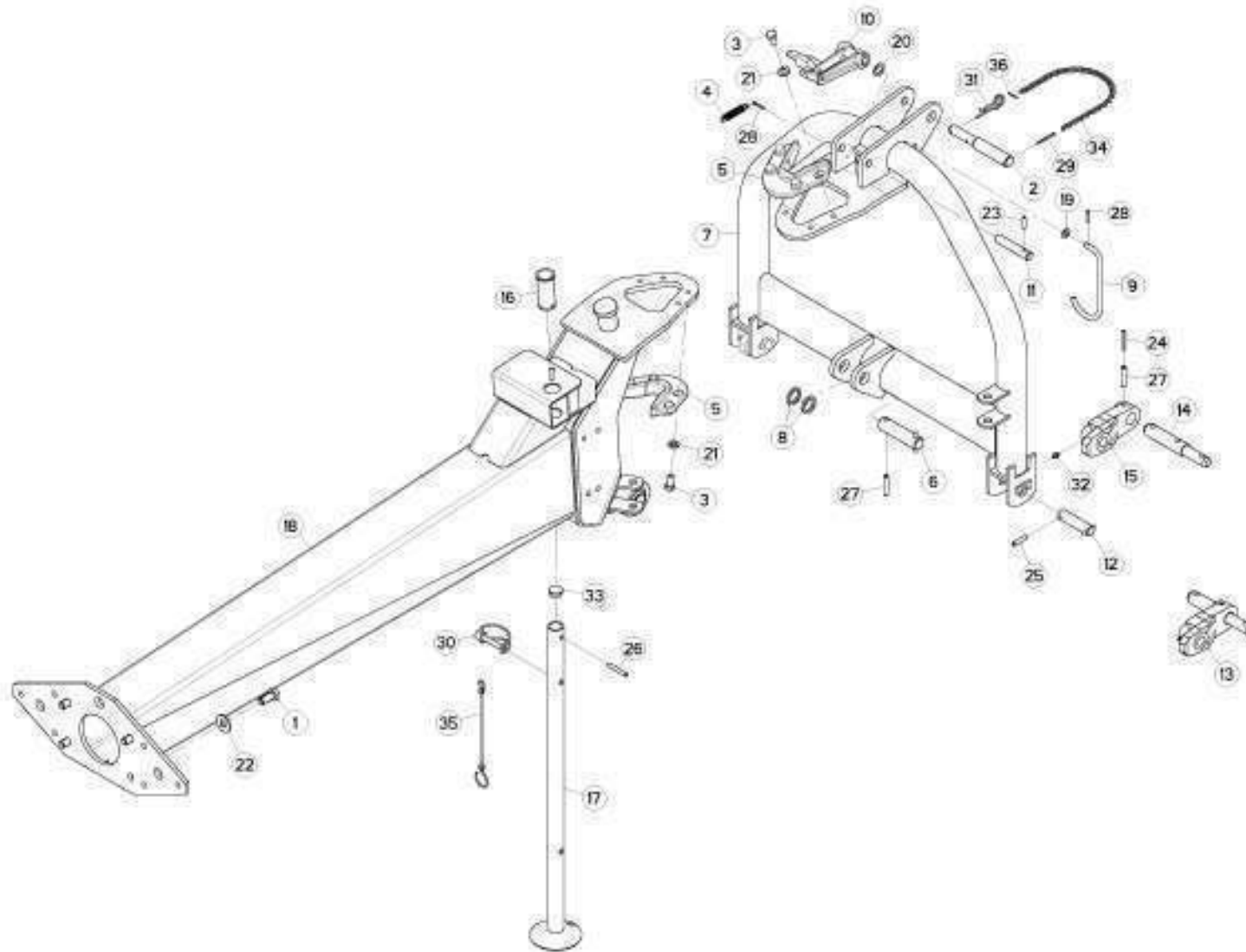


Hay / Silage Making > Rakes > Mounted Gyrorakes > GA 4121 > GA4121GM\_C0001\_D0000\_KR129CTL >

ContentsA

Machine : GA4121GM [Serial : C0714]

K80R0265 B





No	Part no.	Quantity	Description	Serial no.(from > to )	Remark	Replacement
001	80071631	4	SCREW WITH ADHESIVE COATING	- > -		-
002	52234300	1	TOP LINK PIN	- > -	+ [1]	-
003	52508300	8	SCREW	- > -	10 daN m (74 lbf ft)	-
004	55502100	1	SPRING	- > -		-
005	57515300	2	CAM	- > -		-
006	57516900	1	PIN FE/ZN	- > -		-
007	57517020	1	THREE POINT FRAME	- > -		-
008	57517200	2	WASHER FE/ZN	- > -		-
009	57520000	1	HOOK	- > -		-
010	57532030	1	LATCH	- > -		-
011	57532110	1	PIN	- > -		-
012	57704410	2	PIN	- > -		-
013	57704520	2	HITCH PIN	- > -	+ [2]	-
014	57713810	2	LINKAGE PIN	- > -	[2]	-
015	57713920	2	LINKAGE PIN SUPPORT	- > -	[2]	-
016	57730700	1	NYLON BEARING	- > -		-
017	57734700	1	STAND	- > -		-
018	57844000	1	BEAM	- > -		-
019	80251021	1	PLAIN WASHER M10	- > -		-
020	80251932	1	PLAIN WASHER FE/ZNXC3	- > -		-
021	80281254	8	CONICAL SPRING WASHER FLZNNC	- > -		-
022	80281639	4	CONICAL SPRING WASHER FLZNNC	- > -		-
023	80450631	1	ELASTIC PIN 6 X 30 HEAVY CLASS	- > -		-
024	80450650	2	ROLL PIN FLZNNC	- > -	[2]	-
025	80450841	4	ROLL PIN FLZNNC	- > -		-
026	80450856	1	ROLL PIN FLZNNC	- > -		-
027	80451050	4	ROLL PIN FLZNNC	- > -	[2]	-
028	80500322	2	SPLIT PIN FE/ZNXC3	- > -		-
029	80500340	1	SPLIT PIN FE/ZNXC3	- > -	[1]	-
030	80561000	1	TUBE PIN	- > -		-
031	80570476	1	SPRING COTTER PIN FE/ZNXC3	- > -	[1]	-
032	82200800	2	GRESE NIPPLE B M8X1,25	- > -	[2]	-
033	83040070	1	END PLUG	- > -		-
034	83070002	1	CHAIN FE/ZNXC3	- > -	[1]	-
035	83070064	1	PVC CORD	- > -		-
036	83070065	1	HOOK FE/ZNXC3	- > -	[1]	-

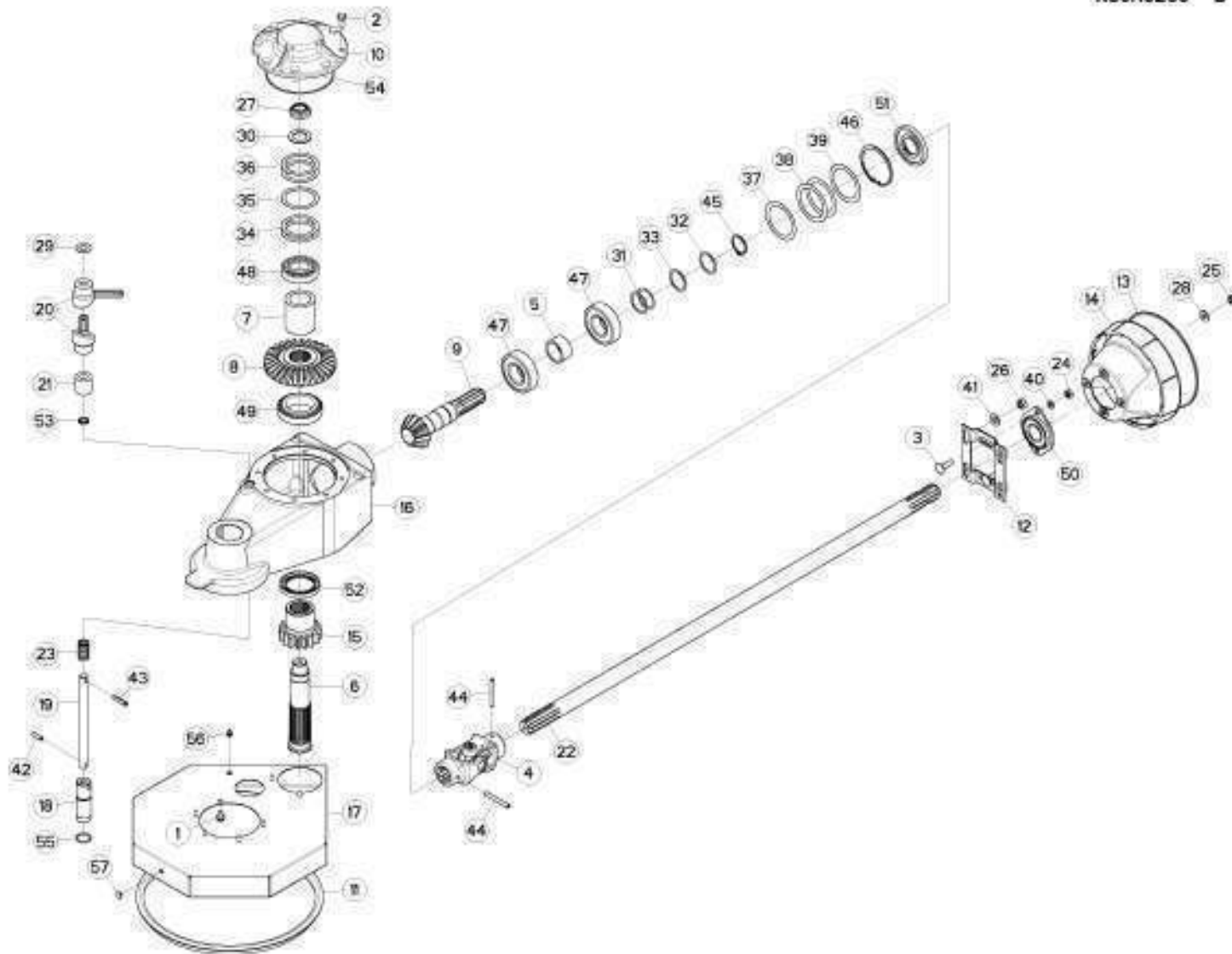


Hay / Silage Making > Rakes > Mounted Gyrorakes > GA 4121 > GA4121GM\_C0001\_D0000\_KR129CTL >

ContentsA

Machine : GA4121GM [Serial : C0714]

**K80R0266 B**





No	Part no.	Quantity	Description	Serial no.(from > to )	Remark	Replacement
001	50000800	7	SCREW, SELF-LOCKING	->-	2,5 daN m (18,5 lbf ft)	-
002	80071030	8	SCREW WITH ADHESIVE COATING	->-	4,9 daN m (36 lbf ft)	-
003	50007300	2	BOLT, CARRIAGE, SHORT NECK	->-		-
004	57520100	1	JOINT, UNIVERSAL	->-		-
005	57528200	1	SPACER	->-		-
006	57528600	1	SPLINED SHAFT	->-		-
007	57528700	1	SPACER	->-		-
008	57528800	1	GEAR, SUN	->-		-
009	57528910	1	GEAR, BEVEL	->-		1x 57528920
010	57529510	1	LID	->-		-
011	57535100	1	ROTOR GASKET	->-		-
012	57716100	1	ADAPTER PLATE	->-		-
013	57725310	1	GUARD	->-		-
014	57734200	1	GUARD CONE EXTENSION	->-		-
015	57735100	1	PINION Z.16	->-		-
016	57735230	1	HOUSING	->-		-
017	57735400	1	HOOD	->-		1x K8026430
018	57735520	1	LATCH	->-		-
019	57735610	1	TIE-ROD	->-		-
020	57735700	2	CRANK ARM	->-		-
021	57737400	1	SPACER	->-		-
022	57904610	1	TRANSMISSION SHAFT FRONT	->-		-
023	58520600	1	SPRING	->-		-
024	80201000	2	BLACK NUT M 10	->-		-
025	80201030	2	SELF-LOCKING NUT FE/ZNXC3	->-	5 daN m (37 lbf ft)	-
026	80201200	4	HEX. NUT M12	->-		1x 80201270
027	80203065	1	SELF-LOCKING SLOTTED ROUND	->-	25 daN m (184,5 lbf ft)	-
028	80251176	2	PLAIN WASHER FE/ZNXC3	->-		-
029	80251633	1	PLAIN WASHER FE/ZNXC3	->-		-
030	80253048	1	PLAIN WASHER FLZNNC	->-		-
031	80254040	2	SHIM RING PS 0,1	->-		-
032	80254041	1	SHIM RING PS 0,3	->-		-
033	80254042	1	SHIM RING PS 0,5	->-		-
034	80256370	2	SHIM RING PS 0,1	->-		-
035	80256371	1	SHIM RING PS 0,3	->-		-
036	80256372	2	SHIM RING PS 0,5	->-		-



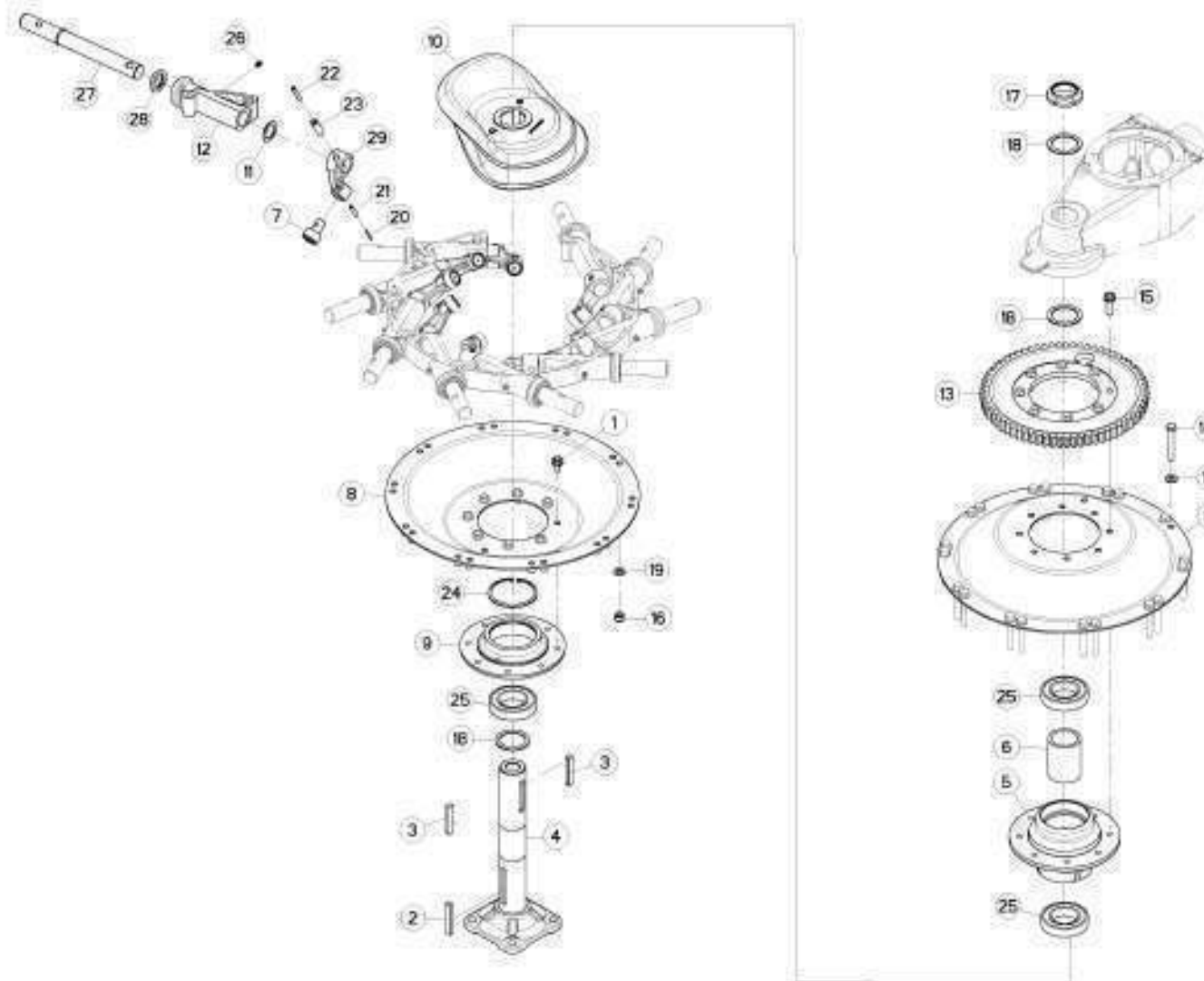
037	80257070	1	SHIM RING PS 0,1	->-	-
038	80257071	2	SHIM RING PS 0,2	->-	-
039	80257073	1	SHIM RING PS 0,5	->-	-
040	80271001	2	SERRATED LOCK WASHER FLZNNC	->-	-
041	80281250	4	CONICAL SPRING WASHER FLZNNC	->-	-
042	80450828	1	ROLL PIN FLZNNC	->-	-
043	80450841	1	ROLL PIN FLZNNC	->-	-
044	80450861	2	ROLL PIN FLZNNC	->-	-
045	80584000	1	ELASTIC RING E 40	->-	-
046	80599000	1	ELASTIC RING I 90	->-	-
047	81004094	2	BALL BEARING	->-	-
048	81304079	1	ROLLER BEARING 30208 TAPERED	->-	-
049	81306095	1	TAPERED ROLLER BEARING	->-	-
050	81503504	1	FLANGE UNIT	->-	-
051	82014090	1	OIL SEAL	->-	-
052	82016087	1	OIL SEAL	->-	-
053	82041622	1	OIL SCRAPER SEAL	->-	-
054	82060040	1	O-RING	->-	-
055	82062733	1	O-RING	->-	-
056	82200800	1	GRESE NIPPLE B M8X1,25	->-	-
057	83040097	1	END PLUG	->-	1x 83040246

Hay / Silage Making > Rakes > Mounted Gyrorakes > GA 4121 > GA4121GM\_C0001\_D0000\_KR129CTL >

ContentsA

Machine : GA4121GM [Serial : C0714]

K80R0251 B





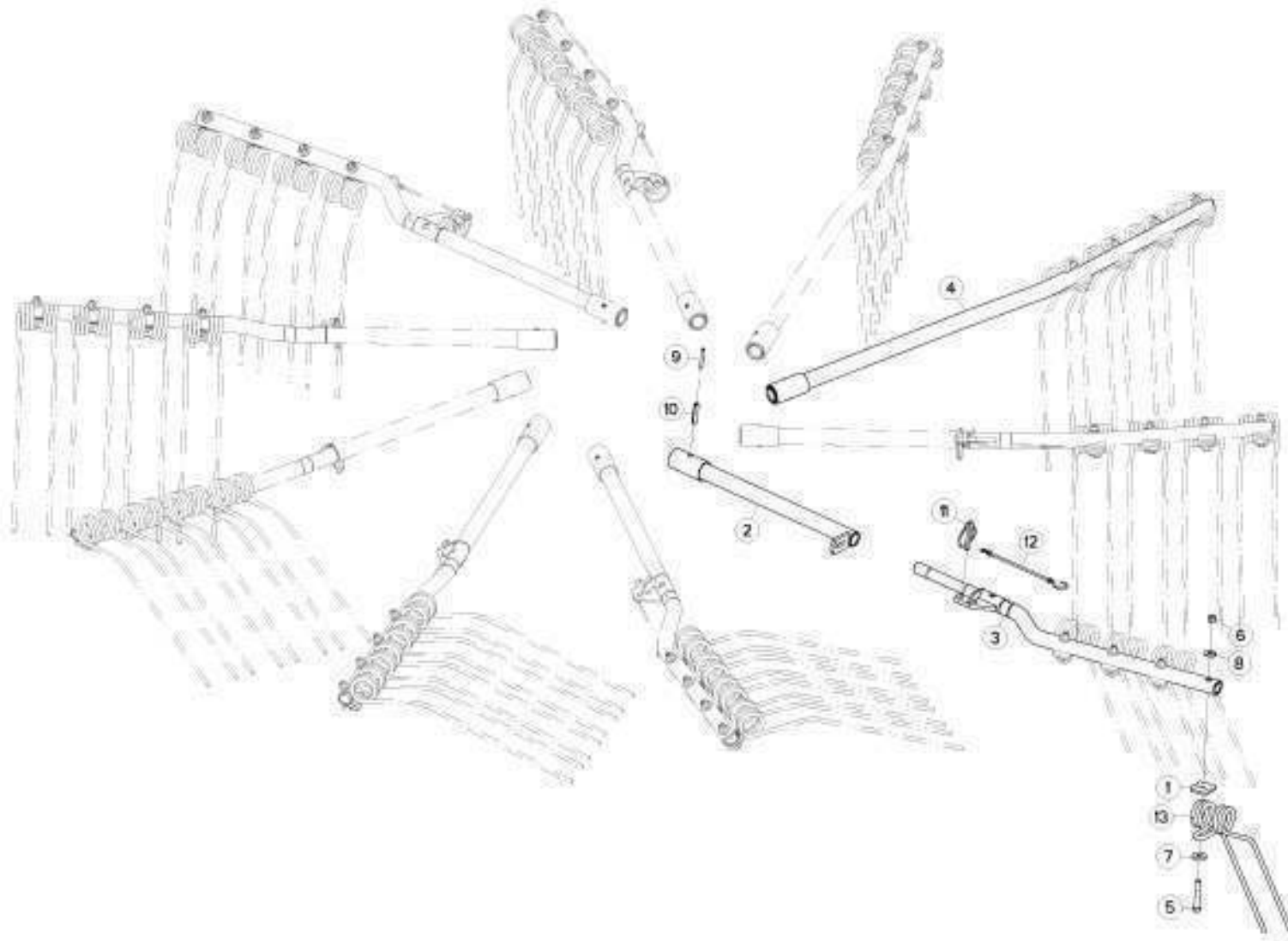
No	Part no.	Quantity	Description	Serial no.(from > to )	Remark	Replacement
001	50007500	8	SELF-LOCKING SCREW	->-	9 daN m (66 lbf ft)	-
002	50025300	1	KEY, PARALLEL	->-		-
003	50028300	2	KEY, PARALLEL	->-		-
004	57528140	1	PIN	->-		-
005	57529100	1	HUB	->-		-
006	57529400	1	SPACER	->-		-
007	57533300	10	CAM ROLLER	->-		-
008	57718810	2	DISC	->-		-
009	57719610	1	HOUSING	->-		-
010	57720020	1	CAM	->-		-
011	57720300	10	WASHER	->-		-
012	57720610	10	TINE ARM HOUSING	->-		-
013	57735010	1	GEAR WHEEL Z.69	->-	Z=69	-
014	80061291	20	HEXAGON HEAD SCREW FLZNNC	->-		-
015	80131240	8	UNDERSERR.S-LOC.SCREW FLZNNC	->-	14,5 daN m (106 lbf ft)	-
016	80201230	20	SELF-LOCKING NUT FE/ZNXC3	->-	9 daN m (66 lbf ft)	-
017	80205519	1	SELF-LOCKING SLOTTED ROUND	->-	55 daN m (406 lbf ft) + LOCTITE	-
018	80255677	3	SUPPORTING RING SS 3,0	->-		-
019	80281254	40	CONICAL SPRING WASHER FLZNNC	->-		-
020	80450440	10	ROLL PIN FLZNNC	->-		-
021	80450740	10	ROLL PIN FLZNNC	->-		-
022	80450851	10	ELASTIC PIN 8X50	->-		-
023	80451450	10	ROLL PIN FLZNNC	->-		-
024	80590000	1	ELASTIC RING I 100	->-		-
025	81005501	3	BALL BEARING	->-		1x 81005504
026	82200800	10	GRESE NIPPLE B M8X1,25	->-		-
027	K8009730	10	BAR, TINE	->-		-
028	K8009760	10	WASHER	->-		-
029	K8009770	10	MOUNT, CAM FOLLOWER	->-	Loctite	-

Hay / Silage Making > Rakes > Mounted Gyrorakes > GA 4121 > GA4121GM\_C0001\_D0000\_KR129CTL >

ContentsA

Machine : GA4121GM [Serial : C0714]

**K80R0252 B**





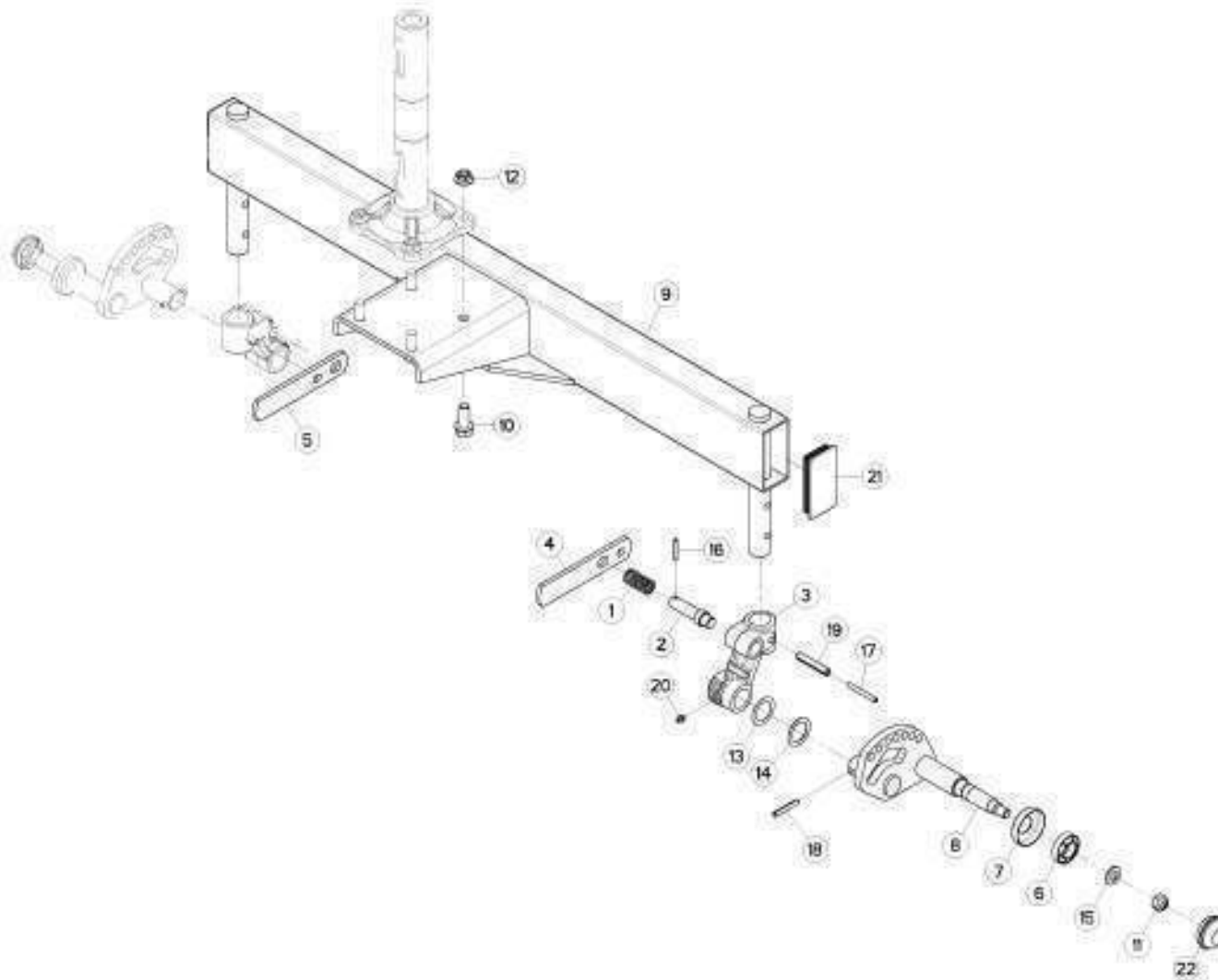
No	Part no.	Quantity	Description	Serial no.(from > to )	Remark	Replacement
001	57717410	40	TINE BRACKET ZBC	->-		-
002	57720700	8	TINE ARM SUPPORT	->-		-
003	57743020	8	TINE ARM &#40;ROTATING RIGHT&#41;	->-		-
004	57917900	2	TINE ARM &#40;ROTATING RIGHT&#41;	->-		-
005	80061280	40	HEXAGON HEAD SCREW FE/ZNXC3	->-	8,5 daN m (63 lbf ft)	-
006	80201230	40	SELF-LOCKING NUT FE/ZNXC3	->-		-
007	80251336	40	PLAIN WASHER FE/ZNXC3	->-		-
008	80281252	40	CONICAL SPRING WASHER FLZNNC	->-		-
009	80450752	10	ROLL PIN FLZNNC	->-		-
010	80451255	10	ROLL PIN FLZNNC	->-		-
011	80561155	8	LINCH PIN	->-		-
012	83070064	8	PVC CORD	->-		-
013	K8013670	40	TINE, MULTIPLE	->-		-

Hay / Silage Making > Rakes > Mounted Gyrorakes > GA 4121 > GA4121GM\_C0001\_D0000\_KR129CTL >

ContentsA

Machine : GA4121GM [Serial : C0714]

K80R0267 A





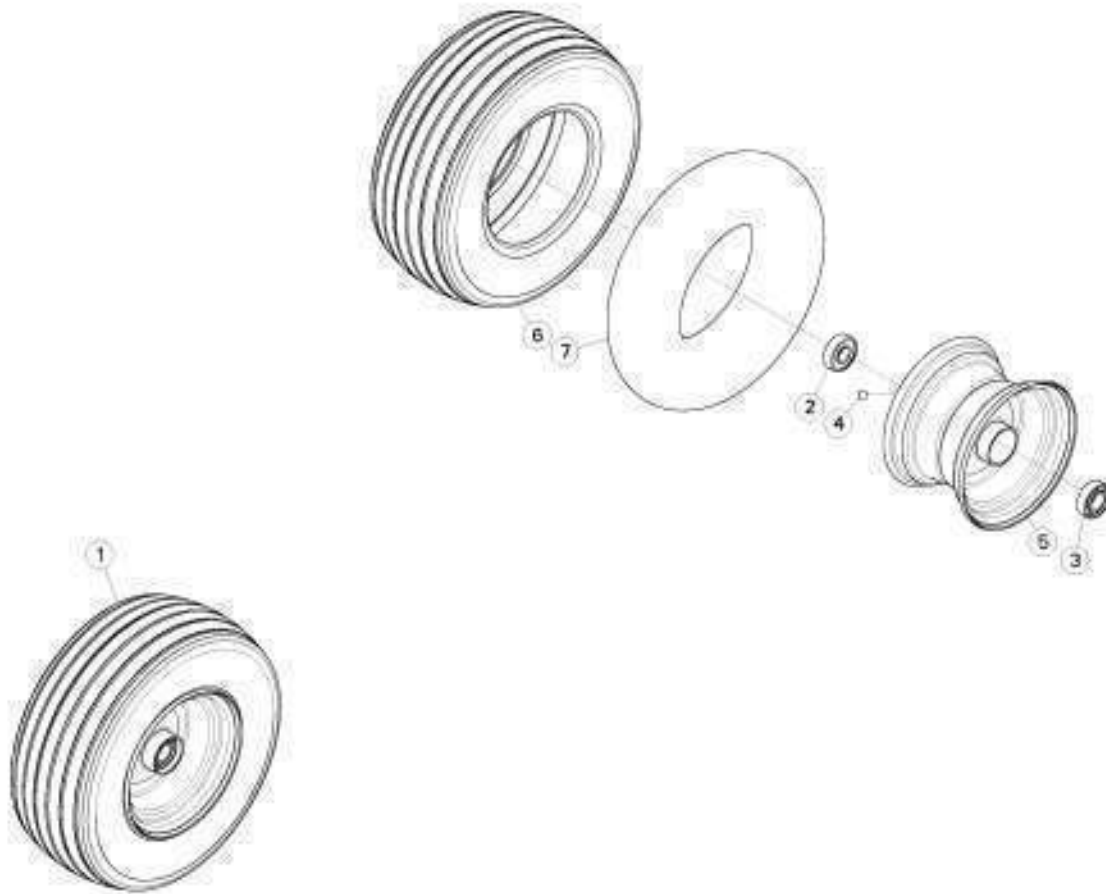
No	Part no.	Quantity	Description	Serial no.(from > to )	Remark	Replacement
001	56113900	2	SPRING	->-		-
002	57647300	2	PAWL	->-		-
003	57709600	2	WHEEL AXLE SUPPORT	->-		-
004	57710700	1	LEVER	->-		-
005	57716500	1	LEVER	->-		-
006	57726100	2	DEFLECTOR	->-		-
007	57726200	2	COVER	->-		-
008	57730310	2	WHEEL AXLE	->-		-
009	57760410	1	WHEEL COLUMN SUPPORT	->-		-
010	80131640	4	UNDERSERR.S-LOC.SCREW FLZNNC	->-	21 daN m (155 lbf ft)	-
011	80201641	2	SELF-LOCKING NUT FE/ZNXC3	->-	12 daN m (89 lbf ft)	-
012	80201651	4	UNDERSERRAT.S.LOC.NUT FE/ZNXC3	->-	21 daN m (155 lbf ft)	-
013	80253536	2	PLAIN WASHER	->-		-
014	80253538	2	PLAIN WASHER FE/ZNXC3	->-		-
015	80281600	2	CONICAL SPRING WASHER FLZNNC	->-		-
016	80450641	2	ELASTIC PIN 6X40 HEAVY DUTY	->-		-
017	80450765	2	ROLL PIN FLZNNC	->-		-
018	80450856	2	ROLL PIN FLZNNC	->-		-
019	80451270	2	ROLL PIN FLZNNC	->-		-
020	82200800	2	GRESE NIPPLE B M8X1,25	->-		-
021	83040157	2	END PLUG	->-		-
022	83300046	2	WHEEL CAP	->-		-

Hay / Silage Making > Rakes > Mounted Gyorakes > GA 4121 > GA4121GM\_C0001\_D0000\_KR129CTL >

Contents A

Machine : GA4121GM [Serial : C0714]

K80R0168 A



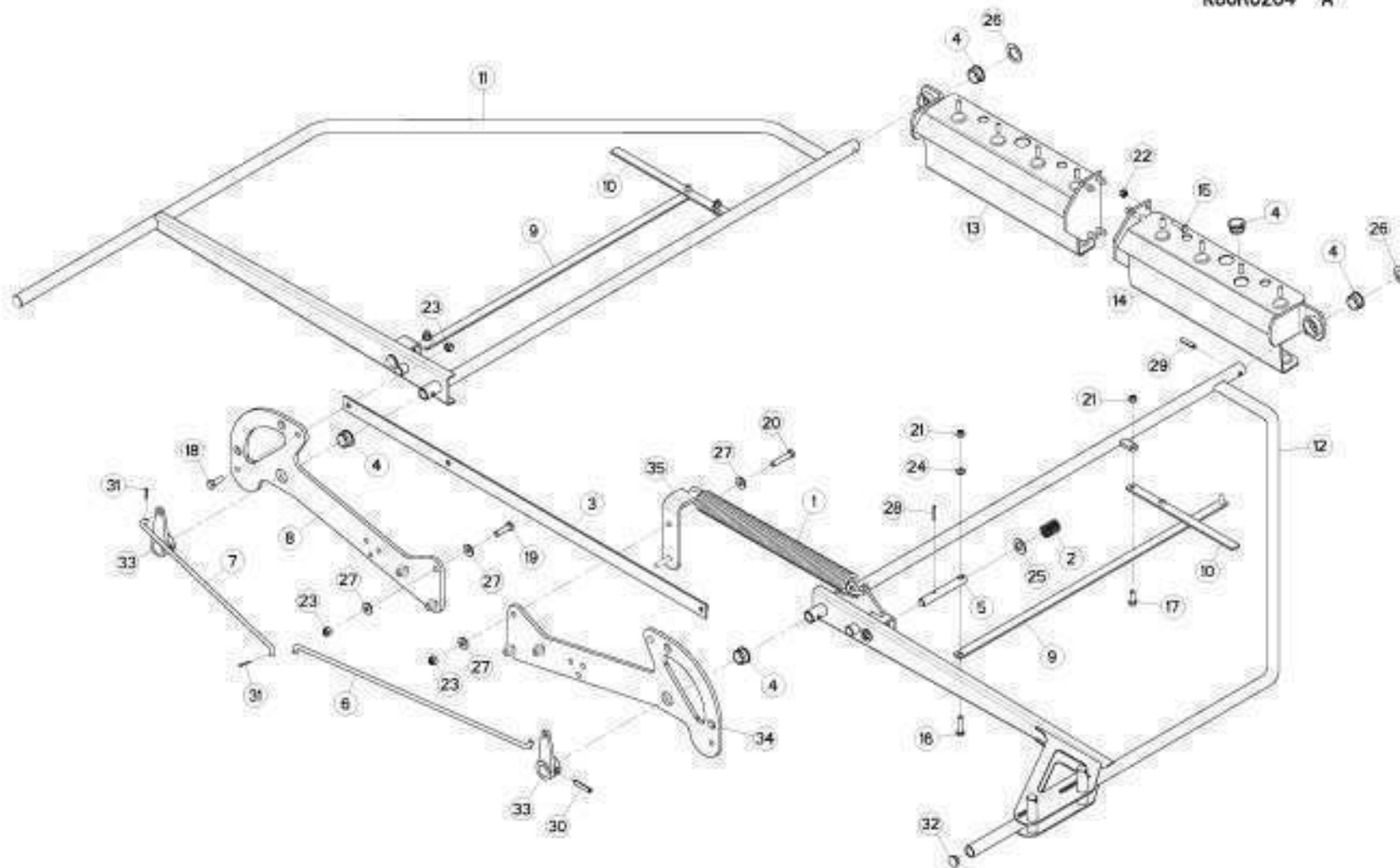




No	Part no.	Quantity	Description	Serial no.(from > to )	Remark	Replacement
001	57726300	1	WHEEL AND TIRE ASSEMBLY	- > -	+[2]	1x 57726330
002	81002053	1	BALL BEARING	- > -	[1]	-
003	81002555	1	BALL BEARING	- > -	[1]	-
004	83300050	1	VALVE CAP	- > -	[1]	-
005	83300067	1	RIM	- > -	[2] +[1]	-
006	83300068	1	TYRE "S.B.6 PLY" 16X6,5-8	- > -	[2]	1x 83300384
007	83300069	1	INNER TUBE "SUPERBALLON"	- > -	[2]	-

Hay / Silage Making > Rakes > Mounted Gyorakes > GA 4121 > GA4121GM\_C0001\_D0000\_KR129CTL >  
ContentsA  
Machine : GA4121GM [Serial : C0714]

K80R0264 A





No	Part no.	Quantity	Description	Serial no.(from > to )	Remark	Replacement
001	53071300	1	SPRING	->-		-
002	57100800	2	PRESSURE SPRING	->-		-
003	57559810	1	TENSIONER	->-		-
004	57721600	20	NYLON BEARING	->-		-
005	57724100	2	LATCH	->-		-
006	57736300	1	LINK	->-		-
007	57736400	1	LINK	->-		-
008	57737910	1	HINGE REAR	->-		-
009	57833700	2	LINK	->-		-
010	57833900	2	LEVER	->-		-
011	57844110	1	GUARD	->-		-
012	57844220	1	GUARD	->-		-
013	57844600	1	HINGE FRONT LEFT	->-		-
014	57844700	1	HINGE FRONT RIGHT	->-		-
015	80061035	8	HEX. HEAD SCREW M10 X 35 MM CL	->-		-
016	80061046	2	HEXAGON HEAD SCREW FE/ZNXC3	->-		-
017	80061073	4	HEXAGON HEAD SCREW FE/ZNXC3	->-		-
018	80061236	2	HEX BOLT M12X35 CL8.8 DIN933 R	->-		-
019	80061245	4	HEXAGON HEAD SCREW FE/ZNXC3	->-		-
020	80061282	2	HEX BOLT M12X60 CL5.8 DIN931 R	->-		-
021	80201030	6	SELF-LOCKING NUT FE/ZNXC3	->-		-
022	80201040	8	SELF LOCKING NUT M10 DIN 985	->-		-
023	80201230	8	SELF-LOCKING NUT FE/ZNXC3	->-		-
024	80251021	2	PLAIN WASHER M10	->-		-
025	80252026	2	PLAIN WASHER M20 DIN 125	->-		-
026	80253046	2	PLAIN WASHER FE/ZNXC3	->-		-
027	80281252	12	CONICAL SPRING WASHER FLZNNC	->-		-
028	80450641	2	ELASTIC PIN 6X40 HEAVY DUTY	->-		-
029	80451046	2	ROLL PIN FLZNNC	->-		-
030	80451055	2	ROLL PIN FLZNNC	->-		-
031	80500322	4	SPLIT PIN FE/ZNXC3	->-		-
032	83040059	2	END PLUG	->-		-
033	57736500	2	CRANK	->-		-
034	57737910	1	HINGE REAR	->-		-
035	K8010840	1	ATTACHMENT	->-		-

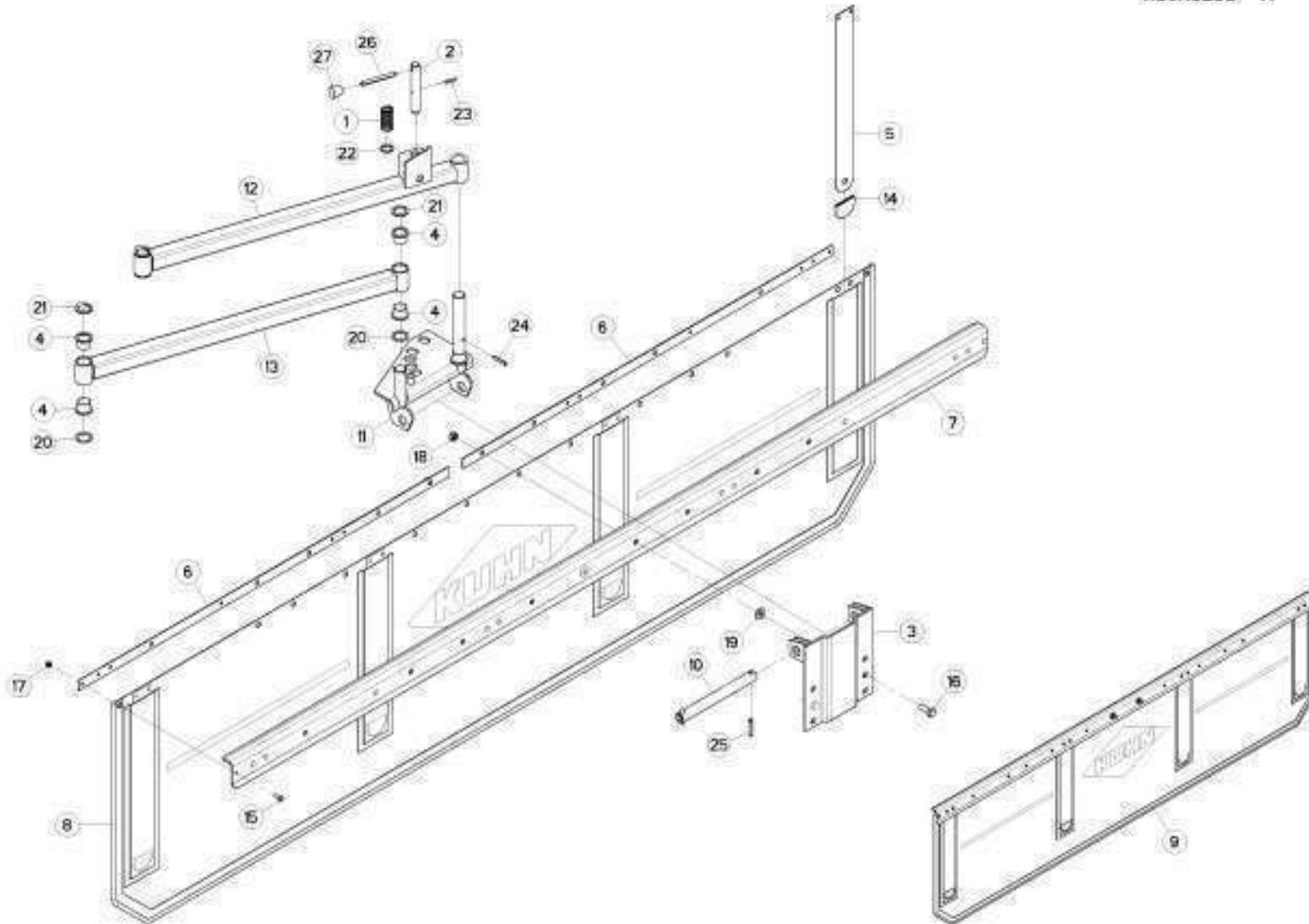


Hay / Silage Making > Rakes > Mounted Gyrorakes > GA 4121 > GA4121GM\_C0001\_D0000\_KR129CTL >

ContentsA

Machine : GA4121GM [Serial : C0714]

K80R0255 A





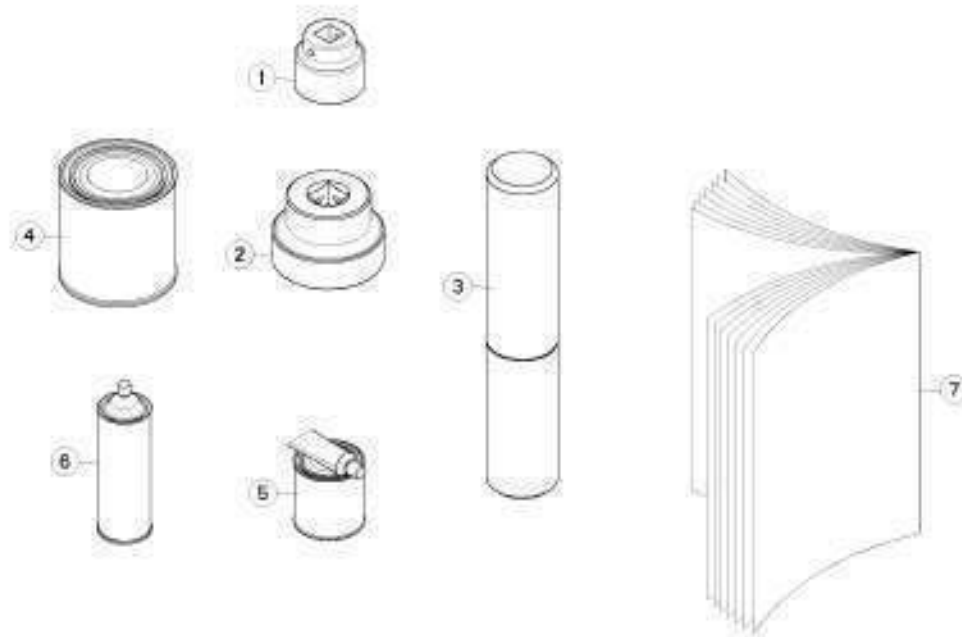
No	Part no.	Quantity	Description	Serial no.(from > to )	Remark	Replacement
001	56113900	1	SPRING	->-		-
002	57560600	1	PAWL	->-		-
003	57560910	1	DEFLECTER SUPPORT	->-		-
004	57630810	8	NYLON BEARING	->-		-
005	57720900	4	STIFFENER	->-	[1]	-
006	57721010	2	BLOCK, TERMINAL	->-	[1]	-
007	57721100	1	SUPPORT	->-		-
008	57721200	1	DEFLECTOR CURTAIN	->-	[1]	-
009	57721400	1	DEFLECTOR	->-	+ [1]	-
010	57735800	1	PIN	->-		-
011	57735900	1	PLATE	->-		-
012	57760000	1	ARM	->-		-
013	57760100	1	ARM	->-		-
014	57808100	4	PROTECTION CAP	->-	[1]	-
015	80060616	12	HEXAGON HEAD SCREW FE/ZNXC3	->-	[1]	-
016	80061073	2	HEXAGON HEAD SCREW FE/ZNXC3	->-	[1]	-
017	80200630	12	SELF LOCKING NUT M6 DIN 982	->-	[1]	-
018	80201040	2	SELF LOCKING NUT M10 DIN 985	->-	[1] 5 daN m (37 lbf ft)	-
019	80251127	2	PLAIN WASHER FE/ZNXC3	->-	[1]	-
020	80252534	4	SHIM RING PS 1,0	->-		-
021	80252536	4	SUPPORTING RING SS 2	->-		-
022	80281927	1	CONICAL SPRING WASHER	->-		-
023	80450525	1	ELASTIC PIN 5X26 HEAVY DUTY	->-		-
024	80450637	4	ROLL PIN FLZNNC	->-		-
025	80450841	2	ROLL PIN FLZNNC	->-		-
026	80450862	1	ROLL PIN FLZNNC	->-		-
027	83050008	1	HANDLE	->-		-

Hay / Silage Making > Rakes > Mounted Gyorakes > GA 4121 > GA4121GM\_C0001\_D0000\_KR129CTL >

ContentsA

Machine : GA4121GM [Serial : C0714]

**K80R0272 B**





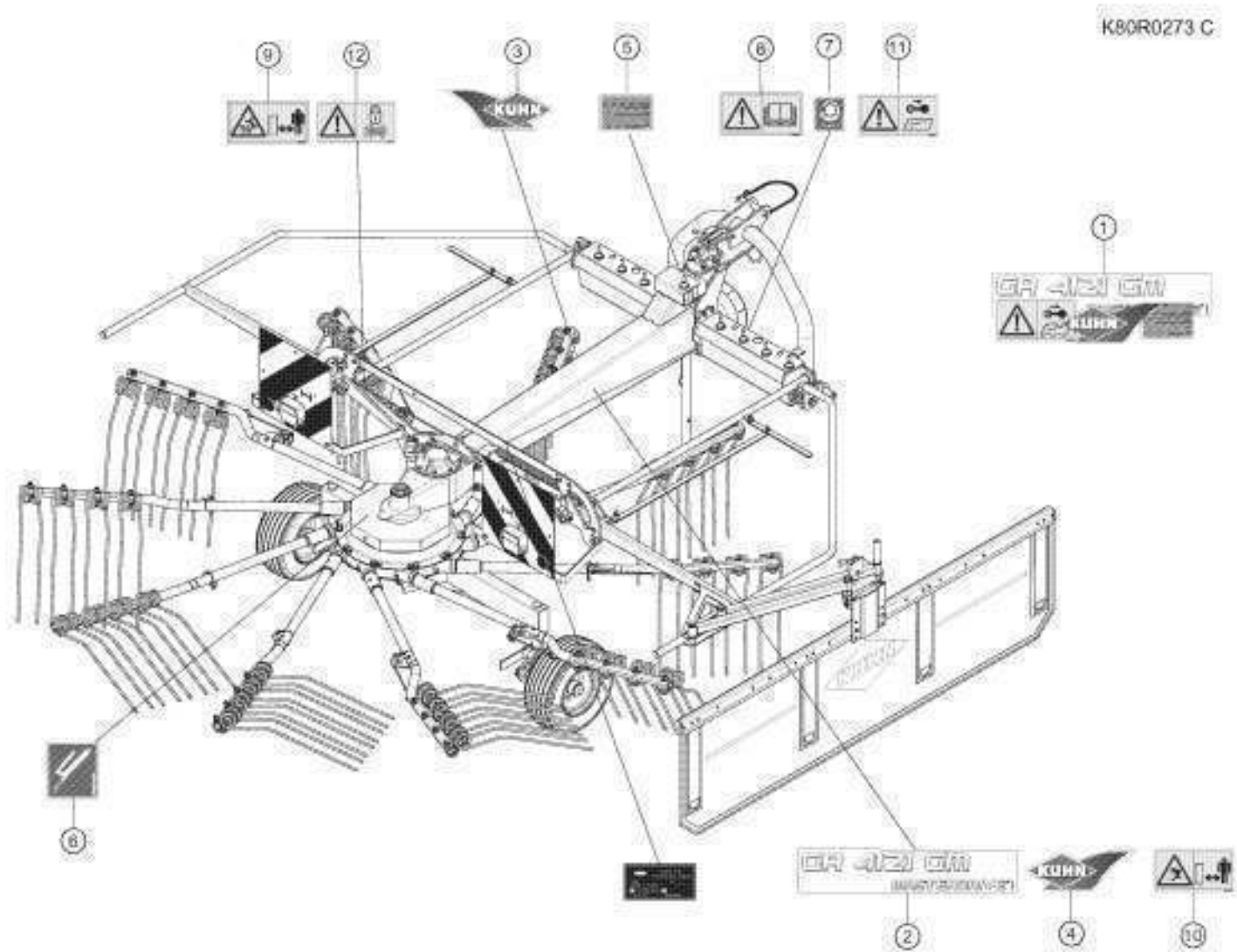
No	Part no.	Quantity	Description	Serial no.(from > to )	Remark	Replacement
001	3157109	1	SPECIAL SOCKET->80203065	- > -	:80203065	-
002	3177802	1	WRENCH	- > -	:80205519	-
003	9006600	1	DOCUMENT BOX	- > -		-
004	83503018	1	1L RED PAINT CAN,	- > -		-
005	83503019	1	0,6L RED PAINT CAN,&#43;HARDENER	- > -		-
006	83503026	1	RED SPRAY PAINT	- > -		-
007	KN129C	1	OPERATOR'S MANUAL	- > -		-



Hay / Silage Making > Rakes > Mounted Gyorakes > GA 4121 > GA4121GM\_C0001\_D0000\_KR129CTL >

ContentsA

Machine : GA4121GM [Serial : C0714]



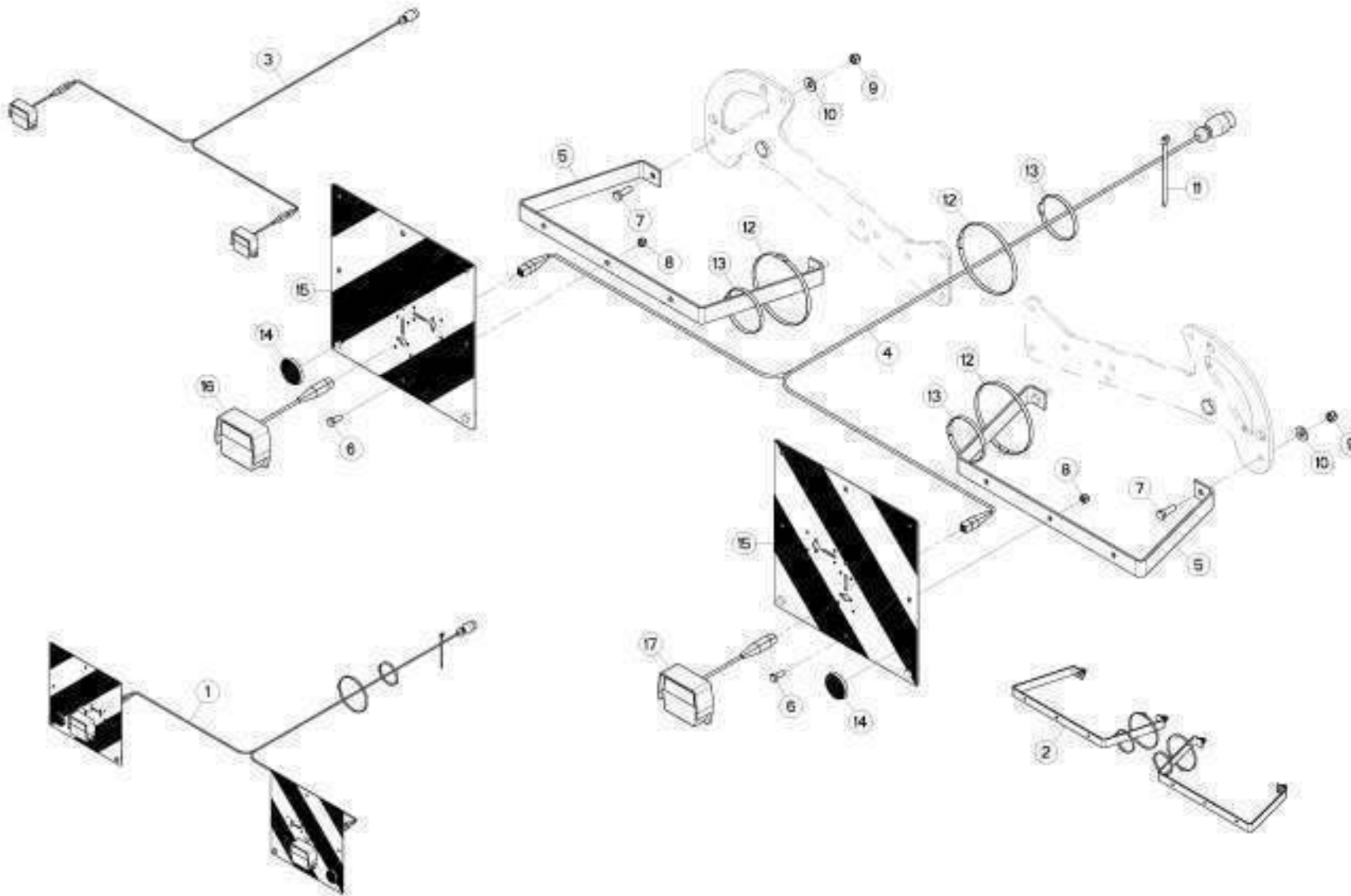
No	Part no.	Quantity	Description	Serial no.(from > to )	Remark	Replacement
001	57844520	1	SET OF STICKERS	->-	+[1]	1x 09900900
001	57844520	1	SET OF STICKERS	->-	+[1]	1x 09915000
001	57844520	1	SET OF STICKERS	->-	+[1]	1x 59900000
001	57844520	1	SET OF STICKERS	->-	+[1]	1x 59900100
001	57844520	1	SET OF STICKERS	->-	+[1]	1x 59900400
001	57844520	1	SET OF STICKERS	->-	+[1]	1x 59910000
001	57844520	1	SET OF STICKERS	->-	+[1]	1x K9530070
001	57844520	1	SET OF STICKERS	->-	+[1]	1x K9530080
001	57844520	1	SET OF STICKERS	->-	+[1]	2x 59900200
001	57844520	1	SET OF STICKERS	->-	+[1]	2x K9502341
001	57844520	1	SET OF STICKERS	->-	+[1]	3x 09905400
001	57844570	1	SET OF STICKERS	->-	: CA	-
001	57844580	1	SET OF STICKERS	->-	: US	1x 09900900
001	57844580	1	SET OF STICKERS	->-	: US	1x 09915000
001	57844580	1	SET OF STICKERS	->-	: US	1x 59900020
001	57844580	1	SET OF STICKERS	->-	: US	1x 59900120
001	57844580	1	SET OF STICKERS	->-	: US	1x 59900420
001	57844580	1	SET OF STICKERS	->-	: US	1x 59910020
001	57844580	1	SET OF STICKERS	->-	: US	1x K9501190
001	57844580	1	SET OF STICKERS	->-	: US	2x 59502110
001	57844580	1	SET OF STICKERS	->-	: US	2x 59900220
001	57844580	1	SET OF STICKERS	->-	: US	2x K9500070
001	57844580	1	SET OF STICKERS	->-	: US	3x 09905400
002	K9502341	2	DECAL	->-	[1]	-
003	K9530070	1	DECAL	->-	[1]	-
004	K9530080	1	DECAL	->-	[1]	-
005	09900900	1	TRANSFER	->-	[1]	-
006	09905400	3	TRANSFER	->-	[1]	-
007	09915000	1	DECAL	->-	[1]	-
008	59900000	1	PICTORIAL H INSTRUCTIONS	->-	[1] *	-
009	59900100	1	PICTORIAL H DANGER ENTANGLEM.	->-	[1] *	-
010	59900200	2	PICTORIAL H DANGER PROJECTION	->-	[1] *	-
011	59900400	1	PICTORIAL H STOP ENGINE	->-	[1] *	-
012	59910000	1	PICTORIAL H ROTOR LOCKING	->-	[1] *	-

Hay / Silage Making > Rakes > Mounted Gyrorakes > GA 4121 > GA4121GM\_C0001\_D0000\_KR129CTL >

ContentsA

Machine : GA4121GM [Serial : C0714]

K80R0268 A





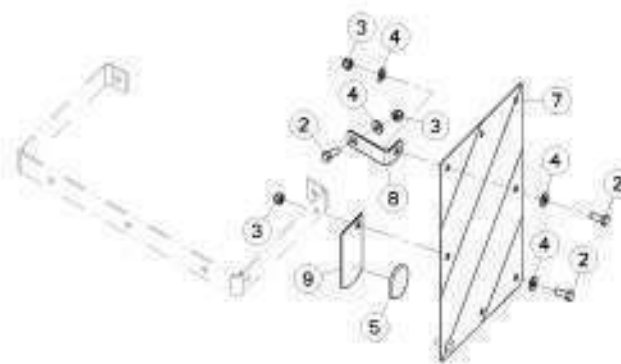
No	Part no.	Quantity	Description	Serial no.(from > to )	Remark	Replacement
001	1136300	1	LIGHT KIT.GA3201/4121/4321GM	->-	OPT +[1]	-
002	1136350	1	COMPULSARY KIT FOR 1136300	->-	OPT +[2]	-
003	57518600	1	WARNING LAMPS SET	->-	[1] +[3]	-
004	57519400	1	WIRING HARNESS	->-	[3]	-
005	57737100	2	SUPPORT	->-	[2]	-
006	80061026	6	HEXAGON HEAD SCREW FE/ZNXC3	->-	[1]	-
007	80061236	4	HEX BOLT M12X35 CL8.8 DIN933 R	->-	[2]	-
008	80201030	6	SELF-LOCKING NUT FE/ZNXC3	->-	[1]	-
009	80201230	4	SELF-LOCKING NUT FE/ZNXC3	->-	[2]	-
010	80281252	4	CONICAL SPRING WASHER FLZNNC	->-	[2]	-
011	83090086	1	CABLE TIE PLASTIC	->-	[1]	-
012	83090030	4	CABLE TIE PLASTIC	->-	[1][2]	-
013	83090192	5	CABLE TIE PLASTIC	->-	[1][2]	-
014	83240011	2	REFLECTOR RED ADHESIVE	->-	[1]	-
015	83240212	2	WARNING PLATE	->-	[1]	-
016	83240400	1	REAR LAMP LEFT	->-	[3]	-
017	83240401	1	REAR LAMP RIGHT	->-	[3]	-

Hay / Silage Making > Rakes > Mounted Gyrorakes > GA 4121 > GA4121GM\_C0001\_D0000\_KR129CTL >

ContentsA

Machine : GA4121GM [Serial : C0714]

K90R0511 A

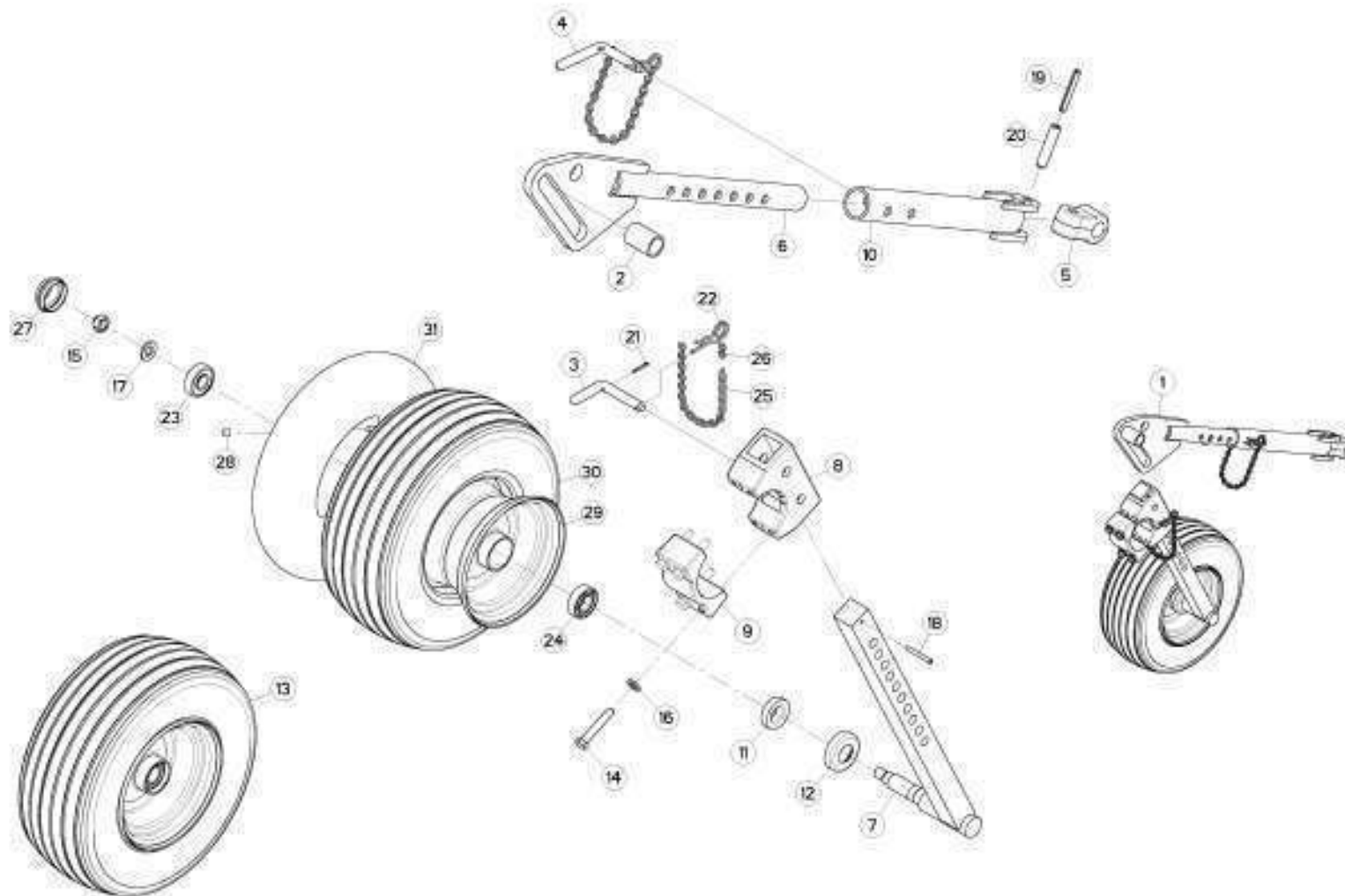




No	Part no.	Quantity	Description	Serial no.(from > to )	Remark	Replacement
001	1016460	1	SET OF SIDE WARNING BOARDS FR	- > -	+[1]	-
002	80061026	8	HEXAGON HEAD SCREW FE/ZNXC3	- > -	[1]	-
003	80201030	8	SELF-LOCKING NUT FE/ZNXC3	- > -	[1]	-
004	80251176	10	PLAIN WASHER FE/ZNXC3	- > -	[1]	-
005	83240014	2	REFLECTOR	- > -	[1]	-
006	83240209	1	WARNING PLATE	- > -	[1]	-
007	83240210	1	WARNING PLATE	- > -	[1]	-
008	K6801540	2	GUSSET, CORNER	- > -	[1]	-
009	K7016450	2	SUPPORT, REFLECTOR	- > -	[1]	-

Hay / Silage Making > Rakes > Mounted Gyrorakes > GA 4121 > GA4121GM\_C0001\_D0000\_KR129CTL >  
Contents A  
Machine : GA4121GM [Serial : C0714]

K80R0269 A



No	Part no.	Quantity	Description	Serial no.(from > to )	Remark	Replacement
001	1136360	1	PROP WHEEL GA4121-4511-4311GM	->-		-
002	50030600	1	SPACER	->-	[1]	-
003	56243700	2	LOCKING PIN	->-	[2]	-
004	56243800	2	LOCKING PIN	->-	[1] +[2]	-
005	57521210	1	HINGE	->-	[1]	-
006	57524500	1	SHIFTER RAIL	->-	[1]	-
007	57533520	1	COLUMN	->-	[1]	-
008	57534800	1	BRIDLE	->-	[1]	-
009	57534900	1	BRIDLE	->-	[1]	-
010	57565010	1	SHEATH, RIGID	->-	[1]	-
011	57726100	1	DEFLECTOR	->-	[1]	-
012	57726200	1	COVER	->-	[1]	-
013	57726300	1	WHEEL AND TIRE ASSEMBLY	->-	[1] +[3]	1x 57726330
014	80061281	4	HEXAGON HEAD SCREW FE/ZNXC3	->-	[1]	-
015	80201641	1	SELF-LOCKING NUT FE/ZNXC3	->-	[1]	-
016	80281254	4	CONICAL SPRING WASHER FLZNNC	->-	[1]	-
017	80281600	1	CONICAL SPRING WASHER FLZNNC	->-	[1]	-
018	80450655	1	ROLL PIN FLZNNC	->-		-
019	80451059	1	ROLL PIN FLZNNC	->-	[1]	-
020	80451655	1	ROLL PIN FLZNNC	->-	[1]	-
021	80500322	2	SPLIT PIN FE/ZNXC3	->-	[2]	-
022	80570476	2	SPRING COTTER PIN FE/ZNXC3	->-	[2]	-
023	81002053	1	BALL BEARING	->-	[4]	-
024	81002555	1	BALL BEARING	->-	[4]	-
025	83070004	2	CHAIN FE/ZNXC3	->-	[2]	-
026	83070065	2	HOOK FE/ZNXC3	->-	[2]	-
027	83300046	1	WHEEL CAP	->-	[1]	-
028	83300050	1	VALVE CAP	->-	[3]	-
029	83300067	1	RIM	->-	[3] +[4]	-
030	83300068	1	TYRE "S.B.6 PLY" 16X6,5-8	->-	[3]	1x 83300384
031	83300069	1	INNER TUBE "SUPERBALLON"	->-	[3]	-

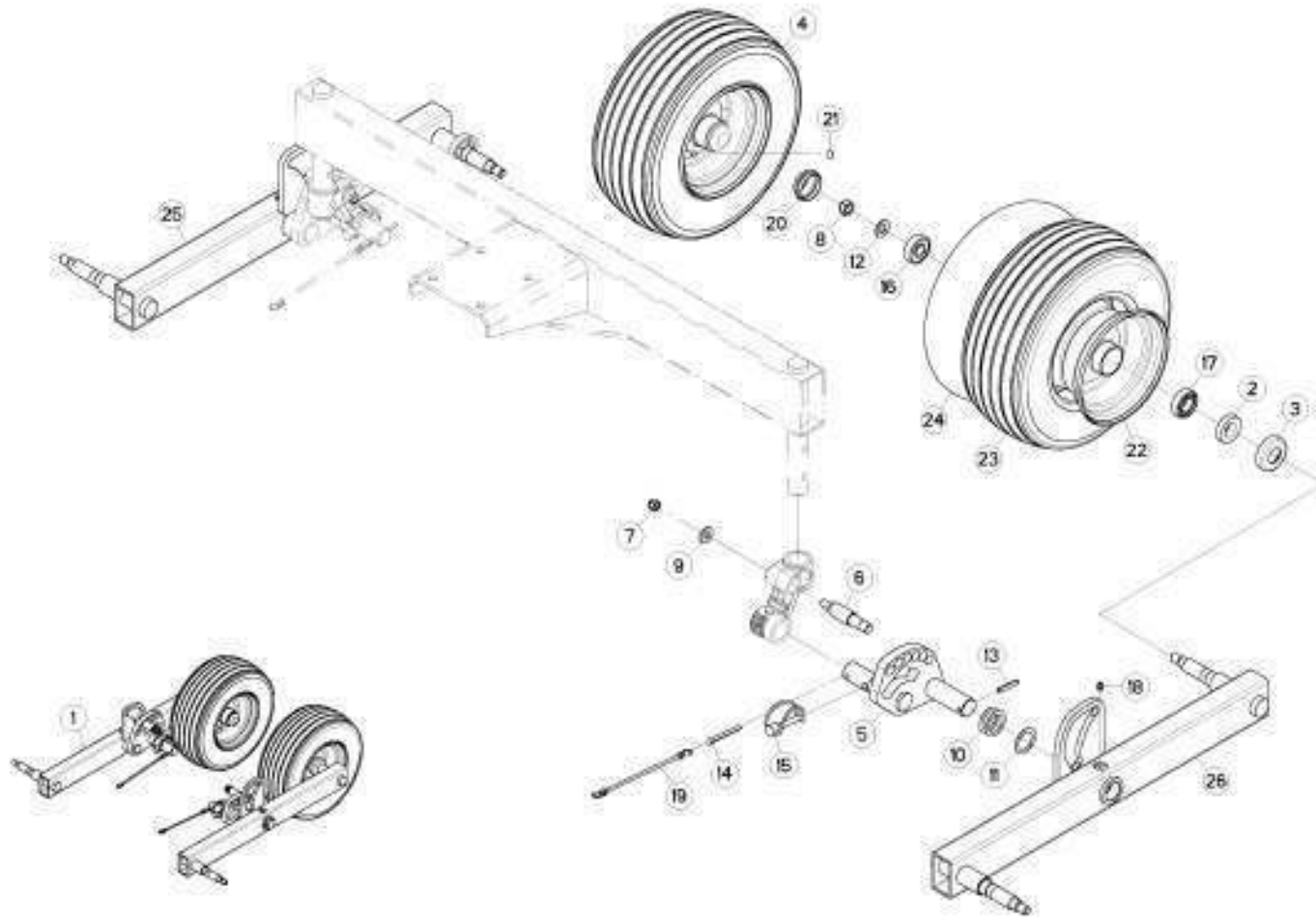


Hay / Silage Making > Rakes > Mounted Gyrorakes > GA 4121 > GA4121GM\_C0001\_D0000\_KR129CTL >

ContentsA

Machine : GA4121GM [Serial : C0714]

K80R0271 B



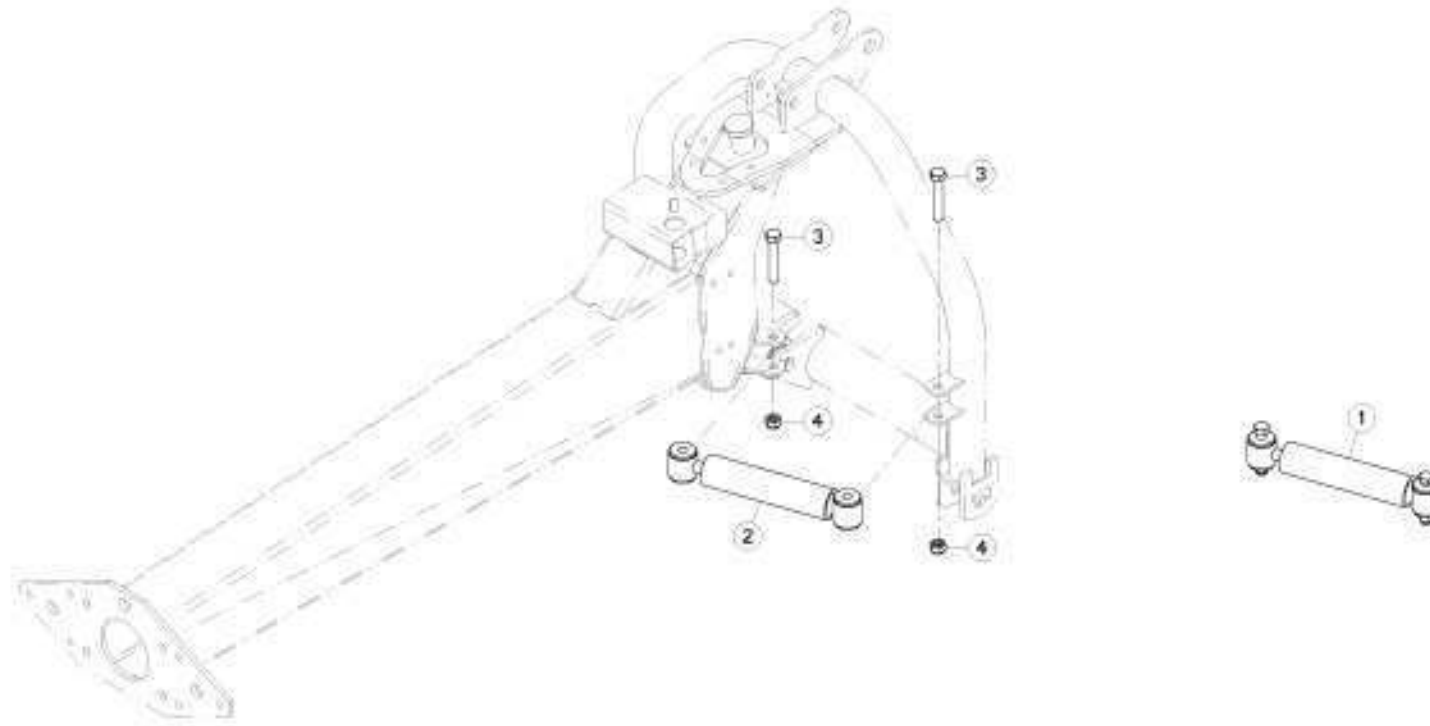
No	Part no.	Quantity	Description	Serial no.(from > to )	Remark	Replacement
001	1136180	1	BOGIE AXLE KIT GA4101-7301	->-	OPT +[1]	-
002	57726100	2	DEFLECTOR	->-	[1]	-
003	57726200	2	COVER	->-	[1]	-
004	57726300	2	WHEEL AND TIRE ASSEMBLY	->-	[1] +[2]	1x 57726330
005	57731120	2	ADJUSTER	->-	[1]	-
006	57731320	2	PIN	->-	[1]	-
007	80201230	2	SELF-LOCKING NUT FE/ZNXC3	->-	[1]	-
008	80201641	2	SELF-LOCKING NUT FE/ZNXC3	->-	[1] 12 daN m (88 lbf ft)	-
009	80251331	2	PLAIN WASHER FE/ZNXC3	->-	[1]	-
010	80253536	4	PLAIN WASHER	->-	[1]	-
011	80253538	2	PLAIN WASHER FE/ZNXC3	->-	[1]	-
012	80281600	2	CONICAL SPRING WASHER FLZNNC	->-	[1]	-
013	80450851	2	ELASTIC PIN 8X50	->-	[1]	-
014	80500764	2	SPLIT PIN FE/ZNXC3	->-	[1]	-
015	80561000	2	TUBE PIN	->-	[1]	-
016	81002053	2	BALL BEARING	->-	[3]	-
017	81002555	2	BALL BEARING	->-	[3]	-
018	82200800	2	GRESE NIPPLE B M8X1,25	->-	[1]	-
019	83070063	2	PVC CORD	->-	[1]	-
020	83300046	2	WHEEL CAP	->-	[1]	-
021	83300050	2	VALVE CAP	->-	[3]	-
022	83300067	2	RIM	->-	[2] +[3]	-
023	83300068	2	TYRE "S.B.6 PLY" 16X6,5-8	->-	[2]	1x 83300384
024	83300069	2	INNER TUBE "SUPERBALLON"	->-	[2]	-
025	K8013120	1	BOGIE	->-	-	-
026	K8013130	1	BOGIE	->-	-	-

Hay / Silage Making > Rakes > Mounted Gyorakes > GA 4121 > GA4121GM\_C0001\_D0000\_KR129CTL >

Contents A

Machine : GA4121GM [Serial : C0714]

**K80R0270 A**

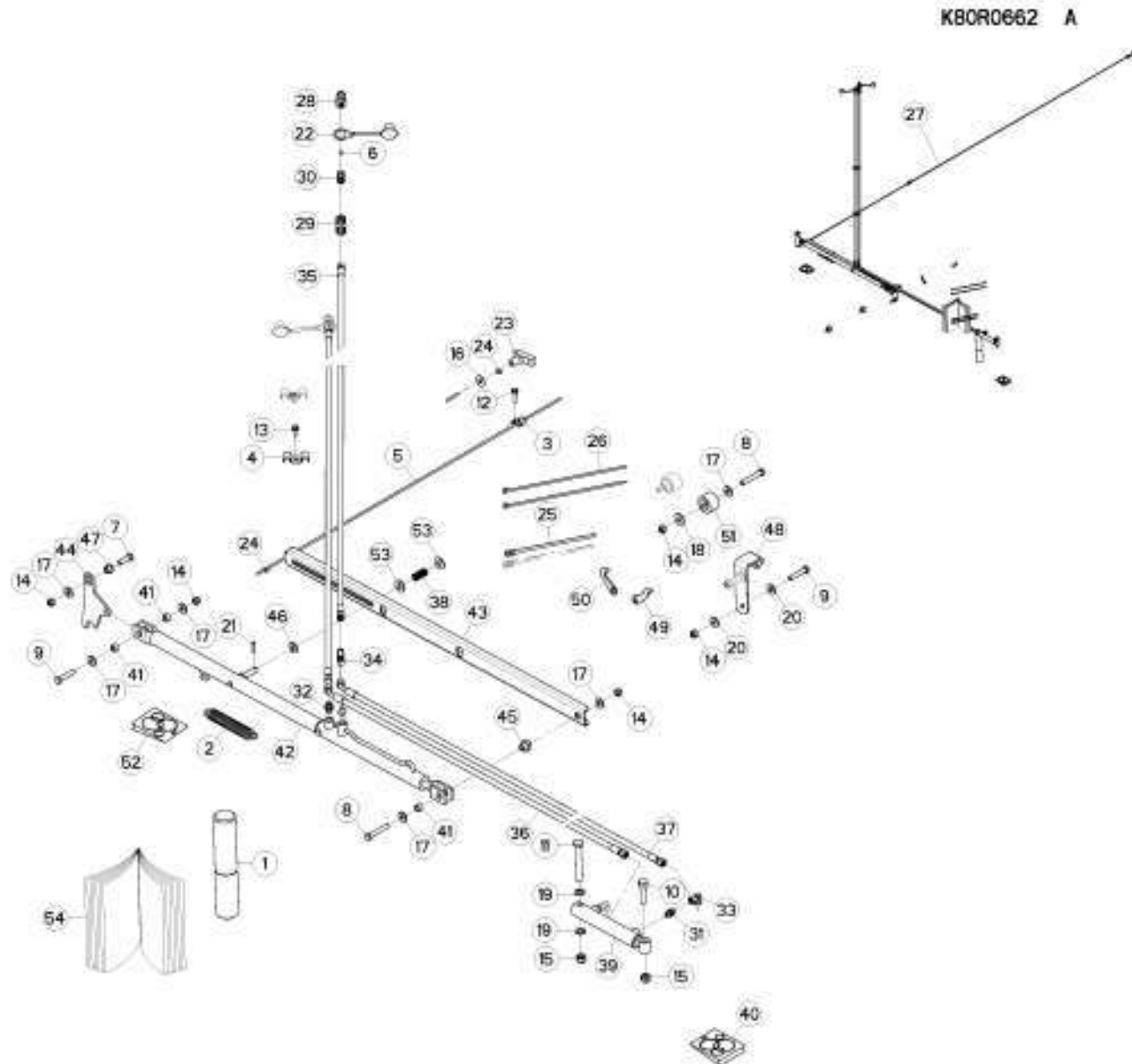




No	Part no.	Quantity	Description	Serial no.(from > to )	Remark	Replacement
001	1146450	1	FRAME DAMPER SET GA4121GM	- > -	OPT +[1]	-
002	57738200	1	SHOCK ABSORBER	- > -	[1]	-
003	80061678	2	HEXAGON HEAD SCREW FE/ZNXC3	- > -	[1]	-
004	80201640	2	SELF-LOCKING NUT M16 DIN 985 B	- > -	[1]	-

Hay / Silage Making > Rakes > Mounted Gyrorakes > GA 4121 > GA4121GM\_C0001\_D0000\_KR129CTL > ContentsA

Machine : GA4121GM [Serial : C0714]



No	Part no.	Quantity	Description	Serial no.(from > to )	Remark	Replacement
001	9006600	1	DOCUMENT BOX	- > -	[1]	-
002	53032700	1	SPRING, EXTENSION	- > -	[1]	-
003	56001600	1	CLAMP, HOSE	- > -	[1]	-
004	56502510	2	BRIDLE	- > -	[1]	-
005	57743200	1	CORD	- > -	[1]	1x 55721800
006	57912100	2	FLOW LIMITER	- > -	[1]	-
007	80061241	1	HEXAGON HEAD SCREW FE/ZNXC3	- > -	[1]	-
008	80061280	3	HEXAGON HEAD SCREW FE/ZNXC3	- > -	[1]	-
009	80061282	3	HEX BOLT M12X60 CL5.8 DIN931 R	- > -	[1]	-
010	80061651	1	HEXAGON HEAD SCREW FE/ZNXC3	- > -	[1]	-
011	80061669	1	HEXAGON HEAD SCREW FE/ZNXC3	- > -	[1]	-
012	80130835	1	UNDERSERR.S-LOCK.SCREW FLZNNC	- > -	[1]	-
013	80190820	2	SELF-CUTTING SCREW FE/ZNXC3	- > -	[1]	-
014	80201230	7	SELF-LOCKING NUT FE/ZNXC3	- > -	[1]	-
015	80201640	2	SELF-LOCKING NUT M16 DIN 985 B	- > -	[1]	-
016	80251032	1	PLAIN WASHER	- > -	[1]	-
017	80251331	7	PLAIN WASHER FE/ZNXC3	- > -	[1]	-
018	80251340	2	PLAIN WASHER FE/ZNXC3	- > -	[1]	-
019	80251631	2	PLAIN WASHER FE/ZNXC3	- > -	[1]	-
020	80281252	4	CONICAL SPRING WASHER FLZNNC	- > -	[1]	-
021	80450637	1	ROLL PIN FLZNNC	- > -	[1]	-
022	82300026	2	CAP MALE CONNECTOR	- > -	[1]	-
023	83050012	1	HANDLE	- > -	[1]	-
024	83090054	2	COLLAR FE/ZNXC3	- > -	[1]	-
025	83090086	2	CABLE TIE PLASTIC	- > -	[1]	-
026	83090192	2	CABLE TIE PLASTIC	- > -	[1]	-
027	1147150	1	HYD SWATH DEFLECTOR &#38; GUARD	- > -	OPT +[1]	-
028	A4074017	2	CONNECTOR MALE	- > -	[1]	-
029	A4075019	1	VALVE, BALL	- > -	[1]	-
030	A4080313	1	SWIVEL UNION FE/ZNXC3	- > -	[1]	-
031	A4080400	2	MALE STUD CONNECTOR	- > -	[1]	-
032	A4080401	2	MALE STUD CONNECTOR	- > -	[1]	-
033	A4082700	2	AJUSTABLE MALE STUD ELBOW	- > -	[1]	-
034	A4083206	2	ADJUSTABLE EQUAL TEE FE/ZNXC3	- > -	[1]	-
035	A4921044	2	HYDRAULIC HOSE	- > -	[1]	-
036	A4921162	1	HOSE, HYDRAULIC	- > -	[1]	-

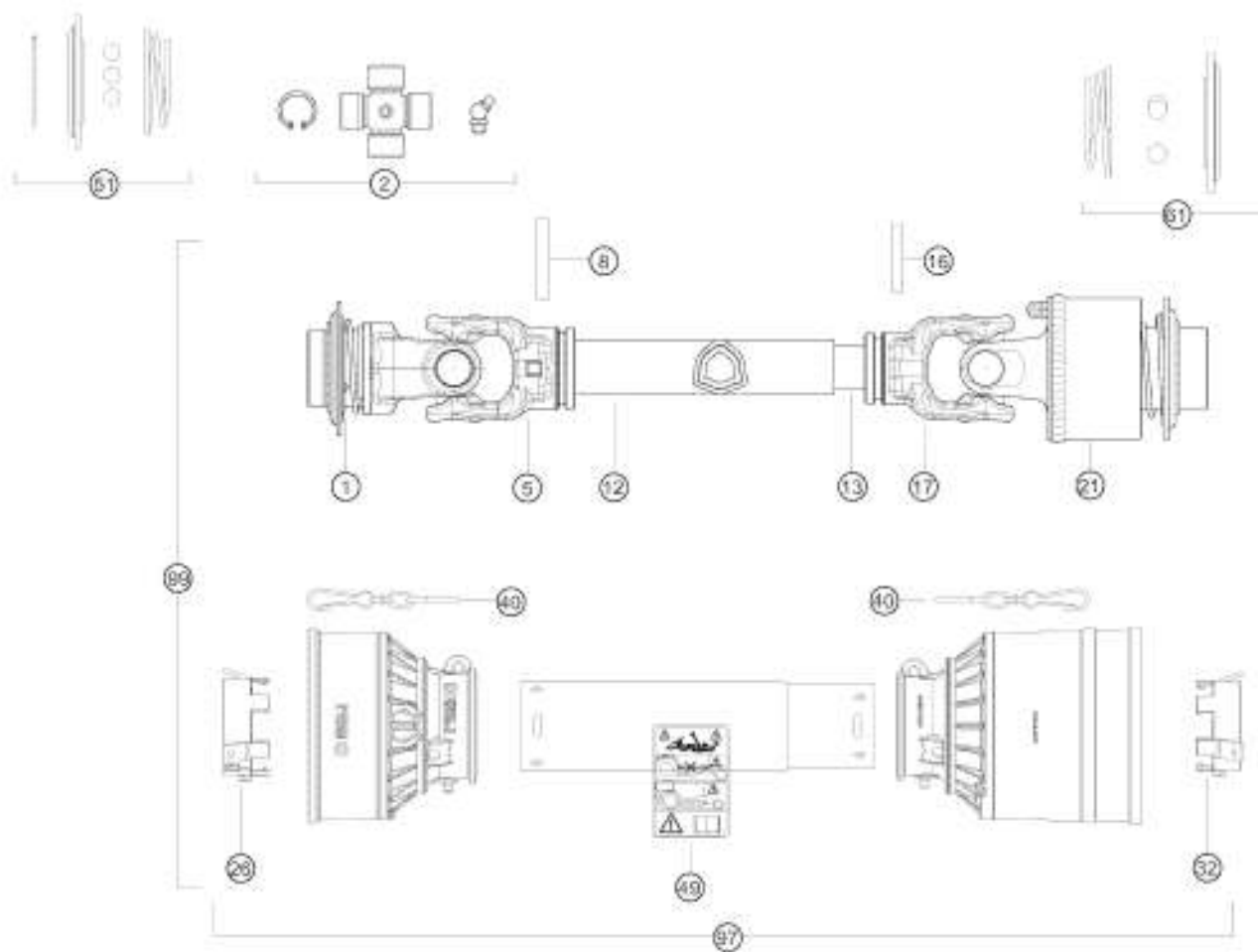
037	A4921163	1	HOSE, HYDRAULIC	->-	[1]	-
038	FLS0286	1	SPRING	->-	[1]	-
039	K2501320	1	CYLINDER, HYDRAULIC	->-	[1]	-
040	K2501930	1	SET OIL SEALS FOR K2501320	->-	[1]	-
041	K8024210	3	SPACER	->-	[1]	-
042	K8024270	1	CYLINDER, HYDRAULIC	->-	[1]	-
043	K8024910	1	SHEET	->-	[1]	-
044	K8024970	1	SUPPORT	->-	[1]	-
045	K8024980	1	SPACER	->-	[1]	-
046	K8024990	1	WASHER, FLAT	->-	[1]	-
047	K8025000	1	SPACER	->-	[1]	-
048	K8025010	1	SHEET	->-	[1]	-
049	K8025020	1	SHEET	->-	[1]	-
050	K8025030	1	SHEET	->-	[1]	-
051	K8025730	2	STOP, ELASTIC	->-	[1]	-
052	K8025740	1	SET OF OIL SEALS K8024270	->-	[1] :K8024270	-
053	K8025950	2	WASHER, FLAT	->-	[1]	-
054	KE0333TL	1	OPTIONAL EQUIPMENT MANUAL	->-	[1]	-

Hay / Silage Making > Rakes > Mounted Gyrorakes > GA 4121 > GA4121GM\_C0001\_D0000\_KR129CTL >

ContentsA

Machine : GA4121GM [Serial : C0714]

K99R0213 A



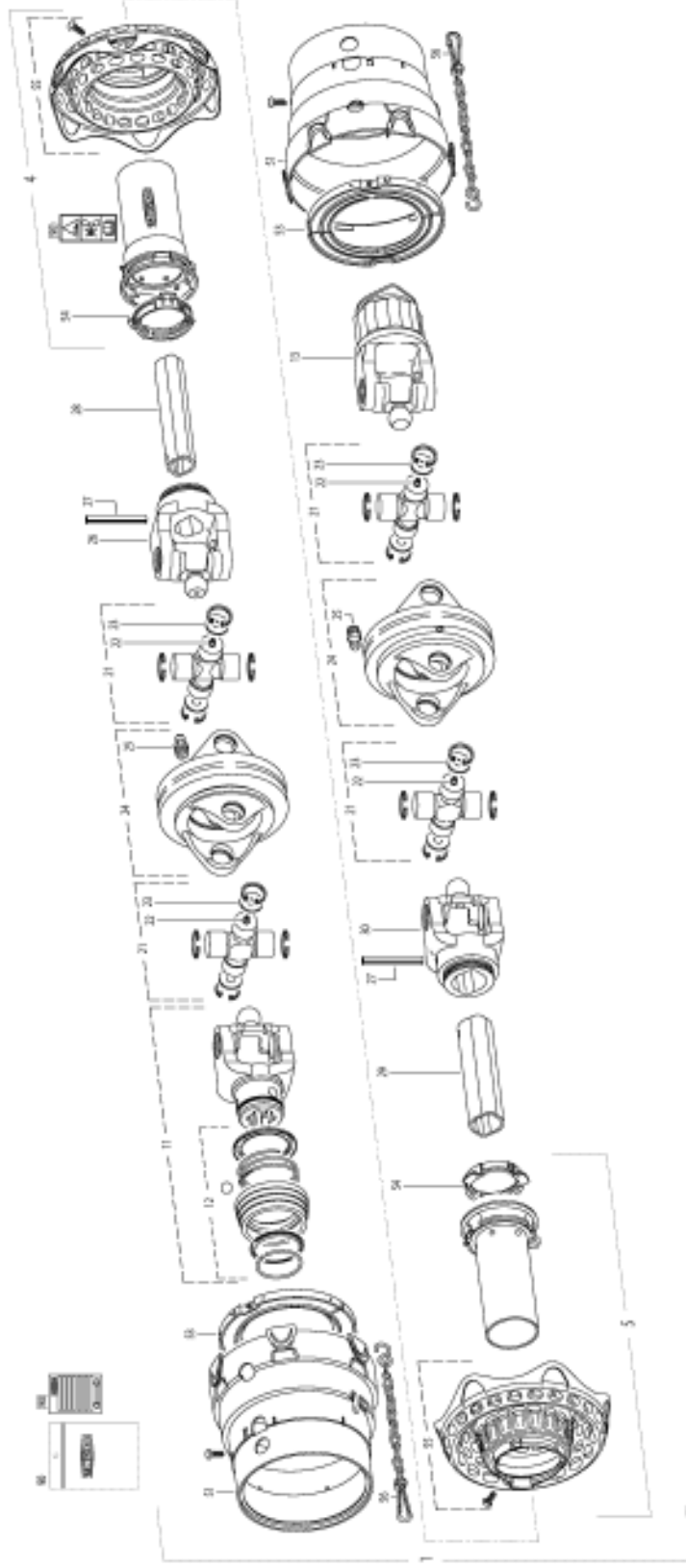


No	Part no.	Quantity	Description	Serial no.(from > to )	Remark	Replacement
001	4803068	1	BALL LOCKING YOKE	- > -	1"3/8-6	-
002	4805073	2	CROSS JOURNAL	- > -		-
005	4503251	1	YOKE	- > -		-
008	80450856	1	ROLL PIN FLZNNC	- > -		-
012	4508113	1	PROFILE TUBE	- > -	<-> 535 mm	-
013	4508158	1	PROFILE TUBE	- > -	<-> 535 mm	-
016	80450845	1	ROLL PIN FLZNNC	- > -		-
017	4503250	1	YOKE	- > -		-
021	4510154	1	CLUTCH	- > -	1"3/8-6	-
026	4520011	1	SLIDING RING	- > -		-
032	4520001	1	SLIDING RING	- > -		-
040	4821023	2	CHAIN	- > -		-
049	4831002	1	PICTORIAL	- > -		-
051	4805257	1	BALL COLLAR KIT	- > -		-
061	4805258	1	BALL COLLAR KIT	- > -		-
097	4515239	1	GUARD CPLT	- > -		-
099	4500239	1	PTO-S.102 1 3/8 SA 660	- > -		1x 4500247

Hay / Silage Making > Rakes > Mounted Gyrorakes > GA 4121 > GA4121GM\_C0001\_D0000\_KR129CTL > Contents A

Machine : GA4121GM [Serial : C0714]

K99R0126 C



No	Part no.	Quantity	Description	Serial no.(from > to )	Remark	Replacement
001	4600215	1	PTO-S.WWZ2280 13/8-6 K33B 710	- > -		-
004	4617358	1	OUTER GUARD-HALF	- > -		-
005	4616358	1	INNER GUARD-HALF	- > -		-
011	4603313	1	PULL TYPE LOCK YOKE CPLT	- > -		-
012	4605105	1	BALL COLLAR KIT CPLT	- > -		-
013	4610027	1	CLUTCH	- > -		-
021	4605009	4	CROSS JOURNAL	- > -		-
022	4605055	4	GREASE NIPPLE	- > -		-
023	4613006	8	WASHER	- > -		-
024	4613005	2	DOUBLE YOKE	- > -		-
025	82200807	2	LUBRICATING NIPPLE: CONE TYPE	- > -		-
026	4603171	1	INBOARD YOKE	- > -		-
027	80451059	2	ROLL PIN FLZNNC	- > -		-
028	4608196	1	PROFILE TUBE 0VGA LG 1000	- > -		-
029	4608289	1	PROFIL TUBE	- > -		-
030	4603170	1	INBOARD YOKE	- > -		-
051	4618031	2	GUARD CONE	- > -		-
053	4620010	2	SLIDING RING	- > -		-
054	41550010	2	SLIDING RING	- > -		-
055	4618220	2	GUARD CONE CPLT	- > -		-
056	4618910	2	CHAIN	- > -		-
090	4631000	1	SET PICTORIALS & #38; INSTRUCTIONS	- > -		-