



Spare Parts List

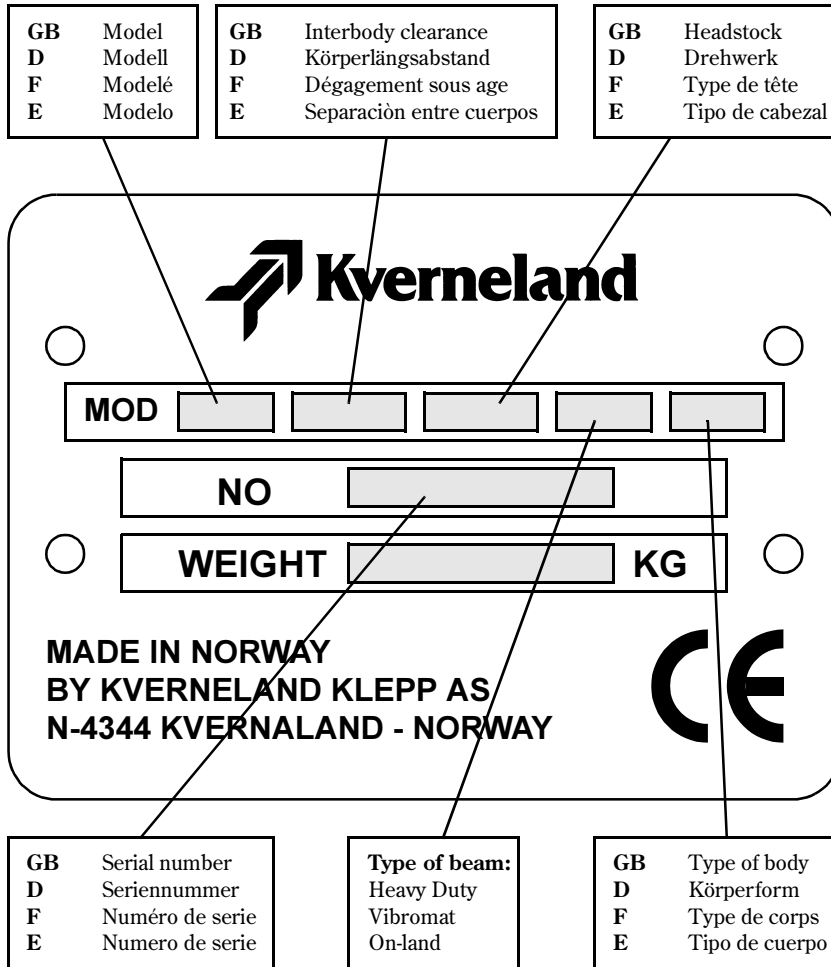
Model PL/RL

Semi mounted plough

No 733004



Notes



- (GB)** Complete model code and serial number must be stated to avoid mistakes when ordering spare parts and misunderstandings regarding service consultations. The identification plate is located on the headstock.
- (F)** Le code complet et le numéro de série doivent être indiqués pour éviter des erreurs lors de la commande de pièces de rechange et des malentendus concernant des demandes de Service-Après-Vente. La plaque d'identité est située sur la tête.
- (D)** Um bei Ersatzteilbestellungen und Serviceleistungen Fehler und Mißverständnisse zu vermeiden ist es erforderlich, daß die genaue Bezeichnung und die Seriennummer angegeben werden. Die Plakette befindet sich am Drehwerk.
- (E)** Debe figura el código completo del modelo y el número de serie para evitar errores al pedir las piezas de recambio y al hacer consultas técnicas. La placa de identificación esta situada en el cabezal.

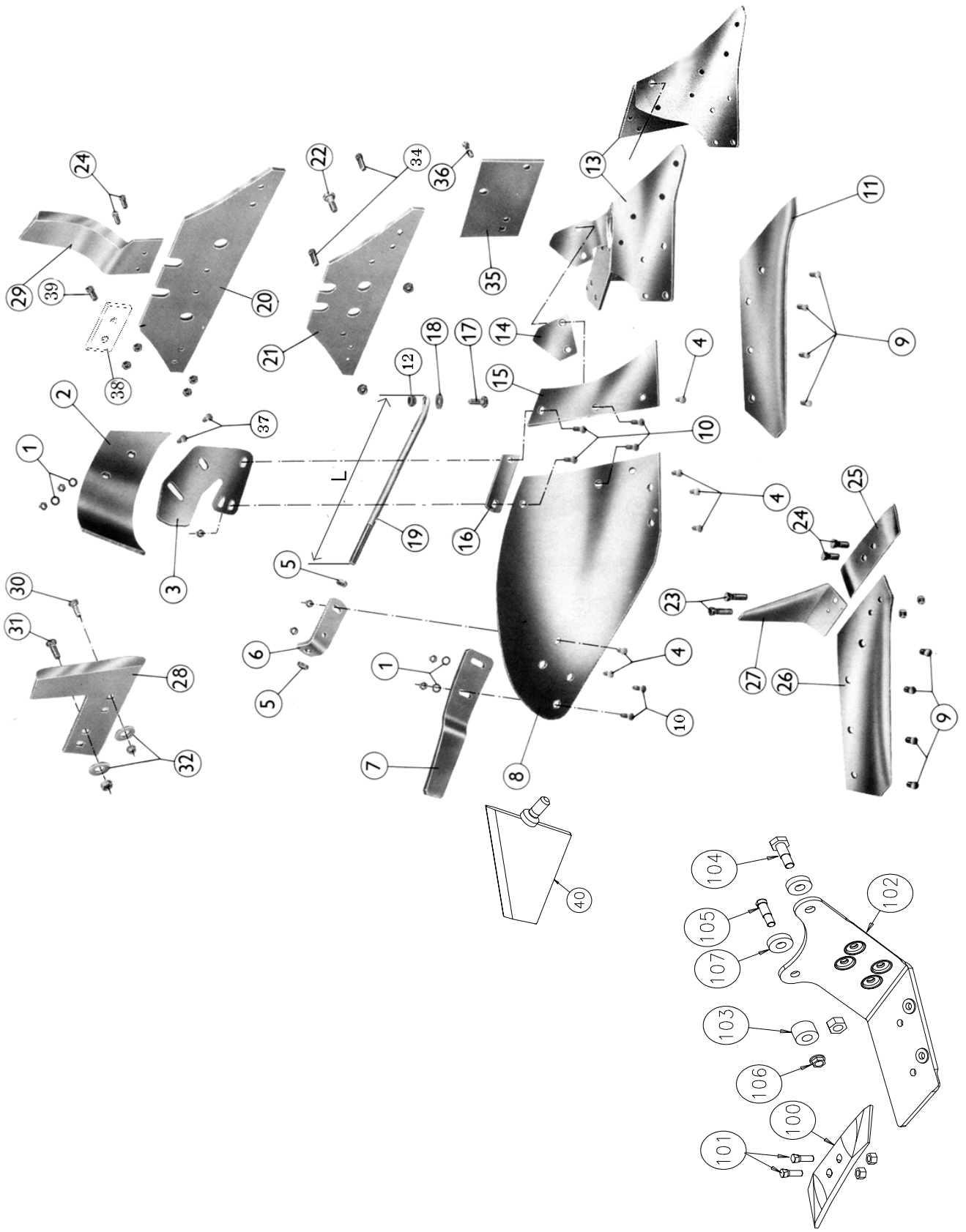
Plate	Page
244	Bodies no 6, 7, 8 and 9..... 4
367	Bodies no 12, 15 and 19..... 8
494	Body no 14 (Plastic mouldboard)..... 12
414	Body no 20 (Finger Body) (Before 01.03.99)..... 14
1089	Bodies no. 29 and no. 30..... 16
458	Auto Reset Beam..... 20
1009	Beam (Shear bolt)..... 22
187	Disc coulter for Auto Reset beam (Before 01.01.99)..... 24
1073	Disc coulter 18" and 20", E-saddle (From 01.01.99)..... 26
574	Disc coulter..... 28
1007	Disc coulter for shear bolt beam..... 30
341	Manure skimmer / Maize skimmer..... 32
882	Front for PL/RL..... 34
884	Front frame for PL/RL..... 36
885	Rear frame for PL/RL..... 38
883	Truck for PL/RL..... 42
846	Turn-over hydraulics layout for PL/RL and PM/RM..... 44
602	Hydraulic wheel lifting for PL/RL..... 46
1017	Hydraulic top link for PL/RL..... 48
1090	Hydraulic top link and wheels mounted together..... 50
1018	Hydraulic furrow adjustment for PL/RL..... 52
888	Hydraulic lifting/top link/furrow adjustment for PL/RL..... 54
1019	Hydraulic front furrow width adjustment (Before 01.11.99)..... 56
1028	Hydraulic front furrow width adjustment (PL/RL from 01.11.99, PL/RL and PM/RM before 01.08.00)..... 58
1199	Hydraulic layout for front furrow adjustment (PL/RL and PM/RM from 01.08.00)..... 60
1020	Hydraulic front furrow width adjustment for On land..... 62
1170	Hydraulic layout for S-arm, PM/RM and PL/RL..... 64
1025	Hydraulic cylinder D75 x 400 and D100 x 400 mm w/stop (D100 x 400 before 15.05.99)..... 66
1084	Hydraulic cylinder D100 x 400 mm w/stop (From 15.05.99)..... 68
1145	Hydraulic cylinder D100 x 400 mm w/stop (From 01.10.00)..... 70
890	Hydraulic cylinder D75 x 200 mm (353704 - 353707) (From 01.08.96) (Before 01.04.01)..... 72
1104	Support cylinder D80 x 240 mm..... 74
1026	Hydraulic cylinder D100 x 215 mm w/stop (Before 01.06.00)..... 76
1129	Hydraulic cylinder D100 x 200 mm w/stop and bellow (From 01.06.00, w/garmax from 01.08.00)..... 78
1022	Hydraulic cylinder D100 x 117 mm..... 80
1024	Hydraulic cylinder D125 x 73 mm..... 82
1023	Hydraulic cylinder D115 x 73 mm..... 84
445	Hydraulic cylinder D75 x 130 mm w/90° turned connectors (Before 01.09.99)..... 86
1092	Hydraulic cylinder D75 x 130 mm w/90° turned connectors (From 01.09.99)..... 88
1063	Turn-over cylinder D90 x 150 mm for mod. 160(From 01.12.98)..... 90
1027	Telescopic cylinder D95 x 445 mm (Before 01.08.00)..... 92
1169	Telescopic cylinder D95 x 457 mm (From 01.08.00)..... 94
527	Wheel 400 x 15.5", 400 x 22.5", 500 x 22.5", 500 x 26.6", 14.9 x 24" and 12.5 x 18" (From 01.03.97)..... 96
299	Depth wheel 200 x 14.5 (Before 01.06.99)..... 98
1088	Depth/transport wheel 99 (From 01.06.99)..... 100
862	Transfers for PL/RL..... 104
	Index..... 106



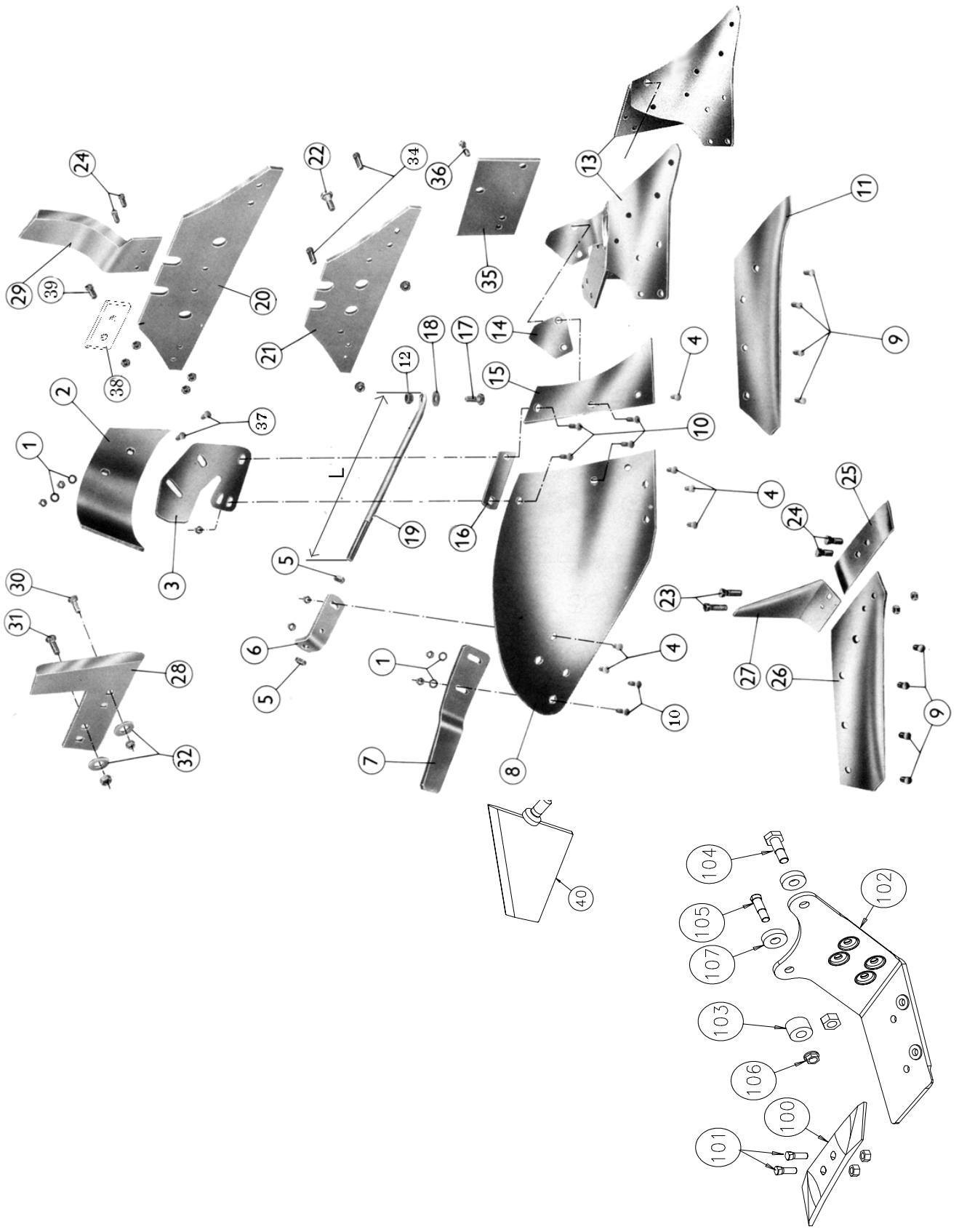
1	KK 07 30 00	Share 12" R (30 cm)	KK 07 38 31	Stay R + L for body no. 9 E - saddle, L = 725 (From 01.12.95)	21	KK 07 30 91	Share knife, R
	KK 07 30 01	Share 12" L (30 cm)	KK 07 38 30	Stay R + L for body no. 9 A - saddle, L = 710 (From 01.12.95)		KK 07 30 92	Share knife, L
	KK 07 30 02	Share 14" R (35 cm)	KK 06 38 01	Extra stay R + L, no. 9 E - saddle L = 550 (From 01.12.95)	23	KK 06 30 91	Share knife, R (for Sweden)
	KK 07 30 03	Share 14" L (35 cm)	KK 07 03 94	Extra stay R for body no. 9 E - saddle, cpl. w. bracket (pos. 12) (From 01.12.95)		KK 06 30 92	Share knife, L (for Sweden)
	KK 07 30 04	Share 16" R (40 cm)	KK 07 03 95	Extra stay L for body no. 9 E - saddle, cpl. w. bracket (pos. 12) (From 01.12.95)	24	KK 07 36 09	Landside, long R + L
	KK 07 30 05	Share 16" L (40 cm)	KK 07 38 03	Extra stay R + L, no. 9 A - saddle L = 560 (From 01.12.95)		KK 07 32 66	Bracket for stay, body no. 6 and 9, R
	KK 07 30 06	Share 18" R (45 cm)	KK 07 03 90	Extra stay R for body no. 9 A - saddle, cpl. w. bracket (pos. 12) (From 01.12.95)	25	KK 07 32 67	Bracket for stay, body no. 6 and 9, L
	KK 07 30 07	Share 18" L (45 cm)	KK 07 38 08	Bracket for stay, L for body no. 9 (From 01.12.95)		KK 07 34 14	Connecting plate, 16" - 20", R
	KK 07 30 08	Share 20" R (50 cm)	KK 01 58 32	Nut M20 mm	26	KK 07 34 15	Connecting plate, 16" - 20", L
	KK 07 30 09	Share 20" L (50 cm)	KK 07 38 00	Bracket for stay, R for body no. 6, 7, 8 (And no. 9 before 01.12.95)		KK 07 30 40	Flush fit share 12", R
2	KK 05 30 90	Reversible point, R	KK 07 38 01	Bracket for stay, L for body no. 6, 7, 8 (And no. 9 before 01.12.95)	27	KK 07 30 41	Flush fit share 12", L
	KK 06 30 90	Reversible point, L	KK 07 38 07	Bracket for stay, R for body no. 9 (From 01.12.95)		KK 07 30 42	Flush fit share 14", R
3	KK 07 34 06	Saddle, R (for E-saddle)	KK 07 38 08	Bracket for stay, L for body no. 9 (From 01.12.95)		KK 07 30 43	Flush fit share 14", L
	KK 07 34 07	Saddle, L (for E-saddle)	KK 01 58 32	Washer 12.5 x 23 x 3.2 mm	28	KK 07 30 44	Flush fit share 16", R
	KK 07 34 11	Saddle, R (for A-saddle)	KK 07 38 00	Bracket for stay, L for body no. 9 (From 01.12.95)		KK 07 30 45	Flush fit share 16", L
	KK 07 34 12	Saddle, L (for A-saddle)	KK 07 38 01	Washer 12.5 x 23 x 3.2 mm		KK 07 30 30	Flush point, R
4	KK 01 33 32	Cone screw M14 x 34 mm w/nut	KK 07 38 07	Mouldboard extension, R	30	KK 07 30 31	Flush point, L
5	KK 03 31 00	Oval screw M12 x 30 mm w/nut	KK 07 38 08	Mouldboard extension, L		KK 01 29 27	Washer 17 x 30 x 3 mm (for use with two stays)
6	KK 07 32 60	Mouldboard 12" - 16" no. 6, R	KK 07 38 08	Bracket for trashboard, R		KK 07 36 15	Furrow widener, R
	KK 07 32 61	Mouldboard 12" - 16" no. 6, L	KK 07 33 01	Bracket for trashboard, L		KK 07 36 16	Furrow widener, L
	KK 07 32 63	Mouldboard 12" - 14" no. 7, R	KK 07 06 40	Trashboard, R cpl.	31	KK 07 30 88	Landside knife w/screw, R
	KK 07 32 64	Mouldboard 12" - 14" no. 7, L	KK 07 06 41	Trashboard, L cpl.		KK 07 30 89	Landside knife w/screw, L
	KK 07 32 80	Mouldboard 12" no. 8, R	KK 07 06 42	Trashboard, R + L cpl.	32	KK 03 32 51	Screw M16 x 50 mm w/nut (for E-saddle) (Before 01.02.00)
	KK 07 32 81	Mouldboard 12" no. 8, L	KK 01 32 28	Cone screw M12 x 34 mm w/nut		KK 03 32 56	Screw M16 x 55 mm w/ nut (for E-saddle) (From 01.02.00)
	KK 07 32 86	Mouldboard 14" - 18" no. 8, R	KK 03 27 25	Hex screw M16 x 27 mm w/nut		KK 03 32 86	Screw M16 x 85 mm w/nut (for A-saddle) (Before 01.02.00)
	KK 07 32 87	Mouldboard 14" - 18" no. 8, L	KK 03 31 07	Oval screw M12 x 35 mm w/nut		KK 03 32 95	Screw M16 x 95 mm w/nut (for A-saddle) (From 01.02.00)
	KK 07 32 90	Mouldboard 14" - 20" no. 9, R	KK 01 32 34	Cone screw M12 x 38 mm w/nut	33	KK 03 31 75	Screw M14 x 50 mm w/nut
	KK 07 32 91	Mouldboard 14" - 20" no. 9, L			34	KK 01 29 22	Washer 17 x 40 x 4.58 mm
7	KK 07 32 50	Shimpiece for no. 8, R			35	KK 06 36 07	Plate
	KK 07 32 51	Shimpiece for no. 8, L				KK 07 36 07	Plate cpl.
	KK 07 32 56	Shimpiece for no. 6 and 9, R	17	Stay R + L for body no. 6, 7 and 8 E - saddle, L = 550 (And no. 9 before 01.12.95)	36	KK 01 33 46	Screw M14 x 45 mm w/nut
	KK 07 32 57	Shimpiece for no. 6 and 9, L	18	Stay R + L for body no. 6, 7 and 8 A - saddle, L = 560 (And no. 9 before 01.12.95)	37	KK 07 36 14	Wearing plate
8	KK 03 27 35	Hex screw M16 x 35 mm w/nut	19		38	KK 01 33 33	Cone screw M14 x 34 mm
9	KK 06 38 01	Stay R + L for body no. 6, 7 and 8 E - saddle, L = 550 (And no. 9 before 01.12.95)	20				



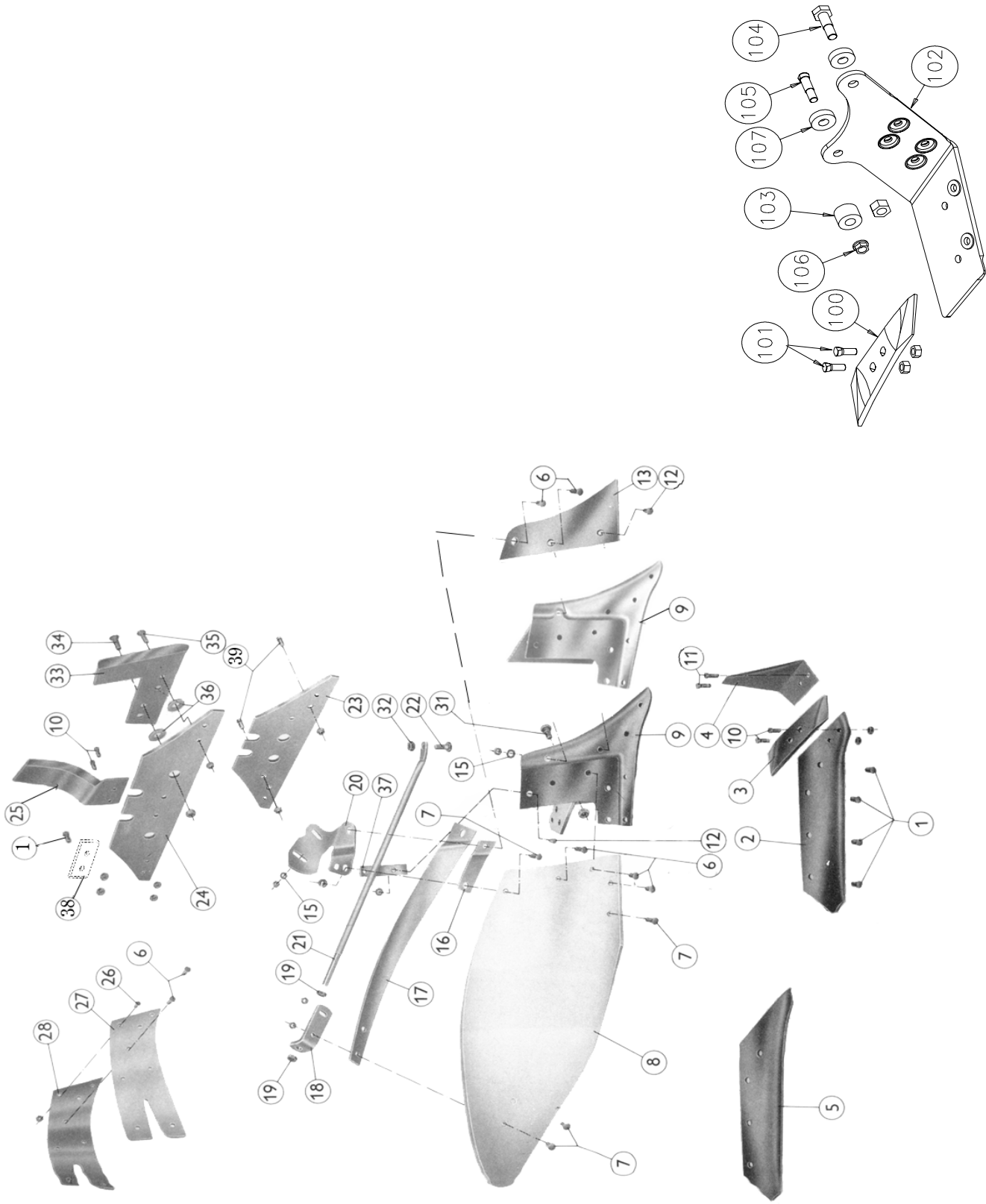
39	KK 08 32 35	Mouldboard knife R and L (From 01.12.01)
	Pos. 100 - 107	Eco-share from 01.04.00
100	KK 05 30 90	Reversible point, R
	KK 06 30 90	Reversible point, L
101	KK 01 32 28	Cone screw M12 x 34 mm w/nut
102	KK 07 36 34	Eco-share, R
	KK 07 36 35	Eco-share, L
103	KK 01 01 55	Bushing (for ploughs w/share bolt beam)
	KK 01 01 56	Bushing (for ploughs w/A-beam)
104	KK 03 27 40	Hex screw M16 x 40 mm w/nut (for ploughs w/E-saddle) (Before 01.03.00)
	KK 03 27 50	Hex screw M16 x 50 mm w/nut (for ploughs w/E-saddle) (From 01.03.00)
	KK 03 27 65	Hex screw M16 x 65 mm w/nut (for ploughs w/share bolt beam)
	KK 03 27 75	Hex screw M16 x 75 mm w/nut (for ploughs w/A-beam)
105	KK 01 33 46	Cone screw M14 x 45 mm w/flange nut (for ploughs w/E-saddle) (Before 01.03.00)
	KK 01 33 61	Cone screw M14 x 60 mm w/flange nut (for ploughs w/E-saddle) (From 01.03.00)
	KK 01 33 85	Cone screw M14 x 85 mm w/flange nut (for ploughs w/share bolt beam and A-beam)
106	KK 01 60 15	Flange nut M14
107	KK 01 29 29	Washer (for ploughs w/E-saddle) (From 01.03.00)



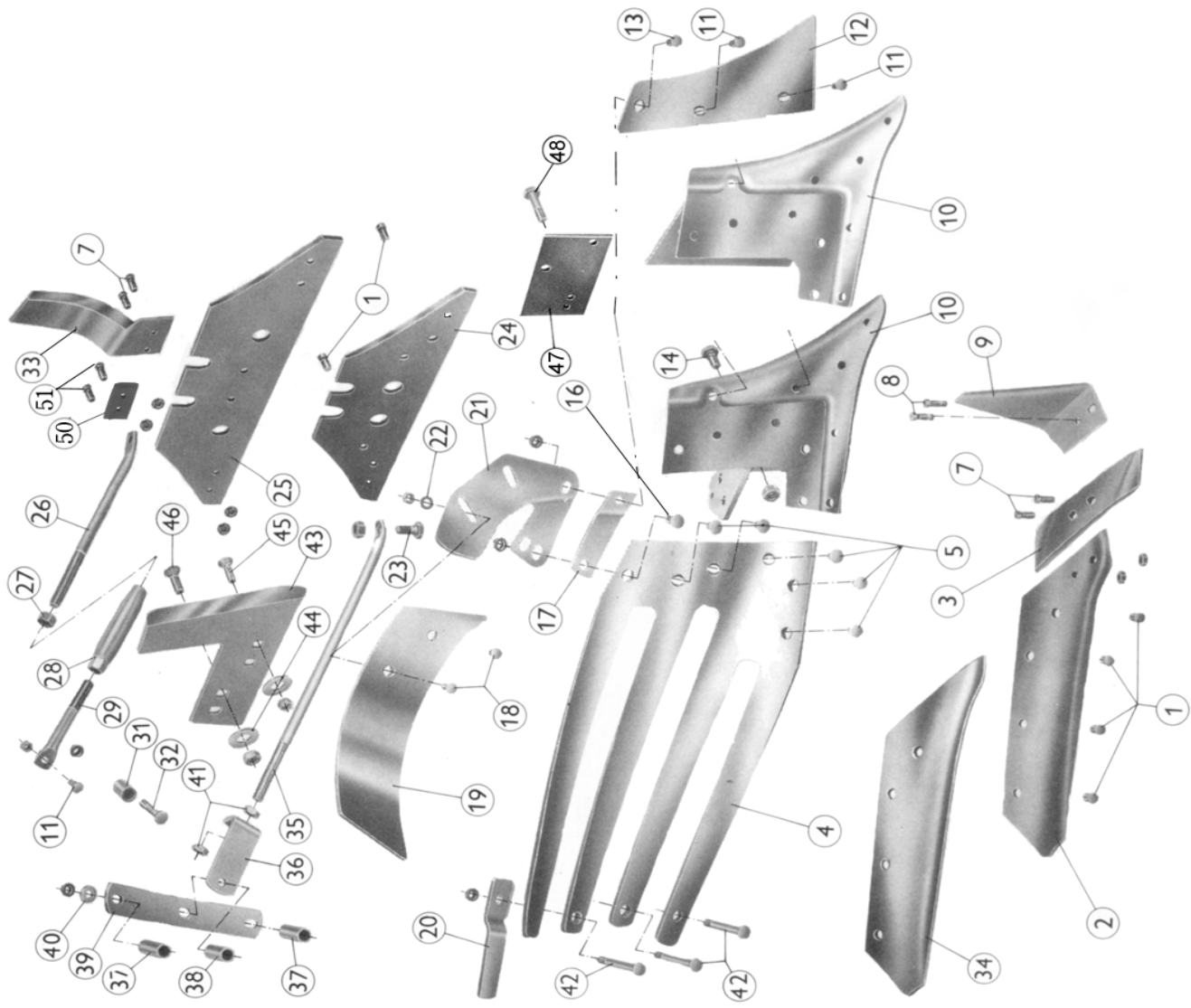
1	KK 01 29 19	Washer					Shipiece no. 19, L		KK 07 03 31	Extra stay L for body no. 19 A - saddle cpl. w. bracket (pos. 6) (From 01.12.95)
2	KK 07 33 00	Trashboard, R	16	KK 07 32 39	Connecting ptece no. 12 and 15, R				KK 07 36 09	Landside, long, R + L
	KK 07 33 01	Trashboard, L		KK 07 32 40	Connecting ptece no. 12 and 15, L				KK 07 36 08	Landside, short, R + L
	KK 07 06 40	Trashboard, R cpl.		KK 07 32 66	Connecting ptece no. 19, R				KK 03 27 25	Hex screw M16 x 27 mm
	KK 07 06 41	Trashboard, L cpl.		KK 07 32 67	Connecting ptece no. 19, L				KK 01 32 34	Cone screw M12 x 38 mm w/nut
3	KK 07 06 42	Trashboard, R + L cpl.	17	KK 03 27 50	Hex screw M16 x 50 mm w/nut (for use with two stays)				KK 01 32 28	Cone screw M12 x 34 mm w/nut
	KK 07 33 10	Bracket, R		KK 03 27 35	Hex screw M16 x 35 mm w/nut (for use with one stay only)				KK 05 30 90	Reversible point, R
	KK 07 33 11	Bracket, L		KK 01 29 27	Washer 17 x 30 x 3 mm (for use with two stays)				KK 06 30 90	Reversible point, L
4	KK 03 31 00	Oval screw M12 x 30 mm w/nut		KK 07 38 05	Stay R + L for body no. 12 and 15 E - saddle, L = 540 (And no. 19 before 12.01.95)				KK 07 30 54	Share 14", R
5	KK 01 58 34	Nut M20 mm		KK 07 38 31	Stay R + L for body no. 19 E - saddle, L = 730 (From 12.01.95)				KK 07 30 55	Share 14", L
6	KK 07 38 00	Bracket, R	18	KK 07 38 04	Stay R + L for body no. 12 and 15 A - saddle, L = 550 (And no. 19 before 12.01.95)				KK 07 30 56	Share 16", R
	KK 07 38 01	Bracket, L		KK 07 38 26	Stay R + L for body no. 19 A - saddle, L = 770 (From 12.01.95)				KK 07 30 57	Share 16", L
7	KK 05 33 87	Mouldboard extention, R		KK 07 38 88	Extra stay R for body no. 15 E - saddle cpl. w. bracket (pos. 6) (From 01.12.96)				KK 07 30 80	Share 18", R
	KK 06 33 88	Mouldboard extention, L		KK 07 38 29	Extra stay L for body no. 15 E - saddle cpl. w. bracket (pos. 6) (From 01.12.96)				KK 07 30 81	Share 18", L
8	KK 07 32 36	Mouldboard no. 12, R		KK 07 38 98	Extra stay R + L, no. 15 A - saddle L = 785 (From 01.12.96)				KK 07 30 91	Share knife, R
	KK 07 32 37	Mouldboard no. 12, L		KK 07 03 88	Extra stay R for body no. 15 A - saddle w. bracket (pos. 6) (From 01.12.96)				KK 07 30 92	Share knife, L
	KK 07 32 24	Mouldboard no. 15, R		KK 07 03 89	Extra stay L for body no. 15 E - saddle cpl. w. bracket (pos. 6) (From 01.12.96)				KK 07 30 88	Landside knife, R w/nuts
	KK 07 32 25	Mouldboard no. 15, L		KK 07 38 29	Extra stay R + L, no. 19 E - saddle w. bracket (pos. 6) (From 01.12.96)				KK 07 30 89	Landside knife, L w/nuts
	KK 07 32 90	Mouldboard no. 19, R		KK 07 03 98	Extra stay R for body no. 15 A - saddle cpl. w. bracket (pos. 6) (From 01.12.96)				KK 07 36 15	Furrow widener, R
	KK 07 32 91	Mouldboard no. 19, L		KK 07 38 99	Extra stay L for body no. 15 A - saddle cpl. w. bracket (pos. 6) (From 01.12.96)				KK 07 36 16	Furrow widener, L
9	KK 01 33 32	Cone screw M14 x 34 mm w/nut		KK 07 03 99	Extra stay R for body no. 15 A - saddle cpl. w. bracket (pos. 6) (From 01.12.96)				KK 03 31 75	Screw M14 x 50 mm w/nut
10	KK 03 31 07	Oval screw M12 x 35 mm w/nut		KK 07 38 42	Extra stay R + L, no. 19 E - saddle w. bracket (pos. 6) (From 01.12.95)				KK 03 32 51	Screw M16 x 50 mm w/nut (for E-saddle) (Before 01.02.00)
11	KK 07 30 62	Share 14", R		KK 07 38 96	Extra stay L for body no. 19 E - saddle cpl. w. bracket (pos. 6) (From 01.12.95)				KK 03 32 56	Screw M16 x 56 mm w/nut (for E-saddle) (From 01.02.00)
	KK 07 30 63	Share 14", L		KK 07 38 42	Extra stay R + L, no. 19 E - saddle L = 570 (From 01.12.95)				KK 03 32 86	Screw M16 x 85 mm w/nut (for A-saddle) (Before 01.02.00)
	KK 07 30 64	Share 16", R		KK 07 03 96	Extra stay R for body no. 19 E - saddle cpl. w. bracket (pos. 6) (From 01.12.95)				KK 03 32 95	Screw M16 x 95 mm w/nut (for A-saddle) (From 01.02.00)
	KK 07 30 65	Share 16", L		KK 07 03 97	Extra stay L for body no. 19 E - saddle cpl. w. bracket (pos. 6) (From 01.12.95)				KK 01 29 22	Washer 17 x 40 x 4,58 mm
12	KK 06 20 25	Nut M16 mm		KK 07 38 04	Extra stay R + L, no. 19 A - saddle L = 550 (From 01.12.95)				KK 01 33 33	Cone screw M14 x 34 mm w/nut
13	KK 07 34 35	Saddle, R (for E-saddle)		KK 07 03 92	Extra stay R for body no. 19 A - saddle cpl. w. bracket (pos. 6) (From 01.12.95)				KK 06 36 07	Plate for On-Land ploughs
	KK 07 34 36	Saddle, L (for E-saddle)		KK 07 38 04	Extra stay R + L, no. 19 A - saddle L = 550 (From 01.12.95)				KK 07 36 07	Plate for On-Land ploughs cpl.
	KK 07 34 40	Saddle, R (for A-saddle)		KK 07 38 04	Extra stay R + L, no. 19 A - saddle L = 550 (From 01.12.95)				KK 01 33 46	Screw M14 x 45 mm w/nut
	KK 07 34 41	Saddle, L (for A-saddle)		KK 07 38 04	Extra stay R + L, no. 19 A - saddle L = 550 (From 01.12.95)				KK 03 31 07	Oval screw M12 x 35 mm
14	KK 07 34 17	Connecting plate no. 12 and 15, R		KK 07 03 92	Extra stay R for body no. 19 A - saddle cpl. w. bracket (pos. 6) (From 01.12.95)				KK 07 36 14	Wearing plate
	KK 07 34 18	Connecting plate no. 12 and 15, L							KK 01 33 32	Cone screw M14 x 34 mm
15	KK 07 32 41	Shipiece no. 12, R								
	KK 07 32 42	Shipiece no. 12, L								
	KK 07 32 27	Shipiece no. 15, R								
	KK 07 32 28	Shipiece no. 15, L								
	KK 07 32 30	Shipiece no. 19, R								



40	KK 08 32 35	Mouldboard knife R and L (From 01.12.01)
	Pos. 100 - 107	Eco-share from 01.04.00
100	KK 05 30 90	Reversible point, R
	KK 06 30 90	Reversible point, L
101	KK 01 32 28	Cone screw M12 x 34 mm w/nut
102	KK 07 36 34	Eco-share, R
	KK 07 36 35	Eco-share, L
103	KK 01 01 55	Bushing (for ploughs w/share bolt beam)
	KK 01 01 56	Bushing (for ploughs w/A-beam)
104	KK 03 27 40	Hex screw M16 x 40 mm w/nut (for ploughs w/E-saddle) (Before 01.03.00)
	KK 03 27 50	Hex screw M16 x 50 mm w/nut (for ploughs w/E-saddle) (From 01.03.00)
	KK 03 27 65	Hex screw M16 x 65 mm w/nut (for ploughs w/share bolt beam)
	KK 03 27 75	Hex screw M16 x 75 mm w/nut (for ploughs w/A-beam)
105	KK 01 33 46	Cone screw M14 x 45 mm w/flange nut (for ploughs w/E-saddle) (Before 01.03.00)
	KK 01 33 61	Cone screw M14 x 60 mm w/flange nut (for ploughs w/E-saddle) (From 01.03.00)
	KK 01 33 85	Cone screw M14 x 85 mm w/flange nut (for ploughs w/share bolt beam and A-beam)
106	KK 01 60 15	Flange nut M14
107	KK 01 29 29	Washer (for ploughs w/E-saddle) (From 01.03.00)



1	KK 01 33 32	Cone screw M14 x 34 mm w/flange nut	21	KK 07 38 29	Stay (for E-saddle)	104	KK 01 01 56	Bushing (for ploughs w/A-beam)
2	KK 07 30 54	Share 14" w/reversible point, R	22	KK 07 38 26	Stay (for A-saddle)		KK 03 27 40	Hex screw M16 x 40 mm w/nut (for ploughs w/E-saddle) (Before 01.03.00)
	KK 07 30 55	Share 14" w/reversible point, L	23	KK 03 27 35	Hex screw M16 x 35 mm w/nut			
	KK 07 30 56	Share 16" w/reversible point, R	24	KK 07 36 08	Landside, short			
	KK 07 30 57	Share 16" w/reversible point, L	25	KK 07 36 09	Landside, long			
	KK 07 30 80	Share 18" w/reversible point, R	26	KK 07 36 15	Furrow widener, R		KK 03 27 50	Hex screw M16 x 50 mm w/nut (for ploughs w/E-saddle) (From 01.03.00)
	KK 07 30 81	Share 18" w/reversible point, L	27	KK 07 36 16	Furrow widener, L			
3	KK 05 30 90	Reversible point, R	28	KK 03 30 04	Oval screw M10 x 20 mm w/nut		KK 03 27 65	Hex screw M16 x 65 mm w/nut (for ploughs w/share bolt beam)
	KK 06 30 90	Reversible point, L	29	KK 07 33 50	Trashboard plastic, R			
4	KK 07 30 91	Share knife, R	30	KK 07 33 51	Trashboard plastic, L		KK 03 27 75	Hex screw M16 x 75 mm w/nut (for ploughs w/A-beam)
	KK 07 30 92	Share knife, L	31	KK 07 33 52	Support, R	105	KK 01 33 46	Cone screw M14 x 45 mm w/flange nut (for ploughs w/E-saddle) (Before 01.03.00)
5	KK 07 30 62	Share 14", R	32	KK 07 33 53	Support, L			
	KK 07 30 63	Share 14", L	33	KK 05 33 87	Mouldboard extension, R		KK 01 33 61	Cone screw M14 x 60 mm w/flange nut (for ploughs w/E-saddle) (From 01.03.00)
	KK 07 30 64	Share 16", R	34	KK 06 33 88	Mouldboard extension, L			
	KK 07 30 65	Share 16", L	35	KK 03 27 30	Hex screw M16 x 13 mm w/nut		KK 01 33 85	Cone screw M14 x 85 mm w/flange nut (for ploughs w/share bolt beam and A-beam)
6	KK 03 31 18	Oval screw M12 x 40 mm w/nut	36	KK 06 20 25	Nut M16 mm	106	KK 01 60 15	Flange nut M14
7	KK 03 31 19	Oval screw M12 x 50 mm w/nut	37	KK 07 30 88	Landside knife w/nuts, R	107	KK 01 29 29	Washer (for ploughs w/E-saddle) (From 01.03.00)
8	KK 07 32 78	Mouldboard plastic, R	38	KK 07 30 89	Landside knife w/nuts, L			
	KK 07 32 79	Mouldboard plastic, L	39	KK 03 32 51	Screw M16 x 50 mm w/nut (for E-sad- dle) (Before 01.02.00)			
9	KK 07 34 70	Saddle, R (for E-saddle)	40	KK 03 32 56	Screw M16 x 55 mm w/nut (for E-sad- dle) (From 01.02.00)			
	KK 07 34 71	Saddle, L (for E-saddle)	41	KK 03 32 86	Screw M16 x 85 mm w/nut (for A-sad- dle) (Before 01.02.00)			
	KK 07 34 64	Saddle, R (for A-saddle)	42	KK 03 32 95	Screw M16 x 95 mm w/nut (for A-sad- dle) (From 01.02.00)			
	KK 07 34 65	Saddle, L (for A-saddle)	43	KK 03 31 74	Screw M14 x 45 mm w/nut			
10	KK 01 32 28	Cone screw M12 x 34 mm w/nut	44	KK 01 29 22	Washer 17 x 40 x 4.58 mm			
11	KK 01 32 34	Cone screw M12 x 38 mm w/nut	45	KK 07 33 54	Supporting piece			
12	KK 03 31 00	Oval screw M12 x 30 mm w/nut	46	KK 07 36 14	Wearing plate			
13	KK 07 32 72	Shim piece, R	47	KK 01 33 33	Cone screw M14 x 34 mm			
	KK 07 32 73	Shim piece, L	Pos. 100 - 107					
15	KK 01 29 19	Washer 12.5 x 23 x 3.2 mm	100	KK 05 30 90	Eco-share from 01.04.00 Reversible point, R			
16	KK 07 32 75	Clamp, R	101	KK 06 30 90	Reversible point, L			
	KK 07 32 76	Clamp, L	102	KK 01 32 28	Cone screw M12 x 34 mm w/nut			
17	KK 07 33 38	Support, R	103	KK 07 36 34	Eco-share, R			
	KK 07 33 39	Support, L		KK 07 36 35	Eco-share, L			
18	KK 07 38 00	Bracket for stay, R		KK 01 01 55	Bushing (for ploughs w/share bolt beam)			
	KK 07 38 01	Bracket for stay, L						
19	KK 01 58 34	Nut M20 mm						
20	KK 07 33 28	Bracket for trashboard, R						
	KK 07 33 29	Bracket for trashboard, L						



1	KK 01 33 32	Cone screw M14 x 34 mm w/nut	21	KK 07 33 03	Bracket, R	43	KK 07 30 88	Landside knife w/nut, R
2	KK 07 30 54	Share 14", R		KK 07 33 04	Bracket, L		KK 07 30 89	Landside knife w/nut, L
	KK 07 30 55	Share 14", L	22	KK 01 29 19	Washer 12.5 x 23 x 3.2 mm	44	KK 01 29 22	Washer 17 x 40 x 4.58 mm
	KK 07 30 56	Share 16", R	23	KK 03 27 40	Hex screw M16 x 40 mm w/nut	45	KK 03 31 75	Screw M14 x 50 mm w/nut
	KK 07 30 57	Share 16", L	24	KK 07 36 08	Landside, short, R + L	46	KK 03 32 51	Screw M16 x 50 mm w/nut (for E-saddle)
	KK 07 30 80	Share 18", R	25	KK 07 36 09	Landside, long, R + L	47	KK 03 32 86	Screw M16 x 85 mm w/nut (for A-saddle)
	KK 07 30 81	Share 18", L	26	KK 07 38 22	Stay front (for E-saddle)		KK 06 36 07	Plate (For On-land ploughs only)
3	KK 05 30 90	Reversible point, R		KK 07 38 16	Stay front (for A-saddle)		KK 07 36 07	Plate cpl. (For On-land ploughs only)
	KK 06 30 90	Reversible point, L	27	KK 01 58 30	Nut M20 mm (Before 01.06.93)	48	KK 01 33 46	Screw M14 x 45 mm w/nut
4	KK 07 32 45	Mouldboard, R	28	KK 07 38 17	Stay (Before 01.06.93)	50	KK 07 36 14	Wearing plate
	KK 07 32 46	Mouldboard, L	29	KK 07 38 23	Stay, rear (for E-saddle) (Before 01.06.93)	51	KK 01 33 32	Cone screw M14 x 34 mm
5	KK 03 31 73	Oval screw M14 x 38 mm w/nut		KK 07 38 15	Stay, rear (for A-saddle) (Before 01.06.93)			
7	KK 01 32 28	Cone screw M12 x 34 mm w/nut		KK 07 38 20	Stay, R cpl. (for E-saddle) (Before 01.06.93)			
8	KK 01 32 34	Cone screw M12 x 38 mm w/nut		KK 07 38 21	Stay, L cpl. (for E-saddle) (Before 01.06.93)			
9	KK 07 30 91	Share knife, R		KK 07 38 10	Stay, R cpl. (for A-saddle) (Before 01.06.93)			
	KK 07 30 92	Share knife, L		KK 07 38 11	Stay, L cpl (for A-saddle) (Before 01.06.93)			
10	KK 06 30 91	Share knife, R (for Sweden)		KK 07 15 00	Spacer			
	KK 06 30 92	Share knife, L (for Sweden)	31	KK 03 31 81	Oval screw M14 x 85 mm w/nut			
	KK 07 34 70	Saddle, R (for E-saddle)	32	KK 07 36 15	Furrow widener, R			
	KK 07 34 71	Saddle, L (for E-saddle)	33	KK 07 30 16	Furrow widener, L			
	KK 07 34 64	Saddle, R (for A-saddle)		KK 07 30 62	Share 14", R			
	KK 07 34 65	Saddle, L (for A-saddle)		KK 07 30 63	Share 14", L			
11	KK 03 31 00	Oval screw M12 x 30 mm w/nut		KK 07 30 64	Share 16", R			
12	KK 07 32 72	Shimpiece, R		KK 07 30 65	Share 16", L			
	KK 07 32 73	Shimpiece, L	34	KK 07 38 05	Stay (for E-saddle) (From 01.06.93)			
13	KK 03 31 08	Oval screw M12 x 40 mm w/nut		KK 07 38 03	Stay (for A-saddle) (From 01.06.93)			
14	KK 03 27 30	Hex screw M16 x 30 mm w/nut		KK 07 38 34	Bracket for stay, R+L			
16	KK 03 31 75	Oval screw M14 x 50 mm w/nut		KK 07 38 35	Spacing tube 27 x 20.5 x 80 mm			
17	KK 07 32 75	Connecting piece, R		KK 07 38 36	Spacing tube 27 x 20.5 x 69 mm			
	KK 07 32 76	Connecting piece, L		KK 07 38 12	Bracket for stay, R			
18	KK 03 31 07	Oval screw M12 x 35 mm w/nut	35	KK 07 38 13	Bracket for stay, L			
19	KK 07 33 00	Trashboard, R	36	KK 01 29 21	Washer 14 x 30 x 7.5 mm			
	KK 07 33 01	Trashboard, L	37	KK 01 58 34	Nut M20 mm			
	KK 07 02 92	Trashboard, R cpl.	38	KK 03 31 85	Oval screw M14 x 130 mm w/flangenut			
	KK 07 02 93	Trashboard, L cpl.	39					
	KK 07 02 94	Trashboard, R + L cpl.	40					
20	KK 07 33 32	Mouldboard extension, R (extra)	41					
	KK 07 33 33	Mouldboard extension,, L (extra)	42					



1	KK 07 33 00	Trashboard, R	17	KK 01 32 28	Cone screw M12 x 34 mm w/nut	KK 08 32 22	Slat no 2, L
	KK 07 33 01	Trashboard, L	18	KK 07 30 91	Share knife, R	KK 08 32 13	Slat no 3, R
2	KK 08 33 00	Bracket, R		KK 07 30 92	Share knife, L	KK 08 32 23	Slat no 3, L
	KK 08 33 01	Bracket, L		KK 06 30 91	Share knife, R (for Sweeden)	KK 08 32 14	Slat no 4, R
3	KK 07 36 15	Furrow widener, R		KK 06 30 92	Share knife, L (for Sweeden)	KK 08 32 24	Slat no 4, L
4	KK 07 36 16	Furrow widener, L	19	KK 07 30 02	Share 14", R (for body no. 29)	KK 07 30 88	Landside knife, R w/nuts
5	KK 01 33 32	Cone screw M14 x 34 mm w/nut		KK 07 30 03	Share 14", L (for body no. 29)	KK 07 30 89	Landside knife, L w/nuts
6	KK 07 36 09	Landside, long R + L		KK 07 30 54	Share 14", R (for body no. 30)	KK 03 31 75	Screw M14 x 50 mm w/nut
	KK 08 34 17	Saddle R, E-saddle (for body no. 29)		KK 07 30 55	Share 14", L (for body no. 30)	KK 03 32 51	Screw M16 x 50 mm w/nut
	KK 08 34 18	Saddle L, E-saddle (for body no. 29)		KK 07 30 04	Share 16", R (for body no. 29)	KK 03 32 56	Screw M16 x 56 mm w/nut
	KK 08 34 08	Saddle R, E-saddle (for body no. 30)		KK 07 30 05	Share 16", L (for body no. 29)	(for E-saddle) (Before 01.02.00)	
	KK 08 34 09	Saddle L, E-saddle (for body no. 30)		KK 07 30 56	Share 16", R (for body no. 30)	(for E-saddle) (From 01.02.00)	
7	KK 03 31 16	Oval screw M12 x 35 mm w/nut (for body no. 29 and 30)		KK 07 30 57	Share 16", L (for body no. 30)	KK 03 32 86	Screw M16 x 85 mm w/nut
	KK 03 31 07	Oval screw M12 x 35 mm w/nut (for body no. 30) (Before 01.01.01)		KK 07 30 06	Share 18", R (for body no. 29)	KK 03 32 95	Screw M16 x 95 mm w/nut
	KK 03 31 17	Oval screw M12 x 45 mm w/nut (for body no. 29 and 30)		KK 07 30 07	Share 18", L (for body no. 29)	(for A-saddle) (From 01.02.00)	
8	KK 03 31 11	Oval screw M12 x 45 mm w/nut (for body no. 30) (Before 01.01.01)	20	KK 07 30 80	Share 18", R (for body no. 30)	KK 01 29 22	Washer 17 x 40 x 4,58 mm
	KK 08 32 10	Slat support, R		KK 07 30 81	Share 18", L (for body no. 30)	KK 07 30 42	Flush fit share 14", R (for body no. 29)
	KK 08 32 20	Slat support, L		KK 08 32 15	Connecting piece, plastic (for slat 1-2)	KK 07 30 43	Flush fit share 14", L (for body no. 29)
10	KK 08 38 03	Stay		KK 08 32 18	Connecting piece, plastic (for slat 2) (for body no. 29)	KK 07 30 44	Flush fit share 16", R (for body no. 29)
11	KK 08 38 05	Stay 1, saddle A (for body no. 29)		KK 08 32 16	Connecting piece, plastic (for slat 2-3) (for body no. 30)	KK 07 30 45	Flush fit share 16", L (for body no. 29)
	KK 08 38 06	Stay 2, saddle A (for body no. 29)	21	KK 08 32 17	Connecting piece, plastic (for slat 3-4)	KK 07 30 30	Flush fit point, R
	KK 08 38 02	Stay, saddle A (for body no. 30)		KK 07 32 56	Shinpiece, R (for body no. 29)	KK 07 30 31	Flush fit point, L
	KK 08 38 07	Stay 1, saddle E (for body no. 29)		KK 07 32 57	Shinpiece, L (for body no. 29)	KK 08 32 35	Mouldboard knife R and L (From 01.12.01)
	KK 08 38 08	Stay 2, saddle E (for body no. 29)		KK 07 32 30	Shinpiece, R (for body no. 30)	Pos. 100 - 107	Eco-share from 01.04.00
	KK 08 38 04	Stay, saddle E (for body no. 30)	22	KK 07 32 31	Shinpiece, L (for body no. 30)	KK 05 30 90	Reversible point, R
12	KK 07 36 08	Landside, short R + L		KK 03 30 06	Oval screw M10 x 30 mm w/nut (for body no. 29)	KK 06 30 90	Reversible point, L
13	KK 03 27 50	Hex screw M16 x 50 mm w/nut		KK 03 30 16	Oval screw M10 x 30 mm w/nut (for body no. 30)	KK 01 32 28	Cone screw M12 x 34 mm w/nut
14	KK 07 36 14	Wearing plate		KK 07 30 62	Share 14", R (for body no. 30)	KK 07 36 34	Eco-share, R
15	KK 08 34 15	Saddle R, A-saddle (for body no. 29)	23	KK 07 30 63	Share 14", L (for body no. 30)	KK 07 36 35	Eco-share, L
	KK 08 34 16	Saddle L, A-saddle (for body no. 29)		KK 07 30 64	Share 16", R (for body no. 30)	KK 01 01 55	Bushing (for ploughs w/share bolt beam)
	KK 08 34 06	Saddle R, A-saddle (for body no. 30)		KK 07 30 65	Share 16", L (for body no. 30)	KK 01 01 56	Bushing (for ploughs w/A-beam)
	KK 08 34 07	Saddle L, A-saddle (for body no. 30)	24	KK 08 32 11	Slat no 1, R	KK 03 27 40	Hex screw M16 x 40 mm w/nut (for ploughs w/E-saddle) (Before 01.03.00)
16	KK 05 30 90	Reversible point, R		KK 08 32 21	Slat no 1, L		
	KK 06 30 90	Reversible point, L	25	KK 08 32 12	Slat no 2, R		

KK 03 27 50

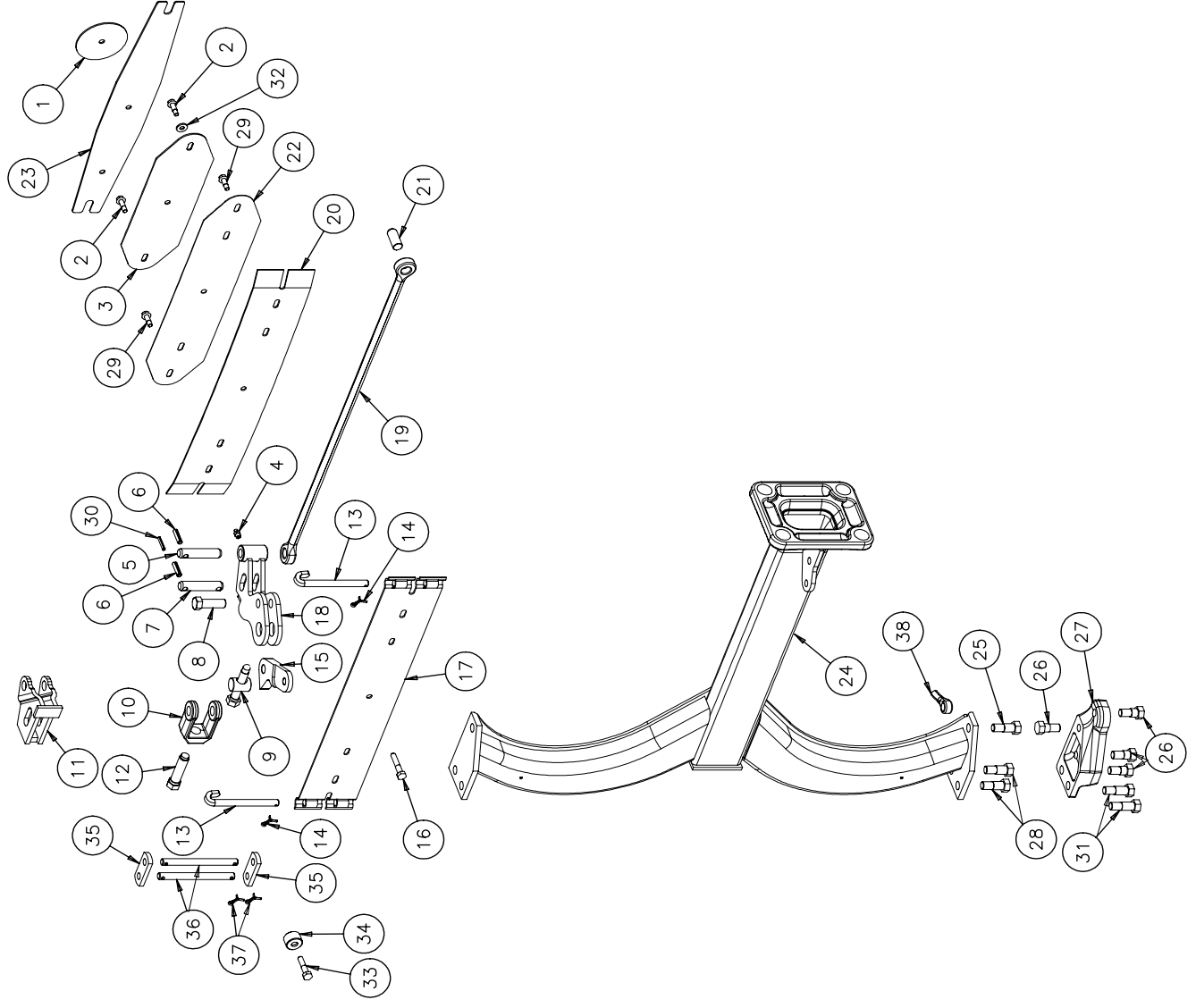
Hex screw M
(for plough:
(From 01.0)

KK 03 27 65

Hex screw
(for plough)



105	KK 03 27 75	Hex screw M16 x 75 mm w/nut (for ploughs w/A-beam)
	KK 01 33 46	Cone screw M14 x 45 mm w/ flange nut (for ploughs w/E-saddle) (Before 01.03.00)
	KK 01 33 61	Cone screw M14 x 60 mm w/ flange nut (for ploughs w/E-saddle) (From 01.03.00)
	KK 01 33 85	Cone screw M14 x 85 mm w/ flange nut (for ploughs w/share bolt beam and A-beam)
106	KK 01 60 15	Flange nut M14
107	KK 01 29.29	Washer (for ploughs w/E-saddle) (From 01.03.00)



458 Auto Reset Beam



1	KK 05 70 67	Blade no 4				
2	KK 03 50 20	Hex screw w/ flange M10 x 34 mm w/ nut				
3	KK 05 70 66	Blade no 3				
4	KK 02 99 20	Grease nipple M8 x 1				
5	KK 06 70 59	Pin				
6	KK 01 10 37	Roll pin D10 x 40 mm				
7	KK 06 70 57	Pin				
8	KK 03 28 60	Hex screw M20 x 60 mm w/ nut				
9	KK 06 70 51	Adjustment screw w/ threaded piece				
10	KK 06 70 40	Holder				
11	KK 06 70 68	Bracket				
12	KK 06 70 39	Adjustment screw M24 x 90 mm				
13	KK 05 70 89	Pin				
14	KK 02 97 27	Pin				
15	KK 06 70 80	Spring arm				
16	KK 03 26 65	Hex screw M12 x 65 mm w/ nut				
17	KK 05 70 63	Main blade				
18	KK 06 70 60	Regulator				
19	KK 06 70 70	Tie rod				
20	KK 05 70 64	Blade no 1				
21	KK 06 70 31	Pin				
22	KK 05 70 65	Blade no 2				
23	KK 05 70 68	Blade no 5				
24	KK 06 12 80	Beam				
25	KK 03 52 09	Hex screw M20 x 50 mm w/ threaded piece				
26	KK 03 28 40	Hex screw M20 x 40 mm w/ nut				
27	KK 06 01 08	Spacer cpl. w/ hex screws R				
	KK 06 01 09	Spacer cpl. w/ hex screws L				
28	KK 03 51 65	Hex screw M20 x 50 mm w/ flange nut				
29	KK 03 50 21	Hex screw w/ flange M10 x 30.5 mm w/ nut				
30	KK 01 10 42	Roll pin D6 x 40 mm (to be mounted into roll pin 011037)				
31	KK 03 28 55	Hex screw M20 x 55 mm				
32	KK 01 29 14	Washer				
33	KK 03 26 55	Hex screw M12 x 55 mm w/ nut (for extra additional leaf spring cpl.)				
34	KK 06 70 77	Bushing (for extra additional leaf spring cpl.)				
35	KK 06 70 75	Linkage (for extra additional leaf spring cpl.)				
36	KK 06 70 76	Bolt D15.7 (for extra additional leaf spring cpl.)				

37 KK 02 97 27 Pin (for extra additional leaf spring cpl.)

38 KK 06 12 91 Threaded piece

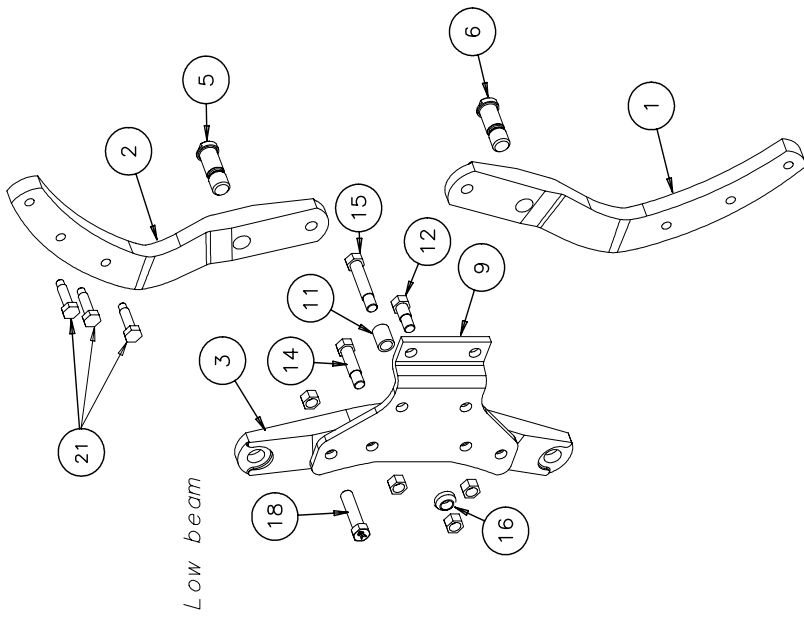
Not ill. KK 05 07 06 Leaf spring cpl. (1 x ill. no. 17, 22 and 3 + 2 x ill. no. 2, 35 and 1)

KK 06 07 03 Leaf spring HD cpl. (1 x part no. 05 07 06 + 2 x ill. no. 23)

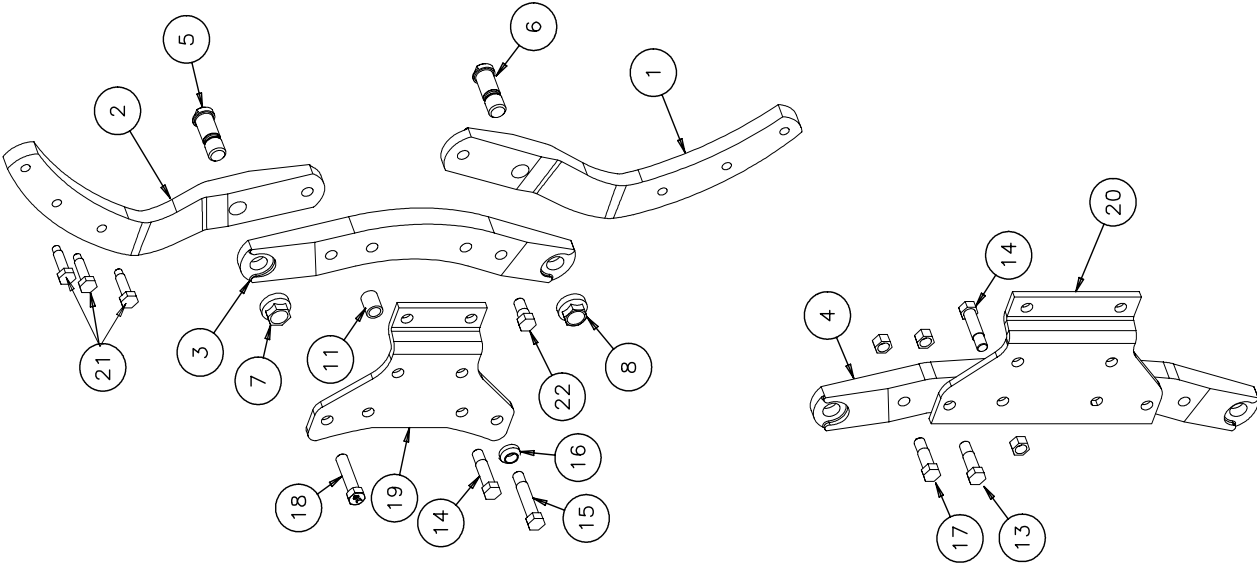
1009 Beam (Shear bolt)



For LS, RL, LM, RM and RG ploughs



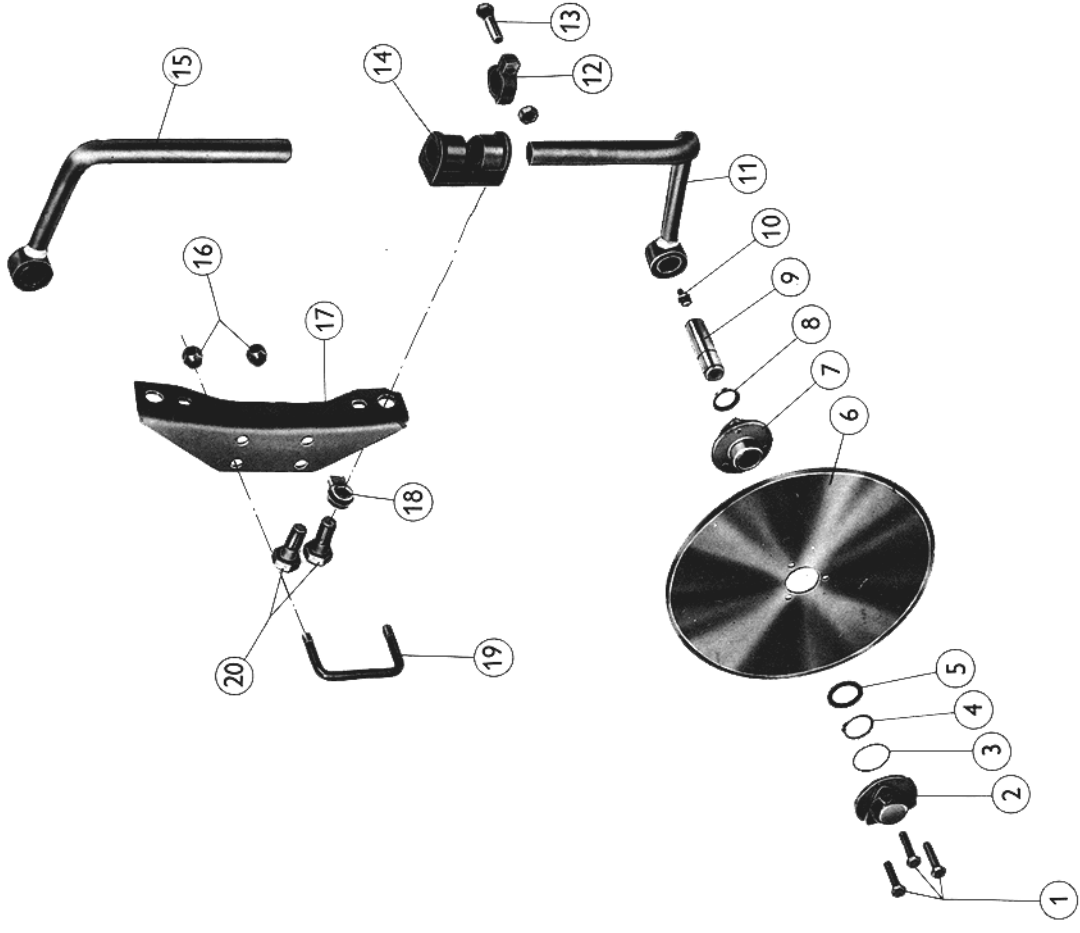
For LD, LO, RS, RX, LB and RB ploughs



1009 Beam (Shear bolt)

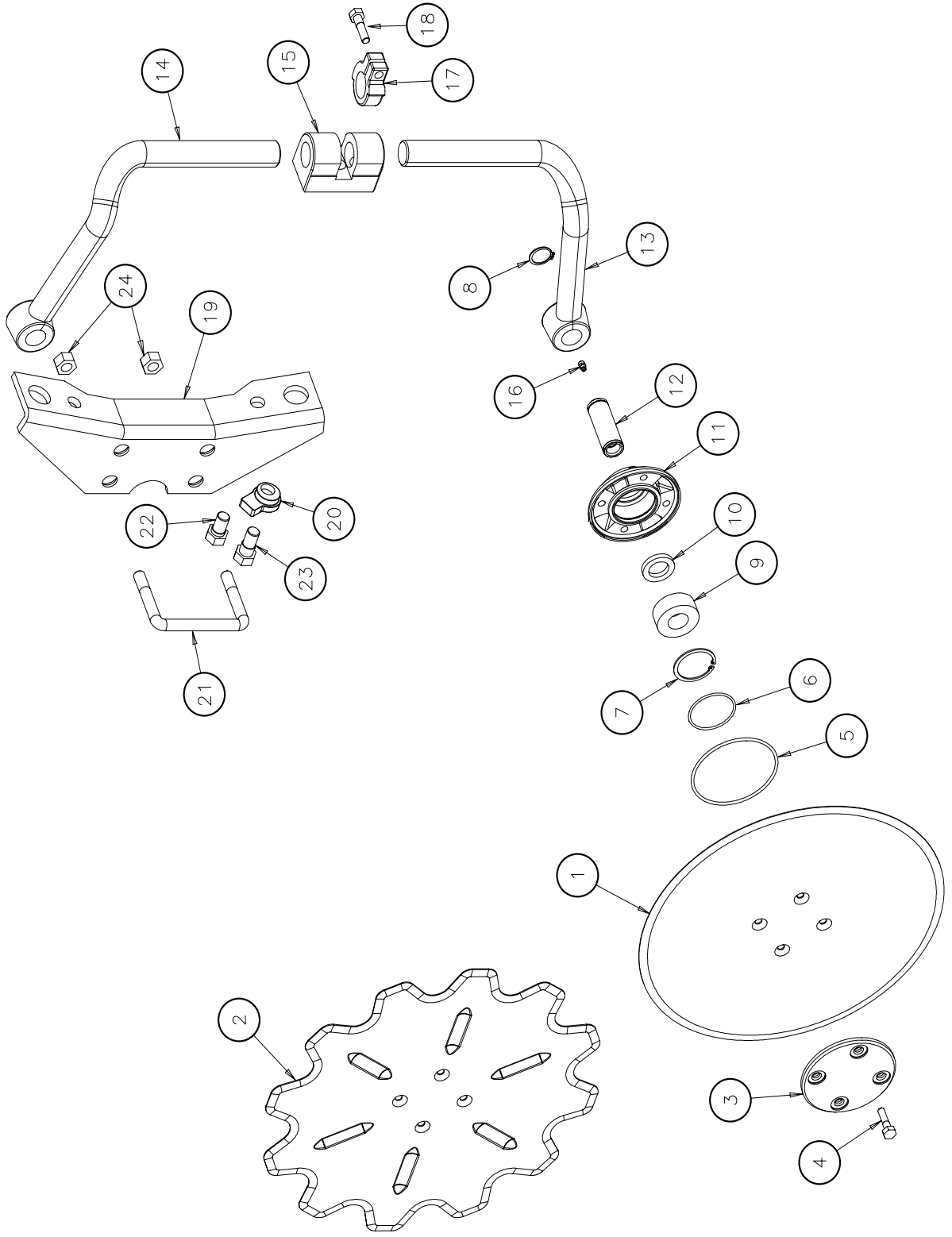
1	KK 07 12 08	Beam, R (Before 15.08.01)	
	KK 07 12 72	Beam, R (From 15.08.01)	
2	KK 07 12 09	Beam, L (Before 15.08.01)	
	KK 07 12 73	Beam, L (From 15.08.01)	
3	KK 07 12 28	Support, H = 700 mm (Before 15.08.01)	
	KK 07 12 71	Support, H = 700 mm (From 15.08.01)	
4	KK 07 12 07	Support, H = 800 mm (Before 15.08.01)	
	KK 07 12 70	Support, H = 800 mm (From 15.08.01)	
5	KK 07 70 24	Main bolt M30 x 72 mm, L (Before 15.08.01)	
	KK 07 12 75	Main bolt M30 x 84 mm, L (From 15.08.01)	
6	KK 07 70 23	Main bolt M30 x 72 mm, R (Before 15.08.01)	
	KK 07 12 74	Main bolt M30 x 84 mm, R (From 15.08.01)	
7	KK 01 60 22	Nut M30, R	
8	KK 01 60 45	Nut M30, L	
9	KK 07 49 10	Plate for support, H = 700 mm (for LS, RL, LM, RM and RG ploughs only)	
10	KK 07 49 11	Plate for support, H = 800 mm (for LS, RL, LM, RM and RG ploughs only)	
11	KK 06 15 15	Bushing D28 x D20.5 x 35.2 mm	
12	KK 03 28 40	Hex screw M20 x 40 mm w /nut	
	KK 03 28 50	Hex screw M20 x 50 mm w /nut (for disc couler, for front piece and rear beam)	
	KK 03 28 60	Hex screw M20 x 60 mm w /nut (for front piece w /disc couler)	
13	KK 03 28 65	Hex screw M20 x 65 mm w /nut	
14	KK 03 52 15	Hex screw M20 x 80 mm w /flange nut qual. 12.9	
	KK 03 52 16	Hex screw M20 x 90 mm w /flange nut qual. 12.9 (for RL plough front section, rear leg only)	
15	KK 03 28 07	Hex screw M20 x 100 mm w /nut	
16	KK 06 20 20	Washer	
17	KK 03 50 60	Shear bolt M20 x 62 mm w /nut (for support H = 800 mm)	
18	KK 03 50 72	Shear bolt M20 x 81 mm w /nut (for support H = 700 mm)	
19	KK 07 15 08	Plate for support H = 700 mm (for LD, LO, RS, RX, LB and RB ploughs only)	
20	KK 07 15 29	Plate for support H = 800 mm (for LD, LO, RS, RX, LB and RB ploughs only)	
21	KK 03 27 62	Hex screw M16 x 60 w /nut qual. 12.9	
22	KK 03 28 40	Hex screw M20 x 40 mm w /nut	
Not ill.	KK 07 12 11	Beam, H = 700 mm cpl. (ill. no. 1, 2, 3 and 5 - 8) (Before 15.08.01)	
	KK 07 12 80	Beam, H = 700 mm cpl. (ill. no. 1, 2, 3 and 5 - 8) (From 15.08.01)	
	KK 07 12 12	Beam, H = 800 mm cpl. (ill. no. 1, 2, 4 and 5 - 8) (Before 15.08.01)	
	KK 07 12 81	Beam, H = 800 mm cpl. (ill. no. 1, 2, 4 and 5 - 8) (From 15.08.01)	

187 Disc coupler for Auto Reset beam (Before 01.01.99)



187 Disc coupler for Auto Reset beam (Before 01.01.99)

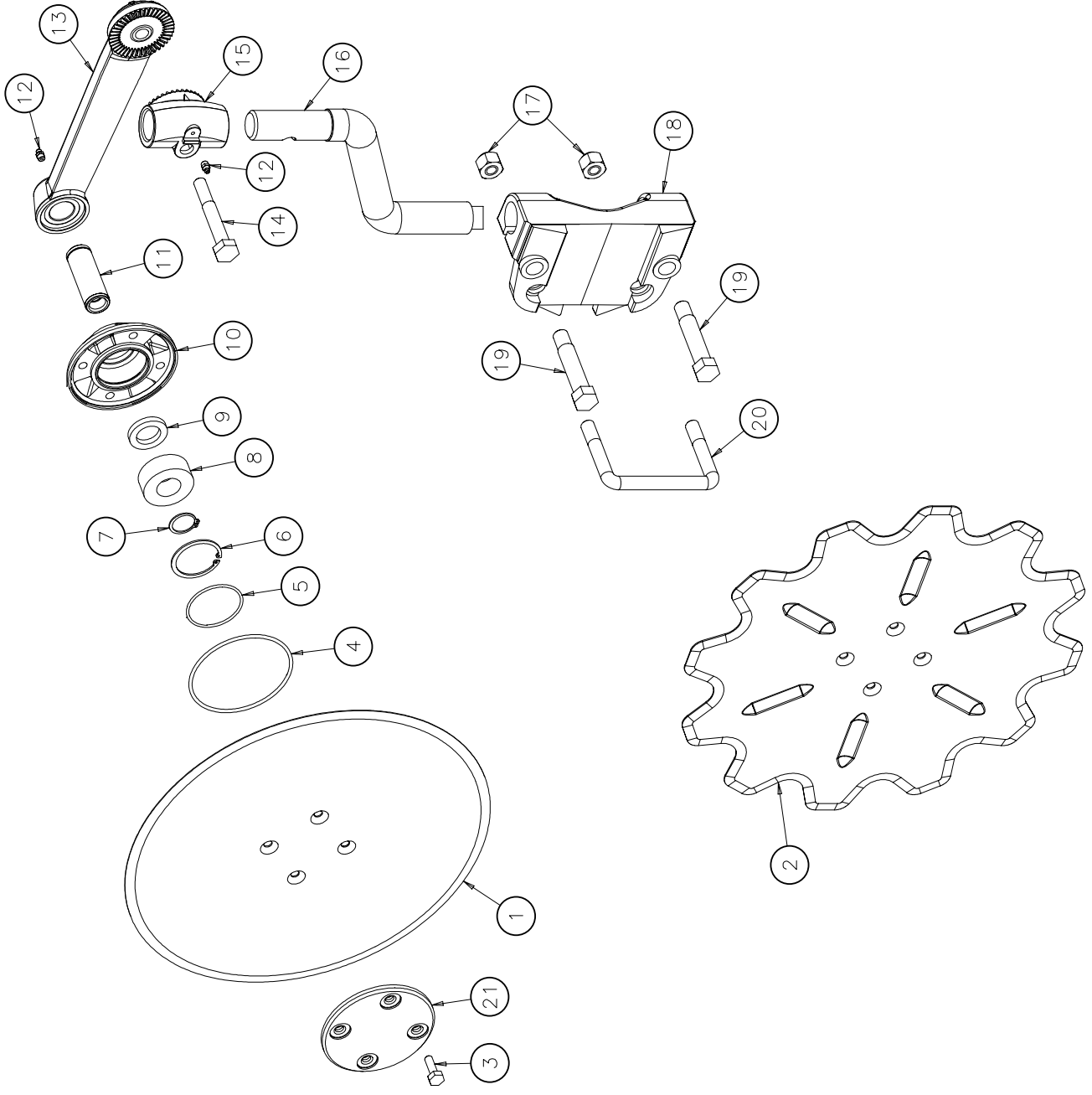
1	KK 03 13 40	Hex screw M8 x 40 mm
2	KK 05 61 56	Cap
3	KK 01 07 75	O-ring D54.5 x 3 mm
4	KK 01 12 66	Circlip
5	KK 01 12 92	Washer D30 x 45 x 2.5 mm
6	KK 05 61 12	Disc 18"
	KK 05 61 14	Disc 20"
	KK 05 61 15	Disc 18" Notched
	KK 05 61 16	Disc 20" Notched
7	KK 06 61 02	Hub w/needles
	KK 06 06 24	Hub cpl (ill 1, 3, 4 and 6 - 9)
8	KK 01 07 72	Seal ring
9	KK 06 61 08	Axle D30
10	KK 02 99 20	Grease nipple M8 x 1 mm
11	KK 06 61 40	Disc coultler arm 18" R
	KK 06 61 43	Disc coultler arm 20" R
12	KK 06 61 90	Clip
13	KK 03 50 31	Hex screw M12 x 45 mm w/nut
14	KK 06 61 85	Bracket
15	KK 06 61 42	Disc coultler arm 18" L
	KK 06 61 45	Disc coultler arm 20" L
16	KK 01 60 31	Cone nut M16
17	KK 06 61 89	Bracket 18"
	KK 06 61 82	Bracket 20"
18	KK 06 61 78	Eccentric
19	KK 06 61 75	U - bolt
20	KK 03 17 30	Hex screw M20 x 30 mm
	KK 03 17 40	Hex screw M20 x 40 mm (for eccentric nut)



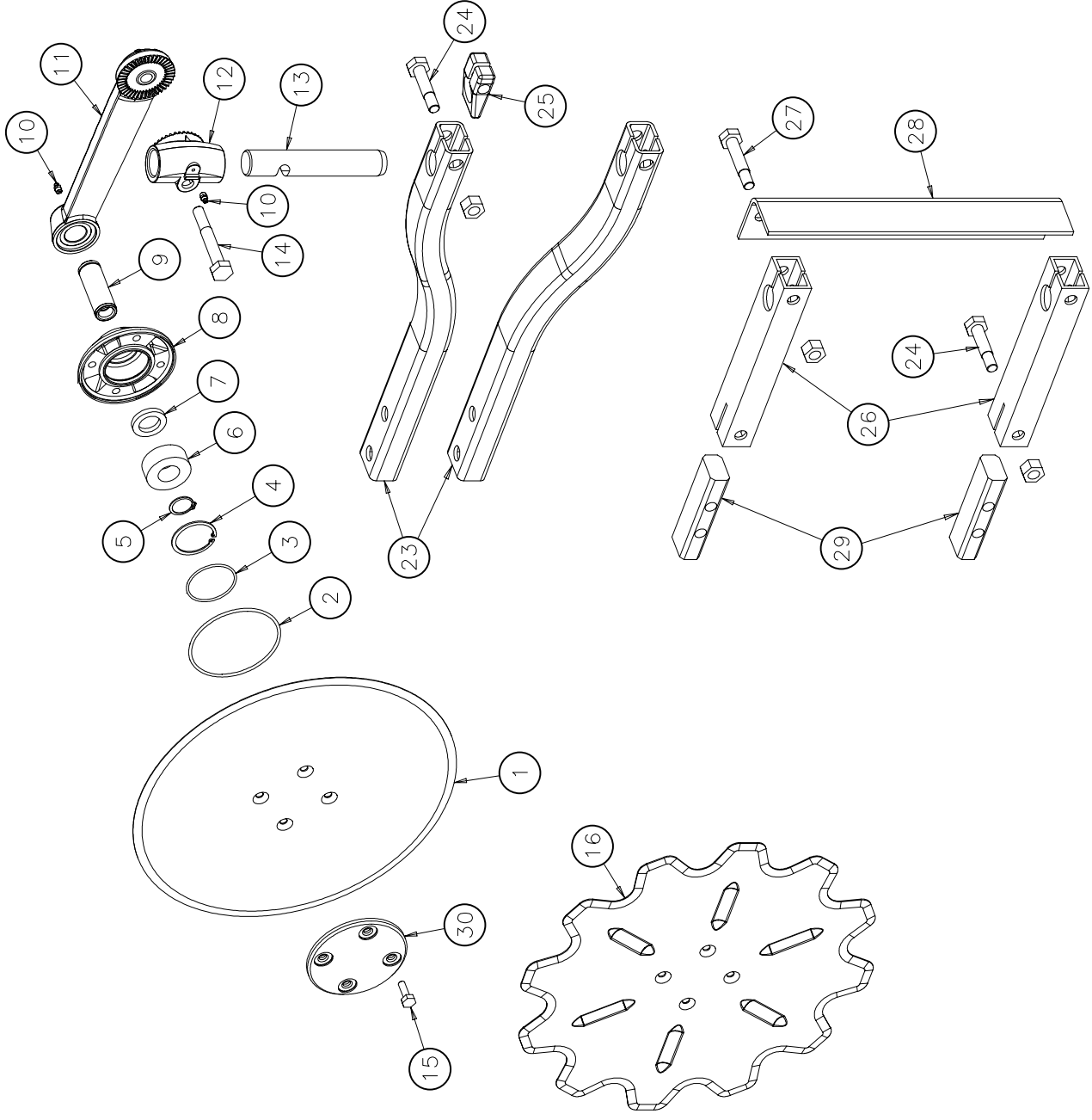
1073 Disc coupler 18" and 20", E-saddle (From 01.01.99)



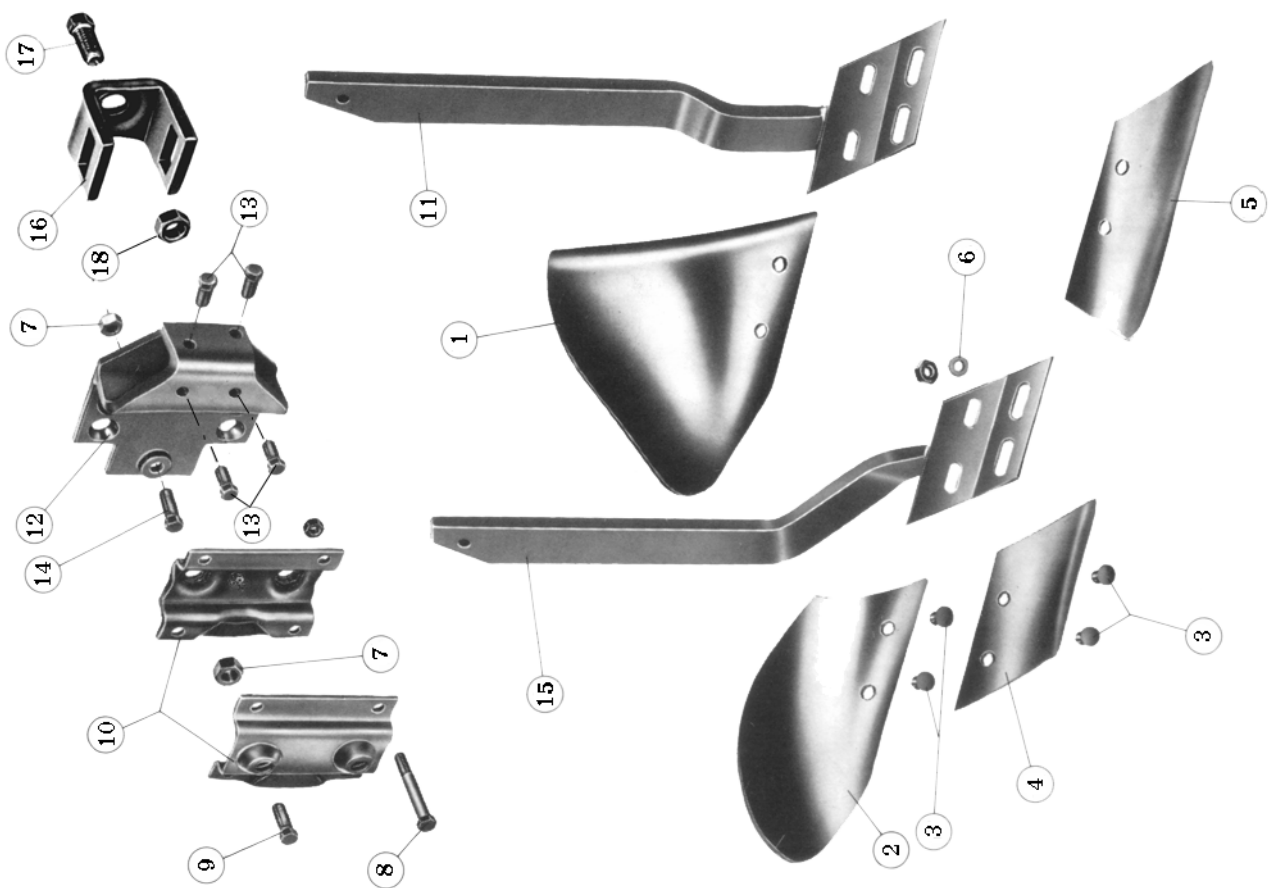
1	KK 07 64 06	Disc coupler 18"
	KK 07 64 07	Disc coupler 20"
2	KK 07 64 09	Disc coupler, notched 18"
	KK 07 64 10	Disc coupler, notched 20"
3	KK 07 64 99	Plate
4	KK 03 25 40	Screw M10 x 40 mm w/nut
5	KK 01 17 50	O-ring 124,5 x 4 mm
6	KK 01 18 66	O-ring 67 x 3 mm
7	KK 01 12 59	Circlip I 62 x 2 mm
8	KK 01 12 66	Circlip A 30 x 1,5 mm
9	KK 01 05 72	Bearing
10	KK 01 05 32	Gasket ring
11	KK 08 61 00	Bearing housing
12	KK 08 61 01	Axle
	KK 08 60 80	Disc coupler arm w/bearing 18", R
	KK 08 60 81	Disc coupler arm w/bearing 18", L
	KK 08 60 82	Disc coupler arm w/bearing 20", R
	KK 08 60 83	Disc coupler arm w/bearing 20", L
	KK 08 60 84	Disc coupler arm w/bearing 20", lowered R
	KK 08 60 85	Disc coupler arm w/bearing 20", lowered L
13	KK 08 61 10	Arm 18", R
	KK 08 61 12	Arm 20", R
	KK 08 61 14	Arm 20", lowered R
14	KK 08 61 11	Arm 18", L
	KK 08 61 13	Arm 20", L
	KK 08 61 15	Arm 20", lowered L
15	KK 06 61 70	Bracket
16	KK 02 99 20	Grease nipple
17	KK 06 61 90	Clip
18	KK 03 50 31	Hex screw M12 x 45 mm w/nut
19	KK 06 61 89	Bracket 18"
	KK 06 61 82	Bracket 20"
20	KK 06 61 78	Eccentric
21	KK 06 61 75	U-bolt
22	KK 03 28 30	Hex screw M20 x 30 mm w/nut
23	KK 03 28 40	Hex screw M20 x 40 mm w/nut
24	KK 01 60 31	Cone nut M16



1	KK 07 64 06	Disc couler 18"
	KK 07 64 07	Disc couler 20"
2	KK 07 64 09	Disc couler, notched 18"
	KK 07 64 10	Disc couler, notched 20"
3	KK 03 10 30	Screw M10 x 30 mm w/nut
4	KK 01 17 50	O-ring 124,5 x 3,0 mm
5	KK 01 18 66	O-ring 67,0 x 3,0 mm
6	KK 01 12 59	Circlip I 62 x 2 mm
7	KK 01 12 66	Circlip A 30 x 1,5 mm
8	KK 01 05 72	Bearing
9	KK 01 08 18	Gasket ring 35/52 x 7 mm (Before 01.01.99)
	KK 01 05 32	Gasket ring (From 01.01.99)
10	KK 07 60 75	Bearing housing (Before 01.01.99)
	KK 07 60 97	Bearing, mounted (Before 01.01.99)
	KK 08 61 00	Bearing (From 01.01.99)
11	KK 07 60 76	Axle (Before 01.01.99)
	KK 08 61 01	Axle (From 01.01.99)
12	KK 02 99 20	Grease nipple M8 x 1
13	KK 07 65 75	Arm
	KK 07 60 82	Arm w/bearing, mounted
14	KK 03 27 02	Hex screw M16 x 110 mm w/nut
15	KK 07 64 00	Support
16	KK 07 60 63	Axle -92
17	KK 01 60 31	Cone nut M16
18	KK 07 60 60	Bracket (Before 01.03.02)
	KK 08 61 03	Bracket (From 01.03.02)
19	KK 03 51 75	Hex screw m20 x 100 mm w/locknut
20	KK 06 61 75	Clevis M16, 120 x 90 mm
21	KK 07 64 99	Plate (From 01.01.99)
Not ill.	KK 07 62 10	Disc couler 92, 18" R & L, without fix
	KK 07 62 11	Disc couler 92, 20" R & L, without fix
	KK 07 62 12	Disc couler 92, 18" R & L, notched, without fix
	KK 07 62 13	Disc couler 92, 20" R & L, notched, without fix



1	KK 07 64 06	Disc coupler 18"
	KK 07 64 07	Disc coupler 20"
2	KK 01 17 50	O-ring
3	KK 01 18 66	O-ring
4	KK 01 12 59	Circlip
5	KK 01 12 66	Circlip
6	KK 01 05 72	Ball bearing
7	KK 01 08 18	Rubber ring (Before 01.01.99)
	KK 01 05 32	Gasket ring (From 01.01.99)
8	KK 08 60 90	Bearing housing cpl. (ill. no. 2-3-4-5-6-7-8-10-16) (Before 01.01.99)
	KK 08 60 89	Bearing housing cpl. (ill. no. 2-3-4-5-6-7-8-16) (From 01.01.99)
9	KK 07 60 76	Axle (Before 01.01.99)
	KK 08 61 01	Axle (From 01.01.99)
	KK 08 60 86	Disc coupler arm w/bearing (From 01.01.99)
	KK 08 60 87	Disc coupler bearing cpl. (ill. no. 4-6-7-8) (From 01.01.99)
10	KK 02 99 20	Grease nipple
11	KK 07 65 75	Arm
12	KK 07 64 00	Support
13	KK 07 65 27	Axle
14	KK 03 27 02	Hex screw M16 x 110 mm w/nut
15	KK 03 10 30	Hex screw M10 x 30 mm
16	KK 07 64 09	Disc coupler 18" notched
	KK 07 64 10	Disc coupler 20" notched
17	KK 03 28 50	Hex screw M20 x 50 mm
18	KK 03 28 40	Hex screw M20 x 40 mm
19	KK 06 61 78	Eccentric for bracket
20	KK 07 49 31	Bracket
21	KK 01 29 60	Washer 20.5 x 40 x 3.4 mm
22	KK 07 49 36	Plate w/threads
23	KK 07 49 30	Tube
24	KK 03 27 75	Hex screw M16 x 75 mm w/nut
25	KK 07 65 15	Supporting piece for tube
26	KK 07 49 39	Extended tube
27	KK 03 27 85	Hex screw M16 x 85 mm w/nut
28	KK 07 49 38	Support
29	KK 07 49 37	Support
30	KK 07 64 99	Plate



1	KK 07 68 12	Mouldboard maize R		
	KK 07 68 13	Mouldboard maize L		
2	KK 06 68 80	Mouldboard R		
	KK 07 69 62	Mouldboard R, plastic		
	KK 06 68 81	Mouldboard L		
	KK 07 69 63	Mouldboard L, plastic		
3	KK 03 30 06	Oval screw M10 x 30 mm w/nut		
	KK 03 30 07	Oval screw M10 x 35 mm w/nut		
4	KK 05 68 73	Share, short R		
	KK 06 68 73	Share, short L		
5	KK 06 68 68	Share, long R		
	KK 06 68 69	Share, long L		
6	KK 01 29 06	Washer 10.5 x 25 x 3.4		
7	KK 01 58 25	Nut M16		

for beams on non-turnable ploughs:

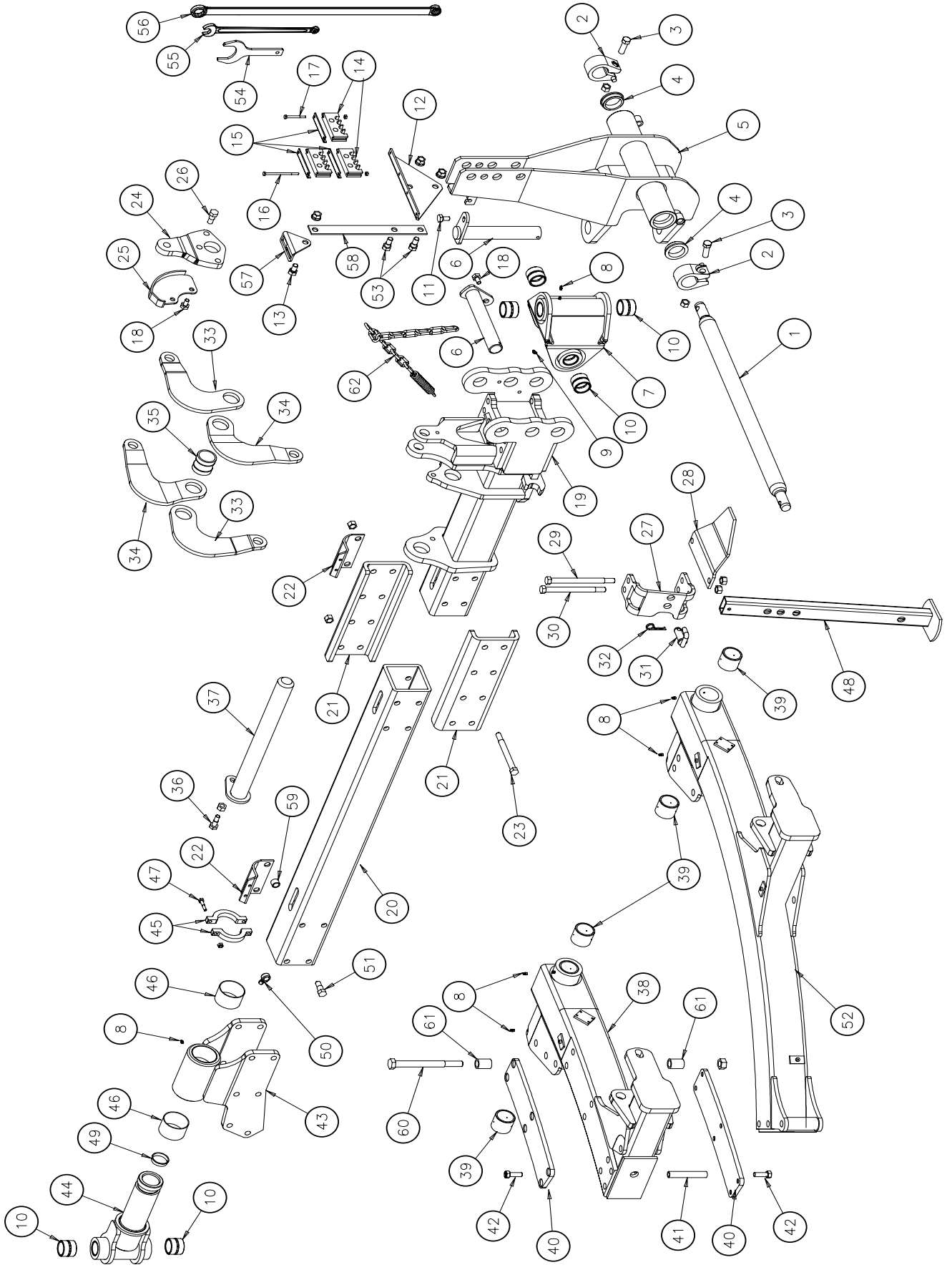
16	KK 07 06 53	Fixing bracket (for beam 071240 and 071241)
17	KK 03 44 46	Setscrew M24 x 53 mm
18	KK 01 58 41	Nut M24

for all turnable ploughs with Auto Reset beams:

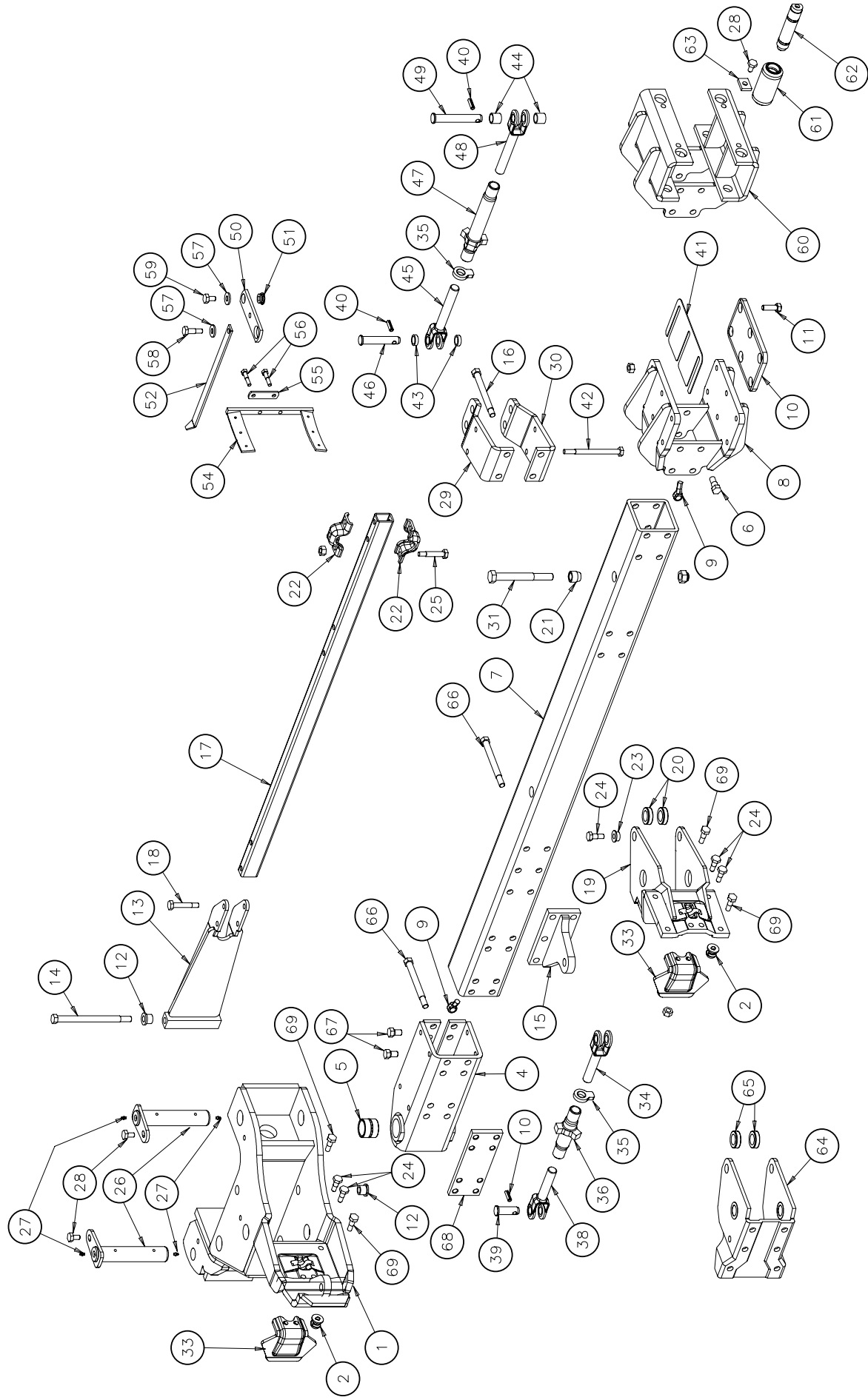
8	KK 03 27 95	Hex screw M16 x 95 mm w/nut
9	KK 03 42 28	Setscrew M16 x 32 mm
10	KK 06 06 57	Bracket
11	KK 06 68 11	Arm R, H = 700 mm
	KK 07 68 78	Arm R, H = 750 mm (From 01.12.00)
	KK 06 68 12	Arm L, H = 700 mm
	KK 07 68 59	Arm L, H = 750 mm (From 01.12.00)

for all turnable ploughs with Shear Bolt beams:

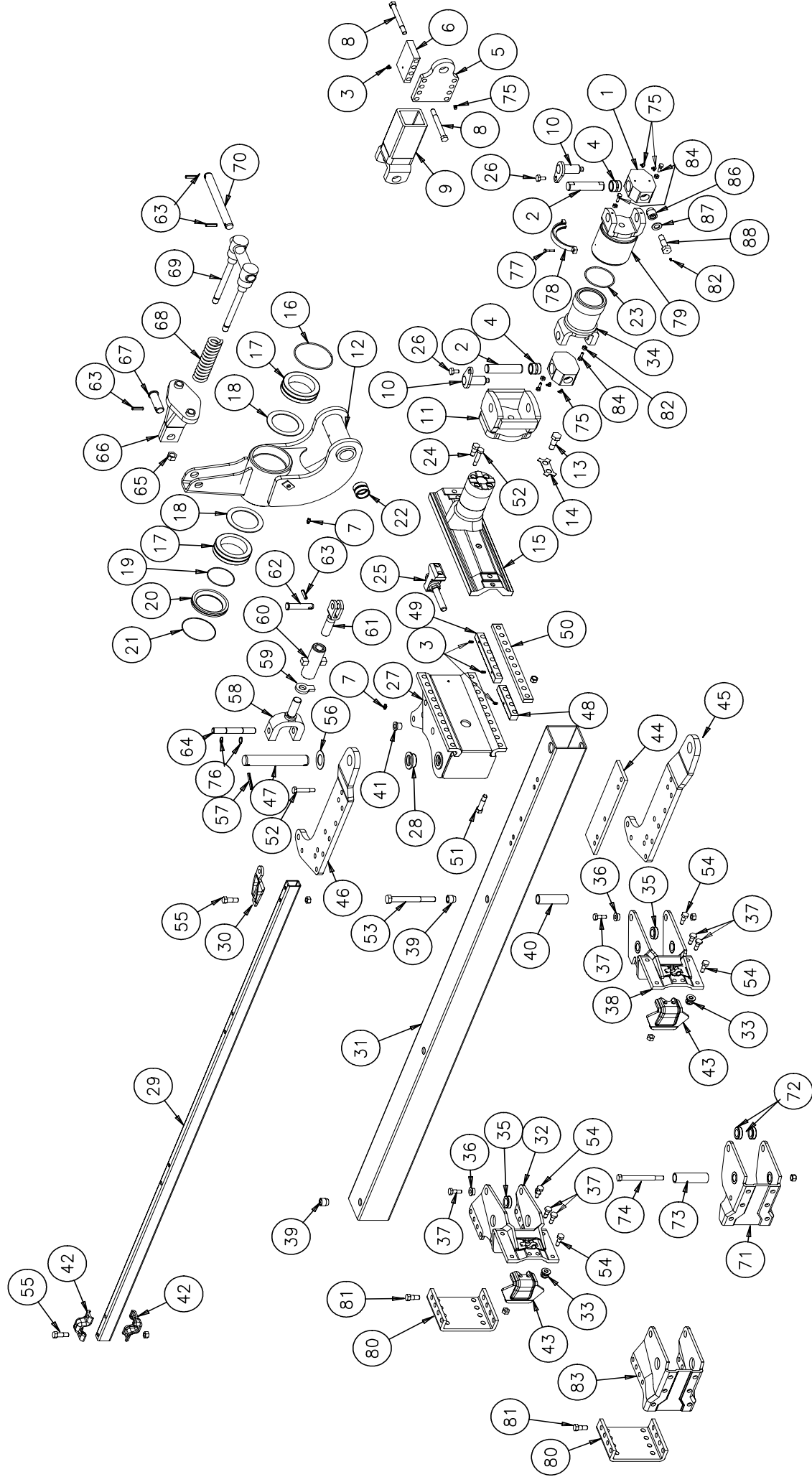
12	KK 07 06 39	Bracket (for LB, RB, RS, RX)
	KK 07 68 72	Bracket (for LM, LS, RG, RL, RM, VD)
13	KK 03 42 25	Setscrew M16 x 25 mm
14	KK 03 42 50	Setscrew M16 x 50 mm
15	KK 07 68 17	Arm R, H = 700 mm
	KK 07 68 18	Arm L, H = 700 mm
	KK 07 68 25	Arm R, H = 800 mm
	KK 07 68 26	Arm L, H = 800 mm
	KK 07 68 33	Arm R, H = 700 mm (for VD plough only) (Before 15.03.98)
	KK 07 68 34	Arm L, H = 700 mm (for VD plough only) (Before 15.03.98)



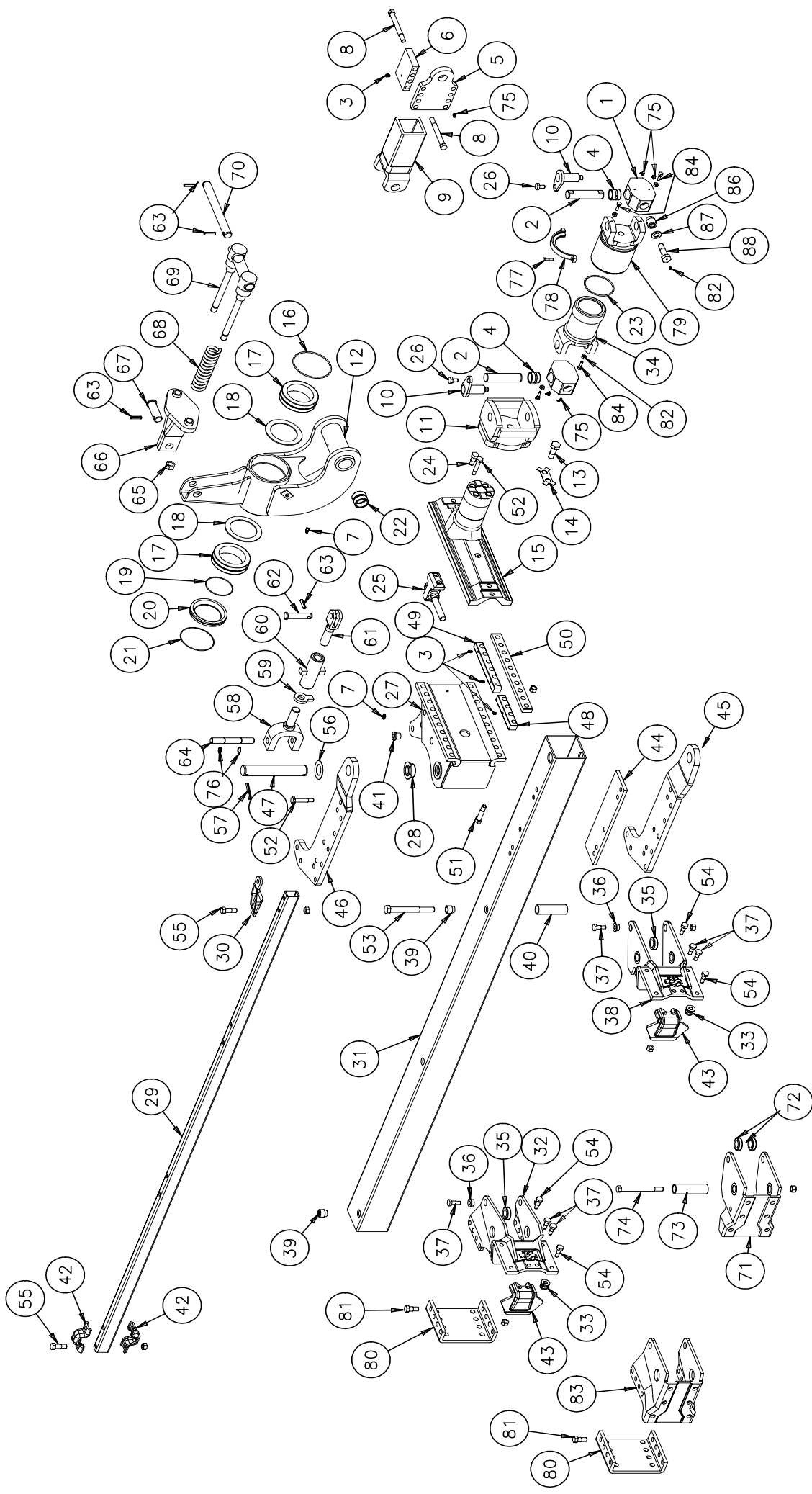
1	KK 06 43 21	Cross shaft cat. III, 965 mm			
2	KK 06 43 60	Collar			
3	KK 03 28 60	Hex screw M20 x 60 mm w/ nut			
4	KK 06 43 17	Bushing			
5	KK 08 11 50	Headstock			
6	KK 07 88 98	Axle			
7	KK 07 97 65	Link w/ bushings			
8	KK 02 99 20	Grease nipple			
9	KK 02 99 27	Grease nipple w/45° angle			
10	KK 01 16 82	Bushing			
11	KK 03 27 30	Hex screw M16 x 30 mm			
12	KK 06 25 05	Bracket for hoses			
13	KK 03 52 35	Hex screw M20 x 30 mm w/ flange nut			
14	KK 01 21 85	Fixing for two hoses			
15	KK 06 25 06	Piece for fixing			
16	KK 03 24 03	Hex screw M8 x 130 mm w/ nut			
17	KK 03 24 75	Hex screw M8 x 75 mm w/ nut			
18	KK 03 27 25	Hex screw M16 x 27 mm			
19	KK 07 71 91	Fixing device (Before 01.10.00)			
	KK 08 00 80	Fixing device (From 01.10.00, serial no. PL229 and RL138)			
20	KK 07 70 80	Tube 6 furrow			
	KK 07 70 81	Tube 7 furrow			
	KK 07 70 82	Tube 8 furrow			
	KK 08 21 37	Tube 9 furrow (From 15.09.00)			
21	KK 07 85 64	Plate			
22	KK 08 10 98	Plate for hoseholder			
23	KK 03 28 20	Hex screw M20 x 200 mm			
24	KK 07 72 66	Fixing for cylinder			
25	KK 07 72 67	Support			
26	KK 03 28 45	Hex screw M20 x 45 mm			
27	KK 07 72 30	Fixing for machine stand			
28	KK 08 10 44	Support for headstock (Before 01.10.00) (Replaced by pos. 62)			
29	KK 03 28 43	Hex screw M20 x 250 mm w/ nut			
30	KK 03 28 37	Hex screw M20 x 235 mm / nut			
31	KK 07 72 31	Bolt for locking			
32	KK 02 97 70	Pin			
33	KK 07 72 81	Arm bended			
34	KK 07 72 80	Arm streight			
35	KK 07 85 50	Spacer for arm			
36	KK 03 27 50	Hex screw M16 x 50 mm w/ nut			
37	KK 07 71 37	Axle (Before 01.06.99)			
	KK 07 85 46	Axle (From 01.06.99)			
38	KK 07 72 08	Lift arm w/ bushings cpl.			
39	KK 01 16 91	Bushing			
40	KK 07 71 70	Plate			
41	KK 07 71 71	Tube w/ thread			
42	KK 03 50 88	Countersunk flat head screw M16 x 50 mm			
43	KK 07 72 09	Tube for link w/ slide bearings			
44	KK 07 72 00	Link w/ bushing			
45	KK 07 91 53	Locking for axle			
46	KK 01 16 68	Slide bearing			
47	KK 03 51 09	Hex screw M10 x 50 mm w/ lock nut			
48	KK 07 72 86	Machine stand			
49	KK 01 09 67	Cover for link			
50	KK 06 12 91	Threaded piece			
51	KK 03 28 50	Hex screw M20 x 50 mm			
52	KK 07 70 30	Lift arm 6 furrow w/ bushings cpl. in furrow/ onland			
	KK 07 70 31	Lift arm 7 furrow w/ bushings cpl. in furrow/ onland			
	KK 07 72 07	Lift arm 8 furrow w/ bushings cpl. in furrow/ onland			
	KK 03 52 36	Hex screw M20 x 40 mm w/ flange nut			
53	KK 01 06 55	Spanner NV 70			
54	KK 01 06 06	Spanner NV 19 - 27			
55	KK 01 06 06	Spanner NV 27 - 36			
56	KK 01 06 50	Holder for spanner			
57	KK 06 25 00	Fixing for holder			
58	KK 06 24 58	Bushing			
59	KK 01 01 48	Hex screw M24 x 265 mm w/ nut			
60	KK 03 29 26	Bushing			
61	KK 07 17 34	Chain w/ spring (From 01.10.00, serial no. PL229 and RL138)			
62	KK 08 21 77				



1	KK 07 71 02	Fixing device w/ball for PL cpl. (ill. 1-2)	KK 07 49 13	Cone for beam support for M24 hex screw (From 01.04.98)	48	KK 35 11 40	Screw L (Before 01.11.99) (From 01.11.99, pos. 38, KK 35 11 73)
2	KK 07 72 95	Fixing device for RL	KK 07 58 72	Fixing for parallel rod		KK 36 11 16	Turnbuckle cpl. 520 - 720
4	KK 07 12 56	2 balls w/bolt M16 x 50 mm and locktite	KK 07 16 64	Bushing		KK 36 11 20	ill. 35, 45, 47 and 48) (Before 01.11.99)
	KK 07 71 04	Fixing device w/bushing (Before 01.06.00)	KK 03 27 45	Hex screw M16 x 45 mm w/nut		KK 01 03 35	Turnbuckle cpl. 390 - 520 (ill. 34, 35, 36 and 38) (From 01.11.99)
	KK 08 21 00	Fixing device w/brackets (From 01.06.00)	KK 03 27 90	Hex screw M16 x 90 mm w/nut	49	KK 07 59 05	Bolt w/head D25.3 x 155 mm (Before 01.11.99, pos. 39, KK 01 03 15)
5	KK 01 16 82	Bushing	KK 07 16 08	Axle		KK 07 49 19	Plate for hex screw M20 (Before 01.04.98)
6	KK 03 28 45	Hex screw M20 x 45 mm	KK 02 99 20	Grease nipple	50	KK 07 59 06	Plate for hex screw M24 (From 01.04.98)
7	KK 07 71 10	Tube, 6 furrow	KK 03 27 25	Hex screw M16 x 27 mm		KK 07 16 79	Bushing
	KK 07 71 11	Tube, 7 furrow	KK 07 72 48	Fixing for stay, upper		KK 07 59 04	Indicator needle
	KK 07 71 12	Tube, 8 furrow	KK 07 70 58	Fixing for cylinder, upper On Land (Before 01.11.99)	51	KK 07 59 06	Scale
	KK 08 21 35	Tube, 9 furrow (From 15.09.00)	KK 07 72 49	Fixing for stay, lower	52	KK 07 59 03	Plate
8	KK 07 71 30	Fixing device for On Land (From 01.10.00, serial nr. PL229 and RL138)	KK 07 70 59	Fixing for cylinder, lower On Land (Before 01.11.99)	54	KK 03 26 55	Hex screw M12 x 55 mm
9	KK 06 12 91	Threaded piece	KK 03 52 19	Hex screw M20 x 220 mm w/ flange lock nut (Before 01.04.98)	55	KK 01 29 22	Washer
10	KK 07 71 33	Plate	KK 03 51 97	Hex screw M24 x 210 mm w/lock nut (From 01.04.98)	56	KK 03 27 25	Hex screw M16 x 27 mm
11	KK 03 50 88	Countersunk flat head screw M16 x 50 mm w/nut	KK 06 16 37	Plate	57	KK 07 70 60	Fixing device for On-land (Before 01.10.00, serial no. PL229 and RL138)
12	KK 07 58 80	Bearing	KK 35 11 72	Screw R	58	KK 07 70 63	Roll w/bushings (Before 01.10.00, serial no. PL229 and RL138)
13	KK 07 72 40	Fixing for parallel rod	KK 35 11 48	Contra nut	59	KK 07 70 65	Axle (Before 01.10.00, serial no. PL229 and RL138)
14	KK 03 52 27	Hex screw M20 x 270 mm w/ flange nut	KK 35 11 70	Tube	60	KK 07 70 67	Lock plate (Before 01.10.00, serial no. PL229 and RL138)
15	KK 07 71 67	Fixing for cylinder	KK 35 11 73	Screw L	61	KK 07 49 02	Beam holder for share bolt w/bushings (for RL plough)
16	KK 03 28 22	Hex screw M20 x 190 mm w/nut	KK 36 11 20	Turnbuckle cpl. 390 - 520 (ill. 34, 35, 36 and 38)	62	KK 01 16 32	Bushing
17	KK 07 71 15	Parallel rod, forward, 6 furrow	KK 01 03 15	Bolt w/head 25,3 x 60 mm	63	KK 03 28 20	Hex screw M20 x 200 mm w/nut
	KK 07 71 16	Parallel rod, forward, 7 furrow	KK 01 10 20	Roll pin D12 x 40 mm	64	KK 03 21 51	Set screw M20 x 20 mm
	KK 07 71 17	Parallel rod, forward, 8 furrow	KK 07 71 28	Adjustable plate	65	KK 08 21 27	Plate
	KK 08 21 36	Parallel rod, forward, 9 furrow (From 15.09.00)	KK 03 27 20	Hex screw M16 x 200 mm w/nut	66	KK 03 27 52	Hex screw M16 x 50 mm
18	KK 03 27 95	Hex screw M16 x 95 mm w/nut	KK 01 00 08	Bushing (Before 01.11.99)	67		
19	KK 07 59 11	Beam support w/bushing and balls (for PL plough)	KK 12 41 57	Bushing (Before 01.11.99)	68		
20	KK 07 58 81	Bushing (Before 01.04.98)	KK 01 01 53	Bushing (From 01.11.99)	69		
	KK 01 16 32	Bushing (From 01.04.98)	KK 35 11 39	Screw R (Before 01.11.99) (From 01.11.99, pos. 34, KK 35 11 72)			
21	KK 07 58 87	Cone for beam support for M20 hex screw (Before 01.04.98)	KK 01 03 19	Bolt w/head D25.3 x 120 mm (Before 01.11.99)			
			KK 35 11 44	Tube (Before 01.11.99) (From 01.11.99, pos. 36, KK 35 11 70)			



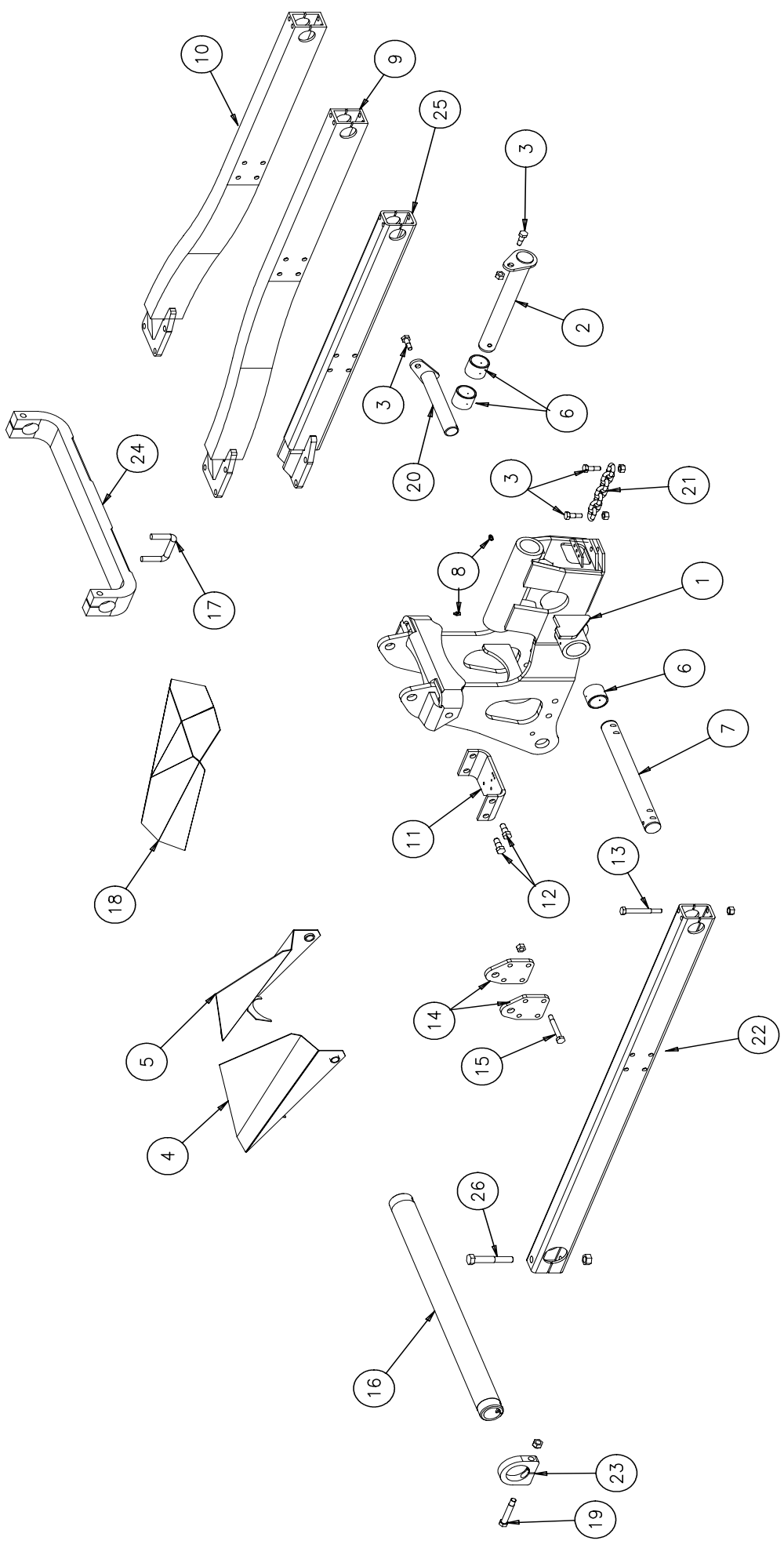
1	KK 07 72 02	Cross piece w/bushing (Before 01.06.00)	30	KK 07 58 71	Fixing for parallel rod, front piece	55	KK 03 27 90	Hex screw M16 x 90 mm w/nut
	KK 08 11 35	Cross piece w/bushing (From 01.06.00)	31	KK 07 71 13	Main tube, rear	56	KK 01 29 71	Washer
2	KK 07 72 12	Axle (Before 01.06.00)	32	KK 07 58 07	Beam support w/bushing and balls, rear (for PL) (Before 01.06.99)	57	KK 01 10 52	Roll pin 12 x 80 mm
3	KK 08 11 34	Axle (From 01.06.00)		KK 07 47 62	Beam support w/bushing and balls, rear (for PL) (From 01.06.99)	58	KK 07 72 57	Screw special (Before 01.06.99)
	KK 02 99 22	Grease nipple w/90° angle (Before 01.04.99 for slides)		KK 07 47 44	Beam support w/bushing and balls, rear (for PL) (From 01.11.00)	59	KK 08 11 61	Screw R (From 01.06.99)
4	KK 02 99 27	Grease nipple w/45° angle (From 01.04.99 for slides)	33	KK 07 12 56	Ball with bolt M16 x 50 mm	60	KK 35 11 48	Contra nut (Before 01.06.99)
5	KK 01 16 83	Bushing	34	KK 07 70 32	Carden joint, inner (From 01.06.99)	61	KK 35 11 92	Contra nut (From 01.06.99)
6	KK 07 72 14	Plate	35	KK 07 58 81	Bushing for beam support (Before 01.04.98)	62	KK 08 11 65	Tube (Before 01.06.99)
7	KK 07 72 13	Spacer		KK 01 16 32	Bushing (From 01.04.98)	63	KK 08 11 73	Tube (From 01.06.99)
8	KK 02 99 20	Grease nipple	36	KK 07 16 64	Bushing for beam support	64	KK 35 11 63	Screw (Before 01.06.99)
9	KK 03 28 18	Hex screw M20 x 180 mm w/nut	37	KK 03 27 45	Hex screw M16 x 45 mm w/nut	65	KK 08 11 63	Screw L (From 01.06.99)
10	KK 07 72 16	Tube	38	KK 07 59 11	Beam support w/bushing and balls (for PL)	66	KK 01 03 18	Bolt
11	KK 07 72 10	Axle (Before 01.06.00)	39	KK 07 58 87	Cone for tube for M20 hex screw (Before 01.04.98)	67	KK 01 10 21	Pin
12	KK 07 71 95	Fixing for link, rear		KK 07 49 13	Cone for tube for M24 hex screw (From 01.04.98)	68	KK 12 60 95	Bolt (Before 01.06.99)
13	KK 07 71 65	Headstock w/bearings	40	KK 07 58 89	Tube for beam support	69	KK 07 72 82	Bolt (From 01.06.99)
14	KK 03 09 70	Hex screw M24 x 70 mm	41	KK 07 58 80	Bushing	70	KK 01 58 41	Nut M24
15	KK 07 25 26	Piece for locking	42	KK 07 58 72	Fixing for parallel rod	71	KK 07 70 85	Top link
	KK 07 71 08	Slide w/wedge shaped slot w/rear support	43	KK 06 16 37	Plate for beam support	72	KK 07 17 94	Bolt
16	KK 07 24 21	Slide w/wedge shaped cross	44	KK 07 58 69	Plate for fixing device	73	KK 07 60 23	Spring
17	KK 01 18 95	O-ring	45	KK 07 72 71	Plate, lower	74	KK 07 70 50	Spring holder
18	KK 01 05 66	Roller bearing	46	KK 07 72 70	Plate, upper	75	KK 07 70 55	Axle
19	KK 01 29 79	Washer	47	KK 07 72 69	Axle	76	KK 07 49 02	Beam support (for RL)
20	KK 01 18 90	O-ring	48	KK 07 26 17	Slide rail, inner 4 holes D20	77	KK 01 16 32	Bushing
21	KK 07 19 04	Gasket ring	49	KK 07 26 18	Slide rail, inner 6 holes D20	78	KK 07 49 12	Sleeve
22	KK 01 18 91	O-ring	50	KK 07 19 42	Slide rail, outer 10 holes D20	79	KK 03 28 20	Hex screw M20 x 200 w/nut
23	KK 01 16 98	Bushing	51	KK 03 28 85	Hex screw M20 x 85 mm w/nut	80	KK 02 99 22	Grease nipple w/90°
24	KK 01 18 96	O-ring (From 01.06.99)	52	KK 03 28 55	Hex screw M20 x 55mm	81	KK 01 12 77	Circlip (From 01.06.99)
25	KK 03 28 50	Hex screw M20 x 50 mm	53	KK 03 52 19	Hex screw M20 x 220 mm w/ flange lock nut (Before 01.04.98)	82	KK 03 24 40	Hex screw M8 x 40 mm w/nut (From 01.06.99)
26	KK 07 72 36	Screw for adjustment		KK 03 51 97	Hex screw M24 x 205 mm w/lock nut (From 01.04.98)	83	KK 07 38	O-ring holder (From 01.06.99)
	KK 03 27 25	Hex screw M16 x 27 mm (Before 01.06.00)		KK 03 27 52	Hex screw M16 x 50 mm		KK 07 35	Carden joint, outer (From 01.06.99)
27	KK 07 72 01	Fixing device w/bushings and nipple					KK 08 13 69	Plate for beam support (From 15.08.00)
28	KK 01 16 01	Bushing					KK 03 28 45	Hex screw M20 x 45 mm w/nut (From 15.08.00)
29	KK 07 71 18	Parallel rod, rear					KK 02 99 18	Grease nipple (From 01.06.00)
							KK 07 49 03	Beam support, rear (for RL) (Before 01.06.99)



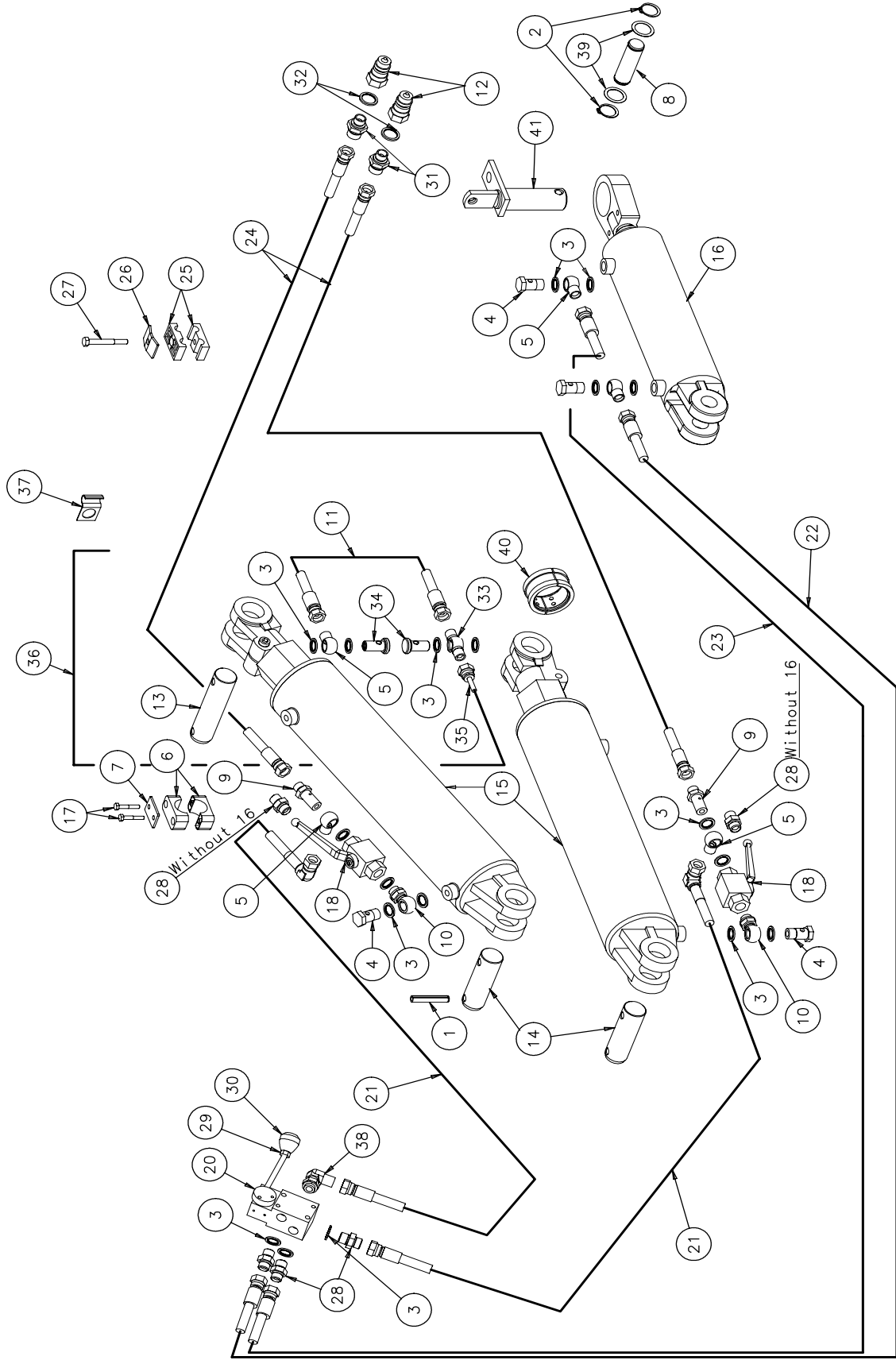
885 Rear frame for PL/RL



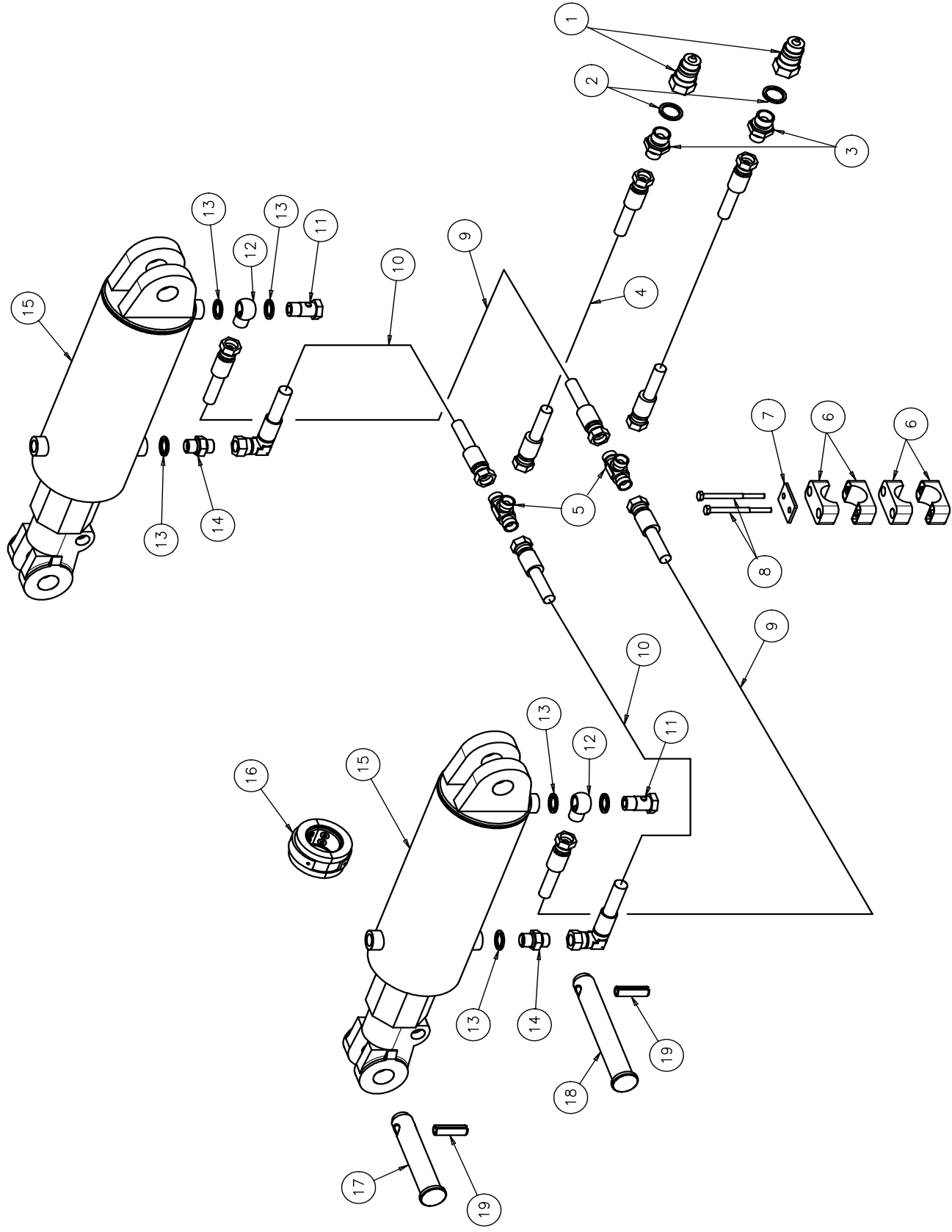
KK 07 47 63	Beam support, rear (for RL) (From 01.06.99)
KK 07 47 65	Beam support w/ bushing and balls, rear (for RL) (From 15.08.00)
84	KK 03 35 35 Hex screw M10 x 25 mm (From 01.06.00)
85	KK 01 58 13 Nut M10 (From 01.06.00)
86	KK 08 11 36 Cone special (From 01.06.00)
87	KK 01 30 05 Washer (From 01.06.00)
88	KK 08 11 37 Screw special M24 x 80 mm (From 01.06.00)
Not ill.	KK 07 72 56 Turnbuckle cpl. (pos. 59 - 61) (Before 01.06.99)
	KK 08 11 60 Turnbuckle cpl. (pos. 59 - 61) (From 01.06.99)
	KK 07 71 07 Carden joint cpl. (pos. 5, 6 and 9) (Before 01.06.99)
	KK 08 11 00 Carden joint cpl. (pos. 23, 34 and 79) (From 01.06.99)



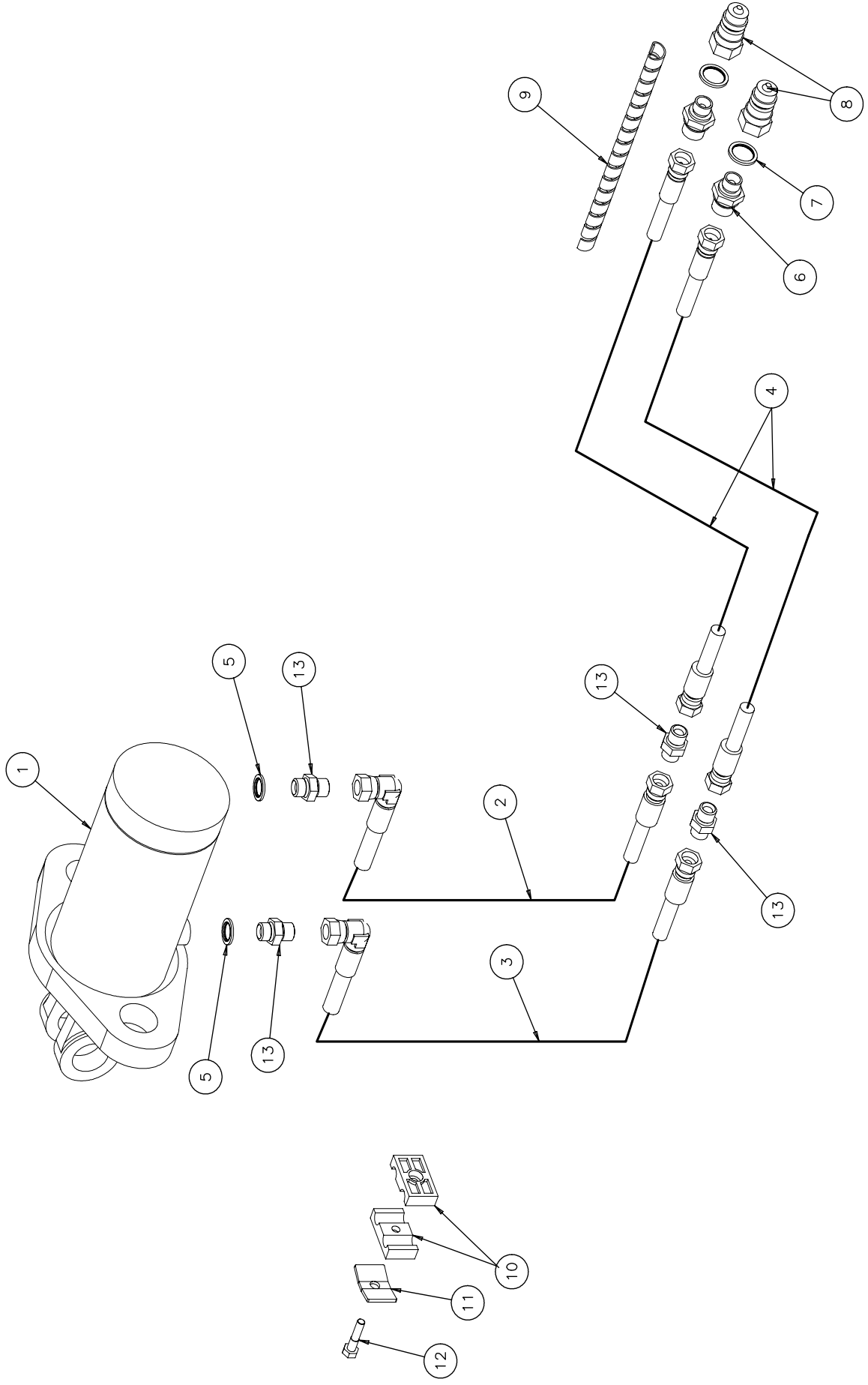
1	KK 07 71 06	Truck w/bearings
2	KK 07 16 50	Axle
3	KK 03 27 50	Hex screw M16 x 50 mm w/nut
4	KK 07 72 52	Mudguard R
5	KK 07 72 51	Mudguard L
6	KK 01 16 91	Bushing
7	KK 07 72 72	Axle
8	KK 02 99 20	Grease nipple
9	KK 07 72 75	Arm for wheel R (= KK 08 11 90 x 2) (Before 01.04.98)
10	KK 07 72 76	Arm for wheel L (= KK 08 11 90 x 2) (Before 01.04.98)
11	KK 07 72 83	Plate
12	KK 03 28 50	Hex screw M20 x 50 mm w/nut
13	KK 03 27 16	Hex screw M16 x 140 mm w/nut
14	KK 07 72 74	Plate
15	KK 03 27 05	Hex screw M16 x 120 mm w/nut
16	KK 08 11 93	Wheel suspension for PL, L = 1160 (From 01.06.99)
17	KK 08 11 98	Wheel suspension for RL, L = 1020 (From 01.06.99)
18	KK 19 54 15	U-bolt M20 x 100 x 80 mm (Before 01.06.99)
19	KK 07 72 50	Mudguard top
20	KK 03 51 79	Hex screw M20 x120 mm w/flange nut
21	KK 07 88 98	Axle
22	KK 07 71 72	Chain
23	KK 08 11 92	Arm for wheel R = L for PL (From 01.06.99)
24	KK 08 11 97	Arm for wheel R = L for RL (From 01.06.99)
25	KK 08 11 94	Clamp for PL/RL (From 01.06.99)
26	KK 07 71 50	Wheel suspension for PL (Before 01.06.99)
27	KK 08 12 70	Wheel suspension for RL (Before 01.06.99)
28	KK 08 11 90	Arm for wheel R = L for PL (From 01.04.98 - 01.06.99)
29	KK 07 72 91	Arm for wheel R = L for RL (From 01.04.98 - 01.06.99)
30	KK 03 29 08	Hex screw M24 x 150 mm w/nut



1	KK 01 10 59	Roll pin D10 x 60 mm				
2	KK 01 12 77	Circlip (Before 01.10.00)				Steering for valve
3	KK 01 15 85	Gasket ring				Threaded coupling 3/8" - 1/2"
4	KK 01 20 59	Banjo bolt 3/8" x 31 mm				Gasket ring 1/2"
	KK 01 20 84	Banjo bolt 3/8" x 31 mm w/2 mm choke (for PM/RM when using Packomat)				Banjo double
	KK 01 20 85	Banjo bolt 3/8" x 31 mm w/3 mm choke (for PL/RL when using Packomat)				Banjobolt w/filter
5	KK 01 20 62	Banjo 3/8" - 3/8"				Swivel 3/8" w/sleeve
6	KK 01 20 68	Clamp for hoses				Hose 1/4" L=1800 mm
7	KK 01 20 69	Plate for clamp				Clamp
8	KK 07 72 64	Bolt (Before 01.10.00)				Angle
9	KK 01 23 07	Banjo 3/8" x 31 mm w/extra outlet				Washer (Before 01.10.00)
10	KK 01 25 48	Banjo 3/8" w/adjustable end				Stop clip
11	KK 01 26 55	Hose 3/8", L= 350 mm				Axle w/lock plate and chain fastener (From 01.10.00, serial no. PL229, RL138, PM179 and RML131)
12	KK 01 21 14	Quick coupling				
13	KK 07 85 83	Axle				
14	KK 07 85 84	Axle				
15	KK 35 27 79	Cylinder D100 x 400 mm w/adjustable nut (for PL/RL) (Before 15.05.99) (see plate no. 1025)				
	KK 35 38 13	Cylinder D100 x 400 mm (for PL/RL) (From 15.05.99) (see plate no. 1084)				
	KK 35 38 34	Cylinder D100 x 400 mm (for PL/RL) (From 01.10.00, serial no. PL229 and RL138) (see plate no. 1145)				
16	KK 35 27 87	Cylinder D75 x 400 mm w/adjustable nut (for PM/RM) (see plate no. 1025)				
	KK 35 37 06	Cylinder D75 x 200 mm (optional equipment for PM/RM) (Before 01.10.00) (see plate no. 890)				
	KK 35 27 77	Support cylinder D80 x 240 mm (From 01.10.00, serial no. PL229, RL138, PM179 and RM131) (see plate no. 1104)				
17	KK 03 23 35	Hex screw M6 x 35 mm				
18	KK 01 27 23	Tap 3/8" w/handle				
20	KK 01 23 39	Valve (optional equipment for PM/RM)				
21	KK 01 15 41	Hose 3/8", L= 700 (optional equipment for PM/RM)				
22	KK 01 27 73	Hose 3/8", L= 1300 (optional equipment for PM/RM)				
23	KK 01 27 78	Hose 3/8", L= 1000 (optional equipment for PM/RM)				
24	KK 01 27 96	Hose 3/8", L= 5000				
25	KK 01 25 22	Clamp for hoses				
26	KK 01 23 24	Plate for clamp				
27	KK 03 24 65	Hex screw M8 x 65 mm				
28	KK 01 22 61	Threaded coupling				
29	KK 01 58 11	Nut M8				



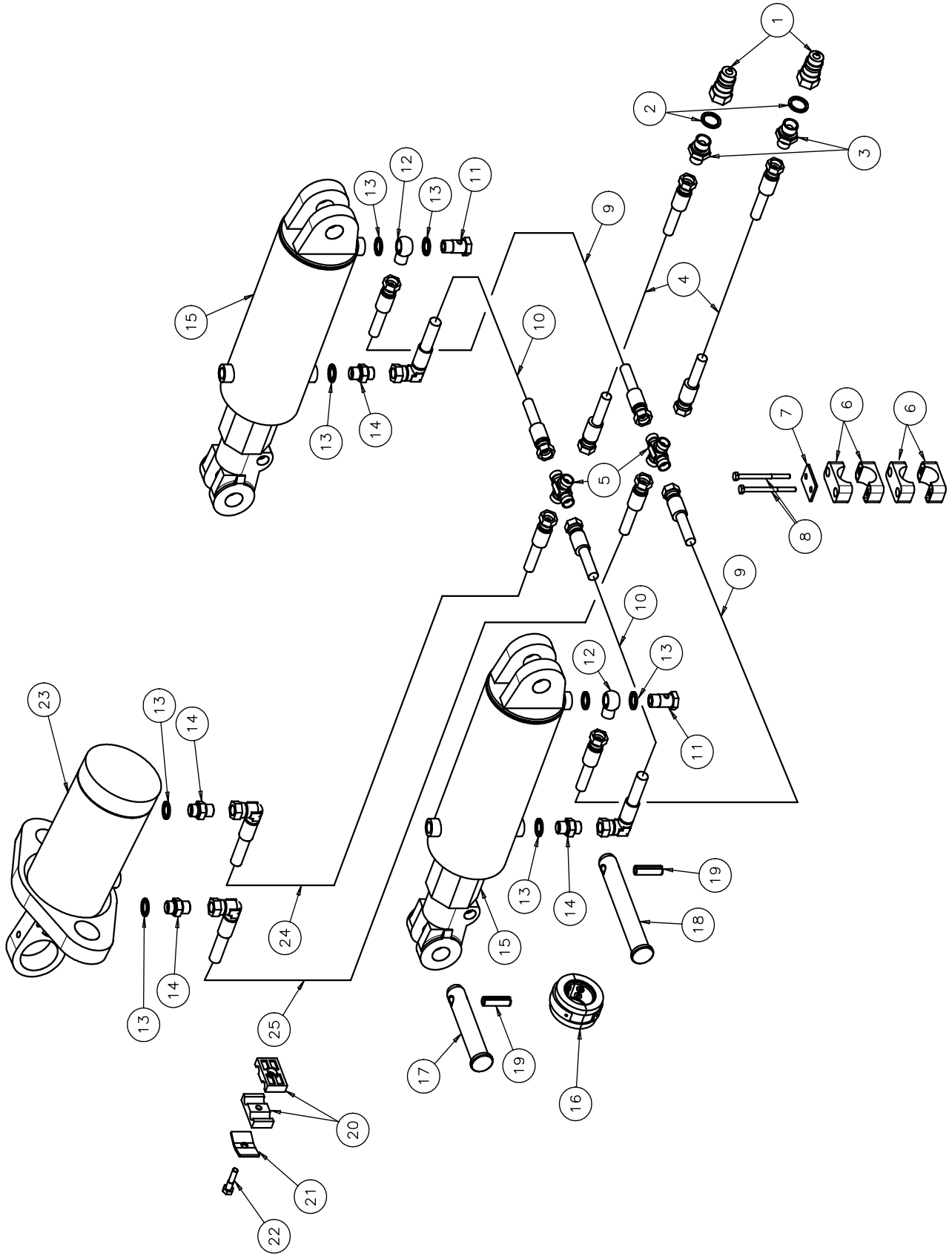
1	KK 01 21 14	Quick coupling 1/2", male
2	KK 01 15 65	Gasket ring 1/2"
3	KK 01 20 60	Threaded coupling 1/2 " - 3/8"
4	KK 01 27 79	Hose 3/8", L = 7000 mm
	KK 01 27 80	Hose 3/8", L = 8000 mm
	KK 01 27 81	Hose 3/8", L = 9000 mm
5	KK 01 21 20	T-coupling 3/8"
6	KK 01 20 68	Plastic clamp for hose
7	KK 01 20 69	Plate for clamp
8	KK 03 23 80	Hex screw M6 x 80 mm w/nut
9	KK 01 26 52	Hose 1/4", L = 400 mm
10	KK 01 26 70	Hose 1/4", L = 500 mm
11	KK 01 20 59	Banjo bolt 3/8"
12	KK 01 20 62	Banjo 3/8"
13	KK 01 15 85	Gasket ring
14	KK 01 22 61	Threaded coupling 3/8" - 3/8"
15	KK 35 33 70	Hydraulic cylinder D100 x 215 mm w/stop (see plate no. 1026) (Before 01.06.00)
	KK 35 38 37	Hydraulic cylinder D100 x 200 mm w/stop and bellow (see plate no. 1129) (From 01.06.00)
16	KK 35 22 38	Lock clips (Before 01.03.98)
	KK 35 22 47	Lock clips D40 x 35 mm (From 01.03.98)
17	KK 01 03 19	Bolt w/head, 25.3 x 120 mm
18	KK 01 03 37	Bolt w/head, 25.3 x 180 mm
19	KK 01 10 20	Roll pin D12 x 40 mm



1017 Hydraulic top link for PL/RL



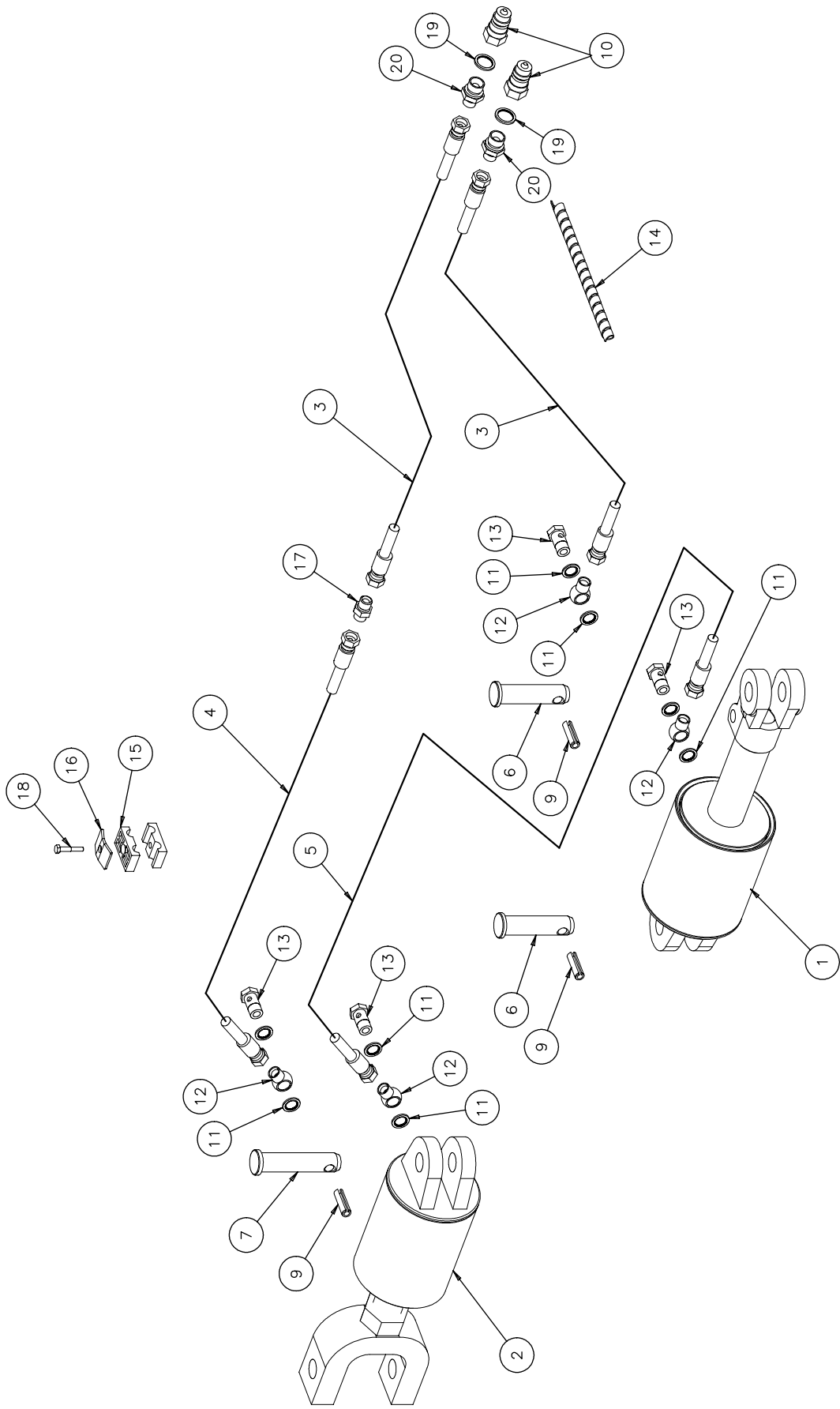
1	KK 35 27 82	Hinge ram D100 x 117 mm (see plate no. 1022)
2	KK 01 15 38	Hose 3/8" L = 1000 mm
3	KK 01 22 12	Hose 3/8" L = 900 mm
4	KK 01 27 81	Hose 3/8 " L = 9000 mm
5	KK 01 15 85	Gasket ring 3/8"
6	KK 01 20 60	Threaded coupling 3/8" - 1/2"
7	KK 01 15 65	Gasket ring 1/2"
8	KK 01 21 14	Quick coupling, male
9	KK 01 15 96	Hose wrapper
10	KK 01 25 22	Piece for clamp
11	KK 01 23 24	Cover for clamp
12	KK 03 24 35	Hex screw M8 x 35 mm for 2 hoses
	KK 03 24 70	Hex screw M8 x 70 mm for 4 hoses
13	KK 01 22 61	Threaded coupling 3/8" - 3/8"



1090 Hydraulic top link and wheels mounted together



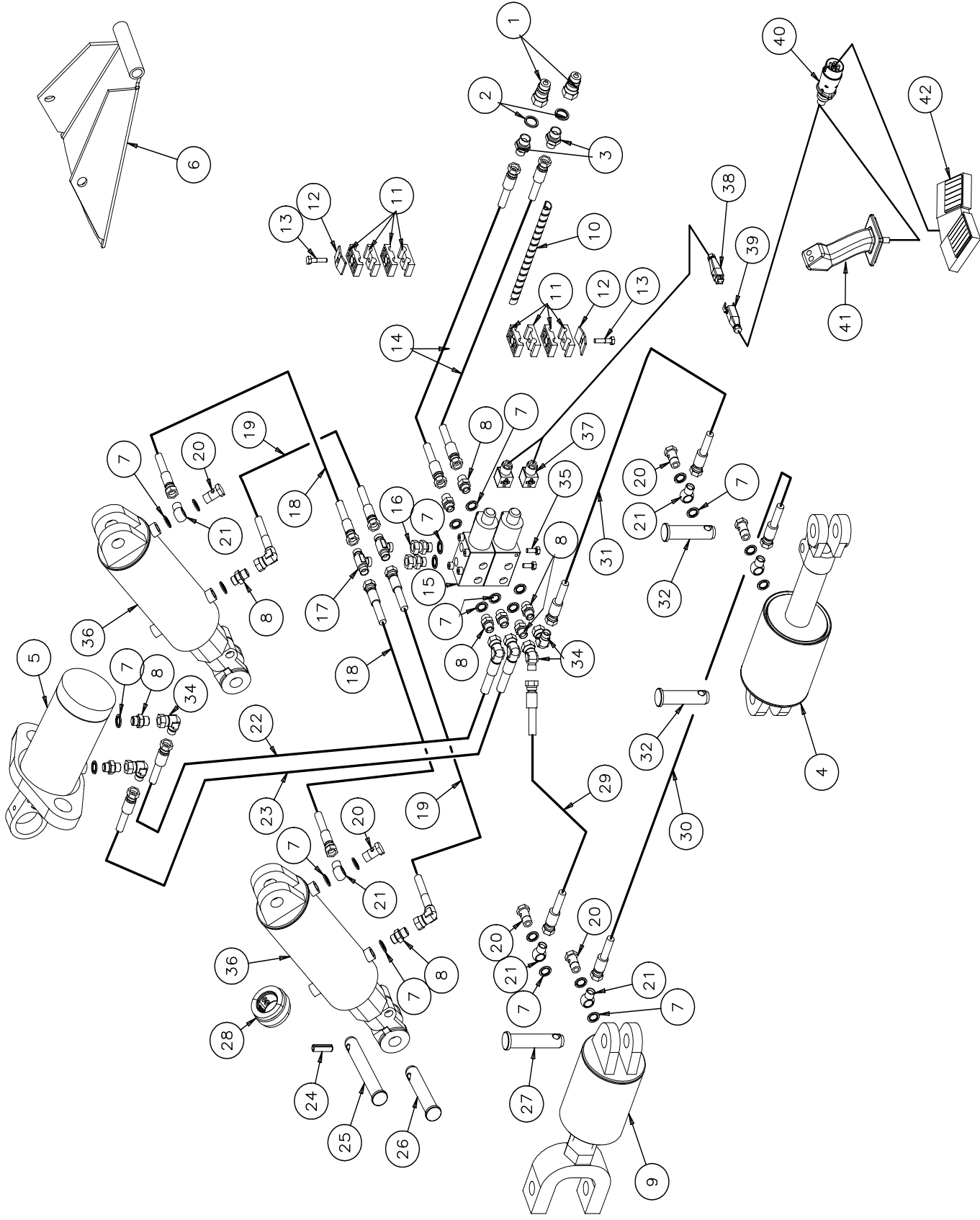
1	KK 01 21 14	Quick coupling 1/2", male
2	KK 01 15 65	Gasket ring 1/2"
3	KK 01 20 60	Threaded coupling 1/2 " - 3/8"
4	KK 01 27 79	Hose 3/8", L = 7000 mm
	KK 01 27 80	Hose 3/8", L = 8000 mm
	KK 01 27 81	Hose 3/8", L = 9000 mm
5	KK 01 21 23	Cross coupling 3/8"
6	KK 01 20 68	Plastic clamp for hose
7	KK 01 20 69	Plate for clamp
8	KK 03 23 80	Hex screw M6 x 80 mm w/nut
9	KK 01 26 52	Hose 1/4", L = 400 mm
10	KK 01 26 70	Hose 1/4", L = 500 mm
11	KK 01 20 59	Banjo bolt 3/8"
12	KK 01 20 62	Banjo 3/8"
13	KK 01 15 85	Gasket ring
14	KK 01 22 61	Threaded coupling 3/8" - 3/8"
15	KK 35 33 70	Hydraulic cylinder D100 x 215 mm w/stop (see plate no. 1026) (Before 01.06.00)
	KK 35 38 37	Hydraulic cylinder D100 x 200 mm w/stop and bellow (see plate no. 1129) (From 01.06.00)
16	KK 35 22 38	Lock clips (Before 01.03.98)
	KK 35 22 47	Lock clips D40 x 35 mm (From 01.03.98)
17	KK 01 03 19	Bolt w/head, 25.3 x 120 mm
18	KK 01 03 37	Bolt w/head, 25.3 x 180 mm
19	KK 01 10 20	Roll pin D12 x 40 mm
20	KK 01 25 22	Piece for clamp
21	KK 01 23 24	Cover for clamp
22	KK 03 24 35	Hex screw M8 x 35 mm for 2 hoses
	KK 03 24 70	Hex screw M8 x 70 mm for 4 hoses
23	KK 35 27 82	Hinge ram D100 x 117 mm (see plate no. 1022)
24	KK 01 15 38	Hose 3/8" L = 1000 mm
25	KK 01 22 12	Hose 3/8" L = 900 mm



1018 Hydraulic furrow adjustment for PL/RL

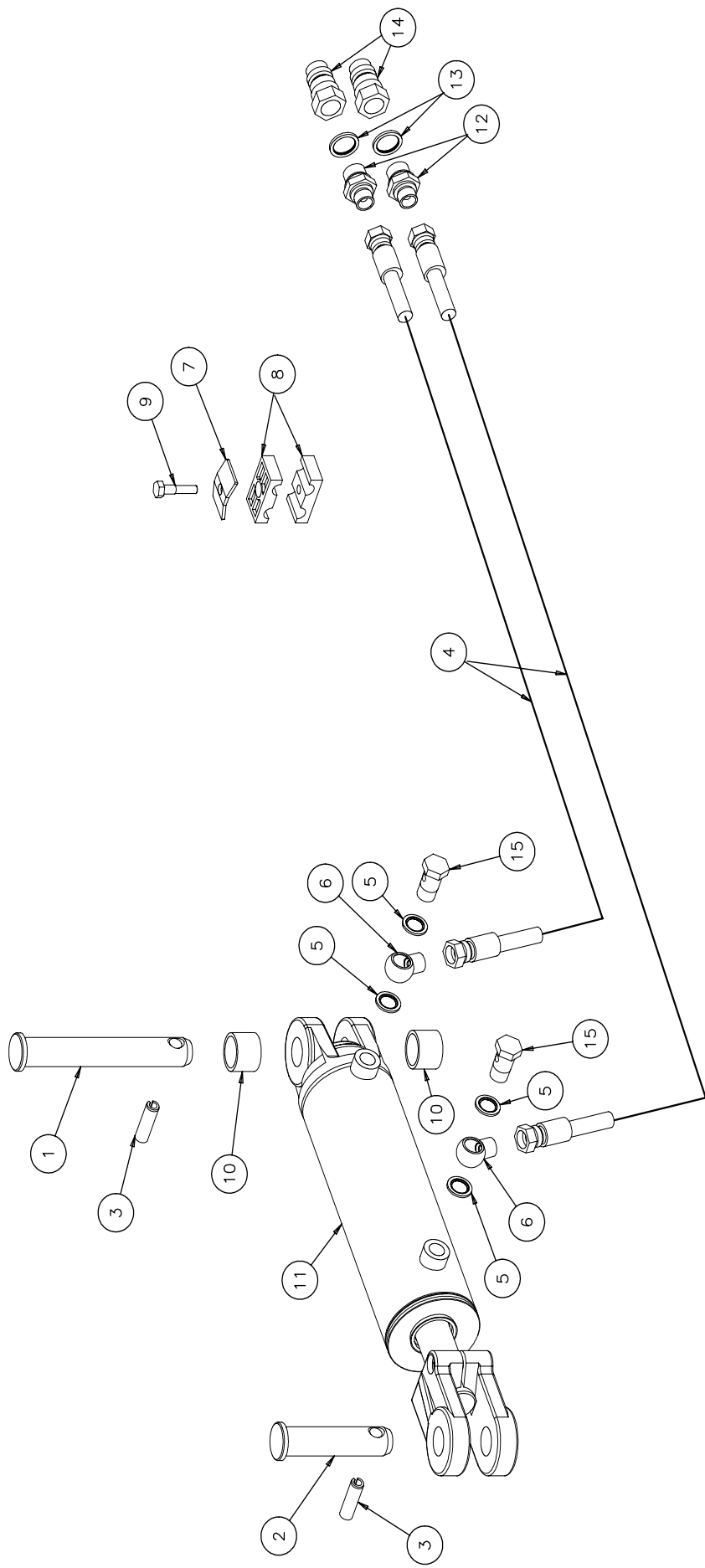


1	KK 35 35 35	Cylinder D125 x 73 mm (see plate no. 1024)
2	KK 35 35 36	Cylinder D115 x 73 mm (see plate no. 1023)
3	KK 01 27 81	Hose 3/8" L = 9000 mm
4	KK 01 23 63	Hose 3/8" L = 2000 mm
5	KK 01 26 59	Hose 3/8" L = 4200 mm
6	KK 01 03 32	Bolt w/head 25,3 x 85 mm
7	KK 01 03 18	Bolt w/head 25,3 x 100 mm
9	KK 01 10 20	Roll pin D 12 x 40 mm
10	KK 01 21 14	Quick coupling plug
11	KK 01 15 85	Gasket ring 3/8"
12	KK 01 20 62	Banjo 3/8"
13	KK 01 20 59	Banjo bolt 3/8" x 31
14	KK 01 15 96	Hose wrapper
15	KK 01 25 22	Piece for clamp
16	KK 01 23 24	Cover for clamp
17	KK 01 22 61	Threaded coupling 3/8" - 3/8"
18	KK 03 24 35	Hex screw M8 x 35 mm for 2 hoses
	KK 03 24 70	Hex screw M8 x 70 mm for 4 hoses
19	KK 01 15 65	Gasket ring 1/2"
20	KK 01 20 60	Threaded coupling 3/8" - 1/2"



1	KK 01 21 14	Quick coupling 1/2"	35	KK 03 34 20	Hex screw M8 x 20 mm
2	KK 01 15 65	Gasket ring 1/2"	36	KK 35 33 70	Hydraulic cylinder D100 x 215 mm w/stop (see plate no. 1026) (Before 01.06.00)
3	KK 01 20 60	Threaded coupling 3/8" - 1/2"		KK 35 38 37	Hydraulic cylinder D100 x 200 mm w/stop and bellow (see plate no. 1129) (From 01.06.00)
4	KK 35 35 35	Cylinder D125 x 67 mm (see plate no. 1024)	37	KK 01 25 05	Electric connector for magnetic plug
5	KK 35 27 82	Cylinder D100 x 117 mm (see plate no. 1022)	38	KK 01 25 54	Electric plug (female)
6	KK 07 72 26	Hose protector (Before 01.01.98)	39	KK 01 25 55	Electric plug (male)
7	KK 01 15 85	Gasket ring 3/8"	40	KK 01 25 17	Joystick w/2 impuls switches
8	KK 01 22 61	Threaded coupling 3/8" - 3/8"	41	KK 01 25 03	Connector
9	KK 35 35 36	Cylinder D115 x 67 mm (see plate no. 1023)	42	KK 01 35 71	Double pedal
10	KK 01 15 96	Hose wrapper			
11	KK 01 25 22	Clamp for hoses			
12	KK 01 23 24	Plate for clamp	Not ill.	KK 01 25 36	Joystick w/connections cpl.
13	KK 03 24 35	Hex screw M8 x 35 mm for 2 hoses		KK 01 25 33	Foot pedal w/connections cpl.
14	KK 03 24 65	Hex screw M8 x 65 mm for 4 hoses			
15	KK 01 27 79	Hose 3/8". L=7000 mm			
16	KK 01 27 80	Hose 3/8". L=8000 mm			
17	KK 01 27 81	Hose 3/8". L=9000 mm			
18	KK 01 25 43	Elecktro valve			
19	KK 01 23 19	Swivel 3/8"			
20	KK 01 21 20	T-coupling			
21	KK 01 26 70	Hose 1/4". L= 500 mm			
22	KK 01 26 52	Hose 1/4". L= 400 mm			
23	KK 01 20 59	Banjo bolt 3/8" x 31			
24	KK 01 20 62	Banjo coupling 3/8" - 3/8"			
25	KK 01 22 12	Hose 3/8". L=900 mm			
26	KK 01 15 38	Hose 3/8". L=1000 mm			
27	KK 01 10 20	Roll pin Ø12 x 40 mm			
28	KK 01 03 37	Bolt w/head 25,3 x 180 mm			
29	KK 01 03 19	Bolt w/head 25,3 x 120 mm			
30	KK 01 03 18	Bolt w/head 25,3 x 135 mm			
31	KK 35 22 38	Lock clips (Before 01.03.98)			
32	KK 35 22 47	Lock clips (From 01.03.98)			
33	KK 01 23 63	Hose 3/8". L= 2000 mm			
34	KK 01 26 59	Hose 3/8". L= 4200 mm			
35	KK 01 27 95	Hose 3/8". L= 2500 mm			
36	KK 01 03 32	Bolt w/head 25,3 x 85 mm			
37	KK 01 25 26	Angle, 45° 3/8" - 3/8"			
38	KK 01 20 56	Angle, 90° 3/8" - 3/8"			

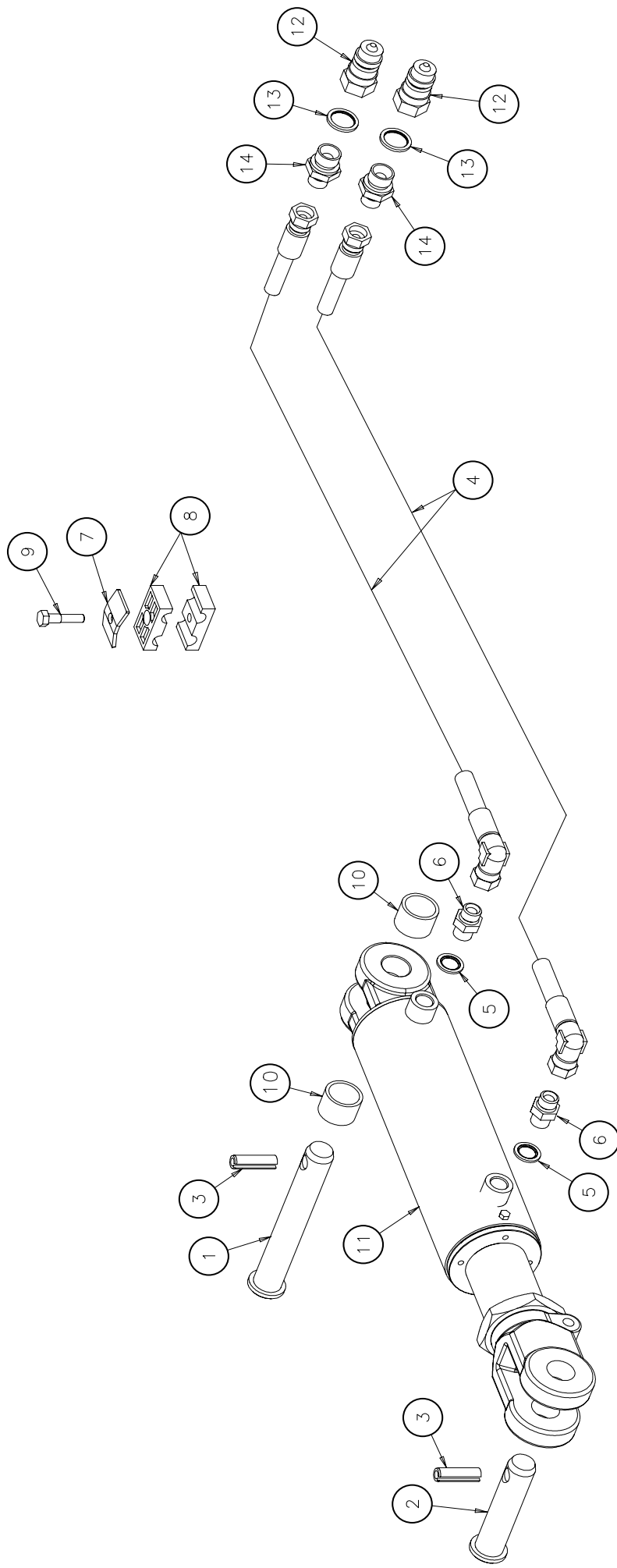
1019 Hydraulic front furrow width adjustment (Before 01.11.99)



1019 Hydraulic front furrow width adjustment (Before 01.11.99)



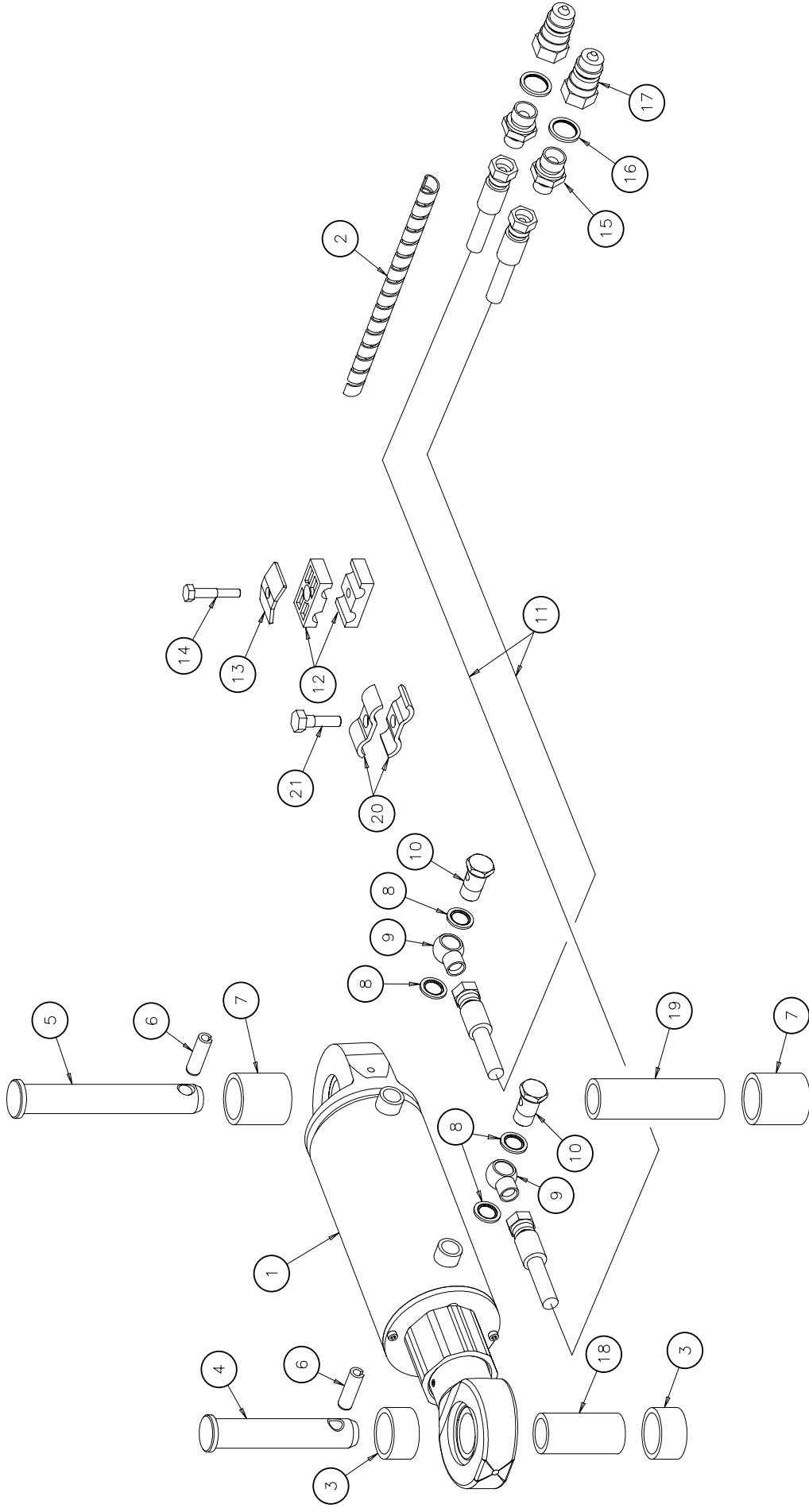
1	KK 01 03 29	Bolt 25.3 x 93 mm
2	KK 01 03 35	Bolt 25.3 x 155 mm
3	KK 01 10 20	Roll pin D12 x 40 mm
4	KK 01 15 23	Hose 3/8" x 4500 mm (Before 01.08.99)
	KK 01 15 12	Hose 3/8" x 4500 mm (From 01.08.99)
5	KK 01 15 85	Gasket ring 3/8"
6	KK 01 22 61	Threaded coupling 3/8" - 3/8" (Before 01.08.99)
	KK 01 20 62	Banjo coupling 3/8" - 3/8" (From 01.08.99)
7	KK 01 23 24	Plate
8	KK 01 25 22	Fix for hose
9	KK 03 24 35	Hex screw M8 x 35 mm
10	KK 12 41 57	Bushing
11	KK 35 37 04	Hydraulic cylinder D75 x 200 mm (Before 01.08.99) (see plate no. 890)
	KK 35 37 06	Hydraulic cylinder D75 x 200 mm w/90° twisted end cap (From 01.08.99) (see plate no. 890)
12	KK 01 21 14	Fast coupling plug
13	KK 01 15 65	Gasket ring
14	KK 01 20 60	Threaded coupling 3/8" - 1/2"
15	KK 01 20 59	Banjo bolt 3/8" x 31 (From 01.08.99)



1028 Hydraulic front furrow width adjustment (PL/RL from 01.1.1.99, PL/RL and PM/RM before 01.08.00)



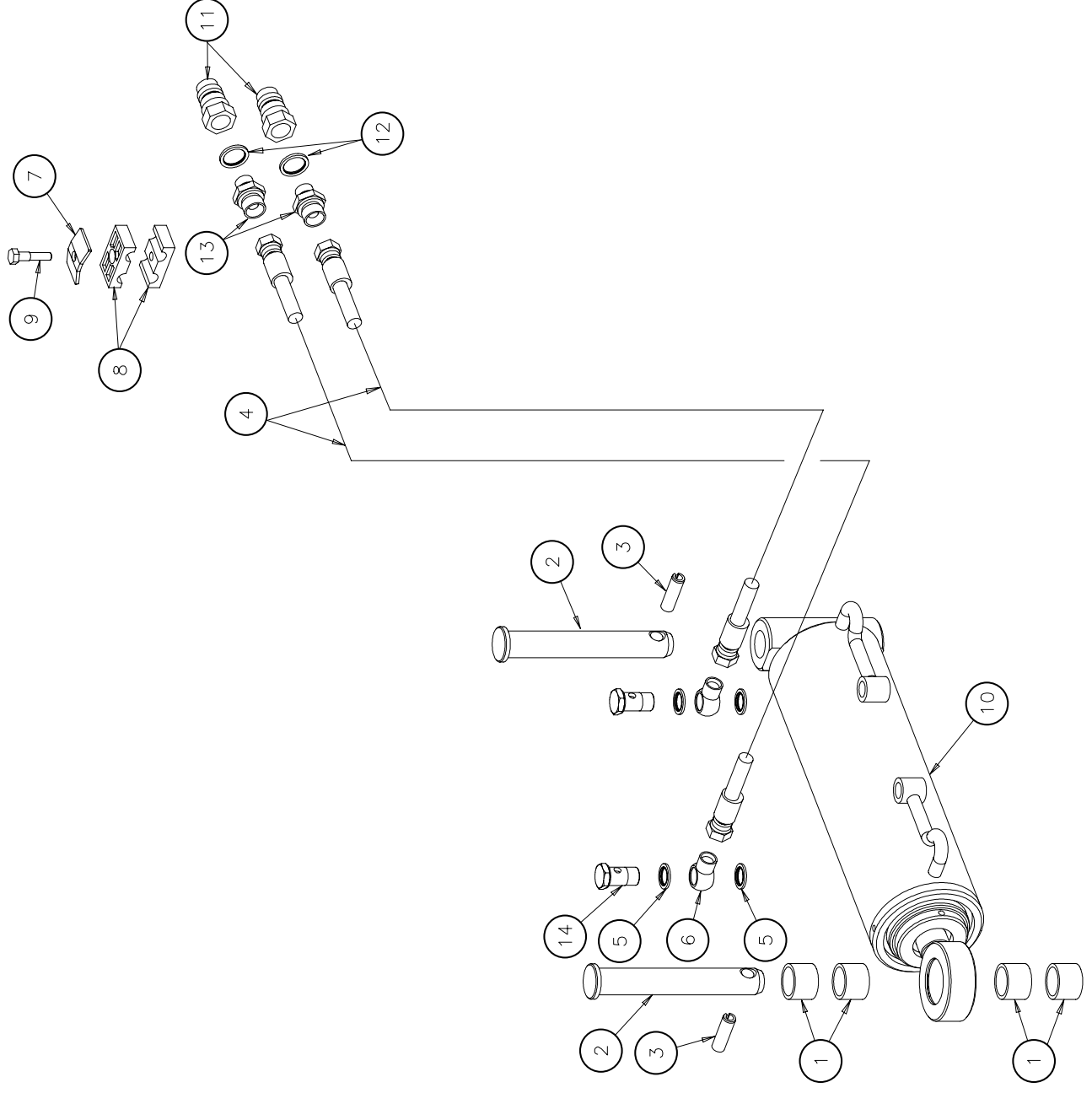
1	KK 01 03 35	Bolt 25.3 x 155 mm
2	KK 01 03 19	Bolt 25.3 x 120 mm
3	KK 01 10 20	Roll pin D12 x 40 mm
4	KK 01 15 23	Hose 3/8" x 4500 mm
5	KK 01 15 85	Gasket ring 3/8"
6	KK 01 22 61	Threaded coupling 3/8" - 3/8"
7	KK 01 23 24	Plate
8	KK 01 25 22	Fix for hose
9	KK 03 24 45	Hex screw M8 x 45 mm w/nut
10	KK 12 41 57	Bushing
11	KK 35 24 96	Hydraulic cylinder D75 x 130 mm (Before 01.09.99.) (see plate no. 445)
	KK 35 37 10	Hydraulic cylinder D75 x 130 mm w/stop cpl. (From 01.09.99) (Before 15.01.02) (see plate no. 1092)
	KK 35 39 05	Hydraulic cylinder D75 x 200 mm w/stop cpl. (From 15.01.02) (see plate no. 1195)
12	KK 01 21 14	Quick coupling
13	KK 01 15 65	Gasket ring
14	KK 01 20 60	Threaded coupling 3/8" - 1/2"



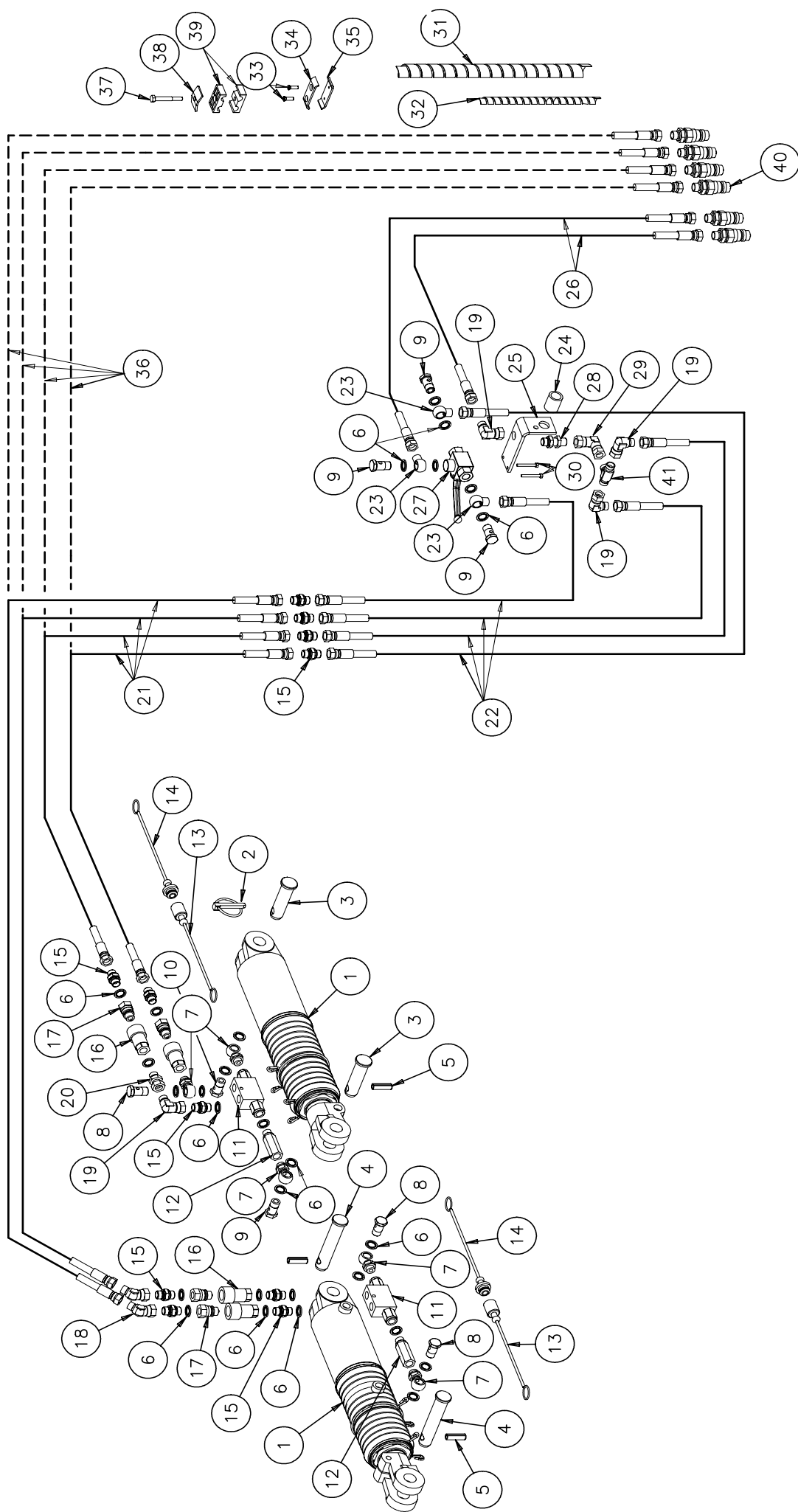
1199 Hydraulic layout for front furrow adjustment (PL/RL and PM/RM from 01.08.00)



1	KK 35 35 80	Hydraulic cylinder D90 x 150 mm cpl. (see plate no. 1063)
2	KK 01 15 96	Hose band
3	KK 07 70 29	Bushing D44,5 x d35,5 x 24 mm (for PL/RL)
	KK 07 70 27	Bushing D44,5 x d35,5 x 46 mm (for PM/RM)
4	KK 01 03 19	Bolt w/head D25.3 x 120 mm (for PL/RL)
	KK 01 03 35	Bolt w/head D25.3 x 155 mm (for PM/RM)
5	KK 01 03 35	Bolt w/head D25.3 x 155 mm
6	KK 01 10 20	Roll pin D12 x 40 mm
7	KK 07 70 27	Bushing D44,5 x d35,5 x 46 mm
8	KK 01 15 85	Gasket ring 3/8"
9	KK 01 20 62	Banjo 3/8", H = 17
10	KK 01 20 59	Banjo bolt 3/8" x 31
11	KK 01 15 12	Hose 3/8", L = 4500 mm
12	KK 01 25 22	Fix for hose
13	KK 01 23 24	Plate
14	KK 03 24 45	Hex screw M8 x 45 mm w/nut
15	KK 01 20 60	Threaded coupling 3/8" - 1/2"
16	KK 01 15 65	Gasket ring 1/2"
17	KK 01 21 14	Quick coupling
18	KK 07 70 28	Bushing D35 x d26 x 73 mm (for PL/RL)
	KK 07 70 26	Bushing D35 x d26 x 118 mm (for PM/RM)
19	KK 07 70 26	Bushing D35 x d26 x 118 mm
20	KK 06 19 42	Fix for hose
21	KK 03 35 35	Hex screw M10 x 35 mm w/nut



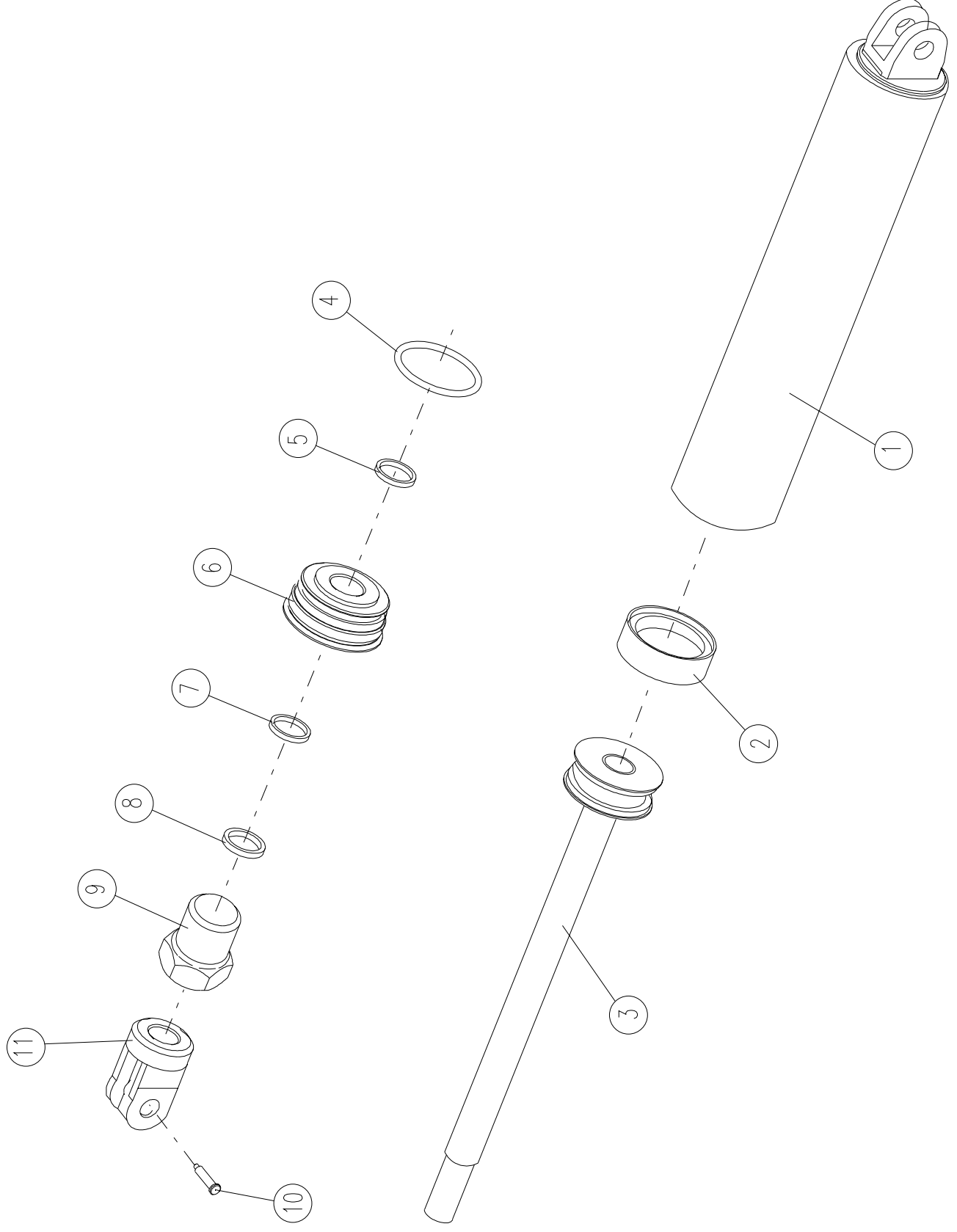
1	KK 12 41 57	Bushing (From 01.08.00)
2	KK 01 03 35	Bolt 25.3 x 155 mm
3	KK 01 10 20	Roll pin D12 x 40 mm
4	KK 01 15 23	Hose 3/8" x 4500 mm
5	KK 01 15 85	Gasket ring 3/8"
6	KK 01 20 62	Banjo coupling 3/8" - 3/8"
7	KK 01 23 24	Plate
8	KK 01 25 22	Fix for hose
9	KK 03 24 45	Hex screw M8 x 45 mm w/nut
10	KK 35 35 34	Telescopic cylinder D95 x 445 mm (see plate no. 1027) (Before 01.08.00)
11	KK 35 36 34	Telescopic cylinder D95 x 457 mm (see plate no. 1169) (From 01.08.00)
12	KK 01 21 14	Fast coupling plug
13	KK 01 15 65	Gasket ring
14	KK 01 20 60	Threaded coupling 3/8" - 1/2"
14	KK 01 20 59	Banjo bolt 3/8" x 31



1170 Hydraulic layout for S-arm, PM/RM and PL/RL



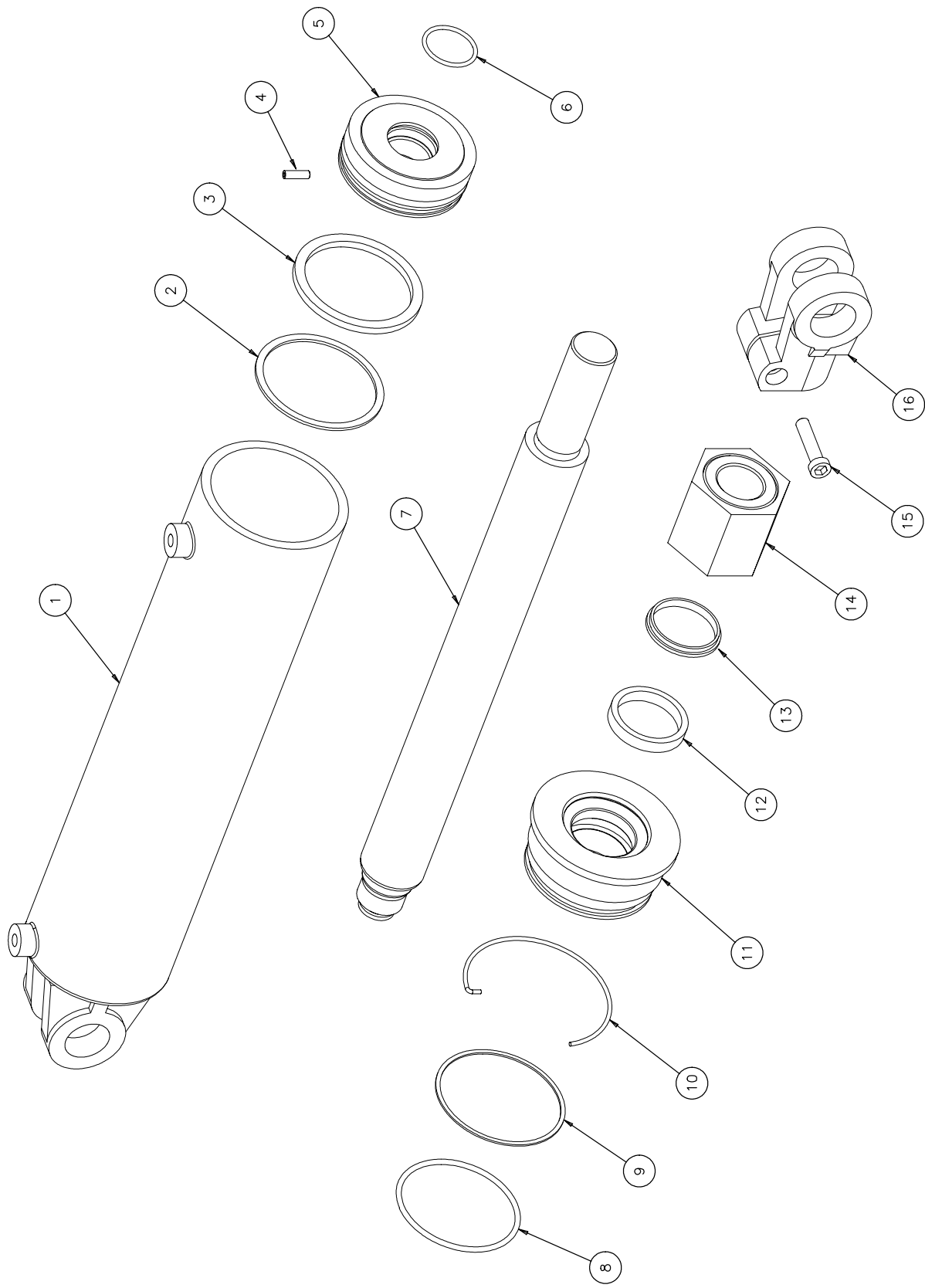
1	KK 35 38 04	Hydraulic cylinder D80 x 200 mm w/stop and bellow cpl. (see plate no. 1062)							
2	KK 01 07 00	Ring pin D12							Hex screw M8 x 60 mm w/nut
3	KK 01 03 28	Bolt w/head D25.3 x 78 mm							Hex screw M8 x 75 mm w/nut
4	KK 01 03 19	Bolt w/head D25.3 x 120 mm							Hex screw M8 x 80 mm w/nut
5	KK 01 10 20	Pin D12 x 40 mm					38		Plate
6	KK 01 15 85	Gasket ring 3/8"					39		Plastic part
7	KK 01 25 48	Banjo 3/8" w/adjustable end					40		Quick coupling 1/2" - 3/8"
8	KK 01 20 59	Banjo bolt 3/8" x 31					41		T-coupling 3/8"
9	KK 01 20 82	Banjo bolt 3/8" x 31 w/1.4 choke					Not ill.		Strip, green
10	KK 01 20 83	Banjo bolt 3/8" x 31 w/1.7 choke							Strip, blue
11	KK 01 25 08	Lock valve 3/8", double							Strip, red
12	KK 01 25 77	Threaded piece 3/8" - 3/8"							Strip, yellow
13	KK 01 35 89	Dust cap, blue							
14	KK 01 35 90	Dust plug, blue							
15	KK 01 22 61	Threaded coupling 3/8" - 3/8"							
16	KK 01 27 06	Quick coupling 3/8", female							
17	KK 01 27 05	Quick coupling 3/8", male							
18	KK 01 25 26	Threaded coupling 3/8" - 3/8", 45° angle							
19	KK 01 20 56	Angle 3/8"							
20	KK 01 23 19	Swivel 3/8" - 3/8"							
21	KK 01 27 93	Hose 1/4", L = 4500 mm (only when using manual valve)							
22	KK 01 23 74	Hose 1/4", L = 750 mm (only when using manual valve, OL-version)							
23	KK 01 20 62	Banjo 3/8", H = 17 (only when using manual valve)							
24	KK 06 15 15	Bushing (only when using manual valve)							
25	KK 08 20 88	Bracket angle (only when using manual valve)							
26	KK 01 27 84	Hose 1/4", L = 2000 mm (only when using manual valve)							
27	KK 01 25 31	Ball valve 3/8" (only when using manual valve)							
28	KK 01 27 07	Bulkhead pipe 3/8" (only when using manual valve)							
29	KK 01 21 24	Angle 3/8" swivel - 3/8" swivel (only when using manual valve)							
30	KK 03 33 08	Hex screw M5 x 45 mm w/nut (only when using manual valve)							
31	KK 01 35 01	Hose band D32 x 400 mm							
32	KK 01 15 96	Hose band D12.5 x 250 mm							
33	KK 03 33 21	Countersunk screw M6 x 20 mm w/nut							
34	KK 01 35 44	Clamp 1/4", D7 mm							
35	KK 01 35 45	Clamp 1/4", D6 mm							
36	KK 01 26 62	Hose 1/4", L = 6500 mm (only when hoses go directly to tractor)							
37	KK 01 26 54	Hose 1/4", L = 7500 mm (only when hoses go directly to tractor, OL-version)							
37	KK 03 24 45	Hex screw M8 x 45 mm w/nut							



**1025 Hydraulic cylinder D75 x 400 and D100 x 400 mm w/stop
(D100 x 400 before 15.05.99)**



1	KK 35 36 16	Cylinder tube (for D75 mm)
	KK 35 27 97	Cylinder tube (for D100 mm)
2	KK 01 30 53	Piston packing (for D75 mm)
	KK 01 19 08	Piston packing (for D100 mm)
3	KK 35 36 17	Piston rod w/piston (for D75 mm)
	KK 35 27 86	Piston rod w/piston (for D100 mm)
4	KK 01 30 52	O-ring (for D75 mm)
	KK 01 18 06	O-ring (for D100 mm)
5	KK 01 20 32	Packing for rod
6	KK 35 36 18	End cap w/packings (for D75 mm)
	KK 35 34 58	End cap w/packings (for D100 mm)
7	KK 01 20 39	Scraper
8	KK 01 17 83	O-ring
9	KK 35 27 96	Stop
10	KK 03 20 40	Screw M10 x 40 mm
11	KK 35 33 98	Clevis
Not ill.	KK 01 30 51	Packings cpl. (for D75 mm)
	KK 01 20 15	Packings cpl. (for D100 mm)
	KK 35 27 87	Cylinder D75 x 400 mm w/stop cpl.
	KK 35 27 79	Cylinder D100 x 400 mm w/stop cpl. (Before 15.05.99)

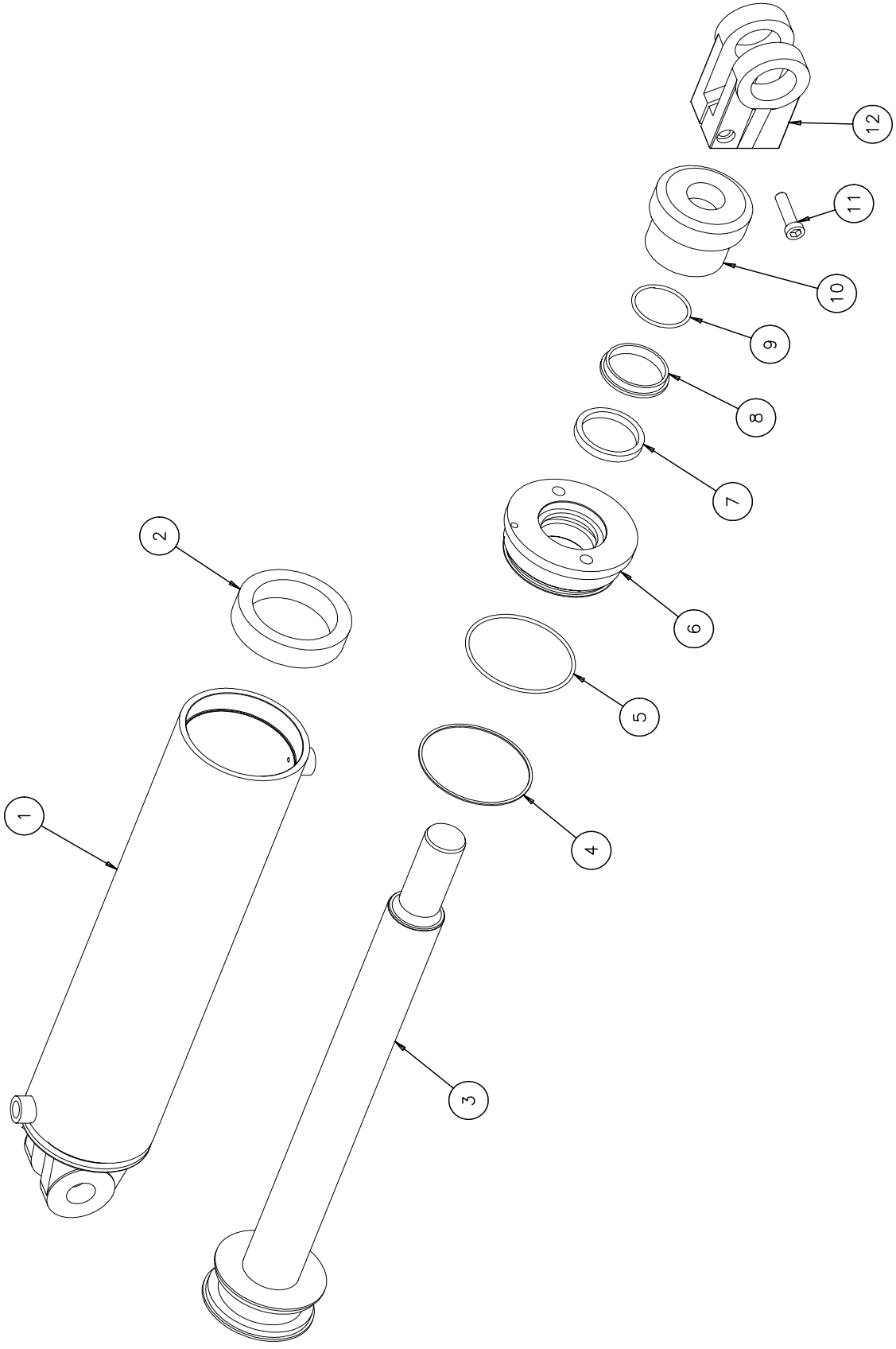


1084 Hydraulic cylinder D100 x 400 mm w/stop (From 15.05.99)



1	KK 35 37 98	Cylinder tube
2	KK 01 65 31	Sliding ring
3	KK 01 65 32	Packing
4	KK 03 20 06	Screw M6 x 20 mm
5	KK 35 37 83	Piston
6	KK 01 65 10	O-ring D40
7	KK 35 37 99	Piston rod
8	KK 01 17 19	O-ring D93
9	KK 01 17 24	Support
10	KK 35 37 95	Lock ring
11	KK 35 37 39	Rod cap
12	KK 01 17 25	Seal for piston rod
13	KK 01 17 27	Scraper
14	KK 35 37 85	Stopping nut
15	KK 03 20 16	Screw M10 x 45 mm
16	KK 35 37 73	Clevis

Not ill. KK 01 36 05 Packings cpl.
 KK 35 38 13 Hydraulic cylinder D100 x 400 mm w/stop cpl.

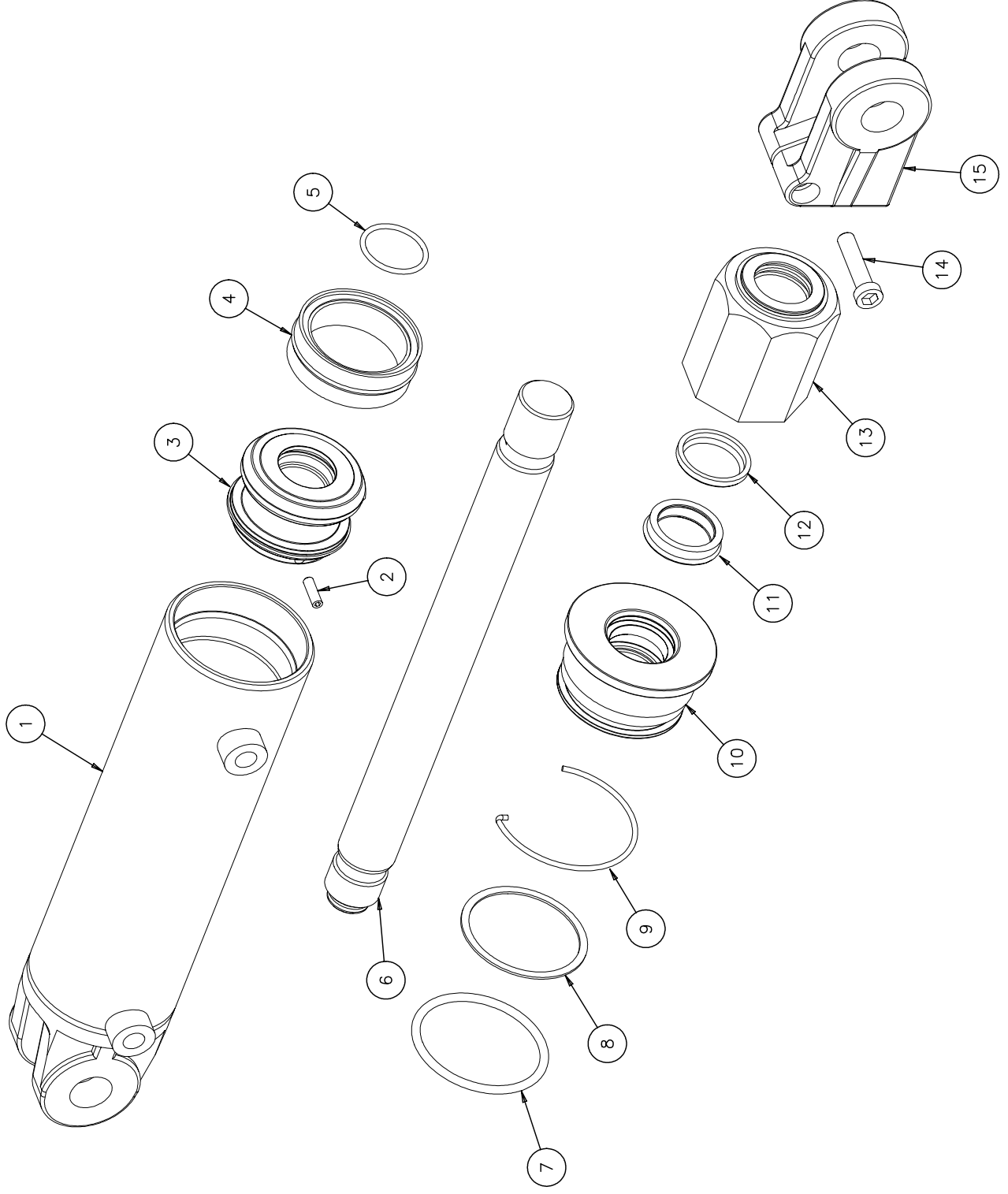


1145 Hydraulic cylinder D100 x 400 mm w/stop (From 01.10.00)



1	KK 35 38 53	Cylinder tube
2	KK 01 19 08	Piston packing
3	KK 35 27 86	Piston rod
4	KK 01 18 88	Support ring
5	KK 01 18 12	O-ring D94
6	KK 35 38 52	Rod cap
7	KK 01 20 32	Piston rod packing
8	KK 01 20 39	Scraper
9	KK 01 17 83	O-ring D49,5
10	KK 35 27 96	Stop D100
11	KK 03 20 40	Cylinder screw M10 x 40 mm
12	KK 35 33 98	Clevis

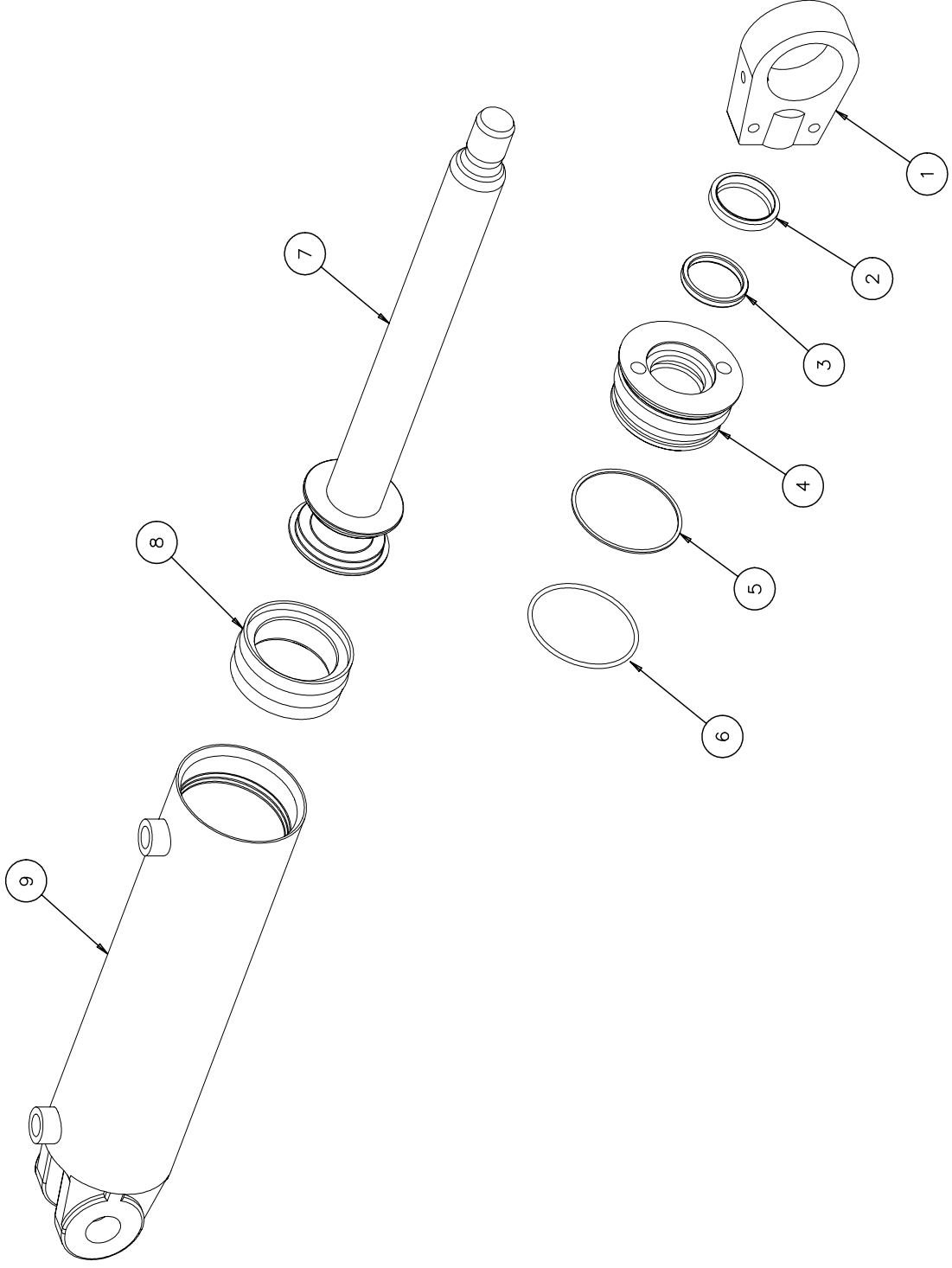
Not ill. KK 01 30 72 Packing set cpl.
 KK 35 38 34 Hydraulic cylinder D100 x 400 mm cpl.



**890 Hydraulic cylinder D75 x 200 mm (353704 - 353707)
(From 01.08.96) (Before 01.04.01)**



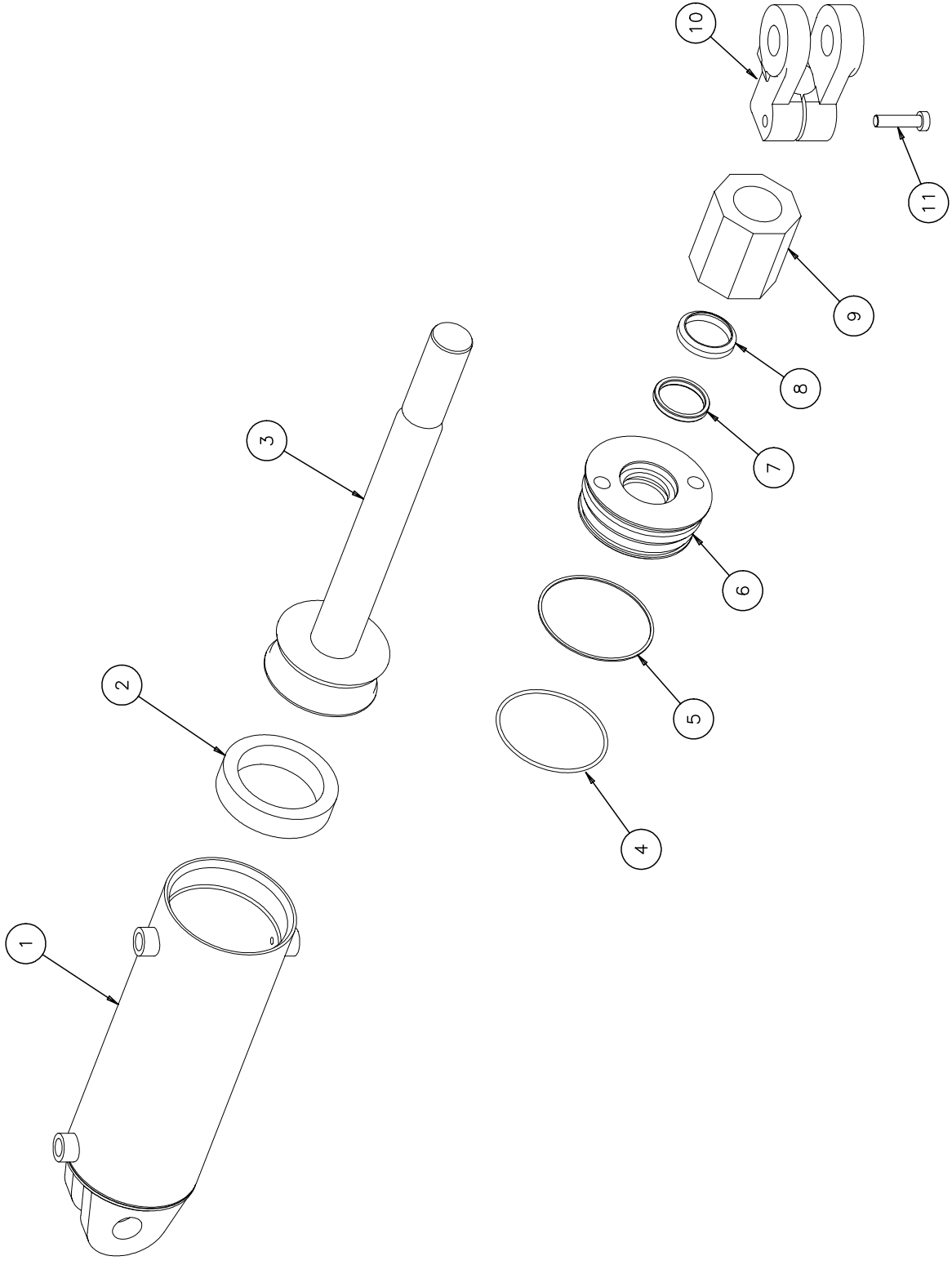
1	KK 35 37 32	Cylinder tube for art.no 353704 (cylinder D75 x 200 mm without stop) and 353705 (cylinder D75 x 200 mm w/stop)
	KK 35 37 35	Cylinder tube for art.no 353706 (cylinder D75 x 200 mm w/90° twisted end cap)
	KK 35 37 36	Cylinder tube for art.no 353707 (cylinder D75 x 400 mm w/90° twisted end cap)
2	KK 03 20 06	Screw w/inner hex M6 x 20 mm
3	KK 35 37 27	Piston
4	KK 01 17 36	Piston packing
5	KK 01 17 37	O-ring
6	KK 35 37 44	Piston rod for art.no 353705 (cylinder D75 x 200 mm w/stop)
	KK 35 37 43	Piston rod for art.no 353704 and 353706 (cylinders D75 x 200 mm without stop)
	KK 35 37 46	Piston rod for art.no 353707 (cylinder D75 x 400 mm w/twisted end cap)
7	KK 01 17 38	O-ring
8	KK 01 17 43	Ring
9	KK 01 17 46	Ring (Before 15.03.99)
	KK 35 37 93	Lock spring (From 15.03.99)
10	KK 35 37 26	Packing seal
11	KK 01 17 44	Piston rod packing
12	KK 01 17 45	Scraper
13	KK 35 37 45	Stop for art.no 353705 (cylinder D75 x 200 mm w/stop)
14	KK 03 20 16	Screw w/inner hex M10 x 45 mm
15	KK 35 37 28	Clevis
Not ill.	KK 35 37 29	Packings cpl.
	KK 35 37 04	Cylinder D75 x 200 mm without stop, cpl.
	KK 35 37 05	Cylinder D75 x 200 mm w/stop, cpl.
	KK 35 37 06	Cylinder D75 x 200 mm w/90° twisted end cap, cpl.
	KK 35 37 07	Cylinder D75 x 400 mm w/90° twisted end cap, cpl.



1104 Support cylinder D80 x 240 mm



1	KK 35 21 53	Clevis
2	KK 01 19 12	Scraper seal
3	KK 01 19 51	Packing
4	KK 35 33 56	Rod cap w/packings
5	KK 01 18 76	Retaining ring
6	KK 01 18 24	O-ring
7	KK 35 27 84	Piston rod w/piston
8	KK 01 19 18	Packing
9	KK 35 27 85	Cylinder tube
Not ill.	KK 01 20 26	Packings set D80 mm cpl.
	KK 35 27 77	Support cylinder D80 x 240 mm cpl.

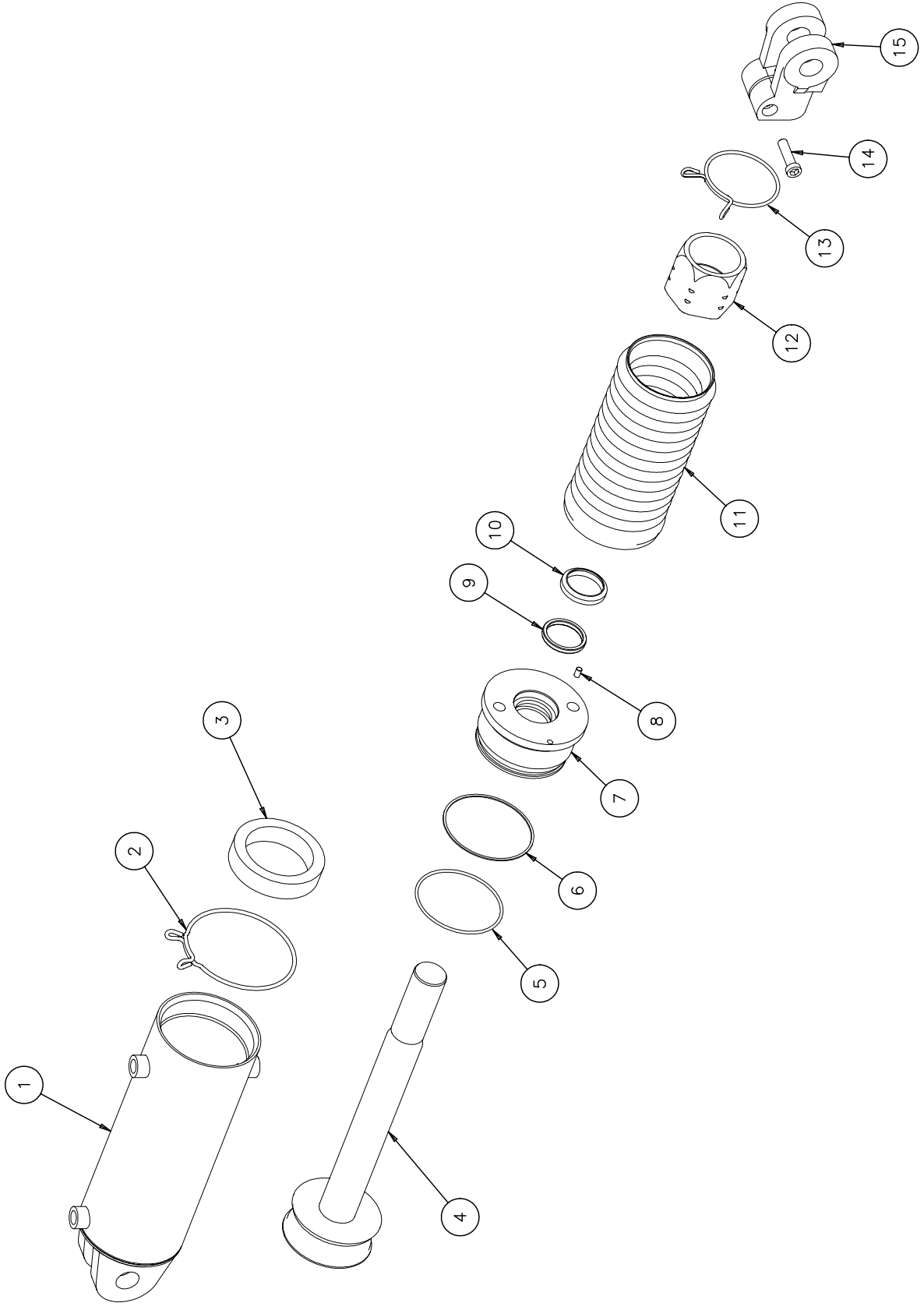


1026 Hydraulic cylinder D100 x 215 mm w/stop (Before 01.06.00)



1	KK 35 33 71	Cylinder tube
2	KK 01 19 08	Piston packing
3	KK 35 33 72	Piston rod w/piston
4	KK 01 18 06	O-ring
5	KK 01 18 88	Support ring
6	KK 35 33 73	End cap
7	KK 01 19 51	Piston rod packing
8	KK 01 19 12	Scraper
9	KK 35 22 99	Stop
10	KK 35 33 92	Clevis
11	KK 03 20 40	Screw M10 x 40 mm

Not ill. KK 01 20 27 Packing set cpl.
 KK 35 33 70 Hydraulic cylinder w/stop D100 x 215 mm cpl.

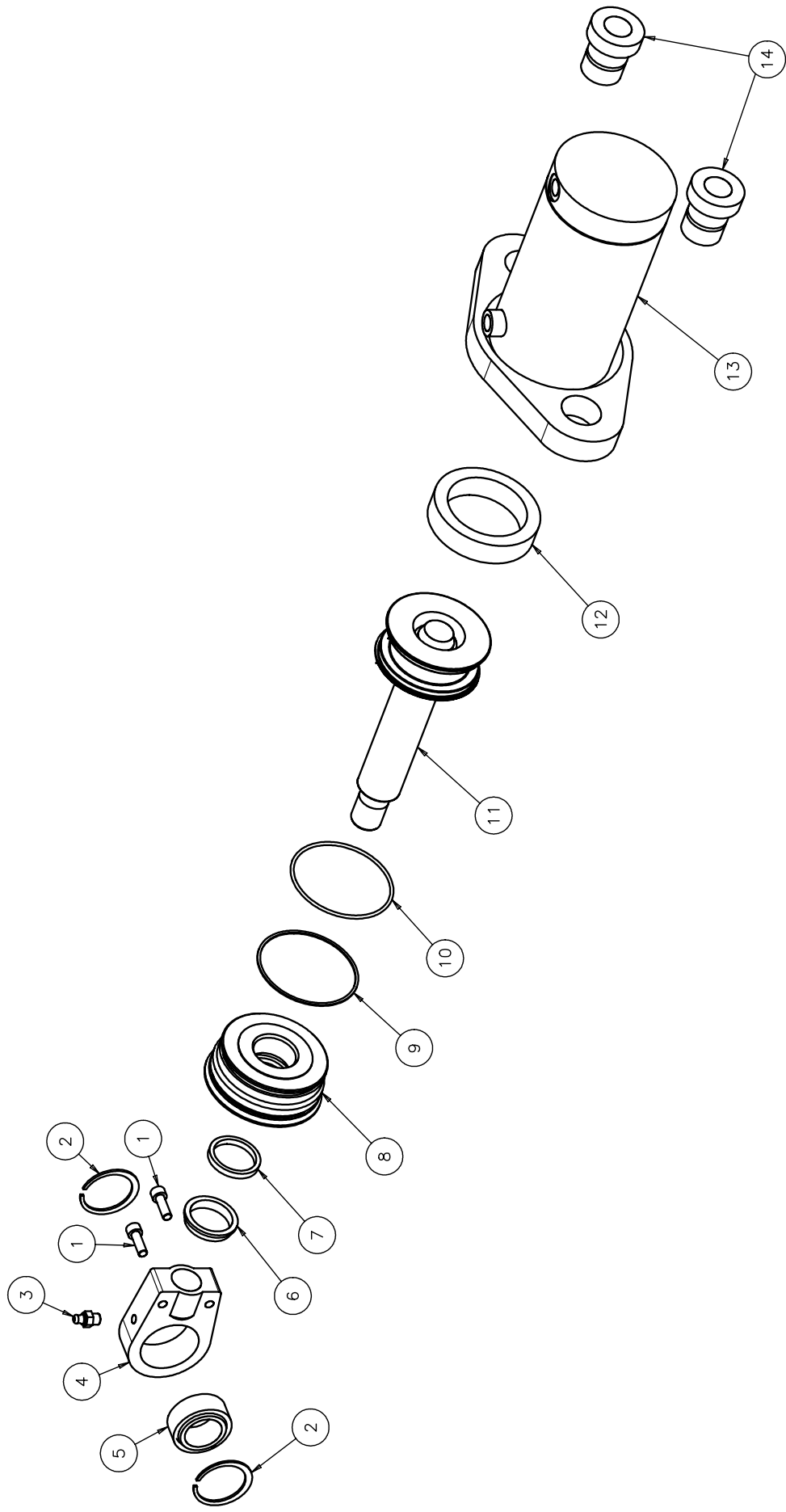


**1129 Hydraulic cylinder D100 x 200 mm w/stop and bellow
(From 01.06.00 w/garmax from 01.08.00)**



1	KK 35 38 51	Cylinder tube
2	KK 01 35 97	Thread clamp D110
3	KK 01 19 08	Piston packing set
4	KK 35 33 72	Piston rod
5	KK 01 18 06	O-ring
6	KK 01 18 88	Support ring
7	KK 35 38 50	End cap
8	KK 03 20 02	Screw M6 x 10 mm
9	KK 01 19 51	Piston rod packing
10	KK 01 19 12	Scraper
11	KK 01 35 95	Bellow
12	KK 35 36 27	Stop
13	KK 01 35 96	Thread clamp D80
14	KK 03 20 40	Screw M10 x 40 mm
15	KK 35 33 92	Clevis (for PB/RB plough)
	KK 35 27 72	Clevis w/garmax (for PX/RX plough)

Not ill. KK 01 30 73 Packing set cpl.
 KK 35 38 37 Hydraulic cylinder D100 x 200 mm w/stop and bellow cpl.
 KK 35 38 38 Hydraulic cylinder D100 x 200 mm w/garmax, stop and bellow cpl.

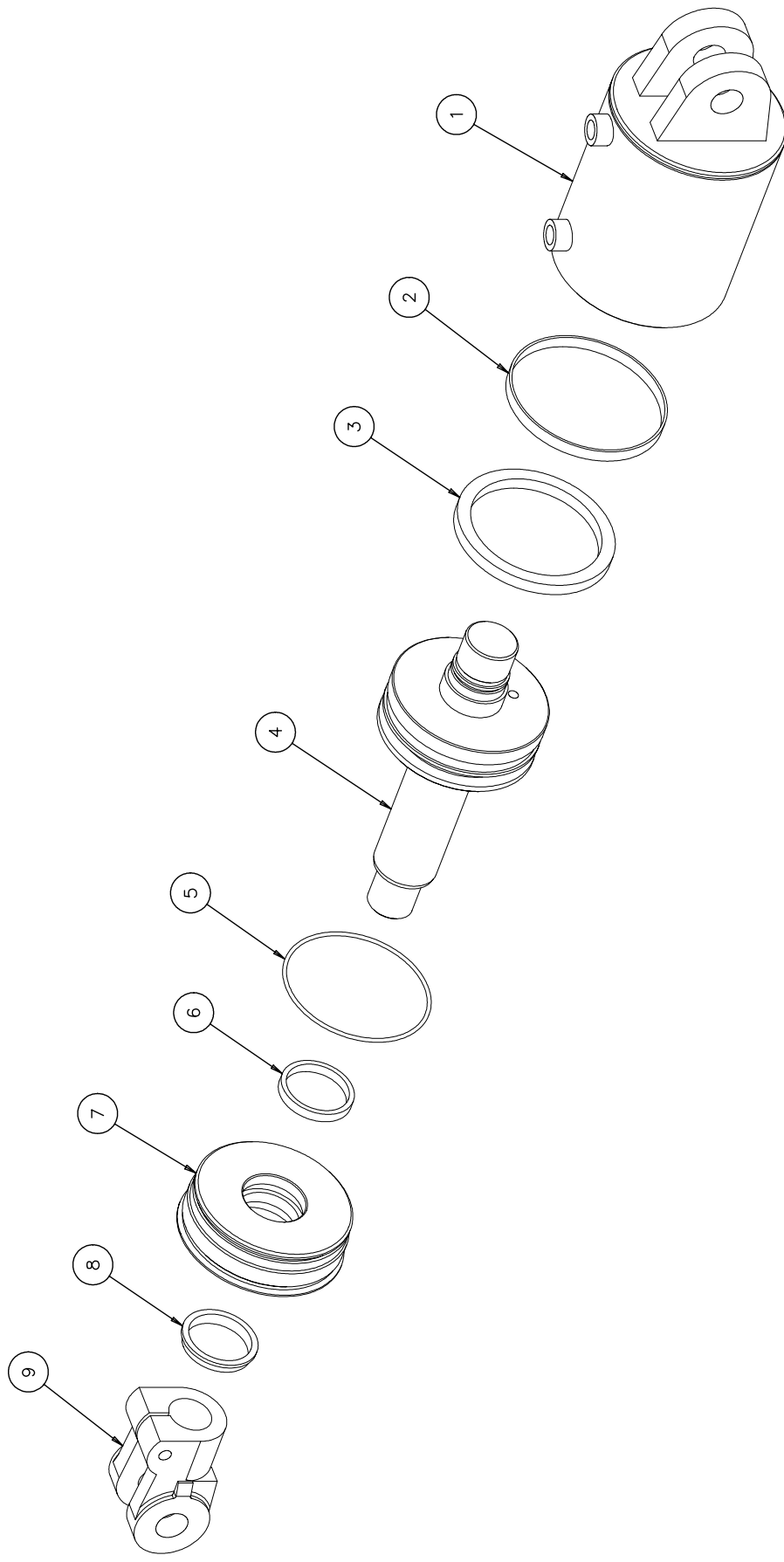


1022 Hydraulic cylinder D100 x 117 mm



1	KK 03 50 15	Screw M8 x 25 mm
2	KK 01 12 61	Circlip
3	KK 02 99 20	Grease nipple
4	KK 35 21 53	Head w/bearing cpl.
5	KK 01 12 23	Bearing
6	KK 01 19 12	Scraper
7	KK 01 19 51	Packing for rod
8	KK 35 33 73	End cap w/packings
9	KK 01 18 88	Ring
10	KK 01 18 06	O-ring
11	KK 35 27 94	Piston rod w/piston
12	KK 01 19 08	Piston packing
13	KK 35 27 95	Cylinder tube
14	KK 01 16 04	Bushing

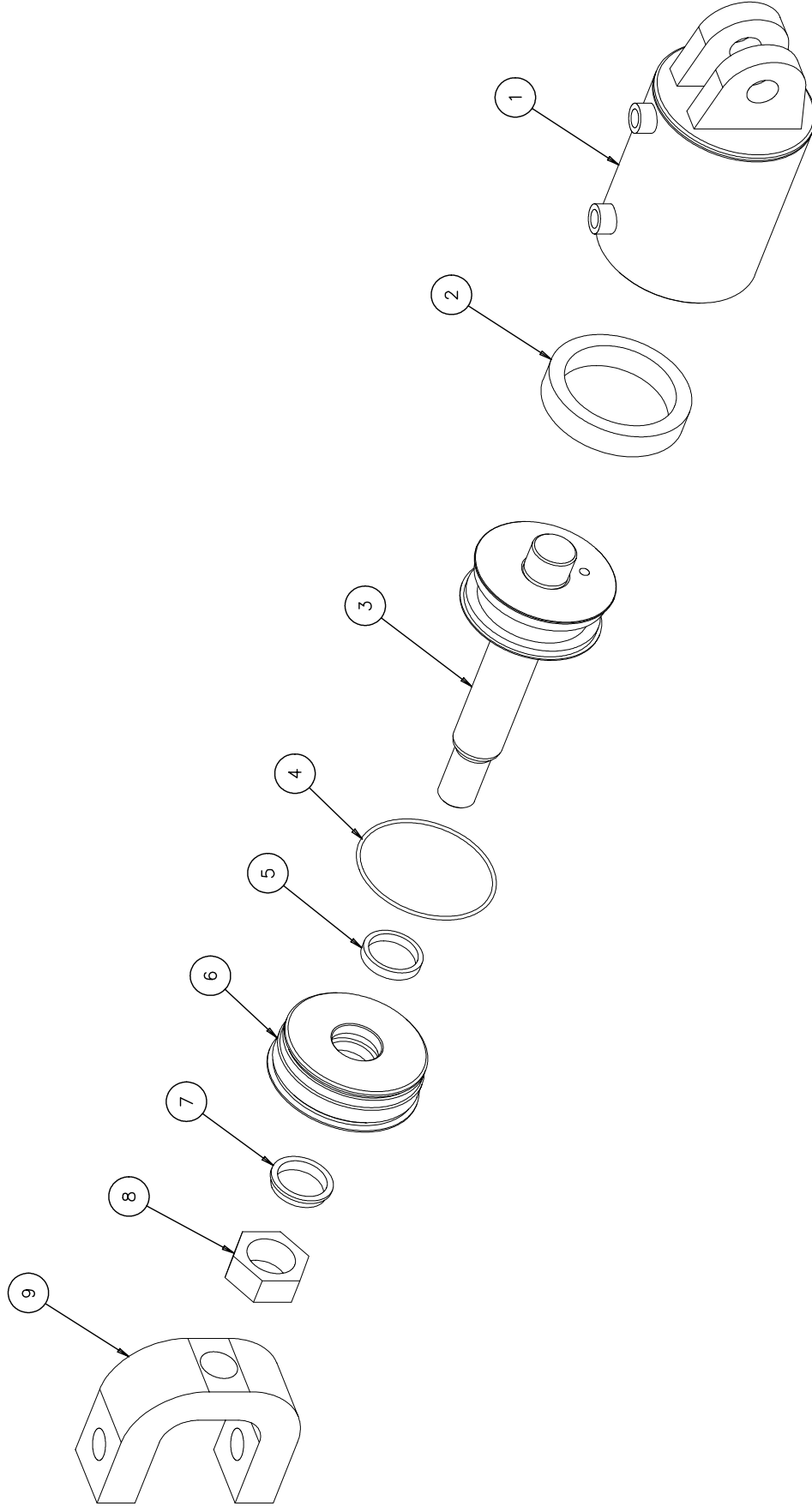
Not ill. KK 35 27 82 Hydraulic cylinder D100 x 117 mm cpl.
KK 01 20 27 Packings cpl.



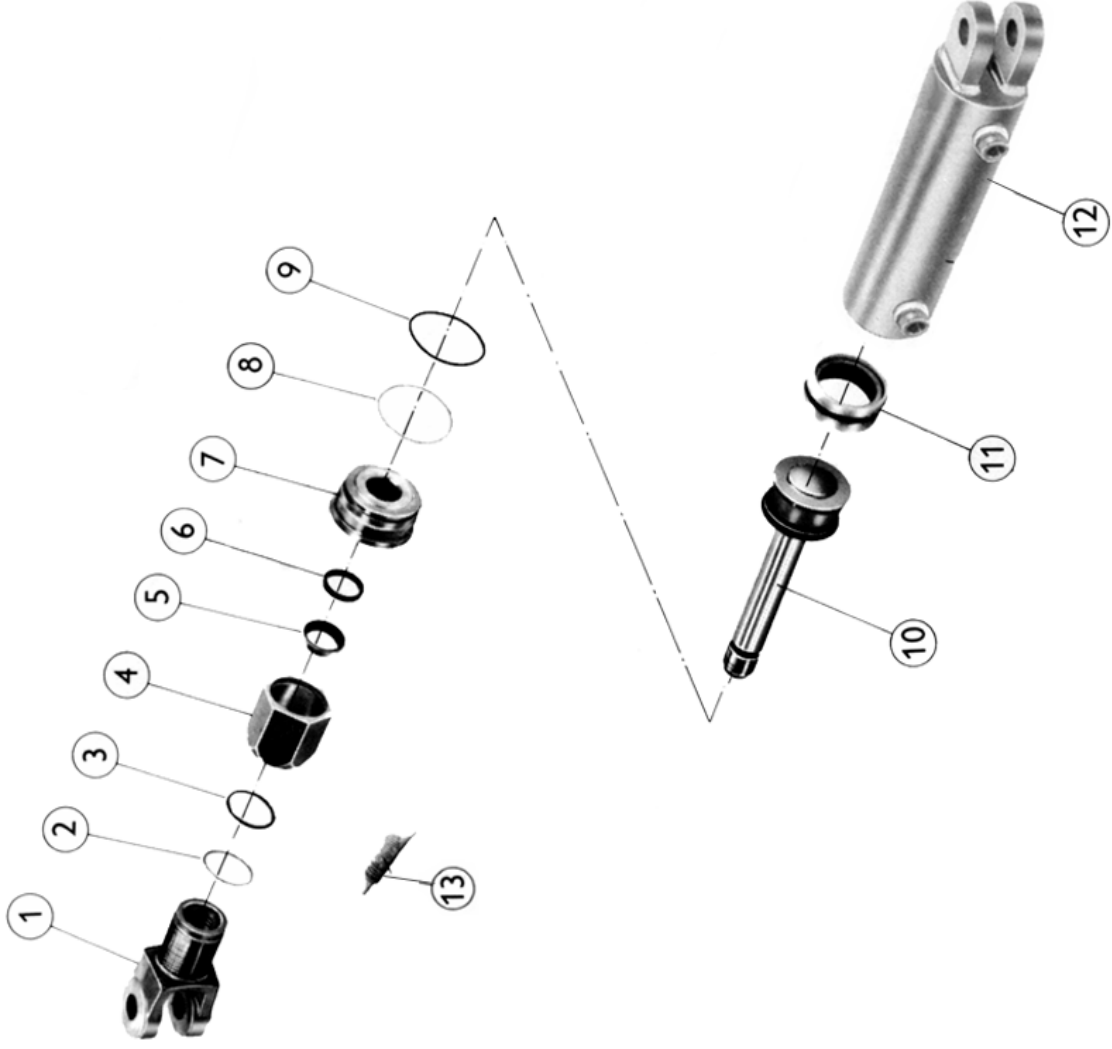
1024 Hydraulic cylinder D125 x 73 mm



1	KK 35 35 51	Cylinder tube
2	KK 01 26 36	Slide ring
3	KK 01 65 06	Piston packing
4	KK 35 35 52	Piston rod w/piston
5	KK 01 20 17	O-ring
6	KK 01 26 37	Packing for rod
7	KK 35 35 53	End cap w/packings
8	KK 01 20 39	Scraper
9	KK 35 33 92	Clevis
Not ill.	KK 35 35 35	Hydraulic cylinder D125 x 73 mm cpl.
	KK 03 20 40	Screw M10 x 40 mm
	KK 01 26 35	Packings cpl.



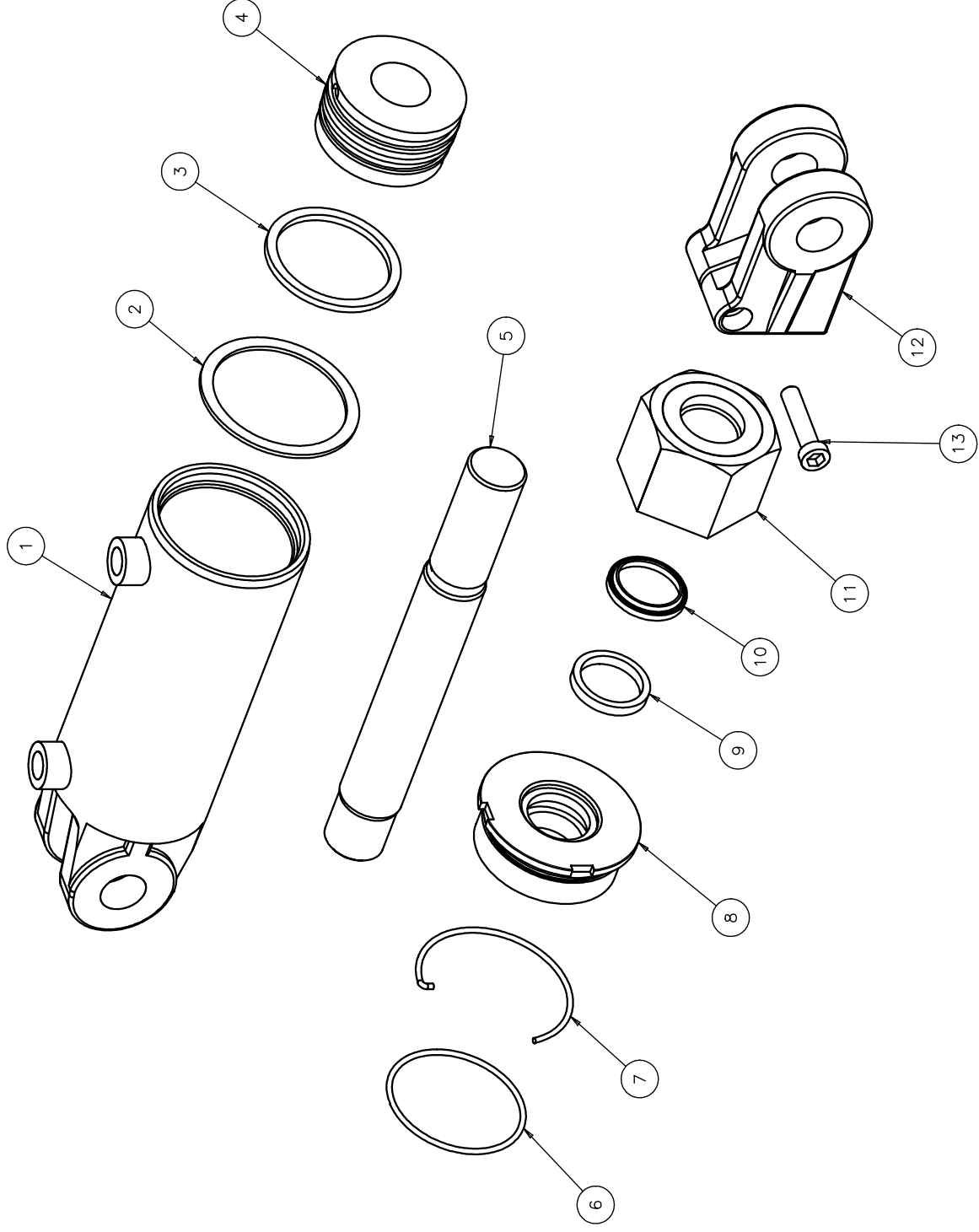
1	KK 35 35 54	Cylinder tube
2	KK 01 20 12	Piston packing
3	KK 35 35 55	Piston rod w/ piston (Before 01.06.99)
	KK 35 36 25	Piston rod w/ piston (From 01.06.99)
4	KK 01 17 55	O-ring
5	KK 01 26 39	Packing for rod
6	KK 35 35 56	End cap w/ packings
7	KK 01 19 12	Scraper
8	KK 01 58 50	Nut M30 (Before 01.06.99)
	KK 01 58 70	Nut M39 (From 01.06.99)
9	KK 07 72 65	Clevis M30 (Before 01.06.99)
	KK 07 72 34	Clevis M39 (From 01.06.99)
Not ill.	KK 35 35 36	Hydraulic cylinder D115 x 73 mm cpl.
	KK 01 26 38	Packings cpl.



445 Hydraulic cylinder D75 x 130 mm w/90° turned connectors (Before 01.09.99)



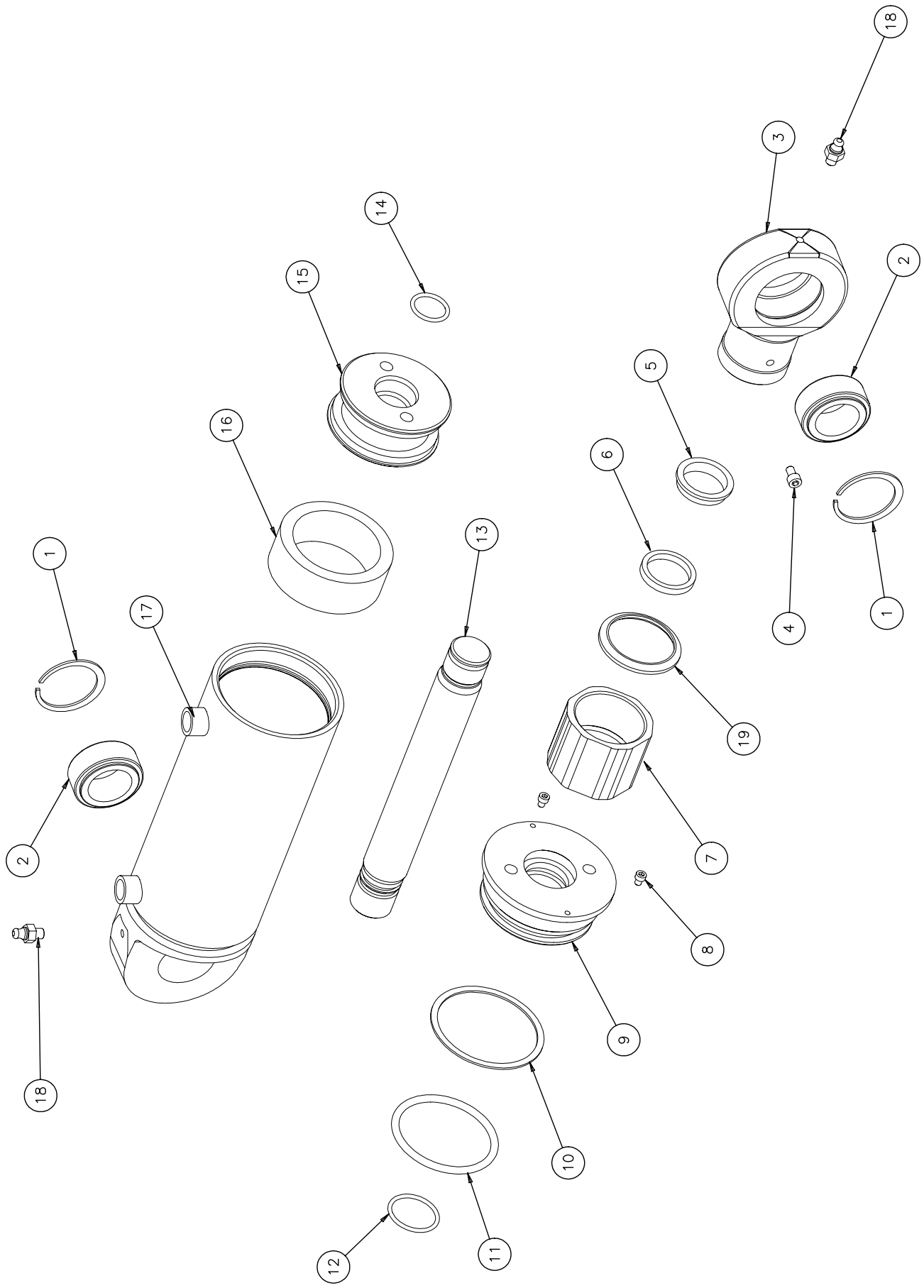
1	KK 35 33 53	Clevis
2	KK 01 18 78	Ring D45 x 2.5 x 1.3
3	KK 01 18 65	O - ring D40 x 4
4	KK 35 33 50	Stop
5	KK 01 19 13	Scraper D32/D44 x 7/10
6	KK 01 19 53	Piston rod packing D32/D40 x 6
7	KK 35 22 61	Endcap D75/D32 cpl.
8	KK 01 18 61	Ring Ø70 x 2.5 x 1.3
9	KK 01 18 02	O - ring D70 x 3 mm
10	KK 35 33 51	Piston rod w/piston D75/D32
11	KK 01 19 06	Piston packing D75/D55 x 22.4
12	KK 35 34 78	Cylinder tube w/clevis cap w/90° turned connectors
13	KK 06 02 21	Glue 3 ml "Locktite 271"
Not ill.	KK 01 20 25	Packings cpl. D75/D32
	KK 35 24 96	Cylinder D75 x 130 mm w/90° turned connectors cpl. (Before 01.09.99)



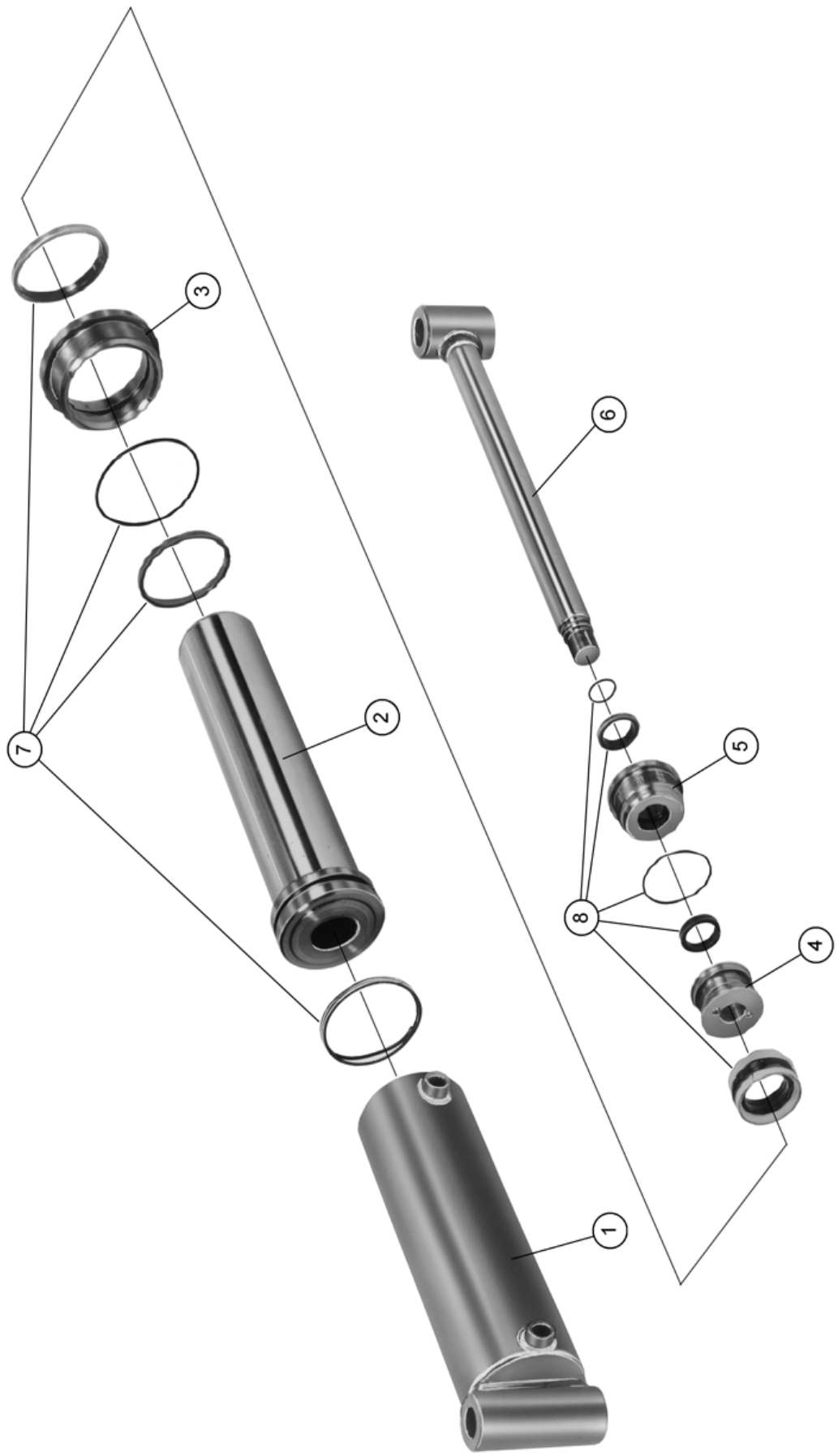
1092 Hydraulic cylinder D75 x 130 mm w/90° turned connectors (From 01.09.99)



1	KK 35 37 96	Cylinder tube
2	KK 01 65 37	Sliding ring
3	KK 01 65 38	Piston packing
4	KK 35 38 20	Piston
5	KK 35 37 97	Piston rod
6	KK 01 65 36	O-ring
7	KK 35 37 93	Lock ring
8	KK 35 28 21	Rod cap
9	KK 01 65 35	Seal for piston rod
10	KK 01 17 45	Scraper
11	KK 35 38 22	Stop cpl.
12	KK 35 37 28	Clevis
13	KK 03 20 16	Hex screw M10 x 45 mm
Not ill.	KK 01 36 06	Packings cpl.
	KK 35 37 10	Hydraulic cylinder D75 x 130 mm w/90° turned connectors cpl. (From 01.09.99)



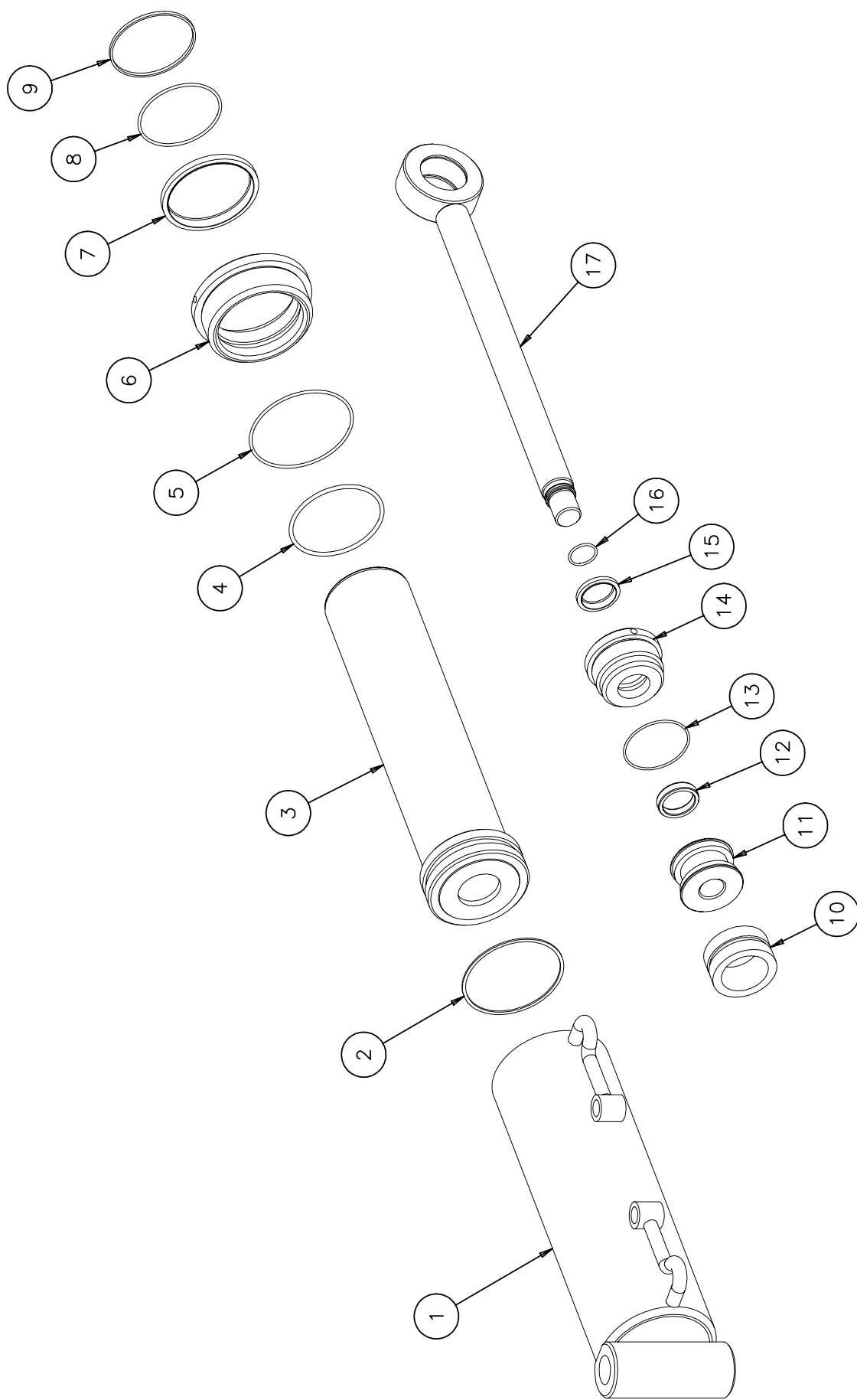
1	KK 01 12 61	Circlip
2	KK 01 12 23	Bearing
3	KK 35 35 96	Rod head
4	KK 03 20 02	Screw M6 x 10 mm
5	KK 01 65 22	Scraper
6	KK 01 65 23	Packing for piston rod
7	KK 35 35 97	Collar
8	KK 03 20 07	Screw M5 x 6 mm
9	KK 35 35 93	Rod cap
10	KK 01 65 25	Support ring
11	KK 01 65 24	O-ring D79.2 x D5.7
12	KK 01 17 37	O-ring D35 x D3
13	KK 35 35 95	Piston rod
14	KK 01 65 26	O-ring D28 x D3
15	KK 35 35 94	Piston
16	KK 01 65 27	Packing
17	KK 35 35 92	Cylinder tube
18	KK 02 99 18	Grease nipple
19	KK 35 36 77	Scraper plastic ring
Not ill.	KK 01 36 02	Packings cpl.
	KK 35 35 80	Turn-over cylinder D90 x 150 mm



1027 Telescopic cylinder D95 x 445 mm (Before 01.08.00)



1	KK 35 35 62	Main cylinder tube
2	KK 35 35 63	Outer piston
3	KK 35 35 66	Outer bushing
4	KK 35 35 73	Inner piston
5	KK 35 35 65	Inner bushing
6	KK 35 35 64	Inner rod
7	KK 01 26 44	Packings cpl. for outer cylinder
8	KK 01 26 43	Packings cpl. for inner cylinder
Not ill.	KK 35 35 34	Telescopic cylinder D95 x 445 mm cpl.
	KK 01 26 42	Packings cpl. (012644 + 01 26 43)



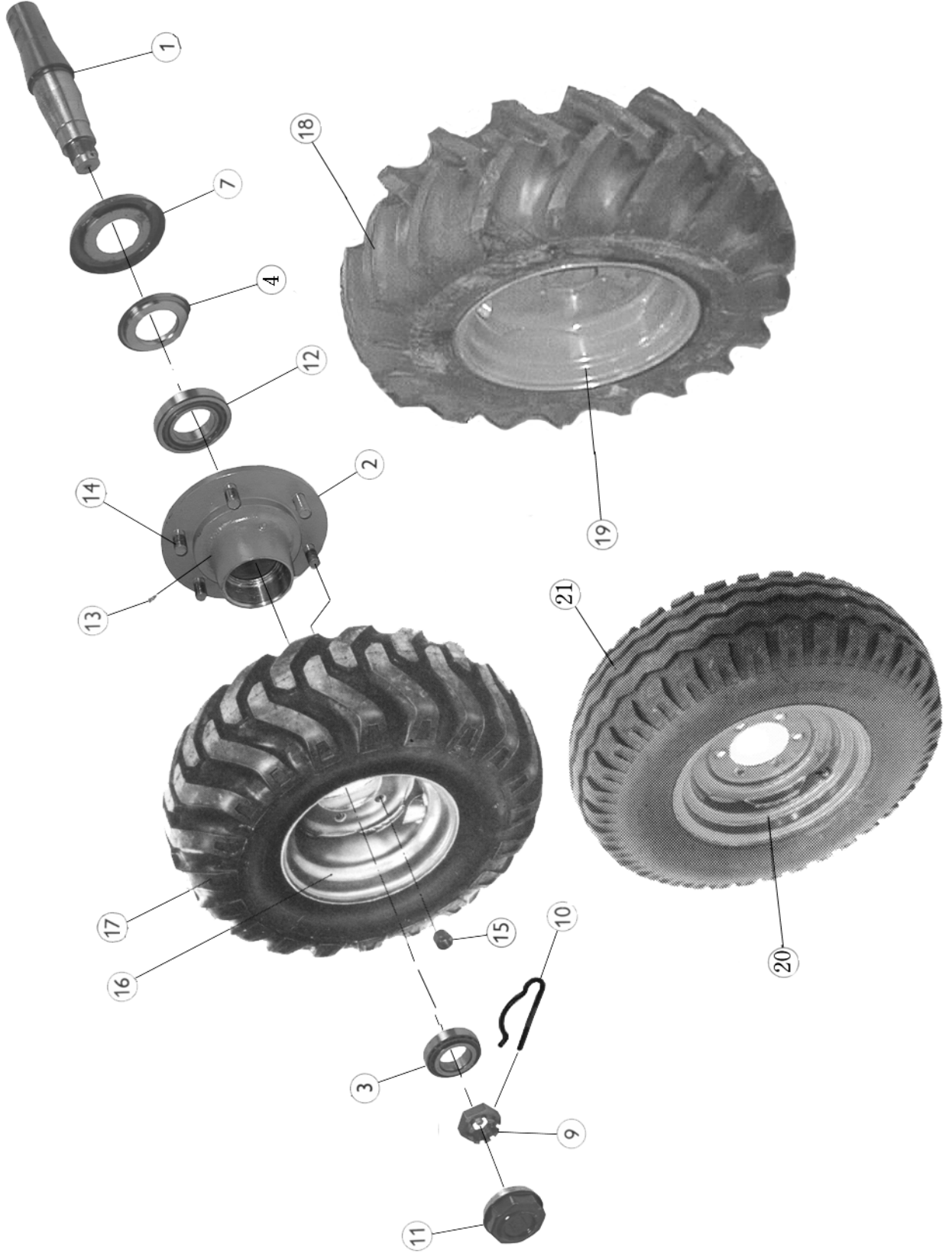
1169 Telescopic cylinder D95 x 457 mm (From 01.08.00)



1	KK 35 35 62	Main cylinder tube
2	KK 01 30 80	Support ring
3	KK 35 35 63	Piston, outer
4	KK 01 30 78	O-ring D85,32
5	KK 01 30 79	O-ring D94,93
6	KK 35 35 66	Rod cap, outer
7	KK 01 30 76	Scraper
8	KK 01 30 77	O-ring D76
9	KK 01 30 81	Rod gasket D80
10	KK 01 30 75	Simco D60
11	KK 35 35 73	Piston
12	KK 01 30 68	Piston packing
13	KK 01 17 93	O-ring D60
14	KK 35 35 65	Rod cap, inner
15	KK 01 19 62	Scraper
16	KK 01 30 70	O-ring D23
17	KK 35 36 88	Piston rod w/bearing

Not ill. KK 01 26 43 Packing set cpl. (pos. 10, 12, 13, 15 and 16)
 KK 01 26 44 Packing set cpl. (pos. 2, 4, 5, 7, 8 and 9)
 KK 35 36 34 Telescopic cylinder D95 x 457 mm cpl.

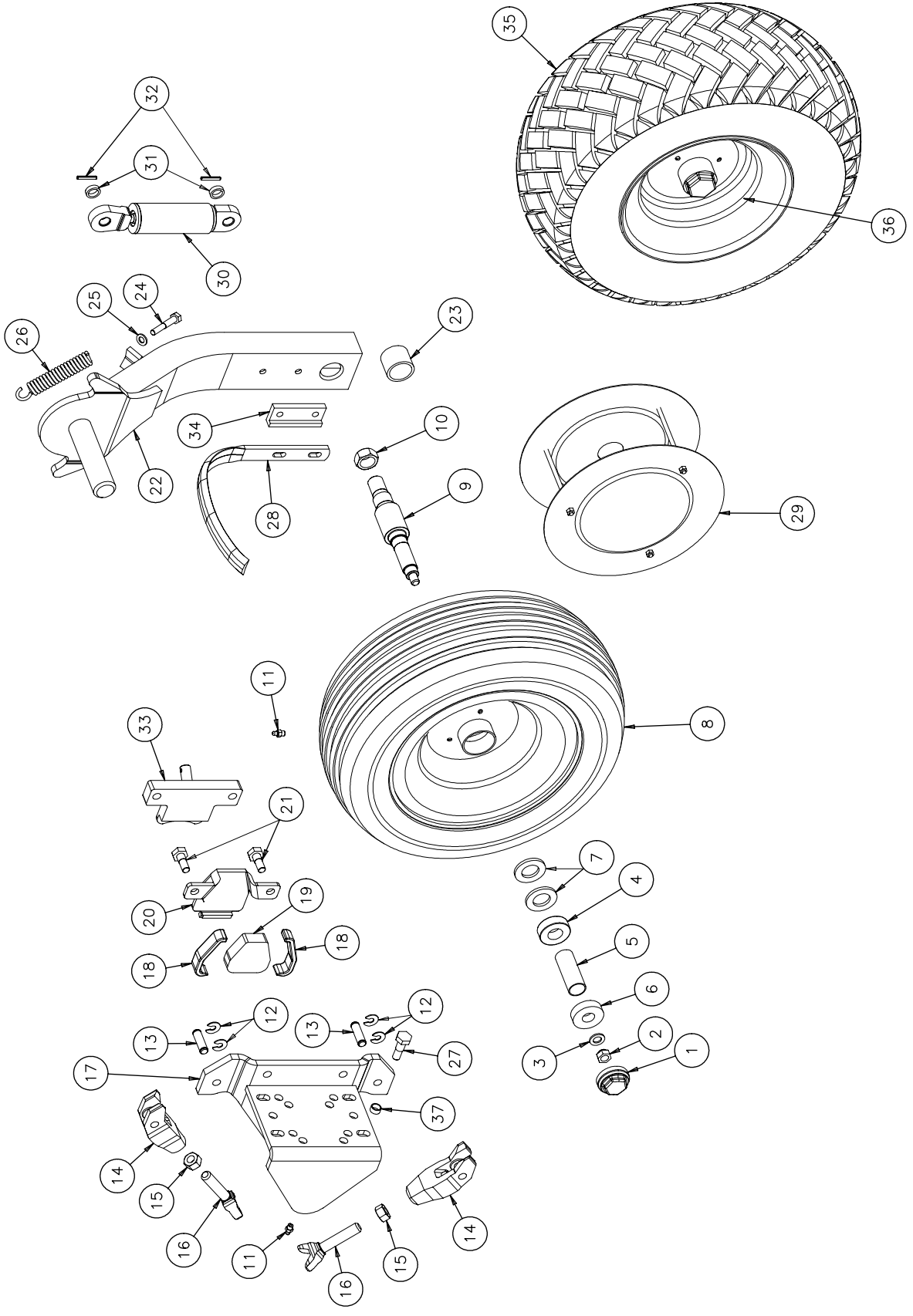
527 Wheel 400 x 15.5", 400 x 22.5", 500 x 22.5", 500 x 26.6", 14.9 x 24" and 12.5 x 18"
(From 01.03.97)



527 Wheel 400 x 15.5", 400 x 22.5", 500 x 22.5", 500 x 26.6", 14.9 x 24" and 12.5 x 18"
(From 01.03.97)



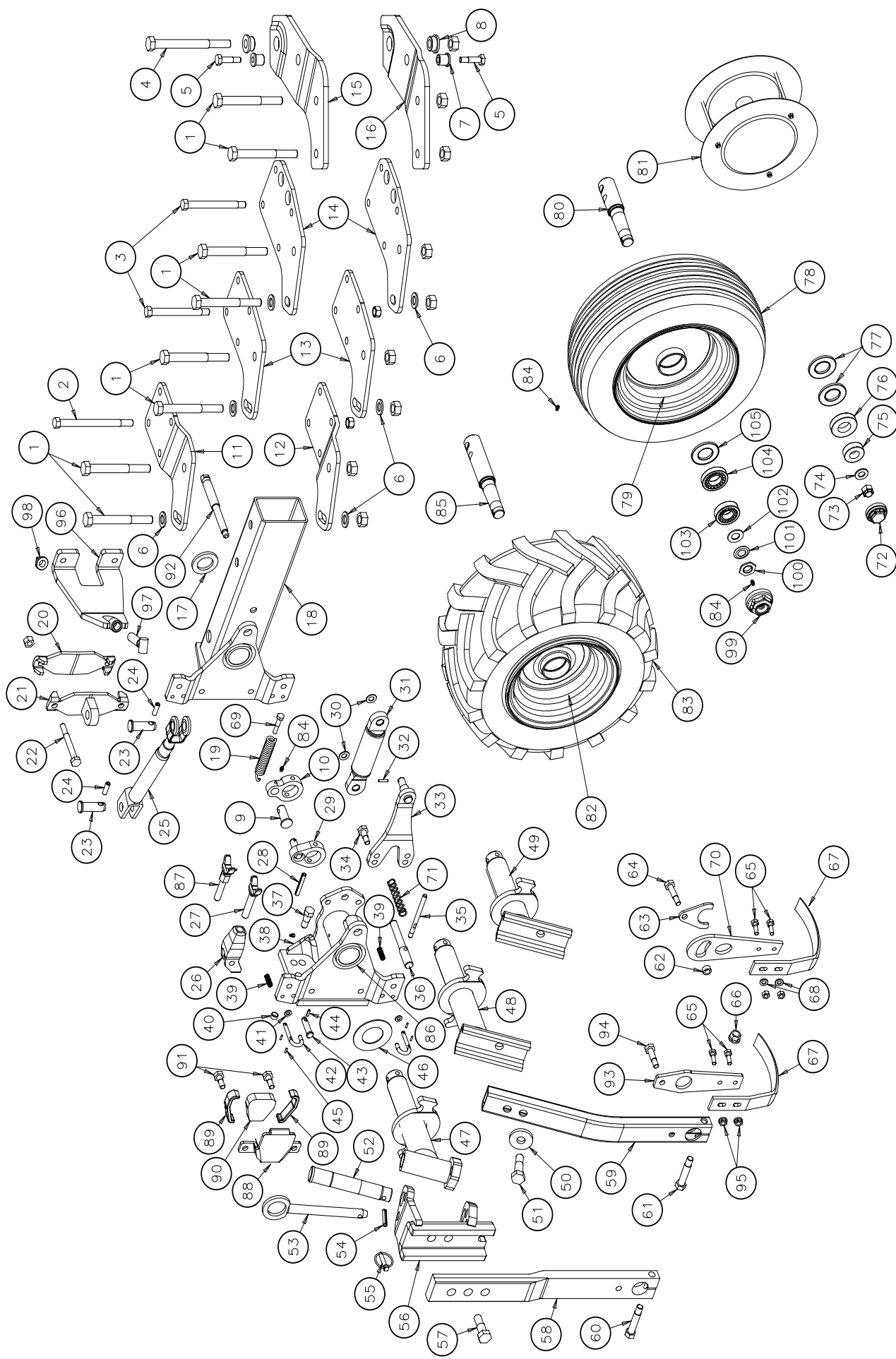
1	KK 01 14 62	Axle D75 x 287
	KK 01 14 84	Axle D50 (for DA plough, middle section only)
2	KK 01 14 61	Hub
	KK 01 14 60	Hub without axle cpl.
3	KK 01 62 01	Bearing 32210
4	KK 01 14 68	Packing w/plate
7	KK 01 14 66	Plate for seal
9	KK 01 14 65	Crown nut
10	KK 01 14 64	Pin
11	KK 01 14 63	Cap for hub D90 mm ADR-65
12	KK 01 62 03	Bearing 30213
13	KK 02 99 20	Grease nipple M8 x 1
14	KK 01 14 79	Wheel bolt M18 x 1.5
15	KK 01 14 69	Nut for wheel M18 x 1.5
16	KK 01 13 44	Rim for tyre 400 x 15.5"
	KK 01 13 70	Rim for tyre 400 x 22.5"
	KK 01 14 53	Rim for tyre 500 x 22.5"
	KK 01 14 78	Rim for tyre 500 x 26.5"
17	KK 01 13 42	Tyre 400 x 15.5", 8 ply (also for DA plough, middle section)
	KK 01 14 16	Tyre 400 x 15.5", 14 ply (also for DA plough, middle section)
	KK 01 13 68	Tyre 400 x 22.5", 8 ply
	KK 01 14 14	Tyre 400 x 22.5", 14 ply
	KK 01 14 51	Tyre 500 x 22.5", 8 ply
	KK 01 14 76	Tyre 500 x 26.5", 8 ply
	KK 01 13 43	Inner tube to 400 x 15.5" tyre
	KK 01 13 69	Inner tube to 400 x 22.5" tyre
	KK 01 14 52	Inner tube to 500 x 22.5" tyre
	KK 01 14 77	Inner tube to 500 x 26.5" tyre
18	KK 01 14 72	Tyre 14.9 x 24", 8 ply
	KK 01 14 73	Inner tube to 14.9 x 24" tyre
19	KK 01 14 74	Rim for tyre 14.9 x 24"
20	KK 01 14 57	Rim for tyre 12.5/80 - 12/18
21	KK 01 14 59	Tyre 12.5/80 - 18/12
	KK 01 14 58	Inner tube for tyre 12.5/80 - 12/18



299 Depth wheel 200 x 14.5 (Before 01.06.99)



1	KK 01 11 57	End cap		KK 07 46 24	Scraper for wheel 26 x 12-12
2	KK 01 60 10	Nut M16		KK 07 46 17	Scraper for wheel 26 x 12-12 cpl.
3	KK 01 29 27	Washer	29	KK 01 14 01	Cover kit 200 x 14,5 cpl.
4	KK 01 12 00	Bearing		KK 01 14 02	Cover kit 26 x 12-12 cpl.
5	KK 01 00 31	Spacing tube for wheel 200 x 14.5	30	KK 35 35 40	Shock absorber
6	KK 01 00 67	Spacing tube for wheel 26 x 12-12	31	KK 07 48 06	Bushing for shock absorber
7	KK 01 12 31	Bearing	32	KK 01 10 42	Roll pin for shock absorber
8	KK 01 08 06	Packing	33	KK 07 48 10	Bracket for wheelarm (for hydraulic shock absorber)
	KK 01 13 03	Tyre 200 x 14.5	34	KK 07 40 48	Fixing for scraper
	KK 01 13 05	Inner tube for 200 x 14.5	35	KK 01 13 46	Tyre for wheel 26 x 12-12
	KK 01 13 31	Rim w/bearinga for 200 x 14.5		KK 01 13 49	Inner tube for wheel 26 x 12-12
9	KK 06 42 22	Axle for wheel LP-200 x 14,5	36	KK 01 14 19	Rim w/bearings for 26 x 12-12
	KK 06 42 23	Axle for wheel LP-26 x 12-12	37	KK 01 16 36	Bushing (From 01.06.99)
10	KK 01 60 37	Cone nut M30			
11	KK 02 99 20	Grease nipple	Not ill.	KK 03 26 95	Hex screw M12 x 95 mm w/nut (for scraper fixing)
12	KK 01 12 72	Circlip		KK 03 26 85	Hex screw M12 x 85 mm w/nut (for scraper fixing)
13	KK 01 04 61	Axle		KK 07 47 99	Screw and bushing set cpl. (From 01.06.99)
14	KK 06 40 30	Clevis		KK 07 48 17	Rubber wheel 200 x 14 .5, H = 700 cpl.
15	KK 01 58 32	Nut M20		KK 07 48 18	Rubber wheel 200 x 14 .5, H = 800 cpl.
16	KK 06 40 36	Stop screw		KK 07 48 19	Rubber wheel 26 x 12 - 12, H = 700 cpl.
17	KK 06 40 39	Clevis cpl.		KK 07 48 20	Rubber wheel 26 x 12 - 12, H = 800 cpl.
18	KK 06 40 75	Support			
19	KK 06 40 86	Protection for damper block			
20	KK 06 40 87	Damper block			
21	KK 06 40 78	Holder for damper block			
22	KK 03 27 40	Hex screw M16 x 40 mm w/nut			
	KK 03 27 60	Hex screw M16 x 60 mm w/nut (for hydraulic shock absorber)			
	KK 06 40 81	Wheel arm H = 700 mm			
	KK 07 48 01	Wheel arm for hydr. shock absorber H = 700 mm			
	KK 06 40 74	Wheel arm H = 800 mm			
	KK 07 48 02	Wheel arm for hydr. shock absorber H = 800 mm			
23	KK 06 40 73	Tube			
24	KK 03 36 70	Hex screw M12 x 70 mm			
25	KK 01 29 19	Washer			
26	KK 06 40 89	Spring			
27	KK 03 27 50	Hex screw M16 x 50 mm w/nut			
28	KK 07 40 47	Scraper blade for wheel 200 x 14.5			
	KK 07 40 49	Scraper for wheel 200 x 14.5 cpl.			



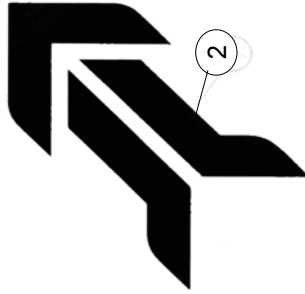
1	KK 03 29 20	Hex screw M24 x 200 mm w/nut	34	KK 03 27 45	Hex screw M16 x 45 mm w/nut	64	KK 03 27 70	Hex screw M16 x 70 mm w/nut (for depth/transport wheel) (Before 01.04.01)
2	KK 03 28 36	Hex screw M20 x 240 mm w/nut	35	KK 07 48 74	Handle			(Before 01.04.01)
3	KK 03 28 22	Hex screw M20 x 190 mm w/nut	36	KK 07 48 73	Axle			
4	KK 03 29 25	Hex screw M24 x 250 mm w/nut	37	KK 03 28 50	Hex screw M20 x 50 mm w/nut		KK 03 27 75	Hex screw M16 x 75 mm w/nut (for depth wheel) (Before 01.04.01)
5	KK 03 27 65	Hex screw M16 x 65 mm w/nut	38	KK 07 48 50	Wheel bracket, rear mounted depth wheel			Hex screw M12 x 40 mm w/nut
6	KK 01 30 05	Washer						Flange nut M20
7	KK 01 16 14	Bushing D30 x D16 x 28 mm		KK 07 48 39	Wheel bracket, rear mounted depth wheel w/bearing			Scraper (for wheel 200 x 14.5)
8	KK 01 16 15	Bushing D40 x D24 x 15.5 mm						Scraper (for wheel 26 x 12-12)
9	KK 08 40 40	Rotation bolt (From 01.05.00)	39	KK 01 37 00	Spring			Washer (Before 01.04.01)
10	KK 08 40 43	Crank (From 01.05.00)	40	KK 01 16 36	Bushing D20 x D16 x 10 mm			Hex screw M12 x 60 mm (From 01.05.00)
11	KK 07 48 84	Plate, over (for ED and LD plough)	41	KK 01 29 16	Washer			Bracket for scraper (Before 01.04.01)
12	KK 07 48 85	Plate, under (for ED and LD plough)	42	KK 07 48 76	Lock			Spring
13	KK 07 48 88	Plate (for VD and VX plough)	43	KK 01 02 55	Bolt D16 x 51 mm		KK 07 48 36	End cap (Before 01.01.02)
14	KK 07 48 91	Plate (for EM/LM plough)	44	KK 01 10 61	Roll pin D6 x 22 mm		KK 35 60 42	Lock nut M20 (Before 01.01.02)
15	KK 07 48 81	Plate, over (for ES and LS plough)	45	KK 02 97 18	Splint D4 x 16 mm		KK 01 60 00	Washer (Before 01.01.02)
16	KK 07 48 82	Plate, under (for ES and LS plough)	46	KK 01 30 04	Washer		KK 01 29 34	Bearing (Before 01.01.02)
17	KK 06 82 51	Washer	47	KK 07 48 56	Axle w/bearing cpl. (for depth/transport wheel)		KK 01 12 00	Bearing (Before 01.01.02)
18	KK 07 48 80	Wheel bracket, frame mounted wheel					KK 01 05 17	Bearing (Before 01.01.02)
19	KK 06 40 89	Spring (From 01.05.00)	48	KK 07 48 62	Axle w/bracket shaft cpl. (for depth wheel 26 x 12-12)		KK 01 11 68	Packing (Before 01.01.02)
20	KK 07 48 90	Clamp (for 150 mm tube)	49	KK 07 48 41	Axle w/short bracket shaft cpl. (for depth wheel 200 x 14.5)		KK 01 13 03	Tyre 200 x 14.5
	KK 07 48 87	Clamp (for 200 mm tube)					KK 01 13 05	Inner tube 200 x 14.5
21	KK 07 48 89	Clamp w/fixing lug (for 150 mm tube)	50	KK 07 90 63	Washer		KK 01 13 79	Rim 200 x 14.5 (Before 01.01.02)
	KK 07 48 86	Clamp w/fixing lug (for 200 mm tube)	51	KK 03 29 80	Hex screw M24 x 80 mm w/nut		KK 08 41 06	Rim 200 x 14.5 (From 01.01.02)
22	KK 03 27 16	Hex screw M16 x 140 mm w/nut (for VD, VX, ED and LD plough)	52	KK 07 48 75	Axle		KK 07 40 80	Axle 200 x 14.5 (Before 01.01.02)
	KK 03 27 19	Hex screw M16 x 190 mm w/nut (for EM/LM plough)	53	KK 07 48 93	Axle		KK 08 41 10	Axle 200 x 14.5 (From 01.01.02)
23	KK 01 03 15	Bolt D25.3 x 60 mm	54	KK 01 10 48	Roll pin D12 x 60 mm		KK 01 14 01	Cover kit cpl.
24	KK 01 10 20	Roll pin D12 x 40 mm	55	KK 01 07 00	Pin D12		KK 01 14 19	Rim 26 x 12-12 (Before 01.01.02)
25	KK 07 08 05	Adjustable stay	56	KK 07 48 64	Switch bracket		KK 08 41 07	Rim 26 x 12-12 (From 01.01.02)
26	KK 06 40 30	Clevis	57	KK 03 29 70	Hex screw M24 x 70 mm w/nut		KK 01 13 46	Tyre 26 x 12-12 (Before 01.01.02)
27	KK 06 40 24	Stop screw	58	KK 07 48 65	Wheel arm (for depth/transport wheel)		KK 01 31 00	Tyre 26 x 12-12 (From 01.01.02)
28	KK 01 10 52	Roll pin D12 x 80 mm	59	KK 07 48 66	Wheel arm (for depth wheel)		KK 01 13 49	Inner tube 26 x 12-12
29	KK 07 48 67	Crank for shock absorber	60	KK 03 28 07	Hex screw M20 x 100 mm w/nut		KK 02 99 32	Grease nipple
30	KK 01 29 31	Washer	61	KK 03 28 90	Hex screw M20 x 90 mm w/nut		KK 07 40 93	Axle 26 x 12-12 (Before 01.01.02)
31	KK 35 36 30	Shock absorber	62	KK 10 68 63	Bushing (Before 01.04.01)		KK 08 41 11	Axle 26 x 12-12 (From 01.01.02)
32	KK 01 10 35	Roll pin D6 x 30 mm	63	KK 07 48 35	Clamp bracket (Before 01.04.01)		KK 01 16 33	Bearing
33	KK 07 48 70	Bracket arm for shock absorber					KK 06 40 97	Crank screw cpl.
							KK 06 40 79	Holder for damper block (From 01.05.00)

1088 Depth/transport wheel 99

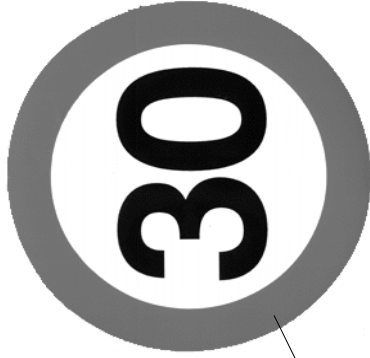


89	KK 06 40 86	Protection for damper block (From 01.05.00)		KK 08 40 11	Depth/transport wheel 200 x 14.5 rear mounted w/shock absorber cpl.
90	KK 06 40 87	Damper block (From 01.05.00)		KK 08 40 12	Depth/transport wheel 26 x 12-12 rear mounted w/shock absorber cpl.
91	KK 03 27 40	Hex screw M16 x 40 mm w/nut (From 01.05.00)		KK 08 40 13	Depth/transport wheel 200 x 14.5 frame mounted without shock absorber cpl.
92	KK 08 40 42	Pin (From 01.05.00)		KK 08 41 00	Wheel 200 x 14.5 cpl. w/axle (From 01.01.02)
93	KK 07 48 44	Bracket for scraper (From 01.04.01)		KK 08 41 01	Wheel 26 x 12-12 cpl. w/axle (From 01.01.02)
94	KK 03 27 65	Hex screw M16 x 65 mm w/nut (From 01.04.01)			
95	KK 01 60 38	Flange nut M12 (From 01.04.01)			
96	KK 07 48 46	Transportation support (for ES/LS ploughs only) (From 01.04.01)			
97	KK 08 40 84	Stop screw (for ES/LS ploughs only) (From 01.04.01)			
98	KK 06 18 99	Contra nut M24 (for ES/LS ploughs only) (From 01.04.01)			
99	KK 01 31 06	Z-jamell (From 01.01.02)			
100	KK 01 12 15	Conical bearing (From 01.01.02)			
101	KK 01 05 91	Conical bearing (From 01.01.02)			
102	KK 01 31 02	Washer MK6 (From 01.01.02)			
103	KK 01 31 04	Washer D42 x d30 x 3 (From 01.01.02)			
104	KK 01 31 03	Lock nut M30			
105	KK 01 31 05	Hub cap (From 01.01.02)			
Not ill.	KK 06 40 47	Stop cpl.			
	KK 08 40 00	Depth wheel 200 x 14.5 rear mounted without shock absorber cpl.			
	KK 08 40 01	Depth wheel 200 x 14.5 rear mounted w/shock absorber cpl.			
	KK 08 40 02	Depth wheel 26 x 12-12 rear mounted w/shock absorber cpl.			
	KK 08 40 03	Depth wheel 200 x 14.5 frame mounted without shock absorber cpl.			
	KK 08 40 10	Depth/transport wheel 200 x 14.5 rear mounted without shock absorber cpl.			

Kverneland PL 100



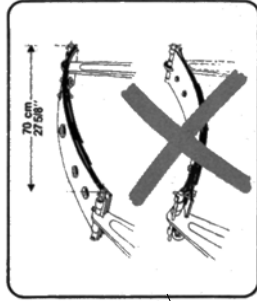
2



11



10

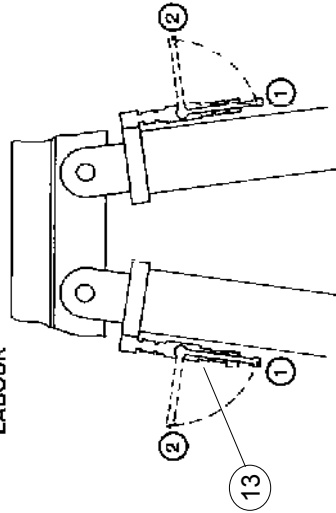


12



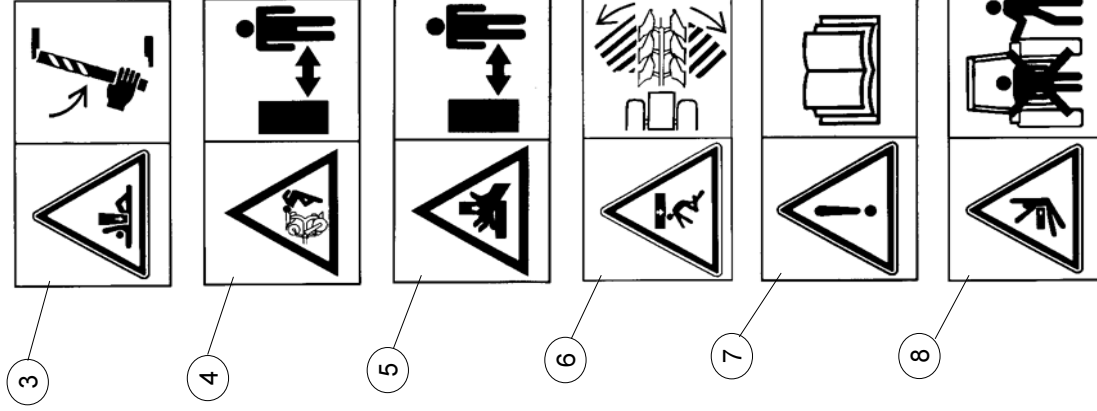
1

1. ARBEID
WORK
ARBEIT
LABOUR



13

2. TRANSPORT



3

4

5

6

7

8

1	KK 70 98 31	Kverneland w/arrow
2	KK 70 97 37	Arrow
3	KK 70 98 43	Safety sign, parking support
4	KK 70 98 95	Safety sign, sharp edges
5	KK 70 98 23	Safety sign, crush danger
6	KK 70 98 42	Safety sign, reversible plough
7	KK 70 98 44	Safety sign, read instruction manual
8	KK 70 98 41	Safety sign, danger, tractor/implement
9	KK 70 99 40	Kverneland PL-100
	KK 70 99 44	Kverneland RL-100
10	KK 70 94 79	Info: Nuts
11	KK 70 97 81	Info: Speed Limit 30 km/h
12	KK 70 92 34	Info: Leaf spring
13	KK 70 93 04	Info: Lock valves for transport
Not ill.	KK 70 98 47	Patent label
	KK 70 99 80	Triangular reflexive foil
	KK 70 99 81	Rectangular reflexive foil

Art. no	Page	Art. no	Page	Art. no	Page	Art. no	Page	Art. no	Page	Art. no	Page	Art. no	Page	Art. no	Page
KK 01 00 08 37		KK 01 03 37 51		KK 01 10 42 21		KK 01 13 46 99		KK 01 14 84 97		KK 01 16 04 81		KK 01 18 02 87		KK 01 19 51 79	
KK 01 00 31 99		KK 01 03 37 55		KK 01 10 42 99		KK 01 13 46 99		KK 01 15 12 57		KK 01 16 14 01		KK 01 18 06 67		KK 01 19 51 81	
KK 01 00 67 99		KK 01 04 61 99		KK 01 10 48 01		KK 01 13 49 01		KK 01 15 12 61		KK 01 16 15 01		KK 01 18 06 77		KK 01 19 53 87	
KK 01 01 48 35		KK 01 05 17 01		KK 01 10 52 01		KK 01 13 49 99		KK 01 15 23 57		KK 01 16 32 37		KK 01 18 06 79		KK 01 19 62 95	
KK 01 01 53 37		KK 01 05 32 27		KK 01 10 52 39		KK 01 13 68 97		KK 01 15 23 59		KK 01 16 32 37		KK 01 18 06 81		KK 01 20 12 85	
KK 01 01 55 11		KK 01 05 32 29		KK 01 10 59 45		KK 01 13 69 97		KK 01 15 23 63		KK 01 16 32 39		KK 01 18 12 71		KK 01 20 15 67	
KK 01 01 55 13		KK 01 05 32 31		KK 01 10 61 01		KK 01 13 70 97		KK 01 15 38 49		KK 01 16 32 39		KK 01 18 24 75		KK 01 20 17 83	
KK 01 01 55 17		KK 01 05 66 39		KK 01 11 57 01		KK 01 13 79 01		KK 01 15 38 51		KK 01 16 33 01		KK 01 18 61 87		KK 01 20 25 87	
KK 01 01 55 7		KK 01 05 72 27		KK 01 11 57 99		KK 01 14 01 99		KK 01 15 38 55		KK 01 16 36 101		KK 01 18 65 87		KK 01 20 26 75	
KK 01 01 56 11		KK 01 05 72 29		KK 01 11 68 01		KK 01 14 01 99		KK 01 15 41 45		KK 01 16 36 99		KK 01 18 66 27		KK 01 20 27 77	
KK 01 01 56 13		KK 01 05 72 31		KK 01 12 00 01		KK 01 14 02 99		KK 01 15 65 45		KK 01 16 68 35		KK 01 18 66 29		KK 01 20 27 81	
KK 01 01 56 17		KK 01 05 91 03		KK 01 12 00 99		KK 01 14 14 97		KK 01 15 65 47		KK 01 16 82 35		KK 01 18 66 31		KK 01 20 32 67	
KK 01 01 56 7		KK 01 06 06 35		KK 01 12 15 03		KK 01 14 14 97		KK 01 15 65 49		KK 01 16 82 37		KK 01 18 76 75		KK 01 20 32 71	
KK 01 02 55 01		KK 01 06 50 35		KK 01 12 23 81		KK 01 14 16 97		KK 01 15 65 51		KK 01 16 83 39		KK 01 18 78 87		KK 01 20 39 67	
KK 01 03 15 01		KK 01 06 55 35		KK 01 12 23 91		KK 01 14 19 99		KK 01 15 65 53		KK 01 16 91 35		KK 01 18 88 71		KK 01 20 39 71	
KK 01 03 15 37		KK 01 07 00 01		KK 01 12 31 99		KK 01 14 51 97		KK 01 15 65 55		KK 01 16 91 43		KK 01 18 88 77		KK 01 20 39 83	
KK 01 03 18 39		KK 01 07 00 65		KK 01 12 59 27		KK 01 14 52 97		KK 01 15 65 57		KK 01 16 98 39		KK 01 18 88 79		KK 01 20 56 55	
KK 01 03 18 53		KK 01 07 72 25		KK 01 12 59 29		KK 01 14 53 97		KK 01 15 65 59		KK 01 17 19 69		KK 01 18 88 81		KK 01 20 56 65	
KK 01 03 18 55		KK 01 07 75 25		KK 01 12 59 31		KK 01 14 57 97		KK 01 15 65 61		KK 01 17 24 69		KK 01 18 90 39		KK 01 20 59 45	
KK 01 03 19 37		KK 01 08 06 99		KK 01 12 61 81		KK 01 14 58 97		KK 01 15 65 63		KK 01 17 25 69		KK 01 18 91 39		KK 01 20 59 47	
KK 01 03 19 47		KK 01 08 18 29		KK 01 12 61 91		KK 01 14 59 97		KK 01 15 85 45		KK 01 17 27 69		KK 01 18 95 39		KK 01 20 59 51	
KK 01 03 19 51		KK 01 08 18 31		KK 01 12 66 25		KK 01 14 60 97		KK 01 15 85 47		KK 01 17 36 73		KK 01 18 96 39		KK 01 20 59 53	
KK 01 03 19 55		KK 01 09 67 35		KK 01 12 66 27		KK 01 14 61 97		KK 01 15 85 49		KK 01 17 37 73		KK 01 19 06 87		KK 01 20 59 55	
KK 01 03 19 59		KK 01 10 20 01		KK 01 12 66 29		KK 01 14 62 97		KK 01 15 85 51		KK 01 17 37 91		KK 01 19 08 67		KK 01 20 59 57	
KK 01 03 19 61		KK 01 10 20 37		KK 01 12 66 31		KK 01 14 63 97		KK 01 15 85 53		KK 01 17 38 73		KK 01 19 08 71		KK 01 20 59 61	
KK 01 03 19 65		KK 01 10 20 47		KK 01 12 72 99		KK 01 14 64 97		KK 01 15 85 55		KK 01 17 43 73		KK 01 19 08 77		KK 01 20 59 63	
KK 01 03 28 65		KK 01 10 20 51		KK 01 12 77 39		KK 01 14 65 97		KK 01 15 85 57		KK 01 17 44 73		KK 01 19 08 79		KK 01 20 59 65	
KK 01 03 29 57		KK 01 10 20 53		KK 01 12 77 45		KK 01 14 66 97		KK 01 15 85 59		KK 01 17 45 73		KK 01 19 08 81		KK 01 20 60 45	
KK 01 03 32 53		KK 01 10 20 55		KK 01 12 92 25		KK 01 14 68 97		KK 01 15 85 61		KK 01 17 45 89		KK 01 19 12 75		KK 01 20 60 47	
KK 01 03 32 55		KK 01 10 20 57		KK 01 13 03 01		KK 01 14 69 97		KK 01 15 85 63		KK 01 17 46 73		KK 01 19 12 77		KK 01 20 60 49	
KK 01 03 35 37		KK 01 10 20 59		KK 01 13 03 99		KK 01 14 72 97		KK 01 15 85 65		KK 01 17 50 27		KK 01 19 12 79		KK 01 20 60 51	
KK 01 03 35 57		KK 01 10 20 61		KK 01 13 05 01		KK 01 14 73 97		KK 01 15 85 69		KK 01 17 50 29		KK 01 19 12 81		KK 01 20 60 53	
KK 01 03 35 59		KK 01 10 20 63		KK 01 13 05 99		KK 01 14 74 97		KK 01 15 96 49		KK 01 17 50 31		KK 01 19 12 85		KK 01 20 60 55	
KK 01 03 35 61		KK 01 10 20 65		KK 01 13 31 99		KK 01 14 76 97		KK 01 15 96 53		KK 01 17 55 85		KK 01 19 13 87		KK 01 20 60 57	
KK 01 03 35 61		KK 01 10 21 39		KK 01 13 42 97		KK 01 14 77 97		KK 01 15 96 55		KK 01 17 83 67		KK 01 19 18 75		KK 01 20 60 59	
KK 01 03 35 63		KK 01 10 35 01		KK 01 13 43 97		KK 01 14 78 97		KK 01 15 96 65		KK 01 17 83 71		KK 01 19 51 75		KK 01 20 60 61	
KK 01 03 37 47		KK 01 10 37 21		KK 01 13 44 97		KK 01 14 79 97		KK 01 16 01 39		KK 01 17 93 95		KK 01 19 51 77		KK 01 20 60 63	

Art. no	Page	Art. no	Page	Art. no	Page	Art. no	Page	Art. no	Page	Art. no	Page	Art. no	Page	Art. no	Page
KK 01 20 62	45	KK 01 22 12	51	KK 01 25 22	53	KK 01 26 70	47	KK 01 29 21	15	KK 01 31 00	101	KK 01 33 61	13	KK 01 60 10	99
KK 01 20 62	47	KK 01 22 12	55	KK 01 25 22	55	KK 01 26 70	51	KK 01 29 22	13	KK 01 31 02	103	KK 01 33 61	19	KK 01 60 12	101
KK 01 20 62	51	KK 01 22 61	45	KK 01 25 22	57	KK 01 26 70	55	KK 01 29 22	15	KK 01 31 03	103	KK 01 33 61	7	KK 01 60 15	11
KK 01 20 62	53	KK 01 22 61	47	KK 01 25 22	59	KK 01 27 00	45	KK 01 29 22	17	KK 01 31 04	103	KK 01 33 85	11	KK 01 60 15	13
KK 01 20 62	55	KK 01 22 61	49	KK 01 25 22	61	KK 01 27 05	65	KK 01 29 22	37	KK 01 31 05	103	KK 01 33 85	13	KK 01 60 15	19
KK 01 20 62	57	KK 01 22 61	51	KK 01 25 22	63	KK 01 27 06	65	KK 01 29 22	5	KK 01 31 06	103	KK 01 33 85	19	KK 01 60 15	7
KK 01 20 62	61	KK 01 22 61	53	KK 01 25 26	55	KK 01 27 07	65	KK 01 29 22	9	KK 01 32 28	11	KK 01 33 85	7	KK 01 60 22	23
KK 01 20 62	63	KK 01 22 61	55	KK 01 25 26	65	KK 01 27 23	45	KK 01 29 27	5	KK 01 32 28	13	KK 01 35 01	65	KK 01 60 31	25
KK 01 20 62	65	KK 01 22 61	57	KK 01 25 31	65	KK 01 27 30	45	KK 01 29 27	9	KK 01 32 28	13	KK 01 35 18	45	KK 01 60 31	27
KK 01 20 68	45	KK 01 22 61	59	KK 01 25 33	55	KK 01 27 34	65	KK 01 29 27	99	KK 01 32 28	15	KK 01 35 22	45	KK 01 60 31	29
KK 01 20 68	47	KK 01 22 61	65	KK 01 25 36	55	KK 01 27 35	65	KK 01 29 29	11	KK 01 32 28	17	KK 01 35 29	65	KK 01 60 37	99
KK 01 20 68	51	KK 01 23 07	45	KK 01 25 43	55	KK 01 27 45	65	KK 01 29 29	13	KK 01 32 28	17	KK 01 35 44	65	KK 01 60 38	103
KK 01 20 69	45	KK 01 23 19	55	KK 01 25 48	45	KK 01 27 78	45	KK 01 29 29	7	KK 01 32 28	5	KK 01 35 45	65	KK 01 60 45	23
KK 01 20 69	47	KK 01 23 19	65	KK 01 25 48	65	KK 01 27 79	47	KK 01 29 31	101	KK 01 32 28	7	KK 01 35 71	55	KK 01 62 01	97
KK 01 20 69	51	KK 01 23 23	65	KK 01 25 51	45	KK 01 27 79	51	KK 01 29 34	101	KK 01 32 28	9	KK 01 35 89	65	KK 01 62 03	97
KK 01 20 82	65	KK 01 23 24	45	KK 01 25 54	55	KK 01 27 79	55	KK 01 29 60	31	KK 01 32 34	13	KK 01 35 90	65	KK 01 65 06	83
KK 01 20 83	65	KK 01 23 24	49	KK 01 25 55	55	KK 01 27 80	47	KK 01 29 71	39	KK 01 32 34	15	KK 01 35 95	79	KK 01 65 10	69
KK 01 20 84	45	KK 01 23 24	51	KK 01 25 70	45	KK 01 27 80	51	KK 01 29 79	39	KK 01 32 34	5	KK 01 35 96	79	KK 01 65 22	91
KK 01 20 85	45	KK 01 23 24	53	KK 01 25 77	65	KK 01 27 80	55	KK 01 29 80	45	KK 01 32 34	9	KK 01 35 97	79	KK 01 65 23	91
KK 01 21 14	45	KK 01 23 24	55	KK 01 26 35	83	KK 01 27 81	47	KK 01 29 29	19	KK 01 33 32	13	KK 01 36 02	91	KK 01 65 24	91
KK 01 21 14	47	KK 01 23 24	57	KK 01 26 36	83	KK 01 27 81	49	KK 01 30 04	101	KK 01 33 32	15	KK 01 36 05	69	KK 01 65 25	91
KK 01 21 14	49	KK 01 23 24	59	KK 01 26 37	83	KK 01 27 81	51	KK 01 30 05	101	KK 01 33 32	15	KK 01 36 06	89	KK 01 65 26	91
KK 01 21 14	51	KK 01 23 24	61	KK 01 26 38	85	KK 01 27 81	53	KK 01 30 05	41	KK 01 33 32	17	KK 01 37 00	101	KK 01 65 27	91
KK 01 21 14	53	KK 01 23 24	63	KK 01 26 39	85	KK 01 27 81	55	KK 01 30 51	67	KK 01 33 32	5	KK 01 58 11	45	KK 01 65 31	69
KK 01 21 14	55	KK 01 23 24	65	KK 01 26 42	93	KK 01 27 84	65	KK 01 30 52	67	KK 01 33 32	9	KK 01 58 13	41	KK 01 65 32	69
KK 01 21 14	57	KK 01 23 39	45	KK 01 26 43	93	KK 01 27 93	65	KK 01 30 53	67	KK 01 33 32	9	KK 01 58 25	33	KK 01 65 35	89
KK 01 21 14	59	KK 01 23 63	53	KK 01 26 43	95	KK 01 27 95	55	KK 01 30 68	95	KK 01 33 33	13	KK 01 58 30	15	KK 01 65 36	89
KK 01 21 14	61	KK 01 23 63	55	KK 01 26 44	93	KK 01 27 96	45	KK 01 30 70	95	KK 01 33 33	5	KK 01 58 32	5	KK 01 65 37	89
KK 01 21 14	63	KK 01 23 74	65	KK 01 26 44	95	KK 01 29 06	33	KK 01 30 72	71	KK 01 33 33	9	KK 01 58 32	99	KK 01 65 38	89
KK 01 21 20	47	KK 01 25 03	55	KK 01 26 52	47	KK 01 29 14	21	KK 01 30 73	79	KK 01 33 46	11	KK 01 58 34	13	KK 02 97	18101
KK 01 21 20	55	KK 01 25 05	55	KK 01 26 52	51	KK 01 29 16	101	KK 01 30 75	95	KK 01 33 46	13	KK 01 58 34	15	KK 02 97	27 21
KK 01 21 20	65	KK 01 25 08	65	KK 01 26 52	55	KK 01 29 19	101	KK 01 30 76	95	KK 01 33 46	15	KK 01 58 34	9	KK 02 97	27 21
KK 01 21 23	51	KK 01 25 09	65	KK 01 26 54	65	KK 01 29 19	13	KK 01 30 77	95	KK 01 33 46	19	KK 01 58 41	33	KK 02 97	70 35
KK 01 21 24	65	KK 01 25 17	55	KK 01 26 55	45	KK 01 29 19	15	KK 01 30 78	95	KK 01 33 46	5	KK 01 58 41	39	KK 02 99	18 39
KK 01 21 58	65	KK 01 25 22	45	KK 01 26 59	53	KK 01 29 19	5	KK 01 30 79	95	KK 01 33 46	7	KK 01 58 50	85	KK 02 99	18 91
KK 01 21 85	35	KK 01 25 22	49	KK 01 26 59	55	KK 01 29 19	9	KK 01 30 80	95	KK 01 33 46	9	KK 01 58 70	85	KK 02 99	20 21
KK 01 22 12	49	KK 01 25 22	51	KK 01 26 62	65	KK 01 29 19	99	KK 01 30 81	95	KK 01 33 61	11	KK 01 60 00	101	KK 02 99	20 25

Art. no	Page	Art. no	Page	Art. no	Page	Art. no	Page	Art. no	Page	Art. no	Page	Art. no	Page	Art. no	Page
KK 02 99 20	27	KK 03 23 80	51	KK 03 27 25	37	KK 03 27 65	11	KK 03 28 50	23	KK 03 31 18	13	KK 03 42 50	33	KK 05 33 87	9
KK 02 99 20	29	KK 03 24 03	35	KK 03 27 25	37	KK 03 27 65	13	KK 03 28 50	31	KK 03 31 19	13	KK 03 44 46	33	KK 05 61 12	25
KK 02 99 20	31	KK 03 24 35	49	KK 03 27 25	39	KK 03 27 65	18	KK 03 28 50	35	KK 03 31 73	15	KK 03 50 15	81	KK 05 61 14	25
KK 02 99 20	35	KK 03 24 35	51	KK 03 27 25	5	KK 03 27 65	7	KK 03 28 50	39	KK 03 31 74	13	KK 03 50 20	21	KK 05 61 15	25
KK 02 99 20	37	KK 03 24 35	53	KK 03 27 25	9	KK 03 27 70 101		KK 03 28 50	43	KK 03 31 75	15	KK 03 50 21	21	KK 05 61 16	25
KK 02 99 20	39	KK 03 24 35	55	KK 03 27 30	13	KK 03 27 75 101		KK 03 28 55	21	KK 03 31 75	15	KK 03 50 31	25	KK 05 61 56	25
KK 02 99 20	43	KK 03 24 35	57	KK 03 27 30	15	KK 03 27 75	11	KK 03 28 55	39	KK 03 31 75	17	KK 03 50 31	27	KK 05 68 73	33
KK 02 99 20	81	KK 03 24 40	39	KK 03 27 30	35	KK 03 27 75	13	KK 03 28 60	21	KK 03 31 75	5	KK 03 50 60	23	KK 05 70 63	21
KK 02 99 20	97	KK 03 24 45	59	KK 03 27 35	13	KK 03 27 75	19	KK 03 28 60	23	KK 03 31 75	9	KK 03 50 72	23	KK 05 70 64	21
KK 02 99 20	99	KK 03 24 45	61	KK 03 27 35	5	KK 03 27 75	31	KK 03 28 60	35	KK 03 31 81	15	KK 03 50 88	35	KK 05 70 65	21
KK 02 99 22	39	KK 03 24 45	63	KK 03 27 35	9	KK 03 27 75	7	KK 03 28 65	23	KK 03 31 85	15	KK 03 50 88	37	KK 05 70 66	21
KK 02 99 22	39	KK 03 24 45	65	KK 03 27 40 103		KK 03 27 85	31	KK 03 28 85	39	KK 03 32 51	13	KK 03 51 09	35	KK 05 70 67	21
KK 02 99 27	35	KK 03 24 60	65	KK 03 27 40	11	KK 03 27 90	37	KK 03 28 90 101		KK 03 32 51	15	KK 03 51 65	21	KK 05 70 68	21
KK 02 99 27	39	KK 03 24 65	45	KK 03 27 40	13	KK 03 27 90	39	KK 03 29 08	43	KK 03 32 51	17	KK 03 51 75	29	KK 05 70 89	21
KK 02 99 32 101		KK 03 24 65	55	KK 03 27 40	15	KK 03 27 95	33	KK 03 29 20 101		KK 03 32 51	5	KK 03 51 79	43	KK 06 01 08	21
KK 03 09 70	39	KK 03 24 70	49	KK 03 27 40	17	KK 03 27 95	37	KK 03 29 25 101		KK 03 32 51	9	KK 03 51 97	37	KK 06 01 09	21
KK 03 10 30	29	KK 03 24 70	51	KK 03 27 40	7	KK 03 28 07 101		KK 03 29 26	35	KK 03 32 56	13	KK 03 51 97	39	KK 06 02 21	87
KK 03 10 30	31	KK 03 24 70	53	KK 03 27 40	99	KK 03 28 07	23	KK 03 29 70 101		KK 03 32 56	17	KK 03 52 09	21	KK 06 06 24	25
KK 03 13 40	25	KK 03 24 75	35	KK 03 27 45 101		KK 03 28 18	39	KK 03 29 80 101		KK 03 32 56	5	KK 03 52 15	23	KK 06 06 57	33
KK 03 17 30	25	KK 03 24 75	65	KK 03 27 45	37	KK 03 28 20	35	KK 03 30 04	13	KK 03 32 56	9	KK 03 52 16	23	KK 06 07 03	21
KK 03 17 40	25	KK 03 24 80	65	KK 03 27 45	39	KK 03 28 20	37	KK 03 30 06	17	KK 03 32 86	13	KK 03 52 19	37	KK 06 12 80	21
KK 03 20 02	79	KK 03 25 40	27	KK 03 27 50	11	KK 03 28 20	39	KK 03 30 06	33	KK 03 32 86	15	KK 03 52 19	39	KK 06 12 91	21
KK 03 20 02	91	KK 03 26 40 101		KK 03 27 50	13	KK 03 28 22 101		KK 03 30 07	33	KK 03 32 86	17	KK 03 52 27	37	KK 06 12 91	35
KK 03 20 06	69	KK 03 26 55	21	KK 03 27 50	17	KK 03 28 22	37	KK 03 30 16	17	KK 03 32 86	5	KK 03 52 35	35	KK 06 12 91	37
KK 03 20 06	73	KK 03 26 55	37	KK 03 27 50	18	KK 03 28 30	27	KK 03 31 00	13	KK 03 32 86	9	KK 03 52 36	35	KK 06 15 15	23
KK 03 20 07	91	KK 03 26 65 101		KK 03 27 50	35	KK 03 28 36 101		KK 03 31 00	15	KK 03 32 95	13	KK 05 07 06	21	KK 06 15 15	65
KK 03 20 16	69	KK 03 26 65	21	KK 03 27 50	43	KK 03 28 37	35	KK 03 31 00	5	KK 03 32 95	17	KK 05 30 90	11	KK 06 16 37	37
KK 03 20 16	73	KK 03 26 85	99	KK 03 27 50	7	KK 03 28 40	21	KK 03 31 00	9	KK 03 32 95	5	KK 05 30 90	13	KK 06 16 37	39
KK 03 20 16	89	KK 03 26 95	99	KK 03 27 50	9	KK 03 28 40	23	KK 03 31 07	15	KK 03 32 95	9	KK 05 30 90	13	KK 06 18 99 103	
KK 03 20 40	67	KK 03 27 02	29	KK 03 27 50	99	KK 03 28 40	23	KK 03 31 07	17	KK 03 33 08	65	KK 05 30 90	15	KK 06 19 42	61
KK 03 20 40	71	KK 03 27 02	31	KK 03 27 52	37	KK 03 28 40	27	KK 03 31 07	5	KK 03 33 21	65	KK 05 30 90	17	KK 06 20 20	23
KK 03 20 40	77	KK 03 27 05	43	KK 03 27 52	39	KK 03 28 40	31	KK 03 31 07	9	KK 03 34 20	55	KK 05 30 90	17	KK 06 20 25	13
KK 03 20 40	79	KK 03 27 16 101		KK 03 27 55	37	KK 03 28 43	35	KK 03 31 07	9	KK 03 35 35	41	KK 05 30 90	5	KK 06 20 25	9
KK 03 20 40	83	KK 03 27 16	43	KK 03 27 60	99	KK 03 28 45	35	KK 03 31 08	15	KK 03 35 35	61	KK 05 30 90	7	KK 06 24 58	35
KK 03 21 51	37	KK 03 27 19 101		KK 03 27 62	23	KK 03 28 45	37	KK 03 31 11	17	KK 03 36 70	99	KK 05 30 90	9	KK 06 25 00	35
KK 03 23 35	45	KK 03 27 20	37	KK 03 27 65 101		KK 03 28 45	39	KK 03 31 16	17	KK 03 42 25	33	KK 05 33 87	13	KK 06 25 05	35
KK 03 23 80	47	KK 03 27 25	35	KK 03 27 65 103		KK 03 28 50 101		KK 03 31 17	17	KK 03 42 28	33	KK 05 33 87	5	KK 06 25 06	35

Art. no	Page	Art. no	Page	Art. no	Page	Art. no	Page	Art. no	Page	Art. no	Page	Art. no	Page	Art. no	Page
KK 06 30 90	11	KK 06 40 87103	11	KK 07 08 05101	17	KK 07 30 03	17	KK 07 30 56	17	KK 07 30 89	17	KK 07 32 63	5		
KK 06 30 90	13	KK 06 40 87 99	21	KK 07 12 07 23	5	KK 07 30 03	5	KK 07 30 56	9	KK 07 30 89	5	KK 07 32 64	5		
KK 06 30 90	13	KK 06 40 89101	21	KK 07 12 08 23	17	KK 07 30 04	17	KK 07 30 57	13	KK 07 30 89	9	KK 07 32 66	5		
KK 06 30 90	15	KK 06 40 89 99	21	KK 07 12 09 23	5	KK 07 30 04	5	KK 07 30 57	15	KK 07 30 91	13	KK 07 32 66	9		
KK 06 30 90	17	KK 06 40 97101	21	KK 07 12 11 23	17	KK 07 30 05	17	KK 07 30 57	17	KK 07 30 91	15	KK 07 32 67	5		
KK 06 30 90	17	KK 06 42 22 99	21	KK 07 12 12 23	5	KK 07 30 05	5	KK 07 30 57	9	KK 07 30 91	17	KK 07 32 67	9		
KK 06 30 90	5	KK 06 42 23 99	21	KK 07 12 28 23	17	KK 07 30 06	17	KK 07 30 62	13	KK 07 30 91	5	KK 07 32 72	13		
KK 06 30 90	7	KK 06 43 17 35	21	KK 07 12 56 37	5	KK 07 30 06	5	KK 07 30 62	15	KK 07 30 91	9	KK 07 32 72	15		
KK 06 30 90	9	KK 06 43 21 35	21	KK 07 12 56 39	17	KK 07 30 07	17	KK 07 30 62	17	KK 07 30 92	13	KK 07 32 73	13		
KK 06 30 91	15	KK 06 43 60 35	21	KK 07 12 70 23	5	KK 07 30 07	5	KK 07 30 62	9	KK 07 30 92	15	KK 07 32 73	15		
KK 06 30 91	17	KK 06 61 02 25	21	KK 07 12 71 23	5	KK 07 30 08	5	KK 07 30 63	13	KK 07 30 92	17	KK 07 32 75	13		
KK 06 30 91	5	KK 06 61 08 25	21	KK 07 12 72 23	5	KK 07 30 09	5	KK 07 30 63	15	KK 07 30 92	5	KK 07 32 75	15		
KK 06 30 92	15	KK 06 61 40 25	21	KK 07 12 73 23	15	KK 07 30 16	15	KK 07 30 63	17	KK 07 30 92	9	KK 07 32 76	13		
KK 06 30 92	17	KK 06 61 42 25	21	KK 07 12 74 23	17	KK 07 30 30	17	KK 07 30 63	9	KK 07 32 24	9	KK 07 32 76	15		
KK 06 30 92	5	KK 06 61 43 25	15	KK 07 12 75 23	5	KK 07 30 30	5	KK 07 30 64	13	KK 07 32 25	9	KK 07 32 78	13		
KK 06 33 88	13	KK 06 61 45 25	15	KK 07 12 80 23	17	KK 07 30 31	17	KK 07 30 64	15	KK 07 32 27	9	KK 07 32 79	13		
KK 06 33 88	5	KK 06 61 70 27	15	KK 07 12 81 23	5	KK 07 30 31	5	KK 07 30 64	17	KK 07 32 28	9	KK 07 32 80	5		
KK 06 33 88	9	KK 06 61 75 25	9	KK 07 15 00 15	5	KK 07 30 40	5	KK 07 30 64	9	KK 07 32 30	17	KK 07 32 81	5		
KK 06 36 07	15	KK 06 61 75 27	9	KK 07 15 08 23	5	KK 07 30 41	5	KK 07 30 65	13	KK 07 32 30	9	KK 07 32 86	5		
KK 06 36 07	5	KK 06 61 75 29	5	KK 07 15 29 23	17	KK 07 30 42	17	KK 07 30 65	15	KK 07 32 31	17	KK 07 32 87	5		
KK 06 36 07	9	KK 06 61 78 25	5	KK 07 16 08 37	5	KK 07 30 42	5	KK 07 30 65	17	KK 07 32 31	9	KK 07 32 90	5		
KK 06 38 01	5	KK 06 61 78 27	5	KK 07 16 50 43	17	KK 07 30 43	17	KK 07 30 65	9	KK 07 32 36	9	KK 07 32 90	5		
KK 06 38 01	5	KK 06 61 78 31	9	KK 07 16 64 37	5	KK 07 30 43	5	KK 07 30 80	13	KK 07 32 37	9	KK 07 32 91	5		
KK 06 40 24101		KK 06 61 82 25	5	KK 07 16 64 39	17	KK 07 30 44	17	KK 07 30 80	15	KK 07 32 39	9	KK 07 32 91	9		
KK 06 40 30101		KK 06 61 82 27	5	KK 07 16 79 37	5	KK 07 30 44	5	KK 07 30 80	17	KK 07 32 40	9	KK 07 33 00	15		
KK 06 40 30 99		KK 06 61 85 25	9	KK 07 17 34 35	17	KK 07 30 45	17	KK 07 30 80	9	KK 07 32 41	9	KK 07 33 00	17		
KK 06 40 36 99		KK 06 61 89 25	9	KK 07 17 94 39	5	KK 07 30 45	5	KK 07 30 81	13	KK 07 32 42	9	KK 07 33 00	5		
KK 06 40 39 99		KK 06 61 89 27	9	KK 07 19 04 39	13	KK 07 30 54	13	KK 07 30 81	15	KK 07 32 45	15	KK 07 33 00	9		
KK 06 40 47103		KK 06 61 90 25	9	KK 07 19 42 39	15	KK 07 30 54	15	KK 07 30 81	17	KK 07 32 46	15	KK 07 33 01	15		
KK 06 40 73 99		KK 06 61 90 27	33	KK 07 24 21 39	17	KK 07 30 54	17	KK 07 30 81	9	KK 07 32 50	5	KK 07 33 01	17		
KK 06 40 74 99		KK 06 68 11 33	5	KK 07 25 26 39	9	KK 07 30 54	9	KK 07 30 88	13	KK 07 32 51	5	KK 07 33 01	5		
KK 06 40 75 99		KK 06 68 12 33	9	KK 07 26 17 39	13	KK 07 30 55	13	KK 07 30 88	15	KK 07 32 56	17	KK 07 33 01	9		
KK 06 40 78 99		KK 06 68 68 33	5	KK 07 26 18 39	15	KK 07 30 55	15	KK 07 30 88	17	KK 07 32 56	5	KK 07 33 03	15		
KK 06 40 79101		KK 06 68 69 33	9	KK 07 30 00 5	17	KK 07 30 55	17	KK 07 30 88	5	KK 07 32 57	17	KK 07 33 04	15		
KK 06 40 81 99		KK 06 68 73 33	5	KK 07 30 01 5	9	KK 07 30 55	9	KK 07 30 88	9	KK 07 32 57	5	KK 07 33 10	5		
KK 06 40 86103		KK 06 68 80 33	9	KK 07 30 02 17	13	KK 07 30 56	13	KK 07 30 89	13	KK 07 32 60	5	KK 07 33 10	9		
KK 06 40 86 99		KK 06 68 81 33	33	KK 07 30 02 5	15	KK 07 30 56	15	KK 07 30 89	15	KK 07 32 61	5	KK 07 33 11	5		

Art. no	Page	Art. no	Page	Art. no	Page	Art. no	Page	Art. no	Page	Art. no	Page	Art. no	Page	Art. no	Page
KK 07 33 11	9	KK 07 36 08	17	KK 07 38 03	5	KK 07 46 24	99	KK 07 48 84101		KK 07 59 04	37	KK 07 65 75	31	KK 07 70 82	35
KK 07 33 28	13	KK 07 36 08	5	KK 07 38 03	5	KK 07 47 44	39	KK 07 48 85101		KK 07 59 05	37	KK 07 68 12	33	KK 07 70 85	39
KK 07 33 29	13	KK 07 36 08	9	KK 07 38 04	9	KK 07 47 62	39	KK 07 48 86101		KK 07 59 06	37	KK 07 68 13	33	KK 07 71 02	37
KK 07 33 32	15	KK 07 36 09	13	KK 07 38 04	9	KK 07 47 63	41	KK 07 48 87101		KK 07 59 11	37	KK 07 68 17	33	KK 07 71 04	37
KK 07 33 33	15	KK 07 36 09	15	KK 07 38 05	15	KK 07 47 65	41	KK 07 48 88101		KK 07 59 11	39	KK 07 68 18	33	KK 07 71 06	43
KK 07 33 38	13	KK 07 36 09	17	KK 07 38 05	9	KK 07 47 99	99	KK 07 48 89101		KK 07 60 23	39	KK 07 68 25	33	KK 07 71 07	41
KK 07 33 39	13	KK 07 36 09	5	KK 07 38 07	5	KK 07 48 01	99	KK 07 48 90101		KK 07 60 60	29	KK 07 68 26	33	KK 07 71 08	39
KK 07 33 50	13	KK 07 36 09	9	KK 07 38 08	5	KK 07 48 02	99	KK 07 48 91101		KK 07 60 63	29	KK 07 68 33	33	KK 07 71 10	37
KK 07 33 51	13	KK 07 36 14	13	KK 07 38 10	15	KK 07 48 06	99	KK 07 48 93101		KK 07 60 75	29	KK 07 68 34	33	KK 07 71 11	37
KK 07 33 52	13	KK 07 36 14	15	KK 07 38 11	15	KK 07 48 10	99	KK 07 49 02	37	KK 07 60 76	29	KK 07 68 59	33	KK 07 71 12	37
KK 07 33 53	13	KK 07 36 14	17	KK 07 38 12	15	KK 07 48 17	99	KK 07 49 02	39	KK 07 60 76	31	KK 07 68 72	33	KK 07 71 13	39
KK 07 33 54	13	KK 07 36 14	5	KK 07 38 13	15	KK 07 48 18	99	KK 07 49 03	39	KK 07 60 82	29	KK 07 68 78	33	KK 07 71 15	37
KK 07 34 06	5	KK 07 36 14	9	KK 07 38 15	15	KK 07 48 19	99	KK 07 49 10	23	KK 07 60 97	29	KK 07 69 62	33	KK 07 71 16	37
KK 07 34 07	5	KK 07 36 15	13	KK 07 38 16	15	KK 07 48 20	99	KK 07 49 11	23	KK 07 62 10	29	KK 07 69 63	33	KK 07 71 17	37
KK 07 34 11	5	KK 07 36 15	15	KK 07 38 17	15	KK 07 48 20	99	KK 07 49 12	39	KK 07 62 11	29	KK 07 70 23	23	KK 07 71 18	39
KK 07 34 12	5	KK 07 36 15	17	KK 07 38 20	15	KK 07 48 35101		KK 07 49 13	37	KK 07 62 12	29	KK 07 70 24	23	KK 07 71 28	37
KK 07 34 14	5	KK 07 36 15	5	KK 07 38 21	15	KK 07 48 36101		KK 07 49 13	39	KK 07 62 13	29	KK 07 70 26	61	KK 07 71 30	37
KK 07 34 15	5	KK 07 36 15	9	KK 07 38 22	15	KK 07 48 38101		KK 07 49 19	37	KK 07 62 13	29	KK 07 70 26	61	KK 07 71 33	37
KK 07 34 17	9	KK 07 36 16	13	KK 07 38 23	15	KK 07 48 39101		KK 07 49 30	31	KK 07 64 00	29	KK 07 70 27	61	KK 07 71 37	35
KK 07 34 18	9	KK 07 36 16	17	KK 07 38 26	13	KK 07 48 41101		KK 07 49 31	31	KK 07 64 00	31	KK 07 70 27	61	KK 07 71 50	43
KK 07 34 35	9	KK 07 36 16	5	KK 07 38 26	9	KK 07 48 43101		KK 07 49 36	31	KK 07 64 06	29	KK 07 70 28	61	KK 07 71 65	39
KK 07 34 36	9	KK 07 36 16	9	KK 07 38 26	9	KK 07 48 44103		KK 07 49 37	31	KK 07 64 06	31	KK 07 70 29	61	KK 07 71 67	37
KK 07 34 40	9	KK 07 36 34	11	KK 07 38 29	13	KK 07 48 46103		KK 07 49 38	31	KK 07 64 07	27	KK 07 70 30	35	KK 07 71 70	35
KK 07 34 41	9	KK 07 36 34	13	KK 07 38 29	9	KK 07 48 50101		KK 07 49 39	31	KK 07 64 07	29	KK 07 70 31	35	KK 07 71 71	35
KK 07 34 64	13	KK 07 36 34	17	KK 07 38 30	5	KK 07 48 56101		KK 07 58 07	39	KK 07 64 07	31	KK 07 70 32	39	KK 07 71 72	43
KK 07 34 64	15	KK 07 36 34	7	KK 07 38 31	5	KK 07 48 64101		KK 07 58 07	39	KK 07 64 09	27	KK 07 70 35	39	KK 07 71 91	35
KK 07 34 65	13	KK 07 36 35	11	KK 07 38 31	9	KK 07 48 65101		KK 07 58 71	39	KK 07 64 09	29	KK 07 70 38	39	KK 07 71 95	39
KK 07 34 65	15	KK 07 36 35	13	KK 07 38 34	15	KK 07 48 66101		KK 07 58 72	37	KK 07 64 09	31	KK 07 70 50	39	KK 07 72 00	35
KK 07 34 70	13	KK 07 36 35	17	KK 07 38 35	15	KK 07 48 67101		KK 07 58 72	39	KK 07 64 10	27	KK 07 70 55	39	KK 07 72 01	39
KK 07 34 70	15	KK 07 36 35	7	KK 07 38 36	15	KK 07 48 70101		KK 07 58 80	37	KK 07 64 10	29	KK 07 70 58	37	KK 07 72 02	39
KK 07 34 71	13	KK 07 38 00	13	KK 07 38 42	9	KK 07 48 73101		KK 07 58 80	39	KK 07 64 10	31	KK 07 70 59	37	KK 07 72 07	35
KK 07 34 71	15	KK 07 38 00	5	KK 07 40 47	99	KK 07 48 74101		KK 07 58 81	37	KK 07 64 10	31	KK 07 70 60	37	KK 07 72 08	35
KK 07 36 07	15	KK 07 38 00	9	KK 07 40 48	99	KK 07 48 75101		KK 07 58 81	39	KK 07 64 99	29	KK 07 70 63	37	KK 07 72 09	35
KK 07 36 07	5	KK 07 38 01	13	KK 07 40 49	99	KK 07 48 76101		KK 07 58 87	37	KK 07 64 99	31	KK 07 70 65	37	KK 07 72 10	39
KK 07 36 07	9	KK 07 38 01	5	KK 07 40 80101		KK 07 48 80101		KK 07 58 87	39	KK 07 65 15	31	KK 07 70 67	37	KK 07 72 12	39
KK 07 36 08	13	KK 07 38 01	9	KK 07 40 93101		KK 07 48 81101		KK 07 58 89	39	KK 07 65 27	31	KK 07 70 80	35	KK 07 72 13	39
KK 07 36 08	15	KK 07 38 03	15	KK 07 46 17	99	KK 07 48 82101		KK 07 59 03	37	KK 07 65 75	29	KK 07 70 81	35	KK 07 72 14	39

Art. no	Page	Art. no	Page	Art. no	Page	Art. no	Page	Art. no	Page	Art. no	Page	Art. no	Page	Art. no	Page
KK 07 72 16	39	KK 07 85 84	45	KK 08 32 12	17	KK 08 40 12103		KK 12 41 57	59	KK 35 27 85	75	KK 35 35 40	99	KK 35 37 04	73
KK 07 72 26	55	KK 07 88 98	35	KK 08 32 13	17	KK 08 40 13103		KK 12 41 57	63	KK 35 27 86	67	KK 35 35 51	83	KK 35 37 05	73
KK 07 72 30	35	KK 07 88 98	43	KK 08 32 14	17	KK 08 40 40101		KK 12 60 95	39	KK 35 27 86	71	KK 35 35 52	83	KK 35 37 06	45
KK 07 72 31	35	KK 07 90 63101		KK 08 32 15	17	KK 08 40 42103		KK 19 54 15	43	KK 35 27 87	45	KK 35 35 53	83	KK 35 37 06	57
KK 07 72 34	85	KK 07 91 53 35		KK 08 32 16	17	KK 08 40 43101		KK 35 11 39	37	KK 35 27 87	67	KK 35 35 54	85	KK 35 37 06	73
KK 07 72 36	39	KK 07 97 65 35		KK 08 32 17	17	KK 08 40 84103		KK 35 11 40	37	KK 35 27 94	81	KK 35 35 55	85	KK 35 37 07	73
KK 07 72 40	37	KK 08 00 80 35		KK 08 32 18	17	KK 08 41 00103		KK 35 11 44	37	KK 35 27 95	81	KK 35 35 56	85	KK 35 37 10	59
KK 07 72 48	37	KK 08 10 44 35		KK 08 32 20	17	KK 08 41 01103		KK 35 11 48	37	KK 35 27 96	67	KK 35 35 62	93	KK 35 37 10	89
KK 07 72 49	37	KK 08 10 98 35		KK 08 32 21	17	KK 08 41 06101		KK 35 11 48	39	KK 35 27 96	71	KK 35 35 62	95	KK 35 37 26	73
KK 07 72 50	43	KK 08 11 00 41		KK 08 32 22	17	KK 08 41 07101		KK 35 11 70	37	KK 35 27 97	67	KK 35 35 63	93	KK 35 37 27	73
KK 07 72 51	43	KK 08 11 34 39		KK 08 32 23	17	KK 08 41 10101		KK 35 11 70	39	KK 35 28 21	89	KK 35 35 63	95	KK 35 37 28	73
KK 07 72 52	43	KK 08 11 35 39		KK 08 32 24	17	KK 08 41 11101		KK 35 11 72	37	KK 35 33 50	87	KK 35 35 64	93	KK 35 37 28	89
KK 07 72 56	41	KK 08 11 36 41		KK 08 32 35	17	KK 08 60 80 27		KK 35 11 73	37	KK 35 33 51	87	KK 35 35 65	93	KK 35 37 29	73
KK 07 72 57	39	KK 08 11 37 41		KK 08 32 35	7	KK 08 60 81 27		KK 35 11 73	39	KK 35 33 53	87	KK 35 35 65	95	KK 35 37 32	73
KK 07 72 64	45	KK 08 11 50 35		KK 08 33 00	17	KK 08 60 82 27		KK 35 11 92	39	KK 35 33 56	75	KK 35 35 66	93	KK 35 37 35	73
KK 07 72 65	85	KK 08 11 60 41		KK 08 33 01	17	KK 08 60 83 27		KK 35 21 53	75	KK 35 33 70	47	KK 35 35 66	95	KK 35 37 36	73
KK 07 72 66	35	KK 08 11 61 39		KK 08 34 06	17	KK 08 60 84 27		KK 35 21 53	81	KK 35 33 70	51	KK 35 35 73	93	KK 35 37 39	69
KK 07 72 67	35	KK 08 11 63 39		KK 08 34 07	17	KK 08 60 85 27		KK 35 22 38	47	KK 35 33 70	55	KK 35 35 73	95	KK 35 37 43	73
KK 07 72 69	39	KK 08 11 65 39		KK 08 34 08	17	KK 08 60 86 31		KK 35 22 38	51	KK 35 33 70	77	KK 35 35 80	61	KK 35 37 44	73
KK 07 72 70	39	KK 08 11 90 43		KK 08 34 09	17	KK 08 60 87 31		KK 35 22 38	55	KK 35 33 71	77	KK 35 35 80	91	KK 35 37 45	73
KK 07 72 71	39	KK 08 11 92 43		KK 08 34 15	17	KK 08 60 89 31		KK 35 22 46	45	KK 35 33 72	77	KK 35 35 92	91	KK 35 37 46	73
KK 07 72 72	43	KK 08 11 93 43		KK 08 34 16	17	KK 08 60 90 31		KK 35 22 47	47	KK 35 33 72	79	KK 35 35 93	91	KK 35 37 73	69
KK 07 72 74	43	KK 08 11 94 43		KK 08 34 17	17	KK 08 61 00 27		KK 35 22 47	51	KK 35 33 73	77	KK 35 35 94	91	KK 35 37 83	69
KK 07 72 75	43	KK 08 11 97 43		KK 08 34 18	17	KK 08 61 00 29		KK 35 22 47	55	KK 35 33 73	81	KK 35 35 95	91	KK 35 37 85	69
KK 07 72 76	43	KK 08 11 98 43		KK 08 38 02	17	KK 08 61 01 27		KK 35 22 61	87	KK 35 33 92	77	KK 35 35 96	91	KK 35 37 93	73
KK 07 72 80	35	KK 08 12 70 43		KK 08 38 03	17	KK 08 61 01 29		KK 35 22 99	77	KK 35 33 92	79	KK 35 35 97	91	KK 35 37 93	89
KK 07 72 81	35	KK 08 13 69 39		KK 08 38 04	17	KK 08 61 01 31		KK 35 24 96	59	KK 35 33 92	83	KK 35 36 16	67	KK 35 37 95	69
KK 07 72 82	39	KK 08 20 88 65		KK 08 38 05	17	KK 08 61 03 29		KK 35 24 96	87	KK 35 33 98	67	KK 35 36 17	67	KK 35 37 96	89
KK 07 72 83	43	KK 08 21 00 37		KK 08 38 06	17	KK 08 61 10 27		KK 35 27 72	79	KK 35 33 98	71	KK 35 36 18	67	KK 35 37 97	89
KK 07 72 86	35	KK 08 21 27 37		KK 08 38 07	17	KK 08 61 11 27		KK 35 27 77	45	KK 35 34 58	67	KK 35 36 25	85	KK 35 37 98	69
KK 07 72 91	43	KK 08 21 35 37		KK 08 38 08	17	KK 08 61 12 27		KK 35 27 77	75	KK 35 34 78	87	KK 35 36 27	79	KK 35 37 99	69
KK 07 72 95	37	KK 08 21 36 37		KK 08 40 00103		KK 08 61 13 27		KK 35 27 79	45	KK 35 34 78	87	KK 35 36 27	79	KK 35 37 99	69
KK 07 76 82	45	KK 08 21 37 35		KK 08 40 01103		KK 08 61 14 27		KK 35 27 79	67	KK 35 35 34	63	KK 35 36 30101		KK 35 38 04	65
KK 07 85 46	35	KK 08 21 71 45		KK 08 40 02103		KK 08 61 15 27		KK 35 27 82	49	KK 35 35 34	93	KK 35 36 34	63	KK 35 38 13	45
KK 07 85 50	35	KK 08 21 77 35		KK 08 40 03103		KK 08 61 15 27		KK 35 27 82	51	KK 35 35 35	53	KK 35 36 34	95	KK 35 38 13	69
KK 07 85 64	35	KK 08 32 10 17		KK 08 40 10103		KK 12 41 57 37		KK 35 27 82	55	KK 35 35 35	55	KK 35 36 77	91	KK 35 38 20	89
KK 07 85 83	45	KK 08 32 11 17		KK 08 40 11103		KK 12 41 57 57		KK 35 27 84	75	KK 35 35 36	53	KK 35 36 88	95	KK 35 38 22	89
										KK 35 35 36	55	KK 35 37 04	57	KK 35 38 34	45

Index



Art. no	Page	Art. no	Page	Art. no	Page	Art. no	Page	Art. no	Page	Art. no	Page	Art. no	Page
KK 35 38 34	71	KK 35 38 37	79	KK 36 11 16	37	KK 70 93 04	105	KK 70 98 23	105	KK 70 98 43	105	KK 70 99 40	105
KK 35 38 37	47	KK 35 38 38	79	KK 36 11 20	37	KK 70 94 79	105	KK 70 98 31	105	KK 70 98 44	105	KK 70 99 44	105
KK 35 38 37	51	KK 35 38 50	79	KK 36 11 20	37	KK 70 97 37	105	KK 70 98 41	105	KK 70 98 47	105	KK 70 99 80	105
KK 35 38 37	55	KK 35 38 51	79	KK 70 92 34	105	KK 70 97 81	105	KK 70 98 42	105	KK 70 98 95	105	KK 70 99 81	105
		KK 35 38 52	71										
		KK 35 38 53	71										
		KK 35 39 05	59										
		KK 35 60 42	101										