

(097) 680-14-74  
**PN/RN**

(067) 326-58-68

## Spare Parts Manual

Article number: KK733042\_2011  
Language: EN  
Production year (from): 2011  
Prod. Series nr (from):  
PN861 < Mach. ID <= RN600->

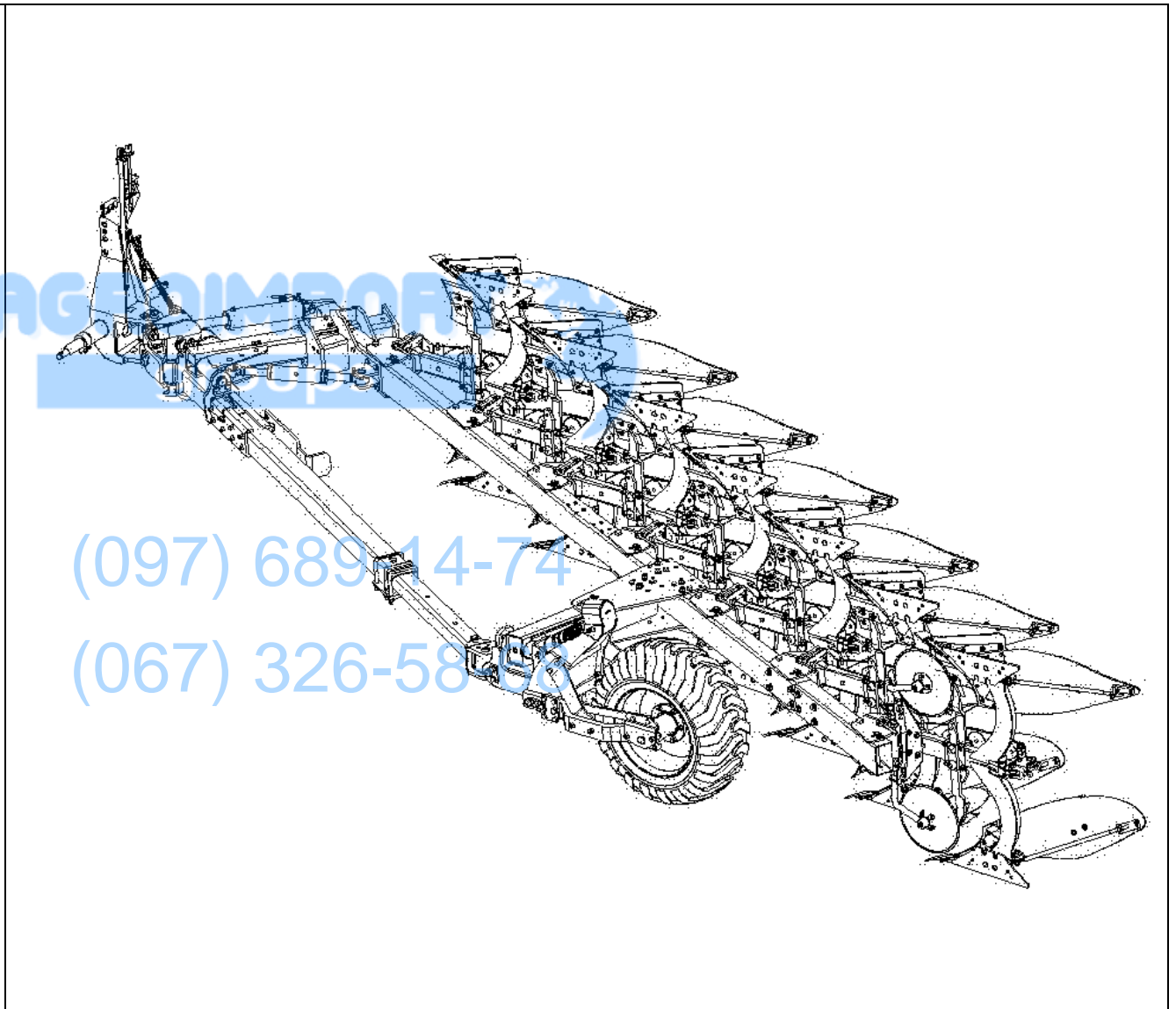


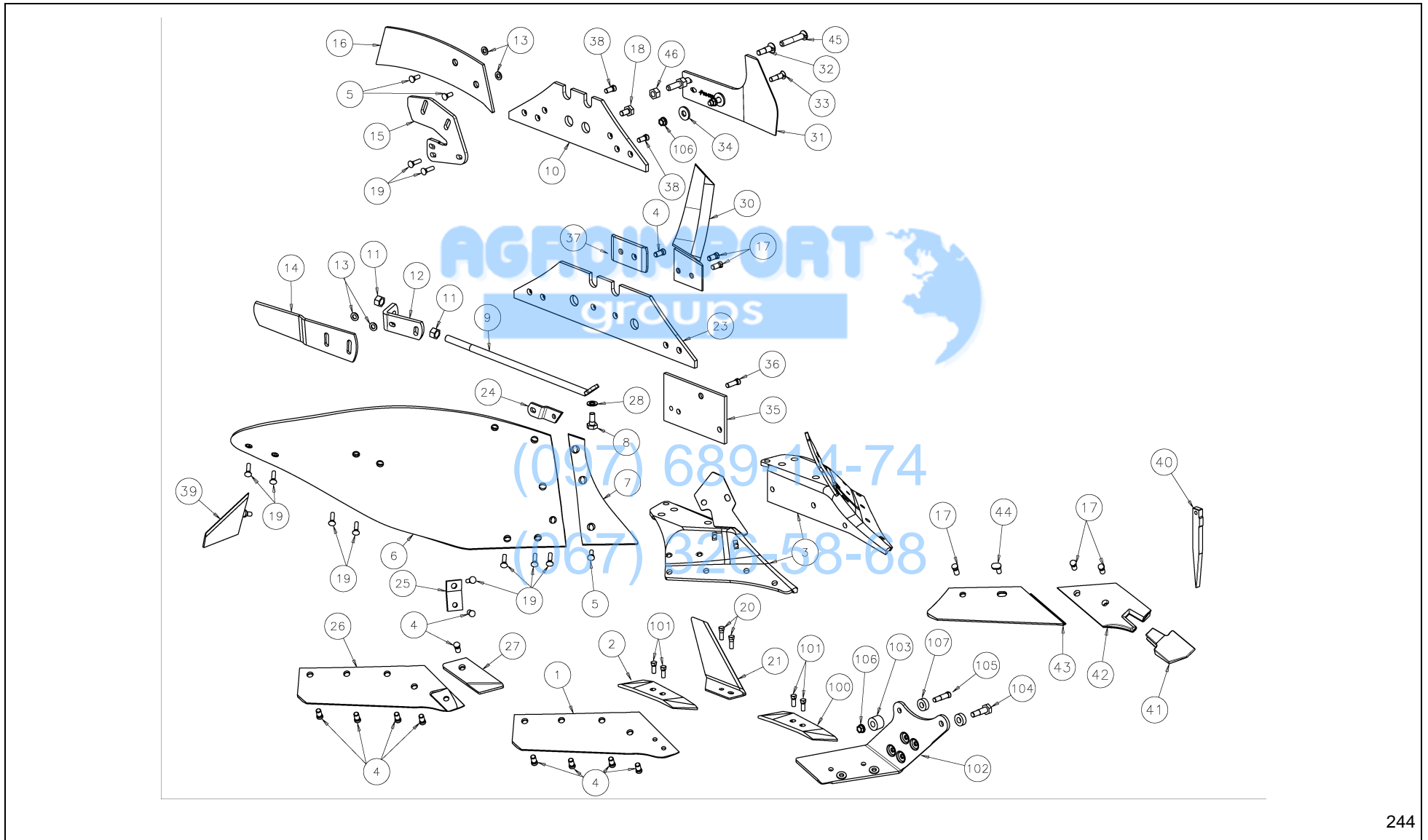
(097) 689-14-74

(067) 326-58-68

# PN/RN / Table of Contents

PosNo.	Assembly group	Page
Body	BODY - 8, 9, 28	1
--	BODY - 12, 15, 19	2
--	BODY - 14 (PLASTIC)	3
--	BODY - 30	4
Beam	BEAM (AUTO RESET)	5
--	BEAM (SHEAR BOLT)	6
--	BEAM (VIBROMAT)	7
--	BEAM SUPPORT STEPWISE	8
--	VIBROMAT	9
--	REBUILDING KIT VIBROMAT	10
Coulter	DISC COULTER - AUTO-RESET BEAM	11
--	DISC COULTER 99 - AUTO RESET BEAM	12
--	DISC COULTER - SHEAR BOLT BEAM	13
Skimmers	SKIMMER REVERSIBLE & CONVENTIONAL PLOUGHS	14
Frame	FRONT FRAME	15
--	MAIN FRAME	16
--	MAIN FRAME 200X200	17
Wheel	WHEEL WAGON	18
--	WHEEL	19
Hydr	HYDRAULICS TURN-OVER	20
--	RELIEF VALVE KIT	21
--	HYDRAULICS WHEEL LIFTING	22
--	HYDRAULICS FRONT FURROW WIDTH ADJUSTMENT	23
--	CYLINDER D100-D50X697+400(354712)	24
--	CYLINDER D100-D50X435+190(KK353635)	25
--	CYLINDER D90X150 (353580)	26
--	CYLINDER D50X200 (FROM 01.04.01)	27
Light	LIGHTS (MOUNTING FRAME)	28
--	LIGHTS AND REFLEXES	29
--	LIGHTS (SIDE MOUNTED)	30
--	PACER ARM- RELEASER CYLINDER(354220)	31
Packer	HYDRAULIC FOR SOIL PACKER PG/RG-PN/RN-PB/RB	32
--	SOIL PACKER ARM	33
Transfer	TRANSFERS	34

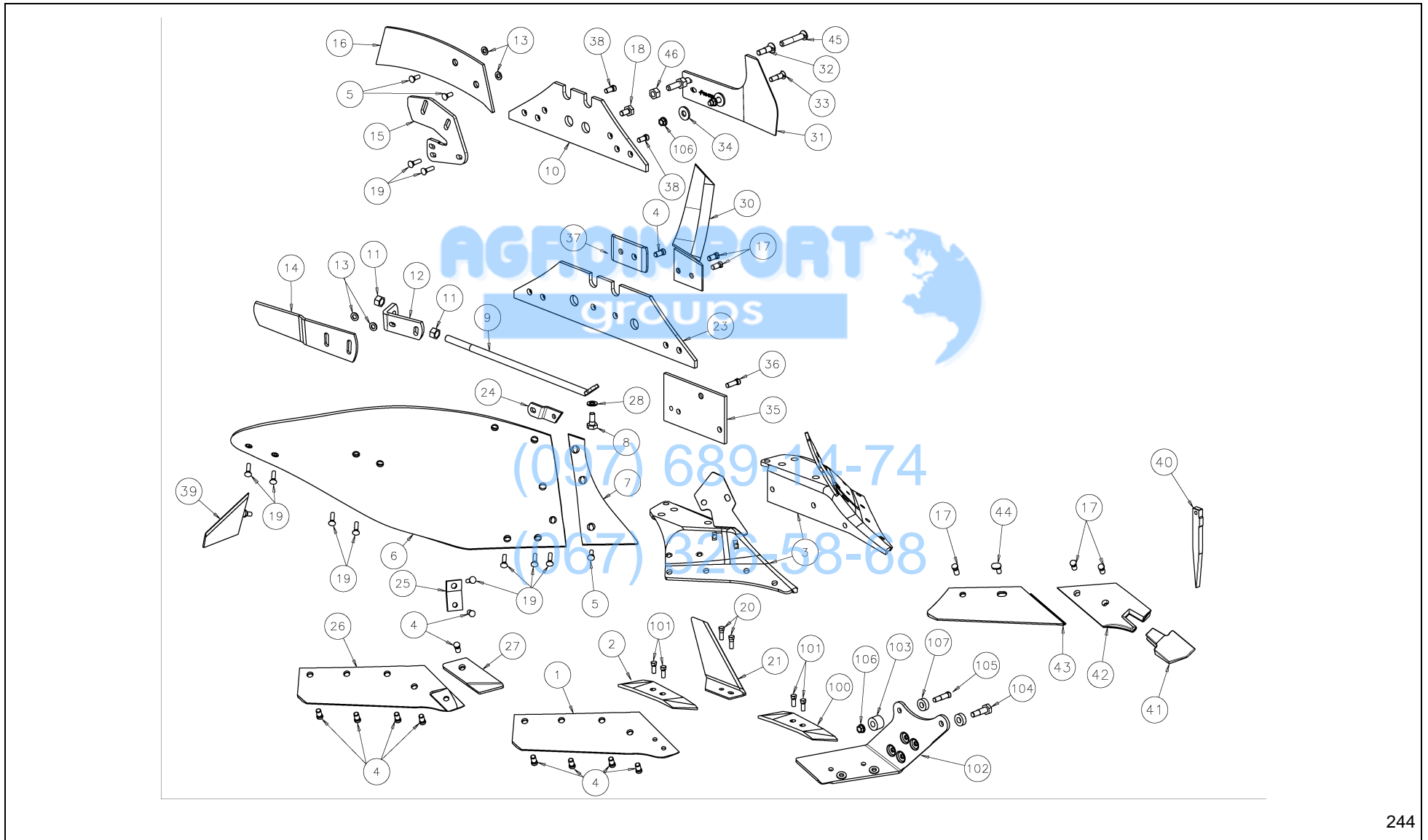




PN/RN / BODY - 8, 9, 28



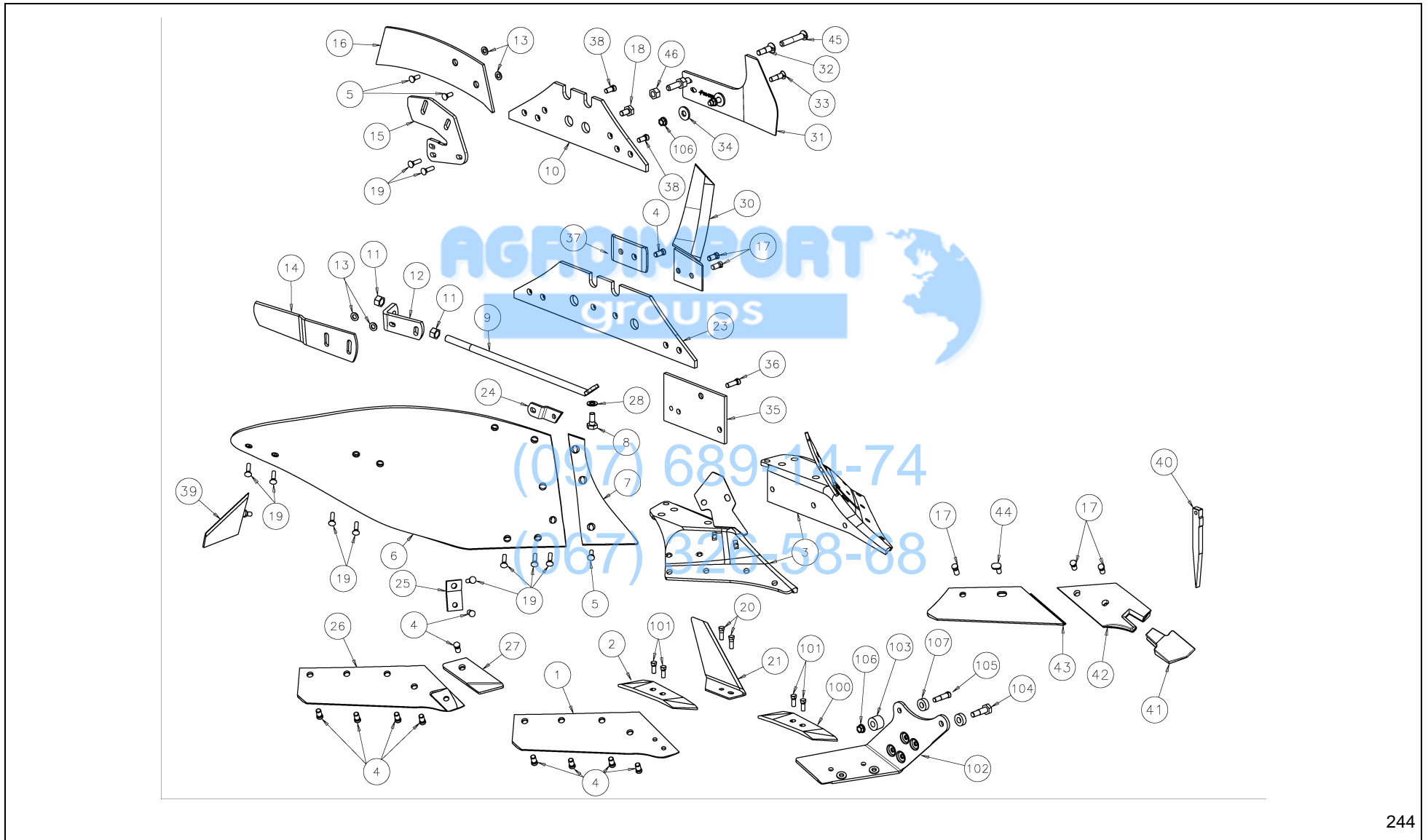
PosNo.	Part No.	Qty.	Description	Remark
1	KK073000		SHARE 12 F/REV.POINT RIGHT	( 30 cm )
1	KK073001		SHARE 12 F/REV.POINT LEFT	( 30 cm )
1	KK073002		SHARE 14 F/REV.POINT RIGHT	( 35 cm )
1	KK073003		SHARE 14 F/REV.POINT LEFT	( 35 cm )
1	KK073004		SHARE 16 F/REV.POINT RIGHT	( 40 cm )
1	KK073005		SHARE 16 F/REV.POINT LEFT	( 40 cm )
1	KK073006		SHARE 18 F/REV.POINT RIGHT	( 45 cm )
1	KK073007		SHARE 18 F/REV.POINT LEFT	( 45 cm )
1	KK073008		SHARE 20 F/REV.POINT RIGHT	( 50 cm )
1	KK073009		SHARE 20 F/REV.POINT LEFT	( 50 cm )
2	KK053090R		REVERSIBLE POINT R BOXED W/BOLTS	
2	KK063090R		REVERSIBLE POINT L BOXED W/BOLTS	
3	KK073406		SADDLE W/SUPPORT RIGHT	( for E-saddle )
3	KK073407		SADDLE W/SUPPORT LEFT	( for E-saddle )
3	KK073411		SADDLE A RIGHT	( for A-saddle )
3	KK073412		SADDLE A LEFT	( for A-saddle )
4	KK013332R		BOLT M14X34 W/NU	
5	KK033100R		CS BOLT M12X32 (AA35634)	
6	KK073260		"MOULDBOARD 12"-18" NO.6, R"	( Before 01.01.05 )
6	KK073261		MOULDBOARD 12-16 NO.6 LEFT	( Before 01.01.05 )
6	KK073263		MOULDBOARD 12-14 NO.7 RIGHT	( Before 01.01.05 )
6	KK073264R		MOULDBOARD 12"-1 W / BOLTS	( Before 01.01.05 )
6	KK073280		MOULDBOARD 12 NO.8 RIGHT	
6	KK073281		MOULDBOARD 12 NO.8 LEFT	
6	KK073286		MOULDBOARD 14-18 NO.8 RIGHT	
6	KK073287		MOULDBOARD 14-18 NO.8 LEFT	
6	KK073290		MOULDBOARD 14-20 NO.9&19 RIGHT	
6	KK073291		MOULDBOARD 14-20 NO.9&19 LEFT	
6	KK083228		MOULDBOARD BODY NO 28 RIGHT	( From 01.03.03 )
6	KK083229		MOULDBOARD BODY NO 28 LEFT	( From 01.03.03 )
7	KK073250R		SHINPIECE R.	no. 8 ( and no. 28 from 01.03.03 )
7	KK073251R		SHINPIECE L.	no. 8 ( and no. 28 from 01.03.03 )
7	KK073256R		SHINPIECE R.	no. 9 ( and no. 6 before 01.01.05 )
7	KK073257R		SHINPIECE L.	no. 9 ( and no. 6 before 01.01.05 )
8	KK032735		HEX BOLT M16X35 10.9	
9	KK063801R		STAY	L = 550; Body nr. 8 ( and nr. 6, 7 before 01.01.05 and nr. 9 before 01.12.95 )
9	KK073803		STAY A-SADDLE R/L	L = 560; Body nr. 8 ( and nr. 6, 7 before 01.01.05 and nr. 9 before 01.12.95 )
9	KK073831R		STAY E-SADDLE R/L	(no. 9 and 19; from 01.12.95 )



PN/RN / BODY - 8, 9, 28



PosNo.	Part No.	Qty.	Description	Remark
9	KK073830R		STAY A-SADDLE R/L	( no. 9; from 01.12.95 )
9	KK063801R		STAY	(Additional stay no. 9; from 01.12.95 )
9	KK070394		ADD.STAY BODY NO. 9 CPL. R.E-SADDLE	( pos. 12 ) ( From 01.12.95 )
9	KK070395		ADD.STAY BODY NO. 9 CPL. L.E-SADDLE	( pos. 12 ) ( From 01.12.95 )
9	KK073803		STAY A-SADDLE R/L	( Additional stay no. 9; from 01.12.95 )
9	KK070390		ADD.STAY BODY NO 9 CPL. R. A-SADDLE	( pos. 12 ) ( From 01.12.95 )
9	KK070391		ADD.STAY BODY NO. 9 CPL. L.A-SADDLE	( pos. 12 ) ( From 01.12.95 )
9	KK083809R		STAY A-SADDLE R/L	( no. 28; from 01.03.03 )
9	KK083810R		STAY E-SADDLE BODY NO 28	( no. 28; from 01.03.03 )
9	KK080980		ADD.STAY BODY NO 28 R A-SADDLE	cpl. with bracket ( from 01.01.03 )
9	KK080981		ADD.STAY BODY NO 28 L A-SADDLE	cpl. with bracket ( from 01.01.03 )
9	KK080982		ADD.STAY BODY NO 28 R E-SADDLE	cpl. with bracket ( from 01.01.03 )
9	KK080983		ADD.STAY BODY NO 28 L E-SADDLE	cpl. with bracket ( from 01.01.03 )
10	KK073608		LANDSIDE SHORT R/L	
11	KK015834		NUT M20	
12	KK073800R		BRACKET FOR STAY	no. 8 ( and no. 6, 7 before 01.01.05 and nr. 9 before 01.12.95 )
12	KK073801R		BRACKET FOR STAY	no. 8 ( and no. 6, 7 before 01.01.05 and nr. 9 before 01.12( And no. 9 before 01.12.95 )
12	KK073807R		BRACKET FOR EXTRA STAY RIGHT	no. 9 ( From 01.12.95 )
12	KK073808R		BRACKET FOR EXTRA STAY LEFT	no. 9 ( From 01.12.95 )
13	KK012919		WASHER D13.0XD24.0X2.50	
14	KK053387R		MOULDBOARDEXTENSION R. PAINTED	
14	KK063388R		MOULDBOARDEXTENS	
15	KK073310		BRACKET FOR TRASHBOARD RIGHT	
15	KK073311		BRACKET FOR TRASHBOARD LEFT	
16	KK073300R		TRASHBOARD R	
16	KK073301R		TRASHBOARD L.	
16	KK070640		TRASHBOARD RIGHT BODY 6 8 9 & 19	
16	KK070641		TRASH BOARD L CPL.	
16	KK070642		TRASHBOARD R/L BODY 6 8 9 & 19	
17	KK013332R		BOLT M14X34 W/NU	
18	KK032725		HEX BOLT M16X27 10.9	
19	KK033107R		BOLT M12X35 W/NUT	
20	KK013234R		SHAREBOLT M12X38	
21	KK073091R		SHARE KNIFE R.	
21	KK073092R		SHARE KNIFE L.	
21	KK063091R		SHARE KNIFE R.	( For Sweden )
21	KK063092R		SHARE KNIFE L.	( For Sweden )
23	KK073609		LANDSIDE LONG R/L	

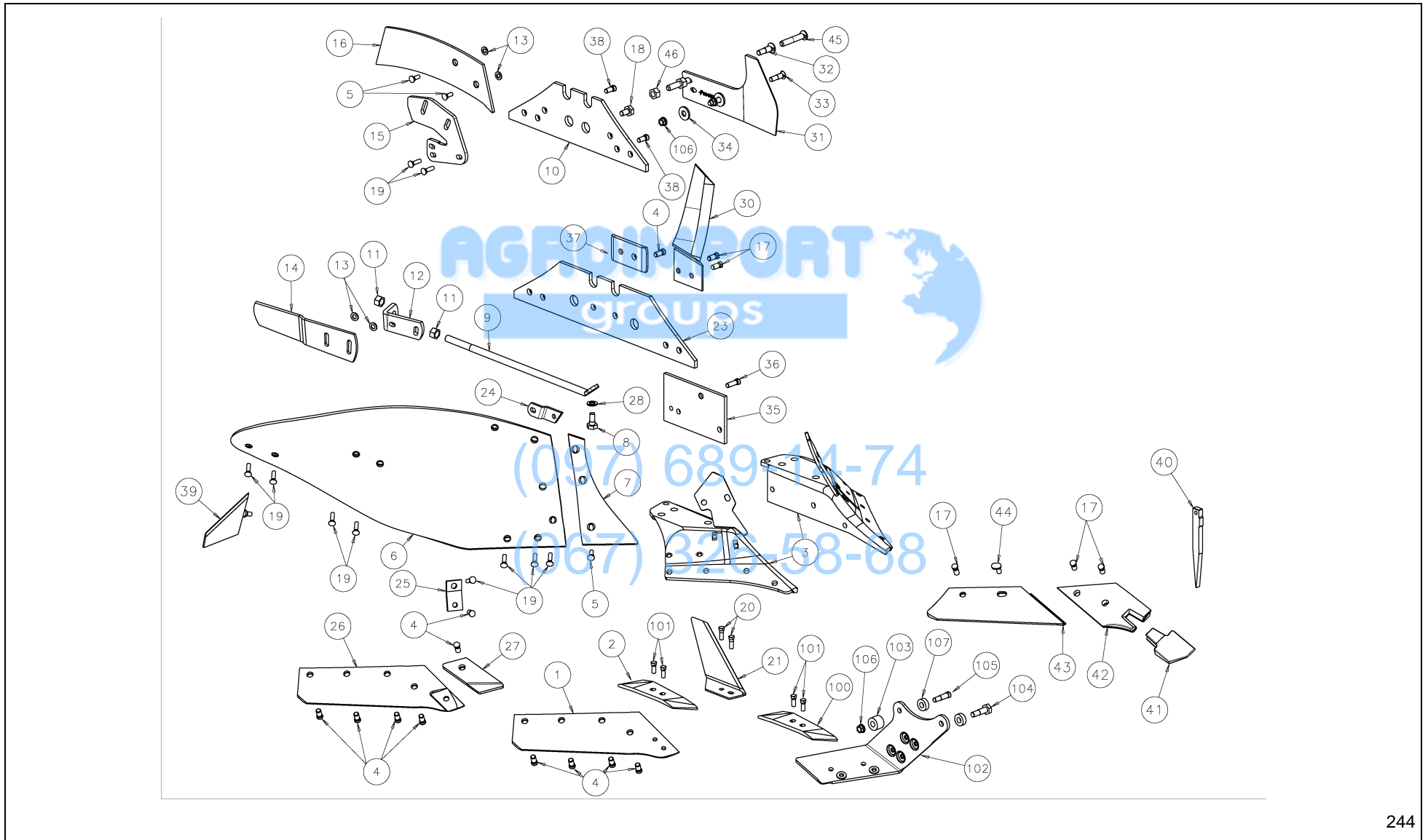




PN/RN / BODY - 8, 9, 28



PosNo.	Part No.	Qty.	Description	Remark
24	KK073266		CONNECTING PIECE NO. 19 R	no. 9 ( and no. 6 before 01.01.05 )
24	KK073267		CONNECTING PIECE NO. 19 L	no. 9 ( and no. 6 before 01.01.05 )
26	KK073040		FLUSH FIT SHARE 12 R	
26	KK073041		FLUSH FIT SHARE 12 L	
26	KK073042		FLUSH FIT SHARE 14 R	
26	KK073043		FLUSH FIT SHARE 14 L	
26	KK073044		FLUSH FIT SHARE 16 R	
26	KK073045		FLUSH FIT SHARE 16 L	
27	KK073030R		FLUSHPOINT R	
27	KK073031R		FLUSHPOINT L	
28	KK012927		WASHER D17.0XD30X3	( for use with two stays )
30	KK073615R		FURROW OPENER R.	
30	KK073616R		FURROW OPENER L.	
31	KK084320R		LANDSIDE KNIFE R.H.	
31	KK084321R		LANDSIDE KNIFE L.H.	
32	KK033256		OVAL SCREW M16X55 12.9	(For E-saddle )
32	KK033295		OVAL SCREW M16X95 12.9	( For A-saddle )
33	KK033175		OVAL SCREW M14X50 10.9 EZ GUL	
34	KK012922		WASHER D17-D40X4.58	
35	KK063607R		PLATE	
35	KK073607		PLATE CPL.	
36	KK013346		CONE SCREW M14X45 GALV.	
37	KK073614R		WEARING PIECE FOR 073609	
38	KK013333		CONE SCREW M14X34	
39	KK083235R		FURROW SPLITTER W/BOLT	( From 01.12.01 )
40	KK083091		EJECTOR KEY	( bodies no. 8, 9 and 28 )
41	KK083090R		POINT QFS	( bodies no. 8, 9 and 28 )
42	KK083010R		HOLDER FOR POINT RH	( bodies no. 8, 9 and 28 )
42	KK083011R		HOLDER FOR POINT LH	( bodies no. 8, 9 and 28 )
43	KK083016R		"SHARE QFS 14"" R"	( bodies no. 8, 9 and 28 )
43	KK083017R		"SHARE QFS 14"" L"	( bodies no. 8, 9 and 28 )
43	KK083018R		SHARE QFS 16"" R	( bodies no. 8, 9 and 28 )
43	KK083019R		"SHARE QFS 16"" L"	( bodies no. 8, 9 and 28 )
43	KK083020R		SHARE QFS 18"" R	( bodies no. 8, 9 and 28 )
43	KK083021R		"SHARE QFS 18"" L"	( bodies no. 8, 9 and 28 )
43	KK083022R		QUICK FIT REAR SHARE RIGHT 20 INCH	( bodies no. 8, 9 and 28 )
43	KK083023R		QUICK FIT REAR SHARE LEFT 20 INCH	( bodies no. 8, 9 and 28 )
44	KK035149		CONE SCREW M14X34 OVAL HEAD W/	( bodies no. 8, 9 and 28 )
45	KK033295		OVAL SCREW M16X95 12.9	( From 01.02.00; for A-saddle )
46	KK015825		NUT M16	



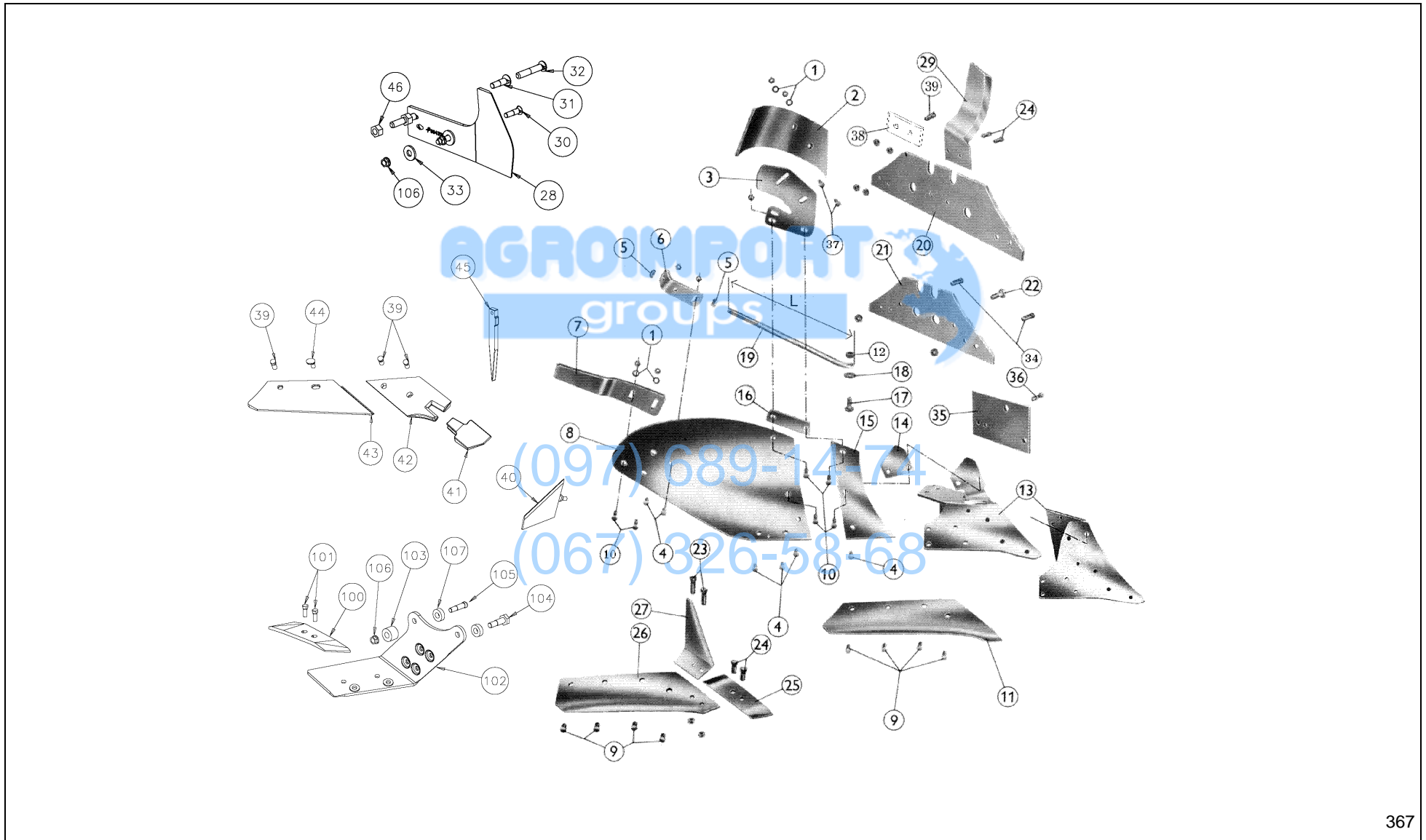
**PN/RN / BODY - 8, 9, 28**



PosNo.	Part No.	Qty.	Description	Remark
100	KK053090R		REVERSIBLE POINT R BOXED W/BOLTS	
100	KK063090R		REVERSIBLE POINT L BOXED W/BOLTS	
101	KK013228R		CS BOLT M12X34	
102	KK073634R		ECO-SHARE WITH BOLTS RH	
102	KK073635R		ECO-SHARE WITH BOLTS LH	
103	KK010155		BUSHING D17- D38X27	( for A-saddle)
103	KK010156		BUSHING D17-D38X40	( for MZ, AB, AD, BB, DA, DC, CC, BE )
104	KK032740		HEX BOLT M16X40 10.9	( for E-saddle ) ( Before 01.03.00 )
104	KK032750		HEX BOLT M16X50 10.9	( for E-saddle ) ( From 01.03.00 )
104	KK032765		HEX BOLT M16X65 10.9	( for A-saddle)
104	KK032775		HEX BOLT M16X75 10.9	( for MZ, AB, AD, BB, DA, DC, CC, BE )
105	KK013346		CONE SCREW M14X45 GALV.	( for E-saddle ) ( Before 01.03.00 )
105	KK013361		CONE SCREW M14X60 12.9	( for E-saddle ) ( From 01.03.00 )
105	KK013385		CONE SCREW M14X85 10.9 GALV	( for A-saddle )
106	KK016015		FLANGE NUT M14 GALV.	
107	KK012929		WASHER D16.5XD35.0X12.0	( From 01.03.00 )

(097) 689-14-74

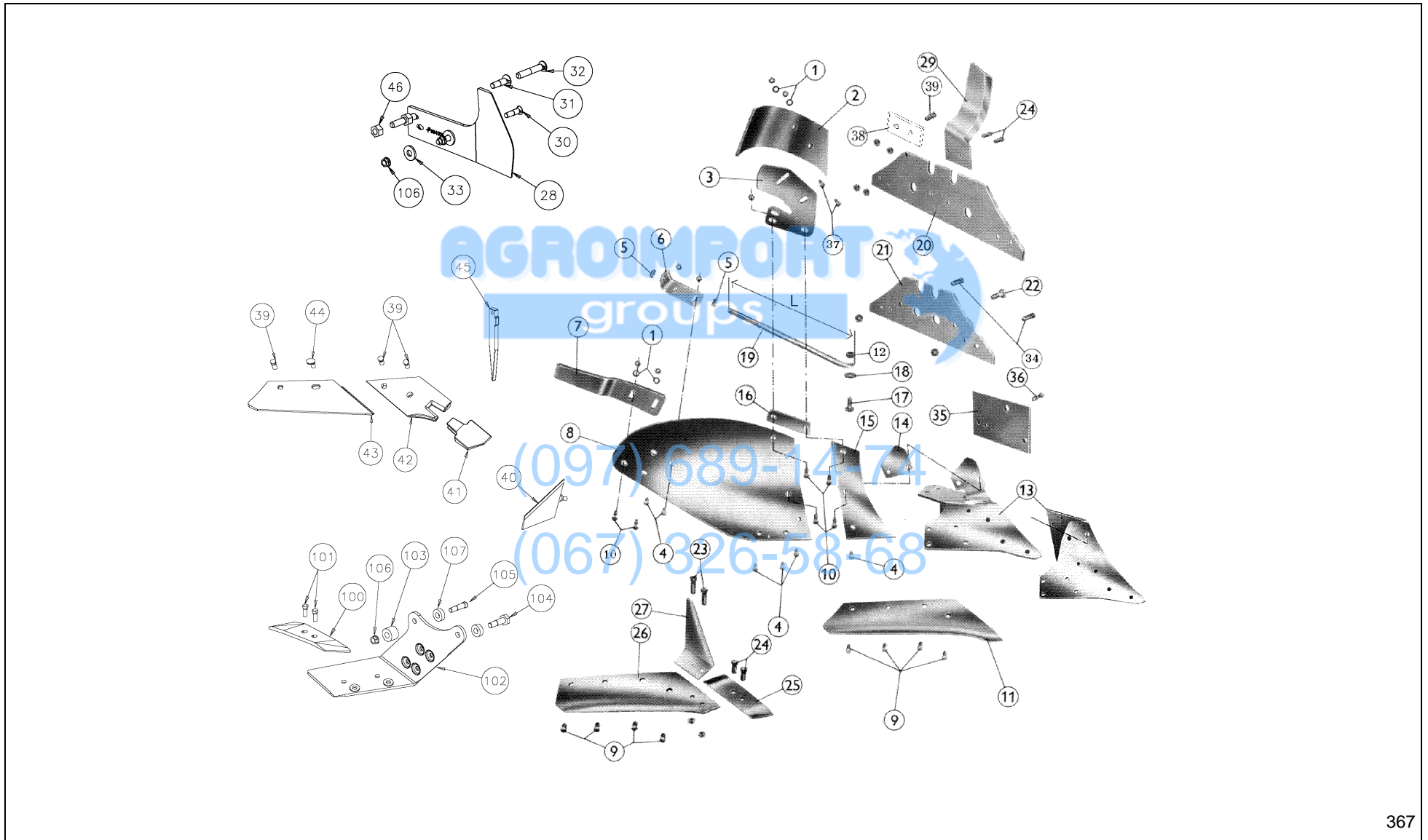
(067) 326-58-68



**PN/RN / BODY - 12, 15, 19**



PosNo.	Part No.	Qty.	Description	Remark
1	KK012919		WASHER D13.0XD24.0X2.50	
2	KK073300R		TRASHBOARD R	
2	KK073301R		TRASHBOARD L.	
2	KK070640		TRASHBOARD RIGHT BODY 6 8 9 & 19	
2	KK070641		TRASH BOARD L CPL.	
2	KK070642		TRASHBOARD R/L BODY 6 8 9 & 19	
3	KK073310		BRACKET FOR TRASHBOARD RIGHT	
3	KK073311		BRACKET FOR TRASHBOARD LEFT	
4	KK033100R		CS BOLT M12X32 (AA35634)	
5	KK015834		NUT M20	
6	KK073800R		BRACKET FOR STAY	
6	KK073801R		BRACKET FOR STAY	
7	KK053387R		MOULDBOARDEXTENSION R. PAINTED	
7	KK063388R		MOULDBOARDEXTENS	
8	KK073236		MOULDBOARD NO.12 RIGHT	
8	KK073237		MOULDBOARD NO.12 LEFT	
8	KK073224		MOULDBOARD NO.15 RIGHT	
8	KK073225		MOULDBOARD NO.15 LEFT	
8	KK073290		MOULDBOARD 14-20 NO.9&19 RIGHT	
8	KK073291		MOULDBOARD 14-20 NO.9&19 LEFT	
9	KK013332R		BOLT M14X34 W/NU	
10	KK033107R		BOLT M12X35 W/NUT	
11	KK073062		SHARE 14 FIXED POINT RIGHT	
11	KK073063		SHARE 14 FIXED POINT LEFT	
11	KK073064		SHARE 16 FIXED POINT RIGHT	
11	KK073065		SHARE 16 FIXED POINT LEFT	
12	KK062025		ADJUSTABLE NUT M16 GALV.	
13	KK073435		SADDLE E NO.12-15-19 RIGHT	
13	KK073436		SADDLE E NO.12-15-19 LEFT	
13	KK073440		SADDLE A NO.12-15-19 RIGHT	
13	KK073441		SADDLE A NR.12-15-19 LEFT	
14	KK073417		EXTENSION PIECE RIGHT	
14	KK073418		EXTENTION PIECE LEFT	
15	KK073241R		SHINPIECE R.	
15	KK073242R		SHINPIECE L.	
15	KK073227R		SHINPIECE R.	
15	KK073228R		SHINPIECE L.	
15	KK073230R		SHINPIECE R. NO.19	
15	KK073231R		SHINPIECE WITH BOLTS FOR BODY NO. 19	
16	KK073239R		CONNECTING PIECE R	

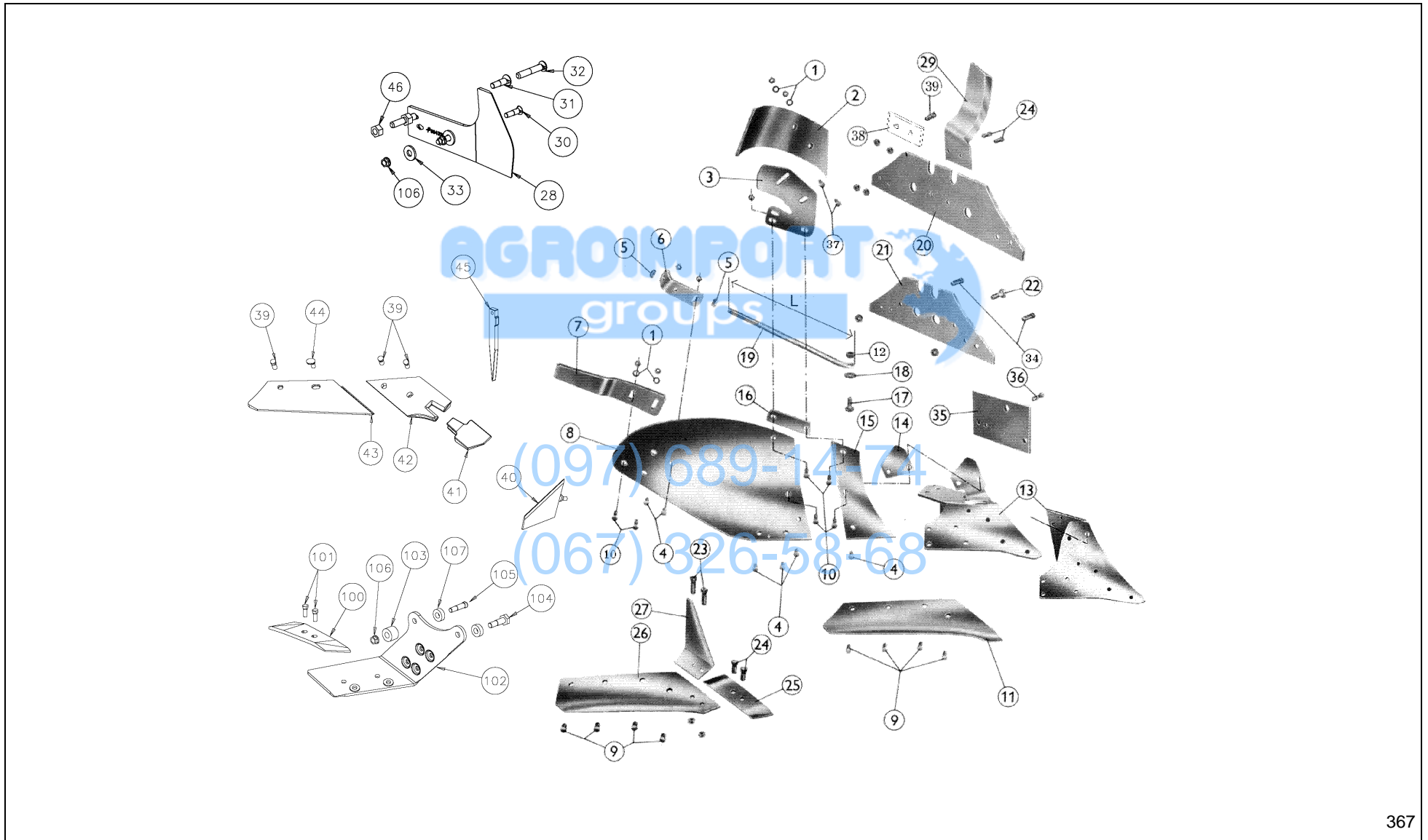


PN/RN / BODY - 12, 15, 19



PosNo.	Part No.	Qty.	Description	Remark
16	KK073240R		CONNECTING PIECE L	
16	KK073266		CONNECTING PIECE NO. 19 R	
16	KK073267		CONNECTING PIECE NO. 19 L	
17	KK032750		HEX BOLT M16X50 10.9	( for use with two stays )
17	KK032735		HEX BOLT M16X35 10.9	( for use with one stay only )
18	KK012927		WASHER D17.0XD30X3	( for use with two stays )
19	KK073805R		STAY FOR E-SADDLE R/L	( no. 12 and 15; and no. 19 before 12.01.95 )
19	KK073831R		STAY E-SADDLE R/L	( no. 19; from 12.01.95 )
19	KK073804R		STAY (A-SADDLE)	( no. 12 and 15; and no. 19 before 12.01.95 )
19	KK073826R		STAY FOR BODY 14,17,19 A-SADDEL 92	( no. 19; from 12.01.95 )
19	KK073826R		STAY FOR BODY 14,17,19 A-SADDEL 92	( Additional stay no. 19; from 01.12.96 )
19	KK070388		STAY CPL. R A-SADDLE	( Additional stay no. 15 )( pos. 6 ) ( From 01.12.96 )
19	KK070389		STAY CPL. L A-SADDLE	( Additional stay no. 15 )( pos. 6 ) ( From 01.12.96 )
19	KK073829R		STAY	( no. 19; from 01.12.96 )
19	KK070398		ADD.STAY CPL. R E-SADDLE	( Additional stay no. 15 )( pos. 6 ) ( From 01.12.96 )
19	KK070399		ADD.STAY CPL. L E-SADDLE	( Additional stay no. 15 )( pos. 6 ) ( From 01.12.96 )
19	KK073842R		ADD. STAY	( no. 19; from 01.12.95 )
19	KK070396		ADD.STAY BODY NO. 19 CPL. R.E-SADDLE	( pos. 6 ) ( From 01.12.95 )
19	KK070397		ADD.STAY BODY NO 19 CPL. L.E-SADDLE	( pos. 6 ) ( From 01.12.95 )
19	KK073804R		STAY (A-SADDLE)	( Additional stay no. 19 )( From 01.12.95 )
19	KK070392		ADD.STAY BODY NO. 19 CPL. R.A-SADDLE	( pos. 6 ) ( From 01.12.95 )
19	KK070393		ADD.STAY BODY NO. 19 CPL. L.A-SADDLE	( pos. 6 ) ( From 01.12.95 )
20	KK073609		LANDSIDE LONG R/L	
21	KK073608		LANDSIDE SHORT R/L	
22	KK032725		HEX BOLT M16X27 10.9	
23	KK013234R		SHAREBOLT M12X38	
24	KK013228R		CS BOLT M12X34	
25	KK053090R		REVERSIBLE POINT R BOXED W/BOLTS	
25	KK063090R		REVERSIBLE POINT L BOXED W/BOLTS	
26	KK073054		SHARE 14 REVERSIBLE POINT RIGHT	
26	KK073055		SHARE 14 REVERSIBLE POINT LEFT	
26	KK073056		SHARE 16 REVERSIBLE POINT RIGH	
26	KK073057		SHARE 16 REVERSIBLE POINT LEFT	
26	KK073080		SHARE 18 REVERSIBLE POINT RIGH	
26	KK073081		SHARE 18 REVERSIBLE POINT LEFT	
27	KK073091R		SHARE KNIFE R.	
27	KK073092R		SHARE KNIFE L.	
28	KK084320R		LANDSIDE KNIFE R.H.	R
28	KK084321R		LANDSIDE KNIFE L.H.	L
29	KK073615R		FURROW OPENER R.	

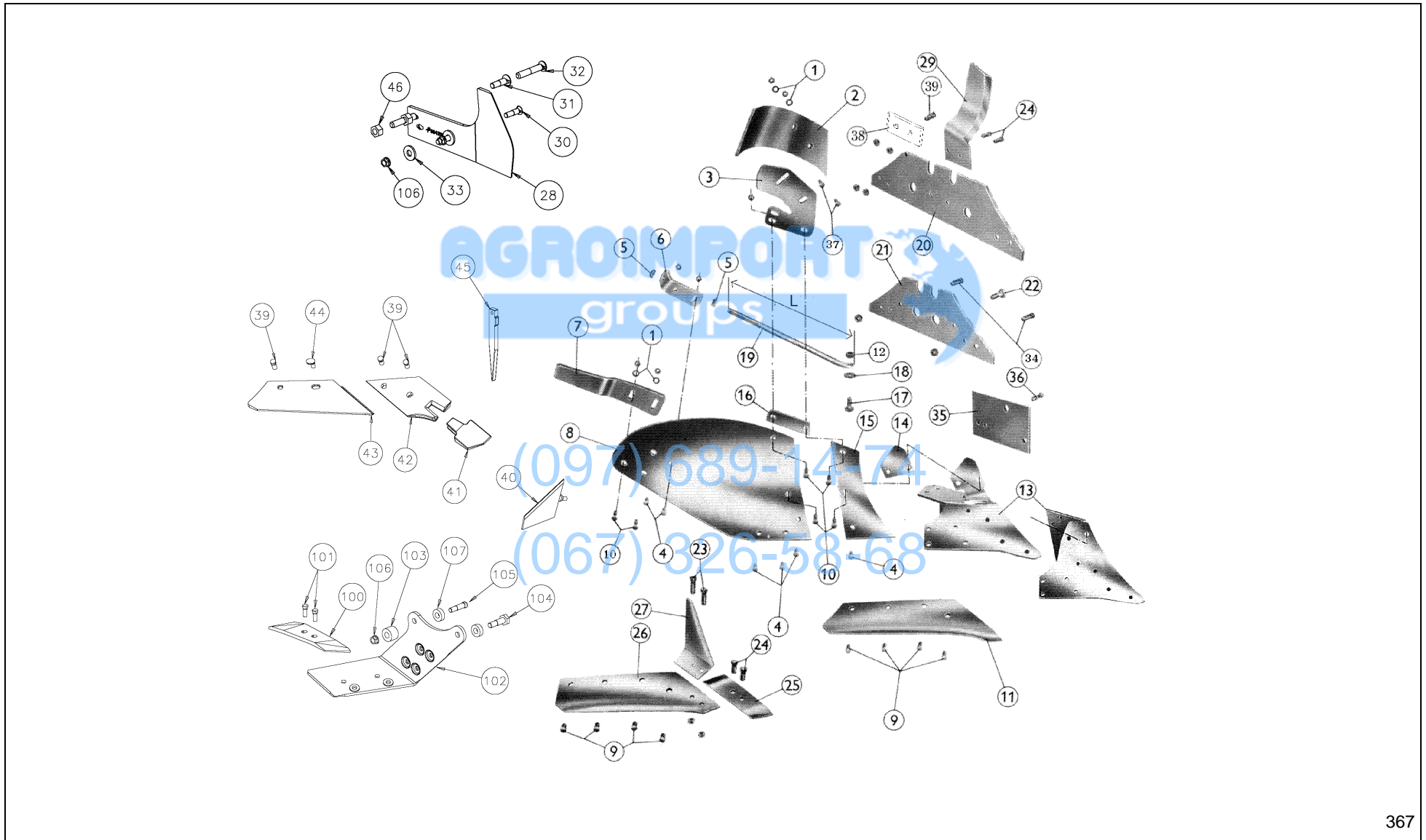






**PN/RN / BODY - 12, 15, 19**

PosNo.	Part No.	Qty.	Description	Remark
29	KK073616R		FURROW OPENER L.	
30	KK033175		OVAL SCREW M14X50 10.9 EZ GUL	
31	KK033256		OVAL SCREW M16X55 12.9	( For E-saddle )
32	KK033295		OVAL SCREW M16X95 12.9	(For A-saddle )
33	KK012922		WASHER D17-D40X4.58	
34	KK013333		CONE SCREW M14X34	
35	KK063607R		PLATE	
35	KK073607		PLATE CPL.	
36	KK013346		CONE SCREW M14X45 GALV.	
37	KK033107R		BOLT M12X35 W/NUT	
38	KK073614R		WEARING PIECE FOR 073609	
39	KK013332R		BOLT M14X34 W/NU	
40	KK083235R		FURROW SPLITTER W/BOLT	( From 01.12.01 )
41	KK083090R		POINT QFS	Body nr. 19 only
42	KK083012R		QUICK FIT HOLDER CROSS RIGHT W	Body nr. 19 only
42	KK083013R		QUICK FIT HOLDER CROSS LEFT W/	Body nr. 19 only
43	KK083016R		"SHARE QFS 14"" R"	Body nr. 19 only
43	KK083017R		"SHARE QFS 14"" L"	Body nr. 19 only
43	KK083018R		SHARE QFS 16"" R	Body nr. 19 only
43	KK083019R		"SHARE QFS 16"" L"	Body nr. 19 only
43	KK083020R		SHARE QFS 18"" R	Body nr. 19 only
43	KK083021R		"SHARE QFS 18"" L"	Body nr. 19 only
43	KK083022R		QUICK FIT REAR SHARE RIGHT 20 INCH	Body nr. 19 only
43	KK083023R		QUICK FIT REAR SHARE LEFT 20 INCH	Body nr. 19 only
44	KK035149		CONE SCREW M14X34 OVAL HEAD W/	Body nr. 19 only
45	KK083091		EJECTOR KEY	Body nr. 19 only
46	KK015825		NUT M16	
100	KK053090R		REVERSIBLE POINT R BOXED W/BOLTS	
100	KK063090R		REVERSIBLE POINT L BOXED W/BOLTS	
101	KK013228R		CS BOLT M12X34	
102	KK073634R		ECO-SHARE WITH BOLTS RH	
102	KK073635R		ECO-SHARE WITH BOLTS LH	
103	KK010155		BUSHING D17- D38X27	( for A-saddle )
103	KK010156		BUSHING D17-D38X40	( for MZ, AB, AD, BB, DA, DC, CC, BE )
104	KK032740		HEX BOLT M16X40 10.9	( for E-saddle; Before 01.03.00 )
104	KK032750		HEX BOLT M16X50 10.9	( for E-saddle; From 01.03.00 )
104	KK032765		HEX BOLT M16X65 10.9	( for A-saddle )
104	KK032775		HEX BOLT M16X75 10.9	( for MZ, AB, AD, BB, DA, DC, CC, BE )
105	KK013346		CONE SCREW M14X45 GALV.	( for E-saddle ) ( Before 01.03.00 )
105	KK013361		CONE SCREW M14X60 12.9	( for E-saddle; From 01.03.00 )



PN/RN / BODY - 12, 15, 19



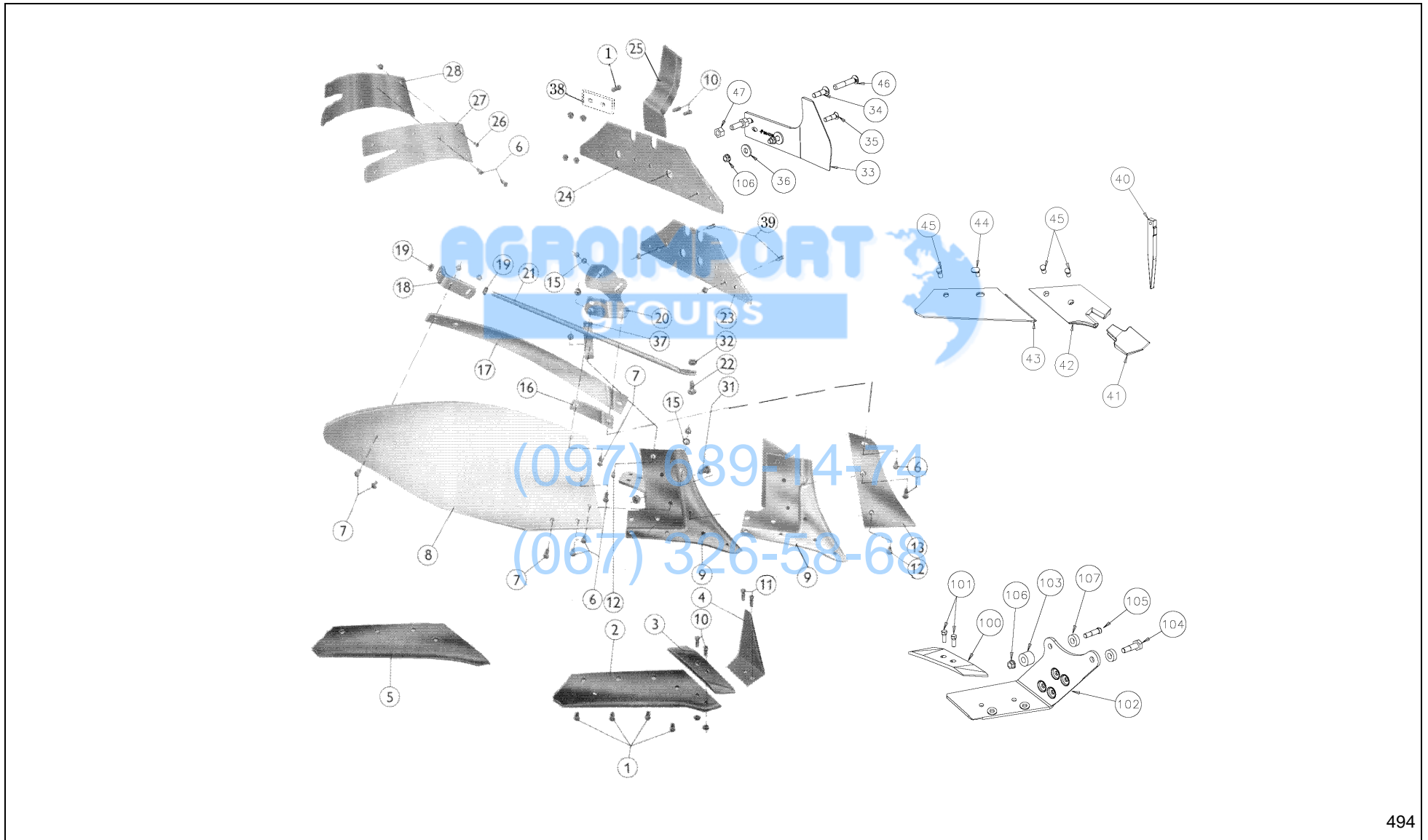
PosNo.	Part No.	Qty.	Description	Remark
105	KK013385		CONE SCREW M14X85 10.9 GALV	( for A-saddle)
106	KK016015		FLANGE NUT M14 GALV.	
107	KK012929		WASHER D16.5XD35.0X12.0	( for E-saddle; From 01.03.00 )



(097) 689-14-74

(067) 326-58-68

PN/RN / BODY - 14 (PLASTIC)



## PN/RN / BODY - 14 (PLASTIC)

PosNo.	Part No.	Qty.	Description	Remark
1	KK013332R		BOLT M14X34 W/NU	
2	KK073054		SHARE 14 REVERSIBLE POINT RIGHT	
2	KK073055		SHARE 14 REVERSIBLE POINT LEFT	
2	KK073056		SHARE 16 REVERSIBLE POINT RIGH	
2	KK073057		SHARE 16 REVERSIBLE POINT LEFT	
2	KK073080		SHARE 18 REVERSIBLE POINT RIGH	
2	KK073081		SHARE 18 REVERSIBLE POINT LEFT	
3	KK053090R		REVERSIBLE POINT R BOXED W/BOLTS	
3	KK063090R		REVERSIBLE POINT L BOXED W/BOLTS	
4	KK073091R		SHARE KNIFE R.	
4	KK073092R		SHARE KNIFE L.	
5	KK073062		SHARE 14 FIXED POINT RIGHT	
5	KK073063		SHARE 14 FIXED POINT LEFT	
5	KK073064		SHARE 16 FIXED POINT RIGHT	
5	KK073065		SHARE 16 FIXED POINT LEFT	
6	KK033118		OVAL SCREW M12X40 GALV.	
7	KK033119		OVAL SCREW M12X50 GALV.	
8	KK073278R		MOULDBOARD	
8	KK073279R		MOULDBOARD NR. 14 L	
9	KK073470		SADDLE E NO.14&20 RIGHT	
9	KK073471		SADDLE E NO.14&20 LEFT	
9	KK073464		SADDLE A NO.14&20 RIGHT	
9	KK073465		SADDLE A NO.14&20 LEFT	
10	KK013228R		CS BOLT M12X34	( for A-saddle )
11	KK013234R		SHAREBOLT M12X38	
12	KK033100R		CS BOLT M12X32 (AA35634)	
13	KK073272R		SHINPIECE NO.20	
13	KK073273R		SHINPIECE NO.20	
15	KK012919		WASHER D13.0XD24.0X2.50	
16	KK073275		CONNECTING PIECE NR.20 RIGHT	
16	KK073276		CONNECTING PIECE NR.20 LEFT	
17	KK073338		SUPPORT NO.14 RIGHT	
17	KK073339		SUPPORT NO.14 LEFT	
18	KK073800R		BRACKET FOR STAY	
18	KK073801R		BRACKET FOR STAY	
19	KK015834		NUT M20	
20	KK073328		BRACKET FOR TRASHBOARD RIGHT	
20	KK073329		BRACKET FOR TRASHBOARD LEFT	
21	KK073829R		STAY	
21	KK073826R		STAY FOR BODY 14,17,19 A-SADDEL 92	

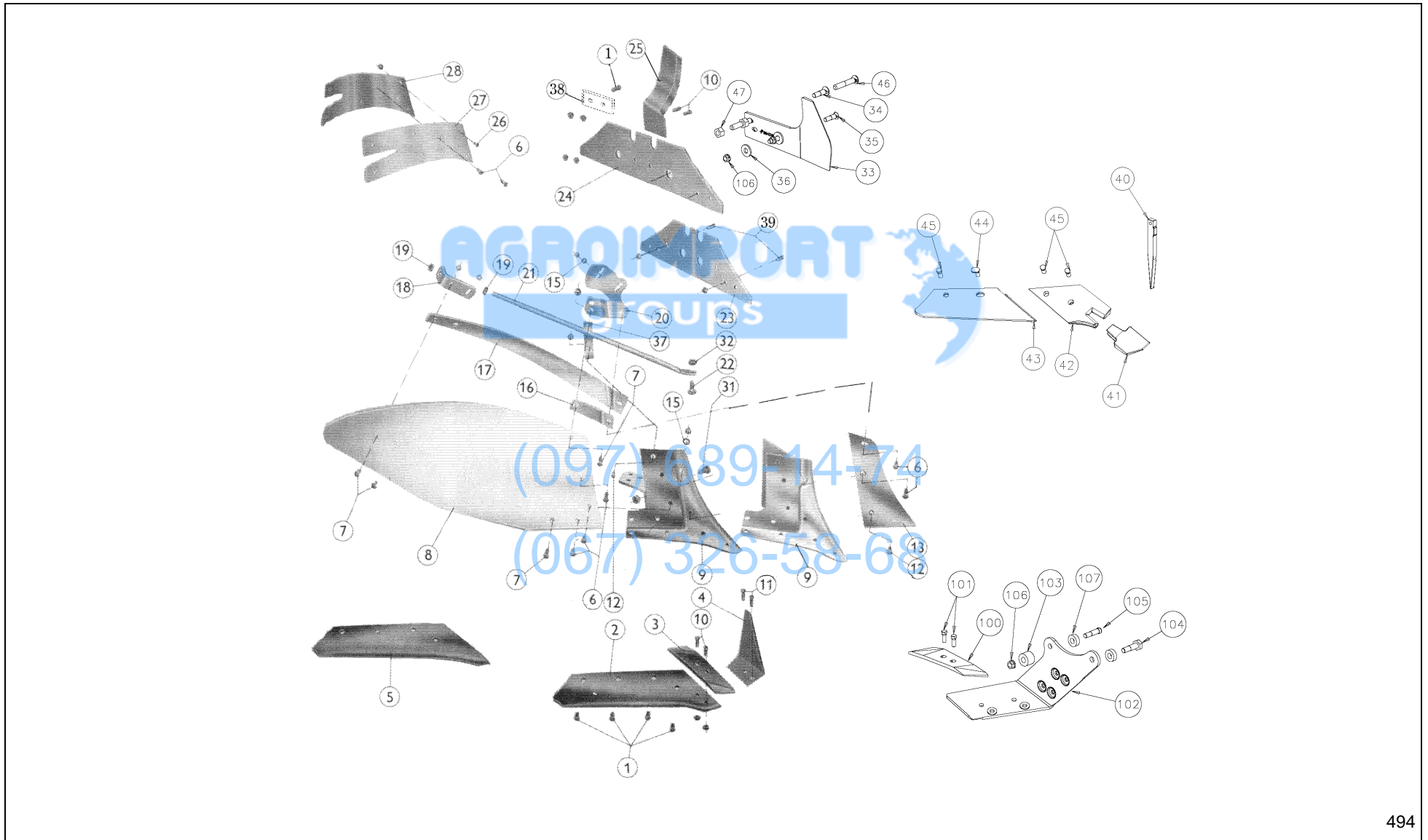
PN/RN / BODY - 14 (PLASTIC)



## PN/RN / BODY - 14 (PLASTIC)

PosNo.	Part No.	Qty.	Description	Remark
22	KK032735		HEX BOLT M16X35 10.9	
23	KK073608		LANDSIDE SHORT R/L	
24	KK073609		LANDSIDE LONG R/L	
25	KK073615R		FURROW OPENER R.	
25	KK073616R		FURROW OPENER L.	
26	KK033004		OVAL SCREW M10X20 GALV.	
27	KK073350R		TRASHBOARD PLASTIC	
28	KK073352		SUPPORT PLATE RIGHT	
28	KK073353		SUPPORT PLATE LEFT	
29	KK053387R		MOULDBOARDEXTENSION R. PAINTED	
29	KK063388R		MOULDBOARDEXTENS	
31	KK032730		HEX BOLT M16X30 10.9	
32	KK062025		ADJUSTABLE NUT M16 GALV.	
33	KK084320R		LANDSIDE KNIFE R.H.	
33	KK084321R		LANDSIDE KNIFE L.H.	
34	KK033256		OVAL SCREW M16X55 12.9	( For E-saddle)
35	KK033175		OVAL SCREW M14X50 10.9 EZ GUL	
36	KK012922		WASHER D17-D40X4.58	
37	KK073354		SUPPORT FOR BRACKET RIGHT & LEFT	
38	KK073614R		WEARING PIECE FOR 073609	
39	KK013333		CONE SCREW M14X34	
40	KK083091		EJECTOR KEY	
41	KK083090R		POINT QFS	
42	KK083012R		QUICK FIT HOLDER CROSS RIGHT W/	
42	KK083013R		QUICK FIT HOLDER CROSS LEFT W/	
43	KK083016R		"SHARE QFS 14"" R"	
43	KK083017R		"SHARE QFS 14"" L"	
43	KK083018R		SHARE QFS 16"" R	
43	KK083019R		"SHARE QFS 16"" L"	
44	KK035149		CONE SCREW M14X34 OVAL HEAD W/	
45	KK013332R		BOLT M14X34 W/NU	
46	KK033295		OVAL SCREW M16X95 12.9	(For A-saddle)
47	KK015825		NUT M16	
100	KK053090R		REVERSIBLE POINT R BOXED W/BOLTS	
100	KK063090R		REVERSIBLE POINT L BOXED W/BOLTS	
101	KK013228R		CS BOLT M12X34	
102	KK073634R		ECO-SHARE WITH BOLTS RH	
102	KK073635R		ECO-SHARE WITH BOLTS LH	
103	KK010155		BUSHING D17- D38X27	( for A-saddle )
103	KK010156		BUSHING D17-D38X40	( for MZ, AB, AD, BB, DA, DC, CC, BE)

PN/RN / BODY - 14 (PLASTIC)





**PN/RN / BODY - 14 (PLASTIC)**

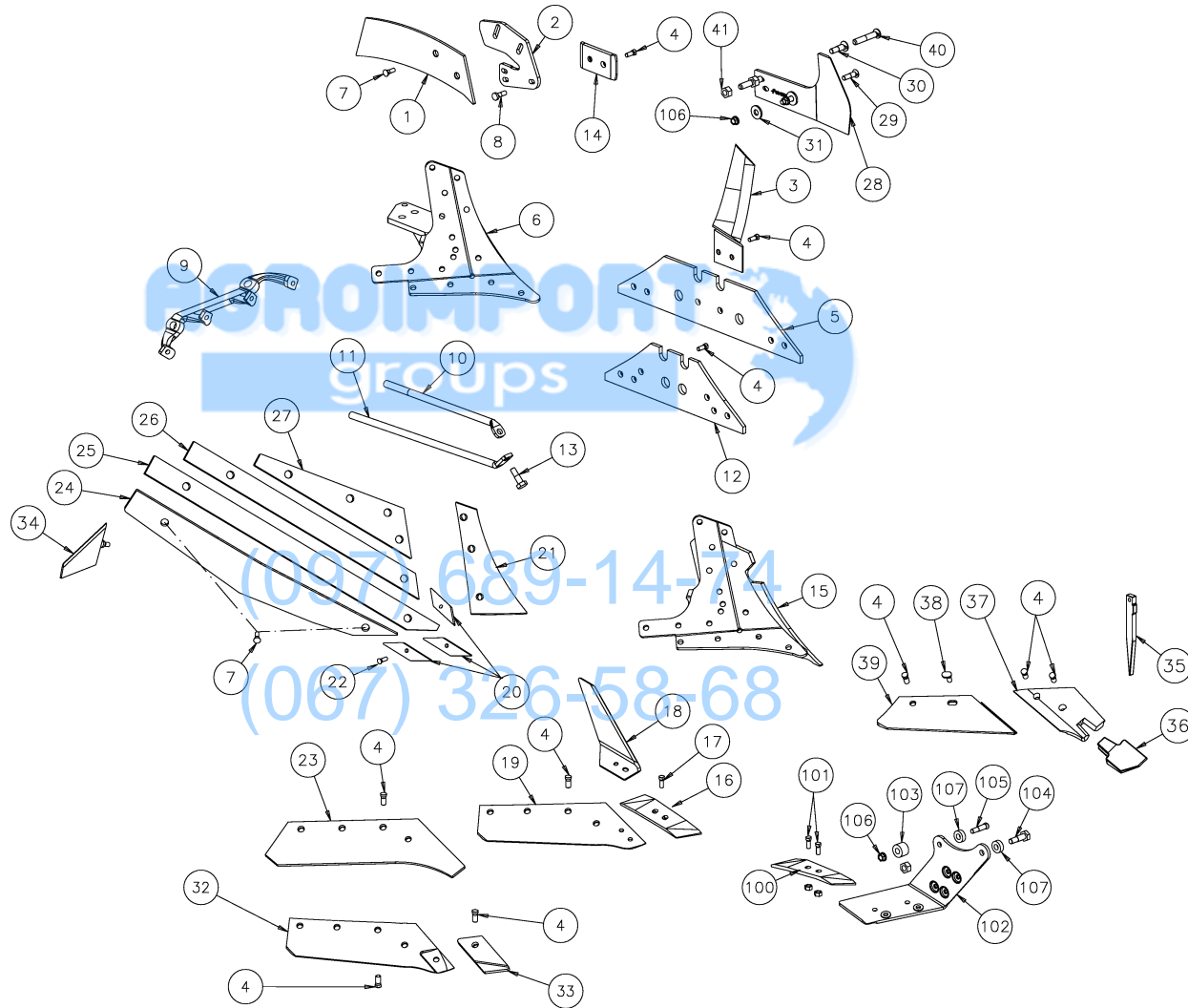


PosNo.	Part No.	Qty.	Description	Remark
104	KK032740		HEX BOLT M16X40 10.9	( for E-saddle; Before 01.03.00 )
104	KK032750		HEX BOLT M16X50 10.9	( for E-saddle; From 01.03.00 )
104	KK032765		HEX BOLT M16X65 10.9	( for A-saddle )
104	KK032775		HEX BOLT M16X75 10.9	( for MZ, AB, AD, BB, DA, DC, CC, BE)
105	KK013346		CONE SCREW M14X45 GALV.	( for E-saddle; Before 01.03.00 )
105	KK013361		CONE SCREW M14X60 12.9	( for E-saddle; From 01.03.00 )
105	KK013385		CONE SCREW M14X85 10.9 GALV	( for A-saddle )
106	KK016015		FLANGE NUT M14 GALV.	
107	KK012929		WASHER D16.5XD35.0X12.0	( for E-saddle; From 01.03.00 )



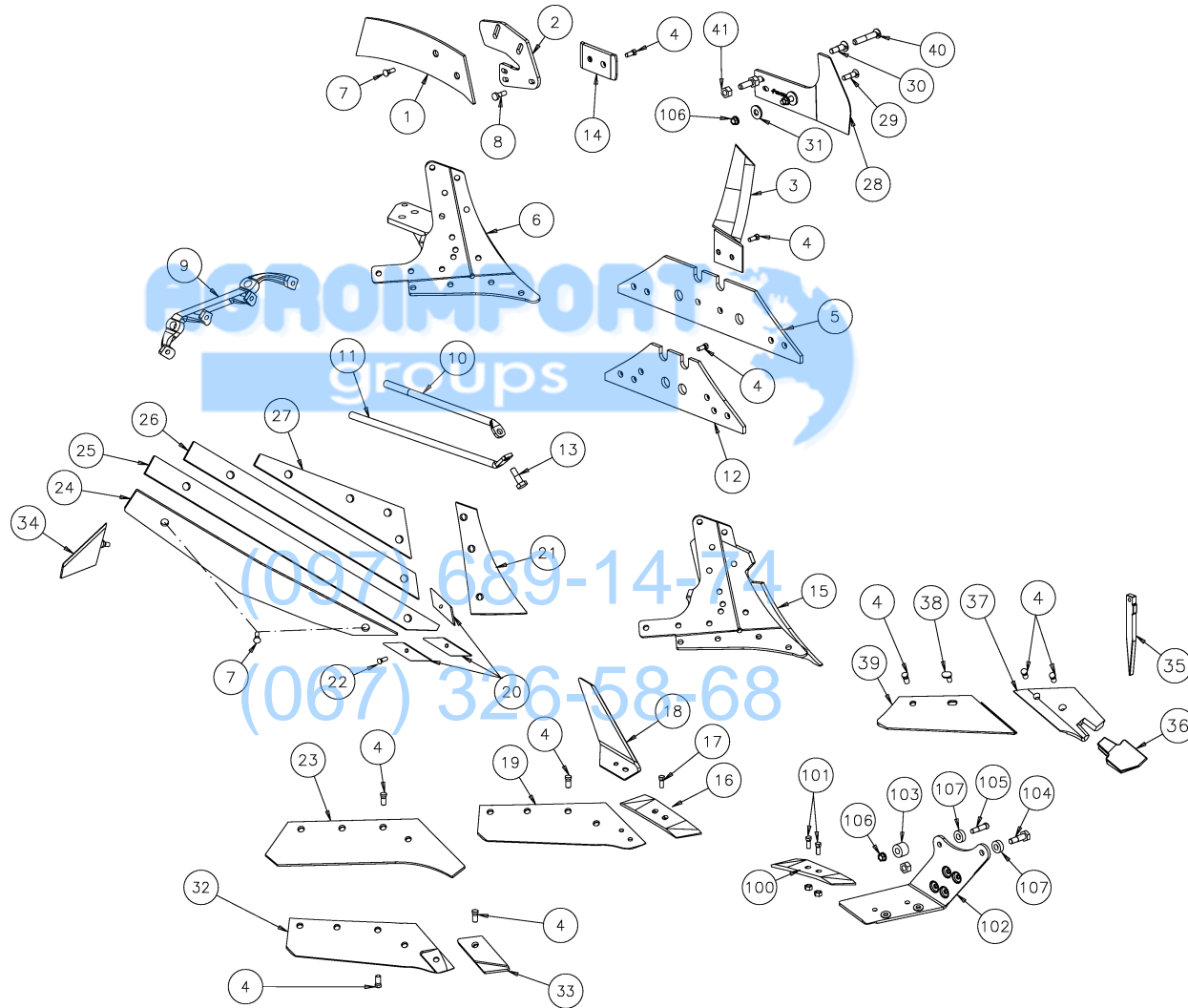
(097) 689-14-74

(067) 326-58-68



**PN/RN / BODY - 30**

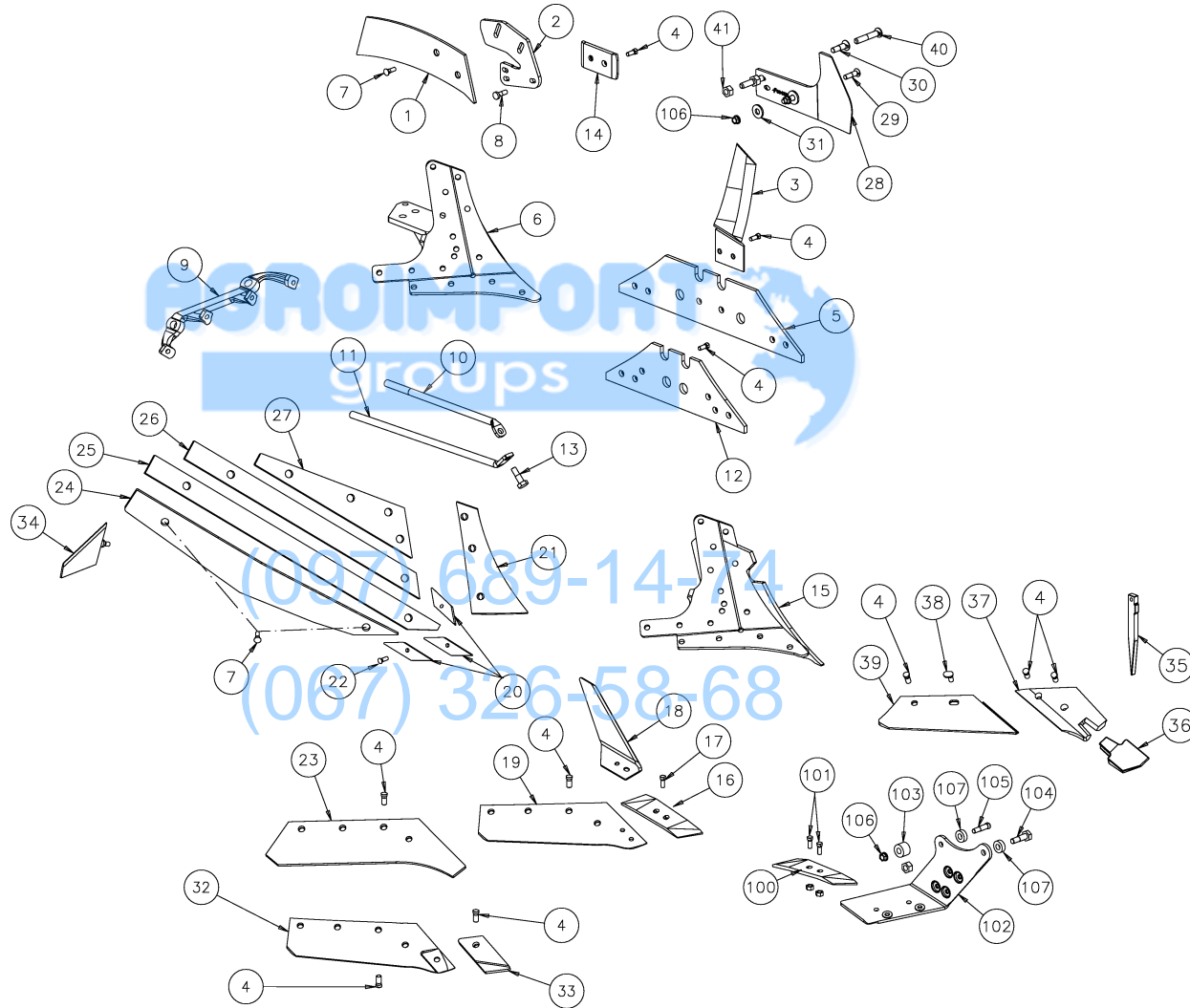
PosNo.	Part No.	Qty.	Description	Remark
1	KK073300R		TRASHBOARD R	
1	KK073301R		TRASHBOARD L.	
2	KK083300		TRASHBOARD BRACKET R BODY NO 30	
2	KK083301		TRASHBOARD BRACKET L BODY NO 30	
3	KK073615R		FURROW OPENER R.	
3	KK073616R		FURROW OPENER L.	
4	KK013332R		BOLT M14X34 W/NU	
4	KK016013		FLANGE NUT M14 KEY19	
5	KK073609		LANDSIDE LONG R/L	
6	KK083417		E-SADDLE WE RIGHT BODY NO 29	
6	KK083418		E-SADDLE WE LEFT BODY NO 29	
6	KK083408		E-SADDLE WE RIGHT BODY NO 30	
6	KK083409		E-SADDLE WE LEFT BODY NO 30	
7	KK033116		OVAL SCREW M12X35	
7	KK015817		NUT M12 GALV.	
7	KK033107R		BOLT M12X35 W/NUT	( for body no. 30; Before 01.01.01 )
7	KK015817		NUT M12 GALV.	
8	KK033117		OVAL SCREW M12X45	
8	KK015817		NUT M12 GALV.	
8	KK033111		OVAL SCREW M12X45 GALV.	( for body no. 30; Before 01.01.01 )
8	KK015817		NUT M12 GALV.	
9	KK083210		SLAT SUPPORT RIGHT	
9	KK083220		SLAT SUPPORT LEFT	
10	KK083803R		STAY NO 2 SADDLE A&E BODY NO 30	
11	KK083805R		STAY NO. 1 A-SADDLE BODY NO 29	
11	KK083806R		STAY NO. 2 A-SADDLE BODY NO 29	
11	KK083802R		STAY NO 1 A-SADDLE BODY NO 30	
11	KK083807		STAY NO. 1 E-SADDLE BODY NO 29	
11	KK083808		STAY NO. 2 E-SADDLE BODY NO 29	
11	KK083804R		STAY NO 1 SADDLE E BODY 30 R&L	
12	KK073608		LANDSIDE SHORT R/L	
13	KK032750		HEX BOLT M16X50 10.9	
13	KK015825		NUT M16	
14	KK073614R		WEARING PIECE FOR 073609	
15	KK083415		A-SADDLE WE RIGHT BODY NO 29	
15	KK083416		A-SADDLE WE LEFT BODY NO 29	
15	KK083406		A-SADDLE WE RIGHT BODY NO 30	
15	KK083407		A-SADDLE WE RIGHT BODY NO 30	
16	KK053090R		REVERSIBLE POINT R BOXED W/BOLTS	
16	KK063090R		REVERSIBLE POINT L BOXED W/BOLTS	



PN/RN / BODY - 30



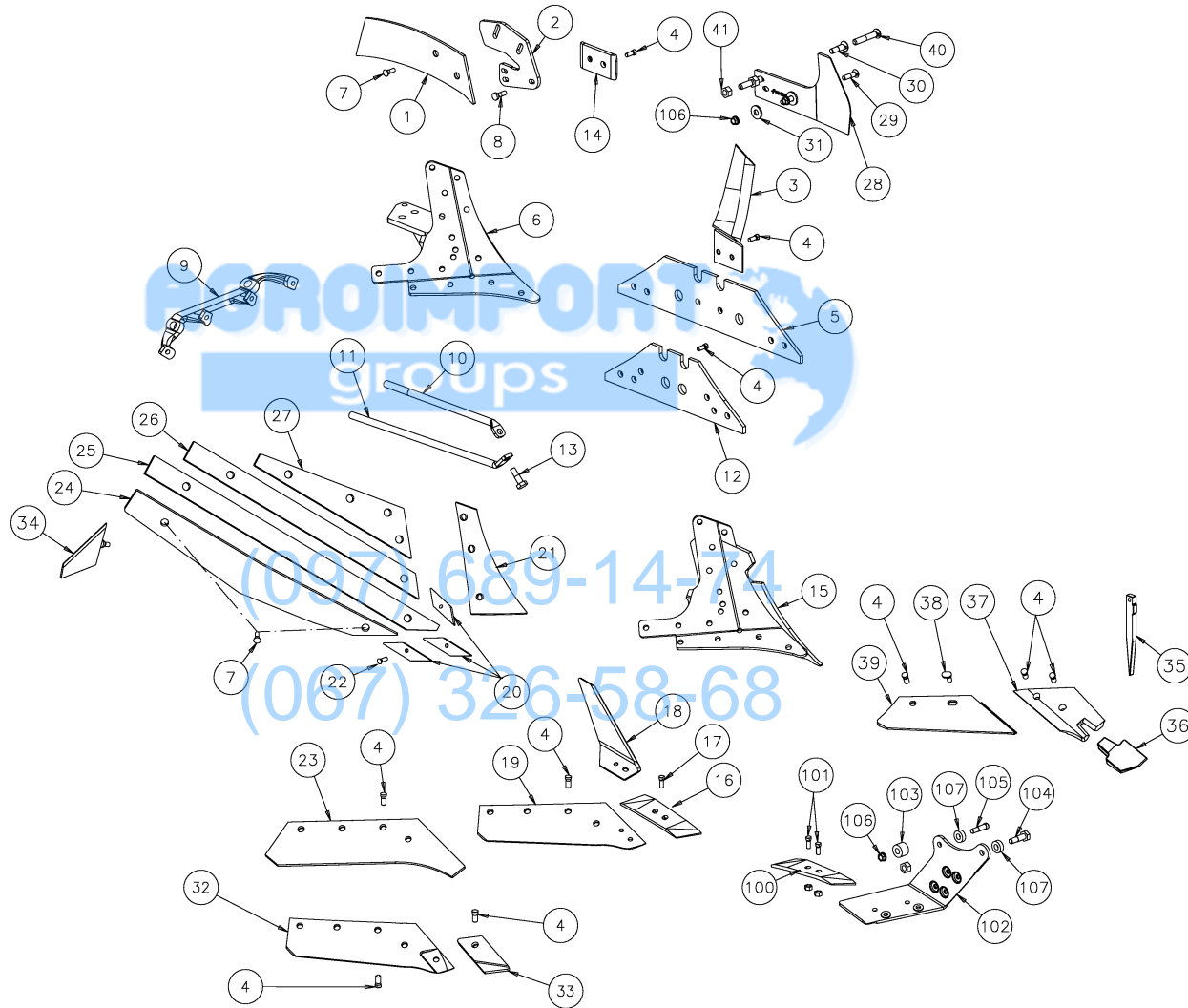
PosNo.	Part No.	Qty.	Description	Remark
17	KK013228R		CS BOLT M12X34	
17	KK015817		NUT M12 GALV.	
18	KK073091R		SHARE KNIFE R.	
18	KK073092R		SHARE KNIFE L.	
18	KK063091R		SHARE KNIFE R.	( for Sweden )
18	KK063092R		SHARE KNIFE L.	( for Sweden )
19	KK073002		SHARE 14 F/REV.POINT RIGHT	( for body no. 29 )
19	KK073003		SHARE 14 F/REV.POINT LEFT	( for body no. 29 )
19	KK073054		SHARE 14 REVERSIBLE POINT RIGHT	( for body no. 30 )
19	KK073055		SHARE 14 REVERSIBLE POINT LEFT	( for body no. 30 )
19	KK073004		SHARE 16 F/REV.POINT RIGHT	( for body no. 29 )
19	KK073005		SHARE 16 F/REV.POINT LEFT	( for body no. 29 )
19	KK073056		SHARE 16 REVERSIBLE POINT RIGH	( for body no. 30 )
19	KK073057		SHARE 16 REVERSIBLE POINT LEFT	( for body no. 30 )
19	KK073006		SHARE 18 F/REV.POINT RIGHT	( for body no. 29 )
19	KK073007		SHARE 18 F/REV.POINT LEFT	( for body no. 29 )
19	KK073080		SHARE 18 REVERSIBLE POINT RIGH	( for body no. 30 )
19	KK073081		SHARE 18 REVERSIBLE POINT LEFT	( for body no. 30 )
20	KK083215R		PLASTICSPACER 1/2 R/L NO 30 W/	( for slat 1-2 )
20	KK083218		CONNECTING PIECE NO.2 BODY NO 29	( for slat 2; for body no. 29 )
20	KK083216R		PLASTICSPACER 2/3 R/L NO 30 W/	( for slat 2-3; for body no. 30 )
20	KK083217R		PLASTICSPACER 3/4 R/L NO 30 W/BOLT	( for slat 3-4 )
21	KK073256R		SHINPIECE R.	( for body no. 29 )
21	KK073257R		SHINPIECE L.	( for body no. 29 )
21	KK073230R		SHINPIECE R. NO.19	( for body no. 30 )
21	KK073231R		SHINPIECE WITH BOLTS FOR BODY NO. 19	( for body no. 30 )
22	KK033006R		BOLT M10X30	( for body no. 29 )
22	KK015813		NUT M10 GALV.	
22	KK033016		OVAL SCREW M10X30 GALV.	( for body no. 30 )
22	KK015813		NUT M10 GALV.	
23	KK073062		SHARE 14 FIXED POINT RIGHT	( for body no. 30 )
23	KK073063		SHARE 14 FIXED POINT LEFT	( for body no. 30 )
23	KK073064		SHARE 16 FIXED POINT RIGHT	( for body no. 30 )
23	KK073065		SHARE 16 FIXED POINT LEFT	( for body no. 30 )
24	KK083211R		FINGER NO 1 R.H BODY NO 30 W/BOLT	
24	KK083221R		FINGER NO 1 L.H BODY NO 30 W/BOLT	
25	KK083212R		FINGER NO 2 R.H BODY NO 30 W/B	
25	KK083222R		FINGER NO 2 L.H BODY NO 30 W/B	
26	KK083213R		FINGER NO 3 R.H BODY NO 30 W/B	
26	KK083223R		FINGER NO 3 L.H BODY NO 30 W/B	



**PN/RN / BODY - 30**



PosNo.	Part No.	Qty.	Description	Remark
27	KK083214R		FINGER NO 4 R.H BODY NO 30 W/BOLT	
27	KK083224R		FINGER NO 4 L.H BODY NO 30 W/BOLT	
28	KK084320R		LANDSIDE KNIFE R.H.	
28	KK084321R		LANDSIDE KNIFE L.H.	
29	KK033175		OVAL SCREW M14X50 10.9 EZ GUL	
30	KK033256		OVAL SCREW M16X55 12.9	( For E-saddle )
31	KK012922		WASHER D17-D40X4.58	
32	KK073042		FLUSH FIT SHARE 14 R	( for body no. 29 )
32	KK073043		FLUSH FIT SHARE 14 L	( for body no. 29 )
32	KK073044		FLUSH FIT SHARE 16 R	( for body no. 29 )
32	KK073045		FLUSH FIT SHARE 16 L	( for body no. 29 )
33	KK073030R		FLUSHPOINT R	
33	KK073031R		FLUSHPOINT L	
34	KK083235R		FURROW SPLITTER W/BOLT	( From 01.12.01 )
35	KK083091		EJECTOR KEY	
36	KK083090R		POINT QFS	
37	KK083012R		QUICK FIT HOLDER CROSS RIGHT W	
37	KK083013R		QUICK FIT HOLDER CROSS LEFT W/	
38	KK035149		CONE SCREW M14X34 OVAL HEAD W/	
39	KK083016R		"SHARE QFS 14"" R"	
39	KK083017R		"SHARE QFS 14"" L"	
39	KK083018R		SHARE QFS 16"" R	
39	KK083019R		"SHARE QFS 16"" L"	
39	KK083020R		SHARE QFS 18"" R	
39	KK083021R		"SHARE QFS 18"" L"	
39	KK083022R		QUICK FIT REAR SHARE RIGHT 20 INCH	
39	KK083023R		QUICK FIT REAR SHARE LEFT 20 INCH	
40	KK033295		OVAL SCREW M16X95 12.9	( for A-saddle ) ( From 01.02.00 )
41	KK015825		NUT M16	
100	KK053090R		REVERSIBLE POINT R BOXED W/BOLTS	
100	KK063090R		REVERSIBLE POINT L BOXED W/BOLTS	
101	KK013228R		CS BOLT M12X34	
101	KK015817		NUT M12 GALV.	
102	KK073634R		ECO-SHARE WITH BOLTS RH	
102	KK073635R		ECO-SHARE WITH BOLTS LH	
103	KK010155		BUSHING D17- D38X27	( for A-saddle)
103	KK010156		BUSHING D17-D38X40	( for MZ, AB, AD, BB, DA, DC, CC, BE )
104	KK032740		HEX BOLT M16X40 10.9	( for E-saddle ) ( Before 01.03.00 )
104	KK032750		HEX BOLT M16X50 10.9	( for E-saddle ) ( From 01.03.00 )
104	KK015825		NUT M16	





**PN/RN / BODY - 30**



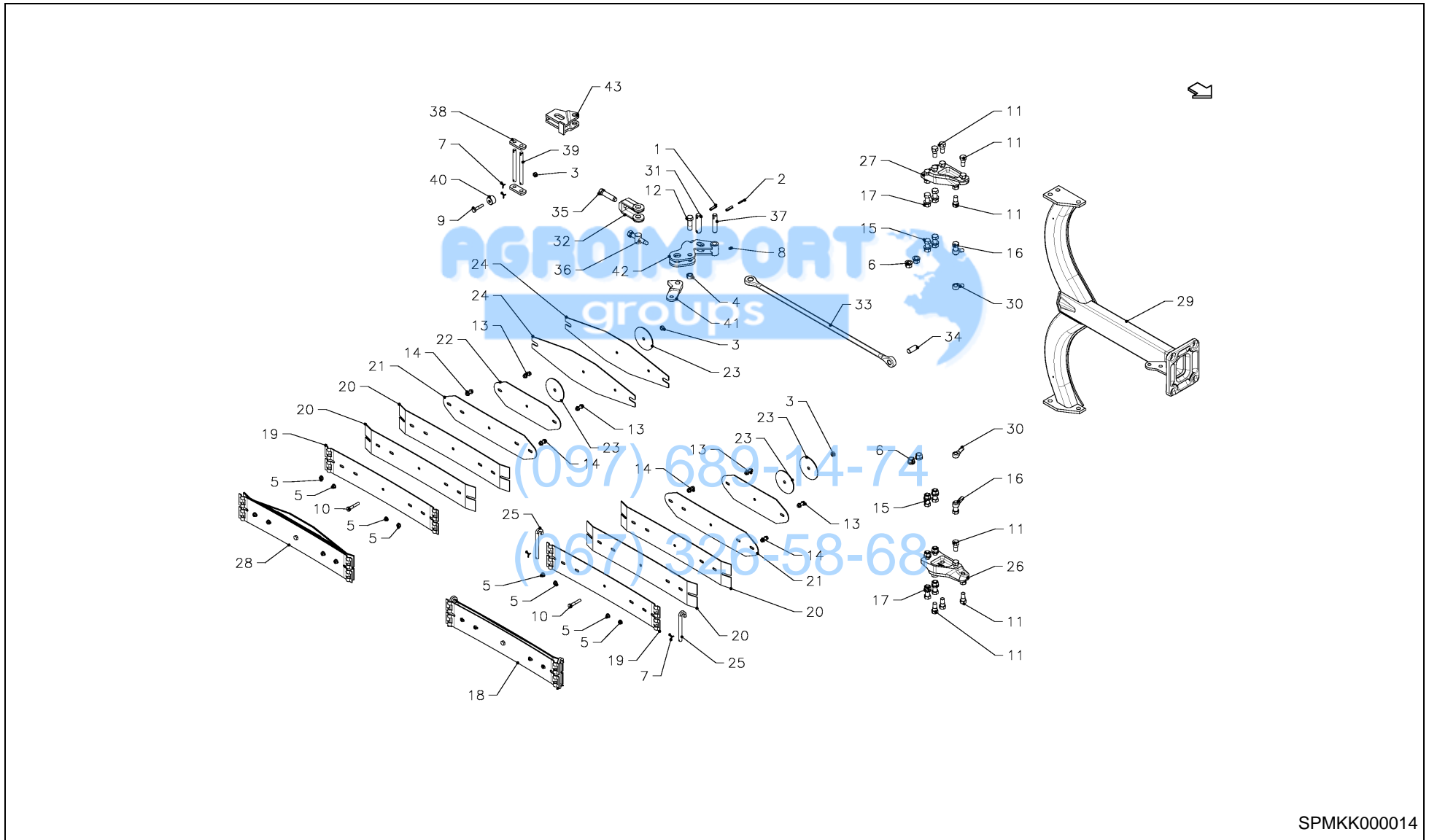
PosNo.	Part No.	Qty.	Description	Remark
104	KK032765		HEX BOLT M16X65 10.9	( for A-saddle )
104	KK015825		NUT M16	
104	KK032775		HEX BOLT M16X75 10.9	( for MZ, AB, AD, BB, DA, DC, CC, BE )
104	KK015825		NUT M16	
105	KK013346		CONE SCREW M14X45 GALV.	( for E-saddle ) ( Before 01.03.00 )
105	KK013361		CONE SCREW M14X60 12.9	( for E-saddle ) ( From 01.03.00 )
105	KK013385		CONE SCREW M14X85 10.9 GALV	( for A-saddle )
106	KK016015		FLANGE NUT M14 GALV.	
107	KK012929		WASHER D16.5XD35.0X12.0	( for E-saddle ) ( From 01.03.00 )



(097) 689-14-74

(067) 326-58-68

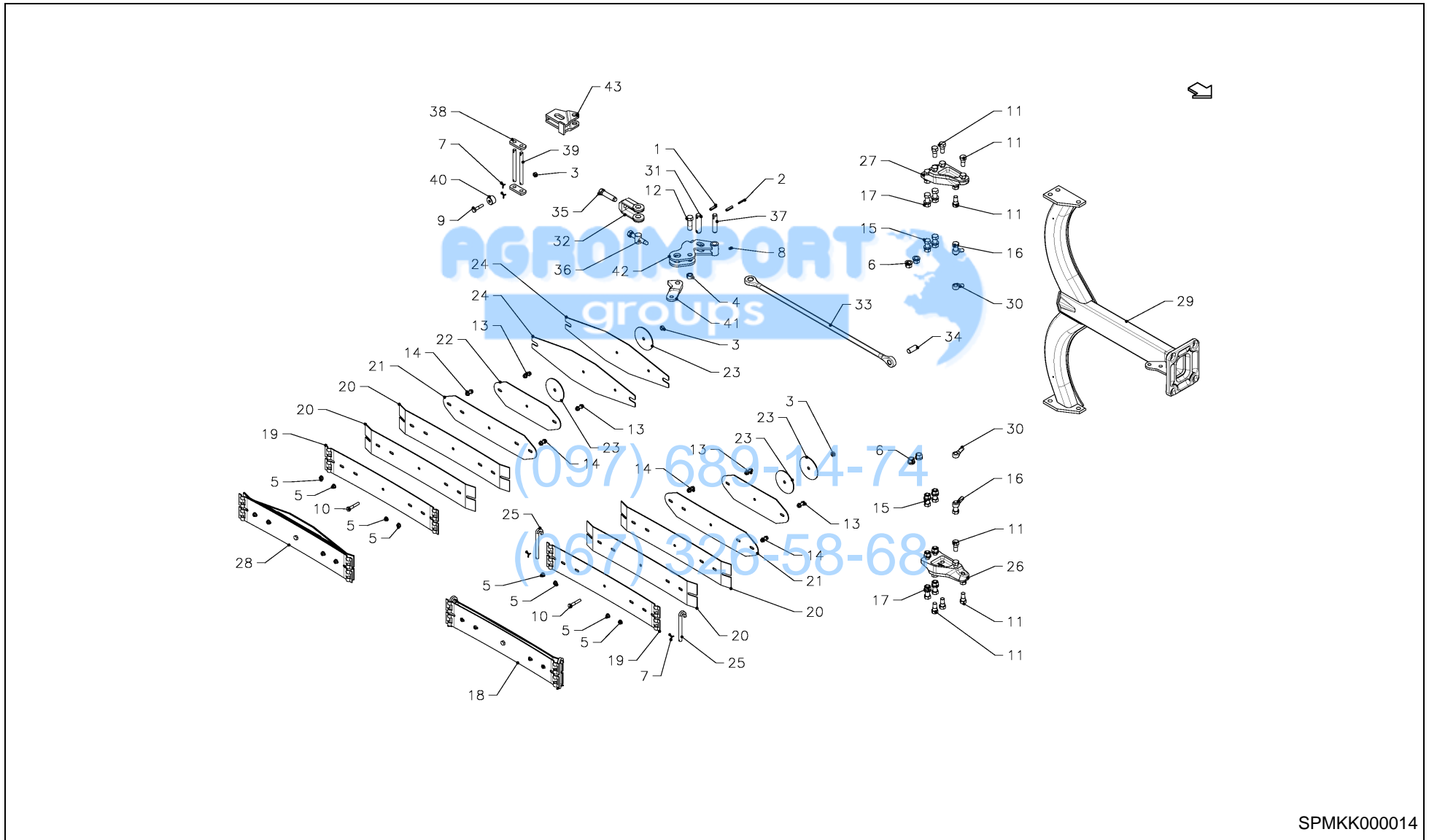
PN/RN / BEAM (AUTO RESET)



## PN/RN / BEAM (AUTO RESET)

PosNo.	Part No.	Qty.	Description	Remark
1	KK011037		ROLL PIN D10X40 GALV.	
2	KK011042		ROLL PIN D6X40 DIN 1481 GALV.	
3	KK015817		NUT M12 GALV.	
4	KK015830		NUT M20	
5	KK016007		FLANGE NUT M10	
6	KK016012		FLANGE NUT M20	
7	KK029727		SPLIT PIN D5X32	
8	KK029920		GREASE NIPPLE M8X1 STRAIGHT	
9	KK032655		HEX BOLT M12 X 55	
10	KK032665		HEX BOLT M12X65 GL40	
11	KK032840		HEX BOLT M20X40 10.9	
12	KK032860		HEX BOLT M20X60 10.9	
13	KK035020R		BOLT M10X34	
14	KK035021R		BOLT M10X30.5	
15	KK035165		HEX BOLT M20X50 W/FLANGE NUT	
16	KK035209		HEX BOLT M20X50 W/THREADED PIECE	
17	KK035210		HEX SCREW M20 X 55 W/FLANGE NUT	
18	KK050706		SPRING STANDARD CLP WITHOUT REGULATOR	
19	KK057063		MAIN SPRING BLADE	
20	KK057064		SPRING BLADE NO. 1	
21	KK057065		SPRING BLADE NO. 2	
22	KK057066		SPRING BLADE NO. 3	
23	KK057067		SPRING BLADE NO. 4	
24	KK057068R		BLADE NO.5	
25	KK057089		SPRING BOLT	
26	KK060108		DISTANCE BRACKET CPL. RIGHT	
27	KK060109		DISTANCE BRACKET CPL. LEFT	
28	KK060703		SPRING HD CPL. WITHOUT REGULATOR	
29	KK061280R		AUTO RESET LEG	
30	KK061291		THREADED PIECE	
31	KK067016R		BOLT Ø25 FOR CLEVIS	
32	KK067025R		CLEVIS FOR TIE ROD D25	
33	KK067026R		TIE ROD D22 WITH D22 & D25 HOLES	
34	KK067031R		MAINBOLT	
35	KK067039R		SCREW	
36	KK067051		ADJUST SCREW W/THREADED PIECE	
37	KK067059R		AXLE	
38	KK067075		SHACKLE	
39	KK067076		BOLT D15.7-D5.5X168-D5.5	
40	KK067077		DISTANCE TUBE ADDITIONAL SPRING PACK	

PN/RN / BEAM (AUTO RESET)



**PN/RN / BEAM (AUTO RESET)**

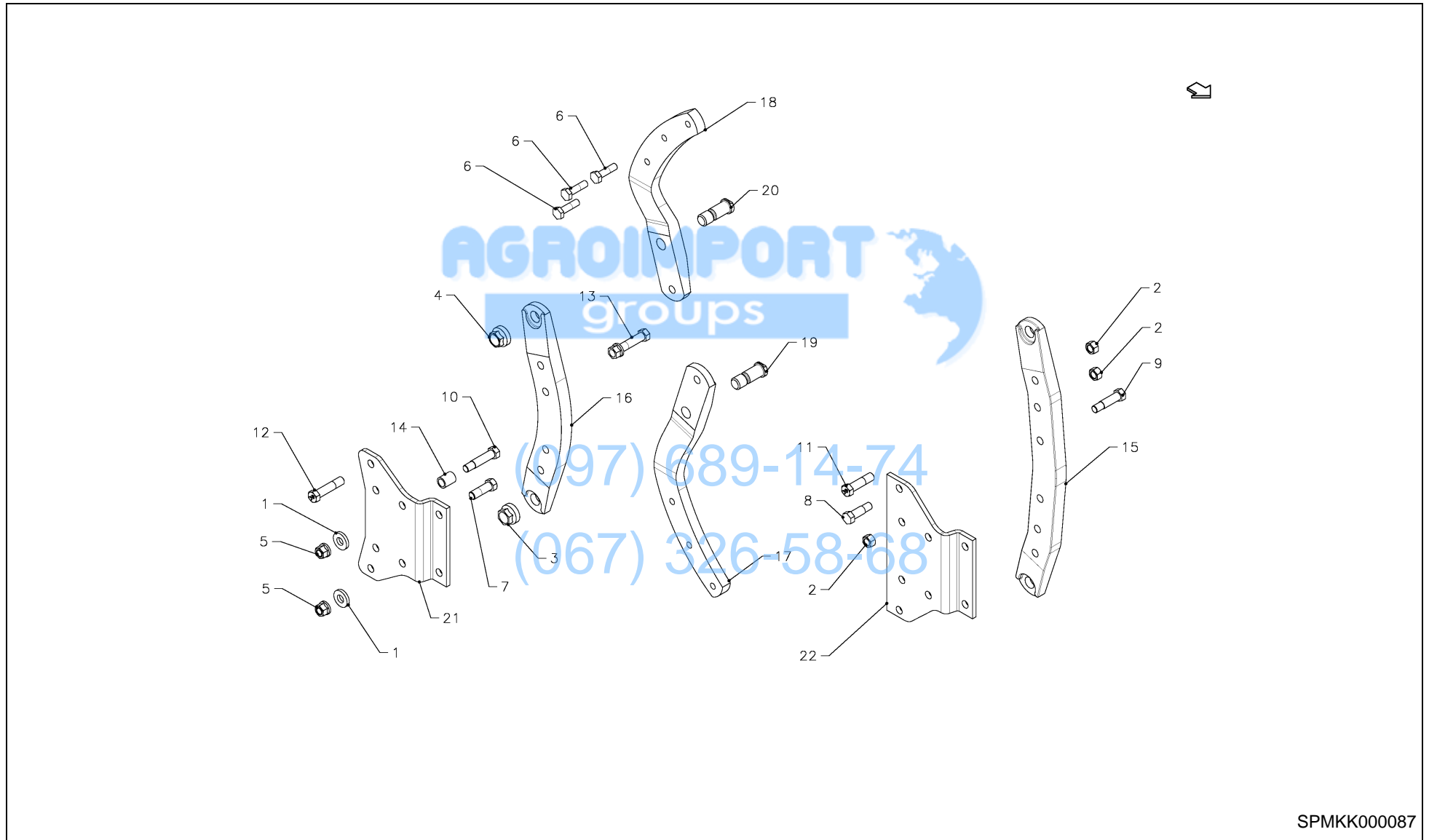
PosNo.	Part No.	Qty.	Description	Remark
41	KK067080		SPRING RETAINER REAR	
42	KK067090R		REGULATOR ARM WELDED FOR D25 BOLT	
43	KK067092		LOCK PIECE FOR D25 BOLT	



(097) 689-14-74

(067) 326-58-68

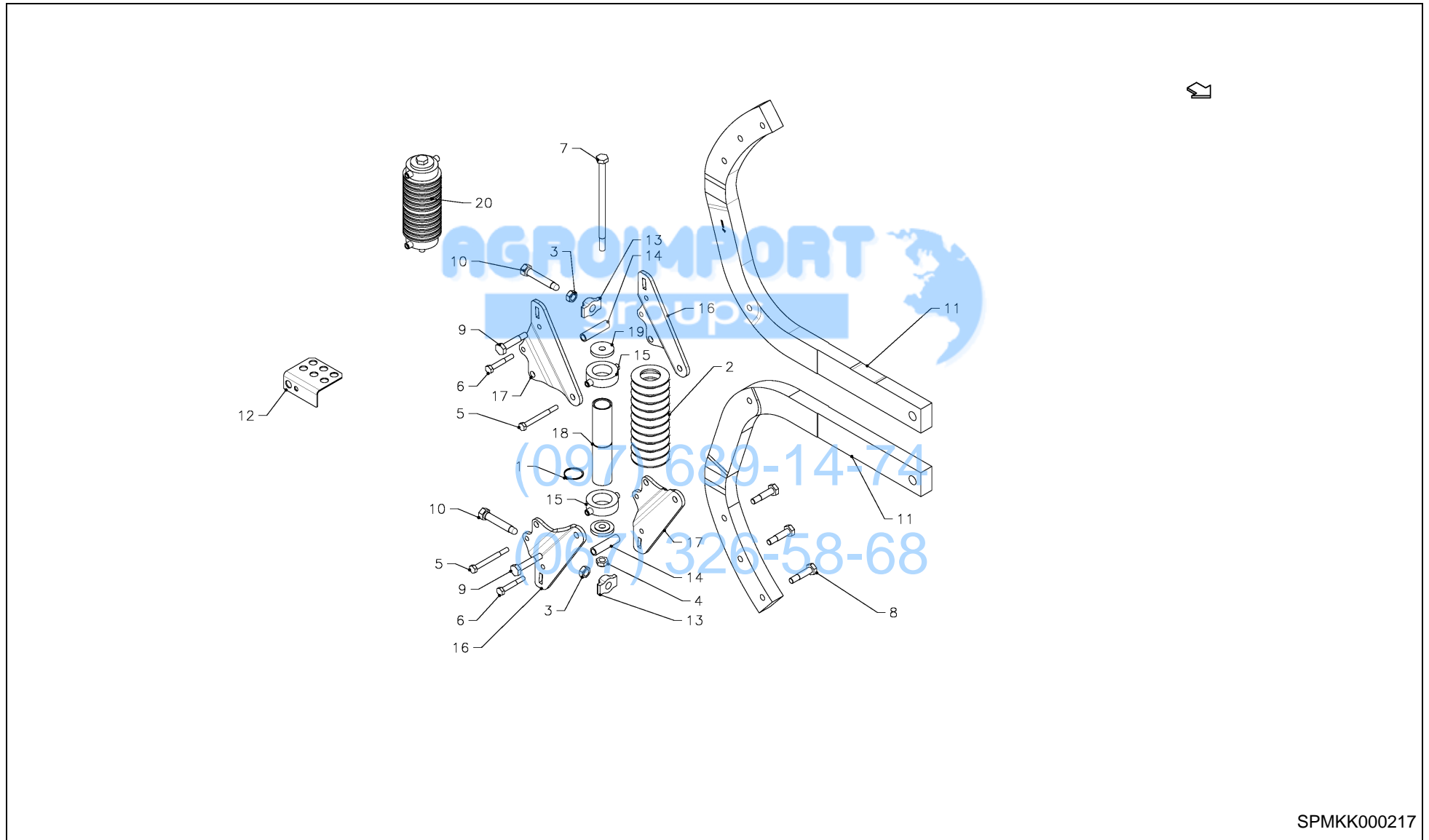
# PN/RN / BEAM (SHEAR BOLT)



## PN/RN / BEAM (SHEAR BOLT)

PosNo.	Part No.	Qty.	Description	Remark
1	KK013009		WASHER 21,-X 35,-X7,5 EL.GALVANIZED	
2	KK015830		NUT M20	
3	KK016022		FLANGE NUT M30 10 KEY36	
4	KK016045		FLANGE NUT M30 LEFT KEY 36	
5	KK016049		FLANGE NUT M20 WITH LOCK	
6	KK032762		HEX BOLT M16X60 12.9	
7	KK032860		HEX BOLT M20X60 10.9	
8	KK032865		HEX BOLT M20X65 10.9	
9	KK032880		HEX BOLT M20X80 10.9	
10	KK032890		HEX BOLT M20X90 10.9	
11	KK035048R		SHEARBOLT M20X72	
12	KK035072R		SHEAR BOLT M20X88 W/NUT	
13	KK035215		HEX BOLT M20X80 W/NUT	
14	KK061515		BUSHING D20.5-D28X35.2	
15	KK071270R		CENTER SECT. SHEARBOLT BEAM H=800	
16	KK071271R		CENTER SECT. SHEARBOLT BEAM H=700	
17	KK071272R		RIGHT SECTION SHEARBOLT BEAM	
18	KK071273R		LEFT SECTION SHEARBOLT BEAM	
19	KK071274		BOLT M30 R.HAND THREAD L=84	
20	KK071275		BOLT M30 L.HAND THREAD L= 84	
21	KK071508		PLATE FOR BEAM H=700	
22	KK071529		SIDE PLATE SHEARBOLT BEAM H=800	

(097) 889-14-74  
(067) 326-58-68



SPMKK000217



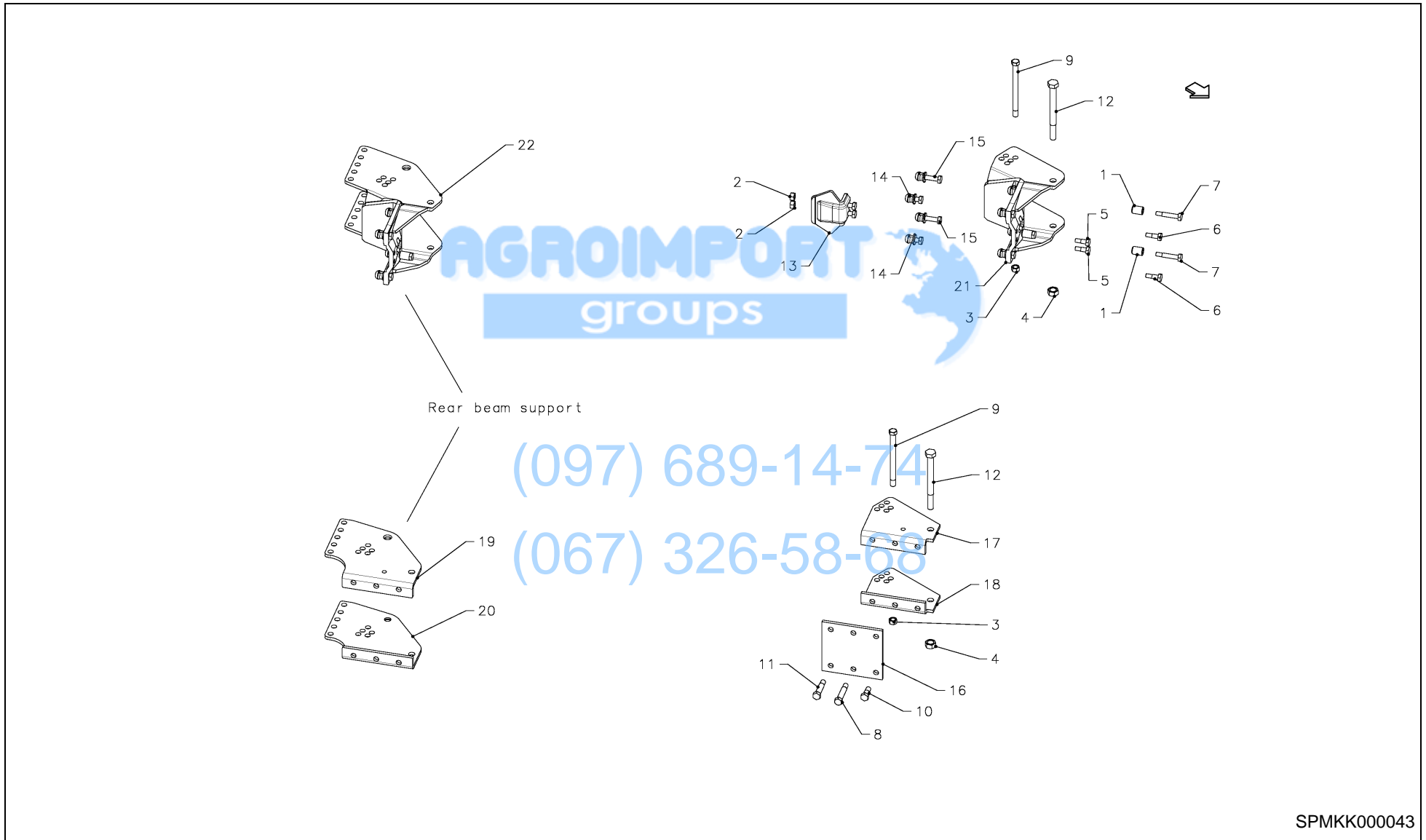
# PN/RN / BEAM (VIBROMAT)

PosNo.	Part No.	Qty.	Description	Remark
1	KG01110400		CIRCLIP-A 50 X 2	
2	KK012874		CUP SPRING D97XD51X4.58	
3	KK015834		NUT M20	
4	KK016025		LOCK NUT M16	
5	KK032604		HEX SCREW M12 X120	
6	KK032680		HEX BOLT M12X80	
7	KK032728		HEX BOLT M16X280 10.9	
8	KK032774		HEX BOLT M16X70 12.9 THREAD L=40	
9	KK032785		HEX BOLT M16X85 10.9	
10	KK067049		ADJUST SCREW M20X110 GALV.10.9	
11	KK072757		BEAM RIGHT&LEFT H=700 SL	
12	KK072769		HOLDER FOR SHEAR BOLTS	
13	KK072771		THREADED PIECE M20	
14	KK072773		BUSHING D14.8 X D21.3 X 85	
15	KK072819		HOLDER FOR SPRING SL SHOCKABS.	
16	KK072820		LINK R	
17	KK072821		LINK L	
18	KK072822		BUSHING INNER IN SPRING PACKAGE	
19	KK072824		COVER	
20	KK072825		SPRINGS PACKAGE ASSEMBLED SL	

(097) 689-14-74

(067) 326-58-68

# PN/RN / BEAM SUPPORT STEPWISE

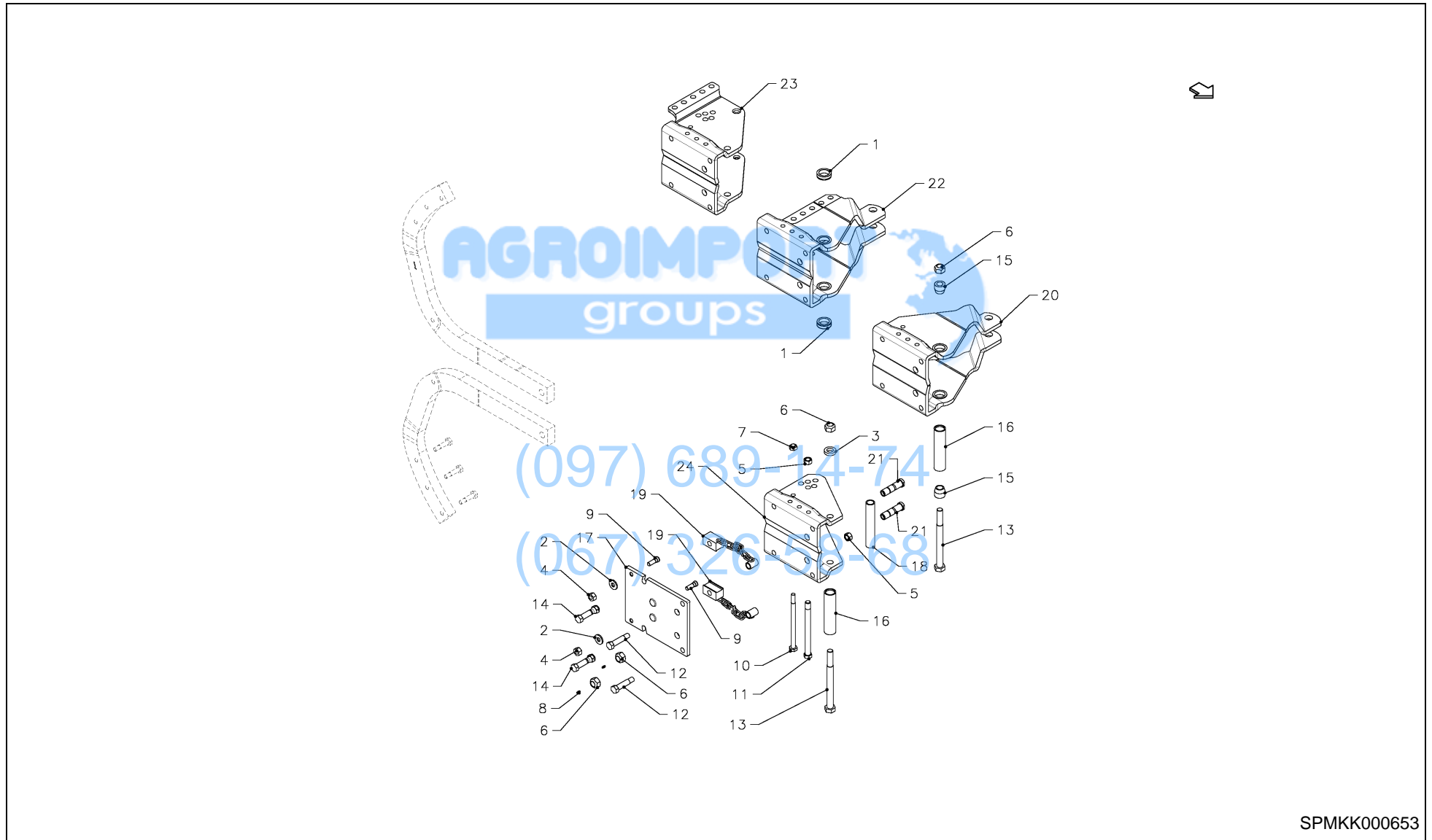


## PN/RN / BEAM SUPPORT STEPWISE

PosNo.	Part No.	Qty.	Description	Remark
1	KK010168		BUSHING D16.25XD30X41	
2	KK015825		NUT M16	
3	KK015830		NUT M20	
4	KK015841		NUT M24 GALV.	
5	KK032745		HEX BOLT M16X45 10.9	
6	KK032750		HEX BOLT M16X50 10.9	
7	KK032790		HEX BOLT M16X90 10.9	
8	KK032824		HEX BOLT M20X105 10.9	
9	KK032846		HEX BOLT M20 X 245	
10	KK032850		HEX BOLT M20X50 10.9	
11	KK032890		HEX BOLT M20X90 10.9	
12	KK032925		HEX BOLT M24X250 10.9	
13	KK061637R		STEERING PLATE	
14	KK071256		2 BALLS M16X50	
15	KK071259		2 BALLS M16X90	
16	KK071670		PLATE FOR BEAM SUPPORT	For LB and LO
17	KK083660		BEAM HOLDER PLATE UPPER	
18	KK083661		BEAM HOLDER PLATE LOWER	
19	KK083662		BEAMHOLDER REAR UPPER D20	
20	KK083663		BEAMHOLDER REAR LOWER D20	
21	KK083690		BEAM SUPPORT W/BALLS	
22	KK083692		BEAM SUPPORT REAR WITH BALLS	




(097) 689-14-74  
(067) 326-58-68



SPMKK000653

**PN/RN / VIBROMAT**

PosNo.	Part No.	Qty.	Description	Remark
1	KK011694R		SLIDE BRG D40.2-D55X16	
2	KK012922		WASHER D17-D40X4.58	
3	KK013000		WASHER D26-D45X10	
4	KK015825		NUT M16	
5	KK015830		NUT M20	
6	KK016001		LOCK NUT M24 10 GALV.	
7	KK016025		LOCK NUT M16	
8	KK029918		GREASE NIPPLE M6	
9	KK031951		CS BOLT	
10	KK032724		HEX BOLT M16X250 10.9	
11	KK032846		HEX BOLT M20 X 245	
12	KK032890		HEX BOLT M20X90 10.9	
13	KK032926		HEX BOLT M24X265 10.9	
14	KK035087R		HEX HEAD SCREW M	
15	KK071403		BUSHING D24.2-D40X36	
16	KK071417		BUSHING D34.5-D44.5X186	
17	KK072759		PLATE OUTHER BEAM SUPPORT	
18	KK072760		BUSHING D27.7-D33.8X202	
19	KK072761		SPACER	
20	KK072790		ÅSH.M/FORING LB-SL	
21	KK077021		BRG BOLT	
22	KK082645		BEAMHOLDER REAR SL W BUSHINGS	
23	KK083648		BEAMHOLDER REAR WELDED VIBROMAT	
24	KK083649		BEAM HOLDER VIBROMAT RN	


  
 (067) 389-14-74
   
 (067) 326-58-68

PN/RN / REBUILDING KIT VIBROMAT



SPMKK000654

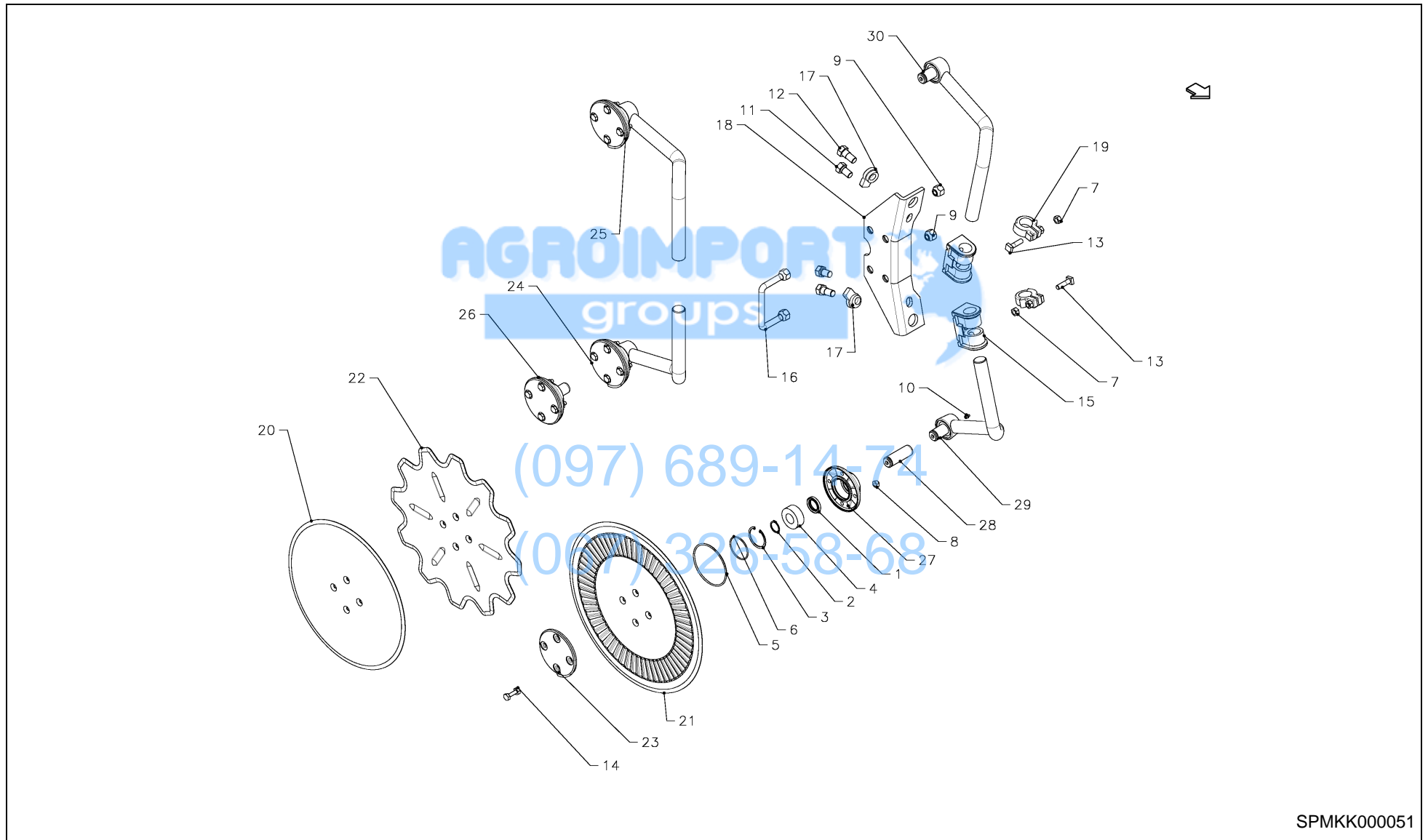
## PN/RN / REBUILDING KIT VIBROMAT

PosNo.	Part No.	Qty.	Description	Remark
1	KK012922		WASHER D17-D40X4.58	
2	KK015825		NUT M16	
3	KK015830		NUT M20	
4	KK016001		LOCK NUT M24 10 GALV.	
5	KK029918		GREASE NIPPLE M6	
6	KK031951		CS BOLT	
7	KK032774		HEX BOLT M16X70 12.9 THREAD L=40	
8	KK032803		HEX BOLT M20X110	
9	KK032850		HEX BOLT M20X50 10.9	
10	KK035093		SHARE BOLT M20 X 130	
11	KK072759		PLATE OUTER BEAM SUPPORT	
12	KK072761		SPACER	
13	KK072777		BEAM R&L SL-SYSTEM H=800	
14	KK072823		CUP SPRING ASSEMBLY VIBROMAT	
15	KK072831		ADAPTER PLATE FOR VIBROMAT BEAM	
16	KK072832		SUPPORT PLATE FOR VIBROMAT BEAM	
17	KK072833		BUSHING D35 X D20,5 X 15	
18	KK072834		BUSHING D35 X D20,5 X 20	
19	KK077021		BRG BOLT	

(097) 689-14-74

(067) 326-58-68

# PN/RN / DISC COULTER - AUTO-RESET BEAM



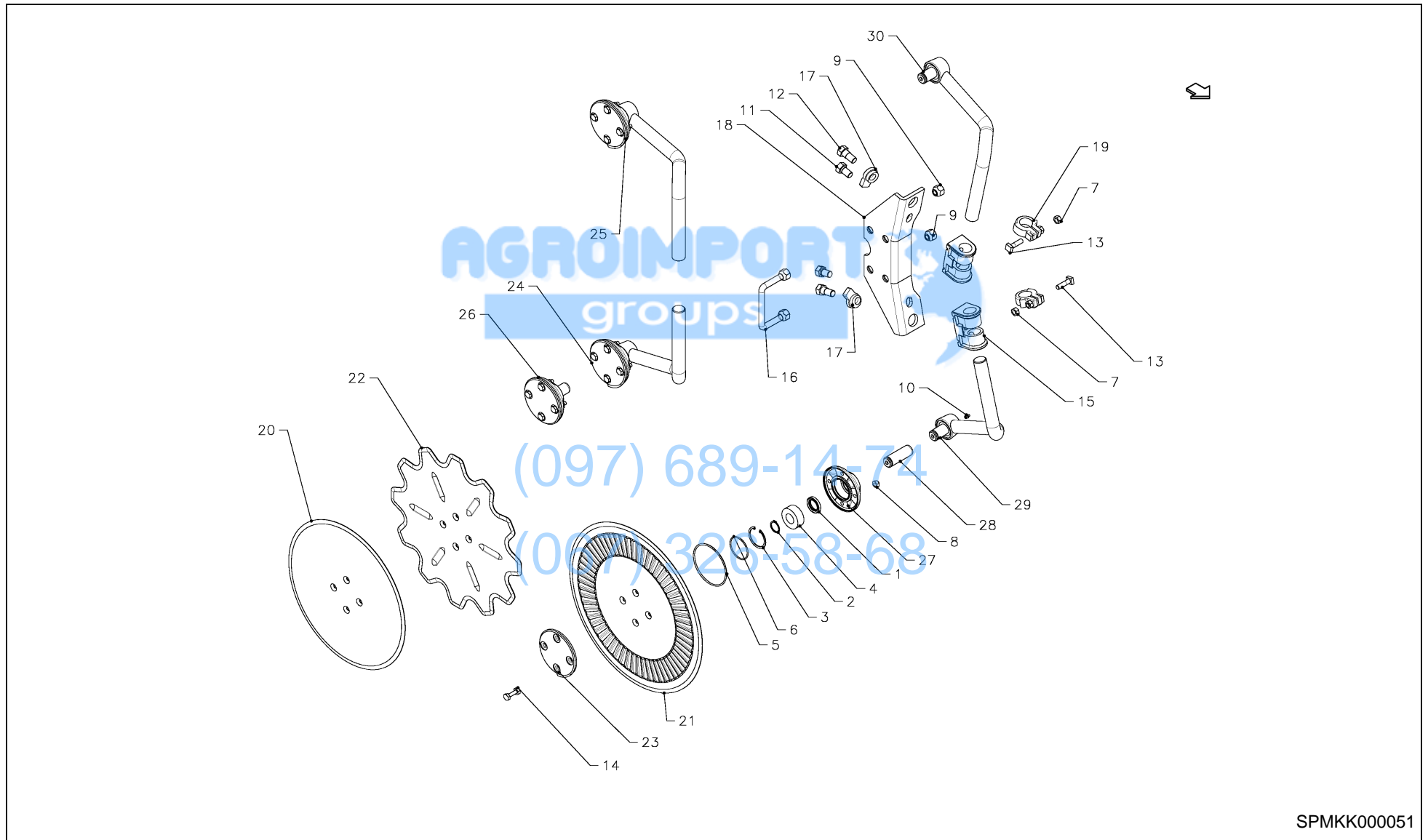
SPMKK000051



## PN/RN / DISC COULTER - AUTO-RESET BEAM

PosNo.	Part No.	Qty.	Description	Remark
1	KG00017500		RADIAL SHAFT SEAL - A 30X47X7	
2	KG01108862		CIRCLIP-A 30 X 1.5	
3	KG01129800		CIRCLIP-B 62 X 2	
4	KK010572		TWO ROW ANGLE CONTACT BALL-BEARING 3206B	
5	KK011750		O-RING D124.5X3 70 SHORE	
6	KK011866		O-RING D67X3 70 SHORE	
7	KK015817		NUT M12 GALV.	
8	KK016004		LOCK NUT M10 METAL LOCKING	
9	KK016031		CONE NUT M16 KEY27 H25	
10	KK029920		GREASE NIPPLE M8X1 STRAIGHT	
11	KK032830		HEX BOLT M20X30 10.9	
12	KK032840		HEX BOLT M20X40 10.9	
13	KK035031R		BOLT M12X40	
14	KK035114		HEX BOLT M10X40 W/LOCK NUT	
15	KK066185		DISC COULTER BRACKET W/SCREW	
16	KK066175R		U-BOLT	
17	KK066178		ECCENTRIC FOR DISC COULTER BRACKET	
18	KK066182		DISC COULTER BRACKET 20	
18	KK066189		BRACKET FOR DISC COULTER 18 INCH	
19	KK066190R		STOP JOURNAL	
20	KK076406R		DISC 18"	
21	KK076407R		DISC COULTER 20"	
22	KK076409R		DISC 18" NOTCHED	
22	KK076410R		DISC COULTER 20 NOTCHED	
23	KK076499R		REINFORCMENT PLATE	
24	KK086092		DISC COULTER 18" MOD99 CPL.	
24	KK086093		DISC COULTER 18# L E-BEAM MOD99	
24	KK086190		DISC COULTER 20" MOD99 CLP. R	
24	KK086084BOM		DISC COULT ARM 20 R W BEARING	
25	KK086081		DISC COULT ARM 18 L W BEAR E-BEAM	
25	KK086191		DISC COULTER 20" MOD99 CPL. L	
25	KK086085BOM		DISC COULT ARM 20 R W BEARING	
26	KK086087R		REP. SET FOR BRG HOUSE KK076097	
27	KK086100		BRG HOUSING DISC COULTER	
28	KK086101R		AXLE FOR DISC COULTER	
29	KK086170		ARM WITH AXLE 18" R	
29	KK086172		ARM WITH AXLE 20" R	
29	KK086174		ARM WITH AXLE 20" LOWERED	
30	KK086171		ARM WITH AXLE 18" L	
30	KK086173		ARM WITH AXLE 20" L	

PN/RN / DISC COULTER - AUTO-RESET BEAM



SPMKK000051

**PN/RN / DISC COULTER - AUTO-RESET BEAM**



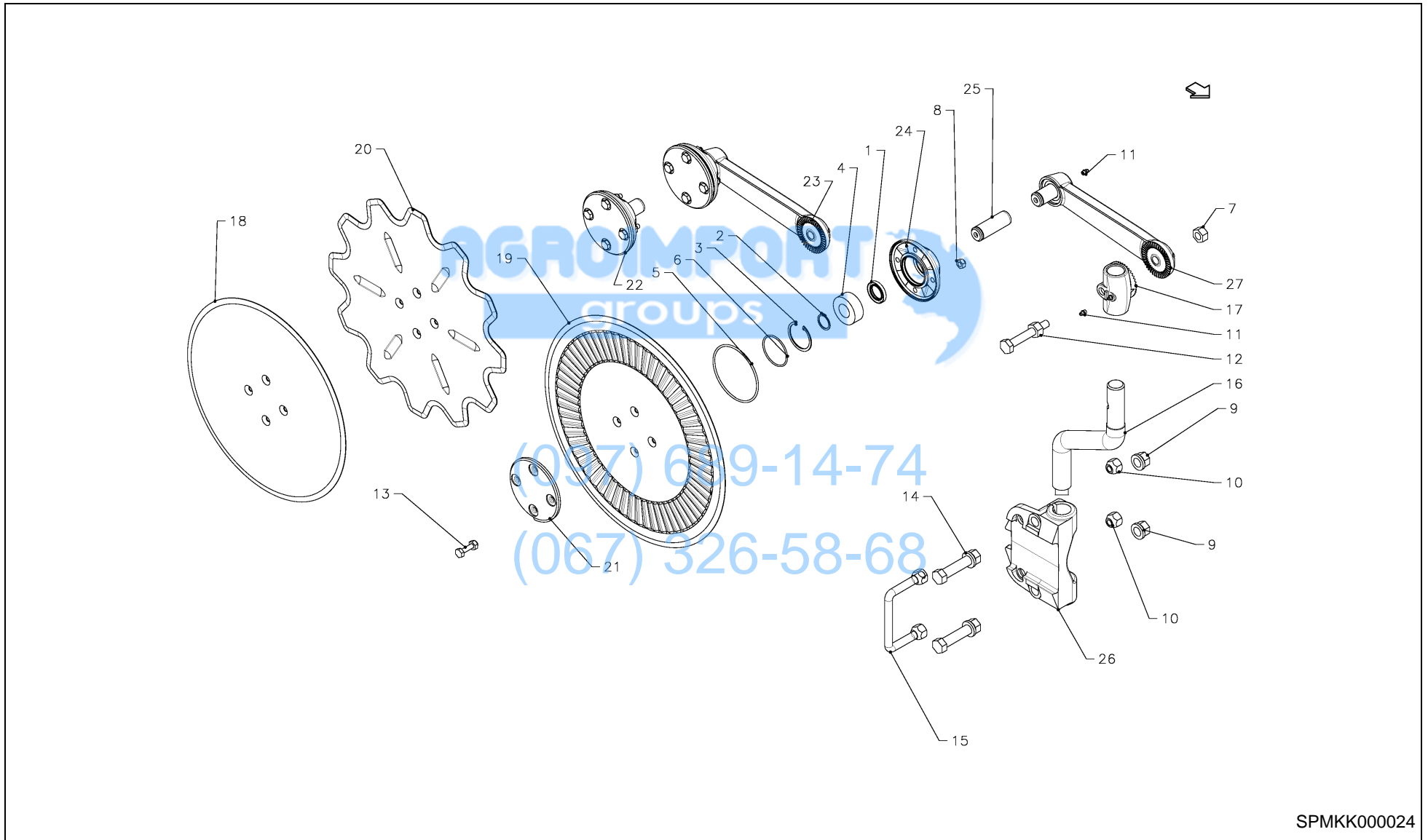
PosNo.	Part No.	Qty.	Description	Remark
30	KK086175		ARM WITH AXLE 20" L LOWERED	



(097) 689-14-74

(067) 326-58-68

PN/RN / DISC COULTER 99 - AUTO RESET BEAM

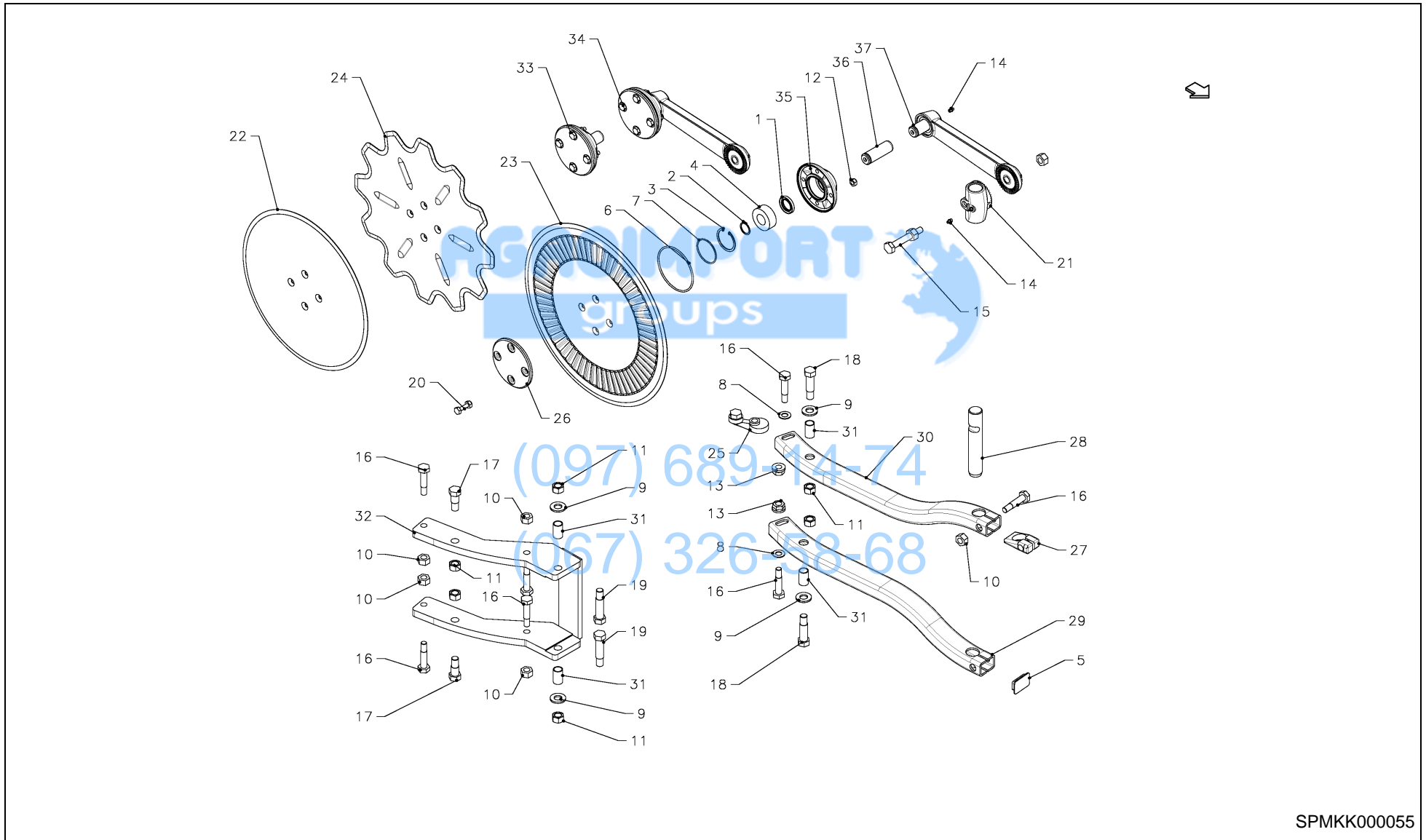


SPMKK000024

# PN/RN / DISC COULTER 99 - AUTO RESET BEAM

PosNo.	Part No.	Qty.	Description	Remark
1	KG00017500		RADIAL SHAFT SEAL - A 30X47X7	
2	KG01108862		CIRCLIP-A 30 X 1.5	
3	KG01129800		CIRCLIP-B 62 X 2	
4	KK010572		TWO ROW ANGLE CONTACT BALL-BEARING 3206B	
5	KK011750		O-RING D124.5X3 70 SHORE	
6	KK011866		O-RING D67X3 70 SHORE	
7	KK015825		NUT M16	
8	KK016004		LOCK NUT M10 METAL LOCKING	
9	KK016012		FLANGE NUT M20	
10	KK016031		CONE NUT M16 KEY27 H25	
11	KK029920		GREASE NIPPLE M8X1 STRAIGHT	
12	KK032702		HEX BOLT M16X110	
13	KK035114		HEX BOLT M10X40 W/LOCK NUT	
14	KK035175		HEX BOLT M20X100 W/FLANGE NUT	
15	KK066175R		U-BOLT	
16	KK076063		STEM FOR DISC COULTER	
17	KK076400R		SUPPORT	
18	KK076406R		DISC 18"	
19	KK076407R		DISC COULTER 20	
20	KK076410R		DISC COULTER 20 NOTCHED	
21	KK076499R		REINFORCMENT PLATE	
22	KK086087R		REP. SET FOR BRG HOUSE KK076097	
23	KK086091		ARM WITH BRG AND AXLE 18" & 20"	
24	KK086100		BRG HOUSING DISC COULTER	
25	KK086101R		AXLE FOR DISC COULTER	
26	KK086103R		DISC COULTER BRACKET E-BEAM CASTED	
27	KK086167		ARM WITH AXLE 18" & 20"	

# PN/RN / DISC COULTER - SHEAR BOLT BEAM

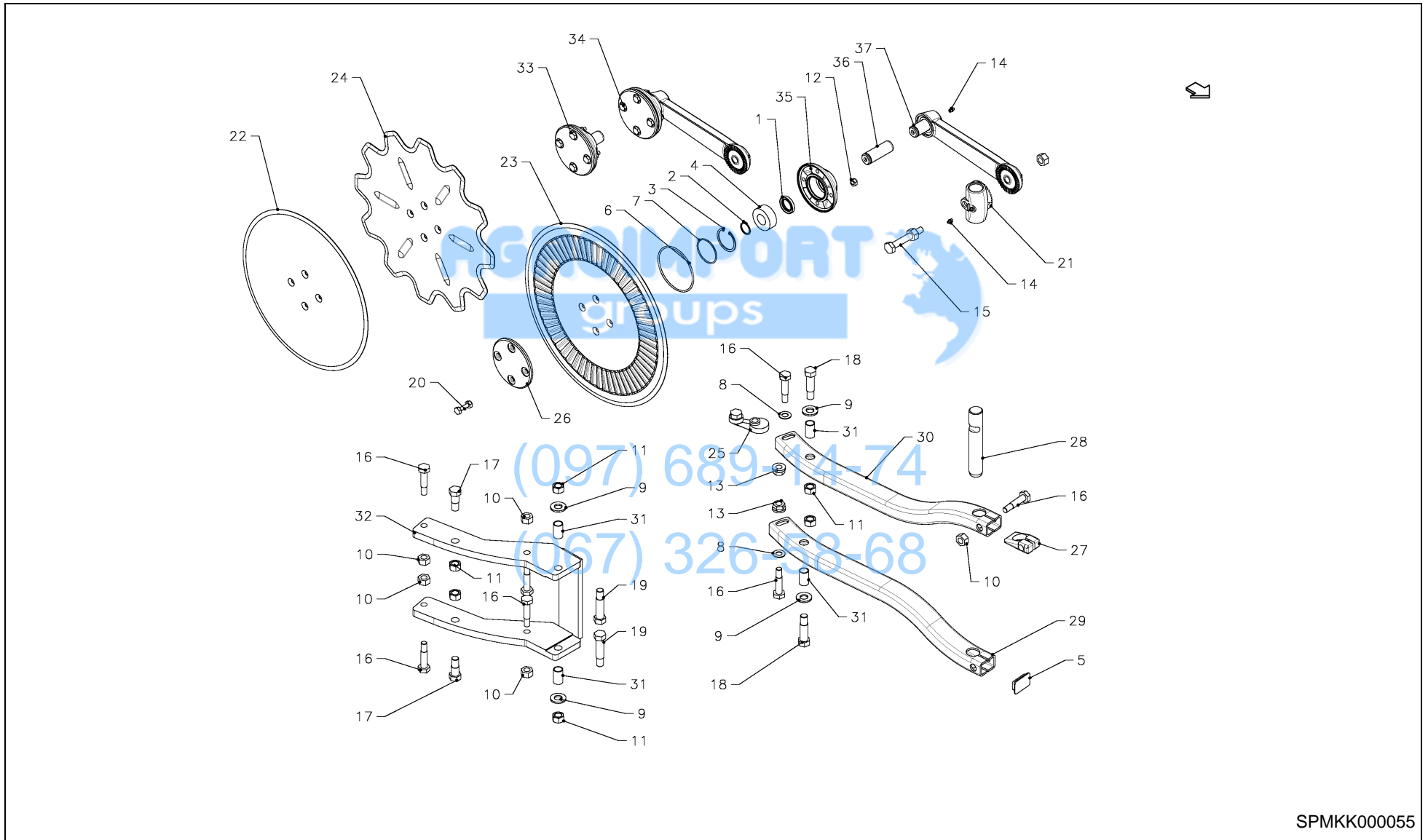


SPMKK000055

# PN/RN / DISC COULTER - SHEAR BOLT BEAM

PosNo.	Part No.	Qty.	Description	Remark
1	KG00017500		RADIAL SHAFT SEAL - A 30X47X7	
2	KG01108800		CIRCLIP-A 30 X 1.5	
3	KG01129800		CIRCLIP-B 62 X 2	
4	KK010572		TWO ROW ANGLE CONTACT BALL-BEARING 3206B	
5	KK010909		PLASTIC COVER SQUARE TUBE 60X40X5	
6	KK011750		O-RING D124.5X3 70 SHORE	
7	KK011866		O-RING D67X3 70 SHORE	
8	KK012923		WASHER D16.5-D31.5X1.8	
9	KK012960		WASHER D20-D40X4	
10	KK015825		NUT M16	
11	KK015830		NUT M20	
12	KK016004		LOCK NUT M10 METAL LOCKING	
13	KK016058		FLANGE NUT M16 GALV.	
14	KK029920		GREASE NIPPLE M8X1 STRAIGHT	
15	KK032702		HEX BOLT M16X110	
16	KK032775		HEX BOLT M16X75 10.9	
17	KK032850		HEX BOLT M20X50 10.9	
18	KK032875		HEX BOLT M20X75 10.9	
19	KK032885		HEX BOLT M20X85 10.9	
20	KK035114		HEX BOLT M10X40 W/LOCK NUT	
21	KK076400R		SUPPORT	
22	KK076406R		DISC 18"	
23	KK076407R		DISC COULTER 20"	
23	KK076294R		DISC 22"	
24	KK076409R		DISC 18" NOTCHED	
24	KK076410R		DISC COULTER 20 NOTCHED	
24	KK076295R		DISC COULTER 22" NOTCHED	
25	KK076427		EXCENTER GALV.	
26	KK076499R		REINFORCMENT PLATE	
27	KK076515		SUPPORT	
28	KK076527R		AXLE F. DISC COULTER MOD 92	
29	KK076532R		TUBE RIGHT FOR BEAM PAINTED	
30	KK076533R		TUBE LEFT FOR BEAM PAINTED	
31	KK076537		BUSHING D20.25-D4X39.3	
32	KK076564		LENGTHENER DISC COULTER LB	
33	KK086087R		REP. SET FOR BRG HOUSE KK076097	
34	KK086091		ARM WITH BRG AND AXLE 18" & 20"	
35	KK086100		BRG HOUSING DISC COULTER	
36	KK086101R		AXLE FOR DISC COULTER	
37	KK086167		ARM WITH AXLE 18" & 20"	

# PN/RN / DISC COULTER - SHEAR BOLT BEAM





# PN/RN / DISC COULTER - SHEAR BOLT BEAM

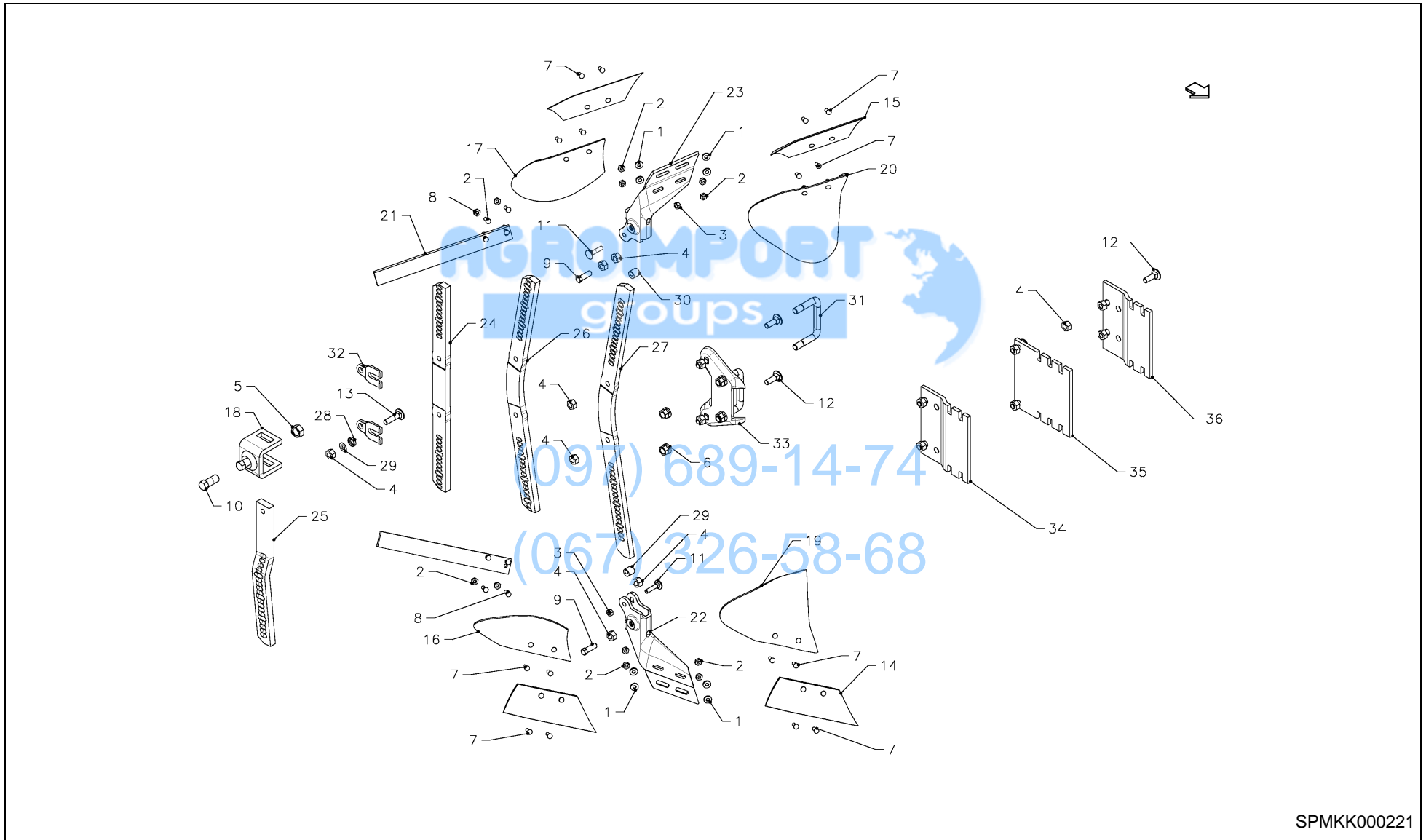


PosNo.	Part No.	Qty.	Description	Remark
37	KK086168		ARM WITH AXLE 22"	

The logo for AGROIMPORT groups, featuring the word "AGROIMPORT" in a bold, blue, sans-serif font above the word "groups" in a smaller, blue, sans-serif font, all contained within a blue rectangular box. To the right of the box is a stylized blue globe.

(097) 689-14-74  
(067) 326-58-68

# PN/RN / SKIMMER REVERSIBLE & CONVENTIONAL PLOUGHS

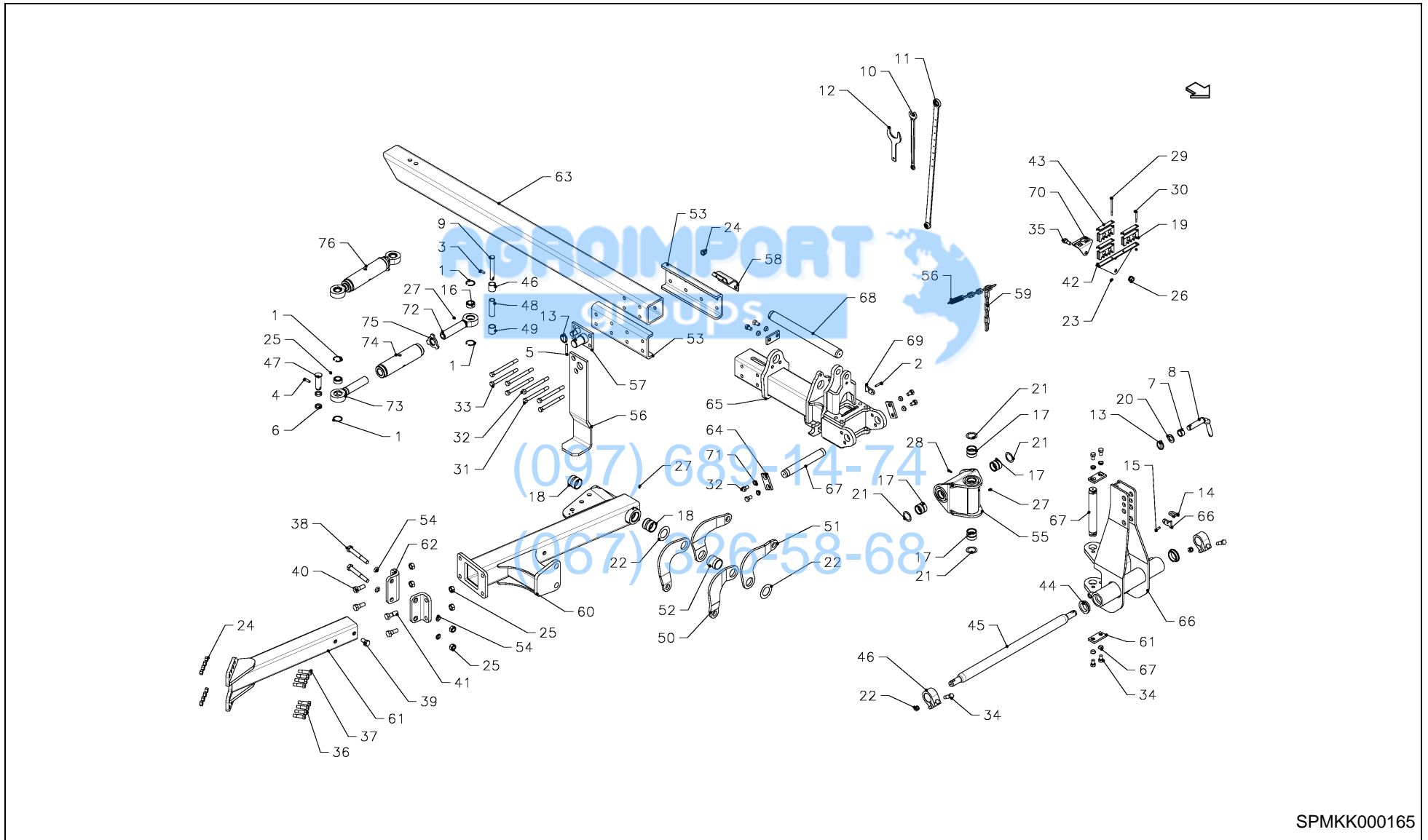


SPMKK000221

## PN/RN / SKIMMER REVERSIBLE & CONVENTIONAL PLOUGHS

PosNo.	Part No.	Qty.	Description	Remark
1	KK012906		WASHER D11-D25X3.5	
2	KK015813		NUT M10 GALV.	
3	KK015817		NUT M12 GALV.	
4	KK015825		NUT M16	
5	KK015841		NUT M24 GALV.	
6	KK016012		FLANGE NUT M20	
7	KK033006R		BOLT M10X30	
8	KK033007		OVAL SCREW M10X35 GALV.	
9	KK034251		SET SCREW M16X50 CONE	
10	KK034446		SET SCREW M24X53 GALV.	
11	KK034755		CARRIAGE BOLT M12X55 8.8	
12	KK034851		CARRIAGE BOLT M16X50 8.8	
13	KK034866		CARRIAGE BOLT M16X65 10.9 LOWHEAD	
14	KK066868R		SHARE R.	
15	KK066869R		SHARE L.	
16	KK066880R		MOULDBOARD	
17	KK066881R		MOULDBOARD	
18	KK070653		BRACKET W/SETSCREW	
19	KK076812R		MOULDBOARD R.	
20	KK076813R		MOULDBOARD L.	
21	KK086801R		EXTENSION PIECE SKIMMER	
22	KK086850R		SADDLE RIGHT	
23	KK086851R		SADDLE LEFT	
24	KK086857		ARM STRAIGHT 800 MM	
25	KK086863		ARM NON REVERSABLE	
26	KK086864		ARM 900 MM	
27	KK086865		ARM 1050 MM	
28	KK086866		CONICAL SEAT D19 TYPE D DIN6319	
29	KK086867		SPHERICAL WASHER D17 TYPE C DIN 6319	
30	KK086868R		BUSHING	
31	KK086876		U-BOLT M20-SQ121-98	
32	KK086877		ANGEL SPACER	
33	KK086881		BRACKET FOR SKIMMER CPL	
34	KK086882		BRACKET FOR SKIMMER CPL	
35	KK086883		FIX FOR SL BEAM SKIMMER	
36	KK086898		BRACKET FOR SKIMMER CPL	

# PN/RN / FRONT FRAME

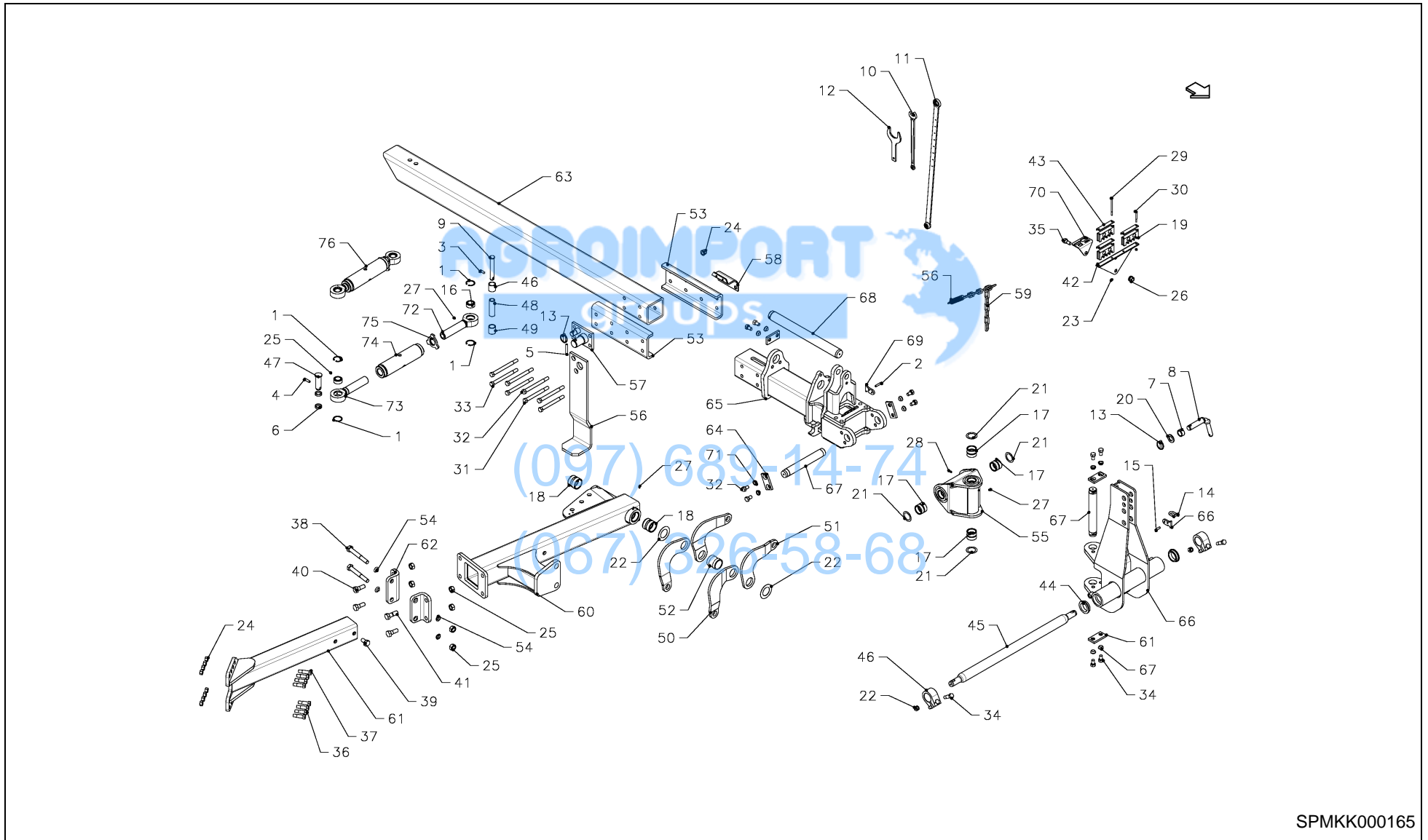


SPMKK000165

**PN/RN / FRONT FRAME**

PosNo.	Part No.	Qty.	Description	Remark
1	KG01129300		CIRCLIP-B 55 X 2	
2	KG01194200		TENSION PIN 10X60	
3	KG01195400		TENSION PIN 12X40	
4	KG01195500		TENSION PIN 12X50	
5	KG01195800		TENSION PIN 12X80	
6	KK010149		BUSHING D35-D42.5X10	
7	KK010158		BUSHING D44.5XD32.5X23	
8	KK010293		TOP LINK U-BOLT CAT.II & III	
9	KK010335		BOLT W/HEAD D25.3X155	
10	KK010606		SPANNER NV27-19 L450	
11	KK010650		UNIVERSAL SPANNER NV 27-36	
12	KK010655		SPANNER FOR TURNOVER CYLINDER	
13	KK010700		PIN D12 NS 555	
14	KK010860		HOLDER	
15	KK011037		ROLL PIN D10X40 GALV.	
16	KK011223R		SPHERICAL BRG GE 35 DO	
17	KK011682R		STEEL BUSHING D50X62X50	
18	KK011691R		STEEL BUSHING D60XD72X60	
19	KK012185		HOSE HOLDER 2 TUBE RUBBER	
20	KK012942		WASHER D32.5-D55X4.58	
21	KK012955		WASHER D50-D70X1	IF NECESSARY
22	KK013016		WASHER D100 X D60 X 1 HS300	IF NECESSARY
23	KK015811		NUT M8	
24	KK015830		NUT M20	
25	KK015841		NUT M24 GALV.	
26	KK016012		FLANGE NUT M20	
27	KK029920		GREASE NIPPLE M8X1 STRAIGHT	
28	KK029927		GREASE NIPPLE M8X1 45 DG	
29	KK032403		HEX BOLT M8X130 DIN 931	
30	KK032475		HEX BOLT M8X75	
31	KK032820		HEX BOLT M20X200 10.9	
32	KK032821		HEX BOLT M20X210 10.9	
33	KK032828		HEX BOLT M20X220	
34	KK032830		HEX BOLT M20X30 10.9	
35	KK032840		HEX BOLT M20X40 10.9	
36	KK032865		HEX BOLT M20X65 10.9	
37	KK032870		HEX BOLT M20X70 10.9	
38	KK032918		HEX BOLT M24X180	
39	KK032940		HEX BOLT M24X40 10.9	
40	KK032960		HEX BOLT M24X60 S=13+3	

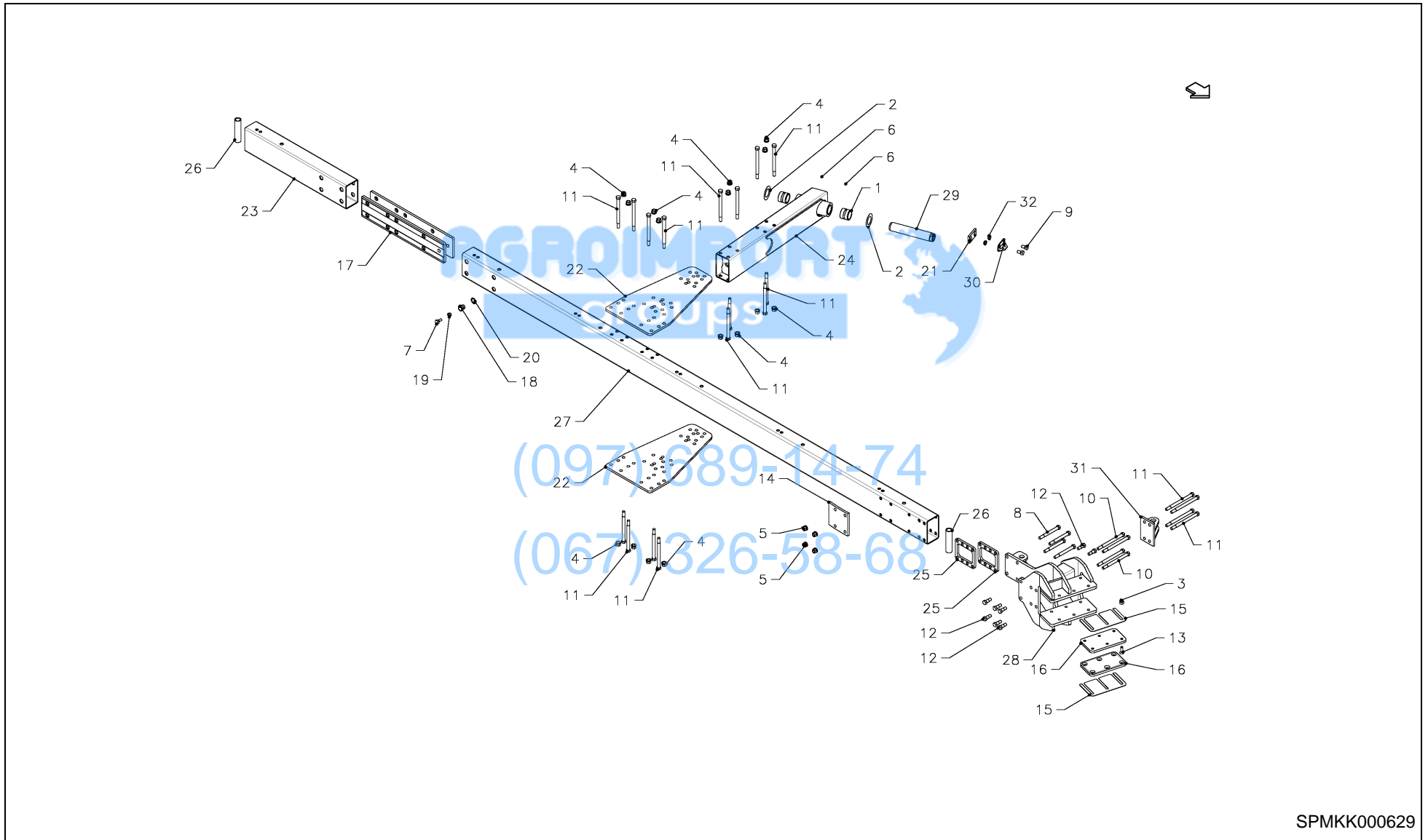
# PN/RN / FRONT FRAME



SPMKK000165

## PN/RN / FRONT FRAME

PosNo.	Part No.	Qty.	Description	Remark
41	KK032970		HEX BOLT M24X70 S=27+3	
42	KK062505		CLAMP FOR HOSE-BRACKET	
43	KK062506		CLAMP-PIECE FOR HOSE-BRACKET	
44	KK064317R		BUSHING FOR CROSS SHAFT	
45	KK064321R		CROSS-SHAFT D60 CAT 3 L=965	
46	KK064360		STOP RING D60	
47	KK071794		BOLT W/HEAD D35X90	
48	KK077026		BUSHING D26-D35X118	
49	KK077027		BUSHING	
50	KK077280		PRESS ARM	
51	KK077281		PRESS ARM	
52	KK078550		BUSHING D60-D66X70	
53	KK078564		CONNECTION PLATE	
54	KK079596		SPRING WASHER D24	
55	KK079765		UNIVERSAL JOINT W BUSHINGS PXRX	
56	KK079824		STAND H650	
57	KK081085		FIXING FOR MACHINE STAND	
58	KK081098		PLATE FOR HOSES	
59	KK082177		CHAIN W SPRING	
60	KK088002		TURNING ARM W BUSHINGS	
61	KK088005		PACKER ARM PN	
62	KK088009		PLATE BENDED PACKER PN	
63	KK088025		TOWING TUBE OUTER SHORT PN RN	ALL OTHERS MODELS
63	KK088026		TOWING TUBE OUTER LONG PN RN	PN-RN-100, 7 AND 8 FURROW
64	KK088151R		LOCKPLATE	
65	KK088802		TOWING PIECE PAINTED	
66	KK088807		HEADSTOCK CAT 3	
67	KK088812R		AXLE D50X355	
68	KK088820R		AXLE D60X620	
69	KK089096		FIX FOR CHAIN	
70	KK089599		SPANNER BRACKET	
71	KK301223		CONE D20.5-D32X12	
72	KK351204		TUBE WITH THREADS AND BALL RIGHT	
73	KK351206		TUBE WITH THREADS AND BALL LEFT	
74	KK351210		TUBE WELDED WITH NUTS	
75	KK351212		LOCK PLATE	
76	KK361140		TURNBUCKLE WITH BALLS L520-720	



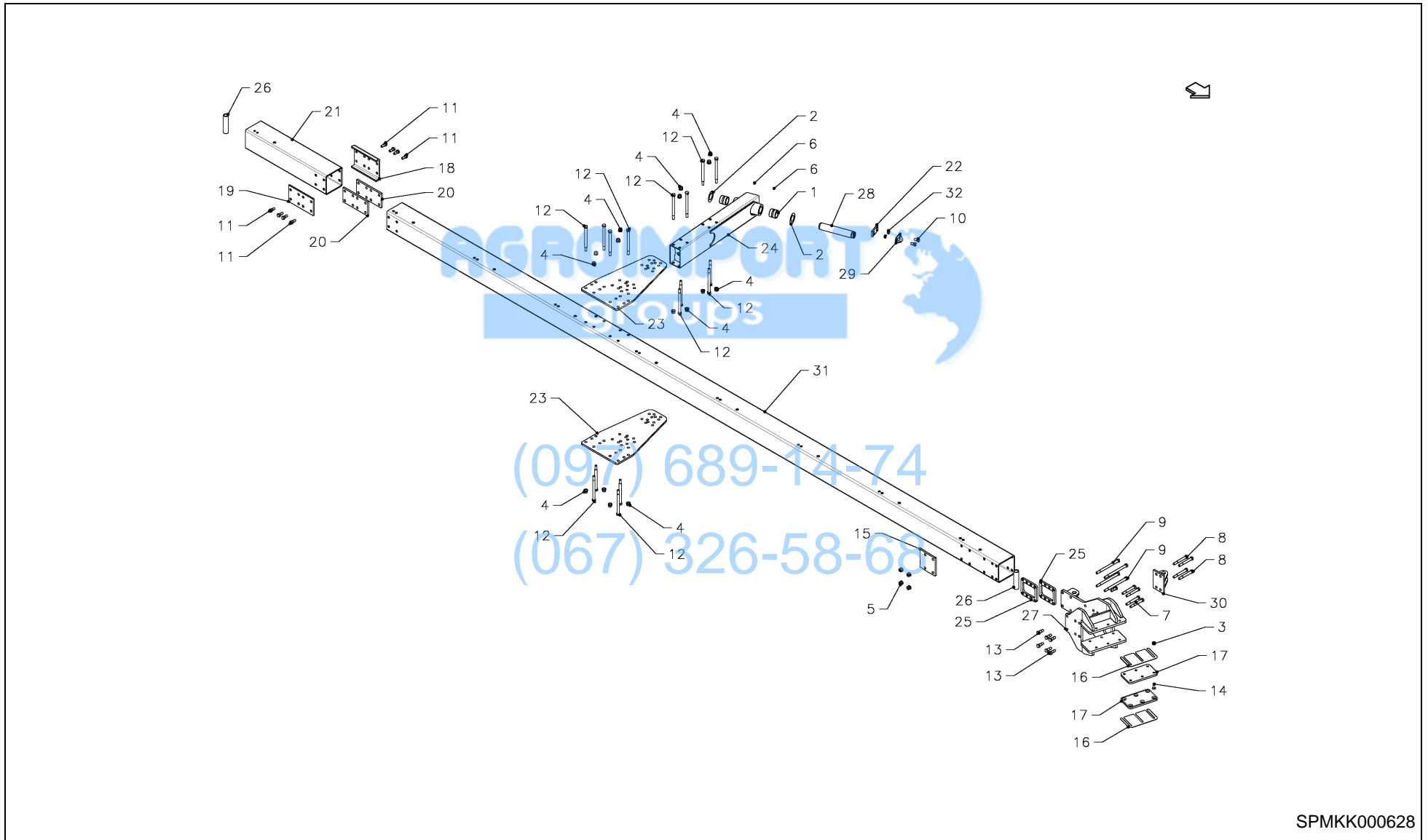
SPMKK000629



**PN/RN / MAIN FRAME**

PosNo.	Part No.	Qty.	Description	Remark
1	KK011691R		STEEL BUSHING D60XD72X60	
2	KK013016		WASHER D100 X D60 X 1 HS300	IF NECESSARY
3	KK015825		NUT M16	
4	KK016012		FLANGE NUT M20	
5	KK016049		FLANGE NUT M20 WITH LOCK	
6	KK029920		GREASE NIPPLE M8X1 STRAIGHT	
7	KK032735		HEX BOLT M16X35 10.9	
8	KK032818		HEX BOLT M20X180 10.9	
9	KK032830		HEX BOLT M20X30 10.9	
10	KK032836		HEX BOLT M20X240 10.9	
11	KK032843		HEX BOLT M20X250 10.9	
12	KK032850		HEX BOLT M20X50 10.9	
13	KK035088		COUNTERSUNK SCREW M16X50	
14	KK071672		PLATE	
15	KK077128R		PLATE	
16	KK077133		WEARING PLATE	
17	KK082630		SUPPORT WE EXT KIT	
18	KK082646		CONICAL BUSHING D32	
19	KK082647		INNER CONE FOR M16 SCREW	
20	KK082648		WASHER D33-D44.5X1.5 EL GALV	
21	KK088151R		LOCKPLATE	
22	KK088287		MAIN FRAME PLATE 200X200 PN	
23	KK088293		EXTENSION TUBE PN 100	
23	KK089243		MAIN TUBE EXTENSION ED-FR 85	
23	KK088785		EXTENSION TUBE PN 115	
24	KK088702		FIXING BRACKET WITH BRGS PN/RN	
25	KK088717		THREADED PLATE	
26	KK088729		TUBE D44XD34X182	
27	KK088796		MAIN FRAME 5X100 200X120 PN	
27	KK088797		MAIN FRAME 6X100 200X120 PN	
27	KK088798		MAIN FRAME 7X100 200X120 PN	
27	KK088782		MAIN FRAME PN 115 5 FURROW	
27	KK088783		MAIN FRAME PN 115 6 FURROW	
28	KK088808		SLIDE 200X120	
29	KK088813R		AXLE D60X330WITH HOLE	
30	KK088814		FIX FOR HOSE	
31	KK088848		CYLINDER FIX	
32	KK301223		CONE D20.5-D32X12	

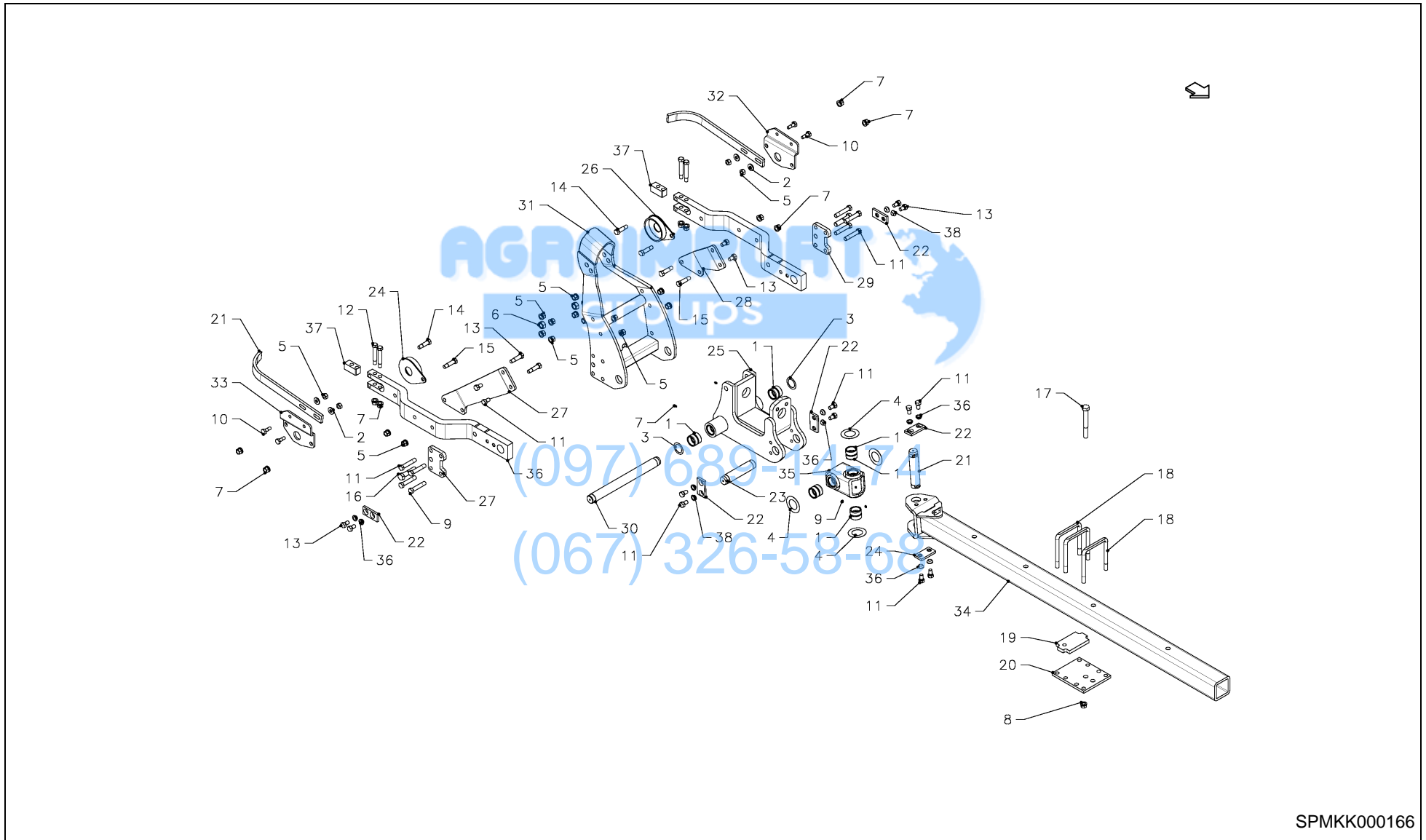
PN/RN / MAIN FRAME 200X200



SPMKK000628

## PN/RN / MAIN FRAME 200X200

PosNo.	Part No.	Qty.	Description	Remark
1	KK011691R		STEEL BUSHING D60XD72X60	
2	KK013016		WASHER D100 X D60 X 1 HS300	IF NECESSARY
3	KK015825		NUT M16	
4	KK016012		FLANGE NUT M20	
5	KK016049		FLANGE NUT M20 WITH LOCK	
6	KK029920		GREASE NIPPLE M8X1 STRAIGHT	
7	KK032815		HEX BOLT M20X140 10.9	
8	KK032816		HEX BOLT M20X150 10.9	
9	KK032826		HEX BOLT M20 X260 THREAD L=25	
10	KK032830		HEX BOLT M20X30 10.9	
11	KK032840		HEX BOLT M20X40 10.9	
12	KK032843		HEX BOLT M20X250 10.9	
13	KK032850		HEX BOLT M20X50 10.9	
14	KK035088		COUNTERSUNK SCREW M16X50	
15	KK071672		PLATE	
16	KK077128R		PLATE	
17	KK077133		WEARING PLATE	
18	KK079154		CONNECTING PIECE BENDED	
19	KK079155		CONNECTING PIECE OUTER	
20	KK079156		CONNECTING PIECE INNER W THREADS	
21	KK079171		EXTENSION TUBE REAR PART 100	
21	KK079343		EXTENSION TUBE REAR PX/RX 115	
22	KK088151R		LOCKPLATE	
23	KK088287		MAIN FRAME PLATE 200X200 PN	
24	KK088702		FIXING BRACKET WITH BRGS PN/RN	
25	KK088717		THREADED PLATE	
26	KK088729		TUBE D44XD34X182	
27	KK088809		SLIDE 200X200	
28	KK088813R		AXLE D60X330WITH HOLE	
29	KK088814		FIX FOR HOSE	
30	KK088848		CYLINDER FIX	
31	KK089068		MAIN FRAME 6X100 200X200 RN	VIBROMAT ONLY
31	KK089069		MAIN FRAME 7X100 200X200 RN	VIBROMAT ONLY
31	KK089248		MAIN FRAME 9(8+1)X100 200X200 PN	
31	KK088784		MAIN FRAME PN 115 7 FURROW	
32	KK301223		CONE D20.5-D32X12	



SPMKK000166

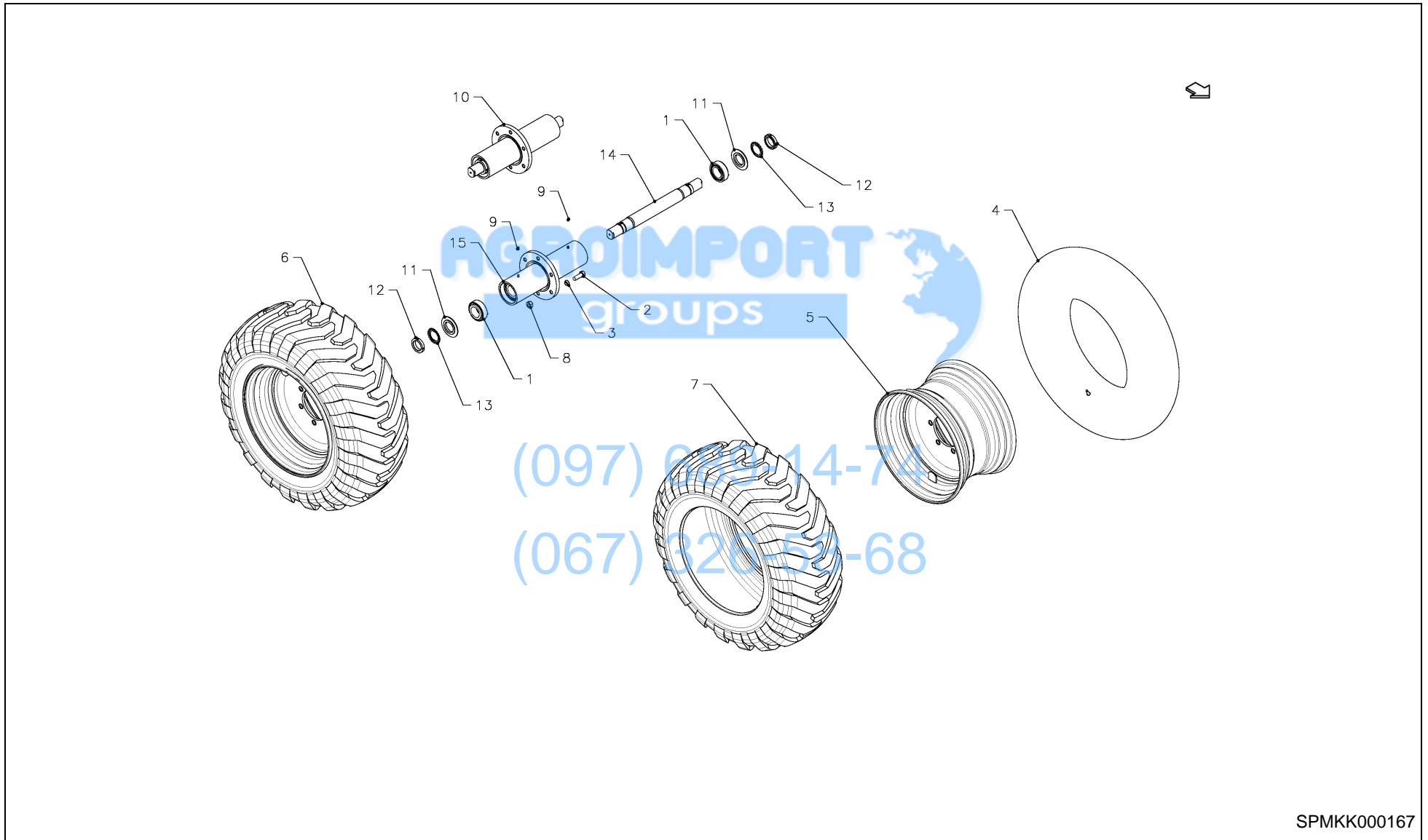
**PN/RN / WHEEL WAGON**

PosNo.	Part No.	Qty.	Description	Remark
1	KK011682R		STEEL BUSHING D50X62X50	
2	KK012922		WASHER D17-D40X4.58	
3	KK012955		WASHER D50-D70X1	
4	KK013016		WASHER D100 X D60 X 1 HS300	
5	KK015825		NUT M16	
6	KK015841		NUT M24 GALV.	
7	KK016012		FLANGE NUT M20	
8	KK016049		FLANGE NUT M20 WITH LOCK	
9	KK029920		GREASE NIPPLE M8X1 STRAIGHT	
10	KK032745		HEX BOLT M16X45 10.9	
11	KK032800		BOLT M20 X100 8.8	
12	KK032805		HEX BOLT M20X120 10.9	
13	KK032830		HEX BOLT M20X30 10.9	
14	KK032870		HEX BOLT M20X70 10.9	
15	KK032875		HEX BOLT M20X75 10.9	
16	KK032900		HEX BOLT M24X10010.9	
17	KK032919		HEX. BOLT M24 X190 ELFORS. 10.9	
18	KK062270		U-BOLT M20-SQ153-195	
19	KK078849		SHIM FOR MAIN FRAME	
20	KK078956		CLAMPING PLATE FOR MAIN FRAME	
21	KK081142R		SCRAPER	
22	KK081979R		LOCK PLATE	
23	KK088034R		AXLE	
24	KK088151R		LOCKPLATE	
25	KK088704		FIXING BRACKET PN/RN	
26	KK088760R		DUST PROTECTOR	
27	KK088763R		STIFFENING PLATE WHEEL ARM R	
28	KK088764R		STIFFENING PLATE WHEEL ARM L	
29	KK088766R		LOCK PLATE WHEEL ARM	
30	KK088767R		AXLE	
31	KK088770R		CYLINDER BRACKET PAINTED	
32	KK088780R		FIX FOR SCRAPER RIGHT	
33	KK088781R		FIX FOR SCRAPER LEFT	
34	KK088795		TOWING TUBE	
35	KK088803		UNIVERSAL JOINT WITH BUSHING	
36	KK088817R		WHEEL ARM	
37	KK088818		LOCK PLATE	
38	KK301223		CONE D20.5-D32X12	



(097) 689-14-74

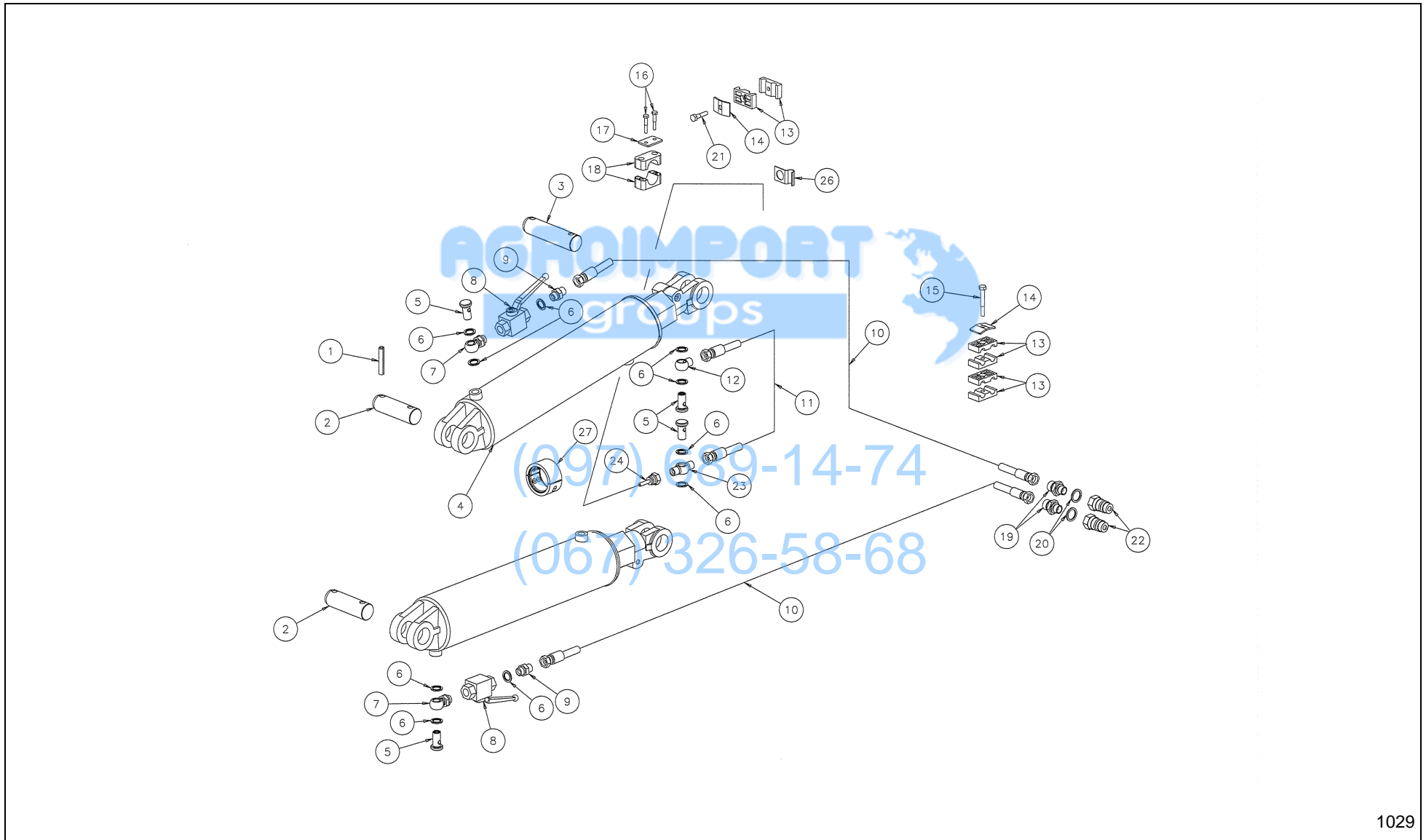
(067) 326-58-68



**PN/RN / WHEEL**

PosNo.	Part No.	Qty.	Description	Remark
1	KG01802700		TAPER ROLLER BEARING 33211	
2	KK011162		HEX BOLT M18X50 COMP.THREADDIN 933 10.9	
3	KK011163		CONICAL SPRING WASHER D18.5 DIN 74361 GA	
4	KK011369		INNER TYRE 400-22.5	
4	KK011473		INNER TYRE 14.9X24	
4	KK011452		INNER TYRE 500/45X22.5	
5	KK011370		RIM 400-22.5	
5	KK011453		RIM 16X22.5 FOR 500/45X22.5	
5	KK011474		RIM 13X24 FOR 14.9X24	
6	KK011408		WHEEL RUB 400X22.5 14PLY L	
7	KK011414		TYRE 400X22.5 14PLY	
7	KK011451		TYRE 500/45X22.5 8PLY	
7	KK011472		TYRE 14.9 X 24 8PLY	
8	KK015858		HEX NUT M 18 FORS. KV.6	
9	KK029920		GREASE NIPPLE M8X1 STRAIGHT	
10	KK088706		WHEEL HUB ASSEMBLED	
11	KK088755R		RUBBER LIP MOUNTED	
12	KK088758R		LOCK NUT M55X2	
13	KK088759R		LOCK RING M55X3	
14	KK088819R		AXLE D60X610	
15	KK088909		WHEELHUB WITH BEARING	

(097) 689-14-74  
 (067) 326-58-68

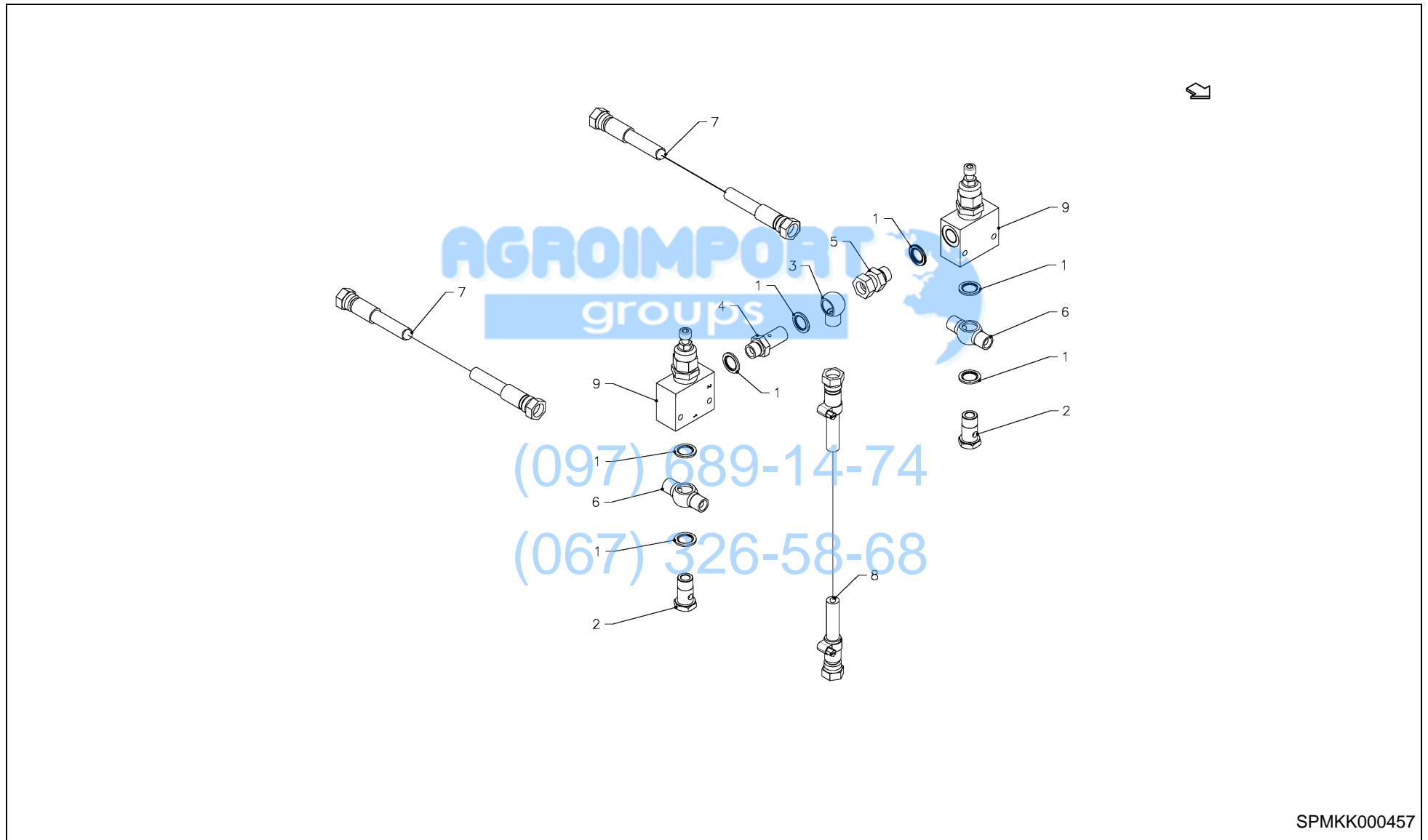




# PN/RN / HYDRAULICS TURN-OVER

PosNo.	Part No.	Qty.	Description	Remark
1	KG01194200		TENSION PIN 10X60	
2	KK079724		AXLE W 2 HOLES D35X88	
3	KK078583		BOLT D35-D10.2/113/D10.2	
4	KK354712		CYLINDER D100-D50X697+400	FROM 15.02.06
5	KK012551		BANJO BOLT 3/8X31 WITH FILTER	
6	KK011585		SEAL RING R 3/8(INNER D17)	
7	KK012548		BANJO G3/8 WITH ADJUSTABLE END	
8	KK012723		VALVE R3/8 WITH HANDLE	
9	KK012261		COUPLING 3/8-3/8	
10	KK012796		HOSE 3/8X5000 R-SV/R-SV	
11	KK012655		HOSE 3/8X 350 R-SV/R-SV	
12	KK012062		BANJO G3/8- SHORT-H=17	
13	KK012522		PLASTIC TUBE CLAMP CF2-2TUBE D18	
14	KK012324		COVER TUBE CLAMP	
15	KK032460		HEX BOLT M8 X 60 8.8	
16	KK032335		HEX BOLT M6 X 35 PARTLY THREAD	
17	KK012069		COVER	
18	KK012068		PLASTIC PART TUBE CLAMP	
19	KK012060		COUPLING 3/8-1/2 U/INNER	
20	KK011565		SEAL RING R 1/2 ( INNER D21)	
21	KK032435		HEX BOLT 8 X 35 PARTLY THREAD	
22	KK012158		QUICK COUPLING 1/2-3/8 W-COUPL.	
23	KK012570		DOUBLE BANJO 3/8-3/8 H=17	
24	KK013518		COUPLING 1/4X3/8 BSP FEMALE	
25	KK013522		HOSE D6X1800 NITRIK	
26	KK012700		CLAMP FOR 1/4HOSE - D20	
27	KK352246		SPACER D70-D50X35	
Not ill.	KK013520		HOSE CLAMP SIZE 04 (11-17)	

PN/RN / RELIEF VALVE KIT



**PN/RN / RELIEF VALVE KIT**

PosNo.	Part No.	Qty.	Description	Remark
1	KK011585		SEAL RING R 3/8(INNER D17)	
2	KK012059		BANJO BOLT G3/8X31	
3	KK012062		BANJO G3/8- SHORT-H=17	
4	KK012307		BANJO BOLT3/8X31 WITH 3/8OUTLET	
5	KK012319		COUPLING 3/8SWIVEL-3/8 OUTS.	
6	KK012570		DOUBLE BANJO 3/8-3/8 H=17	
7	KK012655		HOSE 3/8X 350 R-SV/R-SV	
8	KK013519		HOSE D6X1000 NITRIK	
9	KK013617		PRESSURE RELIEVE VALVE 3-8 235 BAR	



(097) 689-14-74

(067) 326-58-68



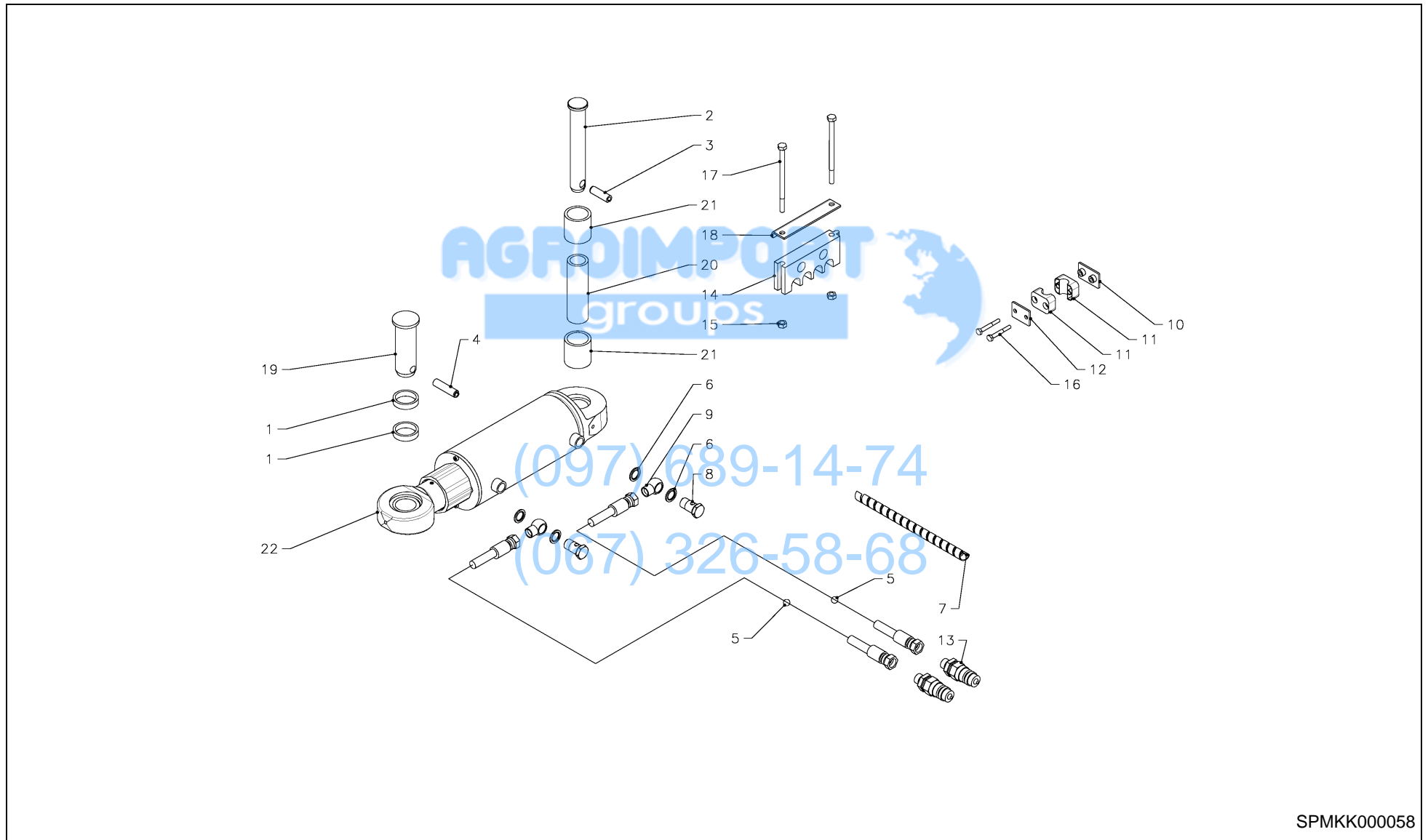
## PN/RN / HYDRAULICS WHEEL LIFTING

PosNo.	Part No.	Qty.	Description	Remark
1	KK010337		BOLT W/HEAD D25.3X180	
2	KK353635		CYL. D100-D50X435+190 STOP+BELLOW	( see plate no. 1130 )
3	KK012261		COUPLING 3/8-3/8	
4	KK012062		BANJO G3/8- SHORT-H=17	
5	KK011585		SEAL RING R 3/8(INNER D17)	
6	KK012059		BANJO BOLT G3/8X31	
7	KK010961		BRASS FILTER R3/8-D14.5X3	
8	KK010960		BRASS FILTER SCREW 3/8 F.FLT. 14.5X3	
9	KK352246		SPACER D70-D50X35	
10	KK012116		HOSE WRAPPER D12.5X600	
11	KK012060		COUPLING 3/8-1/2 U/INNER	
12	KK011565		SEAL RING R 1/2 ( INNER D21)	
13	KK012158		QUICK COUPLING 1/2-3/8 W-COUPL.	
14	KK012780		HOSE 3/8X8000 R-SV/R-SV	
14	KK012781		HOSE 3/8X9000 R-SV/R-SV	
14	KK012658		HOSE 3/8X9400 R-SV/90-SV	
15	KK012068		PLASTIC PART TUBE CLAMP	
16	KK012069		COVER	
17	KK032335		HEX BOLT M6 X 35 PARTLY THREAD	
18	KK010413		BOLT D25.3-D12X210-D12	
19	KG01195400		TENSION PIN 12X40	

(097) 689-14-74

(067) 326-58-68

# PN/RN / HYDRAULICS FRONT FURROW WIDTH ADJUSTMENT



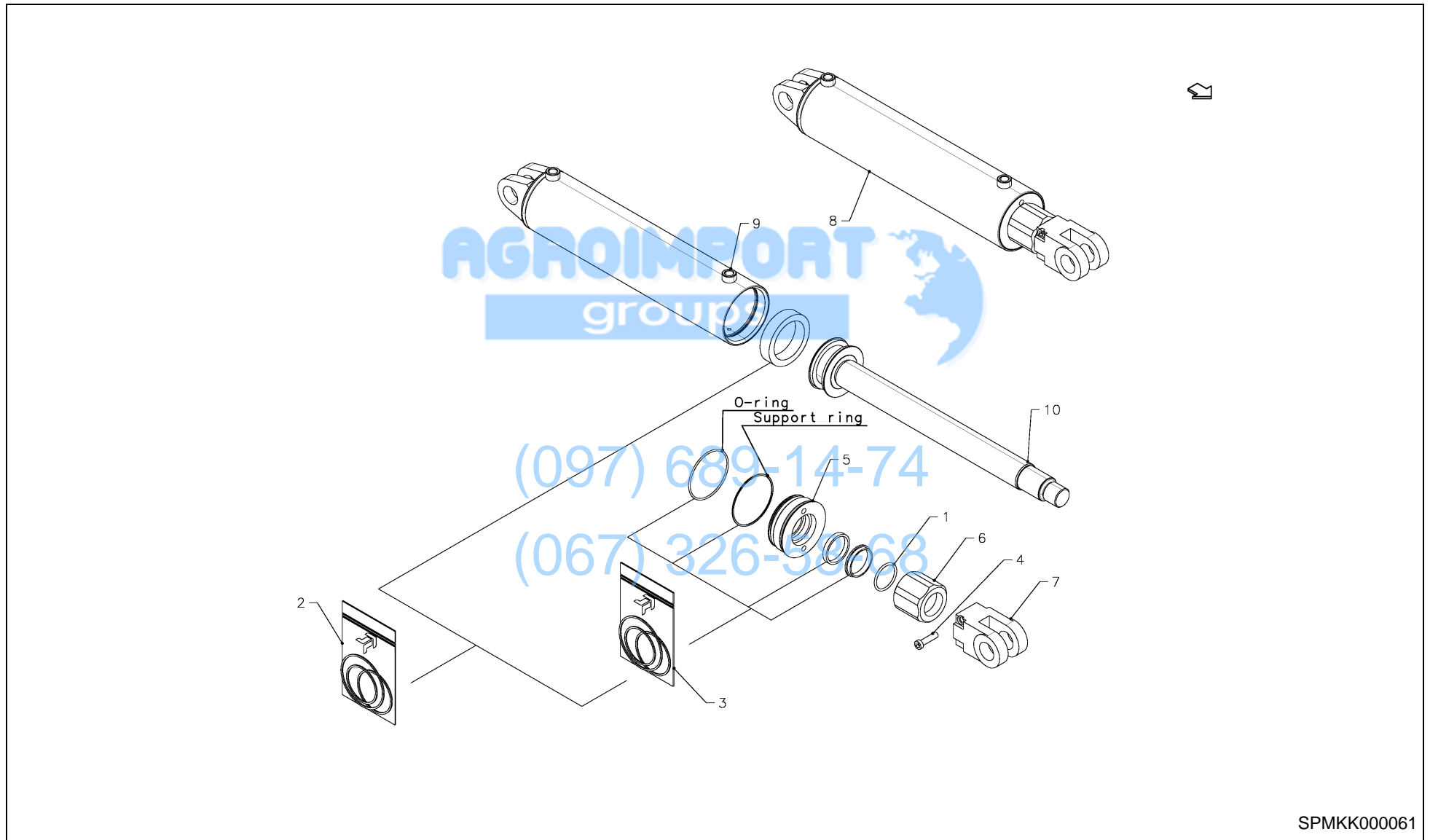
SPMKK000058

## PN/RN / HYDRAULICS FRONT FURROW WIDTH ADJUSTMENT

PosNo.	Part No.	Qty.	Description	Remark
1	KK010149		BUSHING D35-D42.5X10	
2	KK010335		BOLT W/HEAD D25.3X155	
3	KG01195400		TENSION PIN 12X40	
4	KG01195500		TENSION PIN 12X50	
5	KK011512		HOSE 3/8X4500 R-SV/R-SV	
6	KK011585		SEAL RING R 3/8(INNER D17)	
7	KK011596		HOSE WRAPPER D12.5X250	
8	KK012059		BANJO BOLT G3/8X31	
9	KK012062		BANJO G3/8- SHORT-H=17	
10	KK012067		WELD BRACKET	
11	KK012068		PLASTIC PART TUBE CLAMP	
12	KK012069		COVER	
13	KK012158		QUICK COUPLING 1/2-3/8 W-COUPL.	
14	KK012185		HOSE HOLDER 2 TUBE RUBBER	
15	KK015811		NUT M8	
16	KK032345		HEX BOLT M6X45 PARTLY THREAD	
17	KK032403		HEX BOLT M8X130 DIN 931	
18	KK062506		CLAMP-PIECE FOR HOSE-BRACKET	
19	KK071794		BOLT W/HEAD D35X90	
20	KK077026		BUSHING D26-D35X118	
21	KK077027		BUSHING	
22	KK353580		CYL.D90-D35X385+150	

(097) 689-14-74

(067) 326-58-68



SPMKK000061



**PN/RN / CYLINDER D100-D50X697+400(354712)**

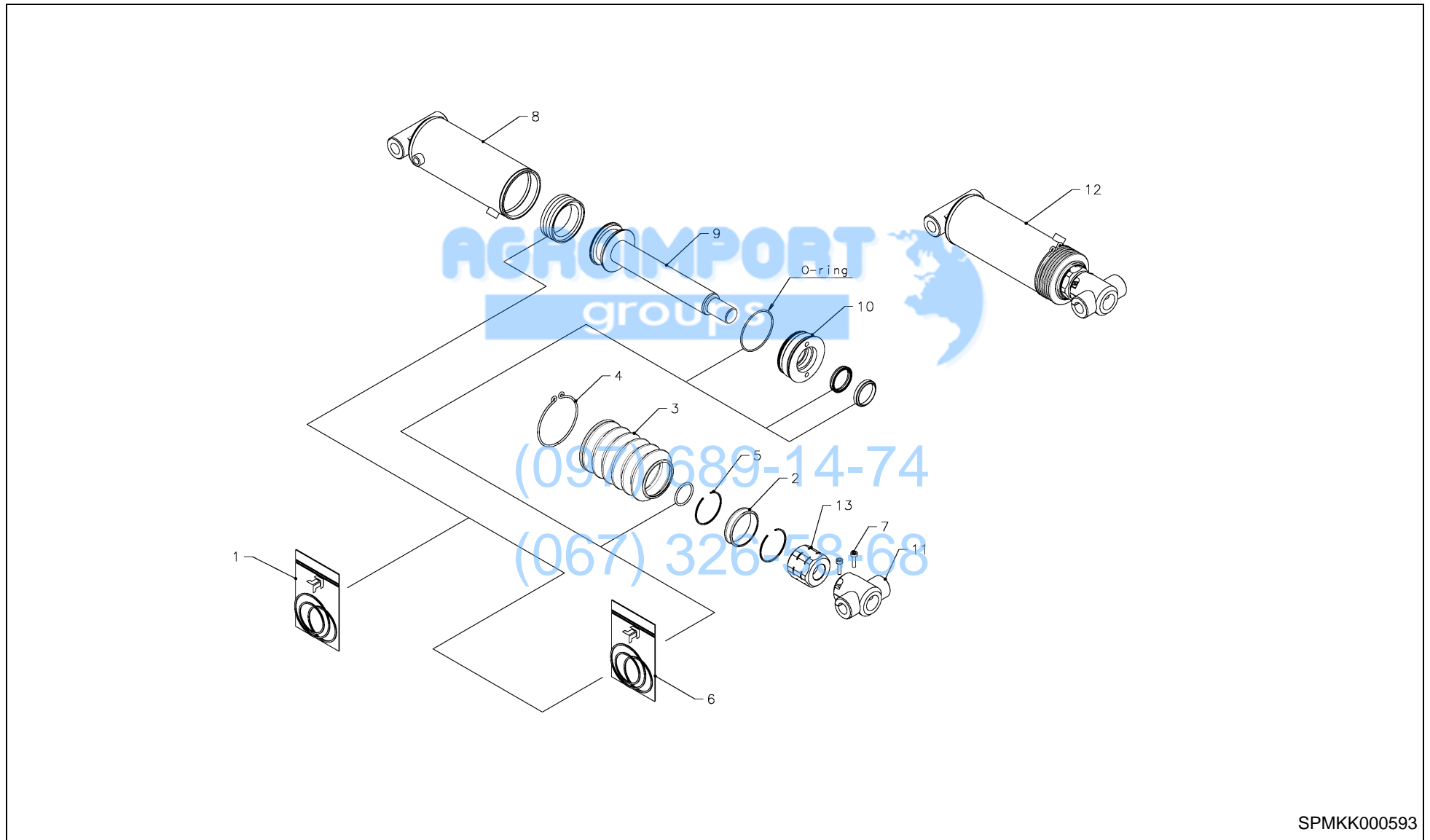


PosNo.	Part No.	Qty.	Description	Remark
1	KK012619		O-RING D50X4	
2	KK016592		SEAL KIT D100-D50	
3	KK016601		SEAL KIT D100-D50	
4	KK032040		CHEESE HEAD SCREW W.INNER HEX M10X40	
5	KK353559R		FRONT GABLE Ø 100/50 F.353537	
6	KK354585		NUT	
7	KK354586R		CLEVIS M36X2 D35,1	
8	KK354712		CYLINDER D100-D50X697+400	
9	KK354760R		CYLINDER TUBE D100X400	
10	KK354763R		PISTON ROD W PISTON D100-D50X400	



(097) 689-14-74

(067) 326-58-68



SPMKK000593

**PN/RN / CYLINDER D100-d50X435+190(KK353635)**

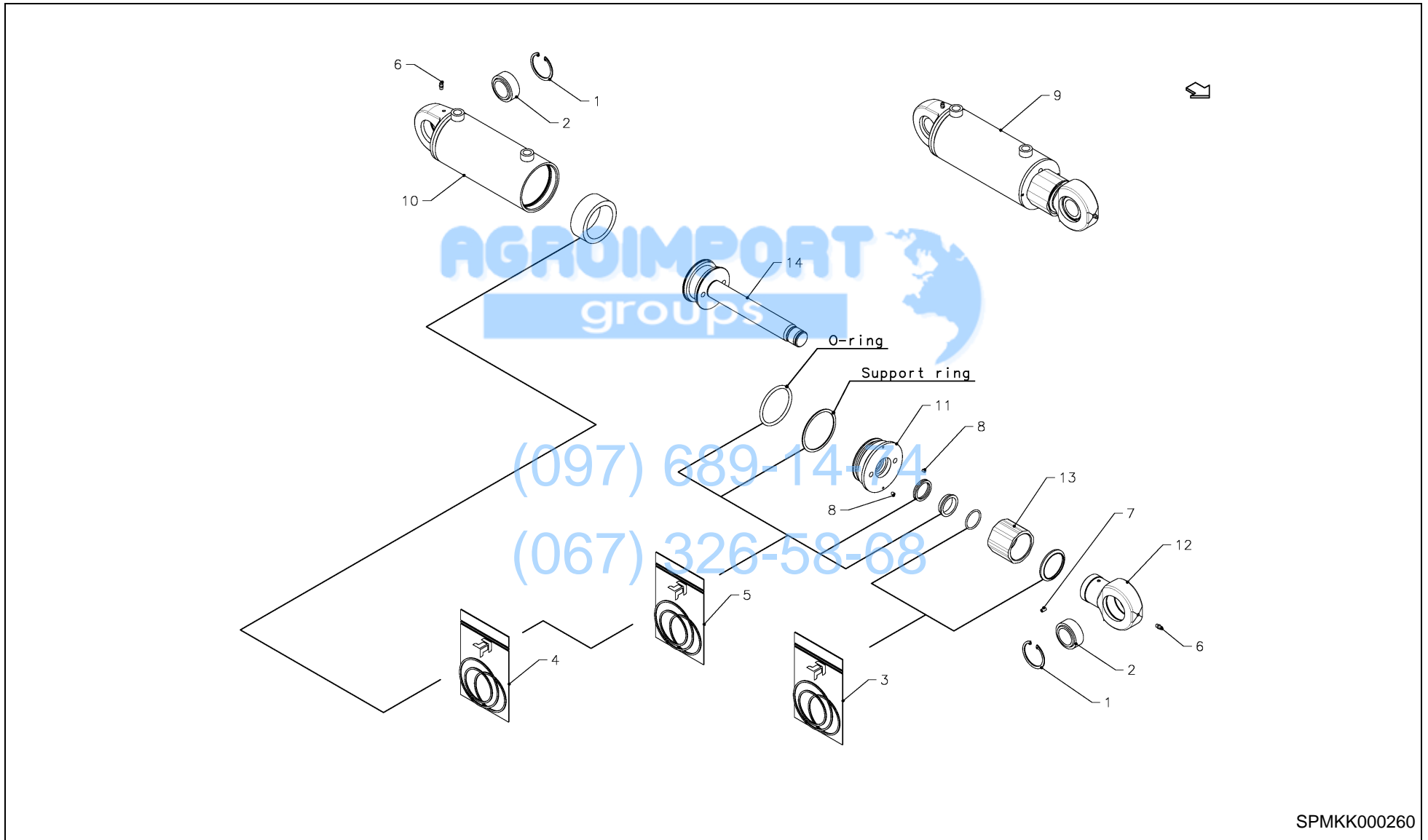


PosNo.	Part No.	Qty.	Description	Remark
1	KK012640		SEAL KIT D50-D100-435	
2	KK013594		RING FOR BELLOW POM	
3	KK013595		BELLOW D80-D110	
4	KK013597		THREAD CLAMP D110	
5	KK013705		CIRCLIP D75	
6	KK016601		SEAL KIT D100-D50	
7	KK032014		CYLINDER SCREW M8 X 30 12.9 GALV.	
8	KK353557		CYLINDER TUBE D100	
9	KK353558		ROD W.PISTON D100-D50	
10	KK353559R		FRONT GABLE Ø 100/50 F.353537	
11	KK353561		ROD HEAD D26 - M36X2	
12	KK353635		CYL. D100-D50X435+190 STOP+BELLOW	
13	KK354530		STOP NUT W.GROOVE FOR LOCK RING	



(097) 689-14-74

(067) 326-58-68



SPMKK000260

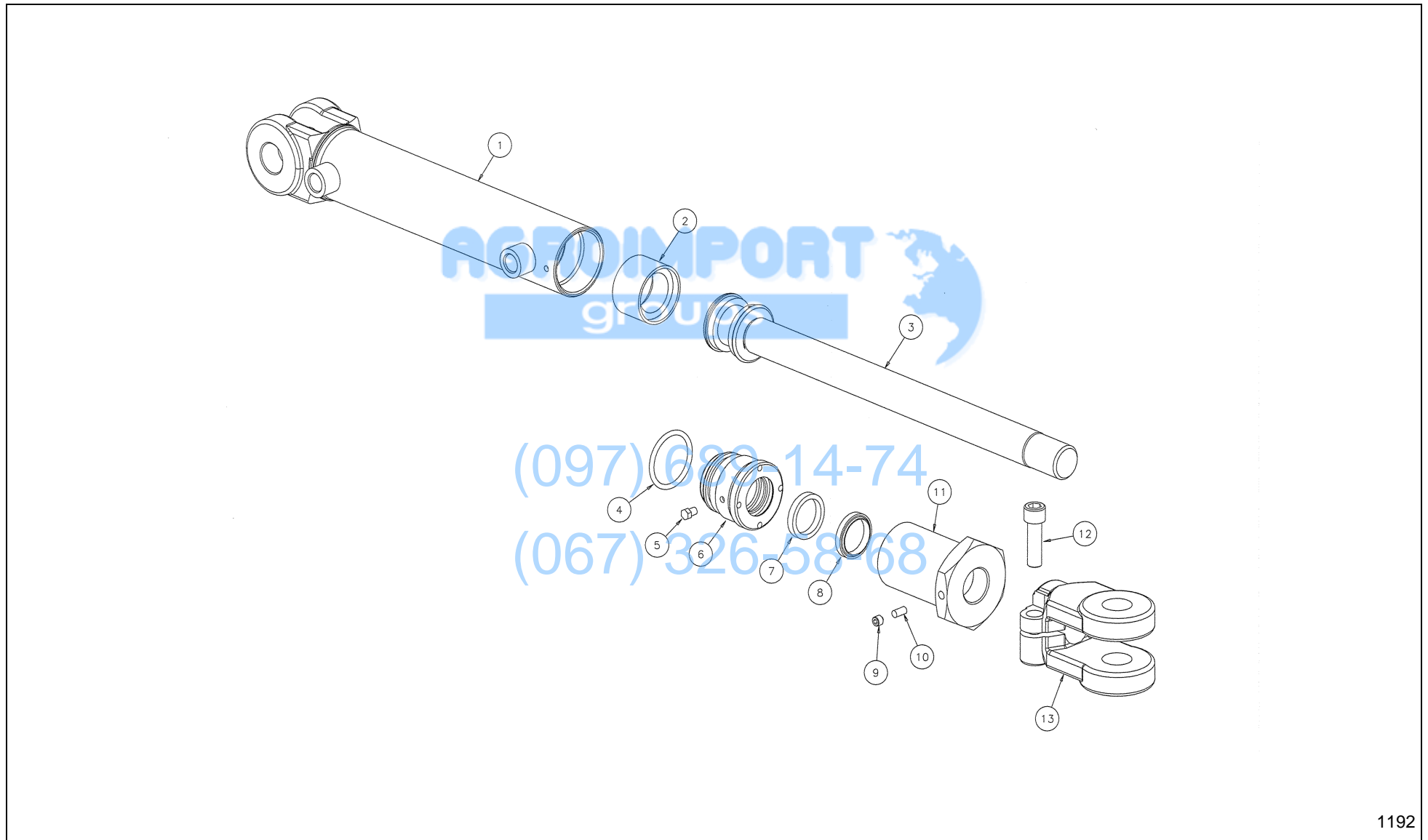
**PN/RN / CYLINDER D90X150 (353580)**

PosNo.	Part No.	Qty.	Description	Remark
1	KG01129300		CIRCLIP-B 55 X 2	
2	KK011223R		SPHERICAL BRG GE 35 DO	
3	KK016644		SEALKIT FOR STOPPER D35	
4	KK016645		SEALKIT D90-D35X385+150	
5	KK016646		SEALKIT FOR FRONT COVER D90-D35	
6	KK029918		GREASE NIPPLE M6	
7	KK032002		SET SCREW HEX HOLE M6X10	
8	KK032007		SET SCREW M5X6 HEX HOLE	
9	KK353580		CYL.D90-D35X385+150	
10	KK353592		CYLINDER TUBE D90	
11	KK353593R		FRAMGAVL F.353580	
12	KK353596		ROD HEAD FOR D35 SPHERIC.BRG	
13	KK353597R		STOPPER M/AVSKR.F.353580	
14	KK359056R		PISTON ROD D90-D35X150	



(097) 689-14-74

(067) 326-58-68



**PN/RN / CYLINDER D50X200 (FROM 01.04.01)**

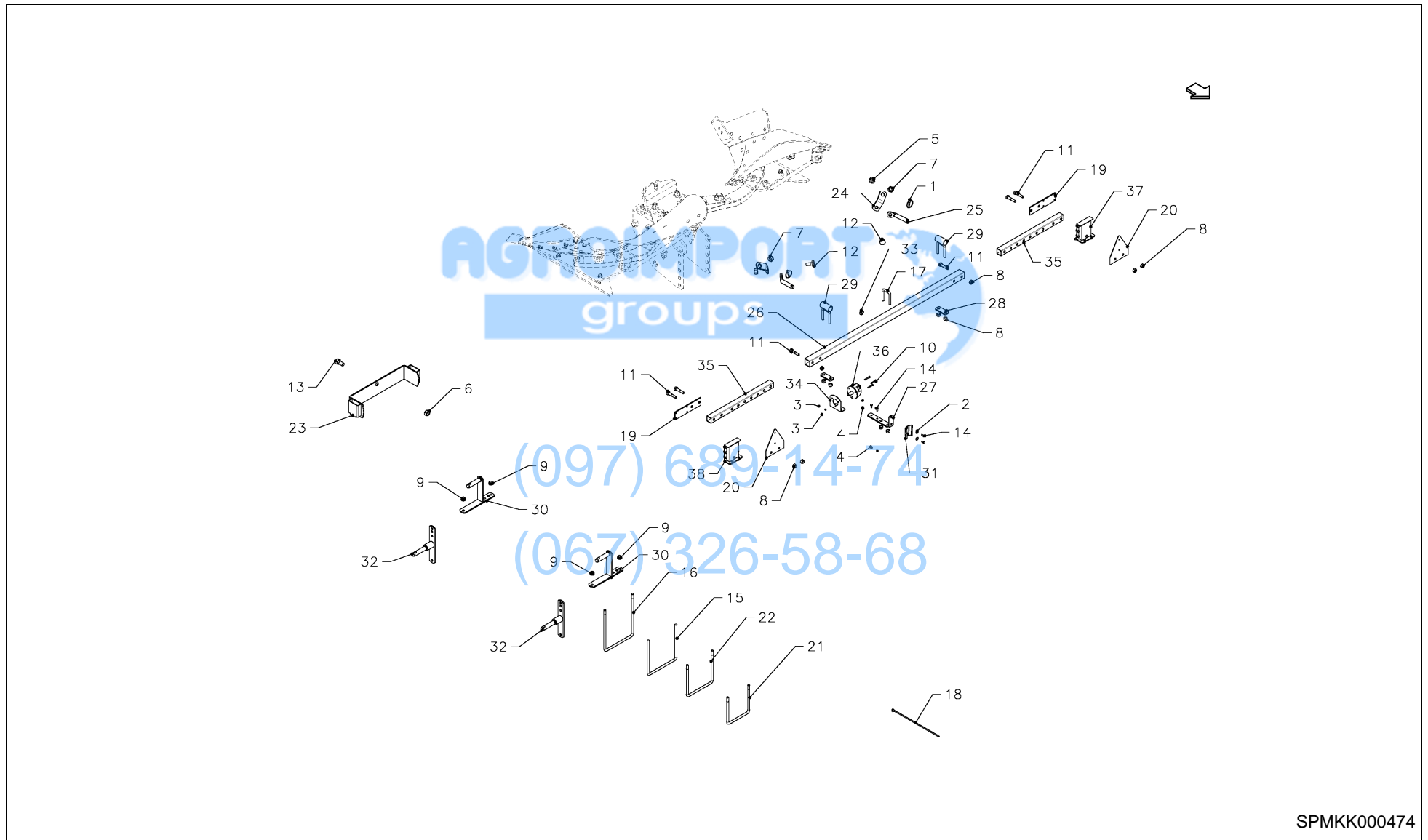


PosNo.	Part No.	Qty.	Description	Remark
1	KK353934		CYLINDER TUBE D50	( for cylinder KK 35 39 01 and KK 35 39 02 )
1	KK353935		CYLINDER TUBE D50 ANGLED 50 DEG.	( for cylinder KK 35 39 03 )
2	KK013090		SEAL FOR PISTON D 20 WO, 50-34-18.4	
3	KK353936		ROD D30 W.PISTON D50 SHORT THREAD (35MM)	( for cylinder KK 35 39 01 and KK 35 39 03 )
3	KK353937		ROD D30 LONG THREAD(120MM) W.PISTON D50	( for cylinder KK 35 39 02 )
4	KK016517		O-RING D42X4	
5	KK033306		HEX BOLT M6X8	
6	KK353926		ROD CAP D50-D30 W.SEAL	
7	KK013091		PISTON SEALING NI 300. 30-38-6	
8	KK013089		SCRAPER A 30X38X7-5	
9	KK032110		SET SCREW M8X8	
10	KK353946		PLASTIC STOP	( for cylinder KK 35 39 02 )
11	KK353944		STOP NUT CPL.	( for cylinder KK 35 39 02 )
12	UH825640		CYLINDER SCREW M12X40-12.9	( for cylinder KK 35 39 02 )
13	KK353922		CLEVIS D25.5 FOR D30 ROD	
Not ill.	KK013086		SEAL KIT D30-D50	
Not ill.	KK353901		CYLINDER D50-D30X520+200	
Not ill.	KK353902		CYL.D50-D30X520+200 W.STOP NUT	
Not ill.	KK353903		CYL. D50-D30X520+200 OFFSET 90 DEG	

(097) 689-14-74

(067) 326-58-68

# PN/RN / LIGHTS (MOUNTING FRAME)



SPMKK000474



## PN/RN / LIGHTS (MOUNTING FRAME)

PosNo.	Part No.	Qty.	Description	Remark
1	KK010702		PIN D6 NS 555	
2	KK012904		WASHER D6.4-D18X1,5	
3	KK015805		NUT M5	
4	KK015806		NUT M6	
5	KK015825		NUT M16	
6	KK015830		NUT M20	
7	KK015834		NUT M20	
8	KK016008		NYLOC NUT M12	
9	KK016038		FLANGE NUT M12	
10	KK031023		PAN SCR M5X35 4.8 EZ CR3+ POZ	
11	KK032655		HEX BOLT M12 X 55	
12	KK032735		HEX BOLT M16X35 10.9	
13	KK032835		HEX BOLT M20X35 10.9	
14	KK033315		HEX BOLT M6X15	
15	KK071493		CLEVIS M12 FOR TUBE 200X200	
16	KK088169		CLEVIS M12 FOR TUBE 250X200	
17	KK199788		CLEVIS M12-4SQ41-70	
18	KK309029		STRIP 7,5X340	
19	KK354008		PLATE FOR PLUG	
20	KK354011		PLATE FOR TRIANGLE REFLEX	
21	KK354017		CLEVIS M12 FOR TUBE 150X150	
22	KK354018		CLEVIS M12 FOR TUBE 180X180	
23	KK354310		DOCKING STATION WELDED	
24	KK354313		FIXING PLATE	
25	KK354314		FIXING PIN FOR LIGHTS	
26	KK354315		TUBE FOR LIGHTS	
27	KK354317		FIX FOR TRIANGLE AND SOCKET	
28	KK354318		PLATE WITH 2 HOLES	
29	KK354320		CLEVIS WITH BUSHING	
30	KK354321		TOP PARKING LIGHTS	
31	KK354325		FIXING BRACKET FOR TRIANGLE	
32	KK354327		SIDE PARKING LIGHTS HOLDER WELDED	
33	KK354328		RUBBER PROTECTION	
34	KK354355		BRACKET 7 PIN CONTACT	
35	KK354363		TUBE 35X35X2X485	
36	KK354403		PIN PLUG 7-PINS W/GASKET	
37	UH440778		LIGHT BRACKET RH REA R	
38	UH440779		LIGHT BRACKET LH REA R	



SPMKK000455

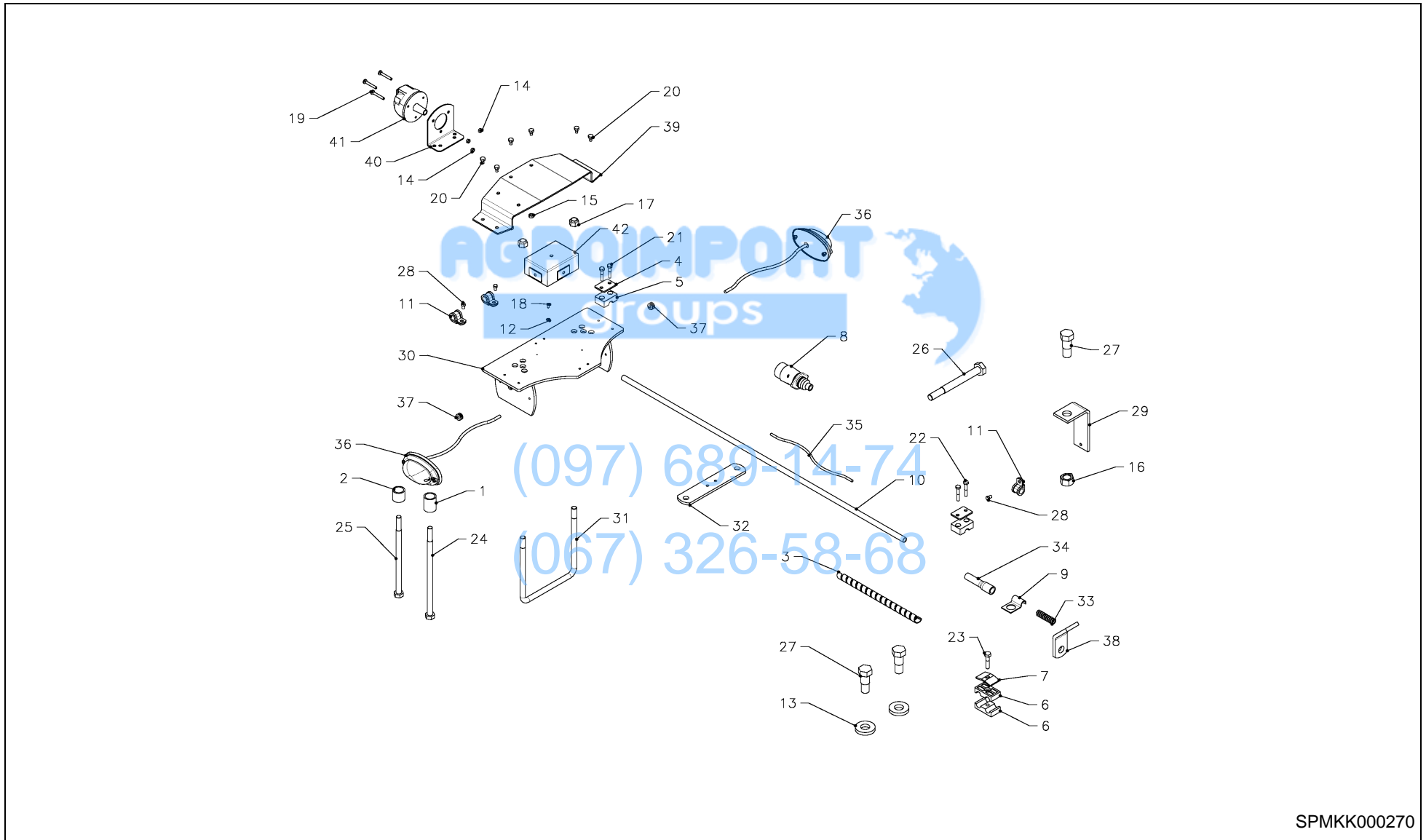
## PN/RN / LIGHTS AND REFLEXES

PosNo.	Part No.	Qty.	Description	Remark
1	KK015805		NUT M5	
2	KK015806		NUT M6	
3	KK031023		PAN SCR M5X35 4.8 EZ CR3+ POZ	
4	KK033306		HEX BOLT M6X8	
5	KK354011		PLATE FOR TRIANGLE REFLEX	
6	KK354040		REFLEX TRIANGLE	
7	KK354059		LIGHT DOUBLE R AND L	
8	KK354064		CABLE W PLUGS 8 METRES	
9	KK354326		BACK PLATE TO TRIANGLE LIGHTS	
10	KK354355		BRACKET 7 PIN CONTACT	
11	KK354403		PIN PLUG 7-PINS W/GASKET	
12	KK709980		DECAL REFLEX WARNING TRIANGLE RED	
13	KK709982		DECAL REFLEX WHITE	
14	UH414216		REAR LIGHT W/DUBLE REFLEX PLATE RH	
15	UH414217		REAR LIGHT W/DUBLE REFLEX PLATE LH	
16	UH440778		LIGHT BRACKET RH REA R	
17	UH440779		LIGHT BRACKET LH REA R	

(097) 689-14-74

(067) 326-58-68

# PN/RN / LIGHTS (SIDE MOUNTED)

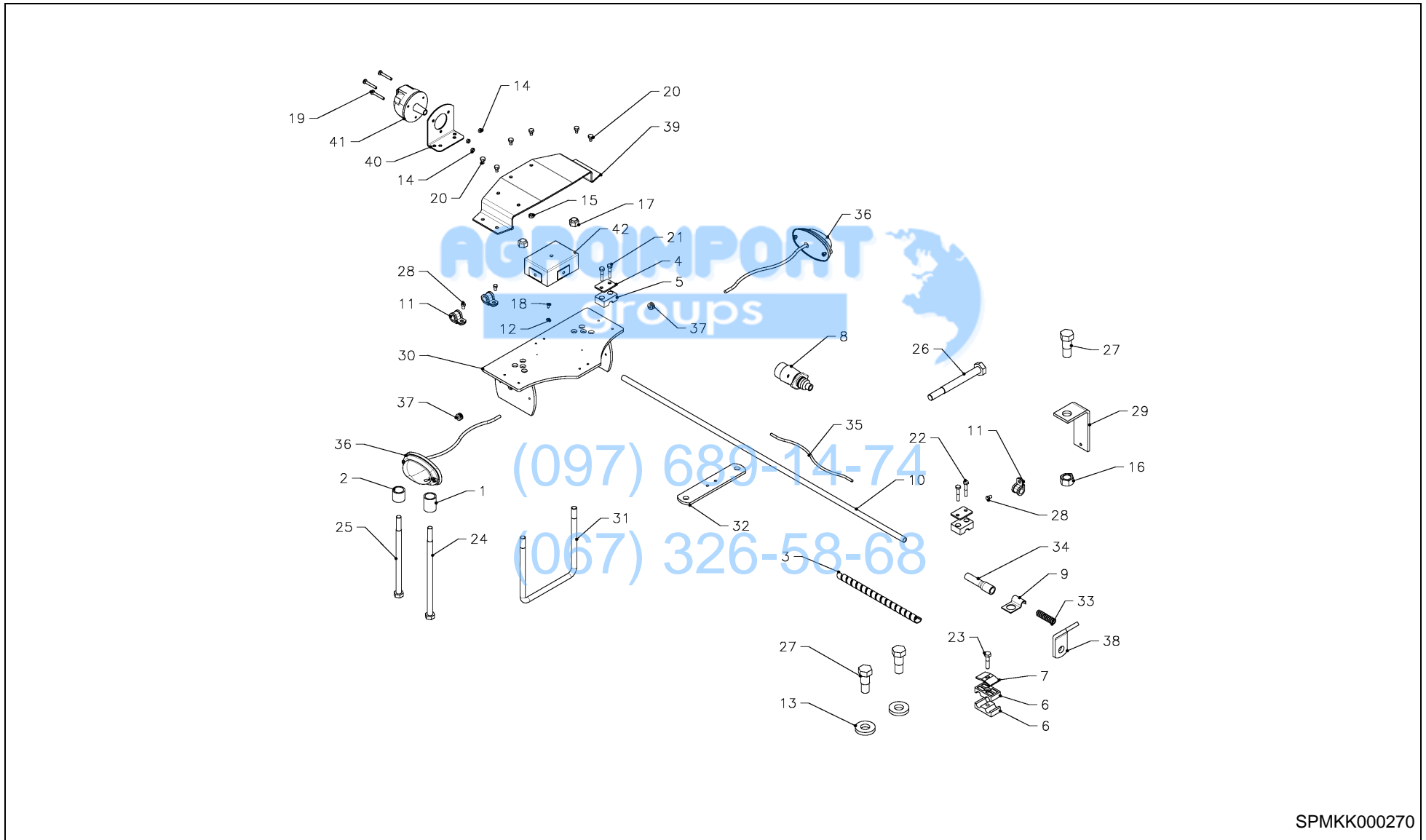


SPMKK000270

## PN/RN / LIGHTS (SIDE MOUNTED)

PosNo.	Part No.	Qty.	Description	Remark
1	KK010036		TUBE	
2	KK010064		SPACING	
3	KK011596		HOSE WRAPPER D12.5X250	
4	KK012069		COVER	
5	KK012092		PLASTIC PART TUBE CLAMP	
6	KK012323		PLASTIC PART TUBE CLAMP	
7	KK012324		COVER TUBE CLAMP	
8	KK012503		PLUG 7-PINS FOR TRAILER	
9	KK012700		CLAMP FOR 1/4HOSE - D20	
10	KK012719		OIL TUBE D12X900	
11	KK012737		HOSE CLAMP 1/4 RUBBER/STEEL	
12	KK012852		WASHER D4.3-D9.0X0.6 GALV.	
13	KK012968		WASHER D21XD45 7.5 GALV.	
14	KK015805		NUT M5	
15	KK015806		NUT M6	
16	KK015830		NUT M20	
17	KK016008		NYLOC NUT M12	
18	KK031019		MACHINE SCREW M4 X 10 DIN 84	
19	KK031023		PAN SCR M5X35 4.8 EZ CR3+ POZ	
20	KK032310		HEX BOLT M6X10	
21	KK032330		HEX BOLT M6X30 PARTLY THREAD	
22	KK032335		HEX BOLT M6 X 35 PARTLY THREAD	
23	KK032435		HEX BOLT 8 X 35 PARTLY THREAD	
24	KK032623		HEX BOLT M12 X 240	
25	KK032624		HEX BOLT M12 X 210	
26	KK032710		HEX BOLTM16X155	
27	KK032850		HEX BOLT M20X50 10.9	
28	KK033306		HEX BOLT M6X8	
29	KK061941		BRACKET FOR 6 HOSES H=70	
30	KK354014		BRACKET FOR SIDE LIGHTS	
31	KK354017		CLEVIS M12 FOR TUBE 150X150	
32	KK354029		ORVEL FOR LIGHT TUBE 150X150	
33	KK354041		ELEKTROFLEX D10XD14X3700	
34	KK354042		RUBBER PROTECTION 140332-12	
35	KK354049		CABEL ÖLFLEX CLASSIC 110 5 X 0.75 X 13M	
36	KK354094		SIDE-LIGHT WITH CABLE	
37	KK354096		CABLE GLAND D6-D8.5X4	
38	KK354313		FIXING PLATE	
39	KK354324		COVERPLATE LIGHTS	
40	KK354355		BRACKET 7 PIN CONTACT	

# PN/RN / LIGHTS (SIDE MOUNTED)



SPMKK000270

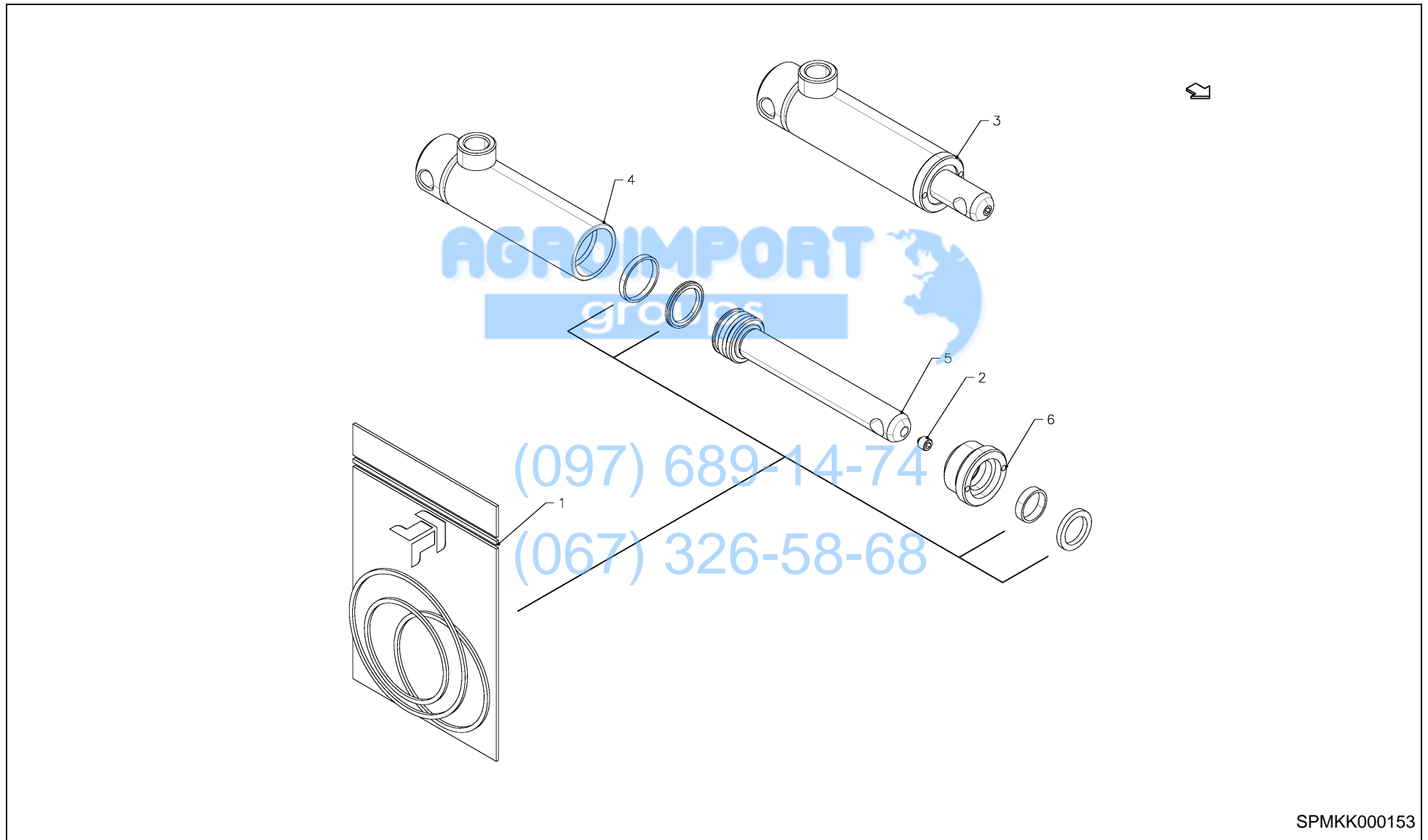
**PN/RN / LIGHTS (SIDE MOUNTED)**

PosNo.	Part No.	Qty.	Description	Remark
41	KK354403		PIN PLUG 7-PINS W/GASKET	
42	UH333791		JUNCTION BOX	



(097) 689-14-74

(067) 326-58-68



SPMKK000153



**PN/RN / PACER ARM- RELEASER CYLINDER(354220)**



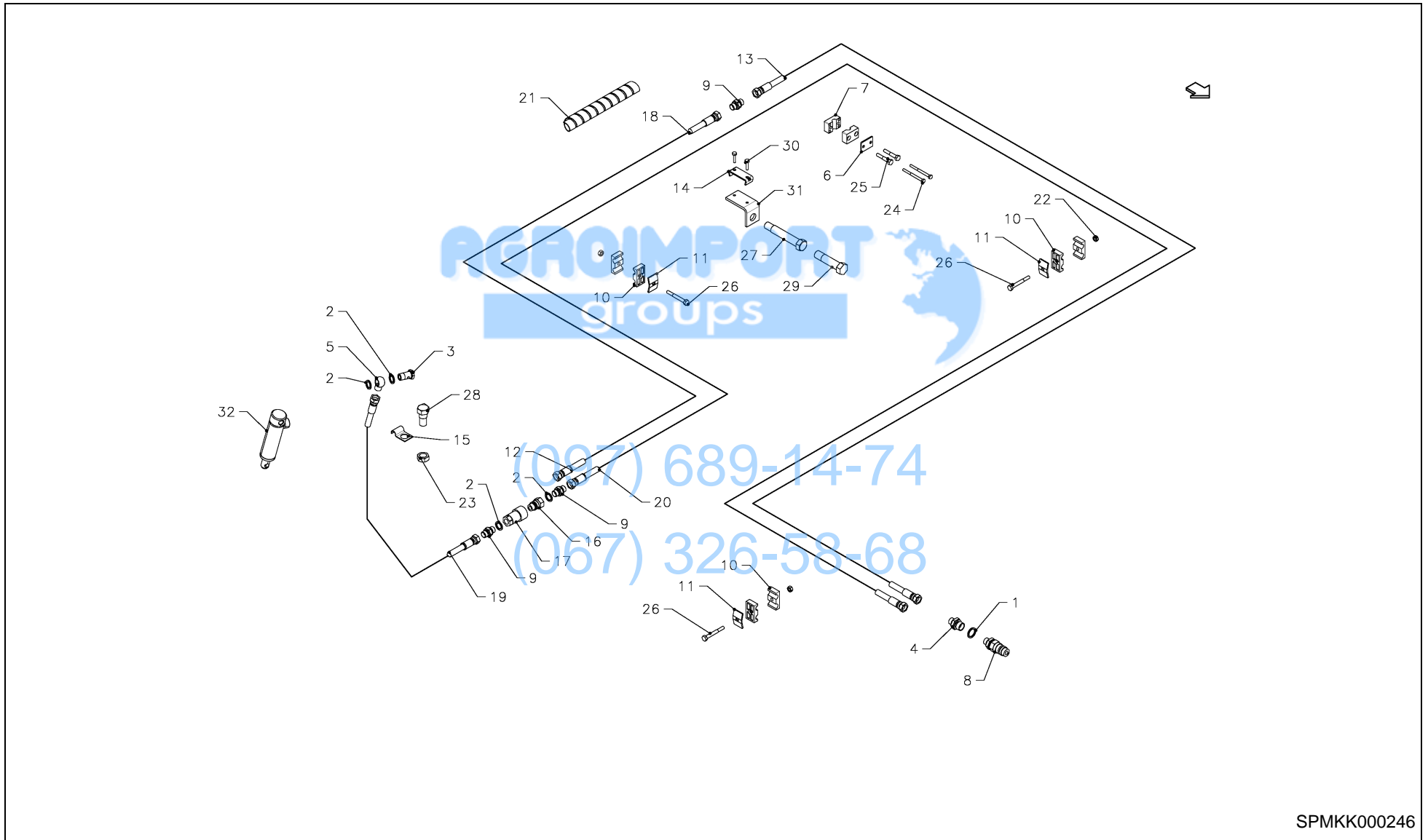
PosNo.	Part No.	Qty.	Description	Remark
1	KK016576		SEALING KIT FOR D32-D20	
2	KK032110		SET SCREW M8X8	
3	KK354520		CYLINDER D32/D20 X 165 + 75	
4	KK354587R		CYLINDER TUBE	
5	KK354588R		PISTON ROD	
6	KK354589R		END CAP	



(097) 689-14-74

(067) 326-58-68

PN/RN / HYDRAULIC FOR SOIL PACKER PG/RG-PN/RN-PB/RB

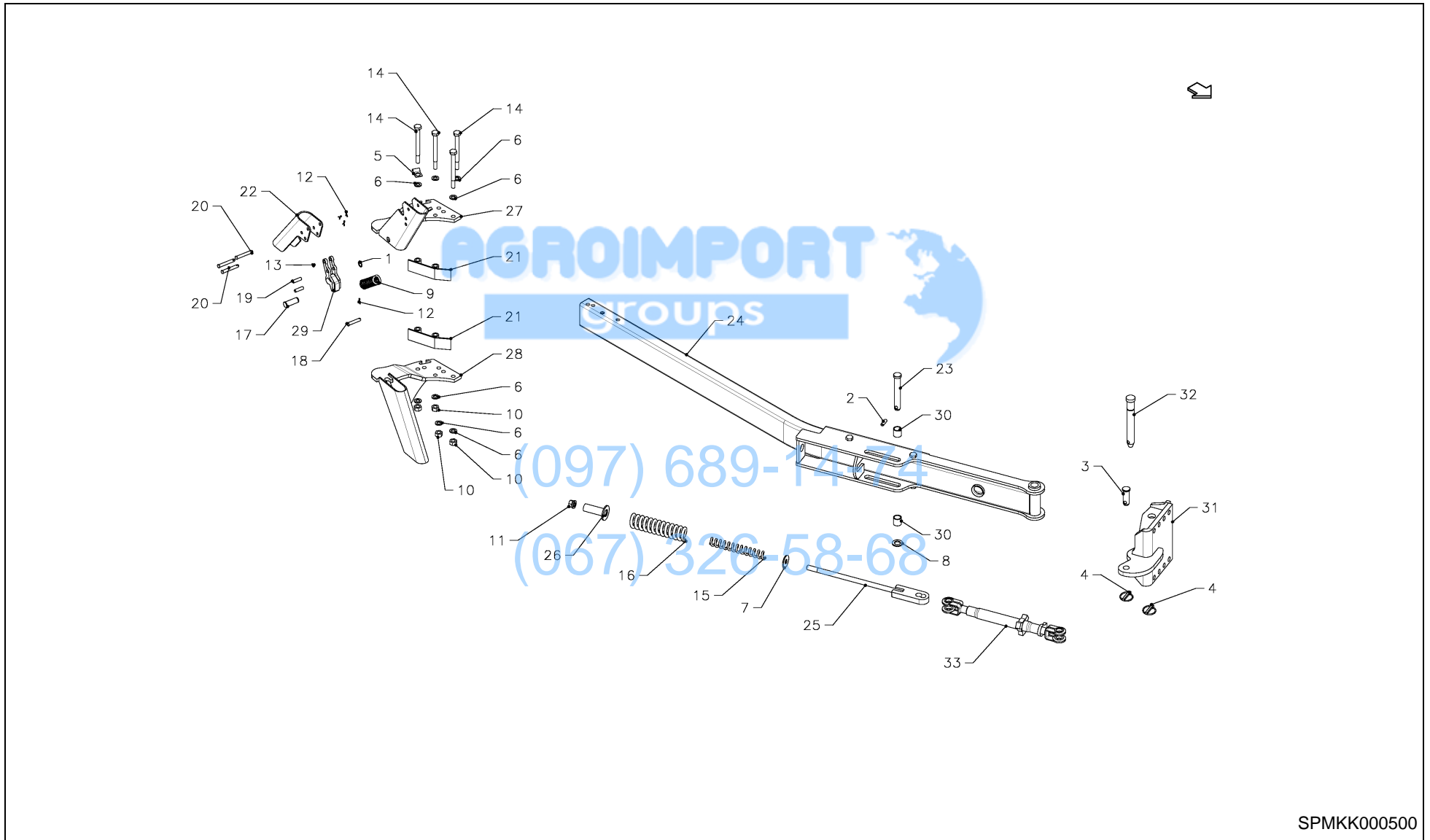


SPMKK000246

**PN/RN / HYDRAULIC FOR SOIL PACKER PG/RG-PN/RN-PB/RB**

PosNo.	Part No.	Qty.	Description	Remark
1	KK011565		SEAL RING R 1/2 ( INNER D21)	
2	KK011585		SEAL RING R 3/8(INNER D17)	
3	KK012059		BANJO BOLT G3/8X31	
4	KK012060		COUPLING 3/8-1/2 U/INNER	
5	KK012062		BANJO G3/8- SHORT-H=17	
6	KK012069		COVER	
7	KK012092		PLASTIC PART TUBE CLAMP	
8	KK012158		QUICK COUPLING 1/2-3/8 W-COUP.	
9	KK012261		COUPLING 3/8-3/8	
10	KK012323		PLASTIC PART TUBE CLAMP	
11	KK012324		COVER TUBE CLAMP	
12	KK012326		STRIP FOR LABELLING 5X200 WHITE	
13	KK012367		HOSE 1/4X5000 R-SV/R-SV	PB/RB
14	KK012520		CLAMP FOR 3X1/4-HOSE	
15	KK012700		CLAMP FOR 1/4HOSE - D20	
16	KK012705		QUICK COUPLING 3/8 PLUGG	
17	KK012706		QUICK COUPLING 3/8 BASE	
18	KK012761		HOSE 1/4X1600 R-SV/90-SV	PB/RB
19	KK012776		HOSE 1/4X2750 R-SV/R-SV	
20	KK012791		HOSE 1/4X6000 R-SV/R-SV	PG/RG-PN/RN
21	KK013500		HOSE WRAPPER D32X250	
22	KK015811		NUT M8	
23	KK015834		NUT M20	
24	KK032370		HEX BOLT M6X70 PARTLY THREAD	
25	KK032445		HEX BOLT M8 X 45	
26	KK032465		HEX BOLT M8 X 65	
27	KK032805		HEX BOLT M20X120 10.9	
28	KK032840		HEX BOLT M20X40 10.9	
29	KK032885		HEX BOLT M20X85 10.9	
30	KK033325		HEX BOLT M6X25 GALV.	
31	KK061943		BRACKET FOR 3 HOSES H=55	
32	KK354520		CYLINDER D32/D20 X 165 + 75	

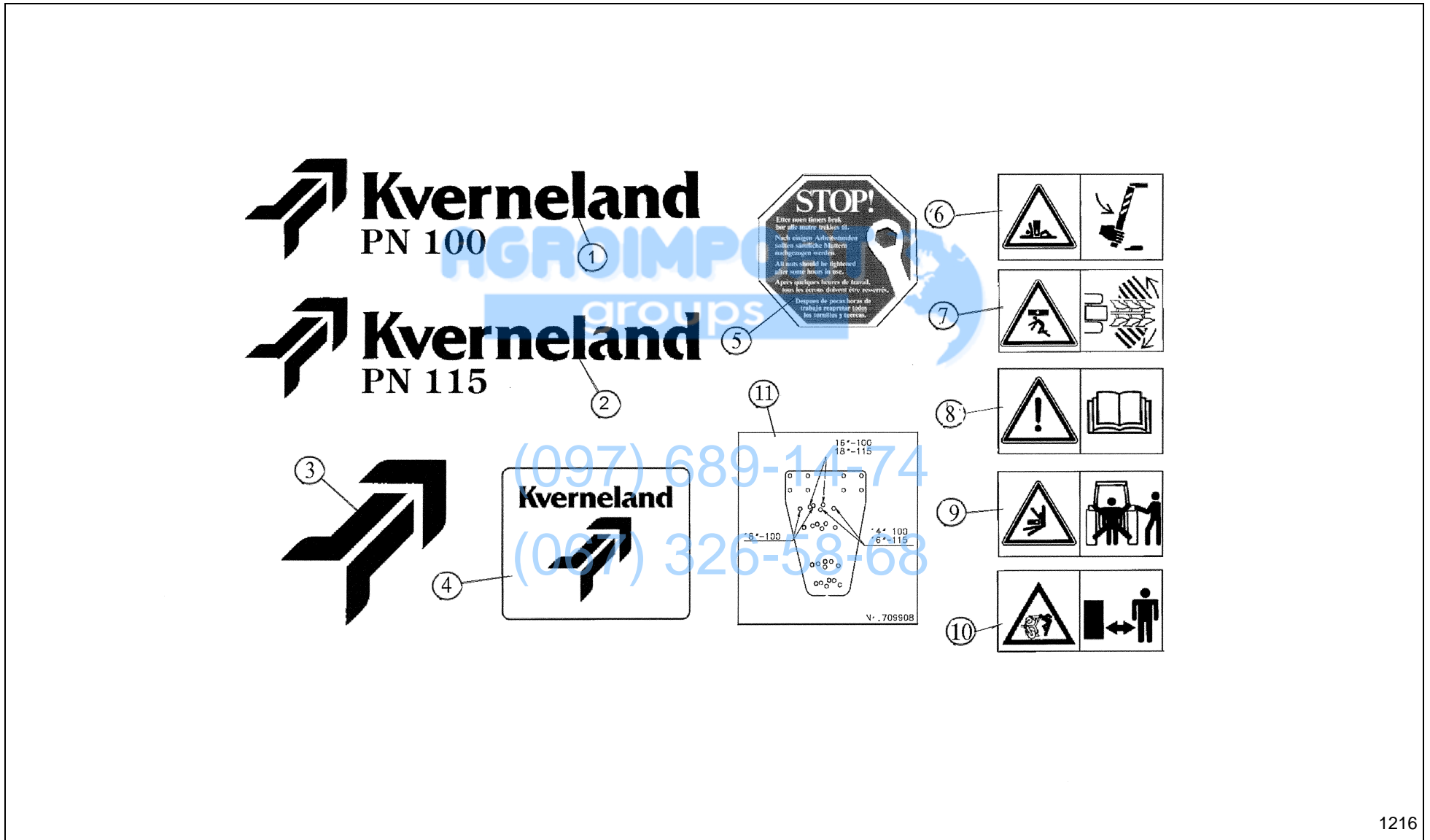
PN/RN / SOIL PACKER ARM



SPMKK000500

## PN/RN / SOIL PACKER ARM

PosNo.	Part No.	Qty.	Description	Remark
1	KG01108000		CIRCLIP-A 22 X 2	
2	KG01195400		TENSION PIN 12X40	
3	KK010315		BOLT W/ HEAD D25.3X60	
4	KK010700		PIN D12 NS 555	
5	KK012700		CLAMP FOR 1/4HOSE - D20	
6	KK012927		WASHER D17.0XD30X3	
7	KK012933		WASHER D20.5-D55X4	
8	KK012949		WASHER D26-D44X4	
9	KK013701		STRETCH SPRING D7.5-D40X175	
10	KK015825		NUT M16	
11	KK016049		FLANGE NUT M20 WITH LOCK	
12	KK029715		SPILT PIN D4X25	
13	KK029920		GREASE NIPPLE M8X1 STRAIGHT	
14	KK032718		HEX BOLT M16X180 10.9	
15	KK076022R		PRESS SPRING	
16	KK076023R		PRESS SPRING	
17	KK076318		BOLT W/HEAD D22X58	
18	KK076319		BOLT W/HEAD D12X58	
19	KK076320		AXLE D12X42	
20	KK076652		BOLT W/HEAD D12X72	
21	KK076682R		REJECTOR	
22	KK076716R		SCREEN ON PICKUP ARM 2000	
23	KK076769		BOLT W/HEAD D25.3X155	
24	KK076780		PACKER ARM WELDED	
25	KK076790		BOLT WITH HEAD	
26	KK076793		BUSHING D22,5-D32X100	
27	KK076795R		UPPER BRACKET WELDED	
28	KK076796R		LOWER BRACKET WELDED	
29	KK077013R		HOOK FOR PICK-UP ARM	
30	KK077590		BUSHING D27.3-D33.8X33	
31	KK082190		FIXING BRACKET	
32	KK089580		AXLE WITH STEP D32-254	
33	KK361116		TURNBUCKLE 520-720	



## PN/RN / TRANSFERS

PosNo.	Part No.	Qty.	Description	Remark
1	KK709996		DECAL PN 100	
1	KK709998		DECAL RN 100	
2	KK709997		DECAL PN 115	
2	KK709999		DECAL RN 115	
3	KK709737		DECAL KVERNELAND (ARROW ONLY)	
4	KK709831		DECAL KVERNELAND & LOGO (ARROW)	
5	KK709479		DECAL 'STOP'	
6	KK709843		DECAL 'TIP OVER DANGER'	
7	KK709842		DECAL 'KEEP CLEAR TURNOVER'	
8	KK709844		DECAL 'READ INSTUCTION BOOK'	
9	KK709841		DECAL 'SQUEEZE DANGER TRACTOR'	
10	KK709895		DECAL 'WATCH YOUR HEAD'	
11	KK709908		DECAL WHEEL ADJUSTMENT PNRN	



(097) 689-14-74

(067) 326-58-68

**PN/RN / Part No Index**



Part No.	Page	Pos No	Part No.	Page	Pos No	Part No.	Page	Pos No	Part No.	Page	Pos No
KG00017500	11	1	KK010156	3	103	KK011414	19	7	KK012059	32	3
KG00017500	12	1	KK010156	4	103	KK011451	19	7	KK012060	20	19
KG00017500	13	1	KK010158	15	7	KK011452	19	4	KK012060	22	11
KG01108000	33	1	KK010168	8	1	KK011453	19	5	KK012060	32	4
KG01108800	13	2	KK010293	15	8	KK011472	19	7	KK012062	20	12
KG01108862	11	2	KK010315	33	3	KK011473	19	4	KK012062	21	3
KG01108862	12	2	KK010335	15	9	KK011474	19	5	KK012062	22	4
KG01110400	7	1	KK010335	23	2	KK011512	23	5	KK012062	23	9
KG01129300	15	1	KK010337	22	1	KK011565	20	20	KK012062	32	5
KG01129300	26	1	KK010413	22	18	KK011565	22	12	KK012067	23	10
KG01129800	11	3	KK010572	11	4	KK011565	32	1	KK012068	20	18
KG01129800	12	3	KK010572	12	4	KK011585	20	6	KK012068	22	15
KG01129800	13	3	KK010572	13	4	KK011585	21	1	KK012068	23	11
KG01194200	15	2	KK010606	15	10	KK011585	22	5	KK012069	20	17
KG01194200	20	1	KK010650	15	11	KK011585	23	6	KK012069	22	16
KG01195400	15	3	KK010655	15	12	KK011585	32	2	KK012069	23	12
KG01195400	22	19	KK010700	15	13	KK011596	23	7	KK012069	30	4
KG01195400	23	3	KK010700	33	4	KK011596	30	3	KK012069	32	6
KG01195400	33	2	KK010702	28	1	KK011682R	15	17	KK012092	30	5
KG01195500	15	4	KK010860	15	14	KK011682R	18	1	KK012092	32	7
KG01195500	23	4	KK010909	13	5	KK011691R	15	18	KK012116	22	10
KG01195800	15	5	KK010960	22	8	KK011691R	16	1	KK012158	20	22
KG01802700	19	1	KK010961	22	7	KK011691R	17	1	KK012158	22	13
KK010036	30	1	KK011037	5	1	KK011694R	9	1	KK012158	23	13
KK010064	30	2	KK011037	15	15	KK011750	11	5	KK012158	32	8
KK010149	15	6	KK011042	5	2	KK011750	12	5	KK012185	15	19
KK010149	23	1	KK011162	19	2	KK011750	13	6	KK012185	23	14
KK010155	1	103	KK011163	19	3	KK011866	11	6	KK012261	20	9
KK010155	2	103	KK011223R	15	16	KK011866	12	6	KK012261	22	3
KK010155	3	103	KK011223R	26	2	KK011866	13	7	KK012261	32	9
KK010155	4	103	KK011369	19	4	KK012059	21	2	KK012307	21	4
KK010156	1	103	KK011370	19	5	KK012059	22	6	KK012319	21	5
KK010156	2	103	KK011408	19	6	KK012059	23	8	KK012323	30	6



# PN/RN / Part No Index

Part No.	Page	Pos No	Part No.	Page	Pos No	Part No.	Page	Pos No	Part No.	Page	Pos No
KK012323	32	10	KK012852	30	12	KK013016	17	2	KK013361	2	105
KK012324	20	14	KK012874	7	2	KK013016	18	4	KK013361	3	105
KK012324	30	7	KK012904	28	2	KK013086	27	Not ill.	KK013361	4	105
KK012324	32	11	KK012906	14	1	KK013089	27	8	KK013385	1	105
KK012326	32	12	KK012919	1	13	KK013090	27	2	KK013385	2	105
KK012367	32	13	KK012919	2	1	KK013091	27	7	KK013385	3	105
KK012503	30	8	KK012919	3	15	KK013228R	1	101	KK013385	4	105
KK012520	32	14	KK012922	1	34	KK013228R	2	101	KK013500	32	21
KK012522	20	13	KK012922	2	33	KK013228R	2	24	KK013518	20	24
KK012548	20	7	KK012922	3	36	KK013228R	3	10	KK013519	21	8
KK012551	20	5	KK012922	4	31	KK013228R	3	101	KK013520	20	Not ill.
KK012570	20	23	KK012922	9	2	KK013228R	4	101	KK013522	20	25
KK012570	21	6	KK012922	10	1	KK013228R	4	17	KK013594	25	2
KK012619	24	1	KK012922	18	2	KK013234R	1	20	KK013595	25	3
KK012640	25	1	KK012923	13	8	KK013234R	2	23	KK013597	25	4
KK012655	20	11	KK012927	1	28	KK013234R	3	11	KK013617	21	9
KK012655	21	7	KK012927	2	18	KK013332R	1	17	KK013701	33	9
KK012658	22	14	KK012927	33	6	KK013332R	1	4	KK013705	25	5
KK012700	20	26	KK012929	1	107	KK013332R	2	39	KK015805	28	3
KK012700	30	9	KK012929	2	107	KK013332R	2	9	KK015805	29	1
KK012700	32	15	KK012929	3	107	KK013332R	3	1	KK015805	30	14
KK012700	33	5	KK012929	4	107	KK013332R	3	45	KK015806	28	4
KK012705	32	16	KK012933	33	7	KK013332R	4	4	KK015806	29	2
KK012706	32	17	KK012942	15	20	KK013333	1	38	KK015806	30	15
KK012719	30	10	KK012949	33	8	KK013333	2	34	KK015811	15	23
KK012723	20	8	KK012955	15	21	KK013333	3	39	KK015811	23	15
KK012737	30	11	KK012955	18	3	KK013346	1	105	KK015811	32	22
KK012761	32	18	KK012960	13	9	KK013346	1	36	KK015813	4	22
KK012776	32	19	KK012968	30	13	KK013346	2	105	KK015813	4	22
KK012780	22	14	KK013000	9	3	KK013346	2	36	KK015813	14	2
KK012781	22	14	KK013009	6	1	KK013346	3	105	KK015817	4	101
KK012791	32	20	KK013016	15	22	KK013346	4	105	KK015817	4	17
KK012796	20	10	KK013016	16	2	KK013361	1	105	KK015817	4	7

**PN/RN / Part No Index**



Part No.	Page	Pos No	Part No.	Page	Pos No	Part No.	Page	Pos No	Part No.	Page	Pos No
KK015817	4	7	KK015830	30	16	KK016025	7	4	KK029920	19	9
KK015817	4	8	KK015834	1	11	KK016025	9	7	KK029920	33	13
KK015817	4	8	KK015834	2	5	KK016031	11	9	KK029927	15	28
KK015817	5	3	KK015834	3	19	KK016031	12	10	KK031019	30	18
KK015817	11	7	KK015834	7	3	KK016038	28	9	KK031023	28	10
KK015817	14	3	KK015834	28	7	KK016045	6	4	KK031023	29	3
KK015825	1	46	KK015834	32	23	KK016049	6	5	KK031023	30	19
KK015825	2	46	KK015841	8	4	KK016049	16	5	KK031951	9	9
KK015825	3	47	KK015841	14	5	KK016049	17	5	KK031951	10	6
KK015825	4	104	KK015841	15	25	KK016049	18	8	KK032002	26	7
KK015825	4	104	KK015841	18	6	KK016049	33	11	KK032007	26	8
KK015825	4	104	KK015858	19	8	KK016058	13	13	KK032014	25	7
KK015825	4	13	KK016001	9	6	KK016517	27	4	KK032040	24	4
KK015825	4	41	KK016001	10	4	KK016576	31	1	KK032110	27	9
KK015825	8	2	KK016004	11	8	KK016592	24	2	KK032110	31	2
KK015825	9	4	KK016004	12	8	KK016601	24	3	KK032310	30	20
KK015825	10	2	KK016004	13	12	KK016601	25	6	KK032330	30	21
KK015825	12	7	KK016007	5	5	KK016644	26	3	KK032335	20	16
KK015825	13	10	KK016008	28	8	KK016645	26	4	KK032335	22	17
KK015825	14	4	KK016008	30	17	KK016646	26	5	KK032335	30	22
KK015825	16	3	KK016012	5	6	KK029715	33	12	KK032345	23	16
KK015825	17	3	KK016012	12	9	KK029727	5	7	KK032370	32	24
KK015825	18	5	KK016012	14	6	KK029918	9	8	KK032403	15	29
KK015825	28	5	KK016012	15	26	KK029918	10	5	KK032403	23	17
KK015825	33	10	KK016012	16	4	KK029918	26	6	KK032435	20	21
KK015830	5	4	KK016012	17	4	KK029920	5	8	KK032435	30	23
KK015830	6	2	KK016012	18	7	KK029920	11	10	KK032445	32	25
KK015830	8	3	KK016013	4	4	KK029920	12	11	KK032460	20	15
KK015830	9	5	KK016015	1	106	KK029920	13	14	KK032465	32	26
KK015830	10	3	KK016015	2	106	KK029920	15	27	KK032475	15	30
KK015830	13	11	KK016015	3	106	KK029920	16	6	KK032604	7	5
KK015830	15	24	KK016015	4	106	KK029920	17	6	KK032623	30	24
KK015830	28	6	KK016022	6	3	KK029920	18	9	KK032624	30	25

# PN/RN / Part No Index

Part No.	Page	Pos No	Part No.	Page	Pos No	Part No.	Page	Pos No	Part No.	Page	Pos No
KK032655	5	9	KK032765	2	104	KK032840	15	35	KK032960	15	40
KK032655	28	11	KK032765	3	104	KK032840	17	11	KK032970	15	41
KK032665	5	10	KK032765	4	104	KK032840	32	28	KK033004	3	26
KK032680	7	6	KK032774	7	8	KK032843	16	11	KK033006R	4	22
KK032702	12	12	KK032774	10	7	KK032843	17	12	KK033006R	14	7
KK032702	13	15	KK032775	1	104	KK032846	8	9	KK033007	14	8
KK032710	30	26	KK032775	2	104	KK032846	9	11	KK033016	4	22
KK032718	33	14	KK032775	3	104	KK032850	8	10	KK033100R	1	5
KK032724	9	10	KK032775	4	104	KK032850	10	9	KK033100R	2	4
KK032725	1	18	KK032775	13	16	KK032850	13	17	KK033100R	3	12
KK032725	2	22	KK032785	7	9	KK032850	16	12	KK033107R	1	19
KK032728	7	7	KK032790	8	7	KK032850	17	13	KK033107R	2	10
KK032730	3	31	KK032800	18	11	KK032850	30	27	KK033107R	2	37
KK032735	1	8	KK032803	10	8	KK032860	5	12	KK033107R	4	7
KK032735	2	17	KK032805	18	12	KK032860	6	7	KK033111	4	8
KK032735	3	22	KK032805	32	27	KK032865	6	8	KK033116	4	7
KK032735	16	7	KK032815	17	7	KK032865	15	36	KK033117	4	8
KK032735	28	12	KK032816	17	8	KK032870	15	37	KK033118	3	6
KK032740	1	104	KK032818	16	8	KK032870	18	14	KK033119	3	7
KK032740	2	104	KK032820	15	31	KK032875	13	18	KK033175	1	33
KK032740	3	104	KK032821	15	32	KK032875	18	15	KK033175	2	30
KK032740	4	104	KK032824	8	8	KK032880	6	9	KK033175	3	35
KK032745	8	5	KK032826	17	9	KK032885	13	19	KK033175	4	29
KK032745	18	10	KK032828	15	33	KK032885	32	29	KK033256	1	32
KK032750	1	104	KK032830	11	11	KK032890	6	10	KK033256	2	31
KK032750	2	104	KK032830	15	34	KK032890	8	11	KK033256	3	34
KK032750	2	17	KK032830	16	9	KK032890	9	12	KK033256	4	30
KK032750	3	104	KK032830	17	10	KK032900	18	16	KK033295	1	32
KK032750	4	104	KK032830	18	13	KK032918	15	38	KK033295	1	45
KK032750	4	13	KK032835	28	13	KK032919	18	17	KK033295	2	32
KK032750	8	6	KK032836	16	10	KK032925	8	12	KK033295	3	46
KK032762	6	6	KK032840	5	11	KK032926	9	13	KK033295	4	40
KK032765	1	104	KK032840	11	12	KK032940	15	39	KK033306	27	5

## PN/RN / Part No Index

Part No.	Page	Pos No	Part No.	Page	Pos No	Part No.	Page	Pos No	Part No.	Page	Pos No
KK033306	29	4	KK053090R	2	100	KK063090R	2	100	KK067026R	5	33
KK033306	30	28	KK053090R	2	25	KK063090R	2	25	KK067031R	5	34
KK033315	28	14	KK053090R	3	100	KK063090R	3	100	KK067039R	5	35
KK033325	32	30	KK053090R	3	3	KK063090R	3	3	KK067049	7	10
KK034251	14	9	KK053090R	4	100	KK063090R	4	100	KK067051	5	36
KK034446	14	10	KK053090R	4	16	KK063090R	4	16	KK067059R	5	37
KK034755	14	11	KK053387R	1	14	KK063091R	1	21	KK067075	5	38
KK034851	14	12	KK053387R	2	7	KK063091R	4	18	KK067076	5	39
KK034866	14	13	KK053387R	3	29	KK063092R	1	21	KK067077	5	40
KK035020R	5	13	KK057063	5	19	KK063092R	4	18	KK067080	5	41
KK035021R	5	14	KK057064	5	20	KK063388R	1	14	KK067090R	5	42
KK035031R	11	13	KK057065	5	21	KK063388R	2	7	KK067092	5	43
KK035048R	6	11	KK057066	5	22	KK063388R	3	29	KK070388	2	19
KK035072R	6	12	KK057067	5	23	KK063607R	1	35	KK070389	2	19
KK035087R	9	14	KK057068R	5	24	KK063607R	2	35	KK070390	1	9
KK035088	16	13	KK057089	5	25	KK063801R	1	9	KK070391	1	9
KK035088	17	14	KK060108	5	26	KK063801R	1	9	KK070392	2	19
KK035093	10	10	KK060109	5	27	KK064317R	15	44	KK070393	2	19
KK035114	11	14	KK060703	5	28	KK064321R	15	45	KK070394	1	9
KK035114	12	13	KK061280R	5	29	KK064360	15	46	KK070395	1	9
KK035114	13	20	KK061291	5	30	KK066175R	11	16	KK070396	2	19
KK035149	1	44	KK061515	6	14	KK066175R	12	15	KK070397	2	19
KK035149	2	44	KK061637R	8	13	KK066178	11	17	KK070398	2	19
KK035149	3	44	KK061941	30	29	KK066182	11	18	KK070399	2	19
KK035149	4	38	KK061943	32	31	KK066185	11	15	KK070640	1	16
KK035165	5	15	KK062025	2	12	KK066189	11	18	KK070640	2	2
KK035175	12	14	KK062025	3	32	KK066190R	11	19	KK070641	1	16
KK035209	5	16	KK062270	18	18	KK066868R	14	14	KK070641	2	2
KK035210	5	17	KK062505	15	42	KK066869R	14	15	KK070642	1	16
KK035215	6	13	KK062506	15	43	KK066880R	14	16	KK070642	2	2
KK050706	5	18	KK062506	23	18	KK066881R	14	17	KK070653	14	18
KK053090R	1	100	KK063090R	1	100	KK067016R	5	31	KK071256	8	14
KK053090R	1	2	KK063090R	1	2	KK067025R	5	32	KK071259	8	15

**PN/RN / Part No Index**



Part No.	Page	Pos No	Part No.	Page	Pos No	Part No.	Page	Pos No	Part No.	Page	Pos No
KK071270R	6	15	KK072825	7	20	KK073045	1	26	KK073091R	2	27
KK071271R	6	16	KK072831	10	15	KK073045	4	32	KK073091R	3	4
KK071272R	6	17	KK072832	10	16	KK073054	2	26	KK073091R	4	18
KK071273R	6	18	KK072833	10	17	KK073054	3	2	KK073092R	1	21
KK071274	6	19	KK072834	10	18	KK073054	4	19	KK073092R	2	27
KK071275	6	20	KK073000	1	1	KK073055	2	26	KK073092R	3	4
KK071403	9	15	KK073001	1	1	KK073055	3	2	KK073092R	4	18
KK071417	9	16	KK073002	1	1	KK073055	4	19	KK073224	2	8
KK071493	28	15	KK073002	4	19	KK073056	2	26	KK073225	2	8
KK071508	6	21	KK073003	1	1	KK073056	3	2	KK073227R	2	15
KK071529	6	22	KK073003	4	19	KK073056	4	19	KK073228R	2	15
KK071670	8	16	KK073004	1	1	KK073057	2	26	KK073230R	2	15
KK071672	16	14	KK073004	4	19	KK073057	3	2	KK073230R	4	21
KK071672	17	15	KK073005	1	1	KK073057	4	19	KK073231R	2	15
KK071794	15	47	KK073005	4	19	KK073062	2	11	KK073231R	4	21
KK071794	23	19	KK073006	1	1	KK073062	3	5	KK073236	2	8
KK072757	7	11	KK073006	4	19	KK073062	4	23	KK073237	2	8
KK072759	9	17	KK073007	1	1	KK073063	2	11	KK073239R	2	16
KK072759	10	11	KK073007	4	19	KK073063	3	5	KK073240R	2	16
KK072760	9	18	KK073008	1	1	KK073063	4	23	KK073241R	2	15
KK072761	9	19	KK073009	1	1	KK073064	2	11	KK073242R	2	15
KK072761	10	12	KK073030R	1	27	KK073064	3	5	KK073250R	1	7
KK072769	7	12	KK073030R	4	33	KK073064	4	23	KK073251R	1	7
KK072771	7	13	KK073031R	1	27	KK073065	2	11	KK073256R	1	7
KK072773	7	14	KK073031R	4	33	KK073065	3	5	KK073256R	4	21
KK072777	10	13	KK073040	1	26	KK073065	4	23	KK073257R	1	7
KK072790	9	20	KK073041	1	26	KK073080	2	26	KK073257R	4	21
KK072819	7	15	KK073042	1	26	KK073080	3	2	KK073260	1	6
KK072820	7	16	KK073042	4	32	KK073080	4	19	KK073261	1	6
KK072821	7	17	KK073043	1	26	KK073081	2	26	KK073263	1	6
KK072822	7	18	KK073043	4	32	KK073081	3	2	KK073264R	1	6
KK072823	10	14	KK073044	1	26	KK073081	4	19	KK073266	1	24
KK072824	7	19	KK073044	4	32	KK073091R	1	21	KK073266	2	16

## PN/RN / Part No Index

Part No.	Page	Pos No	Part No.	Page	Pos No	Part No.	Page	Pos No	Part No.	Page	Pos No
KK073267	1	24	KK073354	3	37	KK073616R	1	30	KK073842R	2	19
KK073267	2	16	KK073406	1	3	KK073616R	2	29	KK076022R	33	15
KK073272R	3	13	KK073407	1	3	KK073616R	3	25	KK076023R	33	16
KK073273R	3	13	KK073411	1	3	KK073616R	4	3	KK076063	12	16
KK073275	3	16	KK073412	1	3	KK073634R	1	102	KK076294R	13	23
KK073276	3	16	KK073417	2	14	KK073634R	2	102	KK076295R	13	24
KK073278R	3	8	KK073418	2	14	KK073634R	3	102	KK076318	33	17
KK073279R	3	8	KK073435	2	13	KK073634R	4	102	KK076319	33	18
KK073280	1	6	KK073436	2	13	KK073635R	1	102	KK076320	33	19
KK073281	1	6	KK073440	2	13	KK073635R	2	102	KK076400R	12	17
KK073286	1	6	KK073441	2	13	KK073635R	3	102	KK076400R	13	21
KK073287	1	6	KK073464	3	9	KK073635R	4	102	KK076406R	11	20
KK073290	1	6	KK073465	3	9	KK073800R	1	12	KK076406R	12	18
KK073290	2	8	KK073470	3	9	KK073800R	2	6	KK076406R	13	22
KK073291	1	6	KK073471	3	9	KK073800R	3	18	KK076407R	11	21
KK073291	2	8	KK073607	1	35	KK073801R	1	12	KK076407R	12	19
KK073300R	1	16	KK073607	2	35	KK073801R	2	6	KK076407R	13	23
KK073300R	2	2	KK073608	1	10	KK073801R	3	18	KK076409R	11	22
KK073300R	4	1	KK073608	2	21	KK073803	1	9	KK076409R	13	24
KK073301R	1	16	KK073608	3	23	KK073803	1	9	KK076410R	11	22
KK073301R	2	2	KK073608	4	12	KK073804R	2	19	KK076410R	12	20
KK073301R	4	1	KK073609	1	23	KK073804R	2	19	KK076410R	13	24
KK073310	1	15	KK073609	2	20	KK073805R	2	19	KK076427	13	25
KK073310	2	3	KK073609	3	24	KK073807R	1	12	KK076499R	11	23
KK073311	1	15	KK073609	4	5	KK073808R	1	12	KK076499R	12	21
KK073311	2	3	KK073614R	1	37	KK073826R	2	19	KK076499R	13	26
KK073328	3	20	KK073614R	2	38	KK073826R	2	19	KK076515	13	27
KK073329	3	20	KK073614R	3	38	KK073826R	3	21	KK076527R	13	28
KK073338	3	17	KK073614R	4	14	KK073829R	2	19	KK076532R	13	29
KK073339	3	17	KK073615R	1	30	KK073829R	3	21	KK076533R	13	30
KK073350R	3	27	KK073615R	2	29	KK073830R	1	9	KK076537	13	31
KK073352	3	28	KK073615R	3	25	KK073831R	1	9	KK076564	13	32
KK073353	3	28	KK073615R	4	3	KK073831R	2	19	KK076652	33	20

## PN/RN / Part No Index

Part No.	Page	Pos No	Part No.	Page	Pos No	Part No.	Page	Pos No	Part No.	Page	Pos No
KK076682R	33	21	KK079343	17	21	KK083017R	2	43	KK083212R	4	25
KK076716R	33	22	KK079596	15	54	KK083017R	3	43	KK083213R	4	26
KK076769	33	23	KK079724	20	2	KK083017R	4	39	KK083214R	4	27
KK076780	33	24	KK079765	15	55	KK083018R	1	43	KK083215R	4	20
KK076790	33	25	KK079824	15	56	KK083018R	2	43	KK083216R	4	20
KK076793	33	26	KK080980	1	9	KK083018R	3	43	KK083217R	4	20
KK076795R	33	27	KK080981	1	9	KK083018R	4	39	KK083218	4	20
KK076796R	33	28	KK080982	1	9	KK083019R	1	43	KK083220	4	9
KK076812R	14	19	KK080983	1	9	KK083019R	2	43	KK083221R	4	24
KK076813R	14	20	KK081085	15	57	KK083019R	3	43	KK083222R	4	25
KK077013R	33	29	KK081098	15	58	KK083019R	4	39	KK083223R	4	26
KK077021	9	21	KK081142R	18	21	KK083020R	1	43	KK083224R	4	27
KK077021	10	19	KK081979R	18	22	KK083020R	2	43	KK083228	1	6
KK077026	15	48	KK082177	15	59	KK083020R	4	39	KK083229	1	6
KK077026	23	20	KK082190	33	31	KK083021R	1	43	KK083235R	1	39
KK077027	15	49	KK082630	16	17	KK083021R	2	43	KK083235R	2	40
KK077027	23	21	KK082645	9	22	KK083021R	4	39	KK083235R	4	34
KK077128R	16	15	KK082646	16	18	KK083022R	1	43	KK083300	4	2
KK077128R	17	16	KK082647	16	19	KK083022R	2	43	KK083301	4	2
KK077133	16	16	KK082648	16	20	KK083022R	4	39	KK083406	4	15
KK077133	17	17	KK083010R	1	42	KK083023R	1	43	KK083407	4	15
KK077280	15	50	KK083011R	1	42	KK083023R	2	43	KK083408	4	6
KK077281	15	51	KK083012R	2	42	KK083023R	4	39	KK083409	4	6
KK077590	33	30	KK083012R	3	42	KK083090R	1	41	KK083415	4	15
KK078550	15	52	KK083012R	4	37	KK083090R	2	41	KK083416	4	15
KK078564	15	53	KK083013R	2	42	KK083090R	3	41	KK083417	4	6
KK078583	20	3	KK083013R	3	42	KK083090R	4	36	KK083418	4	6
KK078849	18	19	KK083013R	4	37	KK083091	1	40	KK083648	9	23
KK078956	18	20	KK083016R	1	43	KK083091	2	45	KK083649	9	24
KK079154	17	18	KK083016R	2	43	KK083091	3	40	KK083660	8	17
KK079155	17	19	KK083016R	3	43	KK083091	4	35	KK083661	8	18
KK079156	17	20	KK083016R	4	39	KK083210	4	9	KK083662	8	19
KK079171	17	21	KK083017R	1	43	KK083211R	4	24	KK083663	8	20



## PN/RN / Part No Index

Part No.	Page	Pos No	Part No.	Page	Pos No	Part No.	Page	Pos No	Part No.	Page	Pos No
KK083690	8	21	KK086101R	12	25	KK088025	15	63	KK088785	16	23
KK083692	8	22	KK086101R	13	36	KK088026	15	63	KK088795	18	34
KK083802R	4	11	KK086103R	12	26	KK088034R	18	23	KK088796	16	27
KK083803R	4	10	KK086167	12	27	KK088151R	15	64	KK088797	16	27
KK083804R	4	11	KK086167	13	37	KK088151R	16	21	KK088798	16	27
KK083805R	4	11	KK086168	13	37	KK088151R	17	22	KK088802	15	65
KK083806R	4	11	KK086170	11	29	KK088151R	18	24	KK088803	18	35
KK083807	4	11	KK086171	11	30	KK088169	28	16	KK088807	15	66
KK083808	4	11	KK086172	11	29	KK088287	16	22	KK088808	16	28
KK083809R	1	9	KK086173	11	30	KK088287	17	23	KK088809	17	27
KK083810R	1	9	KK086174	11	29	KK088293	16	23	KK088812R	15	67
KK084320R	1	31	KK086175	11	30	KK088702	16	24	KK088813R	16	29
KK084320R	2	28	KK086190	11	24	KK088702	17	24	KK088813R	17	28
KK084320R	3	33	KK086191	11	25	KK088704	18	25	KK088814	16	30
KK084320R	4	28	KK086801R	14	21	KK088706	19	10	KK088814	17	29
KK084321R	1	31	KK086850R	14	22	KK088717	16	25	KK088817R	18	36
KK084321R	2	28	KK086851R	14	23	KK088717	17	25	KK088818	18	37
KK084321R	3	33	KK086857	14	24	KK088729	16	26	KK088819R	19	14
KK084321R	4	28	KK086863	14	25	KK088729	17	26	KK088820R	15	68
KK086081	11	25	KK086864	14	26	KK088755R	19	11	KK088848	16	31
KK086084BOM	11	24	KK086865	14	27	KK088758R	19	12	KK088848	17	30
KK086085BOM	11	25	KK086866	14	28	KK088759R	19	13	KK088909	19	15
KK086087R	11	26	KK086867	14	29	KK088760R	18	26	KK089068	17	31
KK086087R	12	22	KK086868R	14	30	KK088763R	18	27	KK089069	17	31
KK086087R	13	33	KK086876	14	31	KK088764R	18	28	KK089096	15	69
KK086091	12	23	KK086877	14	32	KK088766R	18	29	KK089243	16	23
KK086091	13	34	KK086881	14	33	KK088767R	18	30	KK089248	17	31
KK086092	11	24	KK086882	14	34	KK088770R	18	31	KK089580	33	32
KK086093	11	24	KK086883	14	35	KK088780R	18	32	KK089599	15	70
KK086100	11	27	KK086898	14	36	KK088781R	18	33	KK199788	28	17
KK086100	12	24	KK088002	15	60	KK088782	16	27	KK301223	15	71
KK086100	13	35	KK088005	15	61	KK088783	16	27	KK301223	16	32
KK086101R	11	28	KK088009	15	62	KK088784	17	31	KK301223	17	32



# PN/RN / Part No Index

Part No.	Page	Pos No	Part No.	Page	Pos No	Part No.	Page	Pos No	Part No.	Page	Pos No
KK301223	18	38	KK354011	28	20	KK354403	28	36	UH333791	30	42
KK309029	28	18	KK354011	29	5	KK354403	29	11	UH414216	29	14
KK351204	15	72	KK354014	30	30	KK354403	30	41	UH414217	29	15
KK351206	15	73	KK354017	28	21	KK354520	31	3	UH440778	28	37
KK351210	15	74	KK354017	30	31	KK354520	32	32	UH440778	29	16
KK351212	15	75	KK354018	28	22	KK354530	25	13	UH440779	28	38
KK352246	20	27	KK354029	30	32	KK354585	24	6	UH440779	29	17
KK352246	22	9	KK354040	29	6	KK354586R	24	7	UH825640	27	12
KK353557	25	8	KK354041	30	33	KK354587R	31	4			
KK353558	25	9	KK354042	30	34	KK354588R	31	5			
KK353559R	24	5	KK354049	30	35	KK354589R	31	6			
KK353559R	25	10	KK354059	29	7	KK354712	20	4			
KK353561	25	11	KK354064	29	8	KK354712	24	8			
KK353580	23	22	KK354094	30	36	KK354760R	24	9			
KK353580	26	9	KK354096	30	37	KK354763R	24	10			
KK353592	26	10	KK354310	28	23	KK359056R	26	14			
KK353593R	26	11	KK354313	28	24	KK361116	33	33			
KK353596	26	12	KK354313	30	38	KK361140	15	76			
KK353597R	26	13	KK354314	28	25	KK709479	34	5			
KK353635	22	2	KK354315	28	26	KK709737	34	3			
KK353635	25	12	KK354317	28	27	KK709831	34	4			
KK353901	27	Not ill.	KK354318	28	28	KK709841	34	9			
KK353902	27	Not ill.	KK354320	28	29	KK709842	34	7			
KK353903	27	Not ill.	KK354321	28	30	KK709843	34	6			
KK353922	27	13	KK354324	30	39	KK709844	34	8			
KK353926	27	6	KK354325	28	31	KK709895	34	10			
KK353934	27	1	KK354326	29	9	KK709908	34	11			
KK353935	27	1	KK354327	28	32	KK709980	29	12			
KK353936	27	3	KK354328	28	33	KK709982	29	13			
KK353937	27	3	KK354355	28	34	KK709996	34	1			
KK353944	27	11	KK354355	29	10	KK709997	34	2			
KK353946	27	10	KK354355	30	40	KK709998	34	1			
KK354008	28	19	KK354363	28	35	KK709999	34	2			



(097) 689-14-74

(067) 326-58-68

## PN/RN

PN861 < Mach. ID <= RN600->

Kverneland Group Operation Norway AS  
Kverneland Group Klepp AS  
N-4355 Kverneland  
\\nNorway  
+47 51429000  
+47 51429001

© Kverneland Group

All rights reserved. No parts of this book may be reproduced, stored in a database or retrieval system, or published in any form or in any way, electronically, mechanically, optically, by print, photo print, microfilm (including micro and macro fiche), or any other means, including all video and CD systems, without prior written permission from the publisher.

Print date: 2011-05-04