

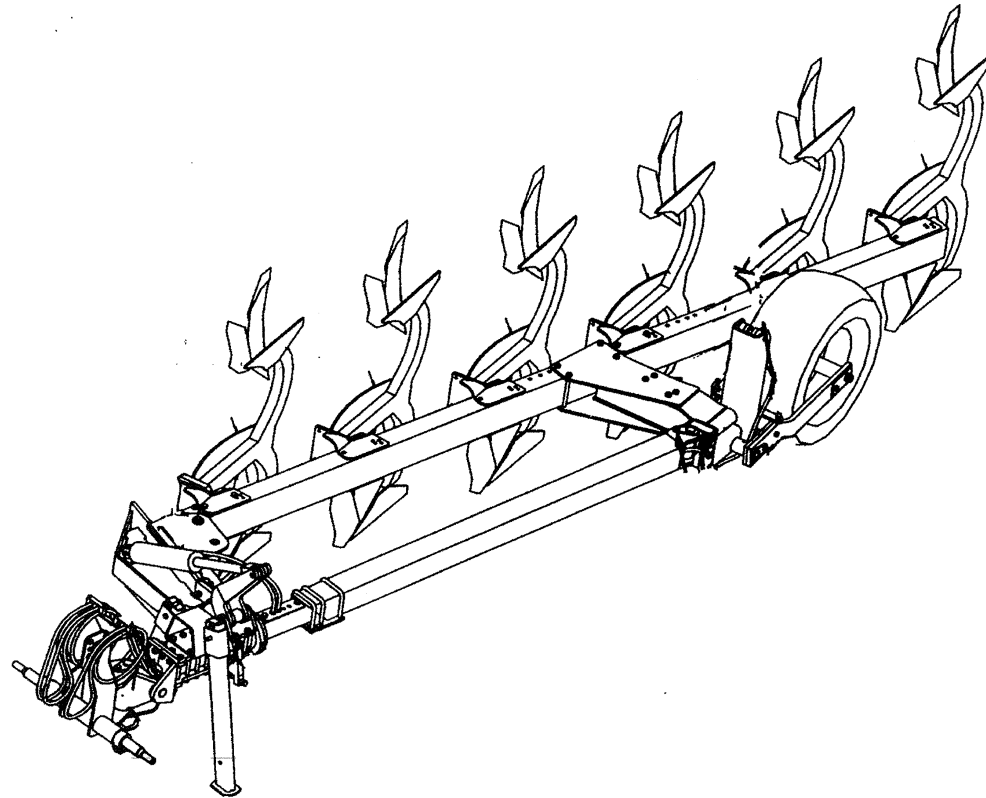
PS/RS

Spare Parts Manual

Article number: KK733017
Language: EN
Production year (from): 2007
Prod. Series nr (from):
< Mach. ID <= ->

PS/RS / Table of Contents

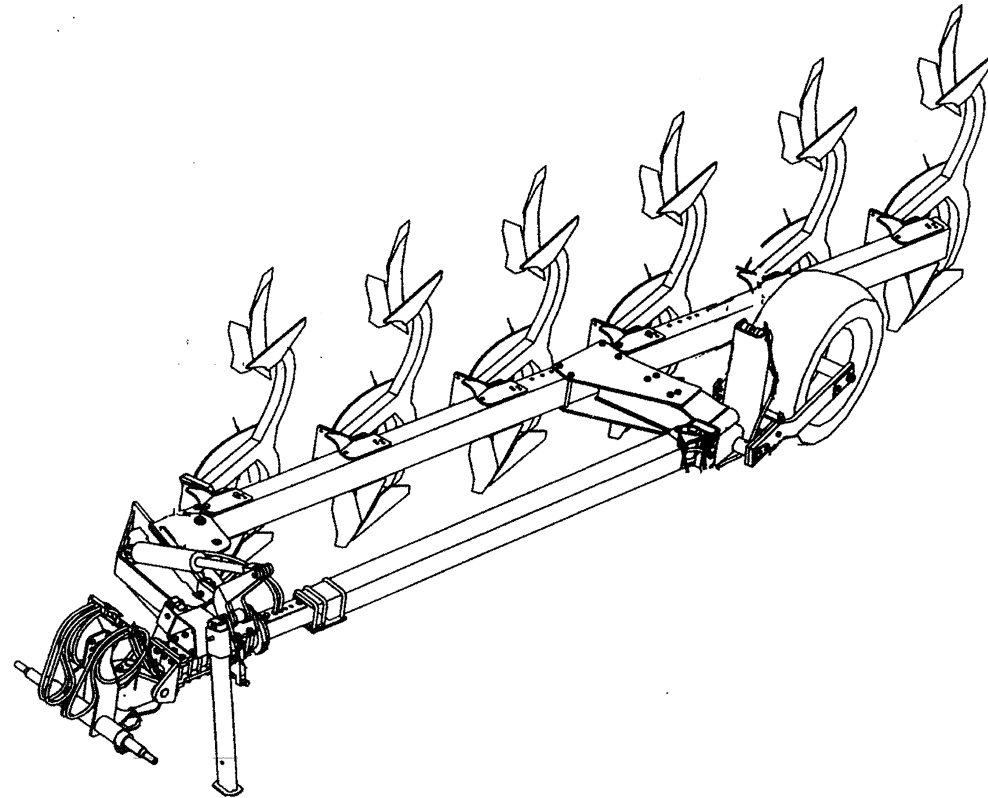
PosNo.	Assembly group	Page
-	BODY NO 8, 9 & 28 (AND 6 & 7 BEFORE 01.01.05)	1
-	BODY NO 12, 15 & 19	2
-	BODY NO 14 (PLASTIC MOULDBOARD)	3
-	BODY NO 20 (FINGER BODY) (BEFORE 01.03.99)	4
-	BODY NO. 30 (AND NO. 29 BEFORE 01.01.05)	5
-	BEAM (AUTO RESET)	6
-	BEAM (SHEAR BOLT)	7
-	BEAM (VIBROMAT)	8
-	DISC COULTER - AUTO RESET BEAM (BEFORE 01.01.99)	9
-	DISC COULTER 18&20 - AUTORESET BEAM (FR. 01.01.99)	10
-	BEAM HOLDER	11
-	DISC COULTER 99 - AUTO RESET BEAM	12
-	DISC COULTER - SHEAR BOLT BEAM	13
-	DISC COULTER LD, LO, SL, RB, RS, RT (REAR FRAME)	14
-	SKIMMER	15
-	FRAME PARTS ADDITIONAL BODIES	16
-	FRONT, FRONT PARTS	17
-	FRONT, REAR PARTS	18
-	WHEEL SUPPORT	19
-	ON-LAND SET (BEFORE 01.08.98)	20
-	HYDRAULICS ON-LAND SET (BEFORE 01.08.98)	21
-	HYDRAULICS (BEFORE 01.08.93)	22
-	HYDRAULICS (FROM 01.08.93)	23
-	CYLINDERS ON-LAND	24
-	CYLINDER D75X200 (BEFORE 01.08.96)	25
-	CYLINDER D75X200 (353704 - 353707)	26
-	CYLINDER D75X200 (353904 - 353906)	27
-	CYLINDER D100X440 (TURN-OVER) (BEFORE 01.04.98)	28
-	CYLINDER D100X440 (TURN-OVER) (FROM 01.04.98)	29
-	CYLINDER D80X440 (TURN-OVER) (BEFORE 01.04.98)	30

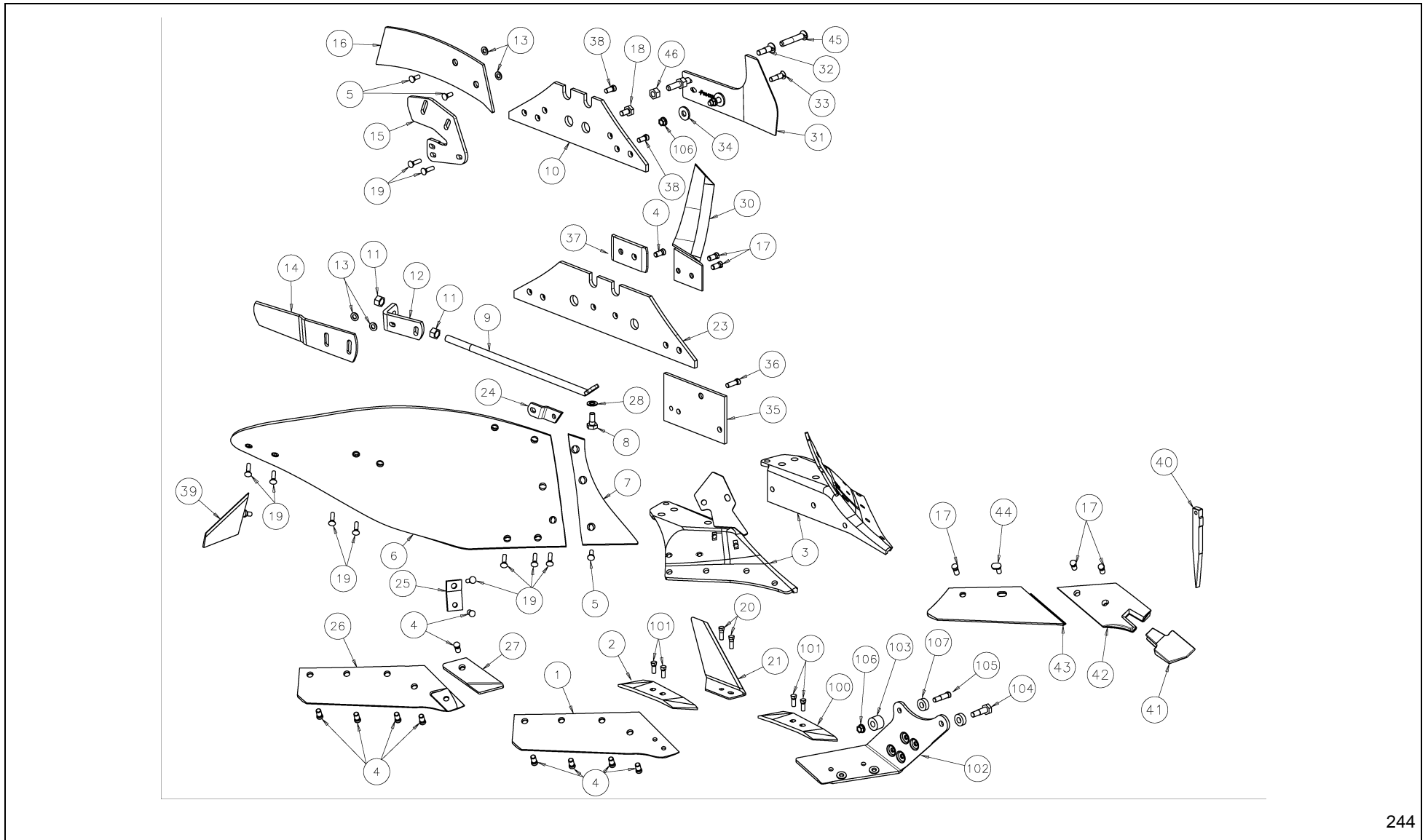


PS/RS / Table of Contents



PosNo.	Assembly group	Page
-	CYLINDER D80X440 (TURN-OVER) (FROM 01.04.98)	31
-	CYLINDER D80X440 (TURN-OVER) (FROM 01.09.00)	32
-	CYLINDER D100X215 + STOP (BEFORE 01.06.00)	33
-	CYLINDER D100X200 + STOP (FROM 01.06.00)	34
-	WHEEL	35
-	DEPTH WHEEL ON-LAND (PS/RS BEFORE 01.08.98)	36
-	LIGHTS (MOUNTING FRAME) (BEFORE 01-11-04)	37
-	LIGHTS (MOUNTING FRAME)	38
-	LIGHTS AND REFLEXES	39
-	LIGHTS (SIDE MOUNTED)	40
-	TRANSFERS	41

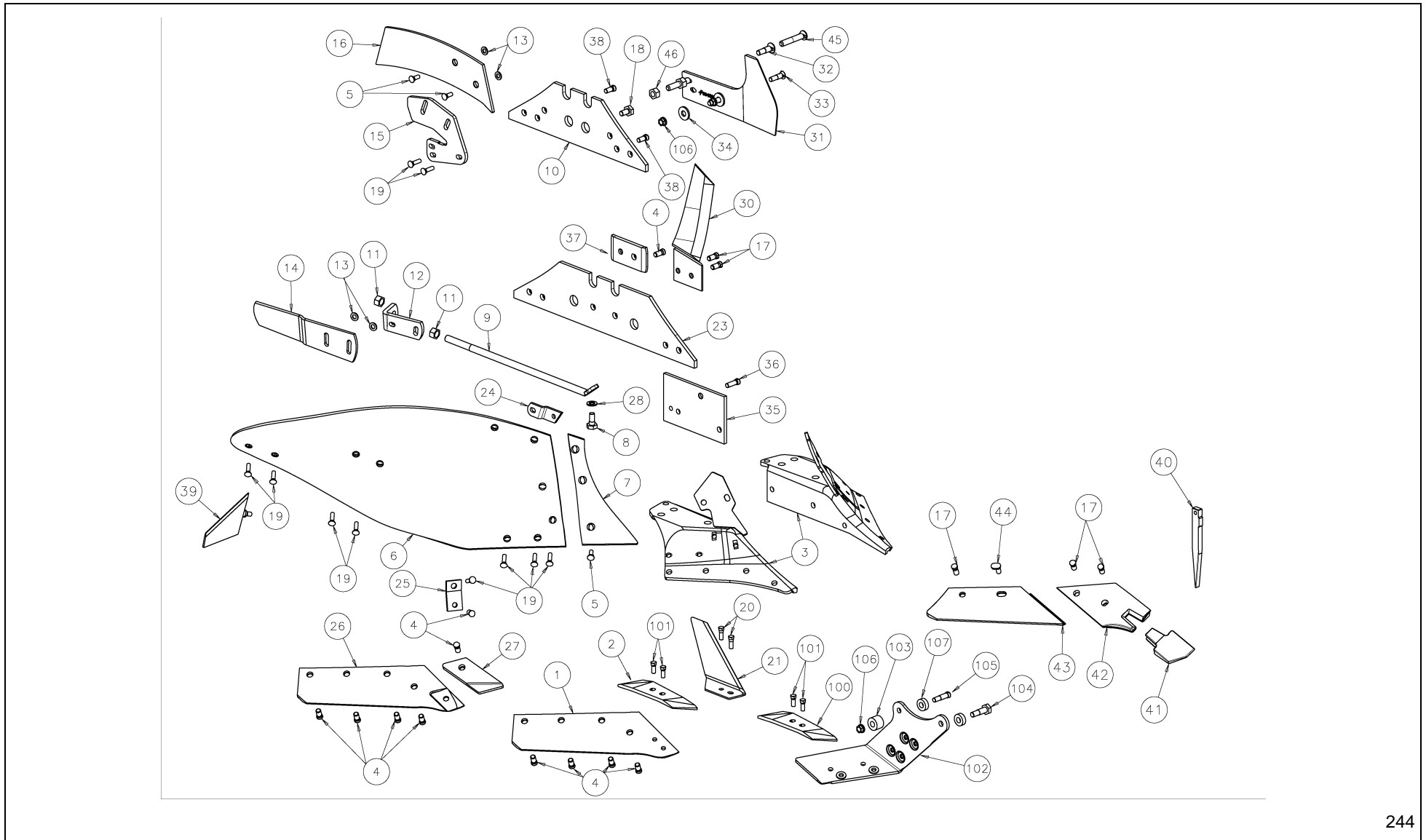




PS/RS / Body no 8, 9 & 28 (and 6 & 7 before 01.01.05)



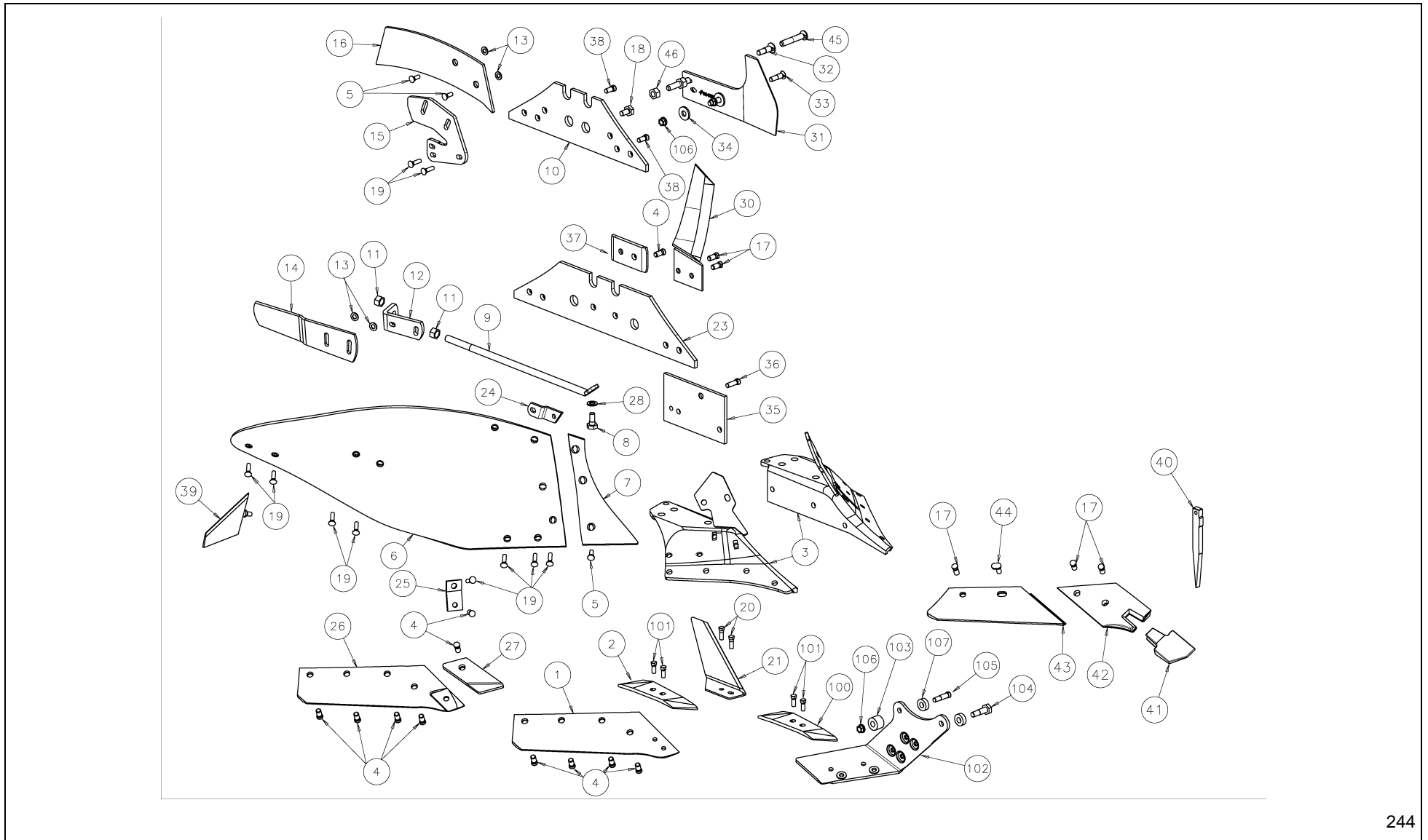
PosNo.	Part No.	Qty.	Description	Remark
1	KK073000		SHARE 12 F/REV.POINT RIGHT	(30 cm)
1	KK073001		SHARE 12 F/REV.POINT LEFT	(30 cm)
1	KK073002		SHARE 14 F/REV.POINT RIGHT	(35 cm)
1	KK073003		SHARE 14 F/REV.POINT LEFT	(35 cm)
1	KK073004		SHARE 16 F/REV.POINT RIGHT	(40 cm)
1	KK073005		SHARE 16 F/REV.POINT LEFT	(40 cm)
1	KK073006		SHARE 18 F/REV.POINT RIGHT	(45 cm)
1	KK073007		SHARE 18 F/REV.POINT LEFT	(45 cm)
1	KK073008		SHARE 20 F/REV.POINT RIGHT	(50 cm)
1	KK073009		SHARE 20 F/REV.POINT LEFT	(50 cm)
2	KK053090		REVERSIBLE POINT RIGHT	
2	KK063090		REVERSIBLE POINT LEFT	
3	KK073406		SADDLE W/SUPPORT RIGHT	(for E-saddle)
3	KK073411		SADDLE A RIGHT	(for A-saddle)
4	KK013332		CONE SCREW M14 X 34 12.9	
5	KK033100		OVAL SCREW M12X30	
6	KK073260		MOULDBOARD 12"-18" NO.6, R	(Before 01.01.05)
6	KK073261		MOULDBOARD 12-16 NO.6 LEFT	(Before 01.01.05)
6	KK073263		MOULDBOARD 12-14 NO.7 RIGHT	(Before 01.01.05)
6	KK073264		MOULDBOARD 12-14 NO.7 LEFT	(Before 01.01.05)
6	KK073280		MOULDBOARD 12 NO.8 RIGHT	
6	KK073281		MOULDBOARD 12 NO.8 LEFT	
6	KK073286		MOULDBOARD 14-18 NO.8 RIGHT	
6	KK073287		MOULDBOARD 14-18 NO.8 LEFT	
6	KK073290		MOULDBOARD 14-20 NO.9&19 RIGHT	
6	KK073291		MOULDBOARD 14-20 NO.9&19 LEFT	
6	KK083228		MOULDBOARD BODY NO 28 RIGHT	(From 01.03.03)
6	KK083229		MOULDBOARD BODY NO 28 LEFT	(From 01.03.03)
7	KK073250		SHINPIECE 12-18 NO.8 RIGHT	no. 8 (and no. 28 from 01.03.03)
7	KK073251		SHINPIECE 12-18 NO. 8 LEFT	no. 8 (and no. 28 from 01.03.03)
7	KK073256		SHINPIECE 12-20 NO.6&9 RIGHT	no. 9 (and no. 6 before 01.01.05)
7	KK073257		SHINPIECE 12-20 NO.6&9 LEFT	no. 9 (and no. 6 before 01.01.05)
8	KK032735		HEX BOLT M16X35 10.9	
9	KK063801		STAY E-SADDLE R/L	L = 550; Body nr. 8 (and nr. 6, 7 before 01.01.05 and nr. 9 before 01.12.95)
9	KK073803		STAY A-SADDLE R/L	L = 560; Body nr. 8 (and nr. 6, 7 before 01.01.05 and nr. 9 before 01.12.95)
9	KK073831		STAY E-SADDLE R/L	(no. 9 and 19; from 01.12.95)
9	KK073830		STAY A-SADDLE R/L	(no. 9; from 01.12.95)
9	KK063801		STAY E-SADDLE R/L	(Additional stay no. 9; from 01.12.95)



PS/RS / Body no 8, 9 & 28 (and 6 & 7 before 01.01.05)



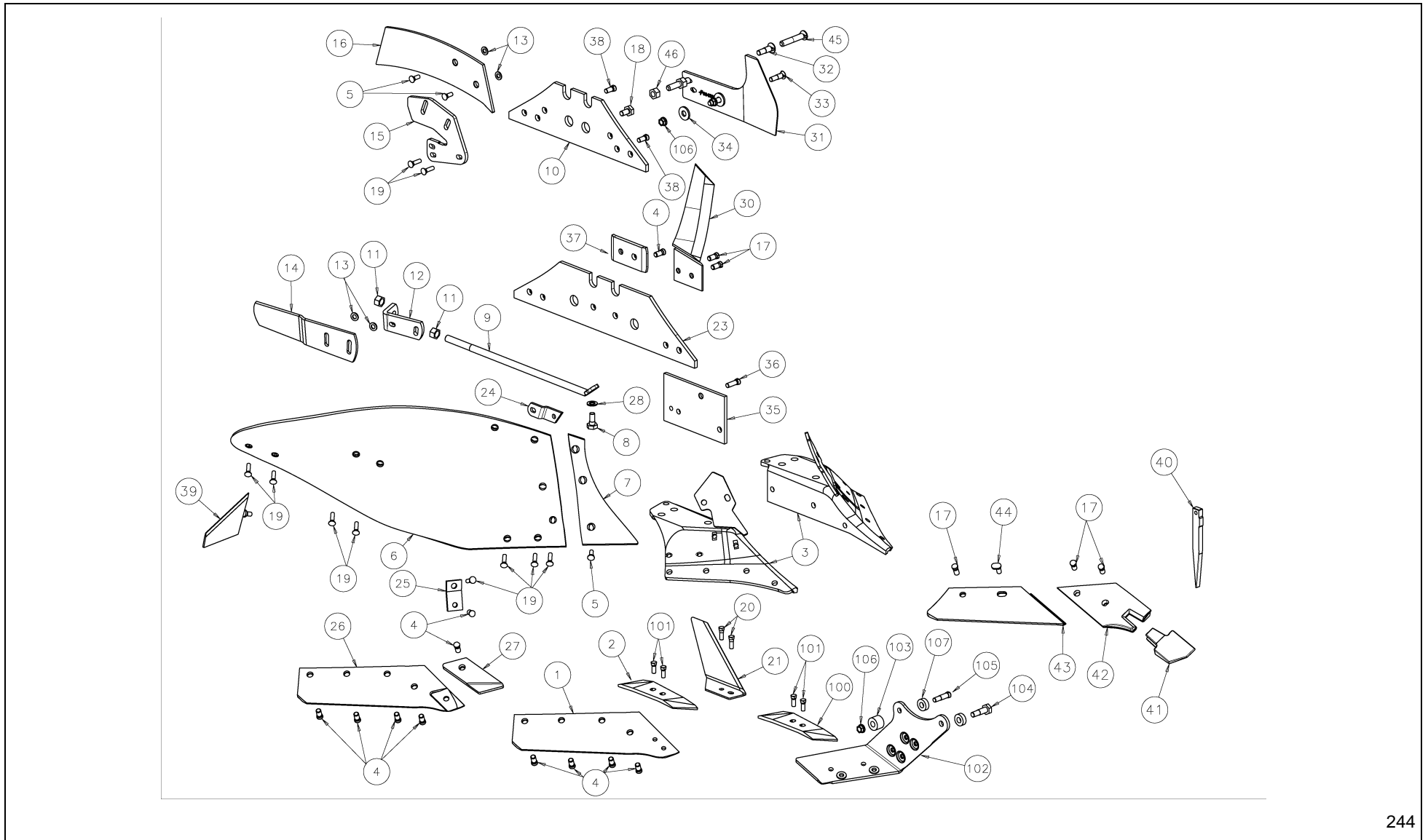
PosNo.	Part No.	Qty.	Description	Remark
9	KK070394		ADD.STAY BODY NO. 9 CPL. R.E-SADDLE	(pos. 12) (From 01.12.95)
9	KK070395		ADD.STAY BODY NO. 9 CPL. L.E-SADDLE	(pos. 12) (From 01.12.95)
9	KK073803		STAY A-SADDLE R/L	(Additional stay no. 9; from 01.12.95)
9	KK070390		ADD.STAY BODY NO 9 CPL. R. A-SADDLE	(pos. 12) (From 01.12.95)
9	KK070391		ADD.STAY BODY NO. 9 CPL. L.A-SADDLE	(pos. 12) (From 01.12.95)
9	KK083809		STAY A-SADDLE R/L	(no. 28; from 01.03.03)
9	KK083810		STAY E-SADDLE BODY NO 28	(no. 28; from 01.03.03)
9	KK080980		ADD.STAY BODY NO 28 R A-SADDLE	cpl. with bracket (from 01.01.03)
9	KK080981		ADD.STAY BODY NO 28 L A-SADDLE	cpl. with bracket (from 01.01.03)
9	KK080982		ADD.STAY BODY NO 28 R E-SADDLE	cpl. with bracket (from 01.01.03)
9	KK080983		ADD.STAY BODY NO 28 L E-SADDLE	cpl. with bracket (from 01.01.03)
10	KK073608		LANDSIDE SHORT R/L	
11	KK015834		NUT M20 H12 GALV.	
12	KK073800		BRACKET FOR STAY RIGHT	no. 8 (and no. 6, 7 before 01.01.05 and nr. 9 before 01.12.95)
12	KK073801		BRACKET FOR STAY LEFT	no. 8 (and no. 6, 7 before 01.01.05 and nr. 9 before 01.12.95) And no. 9 before 01.12.95)
12	KK073807		BRACKET FOR EXTRA STAY RIGHT	no. 9 (From 01.12.95)
12	KK073808		BRACKET FOR EXTRA STAY LEFT	no. 9 (From 01.12.95)
13	KK012919		WASHER D13.0XD24.0X2.50	
14	KK053387		MOULDBOARD EXTENSION RIGHT	
14	KK063388		MOULDBOARD EXTENSION LEFT	
15	KK073310		BRACKET FOR TRASHBOARD RIGHT	
15	KK073311		BRACKET FOR TRASHBOARD LEFT	
16	KK073300		TRASHBOARD RIGHT	
16	KK073301		TRASHBOARD LEFT	
16	KK070640		TRASHBOARD CPL R BODY 6, 8, 9 & 19	
16	KK070641		TRASHBOARD CPL L BODY 6, 8, 9 & 19	
16	KK070642		TRASHBOARD CPL R/L BODY 6, 8, 9 & 19	
17	KK013332		CONE SCREW M14 X 34 12.9	
18	KK032725		HEX BOLT M16X27 10.9	
19	KK033107		OVAL SCREW M12X35	
20	KK013234		CONE SCREW M12X382F 12.9	
21	KK073091		SHARE KNIFE R	
21	KK073092		SHARE KNIFE L	
21	KK063091		SHARE KNIFE R	(For Sweden)
21	KK063092		SHARE KNIF L	(For Sweden)
23	KK073609		LANDSIDE LONG R/L	
24	KK073266		CONNECTING PIECE NO. 19 R	no. 9 (and no. 6 before 01.01.05)
24	KK073267		CONNECTING PIECE NO. 19 L	no. 9 (and no. 6 before 01.01.05)



PS/RS / Body no 8, 9 & 28 (and 6 & 7 before 01.01.05)



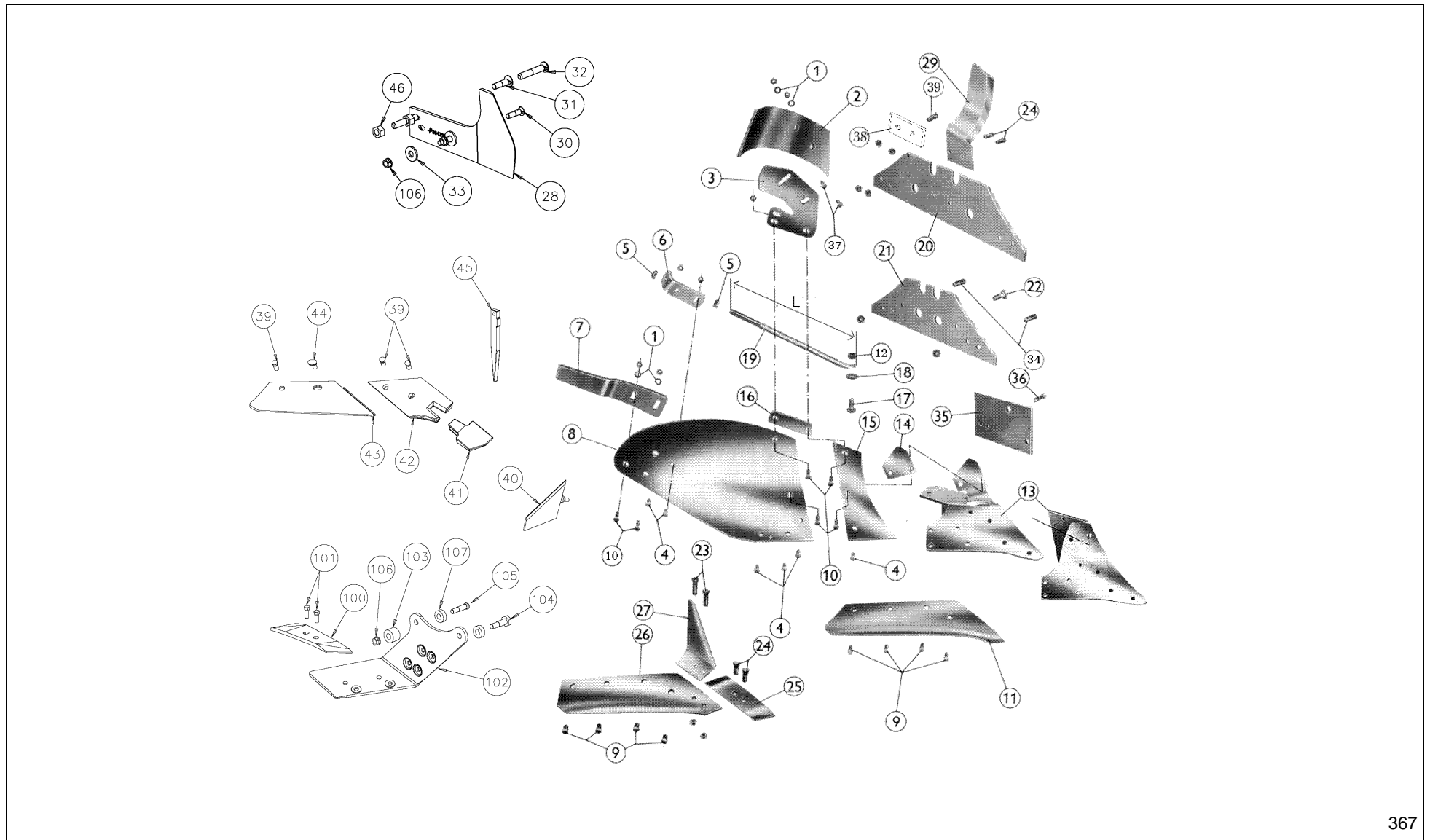
PosNo.	Part No.	Qty.	Description	Remark
25	KK073414		CONNECTING PIECE NO.9 RIGHT	
25	KK073415		CONNECTING PIECE NO.9 LEFT	
26	KK073040		FLUSH FIT SHARE 12 R	
26	KK073041		FLUSH FIT SHARE 12 L	
26	KK073042		FLUSH FIT SHARE 14 R	
26	KK073043		FLUSH FIT SHARE 14 L	
26	KK073044		FLUSH FIT SHARE 16 R	
26	KK073045		FLUSH FIT SHARE 16 L	
27	KK073030		FLUSHPOINT RIGHT	
27	KK073031		FLUSHPOINT LEFT	
28	KK012927		WASHER D17.0XD30X3	(for use with two stays)
30	KK073615		FURROW WIDENER RH	
30	KK073616		FURROW WIDENER LH	
31	KK084320R		LANDSIDE KNIFE R.H.	
31	KK084321R		LANDSIDE KNIFE L.H.	
32	KK033251		OVAL SCREW M16X50 12.9	(Before 01.02.00; for E-saddle)
32	KK033256		OVAL SCREW M16X55 12.9	(From 01.02.00; for E-saddle)
32	KK033286		OVAL SCREW M16X85 12.9	(Before 01.02.00; for A-saddle)
32	KK033295		OVAL SCREW M16X95 12.9	(From 01.02.00; for A-saddle)
33	KK033175		OVAL SCREW M14X50 10.9 EZ GUL	
34	KK012922		WASHER D17-D40X4.58	
35	KK063607		PLATE	
35	KK073607		PLATE CPL.	
36	KK013346		CONE SCREW M14X45 GALV.	
37	KK073614		WEARING PART FOR LONG LANDSIDE	
38	KK013333		CONE SCREW M14X34	
39	KK083235		FURROWSPLITTER WE	(From 01.12.01)
40	KK083091		EJECTOR KEY	(bodies no. 8, 9 and 28)
41	KK083090		POINT (QUICK FIT) L & R	(bodies no. 8, 9 and 28)
42	KK083010		QUICK FIT HOLDER RIGHT	(bodies no. 8, 9 and 28)
42	KK083011		QUICK FIT HOLDER LEFT	(bodies no. 8, 9 and 28)
43	KK083016R		SHARE QFS 14" R	(bodies no. 8, 9 and 28)
43	KK083017R		SHARE QFS 14" L	(bodies no. 8, 9 and 28)
43	KK083018R		SHARE QFS 16" R	(bodies no. 8, 9 and 28)
43	KK083019R		SHARE QFS 16" L	(bodies no. 8, 9 and 28)
43	KK083020R		SHARE QFS 18" R	(bodies no. 8, 9 and 28)
43	KK083021R		SHARE QFS 18" L	(bodies no. 8, 9 and 28)
43	KK083022R		QUICK FIT REAR SHARE RIGHT 20 INCH	(bodies no. 8, 9 and 28)
43	KK083023R		QUICK FIT REAR SHARE LEFT 20 INCH	(bodies no. 8, 9 and 28)
44	KK013334		CONE SCREW M14X34 OVAL HEAD	(bodies no. 8, 9 and 28)



PS/RS / Body no 8, 9 & 28 (and 6 & 7 before 01.01.05)



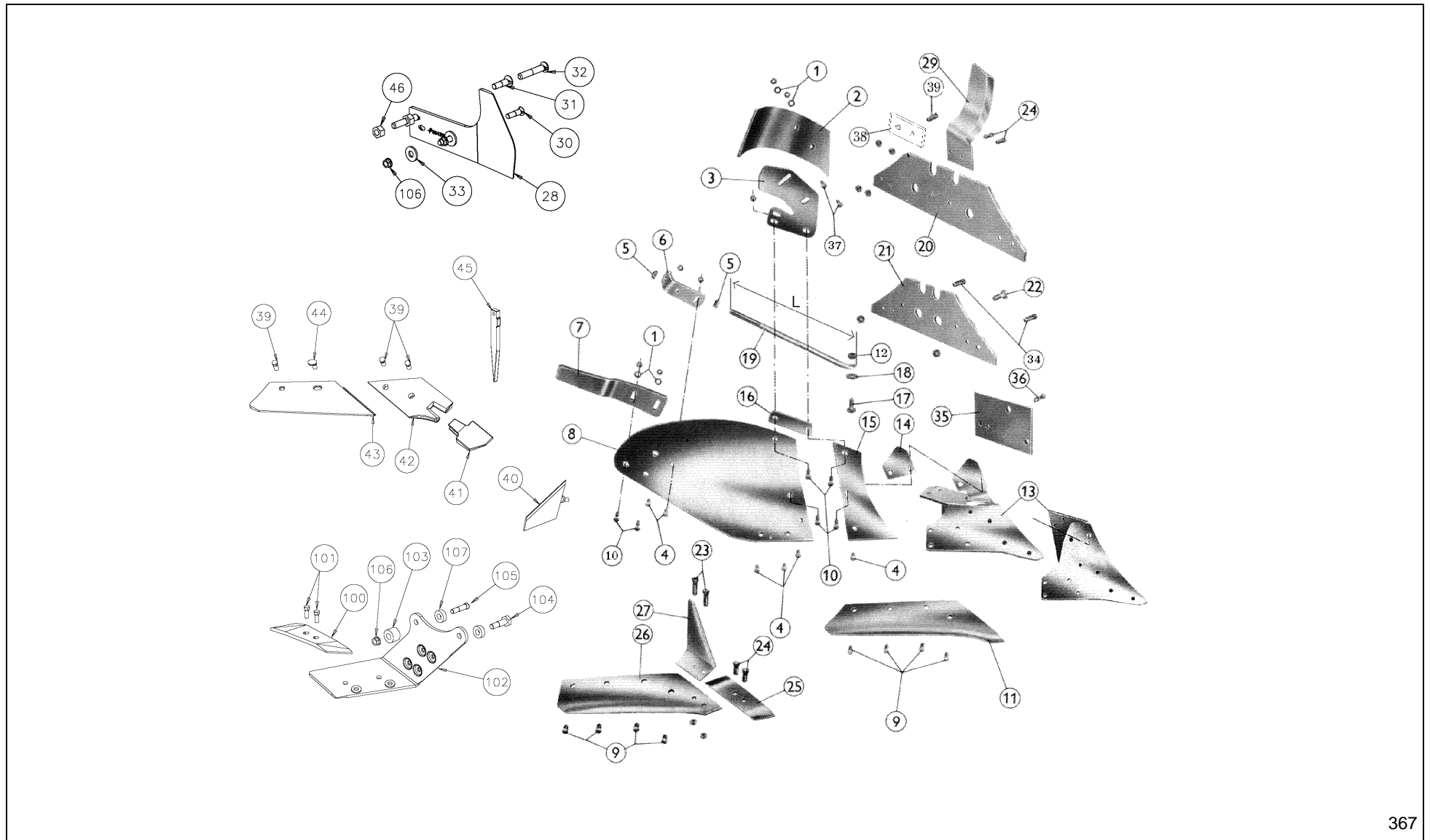
PosNo.	Part No.	Qty.	Description	Remark
45	KK033286		OVAL SCREW M16X85 12.9	(Before 01.02.00; for A-saddle)
45	KK033295		OVAL SCREW M16X95 12.9	(From 01.02.00; for A-saddle)
46	KK015825		NUT M16	
100	KK053090		REVERSIBLE POINT RIGHT	
100	KK063090		REVERSIBLE POINT LEFT	
101	KK013228		CONE SCREW M12X34 12.9	
102	KK073634		ECO SHARE RIGHT	
102	KK073635		ECO SHARE LEFT	
103	KK010155		BUSHING D17- D38X27	(for A-saddle)
103	KK010156		BUSHING D17-D38X40	(for MZ, AB, AD, BB, DA, DC, CC, BE)
104	KK032740		HEX BOLT M16X40 10.9	(for E-saddle) (Before 01.03.00)
104	KK032750		HEX BOLT M16X50 10.9	(for E-saddle) (From 01.03.00)
104	KK032765		HEX BOLT M16X65 10.9	(for A-saddle)
104	KK032775		HEX BOLT M16X75 10.9	(for MZ, AB, AD, BB, DA, DC, CC, BE)
105	KK013346		CONE SCREW M14X45 GALV.	(for E-saddle) (Before 01.03.00)
105	KK013361		CONE SCREW M14X60 12.9	(for E-saddle) (From 01.03.00)
105	KK013385		CONE SCREW M14X85 10.9 GALV.	(for A-saddle)
106	KK016015		FLANGE NUT M14 GALV.	
107	KK012929		WASHER D16.5XD35.0X12.0	(From 01.03.00)



PS/RS / Body no 12, 15 & 19



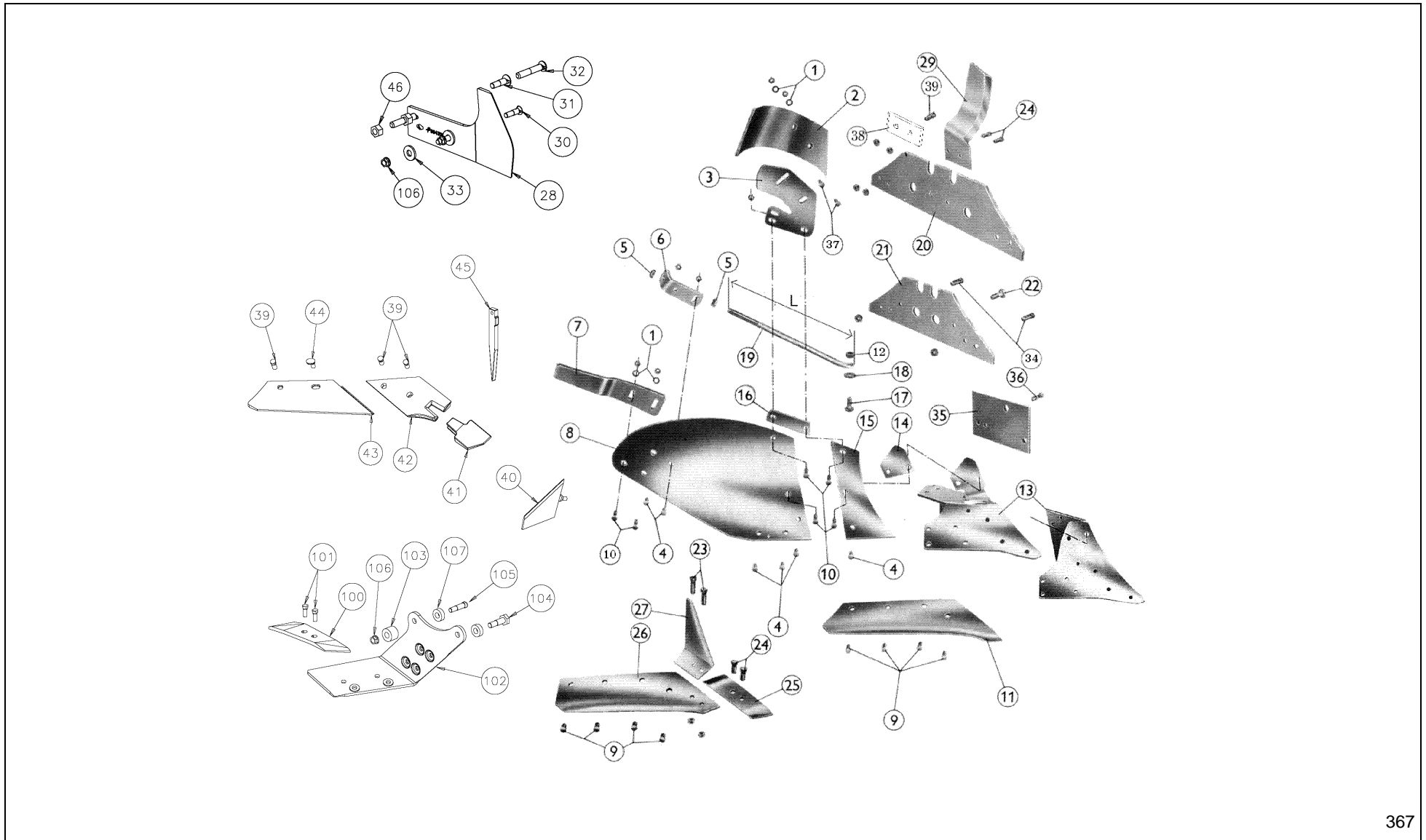
PosNo.	Part No.	Qty.	Description	Remark
1	KK012919		WASHER D13.0XD24.0X2.50	
2	KK073300		TRASHBOARD RIGHT	
2	KK073301		TRASHBOARD LEFT	
2	KK070640		TRASHBOARD CPL R BODY 6, 8, 9 & 19	
2	KK070641		TRASHBOARD CPL L BODY 6, 8, 9 & 19	
2	KK070642		TRASHBOARD CPL R/L BODY 6, 8, 9 & 19	
3	KK073310		BRACKET FOR TRASHBOARD RIGHT	
3	KK073311		BRACKET FOR TRASHBOARD LEFT	
4	KK033100		OVAL SCREW M12X30	
5	KK015834		NUT M20 H12 GALV.	
6	KK073800		BRACKET FOR STAY RIGHT	
6	KK073801		BRACKET FOR STAY LEFT	
7	KK053387		MOULDBOARD EXTENSION RIGHT	
7	KK063388		MOULDBOARD EXTENSION LEFT	
8	KK073236		MOULDBOARD NO.12 RIGHT	
8	KK073237		MOULDBOARD NO.12 LEFT	
8	KK073224		MOULDBOARD NO.15 RIGHT	
8	KK073225		MOULDBOARD NO.15 LEFT	
8	KK073290		MOULDBOARD 14-20 NO.9&19 RIGHT	
8	KK073291		MOULDBOARD 14-20 NO.9&19 LEFT	
9	KK013332		CONE SCREW M14 X 34 12.9	
10	KK033107		OVAL SCREW M12X35	
11	KK073062		SHARE 14 FIXED POINT RIGHT	
11	KK073063		SHARE 14 FIXED POINT LEFT	
11	KK073064		SHARE 16 FIXED POINT RIGHT	
11	KK073065		SHARE 16 FIXED POINT LEFT	
12	KK062025		ADJUSTABLE NUT M16 GALV.	
13	KK073435		SADDLE E NO.12-15-19 RIGHT	
13	KK073436		SADDLE E NO.12-15-19 LEFT	
13	KK073440		SADDLE A NO.12-15-19 RIGHT	
13	KK073441		SADDLE A NR.12-15-19 LEFT	
14	KK073417		EXTENSION PIECE RIGHT	
14	KK073418		EXTENTION PIECE LEFT	
15	KK073241		SHINPIECE NO.12 RIGHT	
15	KK073242		SHINPIECE NO.12 LEFT	
15	KK073227		SHINPIECE NO.15 RIGHT	
15	KK073228		SHINPIECE NO.15 LEFT	
15	KK073230		SHINPIECE NO.19 AND 30 RIGHT	
15	KK073231		SHINPIECE NO.19 AND 30 LEFT	
16	KK073239		CONNECTING PIECE NO.12 AND 15 L	



PS/RS / Body no 12, 15 & 19

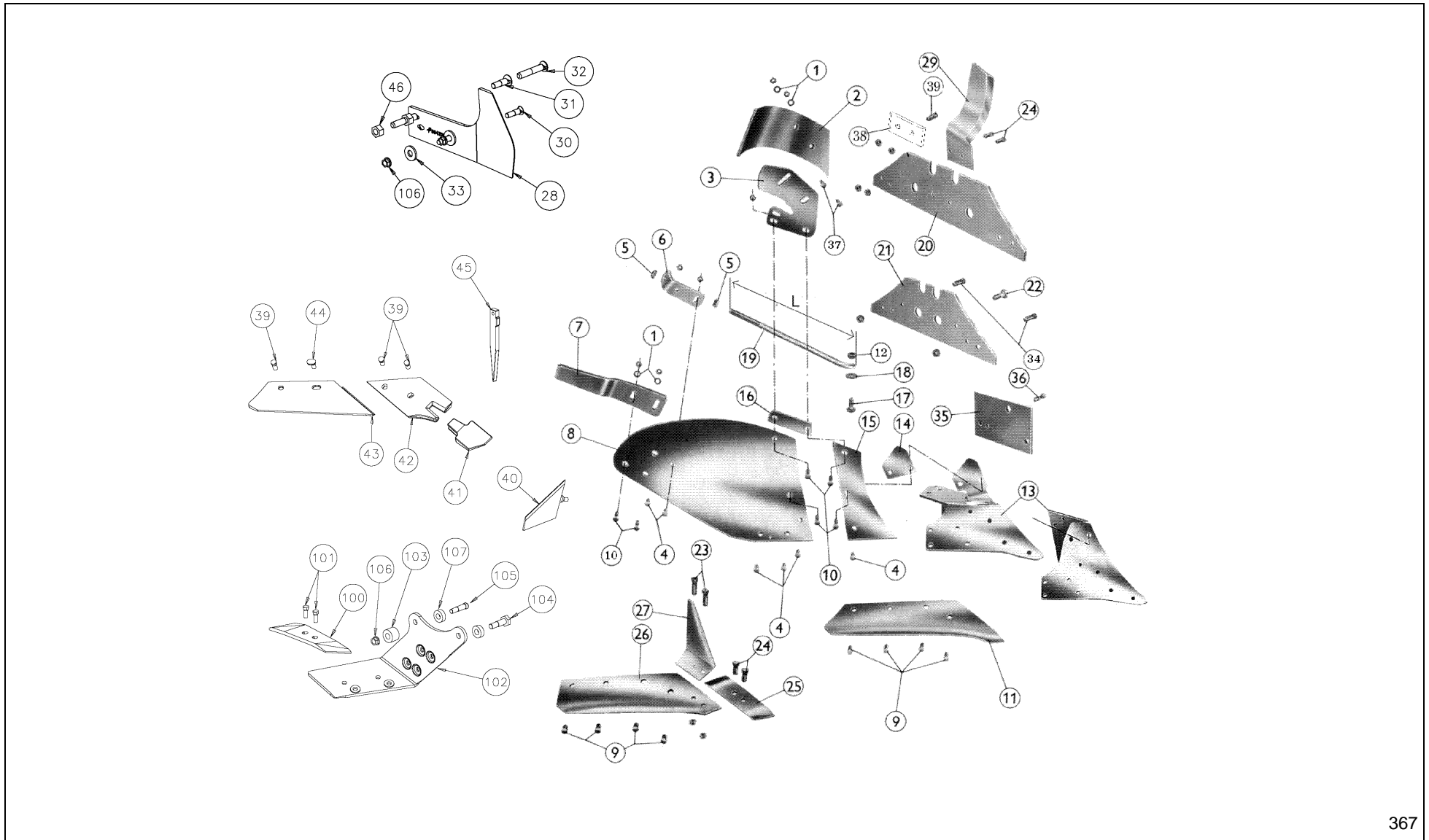


PosNo.	Part No.	Qty.	Description	Remark
16	KK073240		BRACKET L.12/15	
16	KK073266		CONNECTING PIECE NO. 19 R	
16	KK073267		CONNECTING PIECE NO. 19 L	
17	KK032750		HEX BOLT M16X50 10.9	(for use with two stays)
17	KK032735		HEX BOLT M16X35 10.9	(for use with one stay only)
18	KK012927		WASHER D17.0XD30X3	(for use with two stays)
19	KK073805		STAY FOR E-SADDLE R/L	(no. 12 and 15; and no. 19 before 12.01.95)
19	KK073831		STAY E-SADDLE R/L	(no. 19; from 12.01.95)
19	KK073804		STAY A-SADDLE R/L	(no. 12 and 15; and no. 19 before 12.01.95)
19	KK073826		STAY A-SADDLE R/L	(no. 19; from 12.01.95)
19	KK073826		STAY A-SADDLE R/L	(Additional stay no. 19; from 01.12.96)
19	KK070388		STAY CPL. R A-SADDLE	(Additional stay no. 15)(pos. 6) (From 01.12.96)
19	KK070389		STAY CPL. L A-SADDLE	(Additional stay no. 15)(pos. 6) (From 01.12.96)
19	KK073829		STAY E-SADDLE R/L	(no. 19; from 01.12.96)
19	KK070398		ADD.STAY CPL. R E-SADDLE	(Additional stay no. 15)(pos. 6) (From 01.12.96)
19	KK070399		ADD.STAY CPL. L E-SADDLE	(Additional stay no. 15)(pos. 6) (From 01.12.96)
19	KK073842		STAY E-SADDLE R/L	(no. 19; from 01.12.95)
19	KK070396		ADD.STAY BODY NO. 19 CPL. R.E-SADDLE	(pos. 6) (From 01.12.95)
19	KK070397		ADD.STAY BODY NO 19 CPL. L.E-SADDLE	(pos. 6) (From 01.12.95)
19	KK073804		STAY A-SADDLE R/L	(Additional stay no. 19)(From 01.12.95)
19	KK070392		ADD.STAY BODY NO. 19 CPL. R.A-SADDLE	(pos. 6) (From 01.12.95)
19	KK070393		ADD.STAY BODY NO. 19 CPL. L.A-SADDLE	(pos. 6) (From 01.12.95)
20	KK073609		LANDSIDE LONG R/L	
21	KK073608		LANDSIDE SHORT R/L	
22	KK032725		HEX BOLT M16X27 10.9	
23	KK013234		CONE SCREW M12X382F 12.9	
24	KK013228		CONE SCREW M12X34 12.9	
25	KK053090		REVERSIBLE POINT RIGHT	
25	KK063090		REVERSIBLE POINT LEFT	
26	KK073054		SHARE 14 REVERSIBLE POINT RIGHT	
26	KK073055		SHARE 14 REVERSIBLE POINT LEFT	
26	KK073056		SHARE 16 REVERSIBLE POINT RIGHT	
26	KK073057		SHARE 16 REVERSIBLE POINT LEFT	
26	KK073080		SHARE 18 REVERSIBLE POINT RIGHT	
26	KK073081		SHARE 18 REVERSIBLE POINT LEFT	
27	KK073091		SHARE KNIFE R	
27	KK073092		SHARE KNIFE L	
28	KK084320R		LANDSIDE KNIFE R.H.	R
28	KK084321R		LANDSIDE KNIFE L.H.	L
29	KK073615		FURROW WIDENER RH	



PS/RS / Body no 12, 15 & 19

PosNo.	Part No.	Qty.	Description	Remark
29	KK073616		FURROW WIDENER LH	
30	KK033175		OVAL SCREW M14X50 10.9 EZ GUL	
31	KK033251		OVAL SCREW M16X50 12.9	(for E-saddle) (Before 01.02.00)
31	KK033256		OVAL SCREW M16X55 12.9	(for E-saddle) (From 01.02.00)
32	KK033286		OVAL SCREW M16X85 12.9	(for A-saddle) (Before 01.02.00)
32	KK033295		OVAL SCREW M16X95 12.9	(for A-saddle) (From 01.02.00)
33	KK012922		WASHER D17-D40X4.58	
34	KK013333		CONE SCREW M14X34	
35	KK063607		PLATE	
35	KK073607		PLATE CPL.	
36	KK013346		CONE SCREW M14X45 GALV.	
37	KK033107		OVAL SCREW M12X35	
38	KK073614		WEARING PART FOR LONG LANDSIDE	
39	KK013332		CONE SCREW M14 X 34 12.9	
40	KK083235		FURROWSPLITTER WE	(From 01.12.01)
41	KK083090		POINT (QUICK FIT) L & R	Body nr. 19 only
42	KK083012		QUICK FIT HOLDER CROSS RIGHT	Body nr. 19 only
42	KK083013		QUICK FIT HOLDER CROSS LEFT	Body nr. 19 only
43	KK083016R		SHARE QFS 14" R	Body nr. 19 only
43	KK083017R		SHARE QFS 14" L	Body nr. 19 only
43	KK083018R		SHARE QFS 16" R	Body nr. 19 only
43	KK083019R		SHARE QFS 16" L	Body nr. 19 only
43	KK083020R		SHARE QFS 18" R	Body nr. 19 only
43	KK083021R		SHARE QFS 18" L	Body nr. 19 only
43	KK083022R		QUICK FIT REAR SHARE RIGHT 20 INCH	Body nr. 19 only
43	KK083023R		QUICK FIT REAR SHARE LEFT 20 INCH	Body nr. 19 only
44	KK013334		CONE SCREW M14X34 OVAL HEAD	Body nr. 19 only
45	KK083091		EJECTOR KEY	Body nr. 19 only
46	KK015825		NUT M16	
100	KK053090		REVERSIBLE POINT RIGHT	
100	KK063090		REVERSIBLE POINT LEFT	
101	KK013228		CONE SCREW M12X34 12.9	
102	KK073634		ECO SHARE RIGHT	
102	KK073635		ECO SHARE LEFT	
103	KK010155		BUSHING D17- D38X27	(for A-saddle)
103	KK010156		BUSHING D17-D38X40	(for MZ, AB, AD, BB, DA, DC, CC, BE)
104	KK032740		HEX BOLT M16X40 10.9	(for E-saddle; Before 01.03.00)
104	KK032750		HEX BOLT M16X50 10.9	(for E-saddle; From 01.03.00)
104	KK032765		HEX BOLT M16X65 10.9	(for A-saddle)
104	KK032775		HEX BOLT M16X75 10.9	(for MZ, AB, AD, BB, DA, DC, CC, BE)

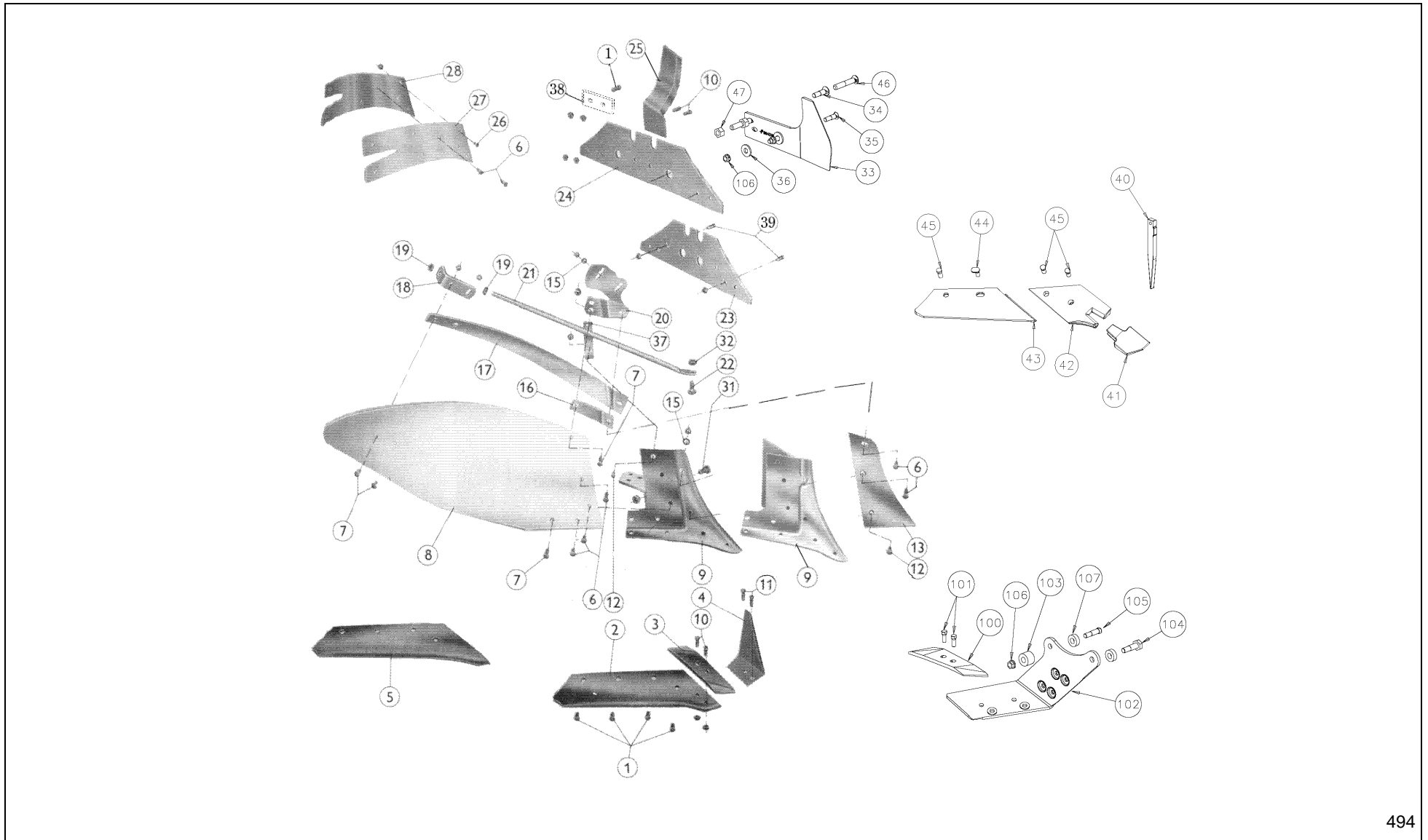


PS/RS / Body no 12, 15 & 19



PosNo.	Part No.	Qty.	Description	Remark
105	KK013346		CONE SCREW M14X45 GALV.	(for E-saddle) (Before 01.03.00)
105	KK013361		CONE SCREW M14X60 12.9	(for E-saddle; From 01.03.00)
105	KK013385		CONE SCREW M14X85 10.9 GALV.	(for A-saddle)
106	KK016015		FLANGE NUT M14 GALV.	
107	KK012929		WASHER D16.5XD35.0X12.0	(for E-saddle; From 01.03.00)

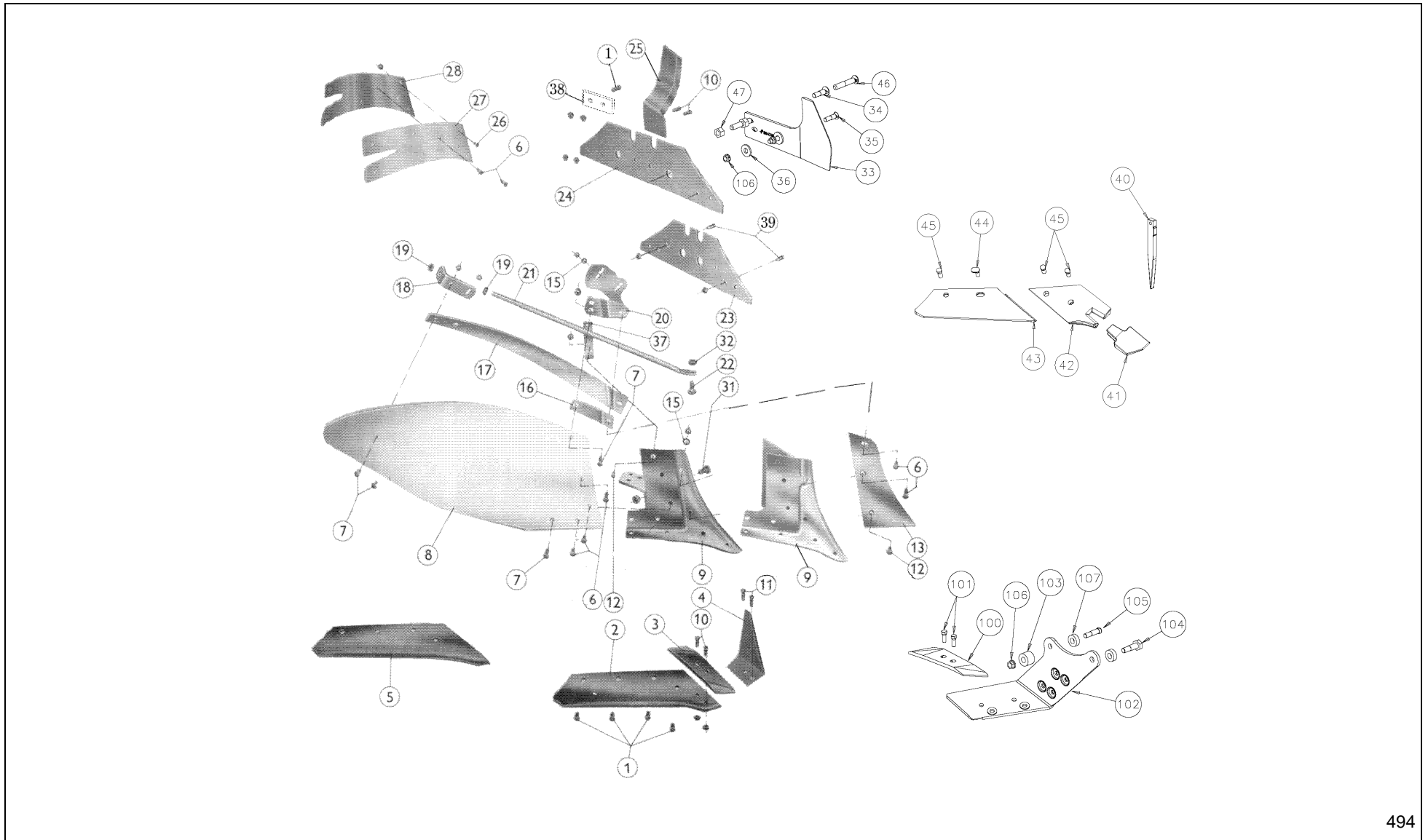
PS/RS / Body no 14 (Plastic mouldboard)



PS/RS / Body no 14 (Plastic mouldboard)

PosNo.	Part No.	Qty.	Description	Remark
1	KK013332		CONE SCREW M14 X 34 12.9	
2	KK073054		SHARE 14 REVERSIBLE POINT RIGHT	
2	KK073055		SHARE 14 REVERSIBLE POINT LEFT	
2	KK073056		SHARE 16 REVERSIBLE POINT RIGHT	
2	KK073057		SHARE 16 REVERSIBLE POINT LEFT	
2	KK073080		SHARE 18 REVERSIBLE POINT RIGHT	
2	KK073081		SHARE 18 REVERSIBLE POINT LEFT	
3	KK053090		REVERSIBLE POINT RIGHT	
3	KK063090		REVERSIBLE POINT LEFT	
4	KK073091		SHARE KNIFE R	
4	KK073092		SHARE KNIFE L	
5	KK073062		SHARE 14 FIXED POINT RIGHT	
5	KK073063		SHARE 14 FIXED POINT LEFT	
5	KK073064		SHARE 16 FIXED POINT RIGHT	
5	KK073065		SHARE 16 FIXED POINT LEFT	
6	KK033118		OVAL SCREW M12X40 GALV.	
7	KK033119		OVAL SCREW M12X50 GALV.	
8	KK073278		MOULDBOARD NO.14 RIGHT	
8	KK073279		MOULDBOARD NO.14 LEFT	
9	KK073470		SADDLE E NO.14&20 RIGHT	
9	KK073471		SADDLE E NO.14&20 LEFT	
9	KK073464		SADDLE A NO.14&20 RIGHT	
9	KK073465		SADDLE A NO.14&20 LEFT	
10	KK013228		CONE SCREW M12X34 12.9	(for A-saddle)
11	KK013234		CONE SCREW M12X382F 12.9	
12	KK033100		OVAL SCREW M12X30	
13	KK073272		SHIN PIECE NO.14&20 RIGHT	
13	KK073273		SHIN PIECE NO.14&20 LEFT	
15	KK012919		WASHER D13.0XD24.0X2.50	
16	KK073275		CONNECTING PIECE NR.20 RIGHT	
16	KK073276		CONNECTING PIECE NR.20 LEFT	
17	KK073338		SUPPORT NO.14 RIGHT	
17	KK073339		SUPPORT NO.14 LEFT	
18	KK073800		BRACKET FOR STAY RIGHT	
18	KK073801		BRACKET FOR STAY LEFT	
19	KK015834		NUT M20 H12 GALV.	
20	KK073328		BRACKET FOR TRASHBOARD RIGHT	
20	KK073329		BRACKET FOR TRASHBOARD LEFT	
21	KK073829		STAY E-SADDLE R/L	
21	KK073826		STAY A-SADDLE R/L	

PS/RS / Body no 14 (Plastic mouldboard)

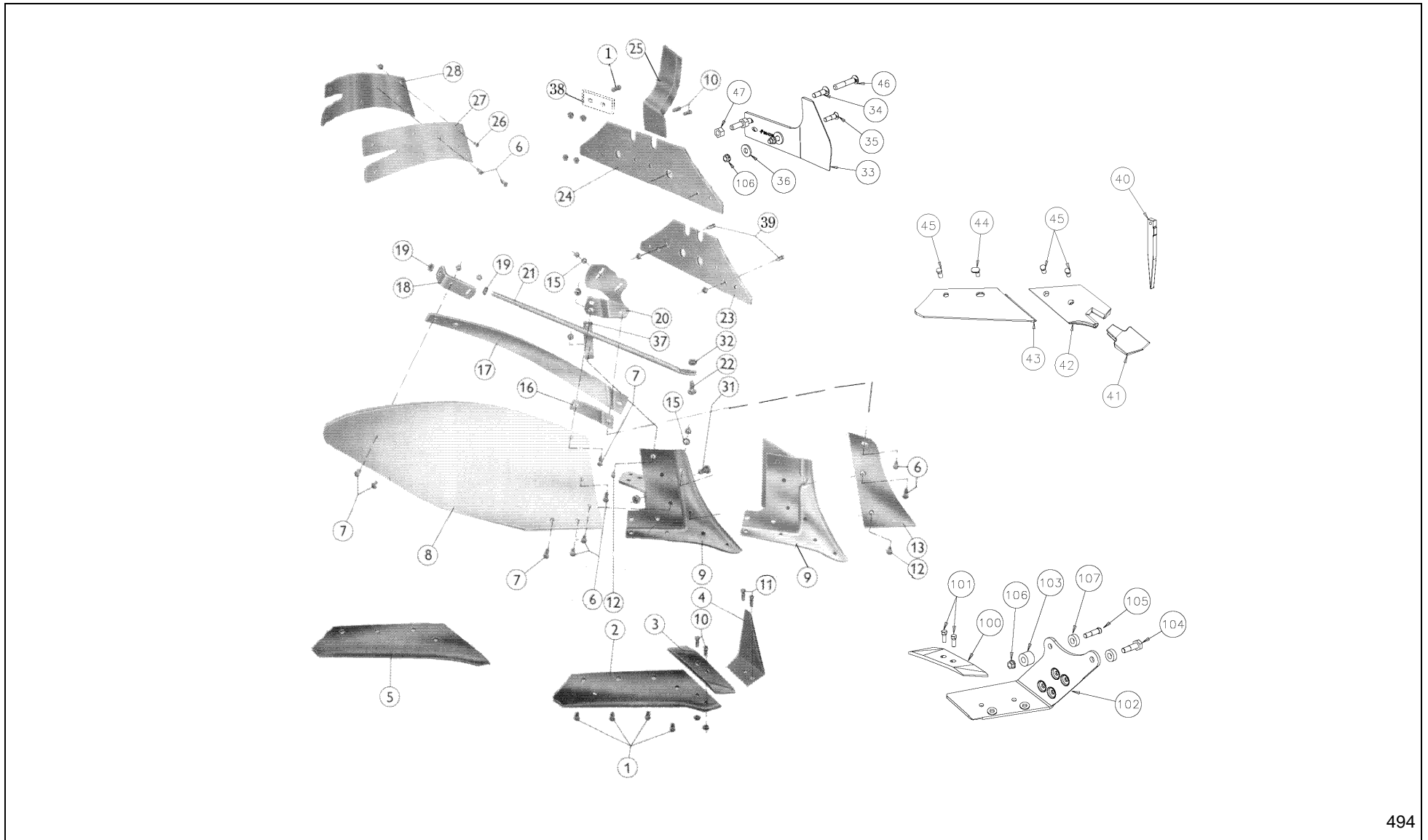


PS/RS / Body no 14 (Plastic mouldboard)



PosNo.	Part No.	Qty.	Description	Remark
22	KK032735		HEX BOLT M16X35 10.9	
23	KK073608		LANDSIDE SHORT R/L	
24	KK073609		LANDSIDE LONG R/L	
25	KK073615		FURROW WIDENER RH	
25	KK073616		FURROW WIDENER LH	
26	KK033004		OVAL SCREW M10X20 GALV.	
27	KK073350		TRASHBOARD PLASTIC RIGHT	
27	KK073351		TRASHBOARD PLASTIC LEFT	
28	KK073352		SUPPORT PLATE RIGHT	
28	KK073353		SUPPORT PLATE LEFT	
29	KK053387		MOULDBOARD EXTENSION RIGHT	
29	KK063388		MOULDBOARD EXTENSION LEFT	
31	KK032730		HEX BOLT M16X30 10.9	
32	KK062025		ADJUSTABLE NUT M16 GALV.	
33	KK084320R		LANDSIDE KNIFE R.H.	
33	KK084321R		LANDSIDE KNIFE L.H.	
34	KK033251		OVAL SCREW M16X50 12.9	(for E-saddle; Before 01.02.00)
34	KK033256		OVAL SCREW M16X55 12.9	(for E-saddle; From 01.02.00)
35	KK033175		OVAL SCREW M14X50 10.9 EZ GUL	
36	KK012922		WASHER D17-D40X4.58	
37	KK073354		SUPPORT FOR BRACKET RIGHT & LEFT	
38	KK073614		WEARING PART FOR LONG LANDSIDE	
39	KK013333		CONE SCREW M14X34	
40	KK083091		EJECTOR KEY	
41	KK083090		POINT (QUICK FIT) L & R	
42	KK083012		QUICK FIT HOLDER CROSS RIGHT	
42	KK083013		QUICK FIT HOLDER CROSS LEFT	
43	KK083016R		SHARE QFS 14" R	
43	KK083017R		SHARE QFS 14" L	
43	KK083018R		SHARE QFS 16" R	
43	KK083019R		SHARE QFS 16" L	
44	KK013334		CONE SCREW M14X34 OVAL HEAD	
45	KK013332		CONE SCREW M14 X 34 12.9	
46	KK033286		OVAL SCREW M16X85 12.9	(for A-saddle; Before 01.02.00)
46	KK033295		OVAL SCREW M16X95 12.9	(for A-saddle; From 01.02.00)
47	KK015825		NUT M16	
100	KK053090		REVERSIBLE POINT RIGHT	
100	KK063090		REVERSIBLE POINT LEFT	
101	KK013228		CONE SCREW M12X34 12.9	
102	KK073634		ECO SHARE RIGHT	

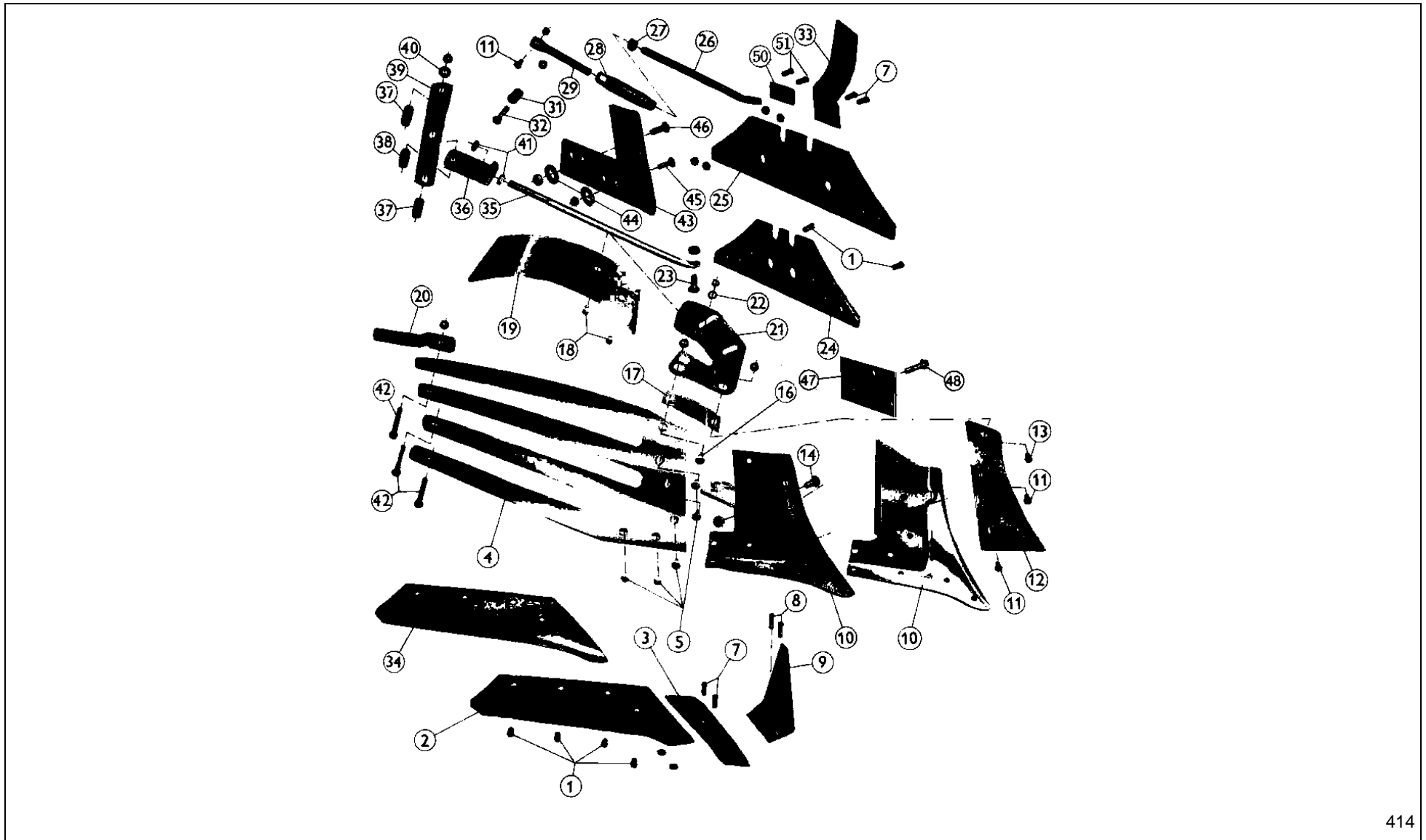
PS/RS / Body no 14 (Plastic mouldboard)



PS/RS / Body no 14 (Plastic mouldboard)

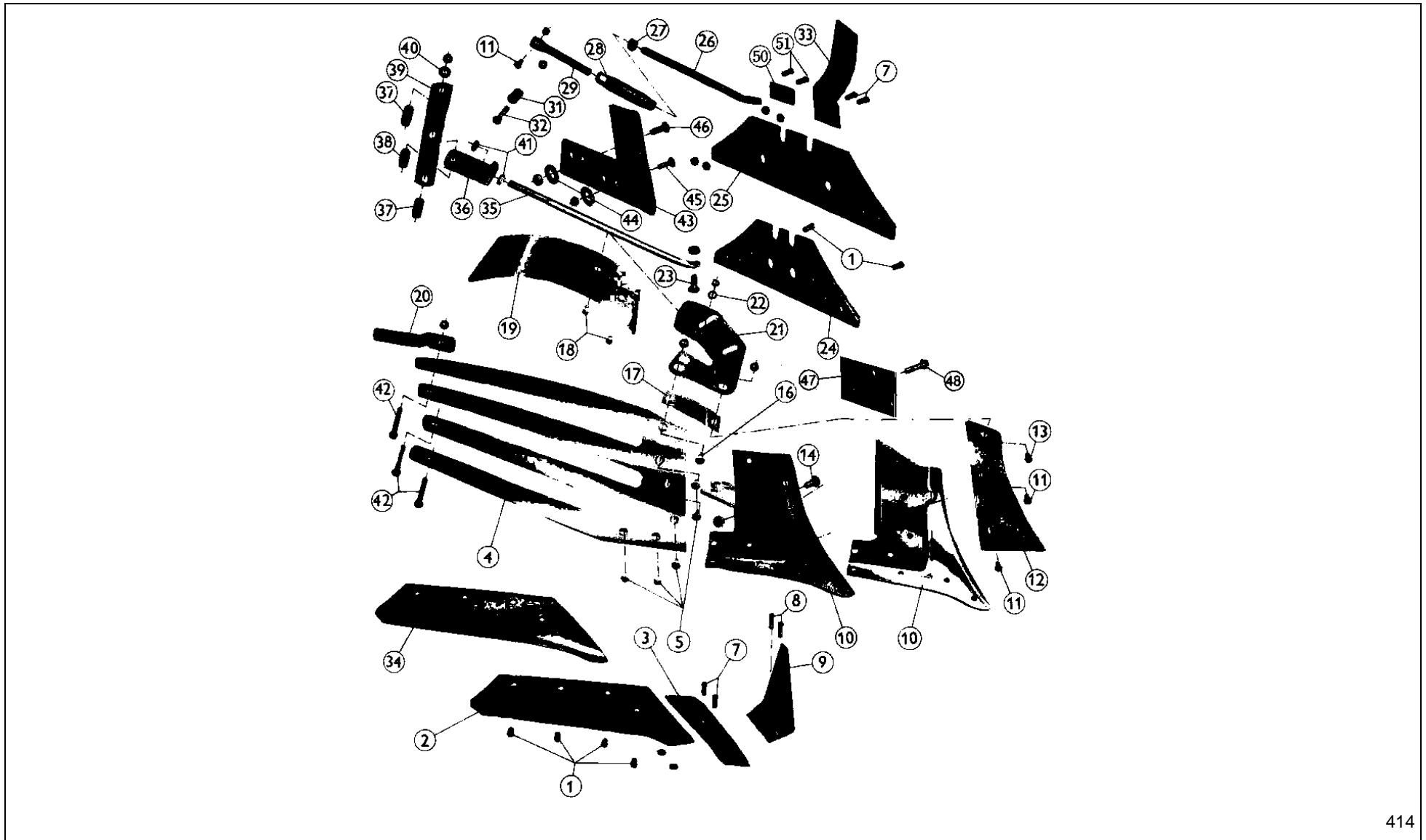


PosNo.	Part No.	Qty.	Description	Remark
102	KK073635		ECO SHARE LEFT	
103	KK010155		BUSHING D17- D38X27	(for A-saddle)
103	KK010156		BUSHING D17-D38X40	(for MZ, AB, AD, BB, DA, DC, CC, BE)
104	KK032740		HEX BOLT M16X40 10.9	(for E-saddle; Before 01.03.00)
104	KK032750		HEX BOLT M16X50 10.9	(for E-saddle; From 01.03.00)
104	KK032765		HEX BOLT M16X65 10.9	(for A-saddle)
104	KK032775		HEX BOLT M16X75 10.9	(for MZ, AB, AD, BB, DA, DC, CC, BE)
105	KK013346		CONE SCREW M14X45 GALV.	(for E-saddle; Before 01.03.00)
105	KK013361		CONE SCREW M14X60 12.9	(for E-saddle; From 01.03.00)
105	KK013385		CONE SCREW M14X85 10.9 GALV.	(for A-saddle)
106	KK016015		FLANGE NUT M14 GALV.	
107	KK012929		WASHER D16.5XD35.0X12.0	(for E-saddle; From 01.03.00)



PS/RS / Body no 20 (Finger Body) (Before 01.03.99)

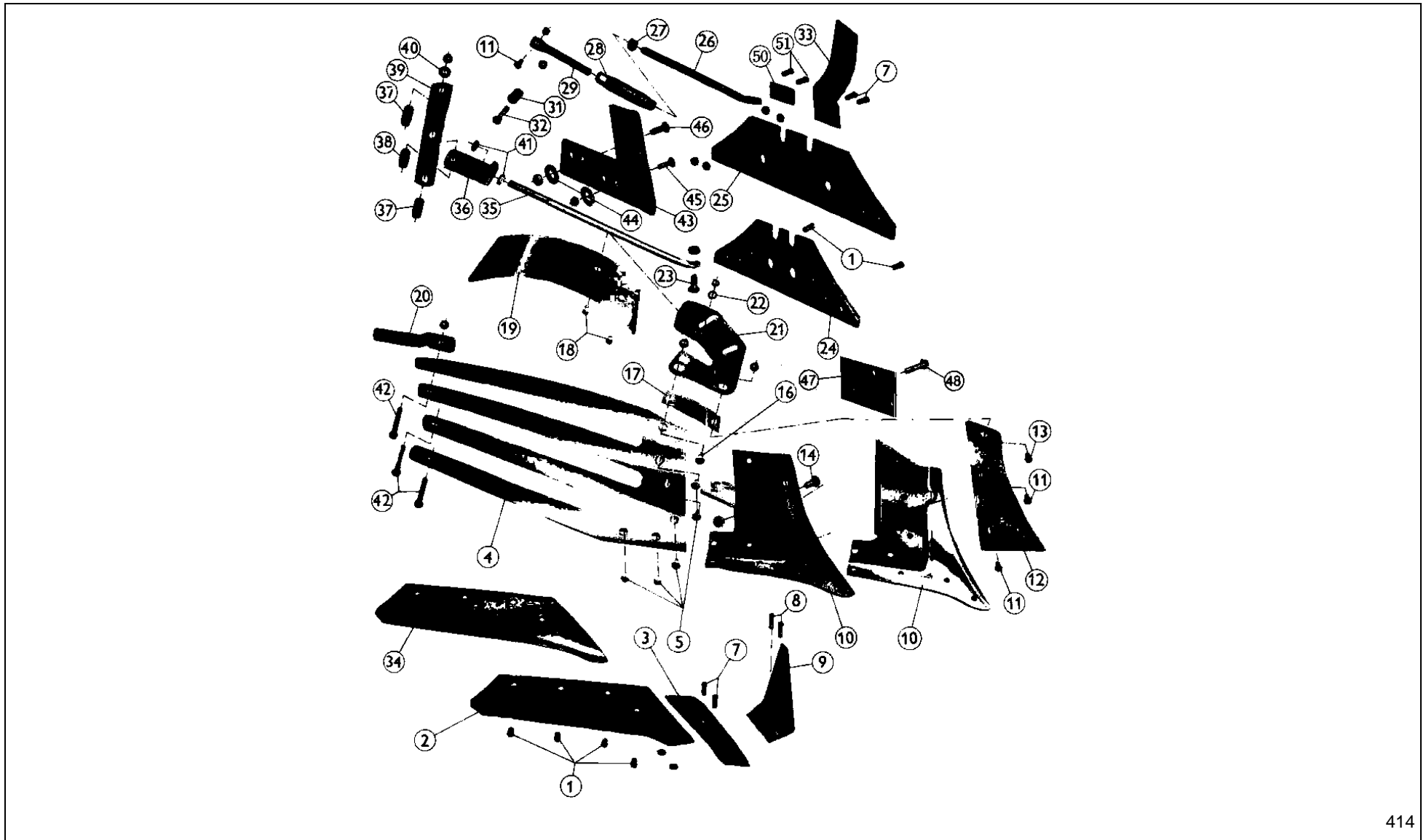
PosNo.	Part No.	Qty.	Description	Remark
1	KK013332		CONE SCREW M14 X 34 12.9	
2	KK073054		SHARE 14 REVERSIBLE POINT RIGHT	
2	KK073055		SHARE 14 REVERSIBLE POINT LEFT	
2	KK073056		SHARE 16 REVERSIBLE POINT RIGHT	
2	KK073057		SHARE 16 REVERSIBLE POINT LEFT	
2	KK073080		SHARE 18 REVERSIBLE POINT RIGHT	
2	KK073081		SHARE 18 REVERSIBLE POINT LEFT	
3	KK053090		REVERSIBLE POINT RIGHT	
3	KK063090		REVERSIBLE POINT LEFT	
4	KK073245		MOULDBOAR NO.20 RIGHT	
4	KK073246		MOULDBOAR NO.20 LEFT	
5	KK033173		OVAL SCREW M14X38 10.9	
7	KK013228		CONE SCREW M12X34 12.9	
8	KK013234		CONE SCREW M12X382F 12.9	
9	KK073091		SHARE KNIFE R	
9	KK073092		SHARE KNIFE L	
9	KK063091		SHARE KNIFE R	(for Sweden)
9	KK063092		SHARE KNIF L	(for Sweden)
10	KK073470		SADDLE E NO.14&20 RIGHT	
10	KK073471		SADDLE E NO.14&20 LEFT	
10	KK073464		SADDLE A NO.14&20 RIGHT	
10	KK073465		SADDLE A NO.14&20 LEFT	
11	KK033100		OVAL SCREW M12X30	
12	KK073272		SHIN PIECE NO.14&20 RIGHT	
12	KK073273		SHIN PIECE NO.14&20 LEFT	
13	KK033108		OVAL SCREW M12X40	
14	KK032730		HEX BOLT M16X30 10.9	
16	KK033175		OVAL SCREW M14X50 10.9 EZ GUL	
17	KK073275		CONNECTING PIECE NR.20 RIGHT	
17	KK073276		CONNECTING PIECE NR.20 LEFT	
18	KK033107		OVAL SCREW M12X35	
19	KK073300		TRASHBOARD RIGHT	
19	KK073301		TRASHBOARD LEFT	
19	KK070292		TRASHBOARD CPL. BODY NO. 20 R	
19	KK070293		BOLT MOD. 88	
19	KK070294		TRASHBOARD CPL. BODY NO 20 R/L	
20	KK073332		MOULDBOARD EXTENSION NO.20 RIGHT	(extra)
20	KK073333		MOULDBOARD EXTENSION NO.20 LEFT	(extra)
21	KK073303		BRACKET FOR TRASHBOARD NO.20 RIGHT	
21	KK073304		BRACKET FOR TRASHBOARD NO.20 LEFT	



PS/RS / Body no 20 (Finger Body) (Before 01.03.99)



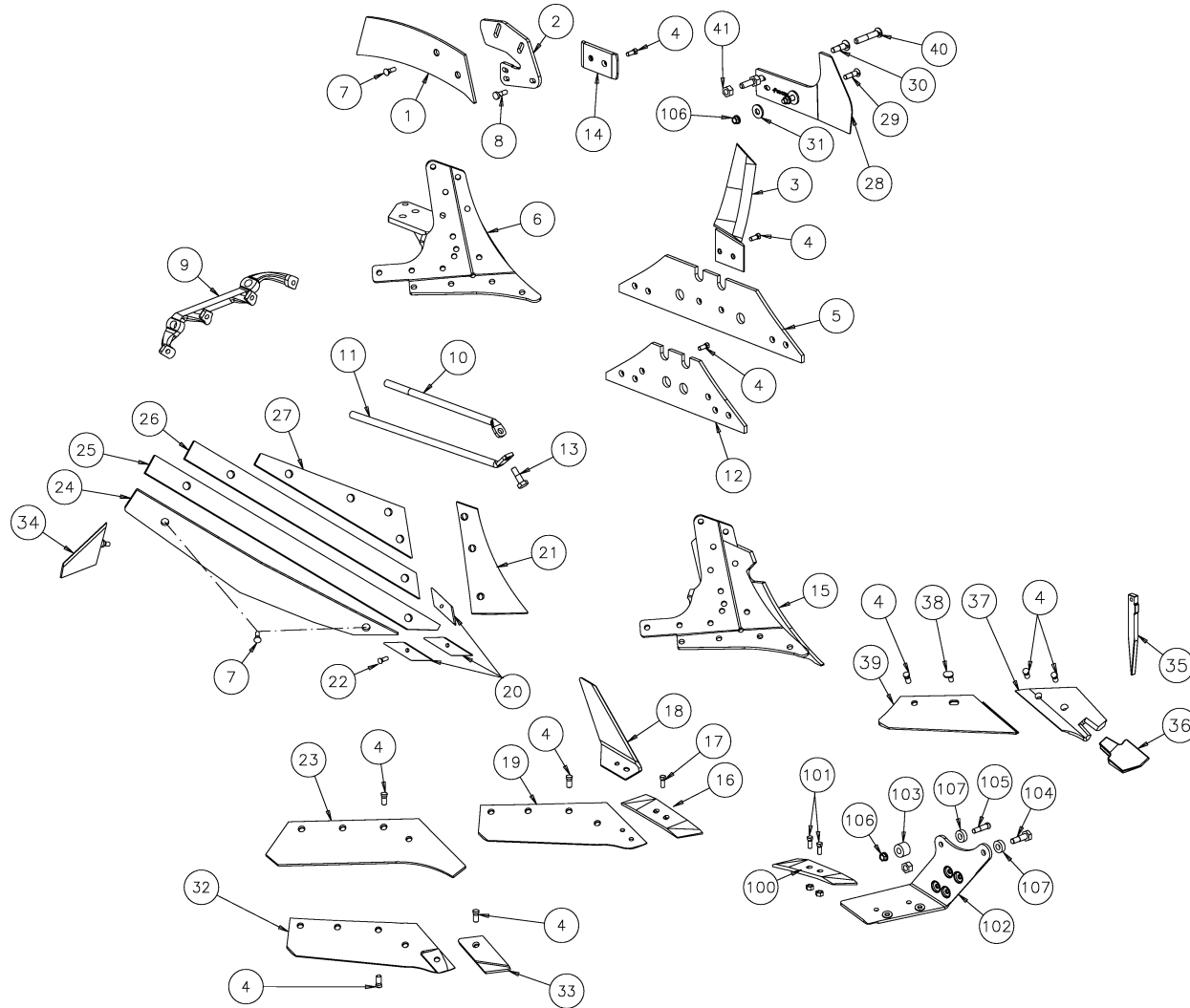
PosNo.	Part No.	Qty.	Description	Remark
22	KK012919		WASHER D13.0XD24.0X2.50	
23	KK032740		HEX BOLT M16X40 10.9	
24	KK073608		LANDSIDE SHORT R/L	
25	KK073609		LANDSIDE LONG R/L	
26	KK073822		STAY FRONT PART NO.20	(for E-saddle)
26	KK073816		STAY FRONT PART NO. 20	(for A-saddle)
27	KK015830		NUT M20	(Before 01.06.93)
28	KK073817		TURNBUCKLE SJK 500	(Before 01.06.93)
29	KK073815		STAY REAR PART	(for A-saddle) (Before 01.06.93)
29	KK073820		ADD. STAY NO.20 RIGHT E-SADDLE	(Before 01.06.93)
29	KK073821		ADD. STAY NO.20 LEFT E-SADDLE	(Before 01.06.93)
29	KK073810		ADD. STAY NO.20 RIGHT A-SADDLE	(Before 01.06.93)
29	KK073811		ADD. STAY NO.20 LEFT A-SADDLE	(Before 01.06.93)
31	KK071500		BUSHING D20.5-D28X40.2	
32	KK033181		OVAL SCREW M14X85 10.9	
33	KK073615		FURROW WIDENER RH	
33	KK073616		FURROW WIDENER LH	
34	KK073062		SHARE 14 FIXED POINT RIGHT	
34	KK073063		SHARE 14 FIXED POINT LEFT	
34	KK073064		SHARE 16 FIXED POINT RIGHT	
34	KK073065		SHARE 16 FIXED POINT LEFT	
35	KK073805		STAY FOR E-SADDLE R/L	(for E-saddle) (From 01.06.93)
35	KK073803		STAY A-SADDLE R/L	(for A-saddle) (From 01.06.93)
36	KK073834		STAY BRACKET NR.20 R/L	
37	KK073835		BUSHING D14.8-D21.3X80	
38	KK073836		BUSHING D14.8-D21.3X69	
39	KK073812		BRACKET FOR STAY NO.20 RIGHT	
39	KK073813		BRACKET FOR STAY NO. 20 LEFT	
40	KK013001		WASHER D26XD14.3X7	
41	KK015834		NUT M20 H12 GALV.	
42	KK033185		OVAL SCREW M14X130 10.9	
43	KK073088		LANDSIDE KNIFE R	
43	KK073089		LANDSIDE KNIFE L	
44	KK012922		WASHER D17-D40X4.58	
45	KK033175		OVAL SCREW M14X50 10.9 EZ GUL	
46	KK033251		OVAL SCREW M16X50 12.9	(for E-saddle)
46	KK033286		OVAL SCREW M16X85 12.9	(for A-saddle)
47	KK063607		PLATE	(For On-land ploughs only)
47	KK073607		PLATE CPL.	(For On-land ploughs only)
48	KK013346		CONE SCREW M14X45 GALV.	



PS/RS / Body no 20 (Finger Body) (Before 01.03.99)

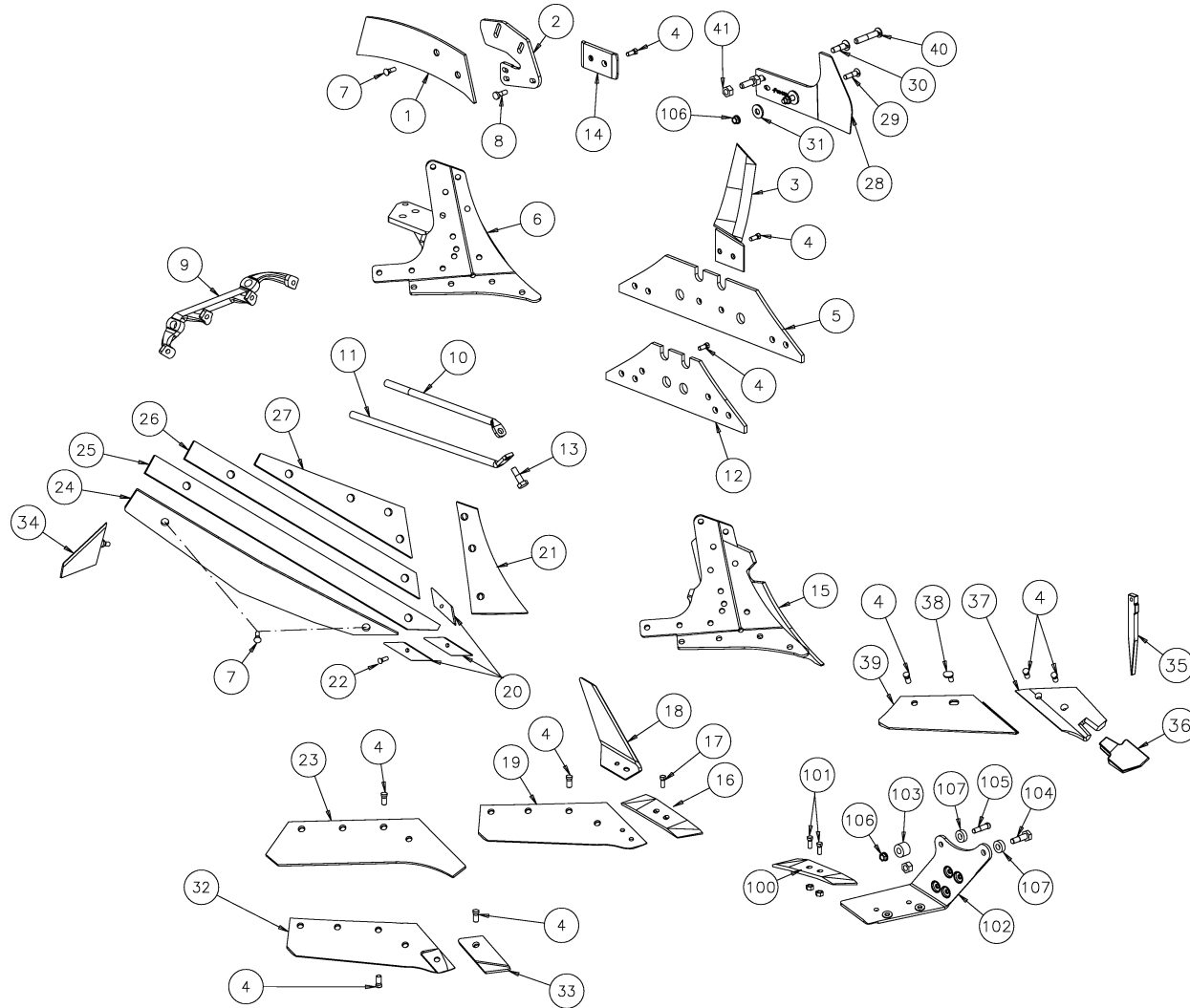


PosNo.	Part No.	Qty.	Description	Remark
50	KK073614		WEARING PART FOR LONG LANDSIDE	
51	KK013332		CONE SCREW M14 X 34 12.9	



PS/RS / Body no. 30 (and no. 29 before 01.01.05)

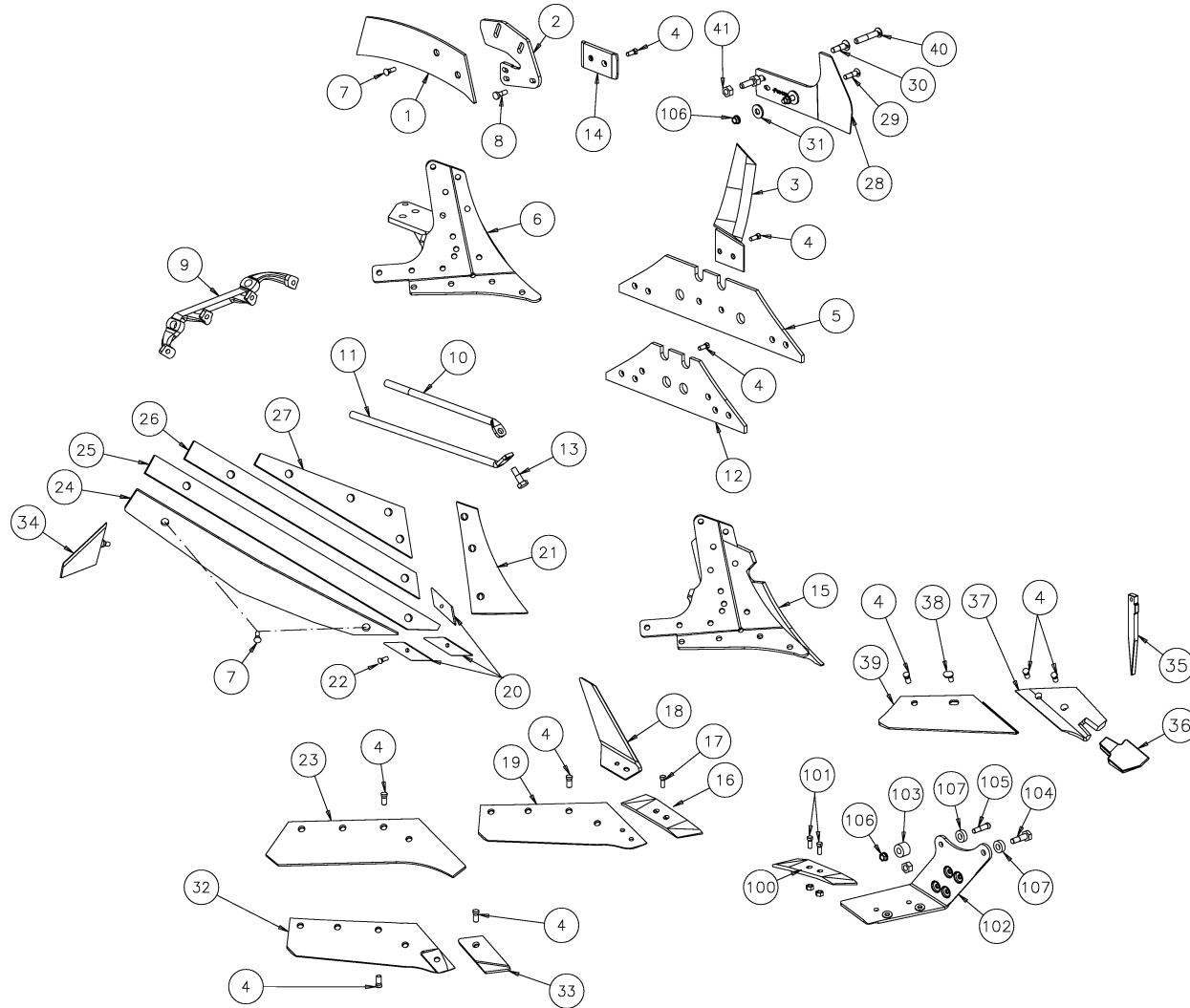
PosNo.	Part No.	Qty.	Description	Remark
1	KK073300		TRASHBOARD RIGHT	
1	KK073301		TRASHBOARD LEFT	
2	KK083300		TRASHBOARD BRACKET R BODY NO 30	
2	KK083301		TRASHBOARD BRACKET L BODY NO 30	
3	KK073615		FURROW WIDENER RH	
3	KK073616		FURROW WIDENER LH	
4	KK013332		CONE SCREW M14 X 34 12.9	
4	KK016013		FLANGE NUT M14 KEY19	
5	KK073609		LANDSIDE LONG R/L	
6	KK083417		E-SADDLE WE RIGHT BODY NO 29	
6	KK083418		E-SADDLE WE LEFT BODY NO 29	
6	KK083408		E-SADDLE WE RIGHT BODY NO 30	
6	KK083409		E-SADDLE WE LEFT BODY NO 30	
7	KK033116		OVAL SCREW M12X35	
7	KK015817		NUT M12 GALV.	
7	KK033107		OVAL SCREW M12X35	(for body no. 30; Before 01.01.01)
7	KK015817		NUT M12 GALV.	
8	KK033117		OVAL SCREW M12X45	
8	KK015817		NUT M12 GALV.	
8	KK033111		OVAL SCREW M12X45 GALV.	(for body no. 30; Before 01.01.01)
8	KK015817		NUT M12 GALV.	
9	KK083210		SLAT SUPPORT RIGHT	
9	KK083220		SLAT SUPPORT LEFT	
10	KK083803		STAY NO 2 SADDLE A&E BODY NO 30	
11	KK083805		STAY NO. 1 A-SADDLE BODY NO 29	
11	KK083806		STAY NO. 2 A-SADDLE BODY NO 29	
11	KK083802		STAY NO 1 A-SADDLE BODY NO 30	
11	KK083807		STAY NO. 1 E-SADDLE BODY NO 29	
11	KK083808		STAY NO. 2 E-SADDLE BODY NO 29	
11	KK083804		STAY NO 1 E-SADDLE BODY NO 30	
12	KK073608		LANDSIDE SHORT R/L	
13	KK032750		HEX BOLT M16X50 10.9	
13	KK015825		NUT M16	
14	KK073614		WEARING PART FOR LONG LANDSIDE	
15	KK083415		A-SADDLE WE RIGHT BODY NO 29	
15	KK083416		A-SADDLE WE LEFT BODY NO 29	
15	KK083406		A-SADDLE WE RIGHT BODY NO 30	
15	KK083407		A-SADDLE WE LEFT BODY NO 30	
16	KK053090		REVERSIBLE POINT RIGHT	
16	KK063090		REVERSIBLE POINT LEFT	



PS/RS / Body no. 30 (and no. 29 before 01.01.05)

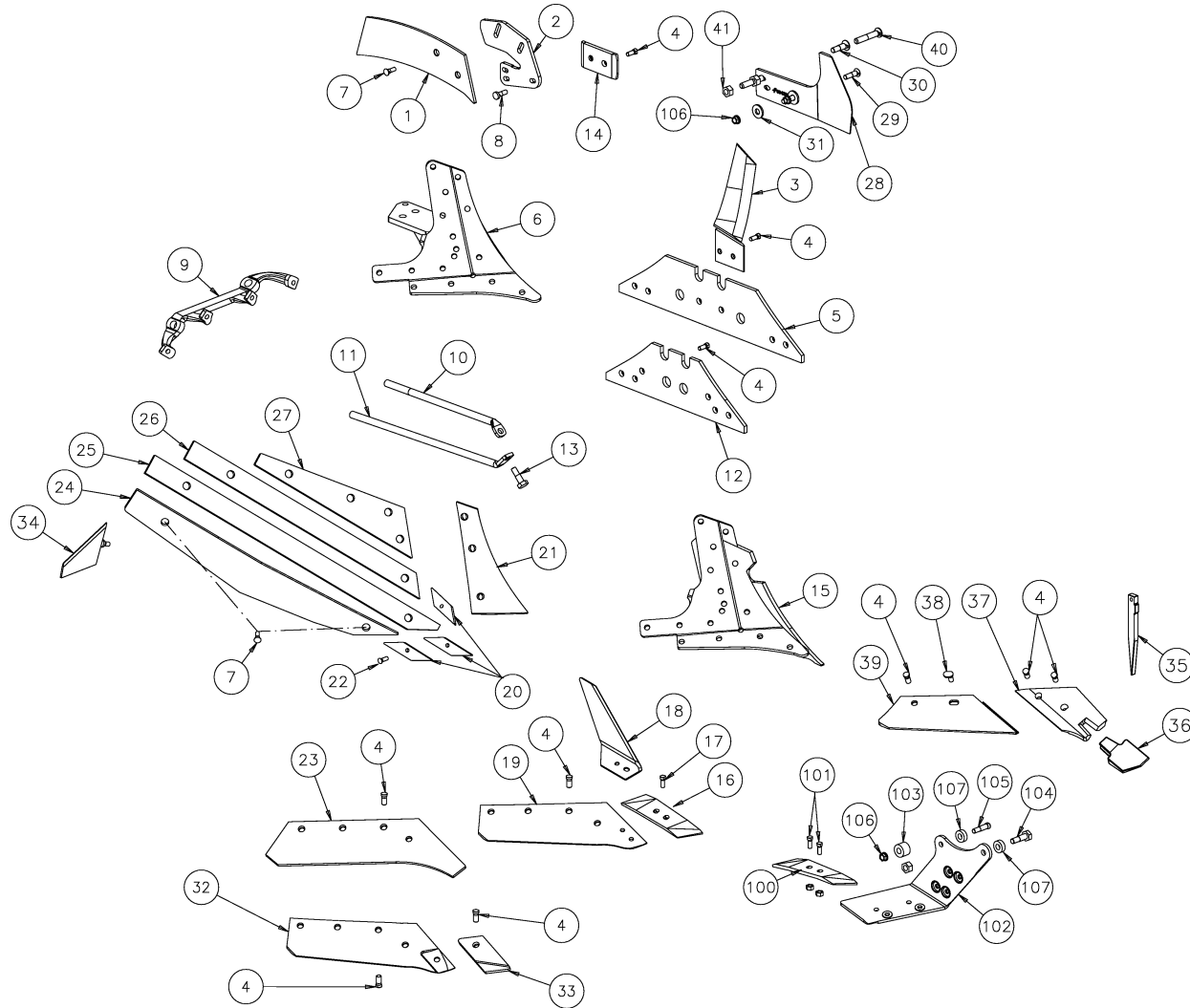


PosNo.	Part No.	Qty.	Description	Remark
17	KK013228		CONE SCREW M12X34 12.9	
17	KK015817		NUT M12 GALV.	
18	KK073091		SHARE KNIFE R	
18	KK073092		SHARE KNIFE L	
18	KK063091		SHARE KNIFE R	(for Sweden)
18	KK063092		SHARE KNIF L	(for Sweden)
19	KK073002		SHARE 14 F/REV.POINT RIGHT	(for body no. 29)
19	KK073003		SHARE 14 F/REV.POINT LEFT	(for body no. 29)
19	KK073054		SHARE 14 REVERSIBLE POINT RIGHT	(for body no. 30)
19	KK073055		SHARE 14 REVERSIBLE POINT LEFT	(for body no. 30)
19	KK073004		SHARE 16 F/REV.POINT RIGHT	(for body no. 29)
19	KK073005		SHARE 16 F/REV.POINT LEFT	(for body no. 29)
19	KK073056		SHARE 16 REVERSIBLE POINT RIGHT	(for body no. 30)
19	KK073057		SHARE 16 REVERSIBLE POINT LEFT	(for body no. 30)
19	KK073006		SHARE 18 F/REV.POINT RIGHT	(for body no. 29)
19	KK073007		SHARE 18 F/REV.POINT LEFT	(for body no. 29)
19	KK073080		SHARE 18 REVERSIBLE POINT RIGHT	(for body no. 30)
19	KK073081		SHARE 18 REVERSIBLE POINT LEFT	(for body no. 30)
20	KK083215		CONNECTING PIECE NO 1	(for slat 1-2)
20	KK083218		CONNECTING PIECE NO.2 BODY NO 29	(for slat 2; for body no. 29)
20	KK083216		CONNECTING PIECE NO 2 BODY NO 30	(for slat 2-3; for body no. 30)
20	KK083217		CONNECTING PIECE NO 3	(for slat 3-4)
21	KK073256		SHINPIECE 12-20 NO.6&9 RIGHT	(for body no. 29)
21	KK073257		SHINPIECE 12-20 NO.6&9 LEFT	(for body no. 29)
21	KK073230		SHINPIECE NO.19 AND 30 RIGHT	(for body no. 30)
21	KK073231		SHINPIECE NO.19 AND 30 LEFT	(for body no. 30)
22	KK033006		OVAL SCREW M10X30	(for body no. 29)
22	KK015813		NUT M10 GALV.	
22	KK033016		OVAL SCREW M10X30 GALV.	(for body no. 30)
22	KK015813		NUT M10 GALV.	
23	KK073062		SHARE 14 FIXED POINT RIGHT	(for body no. 30)
23	KK073063		SHARE 14 FIXED POINT LEFT	(for body no. 30)
23	KK073064		SHARE 16 FIXED POINT RIGHT	(for body no. 30)
23	KK073065		SHARE 16 FIXED POINT LEFT	(for body no. 30)
24	KK083211		SLAT NO.1 RIGHT	
24	KK083221		SLAT NO.1 LEFT	
25	KK083212		SLAT NO.2 RIGHT	
25	KK083222		SLAT NO.2 LEFT	
26	KK083213		SLAT NO.3 RIGHT	
26	KK083223		SLAT NO.3 LEFT	



PS/RS / Body no. 30 (and no. 29 before 01.01.05)

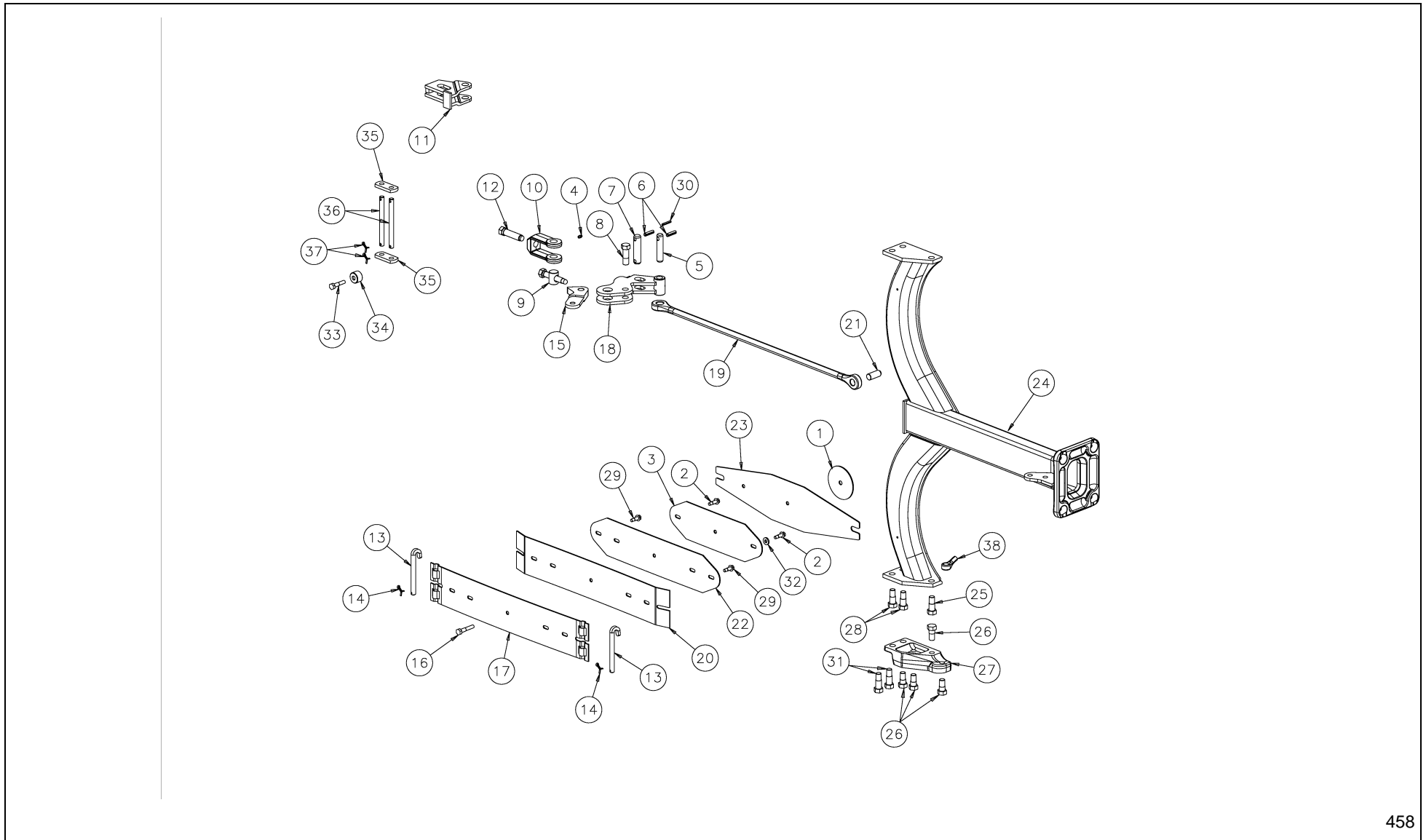
PosNo.	Part No.	Qty.	Description	Remark
27	KK083214		SLAT NO.4 RIGHT	
27	KK083224		SLAT NO.4 LEFT	
28	KK084320R		LANDSIDE KNIFE R.H.	
28	KK084321R		LANDSIDE KNIFE L.H.	
29	KK033175		OVAL SCREW M14X50 10.9 EZ GUL	
30	KK033251		OVAL SCREW M16X50 12.9	(for E-saddle) (Before 01.02.00)
30	KK033256		OVAL SCREW M16X55 12.9	(for E-saddle) (From 01.02.00)
31	KK012922		WASHER D17-D40X4.58	
32	KK073042		FLUSH FIT SHARE 14 R	(for body no. 29)
32	KK073043		FLUSH FIT SHARE 14 L	(for body no. 29)
32	KK073044		FLUSH FIT SHARE 16 R	(for body no. 29)
32	KK073045		FLUSH FIT SHARE 16 L	(for body no. 29)
33	KK073030		FLUSHPOINT RIGHT	(Before 01.01.05)
33	KK073031		FLUSHPOINT LEFT	(Before 01.01.05)
34	KK083235		FURROWSPLITTER WE	(From 01.12.01)
35	KK083091		EJECTOR KEY	
36	KK083090		POINT (QUICK FIT) L & R	
37	KK083012		QUICK FIT HOLDER CROSS RIGHT	
37	KK083013		QUICK FIT HOLDER CROSS LEFT	
38	KK013334		CONE SCREW M14X34 OVAL HEAD	
39	KK083016R		SHARE QFS 14" R	
39	KK083017R		SHARE QFS 14" L	
39	KK083018R		SHARE QFS 16" R	
39	KK083019R		SHARE QFS 16" L	
39	KK083020R		SHARE QFS 18" R	
39	KK083021R		SHARE QFS 18" L	
39	KK083022R		QUICK FIT REAR SHARE RIGHT 20 INCH	
39	KK083023R		QUICK FIT REAR SHARE LEFT 20 INCH	
40	KK033286		OVAL SCREW M16X85 12.9	(for A-saddle) (Before 01.02.00)
40	KK033295		OVAL SCREW M16X95 12.9	(for A-saddle) (From 01.02.00)
41	KK015825		NUT M16	
100	KK053090		REVERSIBLE POINT RIGHT	
100	KK063090		REVERSIBLE POINT LEFT	
101	KK013228		CONE SCREW M12X34 12.9	
101	KK015817		NUT M12 GALV.	
102	KK073634		ECO SHARE RIGHT	
102	KK073635		ECO SHARE LEFT	
103	KK010155		BUSHING D17- D38X27	(for A-saddle)
103	KK010156		BUSHING D17-D38X40	(for MZ, AB, AD, BB, DA, DC, CC, BE)
104	KK032740		HEX BOLT M16X40 10.9	(for E-saddle) (Before 01.03.00)



PS/RS / Body no. 30 (and no. 29 before 01.01.05)

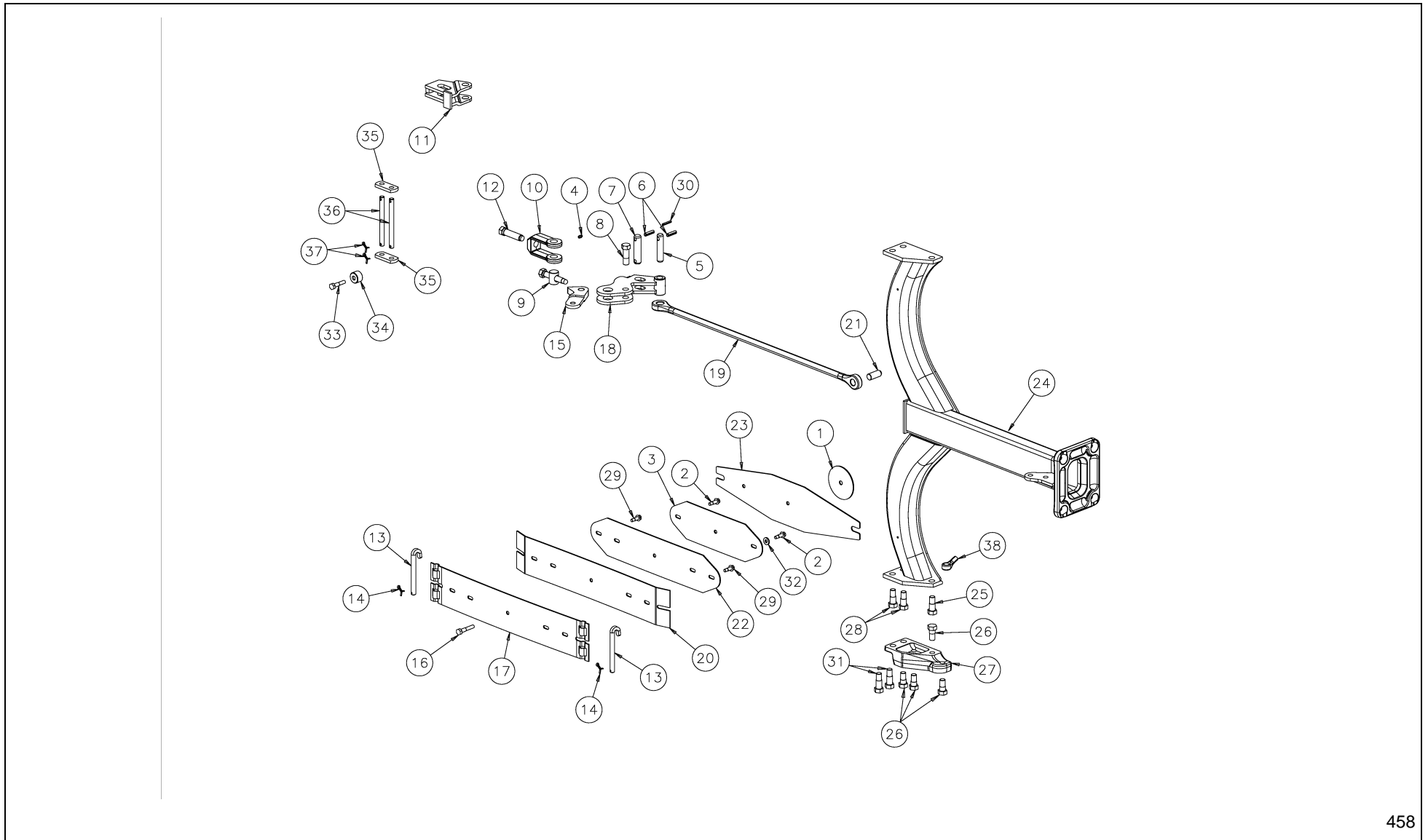


PosNo.	Part No.	Qty.	Description	Remark
104	KK032750		HEX BOLT M16X50 10.9	(for E-saddle) (From 01.03.00)
104	KK015825		NUT M16	
104	KK032765		HEX BOLT M16X65 10.9	(for A-saddle)
104	KK015825		NUT M16	
104	KK032775		HEX BOLT M16X75 10.9	(for MZ, AB, AD, BB, DA, DC, CC, BE)
104	KK015825		NUT M16	
105	KK013346		CONE SCREW M14X45 GALV.	(for E-saddle) (Before 01.03.00)
105	KK013361		CONE SCREW M14X60 12.9	(for E-saddle) (From 01.03.00)
105	KK013385		CONE SCREW M14X85 10.9 GALV.	(for A-saddle)
106	KK016015		FLANGE NUT M14 GALV.	
107	KK012929		WASHER D16.5XD35.0X12.0	(for E-saddle) (From 01.03.00)



PS/RS / Beam (Auto Reset)

PosNo.	Part No.	Qty.	Description	Remark
1	KK057067		SPRING BLADE NO. 4	
2	KK035020		FLANGE BOLT M10X34 8.8	
3	KK057066		SPRING BLADE NO. 3	
4	KK029920		GREASE NIPPLE M8X1 STRAIGHT	
5	KK067059		AXLE D22X101-D10.2X14	
6	KK011037		ROLL PIN D10X40 GALV.	
7	KK067057		BOLT D22-D10.2X82.5-D10.2	(Before 01.08.02)
7	KK067016		BOLT D25 FOR TIGHTENING CLAMP	(From 01.08.02)
8	KK032860		HEX BOLT M20X60 10.9	
9	KK067051		ADJUST SCREW W/THREADED PIECE	
10	KK067040		HANK FOR TIE ROD	(Before 01.08.02)
10	KK067025		CLEVIS FOR TIE ROD D25	(From 01.08.02)
11	KK067068		LOCK PIECE	(Before 01.08.02)
11	KK067092		LOCK PIECE FOR D25 BOLT	(From 01.08.02)
12	KK067039		ADJUST SCREW M24X90 GALV.10.9	
13	KK057089		SPRING BOLT	
14	KK029727		SPLIT PIN D2X32	
15	KK067080		SPRING RETAINER REAR	
16	KK032665		HEX BOLT M12X65 GL40	
17	KK057063		MAIN SPRING BLADE	
18	KK067060		REGULATOR ARM	(Before 01.08.02)
18	KK067090		REGULATOR ARM WELDED FOR D25 BOLT	(From 01.08.02)
19	KK067070		TIE ROD D20	(Before 01.08.02)
19	KK067026		TIE ROD D22 HOLES D22&D25	(From 01.08.02)
20	KK057064		SPRING BLADE NO. 1	
21	KK067031		AXLE D22X53	
22	KK057065		SPRING BLADE NO. 2	
23	KK057068		LEAF 5 ADDITIONAL AUTO-RESET SYSTEM	
24	KK061280R		TURN-OVER 1979 BEAM ENAMELLED	
25	KK035209		HEX BOLT M20X50 W/THREADED PIECE	
26	KK032840		HEX BOLT M20X40 10.9	
27	KK060108		DISTANCE BRACKET CPL. RIGHT	
27	KK060109		DISTANCE BRACKET CPL. LEFT	
28	KK035165		HEX BOLT M20X50 W/FLANGE NUT	
29	KK035021		BOLT M10X30.5 8.8 GALV.	
30	KK011042		ROLL PIN D6X40 DIN 1481 GALV.	(to be mounted into roll pin 011037)
31	KK032855		HEX BOLT M20X55 10.9	
32	KK012913		WASHER D12.5-D40X3.4	
33	KK032655		HEX BOLT M12 X 55	(for extra additional leaf spring cpl.)
34	KK067077		DISTANCE TUBE ADDITIONAL SPRING PACK	(for extra additional leaf spring cpl.)



PS/RS / Beam (Auto Reset)



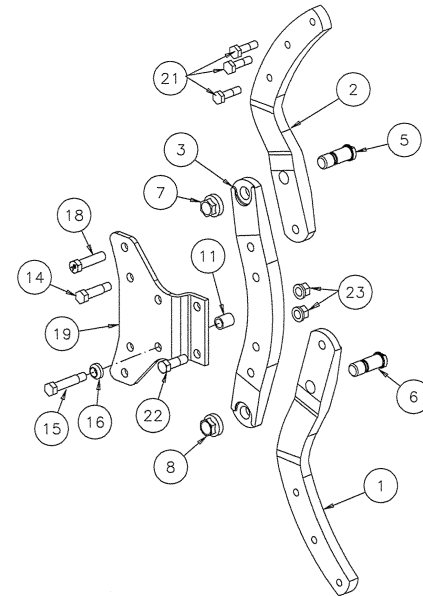
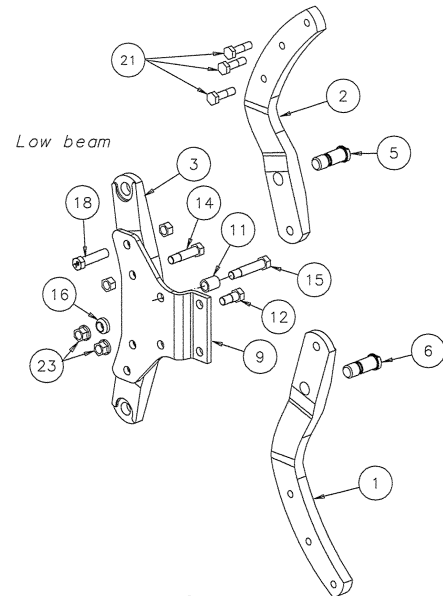
PosNo.	Part No.	Qty.	Description	Remark
35	KK067075		SHACKLE	(for extra additional leaf spring cpl.)
36	KK067076		BOLT D15.7-D5.5X168-D5.5	(for extra additional leaf spring cpl.)
37	KK029727		SPLIT PIN D2X32	(for extra additional leaf spring cpl.)
38	KK061291		THREADED PIECE	
Not ill.	KK050706		SPRING ALT 1	(1 x ill. no. 3, 13, 14, 16, 17 and 22 + 2 x ill. no. 1, 2, 20 and 29)
Not ill.	KK060703		SPRING HD CPL. WITHOUT REGULATOR	(1 x ill. no 3, 16, 17 22 and 32 + 2 x ill. no. 1, 2, 20, 23 and 29)
Not ill.	KK060119		SPACER KIT W/ HEX SCREWS R & L CPL.	

PS/RS / Beam (shear bolt)

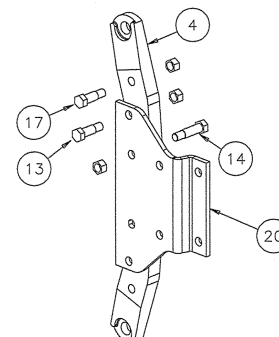
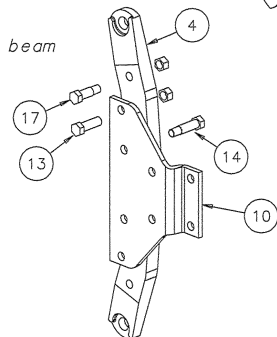


For LS, RL, LM, RM and RG ploughs

For LD, LO, RS, RX, LB, and RB ploughs



High beam



PS/RS / Beam (shear bolt)

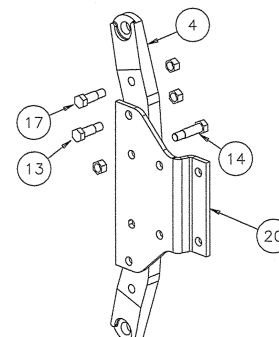
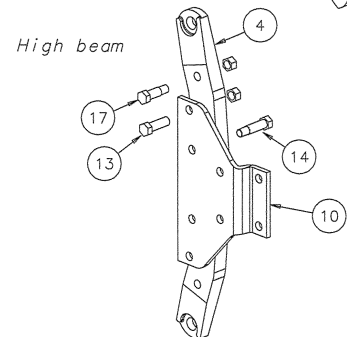
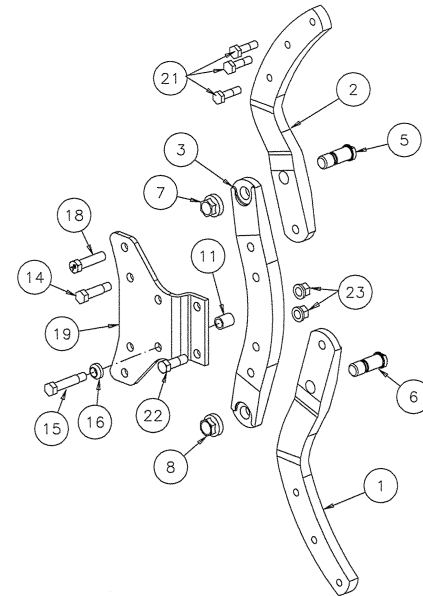
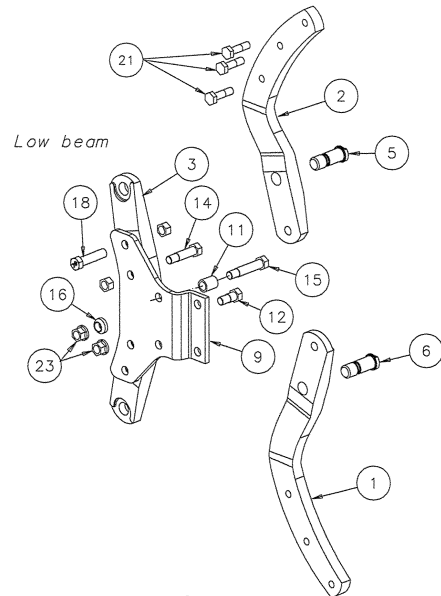
PosNo.	Part No.	Qty.	Description	Remark
1	KK071208		RIGHT SECTION SHEARBOLT BEAM	(Before 15.08.01)
1	KK071272		RIGHT SECTION SHEARBOLT BEAM	(From 15.08.01)
2	KK071209		LEFT SECTION SHEARBOLT BEAM	(Before 15.08.01)
2	KK071273		LEFT SECTION SHEARBOLT BEAM	(From 15.08.01)
3	KK071228		CENTER SECT. SHEARBOLT BEAM H=700	(Before 15.08.01)
3	KK071271		CENTER SECT. SHEARBOLT BEAM H=700	(From 15.08.01)
4	KK071207		CENTER SECT. SHEARBOLT BEAM H=800	(Before 15.08.01)
4	KK071270		CENTER SECT. SHEARBOLT BEAM H=800	(From 15.08.01)
5	KK077024		BEARING BOLT LEFT M30X72 GALV	(Before 15.08.01)
5	KK071275		BOLT M30 L.HAND THREAD L= 84	(From 15.08.01)
6	KK077023		BEARING BOLT RIGHT M30X72 GALV.	(Before 15.08.01)
6	KK071274		BOLT M30 R.HAND THREAD L=84	(From 15.08.01)
7	KK016022		FLANGE NUT M30 10 KEY36	
8	KK016045		FLANGE NUT M30 LEFT KEY 36	
9	KK074910R		PLATE FOR SHARE BOLT BEAM	(for LS, RL, LM, RM and RG ploughs only)
10	KK074911		PLATE FOR BEAM H=800	(for LS, RL, LM, RM and RG ploughs only)
11	KK061515		BUSHING D20.5-D28X35.2	
12	KK032840		HEX BOLT M20X40 10.9	(Before 01.04.02)
12	KK032845		HEX BOLT M20X45 10.9	(From 01.04.02)
12	KK032850		HEX BOLT M20X50 10.9	(for disc coultler, for front piece and rear beam)
12	KK032860		HEX BOLT M20X60 10.9	(for front piece w/disc coultler)
13	KK032865		HEX BOLT M20X65 10.9	
14	KK035215		HEX BOLT M20X80 W/NUT	
14	KK035216		HEX BOLT M20X90MM W/NUT	(for RL ploughs front section, rear leg only)
15	KK032807		HEX BOLT M20X100 10.9	
15	KK032803		HEX BOLT M20X110	(for LB, LO and RB only) (From 01.04.02)
15	KK032824		HEX BOLT M20X105 10.9	(when using fixing device KK 07 72 95 for RL plough) (From 01.04.02)
16	KK062020		WASHER D20-D35X14 CONVEX	
17	KK035060		SHEAR BOLT M20X62	(for support H = 800 mm) (Before 15.08.01)
17	KK035048		SHEAR BOLT M20X76	(for support H = 800 mm) (From 15.08.01)
18	KK035072		SHEAR BOLT M20X88	(for support H = 700 mm)
19	KK071508		SIDE PLATE SHEAR BOLT BEAM H=700	(for LD, LO, RS, RX, LB and RB ploughs only)
20	KK071529		SIDE PLATE SHEARBOLT BEAM H=800	(for LD, LO, RS, RX, LB and RB ploughs only)
21	KK032762		HEX BOLT M16X60 12.9	
22	KK032840		HEX BOLT M20X40 10.9	(Before 01.04.02)
22	KK032845		HEX BOLT M20X45 10.9	(From 01.04.02)
22	KK032860		HEX BOLT M20X60 10.9	(for LB, LO and RB only) (From 01.04.02)
23	KK016049		FLANGE NUT M20 WITH LOCK	(From 01.04.02)
Not ill.	KK071211		SHEARBOLT BEAM CPL. H=700	(ill. no. 1, 2, 3 and 5 - 8) (Before 15.08.01)

PS/RS / Beam (shear bolt)



For LS, RL, LM, RM and RG ploughs

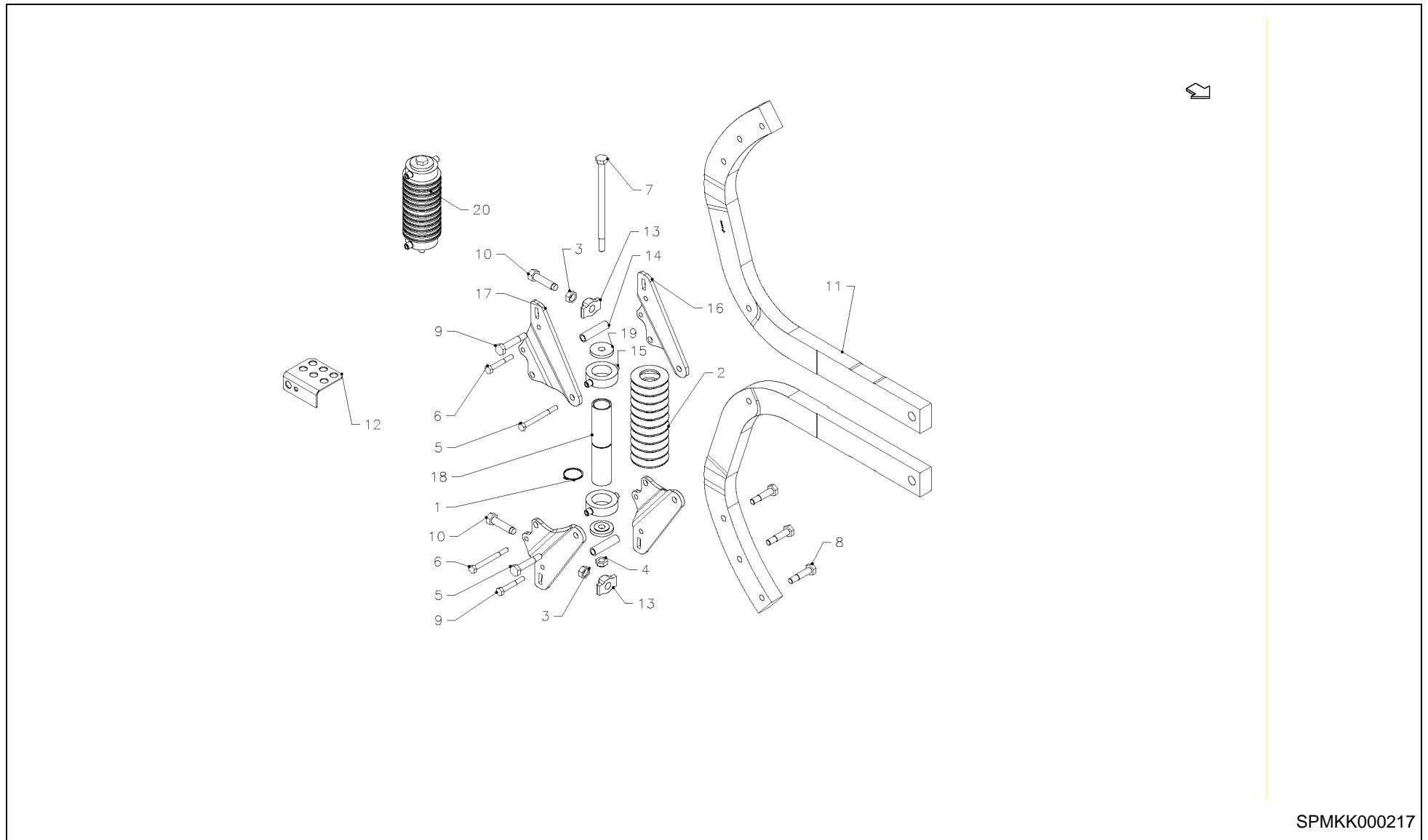
For LD, LO, RS, RX, LB, and RB ploughs



PS/RS / Beam (shear bolt)



PosNo.	Part No.	Qty.	Description	Remark
Not ill.	KK071280		SHEARBOLT BEAM CPL. H=700	(ill. no. 1, 2, 3 and 5 - 8) (From 15.08.01)
Not ill.	KK071212		SHEARBOLT BEAM CPL. H=800	(ill. no. 1, 2, 4 and 5 - 8) (Before 15.08.01)
Not ill.	KK071281		SHEAR BOLT BEAM CPL. H=800	(ill. no. 1, 2, 4 and 5 - 8) (From 15.08.01)

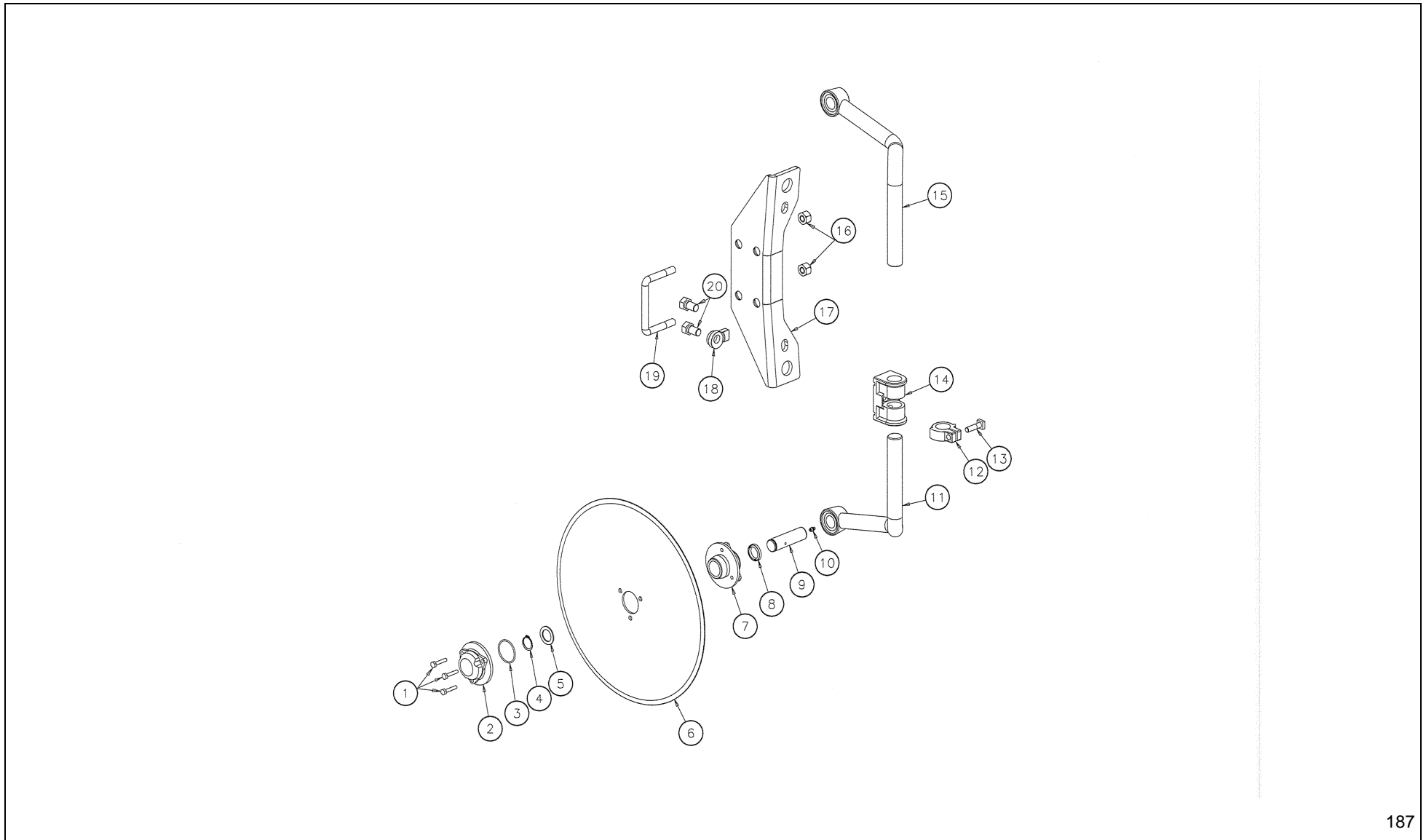


SPMKK000217

PS/RS / Beam (Vibromat)



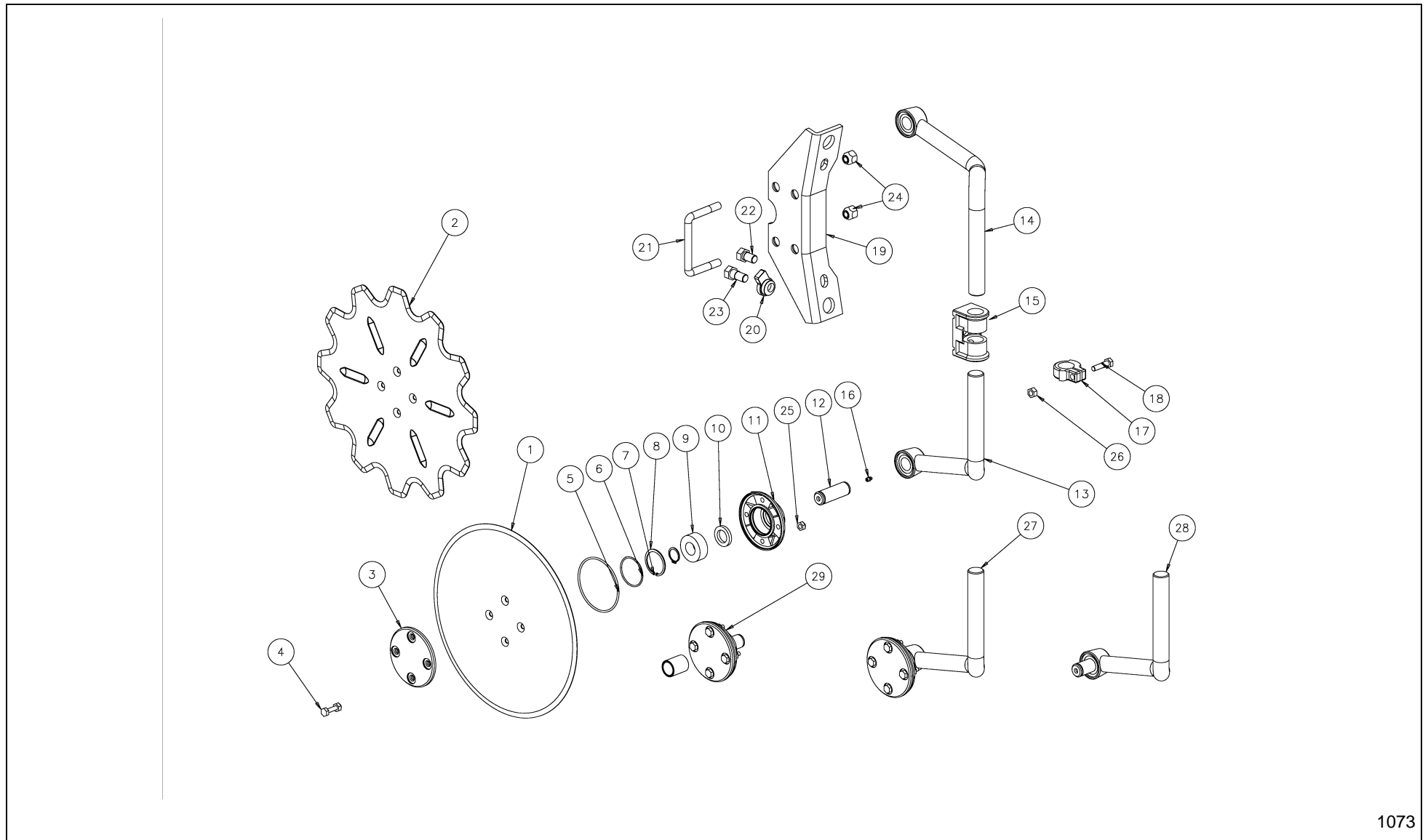
PosNo.	Part No.	Qty.	Description	Remark
1	KK011269		CIRCLIP 50X2 NS5143	
2	KK012874		CUP SPRING D97XD51X4.58	
3	KK015834		NUT M20 H12 GALV.	
4	KK016025		LOCK NUT M16	
5	KK032604		HEX SCREW M12 X120	
6	KK032680		HEX BOLT M12X80	
7	KK032728		HEX BOLT M16X280 10.9	
8	KK032774		HEX BOLT M16X70 12.9 THREAD L=40	
9	KK032785		HEX BOLT M16X85 10.9	
10	KK067042		ADJUST SCREW M20X75 GALV 10.9	
11	KK072757		BEAM RIGHT&LEFT H=700 SL	
12	KK072769		HOLDER FOR SHEAR BOLTS	
13	KK072771		THREADED PIECE M20	
14	KK072773		BUSHING D14.8 X D21.3 X 85	
15	KK072819		HOLDER FOR SPRING SL SHOCKABS.	
16	KK072820		LINK R	
17	KK072821		LINK L	
18	KK072822		BUSHING INNER IN SPRING PACKAGE	
19	KK072824		COVER	
20	KK072825		SPRINGS PACKAGE ASSEMBLED SL	



PS/RS / Disc coultter - Auto Reset beam (before 01.01.99)



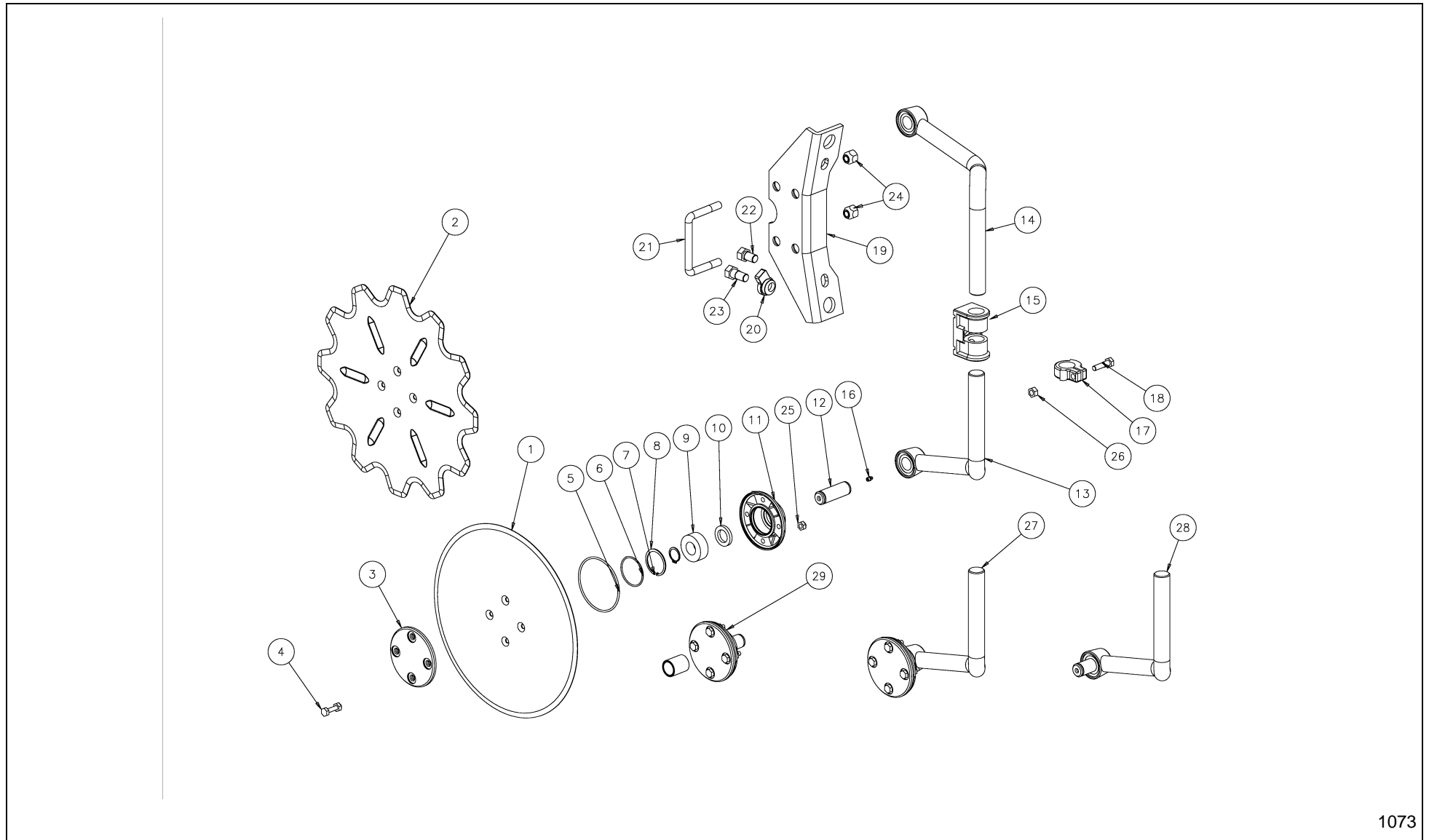
PosNo.	Part No.	Qty.	Description	Remark
1	KK031340		HEX BOLT M8X40 12.9 COMP. THREAD	
2	KK056156		DISC COULTER COVER	
3	KK010775		O-RING 54.50X3.00 S0R 60	
4	KK011266		CIRCLIP A 30X1.5 NS5143	
5	KK011292		WASHER D29.8-D45X2.5	
6	KK056112		DISC COULTER 18	
6	KK056114		DISC COULTER 20 GROOVED	
6	KK056115		DISC COULTER 18 NOTCHED	
6	KK056116		DISC COULTER 20 NOTCHED	
7	KK066102		BEARING HOUSING FOR NEEDLE BEARING	
7	KK060624		BEARING HOUSING CPL W/KEY D30MM	(ill 1, 3 - 5 and 7 - 9)
8	KK010772		GASKET RING	
9	KK066108		AXLE D30	
10	KK029920		GREASE NIPPLE M8X1 STRAIGHT	
11	KK066140		DISC COULTER ARM 18 INCH RIGHT D30	
11	KK066143		DISC COULTER ARM 20 RIGHT	
12	KK066190		SWING STOP	
13	KK035031		4SQ BOLT M12X45 KEY 19 GALV	
14	KK066185		DISC COULTER BRACKET W/SCREW	
15	KK066142		DISC COULTER ARM 18 INCH LEFT D30	
15	KK066145		DISC COULTER ARM 20 LEFT	
16	KK016031		CONE NUT M16 KEY27 H25	
17	KK066189		BRACKET FOR DISC COULTER 18 INCH	
17	KK066182		DISC COULTER BRACKET 20	
18	KK066178		ECCENTRIC FOR DISC COULTER BRACKET	
19	KK066175		U-BOLT M16-4SQ120X90	
20	KK031730		HEX BOLT M20X30 COMP. THREAD	
20	KK031740		HEX BOLT M20X40 10.9 COMP. THREAD	(for eccentric nut)



PS/RS / Disc coulter 18&20 - AutoReset beam (fr. 01.01.99)



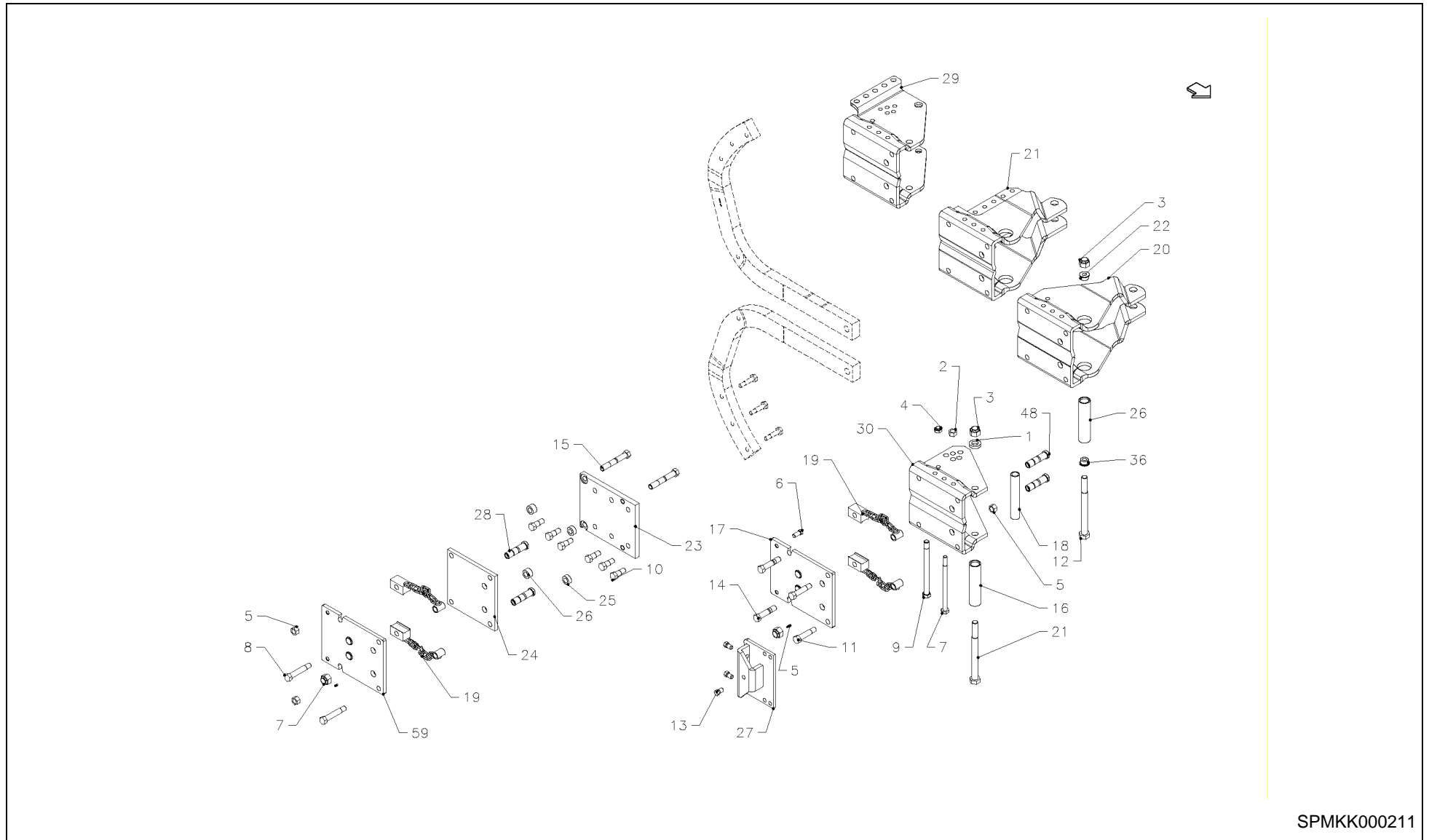
PosNo.	Part No.	Qty.	Description	Remark
1	KK076406		DISC COULTER 18	
1	KK076407		DISC COULTER 20	
2	KK076409		DISC COULTER 18 NOTCHED	
2	KK076410		DISC COULTER 20 NOTCHED	
3	KK076499		REINFORCMENT PLATE	
4	KK035114		HEX BOLT M10X40 W/LOCK NUT	
5	KK011750		O-RING D124.5X3 70 SHORE	
6	KK011866		O-RING D67X3 70 SHORE	
7	KK011259		CIRCLIP I 62X2 NS5144	
8	KK011266		CIRCLIP A 30X1.5 NS5143	
9	KK010572		TWO ROW ANGLE CONTACT BALL-BEARING 3206B	
10	KK010532		GASKET RING	
11	KK086100		BEARING HOUSING DISC COULTER	(ill. 3 - 11)
12	KK086101R		AXLE FOR DISC COULTER	
13	KK086110		DISC COULTER ARM 18 R H E-BEAM	
13	KK086112		DISC COULTER ARM 20 R H E-BEAM	
13	KK086114		DISC COULT ARM 20 R H E-BEAM BEND	
14	KK086111		DISC COULTER ARM 18 L H E-BEAM	
14	KK086113		DISC COULTER ARM 20 L H E-BEAM	
14	KK086115		DISC COULT ARM 20 L H E-BEAM BEND	
15	KK066170		DISC COULTER BRACKET	
16	KK029920		GREASE NIPPLE M8X1 STRAIGHT	
17	KK066190		SWING STOP	
18	KK035031		4SQ BOLT M12X45 KEY 19 GALV	
19	KK066189		BRACKET FOR DISC COULTER 18 INCH	
19	KK066182		DISC COULTER BRACKET 20	
20	KK066178		ECCENTRIC FOR DISC COULTER BRACKET	
21	KK066175		U-BOLT M16-4SQ120X90	
22	KK032830		HEX BOLT M20X30 10.9	
23	KK032840		HEX BOLT M20X40 10.9	
24	KK016031		CONE NUT M16 KEY27 H25	
25	KK016004		LOCK NUT M10 METAL LOCKING	
26	KK015817		NUT M12 GALV.	
27	KK086080		DISC COULT ARM 18 R W BEAR E-BEAM	
27	KK086081		DISC COULT ARM 18 L W BEAR E-BEAM	
27	KK086082		DISC COULT ARM 20 R W BEAR E-BEAM	
27	KK086083		DISC COULT ARM 20 L W BEAR E-BEAM	
27	KK086084		DISC COULT ARM 20 R W BEARING	
27	KK086085		DISC COULT ARM 20 L W BEARING	
28	KK086170		ARM WITH AXLE 18" R	



PS/RS / Disc coultter 18&20 - AutoReset beam (fr. 01.01.99)



PosNo.	Part No.	Qty.	Description	Remark
28	KK086171		ARM WITH AXLE 18" L	
28	KK086172		ARM WITH AXLE 20" R	
28	KK086173		ARM WITH AXLE 20" L	
28	KK086174		ARM MIT ACHSE 20" R LOWERED	
28	KK086175		ARM WITH AXLE 20" L LOWERED	
29	KK086087R		REP. SET FOR BEARING HOUSE KK076097	



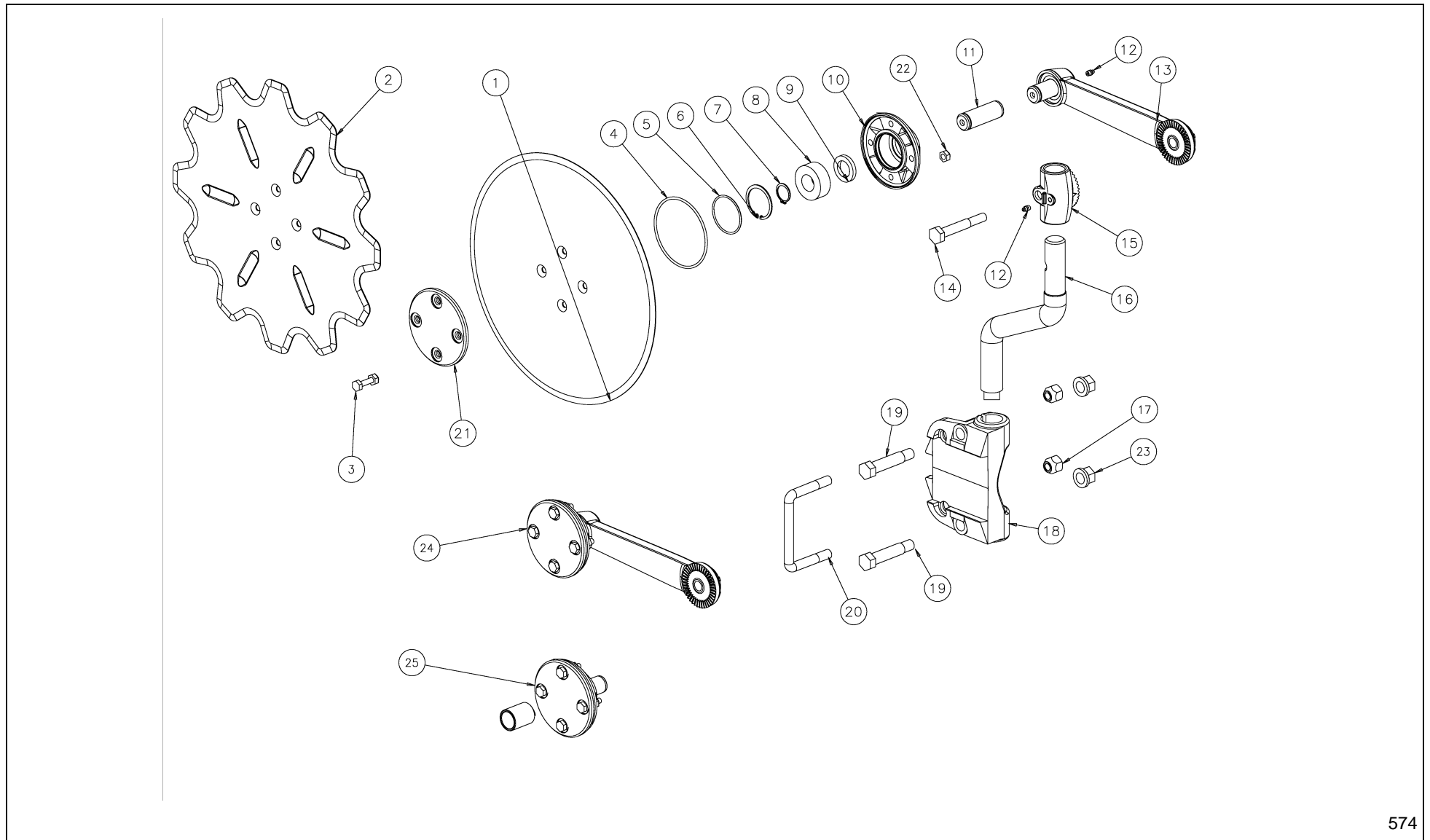
SPMKK000211

PS/RS / Beam holder



PosNo.	Part No.	Qty.	Description	Remark
1	KK013000		WASHER D26-D45X10	
2	KK015830		NUT M20	
3	KK016001		LOCK NUT M24 10 GALV.	
4	KK016025		LOCK NUT M16	
5	KK029918		GREASE NIPPLE M6	
6	KK031941		CONE BOLT M16X40 GALV. 12.9	
7	KK032724		HEX BOLT M16X250 10.9	
8	KK032803		HEX BOLT M20X110	
9	KK032846		HEX BOLT M20 X 245	
10	KK032850		HEX BOLT M20X50 10.9	
11	KK032890		HEX BOLT M20X90 10.9	
12	KK032926		HEX BOLT M24X265 10.9	
13	KK034225		SET SCREW M16X25	
14	KK035087		SHEAR BOLT M20X90	
15	KK035093		SHARE BOLT M20 X 130	
16	KK071417		BUSHING D34.5-D44.5X186	
17	KK072759		PLATE OUTHER BEAM SUPPORT	
18	KK072760		BUSHING D27.7-D33.8X202	
19	KK072761		SPACER	
20	KK072788		BEAM SUPPORT LB-SL	
21	KK072789		REAR BEAM SUPPORT LB-SL	
22	KK072792		SLIDE BEARING W-FLANGE D16.25X19-D30/16	
23	KK072831		ADAPTER PLATE FOR VIBROMAT BEAM	
24	KK072832		SUPPORT PLATE FOR VIBROMAT BEAM	
25	KK072833		BUSHING D35 X D20,5 X 15	
26	KK072834		BUSHING D35 X D20,5 X 20	
27	KK076873		BRACKET FOR MANURE SKIMMER SL	
28	KK077021		BEARING BOLT	
29	KK082640		BEAM SUPPORT REAR WE	
30	KK083649		BEAM HOLDER VIBROMAT RN	

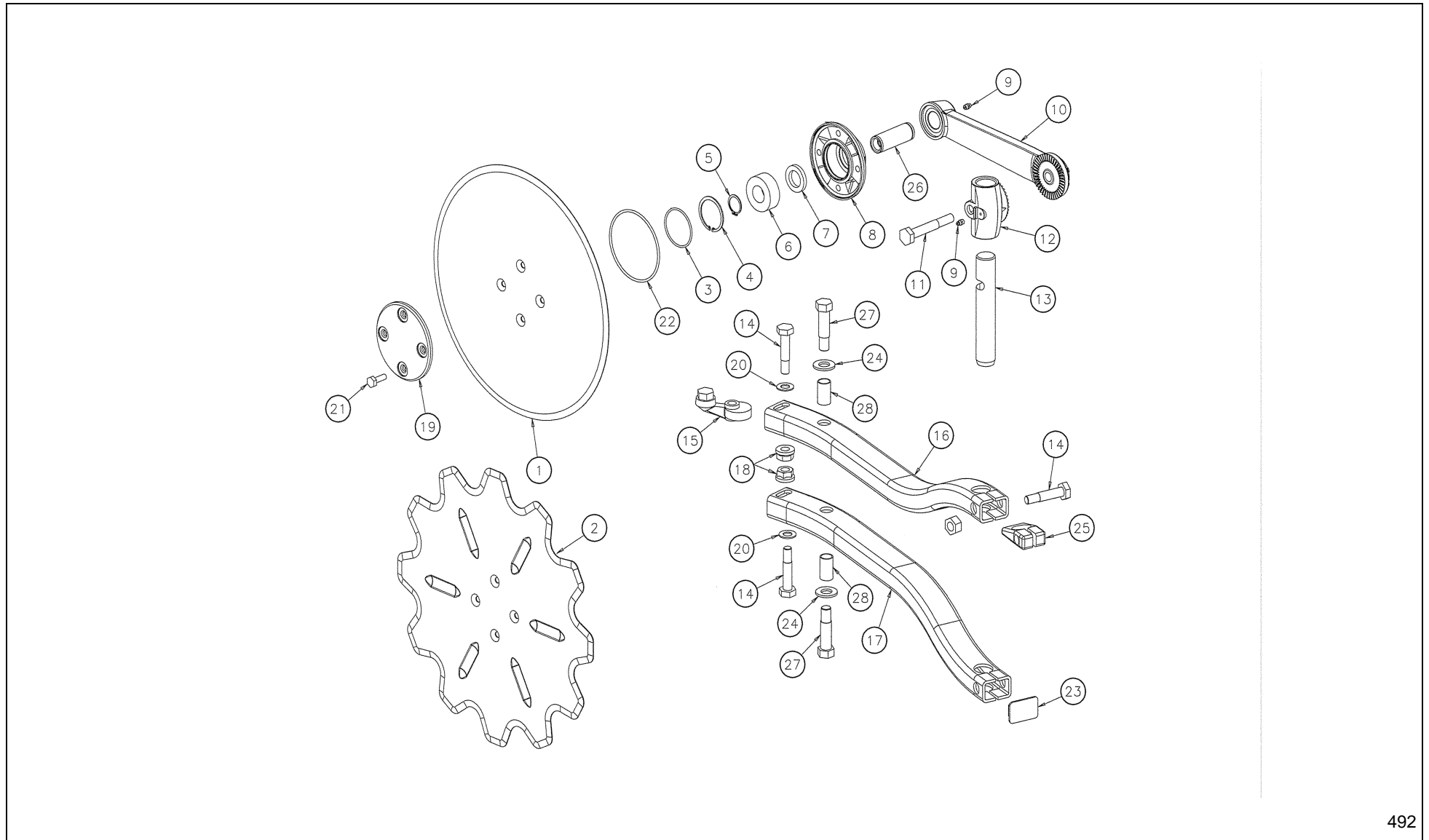
PS/RS / Disc couler 99 - Auto Reset beam



PS/RS / Disc coulter 99 - Auto Reset beam

PosNo.	Part No.	Qty.	Description	Remark
1	KK076406R		DISC 18"	
1	KK076407R		DISC COULTER 20	
1	KK076294R		DISC 22"	
2	KK076409R		DISC 18" NOTCHED	
2	KK076410R		DISC COULTER 20 NOTCHED	
2	KK076295R		DISC COULTER 22" NOTCHED	
3	KK035114		HEX BOLT M10X40 W/LOCK NUT	
4	KK011750		O-RING D124.5X3 70 SHORE	
5	KK011866		O-RING D67X3 70 SHORE	
6	KK011259		CIRCLIP I 62X2 NS5144	
7	KK011266		CIRCLIP A 30X1.5 NS5143	
8	KK010572R		BALL BEARING 3206B	
9	KK010818		GASKET RING	(Before 01.01.99)
9	KG00017500		RADIAL SHAFT SEAL - A 30X47X7	(From 01.01.99)
10	KK076075		BEARING HOUSING	(Before 01.01.99)
10	KK076097		DISC COULTER BEARING ASSEMBLED	(Before 01.01.99)
10	KK086100		BEARING HOUSING DISC COULTER	(From 01.01.99)
11	KK076076		OLT	(Before 01.01.99)
11	KK086101R		AXLE FOR DISC COULTER	(From 01.01.99)
12	KK029920		GREASE NIPPLE M8X1 STRAIGHT	
13	KK086167		ARM WITH AXLE 18" & 20"	
14	KK032702		HEX BOLT M16X110	
15	KK076400R		SUPPORT	
16	KK076063		STEM FOR DISC COULTER	
17	KK016031		CONE NUT M16 KEY27 H25	
18	KK076060		BRACKET FOR DISC COULTER	(Before 01.05.02)
18	KK086103		DISC COULTER BRACKET CASTED	(From 01.05.02)
19	KK032807		HEX BOLT M20X100 10.9	
20	KK066175		U-BOLT M16-4SQ120X90	
21	KK076499R		REINFORCMENT PLATE	(From 01.01.99)
22	KK016004		LOCK NUT M10 METAL LOCKING	
23	KK016012		FLANGE NUT M20	
24	KK086091		ARM WITH BEARING AND AXLE 18" & 20"	
25	KK086087R		REP. SET FOR BEARING HOUSE KK076097	
Not ill.	KK076210		DISC COULTER 18 R/L CPL.WO/BRACK.	
Not ill.	KK076211		DISC COULTER 20 R/L CPL.WO/BRACK.	
Not ill.	KK076212		DISC COULTER 18 NOTC.R/L.WO/BRACK	
Not ill.	KK076213		DISC COULTER 20 NOTC.R/L.WO/BRACK	

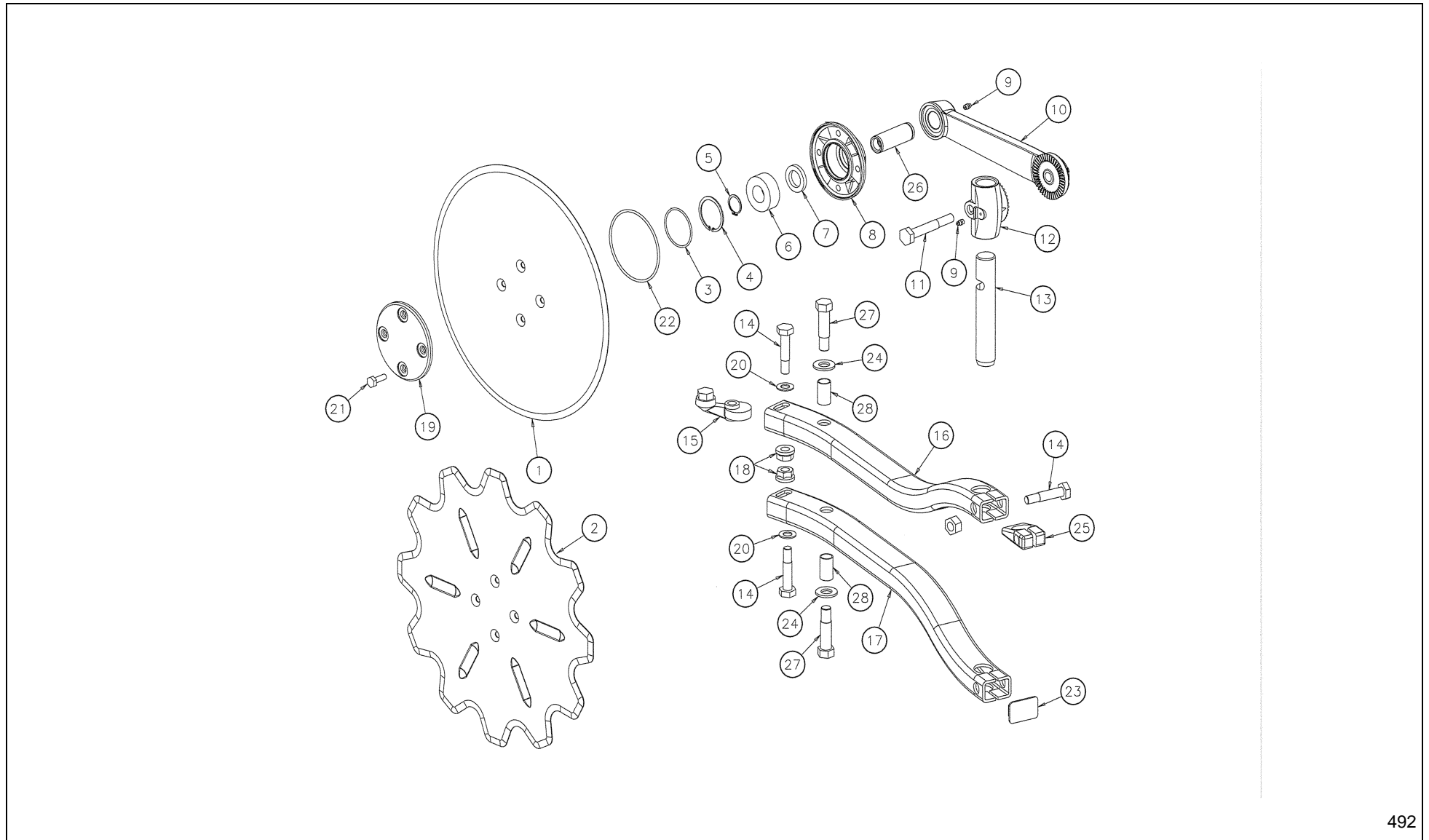
PS/RS / Disc couler - shear bolt beam



PS/RS / Disc couler - shear bolt beam

PosNo.	Part No.	Qty.	Description	Remark
1	KK076406		DISC COULTER 18	
1	KK076407		DISC COULTER 20	
2	KK076409		DISC COULTER 18 NOTCHED	
2	KK076410		DISC COULTER 20 NOTCHED	
3	KK011866		O-RING D67X3 70 SHORE	
4	KK011259		CIRCLIP I 62X2 NS5144	
5	KK011266		CIRCLIP A 30X1.5 NS5143	
6	KK010572		TWO ROW ANGLE CONTACT BALL-BEARING 3206B	
7	KK010818		GASKET RING	(Before 01.01.99)
7	KK010532		GASKET RING	(From 01.01.99)
8	KK086100		BEARING HOUSING DISC COULTER	
9	KK029920		GREASE NIPPLE M8X1 STRAIGHT	
10	KK086167		ARM WITH AXLE 18" & 20"	
10	KK086168		ARM WITH AXLE 22"	
11	KK032702		HEX BOLT M16X110	
12	KK076400		SUPPORT DISC COULTER MOD 90	
13	KK076527		AXLE	
14	KK032775		HEX BOLT M16X75 10.9	
15	KK076427		EXCENTER GALV.	
16	KK076532		ARM	
16	KK076122		TUBE RIGHT LB 240	(LB240 only)
17	KK076533		TUBE FOR BEAM	
17	KK076123		TUBE LEFT LB 240	(LB240 only)
18	KK016050		NUT ASYMMETRIC	(Before 01.10.98)
18	KK016058		FLANGE NUT M16 GALV.	(From 01.10.98)
19	KK076499		REINFORCMENT PLATE	
20	KK012923		WASHER D16.5-D31.5X1.8	
21	KK035114		HEX BOLT M10X40 W/LOCK NUT	
22	KK011750		O-RING D124.5X3 70 SHORE	
23	KK010909		PLASTIC COVER SQUARE TUBE 60X40X5	
24	KK012960		WASHER D20-D40X4	
25	KK076515		SUPPORT	
26	KK076076		OLT	(Before 01.01.99)
26	KK086101R		AXLE FOR DISC COULTER	(From 01.01.99)
27	KK032875		HEX BOLT M20X75 10.9	
27	KK032934		HEX BOLT M24X325	(for forward extended disc couler)
28	KK076537		BUSHING D20.25-D4X39.3	
29	KK016004		LOCK NUT M10 METAL LOCKING	
30	KK015825		NUT M16	
31	KK015830		NUT M20	

PS/RS / Disc couler - shear bolt beam

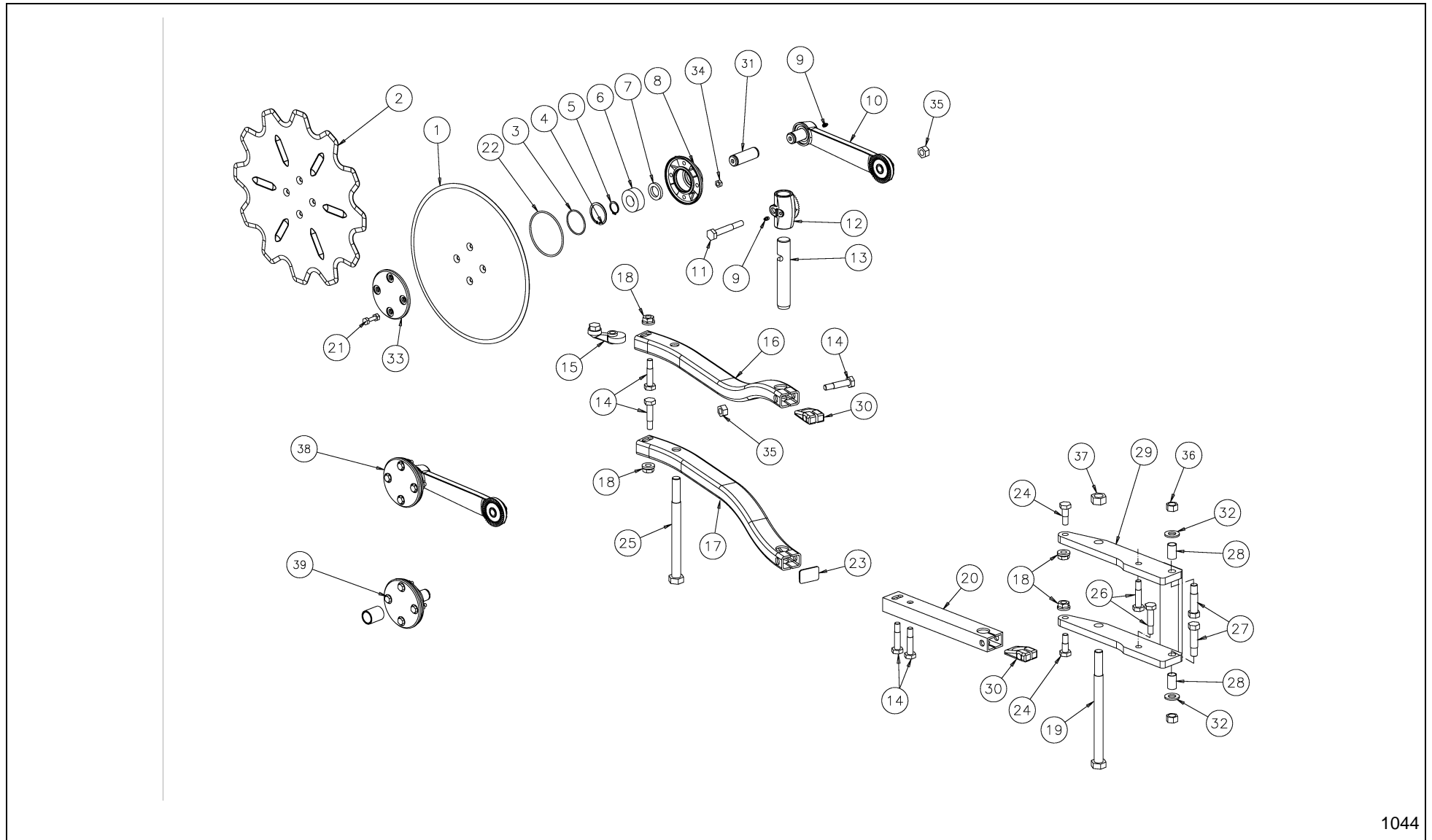


PS/RS / Disc couler - shear bolt beam



PosNo.	Part No.	Qty.	Description	Remark
31	KK015841		NUT M24 GALV.	(for forward extended disc couler)
32	KK086091		ARM WITH BEARING AND AXLE 18" & 20"	
32	KK086166		ARM WITH BEARING AND AXLE 22"	
33	KK086087R		REP. SET FOR BEARING HOUSE KK076097	

PS/RS / Disc couler LD, LO, SL, RB, RS, RT (rear frame)

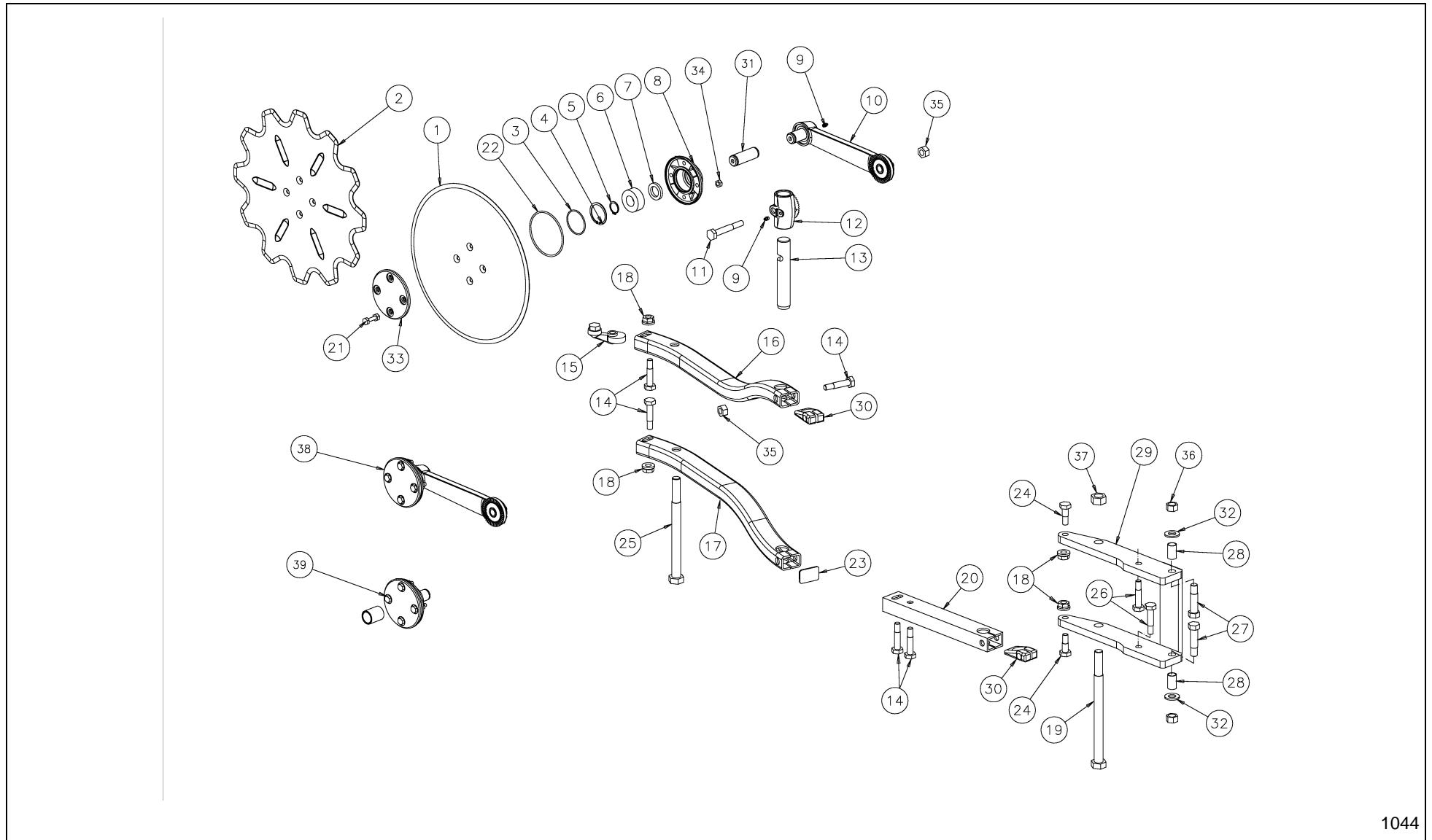


PS/RS / Disc coulter LD, LO, SL, RB, RS, RT (rear frame)



PosNo.	Part No.	Qty.	Description	Remark
1	KK076406		DISC COULTER 18	
1	KK076407		DISC COULTER 20	
2	KK076409		DISC COULTER 18 NOTCHED	
2	KK076410		DISC COULTER 20 NOTCHED	
3	KK011866		O-RING D67X3 70 SHORE	
4	KK011259		CIRCLIP I 62X2 NS5144	
5	KK011266		CIRCLIP A 30X1.5 NS5143	
6	KK010572		TWO ROW ANGLE CONTACT BALL-BEARING 3206B	
7	KK010818		GASKET RING	(Before 01.01.99)
7	KK010532		GASKET RING	(From 01.01.99)
8	KK086090		DISC COULTER BEARING CPL. W AXLE	(ill. no. 2-3-4-5-6-7-8-9-15) (Before 01.01.99)
8	KK086100		BEARING HOUSING DISC COULTER	(ill. no. 2-3-4-5-6-7-8-15) (From 01.01.99)
9	KK029920		GREASE NIPPLE M8X1 STRAIGHT	
10	KK086167		ARM WITH AXLE 18" & 20"	(From serial no. LD7112)
10	KK086168		ARM WITH AXLE 22"	
11	KK032702		HEX BOLT M16X110	
12	KK076400		SUPPORT DISC COULTER MOD 90	
13	KK076527		AXLE	
14	KK032770		HEX BOLT M16X70 10.9	
15	KK076427		EXCENTER GALV.	
16	KK076532		ARM	
17	KK076533		TUBE FOR BEAM	
18	KK016050		NUT ASYMMETRIC	(Before 01.09.98)
18	KK016058		FLANGE NUT M16 GALV.	(From 01.09.98)
19	KK032934		HEX BOLT M24X325	(for forward extended disc coulter)
19	KK032885		HEX BOLT M20X85 10.9	
20	KK076517		TUBE L=400	(for SL)
20	KK076518		TUBE L=700	(for SL)
21	KK035114		HEX BOLT M10X40 W/LOCK NUT	
22	KK011750		O-RING D124.5X3 70 SHORE	
23	KK010909		PLASTIC COVER SQUARE TUBE 60X40X5	
24	KK032750		HEX BOLT M16X50 10.9	
25	KK032929		HEX BOLT M24X290 10.9	
26	KK032775		HEX BOLT M16X75 10.9	
27	KK032880		HEX BOLT M20X80 10.9	
28	KK076537		BUSHING D20.25-D4X39.3	
29	KK076577		EXTENTION PLATE	
30	KK076515		SUPPORT	
31	KK076076		OLT	(Before 01.01.99)
31	KK086101R		AXLE FOR DISC COULTER	(From 01.01.99)

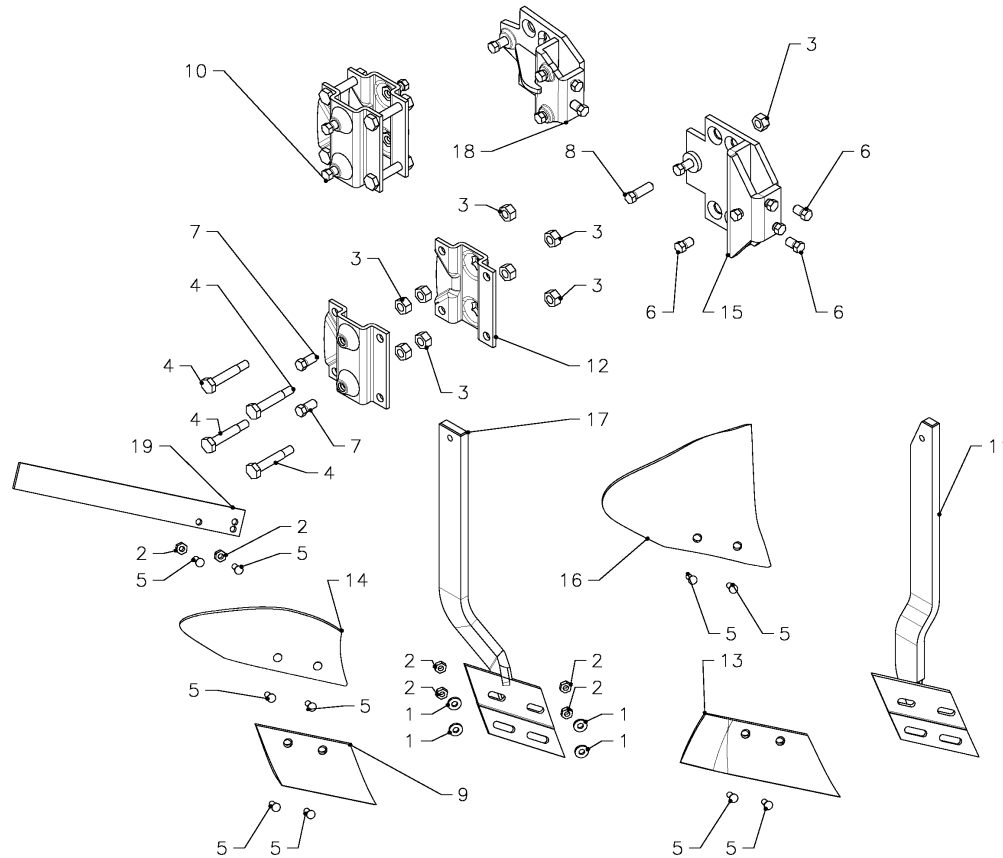
PS/RS / Disc couler LD, LO, SL, RB, RS, RT (rear frame)



PS/RS / Disc coultter LD, LO, SL, RB, RS, RT (rear frame)



PosNo.	Part No.	Qty.	Description	Remark
31	KK086086		DISC COULT ARM W BEARING A-BEAM	(From 01.01.99)
31	KK086087		BEARING HOUSE ASS DISC COULTER	(ill. no. 4-6-7-8) (From 01.01.99)
32	KK012960		WASHER D20-D40X4	
33	KK076499		REINFORCMENT PLATE	
34	KK016004		LOCK NUT M10 METAL LOCKING	
35	KK015825		NUT M16	
36	KK015830		NUT M20	
37	KK015841		NUT M24 GALV.	
38	KK086091		ARM WITH BEARING AND AXLE 18" & 20"	
38	KK086166		ARM WITH BEARING AND AXLE 22"	
39	KK086087R		REP. SET FOR BEARING HOUSE KK076097	

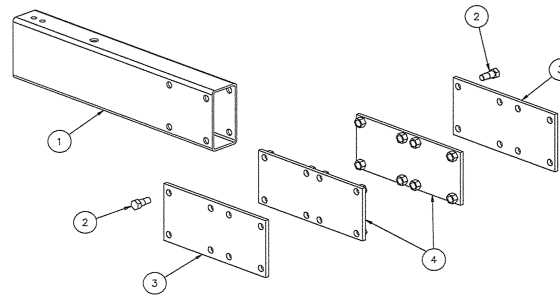


SPMKK000152

PS/RS / Skimmer

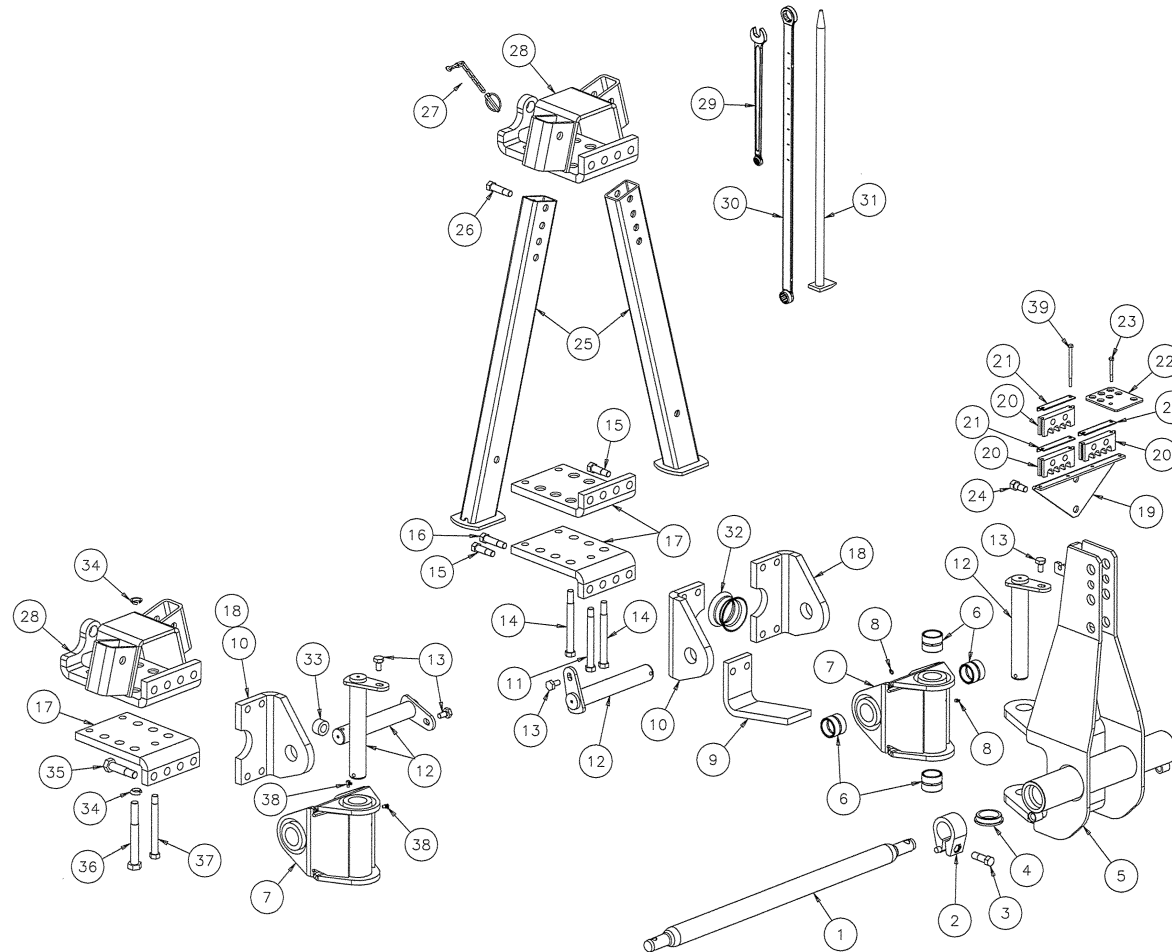


PosNo.	Part No.	Qty.	Description	Remark
1	KK012906		WASHER D11-D25X3.5	
2	KK015813		NUT M10 GALV.	
3	KK015825		NUT M16	
4	KK032795		HEX BOLT M16X95 10.9	
5	KK033006		OVAL SCREW M10X30	
6	KK034225		SET SCREW M16X25	
7	KK034228		SET SCREW M16X32 GALV.	
8	KK034250		SET SCREW M16 X 50 GALV.	
9	KK056873R		SHARE	
9	KK066873R		SHARE	
9	KK066869R		SHARE L.	
9	KK066868R		SHARE R.	
10	KK060657		BRACKET FOR SKIMMER CLP.	
11	KK066811		ARM FOR SKIMMER R H=700	
11	KK066812		ARM FOR SKIMMER L H=700	
11	KK076858		ARM FOR SKIMMER R H=750	
11	KK076859		ARM FOR SKIMMER L H=750	
12	KK066861		BRACKET FOR SKIMMER ARM	
19	KK086801R		EXTENSION PIECE SKIMMER	
14	KK066880R		MOULDBOARD	
14	KK066881R		MOULDBOARD	
14	KK076943		PLASTIC MOULDBOARD SKIMMER RIGHT	
14	KK076944		PLASTIC MOULDBOARD SKIMMER LEFT	
15	KK070639		BRACKET FOR SKIMMER W/SCREW	
16	KK076812R		MOULDBOARD R.	
16	KK076813R		MOULDBOARD L.	
17	KK076817		SKIMMERARM RIGHT H=700	
17	KK076818		SKIMMERARM LEFT H=700	
17	KK076825		SKIMMERARM RIGHT H=800	
17	KK076826		SKIMMERARM LEFT H=800	
18	KK076872		BRACKET FOR SKIMMER ASSEMBLED	



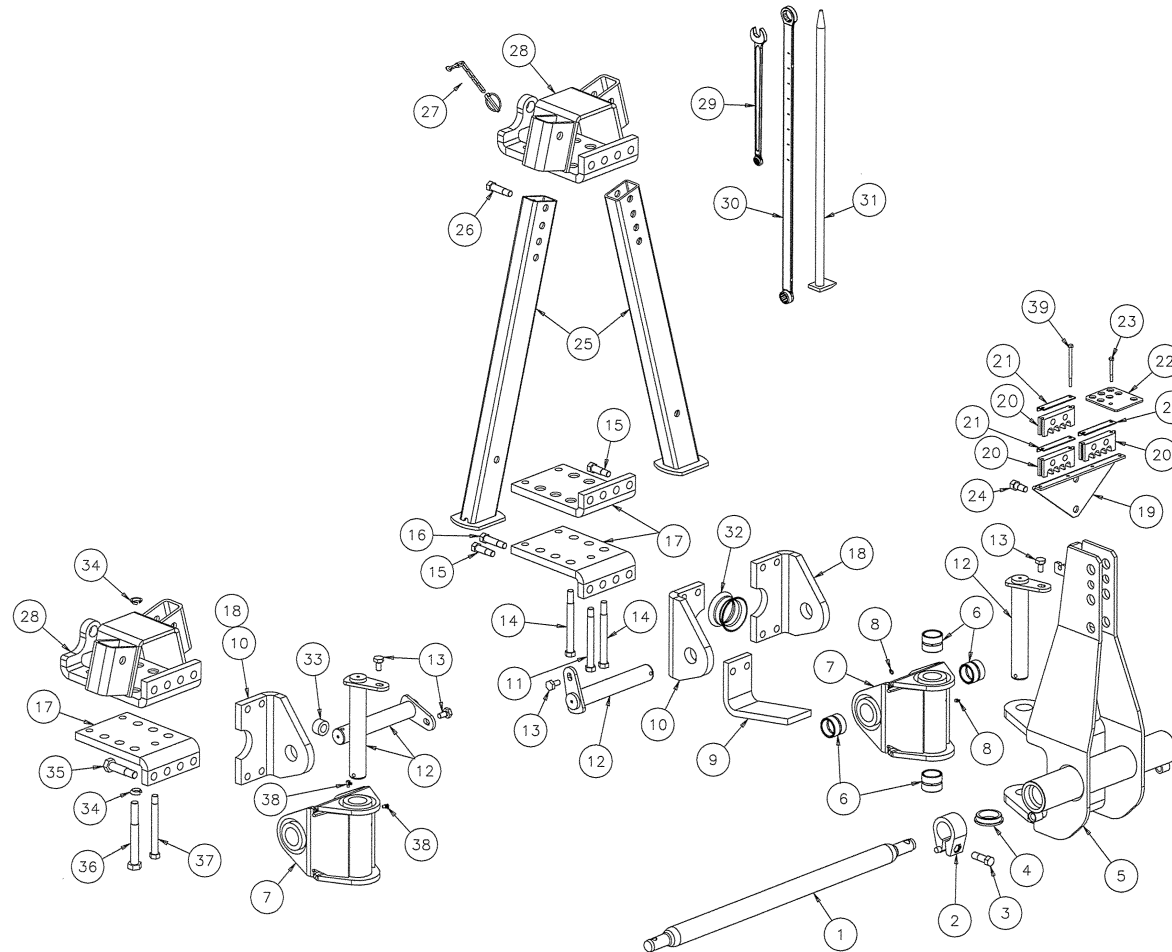
PS/RS / Frame parts additional bodies

PosNo.	Part No.	Qty.	Description	Remark
1	KK071320		MAIN FRAME EXTENTION KIT LD 85	
1	KK071321		MAIN FRAME EXTENTION KIT LD 100	
1	KK071363		ADDITIONAL TUBE LD 115	
1	KK078929		EXTENTION TUBE	
1	KK078930		EXTENTION TUBE	
1	KK071365		ADDITIONAL TUBE LD-OL 85-240	
1	KK071377		ADDITIONAL TUBE LD-OL 100-240	
2	KK032850		HEX BOLT M20X50 10.9	
3	KK071045		OUTER SIDE PLATE	
4	KK071047		INNER SIDE PLATE WELDED	



PS/RS / Front, front parts

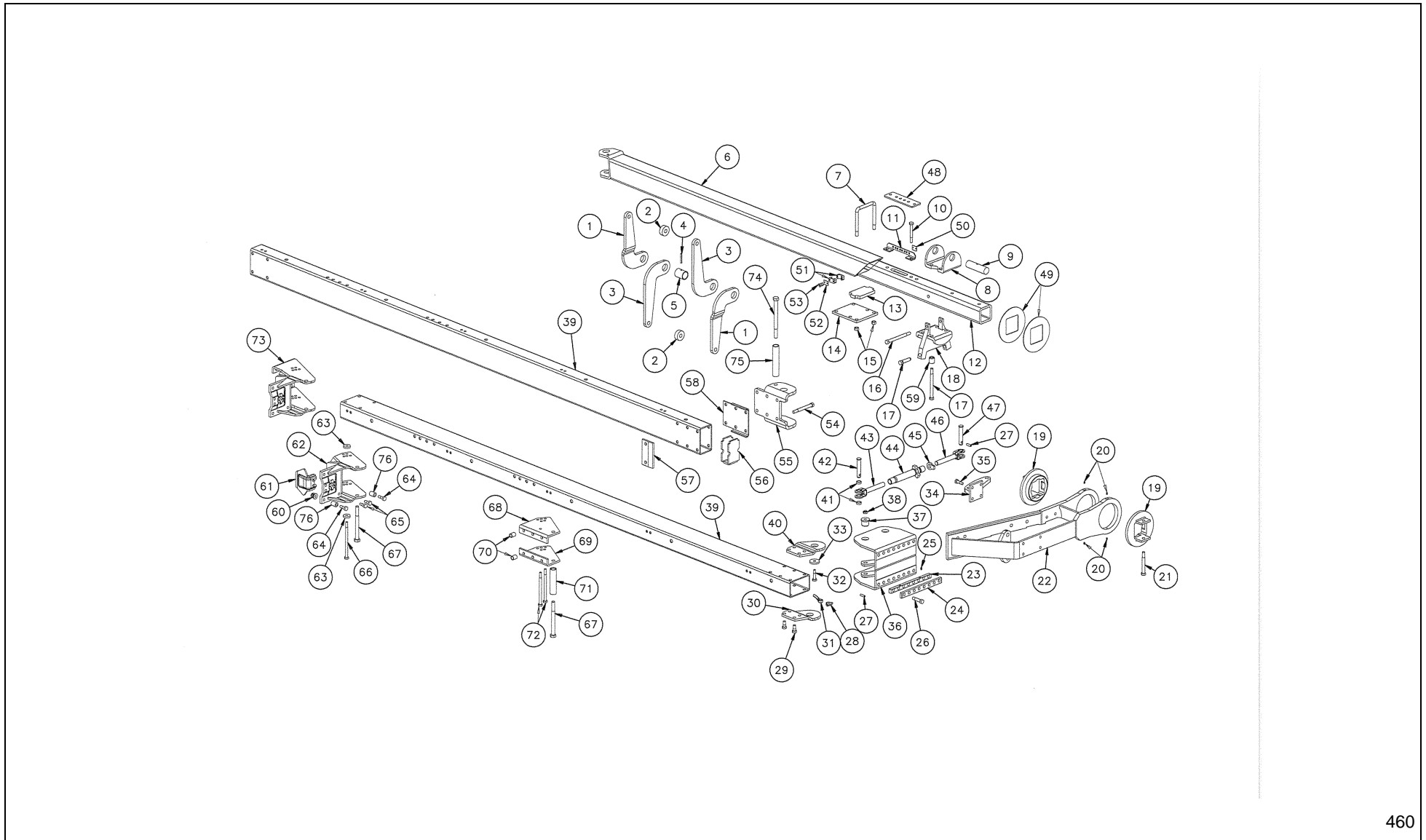
PosNo.	Part No.	Qty.	Description	Remark
1	KK064319		CROSS-SHAFT D60 CAT 2 L=825	
1	KK064320		CROSS-SHAFT D60 CAT 2 L=935	
1	KK064321		CROSS-SHAFT D60 CAT 3 L=965	
1	KK064323		CROSS-SHAFT D60 CAT 3 L=860	
2	KK064360		STOP RING D60	
3	KK032860		HEX BOLT M20X60 10.9	
4	KK064317		BUSHING FOR CROSS SHAFT	
5	KK078870		TOWER	(Before 01.10.99)
5	KK081150		HEADSTOCK	(From 01.10.99)
6	KK011682		SLIDE BEARING D50-D62X50	
7	KK078876		UNIVERSAL JOINT W/BUSHING	(Before 15.06.96)
7	KK079765		UNIVERSAL JOINT W BUSHINGS PXR	(From 15.06.96)
8	KK029920		GREASE NIPPLE M8X1 STRAIGHT	
9	KK078853		SUPPORT	(Before 15.06.96)
9	KK079362		SUPPORT FOR HEADSTOCK	(From 15.06.96)
10	KK078850		TOWING PIECE	
10	KK079363		PULLING PLATE LOWERED 80MM RIGHT	(Before 15.06.96)
10	KK079763		TOWING PLATE 80MM R	(From 15.06.96)
10	KK079360		PULLING PLATE LOWERED 160MM RIGHT	(Before 15.06.96)
10	KK079760		TOWING PLATE 160MM R	(From 15.06.96)
11	KK032822		HEX BOLT M20X190 THREAD L=25	
12	KK078898		AXLE W/LOCKPLATE D50X305	
13	KK032750		HEX BOLT M16X50 10.9	(Before 15.06.96)
13	KK032730		HEX BOLT M16X30 10.9	(From 15.06.96)
14	KK032820		HEX BOLT M20X200 10.9	(Before 15.06.96)
15	KK032865		HEX BOLT M20X65 10.9	(Before 15.06.96)
16	KK032880		HEX BOLT M20X80 10.9	(Before 15.06.96)
17	KK078851		BRACKET	(Before 15.06.96)
17	KK079751		TOWING PLATE LOWER PXR	(From 15.06.96)
18	KK078949		BRACKET FOR UNIVERSAL JOINT	
18	KK079364		PULLING PLATE LOWERED 80MM LEFT	(Before 15.06.96)
18	KK079764		TOWING PLATE 80MM L	(From 15.06.96)
18	KK079361		PULLING PLATE LOWERED 160MM LEFT	(Before 15.06.96)
18	KK079761		TOWING PLATE 160MM L	(From 15.06.96)
19	KK062505		CLAMP FOR HOSE-BRACKET	
20	KK012185		HOSE HOLDER 2 TUBE RUBBER	
21	KK062506		CLAMP-PIECE FOR HOSE-BRACKET	
22	KK072768		HOLDER FOR SHEAR BOLT	
23	KK032470		HEX BOLT M8X70	
24	KK032840		HEX BOLT M20X40 10.9	



PS/RS / Front, front parts

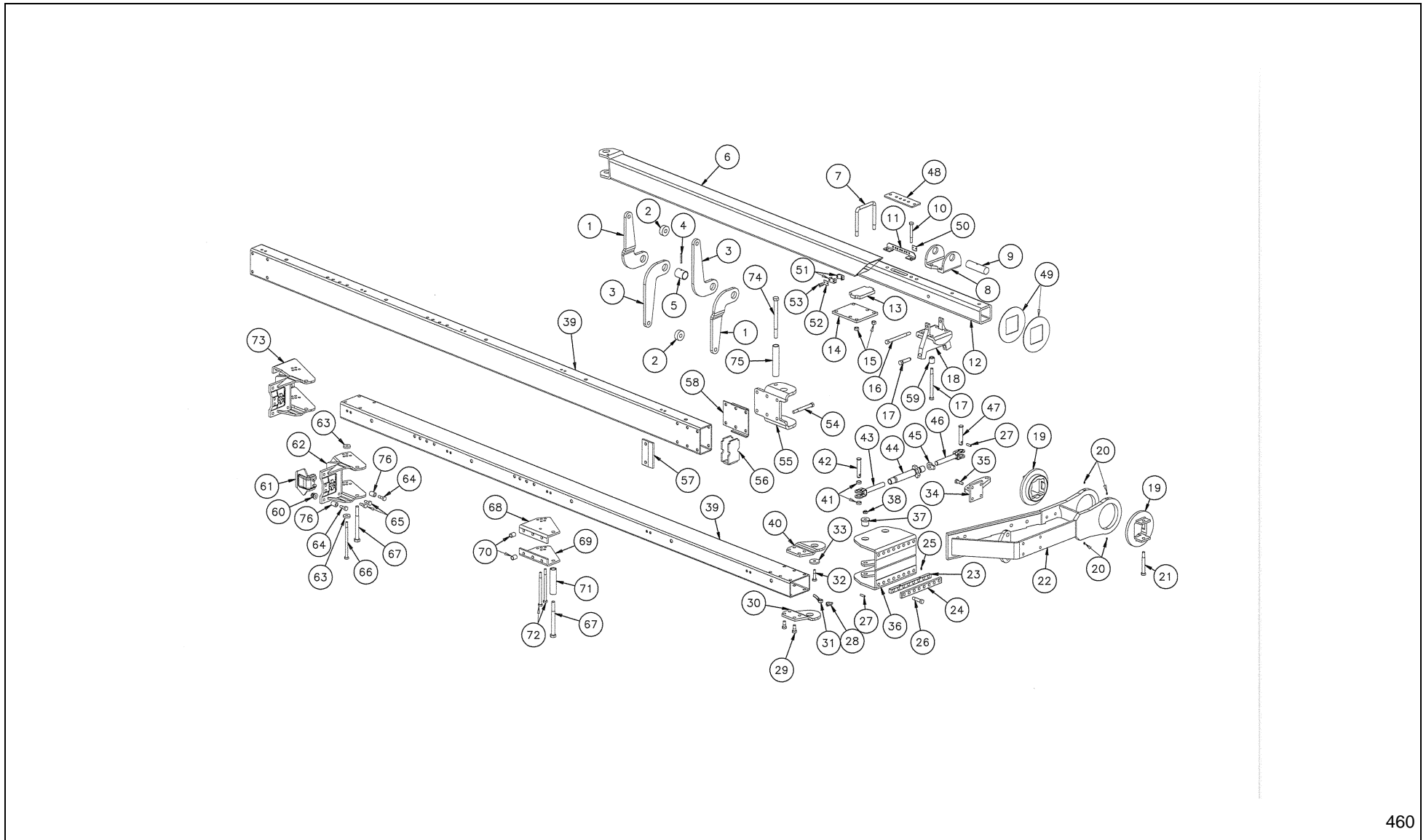


PosNo.	Part No.	Qty.	Description	Remark
25	KK078911		MACHINE STAND LOW BEAM	
25	KK078917		MACHINE STAND HIGH BEAM	
26	KK032875		HEX BOLT M20X75 10.9	
27	KK010298		BOLT W/HEAD D19X120	
28	KK078915		BRACKET FOR MACHINE STAND	(Before 15.06.96)
28	KK079754		TOWING PLATE W STAND FIX PXR	(From 15.06.96)
29	KK010606		SPANNER 19-27 L=450	
30	KK010650		UNIVERSAL SPANNER NV 27-36	
31	KK079230		CROWBAR	
32	KK079112		HOSE GUIDE	
33	KK012851		BUSHING D25-D45X25	(From 15.06.96)
34	KK079596		SPRING WASHER D24	(From 15.06.96)
35	KK032900		HEX BOLT M24X10010.9	(From 15.06.96)
36	KK032920		HEX BOLT M24X200 10.9	(From 15.06.96)
37	KK032822		HEX BOLT M20X190 THREAD L=25	(From 15.06.96)
38	KK029922		GREASE NIPPLE M8X1 90 DG	(From 15.06.96)
39	KK032403		HEX BOLT M8X130 DIN 931	



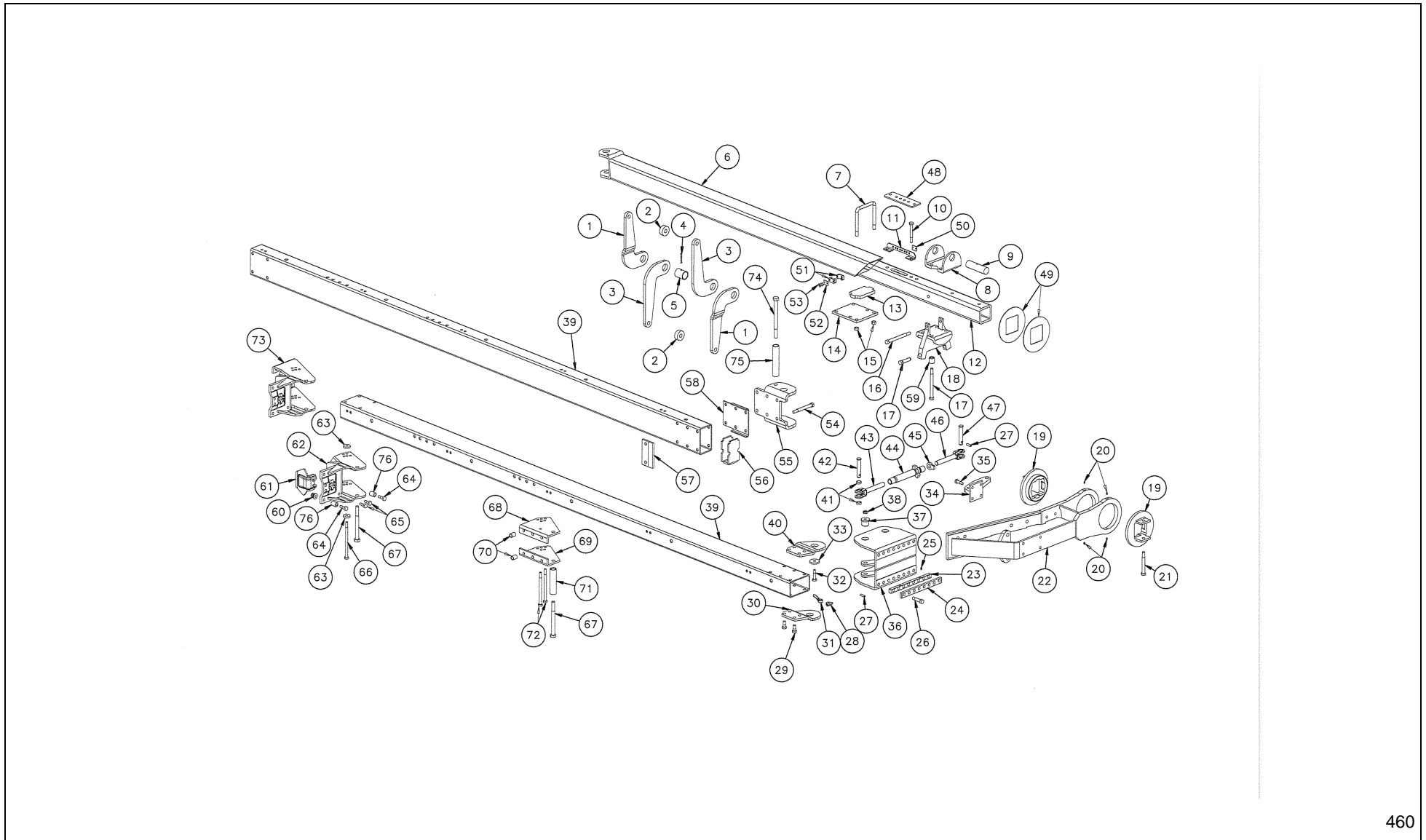
PS/RS / Front, rear parts

PosNo.	Part No.	Qty.	Description	Remark
1	KK078892		ARM	
2	KK062439		BUSHING D25.4-D70X27	
3	KK078893		ARM	
4	KK011005		ROLL PIN	
5	KK078889		BUSHING D50.7-D60X74	
6	KK078962		MAIN FRAME REAR PS 100 5&6 FURROW	
6	KK078966		MAIN FRAME REAR PS 115 5&6 FURROW	
6	KK078964		MAIN FRAME REAR PSRS.100.115 7.F	
6	KK078929		EXTENTION TUBE	
6	KK078930		EXTENTION TUBE	
7	KK062270		U-BOLT M20-SQ153-195	
8	KK078890		BRACKET	
8	KK078854		BRACKET	
9	KK078897		AXLE D50X182-D10.2X91	
10	KK032716		HEX BOLT M16X140	
11	KK079235		HOSEHOLDER TOWING TUBE	
12	KK078921		MAIN FRAME FRONT	
13	KK078849		SHIM FOR MAIN FRAME	
14	KK078956		CLAMPING PLATE FOR MAIN FRAME	
15	KK015835		NUT M20 H16	
16	KK032808		HEX BOLT M20X160 10.9 THREAD L=25	(Before 15.09.96)
16	KK032828		HEX BOLT M20X220	(From 15.09.96)
17	KK067079		ADJUST SCREW M24X90 W/NUT	
18	KK078891		BRACKET	
18	KK078894		BRACKET	
19	KK078867		BEARING FOR TURNING ARM ASS.	
20	KK029920		GREASE NIPPLE M8X1 STRAIGHT	
21	KK032808		HEX BOLT M20X160 10.9 THREAD L=25	
22	KK078880		TURNING ARM	
23	KK072607		SLIDE RAIL INNER 8H 20.5	
24	KK072606		SLIDE RAIL OUTER 8H 20.5	
25	KK029922		GREASE NIPPLE M8X1 90 DG	(Before 01.04.99)
25	KK029927		GREASE NIPPLE M8X1 45 DG	(From 01.04.99)
26	KK032882		HEX BOLT M20X80 12.9	
27	KK010700		PIN D12 NS 555	
28	KK061279		TRIANGLE NUT	(Before 12.08.94)
29	KK032840		HEX BOLT M20X40 10.9	(Before 12.08.94)
30	KK078858		BRACKET LOWER	(Berfore 12.08.94)
31	KK061278		THREADED PIECE	(Before 12.08.94)
32	KK032775		HEX BOLT M16X75 10.9	



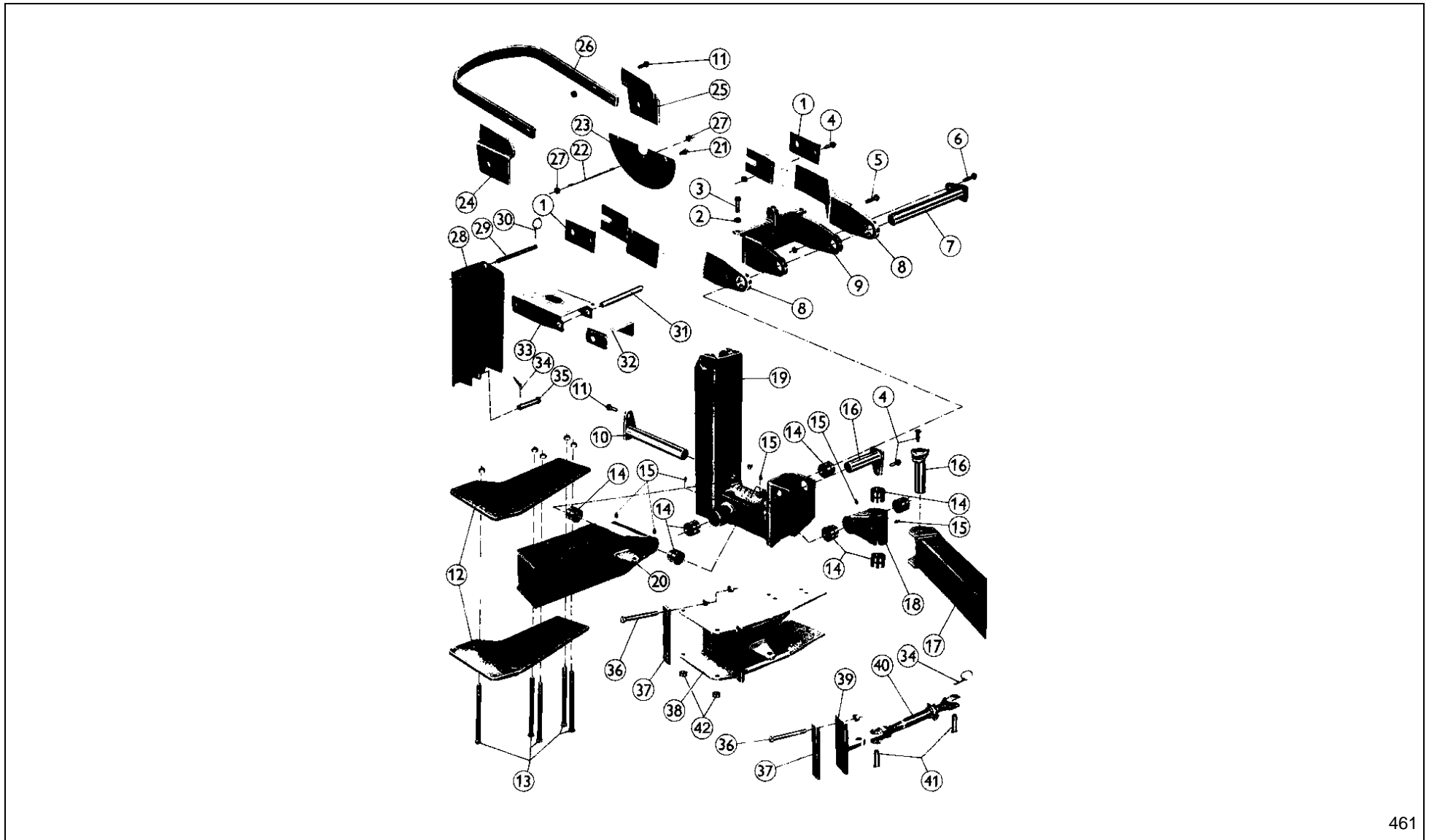
PS/RS / Front, rear parts

PosNo.	Part No.	Qty.	Description	Remark
33	KK012924		WASHER D16.5-D70X10	
34	KK078864		BRACKET FOR CYLINDER	
35	KK032755		HEX BOLT M16X55 10.9	
36	KK078950		FRONT SUPPORT	
37	KK078744		SLIDE BEARING W/FLANGE D17X45-D50/32	(Before 12.08.94)
37	KK078953		SLIDE BEARING W/FLANGE D17X45-D50/37	(From 12.08.94)
38	KK016025		LOCK NUT M16	
39	KK078925		MAIN FRAME PS 100 5 FURROW	
39	KK078926		MAIN FRAME PS 100 6 FURROW	
39	KK078927		MAIN FRAME PS 100 7 FURROW	
39	KK078935		MAIN FRAME PS 115 5 FURROW	
39	KK078936		MAIN FRAME PS 115 6 FURROW	
39	KK078937		MAIN FRAME PS 115 7 FURROW	
40	KK078857		SUPPORT UPPER	(Before 12.08.94)
41	KK010008		BUSHING D25.7-D35X10	
42	KK010319		BOLT W/ HEAD D25.3X120	
43	KK351140		SCREW M30X3.5 L THREADS	
44	KK351144		TUBE FOR TURNBUCLE M30X3.5 L340	
45	KK356131		COUNTER NUT ON TURNBUCKLE	
46	KK351139		SCREW M30X3.5 R THREADS	
47	KK010315		BOLT W/ HEAD D25.3X60	
48	KK078855		HOSE HOLDER	(From 01.06.92)
49	KK078888		DISC FOR BEARING	
50	KK012067		WELD BRACKET GALV.	
51	KK012068		PLASTIC PART TUBE CLAMP	
52	KK012069		COVER	
53	KK032345		HEX BOLT M6X45 PARTLY THREAD	
54	KK032818		HEX BOLT M20X180 10.9	(From 12.08.94)
55	KK078933		BRACKET	(From 12.08.94)
56	KK078759		INNER SUPPORT SPACER 4-6 FURROW	(From 12.08.94)
57	KK072167		PLATE WITH 2 HOLES	(From 12.08.94)
57	KK078755		PLATE FOR 4-6 FURROW	(From 12.08.94)
58	KK078709		CENTER PLATE PB 4-6 FURROW	(From 12.08.94)
59	KK079365		BUSHING D20XD38X40	
60	KK071256		2 BALLS M16X50	
61	KK061637		STEERING PLATE BEAM	
62	KK078860		BEAM HOLDER PS	
63	KK012998		WASHER D16.5-D50X10	
64	KK032752		HEX BOLT M16X50 12.9	
65	KK032745		HEX BOLT M16X45 10.9	



PS/RS / Front, rear parts

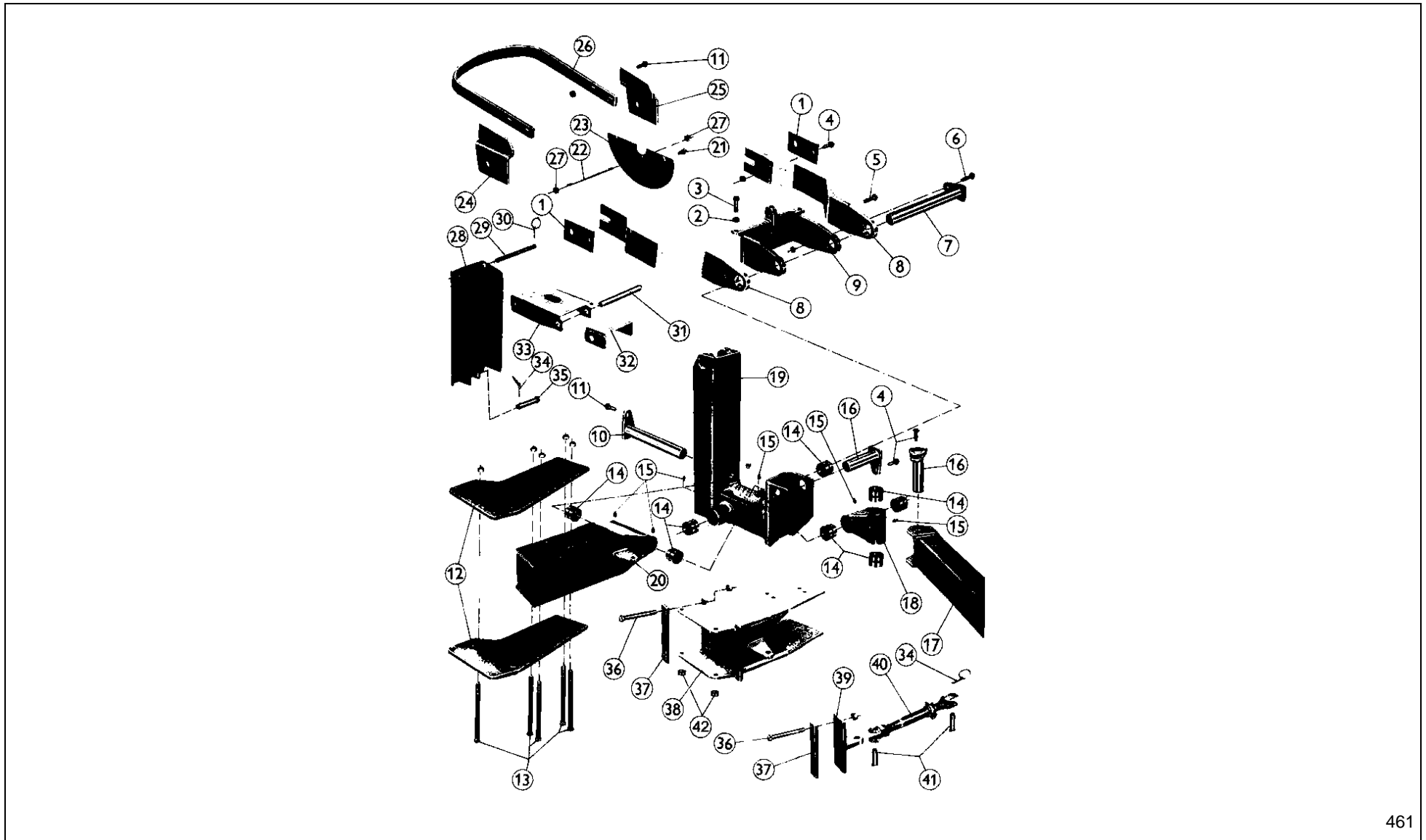
PosNo.	Part No.	Qty.	Description	Remark
66	KK035247		HEX BOLT M16X270 W/LOCK NUT	
67	KK032925		HEX BOLT M24X250 10.9	
68	KK071575		BEAM SUPPORT UPPER PLATE LD	
68	KK079780		LEG BRACKET W NOTCH UPPER RSRX	(for PS/RX ploughs only, from 01.06.96)
69	KK071576		BEAM SUPPORT LOWER PLATE LD	
69	KK079781		LEG BRACKET W NOTCH LOWER RSRX	(for PS/RX ploughs only, from 01.06.96)
70	KK061515		BUSHING D20.5-D28X35.2	
71	KK071417		BUSHING D34.5-D44.5X186	
72	KK032712		HEX BOLT M16 X 240 GALV	
73	KK072978		BEAM SUPPORT WITH/BALLD D16/D20	
74	KK032929		HEX BOLT M24X290 10.9	
75	KK079408		TUBE D34XD44X227	
76	KK071404		BUSHING D16.25-D30X41	(From 01.04.01)



PS/RS / Wheel support



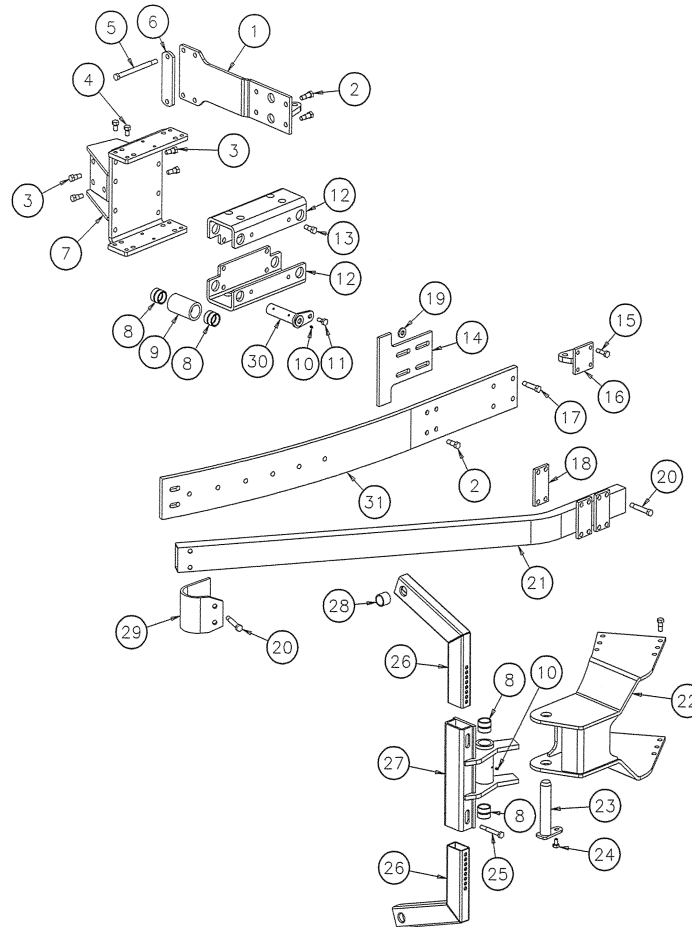
PosNo.	Part No.	Qty.	Description	Remark
1	KK078957		LOCKING PLATE	
2	KK015830		NUT M20	
3	KK067073		ADJUST SCREW M20X50	
4	KK032745		HEX BOLT M16X45 10.9	
5	KK032760		HEX BOLT M16X60 10.9	
6	KK032770		HEX BOLT M16X70 10.9	
7	KK078836		AXLE W/LOCKPLATE D50X437	
8	KK078875		DUAL CONTROL	(Before 08.03.93)
8	KK078958		WHEEL FORK	(From 08.03.93)
9	KK078825		FORK	
10	KK078828		AXLE W/LOCKPLATE D50X330	
11	KK032740		HEX BOLT M16X40 10.9	
12	KK078818		PLATE	(From 01.01.94)
13	KK032826		HEX BOLT M20 X260 THREAD L=25	
14	KK011682		SLIDE BEARING D50-D62X50	
15	KK029920		GREASE NIPPLE M8X1 STRAIGHT	
16	KK078838		AXLE W.LOCKPLATE D50X178-D17X75	
17	KK078962		MAIN FRAME REAR PS 100 5&6 FURROW	
17	KK078966		MAIN FRAME REAR PS 115 5&6 FURROW	
17	KK078964		MAIN FRAME REAR PSRS.100.115 7.F	
17	KK078929		EXTENTION TUBE	
17	KK078930		EXTENTION TUBE	
18	KK078844		UNIVERSAL JOINT ASSEMBLED	
19	KK078817		TOWER W/BUSHING	
20	KK078918		ADJUSTABLE ARM W/BUSHING	
21	KK032725		HEX BOLT M16X27 10.9	
22	KK078942		TIE BOLT	
23	KK078940		COVER PLATE FOR RIM	
24	KK078945		BRACKET FOR WHEEL SCRAPER RIGHT PS	
25	KK078944		BRACKET FOR WHEEL SCRAPER L	
26	KK078947		WHEEL SCRAPER 400X22.5	
27	KK015825		NUT M16	
28	KK078908		REAR COVER	
29	KK078846		AXLE 2 HOLES D16X228 PS	
30	KK010702		PIN D6 NS 555	
31	KK010413		BOLT D25.3-D12X210-D12	
32	KK078919		TOP COVER	
33	KK078904		TOP COVER	
34	KK010700		PIN D12 NS 555	(Before 01.08.97)
34	KK011020		ROLL PIN D12X40 NS5109 GALV.	(From 01.08.97)



PS/RS / Wheel support

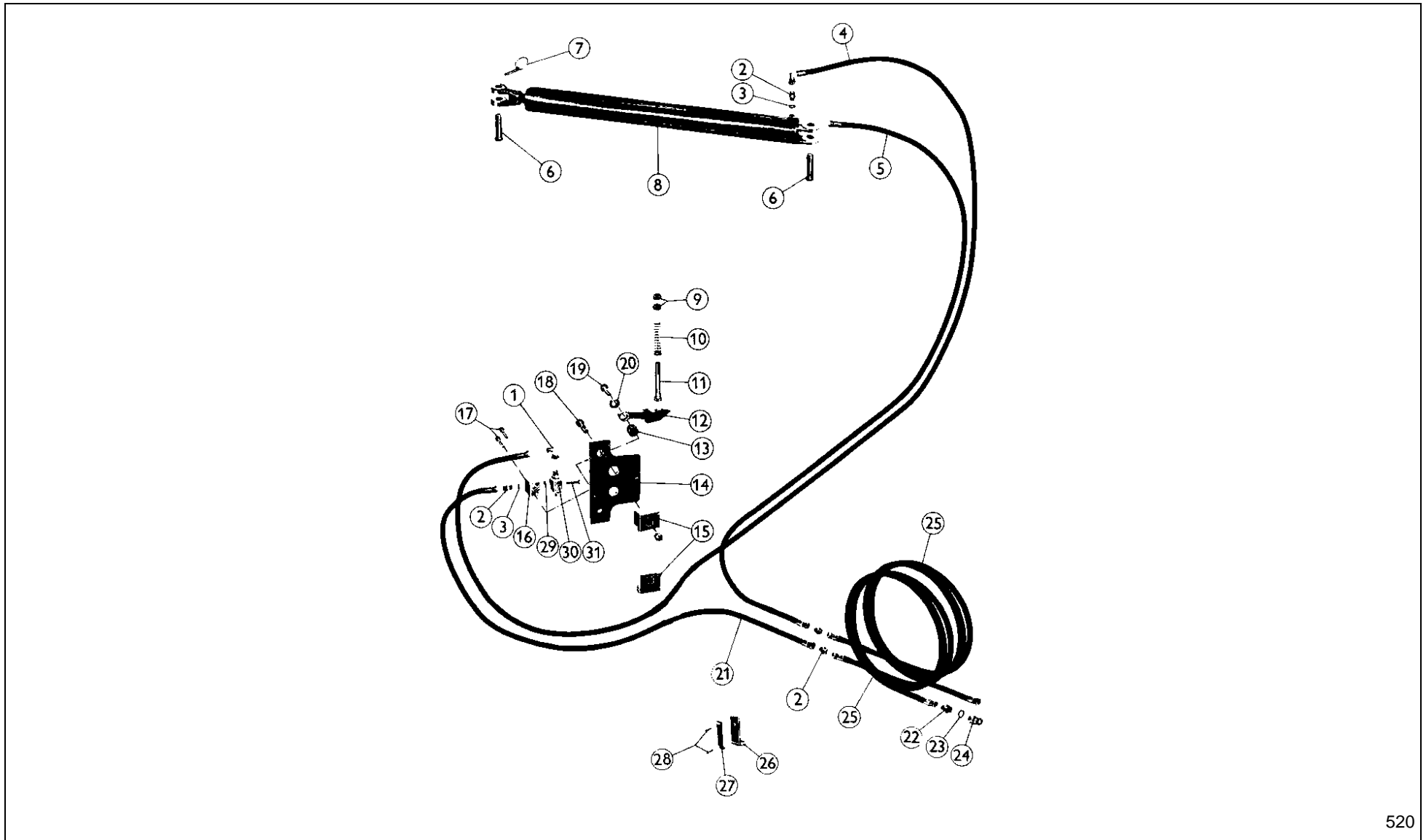


PosNo.	Part No.	Qty.	Description	Remark
35	KK010318		BOLT W/HEAD D25.3X103	
36	KK032813		HEX BOLT M20X170 10.9	(From 01.01.94)
37	KK079296		PLATE WITH 2 HOLES	(From 01.01.94)
38	KK079455		TURNING ARM ONLAND	(From 01.01.94)
39	KK079425		TURNBUCKLE BRACKET PS	(From 01.01.94)
40	KK361116		TURNBUCKLE 520-720	(520 - 720) (From 01.01.94)
41	KK010315		BOLT W/ HEAD D25.3X60	(From 01.01.94)
42	KK301223		CONE D20.5-D32X12	(From 01.03.97)



PS/RS / On-Land set (Before 01.08.98)

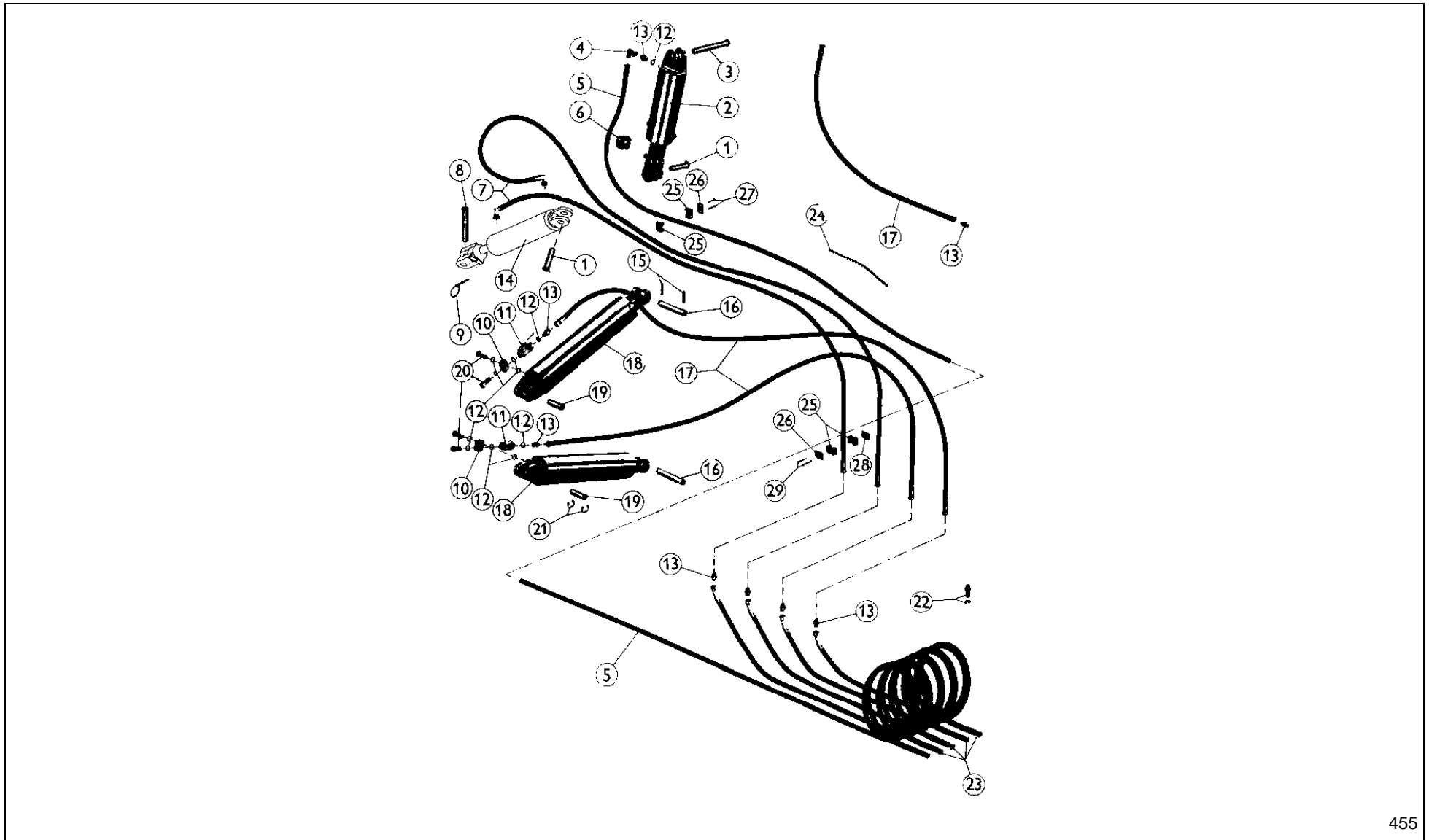
PosNo.	Part No.	Qty.	Description	Remark
1	KK079297		SYLINDER BRACKET PXRX ONLAND	
2	KK032855		HEX BOLT M20X55 10.9	
2	KK061279		TRIANGLE NUT	
3	KK032845		HEX BOLT M20X45 10.9	
4	KK032830		HEX BOLT M20X30 10.9	
5	KK032826		HEX BOLT M20 X260 THREAD L=25	
6	KK079296		PLATE WITH 2 HOLES	
7	KK079495		FRONT SUPPORT ONLAND	
8	KK011682		SLIDE BEARING D50-D62X50	
9	KK079288		ROLL WITH BUSHINGS	
10	KK029920		GREASE NIPPLE M8X1 STRAIGHT	
11	KK032740		HEX BOLT M16X40 10.9	
12	KK079284		FIX FOR ROLLS SLIDE	
13	KK032850		HEX BOLT M20X50 10.9	
14	KK079497		STOP FOR ROLLS 5 AND 6 FURROW	
14	KK079279		STOP PLATE FOR SLIDE ROLL	
15	KK032760		HEX BOLT M16X60 10.9	
16	KK079498		CYLINDER BRACKET TURNING ARM PXRX	
17	KK035162		HEX BOLT M20X90 W/ FLANGE NUT	
18	KK079273		PLATE	
19	KK012968		WASHER D21XD45 7.5 GALV.	
20	KK032805		HEX BOLT M20X120 10.9	
21	KK079385		SUPPORT FOR SLIDE PXRX 115 5 FU ONL	
21	KK079378		SUPPORT FOR SLIDE PXRX 100 8 FU ONL	
21	KK079346		SUPPORT FOR SLIDE 5X100 PXRX	(for PX/RX-100 only) (From 28.11.97)
22	KK079306		BRACKET FOR DEPTH WHEEL FRONT PX/RX	
23	KK079493		AKSEL W LOCK PLATE D50X258	
24	KK032725		HEX BOLT M16X27 10.9	
25	KK032706		HEX BOLT M16X130	
26	KK079325		ARM WE DEPTH WHEEL FRONT ON-LAND	
27	KK079328		FIX FOR ARMS SUPPORT WHEEL FR ONL	
28	KK064073		BUSHING D45-D55X45	
29	KK079381		HOSE PROTECTION	
30	KK079285		AXLE WITH LOCK PLATE D50X185	
31	KK079367		SLIDE PXRX 5 AND 6 FURROW ONLAND	
31	KK079368		SLIDE PXRX 7 AND 8 FURROW ONLAND	
31	KK079345		SLIDE PXRX ONLAND	(for PX/RX-100 only) (From 28.11.97)



PS/RS / Hydraulics On-Land set (Before 01.08.98)

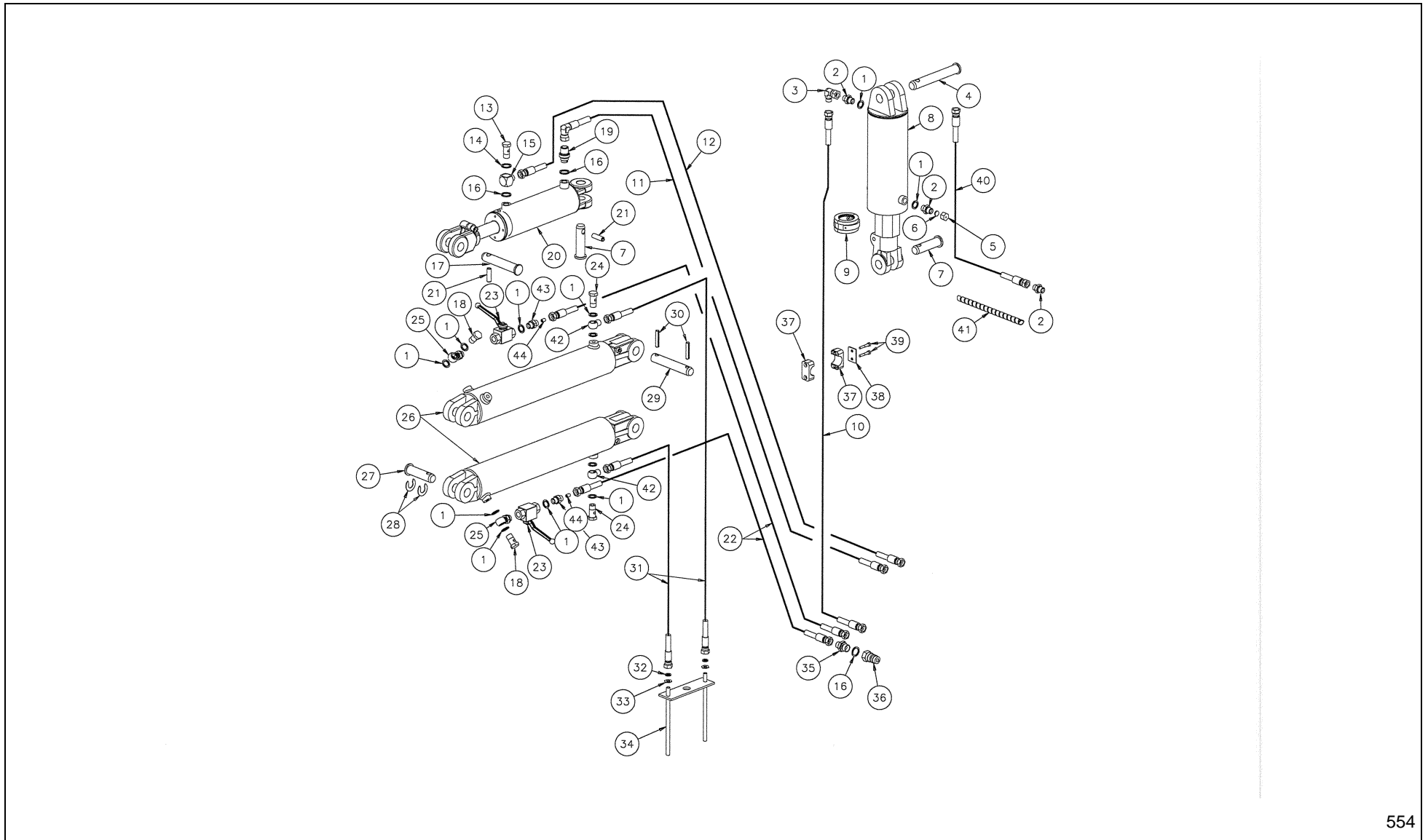


PosNo.	Part No.	Qty.	Description	Remark
1	KK012056		90 DEG MALE-FEMALE G3/8 ADAPTOR	
2	KK012261		COUPLING 3/8-3/8	
3	KK011585		SEAL RING R 3/8(INNER D17)	
4	KK012779		HOSE 3/8X7000 R-SV/R-SV	
5	KK011532		HOSE 3/8X2250 R-SV/90-SV	
6	KK010328		BOLT W/HEAD D25.3X78	
7	KK010700		PIN D12 NS 555	(Before 01.08.97)
7	KK011020		ROLL PIN D12X40 NS5109 GALV.	(From 01.08.97)
8	KK352332		CYLINDER D80-D40X1160+900	(7 and 8 furrows) (see plate no. 552)
8	KK352333		CYLINDER D80-D40X950+690	(5 and 6 furrows) (see plate no. 552)
9	KK015830		NUT M20	
10	KK356042		PRESSURE SPRING D2.8-D23.8X125	
11	KK032811		HEX BOLT M20X130 10.9	
12	KK079375		ARM FOR CONTROL VALVE	(Before 01.08.94)
12	KK079468		ARM FOR CONTROL VALVE	(From 01.08.94)
13	KK079376		BUSHING W FLANGE D16XD38X38.5	
14	KK079370		PLATE FOR STOP	(Before 01.08.94)
14	KK079466		PLATE FOR STOP	(From 01.08.94)
15	KK079377		LOCK ANGLE FOR STOP	
16	KK012511		ADAPTER PLATE	(Before 01.08.94)
16	KK079469		ADAPTER FOR VALVE 012510	(From 01.08.94)
17	KK032670		HEX BOLT M12X70 8.8	
18	KK032870		HEX BOLT M20X70 10.9	
19	KK032755		HEX BOLT M16X55 10.9	
20	KK012922		WASHER D17-D40X4.58	
21	KK011512		HOSE 3/8X4500 R-SV/R-SV	
22	KK012060		COUPLING 3/8-1/2 U/INNER	
23	KK011565		SEAL RING R 1/2 (INNER D21)	
24	KK012114		QUICK COUPLING PLUG NONBLOCKING	
25	KK012795		HOSE 3/8X2500 R-SV/R-SV	
26	KK061940		BRACKET FOR 6 HOSES H=70	
27	KK012710		CLAMP FOR 6X1/4-HOSES	
28	KK033325		HEX BOLT M6X25 GALV.	
29	KK011766		O-RING D9.3X2.4 70 SHORE	
30	KK012510		STOP VALVE 3/8	
31	KK032445		HEX BOLT M8 X 45	(Before 01.08.94)
31	KK032470		HEX BOLT M8X70	(From 01.08.94)



PS/RS / Hydraulics (Before 01.08.93)

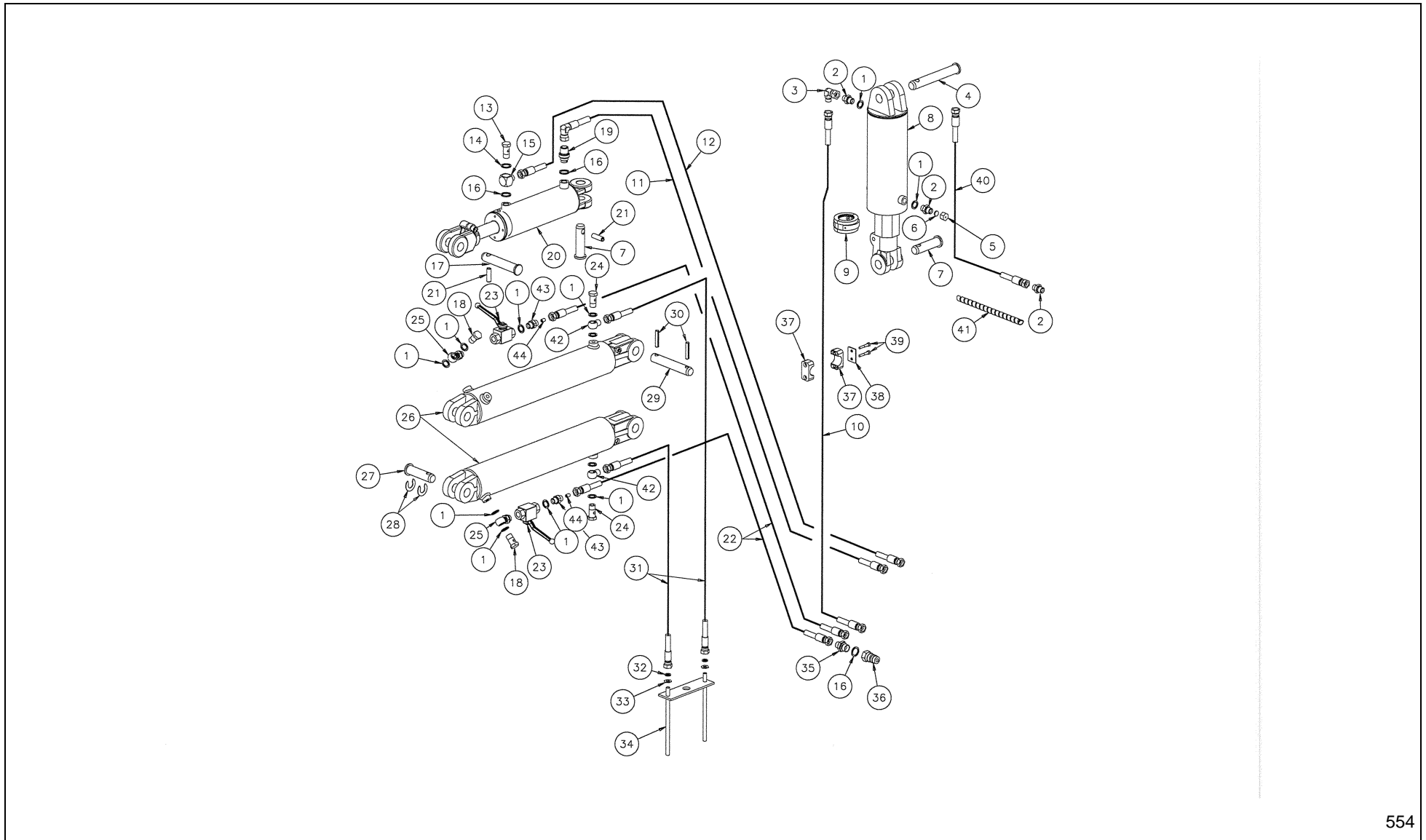
PosNo.	Part No.	Qty.	Description	Remark
1	KK010328		BOLT W/HEAD D25.3X78	
2	KK352391		CYLINDER D100-D40X515+200	
3	KK010337		BOLT W/HEAD D25.3X180	
4	KK012056		90 DEG MALE-FEMALE G3/8 ADAPTOR	
5	KK012780		HOSE 3/8X8000 R-SV/R-SV	(5 + 6 furrows)
5	KK012781		HOSE 3/8X9000 R-SV/R-SV	(7 furrow)
6	KK352238		SPACER D70-D40X35 ALU	(Before 01.03.98)
6	KK352247		SPACER D70-D40X35	(From 01.03.98)
7	KK012210		HOSE 3/8X1050 R-SV/90-SV	
8	KK010319		BOLT W/ HEAD D25.3X120	
9	KK010700		PIN D12 NS 555	(Before 01.08.97)
9	KK011020		ROLL PIN D12X40 NS5109 GALV.	(From 01.08.97)
10	KK012724		COUPLING PIECE FOR R3/8 VALVE	
11	KK012723		VALVE R3/8 WITH HANDLE	
12	KK011585		SEAL RING R 3/8(INNER D17)	
13	KK012261		COUPLING 3/8-3/8	
14	KK352370		CYLINDER D75-D32X515+200	(Before 01.08.96) (see plate no. 1101)
14	KK353704		CYL. D75-D35X520+200	(From 01.08.96) (see plate no., 890)
15	KK011019		ROLL PIN D10 X 50 NS5109	
16	KK062516		BOLT D25.3-10.2X123-10.2	
17	KK012778		HOSE 3/8X1000 R-SV/R-SV	
18	KK352357		CYLINDER D100-D40X697+440	(Before 01.04.98) (see plate no. 1048)
18	KK353810		CYLINDER D100-D50X697+440	(From 01.04.98) (see plate no. 1049)
18	KK352384		CYLINDER D80-D40X700+440	(Before 01.04.98) (see plate no. 542)
18	KK353803		TURNOVER CYL. D80-D40X700+440	(From 01.04.98) (see plate no. 1047)
19	KK010472		BOLT WITH GROOVE D25X82	
20	KK012733		BANJO BOLT R3/8X42	
21	KK011270		CIRCLIP 19 NS 5145	
22	KK012707		BULKHEAD COUPLING 3/8 W.NUT	(Before 01.06.92)
23	KK012782		HOSE 3/8X3750 R-SV/45-SV	
24	KK011596		HOSE WRAPPER D12.5X250	
25	KK012068		PLASTIC PART TUBE CLAMP	
26	KK012069		COVER	
27	KK032335		HEX BOLT M6 X 35 PARTLY THREAD	
28	KK012067		WELD BRACKET GALV.	
29	KK032345		HEX BOLT M6X45 PARTLY THREAD	



PS/RS / Hydraulics (From 01.08.93)



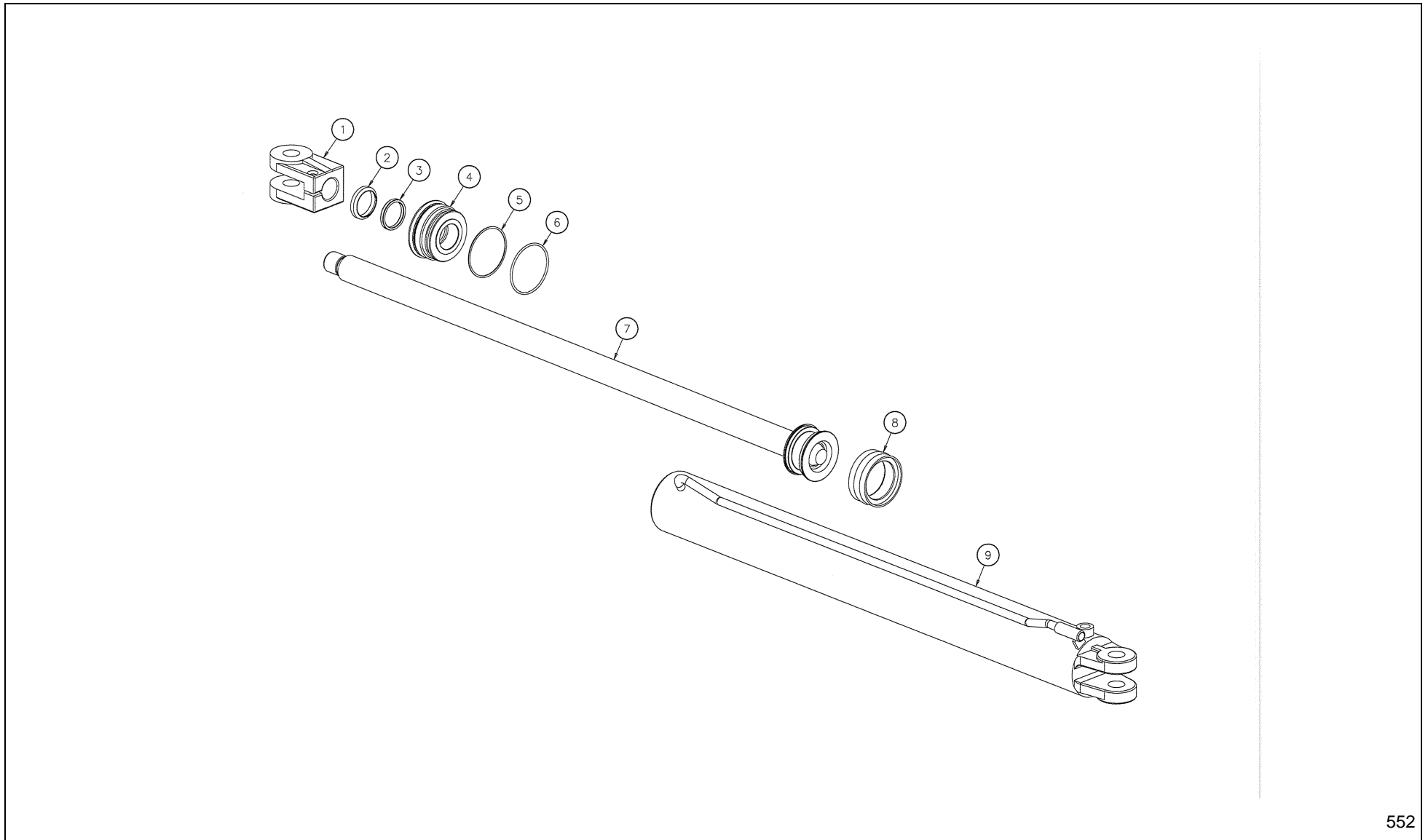
PosNo.	Part No.	Qty.	Description	Remark
1	KK011585		SEAL RING R 3/8(INNER D17)	
2	KK012261		COUPLING 3/8-3/8	
3	KK012056		90 DEG MALE-FEMALE G3/8 ADAPTOR	
4	KK010337		BOLT W/HEAD D25.3X180	
5	KK010960		BRASS FILTER SCREW 3/8 F.FLT. 14.5X3	
6	KK010961		BRASS FILTER R3/8-D14.5X3	
7	KK010328		BOLT W/HEAD D25.3X78	
8	KK353370		CYLINDER D100-D40X510+215	(see plate no. 1026) (Before 01.06.00)
8	KK353837		CYL D100-D40X520+200 W.STOP&BELLOW	(see plate no. 1129) (From 01.06.00)
9	KK352238		SPACER D70-D40X35 ALU	(Before 01.03.98)
9	KK352247		SPACER D70-D40X35	(From 01.03.98)
10	KK012780		HOSE 3/8X8000 R-SV/R-SV	(5 and 6 furrows)
10	KK012781		HOSE 3/8X9000 R-SV/R-SV	(7 furrow)
11	KK011523		HOSE 3/8X4500 R-SV/90-SV	
12	KK011512		HOSE 3/8X4500 R-SV/R-SV	
13	KK012146		BANJOBOLT 1/2 D1.0 RESTRICTOR	
14	KK012177		SEAL RING INNER D22	
15	KK012728		BANJO 1/2D21/D22-R3/8 60 GR	
16	KK011565		SEAL RING R 1/2 (INNER D21)	
17	KK010319		BOLT W/ HEAD D25.3X120	
18	KK012733		BANJO BOLT R3/8X42	(Before 01.03.00)
18	KK012059		BANJO BOLT G3/8X31	(From 01.03.00)
19	KK012102		COUPLING 3/8-1/2 D1	
20	KK352370		CYLINDER D75-D32X515+200	(Before 01.08.96) (see plate no. 1101)
20	KK353704		CYL. D75-D35X520+200	(From 01.08.96) (Before 01.04.01) (see plate no. 890)
20	KK353904		CYLINDER D75-D35X520+200	(From 01.04.01) (see plate no. 1195)
21	KK010700		PIN D12 NS 555	(Before 01.08.97)
21	KK011020		ROLL PIN D12X40 NS5109 GALV.	(From 01.08.97)
22	KK012796		HOSE 3/8X5000 R-SV/R-SV	
23	KK012723		VALVE R3/8 WITH HANDLE	
24	KK012733		BANJO BOLT R3/8X42	
25	KK012724		COUPLING PIECE FOR R3/8 VALVE	(Before 01.03.00)
25	KK012548		BANJO G3/8 WITH ADJUSTABLE END	(From 01.03.00)
26	KK352357		CYLINDER D100-D40X697+440	(Before 01.04.98) (see plate no. 1048)
26	KK353810		CYLINDER D100-D50X697+440	(From 01.04.98) (see plate no. 1049)
26	KK352384		CYLINDER D80-D40X700+440	(Before 01.04.98) (see plate no. 542)
26	KK353803		TURNOVER CYL. D80-D40X700+440	(From 01.04.98) (see plate no. 1047)
26	KK353832		TURNOVER CYL. D80-D40X700+440	(From 01.09.00) (see plate no. 1144)
27	KK010472		BOLT WITH GROOVE D25X82	
28	KK011270		CIRCLIP 19 NS 5145	



PS/RS / Hydraulics (From 01.08.93)



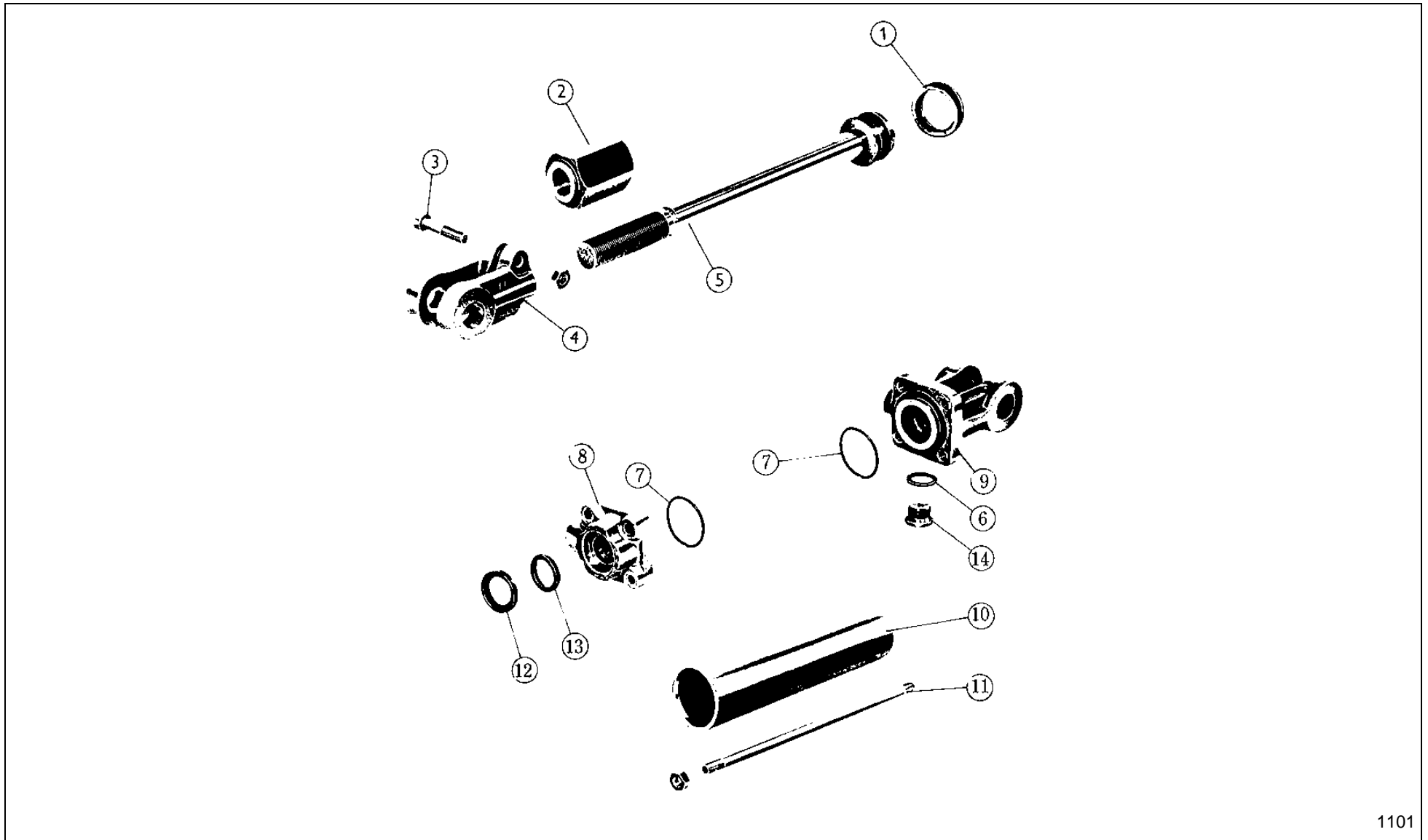
PosNo.	Part No.	Qty.	Description	Remark
29	KK062516		BOLT D25.3-10.2X123-10.2	
30	KK011019		ROLL PIN D10 X 50 NS5109	
31	KK012351		HOSE 1/4X850 RK10-3/8 BANJO	
32	KK012266		CUTTING RINGFOR D10 TUBE	
33	KK012263		NUT FOR D10 TUBE M16X1.5	
34	KK079110		PLATE WITH TUBE	
35	KK012060		COUPLING 3/8-1/2 U/INNER	
36	KK012114		QUICK COUPLING PLUG NONBLOCKING	
37	KK012068		PLASTIC PART TUBE CLAMP	
38	KK012069		COVER	
39	KK032335		HEX BOLT M6 X 35 PARTLY THREAD	
40	KK012778		HOSE 3/8X1000 R-SV/R-SV	
41	KK011596		HOSE WRAPPER D12.5X250	
42	KK012062		BANJO G3/8- SHORT-H=17	
43	KK011579		COUPLING 3/8-3/8 WITH M8 INNER	
44	KK012142		RESTRICTOR NIPLE D3.0-M8X12	



PS/RS / Cylinders On-land



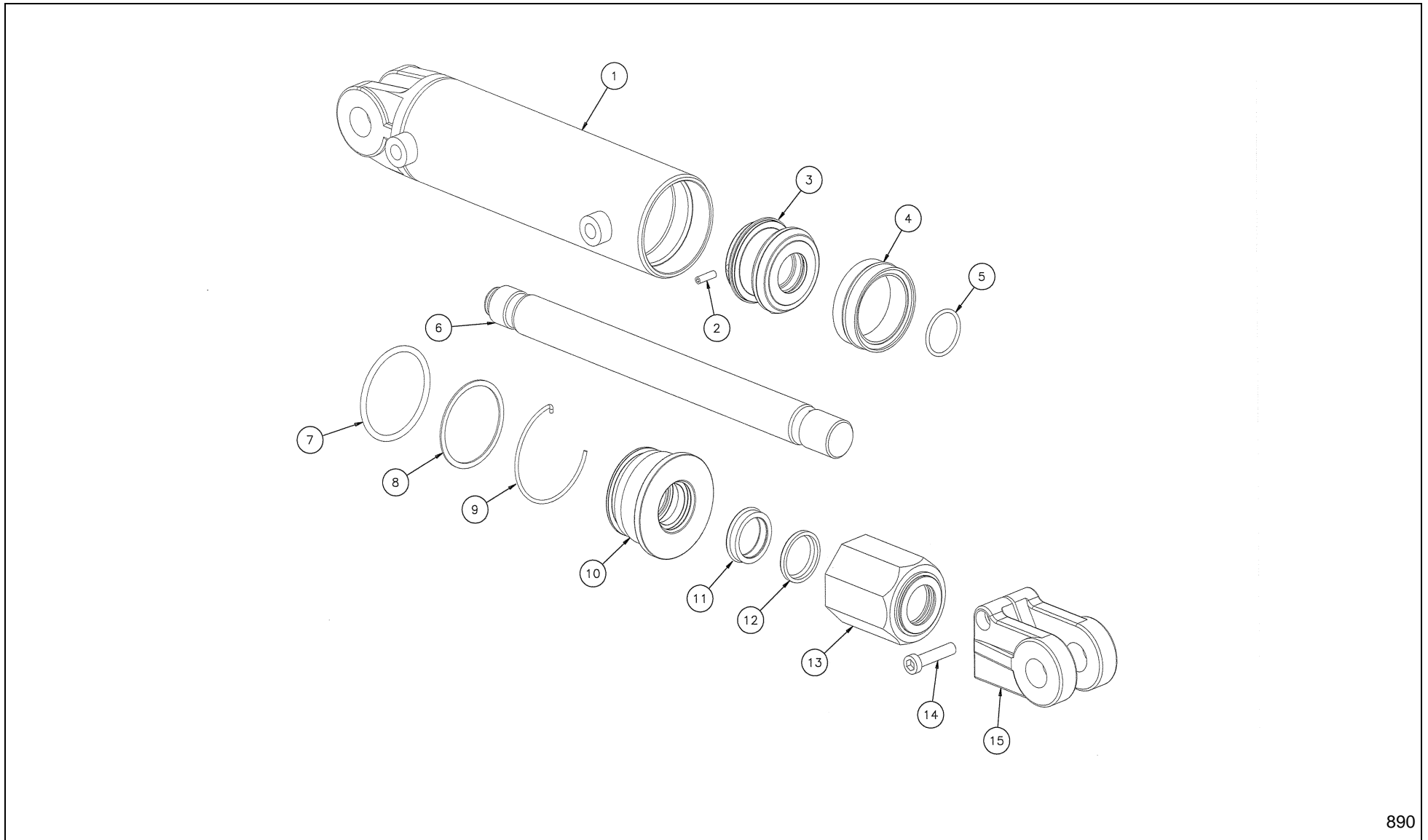
PosNo.	Part No.	Qty.	Description	Remark
1	KK352197		CLEVIS	
2	KK011912		SCRAPER AS 40X50X7-10	
3	KK011951		PISTON ROD PACKING 40X48X6	
4	KK353356		FRONT COVER D80	
5	KK011876		SUPPORT RING 75X2.5X1.3	
6	KK011824		O-RING D74.5X3	
7	KK352318		PISTON ROD D40X900	(for cylinder KK 35 23 32)
7	KK352339		PISTON ROD D40X690	(for cylinder KK 35 23 33)
8	KK011918		PISTON ROD PACKING D60-D80X22.4	
9	KK352317		CYLINDER TUBE D80X900	(for cylinder KK 35 23 32)
9	KK352319		CYLINDER TUBE D80X960	(for cylinder KK 35 23 33)
Not ill.	KK352332		CYLINDER D80-D40X1160+900	
Not ill.	KK352333		CYLINDER D80-D40X950+690	
Not ill.	KK012026		SEAL KIT D40-D80	
Not ill.	KK060221		GLUE TUBE 3ML	



PS/RS / Cylinder D75x200 (Before 01.08.96)



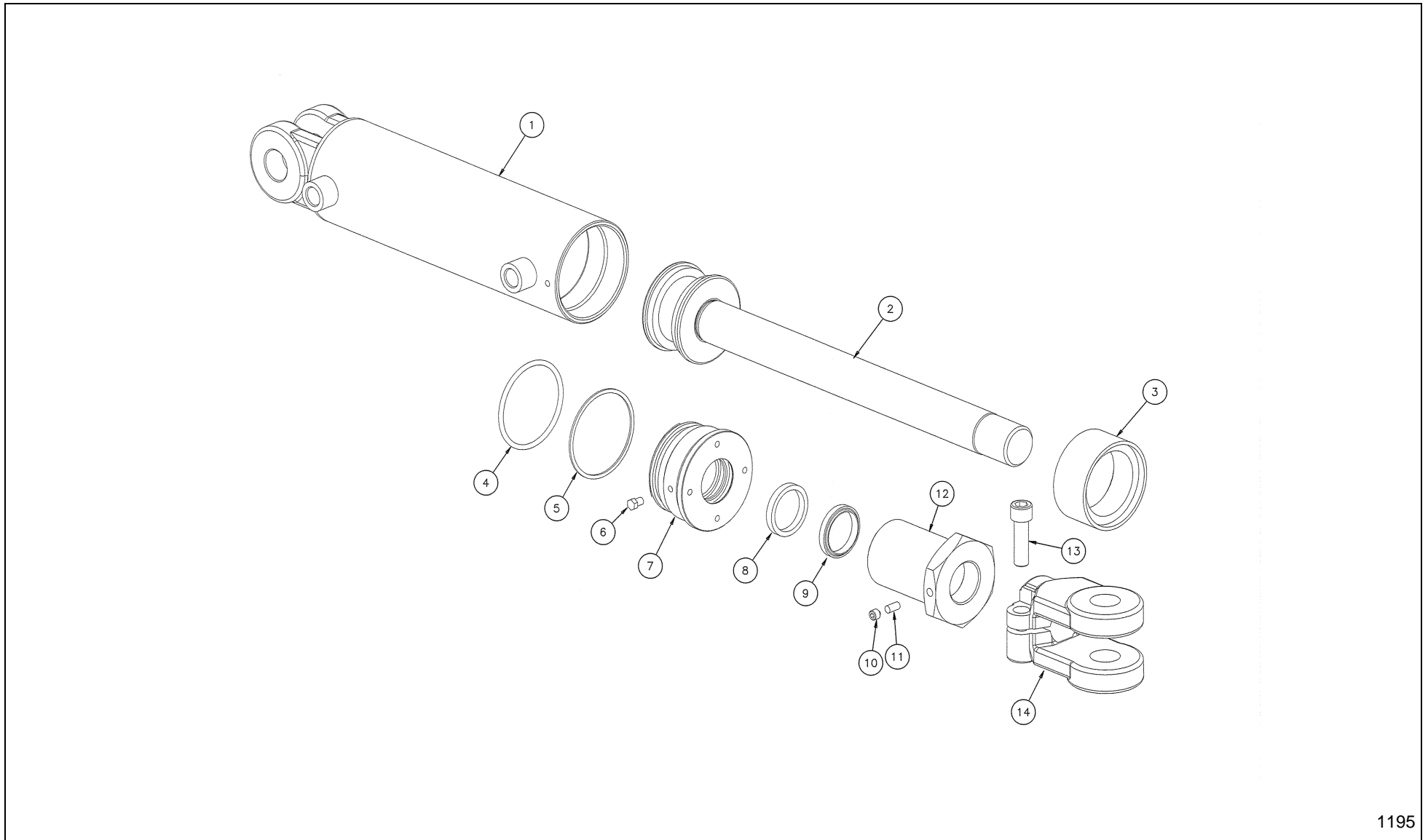
PosNo.	Part No.	Qty.	Description	Remark
1	KK011917		PISTON ROD PACKING D65-D75X11	
2	KK352298		ADJUSTANBLE NUT	
3	KK030450		HEX. SCREW M12X5	
4	KK352262		CLEVIS	
5	KK352267		PISTON W ROD D75-D32X200	
6	KK011565		SEAL RING R 1/2 (INNER D21)	
7	KK011802		O-RING D70X3 90 SHORE OR	
8	KK352257		FRONT COVER D75	
9	KK352161		BACK COVER W CLEVIS D75	
10	KK352284		CYLINDER TUBE D75X200	
11	KK352292		TIE ROD M12X294	
12	KK011910		SCRAPER 32X45X7-10	
13	KK011953		PISTON ROD PACKING 32X40X6	
14	KK011594		PLUG R1/2 W.FLANGE INNER 6SQ	
Not ill.	KK011947		SEAL KIT D75	
Not ill.	KK352370		CYLINDER D75-D32X515+200	
Not ill.	KK352371		CYLINDER D75-D32X515+200	



PS/RS / Cylinder D75x200 (353704 - 353707)



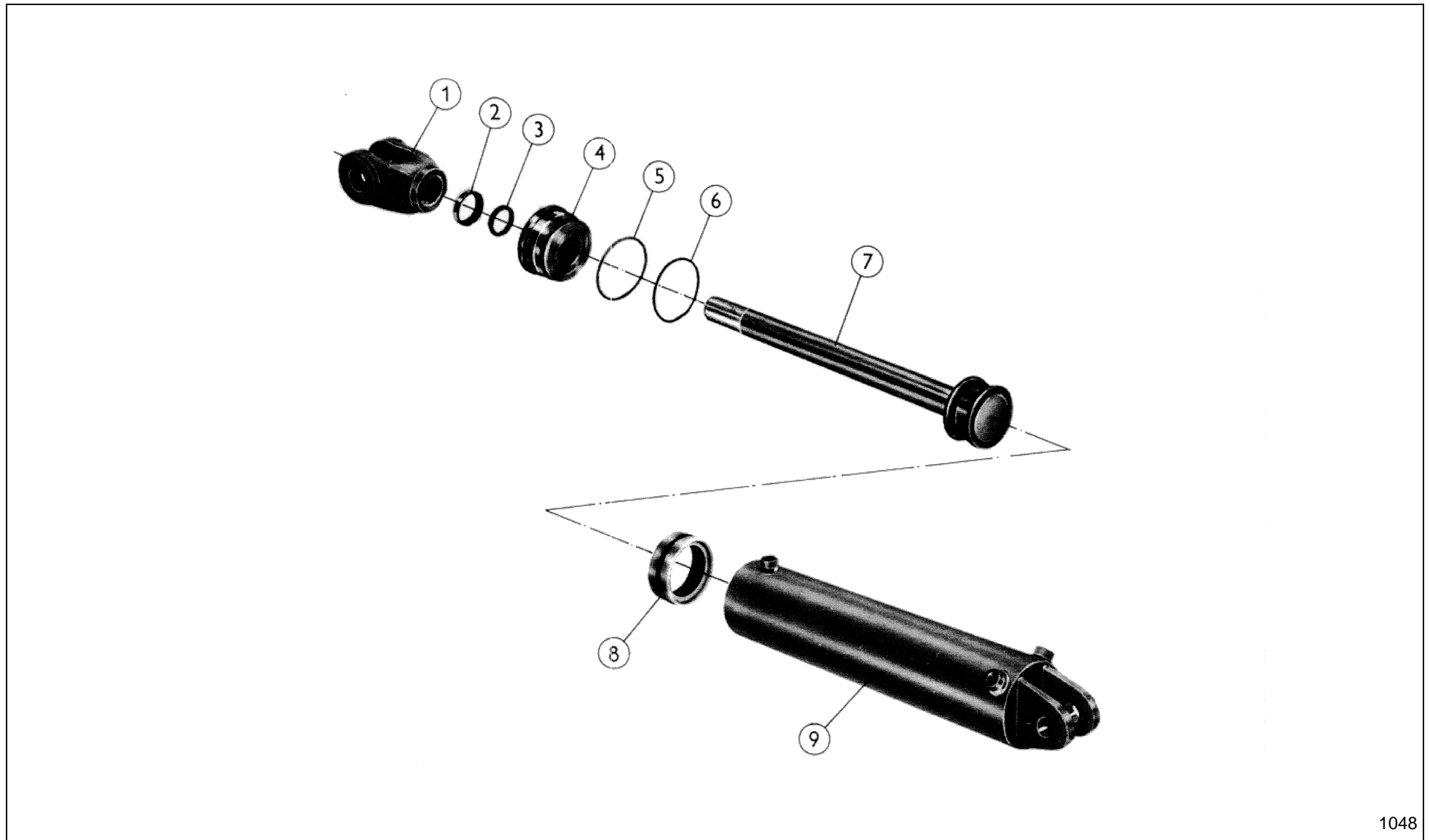
PosNo.	Part No.	Qty.	Description	Remark
1	KK353732		CYLINDER TUBE D75-D35	(cylinder D75 x 200 mm without stop) and 353705 (cylinder D75 x 200 mm w/stop)
1	KK353735		CYL. TUBE D75-D35 OFFSET 90 DEG.	(cylinder D75 x 200 mm w/90° twisted end cap)
1	KK353736		CYLINDER TUBE D75-D35	(cylinder D75 x 400 mm w/90° twisted end cap)
2	KK032006		CHEESE HEAD SCREW W/HEX HOLE M6X20	
3	KK353727		PISTON D75-D35	
4	KK011736		PISTON ROD PACKING KIT 75X59X20.5	
5	KK011737		O-RING D35X3 70 SHORE	
6	KK353744		ROD FOR D75-D35 CYL.	(cylinder D75 x 200 mm w/stop)
6	KK353743		ROD FOR D75-D35 CYL.	(cylinders D75 x 200 mm without stop)
6	KK353746		ROD FOR D75-D35 CYL.	(cylinder D75 x 400 mm w/twisted end cap)
7	KK011738		O-RING D2.625X3	
8	KK011743		SUPPORT RING 2.625X3 BS334 PTFE	
9	KK011746		RING 90X1.2	(Before 15.03.99)
9	KK353793		ROD CAP LOCK RING ON D75 CYL-82X3	(From 15.03.99)
10	KK353726		ROD CAP D75-D35	
11	KK011744		PISTON ROD PACKING 35X45X10	
12	KK011745		SCRAPER 35X43X7-4	
13	KK353745		STOP NUT ON D75-D35 CYL.	(cylinder D75 x 200 mm w/stop)
14	KK032016		CHEESE HEAD SCREW W/ HEX M10X45	
15	KK353728		CLEVIS M33X2 - D25.5 UNHARDENED	
Not ill.	KK353729		SEAL KIT D75	
Not ill.	KK353704		CYL. D75-D35X520+200	
Not ill.	KK353705		CYL.D75-D35X520+200 W.STOP NUT	
Not ill.	KK353706		CYL.D75-D35X520+200 OFFSET 90 DEG	
Not ill.	KK353707		CYL.D75-D35X665+400 OFFSET 90 DEG	



PS/RS / Cylinder D75x200 (353904 - 353906)



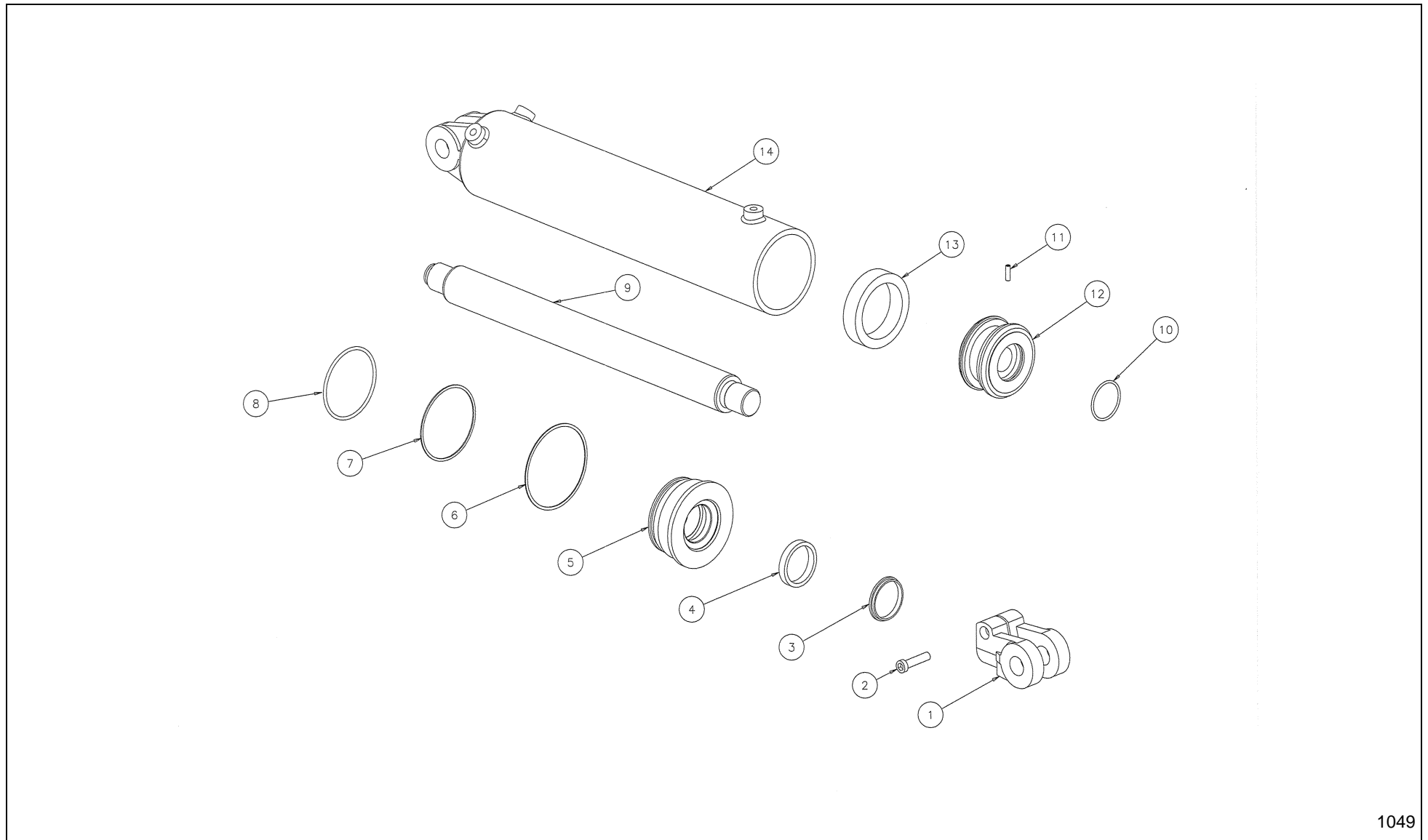
PosNo.	Part No.	Qty.	Description	Remark
1	KK353938		CYLINDER TUBE D75	(for cylinder KK 35 39 04 and KK 35 39 05)
1	KK353939		CYLINDER TUBE D75	(for cylinder KK 35 39 06)
2	KK353940		ROD D35 W.PISTON D75	(for cylinder KK 35 39 04 and KK 35 39 06)
2	KK353941		ROD D35 LONG THREAD W.PISTON D75	(for cylinder KK 35 39 05)
3	KK013093		PISTON PACKING D 20 WO 75-55-22.4	
4	KK013096		O-RING D67X4 80 SHORE	
5	KK013095		SUPPORT RING 75.5-69.3-1.5	
6	KK033306		HEX BOLT M6X8	
7	KK353927		ROD CAP D75-D35 W.SEAL	
8	KK013094		PISTON SEALING NI 300. 35-43-6	
9	KK013092		SCRAPER A 35X43X7-5	
10	KK032110		SET SCREW M8X8	(for cylinder KK 35 39 05)
11	KK353946		PLASTIC STOP	(for cylinder KK 35 39 05)
12	KK353945		STOP NUT CPL..	(for cylinder KK 35 39 05)
13	UH825640		CYLINDER SCREW M12X40-12.9	
14	KK353923		CLEVIS D25.5 FOR D35 ROD	
Not ill.	KK013087		SEAL KIT D35-D70	
Not ill.	KK353904		CYLINDER D75-D35X520+200	
Not ill.	KK353905		CYL. D75-D35X520+200 W. STOP NUT	
Not ill.	KK353906		CYL. D75-D35X520+200 OFFSET 90 DEG	



PS/RS / Cylinder D100x440 (turn-over) (Before 01.04.98)



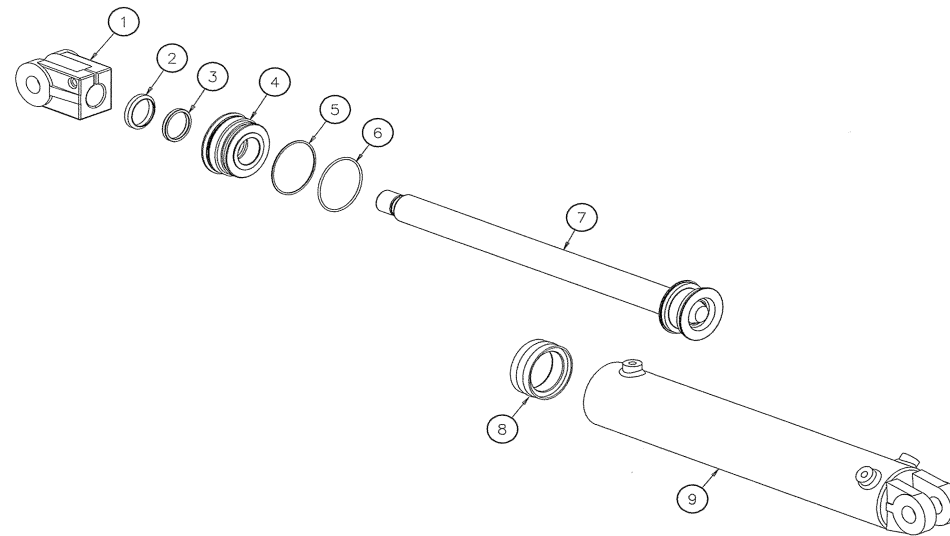
PosNo.	Part No.	Qty.	Description	Remark
1	KK352197		CLEVIS	
2	KK011912		SCRAPER AS 40X50X7-10	
3	KK011951		PISTON ROD PACKING 40X48X6	
4	KK353362		FRONT COVER D100	
5	KK011888		SUPPORT RING 95X2.5X1.3 PTFE	
6	KK011806		O-RING D94X3 70 SHORE OR	
7	KK353361		PISTON W ROD D100-D40X697+440	
8	KK011908		PISTON ROD PACKING D65-D100X22.4	
9	KK353360		CYLINDER TUBE D100X440	
Not ill.	KK352357		CYLINDER D100-D40X697+440	
Not ill.	KK012027		SEAL KIT D100	



PS/RS / Cylinder D100x440 (turn-over) (From 01.04.98)



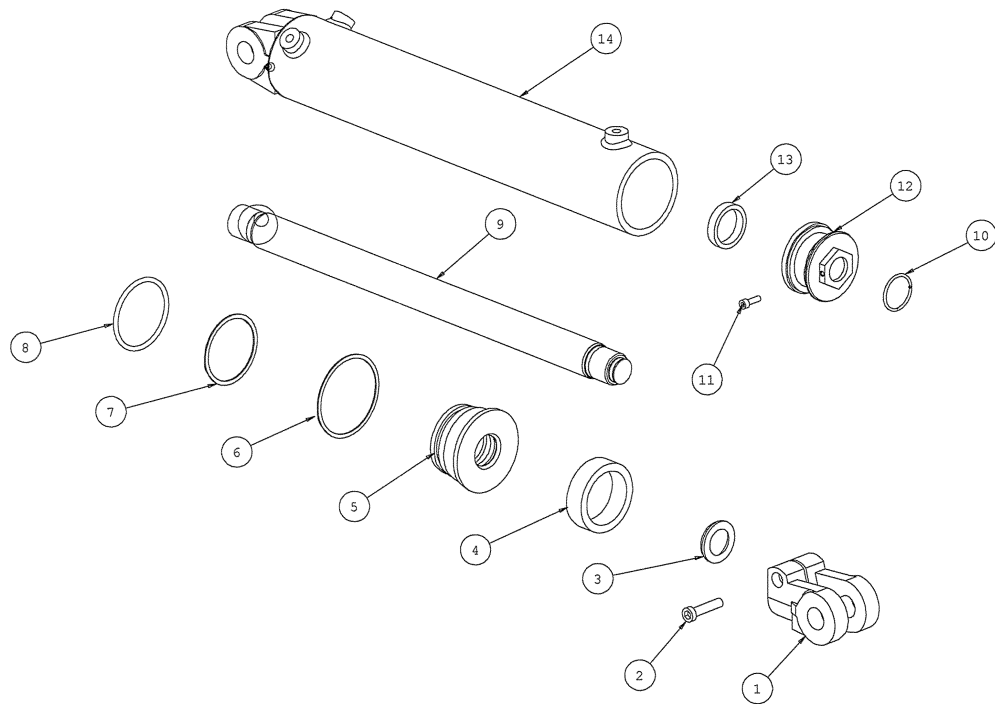
PosNo.	Part No.	Qty.	Description	Remark
1	KK353751		CLEVIS M36X2-D25.5 HARDENED	
2	KK032016		CHEESE HEAD SCREW W/ HEX M10X45	
3	KK011727		SCRAPER 50X58X7-4	
4	KK011725		PISTON ROD PACKING D50-D60X10	
5	KK353739		ROD CAP D100-D50	
6	KK011749		ALUMINIUM RING 107.5X1.2	
7	KK011724		SUPPORT RING D94.5-D101X1.5	
8	KK011719		O-RING D93X4	
9	KK353748		ROD FOR D100-D50 CYL.	
10	KK011718		O-RING D50X3	
11	KK032006		CHEESE HEAD SCREW W/HEX HOLE M6X20	
12	KK353749		PISTON D100	
13	KK011717		PISTON SEAL SET 100X75X22.4	
14	KK353738		CYLINDER TUBE D100	
Not ill.	KK013601		SEAL KIT D50-D100	
Not ill.	KK353810		CYLINDER D100-D50X697+440	



PS/RS / Cylinder D80x440 (turn-over) (Before 01.04.98)



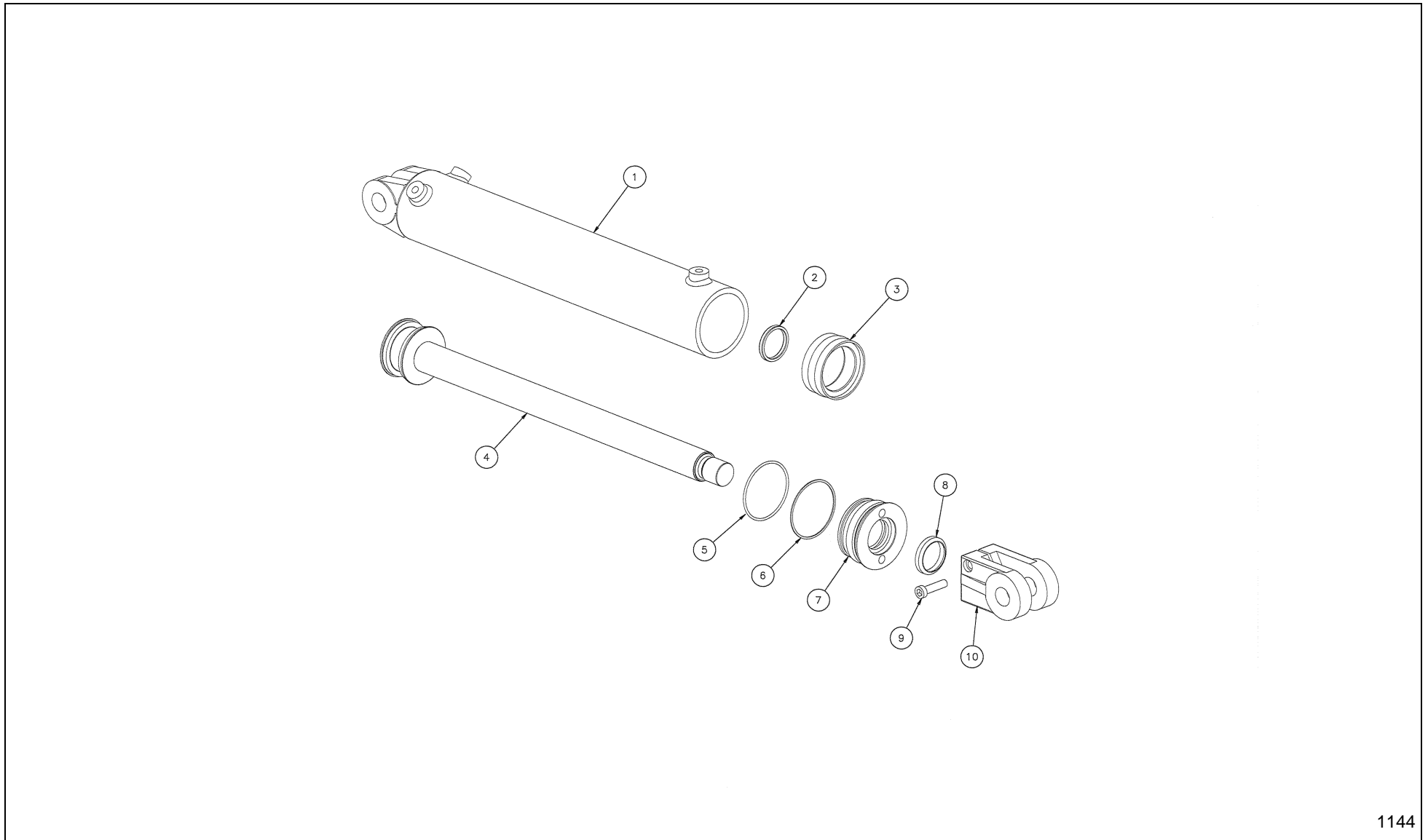
PosNo.	Part No.	Qty.	Description	Remark
1	KK352197		CLEVIS	
2	KK011912		SCRAPER AS 40X50X7-10	
3	KK011951		PISTON ROD PACKING 40X48X6	
4	KK353356		FRONT COVER D80	
5	KK011876		SUPPORT RING 75X2.5X1.3	
6	KK011824		O-RING D74.5X3	
7	KK353355		PISTON W ROD D80-D40X700+440	
8	KK011918		PISTON ROD PACKING D60-D80X22.4	
9	KK353354		CYLINDERTUBE D80X440	
Not ill.	KK352384		CYLINDER D80-D40X700+440	
Not ill.	KK012026		SEAL KIT D40-D80	



PS/RS / Cylinder D80x440 (turn-over) (From 01.04.98)



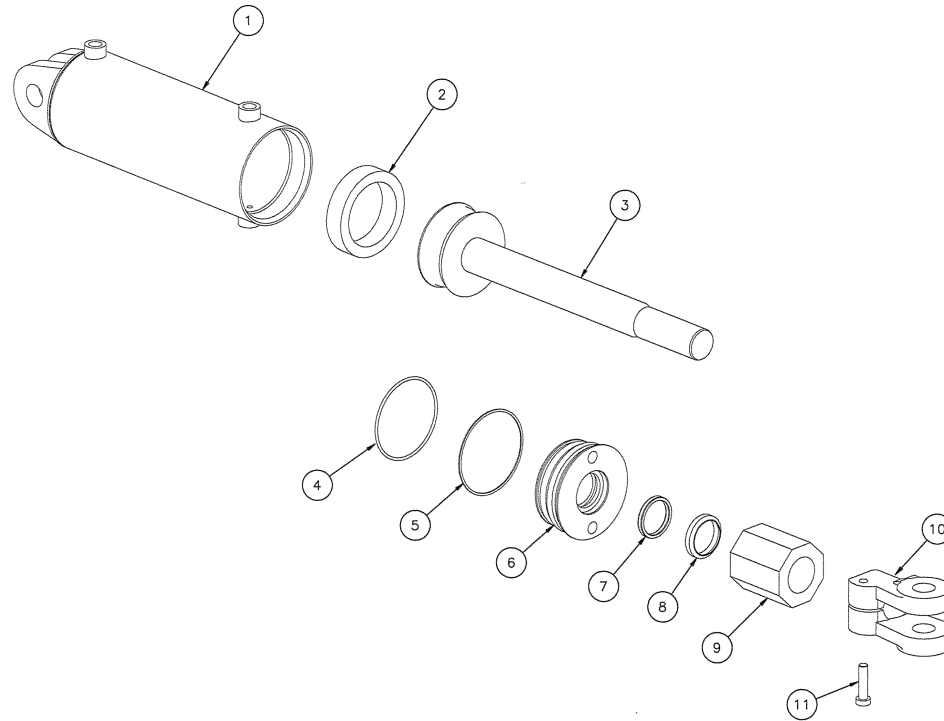
PosNo.	Part No.	Qty.	Description	Remark
1	KK353751		CLEVIS M36X2-D25.5 HARDENED	
2	KK032006		CHEESE HEAD SCREW W/HEX HOLE M6X20	
3	KK016514		SCRAPER 40X48X7-4 PU5	
4	KK016513		PISTON PACKING NI30040X50X10CFW	
5	KK353754		ROD CAP D80-D40	
6	KK016508		ALUMINIUM RING D95X1.2	
7	KK016512		SUPPORT RING 71.45X80.64X1.5	
8	KK016511		O-RING D2.75X3.125 BS335	
9	KK353760		ROD D40	
10	KK016510		O-RING D40X3 90 SHORE	
11	KK032016		CHEESE HEAD SCREW W/ HEX M10X45	
12	KK353755		PISTON D80	
13	KK016509		PISTON SEALING D80X62X22.5 L43	
14	KK353759		CYLINDER TUBE D80	
Not ill.	KK353761		CYLINDER TUBE D80	
Not ill.	KK353803		TURNOVER CYL. D80-D40X700+440	



PS/RS / Cylinder D80x440 (turn-over) (From 01.09.00)



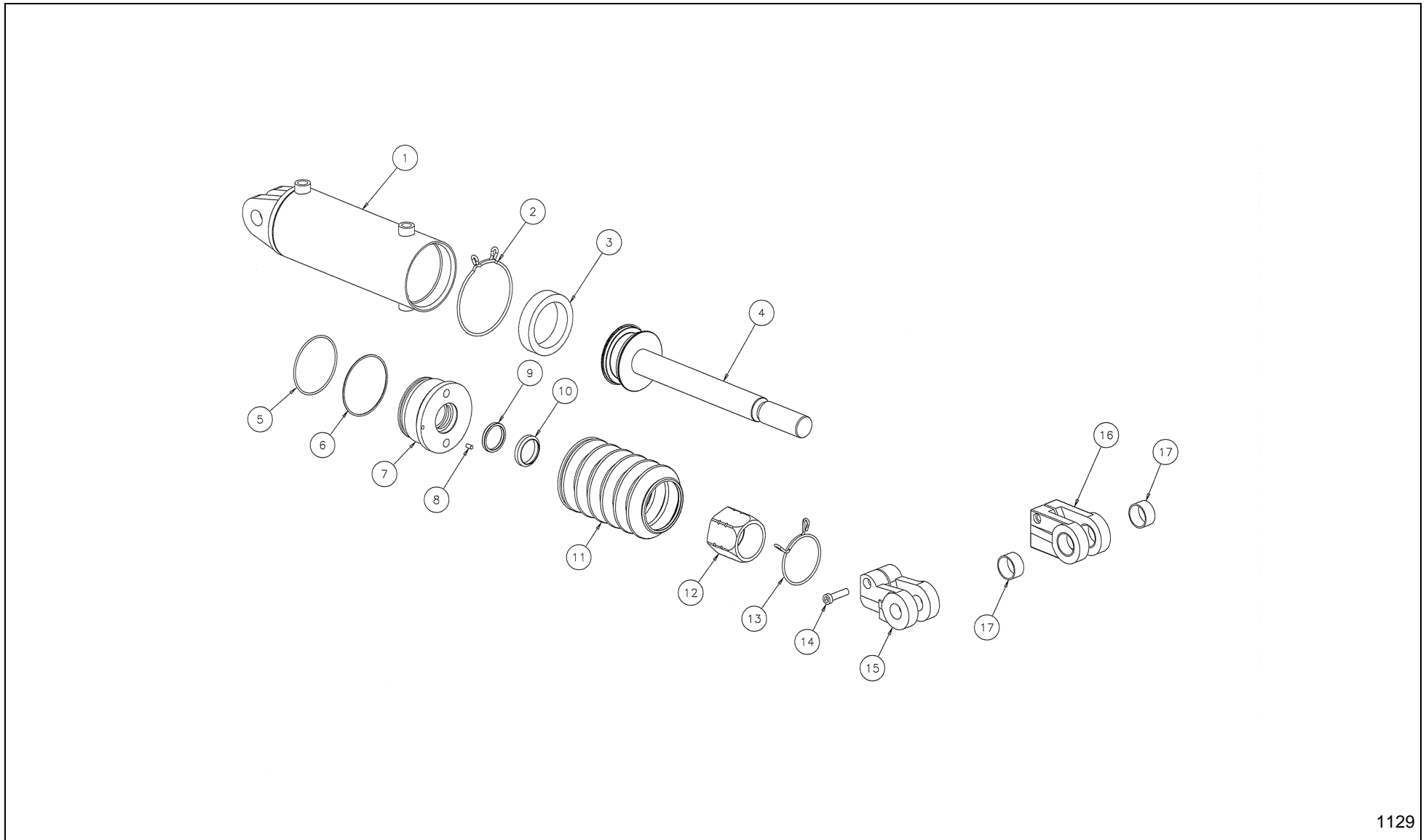
PosNo.	Part No.	Qty.	Description	Remark
1	KK353354		CYLINDERTUBE D80X440	
2	KK011951		PISTON ROD PACKING 40X48X6	
3	KK011918		PISTON ROD PACKING D60-D80X22.4	
4	KK353355		PISTON W ROD D80-D40X700+440	
5	KK011824		O-RING D74.5X3	
6	KK011876		SUPPORT RING 75X2.5X1.3	
7	KK353356		FRONT COVER D80	
8	KK011912		SCRAPER AS 40X50X7-10	
9	KK032040		CHEESE HEAD SCREW W.INNER HEX M10X40	
10	KK352197		CLEVIS	
Not ill.	KK012026		SEAL KIT D40-D80	
Not ill.	KK353832		TURNOVER CYL. D80-D40X700+440	



PS/RS / Cylinder D100x215 + stop (Before 01.06.00)



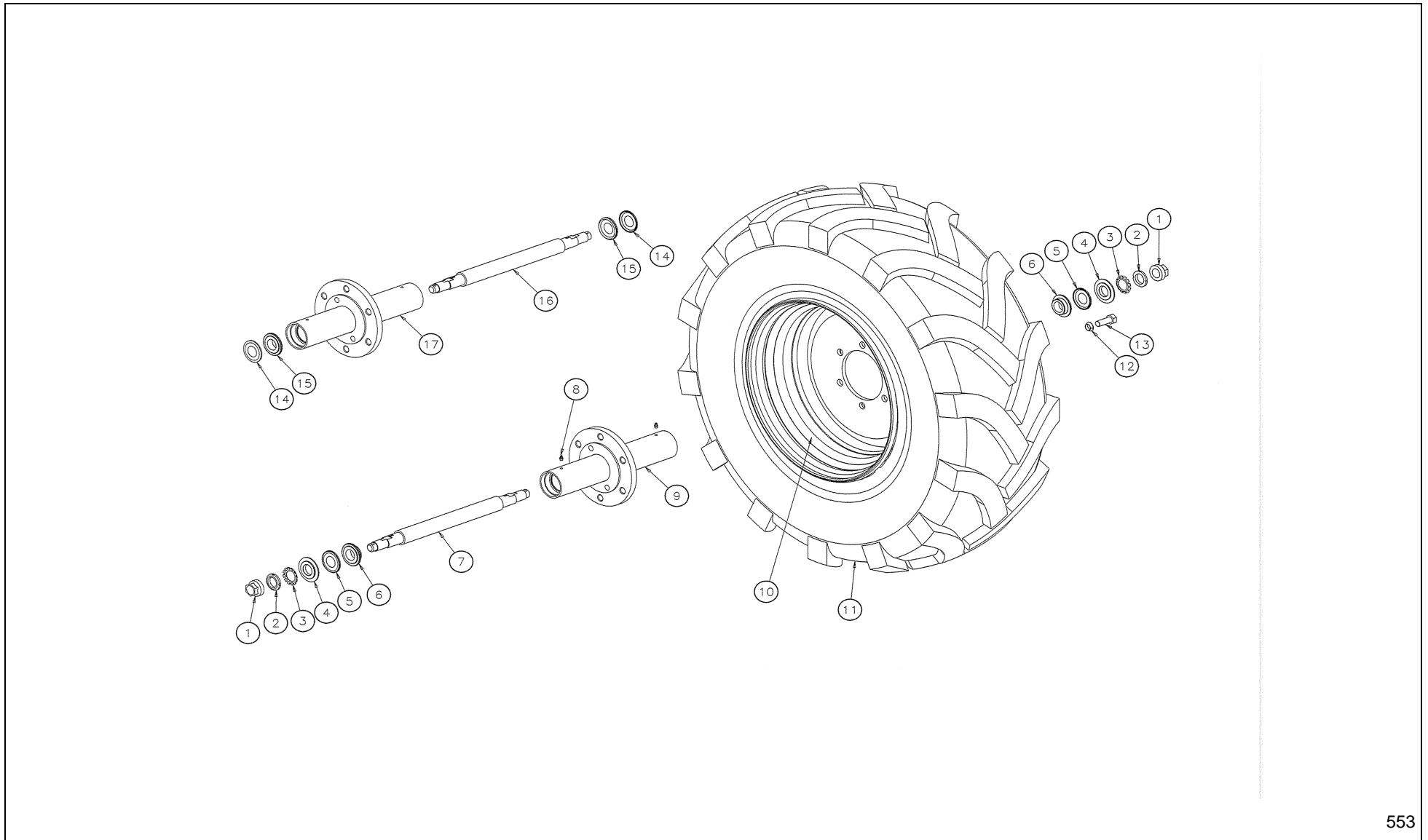
PosNo.	Part No.	Qty.	Description	Remark
1	KK353371		CYLINDER TUBE D100X215	
2	KK011908		PISTON ROD PACKING D65-D100X22.4	
3	KK353372		PISTON W ROD D100-D40X510+215	
4	KK011806		O-RING D94X3 70 SHORE OR	
5	KK011888		SUPPORT RING 95X2.5X1.3 PTFE	
6	KK353373		FRONTCOVER D100	
7	KK011951		PISTON ROD PACKING 40X48X6	
8	KK011912		SCRAPER AS 40X50X7-10	
9	KK352299		ADJUSTANBLE NUT	
10	KK353392		CLEVIS	
11	KK032040		CHEESE HEAD SCREW W.INNER HEX M10X40	
Not ill.	KK012027		SEAL KIT D100	
Not ill.	KK353370		CYLINDER D100-D40X510+215	



PS/RS / Cylinder D100x200 + stop (from 01.06.00)

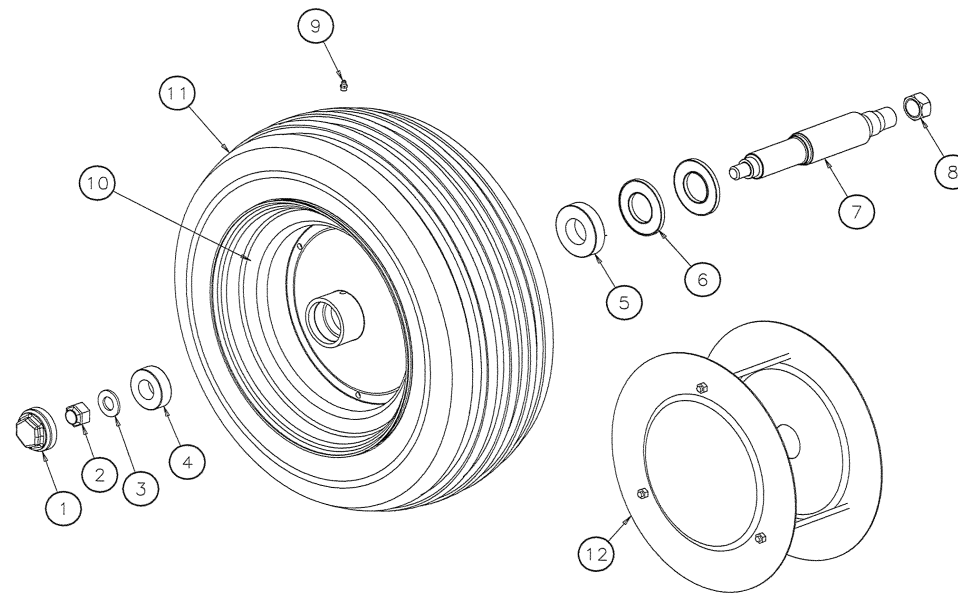


PosNo.	Part No.	Qty.	Description	Remark
1	KK353851		CYLINDER TUBE D100	
2	KK013597		THREAD CLAMP D110	
3	KK011908		PISTON ROD PACKING D65-D100X22.4	
4	KK353372		PISTON W ROD D100-D40X510+215	
5	KK011806		O-RING D94X3 70 SHORE OR	
6	KK011888		SUPPORT RING 95X2.5X1.3 PTFE	
7	KK353850		ROD CAP D100-D40	
8	KK032002		SET SCREW HEX HOLE M6X10	
9	KK011951		PISTON ROD PACKING 40X48X6	
10	KK011912		SCRAPER AS 40X50X7-10	
11	KK013595		BELLOW D80-D110	
12	KK353627		STOPPER M.RING F.BELLOW D100-D40	
13	KK013596		THREAD CLAMP D80	
14	KK032040		CHEESE HEAD SCREW W.INNER HEX M10X40	
15	KK353392		CLEVIS	
16	KK352774		CLEVIS D35 W GARMAX 2 X 011677-D35	
17	KK011677		BUSHING D35-D39X20 GARMAX	
Not ill.	KK013073		SEAL KIT D40-D100	
Not ill.	KK353837		CYL D100-D40X520+200 W.STOP&BELLOW	
Not ill.	KK353838		CYL.D100-D40X520+200 GARMAX&BELLOW	



PS/RS / Wheel

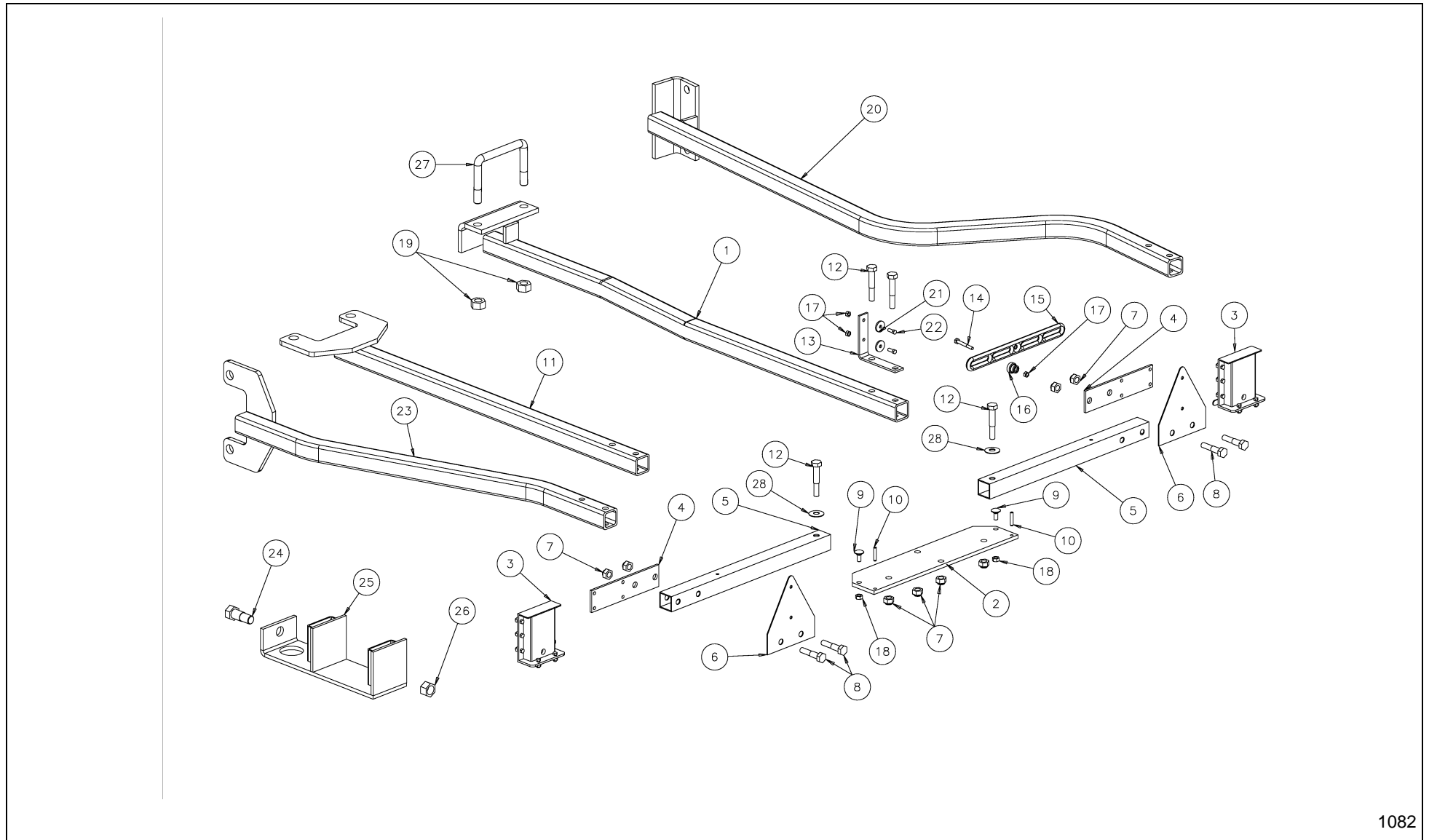
PosNo.	Part No.	Qty.	Description	Remark
1	KK016022		FLANGE NUT M30 10 KEY36	(Before 24.10.94)
1	KK016051		CROWN NUT M30 8 GALV.	(From 24.10.94)
1	KK016053		CROWN NUT M30X1.5 8 GALV.	(From 15.09.95)
1	KK029733		SPLIT PIN D6.3X63	(From 24.10.94)
2	KK010730		COLLAR NUT KM7	
3	KK010731		WASHER SKF MB7	
4	KK078932		WASHER/TRUST	(Before 01.12.01)
4	KK079416		SEALRING W RUBBER	(From 01.12.01)
5	KK010548		NILOS RING 30207 AV	
6	KK010746		ROLLER BEARING 30207	
7	KK078931		WHEEL AXLE	
8	KK029920		GREASE NIPPLE M8X1 STRAIGHT	(From 15.09.93)
9	KK078923		HJULNAV SV. PS	(From 15.09.93)
10	KK011370		RIM 400-22.5	
10	KK011344		RIM 13.00-15.5	
11	KK011368		TYRE 400/55-22.5 8-LAYER	
11	KK011416		WHEEL RUB.400X1514 PLY	
11	KK011342		TYRE 400X15.5 8 PLY	
11	KK011414		TYRE 400X22.5 14PLY	
11	KK011369		INNER TYRE 400-22.5	
11	KK011343		INNER TYRE FOR 400X15.5	
12	KK011163		CONICAL SPRING WASHER D18.5 DIN 74361 GA	
13	KK011162		HEX BOLT M18X50 COMP.THREADDIN 933 10.9	
14	KK078834		RING FOR WHEEL	(Before 15.09.93)
15	KK016207		BALL BEARING 6207-2RS	(Before 15.09.93)
16	KK078833		AXLE FOR HUB	(Before 15.09.93)
17	KK078830		HUB FOR WHEEL	(Before 15.09.93)
Not ill.	KK078835		HUB ASSEMBLED	(Before 15.09.93)
Not ill.	KK078922		HUB ASSEMBLED	(From 15.09.93)
Not ill.	KK078901		WHEEL 400 X 15.5, 8 PLY CPL.	
Not ill.	KK078906		WHEEL 400 X 15.5, 14 PLY CPL.	
Not ill.	KK078902		TYRE 400X22.5 8 PLY	
Not ill.	KK078907		WHEEL 400 X 22.5, 14 PLY CPL.	



PS/RS / Depth wheel On-Land (PS/RS before 01.08.98)

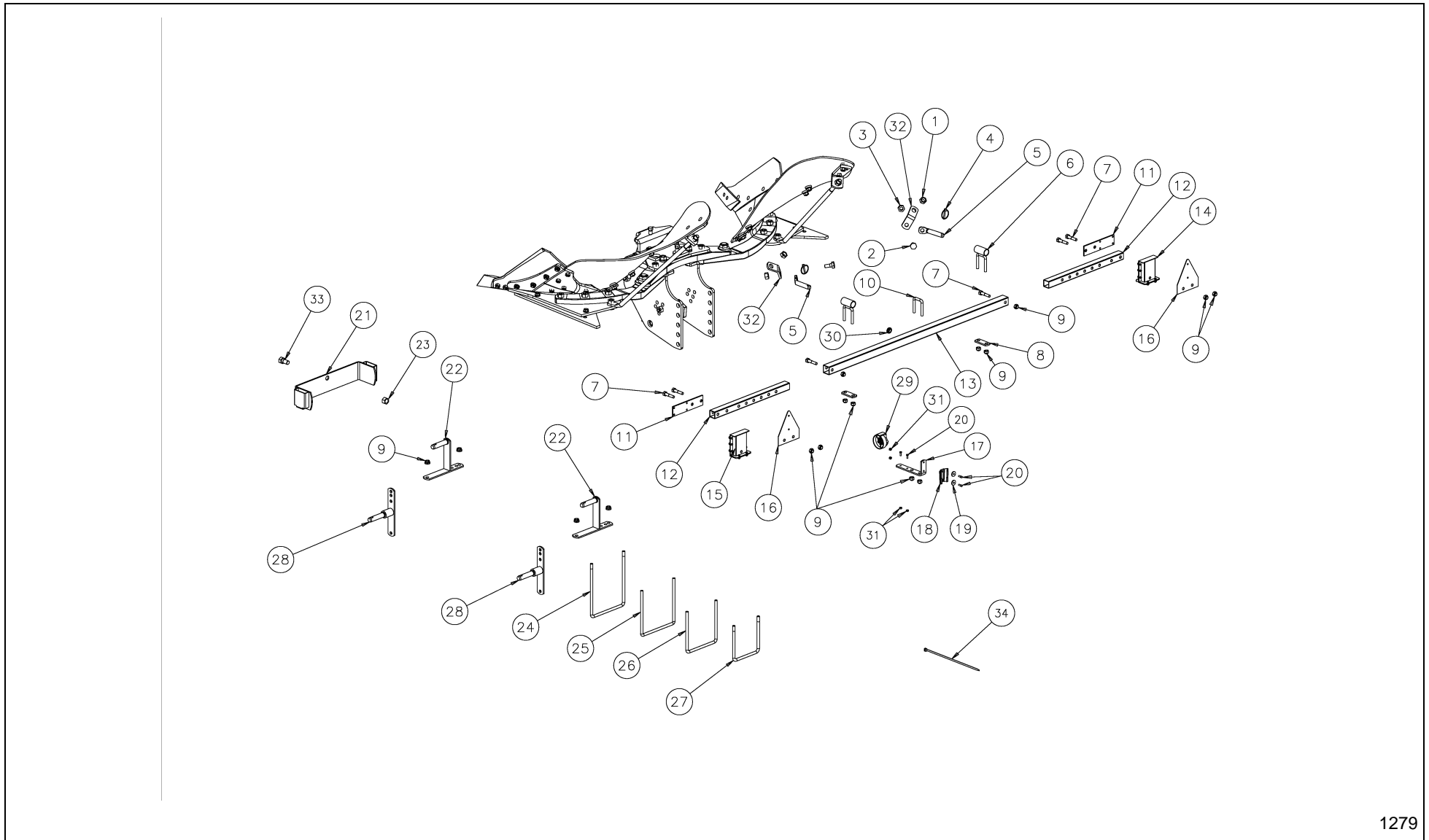


PosNo.	Part No.	Qty.	Description	Remark
1	KK011157		HUB CAP 62 MM FZB	
2	KK016000		LOCK NUT M20 H20 KEY30	
3	KK012934		WASHER D20.5-D40X3.4	
4	KK011200		BALL BEARING 6206	
5	KK010517		BALL-BEARING 6208	
6	KK011168		Z-LAMEL Z 209	
7	KK079434		AXLE FOR DEPTH WHEEL 200X14.5	
8	KK016037		CONE NUT M30 60 DG.	
9	KK029920		GREASE NIPPLE M8X1 STRAIGHT	
10	KK011379		RIM W/CENTRE 6.75X14.5	
11	KK011303		TYRE LP 200X14.5/10-448	
12	KK011401		COVER KIT FOR (200X14.5) *DK	
Not ill.	KK011425		WHEEL 200X14.5 W/AXLE	



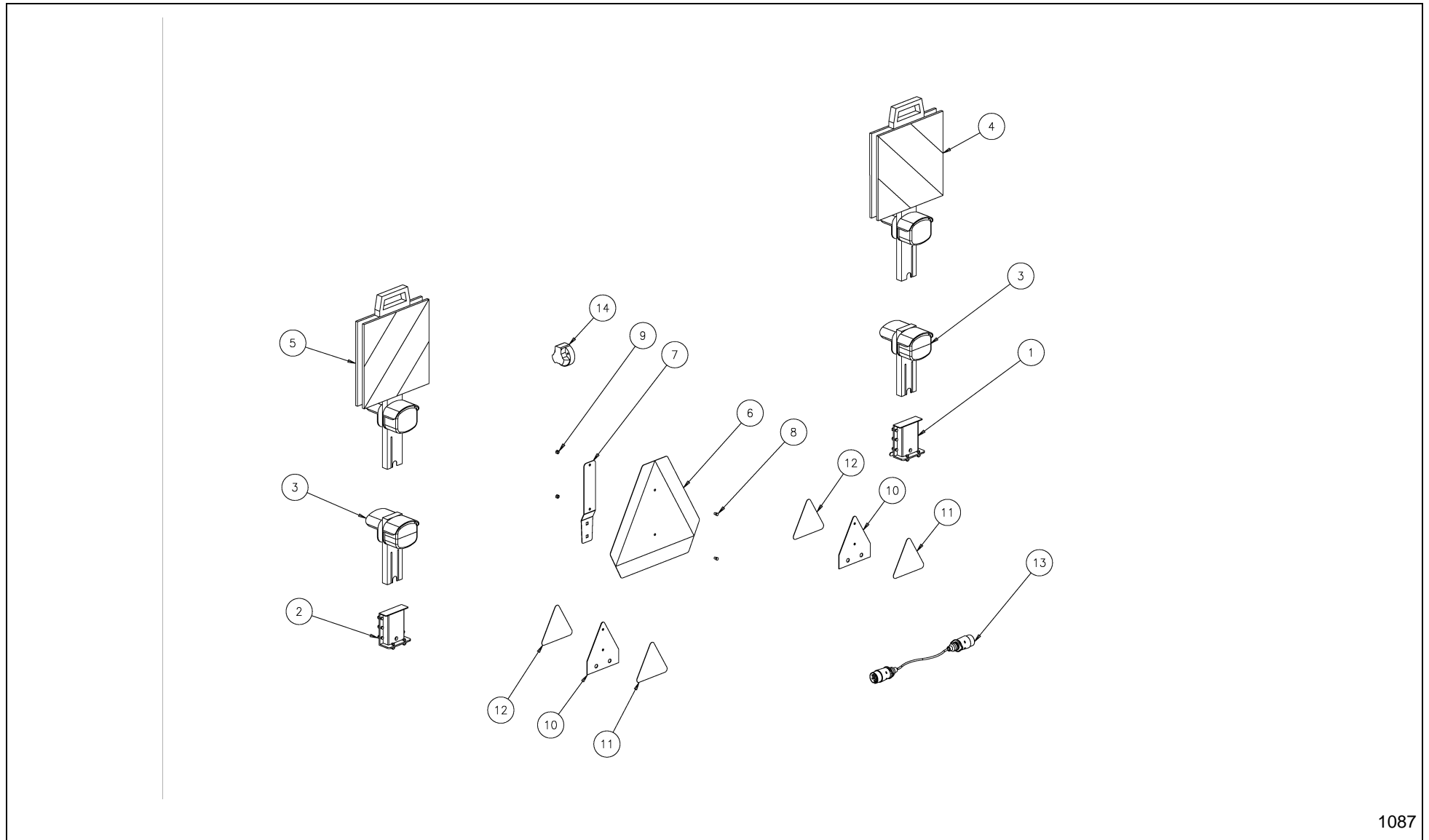
PS/RS / Lights (mounting frame) (before 01-11-04)

PosNo.	Part No.	Qty.	Description	Remark
1	KK354002		BRACKET FOR AUTO RESET BUTTERFLY	(transported in half turned)
2	KK354006		PLATE	
3	UH440778		LIGHT BRACKET RH REA R	
3	UH440779		LIGHT BRACKET LH REAR	
4	KK354008		PLATE FOR PLUG	
5	KK354007		TUBE FOR PLUGS	(transported in plough position)
6	KK354011		PLATE FOR TRIANGLE REFLEX	
7	KK016008		NYLOC NUT M12	
8	KK032655		HEX BOLT M12 X 55	
9	KK034520		LOCK BOLT M8X20	
10	KK011012		ROLL PIN D6X30 GALV.	
11	KK354065		BRACKET FOR SHEAR BOLT BUTTERFLY	(for RX and RS ploughs) (transported in half turned)
12	KK032670		HEX BOLT M12X70 8.8	
13	KK354010		FIX FOR TRIANGLE	
14	KK032350		HEX BOLT M6X50 PARTLY THREAD	
15	KK354026		RUBBER BAND	
16	KK354027		ATTACHMENT KNOB FOR RUBBER BAND	
17	KK015806		NUT M6	
18	KK015811		NUT M8	
19	KK015825		NUT M16	
20	KK354043		BRACKET FOR AUTO RESET PLOUGHING P	(for EG, E/F, ES, ED and E ploughs) (transported in plough position)
21	KK012904		WASHER D6.4-D24X3	
22	KK033315		HEX BOLT M6X15	
23	KK354075		BRACKET FOR SHEAR BOLT PLOUGH POS	(for LB, LD, LS and VD ploughs) (transported in plough position)
24	KK032850		HEX BOLT M20X50 10.9	
25	KK354021		BRACKET FOR PARKING LIGHTS	
26	KK015830		NUT M20	
27	KK066175		U-BOLT M16-4SQ120X90	
28	KK012869		CUP SPRING 34-12.2-1.25 GALVANISED	



PS/RS / Lights (mounting frame)

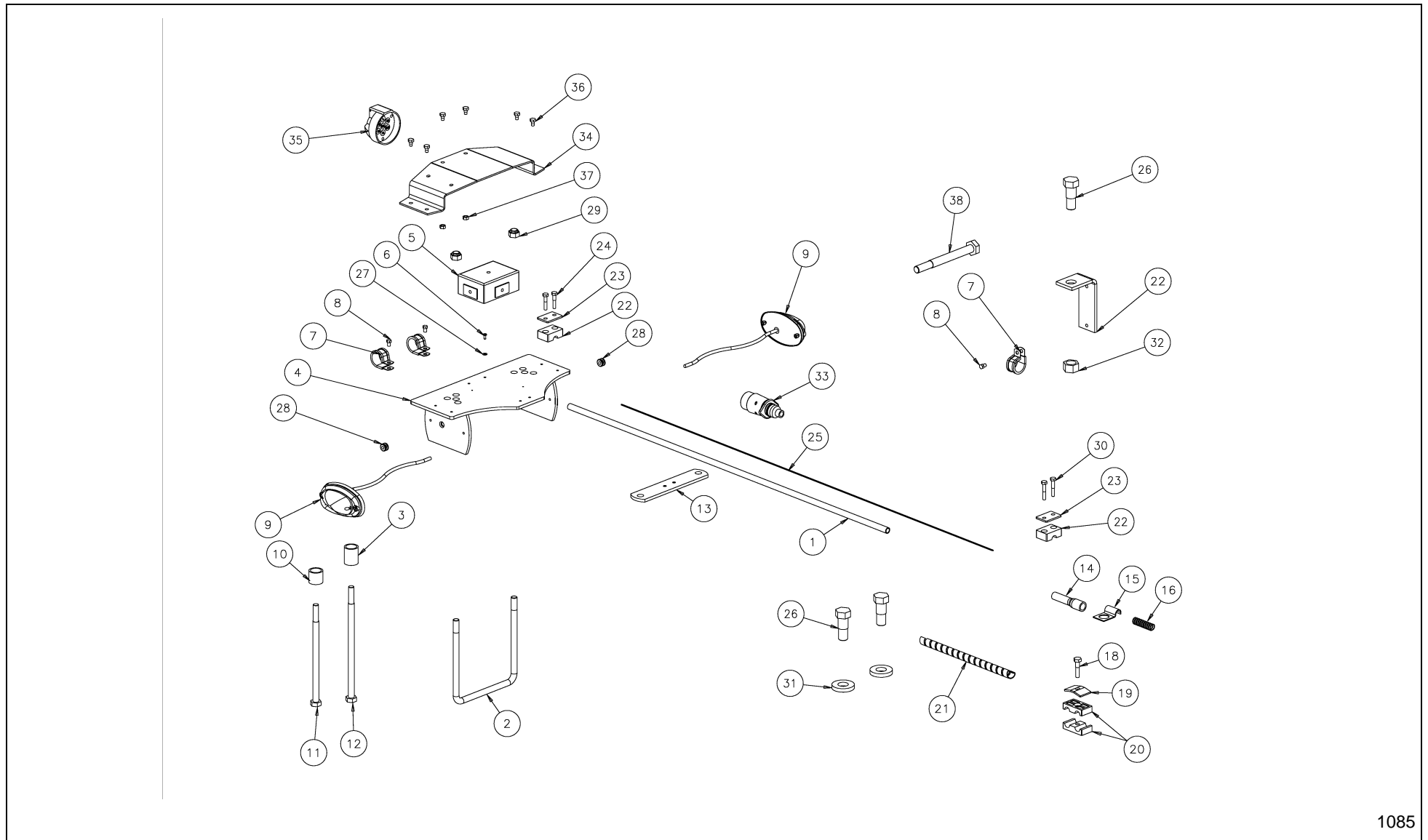
PosNo.	Part No.	Qty.	Description	Remark
1	KK015834		NUT M20 H12 GALV.	
2	KK032735		HEX BOLT M16X35 10.9	
3	KK015825		NUT M16	
4	KK010702		PIN D6 NS 555	
5	KK354314		FIXING PIN FOR LIGHTS	
6	KK354320		CLEVIS WITH BUSHING	
7	KK032655		HEX BOLT M12 X 55	
8	KK354318		PLATE WITH 2 HOLES	
9	KK016008		NYLOC NUT M12	
10	KK199788		CLEVIS M12-4SQ41-70	
11	KK354008		PLATE FOR PLUG	
12	KK354316		TUBE 35X35X2X500 END LIGHTS	
13	KK354315		TUBE FOR LIGHTS	
14	KK354347		LIGHT SOCKET RIGHT L = 1500	
15	KK354348		LIGHT SOCKET LEFT L = 1500	
16	KK354011		PLATE FOR TRIANGLE REFLEX	
17	KK354317		FIX FOR TRIANGLE AND SOCKET	
18	KK354325		FIXING BRACKET FOR TRIANGLE	
19	KK012904		WASHER D6.4-D24X3	
20	KK033315		HEX BOLT M6X15	
21	KK354310		DOCKING STATION WELDED	
22	KK354321		TOP PARKING LIGHTS	
23	KK015830		NUT M20	
24	KK088169		CLEVIS M12 FOR TUBE 250X200	
25	KK071493		CLEVIS M12 FOR TUBE 200X200	
26	KK354018		CLEVIS M12 FOR TUBE 180X180	
27	KK354017		CLEVIS M12 FOR TUBE 150X150	
28	KK354327		SIDE PARKING LIGHTS HOLDER WELDED	
29	UH440780		STECKDOSE MIT GUMMIUNTERLAGE	
30	KK354328		RUBBER PROTECTION	
31	KK015806		NUT M6	
32	KK354313		FIXING PLATE	
33	KK032835		HEX BOLT M20X35 10.9	
34	KK012735		STRIP FOR MARKING 5X200 RED	



PS/RS / Lights and reflexes

PosNo.	Part No.	Qty.	Description	Remark
1	KK354347		LIGHT SOCKET RIGHT L = 1500	
2	KK354348		LIGHT SOCKET LEFT L = 1500	
3	KK354059		DOUBLE LIGHT. REAR, L AND R	(for Denmark)
4	UH414216		REAR LIGHT W/DUBLE REFLEX PLATE RH	(for Germany)
5	UH414217		REAR LIGHT W/DUBLE REFLEX PLATE LH	(for Germany)
6	KK354040		REFLEX TRIANGLE	
7	KK354326		BACK PLATE TO TRIANGLE LIGHTS	
8	KK033306		HEX BOLT M6X8	
9	KK015806		NUT M6	
10	KK354011		PLATE FOR TRIANGLE REFLEX	
11	KK709980		KLISTERM.REFLEX VARS.TRK.RØD	
12	KK709982		KLISTERMERKE REFLEX HVIT	
13	KK354090		KABLE W 2 PLUGS 20M	
13	KK354064		CABLE W PLUGS 8 METRES	
13	KK354063		CABLE W PLUGS 13 METRES	
13	UH440775		CONNECTING WIRE TRACTOR	
13	KK354046		KABLE W 2 PLUGS 6M	
14	UH440780		STECKDOSE MIT GUMMIUNTERLAGE	

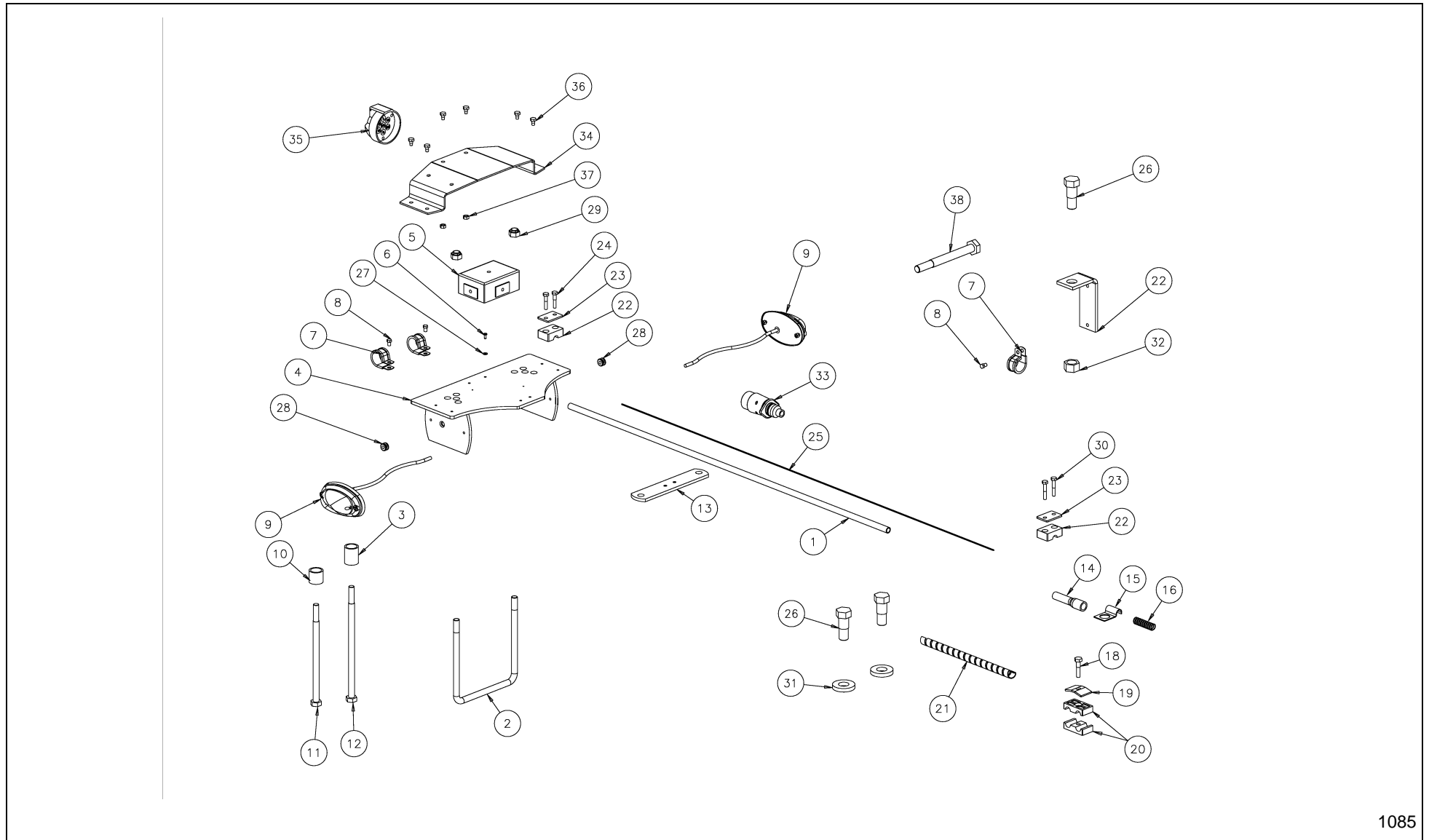
PS/RS / Lights (side mounted)



PS/RS / Lights (side mounted)

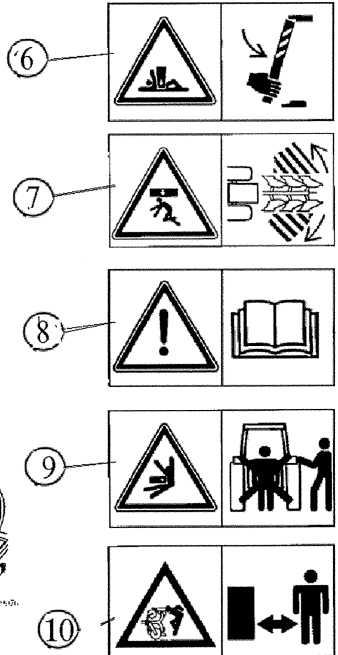
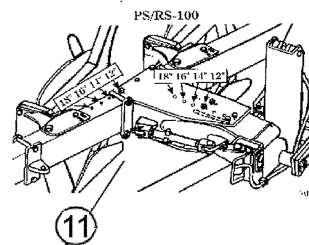
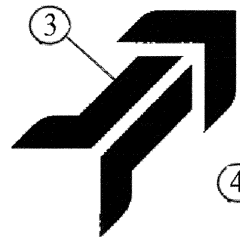
PosNo.	Part No.	Qty.	Description	Remark
1	KK012718		OIL TUBE D12X1800	
1	KK012719		OIL TUBE D12X900	
1	KK068689		OIL TUBE L=1100	
1	KK068690		OIL TUBE L=1950	
1	KK068691		OIL TUBE L=2800	
1	KK078389		OIL TUBE D12X3000	
2	KK354017		CLEVIS M12 FOR TUBE 150X150	(for tube 150 x 150 mm)
2	KK354018		CLEVIS M12 FOR TUBE 180X180	(for tube 180 x 180 mm)
2	KK071492		U-BOLT M12-4SQ203-145	(for tube 120 x 200 mm)
2	KK071493		CLEVIS M12 FOR TUBE 200X200	(for tube 200 x 200 mm)
3	KK010036		TUBE	(for PB/RB)
4	KK354014		BRACKET FOR SIDE LIGHTS	
5	UH333791		JUNCTION BOX	
6	KK031019		MACHINE SCREW M4 X 10 DIN 84	
7	KK012737		HOSE CLAMP 1/4 RUBBER/STEEL	
8	KK033306		HEX BOLT M6X8	
9	KK354095		SIDE LIGHT ORANGE	
10	KK010064		SPACING	(for PB/RB)
11	KK032624		HEX BOLT M12 X 210	
12	KK032623		HEX BOLT M12 X 240	
13	KK354029		ORVEL FOR LIGHT TUBE 150X150	(for tube 150 x 150 mm)
13	KK354028		ORVEL FOR LIGHT TUBE 180X180	(for tube 180 x 180 mm)
13	KK354030		ORVEL FOR LIGHT TUBE 200X200	(for tube 200 x 200 mm)
14	KK354042		RUBBER PROTECTION 140332-12	
15	KK012700		CLAMP FOR 1/4HOSE - D20	
16	KK354041		ELEKTROFLEX D10XD14X3700	(3.7 m; PG/RG)
16	KK354092		ELEKTROFLEX 10 X 14.6 X 5M.	(5.0 m; PL/RL)
17	KK061947		BRACKET FOR 3 HOSES H=70	
18	KK032435		HEX BOLT 8 X 35 PARTLY THREAD	(for PL plough only)
18	KK032460		HEX BOLT M8 X 60 8.8	
19	KK012324		COVER TUBE CLAMP	(for PL plough only)
20	KK012323		PLASTIC PART TUBE CLAMP	(for PL plough only)
21	KK012116		HOSE WRAPPER D12.5X600	(for PG plough only)
22	KK012092		PLASTIC PART TUBE CLAMP	
23	KK012069		COVER	
24	KK032330		HEX BOLT M6X30 PARTLY THREAD	
25	KK354048		KABLE 5 X 0.75 X 4500	4.5 m
25	KK354047		KABLE 5 X 0.75 X 6M	6.0 m
25	KK354077		CABLE 2X0.75X8000	8.0 m
25	KK354078		CABLE 2X0.75X10000	10.0 m

PS/RS / Lights (side mounted)



PS/RS / Lights (side mounted)

PosNo.	Part No.	Qty.	Description	Remark
25	KK354049		KABEL ØLFLEX CLASSIC 110 5 X 0.75 X 13M.	13.0 m
25	KK354340		KABEL ØLFLEX CLASSIC 110 5 X 0.75 X 15M.	15.0 m
25	KK354091		KABEL ØLFLEX 5X0.75X20M.	20.0 m
26	KK032850		HEX BOLT M20X50 10.9	
27	KK012852		WASHER D4.3-D9.0X0.6 GALV.	
28	KK354096		CABLE GLAND D6-D8.5X4	
29	KK016008		NYLOC NUT M12	
30	KK032335		HEX BOLT M6 X 35 PARTLY THREAD	
31	KK012968		WASHER D21XD45 7.5 GALV.	
32	KK015830		NUT M20	
33	KK012503		PLUG 7-PINS FOR TRAILER	
34	KK354324		COVERPLATE LIGHTS	
35	UH440780		STECKDOSE MIT GUMMIUNTERLAGE	
36	KK032310		HEX BOLT M6X10	
37	KK015806		NUT M6	
38	KK032710		HEX BOLTM16X155	
Not ill.	KK012735		STRIP FOR MARKING 5X200 RED	



PS/RS / Transfers

PosNo.	Part No.	Qty.	Description	Remark
1	KK709756		KVERNELAND PS-100	
1	KK709758		KVERNELAND RS-100	
2	KK709757		KVERNELAND PS-115	
2	KK709759		KVERNELAND RS-115	
3	KK709737		ARROW	
4	KK709831		TRANSFER	
5	KK709479		INFO: NUTS	
6	KK709843		SAFTY SIGN, PARKING SUPPORT	
7	KK709842		SAFTY SIGN, REVERSIBLE PLOUGH	
8	KK709844		SAFTY SIGN, READ INSTRUCTION MANUAL	
9	KK709841		SAFTY SIGN, DANGER, TRACTOR/IMPLEMENT	
10	KK709895		SAFTY SIGN, SHARP EDGES	
11	KK709976		KLISTERM. FOR HJULSTILLING PS/RS-100	
Not ill.	KK709756		KVERNELAND PS-100	(PS plough)
Not ill.	KK709758		KVERNELAND RS-100	(RS plough)
Not ill.	KK709757		KVERNELAND PS-115	(PS plough)
Not ill.	KK709759		KVERNELAND RS-115	(RS plough)
Not ill.	KK709927		KLISTERM. PS/PX 100 HULL	(PS plough)
Not ill.	KK709929		KLISTERM. RS/RX 100 HULL	(RS plough)
Not ill.	KK709928		KLISTERM. PS/PX 115 HULL	(PS plough)
Not ill.	KK709930		KLISTERM. RS/RX 115 HULL	(PS plough)

PS/RS / Part No Index



Part No.	Page	Pos No	Part No.	Page	Pos No	Part No.	Page	Pos No	Part No.	Page	Pos No
KG00017500	12	9	KK010572	13	6	KK011042	6	30	KK011523	23	11
KK010008	18	41	KK010572	14	6	KK011157	36	1	KK011532	21	5
KK010036	40	3	KK010572R	12	8	KK011162	35	13	KK011565	21	23
KK010064	40	10	KK010606	17	29	KK011163	35	12	KK011565	23	16
KK010155	1	103	KK010650	17	30	KK011168	36	6	KK011565	25	6
KK010155	2	103	KK010700	18	27	KK011200	36	4	KK011579	23	43
KK010155	3	103	KK010700	19	34	KK011259	10	7	KK011585	21	3
KK010155	5	103	KK010700	21	7	KK011259	12	6	KK011585	22	12
KK010156	1	103	KK010700	22	9	KK011259	13	4	KK011585	23	1
KK010156	2	103	KK010700	23	21	KK011259	14	4	KK011594	25	14
KK010156	3	103	KK010702	19	30	KK011266	9	4	KK011596	22	24
KK010156	5	103	KK010702	38	4	KK011266	10	8	KK011596	23	41
KK010298	17	27	KK010730	35	2	KK011266	12	7	KK011677	34	17
KK010315	18	47	KK010731	35	3	KK011266	13	5	KK011682	17	6
KK010315	19	41	KK010746	35	6	KK011266	14	5	KK011682	19	14
KK010318	19	35	KK010772	9	8	KK011269	8	1	KK011682	20	8
KK010319	18	42	KK010775	9	3	KK011270	22	21	KK011717	29	13
KK010319	22	8	KK010818	12	9	KK011270	23	28	KK011718	29	10
KK010319	23	17	KK010818	13	7	KK011292	9	5	KK011719	29	8
KK010328	21	6	KK010818	14	7	KK011303	36	11	KK011724	29	7
KK010328	22	1	KK010909	13	23	KK011342	35	11	KK011725	29	4
KK010328	23	7	KK010909	14	23	KK011343	35	11	KK011727	29	3
KK010337	22	3	KK010960	23	5	KK011344	35	10	KK011736	26	4
KK010337	23	4	KK010961	23	6	KK011368	35	11	KK011737	26	5
KK010413	19	31	KK011005	18	4	KK011369	35	11	KK011738	26	7
KK010472	22	19	KK011012	37	10	KK011370	35	10	KK011743	26	8
KK010472	23	27	KK011019	22	15	KK011379	36	10	KK011744	26	11
KK010517	36	5	KK011019	23	30	KK011401	36	12	KK011745	26	12
KK010532	10	10	KK011020	19	34	KK011414	35	11	KK011746	26	9
KK010532	13	7	KK011020	21	7	KK011416	35	11	KK011749	29	6
KK010532	14	7	KK011020	22	9	KK011425	36	Not ill.	KK011750	10	5
KK010548	35	5	KK011020	23	21	KK011512	21	21	KK011750	12	4
KK010572	10	9	KK011037	6	6	KK011512	23	12	KK011750	13	22

PS/RS / Part No Index



Part No.	Page	Pos No	Part No.	Page	Pos No	Part No.	Page	Pos No	Part No.	Page	Pos No
KK011750	14	22	KK011947	25	Not ill.	KK012116	40	21	KK012737	40	7
KK011766	21	29	KK011951	24	3	KK012142	23	44	KK012778	22	17
KK011802	25	7	KK011951	28	3	KK012146	23	13	KK012778	23	40
KK011806	28	6	KK011951	30	3	KK012177	23	14	KK012779	21	4
KK011806	33	4	KK011951	32	2	KK012185	17	20	KK012780	22	5
KK011806	34	5	KK011951	33	7	KK012210	22	7	KK012780	23	10
KK011824	24	6	KK011951	34	9	KK012261	21	2	KK012781	22	5
KK011824	30	6	KK011953	25	13	KK012261	22	13	KK012781	23	10
KK011824	32	5	KK012026	24	Not ill.	KK012261	23	2	KK012782	22	23
KK011866	10	6	KK012026	30	Not ill.	KK012263	23	33	KK012795	21	25
KK011866	12	5	KK012026	32	Not ill.	KK012266	23	32	KK012796	23	22
KK011866	13	3	KK012027	28	Not ill.	KK012323	40	20	KK012851	17	33
KK011866	14	3	KK012027	33	Not ill.	KK012324	40	19	KK012852	40	27
KK011876	24	5	KK012056	21	1	KK012351	23	31	KK012869	37	28
KK011876	30	5	KK012056	22	4	KK012503	40	33	KK012874	8	2
KK011876	32	6	KK012056	23	3	KK012510	21	30	KK012904	37	21
KK011888	28	5	KK012059	23	18	KK012511	21	16	KK012904	38	19
KK011888	33	5	KK012060	21	22	KK012548	23	25	KK012906	15	1
KK011888	34	6	KK012060	23	35	KK012700	40	15	KK012913	6	32
KK011908	28	8	KK012062	23	42	KK012707	22	22	KK012919	1	13
KK011908	33	2	KK012067	18	50	KK012710	21	27	KK012919	2	1
KK011908	34	3	KK012067	22	28	KK012718	40	1	KK012919	3	15
KK011910	25	12	KK012068	18	51	KK012719	40	1	KK012919	4	22
KK011912	24	2	KK012068	22	25	KK012723	22	11	KK012922	1	34
KK011912	28	2	KK012068	23	37	KK012723	23	23	KK012922	2	33
KK011912	30	2	KK012069	18	52	KK012724	22	10	KK012922	3	36
KK011912	32	8	KK012069	22	26	KK012724	23	25	KK012922	4	44
KK011912	33	8	KK012069	23	38	KK012728	23	15	KK012922	5	31
KK011912	34	10	KK012069	40	23	KK012733	22	20	KK012922	21	20
KK011917	25	1	KK012092	40	22	KK012733	23	18	KK012923	13	20
KK011918	24	8	KK012102	23	19	KK012733	23	24	KK012924	18	33
KK011918	30	8	KK012114	21	24	KK012735	38	34	KK012927	1	28
KK011918	32	3	KK012114	23	36	KK012735	40	Not ill.	KK012927	2	18

PS/RS / Part No Index



Part No.	Page	Pos No	Part No.	Page	Pos No	Part No.	Page	Pos No	Part No.	Page	Pos No
KK012929	1	107	KK013332	2	39	KK015806	37	17	KK015830	19	2
KK012929	2	107	KK013332	2	9	KK015806	38	31	KK015830	21	9
KK012929	3	107	KK013332	3	1	KK015806	39	9	KK015830	37	26
KK012929	5	107	KK013332	3	45	KK015806	40	37	KK015830	38	23
KK012934	36	3	KK013332	4	1	KK015811	37	18	KK015830	40	32
KK012960	13	24	KK013332	4	51	KK015813	5	22	KK015834	1	11
KK012960	14	32	KK013332	5	4	KK015813	5	22	KK015834	2	5
KK012968	20	19	KK013333	1	38	KK015813	15	2	KK015834	3	19
KK012968	40	31	KK013333	2	34	KK015817	5	101	KK015834	4	41
KK012998	18	63	KK013333	3	39	KK015817	5	17	KK015834	8	3
KK013000	11	1	KK013334	1	44	KK015817	5	7	KK015834	38	1
KK013001	4	40	KK013334	2	44	KK015817	5	7	KK015835	18	15
KK013073	34	Not ill.	KK013334	3	44	KK015817	5	8	KK015841	13	31
KK013087	27	Not ill.	KK013334	5	38	KK015817	5	8	KK015841	14	37
KK013092	27	9	KK013346	1	105	KK015817	10	26	KK016000	36	2
KK013093	27	3	KK013346	1	36	KK015825	1	46	KK016001	11	3
KK013094	27	8	KK013346	2	105	KK015825	2	46	KK016004	10	25
KK013095	27	5	KK013346	2	36	KK015825	3	47	KK016004	12	22
KK013096	27	4	KK013346	3	105	KK015825	5	104	KK016004	13	29
KK013228	1	101	KK013346	4	48	KK015825	5	104	KK016004	14	34
KK013228	2	101	KK013346	5	105	KK015825	5	104	KK016008	37	7
KK013228	2	24	KK013361	1	105	KK015825	5	13	KK016008	38	9
KK013228	3	10	KK013361	2	105	KK015825	5	41	KK016008	40	29
KK013228	3	101	KK013361	3	105	KK015825	13	30	KK016012	12	23
KK013228	4	7	KK013361	5	105	KK015825	14	35	KK016013	5	4
KK013228	5	101	KK013385	1	105	KK015825	15	3	KK016015	1	106
KK013228	5	17	KK013385	2	105	KK015825	19	27	KK016015	2	106
KK013234	1	20	KK013385	3	105	KK015825	37	19	KK016015	3	106
KK013234	2	23	KK013385	5	105	KK015825	38	3	KK016015	5	106
KK013234	3	11	KK013595	34	11	KK015830	4	27	KK016022	7	7
KK013234	4	8	KK013596	34	13	KK015830	11	2	KK016022	35	1
KK013332	1	17	KK013597	34	2	KK015830	13	31	KK016025	8	4
KK013332	1	4	KK013601	29	Not ill.	KK015830	14	36	KK016025	11	4

PS/RS / Part No Index



Part No.	Page	Pos No	Part No.	Page	Pos No	Part No.	Page	Pos No	Part No.	Page	Pos No
KK016025	18	38	KK029920	19	15	KK032435	40	18	KK032735	3	22
KK016031	9	16	KK029920	20	10	KK032445	21	31	KK032735	38	2
KK016031	10	24	KK029920	35	8	KK032460	40	18	KK032740	1	104
KK016031	12	17	KK029920	36	9	KK032470	17	23	KK032740	2	104
KK016037	36	8	KK029922	17	38	KK032470	21	31	KK032740	3	104
KK016045	7	8	KK029922	18	25	KK032604	8	5	KK032740	4	23
KK016049	7	23	KK029927	18	25	KK032623	40	12	KK032740	5	104
KK016050	13	18	KK030450	25	3	KK032624	40	11	KK032740	19	11
KK016050	14	18	KK031019	40	6	KK032655	6	33	KK032740	20	11
KK016051	35	1	KK031340	9	1	KK032655	37	8	KK032745	18	65
KK016053	35	1	KK031730	9	20	KK032655	38	7	KK032745	19	4
KK016058	13	18	KK031740	9	20	KK032665	6	16	KK032750	1	104
KK016058	14	18	KK031941	11	6	KK032670	21	17	KK032750	2	104
KK016207	35	15	KK032002	34	8	KK032670	37	12	KK032750	2	17
KK016508	31	6	KK032006	26	2	KK032680	8	6	KK032750	3	104
KK016509	31	13	KK032006	29	11	KK032702	12	14	KK032750	5	104
KK016510	31	10	KK032006	31	2	KK032702	13	11	KK032750	5	13
KK016511	31	8	KK032016	26	14	KK032702	14	11	KK032750	14	24
KK016512	31	7	KK032016	29	2	KK032706	20	25	KK032750	17	13
KK016513	31	4	KK032016	31	11	KK032710	40	38	KK032752	18	64
KK016514	31	3	KK032040	32	9	KK032712	18	72	KK032755	18	35
KK029727	6	14	KK032040	33	11	KK032716	18	10	KK032755	21	19
KK029727	6	37	KK032040	34	14	KK032724	11	7	KK032760	19	5
KK029733	35	1	KK032110	27	10	KK032725	1	18	KK032760	20	15
KK029918	11	5	KK032310	40	36	KK032725	2	22	KK032762	7	21
KK029920	6	4	KK032330	40	24	KK032725	19	21	KK032765	1	104
KK029920	9	10	KK032335	22	27	KK032725	20	24	KK032765	2	104
KK029920	10	16	KK032335	23	39	KK032728	8	7	KK032765	3	104
KK029920	12	12	KK032335	40	30	KK032730	3	31	KK032765	5	104
KK029920	13	9	KK032345	18	53	KK032730	4	14	KK032770	14	14
KK029920	14	9	KK032345	22	29	KK032730	17	13	KK032770	19	6
KK029920	17	8	KK032350	37	14	KK032735	1	8	KK032774	8	8
KK029920	18	20	KK032403	17	39	KK032735	2	17	KK032775	1	104

PS/RS / Part No Index



Part No.	Page	Pos No	Part No.	Page	Pos No	Part No.	Page	Pos No	Part No.	Page	Pos No
KK032775	2	104	KK032840	18	29	KK032934	13	27	KK033251	4	46
KK032775	3	104	KK032845	7	12	KK032934	14	19	KK033251	5	30
KK032775	5	104	KK032845	7	22	KK033004	3	26	KK033256	1	32
KK032775	13	14	KK032845	20	3	KK033006	5	22	KK033256	2	31
KK032775	14	26	KK032846	11	9	KK033006	15	5	KK033256	3	34
KK032775	18	32	KK032850	7	12	KK033016	5	22	KK033256	5	30
KK032785	8	9	KK032850	11	10	KK033100	1	5	KK033286	1	32
KK032795	15	4	KK032850	16	2	KK033100	2	4	KK033286	1	45
KK032803	7	15	KK032850	20	13	KK033100	3	12	KK033286	2	32
KK032803	11	8	KK032850	37	24	KK033100	4	11	KK033286	3	46
KK032805	20	20	KK032850	40	26	KK033107	1	19	KK033286	4	46
KK032807	7	15	KK032855	6	31	KK033107	2	10	KK033286	5	40
KK032807	12	19	KK032855	20	2	KK033107	2	37	KK033295	1	32
KK032808	18	16	KK032860	6	8	KK033107	4	18	KK033295	1	45
KK032808	18	21	KK032860	7	12	KK033107	5	7	KK033295	2	32
KK032811	21	11	KK032860	7	22	KK033108	4	13	KK033295	3	46
KK032813	19	36	KK032860	17	3	KK033111	5	8	KK033295	5	40
KK032818	18	54	KK032865	7	13	KK033116	5	7	KK033306	27	6
KK032820	17	14	KK032865	17	15	KK033117	5	8	KK033306	39	8
KK032822	17	11	KK032870	21	18	KK033118	3	6	KK033306	40	8
KK032822	17	37	KK032875	13	27	KK033119	3	7	KK033315	37	22
KK032824	7	15	KK032875	17	26	KK033173	4	5	KK033315	38	20
KK032826	19	13	KK032880	14	27	KK033175	1	33	KK033325	21	28
KK032826	20	5	KK032880	17	16	KK033175	2	30	KK034225	11	13
KK032828	18	16	KK032882	18	26	KK033175	3	35	KK034225	15	6
KK032830	10	22	KK032885	14	19	KK033175	4	16	KK034228	15	7
KK032830	20	4	KK032890	11	11	KK033175	4	45	KK034250	15	8
KK032835	38	33	KK032900	17	35	KK033175	5	29	KK034520	37	9
KK032840	6	26	KK032920	17	36	KK033181	4	32	KK035020	6	2
KK032840	7	12	KK032925	18	67	KK033185	4	42	KK035021	6	29
KK032840	7	22	KK032926	11	12	KK033251	1	32	KK035031	9	13
KK032840	10	23	KK032929	14	25	KK033251	2	31	KK035031	10	18
KK032840	17	24	KK032929	18	74	KK033251	3	34	KK035048	7	17

PS/RS / Part No Index



Part No.	Page	Pos No	Part No.	Page	Pos No	Part No.	Page	Pos No	Part No.	Page	Pos No
KK035060	7	17	KK057063	6	17	KK063090	1	100	KK066142	9	15
KK035072	7	18	KK057064	6	20	KK063090	1	2	KK066143	9	11
KK035087	11	14	KK057065	6	22	KK063090	2	100	KK066145	9	15
KK035093	11	15	KK057066	6	3	KK063090	2	25	KK066170	10	15
KK035114	10	4	KK057067	6	1	KK063090	3	100	KK066175	9	19
KK035114	12	3	KK057068	6	23	KK063090	3	3	KK066175	10	21
KK035114	13	21	KK057089	6	13	KK063090	4	3	KK066175	12	20
KK035114	14	21	KK060108	6	27	KK063090	5	100	KK066175	37	27
KK035162	20	17	KK060109	6	27	KK063090	5	16	KK066178	9	18
KK035165	6	28	KK060119	6	Not ill.	KK063091	1	21	KK066178	10	20
KK035209	6	25	KK060221	24	Not ill.	KK063091	4	9	KK066182	9	17
KK035215	7	14	KK060624	9	7	KK063091	5	18	KK066182	10	19
KK035216	7	14	KK060657	15	10	KK063092	1	21	KK066185	9	14
KK035247	18	66	KK060703	6	Not ill.	KK063092	4	9	KK066189	9	17
KK050706	6	Not ill.	KK061278	18	31	KK063092	5	18	KK066189	10	19
KK053090	1	100	KK061279	18	28	KK063388	1	14	KK066190	9	12
KK053090	1	2	KK061279	20	2	KK063388	2	7	KK066190	10	17
KK053090	2	100	KK061280R	6	24	KK063388	3	29	KK066811	15	11
KK053090	2	25	KK061291	6	38	KK063607	1	35	KK066812	15	11
KK053090	3	100	KK061515	7	11	KK063607	2	35	KK066861	15	12
KK053090	3	3	KK061515	18	70	KK063607	4	47	KK066868R	15	9
KK053090	4	3	KK061637	18	61	KK063801	1	9	KK066869R	15	9
KK053090	5	100	KK061940	21	26	KK063801	1	9	KK066873R	15	9
KK053090	5	16	KK061947	40	17	KK064073	20	28	KK066880R	15	14
KK053387	1	14	KK062020	7	16	KK064317	17	4	KK066881R	15	14
KK053387	2	7	KK062025	2	12	KK064319	17	1	KK067016	6	7
KK053387	3	29	KK062025	3	32	KK064320	17	1	KK067025	6	10
KK056112	9	6	KK062270	18	7	KK064321	17	1	KK067026	6	19
KK056114	9	6	KK062439	18	2	KK064323	17	1	KK067031	6	21
KK056115	9	6	KK062505	17	19	KK064360	17	2	KK067039	6	12
KK056116	9	6	KK062506	17	21	KK066102	9	7	KK067040	6	10
KK056156	9	2	KK062516	22	16	KK066108	9	9	KK067042	8	10
KK056873R	15	9	KK062516	23	29	KK066140	9	11	KK067051	6	9

PS/RS / Part No Index



Part No.	Page	Pos No	Part No.	Page	Pos No	Part No.	Page	Pos No	Part No.	Page	Pos No
KK067057	6	7	KK070640	2	2	KK071500	4	31	KK073002	5	19
KK067059	6	5	KK070641	1	16	KK071508	7	19	KK073003	1	1
KK067060	6	18	KK070641	2	2	KK071529	7	20	KK073003	5	19
KK067068	6	11	KK070642	1	16	KK071575	18	68	KK073004	1	1
KK067070	6	19	KK070642	2	2	KK071576	18	69	KK073004	5	19
KK067073	19	3	KK071045	16	3	KK072167	18	57	KK073005	1	1
KK067075	6	35	KK071047	16	4	KK072606	18	24	KK073005	5	19
KK067076	6	36	KK071207	7	4	KK072607	18	23	KK073006	1	1
KK067077	6	34	KK071208	7	1	KK072757	8	11	KK073006	5	19
KK067079	18	17	KK071209	7	2	KK072759	11	17	KK073007	1	1
KK067080	6	15	KK071211	7	Not ill.	KK072760	11	18	KK073007	5	19
KK067090	6	18	KK071212	7	Not ill.	KK072761	11	19	KK073008	1	1
KK067092	6	11	KK071228	7	3	KK072768	17	22	KK073009	1	1
KK068689	40	1	KK071256	18	60	KK072769	8	12	KK073030	1	27
KK068690	40	1	KK071270	7	4	KK072771	8	13	KK073030	5	33
KK068691	40	1	KK071271	7	3	KK072773	8	14	KK073031	1	27
KK070292	4	19	KK071272	7	1	KK072788	11	20	KK073031	5	33
KK070293	4	19	KK071273	7	2	KK072789	11	21	KK073040	1	26
KK070294	4	19	KK071274	7	6	KK072792	11	22	KK073041	1	26
KK070388	2	19	KK071275	7	5	KK072819	8	15	KK073042	1	26
KK070389	2	19	KK071280	7	Not ill.	KK072820	8	16	KK073042	5	32
KK070390	1	9	KK071281	7	Not ill.	KK072821	8	17	KK073043	1	26
KK070391	1	9	KK071320	16	1	KK072822	8	18	KK073043	5	32
KK070392	2	19	KK071321	16	1	KK072824	8	19	KK073044	1	26
KK070393	2	19	KK071363	16	1	KK072825	8	20	KK073044	5	32
KK070394	1	9	KK071365	16	1	KK072831	11	23	KK073045	1	26
KK070395	1	9	KK071377	16	1	KK072832	11	24	KK073045	5	32
KK070396	2	19	KK071404	18	76	KK072833	11	25	KK073054	2	26
KK070397	2	19	KK071417	11	16	KK072834	11	26	KK073054	3	2
KK070398	2	19	KK071417	18	71	KK072978	18	73	KK073054	4	2
KK070399	2	19	KK071492	40	2	KK073000	1	1	KK073054	5	19
KK070639	15	15	KK071493	38	25	KK073001	1	1	KK073055	2	26
KK070640	1	16	KK071493	40	2	KK073002	1	1	KK073055	3	2

PS/RS / Part No Index



Part No.	Page	Pos No	Part No.	Page	Pos No	Part No.	Page	Pos No	Part No.	Page	Pos No
KK073055	4	2	KK073081	5	19	KK073257	1	7	KK073301	2	2
KK073055	5	19	KK073088	4	43	KK073257	5	21	KK073301	4	19
KK073056	2	26	KK073089	4	43	KK073260	1	6	KK073301	5	1
KK073056	3	2	KK073091	1	21	KK073261	1	6	KK073303	4	21
KK073056	4	2	KK073091	2	27	KK073263	1	6	KK073304	4	21
KK073056	5	19	KK073091	3	4	KK073264	1	6	KK073310	1	15
KK073057	2	26	KK073091	4	9	KK073266	1	24	KK073310	2	3
KK073057	3	2	KK073091	5	18	KK073266	2	16	KK073311	1	15
KK073057	4	2	KK073092	1	21	KK073267	1	24	KK073311	2	3
KK073057	5	19	KK073092	2	27	KK073267	2	16	KK073328	3	20
KK073062	2	11	KK073092	3	4	KK073272	3	13	KK073329	3	20
KK073062	3	5	KK073092	4	9	KK073272	4	12	KK073332	4	20
KK073062	4	34	KK073092	5	18	KK073273	3	13	KK073333	4	20
KK073062	5	23	KK073224	2	8	KK073273	4	12	KK073338	3	17
KK073063	2	11	KK073225	2	8	KK073275	3	16	KK073339	3	17
KK073063	3	5	KK073227	2	15	KK073275	4	17	KK073350	3	27
KK073063	4	34	KK073228	2	15	KK073276	3	16	KK073351	3	27
KK073063	5	23	KK073230	2	15	KK073276	4	17	KK073352	3	28
KK073064	2	11	KK073230	5	21	KK073278	3	8	KK073353	3	28
KK073064	3	5	KK073231	2	15	KK073279	3	8	KK073354	3	37
KK073064	4	34	KK073231	5	21	KK073280	1	6	KK073406	1	3
KK073064	5	23	KK073236	2	8	KK073281	1	6	KK073411	1	3
KK073065	2	11	KK073237	2	8	KK073286	1	6	KK073414	1	25
KK073065	3	5	KK073239	2	16	KK073287	1	6	KK073415	1	25
KK073065	4	34	KK073240	2	16	KK073290	1	6	KK073417	2	14
KK073065	5	23	KK073241	2	15	KK073290	2	8	KK073418	2	14
KK073080	2	26	KK073242	2	15	KK073291	1	6	KK073435	2	13
KK073080	3	2	KK073245	4	4	KK073291	2	8	KK073436	2	13
KK073080	4	2	KK073246	4	4	KK073300	1	16	KK073440	2	13
KK073080	5	19	KK073250	1	7	KK073300	2	2	KK073441	2	13
KK073081	2	26	KK073251	1	7	KK073300	4	19	KK073464	3	9
KK073081	3	2	KK073256	1	7	KK073300	5	1	KK073464	4	10
KK073081	4	2	KK073256	5	21	KK073301	1	16	KK073465	3	9

PS/RS / Part No Index



Part No.	Page	Pos No	Part No.	Page	Pos No	Part No.	Page	Pos No	Part No.	Page	Pos No
KK073465	4	10	KK073634	1	102	KK073826	2	19	KK076406	13	1
KK073470	3	9	KK073634	2	102	KK073826	2	19	KK076406	14	1
KK073470	4	10	KK073634	3	102	KK073826	3	21	KK076406R	12	1
KK073471	3	9	KK073634	5	102	KK073829	2	19	KK076407	10	1
KK073471	4	10	KK073635	1	102	KK073829	3	21	KK076407	13	1
KK073607	1	35	KK073635	2	102	KK073830	1	9	KK076407	14	1
KK073607	2	35	KK073635	3	102	KK073831	1	9	KK076407R	12	1
KK073607	4	47	KK073635	5	102	KK073831	2	19	KK076409	10	2
KK073608	1	10	KK073800	1	12	KK073834	4	36	KK076409	13	2
KK073608	2	21	KK073800	2	6	KK073835	4	37	KK076409	14	2
KK073608	3	23	KK073800	3	18	KK073836	4	38	KK076409R	12	2
KK073608	4	24	KK073801	1	12	KK073842	2	19	KK076410	10	2
KK073608	5	12	KK073801	2	6	KK074910R	7	9	KK076410	13	2
KK073609	1	23	KK073801	3	18	KK074911	7	10	KK076410	14	2
KK073609	2	20	KK073803	1	9	KK076060	12	18	KK076410R	12	2
KK073609	3	24	KK073803	1	9	KK076063	12	16	KK076427	13	15
KK073609	4	25	KK073803	4	35	KK076075	12	10	KK076427	14	15
KK073609	5	5	KK073804	2	19	KK076076	12	11	KK076499	10	3
KK073614	1	37	KK073804	2	19	KK076076	13	26	KK076499	13	19
KK073614	2	38	KK073805	2	19	KK076076	14	31	KK076499	14	33
KK073614	3	38	KK073805	4	35	KK076097	12	10	KK076499R	12	21
KK073614	4	50	KK073807	1	12	KK076122	13	16	KK076515	13	25
KK073614	5	14	KK073808	1	12	KK076123	13	17	KK076515	14	30
KK073615	1	30	KK073810	4	29	KK076210	12	Not ill.	KK076517	14	20
KK073615	2	29	KK073811	4	29	KK076211	12	Not ill.	KK076518	14	20
KK073615	3	25	KK073812	4	39	KK076212	12	Not ill.	KK076527	13	13
KK073615	4	33	KK073813	4	39	KK076213	12	Not ill.	KK076527	14	13
KK073615	5	3	KK073815	4	29	KK076294R	12	1	KK076532	13	16
KK073616	1	30	KK073816	4	26	KK076295R	12	2	KK076532	14	16
KK073616	2	29	KK073817	4	28	KK076400	13	12	KK076533	13	17
KK073616	3	25	KK073820	4	29	KK076400	14	12	KK076533	14	17
KK073616	4	33	KK073821	4	29	KK076400R	12	15	KK076537	13	28
KK073616	5	3	KK073822	4	26	KK076406	10	1	KK076537	14	28

PS/RS / Part No Index



Part No.	Page	Pos No	Part No.	Page	Pos No	Part No.	Page	Pos No	Part No.	Page	Pos No
KK076577	14	29	KK078849	18	13	KK078918	19	20	KK078964	18	6
KK076812R	15	16	KK078850	17	10	KK078919	19	32	KK078964	19	17
KK076813R	15	16	KK078851	17	17	KK078921	18	12	KK078966	18	6
KK076817	15	17	KK078853	17	9	KK078922	35	Not ill.	KK078966	19	17
KK076818	15	17	KK078854	18	8	KK078923	35	9	KK079110	23	34
KK076825	15	17	KK078855	18	48	KK078925	18	39	KK079112	17	32
KK076826	15	17	KK078857	18	40	KK078926	18	39	KK079230	17	31
KK076858	15	11	KK078858	18	30	KK078927	18	39	KK079235	18	11
KK076859	15	11	KK078860	18	62	KK078929	16	1	KK079273	20	18
KK076872	15	18	KK078864	18	34	KK078929	18	6	KK079279	20	14
KK076873	11	27	KK078867	18	19	KK078929	19	17	KK079284	20	12
KK076943	15	14	KK078870	17	5	KK078930	16	1	KK079285	20	30
KK076944	15	14	KK078875	19	8	KK078930	18	6	KK079288	20	9
KK077021	11	28	KK078876	17	7	KK078930	19	17	KK079296	19	37
KK077023	7	6	KK078880	18	22	KK078931	35	7	KK079296	20	6
KK077024	7	5	KK078888	18	49	KK078932	35	4	KK079297	20	1
KK078389	40	1	KK078889	18	5	KK078933	18	55	KK079306	20	22
KK078709	18	58	KK078890	18	8	KK078935	18	39	KK079325	20	26
KK078744	18	37	KK078891	18	18	KK078936	18	39	KK079328	20	27
KK078755	18	57	KK078892	18	1	KK078937	18	39	KK079345	20	31
KK078759	18	56	KK078893	18	3	KK078940	19	23	KK079346	20	21
KK078817	19	19	KK078894	18	18	KK078942	19	22	KK079360	17	10
KK078818	19	12	KK078897	18	9	KK078944	19	25	KK079361	17	18
KK078825	19	9	KK078898	17	12	KK078945	19	24	KK079362	17	9
KK078828	19	10	KK078901	35	Not ill.	KK078947	19	26	KK079363	17	10
KK078830	35	17	KK078902	35	Not ill.	KK078949	17	18	KK079364	17	18
KK078833	35	16	KK078904	19	33	KK078950	18	36	KK079365	18	59
KK078834	35	14	KK078906	35	Not ill.	KK078953	18	37	KK079367	20	31
KK078835	35	Not ill.	KK078907	35	Not ill.	KK078956	18	14	KK079368	20	31
KK078836	19	7	KK078908	19	28	KK078957	19	1	KK079370	21	14
KK078838	19	16	KK078911	17	25	KK078958	19	8	KK079375	21	12
KK078844	19	18	KK078915	17	28	KK078962	18	6	KK079376	21	13
KK078846	19	29	KK078917	17	25	KK078962	19	17	KK079377	21	15

PS/RS / Part No Index



Part No.	Page	Pos No	Part No.	Page	Pos No	Part No.	Page	Pos No	Part No.	Page	Pos No
KK079378	20	21	KK083012	2	42	KK083023R	5	39	KK083409	5	6
KK079381	20	29	KK083012	3	42	KK083090	1	41	KK083415	5	15
KK079385	20	21	KK083012	5	37	KK083090	2	41	KK083416	5	15
KK079408	18	75	KK083013	2	42	KK083090	3	41	KK083417	5	6
KK079416	35	4	KK083013	3	42	KK083090	5	36	KK083418	5	6
KK079425	19	39	KK083013	5	37	KK083091	1	40	KK083649	11	30
KK079434	36	7	KK083016R	1	43	KK083091	2	45	KK083802	5	11
KK079455	19	38	KK083016R	2	43	KK083091	3	40	KK083803	5	10
KK079466	21	14	KK083016R	3	43	KK083091	5	35	KK083804	5	11
KK079468	21	12	KK083016R	5	39	KK083210	5	9	KK083805	5	11
KK079469	21	16	KK083017R	1	43	KK083211	5	24	KK083806	5	11
KK079493	20	23	KK083017R	2	43	KK083212	5	25	KK083807	5	11
KK079495	20	7	KK083017R	3	43	KK083213	5	26	KK083808	5	11
KK079497	20	14	KK083017R	5	39	KK083214	5	27	KK083809	1	9
KK079498	20	16	KK083018R	1	43	KK083215	5	20	KK083810	1	9
KK079596	17	34	KK083018R	2	43	KK083216	5	20	KK084320R	1	31
KK079751	17	17	KK083018R	3	43	KK083217	5	20	KK084320R	2	28
KK079754	17	28	KK083018R	5	39	KK083218	5	20	KK084320R	3	33
KK079760	17	10	KK083019R	1	43	KK083220	5	9	KK084320R	5	28
KK079761	17	18	KK083019R	2	43	KK083221	5	24	KK084321R	1	31
KK079763	17	10	KK083019R	3	43	KK083222	5	25	KK084321R	2	28
KK079764	17	18	KK083019R	5	39	KK083223	5	26	KK084321R	3	33
KK079765	17	7	KK083020R	1	43	KK083224	5	27	KK084321R	5	28
KK079780	18	68	KK083020R	2	43	KK083228	1	6	KK086080	10	27
KK079781	18	69	KK083020R	5	39	KK083229	1	6	KK086081	10	27
KK080980	1	9	KK083021R	1	43	KK083235	1	39	KK086082	10	27
KK080981	1	9	KK083021R	2	43	KK083235	2	40	KK086083	10	27
KK080982	1	9	KK083021R	5	39	KK083235	5	34	KK086084	10	27
KK080983	1	9	KK083022R	1	43	KK083300	5	2	KK086085	10	27
KK081150	17	5	KK083022R	2	43	KK083301	5	2	KK086086	14	31
KK082640	11	29	KK083022R	5	39	KK083406	5	15	KK086087	14	31
KK083010	1	42	KK083023R	1	43	KK083407	5	15	KK086087R	10	29
KK083011	1	42	KK083023R	2	43	KK083408	5	6	KK086087R	12	25

PS/RS / Part No Index



Part No.	Page	Pos No	Part No.	Page	Pos No	Part No.	Page	Pos No	Part No.	Page	Pos No
KK086087R	13	33	KK086175	10	28	KK352357	23	26	KK353705	26	Not ill.
KK086087R	14	39	KK086801R	15	19	KK352357	28	Not ill.	KK353706	26	Not ill.
KK086090	14	8	KK088169	38	24	KK352370	22	14	KK353707	26	Not ill.
KK086091	12	24	KK199788	38	10	KK352370	23	20	KK353726	26	10
KK086091	13	32	KK301223	19	42	KK352370	25	Not ill.	KK353727	26	3
KK086091	14	38	KK351139	18	46	KK352371	25	Not ill.	KK353728	26	15
KK086100	10	11	KK351140	18	43	KK352384	22	18	KK353729	26	Not ill.
KK086100	12	10	KK351144	18	44	KK352384	23	26	KK353732	26	1
KK086100	13	8	KK352161	25	9	KK352384	30	Not ill.	KK353735	26	1
KK086100	14	8	KK352197	24	1	KK352391	22	2	KK353736	26	1
KK086101R	10	12	KK352197	28	1	KK352774	34	16	KK353738	29	14
KK086101R	12	11	KK352197	30	1	KK353354	30	9	KK353739	29	5
KK086101R	13	26	KK352197	32	10	KK353354	32	1	KK353743	26	6
KK086101R	14	31	KK352238	22	6	KK353355	30	7	KK353744	26	6
KK086103	12	18	KK352238	23	9	KK353355	32	4	KK353745	26	13
KK086110	10	13	KK352247	22	6	KK353356	24	4	KK353746	26	6
KK086111	10	14	KK352247	23	9	KK353356	30	4	KK353748	29	9
KK086112	10	13	KK352257	25	8	KK353356	32	7	KK353749	29	12
KK086113	10	14	KK352262	25	4	KK353360	28	9	KK353751	29	1
KK086114	10	13	KK352267	25	5	KK353361	28	7	KK353751	31	1
KK086115	10	14	KK352284	25	10	KK353362	28	4	KK353754	31	5
KK086166	13	32	KK352292	25	11	KK353370	23	8	KK353755	31	12
KK086166	14	38	KK352298	25	2	KK353370	33	Not ill.	KK353759	31	14
KK086167	12	13	KK352299	33	9	KK353371	33	1	KK353760	31	9
KK086167	13	10	KK352317	24	9	KK353372	33	3	KK353761	31	Not ill.
KK086167	14	10	KK352318	24	7	KK353372	34	4	KK353793	26	9
KK086168	13	10	KK352319	24	9	KK353373	33	6	KK353803	22	18
KK086168	14	10	KK352332	21	8	KK353392	33	10	KK353803	23	26
KK086170	10	28	KK352332	24	Not ill.	KK353392	34	15	KK353803	31	Not ill.
KK086171	10	28	KK352333	21	8	KK353627	34	12	KK353810	22	18
KK086172	10	28	KK352333	24	Not ill.	KK353704	22	14	KK353810	23	26
KK086173	10	28	KK352339	24	7	KK353704	23	20	KK353810	29	Not ill.
KK086174	10	28	KK352357	22	18	KK353704	26	Not ill.	KK353832	23	26

PS/RS / Part No Index



Part No.	Page	Pos No	Part No.	Page	Pos No	Part No.	Page	Pos No	Part No.	Page	Pos No
KK353832	32	Not ill.	KK354026	37	15	KK354321	38	22	KK709930	41	Not ill.
KK353837	23	8	KK354027	37	16	KK354324	40	34	KK709976	41	11
KK353837	34	Not ill.	KK354028	40	13	KK354325	38	18	KK709980	39	11
KK353838	34	Not ill.	KK354029	40	13	KK354326	39	7	KK709982	39	12
KK353850	34	7	KK354030	40	13	KK354327	38	28	UH333791	40	5
KK353851	34	1	KK354040	39	6	KK354328	38	30	UH414216	39	4
KK353904	23	20	KK354041	40	16	KK354340	40	25	UH414217	39	5
KK353904	27	Not ill.	KK354042	40	14	KK354347	38	14	UH440775	39	13
KK353905	27	Not ill.	KK354043	37	20	KK354347	39	1	UH440778	37	3
KK353906	27	Not ill.	KK354046	39	13	KK354348	38	15	UH440779	37	3
KK353923	27	14	KK354047	40	25	KK354348	39	2	UH440780	38	29
KK353927	27	7	KK354048	40	25	KK356042	21	10	UH440780	39	14
KK353938	27	1	KK354049	40	25	KK356131	18	45	UH440780	40	35
KK353939	27	1	KK354059	39	3	KK361116	19	40	UH825640	27	13
KK353940	27	2	KK354063	39	13	KK709479	41	5			
KK353941	27	2	KK354064	39	13	KK709737	41	3			
KK353945	27	12	KK354065	37	11	KK709756	41	1			
KK353946	27	11	KK354075	37	23	KK709756	41	Not ill.			
KK354002	37	1	KK354077	40	25	KK709757	41	2			
KK354006	37	2	KK354078	40	25	KK709757	41	Not ill.			
KK354007	37	5	KK354090	39	13	KK709758	41	1			
KK354008	37	4	KK354091	40	25	KK709758	41	Not ill.			
KK354008	38	11	KK354092	40	16	KK709759	41	2			
KK354010	37	13	KK354095	40	9	KK709759	41	Not ill.			
KK354011	37	6	KK354096	40	28	KK709831	41	4			
KK354011	38	16	KK354310	38	21	KK709841	41	9			
KK354011	39	10	KK354313	38	32	KK709842	41	7			
KK354014	40	4	KK354314	38	5	KK709843	41	6			
KK354017	38	27	KK354315	38	13	KK709844	41	8			
KK354017	40	2	KK354316	38	12	KK709895	41	10			
KK354018	38	26	KK354317	38	17	KK709927	41	Not ill.			
KK354018	40	2	KK354318	38	8	KK709928	41	Not ill.			
KK354021	37	25	KK354320	38	6	KK709929	41	Not ill.			



PS/RS

< Mach. ID <= ->

Kverneland Group Operation Norway AS
Kverneland Group Klepp AS
N-4355 Kverneland
\nNorway
+47 51429000
+47 51429001

© Kverneland Group

All rights reserved. No parts of this book may be reproduced, stored in a database or retrieval system, or published in any form or in any way, electronically, mechanically, optically, by print, photo print, microfilm (including micro and macro fiche), or any other means, including all video and CD systems, without prior written permission from the publisher.

Print date: 2007-08-28

