



LINAMAR

Power to Perform



OROS

KUKORICABETAKARÍTÓ ADAPTER
RÓTALKATRÉSZJEGYZÉK

КУКУРУЗНАЯ ЖАТКА
ПЕРЕЧЕНЬ ЗАПАСНЫХ ЧАСТЕЙ

CORN HEAD SPARE PART LIST

MAISPFLÜCKERVORSATZ
ERSATZTEILLISTE

CUEILLEUR À MAÏS CATALOGUE
DES PIÈCES DE RECHANGE

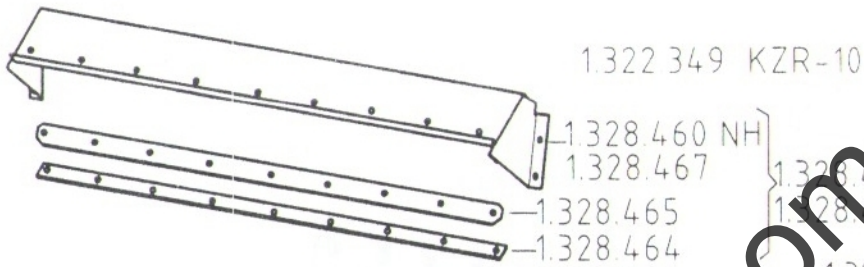


<http://hespareparts.com>

1.326.039

742	Каркас монтированный
743	Консольный шнек монтированный
778	Вал левый монтированный
779	Вал правый монтированный
869	Боковой привод - 77,5/80см
871	Боковой привод 6R-70/72/75/76,2см
895	Звёздочки - ХША
727	Натяжение цепи - ША
826	Натяжение цепи - ХША
930	Русло монтированное
873	Приводной механизм
875	Соединения приводного механизма
950	ХША монтированный
874	Содержание русла
865	Установочный механизм рейки срывания початков
717	Соединения цепи держатели обшивки
942	Средние пластмассовые обшивки - 76,2-80см
932	Средние пластмассовые обшивки - 70см
840	Крайние пластмассовые обшивки
781	Правые передние обшивки
782	Левые передние обшивки
897	Монтировочный набор
854	Ремонтнр. набор плав.трансп-ра NH TX32-36, TF42-46
961	Каркас монтированный 6R - ША
6	ША - привод монтированный
33	Держатель ножей монтированный
751	Привод монтированный 6R - ША
760	Принадлежности ША
624	Набор этикеток
915	Борта

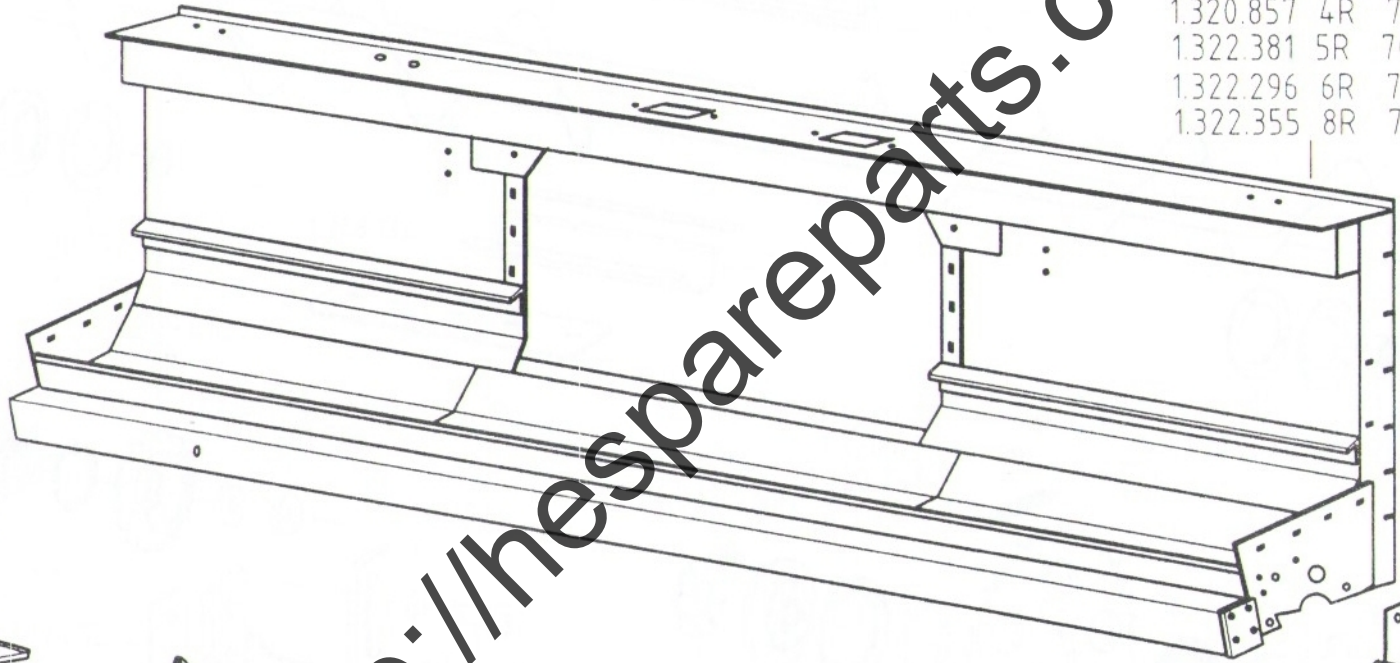
<http://mespareparts.com>



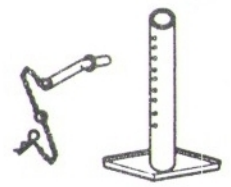
1.322.349 KZR-10

1.328.460 NH
 1.328.467 } 1.328.466
 1.328.465 } 1.328.459 NH.
 1.328.464

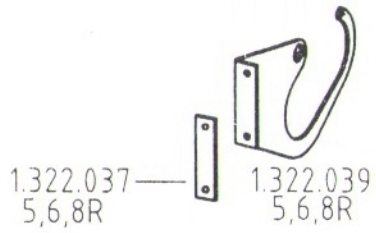
1.329.675 6R 70-76,2
 1.320.857 4R 72-75
 1.322.381 5R 70-80
 1.322.296 6R 70-80
 1.322.355 8R 70-76.2



<http://hespareparts.com>

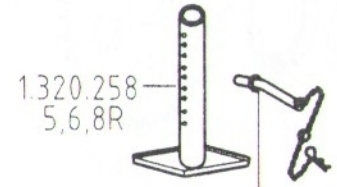


1.322.039
5,6,8R



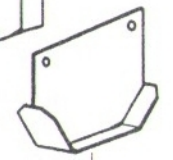
1.322.037
5,6,8R

1.322.039
5,6,8R



1.320.258
5,6,8R

25.541.14.50.00



1.322.224 4R

1.329.685 6R 70-76,2
1.309.155 5R
1.309.035 6R 70-80
1.319.576 8R

1.321.513
1.321.511
1.321.512
1.308.132

1.304.770

1.304.876

1.320.187

35A
238.207
PF 72
1.320.190
35A

1.308.132

1.320.185

10x8x40

1.320.244 471

1.309.052
z=16

1.315.070
1.301.761

1.320.492
1.320.493
1.320.246
5/8"

1.320.190 238.207
1.320.191
PF 72
1.320.540

6204 2Z

1.322.012

1.308.223

1.314.168
1.323.936
1.310.780

1.314.820
110x80

1.320.243

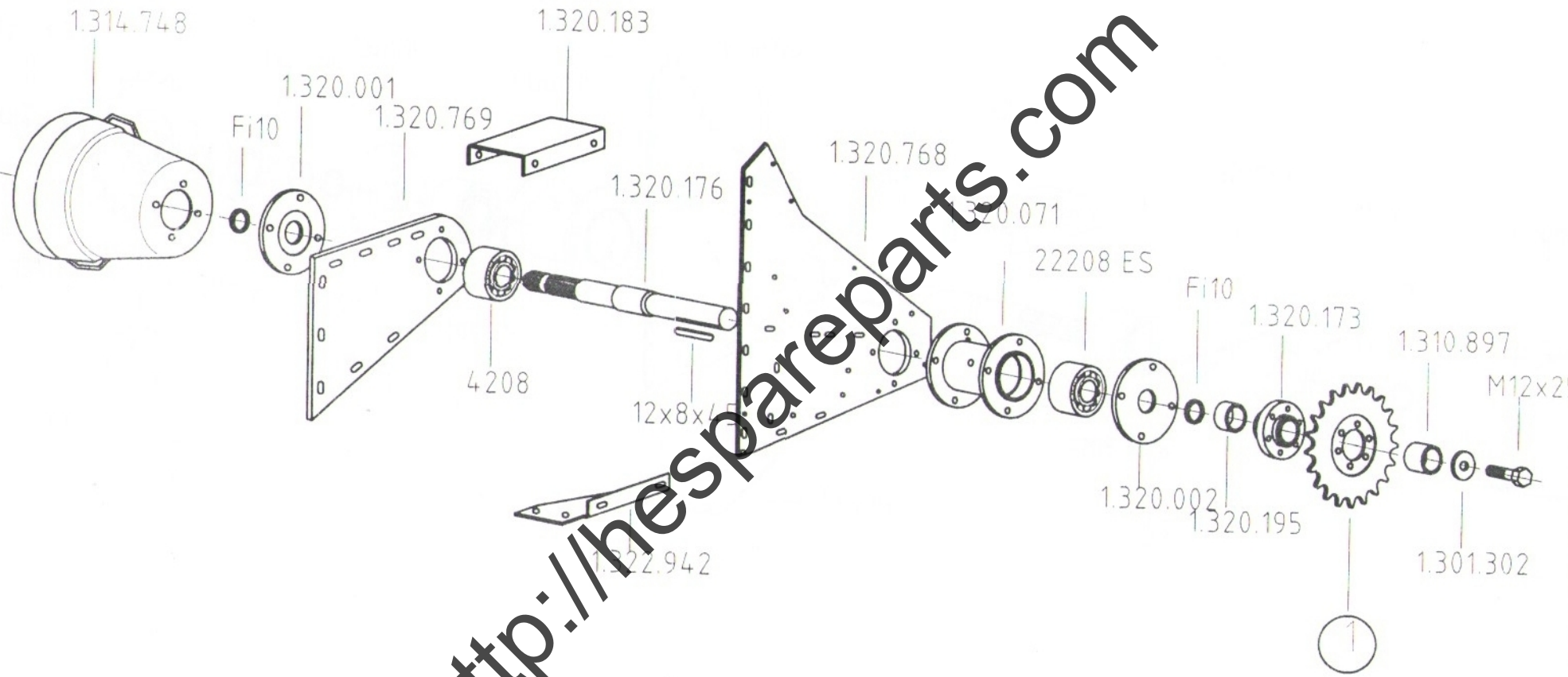
1.308.456
1.320.245

25.553.20.10.07
1.310.778
z=90 t=5/8"
1.314.167
35A

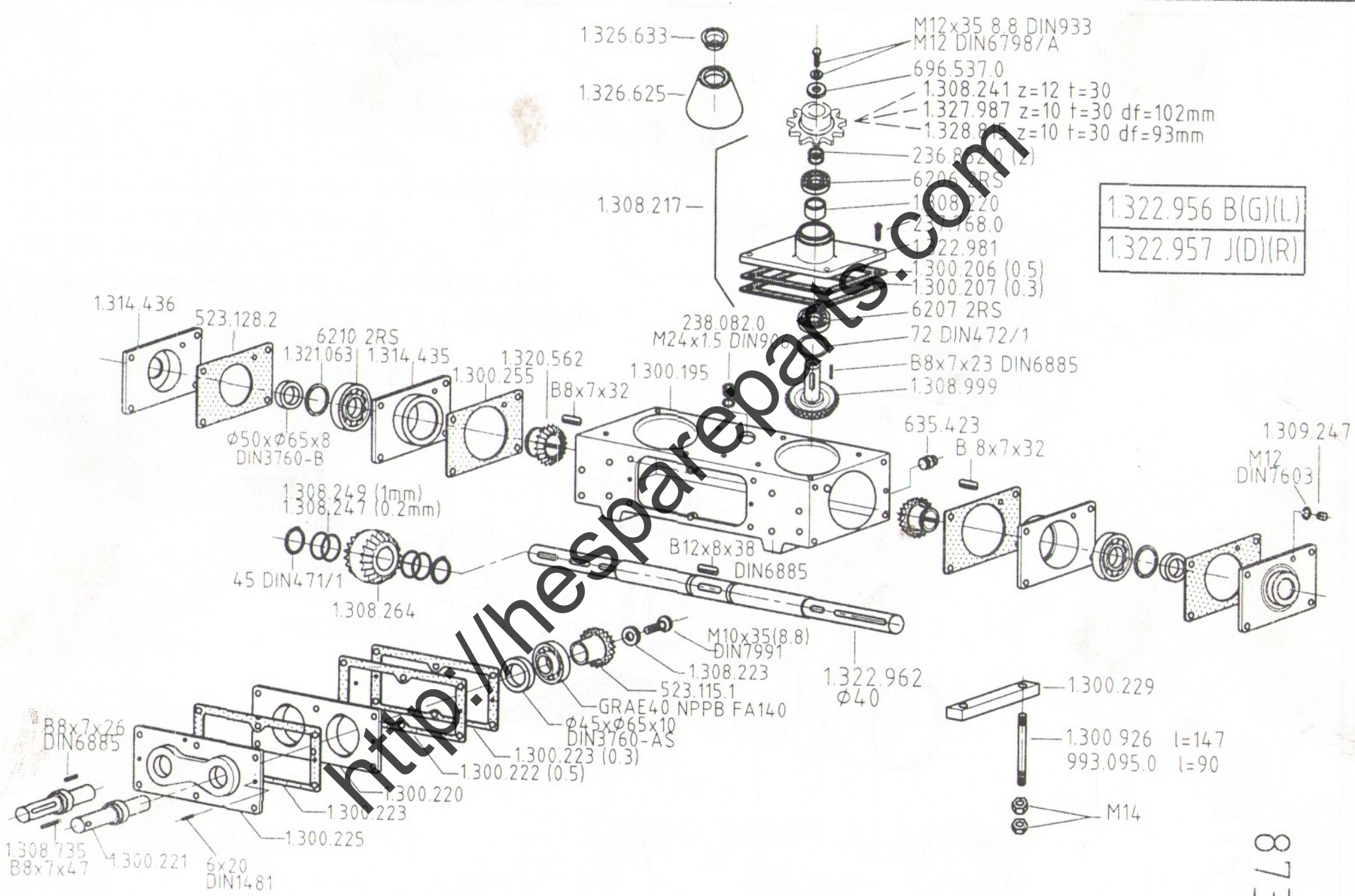
1.314.166

<http://thespareparts.com>

743



<http://hespareparts.com>



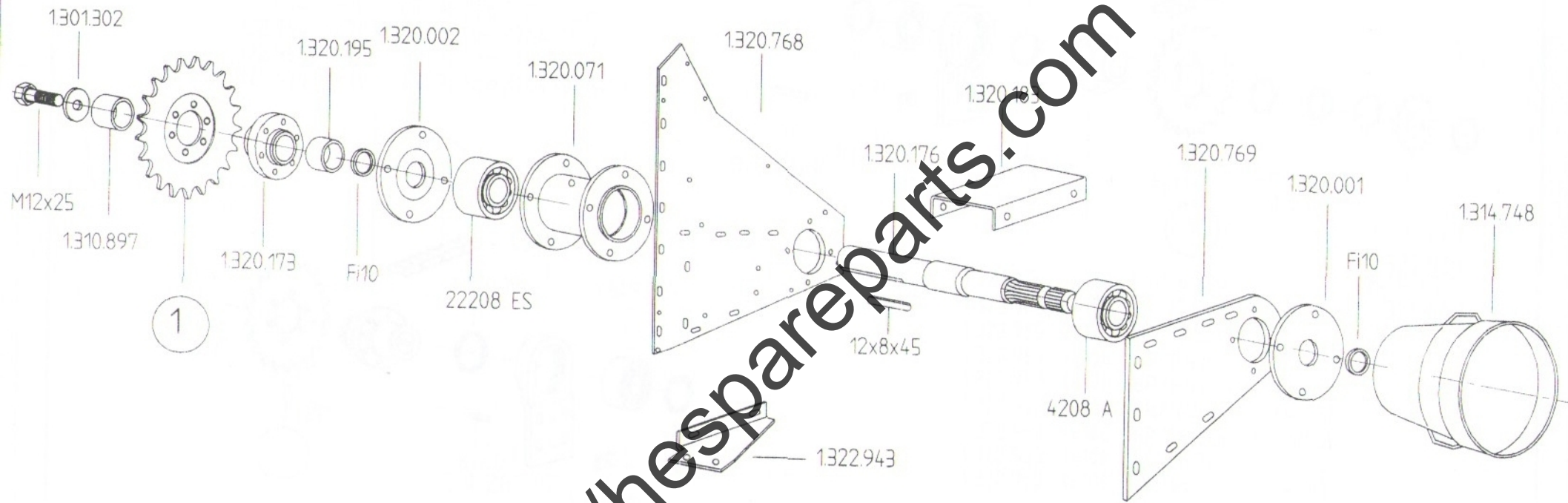
1.322.956 B(G)(L)
1.322.957 J(D)(R)

<http://www.espareparts.com>

1.326.039

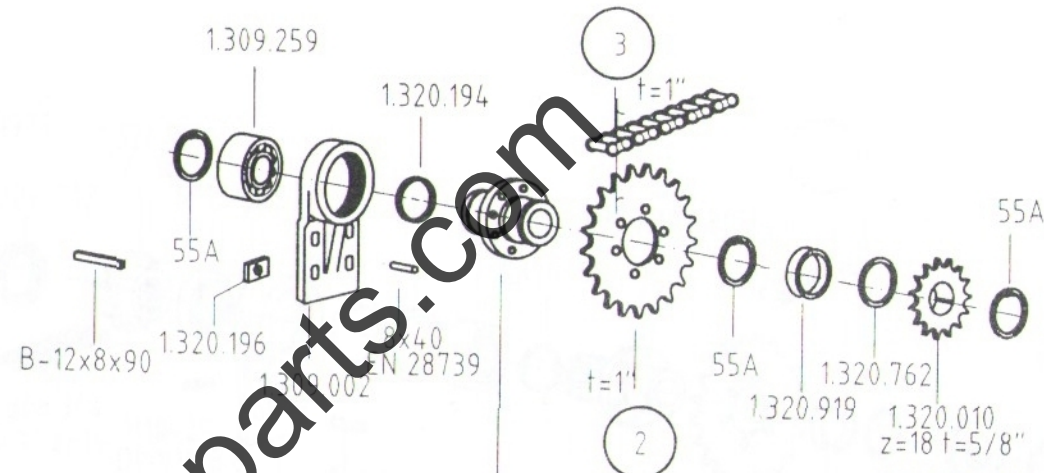
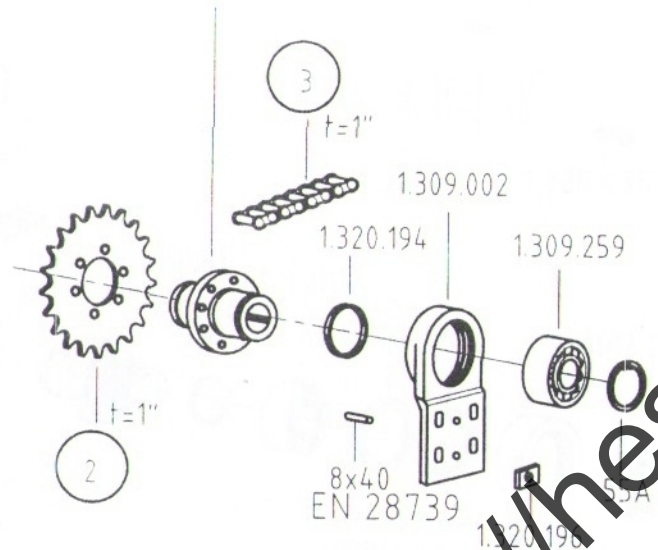
742.	Váz szerelt
743.	Gyűjtőcsiga szerelt
778.	Tengely bal szerelt
779.	Tengely jobb szerelt
869.	Oldalhajtás -77.5/80cm-
871.	Oldalhajtás 6R-70/72/75/76.2cm-
895.	Lánckerekek-HSA
727.	Láncfeszítés-SA
826.	Láncfeszítés-HSA
930.	Törőegység szerelt
873.	Hajtómű
875.	Hajtómű összekötések
950.	HSA szerelt
874.	Törőegység összetétel
865.	Töröléc állító mechanizmus
717.	Törőegység összekötők, burkolattartók
942.	Műanyag középső burkolatok - 76.2-80cm
932.	Műanyag középső burkolatok - 70cm
840.	Műanyag szélső burkolatok
781.	Jobb első burkolatok
782.	Bal első burkolatok
897.	Felszerelő készlet
854.	Felhordó átszerelő készlet NH TX32-36, TF42-46
903.	SA – váz szerelt 6R
803.	SA - hajtómű szerelt
33.	Késtartó szerelt
751.	SA - hajtás szerelt 6R
760.	SA - tartozékok
624.	Címkegarantúra
915.	Oldalmagasítás

<http://mespareparts.com>



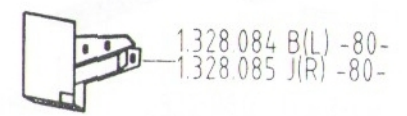
<http://hespareparts.com>

1.326.127	l=139	5R/76.2cm
1.322.966	l=104	6R/77.5cm
1.322.966	l=104	5R/77.5cm
1.322.964	l=70	5R/80cm
1.322.964	l=70	6R/80cm
1.322.964	l=70	6R/76,2cm /70-76,2/
1.322.964	l=70	6R/100cm /91.4-100/
1.322.964	l=70	8R/76.2cm /70-76.2/
1.322.964	l=70	8R/96.5cm /91.4-96.5/



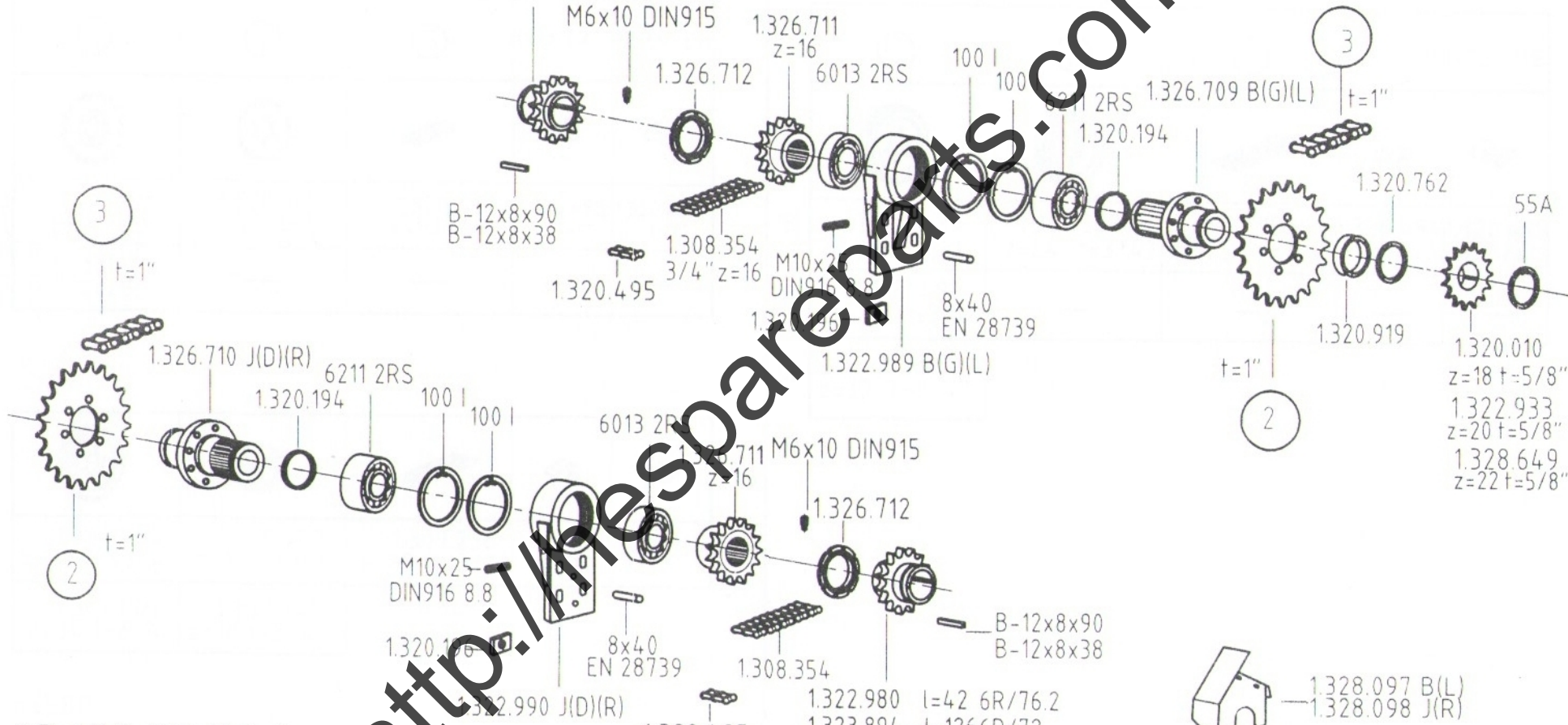
1.326.124	l=176	5R/76.2cm
1.322.965	l=141	6R/77.5cm
1.322.965	l=141	5R/77.5cm
1.322.963	l=106	5R/80cm
1.322.963	l=106	6R/80cm
1.322.963	l=106	6R/100cm /91.4-100/
1.322.963	l=106	6R/76,2cm /70-76,2/
1.322.963	l=106	8R/76.2cm /70-76.2/
1.322.963	l=106	8R/96.5 /91.4-96.5/

5R-6R/76.2
 5-6-R/77.5/80cm
 6R/100cm
 8R/76.2/96.5cm



<http://thespareparts.com>

1.329.823 l=100 6R/70 (70-76.2)
 1.326.325 l=80 6R/70 (70-76.2)+HSA; +SA
 1.322.980 l=42 6R/76.2
 1.323.895 l=170 6R/72
 1.323.896 l=220 6R/70
 1.322.980 l=42 6R/96.5
 1.323.895 l=170 6R/91.4








<http://mespareparts.com>






6R/70,72,76.2
 91.4,96.5

871

OROS + SA

①	②	③	HALF EYE	PATENT EYE
				
1.320.011 z=21 t=1"	1.320.011 z=21 t=1"	1.326.717 x=93 t=1"	1.320.488 t=1"	1.320.489 t=1"
1.326.252 z=23	—	—	—	—

SA

				
1.307.404 z=40 t=3/4"	1.306.492 z=16 t=3/4"	1.309.236 x=89 t=3/4"	1.307.494 z=25 t=3/4"	1.320.495 t=3/4"
1.307.401 z=34 t=3/4"	1.307.341 z=18 t=3/4"	—	—	—

n=580






'A' TC N°Sxxx252001 - ig; TX 62-68 N°S xx1246001-ig

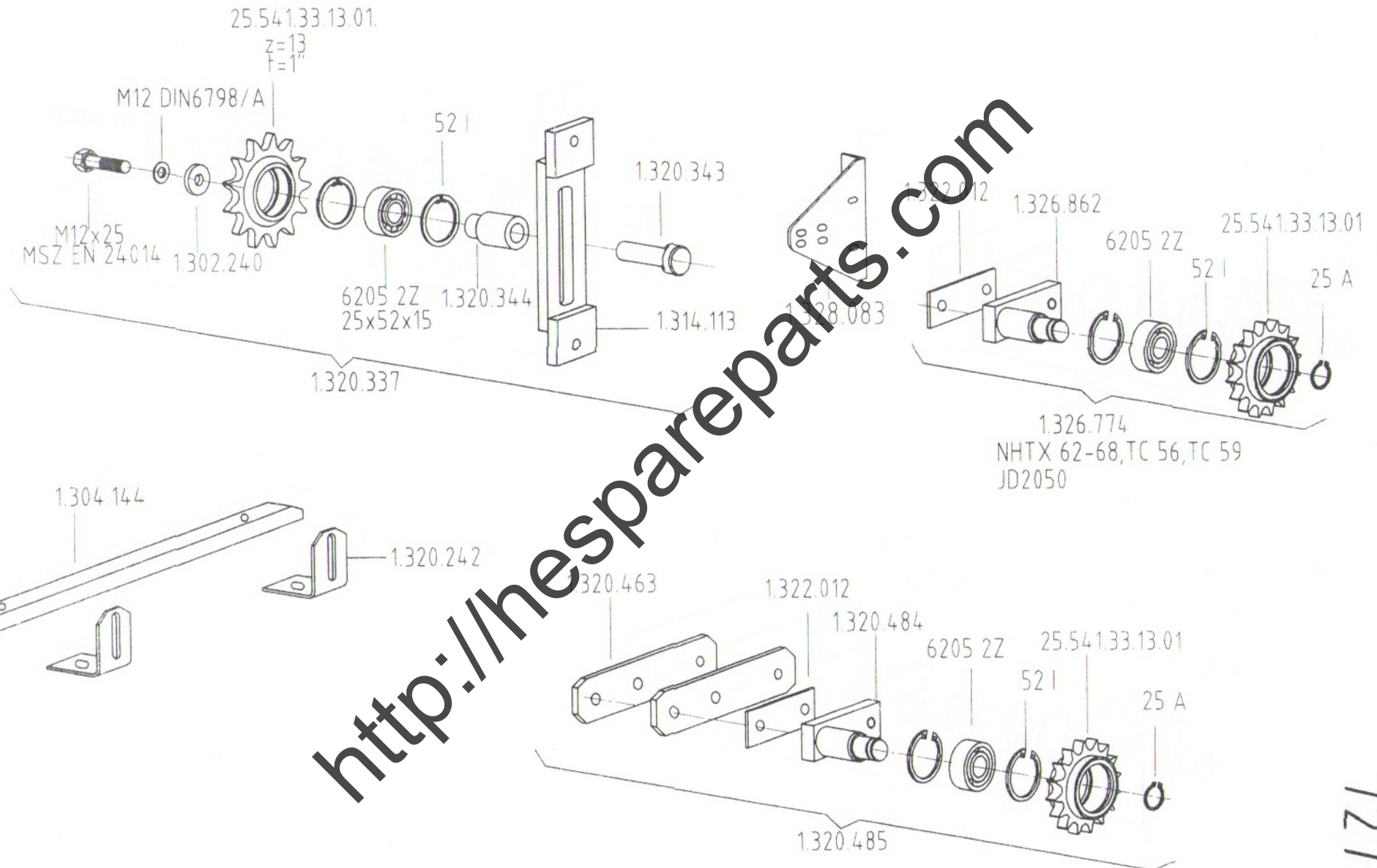
'B' TC N°Sxxx252001-tol; TX 62-68 N°S xx1246001-tol

NH

2007.

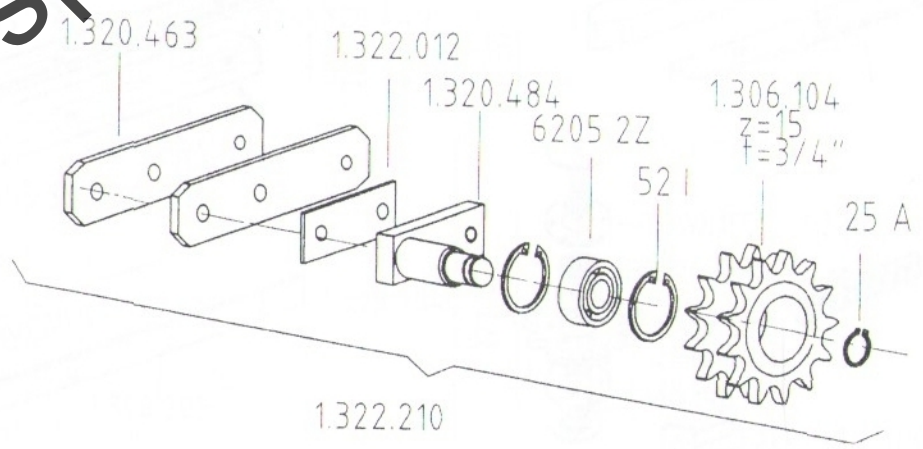
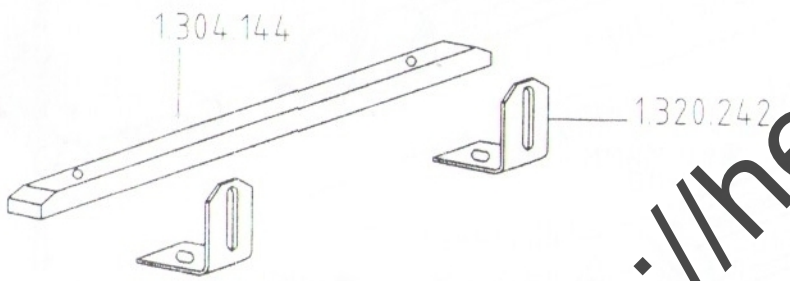
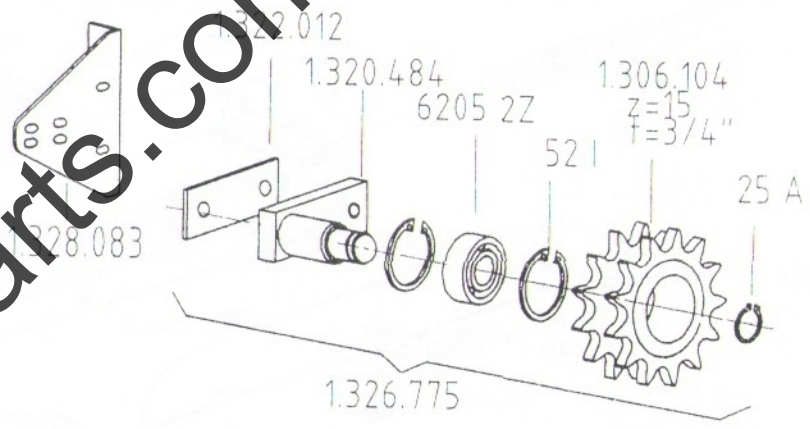
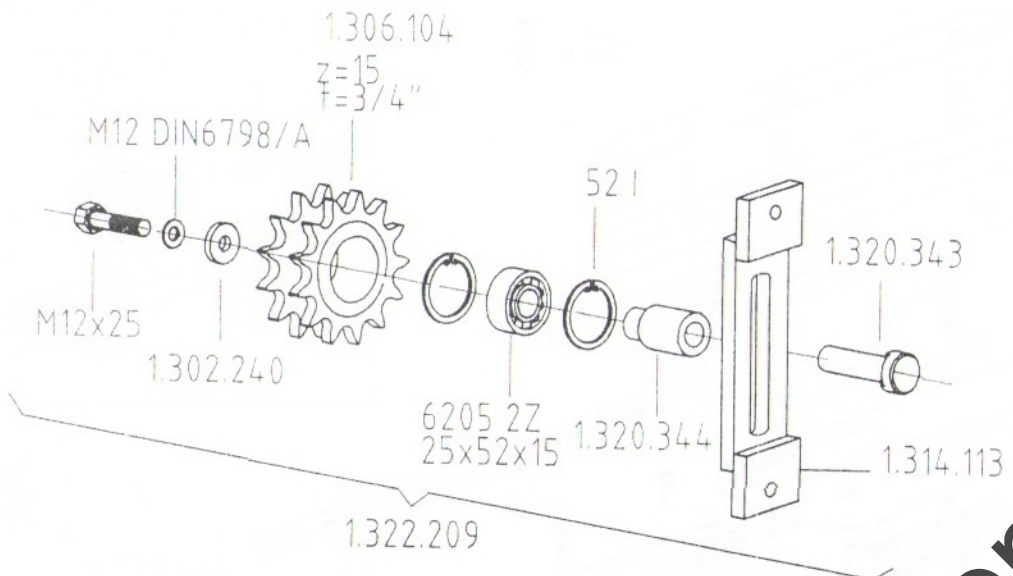
OROS + HSA

①	②	③	HALF EYE	PATENT EYE
				
1.307.496 z=18 t=3/4"	1.307.367 z=24 t=3/4"	1.319.157 x=125 t=3/4"	1.320.494 t=3/4"	1.320.495 t=3/4"
1.307.499 z=25 t=3/4"	—	—	—	—
1.307.498 z=32 t=3/4"	—	—	—	—

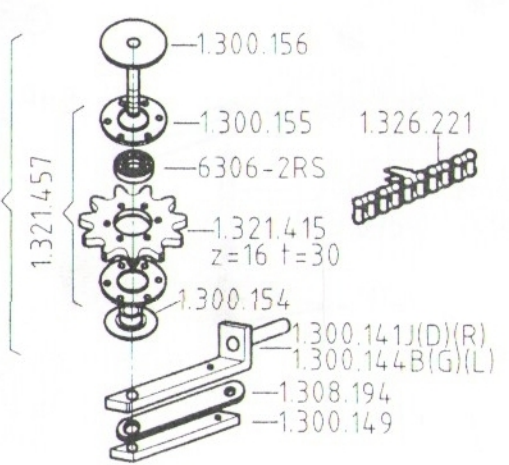
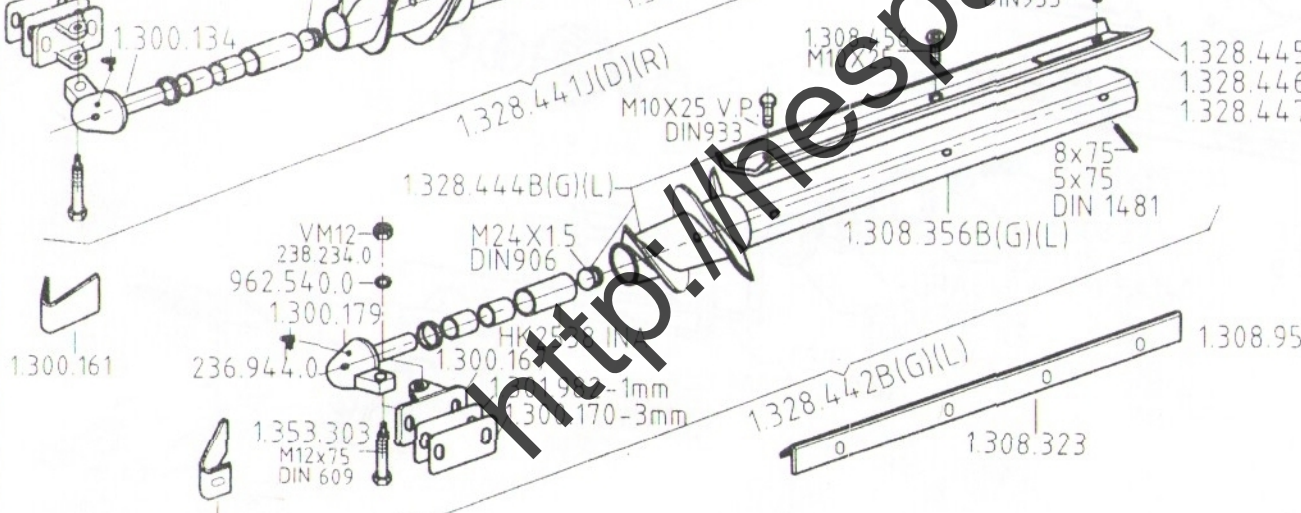
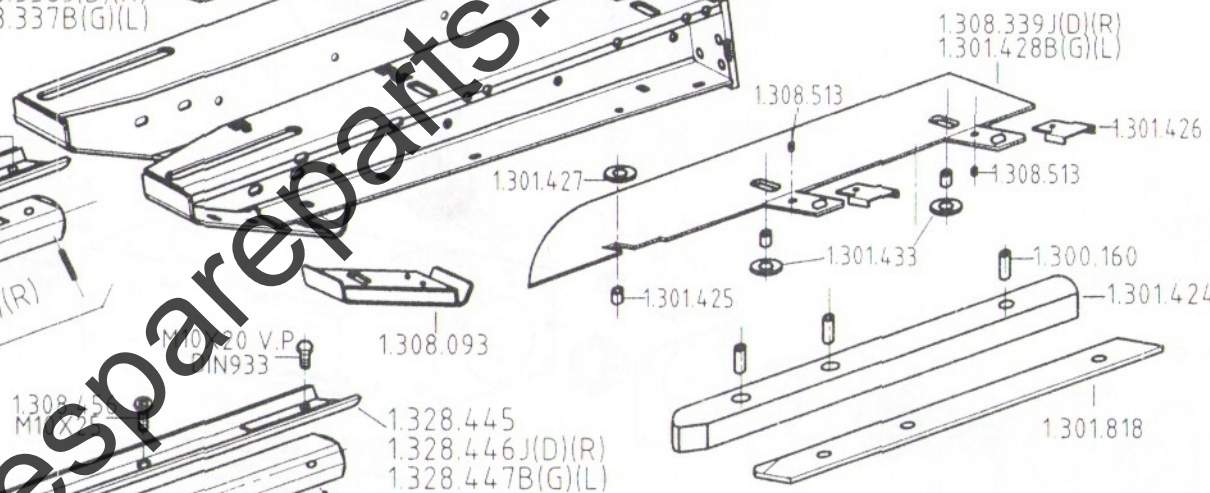
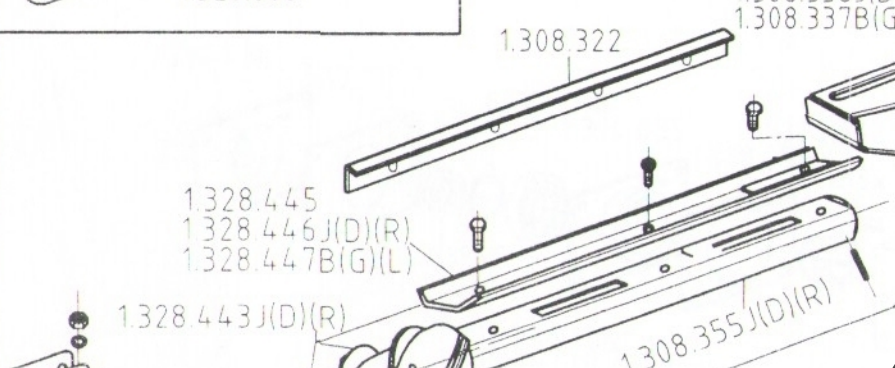
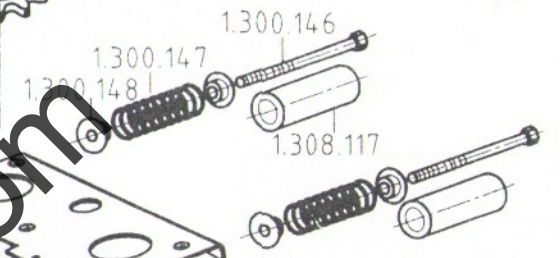
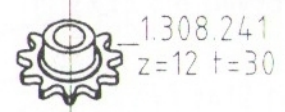
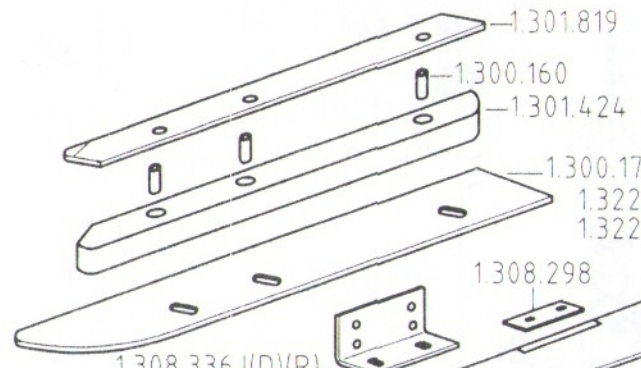
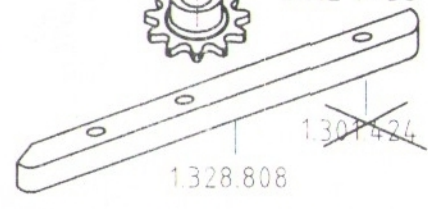


<http://hespareparts.com>

<http://hespareparts.com>

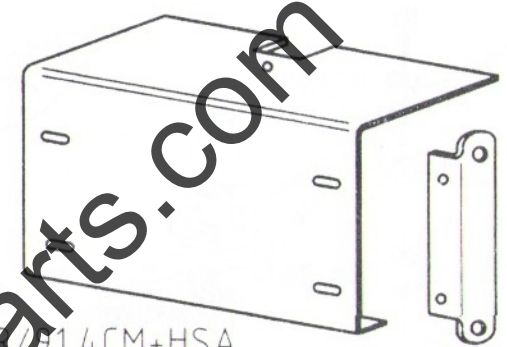


1.328.815 df=93mm
z=10 t=30
1.327.987 df=102mm
z=10 t=30



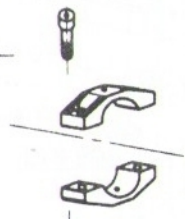
<http://mespareparts.com>

- 1.329.432 181 mm 4,5,6,8R/70 CM+HSA (70-76,2)
- 1.316.910 236 mm 4+2X2/3X70+4X72 SOLO; HSA 6R/70 SOLO (70-76,2)
- 1.314.658 201mm 4,5,6R/72 CM+HSA
- 1.314.659 146mm 4,5,6R/72+HSA; 4+2X2/3X70+4X72CM+HSA
- 1.314.660 243mm 4,5,6R/76,2+HSA
- 1.314.661 188mm 5,6,4+2R/76,2 CM +HSA
- 1.314.662 256mm 4,5,6/72 CM; 4+2X2/3X70+4X72
- 1.314.663 298mm 4,5,6,8,4+2X2R/76,2; 4+2X2R/80CM
- 1.314.664 281mm 5,6R/80 CM+HSA
- 1.314.665 226mm 4,5,6,4+2,4+2X2/80 CM+HSA
- 1.314.666 336mm 5,6,8R/80CM SOLO; 4+2,4+2X2/80CM+HSA; 6R 8T/91,4CM+HSA
- 1.307.397 290mm 4,5,6R/70CM+SA

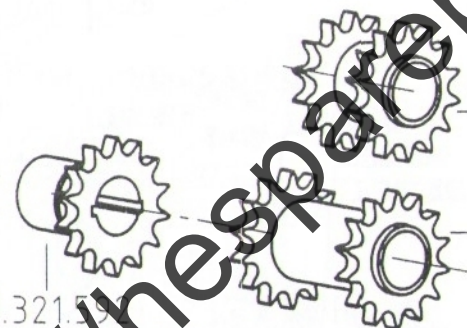


1.314.285

M12x30 IP.
DIN912-10.9



1.321.605



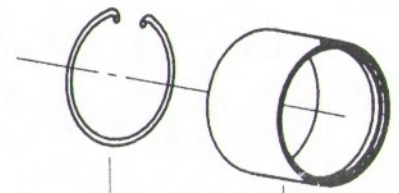
1.321.550
1.329.370(SA)

1.321.033 l=50mm

1.321.036 l=88mm



1.300.200



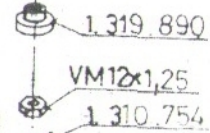
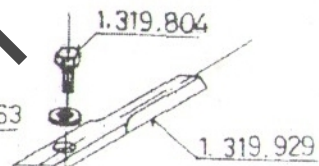
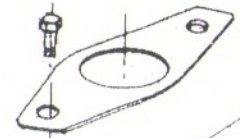
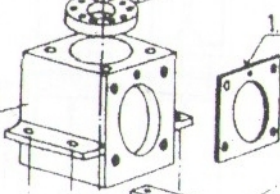
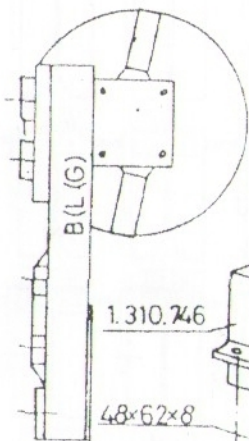
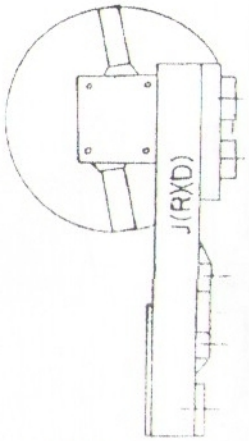
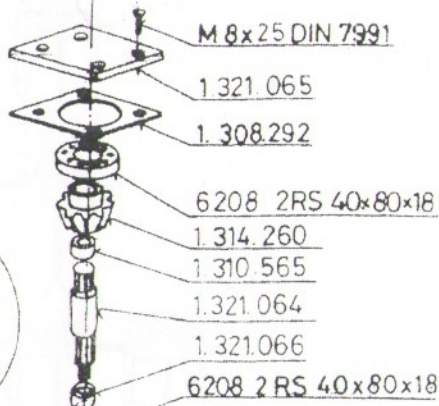
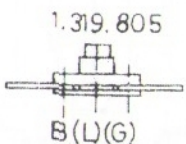
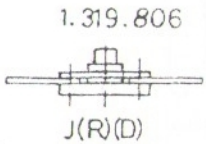
1.302.972

1.321.029

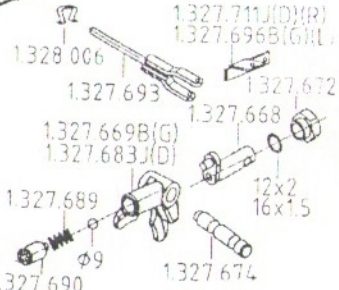
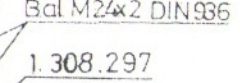
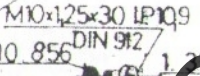
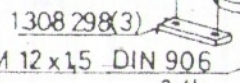
<http://thespareparts.com>

1.321.154 B(G)(L)

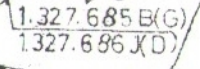
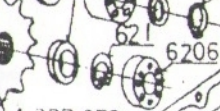
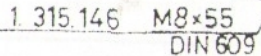
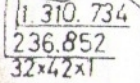
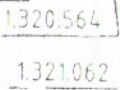
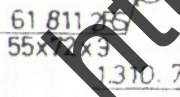
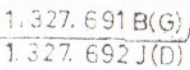
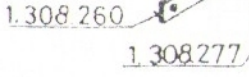
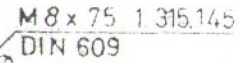
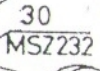
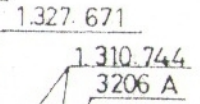
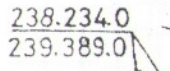
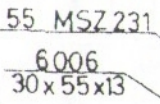
1.321.153 J(D)(R)



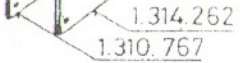
- 1.310.455 2mm
- 1.310.456 3mm
- 1.310.457 4mm

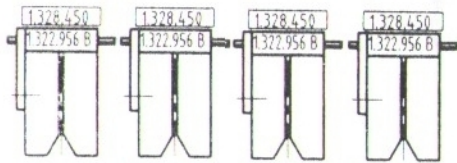


- 1.310.756 s-1
- 1.310.757 s-05
- 1.310.758 s-02
- 1.310.759 s-01

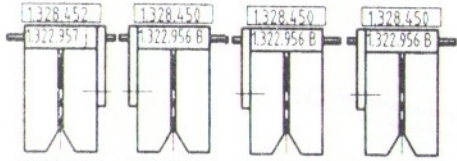


- 1.310.761 s-1
- 1.310.762 s-0,5
- 1.310.763 s-0,3

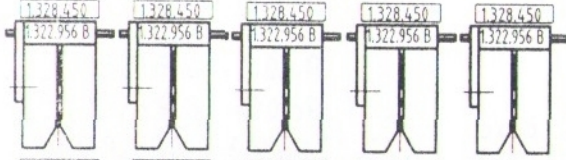




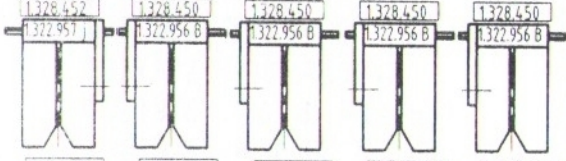
4R 70cm HSA



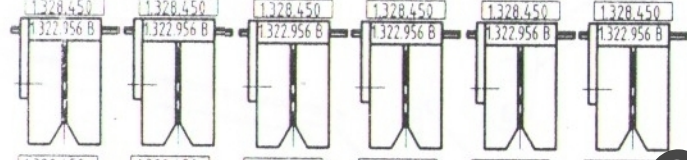
4R



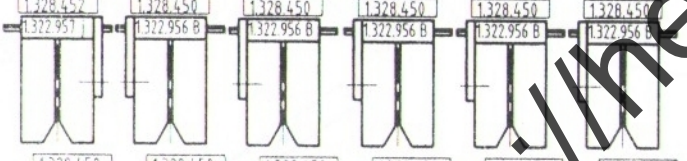
5R 70cm HSA



5R



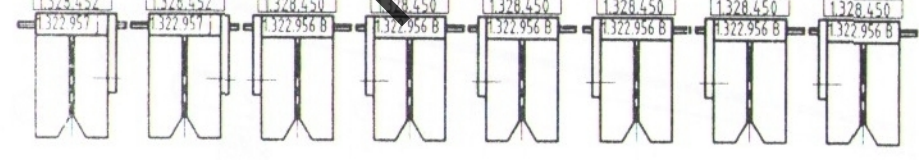
6R 70cm HSA



6R



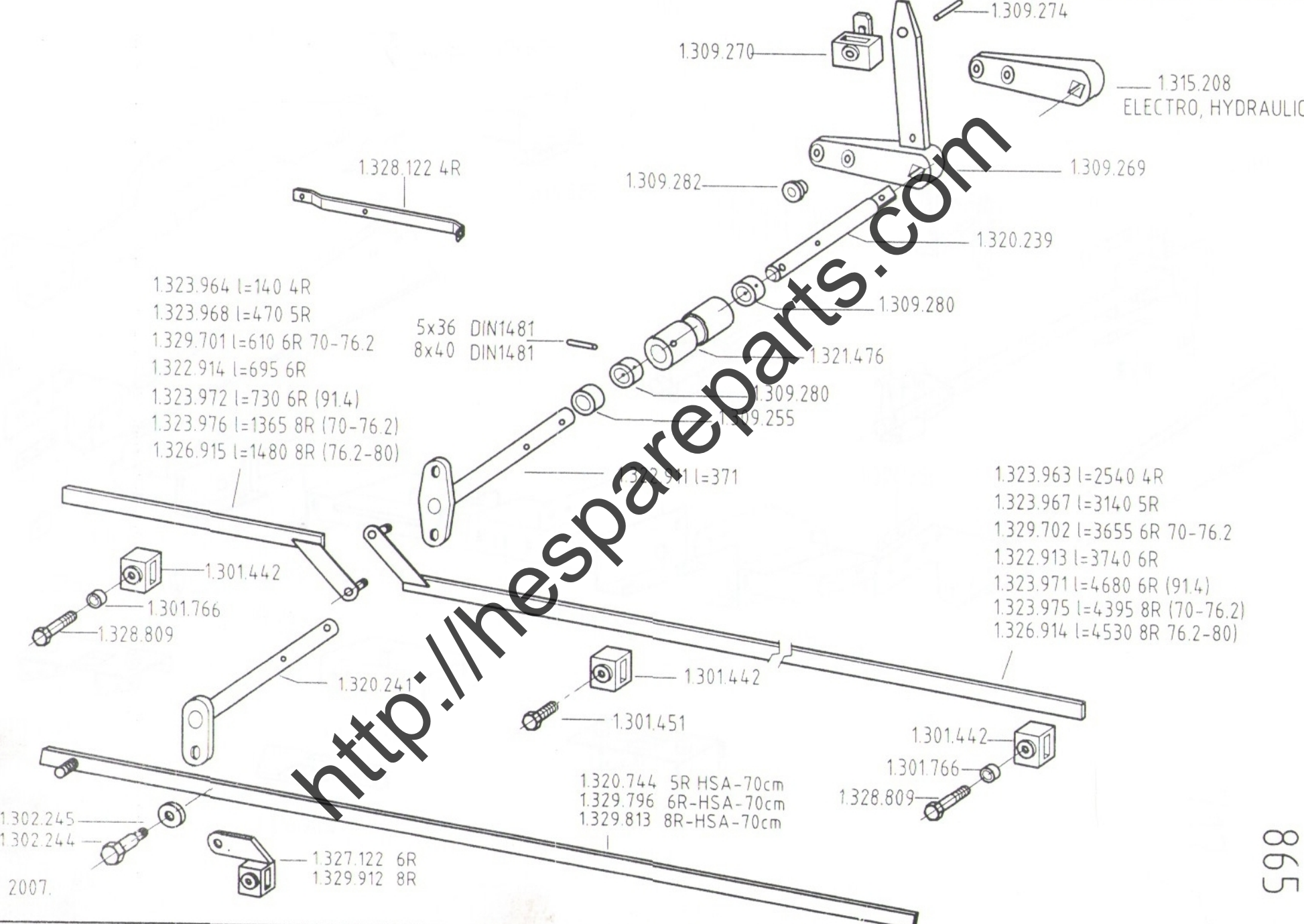
8R 70cm HSA



8R

<http://thespareparts.com>

<http://hespareparts.com>



- 1.309.270
- 1.309.274
- 1.315.208 ELECTRO, HYDRAULIC
- 1.309.269
- 1.320.239
- 1.309.282
- 1.309.280
- 1.321.476
- 1.309.280
- 1.309.255
- 1.329.911 l=371
- 1.328.122 4R
- 1.323.964 l=140 4R
- 1.323.968 l=470 5R
- 1.329.701 l=610 6R 70-76.2
- 1.322.914 l=695 6R
- 1.323.972 l=730 6R (91.4)
- 1.323.976 l=1365 8R (70-76.2)
- 1.326.915 l=1480 8R (76.2-80)
- 5x36 DIN1481
- 8x40 DIN1481
- 1.301.442
- 1.301.766
- 1.328.809
- 1.320.241
- 1.301.442
- 1.301.451
- 1.320.744 5R HSA-70cm
- 1.329.796 6R-HSA-70cm
- 1.329.813 8R-HSA-70cm
- 1.301.442
- 1.301.766
- 1.328.809
- 1.302.245
- 1.302.244
- 1.327.122 6R
- 1.329.912 8R
- 1.323.963 l=2540 4R
- 1.323.967 l=3140 5R
- 1.329.702 l=3655 6R 70-76.2
- 1.322.913 l=3740 6R
- 1.323.971 l=4680 6R (91.4)
- 1.323.975 l=4395 8R (70-76.2)
- 1.326.914 l=4530 8R 76.2-80)

2007.

1.329.784 70cm HSA
1.329.788 70cm HSA

1.315.678
1.315.687 } 2R, 3R
1.315.685

1.315.724 B(G)(L)
1.326.069 J(D)(R)

1.301.434 B(G)(L)
1.326.076 J(D)(F)

1.315.687
1.315.685

1.320.356

1.315.673

1.302.173

1.302.356

1.310.009
1.302.340

1.302.393

1.300.238 70-80cm

1.302.174

1.314.410

1.304.755

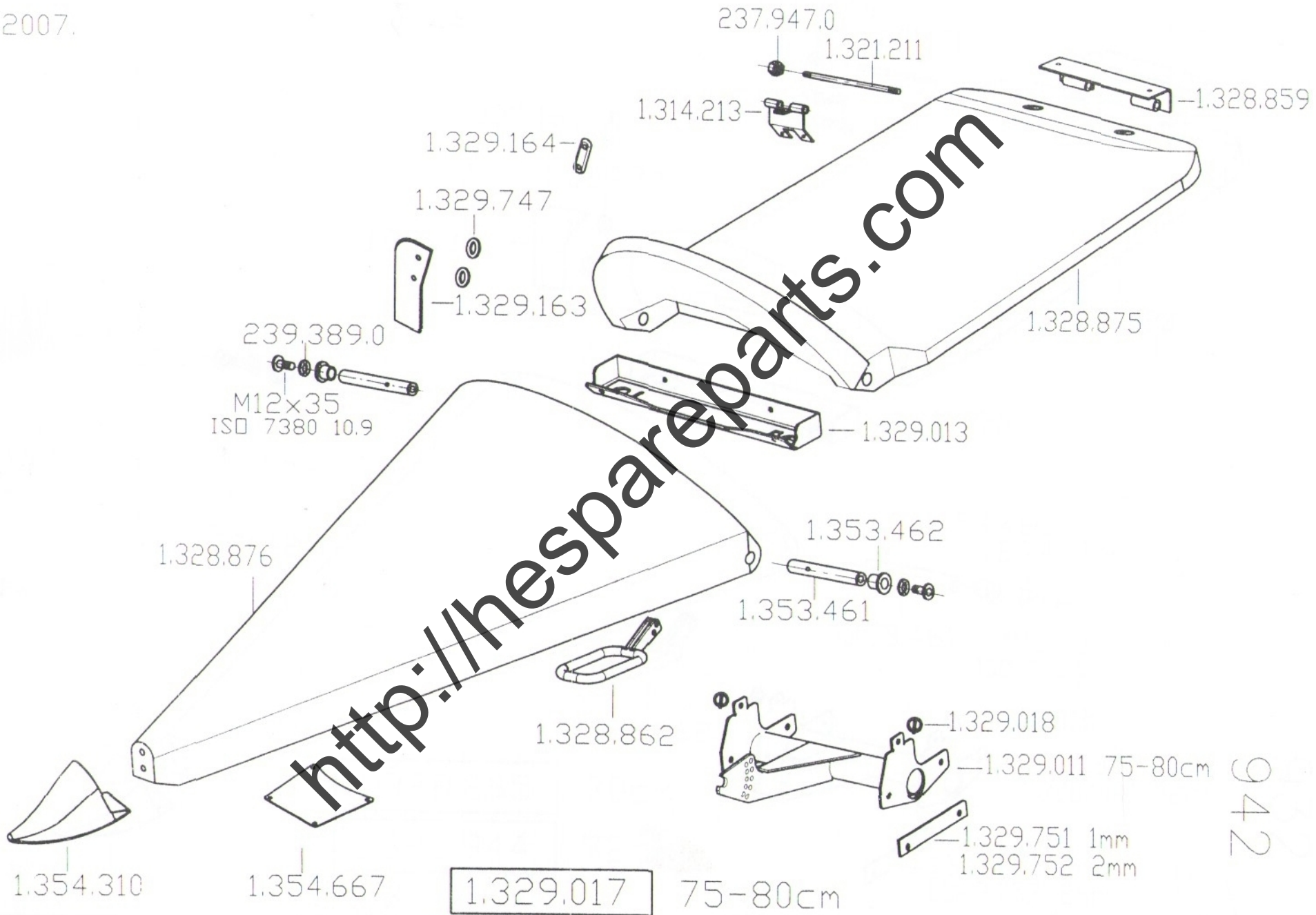
1.316.905

1.314.409

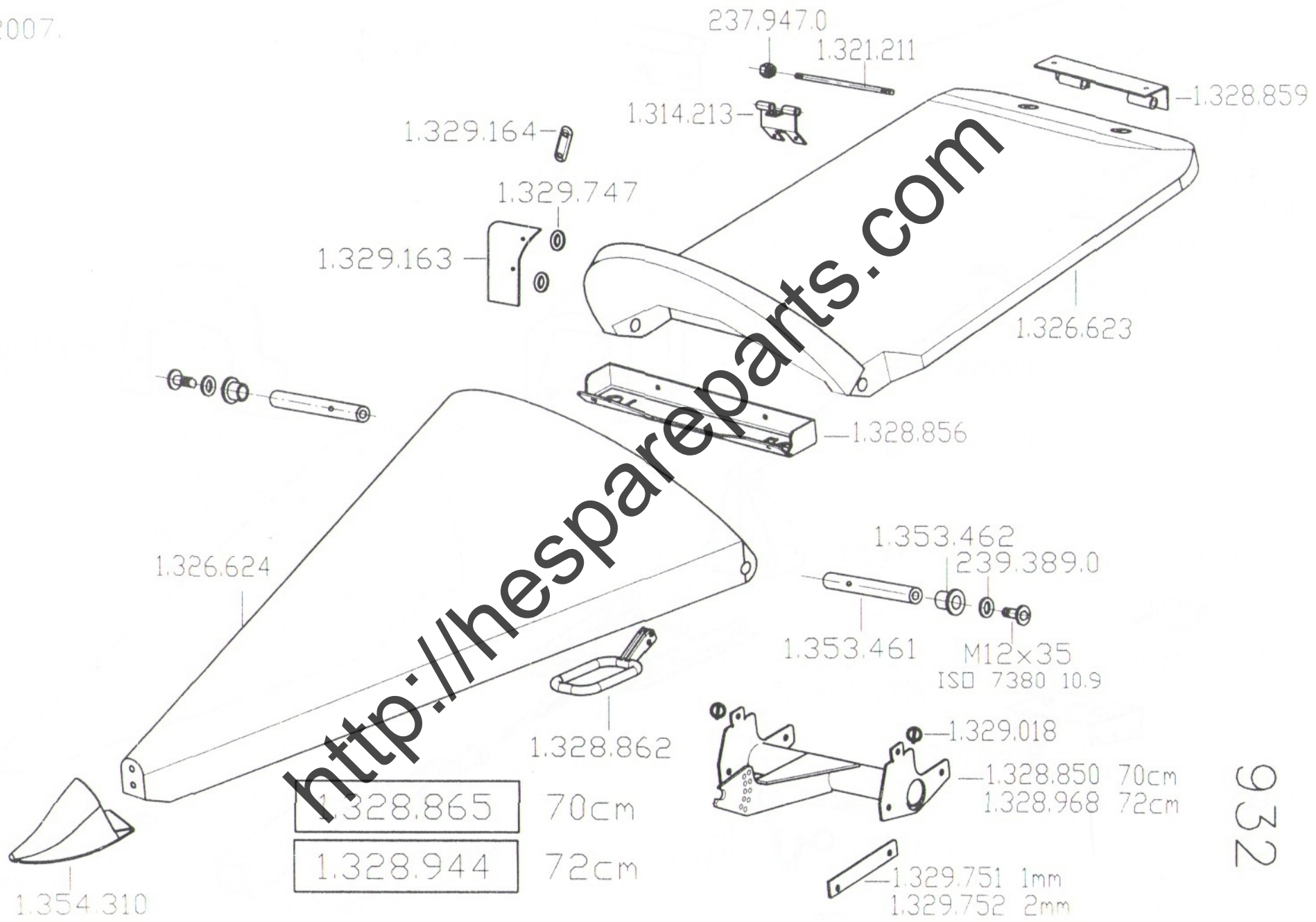
717

<http://heshpareparts.com>

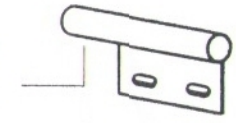
2007.



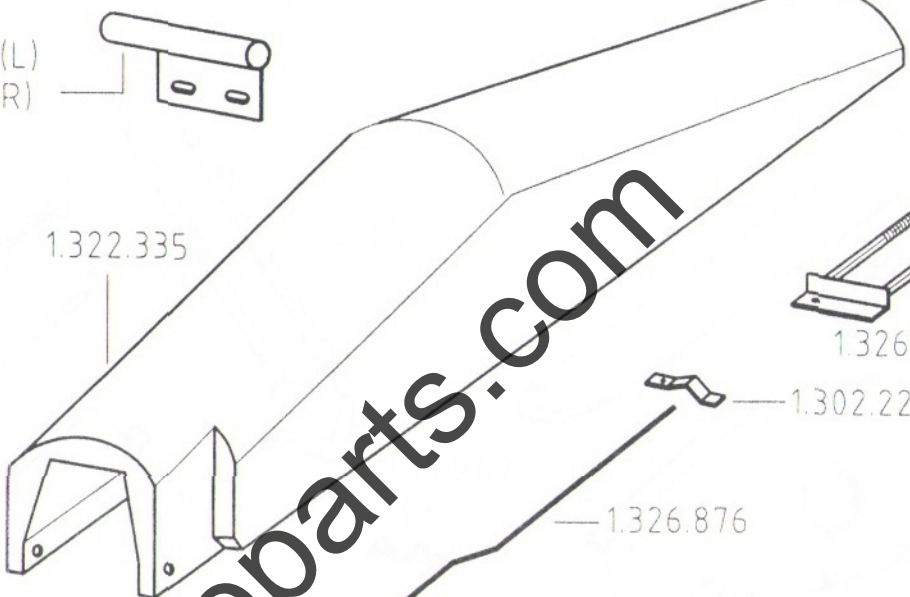
942



1.320.210 B(G)(L)
1.320.211 J(D)(R)

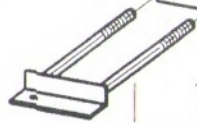


1.322.335



1.320.308

1.326.878

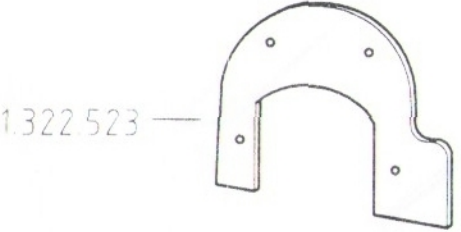


1.302.222

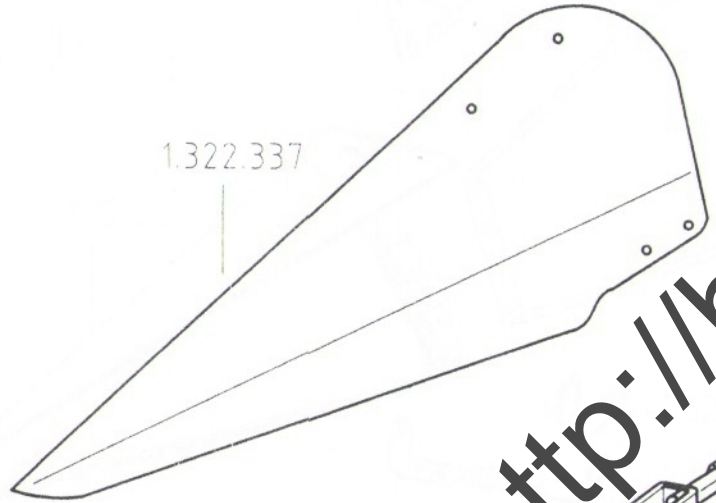


1.326.876

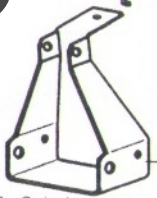
1.322.794



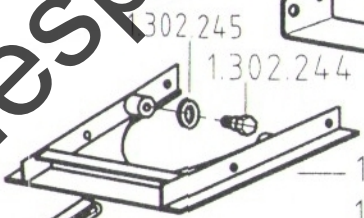
1.322.523



1.322.337



1.325.881



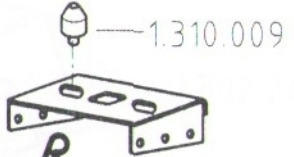
1.302.245

1.302.244

1.325.876 B(G)(L)

1.325.877 J(D)(R)

1.325.893



1.310.009

1.325.440



673.749.0



1.325.892



1.322.481



2.2x31x10
DIN 5685

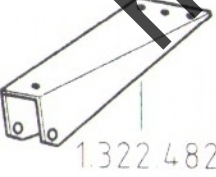
002.846.0

1.325.899



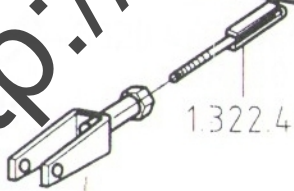
2008

1.377.035



1.322.482

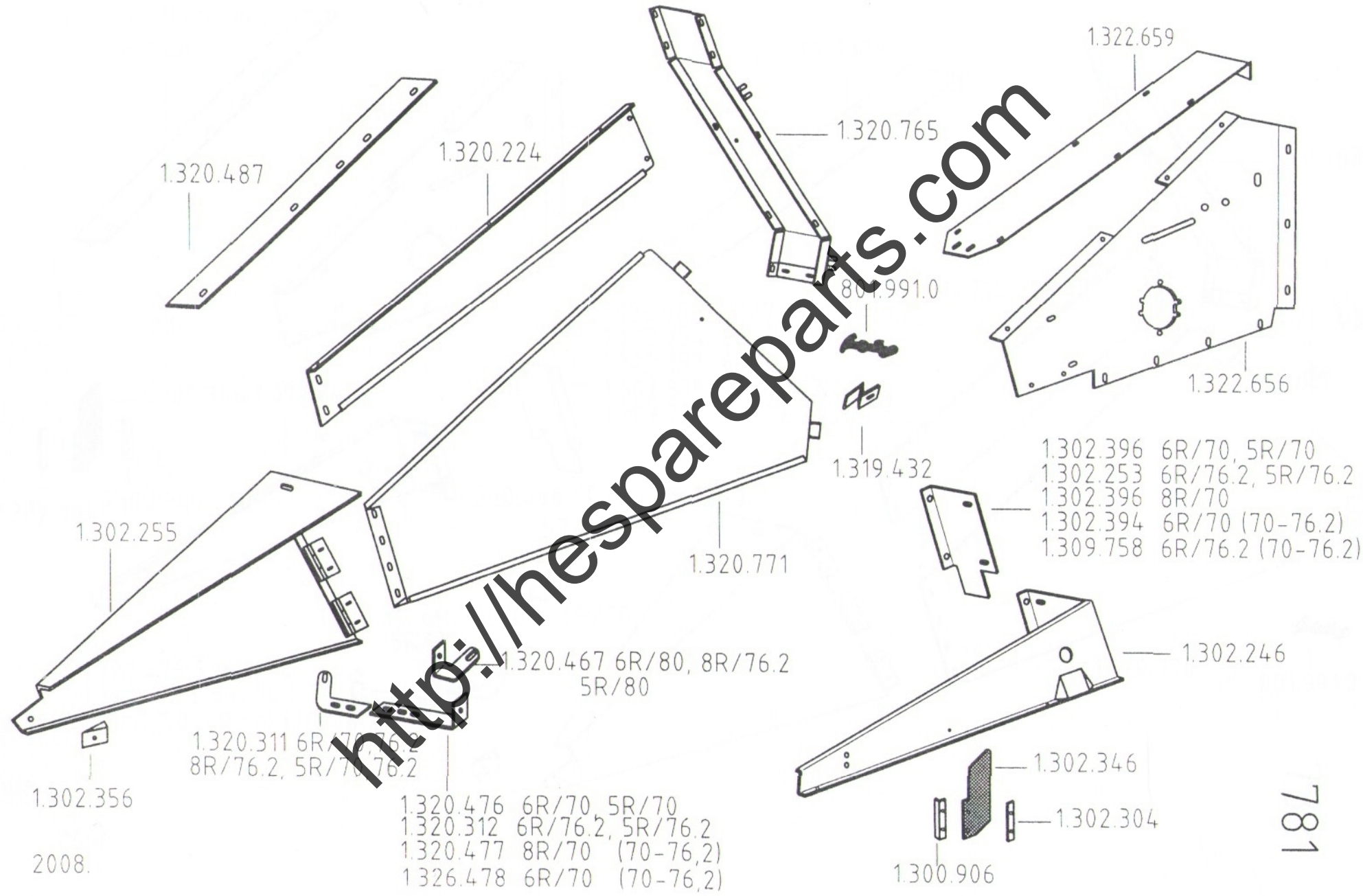
1.322.953

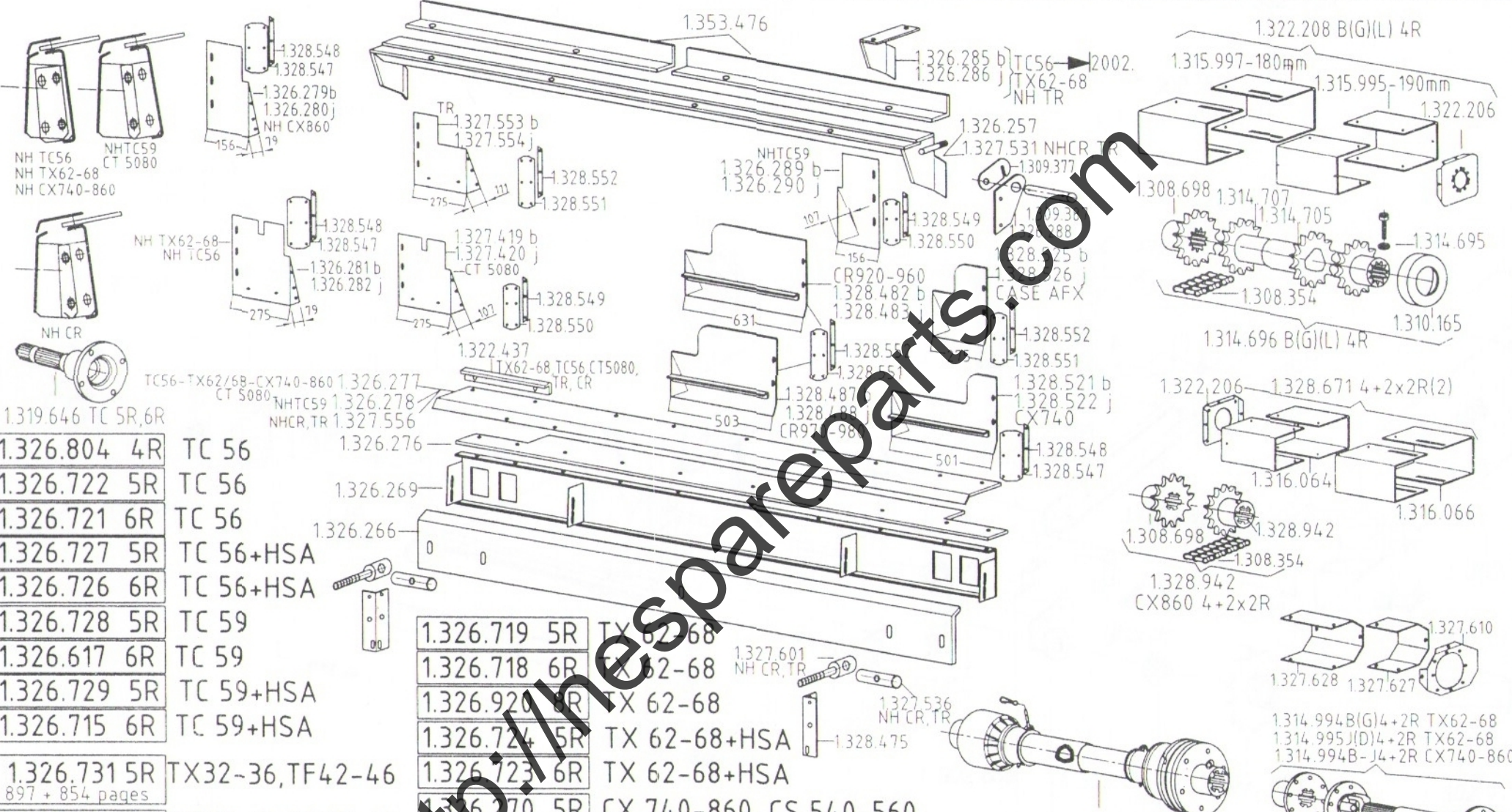


1.322.484

<http://hespareparts.com>

078





NH TC56
NH TX62-68
NH CX740-860

NH TX62-68
NH TC56
NH CR

1.319.646 TC 5R,6R

1.326.804 4R TC 56
1.326.722 5R TC 56
1.326.721 6R TC 56
1.326.727 5R TC 56+HSA
1.326.726 6R TC 56+HSA
1.326.728 5R TC 59
1.326.617 6R TC 59
1.326.729 5R TC 59+HSA
1.326.715 6R TC 59+HSA

1.326.731 5R TX32-36,TF42-46
897 + 854 pages

1.326.730 6R TX32-36,TF42-46
897 + 854 pages

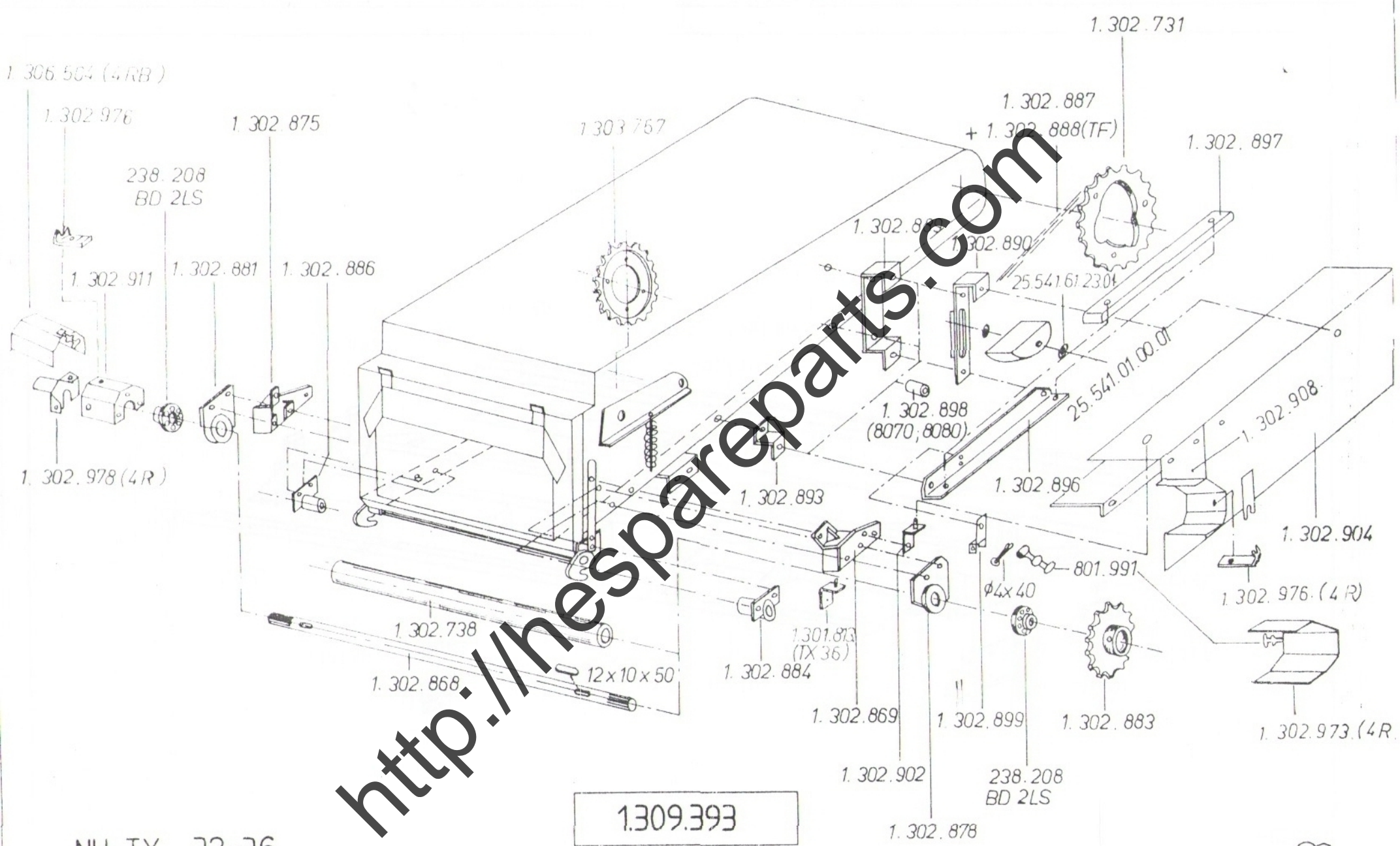
1.327.678 4+2R CX740-860+HSA

1.327.681 4+2R TX 62-68+HSA

1.328.940 4+2x2R CX 860

1.326.719 5R TX 62-68
1.326.718 6R TX 62-68
1.326.920 6R TX 62-68
1.326.724 5R TX 62-68+HSA
1.326.723 6R TX 62-68+HSA
1.326.770 5R CX 740-860, CS 540-560
1.326.764 6R CX 740-860, CS 540-560
1.326.714 5R CX 740-860, CS 540-560+HSA
1.326.652 6R CX 740-860, CS 540-560+HSA
1.327.468 8R CX 740-860 + HSA
1.325.852 4+2RS CX740-860+HSA
1.326.883 4+2RS TX 62-68+HSA

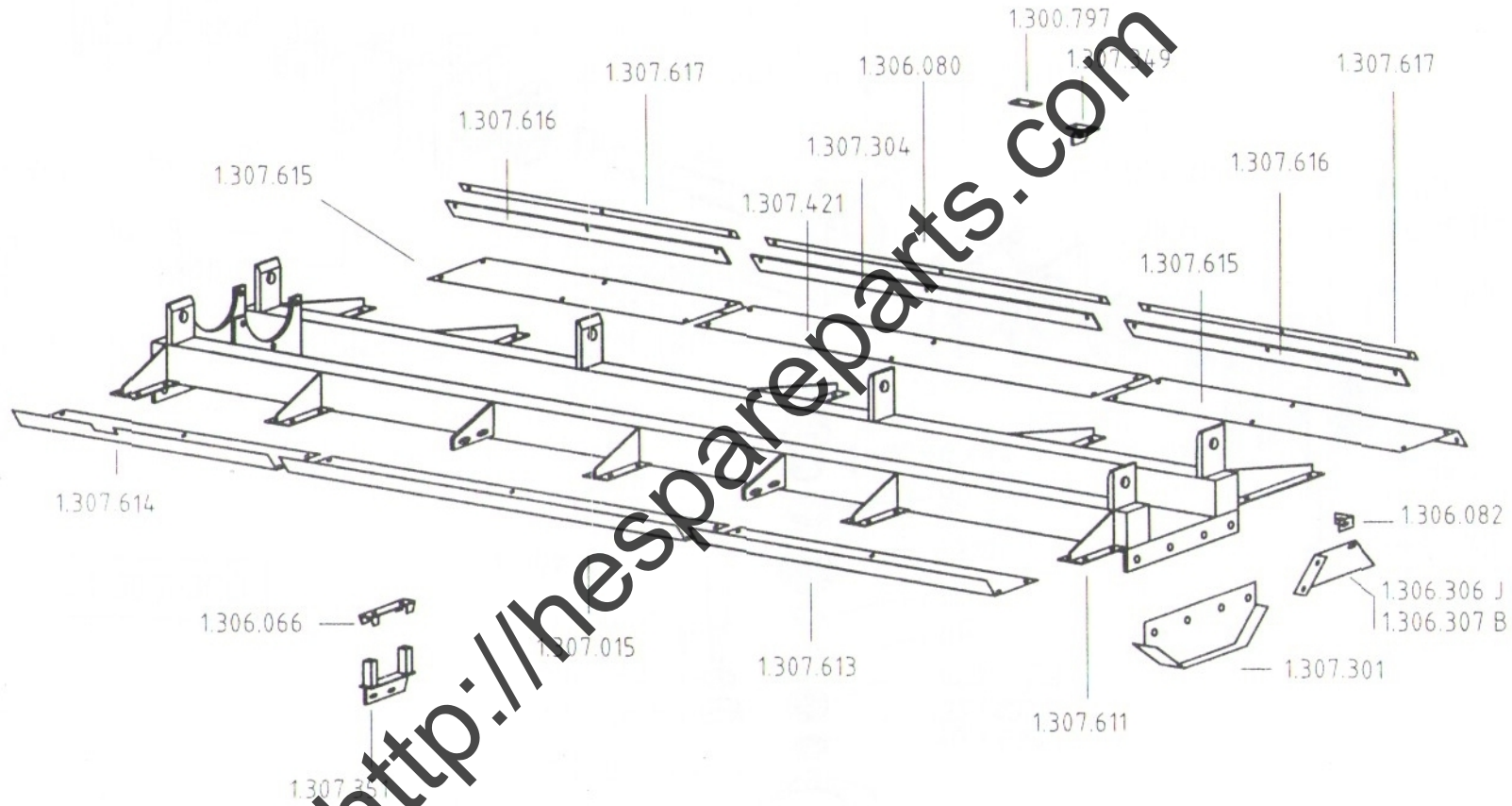
1.326.328 J(D)(R) 5R TC56
1.314.443 B(G)(L) 5R TC56
1.314.450 6R TC56, TX62-68
1.314.453 J(D)(R) 6R TC59
1.318.348 B(G)(L) 6R TC59
1.314.443 5R TX32-36,TF42-46
1.314.450 6R TX32-36,TF42-46
1.321.558 J(D)(R) 5R TX62-68,CX740-860
1.314.444 B(G)(L) 5R TX62-68,CX740-860
1.318.348 6R CX740-860
1.314.450 4+2RS CX740-860,TX62-68
1.314.457 8R TX62-68, CX740-860
1.314.450 5-6R CX740-860,TX62-68 IDASS



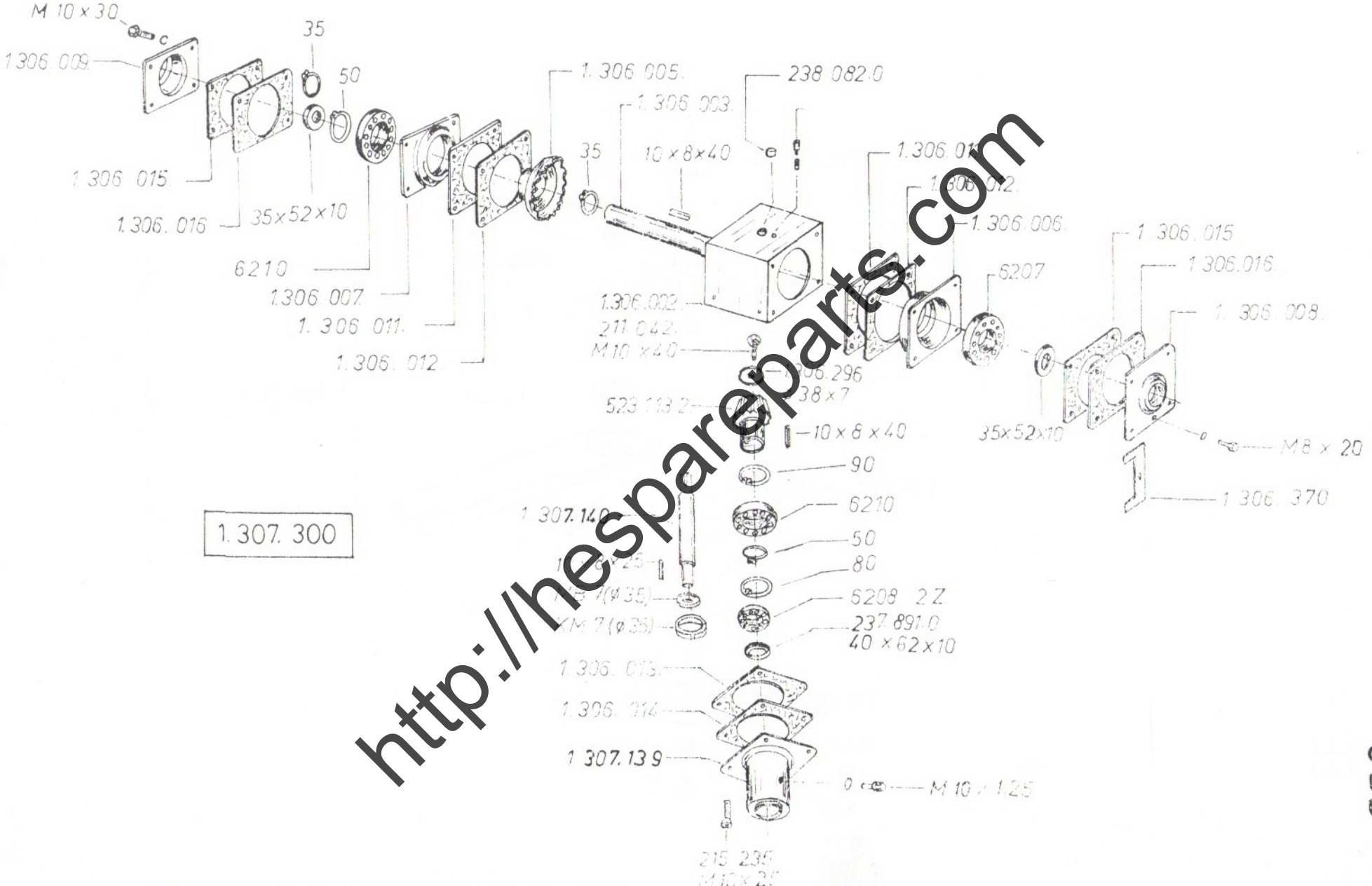
<http://hespareparts.com>

1.309.393

NH TX 32-36
TF 42-46



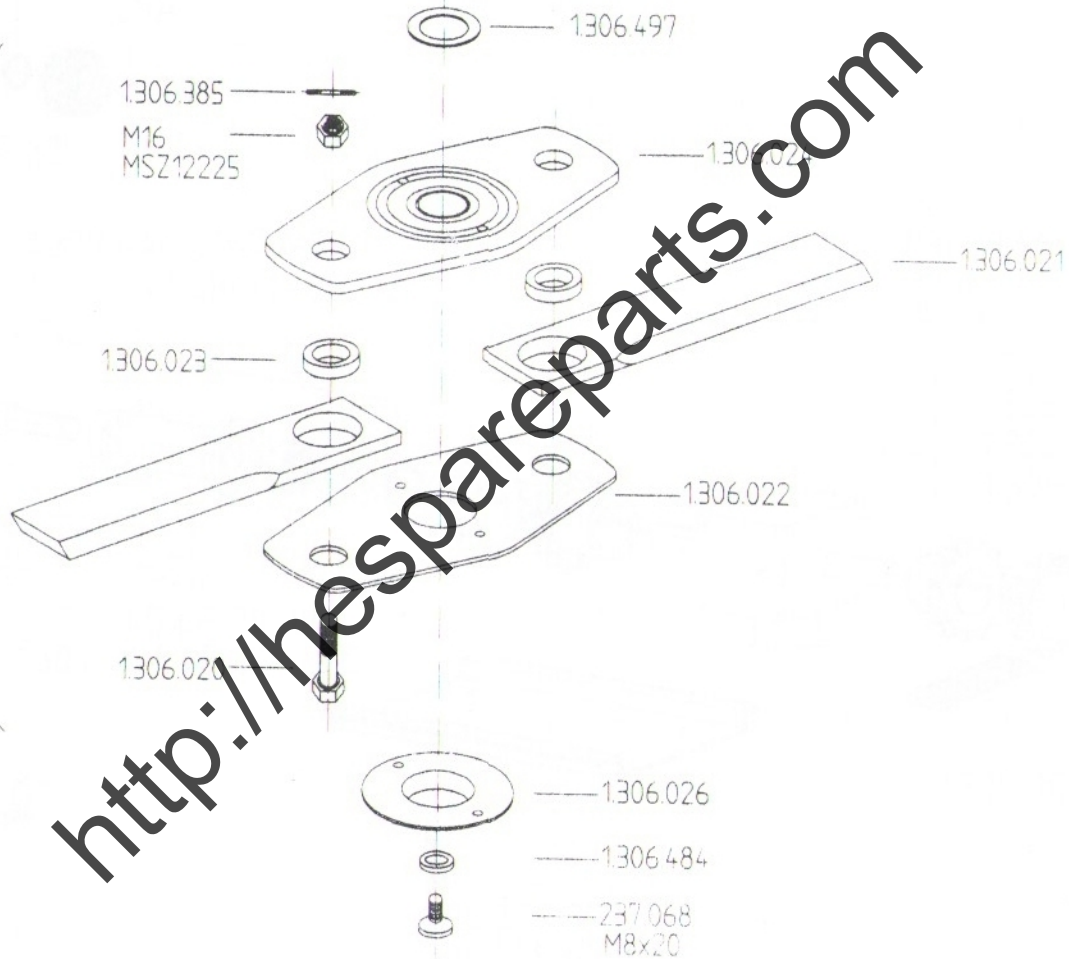
<http://hespareparts.com>

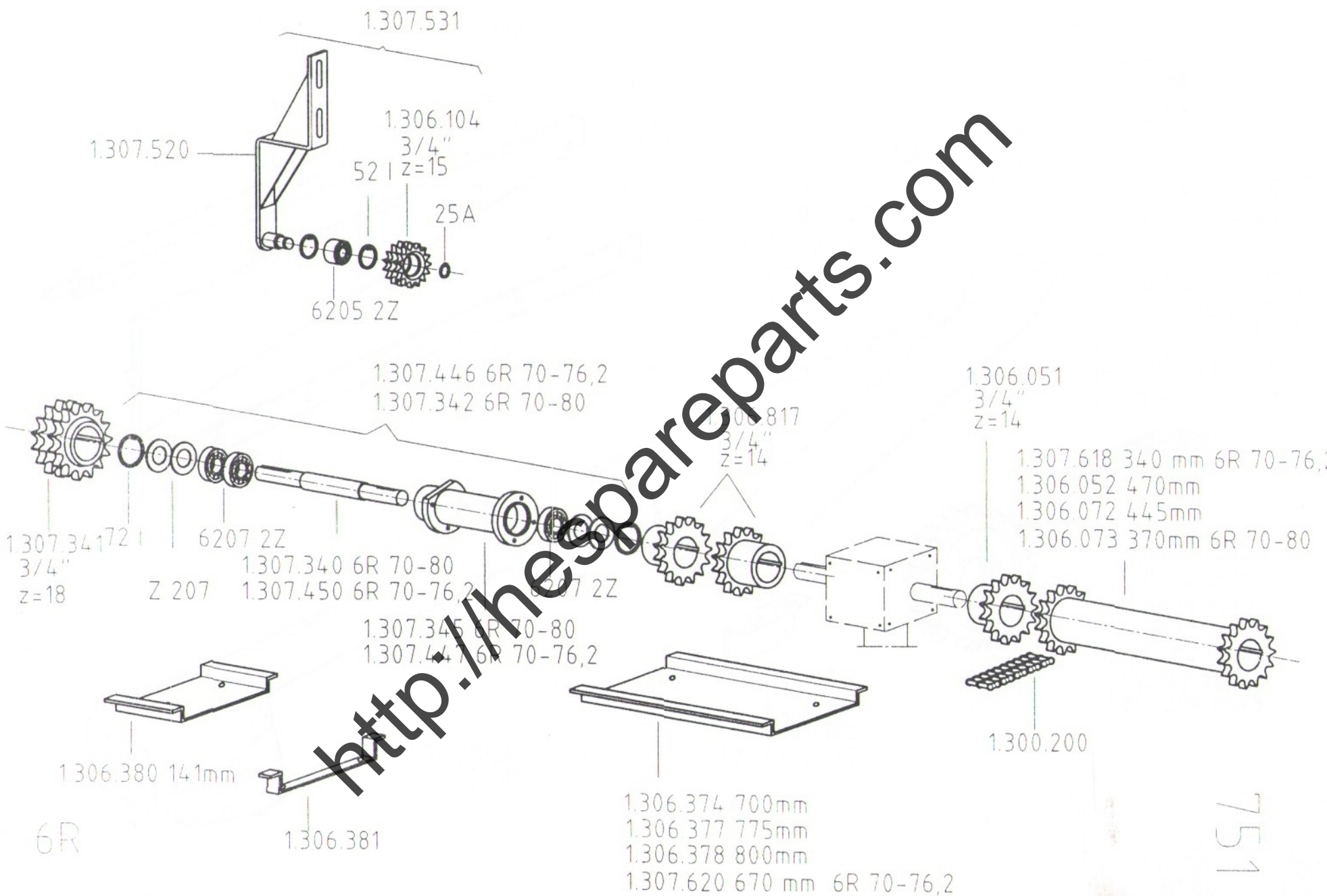


1.307.300

<http://hespareparts.com>

1306.019





<http://mespareparts.com>

1.302.281 J(R)

1.302.282 B(L)

1.302.288

1.302.285

1.301.327 CD

1.307.372 CD

1.307.415 B(L) 8R/70

1.307.363 J(P) 6R, 8R/70

1.307.383 B(L) 8R

1.307.390 J(P) 8R

1.307.472 x=99

1.307.456 x=135

1.307.429 x=117

1.309.236 x=89

1.307.373 x=107

1.308.643 x=87

1.315.233 x=123

1.307.367 z=24

1.307.401 z=34

1.307.362 z=36

1.307.428 z=38

1.307.430 z=42

1.307.404 z=40

1.326.103 z=35

1.307.394 z=48

1.307.434 J(D) NH TC56
JD HM

1.307.321 B(L)

1.307.322 J(D)

