

LINAMAR

Power to Perform



OROS

**KUKORICABETAKARÍTÓ ADAPTER
PÓTALKATRÉSZJEGYZÉK**

**КУКУРУЗНАЯ ЖАТКА
ПЕРЕЧЕНЬ ЗАПАСНЫХ ЧАСТЕЙ**

CORN HEAD SPARE PART LIST

**MAISPFLÜCKERVORSATZ
ERSATZTEILLISTE**

**CUEILLEUR A MAÏS CATALOGUE
DES PIÈCES DE RECHANGE**



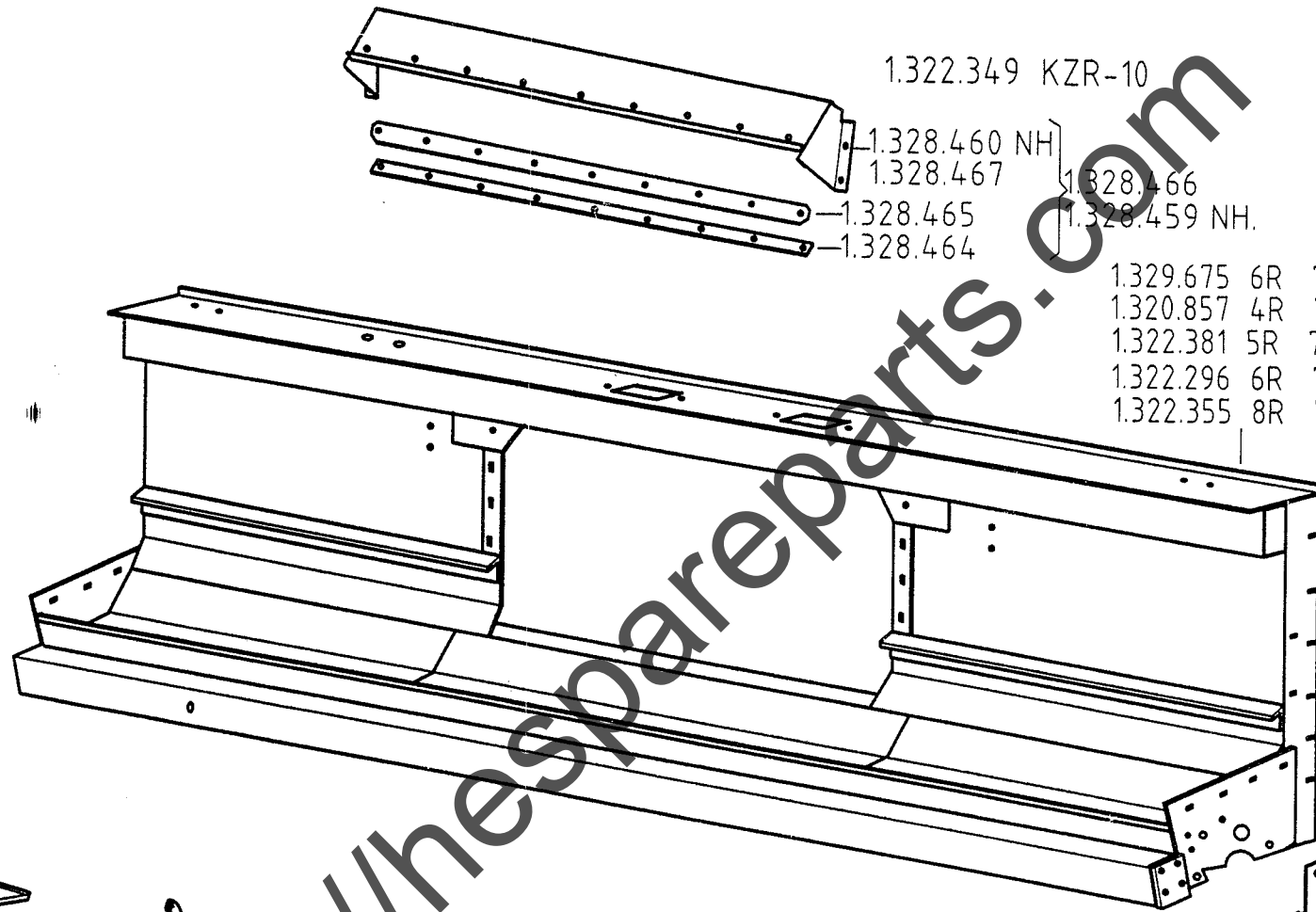
2011.---

OROS - 6244+ HSA CLAAS LEXION СОДЕРЖАНИЕ

1.326.605

- 742. Рама в сборе
- 743. Шнек в сборе
- 756. Вал в сборе, левый-правый
- 869. Привод боковой -77.5/80см-
- 871. Привод боковой -6R 70/72/75/76.2cm
- 890. Звездочки
- 826. Натяжение цепи
- 930. Русло в сборе
- 873. Редуктор
- 874. Детали русла
- 875. Детали редуктора
- 950. HSA в сборе
- 865. Механизм регулировки отрывочных пластин
- 717. Кронштейны, соединители русел
- 932. Обшивка средняя, пластиковая 70 см
- 942. Обшивка средняя, пластиковая 76,2 см
- 840. Обшивка боковая, пластиковая
- 758. Обшивка передняя правая
- 759. Обшивка передняя левая
- 963. Проставка в комплекте
- 624. Комплект этикеток
- 867. Режущий узел для подсолнечника
- 931. Автоматическая смазка
- 915. Повышенная боковина

<http://thespareparts.com>

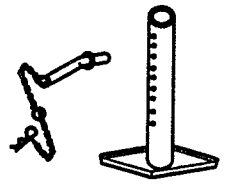


1.322.349 KZR-10

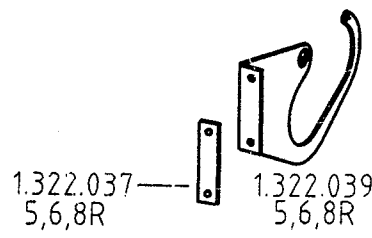
1.328.460 NH
 1.328.467
 1.328.465
 1.328.464

1.328.466
 1.328.459 NH.

1.329.675 6R 70-76,2
 1.320.857 4R 72-75
 1.322.381 5R 70-80
 1.322.296 6R 70-80
 1.322.355 8R 70-76.2

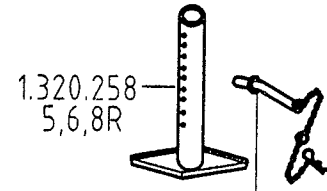


1.322.039
 5,6,8R



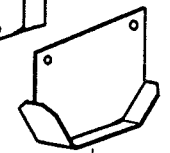
1.322.037
 5,6,8R

1.322.039
 5,6,8R



1.320.258
 5,6,8R

25.541.14.50.00

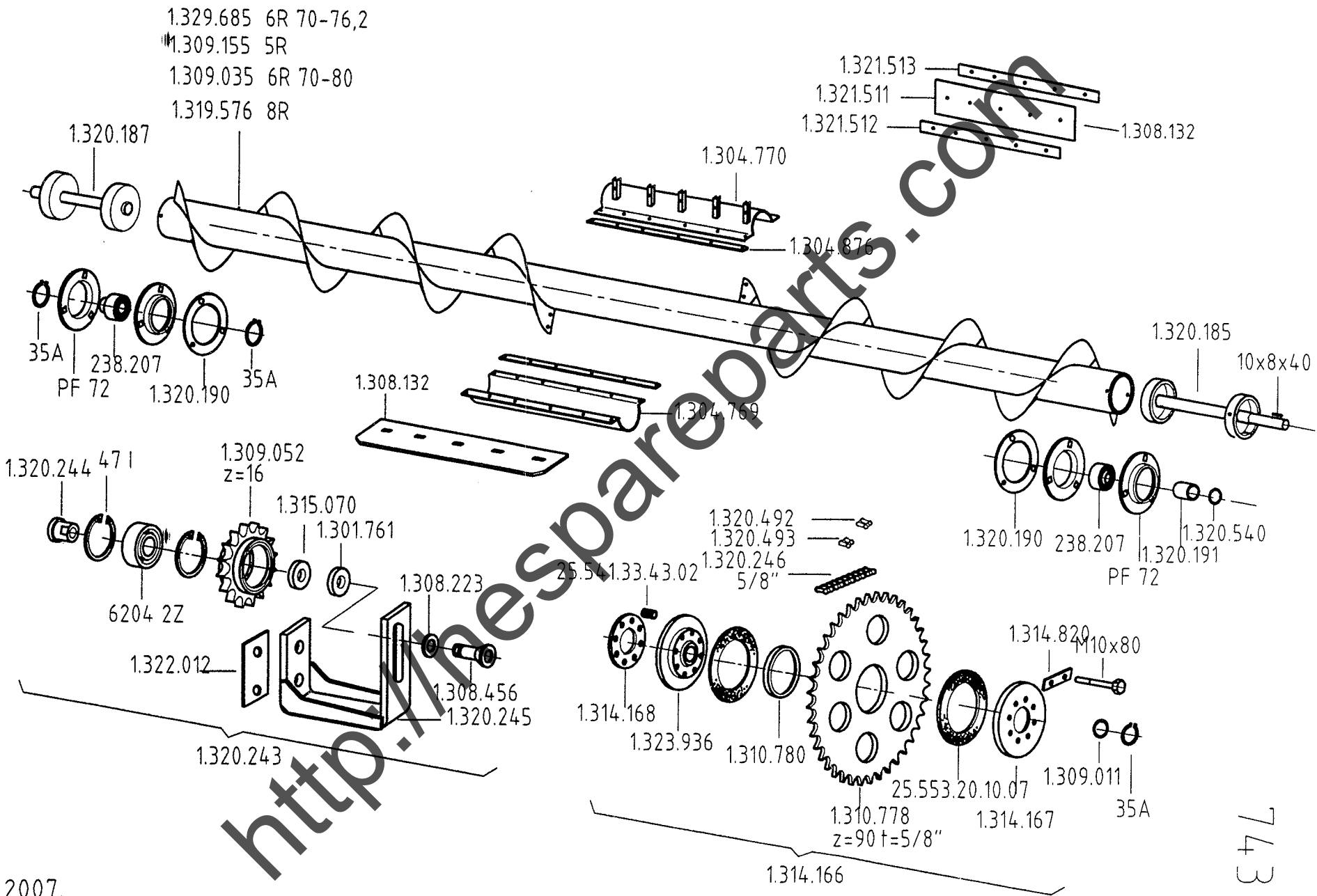


1.322.224 4R

2007.

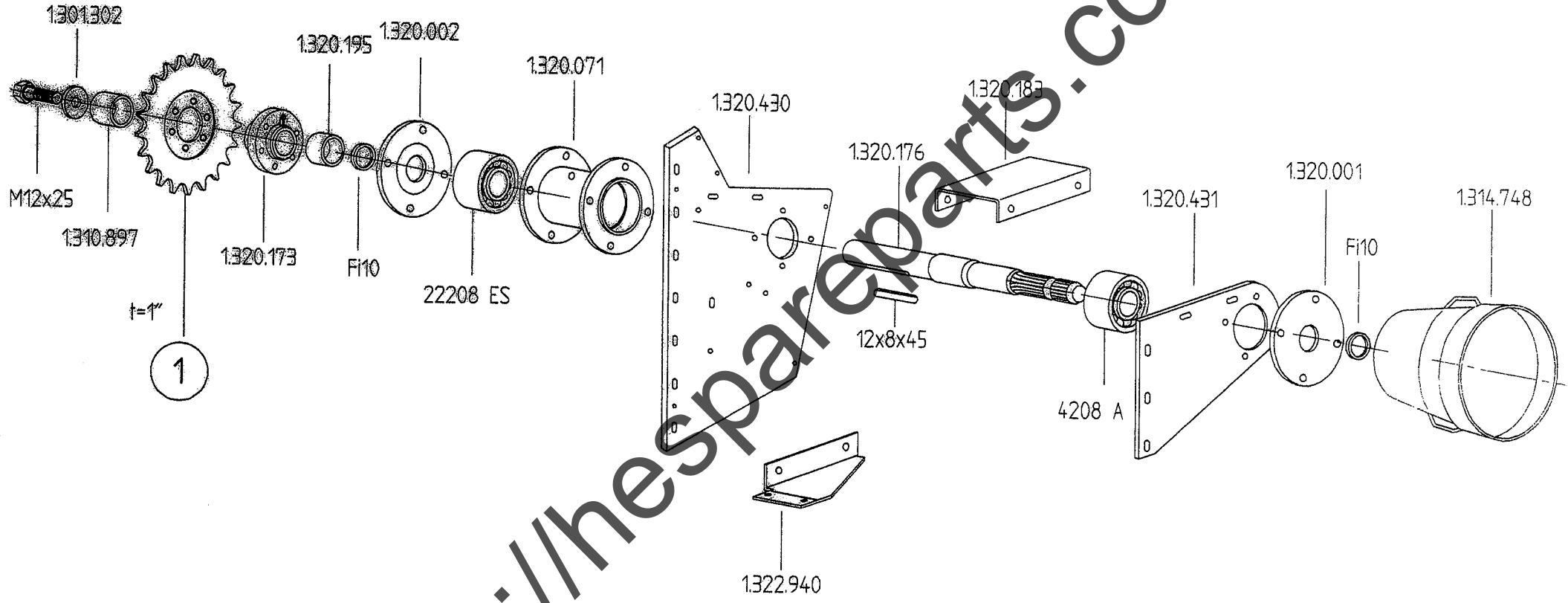
742

<http://hespareparts.com>

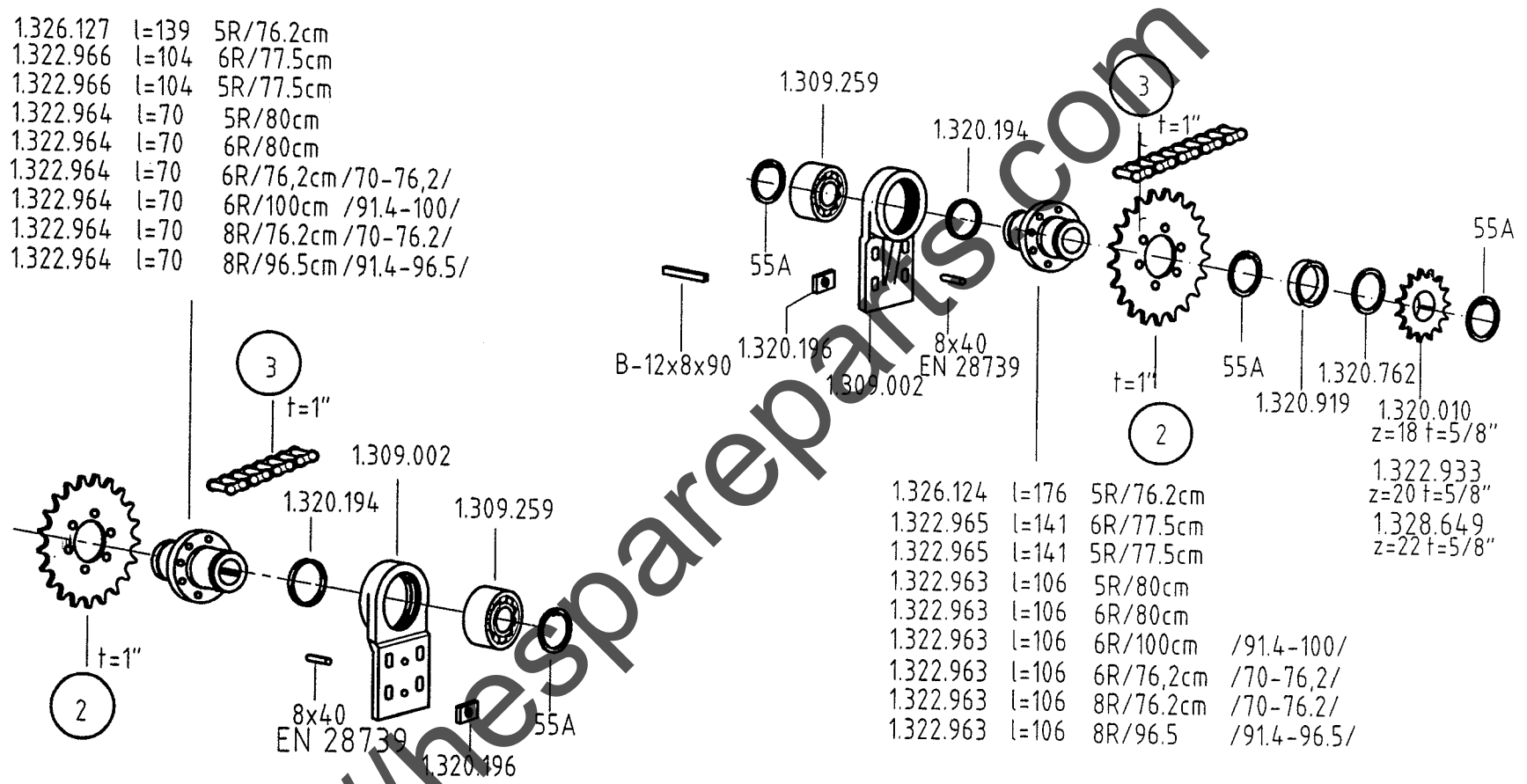


<http://mespareparts.com>

<http://hespareparts.com>



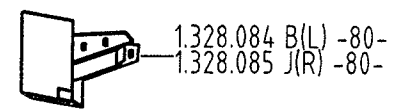
- 1.326.127 l=139 5R/76.2cm
- 1.322.966 l=104 6R/77.5cm
- 1.322.966 l=104 5R/77.5cm
- 1.322.964 l=70 5R/80cm
- 1.322.964 l=70 6R/80cm
- 1.322.964 l=70 6R/76,2cm /70-76,2/
- 1.322.964 l=70 6R/100cm /91.4-100/
- 1.322.964 l=70 8R/76.2cm /70-76.2/
- 1.322.964 l=70 8R/96.5cm /91.4-96.5/



- 1.326.124 l=176 5R/76.2cm
- 1.322.965 l=141 6R/77.5cm
- 1.322.965 l=141 5R/77.5cm
- 1.322.963 l=106 5R/80cm
- 1.322.963 l=106 6R/80cm
- 1.322.963 l=106 6R/100cm /91.4-100/
- 1.322.963 l=106 6R/76,2cm /70-76,2/
- 1.322.963 l=106 8R/76.2cm /70-76.2/
- 1.322.963 l=106 8R/96.5 /91.4-96.5/

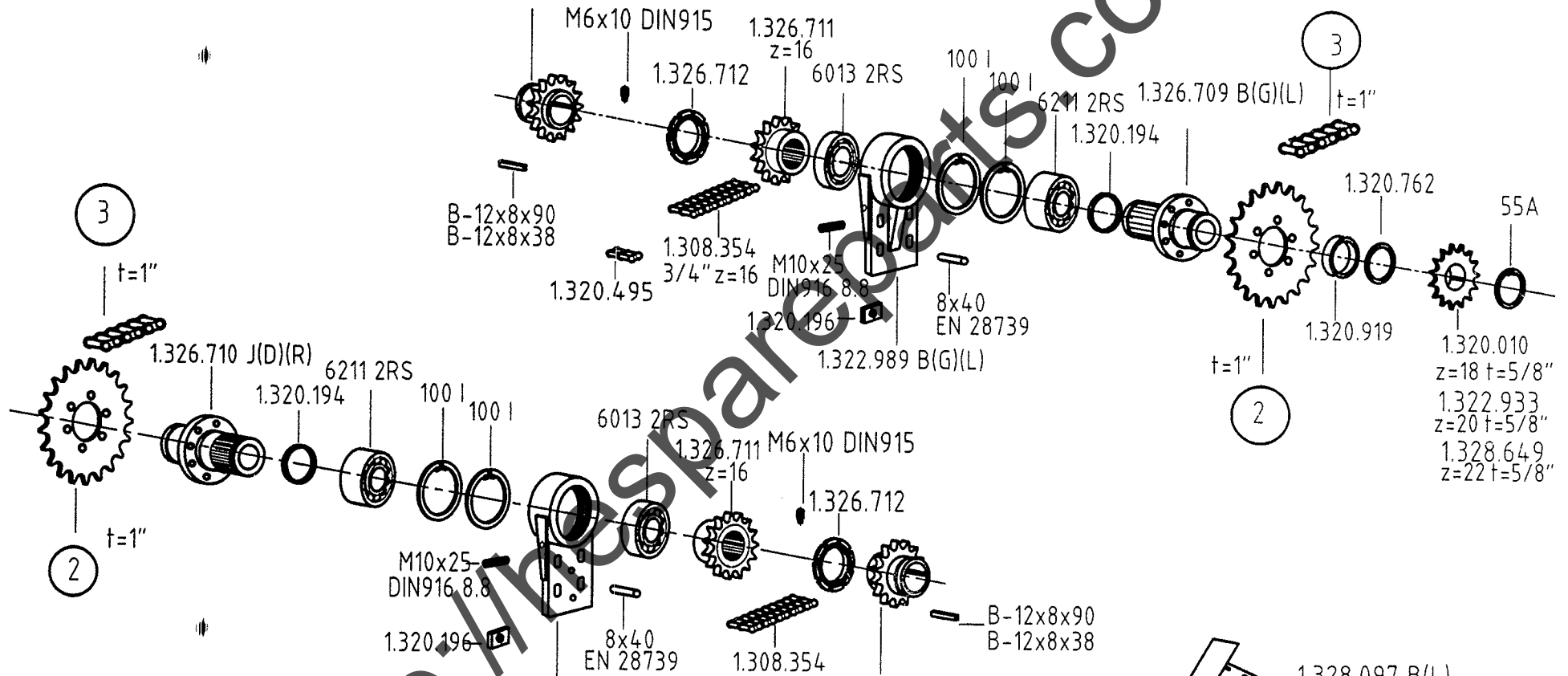
- 1.322.933 z=20 t=5/8"
- 1.328.649 z=22 t=5/8"

5R-6R/76.2
 5-6-R/77.5/80cm
 6R/100cm
 8R/76.2/96.5cm



2007.

- 1.329.823 l=100 6R/70 (70-76.2)
- 1.326.325 l=80 6R/70 (70-76.2)+HSA; +SA
- 1.322.980 l=42 6R/76.2
- 1.323.895 l=170 6R/72
- 1.323.896 l=220 6R/70
- 1.322.980 l=42 6R/96.5
- 1.323.895 l=170 6R/91.4



6R/70,72,76.2
91.4,96.5







<http://www.parts.com>

2007.






- 1.322.980 l=42 6R/76.2
- 1.323.894 l=126 6R/72
- 1.323.895 l=170 6R/70
- 1.322.980 l=42 6R/96.5
- 1.323.895 l=170 6R/91.4
- 1.329.798 l=66 6R/70 (70-76.2)+HSA
- 1.329.823 l=100 6R/70 (70-76.2)
- 1.326.325 l=80 6R/70 (70-76.2) +SA

871

OROS + SA

①	②	③	HALF EYE	PATENT EYE
				
1.320.013 z=16 t=1"	1.326.251 z=21 t=1"	1.320.486 x=103 t=1"	1.320.488 t=1"	1.320.489 t=1"
1.320.252 z=17		—	—	—






SA

				
1.307.367 z=24 t=3/4"	1.307.341 z=18 t=3/4"	1.307.373 x=107 t=3/4"	1.320.494 t=3/4"	1.320.495 t=3/4"

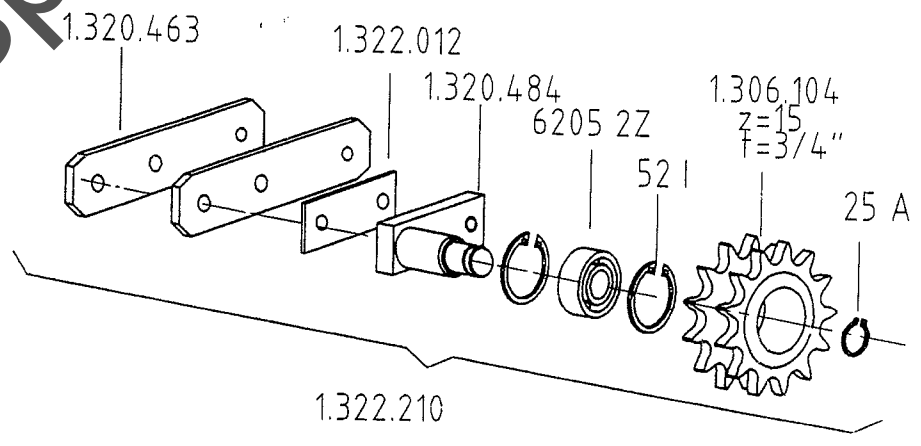
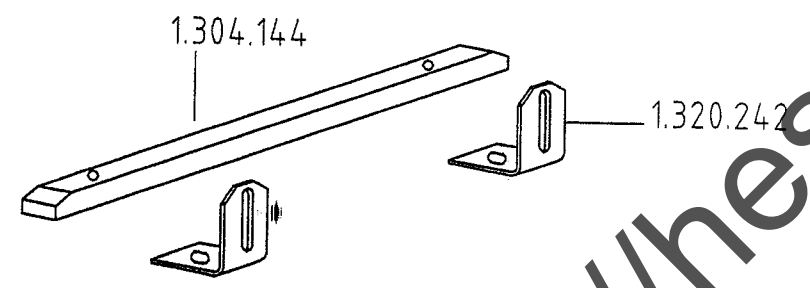
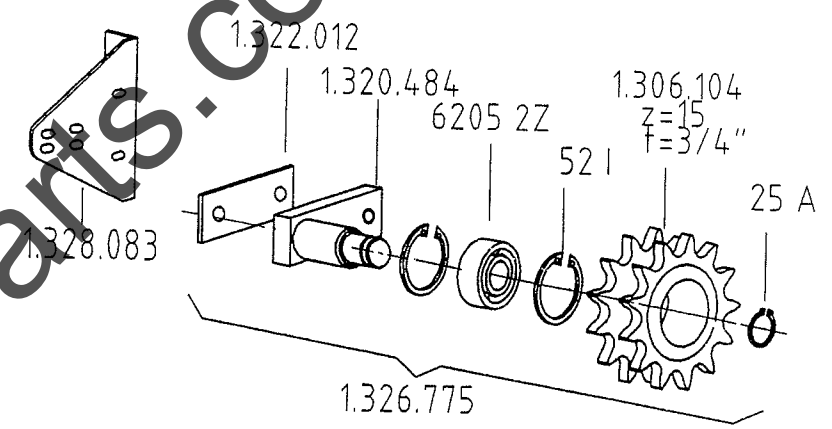
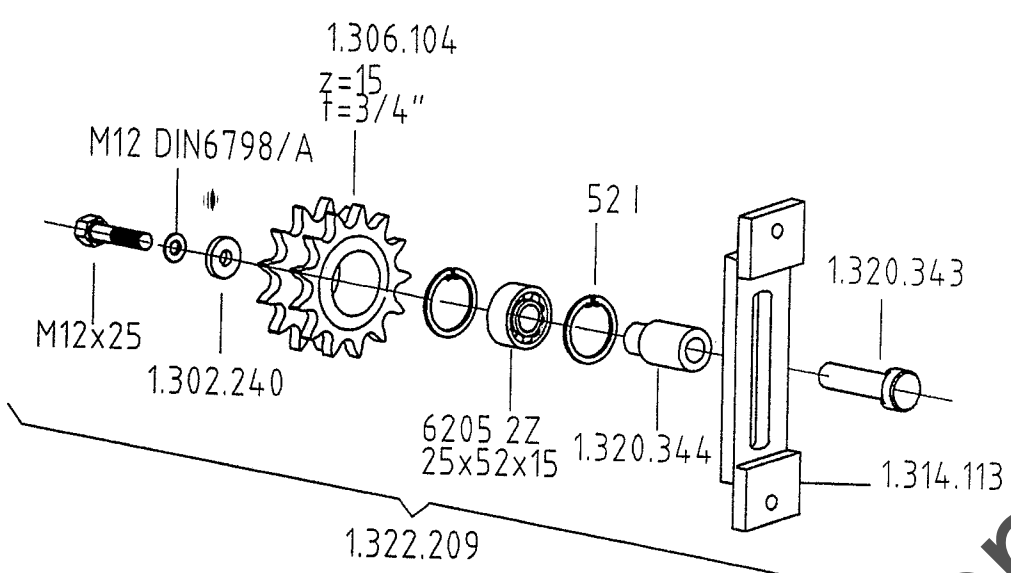
CLAAS LEXION

2006.

OROS + HSA

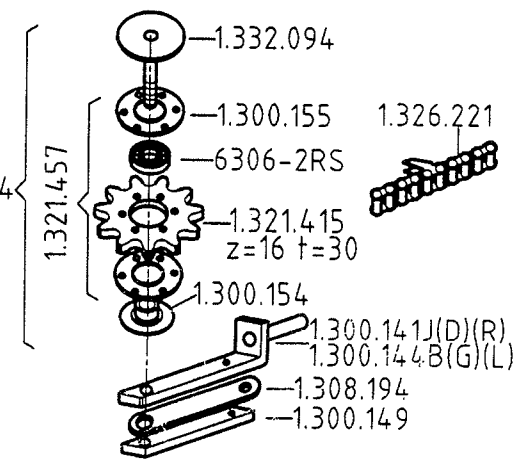
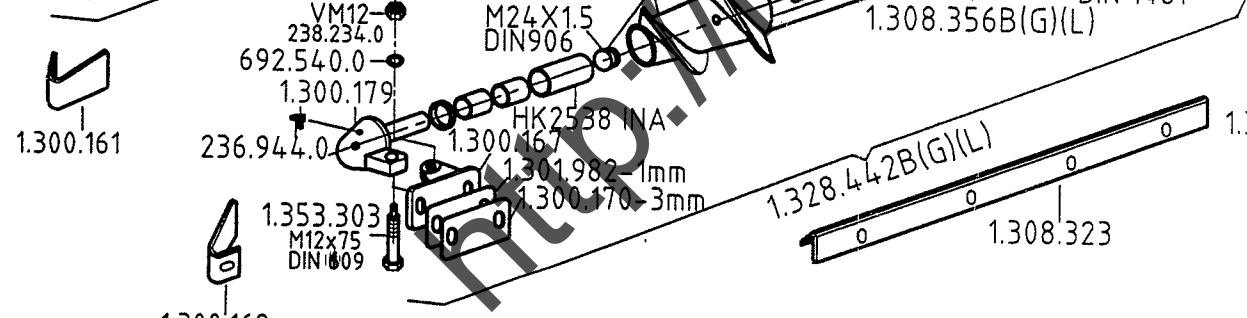
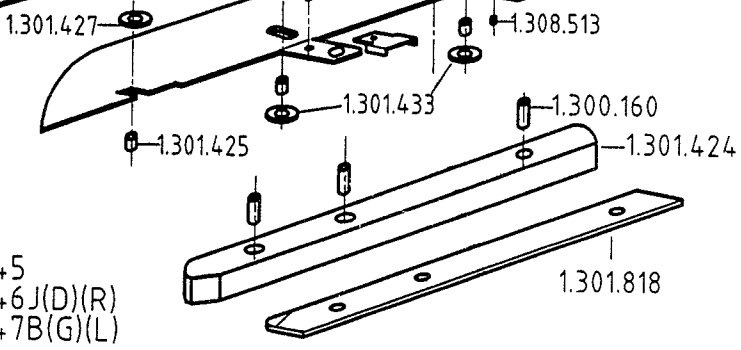
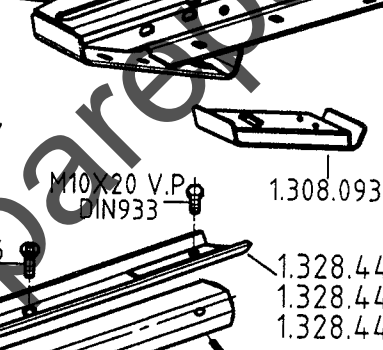
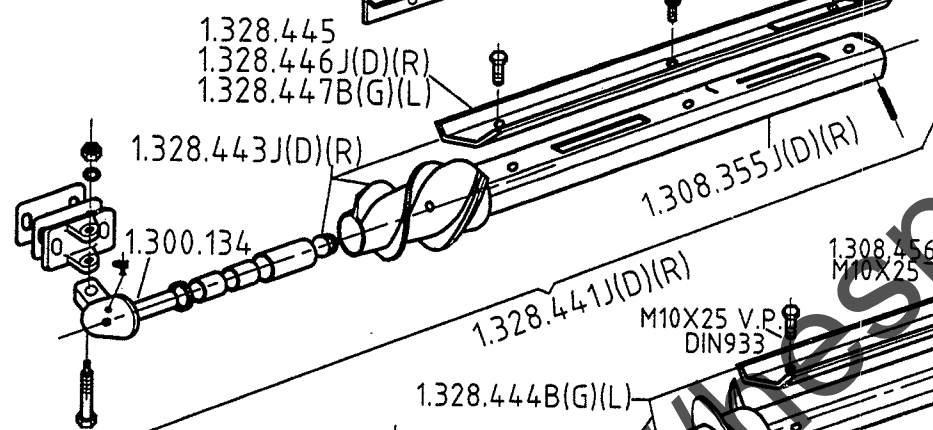
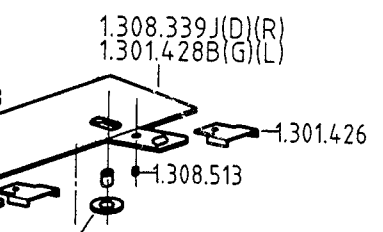
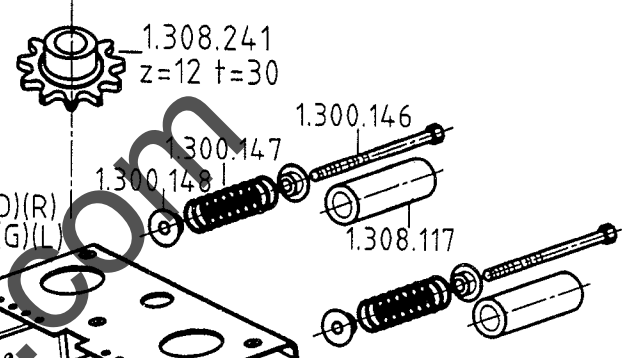
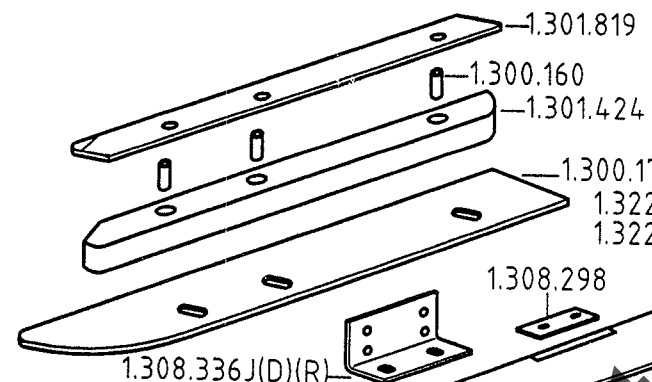
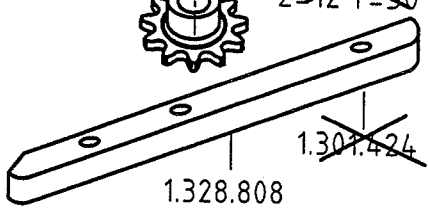
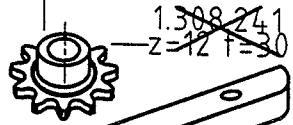
①	②	③	HALF EYE	PATENT EYE
				
1.307.495 z=27 t=3/4"	1.307.497 z=30 t=3/4"	1.315.435 x=143 t=3/4"	1.320.494 t=3/4"	1.320.495 t=3/4"
1.307.499 z=25 t=3/4"				

890



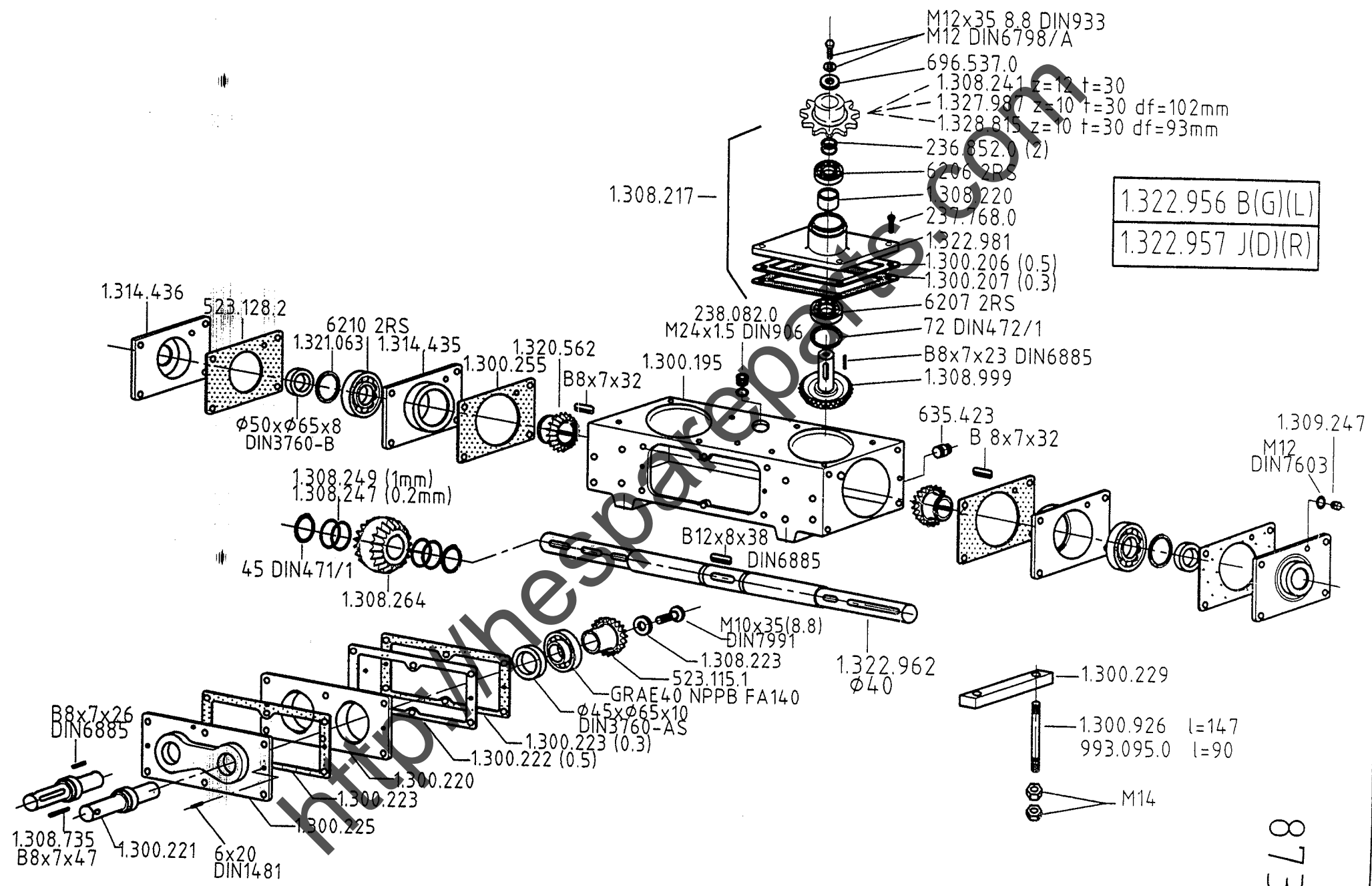
<http://hespareparts.com>

1.328.815 df=93mm
z=10 t=30
1.327.987 df=102mm
z=10 t=30



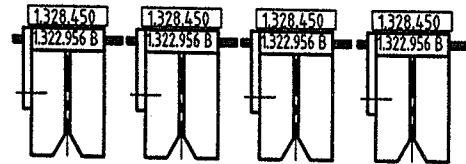
2010. 1.300.162

930

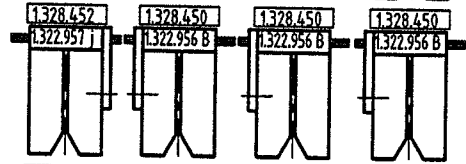


2010.

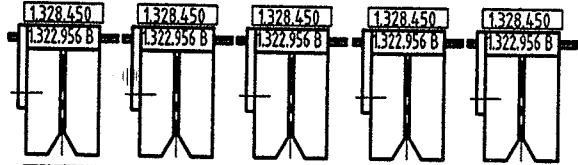
873



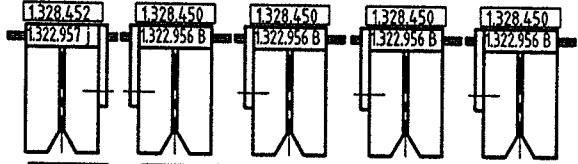
4R 70cm HSA



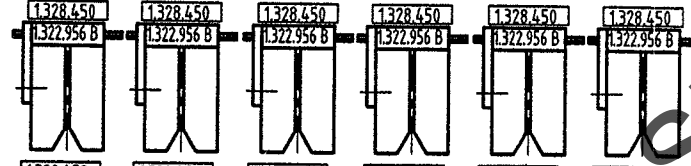
4R



5R 70cm HSA

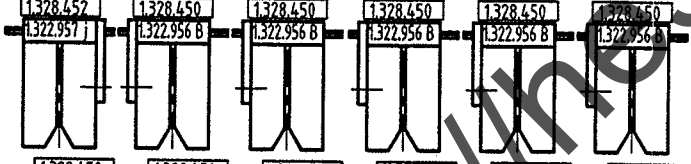


5R

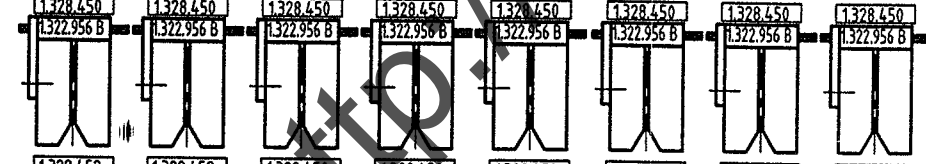


6R 70cm HSA

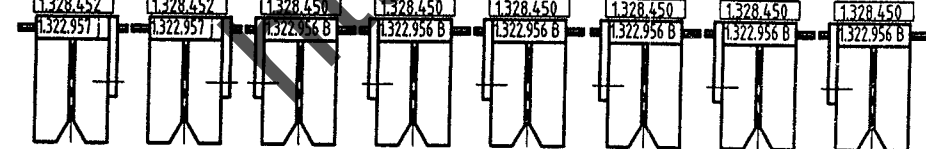
6R 72cm HSA



6R



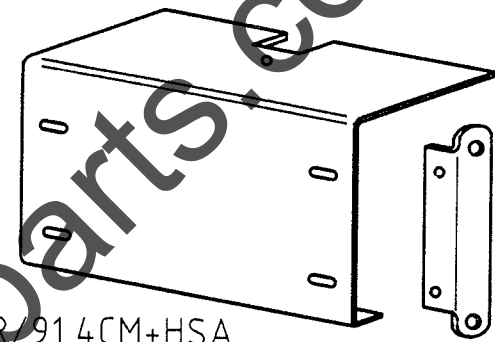
8R 70cm HSA



8R

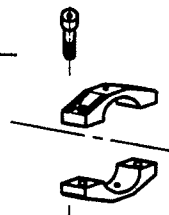
www.thespareparts.com

- 1.329.432 181 mm 4,5,6,8R/70 CM+HSA (70-76,2)
- 1.316.910 236 mm 4+2X2/3X70+4X72 SOLO; HSA 6R/70 SOLO (70-76,2)
- 1.314.658 201mm 4,5,6R/72 CM+HSA
- 1.314.659 146mm 4,5,6R/72+HSA; 4+2X2/3X70+4X72CM+HSA
- 1.314.660 243mm 4,5,6R/76,2+HSA
- 1.314.661 188mm 5,6,4+2R/76,2 CM +HSA
- 1.314.662 256mm 4,5,6/72 CM; 4+2X2/3X70+4X72
- 1.314.663 298mm 4,5,6,8,4+2X2R/76,2; 4+2X2R/80CM
- 1.314.664 281mm 5,6R/80 CM+HSA
- 1.314.665 226mm 4,5,6,4+2,4+2X2/80 CM+HSA
- 1.314.666 336mm 5,6,8R/80CM SOLO; 4+2,4+2X2/80CM+HSA; 6R,8R/91,4CM+HSA
- 1.307.397 290mm 4,5,6R/70CM+SA

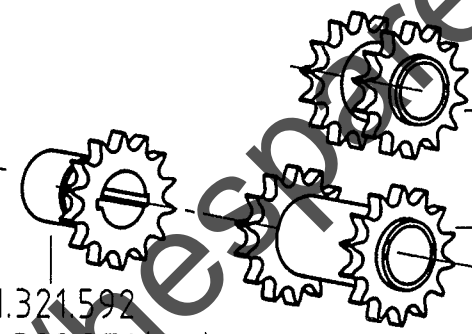


1.314.285

M12x30 IP.
DIN912-10.9



1.321.605



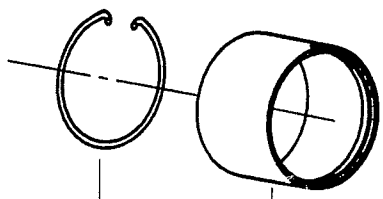
1.321.592
1.329.570(SA)

1.321.033 l=50mm

1.321.036 l=88mm



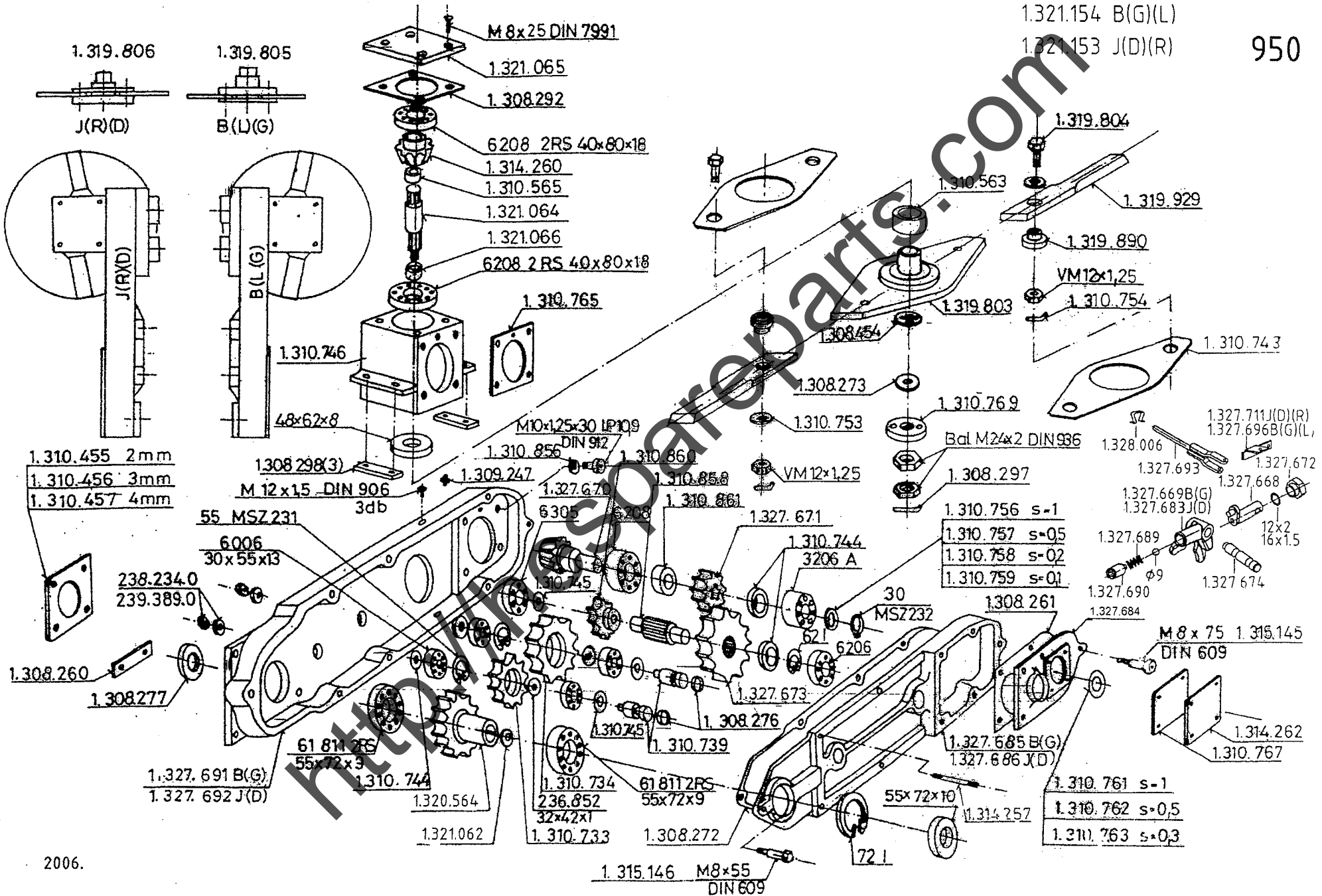
1.300.200



1.302.972

1.321.029

<http://www.espparts.com>



1.319.806

1.319.805

M 8x25 DIN 7991

1.321.154 B(G)(L)

1.321.153 J(D)(R)

J(R)(D)

B(L)(G)

1.321.065

1.308.292

1.319.804

6208 2RS 40x80x18

1.314.260

1.310.565

1.321.064

1.321.066

6208 2RS 40x80x18

1.310.563

1.319.929

1.319.890

VM12x1,25

1.310.754

1.310.765

1.319.803

1.310.743

1.310.746

48x62x8

M10x125x30 IP109
DIN 912

1.310.856

1.310.861

1.310.858

1.310.861

1.310.861

VM12x1,25

1.310.769

Bol M2x2 DIN 936

1.308.297

1.328.006

1.327.693

1.327.711J(D)(R)

1.327.696B(G)(L)

1.327.672

1.327.668

1.327.669B(G)

1.327.683J(D)

12x2
16x1.5

1.327.689

1.327.674

1.310.455 2mm

1.310.456 3mm

1.310.457 4mm

1.308.298(3)

M 12x15 DIN 906

3db

55 MSZ231

6006

30x55x13

238.234.0

239.389.0

1.310.756 s-1

1.310.757 s-05

1.310.758 s-02

1.310.759 s-01

1.327.689

1.327.690

1.327.684

M 8x 75 1.315.145

DIN 609

1.308.260

1.308.277

30 MSZ232

6206

1.327.673

1.310.745

1.308.276

1.310.739

1.327.685 B(G)

1.327.686 J(D)

1.314.262

1.310.767

1.327.691 B(G)

1.327.692 J(D)

61 811 2RS

55x72x9

1.310.744

1.320.564

1.321.062

1.310.734

236.852

32x42x1

1.310.733

61 811 2RS

55x72x9

1.308.272

55x72x10

1.314.257

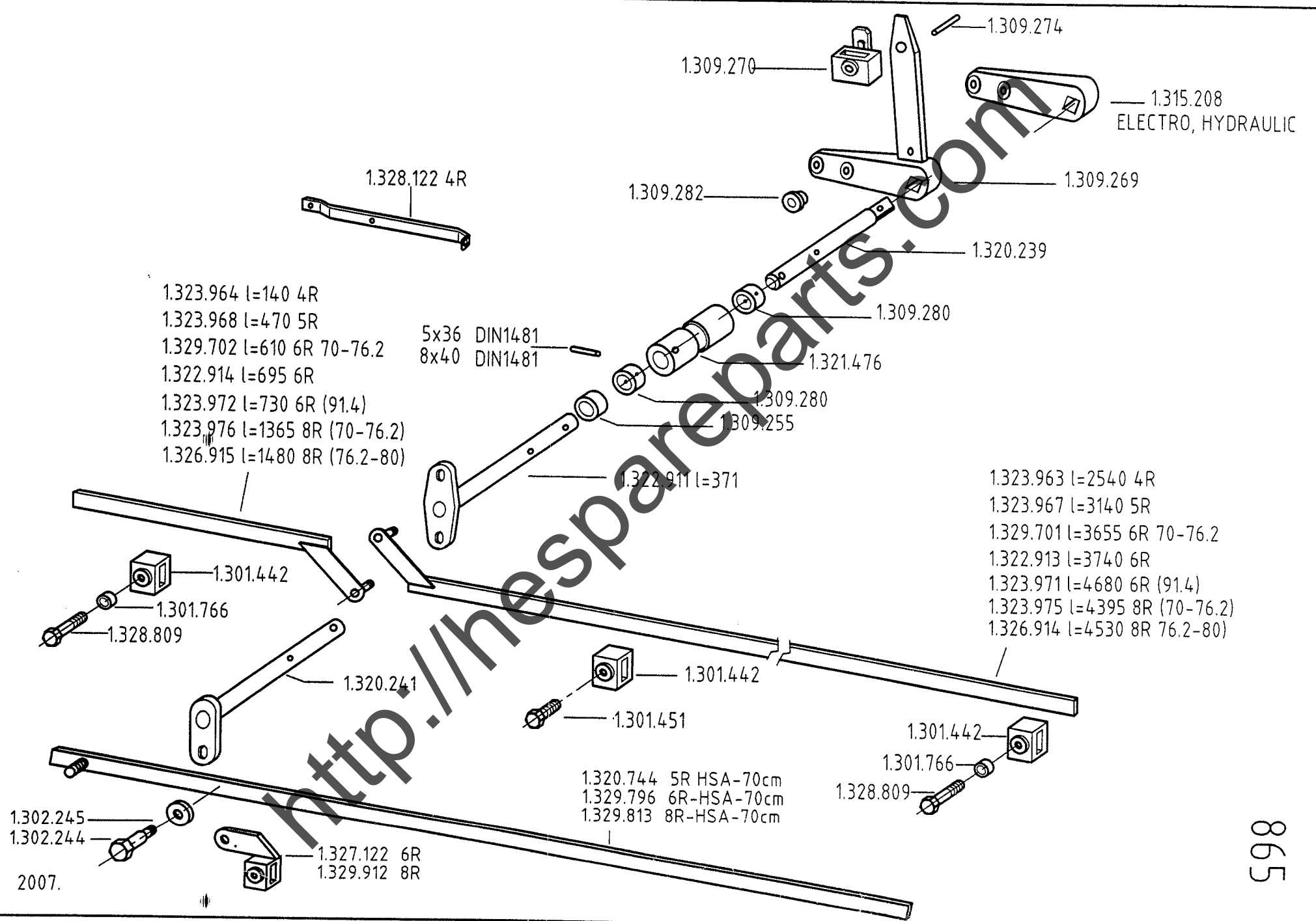
1.310.761 s-1

1.310.762 s-0,5

1.310.763 s-0,3

1.315.146 M8x55

DIN 609



1.302.245
1.302.244
2007.

- 1.323.964 l=140 4R
- 1.323.968 l=470 5R
- 1.329.702 l=610 6R 70-76.2
- 1.322.914 l=695 6R
- 1.323.972 l=730 6R (91.4)
- 1.323.976 l=1365 8R (70-76.2)
- 1.326.915 l=1480 8R (76.2-80)

- 5x36 DIN1481
- 8x40 DIN1481

- 1.320.744 5R HSA-70cm
- 1.329.796 6R-HSA-70cm
- 1.329.813 8R-HSA-70cm

1.328.122 4R

1.309.270

1.309.274

1.315.208
ELECTRO, HYDRAULIC

1.309.282

1.309.269

1.320.239

1.309.280

1.321.476

1.309.280

1.309.255

1.322.911 l=371

- 1.323.963 l=2540 4R
- 1.323.967 l=3140 5R
- 1.329.701 l=3655 6R 70-76.2
- 1.322.913 l=3740 6R
- 1.323.971 l=4680 6R (91.4)
- 1.323.975 l=4395 8R (70-76.2)
- 1.326.914 l=4530 8R 76.2-80)

1.301.442

1.301.766

1.328.809

1.320.241

1.301.442

1.301.451

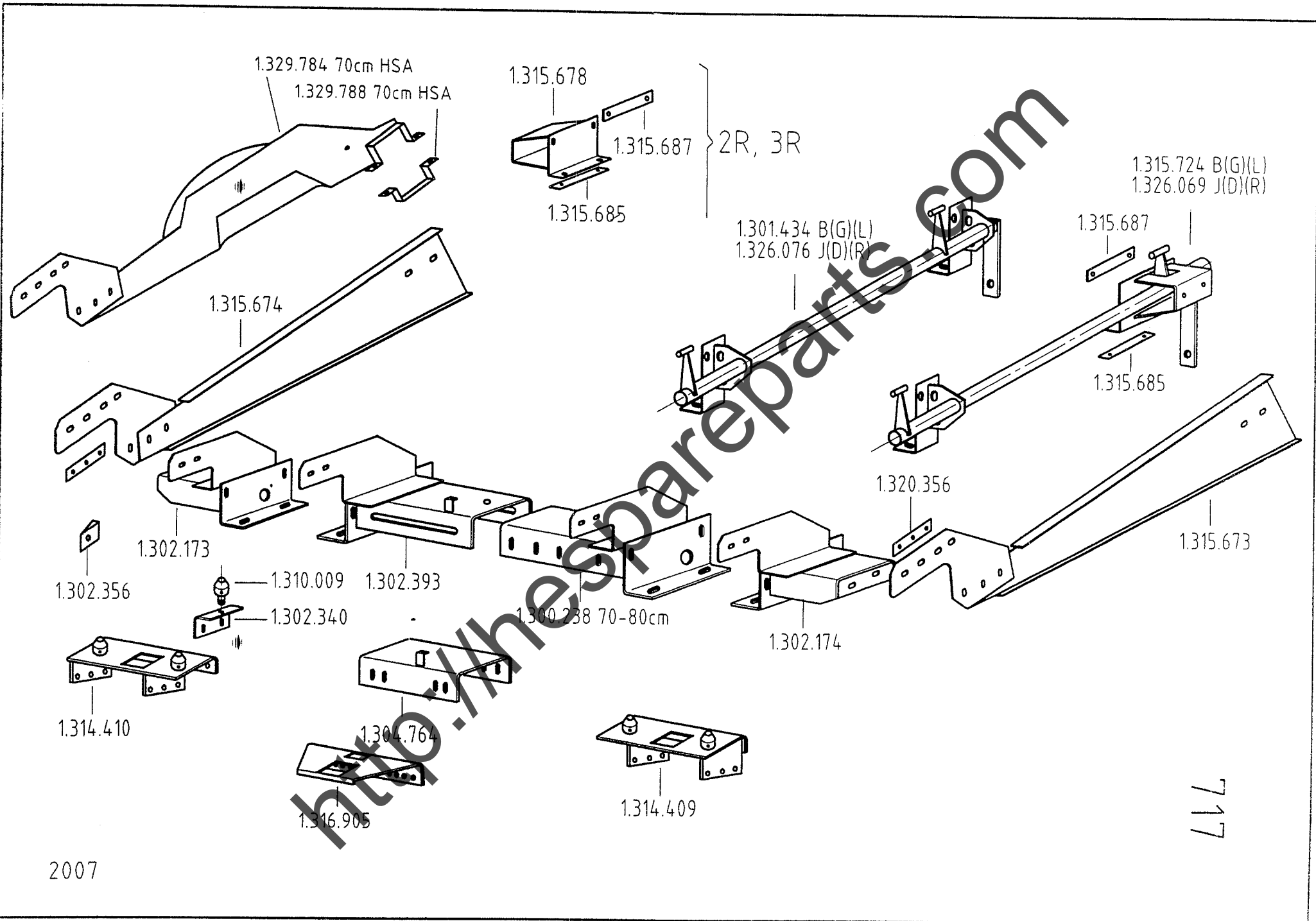
1.301.442

1.301.766

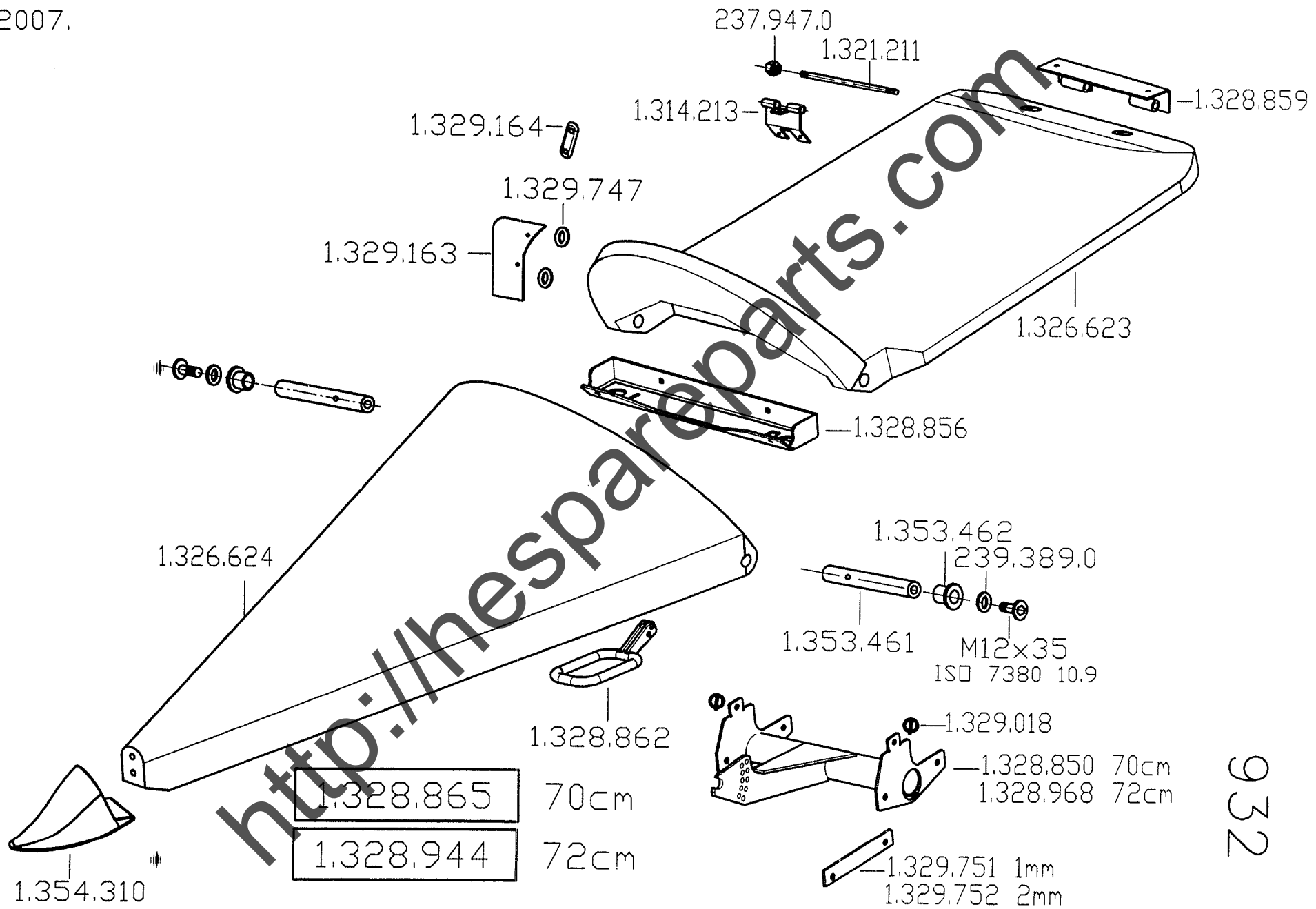
1.328.809

1.327.122 6R

1.329.912 8R



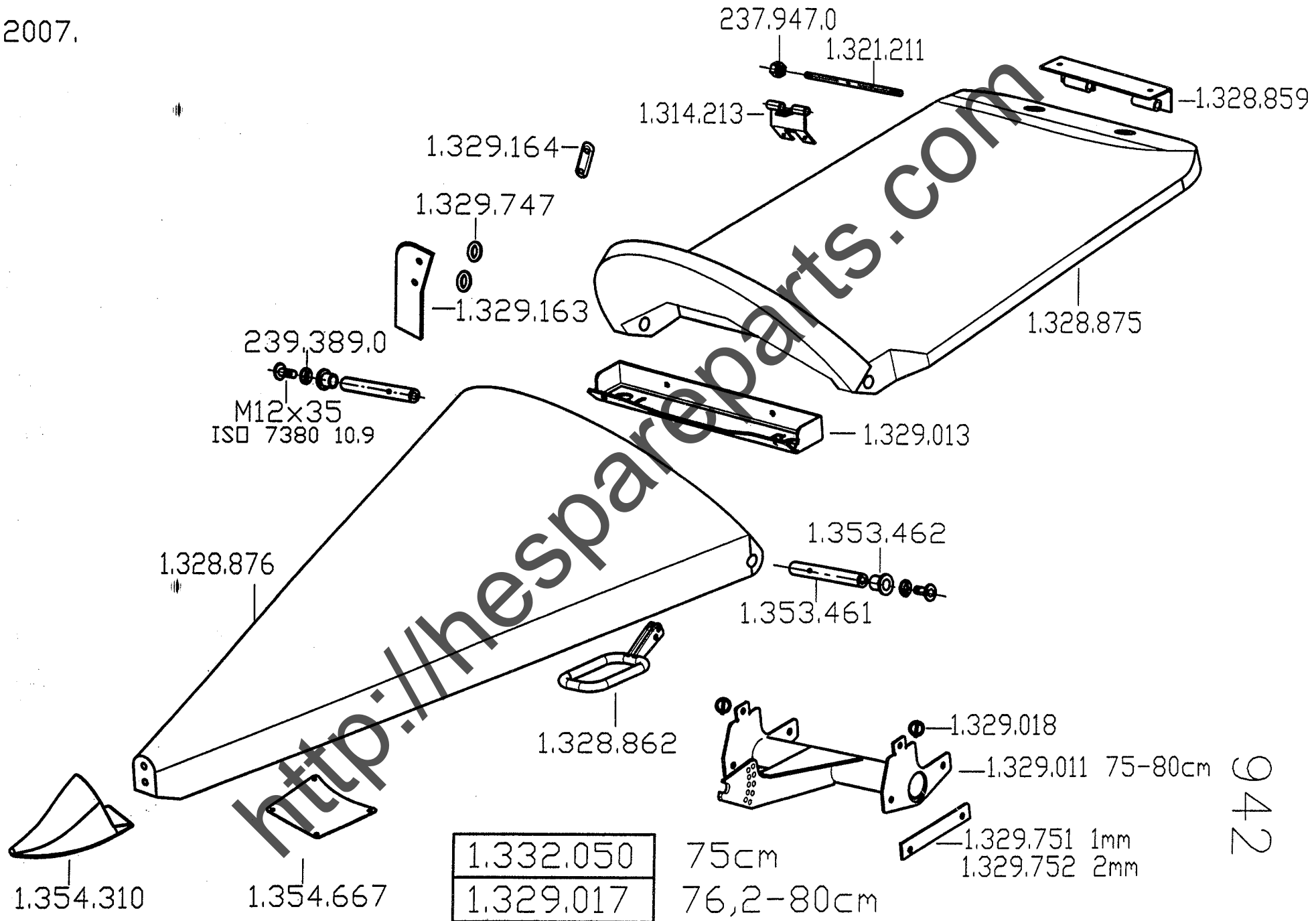
2007.



<http://hespareparts.com>

932

2007.



<http://thespareparts.com>

942

<http://thespareparts.com>

1.320.210 B(G)(L)
1.320.211 J(D)(R)

1.322.335

1.320.308
1.326.878

1.302.222

1.326.876

1.322.794

VM8 DIN980

1.355.526

1.325.881

1.325.893

1.302.244

1.355.519 - B(G)(L)

1.355.520 - J(D)(R)

M8x50 DIN933

673.749.0 *R*

1.325.440

1.310.009

1.322.481

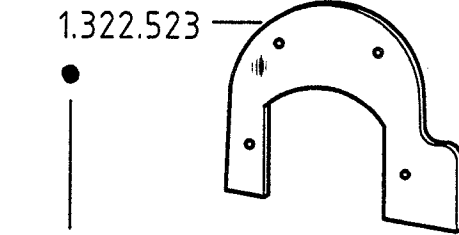
2.2x31x10
DIN 5685

1.325.892

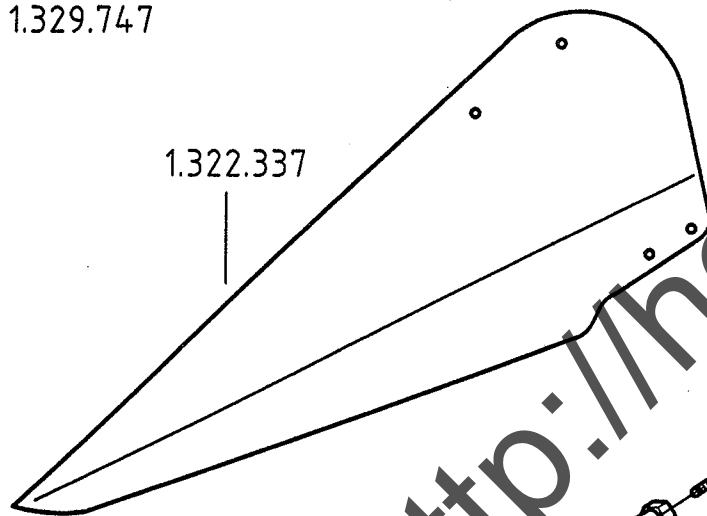
002.846.0

1.325.899

078



1.329.747



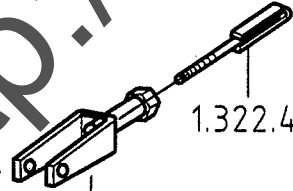
1.322.337



1.377.035

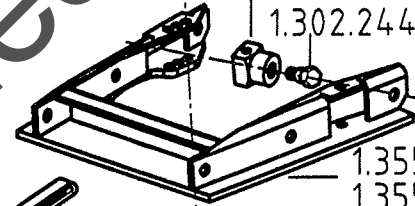


1.322.482



1.322.484

1.322.953



1.355.526

1.302.244

1.355.519 - B(G)(L)

1.355.520 - J(D)(R)

M8x50 DIN933

673.749.0 *R*

1.325.440

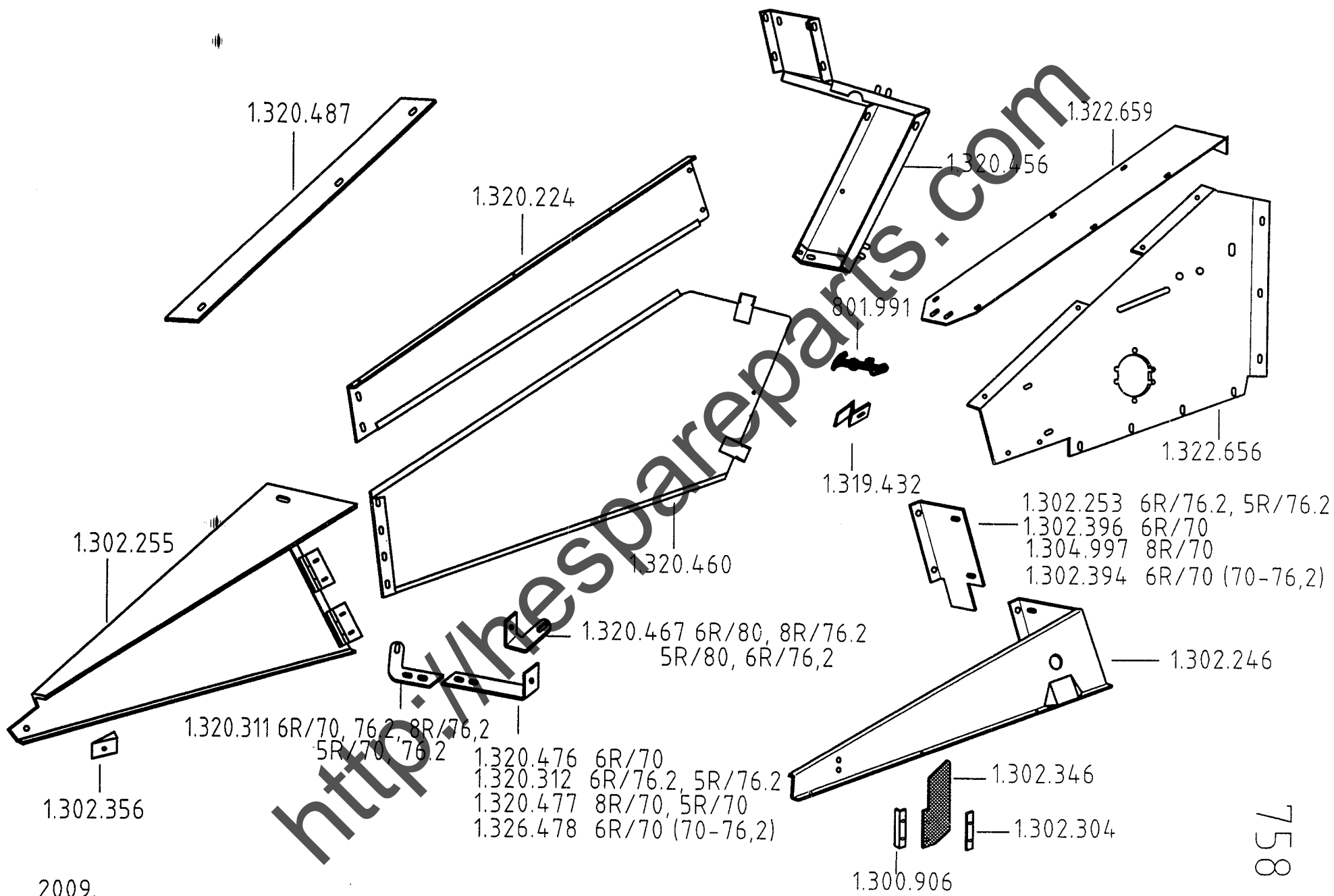
2.2x31x10
DIN 5685

1.325.892

002.846.0

1.325.899

2011.



2009.

758

<http://thespaceparts.com>

1.320.607 6R/70
1.320.487

1.322.655

1.322.659

1.320.455

1.320.223

1.319.432

1.302.395 6R/70 (70-76,2)
1.320.608 6R/70
1.302.254 6R/76,2 5R/76,2
1.304.998 8R/70

1.302.346

1.302.247

1.302.304

1.300.906

1.320.466 5,6R/80, 8R/76.2
6R/76,2

1.320.311 5,6R/70,76.2, 8R/70

1.320.476 5,6R/70

1.320.310 5,6R/76.2

1.320.477 8R/70

1.302.356

1.302.256

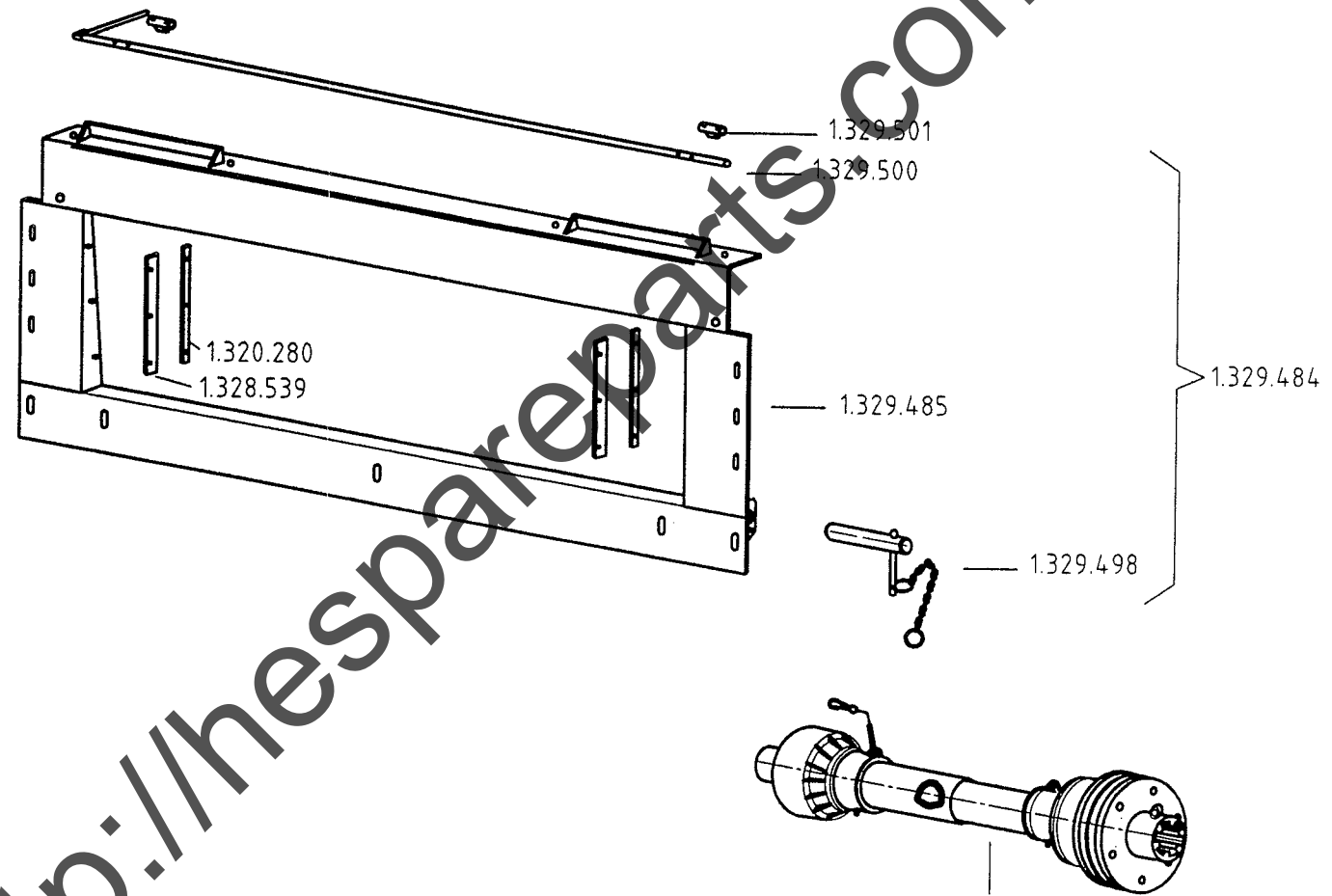
1.320.459

801.991

2009.

759

<http://hespareparts.com>

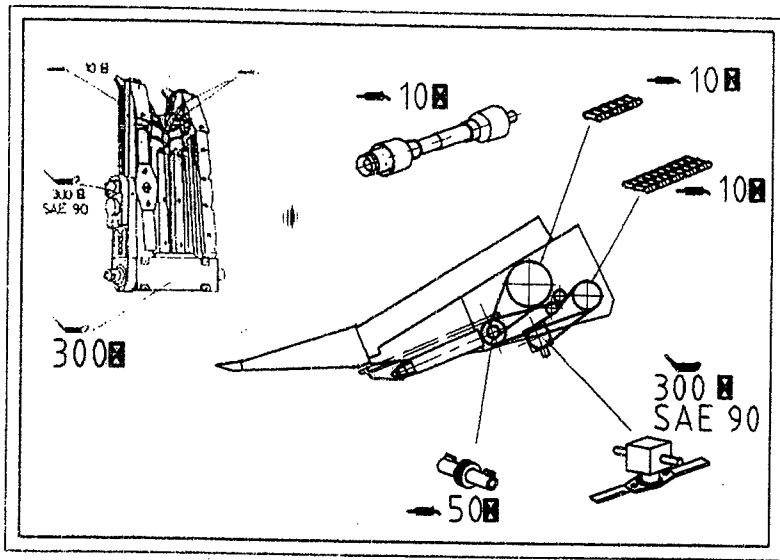


MULTIKUPLUNG : 1.318.968
Hidraulika készlet: 905.875.0K

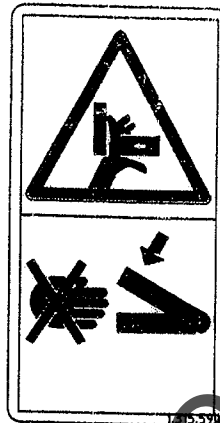
CLAAS LEXION
2006.

- OROS 1.318.582 5R J(D)(R) 460-610
- OROS 1.318.255 5R B(L)(G) 360-480
- OROS 1.314.454 6R 610-876
- OROS 1.314.459 8R 1210-1876

963



1.315.111



1.315.590



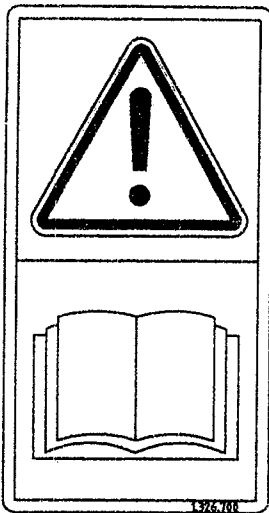
1.315.438



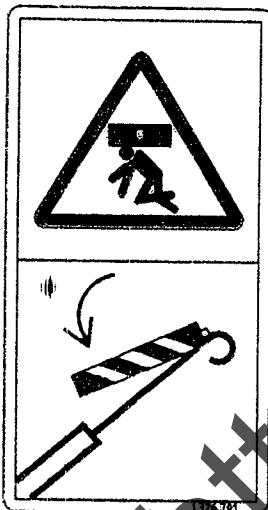
1.315.439



1.315.440



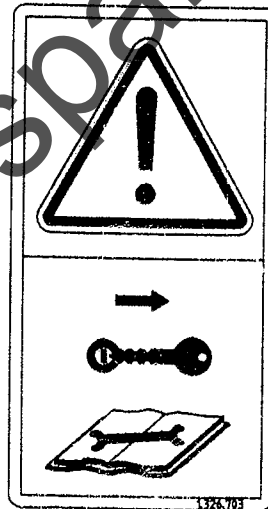
1.326.700



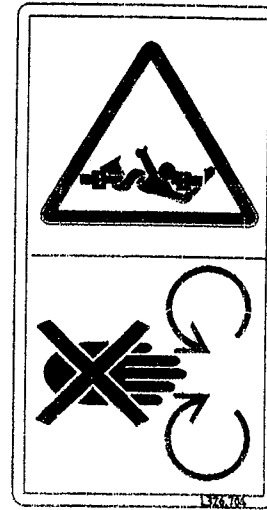
1.326.701



1.326.702



1.326.703



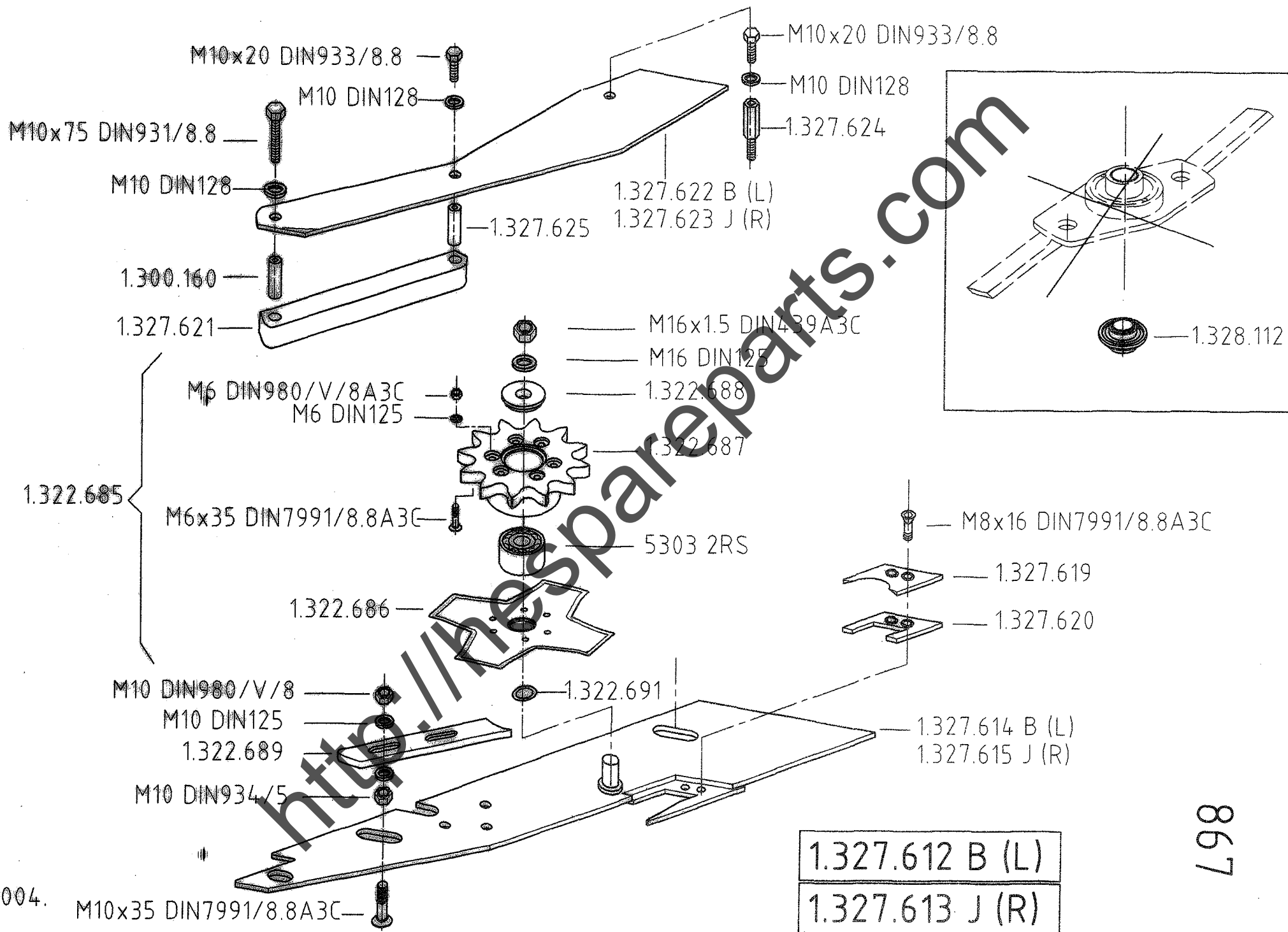
1.326.704



1.326.705



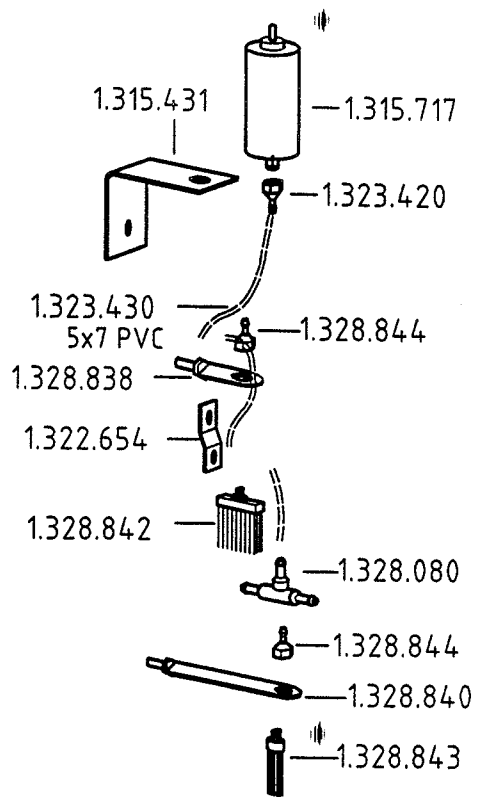
1.326.706



1.327.612 B (L)
 1.327.613 J (R)

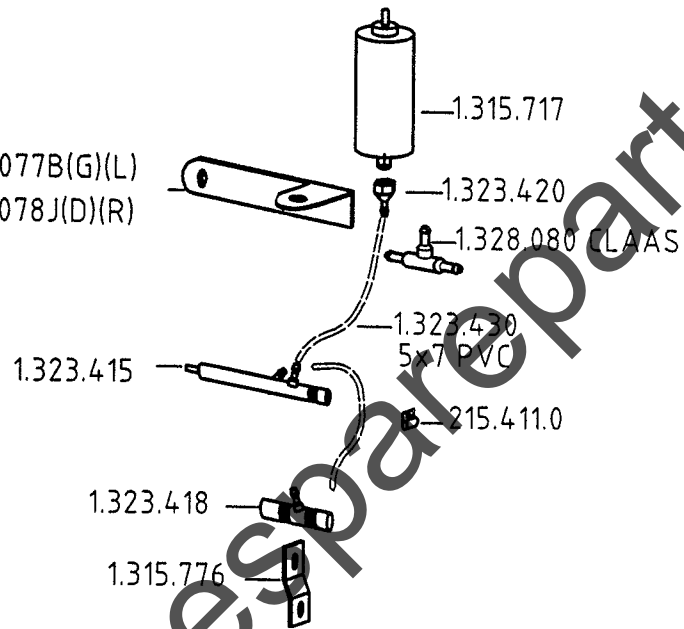
867

2004.

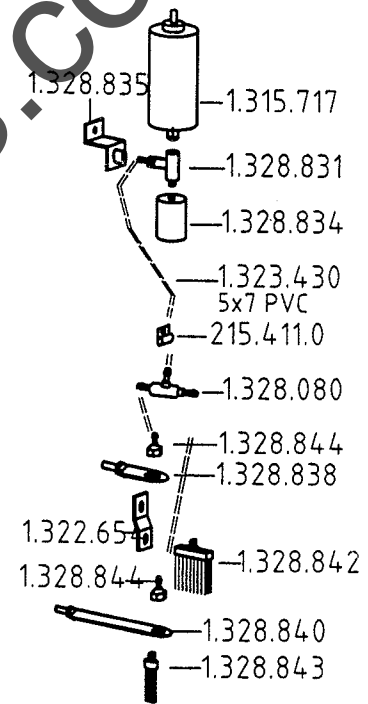


1.328.848 5,6,8R

1.328.077B(G)(L)
1.328.078J(D)(R)



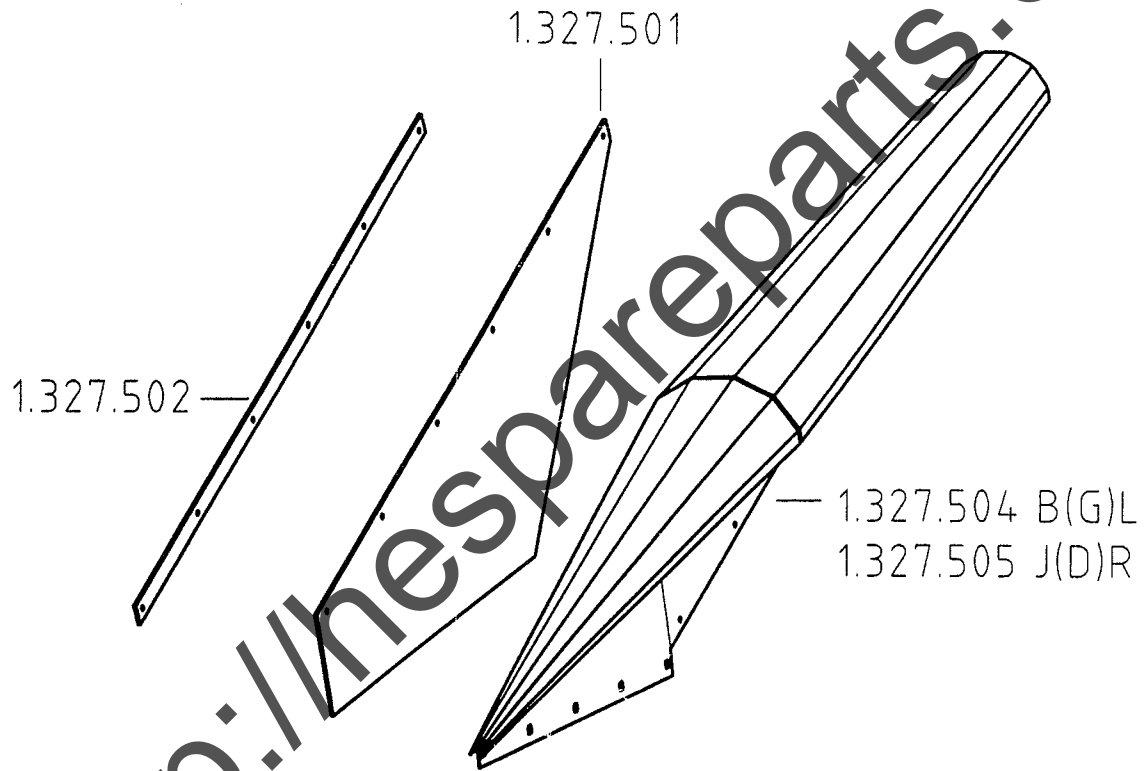
1.328.082 4+2R



1.328.845 4+2x2R

<http://thespareparts.com>

<http://thespareparts.com>



2003.

1.327.506 B(G)L
1.327.507 J(D)R